



WWW.BRITEQ-LIGHTING.COM

Copyright © 2007 by BEGLEC cva.

Reproduction or publication of the content, even portions, in any manner, without express permission of the publisher, is prohibited.

6
4
B
Q

PROFESSIONAL 4.6kW POWERED OMX 4-BAR



P 01 ...	06	English
P 07 ...	12	Français
P 13 ...	18	Nederlands
P 19 ...	24	Deutsch
P 25 ...	30	Español

V1.0





EN - DISPOSAL OF THE DEVICE

Dispose of the unit and used batteries in an environment friendly manner according to your country regulations.

FR - DÉCLASSER L'APPAREIL

Débarrassez-vous de l'appareil et des piles usagées de manière écologique Conformément aux dispositions légales de votre pays.

NL - VERWIJDEREN VAN HET APPARAAT

Verwijder het toestel en de gebruikte batterijen op een milieuvriendelijke manier conform de in uw land geldende voorschriften.

DU - ENTSORGUNG DES GERÄTS

Entsorgen Sie das Gerät und die Batterien auf umweltfreundliche Art und Weise gemäß den Vorschriften Ihres Landes.

ES - DESHACERSE DEL APARATO

Reciclar el aparato y pilas usadas de forma ecologica conforme a las disposiciones legales de su pais.

PT - COMO DESFAZER-SE DA UNIDADE

Tente reciclar a unidade e as pilhas usadas respeitando o ambiente e em conformidade com as normas vigentes no seu país.

OPERATION MANUAL

Thank you for buying this BriTeQ® product. To take full advantage of all possibilities, please read these operating instructions very carefully.

FEATURES

This unit is radio-interference suppressed. This product meets the requirements of the current European and national guidelines. Conformity has been established and the relevant statements and documents have been deposited by the manufacturer.

- Professional aluminium Powered 4-bar: 4x1,8kW (Max_{tot} = 4,6kW/20A)
- Sliding mechanism: you can distribute your projectors evenly over the bar.
- Locking DMX in/outputs with POWER/DMX-present indicator
- 4 Digit LED display with 4 buttons for easy menu navigation:
 - DMX address setting: each channel can have its own address
 - Each channel can be separately switched in dimmer or switch mode
 - Separate dimmer presets with memory function for each channel (no controller needed)
- 4 High quality mains sockets (schuko)
- Standard 28mm TV-spigot + 35mm top section adapter included
- Mains power input with Neutrik Powercon and automatic fuse
- Individual channel fuses with "blown fuse" detectors
- All channels equipped with 40A triacs for increased reliability

BEFORE USE

Check the contents:

Check that the carton contains the following items:

- DB-46 powered bar
- 4 sets of bolts and nuts used to install projectors
- 1 TV-spigot 28mm
- 1 Top section adapter 35mm
- 1 Lifting eye bold
- User manual

Some important instructions:

- Before you start using this unit, please check if there's no transportation damage. Should there be any, do not use the device and consult your dealer first.
- **Important:** This device left our factory in perfect condition and well packaged. It is absolutely necessary for the user to strictly follow the safety instructions and warnings in this user manual. Any damage caused by mishandling is not subject to warranty. The dealer will not accept responsibility for any resulting defects or problems caused by disregarding this user manual.
- Keep this booklet in a safe place for future consultation. If you sell the fixture, be sure to add this user manual.
- To protect the environment, please try to recycle the packing material as much as possible.

SAFETY INSTRUCTIONS:



CAUTION: To reduce the risk of electric shock, do not remove the top cover. No user-serviceable parts inside. Refer servicing to qualified service personnel only.



The lightning flash with arrowhead symbol within the equilateral triangle is intended to alert the user or the presence of un-insulated "dangerous voltage" within the product's enclosure that may be of sufficient magnitude to constitute a risk of electric shock.



The exclamation point within the equilateral triangle is intended to alert the user to the presence of important operation and maintenance (servicing) instructions in the literature accompanying this appliance.



This symbol means: indoor use only.



This symbol means: Read instructions.

- To prevent fire or shock hazard, do not expose this appliance to rain or moisture.
- To avoid condensation to be formed inside, allow the unit to adapt to the surrounding temperatures when bringing it into a warm room after transport. Condensation sometimes prevents the unit from working at full performance or may even cause damages.
- This unit is for indoor use only.
- Don't place metal objects or spill liquid inside the unit. No objects filled with liquids, such as vases, shall be placed on this appliance. Electric shock or malfunction may result. If a foreign object enters the unit, immediately disconnect the mains power.
- No naked flame sources, such as lighted candles, should be placed on the appliance.
- Prevent use in dusty environments and clean the unit regularly.
- Keep the unit away from children.
- Inexperienced persons should not operate this device.
- Maximum safe ambient temperature is 40°C. Don't use this unit at higher ambient temperatures.
- Always unplug the unit when it is not used for a longer time or before you start servicing.
- The electrical installation should be carried out by qualified personal only, according to the regulations for electrical and mechanical safety in your country.
- Check that the available voltage is not higher than the one stated on the rear panel of the unit.
- The socket inlet shall remain operable for disconnection from the mains.
- The power cord should always be in perfect condition: switch the unit immediately off when the power cord is squashed or damaged.
- Never let the power-cord come into contact with other cables!
- This unit must be earthed to in order comply with safety regulations.
- In order to prevent electric shock, do not open the cover. Apart from the mains fuse there are no user serviceable parts inside.
- **Never** repair a fuse or bypass the fuse holder. **Always** replace a damaged fuse with a fuse of the same type and electrical specifications!
- In the event of serious operating problems, stop using the appliance and contact your dealer immediately.
- Please use the original packing when the device is to be transported.
- Due to safety reasons it is prohibited to make unauthorized modifications to the unit.

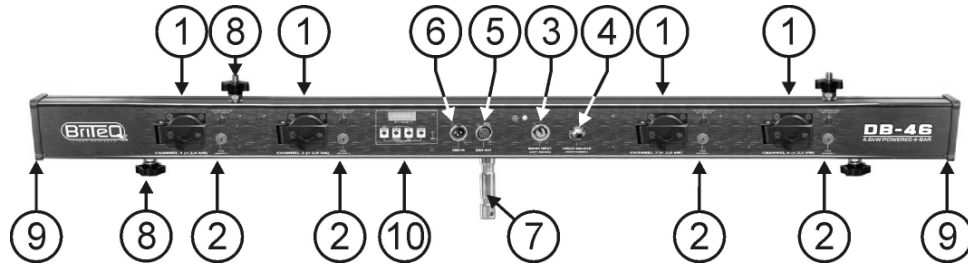
MAINTENANCE

Clean by wiping with a polished cloth slightly dipped with water. Avoid getting water inside the unit. Do not use volatile liquids such as benzene or thinner which will damage the unit.

OVERHEAD RIGGING

- **Important:** The installation must be carried out by qualified service personal only. Improper installation can result in serious injuries and/or damage to property. Overhead rigging requires extensive experience! Working load limits should be respected, certified installation materials should be used, the installed device should be inspected regularly for safety.
- Make sure the area below the installation place is free from unwanted persons during rigging, de-rigging and servicing.
- Locate the fixture in a well ventilated spot, far away from any flammable materials and/or liquids. The fixture must be fixed **at least 50cm** from surrounding walls.
- The device should be installed out of reach of people and outside areas where persons may walk by or be seated.
- Before rigging make sure that the installation area can hold a minimum point load of 10times the device's weight.
- Always use a certified safety cable that can hold 12times the weight of the device when installing the unit. This secondary safety attachment should be installed in a way that no part of the installation can drop more than 20cm if the main attachment fails.
- The device should be well fixed; a free-swinging mounting is dangerous and may not be considered!
- Don't cover any ventilation openings as this may result in overheating.
- The operator has to make sure that the safety-relating and machine-technical installations are approved by an expert before using them for the first time. The installations should be inspected every year by a skilled person to be sure that safety is still optimal.

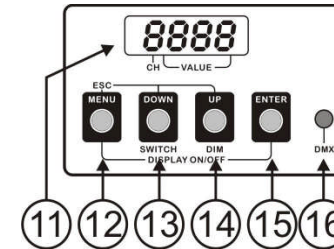
FUNCTIONS



1. **CHANNEL OUTPUTS:** Each channel output has its own output socket to connect any resistive and/or inductive projector(s) or small light effects.
2. **CHANNEL FUSES:** Each channel is equipped with a fuse and "blown fuse" detector. The detector lights up when the channel fuse is blown. Always replace the blown fuse with a fuse that has the same characteristics! (250V/8A).

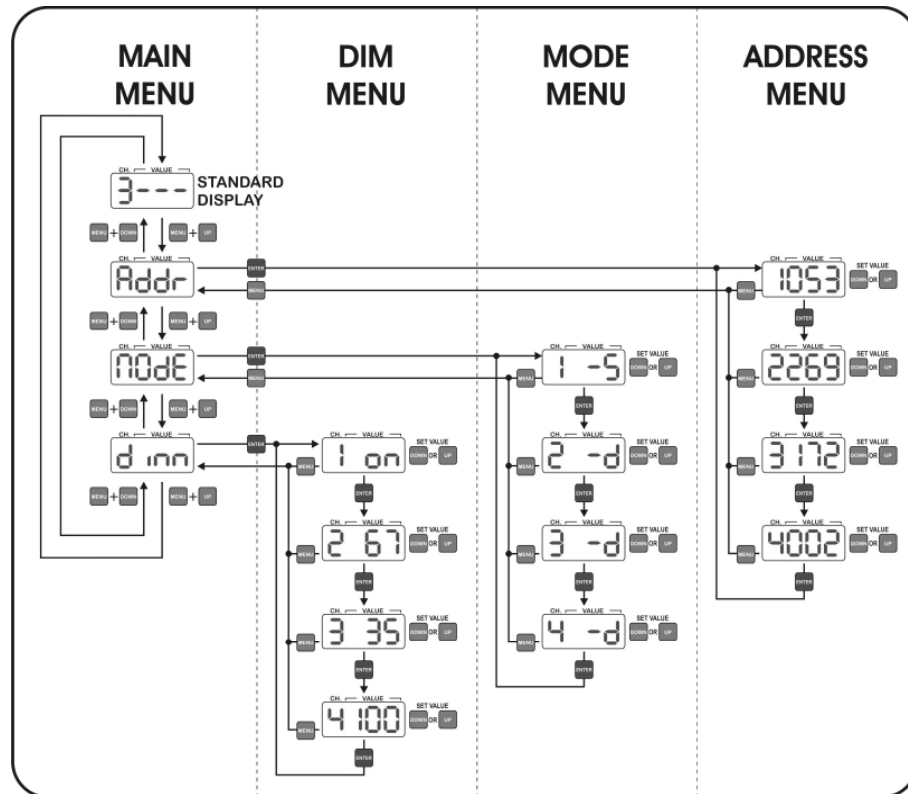
IMPORTANT NOTE: It's very important to know that the maximum load for each channel is rated at 8A or 1850Watts. However the total load for all 4 channels may not exceed 20A or 4600Watts!
3. **POWER INPUT:** mains input, equipped with a Neutrik Powercon®, make sure the local voltage is 230Vac and the projectors (and/or light effects) are properly connected to the channel output sockets (1) before you connect an earthed mains cable to this input. The maximum total load is 20A or 4600Watts.
4. **INPUT FUSE:** This is an automatic circuit breaker. When the fuse is blown, first locate and solve the problem that caused the fuse to blow. When the problem is solved, simply push the button to reset the circuit breaker.
5. **DMX OUTPUT:** 3pin female XLR-connector used to connect the DB-46 with the next unit in the DMX chain.
6. **DMX INPUT:** 3pin male XLR-connector used to connect universal DMX-cables. This input receives instructions from a DMX-controller.
7. **STAND ADAPTER:** used to put the DB-46 easily on top of a light stand. Two different stand adapters are included (also see number 9 for more information):
 - **35mm adapter:** to be used on stands with a standard 35mm top section.
 - **28mm TV-Spigot:** to be used on stands equipped with a TV-spigot adapter on top.

8. **SLIDING MECHANISM:** used to distribute your projectors evenly over the DB-46. Also see number 9 for more information.
9. **END CAP:** To install the bolts/nuts (needed to fix the projectors) and stand adapter you have to remove this end cap on one side of the unit: simply unscrew the 4 screws → remove the cap → put the nuts/bolts and/or stand adapter in the sliding rail → put the cap back in place → fix the 4 screws → done!
10. **CONTROL PANEL:** multifunctional display + 4 buttons to navigate the setup menu. See the numbers below.



11. **DISPLAY:** shows the information related to the selected function or working mode. The left digit shows the channel number, the 3 other digits show the channel status:
 - **In the address menu:** channel address is shown, ranging from 001 to 512
 - **In the mode menu:** working mode is shown. ("d" = dimmer mode * "S" = switch mode)
 - **In the dim menu and standard display:** channel output status is shown.
 - **Channel in dimmer mode:** dimmer percentage, ranging from 0% to 100%
 - **Channel in switch mode:** "oN" = output 100% * "oFF" = output 0%
12. **MENU BUTTON:** Please refer to the menu structure to understand the different menus. These are the different possibilities:
 - **Browse the main menu:** Press the MENU button together with the UP/DOWN buttons.
 - **Return to the main menu:** Press the MENU button to return to the main menu. (escape function)
 - **Display blackout function:** Press the MENU button together with the ENTER button to switch the display on/off.
13. **DOWN BUTTON:** Please refer to the menu structure to understand the different menus. These are the different possibilities:
 - **Browse the main menu:** Press the MENU button together with the UP/DOWN buttons.
 - **In the address menu:** Press the DOWN button to lower the DMX address of the selected channel. (press the button for a longer time to increase the speed)
 - **In the mode menu:** Press the DOWN button to put the selected channel in switch mode.
 - **In the dim menu:** Press the DOWN button to lower the dimmer value (0~100%) when the selected channel is in dimmer mode. (press the button for a longer time to increase the speed). When the selected channel is set to switch mode, you can turn the output off.
14. **UP BUTTON:** Please refer to the menu structure to understand the different menus. These are the different possibilities:
 - **Browse the main menu:** Press the MENU button together with the UP/DOWN buttons.
 - **In the address menu:** Press the UP button to increase the DMX address of the selected channel. (press the button for a longer time to increase the speed)
 - **In the mode menu:** Press the UP button to put the selected channel in dimmer mode.
 - **In the dim menu:** Press the UP button to increase the dimmer value (0~100%) when the selected channel is in dimmer mode. (press the button for a longer time to increase the speed). When the selected channel is set to switch mode, you can turn the output on.
15. **ENTER BUTTON:** Please refer to the menu structure to understand the different menus. These are the different possibilities:
 - **In the main menu:** Press the ENTER button to select the desired sub menu.
 - **In a sub menu:** Press the ENTER button to browse through the 4 channels.
 - **Display blackout function:** Press the MENU button together with the ENTER button to switch the display on/off.
16. **DMX PRESENT LED:** this LED indicates if the unit receives a DMX-signal on the DMX-input(n°6):
 - **LED is on:** no DMX-signal detected on the input.
 - **LED is blinking:** DMX-signal detected on the input

MENU STRUCTURE...



MAIN MENU:

This menu is used to select one of the 3 sub menus.

- Press the MENU button together with the UP/DOWN buttons to browse the menu.
- Press the ENTER button to select the desired sub menu.

ADDRESS MENU:

This menu is used to set the DMX address of the 4 output channels. Each channel can be set to a unique DMX-address. You can even give 2 or more channels the same DMX address.

- Press the ENTER button to browse through the menu.
- Once you selected the desired channel, press the UP/DOWN buttons to set the address
- Press the MENU button to return to the main menu.

MODE MENU:

This menu is used to set the working mode of the 4 output channels.

- **DIM mode:** use this mode when you connect lamps (projectors) to this output channel. You will be able to dim the output smoothly between 0% and 100%.
- **SWITCH mode:** use this mode when you connect small light effects to this output channel. You can toggle the output between ON (100% output) and OFF (0% output). Now you can switch small light effects on/off with your DMX-controller.
 - Press the ENTER button to browse through the menu.

- Once you selected the desired channel, press the UP/DOWN buttons to set the working mode.
- Press the MENU button to return to the main menu.

DIM MENU:

This is the standalone mode, all output levels can be set directly on the control panel so you don't need a controller. It's important to know that the output settings are preserved when the unit is disconnected from the mains. This makes the DB-46 very useful to illuminate exhibition booths etc.

- Press the ENTER button to browse through the menu.
- Once you selected the desired channel, press the UP/DOWN buttons to set the output level.
- Press the MENU button to return to the main menu.

SPECIFICATIONS

Power Input:	230Vac / 20A maximum (4600Watts)
Power outputs:	4x 230Vac / max. 8A (1850Watts)
Channel Fuses:	250V/8A (size 20x5mm)
Input fuse:	20A "auto reset" thermal circuit breaker
DMX input:	3pin XLR male
DMX output:	3pin XLR female
Size:	152 x 9 x 7 cm
Weight:	5,5 kg

Every information is subject to change without prior notice

You can download the latest version of this user manual on our website: www.briteq-lighting.com

MODE D'EMPLOI

Nous vous remercions d'avoir acheté ce produit BriTeQ®. Veuillez lire ce mode d'emploi très attentivement afin de pouvoir exploiter toutes les possibilités de cet appareil.

CARACTERISTIQUES

Cet appareil ne produit pas d'interférences radio. Il répond aux exigences nationales et européennes. La conformité a été établie et les déclarations et documents correspondants ont été déposés par le fabricant.

- Barre d'alimentation professionnelle en aluminium, à 4 sorties : 4 x 1,8 kW (Max_{tot} = 4,6 kW/20A)
- Mécanisme coulissant : vous pouvez répartir vos projecteurs sur toute la longueur de la barre.
- Entrées/sorties DMX avec verrouillage et indicateurs de présence de tension secteur et de signaux DMX.
- Affichage LED avec 4 boutons pour une navigation facile dans le menu:
 - Adressage DMX : chaque canal peut avoir sa propre adresse
 - Chaque canal peut être commuté séparément en mode gradateur ou interrupteur on/off.
 - Préréglage du gradateur pour chaque canal avec fonction mémoire (un contrôleur externe n'est pas nécessaire)
- 4 prises de haute qualité (schuko)
- Ergot TV standard de 28 mm + adaptateur pour haut de statif de 35mm inclus.
- Alimentation équipée d'un connecteur Neutrik Powercon et d'un fusible automatique.
- Un fusible pour chaque canal, avec détecteurs de fusibles ayant disjoncté.
- Tous les canaux sont équipés de triacs de 40A afin d'améliorer la fiabilité.

AVANT L'UTILISATION

Vérifiez le contenu:

Vérifiez si la boîte contient les articles suivants :

- Barre d'alimentation DB-46
- Mode d'emploi
- 4 paires de boulons et d'écrous pour installer les projecteurs
- 1 Ergot TV 28mm
- 1 adaptateur pour haut de statif de 35mm
- 1 boulon à œil

Quelques instructions importantes:

- Avant d'utiliser cet appareil, assurez-vous de l'absence de dommage lié au transport. En cas d'endommagement, n'utilisez pas l'appareil et contactez le vendeur.
- **Important:** Cet appareil a quitté notre usine en parfaite condition et bien emballé. Il est primordial que l'utilisateur suive les instructions de sécurité et avertissements inclus dans ce manuel. La garantie ne s'applique pas en cas de dommage lié à une utilisation incorrecte. Le vendeur ne prend pas la responsabilité des défauts ou de tout problème résultant du fait de n'avoir pas tenu compte des mises en garde de ce manuel.
- Conservez ce manuel dans un endroit sûr pour toute consultation future. Si vous vendez l'appareil, assurez-vous d'y joindre ce manuel également.
- Afin de protéger l'environnement, merci de recycler les emballages autant que possible.

INSTRUCTIONS DE SECURITE:



CAUTION
RISK OF ELECTRIC SHOCK
DO NOT OPEN



ATTENTION: afin de réduire le risque d'électrocution, n'enlevez jamais le couvercle de l'appareil. Il n'y a aucune pièce à l'intérieur de l'appareil que vous pouvez remplacer vous-même. Confiez l'entretien uniquement à des techniciens qualifiés.



La flèche dans un triangle met l'utilisateur en garde contre la présence de haute tension sans isolation dans l'appareil qui peut causer un risque d'électrocution.



Un point d'exclamation dans un triangle prévient de la présence d'instructions de fonctionnement et de maintenance se trouvant dans le manuel, fourni avec l'appareil.



Ce symbole signifie : uniquement pour usage à l'intérieur



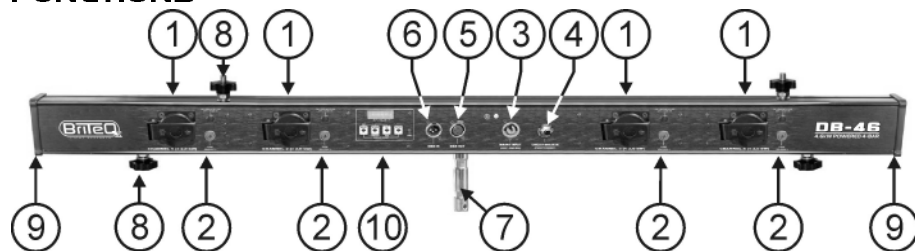
Ce symbole signifie : Lire le mode d'emploi.

- Afin d'éviter tout risque d'incendie ou de choc électrique, ne pas exposer cet appareil à la pluie ou l'humidité.
- Pour éviter la formation de condensation à l'intérieur de l'appareil, patientez quelques minutes pour laisser l'appareil s'adapter à la température ambiante lorsqu'il arrive dans une pièce chauffée après le transport. La condensation empêche l'unité de fonctionner en performance optimale et peut même causer des dommages.
- Cette unité est destinée à une utilisation à l'intérieur uniquement.
- Ne pas insérer d'objet métallique ou verser un liquide dans l'appareil. Aucun objet rempli de liquides, tels que des vases, ne peut être placé sur cet appareil. Risque de choc électrique ou de dysfonctionnement. Si un corps étranger est introduit dans l'unité, déconnectez immédiatement de la source d'alimentation.
- Aucune source de flamme nue, telle que les bougies allumées, ne peut être placée sur l'appareil.
- Ne pas utiliser dans un environnement poussiéreux et nettoyez l'unité régulièrement.
- Ne pas laisser l'unité à portée des enfants.
- Les personnes non expérimentées ne doivent pas utiliser cet appareil.
- La température ambiante maximum d'utilisation de l'appareil est de 40°C. Ne pas l'utiliser au-delà de cette température.
- Débranchez toujours l'appareil si vous ne l'utilisez pas de manière prolongée ou avant d'entreprendre des réparations.
- Les installations électriques ne peuvent être faites que par du personnel qualifié et conformément aux réglementations de sécurité électrique et mécanique en vigueur dans votre pays.
- Assurez-vous que la tension d'alimentation de la source d'alimentation de la zone dans laquelle vous vous trouvez ne dépasse pas celui indiqué à l'arrière de l'appareil.
- La prise sera toujours accessible pour que le cordon secteur puisse être enlevé à chaque moment.
- Le cordon d'alimentation doit toujours être en condition parfaite. Mettez immédiatement l'unité hors tension si le cordon est écrasé ou endommagé.
- Ne laissez jamais le cordon d'alimentation entrer en contact avec d'autres câbles !
- L'appareil doit être à la masse selon les règles de sécurités.
- Utilisez toujours les câbles appropriés et certifiés lorsque vous installez l'unité.
- Pour éviter tout choc électrique, ne pas ouvrir l'appareil. En dehors du fusible principal, il n'y a pas de pièces pouvant être changées par l'utilisateur à l'intérieur.
- **Ne jamais** réparer ou court-circuiter un fusible. Remplacez **systématiquement** un fusible endommagé par un fusible de même type et ayant les mêmes spécifications électriques !
- En cas de problèmes de fonctionnement sérieux, arrêtez toute utilisation de l'appareil et contactez votre revendeur immédiatement.
- Utilisez l'emballage d'origine si l'appareil doit être transporté.
- Pour des raisons de sécurité, il est interdit d'apporter toute modification à l'unité non spécifiquement autorisée par les parties responsables.

ENTRETIEN

Nettoyez l'appareil à l'aide d'un chiffon doux, légèrement humide. Evitez d'introduire de l'eau à l'intérieur de l'appareil. N'utilisez pas de produits volatils tels que le benzène ou le thinner qui peuvent endommager l'appareil.

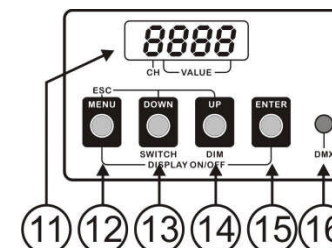
FONCTIONS



- SORTIES DES CANAUX** : Chaque sortie de canal a sa propre prise de sortie, à laquelle on peut raccorder n'importe quel projecteur ou de petits effets lumineux, qu'il soit de type inductif et/ou résistif.
- FUSIBLES DE CANAL** : chaque canal est équipé d'un fusible et d'un détecteur de fusible ayant disjoncté. Le détecteur s'allume lorsque le fusible du canal concerné a disjoncté. Il faut toujours remplacer le fusible qui a sauté par un fusible qui possède les mêmes caractéristiques ! (250V/8A rapide)

Remarque : Il est très important de savoir que la charge maximum pour chaque canal est limitée à 8A ou 1850 watts. Cependant, la charge totale pour l'ensemble des 4 canaux ne peut pas dépasser 20A ou 4600 watts !

- ALIMENTATION** : arrivée générale de l'alimentation secteur, équipée d'une prise Neutrik Powercon®, il est impératif de s'assurer que la tension de service locale est de 230 V (CA) et que les projecteurs (et/ou les petits effets lumineux) sont correctement raccordés aux prises de sortie des canaux (1) avant de raccorder un cordon d'alimentation secteur avec prise de terre à cette entrée. La charge totale maximum est de 20A ou 4600 watts.
- FUSIBLE PRINCIPAL** : il s'agit d'un coupe-circuit automatique. Quand le fusible a disjoncté, il faut d'abord localiser le problème et apporter une solution à ce qui a provoqué le déclenchement du fusible. Quand ce problème a trouvé sa solution, poussez simplement sur le bouton pour remettre le coupe-circuit en fonction.
- SORTIE DMX** : connecteur XLR mâle à 3 broches qui permet de connecter une barre d'alimentation DB-46 à l'unité suivante de la chaîne DMX.
- ENTREE DMX** : connecteur XLR mâle à 3 broches qui permet de connecter des câbles XLR universels. Cette entrée reçoit des instructions provenant d'un contrôleur DMX.
- ADAPTATEUR DE STATIF** : est utilisé pour fixer facilement la barre d'alimentation DB-46 en haut d'un statif pour projecteurs. Deux adaptateurs de statif sont inclus dans la livraison (se reporter aussi au numéro 9 pour plus d'informations) :
 - **adaptateur de 35mm** : doit être utilisé avec des statifs dont le sommet est équipé au standard 35 mm ;
 - **Ergot TV de 28 mm** : doit être utilisé avec des statifs dont le sommet est équipé d'un ergot TV.
- MECANISME COULISSANT** : ce mécanisme vous permet de répartir au mieux vos projecteurs sur toute la longueur de la barre d'alimentation DB-46. Se reporter aussi au numéro 9 pour plus d'informations.
- COUVERCLES LATERAUX** : Pour installer les boulons et les écrous (nécessaires pour fixer les projecteurs), ainsi que l'adaptateur de statif, vous devez enlever un couvercle latéral de l'un des deux côtés de l'appareil : dévissez simplement les 4 vis → enlevez le couvercle latéral → introduisez les écrous et le boulons et/ou l'adaptateur de statif dans le rail en les faisant coulisser → remettez le couvercle latéral en place → remettez les 4 vis → c'est terminé !
- PANNEAU DE CONTROLE** : écran à fonctions multiples + 4 boutons pour naviguer dans le menu de configuration. Se reporter aux numéros ci-dessous.



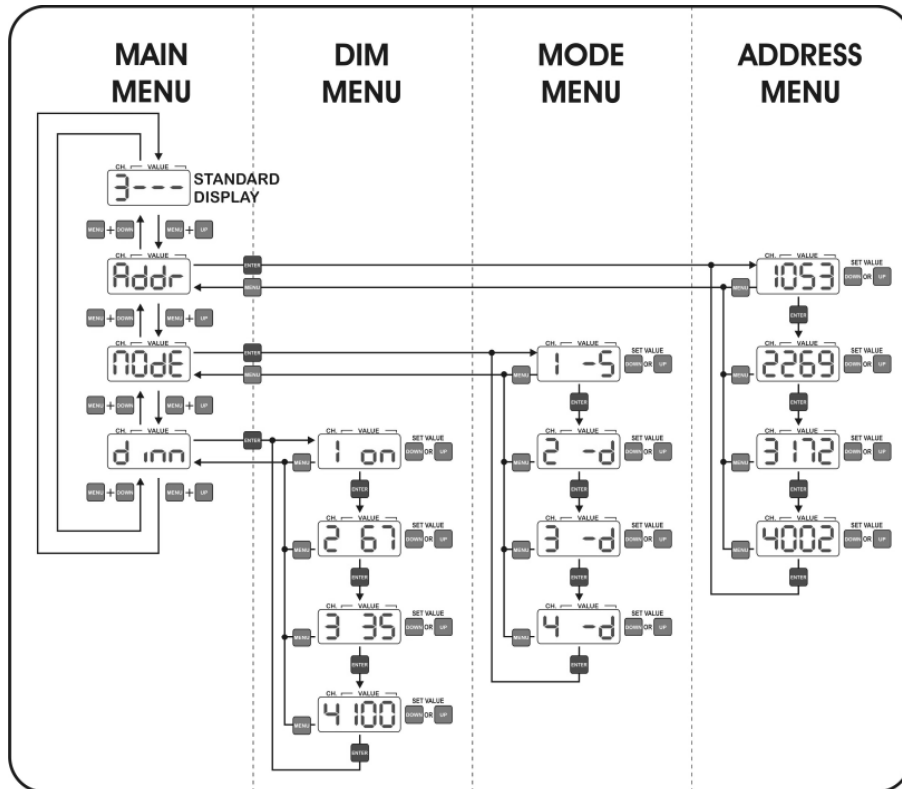
- ECRAN** : il montre les informations en rapport avec la fonction sélectionnée ou le mode actif. Le caractère de gauche affiche le numéro de canal, les 3 autres affichent le statut du canal :
 - **dans le menu d'adressage** : l'adresse du canal est affichée, la plage de chiffres pouvant aller de 001 à 512 ;
 - **dans le menu mode** : le mode actif est affiché. ("d" = mode gradateur * "S" = mode switch) ;
 - **dans le menu du gradateur et dans l'écran standard** : le statut du canal de sortie est affiché :
 - **si le canal est en mode gradateur** : affichage du pourcentage de puissance du gradateur allant de 0% à 100% ;
 - **si le canal est en mode switch** : "oN" = sortie 100% * "oFF" = sortie 0%.
- BOUTON DE MENU** : s'il vous plaît, se référer à la structure du menu pour comprendre les différents menus. Voici les différentes possibilités :
 - **si l'on parcourt le menu principal** : appuyez sur le bouton du MENU en même temps que sur les boutons UP/DOWN ;
 - **pour retourner au menu principal** : appuyez sur le bouton du MENU pour retourner vers le menu principal (fonction escape) ;
 - **pour afficher les fonctions de blackout** : appuyez sur le bouton du MENU en même temps que sur le bouton ENTER pour allumer ou éteindre l'écran.
- BOUTON DOWN** : s'il vous plaît, se référer à la structure du menu pour comprendre les différents menus. Voici les différentes possibilités :
 - **si l'on parcourt le menu principal** : appuyez sur le bouton du MENU en même temps que sur les boutons UP/DOWN ;
 - **dans le menu d'adressage** : appuyez sur le bouton DOWN pour donner au canal une adresse DMX qui correspond à un nombre plus petit (appuyez plus longtemps sur le bouton pour augmenter la vitesse de défilement) ;
 - **dans le menu mode** : appuyez sur le bouton DOWN pour faire passer le canal sélectionné en mode switch ;
 - **dans le menu dim** : appuyez sur le bouton DOWN pour diminuer la valeur du gradateur (0~100%) quand le canal sélectionné est en mode gradateur (appuyez plus longtemps sur le bouton pour augmenter la vitesse de défilement) ; quand le canal sélectionné est en mode switch, vous pouvez l'éteindre.
- BOUTON UP** : s'il vous plaît, se référer à la structure du menu pour comprendre les différents menus. Voici les différentes possibilités :
 - **si l'on parcourt le menu principal** : appuyez sur le bouton du MENU en même temps que sur les boutons UP/DOWN ;
 - **dans le menu d'adressage** : appuyez sur le bouton UP pour donner au canal une adresse DMX qui correspond à un nombre plus élevé (appuyez plus longtemps sur le bouton pour augmenter la vitesse de défilement) ;
 - **dans le menu mode** : appuyez sur le bouton UP pour faire passer le canal sélectionné en mode gradateur ;
 - **dans le menu dim** : appuyez sur le bouton UP pour augmenter la valeur du gradateur (0~100%) quand le canal sélectionné est en mode gradateur (appuyez plus longtemps sur le bouton pour augmenter la vitesse de défilement) ; quand le canal sélectionné est en mode switch, vous pouvez l'allumer.
- BOUTON ENTER** : s'il vous plaît, se référer à la structure du menu pour comprendre les différents menus. Voici les différentes possibilités :
 - **dans le menu principal** : appuyez sur le bouton ENTER pour sélectionner le sous-menu désiré ;

- dans un sous-menu : appuyez sur le bouton ENTER pour naviguer entre les 4 canaux ;
- pour afficher les fonctions de blackout : appuyez sur le bouton du MENU en même temps que sur le bouton ENTER pour allumer ou éteindre l'écran.

16. LED DETECTRICE DE SIGNAL DMX : cette LED indique si l'appareil reçoit bien un signal DMX sur l'entrée DMX (n°6) :

- si la LED est éclairée : aucun signal DMX n'est décelé sur l'entrée.
- si la LED clignote : un signal DMX est bien décelé sur l'entrée.

STRUCTURE DU MENU ...



MENU PRINCIPAL :

ce menu est utilisé pour sélectionner l'un des 3 sous-menus :

- appuyez sur le bouton du MENU en même temps que sur les boutons UP/DOWN pour parcourir le menu ;
- appuyez sur le bouton ENTER pour sélectionner le sous-menu désiré.

MENU D'ADRESSAGE :

ce menu est utilisé pour fixer l'adresse DMX des 4 canaux de sortie. Chaque canal peut être réglé sur une adresse DMX unique. Vous pouvez même attribuer la même adresse DMX à 2 canaux ou plus.

- appuyez sur le bouton ENTER pour naviguer dans le menu ;

- une fois que vous avez sélectionné le canal désiré, appuyez sur les boutons UP/DOWN pour en fixer l'adresse ;
- appuyez sur le bouton MENU pour retourner vers le menu principal.

MENU MODE :

ce menu est utilisé pour fixer le mode de fonctionnement des 4 canaux de sortie :

- **mode DIM** : ce mode est à utiliser quand vous connectez des lampes (projecteurs) à ce canal de sortie. Vous serez en mesure de tamiser la puissance de sortie en continu, de 0 % à 100 %.
- **mode SWITCH** : ce mode est à utiliser quand vous connectez de petits effets lumineux à ce canal de sortie. Vous pourrez ainsi inverser la sortie entre ON (100 % de la puissance) et OFF (0 % de la puissance). Vous serez ainsi en mesure de mettre en ou hors service de petits effets lumineux via votre contrôleur DMX.
 - appuyez sur le bouton ENTER pour naviguer dans le menu ;
 - une fois que vous avez sélectionné le canal désiré, appuyez sur les boutons UP/DOWN pour en fixer le mode de fonctionnement ;
 - appuyez sur le bouton MENU pour retourner vers le menu principal.

MENU DIM :

il s'agit du mode indépendant ('stand alone') : tous les niveaux de sortie peuvent être réglés à même le panneau de contrôle, de sorte que l'on n'a pas besoin d'un contrôleur externe. Il est important de savoir que ces réglages des niveaux de sortie sont gardés en mémoire même quand l'appareil est déconnecté du réseau. Cette caractéristique fait de la barre d'alimentation DB-46 un outil très utile pour éclairer des stands d'expositions, etc ...

- appuyez sur le bouton ENTER pour naviguer dans le menu ;
- une fois que vous avez sélectionné le canal désiré, appuyez sur les boutons UP/DOWN pour en fixer le niveau de sortie ;
- appuyez sur le bouton MENU pour retourner vers le menu principal.

SPÉCIFICATIONS

Alimentation:	230Vac/ 20A minimal (4600Watts)
Sorties de puissance :	4 x 230V CA / max. 8A (1850 watts)
Fusibles de canal :	250V/8A (taille 20 x 5 mm)
Fusible principal :	20A, coupe-circuit thermique avec fonction 'auto reset'
Entrée DMX:	prise XLR mâle à 3 broches
Sortie DMX:	prise XLR femelle à 3 broches
Dimensions:	152 x 9 x 7 cm
Poids:	5,5 kg

Chacune de ces informations peut être modifiée sans avertissement préalable. Vous pouvez télécharger la dernière version de ce mode d'emploi de notre site Web: www.briteq-lighting.com

GEbruIKSAANWIJZING

Hartelijk dank voor de aankoop van dit BriTeQ® product. Om ten volle te kunnen profiteren van alle mogelijkheden en voor uw eigen veiligheid, gelieve de aanwijzingen zeer zorgvuldig te lezen voor U begint het apparaat te gebruiken.

KARAKTERISTIEKEN

In dit apparaat is radio-interferentie onderdrukt. Dit product voldoet aan de gangbare Europese en nationale voorschriften. Het is vastgesteld dat het apparaat er zich aan houdt en de desbetreffende verklaringen en documenten zijn door de fabrikant afgegeven.

- Professionele aluminium 4-bar voorzien van interne dimmerpacks: 4x1,8kW (Max_{tot} = 4,6kW/20A)
- Schuifmechanisme zorgt steeds voor een perfecte verdeling van de projectoren op de bar.
- DMX in/uitgangen voorzien van vergrendeling en POWER/DMX-present indicator.
- 4 Digit LED display met 4 toetsen voor gemakkelijke menu navigatie:
 - DMX adres instellingen: individueel DMX adres voor elk kanaal mogelijk!
 - Elk kanaal kan afzonderlijk als dimmer of switchpack worden ingesteld
 - Dimmer niveaus instelbaar per kanaal met geheugenfunctie (geen externe controller nodig)
- Voorzien van 4 degelijke stopcontacten.
- Standaard 28mm TV-spigot en 35mm adapter inbegrepen
- Stroomvoorziening dmv Neutrik Powercon en automatische zekering.
- Individuele kanaalzekerings met "blown fuse" detectie.
- Alle kanalen zijn uitgerust met 40A triacs voor verhoogde betrouwbaarheid.

EERSTE INGEbruIKNAME

Controleer de inhoud:

Kijk na of de verpakking volgende onderdelen bevat:

- DB-46 powered bar
- Gebruiksaanwijzing
- 4 sets bouten en moeren om projectoren te installeren
- 1 TV-spigot 28 mm
- 1 35 mm adapter voor Topsectie
- 1 oogbout

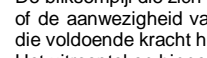
Belangrijke instructies:

- Controleer voor het eerste gebruik van het apparaat of het tijdens het transport beschadigd werd. Mocht er schade zijn, gebruik het dan niet, maar raadpleeg eerst uw dealer.
- **Belangrijk:** Dit apparaat verliet de fabriek in uitstekende staat en goed verpakt. Het is erg belangrijk dat de gebruiker de veiligheidsaanwijzingen en raadgevingen in deze gebruiksaanwijzing uiterst nauwkeurig volgt. Elke schade veroorzaakt door verkeerd gebruik van het apparaat valt niet onder de garantie. De dealer aanvaardt geen verantwoordelijkheid voor mankementen en problemen die komen door het veronachtzamen van deze gebruiksaanwijzing.
- Bewaar deze brochure op een veilige plaats om hem in de toekomst nogmaals te kunnen raadplegen. Indien U het apparaat verkoopt, denkt U er wel aan om de gebruiksaanwijzing bij te voegen.
- Om het milieu te beschermen, probeer zoveel mogelijk het verpakkingsmateriaal te recycleren.

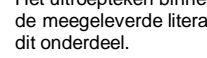
VEILIGHEIDSVoORSCHRIFTEN:



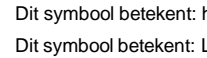
WAARSCHUWING: Om het risico op elektrocutie zoveel mogelijk te vermijden mag u nooit de behuizing verwijderen. Er bevinden zich geen onderdelen in het toestel die u zelf kan herstellen. Laat de herstellingen enkel uitvoeren door een bevoegde technicus.



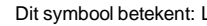
De bliksempijl die zich in een gelijkbenige driehoek bevindt is bedoeld om u te wijzen op het gebruik of de aanwezigheid van niet-geïsoleerde onderdelen met een "gevaarlijke spanning" in het toestel die voldoende kracht heeft om een risico van elektrocutie in te houden.



Het uitroepteken binnen de gelijkbenige driehoek is bedoeld om de gebruiker erop te wijzen dat er in de meegeleverde literatuur belangrijke gebruik en onderhoudsinstructies vermeld staan betreffende dit onderdeel.



Dit symbool betekent: het apparaat mag enkel binnenhuis worden gebruikt.



Dit symbool betekent: Lees de handleiding!

- Stel dit apparaat niet bloot aan regen of vocht, dit om het risico op brand en elektrische schokken te voorkomen.
- Om de vorming van condensatie binnenin te voorkomen, laat het apparaat aan de omgevingstemperatuur wennen wanneer het, na het transport, naar een warm vertrek is overgebracht. Condensatie kan het toestel soms verhinderen perfect te functioneren. Het kan soms zelfs schade aan het apparaat toebrengen.
- Gebruik dit apparaat uitsluitend binnenhuis.
- Plaats geen stukken metaal en mors geen vocht binnen in het toestel om elektrische schokken of storing te vermijden. Objecten gevuld met water, zoals bvb. Vazen, mogen op dit apparaat worden geplaatst. Indien er toch een vreemd voorwerp of water in het apparaat geraakt, moet U het direct van het lichtnet afkoppelen.
- Open vuur, zoals brandende kaarsen, mogen niet op het apparaat geplaatst worden.
- Zorg dat het toestel niet in een stoffige omgeving wordt gebruikt en maak het regelmatig schoon.
- Houd het apparaat uit de buurt van kinderen.
- Dit apparaat mag niet door onervaren personen bediend worden.
- De maximum veilige omgevingstemperatuur is 40°C. Gebruik het apparaat dus niet bij hogere temperaturen.
- Trek altijd de stekker uit wanneer het apparaat gedurende langere tijd niet wordt gebruikt of alvorens met de onderhoudsbeurt te beginnen.
- De elektrische installatie behoort uitsluitend uitgevoerd te worden door bevoegd personeel, volgens de in uw land geldende regels betreffende elektrische en mechanische veiligheid.
- Controleer dat de beschikbare spanning niet hoger is dan die aangegeven op de achterzijde van het toestel.
- Het stopcontact zal steeds vrij toegankelijk blijven zodat de stroomkabel op elk moment kan worden uitgetrokken.
- De elektrische kabel behoort altijd in uitstekende staat te zijn. Zet het apparaat onmiddellijk af als de elektrische kabel gekneusd of beschadigd is.
- Laat de elektrische draad nooit in contact komen met andere draden.
- Volgens de veiligheidsvoorschriften moet deze installatie geaard worden.
- Om elektrische schokken te voorkomen, moet U de behuizing niet openen. Afgezien van de zekering zitten er geen onderdelen in die door de gebruiker moeten worden onderhouden.
- Repareer nooit een zekering en overbrug de zekeringhouder nooit. Vervang een beschadigde zekering steeds door een zekering van hetzelfde type en met dezelfde elektrische kenmerken.
- Ingeval van ernstige problemen met het bedienen van het toestel, stopt U onmiddellijk het gebruik ervan. Contacteer uw dealer voor een eventuele reparatie.
- Gebruik best de originele verpakking als het toestel vervoerd moet worden.
- Om veiligheidsredenen is het verboden om ongeautoriseerde modificaties aan het toestel aan te brengen.

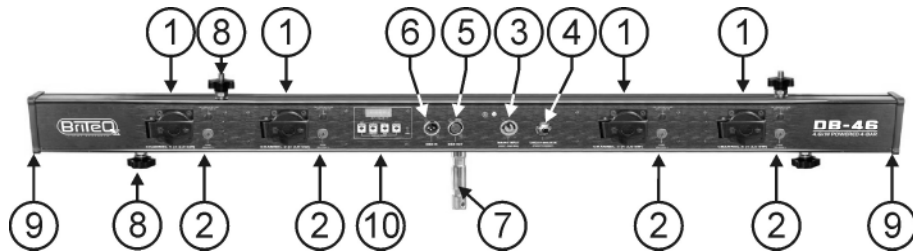
ONDERHOUD

Reinig het toestel met een zacht, lichtjes bevochtigd doek. Vermijd water te morsen in het toestel. Gebruik nooit vluchtige producten zoals benzeen of thinner, dit kan het toestel beschadigen.

OPHANGEN VAN HET APPARAAT

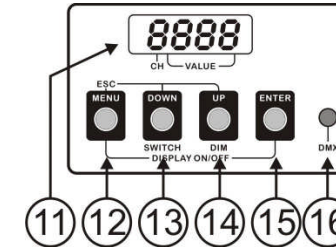
- **Belangrijk:** De installatie van het toestel mag uitsluitend door bekwaam onderhoudspersoneel uitgevoerd worden. Onjuiste plaatsing kan ernstige letsels en/of schade aan eigendommen tot gevolg hebben. Het ophangen vergt veel ervaring. U behoort de grenzen te respecteren aan de werklust; erkende installatiematerialen moeten worden gebruikt; de veiligheid van het geïnstalleerde toestel moet regelmatig worden gecontroleerd.
- Overtuig U ervan dat het gebied onder installatieplaats vrij is van ongewenste personen tijdens het plaatsen, het weghalen en het onderhoud.
- Installeer het toestel op een goed geventileerde plaats, ver van brandbare stoffen en/of vloeistoffen. Het toestel moet worden bevestigd op **minstens 50 cm** van de omringende muren.
- Het toestel moet worden geïnstalleerd buiten het bereik van iedereen en weg van plaatsen waar men mag lopen en zitten.
- Alvorens tot plaatsen over te gaan, moet men controleren dat de minimum puntbelasting van de installatieplaats 10 keer het gewicht van het toestel bedraagt.
- Gebruik bij het installeren van het toestel altijd een gewaarmerkte veiligheidskabel die 12 keer het gewicht van het toestel kan dragen. Deze bijkomende veiligheidsbevestiging moet zo worden aangebracht dat geen deel van het toestel meer dan 20 cm vallen kan als de hoofdbeveiliging faalt.
- Het apparaat moet goed worden vastgezet; aan een vrij zwaaiende montage mag zelfs niet gedacht worden.
- Bedek geen ventilatieopeningen, anders zou dit oververhitting tot gevolg kunnen hebben.
- De gebruiker moet er zich van verzekeren dat de installaties met betrekking tot de veiligheid en de technische mechaniek door een expert zijn goedgekeurd alvorens ze voor de eerste keer te gebruiken. Elk jaar moeten de installaties worden gekeurd door een vakman om te controleren of de veiligheid nog steeds perfect is.

FUNCTIES



1. **KANAALUITGANGEN:** Elk kanaal heeft zijn eigen stopcontact waarop U resistieve of inductieve projectoren of kleine lichteffecten kan aansluiten.
2. **KANAALZEKERINGEN :** Elk kanaal heeft tevens zijn eigen zekering en een "blown fuse" detector. Deze detector licht op wanneer de kanaalzekering is gesprongen. Vervang deze gesprongen zekering steeds door een exemplaar met dezelfde elektrische eigenschappen! (250V/8A snel)
Opmerking: Het is erg belangrijk te weten dat elk kanaal een maximaal vermogen van 8A of 1850W kan leveren. Het totale vermogen mag 20A of 3600Watts **nooit** overstijgen!
3. **POWER INGANG:** netsnoer, uitgerust met een Neutrik Powercon[®], verzeker U ervan dat het beschikbare stopcontact 230Vac levert en de projectoren (en/of lichteffecten) correct op de uitgangen (1) werden aangesloten voor U de gearde netsnoer aan deze ingang verbindt. Het maximaal toegelaten totale vermogen is 20A of 4600Watt.
4. **HOOFDZEKERING:** Dit is een automatische zekering. Wanneer de zekering is gesprongen, lokaliseer en los dan eerst het probleem op dat ervoor gezorgd heeft dat de zekering gesprongen is. Wanneer het probleem opgelost is, druk dan simpelweg op de knop om de zekering te resetten.
5. **DMX UITGANG:** deze 3pin vrouwelijke XLR-aansluiting wordt gebruikt om de DB-46 met het volgende DMX-apparaat in de keten te verbinden.
6. **DMX INGANG:** deze 3pin mannelijke XLR-aansluiting wordt gebruikt voor het aansluiten van universele DMX-kabels. Deze ingang ontvangt zijn instructies van een DMX-controller.

7. **STATIEF ADAPTER:** wordt gebruikt om de DB-46 gemakkelijk te plaatsen op de top van een lichtstatief. 2 verschillende statief adapters zijn inclusief (zie ook n°9 voor meer informatie)
 - 35mm adapters: wordt gebruikt bij statieven met een standaard 35mm Topsectie
 - 28mm TV-Spigot: wordt gebruikt bij statieven die uitgerust zijn met een TV-Spigot adapter op de top.
8. **GLIJMECHANISME:** wordt gebruikt om uw projectoren gelijk te verdelen over de DB-46. Kijk ook naar n°9 voor meer informatie.
9. **AFSLUITKAP:** Om de bouten/moeren (noodzakelijk om de projectoren te bevestigen) en de statief adapter te installeren dient u deze afsluitkap te verwijderen aan één zijde van het toestel: schroef simpelweg de 4 schroeven weg → verwijder de afsluitkap → plaats de bouten/moeren en/of statief adapter in het glijprofiel → plaats de afsluitkap terug op zijn plaats → bevestig de 4 schroeven → klaar!
10. **CONTROLEPANEEL:** Multifunctionele display + 4 toetsen om te navigeren in het setup menu. Bekijk de nummers hieronder



11. **DISPLAY:** Toont de informatie omtrent de geselecteerde functie of werkingmodus. Het linkse cijfer toont het kanaalnummer, de 3 andere cijfers tonen de status van dit kanaal:
 - In het address menu: Het adres van het kanaal wordt getoond, gaande van 001 tot 512
 - In het mode menu: Werking modus wordt getoond ("d"= dimmer modus * "S"=switch modus)
 - In het dim menu en standaard display: Kanaaluitgang wordt getoond.
 - Kanaal in dimmer modus: Dimmer percentage, gaande van 0% tot 100%
 - Kanaal in switch modus: "oN"= output 100% * "oFF"= output 0%
12. **MENU TOETS:** Bekijk de structuur van het menu om de verschillende menu's te begrijpen. Dit zijn de volgende mogelijkheden:
 - Het main menu doornemen: Druk op de MENU toets tezamen met de UP/DOWN toetsen.
 - Teruggaan naar het main menu: Druk op de MENU toets om terug te keren naar het main menu (escape functie)
 - Display blackout functie: Druk op de MENU toets tezamen met de ENTER toets om de display AAN/UIT te schakelen.
13. **DOWN TOETS:** Bekijk de structuur van het menu om de verschillende menu's te begrijpen. Dit zijn de volgende mogelijkheden:
 - Het main menu doornemen: Druk op de MENU toets tezamen met de UP/DOWN toetsen.
 - In het address menu: Druk op de DOWN toets om het DMX adres van het geselecteerde kanaal te verlagen. (druk de toets in voor een langere tijd om de snelheid te verhogen)
 - In het mode menu: Druk op de DOWN toets om het geselecteerde kanaal in switch modus te plaatsen.
 - In het dim menu: Druk op de DOWN toets om de dimmer waarde te verlagen (0-100%) wanneer het geselecteerde kanaal in dimmer modus is geplaatst. (druk de toets voor een langere tijd in om de snelheid te verhogen). Wanneer het geselecteerde kanaal geplaatst is in switch modus, kunt u de uitgangskanaal UIT zetten.
14. **UP TOETS:** Bekijk de structuur van het menu om de verschillende menu's te begrijpen. Dit zijn de volgende mogelijkheden:
 - Het main menu doornemen: Druk op de MENU toets tezamen met de UP/DOWN toetsen.
 - In het address menu: Druk op de UP toets om het DMX adres van het geselecteerde kanaal te verhogen. (druk de toets in voor een langere tijd om de snelheid te verhogen)
 - In het mode menu: Druk op de UP toets om het geselecteerde kanaal in dimmer modus te plaatsen.
 - In het dim menu: Druk op de UP toets om de dimmer waarde te verhogen (0-100%) wanneer het geselecteerde kanaal in dimmer modus is geplaatst. (druk de toets voor een langere tijd in om

de snelheid te verhogen). Wanneer het geselecteerde kanaal geplaatst is in switch modus, kunt u de uitgangskanaal AAN zetten.

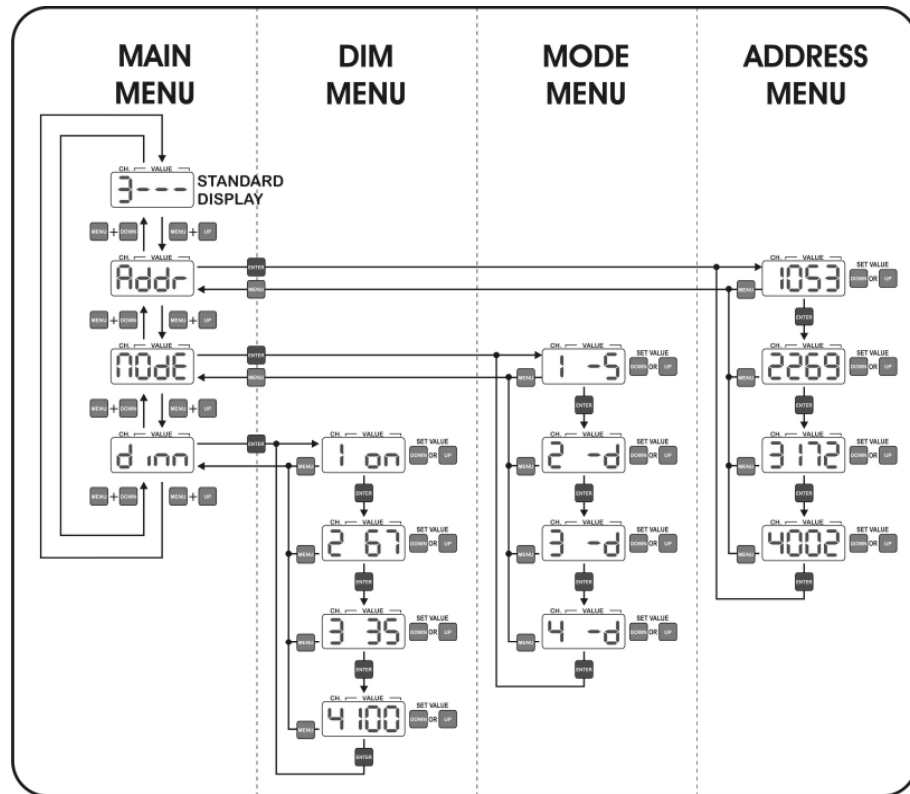
15. ENTER TOETS: Bekijk de structuur van het menu om de verschillende menu's te begrijpen. Dit zijn de volgende mogelijkheden:

- **In het main menu:** Druk op de ENTER toets om het verlangde sub menu te selecteren.
- **In het sub menu:** Druk op de ENTER toets om de 4 kanalen door te nemen.
- **Display blackout functie:** Druk op de MENU toets tezamen met de ENTER toets om de display AAN/UIT te schakelen.

16. DMX DETECTIE LED: deze LED geeft aan of het toestel een DMX-sigitaal ontvangt aan de DMX-input(n°6).

- **LED aan:** geen DMX-sigitaal gedetecteerd aan de input
- **LED knippert:** DMX-sigitaal gedetecteerd aan de input

MENUSTRUCTUUR...



MAIN MENU:

Deze menu wordt gebruikt om één van de 3 submenu's te selecteren.

- Druk op de MENU toets tezamen met de UP/DOWN toetsen om het menu door te nemen.
- Druk op de ENTER toets om het verlangde sub menu te selecteren.

ADDRESS MENU:

Deze menu wordt gebruikt om het DMX adres van de 4 kanaaluitgangen in te stellen. Elke kanaal kan ingesteld worden op een uniek DMX adres. U kan ook 2 of meerdere kanalen hetzelfde DMX adres geven.

MODE MENU:

Deze menu wordt gebruikt om de werking modus van de 4 kanaaluitgangen in te stellen.

- **DIM modus:** gebruik deze modus wanneer je lampen (projectoren) aansluit aan dit output kanaal. Je zal in staat zijn om de output vloeiend te dimmen tussen 0% en 100%.
- **SWITCH modus:** gebruik deze modus wanneer je kleine licht effecten verbindt met dit output kanaal. Je kunt de output tussen AAN (100% output) en UIT (0% output) omschakelen. Nu kun je kleine licht effecten aan- en uitschakelen met uw DMX-controller .
- Druk op de ENTER toets om het menu door te nemen.
- Wanneer u het verlangde kanaal heeft geselecteerd, druk dan op de UP/DOWN toetsen om de werkingmodus in te stellen
- Druk op de MENU toets om terug te keren naar het main menu

DIM MENU

Dit is een standalone modus, alle uitgangniveaus kunnen dan direct op het controlepaneel ingesteld worden zodat u geen controller hoeft te hebben. Het is belangrijk te weten dat de instellingen van de uitgangen opgeslagen worden wanneer het toestel losgekoppeld wordt van het net. Dit maakt dat de DB-46 zeer bruikbaar is om tentoonstellingsruimten te verlichten, etc.

- Druk op de ENTER toets om het menu door te nemen
- Wanneer u het verlangde kanaal heeft geselecteerd, druk dan op de UP/DOWN toetsen om het niveau van de uitgang in te stellen
- Druk op de MENU toets om terug te keren naar het main menu.

EIGENSCHAPPEN

- Stroomtoevoer:** 230Vac/20A maximum (4600Watt)
- Stroomuitgangen:** 4x230Vac/ max. 8A (1850Watt)
- Kanaalzekerings:** 250V/8A (afmeting 20x5mm)
- Hoofdzekering:** 20A "auto reset" thermische zekering
- DMX ingang:** 3pin XLR mannelijk
- DMX uitgangen:** 3pin XLR vrouwelijk
- Afmetingen:** 152 x 9 x 7 cm
- Gewicht:** 5,5kg

Elke inlichting kan veranderen zonder waarschuwing vooraf.

U kan de laatste versie van deze handleiding downloaden via onze website: www.briteq-lighting.com

BEDIENUNGSANLEITUNG

Vielen Dank, dass Sie sich für den Erwerb dieses BriTeQ®-Produkt entschieden haben. Bitte lesen sie diese Bedienungsanleitung sorgfältig vor der Inbetriebnahme durch, zur vollen Ausschöpfung der Möglichkeiten, die dieses Gerät bietet sowie zu Ihrer eigenen Sicherheit.

EIGENSCHAFTEN

Das Gerät ist funktentstört und erfüllt die Anforderungen der europäischen und nationalen Bestimmungen. Entsprechende Dokumentation liegt beim Hersteller vor.

- Professionelle 4-fach Aluminium T-Bar: 4x1,8kW (max. Leistung = 4,6kW/20A)
- Schiebemechanismus: Sie können Ihre Projektoren gleichmäßig über die T-Bar verteilen.
- Verriegelung der DMX-Ein-/Ausgänge und POWER/DMX „present“ Anzeige
- 4-stelliges LED-Display mit 4 Tasten für die einfache Menünavigation:
 - DMX-Adresseinstellung: Jeder Kanal kann seine eigene Adresse haben
 - Jeder Kanal kann separat im Dimmer- oder Schaltermodus geschaltet werden
 - Verschiedene Dimmer-Voreinstellungen für jeden Kanal mit Speicherfunktion (kein externer Controller nötig)
- 4 qualitativ hochwertige Netzsteckdosen (Schuko)
- Einschließlich Standard 28mm TV-Spigot + 35mm Adapter
- Netzspannungseingang mit Neutrik Powercon und Sicherungsautomat.
- Einzelne Kanalsicherungen mit "blown fuse" Erkennung
- Alle Kanäle sind mit 40A Zweirichtungsthyristoren für erhöhte Zuverlässigkeit bestückt

VOR DER ERSTBENUTZUNG

Überprüfen Sie den Inhalt:

Folgende Teile müssen sich in der Geräteverpackung befinden:

- DB-46 Powered Bar
- Bedienungsanleitung
- 4 Set's Schrauben und Muttern zur Installation des Projektors
- 1 TV-Zapfenadapter 28mm
- 1 Stativ mit 35mm Aufnahme
- 1 Ringschraube

Wichtige Hinweise:

- Vor der Erstbenutzung bitte das Gerät zuerst auf Transportschäden überprüfen. Sollte das Gerät einen Schaden aufweisen, Gerät bitte nicht benutzen, sondern unverzüglich mit ihrem Händler in Verbindung setzen.
- **Wichtiger Hinweis:** Das Gerät hat das Werk unbeschädigt und gut verpackt verlassen. Es ist wichtig, dass der Benutzer sich streng an die Sicherheitshinweise und Warnungen in der Bedienungsanleitung hält. Schäden durch unsachgemäße Handhabung sind von der Garantie ausgeschlossen. Der Händler übernimmt keine Verantwortung für Schäden, die durch Nichtbeachtung der Bedienungsanleitung hervorgerufen wurden.
- Die Bedienungsanleitung, für zukünftiges Nachschlagen, bitte aufbewahren. Bei Verkauf oder sonstiger Weitergabe des Gerätes, bitte Bedienungsanleitung beifügen.
- Aus Umweltschutzgründen, Verpackung bitte wiederverwenden, oder richtig trennen.

SICHERHEITSHINWEISE



ACHTUNG: Um sich nicht der Gefahr eines elektrischen Schlags auszusetzen, entfernen Sie keines der Gehäuseeile. Im Geräteinneren befinden sich keine vom Benutzer reparierbaren Teile. Überlassen Sie Reparaturen dem qualifizierten Kundendienst.



Das Blitzsymbol im Dreieck weist den Benutzer darauf hin, dass eine Berührungsfahrer mit nicht isolierten Teilen im Geräteinneren, welche eine gefährliche Spannung führen, besteht. Die Spannung ist so hoch, dass hier die Gefahr eines elektrischen Schlags besteht.



Das Ausrufezeichen im Dreieck weist den Benutzer auf wichtige Bedienungs- und Wartungshinweise in den Dokumenten hin, die dem Gerät beiliegen.



Dieses Symbol bedeutet: Nur innerhalb von Räumen verwenden.



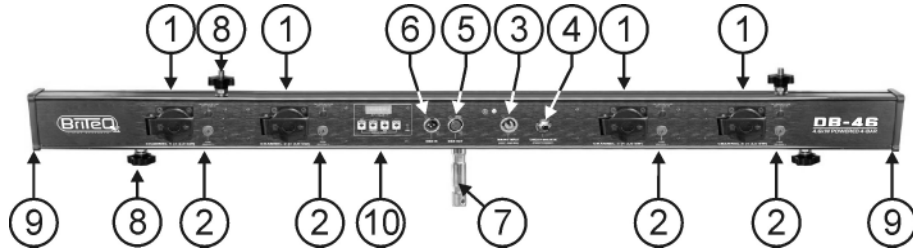
Dieses Symbol bedeutet: Achtung! Bedienungsanleitung lesen!

- Zur Vermeidung von Stromschlag oder Feuer, Gerät bitte nicht Regen oder Feuchtigkeit aussetzen.
- Zur Vermeidung von Kondensation, lassen sie bitte nach Transport in eine warme Umgebung das Gerät einige Zeit zum Temperaturengleich stehen. Kondensation kann zu Leistungsverlust des Gerätes oder gar Beschädigung führen.
- Gerät nicht im Freien und in feuchten Räumen und Umgebungen verwenden.
- Keine Metallgegenstände oder Flüssigkeiten ins Innere des Geräts gelangen lassen. Keine mit Flüssigkeit gefüllten Gegenstände z.B. Vasen, auf das Gerät stellen. Kurzschluss oder Fehlfunktion können die Folge sein. Falls es doch einmal vorkommen sollte, bitte sofort Netzstecker ziehen und vom Stromkreis trennen.
- Offene Brandquellen, wie z.B. brennende Kerzen, sollten nicht auf das Gerät gestellt werden.
- Nicht in staubiger Umgebung verwenden und regelmäßig reinigen.
- Für Kinder unerreichbar aufbewahren.
- Unerfahrene Personen sollen das Gerät nicht bedienen.
- Umgebungstemperatur darf 40°C nicht überschreiten.
- Stets Netzstecker ziehen, wenn Gerät für längeren Zeitraum nicht genutzt, oder es gewartet wird.
- Elektrische Anschlüsse nur durch qualifiziertes Fachpersonal überprüfen lassen.
- Sicherstellen, daß Netzspannung mit Geräteaufkleber übereinstimmt.
- Die Netzsteckdose sollte immer gut erreichbar sein um das Gerät vom Netz zu trennen.
- Gerät nicht mit beschädigtem Netzkabel betreiben.
- Netzkabel nicht mit anderen Kabeln in Berührung kommen lassen!
- Ausschließlich vorschriftsmäßige Kabel zur Installation verwenden.
- Gerät nicht öffnen. Abgesehen vom Tausch der Sicherung sind keine wartenden Bauteile im Gerät enthalten.
- Sicherung **niemals** reparieren oder überbrücken, sondern **immer** mit gleichartiger Sicherung ersetzen!
- Bei Fehlfunktion Gerät nicht benutzen und mit Händler in Verbindung setzen.
- Bei Transport bitte Originalverpackung verwenden, um Schäden am Gerät zu vermeiden.
- Aus Sicherheitsgründen dürfen an dem Gerät keine unbefugten Veränderungen vorgenommen werden.

WARTUNG

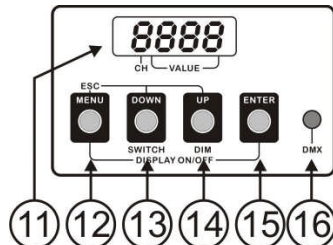
Die Reinigung der Gerätes erfolgt mit einem leicht mit Wasser angefeuchteten Tuch. Vermeiden Sie, dass Wasser in das Gerätinnere gelangt. Verwenden Sie keine brennbaren Flüssigkeiten wie Benzin oder Verdüner, welche das Gerät beschädigen würden.

FUNKTIONEN



1. **KANALAUSGÄNGE:** Jeder Kanalausgang hat seine eigene Ausgangsbuchse zum Anschluss jeglicher resistiver und/oder induktiver Projektoren oder kleine Lichteffekte.
2. **SICHERUNG:** Jeder Kanal ist mit einer Sicherung und "blown fuse" Erkennung bestückt, Die Anzeige leuchtet auf, wenn die Kanalsicherung durchgebrannt ist. Beim Auswechseln der durchgebrannten Sicherung achten Sie bitte darauf, dass sie die gleichen Eigenschaften (250V/8A flink) hat.

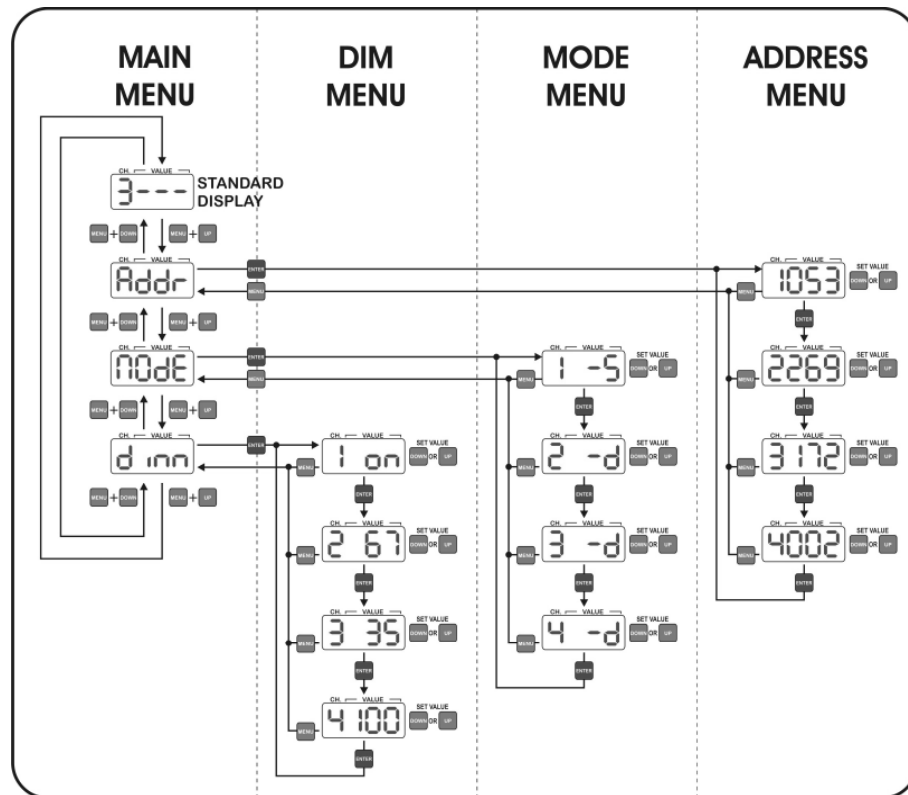
Hinweis: Es ist von größter Wichtigkeit zu wissen, dass die Höchstbelastung pro Kanal 8A oder 1850 Watt ist. Die Gesamtbelastung aller 4 Kanäle darf jedoch 20A oder 4600 Watt nicht überschreiten!
3. **NETZEINGANG:** Ausgestattet mit Neutrik Powercon®, vergewissern Sie sich davon, dass Ihre Netzspannung 230V~ ist und die Projektoren (und/oder kleine Lichteffekte) korrekt an den Kanalausgangsbuchsen (1) angeschlossen sind, bevor Sie ein geerdetes Netzkabel anschließen. Die Höchstbelastung ist 20A oder 4600 Watt.
4. **EINGANGSSICHERUNG:** Sicherungsautomat. Bei durchgebrannter Sicherung finden Sie bitte zunächst das Problem, das zum Durchbrennen der Sicherung geführt hat. Anschließend drücken Sie den Rückstellknopf des Sicherungsautomaten.
5. **DMX OUTPUT:** Der 3pin female XLR-Stecker verbindet den DB-46 mit der nächsten Einheit der DMX-Kette.
6. **DMX INPUT:** Der 3pin male XLR-Stecker verbindet das Gerät mit universalen DMX-Kabeln. Dieser Eingang empfängt die Signale eines DMX-Contollers.
7. **STATIVADAPTER:** Einfache Montage des DB-46 oben auf einem Beleuchtungsstativ. Zwei unterschiedliche Stativadapter werden mitgeliefert (siehe auch Nr. 9 für weitere Informationen):
 - **35mm Adapter:** Benutzung auf Stativen mit Standard 35mm Oberteil.
 - **28mm TV-Zapfenadapter:** Benutzung auf Stativen mit TV-Zapfenadapter Oberteil.
8. **SCHIEBEMECHANISMUS:** Wird benutzt um die Scheinwerfer auf der Bar zu positionieren.
9. **ENDABDECKUNG:** Zur Installation der Schrauben/Muttern (zur Montage des Projektors) und des Stativadapters muss diese Endabdeckung auf einer Seite des Geräts abgenommen werden: lösen Sie die 4 Schrauben → nehmen Sie die Endabdeckung ab → setzen Sie die Schrauben/Muttern und/oder Stativadapter in die Schiene ein → setzen Sie die Endabdeckung zurück → schrauben Sie die 4 Schrauben wieder an → fertig!
10. **BEDIENFELD:** Multifunktions-Display + 4 Tasten zur Navigation im Setup-Menü. Siehe nachstehende Ausführungen.



11. **DISPLAY:** Anzeige der Informationen zur ausgewählten Funktion oder zum Betriebsmodus. Die linke Ziffer zeigt die Kanalnummer, die 3 anderen Ziffern zeigen den Kanalstatus an:
 - **Im Addressmenü:** Anzeige der Kanaladresse von 001 bis 512
 - **Im Modemenü:** Anzeige des Betriebsmodus. ("d" = Dimmermodus * "S" = Schaltmodus)
 - **Im Dimmenü und Standard-Display:** Anzeige des Kanal-Ausgangsstatus.
 - **Kanal in Dimmermodus:** Dimmerprozentzahl von 0% bis 100%

- **Kanal in Switchmodus:** "oN" = Ausgang 100% * "oFF" = Ausgang 0%
12. **MENU TASTE:** Bitte lesen Sie Einzelheiten zur Menüstruktur nach, nachstehend die Optionen:
 - **Browsen des Mainmenü:** Drücken Sie gleichzeitig MENU und UP/DOWN.
 - **Rückkehr ins Mainmenü:** Drücken Sie MENU zur Rückkehr ins Hauptmenü (Escapefunktion).
 - **Anzeige der Blackoutfunktion:** Drücken Sie gleichzeitig MENU und ENTER zum on/off schalten des Displays.
 13. **DOWN TASTE:** Bitte lesen Sie Einzelheiten zur Menüstruktur nach, nachstehend die Optionen:
 - **Browsen des Mainmenü:** Drücken Sie gleichzeitig MENU und UP/DOWN.
 - **Im Addressmenü:** Drücken Sie DOWN zur Herabsetzung der DMX-Adresse des ausgewählten Kanals (mit längerem Tastendruck Erhöhung der Geschwindigkeit).
 - **Im Modemenü:** Drücken Sie DOWN zum Umschalten des gewählten Kanals in Switchmodus.
 - **Im Dimmenü:** Drücken Sie DOWN zur Verringerung des Dimmerwerts (0~100%), sofern sich der gewählte Kanal in Dimmermodus befindet (mit längerem Tastendruck Erhöhung der Geschwindigkeit). Ist der gewählte Kanal auf Schaltmodus eingestellt, dann kann der Ausgang auf off eingestellt werden..
 14. **UP TASTE:** Bitte lesen Sie Einzelheiten zur Menüstruktur nach, nachstehend die Optionen:
 - **Browsen des Mainmenü:** Drücken Sie gleichzeitig MENU und UP/DOWN.
 - **Im Addressmenü:** Drücken Sie UP zur Erhöhung der DMX-Adresse des ausgewählten Kanals (mit längerem Tastendruck Erhöhung der Geschwindigkeit).
 - **Im Modemenü:** Drücken Sie UP zum Umschalten des gewählten Kanals in Dimmermodus.
 - **Im Dimmenü:** Drücken Sie UP zur Erhöhung des Dimmerwerts (0~100%), sofern sich der gewählte Kanal in Dimmermodus befindet (mit längerem Tastendruck Erhöhung der Geschwindigkeit). Ist der gewählte Kanal auf Switchmodus eingestellt, dann kann der Ausgang auf on eingestellt werden.
 15. **ENTER TASTE:** Bitte lesen Sie Einzelheiten zur Menüstruktur nach, nachstehend die Optionen:
 - **Im Mainmenü:** Drücken Sie ENTER zur Auswahl des gewünschten Untermenüs.
 - **Im Untermenü:** Drücken Sie ENTER zum Browsen durch die 4 Kanäle.
 - **Anzeige der Blackoutfunktion:** Drücken Sie gleichzeitig MENU und ENTER zum on/off schalten des Displays.
 16. **DMX PRESENT LED:** Die LED zeigt den DMX Status am Eingang (n°6) an:
 - **LED ist an:** es liegt kein DMX Signal am Eingang an.
 - **LED blinkt:** es liegt ein DMX Signal am Eingang an.

MENÜSTRUKTUR...

**MAINMENÜ:**

Menü zur Auswahl eines der 3 Untermenüs.

- Drücken Sie gleichzeitig MENU und UP/DOWN zum Browsen des Menüs.
- Drücken Sie ENTER zur Auswahl eines gewünschten Untermenüs.

ADDRESSMENÜ:

Menü zum Einstellen der DMX-Adresse der 4 Ausgangskanäle. Jeder Kanal kann auf eine spezifische DMX-Adresse eingestellt werden. Sie können ebenfalls 2 oder mehr Kanälen die gleiche DMX-Adresse zuteilen.

- Drücken Sie ENTER zum Browsen des Menüs.
- Nach Auswahl des gewünschten Kanals drücken Sie UP/DOWN zum Einstellen der Adresse.
- Drücken Sie MENU zur Rückkehr ins Hauptmenü.

MODEMENÜ:

Menü zum Einstellen des Betriebsmodus der 4 Ausgangskanäle.

- **DIM Modus:** Nutzen sie diesen Modus, wenn sie z.B. Scheinwerfer an diesem Ausgangs Kanal anschließen möchten. Sie können diesen Kanal von 0% - 100% dimmen.
- **SWITCH Modus:** Nutzen sie diesen Modus, wenn sie z.B. Lichteffekte an diesen Ausgangskanal anschließen möchten. Sie können nun diesen Ausgang zwischen AN und AUS schalten. Nun können sie über ihr DMX Steuergerät Lichteffekte an und ausschalten.
 - Drücken Sie ENTER zum Browsen des Menüs.

- Nach Auswahl des gewünschten Kanals drücken Sie UP/DOWN zum Einstellen des Betriebsmodus..
- Drücken Sie MENU zur Rückkehr ins Hauptmenü.

DIMMENÜ:

Unabhängiger Modus, alle Ausgangspegel können direkt im Bedienfeld eingestellt werden, es wird also kein Controller benötigt. Die Ausgangseinstellungen bleiben nach dem Ziehen des Netzsteckers erhalten. Hierdurch ist der DB-46 bei der Beleuchtung von Ausstellungsständen usw. besonders hilfreich.

- Drücken Sie ENTER zum Browsen des Menüs.
- Nach Auswahl des gewünschten Kanals drücken Sie UP/DOWN zum Einstellen des Ausgangspegels.
- Drücken Sie MENU zur Rückkehr ins Hauptmenü.

TECHNISCHE EINZELHEITEN

Netzspannung:	230Vac / 20A max. (4600Watts)
Schaltleistung:	4x 230Vac / max. 8A (1850Watts)
Kanalsicherungen:	250V/8A (Größe 20x5mm)
Eingangssicherung:	20A "auto reset" Sicherungsautomat
DMX Eingang:	3pin XLR Stecker
DMX Ausgang:	3pin XLR Buchse
Abmessungen:	152 x 9 x 7cm
Gewicht:	5,5kg

Technische Änderungen können auch ohne Vorankündigung vorgenommen werden!
 Sie können sich die neueste Version dieses Benutzerhandbuchs von unserer Website herunterladen: www.briteq-lighting.com

MANUAL DE FUNCIONAMIENTO

Gracias por comprar este producto BriTeQ®. Para sacar el máximo partido a todas las funciones, lea detenidamente estas instrucciones de funcionamiento.

CARACTERÍSTICAS

Esta unidad está a prueba de interferencias de radio. Este producto cumple los requisitos de las directrices nacionales y europeas actuales. Se ha establecido la conformidad y las instrucciones y documentos correspondientes han sido depositados por el fabricante.

- Barra motorizada de aluminio profesional de 4 tomas: 4x1,8kW (Max_{tot} = 4,6kW/20A)
- Mecanismo deslizante: puede distribuir sus proyectores uniformemente en la barra.
- Entradas/salidas DMX de bloqueo con indicador de presencia de POWER/DMX
- Pantalla LED de 4 dígitos con 4 botones para facilitar la navegación a través de los menús
 - Ajuste de dirección DMX: cada canal puede tener su propia dirección
 - Cada canal puede activarse por separado en modalidad de regulación de intensidad luminosa (dimmer) o switch
 - Preajustes separados para el regulador de intensidad luminosa con función de memoria para cada canal (no es necesario un controlador)
- 4 tomas de red eléctrica de alta calidad (schuko)
- Se incluye adaptador macho para TV estándar de 28 mm + adaptador de sección superior de 35 mm
- Entrada de alimentación de red eléctrica con Neutrik Powercon y fusible automático
- Fusibles de canal individuales con detectores de "fusible fundido"
- Todos los canales están equipados con triacs de 40A para optimizar la fiabilidad

ANTES DE UTILIZAR EL APARATO

Compruebe el contenido:

Compruebe que la caja contiene los siguientes elementos:

- Barra motorizada DB-46
- 4 conjuntos de pernos y tuercas para instalar los proyectores
- 1 adaptador macho de TV de 28 mm
- 1 adaptador de sección superior de 35 mm
- 1 cáncamo para izar
- Manual de usuario

Instrucciones importantes:

- Antes de comenzar a utilizar esta unidad, compruebe que no haya habido daños durante el transporte. Si observa algún daño, no utilice el dispositivo y consulte primero a su distribuidor.
- **Importante:** Este dispositivo ha salido de nuestras instalaciones en perfecto estado y bien embalado. Es absolutamente necesario que el usuario siga estrictamente estas instrucciones y advertencias de seguridad que aparecen en este manual de usuario. Cualquier daño producido por un manejo innecesario queda excluido de la garantía. El distribuidor no asumirá ninguna responsabilidad por cualquier defecto o problema que surja por no haber seguido el manual de usuario.
- Guarde este folleto en un lugar seguro para consultarlo en el futuro. Si vende este aparato más adelante, asegúrese de incluir este manual de usuario.
- Para proteger el medio ambiente, recicle el material de embalaje en la medida de lo posible.

INSTRUCCIONES DE SEGURIDAD:



PRECAUCIÓN: Para reducir el riesgo de descarga eléctrica, no quite la cubierta superior. No existen piezas en el interior que pueda mantener o reparar el usuario. Asigne el mantenimiento y las reparaciones a personal

cualificado.



El símbolo en forma de rayo con cabeza de flecha dentro de un triángulo equilátero se emplea para alertar sobre el uso o presencia de "voltaje peligroso" no aislado dentro de la carcasa del producto con la magnitud suficiente para constituir un riesgo de descarga eléctrica.



El signo de exclamación dentro del triángulo equilátero se emplea para alertar al usuario de la presencia de instrucciones de funcionamiento y mantenimiento importantes en el texto que acompaña a este aparato.



Este símbolo indica: Usar sólo en el interior.



Este símbolo indica: Leer las instrucciones.

- Para evitar incendios o riesgos de descarga, no exponga la unidad a la lluvia o a la humedad.
- Para evitar que se forme condensación en el interior, deje que la unidad se adapte a la temperatura exterior cuando la lleve a una habitación cálida después del transporte. A veces la condensación impide que la unidad funcione a pleno rendimiento y puede incluso provocar daños.
- Esta unidad sólo se puede usar en el interior.
- No coloque objetos metálicos ni derrame líquidos dentro del reproductor de la unidad. No deberá colocar en la unidad objetos con líquidos, como jarrones. Se pueden producir descargas eléctricas o fallos de funcionamiento. Si algún objeto extraño entra en la unidad, desconecte inmediatamente el suministro eléctrico.
- No coloque en el aparato fuentes de llamas, como velas encendidas.
- Evite el uso en ambientes con polvo y limpie la unidad regularmente.
- Mantenga la unidad lejos de los niños.
- Las personas sin experiencia no deben utilizar este aparato.
- La máxima temperatura ambiente para un funcionamiento seguro es de 40°C. No utilice la unidad a temperaturas ambiente superiores.
- Desenchufe siempre la unidad cuando no vaya a ser utilizada durante un largo periodo de tiempo o antes de comenzar el mantenimiento.
- La instalación eléctrica sólo debe ser llevada a cabo por personal cualificado, de acuerdo con la regulaciones sobre seguridad eléctrica y mecánica de su país.
- Compruebe que el voltaje disponible no supera el que se indica en el panel trasero de la unidad.
- La entrada de toma deberá permanecer operativa para la desconexión de la red eléctrica.
- El cable de alimentación siempre debe estar en perfecto estado: Apague la unidad inmediatamente cuando observe daños o desperfectos en el cable de alimentación.
- ¡Nunca deje que el cable de alimentación entre en contacto con otros cables!
- Este aparato debe conectarse a tierra para cumplir con las regulaciones sobre seguridad.
- Para evitar descargas eléctricas, no abra la cubierta. Aparte del fusible de red no hay piezas en el interior de este aparato que pueda mantener el usuario.
- **Nunca** repare un fusible ni derive el soporte del fusible. ¡Reemplace **siempre** el fusible dañado por un fusible del mismo tipo y especificación eléctrica!
- En caso de que ocurran problemas de funcionamiento serios, deje de utilizar el aparato y póngase en contacto con su distribuidor inmediatamente.
- Utilice el embalaje original cuando tenga que transportar el dispositivo.
- Por razones de seguridad se prohíbe realizar modificaciones no autorizadas en la unidad.

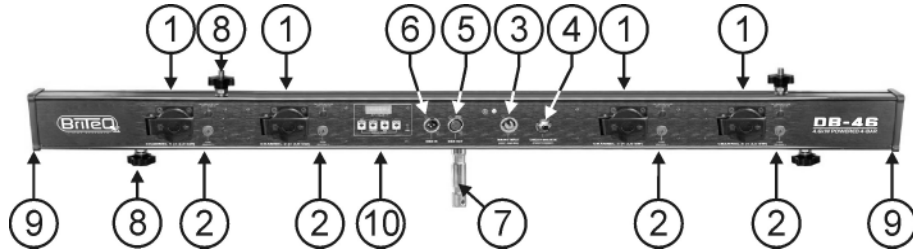
MANTENIMIENTO

Limpie con un paño pulido ligeramente empapado en agua. No deje entrar agua en la unidad. No utilice líquidos volátiles como bencina o diluyente, puesto que dañarán la unidad.

MONTAJE SUPERIOR

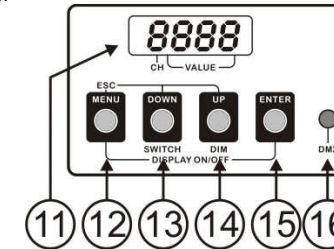
- **Importante:** La instalación sólo debe llevarse a cabo por personal técnico cualificado. Una instalación incorrecta puede provocar lesiones graves y/o daños en la propiedad. ¡El montaje superior requiere mucha experiencia! Deben respetarse los límites de carga de funcionamiento, deben utilizarse materiales de instalación homologados, el dispositivo instalado debe inspeccionarse regularmente por su seguridad.
- Asegúrese de que debajo del área del lugar de instalación no hay personas durante el montaje, desmontaje o mantenimiento.
- Coloque el aparato en un lugar bien ventilado, lejos de materiales y/o líquidos inflamables. El aparato debe colocarse a al menos 50 cm de las paredes.
- El dispositivo debe instalarse lejos del alcance de las personas y de las áreas exteriores donde éstas puedan andar o sentarse.
- Antes del montaje asegúrese de que el área de la instalación puede soportar una carga mínima de 10 veces el peso de la unidad.
- Utilice siempre un cable de seguridad homologado que pueda soportar 12 veces el peso del dispositivo cuando instale la unidad. Este accesorio de seguridad secundario debe instalarse de forma que ninguna pieza de la instalación pueda caerse más de 20 cm si falla el accesorio principal.
- El dispositivo debe fijarse correctamente; un montaje con giro libre es peligroso y no debe considerarse!
- No cubra ninguna abertura de ventilación puesto que podría producirse un sobrecalentamiento de la unidad.
- El operario debe asegurarse de que las instalaciones relacionadas con la seguridad son aprobadas por un experto antes de utilizarlas por primera vez. Las instalaciones deberán inspeccionarse anualmente por una persona cualificada para asegurar que la seguridad es óptima.

FUNCIONES



- SALIDAS DE CANAL:** Cada salida de canal dispone de su propia toma de salida para conectar cualquier proyector resistivo o inductivo y pequeños efectos luminosos.
 - FUSIBLES DE CANAL:** Cada canal está equipado con un fusible y un detector de "fusible fundido". El detector se enciende cuando detecta que se ha fundido el fusible. Sustituya siempre el fusible fundido por un fusible de las mismas características. (250V/8A).
- NOTA IMPORTANTE:** Es muy importante saber que la carga máxima para cada canal es 8A o 1850 W. No obstante, puede que la carga total para los 4 canales no exceda de 20A o 4600W.
- ENTRADA DE ALIMENTACIÓN:** Entrada de red eléctrica, equipada con Neutrik Powercon®, asegúrese de que el voltaje local es de 230Vca y de que los proyectores (y/efectos luminosos) están correctamente conectados a las tomas de salida del canal (1) antes de conectar un cable de red conectado a tierra en esta entrada. La máxima carga total es de 20A o 4600W.
 - FUSIBLE DE ENTRADA:** Se trata de un disyuntor automático. Cuando se funda el fusible, localice y solucione primero el problema que ha provocado que se funda el fusible. Cuando haya solucionado el problema, pulse simplemente el botón para restaurar el disyuntor.
 - SALIDA DMX:** El conector hembra XLR de 3 clavijas se utiliza para conectar el DB-46 con la siguiente unidad en la cadena DMX.
 - ENTRADA DMX:** El conector macho XLR de 3 clavijas se utiliza para conectar cables DMX universales. Esta entrada recibe instrucciones del controlador DMX.

- ADAPTADOR DE SOPORTE:** Se utiliza para colocar fácilmente la unidad DB-46 en un soporte de luz. Se incluyen dos adaptadores de soporte diferentes (consulte también el número 9 para más información):
 - **Adaptador de 35 mm:** Se utiliza en soportes con una sección estándar de 35 mm.
 - **Soporte macho de TV de 28 mm:** Se utiliza en soportes equipados con un adaptador macho de TV en la parte superior.
- MECANISMO DESLIZANTE:** Se utiliza para distribuir uniformemente los proyectores en el DB-46. Consulte el número 9 para obtener más información.
- TAPA DE EXTREMO:** Para instalar los pernos/tuercas (necesarios para instalar los proyectores) y el adaptador de soporte, debe retirar esta tapa de extremo en un lado de la unidad: desenrosque simplemente los 4 tornillos → retire la tapa → coloque las tuercas/pernos y/o adaptador de soporte en el rail deslizante → vuelva a colocar la tapa en su sitio → instale los 4 tornillos → ¡ya está!
- PANEL DE CONTROL:** Pantalla multifuncional + 4 botones para navegar por el menú de configuración. Consulte los números abajo.



- PANTALLA:** Muestra la información relacionada con la función o modalidad de trabajo seleccionadas. El dígito a la izquierda muestra el número de canal, los 3 otros dígitos muestran el estado de canal:
 - **En el menú de dirección:** Se muestra la dirección de canal que va de 001 a 512
 - **En el menú de modalidad:** Se muestra la modalidad de trabajo. ("d" = modalidad dimmer (regulador de intensidad luminosa) * "S" = modalidad switch (interruptor)).
 - **En el menú dim y pantalla estándar:** Se muestra el estado de la salida de canal.
 - **Canal en modalidad dimmer:** porcentaje del regulador de intensidad luminosa, que va de 0% a 100%
 - **Canal en modalidad switch:** "oN" = salida 100% * "oFF" = salida 0%
- BOTÓN MENU:** Consulte la estructura del menú para conocer los diferentes menús. Estas son las distintas posibilidades:
 - **Explorar el menú principal:** Pulse el botón MENU junto con los botones UP/DOWN.
 - **Volver al menú principal:** Para volver al menú principal, pulse el botón MENU. (Función escape)
 - **Mostrar función de oscurecimiento:** Pulse el botón MENU junto con el botón ENTER para encender/apagar la pantalla.
- BOTÓN DOWN:** Consulte la estructura del menú para conocer los diferentes menús. Estas son las distintas posibilidades:
 - **Explorar el menú principal:** Pulse el botón MENU junto con los botones UP/DOWN.
 - **En el menú de dirección:** Pulse el botón DOWN para reducir la dirección DMX del canal seleccionado. (Pulse el botón durante más tiempo para aumentar la velocidad).
 - **En el menú de modalidad:** Pulse el botón DOWN para establecer el canal deseado en modalidad switch.
 - **En el menú dim:** Pulse el botón DOWN para reducir el valor del regulador de intensidad luminosa (0~100%) cuando el canal seleccionado esté en modalidad dimmer. (Pulse el botón durante más tiempo para aumentar la velocidad). Cuando establezca el canal deseado en modalidad switch, puede desactivar la emisión.
- BOTÓN UP:** Consulte la estructura del menú para conocer los diferentes menús. Estas son las distintas posibilidades:
 - **Explorar el menú principal:** Pulse el botón MENU junto con los botones UP/DOWN.
 - **En el menú de dirección:** Pulse el botón UP para aumentar la dirección DMX del canal seleccionado. (Pulse el botón durante más tiempo para aumentar la velocidad).
 - **En el menú de modalidad:** Pulse el botón UP para establecer el canal deseado en modalidad dimmer.

- En el menú **dim**: Pulse el botón UP para aumentar el valor del regulador de intensidad luminosa (0~100%) cuando el canal seleccionado esté en modalidad dimmer. (Pulse el botón durante más tiempo para aumentar la velocidad). Cuando establezca el canal deseado en modalidad switch, puede activar la emisión.

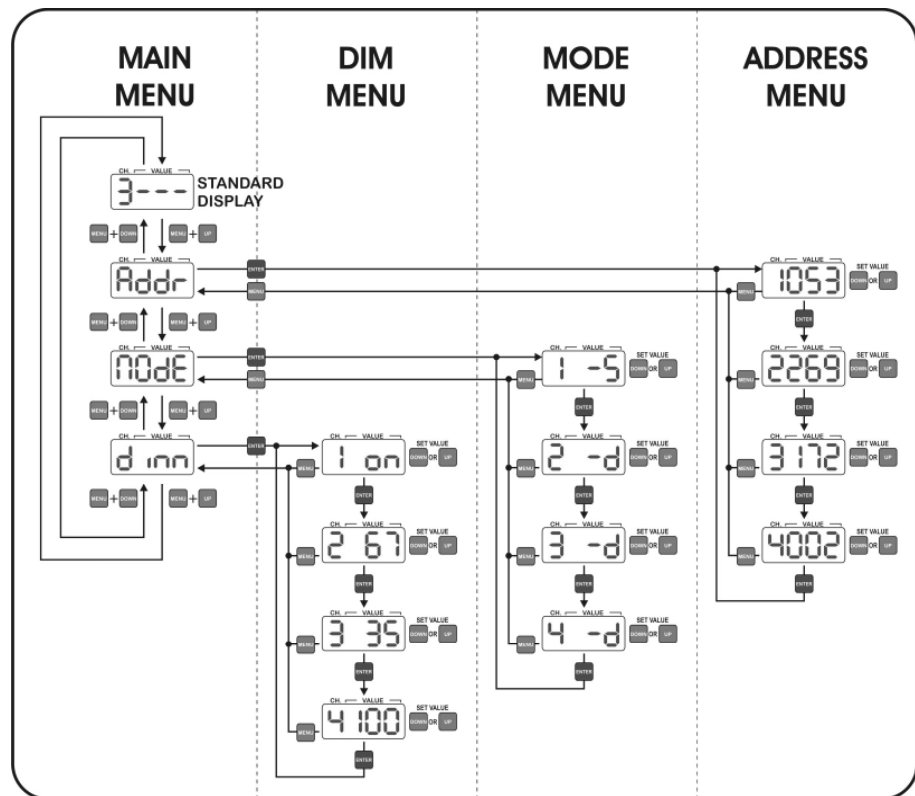
15. BOTÓN ENTER: Consulte la estructura del menú para conocer los diferentes menús. Estas son las distintas posibilidades:

- **En el menú principal:** Pulse el botón ENTER para seleccionar el submenú que desee.
- **En un submenú:** Pulse el botón ENTER para explorar a través de los 4 canales.
- **Mostrar función de oscurecimiento:** Pulse el botón MENU junto con el botón ENTER para encender/apagar la pantalla.

16. LED DE DMX PRESENTE: Este LED indica si la unidad recibe señal DMX en la entrada DMX (n°6):

- **LED encendido:** No se detecta señal DMX en la entrada.
- **LED parpadeando:** Se detecta señal DMX en la entrada.

ESTRUCTURA DE MENÚ...



MENÚ PRINCIPAL:

Este menú se utiliza para seleccionar uno de los 3 submenús.

- Pulse el botón MENU junto con los botones UP/DOWN para explorar el menú.
- Pulse el botón ENTER para seleccionar el submenú que desee.

MENÚ DE DIRECCIÓN:

Este menú se utiliza para establecer la dirección DMX de los 4 canales de salida. Cada canal puede establecerse en una dirección DMX única. Puede incluso proporcionar 2 o más canales a la misma dirección DMX.

- Pulse el botón ENTER para explorar a través del menú.
- Una vez que haya seleccionado el canal deseado, pulse los botones UP/DOWN para establecer una dirección.
- Para volver al menú principal, pulse el botón MENU.

MENÚ DE MODALIDAD :

Este menú se utiliza para establecer la modalidad de trabajo de los 4 canales de salida.

- **Modalidad DIM:** Utilice esta modalidad cuando conecte lámparas (proyectores) en este canal de salida. Podrá regular suavemente la intensidad luminosa entre 0% y 100%.
- **Modalidad SWITCH:** Utilice esta modalidad cuando conecte pequeños efectos luminosos en este canal de salida. Puede cambiar la salida entre ON (100% salida) y OFF (0% salida). Ahora puede activar o desactivar pequeños efectos luminosos con su controlador DMX.
 - Pulse el botón ENTER para explorar a través del menú.
 - Una vez que haya seleccionado el canal deseado, pulse los botones UP/DOWN para establecer una modalidad de trabajo.
 - Para volver al menú principal, pulse el botón MENU.

MENÚ DIM:

Esta es la modalidad independiente, todos los niveles de salida pueden establecerse directamente en el panel de control por lo que no es necesario un controlador. Es importante saber que los ajustes de salida se conservan cuando la unidad se desconecta de la red eléctrica. Esto hace que la unidad DB-46 sea muy útil para iluminar puestos de exhibición.

- Pulse el botón ENTER para explorar a través del menú.
- Una vez que haya seleccionado el canal deseado, pulse los botones UP/DOWN para establecer un nivel de salida.
- Para volver al menú principal, pulse el botón MENU.

ESPECIFICACIONES

- Entrada de alimentación:** 230Vca / 20A máximo (4600W)
- Salidas de potencia:** 4x 230Vca / máx. 8A (1850W)
- Fusibles de canal:** 250V/8A (tamaño 20x5mm)
- Fusible de entrada:** Disyuntor térmico de restauración automática de 20A
- Entrada DMX:** XLR macho 3 clavijas
- Salida DMX:** XLR hembra 3 clavijas
- Tamaño:** 152 x 9 x 7 cm
- Peso:** 5,5 kg

Toda la información está sujeta a cambios sin previo aviso

Puede descargar la última versión de este manual de usuario en nuestra página Web: www.briteq-lighting.com