

Note!
Bemærk!
Achtung!

A noter
Attention!
Obs!

¡Atención!
Attenzione!
Atenção!

Huomaa!
注意!
Προσοχή!

Внимание!
Megjegyzés!
Uwaga!

Dikkat!
Upozornění!
Pozor!

Opomba!
注意!
ملاحظة!



Wrong
Forkert
Falsch!

Faux
Fout!
Fel!

¡Incorrecto!
Sbagliato!
Errado!

Väärin!
错误!
Λάθος!

Неправильно!
Hibás!
Nieprawidłowo!

Yanlış!
Špatně!
Nesprávne!

Napačno!
間違い!
خطا!



Correct
Korrekt
Richtig!

Vrai
Goed!
Rätt!

¡Correcto!
Giusto!
Correto!

Oikein!
正确!
Σωστό!

Правильно!
Megfelelo!
Prawidłowo!

Doğru!
Správně!
Správne!

Pravilno!
正しい!
صحيح!



Listen
Lyt
Hören!

Ecoutez!
Luister!
Lyssna!

¡Escuche!
Ascoltare!
Ouça!

Kuuntele!
倾听!
Ακούστε!

Слушайте!
Hallgassa meg!
Sluchaj!

Dinle!
Poslouchajte!
Počúvajte!

Poslušajte!
聴取!
استمع!

Declaration of Conformity

We, Jamo A/S
Elmevej 8
7870 Glyngøre
Denmark

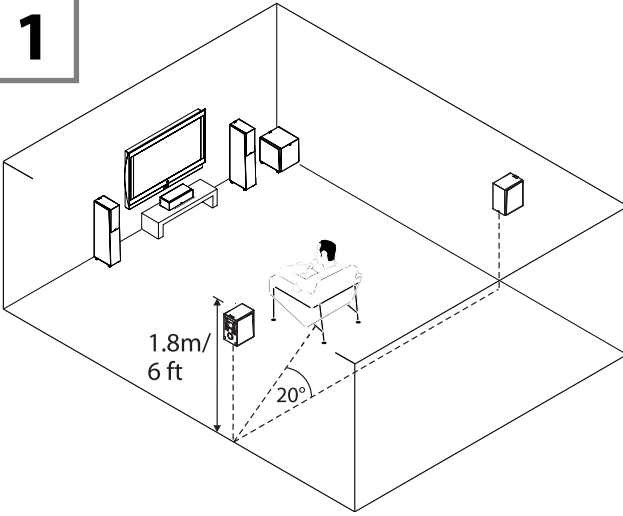


Declare in own responsibility, that the Jamo product described in this instruction manual is in compliance with the corresponding technical standards such as EN60065, EN55013 and EN61000-3-2

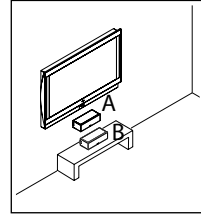
Glyngøre, Denmark

Jens Portefée Hansen
Jens Portefée Hansen

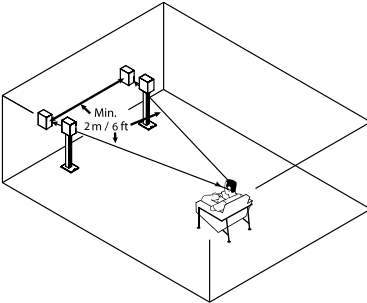
1



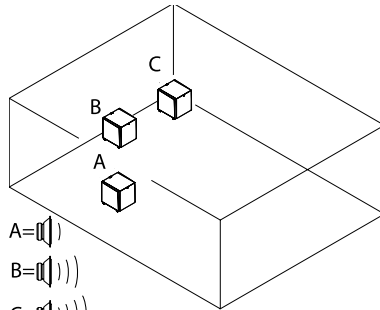
E 7CEN



E 700

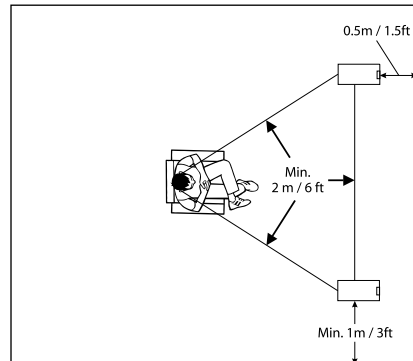
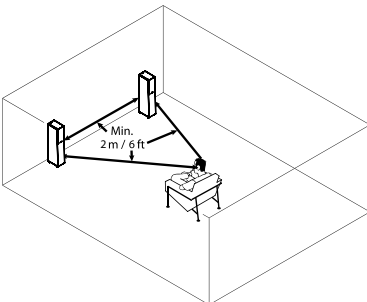


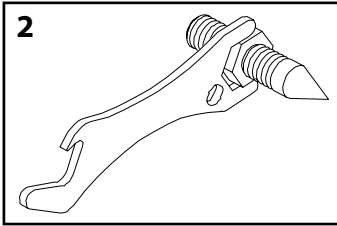
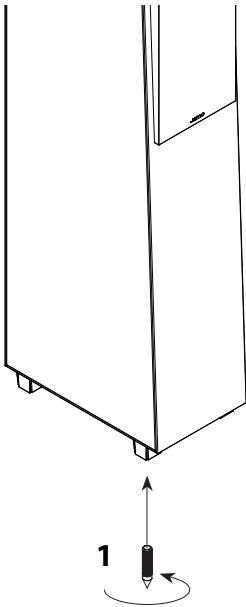
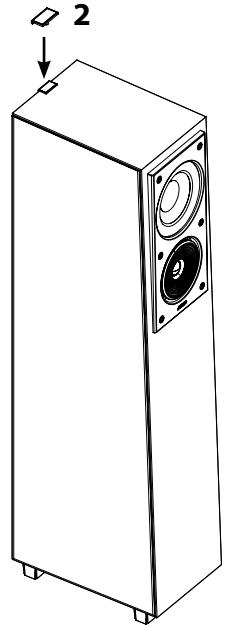
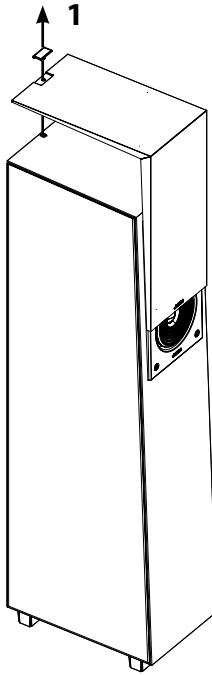
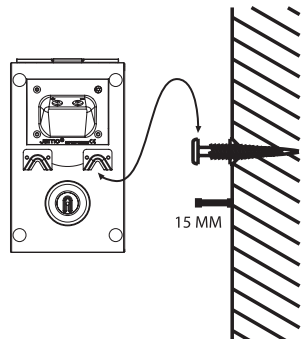
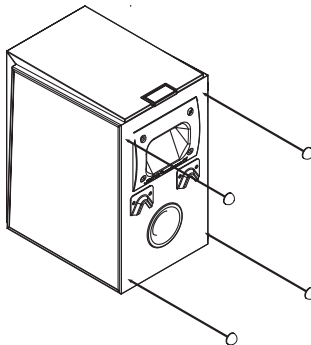
E 7SUB



- A= (|)
- B= (|))
- C= (|)))

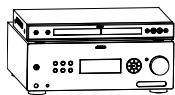
E 750/E 770



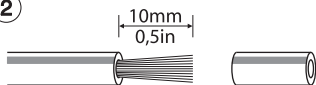
2**3****4**

5

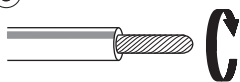
1



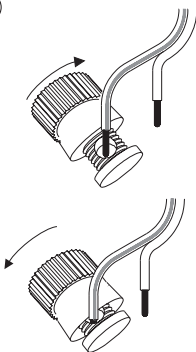
2



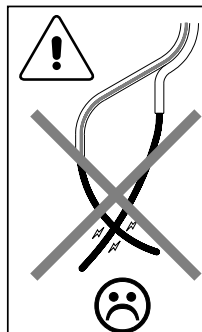
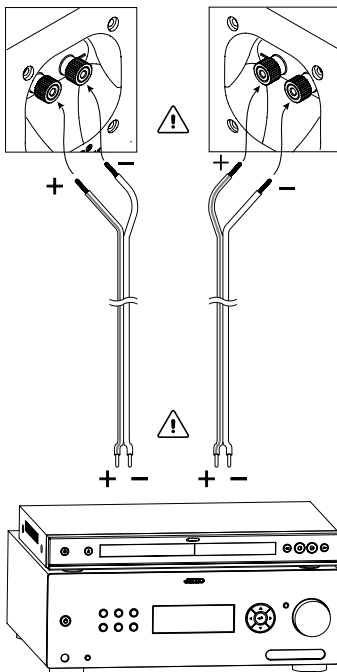
3



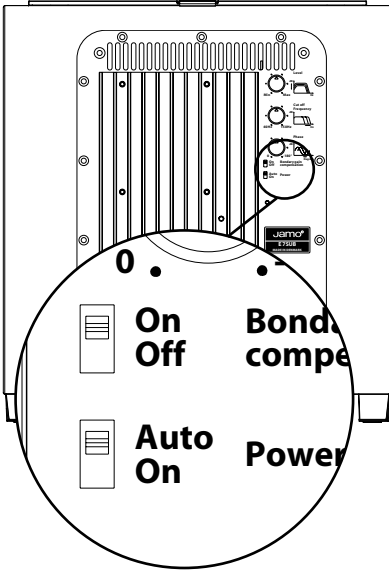
4



5




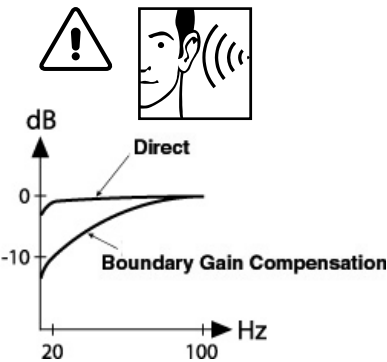
6



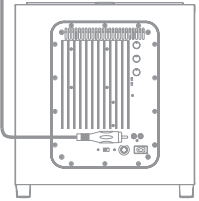
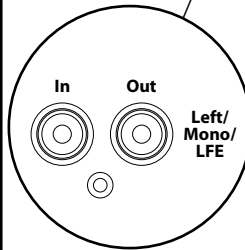
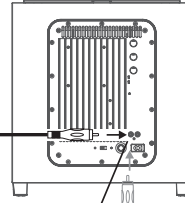
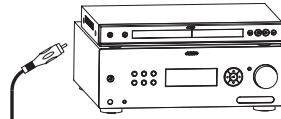
OFF → 

AUTO STANDBY/ON → 

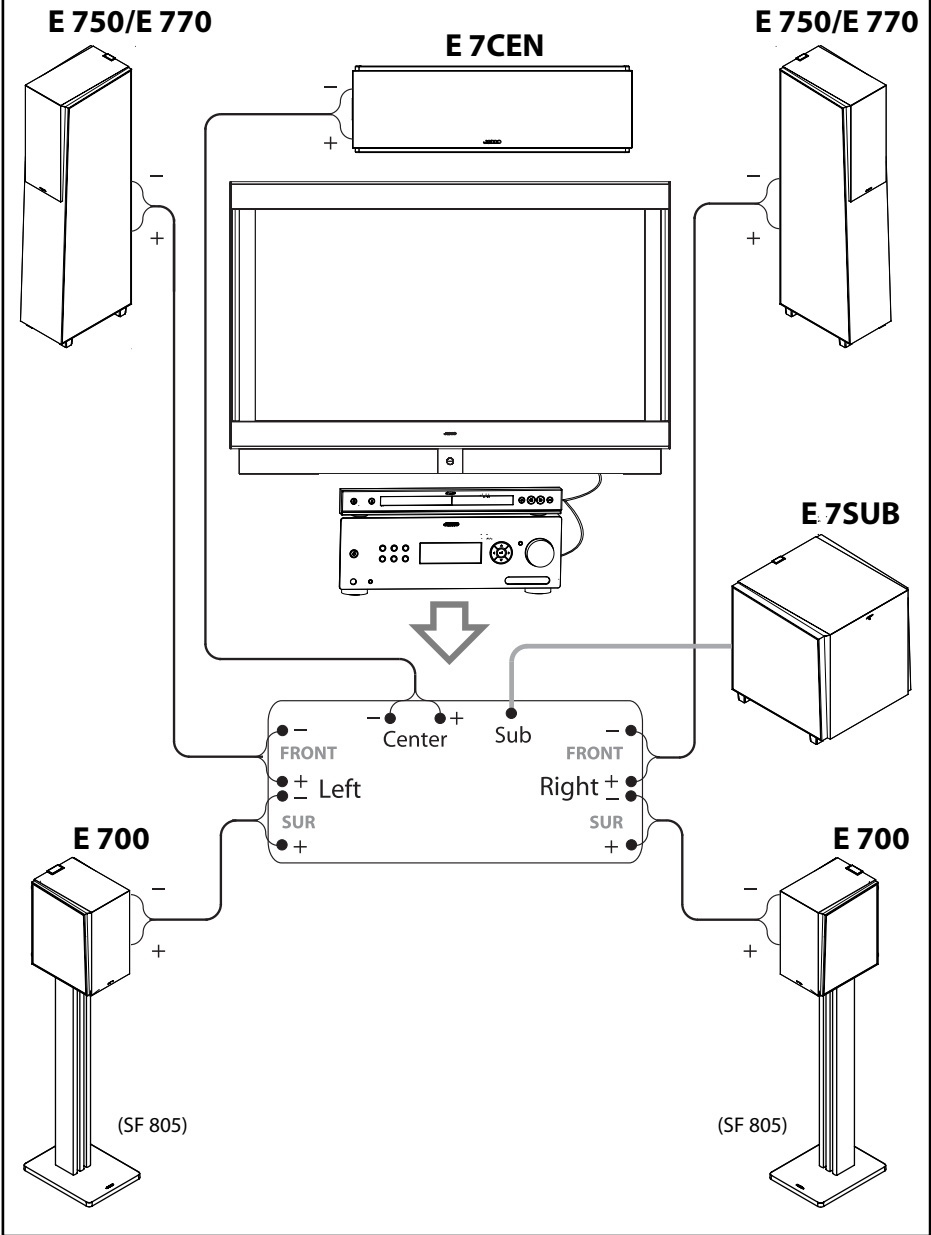
ON → 



7

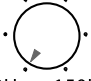


8




9


Cut off Frequency



40Hz 150Hz

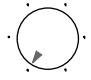


E 750/E770






E 700

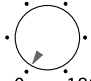
Level



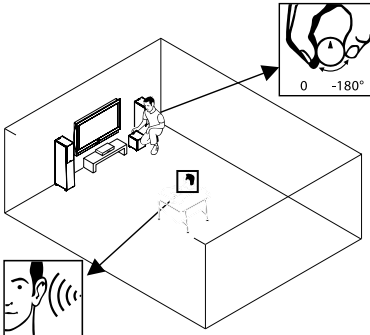
MIN MAX



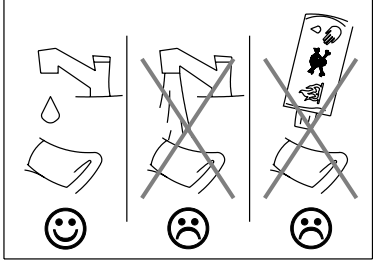
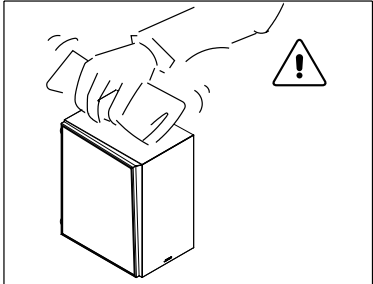




Phase



0 -180°



0 -180°



10**Type E 700**

System basreflex
 Woofer 4"
 Tweeter 1" (neodyn.)
 Long term power [W] 100/80
 Short term power [W] 140/112
 Sensitivity [dB/2,8V/1 m] 85/84
 Frequency range [Hz] 70-20k
 Crossover frequency [Hz] 2500
 Impedance [Ohm] 6/4,8
 Dimensions [HxWxD] 238x140x165

Type E 7CEN

System basreflex
 Woofer 2 x 4"
 Tweeter 1" (neodyn.)
 Long term power [W] 100/100
 Short term power [W] 140/140
 Sensitivity [dB/2,8V/1 m] 87/85
 Frequency range [Hz] 100-20k
 Crossover frequency [Hz] 2500
 Impedance [Ohm] 6/4,8
 Dimensions [HxWxD] 142x440x170

Type E 750

System basreflex
 Woofer 5½"
 Midrange 5.25"
 Tweeter 1" (neodyn.)
 Long term power [W] 140/100
 Short term power [W] 200/140
 Sensitivity [dB/2,8V/1 m] 89/89
 Frequency range [Hz] 42-20k
 Crossover frequency [Hz] 150-2500
 Impedance [Ohm] 6/3,2
 Dimensions [HxWxD] 912x185x315

Type E 7SUB

System closed
 Woofer 10"
 Frequency range [Hz] 25-150
 Impedance [Ohm] 22k
 Phase adj. 0-180 deg.
 Cut off frequency [Hz] 40-150
 Amplifier rated output [W] 675 w peak
 Limiter yes
 Dimensions [HxWxD] 375x375x375

Type E 770

System basreflex
 Woofer 6½"
 Midrange 6½"
 Tweeter 1" (neodyn.)
 Long term power [W] 150/100
 Short term power [W] 220/140
 Sensitivity [dB/2,8V/1 m] 90/90
 Frequency range [Hz] 35-20k
 Crossover frequency [Hz] 150/2500
 Impedance [Ohm] 6/3,2
 Dimensions [HxWxD] 998x195x320