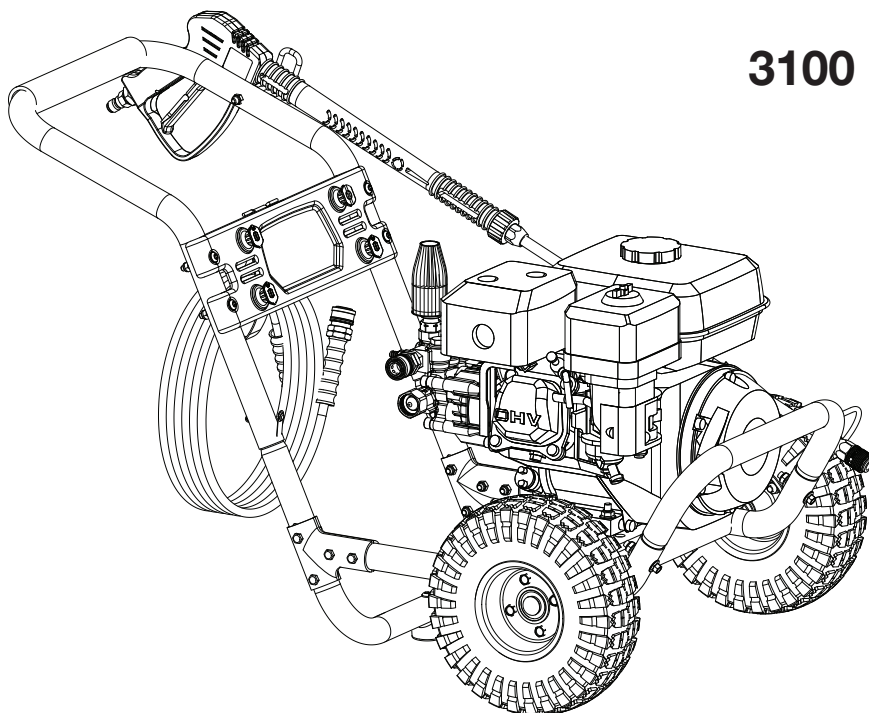


# Homelite®

## PRO

# OPERATOR'S MANUAL

MANUEL D'UTILISATION  
MANUAL DEL OPERADOR



## 3100 PSI PRESSURE WASHER

NETTOYEUR HAUTE PRESSION  
DE 3100 PSI

LAVADORA A PRESIÓN  
DE 3100 PSI

### HL80923

Your pressure washer has been engineered and manufactured to our high standard for dependability, ease of operation, and operator safety. When properly cared for, it will give you years of rugged, trouble-free performance.

**⚠ WARNING:** To reduce the risk of injury, the user must read and understand the operator's manual before using this product.

Thank you for your purchase.

## SAVE THIS MANUAL FOR FUTURE REFERENCE

Ce nettoyeur haute pression a été conçu et fabriqué conformément aux strictes normes de fiabilité, simplicité d'emploi et sécurité d'utilisation. Correctement entretenu, il vous donnera des années de fonctionnement robuste et sans problème.

**⚠ AVERTISSEMENT :** Pour réduire les risques de blessures, l'utilisateur doit lire et veiller à bien comprendre le manuel d'utilisation avant d'utiliser ce produit.

Merci de votre achat.

**CONSERVER CE MANUEL POUR  
FUTURE RÉFÉRENCE**

Su lavadora de presión ha sido diseñada y fabricada de conformidad con las estrictas normas para brindar fiabilidad, facilidad de uso y seguridad para el operador. Con el debido cuidado, le brindará muchos años de sólido y eficiente funcionamiento.

**⚠ ADVERTENCIA:** Para reducir el riesgo de lesiones, el usuario debe leer y comprender el manual del operador antes de usar este producto.

Le agradecemos su compra.

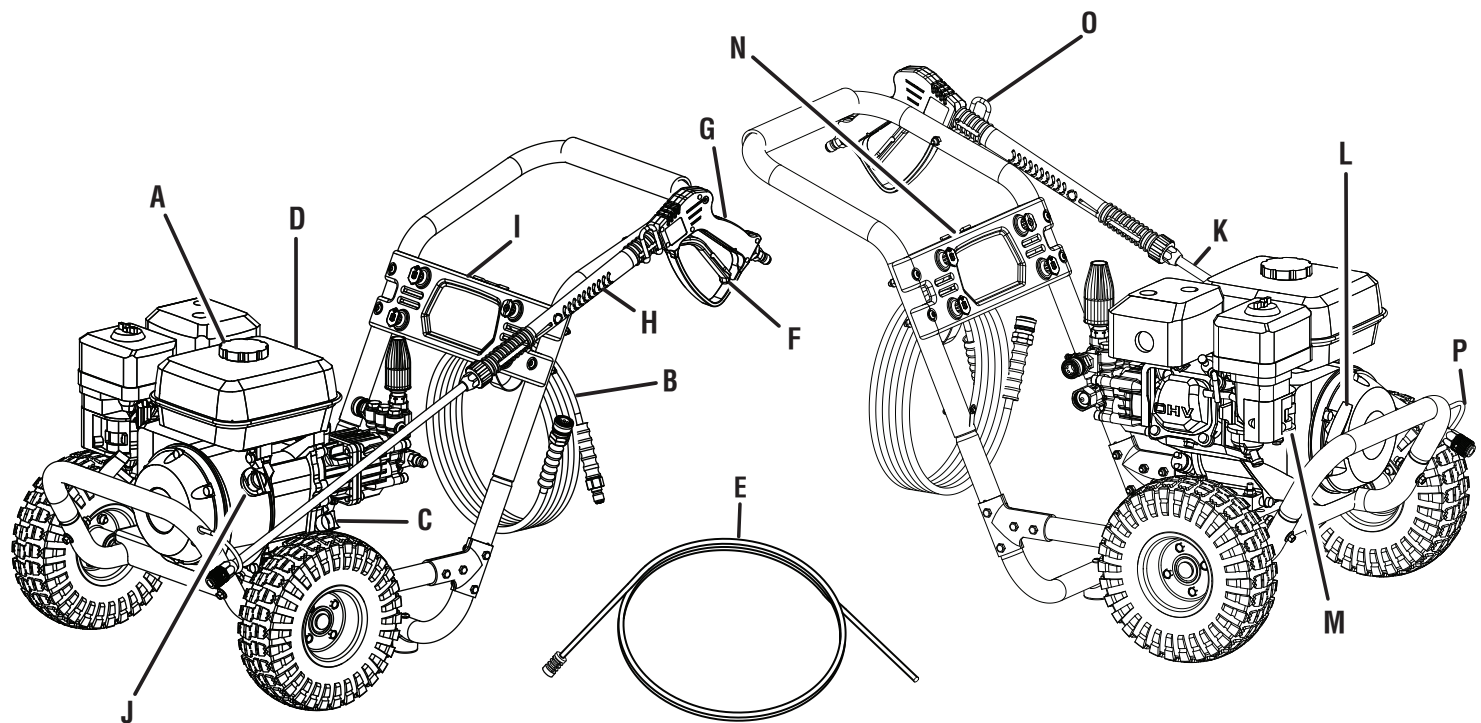
**GUARDE ESTE MANUAL PARA  
FUTURAS CONSULTAS**

See this fold-out section for all of the figures referenced in the operator's manual.

Consulter l'encart à volets afin d'examiner toutes les figures mentionnées dans le manuel d'utilisation.

Consulte esta sección desplegable para ver todas las figuras a las que se hace referencia en el manual del operador.

Fig. 1

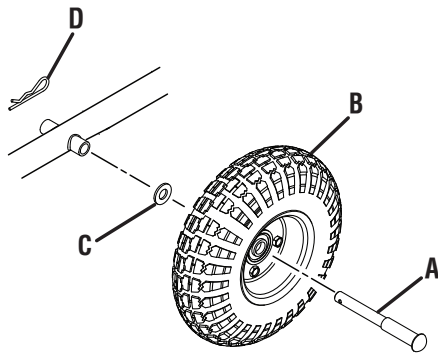


A - Fuel cap (bouchon de carburant, tapa del combustible)  
 B - High pressure hose (manguera de alta presión)  
 C - Oil cap/dipstick (bouchon/jauge d'huile, tapa del aceite con varilla de nivel)  
 D - Fuel tank (réservoir de carburant, tanque de combustible)  
 E - Injection hose (d'injection transparent, manguera de inyección)

F - Trigger with lock out (gâchette avec verouillage, gatillo con seguro)  
 G - Trigger handle (poignée de gâchette, mango del gatillo)  
 H - Handle (poignée, mango)  
 I - Nozzle storage (buses et rangement de buse, boquillas y compartimientos para boquillas)  
 J - Engine switch (commutateur du moteur, interruptor del motor)  
 K - Spray wand (lance de pulvérisation, tubo rociador)

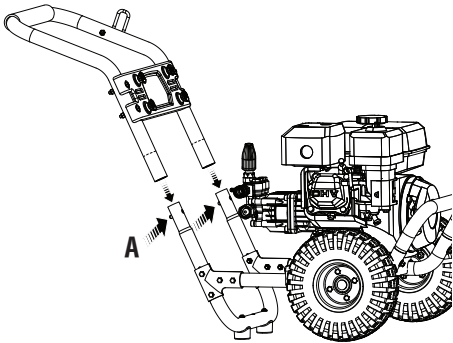
L - Recoil starter (lanceur à rappel, arrancador rétractil)  
 M - Choke (volet de départ, anegador)  
 N - Hose storage (rangement de flexibles, compartiment pour mangueras)  
 O - Trigger handle storage (entreposage de la poignée à gâchette, almacenamiento del mango de gatillo)  
 P - Spray wand storage (zone de rangement de la lance de pulvérisation, almacenamiento del tubo rociador)

**Fig. 2**



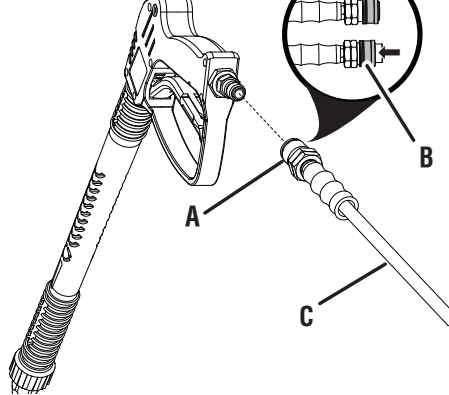
- A - Axle (essieu, eje)
- B - Wheel (roue, rueda)
- C - Washer (rondelle, conector)
- D - Hitch pin (goupille de sûreté, pasador del enganche)

**Fig. 3**



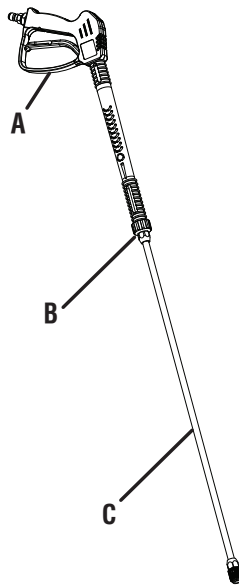
- A - Push to insert (capuchon de verrouillage du manche, tapa de aseguramiento del mango)

**Fig. 4**



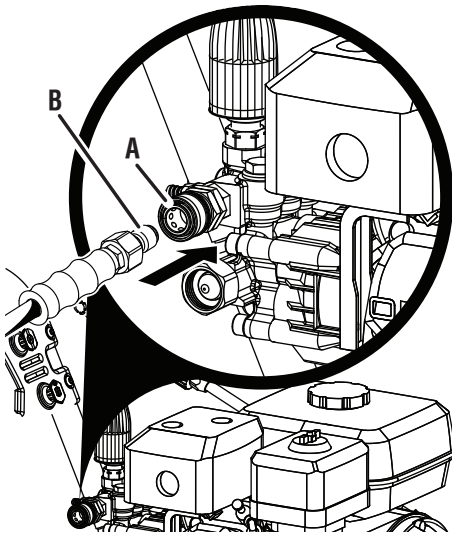
- A - Collar (collier, collar)
- B - Pull back and hold collar (tirer la collier vers l'arrière et la maintenir en place, tire y sujete el collar)
- C - High pressure hose (tuyau haute pression, manguera de alta presión)

**Fig. 5**



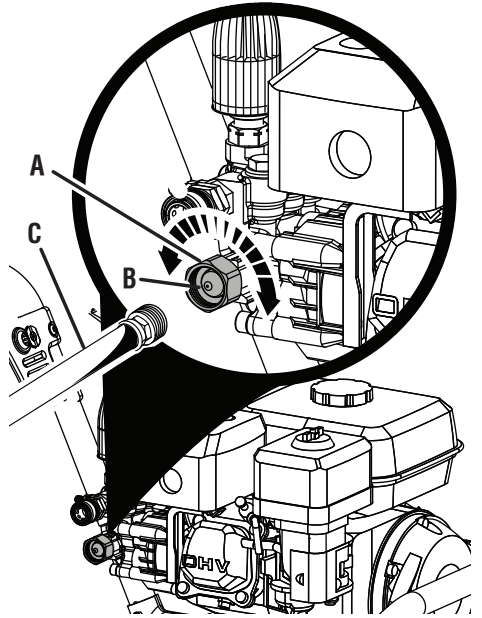
- A - Trigger handle (poignée à gâchette, mango del gatillo)
- B - Connector (connecteur, conector)
- C - Spray wand (lance de pulvérisation, tubo de rociado)

**Fig. 6**



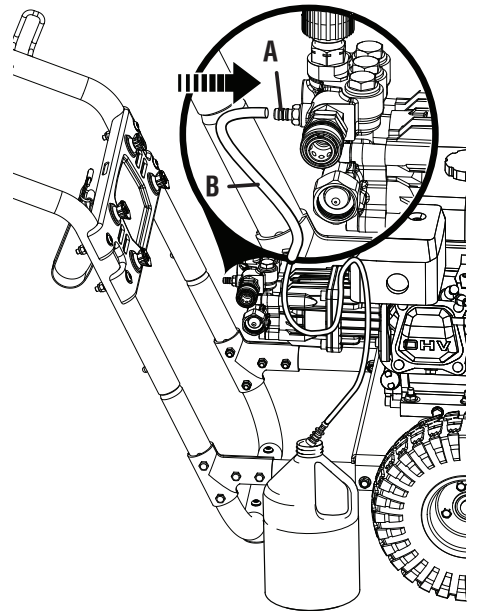
- A - Collar (collier, collar)
- B - High pressure hose quick connect nozzle (buse à connexion rapide du tuyau flexible haute pression, boquilla de conexión rápida para manguera de alta presión)

**Fig. 7**



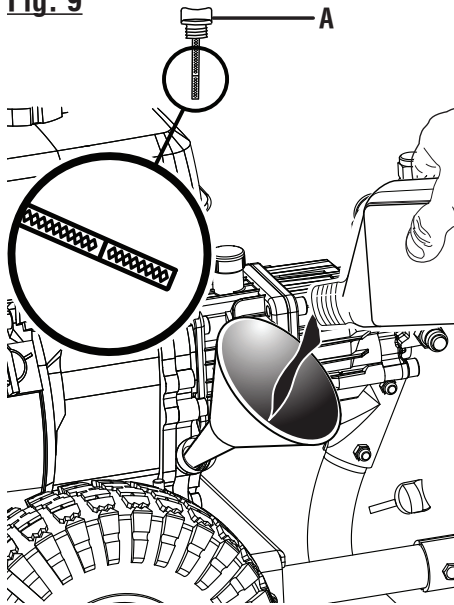
- A - Water intake (rise d'eau, entrada de agua)
- B - Screen (tamis, cedazo)
- C - Garden hose (tuyau d'arrosage, manguera de jardín)

**Fig. 8**



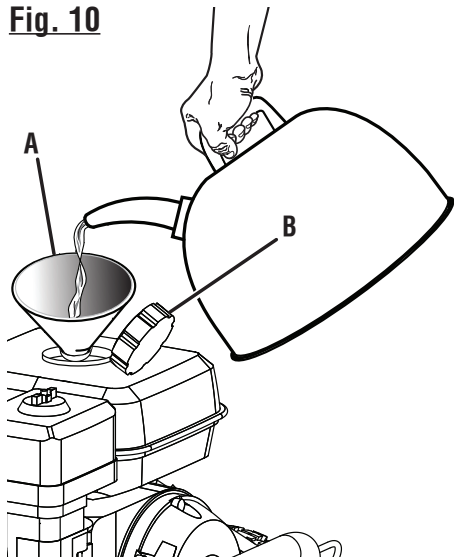
- A - Injection hose fitting (raccord du flexible d'injection, adaptador de la manguera de inyección)
- B - Injection hose (flexible d'injection, manguera de inyección)

**Fig. 9**



A - Oil cap/dipstick (bouchon / jauge d'huile, tapa del aceite con varilla de nivel)

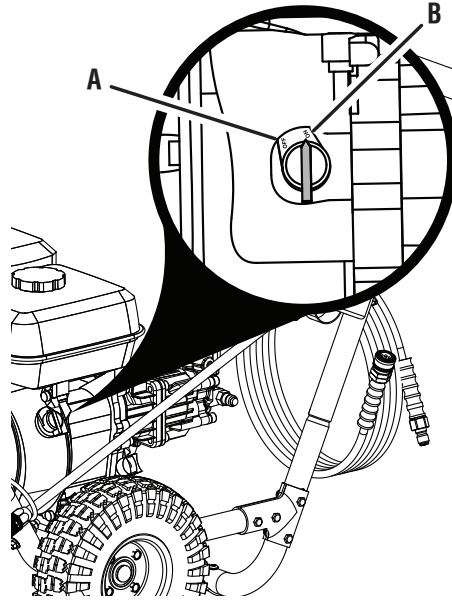
**Fig. 10**



A - Funnel (entonnoir, embudo)  
 B - Fuel cap (bouchon du réservoir bouchon du réservoir, tapa del tanque de combustible)

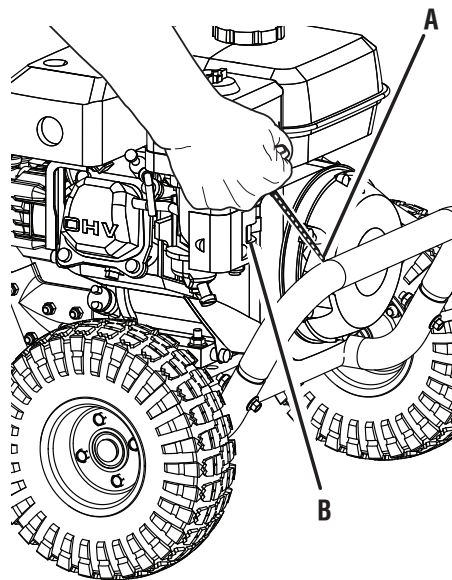
**Fig. 11**

**ENGINE SWITCH  
 COMMUTATEUR DE MOTEUR  
 INTERRUPTOR DEL MOTOR**



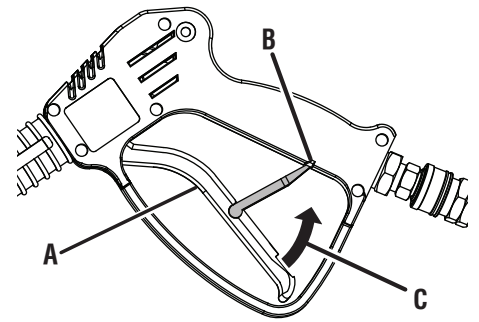
A - OFF (arrêt, apagado)  
 B - ON (marche, encendido)

**Fig. 12**



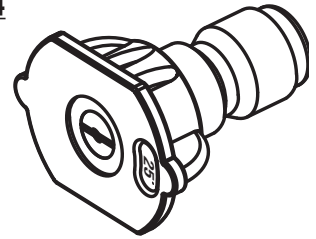
A - Recoil starter (lanceur à rappel, arrancador rétractil)  
 B - Choke (volet de départ, anegador)

**Fig. 13**



A - Trigger (gâchette, gatillo)  
 B - Slot (fente, ranura)  
 C - Lock Out (bouton de verrouillage, seguro)

**Fig. 14**



**NOZZLE PATTERNS:**

- 40° - Gentle rinse
- 25° - General purpose or large surfaces
- 0° - Spot cleaning or high-to-reach areas
- Black nozzle** - Detergent application

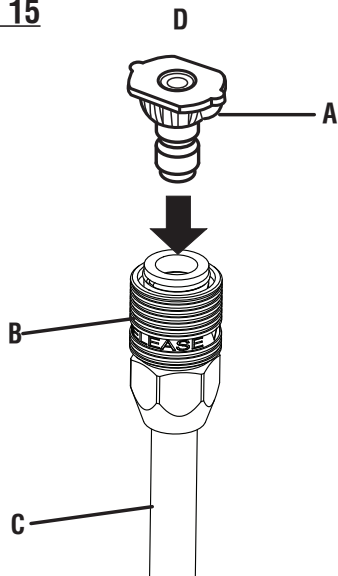
**DIFFÉRENTES CONFIGURATIONS :**

- 40° - Rinçage délicat
- 25° - Général ou grandes surfaces
- 0° - nettoyage d'endroit ou pour les endroits difficiles d'accès
- Buse noir** - application de détergente

**PATRONES DE ROCIADO:**

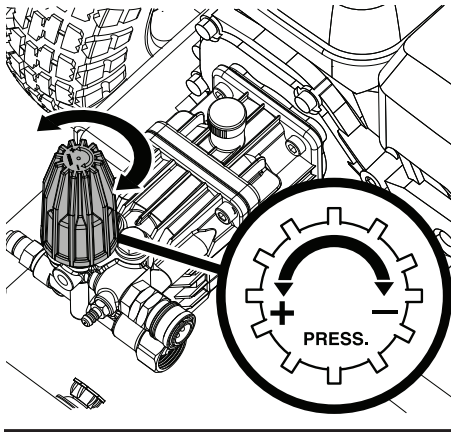
- 40° - Enjuague leve
- 25° - Propósito general o superficies grandes
- 0° - Limpiar de lugar o para las partes de difícil acceso
- Negra boquilla** - aplicación de detergente

**Fig. 15**

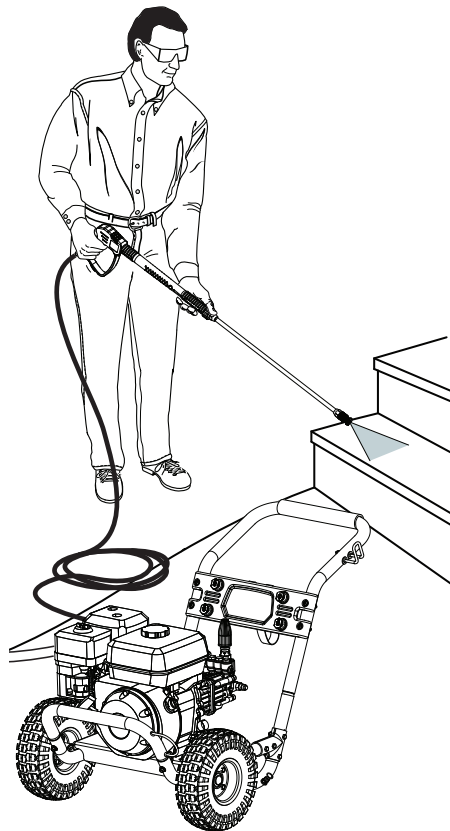


- A - Nozzle (embout, boquilla)
- B - Quick-connect collar (collier à ressort, collar de conexión rápida)
- C - Spray wand (lance de pulvérisation, tubo de rociador)
- D - Push the nozzle until it clicks in place (pousser la buse jusqu'à ce qu'elle s'enclenche en place, empuje la boquilla hasta que entre con un chasquido en su lugar)

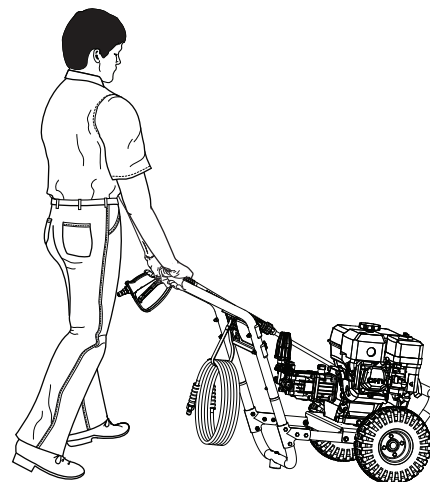
**Fig. 16**



**Fig. 17**

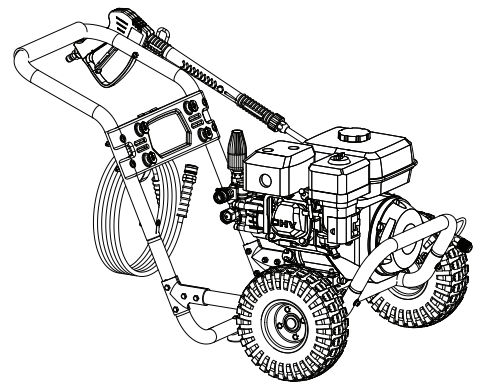


**Fig. 18**



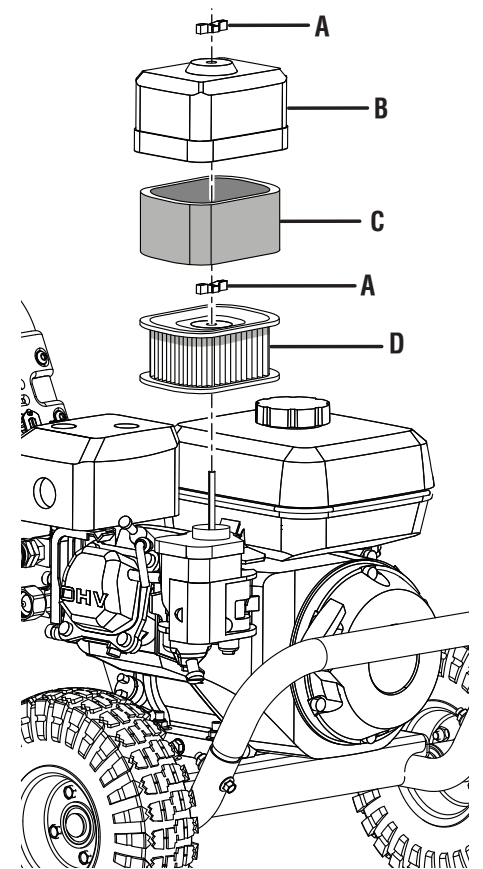
**TO MOVE THE MACHINE  
DÉPLACEMENT DE LA MACHINE  
PARA MOVER LA MÁQUINA**

**Fig. 19**



**TO STORE THE MACHINE  
REMISAGE DE LA MACHINE  
PARA GUARDAR LA MÁQUINA**

**Fig. 20**



- A - Wing nut (écrou à oreilles, tuerca de mariposa)
- B - Air filter cover (couvercle du filtre à air, tapa de la cámara de ventilación)
- C - Foam filter element (élément en mousse du filtre, elemento del filtro de espuma)
- D - Air filter unit (unité de filtre à air, unidad del filtro de aire)

# TABLE OF CONTENTS

## TABLE DES MATIÈRES / ÍNDICE DE CONTENIDO

■ Introduction .....	2
Introduction / Introducción	
■ Important Safety Instructions .....	3
Instructions importantes concernant la sécurité / Instrucciones de seguridad importantes	
■ Specific Safety Rules.....	4
Règles de sécurité particulières / Reglas de seguridad específicas	
■ Symbols.....	5-6
Symboles / Símbolos	
■ Features.....	6
Caractéristiques / Características	
■ Assembly .....	7-8
Assemblage / Armado	
■ Operation.....	9-11
Utilisation / Funcionamiento	
■ Maintenance .....	12-13
Entretien / Mantenimiento	
■ Troubleshooting .....	14
Dépannage / Solución de problemas	
■ Warranty .....	15
Garantie / Garantía	
■ Parts Ordering and Service .....	16
Commande de pièces et réparation / Pedidos de piezas y servicio	

## INTRODUCTION

### INTRODUCCIÓN

This product has many features for making its use more pleasant and enjoyable. Safety, performance, and dependability have been given top priority in the design of this product making it easy to maintain and operate.

\* \* \*

Ce produit offre de nombreuses fonctions destinées à rendre son utilisation plus plaisante et satisfaisante. Lors de la conception de ce produit, l'accent a été mis sur la sécurité, les performances et la fiabilité, afin d'en faire un outil facile à utiliser et à entretenir.

\* \* \*

Este producto ofrece numerosas características para hacer más agradable y placentero su uso. En el diseño de este producto se ha conferido prioridad a la seguridad, el desempeño y la fiabilidad, por lo cual se facilita su manejo y mantenimiento.

# IMPORTANT SAFETY INSTRUCTIONS

## **WARNING:**

**Read and understand all instructions.** Failure to follow all instructions listed below may result in electric shock, fire and/or carbon monoxide poisoning which will cause death or serious personal injury.

## **READ ALL INSTRUCTIONS**

- **Know your tool.** Read the operator's manual carefully. Learn the machine's applications and limitations as well as the specific potential hazards related to this tool.
- **Keep guards in place** and in working order. Never operate the tool with any guard or cover removed. Make sure all guards are operating properly before each use.
- **Remove adjusting keys and wrenches.** Form habit of checking to see that keys and adjusting wrenches are removed from tool before turning it on.
- **To reduce the risk of injury,** keep children and visitors away. All visitors should wear safety glasses and be kept a safe distance from work area.
- **Keep the area of operation clear of all persons,** particularly small children, and pets.
- **Do not operate the engine in a confined space** where dangerous carbon monoxide fumes can collect. Carbon monoxide, a colorless, odorless, and extremely dangerous gas, can cause unconsciousness or death.
- **Use right tool.** Don't force tool or attachment to do a job it was not designed for. Don't use it for a purpose not intended.
- **Dress properly.** Do not wear loose clothing, gloves, neckties, or jewelry. They can get caught and draw you into moving parts. Rubber gloves and nonskid footwear are recommended when working outdoors. Also wear protective hair covering to contain long hair.
- **Do not operate the equipment while barefoot or when wearing sandals or similar lightweight footwear.** Wear protective footwear that will protect your feet and improve your footing on slippery surfaces.
- **Exercise caution to avoid slipping or falling.**
- **Always wear safety glasses with side shields.** Everyday eyeglasses have only impact-resistant lenses; they are **NOT** safety glasses.
- **Don't overreach or stand on unstable support.** Keep proper footing and balance at all times.
- **Use only recommended accessories.** The use of improper accessories may cause risk of injury.
- **Follow the maintenance instructions specified in this manual.**
- **Check damaged parts.** Before further use of the tool, a guard or other part that is damaged should be carefully checked to determine that it will operate properly and perform its intended function. Check for alignment of moving parts, binding of moving parts, breakage of parts, mounting, and any other conditions that may affect its operation. A guard or other part that is damaged must be properly repaired or replaced by an authorized service center to avoid risk of personal injury.
- **Never leave tool running unattended. Turn power off.** Don't leave tool until it comes to a complete stop.
- **Keep the engine free of grass, leaves, or grease** to reduce the chance of a fire hazard.
- **Keep the exhaust pipe free of foreign objects.**
- **Follow manufacturer's recommendations for safe loading, unloading, transport, and storage of machine.**
- **Be thoroughly familiar with controls.** Know how to stop the product and bleed pressure quickly.
- **Keep tool dry, clean, and free from oil and grease.** Always use a clean cloth when cleaning. Never use brake fluids, gasoline, petroleum-based products, or any solvents to clean tool.
- **Stay alert and exercise control.** Watch what you are doing and use common sense. Do not operate tool when you are tired. Do not rush.
- **Do not operate the product while under the influence of drugs, alcohol, or any medication.**
- **Check the work area before each use.** Remove all objects such as rocks, broken glass, nails, wire, or string which can be thrown or become entangled in the machine.
- **Do not use tool if switch does not turn it off.** Have defective switches replaced by an authorized service center.
- **Before cleaning, repairing, or inspecting,** shut off the engine and make certain all moving parts have stopped. Disconnect the spark plug wire, and keep the wire away from the plug to prevent accidental starting.
- **Avoid dangerous environment.** Don't use in damp or wet locations or expose to rain. Keep work area well lit.
- **Never use in an explosive atmosphere.** Normal sparking of the motor could ignite fumes.
- **Do not operate while smoking or near an open flame.**
- **Do not operate around dry brush, twigs, cloth rags, or other flammable materials.**
- **WARNING: Risk of injection or injury** – Do not direct discharge stream at persons.




## SPECIFIC SAFETY RULES

- **Never direct a water stream toward people or pets, or any electrical device.**
- **Before starting any cleaning operation,** close doors and windows. Clear the area to be cleaned of debris, toys, outdoor furniture, or other objects that could create a hazard.
- **Never pick up or carry a machine while the engine is running.**
- **Never start the machine** if ice has formed in any part of the equipment.
- **Do not use acids, alkalines, solvents, flammable material, bleaches, or industrial grade solutions** in this product. These products can cause physical injuries to the operator and irreversible damage to the machine.
- **Always operate the machine** on a level surface. If the engine is on an incline, it could seize due to improper lubrication (even at the maximum oil level).
- **WARNING: High pressure jets can be dangerous if subject to misuse.** The jet must not be directed at persons, animals, electrical devices, or the machine itself.
- **Never attempt to make any adjustments while the engine (motor) is running** (except where specifically recommended by the manufacturer).
- **Protective covers must always cover rotating parts when the engine is running.**
- **Keep cooling air intake** (recoil starter area) and muffler side of the engine at least 3 feet away from buildings, obstructions, and other combustible objects.
- **Keep the engine away from flammables and other hazardous materials.**
- **Keep away from hot parts.** The muffler and other engine parts become very hot; use caution.
- **Do not touch the spark plug and ignition cable** when starting and operating the engine.
- **Check fuel hoses and joints** for looseness and fuel leakage before each use.
- **Check bolts and nuts** for looseness before each use. A loose bolt or nut may cause serious engine problems.
- **Before inflating the tires, confirm that the bolts installed in the wheel hubs are securely tight.** The tire should be inflated only using a hand pump with inflation pressure no greater than 25 psi. Confirm the pressure of the tires during and after inflation using a reliable tire pressure gauge.
- **Always refuel outdoors.** Never refuel indoors or in a poorly ventilated area.
- **Never store the machine with fuel in the fuel tank inside a building** where ignition sources are present, such as hot water and space heaters, clothes dryers, and the like.
- **If the fuel tank has to be drained, do this outdoors.**
- **To reduce the risk of fire and burn injury,** handle fuel with care. It is highly flammable.
- **Do not smoke while handling fuel.**
- **Add fuel before starting the engine.** Never remove the cap of the fuel tank or add fuel while the engine is running or when the engine is hot.
- **Loosen fuel cap slowly** to release pressure and to keep fuel from escaping around the cap.
- **Replace all fuel tank and container caps securely.**
- **Wipe spilled fuel from the unit.** Move 30 feet away from refueling site before starting engine.
- **If fuel is spilled,** do not attempt to start the engine but move the machine away from the area of spillage and avoid creating any source of ignition until fuel vapors have dissipated.
- **Never attempt to burn off spilled fuel under any circumstances.**
- **Before storing, allow the engine to cool.**
- **Store fuel in a cool, well-ventilated area,** safely away from spark and/or flame-producing equipment.
- **Store fuel in containers** specifically designed for this purpose.
- **Empty fuel tank and restrain the unit from moving** before transporting in a vehicle.
- **When servicing use only identical replacement parts.** Use of any other parts may create a hazard or cause product damage.
- **ONLY use cold water.**
- **Make sure minimum clearance** of 3 feet is maintained from combustible materials.
- **Never spray close to the surface** to be cleaned as you can damage the surface.
- **Save these instructions.** Refer to them frequently and use them to instruct other users. If you loan someone this tool, loan them these instructions also.












# SYMBOLS

The following signal words and meanings are intended to explain the levels of risk associated with this product.

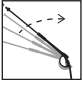


SYMBOL	SIGNAL	MEANING
	<b>DANGER:</b>	Indicates an imminently hazardous situation, which, if not avoided, will result in death or serious injury.
	<b>WARNING:</b>	Indicates a potentially hazardous situation, which, if not avoided, could result in death or serious injury.
	<b>CAUTION:</b>	Indicates a potentially hazardous situation, which, if not avoided, may result in minor or moderate injury.
	<b>CAUTION:</b>	(Without Safety Alert Symbol) Indicates a situation that may result in property damage.

Some of the following symbols may be used on this product. Please study them and learn their meaning. Proper interpretation of these symbols will allow you to operate the product better and safer.

SYMBOL	NAME	DESIGNATION/EXPLANATION
	Safety Alert	Indicates a potential personal injury hazard.
	Wet Conditions Alert	Do not expose to rain or use in damp locations.
	Read The Operator's Manual	To reduce the risk of injury, user must read and understand operator's manual before using this product.
	Eye Protection	Always wear eye protection marked to comply with ANSI Z87.1.
	Hot Surface	To reduce the risk of injury or damage, avoid contact with any hot surface.
	Risk of Injection	To reduce the risk of injection or injury, never direct a water stream towards people or pets or place any body part in the stream. Leaking hoses and fittings are also capable of causing injection injury. Do not hold hoses or fittings.
	Risk of Explosion	Fuel and its vapors are explosive and can cause severe burns or death.
	Risk of Fire	Fuel and its vapors are extremely flammable and explosive. Fire can cause severe burns or death.
	Toxic Fumes	Gas products emit carbon monoxide, an odorless, colorless, poison gas. Breathing carbon monoxide can cause nausea, fainting, or death.

# SYMBOLS

Some of the following symbols may be used on this product. Please study them and learn their meaning. Proper interpretation of these symbols will allow you to operate the product better and safer.

SYMBOL	NAME	DESIGNATION/EXPLANATION
	Kickback	To reduce the risk of injury from kickback, hold the spray wand securely with both hands when the machine is on.
	Electric Shock	Failure to use in dry conditions and to observe safe practices can result in electric shock.
	Chemical Burns	To reduce the risk of injury or damage, DO NOT USE ACIDS, ALKALINES, BLEACHES, SOLVENTS, FLAMMABLE MATERIAL, OR INDUSTRIAL GRADE SOLUTIONS in this product.

# FEATURES

## PRODUCT SPECIFICATIONS

Engine.....	Honda GX200
Fuel Tank Capacity .....	0.95 gal
Maximum Pounds Per Square Inch Pressure* .....	3,100 psi
Maximum Gallons Per Minute* .....	2.8 gpm
Maximum Inlet Water Temperature .....	104°F

*\*Max rating determined by PWMA Standard 101, when tested with red nozzle*

## KNOW YOUR PRESSURE WASHER

See Figure 1.

The safe use of this product requires an understanding of the information on the tool and in this operator's manual as well as a knowledge of the project you are attempting. Before use of this product, familiarize yourself with all operating features and safety rules.

### ENGINE SWITCH

The engine switch is used in combination with the recoil starter grip to start the engine. It is also used to turn the engine off.

### FUEL TANK

This fuel tank has a maximum capacity of 0.95 gal. Use unleaded automotive gasoline in the engine.

### HONDA GX200 ENGINE

This Honda engine enables the pressure washer to achieve 3,100 psi (pounds per square inch) at a rate of 2.8 gpm (gallons per minute). Please read the engine manual included with this product.

### HOSE STORAGE

Once the high pressure hose is rolled, hang it on the back of the machine using the stretch strap to secure in place.

### PRESSURE REGULATOR

The high pressure pump has a regulator that allows adjustment from high to low pressure.

### RECOIL STARTER

The recoil starter is pulled to start the machine.

### SPARK ARRESTOR

This engine is not factory equipped with a spark arrestor. In some areas it is illegal to operate an engine without a spark arrestor. A spark arrestor is available by calling customer service for assistance.

### THERMAL RELEASE VALVE

This pump feature will prevent water temperatures from reaching harmful levels by releasing a small amount of water. Once the water has drained, the thermal relief valve will reset itself.

### TRIGGER HANDLE

The trigger handle has a gripping surface that provides added control of the spray wand and helps reduce fatigue.

### TRIGGER WITH LOCK OUT

Pulling the trigger releases a stream of water for high pressure cleaning. The lock out provides protection against unauthorized use.

# ASSEMBLY

## UNPACKING

This product requires assembly.

- Carefully cut the box down the sides then remove the product and any accessories from the box. Make sure that all items listed in the packing list are included.

### **WARNING:**

Do not use this product if any parts on the Packing List are already assembled to your product when you unpack it. Parts on this list are not assembled to the product by the manufacturer and require customer installation. Use of a product that may have been improperly assembled could result in serious personal injury.

**NOTE:** This product is heavy. To avoid back injury, lift with your legs, not your back, and get help when needed.

- Inspect the product carefully to make sure no breakage or damage occurred during shipping.
- Do not discard the packing material until you have carefully inspected and satisfactorily operated the product.
- If any parts are damaged or missing, please call 1-800-242-4672 for assistance.

## PACKING LIST

Pressure Washer  
25 ft. High Pressure Hose  
Trigger Handle  
Spray Wand  
Quick-connect Nozzles (4)  
Injection Hose  
Injection Hose Filter  
4-Cycle Engine Oil (SAE 30 or SAE 10W30)  
Axle (2)  
Hitch pins (2)  
Washers (2)  
Wheels (2)  
Handle  
Operator's Manual

### **WARNING:**

If any parts are damaged or missing do not operate this product until the parts are replaced. Use of this product with damaged or missing parts could result in serious personal injury.

### **WARNING:**

Do not attempt to modify this product or create accessories not recommended for use with this product. Any such alteration or modification is misuse and could result in a hazardous condition leading to possible serious personal injury.

### **WARNING:**

To prevent accidental starting that could cause serious personal injury, always disconnect the engine spark plug wire from the spark plug when assembling parts.

## ATTACHING THE WHEEL ASSEMBLY

See Figure 2.

- Locate the following items:
  - Axle (2)
  - Hitch pins (2)
  - Washers (2)
  - Wheels (2)
- Slide the axle through the hole in the center of the wheel.
- Slide a washer onto the axle.
- Lift the machine and slide the axle into the wheel mounting hole in the machine base as shown.
- Push the hitch pin into the hole on the end of the axle to secure the wheel assembly.

**NOTE:** The hitch pin should be pushed into the axle until the center of the pin rests on top of the axle.
- Repeat with the second wheel.

## INSTALLING THE HANDLE

See Figure 3.

**To install the handle:**

- Push and hold the button on the handle as you slide the handle into the holes in the frame.

**NOTE:** Before use, pull the handle up until the lock button snaps through the locking slot to secure the handle in place.

## CONNECTING HIGH PRESSURE HOSE TO TRIGGER HANDLE

See Figure 4.

- Pull back and hold the collar on the high pressure hose. Insert the inlet coupler on the trigger handle into the collar.
- Release the collar and push until it locks into place. Pull on the hose to be certain it is properly secured.

# ASSEMBLY

## ASSEMBLING THE TRIGGER HANDLE

See Figure 5.

### To attach the spray wand:

- Place the threaded end of the spray wand in the connector on the end of the trigger handle.
- Turn the connector clockwise until it stops. This secures the spray wand in place.

## CONNECTING THE HIGH PRESSURE HOSE TO THE PUMP

See Figure 6.

After the high pressure hose has been uncoiled and attached to the trigger handle:

- Pull back and hold the spring loaded collar on the pump.
- Insert the nozzle on the end of the high pressure hose into the collar.
- Release the collar.
- Pull on the hose to be certain it is properly secured.

## CONNECTING THE GARDEN HOSE TO THE PRESSURE WASHER

See Figure 7.

### CAUTION:

Always observe all local regulations when connecting hoses to the water main. Some areas have restrictions against connecting directly to public drinking water supply to prevent the feedback of chemicals into the drinking water supply. Direct connection through a receiver tank or backflow preventer is usually permitted.

The water supply must come from a water main. NEVER use hot water or water from pools, lakes, etc. Before connecting the garden hose to the pressure washer:

- Run water through the hose for 30 seconds to clean any debris from the hose.
- Inspect the screen in the water intake.
- If the screen is damaged, do not use the machine until the screen has been replaced.
- If the screen is dirty, clean it before connecting the garden hose to the machine.

### To connect the garden hose to the machine:

- Uncoil the garden hose.  
**NOTE:** There must be a minimum of 10 feet of unrestricted hose between the pressure washer intake and the hose faucet or shut off valve (such as a “Y” shut off connector).
- With the hose faucet turned completely off, attach the end of the garden hose to the water intake. Tighten by hand.

## ATTACHING INJECTION HOSE

See Figure 8.

Before detergent can be used with this machine, the injection hose must be attached.

- Push the open end of the clear injection hose securely over the fitting as shown.
- Place the filtered end of the injection hose in the bottle of detergent.

# OPERATION

## **WARNING:**

Do not allow familiarity with this product to make you careless. Remember that a careless fraction of a second is sufficient to inflict serious injury.

## **WARNING:**

Always wear eye protection marked to comply with ANSI Z87.1. Failure to do so could result in objects being thrown into your eyes, resulting in possible serious injury.

## **WARNING:**

Do not use any attachments or accessories not recommended by the manufacturer of this product. The use of attachments or accessories not recommended can result in serious personal injury.

## **WARNING:**

Never direct a water stream toward people or pets, or any electrical device. Failure to heed this warning could result in serious injury.

## APPLICATIONS

You may use this product for the purposes listed below:

- Removing dirt and mold from decks, cement patios, and house siding
- Cleaning cars, boats, motorcycles, outdoor furniture, and grills

## ADDING/CHECKING ENGINE LUBRICANT

See Figure 9.

**NOTE:** This machine has been shipped with approximately 2 oz. of lubricant in the engine from testing. **You must add lubricant to the engine before starting it the first time.**

### **CAUTION:**

Any attempt to start the engine without adding lubricant will result in engine failure.

### **To add engine lubricant:**

- Place pressure washer on a flat, level surface.
- Unscrew the oil cap/dipstick by turning counterclockwise.
- Using 4-stroke engine lubricant (SAE 30 or SAE 10W30), fill to the upper level of the oil filter neck (18 oz., 4-cycle engine lubricant provided).

**NOTE:** We recommend you use ONLY Homelite or G-OIL® in your product.

- Replace the oil cap/dipstick and securely tighten.

**NOTE:** This engine has a total lubricant capacity of 0.63 qt.

### **To check engine lubricant level:**

- Set engine on a flat surface.
- Wipe dipstick clean and re-seat in hole; do not rethread.
- Remove dipstick again and check lubricant level. Lubricant level should fall within the hatched area on the dipstick.
- If level is low, add engine lubricant until the fluid level rises to the upper portion of the hatched area on the dipstick.
- Replace and secure the oil cap/dipstick.

## **CAUTION:**

Do not overfill. Overfilling the crankcase may cause excessive smoke and engine damage.

## ADDING GASOLINE TO THE FUEL TANK

See Figure 10.

## **WARNING:**

Gasoline and its vapors are highly flammable and explosive. To prevent serious personal injury and property damage, handle gasoline with care. Keep away from ignition sources, handle outdoors only, do not smoke while adding fuel, and wipe up spills immediately.

When adding gas to the pressure washer, make sure the unit is sitting on a flat, level surface. If the engine is hot, let the pressure washer cool before adding gas. ALWAYS fill the fuel tank outdoors with the machine turned off.

**NOTE:** Use unleaded gas only. DO NOT mix lubricant with gas.

- Before removing the fuel cap, clean the area around it. Remove the fuel cap.
- Insert a clean funnel into the fuel tank then slowly pour gasoline into the tank. Fill tank to approximately 1-1/2 in. below the top of the tank neck (this allows for fuel expansion).
- Replace fuel cap and tighten until the cap “clicks”.
- Clean up any spills before starting the engine.

## OXYGENATED FUELS

**DO NOT USE E85 FUEL. IT WILL VOID YOUR WARRANTY.**

**NOTE:** Fuel system damage or performance problems resulting from the use of an oxygenated fuel containing more than the percentages of oxygenates stated previously **are not covered under warranty.**

**Ethanol.** Gasoline containing up to 10% ethanol by volume (commonly referred to as E10) or 15% ethanol by volume (commonly referred to as E15) are acceptable. E85 is not.

# OPERATION

## STARTING AND STOPPING THE PRESSURE WASHER

See Figures 11 - 12.

### CAUTION:

Do not run the pump without the water supply connected and turned on.

### Before starting the engine:

- Connect all hoses.
- Check all fluids (lubricant and gas).

**NOTE:** The engine is equipped with a low oil sensor that will prevent the engine from starting and/or running if there is insufficient lubricant in the crankcase.

- Turn on the garden hose then squeeze the trigger to relieve air pressure; hold the trigger until a steady stream of water appears.

### To start the engine:

- Turn the fuel valve to the ON position.
- Move the choke lever to the CLOSED position.  
**NOTE:** If the engine is warm, leave the choke valve in the OPEN position.
- Move the throttle lever away from the MIN position about a third of the way toward the MAX position.
- Put the engine switch in the ON position.
- Pull the recoil starter grip until the engine runs (a maximum of 6 times).

**NOTE:** Do not allow the grip to snap back after starting; return it gently to its original place.

- Allow the engine to run for 30 seconds, then push the choke lever to the OPEN position.

### To stop the engine:

- Put the engine switch in the OFF position.

## USING THE SPRAY WAND TRIGGER

See Figure 13.

For greater control and safety, keep both hands on the trigger handle at all times.

- Pull back and hold the trigger to operate the pressure washer.
- Release the trigger to stop the flow of water through the nozzle.

### To engage the lock out:

- Push up on the lock out until it clicks into the slot.

### To disengage the lock out:

- Push the lock out down and into its original position.

For the most effective cleaning, the spray nozzle should be between 8 in. and 24 in. from the surface to be cleaned. If the spray is too close it can damage the cleaning surface.

## SELECTING THE RIGHT NOZZLE FOR THE JOB

See Figures 14 - 15.

Before starting any cleaning job, determine the best nozzle for the job. Each of the nozzles has a different spray pattern. The nozzle patterns are: 40° (for gentle rinse), 25° (for general purpose or large surfaces), 0° (for spot cleaning or high-to-reach areas), and the black nozzle for using detergent.

### ⚠ WARNING:

NEVER change nozzles without locking the lock out on the trigger handle and NEVER point the wand at your face or at others. The quick-connect feature contains small springs that could eject the nozzle with some force. Failure to heed this may cause personal injury.

Using the quick-connect collar, changing nozzles is easy.

### To connect a nozzle to the trigger handle:

- Turn off the pressure washer and shut off the water supply. Pull trigger to release water pressure.
- Engage the lock out on the trigger handle by pushing up on the lock out until it clicks into the slot.
- Push the nozzle into the quick-connect collar until it clicks in place and is secured properly.

### To disconnect a nozzle from the trigger handle once the cleaning job is complete:

- Turn off the pressure washer and shut off the water supply. Pull trigger to release water pressure.
- Engage the lock out on the trigger handle by pushing up on the lock out until it clicks into the slot.
- Remove the nozzle by placing hand over nozzle then pulling back the quick-connect collar. Place nozzle in the nozzle storage area on the top of the machine.

## USING THE PRESSURE REGULATOR

See Figure 16.

The high pressure pump includes a feature that allows you to adjust the pressure from a low of 300 PSI to the highest pressure allowed by the pressure washer. When used at the lowest pressure, any standard quick connect nozzle can be used.

**NOTE:** The trigger may need to be depressed and released several times before the pressure will drop.

### CAUTION:

Always return the regulator to the MAX pressure setting before storing the pressure washer.

# OPERATION

## WASHING WITH DETERGENT

See Figure 17.

Use only detergents designed for pressure washers; household detergents, acids, alkalines, bleaches, solvents, flammable material, or industrial grade solutions can damage the pump. Many detergents may require mixing prior to use. Prepare cleaning solution as instructed on the solution bottle.

- Install the black nozzle on the spray wand.
- Place the detergent hose into the detergent container.
- Spray the detergent on a dry surface using long, even, overlapping strokes. To prevent streaking, do not allow detergent to dry on the surface.

### Before shutting off the engine:

- Place the injection hose in a bucket of clean water.
- Flush for 1 - 2 minutes (spray clear water through the spray wand).
- Shut off the engine.

**NOTE:** Shutting **OFF (O)** the engine will not relieve pressure in the system. Pull trigger to release water pressure.

## RINSING WITH THE PRESSURE WASHER

- Turn off the pressure washer and shut off the water supply. Pull trigger to release water pressure.
- Engage the lock out on the trigger handle by pushing up on the lock out until it clicks into the slot.
- Remove the nozzle by placing hand over nozzle then pulling back the quick-connect collar. Place nozzle in the nozzle storage area on the top of the machine.
- Select the right nozzle for the job:
  - Use medium pressure nozzle (green) for items such as a car or boat.
  - Use higher pressure nozzle for jobs such as stripping paint and degreasing the driveway. When using these nozzles, test a small area first to avoid surface damage.
- Start at the top of the area to be rinsed and work down, overlapping the strokes.

## MOVING THE PRESSURE WASHER

See Figure 18.

**NOTE:** Never lift or carry this product using the moving handle.

- Turn the pressure washer off.
- Tilt the machine toward you until it balances on the wheels then roll the machine to the desired position

# MAINTENANCE

## **WARNING:**

When servicing, use only identical replacement parts. Use of any other parts may create a hazard or cause product damage.

## **WARNING:**

Always wear eye protection marked to comply with ANSI Z87.1. Failure to do so could result in objects being thrown into your eyes, resulting in possible serious injury.

## **WARNING:**

Before inspecting, cleaning or servicing the machine, shut off engine, wait for all moving parts to stop, and disconnect spark plug wire and move it away from spark plug. Failure to follow these instructions can result in serious personal injury or property damage.

## GENERAL MAINTENANCE

Avoid using solvents when cleaning plastic parts. Most plastics are susceptible to damage from various types of commercial solvents and may be damaged by their use. Use clean cloths to remove dirt, dust, oil, grease, etc.

## **WARNING:**

Do not at any time let brake fluids, gasoline, petroleum-based products, penetrating oils, etc., come in contact with plastic parts. Chemicals can damage, weaken or destroy plastic which may result in serious personal injury.

Only the parts shown on the parts list are intended to be repaired or replaced by the customer. All other parts should be replaced at an authorized service center.

Before running the engine, perform the following pre-operation steps:

- Check that all bolts, nuts, etc., are securely tightened.
- Make sure the air filter is clean.
- Check both the engine lubricant level and the fuel tank level; refill as needed.
- Inspect the work area for hazards.
- If there is excessive noise or vibration, stop the unit immediately.

## NOZZLE MAINTENANCE

Excessive pump pressure (a pulsing sensation felt while squeezing the trigger) may be the result of a clogged or dirty nozzle.

- Turn off the pressure washer and shut off the water supply. Pull trigger to release water pressure.
- Remove the nozzle from the spray wand.

**NOTE:** Never point the spray wand at your face.

- To free any foreign materials clogging or restricting the nozzle, blow out or remove debris with a fine needle.
- Using a garden hose, flush debris out of nozzle by back flushing (running the water through the nozzle backwards or from the outside to the inside).
- Reconnect the nozzle to the spray wand.
- Turn on the water supply and start the engine.

## STORING THE PRESSURE WASHER

See Figure 19.

Store the pressure washer with the gas tank empty by either draining the tank or running the pressure washer until the gas runs out. Allow 30 minutes of “cool down” time before storing the machine. Store in a dry, covered area where the weather can’t damage it.

It is important to store this product in a frost-free area. Always empty water from all hoses, the pump, and the detergent bucket before storing.

**NOTE:** Use of a fuel stabilizer and pump saver will give you better performance and increase the life of the machine.

### Discharge Fuel:

Drain the fuel tank completely. Stored gas can go stale in 30 days.

### Engine Lubricant:

Drain the lubricant and replace with fresh, clean lubricant.

### Spark Plug:

- Disconnect spark plug wire and remove the spark plug. Pour about a teaspoon of clean, air-cooled, four-cycle lubricant through the spark plug hole into the combustion chamber.
- Leaving the spark plug out, pull the starter cord two or three times to coat the inside of the cylinder wall.
- Inspect the spark plug and clean or replace, as necessary.
- Reinstall the spark plug, but leave the spark plug wire disconnected.

### Hoses and Pump:

Flush the injection hose with clean water for 1-2 minutes. Remove all hoses. Empty the pump by pulling on the recoil starter about 6 times. This should remove most of the liquid from the pump.

### For winterizing and long-term storage:

- Disconnect the water connection, if necessary.
- Start the pressure washer and allow it to run for a few seconds to eliminate any water remaining in the pump.
- Coil the hoses and place in the hook-and-loop strap on the unit’s handle. Do not allow the hose to become kinked.
- Store the unit and accessories in an area that does not reach freezing temperatures. Do not store near furnace or other sources of heat that could dry out the pump seals.



# MAINTENANCE

## CAUTION:

The use of a pump protector is recommended to prevent cold weather damage during storage over the winter months.

## CHECKING/CLEANING AIR FILTER

See Figure 20.

A dirty air filter will cause starting difficulty, loss of performance, and shorten the life span of the engine. Check the air filter monthly. For best performance, replace the air filter at least once a year.

- Remove the wing nut, then remove the air filter cover.
- Remove the second wing nut, then remove the air filter unit.
- If the foam filter element is dirty, remove it from the air filter unit. Clean the foam filter element with warm soapy water. Rinse and let dry.

**NOTE:** If the air filter unit is dirty or damaged, it must be replaced. If the foam filter element is damaged, it should also be replaced.

- Apply a light coat of engine oil to the foam filter element, then squeeze it out.
- Replace the foam filter element on the air filter unit.
- Replace the air filter unit and reinstall wing nut to secure.
- Replace the air filter cover and reinstall second wing nut to secure.

**NOTE:** Do not run the engine without both the foam filter element and the air filter. Rapid engine wear will result.

## PREPARING FOR USE AFTER STORAGE

- Pull the recoil starter grip three or four times to clean lubricant from the combustion chamber.
- Remove spark plug from the cylinder. Wipe lubricant from the spark plug and return it to the cylinder.
- Reconnect the spark plug wire.
- Refuel the machine as described earlier in the operator's manual.

# TROUBLESHOOTING

PROBLEM	CAUSE	SOLUTION
Engine fails to start	<ol style="list-style-type: none"> <li>1. No fuel in tank</li> <li>2. Spark plug shorted or fouled</li> <li>3. Spark plug is broken (cracked porcelain or electrodes broken)</li> <li>4. Ignition lead wire shorted, broken, or disconnected from spark plug</li> <li>5. Ignition inoperative</li> <li>6. Low oil</li> <li>7. Pressure trapped</li> </ol>	<ol style="list-style-type: none"> <li>1. Fill tank</li> <li>2. Replace spark plug</li> <li>3. Replace spark plug</li> <li>4. Replace lead wire or attach to spark plug</li> <li>5. Contact authorized service center</li> <li>6. Add oil</li> <li>7. Pull trigger to release pressure</li> </ol>
Engine hard to start	<ol style="list-style-type: none"> <li>1. Water in gasoline</li> <li>2. Weak spark at spark plug</li> </ol>	<ol style="list-style-type: none"> <li>1. Drain entire system and refill with fresh fuel</li> <li>2. Contact authorized service center</li> </ol>
Engine lacks power	<ol style="list-style-type: none"> <li>1. Dirty air filter</li> </ol>	<ol style="list-style-type: none"> <li>1. Clean or replace air filter</li> </ol>
Detergent fails to mix with spray	<ol style="list-style-type: none"> <li>1. Detergent injection hose is not properly submerged</li> <li>2. High pressure nozzle attached</li> </ol>	<ol style="list-style-type: none"> <li>1. Insert injection hose into detergent container or detergent bottle</li> <li>2. Use low pressure nozzle (black) to apply detergent</li> </ol>
Pump doesn't produce pressure	<ol style="list-style-type: none"> <li>1. Low pressure nozzle installed</li> <li>2. Inadequate water supply</li> <li>3. Trigger handle or spray wand leaks</li> <li>4. Nozzle is clogged</li> <li>5. Pump is faulty</li> <li>6. Air in line</li> </ol>	<ol style="list-style-type: none"> <li>1. Replace with high pressure nozzle</li> <li>2. Provide adequate water flow</li> <li>3. Check connections and / or replace trigger handle or spray wand</li> <li>4. Clean nozzle</li> <li>5. Contact authorized service center</li> <li>6. Squeeze trigger on trigger handle to remove air from line</li> </ol>
Machine doesn't reach high pressure	<ol style="list-style-type: none"> <li>1. Diameter of garden hose is too small</li> <li>2. Water supply is restricted</li> <li>3. Not enough inlet water</li> <li>4. Wrong nozzle is attached</li> <li>5. Pressure regulator is set to MIN (-)</li> </ol>	<ol style="list-style-type: none"> <li>1. Replace with 3/4 in. garden hose</li> <li>2. Check garden hose for kinks, leaks, and blockages</li> <li>3. Open water source full force</li> <li>4. Attach the high pressure nozzle</li> <li>5. Adjust pressure regulator to MAX (+)</li> </ol>

# WARRANTY

## LIMITED NON-ENGINE WARRANTY STATEMENT

Homelite Consumer Products warrants to the original retail purchaser that this HOMELITE brand pressure washer is free from defect in material and workmanship and agrees to repair or replace, at Homelite Consumer Products's discretion, any defective product free of charge within these time periods from the date of purchase.

- Three years if the product is used for personal, family or household use;
- One year, if any of the above products are used for any other purpose, such as commercial or rental.

This warranty extends to the original retail purchaser only and commences on the date of the original retail purchase.

Any part of the this product manufactured or supplied by Homelite Consumer Products and found in the reasonable judgment of Homelite Consumer Products to be defective in material or workmanship will be repaired or replaced without charge for parts and labor by a Homelite authorized service center.

The product, including any defective part, must be returned to a Homelite authorized service dealer within the warranty period. The expense of delivering the product to the dealer for warranty work and the expense of returning it back to the owner after repair or replacement will be paid by the owner. Homelite Consumer Products' responsibility in respect to claims is limited to making the required repairs or replacements and no claim of breach of warranty shall be cause for cancellation or rescission of the contract of sale of any HOMELITE brand product. Proof of purchase will be required by the dealer to substantiate any warranty claim. All warranty work must be performed by a Homelite authorized service center.

This warranty is limited to one year from the date of original retail purchase for any HOMELITE brand pressure washer that is used for rental or commercial purposes, or any other income-producing purpose.

This warranty does not cover any product that has been subject to misuse, neglect, negligence, or accident, or that has been operated in any way contrary to the operating instructions as specified in the Homelite Consumer Products operator's manual. This warranty does not apply to any damage to the product that is the result of improper maintenance or to any product that has been altered or modified so as to adversely affect the products operation, performance or durability or that has been altered or modified so as to change its intended use. The warranty does not extend to repairs made necessary by normal wear or by the use of parts or accessories which are either incompatible with the HOMELITE brand pressure washer or

adversely affect its operation, performance or durability.

In addition, this warranty does not cover:

- A. Tune-ups – Air filters, gas filters, spark plugs
- B. Wear items – Hoses, connector fittings, spray nozzles, wheels, spray wand, detergent bucket, detergent tank

Homelite Consumer Products reserves the right to change or improve the design of any HOMELITE brand pressure washer without assuming any obligation to modify any product previously manufactured.

ALL IMPLIED WARRANTIES ARE LIMITED IN DURATION TO THE STATED WARRANTY PERIOD. ACCORDINGLY, ANY SUCH IMPLIED WARRANTIES INCLUDING MERCHANTABILITY, FITNESS FOR A PARTICULAR PURPOSE, OR OTHERWISE, ARE DISCLAIMED IN THEIR ENTIRETY AFTER THE EXPIRATION OF THE APPROPRIATE THREE-YEAR OR ONE-YEAR, WARRANTY PERIOD. HOMELITE CONSUMER PRODUCTS'S OBLIGATION UNDER THIS WARRANTY IS STRICTLY AND EXCLUSIVELY LIMITED TO THE REPAIR OR REPLACEMENT OF DEFECTIVE PARTS AND HOMELITE CONSUMER PRODUCTS DOES NOT ASSUME OR AUTHORIZE ANYONE TO ASSUME FOR THEM ANY OTHER OBLIGATION. SOME STATES DO NOT ALLOW LIMITATIONS ON HOW LONG AN IMPLIED WARRANTY LASTS, SO THE ABOVE LIMITATION MAY NOT APPLY TO YOU. HOMELITE CONSUMER PRODUCTS ASSUMES NO RESPONSIBILITY FOR INCIDENTAL, CONSEQUENTIAL OR OTHER DAMAGES INCLUDING, BUT NOT LIMITED TO EXPENSE OF RETURNING THE PRODUCT TO AN AUTHORIZED HOMELITE SERVICE CENTER AND EXPENSE OF DELIVERING IT BACK TO THE OWNER, MECHANIC'S TRAVEL TIME, TELEPHONE OR TELEGRAM CHARGES, RENTAL OF A LIKE PRODUCT DURING THE TIME WARRANTY SERVICE IS BEING PERFORMED, TRAVEL, LOSS OR DAMAGE TO PERSONAL PROPERTY, LOSS OF REVENUE, LOSS OF USE OF THE PRODUCT, LOSS OF TIME, OR INCONVENIENCE, SOME STATES DO NOT ALLOW THE EXCLUSION OR LIMITATION OF INCIDENTAL OR CONSEQUENTIAL DAMAGES, SO THE ABOVE LIMITATION OR EXCLUSION MAY NOT APPLY TO YOU.

This warranty gives you specific legal rights, and you may also have other rights which vary from state to state.

This warranty applies to all HOMELITE brand pressure washer distributed by Homelite Consumer Products and sold in the United States, Mexico, and Canada.

To locate your nearest Homelite authorized service center, dial 1-800-242-4672 or log on to our website at [www.homelite.com](http://www.homelite.com).

# INSTRUCTIONS IMPORTANTES CONCERNANT LA SÉCURITÉ



## AVERTISSEMENT :

**Lire attentivement toutes les instructions.** Le non-respect de toutes les instructions ci-dessous peut entraîner un choc électrique, un incendie et/ou une intoxication par le monoxyde de carbone, ce qui peut causer des blessures graves voire la mort..

## LIRE TOUTES LES INSTRUCTIONS




- **Apprendre à connaître l'outil.** Lire attentivement le manuel d'utilisation. Apprendre les applications et les limites de l'outil, ainsi que les risques spécifiques relatifs à son utilisation.
- **Maintenir tous les dispositifs de protection en place** et en bon état de fonctionnement. Ne jamais utiliser l'outil avec des couvercles ou dispositifs de protection retirés. S'assurer que tous les dispositifs de protection fonctionnent correctement avant chaque utilisation.
- **Retirer les clés et outils de réglage.** Prendre l'habitude de vérifier que tous les outils et clés de réglage en ont été retirés de l'outil avant de le mettre en marche.
- **Pour réduire les risques de blessures,** garder les enfants et visiteurs à l'écart. Tous les visiteurs doivent porter des lunettes de sécurité et se tenir à bonne distance de la zone de travail.
- **Ne laisser personne approcher la zone de travail,** particulièrement les petits enfants et les animaux domestiques.
- **Ne pas faire tourner le moteur dans un espace confiné** où des vapeurs toxiques de monoxyde de carbone peuvent s'accumuler. Le monoxyde de carbone, un gaz incolore, inodore et extrêmement toxique peut causer une perte de conscience et être mortel.
- **Utiliser l'outil approprié.** Ne pas utiliser l'outil ou un accessoire pour effectuer un travail pour lequel il n'est pas conçu. Ne pas utiliser l'outil pour une application non prévue.
- **Porter une tenue appropriée.** Ne pas porter de vêtements amples, gants, cravate ou bijoux. Ces articles pourraient être happés et tirer la main ou une partie du corps dans les pièces en mouvement. Des gants en caoutchouc et des chaussures antidérapantes sont recommandées pour le travail à l'extérieur. Les cheveux longs doivent être ramassés sous un couvre-chef.
- **Ne pas faire fonctionner l'équipement pied-nu ou en portant des sandales ou des chaussures légères similaires.** Porter des chaussures de sécurité protégeant les pieds et améliorant l'équilibre sur des surfaces glissantes.
- **Faire preuve de prudence pour éviter de glisser ou tomber.**
- **Toujours porter des lunettes de sécurité avec écrans latéraux.** Les lunettes de vue ordinaires sont munies seulement de verres résistants aux impacts ; ce ne sont PAS des lunettes de sécurité.
- **Ne pas travailler hors de portée ou se tenir sur une surface instable.** Toujours se tenir bien campé et en équilibre.
- **N'utiliser que les accessoires recommandés.** L'emploi de tout accessoire inadapté peut présenter un risque de blessure.
- **Suivre les instructions d'entretien spécifiées dans ce manuel.**
- **Vérifier l'état des pièces.** Avant d'utiliser l'outil de nouveau examiner soigneusement les pièces et dispositifs de protection qui semblent endommagés afin de déterminer s'ils fonctionnent correctement et s'ils remplissent les fonctions prévues. Vérifier l'alignement des pièces mobiles, s'assurer qu'aucune pièce n'est bloquée ou cassée, vérifier la fixation de chaque pièce et s'assurer qu'aucun autre problème ne risque d'affecter le bon fonctionnement de l'outil. Pour éviter les risques de blessures, toute protection ou pièce endommagée doit être correctement réparée ou remplacée dans un centre de réparations agréé.
- **Ne jamais laisser un outil en fonctionnement sans surveillance.** Ne pas s'éloigner de l'outil avant qu'il soit parvenu à un arrêt complet.
- **Garder le moteur dépourvu d'herbe, feuilles ou graisse** pour réduire le risque d'incendie.
- **Garder le tuyau d'échappement propre et exempt de débris.**
- **Suivre les recommandations du fabricant pour assurer la sécurité de chargement, déchargement, transport et remisage de la machine.**
- **Se familiariser complètement avec les commandes.** Veiller à savoir arrêter la machine et relâcher la pression rapidement.
- **Garder l'outil sec, propre et exempt d'huile ou de graisse.** Toujours utiliser un chiffon propre pour le nettoyage. Ne jamais utiliser de liquide de freins, d'essence ou de produits à base de pétrole pour nettoyer l'outil.
- **Rester vigilant et garder le contrôle.** Se montrer attentif et faire preuve de bon sens. Ne pas utiliser l'outil en état de fatigue. Ne pas se presser.
- **Ne pas utiliser cet outil sous l'influence de l'alcool, de drogues ou de médicaments.**
- **Examiner la zone de travail avant chaque utilisation.** La débarrasser de tous les objets tels que cailloux, verre brisé, clous, fils métalliques, cordes, etc. risquant d'être projetés ou de se prendre dans la machine.
- **Ne pas utiliser l'outil si le commutateur ne permet pas de l'arrêter.** Faire remplacer les commutateurs défectueux dans un centre de réparations agréé.
- **Avant de nettoyer, réparer ou inspecter,** couper le moteur et vérifier que toutes les pièces en mouvement sont arrêtées. Déconnecter le fil de bougie et garder le fil à l'écart de la bougie afin d'empêcher un démarrage accidentel.
- **Éviter les environnements dangereux.** Ne pas utiliser dans des endroits mouillés ou humides, ne pas exposer à la pluie. Garder le lieu de travail bien éclairé.
- **Ne jamais utiliser dans une atmosphère explosive.** Les étincelles normalement produites par le moteur pourraient enflammer les vapeurs.
- **Ne jamais utiliser en fumant ou à côté d'une flamme vive.**
- **Ne pas utiliser à proximité de** buissons secs, brindilles, chiffons ou autres matériaux inflammables.
- **AVERTISSEMENT : Risque d'injection ou de blessures** – ne pas diriger le jet directement vers quelqu'un.

# RÈGLES DE SÉCURITÉ PARTICULIÈRES










- **Ne jamais diriger le jet d'eau vers des personnes, animaux domestiques ou dispositifs électriques.**
- **Avant de commencer toute opération de nettoyage,** fermer les portes et fenêtres. Débarrasser la zone à nettoyer de débris, jouets, meuble de jardin ou autres objets pouvant créer un danger.
- **Ne jamais ramasser ni porter la machine lorsque le moteur tourne.**
- **Ne jamais mettre la machine en marche** si de la glace s'est formée sur quelque partie que ce soit.
- **Ne pas utiliser de produits acides ou alcalins, de solvants, de matières inflammables ou de solutions de qualité industrielle** dans ce produit. Ces produits peuvent causer des blessures de l'opérateur et des dommages irréversibles de l'équipement.
- **Toujours utiliser la machine** sur une surface plane. Si le moteur est incliné, il peut se gripper à cause d'un graissage insuffisant (même au niveau maximum d'huile).
- **AVERTISSEMENT : Les jets à haute pression peuvent être dangereux s'ils sont utilisés incorrectement.** Le jet ne doit pas être dirigé vers des personnes, animaux, dispositifs électriques ou l'équipement lui-même.
- **Ne jamais essayer de faire des réglages pendant que le moteur tourne** (sauf en cas de recommandations spécifiques du fabricant).
- **Les dispositifs de protection doivent toujours couvrir des pièces en rotation quand le moteur tourne.**
- **Garder l'entrée d'air** (lanceur à rappel) et le côté échappement du moteur au à au moins 3 pi (914 mm) des structures, obstacles et autres objets combustibles.
- **Garder le moteur à l'écart des articles inflammables et autres matières dangereuses.**
- **Rester à l'écart des pièces brûlantes.** L'échappement et d'autres pièces de moteur deviennent brûlantes, se montrer prudent.
- **Ne toucher ni la bougie, ni le câble d'allumage** lors du démarrage et du fonctionnement du moteur.
- **Vérifier le serrage des flexibles et raccords de carburant** et s'assurer de l'absence de fuites avant chaque utilisation.
- **Vérifier le serrage de la boulonnerie** avant chaque utilisation. Un boulon ou écrou desserré peut causer de sérieux problèmes de moteur.
- **Avant de gonfler les pneus, s'assurer que les boulons installés dans l'enjoliveur de roue sont serrés solidement.** Il est nécessaire de gonfler les pneus à l'aide d'une pompe manuelle en s'assurant que la pression de gonflage ne dépasse pas 172,3 kPa (25 psi). Vérifier la pression des pneus pendant et après le gonflage au moyen d'un manomètre pour pneus fiable.
- **Toujours effectuer l'approvisionnement en carburant à l'extérieur.** Ne jamais refaire le plein en intérieur ou dans un endroit insuffisamment ventilé.
- **Ne jamais remiser la machine avec du carburant dans le réservoir de carburant dans un local** où des sources d'allumage, telles que radiateurs à gaz et à eau chaude, les séchoirs à vêtements, etc., sont présentes.
- **Si le réservoir de carburant doit être vidé, le faire à l'extérieur.**
- **Manipuler le carburant avec précaution** pour éviter les risques d'incendies et de brûlures. Le carburant est extrêmement inflammable.
- **Ne pas fumer pendant la manipulation du carburant.**
- **Faire l'appoint de carburant avant de lancer le moteur.** Ne jamais retirer le couvercle du réservoir de carburant ni ajouter du carburant pendant que le moteur tourne ou quand le moteur est chaud.
- **Desserrer le bouchon du réservoir** lentement pour relâcher la pression et éviter que le carburant s'échappe.
- **Remettre en place tous les bouchons de conteneur et de réservoir de carburant et les serrer fermement.**
- **Essuyer tout le carburant éventuellement répandu.** S'éloigner de 9 m (30 pi) du point d'approvisionnement avant de lancer le moteur.
- **Si du carburant est renversé,** ne pas essayer de démarrer le moteur mais éloigner la machine de l'endroit et éviter de créer une source d'inflammation jusqu'à ce que les vapeurs de carburant se soient dissipées.
- **N'essayer en aucun cas de brûler le carburant répandu.**
- **Laisser le moteur refroidir avant de remiser l'outil.**
- **Remiser le carburant dans un endroit frais, bien aéré,** à l'écart d'étincelle et/ou d'appareils produisant des flammes.
- **Conserver le carburant dans des jerrycans spécialement conçus** à cet effet.
- **Pour le transport sur ou dans un véhicule,** le réservoir doit être vide et la machine bien arrimée.
- **Utiliser exclusivement des pièces identiques à celles d'origine pour les réparations.** L'usage de toute autre pièce pourrait créer une situation dangereuse ou endommager l'outil.
- **Utiliser de l'eau froide uniquement.**
- **Veiller à garder une distance d'au moins 1 m (3 pi)** des matériaux combustibles.
- **Ne jamais la pulvérisation proche à la surface** être nettoyée comme vous pouvez endommager la surface.
- **Conserver ces instructions.** Les consulter fréquemment et les utiliser pour instruire d'autres utilisateurs. Si cet outil est prêté, il doit être accompagné de ces instructions.

# SYMBOLES

Les termes de mise en garde suivants et leur signification ont pour but d'expliquer le degré de risques associé à l'utilisation de ce produit.




SYMBOLE	SIGNAL	SIGNIFICATION
	<b>DANGER :</b>	Indique une situation extrêmement dangereuse qui, si elle n'est pas évitée, aura pour conséquences des blessures graves, voire mortelles.
	<b>AVERTISSEMENT :</b>	Indique une situation potentiellement dangereuse qui, si elle n'est pas évitée, aura pour conséquences des blessures graves ou mortelles.
	<b>ATTENTION :</b>	Indique une situation potentiellement dangereuse qui, si elle n'est pas évitée, pourrait entraîner des blessures légères ou de gravité modérée.
	<b>ATTENTION :</b>	(Sans symbole d'alerte de sécurité) Indique une situation pouvant entraîner des dommages matériels.

Certains des symboles ci-dessous peuvent être présents sur l'outil. Veiller à les étudier et à apprendre leur signification. Une interprétation correcte de ces symboles permettra d'utiliser l'outil plus efficacement et de réduire les risques.

SYMBOLE	NOM	DÉSIGNATION / EXPLICATION
	Symbole d'alerte de sécurité	Indique un risque de blessure potentiel.
	Avertissement concernant l'humidité	Ne pas exposer à la pluie ou l'humidité.
	Lire le manuel d'utilisation	Pour réduire les risques de blessures, l'utilisateur doit lire et veiller à bien comprendre le manuel d'utilisation avant d'utiliser ce produit.
	Protection oculaire	Toujours porter une protection oculaire certifiée conforme à la norme ANSI Z87.1.
	Surface brûlante	Pour réduire les risques de blessures ou de dommages, éviter tout contact avec les surfaces brûlantes.
	Risque d'injection	Pour réduire les risques d'injection ou de blessures, ne jamais diriger le jet directement vers des enfants ou animaux domestiques et ne placer aucune partie du corps sur la trajectoire du jet. Les fuites aux flexibles et raccords peuvent également entraîner des blessures. Ne pas tenir des flexibles ou raccords.
	Risque d'explosion	Le carburant et ses vapeurs sont explosifs et peuvent entraîner des brûlures graves ou mortelles.
	Risque d'incendie	Le carburant et ses vapeurs sont extrêmement inflammables et explosifs. Le feu peut entraîner des brûlures graves ou mortelles.
	Vapeurs toxiques	Les dérivés du pétrole dégagent du monoxyde de carbone, un gaz toxique inodore et incolore. L'inhalation du monoxyde de carbone peut entraîner des nausées, des évanouissements ou être mortelle.

# SYMBOLES

Certains des symboles ci-dessous peuvent être présents sur l'outil. Veiller à les étudier et à apprendre leur signification. Une interprétation correcte de ces symboles permettra d'utiliser l'outil plus efficacement et de réduire les risques.

SYMBOLE	NOM	DÉSIGNATION / EXPLICATION
	Rebond	Pour réduire le risque de blessure suite à un rebond, tenir la lance fermement à deux mains lorsque la machine est en fonctionnement.
	Choc électrique	Ne pas utiliser la machine dans un endroit sec ou ne pas respecter les pratiques de sécurité peut entraîner un choc électrique.
	Brûlures chimiques	Pour réduire les risques de blessures ou de dommages matériels, NE PAS UTILISER DE PRODUITS ACIDES, ALCALINS OU JAVÉLISÉS, NI DE SUBSTANCES INFLAMMABLES OU DE SOLUTIONS DE QUALITÉ INDUSTRIELLE dans ce produit.

# CARACTÉRISTIQUES

## FICHE TECHNIQUE

Moteur .....	Honda GX200
Contenance du réservoir de carburant .....	3,6 litre (0,95 gal)
Pression maximum en livres par pouce carré/Kpa* .....	21 374 Kpa (3 100 psi)
Débit maximum par minute* .....	10,6 LPM (2,8 gpm)
Température maximum d'eau d'arrivée .....	40 °C (104 °F)

\*Maximum évaluant résolu par la norme de PWMA 101, quand essayé avec le buse rouge

## APPRENDRE À CONNAÎTRE LE NETTOYEUR HAUTE PRESSION

Voir la figure 1.

La sécurité d'utilisation de ce produit exige la compréhension des informations apposées sur l'outil et contenues dans ce manuel d'utilisation, ainsi que la connaissance du travail à exécuter. Avant d'utiliser ce produit, se familiariser avec toutes ses fonctions et règles de sécurité.

## COMMUTATEUR DE MOTEUR

Le commutateur de moteur est utilisé dans la combinaison avec le manchon en lanceur à rappel pour commencer le moteur. Il est aussi utilisé pour arrêter le moteur.

## RÉSERVOIR DE CARBURANT

La contenance maximum de ce réservoir de carburant est de 3,6 litre (0,95 gal). Utiliser de l'essence sans plomb.

## HONDA GX200 ENGINE

Le moteur à Honda permet au nettoyeur haute pression d'atteindre 21 374 kPa (3 100 psi) (livres par pouces carrés) à 10,6 LPM (2,8 gpm). Lire le manuel du moteur inclus avec ce produit.

## SUPPORT DE RANGEMENT

Une fois le tuyau haute pression enroulé, l'accrocher sur le dos de la machine utilisant l'allongement sangle pour obtenir à sa place.

## RÉGULATEUR DE PRESSION

La pompe haute pression comprend un régulateur qui permet de la régler à une pression élevée ou faible.

## LANCEUR À RAPPEL

Tirer sur le lanceur pour mettre le moteur en marche.

## PARE-ÉTINCELLES

Ce moteur n'est pas équipé d'un pare-étincelles monté en usine. Dans certaines régions, il est interdit d'utiliser un moteur sans pare-étincelles. Un pare-étincelles est disponible en appelant le service après-vente.

## SOUPAPE DE SUPPRESSION THERMIQUE

Ce dispositif de la pompe empêche que la température de l'eau atteigne un niveau dangereux en relâchant une petite quantité d'eau par un flexible en caoutchouc. Une fois l'eau écoulée, la soupape se réarme automatiquement.

## POIGNÉE DE GÂCHETTE

La poignée de gâchette est dotée d'une surface de prise permettant de mieux la contrôler et de réduire la fatigue.

## GÂCHETTE AVEC VERROUILLAGE

Appuyer sur la gâchette pour produire un jet d'eau à haute pression pour le nettoyage. Le verrouillage constitue une protection contre toute utilisation non autorisée.

# ASSEMBLAGE

## DÉBALLAGE

Ce produit doit être assemblé.

- Avec précaution, couper les côtés du carton, puis en sortir la machine et les accessoires. S'assurer que toutes les pièces indiquées sur la liste de contrôle sont incluses.

### **AVERTISSEMENT :**

Ne pas utiliser le produit si, en le déballant, vous constatez que des éléments figurant dans la liste de contrôle d'expédition sont déjà assemblés. Certaines pièces figurant sur cette liste n'ont pas été assemblées par le fabricant et exigent une installation. Le fait d'utiliser un produit qui a été assemblé de façon inadéquate peut entraîner des blessures.

**NOTE :** Ce produit est lourd. Pour éviter des problèmes lombaires soulever avec les jambes, pas avec le dos et demander de l'aide lorsque nécessaire.

- Examiner soigneusement le produit pour s'assurer que rien n'a été brisé ou endommagé en cours de transport.
- Ne pas jeter les matériaux d'emballage avant d'avoir soigneusement examiné le produit et avoir vérifié qu'il fonctionne correctement.
- Si des pièces sont manquantes ou endommagées, appeler le 1-800-242-4672 for assistance.

## LISTE DE CONTRÔLE

Nettoyeur haute pression  
Tuyau haute pression de 7,6 m (25 pi)  
Poignée de gâchette  
Lance de pulvérisation  
Buse à raccord rapide (4)  
Flexible d'injection  
Filtre à d'injection transparent  
Essieu (2)  
Goupille de sûreté (2)  
Rondelle (2)  
Roue (2)  
Lubrifiant moteur 4 temps (SAE30 ou SAE 10W30)  
Manche  
Manuel d'utilisation

### **AVERTISSEMENT :**

Si des pièces manquent ou sont endommagées, ne pas utiliser ce produit avant qu'elles aient été remplacées. Le fait d'utiliser ce produit même s'il contient des pièces endommagées ou s'il lui manque des pièces peut entraîner des blessures graves.

### **AVERTISSEMENT :**

Ne pas essayer de modifier ce produit ou de créer des accessoires non recommandés pour ce produit. De telles altérations ou modifications sont considérées comme un usage abusif et peuvent créer des conditions dangereuses, risquant d'entraîner des blessures graves.

### **AVERTISSEMENT :**

Pour empêcher un démarrage accidentel pouvant entraîner des blessures graves, toujours déconnecter le fil de bougie de moteur de la bougie d'allumage avant d'assembler des pièces.

## INSTALLATION DES ROUES

Voir la figure 2.

- Localiser les pièces suivantes :
  - Essieux (2)
  - Goupilles de blocage (2)
  - Rondelles (2)
  - Roue (2)
- Glisser ce l'essieu dans le trou central de la roue.
- Glisser la rondelle de l'essieu.
- Soulever la machine et insérer l'essieu, muni de la rondelle et de la roue sans le trou de montage de la base, comme illustré.
- Pousser la goupille de blocage dans le trou de l'extrémité de l'essieu pour assujettir la roue.

**NOTE :** La goupille d'attelage doit être poussée dans l'essieu jusqu'à ce que le centre de la goupille repose sur le dessus de l'essieu.
- Répéter la procédure pour l'autre roue.

## INSTALLATION DU MANCHE

Voir la figure 3.

### Installation du manche :

- La poussée et tient le bouton sur la poignée comme vous glissez la poignée dans les trous dans le cadre.

**NOTE :** Tirer sur le manche pour engager le bouton de verrouillage dans la fente pour le verrouiller en place.

## BRANCHEMENT DU FLEXIBLE HAUTE PRESSION SUR DE POIGNÉE DE GÂCHETTE

Voir figure 4.

- Tirer en arrière et tenir la collier à raccord rapide sur le tuyau haute pression. Insérer le coupleur d'admission sur la poignée de gâchette dans la collier.
- Relâcher la collier et pousser jusqu'à ce qu'elle verrouillage en place. Tirer sur le tuyau pour s'assurer qu'il est correctement bloqué.



# ASSEMBLAGE

## ASSEMBLAGE DE POIGNÉE DE GÂCHETTE

Voir la figure 5.

### Installation de la lancette de pulvérisation :

- Engager l'extrémité fileté de la lance de pulvérisation dans le connecteur de la poignée de gâchette.
- Tourner le connecteur à fond vers la droite. Ceci assujettit la lance de pulvérisation.

## CONNEXION DU FLEXIBLE HAUTE PRESSION SUR LA POMPE

Voir la figure 6.

Une fois le tuyau haute pression déroulé et connecté à la poignée de gâchette :

- Tirer en arrière le collier à ressort et le maintenir sur la pompe.
- Insérer la buse sur l'extrémité du tuyau haute pression dans le collier.
- Relâcher le collier.
- Tirer sur le tuyau pour s'assurer qu'il est solidement assujetti.

## CONNEXION DU TUYAU D'ARROSAGE AU NETTOYEUR HAUTE PRESSION

Voir la figure 7.

### ATTENTION:

Toujours respecter tous les règlements locaux au moment de brancher les tuyaux flexibles à l'alimentation principale en eau. Dans certaines régions, l'unité ne doit pas être reliée directement à l'alimentation publique en eau potable pour éviter que des produits chimiques affectent le système. Un raccordement direct est généralement permis si une bêche de récupération ou un dispositif anti-refoulement est utilisé.

L'alimentation en eau doit provenir d'une conduite principale d'alimentation en eau. Ne JAMAIS utiliser l'eau chaude ou l'eau des piscines, lacs, etc. Avant de connecter le tuyau d'arrosage au nettoyeur haute pression :

- Faire circuler l'eau dans le flexible pendant 30 secondes pour le débarrasser des débris.
- Inspecter le tamis dans l'arrivée d'eau.
- Si le tamis est endommagé, ne pas utiliser l'équipement avant d'avoir remplacé le tamis.
- Si le tamis est sale, le nettoyer avant de connecter le tuyau d'arrosage à l'équipement.

### Pour connecter le tuyau d'arrosage à l'équipement :

- Dérouler le tuyau d'arrosage.  
**NOTE :** Il doit y avoir un minimum de 3 m (10 pi) de tuyau entre l'admission du nettoyeur haute pression et le robinet de tuyau ou le robinet de sectionnement (comme un connecteur de sectionnement en « Y »).
- Le robinet de tuyau étant complètement fermé, fixer l'extrémité du tuyau d'arrosage sur l'arrivée d'eau. Serrer à la main.

## INSTALLATION DU TUYAU D'INJECTION

Voir la figure 8.

Le flexible d'injection doit être installé avant de pouvoir utiliser du détergent dans la machine.

- Poussez l'extrémité ouverte du tuyau d'injection de sécurité clair, comme illustré.
- Placez l'extrémité filtrée du tuyau d'injection dans la bouteille du détergent.

# UTILISATION

## **AVERTISSEMENT :**

Ne pas laisser la familiarité avec ce produit faire oublier la prudence. Ne pas oublier qu'une fraction de seconde d'inattention peut entraîner des blessures graves.

## **AVERTISSEMENT :**

Toujours porter une protection oculaire certifiée conforme à la norme ANSI Z87.1. Si cette précaution n'est pas prise, des objets peuvent être projetés dans les yeux et causer des lésions graves.

## **AVERTISSEMENT :**

Ne jamais diriger le jet d'eau vers des personnes, animaux domestiques ou dispositifs électriques. Le non-respect de cet avertissement pourrait entraîner des blessures graves.

## **AVERTISSEMENT :**

Ne jamais diriger le jet d'eau vers des personnes, animaux domestiques ou dispositifs électriques. Le non-respect de cet avertissement pourrait entraîner des blessures graves.

## APPLICATIONS

Ce produit peut être utilisé pour les applications suivantes :

- Enlever la saleté et les moisissures des terrasses, patios en ciment et parements de maison
- Nettoyage de véhicules, bateaux, motos, meubles de jardins et grills

## AJOUT/VÉRIFICATION DE LUBRIFIANT

Voir la figure 9.

**NOTE :** Cet équipement a été expédié avec environ 2 oz lubrifiant dans le moteur, résultant des essais. **Faire l'appoint lubrifiant moteur avant le premier démarrage.**

## **ATTENTION :**

Toute tentative de démarrage du moteur sans avoir fait l'appoint lubrifiant entraînera une défaillance.

### **Pour ajouter de l'huile à moteur :**

- Poser le nettoyeur haute pression sur une surface plane et horizontale.
- Dévisser le bouchon / jauge d'huile en le tournant dans le sens inverse des aiguilles d'une montre.
- Faire l'appoint en remplissant lubrifiant moteur 4 temps (SAE 30, SAE 10W30) jusqu'au niveau supérieur de la goulotte de remplissage (flacon lubrifiant moteur 4 temps de 18 oz fourni).

**NOTE :** Il est recommandé d'utiliser **UNIQUEMENT** de l'huile de marque Homelite ou G-OIL® avec ce produit.

- Remettre le bouchon / jauge d'huile en place et le serrer fermement.

**NOTE :** La contenance en lubrifiant de ce moteur est de 0,6 litre.

### **Pour vérifier le niveau d'huile du moteur :**

- Placer le moteur sur une surface plane.
- Essuyer la jauge et l'insérer de nouveau dans le trou sans visser.
- Retirer une nouvelle fois la jauge et vérifier le niveau de lubrifiant. Le niveau de lubrifiant doit se trouver dans la zone hachurée de la jauge.
- Si le niveau est bas, ajouter de le lubrifiant moteur jusqu'à ce que le niveau atteigne la portion supérieure de la zone hachurée sur la jauge.
- Réinstaller et serrer le bouchon d'huile/la jauge.

## **ATTENTION :**

Ne pas remplir à l'excès. Trop remplir le carter peut produire une fumée excessive et endommager le moteur.

## APPOINT D'ESSENCE

Voir la figure 10.

## **AVERTISSEMENT :**

L'essence et ses vapeurs sont extrêmement inflammables et explosives. Pour éviter blessures et dommages matériels, manipuler l'essence avec prudence. Garder à l'écart des sources d'allumage, manipuler en plein air uniquement, ne pas fumer lors de l'appoint de carburant et essuyer immédiatement tout carburant répandu.

Lors de l'appoint de carburant du nettoyeur haute pression, vérifier que la machine se trouve sur une surface plane et horizontale. Si le moteur est très chaud, laisser le nettoyeur haute pression refroidir avant d'ajouter de l'essence. **TOUJOURS** faire l'appoint de carburant à l'extérieur.

**NOTE :** Utiliser exclusivement de l'essence sans plomb. **NE PAS MÉLANGER** lubrifiant et l'essence.

- Avant de retirer le bouchon du réservoir d'essence, nettoyer son pourtour. Retirer le bouchon du réservoir de carburant.
- Insérer un entonnoir propre dans le réservoir et verser le carburant lentement. Remplir le réservoir jusqu'à environ 38 mm (1-1/2 po) au dessous du bord de la goulotte de remplissage (pour permettre la dilatation du carburant).
- Remettre le bouchon / jauge de carburant en place et le serrer fermement le bouchon "hasta que trabe".
- Essuyer tout carburant répandu avant de lancer le moteur.

# UTILISATION

## CARBURANTS OXYGÉNÉS

**NE PAS UTILISER LE CARBURANT E85. LE NON-RESPECT DE CETTE DIRECTIVE ENTRAÎNE L'ANNULATION DE LA GARANTIE.**

**NOTE :** Les dommages au circuit de carburant et les problèmes de performance résultant de l'utilisation de carburant oxygéné contenant des pourcentages de composants oxygénés supérieurs à ceux indiqués précédemment **ne sont pas couverts par la garantie.**

Éthanol. L'essence contenant jusqu'à 10 % d'éthanol par volume (généralement désignée E10) ou 15 % d'éthanol par volume (généralement désignée E15) est acceptable. L'essence désignée E85 ne l'est pas.

## MISE EN MARCHÉ / ARRÊT DU NETTOYEUR HAUTE PRESSION

Voir les figures 11 et 12.

### ATTENTION :

Ne pas faire fonctionner la pompe sans qu'elle soit alimentée en eau.

### Avant de lancer le moteur :

- Connecter tous les flexibles.
- Vérifier les niveaux de liquides (lubrifiant et carburant).  
**NOTE :** Un détecteur de bas niveau d'huile empêche le moteur de démarrer ou de fonctionner si le niveau d'huile dans le carter est insuffisant.
- Ouvrir l'eau du tuyau d'arrosage et appuyer sur la gâchette pour purger l'air. Continuer d'appuyer sur la gâchette jusqu'à ce que l'eau s'écoule régulièrement.

### Lancement du moteur :

- Régler la vanne de carburant à la position « On » (Marche).
- Placer le levier d'étrangleur à la position « CLOSED » (Fermé).  
**NOTE :** Si le moteur est chaud, laisser le volet de départ à la position « OPEN » (Ouvert).
- Déplacer la manette des gaz réglée à la position « MIN » (Minimum) d'un tiers de la distance vers la position « MAX » (Maximum).
- Régler l'interrupteur du moteur à la position « ON » (Marche).
- Tirer sur le lanceur jusqu'à ce que le moteur démarre (six fois au maximum).  
**NOTE :** Ne pas lâcher le lanceur brusquement après le démarrage. Le remettre en douceur à sa position d'origine.
- Laisser le moteur tourner pendant trente secondes, puis mettre le levier d'étrangleur à la position « OPEN » (Ouvert).

### Arrêt du moteur :

- Régler le commutateur de moteur en position OFF (ARRÊT).

## FONCTIONNEMENT POIGNÉE DE GÂCHETTE

Voir la figure 13.

Pour un meilleur contrôle et une plus grande sécurité d'utilisation, toujours tenir la poignée de gâchette à deux mains.

- Appuyer sur la gâchette et la maintenir enfoncée pour actionner le nettoyeur haute pression.
- Relâcher la gâchette pour arrêter le jet d'eau de la buse.

### Pour engager le verrouillage :

- Appuyer sur le bouton de verrouillage jusqu'à ce qu'il s'enclenche dans la fente.

### Pour désengager le verrouillage :

- Appuyer sur le bouton de verrouillage pour le mettre dans sa position originale.

Pour une efficacité maximum, la buse doit être tenue à une distance de 203 à 610 mm (8 à 24 po) de la surface à nettoyer. Si la buse est trop proche, le jet peut endommager la surface.

## SÉLECTIONNER LA BUSE À RACCORD RAPIDE APPROPRIÉE POUR LA TÂCHE

Voir les figures 14 et 15.

Avant de commencer tout nettoyage, sélectionner la buse convenant le mieux pour l'application. Chacune de buses offre une configuration de jet différente. Les différentes configurations sont : Buse 40° (pour un rinçage en douceur), buse 25° (pour une utilisation générale sur les grandes surfaces), buse 0° (pour nettoyer les taches ou travailler dans les endroits difficiles d'accès) et buse de couleur noire pour utiliser des détergents.



### AVERTISSEMENT :

NE JAMAIS changer de buse sans d'abord verrouiller le dispositif de verrouillage sur la poignée de gâchette et ne jamais pointer la lance en direction du visage ou d'autres personnes. Le dispositif de raccord rapide contient de petits ressorts qui peuvent éjecter la buse avec force. Le non-respect de cette précaution peut entraîner des blessures.

Le collier de raccord rapide facilite le remplacement de la buse

### Pour installer une buse sur la poignée de gâchette :

- Arrêter le nettoyeur et fermer l'arrivée d'eau. Appuyer sur la gâchette pour relâcher la pression d'eau.
- Verrouiller la poignée de gâchette en poussant sur le bouton de verrouillage jusqu'à ce qu'il s'engage dans la fente.
- Engager la buse sur le raccord rapide de la lancette en veillant à ce qu'elle s'enclenche correctement.

# UTILISATION

## Pour retirer une buse de la poignée de gâchette une fois le nettoyage terminé :

- Arrêter le nettoyeur et fermer l'arrivée d'eau. Appuyer sur la gâchette pour relâcher la pression d'eau.
- Verrouiller la poignée de gâchette en poussant sur le bouton de verrouillage jusqu'à ce qu'il s'engage dans la fente.
- Retirer la buse en plaçant sa main au dessus de la buse puis en tirant la collier à connexion rapide vers l'arrière. Ranger la buse dans le compartiment du dessus de la machine prévu à cet effet.

## UTILISATION DU RÉGULATEUR DE PRESSION

Voir la figure 16.

La pompe haute pression comprend une fonction qui permet à l'utilisateur de régler la pression de 2068,4 kPa (300 psi) (niveau minimal) jusqu'au niveau de pression maximal toléré par la laveuse à pression. Si le produit est utilisé à la plus faible pression, il est possible d'utiliser n'importe quelle buse standard à connexion rapide.

**NOTE :** L'utilisateur peut avoir à appuyer sur la gâchette et à la relâcher plusieurs fois pour faire diminuer la pression.

### ATTENTION :

Toujours remettre le régulateur à la pression « MAX » (Maximum) avant d'entreposer la laveuse à pression.

## NETTOYAGE AVEC DU DÉTERGENT

Voir la figure 17.

Utiliser uniquement des détergents conçus pour les nettoyeurs haute pression ; les produits ménagers, les acides, alcalines, agents de blanchiment, solvants, les produits inflammables, ou les solutions qualité industrielle pourraient endommager la pompe. De nombreux détergents ou produits chimiques doivent être mélangés avant l'emploi. Préparer la solution de nettoyage selon les instructions du flacon de solution.

- Installer la buse de couleur noire sur la lance d'arrosage.
- Placer la tuyau pour détergent en la réservoir de détergent.
- Pulvériser le détergent sur une surface sèche à l'aide de mouvements longs, uniformes, se chevauchant. Pour éviter de laisser des marques, ne pas laisser le détergent sécher sur la surface.

## Avant d'arrêter le moteur :

- Placer le flexible d'injection dans un seau d'eau propre.
- Rincer pendant 1 à 2 minutes (pulvériser de l'eau propre avec la lancette).
- Arrêter le moteur.

**NOTE :** Couper le moteur (commutateur en position **(O)**) ne relâche pas la pression du système. Tirer sur la gâchette pour relâcher la pression d'eau.

## RINÇAGE AVEC LE NETTOYEUR HAUTE PRESSION

- Arrêter le nettoyeur et fermer l'arrivée d'eau. Appuyer sur la gâchette pour relâcher la pression d'eau.
- Verrouiller la poignée de gâchette en poussant sur le bouton de verrouillage jusqu'à ce qu'il s'engage dans la fente.
- Retirer la buse en placer la main sur la buse et tirer sur le collier du raccord rapide. Ranger la buse dans le compartiment du dessus de la machine prévu à cet effet.
- Sélectionner la buse appropriée pour le travail.
  - Utiliser la buse basse pression (verte) pour les articles tels que véhicules ou bateaux.
  - Utiliser la buse haute pression (rouge) pour des travaux tels que le décapage de peinture et le dégraissage d'allées. Avant d'utiliser ces buses, faire d'abord un essai sur une petite zone pour éviter d'endommager la surface.
- Commencer en haut de la zone à rincer et continuer vers le bas en faisant chevaucher les passes.

## DÉPLACEMENT DU NETTOYEUR HAUTE PRESSION

Voir la figure 18.

**NOTE :** Ne jamais soulever ou porter ce produit par le guidon.

- Pour arrêter le nettoyeur.
- Basculer la machine vers soi pour la mettre en équilibre sur les roues puis la faire rouler jusqu'à l'endroit désiré.

# ENTRETIEN

## **AVERTISSEMENT :**

Utiliser exclusivement des pièces identiques à celles d'origine pour les réparations. L'usage de toute autre pièce pourrait créer une situation dangereuse ou endommager l'outil.

## **AVERTISSEMENT :**

Toujours porter une protection oculaire certifiée conforme à la norme ANSI Z87.1. Si cette précaution n'est pas prise, des objets peuvent être projetés dans les yeux et causer des lésions graves.

## **AVERTISSEMENT :**

Avant d'inspecter, nettoyer ou entretenir l'équipement, couper le moteur, attendre que toutes les pièces en mouvement s'arrêtent, déconnecter le fil de la bougie et l'écarter de la bougie. Le non-respect de ces instructions peut entraîner des blessures graves ou des dégâts matériels.

## ENTRETIEN GÉNÉRAL

Éviter d'utiliser des solvants pour le nettoyage des pièces en plastique. La plupart des matières plastiques peuvent être endommagées par divers types de solvants du commerce. Utiliser un chiffon propre pour éliminer la saleté, la poussière, l'huile, la graisse, etc.

## **AVERTISSEMENT :**

Ne jamais laisser de liquides tels que le fluide de freins, l'essence, les produits à base de pétrole, les huiles pénétrantes, etc., entrer en contact avec les pièces en plastique. Les produits chimiques peuvent endommager, affaiblir ou détruire le plastique, ce qui peut entraîner des blessures graves.

Seules les pièces figurant sur la liste de contrôle sont conçues pour être réparées ou remplacées par l'utilisateur. Toutes les autres pièces doivent être remplacées dans un centre de réparations agréé

Avant de lancer le moteur, prendre les précautions suivantes :

- Vérifier que tous les boulons, écrous, etc. sont bien serrés.
- S'assurer que le filtre à air est propre.
- Vérifier les niveaux lubrifiant moteur et de carburant ; faire l'appoint selon le besoin.
- Regarder si le lieu de travail présente des dangers.
- En cas de vibrations ou bruits excessifs arrêter immédiatement la machine.

## ENTRETIEN DE BUSE

Une pression de pompe excessive (sensation d'impulsion au serrage de la gâchette) peut être le résultat d'une buse bouchée ou sale.

- Arrêter le nettoyeur et fermer l'arrivée d'eau. Appuyer sur la gâchette pour relâcher la pression d'eau.
- Retirer la buse de la lance de pulvérisation.  
**NOTE :** Ne jamais diriger la lance de pulvérisation vers le visage.
- Installer la buse de couleur noire sur la lance d'arrosage.
- À l'aide d'un tuyau d'arrosage, rincer les débris de la buse en rinçant à l'envers (en dirigeant le jet de l'extérieur vers l'intérieur).
- Reconnecter la buse sur la lancette.
- Ouvrir l'arrivée d'eau et démarrer le moteur.

## REMISAGE DU NETTOYEUR HAUTE PRESSION

*Voir la figure 19.*

Ranger le nettoyeur à haute pression après avoir soit vidé le réservoir de carburant, soit brûlé tout le carburant en laissant tourner le moteur. Laisser la machine refroidir pendant environ 30 minutes avant de la remiser. Remiser la machine dans un endroit sec à l'abri des intempéries.

Il est important de remiser ce produit à l'abri du gel. Toujours vider l'eau de tous les flexibles, de la pompe, du réservoir de carburant et du seau de détergent avant de remiser l'équipement.

**NOTE :** L'utilisation d'un stabilisateur de carburant et économiseur de pompe assure une meilleure performance et augmente la durabilité de l'équipement.

### Carburant de décharge :

Vider complètement le réservoir de carburant. L'essence stockée peut s'éventer en 30 jours.

### Lubrifiant moteur :

Vider lubrifiant et le remplacer par de lubrifiant fraîche et propre.

### Bougie :

- Déconnecter le fil de bougie et retirer la bougie. Verser environ une cuillère à thé lubrifiant propre pour moteur quatre temps refroidi par air, par le trou de bougie, dans la chambre de combustion.
- La bougie étant retirée, tirer deux ou trois fois sur le cordon lanceur pour enduire l'intérieur de la paroi de cylindre.
- Inspecter la bougie et nettoyer ou remplacer, selon le besoin.
- Réinstaller la bougie, mais laisser son fil débranché.

# ENTRETIEN

## Flexibles et pompe :

Rincer le tuyau d'injection à l'eau propre pendant 1 à 2 minutes. Retirer tous les flexibles. Vider la pompe en tirant environ 6 fois sur le lanceur à rappel. Ceci doit retirer la plupart du liquide de la pompe.

## Pour l'hiver et le stockage à long terme :

- Débrancher la connexion d'eau, si nécessaire.
- Démarrer le nettoyeur haute pression et lui permettre d'être candidat à quelques secondes pour éliminer n'importe quelle eau reste dans la pompe.
- Embobiner les tuyaux et placer dans l sangle à boucles et crochets sur la poignée de l'unité. Ne pas permettre au tuyau pour devenir tortillé.
- Remiser l'unité et les accessoires dans un secteur qui n'atteint pas les températures inférieures à 0 °C. Ne pas ranger près de la fournaise ou près des autres sources de chaleur qui pourrait sécher les joint d'étanchéité de pompe.

### ATTENTION :

L'utilisation d'une pompe de protecteur est recommandé pour éviter le froid pendant le stockage des dommages au cours de l'hiver.

## VÉRIFICATION ET NETTOYAGE DU FILTRE À AIR

Voir la figure 20.

Un filtre à air sale peut entraîner des difficultés de démarrage, une perte de performance et raccourcir la durée de vie du moteur. Vérifier le filtre à air chaque mois. Dans le cas du travail dans un sol poussiéreux, nettoyer le filtre à air après chaque ravitaillement en carburant. Pour obtenir un fonctionnement optimal, remplacer le filtre à air au moins une fois par an.

- Retirer l'écrou à oreilles, puis retirer le couvercle du filtre à air.
- Retirer le deuxième écrou à oreilles, puis retirer le filtre à air.
- Si l'élément en mousse du filtre est sale, le retirer du filtre à air. Nettoyer l'élément en mousse du filtre avec de l'eau chaude savonneuse. Le rincer et le laisser sécher.  
**NOTE :** Si le filtre à air est sale ou endommagé, il est nécessaire de le remplacer. Si l'élément en mousse du filtre est endommagé, il doit également être remplacé.
- Appliquer une légère couche d'huile pour moteur sur l'élément en mousse du filtre, puis l'extraire en pressant l'élément en mousse.
- Remplacer l'élément en mousse du filtre sur le filtre à air.
- Remplacer le filtre à air et réinstaller l'écrou à oreilles pour fixer solidement le tout.
- Remplacer le couvercle du filtre à air et réinstaller le deuxième écrou à oreilles pour le fixer solidement.

**NOTE :** Ne pas faire fonctionner le moteur si l'élément en mousse du filtre et le filtre à air ne sont pas installés. Le moteur s'usera rapidement.

## REMISE EN SERVICE APRÈS REMISAGE

- Tirer trois ou quatre fois la poignée de lanceur à rappel pour évacuer lubrifiant de la chambre de combustion.
- Retirer la bougie du cylindre. Essuyer lubrifiant de la bougie et la remettre en place dans le cylindre.
- Reconnecter le fil de bougie.
- Approvisionner la machine en carburant, comme indiqué plus haut dans ce manuel d'utilisation.

# DÉPANNAGE

PROBLÈME	CAUSE	SOLUTION
Le moteur ne démarre pas	<ol style="list-style-type: none"> <li>1. Pas de carburant dans le réservoir</li> <li>2. Bougie encrassée ou noyée</li> <li>3. La bougie est cassée (porcelaine fissurée ou électrodes cassées)</li> <li>4. Fil d'allumage en court-circuit, coupé ou débranché</li> <li>5. Pas d'allumage</li> <li>6. Bas niveau d'huile</li> <li>7. La pression est retenue</li> </ol>	<ol style="list-style-type: none"> <li>1. Remplir le réservoir</li> <li>2. Remplacer la bougie</li> <li>3. Remplacer la bougie</li> <li>4. Remplacer le fil ou le brancher sur la bougie</li> <li>5. Contacter un centre de réparations agréé</li> <li>6. Ajouter de l'huile</li> <li>7. Appuyer sur la gâchette pour relâcher la pression</li> </ol>
Moteur difficile à démarrer	<ol style="list-style-type: none"> <li>1. Eau dans le carburant</li> <li>2. Étincelle de bougie faible</li> </ol>	<ol style="list-style-type: none"> <li>1. Vidanger l'ensemble du système et remplir de carburant frais</li> <li>2. Contacter un centre de réparations agréé</li> </ol>
Le moteur manque de puissance	<ol style="list-style-type: none"> <li>1. Filtre à air encrassé</li> </ol>	<ol style="list-style-type: none"> <li>1. Nettoyer ou remplacer le filtre à air</li> </ol>
Le détergent ne se mélange pas au jet d'eau	<ol style="list-style-type: none"> <li>1. Le flexible d'injection n'est pas correctement immergé</li> <li>2. Buse haute pression installée</li> </ol>	<ol style="list-style-type: none"> <li>1. Plonger le flexible mélange pas au jet dans le réservoir o bouteille de détergent</li> <li>2. Utiliser la buse basse pression (noire) pour appliquer le détergent</li> </ol>
La pompe ne produit pas la pression	<ol style="list-style-type: none"> <li>1. Buse basse pression installée</li> <li>2. Débit d'alimentation en eau insuffisant</li> <li>3. La poignée de gâchette ou fuites à la lance de pulvérisation</li> <li>4. Buse obstruée</li> <li>5. Pompe défectueuse</li> <li>6. Air dans la conduite</li> </ol>	<ol style="list-style-type: none"> <li>1. Remplacer par la buse haute pression</li> <li>2. Fournir un débit d'eau adéquat</li> <li>3. Vérifier des connexions et/ou remplacer la lancette</li> <li>4. Nettoyer la buse</li> <li>5. Contacter un centre de réparations agréé</li> <li>6. Appuyer sur la gâchette de la lancette pour chasser l'aire de la conduite</li> </ol>
La machine ne parvient pas à la pression	<ol style="list-style-type: none"> <li>1. Diamètre du flexible insuffisant</li> <li>2. Arrivée d'eau réduite</li> <li>3. Alimentation en eau insuffisante</li> <li>4. Buse incorrecte installée</li> <li>5. Le régulateur de pression est réglé à la position « MIN » (Minimum) (-)</li> </ol>	<ol style="list-style-type: none"> <li>1. Remplacer par un tuyau d'arrosage de 3/4 po (19 mm)</li> <li>2. S'assurer que le tuyau n'est pas entortillé ou obstrué et qu'il ne présente pas de fuites</li> <li>3. Ouvrir complètement le robinet d'eau</li> <li>4. Installer la buse haute pression</li> <li>5. Régler le régulateur de pression à la position « MAX » (Maximum) (+).</li> </ol>

# GARANTIE

## ÉNONCÉ DE LA GARANTIE LIMITÉE HORS MOTEUR

Homelite Consumer Products garantit à l'acheteur original que ce produit la rondelle de pression de marque HOMELITE est exempt de tout vice de matériau ou de fabrication et s'engage à réparer ou remplacer gratuitement, à son choix, tout produit s'avérant défectueux au cours des périodes indiquées ci-dessous, à compter de la date d'achat.

- Trois ans si le produit est utilisé par des particuliers ;
- Un an si un des produits ci-dessus est utilisé à toutes autres fins, telles que les travaux commerciaux et la location.

Cette garantie n'est offerte qu'à l'acheteur original et entre en vigueur à la date de l'achat original.

Toute pièce de ce produit fabriquée ou fournie par Homelite Consumer Products et estimée défectueuse, selon le jugement raisonnable de Homelite Consumer Products en ce qui concerne la fabrication ou la main-d'œuvre, sera réparée ou remplacée sans frais pour les pièces et la main-d'œuvre par un centre de réparations Homelite agréé.

Le produit, y compris toutes les pièces défectueuses, devra être retourné à un centre de réparations Homelite agréé avant expiration de la période de garantie. Les frais d'expédition au centre de réparations et de retour au propriétaire du produit après la réparation ou le remplacement seront assumés par le propriétaire. La responsabilité de Homelite Consumer Products' en ce qui concerne les réclamations en garantie se limitera aux réparations ou au remplacement des produits défectueux et aucune revendication de rupture de garantie ne pourra causer l'annulation ou la résiliation du contrat de vente d'un produit HOMELITE quel qu'il soit. Une preuve d'achat sera exigée par le centre de réparation, afin de valider toute réclamation au titre de la garantie. Tous les travaux sous garantie doivent être effectués par un centre de réparations Homelite agréé.

Cette garantie sur tout HOMELITE le produit de marque utilisé pour la location, des travaux commerciaux ou tout autre usage lucratif, est limitée à un an, à compter de la date d'achat original.

Cette garantie ne couvre pas le produit de marque ayant fait l'objet d'un usage abusif ou négligent, d'un manque d'entretien, ayant été impliqués dans un accident ou employés de façon contraire aux instructions du manuel du propriétaire Homelite Consumer Products. Cette garantie ne couvre ni les dommages aux produits le produit de marque résultant d'un entretien incorrect, ni le produit de marque altérés ou modifiés de façon à nuire au fonctionnement, aux performances et à la durabilité ou dans le but de l'utiliser pour un usage autre que celui pour lequel il a été conçu. La garantie exclut les réparations rendues nécessaires par l'usure normale ou l'utilisation de pièces et accessoires incompatibles avec produit la rondelle de pression de marque HOMELITE ou nuisibles à son bon fonctionnement,

ses performances ou sa durabilité.

En outre, cette garanti exclut :

- A. Les réglages – Filtres à air, filtres à gaz, bougies
- B. Les articles d'usure – Tuyaux, raccords de connecteur, buses de pulvérisation, roues, lance à pulvérisation, seau de détergent, réservoir de produits chimiques

Homelite Consumer Products, se réserve le droit d'apporter des modifications ou améliorations à tout produit la rondelle de pression de marque HOMELITE, sans obligation de modifier les produits fabriqués antérieurement.

LA DURÉE DE TOUTES LES GARANTIES IMPLICITES NE SAURAIT EN AUCUN CAS EXCÉDER LA PÉRIODE DE GARANTIE DÉCLARÉE. PAR CONSÉQUENT, TOUTES LES GARANTIES IMPLICITES, Y COMPRIS LES GARANTIES DE VALEUR MARCHANDE OU D'ADÉQUATION À UN USAGE PARTICULIER OU AUTRES SERONT INVALIDÉES À L'EXPIRATION DE LA PÉRIODE DE GARANTIE APPROPRIÉE DE TROIS ANS OU UN AN. LES OBLIGATIONS HOMELITE CONSUMER PRODUCTS DANS LE CADRE DE CETTE GARANTIE SE LIMITENT EXCLUSIVEMENT À LA RÉPARATION OU AU REMPLACEMENT DES PIÈCES DÉFECTUEUSES ET HOMELITE CONSUMER PRODUCTS N'ASSUME OU N'AUTORISE QUICONQUE À ASSUMER EN LEUR NOM QUELQUE AUTRE OBLIGATION QUE CE SOIT. CERTAINS ÉTATS ET PROVINCES NE PERMETTANT PAS DE LIMITATION DE DURÉE DES GARANTIES IMPLICITES, LES RESTRICTIONS CI-DESSOUS PEUVENT NE PAS ÊTRE APPLICABLES. HOMELITE CONSUMER PRODUCTS DÉCLINE TOUTE RESPONSABILITÉ EN CE QUI CONCERNE LES DOMMAGES DIRECTS, INDIRECTS OU AUTRES, Y COMPRIS, MAIS SANS S'Y LIMITER, LES FRAIS DE RETOUR DE PRODUITS HOMELITE CONSUMER PRODUCTS À UN ENTRETIEN LE CENTRE DE RÉPARATIONS HOMELITE AGRÉÉ ET DE RENVOI AU PROPRIÉTAIRE, DE DÉPLACEMENT D'UN TECHNICIEN, DE TÉLÉPHONE OU TÉLÉGRAMME, DE LOCATION D'UN PRODUIT SIMILAIRE PENDANT LA DURÉE DES RÉPARATIONS SOUS GARANTIE, DE DÉPLACEMENT, DE PERTES OU DOMMAGES À DES BIENS PERSONNELS, DE MANQUE À GAGNER, DE PERTE D'USAGE DU PRODUIT, DE PERTE DE TEMPS OU DE DÉRANGEMENT. CERTAINS ÉTATS N'AUTORISANT PAS L'EXCLUSION OU LA LIMITATION DES DOMMAGES DIRECTS OU INDIRECTS, LES LIMITATIONS ET EXCLUSIONS CI-DESSOUS PEUVENT DONC NE PAS S'APPLIQUER À TOUS LES CAS.

Cette garantie donne au consommateur des droits spécifiques, et celui-ci peut bénéficier d'autres droits, qui varient selon les états ou provinces.

Cette garantie couvre tous produit la rondelle de pression de marque HOMELITE distribué par Homelite Consumer Products et vendus aux États-Unis, Mexique, et au Canada.

Pour obtenir l'adresse du centre de réparations Homelite agréé le plus proche, appeler le 1-800-242-4672 ou visiter notre site Internet à l'adresse [www.homelite.com](http://www.homelite.com).



# INSTRUCCIONES DE SEGURIDAD IMPORTANTES



## ADVERTENCIA:

Lea y comprenda todas las instrucciones. El incumplimiento de todas las instrucciones siguientes puede causar descargas eléctricas, incendio o intoxicación por monóxido de carbono, lo cual puede causar la muerte o lesiones graves.

## LEA TODAS LAS INSTRUCCIONES




- **Familiarícese con la herramienta.** Lea cuidadosamente el manual del operador. Aprenda los usos y limitaciones de la máquina, así como los posibles peligros específicos de esta herramienta.
- **Mantenga las protecciones en su lugar** y en buenas condiciones de trabajo. Nunca utilice la herramienta con ninguna de las protecciones o cubiertas quitadas. Asegúrese de que todas las protecciones estén funcionando de forma correcta antes de utilizar la unidad.
- **Retire toda llave y herramienta de ajuste.** Adquiera el hábito de verificar que se haya retirado de la herramienta eléctrica toda llave y herramienta de ajuste antes de encenderla.
- **Para reducir el riesgo de lesiones,** mantenga a alejados a niños y demás circunstantes. Todos los presentes deben llevar puestos anteojos de seguridad y permanecer a una distancia segura del área de trabajo.
- **Mantenga alejadas del área de trabajo a todas las personas,** particularmente a los niños de corta edad, y también a las mascotas.
- **No haga funcionar el motor en un espacio confinado** donde se puedan recolectar las emanaciones de monóxido de carbono. El monóxido de carbono, un gas incoloro, inodoro y sumamente peligroso, puede causar la pérdida de la conciencia o la muerte.
- **Use la herramienta adecuada a la tarea.** No fuerce la herramienta ni ningún accesorio a efectuar tareas para las que no están hechos. No la use para propósitos no indicados en las instrucciones.
- **Vístase adecuadamente.** No vista ropas, guantes, corbatas o joyas holgadas. Pueden resultar atrapadas y tirar de usted hacia piezas en movimiento. Se recomiendan guantes y calzado antiderrapantes al trabajar al aire libre. Si tiene el pelo largo cúbrase de alguna manera para contenerlo.
- **No accione el equipo cuando esté descalzo o al llevar puestas sandalias o calzado liviano similar.** Use calzado de seguridad que le proteja sus pies y mejore su postura en superficies resbaladizas.
- **Tenga suma precaución para evitar resbalarse o caer.**
- **Siempre use gafas de seguridad con protección lateral.** Los anteojos de uso diario tienen lentes resistentes a golpes únicamente; **NO** son anteojos de seguridad.
- **No se estire ni se pare en un soporte inestable.** Mantenga una postura firme y buen equilibrio en todo momento.
- **Utilice sólo accesorios recomendados.** El empleo de accesorios inadecuados puede presentar riesgos de lesiones.
- **Siga las instrucciones de la mantenimiento especificadas en este manual.**
- **Inspeccione las piezas dañadas.** Antes de seguir utilizando la herramienta, es necesario inspeccionar cuidadosamente toda protección o pieza dañada para determinar si funcionará correctamente y desempeñará la función a la que está destinada. Verifique la alineación de las partes móviles, que no haya atoramiento de las mismas, que no haya piezas rotas, el montaje de las piezas y cualquier otra condición que pudiera afectar su funcionamiento. Toda protección o pieza que esté dañada debe repararse apropiadamente o reemplazarse en un centro de servicio autorizado.
- **Nunca deje desatendida ninguna herramienta en funcionamiento. Apague la herramienta.** No se aleje de la herramienta hasta no verla completamente detenida.
- **Conserve el motor limpio de césped, hojas o grasa** a fin de reducir el riesgo de incendio.
- **Mantenga el tubo de escape libre de objetos extraños.**
- **Siga las recomendaciones del fabricante para lograr la carga, descarga, transporte y almacenamiento seguros de la máquina.**
- **Familiarícese completamente con los controles.** Aprenda a detener la máquina y a liberar rápidamente la presión.
- **Mantenga la herramienta seca, limpia y libre de aceite y grasa.** Siempre utilice un paño limpio para la limpieza de la unidad. Nunca utilice fluidos para frenos, gasolina, productos a base de petróleo ni solventes para limpiar la herramienta.
- **Permanezca alerta y en control.** Preste atención a lo que esté haciendo y aplique el sentido común. No utilice la herramienta cuando esté cansado. No se apresure.
- **No utilice la unidad si se encuentra bajo los efectos de drogas, alcohol o medicamentos.**
- **Revise el área de trabajo cada vez antes de utilizar esta herramienta.** Retire todos los objetos como piedras, vidrio roto, clavos, alambre o cuerda que puedan salir disparados o enredarse en la máquina.
- **No utilice la herramienta si el interruptor no apaga.** Lleve todo interruptor defectuoso a un centro de servicio autorizado para que lo reparen.
- **Antes de limpiar, reparar o inspeccionar la máquina,** apague el motor y cerciórese de que se hayan detenido todas las partes en movimiento. Desconecte el cable de la bujía, y mantenga dicho cable alejado de la bujía para evitar el arranque accidental de la unidad.
- **Evite tener un entorno de trabajo peligroso.** No utilice herramientas eléctricas en lugares húmedos o mojados ni las exponga a la lluvia. Mantenga bien iluminada el área de trabajo.
- **Nunca utilice la unidad en una atmósfera explosiva.** El chispeo normal del motor podría encender los gases presentes.
- **No utilice la unidad mientras fuma ni cerca de llamas abiertas.**
- **No utilice la unidad cerca de vegetación o ramas secas,** paños de textiles ni otros materiales inflamables.
- **ADVERTENCIA: Riesgo de inyección o de lesión** – No dirija el chorro hacia las personas.

# NORMAS DE SEGURIDAD ESPECÍFICAS










- **Nunca dirija un chorro de agua en dirección de personas o animales, ni hacia dispositivos eléctricos.**
- **Antes de iniciar cualquier operación de limpieza,** cierre puertas y ventanas. Despeje el área a limpiar y elimine cualesquier desechos, juguetes, muebles de patio u otros objetos que pudiesen crear un peligro.
- **Nunca alce ni transporte una máquina mientras se encuentre en marcha.**
- **Nunca ponga en marcha la máquina** si se ha formado hielo en cualquier parte del equipo.
- **No use soluciones ácidas, alcalinas, solventes, materiales inflamables o de grado industrial** en este producto. Estos productos pueden causar lesiones físicas al operador y daños irreparables a la máquina.
- **Siempre ponga en marcha la máquina** en superficies niveladas. Si el motor se encuentra inclinado, podría agarrotarse debido a la lubricación insuficiente (incluso con el nivel de aceite al máximo).
- **ADVERTENCIA: Los chorros de alta presión pueden ser peligrosos si se utilizan indebidamente.** Nunca dirija el chorro a personas, animales, dispositivos eléctricos ni a la máquina misma.
- **Nunca intente efectuar ajuste alguno mientras el motor está en marcha** (excepto cuando así lo recomiende específicamente el fabricante).
- **Cuando el motor esté en marcha, es imperativo que las cubiertas de protección cubran las partes en movimiento.**
- **Mantenga la entrada de aire de enfriamiento** (el área del arrancador retráctil) y el lado del silenciador alejados un mínimo de 91 cm (tres pies) de cualquier edificación, obstrucciones y otros objetos combustibles.
- **Mantenga alejado el motor de materiales inflamables y de otros materiales peligrosos.**
- **Evite el contacto con las partes calientes de la unidad.** El silenciador y otras partes del motor se calientan mucho; tenga precaución.
- **No toque la bujía ni el cable de ignición** durante el arranque ni durante el funcionamiento del motor.
- **Cada vez antes de usar la unidad, inspeccione las mangueras de combustible y los acoplamientos pertinentes** para verificar que no estén flojos ni haya derrames de combustible.
- **Antes de cada uso, inspeccione los pernos y las tuercas** para verificar que están apretados. Una tuerca o perno sueltos pueden causar problemas graves en el motor.
- **Antes de inflar los neumáticos, asegúrese de que los pernos instalados en los cubos de la rueda estén firmemente ajustados.** El neumático se debe inflar utilizando sólo una bomba manual con una presión de inflado que no supere 172,3 kPa (25 psi). Controle la presión de los neumáticos antes y después de inflarlos con un manómetro confiable.
- **Siempre reabastezca el combustible al aire libre.** Nunca reabastezca el combustible en espacios interiores ni en áreas con ventilación insuficiente.
- **Nunca guarde la máquina con combustible en el tanque dentro de un edificio** donde haya presentes fuentes de ignición, como el agua caliente y calentadores locales, secadoras de ropa y cosas parecidas.
- **Si es necesario vaciar el tanque de combustible, hágalo al aire libre.**
- **Para reducir el riesgo de incendio o de lesiones por quemadura,** maneje con cuidado el combustible. Es sumamente inflamable.
- **No fume mientras esté mezclando el combustible o reabasteciendo el tanque.**
- **Reabastezca de combustible la unidad antes de arrancar el motor.** Nunca retire la tapa del tanque de combustible ni lo reabastezca mientras esté encendida o caliente la unidad.
- **Afloje la tapa del tanque de combustible lentamente** para aliviar la presión y evitar que se escape combustible por la tapa.
- **Vuelva a colocar firmemente la tapa del tanque de combustible y la del recipiente.**
- **Limpie todo el combustible que se haya derramado de la unidad.** Aléjese por lo menos 9 metros (30 pies) del sitio de reabastecimiento de combustible antes de encender el motor.
- **Si se derrama combustible,** no intente arrancar el motor; aleje la máquina del área del derramamiento y evite causar una fuente de ignición hasta que se disipen los vapores del combustible.
- **Nunca intente en ninguna circunstancia eliminar el combustible derramado quemándolo.**
- **Antes de guardar la unidad deje que se entree el motor.**
- **Guarde la unidad en un lugar frío y bien ventilado,** a una distancia segura de todo equipo generador de chispas o llamas.
- **Guarde el combustible en recipientes** diseñados específicamente para tal fin.
- **Antes de transportar la unidad en un vehículo, vacíe el tanque de combustible e inmovilícela.**
- **Al dar servicio a la unidad, sólo utilice piezas de repuesto idénticas.** El empleo de piezas diferentes puede causar un peligro o dañar el producto.
- **Use SOLAMENTE agua fría.**
- **Asegúrese de que haya una distancia mínima de 1 m (tres pies)** de todo material combustible.
- **Nunca rocíe cierra a la superficie** para ser limpiado como usted puede dañar la superficie.
- **Guarde estas instrucciones.** Consúltelas frecuentemente y utilícelas para instruir a otros usuarios. Si presta a alguien esta herramienta, facilítele también las instrucciones.

# SÍMBOLOS

Las siguientes palabras de señalización y sus significados tienen el objeto de explicar los niveles de riesgo relacionados con este producto.




SÍMBOLO	SEÑAL	SIGNIFICADO
	<b>PELIGRO:</b>	Indica una situación peligrosa inminente, la cual, si no se evita, causará lesiones graves o mortales.
	<b>ADVERTENCIA:</b>	Indica una situación peligrosa posible, la cual, si no se evita, podría causar lesiones graves o mortales.
	<b>PRECAUCIÓN:</b>	Indica una situación peligrosa posible, la cual, si no se evita, podría causar lesiones menores o leves.
	<b>PRECAUCIÓN:</b>	(Sin el símbolo de alerta de seguridad) Indica una situación que puede producir daños materiales.

Es posible que se empleen en esta herramienta algunos de los siguientes símbolos. Le suplicamos estudiarlos y aprender su significado. Una correcta interpretación de estos símbolos le permitirá utilizar mejor y de manera más segura la herramienta.

SÍMBOLO	NOMBRE	DENOMINACIÓN/EXPLICACIÓN
	Alerta de seguridad	Indica un peligro posible de lesiones personales
	Alerta: Condiciones húmedas	No exponga la unidad a la lluvia ni la use en lugares húmedos.
	Lea el manual del operador	Para reducir el riesgo de lesiones, el usuario debe leer y comprender el manual del operador antes de usar este producto.
	Protección ocular	Siempre póngase protección ocular con la marca de cumplimiento de la norma ANSI Z87.1.
	Superficie caliente	Para reducir el riesgo de lesiones corporales o daños materiales evite tocar toda superficie caliente.
	Riesgo de inyecciones	Para reducir el riesgo de una inyección o lesión, nunca dirija un chorro de agua hacia personas o mascotas ni ponga ninguna parte del cuerpo en el chorro. Las fugas presentes en mangueras y acopladores también pueden causar lesiones por inyección. No sujete ninguna manguera ni acoplador.
	Riesgo de explosión	El combustible y los vapores del mismo son explosivos y pueden causar quemaduras graves e incluso la muerte.
	Riesgo de incendio	El combustible y los vapores del mismo son extremadamente inflamables y explosivos. El fuego puede causar quemaduras graves e incluso la muerte.
	Emanaciones tóxicas	Los aparatos de gasolina emiten monóxido de carbono, un gas tóxico incoloro e inodoro. Si se inhala monóxido de carbono puede causarse náusea, desmayo o la muerte.

# SÍMBOLOS

Es posible que se empleen en esta herramienta algunos de los siguientes símbolos. Le suplicamos estudiarlos y aprender su significado. Una correcta interpretación de estos símbolos le permitirá utilizar mejor y de manera más segura la herramienta.

SÍMBOLO	NOMBRE	DENOMINACIÓN/EXPLICACIÓN
	Contragolpe	Para reducir el riesgo de lesiones por un contragolpe, sujete firmemente el tubo rociador con ambas manos cuando esté encendida la máquina.
	Descarga eléctrica	Si no se usa la unidad en condiciones secas y no se observan prácticas seguras de trabajo, puede producirse una descarga eléctrica.
	Quemaduras químicas	Para reducir el riesgo de lesiones o daños físicos, NO USE SOLUCIONES ÁCIDAS, ALCALINAS, BLANQUEADORES, SOLVENTES, MATERIALES INFLAMABLES O DE GRADO INDUSTRIAL en este producto.

# CARACTERÍSTICAS

## ESPECIFICACIONES DEL PRODUCTO

Motor .....	Honda GX200
Capacidad del tanque de combustible .....	3,6 litros (0,95 gal)
Presión máxima* .....	.21 374 kPa (3 100 psi)
Flujo máximo* .....	10,6 LPM (2,8 gpm)
Temperatura máxima de agua de cala .....	40 °C (104 °F)

\*Máximo que valora determinado por el estándar de PWMA 101, cuándo probado con boquilla roja

## FAMILIARÍCESE CON LA LAVADORA DE PRESIÓN

Vea la figura 1.

Para usar este producto con la debida seguridad se debe comprender la información indicada en la herramienta misma y en este manual, y se debe comprender también el trabajo que intenta realizar. Antes de usar este producto, familiarícese con todas las características de funcionamiento y normas de seguridad del mismo.

## INTERRUPTOR DEL MOTOR

El interruptor del motor se utiliza en combinación con el mango del arrancador retráctil para arrancar del motor. Además se utiliza para apagar del motor.

## TANQUE DE COMBUSTIBLE

Este tanque de combustible tiene una capacidad de 3,6 litros (0,95 gal). Use gasolina sin plomo para vehículos.

## MOTOR HONDA GX200

Este motor de Honda permite a la lavadora a presión alcanzar 3100 psi (libras por pulg. cuadrada) a una velocidad de 10,6 LPM (2,8 gpm). Lea el manual del motor incluido con este producto.

## ESCUADRA DE SOPORTE PARA ALMACENAMIENTO

Después de enrollar la manguera de alta presión, cuélguelo en la espalda de la máquina que utiliza el estira correa para asegurar en el lugar.

## REGULADOR DE PRESIÓN

La bomba de alta presión tiene un regulador que permite ajustar de alta a baja presión.

## ARRANCADOR RETRÁCTIL

Con un tirón del arrancador retráctil se arranca el motor.

## SUPRESOR DE CHISPAS

Este motor no está equipado de fábrica con un supresor chispas. En algunas áreas es ilegal el operar un motor sin supresor de chispas. Hay disponible un supresor de chispas llame al departamento de atención al consumidor y le brindaremos asistencia.

## VÁLVULA DE SEGURIDAD TÉRMICA

Este dispositivo de la bomba evita que la temperatura del agua alcance un nivel peligroso; para ello, deja salir una pequeña cantidad de agua por una manguera de caucho. Una vez salida el agua, la válvula de seguridad térmica se reinicializa automáticamente.

## MANGO DEL GATILLO

El mango del gatillo dispone de una superficie de sujeción ranurada la cual proporciona control adicional de dicho tubo y reduce la fatiga del operador.

## GATILLO CON SEGURO

Al tirar del gatillo sale un chorro de agua para limpiar con alta presión. El seguro ofrece protección contra todo uso no autorizado.

# ARMADO

## DESEMPAQUETADO

Este producto requiere armarse.

- Corte cuidadosamente los lados de la caja y después retire el producto y cualesquier accesorios de la caja. Asegúrese de que estén presentes todos los artículos enumerados en la lista de empaquetado.

### **ADVERTENCIA:**

No utilice este producto si alguna pieza incluida en la lista de empaquetado ya está ensamblada al producto cuando lo desempaqueta. El fabricante no ensambla las piezas de esta lista en el producto. Éstas deben ser instaladas por el usuario. El uso de un producto que puede haber sido ensamblado de forma inadecuada podría causar lesiones personales graves.

**NOTA:** Este producto es pesada. Para evitar sufrir lesiones en la columna, levante con las piernas, no con la espalda, y obtenga ayuda cuando sea necesario.

- Inspeccione cuidadosamente el producto para asegurarse de que no haya sufrido ninguna rotura o daño durante el transporte.
- No deseche el material de empaquetado hasta que haya inspeccionado cuidadosamente el producto y la haya utilizado satisfactoriamente.
- Si hay piezas dañadas o faltantes, le suplicamos llamar al 1-800-242-4672, donde le brindaremos asistencia.

## LISTA DE EMPAQUETADO

Lavadora de presión  
Manguera de alta presión de 7,6 m (25 pies)  
Mango del gatillo  
Tubo rociador  
Boquilla de conexión rápida (4)  
Manguera de inyección  
Filtro de inyección transparente  
Lubricante para motor de 4 tiempos  
(SAE 30 o SAE 10W30)  
Eje (2)  
Pasador del enganche (2)  
Arandela (2)  
Rueda (2)  
Mango  
Manual del operador

### **ADVERTENCIA:**

Si hay piezas dañadas o faltantes, no utilice este producto sin haber reemplazado todas las piezas. Usar este producto con partes dañadas o faltantes puede causar lesiones serias al operador.

### **ADVERTENCIA:**

No intente modificar este producto ni hacer accesorios no recomendados para la misma. Cualquier alteración o modificación constituye maltrato, el cual puede causar una condición peligrosa, y como consecuencia posibles lesiones serias.

### **ADVERTENCIA:**

Para evitar un arranque accidental que podría causar lesiones corporales graves, siempre desconecte el cable de la bujía del motor de la bujía misma al ensamblar las piezas.

## MONTAJE DEL CONJUNTO DE LAS RUEDAS

Vea la figura 2.

- Localice los siguientes artículos:
  - Eje (2)
  - Pasadores de enganche (2)
  - Arandelas (2)
  - Ruedas (2)
- Deslice pase el eje a través del agujero situado en el centro de la rueda.
- Deslice la arandela a través del eje.
- Levante la máquina y introduzca el conjunto del eje, la rueda y la arandela en el agujero de montaje de la rueda situado en la base de la máquina, como se muestra.
- Empuje el pasador de enganche hacia adentro del agujero del extremo del eje para asegurar el conjunto de las ruedas.  
**NOTA:** Debe introducirse el pasador de enganche en el eje hasta que el centro de aquél descansa en la parte superior de éste.
- Repita el proceso con la segunda rueda.

## INSTALACIÓN DEL MANGO

Vea la figura 3.

### Para instalar el mango:

- El empujón y tiene el botón en el asidero como usted desliza el asidero en los hoyos en el marco.  
**NOTA:** Tire del mango hacia arriba hasta que el botón de aseguramiento pase a través de la ranura correspondiente y asegure el mango en su lugar.

## CÓMO CONECTAR LA MANGUERA DE ALTA PRESIÓN AL MANGO DEL GATILLO

Vea la figura 4.

- Tire del collar y sujételo en la manguera de alta presión. Inserte el acoplador de entrada del mango de gatillo en el collar.
- Suelte el collar y empuje hasta que se oiga un asegurar. Tire de la manguera para asegurarse de que está sujeta adecuadamente.

# ARMADO

## ARMADO DE MANGO DEL GATILLO

Vea la figura 5.

### Para conectar el tubo rociador:

- Coloque el extremo del tubo de roscado en el conector del extremo el mango del gatillo.
- Gire a la derecha el conector hasta que se detenga. De esta manera se asegura en su lugar el tubo de rociado.

## CÓMO CONECTAR LA MANGUERA DE ALTA PRESIÓN A LA BOMBA

Vea la figura 6.

Después de desenrollar la manguera de presión y de conectarla el mango del gatillo:

- Hale y sujete el collar accionado a resorte en la bomba.
- Introduzca la boquilla en el extremo de la manguera de alta presión en el collar.
- Suelte el collar.
- Tire de la manguera para asegurarse de que esté debidamente asegurada.

## CÓMO CONECTAR UNA MANGUERA DE JARDÍN A LA LAVADORA DE PRESIÓN

Vea la figura 7.

### PRECAUCIÓN:

Siempre observe las normas locales cuando conecte las mangueras a la tubería principal de agua. En algunas áreas existen restricciones para la conexión directa al suministro público de agua potable a fin de evitar la retroalimentación de químicos al suministro de agua potable. La conexión directa a través de un tanque receptor o de una válvula contra reflujo suele estar permitida.

El suministro de agua debe venir de la tubería principal de agua. NUNCA use agua caliente o agua de piscinas, lagos, etc. Antes de conectar una manguera de jardín a la lavadora de presión:

- Deje correr agua por la manguera durante 30 segundos para limpiar toda la basura que pueda haber en el interior de la misma.
- Inspeccione el cedazo de la entrada de agua.
- Si está dañado el cedazo, no utilice la máquina sino hasta haber reemplazado aquél.
- Si está sucio el cedazo, límpielo antes de conectar la manguera de jardín a la máquina.

### Para conectar una manguera de jardín a la máquina:

- Desenrolle la manguera de jardín.  
**NOTA:** Debe haber un mínimo de 3 metros (10 pies) de manguera sin ninguna restricción en el flujo de la misma, entre la entrada de la lavadora de presión y el grifo o válvula de cierre (como un conector de cierre en "Y").
- Teniendo el grifo de la manguera completamente cerrado, conecte el extremo de la manguera de jardín a la entrada de agua. Efectúe el apriete con la mano.

## CÓMO CONECTAR LA MANGUERA DE INYECCIÓN

Vea la figura 8.

Para poder utilizar detergente con esta máquina debe estar conectada la manguera de inyección.

- Empuje el extremo abierto de la manguera de inyección de clara segura a través, como se muestra.
- Coloque el filtrado final de la manguera de inyección en la botella de detergente.

# FUNCIONAMIENTO

## ADVERTENCIA:

No permita que su familiarización con las producto lo vuelva descuidado. Tenga presente que un descuido de un instante es suficiente para causar una lesión grave.

## ADVERTENCIA:

Siempre póngase protección ocular con la marca de cumplimiento de la norma ANSI Z87.1. La inobservancia de esta advertencia puede permitir que los objetos lanzados hacia los ojos puedan provocarle lesiones graves.

## ADVERTENCIA:

No utilice ningún aditamento o accesorio no recomendado por el fabricante de esta producto. El empleo de aditamentos o accesorios no recomendados podría causar lesiones serias.

## ADVERTENCIA:

Nunca dirija un chorro de agua en dirección de personas o animales, ni hacia dispositivos eléctricos. La inobservancia de esta advertencia podría causar lesiones serias.

## USOS

Esta producto puede emplearse para los fines enumerados abajo:

- Retire la suciedad y el moho de las terrazas, patios de cemento y revestimientos de paredes
- Para limpiar vehículos, barcos deportivos, motocicletas, muebles para el exterior y parrillas para asar

## ABASTECIMIENTO Y VERIFICACIÓN DE LUBRICANTE

Vea la figura 9

**NOTA:** Esta máquina se embarcó con cerca de dos onzas de lubricante de las pruebas en el motor. **Es necesario abastecer de lubricante el motor antes de arrancarlo por primera vez.**

## PRECAUCIÓN:

Cualquier intento de arrancar el motor sin abastecerlo de lubricante puede causar la descompostura del mismo.

### Para añadir lubricante para motor:

- Coloque la lavadora de presión sobre una superficie horizontal nivelada.
- Desenrosque la tapa del aceite con varilla de nivel; para ello, gírela a la izquierda.
- Vierta el lubricante para motor de cuatro tiempos (SAE 30 y SAE 10W30) y llene el depósito hasta el nivel superior

del cuello del filtro de aceite (se suministran 18 onzas de lubricante para motor de cuatro tiempos).

**NOTA:** Recomendamos utilizar ÚNICAMENTE Homelite o G-OIL® en su producto.

- Vuelva a colocar la tapa del aceite con varilla de nivel y apriétela firmemente.

**NOTA:** Este motor tiene una capacidad de lubricante de 0,6 litros.

### Para verificar el nivel de lubricante para motor:

- Coloque el motor sobre una superficie plana.
- Limpie la varilla de nivel y vuelva a asentarla en el agujero; no la enrosque.
- Retire de nuevo la varilla medidora de lubricante y verifique el nivel de lubricante. El nivel de aceite siempre debe estar dentro del área cubierta con rayas entrecruzadas de la varilla medidora.
- Si está bajo el nivel, abastezca de lubricante el motor hasta que el nivel del fluido alcance la parte superior del área cubierta con rayas entrecruzadas de la varilla.
- Vuelva a colocar la tapa de relleno de aceite/varilla medidora de aceite y asegúrela.

## PRECAUCIÓN:

No lo llene excesivamente. Llenar excesivamente el cárter puede producir humo en exceso y daños en el motor.

## ABASTECIMIENTO DEL TANQUE DE GASOLINA

Vea la figura 10.

## ADVERTENCIA:

La gasolina y los vapores de la misma son extremadamente inflamables y explosivos. Para evitar lesiones y daños físicos serios, maneje con cuidado la gasolina. Manténgala lejos de fuentes de ignición, manéjela solamente al aire libre, no fume mientras vierta la gasolina y limpie de inmediato cualquier derramamiento que ocurra.

Al abastecer de gasolina la lavadora de presión, asegúrese de que la unidad esté asentada en una superficie horizontal nivelada. Si está caliente el motor, permita que se enfríe la lavadora de presión antes de reabastecerla de gasolina. SIEMPRE llene el tanque al aire libre y teniendo apagada la máquina.

**NOTA:** Use sólo gasolina sin plomo. NO mezcle con lubricante la gasolina.

- Antes de retirar la tapa del combustible, limpie el área circundante de la unidad. Retire la tapa del combustible.
- Introduzca un embudo limpio en el tanque de combustible y después vierta lentamente la gasolina en el tanque.

# FUNCIONAMIENTO

Llene el tanque hasta una altura aproximada de 38 mm (1-1/2 pulg.) abajo de la parte superior del cuello del tanque (para permitir la expansión del combustible).

- Vuelva a colocar la tapa del combustible y apriétela firmemente la tapa “déclíc”.
- Limpie todo combustible derramado antes de encender la máquina.

## COMBUSTIBLES OXIGENADOS

### NO USE COMBUSTIBLE E85. ANULARÁ SU GARANTÍA.

**NOTA:** No están cubiertos en la garantía los problemas de desempeño o daños al sistema de combustible producidos por el uso de un combustible oxigenado con un contenido superior a los porcentajes de alcohol o compuesto de éter señalados anteriormente.

**Etanol.** Las gasolinas con un contenido de 10% de etanol por volumen (comunmente conocida como E10) o 15% de etanol por volumen (comunmente conocida como E15) son aceptables. La E85 no lo es.

## ENCENDIDO Y APAGADO DE LA LAVADORA DE PRESIÓN

Vea las figuras 11 y 12.

### PRECAUCIÓN:

No ponga en marcha la bomba antes de conectar y abrir el suministro de agua.

#### Antes de arrancar el motor:

- Conecte todas las mangueras
- Revise todos los fluidos (lubricante y gasolina)

**NOTA:** El motor está equipado con un sensor de nivel bajo de aceite que previene que el motor arranque o funcione si no hay suficiente lubricante en el cárter.

- Abra el grifo del agua y luego oprima gatillo para purgar la presión de aire; mantenga oprimido el gatillo hasta que aparezca un chorro de agua estable.

#### Para arrancar el motor:

- Gire la válvula de combustible a la posición ON (encendido).
- Mueva la palanca del anegador a la posición CLOSED (cerrado).

**NOTA:** Si el motor se ha calentado, deje la válvula del anegador en la posición OPEN (abierto).

- Aleje la palanca del acelerador de la posición MIN (mínimo), ubicándola a un tercio de distancia de la posición MAX (máximo).
- Coloque el interruptor del motor en la posición ON (encendido).
- Tire el mango del arrancador retráctil hasta que el motor arranque (6 veces como máximo).

**NOTA:** No permita que el mango vuelva rápido a su lugar luego de arrancar, colóquelo suavemente en su lugar original.

- Permita que el motor funcione durante 30 segundos, luego regrese la palanca del anegador a la posición OPEN (abierto).

#### Para apagar el motor:

- Ponga el interruptor del motor en la posición OFF (APAGADO).

## USO DEL MANGO DEL GATILLO

Vea la figura 13.

Para mayor control y seguridad, mantenga ambas manos en el mango de gatillo todo el tiempo.

- Para iniciar el chorro de agua, oprima y no suelte el gatillo.
- Para interrumpir el flujo del chorro de agua por la boquilla, suelte el gatillo.

#### Para accionar el seguro:

- Suba el seguro hasta dejarlo trabado en la ranura.

#### Para quitar el seguro:

- Baje el seguro a su posición original.

Para lograr la limpieza más eficaz, la boquilla rociadora debe estar de 203 a 610 mm (de 8 a 24 pulg.) de la superficie por limpiar. Si está demasiado cerca el chorro, puede dañar la superficie que está limpiándose.

## SELECCIÓN DE LA BOQUILLA CORRECTA DE CONEXIÓN RÁPIDA PARA CADA TRABAJO

Vea las figuras 14 y 15.

Antes de empezar cualquier trabajo de limpieza, determine cuál es la mejor boquilla para el trabajo. Cada una de las boquillas tiene un patrón de rociado diferente. Los patrones de rociado son: 40° (para enjuague suave), 25° (para uso general o para grandes superficies), 0° (para limpieza de manchas o de áreas elevadas) y rociador negro para usar con detergente.



### ADVERTENCIA:

NUNCA cambie boquillas sin trabar el seguro de apagado en el mango de gatillo y NUNCA apunte el rociador hacia su cara o la de otros. La característica de conexión rápida contiene resortes pequeños que pueden expulsar la boquilla con cierta fuerza. La inobservancia de esta advertencia podría causar lesiones personales.

Con el collar de conexión rápida es fácil cambiar la boquilla.

#### Para conectar una boquilla al mango de gatillo:

- Apague la lavadora de presión y cierre el suministro de agua. Oprima el gatillo para purgar el agua.
- Accione el seguro en el mango de gatillo; para ello, suba aquél hasta que se trabe en la ranura.



# FUNCIONAMIENTO

- Empuje la boquilla hacia el interior del collar de conexión rápida hasta que se trabe en su lugar y quede debidamente asegurado.

## Para desconectar la boquilla el mango de gatillo una vez comenzado el trabajo de limpieza:

- Apague la lavadora de presión y cierre el suministro de agua. Oprima el gatillo para purgar el agua.
- Accione el seguro el el mango de gatillo; para ello, suba aquél hasta que se trabe en la ranura.
- Para quitar la boquilla, coloque la mano sobre ella y a continuación tire del collar de conexión rápida. Coloque la boquilla en el lugar donde se guardan éstas, en la parte superior de la máquina.

## UTILIZAR EL REGULADOR DE PRESIÓN

Vea la figura 16.

La bomba de alta presión incluye un dispositivo que permite ajustar la presión desde un mínimo de 2068,4 kPa (300 PSI) hasta la presión más alta permitida por la lavadora de presión. Cuando se utiliza a la presión más baja, se puede usar cualquier boquilla de conexión rápida estándar,

**NOTA:** Puede ser necesario oprimir y soltar el gatillo varias veces antes de que descienda la presión.

### PRECAUCIÓN:

Regrese siempre el regulador a la posición de presión MAX (máximo) antes de almacenar la lavadora de presión.

## LAVADO CON DETERGENTE

Vea la figura 17.

Use sólo detergentes diseñados para lavadoras de presión; los detergentes caseros, soluciones ácidas, alcalinas, blanqueadores, solventes, materiales inflamables o de grado industrial pueden dañar la bomba. Numerosos detergentes requieren mezclarse antes de usarse. Prepare la solución de limpieza de conformidad con las instrucciones de la botella correspondiente.

- Instale la boquilla negra en el tubo rociador.
- Coloque la manguera de detergente en la recipiente del detergente.

- Rocíe el detergente en una superficie seca, con pasadas largas uniformes traslapadas. Para evitar la formación de franjas, no permita que seque el detergente en la superficie.

## Antes de apagar el motor:

- Coloque la manguera de inyección en un balde de agua limpia.
- Lávela internamente durante uno o dos minutos (expulse agua limpia por el tubo rociador).
- Apague el motor.

**NOTA:** Apagando el motor — posición (O) del interruptor — no se purga del sistema la presión interna. Oprima el gatillo para purgar el agua a presión.

## ENJUAGADO CON LA LAVADORA DE PRESIÓN

- Apague la lavadora de presión y cierre el suministro de agua. Oprima el gatillo para purgar el agua.
- Accione el seguro el mango de gatillo; para ello, suba aquél hasta que se trabe en la ranura.
- Retire la boquilla del collar tirando de la misma.
- Siempre utilice la boquilla adecuada a la tarea:
  - Use la boquilla de presión baja (la verde) para objetos como un coche o un bote.
  - Use la boquilla de presión alta (la roja) para tareas como desprender pintura o desgrasar el camino de entrada. Cuando utilice estas boquillas, pruebe en un área pequeña primero para evitar dañar la superficie.
- Comience por la parte superior por enjuagar y avance hacia abajo, traslapando cada pasada.

## TRASLADO DE LA LAVADORA DE PRESIÓN

Vea la figura 18.

**NOTA:** Nunca alce o mueva este producto tomándolo por el mango móvil.

- Apague la lavadora de presión.
- Incline la máquina hacia usted hasta equilibrarla sobre las ruedas y después empújela a la posición deseada.

# MANTENIMIENTO

## **ADVERTENCIA:**

Al dar servicio a la unidad, sólo utilice piezas de repuesto idénticas. El empleo de piezas diferentes puede causar un peligro o dañar el producto.

## **ADVERTENCIA:**

Siempre póngase protección ocular con la marca de cumplimiento de la norma ANSI Z87.1. La inobservancia de esta advertencia puede permitir que los objetos lanzados hacia los ojos puedan provocarle lesiones graves.

## **ADVERTENCIA:**

Antes de inspeccionar, limpiar o dar servicio a la máquina, apague el motor, espere a que se detengan todas las piezas en movimiento, desconecte el cable de la bujía y aléjelo de ésta. El incumplimiento de cualquiera de estas instrucciones puede causar lesiones serias.

## MANTENIMIENTO GENERAL

Evite el empleo de solventes al limpiar piezas de plástico. La mayoría de los plásticos son susceptibles a diferentes tipos de solventes comerciales y pueden resultar dañados. Utilice paños limpios para eliminar la suciedad, el polvo, el aceite, la grasa, etc.

## **ADVERTENCIA:**

No permita en ningún momento que fluidos para frenos, gasolina, productos a base de petróleo, aceites penetrantes, etc., lleguen a tocar las piezas de plástico. Las sustancias químicas pueden dañar, debilitar o destruir el plástico, lo cual a su vez puede producir lesiones corporales serias.

Solamente las piezas mostradas en la lista de piezas pueden ser reparadas o cambiadas por el consumidor. Todas las piezas restantes deben ser reemplazadas en un centro de servicio autorizado.

Antes de encender el motor realice los siguientes pasos previos:

- Verifique que todos los pernos, tuercas, etc., estén firmemente apretados.
- Asegúrese de que esté limpio el filtro.
- Revise tanto el nivel de lubricante del motor como el nivel del tanque de combustible; reabastézcalos según sea necesario.
- Inspeccione el área de trabajo para ver si hay peligros presentes.
- Si hay ruido o vibración excesivos, apague de inmediato la unidad.

## MANTENIMIENTO DE LAS BOQUILLAS

La presión excesiva de la bomba (se siente una sensación de pulsación al estar oprimiendo el gatillo) puede deberse a que la boquilla está tapada o sucia.

- Apague la lavadora de presión y cierre el suministro de agua. Oprima el gatillo para purgar el agua.
- Retire la boquilla del tubo rociador.

**NOTA:** Nunca se apunte el tubo rociador a la cara.

- Para liberar la boquilla de las obstrucciones de cualquier material extraño, retire los residuos con una aguja fina.
- Con una manguera de jardín expulse de la boquilla toda la basura presente con un contraflujo (haciendo pasar hacia atrás agua por la boquilla, o sea del exterior hacia el interior).
- Vuelva a conectar la boquilla al tubo rociador.
- Abra el suministro de agua y arranque el motor.

## GUARDADO DE LA LAVADORA DE PRESIÓN

*Vea la figura 19.*

Guarde la lavadora de presión con el tanque de gasolina vacío; para ello, vacíe el tanque o mantenga encendida la máquina hasta agotar el combustible. Permita un período de enfriamiento de 30 minutos antes de guardar la máquina. Guarde la unidad en un lugar seco y cubierto, en el cual no pueda resultar dañada a la intemperie.

Es importante guardar este producto en un área protegida contra la congelación. Siempre vacíe todas las mangueras, la bomba, el tanque de combustible y el balde de detergente antes de guardar la unidad.

**NOTA:** Si utiliza un estabilizador de combustible y un protector de bombas obtendrá un mejor desempeño de la bomba y aumentará la vida de servicio de la máquina.

### **Combustible:**

Drene completamente el tanque de combustible. La gasolina puede echarse a perder en 30 días.

### **Lubricante del motor:**

Drene el lubricante viejo y reemplácelo con lubricante nuevo limpio.

### **Bujía:**

- Desconecte el cable de la bujía y retire ésta. Vierta cerca de una cucharada chica de lubricante limpio para motor de cuatro tiempos a través del agujero de la bujía, en el interior de la cámara de combustión.
- Teniendo la bujía afuera, tire de la cuerda del arrancador dos o tres veces para recubrir el interior de la pared del cilindro.
- Inspeccione la bujía y límpiela o reemplácela según sea necesario.
- Vuelva a instalar la bujía, pero deje desconectado el cable de la misma.

# MANTENIMIENTO

## Mangueras y bomba:

Lave interiormente la manguera de inyección con agua limpia durante uno o dos minutos. Retire las mangueras. Vacíe la bomba; para ello, tire del arrancador retráctil seis veces aproximadamente. De esta manera se elimina de la bomba la mayoría del líquido.

## Para preparar la unidad para el invierno y guardarla por períodos prolongados:

- Desconecte la conexión de agua de ser necesario.
- Encienda la lavadora de presión y déjela funcionando durante unos segundos para eliminar los restos de agua en la bomba.
- Enrolle las mangueras y colóquelas en la tira de gancho y lazada en el mango de la unidad. No permita que la manguera se retuerza.
- Guarde la unidad y los accesorios en un área que esté protegida contra las temperaturas bajo cero. No la guarde cerca de hornos u otras fuentes de calor que pueda secar los sellos de la bomba.

### PRECAUCIÓN:

Se recomienda emplear un protector para la bomba para evitar daños por temperaturas bajas mientras la unidad está guardada en los meses de invierno.

## CONTROL Y LIMPIEZA DEL FILTRO DE AIRE

Vea la figura 20.

Un filtro sucio puede causar dificultades de arranque, pérdida de rendimiento y acortar la vida útil del motor. Inspeccione mensualmente el filtro de aire. Para lograr un desempeño óptimo de la unidad, reemplace el filtro de aire por lo menos una vez al año.

- Quite la tuerca de mariposa y luego retire la tapa del filtro de aire.
  - Quite la segunda tuerca de mariposa y luego retire la unidad de filtro de aire.
  - Si el elemento de filtro de espuma está sucio, retírelo de la unidad de filtro de aire. Limpie el elemento de filtro de espuma con agua jabonosa tibia. Enjuague y deje que seque.
- NOTA:** Si la unidad de filtro de aire está sucia o dañada, debe ser reemplazada. Si el elemento de filtro de espuma está dañado, también debe ser reemplazado.
- Aplique una capa delgada de aceite de motor al elemento de filtro de espuma, luego escúrrala.
  - Reemplace el elemento de filtro de espuma en la unidad de filtro de aire.
  - Reemplace la unidad de filtro de aire y reinstale la tuerca de mariposa para asegurar.
  - Reemplace la tapa del filtro de aire y reinstale la segunda tuerca de mariposa para asegurar.

**NOTA:** No encienda el motor sin el elemento de filtro de espuma y el filtro de aire. Esto causará un rápido desgaste del motor.

## PREPARACIÓN DE LA UNIDAD PARA USARLA DESPUÉS DE TENERLA GUARDADA

- Tire del arrancador retráctil tres o cuatro veces para limpiar el lubricante de la cámara de combustión.
- Retire la bujía del cilindro. Limpie el lubricante de la bujía y vuelva a ponerla en el cilindro.
- Vuelva a conectar el cable de la bujía.
- Reabastezca de combustible la máquina de la forma descrita anteriormente en el manual del operador.

# SOLUCIÓN DE PROBLEMAS

PROBLEMA	CAUSA	SOLUCIÓN
El motor no arranca	<ol style="list-style-type: none"> <li>1. No hay combustible en el tanque</li> <li>2. Falló o tiene corta la bujía</li> <li>3. Se rompió la bujía (se rajó la porcelana o se rompieron los electrodos)</li> <li>4. El cable de ignición tiene corto, está roto o desconectado de la bujía caso</li> <li>5. El sistema de ignición no funciona</li> <li>6. Bajo nivel de aceite</li> <li>7. Presión atrapada</li> </ol>	<ol style="list-style-type: none"> <li>1. Reabastezca el tanque</li> <li>2. Reemplace la bujía</li> <li>3. Reemplace la bujía</li> <li>4. Reemplace el cable de ignición o conéctelo a la bujía</li> <li>5. Comuníquese con un centro de servicio autorizado</li> <li>6. Agregue aceite</li> <li>7. Oprima el gatillo para liberar la presión</li> </ol>
Cuesta trabajo arrancar el motor	<ol style="list-style-type: none"> <li>1. Hay agua en la gasolina</li> <li>2. Está débil la chispa de la bujía</li> </ol>	<ol style="list-style-type: none"> <li>1. Drene todo el sistema y reabastézcalo con combustible nuevo</li> <li>2. Comuníquese con un centro de servicio autorizado</li> </ol>
Le falta potencia al motor	<ol style="list-style-type: none"> <li>1. Está sucio el filtro de aire</li> </ol>	<ol style="list-style-type: none"> <li>1. Limpie o reemplace el filtro de aire</li> </ol>
El detergente no está mezclándose en el rocío	<ol style="list-style-type: none"> <li>1. La manguera de inyección del detergente no está sumergida correctamente</li> <li>2. La boquilla de alta presión es la que está conectada</li> </ol>	<ol style="list-style-type: none"> <li>1. Introduzca la manguera de inyección en el recipiente o botella del detergente</li> <li>2. Para aplicar el detergente use la boquilla de baja presión (la negra)</li> </ol>
La bomba no genera presión	<ol style="list-style-type: none"> <li>1. La boquilla de baja presión es la que está instalada</li> <li>2. El suministro de agua es inadecuado</li> <li>3. Mango del gatillo o tubo de rociador</li> <li>4. Está tapada la boquilla</li> <li>5. Está defectuosa la bomba</li> <li>6. Aire en el conductor</li> </ol>	<ol style="list-style-type: none"> <li>1. Reemplácela por la boquilla de alta presión.</li> <li>2. Suministre un flujo de agua adecuado</li> <li>3. Verifique las conexiones y/o tiene fugas reemplace el mango del gatillo o tubo de rociador</li> <li>4. Limpie la boquilla</li> <li>5. Comuníquese con un centro de servicio autorizado.</li> <li>6. Oprima el gatillo el mMango del gatillo para eliminar el aire del conductor</li> </ol>
La máquina no alcanza presión alta	<ol style="list-style-type: none"> <li>1. Está demasiado pequeño el diámetro de la manguera de jardín</li> <li>2. Está restringido el suministro de agua</li> <li>3. No hay suficiente agua en la entrada</li> <li>4. Está puesta una boquilla equivocada</li> <li>5. El regulador de presión está en la posición MIN (-) (mínimo)</li> </ol>	<ol style="list-style-type: none"> <li>1. Reemplácela con una manguera de 19 mm (3/4 pulg)</li> <li>2. Revise la manguera de jardín para ver si tiene dobleces, fugas o bloqueos</li> <li>3. Abra el suministro de agua a toda su capacidad</li> <li>4. Instale la boquilla de alta presión</li> <li>5. Ajuste el regulador de presión en MAX (+) (máximo)</li> </ol>

# GARANTÍA

## DECLARACIÓN DE GARANTÍA LIMITADA NO APLICABLE AL MOTOR

Homelite Consumer Products garantiza al comprador original al menudeo que este producto de arandela de presión de marca de HOMELITE carece de defectos en los materiales y mano de obra y acuerda reparar o reemplazar, a la sola discreción de Homelite Consumer Products, cualquier producto defectuoso sin cargo alguno dentro del plazo establecido después de la fecha de compra.

- Tres años si el producto se emplea para uso personal, familiar o casero;
- Un año, si alguno de los productos mencionados arriba se emplean para cualquier otro uso, como el uso comercial o alquiler.

Esta garantía se otorga solamente al comprador original al menudeo, y comienza en la fecha de la compra original al menudeo.

Cualquier pieza de este producto fabricada o suministrada por Homelite Consumer Products y que se encuentre, a juicio razonable de Homelite Consumer Products, defectuosa en materiales o mano de obra será reparada o reemplazada sin cobro de piezas ni mano de obra por parte de un centro de servicio autorizado Homelite.

El producto, incluida toda pieza defectuosa, debe enviarse a un establecimiento de servicio autorizado Homelite dentro del período de la garantía. El costo de enviar el producto al establecimiento para cualquier trabajo cubierto por la garantía así como el gasto de devolverlo al propietario después de la reparación correrán por cuenta del propietario. La responsabilidad de Homelite Consumer Products con respecto a todo reclamo se limita a las reparaciones o reemplazo del producto, y ningún reclamo de incumplimiento de la garantía será causante de la cancelación o rescisión del contrato de venta de ningún producto de marca HOMELITE. En el establecimiento se requerirá el recibo de compra para respaldar cualquier reclamo al amparo de la garantía. Todo trabajo de garantía debe ser efectuado por un centro de servicio autorizado Homelite.

Esta garantía se limita a un año a partir de la fecha original de la compra de cualquier producto de arandela de presión de marca de HOMELITE utilizado para propósitos comerciales o de alquiler, o cualquier otro propósito generador de ingresos.

Esta garantía no cubre ningún producto e marca que haya estado sometido a uso indebido, maltrato, negligencia o accidente, o que haya sido utilizado de cualquier forma contraria a las instrucciones de manejo especificadas en el manual del operador del producto de marca. Esta garantía no cubre ningún daño sufrido por el producto de marca causado por un mantenimiento inadecuado, ni ningún producto los productos de marca que haya sido alterado o modificado de manera que haya resultado afectado desfavorablemente el funcionamiento, el desempeño o la durabilidad del producto, o haya cambiado el uso para el que fue diseñado. La garantía no cubre ninguna reparación necesaria por el desgaste normal ni por el uso de piezas o accesorios que sean incompatibles con el producto de arandela de presión

de marca de HOMELITE, o afecten de forma desfavorable su funcionamiento, desempeño o durabilidad.

Además, esta garantía no cubre:

- A. Afinación – Filtros de aire, filtros de combustible, bujías
- B. Componentes sujetos a desgaste – Manguera, accesorios conectores, boquillas de rociado, ruedas, mango de rociador, cubeta de detergente, tanque de productos químicos

Homelite Consumer Products, se reserva el derecho de cambiar o mejorar el diseño de cualquier producto de arandela de presión de marca de HOMELITE sin asumir ninguna obligación de modificar ningún producto fabricado previamente.

TODAS LAS GARANTÍAS IMPLÍCITAS ESTÁN LIMITADAS EN DURACIÓN SEGÚN EL PERÍODO DE GARANTÍA DECLARADA. POR CONSIGUIENTE, CUALQUIER GARANTÍA IMPLÍCITA, INCLUSO LAS DE COMERCIABILIDAD, IDONEIDAD PARA UN PROPÓSITO EN PARTICULAR, O DE CUALQUIER TIPO, PIERDEN TOTALMENTE SU VALIDEZ DESPUÉS DEL VENCIMIENTO DEL PERÍODO DE GARANTÍA CORRESPONDIENTE DE TRES AÑOS O UN AÑO. LA OBLIGACIÓN DE TECHTRONIC INDUSTRIES NORTH AMERICA, INC EN VIRTUD DE ESTA GARANTÍA SE LIMITA ESTRUCTIVA Y EXCLUSIVAMENTE A LA REPARACIÓN O REEMPLAZO DE LAS PIEZAS DEFECTUOSAS, Y HOMELITE CONSUMER PRODUCTS NO ASUME NI AUTORIZA A NADIE A ASUMIR EN SU NOMBRE NINGUNA OTRA OBLIGACIÓN. ALGUNOS ESTADOS NO PERMITEN LIMITACIONES EN CUANTO A LA DURACIÓN DE UNA GARANTÍA IMPLÍCITA, POR LO CUAL ES POSIBLE QUE LA LIMITACIÓN ANTERIOR NO SE APLIQUE EN EL CASO DE USTED. HOMELITE CONSUMER PRODUCTS NO ASUME NINGUNA RESPONSABILIDAD POR DAÑOS DIRECTOS, INDIRECTOS, NI DE NINGÚN OTRO TIPO, COMO EL GASTO DE DEVOLVER EL PRODUCTO DE MARCA. A CENTRE DE SERVICIO AUTORIZADO DE PRODUCTOS HOMELITE Y LOS GASTOS PARA DEVOLVER DICHO PRODUCTO A SU PROPIETARIO RESPECTIVO, EL TIEMPO DE VIAJE DEL MECÁNICO, LLAMADAS TELEFÓNICAS O TELEGRAMAS, EL ALQUILER DE EQUIPOS SIMILARES DURANTE EL TIEMPO DE REALIZACIÓN DEL SERVICIO AL AMPARO DE LA GARANTÍA, VIAJES, PÉRDIDAS O DAÑOS A ARTÍCULOS DE PROPIEDAD PERSONAL, PÉRDIDA DE INGRESOS, PÉRDIDA DE USO DEL PRODUCTO, PÉRDIDA DE TIEMPO, O INCONVENIENCIA; ALGUNOS ESTADOS NO PERMITEN LA EXCLUSIÓN NI LA LIMITACIÓN DE LOS DAÑOS DIRECTOS O INDIRECTOS, POR LO CUAL LA LIMITACIÓN O EXCLUSIÓN ANTERIOR QUIZÁ NO SE APLIQUE EN EL CASO DE USTED.

Esta garantía le confiere derechos legales específicos, y es posible que usted goce de otros derechos, los cuales pueden variar de estado a estado.

Esta garantía se aplica a todos los productos de arandela de presión de marca de HOMELITE distribuido por Homelite Consumer Products y vendidos en Estados Unidos, México, y Canadá.

Para localizar el establecimiento de servicio autorizado Homelite más cercano, llame al 1-800-242-4672, o visite nuestro sitio Web en [www.homelite.com](http://www.homelite.com).







**3100 PSI PRESSURE WASHER**  
**NETTOYEUR HAUTE PRESSION DE 3 100 PSI**  
**LAVADORA A PRESIÓN DE 3 100 PSI**

**HL80923**

**OPERATOR'S MANUAL**

**MANUEL D'UTILISATION**

**MANUAL DEL OPERADOR**

**! WARNING:**

The engine exhaust from this product contains chemicals known to the State of California to cause cancer, birth defects, or other reproductive harm.

**CALIFORNIA PROPOSITION 65**

**! AVERTISSEMENT :**

Les gaz d'échappement de ce produit contiennent des produits chimiques identifiés par l'état de Californie comme causes de cancer, de malformations congénitales et d'autres troubles de l'appareil reproducteur.

**PROPOSITION 65 DE L'ÉTAT DE CALIFORNIE**

**! ADVERTENCIA:**

Las emanaciones provenientes del escape del motor de este producto contienen sustancias químicas reconocidas por el estado de California como causantes de cáncer, defectos congénitos y otras afecciones del aparato reproductor.

**CALIFORNIA - PROPUESTA DE LEY NÚM. 65**

**SERVICE**

For parts or service, contact your nearest Homelite authorized service dealer. Be sure to provide all relevant information when you call or visit. For the location of the authorized service dealer nearest you, please call 1-800-242-4672 or visit us online at [www.homelite.com](http://www.homelite.com).

**REPAIR PARTS**

The model number of this product is found on a plate or label attached to the housing. Please record the serial number in the space provided below.

**MODEL NO.** HL80923

**SERIAL NO.** \_\_\_\_\_

.....

**DÉPANNAGE**

Pour tout entretien ou réparation du produit, contacter le centre de réparations Homelite agréé le plus proche. Veiller à fournir toutes les informations pertinentes lors de tout appel téléphonique ou visite. Pour obtenir l'adresse du centre de réparations agréé le plus proche, téléphoner au 1-800-242-4672, ou visiter notre site [www.homelite.com](http://www.homelite.com).

**PIÈCES DE RECHANGE**

Le numéro de modèle se trouve sur une plaquette ou étiquette placée sur le bâti. Noter le numéro de série dans l'espace ci-dessous.

**NUMÉRO DE MODÈLE** HL80923

**NUMÉRO DE SÉRIE** \_\_\_\_\_

.....

**SERVICIO**

Para obtener piezas o servicio, comuníquese con el centro de servicio autorizado de Homelite más cercano. Asegúrese de proporcionar todos los datos pertinentes al llamar o al presentarse personalmente. Para obtener información sobre el establecimiento de servicio autorizado más cercano a usted, le suplicamos llamar al 1-800-242-4672 o visitar nuestro sitio en la red mundial, en la dirección [www.homelite.com](http://www.homelite.com).

**PIEZAS DE REPUESTO**

El número de modelo de este producto se encuentra en una placa o etiqueta pegada a la caja del motor. Le recomendamos anotar el número de serie en el espacio suministrado abajo.

**NÚMERO DE MODELO** HL80923

**NÚMERO DE SERIE** \_\_\_\_\_

**HOMELITE CONSUMER PRODUCTS, INC.**

1428 Pearman Dairy Road, Anderson, SC 29625

1-800-242-4672 • [www.homelite.com](http://www.homelite.com)