



Holmes Products (Europe) Ltd.  
1 Francis Grove  
London SW19 4DT  
England

Fax: +44 (0)20 8947 8272

Email: enquiriesEurope@jardencs.com

Website address: www.bionaire.com/europe

UK - Free phone Customer Service Helpline - 0800 052 3615

Holmes Products France  
1015, Rue du Maréchal Juin  
Z.I Vaux - Le - Pénil  
77000 Melun - France  
Phone: +33 1 64 10 45 80  
Fax: +33 1 64 10 02 32

FRANCE - SERVICE CONSOMMATEURS

► N° Indigo 0 825 85 85 82

<b>Belgium:</b>	<b>+32 38 70 86 86</b>
<b>Czech Republic:</b>	<b>+420 48 513 03 03</b>
<b>Finland:</b>	<b>+358 9 8708 7851</b>
<b>Germany:</b>	<b>+49 89 5480195-0</b>
<b>Hungary:</b>	<b>+36 1 37 17 970</b>
<b>Latvia:</b>	<b>+371 7514081</b>
<b>Lebanon:</b>	<b>+961 1 81 49 46</b>
<b>Lithuania:</b>	<b>+370 52 772388</b>
<b>Netherlands:</b>	<b>+31 79 36 37 310</b>
<b>Norway:</b>	<b>+47 55982770</b>
<b>Poland:</b>	<b>+48 23 662 68 01</b>
<b>Slovakia:</b>	<b>+421 41 723 47 09</b>
<b>Spain:</b>	<b>+34 902 051 045</b>
<b>Sweden:</b>	<b>+46 300567370</b>
<b>Turkey:</b>	<b>+90 212 210 99 14</b>
<b>United Arab Emirates:</b>	<b>+971 42 97 95 52</b>



© 2010 Sunbeam Products, Inc. doing business as Jarden Consumer Solutions. All rights reserved. Imported and distributed by Holmes Products (Europe) Ltd., 1 Francis Grove, London SW19 4DT, United Kingdom. Printed in PRC

© 2010 Sunbeam Products, Inc. faisant affaires sous le nom de Jarden Consumer Solutions. Tous droits réservés. Importé et distribué par Holmes Products (Europe) Ltd., 1 Francis Grove, London SW19 4DT, United Kingdom. Imprimé en RPC

SPR-051110

P/N: 138200

pure indoor living



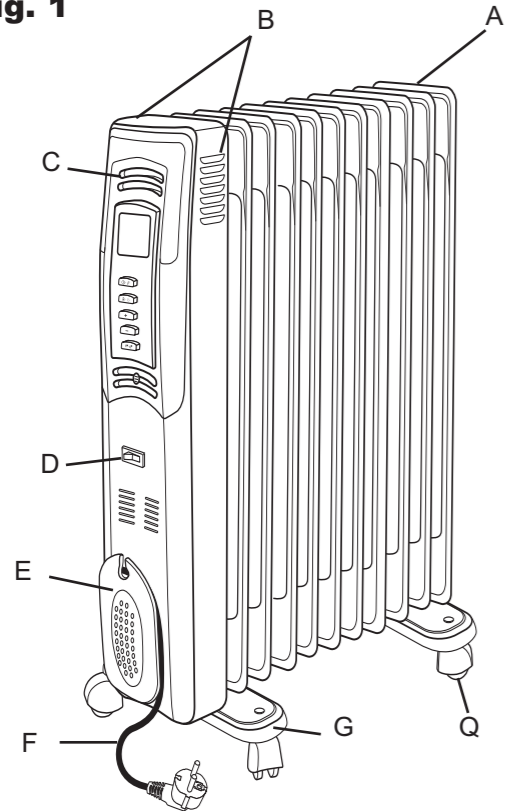
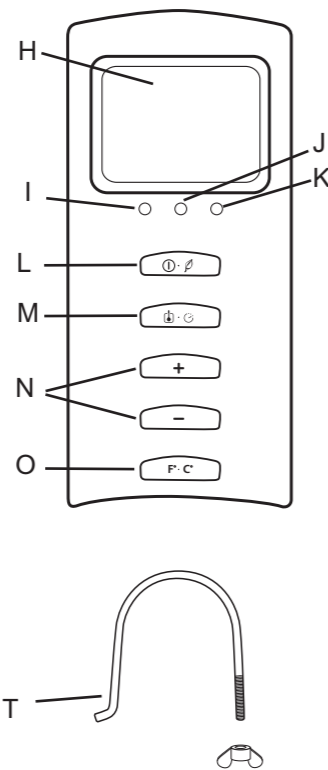
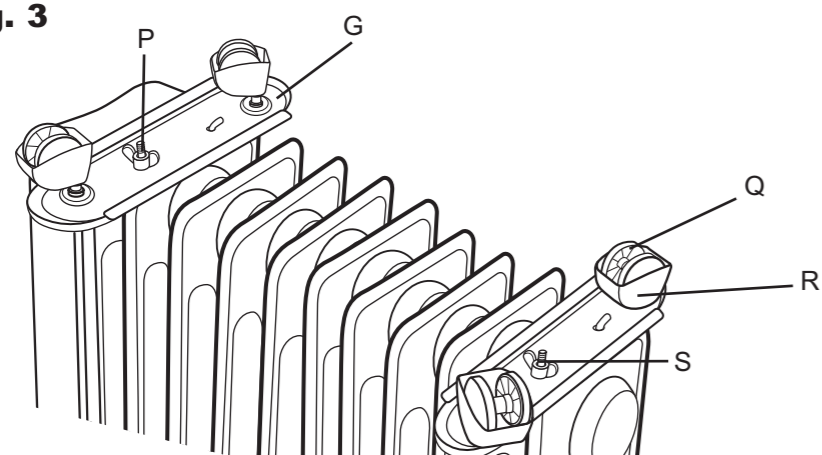
## OIL FILLED RADIATOR

MODEL# BOH2503D

**INSTRUCTION MANUAL  
NOTICE D'UTILISATION  
BETRIEBSANLEITUNG  
MANUAL DE INSTRUCCIONES  
MANUAL DE INSTRUÇÕES  
MANUALE D'USO  
INSTRUCTIEHANDLEIDING  
BRUKERHÅNDBOK**

**KÄYTTÖOPAS  
BRUKSANVISNING  
BRUGERVEJLEDNING  
INSTRUKCJA  
ΕΓΧΕΙΡΙΔΙΟ ΟΔΗΓΙΩΝ  
РУКОВОДСТВО ПО ЭКСПЛУАТАЦИИ  
HASZNÁLATI UTASÍTÁS  
NÁVOD K OBSLUZE**

English	4
Français/French	7
Deutsch/German	10
Español/Spanish	13
Nederlands/Dutch	14
Svenska/Swedish	20
Suomi/Finnish	23
Norsk/Norwegian	26
Dansk/Danish	29
Polski/Polish	32
ΕΛΛΗΝΙΚΑ/Greek	36
РУССКОЯЗЫЧНЫЙ/Russian	40
Italiano/Italian	44
Magyar/Hungarian	47
Česky/Czech	50
Português/Portuguese	54

**BOH2503D****Fig. 1****Fig. 2****Fig. 3****ENGLISH****PLEASE READ AND SAVE THESE IMPORTANT INSTRUCTIONS**

When using electrical appliances, basic safety precautions should always be taken including the following:

- Before connecting the heater, check that the voltage indicated on the rating plate corresponds to the main voltage in your home/office.
- WARNING: In order to avoid overheating, do not cover the heater (⚠) Reference to product.**
- DO NOT** position the heater directly under a power socket.
- DO NOT** use this heater in the immediate surroundings of a bath, a shower or a swimming pool.
- If the supply cord or plug is damaged, it must be replaced by the manufacturer or its service agent or similarly qualified person in order to avoid hazard. The heater contains no user serviceable parts. Should the product suffer damage or breakdown, it must be returned to the manufacturer or their service agent.
- Under the environment with electrical fast transient, the product may malfunction.
- DO NOT** use this heater with a programmer, timer or any other device that switches the heater on automatically, since a fire risk exists if the heater is covered or positioned incorrectly.
- Only touch the heater with dry hands.
- DO NOT** use this heater outdoors.
- DO NOT** position where it can be touched by children, especially the very young.
- Allow a safe area around the heater away from furniture or other objects; at least 50 cm from the top and sides and 200 cm at the front. The heater is to be placed at least 3m from water source.
- DO NOT** use this heater when it is lying on its side.
- DO NOT** use the heater in rooms with explosive gas (e.g. petrol) or while using, oxygen, inflammable glue or solvent (e.g. when gluing or varnishing parquet floors, PVC etc.)
- DO NOT** insert any objects into the heater.
- Keep the mains cord at a safe distance from the main body of the heater.
- If overheating should occur, the built-in overheating safety device will switch off the heater.
- DO NOT** place the cord under a rug.

- The heater cannot be used adjacent to curtains or combustible material. Curtains or combustible material may be burned if the heater was installed incorrectly.
- This appliance is not intended for use by persons (including children) with reduced physical, sensory or mental capabilities, or lack of experience and knowledge, unless they have been given supervision or instruction concerning use of the appliance by a person responsible for their safety. Children should be supervised to ensure that they do not play with the appliance.
- This heater is filled with a precise quantity of special oil. Repairs requiring opening of the oil container are only to be made by the manufacturer or his service agent who should be contacted if there is an oil leak;
- When scrapping the heater, follow the regulations concerning the disposal of oil.

**DESCRIPTIONS (See Fig. 1, 2 & 3)**

- A. Heated Fins
- B. Vents
- C. Pull down handle
- D. Power switch
- E. Cord Storage
- F. Power cord
- G. Front castor assembly
- H. Digital display
- I. Power light
- J. Mode light
- K. Timer light
- L. Mode button
- M. Thermostat/timer button
- N. Adjuster buttons
- O. °F · °C button
- P. Front wing nut
- Q. Castor
- R. Rear castor assembly
- S. Rear wing nut
- T. U-bolt

**Technical Specifications**

**BOH2503D**, Wattage: 2500W

**ASSEMBLY INSTRUCTIONS (See Fig. 3)**  
Please make sure the heater has not been plugged into any electricity outlet.

Carefully remove heater from box. Some accessories are packed internally. Please make sure you have all of the following accessories prior to throwing away packaging.  
2 Castor assemblies with four castors (R, G, & Q), and 2 U Bolts with wing nuts (T, P, S).

**Note: This unit is for FLOOR USE ONLY.**

- Turn the heater upside down and you will see 2 U-bolts (T) with wing nuts over the first and last joint of the heater.
- Unscrew the wing nuts (S & P) from the U-bolts (T).
- Start with the front of the unit and place one hole of the front castor assembly (G) to the L shape of the U-bolt (T) and the other hole of the castor assembly into the other end of the U-bolt, then screw on the wing nut (P).
- Repeat step 3 for the rear castor assembly, using wing nut (S) instead of wing nut (P) and rear castor assemblies (R).
- Use your hand to press the four castors (Q) onto the four axes of the two foot plates until you hear them click into place. Use your hand to turn the castors and if they move smoothly they have been installed properly.
- After installation of the front and rear castor assemblies and the castors turn the heater the right way up: the heater is now ready for use.

**NOTE:** Make sure when assembling that the castor assemblies with wheels are pointing outwards for maximum stability.

**OPERATING INSTRUCTIONS**

(See Fig. 1 & 2)

- Ensure the power switch (D) is set to the OFF (O) position.
- Plug in heater.
- Flip the power switch to the ON (-) position. The power light (I) will illuminate red until the unit is unplugged.
- Press the mode button (L) once to activate the unit. The mode light (J) will glow green to indicate the heater is running. The unit will automatically start on Setting 3 (High Heat).
- Press the mode button until the desired heat setting is shown on the digital display (H).

**BOH2503D:** 3=2500W, 2=1300W, 1=1200W,  
∅ =Energy Saving Mode

After using the heater, press the mode button until the unit is deactivated and the mode light turns off, then turn the power switch to the OFF position. Unplug the the heater from the socket.

**SETTING THE THERMOSTAT**

- Set the desired heat setting by pressing the mode button.
- Press the thermostat/timer button (M) once to activate thermostat setting. The room temperature and a thermostat icon flash on the display.
- Press the + or - adjuster buttons (N) to select the desired temperature. (Range 12° C - 30° C)

- The thermostat symbol will stop flashing. The thermostat control will now automatically maintain the preset temperature level by turning the heater on and off.
- To deactivate the thermostat setting, press the thermostat/timer button continuously until the thermostat symbol does not appear on the display.

**NOTE: The Power light will remain lit during operation.**

**NOTE: It is normal for the heater to cycle ON and OFF as it maintains the preset temperature.**

**FROST GUARD INSTRUCTION**

When the heater is in frost guard mode, the temperature will be maintained at 5° C; thus the heater will be in the off status unless the room temperature is lower than 5° C. If the room temperature is lower than 5° C, the heater will automatically start working and will keep turning on & off all the time, maintaining its ambient temperature of 5° C. To activate, press the mode button to turn the unit on, then press the thermostat/timer button twice. The (❄) icon will display to indicate that frost guard is activated.

**USING THE TIMER****Programmable timer**

The user can programme the heater to turn OFF after a selected period or to come ON at a preset time.

**Setting the OFF timer**

- Select the mode and temperature you want the heater to run.
- Press the thermostat/timer button 3 times. The OFF timer icon flashes.
- Using either the (+) or (-) adjuster buttons, programme the heater to turn off up to 24 hours later, in increments of 1 hour.

**Example - 9 hours**

- After setting the time, the digital display will stop flashing to show the timer is activated. The timer will count down until the predetermined length of time has passed, and the heater will then automatically switch off.

**Example - Switch OFF** - The time is 1 pm. The heater is running and you require the heater to switch off at 10 pm; therefore, set the time to 9 hours.

**Setting the ON timer**

- If the heater is on, press the thermostat/timer control button 4 times. The ON timer icon flashes.
- Using either the (+) or (-) adjuster buttons,


programme the heater to switch on up to 24 hours later, in increments of 1 hour.

#### Example - 4 hours

3. After setting the ON timer, the digital display will stop flashing to show the timer is activated. The timer will count down until the predetermined period has passed, and then the heater will automatically switch on.

**NOTE:** When the ON timer is set, the unit will remember the setting the unit was previously on and activate to this setting after the predetermined period. The heat setting may be changed after setting the timer by pressing the mode button.

#### ENERGY SAVING MODE

To activate, press the mode button until  appears on the display. The heater will operate on a cycle - 10 minutes on High (2500W) and 30 minutes on Medium (1300W). When the temperature is at or above 85°F (30°C), the heater will ignore the 10 minute High setting and operate on Medium for 30 minutes immediately. The cycle repeats while in this mode.

#### DISPLAY PREFERENCES

The default setting on the digital display is degrees Celsius (°C). To switch to degrees Fahrenheit (°F), press the °F-°C button.

**NOTE: Unit must be unplugged for it to be fully off.**

#### TIP OVER PROTECTION

When the unit is accidentally knocked over, or tilts on one side at more than a 45° angle; it will instantly shut off. To reset, simply place the heater in an upright position and press the mode button to reactivate the unit.

#### TRANSPORTING THE UNIT

Locate the pull down handle (C) above the control panel. Pull down to release and then grasp the handle. Pull the unit using the handle ensuring that all castors are in contact with the floor.

**NOTE: Do not use handle to lift the product.**

#### STORAGE TIPS

If the heater is not required for long periods, for example during the summer, it should be stored at room temperature; in a dry place and preferably covered to prevent the accumulation of dust and dirt.

#### GUARANTEE

Please keep your receipt as this will be required for any claims under this guarantee.

This appliance is guaranteed for 5 years after your purchase as described in this document.

During this guaranteed period, if in the unlikely event the appliance no longer functions due to a design or manufacturing fault, please take it back to the place of purchase, with your till receipt and a copy of this guarantee.

The rights and benefits under this guarantee are additional to your statutory rights, which are not affected by this guarantee. Only Holmes Products (Europe) Ltd. ("Holmes") has the right to change these terms.

Holmes undertakes within the guarantee period to repair or replace the appliance, or any part of appliance found to be not working properly free of charge provided that:

- you promptly notify the place of purchase or Holmes of the problem; and
- the appliance has not been altered in any way or subjected to damage, misuse, abuse, repair or alteration by a person other than a person authorised by Holmes.

Faults that occur through, improper use, damage, abuse, use with incorrect voltage, acts of nature, events beyond the control of Holmes, repair or alteration by a person other than a person authorised by Holmes or failure to follow instructions for use are not covered by this guarantee. Additionally, normal wear and tear, including, but not limited to, minor discoloration and scratches are not covered by this guarantee.

The rights under this guarantee shall only apply to the original purchaser and shall not extend to commercial or communal use.

If your appliance includes a country-specific guarantee or warranty insert please refer to the terms and conditions of such guarantee or warranty in place of this guarantee or contact your local authorized dealer for more information.

This marking indicates that this product should not be disposed with other household wastes and should be disposed separately throughout the EU. To prevent possible harm to the environment or human health from uncontrolled waste disposal due to the presence of hazardous substances within the product, recycle it responsibly to promote the sustainable reuse of materials and resources. To return your used device, please use the return and collection systems available to you or contact the retailer where the product was purchased. They can take this product for environmentally safe recycling.



Holmes Products (Europe) Limited  
1 Francis Grove  
London  
SW19 4DT  
UK

## FRANÇAIS

### VEUILLEZ LIRE ET CONSERVER CES INSTRUCTIONS IMPORTANTES

Quand vous employez des appareils électriques, veuillez prendre les précautions de sécurité élémentaires incluant les précautions suivantes :

1. Avant de brancher le chauffage, vérifiez que le voltage indiqué sur la plaque correspond au voltage principal de votre maison/bureau.
2. **PRECAUTIONS:** Afin d'éviter les risques de surchauffe, (☹) veuillez ne pas couvrir le chauffage. (Référence du produit)
3. **NE PLACEZ PAS** l'appareil directement sous une prise électrique
4. **N'UTILISEZ PAS** cet appareil à proximité immédiate d'un bain, d'une douche ou d'une piscine.
5. Si le cordon électrique ou la prise sont endommagés, le fabricant doit le remplacer par le biais de ses agents de service ou d'une personne ayant les mêmes qualifications pour éviter tout risque d'accident.
6. Dans un environnement disposant de dispositifs électriques provisoires, l'appareil peut mal fonctionner ou nécessiter une reconfiguration.
7. **NE PAS** utiliser cet appareil avec un programmateur horaire ou tout autre dispositif qui permet d'allumer automatiquement cet appareil puisqu'il existe des risques que cet appareil soit couvert ou mal positionné.
8. Ne touchez l'appareil que les mains sèches.
9. **NE PAS** employer ce chauffage en extérieur.
10. **NE PAS** le placer dans des endroits où des enfants peuvent le toucher, spécialement les jeunes enfants.
11. Il faut qu'il y ait un espace de sécurité autour du chauffage à l'écart de tout meuble ou autre objet, au moins 50 cm du haut ou des côtés et 200 cm sur le devant de l'appareil. Le chauffage doit être positionné au moins à 5 mètres d'une source d'eau.
12. **NE PAS** utiliser le chauffage quand il est couché sur le côté.
13. **NE PAS** utiliser ce chauffage dans des pièces avec des gaz explosifs (par exemple du pétrole) ou en utilisant de l'oxygène, de la colle inflammable ou des solvants (par exemple quand vous collez ou vernissez des parquets, PVC, etc.)
14. **N'INSEREZ** aucun objet dans ce chauffage.
15. Conservez les cordons à distance sécurisée du corps principal du chauffage.
16. En cas de surchauffe, le dispositif de sécurité intégré éteindra automatiquement l'appareil.
17. **NE PAS** placer le cordon sous un tapis.
18. Ce chauffage ne peut être utilisé à proximité immédiate d'un rideau ou de matériaux combustibles. Les rideaux ou les matériaux combustibles peuvent être brûlés si l'appareil n'est pas correctement installé.
19. Cet appareil n'est pas destiné à être employé par des personnes (dont des enfants) aux capacités physiques, sensorielles ou mentales réduites ou qui manquent d'expérience et de connaissance, sauf si ces personnes ont reçu suffisamment de formation et d'instructions sur l'emploi de cet appareil par une personne qui se porte garante de leur sécurité. Les enfants doivent être sous surveillance pour s'assurer qu'ils ne jouent pas avec cet appareil.
20. Ce chauffage est rempli par une quantité spéciale de pétrole. Les réparations qui nécessitent une ouverture du réservoir à pétrole ne peuvent être faites que par le fabricant ou par un agent de service qui doit être contacté en cas de fuite ;
21. Quand vous jetez le chauffage, suivez les règles concernant l'élimination du pétrole.

#### DESCRIPTIONS (voir Fig. 1, 2 & 3)

- A. Ailettes chauffantes
- B. Prises d'air
- C. Poignée
- D. Interrupteur électrique
- E. Entreposage du cordon
- F. Cordon d'alimentation
- G. Ensemble de roulettes avant
- H. Écran numérique
- I. Voyant d'alimentation
- J. Voyant lumineux de mode
- K. Voyant lumineux du programmateur
- L. Bouton de mode
- M. Bouton de thermostat/programmateur
- N. Boutons d'ajustement
- O. Bouton °F · °C
- P. Écrou frontal
- Q. Roulette
- R. Assemblage de la roulette arrière
- S. Écrou arrière
- T. Étrier

**Spécifications Technique**

BOH2503D, Puissance en watts: 2500W

**CONSIGNES D'ASSEMBLAGE (voir Fig. 3)**

**Veillez vous assurer que le chauffage n'a pas encore été branché dans une prise électrique**

Enlevez soigneusement le chauffage de sa boîte. Certains accessoires sont emballés dans le paquet. Veuillez vous assurer que vous disposez de tous les accessoires avant de jeter le paquet. 2 ensembles de roulettes munis de 4 roulettes (R, G et Q) et 2 boulons en U avec des écrous à oreilles (T, P, S).

**Remarque: ces éléments servent uniquement pour l'utilisation au sol.**

1. Retourner l'appareil de chauffage sur le dos et repérer les 2 boulons en U (T) et les écrous à oreilles sur le premier et le dernier joint de l'appareil de chauffage.
2. Dévisser les écrous à oreilles (S et P) des boulons en U (T).
3. Commencer par le devant de l'appareil et placer un trou de l'ensemble de roulettes avant (G) sur la forme en L du boulon en U (T) et l'autre trou de l'ensemble de roulettes dans l'autre trou pour le boulon en U, puis resserrer l'écrou à oreilles (P).
4. Répétez l'étape 3 pour l'assemblage de la roulette arrière, en utilisant l'écrou à oreilles arrière (N) au lieu de l'écrou à oreilles avant (K) et les assemblages de roulettes arrière (M).
5. Utilisez votre main pour appuyer sur les quatre roulettes (L) sur les quatre axes des deux plaques inférieures jusqu'à ce qu'un clic vous indique qu'elles sont en place. Utilisez votre main pour tourner les roulettes, si elles bougent sans problème, c'est qu'elles ont été installées correctement.
6. Après l'installation des assemblages de roulettes avant et arrière, retournez le chauffage en position correcte : le chauffage est désormais prêt à l'usage.

**NOTE:** Assurez-vous pendant l'assemblage que les roues sont pointées vers l'extérieur pour une stabilité maximale.

**INSTRUCTIONS D'OPERATION (voir Fig. 1 & 2)**

1. Assurez-vous que l'interrupteur (D) est placé en position OFF (O).
2. Branchez le radiateur.
3. Placez l'interrupteur en position ON (-). Le voyant lumineux (I) va devenir en rouge jusqu'à ce que l'appareil soit débranché.
4. Appuyez sur le bouton mode (L) une fois

pour activer l'appareil. Le voyant lumineux (J) va devenir vert pour indiquer que le radiateur fonctionne. L'appareil va automatiquement s'allumer sur la configuration 3 (Chaleur élevée).

5. Appuyez sur le bouton mode jusqu'à atteindre la configuration de chaleur désirée sur l'écran numérique (H).

**BOH2503D:** 3=2500W, 2=1300W, 1=1200W,  $\emptyset$  =mode d'économie d'énergie

Après avoir utilisé le radiateur, appuyez sur le bouton mode, jusqu'à ce que l'appareil soit désactivé et que le voyant lumineux de mode soit éteint. Débranchez le radiateur de la prise.

**CONFIGURATION DU THERMOSTAT**

1. Configurez la chaleur désirée en appuyant sur le bouton mode.
2. Appuyez sur le bouton de thermostat/programmateur (M) une fois pour activer la configuration du thermostat. L'icône de la température de la pièce et du thermostat va clignoter sur l'écran.
3. Appuyez sur les boutons d'ajustement + ou - (N) pour sélectionner la température désirée. (Gamme de température de 12°C – 30°C)
4. Le symbole du thermostat va cesser de clignoter. Le thermostat maintiendra maintenant le niveau de température sélectionné en allumant ou en éteignant automatiquement le radiateur.
5. Pour désactiver le mode thermostat, appuyez sur le bouton de thermostat/programmateur continuellement jusqu'à ce que le symbole du thermostat disparaisse du panneau de contrôle.

**NOTE: la lumière électrique restera au cours du fonctionnement**

**NOTE: quand le chauffage est allumé, il est normal que le chauffage passe de ON à OFF pour maintenir la bonne température**

**INSTRUCTIONS DE PROTECTION CONTRE LE GEL**

Quand le radiateur est en mode antigel, la température se maintiendra à 5°C, et ainsi le radiateur restera éteint tant que la température de la pièce est supérieure à 5°C. Si la température de la pièce est inférieure à 5°C, le radiateur va s'allumer automatiquement et s'allumera ou s'éteindra automatiquement pour maintenir une température ambiante de 5°C. Pour l'activer, appuyez sur le bouton mode pour allumer l'appareil, puis appuyez deux fois sur le bouton de thermostat/le programmateur. L'icône (❄️) va s'afficher pour indiquer que la protection antigel est activée.

**UTILISATION DU PROGRAMMATEUR Programmateur**

L'utilisateur peut programmer le radiateur pour qu'il s'éteigne après une période prédéfinie, ou s'allume à une heure prédéfinie.

**Configurer le programmateur OFF**

1. Sélectionner le mode et la température à laquelle vous souhaitez que le radiateur fonctionne.
2. Appuyez sur le bouton thermostat/programmateur trois fois. L'icône du programmateur OFF clignote.
3. Utilisez les boutons d'ajustement (+) ou (-), programmez le radiateur pour que le radiateur s'éteigne jusqu'à 24 heures plus tard, par tranche d'une heure.
4. Après avoir programmé l'heure, l'écran numérique cessera de clignoter pour montrer que le programmateur est activé. Le programmateur tiendra compte de la période de temps prédéterminée, et le radiateur s'éteindra automatiquement.

**Par exemple : 9 heures**

**Exemple – Extinction** - Il est 13 heures. Le radiateur fonctionne, et vous souhaitez que le radiateur s'éteigne à 22 heures ; donc vous fixez le programmateur sur 9 heures.

**Configurer le programmateur ON**

1. Si le radiateur est allumé, appuyez sur le bouton thermostat/programmateur quatre fois. L'icône du programmateur ON clignote.
2. Utilisez les boutons d'ajustement (+) ou (-), programmez le radiateur pour que le radiateur s'allume jusqu'à 24 heures plus tard, par tranche d'une heure.

**Par exemple : 4 heures**

3. Après avoir programmé le programmateur ON, l'écran numérique cessera de clignoter pour montrer que le programmateur est activé. Le programmateur tiendra compte de la période de temps prédéterminée, et le radiateur s'allumera automatiquement.

**NOTE:** Quand le programmateur est configuré sur ON, l'appareil se souviendra de la configuration sur laquelle il était précédemment allumé et lancera cette configuration après la période de temps prédéterminée. La configuration de la chaleur pourra être modifiée après avoir configuré le programmateur en appuyant sur le bouton mode.

**MODE D'ECONOMIE D'ENERGIE**

Pour l'activer, appuyez sur le bouton mode

jusqu'à ce qu'il  $\emptyset$  apparaisse sur l'écran. Le radiateur fonctionnera par cycles -10 minutes sur Élevé (2500W) et 30 minutes sur Medium (1300W). Quand la température est supérieure ou égale à 85°F (30°C), le radiateur ignorera la configuration 10 minutes Élevé et fonctionnera sur Medium pendant 30 minutes immédiatement. Le cycle se répètera pendant que ce mode est activé.

**AFFICHER LES PREFERENCES**

La configuration par défaut sur l'écran numérique est en degrés Celsius (°C). Pour passer aux degrés Fahrenheit (°F), appuyez sur le bouton °F-°C .

**NOTE: l'appareil doit être débranché pour être entièrement éteint.**

**PROTECTION ANTI RENVERSEMENT**

Quand l'appareil est renversé accidentellement, ou s'incline à plus de 45°, il s'éteindra automatiquement. Pour reconfigurer l'appareil, placez simplement le radiateur en position vertical et appuyez sur le bouton mode pour réactiver l'appareil.

**TRANSPORT DE L'APPAREIL**

Localiser la poignée (C) située au-dessus du panneau de contrôle. Appuyer sur le dessus pour la relâcher et saisir la poignée. Déplacer l'appareil à l'aide de la poignée en s'assurant que les roulettes soient en contact avec le sol.

**NOTE:** Ne pas utiliser la poignée pour soulever l'appareil.

**CONSEILS DE STOCKAGE**

Si l'appareil ne sert pas pendant de longues périodes, par exemple pendant l'été, il doit être stocké dans une pièce aérée et sèche, de préférence recouvert pour éviter l'accumulation de poussière et de saletés.

**GARANTIE**

Veillez conserver votre ticket de caisse, il vous sera demandé lors de toute réclamation sous garantie.

Cet appareil est garanti 5 ans à partir de la date d'achat, comme indiqué dans le présent document.

Dans le cas peu probable d'une panne résultant d'un défaut de conception ou de fabrication au cours de la période de garantie, veuillez rapporter l'appareil au magasin où vous l'avez acheté avec votre ticket de caisse et une copie de cette garantie.

Vos droits statutaires ne sont aucunement affectés par cette garantie. Seul Holmes

Products (Europe) Ltd. (« Holmes ») peut modifier ces dispositions.

Holmes s'engage à réparer ou remplacer gratuitement, pendant la période de garantie, toute pièce de l'appareil qui se révèle défectueuse sous réserve que :

- vous avertissiez rapidement le magasin ou Holmes du problème; et
- l'appareil n'ait pas été altéré de quelque manière que ce soit ou endommagé, utilisé incorrectement ou abusivement, ou bien réparé ou altéré par une personne autre qu'une personne agréée par Holmes Products Europe.

Cette garantie ne couvre pas les défauts liés à une utilisation incorrecte, un dommage, une utilisation abusive, l'emploi d'une tension incorrecte, les catastrophes naturelles, les événements hors du contrôle de Holmes, une réparation ou une altération par une personne autre qu'une personne agréée par Holmes ou le non-respect des instructions d'utilisation. De plus, cette garantie ne couvre pas non plus l'usure normale, y compris, mais sans limitation, les petites décolorations et éraflures.

Cette garantie s'applique uniquement à l'acheteur d'origine et elle n'étend aucun droit à toute personne acquérant l'appareil pour un usage commercial ou communal.

Si votre appareil est accompagné d'une garantie locale ou d'une carte de garantie, veuillez en consulter les dispositions et conditions en vigueur, ou vous adresser à votre revendeur local pour en savoir plus.

Cette marque indique que ce produit ne devrait pas être jeté avec les ordures ménagères, mais séparément partout à travers l'UE. Afin de prévenir tout dommage potentiel à la santé humaine ou à l'environnement par l'évacuation non contrôlée des déchets en raison de la présence de substances dangereuses dans le produit, recycler l'appareil de manière responsable afin de promouvoir la réutilisation durable des matériaux et des ressources.

Pour retourner votre produit usagé, veuillez utiliser les systèmes de retour et de cueillette offerts à l'endroit où vous avez acheté le produit. Ils sont en mesure de reprendre votre produit afin de le recycler sans danger pour l'environnement.

Holmes Products (Europe) Limited  
1 Francis Grove  
London  
SW19 4DT  
UK



## DEUTSCH

### BITTE LESEN DIESE WICHTIGEN HINWEISE UND BEWAHREN SIE SIE AUF

#### WICHTIGE HINWEISE:

Bei der Verwendung von Elektrogeräten müssen stets einige grundsätzliche Vorsichtsmaßnahmen getroffen werden, unter anderem:

1. Vor dem Anschluss der Heizung überprüfen Sie, ob die Spannungsangabe auf dem Typenschild mit der Spannung in Ihrer Wohnung/dem Büro übereinstimmt.
2. **WARNUNG: Die Heizung nicht verdecken, es besteht Überhitzungsgefahr (☹).**  
**Produktverweise**
3. Die Heizung **NICHT** direkt unter eine Steckdose stellen.
4. Diese Heizung **NICHT** in der unmittelbaren Umgebung eines Badezimmers, einer Dusche oder eines Schwimmbads benutzen.
5. Ein defektes Stromkabel oder ein Stecker muss vom Hersteller, dessen Kundendienst oder einer anderen qualifizierten Person repariert werden, um Gefahren zu vermeiden. Dieses Gerät hat keine vom Nutzer wartbaren Teile. Bei einem Fehler oder Ausfall des Produkts muss es an den Hersteller oder dessen Kundendienst zurückgegeben werden.
6. In Umgebungen mit elektrischen transienten Störungen, könnte es zu Produktfehlern kommen; dann muss der Benutzer das Produkt zurücksetzen.
7. Dies Heizung **NICHT** mit einem Programmierer, einer Zeitschaltuhr oder anderen Geräten benutzen, die die Heizung automatisch einschalten; wenn die Heizung verdeckt oder falsch aufgestellt wird besteht Brandgefahr.
8. Die Heizung nur mit trockenen Händen berühren.
9. Die Heizung **NICHT** im Freien verwenden.
10. Die Heizung **NICHT** dort aufstellen, wo Kinder, insbesondere Kleinkinder, sie berühren könnten.
11. Stellen Sie die Heizung mit Sicherheitsabstand zu Möbeln oder anderen Objekten auf; mindestens 50 cm oben und an den Seiten und 200 cm Vorne. Die Heizung muss mindestens 3 m von einer Wasserquelle entfernt aufgestellt werden.
12. Diese Heizung **NICHT** benutzen, während sie auf der Seite liegt.
13. Diese Heizung **NICHT** in Räumen mit explosivem Gas (z. B. Benzin) oder während der Verwendung von Sauerstoff, entzündlichem Kleber oder Lösungsmittel

verwenden (z. B. während des Verklebens oder Lackierens von Parkettböden, PVC usw.)

14. **KEINE** Objekte in die Heizung einführen.
15. Das Netzkabel in sicherer Distanz vom Heizkörper verlegen.
16. Bei Überhitzung schaltet das eingebaute Sicherheitsgerät die Heizung ab.
17. Das Kabel **NICHT** unter dem Teppich verlegen.
18. Diese Heizung darf nicht in der Nähe von Vorhängen oder brennbarem Material verwendet werden. Vorhänge oder brennbares Material könnten sich entzünden, wenn die Heizung falsch installiert wird.
19. Dieses Gerät darf nicht von Personen (einschließlich Kindern) mit eingeschränkten körperlichen, sensorischen oder geistigen Fähigkeiten, mangelnder Erfahrung oder Kenntnis verwendet werden; es sei denn unter der Aufsicht und Anleitung einer Person, die für die Sicherheit solcher Personen verantwortlich ist. Es ist darauf zu achten, dass Kinder nicht mit dem Gerät spielen.
20. Diese Heizung ist mit einer exakten Menge Spezialöl gefüllt. Reparaturen, bei welchen der Öltank geöffnet werden muss, dürfen nur vom Hersteller oder dessen Kundendienst vorgenommen werden, mit dem Sie sich in Verbindung setzen, wenn Öl auslaufen sollte.
21. Beachten Sie bei der Entsorgung der Heizung die Umweltschutzvorschriften für die Ölentorgung.

#### BESCHREIBUNGEN (Siehe Fig. 1, 2 und 3)

- A. Heizlamellen
- B. Lüftungsschlitze
- C. Zuggriff
- D. Netzschalter
- E. Kabelfach
- F. Stromkabel
- G. Vorderrollenbausatz
- H. Digitalanzeige
- I. Strommeldeleuchte
- J. Modus-Lampe
- K. Zeitschaltuhr-Lampe
- L. Modus-Taste
- M. Thermostat-/Zeitschaltuhr-Taste
- N. Reglertasten
- O. °F - °C Taste
- K. Vordere Flügelmutter
- Q. Rolle
- R. Hintere Rollenbaugruppe
- S. Hintere Flügelmutter
- T. U-Schraube

#### Technische Daten

BOH2503D, Leistung: 2500W

#### MONTAGEANLEITUNG (siehe Fig. 3) Die Heizung darf nicht mit der Steckdose verbunden sein.

Nehmen Sie die Heizung vorsichtig aus der Verpackung. Einige Teile sind weiter verpackt. Prüfen Sie, bevor Sie das Verpackungsmaterial entsorgen, dass das folgende Zubehör vorhanden ist: 2 Rollenbausätze mit vier Rollen (R, G, & Q) und 2 U-Schrauben mit Flügelmuttern (T, P, S).

#### HINWEIS: Dieses Gerät ist ausschließlich als STANDGERÄT zu benutzen.

1. Drehen Sie die Heizung um; auf dem ersten und letzten Anschluss der Heizung sitzen zwei U-Schrauben (T) mit Flügelmuttern.
2. Schrauben Sie die Flügelmuttern (S & P) von den U-Schrauben (T).
3. Beginnen Sie mit der Vorderseite und setzen Sie eine Öffnung der vorderen Rollenbaugruppe (G) auf die L-Form der U-Schrauben (T) und die andere Öffnung der Rollenbaugruppe auf das andere Ende der U-Schraube, verschrauben Sie dann die Flügelmutter (P).
4. Wiederholen Sie Schritt 3 für die hintere Rollenbaugruppe und verwenden Sie die Flügelmutter (N) anstelle von Flügelmutter (K) sowie die hintere Rollenbaugruppe (M).
5. Drücken Sie die vier Rollen (L) von Hand in die vier Achsen der beiden Fußplatten, bis Sie sie einrasten hören. Drehen Sie die Rollen von Hand und bewegen Sie sie vorsichtig, um sie richtig zu befestigen.
6. Nach der Installation der vorderen und hinteren Rollenbaugruppen und der Rollen stellen Sie die Heizung aufrecht: Nun kann die Heizung verwendet werden.

**HINWEIS:** Während der Montage der Rollenbaugruppen und der Rollen müssen diese nach Außen zeigen, damit maximale Stabilität gewährleistet ist.

#### BEDIENUNGSANLEITUNGEN (siehe Fig. 1&2)

1. Der Netzschalter (D) muss in der Stellung AUS (O) sein.
2. Verbinden Sie die Heizung mit dem Stromnetz.
3. Schalten Sie den Netzschalter in die Stellung EIN (-). Die Netzleuchte (I) leuchtet Rot, bis die Heizung vom Stromnetz getrennt wird.
4. Drücken Sie einmal die Modustaste (L), um das Gerät zu aktivieren. Die Moduslampe (J)

leuchtet grün, d. h., die Heizung läuft. Das Gerät schaltet sich automatisch bei Erreichen der Stellung 3 (hohe Wärme) ein.

- Halten Sie die Modustaste gedrückt, bis die gewünschte Einstellung an der Digitalanzeige (H) angezeigt wird.

**BOH2503D:** 3=2.500W, 2=1.300W, 1=1.200W,  
 ∅ =Energiesparmodus

Nach der Benutzung der Heizung drücken Sie die Modustaste bis das Gerät deaktiviert wird und die Moduslampe abschaltet; stellen Sie den Netzschalter dann in die Stellung AUS. Trennen Sie die Heizung mit dem Stromnetz

#### THERMOSTATEINSTELLUNG

- Wählen Sie die Wärme über die Modustaste.
- Drücken Sie einmal die Thermostat-/Zeitschaltuhr Taste (M), um die Thermostateinstellung zu aktivieren. Am Display werden die Raumtemperatur und das blinkende Thermostatsymbol angezeigt.
- Drücken Sie die Reglertasten + oder - (N), um die Temperatur auszuwählen. (Bereich 12° C - 30° C).
- Das Thermostatsymbol blinkt nicht mehr. Die Thermostatsteuerung erhält nun automatisch auf diese Weise die voreingestellte Temperatur, wobei die Heizung ein- und ausgeschaltet wird.
- Um die Thermostateinstellung zu deaktivieren, halten Sie die Thermostat-/Zeitschaltuhr Taste gedrückt, bis das Thermostatsymbol am Display erlischt.

**HINWEIS:** Während des Betriebs leuchtet die Strommeldeleuchte.

**HINWEIS:** Es ist normal, dass die Heizung EIN- und AUSSCHALTET, um die voreingestellte Temperatur zu halten.

#### FROSTWÄCHTER ANLEITUNG

Im Frostwächtermodus wird die Temperatur der Heizung bei 5° C gehalten, d. h. die Heizung schaltet sich erst ein, wenn die Raumtemperatur unter 5° C sinkt. Die Heizung schaltet sich automatisch ein und wird automatisch ein- und ausgeschaltet, damit die Umgebungstemperatur von 5° C erhalten bleibt. Um diese Funktion zu aktivieren, schalten Sie die das Gerät über die Modustaste ein und dann drücken Sie zweimal die Thermostat-/Zeitschaltuhr Taste. Das ( frost ) Symbol zeigt an, dass der Frostwächter aktiviert ist.

#### SO VERWENDEN SIE DIE ZEITSCHALTUHR

##### Programmierbare Zeitschaltuhr

Programmierbare Zeitschaltuhr  
 Der Benutzer kann die Heizung so programmieren, dass sie sich nach einem

bestimmten Intervall ABSCHALTET oder zu einer voreingestellten Zeit EINSCHALTET.

#### So schalten Sie die Zeitschaltuhr AB

- Wählen Sie den Modus und die Temperatur der Heizung aus.
- Drücken Sie dreimal die Thermostat-/Zeitschaltuhr Taste. Das Symbol Zeitschaltuhr AUS blinkt.
- Mit den Reglertasten (+) oder (-) programmieren Sie die Heizung in Intervallen von 1 Stunde so, dass sie sich bis zu 24 Stunden später abschaltet.

**Beispiel: 9 Stunden**

- Nach dem Einstellen der Zeit, blinkt das Digitaldisplay nicht länger, d. h. dass die Zeitschaltuhr aktiviert ist. Die Zeitschaltuhr zählt die voreingestellte Zeit herunter und dann schaltet die Heizung automatisch ab.

**Beispiel: Abschalten - 13:00 Uhr.**  
 Die Heizung läuft und soll um 23:00 Uhr abschalten, daher stellen Sie 9 Stunden ein.

#### Einstellung das AUF Zeitgeber

- Wenn das Heizgerät auf ist, drücken Sie den Thermostat/Zeitgebersteuerung zuknöpf 4 Zeiten. Das AUF Zeitgeberabbildblitzen.
- Mit den Reglertasten (+) oder (-) programmieren Sie die Heizung in Intervallen von 1 Stunde so, dass sie sich bis zu 24 Stunden später abschaltet.

**Beispiel: 4 Stunden**

- Nach dem Aktivieren der EINSCHALT-Zeit blinkt das Digital nicht länger, d. h. dass die Zeitschaltuhr aktiviert ist. Die Zeitschaltuhr zählt die voreingestellte Zeit herunter und dann schaltet die Heizung automatisch ab.

**HINWEIS:** Wenn die EINSCHALT-Zeit eingestellt ist, speichert das Gerät die vorherige Einstellung und aktiviert das Gerät nach der voreingestellten Zeit. Die Heizungseinstellung kann nach Einstellung der Zeitschaltuhr durch Drücken der Modustaste geändert werden.

#### ENERGIESPARMODUS

Um diesen Modus zu aktivieren halten ∅ Sie die Modustaste gedrückt, bis der Modus am Display angezeigt wird. Die Heizung arbeitet im 10-Minuten-Takt im hohen (2.500 W) und 30 Minuten im mittleren Modus (1.300 W). Wenn die Temperatur 30° C (85° F) überschreitet, wird die zehnmütige Einstellung Hoch ignoriert und das Gerät arbeitet sofort 30 Minuten im mittleren Modus. Die Intervalle werden in diesem Modus wiederholt.

#### DISPLAYANZEIGE

Die Standardanzeige am Digitaldisplay ist Grad Celsius (° C). Die Umschaltung zu Grad Fahrenheit (°F) erfolgt über die Taste °F -°C.

**HINWEIS:** Für die vollständige Abschaltung muss der Netzstecker gezogen werden.

#### HINWEIS ZUM SCHUTZ

Sollte die Heizung umfallen oder sich um mehr als 45° neigen, schaltet sie sofort ab. Um die Heizung zurückzusetzen, stellen Sie sie aufrecht, und drücken zur Reaktivierung die Modustaste.

#### HINWEISE ZUR AUFBEWAHRUNG

Wenn die Heizung über einen längeren Zeitraum nicht verwendet wird, z. B. während des Sommers, muss sie bei Zimmertemperatur, an einem trockenen Ort aufbewahrt werden; vorzugsweise abgedeckt, damit weder Staub noch Schmutz eindringen kann.

#### TRANSPORT DES GERÄTS

Der Zugriff (C) befindet sich oben am Bedienpult. Ziehen Sie ihn nach unten, um den Griff zu lösen. Ziehen das Gerät am Griff und achten Sie darauf, dass alle Rollen Bodenkontakt haben.

**HINWEIS:** Das Gerät nicht am Griff anheben.

#### BEFESTIGUNG EINES ERSATZSTECKERS – NUR GB UND IRLAND

Falls der Stecker nicht zu Ihren Steckdosen passen sollte, können Sie ihn abnehmen und durch einen anderen Stecker ersetzen. Den Typ und die Installationshinweise entnehmen Sie dem folgenden Abschnitt "Befestigung eines Steckers – nur GB und Irland".

#### GARANTIE

Bewahren Sie bitte unbedingt den Kaufbeleg auf. Dieser für die Geltendmachung von Garantieansprüchen zwingend erforderlich.

Die in diesem Dokument beschriebene Gerätegarantie gilt für einen Zeitraum von 5 Jahren ab Kaufdatum.

Sollte das Gerät entgegen aller Erwartungen innerhalb dieses Zeitraums aufgrund eines Konzeptions- oder Herstellungsfehlers nicht mehr einwandfrei funktionieren, können Sie es zusammen mit dem Kaufbeleg und einer Kopie dieses Garantiebelegs am Kaufort abgeben.

Die aus dieser Garantie erwachsenden Ansprüche und Leistungen sind als Ergänzung zu Ihren gesetzlichen Ansprüchen anzusehen. Diese werden von dieser Garantie nicht beeinträchtigt. Diese Bedingungen können ausschließlich durch Holmes Products (Europe) Ltd. ("Holmes") geändert werden.

Holmes verpflichtet sich innerhalb der

Garantiedauer zur kostenlosen Reparatur oder zum kostenlosen Austausch des Geräts bzw. von Geräteteilen, die nachweislich nicht ordnungsgemäß funktionieren. Es gelten jedoch folgende Voraussetzungen:

- Sie müssen den Händler oder Holmes unverzüglich über das Problem informieren.
- An dem Gerät wurden keinerlei Änderungen vorgenommen, es wurde nur bestimmungsgemäß eingesetzt, nicht beschädigt und nicht von Personen repariert, die von Holmes nicht autorisiert wurden.

Mängel, die auf unsachgemäße Nutzung, Beschädigung, nicht zugelassene elektrische Spannung, Naturgewalten, Ereignisse außerhalb der Kontrolle durch Holmes, Reparaturen oder Änderungen durch Personen, die von Holmes nicht autorisiert wurden, oder Nichtbeachtung der Nutzungsanweisungen zurückzuführen sind, werden von dieser Garantie nicht abgedeckt. Außerdem sind durch normale Gebrauchsabnutzung entstandene Mängel, wie beispielsweise geringfügige Verfärbungen und Kratzer, von dieser Garantie ausgenommen.

Die im Rahmen dieser Garantie eingeräumten Rechte gelten ausschließlich für den ursprünglichen Käufer und dürfen nicht auf die kommerzielle oder kommunale Nutzung ausgedehnt werden.

Falls Ihr Gerät mit einer länderspezifischen Garantie- oder Gewährleistung geliefert wurde, sollten Sie sich nach deren Bedingungen und nicht nach dieser Garantie richten. Nötigenfalls kann Ihnen der örtliche Vertragshändler weitere Informationen geben.

Dieses Kennzeichen bedeutet, dass das Produkt nicht im Hausmüll entsorgt werden darf; es muss in der gesamten EU als Sondermüll entsorgt werden. Um mögliche Umweltschäden zu vermeiden und wegen der die Umwelt gefährdenden Substanzen im Produkt, darf dieses Gerät nur gemäß der geltenden Recycling-Vorschriften entsorgt werden. Wenn Sie das Gerät zurückgeben möchten, nutzen Sie bitte das Recycling-System Ihres Händlers. Der Händler wird das Produkt gemäß den Umweltschutzvorschriften entsorgen.



Holmes Products (Europe) Limited  
 1 Francis Grove  
 London  
 SW19 4DT  
 Großbritannien

## ESPAÑOL

### POR FAVOR LEA Y GUARDE ESTAS INSTRUCCIONES IMPORTANTES

Cuando se utilizan aparatos eléctricos, siempre deben tomarse medidas de seguridad básicas, incluyendo las siguientes:

1. Antes de conectar el calefactor, verifique que el voltaje indicado en la placa de especificaciones corresponda con el voltaje principal de su hogar/oficina.
2. **ADVERTENCIA: Para evitar el sobrecalentamiento, no coloque nada sobre el calefactor (☹) Referencia a producto.**
3. **NO** coloque el calefactor directamente debajo de una toma de corriente.
4. **NO** utilice este calefactor cerca de una bañera, ducha o piscina.
5. Si se daña el enchufe o el cable de alimentación, debe ser reemplazado por el fabricante o su agente de mantenimiento u otra persona igualmente calificada para evitar riesgos de accidente. El calefactor no contiene piezas que requieran mantenimiento por parte del usuario. Si el producto se daña o avería, debe ser devuelto al fabricante o a su agente de mantenimiento.
6. En entornos con transitorios eléctricos rápidos, el producto puede funcionar mal.
7. **NO** utilice este calefactor con un programador, temporizador u otros dispositivos que lo enciendan de manera automática, pues existiría el riesgo de incendio si el calefactor estuviese cubierto o ubicado incorrectamente.
8. Solo toque el calefactor con las manos secas.
9. **NO** utilice el calefactor en el exterior.
10. **NO** deje el calefactor al alcance de niños, especialmente niños muy pequeños.
11. Coloque el calefactor en un lugar seguro, lejos de muebles u otros objetos. Debe haber al menos 50 cm libres por encima y a los costados del calefactor y 200 cm libres al frente. El calefactor no debe estar situado a menos de 3 m de una fuente de agua.
12. Este calefactor **NO** puede ser utilizado en posición horizontal.
13. No utilice el calefactor en ambientes con gases explosivos (por ejemplo, combustible) o donde se esté utilizando oxígeno, solventes o pegamentos inflamables (por ejemplo, cuando se está encolando o barnizando pisos de parqué, PVC, etc.).

14. **NO** introduzca objetos en el calentador.
15. Mantenga el cable de alimentación a una distancia segura del cuerpo del calefactor.
16. En caso de sobrecalentamiento, el dispositivo de seguridad integrado apagará el calefactor.
17. **NO** coloque el cable debajo de una alfombra.
18. El calefactor no se puede utilizar al lado de cortinas o material combustible. Las cortinas o el material combustible pueden quemarse si el calefactor está situado en un lugar incorrecto.
19. Este aparato no ha sido diseñado para ser utilizado por personas (incluyendo niños) con capacidades físicas, sensoriales o mentales disminuidas, o sin experiencia o conocimiento, a menos que la persona encargada de su seguridad haya supervisado o instruido a dichas personas respecto del uso del aparato. Los niños deben ser supervisados para asegurar que no jueguen con el aparato.
20. Este calentador está lleno de una cantidad exacta de aceite especial. Sólo el fabricante o su agente de servicio pueden realizar las reparaciones para las que haya que abrir el recipiente de aceite y deberían ser contactados si ocurre una fuga de aceite;
21. Cuando deseche el calentador, observe el reglamento relativo a la eliminación del aceite.

### DESCRIPCIÓN (Vea las Figuras 1, 2 & 3)

- A. Paletas
- B. Respiraderos
- C. Manija desplegable
- D. Interruptor de encendido
- E. Compartimento para Guardado de Cable
- F. Cable de Alimentación
- G. Ensamblaje de Rueda Anterior
- H. Pantalla digital
- I. Luz de Encendido
- J. Luz de modo
- K. Luz de temporizador
- L. Botón de modo
- M. Botón de temporizador/termostato
- N. Botones de regulador
- O. Botón °F / °C
- P. Tuerca de mariposa anterior
- Q. Rueda
- R. Ensamblaje de rueda posterior
- S. Tuerca de mariposa posterior
- T. Perno en U

### Especificaciones Técnicas

BOH2503D, Vataje: 2500W

### INSTRUCCIONES DE INSTALACIÓN (Vea la Fig. 3)

**Por favor asegúrese de que el calefactor no esté enchufado en una toma de corriente**

Retire con cuidado el calefactor de la caja. Algunos accesorios están embalados en el interior. Por favor asegúrese de tener los siguientes accesorios antes de tirar el embalaje. 2 Ensamblajes de rueda con cuatro ruedas (R, G, & Q) y 2 pernos en U con tuercas de mariposa (T, P, S).

### NOTA: Esta unidad SOLO PUEDE UTILIZARSE EN EL PISO.

1. Coloque el calefactor al revés y verá dos pernos en U (T) con una tuerca de mariposa en la primera y última junta del calefactor.
2. Desenrosque las tuercas de mariposa (S y P) de los pernos en U (T).
3. Comience con la parte anterior de la unidad y coloque un orificio del ensamblaje de rueda anterior (G) en la L del perno en U (T) y el otro orificio del ensamblaje de rueda anterior en el otro extremo del perno en U y atornille la tuerca de mariposa (P).
4. Repita el paso 3 para el ensamblaje de rueda posterior, utilizando la tuerca mariposa (N) en lugar de la tuerca mariposa (K) y los ensamblajes de rueda posteriores (M).
5. Presione las cuatro ruedas (L) con la mano en los cuatro ejes de las dos placas de pie hasta que oiga un chasquido. Gire las ruedas con la mano y si éstas se mueven suavemente significa que están instaladas de modo correcto.
6. Después de la instalación de los ensamblajes de rueda anterior y posterior y las ruedas, dé vuelta el calefactor en la posición vertical correcta: el calefactor ya puede ser utilizado.

**NOTA:** Durante la instalación, asegúrese de que los ensamblajes de rueda estén orientados hacia afuera para obtener una mayor estabilidad.

### INSTRUCCIONES DE FUNCIONAMIENTO (Vea las Fig. 1 & 2)

1. Asegúrese de que el interruptor de encendido (D) esté en la posición de apagado (O).
2. Enchufe el calefactor.
3. Cambie el interruptor de encendido a la posición de encendido (-). La luz de encendido (I) estará en rojo hasta que la unidad se desenchufe.

4. Presione el botón de modo (L) una vez para activar la unidad. La luz de modo (J) se pondrá verde para indicar que el calefactor está en funcionamiento. La unidad comenzará automáticamente en el Ajuste 3 (Temperatura Alta).
5. Presione el botón de modo hasta que el ajuste de temperatura deseada aparezca en la pantalla digital (H).

BOH2503D: 3=2500W, 2=1300W, 1=1200W,  
∅ =Modo de Ahorro de Energía

Después de utilizar el calefactor, presione el botón de modo hasta que se desactive y la luz de modo se apague y luego gire el interruptor de encendido a la posición de apagado. Desenchufe el calefactor de la toma de corriente.

### AJUSTE DEL TERMOSTATO

1. Presione el botón de modo para seleccionar el ajuste de temperatura deseada.
2. Presione el botón de temporizador/termostato (M) una vez para activar el ajuste de termostato. La temperatura ambiente y el ícono de termostato parpadean en la pantalla.
3. Presione los botones del regulador + o - (N) para seleccionar la temperatura deseada. (Rango entre 12°C y 30°C)
4. El símbolo de termostato para de parpadear. El control del termostato mantendrá automáticamente el nivel de temperatura programado encendiendo y apagando el calefactor.
5. Para desactivar el termostato, presione el botón de temporizador/termostato continuamente hasta que el símbolo del termostato no aparezca en la pantalla.

**NOTA: La Luz de Encendido permanecerá encendida durante el funcionamiento.**

**NOTA: El calefactor alterna entre ON (encendido) y OFF (apagado) para mantener la temperatura programada.**

### INSTRUCCIÓN DE PROTECCIÓN ANTI-CONGELAMIENTO

Cuando el calefactor está en el modo anti-congelamiento, la temperatura se mantendrá en 5°C. De esta forma, el calefactor estará apagado a menos que la temperatura ambiente sea inferior a 5°C. Si la temperatura ambiente es inferior a 5°, el calefactor comenzará a funcionar automáticamente y se encenderá y apagará continuamente, manteniendo la temperatura ambiente de 5°C. Para activar esta función, presione el botón de modo para encender la unidad y después presione dos veces el botón de temporizador/termostato. El ícono (❄) aparecerá en la pantalla para indicar que la función anti-congelamiento está activada.

**UTILIZAR EL RELOJ****Temporizador programable**

El usuario puede programar el calentador para que se ENCIENDA a la hora preconfigurada o se APAGUE después de un período seleccionado.

**Configuración del temporizador de APAGADO**

1. Seleccione el modo y la temperatura a la que desea que funcione el calefactor.
2. Presione el botón de temporizador/termostato 3 veces. El ícono de temporizador de APAGADO parpadea.
3. Con los botones del regulador (+) o (-), programe que el calefactor se apague hasta 24 horas más tarde, en incrementos de 1 hora.

**Ejemplo - 9 horas**

4. Después de configurar el tiempo, la pantalla digital deja de parpadear y muestra que el temporizador está activado. El temporizador indicará el tiempo restante hasta finalizar el lapso de tiempo predeterminado y el calefactor se apagará automáticamente.

**Ejemplo - APAGAR** - Es la 1 pm  
El calefactor está funcionando y usted desea que el calefactor se apague a las 10 pm.  
Entonces, configura el tiempo en 9 horas.

**Configuración del temporizador de ENCENDIDO**


1. Si el calefactor está encendido, presione el botón de control de temporizador/termostato 4 veces. El ícono de temporizador de ENCENDIDO parpadea.
2. Con los botones del regulador (+) o (-), programe que el calefactor se encienda hasta 24 horas más tarde, en incrementos de 1 hora.

**Ejemplo - 4 horas**

3. Después de configurar el temporizador de ENCENDIDO, la pantalla digital deja de parpadear y muestra que el temporizador está activado. El temporizador indicará el tiempo restante hasta finalizar el lapso de tiempo predeterminado y después el calefactor se encenderá automáticamente.

**NOTA:** Cuando el temporizador de ENCENDIDO está configurado, la unidad recordará el ajuste en el cual la unidad estaba funcionando anteriormente y se encenderá en este ajuste una vez transcurrido el lapso de tiempo preprogramado. Si desea cambiar el ajuste de temperatura, presione el botón de modo después de configurar el temporizador.

**MODO DE AHORRO DE ENERGÍA**

Para activar esta función, presione el botón de modo  hasta que aparezca en la pantalla. El calefactor funcionará en un ciclo de 10 minutos en Alto (2500W) y 30 minutos en Medio (1300W). Cuando la temperatura sea igual o superior a 85°F (30°C), el calefactor ignorará el ajuste Alto de 10 minutos y funcionará en el ajuste Medio durante 30 minutos de inmediato. En este modo, el ciclo se repite continuamente.

**REFERENCIAS DE PANTALLA**

El ajuste preconfigurado en la pantalla digital está en grados Celsius (°C). Para cambiar a grados Fahrenheit (°F), presione el botón °F / °C.

**NOTA:** La unidad debe desenchufarse para estar completamente apagada.

**SUGERENCIA SOBRE SEGURIDAD**

Si la unidad accidentalmente se cae o inclina sobre uno de sus lados a un ángulo mayor a 45°, se apagará de inmediato. Para reiniciarlo, simplemente coloque el calefactor en posición vertical y presione el botón de modo para reactivar la unidad.

**TRANSPORTE DE LA UNIDAD**

Observe la manija desplegable (C) ubicada arriba del panel de control. Despliegue la manija y agárrela. Tire de la unidad utilizando la manija y asegúrese de que todas las ruedas estén en contacto con el piso.

**NOTA:** No utilice la manija para levantar la unidad.

**SUGERENCIAS SOBRE GUARDADO**

Si el calefactor no se utilizará por períodos prolongados, por ejemplo, en el verano, debe guardarse a temperatura ambiente, en un lugar seco y preferentemente cubierto para prevenir la acumulación de polvo y suciedad.

**GARANTÍA**

Guarde este recibo ya que lo necesitará para cualquier reclamación dentro de esta garantía.

Este producto tiene una garantía de 3 años desde la fecha de compra tal como se describe en este documento.

Durante este período de garantía, en el improbable caso de que el aparato ya no funcione debido a un fallo de diseño o fabricación, devuélvalo al lugar donde lo compró con su recibo de caja y una copia de esta garantía.

Los derechos y ventajas de esta garantía son adicionales a sus derechos estatutarios, que no se verán afectados por esta garantía. Sólo Holmes Products (Europe) Ltd. ("Holmes") tiene derecho a cambiar estos términos.

Holmes se compromete, durante el período de garantía, a reparar o cambiar el aparato, o cualquier parte del aparato que no funcione correctamente, de manera gratuita siempre que:

- Informe inmediatamente al establecimiento de compra o a Holmes del problema; y
- No se haya modificado el aparato de ninguna forma ni se haya sometido a daños, uso indebido, mal uso o reparación por cualquier otra persona no autorizada por Holmes.

Los fallos que se produzcan por uso indebido, daños, mal uso, uso con un voltaje incorrecto, desastres naturales, acontecimientos que escapen al control de Holmes, reparaciones o modificaciones realizadas por una persona no autorizada por Holmes o por no seguir las instrucciones de uso no están cubiertas por esta garantía. Además, el desgaste o deterioro debidos al uso normal, incluidos, sin limitación, los arañazos y las pequeñas decoloraciones no están cubiertos por esta garantía.

Los derechos de esta garantía sólo se aplicarán al comprador original y no se cubrirán el uso comercial o comunitario.

Si el aparato incluye una garantía específica de algún país, consulte los términos y condiciones de dicha garantía en sustitución de la presente garantía, o póngase en contacto con el comerciante autorizado de su localidad para obtener más información.

Esta marca indica que este producto no debe eliminarse con otros residuos domésticos sino que debe hacerse por separado en toda la UE. Para prevenir posibles daños al medio ambiente o a los seres humanos a partir de la eliminación de residuos no controlada debido a la presencia de sustancias peligrosas en este producto, debe reciclarlo de modo responsable para promover la reutilización sostenible de materiales y recursos. Para devolver su dispositivo usado, por favor utilice los sistemas de devolución y recolección disponibles o comuníquese con el comercio donde compró el producto. Ellos pueden tomar este producto para su respectivo reciclado de modo seguro y responsable con el medio ambiente.



Holmes Products (Europe) Limited  
1 Francis Grove  
London  
SW19 4DT  
Reino Unido

**NEDERLANDS****LEES EN BEWAAR DEZE BELANGRIJKE AANWIJZINGEN**

Neem bij het gebruik van elektrische apparaten steeds basisveiligheidsmaatregelen in acht, met inbegrip van:

1. Controleer dat de spanning aangegeven op de typeplaat overeenkomt met de netspanning in uw huis/kantoor vooraleer u het verwarmingstoestel aansluit.
2. **WAARSCHUWING: dek het verwarmingstoestel niet af omdat dit oververhitting kan veroorzaken. (🚫) Verwijzing naar product.**
3. Plaats het verwarmingstoestel **NIET** juist onder een stopcontact.
4. Gebruik dit verwarmingstoestel **NOOIT** in de nabijheid van een bad, douche of een zwembad.
5. Indien de voedingskabel of stekker beschadigd zijn, moeten deze worden vervangen door de fabrikant of zijn onderhoudsvertegenwoordiger of een persoon met dezelfde bekwaamheden teneinde gevaar te vermijden. Het verwarmingstoestel heeft geen onderdelen die door de gebruiker moeten worden onderhouden. Indien het product schade of een storing ondervindt, moet het worden teruggezonden naar de fabrikant of zijn onderhoudsvertegenwoordiger.
6. Het product kan storing ondervinden in het geval van elektrische stroomstoten.
7. Gebruik dit product **NOOIT** met een programmeereenheid, timer of ander apparaat dat het verwarmingstoestel automatisch aanschakelt, aangezien er een gevaar is voor brand indien het verwarmingstoestel in dat geval afgedekt of foutief geplaatst is.
8. Raak het verwarmingstoestel alleen aan met droge handen.
9. Gebruik dit verwarmingstoestel **NOOIT** buitenshuis.
10. Plaats het verwarmingstoestel **NOOIT** daar waar kinderen, in het bijzonder heel jonge kinderen, het kunnen aanraken.
11. Zorg voor een veilige ruimte rond het verwarmingstoestel, en houd het verwijderd van meubelen of andere voorwerpen. De ruimte boven en naast het apparaat moet minstens 50 cm bedragen en aan de voorkant moet de ruimte minstens 200 cm bedragen. Het verwarmingstoestel moet minstens 3 m verwijderd zijn van een waterbron.
12. Gebruik dit verwarmingstoestel **NIET** wanneer het op zijn zijde ligt.



13. Gebruik het verwarmingstoestel **NOOIT** in kamers waar explosief gas (bijv. benzine) aanwezig is, of terwijl zuurstof, ontvlambare lijm of oplosmiddel wordt gebruikt (bijv. bij het lijmen of vernissen van parketvloer, pvc, enz.)
14. Steek **NOOIT** voorwerpen in het verwarmingstoestel.
15. Houd de voedingskabel op een veilige afstand van het lichaam van het verwarmingstoestel.
16. Indien oververhitting optreedt, dan zal het ingebouwde veiligheidsmechanisme het verwarmingstoestel uitschakelen.
17. Plaats de voedingskabel **NOOIT** onder een tapijt.
18. Het verwarmingstoestel mag niet worden gebruikt in de onmiddellijke nabijheid van gordijnen of brandbaar materiaal. Gordijnen of brandbaar materiaal kunnen vuur vatten indien het verwarmingstoestel foutief geïnstalleerd is.
19. Dit apparaat is niet bedoeld voor gebruik door personen (waaronder kinderen) met verminderde lichamelijke, zintuiglijke of geestelijke vermogens, of die gebrek aan ervaring of kennis hebben, tenzij iemand die verantwoordelijk is voor hun veiligheid toezicht op hen houdt of hen heeft uitgelegd hoe het apparaat dient te worden gebruikt. Houd toezicht op kinderen om te voorkomen dat ze met het apparaat spelen.
20. Dit verwarmingstoestel is gevuld met een zeer specifieke hoeveelheid speciale olie. Reparaties die het openen van de olietank vereisen, mogen enkel door de fabrikant of zijn onderhoudsvertegenwoordiger worden uitgevoerd. Neem contact met hen op in het geval van een olielek.
21. Indien u het verwarmingstoestel wegwerpt, volg dan de voorschriften voor het verwijderen van olie.

#### BESCHRIJVINGEN (Zie afb. 1, 2 en 3)

- A. Verwarmde vinnen
- B. Ventilatieopeningen
- C. Pull-down-handvat
- D. Hoofdschakelaar
- E. Opslag voor voedingskabel
- F. Voedingskabel
- G. Assemblage voorste zwenkwielletjes
- H. Digitale display
- I. Aan/uit-lampje
- J. J. Moduslampje
- K. Timerlampje
- L. Modusknop
- M. Knop thermostaat/timer
- N. Regelingsknoppen
- O. Knop °F · °C

- P. Voorste vleugelmoer
- Q. Zwenkwielletje
- R. Assemblage achterste zwenkwielletjes
- S. Achterste vleugelmoer
- T. U-bout

#### Technische specificaties

BOH2503D, Wattage: 2500W

#### MONTAGEVOORSCHRIFTEN (Zie afb. 3)

**Zorg ervoor dat het verwarmingstoestel niet aangesloten is op een stekker.**

Neem het verwarmingstoestel voorzichtig uit de doos. Sommige toebehoren zijn intern verpakt. Zorg ervoor dat u al de volgende toebehoren heeft vooraleer u de verpakking wegwerpt.

Twee zwenkwielassemblages met vier zwenkwielletjes (R, G, & Q), en twee U-bouten met vleugelmoeren (T, P, S).

**Opmerking: Deze eenheid mag ALLEEN OP DE VLOER worden gebruikt.**

1. Als u het verwarmingstoestel ondersteboven keert, dan zult u twee U-bouten (T) met vleugelmoeren zien over het eerste en laatste verbindingstuk van het verwarmingstoestel.
2. Schroef de vleugelmoeren (S&P) los van de U-bouten (T).
3. Begin aan de voorzijde van het toestel. Plaats een opening van de assemblage van de voorste zwenkwielletjes (G) op de L-vorm van de U-bout (T) en de andere opening van de zwenkwielassemblage over het andere uiteinde van de U-bout. Bevestig dan de vleugelmoer op het uiteinde (P).
4. Herhaal stap 3 voor de assemblage van de achterste zwenkwielletjes, en gebruik daarbij vleugelmoer (N) in plaats van vleugelmoer (K) en de assemblages van de achterste zwenkwielletjes (M).
5. Druk met uw hand de vier zwenkwielletjes (L) op de vier assen van de twee voetplaten totdat zij hoorbaar vastklikken. Draai de zwenkwielletjes met uw hand. Zij zijn juist gemonteerd indien zij vrij ronddraaien.
6. Eens de voorste en achterste zwenkwielassemblages geïnstalleerd zijn, plaats het verwarmingstoestel opnieuw rechtop: het verwarmingstoestel is nu klaar voor gebruik.

**OPMERKING:** Zorg er bij het monteren van de zwenkwielassemblages met zwenkwielletjes voor dat deze naar buiten georiënteerd zijn voor maximale stabiliteit.

#### GEbruIKSAANWIJZINGEN

(Zie afb. 1 en 2)

1. Zorg ervoor dat de hoofdschakelaar (D) in de stand UIT (O) staat.
2. Steek de stekker van het verwarmingstoestel in het stopcontact.
3. Plaats de hoofdschakelaar in de stand AAN (-). Het aan/uit-lampje (I) zal rood oplichten totdat het toestel wordt losgekoppeld.
4. Druk eenmaal op de modusknop (L) om het toestel te activeren. Het moduslampje (J) zal groen oplichten om aan te geven dat het verwarmingstoestel in werking is. Het toestel zal automatisch beginnen te werken in Stand 3 (Hoge warmte).
5. Druk op de modusknop totdat de gewenste verwarmingsstand weergegeven wordt op de digitale display (H).

BOH2503D: 3=2500 W, 2=1300 W, 1=1200 W,  
 ⌘ =Energiebesparingsmodus

Druk na gebruik van het verwarmingstoestel op de modusknop totdat het toestel uitgeschakeld is en het moduslampje uitdooft. Plaats daarna de hoofdschakelaar in de stand UIT. Trek de stekker van het toestel uit het stopcontact.

#### DE THERMOSTAAT INSTELLEN

1. Selecteer de gewenste verwarmingsstand door op de modusknop te drukken.
2. Druk de knop Thermostaat/timer (M) eenmaal in om de thermostaatstand te activeren. De kamertemperatuur en een thermostaaticoon zullen op de display verschijnen.
3. Druk op de regelingsknoppen + of - (N) om de gewenste temperatuur te selecteren. (Bereik is 12 °C – 30 °C).
4. Het thermostaatsymbool zal stoppen met knipperen. De thermostaatbediening zal nu automatisch het vooraf ingestelde temperatuurniveau behouden door het verwarmingstoestel aan en uit te schakelen.
5. Om de thermostaatstand uit te schakelen, houdt de knop Thermostaat/timer ingedrukt totdat het thermostaaticoon van de display verdwijnt.

**OPMERKING:** Het aan/uit-lampje zal blijven branden tijdens het functioneren.  
**OPMERKING:** Het is normaal dat het verwarmingstoestel afwisselt tussen AAN en UIT terwijl het de vooringestelde temperatuur behoudt.

#### GEbruIKSAANWIJZINGEN VORSTBESCHERMING

Indien het verwarmingstoestel zich in de vorstbeschermingsmodus bevindt, dan zal de temperatuur op 5 °C worden behouden. Het toestel zal dus uitgeschakeld blijven behalve

wanneer de kamertemperatuur lager is dan 5 °C. Indien de kamertemperatuur lager is dan 5 °C, dan zal het verwarmingstoestel automatisch beginnen te werken en voortdurend aan- en uitschakelen om de omgevingstemperatuur op 5 °C te houden. Om deze modus te activeren, druk op de modusknop om het toestel aan te schakelen en druk dan tweemaal op de knop Thermostaat/timer. Het icoon (⌘) zal worden weergegeven om aan te geven dat vorstbescherming geactiveerd is.

#### DE TIMER GEBRUIKEN Programmeerbare timer

De gebruiker kan het verwarmingstoestel zo programmeren dat het uitschakelt na een bepaalde tijd of aanschakelt op een vooraf ingesteld tijdstip.

#### De afschakeltijd instellen

1. Selecteer de gewenste modus en temperatuur.
2. Druk driemaal op de knop Thermostaat/timer. Het icoon voor de afschakeltimer zal knipperen.
3. Gebruik de regelingsknoppen (+) of (-) teneinde het toestel te programmeren in incrementen van 1 uur om het tot 24 uren in de toekomst uit te schakelen.

#### Voorbeeld – 9 uren

4. De digitale display zal beginnen knipperen nadat de tijd is ingesteld om aan te geven dat de timer geactiveerd is. De timer zal aftellen totdat de vooraf bepaalde tijdsduur verlopen is en het verwarmingstoestel zal dan automatisch uitschakelen.

**Voorbeeld – Uitschakelen** - Het tijdstip is 1 PM. Het toestel is in werking en u wenst het om 20 uur uit te schakelen. Stel daarvoor de tijdsduur in op 9 uren.

#### De aanschakeltijd instellen

1. Indien het verwarmingstoestel aanstaat, druk viermaal op de knop Thermostaat/timerbediening. Het icoon voor de aanschakeltimer zal knipperen.
2. Gebruik de regelingsknoppen (+) of (-) teneinde het toestel te programmeren in incrementen van 1 uur om het tot 24 uren in de toekomst aan te schakelen.


#### Voorbeeld – 4 uren

3. De digitale display zal beginnen knipperen nadat de aanschakeltijd is ingesteld om aan te geven dat de timer geactiveerd is. De timer zal aftellen totdat de vooraf bepaalde

tijdsduur verlopen is en het verwarmingstoestel zal dan automatisch aanschakelen.

**OPMERKING:** Indien de aanschakeltijd is ingesteld, dan zal het toestel zijn vorige stand onthouden en zal het zichzelf op deze stand activeren na verloop van de vooraf bepaalde tijdsduur. De verwarmingsstand kan veranderd worden door op de modusknop te drukken na instelling van de timer.

#### ENERGIEBESPARINGSMODUS

Om deze modus te activeren, druk op de modusknop totdat  op de display verschijnt. Het verwarmingstoestel zal functioneren volgens een cyclus: 10 minuten lang Hoog (2500 W) en 30 minuten lang Gemiddeld (1300 W). Indien de temperatuur 30 °C of hoger is, dan zal het toestel de stand 10 minuten Hoog negeren en onmiddellijk de stand 30 minuten Gemiddeld activeren. Zolang het toestel zich in deze modus bevindt, zal de cyclus zich herhalen.

#### DISPLAYVOORKEUREN

De standaard weergave op de digitale display is Celsius (°C). Druk op de knop °F - °C om naar Fahrenheit (°F) over te schakelen.

**OPMERKING:** De eenheid moet losgekoppeld

#### BESCHERMING TEGEN KIEPEN

Indien de eenheid per ongeluk omgegooid wordt of aan een kant overhelt met een hoek van meer dan 45°, dan zal de eenheid onmiddellijk uitschakelen. Om het toestel opnieuw in te stellen, plaats het eenvoudigweg rechtop en druk op de modusknop om het toestel opnieuw te activeren.

#### HET TOESTEL VERVOEREN

Het pull-down-handvat (C) bevindt zich boven het bedieningspaneel. Trek het handvat naar beneden om het los te maken en neem dan het handvat vast. Verplaats het toestel door aan het handvat te trekken. Zorg daarbij ervoor dat alle zwenkwieltes in contact met de vloer blijven.

**OPMERKING:** Het handvat nooit gebruiken om het toestel op te heffen.

#### TIPS VOOR HET OPBERGEN

Indien het verwarmingstoestel een lange tijd niet wordt gebruikt, bijv. tijdens de zomer, dan moet het worden bewaard op kamertemperatuur op een droge plaats en het liefst afgedekt om ophoping van stof en vuil te voorkomen.

#### GARANTIE

Bewaar uw reçu omdat u dit nodig hebt wanneer u een garantieclaim wilt indienen.

Het product wordt tot 5 jaar na de aanschafdatum gegarandeerd, zoals beschreven in dit document.

In het onwaarschijnlijke geval dat het apparaat tijdens de garantieperiode defect raakt door een ontwerp- of fabricagefout, brengt u het samen met uw reçu en een kopie van deze garantie terug naar de plaats van aanschaf.

Uw rechten en voordelen onder deze garantie staan los van uw wettelijke rechten, waarop deze garantie geen invloed heeft. Alleen Holmes Products (Europa) Ltd. ("Holmes") is gerechtigd deze voorwaarden te wijzigen.

Holmes verplicht zich ertoe binnen de garantieperiode het apparaat of ieder onderdeel van het apparaat dat niet juist werkt, gratis te repareren of vervangen op voorwaarde dat:

- U het probleem onmiddellijk meldt bij de plaats van aankoop of bij Holmes, en dat
- het apparaat niet gewijzigd, beschadigd, onjuist gebruikt, misbruikt of gerepareerd is door een persoon die daartoe niet door Holmes is gemachtigd.

Defecten veroorzaakt door onjuist gebruik, beschadiging, misbruik, gebruik met een onjuiste netspanning, natuurrampen, gebeurtenissen waarop Holmes geen invloed heeft, reparatie of wijziging door een persoon die daartoe niet door Holmes is gemachtigd of het niet naleven van de handleiding, worden niet door deze garantie gedekt. Verder wordt gewone slijtage, met inbegrip van maar niet beperkt tot geringe verkleuring en krassen, niet door deze garantie gedekt.

De rechten onder deze garantie gelden alleen voor de oorspronkelijke aankoper en zijn niet van toepassing op commercieel of gemeenschappelijk gebruik.

Als u bij uw apparaat een landspecifieke garantie hebt ontvangen, raadpleegt u de bepalingen van die landspecifieke garantie in plaats van deze garantie of neemt u voor meer informatie contact op met uw plaatselijke gemachtigde dealer.

Deze markering geeft aan dat dit product niet met ander huishoudelijk afval mag worden verwijderd en dat het afzonderlijk moet worden verwijderd doorheen de EG. Om te vermijden dat ongecontroleerde afvalverwijdering mogelijke schade aan het milieu of de menselijke gezondheid veroorzaakt door de

aanwezigheid van gevaarlijke stoffen in het product, recycle het product op een degelijke manier om het duurzaam hergebruik van materialen en hulpbronnen te bevorderen. Om uw gebruikt toestel te retourneren, gebruik de voorhanden retour- en inzamelingsystemen of neem contact op met de detailhandelaar van wie het product werd gekocht. Zij kunnen uw product aanvaarden voor milieuvriendelijke recycling.



Holmes Products (Europa) Limited  
1 Francis Grove  
Londen  
SW19 4DT  
Groot-Brittannië

## SVENSKA

### LÄS IGENOM DESSA VIKTIGA ANVISNINGAR OCH SPARA DEM.

När du använder elektriska apparater, ska grundläggande försiktighetsåtgärder alltid innefatta följande:

1. Innan du ansluter värmeelementet bör du kontrollera att spänningen som anges på märkplåten överensstämmer med huvudströmmen i din bostad/kontoret.
2. **VARNING: för att undvika överhettning, täck inte över värmeelementet (☹)**  
Hänvisning till produkten.
3. **PLACERA INTE värmeelementet direkt under ett eluttag.**
4. **PLACERA INTE värmeelementet i omedelbar närhet av ett badkar, dusch eller en swimmingpool.**
5. Om strömsladden eller uttaget är skadade, måste de bytas ut av leverantören eller leverantörens serviceställe eller kvalificerad person för undvikande av fara. Värmeelementet innehåller inga utbytbara delar. Om produkten skulle skadas eller gå sönder, måste den returneras till tillverkaren eller deras serviceagent.
6. I miljöer med elektrisk snabb transient kan det uppstå fel.
7. **ANVÄND INTE** värmeelementet med en programmerare, timer eller annan enhet som sätter på och slår av värmeelementet automatiskt då brandfara uppstår om värmeelementet är övertäckt eller felplacerat.
8. Vidrör endast vid värmeelementet med torra händer.
9. **ANVÄND INTE** värmeelementet utomhus.
10. **PLACERA DEN INTE** där barn kan vidröra

- den, särskilt inte mycket små barn.
11. Lämna ett säkerhetsområde runt värmeelementet där inga möbler eller andra föremål finns, minst 50 cm från toppen och sidorna och 200 cm framför. Värmeelementet ska placeras minst 3 cm från vattenkälla.
12. **ANVÄND INTE** värmeelementet när det ligger ner.
13. **ANVÄND INTE** värmeelementet i rum med explosiv gas (t ex bensin) eller när oxygen, brännbart lim eller lösningsmedel används (t ex när du limmar eller lackar parkettgolv, PVC mm).
14. **FÖR INTE IN** några föremål i värmeelementet.
15. Förvara huvudslederna på säkert avstånd från värmeelementets huvuddelar.
16. Om den skulle överhettas, stänger den inbyggda överhettningssäkerhetsanordningen av värmeelementet.
17. **PLACERA INTE** place the cord under a rug.
18. Värmeelementet får inte användas intill gardiner eller brännbara material. Gardiner eller brännbara material kan börja brinna om värmeelementet installeras felaktigt.
19. Denna apparat är inte avsedd att användas av personer (inklusive barn) med fysisk, sensorisk eller mental funktionsnedsättning eller som saknar erfarenhet och kunskap om hur enheten används såvida de inte är under överinseende eller fått instruktioner av en person som ansvarar för deras säkerhet. Barn bör övervakas för att försäkra sig om att de inte leker med enheten.
20. Denna värmare är fylld med en exakt mängd specialolja. Reparationer som ingrepp i oljebehållaren får endast utföras av tillverkaren eller dennes serviceagent vilka skall kontaktas i händelse av läckage.
21. Vid bortskaffning av värmaren skall bestämmelserna för omhändertagande av olja följas.

#### BESKRIVNINGAR (se bild 1, 2 & 3)

- A. Uppvärmda flänsar
- B. Ventilationsöppningar
- C. Utfällbart handtag
- D. Nätströmbrytare
- E. Sladdparkering
- F. Nätsladd
- G. Främre hjulenhet
- H. Digitaldisplay
- I. Indikeringslampa för nätspänning
- J. Funktionsindikering
- K. Timerindikering
- L. Funktionsväljare

- M. Knapp för termostat/timer
- N. Inställningsknappar
- O. Väljare °F · °C
- P. Främre vingmutter
- Q. Hjul
- R. Bakre hjulenhet
- S. Bakre vingmutter
- T. U-bygel

#### Tekniska specifikationer

**BOH2503D**, Watt: 2500W

#### MONTERINGSANVISNINGAR (se bild 3)

#### Säkerställ att värmeelementet inte anslutits till något eluttag.

Ta försiktigt upp värmeelementet ur lådan. Vissa tillbehör har förpackats inuti. Kontrollera att följande tillbehör finns med innan du slänger emballaget: 2 hjulenheter med fyra hjul (R, G och Q), samt 2 U-byglar med vingmuttrar (T, P, S)

#### **OBS!** Denna enhet är endast avsedd för GOLV.

1. Vänd värmaren upp och ned så ser Du 2 U-byglar (T) med vingmuttrar monterade på värmarens båda ändar.
2. Skruva av vingmuttrarna (S och P) från U-byglarna (T).
3. Träd främre hjulenhetens (G) håll på U-bygeln (T) och skruva tillbaka vingmuttrarna (P).
4. Upprepa steg 3 med den bakre hjulenheten med användning av vingmutter (N) i stället för vingmutter (K) och bakre hjulenheterna (M).
5. Tryck fast de fyra hjulen (L) på de två fotplåtarnas fyra axlar med handkraft tills de snäpper på plats. Om hjulen kan vridas med fingrarna är de korrekt monterade.
6. Vänd värmaren rätt sedan främre och bakre hjulenheterna monterats och ställ den på underlaget. Värmaren är nu klar för användning.

**ANMÄRKNING:** Kontrollera vid montering av hjulenheterna att de är riktade utåt för max stabilitet.

#### ANVÄNDARANVISNINGAR (se bild 1 & 2)

1. Kontrollera att nätströmbrytaren (D) står i läge FRÅN (O).
2. Sätt stickkontakten i ett passande vägguttag.
3. Ställ nätströmbrytaren i läge TILL (-). Indikatorlampan för nätspänning (I) tänds och lyser med rött sken tills stickkontakten dras ur vägguttaget.
4. Tryck in funktionsväljaren (L) en gång för att starta enheten. Funktionsindikeringen (J) lyser med grönt sken och visar att värmaren arbetar. Enheten startar automatiskt med

effektläge 3 (Hög effekt).

5. Tryck på funktionsväljaren tills önskad effektläge visas på digitaldisplayen (H).

**BOH2503D:** 3=2 500 W, 2=1 300 W, 1=1 200 W, ∅ =Energisparläge

Efter användningen, tryck in funktionsväljaren tills enheten stängs av och funktionsindikeringen släcks. Ställ då nätströmbrytaren i läge FRÅN. Dra stickkontakten ur vägguttaget.

#### STÄLLA IN TERMOSTATEN

1. Ställ in önskat effektläge genom att trycka på funktionsväljaren.
2. Tryck in knappen för termostat/timer en gång för att aktivera termostatinställningen. Rumstemperaturen och termostatsymbolen blinkar nu på displayen.
3. Tryck på knapparna + eller - (N) för att välja önskad temperatur. (Inställningsområde 12°C – 30°C)
4. Termostatsymbolen slutar blinka. Termostaten håller nu automatiskt den inställda temperaturen genom att starta och stoppa värmaren.
5. Termostatinställningen avaktiveras genom att hålla termostatknappen intryckt tills termostatsymbolen inte längre visas på displayen.

#### **OBS!** Strömlampan förblir tänd när värmeelementet är påslaget.

**OBS!:** Det är normalt att värmeelementet växlar mellan ON och OFF eftersom det behåller den förinställda temperaturen.

#### FROSTSKYDD

När värmaren är i läge frostskydd hålls rumstemperaturen vid 5°C. Värmaren arbetar inte om temperaturen överstiger 5°C. Om rumstemperaturen faller under 5°C startar värmaren automatiskt och kommer att starta och stoppa för att hålla temperaturen vid 5°C. Frostskyddsfunktionen aktiveras genom att trycka in funktionsväljaren och därefter trycka två gånger på termostat/timer-knappen. Symbolen ( frost ) på displayen visar att frostskyddet är aktiverat.

#### ATT ANVÄNDA TIMERN Programmerbar timer

Användaren kan programmera värmaren att stängas av efter en inställbar tid eller starta efter en viss tid.

#### Inställning av FRÅN-timern

1. Välj funktionsläge och önskad temperatur.
2. Tryck in termostat/timer-knappen 3 gånger.

Symbolen för timer FRÅN blinkar nu på displayen.

3. Ställ in tidsfördröjningen till värmarens avstängning med knapparna (+) eller (-). Fördröjningen kan ställas in upp till 24 timmar i 1-timmarsteg.

#### Exempel - 9 timmar

4. När fördröjningen ställts in slutar displayen blinka vilket visar att timern är aktiverad. Timern räknar nu ner till den inställda tiden, och värmaren kommer då att stängas av automatiskt.

**Exempel – Avstängning** - Klockan är 13:00. Värmaren arbetar, och du vill att den ska stänga av klocka 22:00. Ställ då in timern till 9 timmar.

#### Inställning av TILL-timern

1. Om värmaren arbetar: tryck 4 gånger på termostat/timer-knappen. Symbolen för TILL-timern blinkar nu på displayen.
2. Ställ in tidsfördröjningen till värmarens start med knapparna (+) eller (-). Fördröjningen kan ställas in upp till 24 timmar i 1-timmarsteg.

#### Exempel - 4 timmar

3. När fördröjningen ställts slutar displayen blinka vilket visar att timern är aktiverad. Timern räknar nu ner till den inställda tiden, och värmaren kommer då att starta automatiskt.

**ANMÄRKNING:** Enheten minns den tidigare inställningen och använder samma fördröjning när TILL-timern aktiveras. Temperaturen kan ändras efter aktivering av timern genom att trycka in funktionsknappen.

#### ENERGISPARLÄGE

Energisparläget aktiveras genom att trycka på funktionsknappen tills symbolen ∅ visas på displayen. Värmaren kommer då att arbeta i cykler – 10 minuter med högsta effekt (2 500 W) och 30 minuter med mellaneffekt (1 300 W). Om rumstemperaturen är 30°C (85°F) eller högre arbetar värmaren enbart med mellaneffekten i 30 minuter. Cykeln upprepas så länge denna funktion är aktiverad.

#### TEMPERATURSORT

Fabriksinställningen är att displayen visar temperaturen i grader Celsius (°C). Visningen kan ändras till grader Fahrenheit (°F) genom att trycka in knappen °F - °C.

**OBS!** Sladden mCste dras ur enheten för att den ska vara helt urkopplad.

#### TIPPSKYDD

När enheten oavsiktligt råkar välta eller lutar åt ena sidan mer än 45 graders vinkel, stängs den av omedelbart. Skyddet återställs genom att helt enkelt resa upp enheten och trycka på funktionsknappen.

#### ATT FLYTTA ENHETEN

För ner och fäll ut handtaget (C). Drag enheten i handtaget så att samtliga hjul är i kontakt med golvet.

**OBSERVERA:** Lyft inte värmaren i handtaget.

#### FÖRVARINGSTIPS

Om du inte behöver använda värmeelementet under en lång period, t ex under sommaren, bör den förvaras i rumstemperatur och helst övertäckt för att förhindra ansamling av damm och smuts.

#### GARANTI

Spara ditt kvitto, vilket krävs vid reklamation under garantitiden.

Den här produkten garanteras i 5 år efter ditt inköp enligt beskrivningen i det här dokumentet.

Om det osannolika skulle inträffa under garantiperioden, att apparaten slutar fungera på grund av konstruktions- eller tillverkningsfel, ska du ta den med till inköpsplatsen tillsammans med kvittot och en kopia av garantin.

Rättigheter och förmåner i den här garantin gäller utöver dina lagstiftade rättigheter, som inte påverkas av garantin. Endast Holmes Products (Europe) Ltd. ("Holmes") har rätt att ändra villkoren.

Holmes åtar sig att utan kostnad reparera eller byta ut apparaten eller en del av apparaten som inte fungerar ordentligt under garantiperioden, under förutsättning att:

- du omedelbart meddelar inköpsstället eller Holmes om problemet.
- Apparaten inte har ändrats på något sätt eller har utsatts för skador, missbruk, felaktig användning, reparation eller modifieringar av en person annat än en person som är auktoriserad av Holmes.

Garantin täcker inte fel som inträffar på grund av felaktig användning, skador, missbruk, användning med felaktigt spänning, naturfenomen, händelser som Holmes inte kan kontrollera, reparation eller ändringar av person annat än en person som är auktoriserad av Holmes eller försummelse att följa bruksanvisningen. Slitage vid normal användning

täcks inte heller av garantin, inklusive, men inte begränsat till, mindre missfärgningar och repor. Rättigheterna i den här garantin gäller endast den ursprungliga köparen och avser inte kommersiellt eller offentligt bruk.

Om din apparat innefattar en landsspecifik garanti eller garantibilaga, ska du läsa villkoren i den garantin i stället för den här garantin eller kontakta din lokala auktoriserade försäljare för mer information.

Denna symbol betyder att produkten inte får kastas bland hushållssopor men skall bortskaffas separat inom EU. För att skydda miljön och människors hälsa från okontrollerad bortskaffning av sopor som innehåller farliga ämnen skall produkten återvinnas. Var god lämna in apparaten på en insamlingsplats för elektriska apparater eller kontakta återförsäljaren. Denne kan omhänderta apparaten för säker återvinning.



Holmes Products (Europe) Limited  
1 Francis Grove  
London  
SW19 4DT  
UK

## SUOMI

### LUE JA SÄILYTÄ NÄMÄ TÄRKEÄT OHJEET

Sähkölaitteita käytettäessä tulisi aina noudattaa määrättyjä varotoimenpiteitä, joita ovat seuraavat:

- Ennen kuin kytket lämmittimen virtaan varmista, että tehokilvessä mainittu jännitevastaa kotisi/toimistosi verkkojännitettä.
- VAROITUS: Ylikuumentamisen välttämiseksi lämmitintä ei saa peittää (☹) Viitaten tuotteeseen.**
- ÄLÄ** aseta lämmitintä suoraan pistorasian alapuolelle.
- ÄLÄ** käytä lämmitintä kylpyhuoneen, suihkun tai uima-altaan välittömässä läheisyydessä.
- Mikäli virtajohto tai pistoke on vahingoittunut, sen saa vaihtaa vain valmistaja tai sen huoltopiste tai vastaava pätevä henkilö vahinkojen välttämiseksi. Lämmittimessä ei ole osia, joita käyttäjä voi huoltaa itse. Mikäli tuote vahingoittuu tai menee rikki, se tulee palauttaa valmistajalle tai heidän huoltopisteeseensä.
- Ympäristössä, jossa esiintyy nopeita sähköisiä transienteja voi laitteeseen tulla toimintahäiriöitä.

- ÄLÄ** käytä tätä lämmitintä ohjelmoijan, ajastimen tai muun automaattisesti lämmittimen päälle kytkevän laitteen kanssa, koska on olemassa tulipaloriski, mikäli lämmitin on peitetty tai sijoitettu väärin.
- Koske lämmittimeen vain kuivilla käsillä.
- ÄLÄ** käytä lämmitintä ulkona.
- ÄLÄ** aseta lämmitintä paikkaan, jossa lapset, etenkin pienet lapset, voivat koskea siihen.
- Lämmittimen ympärillä tulee olla huonekaluista ja muista esineistä vapaa alue; vähintään 50 cm yläpuolella ja sivuilla ja 200 cm edessä. Lämmitin tulee sijoittaa vähintään 3 m etäisyydelle vesipisteestä
- ÄLÄ** käytä tätä lämmitintä mikäli se ei ole pystyasennossa.
- ÄLÄ** käytä lämmitintä huoneissa, joissa on räjähtävää kaasua (esim. petrolia) tai käytettäessä happea, syttyviä liimoja tai liuotteita (esim. kun liimataan ja lakataan parkettilattioita, PVC jne.)
- ÄLÄ** työnnä mitään esineitä lämmittimen sisään.
- Pidä virtajohto turvallisella etäisyydellä lämmittimen rungosta.
- Mikäli ylikuumentaminen tapahtuu niin sisäänrakennettu turvalaite sammuttaa lämmittimen.
- ÄLÄ** laita johtoa maton alle.
- Lämmitintä ei saa käyttää verhojen tai paloherkkien aineiden läheisyydessä. Verhot tai paloherkkä aine voivat syttyä tuleen, jos lämmitin on väärin sijoitettu
- Tätä lämmitintä ei ole tarkoitettu sellaisten henkilöiden (mukaan lukien lapset) käyttöön, joiden fyysinen, aistitoiminnallinen tai henkinen toimintakyky on rajoittunutta tai joilla ei ole tarpeeksi kokemusta tai tietoa, jollei heille ole annettu ohjeita ja neuvottu laitteen käytössä heidän turvallisuudestaan vastaavan henkilön toimesta. Lapsille tulee kertoa, ettei laitteen kanssa saa leikkiä.
- Tämä lämmitin on täytetty tarkalla määrällä erikoisöljyä. Korjauksia, jotka vaativat öljysäiliön avaamista, saavat tehdä vain valmistaja tai hänen huoltoliikkeensä, johon tulee ottaa yhteyttä mikäli esiintyy öljyvuotoa;
- Kun hävitätte lämmittimen seurakkaa öljyn hävittämistä koskevia määräyksiä.

### KUVAUKSET (Katso kuvat 1, 2 & 3)

- Lämmitysevät
- Tuuletusaukot
- Kädensija
- Virtakatkaisin
- Verkkajohtodun säilytyslokero

- Verkkajohto
- Etupyöräsarja
- Digitaalinen näyttö
- Virran merkkivalo
- Toimintatilan valo
- Ajastimen valo
- Mode-painike
- Termostaatti/ajastin
- Säätöpainikkeet
- °F/°C -painike
- Etusiipimutteri
- Pyörä
- Takapyöräsarja
- Takasiipimutteri
- U-pultti

### Tekniset tiedot

BOH2503D, Sähköteho: 2500W

### KOKOAMISOHJEET (Katso kuva 3) Varmista, ettei lämmitin ole kytkettyä mihinkään virtalähteeseen.

Poista lämmitin varovasti laatikosta. Jotkut tarvikkeista on pakattu laatikon sisään. Varmista, että sinulla on seuraavat tarvikkeet ennen kuin heität pakkauksen pois. 2 pyöräsarjaa neljällä pyörällä (R, G, Q) ja 2 U-pulttia siipimuttereilla (T, P, S)

### Huomio: Tämä laite on LATTIALLA SEISOVA.

- Käännä lämmitin ylösalaisin. Näet pohjassa U-pulttia (T) siipimutterein lämmittimen ensimmäisen ja viimeisen osion välillä.
- Irrota siipimutterit (S & P) U-pulteista (T).
- Aloita laitteen etuosasta ja vie etupyöräsarjan reikä (G) L-muotoiseen U-pulttiin (T) ja toinen pyöräsarjan reikä toisen pään U-pulttiin. Ruuvaa siipimutteri (P) päälle.
- Toista vaihe 3 takapyörän kokoamiseen, käyttämällä siipimutteria (N) siipimutterin (K) sijasta ja takapyörän kokoonpanoja (M).
- Käytä kättäsi neljän pyörän painamiseen (L) kahden jalkalevyn neljään akseliin, kunnes kuulet että ne naksahavat paikoilleen. Käytä kättäsi pyörien kääntämiseen ja jos ne siirtyvät sujuvasti, ne on asennettu oikein.
- Etu- ja takapyörän kokoonpanojen asennuksen jälkeen, kierrä lämmitin ylöspäin: lämmitin on nyt käyttövalmis.

**HUOM:** Varmista kokoonpanoa suoritettaessa, että pyörien kokoonpanossa pyörät osoittavat ulospäin maksimaalisen vakauden saavuttamiseksi.

### KÄYTTÖOHJEET (Katso kuvat 1&2)

- Työnnä virtakatkaisin (D) Off –asentoon (O).

- Kytke lämmitin pistorasiaan.
- Työnnä virtakatkaisin ON –asentoon (-). Virtavalo (I) palaa punaisena aina, kun laite on kytketty sähköverkkoon.
- Aktivoi laite painamalla mode-painiketta (L) kerran. Käyttötilavalo (J) palaa vihreänä, kun laite on käynnissä. Laite käynnistyy automaattisesti asetuksesta 3 (korkea lämpötila).
- Paina mode-painiketta kunnes haluamasi lämpötila-asetus näkyy näytöllä (H).

BOH2503D: 3=2500 W, 2=1300 W, 1=1200 W,  
☉=energiansäästötila

Lämmittimen käytön jälkeen on painettava mode-painiketta, kunnes laite sammuu ja käyttötilavalo sammuu. Sen jälkeen virtakytkin käännetään OFF-asentoon. Irrota lämmitin pistorasiasta.

### TERMOSTAATIN SÄÄTÄMINEN

- Valitse haluamasi lämpötila-asetus painamalla mode-painiketta.
- Paina termostaatti-ajastinpainiketta (M) kerran, jolloin termostaatti käynnistyy. Huonelämpötilan ja termostaatin kuvake alkavat välkkyä näytöllä.
- Painamalla + tai - painikkeita (N) valitaan haluttu lämpötila. Säätöalue on 12... 30 °C.
- Termostaatin kuvake lakkaa vilkkumasta. Termostaatti pitää nyt yllä valittua lämpötilaa käynnistämällä ja sammuttamalla laitteen automaattisesti.
- Termostaattiasetus kytketään pois päältä painamalla termostaatti-ajastinpainiketta jatkuvasti, kunnes termostaattikuvake sammuu näytöltä.

**Huomio: Toimintavalo on päällä aina kun laitetta käytetään.**

**Huomio: On normaalia, että laite vaihtelee ON ja OFF tilojen välillä säilyttääkseen säädetyn lämpötilan.**

### PAKKASVAHTI

Kun laite on pakkasvahtitilassa, se pitää lämpötilan asetuksessa 5 °C. Laite on siis pois päältä, ellei huoneen lämpötila laske alle 5 °C:n. Jos huoneen lämpötila laskee alle 5 °C:een, lämmitin käynnistyy automaattisesti ja sammuu tai käy tarpeen mukaan niin, että huoneen lämpötila on 5 °C. Käynnistä pakkasvahti painamalla mode-painiketta, jolloin laite käynnistyy. Paina sitten termostaatti-ajastinpainiketta kaksi kertaa. (☹) kuvake tulee näytölle osoittaen, että pakkasvahti on päällä.

### AJASTIMEN KÄYTTÖ Ohjelmoitava ajastin

Käyttäjä voi ohjelmoida lämmittimen

sammumaan tietyn ajan kuluttua tai käynnistymään ennalta asetetulla hetkellä.

#### Ajastimen ohjelmointi laitteen sammuttamiseksi

1. Valitse toimintotila ja lämpötila, jolla haluat lämmittimen toimivan.
2. Paina termostaatti-/ajastinpainiketta 3 kertaa. Ajastuksen OFF-merkkivalo vilkkuu.
3. Ohjelmoi lämmitin painikkeilla (+) ja (-) sammumaan enintään 24 tunnin kuluttua. Säätoväli on 1 tunti.

#### Esimerkki - 9 tuntia

4. Kun aika on asetettu, digitaalinen näyttö lakkaa välkkymästä sen merkiksi, että ajastin on aktivoitu. Ajastin laskee aikaa, kunnes ohjelmoitu aika on kulunut, minkä jälkeen lämmitin sammuu automaattisesti.

**Esimerkki - sammuttaminen** - Kello on 13.00. Lämmitin on toiminnassa, mutta haluat sen sammuvan klo 22.00. Aseta siis ajaksi 9 tuntia.

#### Ajastimen ohjelmointi laitteen käynnistämiseksi

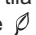
1. Jos lämmitin on päällä, paina termostaatti-/ajastinkytkintä 4 kertaa. Ajastuksen ON-merkkivalo vilkkuu.
2. Ohjelmoi lämmitin painikkeilla (+) ja (-) käynnistymään enintään 24 tunnin kuluttua. Säätoväli on 1 tunti.

#### Esimerkki - 4 tuntia

3. Kun ajastin on asetettu, digitaalinen näyttö lakkaa välkkymästä sen merkiksi, että ajastin on aktivoitu. Ajastin laskee aikaa, kunnes ohjelmoitu aika on kulunut, minkä jälkeen lämmitin käynnistyy automaattisesti.

**HUOMAA:** Kun ajastin on ohjelmoitu käynnistämään laitteen, laite muistaa sen asetuksen, jolla se viimeksi kävi ja aktivoi kyseiset asetukset määritellyn ajan kuluttua. Lämpöasetusta voi muuttaa ajastimen asetuksen jälkeen painamalla mode-painiketta.

#### ENERGIANSÄÄSTÖTILA

Aktivoi tila painamalla mode-painiketta, kunnes kuvake  näkyy näytöllä. Laite käy seuraavissa jaksoissa: 10 minuuttia korkealla lämpötilalla (2500 W) ja 30 minuuttia keskilämpötilalla (1300 W). Kun lämpötila on vähintään 30 °C, lämmitin ohittaa 10 minuutin asetukset ja käy seuraavaksi keskilämpötilalla 30 minuuttia. Tämä jakso toistuu kyseisessä toimintotilassa.

#### NÄYTÖN VALINNAT

Digitaalisen näytön oletusasetuksena on Celsius (°C). Jos haluat yksiköksi Fahrenheit (°F), paina °F - °C -painiketta.

**Huomio: Laite tulee irrottaa verkkovirrasta, jotta se olisi täysin poissa päältä.**

#### SUOJAVINKKI

Jos laitetta vahingossa tönäistään tai se kallistuu toiselle sivulle enemmän kuin 45°, se kytkeytyy heti pois päältä. To Nollaa asetus asettamalla lämmitin pystyasentoon ja painamalla mode-painiketta laitteen uudelleen aktivoimiseksi.

#### LAITTEEN KULJETTAMINEN

Tartu ohjauspaneelin yläpuolella olevaan kädensijaan (C). Saat kädensijan esiin vetämällä sitä alaspäin. Vedä laitetta kädensijasta ja varmista, että kaikki pyörät osuvat lattiaan.

**HUOMAA: Älä nosta lämmitintä kädensijasta.**

#### VARASTOINTIOHJEITA

Mikäli laitetta ei tarvita pitkään aikoihin, esimerkiksi kesän aikana, se tulee säilyttää huonelämmössä, kuivassa paikassa ja mielellään suojattuna kerääntyvältä pölyltä ja liialta.

#### TAKUU

Säilytä kuitti, koska tarvitset sitä mahdollisia takuuvaateita varten.

Tuotteella on 5 vuoden takuu. Takuuajan lasketaan alkavan ostohetkellä.

Jos laite ei tämän takuuajan jälkeen enää toimi suunnittelu- tai valmistusvirheen johdosta, palauta se ostopaikkaan kuitin ja takuutodistuksen kopion kanssa.

Tämän takuun myöntämät oikeudet ja edut myönnetään lakisääteisten oikeuksiesi lisäksi, eikä takuu vaikuta kyseisiin lakisääteisiin oikeuksiin. Vain Holmes Products (Europe) Ltd. ("Holmes") -yrityksellä on oikeus muuttaa näitä takuuetoja.

Holmes sitoutuu määrittänyt takuuajanjaksona korjaamaan tai vaihtamaan uuteen laitteeseen veloituksetta minkä tahansa viallisen laitteen osan seuraavien ehtojen täytyessä:

- Ostopaikalle tai Holmesille ilmoitetaan ongelmasta heti; ja
- Laitetta ei ole muutettu mitenkään tai kohdeltu kaltoin tai vahingoitettu eikä sen korjauksen tai muutostöihin ole osallistunut muita kuin Holmesin valtuuttamia henkilöitä.

Takuu ei kata virheellisestä käytöstä, vahingoittumisesta, laitteen kohtelemisesta väärin, laitteen väärällä jännitteellä käyttämisestä,

luonnonmullistuksista, muista asioista, joihin Holmesilla ei ole vaikutusvaltaa, muun kuin Holmesin valtuuttaman henkilön tekemistä korjaus- tai muutostöistä tai ohjeiden noudattamatta jättämisestä aiheutuvia ongelmia. Lisäksi takuu ei kata tavallista kulumista, muun muassa pieniä värin muutoksia tai naarmuja.

Tässä takuussa myönnetyt oikeudet koskevat vain alkuperäistä ostajaa eivätkä ne ulotu kaupalliseen tai yhteisölliseen käyttöön.

Jos laitteella on maakohtainen takuu, käytä kyseisen takuun ehtoja tämän takuun sijasta tai pyydä lisätietoja paikalliselta valtuutetulta jälleenmyyjältä.

Tämä merkki osoittaa, että tuotetta ei saa hävittää kotitalousjätteen mukana, vaan se on kierrätettävä asianmukaisesti koko EU:n alueella. Tuote saattaa sisältää ympäristölle ja terveydelle vaarallisia aineita, mistä syystä se on kierrätettävä asianmukaisesti, ja materiaalia on käytettävä uudelleen mahdollisuuksien mukaan luonnonvarojen säästämiseksi. Kun on tullut aika hävittää laite, käytä asianmukaista kierrätysjärjestelmää tai palauta laite ostopisteeseen. Myyjä toimittaa laitteen asianmukaisesti kierrätysjärjestelmään.



Holmes Products (Europe) Limited  
1 Francis Grove  
London  
SW19 4DT  
UK

## NORSK

#### VÆR VENNLIG LES OG TA VARE PÅ DISSE VIKTIGE ANVISNINGENE

Når man bruker elektriske apparater bør man alltid ta sine forholdsregler for å opprettholde sikkerheten, blant annet:

1. Før man kople til varmeovnen må man sjekke at spenningen angitt på merkeskiltet er i samsvar med nettspenningen i huset eller kontoret ditt.
2. **ADVARSEL: For å unngå overoppheting må du unngå å dekke til varmeovnen (☹) Referanse på produktet.**
3. **UNNGÅ** å plassere varmeovnen rett under en veggkontakt.
4. **UNNGÅ** å bruke radiatoren i nærheten av bad, dusj og svømmebasseng.
5. Dersom strømledningen eller kontakten er ødelagt må den byttes ut av produsenten eller produsentens serviceleverandør eller liknende kvalifisert fagperson, slik at all risiko unngås. Denne radiatoren har ingen deler som kan repareres av brukeren selv. Dersom produktet skulle få skader eller

slutte å fungere må det sendes tilbake til produsenten eller til serviceleverandøren.

6. I miljøer med elektrisk hurtig transient kan det oppstå feil.
7. **UNNGÅ** å bruke varmeovnen med tidsinnstillere eller andre enheter som slår varmeovnen på automatisk, fordi det kan oppstå brannfare dersom varmeovnen er tildekket eller feilplassert.
8. Berør varmeovnen kun når du er tørr på hendene.
9. **UNNGÅ** å bruke denne varmeovnen utendørs.
10. **UNNGÅ** å plassere den på steder der barn kan røre den, spesielt når de er svært unge.
11. La det være en sikkerhetsavstand mellom varmeovnen og møbler eller andre objekter på minst 50 cm rundt toppen og sidene, og 200 cm foran ovnen. Varmeovnen må plasseres minst 3 m fra alle vannkilder.
12. **UNNGÅ** å bruke denne varmeovnen dersom den ligger på siden.
13. **UNNGÅ** å bruke varmeovnen i rom der det finnes eksplosiv gass (for eksempel bensin), eller der det brukes oksygen, brannfarlig lim eller løsemidler (f.eks. ved liming eller lakking av parkettgulv, PVC, osv.)
14. **UNNGÅ** å stikke noe som helst objekt inn i varmeovnen.
15. Hold ledningen på god avstand fra oppvarmingsdelen av varmeovnen.
16. Dersom apparatet skulle overopphetes, vil en sikkerhetsbryter sørge for at det slår seg av.
17. **UNNGÅ** å legge ledningen under teppe.
18. Varmeovnen kan ikke brukes nær gardiner eller annet brennbart materiale. Gardiner og brennbart materiale kan ta fyr dersom varmeovnen ikke blir riktig installert.
19. Dette apparatet er ikke beregnet til bruk av personer (inkludert barn) som har reduserte fysiske, sansemessige eller mentale ferdigheter, eller som mangler kunnskap og erfaring, med mindre de er blitt opplært og blir passet på under bruk av apparatet av noen som er ansvarlige for sikkerheten. Barn bør passes på slik at de ikke leker med apparatet.
20. Denne ovnen er fylt med en nøyaktig mengde med spesiell olje. Reparasjoner som krever åpning av oljeholderen skal kun utføres av produsenten eller hans serviceagent som bør kontaktes om det er en oljelekkasje;
21. Ved kassering av ovnen, følg reguleringene angående avhending av olje.

**BESKRIVELSER (Se fig. 1, 2 & 3)**

- A. Ovnfinner
- B. Ventil
- C. Uttrekkbart håndtak
- D. Afbryder
- E. Kabellagring.
- F. Strømkabel
- G. Fremre hjulmontasje
- H. Digitalt display
- I. Strømlys
- J. Funktionslampe
- K. Timerlampe
- L. Funktionsknap
- M. Termostat/timerknap
- N. Justeringsknapper
- O. °F - °C knap
- P. Forreste vingemøtrik
- Q. Svinghjul
- R. Bagerste drejhjulsmontering
- S. Bagerste vingemøtrik
- T. U-bolt

**Tekniske spesifikasjoner**

**BOH2503D**, Spenning: 2500W

**MONTERINGSANVISNINGER (Se fig. 3)**

**Sørg for at varmeovnen ikke er koplet til noe strømuttak.**

Ta varmeovnen forsiktig ut av esken. Noen tilleggsdeler finnes innpakket på innsiden. Sørg for å ha alle de følgende delene før du kaster emballasjen. 2 Hjulmontasjer med fire hjul (R, G, & Q), og 2 U-bolter med vingemuttre (T, P, S).

**Merk! Denne enheten er beregnet kun til bruk STÅENDE PÅ GULVET.**

1. Snu ovnen opp-ned, så vil du se 2 U-bolter (T) med vingemuttre på første og siste ledd på ovnen.
2. Skru ut vingemuttrene (S & P) fra U-boltene (T).
3. Start med fronten til enheten og plasser ett hull til fremre hjulmontasje (G) til den L-formede delen av U-bolten (T) og det andre hullet til hjulet i den andre enden av U-bolten, og skru på vingemuttreren (P).
4. Gjenta trinn 3 for bakre hjulmontasje, men bruk vingemutter (N) istedenfor vingemutter (K) og bakre hjulmontasjer (M).
5. Bruk hånden til å trykke de fire hjulene (L) fast på de fire aksene på de to fotplatene til du hører at de klikker på plass. Bruk hånden til å dreie hjulene. Dersom de beveger seg lett, er de blitt installert riktig.

6. Etter installasjon av de fremre og bakre hjulmontasjene og hjulene, setter du ovnen med den riktige siden opp: Ovnen er nå klar til bruk.

**MERK:** Under montering må du påse at hjulmontasjene og hjulene peker utover for maksimal stabilitet

**ANVISNINGER FOR BRUK (Se Fig. 1&2)**

1. Kontroller at afbryderen (D) er sat i positionen OFF (O).
2. Tilslut varmeapparatet til en stikkontakt.
3. Knips afbryderen til positionen ON (-). The power light (I) vil bli tændt rød indtil enhedens stik trækkes ud.
4. Tryk på funktionsknappen (L) en gang for at aktivere enheden. Funktionslampen (J) vil lyse grønt for at angive at varmeapparatet kører. Enheden vil automatisk starte ved indstilling 3 (Høj varme).
5. Tryk på funktionsknappen indtil den ønskede varmeindstilling vises på det digitale display (H).

**BOH2503D:** 3=2500W, 2=1300W, 1=1200W, ∅ =Energisparefunktion

Efter brug af varmeapparatet, trykkes på funktionsknappen indtil enheden deaktiveres og funktionslampen slukkes, derefter sættes afbryderen til positionen OFF. Træk varmeapparatets stik ud af stikkontakten.

**INNSTILLING AV TERMOSTATEN**

1. Indstil den ønskede varmeindstilling ved at trykke på funktionsknappen.
2. Tryk på termostat/timerknappen (M) én gang for at aktivere termostatindstilling. Rummets temperatur og et termostat-ikon blinker på displayet.
3. Tryk på + eller - justeringsknapperne (N) for at vælge den ønskede temperatur. (Temperaturområde 12° C - 30° C)
4. Termostatsymbolet stopper med at blinke. Termostatkontrollen vil nu automatisk opretholde det forudindstillede temperaturiveau ved at slukke og tænde for varmeapparatet.
5. For at deaktivere termostatindstillingen, tryk på termostat/timerknappen vedvarende indtil termostatsymbolet ikke længere vises på displayet.

**Merk! Varsellampen for strøm vil være på hele tiden.**

**Merk! Det er helt normalt av varmeovnen slår seg AV og PÅ for å opprettholde den innstilte temperaturen.**

**VEJLEDNING TIL FROSTBESKYTTELSE**

Når varmeapparatet er i funktionen til frostbeskyttelse, vil temperaturen blive fastholdt ved 5° C; det betyder at varmeapparatet vil være slukket undtagen hvis værelsestemperaturen er lavere end 5° C. Hvis værelsestemperaturen er lavere end 5° C, vil varmeapparatet automatisk gå i gang og fortsætte med at tænde og slukke hele tiden, for at opretholde den omgivende temperatur på 5° C. For at aktivere, tryk på funktionsknappen, for at tænde for enheden, tryk derefter på termostat/timer knappen to gange. Ikonet (❄️) vil blive vist for at angive at frostbeskyttelsen er aktiveret.

**BRUG AF TIMER****Programmerbar timer**

Brugeren kan programmere varmeapparatet til at slukke på et valgt tidspunkt, eller at tænde på et forudindstillet tidspunkt.

**Indstille OFF timeren**

1. Vælg den funktion og temperatur som du ønsker varmeapparat at køre ved.
2. Tryk på termostat/timer knappen 3 gange. OFF timer ikonet blinker.
3. Brug enten (+) eller (-) justeringsknapperne, programmer varmeapparatet til at slukke op til 24 timer senere, i stigninger på 1 time.

**Eksempel - 9 timer**

4. Efter indstilling af tiden, vil det digitale display vil stoppe med at blinke, for at vise at timeren er aktiveret. Timeren vil tælle ned indtil den forudindstillede tidsperiode er forløbet, og

**Eksempel – Slukke** - Klokkeren er 13:00. Varmeapparatet kører og du vil have varmeapparatet til at slukke klokken 22:00;derfor setter tiden til 9 timer.

**Indstilling af ON timeren**

1. Hvis varmeren er til, tryk på termostat/timer kontrolknappen 4 gange. ON timer ikonet blinker.
2. Ved at bruge enten (+) eller (-) justeringsknapperne, programmeres varmeapparatet til at tænde op til 24 timer senere, i stigninger på 1 time.

**Eksempel - 4 timer**

3. Efter indstilling af ON timeren, vil det digitale display stoppe med at blinke for at vise at timeren er aktiveret. Timeren vil tælle ned indtil den forudindstillede tidsperiode er

forløbet og derefter vil varmeapparatet automatisk blive tændt.

**ANMERKNING:** Når ON timeren er indstillet vil enheden huske enhedens tidligere indstilling og aktivere denne indstilling efter den forudindstillede tidsperiode. Varmeindstillingen kan ændres efter indstilling af timeren ved at trykke på funktionsknappen.

**ENERGIBESPARENDE FUNKTION**

For at aktivere, tryk på funktionsknappen indtil funktionen ∅ vises på displayet.

Varmeapparatet vil køre i cyklus på - 10 minutter ved høj (2500W) og 30 minutter ved medium (1300W). Når temperaturen er ved 85°F (30°C) eller derover, vil varmeapparatet ignorere den 10 minutters høje indstilling og køre ved medium 30 minutter omgående. Cyklus gentages i denne funktion.

**WISE FORETRUKNE**

Standardindstillingen på det digitale display er i grader celsius (° C). For at skifte til grader fahrenheit (° F), tryk på knappen °F-°C.

**Merk! Man må trekke ut kontakten for at enheten skal være helt avslått.**

**BESKYTTELSE MOT VELTING**

Dersom enheten veltes ved et uhell, eller den blir stående i mer enn 45° vinkel, vil den slå seg av automatisk. For at nulstille, plasseres varmeapparatet i oppretstående position og tryk på funktionsknappen for at genaktivere enheden.

**FLYTTING AV ENHETEN**

Finn det uttrekkbare håndtaket (C) over kontrollpanelet. Trekk det ned for å løse det ut og grip håndtaket. Dra enheten med håndtaket mens du passer på at alle hjulene er på gulvet.

**ANMERKNING: Bruk ikke håndtaket til å løfte produktet.**

**LAGRINGSTIPS**

Dersom man ikke trenger å bruke ovnen over en lengre periode, for eksempel om sommeren, bør den oppbevares ved romtemperatur, på et tørt sted, og helst tildekket for å unngå at det samler seg støv og smuss på den.

**GARANTI**

Vennligst behold kvitteringen, som kreves for eventuelle hevdelser under garantien.

Dette produktet garanteres i 5 år etter salgsdato, i samsvar med betingelser som gjengis i dette dokumentet.

Under garantiperioden, hvis enheten usannsynligvis slutter å fungere grunnet en

design- eller fabrikantfeil, skal den leveres tilbake til innkjøpsstedet sammen med kvittering og kopi av garantien.

Rettigheter og fordeler som gis under garantien, kommer i tillegg til lovmessige rettigheter, som ikke berøres av garantien. Kun Holmes Products (Europe) Ltd. ("Holmes") har rett til å endre disse betingelsene.

Holmes påtar seg, innen garantiperioden å gratis reparere eller erstatte enheten, eller enhver defekt del av enheten, forutsatt at:

- Du umiddelbart gir beskjed til innkjøpsstedet eller Holmes om problemet; og
- at enheten ikke er modifisert på noe vis, eller utsatt for skade, feilbruk, misbruk, reparasjon eller modifikasjon av noen som ikke er autorisert av Holmes.

Feil som oppstår fra feilaktig bruk, skade, misbruk, bruk med feil strømspenning, naturfenomener, hendelser utenom Holmes kontroll, reparasjon eller modifikasjon av en person utenom Holmes-autorisert servicepersonell, eller unnlatelse i å følge disse bruksanvisninger, dekkes ikke av denne garantien. I tillegg vil alminnelig brukslitasje, inkludert, men ikke begrenset til, mindre misfarging og riper, ikke bli garantidekket.

Rettigheter som dekkes av denne garantien skal kun gjelde for originalkunden, og kan ikke videreføres til kommersielt eller felles bruk.

Hvis din enhet omfattes av landsspesifikk garanti eller garantivedlegg, henvises det til vilkårene som gjelder for slike garantier framfor det som framgår nedenfor. Du kan også henvende deg til din lokale autoriserte representant for mer informasjon.

Dette symbolet angir at dette produktet ikke skal kastes sammen med annet husholdningsavfall, men kastes separat i EØS-området. For å hindre skade på miljø eller helse fra ukontrollert avfallshåndtering på grunn av farlige stoffer i produktet, må det resirkuleres ansvarlig for å muliggjøre bærekraftig gjenbruk av materialer og ressurser. Vennligst bruk retur- og innsamlingsystemer tilgjengelig for å returnere brukt produkt, eller kontakt forhandleren du kjøpte produktet av. De kan ta imot produktet for miljøvennlig resirkulering.



Holmes Products (Europe) Limited  
1 Francis Grove  
London  
SW19 4DT  
UK

## DANSK

### DISSE VIGTIGE ANVISNINGER SKAL LÆSES

Ved brug af elektriske apparater, bør der altid tages almindelige sikkerhedsforanstaltninger, inklusive følgende:

1. Inden varmeapparatet tilsluttes, skal det kontrolleres at mærkepladen svarer til hovedspændingen i dit hjem/på dit kontor.
2. ADVARSEL: For at hindre apparatet i at overhede, må varmeapparatet ikke tildækkes (☹) Henviser til produktet.
3. Varmeapparatet MÅ IKKE placeres direkte under en stikkontakt.
4. Varmeapparatet MÅ IKKE placeres i nærheden af et badekar, en bruser eller et svømmebassin.
5. Hvis ledningen eller stikket er skadet, skal de udskiftes af fabrikanten eller dennes serviceagent, eller lignende kvalificeret person, for at undgå en farlig situation. Varmeapparatet indeholder ingen dele som kan udskiftes. Hvis produktet bliver beskadiget eller svigter, skal det returneres til fabrikanten eller dennes serviceagent.
6. I miljøer med kraftige spændingsvariationer kan produktet svigte.
7. Varmeapparatet MÅ IKKE bruges med en programmeringsanordning, timer eller en anden anordning som automatisk tænder varmeapparatet, da dette udgør en risiko for brand, hvis apparatet tildækkes eller placeres forkert.
8. Varmeapparatet må ikke berøres med våde hænder.
9. Varmeapparatet MÅ IKKE anvendes udendørs.
10. Varmeapparatet MÅ IKKE placeres i nærheden af børn; dette gælder specielt småbørn.
11. Varmeapparatet MÅ IKKE placeres i nærheden af møbler eller andre genstande; der skal mindst være en afstand på 50cm fra toppen og siderne, og 200 cm foran. Varmeapparatet skal placeres mindst 3cm fra en vandkilde.
12. Varmeapparatet MÅ IKKE bruges, hvis det ligger på siden.
13. Varmeapparatet MÅ IKKE bruges i værelser med eksplosive gasser (f.eks. benzin) eller mens der bruges ilt, letantændelig lim eller opløsningsmidler (f.eks. når der limes eller lakeres parketgulve, PVC osv.)
14. Der MÅ IKKE sættes genstande ind i varmeapparatet.

15. Hovedledningen skal holdes i en sikker afstand fra selve varmeapparatet.
16. Hvis der opstår overhedning, slukker den indbyggede sikkerhedsanordning mod overhedning apparatet.
17. Ledningen MÅ IKKE placeres under gulvtæpper.
18. Varmeapparatet MÅ IKKE placeres i nærheden af gardiner eller letantændelige materialer. Gardiner eller letantændelige materialer kan blive brændt hvis varmeapparatet installeres forkert.
19. Dette apparat er ikke egnet til brug af personer (inklusive børn) med nedsat fysiske, følelsesmæssige eller mentale evner, eller personer som ikke har kendskab til brug af apparatet, medmindre de er under opsyn, eller modtaget instruktioner fra en person, som har ansvaret for dem. Børn skal altid holdes under opsyn for at sikre at de ikke leger med apparatet.
20. Dette varmeapparat er fyldt med et nøjagtigt kvantitet af speciel olie. Reparationer, som kræver åbning af oliebeholderen, må kun foretages en producenten eller dennes serviceagent, som skal kontaktes, hvis der er olielækage;
21. Hvis varmeapparatet bliver ridset, skal forskrifterne om bortskaffning af olie følges.

### BESKRIVELSE (SE FIG. 1, 2 & 3)

- A. Opvarmede lameller
- B. Udluftningshuller
- C. Pull-down håndtag
- D. Afbryder
- E. Ledningens opbevaring
- F. Netledning
- G. Forreste svinghjulsenhed
- H. Digitalt display
- I. Lampe
- J. Funktionslampe
- K. Timerlampe
- L. Funktionsknap
- M. Termostat/timerknap
- N. Justeringsknapper
- O. °F - °C knap
- P. Forreste vingemøtrik
- Q. Svinghjul
- R. Bagerste drejhjulsmontering
- S. Bagerste vingemøtrik
- T. U-bolt

**Tekniske specifikationer**  
**BOH2503D**, Wattal: 2500W

### MONTERINGSINSTRUKTIONER (Se fig. 3)

**Det skal sikres at varmeapparatet ikke er tilsluttet en stikkontakt.**

Tag forsigtigt varmeapparatet ud af boksen. Noget af tilbehøret er pakket separat inde i pakken. Sørg for at al tilbehøret findes inden du kasserer emballagen. 2 svinghjulsamlinger med fire svinghjul (R, G, & Q), og 2 U-bolte med fløj møtrikker (T, P, S).

**Vigtigt! Dette apparat må KUN BRUGES PÅ GULVET.**

1. Vend varmeapparatet med bunden i vejret, og du vil se 2 U-bolte (T) med fløj møtrikker over varmeapparatets første og sidste led.
2. Løsn fløj møtrikkerne (S & P) fra U-boltene (T).
3. Start med enhedens forside og anbring et hul fra den forreste svinghjulsamling (G) op mod den L-formede del af U-bolten (T) og det andet hul af svinghjulsamlingen i den anden ende af U-bolten, og skru derefter fløj møtrikken på (P).
4. Gentag anvisningerne i punkt 3 for den bageste svinghjulsamling, men anvend fløj møtrikken (N) i stedet for fløj møtrikken (K) og svinghjulsamlingerne (M).
5. De fire svinghjul (L) anbringes med hænderne i de fire akser på de to underlagsplader til det er muligt at høre en "klik" lyd, der betyder, at de er indsat. Drej så svinghjulene med hænderne, og hvis de bevæger sig jævnt er installationen blevet udført korrekt.
6. Efter installation af den forreste svinghjulsenhed og af den bageste svinghjulsamling og af selve svinghjulene, kan varmeapparatet drejes og stilles korrekt op: varmeapparatet er nu parat til brug.

**BEMÆRK:** Under samlingen sørg for at placere svinghjulsamlingerne med hjul så de vender udad for at sikre den bedst mulige stabilitet.

### BETJENINGSINSTRUKTIONER (Se fig. 1 & 2)

1. Kontroller at afbryderen (D) er sat i positionen OFF (O).
2. Tilslut varmeapparatet til en stikkontakt.
3. Knips afbryderen til positionen ON (-). The power light (I) vil blive tændt rød indtil enhedens stik trækkes ud.
4. Tryk på funktionsknappen (L) en gang for at aktivere enheden. Funktionslampen (J) vil lyse grønt for at angive at varmeapparatet kører. Enheden vil automatisk starte ved indstilling 3 (Høj varme).

5. Tryk på funktionsknappen indtil den ønskede varmeindstilling vises på det digitale display (H).

**BOH2503D:** 3=2500W, 2=1300W, 1=1200W,  
 ∅ =Energisparefunktion

Efter brug af varmeapparatet, trykkes på funktionsknappen indtil enheden deaktiveres og funktionslampen slukkes, derefter sættes afbryderen til positionen OFF. Træk varmeapparatets stik ud af stikkontakten.

#### INDSTILLING AF TERMOSTATEN

1. Indstil den ønskede varmeindstilling ved at trykke på funktionsknappen.
2. Tryk på termostat/timerknappen (M) én gang for at aktivere termostatindstilling. Rummets temperatur og et termostat-ikon blinker på displayet.
3. Tryk på + eller - justeringsknapperne (N) for at vælge den ønskede temperatur. (Temperaturområde 12° C - 30° C)
4. Termostatsymbolet stopper med at blinke. Termostatkontrollen vil nu automatisk opretholde det forudindstillede temperaturniveau ved at slukke og tænde for varmeapparatet.
5. For at deaktivere termostatindstillingen, tryk på termostat/timerknappen vedvarende indtil termostatsymbolet ikke længere vises på displayet.

**NB! Indikatorlampen lyser konstant under betjeningen.**

**NB! Det er normalt at varmeapparatet TÛNDER OG SLUKKER for at bevare den forudindstillede temperatur.**

#### VEJLEDNING TIL FROSTBESKYTTELSE

Når varmeapparatet er i funktionen til frostbeskyttelse, vil temperaturen blive fastholdt ved 5° C; det betyder at varmeapparatet vil være slukket undtagen hvis værelsestemperaturen er lavere end 5° C. Hvis værelsestemperaturen er lavere end 5° C, vil varmeapparatet automatisk gå i gang og fortsætte med at tænde og slukke hele tiden, for at opretholde den omgivende temperatur på 5° C. For at aktivere, tryk på funktionsknappen, for at tænde for enheden, tryk derefter på termostat/timer knappen to gange. Ikonet ( ) vil blive vist for at angive at frostbeskyttelsen er aktiveret.

#### BRUG AF TIMER Programmerbar timer

Brugeren kan programmere varmeapparatet til at slukke på et valgt tidspunkt, eller at tænde på et forudindstillet tidspunkt.

#### Indstille OFF timeren

1. Vælg den funktion og temperatur som du ønsker varmeapparat at køre ved.
2. Tryk på termostat/timer knappen 3 gange. OFF timer ikonet blinker.
3. Brug enten (+) eller (-) justeringsknapperne, programmer varmeapparatet til at slukke op til 24 timer senere, i stigninger på 1 time.

#### Eksempel - 9 timer

4. Efter indstilling af tiden, vil det digitale display vil stoppe med at blinke, for at vise at timeren er aktiveret. Timeren vil tælle ned indtil den forudindstillede tidsperiode er forløbet, og.

**Eksempel – Slukke -** Klokkeren er 13:00. Varmeapparatet kører og du vil have varmeapparatet til at slukke klokken 22:00; derfor, sæt tiden til 9 timer.

#### Indstilling af ON timeren

1. Hvis varmeren er til, tryk på termostat/timer kontrolknappen 4 gange. ON timer ikonet blinker.
2. Ved at bruge enten (+) eller (-) justeringsknapperne, programmeres varmeapparatet til at tænde op til 24 timer senere, i stigninger på 1 time.

#### Eksempel - 4 timer

3. Efter indstilling af ON timeren, vil det digitale display stoppe med at blinke for at vise at timeren er aktiveret. Timeren vil tælle ned indtil den forudindstillede tidsperiode er forløbet og derefter vil varmeapparatet automatik blive tændt.

**BEMÆRK:** Når ON timeren er indstillet vil enheden huske enhedens tidligere indstilling og aktivere denne indstilling efter den forudindstillede tidsperiode. Varmeindstillingen kan ændres efter indstilling af timeren ved at trykke på funktionsknappen.

#### ENERGIBESPARENDE FUNKTION

For at aktivere, tryk på funktionsknappen indtil funktionen ∅ vises på displayet. Varmeapparatet vil køre i cyklus på - 10 minutter ved høj (2500W) og 30 minutter ved medium (1300W). Når temperaturen er ved 85°F (30°C) eller derover, vil varmeapparatet ignorere den 10 minutters høje indstilling og køre ved medium 30 minutter omgående. Cyklus gentages i denne funktion.

#### WISE FORETRUKNE

Standardindstillingen på det digitale display er i grader celsius (° C). For at skifte til grader fahrenheit (° F), tryk på knappen °F-°C.

**NB! Apparatet skal tages ud af stikkontakten for at være helt slukket.**

#### BESKYTTELSE MOD VÆLTNING

Hvis apparatet vælter ved et uheld, eller hælder mere end en vinkel på 45 grader, slukker det automatisk. For at nulstille, placeres varmeapparatet i opretstående position og tryk på funktionsknappen for at genaktivere enheden.

#### TRANSPORT AF ENHEDEN

Lokaliser håndtaget (C) over kontrolpanelet. Træk håndtaget ned for at udløse det, og tag derefter fat i håndtaget. Træk enheden ved hjælp af håndtaget, og sørg for at alle svinghjulene kontakter gulvet.

**BEMÆRK: Håndtaget må ikke bruges til at løfte produktet.**

#### GODE RÅD OM OPBEVARING

Hvis varmeapparatet ikke skal bruges i længere tid, for eksempel om sommeren, skal den opbevares ved stuetemperatur, på et tørt sted og tildækkes for at hindre ophobning af støv og snavs.

#### GARANTI

Gem kvitteringen. Den skal forevises ved enhver klage under denne garanti.

Der er 5 års garanti på dette apparat efter dit køb som beskrevet i dette dokument.

Hvis det usandsynlige skulle ske i denne garantiperiode, at apparatet ikke længere fungerer på grund af en design- eller fabriktionsfejl, bedes du returnere det til købsstedet sammen med kvitteringen og en kopi af denne garanti.

Rettighederne og fordelene ved denne garanti ligger ud over dine lovbestemte rettigheder, som ikke er påvirket af denne garanti. Det er kun Holmes Products (Europe) Ltd. ("Holmes"), der må ændre disse betingelser. Rettighederne og fordelene ved denne garanti ligger ud over dine lovbestemte rettigheder, som ikke er påvirket af denne garanti. Det er kun Holmes Products (Europe) Ltd. ("Holmes"), der må ændre disse betingelser.

- Du omgående underretter købsstedet eller Holmes om problemet; og
- Apparatet ikke er ikke blevet ændret på nogen måde eller udsat for beskadigelse, forkert brug, misbrug, reparation eller

ændring af en person, der ikke er autoriseret af Holmes.

Fejl, der sker på grund af forkert brug, beskadigelse, misbrug, brug med forkert spænding, force majeure, hændelser, som Holmes ikke har indflydelse på, reparation eller ændring af en person, der ikke er autoriseret af Holmes, eller manglende overholdelse af brugsanvisningen, er ikke dækket af denne garanti. Desuden er normal slitage, herunder, men ikke begrænset til, mindre misfarvning og skrammer, ikke dækket af denne garanti.

Rettighederne under denne garanti skal kun gælde for den oprindelige køber og skal ikke udvides til kommerciel eller kollektiv brug.

Hvis der med dit apparat fulgte en landespecifik erklæring eller garanti, gælder de vilkår og betingelser, der er angivet i det pågældende dokument forud for bestemmelserne i nærværende garanti. I modsat fald bedes du kontakte din lokale autoriserede forhandler for at få flere oplysninger.

Denne markering viser at produktet ikke må kasseres sammen med husholdningsaffald. Det skal kasseres separat overalt i den europæiske union. For at afværge mulige miljøskader eller skade af humane sundhedsskader på grund af tilstedeværelsen af farlige stoffer i materialet, skal der fremmes holdbar recirkulering af materialer og ressourcer. For at returnere den brugte anordning, bedes du anvende de affaldsdepoter, som er tilgængelige, eller kontakte den detailhandler, hvor du købte produktet. De kan tage produktet til et miljømæssigt sikkert recirkuleringssted.

Holmes Products (Europe) Limited  
 1 Francis Grove  
 London  
 SW19 4DT  
 UK





**POLSKI****NALEŻY PRZECZYTAĆ I ZACHOWAĆ NINIEJSZĄ INSTRUKCJĘ**

W czasie użytkowania urządzeń elektrycznych zawsze należy przestrzegać zasad bezpieczeństwa:

1. Przed podłączeniem grzejnika należy sprawdzić, czy napięcie w sieci odpowiada wartości wyszczególnionej na tabliczce znamionowej urządzenia.
2. **OSTRZEŻENIE: Aby zapobiec przegrzaniu urządzenia, nigdy nie należy zakrywać grzejnika (☹) [Odniesienie do produktu.**
3. **NIE NALEŻY** ustawiać grzejnika bezpośrednio pod gniazdkiem elektrycznym.
4. **NIE NALEŻY** użytkownika grzejnika w pobliżu wanny, prysznicza lub basenu.
5. Jeśli przewód sieciowy lub wtyczka ulegną uszkodzeniu, elementy te muszą zostać wymienione przez producenta, serwis lub osobę posiadającą odpowiednie kwalifikacje, aby uniknąć niebezpieczeństwa. Grzejnik nie posiada części wymiennalnych przez użytkownika. W przypadku uszkodzenia lub awarii grzejnika urządzenie należy oddać do naprawy producentowi lub serwisowi.
6. W warunkach szybkich elektrycznych zakłóceń impulsowych urządzenie może funkcjonować nieprawidłowo.
7. **NIE NALEŻY** użytkownika tego grzejnika z programatorem, timerem ani innym urządzeniem automatycznie włączającym grzejnik, ponieważ w przypadku jego zakrycia lub niewłaściwego ustawienia istnieje niebezpieczeństwo pożaru.
8. Grzejnika należy dotykać wyłącznie suchymi rękami.
9. **NIE NALEŻY** użytkownika grzejnika na dworze.
10. **NIE NALEŻY** ustawiać grzejnika w zasięgu dzieci, zwłaszcza małych.
11. **NIE NALEŻY** zastawiać grzejnika meblami ani innymi przedmiotami; od góry i po bokach należy zostawić min. 50 cm, a z przodu — 200 cm wolnego miejsca. Grzejnik należy ustawiać nie bliżej niż 3 m od źródła wody.
12. **NIE NALEŻY** użytkownika grzejnika, gdy leży on na boku.
13. **NIE NALEŻY** użytkownika grzejnika w pomieszczeniach z wybuchowym gazem (np. pary benzyny) ani w czasie używania tlenu, łatwopalnego kleju lub rozpuszczalnika (np. w czasie klejenia lub

lakierowania podłóg parkietowych, PCV, itd.)

14. **NIE NALEŻY** wkładać żadnych przedmiotów do grzejnika.
15. Przewód sieciowy należy prowadzić w bezpiecznej odległości od grzejnika.
16. W przypadku przegrzania grzejnika wbudowane zabezpieczenie wyłącza urządzenie.
17. **NIE NALEŻY** prowadzić przewodu pod dywanem.
18. **NIE NALEŻY** użytkownika grzejnika w pobliżu zaston lub innego palnego materiału. Zastony lub inny palny materiał mogą ulec zapaleniu, jeśli grzejnik jest użytkowany nieprawidłowo.
19. Urządzenie nie jest przeznaczone do użytku przez osoby (w tym dzieci) z ograniczonymi zdolnościami fizycznymi, sensorycznymi lub umysłowymi, a także nieposiadające wiedzy lub doświadczenia w użytkowaniu tego typu urządzeń, chyba że będą one nadzorowane lub zostaną poinstruowane na temat korzystania z tego urządzenia przez opiekuna. Należy uważać, aby dzieci nie bawiły się urządzeniem.
20. W grzejniku znajduje się precyzyjna ilość specjalnego oleju. Naprawy wymagające otworzenia zbiornika oleju mogą być wykonywane wyłącznie przez producenta lub jego przedstawiciela, z którym należy się niezwłocznie skontaktować w przypadku wycieku oleju;
21. W przypadku złomowania grzejnika należy postępować według przepisów regulujących pozbywanie się oleju.

**OPIS (Patrz rys. 1, 2 i 3.)**

- A. Ogrzewane żeberka
- B. Otwory wentylacyjne
- C. Uchwyt
- D. Włącznik zasilania
- E. Przechowywanie kabla zasilającego
- F. Kabel zasilania elektrycznego
- G. Zespół przedniego koła jezdnego
- H. Wyświetlacz cyfrowy
- I. Światło zasilania
- J. Lampka trybu
- K. Lampka timera
- L. Przycisk trybu
- M. Przycisk termostatu/timera
- N. Przyciski regulatora
- O. Przycisk oF/oC
- P. Przednia nakrętka skrzydełkowa
- Q. Koło jezdne

- R. Zespół tylnego koła jezdnego
- S. Tylina nakrętka skrzydełkowa
- T. Śruba jarzmowa

**Specyfikacja techniczna**

**BOH2503D**, Moc grzewcza: 2500W

**INSTRUKCJA MONTAŻU (Patrz rys. 3.)**

**Należy upewnić się, że grzejnik nie jest podłączony do sieci elektrycznej.**

Grzejnik należy ostrożnie wyjąć z pudełka. Niektóre akcesoria są zapakowane w środku. Przed wyrzuceniem pudełka należy sprawdzić, czy wypakowane zostały wszystkie poniższe akcesoria. 2 Zespoły kół jezdnych z czterema kołami (R, G i Q) oraz 2 śrubami jarzmowymi z nakrętkami skrzydełkowymi (T, P, S).

**Uwaga: Urządzenie przeznaczone jest WYŁĄCZNIE DO UŻYTKOWANIA NA .**

1. Po obróceniu grzejnika do góry nogami widać 2 śruby jarzmowe (T) z nakrętkami skrzydełkowymi nad pierwszym i ostatnim złączem grzejnika.
2. Odkręcić nakrętki skrzydełkowe (S i P) ze śrub jarzmowych (T).
3. Zacząć od przodu aparatu i włożyć koniec śruby jarzmowej (T) , w jeden otwór zespołu przedniego koła jezdnego (G), a następnie przykręcić za pomocą nakrętki skrzydełkowej (P).
4. Powtórzyć krok 3 dla zespołu tylnego koła jezdnego, stosując nakrętkę skrzydełkową (N) zamiast nakrętki skrzydełkowej (K) i zespoły tylnego koła jezdnego (M).
5. Wcisnąć ręcznie cztery kółka jezdne (L) na cztery osie dwóch płytek stoppek do momentu usłyszenia kliknięcia, oznaczającego, że znalazły się na miejscu. Obrócić ręcznie koła jezdne i jeśli obracają się płynnie, oznacza to, że zostały zainstalowane poprawnie.
6. Po zainstalowaniu zespołów tylnego i przedniego koła jezdnego oraz kół jezdnych, postawić grzejnik we właściwej pozycji: grzejnik jest teraz gotowy do użytku.

**UWAGA:** Podczas montowania, upewnić się, że zespoły koła jezdnego są zwrócone na zewnątrz

**INSTRUKCJA UŻYTKOWANIA (Patrz rys. 1 i 2.)**

1. Upewnić się, że włącznik zasilania (D) jest w położeniu WYŁ (O).
2. Włączyć kabel zasilania do gniazda.
3. Przetawić włącznik zasilania w położenie WŁ (-). Lampka zasilania (I) będzie się świeciła na czerwono, dopóki aparat nie zostanie wyłączony z gniazda.
4. Wcisnąć jeden raz przycisk trybu (L), aby uaktywnić aparat. Lampka trybu (J) będzie

się jarzyć na zielono wskazując, że grzejnik pracuje. Aparat automatycznie uruchomi się przy nastawieniu 3 (Wysokie grzanie).

5. Wcisnąć przycisk trybu, aż żądane nastawienie grzania ukaże się na wyświetlaczu cyfrowym (H).

**BOH2503D:** 3=2500W, 2=1300W, 1=1200W, ∅ =Tryb oszczędzania energii

Po zakończeniu używania grzejnika, wcisnąć przycisk trybu aż aparat zostanie dezaktywowany i lampka trybu zgaśnie, a następnie przestawić włącznik zasilania w położenie WYŁ. Wyjąć kabel zasilania z gniazda.

**USTAWIANIE TERMOSTATU**

1. Ustawić żądane nastawienia przez wciśnięcie przycisku trybu.
2. Wcisnąć jeden raz przycisk termostatu/timera (M), aby uaktywnić nastawienie termostatu. Na wyświetlaczu zaczną migać temperatura pomieszczenia oraz ikona termostatu.
3. Wcisnąć przyciski regulacyjne + lub – (N), aby wybrać żądaną temperaturę. (Zakres 12°C – 30°C).
4. Symbol termostatu przestanie migać. Sterownik termostatu będzie teraz automatycznie utrzymywał nastawioną temperaturę poprzez włączanie i wyłączanie grzejnika.
5. Aby dezaktywować nastawienie termostatu, należy ciągle wcisnąć przycisk termostatu/timera, aż symbol termostatu przestanie ukazywać się na wyświetlaczu.

**Uwaga: W tym czasie lampka sygnalizacyjna świeci nieprzerwanie.**

**Uwaga: Wyłączanie i włączanie się grzejnika jest normalne; w ten sposób urządzenie utrzymuje wybraną temperaturę.**

**INSTRUKCJA OCHRONY PRZED MROZEM**

Gdy grzejnik jest w trybie ochrony przed mrozem, temperatura będzie utrzymywana na poziomie 5°C; w ten sposób grzejnik będzie w stanie wyłączenia, jeśli temperatura w pomieszczeniu nie będzie niższa niż 5°C. Jeśli temperatura pomieszczenia będzie niższa niż 5°C, grzejnik automatycznie zacznie pracować i będzie się przez cały czas włączał i wyłączał, utrzymując temperaturę otoczenia na poziomie 5°C. Aby go uaktywnić, należy wcisnąć przycisk trybu, a następnie wcisnąć dwa razy przycisk termostatu/timera. Wyświetlona zostanie ikona (☹) wskazująca, że ochrona przed mrozem jest aktywna.

**KORZYSTANIE Z TIMERA****Programowalny timer**

Użytkownik może zaprogramować grzejnik, aby się WYŁĄCZAŁ lub WŁĄCZAŁ po upływie określonego czasu.

**Nastawianie timera na WYŁĄCZONY**

- Wybrać tryb i żądaną temperaturę pracy grzejnika.
- Wcisnąć 3 razy przycisk termostatu/timera. Ikona timera WYŁĄCZONY zacznie migać.
- Używając przycisków (+) lub (-) regulatora, zaprogramować grzejnik na wyłączenie do 24 godzin później, w odstępach co 1 godzinę.

**Przykład – 9 godzin**

- Po nastawieniu czasu, wyświetlacz cyfrowy przestanie migać wskazując, że timer został uaktywniony. Timer będzie odliczał, dopóki nie upłynie nastawiony czas, a wtedy grzejnik wyłączy się automatycznie.

**Przykład – WYŁĄCZENIE** - Jest godzina 13. Grzejnik pracuje i chcemy, aby wyłączył się o godzinie 22; w tym celu nastawiamy czas na 9 godzin.

**Nastawianie timera na WYŁĄCZONY**

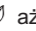
- Jeśli grzejnik jest włączony, wcisnąć 4 razy przycisk sterowania termostatu/timera. Zacznie migać ikona timera WŁĄCZONY.
- Używając przycisków (+) lub (-) regulatora, zaprogramować grzejnik na włączenie do

**Przykład – 4 godzin**

- Po nastawieniu timera na WŁĄCZONY, wyświetlacz cyfrowy przestanie migać wskazując, że timer został uaktywniony. Timer będzie odliczał, dopóki nie upłynie nastawiony czas, a wtedy grzejnik włączy się automatycznie.

**UWAGA:** Gdy timer zostanie nastawiony na WŁĄCZONY, trzeba pamiętać na jakim nastawieniu grzejnik znajdował się poprzednio i aktywować do tego nastawienia po upływie określonego czasu. Nastawienie grzania może być zmienione po tym, jak timer został ustawiony przez wciskanie przycisku trybu.

**TRYB OSZCZĘDZANIA ENERGII**

Aby uaktywnić, wcisnąć przycisk trybu,  aż pojawi się on na wyświetlaczu. Grzejnik zacznie pracować w cyklu: 10 minut wysokiego grzania (2500 W) oraz 30 minut średniego grzania (1300 W). Gdy temperatura wynosi 85oF (30oC) lub więcej, grzejnik zignoruje nastawienie na 10

minut wysokiego grzania i będzie pracował na średnim grzaniu przez 30 minut. Cykl będzie się powtarzał w tym trybie.

**PREFERENCJE WYŚWIETLANIA**

Domyślne nastawienie na cyfrowym wyświetlaczu jest w stopniach Celsjusza (°C). Aby przełączyć na stopnie Fahrenheita (°F), wcisnąć przycisk °C.

**Uwaga: Aby całkowicie wyłączyć urządzenie, należy je odłączyć od sieci.**

**ZABEZPIECZENIE PRZECIWWYWRÓCENIOWE**

Jeśli urządzenie zostanie przypadkowo przewrócone lub przechylone w jedną stronę o ponad 45°, automatycznie się wyłączy. Aby zresetować, trzeba po prostu umieścić grzejnik w pozycji stojącej i wcisnąć przycisk trybu, aby ponownie aktywować aparat.

**TRANSPORT APARATU**

Odnaleźć uchwyt (C) powyżej panelu sterowniczego. Pociągnąć w dół, aby go zwolnić, następnie złapać za uchwyt. Ciągnąć aparat za uchwyt upewniając się, że wszystkie koła jezdne stykają się z podłogą.

**UWAGA: Nie należy używać uchwytu do podnoszenia produktu.**

**PRZECHOWYWANIE**

Jeśli grzejnik nie jest potrzebny przez dłuższy czas, np. w lato, powinien być przechowywany w temperaturze pokojowej, w suchym miejscu, zabezpieczony okryciem przed zbieraniem się kurzu i zabrudzeniem.

**GWARANCJA**

Prosimy o zachowanie rachunku, ponieważ jego okazanie będzie konieczne w przypadku jakichkolwiek roszczeń gwarancyjnych.

Niniejszy produkt objęty gwarancją obowiązującą przez okres 5 lat od daty zakupu produktu, zgodnie z warunkami określonymi w tym dokumencie.

Jeżeli w okresie gwarancyjnym urządzenie przestanie prawidłowo funkcjonować (co jest mało prawdopodobne) z powodu wad konstrukcyjnych lub wykonawczych, należy dokonać jego zwrotu w punkcie zakupu, załączając rachunek i kopię niniejszej gwarancji.

Prawa i świadczenia z tytułu niniejszej gwarancji uzupełniają prawa określone w przepisach, na które niniejsza gwarancja nie ma wpływu. Zmiany niniejszych warunków może dokonać tylko firma Holmes Products (Europe) Ltd. („Holmes”).

Firma Holmes zobowiązuje się w okresie gwarancyjnym do przeprowadzenia bezpłatnej

naprawy lub wymiany urządzenia lub dowolnej jego części, która funkcjonuje nieprawidłowo, pod warunkiem, że:

- Użytkownik powinien natychmiast poinformować o zaistniałym problemie punkt sprzedaży lub firmę Holmes; oraz
- Urządzenie nie było w żaden sposób modyfikowane, uszkodzone lub eksploatowane w niewłaściwy sposób ani naprawiane przez osobę nie posiadającą upoważnienia ze strony firmy Holmes.

Gwarancją nie będą objęte uszkodzenia będące wynikiem niewłaściwego używania, zniszczenia, użytkowania przy nieprawidłowym napięciu, działania sił natury lub zdarzeń, na które firma Holmes nie ma wpływu, napraw dokonywanych przez osoby nie posiadające upoważnienia ze strony firmy Holmes lub postępowania niezgodnego z zasadami określonymi w instrukcji użytkowania. Ponadto, niniejsza gwarancja nie obejmuje normalnego zużycia i zniszczenia, w tym między innymi, drobnych odbarwień i zadrapań.

Prawa określone w tej gwarancji dotyczą tylko pierwotnego nabywcę produktu i nie obejmują użytkowania o charakterze komercyjnym i komunalnym.

Jeżeli do urządzenia załączona jest ulotka gwarancyjna przeznaczona dla danego kraju, prosimy odwołać się do warunków określonych w tej gwarancji, która zastępuje niniejszą gwarancję, lub skontaktować się z lokalnym autoryzowanym dealerem w sprawie uzyskania dokładniejszych informacji.

To oznakowanie wskazuje, że produkt ten nie powinien być przekazywany jako odpad razem z innymi odpadami gospodarstwa domowego, lecz należy pozbywać się go oddzielnie na obszarze UE. Aby zapewnić jak najniższe zagrożenie dla środowiska lub zdrowia ludzkiego na skutek niekontrolowanego pozbywania się odpadów tego produktu zawierających szkodliwe substancje, należy poddawać go odpowiedzialnemu recyklingowi, aby promować ekologiczne ponowne wykorzystanie materiałów i zasobów. Należy zwracać produkt korzystając z dostępnego systemu zbiórki odpadów, lub skontaktować się ze sprzedawcą, od którego produkt został nabyty. Sprzedawca może przyjąć produkt i poddać go bezpiecznemu dla środowiska recyklingowi.

Holmes Products (Europe) Limited  
1 Francis Grove  
London  
SW19 4DT  
Wielka Brytania

**ΕΛΛΗΝΙΚΑ****ΔΙΑΒΑΣΤΕ ΚΑΙ ΦΥΛΑΞΤΕ ΑΥΤΕΣ ΤΙΣ ΣΗΜΑΝΤΙΚΕΣ ΟΔΗΓΙΕΣ**

Όταν χρησιμοποιείτε ηλεκτρικές συσκευές, πρέπει πάντα να τηρούνται οι βασικές προφυλάξεις ασφαλείας, όπως:

- Πριν συνδέσετε το καλοριφέρ, ελέγξτε ότι η τάση στην ετικέτα της συσκευής σας ταιριάζει με την τάση τροφοδοσίας της οικείας ή του γραφείου σας.
- ΠΡΟΕΙΔΟΠΟΙΗΣΗ:** Για να αποφευχθεί υπερθέρμανση, μην καλύπτετε το καλοριφέρ (☹) βλ. συσκευή.
- ΜΗΝ τοποθετείτε το καλοριφέρ απευθείας κάτω από πρίζα ρεύματος.
- ΜΗΝ χρησιμοποιείτε αυτή το καλοριφέρ στο άμεσο περιβάλλον μπάνιου, ντους ή πισίνας.
- Αν το καλώδιο τροφοδοσίας ή το βύσμα έχει υποστεί ζημιά, πρέπει να αντικατασταθεί από τον κατασκευαστή ή τον εξουσιοδοτημένο αντιπρόσωπό του ή αντίστοιχο εξειδικευμένο προσωπικό για να αποφευχθεί ο κίνδυνος. Το καλοριφέρ δεν περιέχει εξαρτήματα που είναι συντηρήσιμα για κατάλληλη λειτουργία από το χρήστη. Αν το προϊόν υποστεί ζημιά ή βλάβη, πρέπει να επιστραφεί στον κατασκευαστή ή στον εξουσιοδοτημένο αντιπρόσωπό του.
- Σε ένα περιβάλλον γρήγορων μεταβολών τάσης, το προϊόν μπορεί να μη λειτουργήσει σωστά.
- ΜΗΝ χρησιμοποιείτε αυτό το καλοριφέρ με συσκευή προγραμματισμού, χρονομέτρησης ή άλλη συσκευή που ενεργοποιεί το καλοριφέρ αυτόματα γιατί υπάρχει κίνδυνος πυρκαγιάς, αν το καλοριφέρ έχει καλυφθεί ή τοποθετηθεί εσφαλμένα.
- Να αγγίζετε το καλοριφέρ μόνο με στεγνά χέρια.
- ΜΗΝ χρησιμοποιείτε το καλοριφέρ σε εξωτερικό χώρο.
- ΜΗΝ το τοποθετείτε σε σημεία όπου μπορεί να το αγγίζουν παιδιά, ιδιαίτερα τα πολύ μικρά.
- Δημιουργήστε έναν ασφαλή χώρο γύρω από το καλοριφέρ, μακριά από τα έπιπλα ή άλλα αντικείμενα: τουλάχιστον 50 εκατοστά από το πάνω μέρος και τα πλάγια και 200 εκατοστά στην πρόσοψη. Το καλοριφέρ πρέπει να τοποθετείται τουλάχιστον 3 μέτρα από πηγή νερού.
- ΜΗΝ χρησιμοποιείτε αυτό το καλοριφέρ όταν κείτεται στα πλάγια.
- ΜΗΝ χρησιμοποιείτε το καλοριφέρ σε

δωμάτια με εκρηκτικό αέριο (π.χ. βενζίνη) ή όταν χρησιμοποιείτε οξυγόνο, εύφλεκτη κόλλα ή διαλυτικό (π.χ. κατά την επιστροφή ή το βερνίκωμα δαπέδου παρκέ, πλαστικού PVC, κ.ά.).

14. ΜΗΝ εισάγετε τυχόν αντικείμενα στο καλοριφέρ.
15. Διατηρείτε το καλώδιο τροφοδοσίας σε ασφαλή απόσταση από τον κύριο σώμα του καλοριφέρ. Αν συμβεί υπερθέρμανση, η ενσωματωμένη συσκευή ασφαλείας από υπερθέρμανση θα απενεργοποιήσει αυτόματα το καλοριφέρ.
17. ΜΗΝ τοποθετείτε το καλώδιο κάτω από χαλί.
18. Μη χρησιμοποιείτε το καλοριφέρ κοντά σε κουρτίνες ή εύφλεκτο υλικό. Αν δεν γίνει σωστή εγκατάσταση του καλοριφέρ, μπορεί να καούν οι κουρτίνες ή το εύφλεκτο υλικό.
19. Αυτή η συσκευή δεν προορίζεται για χρήση από άτομα (όπως παιδιά) με μειωμένη φυσική, αισθητήρια ή διανοητική κατάσταση ή με έλλειψη πείρας ή γνώσης, εκτός αν τους έχει δοθεί εποπτεία ή οδηγία σχετικά με τη χρήση της συσκευής από άτομο που είναι υπεύθυνο για την ασφάλειά τους. Τα παιδιά πρέπει να επιτηρούνται για να διασφαλιστεί ότι δε θα παίξουν με τη συσκευή.
20. Αυτός ο θερμαντήρας περιέχει ακριβή ποσότητα ειδικού πετρελαίου. Τυχόν επιδιορθώσεις που απαιτούν το άνοιγμα του περιέκτη πετρελαίου πρέπει να γίνονται αποκλειστικά από τον κατασκευαστή ή τον αντιπρόσωπο σέρβις, με τους οποίους πρέπει να επικοινωνήσετε αν υπάρχει διαρροή πετρελαίου.
21. Τηρήστε τους κανονισμούς για τη διάθεση του πετρελαίου ως απόβλητα κατά την απόρριψη του θερμαντήρα.

#### Περιγραφή (βλ. Εχ. 1, 2 & 3)

- A. Θερμαινόμενα πετεργία
- B. Οπές εξαερισμού
- C. Αναδιπλούμενη λαβή
- D. Διακόπτης ισχύος
- E. Φύλαξη του καλωδίου
- F. Καλώδιο ρεύματος
- G. Συναρμολόγηση μπροστινού καρουλιού
- H. Ψηφιακή οθόνη
- I. Λυχνία ένδειξης ενεργοποίησης
- J. Ένδειξη τρόπου λειτουργίας
- K. Ένδειξη χρονοδιακόπτη
- L. Πλήκτρο τρόπου λειτουργίας
- M. Πλήκτρο θερμοστάτη/χρονοδιακόπτη

- N. Πλήκτρα ρυθμιστή
- O. Πλήκτρο επιλογής °F · °C
- P. Μπροστινό περικόχλιο πεταλούδα
- Q. Κατευθυνόμενος τροχός
- R. Διάταξη πίσω τροχού
- S. Πίσω περικόχλιο πεταλούδα
- T. Βίδα σε U

**Τεχνικές προδιαγραφές**  
**BOH2503D**, Ισχύς: 2500W

**ΟΔΗΓΙΕΣ ΣΥΝΑΡΜΟΛΟΓΗΣΗΣ (βλ. ΣΧ. 3)**  
**Βεβαιωθείτε ότι το καλοριφέρ δεν έχει συνδεθεί σε ηλεκτρική πρίζα.**

Βγάλτε προσεκτικά το καλοριφέρ από το κουτί. Ορισμένα παρελκόμενα είναι συσκευασμένα στο εσωτερικό του κουτιού. Βεβαιωθείτε ότι έχετε όλα τα παρακάτω παρελκόμενα πριν πετάξετε τη συσκευασία. Δυο συναρμολογήσεις καρουλιών με 4 τροχίσκους κυλίσματος (R, G, & Q), και δυο κοχλίες σε σχήμα U, με περικόχλια πεταλούδας (T, P, S).

**Σημείωση: Αυτή η συσκευή προορίζεται για ΧΡΗΣΗ ΜΟΝΟ ΣΤΟ ΠΑΤΩΜΑ.**

1. Γυρίστε ανάποδα την θερμάστρα και θα δείτε δυο κοχλίες σε σχήμα U (T) με περικόχλια πεταλούδας, επί του μπροστινού και πίσω αρμού της θερμάστρας.
2. Ξεβιδώστε τα περικόχλια πεταλούδας (S & P) από τους κοχλίες σε σχήμα U (T).
3. Αρχίστε από το μπροστινό τμήμα της συσκευής και βάλτε την μια οπή συναρμολόγησης του μπροστινού καρουλιού (G), στο σχήματος L του κοχλία σχήματος U (T) και την άλλη οπή της συναρμολόγησης τροχίσκου κυλίσματος, στο άλλο άκρο του κοχλία σχήματος U. Μετά βιδώστε την πεταλούδα (P).
4. Επαναλάβετε το βήμα 3 για τη συναρμολόγηση του πίσω καρουλιού, χρησιμοποιώντας την πεταλούδα (N), αντί για την πεταλούδα (K) και τις συναρμολογές του πίσω καρουλιού (M).
5. Χρησιμοποιήστε το χέρι σας για να εφαρμόσετε πίεση στα τέσσερα καρούλια (L) στους τέσσερις άξονες των δυο βραχιόνων ποδιού, μέχρι που να τα ακούσετε να κάνουν κλικ στην θέση τους. Με το χέρι σας να γυρίσετε τα καρούλια κι εάν κινούνται απαλά, ανεμπόδιστα, τότε έχουν εγκατασταθεί σωστά.
6. Μετά την εγκατάσταση της μπροστινής και πίσω συναρμολογής καρουλιού και των καρουλιών, να γυρίσετε την θερμάστρα όρθια: θα είναι έτοιμη τώρα για χρήση.

**ΣΗΜΕΙΩΣΗ:** Για μέγιστη σταθερότητα, κατά την συναρμολόγηση, σιγουρευτείτε ότι οι συναρμολογές των καρουλιών με τα ροδάκια να δείχνουν προς τα έξω.

#### ΟΔΗΓΙΕΣ ΛΕΙΤΟΥΡΓΙΕΣ (βλ. Σχ. 1&2)

1. Βεβαιωθείτε ότι ο διακόπτης ισχύος (D) έχει τεθεί στη θέση OFF (O).
2. Βάλτε στην πρίζα την θερμάστρα.
3. Γυρίστε τον διακόπτη ισχύος στην θέση ON (-). Η ένδειξη ισχύος (I) θα ανάψει σε κόκκινο, μέχρι που η συσκευή να αποσυνδεθεί.
4. Πατήστε μια φορά το κουμπί τρόπου λειτουργίας (L) για να ενεργοποιηθεί η συσκευή. Η ένδειξη τρόπου λειτουργίας (J) θα ανάψει σε πράσινο, για να δείχνει πως η θερμάστρα δουλεύει. Η συσκευή αυτομάτως θα ξεκινήσει στην Ρύθμιση 3 (Πολλή Ζέστη).
5. Πατήστε το πλήκτρο τρόπου λειτουργίας, μέχρι που η επιθυμητή ρύθμιση ζέστης να φαίνεται στην ψηφιακή οθόνη (H).

**BOH2503D:** 3=2500W, 2=1300W, 1=1200W, ρ =Θέση Εξοικονόμησης Ενέργειας

Μετά την χρήση της θερμάστρας, πατήστε το κουμπί τρόπου λειτουργίας, μέχρι που να απενεργοποιηθεί και να σβηστεί η ενδεικτική λυχνία τρόπου λειτουργίας. Μετά, γυρίστε τον διακόπτη ισχύος στην θέση OFF. Βγάλτε από την πρίζα την θερμάστρα.

#### ΡΥΘΜΙΣΗ ΘΕΡΜΟΣΤΑΤΗ

1. Ρυθμίστε την επιθυμητή στάθμη ζέστης πατώντας το πλήκτρο τρόπου λειτουργίας.
2. Πατήστε το πλήκτρο θερμοστάτη/χρονοδιακόπτη (M) μια φορά για να ενεργοποιηθεί η ρύθμιση θερμοστάτη. Θα αναβοσβήνουν στην οθόνη η θερμοκρασία του δωματίου και μια εικόνα του θερμοστάτη.
3. Πατήστε τα κουμπιά ρύθμισης + ή - (N) για να επιλεγεί η επιθυμητή θερμοκρασία. (Πεδίο από 12° C - 30° C)
4. Το σύμβολο του θερμοστάτη θα σταματήσει να αναβοσβήνει. Το πλήκτρο ελέγχου του θερμοστάτη, τώρα αυτόματα θα διατηρεί την προκαθορισμένη στάθμη θερμοκρασίας με το να ανοίγει ή κλείνει την θερμάστρα.
5. Για να ακυρωθεί η ρύθμιση του θερμοστάτη, πατήστε το κουμπί θερμοστάτη /χρονοδιακόπτη συνεχώς, μέχρι που το σύμβολο του θερμοστάτη να μην εμφανίζεται στην οθόνη.

**ΣΗΜΕΙΩΣΗ: Η φωτεινή ένδειξη λειτουργίας θα παραμείνει αναμμένη όσο λειτουργεί το καλοριφέρ.**

**ΣΗΜΕΙΩΣΗ: Είναι φυσιολογικό να ενεργοποιείται και να απενεργοποιείται το καλοριφέρ καθώς διατηρεί την προκαθορισμένη θερμοκρασία.**

#### ΡΥΘΜΙΣΗ ΠΡΟΣΤΑΣΙΑΣ ΑΠΟ ΨΥΧΟΣ

Όταν η θερμάστρα βρίσκεται σε θέση προστασίας από ψύχος, η θερμοκρασία θα διατηρείται στους 5° C. Έτσι, η θερμάστρα θα είναι σβηστή, εκτός κι αν η θερμοκρασία του δωματίου είναι χαμηλότερη από τους 5° C. Εάν η θερμοκρασία του δωματίου κατέβει κάτω από τους 5° C, η θερμάστρα τότε αυτομάτως θα αρχίσει να λειτουργεί και θα ανάβει & σβήνει συνεχώς, διατηρώντας την θερμοκρασία στους 5° C. Για ενεργοποίηση, πατήστε το πλήκτρο τρόπου λειτουργίας για να ενεργοποιηθεί η συσκευή. Μετά, πατήστε 2 φορές το κουμπί του θερμοστάτη /χρονοδιακόπτη. Το σχέδιο ( 𠄎 ) θα εμφανίζεται για να δείχνει ότι έχει ενεργοποιηθεί η προστασία από το ψύχος.

#### ΧΡΗΣΗ ΤΟΥ ΧΡΟΝΟΔΙΑΚΟΠΤΗ Προγραμματιζόμενος χρονοδιακόπτης

Ο χρήστης θα μπορεί να προγραμματίσει την θερμάστρα για να σβηστεί μετά από μια επιλεγμένη περίοδο ή να ανάψει σε έναν προρυθμισμένο χρόνο.

#### Ρύθμιση του χρονοδιακόπτη σβησίματος

1. Διαλέξτε τον τρόπο λειτουργίας και την θερμοκρασία που θέλετε για την θερμάστρα.
2. Πατήστε 3 φορές το πλήκτρο θερμοστάτη /χρονοδιακόπτη. Αναβοσβήνει το σχέδιο του χρονοδιακόπτη σβησίματος.
3. Χρησιμοποιώντας, είτε τα πλήκτρα ρυθμιστή, ή το (+) ή το (-), προγραμματίστε την θερμάστρα για να σβηστεί, έως και 24 ώρες μετά, σε αυξήσεις της 1 ώρας.

#### Παράδειγμα - 9 ώρες

4. Αφού ρυθμίσετε την ώρα, η ψηφιακή οθόνη θα σταματήσει να αναβοσβήνει, για να δείξει ότι ο χρονοδιακόπτης έχει ενεργοποιηθεί. Ο χρονοδιακόπτης θα κάνει αντίστροφη μέτρηση, μέχρι που το προκαθορισμένο χρονικό διάστημα να έχει έρθει, και η θερμάστρα αυτόματα θα σβήσει.

**Παράδειγμα - Σβήσιμο** - Η ώρα είναι 1 μ.μ. Η θερμάστρα δουλεύει και θέλετε την θερμάστρα να σβηστεί στις 10 μ.μ., οπότε, ρυθμίστε τον χρόνο μετά από 9 ώρες

#### Ρύθμιση του χρονοδιακόπτη ανάματος


1. Αν η θερμάστρα είναι αναμμένη, πατήστε το κουμπί ελέγχου θερμοστάτη /χρονοδιακόπτη, 4 φορές. Θα αναβοσβήνει το σχέδιο του χρονοδιακόπτη ανάματος.
2. Χρησιμοποιώντας είτε τα πλήκτρα ρυθμιστή, ή το (+) ή το (-), προγραμματίστε την θερμάστρα για να ανάψει έως και 24 ώρες μετά, σε αυξήσεις της 1 ώρας.

#### Παράδειγμα - 4 ώρες

3. Αφού ρυθμιστεί ο χρονοδιακόπτης ανάματος, η ψηφιακή οθόνη θα σταματήσει να αναβοσβήνει, για να δείξει ότι ο χρονοδιακόπτης έχει ενεργοποιηθεί. Ο χρονοδιακόπτης θα κάνει αντίστροφη μέτρηση, μέχρι που ο προκαθορισμένος χρόνος να έχει περάσει και μετά, η θερμάστρα αυτομάτως θα ενεργοποιηθεί.

**ΣΗΜΕΙΩΣΗ:** Όταν έχει ρυθμιστεί ο χρονοδιακόπτης ανάματος, η συσκευή θα θυμάται την ρύθμιση στην οποία ήταν προηγουμένως και θα ενεργοποιηθεί στην ρύθμιση αυτή, μετά την προκαθορισμένη περίοδο. Η ρύθμιση της ζέστης μπορεί να αλλάξει, αφού ρυθμιστεί ο χρονοδιακόπτης, πατώντας το πλήκτρο τρόπου λειτουργίας.

#### ΘΕΣΗ ΕΞΟΙΚΟΝΟΜΙΣΗΣ ΕΝΕΡΓΕΙΑΣ

Για να ενεργοποιηθεί, πατήστε το πλήκτρο τρόπου λειτουργίας μέχρι που να εμφανιστεί στην οθόνη το . Η θερμάστρα θα λειτουργεί κυκλικά: 10 λεπτά στο High (2500 W) και 30 λεπτά στο Medium (1300 W). Όταν η θερμοκρασία είναι τουλάχιστον 85°F (30°C), τότε η θερμάστρα θα αγνοεί την δεκάλεπτη ρύθμιση High και θα δουλεύει αμέσως στο Medium για 30 λεπτά. Ο κύκλος επαναλαμβάνει, ενώ είναι στην θέση αυτή.

#### ΠΡΟΤΙΜΗΣΕΙΣ ΘΘΟΝΗΣ

Η εξ ορισμού ρύθμιση στην ψηφιακή οθόνη, είναι σε βαθμούς Κελσίου (°C). Για να αλλάξετε σε βαθμούς Fahrenheit (°F), πατήστε το πλήκτρο °F-°C.

**ΣΗΜΕΙΩΣΗ:** Η συσκευή πρέπει να αποσυνδέεται από την πρίζα για να είναι πλήρως απενεργοποιημένη.

#### ΠΡΟΣΤΑΣΙΑ ΚΑΤΑ ΤΗΣ ΑΝΑΤΡΟΠΗΣ

Σε περίπτωση που η συσκευή ανατραπεί τυχαία ή κλίνει προς την μία πλευρά ή σε γωνία μεγαλύτερη των 45°, θα σβήσει αυτόματα. Για να ξαναρυθμιστεί, απλώς βάλτε την θερμάστρα στην όρθια θέση και πατήστε το κουμπί τρόπου λειτουργίας, για να ενεργοποιηθεί εκ νέου η συσκευή.

#### Η ΜΕΤΑΦΟΡΑ ΤΗΣ ΣΥΣΚΕΥΗΣ

Βρείτε που είναι η αναδιπλούμενη λαβή (C) πάνω από τον πίνακα ελέγχου. Τραβήξτε την κάτω για να ελευθερωθεί κι έπειτα πιάστε την λαβή. Πιάστε την συσκευή χρησιμοποιώντας την λαβή, σιγουρεύοντας ότι οι τροχίσκοι να είναι σε επαφή με το πάτωμα.

**ΣΗΜΕΙΩΣΗ:** Μην χρησιμοποιείτε την λαβή για να σηκώνετε το προϊόν.

#### ΣΥΜΒΟΥΛΕΣ ΦΥΛΑΞΗΣ

Αν δεν χρειάζεστε το καλοριφέρ για μεγάλα χρονικά διαστήματα, όπως, για παράδειγμα, το καλοκαίρι, φυλάξτε το σε θερμοκρασία δωματίου σε ξηρό χώρο και, κατά προτίμηση, καλυμμένο για να αποφευχθεί η συκέντρωση σκόνης και ρύπων.

#### ΕΓΓΥΗΣΗ

Φυλάξτε την απόδειξή σας διότι θα χρειαστεί για οποιοδήποτε αξιώσεις τεθούν υπό το πλαίσιο της παρούσας εγγύησης.

Το προϊόν διαθέτει εγγύηση 5 ετών από την ημερομηνία αγοράς με τον τρόπο που περιγράφεται στο παρόν έγγραφο.

Στην απίθανη περίπτωση που κατά τη διάρκεια της περιόδου εγγύησης διακοπεί η λειτουργία της συσκευής εξαιτίας σφάλματος σχεδιασμού ή κατασκευής, παρακαλείστε να την επιστρέψετε στο κατάστημα αγοράς μαζί με την απόδειξη αγοράς και ένα αντίγραφο της παρούσας εγγύησης.

Τα δικαιώματα και οφέλη υπό το πλαίσιο αυτής της εγγύησης είναι επιπρόσθετα των νομίμων δικαιωμάτων σας, τα οποία δεν επηρεάζονται από την παρούσα εγγύηση. Μόνο η εταιρεία Holmes Products (Ευρώπη) Ltd. ("Holmes") έχει δικαίωμα να προβαίνει σε αλλαγές των όρων αυτών. Η εταιρεία Holmes αναλαμβάνει εντός της εγγυητικής περιόδου να επισκευάσει ή αντικαταστήσει τη συσκευή, ή οποιοδήποτε εξάρτημά της διαπιστωθεί ότι δεν λειτουργεί σωστά, χωρίς χρέωση, υπό τον όρο ότι:

- Θα ενημερώσετε άμεσα τον αρμόδιο

στο κατάστημα αγοράς ή στην εταιρεία Holmes σχετικά με το πρόβλημα και

- η συσκευή δεν έχει τροποποιηθεί με κανένα τρόπο ή δεν έχει υποστεί βλάβη, κακή χρήση, κατάχρηση, επισκευή ή τροποποίηση από άτομο που δεν είναι εξουσιοδοτημένο από την εταιρεία Holmes.

Βλάβες που οφείλονται σε ακατάλληλη χρήση, ζημιά, κατάχρηση, χρήση με λανθασμένη τάση ρεύματος, φυσικά φαινόμενα, γεγονότα που υπερβαίνουν τον έλεγχο της εταιρείας Holmes, επισκευή ή τροποποίηση από άτομο που δεν είναι εξουσιοδοτημένο από την εταιρεία Holmes ή παράλειψη τήρησης των οδηγιών χρήσης δεν καλύπτονται από την παρούσα εγγύηση. Επιπλέον, η φυσιολογική φθορά, συμπεριλαμβανοντας χωρίς περιορισμό ελάχιστο αποχρωματισμό ή αμυχές, δεν καλύπτεται από την παρούσα εγγύηση.

Τα δικαιώματα υπό το πλαίσιο της παρούσας εγγύησης θα ισχύουν μόνο για τον αρχικό αγοραστή και δεν μπορούν να επεκταθούν για εμπορική ή δημόσια χρήση.

Εάν η συσκευή σας περιλαμβάνει εγγύηση ή προσθήκη εγγύησης ειδικά για κάθε χώρα, ανατρέξτε στους όρους και τις προϋποθέσεις αυτής της εγγύησης ή της προσθήκης εγγύησης αντί της παρούσας ή επικοινωνήστε με τον τοπικό εξουσιοδοτημένο αντιπρόσωπο για περισσότερες πληροφορίες.

στην ανθρώπινη υγεία από την μη ελεγχόμενη διάθεση των αποβλήτων, λόγω της παρουσίας επικίνδυνων ουσιών εντός του προϊόντος, να ανακυκλώνεται υπεύθυνα για την πρόωθηση της αειφόρου ανακύκλωσης των υλικών και πρώτων υλών. Για να επιστρέψετε την χρησιμοποιημένη σας συσκευή, παρακαλώ χρησιμοποιήστε τα συστήματα περισυλλογής και επιστροφής διαθέσιμα σε εσάς ή ελάτε σε επαφή με τον λιανοπωλητή από όπου αγοράστηκε το προϊόν.

Μπορούν να πάρουν το προϊόν αυτό για μια ασφαλή, όσον αφορά το περιβάλλον, ανακύκλωση.

Holmes Products (Europe) Limited  
1 Francis Grove  
London  
SW19 4DT  
UK



## РУССКИЙ

### ПОЖАЛУЙСТА, ПРОЧИТИТЕ И СОХРАНИТЕ ПРИВЕДЕННЫЕ НИЖЕ ИНСТРУКЦИИ

При эксплуатации электрических приборов, всегда соблюдайте следующие меры предосторожности:

1. Перед включением обогревателя, проверьте, соответствует ли напряжение, указанное на устройстве, напряжению в электросети вашего дома или офиса.
2. **ВНИМАНИЕ: во избежание перегрева, ничем не накрывайте обогреватель (☹) Ссылка на устройство.**
3. **НЕ** располагайте обогреватель непосредственно под розеткой.
4. **НЕ** используйте обогреватель в непосредственной близости от ванны, душа или плавательного бассейна.
5. Если шнур питания или вилка повреждены, они должны быть заменены производителем, его специалистом по сервисному обслуживанию или другим квалифицированным лицом во избежание возможных травм. Обогреватель не содержит детали, которые подлежат обслуживанию покупателем. Если продукт получил какие-либо повреждения или неисправен, он должен быть возвращен производителю или его специалистам по сервисному обслуживанию.
6. В условиях бросков напряжений, возможна неправильная работа обогревателя.
7. **НЕ** используйте обогреватель с программатором, таймером или другим устройством, автоматически включающими или выключающими обогреватель, так как существует риск возгорания, если обогреватель чем-то накрыт или неправильно расположен.
8. Касайтесь обогревателя только сухими руками.
9. **НЕ** используйте обогреватель вне помещений
10. **НЕ СТАВЬТЕ** обогреватель в места, доступные для детей, особенно маленьких.
11. Вокруг обогревателя всегда должно быть свободное пространство, не менее 50 см сверху и по бокам и не менее 200 см спереди. Обогреватель должен располагаться на расстоянии как минимум 3 метра от источников воды.

12. **НЕ ИСПОЛЬЗУЙТЕ** обогреватель, лежащий на боку.
13. **НЕ ИСПОЛЬЗУЙТЕ** обогреватель в помещениях с взрывоопасными газами (например, бензином), кислородом, горючим клеем или растворителями (например, при укладке или полировке паркетного пола)
14. **НЕ ВСТАВЛЯЙТЕ** в отверстия обогревателя посторонние предметы.
15. Держите шнур питания на безопасном расстоянии от основной части обогревателя.
16. При перегреве обогреватель будет автоматически выключен устройством защиты.
17. **НЕ ПРОКЛАДЫВАЙТЕ** шнур питания под ковром.
18. Не используйте обогреватель рядом с занавесками или другим легковоспламеняющимся материалом, они могут загореться, если обогреватель установлен неправильно.
19. Обогреватель не должен эксплуатироваться лицами с ограниченными физическими или умственными возможностями (включая детей), не имеющими достаточного опыта или знаний, без соответствующего инструктажа, касающегося эксплуатации продукта, который проводит человек, отвечающий за их безопасность. Не оставляйте детей без присмотра, следите за тем, чтобы они не играли с обогревателем.
20. Радиатор наполнен специальным маслом, объём которого строго определён. Ремонт прибора, требующий открытия масляного резервуара, должен осуществлять производитель или сервисный агент последнего, которые должны быть проинформированы в случае утечки масла.
21. При утилизации обогревателя необходимо следовать установленным предписаниям по утилизации масла.

**ОПИСАНИЕ (См. Рис. 1, 2 и 3)**

- A. Тепловые секции радиатора
- B. Вентиляционные отверстия
- C. Выдвижная ручка
- D. Переключатель питания
- E. Отсек для шнура
- F. Шнур питания
- G. Передний упор
- H. Цифровой дисплей

- I. Сигнал питания
- J. Сигнал выбора режимов
- K. Сигнал таймера
- L. Регулятор режимов
- M. Кнопка термостата/таймера
- N. Регулирующие кнопки
- O. Кнопка температуры °F □ °C
- P. Передняя барашковая гайка
- Q. Колесо роликовое
- R. Задний блок колес
- S. Задняя барашковая гайка
- T. U-образный болт

**СПЕЦИФИКАЦИЯ**

**ВОН2503D** Мощность: 2500W

**ИНСТРУКЦИИ ПО СБОРКЕ (См. Рис. 3).**

**Пожалуйста, убедитесь в том, что обогреватель не подключен к электросети.** Аккуратно вытащите обогреватель из коробки. Некоторые детали запаяваны и находятся внутри нее. Пожалуйста, убедитесь в том, что комплектация изделия полная, прежде чем выбрасывать упаковку: два блока колес и четыре роликовых колеса (R,G и Q), а также два U-образных болта с барашковыми гайками (T, P, S).

**Примечание: это устройство предназначено для эксплуатации на полу.**

1. Переверните радиатор вверх дном. Два U-образных болта (T) и барашковые гайки находятся над первым и последним соединением радиатора.
2. Отверните барашковые гайки (S и P) и снимите их с U-болтов (T).
3. На передней части устройства совместите отверстие переднего упора (G) с L-образным отверстием U-болта (T). Другое отверстие блока колес совместите с другим концом U-образного болта (T). Далее, наверните барашковую гайку (P).
4. Еще раз выполните инструкции пункта 3 для заднего блока колес. Используйте заднюю барашковую гайку (N) вместо передней барашковой гайки (K), а также задний блок (M).
5. Наденьте роликовое колесо (L) на ось ножки и нажмите до щелчка. Повторите аналогичную операцию с тремя остальными колесами. Если последние вращаются свободно, установка произведена правильно.
6. После установки заднего и переднего блоков колес, верните радиатор в вертикальное положение. Теперь обогреватель готов к работе.

**ВНИМАНИЕ:** При сборке блоков колес и установке самих колес, убедитесь, что колеса обращены наружу для достижения максимальной устойчивости обогревателя

**РУКОВОДСТВО ПО ЭКСПЛУАТАЦИИ (См. Рис. 1 и 2)**

1. Убедитесь в том, что переключатель питания (D) установлен в положение ВЫКЛ. (O).
2. Включите обогреватель в сеть.
3. Установите переключатель питания в положение ВКЛ. (-). Красный сигнал индикатора питания (I) будет гореть все время, пока обогреватель отключен от сети питания.
4. Нажмите кнопку переключения режимов (L) один раз для того, чтобы включения прибора. В качестве уведомления о начале работы обогревателя загорится зеленый сигнал выбора режимов (J). Обогреватель автоматически включится в режиме 3 (сильный обогрев).
5. Выберите необходимый уровень обогрева на цифровом дисплее (H), нажимая кнопку регулятора режимов

**ВОН2503D:** 3=2500 Вт, 2=1300 Вт, 1=1200 Вт, ∅ =Энергосберегающий режим работы

После использования обогревателя, нажимайте кнопку регулятора режимов до тех пор, пока обогреватель не отключится и не погаснет сигнал выбора режимов. Установите переключатель в позицию ВЫКЛ., и отсоедините обогреватель от источника питания.

**УПРАВЛЕНИЕ ТЕРМОСТАТОМ**

1. Установите необходимую температуру с помощью кнопки регулятора режимов.
2. Нажмите кнопку термостата/таймера (M) один раз для того, чтобы активировать режим работы термостата. На дисплее начнет мигать показатель комнатной температуры и индикатор термостата.
3. Установите необходимую температуру с помощью регулирующих кнопок + или - (N). Диапазон температуры 12° C - 30° C).
4. Индикатор термостата должен перестать мигать. Теперь обогреватель будет автоматически включаться и выключаться для поддержания заданной температуры.
5. Для сброса режима термостата, непрерывно нажимайте кнопку термостата/таймера до тех пор, пока значок термостата не исчезнет с дисплея.

**ПРИМЕЧАНИЕ: Индикатор питания будет гореть во время работы**

**ПРИМЕЧАНИЕ: При работе обогревателя, он будет циклически включаться и выключаться, это нормальный режим работы для обеспечения заданной температуры.**

**ЗАЩИТА ОТ МОРОЗА**

В данном режиме обогреватель будет поддерживать температуру на отметке 5°С, находясь в выключенном режиме до тех пор, пока комнатная температура не опустится ниже 5° C. В последнем случае происходит автоматическое включение обогревателя, который будет периодически отключаться и включаться, поддерживая температуру на отметке 5° C. Для активации данного режима, нажмите кнопку регулятора режимов и после включения обогревателя, повторно нажмите кнопку термостата/таймера. На дисплее загорится индикатор (⚡), оповещающий о том, что защита активирована.

**УПРАВЛЕНИЕ ТАЙМЕРОМ Программируемый таймер**

Данная модель обогревателя позволяет пользователю запрограммировать обогреватель на включение в заданное время ИЛИ выключение после выбранного периода времени.

**Установка таймера на выключение**

1. Выберите необходимый режим работы обогревателя и температуру.
2. Нажмите кнопку термостата/таймера три раза подряд; должен загореться значок термостата ВЫКЛ. (OFF).
3. Используя кнопки (+) или (-), запрограммируйте обогреватель на отключение в течение 24 часов с шагом установки таймера 1 час
4. После установки времени, цифровой дисплей перестанет мигать, чтобы показать, что таймер активирован. Должен начаться отсчет заранее заданного времени, по истечении которого обогреватель автоматически выключится.

**Например – 9 часов**

**Например – Выключение -** Время 1 час дня. Обогреватель работает, но необходимо, чтобы устройство отключилось в 10 часов вечера. Задайте временной промежуток в 9 часов.

### Установка таймера на включение

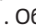
1. Если обогреватель включен, нажмите на кнопку термостата/таймера 4 раза подряд. Должен замигать значок включения термостата ВКЛ. (ON).
2. Используя кнопки (+) или (-), запрограммируйте обогреватель на включение в течение 24 часов с шагом установки таймера 1 час.

**Например – 4 часов**

3. После установки таймера на включение, цифровой дисплей перестанет мигать, чтобы показать, что таймер активирован. Должен начаться отсчет заранее заданного времени, по истечении которого обогреватель автоматически включится.

**ВНИМАНИЕ:** Если таймер установлен на включение, обогреватель запоминает режим, в котором устройство работало ранее, и автоматически активирует этот режим по истечении заранее установленного времени. Режим обогрева можно изменить после установки таймера, выбрав необходимый режим с помощью кнопки регулирования.

### ЭНЕРГОСБЕРЕГАЮЩИЙ РЕЖИМ

Для активации энергосберегающего режима, нажимайте кнопку регулятора режимов до тех, пока на дисплее не появится значок . Обогреватель начнет работать циклично – 10 минут в режиме сильного обогрева (2500 Вт) и 30 минут в режиме среднего обогрева (1300 Вт). При температуре 85°F (30°C), обогреватель сразу же перейдет в средний режим обогрева (30 минут), пропустив цикл сильного обогрева.

### ПАРАМЕТРЫ ДИСПЛЕЯ

ТПо умолчанию на цифровом дисплее отображаются температурные значения по Цельсию (°C). Для установки температуры по Фаренгейту (°F), нажмите кнопку температуры °F-°C.

**ПРИМЕЧАНИЕ:** Чтобы полностью выключить обогреватель, отключите его от сети

### ЗАЩИТА ОТ ОПРОКИДЫВАНИЯ

При случайном опрокидывании устройства или наклоне его в сторону на угол больше 45° оно немедленно отключается. Для того, чтобы включить устройство, просто приведите его в рабочее положение и нажмите кнопку регулятора режимов.

### ПЕРЕМЕЩЕНИЕ РАДИАТОРА

Выдвижная ручка (С) находится над панелью управления. Потяните ручку вниз для ее разблокировки. Перевозите радиатор за ручку таким образом, чтобы все колеса прибора при движении соприкасались с полом.

**ВНИМАНИЕ:** Не приподнимайте прибор за ручку.

### ХРАНЕНИЕ

Если обогреватель не будет использоваться в течение продолжительного периода времени, например, на лето, он должен храниться в сухом месте при комнатной температуре, желательна укрытым чем-либо для предотвращения скопления на нем грязи и пыли.

### ГАРАНТИЯ

Сохраняйте квитанцию о покупке, так как она может потребоваться в случае возникновения претензий, предъявляемых в соответствии с условиями данной гарантии.

На данное устройство предоставляется гарантия на 3 года после покупки, как описано в настоящем документе.

Если в течение данного гарантийного периода устройство перестанет работать вследствие дефекта конструкции или неправильного изготовления, верните его по месту покупки вместе с квитанцией о покупке и копией этой гарантии.

Права и привилегии, которыми наделяет эта гарантия, дополняют законные права потребителя, не отраженные в этой гарантии. Правом на изменение этих условий обладает только Holmes Products (Europe) Ltd. ("Holmes").

Holmes обязуется в течение установленного гарантийного периода бесплатно отремонтировать или заменить устройство или любую неисправную деталь прибора в случае дефекта при условии, что:

- Вы своевременно сообщили о проблеме по месту покупки или в компанию Holmes; и
- прибор не подвергался каким-либо изменениям любым из существующих способов, а также не был приведен в негодность или в состояние, требующее ремонта, вследствие повреждения, неправильно обращения или ремонта каким-либо лицом, не уполномоченным компанией Holmes;

Настоящая гарантия не распространяется на неисправности, возникшие вследствие неправильного обращения, повреждения, подключения к источнику питания с несоответствующим напряжением, стихийного бедствия, событий, неконтролируемых компанией Holmes, ремонтом или модификацией лицом, не являющимся уполномоченным специалистом Holmes, а также несоблюдением указаний в инструкциях по эксплуатации. Кроме того, данная гарантия не распространяется на нормальный износ, включая помимо всего прочего мелкие изменения окраски и царапины.

Правами на получение данной гарантии обладает только первоначальный покупатель. Она не распространяется на использование в коммерческих или коммунальных целях.

Если для устройства прилагается гарантия для конкретной страны или гарантийный вкладыш, см. условия прилагаемой гарантии вместо настоящей гарантии или обратитесь к уполномоченному дилеру для получения дополнительных сведений.

Данное обозначение предупреждает о том, что прибор нельзя выбрасывать вместе с другими бытовыми отходами. Утилизация такого оборудования в странах ЕС должна производиться отдельно. Для предотвращения ущерба окружающей среде или здоровью человека вследствие неконтролируемой ликвидации отходов, в том числе и данного продукта, в состав которого входят опасные вещества, необходимо утилизировать прибор надлежащим образом. Это способствует рациональному повторному использованию материалов и ресурсов. Для возврата прибора, воспользуйтесь предлагаемой в вашем регионе схемой возврата или обратитесь к торговому представителю, у которого было приобретено изделие, и который обеспечит его экологически безопасную переработку.



Holmes Products (Europe) Limited  
1 Francis Grove  
London  
SW19 4DT  
UK

## ITALIANO

### SI RACCOMANDA DI LEGGERE E CONSERVARE QUESTE IMPORTANTI ISTRUZIONI

Durante l'utilizzo delle apparecchiature elettriche, È sempre importante adottare delle precauzioni di base, tra cui:

1. Prima di collegare il radiatore, verificare che la tensione indicata sulla targhetta dati corrisponda alla tensione di rete della vostra abitazione/ufficio.
2. **AVVERTENZA: Per evitare il rischio di surriscaldamento, non coprire il riscaldatore (☹) Fare riferimento al prodotto.**
3. **NON** posizionare il radiatore direttamente sotto una presa di corrente.
4. **NON** utilizzare il radiatore nelle immediate vicinanze di vasche da bagno, docce o piscine.
5. In caso di cavo d'alimentazione o spina danneggiato/a, al fine di evitare qualsiasi rischio, richiederne la sostituzione al produttore, al relativo servizio assistenza o a una persona qualificata. Il radiatore non prevede parti riparabili dall'utente. In caso di danni o di rotture del prodotto, restituirlo al produttore o al relativo servizio assistenza.
6. In ambienti con presenza di correnti transitorie rapide, il prodotto potrebbe non funzionare correttamente.
7. **NON** utilizzare il radiatore con un programmatore, un timer o qualsiasi altro dispositivo che accenda automaticamente il radiatore: rischio d'incendio qualora il radiatore sia coperto o posizionato in modo errato.
8. Toccare il radiatore solamente con le mani asciutte.
9. **NON** utilizzare il radiatore all'esterno.
10. **NON** posizionare il radiatore in luoghi accessibili ai bambini, in particolare se molto piccoli.
11. Prevedere un'area di sicurezza attorno al radiatore, lontano da mobili o altri oggetti; almeno 50 cm dalla parte superiore e dai lati e 200 cm dalla parte anteriore. Posizionare il radiatore ad almeno 30 m da qualsiasi sorgente idrica.
12. **NON** utilizzare il radiatore quando appoggiato di lato.
13. **NON** utilizzare il radiatore in ambienti con presenza di gas esplosivi (ad es. benzina) o durante l'uso d'ossigeno, colla o solvente infiammabile (ad es. durante l'incollaggio

o la verniciatura di parquet, pavimenti di PVC, ecc.)

14. **NON** introdurre alcun oggetto nel radiatore.

15. Tenere il cavo d'alimentazione a una distanza di sicurezza dal corpo principale del radiatore.

16. In caso di surriscaldamento, il dispositivo contro il surriscaldamento integrato spegnerà il radiatore.

17. **NON** posizionare il cavo sotto un tappeto.

18. Non utilizzare il radiatore in prossimità di tende o materiali infiammabili. Qualora il radiatore sia installato in modo errato, le tende o i materiali infiammabili potrebbero incendiarsi.

19. Questo apparecchio non è preposto per l'utilizzo da parte di persone (bambini inclusi) con inabilità fisiche, sensorie o mentali, o di persone non esperte, a meno che non sia garantita la supervisione o siano state addestrate sull'utilizzo dell'apparecchio da parte di un responsabile della loro sicurezza. I bambini dovranno essere controllati al fine di garantire che non giochino con l'apparecchio.

20. Il radiatore è caricato con una quantità specifica di olio particolare. Eventuali riparazioni che richiedano l'apertura del contenitore dell'olio dovranno essere eseguite solamente dal produttore o dal proprio agente addetto all'assistenza, da contattare qualora si verifichi una perdita d'olio;

21. Per la rottamazione del radiatore, attenersi alle normative inerenti allo smaltimento dell'olio.

#### DESCRIZIONI (vedere Figg. 1, 2 e 3)

A. Alette riscaldanti

B. Ventole

C. Maniglia a pressione

D. Interruttore d'alimentazione

E. Vano portacavo

F. Cavo d'alimentazione

G. Complessivo anteriore delle rotelle

H. Display digitale

I. Spia d'alimentazione

J. Spia modalità

K. Spia del timer

L. Pulsante modalità

M. Pulsante termostato/timer

N. Pulsanti di regolazione

O. Pulsante F° - C°

P. Dado ad alette anteriore

Q. Rotella

R. Complessivo posteriore delle rotelle

S. Dado ad alette posteriore

T. Bullone a U

#### Caratteristiche tecniche

**BOH2503D**, Watt: 2500W

#### ISTRUZIONI DI MONTAGGIO

(Vedere Fig. 3)

**Verificare che la spina del radiatore non sia inserita in alcuna presa.**

Rimuovere con cautela il radiatore dal relativo imballaggio. Alcuni accessori sono contenuti nell'imballaggio. Prima di eliminare l'imballo, verificare la presenza di tutti i seguenti accessori: 2 complessivi di rotelle composti da 4 rotelle (R, G e Q) e da 2 bulloni a U con dadi ad alette (T, P, S).

**NOTA: questo apparecchio è preposto per IL SOLO USO A PAVIMENTO.**

1. Capovolgere verso l'alto il riscaldatore per accedere ai 2 bulloni a U (T) con dadi ad alette sul primo e sull'ultimo giunto del riscaldatore.

2. Svitare i dadi ad alette (S e P) dai bulloni a U (T).

3. Iniziare dalla parte anteriore dell'apparecchio e far combaciare un foro del complessivo delle rotelle anteriore (G) con la forma a L del bullone a U (T), quindi l'altro foro del complessivo delle rotelle anteriore con l'altra estremità del bullone a U, infine serrare il dado ad alette (P).

4. Ripetere il punto 3 per il complessivo posteriore delle rotelle, utilizzando il dado ad alette (N) in luogo del dado ad alette (K) e i complessivi posteriori delle rotelle (M).

5. Premere manualmente le quattro rotelle (L) sui quattro assi dei due poggiapiedi fino a udire un clic di posizionamento. Ruotare manualmente le rotelle: se si spostano facilmente, significa che sono state inserite correttamente.

6. Dopo l'installazione del complessivo anteriore e posteriore delle rotelle e delle rotelle stesse, riportare il radiatore in posizione corretta; a questo punto, l'apparecchio è pronto all'uso.

**NOTA:** durante il montaggio, ai fini di una maggiore stabilità, verificare che i complessivi delle rotelle con ingranaggi siano rivolti verso l'esterno.

#### ISTRUZIONI D'ESERCIZIO

(Vedere Figg. 1 e 2)

1. Verificare che l'interruttore di alimentazione (D) sia in posizione OFF (O).

2. Inserire la spina del radiatore nella presa di corrente.

3. Sollevare l'interruttore di alimentazione in posizione ON (-). La spia di alimentazione (I) resterà accesa in rosso fino alla rimozione della spina dalla presa di corrente.

4. Premere una volta il pulsante modalità (L) per accendere l'apparecchio. La spia di modalità (J) si accenderà in verde ad indicare che il radiatore è in funzione. L'apparecchio si attiverà automaticamente in Impostazione 3 (Calore livello alto).

5. Premere il pulsante modalità fino a visualizzare sul display digitale (H) l'impostazione calore desiderata.

**BOH2503D:** 3=2500W, 2=1300W, 1=1200W,

∅ =Modalità a risparmio energetico

Dopo l'uso del radiatore, premere il pulsante modalità fino a disattivare l'apparecchio e spegnere la spia luminosa, quindi impostare l'interruttore di alimentazione in posizione OFF. Disinserire la spina del radiatore dalla presa di corrente.

#### REGOLAZIONE DEL TERMOSTATO

1. Selezionare l'impostazione calore desiderata utilizzando il pulsante di modalità.

2. Premere una volta il pulsante termostato/timer (M) per attivare l'impostazione del termostato. Sul display lampeggeranno il valore della temperatura ambiente e il simbolo del termostato.

3. Premere i pulsanti di regolazione (+) o (-) (N) per scegliere la temperatura desiderata (intervallo 12° C - 30° C).

4. Il simbolo del termostato cesserà di lampeggiare. A questo punto, il control del termostato manterrà automaticamente la temperatura al livello impostato alternando l'accensione e lo spegnimento del radiatore.

5. Per disattivare l'impostazione del termostato, premere ripetutamente il pulsante termostato/timer fino a eliminare dal display il simbolo del termostato.

**NOTA:** durante il funzionamento, il LED d'alimentazione rimarrà acceso.

**NOTA:** è normale che il radiatore si ACCENDA e si SPENGA per mantenere un livello di temperatura costante.

#### ISTRUZIONI RELATIVE ALLA PROTEZIONE ANTI-GELO

In modalità protezione anti-gelo, il radiatore manterrà una temperatura di 5°C; pertanto, l'apparecchio resterà in stato di spegnimento finché la temperatura non scenda sotto tale livello. Qualora la temperatura scenda sotto i 5°C, il radiatore si attiverà automaticamente,

alternando condizioni di accensione e di spegnimento, al fine di mantenere la temperatura ambiente a 5° C. Per l'attivazione, premere il pulsante modalità per accendere l'apparecchio, quindi premere due volte il pulsante timer/termostato. Sarà visualizzato il simbolo ( ) per indicare che la protezione anti-gelo è attiva.

#### USO DEL TIMER Timer programmabile

L'utente può programmare l'ACCENSIONE del riscaldatore a un orario predefinito OPPURE lo SPEGNIMENTO dello stesso dopo un lasso di tempo selezionato.

#### Impostazione dello SPEGNIMENTO del timer

1. Selezionare la modalità e la temperatura a cui si desidera utilizzare il riscaldatore.
2. Premere 3 volte il pulsante timer/termostato. Sul display lampeggerà il simbolo timer SPENTO.
3. Utilizzando i pulsanti di regolazione (+) e (-), programmare il periodo di spegnimento del riscaldatore per un massimo di 24 ore, in base a incrementi di 1 ora.

**Esempio: 9 ore**

4. Dopo l'impostazione dell'ora, il display digitale cesserà di lampeggiare, ad indicazione che il timer è attivo. Il timer avvierà il conto alla rovescia fino allo scadere del lasso di tempo preimpostato, dopodiché il riscaldatore si spegnerà automaticamente.

**Esempio - Spegnimento** - Sono le 13.00, il riscaldatore è acceso e si desidera spegnerlo alle 22.00, quindi impostare il tempo pari a 9 ore.

#### Impostazione dell'ACCENSIONE del timer

1. Con il riscaldatore acceso, premere 4 volte il pulsante di comando timer/termostato; lampeggerà il simbolo di timer ACCESO.
2. Utilizzando i pulsanti (+) e (-), programmare il periodo di accensione del riscaldatore per un massimo di 24 ore, in base a incrementi di 1 ora.


**Esempio: 4 ore**

3. Dopo aver impostato il timer su ON, il display digitale cesserà di lampeggiare, ad indicazione che il timer è attivo. Il timer avvierà il conto alla rovescia fino allo

scadere del lasso di tempo preimpostato, dopodiché il radiatore si accenderà.

**NOTA:** Quando si accende il timer, l'unità memorizza l'impostazione precedente e allo scadere del lasso di tempo preimpostato si attiva su tale impostazione. E' possibile modificare l'impostazione di calore dopo l'impostazione del timer mediante pulsante modalità.

#### MODALITA' A RISPARMIO ENERGETICO

Per l'attivazione, premere il pulsante modalità fino a visualizzare il simbolo  sul display. Il radiatore funzionerà su base ciclica – 10 minuti a livello Potente (2500W) e 30 minuti a livello Medio (1300W). Se la temperatura è pari o superiore a 30° C, il radiatore non considererà l'impostazione di 10 minuti a livello Potente, ma si attiverà da subito a livello Medio per 30 minuti. In questa modalità, il ciclo si ripete.

#### PREFERENZE DEL DISPLAY

L'impostazione di default del display digitale prevede i gradi Celsius (°C); per commutare ai gradi Fahrenheit (°F), premere il pulsante °F-°C.

**NOTA:** per spegnere completamente l'apparecchio, togliere la spina dalla presa di corrente.

#### CONSIGLI PER LA SICUREZZA

In caso di urto accidentale del radiatore, o qualora sia inclinato su un lato per oltre 45°, si spegnerà immediatamente. Per ripristinarlo, è sufficiente riportare il radiatore nella posizione corretta e premere il pulsante modalità per accenderlo.

#### TRASPORTO DELL'APPARECCHIO

Posizionare la maniglia a pressione (C) sopra il quadro di comando. Premerla per rilasciarla, quindi afferrarla. Trasportare l'apparecchio usando la maniglia, facendo attenzione che tutte le rotelle siano in contatto con il pavimento.

**NOTA:** non utilizzare la maniglia per sollevare l'apparecchio.

#### SUGGERIMENTI PER IL MAGAZZINAGGIO

Qualora il radiatore non debba essere utilizzato per molto tempo, ad es. durante la stagione estiva, si raccomanda di deporlo a temperatura ambiente, in un luogo asciutto e preferibilmente coperto, in modo tale da evitare il rischio di accumulo di polvere e sporczia.

#### GARANZIA

Conservare lo scontrino d'acquisto poiché esso sarà necessario per qualsiasi reclamo esposto in base alle condizioni di questo certificato di garanzia.

Questo prodotto è garantito per 5 anni dall'acquisto, secondo le modalità descritte nel presente documento.

Durante il decorso della garanzia, nell'improbabile eventualità che l'apparecchiatura si guasti a causa di un problema tecnico o di fabbricazione, riportarla al punto d'acquisto insieme allo scontrino fiscale e ad una copia di questo certificato di garanzia.

I diritti spettanti all'acquirente in base alle condizioni di questo certificato di garanzia sono in aggiunta a quelli previsti dalla legge che non risultano alterati dalle condizioni di questo certificato. Solo Holmes Products (Europe) Ltd. ("Holmes") ha l'autorità di modificare queste condizioni.

Holmes si impegna a riparare o a sostituire gratuitamente nell'arco del periodo di garanzia qualsiasi parte dell'apparecchiatura dovesse risultare difettosa, a condizione che:

- Si segnali tempestivamente il problema al punto d'acquisto o a Holmes; e
- l'apparecchiatura non sia stata modificata in alcun modo né soggetta a danni, uso improprio o abuso, a riparazione o alterazione per opera di un tecnico non autorizzato da Holmes.

I guasti intervenuti durante l'uso normale, per uso improprio, danno, abuso, tensione incorretta, cause naturali, eventi non determinati da Holmes, riparazione o alterazione per opera di un tecnico non autorizzato da Holmes o la mancata ottemperanza alle istruzioni d'uso sono esclusi dalla presente garanzia. Inoltre, l'uso normale compreso, a titolo di esempio, una lieve alterazione del colore (sbiadimento) e i graffi, non sono coperti dalla presente garanzia.

I diritti spettante all'utente ai sensi della presente garanzia si applicano unicamente all'acquirente originale e non si estendono all'uso commerciale o comunitario.

Se l'apparecchiatura è fornita con un accordo specifico per il paese o una cartolina di garanzia, consultare le condizioni di tale accordo, che prevalgono su quelle esposte in questa sede oppure rivolgersi a un rivenditore autorizzato per ulteriori informazioni.

Questo simbolo indica che è vietato smaltire il

prodotto unitamente agli altri rifiuti domestici e che deve essere smaltito separatamente in base alle leggi dell'UE. Al fine di evitare qualsiasi danno ambientale o rischio per la salute in seguito a uno smaltimento scorretto dei rifiuti per la presenza di sostanze pericolose all'interno dell'apparecchio, si raccomanda di riciclarlo in modo responsabile, promovendo il riuso sostenibile di materiali e risorse. Al momento dello smaltimento del vostro apparecchio usato, utilizzare i sistemi di raccolta e smaltimento disponibili, altrimenti rivolgersi al produttore dove avete acquistato il prodotto; potrebbe essere riciclato a salvaguardia dell'ambiente.



Holmes Products (Europe) Limited  
1 Francis Grove  
Londra  
SW19 4DT  
UK

## MAGYAR

#### KÉRJÜK, OLVASSA EL ÉS ŐRIZZE MEG

**E** Elektromos berendezések üzemeltetése közben ügyelni kell az alapvető biztonsági óvintézkedésekre, például a következők mindenkor betartására:

1. Mielőtt a hálózathoz csatlakoztatná a radiátort, ellenőrizze, hogy az azonosító táblán szereplő hálózati feszültség megfelel-e az Ön otthonában/irodájában lévő feszültséggel.
2. **FIGYELMEZTETÉS: a túlmelegedés elkerülése érdekében ne takarja le a radiátort (☹) Hivatkozás a termékre.**
3. **NE** helyezze el a radiátort közvetlenül egy tápcsatlakozó aljzat alatt.
4. **NE** használja a radiátort fürdőszoba, zuhanyzó vagy úszómedence közvetlen közelében.
5. Ha a tápkábel megsérül, a fennálló balesetveszély miatt cseréjét kizárólag a gyártó, a márkaszerviz munkatársa vagy hasonlóan szakképzett személy végezheti. A radiátor nem tartalmaz a felhasználó által önállóan javítható alkatrészeket. Abban az esetben, ha a termék megsérülne vagy meghibásodna, vissza kell juttatni a gyártóhoz vagy a márkaszervizhez.
6. Ha a termék hirtelen áramingadozásnak van kitéve, hibásan működhet.
7. **NE** használja a radiátort programozó- vagy időzítő eszközzel, illetve bármilyen eszközzel, ami automatikusan bekapcsolja a radiátort, mivel fennáll a tűz kockázata, ha a radiátort letakarják vagy helytelen módon helyezik el.
8. Csak a száraz kézzel érintse meg a radiátort.
9. **NE** használja a radiátort a szabadban.
10. **NE** helyezze el úgy, hogy gyermekek, különösen a nagyon kicsik, hozzáférhessenek.
11. A radiátor körül alakítson ki egy biztonságos területet úgy, távolítsa el a bútorzattól és egyéb tárgyaktól, főlötte és oldalt legalább 50 cm-t, elöl pedig 200 cm-t hagyva. A radiátort legalább 3 méterre helyezze a vízforrásoktól.
12. **NE** használja a radiátort az oldalára fektetve.
13. **NE** használja a radiátort robbanékony gázt (pl. benzingőzt) tartalmazó helyiségekben vagy oxigén, gyúlékony ragasztó, illetve oldószer (pl. parketta ragasztása vagy lakkozása, PVC leragasztása stb.) használata közben.
14. **NE** helyezzen idegen tárgyakat a radiátor nyílásaiba.
15. Tartsa a hálózati vezetéket biztonságos távolságban a radiátor testétől.
16. Ha túlmelegedés történne, a beépített túlmelegedés elleni eszköz kikapcsolja a radiátort.
17. **NE** helyezze a vezetéket szőnyeg alá.
18. A radiátor nem használható függönyök vagy éghető anyagok közelében. A függönyök vagy éghető anyagok meggyulladhatnak, ha a radiátort helytelenül telepítették.
19. A készüléket nem használhatják olyan személyek (gyermeket is beleértve), akik korlátozott testi, érzékszervi vagy mentális képességekkel rendelkeznek, illetve nem rendelkeznek tapasztalattal vagy ismeretekkel a kezelésében, hacsak a biztonságukért felelős személy nem gyakorol felügyeletet felettük vagy oktatta ki őket a készülék kezelésében. Ügyeljen arra, hogy gyermekek ne játszanak a készülékkel.
20. A fűtőkészüléket adott mennyiségű, speciális olajjal töltötték fel. Az olajtartály felnyitásával járó javítást kizárólag a gyártó vagy hivatalos szervize végezheti, akivel fel kell venni a kapcsolatot, ha olajszivárgás lépne fel.
21. A fűtőkészülék selejtezése során köteles követni az olaj ártalmatlanítására vonatkozó szabályozást.



**LEÍRÁS (Lásd az 1., 2. és 3. ábrát)**

- A. Lamellák
- B. Szellőzőnyílások
- C. Lehajtható fogantyú
- D. Főkapcsoló
- E. Kábeltároló.
- F. Tápkábel
- G. Első görgőszerelvény
- H. Digitális kijelző
- I. Bekapcsolt állapotot jelző fény
- J. J. Üzem mód lámpa
- K. Időzítő lámpa
- L. Üzem mód-választó gomb
- M. Termosztát/Időzítő gomb
- N. Állítógombok
- O. °F □ °C gomb
- P. Első szárnyas anya
- Q. Görgő
- R. Hátsó görgőszerelvény
- S. Hátsó szárnyas anya
- T. Bilincs-csavar

**Műszaki adatok**

BOH2503D, Teljesítményfelvétel: 2500W

**SZERELÉSI UTASÍTÁSOK (Lásd a 3 ábrát)****Győződjön meg arról, hogy a radiátor nem csatlakozik az elektromos hálózathoz.**

Óvatosan vegye ki a radiátort a dobozából. Némelyik tartozék külön csomagolva található a dobozban. Kérjük, győződjön meg arról, hogy

minden itt ábrázolt tartozék megvan, mielőtt kidobja a csomagolást. Két darab görgőszerelvény két-két görgővel (R,G és Q), és 2 bilincs-csavar szárnyas anyákkal (T, P, S).

**Megjegyzés: a készülék KIZÁRÓLAG PADLÓN TÖRTÉNŐ HASZNÁLATRA ALKALMAS.**

1. Fordítsa fel a radiátort és látni fog 2 bilincs-csavart (T) szárnyas anyákkal, amelyek a radiátor első és utolsó illesztésén haladnak át.
2. Csavarja le a szárnyas anyákat (S és P) a bilincs-csavarokról (T).
3. Kezdje a készülék első részénél. Az első görgőszerelvény (G) egyik lyukát húzza a bilincs-csavar (T) L alakú végére, a görgőszerelvény másik lyukát pedig a bilincs-csavar másik végére, majd csavarja rá a szárnyas anyát (P).
4. Ismétlje meg a 3. lépést a hátsó görgőszerelvény esetében, de az (N)

szárnyas anya használatával a (K) szárnyas anya helyett, illetve a hátsó görgőszerelvények (M) használatával

5. Kézzel nyomja a négy görgőt (L) a két talplemezen lévő négy darab tengelyre, amíg a helyükre kattannak. Kézzel forgassa meg a görgőket. Ha simán forognak, megfelelően szerelte fel őket.
6. Az első és hátsó görgőszerelvények és görgők felszerelése után fordítsa álló helyzetbe a radiátort: így készen áll a használatra.

**MEGJEGYZÉS:** győződjön meg arról, hogy a görgőszerelvények összeszerelése során a görgők kifelé néznek a lehető legnagyobb fokú stabilitás érdekében.

**KEZELÉSI ÚTMUTATÓ****(Lásd az 1. és 2. ábrát)**

1. Győződjön meg arról, hogy a főkapcsoló (D) OFF (O) helyzetben van.
2. Csatlakoztassa a radiátort a hálózathoz.
3. Állítsa a főkapcsolót ON (-) állásba. A bekapcsolt állapotot jelző fény (I) vörös színnel világít, amíg a készüléket le nem választják a hálózatról.
4. Nyomja meg egyszer az üzemmód-választó gombot (L) a készülék aktiválásához. Az üzemmód lámpa (J) zöld színnel világít jelezve, hogy a készülék működik. A készülék automatikusan a 3-as beállításon (Nagy hőfok) kezd el működni.
5. Addig nyomja az üzemmód-választó gombot, amíg a kívánt hőfokbeállítás meg nem jelenik a digitális kijelzőn (H).

**BOH2503D:** 3=2500W, 2=1300W, 1=1200W, ∅ =Energiatakarékos mód

A fűtőtest használata után nyomja meg az üzemmód-választó gombot, amíg a készülék kikapcsolódik és az üzemmód lámpa kialszik, majd állítsa a főkapcsolót OFF helyzetbe. Húzza ki a fűtőtest dugóját a fali aljzatból..

**A TERMOSZTÁT BEÁLLÍTÁSA**

1. Az üzemmód-választó gomb megnyomásával válassza ki a kívánt hőfokbeállítást.
2. Nyomja meg egyszer a termosztát/időzítő gombot (M) a termosztát beállítás aktiválásához. Megjelenik a helyiség hőmérséklete a kijelzőn egy villogó termosztát ikonnal együtt.
3. Nyomja meg a + vagy – állítógombot (N) a kívánt hőmérséklet kiválasztásához. (Tartomány: 12° C - 30° C)
4. Megszűnik a termosztát szimbólum villogása. A szabályozó így automatikusan fenn tudja tartani az előre beállított hőmérsékletet a

radiátor be-, illetve kikapcsolásával.

5. A termosztát beállítás letiltásához tartsa lenyomva a termosztát/időzítő gombot, amíg a termosztát szimbólum eltűnik a kijelzőről.

**MEGJEGYZÉS: Ta bekapcsolt állapotot jelző fény működés közben világít.****MEGJEGYZÉS: nem a meghibásodás jele, ha a radiátor BE-, illetve KIKAPCSOLÓDIK, mivel így tarja fenn az előre beállított hőmérsékletet.****FAGYÁSGÁTLÓ UTASÍTÁSAI**

Fagyásgátló módban a hőmérséklet 5°C-on lesz fenntartva, így a radiátor kikapcsolt állapotban marad, amíg a környező hőmérséklet meg nem haladja az 5°C-ot. Ha a környező hőmérséklet 5°C alatti, a radiátor automatikusan működésbe lép és folyamatosan be-, illetve kikapcsolódik, fenntartva saját 5°C-os hőmérsékletét. Az aktiváláshoz nyomja meg az üzemmód gombot a készülék bekapcsolásához, majd nyomja meg kétszer a termosztát/időzítő gombot. Megjelenik a (製氷) ikon jelezve, hogy a fagyásgátló aktív.

**AZ IDŐZÍTŐ HASZNÁLATA Programozható időzítő**

A felhasználó beprogramozhatja a radiátort, hogy adott idő elteltével KIKAPCSOLÓDJON, illetve a beállított időpontban BEKAPCSOLÓDJON.

**A KIKAPCSOLÁSI időzítő beállítása**

1. Válassza ki az üzemmódot és a kívánt hőmérsékletet.
2. Nyomja meg 3-szor a termosztát/időzítő gombot. A KIKAPCSOLÁSI időzítő ikonja villog.
3. A (+) vagy (-) állítógomb segítségével, 1 órás lépésenként programozza be a radiátort, hogy az legfeljebb 24 óra elteltével kapcsolódjon ki.

<b>Példa: 9 óra</b>
---------------------

4. Az idő beállítása után megszűnik a digitális kijelző villogása jelezve, hogy az időzítő aktív. Az időzítő visszaszámol, amíg az előre beállított idő el nem telik, majd a fűtőtest automatikusan kikapcsolódik.

<b>Példa: Kikapcsolás - Az idő 13:00 óra.</b> A fűtőtest működik, és azt szeretné, hogy 22:00 órakor kikapcsolódjon, tehát állítsa az időt 9 órára.
--

**A BEKAPCSOLÁSI időzítő beállítása**

1. Ha a fűtőtest be van kapcsolva, nyomja meg 4-szer a termosztát/időzítő gombot. A BEKAPCSOLÁSI időzítő ikonja villog.

2. A (+) vagy (-) állítógomb segítségével, 1 órás lépésenként programozza be a radiátort, hogy az legfeljebb 24 óra elteltével kapcsolódjon be.

<b>Példa: 4 óra</b>
---------------------

3. A BEKAPCSOLÁSI időzítő beállítása után megszűnik a digitális kijelző villogása jelezve, hogy az időzítő aktív. Az időzítő visszaszámol, amíg az előre beállított idő el nem telik, majd a fűtőtest automatikusan bekapcsolódik.

**MEGJEGYZÉS:** ha beállítják a BEKAPCSOLÁSI időzítőt, a készülék megjegyzi a korábbi beállítását, és aktiválja ezt a beállítást az előre meghatározott idő után. A hőfokbeállítás az időzítő beállítása után, az üzemmód-választó gomb megnyomásával módosítható.

**ENERGIATAKARÉKOS MÓD**

Ennek aktiválásához nyomja meg többször az üzemmód-választó gombot, amíg ∅ nem látható a kijelzőn. A fűtőtest ciklikusan működik: 10 percig Nagy (2500 W) hőfokon és 30 percig Közepes (1300 W) hőfokon. Ha a hőmérséklet legalább 30°C, a fűtőtest figyelmen kívül hagyja a 10 perces nagy hőfok-beállítást, és azonnal 30 percig működik közepes hőfokon. A ciklus ismétlődik ebben az üzemmódban.

**MEGJELENÍTÉSI BEÁLLÍTÁSOK**

A digitális kijelző alapértelmezett beállítása: Celsius-fok (° C). Fahrenheit-fokra (° F) váltáshoz nyomja meg a °F □ °C gombot.

**MEGJEGYZÉS: a teljes kikapcsolásához ki kell húzni az elektromos aljzatból.****FELBORULÁS ELLENI VÉDELEM**

Ha a készüléket véletlenül felborítják vagy 45°-nál nagyobb szögben az egyik oldalra dől, azonnal kikapcsolódik. Az alaphelyzetbe állításhoz egyszerűen állítsa függőleges helyzetbe a radiátort és nyomja meg az üzemmód-választó gombot a készülék aktiválása érdekében.

**A KÉSZÜLÉK SZÁLLÍTÁSA**

Keresse meg a lehajtható fogantyút (C) a vezérlőpult fölött. Húzza le a kioldásához, majd fogja meg a fogantyút. A fogantyúnál fogva vontassa a készüléket úgy, hogy mindegyik görgő érintkezik a padlóval.

**MEGJEGYZÉS: ne a fogantyúnál fogva emelje a terméket.**

## TANÁCSOK TÁROLÁSHOZ

Ha a radiátorra hosszú ideig, pl. nyáron nincs szükség, szobahőmérsékleten tanácsos száraz helyen tárolni, lehetőleg letakarva, hogy megelőzze a por és piszok lerakódását.

## GARANCIA

Kérjük, őrizze meg nyugtáját, mivel a jelen jótállás érvényesítéséhez szüksége lesz rá.

A termékre a jelen dokumentumban leírtak szerint a vásárlás dátumától számított 5 évre jótállást nyújtunk.

Amennyiben a jótállási időszak alatt készüléke esetleg konstrukciós vagy gyártási hiba miatt meghibásodna, kérjük, hogy a pénztári nyugtával és a jelen jótállással együtt vigye vissza az üzletbe, ahol vásárolta.

A jelen jótállás szerinti jogok és előnyök kiegészítik az Ön törvény szerinti jogait, és azokat a jelen jótállás nem befolyásolja. A jelen feltételek változtatására kizárólag a Holmes Products (Europe) Ltd. („Holmes”) jogosult.

A Holmes vállalja, hogy a jótállási időszak alatt a készüléket vagy annak bármely helytelen működésű részét megjavítja vagy kicseréli, feltéve, hogy:

- Ön azonnal értesíti a problémáról a vásárlás helyét vagy a Holmes-t, és
- a készüléket a Holmes által meghatalmazott személyen kívül senki semmilyen módon nem változtatta meg, nem használta rendellenes vagy nem üzemszerű módon, nem javította és nem módosította.

A jelen jótállás nem vonatkozik olyan hibákra, amelyek oka helytelen vagy nem üzemszerű használat, sérülés, helytelen tápfeszültség, természeti ok, a Holmes hatókörén kívüli esemény, nem a Holmes meghatalmazottja általi javítás vagy módosítás, vagy a használati utasítások be nem tartása. Ezenfelül a jelen jótállás nem vonatkozik a szokásos elhasználódásra, többek között a kismértékű elszíneződésre és karcolásokra sem.

A jelen jótállás szerinti jogok kizárólag az eredeti vásárlót illetik meg, és nem terjednek ki a kereskedelmi célú vagy közösségi használatra.

Ha készülékéhez országspecifikus garancia- vagy szavatossági dokumentum van mellékelve, akkor annak feltételeit tekintse érvényesnek a jelen garancia feltételei helyett, vagy kérjen további tájékoztatást a meghatalmazott helyi kereskedőtől.



Annak érdekében, hogy megelőzhető legyen a szabálytalan hulladékleadás által okozott környezet- és egészségkárosodás a termékben lévő veszélyes anyagok miatt, felelősségteljesen gondoskodjon az újrahasznosításáról, az anyagok és erőforrások fenntartható szintű újrafelhasználása érdekében. Az elhasznált eszköz visszavétele érdekében, alkalmazza az Ön számára elérhető visszavételi és begyűjtő rendszereket, vagy vegye fel a kapcsolatot azon kiskereskedővel, akinél vásárolta termékét. Ők át tudják venni a terméket a környezetbarát újrahasznosítás érdekében.

Holmes Products (Europe) Limited  
1 Francis Grove  
London  
SW19 4DT  
UK

## ČESKY

### PŘEČTĚTE SI A DODRŽUJTE TYTO DŮLEŽITÉ POKYNY

Při používání elektrických zařízení, je třeba vždy dodržovat základní bezpečnostní opatření, včetně následujících:

1. Před zapojením radiátoru zkontrolujte, zda se napětí na typovém štítku shoduje se síťovým napětím u vás doma nebo v kanceláři.
2. **VAROVÁNÍ: Abyste zabránili přehřátí, radiátor nezakryvejte (☹) viz výrobek.**
3. **Radiátor NEUMÍSTUJTE přímo pod síťovou zásuvku.**
4. **Radiátor NEPOUŽÍVEJTE v bezprostřední blízkosti vany, sprchy nebo bazénu.**
5. Pokud dojde k poškození napájecího kabelu nebo zástrčky, musí být vyměněny výrobcem nebo jeho servisním technikem nebo podobně kvalifikovanou osobou, aby se zabránilo riziku. V radiátoru nejsou části určené k servisu uživatelem. Pokud je výrobek poškozen nebo pokazen, musí být navrácen výrobcí nebo jeho servisnímu technikovi.
6. V prostředí s rychlými elektrickými přechodnými jevy může dojít k nefunkčnosti výrobku.
7. **Tento radiátor NEPOUŽÍVEJTE spolu s programovatelným vypínačem, časovačem nebo podobným zařízením, které radiátor automaticky vypíná, protože dochází k riziku požáru, pokud je radiátor zakryt nebo nesprávně umístěn.**

8. Radiátoru se dotýkejte pouze suchýma rukama.
9. **Tento radiátor NEPOUŽÍVEJTE venku.**
10. **NEPOKLÁDEJTE radiátor do míst, ve kterých se jej mohou dotýkat děti, obzvláště velmi malé.**
11. Mezi radiátorem a nábytkem nebo jinými předměty nechávejte bezpečnou vzdálenost a to minimálně 50 cm shora a po stranách a 200 cm vpředu. Radiátor musí být umístěn minimálně 3 m od vodního zdroje.
12. **Radiátor NEPOUŽÍVEJTE, pokud je položen na boku.**
13. **Radiátor NEPOUŽÍVEJTE v místnostech s výbušnými plyny (např. benzínem) nebo pokud používáte kyslík, hořlavé lepidlo nebo ředidlo (např. při lepení nebo lakování podlah s parketami, PVC, atd).**
14. **Do radiátoru NEVKLÁDEJTE žádné předměty.**
15. Síťový kabel uchovávejte v bezpečné vzdálenosti od hlavního tělesa radiátoru.
16. Pokud dojde k přehřátí, zabudované bezpečnostní zařízení radiátor vypne.
17. **Kabel NEPOKLÁDEJTE pod koberec.**
18. Radiátor nelze používat v blízkost záclon nebo hořlavých materiálů. Pokud je radiátor nesprávně instalován, záclony nebo hořlavé materiály mohou shořet.
19. Tento spotřebič není určen k používání osobami (včetně dětí) se sníženými fyzickými, smyslovými nebo mentálními schopnostmi, s nedostatkem zkušeností nebo znalostí, pokud nejsou pod dohledem nebo nebyly instruovány o používání tohoto zařízení osobou zodpovědnou za jejich bezpečnost. Na děti je třeba dohlížet, aby si se zařízením nehrály.
20. Tento radiátor je naplněn přesným množstvím speciálního oleje. Opravy, při kterých je nutné otevřít nádobu s olejem, může provádět pouze výrobce nebo výrobcem určený servisní technik. Ty je třeba kontaktovat také, když dojde k úniku oleje;
21. Při likvidaci topení dodržujte pokyny týkající se likvidace oleje.

### POPIS (VIZ OBRÁZKY 1, 2 A 3)

- A. Topná žebra
- B. Větráky
- C. Páčka
- D. Hlavní vypínač
- E. Prostor na uložení kabelu.
- F. Napájecí kabel
- G. Čelní kryt koleček

- H. Digitální displej
- I. Kontrolka napájení
- J. Kontrolka režimu
- K. Kontrolka časovače
- L. Tlačítko režimu
- M. Tlačítko termostatu/časovače
- N. Tlačítka změn
- O. Tlačítko přepínání °F/ °C
- P. Přední křídlová matice
- Q. Kolečko
- R. Zadní kryt koleček
- S. Zadní křídlová matice
- T. Svorník ve tvaru U

### Technické údaje

BOH2503D, Příkon: 2500W

### POKYNY K MONTÁŽI (viz obrázek 3) Ujistěte se, že radiátor není zapnutý v elektrické zásuvce.

Radiátor opatrně vyjměte z krabice. Některá příslušenství byla zabalena uvnitř. Než zlikvidujete obalové materiály, ujistěte se, že máte všechna následující příslušenství. 2 kryty koleček se čtyřmi kolečky (R, G a Q) a 2 svorníky ve tvaru U s křídlovými maticemi (T, P, S).

### Poznámka: Tento přístroj je určen POUZE K POUŽÍVÁNÍ NA PODLAZE.

1. Obratě topení vzhůru nohama a nad prvním a posledním spojem topení uvidíte 2 svorníky ve tvaru U (T) s křídlovými maticemi.
2. Odšroubujte křídlové matice (S a P) ze svorníků ve tvaru U (T).
3. Začněte s čelním krytem a umístěte jeden otvor čelního krytu koleček (G) na díl ve tvaru L svorníku ve tvaru U (T) a druhý otvor krytu koleček na druhý konec svorníku ve tvaru U. Následně utáhněte křídlovou matici (P).
4. Krok 3 opakujte pro nosníky zadních koleček, a použijte přitom křídlovou matici (N) místo křídlové matice (K) a nosníky zadních koleček (M).
5. Rukou zatlačte na čtyři kolečka (L) na čtyři osy dvou desek nožiček, dokud neuslyšíte, jak zacvaknou na místo. Rukou otočte kolečka, a pokud se hýbou hladce, jsou nainstalovány správně.
6. Po instalaci konstrukce předních a zadních nosníků koleček a koleček topení hned vraťte do správné polohy. Nyní je topení připraveno k použití.

**POZNÁMKA:** Při montáži se ujistěte, že nosníky koleček s kolečky jsou nasměrovány ven, aby bylo dosaženo maximální stability.

**NÁVOD K OBSLUZE (viz obrázky 1 a 2)**

1. Ubezpečte se, že hlavní vypínač (D) je v poloze OFF (O).
2. Topení zapněte do zásuvky.
3. Hlavní vypínač posuňte do polohy ON (-). Kontrolka napájení (I) se rozsvítí a bude svítit červeně až do vypojení jednotky ze zásuvky.
4. Pro zapnutí jednotky stiskněte jednu tlačítka režimu (L). Kontrolka režimu (J) bude svítit zeleně na znamení, že topení je v provozu. Jednotka se automaticky spustí v Nastavení 3 (Intenzivní teplo).
5. Tlačítka režimu mačkejte, dokud se na digitálním displeji (H) nezobrazí požadované nastavení topení.

**BOH2503D:** 3=2500W, 2=1300W, 1=1200W,  
 ∅ =Režim úspory energie

Po použití topení mačkejte tlačítka režimu, dokud se jednotka nevypne a kontrolka režimu nezhasne. Následně vypněte hlavní vypínač (poloha OFF). Topení vytáhněte se zásuvky.

**NASTAVENÍ TERMOSTATU**

1. Stisknutím tlačítka režimu nastavte požadované nastavení topení.
2. Pro zapnutí nastavení termostatu stiskněte jednou tlačítka termostatu/časovače (M). Na displeji bude blikat ikona termostatu a teplota místnosti.
3. Pro výběr požadované teploty stiskněte tlačítka změny + nebo - (N). (Rozsah 12 °C až 30 °C)
4. Symbol termostatu přestane blikat. Ovladač termostatu bude nyní zapínáním a vypínáním topení automaticky udržovat přednastavenou úroveň teploty.
5. Pro vypnutí nastavení termostatu mačkejte tlačítka termostatu/časovače, dokud symbol termostatu z displeje nezmizí.

**POZNÁMKA: Kontrolka zapnutí bude během provozu svítit.**

**POZNÁMKA: Je běžné, že se radiátor ZAPÍNÁ a VYPÍNÁ, aby udržel požadovanou teplotu.**

**POKYNY PRO OCHRANU PROTI ZAMRZUTÍ**

Pokud je topení v režimu ochrany proti zamrznutí, bude udržovat teplotu na úrovni 5 °C. Topení tedy zůstane vypnuto, až dokud teplota v místnosti neklesne pod 5 °C. Je-li teplota v místnosti nižší než 5 °C, topení začne automaticky pracovat a bude se po celou dobu střídavě zapínat a vypínat, aby teplota prostředí dosahovala 5 °C. Pro zapnutí stiskněte tlačítka režimu a zapněte tak jednotku a následně

dvakrát stiskněte tlačítka termostatu/časovače. Na displeji se na znamení zapnutí ochrany proti zamrznutí zobrazí ikona (❄️).

**POUŽÍVÁNÍ ČASOVAČE Nastavitelný časovač**

Uživatel může naprogramovat vypnutí a zapnutí topení v přednastaveném čase.

**Vypnutí časovače (poloha OFF)**

1. Zvolte režim a teplotu, při kterých si přejete, aby topení běželo.
2. Třikrát stiskněte tlačítka termostatu/časovače. Ikona vypnutí časovače (timer OFF) bude blikat.
3. S pomocí tlačítek změny (+) nebo (-) naprogramujte topení, aby se vypnulo až o 24 hodin později, s krokem po 1 hodině.

**Příklad - 9 hodin**

4. Po nastavení času přestane digitální displej blikat na znamení zapnutí časovače. Časovač bude odečítat čas až do uplynutí nastavené doby a následně se topení automaticky vypne.

**Příklad – Vypínač OFF - Nastavený čas je 13:00.** Topení běží a vy si přejete, aby se vypnulo ve 22:00; takže nastavte čas na 9 hodin.

**Zapnutí časovače (poloha ON)**

1. Pokud je topení zapnuté, 4krát stiskněte ovladač tlačítka termostatu/časovače. Ikona zapnutí časovače (poloha ON) bude blikat.
2. S pomocí tlačítek změny (+) nebo (-) naprogramujte topení, aby se zapnulo až o 24 hodin později, s krokem po 1 hodině.

**Příklad - 4 hodin**

3. Po zapnutí časovače (poloha ON) přestane digitální displej blikat na znamení zapnutí časovače. Časovač bude odečítat čas až do uplynutí nastavené doby a následně se topení automaticky zapne

**POZNÁMKA:** Pokud zapnete časovač (poloha ON). Jednotka si zapamatuje předchozí nastavení a stejné nastavení zapne po uplynutí nastavené časové lhůty. Nastavení topení lze změnit po nastavení časovače stisknutím tlačítka režimu.

**REŽIM ÚSPORY ENERGIE**

Pro jeho zapnutí mačkejte tlačítka režimu, dokud ∅ se nezobrazí na displeji. Topení bude pracovat v cyklech – 10 minut na intenzivní vytápění (2 500 W) a 30 minut na střední (1 300

W). Pokud teplota dosahuje minimálně 85 °F (30 °C), bude topení přeskokovat nastavení 10minutového intenzivního vytápění a okamžitě spustí 30minutové střední vytápění. Při nastavení tohoto režimu se cyklus opakuje.

**PŘEDVOLBY DISPLEJE**

Výchozí nastavení digitálního displeje předpokládá použití stupňů Celsia (°C). Pro přepnutí na stupně Fahrenheita (° F), stiskněte tlačítka přepínání °F/°C.

**POZNÁMKA: Aby byl radiátor zcela vypnut, musí být odpojen ze zásuvky.**

**OCHRANA PŘED PŘEKLOPENÍM**

Když je přístroj náhodou převržen nebo nakloněn na jednu stranu v úhlu více než 45°; okamžitě se vypne. Pro resetování jednoduše umístěte topení do svislé polohy a po opětovné zapnutí jednotky stiskněte tlačítka režimu.

**TIPY NA ULOŽENÍ**

Pokud radiátor po delší dobu nepoužíváte, například během léta, uložte jej při pokojové teplotě, na suchém místě a pokud možno jej přikryjte, abyste zabránili nahromadění prachu a špíny.

**PŘEPRAVA JEDNOTKY**

Najděte páčku (C) nad ovládacím panelem. Pro uvolnění ji stlačte dolů a následně ji uchopte. S pomocí páčky jednotku táhněte a kontrolujte přitom, zda se všechna kolečka dotýkají podlahy.

**NOTE: Pro zvedání výrobku nepoužívejte páčku.**

**POZNÁMKA:**

Doklad o koupi přístroje pečlivě uschovejte. Je potřeba při reklamaci v rámci této záruky.

Tento výrobek podléhá 5 leté záruční době od data zakoupení, jak je uvedeno dále v dokumentu.

Pokud během záruční doby dojde k nepravděpodobné situaci, že přístroj přestane fungovat kvůli konstrukční či výrobní závadě, dopravte ho do prodejny, kde jste jej zakoupili, včetně dokladu o koupi a tohoto záručního listu.

Práva a výhody v rámci této záruky doplňují vaše zákonná práva, která nejsou touto zárukou dotčena. Pouze Holmes Products (Europe) Ltd. (dále jen „Holmes“) má právo měnit tyto podmínky.

Holmes se během záruční doby zavazuje k bezúplatné opravě či náhradě přístroje nebo

jakékoli součásti, která řádně nefunguje, za těchto podmínek:

- na daný problém neprodleně upozorníte příslušnou prodejnu nebo Holmes, a
- na zařízení nebyly provedeny žádné změny, zařízení nebylo poškozeno ani používáno nesprávným způsobem nebo opraveno osobou, která nemá oprávnění Holmes.

Tato záruka se nevztahuje na závady, k nimž dojde nesprávným užitím, poškozením, zneužitím, zavedením nesprávného napětí, vyšší mocí či událostmi, nad nimiž Holmes nemá kontrolu, opravou či úpravou někoho jiného než osoby, která má oprávnění Holmes, nebo kvůli jiným postupům než jsou popsány v návodu k obsluze. Tato záruka se navíc nevztahuje na běžné opotřebení včetně – ale bez omezení jen na ně – menších barevných změn a poškrábání povrchu.

Práva v rámci této záruky se týkají pouze osoby, která zařízení původně zakoupila, a nelze je rozšířit na komerční ani komunální využití.

Pokud se na vaše zařízení vztahuje záruka specifická pro konkrétní stát nebo pokud byl k zařízení přiložen záruční list, najdete další informace v podmínkách dané záruky nebo je získáte od místního autorizovaného prodejce.

Toto označení znamená, že výrobek nelze likvidovat společně s dalším odpadem z domácnosti a v rámci celé EU je třeba ho zlikvidovat odděleně. Pro zabránění vzniku případných škod na prostředí a zdraví lidí v důsledku nekontrolované likvidace odpadu obsahujícího nebezpečné látky zajistěte jeho odpovědnou recyklaci a přispějte tak k trvale udržitelnému opětovnému využití materiálů a zdrojů. Pro vrácení použitého zařízení využijte prosím vám dostupné systémy vrácení a sběru nebo se obraťte na prodejce, u kterého jste výrobek koupili. Ten může tento výrobek převzít pro jeho bezpečnou recyklaci.



Holmes Products (Europe) Limited  
 1 Francis Grove  
 London  
 SW19 4DT  
 UK

## PORTUGUÊS

### POR FAVOR LEIA E GUARDE ESTAS INSTRUÇÕES IMPORTANTES

Quando usar aparelhos elétricos, precauções básicas de segurança devem ser sempre tomadas, incluindo as seguintes

1. Antes de conectar o aquecedor, verifique que a voltagem indicada na placa de avaliação corresponde à voltagem principal da sua casa ou escritório.
2. **AVISO: para evitar super aquecimento, não cubra o aquecedor (☹) Referência ao produto.**
3. **NÃO** posicione o aquecedor diretamente abaixo de uma tomada de energia.
4. **NÃO** use este aquecedor nos arredores imediatos de uma banheira, um chuveiro ou uma piscina.
5. Se o fio ou o pino de tomada de suprimento estiver danificada, ele deve ser substituído pelo fabricante ou por seu agente de assistência técnica ou pessoa similarmente qualificada para evitar qualquer perigo. O aquecedor não contém partes úteis do usuário. Se o produto sofrer dano ou diminuição de forças, ele deve ser devolvido ao fabricante ou à sua agência de assistência técnica.
6. Sob o meio ambiente com jejum elétrico transitório, o produto pode não funcionar.
7. **NÃO** use este aquecedor com um programador, cronômetro ou qualquer outro dispositivo que ligue o aquecedor automaticamente, uma vez que existe o risco de incêndio se o aquecedor estiver coberto ou posicionado inadequadamente.
8. Só toque o aquecedor com as mãos secas.
9. **NÃO** use este aquecedor ao ar livre.
10. **NÃO** o posicione onde ele possa ser tocado por crianças, especialmente as muito pequenas.
11. Deixe uma área segura ao redor do aquecedor, longe de móveis ou outros objetos; a uma distância de pelo menos 50 cm de cima e dos lados e 200cm de frente. O aquecedor deve ser colocado a uma distância de pelo menos 3 metros de fontes de água.
12. **NÃO** use este aquecedor quando ele estiver se encostado de lado.
13. **NÃO** use este aquecedor em espaços com gás explosivos (por exemplo: petróleo), ou enquanto estiver usando oxigênio, cola ou solvente inflamáveis (por exemplo quando colando ou passando verniz em chão de madeira, PCV, etc.)

14. **NÃO** insira quaisquer objetos no aquecedor.
15. Mantenha os fios principais a uma distância segura do corpo principal do aquecedor.
16. Se houver super aquecimento, o dispositivo de super aquecimento inerente vai desligar o aquecedor.
17. **NÃO** posicione o fio debaixo de um tapete.
18. O aquecedor não pode ser usado próximo à cortinas ou materiais combustíveis. Cortinas ou materiais combustíveis podem ser Queimados se o aquecedor foi instalado inadequadamente.
19. Este aparelho não é destinado ao uso por pessoas (incluindo crianças) com reduzidas capacidades físicas, sensorial ou mental, ou com falta de experiência e conhecimento, à menos que elas estejam sendo supervisionadas ou instruídas no que diz respeito ao uso deste aparelho por pessoa responsável por sua segurança. Crianças devem ser supervisionadas para assegurar que elas não brinquem com o aparelho.
20. Este aquecedor está abastecido com uma quantidade precisa de um óleo especial. Reparos que necessitem da abertura do recipiente de óleo devem ser feitos apenas pela fabricante ou seu representante, que deve ser informado no caso de haver um vazamento de óleo;
21. Na hora de descartar o aquecedor, siga as regulamentos a respeito a eliminação de óleo.

#### DESCRIÇÕES (VEJA FIG. 1, 2 E 3)

- A. Barbatanas Aquecidas
- B. Aberturas
- C. Alça de puxar para baixo
- D. Interruptor de energia
- E. Armazenamento de fio
- F. Fio de energia
- G. Congregaçãõ das roletas dianteiras
- H. Mostrador digital
- I. Luz de potência
- J. J. Luz do modo
- K. Luz do cronômetro
- L. Botão do modo
- M. Botão do termostato/cronômetro
- N. Botões de ajuste
- O. Botão °F · °C
- P. Porca da asa dianteira
- Q. Rodinha
- R. Montagem de rodinhas traseiras
- S. Porca da asa traseira
- T. Parafuso em forma de "U"

#### Especificações Técnicas

**BOH2503D**, Voltagem: 2500W

#### INSTRUÇÕES DE MONTAGEM

(Veja Fig. 3)

**Por favor se certifique de que o aquecedor não tenha Sido conectado em nenhuma tomada de eletricidade.**

Cuidadosamente remova o aquecedor da caixa. Alguns Acessórios estão embalados internamente. Por favor se certifique que tem todos os acessórios à seguir antes de jogar fora a embalagem. 2 Congregações de roleta com quatro roletas (R,G & Q), e 2 parafusos em forma de "U" com porcas nas asas (T, P, S).

**NOTE: Esta unidade é para USO NO CHÃO SOMENTE.**

1. Vire o aquecedor de cabeça para baixo e você verá 2 parafusos em forma de U (T) com porca na asa louco por cima da primeira e última junta do aquecedor.
2. Desparafuse as porcas nas asas (S & P) dos parafusos em forma de "U" (T).
3. Comece com a frente da unidade e coloque em um buraco da congregação de roleta dianteira (G) a parte em forma de "L" do parafuso em forma de "U" (T) e no outro buraco da congregação de roleta dianteira na outra extremidade do parafuso em forma de "U", então fixe a porca na asa (P).
4. Repita o passo 3 para o agrupamento traseiro, usando a porca da asa (N) ao invés da porca da asa (K) e agrupamento traseiro (M).
5. Use sua mão para pressionar os quatro agrupamentos (L) nos quatro eixos das duas chapas dos pés até que você ouça um clique no lugar. Use sua mão para girar os agrupamentos e se moverem delicadamente eles foram instalados corretamente.
6. Depois da instalação dos agrupamentos traseiros e dianteiros e os agrupamentos viram o aquecedor colocando-o na posição correta: o aquecedor está agora pronto para uso.

**NOTE:** Se assegure de que quando for montar os agrupamentos com rodas fiquem apontando para fora para uma maior estabilidade.

#### INSTRUÇÕES DE FUNCIONAMENTO (Veja Fig. 1 e 2)

1. Se assegure de que o interruptor de potência (D) está na posição DESLIGAR (O).
2. Conecte o aquecedor na tomada.
3. Coloque o interruptor de potência para a posição LIGAR (-). A luz de potência (I) vai iluminar em vermelho até que a unidade seja desconectada.

4. Pressione o botão de modo (L) de execução uma vez para ativar a unidade. A luz do modo (J) vai acender em verde para indicar que o aquecedor está funcionando. A unidade vai começar a funcionar automaticamente no ajuste 3 ( Aquecimento alto)
5. Pressione o botão do modo até que o ajuste de aquecimento desejado apareça no mostrador digital (H).

**BOH2503D:** 3=2500W, 2=1300W, 1=1200W,  
∅ =Modo de Economia de Energia

Depois de usar o aquecedor, pressione o botão do modo até que a unidade seja desativada e que a luz do modo se apague, em seguida vire o interruptor de potência para a posição DESLIGAR Desconecte o aquecedor da tomada.

#### COLOCANDO O TERMOSTATO

1. Coloque o aquecimento desejado pressionando o botão do modo.
2. Pressione o botão do termostato/cronômetro (M) uma vez para ativar o ajuste do termostato. A temperatura ambiente e o ícone do termostato vão acender no mostrador.
3. Pressione os botões de ajuste + ou - (N) para selecionar a temperatura desejada. (Alcance 12° C - 30° C)
4. O símbolo do termostato vai parar de acender. O controle de termostato vai manter, desta forma, o nível de temperatura selecionado mudando o aquecedor automaticamente para LIGADO e DESLIGADO.
5. Para desativar o ajuste de termostato, pressione o botão do termostato/cronômetro continuamente até que o símbolo do termostato desapareça do mostrador.

**NOTE: A luz de Energia vai permanecer acesa durante o funcionamento.**

**NOTE: É normal que o aquecedor mantenha durante o ciclo de ligar e desligar a temperatura presente.**

#### INSTRUÇÃO DE ALERTA DE FRIO

Quando o aquecedor está no modo de alerta de frio, a temperatura vai ser mantida em 5° C; desta forma o aquecedor vai estar no estado de desligado a menos que a temperatura ambiente esteja abaixo de 5° C. Se a temperatura ambiente estiver abaixo de 5° C, o aquecedor vai começar a funcionar automaticamente e se manter ligado e desligando o tempo todo, mantendo sua temperatura ambiente em 5° C. Para ativar, pressione o botão do modo para ligar a unidade, em seguida pressione o botão do termostato/cronômetro duas vezes. O (🔔) ícone vai aparecer para indicar que o alarme de frio está ativado.

**USANDO O CRONÔMETRO****Cronômetro programável**

O usuário pode programar o aquecedor para DESLIGAR depois de um período selecionado ou para ficar LIGADO no tempo presente.

**Ajustando o cronômetro para DESLIGAR**

1. Selecione o modo e a temperatura que você quer que o aquecedor funcione.
2. Pressione o botão de termostato/cronômetro 3 vezes. O ícone DESLIGAR do cronômetro acende.
3. Usando qualquer dos botões de ajuste (+) ou (-), programe o aquecedor para desligar até 24 horas depois, em incrementos de 1 hora.

**Exemplo - 9 horas**

4. Depois de ajustar a hora, o mostrador digital vai parar de acender para mostrar que o cronômetro está ativado. O cronômetro vai fazer contagem regressiva até que o período de tempo predeterminado tenha passado então o aquecedor vai desligar automaticamente.

**Exemplo - DESLIGAR** - a hora é 13 horas. O aquecedor está funcionando e você solicita que o aquecedor desligue às 22 horas; então, ajuste o tempo para 9 horas.

**Ajustando o cronômetro para LIGAR**

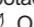
1. Se o aquecedor estiver ligado, pressione o botão de controle do termostato/cronômetro 4 vezes. O ícone LIGAR do cronômetro acende.
2. Usando qualquer dos botões de ajuste (+) ou (-), programe o aquecedor para ligar até 24 horas depois, em incrementos de 1 hora.

**Exemplo - 4 horas**

3. Depois de ajustar o cronômetro para LIGAR, o mostrador digital vai parar de acender para mostrar que o cronômetro está ativado. O cronômetro vai fazer contagem regressiva até que o período de tempo predeterminado tenha passado então o aquecedor vai ligar automaticamente.

**NOTE:** Quando o cronômetro LIGAR é ajustado, a unidade vai lembrar o ajuste em que a unidade estava funcionando previamente e vai ativar este ajuste depois do período predeterminado. O ajuste do aquecimento pode ser mudado depois de ajustar o cronômetro pressionando o botão do modo.

**MODO DE ECONOMIA DE ENERGIA**

Para ativar, pressione o botão do modo até aparecer no mostrador  O aquecedor vai operar em um ciclo - 10 minutos no Alto (2500 W) e 30 minutos no Médio (1300 W). Quando a temperatura está acima de 85° F (30° C), o aquecedor vai ignorar os 10 minutos no ajuste Alto e operar imediatamente no Médio por 30 minutos. O ciclo se repete enquanto estiver neste modo.

**PREFERÊNCIAS DO MOSTRADOR**

O ajuste padrão no mostrador digital é em Celsius (° C). Para mudar para Fahrenheit (° F), pressione o botão °F-°C.

**NOTE: A unidade deve ser desconectada para que fique completamente desligada.**

**CONSELHO SOBRE PROTEÇÃO**

Quando a unidade for acidentalmente golpeada, ou inclinar de um lado a um ângulo superior à 45° graus; ela vai parar imediatamente. Para ajustar novamente, simplesmente coloque o aquecedor numa posição vertical e pressione o botão do modo para reativar a unidade.

**TRANSPORTANDO A UNIDADE**

Localize a alça de puxar para baixo (C) acima do painel de controle. Puxe para liberar e então agarre a alça. Puxe a unidade usando a alça se assegurando que todas as roletas estão em contato com o chão.

**NOTE: Não use a alça para suspender o produto.**

**CONSELHOS DE ARMAZENAMENTO**

Se o aquecedor não for requerido por longos períodos, por exemplo durante o verão, ele deve ser armazenado em temperatura ambiente; em um lugar seco e de preferência coberto para prevenir o acúmulo de poeira e sujeira.

**GARANTIA**

Guarde o seu recibo, já que ele será necessário para quaisquer reclamações ao abrigo desta garantia.

Este produto tem uma garantia de 5 anos após a compra, conforme o descrito neste documento.

Durante este período de garantia, no caso improvável de o aparelho deixar de funcionar devido a um defeito de concepção ou fabrico, devolva-o ao local da compra, acompanhado do recibo e de uma cópia desta garantia.

Os direitos e benefícios adquiridos ao abrigo

desta garantia complementam e não afectam os seus direitos legais. Apenas a Holmes Products (Europe) Ltd. ("Holmes") tem o direito de alterar estes termos.

A Holmes compromete-se, durante o período da garantia, a reparar ou substituir o aparelho ou qualquer peça do mesmo que não funcione devidamente, sem encargos, desde que:

- Comunique prontamente ao local de compra ou à Holmes o problema; e
- o aparelho não tenha sofrido qualquer alteração, nem tenha sido sujeito a danos, uso indevido, abuso, reparação ou alteração por alguém não autorizado pela Holmes.

Esta garantia não cobre as avarias resultantes de uso indevido, danos, abuso, uso de voltagem incorrecta, actos da natureza, eventos fora do controlo da Holmes, reparações ou alterações por alguém não autorizado pela Holmes ou incumprimento das instruções de utilização. A garantia não cobre igualmente o desgaste normal, incluindo, entre outros, ligeira descoloração e riscos.

Os direitos adquiridos ao abrigo desta garantia aplicam-se apenas ao comprador original e não são extensíveis a uma utilização comercial ou colectiva.

Se o seu aparelho incluir uma garantia ou um certificado específico para o país, por favor consulte os termos e as condições dessa garantia ou certificado em vez desta, ou contacte o seu revendedor local autorizado para mais informações.

Esta marca indica que este produto não deveria ser disposto com outros dejetos domésticos e que deveria ser disposto separadamente por toda a UE. Para prevenir possível dano ao ambiente ou saúde humana por disposição descontrolada de dejetos devido à presença de substâncias perigosas dentro do produto, recicle para responsabilmente promover a reutilização sustentável de materiais e recursos. Para devolver seu dispositivo usado, por favor usem os sistemas retorno e de coleção disponível para você ou contate o varejista onde o produto foi comprado. Eles podem levar este produto para reciclagem ambientalmente segura.



Holmes Products (Europe) Limited  
1 Francis Grove  
London  
SW19 4DT  
UK