



User information
Notice d'utilisation
Bedienungs-
und Installationsanleitung
Gebruiksaanwijzing en
installatievoorschrift

BE

Gas hob
Table de cuisson
Kochmulde
Gaskookplaat

PAG 6430 E

Contents

Important Safety Information	3
Hob burner control knobs	5
Using the hob	7
Cleaning and Maintenance	8
Technical data	10
Installation	11
Adaptation to different types of gas	12
Electrical Connection	13
Building In	15
Possibilities for insertion	17
Technical assistance and spare parts	18

Guide to Use the instructions

The following symbols will be found in the text to guide you throughout the Instructions:



Safety Instructions



Step by step instructions for an operation



Hints and Tips



Environmental information



This appliance complies with the following **E.E.C. Directives**:

- **2006/95** (Low Voltage Directive);
- **89/336** (Electromagnetical Compatibility Directive);
- **90/396** (Gas Appliances);
- **93/68** (General Directives) and subsequent modifications.

MANUFACTURER:

ELECTROLUX HOME PRODUCTS ITALY S.p.A.

Viale Bologna, 298

47100 FORLÌ (Italy)

It is very important that this instruction book should be kept safely for future consultation. If the appliance should be sold or given to another person, please ensure that the booklet goes together with it, so that the new owner can know of the functions of the machine and also be aware of the warnings.

These instructions are only for the countries stated by the symbol printed on the front cover of this instruction book.

English



Important safety information

This warnings has been given for the safety of you and others. We therefore ask you to carefully read the procedures of installing and using this cooker.

Installation

- The work of installation must be carried out by competent and qualified installers according to the regulations in force.
- Any modifications to the domestic electrical mains which may be necessary for the installation of the appliance should be carried out only by competent personnel.

During Operation

- This appliance has been designed for non professional purpose in private houses only. It is meant to cook edible foodstuff only and must not be used for any other purposes.
- It is dangerous to alter the specification in any way.
- For hygiene and safety reasons, this appliance should be kept clean at all times. A build-up of fats or other foodstuff could result in a fire.
- Under no circumstances should you attempt to repair the appliance yourself. Repairs carried out by unexperienced persons may cause injury or serious malfunctioning. Refer to your local Service Centre. Always insist on genuine spare parts.
- Ensure that all control knobs are in the OFF position when not in use.
- Should you connect any electrical tool to a plug near this cooking appliance, ensure that electric cables are not in contact with it and keep them far enough from the heated parts of this appliance.
- If the appliance is out of order, disconnect it from the electric supply.

People Safety

- This appliance has been designed to be operated by adults and children under supervision. Young children must not be allowed to tamper with the controls or play near or with the oven.
- This appliance is not intended for use by children or other persons whose physical, sensory or mental capabilities or lack of experience and knowledge prevents them from using the appliance safely without supervision or instruction by a responsible person to ensure that they can use the appliance safely.
- Accessible parts of this appliance may become hot when it is in use. Children should be kept away until it has cooled.

About Installation, Cleaning and Maintenance

- It is mandatory that all operations required for the installation are carried out by a qualified or competent person, in accordance with existing rules and regulations.
- Disconnect the appliance from the electrical supply, before carrying out any cleaning or maintenance work.
- Ensure a good ventilation around the appliance. A poor air supply could cause lack of oxygen.
- Ensure that the gas supply complies with the gas type stated on the identification label, placed near the gas supply pipe.
- This appliance is not connected to a combustion products evacuation device. It must be installed and connected in accordance with current installation

4 progress

regulations. Particular attention shall be given to the relevant requirements regarding ventilation.

- **The use of a gas cooking appliance results in the production of heat and moisture in the room in which it is installed. Ensure that the kitchen is well ventilated: keep natural ventilation holes open or install a mechanical ventilation device (mechanical extractor hood).**
- **Prolonged intensive use of the appliance may call for additional ventilation, for example opening of a window, or more effective ventilation, for example increasing the level of mechanical ventilation where present.**
- Once you removed all packaging from the appliance, ensure that it is not damaged and the electric cable is in perfect conditions. Otherwise, contact your dealer before proceeding with the installation.
- **The manufacturer disclaims any responsibility should all the safety measures not be carried out.**

Service


- Under no circumstances should you attempt to repair the appliance yourself. Repairs carried out by unexperienced persons may cause injury or serious malfunctioning. Refer to your local Service Centre. Always insist on genuine spare parts.



Environmental Information

- After installation, please dispose of the packaging with due regard to safety and the environment.
- When disposing of an old appliance, make it unusable, by cutting off the cable.



The symbol  on the product or on its packaging indicates that this product may not be treated as household waste. Instead it shall be handed over to the applicable collection point for the recycling of electrical and electronic equipment. By ensuring this product is disposed of correctly, you will help prevent potential negative consequences for the environment and human health, which could otherwise be caused by inappropriate waste handling of this product. For more detailed information about recycling of this product, please contact your local city office, your household waste disposal service or the shop where you purchased the product.

Hob burner control knobs



Once the hob has been installed, it is important to remove any protective materials, which were put on in the factory. The manufacturer will not accept liability, should the above instructions or any of the other safety instructions incorporated in this book be ignored.

The symbols on the knobs mean:

● = no gas supply



= maximum gas supply



= minimum gas supply



For easier lighting, proceed before putting a pan on the pan support.



Lighting the burners

To light a burner, turn the relevant knob anticlockwise to maximum position and push down the knob to ignite.

After lighting the flame, keep the knob pushed down for about **5 seconds**. This will allow the "thermocouple" (Fig.1 - lett. **D**) to be heated and the safety device to be switched off, otherwise the gas supply would be interrupted. Then, check the flame is regular and adjust it as required.

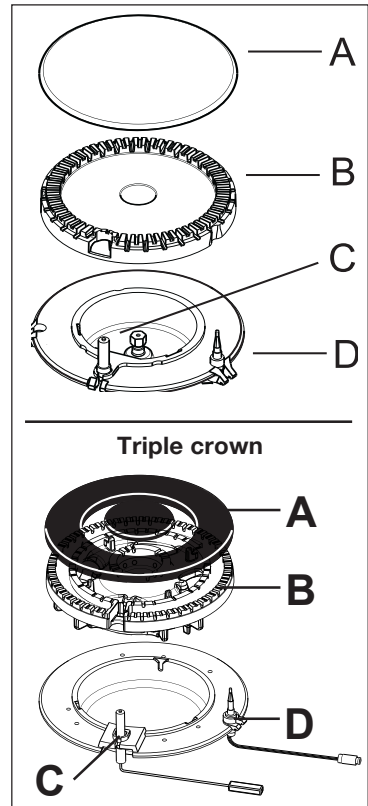
If you cannot light the flame even after several attempts, check the "cap" (Fig.1 - lett. **A**) and the "crown" (Fig.1 - lett. **B**) are in the correct position.

In the absence of electricity, ignition can occur without the electrical device; in this case approach the burner with a flame, push the relevant knob down and turn it anti-clockwise until it reaches the "maximum" position.



To switch off burners

To put the flame out, turn the knob to the symbol (●).



A - Burner cap
B - Burner crown
C - Ignition candle
D - Thermocouple

Fig. 1



Take care when frying food in hot oil or fat, as the overheated splashes could easily ignite.



When switching on the mains, after installation or a power cut, it is quite normal for the spark generator to be activated automatically.



If the burner does not ignite, turn the control knob to zero, and try again.



Do not keep the control knob pressed for more than 15 seconds.

If the burner does not light even after 15 seconds, release the control knob, turn it the “off” position and wait for at least one minute before trying to light the burner again.



If the burner accidentally goes out, turn the control knob to the “off” position and wait for at least 1 minute before trying to light the burner again.

Using the hob correctly

To ensure maximum burner efficiency, you should only use pots and pans with a flat bottom fitting the size of the burner used (see table below).

- For easier lighting, proceed before putting a pan on the pan support.
- Use only pans or pots with flat bottom.
- **Take care when frying food in hot oil or fat, as the overheated splashes could easily ignite.**
- If you use a saucepan which is smaller than the recommended size, the flame will spread beyond the bottom of the vessel, causing the handle to overheat.
- **Prolonged cooking with potstones, earthenware pans or cast-iron plates is inadvisable. Also, do not use aluminium foil to protect the top during use.**
- Make sure pots do not protrude over the edges of the cooktop and that they are centrally positioned on the rings in order to obtain lower gas consumption.
- Do not place unstable or deformed pots on the rings: they could tip over or spill their contents, causing accidents.
- Pots must not enter the control zone.
- If the control knobs become difficult to turn, please contact your local Service Force Centre.
- As soon as a liquid starts boiling, turn down the flame so that it will barely keep the liquid simmering.

Burner	Minimum diameter	Maximum diameter
Triple crown burner	180 mm	260 mm
Semirapid burner rear	120 mm	220 mm
front	120 mm	180 mm
Auxiliary burner	80 mm	160 mm

Cleaning and Maintenance



Disconnect the appliance from the electrical supply, before carrying out any cleaning or maintenance work.



The hob is best cleaned whilst it is still warm, as spillage can be removed more easily than if it is left to cool.



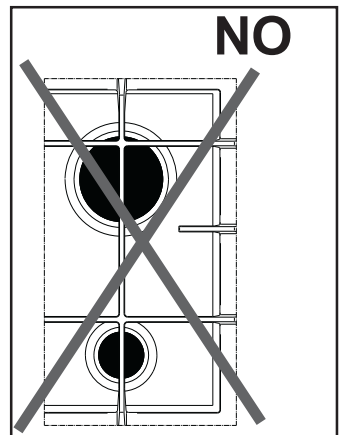
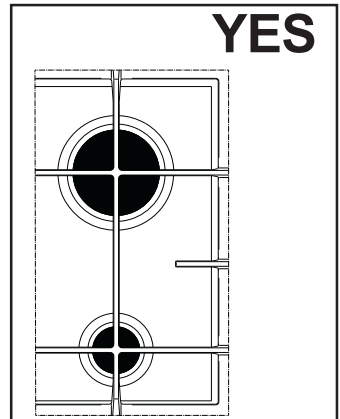
This appliance cannot be cleaned with steam or with a steam cleaning machine.

The burners

- The burner caps and crowns can be removed for cleaning.
- Wash the burners taps and crowns using hot soapy water, and remove marks with a mild paste cleaner. A well moistened soap impregnated steel wool pad can be used with caution, if the marks are particularly difficult to remove.
- After cleaning, be sure to wipe dry with a soft cloth.
- Frequently wash the "caps" and the "crowns" with hot soapy water, carefully taking away any built-up of food.

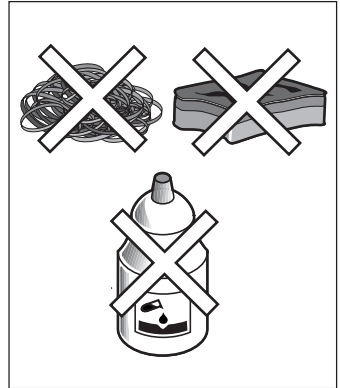
The pan supports

- The enamelled grills can be cleaned with warm soapy water. Take care when drying them as the enamelling process occasionally leaves rough edges. If necessary, remove stubborn stains using a paste cleaner.
- After cleaning, make sure that the pan supports are correctly positioned.
- To make burners work properly, ensure that pan supports are placed in a way that the arms are centred upon the burner as shown in the picture.
- **Pay attention when replacing the pan supports in order to avoid damaging the hob top.**



The Hob Top

- Regularly wipe over the hob top using a soft cloth well wrung out in warm water to which a little washing up liquid has been added. Avoid the use of the following:
 - household detergent and bleaches;
 - impregnated pads unsuitable for non-stick saucepans;
 - steel wool pads;
 - bath/sink stain removers.
- **Do not leave acid or alkaline substances (e.g. vinegar, salt, lemon juice, etc.) on the cooktop.**



The Ignition electrode

The electric ignition is obtained through a ceramic electrode with a metal electrode inside (Fig.1 - **C**). Keep these components very clean, to avoid difficult lighting, and check that the burner crown holes (Fig.1 - **B**) are not obstructed.

Technical data

Cut out dimensions

(see chapter "Building In")

Width:	560 mm
Depth:	480 mm

Heat Input

Triple Crown burner	4,0 kW
Semi-rapid burner	2,0 kW
Auxiliary burner	1,0 kW

Overall dimensions

Width:	594 mm	Electric supply:	230 V ~ 50 Hz
Depth:	510 mm	Category:	II2E+3+
		Gas supply:	G20/G25 (2E+) 20/25 mbar
		Appliance class	3

BURNER	NORMAL POWER kW	REDUCED POWER kW	NORMAL POWER					
			NATURALPOWER			LPG 28-30/37 mbar		
			inj. 100/mm	m ³ /h		inj. 100/mm	g/h	
				G20 20 mbar	G25 25 mbar		G30	G31
Auxiliary	1,0	0,33	70	0,095	0,111	50	73	71
Semi-rapid	2,0	0,45	96	0,190	0,221	71	145	143
Triple crown	4,0	1,2	146	0,381	0,443	98	291	286

By-pass diameters

Burner	Ø By-pass in 1/100 mm.
Auxiliary	28
Semi-rapid	32
Triple crown	56

Installation

- **The following instructions about installation and maintenance must be carried out by qualified personnel in compliance with the regulation in force. The regulation to be applied for this type of installation is NBN D 51.003 : "Installations functioning with combustible gas lighter than air".**
- **The side walls of the unit in which the hob is going to be installed, must not exceed the height of the working top.**
- **Avoid installing the appliance in the proximity of inflammable materials (e.g. curtains, tea towels etc.).**
- **The appliance must be electrically disconnected before all interventions. If any electric supply to the appliance is required to carry out the work, ensure all the necessary precautions are followed.**

Gas Connection

It is indispensable that the connection to the gas mains are carried out by means of an AGB tap. Choose fixed connections or use a flexible pipe in AGB (stainless steel).

If using flexible metallic pipes, be careful they do not come in contact with mobile parts or they are not squeezed. Use the same attention when the hob is combined with an oven.

This hob can be operated by Slochteren gas (G25) with a nominal pressure of 25 mbar or by natural gas with nominal pressure of 20 mbar. No regulation is required for use by these two types of gas. Before fitting the appliance ensure that the installation has the correct voltage for the appliance. At full capacity, the drop in pressure must not exceed 5%. Such a drop in pressure is caused by the following parameters:

- maximum capacity of meter;
- diameter and length of the tube in front and behind the meter;

- section of transit of various tubes positioned on the circuit;
- diameter of eventual connections.

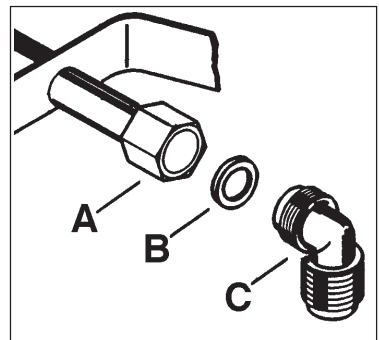
To ensure a correct operation, a saving of energy and the long-life of the appliance, the voltage pressure of the appliance must correspond to the recommended values.

The adjustable connection is fixed to the comprehensive ramp by means of a threaded nut G 1/2". All the components shown in the figure have already been assembled in the factory.

The appliance, before leaving the factory, has been tested in order to give you the best results.

Important

When the final connection has been made, it is essential that a thorough leak test is carried out on the hob and installation. Use some soapy water, never a flame.



A - Ramp with ending nut
B - Seal
C - Adjustable connection

Adaptation to different types of gas

Injectors replacement

- Remove the pan supports.
- Remove the burner's caps and crowns.
- With a socket spanner 7 unscrew and remove the injectors (Fig. 2), and replace them with the ones required for the type of gas in use.
- Reassemble the parts, following the same procedure backwards.
- Replace the rating label (placed near the gas supply pipe) with the relevant one for the new type of gas supply. You can find this label in the package of the injectors supplied with the appliance.

Should the feeding gas pressure be different or variable compared with the required pressure, an appropriate pressure adjuster must be fitted on the gas supply pipe, in compliance with the rules in force.

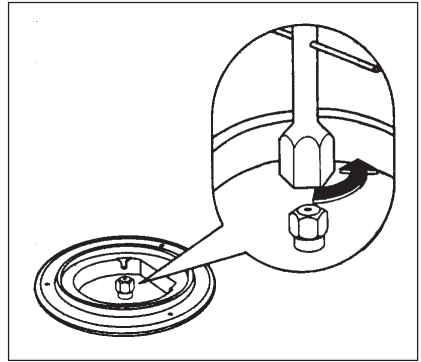


Fig. 2

Adjustment of minimum level

To adjust the minimum level of the burners, proceed as follows:

- Light the burner.
- Turn the knob on the minimum position.
- Remove the knob.
- With a thin screwdriver, adjust the bypass screw (Fig. 3). If changing **from natural gas to LPG**, completely tighten clockwise the screw, until a small regular flame is obtained.
- If changing **from LPG to natural gas** unscrew about 1/4 turn the by-pass screw, until a small regular flame is obtained.
- Finally check the flame does not go out when quickly turning the knob from the maximum position to the minimum position.

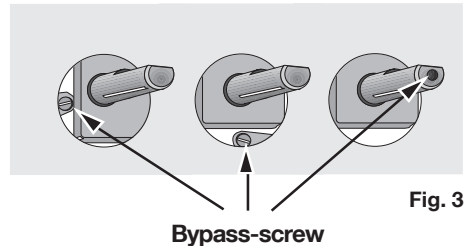


Fig. 3

This procedure can easily be carried out, anyhow the hob has been positioned or built in the working top.

Electrical connection

The appliance is designed to be connected to 230 V monophasic electricity supply.

The connection must be carried out in compliance with the laws and regulations in force.

Before the appliance is connected:

- 1.** check that the main fuse and the domestic installation can support the load (see the rating label);
- 2.** check that the power supply is properly earthed in compliance with the current rules;
- 3.** check the socket or the double pole switch used for the electrical connection can be easily reached with the appliance built in the furniture unit.

The appliance is supplied with a connection cable and the relevant plug.

The plug has to be fitted in a proper socket. If connecting the appliance directly to the electric system, it is necessary that you install a double pole switch between the appliance and the electricity supply, with a minimum gap of 3 mm. between the switch contacts and of a type suitable for the required load in compliance with the current rules.

The connection cable has to be placed in order that, in each part, it cannot reach a temperature higher than 90°C.

The brown coloured phase cable (fitted in the terminal block contact marked with "L") must always be connected to the network phase.

Replacement of the voltage cable

The connection of the voltage cable to the appliance's terminal block is of type "Y". This means that its replacement requires the specific equipment of a technician. In this case, only cable type H05V2V2-F T90 must be used. The cable section must be suitable to the voltage and the working temperature. The yellow/green earth wire must be approximately 2 cm. longer than the phase wires (Fig. 4-a).

To open the terminal block and reach the terminals, proceed as follows:

- insert the point of a screwdriver into the visible protruding part of the terminal block;
- exert a light pressure and lift (Fig. 4-b)

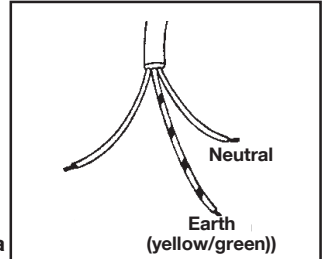


Fig. 4-a

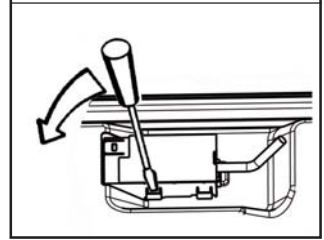


Fig. 4-b

Building In

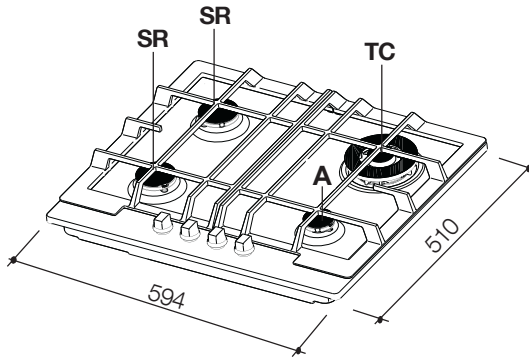


Fig. 5

Dimensions are given in millimeters

A = Auxiliary burner

SR = Semi-rapid burner

TC = Triple Crown burner

These hobs can be inserted in a built-in kitchen unit whose depth is between 550 and 600 mm. The hobs dimensions are shown in Fig. 5.

The cut out dimensions are shown in Fig. 6. The edge of the cut out must have a minimum distance from the rear wall of 55 mm.

If there are side walls, or sides of the furniture unit near the hob, the cut out edges must have a minimum distance of 100 mm. Hanging furniture units or hoods must be placed at 650 mm. minimum from the hob.

Fitting the hob to the worktop

Carry out the building in of the hob as follows:

1. Place the seals supplied with the hob on the front edge of the cut out. Then, place them at 11 mm from the side edges and at 10 mm from the rear edge, as shown in the diagram, taking care that the seals meet without overlapping.
2. Place the hob in the cut out, taking care that it is centred.
3. Fix the hob with the relevant fixing

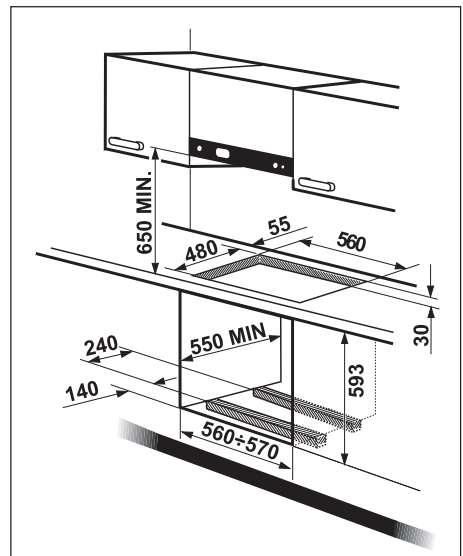


Fig. 6

16 progress

clamps, supplied with the injectors kit (see diagram). When the fixing brackets have been tightened, the excess seal can be removed.

The overlaying sealing material should be removed using a wooden or plastic knife in order to avoid damaging the worktop. To completely remove the sealing material please position the plastic knife at an angle (Position at an angle of 45°C).

The edge of the hob forms a double seal which prevents the ingress of liquids.

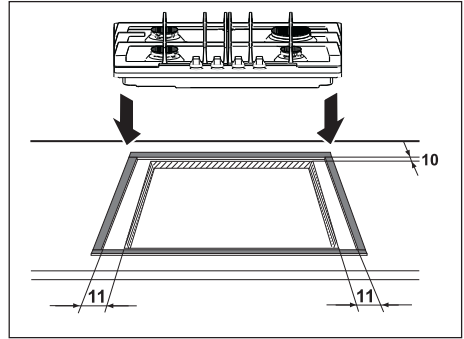
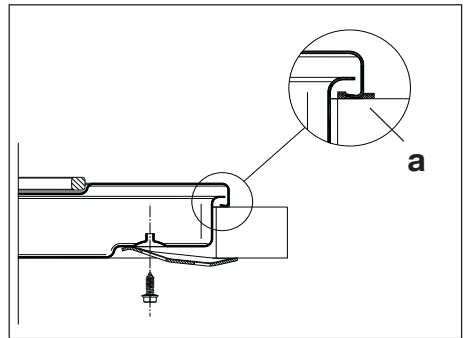


Fig. 7



a) seal

Fig.8

Possibilities for insertion

Kitchen unit with door

Proper arrangements must be taken in designing the furniture unit, in order to avoid any contact with the bottom of the hob which can be heated when it is operated. The recommended solution is shown in Fig. 9. The panel fitted under the hob should be easily removable to allow an easy access if a technical assistance intervention is needed.

Kitchen unit with oven

The hob recess dimensions must comply the indication given in Figs. 10 and 11 and must be provided with brackets to allow a continuous supply of air.

The hob's electric connection and the oven's one must be carried out separately, both for safety reasons and to allow the oven to be easily taken off the unit.

Wall units or extractor hoods must be at least 650 mm from the cooktop (Fig. 6).

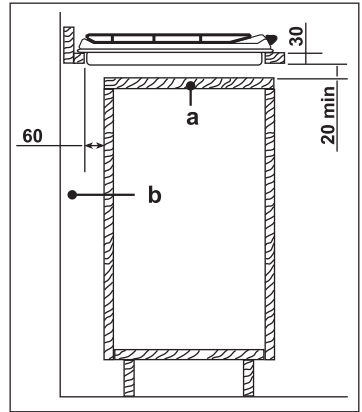


Fig. 9

- a) Removable panel
- b) Space for connections

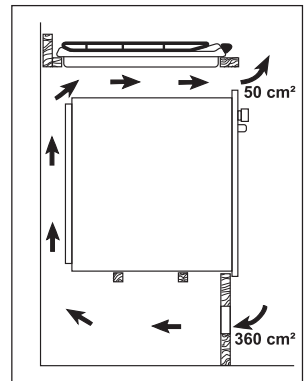


Fig. 10

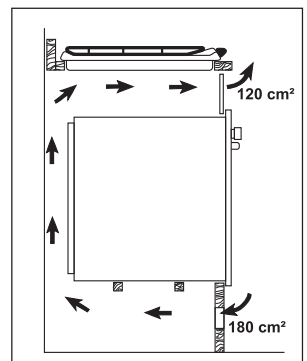


Fig. 11

Technical assistance and spare parts

Before leaving the factory this appliance was tested and verified by specialized personnel, in order to ensure best performance. Any repairs or intervention which may become necessary, must be carried out with utmost care and attention.

For this reason, this hob should only be repaired or serviced by an authorised Service Engineer and only genuine approved spare parts should be used.

For Assistance, please contact your dealer or an authorized Service Centre, specifying the type of problem, the appliance model (**Mod.**), the product number (**Prod. No.**) and the serial number (**Ser. No.**). This information is given on the dataplate which is supplied in the accessories plastic bag.

Sommaire

Avertissements importants	20
Utilisation de votre table de cuisson	23
Conseils d'utilisation	25
Entretien et nettoyage	26
Caractéristiques techniques	28
Installation	29
Adaptation des brûleurs au gaz utilisé	33
Encastrement	35
Possibilités d'encastrement	37
Plaque signalétique	38

Comment lire votre notice d'utilisation?

Les symboles suivants vous guideront tout au long de la lecture de votre notice:



Instructions de sécurité



Descriptions d'opérations



Conseils et recommandations



Informations sur l'environnement



Cet appareil est conforme aux **Directives Communitaires CEE** suivantes :

- **2006/95** (Basse Tension) ;
- **90/396** (Appareil Gaz)
- **89/336** (Compatibilité Electromagnétique) ;
- **93/68** (Directives Générales) et modifications successives.

FABRICANT:

ELECTROLUX HOME PRODUCTS ITALY S.p.A.

Viale Bologna, 298

47100 FORLÌ (Italie)

Ces instructions sont valables uniquement pour les pays dont les symboles d'identification figurent sur la couverture de cette notice d'utilisation et sur l'appareil lui-même.

Conservez cette notice d'utilisation avec votre appareil. Si l'appareil devait être vendu ou cédé à une autre personne, assurez-vous que la notice d'utilisation l'accompagne. Le nouvel utilisateur pourra alors être informé du fonctionnement de celui-ci et des avertissements s'y rapportant. Ces avertissements ont été rédigés pour votre sécurité et celle d'autrui.

Français



Avertissements importants

Cet appareil doit être installé par une personne qualifiée et selon les normes en vigueur. Veuillez maintenant lire attentivement cette notice pour une utilisation optimale de votre appareil.

Nous déclinons toute responsabilité en cas de dommages ou d'accident provoqués par l'appareil du fait du non-respect de ces avertissements.

Utilisation

- Cet appareil a été conçu pour être utilisé par des adultes. Veillez à ce que les enfants n'y touchent pas et ne l'utilisent pas comme un jouet.
- A la réception de l'appareil, déballez-le ou faites-le déballer immédiatement. Vérifiez son aspect général. Faites les éventuelles réserves par écrit sur le bon de livraison ou sur le bon d'enlèvement dont vous garderez un exemplaire.
- Votre appareil est destiné à un usage domestique normal. Ne l'utilisez pas à des fins commerciales ou industrielles ou pour d'autres buts que celui pour lequel il a été conçu.
- Ne modifiez pas ou n'essayez pas de modifier les caractéristiques de cet appareil. Cela représenterait un danger pour vous.
- Avant d'utiliser votre appareil, assurez-vous qu'il a été correctement raccordé pour le type de gaz distribué.
- Cet appareil n'est pas destiné à être utilisé par des enfants ou des personnes dont les capacités physiques, sensorielles ou mentales, ou le manque d'expérience et de connaissance les empêchent d'utiliser l'appareil sans risque lorsqu'ils sont sans surveillance ou en l'absence d'instruction d'une personne responsable qui puisse leur assurer une utilisation de l'appareil sans danger.
- Tenez les enfants à distance pendant le fonctionnement : la table de cuisson et les récipients s'échauffent et peuvent rester chauds longtemps après l'arrêt de l'appareil.
- Baissez ou éteignez toujours la flamme d'un brûleur avant de retirer un récipient.
- N'utilisez jamais votre table à vide (sans récipient dessus)
- **Assurez-vous que les manettes sont toujours en position arrêt « ● » lorsque l'appareil n'est pas utilisé.**
- N'utilisez pas de récipients instables ou déformés : ils peuvent se renverser et provoquer un accident.
- Les réparations ne doivent être effectuées que par un service après vente qualifié. Une réparation non conforme peut être la cause de graves dommages.
- Ne conservez pas à proximité de l'appareil des produits inflammables sensibles aux températures (exemples: produits de nettoyage, bombe aérosols, ..)
- Assurez-vous que les enfants ne manipulent pas commandes.
- Ne laissez rien sur la table de cuisson. Une mise en fonctionnement accidentelle pourrait provoquer un incendie.
- Si vous utilisez un appareil électrique à proximité de votre table de cuisson, veillez à ce que le câble d'alimentation de cet appareil électrique ne soit pas en contact avec la surface chaude de la table.
- Surveillez attentivement la cuisson lors de

friture dans l'huile ou la graisse.

- Évitez tout courant d'air. Si un brûleur ne présente pas une flamme régulière, nettoyez-le soigneusement. Si l'inconvénient subsiste, faites appel au service après-vente.
- Si la table est équipée d'un couvercle, nettoyez-le soigneusement et ne le fermez qu'après que les brûleurs ont refroidi.
- Nettoyez l'appareil après chaque utilisation : vous prolongerez ainsi sa durée de vie et vous éviterez un mauvais fonctionnement des brûleurs et des bougies d'allumage.
- Avant tout nettoyage ou intervention technique, assurez-vous que l'appareil est débranché électriquement et complètement refroidi.
- L'appareil ne peut être nettoyé à la vapeur chaude ni avec appareil à jet de vapeur chaude.
- L'utilisation d'un appareil de cuisson au gaz conduit à la production de chaleur et d'humidité dans la pièce où il est installé. Veillez à assurer une bonne aération de la cuisine : maintenez ouverts les orifices d'aération naturelle ou installez un dispositif d'aération mécanique.
- Une utilisation intensive et prolongée de l'appareil peut nécessiter une aération supplémentaire en ouvrant la fenêtre, ou une aération plus efficace, par exemple en augmentant la puissance de la ventilation mécanique si elle existe.
- Cet appareil n'est pas raccordé à un dispositif d'évacuation des produits de combustion. Il doit être installé et raccordé conformément aux règles d'installation en vigueur. Une attention particulière sera accordée aux dispositions applicables en matière de ventilation.
- Veillez à ne rien laisser sur la table pendant

et après l'utilisation des zones de cuisson (torchons, feuilles d'aluminium, plastique, etc.).


- Changez le tuyau d'arrivée du gaz un peu avant l'expiration de la date de vieillissement indiquée sur celui-ci.
- N'utilisez jamais de bouteille de propane dans votre cuisine ou autre local fermé.
- N'utilisez que les accessoires livrés avec votre appareil (un diffuseur de chaleur, par exemple, endommagerait la table de cuisson).

Installation

- Les opérations d'installation et de branchement doivent être effectuées par un personnel qualifié et suivant les normes en vigueur.
- Si l'installation électrique de votre habitation nécessite une modification pour le branchement de votre appareil, faites appel à un électricien qualifié.
- Assurez-vous que l'appareil est installé dans une pièce correctement aérée : une mauvaise ventilation peut entraîner un manque d'oxygène. Consultez un installateur qualifié ou adressez-vous à la compagnie de distribution du gaz de votre région.
- Cette table est conçue pour fonctionner en 230 V monophasé. Un éventuel branchement polyphasé sans neutre (400 V) peut provoquer la destruction des foyers.




Protection de l'environnement

Tous les matériaux marqués par le symbole  sont recyclables. Déposez-les dans une déchetterie prévue à cet effet (renseignez-vous auprès des services de votre commune) pour qu'ils puissent être récupérés et recyclés.

En cas d'anomalie de fonctionnement, le vendeur de votre appareil est le premier habilité à intervenir. A défaut (déménagement de votre part, fermeture du magasin où vous avez effectué l'achat ...), veuillez consulter le **Centre Contact Consommateurs** qui vous communiquera alors l'adresse d'un Service Après Vente.

En cas d'intervention sur l'appareil, exigez du service après vente les pièces de rechange certifiées Constructeur.

Le symbole  sur le produit ou son emballage indique que ce produit ne peut être traité comme déchet ménager. Il doit être remis au point de collecte dédié à cet effet (collecte et recyclage du matériel électrique et électronique). En procédant à la mise au rebut de l'appareil dans les règles de l'art, nous préservons l'environnement et notre sécurité, s'assurant ainsi que les déchets seront traités dans des conditions optimum. Pour obtenir plus de détails sur le recyclage de ce produit, veuillez prendre contact avec les services de votre commune ou le magasin où vous avez effectué l'achat.

Utilisation de votre table de cuisson

Les commandes

Les manettes qui commandent les brûleurs sont dotées de 3 positions principales d'utilisation :

● = position arrêt

★ = débit maximum

◡ = débit minimum

Chaque brûleur est contrôlé par un robinet à **verrouillage de sécurité**, il est impossible de tourner la manette sans la pousser.

Pour allumer un brûleur


1. Appuyez sur la commande du brûleur choisi, et tournez-la vers la gauche jusqu'au repère de débit maximum. Maintenez la commande enfoncée, pendant **5 secondes** environ après l'apparition de la flamme pour activer la sécurité thermocouple.

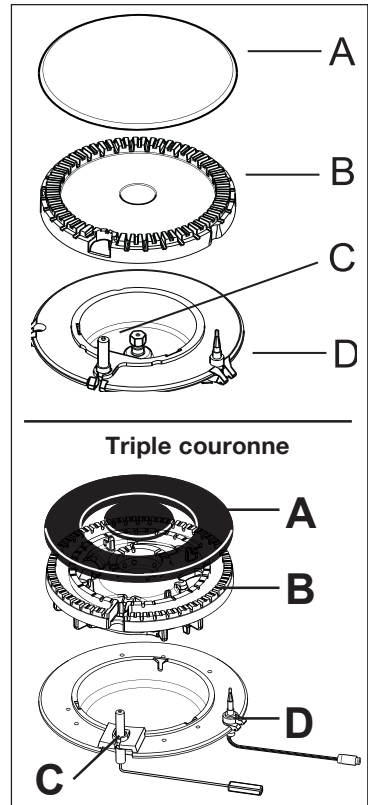
En cas de coupure d'électricité, vous pouvez utiliser votre table de cuisson sans avoir recours au système automatique. Pour cela, présentez une flamme au brûleur.

2. Placez le récipient sur le brûleur.
3. Réglez le débit selon les nécessités de votre préparation, en vous assurant que la flamme ne déborde pas du fond.

Pour éteindre les brûleurs

Tournez la commande dans le sens des aiguilles d'une montre jusqu'à la butée, sur la position arrêt (●).

 **Lorsque vous faites des fritures, surveillez attentivement la cuisson car l'huile ou la graisse pourrait facilement s'enflammer par suite d'une surchauffe.**



- Fig. 1
- A - Chapeau du brûleur
 - B - Coronne du brûleur
 - C - Bougie d'allumage
 - D - Sécurité thermocouple



Ne maintenez pas la manette de commande pressée plus de 15 secondes.



Si le brûleur ne s'allume pas au bout de 15 secondes, relâchez la manette et positionnez-la sur la position "arrêt". Attendez au moins 1 minute avant d'essayer une nouvelle fois d'allumer le brûleur.



Si le brûleur s'éteint accidentellement, tournez la manette de commande sur la position "arrêt" et attendez au moins 1 minute avant d'essayer une nouvelle fois d'allumer le brûleur.

Avant la première utilisation de votre appareil



Avant la première utilisation de votre appareil, retirez toutes les étiquettes publicitaires et les autocollants (sauf la plaque signalétique) qui pourraient se trouver sur le plan de cuisson.

Conseils d'utilisation

- Ne placez un récipient sur un brûleur qu'après avoir allumé celui-ci.
- N'utilisez que des récipients creux.
- Assurez-vous que la flamme ne déborde pas du fond du récipient.
- Lors de l'utilisation de la table de cuisson, il est impératif de respecter les diamètres indiqués pour chaque zone de cuisson, afin d'éviter la détérioration des manettes de commande.
- **Surveillez attentivement la cuisson lorsque vous faites des fritures : l'huile ou la graisse peuvent facilement s'enflammer par suite d'une surchauffe.**
- Si vous utilisez une casserole dont le diamètre est plus petit que celui qui est recommandé, la flamme va s'étendre au-delà de la base inférieure du récipient, causant une surchauffe au niveau de la poignée du récipient.
- Si la flamme d'un brûleur s'éteint accidentellement, ramenez la manette correspondante sur la position arrêt et attendez une minute avant de rallumer le brûleur.
- **Les surfaces en acier inoxydable peuvent ternir s'ils sont excessivement chauffés. La cuisson prolongée avec des casseroles en faïence ou des plats en fonte n'est pas recommandée. De plus, n'utilisez pas de papier d'aluminium pour recouvrir les récipients pendant leur utilisation.**
- Veillez à ce que les récipients ne débordent pas du plan de cuisson et à centrer vos récipients sur les zones de cuisson.
- N'utilisez pas de récipients instables ou déformés: ils peuvent se renverser et provoquer un accident.
- Les récipients ne doivent pas entrer en contact avec les commandes.
- L'utilisation continue et intensive de votre table de cuisson demande une aération supplémentaire : ouvrez une fenêtre ou augmentez la puissance d'aspiration mécanique (si existante).

Afin d'obtenir un rendement maximum de chaque brûleur, utilisez des récipients adaptés au diamètre des brûleurs.

Brûleur	Diamètre minimum	Diamètre maximum
Brûleur triple couronne	180 mm	260 mm
Brûleur semi - rapide		
avant	120 mm	220 mm
arrière	120 mm	180 mm
Brûleur auxiliaire	80 mm	160 mm

Entretien et nettoyage



Avant de procéder au nettoyage : débranchez électriquement l'appareil, assurez-vous que toutes les manettes sont sur la position arrêt «●» et attendez que l'appareil soit refroidi.

Les brûleurs

- Lavez les chapeaux de brûleurs avec de l'eau chaude et un détergent doux, en prenant soin d'enlever toute incrustation. Si nécessaire, vous pouvez utiliser une petite brosse en acier.
- Gardez les couronnes des brûleurs en parfait état de propreté: leur encrassement peut causer des difficultés d'allumage.
- Si vous avez démonté les brûleurs pour les nettoyer, veillez à remettre correctement en place les couronnes et chapeaux de brûleurs parfaitement secs.

Les grilles

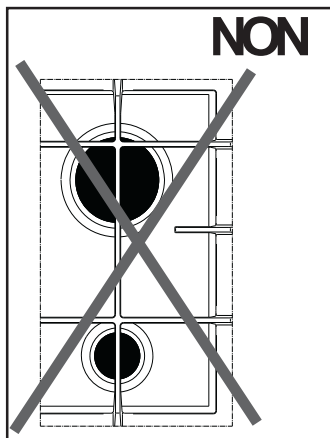
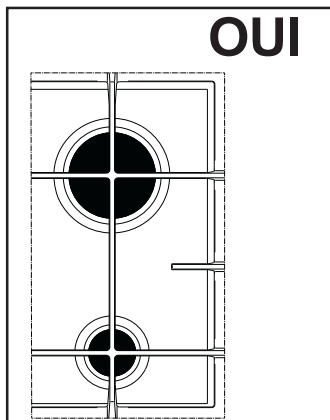
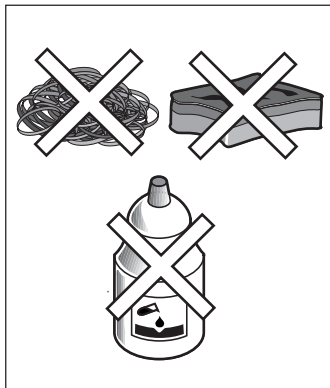
- Les grilles émaillées peuvent être nettoyées à l'aide d'une solution d'eau chaude et de savon ou détergent doux. Utilisez si besoin un produit légèrement abrasif.
- Après le nettoyage, veillez à ce que les grilles soient correctement positionnées.
- Pour que les brûleurs fonctionnent correctement, placez les grilles comme indiqué sur la figure ci-contre: les fils de la grille doivent être centrés par rapport aux brûleurs.



Veillez à ne pas endommager la table de cuisson lors de la mise en place des grilles.

Les manettes

- Utilisez une éponge très légèrement imbibée d'eau savonneuse. Rincez et séchez soigneusement.
- Pour un meilleur nettoyage du plan de cuisson, les manettes sont amovibles.
- Assurez-vous que la manette soit sur la position arrêt «●» .



- Retirez la manette.
- Après le nettoyage, remettez en place la manette dans sa position initiale.



Lors du nettoyage, en aucun cas du liquide ou du produit d'entretien ne doit pénétrer à l'intérieur du caisson où se situent les éléments électriques.

Le dessus de la table de cuisson

- Passez une éponge légèrement imbibée d'eau tiède (et, si nécessaire, de détergent doux) après chaque utilisation.
- Evitez tout écoulement dans les orifices de la table.
- Utilisez, si nécessaire, un racloir spécial et des produits spécifiques vendus dans le commerce.
- N'utilisez pas d'objet tranchant (couteau, grattoir, tournevis, etc.) ou d'éponge à face abrasive.
- N'utilisez pas de détergents abrasifs ou corrosifs tels que : bombes aérosols pour four, produits détachants, produits anti-rouille, poudres à récurer.
- **Enlevez rapidement de la table de cuisson les taches de vinaigre, citron, sel et les substances acides et alcalines en général.**

Nettoyage de la bougie d'allumage

Ces appareils sont munis d'allumeurs électriques. L'allumage est assuré par une "bougie" en céramique et une électrode métallique (Fig.1 - lettre **C**). Pour éviter les difficultés d'allumage, maintenir ces deux éléments en parfait état de propreté et veillez à ce que les orifice des brûleurs ne soient pas obstrués.

Caractéristiques techniques

Dimensions de l'ouverture pour l'encastrement dans le plan de travail

(voir chapitre "Encastrement")

Largeur: 560 mm

Profondeur: 480 mm

Dimensions de l'appareil

Largeur: 594 mm

Profondeur: 510 mm

Puissance des brûleurs

Brûleur Triple Couronne 4,0 kW

Brûleurs Semi-rapide 2,0 kW

Brûleur Auxiliaire 1,0 kW

Alimentation: 230 V ~ 50 Hz

Air nécessaire à la combustion 16 m³/h

Catégorie: II2E+3+

Appareil de classe 3

Appareil réglé en Usine pour fonctionner avec gaz type G20/G25 (2E+) 20/25 mbar

Tableau n°1

TYPE DE BRÛLEUR	DÉBIT CALORIFIQUE NOMINAL kW	DÉBIT CALORIFIQUE MINIMUM kW	DÉBIT CALORIFIQUE NOMINAL					
			GAZ NATUREL			GAZ BUT.-PROP. 28-30/37 mbar		
			Repère injecteur 100/mm	m ³ /h		Repère injecteur 100/mm	g/h	
				G20 20 mbar	G25 25 mbar		G30	G31
Auxiliaire (Petit)	1,0	0,33	70	0,095	0,111	50	73	71
Semi-rapide	2,0	0,45	96	0,190	0,221	71	145	143
Triple Couronne	4,0	1,2	146	0,381	0,443	98	291	286

Installation

Emplacement

Cet appareil appartient à la catégorie d'isolation thermique "X" et il a été conçu pour être encastré ou placé à côté d'autres meubles selon la norme en vigueur (I.E.C. 335.2.6).

Les meubles juxtaposés aux côtés de la table de cuisson ne doivent pas dépasser la hauteur de celle-ci.

Les bords latéraux de la découpe pratiquée doivent se trouver à au moins 100 mm. des murs ou des meubles latéraux.

Les meubles suspendus ou les hottes doivent être installés à une hauteur minimale de 650 mm. au dessus de la table de cuisson.

N'installez pas l'appareil près de matériaux inflammables (par ex.: rideaux, torchons, etc.).



Débranchez l'appareil avant toute intervention.

Important

- L'installation et le branchement de l'appareil doivent être effectués par un personnel qualifié conformément aux textes réglementaires et règles de l'art en vigueur, notamment:
- La norme applicable pour ce type d'installation est NBN D 51.003 "Installations alimentées en gaz combustible plus léger que l'air".

Recommandation

- Vérifiez que le débit du compteur et le diamètre des canalisations sont suffisants pour alimenter tous les appareils de l'installation et vérifiez que tous les raccords sont bien étanches;
- N'omettez pas d'installer un robinet de barrage visible et accessible.

Raccordement gaz



Raccordez la table à la bouteille ou à l'installation selon les prescriptions légales en la matière.

- L'installation d'un robinet d'arrêt agréé AGB est indispensable. Donnez la préférence aux raccords fixes, sinon utilisez un flexible métallique AGB. En cas d'utilisation de tuyaux métalliques flexibles, assurez-vous qu'ils n'entrent pas en contact avec des parties mobiles ou qu'ils ne soient écrasés. Faites preuve de la même prudence lorsque la table de cuisson est utilisée en combinaison avec un four.
- Ces tables de cuisson peuvent fonctionner aussi bien avec du gaz de Slochteren (G25) à la pression nominale de 25 mbar, qu'avec du gaz naturel (G20) à la pression nominale de 20 mbar. Le fonctionnement avec ces deux gaz ne réclame aucun réglage.
- Avant de monter l'appareil, vérifiez que l'installation est en mesure d'assurer une alimentation correcte de l'appareil. A pleine capacité, la chute de pression ne doit pas dépasser 5%. Cette perte de charge est fonction des paramètres suivants:
 - débit maximal du compteur,
 - diamètre et longueur des tuyauteries en amont et en aval du compteur,
 - section de passage des divers robinets intercalés dans le circuit,
 - diamètre des raccords éventuels.

Important



Assurez-vous que l'appareil est réglé pour le type de gaz auquel il sera alimenté. Pour le passage d'un gaz à un autre, reportez-vous au paragraphe "Adaptation des brûleurs au gaz utilisé".

Pour un fonctionnement correct, une consommation réduite et une plus grande durée de vie de l'appareil, assurez-vous que la pression d'alimentation correspond aux valeurs indiquées dans le tableau.

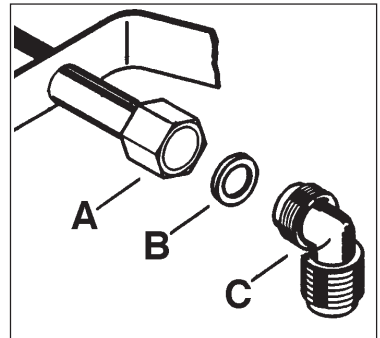
Si l'appareil est alimenté en gaz Butane ou Propane (bouteille), contrôlez que le régulateur de pression débite le gaz à une pression de 28 mbar pour le Butane et 37 mbar pour le Propane.

Avant de sortir de nos ateliers, cet appareil a été testé et mis au point par un personnel expert et spécialisé de façon à vous donner un fonctionnement le meilleur possible.

Le raccord orientable est déjà fixé à la rampe d'alimentation de l'appareil par un écrou fileté G 1/2". Les pièces indiquées à la Fig. 2 ont été montées dans l'usine.



1. Effectuez ensuite le raccordement du tube d'arrivée de gaz.
2. **Contrôlez la parfaite étanchéité du raccord et de l'embout en utilisant une solution savonneuse.**
3. Fixez l'appareil au meuble.



- A) Ecrou situé à l'extrémité de la rampe
- B) Joint
- C) Raccord orientable
- Fig. 2**

Entretien



Contrôlez périodiquement le tuyau d'arrivée du gaz et l'éventuel régulateur de pression. En cas d'anomalie remplacez la pièce défectueuse.

Pour garantir un bon fonctionnement et une bonne sécurité, il est nécessaire de procéder périodiquement au graissage des robinets de réglage du gaz. Confiez cette opération à un technicien qualifié.

Branchement électrique



Reliez l'appareil à la terre, conformément aux prescriptions de la norme NF.C 15100 et aux règlements en vigueur.

Avant d'effectuer le branchement s'assurer que:

- le disjoncteur et l'installation électrique peuvent supporter la charge de l'appareil (voir la plaque signalétique);
- l'installation d'alimentation soit équipée d'une prise de terre efficace selon les normes en vigueur;
- la prise ou l'interrupteur principal soient facilement accessibles.

L'appareil ne doit pas être raccordé à l'aide d'un prolongateur, d'une prise multiple ou d'un raccordement multiple (risque d'incendie).

Vérifiez que la prise de terre est conforme aux règlements en vigueur.

Les tables de cuisson sont équipées d'un câble d'alimentation et sont aptes au fonctionnement en 230V ~ 50 Hz.

Branchez la fiche à une prise adéquate.

Si l'on désire un branchement direct au réseau (branchement fixe) il faut intercaler entre l'appareil et le réseau un dispositif possédant des contacts à coupure omnipolaire ayant une distance d'ouverture des contacts d'au moins 3 mm.

Le câble de terre jaune-vert ne doit pas être interrompu par l'interrupteur et doit être relié à la borne du conducteur de protection.

Le câble de phase de couleur marron (provenant de la borne "L" de la planchette à bornes) doit toujours être relié à la phase du réseau d'alimentation.

Le câble d'alimentation doit être placé de telle manière qu'il ne touche aucune partie chaude.

Après le branchement essayez les éléments chauffants en les faisant fonctionner pendant 3 minutes environ.



Notre responsabilité ne saurait être engagée en cas d'accidents ou d'incidents provoqués par une mise à la terre inexistante ou défectueuse.

Remplacement du câble d'alimentation

Le câble d'alimentation ne doit être remplacé que par un professionnel qualifié selon les normes en vigueur. Utilisez un câble de type H05 V2V2 d'une section adaptée à la charge.

En outre, il faut que le câble de terre jaune-vert soit plus long d'environ 2 cm que les câbles de phase et neutre (Fig.3a).



Le câble d'alimentation sera positionné de façon à ce qu'en aucun point sa température n'excède 90°C.

Pour ouvrir la trappe d'accès à la barrette secteur et avoir accès aux bornes de raccordement, procéder comme décrit ci-dessous:

- insérez l'extrémité d'un tournevis dans les saillies situées sur le côté à l'intérieur de l'appareil (Fig.3b);
- exercez une faible pression et faites lever vers le haut.

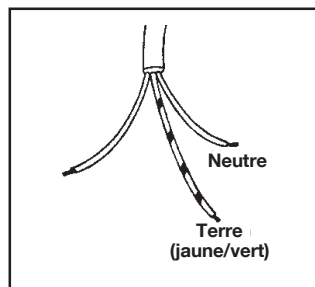


Fig. 3a

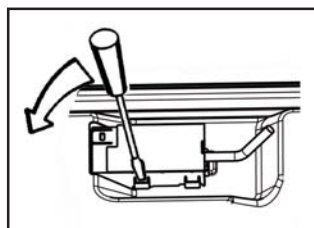


Fig. 3b

Adaptation des brûleurs au gaz utilisé

Pour la conversion de l'appareil d'un type de gaz à l'autre, opérez comme suit:

Remplacement des injecteurs

1. Otez les grilles.
2. Enlevez les brûleurs.
3. Avec une clé de 7 dévissez les injecteurs (Fig. 4) et remplacez-les par ceux convenant au type de gaz utilisé (voir tableau 1).
4. Remplacez l'étiquette d'étalonnage (collée à côté du tuyau d'alimentation en gaz) par celle correspondant au nouveau type de gaz. Elle se trouve dans l'emballage des injecteurs fournis avec la table.

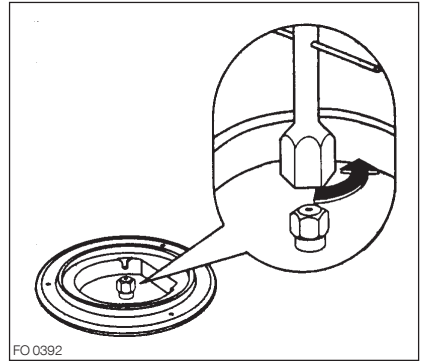


Fig. 4

Réglage du ralenti

1. Allumez chacun des brûleurs.
2. Tournez les manettes jusqu'à l'obtention du débit réduit.
3. Retirez les manettes.

Alimentation en gaz naturel

Agissez sur la vis de réglage (Fig. 5) jusqu'à l'obtention d'une petite flamme régulière.

Alimentation en gaz Butane ou Propane

Vissez à fond la vis (Fig. 5), celle-ci étant déjà prévue pour assurer le débit minimum.

Contrôlez en tournant la manette de la position de débit minimum et vice versa, que la flamme ne s'éteint pas.

Remarque : La vis de réglage est de petite dimension, utilisez un tournevis plat très fin.

4. Remontez les manettes en effectuant les opérations dans l'ordre inverse.

Les opérations ci-dessus peuvent être effectuées aisément après encastrement de la table de cuisson dans le meuble de cuisine.

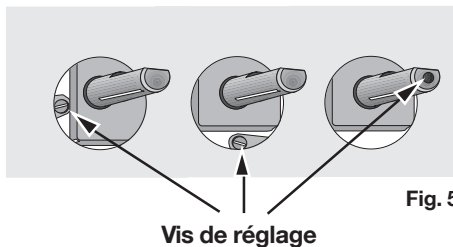


Fig. 5

Tableau n°2

Diamètre de la vis de réglage

Brûleur	Ø By-pass 1/100 mm.
Auxiliaire	28
Semi-rapide	32
Triple Couronne	56

Encastrement

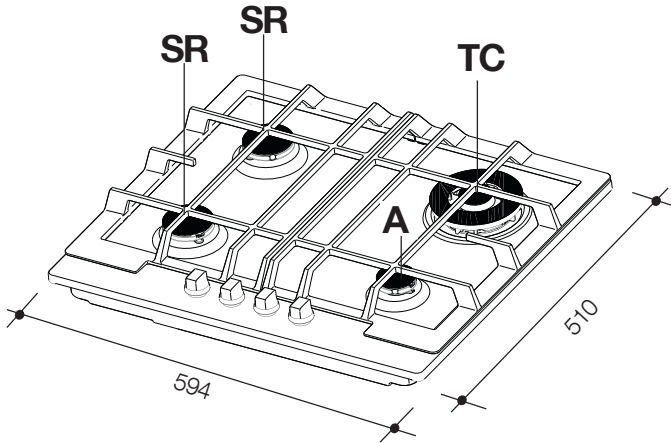


Fig. 6

- A** = Brûleur auxiliaire
SR = Brûleur semi-rapide
TC = Triple Couronne

Les dimensions sont indiquées en millimètres.

Ces tables de cuisson sont prévues pour être encastrées dans des meubles de cuisine ayant une profondeur de 550 à 600 mm.

Côtés d'encastrement

Les tables de cuisson peuvent être montées dans un meuble ayant une ouverture pour l'encastrement des dimensions indiquées dans la Fig.7.

☞ La fixation de la table au meuble doit être effectuée de la façon suivante:

- placez les joints fournis sur les bords de la découpe: positionnez-les exactement sur les bords avant, à 11 mm des bords latéraux et à 10 mm de bord arrière en veillant à ce que les extrémités des joints se joignent parfaitement, sans se chevaucher (Fig. 8);
- placez la table dans la niche d'encastrement en la centrant correctement;

- fixez la table au meuble à l'aide des pattes de serrage prévues à cet effet (Fig. 9). Les pattes de serrage se trouvent dans l'emballage des injecteurs fournis avec la table. La traction exercée par les vis est suffisante pour tracer un sillon dans le joint d'étanchéité, que l'on pourra aisément enlever.

Le joint d'étanchéité au-dessus doit être enlevé avec un morceau de bois ou un couteau en plastique pour éviter d'endommager le plan de travail.

Pour enlever complètement le joint d'étanchéité, introduire le couteau en plastique de façon inclinée (angle de 45°).



L'encastrement de la table de cuisson au dessus d'un lave-vaisselle, d'un réfrigérateur, d'un congélateur, d'un four, ou d'un lave linge est déconseillé lorsque le constructeur de ces appareils électroménagers ne l'a pas formellement prévu.

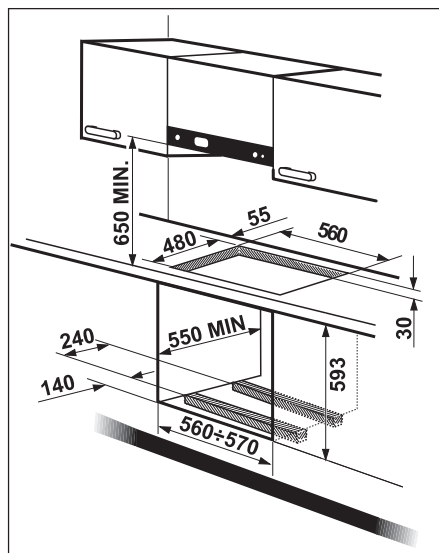


Fig. 7

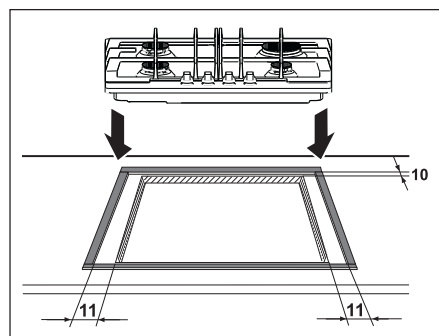


Fig. 8

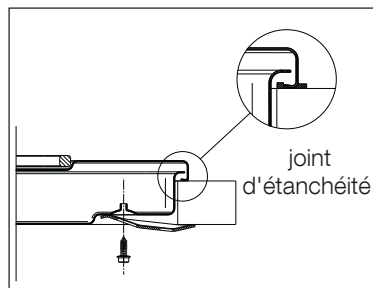


Fig.9

Possibilités d'encastrement

Dans un meuble de cuisine avec porte

Le meuble destiné à recevoir la table de cuisson devra être fabriqué de façon que le contact avec les parties métalliques chaudes soit évité.

La distance minimum entre le fond de la table de cuisson et le plancher de l'encastrement doit être de 20 mm.

Reportez vous à la Fig. 10.

La tablette sous la table de cuisson doit être aisément démontable pour avoir facilement accès à l'appareil en cas de réparation.

Au-dessus d'un four

Pour les côtes d'encastrement reportez vous à la Fig. 7. Prévoir deux supports pour l'aération. Les figures 11 et 12 illustrent deux solutions possibles.

Les raccordements électriques du four et de la table doivent rester accessibles et être effectués séparément.

Les meubles suspendus ou les hottes doivent être installés à une hauteur minimale de 650 mm au-dessus de la table de cuisson (Figure 7).

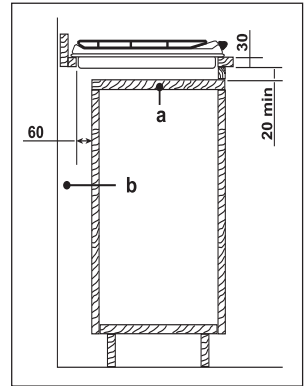


Fig. 10

- a) Tablette amovible
- b) Espace éventuel pour les raccordements

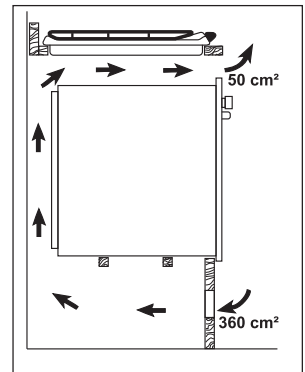


Fig. 11

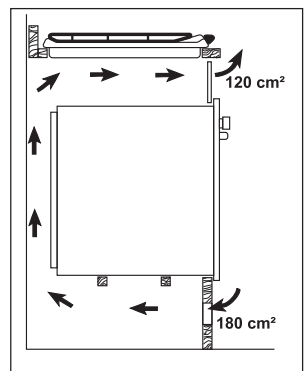


Fig. 12

Plaque signalétique

En appelant un Service Après Vente, indiquez-lui le **modèle**, le **numéro de produit** et le **numéro de série** de l'appareil.

Ces indications figurent sur la plaque signalétique située sur votre appareil.

Inhaltsverzeichnis

Warnungen und wichtige Hinweise	40
Bedienung des Gerätes	42
Korrekter Gebrauch der Kochmulde	44
Pflege und Wartung	45
Regelmäßige Wartung	46
Störung, was tun?	47
Technische Daten	48
Montageanleitung	49
Elektrischer Anschluß	51
Umstellung auf eine andere Gasart	53
Einbau in Küchenanbaumöbeln	55
Einbaumöglichkeiten	57
Kundendienst und Ersatzteile	58

Anleitung zur Gebrauchsanweisung



Sicherheitshinweise



Schritt-für-Schritt-Anleitung



Praktische Tipps



Hinweise zum Umweltschutz



Dieses Gerät entspricht den folgenden **EWG-Richtlinien**:

- **2006/95** (Niederspannungsrichtlinie);
- **89/336** (EMV-Richtlinie);
- **90/396** (GAZ-Richtlinie);
- **93/68** (Allgemeine Richtlinie);
und nachfolgende Änderungen.

HERSTELLER:

ELECTROLUX HOME PRODUCTS ITALY S.p.A.
Viale Bologna, 298
47100 FORLÌ (Italien)

Die vorliegende Gebrauchsanweisung ist nur in jenen Bestimmungsländern gültig, deren Kennzeichen auf dem Titelblatt der Bedienungsanleitung sowie auf dem Gerät abgebildet ist.

Bewahren Sie diese Broschüre unbedingt so zusammen mit dem Gerät auf, daß Sie sie jederzeit problemlos zu Rate ziehen können. Sollten Sie das Gerät verkaufen oder einer anderen Person überlassen, so händigen Sie bitte auch diese Broschüre aus, damit sich der neue Benutzer über den Betrieb und die Warnungen und Hinweise informieren kann.

Deutsch



Warnungen und wichtige Hinweise

Ihr neues Gerät ist einfach zu bedienen. Dennoch sollte diese Anleitung vor Installation und erstmaligem Gebrauch des Gerätes vollständig durchgelesen werden. Auf diese Weise vermeiden Sie Bedienungsfehler und garantieren den absolut sicheren Betrieb Ihres Gerätes bei optimierten Leistungen sowie eine umweltgerechte Entsorgung. Diese Bedienungsanleitung muss gemeinsam mit dem Gerät aufbewahrt werden, damit Sie sie jederzeit zu Rate ziehen können. Sollten Sie das Gerät verkaufen oder einer anderen Person überlassen, so händigen Sie bitte auch diese Bedienungsanleitung aus, damit sich der neue Besitzer über den Betrieb und die Warnungen und Hinweise informieren kann.

Installation

- Die Installation des Gerätes und der Anschluss an die elektrische Stromversorgung **dürfen ausschließlich durch FACHPERSONAL durchgeführt werden.** Vor der Durchführung jeglicher Arbeiten muss das Gerät von der elektrischen Stromversorgung **GETRENNT** werden.
- Stellen Sie sicher, dass die Luft frei um das Gerät zirkulieren kann. Eine ungenügende Belüftung führt zur Verringerung des Sauerstoffgehaltes.
- Betreiben Sie das Gerät nur mit der Gasart, die auf dem aufgeklebten kleinen Typenschild, das sich neben dem Gasanschlussrohr befindet, angegeben ist.
- Dieses Gerät ist nicht an eine Vorrichtung für die Abgasabführung angeschlossen. Diese muss gemäß den geltenden einschlägigen Bestimmungen installiert und angeschlossen werden. Die Vorschriften zur Lüftung müssen besonders aufmerksam befolgt werden.
- **Beim Gebrauch einer Kochmulde mit Gasbetrieb entstehen im Installationsraum des Gerätes Wärme und Feuchtigkeit. Der Raum muss entweder über natürliche Öffnungen belüftet werden oder es muss eine Abzugshaube installiert werden, deren Rohr direkt ins Freie führt.**
- **Bei intensivem oder länger andauerndem Gebrauch des Gerätes muss die Belüftung z. B. durch das Öffnen**

eines Fensters verbessert oder der mechanische Abzug durch Erhöhen der Leistungsstufe der Abzugshaube (sofern vorhanden) verstärkt werden.

- Nach dem Auspacken des Gerätes sicherstellen, dass dieses nicht beschädigt und dass das Elektrokabel in einwandfreiem Zustand ist. Andernfalls vor dem Fortsetzen der Installationsarbeiten den Händler informieren.
- **Der Hersteller lehnt jegliche Verantwortung für den Fall ab, dass nicht alle Sicherheitsmaßnahmen getroffen wurden.**

Sicherheit der Benutzer

- Dieses Gerät darf nur durch von Erwachsenen benutzt werden. **Kindern darf es nicht erlaubt sein, sich an den Knebeln zu schaffen zu machen oder mit dem Gerät zu spielen.**
- Kinder und Personen, die aufgrund ihrer physischen, sensorischen oder geistigen Fähigkeiten oder ihrer Unerfahrenheit oder Unkenntnis nicht in der Lage sind, das Gerät sicher zu benutzen, sollten dieses Gerät nicht ohne Aufsicht oder Anweisung durch eine verantwortliche Person benutzen.
- Zugängliche Teile dieses Gerätes werden während des Betriebs heiß und bleiben auch nach dem Ausschalten noch eine gewisse Zeit heiß. **Kinder sollten bis zur Abkühlung ferngehalten werden.**

Während des Gerätebetriebs

- Dieses Produkt wurde zum nicht professionellen Kochen von Speisen in normalen Haushalten entwickelt. **Benutzen Sie es für keinen anderen Zweck.**
- Es ist gefährlich, die Gerätespezifikationen irgendwie zu ändern.
- **Halten Sie das Gerät stets sauber.** Nahrungsmittelrückstände könnten einen Brand verursachen.
- Für die Reinigung des Gerätes keinen Dampf oder Dampfreiniger verwenden.
- Nach der Benutzung des Gerätes sicherstellen, dass alle Knebel auf **„AUS“** stehen.
- Falls Sie eine Stromsteckdose in der Nähe dieses Gerätes benutzen, achten Sie darauf, dass die Kabel der jeweiligen Elektrogeräte das Gerät nicht berühren **und weit genug entfernt von den heißen Geräteflächen sind.**

- Das Symbol  auf dem Produkt oder seiner Verpackung weist darauf hin, dass dieses Produkt nicht wie als normaler Haushaltsabfall zu behandeln ist, sondern an einem Sammelpunkt für das Recycling von elektrischen und elektronischen Geräten abgegeben werden muss. Durch Ihren Beitrag zum korrekten Entsorgen dieses Produkts schützen Sie die Umwelt und die Gesundheit Ihrer Mitmenschen. Umwelt und Gesundheit werden durch falsches Entsorgen gefährdet. Weitere Informationen über das Recycling dieses Produkts erhalten Sie von Ihrem Rathaus, Ihrer Müllabfuhr oder dem Geschäft, in dem sie das Produkt gekauft haben.

Service

- Bei Betriebsstörungen sollte **unter keinen Umständen versucht werden, das Gerät selbst zu reparieren.** Reparaturen durch unerfahrene Personen können zu Verletzung oder zu schwerwiegenden Funktionsstörungen führen. Konsultieren Sie zunächst diese Bedienungsanleitung. Falls Sie die gewünschten Informationen nicht finden, **kontaktieren Sie das zuständige Electrolux Service Center in ihrer Nähe.** Servicearbeiten an diesem Gerät dürfen ausschließlich durch eine autorisierte Kundendienststelle durchgeführt werden. Immer auf Original-Electrolux-Ersatzteilen bestehen.



Informationen zum Umweltschutz

- Alle verwendeten Materialien sind umweltverträglich und recyclebar. Leisten Sie bitte Ihren Beitrag zum Umweltschutz, indem Sie das Altgerät durch differenzierte Mülltrennung sachgerecht entsorgen lassen.
- **Wenn Sie ein Altgerät entsorgen, machen Sie es zuvor unbrauchbar, indem Sie das Kabel abschneiden.**



Bedienung des Gerätes



Entfernen Sie vor Gebrauch des Gerätes das gesamte Verpackungsmaterial einschließlich Werbeaufklebern und eventueller Schutzfolien.

Schaltelemente an der Bedienungsleiste

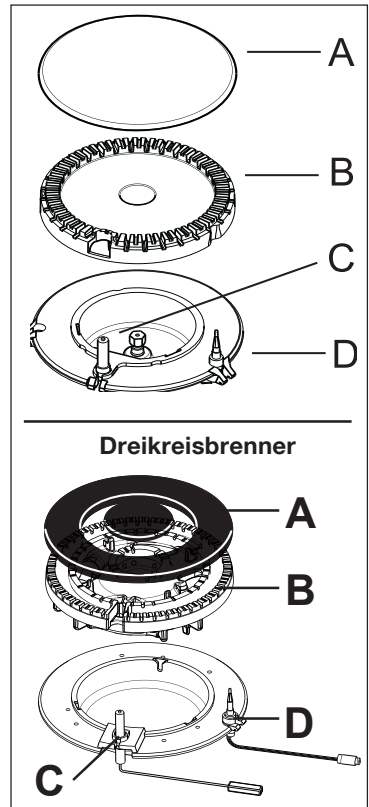
Die Wahlschalter können in drei verschiedene Stellungen gedreht werden:

- keine Gaszufuhr
- ☆  maximale Gaszufuhr
- 🔥  minimale Gaszufuhr

Entzünden der Gasbrenner

i **Der Brenner wird eingeschaltet, bevor man Töpfe oder Pfannen aufsetzt.**

Drücken Sie den Knopf mit einem aufgezeichneten kleinen Funken. Drücken Sie den Drehknopf für die entsprechende Kochstelle nach unten und drehen ihn gegen den Uhrzeigersinn zum Symbol "maximale Zufuhr". Halten Sie nach Entzünden der Flamme den Drehknopf noch für etwa **5 Sekunden** gedrückt; diese Zeit ist nötig, um das "Thermoelement" (Abb. 1 - D) zu erwärmen und das Sicherheitsventil auszuschalten, das andernfalls die Gaszufuhr unterbrechen würde. Kontrollieren Sie sodann, ob die Flamme gleichmäßig ist, und drehen den Drehknopf auf die gewünschte Stärke. Sollte sich der Brenner trotz mehrmaligen Versuchen nicht entzünden lassen, so vergewissern Sie sich daß der Flammenverteilerring (Abb. 1 - B) und die Brennerkappe (Abb. 1 - A) richtig aufliegen. Drehen Sie zur Unterbrechung der Gaszufuhr den Drehschalter im Uhrzeigersinn bis zur Position "●".



- A - Brennerkappe
- B - Flammenverteilerring
- C - Zündkerze
- D - Thermoelement

Abb. 1



Den Steuerungsknebel nicht länger als **15 Sekunden** gedrückt halten.

Falls die Flamme auch nach **15 Sekunden** nicht angeht, den Knebel loslassen und auf Position " Aus " (●) drehen, mindestens **1 Minute** vergehen lassen bevor man versucht den Brenner nochmals zu zünden.



Bei Stromausfall kann der Brenner auch manuell angezündet werden. Bringen Sie dazu eine Flamme an die Gaskochstelle, drücken Sie den Drehknopf für die entsprechende Kochstelle nach unten und drehen ihn gegen den Uhrzeigersinn zum Symbol "maximaler Gasaustritt".

- **Drehen Sie die Flamme immer zurück oder löschen Sie sie, bevor Sie die Gefäße von den Kochstellen nehmen.**

Damit die Flamme optimal ausgenutzt wird, sollten Töpfe verwendet werden, deren Durchmesser zu dem der Brenner paßt. Die Flamme soll nicht über den Rand des Töpfes hinausgehen.

Zudem sollte, sobald eine Flüssigkeit zu kochen beginnt, die Flamme soweit reduziert werden, daß sie den Kochvorgang gerade noch aufrechterhält.



Benutzen Sie nur Gefäße mit ebenem Boden.



Wenn Sie Fett oder Öl verwenden, dürfen Sie es während des Kochvorgangs nicht aus den Augen lassen, da es sich bei Erhitzen entzünden kann.

Korrektter Gebrauch der Kochmulde

Für einen geringeren Gasverbrauch und verbesserten Wirkungsgrad nur Kochgeschirr **mit flachem Boden** und einem für die Kochstelle geeigneten Durchmesser verwenden, vgl. untenstehende Tabelle. Zudem sollte, sobald eine Flüssigkeit zu kochen beginnt, die Flamme soweit reduziert werden, dass sie den Kochvorgang gerade noch aufrecht erhält.



Stellen Sie keine instabilen oder verformten Gefäße auf die Kochstellen: sie stellen eine Unfallgefahr dar, da sie kippen oder ihr Inhalt auslaufen könnte.



Die Töpfe müssen in ausreichendem Abstand von den Bedienelementen bleiben.



Edelstahl wird bei starker Erhitzung mit der Zeit bräunlich. Von Langzeitgaren mit Topfsteinen, Römertöpfen oder Gusseisenplatten wird daher abgeraten. Von der Verwendung von Aluminiumfolie während des Betriebs zum Schutz der Kochmulde ist ebenfalls abzusehen.



Stellen Sie sicher, dass die Kochgefäße nicht über den Rand der Kochmulde heraus stehen und mittig auf den Kochstellen stehen, um einen geringeren Gasverbrauch zu erzielen.

Tabelle mit den Mindest- und Höchstdurchmessern der Töpfe auf den einzelnen Brennern.

Brenner	Mindestdurchmesser	Höchstdurchmesser
Dreikreisbrenner	180 mm	260 mm
Normalbrenner hinten	120 mm	220 mm
vorn	120 mm	180 mm
Hilfsbrenner	80 mm	160 mm

Pflege und Wartung



Ziehen Sie vor jeder Reinigungsarbeit den Netzstecker des Gerätes und lassen Sie dieses abkühlen.

Reinigung der Kochmulde

Waschen Sie die emaillierten Teile mit lauwarmem Wasser und Spülmittel; benutzen Sie keine scheuernden Produkte, die zu Beschädigungen führen könnten.

Waschen Sie die Flammenverteilerringe und Brennerköpfe häufig mit heißem Wasser und Spülmittel und achten Sie darauf, dass alle Verkrustungen entfernt werden. Spülen Sie die Edelstahlteile nach Gebrauch gut mit Wasser ab und trocknen sie mit einem weichen Lappen. Benutzen Sie für hartnäckige Flecken die üblichen, nicht scheuernden Putzmittel oder Spezialprodukte, die überall im Handel erhältlich sind. Für die Reinigung keine Topfkratzer, Stahlwolle oder Säuren verwenden.

- **Auf der Kochmulde sollten keine sauren oder alkalischen Rückstände verbleiben (z. B. Essig, Salz, Zitronensaft usw...).**

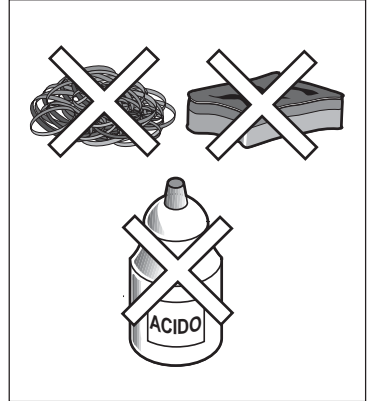


Abb. 2

Abstellroste der Kochmulde

Die Kochmulden sind mit leichten emaillierten Eisenrosten oder mit stärkeren und schweren Gusseisenrosten ausgestattet.

Die Roste können für die Reinigung von der Kochmulde abgenommen werden.

Achten Sie bitte darauf, die Gusseisenroste auf der Kochmulde nur in die vorgesehenen Aufnahmen zu legen, um die Kochmulde nicht zu zerkratzen oder zu beschädigen.

Die emaillierten Roste können mit warmer Seifenlauge gereinigt werden.

Nach dem Waschen die Roste wieder einsetzen und ihre korrekte Position überprüfen.

Für einen korrekten Betrieb der Brenner muss das Rostgitter wie in Abb. 3 gezeigt mittig über den Kochstellen angebracht werden.

Elektrozünder

Bei den Herden mit automatischer Zündung wird diese Funktion durch eine Keramik-“Zündkerze” und eine Metallelektrode in ihrem Innern gewährleistet (siehe Abb. 1 - Buchstabe **C**). Nehmen Sie von Zeit zu Zeit eine gründliche Reinigung dieser Teile vor. Kontrollieren Sie außerdem zur Vermeidung von Zündschwierigkeiten, ob die Löcher des Flammenverteilerrings (Abb. 1 - Buchstabe **B**) nicht verstopft sind.

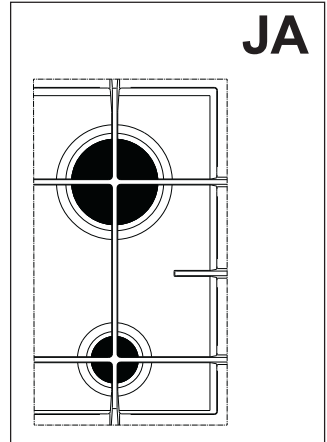


Abb. 3

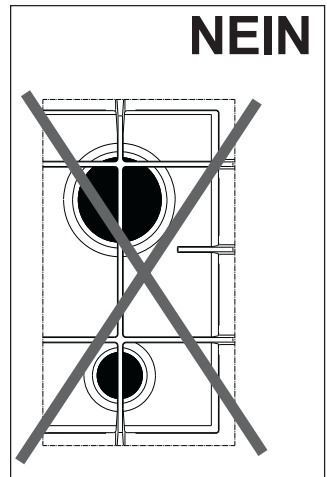


Abb. 4

Regelmäßige Wartung

Lassen Sie regelmäßig den ordnungsgemäßen Zustand und die Funktionstüchtigkeit der Gaszuleitung und, falls vorhanden, des Gasdruckreglers überprüfen. Bei schlechtem Zustand oder Betrieb keine Reparaturen, sondern die Ersetzung des defekten Teils veranlassen.

Störung, was tun?

Führen Sie bei einer Störung folgende Kontrollen aus, bevor Sie den lokalen Electrolux - Kundendienst rufen.

STÖRUNG	ABHILFE
<ul style="list-style-type: none"> ■ Keine Funken beim Betätigen der elektrischen Zündung. 	<ul style="list-style-type: none"> ◆ Kontrollieren Sie, dass der Stecker korrekt eingesteckt ist und der Schalter auf ON steht. ◆ Sicherstellen, dass der Sicherheitsschalter nicht ausgelöst ist (falls installiert). ◆ Die Hauptsicherungen kontrollieren. ◆ Kontrollieren, ob der Brennerdeckel und der Kranz nach dem Reinigen richtig eingesetzt sind.
<ul style="list-style-type: none"> ■ Der Gasbrenner brennt ungleichmäßig. 	<ul style="list-style-type: none"> ◆ Kontrollieren, dass die Hauptdüse nicht blockiert und der Brennerkranz nicht durch Speisereste verstopft sind. ◆ Kontrollieren, ob der Brennerdeckel und der Kranz nach dem Reinigen richtig eingesetzt sind.

Technische Daten

Leistung der Brenner

Dreikreisbrenner	4,0 kW
Normalbrenner	2,0 kW
Hilfsbrenner	1,0 kW
Kategorie	II2E+3+
Geräteeinstellung	G20/G25 (2E+) 20/25 mbar
Versorgungsspannung	230 V~ 50 Hz
Geräteklasse	3

Abmessungen der Kochmulde

Breite	594 mm
Tiefe	510 mm

Abmessungen der Einbauöffnung

Breite	560 mm
Tiefe	480 mm

Tabelle 1 - Wärmebelastung, Gasdurchgang, Düsenkennzeichnung

BRENNER	VOLL WÄRME- BELASTUNG kW	KLEIN WÄRME- BELASTUNG kW	VOLLWÄRMELEISTUNG					
			ERDGAS			FLÜSSIGAS 28-30/37 mbar		
			Düsen 100/mm	m³/h		Düsen 100/mm	g/h	
				G20 20 mbar	G25 25 mbar		G30	G31
Hilfsbrenner	1,0	0,33	70	0,095	0,111	50	73	71
Normalbrenner	2,0	0,45	96	0,190	0,221	71	145	143
Dreikreisbrenner	4,0	1,2	146	0,381	0,443	98	291	286

Tabelle 2 - Durchmesser des by-pass

Brenner	Ø By-pass in Hunderstel
Hilfsbrenner	28
Normalbrenner	32
Dreikreisbrenner	56

Montageanleitung

Wichtige Hinweise für den Installateur

- Die Seitenflächen der Möbel dürfen die Arbeitsfläche des Gerätes in ihrer Höhe nicht überschreiten.
- Die Installation des Gerätes in der Nähe von brennbarem Material (z.B. Vorhänge, Tücher etc.) muß vermieden werden.
- Die im Folgenden beschriebenen Installations- und Wartungsarbeiten müssen von Fachpersonen und gemäß den geltenden Richtlinien ausgeführt werden. Für diese Installation ist die Richtlinie NBN D 51.003 "Anschlüsse mit brennbarem Gas, das leichter ist als Luft" maßgebend.
- Vor jedem Eingriff muß das Gerät vom Stromnetz abgeschlossen werden. Sollte es unbedingt nötig sein, das Gerät unter Spannung zu lassen, müssen die nötigen Vorsichtsmaßnahmen getroffen werden.

Gasanschluss

Der Gasanschluß darf ausschließlich unter Verwendung eines AGB Hahnes ausgeführt werden. Vorgezogen werden starre Verbindungen oder biegsame Schläuche aus rostfreiem Edelstahl AGB. Vergewissern Sie sich bei Benutzung von Metallschläuchen, daß diese nicht mit beweglichen Teilen in Berührung kommen oder gequetscht werden. Gehen Sie bei einer Kombination Kochfläche-Herd mit derselben Vorsicht vor. Diese Kochmulde wird entweder mit Slochteren Gas (G25) mit einem Nominaldruck von 25 mbar oder mit Erdgas mit einem Druck von 20 mbar versorgt. Bei Verwendung dieser zwei Gasarten braucht nichts eingestellt zu werden. Bevor das Gerät montiert wird, muß man überprüfen, ob eine korrekte Versorgung des Gerätes gewährleistet ist. Bei voller Leistung darf die Druckverminderung nicht höher als 5% betragen. Der Druckverlust hängt von folgenden Eigenschaften ab:

- maximale Leistung des Zählers,
- Durchmesser und Länge des Rohres vor und nach dem Zähler,
- Durchlaßquerschnitt der verschiedenen Hähne im Kreislauf,
- Durchmesser eventuel-
Anschlußstücke.

Wichtig - Zur Gewährleistung eines korrekten Betriebes, einer Energieersparnis sowie einer langen Lebensdauer des Gerätes, muß der Speisedruck des Gerätes den empfohlenen Werten entsprechen.

Die Anschlußverschraubung für den Gaseintritt in das Gerät besitzt ein Gewinde G1/2". Beim Anschluß sind Belastungen jeder Art am Gerät zu vermeiden.

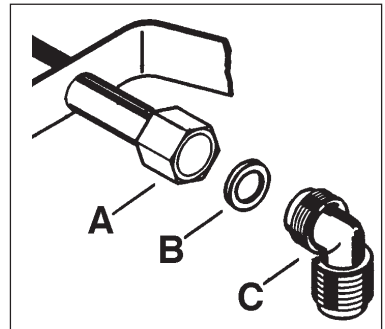
Auf dem Endstück der Rampe mit Schraubenmutter GJ 1/2" wird zwischen die Teile ein Dichtungsring eingesetzt. Die Messingteile mit Kegeltgewinde werden zuerst leicht angeschraubt, dann wird das Anschlußstück in die gewünschte Richtung gebracht und anschließend zieht man alles fest an.

Die in der Abb.5 dargestellten Teile werden direkt in der Fabrik montiert. Bevor das Gerät

unsere Fabrik verließ, wurde es von spezialisierten Fachleuten so getestet und einreguliert, daß Ihnen der bestmögliche Betrieb sicher ist.



WICHTIG! Sobald die Installation beendet ist, muß die Dichtheit aller Verbindungsstücke mit Seifenlösung überprüft werden. Niemals eine Flamme dazu benutzen.



A - Überwurfmutter
B - Dichtung
C - Anschlusswinkel

Abb. 5

Elektrischer Anschluß

Das Gerät ist für den Betrieb mit einer Spannung von 230 V Einphasenstrom vorgesehen.

Der Anschluß muß entsprechend der geltenden Normen und Vorschriften durchgeführt werden.

Vor Anschluß des Gerätes:

- 1.** Sicherstellen, daß die Hauptsicherung sowie die Hausinstallation ausreichend ausgelegt sind;
- 2.** Sicherstellen, daß die Stromversorgung gemäß den geltenden Regeln ordentlich geerdet ist;
- 3.** Sicherstellen, daß die Steckdose oder der für den Elektro-Anschluß benutzte zweipolige Umschalter nach dem Einbau in den Schrank leicht zugänglich sind.

Das Gerät wird steckerfertig geliefert. Die vorhandene Netzanschlussleitung mit Stecker ist an eine Schutzkontaktsteckdose (230 V~, 50 Hz) anzuschließen.

Die Schutzkontaktsteckdose muss vorschriftsmäßig installiert sein und abgesichert sein.


Wenn das Gerät direkt ans Netz angeschlossen wird, ist es erforderlich, einen zweipoligen Umschalter zwischen dem Gerät und der Stromzufuhr zu installieren, und zwar mit einer Kontaktöffnungsweite von 3 mm und so ausgelegt, daß er der erforderlichen Belastung gemäß den geltenden Regeln entspricht.

Das Anschlußkabel muß so verlegt sein, daß in keinem Teil eine Temperatur von 90°C übersteigt.

Das braune Phasenkabel (das von der Klemme "L" der Klemmleiste kommt) muß immer mit der Phase des Stromnetzes verbunden werden.

Auswechseln des Anschlußkabels

Die Kochmulde ist mit einer dreipoligen Klemmleiste ausgestattet, deren Kabel für einen Betrieb mit 230 V Einphasenstrom vorgesehen sind.

Das Erdungskabel wird mit der mit dem Symbol  gekennzeichneten Klemme verbunden. Nachdem das Kabel mit der Klemmleiste verbunden wurde, wird es mit der Kabelbefestigung fixiert.

Sollte es notwendig sein, das Kabel auszutauschen, so dürfen ausschließlich Kabel des Typs H05V2V2-F T90 verwendet werden, deren Querschnitt der Belastung und der Betriebstemperatur standhalten. Weiters muß das gelbgrüne Erdungskabel ca. 2 cm länger sein als die Phasenkabel (Abb. 6).

Um Zugang zu den Klemmen zu bekommen, öffnen Sie die Abdeckung der Klemmleiste wie folgt:

1. Führen Sie die Spitze eines Schraubenziehers unter die Vorsprünge an der sichtbaren Seite des Klemmkastens ein (Abb. 7);
2. Drücken Sie leicht und führen Sie eine Hebelbewegung nach oben aus.

Dann Anschluß der Netzanschlußleitung mit Spezialwerkzeug vornehmen.

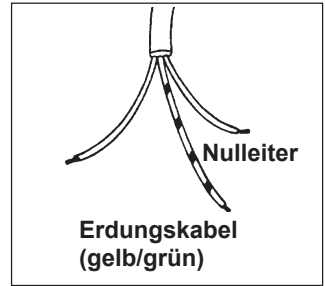


Abb. 6

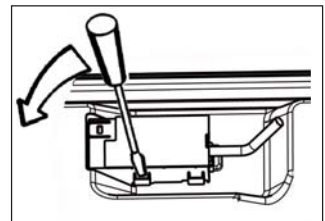


Abb. 7

Umstellung auf eine andere Gasart

Auswechseln der Brennerdüsen

- Zuerst die Roste entfernen;
- Danach die Abschlußkappen und die Flammenverteiler von den Brennern abnehmen;
- Mit einem 7 mm Steckschlüssel die Düsen aufschrauben, abnehmen und durch die, dem verwendeten Gas entsprechenden Düsen ersetzen (siehe Tabelle 1 - Technische Daten);
- Die Teile werden in umgekehrter Reihenfolge der beschriebenen Schrittwieder zusammengesetzt.
- Danach muß das Eichschild, welches sich neben der Gasanschluß-öffnung befindet, mit dem, der neuen Gasart entsprechenden Schild ausgetauscht werden. Dieses befindet sich im Zubehör mit den Düsen.

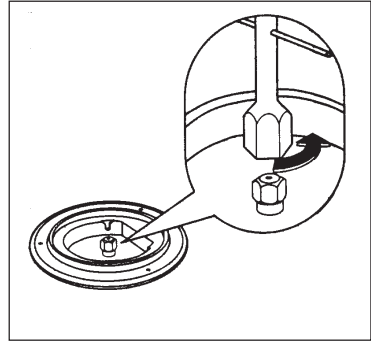
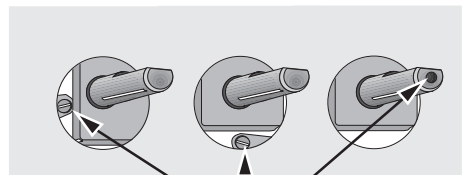


Abb. 8

Einstellung des Minimums

- Zum Einstellen der Kleinsteldüse wird der Hahn auf kleinste Flamme gedreht.
- Den Wahlschalter abnehmen.
- Handelt es sich um einen Hahn mit Bypassnadel im Inneren des Stabes, so reicht es, je nach Gasart fester oder lockerer zu schrauben. Im nächsten Absatz finden Sie die entsprechende Anleitung.
- Bei Umstellung **von Erdgas auf Flüssiggas** die Bypassnadel der Gashähne ganz anschrauben.
- Bei Umstellung **von Flüssiggas auf Erdgas** die Bypassnadel um etwa eine Vierteldrehung aufschrauben, bis man eine gleichmäßige kleine Flamme erhält.
- Zuletzt wird kontrolliert, daß der Brenner beim raschen Wechsel von größter zu kleinster Flamme nicht erlischt.
- Die Teile werden dann in umgekehrter Reihenfolge der beschriebenen Schritte wieder zusammengesetzt.
- Die beschriebenen Schritte zur Anpassung können mühelos durchgeführt werden, wie auch immer



Bypass-
nadel

Abb. 9

die Kochmulde positioniert oder fixiert ist.

Sicherheitshinweise für den Einbau der Mulde

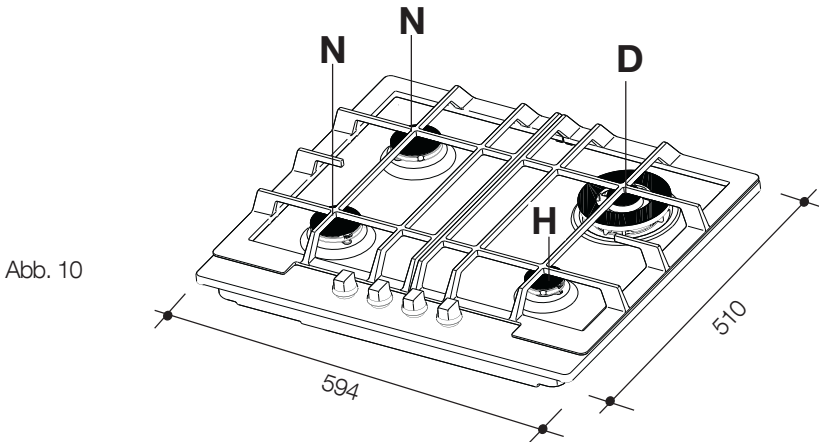
- Bei den Einbaumöbeln müssen Furniere oder Kunststoffbeläge mit hitzebeständigem Kleber (100 Grad C) verarbeitet sein. Sind Kunststoffbeläge oder Kleber nicht genügend temperaturbeständig, so kann sich der Belag verformen oder lösen.
- Die Verwendung von Holz-Wandabschlußleisten aus Massivholz auf Arbeitsplatten, hinter den Kochstellen ist zulässig, sofern die Mindestabstände eingehalten werden.
- Unter der Gasmulde muß mit einem Mindestabstand von 50 mm. ein nur mit Werkzeug herausnehmbarer Zwischenboden angebracht werden. Der Zugang für den Fachmann muß möglich sein.
- Unterhalb der Kochmulde darf kein Backofen eingebaut werden.
- Bei Einbau direkt neben einem Hochschrank ist ein Sicherheitsabstand von mind. 50 mm einzuhalten. Die Seitenfläche des Hochschranks ist mit wärmefestem Material zu verkleiden.
- Der Seitenabstand zu Hochschränken sollte aus arbeitstechnischen Erfordernissen jedoch mindestens 300 mm betragen.
- Der Abstand zur Rückwand muß mindestens 55 mm betragen, seitlich zur Wand 80 mm.
- Es ist dafür zu sorgen, daß wegen Brandgefahr keine feuergefährlichen oder leicht entzündbaren oder durch Wärme verformbaren Gegenstände direkt unter der Mulde angeordnet bzw. gelegt werden.
- Der Unterbauschrank unter der Gasmulde muß falls sich bei raschem Öffnen oder Schließen der Möbeltür die Flamme der Gasbrenner unruhig verhält oder erlischt, mit einer Rückwand

versehen werden. Unterbauschrank und Kochfeld sind dadurch lufttechnisch getrennt.

- Das Gerät entspricht dem Typ "Y". Geräte dieses Typs dürfen nur einseitig neben höheren Küchen-möbeln, Geräten oder Wänden eingebaut werden.

Einbau in Küchenanbaumöbeln

Maßangaben in mm



- H** = Hilfsbrenner
N = Normalbrenner
D = Dreikreisbrenner

Diese Kochmulde kann in Kucheneinbaumöbel eingesetzt werden, die eine Tiefe zwischen 550 und 600 mm. sowie die geforderten Eigenschaften aufweisen.

Die Maße der Kochmulde sind in Abb. 10 angegeben.

Einbau und Befestigung

Die Kochmulde kann in ein Möbel eingesetzt werden, das eine Einbauöffnung mit den in Abb. 11 angegebenen Abmessungen aufweist. Die Einbauöffnung muss mindestens 55 mm von der Rückwand entfernt sein. Eine eventuell vorhandene Seitenwand rechts oder links, die über die Höhe der Kochmulde hinausgeht, muss mindestens 100 mm von der Öffnung im Top entfernt sein.

☞ Die Befestigung der Kochmulde auf dem Unterbau muss wie folgt durchgeführt werden:

- bringen Sie die spezielle mitgelieferte Dichtung auf dem Rand der Vorderseite der Einbauöffnung, 11 mm von den Seitenrändern bzw. 10 mm vom hinteren Rand an, wobei darauf zu achten ist, dass die Enden genau aufeinander passen und sich nicht überlappen (siehe Abb. 12);
- danach die Kochmulde korrekt ausgerichtet in die Öffnung im Möbel einsetzen;
- zuletzt die Kochmulde anhand der mitgelieferten Befestigungswinkel am Möbel befestigen (siehe Abb. 13).

Beim Anziehen der Befestigungswinkel durchdringen die Kanten der Kochmulde die Dichtungsmasse.

Die überstehende Dichtungsmasse sollte mit einem Holz oder Kunststoffmesser entfernt werden um Beschädigungen an der Arbeitsplatte zu vermeiden.

Zur Vollständigen Entfernung der Dichtungsmasse bitte das Kunststoffmesser schräg ansetzen (45° Winkel ansetzen).

Der Rand der Kochmulde bildet eine doppelte Labyrinthdichtung, die eine absolute Garantie gegen Flüssigkeitseintritt darstellt.

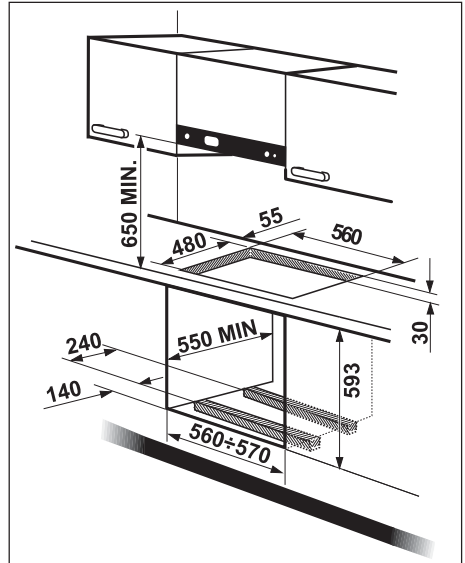


Abb. 11

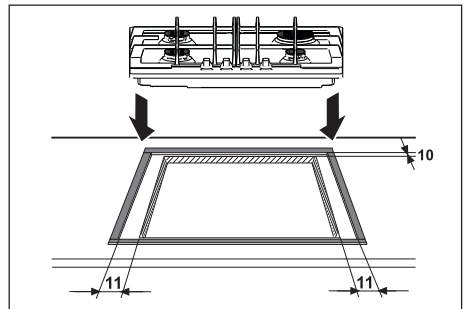


Abb. 12

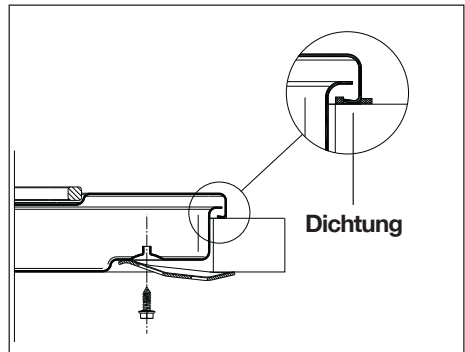


Abb. 13

Einbaumöglichkeit

Auf Unterbau mit Tür

Bei der Konstruktion des Unterbaumöbels müssen geeignete Vorkehrungen getroffen werden, damit mögliche Berührungen mit der Struktur der heißen Kochmulde während des Betriebs vermieden werden. Die empfohlene Lösung zur Vermeidung dieses Problems ist in der Abbildung 14 dargestellt.

Die Platte unterhalb der Kochmulde muss leicht zu entfernen sein, damit die Befestigung und das Lösen der Kochmulde durch den Kundendienst gewährleistet ist.

Auf Unterbau mit Backofen

Der Unterbau muss die in Abb. 11 angegebenen Abmessungen aufweisen und über Halterungen für eine wirksame Belüftung verfügen.

Zur Vermeidung übermäßig hoher Temperaturen sollte die Installation gemäß den Abb. 15 und 16 ausgeführt werden.

Die elektrischen Anschlüsse der Kochmulde und des Ofens müssen sowohl aus technischen Gründen als auch zur Erleichterung der frontalen Entnahme des Ofens getrennt ausgeführt werden.

Hängeschränke oder Dunstabzugshauben müssen sich mindestens 650 mm über der Kochmulde befinden (Abb. 11).

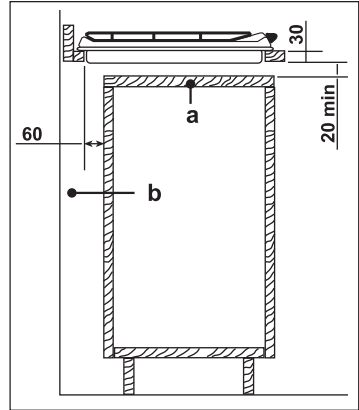


Abb. 14

- a) Abnehmbare Platte des Möbels
- b) Raum für eventuelle Anschlüsse

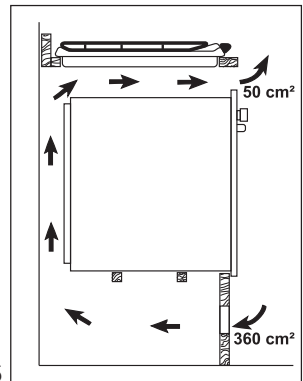


Abb. 15

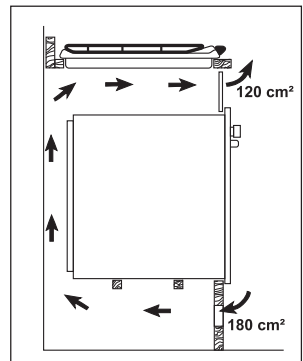


Abb. 16

Kundendienst und Ersatzteile

Dieses Gerät wurde vor Verlassen des Werks einer Endabnahme und Einstellarbeiten durch Fachpersonal unterzogen, um den einwandfreien Betrieb zu gewährleisten. Alle in der Folge notwendigen Reparaturen oder Einstellarbeiten sind mit höchster Sorgfalt auszuführen.

Sie sollten sich aus diesem Grund stets an die Verkaufsstelle oder das Electrolux Service Center in ihrer Nähe wenden und die Art der Störung, das Gerätemodell (**Mod.**), die Gerätenummer (**angeben No.**) sowie die Seriennummer (**Ser. No.**). Diese Daten könnten Sie dem Schild entnehmen, das in der mitgelieferten Schutzhülle der Gasdüsen enthalten ist.

Inhoud

Waarschuwingen en adviezen	60
Aanwijzingen voor de gebruiker	62
Optimaal rendement	64
Onderhoud	65
Technische gegevens	67
Elektrische aansluiting	68
Gasaansluiting	69
Ombouw naar vloeibaar gas	71
Inbouw	73
Inbouw en montage	74
Inbouwmogelijkheden	75
Service en originele onderdelen	76

Over deze gebruiksaanwijzing



Aanwijzingen m.b.t. de veiligheid



Aanwijzingen m.b.t. het gebruik



Adviezen en tips



Informatie m.b.t. het milieu



Dit apparaat voldoet aan de **EU-richtlijnen:**

2006/95 - 89/336 - 90/396 - 93/68

en de daarbij behorende besluiten.

FABRIKANT:

ELECTROLUX HOME PRODUCTS ITALY S.p.A.

Viale Bologna, 298

47100 FORLÌ (Italië)

Het is uiterst belangrijk dat het bij het apparaat behorende instructieboekje bewaard blijft. Zou het apparaat door u aan iemand anders gegeven of verkocht worden, of zou het apparaat in het huis van waaruit u verhuist achterblijven, dan dient de nieuwe gebruik(st)er over het instructieboekje en de daarin opgenomen waarschuwingen te kunnen beschikken.

Deze instructies gelden alleen voor de landen waarvan het identificatiesymbool is aangebracht op het titelblad van het instructieboekje en het apparaat zelf.

Nederlands



Waarschuwingen en adviezen

Deze waarschuwingen zijn bedoeld voor uw en andermans veiligheid. U wordt geacht ze gelezen te hebben, alvorens u het apparaat installeert en/of in gebruik neemt.

Installatie

- Het installeren en aansluiten van het apparaat dient door een erkend installateur te geschieden.
- Sluit het apparaat aan op het juiste type gas, zoals vermeld op de sticker naast de gasaansluiting van de kookplaat.
- Tijdens het gebruik produceert de kookplaat warmte en vocht. Zeker tijdens een langdurig gebruik. Zorg dan voor een goede ventilatie door de afzuigkap in te schakelen of door een raam open te zetten.
- Controleer het apparaat na het uitpakken op beschadigingen. Controleer ook het aansluitnoer op beschadigingen. Neem in geval van beschadiging contact op met uw leverancier.
- De fabrikant wijst elke aansprakelijkheid ten aanzien van schade of letsel af, indien bovenstaande veiligheidsmaatregelen niet zijn getroffen of in acht genomen.
- Mocht er in de buurt van de kookplaat een stopcontact zijn, waarop af en toe een ander huishoudelijk apparaat wordt aangesloten, zorg er dan voor, dat het snoer niet in contact komt met hete delen van de kookplaat.
- Als de kookplaat niet wordt gebruikt, trek dan de stekker van de vonkontsteking uit het stopcontact.
- Trek altijd de stekker van de vonkontsteking uit het stopcontact bij het schoonmaken en onderhoud van de kookplaat.
- Zorg altijd voor voldoende ventilatie. Gebrek aan ventilatie kan gebrek aan zuurstof veroorzaken.

Veiligheid van kinderen

Tijdens het gebruik

- Dit apparaat is bedoeld voor het gebruik door volwassenen. Het is gevaarlijk om kinderen het apparaat te laten bedienen of als speelgoed te laten gebruiken.
- Dit apparaat is bedoeld en gemaakt voor het bereiden van voedsel in het huishouden; gebruik het nergens anders voor.
- Het is gevaarlijk om, in welke vorm dan ook, dit apparaat of eigenschappen daarvan te veranderen.
- Om hygiënische en veiligheidsredenen moet het apparaat altijd schoon worden gehouden. Vet- en/of voedselresten kunnen brand veroorzaken.
- Controleer altijd of de bedieningsknoppen in de "UIT" stand staan, als de kookplaat niet meer wordt gebruikt.
- Houd tijdens het in gebruik zijn van de kookplaat kinderen uit de buurt. Ook na het uitschakelen blijft het apparaat lang heet. Let op dat kinderen de warme delen niet aanraken tijdens het afkoelen.
- Dit apparaat mag niet gebruikt worden door kinderen of andere personen wiens lichamelijke, motorische of geestelijke gesteldheid of gebrek aan ervaring en kennis die daardoor het apparaat niet kunnen gebruiken zonder supervisie of instructies van een verantwoordelijk persoon om zeker te zijn van dat het apparaat veilig kan worden gebruikt.

Service

- Reparaties aan het apparaat mogen alleen door vakmensen worden uitgevoerd. Onvakkundige reparaties kunnen tot aanzienlijke risico's leiden.



Informatie m.b.t. het milieu

Houd bij het weggooien van de verpakking rekening met de veiligheid en het milieu.

Als u een oud apparaat afdankt, maak het dan onbruikbaar door het aansluitsnoer af te snijden.



Het symbool  op het product of op de verpakking wijst erop dat dit product niet als huishoudafval mag worden behandeld. Het moet echter naar een plaats worden gebracht waar elektrische en elektronische apparatuur wordt gerecycled. Als u ervoor zorgt dat dit product op de correcte manier wordt verwijderd, voorkomt u mogelijk voor mens en milieu negatieve gevolgen die zich zouden kunnen voordoen in geval van verkeerde afvalbehandeling. Voor meer details in verband met het recyclen van dit product, neemt u het best contact op met de gemeentelijke instanties, het bedrijf of de dienst belast met de verwijdering van huishoudafval of de winkel waar u het product hebt gekocht.

Aanwijzingen voor de gebruiker

Bedieningsknoppen

De bedieningsknoppen van de branders hebben drie standen:

● gesloten - uit



maximale gastoevoer



minimale gastoevoer

Aansteken van de branders

i Steek de brander altijd aan voordat u er een pan opzet.



- **Geïntegreerde ontsteking**

Steek een lucifer aan. Druk de knop van de betreffende brander in en draai hem linksom. Steek de brander direct aan.

Maar houdt vervolgens de knop nog **5 seconden** geheel ingedrukt. Dat is nodig om de vlambeveiliging in te schakelen. De vlambeveiliging voorkomt, dat het gas blijft doorstromen, als de vlam uitwaait of uitgaat door een storing in het gasnet. Zet vervolgens de knop in de gewenste stand.

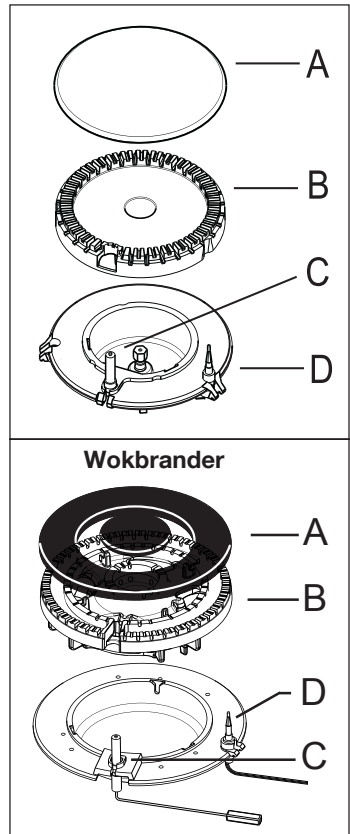
Om de brander uit te schakelen draait u de knop rechtersom op de UIT "●" stand.

- **Het ontstekingsmechanisme mag niet langer dan 15 seconden ingedrukt worden. Als de brander niet aan is na 15 seconden, wacht dan minstens 1 minuut voordat u het nogmaals probeert.**
- **Als de brander per ongeluk dooft, zet dan de knop op UIT en wacht minstens 1 minuut voordat u het nogmaals probeert.**

i **Luciferontsteking**

Steek de lucifer aan. Druk de knop van de betreffende brander in en draai hem linksom. Steek de brander direct aan.

Zet vervolgens de knop in de gewenste stand.



A - Branderdeksel
B - Vlamverdeler
C - Vonkontsteking
D - Vlambeveiliging

afb. 1

- **Zet altijd eerst de brander lager of uit voordat u de pan van de brander neemt.**
- **Het apparaat is voorzien van regelkranen waardoor een betere vlammenregeling mogelijk is.**

**Waarschuwing**

Druk nooit op de knop van de brander als het branderdeksel niet op de brander ligt. Doet u dat wel, dan kan de ontstekingsunit z'n zeer hoge spanning niet kwijt hetgeen tot beschadiging van de ontstekingsunit kan leiden.



Belangrijk: Ontsteek eerst de brander en plaats dan de pan boven de brander.

Optimaal rendement

Voor een optimaal rendement moet de diameter van de pan aangepast zijn aan de brander, zodat de vlammen niet langs de zijkant uitslaan (zie tabel). Wij adviseren ook om de vlam lager te zetten zodra het kookpunt bereikt is.

- Gebruik alleen pannen met een vlakke bodem.



Wees voorzichtig als u olie of andere vetstoffen gebruikt (zoals bij het frituren). Olie en vet ontbranden gemakkelijk bij oververhitting.

Brander	minimale diameter	maximale diameter
Wok	180 mm	260 mm
Normaal achter voor	120 mm	220 mm
	120 mm	180 mm
Sudder	80 mm	160 mm

Voor een juist gebruik van de kookplaat

Om minder gas te verbruiken en een beter rendement te behalen, alleen pannen gebruiken met een platte bodem en met afmetingen die geschikt zijn voor de branders, zoals aangegeven in de tabel onderaan deze pagina. Let er bovendien op dat u, zodra een vloeistof gaat koken, de vlam lager zet op een stand die voldoende is om de vloeistof aan de kook te houden.

Tijdens bereidingsmethoden waarbij vetten of oliën gebruikt worden uw gerechten goed in de gaten houden; deze stoffen kunnen, wanneer ze op hoge temperatuur gebracht worden, in brand vliegen.

Roestvrij staal kan, als het blootgesteld wordt aan extreme hitte, bruin worden. Daarom raden wij langdurig gebruik van een grillsteen, schaal van ongeglazuurd aardewerk of pan van gietijzer af. Vermijd het gebruik van aluminiumfolie om de kookplaat tijdens het gebruik te beschermen.

Vergewis u ervan dat de pannen niet uitsteken buiten de randen van de kookplaat en dat ze midden op de branders staan teneinde minder gas te verbruiken.

Zet geen onstabiele of vervormde pannen op de branders: ze zouden om kunnen vallen of de inhoud zou over de rand kunnen lopen, waardoor ongelukken kunnen ontstaan.

De pannen mogen niet op de bedieningszone staan.

Onderhoud



Trek voordat u de kookplaat gaat schoonmaken altijd eerst de stekker uit het stopcontact en laat de kookplaat afkoelen.

Voor het reinigen van de emaille delen mag nooit een agressief middel gebruikt worden. Maak een sopje van warm water met afwasmiddel.

Maak zeer regelmatig de branders schoon, verwijder voedselresten, maak de branderingen en -deksels goed droog met een zacht doekje voordat u ze weer terug zet.

De pannendragers ook met een sopje van afwasmiddel schoonmaken.

Gebruik voor het verwijderen van lastige vlekken nooit een pannenspons van staalwol, een agressief schoonmaakmiddel of een pannenspons met een harde laag. Gebruik voor het verwijderen van hardnekkig vuil daarvoor in de handel zijnde schoonmaakmiddelen zonder schurende werking.



Kookplaten met gietijzeren pannendragers: plaats na het schoonmaken de pannendragers weer op hun plaats. Om ze correct terug te plaatsen, plaatst u eerst de zij-pannedragers en daarna de middelste.

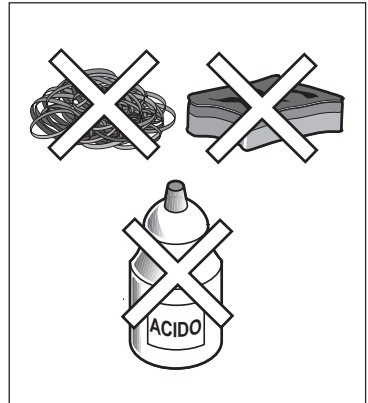
De pannendragers van de kookplaat

De kookplaten zijn voorzien van pannendragers van geëmailleerd ijzer, die dun en licht zijn of van gietijzer, die dikker en zwaarder zijn.

De pannendragers kunnen van de kookplaat verwijderd worden zodat ze beter kunnen worden schoongemaakt.

Wij adviseren u de gietijzeren pannendragers niet op de kookplaat neer te zetten om te voorkomen dat deze bekrast wordt of beschadigd raakt.

De geëmailleerde roosters kunnen met warm zeepsop worden gereinigd.



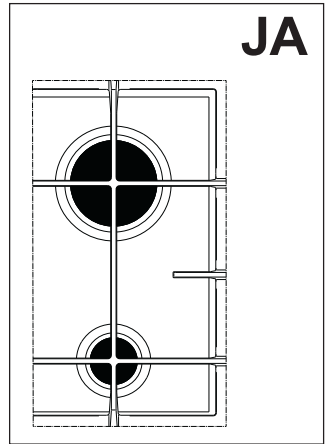
Zet de pannendragers, nadat ze gereinigd zijn, terug op hun plaats en controleer of ze goed staan.

Voor een juiste werking van de branders moet u ervoor zorgen dat de pannendragers met de concentrische spaken op de brander staan, zoals afgebeeld in figuur 2.

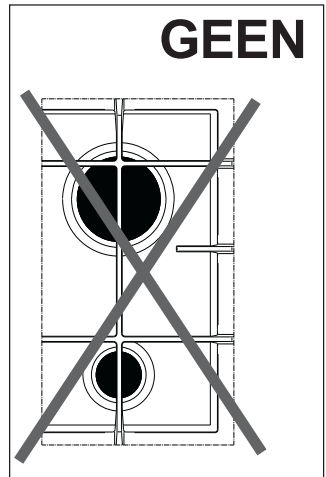
Vonkontsteking

De vonkontsteking, bestaand uit een elektrode gevat in een keramisch omhulsel, moet vrij worden gehouden van voedselresten en vocht, omdat anders de ontsteking niet functioneert (afb. 1 - C).

Controleer of de branderring poorten schoon zijn.



afb. 2



afb. 3

Technische gegevens

Vermogen gasbranders

Wokbrander	4,0 kW
Normaalbrander	2,0 kW
Sudderbrander	1,0 kW

Uitsnijmaat

Breedte	560 mm
Diepte	480 mm

Kookplaat

Categorie	II2E+3+	Breedte	594 mm
Voeding gas	Aardgas G20/G25 (2E+) 20/25 mbar	Diepte	510 mm

Aansluiting aan 230 V~50 Hz

Apparaat klasse 3

Tabel 1: Inspuitstukken

TYPE BRANDER	MAXIMALE WARMTE-AFGIFTE kW	MINIMALE WARMTE-AFGIFTE kW	NOMINALE AFGIFTE					
			AARDGAS			GAS LPG 28-30/37 mbar		
			Sproieres 100/mm	m ³ /h		Sproieres 100/mm	g/h	
				G20 20 mbar	G25 25 mbar		G30	G31
Sudderbrander	1,0	0,33	70	0,095	0,111	50	73	71
Normaalbrander	2,0	0,45	96	0,190	0,221	71	145	143
Wokbrander	4,0	1,2	146	0,381	0,443	98	291	286

Tabel 2: Diameters bypass afregelschroeven

Brander	Ø Bypass 1/100 mm.
Sudderbrander	28
Normaalbrander	32
Wokbrander	56

Elektrische aansluiting

- De aansluiting moet volgens NEN 1010 en eventuele speciale voorschriften van het plaatselijke energiebedrijf worden uitgevoerd.
- Controleer of de zekeringen en de huisinstallatie de belasting van het apparaat kunnen verdragen (zie typeplaatje).
- Het stopcontact moet geaard zijn.
- Het stopcontact of de meerpolige schakelaar moeten makkelijk toegankelijk zijn.
- Als u het apparaat direct aan het net aansluit, moet tussen net en apparaat een meerpolige schakelaar worden aangebracht die tussen de contacten een opening van minimaal 3 mm heeft. De aardleiding mag nooit worden onderbroken (geel/groene draad).
- Het aansluitsnoer moet zodanig worden geïnstalleerd dat het niet heter kan worden dan 90°C.

De gaskookplaat is voorzien van een 3-aderig aansluitsnoer met randaardestekker. De netspanning moet 230 V 50Hz zijn.

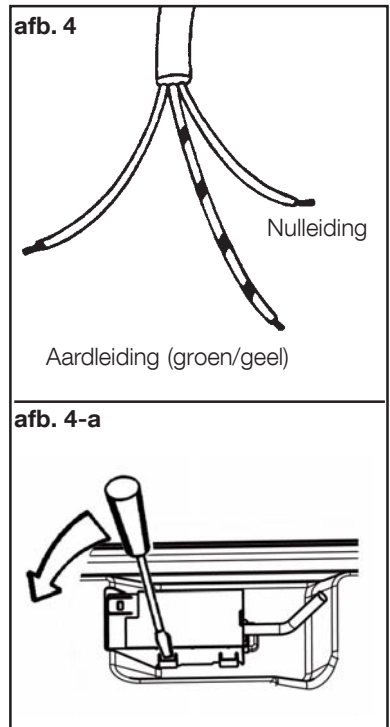
Vervangen van het aansluitsnoer

Het aansluitsnoer mag alleen door een erkend installateur worden vervangen.

Voor het vervangen van het snoer mag alleen type H05V2V2-F T9 worden gebruikt, aangepast aan temperatuur en belasting.

Bovendien moet de groen/gele aardleiding zo'n 2 cm langer zijn dan de faseleiding en de nulleiding (afb. 4).

Om de klep van het klemmenbord te openen gaat u te werk als in afb. 4-a.



Gasaansluiting



De volgende gebruiksaanwijzingen zijn tot een gekwalificeerd technicus gericht, die de installatie uitvoert, zodat hij de installatie en de verbindingen op de juiste manier kan uitvoeren, de huidige wetten en normen in acht nemende. Iedere tussenkomst na aansluiting dient te worden uitgevoerd met afgekoppelde of uit-geschakelde stroomtoevoer. De installatie en de elektrische aansluiting van het apparaat moeten door een erkend vakman gebeuren.

- De zijwanden van de meubels mogen niet hoger komen dan het werkvlak van het toestel.
- Plaats het toestel niet in de buurt van ontvlambare materialen (zoals gordijnen, handdoeken enz.).
- De hierna volgende instructies zijn bestemd voor de erkende installateurs, om ervoor te zorgen dat installatie en onderhoud optimaal verlopen, volgens de geldende normen. De installatie moet conform de norm NBN D 51.003 "Installaties gevoed met stookgas lichter dan lucht" worden uitgevoerd.
- Ontkoppel het kookplateau van de stroomtoevoer. Ingeval het plateau op de stroomtoevoer aangesloten moet blijven, moeten alle nodige voorzorgsmaatregelen worden getroffen.

Monteer een afsluitkraan die erkend is door de AGB. Starre aansluitingen verdienen de voorkeur. Bij gebruik van een gas slang moet een door de AGB erkende slang met metalen omhulsel worden gebruikt.

Bij het gebruiken van flexibele vaste verbindingen moet men er op letten dat de pijpen niet kunnen worden geplet of dichtgeknepen en niet in aanraking komen

met bewegende delen. Let hier ook op wanneer de kookplaat wordt gecombineerd met een oven.

Deze kookplateaus kunnen zowel worden gevoed met gas van Slochteren (G25) met een nominale druk van 25 mbar als met aardgas (G20) met een nominale druk van 20 mbar. Om te werken met deze twee soorten gas is geen extra afstelling nodig.

Alvorens de installatie uit te voeren moet u nagaan of de gastoevoer volstaat voor de correcte voeding van het plateau. Bij maximum verbruik mag de drukdaling maximum 5% bedragen. Deze drukdaling is afhankelijk van volgende factoren:

- maximum debiet van de gasmeter;
- diameter en lengte van de leidingen voor en achter de meter;
- doorgangsoeningen van de verschillende kranen in het circuit;
- diameter van de eventuele tussenstukken.



Belangrijk - Voor een correcte werking, een zuinig verbruik en een grotere levensduur van het kookplateau moet u ervoor zorgen dat de toevoerdruk overeenstemt met de waarden in de tabel.

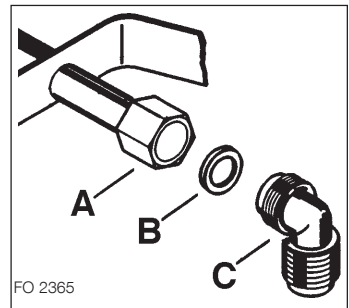
Gasaansluiting

De verstelbare aansluiting wordt door middel van een 1/2" moer vast gezet. Alle componenten zoals weergegeven in de afbeelding zijn reeds in de fabriek gemonteerd (afb.5).

Om een optimaal resultaat te garanderen, is het toestel voor vertek uit de fabriek getest.



Belangrijk - Om de installatie te voltooien, kijk altijd de perfecte dirchtheid van de verbindingstukken na door een zeepachtige oplossing te gebruiken, nooit een vlam.



afb. 5

- A) Aansluitpijp met wartel
- B) Ringetje
- C) Haakse fitting

Ombouw naar vloeibaar gas

Aanwijzingen m.b.t. de veiligheid

Het ingestelde type gas is aangegeven op een sticker naast de gasaansluiting. Bij ombouw moet de sticker worden vervangen.

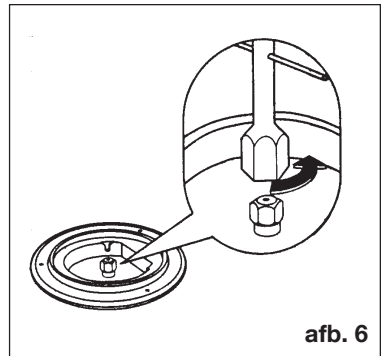
Het ombouwen van gasinstallaties mag alleen door een erkend installateur uitgevoerd worden.

Vóór het ombouwen moet het apparaat worden losgekoppeld van gas- en stroomvoorziening: draai de gaskraan dicht en schakel de zekeringen in de huisinstallatie uit.

Vervangen van de sproeiers

- Verwijder de roosters.
- Neem het bovenste gedeelte en de gasontstekers.
- Met een steeksleutel van 7 schroeft U de gassproeiers los en neemt U ze weg, om ze te vervangen door diegene die overeenstemmen met het type gas (afb. 6).
- Hermonteer de delen door dezelfde handelingen te volgen, in tegengestelde zin.
- Vervang het indentificatieplaatje (geplaatst vlakbij de gastoevoerpijp) door het plaatje dat overeenstemt met het nieuwe gastype. Dit indentificatieplaatje vindt u in de verpakking van het inspuitstuk meegeleverd met het toestel.

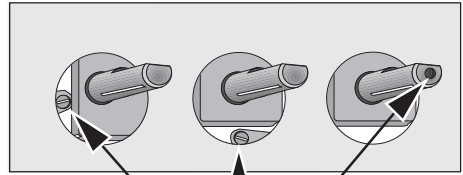
Indien de gasdruk verschillend is (of variabel) van dewelke voorzien, is het noodzakelijk een gepaste drukregelaar te plaatsen op de inlaattube, conform aan de normen.



afb. 6

Regeling gaspitten

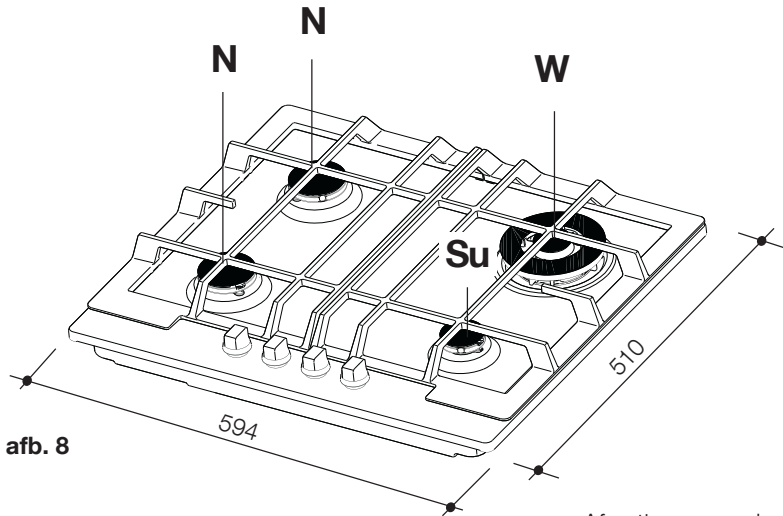
- Ontsteek de brander.
- Breng de toets op de positie van de kleinste vlam.
- Verwijder de toets.
- Regel de bypass vijs met een dunne schroevendraaier (afb. 7).
In geval van transformatie van aardgas naar flessengas, het by-pass schroefje van de kranen goed vastschroeven.
In geval van transformatie van flessengas naar aardgas, het by-pass schroefje ongeveer 1/4 draai losschroeven, totdat men een kleine regelmatige vlam verkrijgt.
- Controleer tenslotte of er geen uitdovingen van de gaspit zijn door snel de toets van de maximale stand op de minimum stand te draaien.



afb. 7

bypass afregelschroef

Inbouw



Afmetingen worden
gegeven in millimeters

Su = sudderbrander
N = normaalbrander
W = wokbrander

Deze kookplaten zijn bestemd om te worden ingebouwd in geschikte werkbladen met een diepte tussen 550 en 600 mm. De afmetingen van de kookplaat zijn aangegeven in figuur 8.

Inbouw en montage

Inbouw in en bevestiging in het werkblad

De kookplaat kan gemonteerd worden in een werkblad met uitsnijmaten zoals aangegeven in figuur 9. De afstand van de uitsnede tot de achterwand moet minstens 55 mm zijn. De afstand tussen de uitsnede en een eventuele rechter of linker zijwand die hoger is dan de kookplaat dient minstens 100 mm te bedragen.

De bevestiging van de kookplaat in het werkblad dient als volgt te worden uitgevoerd:

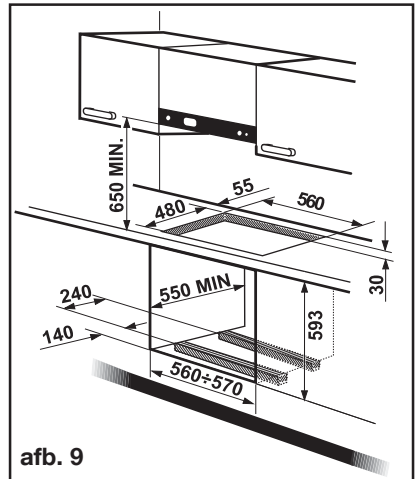
- plaats de bijgeleverde afdichting op de rand van de voorkant van de uitsnede op 11 millimeter van de zijkanen en op 10 mm van de achterkant, waarbij u erop let dat de uiteinden elkaar raken zonder elkaar te overlappen (zie fig. 10);
- plaats de kookplaat goed in het midden van de opening in het werkblad;
- bevestig de kookplaat in het werkblad met de daarvoor bestemde bijgeleverde haken (zie fig. 11).

Het uitstekende dichtingsmateriaal moet met een mes van hout of kunststof worden verwijderd om beschadigingen aan de werkplaat te voorkomen.

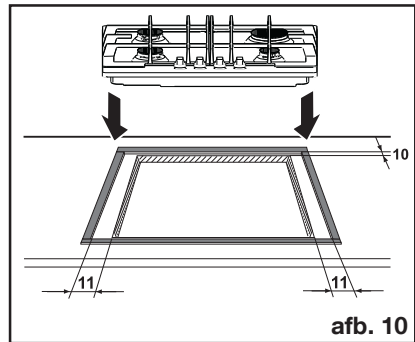
Om het dichtingsmateriaal volledig te kunnen verwijderen, dient u het kunststofmes schuin te houden (in een hoek van 45°C houden).

Het aandraaien van de schroeven is voldoende om de afdichting te laten hechten, het teveel aan afdichtingsmateriaal kan makkelijk worden verwijderd.

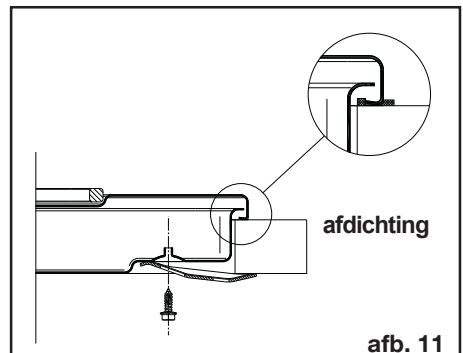
De rand van de kookplaat zorgt voor een dubbele afdichting die een absolute garantie biedt tegen het binnendringen van vloeistoffen.



afb. 9



afb. 10



afb. 11

Inbouwmogelijkheden

Op een keukenmeubel met deur

Zorg er altijd voor, dat de onderzijde van de kookplaat minimaal 20 mm verwijderd is van onderliggende kastdelen of voorwerpen.

Een aanbevolen oplossing ziet u in afb. 9. Het paneel onder de kookplaat moet eenvoudig kunnen worden verwijderd, zodat bij evt. reparatie de kookplaat kan worden losgekoppeld.

Boven een oven

Voor de inbouwopeningen, zie afb. 9.

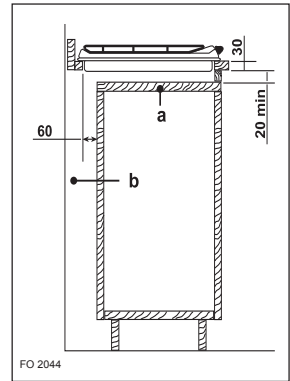
Er zijn twee ventilatie-openingen vereist. De afbeeldingen 13 en 14 tonen twee mogelijke oplossingen.

De elektrische aansluitingen voor de oven en de kookplaat moeten toegankelijk blijven en afzonderlijk gelegd worden.

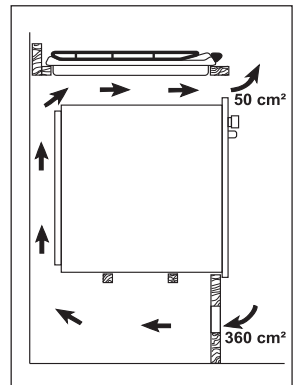
Zorg ervoor dat de onderzijde van een bovenkast altijd minimaal 650 mm verwijderd is van de kookplaat (afb. 9).

Indien boven de kookplaat een afzuigkap van 60 cm wordt geplaatst, zorg er dan voor, dat de bovenkasten links en rechts van de kap minimaal 550 mm afstand hebben tussen de onderkant van de kasten en het werkblad.

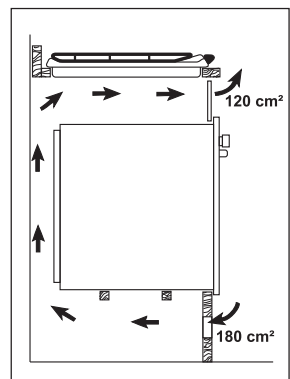
Dit om te voorkomen dat eventueel de afdekplaat niet geplaatst kan worden.



afb. 12



afb. 13



afb. 14

Service en originele onderdelen

Deze machine is voor het verlaten van de fabriek getest en bestudeerd door experts en specialisten, om u het beste resultaat te geven.

Eventuele reparatiewerkzaamheden moeten met de grootste zorg en attentie gedaan worden.

Daarom adviseren wij dat in het geval van problemen u contact opneemt met de dichtsbijzijnde Service Centre en opgave doet van de aard van het probleem, het model (**Mod.**), het produktnummer (**Prod.No.**) en het serienummer (**Ser.No**) aangegeven op het typeplaatje in de inspuitset.

Originele onderdelen, goedgekeurd door de fabrikant en met dit symbool zijn alleen verkrijgbaar bij ons Service Centre en erkende onderdelen winkels.

www.progress-hausgeraete.de