

AUTOMIX²™

8 Channel Automatic Mixer



OPERATING GUIDE



Intended to alert the user to the presence of uninsulated “dangerous voltage” within the product’s enclosure that may be of sufficient magnitude to constitute a risk of electric shock to persons.



Intended to alert the user of the presence of important operating and maintenance (servicing) instructions in the literature accompanying the product.

CAUTION: Risk of electrical shock — DO NOT OPEN!

CAUTION: To reduce the risk of electric shock, do not remove cover. No user serviceable parts inside. Refer servicing to qualified service personnel.

WARNING: To prevent electrical shock or fire hazard, do not expose this appliance to rain or moisture. Before using this appliance, read the operating guide for further warnings.



Este símbolo tiene el propósito, de alertar al usuario de la presencia de “(voltaje) peligroso” que no tiene aislamiento dentro de la caja del producto que puede tener una magnitud suficiente como para constituir riesgo de corrientazo.



Este símbolo tiene el propósito de alertar al usuario de la presencia de instrucciones importantes sobre la operación y mantenimiento en la literatura que viene con el producto.

PRECAUCION: Riesgo de corrientazo — ¡No abra!

PRECAUCION: Para disminuir el riesgo de corrientazo, no abra la cubierta. No hay piezas adentro que el usuario pueda reparar. Deje todo mantenimiento a los técnicos calificados.

ADVERTENCIA: Para evitar corrientazos o peligro de incendio, no deje expuesto a la lluvia o humedad este aparato. Antes de usar este aparato, lea más advertencias en la guía de operación.



Ce symbole est utilisé pour indiquer à l'utilisateur la présence à l'intérieur de ce produit de tension non-isolée dangereuse pouvant être d'intensité suffisante pour constituer un risque de choc électrique.



Ce symbole est utilisé pour indiquer à l'utilisateur qu'il ou qu'elle trouvera d'importantes instructions sur l'utilisation et l'entretien (service) de l'appareil dans la littérature accompagnant le produit.

ATTENTION: Risques de choc électrique — NE PAS OUVRIR!

ATTENTION: Afin de réduire le risque de choc électrique, ne pas enlever le couvercle. Il ne se trouve à l'intérieur aucune pièce pouvant être réparée par l'utilisateur. Confier l'entretien à un personnel qualifié.

AVERTISSEMENT: Afin de prévenir les risques de décharge électrique ou de feu, n'exposez pas cet appareil à la pluie ou à l'humidité. Avant d'utiliser cet appareil, lisez les avertissements supplémentaires situés dans le guide.



Dieses Symbol soll den Anwender vor unisolierten gefährlichen Spannungen innerhalb des Gehäuses warnen, die von Ausreichender Stärke sind, um einen elektrischen Schlag verursachen zu können.



Dieses Symbol soll den Benutzer auf wichtige Instruktionen in der Bedienungsanleitung aufmerksam machen, die Handhabung und Wartung des Produkts betreffen.

VORSICHT: Risiko — Elektrischer Schlag! Nicht öffnen!

VORSICHT: Um das Risiko eines elektrischen Schlages zu vermeiden, nicht die Abdeckung entfernen. Es befinden sich keine Teile darin, die vom Anwender repariert werden könnten. Reparaturen nur von qualifiziertem Fachpersonal durchführen lassen.

ACHTUNG: Um einen elektrischen Schlag oder Feuergefahr zu vermeiden, sollte dieses Gerät nicht dem Regen oder Feuchtigkeit ausgesetzt werden. Vor Inbetriebnahme unbedingt die Bedienungsanleitung lesen.

ENGLISH

AUTOMIX™ 2

INTRODUCTION

Thank you for purchasing the Automix™ 2! The Architectural Acoustics Automix™ 2 is a high quality automatic mixer with eight transformer balanced mic/line inputs. Each channel provides a gain control, 48 Volt phantom power (mic inputs), low cut filter, activity/clipping LED, an Aux send control and a choice between manual or automatic operation. Each channel also provides a defeatable insert point, 5 Volt TTL status output and can be muted individually or multiple channels can be muted simultaneously via an assignable mutebus. In addition, channels one and two provide an adjustable priority control.

The master section provides a gain trim control, three 1/9 octave sweepable notch filters, a downward expander, transformer balanced outputs (main and aux) and remote volume connections. The Automix™ 2 has been designed to easily link multiple units together to form a single mixer with many more inputs (16, 24, 32...). The Automix 2 is supplied with a see-through plexiglass security panel to prevent changes to the installer's settings.

THEORY OF OPERATION FRONT PANEL



FRONT PANEL FEATURES

1. CHANNEL LEVEL

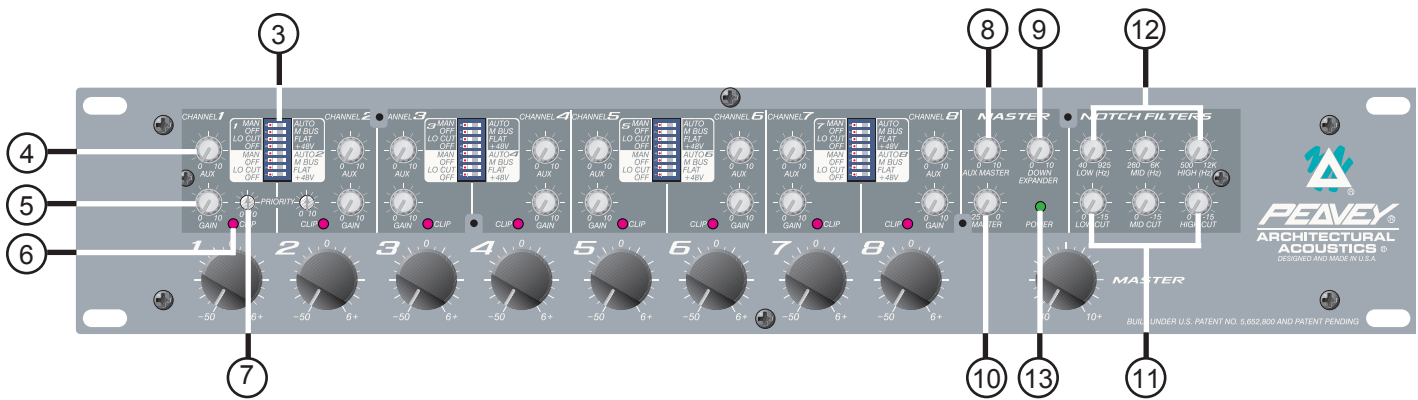
Manual Mode: In the manual mode the channel level controls provide 6dB of gain and 50dB of attenuation.

Auto Mode: In the auto mode the control still provides 50dB of attenuation, but the control does not add gain to the overall system level. Instead, when the level is adjusted above “0”, the other channels are attenuated to make the channel being adjusted sound louder in the mix without adding to the system gain.

2. MASTER LEVEL

The master level controls the overall output level. The range is set for 10dB of gain above, and 40dB of attenuation.

INTERNAL PANEL



INTERNAL PANEL FEATURES

3. DIP SWITCHES

Each channel has four DIP switches that control the following functions.

A. MAN/AUTO

This switch determines whether the channel is operating in the automatic or manual mode.

B. OFF/MBUS

This switch is used to connect the channel to the system mutebus. This allows multiple inputs to be muted simultaneously under external control. See MUTEBUS, page 7.

C. LO CUT/FLAT

This switch selects the low cut filter. The low cut filter provides a low frequency rolloff that will help minimize unwanted noise (handling of mics, bumping of table, etc...). The rolloff starts at 100 Hz (-3dB) and is a 6dB per octave filter.

D. OFF/+48

When this switch is in the +48 position, +48 volts of phantom power is supplied to the mic \pm terminals. This provides power for condenser mics and should be defeated when using dynamic microphones or unbalanced inputs.

4. AUX SEND CONTROL

Controls the level of the signal being sent to the AUX bus. The level being sent to the Aux bus will also be affected if the gain control in that channel is changed.

5. GAIN TRIM

This control sets the input gain in each channel. The amount of gain is adjustable from +25dB to +60dB. (Mic input.)

6. ACTIVITY/CLIPPING LED ACTIVITY

In the automatic mode the LED will glow green, indicating the channel that is predominant in the mix (auto mode). If the channel is in the manual mode the LED will stay on if the front panel level control is at or above the 12:00 position. The green LED is also an indication of the status output state. If the LED is on, then the status output will be high (+5 Volts). If the LED is off, then the status output will be low (0 Volts).

CLIPPING

The LED will turn red if the channel is within 1dB of clipping.

7. PRIORITY (CHANNEL 1 and 2 ONLY)
Turning the priority control clockwise allows one channel to override the others in the mix. It does this by “tricking” the gain computing circuits into thinking this channel is louder than the others. Up to 9dB of priority is available.

8. AUX MASTER LEVEL CONTROL
This control sets the level of the signal being sent to the Aux Out. This level should be set after the individual channel levels have been set.

9. DOWNWARD EXPANDER
The downward expander can be used to attenuate the system gain when all of the input signals are low. This can be used to prevent background room noise from being amplified.

SETTING THE DOWNWARD EXPANDER

Have someone speak into a microphone at the softest level you can expect to encounter. Slowly turn the downward expander clockwise until the background noise between words is attenuated. Be careful not to go too far. The more downward expander that is used, the less “natural” sounding the system will become.

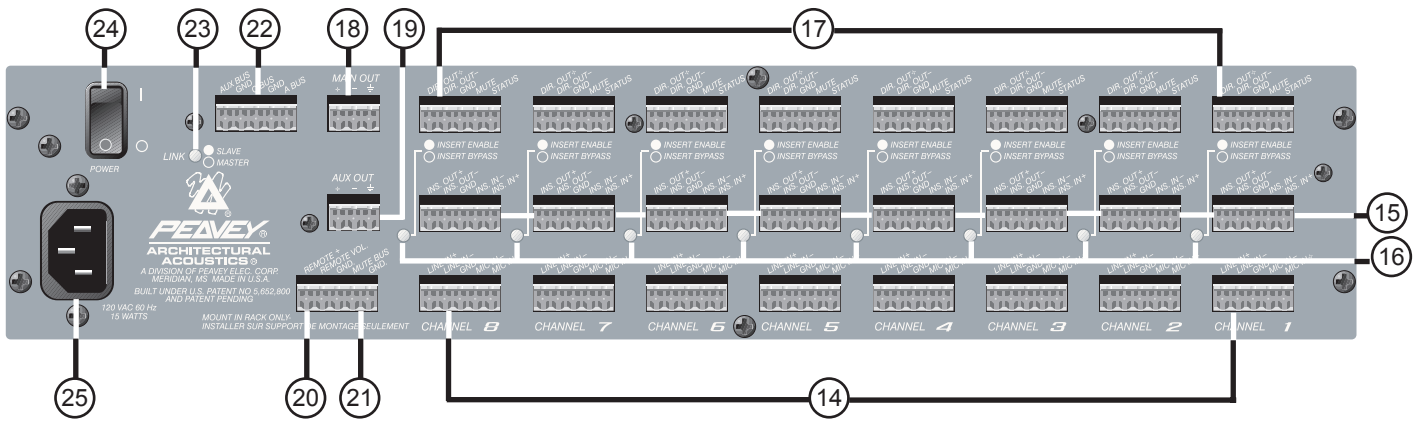
This method will give you a good starting point, but the best way to set the downward expander is during an actual meeting or event. While doing this, the downward expander can be adjusted for the best sound. If you have to deal with both loud and quiet events, you will need to trade off between natural sounding ambient and background noise.

10. MASTER GAIN TRIM
This control sets the maximum overall system gain and should be set with the front panel master gain set to the full clockwise position, all channels at unity, and external power amps turned up and locked at operational settings. When trimmed to a safe margin below feedback, no combination of user controls can cause feedback. This trim provides up to 25dB of attenuation of the system gain.

11. NOTCH FILTER LEVEL CONTROL
The notch filter level control adjusts the amount of cut at the frequency selected by the corresponding frequency control (12). It is adjustable from 0dB to 15dB of cut.

12. NOTCH FILTER FREQUENCY CONTROL
The notch filter frequency control is used to select the center frequency of the notch filter. The bottom filter has a range of 40Hz to 925Hz. The middle filter has a range of 260Hz to 6kHz. The upper filter has a range of 500Hz to 12kHz.

13. POWER LED
Indicates that AC mains power is connected and power switch is in the “ON” position.



BACK PANEL FEATURES

14. MIC INPUTS

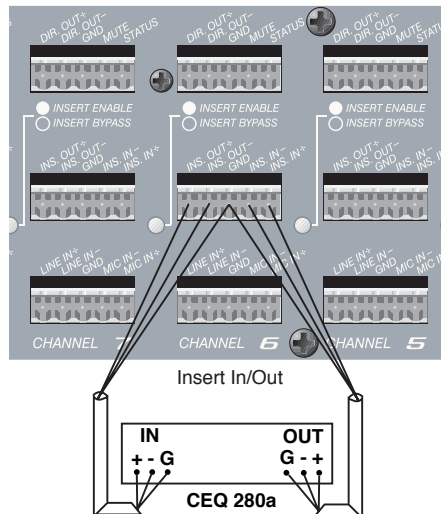
For use with low impedance microphones or low level sources. This is a transformer balanced input with an impedance of 2,000Ω. Input sensitivity for nominal output is -56dBu to -19dBu.

LINE INPUTS

These allow line level inputs to be used. This is a transformer balanced input through a 30dB resistive pad. Input impedance is >20kΩ.

15. INSERT IN/OUT

This is a signal loop that allows an external device such as an EQ to be inserted into the signal path of individual channels (refer to diagram below).



16. INSERT BYPASS SWITCH

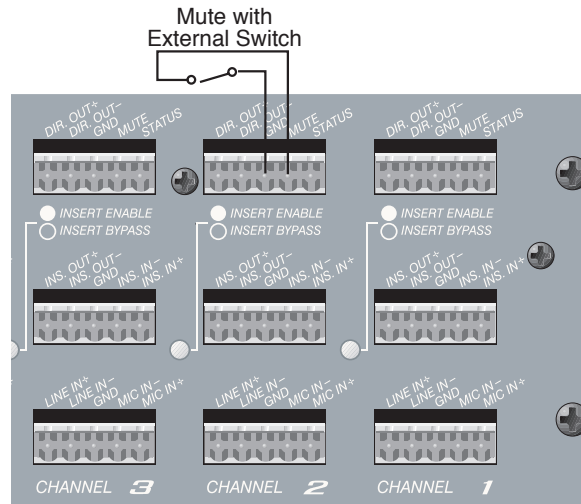
When no signal processor is being used or bypassing the signal processor is desired, this switch should be in the “in” position. If a signal processor is being used, then this switch should be in the “out” position.

17. DIRECT OUTPUTS

Each channel has direct output terminals that can be used for recording or anytime the output of an individual channel is required. This signal is independent of “Automix” gain manipulation. The nominal output level is 2.21dBu (1 Volt).

MUTE

Channels can be muted individually by shorting this terminal to ground. It provides approximately 45dB of attenuation.



STATUS OUTPUT

The status output is a DC logic output that is high (+5 Volts) when the channel is active and low (0Volts) when the channel is not active. This DC voltage can be used to key video cameras or trigger key lights on active microphones.

NOTE: Each channel can source a maximum of 10 mA.

18. MAIN OUT

The main output is a 600Ω, transformer balanced output that can be used to feed an external power amplifier. It is at this point the automatically mixed or the manually mixed output is accessed. The nominal output is 2.21 dBu (1 volt).

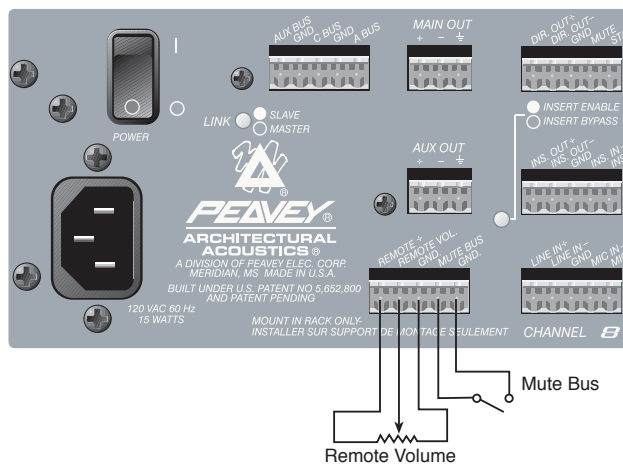
19. AUX OUT

The aux output is a 600Ω, transformer balanced output that can be used as an additional non-automixed output. The nominal output is 2.21 dBu (1 volt).

20. REMOTE VOLUME

The master level of the mixer can be controlled remotely with a simple connection on the back of the unit. A 10k pot will provide approximately 0 to 25dB of attenuation. A 100k pot will provide 0 to 45dB of attenuation. If desired, a control voltage can be inserted to command 0 to 70dB of attenuation. The internal gain trim must be set full clockwise to achieve the maximum attenuation range of the remote volume (refer to diagram below).

NOTE: THE CONTROL VOLTAGE SHOULD NEVER EXCEED 13 VOLTS DC.

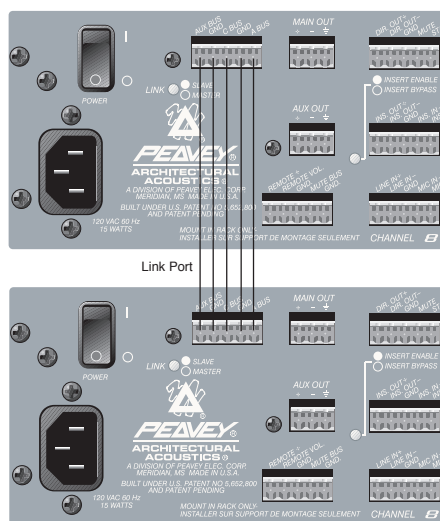


21. MUTEBUS

The mutebus is a control port that when shorted to ground will mute all channels that are assigned to the mutebus approximately 45dB. The channels to be muted must be assigned to the mutebus using the internal switch marked OFF/MBUS. See INTERNAL PANEL FEATURES, page 4 and diagram page 7.

22. LINK PORT

To increase the number of inputs available, multiple Automixers can be linked together. Linking automixers is a very simple process. It can be done with a small flat-head screwdriver and a short length of four conductor shielded wire. The following diagram and procedures will ensure proper linking.



1. Make a linking cable.
2. Connect the mixers according to the diagram above.
3. Select the mixer to be used as the master and place its link switch in the “master” position.
4. All other mixers in the system should have their link switches in the “slave” position.

You now have a 16 (or more) channel automatic mixer. The master controls of the unit chosen as “master” should be used to control the system.

23. LINK SWITCH

The link switch is used to place the unit in the master or slave mode of operation. A stand-alone unit should always be in the master mode. See Link Port (#22).

24. POWER SWITCH

Switch to “I” position to turn on.

25. IEC INLET (AC)



With the Power Switch in the off (O) position, plug the power cord into this connector prior to plugging into your AC power source. **Always ensure proper AC voltage and grounding practices are utilized (proper voltage is labeled under inlet).**

NOTE: FOR UK ONLY

As the colors of the wires in the mains lead of this apparatus may not correspond with the colored markings identifying the terminals in your plug, proceed as follows: (1) The wire which is colored green and yellow must be connected to the terminal which is marked by the letter E or by the earth symbol or colored green or green and yellow. (2) The wire which is colored blue must be connected to the terminal which is marked with the letter N or the color black. (3) The wire which is colored brown must be connected to the terminal which is marked with the letter L or color red.

AUTOMIX™ 2 SPECIFICATIONS

Nominal Out = 2.21 dBu = 1 Volt

Input Specifications:

Function	Input z (ohms) Min	Input Gains Setting	Input Levels (to bal. outputs)			Bal./ Unbal.	Connector
			Min*	Nominal**	Max		
Microphone (150 ohms)	2k	Max Gain (60dB)	-64dBu (0.5mV)	-43dBu (5.5mV)	-2dBu (615mV)	Bal.	Mic In (+) Mic In (-) Ground
Line (10K ohms)	>20k	Max Gain (30dB)	-35dBu 13.7mV	-14dBu (155mV)	+27dBu (17.4V)	Bal.	Line In (+) Line In (-) Ground

* Minimum input level (Sensitivity) is the smallest signal that will produce nominal output (2.21dBu) with channel and master controls set for maximum gain.

** Nominal settings are defined as all control set at 0 dB (or 50% rotation for rotary pots).

EIN:	-122dBu (Max gain, terminated 150 Ohms)
Phantom Power:	+48 Volts at Mic ± terminated
Priority (Channels 1 and 2):	0dB to 9dB
Low Cut Filter:	-3dB at 100Hz (6dB per octave)
Common Mode:	>65dB at 20Hz — 20kHz
Rejection Ratio:	>85dB @ 1kHz

Output Specifications:

Function	Minimum Load Z (Ohms)	Output Levels			Bal./ Unbal.	Connector Main Out (=)
		Nominal	Max			
Main Out	600	+2.21dBu (1V)	+20dBu (7.75V) (Hi Z load)	+16dBm (6.44V) (600Ω load)	Bal.	Main Out (+) Main Out (-) Ground
Aux Out	600	+2.21dBu (1V)	+20dBu (Hi Z load)	+16dBm (600Ω load)	Bal.	Aux Out (+) Aux Out (-) Ground

Distortion:

Mic Input to Main Output: <0.2% at nominal (20Hz to 20kHz)

Frequency Response:

Mic Input Main Output: 20Hz to 20kHz +0/-1 dB at nominal

Mic Input to Aux Output: 20Hz to 20kHz +0/-1 dB at nominal

AUTOMIX™ 2 SPECIFICATIONS

Hum and Noise:

Output	Residual Noise Ref: 0 dBu	S/N Ratio Ref: 2:21 dBu	Test Conditions
Main Out	-85dBu	87dB	All controls down
	-84dBu	86dB	One channel nominal, Master level nominal
Aux Out	-85dBu	87dB	All controls down
	-80dBu	82dB	One channel send nominal, Monitor master nominal

(Hum and noise measurements: 22 Hz to 22 kHz BW)

GENERAL SPECS:

Remote volume range: 0dB to 70dB of attenuation

Off channel attenuation: 0dB to 70dB

Mute: Channel is attenuated 45dB when Mute to ground connection is made.

MuteBus: Multiple channels can be attenuation 45dB when MuteBus to ground connection is made.

Status output: Status is high (5V) when channel is active. It is low (0V) when channel is not active.

Power consumption: AC 120 Volts, 60Hz, Domestic
AC 230 Volts, 50/60 Hz Export
15 watts

Weight: 11 pounds

Dimensions: Width: 19 inches
Depth: 9 1/4 inches
Height: 3 1/2 inches

AUTOMIX™ 2

Setting up the Automix™ 2

1. Wiring Inputs and Outputs:

For best results, it is recommended that two-conductor shielded cable is used for all input and output connections. When making connections remember to observe proper polarity. The recommended strip length for the detachable screw terminals is 1/2".

2. Initial Control Settings:

Channel Levels	(Faceplate)	—	Full CCW
Channel Gain Trims	(Internal)	—	Full CCW
Aux Send Controls	(Internal)	—	Full CCW
Priority	(Internal)	—	Full CCW
Notch Controls	(Internal)	—	Full CCW
Downward Expander	(Internal)	—	Full CCW
Aux Master Level	(Internal)	—	Full CCW
Master Level	(Faceplate)	—	Full CW
Master Gain Trim	(Internal)	—	Full CCW

All channels in the “auto” mode

3. Setting the Channel Level:

Set the front panel control (of the channel that is being adjusted) to the middle (12 o'clock) position. Connect a mic or line input to the first channel. While someone is speaking into the mic (in a way that it would normally be used), slowly increase the channel gain trim until a slight ringing (feedback) is heard or until the clip led begins to blink red occasionally. Turn the channel gain trim down slowly until the ringing is no longer audible. This is the maximum level that the gain trim should be set. Turn the external channel level control down (full CCW).

NOTE: The internal master gain trim (#10) may need to be turned up (CW) if the channels can be easily driven into clipping, or feedback cannot be obtained in the normal operating range of the internal gain trim control.

Repeat this step for the remaining channels.

Return all of the external channel levels controls to their mid position (12 o'clock).

4. Setting the Notch Filter:

The notch filter can be set in a couple of ways. It can be set using test equipment to pinpoint frequencies that are prone to feedback, or it can be set “by ear.” For the purpose of this manual, the “by ear” method will be described:

- A. Slowly increase the master gain trim (internal) until a slight ringing is audible.
- B. Select the proper frequency range and turn the corresponding level control CW to about the 12 o'clock position.
- C. Slowly turn the frequency control back and forth until the ringing is no longer audible.
- D. Again, slowly increase the master gain trim until ringing is heard. If this is a different frequency, repeat steps B and C. If it is not a different frequency, try turning the frequency control while listening to the feedback. Stop when the feedback is as low as possible. If the feedback is still audible, turn the corresponding level control CW toward the -15 setting until the feedback is gone.

5. Setting the Overall Level:

Set the master level control (external) for the desired overall output level. This mixer's levels are now set and the mixer's other features (downward expander, low cut and priorities) can be set as desired for the application.

6. Attaching the Security Panel:

Attach the security plexiglass with the eight supplied screws. This will prevent any unwanted tampering with the settings.

INTRODUCCIÓN

¡Le agradecemos haber adquirido el Automix™ 2! El Architectural Acoustics Automix™ 2 es un mezclador automático de alta calidad, con ocho entradas de micrófono/línea equilibradas por transformador. Cada canal posee control de ganancia, alimentación fantasma de 48 V (entradas de micrófono), filtro de corte de bajos, LED indicador de actividad/recorte de señal, control de señal de muestra auxiliar y la opción de operación manual o automática. Cada canal también posee un punto de inserción anulable y salida de estado de lógica TTL (5 V). Se puede silenciar individualmente o simultáneamente con varios canales, mediante un bus de silenciado asignable. Además, los canales 1 y 2 tienen control de prioridad ajustable.

La sección maestra provee un control de recorte de ganancia, tres filtros de muesca con barrido de frecuencia de 1/9 de octava, un expansor descendente, salidas equilibradas por transformador (principal y auxiliar) y conexiones para control de volumen remoto. El mezclador Automix™ 2 ha sido diseñado para interconectar fácilmente entre sí varias unidades y formar un único mezclador con muchas más salidas (16, 24, 32...). Para evitar modificaciones a las configuraciones del instalador, el mezclador Automix 2 se suministra con un panel de seguridad de plexiglas transparente.

Consulte los diagramas del panel delantero en la sección de inglés de est manual.

TEORÍA DE OPERACIÓN

FUNCIONES DEL PANEL FRONTAL

1. NIVEL DE CANAL

Modo manual: En el modo manual, los controles de nivel de canal proveen 6 dB de ganancia y 50 dB de atenuación.

Modo automático: En modo automático el control aún provee 50 dB de atenuación, pero no agrega ganancia al nivel general del sistema. En lugar de ello, cuando el nivel se ajusta por arriba de "0", los otros canales se atenúan para hacer que el canal ajustado predomine en la mezcla con mayor intensidad sonora, sin aumentar la ganancia del sistema.

2. NIVEL MAESTRO

El nivel maestro controla el nivel de salida general. La banda está configurada para 10 dB de ganancia positiva y 40 dB de atenuación.

FUNCIONES DEL PANEL INTERNO

3. INTERRUPTORES DIP

Cada canal tiene cuatro interruptores DIP que controlan las siguientes funciones:

A. MANUAL/AUTOMÁTICO

Este conmutador determina si el canal funciona en modo manual o en modo automático.

B. DESACTIVADO/BUS DE SILENCIADO

Este interruptor se utiliza para conectar el canal al bus de silenciado del sistema. Esto

permite que varias entradas se silencien simultáneamente mediante un control externo. Vea BUS DE SILENCIADO en la página 7.

C. CORTE DE BAJOS/PLANO

Este conmutador selecciona el filtro de corte de bajos. El filtro de corte de bajos provee atenuación progresiva de baja frecuencia, que ayuda a minimizar los ruidos no deseados (movimiento de micrófonos, golpes en la mesa, etc.). La atenuación progresiva comienza a 100 Hz (-3 dB). Es un filtro de 6 dB por octava.

D. DESACTIVADO/+48

Cuando este interruptor está en la posición +48, se suministran +48 V de alimentación fantasma a los terminales \pm del micrófono. Esto provee alimentación para los micrófonos electrostáticos. Se debe desactivar al utilizar micrófonos dinámicos o entradas no equilibradas.

4. CONTROL DE SEÑAL DE MUESTRA AUXILIAR

Controla el nivel de la señal enviada al bus auxiliar. El nivel enviado al bus auxiliar también es afectado si se modifica el control de ganancia del canal.

5. RECORTE DE GANANCIA

Este control configura la ganancia de entrada a cada canal. La cantidad es ajustable de +25 a +60 dB (entrada de micrófono).

6. LED ACTIVIDAD/RECORTE DE SEÑAL

En el modo automático, el LED indicador se enciende de color verde para indicar que el canal es el predominante en la mezcla (modo automático). Si el canal está en modo manual, el LED indicador continúa encendido si el control de nivel del panel frontal está en la posición de las 12:00 horas o más allá. El LED indicador verde también es un aviso del estado de la salida: si está encendido, el estado de la salida es alto (+5 V); si está apagado, el estado es bajo (0 V).

RECORTE DE SEÑAL

Si el canal está a 1 dB o menos del recorte de la señal, el LED indicador se enciende de color rojo.

7. PRIORIDAD (SÓLO EN LOS CANALES 1 y 2)

Al girar el control de prioridad hacia la derecha, se permite que el canal predomine sobre los otros en la mezcla. Para ello, “engaña” a los circuitos de cómputo de ganancia haciéndolos creer que este canal tiene mayor intensidad sonora que los otros. Se dispone de hasta 9 dB de prioridad.

8. CONTROL DE NIVEL MAESTRO AUXILIAR

Este control configura el nivel de la señal que se envía a la salida auxiliar. El nivel se debe graduar después de configurar los niveles individuales de los canales.

9. EXPANSOR DESCENDENTE

El expansor descendente se puede utilizar para atenuar la ganancia del sistema cuando todas las señales de entrada son bajas. Esto se puede aprovechar para evitar que el ruido ambiente de fondo sea amplificado.

CONFIGURACIÓN DEL EXPANSOR DESCENDENTE

Pida a otra persona que hable frente a un micrófono al nivel más bajo que se espera utilizar. Gire lentamente el expansor descendente hacia la derecha, hasta que se atenúe el ruido ambiente de fondo entre las palabras. Tenga cuidado de no excederse. Cuanto más expansor descendente se utilice, menos "natural" será el sonido del sistema. Este método brinda un buen punto de partida para el ajuste, pero la mejor manera de configurar el expansor descendente es durante la actuación o evento real. Esto permite ajustar el expansor descendente para obtener el mejor sonido. Si debe trabajar con eventos muy ruidosos o muy silenciosos, deberá lograr un equilibrio entre el sonido natural y la anulación del ruido ambiente.

10. RECORTE DE GANANCIA MAESTRO

Este control establece la máxima ganancia general del sistema y se debe configurar con el control de ganancia maestro del panel frontal girado totalmente a la derecha y el amplificador externo activado, con los controles fijos en la configuración operacional. Al recortar la ganancia a un nivel seguro por debajo de la retroalimentación, ninguna combinación de controles del usuario podrá generar esa perturbación. El control de recorte de señal provee hasta 25 dB de atenuación de ganancia del sistema.

11. CONTROL DE NIVEL DE FILTRO DE MUESCA

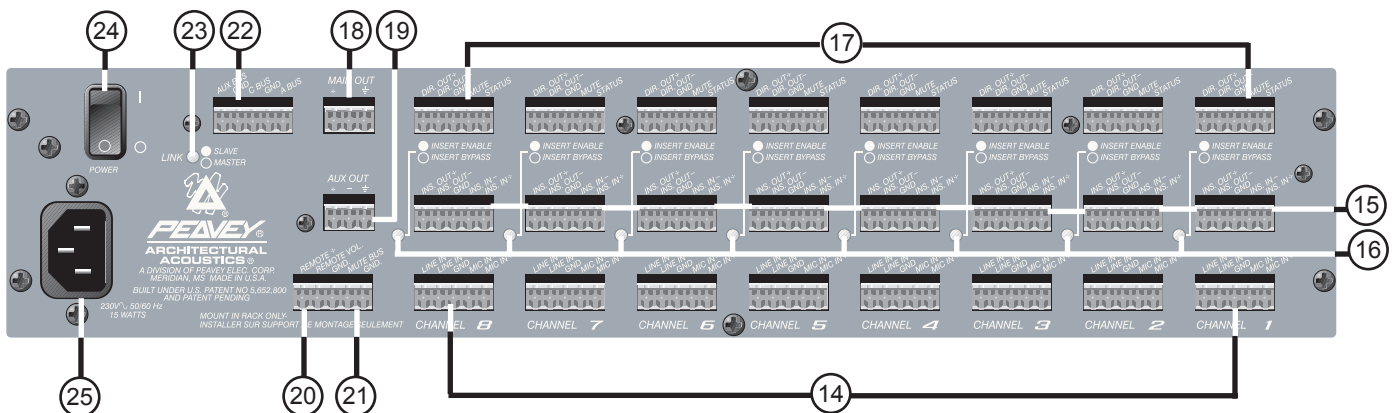
El control de nivel de filtro de muesca ajusta la magnitud de recorte a la frecuencia seleccionada mediante el correspondiente control de frecuencia (12). El recorte es ajustable de 0 a 15 dB.

12. CONTROL DE FRECUENCIA DE FILTRO DE MUESCA

El control de frecuencia de filtro de muesca se utiliza para seleccionar la frecuencia central del filtro. El filtro inferior tiene una banda de 40 a 925 Hz; el filtro central tiene una banda de 260 Hz a 6 kHz; el filtro superior tiene una banda de 500 Hz a 12 kHz.

13. LED DE ALIMENTACIÓN

Indica que la alimentación de línea de CA está conectada y que el interruptor de alimentación está activado.



FUNCIONES DEL PANEL POSTERIOR

14. ENTRADAS DE MICRÓFONO

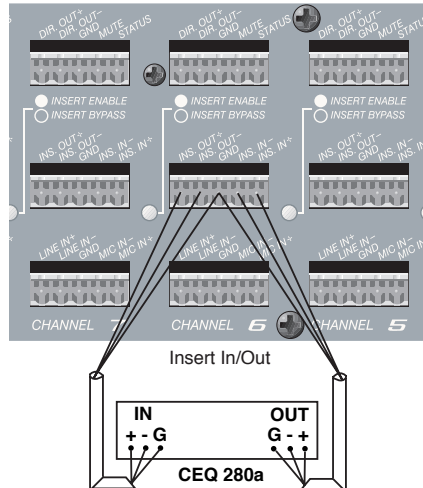
Para utilizar con micrófonos de baja impedancia o fuentes de bajo nivel. Es una entrada equilibrada por transformador, con una impedancia de 2000 Ω . La sensibilidad de la entrada para la salida nominal es de -56 a -19 dBu.

ENTRADAS DE LÍNEA

Permiten utilizar entradas con nivel de línea. Son entradas equilibradas por transformador a través de un atenuador resistivo de 30 dB. La impedancia de entrada es >20 kΩ.

15. ENTRADA/SALIDA DE INSERCIÓN

Es un circuito de señal que permite insertar un dispositivo externo, tal como un ecualizador, en el camino de la señal de los canales individuales (consulte el diagrama más abajo).



16. INTERRUPTOR DE DERIVACIÓN DE SEÑAL

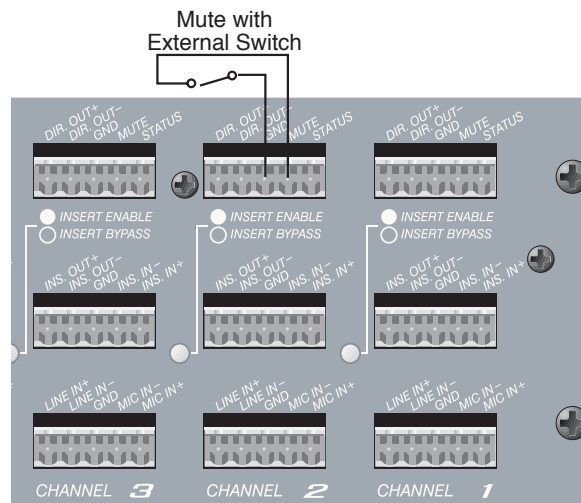
Cuando no se utiliza ningún procesador de señal o se desea evitar el procesador de señal, este interruptor debe estar hacia adentro. Si se utiliza un procesador de señal, debe estar fuera.

17. SALIDAS DIRECTAS

Cada canal tiene terminales de salida directa que se pueden utilizar para grabación o cuando se necesite la salida de un canal individual. La señal es independiente de la ganancia del mezclador Automix™ 2. El nivel de salida nominal es 2,21 dBu (1 V).

SILENCIADO DE SONIDO

Los canales se pueden silenciar individualmente conectando este terminal a tierra. Provee aproximadamente 45 dB de atenuación.



ESTADO DE SALIDA

El estado de la salida es una salida lógica de CC que está en condición alta (+5 V) cuando el canal está activo, y baja (0 V) cuando está inactivo. El voltaje de CC se puede utilizar para excitar videocámaras o disparar luces indicadoras en micrófonos activos.

NOTA: Cada canal puede generar un máximo de 10 mA.

18. SALIDA PRINCIPAL

Es una salida de 600 Ω equilibrada por transformador, que se puede utilizar con un amplificador de potencia externo. Éste es el punto en que se accede a la salida mezclada automática o manualmente. La salida nominal es 2,21 dBu (1V).

19. SALIDA AUXILIAR

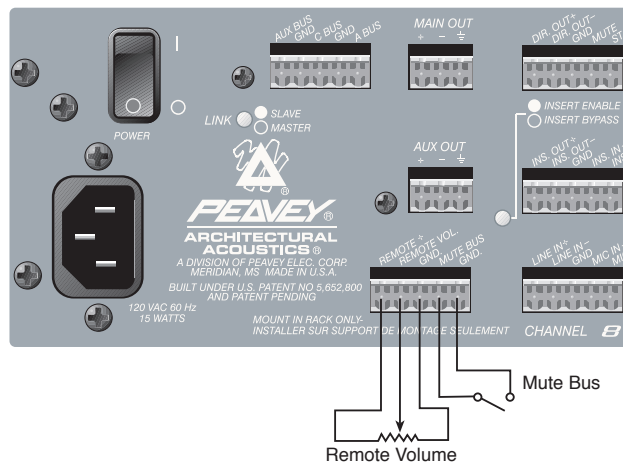
Es una salida de 600 Ω equilibrada por transformador, que se puede utilizar como una salida adicional no mezclada automáticamente. La salida nominal es 2,21 dBu (1V).

20. VOLUMEN REMOTO

El nivel maestro puede ser controlado a distancia con una simple conexión en la parte posterior de la unidad. Un potenciómetro de 10 k Ω provee aproximadamente 0 a 25 dB de atenuación, en tanto que un potenciómetro de 100 k Ω provee de 0 a 45 dB. Si se desea, se puede insertar un voltaje de control para controlar la atenuación de 0 a 70 dB. El recorte de ganancia interno debe estar configurado completamente hacia la derecha, para lograr la gama de atenuación máxima del volumen remoto (consulte el diagrama más abajo).



NOTA: EL VOLTAJE DE CONTROL NO DEBE NUNCA EXCEDER 13 VCC.

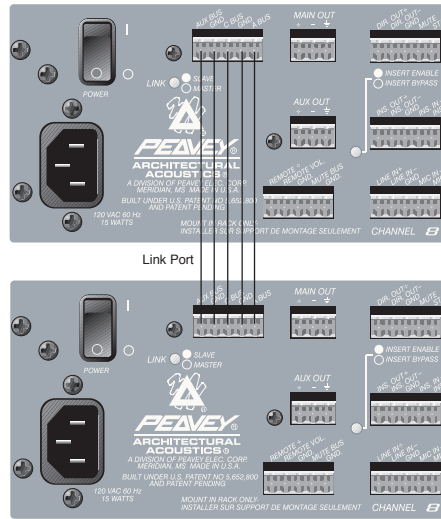


21. BUS DE SILENCIADO

EL bus de silenciado es un puerto de control que, cuando se conecta a tierra, silencia 45 dB aproximadamente en todos los canales asignados. Los canales a silenciar se asignan al bus de silenciado utilizando el interruptor interno "OFF/MBUS" (desactivado/bus de silenciado). Consulte las FUNCIONES DEL PANEL INTERNO en la página 4 y el diagrama de la página 7.

22. PUERTO DE ENLACE

Para aumentar la cantidad de entradas disponibles, se pueden interconectar entre sí varios mezcladores Automix, mediante un procedimiento muy sencillo. Sólo se requiere un destornillador de punta plana pequeño y un tramo corto de cable blindado de cuatro conductores. El diagrama y los procedimientos que siguen aseguran un enlace apropiado.



1. Prepare un cable de enlace.
2. Conecte los mezcladores según el diagrama de más arriba.
3. Seleccione el mezclador a ser utilizado como maestro y coloque su conmutador de enlace en la posición “master” (maestro).
4. Todos los otros mezcladores del sistema deben tener sus conmutadores de enlace en la posición “slave” (esclavo).

Ahora usted cuenta con un mezclador automático de 16 canales o más. Los controles maestros de la unidad elegida como "maestra" se utilizarán para controlar el sistema.

23. CONMUTADOR DE ENLACE

El conmutador de enlace se utiliza para colocar la unidad en el modo de operación maestro o en el modo esclavo. Siempre debe haber una unidad autónoma en el modo maestro. Consulte PUERTO DE ENLACE (Nº 22).

24. INTERRUPTOR DE ALIMENTACIÓN

Para encender el equipo, colóquelo en “1”.

25. RECEPTÁCULO DE ENTRADA IEC (CA)



Con el interruptor de alimentación en la posición de apagado (“O”), enchufe el cable de alimentación en este conector antes de enchufarlo en la fuente de alimentación de CA.

Asegúrese de utilizar siempre voltaje de CA y prácticas de conexión a tierra apropiados. (El voltaje adecuado está indicado bajo el receptáculo.)

INTRODUCTION

Nous vous félicitons pour l'achat de cet Automix™ 2. L'Automix™ 2 Architectural Acoustics est un mixeur automatique haute qualité possédant huit entrées micro/ligne symétriques (transformateur). Chaque canal possède un contrôle de gain, une alimentation phantom 48 Volt (entrées micro), une filtre coupe-bas, une LED d'activité/écrêtage, un contrôle Aux send et le choix entre une opération manuelle ou automatique. Chaque canal est par ailleurs équipé d'un insert assignable, d'une sortie "statut" 5 Volt TTL et peut être rendu muet individuellement ou en groupe grâce à un bus Mute. De plus, les canaux 1 et 2 disposent d'un contrôle de priorité ajustable.

La section master possède un contrôle de gain, trois notch filters 1/9 d'octave à fréquence réglable, un expandeur, des sorties symétrisées par transformateur (main et aux) et des connexions pour le contrôle de volume à distance. L'Automix™ 2 a été conçu pour être relié à d'autres unités afin de constituer un mixeur possédant un plus grand nombre d'entrées (16, 24, 32...). Il est par ailleurs équipé d'un panneau plexiglass transparent afin d'éviter toute modification accidentelle des réglages de l'installateur.

Veillez-vous référer au <<front panel>> art situé dans la section en langue anglaise de ce manual.

PANNEAU AVANT

CONTROLES DU PANNEAU AVANT

1. NIVEAU DU CANAL

Mode Manuel: Dans ce mode, les contrôles de niveau permettent un contrôle de gain de +6dB à -50dB.

Mode Automatique: En mode Automatique, le contrôle fournit toujours jusqu'à 50dB d'atténuation mais n'augmentera pas le gain du canal. Cependant, lorsqu'il est réglé au dessus de "0", le gain des autres canaux est atténué afin de rendre le canal concerné plus fort dans le mix mais sans augmenter le gain général.

2. NIVEAU MASTER

Il contrôle le niveau général de sortie. Sa plage de réglage s'étend de +10dB à -40dB.

CONTROLES DU PANNEAU INTERNE

3. DIP SWITCHS

Chaque canal possède quatre DIP switchs gérant les fonctions suivantes.

A. MAN/AUTO

Ce sélecteur détermine le mode du canal: automatique ou manuel.

B. OFF/MBUS

Ce sélecteur connecte le canal au bus Mute . Cela permet de rendre muets plusieurs canaux simultanément grâce à un contrôle externe. Voir MUTEBUS, page 7.

C. LO CUT/FLAT

Ce sélecteur actionne le filtre coupe-bas. Ce filtre atténue les fréquences graves afin de minimiser les bruits indésirables (manipulation du micro, etc...). La fréquence de coupure est fixée à 100 Hz (-3dB) et la pente du filtre est de 6dB par octave.

D. OFF/+48

Lorsque ce sélecteur est en position +48, une alimentation Phantom de +48 Volt est présente aux bornes + et - de l'entrée micro. Cela permet l'alimentation des micros passifs mais devra être désactivé lors de l'utilisation de micros dynamiques ou asymétriques.

4. CONTRÔLE AUX SEND

Détermine le niveau du signal envoyé au bus AUX. Ce niveau sera par ailleurs affecté par le contrôle de gain du canal correspondant.

5. GAIN

Détermine le gain d'entrée. La plage de réglage s'étend de +25dB à +60dB (entrée Micro)

6. LED D'ÉCRÊTAGE/ACTIVITÉ

En mode automatique, la LED s'allumera en vert pour indiquer quel canal est prédominant dans le mix (mode auto). Si le canal est en mode manuel, la LED restera allumée si le contrôle de niveau du panneau avant est réglé au dessus de 12h00. La LED indique par ailleurs l'état du canal concerné: si elle s'allume (+5 Volt), un signal est présent; si elle est éteinte (0 Volts), alors aucun signal n'est présent.

ECRÊTAGE

La LED s'allumera en rouge si le canal est à 1dB de son point d'écîetage.

7. PRIORITÉ (CANAUX 1 ET 2 UNIQUEMENT)

En tournant le contrôle dans le sens horaire, le canal concerné devient prédominant dans le mix. Jusqu'à 9 dB de gain sont disponibles.

8. CONTRÔLE DE NIVEAU MASTER AUX

Ce contrôle détermine le niveau du signal envoyé à la sortie Aux Out. Ce contrôle doit être ajusté après que les niveaux individuels des canaux aient été réglés.

9. EXPANDEUR

L'expandeur permet de diminuer le gain des canaux lorsque leurs signaux sont bas. Ceci permet de ne pas amplifier les bruits de fond.

RÉGLAGE DE L'EXPANDEUR EXPANDEUR

Parlez dans le micro au niveau le plus faible nécessitant d'être entendu à travers le système . Tournez lentement le contrôle de l'expandeur dans le sens des aiguilles d'une montre jusqu'à ce que le bruit de fond présent entre les paroles disparaisse. Ne poussez pas ce contrôle trop loin. Plus l'expandeur est sollicité, moins le résultat sera naturel. Cette méthode vous donne un bon point de départ mais la meilleure manière de régler l'expandeur est de le faire en situation. L'expandeur sera ainsi ajusté pour le meilleur rendu possible. Si il doit être utilisé dans des applications bruyantes, il vous faudra trouver un équilibre entre bruit ambiant et bruit de fond.

10. GAIN MASTER

Ce contrôle détermine le gain général du système et doit être réglé avec le gain master du

panneau avant sur sa position maximum, tous les canaux au niveau nominal et les amplificateurs de puissance en marche et à leur niveau d'utilisation normale. Lorsque le niveau est établi en dessous du niveau de feedback, aucune manipulation en face avant n'entraînera de larsen. Ce réglage permet jusqu'à 25dB d'atténuation du gain du système.

11. NIVEAU DU NOTCH FILTER

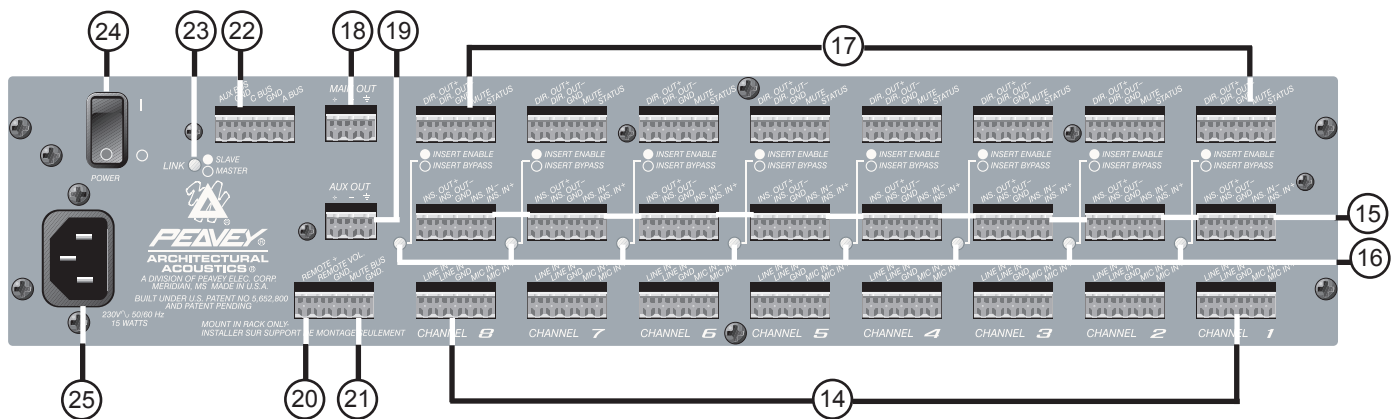
Ce réglage détermine l'intensité de la coupure du filtre à la fréquence sélectionnée par le contrôle n°12. Il est ajustable de 0dB à 15dB de coupure.

12. FRÉQUENCE DU NOTCH FILTER

Ce contrôle permet de déterminer la fréquence centrale du notch filter. La fréquence de centrage du filtre Graves peut varier de 40Hz à 925Hz, celle du filtre Médiums de 260Hz à 6kHz et celle du filtre Aigus de 500Hz à 12kHz.

13. LED D'ALIMENTATION

Indique que l'appareil est branché et que l'interrupteur de mise sous tension est en position "ON".



CONTROLES DU PANNEAU ARRIÈRE

14. ENTRÉES MICRO

Cette entrée est destinée aux micros basse impédance et aux sources à faible niveau. Ces entrées sont symétrisées par transformateur et possèdent une impédance d'entrée de 2 k Ω . Un niveau d'entrée de -56dBu à -19dBu produit un niveau de sortie nominal.

ENTRÉES LIGNES

Elles permettent l'utilisation de source au niveau ligne. Ces entrées sont symétrisées par transformateur et est équipée d'un atténuateur de 30dB. Leur impédance d'entrée est supérieure à 20k Ω .

15. INSERT IN/OUT

Cette boucle permet d'insérer dans un canal un processeur externe tel un égaliseur (reportez-vous au diagramme ci-dessous).

16. INSERT COMMUTATEUR BYPASS

Lorsqu'aucun processeur externe n'est utilisé ou qu'il doit être shunté, placez le commutateur en position "in". Dans le cas contraire, placez-le en position "out".

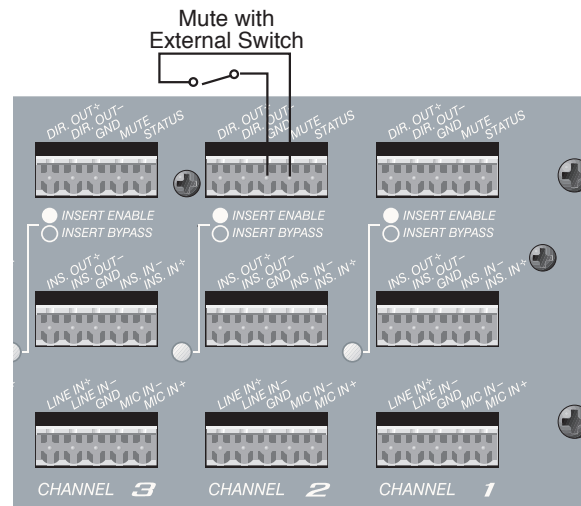
17. SORTIES DIRECT

Chaque canal possède une sortie direct pour l'enregistrement ou lorsque il est nécessaire de

récupérer le signal d'un canal individuel. Ce signal est indépendant des manipulation de gain automatiques. Son niveau de sortie nominal est de 2.21dBu (1 Volt).

MUTE

Les canaux peuvent être mis en sourdine individuellement en mettant cette borne à la masse. L'atténuation est de l'ordre de 45dB.



ETAT DE SORTIE

Cette sortie est une sortie logique en état haut (+5 Volts) lorsque le canal est actif, et en état bas dans le cas contraire (0Volts). Cette tension peut permettre de contrôler des caméras ou des lumières dirigées sur les micros actifs.

NOTE: Chaque canal peut fournir un maximum de 10 mA.

18. SORTIE MAIN

Cette sortie d'une impédance de 600Ω est symétrisée par transformateur et peut être utilisée pour alimenter un amplificateur de puissance. Le signal est constitué du mix automatique ou manuel. La sortie nominale est de 2.21 dBu (1 Volt).

19. SORTIE AUX

Cette sortie d'une impédance de 600Ω est symétrisée par transformateur et peut être utilisée comme sortie auxiliaire pour le mix (non-automatique). La sortie nominale est de 2.21 dBu (1 Volt).

20. CONTROLE DU VOLUME A DISTANCE

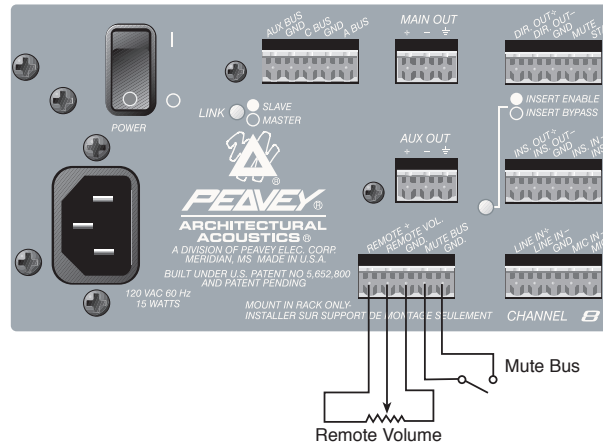
Le niveau master du mixeur peut être contrôlé à distance par ces bornes. En connectant un potentiomètre de 10kOhm, une atténuation de 0 à 25dB peut être effectuée. Un potentiomètre de 100k permettra une atténuation de 0 à 45dB. Une tension de contrôle peut par ailleurs être appliquée pour une atténuation de 0 à 70dB. Le contrôle de gain interne doit être réglé à son maximum pour une plage d'atténuation optimale.



NOTE: LA TENSION DE CONTRÔLE NE DOIT PAS EXCEDER 13 VOLTS DC.

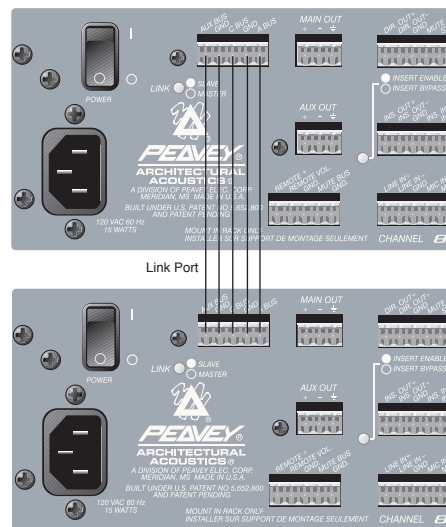
21. MUTEBUS

Les canaux assignés au MuteBus peuvent être mis en sourdine globalement en mettant cette borne à la masse. L'atténuation est de l'ordre de 45dB. Les canaux doivent être affectés au Mute bus avec le sélecteur OFF/MBUS. Voir CONTROLE DU PANNEAU INTERNE.



22. PORT LINK

Pour augmenter le nombre d'entrées, plusieurs Automix peuvent être reliés ensemble. Pour cela, vous avez besoin d'un simple tourne-vis et d'une petite longueur de câble 4 conducteurs blindé. Suivez une à une les étapes ci-dessous:



1. Confectionnez un câble adéquat.
2. Reliez les mixeurs comme indiqué par le schémas ci-dessus.
3. Choisissez le mixeur master et placez son sélecteur Link sur la position "Master".
4. Tous les autres mixeurs du système devront être configurés en esclave (position "slave" du sélecteur Link)

Vous avez à présent un mixeur automix de 16 canaux (ou plus). Le contrôle Master du mixeur maître pourra être utilisé pour contrôler le système.

23. SELECTEUR LINK

Ce sélecteur permet de configurer l'appareil en maître ou esclave. Un appareil utilisé seul devra être configuré en maître. Voir Port Link (n°22).

24. INTERRUPTEUR D'ALIMENTATION

Placez cet interrupteur en position I pour mettre sous tension.

25. CONNEXION IEC (ALIMENTATION)

L'interrupteur n°24 étant en position O, connectez ici un cordon d'alimentation avant de le connecter à la source de courant. **Assurez-vous toujours que la tension d'alimentation correspond à la valeur indiquée sur l'appareil et que la connexion à la masse est correctement établie.**

EINLEITUNG

Vielen Dank, daß Sie sich für unseren Automix™ 2 entschieden haben! Der Architectural Acoustics Automix™ 2 ist ein hochqualitativer Auto-Mixer mit 8 trafogeregelten Mic/Line Eingängen. Jeder Kanal verfügt über einen Gain-Regler, eine 48 Volt Phantomspeisung (Mikrofoneingänge), Low Cut Filter, Aktivitäts-/Clip-LED, einen Aux Send Regler und der Wahlmöglichkeit zwischen der Betriebsart Manuell oder Auto. Des weiteren verfügt jeder Kanal auch über einen unterdrückbaren Insert Punkt, 5 Volt TTL Status Output und läßt sich individuell stummschalten oder mehrere Kanäle lassen sich gleichzeitig via zuweisbarem Mutebus stummschalten. Die Kanäle 1 und 2 bieten zusätzlich einen regelbaren Prioritätsregler.

Die Master Sektion bietet einen Gain Trim Regler, drei 1/9 Oktave durchstimmbare Notch-Filter, einen Downward Expander, trafogeregelte Ausgänge (Main und Aux) und fernsteuerbare Lautstärkeanschlüsse (Volume). Der Automix™ 2 wurde entwickelt um mehrere Geräteeinheiten leicht miteinander verknüpfen zu können, um einen einzelnen Mixer mit vielen (16, 24, 32...) Eingängen zu erhalten. Der Automix 2 ist mit einem klarsichtigen Plexiglas als Sicherheitspanel ausgestattet, damit festgelegte Änderungen sich nicht ohne weiteres ändern lassen.

Siehe Diagramm der Frontplatte im englischen Teil des Handbuchs.

FRONT PANEL FEATURES

1. KANALPEGEL

Manual Mode: In diesem Modus bieten die Kanal Pegelregler 6dB Gain und 50 dB Dämpfung.

Auto Mode: In diesem Modus bietet der Regler immerhin noch eine Dämpfung von 50 dB, jedoch keine Verstärkung für den Hauptsystempegel. Stattdessen werden die anderen Kanäle, sobald der Pegel über „0“ justiert wird gedämpft, damit der zu justierende Kanal im Mix lauter klingt ohne dem System Gain hinzugefügt zu werden.

2. HAUPTPEGELREGLER (Master Level)

Dieser regelt den Hauptausgangspegel. Die Bereichseinstellung liegt oberhalb bei 10 dB und 40 dB Dämpfung.

INTERNE PANEL FEATURES

3. DIP SCHALTER

Jeder Kanal verfügt über 4 DIP-Schalter, die folgende Funktionen kontrollieren/steuern.

A. MAN/AUTO

Dieser Schalter legt fest, ob der Kanal in der Betriebsart Auto oder Manuell seinen Dienst verrichtet.

B. OFF/MBUS

Dieser Schalter wird benutzt, um den Kanal mit dem Mutebus des Systems zu verbinden. Unter externer Kontrolle lassen sich mehrere Eingänge (Inputs) gleichzeitig stummschalten. Siehe MUTEBUS, Seite 8.

C. LO CUT/FLAT

Hiermit wird der Low Cut Filter gewählt. Der Low Cut Filter bietet eine abrollende Niederfrequenz die ungewollte Störgeräusche zu minimalisieren hilft (Mikrofonhandling, versehentliche Tischaneckung, etc. ...). Der Rolloff beginnt bei 100 Hz (-3dB) und beträgt 6dB pro Oktave Filter.

D. OFF/+48

In der Position „+48“ wird eine Phantomspeisung von +48 Volt auf die Mikrofonterminals \pm gelegt. Dies sichert Kondensatormikrofonen die Spannungsversorgung und sollte bei Einsatz von dynamischen Mikrofonen oder asymmetrischen Eingängen gedämpft werden.

4. AUX SEND REGLER

Regelt den an den AUX Bus übermittelten Signalpegel. Dieser wird auch beeinflusst, wenn der Gain Regler im Kanal geändert wird.

5. GAIN TRIM

Dieser Regler legt die Eingangsverstärkung (Input Gain) in jedem Kanal fest. Die Gain Größe läßt sich von +25dB bis +60dB variieren. (Mic Input.)

6. AKTIVITÄT DER AKTIVITÄTS-/CLIP-LED

Im Auto Modus leuchtet die LED grün, und zeigt damit den Prioritätskanal im Mix an (Auto Mode). Befindet sich der Kanal in der Betriebsart „Manuell“, bleibt die LED erleuchtet, wenn sich der Front Panel Pegelregler auf oder über die 12:00 Uhr Position befindet. Die grüne LED dient auch als Anzeige des Ausgangsstatus. Der Ausgangsstatus ist hoch (+5 Volt), wenn die LED grün Leuchtet und niedrig (0 Volt), wenn die LED erloschen ist.

CLIPPING

Diese LED leuchtet rot, wenn sich der Kanal in einem Clipping-Bereich von 1dB befindet.

7. PRIORITY (NUR CHANNEL 1 und 2)

Drehung im Uhrzeigersinn ermöglicht, daß sich ein Kanal über weitere Kanäle im Mix hin wegsetzt. Erreicht wird dies durch Austricksen der Gain Computerschaltkreise, wobei sie annehmen, daß dieser Kanal lauter ist als die anderen. Es steht ein Prioritätsbereich von 9dB zur Verfügung.

8. AUX MASTER PEGELREGLER

Dieser Regler stellt den zum Aux Out zu sendenden Signalpegel ein. Dieser Pegel sollte nach Einstellung der individuellen Kanalpegeleinstellung justiert werden.

9. DOWNWARD EXPANDER

Dieser Expander kann zur Dämpfung des System Gains benutzt werden, wenn alle Eingangssignale niedrig sind. Läßt sich einsetzen, um eine Verstärkung räumlichen Hintergrundrauschens zu vermeiden.

EINSTELLUNG DES DOWNWARD EXPANDER

Lassen Sie jemanden mit dem sanftesten zu erwartenden Pegel in ein Mikrofon sprechen. Drehen Sie den Downward Expander langsam im Uhrzeigersinn (nach rechts), bis das Hintergrundrauschen zwischen Worten gedämpft ist. Seien Sie

vorsichtig nicht zu weit zu gehen. Je mehr Downward Expander Sie benutzen, um so „unnatürlicher“ klingt das System. Anhand dieser Methode erhalten Sie eine gute Ausgangsposition. Die beste Einstellmethode des Downward Expander ist jedoch während einem eigentlichen Meeting oder Event. Auf diese Weise läßt sich der Downward Expander für den besten Sound einstellen. Haben Sie es mit lauten und leisen Events zu tun, dann müssen Sie zwischen natürlichem Klanginhalt und Hintergrundrauschen unterscheiden.

10. MASTER GAIN TRIM

Dieser Regler stellt den übergeordneten, maximalen System Gain ein und sollte so eingestellt werden, daß am Front Panel Master Gain ganz nach rechts (im Uhrzeigersinn) gedreht ist, alle Kanäle neutral und externe Leistungsverstärker aufgedreht und auf deren Betriebseinstellungen festgesetzt sind. Wenn auf eine sichere Stufe unter Feedback getrimmt, kann keine Kombination User Controls ein Feedback verursachen. Diese Trimmung bietet eine System Gain-Dämpfung bis zu 25dB.

11. NOTCH FILTER PEGELREGLER

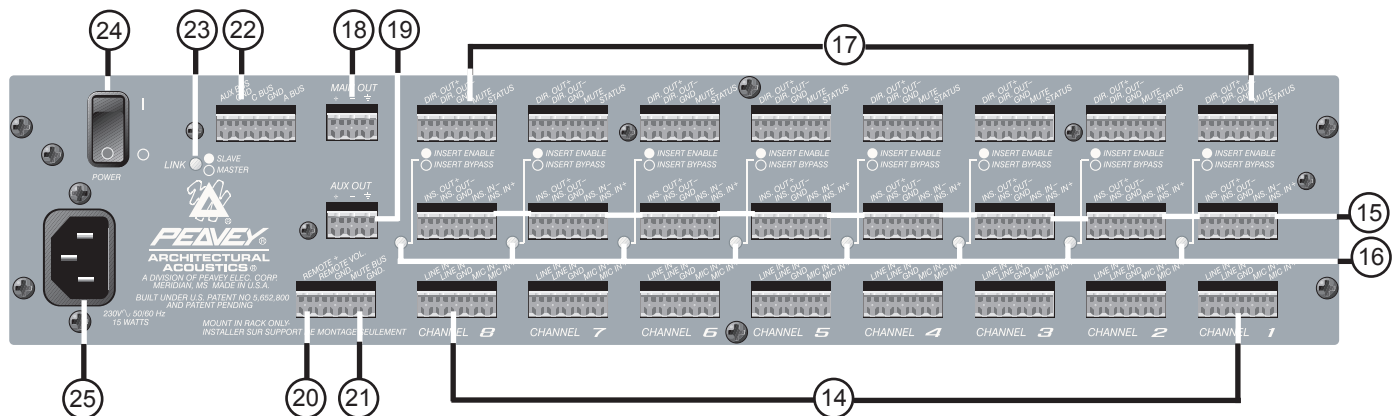
Dieser Regler justiert die Menge an Cut bei entsprechender Frequenz laut korrespondierenden Frequenzregler (12). Dieser ist von 0dB bis 15dB Cut regelbar.

12. NOTCH FILTER FREQUENZREGLER

Dieser wird zur Selektierung der Mittenfrequenz des Notch Filter benutzt. Der untere Filterbereich reicht von 40Hz bis 925Hz. Der mittlere Filterbereich reicht von 260Hz bis 6kHz. Der obere Filterbereich reicht von 500Hz bis 12kHz.

13. NETZ/SPANNUNGS-LED

Dient der Anzeige, daß Spannung anliegt und sich der Netzschalter in der Position „ON“ befindet.



GERÄTERÜCKSEITE

14. MIKROFONEINGÄNGE (MIC INPUTS)

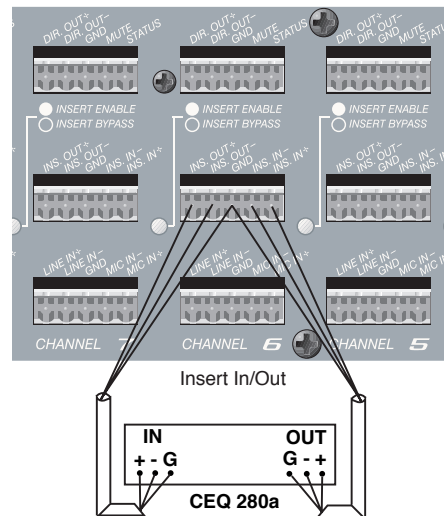
Dient dem Anschluß von Mikrofonen mit niedriger Impedanz oder Quellen niedriger Pegel. Dies ist ein trafogeregelter Eingang mit einer Impedanz von 2000 Ohm. Die Eingangssensitivität für nominalen Output beträgt -56dBu bis -19dBu.

LINE EINGÄNGE

Diese erlauben den Einsatz von Line Level Eingängen. Hierbei handelt es sich um einen trafogeregelten Eingang durch ein resistives 30dB Pad. Die Eingangsimpedanz ist >20kΩ.

15. INSERT IN/OUT

Hierbei handelt es sich um eine Signalschleife, die es einem externen Gerät, wie z.B. einem EQ erlaubt in den Signalpfad individueller Kanäle eingeschleift zu werden (siehe Abb.unten).



16. INSERT BYPASS SCHALTER

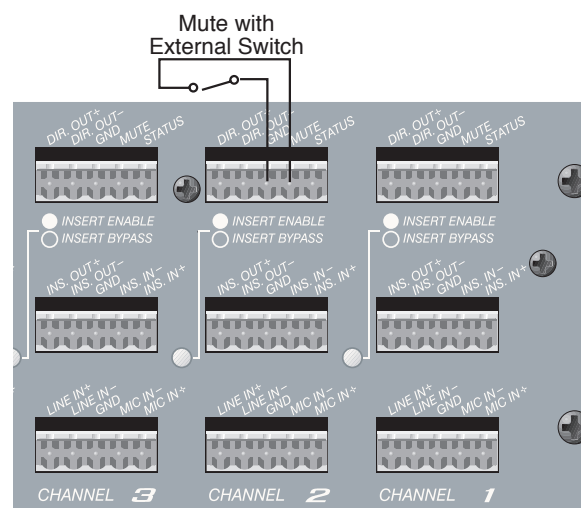
Wenn kein Signalprozessor benutzt wird, oder es nicht erforderlich ist den Signalprozessor zu umgehen, sollte sich dieser Schalter in der Position „In“ befinden. Wird dagegen ein Signalprozessor benutzt, dann sollte sich der Schalter in der Position „Out“ befinden.

17. DIREKTAUSGÄNGE

Jeder Kanal verfügt über direkte Output Terminals, die für Aufzeichnungen benutzt werden können oder jederzeit wenn der Ausgang eines individuellen Kanals erforderlich ist. Dieses Signal ist von der „Automix“ Gain Manipulation unabhängig. Der nominale Ausgangspegel beträgt 2.21dBu (1 Volt).

MUTE

Kanäle lassen sich individuell stummschalten, indem dieses Terminal mit Masse kurzgeschlossen wird. Eine Dämpfung von 45dB ist erreichbar.



STATUS OUTPUT

Hierbei handelt es sich um einen logischen Gleichspannungsausgang der bei aktiviertem Kanal hoch (+5 Volt) und inaktiviertem Kanal niedrig (0 Volt) ist. Diese Gleichspannung lässt sich zum Triggern von Videokameras und Schlüsselleuchten auf aktiven Mikrofonen benutzen.

ANMERKUNG: Jeder Kanal kann maximal 10 mA speisen.

18. HAUPTAUSGANG (MAIN OUT)

Der Hauptausgang ist ein 600Ω, trafogeregelter Ausgang zur Speisung externer Leistungsverstärker (Power Amps). Hier wird auf dem automatisch oder manuell gemixten Output zugegriffen. Der Nominalausgang beträgt 2.21 dBu (1 volt).

19. AUX OUT

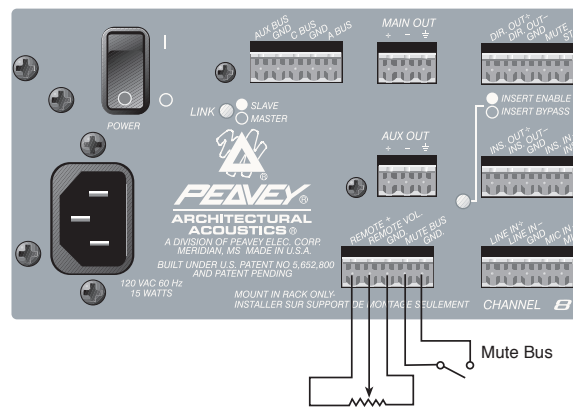
Der Hilfsausgang ist ein 600Ω, trafogeregelter Ausgang, der sich als zusätzlicher nicht autogemixter Ausgang benutzen läßt. Der Nominalausgang beträgt 2.21 dBu (1 volt).

20. REMOTE VOLUME

Der Hauptpegel des Mixers läßt sich mit einer einfachen Verbindung auf der Geräterückseite fernsteuern. Ein 10k Poti bietet eine annähernde Dämpfung von 0-25dB. Ein 100k Poti bietet eine Dämpfung von 0-45dB. Wenn erforderlich, läßt sich für einen Dämpfungsbefehl eine Steuerspannung von 0-70dB einrichten. Die interne Gain Trimmung muß ganz nach rechts (im Uhrzeigersinn) eingestellt sein, um den maximalen Dämpfungsbereich der Remote Lautstärke (Volume) zu erreichen. (Siehe Abb. unten)



ANMERKUNG: DIE STEUERSPANNUNG SOLLTE NIEMALS 13 VOLT (DC) ÜBERSCHREITEN.

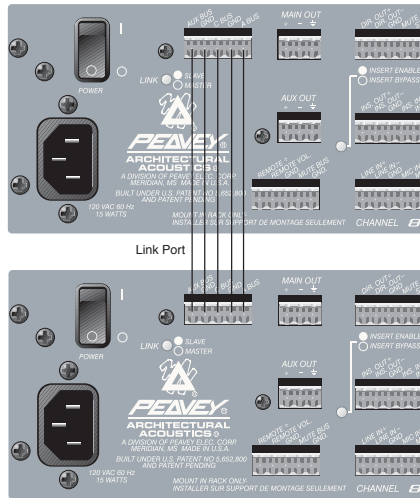


21. MUTEBUS

Der Mutebus ist ein Steuerport der, wenn mit Masse kurzgeschlossen alle dem Mutebus zugewiesenen Kanäle um etwa 45dB verstummen läßt. Die stumm zu schaltenden Kanäle müssen dem Mutebus zugewiesen sein, was mit dem internen mit OFF/MBUS markierten Schalter geschieht. Siehe INTERNE PANEL FEATURES, Seite 4 und Abbildung Seite 7.

22. LINK PORT

Um die Anzahl verfügbarer Eingänge zu erhöhen, lassen sich mehrere Automixer miteinander verbinden. Die nötige Vorgehensweise ist denkbar einfach. Dazu benötigen Sie einen Schraubendreher und ein abgeschirmtes 4-Leiter Kabel. Folgende Abbildung und Vorgehensweise versichern einen ordnungsgemäßen Link.



1. Stellen Sie ein Verbindungskabel her.
2. Verbinden Sie die Mixer gemäß obiger Abbildung.
3. Selektieren Sie den Mixer der als Master in Frage kommt und bringen seinen Link-Schalter in die „Master“ Position.
4. Die Link-Schalter aller anderen Mixer im System sollten sich in der „Slave“ Position befinden.

Sie haben nun einen 16 (oder mehr) Kanal Auto-Mixer. Benutzen Sie für die Systemsteuerung die Master Regler der gewählten Master Einheit.

23. LINK SCHALTER

Dieser Schalter wird benutzt, um die Einheit auf die Betriebsart Master oder Slave einzustellen. Eine Stand-Alone-Einheit sollte sich im Master Mode befinden. Siehe Link Port (#22).

24. NETZSCHALTER

Zum Einschalten diesen Schalter in die „I“ Position bringen.

25. NETZANSCHLUßBUCHSE

Stecken Sie das Netzkabel bei ausgeschaltetem Netzschalter (#24) zuerst in diese Buchse und dann erst in die örtliche Netzsteckdose. **Sorgen Sie immer dafür, daß die Gerätespannung immer mit der Netzspannung des örtlichen EVUs übereinstimmt und die jeweiligen**



Schutzmaßnahmen eingehalten werden (entsprechende Spannungsangabe(n) finden Sie in unmittelbarer Nähe der Anschlußbuchse).

PEAVEY ELECTRONICS CORPORATION LIMITED WARRANTY

Effective Date: July 1, 1998

What This Warranty Covers

Your Peavey Warranty covers defects in material and workmanship in Peavey products purchased and serviced in the U.S.A. and Canada.

What This Warranty Does Not Cover

The Warranty does not cover: (1) damage caused by accident, misuse, abuse, improper installation or operation, rental, product modification or neglect; (2) damage occurring during shipment; (3) damage caused by repair or service performed by persons not authorized by Peavey; (4) products on which the serial number has been altered, defaced or removed; (5) products not purchased from an Authorized Peavey Dealer.

Who This Warranty Protects

This Warranty protects only the original retail purchaser of the product.

How Long This Warranty Lasts

The Warranty begins on the date of purchase by the original retail purchaser. The duration of the Warranty is as follows:

Product Category	Duration
Guitars/Basses, Amplifiers, Pre-Amplifiers, Mixers, Electronic Crossovers and Equalizers	2 years *(+ 3 years)
Drums	2 years *(+ 1 year)
Enclosures	3 years *(+ 2 years)
Digital Effect Devices and Keyboard and MIDI Controllers	1 year *(+ 1 year)
Microphones	2 years
Speaker Components (incl. speakers, baskets, drivers, diaphragm replacement kits and passive crossovers) and all Accessories	1 year
Tubes and Meters	90 days

[*denotes additional warranty period applicable if optional Warranty Registration Card is completed and returned to Peavey by original retail purchaser within 90 days of purchase.]

What Peavey Will Do

We will repair or replace (at Peavey's discretion) products covered by warranty at no charge for labor or materials. If the product or component must be shipped to Peavey for warranty service, the consumer must pay initial shipping charges. If the repairs are covered by warranty, Peavey will pay the return shipping charges.

How To Get Warranty Service

(1) Take the defective item and your sales receipt or other proof of date of purchase to your Authorized Peavey Dealer or Authorized Peavey Service Center.

OR

(2) Ship the defective item, prepaid, to Peavey Electronics Corporation, International Service Center, 412 Highway 11 & 80 East, Meridian, MS 39301 or Peavey Canada Ltd., 95 Shields Court, Markham, Ontario, Canada L3R 9T5. Include a detailed description of the problem, together with a copy of your sales receipt or other proof of date of purchase as evidence of warranty coverage. Also provide a complete return address.

Limitation of Implied Warranties

ANY IMPLIED WARRANTIES, INCLUDING WARRANTIES OF MERCHANTABILITY AND FITNESS FOR A PARTICULAR PURPOSE, ARE LIMITED IN DURATION TO THE LENGTH OF THIS WARRANTY.

Some states do not allow limitations on how long an implied warranty lasts, so the above limitation may not apply to you.

Exclusions of Damages

PEAVEY'S LIABILITY FOR ANY DEFECTIVE PRODUCT IS LIMITED TO THE REPAIR OR REPLACEMENT OF THE PRODUCT, AT PEAVEY'S OPTION. IF WE ELECT TO REPLACE THE PRODUCT, THE REPLACEMENT MAY BE A RECONDITIONED UNIT. PEAVEY SHALL NOT BE LIABLE FOR DAMAGES BASED ON INCONVENIENCE, LOSS OF USE, LOST PROFITS, LOST SAVINGS, DAMAGE TO ANY OTHER EQUIPMENT OR OTHER ITEMS AT THE SITE OF USE, OR ANY OTHER DAMAGES WHETHER INCIDENTAL, CONSEQUENTIAL OR OTHERWISE, EVEN IF PEAVEY HAS BEEN ADVISED OF THE POSSIBILITY OF SUCH DAMAGES

Some states do not allow the exclusion or limitation of incidental or consequential damages, so the above limitation or exclusion may not apply to you.

This Warranty gives you specific legal rights, and you may also have other rights which vary from state to state.

If you have any questions about this warranty or service received or if you need assistance in locating an Authorized Service Center, please contact the Peavey International Service Center at (601) 483-5365 / Peavey Canada Ltd. at (905) 475-2578.

Features and specifications subject to change without notice.

IMPORTANT SAFETY INSTRUCTIONS

WARNING: When using electric products, basic cautions should always be followed, including the following:

1. Read these instructions.
2. Keep these instructions.
3. Heed all warnings.
4. Follow all instructions.
5. Do not use this apparatus near water. For example, near or in a bathtub, swimming pool, sink, wet basement, etc.
6. Clean only with a damp cloth.
7. Do not block any of the ventilation openings. Install in accordance with manufacturer's instructions. It should not be placed flat against a wall or placed in a built-in enclosure that will impede the flow of cooling air.
8. Do not install near any heat sources such as radiators, heat registers, stoves or other apparatus (including amplifiers) that produce heat.
9. Do not defeat the safety purpose of the polarized or grounding-type plug. A polarized plug has two blades with one wider than the other. A grounding type plug has two blades and a third grounding prong. The wide blade or third prong is provided for your safety. When the provided plug does not fit into your inlet, consult an electrician for replacement of the obsolete outlet. Never break off the grounding prong for our free booklet "Shock Hazard and Grounding". Connect only to a power supply of the type marked on the unit adjacent to the power supply cord.
10. Protect the power cord from being walked on or pinched particularly at plugs, convenience receptacles, and the point they exit from the apparatus.
11. Only use attachments/accessories provided by the manufacturer.
12. Use only with a cart, stand, tripod, bracket, or table specified by the manufacturer, or sold with the apparatus. When a cart is used, use caution when moving the cart/apparatus combination to avoid injury from tip-over.
13. Unplug this apparatus during lightning storms or when unused for long periods of time.
14. Refer all servicing to qualified service personnel. Servicing is required when the apparatus has been damaged in any way, such as power-supply cord or plug is damaged, liquid has been spilled or objects have fallen into the apparatus, the apparatus has been exposed to rain or moisture, does not operate normally, or has been dropped.
15. If this product is to be mounted in an equipment rack, rear support should be provided.
16. Exposure to extremely high noise levels may cause a permanent hearing loss. Individuals vary considerably in susceptibility to noise induced hearing loss, but nearly everyone will lose some hearing if exposed to sufficiently intense noise for a sufficient time. The U.S. Government's Occupational and Health Administration (OSHA) has specified the following permissible noise level exposures:

Duration Per Day In Hours	Sound Level dBA, Slow Response
8	90
6	92
4	95
3	97
2	100
1 1/2	102
1	105
1/2	110
1/4 or less	115

According to OSHA, any exposure in excess of the above permissible limits could result in some hearing loss. Ear plugs or protectors to the ear canals or over the ears must be worn when operating this amplification system in order to prevent a permanent hearing loss if exposure is in excess of the limits as set forth above. To ensure against potentially dangerous exposure to high sound pressure levels, it is recommended that all persons exposed to equipment capable of producing high sound pressure levels such as this amplification system be protected by hearing protectors while this unit is in operation.

SAVE THESE INSTRUCTIONS!



Features and specifications subject to change without notice.

Peavey Electronics Corporation • 711 A Street • Meridian • MS • 39301
(601) 483-5376 • FAX (601) 486-1678 • www.peavey.com



80304515