

# **LINE THERMAL PRINTER**

**MODEL CT-S4000/CT-S4000DC**

**CT-S4000L/CT-S4000DCL**

**CT-S4000M/CT-S4000DCM**

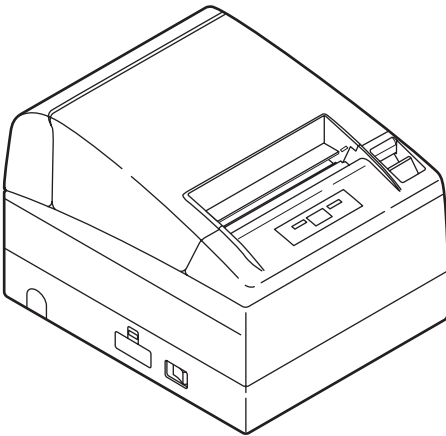
**User's Manual**

**Mode d'emploi**

**Benutzerhandbuch**

**Manuale dell'utente**

**Manual de Usuario**



# Declaration of Conformity

This printer conforms to the following Standards:

Low Voltage Directive 73/23/EEC, 93/68/EEC and the EMC Directive 89/336/EEC, 92/31/EEC, 93/68/EEC.

LVD : EN60950-1

EMC : EN55022      Class A  
EN61000-3-2  
EN61000-3-3  
EN55024

This declaration is applied only for 230V model.

**IMPORTANT:** This equipment generates, uses, and can radiate radio frequency energy and if not installed and used in accordance with the instruction manual, may cause interference to radio communications. It has been tested and found to comply with the limits for a Class A computing device pursuant to Subpart J of Part 15 of FCC Rules, which are designed to provide reasonable protection against such interference when operated in a commercial environment. Operation of this equipment in a residential area is likely to cause interference, in which case the user at his own expense will be required to take whatever measures may be necessary to correct the interference.

**CAUTION: Use shielded cable for this equipment.**

## Sicherheitshinweis

Die Steckdose zum Anschluß dieses Druckers muß nahe dem Gerät angebracht und leicht zugänglich sein.

## For Uses in Canada

This Class A digital apparatus complies with Canadian ICES-003.

This digital apparatus does not exceed the class A limits for radio noise emissions from digital apparatus, as set out in the radio interference regulations of the Canadian department of communications.

## Pour L'utilisateurs Canadiens

Cet appareil numérique de la classe A est conforme à la norme NMB-003 du Canada. Cet appareil numérique ne dépasse pas les limites de catégorie a pour les émissions de bruit radio émanant d'appareils numériques, tel que prévu dans les règlements sur l'interférence radio du département Canadien des communications.

**ENGLISH**

## GENERAL PRECAUTIONS

- Before using this product, be sure to read through this manual. After having read this manual, keep it in a safe, readily accessible place for future reference.
- The information contained herein is subject to change without prior notice.
- Reproduction or transfer of part or all of this document in any means is prohibited without permission from Citizen Systems.
- Note that Citizen Systems is not responsible for any operation results regardless of missing, error, or misprinting in this manual.
- Note that Citizen Systems is not responsible for any trouble caused as a result of using options or consumables that are not specified in this manual.
- Except explained elsewhere in this manual, do not attempt to service, disassemble, or repair this product.
- Note that Citizen Systems is not responsible for any damage attributable to incorrect operation/handling or improper operating environments that are not specified in this manual.
- Data is basically for temporary use and not stored for an extended period of time or permanently. Please note that Citizen Systems is not responsible for damage or lost profit resulting from the loss of data caused by accidents, repairs, tests or other occurrence.
- If you find loss of information, error, or uncertain matter, please contact your Citizen Systems dealer.
- If you find any disordered or missing page(s), contact your Citizen Systems dealer for replacement.

## THE TABLE OF CONTENTS

1. GENERAL OUTLINE .....	7
2. EXPLANATION OF PRINTER PARTS .....	10
3. PREPARATION .....	12
4. MAINTENANCE AND TROUBLESHOOTING .....	17
5. OTHER .....	22

CITIZEN is a registered trade mark of Citizen Holdings Co., Japan  
CITIZEN es una marca registrada de Citizen Holdings Co., Japón  
Company names and product names in this manual are trademarks or  
registered trademarks of relevant companies.  
Copyright © 2008 by CITIZEN SYSTEMS JAPAN CO., LTD.

# SAFETY PRECAUTIONS ... WHICH SHOULD BE STRICTLY OBSERVED

Before using this product for the first time, carefully read these SAFETY PRECAUTIONS. Improper handling may result in accidents (fire, electric shock or injury).

In order to prevent injury to operators, third parties, or damage to property, special warning symbols are used in the User's Manual to indicate important items to be strictly observed.

- After having read this Manual, keep it in a safe, readily accessible place for future reference.
- Some of the descriptions contained in this manual may not be relevant to some printer models.

The following describes the degree of hazard and damage that could occur if the printer is improperly operated by ignoring the instructions indicated by the warning symbols.

## **WARNING**

Neglecting precautions indicated by this symbol may result in fatal or serious injury.

## **CAUTION**

Neglecting precautions indicated by this symbol may result in injury or damage to properties.



This symbol is used to alert your attention to important items.



This symbol is used to alert you to the danger of electric shock or electrostatic damage.



This symbol denotes a request to unplug the printer from the wall outlet.



This symbol is used to indicate useful information, such as procedures, instructions or the like.



This symbol is used to indicate prohibited actions.

# WARNING

- Do not use or store this product in a place where it will be exposed to:

- \* Flames or moist air.
- \* Direct sunlight.
- \* Hot airflow or radiation from a heating device.
- \* Salty air or corrosive gases.
- \* Ill-ventilated atmosphere.
- \* Chemical reactions in a laboratory.
- \* Airborne oil, steel particles, or dust.
- \* Static electricity or strong magnetic field.

- **Neglecting these warnings may result in printer failure, overheating, emission of smoke, fire, or electric shock.**



- Do not drop any foreign object nor spill liquid into the printer. Do not place any object on the printer either.

- Do not drop any metallic object such as paper clip, pin or screw into the printer.

- Do not place a flower vase, pot or cup containing water on the printer.

- Do not spill coffee, soft drinks or any other liquid into the printer.

- Do not spray insecticide or any other chemical liquid over the printer.

- **A metallic foreign object, if accidentally dropped into the printer, may cause printer failure, fire, or electric shock. Should it occur, immediately turn the printer off, unplug it from the supply outlet, and call your local Citizen Systems dealer.**



Do not handle the printer in the following ways:

- Do not allow the printer to sustain strong impacts or hard jolts (e.g., trampling, dropping, striking with a hard edge).

- Never attempt to disassemble or modify the printer.

- **Neglecting to handle properly may result in printer failure, overheating, emission of smoke, fire, or electric shock.**



- Install, use, or store the printer out of the reach of children.

- **Electric appliances could cause an unexpected injury or accident if they are handled or used improperly.**

- **Keep the power cord and signal cables out of the reach of children. Also children should not be allowed to gain access to any internal part of the printer.**

- **The plastic bag the printer came in must be disposed of properly or kept away from children. Wearing it over the head may lead to suffocation.**



## WARNING

Please observe the following precautions for power source and power cord:

- Do not plug or unplug the power cord with a wet hand.
- Use the printer only at the specified supply voltage and frequency.
- Check to make sure that the supply outlet from which the printer is powered has a sufficient capacity.
- Do not supply the printer from a power strip or current tap shared with other appliances.
- Do not plug the power cord into a supply outlet with dust or debris left on its plug.
- Do not use a deformed or damaged power cord.
- Do not move the printer while the printer power is on.
- **Neglecting to handle properly may result in printer failure, emission of smoke, fire, or electric shock.**
- **An overload may cause the power cord to overheat or fire or the circuit breaker to trip.**
- Do not allow anything to rest on the power cord. Do not place the printer where the power cord will be trampled on.
- Do not use or carry the printer with its power cord bent, twisted, or pulled.
- Do not attempt to modify the power cord unnecessarily.
- Do not lay the power cord in the neighbor of a heating device.
- **Neglecting these cautions may cause wires or insulation to break, which could result in leakage, electric shock, or printer failure. If the power cord sustains damage, contact your Citizen Systems dealer.**
- Do not leave things around the supply outlet.
- Supply power to the printer from a convenient wall outlet, readily accessible in an emergency.
- **The printer may not be immediately shut down in an emergency.**
- Insert the power plug fully into the outlet.
- If the printer will not be used for a long time, leave it disconnected from its supply outlet.
- Hold the plug and connector when plugging or unplugging the power cord or signal cable after turning off the printer and the appliance connected to it.



# CAUTION

Do not use the printer under the following conditions.

- A state subject to vibration or unstable state.
- A state with this product slanted.
- **Otherwise dropping may cause injury.**
- **Poor print quality may occur.**
- A state where the printer ventilation holes are obstructed by a nearby wall or other equipment.
- A state where any object is placed on the printer
- A state where the printer is covered or wrapped by a cloth or bed clothing
- **Be careful about internal heat buildup, which could cause fire and deform the case.**
- Avoid using the printer near a radio or TV set or from supplying it from the same outlet as these appliances.
- Avoid using the printer interconnected with a cable or cord that has no protection against noise. (For interconnections, use shielded or a twisted pair of cables and ferrite cores, or other anti-noise devices.)
- Avoid using the printer with a device that is a strong source of noise.
- **The printer may have an adverse effect on nearby radio or TV transmissions. There may also be cases when nearby electrical appliances adversely influence the printer, causing data errors or malfunction.**
- A state where this product is installed vertically or sidelong.
- **Malfunction, failure, or electric shock may result.**



- Use the printer with its grounding post connected to a convenient grounding facility.
- **If leakage occurs electric shock may result.**



- Do not connect the printer's grounding post onto any of the following facilities:

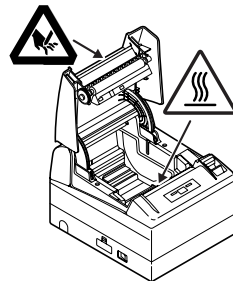
- \* Utility gas piping
  - **A gas explosion could result.**
- \* Telephone line ground
- \* Lightning rod
  - **If lightning strikes a large surge of current may cause fire or shock.**
- \* Utility water pipes
  - **Plastic water pipes should not be used for grounding. (Those approved by a Waterworks Department may be used.)**



- Before connecting or disconnecting the grounding lead to or from the printer, always unplug it from supply outlet.

Caution label is attached on the position shown in the following figure. Carefully read the precautions in handling before using the printer.

THESE LABELS INDICATE THE RISK OF ANY INJURY DUE TO "HIGH TEMPERATURE" OF THE PRINT HEAD AND "SAW-TOOTHED EDGE" OF THE MANUAL CUTTER.





## CAUTION

- Do not transport this printer with the paper roll inside.
- **Printer failure or breakage may occur.**

To prevent possible malfunction or failure observe the following.

- Avoid operating the printer without paper properly loaded.
- Avoid the use of paper not complying with specifications.
- **May result in poor print quality.**
- Avoid using torn pieces of paper or spliced with plastic adhesive tapes.
- Avoid forcibly pulling already loaded paper by hand.
- Avoid wedging the paper into the printer.
- **May jam paper. To release, refer to "Removing Jammed Paper" in this manual.**
- Avoid using a sharp pointed device to operate panel keys.



- Be sure to firmly insert the cable plug into its mating socket.
- **A cross connection may damage the printer's internal electronics or the host system's hardware.**
- Only use the printer with devices that have designated solenoid specifications for the cash drawer interface connector.
- **Neglecting this caution may result in malfunction or failure.**



To prevent injury and printer failures from worsening, observe the following:

- Do not touch the printing surface of the thermal head.
- Do not touch any of the moving parts (e.g., paper cutter, gears, active electrical parts) while the printer is working.
- In case of trouble do not attempt to repair the printer. Ask Citizen Systems service for repair.
- Be careful that the printer cover does not entrap your hands or fingers.
- Be careful with sharp edges on the printer. Do not allow them to injure you or damage property.
- **May result in electric shock, burn, or injury.**



**If the printer emits smoke, an odd smell, or unusual noise while printing, immediately abort the current print session and unplug the printer from the supply outlet.**

## DAILY MAINTENANCE

Observe the following precautions for daily maintenance.

- When cleaning the printer, always turn it off and unplug it from the supply outlet.
- Use a soft, dry cloth for cleaning the surface of the printer case.
- For severe stains, use a soft cloth slightly dampened with water.
- Never use organic cleaning solvent such as alcohol, paint thinner, trichloroethylene, benzene, or ketone. Never use a chemically processed cleaning cloth.
- To remove paper dust, use a soft brush.



## CAUTION

- **The thermal head is at a dangerously high temperature immediately after printing. Allow it to cool off before launching maintenance work.**

# 1. GENERAL OUTLINE

This product is thermal line printers designed for use with a broad array of terminal equipment including data, POS, and kitchen terminals. With extensive features, they can be used in a wide range of applications.

## 1.1 Features

- Versatile roll capacity with ability to use 80 mm, 82.5 mm and 112 mm wide paper rolls.
- Can use paper roll with a maximum of 102 mm diameter.
- Drop-in paper loading mechanism facilitating easy paper handling and head cleaning.
- High speed (150 mm/s) printing.
- Equipped with USB interface as standard plus a choice of either a serial or parallel interface.
- Replaceable interface board.
- High-speed parallel interface (Parallel interface model)
- Built-in cash drawer interface.
- Auto cutter mechanism provided as a standard.
- User customization such as memory switch setting are available.
- Page mode
- Registration of user-defined characters and logos into flash memory.
- Barcode & 2D Barcode printing is supported.
- 2-color printing is supported (When specified paper is used).
- Error indication is available with LED or buzzer.

[Only CT-S4000L, CT-S4000DCL]

- High speed (132 mm/s) printing.
- Label paper of 58 to 107 mm wide in addition to 112-mm wide label paper is usable without step.

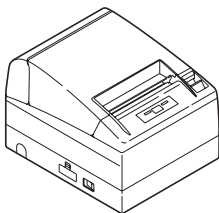
[Only CT-S4000L, CT-S4000DCL, CT-S4000M, CT-S4000DCM]

- Paper sensor sensitivity adjustment system by volume is adopted.

## 1.2 Unpacking

When unpacking the printer, confirm that the following are provided:

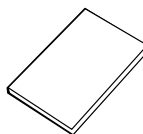
- Printer: 1
- AC power cord : 1 (for CT-S4000, CT-S4000L, CT-S4000M)
- User's manual (This manual): 1
- Sample paper roll: 1 roll
- Partition: 1
- Screw: 1



CT-S4000



AC power cord



User's manual  
(This manual)



Sample paper roll



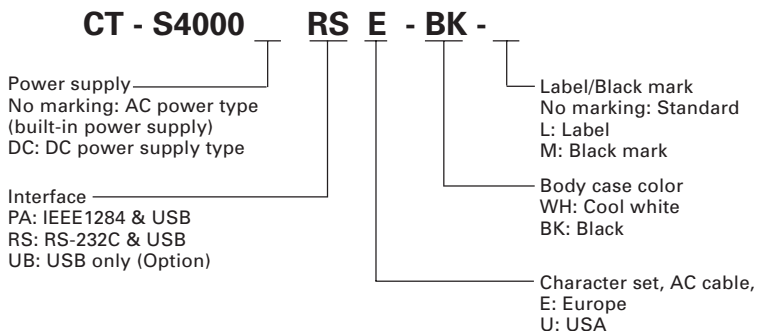
Partition



Screw

## 1.3 Model Classification

The printer models are classified by the following designation method:



\*Description marked “\*L” in this manual is the description for CT-S4000L/CT-S4000DCL and that marked “\*M” for CT-S4000M/CTS4000DCM. Read this manual after confirming your model in use.

## 1.4 Basic Specifications

Item	Specifications					
Model	CT-S4000 PA/RS/UB, CT-S4000DC PA/RS/UB					
Print method	Line thermal dot print method					
Print width *1	104 mm/832 dots, 82.5 mm/660 dots, 72 mm/576 dots 104 mm/832 dots, 72 mm/576 dots, 50 mm/400 dots					
Dot density	8 dots/mm (203 dpi) in horizontal & vertical					
Print speed	150 mm/s (Fastest, print density 100 %), 1200 dot lines/s Only in label mode, 132 mm/s (max), print density level is 88%, and 1056 dot lines/s.					
Number of print columns *2	—	Number of print columns (columns)				Dot configuration (Dot)
	Paper width	112mm	82.5mm	80mm	58mm*L	
	Font A	69	55	48	33	12 × 24
	Font B	92	73	64	44	9 × 24
	Font C	104	82	72	50	8 × 16
Character size *3	Font A: 1.50 × 3.00 mm Font B: 1.13 × 3.00 mm Font C: 1.00 × 2.00 mm					
Character type	Alphanumeric, International, PC437 PC850/852/857/858/860/863/864/865/866/WPC1252/Katakana/Thai code 18					
User memory	384 KB (Capable of registering user-defined characters and logos)					
Types of barcode and 2D barcode	UPC-A/E, JAN (EAN) 13/8 columns, ITF, CODE 39, CODE 128, CODABAR, CODE 93, PDF417, QR Code					
Line spacing *4	4.23 mm (1/6 inch)					
Paper roll	Thermal paper roll: 112 <sub>φ</sub> mm/82.5 <sub>φ</sub> mm/80 <sub>φ</sub> mm × Maximum φ102 mm Paper thickness: 65-150 μm					
Interfacing	Serial (RS-232C compliant), Parallel (IEEE 1284 compliant), USB					
Cash drawer interface	2 cash drawers are supported.					
Input buffer	4K bytes/45 bytes (selectable) in Serial or Parallel interface, 16K bytes in USB interface					
Supply voltage	AC100 to 240V, 50/60 Hz, 130VA / DC24V, 2.0A					
Power consumption	Approx. 70W (in normal printing)					
Weight	Approx. 2.3 Kg for CT-S4000, CT-S4000L, CT-S4000M Approx. 2.0 Kg for CT-S4000DC, CT-S4000DCL, CT-S4000DCM					
Outside dimensions	177 (W) × 213 (D) × 147 (H) mm					
Operating temperature and humidity	5 to 45°C, 10 to 90% RH (No condensation)					
Storage temperature and humidity	-20 to 60°C, 10 to 90% RH (No condensation)					
Reliability	Print head life: 100 km, 1 × 10 <sup>8</sup> pulses (At normal temperature/humidity with recommended paper used) Auto cutter life: 1 million cuts (At normal temperature/humidity with recommended paper used)					
Safety standard	UL, C-UL, FCC Class A, TÜV-GS, CE Marking					

### Notes:

\*1: When paper width is 112, 82.5, 80 mm

\*2: The number of printable columns are selectable with a Memory Switch.

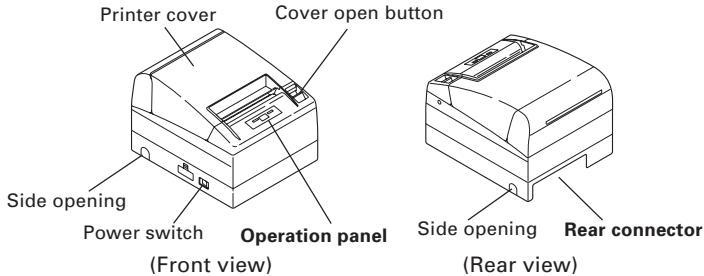
The number of columns in this table refers to typical model. Printer varies partly in the number of columns depending on printer specifications.

\*3: As each character size includes the space inside the character font, actual character looks smaller.

\*4: The line spacing is selectable with a command or Memory Switch. When the printer is turned on, it will be selectable with the memory switch.

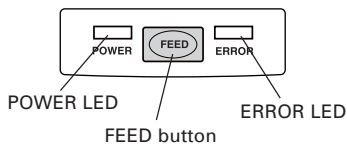
## 2. EXPLANATION OF PRINTER PARTS

### 2.1 Printer Appearance



- **Printer cover**  
Paper is loaded under this cover.
- **Cover open button**  
To refill or replace paper, open the printer cover by pulling the cover open button forward.
- **Power switch**  
This switch turns the printer power ON/OFF.
- **Side opening**  
The cables connected to the printer can be routed through this side opening. (Before use, push the small plastic barrier on the cover until it brakes.)

#### Operation Panel



- **POWER LED**  
Illuminated when the printer power is on and off when the printer power is off. May blink or light in a special mode or in case of failure.
- **ERROR LED**  
Illuminated or blinks when paper is empty or in case of failure. The interval length of blinking represents the type of error.
- **FEED button**  
Pressing this button once causes the paper to feed one line. The longer the button is pressed, the more paper is fed. Pressing this button causes the paper to feed to the next Black Mark position in Black Mark mode.



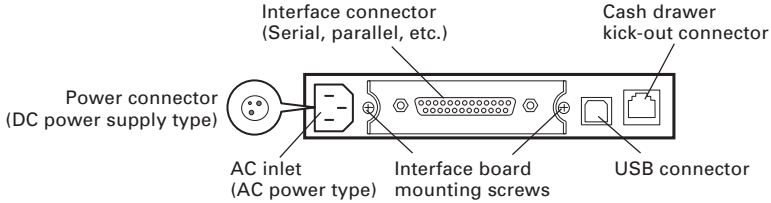
See 5.3 Manual Setting of Memory Switch

In case of auto cutter error, press the FEED button after removing the cause of the error.



See 4.6 Error Indication

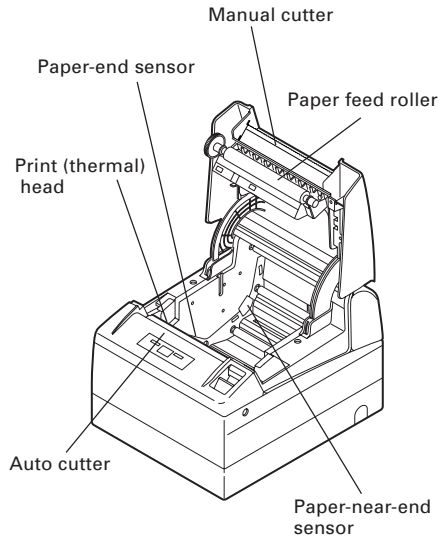
## Rear Connectors



- Interface connector (Serial, parallel, etc.)  
Connects to the interface cable. A DIP switch is provided on the serial interface board.
- Cash drawer kick-out connector  
Connects to the cable from the cash drawer.
- AC inlet (AC power type)  
Connects to the AC power cord.
- Power connector (DC power supply type)  
Connects to the cable from DC power source.

## 2.2 Printer Cover Inside

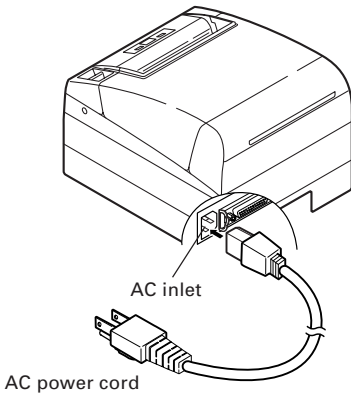
- Paper feed roller  
Feeds paper as part of print mechanism.
- Paper-near-end sensor  
Detects near paper end, change position in accordance with the outer diameter of paper core.
- Auto cutter  
Cuts the paper with a command at the end of printing. Cutting method is selectable between partial cut and full cut with a command.
- \* Factory default of the memory SW4-8 is set to "Partial cut", so that a command will be ignored. However, full cutting is set for the model supporting label.
- Manual cutter  
Tears the paper by hand.
- Print (thermal) head  
Prints characters and/or graphic data on thermal paper.
- Paper-end sensor  
Stops printing when this sensor detects paper end.



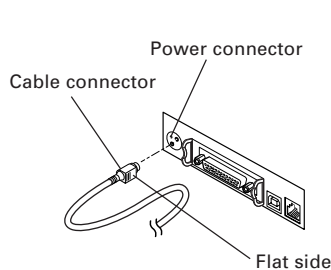
# 3. PREPARATION

## 3.1 Connecting the AC Power Cord

1. Turn off the printer power switch.
2. For AC power type (with built-in power supply), connect the AC power cord to the AC inlet at the back of the printer and plug the AC power cord into the wall outlet.



AC power type  
(built-in power supply)



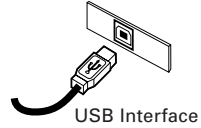
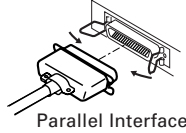
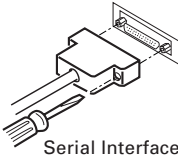
DC power supply type

### CAUTION!

- When disconnecting a cable, DO NOT pull out by the cable. Always hold the plug.
- Always keep the AC power supply away from other noise generating equipment.
- DO NOT pull the AC power cord. Otherwise fire, electric shock, or power disconnection may result.
- If lightning is approaching, unplug the AC power cord from the wall outlet. Otherwise fire or electric shock may result.
- Keep the power cord away from heat generating appliances. Otherwise the shield of power cord may be fused resulting in a fire or electric shock.
- If the printer will not be used for a long time, leave it disconnected from its supply outlet.
- Avoid locating the AC power cord in places which may cause tripping or falling.

## 3.2 Connecting Interface Cables

Confirm that the power switch is OFF and connect the interface cable. Orient the interface cable terminal correctly and insert it into the interface connector.



### ! CAUTION!

- When disconnecting the cable, always hold the connector.
- Be careful not to insert the USB interface cable into the cash drawer kick-out connector.

For serial interface cable, use the one with the following connection.

25-pin - 25-pin cable

PC		Printer	
Signal	Pin	Pin	Signal
FG	1	1	FG
TXD	2	2	TXD
RXD	3	3	RXD
CTS	5	4	RTS
DSR	6	6	DSR
SG	7	7	SG
DTR	20	20	DTR

9-pin - 25-pin cable

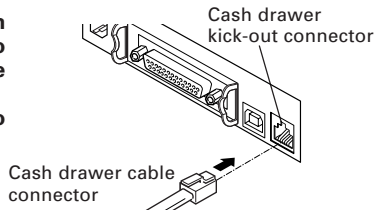
PC		Printer	
Signal	Pin	Pin	Signal
RXD	2	2	TXD
TXD	3	3	RXD
DTR	4	4	RTS
SG	5	6	DSR
DSR	6	7	SG
CTS	8	20	DTR

### ! CAUTION!

Avoid locating the interface cable in places which may cause tripping or falling.

## 3.3 Connecting the Cash Drawer

1. Confirm that the power switch is OFF.
2. Confirm the top and bottom of the cash drawer cable connector and insert it into the cash drawer kick-out connector at the back of the printer.
3. Screw the cash drawer's ground wire to the body of the printer.



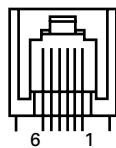
### ! CAUTION!

DO NOT connect any other device than the specified cash drawer to the cash drawer kick-out connector. (DO NOT connect a telephone line either.)



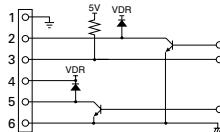
## (1) Connector Pin Configuration

No.	Signal	Function
1	FG	Frame Ground
2	DRAWER 1	Drawer 1 drive signal
3	DRSW	Drawer switch input
4	VDR	Drawer drive power supply
5	DRAWER 2	Drawer 2 drive signal
6	GND	Common ground on circuits



Connector used:  
TM5RJ3-66 (Hirose)  
or equivalent  
Applicable connector:  
TM3P-66P (Hirose) or  
equivalent

- (2) Electrical characteristics
- 1) Driving voltage: 24 VDC
  - 2) Driving current: Approx. 1A max. (shall not exceed 510 ms.)
  - 3) DRSW signal: Signal levels: "L" = 0 to 0.5 V, "H" = 3 to 5 V
- (3) DRSW signal  
DRSW signal status can be tested with the DLE+EOT, GS+a, or GS+r command or at pin 34 on the parallel interface port.
- (4) Drive Circuit (printer side)



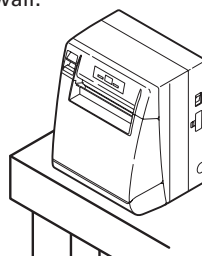
## CAUTION!

- No output is produced while printing.
- The cash drawers 1 and 2 cannot be driven simultaneously.
- A solenoid used for the cash drawer should be of 24 Ω or more. The output current should be kept at 1A or less; otherwise, breakdown or burning could occur.

## 3.4 Installing the Printer

The printer can be installed horizontally, vertically, and on the wall. At the time of shipment, the printer is set for horizontal installation. To install the printer vertically or on the wall, the following adjustments are required.

1. **Adjustment of paper near-end sensor position (See section 3.7)**
2. **Anti-slip rubber feet (for vertical setting)**
3. **Optional wall-mounting kit (for wall-mounting)**



Vertical position

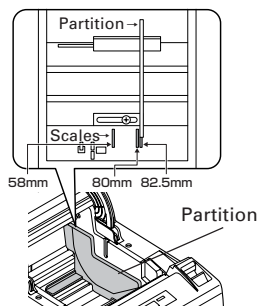
## CAUTION!

- When used in vertical position, the printer ejects paper not to fall naturally even with full cutting. Be careful in using the printer built in equipment, etc.
- Ensure that the wall on which the printer is mounted has enough strength before installation.
- When using in horizontal setting, avoid cutting full. Otherwise, the cut paper may drop into the cutter and may result in double cutting and narrow pieces of paper. This may cause paper jam.

## 3.5 Partition for Paper Roll

At the time of shipment, this partition is not installed.

1. Confirm that the power switch is OFF.
2. Open the printer cover.
3. Insert the partition into the slot and align it with the scale inside of the printer which meets the width of the paper roll used. When using the 80mm or 82.5mm wide paper roll, set the partition by using the accessory screw. \*58 mm is only for label supporting model.
4. Change the setting of paper width by referring to the section 5.2, "Manual Setting of Memory Switch".



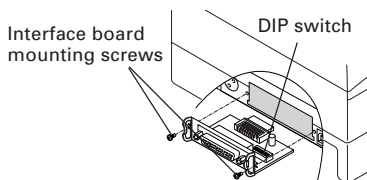
### CAUTION!

When using 112 paper roll, the partition is not used.

## 3.6 Setting DIP Switch

The DIP switch is present on the serial interface board.

The function of each switch is as shown below.



### CAUTION!

- As for the setting of the serial interface, it gives priority to the setting of the memory switch rather than the DIP switch as the factory default.
- Consult with the dealer where the printer was purchased when the change of the DIP switch setting is necessary.

Switch No.	Function	ON	OFF	Initial Settings
1	Communication condition setting method	DIP switch setting	Memory switch setting	OFF
2	Hand shake	XON/XOFF	DTR/DSR	OFF
3	Bit length	7 bits	8 bits	OFF
4	Parity check	With parity	None	OFF
5	Parity selection	Even parity	Odd parity	OFF
6	Baud rate selection	See Table below.		OFF
7				ON
8	INIT	Reset	Invalid	OFF

### Selecting baud rate

Baud Rate (bps)	Switch No.	
	6	7
2400	OFF	OFF
4800	ON	OFF
9600	OFF	ON
19200	ON	ON

38400, 57600 and 115200 bps can also be selected by a command, etc.

## 3.7 Adjusting the Paper Near-end Sensor

1. Lightly push in the paper near-end sensor unit.
2. Move the paper near-end sensor unit to the right and left while keeping to press it. The position to be set varies in accordance with the setting of the printer, horizontal or vertical, or diameter of the paper roll as shown in the following figure.

	Sensor Position	Roll paper diameter at the detection of near-end	Outer core diameter of roll paper used
Horizontal	** 1	φ21.0	φ18.0
	*2	φ24.5	φ21.5
	3	φ28.0	φ25.5
	4	φ31.5	φ28.0
	5	φ35.0	φ32.0
Vertical	5	φ21.0	φ18.0
	4	φ24.5	φ21.5
	3	φ28.0	φ25.5
	2	φ31.5	φ28.0
	1	φ35.0	φ32.0

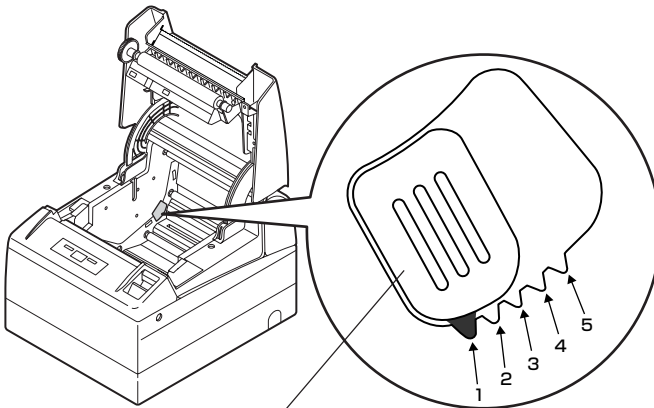
\* Factory setting for USA version

\*\* Factory setting for other country version



### CAUTION!

- Paper remaining differs by the type of paper roll used.
- The external diameter of the paper roll is only for reference.
- When a paper end error is detected incorrectly during using a paper roll with a honey-comb type core, move the sensor position to the larger number.

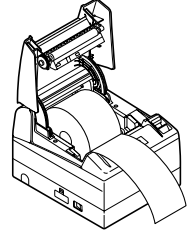


Paper-near-end sensor unit

## 4. MAINTENANCE AND TROUBLESHOOTING

### 4.1 Setting/Replacing the paper roll

1. Pull the cover open button forward.
2. Open the printer cover.
3. Insert a paper roll with its print area facing down as shown in the figure and pull out the paper end straightforward several cm (or inches) out of the printer.
4. Firmly close the printer cover until a click can be heard.



See 5.3 Manual Setting of Memory Switch



#### CAUTION!

- Always use the specified types of paper roll.
- Confirm that the paper roll is set correctly.
- When the paper is skewed and not extended straightforward from under the printer cover, open the printer cover and adjust the paper correctly.
- When the printer cover is opened after setting the paper, be sure to pull the paper straightforward several cm (or inches) out of the printer, and then close the printer cover.
- When closing the printer cover, press on the center part of the cover to close it firmly.
- When setting paper, be careful not to have your finger injured by the manual cutter or paper edge.
- In the case of selecting "Valid" with memory SW4-3, the paper is fed and cut automatically when the printer cover is closed.



#### WARNING

When opening the printer cover, DO NOT touch the print head or cutter blade. Otherwise, burning or injury of hand may result.

### 4.2 Removing Jammed Paper

1. Turn the printer power off.
2. Open the printer cover.  
If the cutter blade remains protruded with paper jammed, do not force the printer cover to open. Referring to the section 4.7, restore the blade to the normal position and then open the cover.
3. Remove the jammed paper including any remaining paper shreds.
4. Turn on the printer. The auto cutter mechanism is initialized and the alarm is cleared.



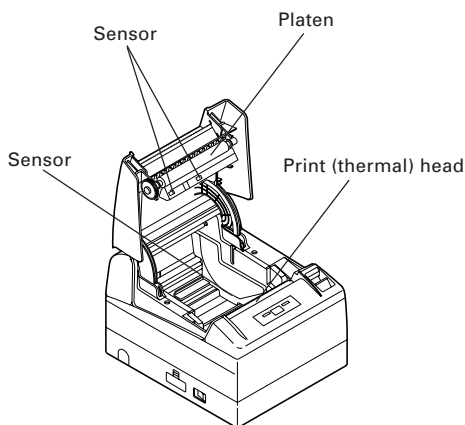
#### CAUTION!

- If the cutter blade remains protruded with paper jammed, DO NOT open the printer cover forcibly and try to turn OFF and ON the printer power. If the cutter blade cannot be restored, refer to the section 4.7.
- The print head is hot immediately after printing. DO NOT touch it with your hand. DO NOT touch the heating element of the head with a bare hand or metal object either.

## 4.3 Periodic cleaning

If the print head or platen is dirty, clear printing is not available or fault may occur. If paper dust or the like is present on the sensor protection sheet, label paper or blackmark paper may not be detected correctly. Periodic cleaning in accordance with the following procedure is recommended.

1. Turn the printer power off.
2. Open the printer cover.
3. Wait several minutes. Wipe off any debris on the heating element of the head using a cotton swab soaked in ethyl alcohol. Just after printing, high temperature remains in the print (thermal) head. Be careful not to touch it by hand.
4. Moisten the tip of the cotton swab with water and wipe the dirt on the surface of the sensor protection sheet. Avoid using solvent such as alcohol. Use of it may result in smoky sensor protection sheet.

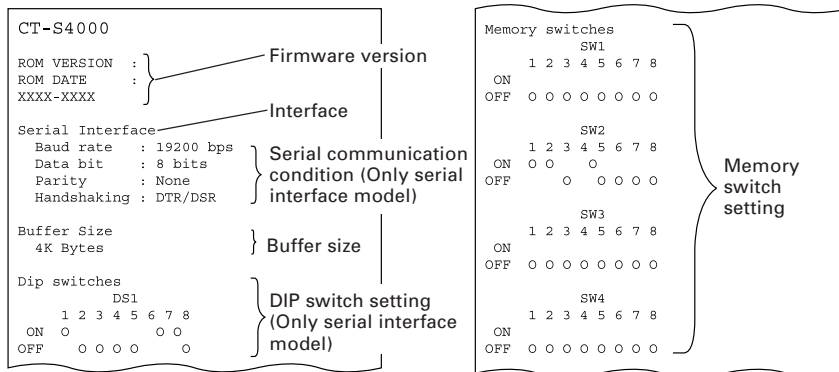


### CAUTION!

- Do not touch the surface of the heating element of the print head by bare hand or metal.
- Wipe the dust off the surface of the platen periodically with a cotton swab moistened with ethyl alcohol. Especially, when full cutting is used for label paper, paper dust may adhere on the platen depending on the property of liner sheet, roll paper diameter, environmental condition of using the printer, etc.

## 4.4 Self-printing

Insert paper into the printer. With the FEED button pressed and held, turn the printer power on, keep the FEED button held for about 1 second, and then release the FEED button. The printer starts self-printing. The printer prints model name, version, DIP switch setting, memory switch setting, and built-in fonts.



## 4.5 Hexadecimal Dump Printing

This function is to print all received data in hexadecimal numbers. If problems such as missing data, data duplication, etc. should occur, this function allows checking whether or not the printer is receiving data correctly.

Load the paper into the printer and keep the printer cover open. With the FEED button pressed and held, turn the printer power on and then close the printer cover. The printer prints "HEX dump print mode" followed by the received data printed in hexadecimal numbers and some characters.

### CAUTION!

- The printer prints "." if there is no characters corresponding to data.
- During hexadecimal dump, functions except some command will be disabled.
- If print data DOES NOT cover a line, press the FEED button to print the line.

When you press the FEED button three times consecutively, or you turn the printer power off, or the printer receives a reset signal from the interface, the hexadecimal dump printing is terminated.

#### Print example

```

HEX DUMP PRINT MODE
1B 21 00 1B 20 04 41 42 43 44 .!.. .ABCD
45 46 47 48 49 4A 4B 4C 4D 4E EFGHIJKLMN
4F 50 0D 0A 31 32 33 0D 0A   OP..123..
  
```

## 4.6 Error Indication

- **Paper end**  
Paper out is detected in two steps: paper near-end and paper end. ERROR LED will light when the paper is empty. If paper end is detected, refill the paper. If the printer cover is open, a paper-end is detected.
- **Printer cover open**  
During printing, do not open the printer cover. If you open the printer cover accidentally, the ERROR LED blinks. Check the paper, pull the paper straightforward several cm (or inches) out of the printer, and then close the printer cover. Printing resumes automatically. Sending a command to resume printing may be required depending on the memory switch setting.
- **Cutter lock**  
If the cutter blade stops operating due to paper jam or the like, the ERROR LED blinks. Remove the cause of the trouble and press the FEED button. If the blade still does not move and the printer cover cannot be opened, refer to the section 4.7.
- **Thermal head overheat**  
When you print dense characters or dark image, the head temperature rises. If the head temperature exceeds a specified level, the printer stops printing operation and waits till the head temperature is lowered. During waiting, the ERROR LED blinks. When the head temperature is lowered, printing resumes automatically.
- **Paper jam error**  
If paper feeding is not normal and paper jam occurs in the platen, etc., printing and line feed operation stop and ERROR LED blinks.
- **Power switch operation error**  
If you turn power on again just after powering off, an error may occur. Before turning power on again, wait till POWER LED goes off completely after powering off.
- **Black Mark detection error (in Black Mark mode)**  
When Black Mark cannot be detected even if a certain amount of paper feed is carried out for Black mark detection, a Black Mark detection error occurs. If black detection continues more than the specified period, a No Paper condition is assumed and the same error as No Paper is indicated.
- **Waiting for paper (label) cutting**  
If the "GS+FF" command is executed under the condition that auto cutter operation is disabled (memory switch 2-2 is OFF), label paper is ejected and ERROR LED blinks. When the FEED switch is pressed under this circumstance, paper returns to the starting position of printing and ERROR LED goes off.
- **Paper (label) detection error**  
If detection is not available even with paper feeding of given amount for detecting space between labels or label paper, ERROR LED blinks. In this case, adjust the sensor in the paper sensor adjustment mode. If no detection occurs even after the sensor adjustment, replace the label paper. If replacing label paper is not effective for detection, the sensor, etc. may be faulty (degraded). Contact the service representative.

Lighting and blinking status of each error including the above is shown below.

Status	POWER LED	ERROR LED	Buzzer
Paper-end	Lights	Lights	
Paper near-end	Lights	Lights	—
Printer cover open	Lights	Lights	—
Printer cover open error *1	Lights		
Cutter lock error	Lights		
Head overheat error	Lights		—
Paper jam error	Lights		—
Memory check error		Lights	—
Low voltage error	Lights		—
High voltage error or Power switch operation error	Lights		—
Macro execution wait *2	Lights		—
Black Mark detection error	OFF		
Waiting for paper (label) cutting*L, *M	OFF		—
Paper (label) detection error*L, *M	OFF		

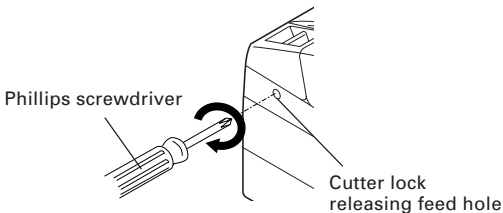
\*1: When the printer is printing.

\*2: The ERROR LED may blink even in the execution of macro function.

## 4.7 When the Paper Cover Cannot Be Opened

If the cutter blade remains protruded due to paper jam or for any abnormality, opening the paper cover may be disabled. In this case, do not open the paper cover forcibly. Insert a Phillips screwdriver (size #1) into the cutter lock releasing feed hole and turn it in the direction of arrow (clockwise).

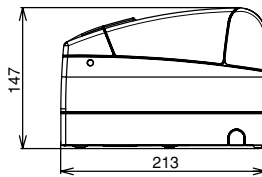
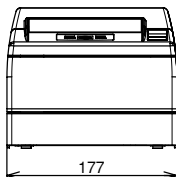
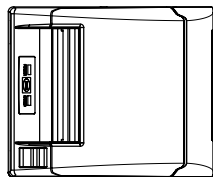
When you find that both ends of the blade reached the lowest position, stop turning the screwdriver. Open the cover and follow the procedure of removing jam or other cause of trouble.





## 5. OTHER

### 5.1 External Views and Dimensions

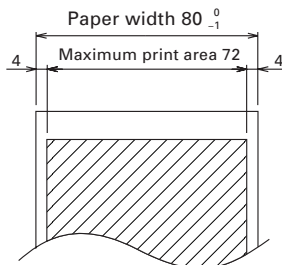
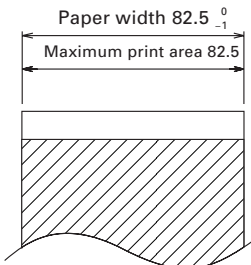
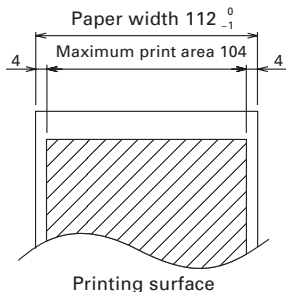


(Unit: mm)

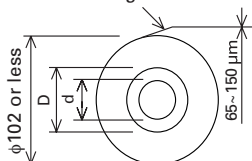
### 5.2 Printing Paper

Use the print paper shown in the following table or the paper with equivalent quality.

Paper Type	Product Name
Recommended thermal paper roll	F230AA, P220AG, HP220A, HP220AB-1, P220AB, P220AE-1, PB670 (Red/Black), PB770 (Blue/Black) from Mitsubishi Paper TF50KS-E2D from Nippon Paper PD150R, PD160R from Ohji Paper



(Unit: mm)



Paper thickness (μm)*	65-75	75-150
Core inner diameter d (mm)	φ12	φ25.4
Core outer diameter D (mm)	φ18	φ32

\*Thickness of label paper is the total of the thickness of "liner sheet" and "label".

### CAUTION!

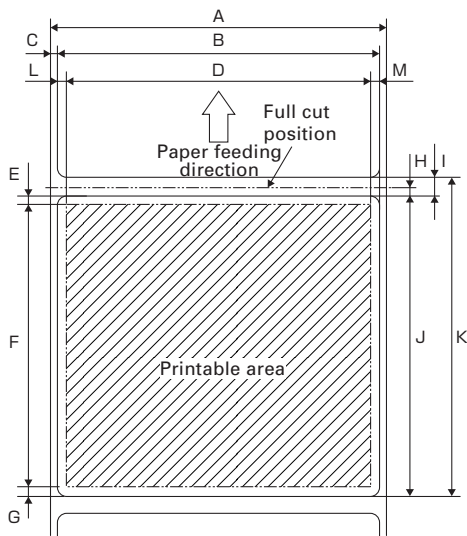
DO NOT use the following type of paper roll.

- Paper with folds.
- Paper with bent corners.
- Paper pasted or glued to the core.
- In-wound paper roll (print side in).

When using “label paper” with CT-S4000L and CT-S4000DCL, refer to the following. Use the following paper or the equivalent paper.

Paper type	Product name
Recommended thermal label paper	150LA-1 from Ricoh, GG40/P22/G6B from Ojita, HD75 from Nippon Paper

a) Label paper \*L



Unit: mm

Mark	Item	Dimensions
A	Liner width	58 to 112.1
B	Label width	54 to 108 ± 0.5
C	Left edge of label	2 + 0.5
D	Print width	50 to 104
E	Top margin	2 ± 1
F	Print length	21 to 296
G	Bottom margin	2 ± 1
H	Cut position between labels	1/2 x (Size I)
I	Gap between labels	4 to 30
J	Label length	25 to 300
K	Label pitch	I+J
L	Left margin	2 ± 1
M	Right margin	2 ± 1

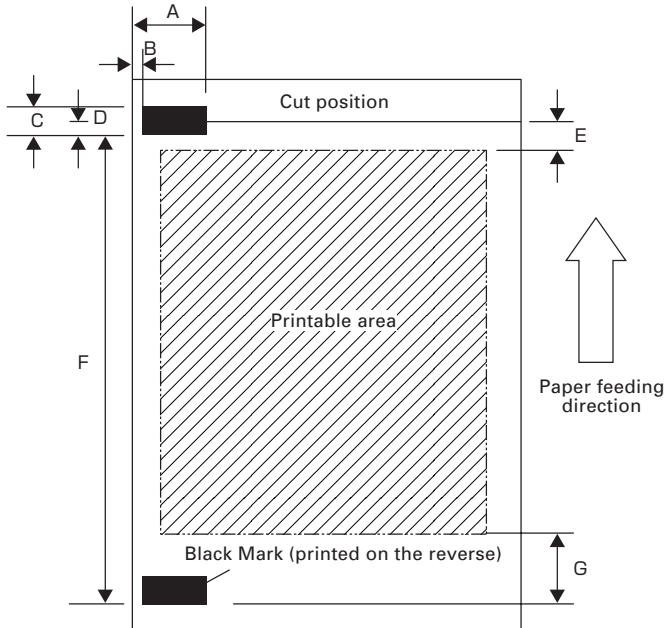
## CAUTION!

Pay attention to the following when using Auto Cutter. Otherwise, a cutter lock or a cutter failure may occur.

- Set the cut length of paper to 25 mm or more.
- When using label paper, cut the gap between labels (liner sheet). Do not cut the label paper (tack paper).
- Adjusting the paper sensor must be carried when the type of liner is changed.

Label paper cannot be used with the model supporting blackmark (CT-S4000M/CT-S4000DCM).

b) Black mark paper (BM paper)



Unit: mm

Mark	Item	Dimensions
A	Right edge of black mark	15 or more
B	Left edge of black mark	0 to 1.5
C	Black mark height	5
D	Cut position in black mark	2.5
E	Top margin	6.5 / 12
F	Black mark pitch	30 to 300
G	Bottom margin	9

\* In the case of the operation that the printer cuts the paper, the top margin will be changed by the setting of the memory switch 4-8. It is 6.5mm at 0 (OFF) and 12mm at 1(ON).

\* In the case of the operation that the printer does not cut the paper, the top margin is 6.5mm.

## CAUTION!

- PCS value of black mark must be 0.9 or more.
- When using the black mark paper, consider the margin of +/- 2 mm for the print position against the standard position and +/- 5 mm for print length.
- Refer to the above drawing for the printable area and have enough margins specified in the marks E and G. If the print data size is out of the printable area, the printer should skip to next page.

## 5.3 Manual Setting of Memory Switch

Memory switches can be set manually or by a command.

For manual setting, refer to the next page.

The function of each memory switch is shown in the following table.

(The **white-on-black** characters **factory setting**.)

Switch No.	Setting	0 (OFF)	1 (ON)
Memory SW1-1	Power ON Info	Valid	Not send
SW1-2	Buffer Size	4k bytes	45 bytes
SW1-3	Busy Condition	Full/Err	Full
SW1-4	Receive Error	Print "?"	No Print
SW1-5	CR mode	Ignored	LF
SW1-6	Reserved	Fixed	-
SW1-7	DSR Signal	Invalid	Valid
SW1-8	Init Signal	Invalid	Valid
Memory SW2-1	Reserved	-	Fixed
SW2-2	Auto Cutter	Invalid	Valid
SW2-3	Spool Print	Invalid	Valid
SW2-4	Full Col Print	LineFeed	WaitData
SW2-5	Resume aft PE	Next	Top
SW2-6	Reserved	Fixed	-
SW2-7	Reserved	Fixed	-
SW2-8	PNE Sensor	Valid	Invalid
Memory SW3-1	Resum Ctrr Err	Valid	Invalid
SW3-2	Reserved	Fixed	-
SW3-3	Parallel 31 Pin	Valid	Invalid
SW3-4	Reserved	Fixed	-
SW3-5	Reserved	Fixed	-
SW3-6	Reserved	Fixed	-
SW3-7	CBM1000 Mode	Invalid	Valid
SW3-8	Resum Open Err	Close	Command
Memory SW4-1 *M	P. Length Set	Auto Measure	Command
SW4-2 *M	Power on TOF	Invalid	Valid
SW4-3	Feed&Cut at TOF	Invalid	Valid
SW4-4 *L	Paper Select *1	Thermal Roll	BM.P / Lbl.P *4
SW4-5 *L	Position detect *2	Black Mark	Label
SW4-4 *M	Paper Select *1	Thermal Roll	BM.P
SW4-5 *M	Position detect *2	Black Mark	-
SW4-6	Reserved	Fixed	-
SW4-7	Reserved	Fixed	-
SW4-8 *3	Prtial Only	Invalid	Valid

Notes:

\*1: The factory setting of "Paper Select" will be different, depending on the model classification.

\*2: In the case of selecting the thermal roll with the SW4-4, the SW4-5 will not be available. The SW4-5 will be set to "Black Mark" status for the Black Mark version printer.

\*3: In the label mode (with memory switches SW4-4 and SW4-5 set to ON), full cutting is used for paper regardless of the setting of memory switch SW4-8.

\*4: When printing on label paper, printing columns of 660 dots is not usable.  
Memory switch SW2-8 is not usable with label paper.

Switch No.	Setting	0 (OFF)	1 (ON)
Memory SW5-1	Buzzer	Valid	Invalid
SW5-2	Line Pitch	360	406
SW5-3	USB Mode	Virtual COM	Printer Class
SW5-4	Reserved	Fixed	-
SW5-5	Reserved	nvalid	-
SW5-6	Reserved	Fixed	-
SW5-7	Reserved	Fixed	-
SW5-8	Reserved	Fixed	-

Switch No.	Setting	Default	Set Values
Memory SW7-1	Baud Rate	9600 bps	1200 bps, 2400 bps, 4800 bps, 9600 bps, 19200 bps, 38400 bps, 57600 bps, 115200 bps
SW7-2	Data Length	8Bits	7Bits, 8Bits
SW7-3	Stop Bit	1Bit	1Bit, 2Bits
SW7-4	Parity	NONE	NONE, EVEN, ODD
SW7-5	Flow Control	DTR/DSR	DTR/DSR, XON/XOFF
SW7-6	DMA Control	Valid	Valid, Invalid
SW7-7	VCom Protocol	PC Setting	PC Setting, DTR/DSR, XON/XOFF
Memory SW8-1	Print Width	832dots	832dots(69 col.), 720dots(60col.), 660dots(55col.), 576dots(48col.), 512dots(42col)
SW8-2	Paper Type	1 Color Normal	1 Color Normal, 2 Color Normal
Memory SW9-1	Code Page	PC437	PC437/Katakana/PC850,858/PC860/PC863/PC865/PC852/PC866/PC857/WPC1252/PC864/Thai Code 18
Memory SW9-2	Int'Char Set	USA	USA, France, Germany, England, Denmark, Sweden, Italy, Spain, Japan, Norway, Denmark 2, Spain 2, Latin America, Korea Croatia, China
Memory SW9-3*	Kanji	OFF	ON, OFF
SW9-4*	JIS/Shift JIS	JIS	JIS, Shift JIS
Memory SW10-1	Print Density	100%	70%, 75%, 80%, 85%, 90%, 95%, 100%, 105%, 110%, 115%, 120%, 125%, 130%, 135%, 140%
SW10-2	Print Speed	Level 9	Level 1, Level 2, Level 3, Level 4, Level 5, Level 6, Level 7, Level 8, Level 9
SW10-3	ACK Timing	Before Busy	Before Busy, Same Period, After Busy
SW10-4	NV User	192K bytes	1K bytes, 64K bytes, 128K bytes, 192K bytes
SW10-5	NV Graphic	384K bytes	0 byte, 64K bytes, 128K bytes, 192K bytes, 256K bytes, 320K bytes, 384K bytes

\* In this printer, Memory Switches 9-3 and 9-4 are not usable.

## Manual Setting of Memory Switch (Memory SW)

The memory switch can be selected, changed, or written by the combination of three actions: pressing the FEED button, pressing and holding the FEED button, and opening or closing the printer cover.

1. Entering memory switch setting mode.  
Set paper in the printer and keep the printer cover open. With the FEED button pressed and held, turn the printer power on, and then press the FEED button twice. Close the cover. If the current settings of the memory switch etc. are printed, the printer is now in the memory switch setting mode.

Memory SW (1) 00000000

0: OFF state  
1: ON state

(No indication for 0/1 with memory switch SW7 through SW10)

2. Selecting memory switch (MEMORY SWITCH SELECT MODE)  
When the FEED button is pressed short (\*1), printing occurs in the order of "Memory SW1" → "Memory SW2" → "Memory SW3" → ..... "Memory SW10" → "Save To Memory" → "Memory SW1" → ..... repeatedly. When the memory switch you want to change is reached, press and hold the FEED button (for more than 2 seconds).
3. Selecting each switch item  
2-16 items are provided for setting in each switch. By pressing and holding the FEED button long (\*2), the printer goes to the next item and prints the current setting of the item. Repeat pressing and holding until the item you want to change is reached.

Power ON Info (Valid )

OFF state: ERROR LED OFF  
ON state: ERROR LED ON

(With memory switch SW7 through SW10, ERROR LED goes on only at the factory setting.)

4. Changing the setting  
When the item you want to change is printed, press the FEED button short (\*1). The changed set value is printed. (When the change of the set value is repeated, the original set value is recovered). When you press the FEED button long (\*2), the set value is accepted and then the printer goes to the next setting item.
5. Returning to the MEMORY SWITCH SELECT MODE (the above Item 2)  
When the setting of the desired content is completed, open the printer cover and then close the printer cover. This allows the printer to print the setting of the changed memory switch.
6. Saving the setting and exiting the memory switch setting mode  
Press the FEED button short (\*1) to move to "Save To Memory". Then press and hold the FEED button. The printer prints the contents of new setting and exits the memory switch setting mode to return to the normal standby state.  
\* Unless saving the setting is executed, the changed setting cannot be enabled.
7. Initializing the memory switch  
When you want to return the memory switch setting to the initial state, go to "Save To Memory" in the above procedure. Here, open the printer cover and press and hold the FEED button till buzzer sounds. This allows the printer to return to the initial state.  
\* All the memory switches settings are returned to the factory set values.

\*1: Press for less than 2 seconds \*2: Press for more than 2 seconds

## 5.4 Selecting Paper Type \*L, \*M

Paper type selection is available by the combination of memory switches SW4-4 and SW4-5 by the used of "Memory Switch Select Mode". In addition, the following procedure is available.

### 1 Enter Selecting Paper Type mode.

- 1) Open the printer cover and remove paper. Pressing and holding the **FEED button**, turn the printer power ON. The POWER LED starts blinking.
- 2) Release the **FEED button** and then close the printer cover. Buzzer sounds and the paper type currently set is indicated by the LED on the operation panel.

### 2 Select Paper Type.

Press the **FEED button** to match the paper type loaded to the LED indications in the table below. (Refer to the table below.)

	POWER LED	ERROR LED
Label	Green lit	(OFF)
Thermal paper roll	(OFF)	Red lit
Black Mark paper	Green lit	Red lit

### 3 Save the selected Paper Type to the Printer.

Open and close the printer cover. By this operation, selected paper type is stored in the printer memory and the Selecting Paper Type mode is terminated.

Since then, "P.Length Set" of Memory switch 4-1 becomes disable.

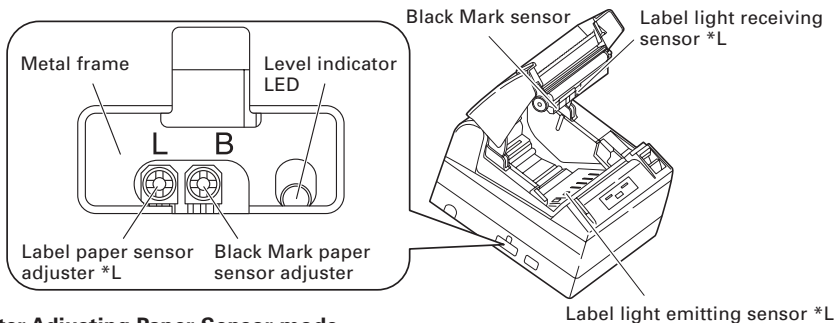
When closing the printer cover during the setting a Black Mark paper or label paper in the printer, paper length is measured, and the result will be printed out.

- \* If Paper Detection error occurs at the measurement of paper length, the printer automatically enters Adjusting Paper Sensor mode. Adjust the sensor in accordance with "5-5 Adjusting Paper Sensor".

## 5.5 Adjusting Paper Sensor \*L, \*M

Before using Black Mark paper (BM paper) or label, adjust the Paper sensor. First, hold the lever at the upper end of the sensor adjustment control cover located at the left of the Power switch and press the lever down and toward the front to remove the cover from the printer.

As shown below, the most left one is a label paper sensor adjuster, the next is Black Mark paper sensor adjuster, and the right one is a level indicator LED. Adjust them in the following procedure.



### 1 Enter Adjusting Paper Sensor mode.

Open the printer cover, remove paper, and then set the printer power switch to ON. Here, POWER LED and ERROR LED go on with the buzzer sound. Then close the printer cover while pressing the **FEED button**. The ERROR LED starts blinking with the buzzer sound.

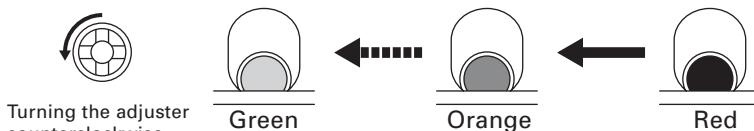
### 2 Set Paper to be adjusted to the Printer.

This printer has three types of built-in paper sensors.

In case of label, set it so that label is positioned on the label light receiving sensor and label light emitting sensor. In case of Black Mark paper, set it so that the printable portion (other than black mark) is positioned on the Black Mark sensor. With this state kept, closing the printer cover causes ERROR LED to blink with the buzzer sound.

### 3 Adjust Paper Sensor.

Turn the corresponding adjuster counterclockwise by using a tapered flat screwdriver. Set the adjuster at the position where LED begins to change from orange to green.

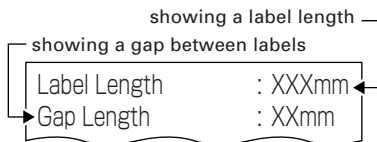


\* While turning the adjuster by the screwdriver, do not let the part of the screwdriver touch the metal frame. Otherwise proper LED light color will not be displayed while touching.

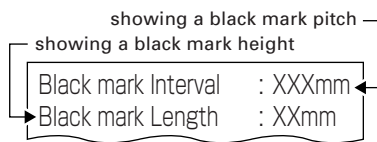
### 4 Perform Paper Measuring operation

When the **FEED button** is pressed, label is fed and paper measuring is carried. If the **FEED button** is pressed during the paper measuring, the result will be printed out as follows, and the printer memory switch will be initialized.

\* The measuring result is a reference value



< Example of label measuring result \*L >



< Example of black mark paper measuring result \*M >



## 5.6 Full cutting label paper \*L

When full-cutting the label paper with the printer installed horizontally, Be sure that the guide plate is mounted on the paper exit of the printer cover. (This guide plate was set to the printer at the time of factory shipment.) The Guide Plate prevents cut paper from dropping in the printer.

### CAUTION!

- If about 10 sheets of cut paper accumulate on the paper exit, remove the paper.
  - **Stacking of 10 or papers, paper jam may occur.**
- Remove the guide plate in other than full-cutting label paper with the printer set horizontally.
  - **The manual cutter cannot be used when the guide plate is mounted.**
  - **Short label paper with the printer set vertically may be hard to exit.**

#### ● Mounting and Dismounting Guide Plate

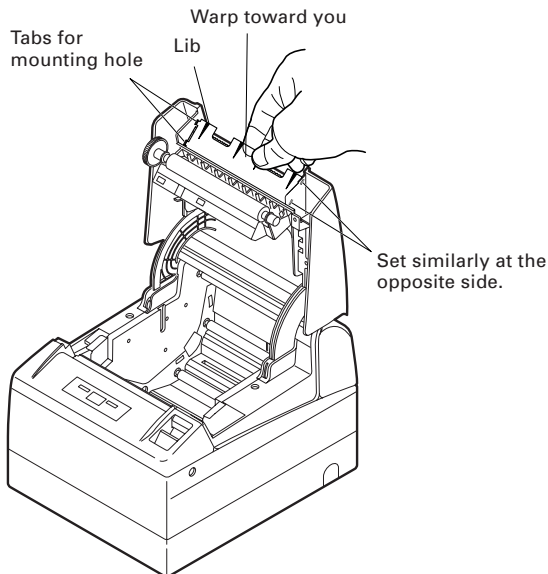
##### • Mounting

**With the printer cover kept open, insert the tabs of the guide plate to the two mounting holes (either right or left hole) located at the inside of the cover front. Set the guide plate with its lib facing toward you.**

**Then, with the guide plate warping toward you, insert the tabs to the two mounting holes at the opposite side of the cover.**

##### • Dismounting

**With the printer cover kept open, pull the center portion of the guide plate toward you to remove the guide plate.**



**FRANÇAIS**

## PRÉCAUTIONS GÉNÉRALES

- Après l'avoir lu, le conserver dans un emplacement sûr, aisément accessible pour une future référence.
- Les informations contenues dans ce manuel sont sujettes à des changements sans préavis.
- La reproduction ou le transfert d'une partie ou de tout ce document par n'importe quel moyen est interdite sans l'autorisation de Citizen Systems.
- Prière de prendre note que Citizen Systems n'est pas responsable de tout résultat de fonctionnement indépendamment de manque, d'erreur ou de défaut d'impression de ce manuel.
- Citizen Systems n'est pas responsable d'aucun problème causé par l'utilisation des options ou produits consommables qui ne sont pas indiqués dans ce manuel.
- Sauf en cas de spécification contraire dans ce manuel, ne pas essayer d'entretenir, démonter ou réparer cet appareil.
- Noter que Citizen Systems n'est pas responsable d'aucun dommage attribuable à une opération/manipulation incorrecte ou à un environnement inexact d'opération qui ne sont pas indiqués dans ce manuel.
- Les données sont prévues fondamentalement pour un usage provisoire, et ne sont pas stockées pendant une longue période ou de manière permanente. Veuillez noter que Citizen Systems n'est pas responsable des dommages ou de toute manque de bénéfice résultant de la perte de données provoquées par des accidents, réparations, essais ou toute autre occurrence.
- Si vous observez une perte d'informations, des erreurs ou des faits douteux, veuillez contacter votre fournisseur Citizen Systems.
- Si vous trouvez n'importe quelle page désordonnée ou manquante, veuillez contacter votre fournisseur Citizen Systems pour effectuer le remplacement.

## TABLE DES MATIÈRES

1. PRÉSENTATION GÉNÉRALE .....	7
2. EXPLICATION DES COMPOSANTS DE L'IMPRIMANTE .....	10
3. PRÉPARATION .....	12
4. ENTRETIEN ET DÉPANNAGE .....	17
5. DIVERS .....	22

CITIZEN is a registered trade mark of Citizen Holdings Co., Japan

CITIZEN es una marca registrada de Citizen Holdings Co., Japón

Company names and product names in this manual are trademarks or registered trademarks of relevant companies.

Copyright© 2008 by CITIZEN SYSTEMS JAPAN CO., LTD.

# PRÉCAUTIONS DE SÉCURITÉ ... QUI DEVRAIENT ÊTRE OBSERVÉES RIGOREUSEMENT

Veillez lire attentivement ces PRÉCAUTIONS DE SÉCURITÉ avant d'utiliser l'appareil pour la première fois.

La manipulation incorrecte peut avoir comme conséquence des accidents (incendie, décharge électrique ou blessures). Afin d'éviter des blessures aux opérateurs, tiers, ou des dommages à la propriété, des symboles d'avertissement spéciaux sont utilisés dans le Mode d'Emploi pour indiquer les items importants à observer rigoureusement.

- Après avoir lu ce mode d'emploi, conservez-le dans un endroit sûr et facilement accessible pour référence ultérieure.
- Certaines des descriptions contenues dans ce mode d'emploi peuvent ne pas s'appliquer à certains modèles d'imprimantes.

Ce qui suit indique le degré de danger et de dommage encouru si l'imprimante n'est pas utilisée correctement, sans tenir compte des instructions indiquées par les symboles d'avertissement.

## **AVERTISSEMENT**

Le non-respect des précautions indiquées par ce symbole peut provoquer des blessures mortelles ou graves.

## **ATTENTION**

Le non-respect des précautions indiquées par ce symbole peut provoquer des blessures ou des dommages matériels.



Ce symbole sert à attirer votre attention sur des points importants.



Ce symbole sert à vous avertir d'un risque d'électrocution ou de dommage électrostatique.



Ce symbole indique la nécessité de débrancher l'imprimante de la prise murale.



Ce symbole est utilisé pour indiquer l'information utile, telle que procédures, instructions ou autres données dans ce genre.



Ce symbole sert à indiquer des actions interdites.

## **AVERTISSEMENT**

- N'utilisez pas et ne rangez pas cet appareil dans un endroit où il sera exposé à :

- \* des flammes ou de l'air humide
- \* la lumière directe du soleil
- \* de l'air chaud ou aux radiations d'un appareil de chauffage
- \* de l'air salin ou des gaz corrosifs
- \* une atmosphère mal ventilée
- \* des réactions chimiques en laboratoire
- \* de l'huile, des particules d'acier ou de la poussière contenue dans l'air
- \* de l'électricité statique ou des champs magnétiques puissants



- **Le non-respect de ces avertissements risque de provoquer des pannes de l'imprimante, une surchauffe, des émissions de fumée, un incendie ou une électrocution.**

- Ne laissez pas pénétrer des objets étrangers et ne renversez pas de liquide dans l'imprimante. Ne placez pas non plus d'objet sur l'imprimante.



- Ne laissez pas des objets métalliques comme des trombones, des épingles ou des vis pénétrer dans l'imprimante.



- Ne placez pas un vase ou un pot de fleurs, ou un verre contenant de l'eau sur l'imprimante.

- Ne renversez pas de café, de boissons fraîches ou tout autre liquide dans l'imprimante.



- Ne vaporisez pas d'insecticide ou tout autre produit chimique liquide sur l'imprimante.

- **Un objet métallique tombé accidentellement dans l'imprimante risque de provoquer une panne, un incendie ou une électrocution. Dans ce cas, mettez immédiatement l'imprimante hors tension, débranchez-la de la prise d'alimentation et faites appel à votre revendeur local Citizen Systems.**

Ne manipulez pas l'imprimante de la manière suivante:

- Ne soumettez pas l'imprimante à des vibrations ou des chocs violents (par ex. piétinement, chute ou coups avec un objet dur).



- Ne tentez pas de démonter ou de modifier l'imprimante.

- **Le non-respect des procédures correctes risque de provoquer une panne de l'imprimante, une surchauffe, une émission de fumée, un incendie ou une électrocution.**



- Installez, utilisez et rangez l'imprimante hors de la portée des enfants.

- **Les appareils électriques risquent de provoquer des blessures ou des accidents inattendus s'ils sont manipulés ou utilisés de manière incorrecte.**



- **Laissez le cordon d'alimentation et les câbles de signaux hors de la portée des enfants. Les enfants doivent également être interdits d'accès aux pièces internes de l'imprimante.**

- **Le sac en plastique dans lequel l'imprimante est emballée doit être mis au rebut correctement et conservé hors de la portée des enfants. Une suffocation peut se produire si le sac est mis sur la tête.**

## **AVERTISSEMENT**

Observez les précautions suivantes pour l'alimentation électrique et le cordon d'alimentation:

- Ne branchez pas et ne débranchez pas le cordon d'alimentation avec les mains mouillées.
- Utilisez l'imprimante uniquement avec la tension d'alimentation et la fréquence spécifiées.
- Vérifiez si la prise sur laquelle l'imprimante est alimentée a une capacité suffisante.
- N'alimentez pas l'imprimante à partir d'un circuit d'alimentation ou d'une prise de courant servant déjà à d'autres appareils.
- Ne branchez pas le cordon d'alimentation dans une prise comportant de la poussière ou des débris.
- N'utilisez pas un cordon déformé ou endommagé.
- Ne déplacez pas l'imprimante tandis que le courant de l'imprimante circule.
- **Le non-respect des procédures correctes risque de provoquer une panne de l'imprimante, une émission de fumée, un incendie ou une électrocution.**
- **Une surcharge risque de provoquer une surchauffe du câble d'alimentation ou de déclencher le disjoncteur.**
- Ne posez pas d'objet sur le cordon d'alimentation. Ne placez pas l'imprimante dans un endroit où le cordon risque d'être piétiné.
- N'utilisez pas et ne transportez pas l'imprimante avec le cordon d'alimentation plié, tordu ou tiré.
- Ne tentez pas de modifier inutilement le cordon d'alimentation.
- Ne placez pas le cordon d'alimentation à proximité d'un appareil de chauffage.
- **Le non-respect de ces précautions risque de provoquer la rupture des fils ou de l'isolation et de causer des fuites, une électrocution ou une panne de l'imprimante. Si le cordon d'alimentation a subi des dommages, veuillez contacter votre revendeur Citizen Systems.**
- Ne laissez pas d'objets autour de l'imprimante afin qu'elle soit toujours facile d'accès.
- Fournir l'alimentation à l'imprimante à partir d'une prise murale commode, aisément accessible en cas d'urgence.
- **L'imprimante peut ne pas être mise à l'arrêt immédiatement en cas d'urgence.**
- Introduisez à fond la fiche d'alimentation dans la prise.
- Si l'imprimante ne sera pas utilisée pendant longtemps, la laisser déconnectée de sa prise d'alimentation.
- Tenez la prise et le connecteur quand vous effectuez le branchement ou le débranchement du cordon du secteur ou du câble de communication après avoir désactivé l'imprimante et l'appareil qui est connecté à elle.



# ATTENTION

Ne pas utiliser l'imprimante dans les conditions suivantes.

- En condition sujette à vibration ou en condition instable.
- Avec cet appareil incliné.
- **Autrement une chute de la machine peut causer des dommages.**
- **Une qualité d'impression médiocre peut se produire.**
- En condition où les trous de ventilation de l'imprimante sont obstrués par un mur voisin ou tout autre équipement.
- Une condition dans laquelle un objet quelconque est placé sur l'imprimante.
- Une condition dans laquelle l'imprimante est couverte ou enveloppée par un tissu ou un drap de lit.
- **Faire attention à l'accumulation interne de la chaleur, qui pourrait causer un incendie et déformer le coffret.**
- Éviter d'utiliser l'imprimante près d'une radio ou d'un téléviseur ou de l'alimenter à partir de la même prise que ces appareils.
- Éviter d'utiliser l'imprimante connectée ensemble avec un câble ou un cordon qui ne présente aucune protection contre les parasites. (Pour les interconnexions, utilisez des câbles blindés ou torsadés et des noyaux en ferrite, ou d'autres dispositifs anti-parasites).
- Éviter d'utiliser l'imprimante avec un appareil produisant une source de bruit puissante.
- **L'imprimante peut avoir un effet négatif sur les transmissions radio ou télévisées. Dans certains cas également, les appareils électriques proches peuvent influencer l'imprimante et causer des erreurs de données ou des pannes.**
- En condition où cet appareil est installé verticalement ou latéralement.
- Un défaut de fonctionnement, une panne, ou une décharge électrique peuvent se produire.



- Utiliser l'imprimante avec sa fiche de terre connectée à une installation de mise à la terre commune.

• **Des électrocutions risquent de se produire en cas de fuites:**

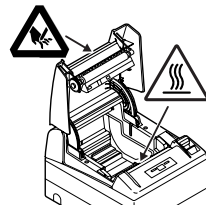
- Ne pas connecter la fiche de terre de l'imprimante sur l'une des installations suivantes:
  - \* Canalisation de gaz
    - **Une explosion de gaz peut se produire.**
  - \* Terre d'une ligne téléphonique
  - \* Paratonnerre
    - **En cas de foudre, une surtension de courant importante peut provoquer un incendie ou des chocs électriques.**
  - \* Canalisation d'eau
    - **Les tuyaux d'eau en plastique ne doivent pas être utilisés pour la mise à la terre. (Ceux approuvés par le Département des Eaux peuvent être utilisés.)**



- Avant de brancher ou de débrancher le fil de terre de l'imprimante, débrancher tout d'abord de la prise d'alimentation.

L'étiquette d'avertissement est attachée sur la position représentée sur la figure suivante. Lisez soigneusement les précautions pour la manipulation avant d'utiliser l'imprimante.

**CES ÉTIQUETTES  
INDIQUENT UN RISQUE DE  
BLESSURE CAUSÉE PAR  
«HAUTE TEMPÉRATURE»  
DE LA TÊTE D'IMPRESSION  
ET DU «BORD DENTELÉ»  
DU COUPOIR MANUEL.**



## ATTENTION

- Ne pas transporter cette imprimante avec un rouleau de papier à l'intérieur.
- Une panne ou une rupture de l'imprimante peut se produire.

Pour éviter les problèmes de fonctionnement ou les pannes éventuelles, observez ce qui suit:

- Evitez de faire fonctionner l'imprimante sans rouleau de papier correctement chargé.
- Evitez l'usage de papier non conforme aux spécifications.
- **Ceci risque de fournir une qualité d'impression médiocre.**
- Evitez d'utiliser du papier froissé ou comportant des morceaux de ruban adhésif plastique.
- Evitez de tirer à la main en forçant du papier déjà chargé.
- Éviter de coincer le papier dans l'imprimante.
- **Risque de bourrage de papier. Pour retirer le bourrage, reportez-vous à «Retrait du papier coincé» dans ce mode d'emploi.**
- Evitez d'utiliser un dispositif pointu pour manipuler les touches du panneau.



- Assurez-vous d'insérer fermement la prise du câble dans sa douille de connexion.
- **Un mauvais branchement risque d'endommager les pièces électroniques internes de l'imprimante ou le matériel du système hôte.**
- Utilisez l'imprimante uniquement avec des dispositifs ayant des spécifications de solénoïde prévus pour le connecteur de l'ouverture du tiroir-caisse.
- **Le non-respect de cette précaution risque de provoquer un problème de fonctionnement ou une panne.**



Pour éviter d'empirer les pannes ou les problèmes de l'imprimante, observez ce qui suit:

- Ne touchez pas à la surface d'impression de la tête thermique.
- Ne touchez pas aux pièces mobiles (par ex. le massicot, les engrenages, les pièces électriques actives) lorsque l'imprimante fonctionne.
- En cas de problème, ne tentez pas de réparer l'imprimante. Confiez-la au service de Citizen Systems pour la réparation.
- Faites attention à ce que le capot de l'imprimante ne coince pas vos mains ou doigts.
- Prenez garde aux bords acérés de l'imprimante. Ils risquent de vous blesser ou de provoquer des dommages matériels.
- **Risque de provoquer une électrocution, des brûlures ou des blessures.**



**Si l'imprimante émet de la fumée, une odeur ou un bruit anormal pendant l'impression, abandonnez immédiatement le travail d'impression en cours et débranchez l'imprimante de la prise murale.**

## ENTRETIEN JOURNALIER

Observez les précautions suivantes pour l'entretien quotidien.

- Pour nettoyer l'imprimante, mettez-la toujours hors tension et débranchez-la de la prise murale.
- Utilisez un chiffon doux et sec pour nettoyer la surface du boîtier de l'imprimante.
- Pour les taches tenaces, utilisez un chiffon doux légèrement imbibé d'eau.
- N'utilisez jamais d'agent de nettoyage organique comme de l'alcool, un diluant pour peinture, ou du benzène.
- Pour enlever la poussière de papier, utiliser une brosse souple



## ATTENTION

- **La tête thermique conserve une température dangereusement élevée immédiatement après usage. Ne la touchez pas avant qu'elle n'ait refroidi.**



# 1. PRÉSENTATION GÉNÉRALE

Ces produits sont des imprimantes en ligne thermique conçues pour un usage dans diverses applications comme terminaux point de vente, systèmes de données, imprimantes situées dans la cuisine, etc.

## 1.1 Caractéristiques

- La capacité de rouleau versatile avec possibilité d'utiliser des rouleaux de 80 mm, 82.5 mm et 112 mm de papier de largeur.
- Peut utiliser les rouleaux de papier avec un diamètre maximum de 102 mm.
- Mécanisme "Drop-in" facilitant la manipulation aisée du papier et le nettoyage de la tête.
- Impression à grande vitesse (150 mm/s)
- Doté de l'interface USB en standard, plus un choix d'une interface série ou parallèle.
- Interface de communication remplaçable
- Interface parallèle à grande vitesse (modèle d'interface parallèle)
- Interface de tiroir-caisse incorporée.
- Mécanisme de découpe automatique fourni en standard.
- La personnalisation par l'utilisateur par memory switch est disponible.
- Mode Page.
- Enregistrement des caractères utilisateur et des logos définis par l'utilisateur dans la mémoire flash.
- L'impression de code à barres et de code à barres 2D est soutenue.
- Impression bicolore possible (Avec le papier spécifique).
- L'indication des erreurs est disponible avec la LED ou le buzzer.

[Seulement modèles CT-S4000L, CT-S4000DCL]

- Impression à grande vitesse (132 mm/s)
- Le papier pour étiquettes de 58 à 107 mm de large en plus du papier de 112 mm de large peuvent être utilisés sans pas.

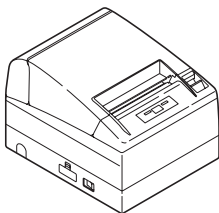
[Seulement modèles CT-S4000L, CT-S4000DCL, CT-S4000M, CT-S4000DCM]

- Le système de réglage de sensibilité du capteur de rouleau papier par volume est adopté.

## 1.2 Déballage

Vérifiez que les composants suivants sont dans le paquet lorsque vous déballez l'imprimante:

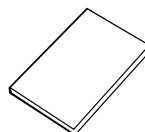
- Imprimante: 1
- Cordon secteur: 1 (Seulement pour CT-S4000, CT-S4000L, CT-S4000M)
- Mode d'emploi (ce manuel): 1
- Rouleau de papier échantillon: 1 rouleau
- Adaptateur: 1
- Vis: 1



CT-S4000



Cordon secteur.



Mode d'emploi  
(ce manuel)



Rouleau de papier  
échantillon



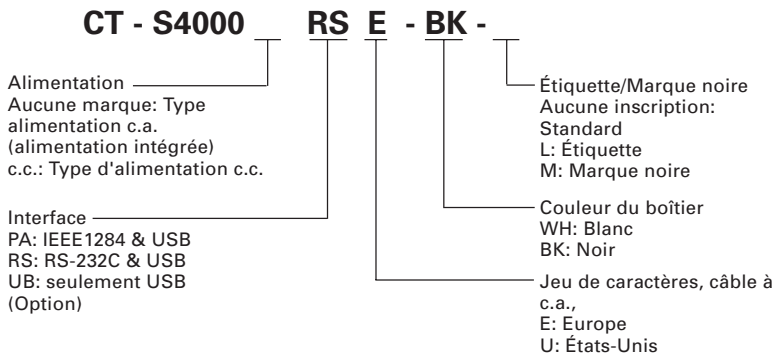
Adaptateur



Vis

## 1.3 Classification des modèles

Les modèles d'imprimante sont classifiés selon la méthode de désignation suivante:



\*La description avec la marque «\*L» dans ce manuel représente la description pour les modèles CT-S4000L/CT-S4000DCL et celle avec la marque «\*M» est prévue pour les modèles CT-S4000M/CTS4000DCM. Il est recommandé de lire ce manuel après avoir confirmé votre modèle en service.

## 1.4 Spécifications de base

Rubrique	Caractéristiques						
Modèle	CT-S4000 PA/RS/UB, CT-S4000DC PA/RS/UB						
Méthode d'impression	Méthode d'impression thermique en lignes						
Largeur d'impression *1	104 mm/832 points, 82.5 mm/660 points, 72 mm/576 points 104 mm/832 points, 72 mm/576 points, 50 mm/400 points						
Densité de point	8 × 8 points/mm (203 dpi) en positions horizontale et verticale						
Vitesse d'impression	150 mm/s (Le plus rapide, densité d'impression de 100 %), 1200 lignes de points/s Seulement en mode d'étiquette, 132 mm/s (max.), le niveau de densité d'impression est de 88%, avec 1056 lignes de points/s.						
Nombre de colonnes d'impression *2	—	Nombre de colonnes d'impression (colonnes)				Configuration de points (point)	
	Police	Largeur de papier	112mm	82.5mm	80mm	58mm*L	
	Police A		69	55	48	33	12 × 24
	Police B		92	73	64	44	9 × 24
	Police C		104	82	72	50	8 × 16
Taille des caractères *3	Police A: 1.50 × 3.00 mm, Police B: 1.13 × 3.00 mm, Police C: 1.00 × 2.00 mm						
Type de caractère	Alphanumérique, international, PC437/850/852/857/858/860/863/864/865/866/WPC1252/Katakana/ Thai 18						
Mémoire d'utilisateur	384 KB (capable d'enregistrer les caractères et les logos définis par l'utilisateur)						
Types de code à barres et de code à barres 2D	UPC-A/E, JAN (EAN) 13/8 colonnes, ITF, CODE 39, CODE 128, CODABAR, CODE 93, PDF417, QR Code						
Espacement de lignes *4	4,23 mm (1/6 pouce)						
Rouleau de papier	Rouleau de papier thermique: 112.0 mm/82.5.0 mm/80.0 mm × Maximum φ102 mm Épaisseur papier: 65-150 μm						
Interfaces	Série (conforme à RS-232C), Parallèle (conforme à IEEE 1284), USB						
Interface du tiroir-caisse	2 tiroirs-caisse sont supportés.						
Tampon d'entrée	4 Koctets/45 octets (sélectionnable) dans l'interface série ou parallèle, 16K octets dans l'interface USB						
Tension d'alimentation	C.A.100 à 240V, 50/60 Hz, 130VA/C.C.24V, 2,0A						
Consommation électrique	Environ 70 W (en cas d'impression normale)						
Poids	Environ 2.3 kg:CT-S4000, CT-S4000L, CT-S4000M Environ 2.0 kg:CT-S4000DC, CT-S4000DCL, CT-S4000DCM						
Dimensions externes	177 (l) × 213 (p) × 147 (h) mm						
Température et humidité de fonctionnement	De 5 à 45°C, 10 à 90% RH (pas de condensation)						
Température et humidité de stockage	De -20 à 60°C, de 10 à 90% RH (pas de condensation)						
Fiabilité	Durée de vie de la tête d'impression: 100 km, 1 × 10 <sup>8</sup> impulsions (À température/humidité normale en utilisant le papier recommandé) Durée de vie du massicot automatique: 1.000.000 découpes (À température/humidité normale en utilisant le papier recommandé)						
Standard de sécurité	UL, C-UL, FCC Class A, TÜV-GS, CE Marking						

Notes:

\*1: Quand la largeur de papier est de 112, 82.5, 80 mm

\*2: Le nombre de colonnes imprimables peut être sélectionné avec le commutateur de mémoire.

Le nombre de colonnes dans ce tableau se rapporte à un modèle typique. Le nombre de colonnes de l'imprimante varie en partie selon les caractéristiques de l'imprimante même.

\*3: Comme chaque taille de caractère comprend l'espace à l'intérieur de la police de caractères, le caractère effectif semble plus petit.

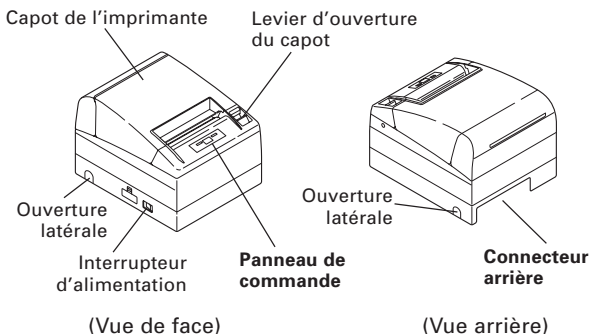
\*4: L'interlignage est sélectionnable avec une commande ou un commutateur de mémoire. Quand l'imprimante est mise en marche, elle sera sélectionnée avec le commutateur de mémoire.

## 2. EXPLICATION DES COMPOSANTS DE L'IMPRIMANTE

### 2.1 Apparence extérieure de l'imprimante

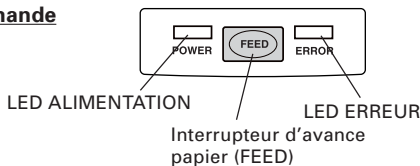
- **Capot de l'imprimante**  
Le papier est chargé sous ce capot.

- **Levier d'ouverture du capot**  
Pour remplir ou remplacer le papier, ouvrir le capot de l'imprimante en tirant le levier d'ouverture du capot en avant.



- **Interrupteur d'alimentation**  
Cet interrupteur permet de mettre l'imprimante sous tension/hors tension.
- **Ouverture latérale**  
Les câbles reliés à l'imprimante peuvent être conduits par cette ouverture latérale. (Avant l'usage, pousser la petite barrière en plastique sur le couvercle jusqu'à ce qu'elle freine).

#### **Panneau de commande**



- **LED ALIMENTATION**  
S'illumine si l'imprimante est en mode marche- et s'éteint lorsque le courant de l'imprimante est coupé. Elle peut clignoter ou s'illuminer en mode spécial ou en cas de panne.
- **LED ERREUR**  
S'illumine ou clignote quand il n'y a plus de papier ou en cas de panne. La longueur d'intervalle du clignotement représente le type d'erreur.
- **Interrupteur d'avance papier (FEED)**  
Appuyer sur cet interrupteur une fois pour faire avancer le papier d'une ligne. Plus la pression sur cet interrupteur est longue, et plus le papier avancera.  
Appuyer sur cette touche pour alimenter le papier vers la prochaine position de Marque Noire [Black Mark] en mode de Marque Noire.



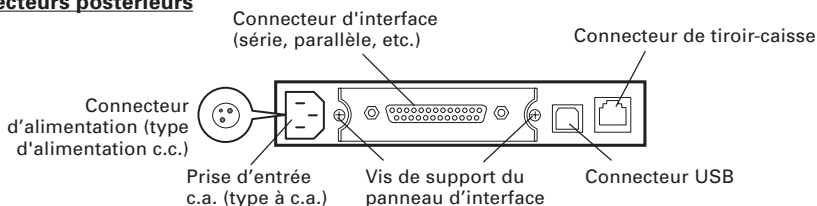
Voir le Paragraphe 5.3 Réglage manuel du commutateur de mémoire

En cas d'erreur du dispositif de découpe automatique, appuyer sur l'interrupteur ALIMENTATION après avoir éliminé la cause de l'erreur.



Voir le Paragraphe 4.6 Indication des erreurs

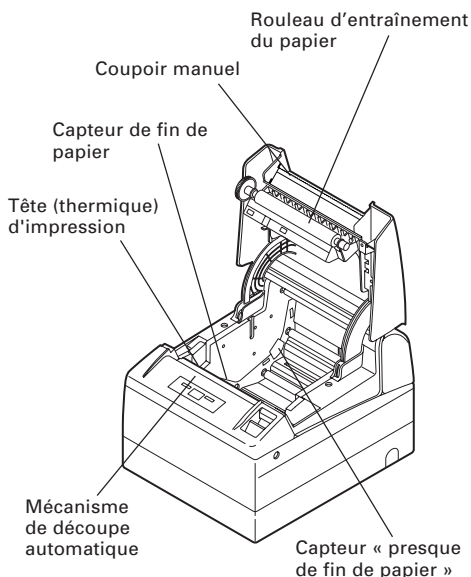
## Connecteurs postérieurs



- **Connecteur d'interface (série, parallèle, etc.)**  
Connecté au câble d'interface. Une série de commutateurs (dip switch) est fourni sur l'interface série.
- **Connecteur de tiroir-caisse**  
Connecte au câble du tiroir-caisse.
- **Prise d'entrée c.a. (version DC)**  
Connecte au cordon c.a.
- **Connecteur d'alimentation (type d'alimentation c.c.)**  
Connecte au câble à partir de la source d'alimentation c.c.

## 2.2 Intérieur du capot de l'imprimante

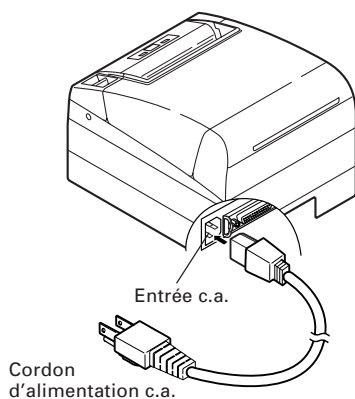
- **Rouleau d'entraînement du papier**  
Alimente le papier comme pièce du mécanisme d'impression.
- **Capteur « presque de fin de papier »**  
Détection de l'extrémité du papier, changement de position selon le diamètre extérieur du mandrin de papier.
- **Mécanisme de découpe automatique**  
Coupe le papier avec une commande à la fin de l'impression. La méthode de découpage peut être sélectionnée entre la coupe partielle et la coupe totale avec une commande.  
\* Le réglage de défaut d'usine de la mémoire SW4-8 s'effectue sur « Coupe partielle » [Partial cut], de sorte qu'une commande sera ignorée. Cependant, la coupe totale est réglée pour le modèle qui supporte les étiquettes.
- **Coupoir manuel**  
Coupe le papier manuellement.
- **Tête (thermique) d'impression**  
Imprime les caractères d'impression et/ou données graphiques sur le papier thermique.
- **Capteur de fin de papier**  
Interrompt l'impression quand ce capteur détecte l'extrémité du papier.



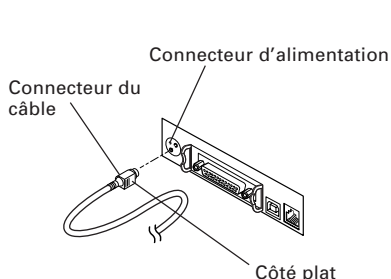
# 3. PRÉPARATION

## 3.1 Branchement du cordon à c.a.

1. Mettez l'imprimante hors tension.
2. Pour la version adaptateur secteur uniquement : Avec le côté plat du connecteur du câble de l'adaptateur secteur face vers le haut, insérez le connecteur du câble dans le connecteur d'alimentation à l'arrière de l'imprimante.



Type d'alimentation c.a.  
(Type alimentation intégrée)



Type d'alimentation c.c.

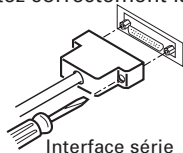
## ATTENTION!

- En débranchant un câble, ne tirez pas par le câble. Tenez toujours par la fiche.
- Maintenez toujours l'alimentation de courant alternatif éloigné des autres équipements produisant du bruit.
- Ne tirez pas par le cordon du secteur pour éviter tout risque d'incendie, d'électrocution ou de débranchement de l'alimentation.
- En cas d'approche de foudre, débranchez le cordon d'alimentation c.a. de la prise murale. Sinon un incendie ou une électrocution peut se produire.
- Maintenez le cordon du secteur éloigné des appareils de chauffage. Sinon le revêtement du cordon du secteur risque d'être fondu avec comme résultat un incendie ou une électrocution.
- Si l'imprimante ne sera pas utilisée pendant longtemps, la laisser déconnectée de sa prise d'alimentation.
- Éviter de placer le cordon c.a. dans les endroits qui peuvent causer un déclenchement de l'appareil ou sa chute.

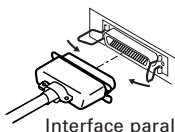
## 3.2 Branchement des câbles d'interface

Vérifier que l'interrupteur d'alimentation est réglé sur OFF (arrêt) et connecter le câble d'interface.

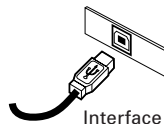
Orientez correctement la borne du câble d'interface et introduisez-la dans le connecteur



Interface série



Interface parallèle



Interface USB



### ATTENTION!

- En débranchant le câble, tenez toujours le connecteur.
- Faire attention à ne pas insérer le câble d'interface USB dans le connecteur "kick-out" du tiroir-caisse.

Pour le câble d'interface série, l'utiliser avec le raccordement suivant.

Câble 25 broches - 25 broches

PC		Imprimante	
Signal	Pin	Pin	Signal
FG	1	1	FG
TXD	2	2	TXD
RXD	3	3	RXD
CTS	5	4	RTS
DSR	6	6	DSR
SG	7	7	SG
DTR	20	20	DTR

Câble 9 broches - 25 broches

PC		Imprimante	
Signal	Pin	Pin	Signal
RXD	2	2	TXD
TXD	3	3	RXD
DTR	4	4	RTS
SG	5	6	DSR
DSR	6	7	SG
CTS	8	20	DTR



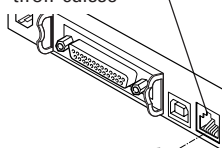
### ATTENTION!

Éviter de placer le câble d'interface dans les endroits qui peuvent causer un déclenchement de l'appareil ou sa chute.

## 3.3 Branchement du tiroir-caisse

1. Vérifier que l'interrupteur d'alimentation est sur la position (OFF).
2. Vérifier le dessus et le bas du connecteur du câble du tiroir-caisse et l'insérer dans le connecteur tiroir-caisse au dos de l'imprimante.
3. Visser le fil de masse du tiroir-caisse au corps de l'imprimante.

Connecteur du câble du tiroir-caisse



Connecteur du câble du tiroir-caisse

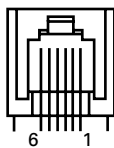


### ATTENTION!

NE PAS connecter n'importe quel autre dispositif que le tiroir-caisse spécifié au connecteur tiroir-caisse. (NE PAS connecter une ligne téléphonique !).

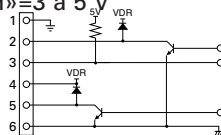
d'interface.

No.	Signal	Fonction
1	FG	Terre chassis
2	DRAWER 1	Signal de commande du tiroir 1
3	DRSW	Entrée de l'interrupteur du tiroir
4	VDR	Alimentation de commande du tiroir
5	DRAWER 2	Signal de commande du tiroir 2
6	GND	Terre commune sur circuits



Connecteur utilisé:  
TM5RJ3-66 (Hirose)  
ou équivalent  
Connecteur applicable:  
TM3P-66P (Hirose)  
ou équivalent

- (1) Configuration des broches du connecteur
- (2) Caractéristiques électriques
  - 1) Tension de commande: 24 VCC
  - 2) Courant de commande: Approx. 1 A max. (ne doit pas excéder 510 ms.)
  - 3) Signal DRSW: Niveaux de signal: «L»=0 à 0,5 V, «H»=3 à 5 V
- (3) Signal DRSW  
Le statut du signal DRSW peut être testé avec la commande DLE+EOT, GS+a, ou GS+r ou sur la broche 34 du port d'interface parallèle.
- (4) Circuit de commande (côté de l'imprimante)



## ATTENTION!

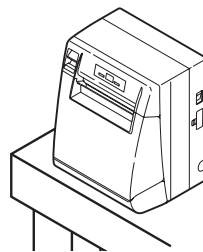
- Aucune ouverture de tiroir n'est produite pendant l'impression.
- Les tiroirs-caisses 1 et 2 ne peuvent pas être commandés simultanément.
- La solénoïde utilisée pour le tiroir-caisse doit être de 24 Ω ou plus. Le courant de sortie devra être maintenu à 1A ou moins; sinon, des pannes ou un incendie risque de se produire.

## 3.4 Installation de l'imprimante

L'imprimante peut être installée horizontalement, verticalement et sur le mur.

Au moment de l'expédition, l'imprimante est réglée pour une installation horizontale. Pour installer l'imprimante verticalement ou sur le mur, les réglages suivants sont nécessaires.

1. Réglage de la position du capteur de presque fin de papier (voir la section 3.7)
2. Pieds en caoutchouc anti-glisssade (pour disposition verticale)
3. Kit en option de montage au mur (pour le montage au mur)



Position verticale

## ATTENTION!

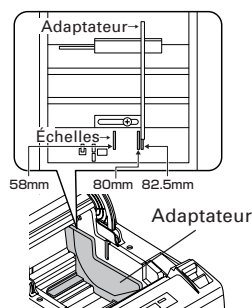
- Quand elle est utilisée en position verticale, l'imprimante éjecte le papier de sorte qu'il ne tombe pas normalement même avec un découpage complet. Faites bien attention quand vous utilisez l'équipement incorporé de l'imprimante, etc.
- S'assurer que le mur sur lequel l'imprimante doit être montée présente une résistance suffisante avant l'installation.
- Lorsque vous utilisez une disposition horizontale, évitez une coupe complète. Sinon, le papier coupé risque de tomber dans le massicot automatique, causant une double découpe et des morceaux de papier étroits. Ceci peut causer un bourrage de papier.



## 3.5 Adaptateur pour le rouleau de papier

Cette cloison n'est pas installée au moment de l'expédition.

1. Vérifier que l'interrupteur d'alimentation est déconnecté (OFF).
2. Ouvrir le capot de l'imprimante.
3. Insérer la cloison dans la fente et l'aligner avec l'échelle à l'intérieur de l'imprimante laquelle est conforme à la largeur du rouleau de papier à utiliser. Quand le rouleau de papier de 80 mm ou 82,5 mm de largeur est utilisé, régler la cloison en utilisant la vis accessoire. \*58 mm est prévu seulement pour le modèle supportant les étiquettes.
4. Changer le réglage de la largeur de papier en se rapportant à la Section 5.2 «Réglage manuel du commutateur de mémoire».



### ! ATTENTION!

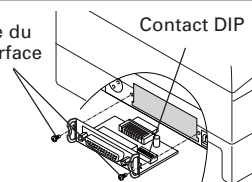
Quand le rouleau de papier de 112 est utilisé, la cloison n'est pas utilisée.

## 3.6 Réglage du contact DIP

Le contact DIP est fourni sur le panneau d'interface Contact DIP série.

La fonction de chaque commutateur est comme indiquée ci-dessous.

Vis de montage du panneau d'interface



### ! ATTENTION!

- Quant au réglage de l'interface série, il donne la priorité au réglage du commutateur de mémoire plutôt que le contact DIP comme réglage implicite de la fabrique.
- Consulter le fournisseur chez qui l'imprimante a été acquise au cas où le changement du réglage du contact DIP est nécessaire.

No. de contact	Fonction	ON (marche)	OFF (arrêt)	Réglages initiaux
1	Méthode de réglage de la condition de communication	Réglage du contact DIP	Réglage du contact de mémoire	OFF
2	Contrôle de flux	XON/XOFF	DTR/DSR	OFF
3	Longueur de donnée	7 bits	8 bits	OFF
4	Contrôle de parité	Avec parité	Aucune	OFF
5	Sélection parité	Parité paire	Parité impaire	OFF
6	Sélection taux de baud	Voir le tableau ci-dessus		OFF
7				ON
8	INIT	Réenclenchement	Invalide	OFF

#### Sélection du taux de baud

Taux de baud (bps)	No. de contact	
	6	7
2400	OFF	OFF
4800	ON	OFF
9600	OFF	ON
19200	ON	ON

Les valeurs 38400, 57600 et 115200 bps peuvent également être sélectionnées par une commande, etc.

## 3.7 Réglage du capteur presque fin de papier

1. Enfoncer légèrement le capteur de presque fin de papier.
2. Déplacer le capteur de proximité de fin de papier vers la droite et la gauche tout en le pressant. La position à être réglée varie selon le réglage de l'imprimante, horizontale ou verticale, ou du diamètre du rouleau de papier, suivant les indications de la figure suivante.

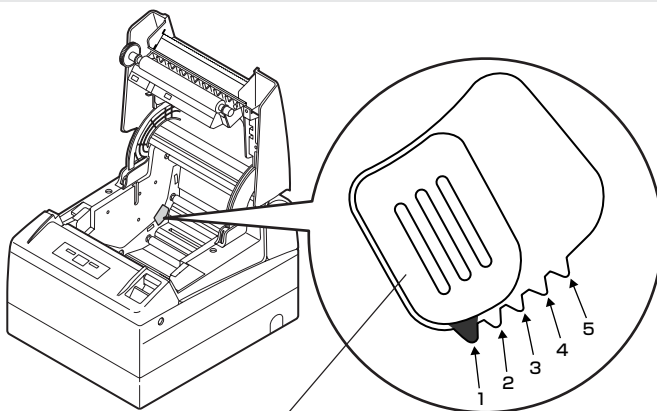
	Position du capteur	Diamètre du rouleau de papier à la détection de l'extrémité du papier	Diamètre extérieur du noyau du rouleau de papier utilisé
Horizontale	** 1	φ21.0	φ18.0
	*2	φ24.5	φ21.5
	3	φ28.0	φ25.5
	4	φ31.5	φ28.0
	5	φ35.0	φ32.0
Verticale	5	φ21.0	φ18.0
	4	φ24.5	φ21.5
	3	φ28.0	φ25.5
	2	φ31.5	φ28.0
	1	φ35.0	φ32.0

\* Configuration d'usine

\*\* Configuration usines pour d'autres pays

### ATTENTION!

- Le papier restant diffère selon le type de rouleau de papier utilisé.
- Le diamètre externe du rouleau de papier est donnée à titre indicatif.
- Quand une erreur de fin de papier est détectée incorrectement pendant l'utilisation d'un rouleau de papier avec un noyau de type à nid d'abeilles, déplacez la position de la sonde au numéro plus élevé.

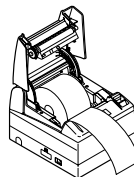


Capteur presque fin de papier

## 4. ENTRETIEN ET DÉPANNAGE

### 4.1 Mise en place/Remplacement des rouleaux de papier

1. Tirer le levier d'ouverture du capot en avant.
2. Ouvrir le capot de l'imprimante.
3. Insérer un rouleau de papier avec sa surface d'impression vers le bas en suivant les indications de la figure, puis tirer l'extrémité du papier sur plusieurs centimètres ou pouces) afin d'éviter une impression sur les résidus de colle.
4. Fermer correctement le capot de l'imprimante jusqu'à ce qu'un déclic se fasse entendre.



Voir le Paragraphe 5.3 Réglage manuel du commutateur de mémoire



#### ATTENTION!

- Utilisez uniquement les types de rouleaux de papier spécifiés.
- Vérifiez que le rouleau de papier est placé correctement.
- Si le papier est de biais, et ne se déroule pas correctement, ouvrir le capot et ajuster le papier correctement.
- Quand le capot est ouvert après le réglage du papier, s'assurer de bien tirer le papier tout droit sur plusieurs centimètres ou pouces) en dehors de l'imprimante, puis fermer le capot.
- Lorsque l'on ferme le capot de l'imprimante, presser sur la partie centrale du capot pour la fermer soigneusement.
- Lorsque l'on ajuste le papier, faire attention à ne pas se blesser les doigts avec le bord du papier ou le cutter manuel.
- Dans le cas du choix de «Valid» avec la mémoire SW4-3, le papier est alimenté et est coupé automatiquement quand le capot de l'imprimante se ferme.



#### AVERTISSEMENT

En ouvrant le capot de l'imprimante, NE PAS toucher la tête d'impression ou la lame du mécanisme de découpe. Sous peine de brûlure ou de blessure.

### 4.2 Retrait du papier coincé

1. Mettez l'imprimante hors tension.
2. Ouvrez le capot de l'imprimante.  
Si la lame du coupoir reste en saillie avec le papier bloqué, ne pas forcer le capot de l'imprimante afin de l'ouvrir. En vous référant à la Section 4.7, ramenez la lame à sa position normale, puis ouvrez le capot.
3. Enlever le papier bourré y compris tous lambeaux de papier restants.
4. Mettez l'imprimante sous tension. Le mécanisme de découpe automatique est initialisé et l'alarme est annulée.



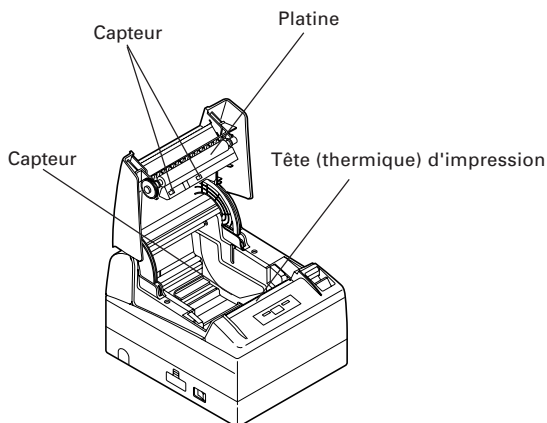
#### ATTENTION!

- Si la lame du coupoir reste en saillie avec le papier bloqué, NE PAS ouvrir le capot de l'imprimante en forçant, et essayer de débrancher (OFF) et de brancher (ON) l'alimentation de l'imprimante. Si la lame du coupoir ne peut pas être rentrée, se référer à la Section 4.7.
- La tête d'impression chauffe immédiatement après l'impression. Ne touchez pas l'élément de chauffe de la tête à mains nues ou avec un objet métallique.

## 4.3 Nettoyage périodique

Si la tête ou la platine d'impression est souillée, une impression nette ne sera pas possible ou un défaut pourrait se produire. Si la poussière de papier ou autre est présente sur la feuille de protection du capteur, le papier pour étiquettes ou le papier «Blackmark» ne pourra pas être détecté correctement. Un nettoyage périodique conformément à la méthode suivante est recommandé.

1. **Mettez l'imprimante hors tension.**
2. **Ouvrez le capot de l'imprimante.**
3. **Attendez plusieurs minutes. Essuyez les taches comme la poussière par exemple, sur l'élément de chauffe de la tête à l'aide d'un coton-tige imbibé d'alcool éthylique. Juste après l'impression, la tête (thermique) d'impression est très réchauffée. Faites attention à ne pas la toucher à la main.**
4. **Humidifiez le bout d'un coton-tige avec de l'eau et nettoyez la surface de la feuille de protection du capteur. Évitez d'utiliser un dissolvant tel qu'alcool éthylique. Son utilisation risque d'avoir comme conséquence un voilage de la feuille de protection du capteur.**

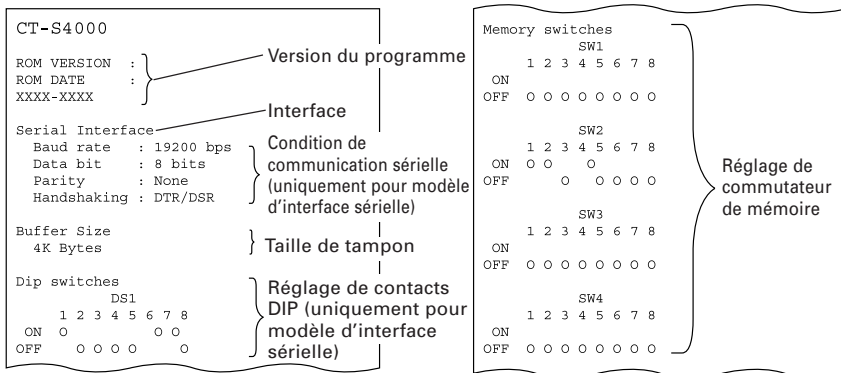


### **ATTENTION!**

- Ne touchez pas la surface de l'élément de chauffe de la tête d'impression avec votre main exposée ou un objet métallique.
- Essuyez la poussière de la surface de la platine périodiquement avec un coton-tige humidifié d'alcool éthylique. En particulier, lorsque la coupe totale est utilisée pour le papier pour étiquettes, la poussière de papier peut s'adhérer sur la platine selon la propriété de la feuille de recouvrement, le diamètre de papier en rouleau, l'ambiance d'usage de l'imprimante, etc.

## 4.4 Auto test

Insérer le papier dans l'imprimante. Avec l'interrupteur d'avance FEED pressé et maintenu enfoncé, rétablir le courant de l'imprimante, maintenir l'interrupteur FEED enfoncé pendant environ 1 seconde, puis libérer l'interrupteur FEED. L'imprimante démarre l'auto test. L'imprimante imprime le nom, la version, le réglage des commutateurs DIP, le réglage du commutateur de mémoire et les polices intégrées.



## 4.5 Vidage hexadécimal

La fonction de vidage hexadécimal permet d'imprimer toutes les données envoyées en nombres hexadécimaux. Si des problèmes tels que données manquantes, duplication de données, etc. venaient à se produire, cette fonction permet de vérifier si l'imprimante reçoit les données correctement.

Charger le papier dans l'imprimante et maintenir le capot de l'imprimante ouvert. Avec l'interrupteur FEED pressé et maintenu enfoncé, rétablir le courant de l'imprimante, puis fermer le capot de l'imprimante. Celle-ci imprime tout d'abord «HEX Dump print mode (Vidage hexadécimal)», et elle imprime ensuite toutes les données envoyées en mode hexadécimal .

### ATTENTION!

- S'il n'y a pas de caractère disponible correspondant aux données reçues, « . » est imprimé à la place du caractère.
- Pendant le vidage hexadécimal, aucune autre fonction que certaines commandes n'est opérationnelle.
- Si les données d'impression NE remplissent PAS une ligne, appuyer sur l'interrupteur FEED pour imprimer la ligne.

Quand on appuie sur l'interrupteur FEED trois fois consécutivement, ou si on coupe le courant de l'imprimante, ou l'imprimante reçoit un signal de réenclenchement de l'interface, l'impression de vidage hexadécimal est terminée.

#### Exemple d'impression

```
HEX DUMP PRINT MODE
1B 21 00 1B 20 04 41 42 43 44 .!.. .ABCD
45 46 47 48 49 4A 4B 4C 4D 4E EFGHIJKLMN
4F 50 0D 0A 31 32 33 0D 0A OP..123..
```

## 4.6 Indication des erreurs

- **Fin du papier**  
L'état du papier épuisé est détecté en deux étapes : presque fin de papier et fin du papier. La LED d'ERREUR s'allumera quand le papier est épuisé. Si le capot de papier est ouvert, une fin du papier est détectée.
- **Capot de papier ouvert**  
Pendant l'impression, ne pas ouvrir le capot de l'imprimante. Si on l'ouvre le capot par mégarde, la LED ERREUR clignotera. Vérifier le papier, tirer le papier tout droit sur plusieurs centimètres (ou pouces) hors de l'imprimante, puis fermer le capot de l'imprimante. L'impression reprendra automatiquement. L'envoi d'une commande de reprise de l'impression peut être nécessaire selon le réglage du commutateur de mémoire.
- **Verrouillage du massicot**  
Si la lame du mécanisme de découpe interrompt le fonctionnement dû à un bourrage papier ou autre problème, la LED ERREUR clignotera. Éliminer la cause du problème et appuyer sur l'interrupteur FEED. Si la lame ne se déplace pas et le capot de l'imprimante ne peut pas être ouvert, se référer à la Section 4.7.
- **Surchauffe de la tête thermique**  
Quand vous imprimez des caractères denses ou une image foncée, la température de la tête thermique s'élèvera. Si la température de la tête thermique excède un certain niveau, l'imprimante cessera l'impression et attendra jusqu'à ce que la température de la tête thermique baisse. Pendant l'attente, la LED ERREUR clignote. Quand la température de la tête thermique est abaissée, l'impression reprendra automatiquement.
- **Erreur de bourrage de papier**  
Si l'alimentation en papier n'est pas normale et un bourrage papier se produit dans la platine, etc., l'impression et l'avance en ligne s'interrompt et l'indication «LED ERREUR» clignote.
- **Erreur d'opération de l'interrupteur d'alimentation**  
Si vous rétablissez le courant immédiatement après la mise hors tension de l'appareil, une erreur peut se produire. Avant de rétablir le courant, attendez jusqu'à ce que la LED ALIMENTATION s'éteigne complètement après la mise hors tension.
- **Erreur de détection de Marque Noire (en mode de Marque Noire)**  
Quand la marque noire ne peut pas être détectée même si une certaine quantité d'alimentation de papier est effectuée pour la détection de la marque noire, une erreur de détection de la marque noire se produira. Si la détection de Marque Noire dépasse une certaine durée, une condition "Pas de papier" est assumé et la même erreur que pour "Pas de papier" est indiqué.
- **Attente pour la coupe de papier (étiquette)**  
Si l'instruction «GS+FF» est exécutée avec l'opération automatique de coupe désactivée (le commutateur de mémoire 2-2 est sur OFF [déconnecté]), le papier pour étiquettes est éjecté et la LED ERREUR clignote. Lorsque l'interrupteur d'avance FEED est pressé dans cette condition, le papier retourne à la position de départ de l'impression et la LED ERREUR s'éteint.
- **Erreur de détection de papier (étiquette)**  
Si la détection n'est pas disponible même avec l'avance du papier d'un montant donné pour détecter l'espace entre les étiquettes ou le papier pour étiquettes, la LED ERREUR clignote. Dans ce cas, réglez le capteur en mode de papier de réglage de capteur. Si aucune détection ne se produit même après avoir réglé le capteur, remplacez le papier pour étiquettes. Si le remplacement du papier pour étiquettes n'est pas efficace pour la détection, le capteur, etc. risque d'être défectueux (dégradé). Nous vous prions d'entrer en contact avec le technicien de service.

L'état d'illumination et de clignotement de chaque erreur y compris de ce qui précède est indiqué ci-dessous.

État	LED ALIMENTATION	LED ERREUR	Buzzer
Fin de papier	S'allume	S'allume	
Presque fin de papier	S'allume	S'allume	—
Capot de l'imprimante ouvert	S'allume	S'allume	—
Erreur d'ouverture du capot de l'imprimante *1	S'allume		
Blocage du massicot	S'allume		
Erreur surchauffe de la tête	S'allume		—
Erreur de bourrage papier	S'allume		—
Erreur de contrôle de mémoire		S'allume	—
Erreur de basse tension	S'allume		—
Erreur de haute tension ou erreur de fonctionnement de l'interrupteur d'alimentation	S'allume		—
Attente d'exécution d'une macro *2	S'allume		—
Erreur de détection de Marque Noire	arrêt		
Attente de coupe de papier (étiquette) *L, *M	arrêt		—
Erreur de détection de papier (étiquette) *L, *M	arrêt		

\*1: Quand l'imprimante imprime.

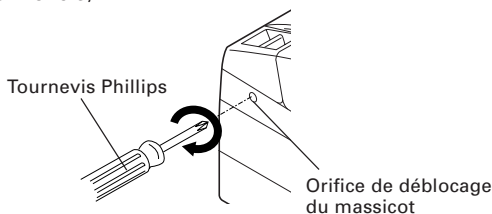
\*2: La LED ERREUR peut clignoter même pendant l'exécution de la macro fonction.

## 4.7 Quand le capot de papier ne peut pas être ouvert

Si la lame du massicot reste en saillie à cause d'un bourrage papier ou de n'importe quelle anomalie, l'ouverture du capot de papier peut être possible.

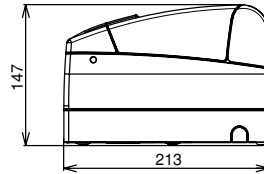
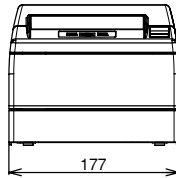
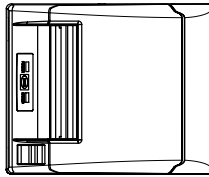
Dans ce cas, n'ouvrez pas le capot de papier en forçant. Insérez un tournevis Phillips (Taille #1) dans l'orifice de déblocage du massicot et tournez-le dans la direction de la flèche (dans le sens des aiguilles d'une montre).

Quand vous constatez que les deux extrémités de la lame ont atteint la position la plus basse, arrêtez de tourner le tournevis. Ouvrez le capot et suivez la méthode pour enlever le bourrage ou une autre cause de problème.



## 5. DIVERS

### 5.1 Vues et dimensions externes

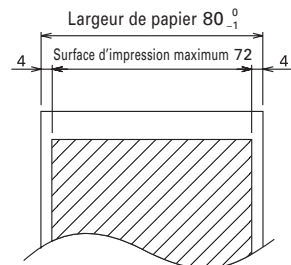
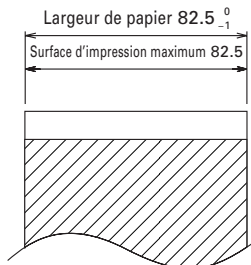
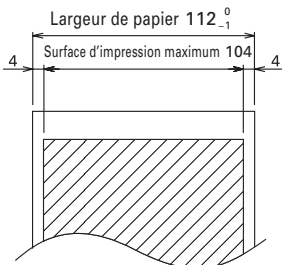


(Unité: mm)

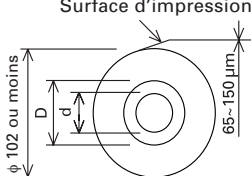
### 5.2 Papier d'impression

Utiliser le papier d'impression indiqué dans le tableau suivant ou le papier avec une qualité équivalente.

Type de papier	Nom du produit
Rouleau de papier thermique recommandé	F230AA, P220AG, HP220A, HP220AB-1, P220AB, P220AE-1, PB670 (Rouge/Noir), PB770 (Bleu/Noir) from Mitsubishi Paper TF50KS-E2D from Nippon Paper PD150R, PD160R from Ohji Paper



(Unité: mm)



Épaisseur de papier ( $\mu\text{m}$ ) *	65-75	75-150
Diamètre intérieur du noyau d (mm)	$\phi 12$	$\phi 25.4$
Diamètre extérieur du noyau D (mm)	$\phi 18$	$\phi 32$

\*L'épaisseur du papier pour étiquettes représente le total de l'épaisseur de la «Feuille de recouvrement» et «Étiquette».

## **ATTENTION!**

NE PAS utiliser le type de rouleau de papier suivant.

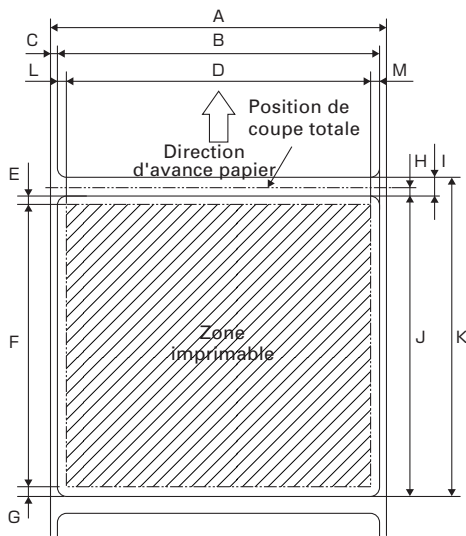
- Papier avec des plis.
- Papier avec les coins pliés.
- Papier collé ou collé au noyau.
- Rouleau de papier enroulé vers l'intérieur (côté d'impression interne).



Lorsque vous utilisez "Papier pour étiquettes" avec les modèles CT-S4000L et CT-S4000DCL, référez-vous aux points suivants. Utilisez le type de papier suivant ou un papier équivalent.

Type de papier	Nom du produit
Papier pour étiquettes thermique recommandé	150LA-1 de marque Ricoh, GG40/P22/G6B de marque Ojitic, HD75 de marque Nippon Paper

a) Papier pour étiquettes \*L



Unit: mm

Marque	Article	Dimensions
A	Largeur de recouvrement	De 58 à 112,0
B	Largeur d'étiquette	De 54 à 108 ± 0.5
C	Bord gauche d'étiquette	2 + 0.5
D	Largeur d'impression	De 50 à 104
E	Marge supérieure	2 ± 1
F	Longueur d'impression	De 21 à 296
G	Marge inférieure	2 ± 1
H	Position de coupe entre les étiquettes	1/2 x (Dimension I)
I	Espace entre les étiquettes	De 4 à 30
J	Longueur d'étiquette	De 25 à 300
K	Pas d'étiquette	I+J
L	Marge gauche	2 ± 1
M	Marge droite	2 ± 1

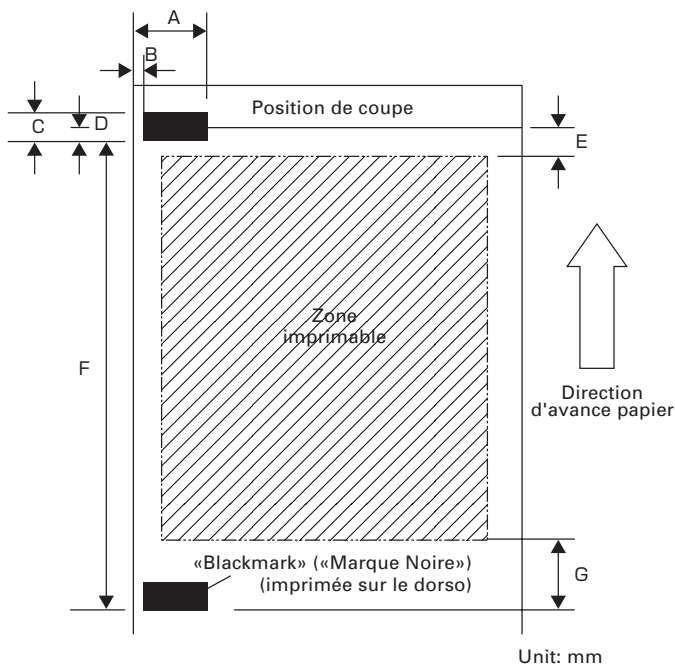
## ATTENTION!

Faites attention aux points suivants lorsque vous utilisez le coupeur automatique pour éviter tout blocage du coupeur ou un défaut de son fonctionnement.

- Réglez la longueur de coupe du papier à 25 mm ou davantage.
- En utilisant le papier pour étiquettes, coupez l'espace entre les étiquettes (feuille de recouvrement). Ne coupez pas le papier pour étiquettes (papier carnet).
- Le réglage du capteur de papier doit être effectué lorsque le type de recouvrement est changé.

Le papier pour étiquettes ne peut pas être utilisé avec le modèle qui supporte le papier «Blackmark» (CT-S4000M/CT-S4000DCM).

b) Papier «Blackmark» (papier BM)



Unit: mm

Marque	Article	Dimensions
A	Bord droit de «Blackmark»	15 ou davantage
B	Bord gauche «Blackmark»	De 0 à 1.5
C	Hauteur «Blackmark»	5
D	Position de coupe dans «Blackmark»	2.5
E	Marge supérieure	6.5 / 12
F	Pas «Blackmark»	De 30 à 300
G	Marge inférieure	9

\* Dans le cas de coupe de papier par l'imprimante, la marge supérieure sera changée avec le réglage du commutateur de mémoire 4-8. Elle est 6,5 mm à 0 (OFF) et à 12 mm à 1 (ON).

\* Au cas où l'imprimante ne coupe pas le papier, la marge supérieure est 6,5 mm.

## ATTENTION!

- La valeur PCS de «Blackmark» doit être 0,9 ou plus.
- En utilisant le papier «Blackmark», prenez en considération la marge de +/- 2 mm pour position d'impression par rapport à la position standard, et +/- 5 mm pour la longueur d'impression.
- Référez-vous au schéma ci-dessus pour la zone imprimable et il faudrait prévoir assez de marge, comme spécifié aux marques E et G. Si la taille des données d'impression est hors de la zone imprimable, l'imprimante devrait passer à la page suivante.

## 5.3 Réglage manuel du commutateur de mémoire

Les commutateurs de mémoire peuvent être placés manuellement ou par commande. Pour le réglage manuel, se référer à la prochaine page.

La fonction de chaque commutateur de mémoire est indiquée dans le tableau suivant. (Les caractères blanc-sur-noir représentent ceux de réglage d'usine).

No. commutateur	Réglage	0 (OFF)	1 (ON)
Memory SW1-1	Power ON Info	Valid	Not send
SW1-2	Buffer Size	4k bytes	45 bytes
SW1-3	Busy Condition	Full/Err	Full
SW1-4	Receive Error	Print "?"	No Print
SW1-5	CR mode	Ignored	LF
SW1-6	Reserved	Fixed	-
SW1-7	DSR Signal	Invalid	Valid
SW1-8	Init Signal	Invalid	Valid
Memory SW2-1	Reserved	-	Fixed
SW2-2	Auto Cutter	Invalid	Valid
SW2-3	Spool Print	Invalid	Valid
SW2-4	Full Col Print	LineFeed	WaitData
SW2-5	Resume aft PE	Next	Top
SW2-6	Reserved	Fixed	-
SW2-7	Reserved	Fixed	-
SW2-8	PNE Sensor	Valid	Invalid
Memory SW3-1	Resum Ctrr Err	Valid	Invalid
SW3-2	Reserved	Fixed	-
SW3-3	Parallel 31 Pin	Valid	Invalid
SW3-4	Reserved	Fixed	-
SW3-5	Reserved	Fixed	-
SW3-6	Reserved	Fixed	-
SW3-7	CBM1000 Mode	Invalid	Valid
SW3-8	Resum Open Err	Close	Command
Memory SW4-1 *M	P. Length Set	Auto Measure	Command
SW4-2 *M	Power on TOF	Invalid	Valid
SW4-3	Feed&Cut at TOF	Invalid	Valid
SW4-4 *L	Paper Select *1	Thermal Roll	BM.P / Lbl.P *4
SW4-5 *L	Position detect *2	Black Mark	Label
SW4-4 *M	Paper Select *1	Thermal Roll	BM.P
SW4-5 *M	Position detect *2	Black Mark	-
SW4-6	Reserved	Fixed	-
SW4-7	Reserved	Fixed	-
SW4-8 *3	Prtial Only	Invalid	Valid

Notes:

\*1: Le réglage à l'usine de «Sélection papier» [Paper Select] sera différent, selon la classification du modèle.

\*2: Dans le cas du choix du rouleau thermique avec le SW4-4, le SW4-5 ne sera pas disponible. Le SW4-5 sera réglé à l'état de «Marque Noire» [Black Mark] pour l'imprimante de version Marque Noire.

\*3: En mode d'étiquette (avec les commutateurs de mémoire SW4-4 et SW4-5 réglés à la position ON), la coupe totale est utilisée pour le papier indépendamment du réglage du commutateur de mémoire SW4-8.

\*4: Dans le cas de l'impression sur le papier pour étiquettes, les colonnes d'impression de 660 points ne peuvent pas être utilisées.  
Le commutateur de mémoire SW2-8 n'est pas utilisable avec le papier pour étiquettes.

No. commutateur	Réglage	0 (OFF)	1 (ON)
Memory SW5-1	Buzzer	Valid	Invalid
SW5-2	Line Pitch	360	406
SW5-3	USB Mode	Virtual COM	Printer Class
SW5-4	Reserved	Fixed	-
SW5-5	Reserved	nvalid	-
SW5-6	Reserved	Fixed	-
SW5-7	Reserved	Fixed	-
SW5-8	Reserved	Fixed	-

No. commutateur	Réglage	Réglage par défaut	Valeurs de réglage
Memory SW7-1	Baud Rate	9600 bps	1200 bps, 2400 bps, 4800 bps, 9600 bps, 19200 bps, 38400 bps, 57600 bps, 115200 bps
SW7-2	Data Length	8Bits	7Bits, 8Bits
SW7-3	Stop Bit	1Bit	1Bit, 2Bits
SW7-4	Parity	NONE	NONE, EVEN, ODD
SW7-5	Flow Control	DTR/DSR	DTR/DSR, XON/XOFF
SW7-6	DMA Control	Valid	Valid, Invalid
SW7-7	VCom Protocol	PC Setting	PC Setting, DTR/DSR, XON/XOFF
Memory SW8-1	Print Width	832dots	832dots(69 col.), 720dots(60col.), 660dots(55col.), 576dots(48col.), 512dots(42col)
SW8-2	Paper Type	1 Color Normal	1 Color Normal, 2 Color Normal
Memory SW9-1	Code Page	PC437	PC437/Katakana/PC850,858/PC860/PC863/PC865/PC852/PC866/PC857/WPC1252/PC864/Thai Code 18
Memory SW9-2	Int'Char Set	USA	USA, France, Germany, England, Denmark, Sweden, Italy, Spain, Japan, Norway, Denmark 2, Spain 2, Latin America, Korea Croatia, China
Memory SW9-3*	Kanji	OFF	ON, OFF
SW9-4*	JIS/Shift JIS	JIS	JIS, Shift JIS
Memory SW10-1	Print Density	100%	70%, 75%, 80%, 85%, 90%, 95%, 100%, 105%, 110%, 115%, 120%, 125%, 130%, 135%, 140%
SW10-2	Print Speed	Level 9	Level 1, Level 2, Level 3, Level 4, Level 5, Level 6, Level 7, Level 8, Level 9
SW10-3	ACK Timing	Before Busy	Before Busy, Same Period, After Busy
SW10-4	NV User	192K bytes	1K bytes, 64K bytes, 128K bytes, 192K bytes
SW10-5	NV Graphic	384K bytes	0 byte, 64K bytes, 128K bytes, 192K bytes, 256K bytes, 320K bytes, 384K bytes

\* Les commutateurs de mémoire 9-3 et 9-4 de cette imprimante ne peuvent pas s'utiliser.

## Réglage manuel du commutateur de mémoire ("Memory SW")

Le commutateur de mémoire peut être sélectionné, changé, ou écrit par la combinaison de trois actions: en appuyant sur l'interrupteur FEED, en pressant et en maintenant enfoncé l'interrupteur FEED, et en ouvrant ou fermant le capot de l'imprimante.

1. **Passage en mode de réglage du commutateur de mémoire**  
Mettre le papier dans l'imprimante et maintenir le capot de l'imprimante ouvert. Avec l'interrupteur FEED pressé et maintenu enfoncé, activer l'alimentation de l'imprimante, puis presser l'interrupteur FEED deux fois. Fermez le capot. Si les réglages actuels du commutateur de mémoire, etc. sont imprimés, l'imprimante est maintenant en mode de réglage du commutateur de mémoire.

Memory SW (1) 00000000

0: État OFF (arrêt)  
1: État ON (marche)

(Aucune indication pour 0/1 avec commutateur de mémoire SW7 à SW10)

2. **Sélection du commutateur de mémoire (MODE DE SÉLECTION DU COMMUTATEUR DE MÉMOIRE)**  
Quand l'interrupteur FEED est appuyé pour une durée courte (\*1), l'impression se produit dans la séquence de "Memory SW1" → "Memory SW2" → "Memory SW3" → ..... "Memory SW10" → "Save To Memory" → "Memory SW1" →..... à plusieurs reprises. Quand le commutateur de mémoire que l'on veut changer est atteint, presser et maintenir enfoncé l'interrupteur FEED (pendant plus de 2 secondes).
3. **Selecting each switch item**  
Un nombre de 2-16 items sont fournis pour régler avec chaque commutateur. En pressant et en maintenant enfoncé l'interrupteur FEED pour une longue durée (\*2), l'imprimante passera au prochain item et imprime le réglage courant de l'item. Presser et maintenir enfoncé jusqu'à l'item que l'on veut changer soit atteint.

Power ON notify setting (Valid )

État OFF: LED ERREUR OFF  
État ON: LED ERREUR ON

(Avec le commutateur de mémoire SW7 à SW10, la DEL ERREUR s'illumine seulement avec le réglage faite à la fabrique).

4. **Changement du réglage**  
Quand l'item que l'on veut changer est imprimé, presser l'interrupteur FEED pour une courte durée (\*1). La valeur de réglage changée est alors imprimée. (Quand le changement de la valeur de réglage est répété, la valeur de réglage d'origine est récupérée). En pressant l'interrupteur FEED pour une longue durée (\*2), la valeur de réglage est acceptée et l'imprimante passera alors au prochain item de réglage.
5. **Retour au MODE DE SÉLECTION Du COMMUTATEUR DE MÉMOIRE (Item 2 ci-dessus)**  
Quand le réglage du contenu désiré est complété, ouvrez le capot de papier, puis fermez-le. Ceci permettra à l'imprimante d'imprimer le réglage du commutateur de mémoire changé.
6. **Pour sauvegarder le réglage et quitter le mode de réglage du commutateur de mémoire**  
Presser l'interrupteur FEED pour une courte durée (\*1) pour se déplacer à "Save To Memory". Puis presser et maintenir enfoncé l'interrupteur FEED. L'imprimante imprime le contenu du nouveau réglage et quittera le mode de réglage du commutateur de mémoire pour retourner à l'état normal d'attente.  
\* À moins que la sauvegarde du réglage soit exécuté, le réglage changé ne peut pas être validé.
7. **Initialisation du commutateur de mémoire**  
Quand vous voulez remettre le commutateur de mémoire à l'état initial, passez à la procédure "Save To Memory" mentionnée ci-dessus. Dans ce cas, ouvrir le capot de l'imprimante, puis presser et maintenir enfoncé l'interrupteur FEED jusqu'à ce que le buzzer sonne. Ceci permettra à l'imprimante de retourner à l'état initial.  
\* Toutes les positions des commutateurs de mémoire sont retournées aux valeurs réglées à l'usine.

\* 1 : Presser pendant moins de 2 secondes \* 2 : Presser pendant plus de 2 secondes

## 5.4 Sélection du type de papier \*L, \*M

La sélection du type de papier est disponible avec la combinaison des commutateurs de mémoire SW4-4 et SW4-5 en utilisant le «Mode de sélection de commutateur de mémoire». En outre, la méthode suivante est disponible.

### 1. Introduisez le mode de sélection du type de papier.

- 1) Ouvrez le capot de l'imprimante et enlever le papier. En pressant et en maintenant enfoncée la touche FEED (AVANCE), activez l'imprimante. La LED ALIMENTATION se met à clignoter.
- 2) Libérez la touche FEED (AVANCE), puis fermez le capot de l'imprimante. Le vibreur résonne et le type de papier réglé à présent est indiqué par la LED sur le panneau de commande.

### 2. Choisissez le type de papier.

Appuyez sur la touche FEED (AVANCE) pour correspondre le type de papier chargé aux indications de la LED dans le tableau ci-dessous. (Référez-vous au tableau ci-dessous.)

	LED ALIMENTATION	LED ERREUR
Étiquette	Illuminé en vert	(OFF)
Rouleau de papier thermique	(OFF)	Illuminé en rouge
Papier «Blackmark»	Illuminé en vert	Illuminé en rouge

### 3. Sauvegardez le type de papier sélectionné à l'imprimante.

Ouvrez et fermez le capot de l'imprimante. Avec cette opération, le type de papier sélectionné est stocké dans la mémoire de l'imprimante et le mode de sélection du type de papier est terminé.

Le «Réglage longueur page» du commutateur de mémoire 4-1 est désactivé.

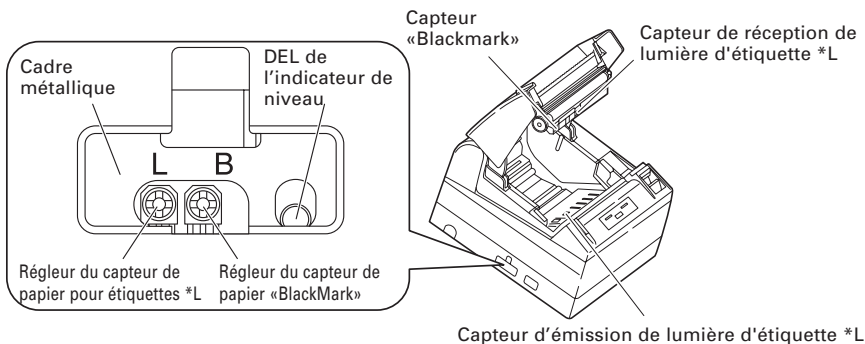
Lorsque vous fermez le capot de l'imprimante pendant le réglage du papier «Blackmark» ou du papier pour étiquettes dans l'imprimante, la longueur du papier est mesurée, et le résultat sera imprimé.

- \* Si une erreur de détection de papier se produit lorsque la longueur papier est mesurée, l'imprimante passe automatiquement au mode de réglage du capteur de papier. Réglez le capteur selon les indications données dans «5-5 Réglage du capteur de papier».

## 5.5 Réglage du capteur de papier \*L, \*M

Avant d'utiliser le papier «Blackmark» (papier BM) ou l'étiquette, réglez le capteur de papier. Tout d'abord, maintenez le levier à l'extrémité supérieure du capot de commande de réglage du capteur placé à gauche de l'interrupteur d'alimentation, et appuyez sur le levier et vers l'avant pour enlever le capot de l'imprimante.

Comme montré ci-dessous, le régleur du capteur de papier pour étiquettes est placé à l'extrémité gauche, le suivant représente le régleur du capteur de papier «BlackMark», puis il y a la LED de l'indicateur de niveau à droite. Réglez-les selon la méthode suivante.



### 1. Passez au mode de réglage du capteur de papier.

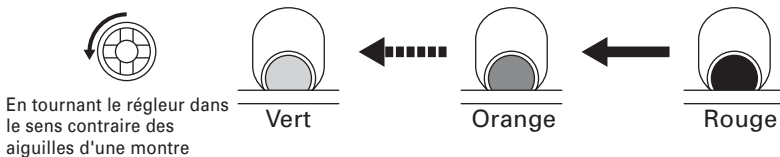
Ouvrez le capot de l'imprimante, enlevez le papier, puis placez l'interrupteur d'alimentation de l'imprimante à la position ON. Dans ce cas, la LED ALIMENTATION et la LED ERREUR s'illuminent en activant le vibreur. Fermez alors le capot de l'imprimante tout en appuyant sur la touche FEED (AVANCE). La LED ERREUR commence à clignoter avec le vibreur activé.

### 2. Placez le papier à régler sur l'imprimante.

Cette imprimante présente trois types de capteur de papier incorporé. Dans le cas d'étiquette, réglez de sorte que l'étiquette soit placée sur le capteur de réception de lumière d'étiquette et le capteur d'émission de lumière d'étiquette. Dans le cas du papier «Blackmark», réglez-le de sorte que la partie imprimable (autre que celle du «Blackmark») soit placée sur le capteur «Blackmark». Sur ce mode, en fermant le capot de l'imprimante, la LED ERREUR clignotera avec le vibreur activé.

### 3. Réglez le capteur de papier.

Tournez le régleur correspondant dans le sens contraire des aiguilles d'une montre en utilisant un tournevis à tête plate. Placez le régleur à la position à laquelle la LED commence à changer de la couleur orange à celle verte.



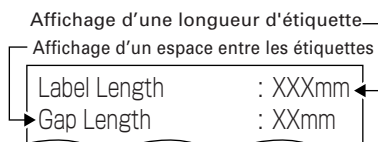
En tournant le régleur dans le sens contraire des aiguilles d'une montre

\* Tout en tournant le régleur au moyen du tournevis, ne laissez pas le tournevis toucher l'armature métallique. Si ceci se produit, la couleur de lumière appropriée de la LED ne sera pas montrée en cas de contact.

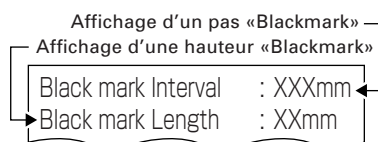
### 4. Effectuez l'opération de mesure du papier

Lorsque la touche FEED (AVANCE) est pressée, l'étiquette avance et la mesure du papier s'effectue. Si la touche FEED (AVANCE) est pressée pendant la mesure du papier, le résultat sera imprimé comme suit, et le commutateur de mémoire de l'imprimante sera initialisé.

\* Le résultat de mesure représente une valeur de référence.



< Exemple de résultat de mesure d'étiquette \*L >



< Exemple du résultat de mesure du papier «Blackmark» \*M >

## 5.6 Papier pour étiquettes de coupe plein \*L

En cas de coupe totale du papier pour étiquettes avec l'imprimante installée horizontalement, assurez-vous que la plaque guide est réglée sur la sortie du papier du capot de l'imprimante.

(Cette plaque guide a été réglée à l'imprimante au moment de l'expédition de l'appareil à partir de l'usine.)

La plaque guide empêche le papier découpé de tomber dans l'imprimante.

### ATTENTION!

- Si environ 10 feuilles de papier coupé s'accumulent à la sortie du papier, enlevez le papier.
- **En cas d'empilement de 10 papiers ou davantage, un bouchage papier peut se produire.**
- Enlevez la plaque guide pour la coupe de papier pour étiquettes différente de celle de la coupe totale, avec l'imprimante réglée horizontalement.
- **Le coupoir manuel ne peut pas être utilisé lorsque la plaque guide est montée.**
- **Il peut être difficile de faire sortir le papier pour étiquettes court avec l'imprimante installée verticalement.**

#### ● Montage et démontage de la plaque guide

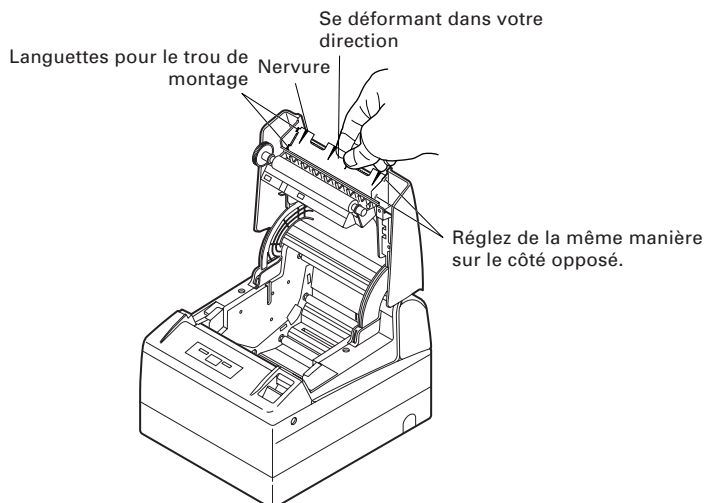
##### • Montage

**Avec le capot de l'imprimante maintenue ouverte, insérez les languettes de la plaque guide aux deux trous de montage (trou à droite ou à gauche) situés à l'intérieur de la partie antérieure du capot. Réglez la plaque guide avec sa nervure dirigée dans votre direction.**

**Puis, avec la plaque guide se déformant dans votre direction, insérez les languettes aux deux trous de montage sur le côté opposé du capot.**

##### • Démontage

**Avec le capot de l'imprimante maintenu ouvert, tirez la partie centrale de la plaque guide dans votre direction pour enlever la plaque guide.**





**DEUTSCH**

# ALLGEMEINE VORSICHTSMASSNAHMEN

- Lesen Sie sich das vorliegende Benutzerhandbuch sorgfältig durch, bevor Sie das Gerät verwenden. Verwahren Sie es danach an einem sicheren, leicht zugänglichen Ort, um bei Bedarf darauf zurückgreifen zu können.
- Der Hersteller behält sich vor, die hierin enthaltenen Informationen ohne vorherige Ankündigung zu ändern.
- Jegliche Reproduktion und Weitergabe von Teilen oder der Gesamtheit des Dokuments ohne vorherige Genehmigung von Citizen Systems ist untersagt.
- Beachten Sie, dass Citizen Systems jede Haftung für Folgen aus dem Betrieb des Geräts unabhängig von im vorliegenden Handbuch enthaltenen Auslassungen, Fehlern oder Druckfehlern ausschließt.
- Beachten Sie, dass Citizen Systems keine Haftung für jegliche Störungen übernimmt, die infolge der Verwendung von in diesem Handbuch nicht autorisierten Zubehörteilen oder Verbrauchsmaterialien entstehen.
- Mit Ausnahme der in diesem Handbuch genannten Fälle darf das Gerät nicht selbst gewartet, zerlegt oder repariert werden.
- Beachten Sie, dass Citizen Systems keine Haftung für jegliche Störungen übernimmt, die infolge von unsachgemäßer Verwendung oder nicht geeigneter Betriebsumgebungen auftreten, auch wenn in diesem Handbuch nicht darauf hingewiesen wird.
- Daten sind im Allgemeinen für temporären Gebrauch und werden nicht für längere Zeit oder permanent gespeichert. Beachten Sie, dass Citizen Systems keine Haftung für jegliche Schäden oder entgangene Verluste übernimmt, die aus Datenverlusten infolge von unvorgesehenen Ereignissen, Reparaturen, Tests oder sonstigem entstehen.
- Wenn Ihnen fehlende Informationen, Fehler oder Unklarheiten auffallen, wenden Sie sich an Ihren Citizen Systems-Händler.
- Wenn Ihnen fehlende Seiten oder sonstige Mängel auffallen, wenden Sie sich zwecks Ersatz an Ihren Citizen Systems-Händler.

## Authorisierte Repräsentanz in Europa: Citizen Systems Europe GmbH

Mettinger Strasse 11  
D-73728, Esslingen  
Germany

Maschinenlärminformations-Verordnung – 3.GPSGV, 06.01.2004:

Der höchste Schalldruckpegel beträgt 60 dB(A) oder weniger gemäß EN ISO 7779

# INHALTSVERZEICHNIS

<b>1. ALLGEMEINE ÜBERSICHT .....</b>	<b>7</b>
<b>2. ERLÄUTERUNG DER DRUCKERKOMPONENTEN .....</b>	<b>10</b>
<b>3. VORBEREITUNG .....</b>	<b>12</b>
<b>4. WARTUNG UND FEHLERBEHEBUNG .....</b>	<b>17</b>
<b>5. SONSTIGES .....</b>	<b>22</b>

CITIZEN is a registered trade mark of Citizen Holdings Co., Japan

CITIZEN es una marca registrada de Citizen Holdings Co., Japón

Company names and product names in this manual are trademarks or registered trademarks of relevant companies.

Copyright© 2008 by CITIZEN SYSTEMS JAPAN CO., LTD.

# SICHERHEITSMASSNAHMEN ... DIE SIE STRIKT EINHALTEN MÜSSEN

Lesen Sie sich vor der erstmaligen Verwendung des Produkts die SICHERHEITSMASSNAHMEN sorgfältig durch.

Falsche Handhabung kann zu Unfällen führen (Brände, elektrische Schläge oder Verletzungen). Um Verletzungen von Benutzern und Dritten sowie materielle Schäden zu vermeiden, werden im Handbuch spezielle Warnsymbole verwendet, die auf wichtige Informationen hinweisen.

- Bewahren Sie das Handbuch danach an einem sicheren, leicht zugänglichen Ort auf, um bei Bedarf darauf zurückgreifen zu können.
- Einige der im Handbuch enthaltenen Beschreibungen sind möglicherweise für Ihr Druckermodell nicht von Bedeutung.

Nachstehend wird der Grad der Gefahren und Schäden beschrieben, die bei unsachgemäßem Betrieb des Druckers oder Nichtbeachtung der durch die Warnsymbole gekennzeichneten Hinweise entstehen können.

## **WARNHINWEIS**

Bei Nichtbeachtung derartig gekennzeichneteter Informationen kann es zu schweren oder tödlichen Verletzungen kommen.

## **VORSICHT**

Bei Nichtbeachtung derartig gekennzeichneteter Informationen kann es zu Verletzungen oder materiellen Schäden kommen.



Dieses Symbol wird verwendet, um Sie auf wichtige Informationen aufmerksam zu machen.



Dieses Symbol weist auf Gefahren durch elektrische Schläge und mögliche Schäden durch statische Elektrizität hin.



Dieses Symbol weist darauf hin, dass der Netzstecker des Geräts zu ziehen ist.



Dieses Symbol wird verwendet, um nützliche Informationen, wie Verfahren oder Anweisungen zur Benutzung hervorzuheben.



Dieses Symbol dient zur Warnung vor unzulässigen Eingriffen.



## WARNHINWEIS

- Verwenden und lagern Sie das Gerät nicht an Orten, an denen es folgenden Einflüssen ausgesetzt ist:

- \* Flammen oder hohe Luftfeuchtigkeit.
- \* Direkte Sonneneinstrahlung.
- \* Heißluftströme oder Abwärme von Heizgeräten.
- \* Salzige Luft oder korrosive Gase.
- \* Unzureichende Belüftung.
- \* Chemische Reaktionen in Laboren.
- \* Ölnebel, Stahlpartikel oder Staub.
- \* Statische Elektrizität oder starke Magnetfelder.

- **Die Nichtbeachtung dieser Warnhinweise kann zu Ausfällen des Druckers, Überhitzung sowie Rauch, Feuer oder elektrischen Schlägen führen.**



- Keine Gegenstände in den Drucker einführen. Keine Flüssigkeiten in den Drucker spritzen. Keine Gegenstände auf dem Drucker ablegen.

- Keine Metallgegenstände wie Büroklammern, Heftklammern oder Schrauben in den Drucker fallen lassen.

- Keine Blumenvasen, Töpfe oder Tassen mit Flüssigkeiten auf dem Drucker abstellen.

- Darauf achten, dass keine Getränke oder sonstigen Flüssigkeiten in den Drucker geraten.

- Keine Insektenvertilgungsmittel oder sonstige Chemikalien auf den Drucker sprühen.

- **Wenn Fremdgegenstände aus Metall in den Drucker geraten, kann es zum Ausfall des Druckers, Bränden oder elektrischen Schäden kommen. In derartigen Fällen ist der Drucker sofort abzuschalten und vom Netz zu trennen. Wenden Sie sich an Ihren örtlichen Citizen Systems-Händler.**



Gehen Sie stets sachgemäß mit dem Drucker um:

- Den Drucker keinen Stößen oder Schlägen aussetzen (z.B. Tritte, Schütteln, Stöße mit harten Gegenständen).

- Den Drucker nicht demontieren oder sonstig modifizieren.

- **Bei nicht sachgemäßem Umgang kann es zum Ausfall des Druckers, Überhitzung sowie Brand- und Rauchentwicklung oder elektrischen Schlägen kommen.**



- Platzieren, verwenden und lagern Sie den Drucker außerhalb der Reichweite von Kindern.

- **Von elektrischen Geräten können bei unsachgemäßer Handhabung oder Verwendung Unfall- und Verletzungsrisiken ausgehen.**

- **Achten Sie darauf, dass sich das Netzkabel und die Signalkabel außerhalb der Reichweite von Kindern befinden. Der Drucker ist so aufzustellen, dass Kinder keinen Zugang zum Geräteinnern erlangen können.**

- **Die Kunststoffhülle, in der sich der Drucker bei der Lieferung befindet, ist ordnungsgemäß zu entsorgen oder außerhalb der Reichweite von Kindern aufzubewahren. Wenn die Hülle über den Kopf gezogen wird, besteht Erstickengefahr.**



## **WARNHINWEIS**

Beachten Sie die nachstehenden Vorsichtsmaßnahmen zur Stromversorgung und zum Netzkabel:

- Den Netzstecker nicht mit feuchten Händen anschließen oder ziehen.
- Betreiben Sie den Drucker ausschließlich mit der angegebenen Netzspannung und -frequenz.
- Stellen Sie sicher, dass die Netzsteckdose, an die der Drucker angeschlossen ist, eine ausreichende Belastbarkeit aufweist.
- Verwenden Sie zur Stromversorgung keine Anschlussleisten oder Mehrfachsteckdosen, an die gleichzeitig auch andere Geräte angeschlossen sind
- Säubern Sie den Netzstecker vor dem Anschließen an die Netzsteckdose von Staub und anderen Ablagerungen.
- Verwenden Sie keine verformten oder beschädigten Netzkabel.
- Bewegen Sie den Drucker nicht in eingeschaltetem Zustand.
- **Bei nicht sachgemäßem Umgang kann es zum Ausfall des Druckers, Brand- und Rauchentwicklung oder elektrischen Schlägen kommen.**
- **Bei Überlastung kann sich das Netzkabel überhitzen und in Brand geraten oder der Schutzschalter ausgelöst werden.**
- Stellen Sie keine Gegenstände auf das Netzkabel. Stellen Sie den Drucker so auf, dass nicht auf das Netzkabel getreten wird.
- Achten Sie darauf, dass das Netzkabel beim Benutzen und Transportieren des Druckers nicht verbogen oder verdreht und keinem Zug ausgesetzt wird.
- Versuchen Sie nicht, das Netzkabel zu modifizieren.
- Verlegen Sie das Netzkabel nicht in der Nähe von Heizgeräten.
- **Die Nichtbeachtung dieser Vorsichtsmaßnahmen kann Drahtbrüche oder Beschädigungen der Isolierung zur Folge haben, wodurch die Gefahr von Kriechströmen, elektrischen Schlägen oder Beschädigungen des Druckers besteht. Wenn das Netzkabel beschädigt wurde, wenden Sie sich bitte an Ihren Citizen-Systems-Händler.**
- Stellen Sie sicher, dass der Zugang zur belegten Steckdose nicht durch abgestellte Gegenstände behindert wird.
- Versorgen Sie den Drucker über eine günstig platzierte Steckdose, die im Notfall problemlos zugänglich ist.
- **In Notfällen wird der Drucker möglicherweise nicht sofort abgeschaltet.**
- Stecken Sie den Netzstecker ordnungsgemäß in die Steckdose.
- Ziehen Sie bei längerer Nichtbenutzung des Geräts den Netzstecker aus der Steckdose.
- Nach dem Abschalten des Druckers und des daran angeschlossenen Geräts beim Trennen des Netzkabels oder der Signalleitung den Stecker und den Anschluss greifen. Ziehen Sie das Netzkabel, nachdem Sie den Drucker ausgeschaltet haben, in dem Sie das Kabel am Stecker festhalten.



# VORSICHT

Unter folgenden Bedingungen darf der Drucker nicht verwendet werden:

- An Orten mit Vibrationen oder bei instabiler Aufstellung.
- Bei unebener Aufstellung.
- **Andernfalls könnte der Drucker herunterfallen und Verletzungen verursachen.**
- **Mögliche Beeinträchtigung der Druckqualität.**
- Wenn die Belüftungslöcher des Druckers durch Wände oder andere Geräte blockiert werden.
- wenn sich Gegenstände auf dem Drucker befinden, oder
- wenn der Drucker durch Kleidung oder Tücher zugedeckt ist.
- **Achten Sie darauf, dass es im Inneren des Geräts nicht zu Überhitzungen kommt, infolge derer es zu Bränden oder Verformungen des Gehäuses kommen kann.**
- Stellen Sie den Drucker nicht in der Nähe von Rundfunk- oder Fernsehempfängern auf und versorgen Sie ihn nicht zusammen mit derartigen Geräten aus derselben Steckdose.
- Vermeiden Sie es, den Drucker über nicht abgeschirmte Kabel oder Leitungen zu betreiben. (Verwenden Sie für die Signalleitungen abgeschirmte Kabel oder verdrehte Doppelkabel mit Ferritkernen oder andere Abschirmverfahren.)
- Benutzen Sie den Drucker nicht zusammen mit Geräten, die starke Störstrahlung abgeben.
- **Der Drucker kann den Radio- oder Fernsehempfang in der Umgebung beeinträchtigen. Es besteht auch die Möglichkeit, dass benachbarte elektrische Geräte den Drucker beeinflussen und dadurch Datenfehler oder Funktionsstörungen auftreten.**
- Bei senkrechter oder seitlich gekippter Aufstellung.
- Andernfalls besteht die Gefahr von Fehlfunktionen, Ausfällen oder Stromschlag.

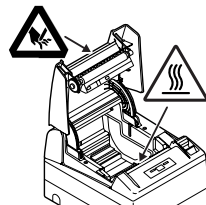


- Erden Sie den Drucker vor der Benutzung in geeigneter Weise.
- **Bei Auftreten von Kriechströmen besteht Stromschlaggefahr.**
- Schließen Sie den Erdungsleiter des Druckers nicht an folgende Gegenstände an:
  - \* Gasleitungen
    - **Andernfalls besteht die Gefahr von Gasexplosionen.**
  - \* Erdungen von Telefonleitungen
  - \* Blitzableiter
    - **Andernfalls besteht bei Blitzschlägen durch Spannungsspitzen Brand- oder Stromschlaggefahr.**
  - \* Wasserleitungen
    - **Wasserleitungen aus Kunststoff sind zur Erdung nicht geeignet (sofern keine Zustimmung der zuständigen Wasserwerke vorliegt).**
- Vor Anschließen oder Trennen des Druckererdungsleiters stets den Netzstecker des Geräts ziehen.



Das Vorsicht-Symbol befindet sich an der in der nebenstehenden Zeichnung gezeigten Position. Lesen Sie sich die Vorsichtsmaßnahmen sorgfältig durch, bevor Sie den Drucker in Betrieb nehmen.

**DIESE ZEICHEN WEISEN AUF VERLETZUNGSGEFAHREN DURCH DIE „HOHE TEMPERATUR“ DES DRUCKKOPFES UND DIE „SÄGEZAHNKANTE“ DER MANUELLEN SCHNITTVORRICHTUNG HIN.**



## **VORSICHT**

- Transportieren Sie diesen Drucker nicht mit eingesetzter Papierrolle.
- Sonst besteht die Gefahr von Druckerversagen oder Schäden.

Beachten Sie die folgenden Hinweise, um Fehlfunktionen zu vermeiden.

- Den Drucker nicht mit nicht ordnungsgemäß eingesetzter Papierrolle verwenden.
- Kein Papier verwenden, das nicht den Spezifikationen entspricht.
  - **Mögliche Beeinträchtigung der Druckqualität.**
- Kein eingerissenes oder mit Klebestreifen zusammengefügt Papier verwenden.
- Nicht mit der Hand gewaltsam am bereits eingesetzten Papier ziehen.
- Das Papier nicht gewaltsam in den Drucker pressen.
- **Papierstau möglich. Informationen zur Fehlerbehebung finden Sie im Abschnitt „Beseitigen von Papierstaus“ in diesem Handbuch.**
- Die Tasten im Bedienungsfeld nicht mit scharfen oder spitzen Objekten betätigen.



- Stellen Sie sicher, dass die Kabel ordnungsgemäß mit den Anschlüssen verbunden sind.
- **Bei Querschaltung kann es zu Beschädigungen der Druckerelektronik oder der Hardware des Host-Systems kommen.**
- Schließen Sie den Drucker mit Geldlade-Kickout-Funktion ausschließlich an Geräte an, die ein Solenoid mit für die Geldlade-Kickout-Buchse geeigneten technischen Daten besitzen.
- **Bei Nichtbeachtung dieser Vorsichtsmaßnahme können Funktionsfehler und Störungen auftreten.**



Beachten Sie die folgenden Hinweise, um bei Ausfällen des Geräts Verletzungen und Beschädigungen zu vermeiden.

- Die Druckoberfläche des Thermokopfes nicht berühren.
- Berühren Sie während des Druckerbetriebs keine beweglichen Teile im Inneren des Druckers (z.B. Papierschneider, Zahnräder und aktivierte elektrische Bauteile).
- Versuchen Sie nicht, den Drucker bei etwaigen Problemen selbst zu reparieren. Verständigen Sie den Citizen Systems-Kundendienst.
- Achten Sie darauf, sich nicht an der Druckerabdeckung die Hand oder Finger einzuklemmen.
- Achten Sie darauf, sich nicht an scharfen Kanten im Drucker zu verletzen und daran keine anderen Gegenstände zu beschädigen.
- **Hier besteht Stromschlag-, Verbrennungs- und Verletzungsgefahr.**



**Falls sich beim Drucken Rauch entwickelt oder der Drucker ungewöhnliche Gerüche oder Geräusche erzeugt, den Druckvorgang sofort abbrechen und den Netzstecker aus der Steckdose ziehen.**

## **TÄGLICHE WARTUNG**

Beachten Sie bei der täglichen Wartung die folgenden Vorsichtsmaßnahmen:

- Vor dem Reinigen ist der Drucker stets auszuschalten und der Netzstecker zu ziehen.
- Zum Abwischen des Oberfläche des Druckergehäuses ein weiches, trockenes Tuch verwenden.
- Hartnäckige Verschmutzungen mit einem weichen Tuch entfernen, das leicht mit Wasser befeuchtet wurde.
- Verwenden Sie keine flüchtigen organischen Lösungsmittel wie Alkohol, Terpentin oder Benzol. Verwenden Sie keine chemisch behandelten Reinigungstücher
- Zum Entfernen von Papierstaub einen weichen Pinsel verwenden.



## **VORSICHT**

- **Unmittelbar nach dem Drucken ist der Thermokopf sehr heiß, sodass Verbrennungsgefahr besteht. Warten Sie vor Wartungsarbeiten ab, dass der Thermokopf abgekühlt ist.**

# 1. ALLGEMEINE ÜBERSICHT

Diese Produkte sind Thermo-Zeilendrucker, die sich für verschiedene Terminallösungen eignen, darunter Daten-, POS- und Küchenterminale. Aufgrund ihrer umfassenden Funktionen können die Geräte mit einer Vielzahl von Anwendungen kombiniert werden.

## 1.1 Funktionen

- Vielseitige Rollenkapazität mit der Möglichkeit, 80 mm, 82.5 mm und 112 mm breite Papierrollen zu verwenden.
- Für Papierrollen mit maximal 102 mm Durchmesser.
- Drop-in-Ladeautomatik für Papierrollen zur Vereinfachung der Papierzufuhr und der Reinigung des Thermokopfes.
- Hochgeschwindigkeitsdruck (150 mm/s).
- Ausgestattet mit USB-Schnittstelle als Standard sowie Wahl zwischen serieller oder paralleler Schnittstelle.
- Austauschbare Schnittstellenkarte.
- Hochgeschwindigkeits-Parallelschnittstelle (Modell mit Parallelschnittstelle)
- Eingebaute Geldladen-Schnittstelle.
- Automatischer Papierschneider als Standardausrüstung.
- Anwenderanpassung wie Speicherschalter-Einstellung ist möglich.
- Page mode.
- Erfassung benutzerdefinierter Zeichen und Logos im Flash-Speicher.
- Strichcode- u. 2D-Strichcode-Druck wird unterstützt.
- 2-Farb-Druck ist unterstützt (wenn geeignetes Papier verwendet wird).
- Fehleranzeige mit LED oder Signalton ist verfügbar.

[Nur CT-S4000L, CT-S4000DCL]

- Hochgeschwindigkeitsdruck (132 mm/s).
- Etikettenpapier von 58 bis 107 mm Breite ist neben 112 mm breitem Etikettenpapier ohne Schritt verwendbar.

[Nur CT-S4000L, CT-S4000DCL, CT-S4000M, CT-S4000DCM]

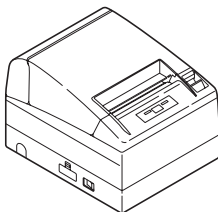
- Ein Papiersensorempfindlichkeit-Einstellsystem mit Volumen wird eingesetzt.



## 1.2 Auspacken

Vergewissern Sie sich beim Auspacken des Druckers, dass alle nachstehend aufgeführten Teile vorhanden sind:

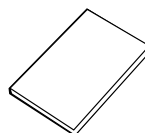
- Drucker: 1
- Netzkabel: 1 (nur für CT-S4000, CT-S4000L, CT-S4000M))
- Benutzerhandbuch: 1  
(das vorliegende Handbuch)
- Probe-Papierrolle: 1 Rolle
- Trennvorrichtung: 1
- Schraube: 1



CT-S4000



Netzkabel



Benutzerhandbuch  
(das vorliegende  
Handbuch)



Probe-Papierrolle



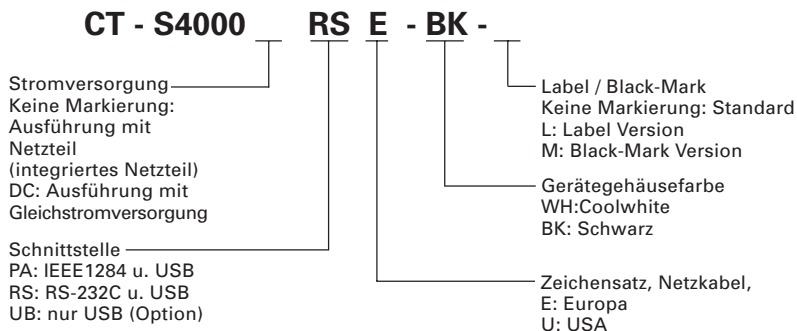
Trennvorrichtung



Schraube

## 1.3 Modellklassifizierung

Die Modellbezeichnungen der Druckermodelle sind nach folgendem Schema aufgebaut:



\*Die Beschreibungen mit der Kennzeichnung "\*L" in dieser Anleitung beziehen sich auf CT-S4000L/CT-S4000DCL, und die mit der Kennzeichnung "\*M" beziehen sich auf CT-S4000M/CTS4000DCM. Bestätigen Sie vor dem Lesen dieser Anleitung, welches Modell Sie verwenden.

## 1.4 Grundlegende technische Daten

Gegenstand	Technische Daten					
Modell	CT-S4000 PA/RS/UB, CT-S4000DC PA/RS/UB					
Druckverfahren	Thermo-Zeilenpunktdruck					
Druckbreite *1	104 mm/832 Punkte, 82.5 mm/660 Punkte, 72 mm/576 Punkte 104 mm/832 Punkte, 72 mm/576 Punkte, 50 mm/400 Punkte					
Punktichte	8 × 8 Punkte/mm (203 dpi) horizontal u. vertikal					
Druckgeschwindigkeit	150 mm/s (max., Druckdichte 100%), 1200 Punktzeilen/s Nur im Etikettenmodus, 132 mm/s (max.), Druckdichte beträgt 88% und 1056 Punktzeilen/s.					
Anzahl Druckspalten *2	—	Anzahl Druckspalten (Spalten)				Punktkonfiguration (Dot)
	Papierbreite Schrift	112mm	82.5mm	80mm	58mm*L	
	Schrift A	69	55	48	33	12 × 24
	Schrift B	92	73	64	44	9 × 24
Schrift C	104	82	72	50	8 × 16	
Zeichengröße *3	Schrift A: 1.50 × 3.00 mm, Schrift B: 1.13 × 3.00 mm, Schrift C: 1.00 × 2.00 mm					
Zeichentyp	Alphanumerische Zeichen, internationale Zeichen, Codeseiten PC437/850/852/857/858/860/863/864/865/866/WPC1252/Katakana/Thai-Code 18					
Benutzerspeicher	384 KB (Zum Speichern von benutzerdefinierten Zeichen und Logos)					
Strichcode-Typen und 2D-Strichcode	UPC-A/E, JAN (EAN) 13/8-Spalten, ITF, CODE 39, CODE 128, CODABAR, CODE 93, PDF417, QR Code					
Zeilenabstand *4	4,23 mm (1/6 Zoll)					
Papierrolle	Thermopapierrolle: 112 <sup>0</sup> mm/82.5 <sup>0</sup> mm/80 <sup>0</sup> mm × Maximum φ102 mm Papierstärke: 65-150 μm					
Schnittstellen	Seriell, (RS-232C-kompatibel), Parallel (IEEE 1284-kompatibel), USB					
Geldlade-Kickout-Buchse	2 Fächer werden unterstützt					
Eingangspufferspeicher	4 KByte/45 Byte (wählbar) bei serieller oder paralleler Schnittstelle, 16 KByte bei USB-Schnittstelle					
Versorgungsspannung	100 bis 240 V Wechselstrom, 50/60 Hz, 130 VA / 24 V Gleichstrom, 2,0 A					
Leistungsaufnahme	Ca. 70 W (im Normaldruckbetrieb)					
Gewicht	Ca. 2.3 kg:CT-S4000, CT-S4000L, CT-S4000M Ca. 2.0 kg:CT-S4000DC, CT-S4000DCL, CT-S4000DCM					
Äußere Abmessungen	177 (W) × 213 (D) × 147 (H) mm					
Betriebstemperatur und Feuchtigkeit	5 bis 45 °C, 10 bis 90 % relative Luftfeuchtigkeit(kondensationsfrei)					
Lagertemperatur und Feuchtigkeit	-20 bis 60°C, 10 bis 90 % relative Luftfeuchtigkeit(kondensationsfrei)					
Zuverlässigkeit	Lebensdauer Druckkopf: 100 km, 1 × 10 <sup>8</sup> Impulse (normale Temperatur/ Luftfeuchtigkeit, empfohlenes Papier) Lebensdauer autom. Papierschneider: 1.000.000 Schneidvorgänge (normale Temperatur/Luftfeuchtigkeit, empfohlenes Papier)					
Sicherheitsstandard	UL, C-UL, FCC Class A, TÜV-GS, CE Marking					

### Hinweise:

\*1: Wenn die Papierbreite 112, 82.5, 80 mm ist

\*2: Die Anzahl ausdrückbarer Spalten wird per Speicher-Switch eingestellt.

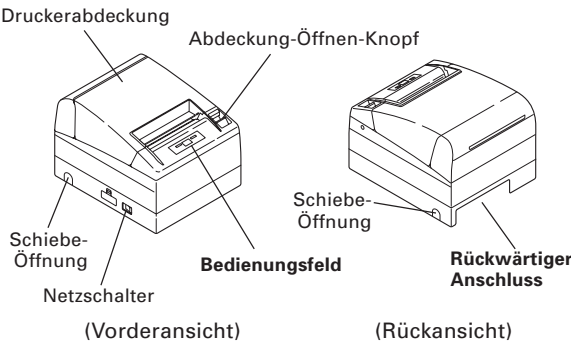
Die Anzahl von Spalten in dieser Tabelle bezieht sich auf ein typisches Modell. Die Anzahl der druckbaren Spalten ist je nach Druckerspezifikationen unterschiedlich.

\*3: Da jede Zeichengröße den Bereich innerhalb der Zeichenschriftart enthält, sieht das tatsächliche Zeichen kleiner aus.

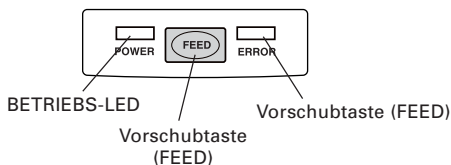
\*4: Der Zeilenabstand ist mit Befehl oder Speicher-Switch wählbar. Bei eingeschaltetem Drucker geschieht die Wahl mit dem Speicher-Switch.

## 2. ERLÄUTERUNG DER DRUCKERKOMPONENTEN

### 2.1 Ansicht des Druckers

- **Druckerabdeckung**  
Unter dieser Abdeckung ist das Papier eingelegt.
  - **Abdeckung-Öffnen-Knopf**  
Ziehen Sie den Abdeckung-Öffnen-Knopf nach vorne, um Papier nachzufüllen oder auszutauschen.
  - **Netzschalter**  
Dieser Schalter dient zum An- und Ausschalten des Geräts.
  - **Schiebe-Öffnung**  
Die am Drucker angeschlossenen Kabel können durch diese Schiebe-Öffnung geführt werden. (Vor der Verwendung drücken Sie die kleine Plastikbarriere auf der Abdeckung, bis sie bricht.)
- 
- Das Diagramm zeigt zwei Ansichten des Druckers. Die Vorderansicht (links) ist beschriftet mit: Druckerabdeckung, Abdeckung-Öffnen-Knopf, Schiebe-Öffnung, Netzschalter und Bedienungsfeld. Die Rückansicht (rechts) ist beschriftet mit: Schiebe-Öffnung und Rückwärtiger Anschluss.

#### Bedienungsfeld



- **Betriebs-LED (POWER)**  
Beleuchtet, wenn der Drucker eingeschaltet ist. Wenn der Drucker ausgeschaltet wird, geht die Lampe aus. Je nach Betriebsmodus oder bei Problemen beginnt die LED zu blinken.
- **Fehler-LED (ERROR)**  
Beleuchtet oder blinkt, wenn kein Papier vorhanden ist oder ein Fehler aufgetreten ist. Das Blinkintervall stellt den Fehlertyp dar.
- **Vorschubtaste (FEED)**  
Wenn Sie diese Taste betätigen, wird das Papier um eine Zeile vorgeschoben. Je länger die Taste gedrückt wird, desto mehr Papier wird vorgeschoben.  
Wenn Sie diese Taste betätigen, wird das Papier im Black-Mark-Modus bis zur nächsten Black-Mark-Position vorgeschoben.



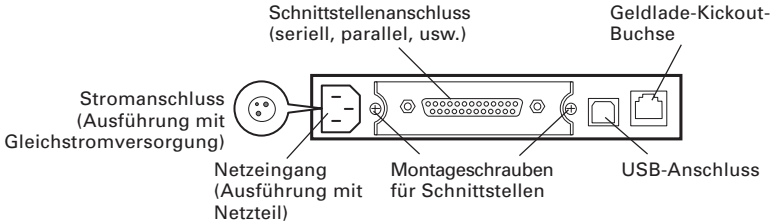
Siehe 5.3 Manuelle Einstellung von Speicher-Switches

Bei Blockierung des automatischen Papierschneiders können Sie nach Beseitigung der Fehlerursache die Vorschubtaste (FEED) betätigen, um die Fehlerursache zu beheben.



Siehe 4.6 Fehleranzeige

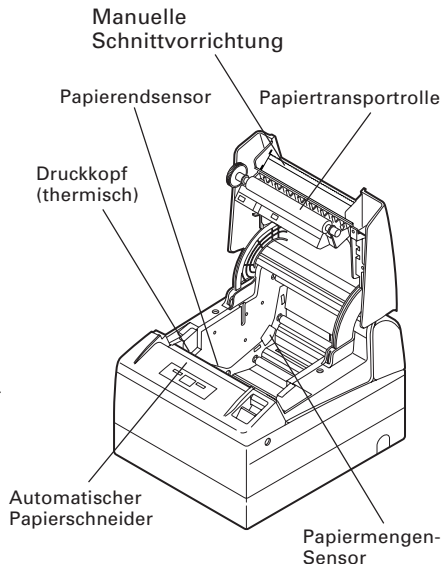
## Rückwärtige Anschlüsse



- Schnittstellenanschluss (seriell, parallel, usw.)  
Anschluss für das Schnittstellenkabel. Die serielle Schnittstellenleiste umfasst einen DIP-Schalter.
- Geldladen-Kickout-Buchse  
Zum Anschließen des Geldladen-Kabels.
- Netzeingang (Ausführung mit Netzteil)  
Anschluss für das Netzkabel
- Stromanschluss (Ausführung mit Gleichstromversorgung)  
Zum Anschließen des Kabels vom Netzteil.

## 2.2 Druckerinnenseite

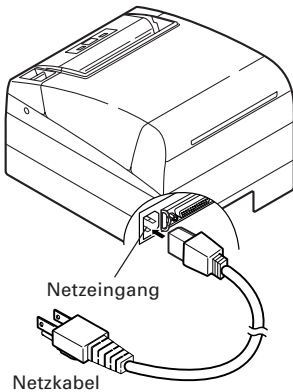
- Papiertransportrolle  
Teil der Druckermechanik für den Papiereinzug
- Papiermengen-Sensor  
Erkennt nahes Papierende, ändert Position entsprechend dem Außendurchmesser des Papierkerns.
- Automatischer Papierschneider  
Schneidet bei Aktivierung des entsprechenden Befehls das Papier nach dem Ausdruck. Wenn Sie den Befehl aktivieren, können Sie das Schnittverfahren festlegen (Vollschnitt/ Teilschnitt).
- \* Die werkseitige Vorgabe für den Speicher-Switch SW4-8 ist "Teilschnitt", so dass ein Befehl ignoriert wird. Volles Abschneiden ist aber für das Modell, das Etiketten unterstützt, eingestellt.
- Manuelle Schnittvorrichtung  
Zum Abreißen des Papiers mit der Hand.
- Druckkopf (thermisch)  
Druckt Zeichen und/oder Grafikdaten auf Thermalpapier.
- Papierendsensor  
Wenn dieser Sensor das Papierende erkennt, wird der Ausdruck beendet.



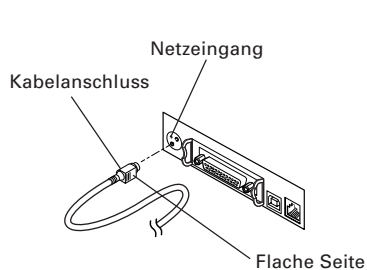
# 3. VORBEREITUNG

## 3.1 Anschließen des Netzkabels

1. Schalten Sie den Drucker aus.
2. Nur für Ausführung mit externem Netzteil: Schließen Sie den Gleichstromstecker des Netzteils mit der flachen Seite nach oben an die Gleichstrombuchse auf der Rückseite des Druckers an.



Ausführung mit Netzteil  
(integriertes Netzteil)



Ausführung mit Gleichstromversorgung

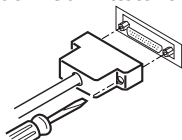
### **VORSICHT!**

- Ziehen Sie beim Abziehen von Kabeln nicht am Kabel selbst, sondern stets am Stecker.
- Das Netzteil darf sich nicht in der Nähe von Geräten befinden, die starke Störstrahlung abgeben.
- Ziehen Sie NICHT am Netzkabel. Andernfalls kann es zur Unterbrechung der Stromversorgung sowie Stromschlag- und Brandgefahr kommen.
- Ziehen Sie bei Gewitter das Netzkabel aus der Steckdose. Andernfalls besteht Brand- und Stromschlaggefahr.
- Verlegen Sie das Stromkabel nicht in der Nähe von Heizgeräten. Andernfalls kann die Isolierung des Netzkabels beschädigt werden, wodurch Brand- und Stromschlaggefahr entsteht.
- Ziehen Sie bei längerer Nichtbenutzung des Geräts den Netzstecker aus der Steckdose.
- Verlegen Sie das Netzkabel nicht an Stellen, wo die Gefahr des Stolperns oder Fallens besteht.

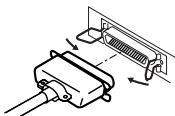
## 3.2 Anschließen der Schnittstellenkabel

Stellen Sie sicher, dass der Netzstecker ausgeschaltet ist und schließen Sie das Schnittstellenkabel fest an.

Richten Sie das Ende des Schnittstellenkabels ordnungsgemäß aus, und verbinden Sie es mit dem Schnittstellenanschluss.



Serielle Schnittstelle



Parallele Schnittstelle



USB-Schnittstelle



**VORSICHT!**

- Beim Abziehen des Kabels stets den Stecker greifen.
- Achten Sie darauf, dass das USB-Schnittstellenkabel nicht in die Geldladen-Kickout-Buchse gesteckt wird.

Für das Schnittstellenkabel sind folgende Anschlussstypen erforderlich:

25-Pin – 25-Pin-Kabel

PC			Drucker	
Signal	Pin		Pin	Signal
FG	1		1	FG
TXD	2		2	TXD
RXD	3		3	RXD
CTS	5		4	RTS
DSR	6		6	DSR
SG	7		7	SG
DTR	20		20	DTR

9-Pin – 25-Pin-Kabel

PC			Drucker	
Signal	Pin		Pin	Signal
RXD	2		2	TXD
TXD	3		3	RXD
DTR	4		4	RTS
SG	5		6	DSR
DSR	6		7	SG
CTS	8		20	DTR

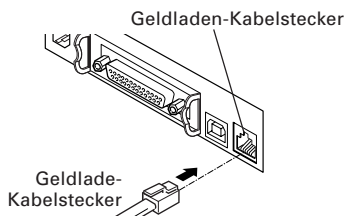


**VORSICHT!**

Verlegen Sie das Schnittstellenkabel nicht an Stellen, wo die Gefahr des Stolperns oder Fallens besteht.

## 3.3 Anschliessen der Geldlade

1. Stellen Sie sicher, dass der Netzschalter in Aus-Stellung ist.
2. Bestätigen Sie Ober- und Unterseite des Geldladen-Kabelsteckers und stecken ihn in die Geldladen-Kickout-Buchse an der Rückseite des Druckers.
3. Schrauben Sie den Massedraht der Geldlade in das Druckergehäuse.

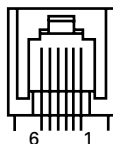


**VORSICHT!**

Schließen Sie an die Geldladen-Kickout-Buchse NICHT andere Geräte als die vorgeschriebene Geldlade an. (Auch NICHT Telefonleitungen anschließen.)

(1) Pin-Konfiguration des Anschlusses

Pin-Belegung	Signal	Funktion
1	FG	Gehäuseerdung
2	DRAWER 1	Steuersignal Geldlade 1
3	DRSW	Geldlade-Schaltereingang
4	VDR	Stromversorgung für Geldladeantrieb
5	DRAWER 2	Steuersignal Geldlade 2
6	GND	Gemeinsame Erdungskreise



Verwendete Buchse:  
TM5RJ3-66 (Hirose)  
oder äquivalent  
Benötigter Stecker:  
TM3P-66P (Hirose)  
oder äquivalent

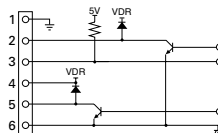
(2) Elektrische Eigenschaften

- 1) Treiberspannung: 24 V Gleichstrom
- 2) Treiberstrom: Ca. 1 A max. (darf 510 ms nicht überschreiten)
- 3) DRSW-Signal: Signalpegel: „L“ = 0 bis 0,5 V, „H“ = 3 bis 5 V

(3) DRSW-Signal

Der DRSW-Signalstatus kann mit den Befehlen DLE+EOT, GS+a oder GS+r bzw. an Stift 34 des parallelen Schnittstellenports geprüft werden.

(4) Treiberkreis



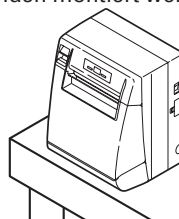
## VORSICHT!

- Während des Drucks wird keine Ausgangsgröße erzeugt.
- Die Geldladen 1 und 2 können nicht gleichzeitig gesteuert werden.
- Für die Fächer ist ein Solenoid mit mindestens 24 Ω zu verwenden. Der Ausgangsstrom ist auf max. 1A zu begrenzen; andernfalls kann es zu Beschädigungen und Festbrennen kommen.

## 3.4 Aufstellen des Druckers

Der Drucker kann horizontal oder vertikal aufgestellt sowie an Wänden montiert werden. Bei Lieferung ist der Drucker standardmäßig für die horizontale Installation vorbereitet. Bei vertikaler Aufstellung oder Wandmontage sind folgende Anpassungen erforderlich:

1. **Anpassung der Position des Papiermengensensors (siehe Abschnitt 3.7)**
2. **GummifüÙe (für vertikale Installation)**
3. **Optionales Wandmontageset (für Wandmontage)**



Vertikale Position

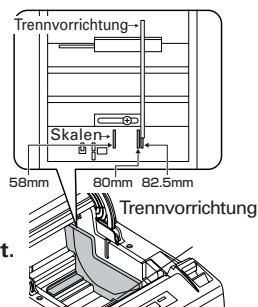
## VORSICHT!

- Bei Verwendung in senkrechter Stellung fällt das vom Drucker ausgegebene Papier nicht natürlich herunter, auch bei vollem Abschneiden. Bei der Verwendung mit zugehörigen Geräten usw. muss dies beachtet werden.
- Stellen Sie vor der Montage sicher, dass die Wand eine ausreichende Belastbarkeit zur Montage des Druckers aufweist.
- Bei Verwendung in horizontaler Einstellung vermeiden Sie volles Schneiden. Andernfalls kann das abgeschnittene Papier in die Schneidvorrichtung fallen und zu Doppelschnitt und schmalen Papierstreifen führen. Dadurch kann Papierstau verursacht werden.

## 3.5 Trennvorrichtung für Papierrollen

Werkseitig ist diese Trennvorrichtung nicht eingebaut.

1. Stellen Sie sicher, dass der Netzschalter in Aus-Stellung ist.
2. Öffnen Sie die Druckerabdeckung.
3. die Trennvorrichtung in den Schlitz und richten Sie sie mit der Skala innen im Drucker aus, die der Breite der verwendeten Papierrolle entspricht. Bei Verwendung der 80 mm oder 82,5 mm breiten Papierrolle stellen Sie die Trennvorrichtung mit der Zubehörschraube entsprechend ein.  
\*58 mm ist nur für das Model, das Etiketten unterstützt.
4. Ändern Sie die Einstellung der Papierbreite entsprechend Abschnitt 5.2 "Manuelle Einstellung der Speicher-Switches".



### VORSICHT!

Bei Verwendung der 112 mm breiten Papierrolle wird die Trennvorrichtung nicht verwendet.

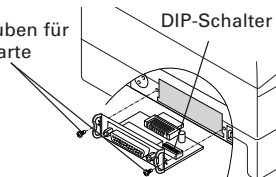
## 3.6 Einstellen der DIP-Schalter

Die serielle Schnittstellenkarte verfügt über einen DIP-Schalter.

Nachstehend finden Sie eine Darstellung der einzelnen Schalterpositionen.

Montageschrauben für  
Schnittstellenkarte

DIP-Schalter



### VORSICHT!

- Bei der Einstellung der seriellen Schnittstelle gibt diese der Einstellung des Speicher-Switch und nicht der Einstellung des DIP-Schalters als werkseitige Vorgabe Priorität.
- Lassen Sie sich von dem Fachhändler, bei dem der Drucker gekauft wurde, beraten, falls eine Änderung der DIP-Schalter-Einstellung erforderlich ist.

Schalter position	Funktion	AN	AUS	Standardeinstellung
1	Wählt die Einstellung für die Schnittstelle aus	Je nach der DIP-Schalter-Einstellung	Je nach Einstellung der Speicher-Switches	AUS
2	Handshake	XON/XOFF	DTR/DSR	AUS
3	Bitlänge	7 Bits	8 Bits	AUS
4	Paritätsprüfung	Mit Parität	Ohne	AUS
5	Paritätsauswahl	Gerade Parität	Ungerade Parität	AUS
6	Auswählen der Baudrate	siehe unten.		AUS
7				AN
8	INIT	Reset	Ungültig	AUS

#### Auswählen der Baudrate

Baudrate (Bit/s)	Schalterposition	
	6	7
2400	OFF	OFF
4800	ON	OFF
9600	OFF	ON
19200	ON	ON

Der Wert von 38400, 57600 und 115200 Bit/s kann entweder über eine Software oder manuell über Speicher Switches (Seite 25) aktiviert werden.



## 3.7 Einstellen des Papiermengensensors

1. Drücken Sie die Papiermengensensor-Einheit leicht nach innen.
2. Bewegen Sie das Papier im Bereich des Papiermengensensors dabei unter Andrücken leicht nach links und rechts. Die festzulegende Position hängt von den Druckereinstellungen (horizontal oder vertikal) und dem Durchmesser der Papierrolle ab (siehe nachstehende Abbildung).

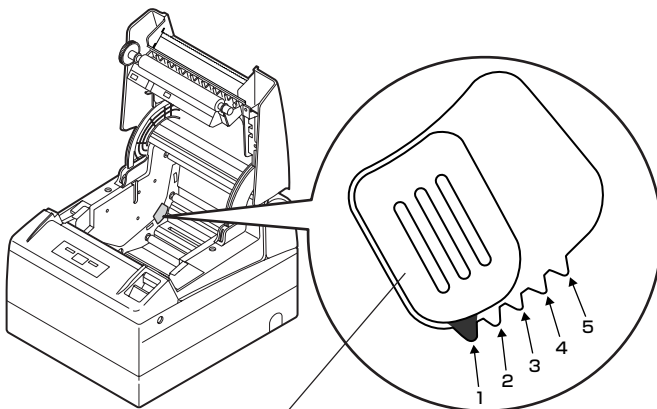
	Sensorposition	Rollenpapierdurchmesser bei Erkennung von Papiermengenende	Außenkerndurchmesser der verwendeten Papierrolle
Horizontale	** 1	φ21.0	φ18.0
	* 2	φ24.5	φ21.5
	3	φ28.0	φ25.5
	4	φ31.5	φ28.0
	5	φ35.0	φ32.0
Wandmontage	5	φ21.0	φ18.0
	4	φ24.5	φ21.5
	3	φ28.0	φ25.5
	2	φ31.5	φ28.0
	1	φ35.0	φ32.0

\* Fabrikeinstellung

\*\* Fabrikeinstellung für andere Länderversion

### VORSICHT!

- Das verbleibende Papier ist je nach Typ der verwendeten Papierrolle unterschiedlich.
- Der Außendurchmesser der Papierrolle dient lediglich als Referenz.
- Wenn ein Papierende-Fehler bei Verwendung einer Papierrolle mit Bienenwabenkern ausgegeben wird, stellen Sie die Sensorposition auf einen höheren Wert ein.

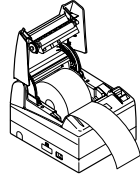


Papiermengen-Sensor

# 4. WARTUNG UND FEHLERBEHEBUNG

## 4.1 Einsetzen/Auswechseln von Papierrollen

1. Ziehen Sie den Abdeckung-Öffnen-Knopf nach vorne.
2. Öffnen Sie die Druckerabdeckung.
3. Setzen Sie eine Papierrolle wie in der Abbildung dargestellt mit dem Druckbereich nach oben in das Gerät ein und ziehen Sie das Papierende einige cm (oder Zoll) aus dem Druckergehäuse heraus.
4. Schließen Sie die Druckerabdeckung fest, sodass sie hörbar einrastet.



Siehe 5.3 Manuelle Einstellung von Speicher-Switches



### VORSICHT!

- Verwenden Sie ausschließlich die angegebenen Papierrollentypen.
- Stellen Sie sicher, dass die Einstellung dem Papierrollentyp entspricht.
- Wenn das Papier schräg abläuft und nicht gerade unter der Druckerabdeckung hervorragt, öffnen Sie die Abdeckung, und richten Sie das Papier ordnungsgemäß aus.
- Wenn die Abdeckung nach dem Papiereinsetzen geöffnet wird, ziehen Sie das Papier gerade um mehrere cm (oder Zoll) aus dem Drucker heraus und schließen dann die Abdeckung.
- Drücken Sie leicht auf die Mitte der Druckerabdeckung, um sie fest zu verschließen.
- Beim Einsetzen des Papiers seien Sie besonders vorsichtig, um nicht die Finger an der manuellen Schnittvorrichtung oder den Papierkanten zu schneiden.
- Wenn mit dem Speicher-Switch SW4-3 "Gültig" gewählt wird, wird das Papier automatisch eingezogen und abgeschnitten, wenn die Druckerabdeckung geschlossen wird.



### WARNHINWEIS

Achten Sie beim Öffnen der Druckerabdeckung NICHT Druckkopf oder das Papiermesser zu berühren. Andernfalls könnten Sie sich die Hände verbrennen oder sonstig verletzen.

## 4.2 Beseitigen von Papierstaus

1. Schalten Sie den Drucker aus.
2. Öffnen Sie die Papierabdeckung.  
Wenn das Papiermesser durch den Papierstau blockiert ist, versuchen Sie nicht, die Druckerabdeckung gewaltsam zu öffnen. Beachten Sie die Hinweise in Abschnitt 4.7, setzen Sie das Messer auf die normale Position zurück, und öffnen Sie anschließend die Abdeckung.
3. Entfernen Sie das gestaute Papier einschließlich aller verbleibenden Papierschnitzel.
4. Schalten Sie den Drucker ein. Daraufhin wird der automatische Schnittmechanismus initialisiert; der Alarm wird deaktiviert.



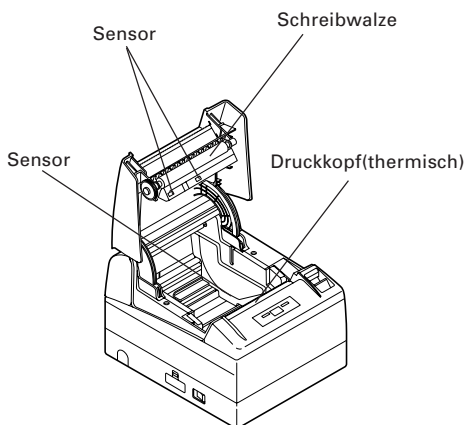
### VORSICHT!

- Wenn das Papiermesser durch den Papierstau blockiert ist, versuchen Sie NICHT, die Druckerabdeckung gewaltsam zu öffnen; schalten Sie stattdessen die Stromversorgung des Druckers aus und wieder ein. Wenn das Papiermesser nicht zurückgesetzt werden kann, siehe Abschnitt 4.7.
- Achten Sie darauf, bei geöffneter Papierabdeckung nicht den Druckkopf oder das Papiermesser zu berühren. Andernfalls könnten Sie sich die Hände verbrennen oder sonstig verletzen.

## 4.3 Regelmäßige Reinigung

Wenn der Druckkopf oder die Schreibwalze verschmutzt ist, ist deutlicher Druck unmöglich oder es können Fehler auftreten. Wenn Papierstaub o.ä. auf dem Sensorschutzblatt vorhanden ist, können Etikettenpapier oder Black-Mark-Papier u.U. nicht richtig erkannt werden. Regelmäßige Reinigung entsprechend dem folgenden Verfahren wird empfohlen.

1. **Schalten Sie den Drucker aus.**
2. **Öffnen Sie die Papierabdeckung.**
3. **Warten Sie einige Minuten ab. Reinigen Sie das Heizelement des Druckkopfes mit einem leicht mit Ethylalkohol befeuchteten Wattebausch von Staub und sonstigen Verschmutzungen. Kurz nach dem Drucken ist der Druckkopf (Thermalkopf) sehr heiß. Achten Sie darauf, ihn nicht mit der Hand zu berühren.**
4. **Befeuchten Sie die Spitze eines Wattetupfers mit Wasser und wischen Sie den Schmutz von der Oberfläche des Sensorschutzblatts ab. Vermeiden Sie Lösungsmittel wie Alkohol. Diese können bewirken, dass das Sensorschutzblatt getrübt wird.**

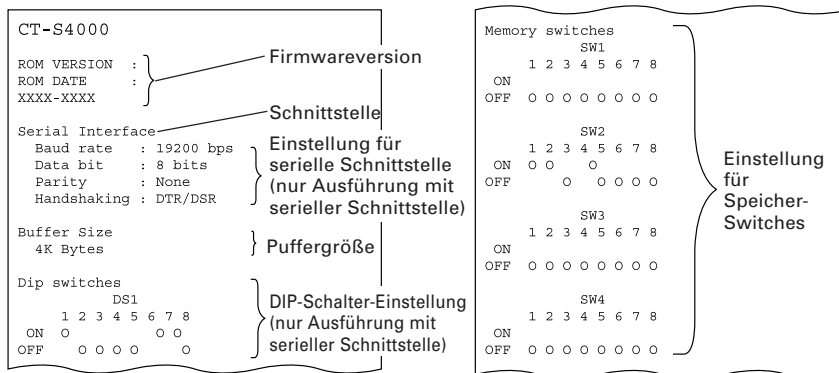


### **VORSICHT!**

- Berühren Sie nicht die Oberfläche des Heizelements des Druckkopfes mit bloßen Händen oder Metall.
- Wischen Sie den regelmäßig mit einem in Ethylalkohol befeuchteten Wattetupfer den Staub von der Oberfläche der Schreibwalze. Insbesondere wenn volles Abschneiden für Etikettenpapier verwendet wird, kann Papierstaub auf der Schreibwalze anhaften, je nach den Eigenschaften der Schutzfolie, des Papierrollendurchmessers, den Umgebungsbedingungen des Druckers usw.

## 4.4 Statusausdruck

Legen Sie Papier in den Drucker ein. Schalten Sie den Drucker bei gedrückter Vorschubtaste (FEED) ein. Halten Sie die Taste für ca. eine Sekunde gedrückt, und lassen Sie sie anschließend los. Der Drucker druckt eine Reihe von Statusdaten aus: die Modellbezeichnung, Version, die Einstellung des DIP-Schalters, die Einstellungen für die Speicher-Switches sowie die integrierten Schriften.



## 4.5 Hexdump-Druckverfahren

Mit Hilfe dieser Funktion können alle empfangenen Daten in Hexadezimalzeichen ausgedruckt werden. Wenn Probleme mit fehlenden oder duplizierten Daten usw. auftreten, können Sie mit dieser Funktion überprüfen, ob der Drucker die Daten korrekt empfängt.

Legen Sie das Papier in den Drucker ein und lassen Sie die Druckerabdeckung geöffnet. Schalten Sie den Drucker bei gedrückter Vorschubtaste (FEED) ein, und schließen Sie die Druckerabdeckung. Der Drucker druckt die Zeichenfolge „HEX dump print mode“, die empfangenen Daten in Hexadezimalzeichen sowie einige weitere Zeichen aus.



### VORSICHT!

- Wenn für einzelne Daten keine Zeichen verfügbar sind, wird für diese als Platzhalter „.“ gedruckt.
- Beim Hexdump-Druckverfahren sind mit Ausnahme weniger Befehle die meisten Funktionen nicht verfügbar.
- Wenn die empfangenen Daten KEINE ganze Zeile ausfüllen, betätigen Sie zum Drucken der Zeile einmalig die Vorschubtaste (FEED).

Der Hexdump-Modus wird beendet, wenn Sie den Drucker ausschalten, drei Mal aufeinanderfolgend die Vorschubtaste (FEED) drücken oder der Drucker nach Ende des Hexdumps über die Schnittstelle ein Rücksetzsignal empfängt.










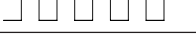
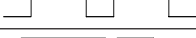
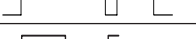
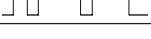
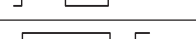
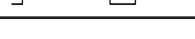
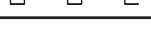
#### Beispielausdruck

```
HEX DUMP PRINT MODE
1B 21 00 1B 20 04 41 42 43 44 .!.. .ABCD
45 46 47 48 49 4A 4B 4C 4D 4E EFGHIJKLMN
4F 50 0D 0A 31 32 33 0D 0A OP..123..
```

## 4.6 Fehleranzeige

- **Papierende**  
Die Papiermengenanzeige arbeitet in zwei Schritten: wenig Papier und Papierende. Die FEHLER-LED leuchtet auf, wenn das Papier verbraucht ist. In beiden Fällen beginnt die Fehler-LED (ERROR) zu leuchten. Wenn das Papierende erkannt wird, müssen Sie Papier nachfüllen. Bei geöffneter Papierabdeckung wird ebenfalls das Papierende angezeigt.
- **Papierabdeckung offen**  
Während des Druckvorgangs darf die Druckerabdeckung nicht geöffnet werden. Wenn Sie die Druckerabdeckung irrtümlich öffnen, beginnt die Fehler-LED (ERROR) zu blinken. Prüfen Sie das Papier, ziehen Sie das Papier gerade um mehrere cm (oder Zoll) aus dem Drucker heraus und schließen Sie dann die Druckerabdeckung. Der Druckvorgang wird automatisch fortgesetzt. Je nach Speicher-Switch-Einstellung kann es erforderlich sein, einen Befehl zum Druckfortsetzen zu senden.
- **Messer blockiert**  
Wenn der Papierschneider aufgrund von Papierstaus usw. blockiert wird, beginnt die Fehler-LED (ERROR) zu blinken. Beseitigen Sie die Fehlerursache, und betätigen Sie anschließend die Vorschubtaste (FEED). Wenn das Papiermesser sich immer noch nicht bewegt und die Druckerabdeckung nicht geöffnet werden kann, siehe Abschnitt 4.7.
- **Druckkopf überhitzt**  
Wenn Sie dichte Zeichensätze oder dunkle Bilder drucken, steigt die Temperatur des Druckkopfes an. Wenn eine bestimmte Temperatur überstiegen wird, unterbricht das Gerät den Druckvorgang, bis der Druckkopf ausreichend abgekühlt ist. Während des Wartens blinkt die Fehler-LED (ERROR). Wenn die Temperatur des Druckkopfes ausreichend abgesunken ist, wird der Druckvorgang automatisch fortgesetzt.
- **Papierstaufehler**  
Wenn die Papierzufuhr nicht normal ist und ein Papierstau an der Schreibwalze usw. auftritt, stoppt der Druck und Zeilenvorschub, und die FEHLER-LED blinkt.
- **Netzschalter-Bedienungsfehler**  
Wenn Sie die Stromversorgung sofort nach dem Ausschalten erneut einschalten, kann ein Fehler auftreten.  
Vor dem erneuten Einschalten warten Sie, bis die BETRIEBS-LED nach dem Ausschalten vollständig erlischt.
- **Black-Mark-Erkennungssensor (nur im Black-Mark-Modus)**  
Wenn eine Black-Mark nicht erkannt werden kann, auch wenn ein bestimmter Grad an Papiervorschub für Black-Mark-Erkennung ausgeführt wird, tritt ein Black-Mark-Erkennungsfehler auf. Wenn Black-Mark-Erkennung länger als über den vorgeschriebenen Zeitraum abläuft, wird ein Papier-Verbraucht-Zustand angenommen, und der gleiche Fehler wie bei Papier verbraucht wird angezeigt.
- **Warten auf Papier- (Etiketten-) Abschneiden**  
Wenn der Befehl "GS+FF" unter der Bedingung ausgeführt wird, dass die Funktion des automatischen Papierschneiders deaktiviert ist (Speicher-Switch 2-2 ist Aus), wird das Etikettenpapier ausgeschoben, und die FEHLER-LED blinkt. Wenn die Vorschubtaste (FEED) in dieser Situation gedrückt wird, kehrt das Papier zur Startposition des Drucks zurück, und die FEHLER-LED erlischt.
- **Papier- (Etikett-) Erkennungsfehler**  
Wenn Erkennung nicht zur Verfügung steht, auch wenn Papiervorschub um den eingestellten Betrag zur Erkennung zwischen Etiketten oder Etikettenpapier geschieht, blinkt die FEHLER-LED. In diesem Fall stellen Sie den Sensor im Papiersensor-Einstellmodus ein. Wenn auch nach der Sensoreinstellung keine Erkennung geschieht, ersetzen Sie das Etikettenpapier. Wenn Ersetzen des Etikettenpapiers keine Auswirkung auf die Erkennung hat, kann der Sensor usw. fehlerhaft (verschlechtet) sein. Wenden Sie sich an den Kundendienst.

Nachstehend finden Sie Erläuterungen zum Status der Fehler-LED bei allen Fehlern einschließlich des o.g.:

Status	Betriebs-LED (POWER)	Fehler-LED (ERROR)	Signaltongeber
Papierende	Leuchtet	Leuchtet	
Wenig Papier	Leuchtet	Leuchtet	—
Druckerabdeckung offen	Leuchtet	Leuchtet	—
Druckerabdeckung-offen-Fehler *1	Leuchtet		
Messer blockiert	Leuchtet		
Druckkopf überhitzt	Leuchtet		—
Papierstaufehler	Leuchtet		—
Speicherprüffehler		Leuchtet	—
Unterspannung	Leuchtet		—
Hochspannungsfehler oder Netzschalter-Bedienungsfehler	Leuchtet		—
Makroausführung *2	Leuchtet		—
Black-Mark-Erkennungssensor	AUS		
Warten auf Papier- (Etikett-) Abschneiden *L, *M	AUS		—
Papier- (Etikett-) Erkennungsfehler *L, *M	AUS		

\*1: Während des Druckvorgangs.

\*2: Beim Ausführen von Makros beginnt die Fehler-LED (ERROR) möglicherweise zu blinken.

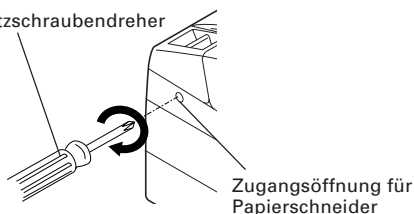
## 4.7 Vorgehensweise, wenn sich die Papierabdeckung nicht öffnen lässt

Wenn das Papiermesser aufgrund einer Störung blockiert ist, kann die Papierabdeckung nicht angehoben werden.

In diesem Fall darf die Papierabdeckung nicht gewaltsam geöffnet werden. Führen Sie einen Kreuzschlitz-Schraubendreher (Größe Nr. 1) in die Zugangsöffnung für den Papierschneider ein, und drehen Sie die Schraube in Pfeilrichtung (im Uhrzeigersinn).

Drehen Sie die Schraube, bis Sie feststellen, dass beide Enden des Messers maximal abgesenkt sind. Öffnen Sie anschließend die Abdeckung und befolgen Sie die Hinweise zur Behebung von Papierstaus bzw. der Störung.

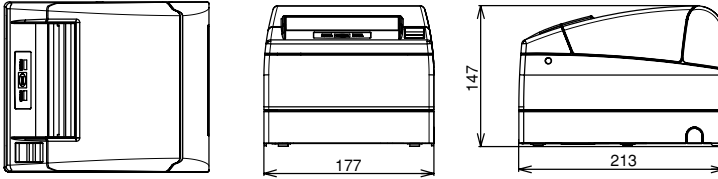
Kreuzschlitzschraubendreher



# 5. SONSTIGES

## 5.1 Äußere Ansicht und Abmessungen

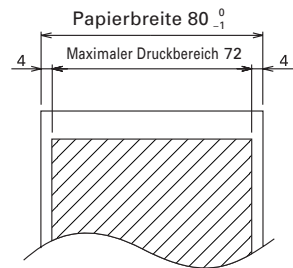
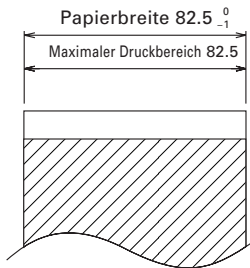
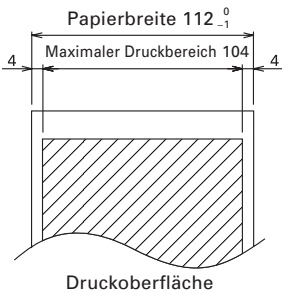
(Einheit: mm)



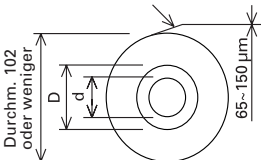
## 5.2 Druckpapier

Verwenden Sie die in der nachstehenden Tabelle genannten Papiertypen oder Papier gleichwertiger Qualität.

Papiertyp	Produktbezeichnung
Empfohlene Thermopapierrolle	F230AA, P220AG, HP220A, HP220AB-1, P220AB, P220AE-1, PB670 (Rot /Schwarzes), PB770 (Blau /Schwarzes) von Mitsubishi Paper TF50KS-E2D von Nippon Paper PD150R, PD160R von Ohji Paper



(Einheit: mm)



Papierdicke( $\mu\text{m}$ )*	65-75	75-150
Kerninnendurchmesser d (mm)	$\phi 12$	$\phi 25.4$
Kernaußendurchmesser D (mm)	$\phi 18$	$\phi 32$

\*Die Dicke des Etikettenpapiers ist die Gesamtdicke von "Schutzfolie" und "Etikett".

### **VORSICHT!**

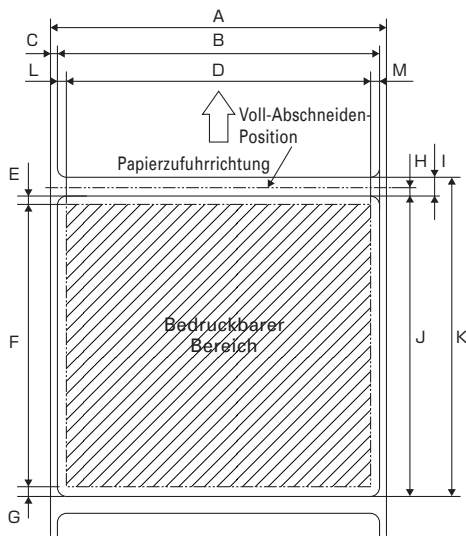
Verwenden Sie NICHT die folgende Art von Papierrolle.

- Gefaltetes Papier.
- Papier mit umgebogenen Ecken.
- Rollen, bei denen das Papier am Kern angeklebt ist.
- Umgekehrt gewickelte Papierrolle (Druckseite innen).

Wenn "Etikettenpapier" mit CT-S4000L und CT-S4000DCL verwendet wird, siehe Folgendes. Verwenden Sie das folgende Papier oder gleichwertiges:

Papiertyp	Produktbezeichnung
Empfohlenes Thermoetikettenpapier	150LA-1 von Ricoh, GG40/P22/G6B von Ojitic, HD75 von Nippon Paper

a) Etikettenpapier \*L



Unit: mm

Markierung	Artikel	Abmessungen
A	Schutzfolienbreite	58 bis 112 <sup>0</sup> <sub>.1</sub>
B	Etikettenbreite	54 bis 108 ± 0.5
C	Linke Etikettenkante	2 + 0.5
D	Druckbreite	50 bis 104
E	Oberer Rand	2 ± 1
F	Drucklänge	21 bis 296
G	Unterer Rand	2 ± 1
H	Abschneidposition zwischen Etiketten	1/2 x (Größe I)
I	Abstand zwischen Etiketten	4 bis 30
J	Etikettenlänge	25 bis 300
K	Etikettenabstand	I+J
L	Linker Rand	2 ± 1
M	Rechter Rand	2 ± 1

## VORSICHT!

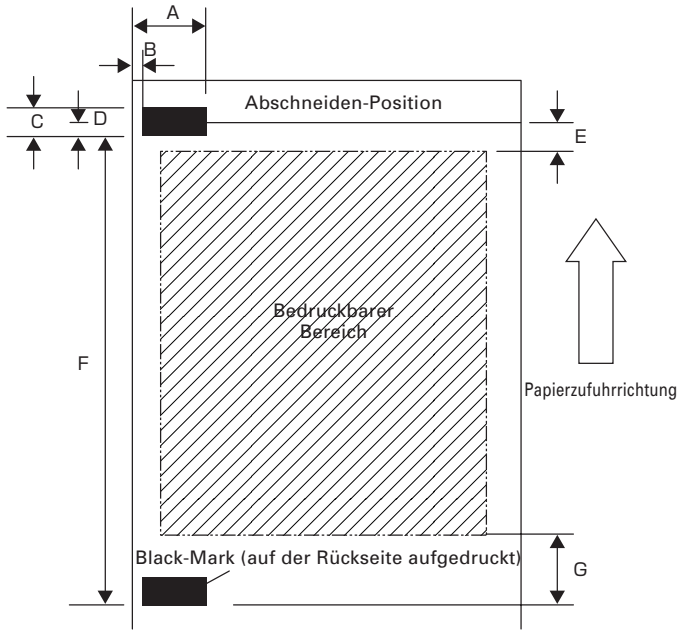
Achten Sie bei Verwenden des automatischen Papierschneiders auf Folgendes. Andernfalls kann die Schnittrichtung sperren oder ein Schneidfehler auftreten.

- Die Abschneidlänge des Papiers auf 25 mm oder mehr einstellen.
- Bei Verwendung von Etikettenpapier schneiden Sie den Abstand zwischen Etiketten ab (Schutzfolie). Schneiden Sie nicht das Etikettenpapier (Kleberpapier).
- Eine Einstellung des Papiersensors muss vorgenommen werden, wenn der Typ der Schutzfolie geändert wird.

Etikettenpapier kann nicht mit dem Modell verwendet werden, das Black-Mark unterstützt (CT-S4000M/CT-S4000DCM).



b) Black-Mark-Papier (BM-Papier)



Unit: mm

Markierung	Artikel	Abmessungen
A	Rechter Rand der Black-Mark	15 oder mehr
B	Linker Rand der Black-Mark	0 bis 1,5
C	Black-Mark-Höhe	5
D	Abschneidposition in Black-Mark	2,5
E	Oberer Rand	6,5 / 12
F	Black-Mark-Abstand	30 bis 300
G	Unterer Rand	9

\* Bei Betriebsverfahren, wo der Drucker das Papier schneidet, wird der obere Rand um die Einstellung des Speicher-Switches 4-8 geändert. Der Betrag ist 6,5 mm bei 0 (Aus) und 12 mm bei 1 (Ein).

\* Bei Betriebsverfahren, wo der Drucker das Papier nicht schneidet, ist der obere Rand 6,5 mm.

## VORSICHT!

- Der PCS-Wert der Black-Mark muss 0,9 oder mehr betragen.
- Bei Verwendung des Black-Mark-Papiers beachten Sie den Rand von +/- 2 mm für die Druckposition gegen die Standardposition und +/- 5 mm für die Drucklänge.
- Siehe obige Zeichnung für den Druckbereich und sorgen Sie für ausreichende Ränder wie in den Darstellungen E und G gezeigt. Wenn die Druckdatengröße außerhalb des bedruckbaren Bereichs ist, soll der Drucker zur nächsten Seite springen.

## 5.3 Manuelle Einstellung von Speicher-Switches

Die Speicher-Switches können sowohl manuell als auch über Befehle eingestellt werden.

Informationen zur manuellen Belegung finden Sie auf der nächsten Seite.

Nachstehend finden Sie eine Darstellung der einzelnen Speicher-Switches.

(Die **Weiß-auf-Schwarz gedruckter Einträge** geben die Werkseinstellungen an.)

Switch-Nr.	Einstellung	0 (AUS)	1 (AN)
Memory SW1-1	Power ON Info	Valid	Not send
SW1-2	Buffer Size	4k bytes	45 bytes
SW1-3	Busy Condition	Full/Err	Full
SW1-4	Receive Error	Print "?"	No Print
SW1-5	CR mode	Ignored	LF
SW1-6	Reserved	Fixed	-
SW1-7	DSR Signal	Invalid	Valid
SW1-8	Init Signal	Invalid	Valid
Memory SW2-1	Reserved	-	Fixed
SW2-2	Auto Cutter	Invalid	Valid
SW2-3	Spool Print	Invalid	Valid
SW2-4	Full Col Print	LineFeed	WaitData
SW2-5	Resume aft PE	Next	Top
SW2-6	Reserved	Fixed	-
SW2-7	Reserved	Fixed	-
SW2-8	PNE Sensor	Valid	Invalid
Memory SW3-1	Resum Ctrr Err	Valid	Invalid
SW3-2	Reserved	Fixed	-
SW3-3	Parallel 31 Pin	Valid	Invalid
SW3-4	Reserved	Fixed	-
SW3-5	Reserved	Fixed	-
SW3-6	Reserved	Fixed	-
SW3-7	CBM1000 Mode	Invalid	Valid
SW3-8	Resum Open Err	Close	Command
Memory SW4-1 *M	P. Length Set	Auto Measure	Command
SW4-2 *M	Power on TOF	Invalid	Valid
SW4-3	Feed&Cut at TOF	Invalid	Valid
SW4-4 *L	Paper Select *1	Thermal Roll	BM.P / Lbl.P *4
SW4-5 *L	Position detect *2	Black Mark	Label
SW4-4 *M	Paper Select *1	Thermal Roll	BM.P
SW4-5 *M	Position detect *2	Black Mark	-
SW4-6	Reserved	Fixed	-
SW4-7	Reserved	Fixed	-
SW4-8 *3	Prtial Only	Invalid	Valid

Hinweise:

\*1: Die werkseitige Einstellung von "Papierwahl" ist unterschiedlich, je nach Modellklassifikation.

\*2: Falls die Thermalpapierrolle mit SW4-4 gewählt wird, ist SW4-5 nicht verfügbar. Der Schalter SW4-5 wird auf den Status "Black Mark" für die Black-Mark-Version des Druckers zurückgesetzt.

\*3: Im Etikettenmodus (wenn die Speicher-Switches SW4-4 und SW4-5 auf Ein gestellt sind), wird volles Abschneiden für das Papier verwendet, ungeachtet der Einstellung von Speicher-Switch SW4-8.

\*4: Beim Drucken auf Etikettenpapier sind Druckspalten von 660 Punkten nicht verwendbar. Speicher-Switch SW2-8 ist nicht mit dem Etikettenpapier verwendbar.

Switch-Nr.	Einstellung	0 (AUS)	1 (AN)
Memory SW5-1	Buzzer	Valid	Invalid
SW5-2	Line Pitch	360	406
SW5-3	USB Mode	Virtual COM	Printer Class
SW5-4	Reserved	Fixed	-
SW5-5	Reserved	nvalid	-
SW5-6	Reserved	Fixed	-
SW5-7	Reserved	Fixed	-
SW5-8	Reserved	Fixed	-

Switch-Nr.	Einstellung	Vorgabe	Einstellwerte
Memory SW7-1	Baud Rate	9600 bps	1200 bps, 2400 bps, 4800 bps, 9600 bps, 19200 bps, 38400 bps, 57600 bps, 115200 bps
SW7-2	Data Length	8Bits	7Bits, 8Bits
SW7-3	Stop Bit	1Bit	1Bit, 2Bits
SW7-4	Parity	NONE	NONE, EVEN, ODD
SW7-5	Flow Control	DTR/DSR	DTR/DSR, XON/XOFF
SW7-6	DMA Control	Valid	Valid, Invalid
SW7-7	VCom Protocol	PC Setting	PC Setting, DTR/DSR, XON/XOFF
Memory SW8-1	Print Width	832dots	832dots(69 col.), 720dots(60col.), 660dots(55col), 576dots(48col.), 512dots(42col)
SW8-2	Paper Type	1 Color Normal	1 Color Normal, 2 Color Normal
Memory SW9-1	Code Page	PC437	PC437/Katakana/PC850,858/PC860/PC863/PC865/PC852/PC866/PC857/WPC1252/PC864/Thai Code 18
Memory SW9-2	Int'Char Set	USA	USA, France, Germany, England, Denmark, Sweden, Italy, Spain, Japan, Norway, Denmark 2, Spain 2, Latin America, Korea Croatia, China
Memory SW9-3*	Kanji	OFF	ON, OFF
SW9-4*	JIS/Shift JIS	JIS	JIS, Shift JIS
Memory SW10-1	Print Density	100%	70%, 75%, 80%, 85%, 90%, 95%, 100%, 105%, 110%, 115%, 120%, 125%, 130%, 135%, 140%
SW10-2	Print Speed	Level 9	Level 1, Level 2, Level 3, Level 4, Level 5, Level 6, Level 7, Level 8, Level 9
SW10-3	ACK Timing	Before Busy	Before Busy, Same Period, After Busy
SW10-4	NV User	192K bytes	1K bytes, 64K bytes, 128K bytes, 192K bytes
SW10-5	NV Graphic	384K bytes	0 byte, 64K bytes, 128K bytes, 192K bytes, 256K bytes, 320K bytes, 384K bytes

\* In diesem Drucker sind die Speicher-Switches 9-3 und 9-4 nicht verwendbar.

## Manuelle Einstellung von Speicher-Switches (Speicher-SW)

Um Speicher-Switches auszuwählen, anzupassen oder zu schreiben, führen Sie folgende drei Schritte aus: Drücken Sie die Vorschubtaste (FEED) und halten Sie sie gedrückt, und öffnen oder schließen Sie die Druckerabdeckung.

1. Aktivieren des Einstellmodus für Speicher-Switches.  
Führen Sie Papier in den Drucker ein und lassen Sie die Druckerabdeckung geöffnet. Schalten Sie den Drucker bei gedrückter Vorschubtaste (FEED), und drücken Sie anschließend zweimal auf die Vorschubtaste (FEED). Schließen Sie die Abdeckung. Wenn der Drucker daraufhin die aktuellen Einstellungen der Speicher-Switches usw. ausdrückt, wurde der Einstellmodus erfolgreich aktiviert.

Memory SW (1) 00000000

0: Status AUS  
1: Status AN

(Keine Anzeige für 0/1 mit Speicher-Switch SW7 bis SW10)

2. Auswählen von Speicher-Switches (EINSTELLMODUS FÜR SPEICHER-SWITCHES)  
Wenn die Vorschubtaste (FEED) kurz nacheinander gedrückt wird (\*1), werden die Daten wiederholt in der Reihenfolge "Memory SW1" → "Memory SW2" → "Memory SW3" → ..... "Memory SW10" → "Save To Memory" → "Memory SW1" → ..... rausgedruckt. Wenn der gewünschte Speicher-Switch erreicht ist, betätigen Sie die Vorschubtaste (FEED) und halten Sie sie für mehr als 2 Sekunden gedrückt.
3. Auswählen aller Switch-Elemente  
2-16 Elemente sind für die Einstellung in jedem Switch vorhanden. Wenn Sie die Vorschubtaste (FEED) betätigen und länger gedrückt halten (\*2), wechselt der Drucker zum nächsten Element und druckt dessen aktuelle Einstellungen aus. Wiederholen Sie den Vorgang solange, bis das Element, das Sie ändern möchten, erreicht ist.

Power ON notify setting (Valid )

Status OFF: FEHLER-LED AUS  
Status ON: FEHLER-LED AN

(Bei Speicher-Switch SW7 bis SW10 leuchtet die Fehler-LED (ERROR) nur bei der werkseitigen Einstellung auf.)

4. Anpassen von Einstellungen  
Wenn das zu Ändern gewünschte Element gedruckt ist, drücken Sie kurz die Vorschubtaste (FEED) (\*1). Der geänderte Wert wird ausgedruckt. (Wenn der Bereich von Einstellwerten wiederholt wird, wird der Originalwert wieder hergestellt.) Wenn Sie die Vorschubtaste (FEED) gedrückt halten (\*2), wird der Wert der Einstellung übernommen und der Drucker geht zum nächsten Element über.
5. Zurückkehren zum EINSTELLMODUS FÜR SPEICHER-SWITCHES (obiges Element 2)  
Wenn Sie die gewünschten Einstellungen vorgenommen haben, öffnen Sie die Papierabdeckung, und schließen Sie sie anschließend wieder. Daraufhin werden die geänderten Einstellungen für den Speicher-Switch wirksam.
6. Speichern der Einstellung und verlassen des Einstellmodus für Speicher-Switches  
Betätigen Sie kurz die Vorschubtaste (FEED) (\*1), um zu Eintrag „Im Speicher ablegen“ zu gelangen. Drücken Sie anschließend die Vorschubtaste (FEED), und halten Sie sie gedrückt. Der Drucker druckt die neue Einstellung aus und verlässt den Einstellmodus für Speicher-Switches, um in den normalen Ruhemodus überzugehen.  
\* Damit die geänderte Einstellung wirksam wird, müssen Sie sie speichern.
7. Initialisieren des Speicher-Switches  
Wenn Sie einen Speicher-Switch auf die Standardeinstellungen zurücksetzen möchten, gehen Sie wie zuvor beschrieben zum Eintrag "Save To Memory". Öffnen Sie anschließend die Papierabdeckung und betätigen Sie die Vorschubtaste (FEED), bis der Signalton ertönt. Daraufhin wird der Drucker auf die Standardeinstellungen zurückgesetzt.  
\* Alle Speicher-Switches werden auf die Werkseinstellungen zurückgesetzt.

\*1: Kürzer als 2 Sekunden drücken \*2: Länger als 2 Sekunden drücken

## 5.4 Wählen des Papiertyps \*L, \*M

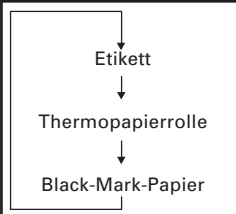
Die Papiertyp-Wahl steht durch die Kombination der Speicher-Switches SW4-4 und SW4-5 zur Verfügung, in dem der "Speicher-Switch-Wahlmodus" verwendet wird. Außerdem steht das folgende Verfahren zur Verfügung.

### 1. Schalten Sie auf den Modus Papiertyp wählen.

- 1) Öffnen Sie die Druckerabdeckung und entnehmen Sie das Papier. Schalten Sie den Drucker ein, während Sie die Vorschubtaste (FEED) gedrückt halten. Die BETRIEBS-LED beginnt zu blinken.
- 2) Lassen Sie die Vorschubtaste (FEED) los und schließen Sie die Druckerabdeckung. Der Signalton ertönt, und der aktuell eingestellte Papiertyp wird durch die LED am Bedienungsfeld angezeigt.

### 2. Wählen Sie den Papiertyp.

Betätigen Sie die Vorschubtaste (FEED), um den eingelegten Papiertyp an die LED-Anzeigen in der untenstehenden Tabelle anzupassen. (Siehe untenstehende Tabelle.)

	<b>BETRIEBS-LED</b>	<b>FEHLER-LED</b>
	Leuchtet grün	(AUS)
	(AUS)	Leuchtet rot
Black-Mark-Papier	Leuchtet grün	Leuchtet rot

### 3. Speichern Sie den gewählten Papiertyp im Drucker.

Öffnen und schließen Sie die Druckerabdeckung. Durch diesen Vorgang wird der gewählte Papiertyp im Druckerspeicher gespeichert, und der Papier-Wählen-Modus wird aufgehoben.

Anschließend wird "Papierlängen-Einstellung" von Speicher-Switch 4-1 deaktiviert.

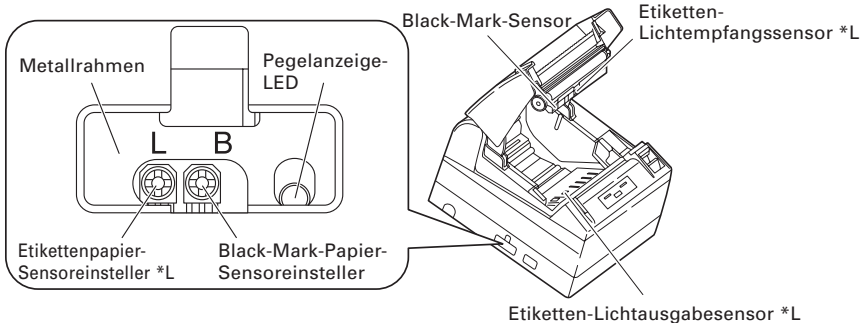
Beim Schließen der Druckerabdeckung, während Black-Mark-Papier ist oder Etikettenpapier im Drucker eingelegt ist, wird die Papierlänge gemessen und das Ergebnis ausgedruckt.

- \* Wenn ein Papiererkennungsfehler bei der Messung der Papierlänge auftritt, schaltet der Drucker automatisch auf den Papiersensor-Einstellen-Modus. Stellen Sie den Sensor entsprechend "5-5 Einstellen des Papiersensors" ein.

## 5.5 Einstellen des Papiersensors \*L, \*M

Bevor Black-Mark-Papier (BM-Papier) oder Etikettenpapier verwendet wird, stellen Sie den Papiersensor ein. Halten Sie zuerst den Hebel am oberen Ende der Sensoreinstellung-Steuerabdeckung links vom Netzschalter ein und drücken Sie den Hebel nach unten und nach vorne, um die Abdeckung vom Drucker abzunehmen.

Wie unten gezeigt, dient der ganz linke zur Etikettenpapier-Sensoreinstellung, der nächste dient zur Black-Mark-Papiersensoreinstellung und der ganz rechte ist eine Pegelanzeige-LED. Stellen Sie diese Teile auf folgende Weise ein.



### 1. Schalten Sie auf den Modus Papiersensor einstellen.

Öffnen Sie die Druckerabdeckung, entnehmen Sie das Papier und stellen Sie den Drucker-Netzschalter auf Ein. Jetzt leuchten die BETRIEBS-LED und FEHLER-LED auf, und der Signalton ertönt. Schließen Sie dann die Druckerabdeckung, während Sie die Vorschubtaste (FEED) gedrückt halten. Die FEHLER-LED beginnt zu blinken, und der Signalton ertönt.

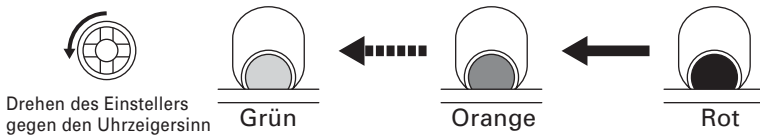
### 2. Setzen Sie einzustellendes Papier in den Drucker.

Der Drucker verfügt über drei eingebaute Papiersensortypen.

Bei Etiketten stellen Sie so ein, dass das Etikett auf dem Etiketten-Lichtempfangssensor und dem Etiketten-Lichtausgabesensor positioniert ist. Bei Black-Mark-Papier nehmen Sie die Einstellung so vor, dass der bedruckbare Teil (andere als die Black-Mark) auf dem Black-Mark-Sensor liegt. In diesem Zustand wird durch Schließen der Druckerabdeckung bewirkt, dass die FEHLER-LED blinkt und der Signalton ertönt.

### 3. Stellen Sie Papiersensor ein.

Drehen Sie den entsprechenden Einsteller mit einem Schlitzschraubenzieher gegen den Uhrzeigersinn. Stellen Sie den Einsteller in die Position, wo die LED von Orange auf Grün umzuschalten beginnt.

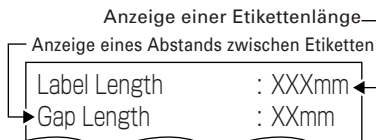


\* Während Sie den Einsteller mit dem Schraubenzieher drehen, lassen Sie keinen Teil des Schraubenziehers den Metallrahmen berühren. Andernfalls wird nicht die richtige LED-Farbe während des Berührens angezeigt.

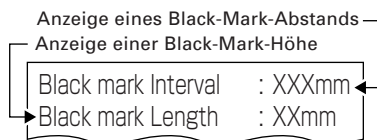
### 4. Führen Sie den Papiermessvorgang aus

Wenn die Vorschubtaste (FEED) gedrückt wird, wird das Etikett zugefügt und die Papiermessung ausgeführt. Wenn die Vorschubtaste (FEED) während der Papiermessung gedrückt wird, wird das Ergebnis wie folgt ausgedruckt, und der Speicher-Switch des Druckers wird initialisiert.

\* Das Messergebnis ist ein Bezugswert.



< Beispiel des Etikettenmessergebnisses \*L >



< Beispiel eines Black-Mark-Papier-Messergebnisses \*M >

## 5.6 Volles Abschneiden von Etikettenpapier \*L

Wenn volles Abschneiden des Etikettenpapiers mit horizontal aufgestelltem Drucker ausgeführt wird. Stellen Sie sicher, dass die Führungsplatte auf dem Papierauslauf der Druckerabdeckung angebracht ist.

(Diese Führungsplatte ist werkseitig bei Auslieferung am Drucker angebracht.)

Die Führungsplatte verhindert, dass Papier in den Drucker rutscht.

### **VORSICHT!**

■ Wenn etwa 10 Blatt Papier auf dem Papierauslauf angesammelt sind, entfernen Sie das Papier.

• Bei Stapeln von 10 oder mehr Blatt kann Papierstau auftreten.

■ Entfernen Sie die Führungsplatte bei anderem als voll abgeschnittenem Papier bei horizontal aufgestelltem Drucker.

• Die manuelle Schneidvorrichtung kann verwendet werden, wenn die Führungsplatte angebracht ist.

• Kurzes Etikettenpapier mit vertikal aufgestelltem Drucker kann Schwierigkeiten beim Auslauf bewirken.

#### ● Anbringen und Abnehmen der Führungsplatte

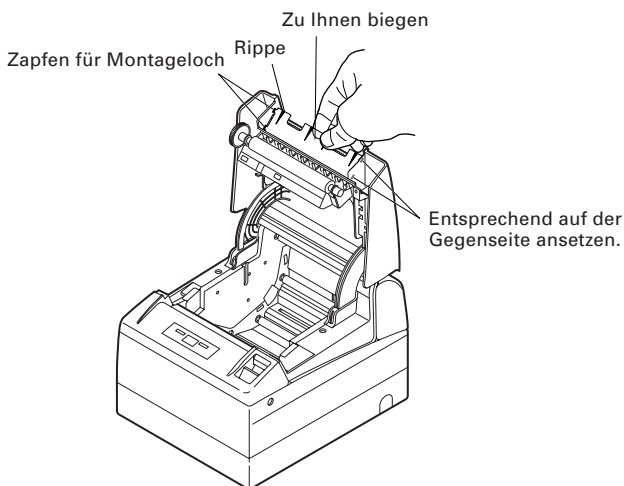
##### • Montage

Wenn die Druckerabdeckung offen gelassen wird, setzen Sie die Zapfen der Führungsplatte in die beiden Montagelöcher (entweder links oder rechts) innen an der Abdeckungsvorderseite ein. Setzen Sie die Führungsplatte mit der Rippe nach vorne weisend ein.

Wenn die Führungsplatte zu Ihnen hin gebogen ist, setzen Sie die Zapfen in die beiden Montagelöcher an der entgegengesetzten Seite der Abdeckung ein.

##### • Abnehmen

Während die Druckerabdeckung offen gelassen wird, ziehen Sie den Mittenteil der Führungsplatte zu ihnen hin, um die Führungsplatte abzunehmen.



**ITALIANO**



## PRECAUZIONI GENERALI

- Dopo aver letto il presente manuale, conservarlo in un luogo sicuro e di facile accesso per l'utilizzo futuro.
- Le informazioni contenute in questo documento sono soggette a modifiche senza preavviso.
- Nessuna parte di questo documento può essere riprodotta o trasferita senza il consenso scritto della Citizen Systems.
- Si prega di prendere nota che Citizen Systems non è responsabile per eventuali problemi causati da mancanze, errori o difetti di stampa di questo manuale.
- Citizen Systems non è responsabile per nessun problema causato dall'utilizzo di accessori o prodotti di consumo non indicati in questo manuale.
- Salvo diversamente specificato nel presente manuale, non svolgere senza autorizzazione operazioni di manutenzione, smontaggio o riparazione del prodotto.
- Citizen Systems non è responsabile per qualsiasi tipo di danno riconducibile al funzionamento/trattamento non corretto dell'apparecchiatura o all'utilizzo in ambienti non adeguati, specificati in questo manuale.
- I dati della stampante sono principalmente destinati ad un utilizzo temporaneo e non vengono memorizzati per un lungo periodo o in modo permanente. Citizen Systems non è responsabile per eventuali danni o perdite di profitto derivanti dalla perdita di dati causata da incidenti, riparazioni, test o altro.
- Se si rileva una perdita di informazioni, errori o fatti anomali, vi preghiamo di contattare il vostro fornitore Citizen Systems.
- Se in questo manuale trovate delle pagine mancanti, con inesattezze o errori, vi preghiamo di contattare il vostro fornitore Citizen Systems per effettuare la sostituzione.

## SOMMARIO

<b>1. DESCRIZIONE GENERALE .....</b>	<b>7</b>
<b>2. DESCRIZIONE DEI COMPONENTI DELLA STAMPANTE .....</b>	<b>10</b>
<b>3. FUNZIONAMENTO .....</b>	<b>12</b>
<b>4. MANUTENZIONE E ASSISTENZA .....</b>	<b>17</b>
<b>5. ALTRO .....</b>	<b>22</b>

CITIZEN is a registered trade mark of Citizen Holdings Co., Japan  
CITIZEN es una marca registrada de Citizen Holdings Co., Japón  
Company names and product names in this manual are trademarks or  
registered trademarks of relevant companies.  
Copyright© 2008 by CITIZEN SYSTEMS JAPAN CO., LTD.

# PRECAUZIONI DI SICUREZZA ... DA OSSERVARE RIGOROSAMENTE

Prima di utilizzare il prodotto per la prima volta, leggere attentamente le PRECAUZIONI DI SICUREZZA, l'uso improprio può causare incidenti (incendio, scariche elettriche e lesioni). Per evitare il rischio di lesioni ad operatori e a terzi o danni ad oggetti, nel presente manuale vengono usati speciali simboli di avvertenza per indicare i punti importanti che richiedono una stretta osservanza.

- Dopo aver letto il presente manuale, conservarlo in un luogo sicuro e di facile accesso per l'utilizzo futuro.
- Alcune delle descrizioni contenute in questo manuale potrebbero non essere rilevanti per alcuni modelli di stampante.

Quanto segue è la descrizione del livello di rischio e di danno che potrebbe verificarsi se la stampante non viene usata correttamente, ignorando le istruzioni fornite dai simboli di avvertenza.

## **AVVERTENZA**

La mancata osservanza delle precauzioni indicate da questo simbolo potrebbe causare lesioni mortali o gravi.

## **ATTENZIONE**

La mancata osservanza delle precauzioni indicate da questo simbolo potrebbe provocare lesioni o danni ad oggetti.



Questo simbolo viene usato per richiamare l'attenzione su punti importanti.



Questo simbolo viene usato per richiamare l'attenzione sul pericolo di scosse elettriche o di danno elettrostatico.



Questo simbolo indica la necessità di scollegare la stampante dalla presa a muro.



Questo simbolo è utilizzato per indicare le informazioni utili, quali procedure, istruzioni o altri dati simili.



Questo simbolo viene usato per indicare operazioni vietate.

## **AVVERTENZA**

- Non utilizzare o depositare questo prodotto in un luogo dove potrebbe essere esposto a:
  - \* Fiamme o umidità
  - \* Luce solare diretta
  - \* Correnti d'aria calda o radiazioni provenienti da un dispositivo di riscaldamento
  - \* Aria salmastra o gas corrosivi
  - \* Ambiente mal ventilato
  - \* Reazioni chimiche di laboratorio
  - \* Olio, particelle di acciaio o polvere trasportati dall'aria
  - \* Elettricità statica o forti campi magnetici
- **La mancata osservanza di queste avvertenze potrebbe causare guasti alla stampante, surriscaldamento, emissione di fumo, incendio o scariche elettriche.**



- Non lasciar cadere oggetti estranei e non versare liquidi all'interno della stampante. Inoltre, non depositare nessun oggetto sulla stampante.
- Non lasciar cadere nessun oggetto metallico come graffette, punti o viti all'interno della stampante.
- Non depositare sulla stampante portafiori, vasi o tazze contenenti acqua.
- Non versare nella stampante caffè, bibite o qualsiasi altro tipo di liquido.
- Non spruzzare sulla stampante insetticidi o qualsiasi altro liquido chimico.
- **Un oggetto estraneo metallico, se lasciato accidentalmente cadere nella stampante, può provocare il malfunzionamento della stessa, incendio o scosse elettriche. Nel caso in cui si verificasse questa evenienza, spegnere immediatamente la stampante, staccarla dalla presa di alimentazione e chiamare il rivenditore locale Citizen Systems.**



Evitare di trattare la stampante nel modo seguente:

- Non sottoporre la stampante a vibrazioni meccaniche o scosse violente (ad es. calpestio, caduta o colpi con un oggetto duro).
- Non tentare di smontare o modificare la stampante.
- **Una non corretta procedura può causare danni alla stampante, surriscaldamento, emissione di fumo, incendio o scariche elettriche.**



- Installare, utilizzare o depositare la stampante fuori dalla portata dei bambini.
- **Gli apparecchi elettrici potrebbero provocare lesioni impreviste o incidenti se trattati o utilizzati non correttamente.**
- **Tenere il cavo di alimentazione e i cavi dei segnali fuori dalla portata dei bambini. Inoltre, ai bambini non dovrebbe essere permesso l'accesso alle parti interne della stampante.**
- **La busta di plastica con la quale è fornita la stampante deve essere tenuta lontana dalla portata dei bambini. Se indossata sul capo può provocare il soffocamento.**



## **AVVERTENZA**

Osservare le seguenti precauzioni per l'alimentazione ed il cavo di alimentazione:

- Non collegare o scollegare il cavo di alimentazione con le mani bagnate.
- Utilizzare la stampante solo con la tensione e la frequenza di alimentazione specificate.
- Assicurarsi che la presa di alimentazione alla quale è collegata la stampante abbia una potenza sufficiente.
- Non alimentare la stampante da una basetta di alimentazione o da una presa di corrente condivisa con altri apparecchi.
- Non collegare il cavo di alimentazione ad una presa di alimentazione se ci sono polvere o detriti sulla spina
- Non cercare di modificare il cavo di alimentazione.
- Non trasportare la stampante mentre è alimentata.
- **L'omissione di una corretta procedura può causare danni alla stampante, surriscaldamento, emissione di fumo, incendio o scariche elettriche.**
- **Un sovraccarico potrebbe provocare il surriscaldamento del cavo di alimentazione o lo scatto dell'interruttore di sicurezza.**
- Assicurarsi che non ci siano oggetti sul cavo di alimentazione. Non sistemare la stampante in un luogo dove il cavo di alimentazione potrebbe essere calpestato.
- Non usare o trasportare la stampante con il cavo di alimentazione piegato, attorcigliato o tirato.
- Non cercare di modificare il cavo di alimentazione.
- Non posare il cavo di alimentazione nelle vicinanze di un dispositivo di riscaldamento.
- **La mancata osservanza di queste precauzioni potrebbe causare la rottura dei fili o dell'isolamento con conseguenti scariche elettriche o malfunzionamento della stampante. Se il cavo di alimentazione è danneggiato, si prega di contattare il rivenditore Citizen Systems.**
- Non lasciare oggetti attorno alla presa di alimentazione per garantire sempre un facile accesso ad essa.
- Fornire l'alimentazione alla stampante da una presa murale sistemata in un punto facilmente accessibile in caso di emergenza.
- **In caso di emergenza la stampante potrebbe non essere spenta immediatamente.**
- Inserire la spina di alimentazione a fondo nella presa.
- Se la stampante non viene utilizzata per molto tempo, scollegare la spina di alimentazione.
- Tenere la presa ed il connettore quando si effettua il collegamento o scollegamento del cavo di c.a. o del cavo di segnali dopo avere scollegato la stampante e l'apparecchio collegato ad essa.



## **ATTENZIONE**

Non utilizzare la stampante nelle condizioni seguenti.

- In un luogo sottoposto a vibrazioni o in condizioni instabili.
- Sopra un piano inclinato.
  - Si può provocare la caduta della macchina e causare danni.
  - Nei seguenti casi si può avere una bassa qualità di stampa:
- Nella condizione dove i fori di ventilazione della stampante sono bloccati da una parete troppo vicina o da una qualsiasi altra attrezzatura.
- Non utilizzare la stampante con oggetti depositati su di essa.
- Non utilizzare la stampante coperta o avvolta da un tessuto o coperta da un lenzuolo.
  - **Fare attenzione alla formazione interna di calore che potrebbe provocare incendi e deformare la struttura esterna della stampante.**
- Evitare di usare la stampante vicino ad una radio o ad un televisore e non alimentarla dalla stessa presa utilizzata per questi apparecchi.
- Evitare di utilizzare la stampante collegata ad un cavo di interfaccia che non presenta alcuna protezione contro i disturbi. (Per le interconnessioni, utilizzare una coppia di cavi schermati o attorcigliati e nuclei in ferrite o altri dispositivi antidisturbo.)
- Evitare di usare la stampante con un dispositivo che rappresenti una forte fonte di rumore.
  - **La stampante potrebbe avere un effetto negativo sulle trasmissioni radio o TV. In alcuni casi gli apparecchi elettrici potrebbero influenzare in modo negativo la stampante, causando errori nella trasmissione dei dati o comunque un malfunzionamento.**
- Se l'apparecchiatura viene installata in verticale o su di un lato, si possono provocare guasti o scariche elettriche



- Usare la stampante con il morsetto di messa a terra collegato ad un adeguato impianto di messa a terra.
- **Se si verificano dispersioni potrebbe sussistere il pericolo di scariche elettriche.**



- Non collegare il morsetto di messa a terra della stampante a nessuno di questi impianti:



- \* Tubature del gas
  - **Potrebbe verificarsi un'esplosione di gas**
- \* Linea telefonica
- \* Aste parafulmine
  - **In caso di fulmine, un forte picco di corrente potrebbe provocare incendi o scariche elettriche.**
- \* Tubazioni idrauliche
  - **Tubazioni idrauliche in plastica non devono essere utilizzate per la messa a terra. (Possono essere utilizzate solo quelle approvate dall'Acquedotto).**



- Prima di collegare o scollegare il cavo di messa a terra alla o dalla stampante, scollegarlo sempre dalla presa di alimentazione.

L'etichetta di avvertenza è posizionata come mostrato in figura. Leggete accuratamente le precauzioni per l'uso prima di utilizzare la stampante.

**QUESTE ETICHETTE INDICANO UN RISCHIO DI FERITA CAUSATA DA "TEMPERATURA ELEVATA," DELLA TESTA DI STAMPA E DEL "BORDO INTACCATO," DEL TAGLIATORE MANUALE.**



## **ATTENZIONE**

- Non trasportare questa stampante con il rotolo di carta dentro.
- Si possono verificare guasti o rotture.

Per evitare i problemi di funzionamento o eventuali guasti, osservate quanto segue:

- Evitare di fare funzionare la stampante senza il rotolo di carta correttamente caricato.
- Evitare l'impiego di carta non conforme alle specifiche.
- **La stampa potrebbe risultare di scarsa qualità.**
- Evitare l'utilizzo di pezzi di carta strappati o uniti con nastro adesivo.
- Evitare l'estrazione forzata a mano di carta già inserita.
- Evitare di incastrare la carta nella stampante.
- **Se la carta si inceppa, per sbloccarla fare riferimento al paragrafo "Rimozione della carta incastrata" in questo manuale.**
- Evitare l'utilizzo di uno strumento appuntito o affilato per azionare i tasti del pannello.



- Assicurarsi che il cavo dell'interfaccia sia bene inserito nell'apposita presa.
- **Un collegamento errato potrebbe danneggiare la parte elettronica interna o l'hardware dell'host.**
- Alla stampante, deve essere collegato un solenoide di apertura cassetto compatibile con le specifiche indicate nel manuale.
- **La mancata osservanza di questa precauzione potrebbe provocare un malfunzionamento o un guasto.**



Per evitare lesioni o danni, seguire le seguenti istruzioni:

- Non toccare la superficie di stampa della testina termica.
- Non toccate le parti mobili (ad es. la taglierina, gli ingranaggi, le parti elettriche attive) quando la stampante funziona.
- In caso di problemi non cercare di riparare la stampante. Affidarla al servizio di Citizen Systems per la riparazione.
- Fatte attenzione al coperchio della stampante, si possono procurare danni alle mani durante la chiusura.
- Prestare attenzione agli spigoli acuti della stampante. Si rischia di ferirsi o causare danni materiali.
- **Ciò potrebbe causare scariche elettriche, bruciature o lesioni.**



Se dalla stampante provengono fumo, odori strani o rumori inconsueti durante la stampa, interrompere immediatamente la stampa corrente e scollegare la stampante dalla presa di alimentazione.

## **MANUTENZIONE QUOTIDIANA**

Osservate le precauzioni seguenti per la manutenzione quotidiana:

- Per pulire la stampante, metterla sempre fuori tensione e staccarla dalla presa murale.
- Utilizzare uno straccio morbido e secco per pulire la superficie della cassa della stampante.
- Per le macchie persistenti, utilizzare uno straccio morbido leggermente imbevuto d'acqua.
- Non pulire la stampante con un solvente organico quale alcol, diluente per vernice o benzene.
- Utilizzare una spazzola morbida per ritirare pezzi di carta.
- Per togliere la polvere di carta, utilizzare una spazzola morbida.



## **ATTENZIONE**

- **Immediatamente dopo l'utilizzo, la testina termica rimane ad una temperatura pericolosamente elevata. Non toccare la testina fino al suo raffreddamento.**

# 1. DESCRIZIONE GENERALE

Questi prodotti sono stampanti termiche a righe di punti concepite per un impiego per una vasta gamma di terminali per dati, POS (Point Of Sale) e cucina.

Dotata di ampie caratteristiche, possono essere utilizzate per una vasta gamma di applicazioni.

## 1.1 Caratteristiche

- Si possono utilizzare rotoli da 80 mm, 82.5 mm e 112 mm di larghezza.
- Tutti i rotoli di carta devono avere un diametro massimo di 102 mm.
- Dispositivo "Drop-in,, che facilita un corretto caricamento del rotolo di carta e una facile pulizia della testina.
- Stampa ad alta velocità (150 mm/s)
- Dotato dell'interfaccia USB come standard, più una scelta di un'interfaccia seriale o parallela.
- Scheda dell'interfaccia sostituibile.
- Interfaccia parallela ad alta velocità (modello di interfaccia parallela)
- Comando apertura cassetto di serie
- Dispositivo di taglio automatico di serie
- La personalizzazione da parte dell'utente, avviene per mezzo dei Memory Switch
- Il "Modo pagina"
- Memorizzazione dei caratteri e del logo definiti dall'utente nella memoria flash
- La stampa di codice a sbarre e di codice a sbarre 2D è sostenuta.
- Stampa a 2 colori (con carta specifica).
- L'indicazione degli errori avviene per mezzo di LED o per mezzo del cicalino.

[Solo modello CT-S4000L, CT-S4000DCL]

- Stampa ad alta velocità (132 mm/s)
- La carta per etichette da 58 a 107 mm di larghezza oltre alla carta di 112 mm di larghezza può essere utilizzata senza tappa.

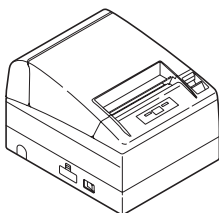
[Solo modello CT-S4000L, CT-S4000DCL, CT-S4000M, CT-S4000DCM]

- Il sistema di messa a punto di sensibilità del sensore di rullo su carta per volume è adottato.

## 1.2 Rimozione dell'imballo

Quando si rimuove l'imballo della stampante, verificare che siano comprese nella fornitura le seguenti parti:

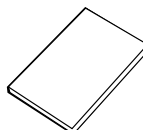
- Stampante: 1
- Cavo di alimentazione c.a. : 1 (Solo per CT-S4000, CT-S4000L, CT-S4000M)
- Manuale dell'utente (questo manuale): 1
- Rotolo di carta campione: 1 rotolo
- Divisorio: 1
- Vite: 1



CT-S4000



Cavo di alimentazione c.a.



Manuale dell'utente (questo manuale)



Rotolo di carta campione



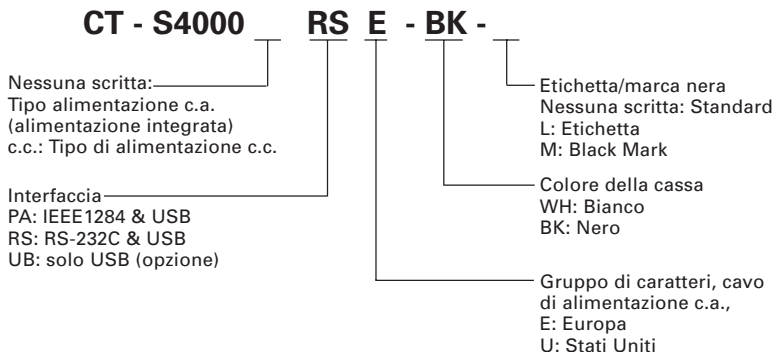
Divisorio



Vite

## 1.3 Classificazione dei modelli

I modelli della stampante sono classificati in base al seguente metodo:



\*La descrizione con il segno “\*L” in questo manuale rappresenta la descrizione per i modelli CT-S4000L/CT-S4000DCL e quella con il segno “\*M” è prevista per i modelli CT-S4000M/CTS4000DCM. Si raccomanda di leggere questo manuale dopo avere verificato il vostro modello in servizio.



## 1.4 Specifiche di base

Voce	Caratteristiche					
Modello	CT-S4000 PA/RS/UB, CT-S4000DC PA/RS/UB					
Metodo di stampa	Metodo di stampa termica a righe di punti					
Larghezza di stampa *1	104 mm/832 punti, 82.5 mm/660 punti, 72 mm/576 punti 104 mm/832 punti, 72 mm/576 punti, 50 mm/400 punti					
Densità di punto	8 × 8 punti/mm (203 dpi) in posizioni orizzontale e verticale					
Velocità di stampa	150 mm/sec. (massima densità di stampa, 100%), 1200 linee di punti/sec. Solo in modo di etichetta, 132 mm/s (massimo), il livello di densità di stampa sono pari al 88%, con 1056 linee di punti/sec.					
Numero di colonne di stampa *2	—	Numero di colonne di stampa (colonne)				Configurazione di punti (punto)
	Larghezza di carta	112mm	82.5mm	80mm	58mm*L	
	Font A	69	55	48	33	12 × 24
	Font B	92	73	64	44	9 × 24
	Font C	104	82	72	50	8 × 16
Dimensione carattere *3	Font A: 1.50 × 3.00 mm, Font B: 1.13 × 3.00 mm, Font C: 1.00 × 2.00 mm					
Tipo carattere	Alfanumerico, Internazionale, PC437/850/852/857/858/860/863/864/865/866/WPC1252/Katakana/Tailandese 18					
Memoria d'utente	384 KB (In grado di registrare in memoria I caratteri definiti dall'utente e logo)					
Tipi di codice a sbarre e di codice a sbarre 2D	UPC-A/E, JAN (EAN) 13/8 colonne, ITF, CODE 39, CODE 128, CODABAR, CODE 93, CODE 93, PDF417, QR Code					
Spaziatura *4	4,23 mm (1/6 pollice)					
Rotolo di carta	Rotolo di carta termica: 112 <sup>0</sup> mm/82.5 <sup>0</sup> mm/80 <sup>0</sup> mm × Massimo φ102 mm Spessore carta: 65-150 μm					
Interfaccia	Seriale (conforme a RS-232C), Parallela (conforme a IEEE 1284), USB					
Interfaccia cassetto	2 cassette-cassa sono supportati.					
Buffer di input	4 Kbytes /45 bytes (selezionabile) nell'interfaccia seriale o parallela, 16K byte nell'interfaccia USB					
Supply voltage	C.A.100 a 240V, 50/60 Hz, 130VA/C.C.24V, 2,0A					
Consumo di corrente	Circa 70 W (in caso di stampa normale)					
Peso	Circa 2.3 kg:CT-S4000, CT-S4000L, CT-S4000M Circa 2.0 kg:CT-S4000DC, CT-S4000DCL, CT-S4000DCM					
Dimensioni esterne	177 (larg.) × 213 (prof.) × 147 (alt.) mm					
Temperatura ed umidità operative	Da 5 a 45°C, 10 a 90% RH (senza condensa)					
Temperatura ed umidità di immagazzinamento	Da -20 a 60°C, da 10 a 90% RH (senza condensa)					
Affidabilità	Tempo di vita della testina di stampa: 100 km, 1 × 10 <sup>8</sup> impulsi (A temperatura/umidità normale con utilizzo della carta consigliata) Tempo di vita della taglierina automatica: 1.000.000 tagli (A temperatura /umidità normale con utilizzo della carta consigliata)					
Standard di sicurezza	UL, C-UL, FCC Class A, TÜV-GS, CE Marking					

### Notes:

\*1: Quando la larghezza di carta è da 83, 80, 60, 58 mm

\*2: Il numero di colonne stampabili può essere scelto con il microinterruttore di memoria.

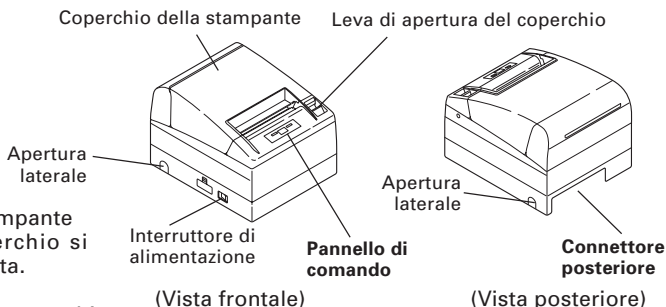
Il numero di colonne in questa tabella si riferisce ad un modello tipico. Il numero di colonne della stampante varia in parte secondo le caratteristiche della stampante stessa.

\*3: Questa stima è ottenuta grazie all'utilizzo dell'adattatore c.a. specificato (35AD1 o 35AD2).

\*4: La spaziatura tra linee è selezionabile con un comando o un memory switch. Quando la stampante è attivata, sarà scelta con il memory switch (microinterruttore di memoria).

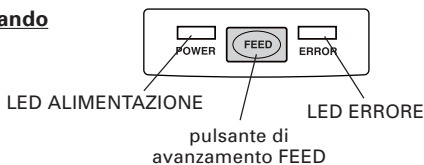
## 2. SPIEGAZIONE DEI COMPONENTI DELLA STAMPANTE

### 2.1 Aspetto esterno della stampante



- **Coperchio della stampante**  
Sotto questo coperchio si trova il rotolo di carta.
- **Leva di apertura del coperchio**  
Per riempire o sostituire la carta, aprire il coperchio della stampante tirando la leva di apertura del coperchio in avanti.
- **Interruttore di alimentazione**  
Questo interruttore permette di mettere la stampante sotto tensione/fuori tensione.
- **Apertura laterale**  
I cavi collegati alla stampante possono essere condotti da quest'apertura laterale. (Prima dell'impiego, spingere la piccola barriera in plastica sul coperchio fino a che rallenta).

#### Pannello di comando



- **LED ALIMENTAZIONE**  
Si illumina se la stampante è in modo on, ovvero quando la stampante è alimentata. Può lampeggiare o illuminarsi con modalità diverse in caso di guasto.
- **LED ERRORE**  
Si illumina o lampeggia quando non c'è più carta o in caso di guasto. La lunghezza d'intervallo del lampeggio indica il tipo d'errore.
- **Pulsante di avanzamento FEED**  
Premere una volta il pulsante per fare avanzare la carta di una linea, tenerlo premuto per ottenere un avanzamento rapido. Premere il pulsante di avanzamento della carta alla prossima posizione del Segno Nero [Black mark] nel modo Segno Nero.



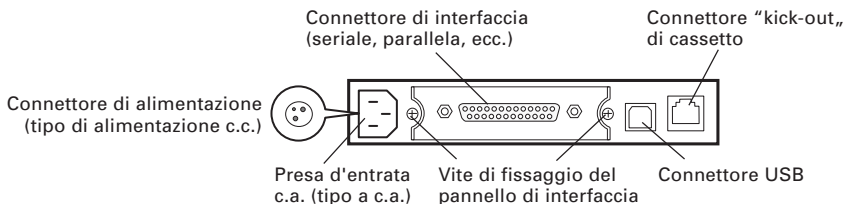
Vedi il paragrafo 5.3 Regolazione manuale dei memory switch

In caso d'errore del dispositivo di taglio automatico, premere il pulsante FEED dopo avere eliminato la causa dell'errore.



Vedi il paragrafo 4.6 Indicazione degli errori

## Connettori posteriori



- Connettore di interfaccia (seriale, parallela, ecc.)  
Collegare al cavo di interfaccia. Su questa scheda sono presenti dei Dip-Switch.
- Connettore "kick-out,, per apertura cassetto  
Collegare al cavo proveniente dal cassetto.
- Presa dell'alimentazione in c.a.  
Collegare al cavo di alimentazione in c.a.
- Connettore di alimentazione in c.c.  
Collega al cavo a partire dalla fonte d'alimentazione c.c.

## 2.2 Interno del coperchio della stampante

- Rullo di avanzamento carta  
Alimenta la carta come parte del meccanismo di stampa.

- Sensore di quasi-fine carta  
Individua l'estremità della carta, in prossimità del diametro esterno del nucleo interno del rotolo della carta.

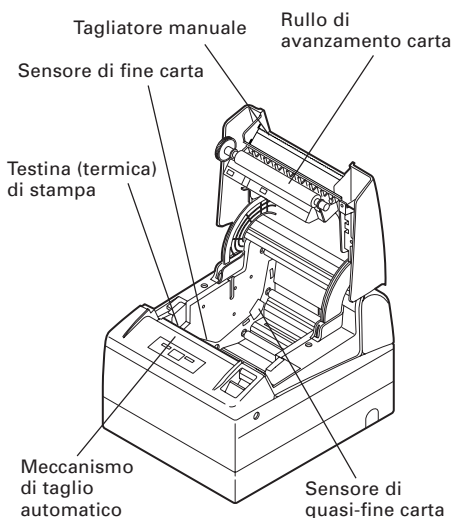
- Meccanismo di taglio automatico  
Taglia la carta, all'invio di un comando, alla fine della stampa. Il metodo di taglio può essere scelto tra taglio parziale e taglio completo per mezzo di un comando.

\* La messa a punto di default di fabbrica della memoria SW4-8 si effettua su "Taglio parziale,, [Partial cut], in modo che un comando sia ignorato. Tuttavia, il taglio completo è regolato per il modello che sopporta le etichette.

- Tagliatore manuale  
Taglia la carta manualmente.

- Testina (termica) di stampa  
Stampa i caratteri e/o dati grafici sulla carta termica.

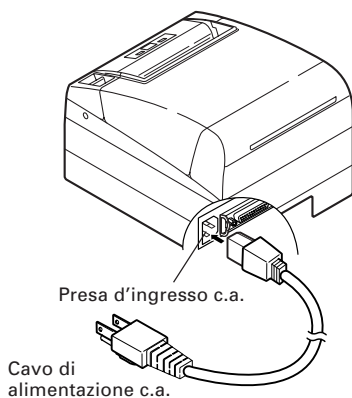
- Sensore di fine carta  
Interrompe la stampa quando individua l'estremità della carta.



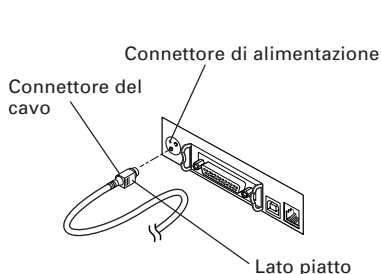
# 3. FUNZIONAMENTO

## 3.1 Collegamento del cavo di alimentazione c.a.

1. Spegner la stampante.
2. Solo per il tipo con adattatore c.a.: Con il lato piatto del connettore del cavo dell'adattatore c.a. girato verso l'alto, inserire il connettore del cavo nel connettore di alimentazione sul retro della stampante.



Tipo di alimentazione c.a.  
(Tipo di alimentazione c.c.)



Tipo di alimentazione c.c.

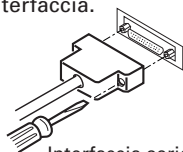
### **ATTENZIONE!**

- Per scollegare il cavo di alimentazione, tirare lo stesso afferandolo per la spina.
- Assicurarsi sempre che l'alimentazione a corrente alternata sia lontana da altri apparecchi che possono generare disturbi.
- Non tirare il cavo di c.a. per evitare rotture e quindi rischi d'incendio, di scariche elettriche o d'interruzione dell'alimentazione.
- Se ci sono rischi dovuti a fulmini, staccare il cavo di alimentazione c.a. dalla presa murale, perché si potrebbero verificare incendi o scariche elettriche.
- Tenere il cavo di c.a. lontano dagli apparecchi di riscaldamento. Altrimenti il rivestimento del cavo di c.a. potrebbe fondere, provocando incendi o scariche elettriche.
- Se la stampante non è utilizzata per molto tempo, staccarla dalla sua presa di alimentazione.
- Evitare di collocare il cavo c.a. in posti dove si possono causare cadute e intralcio.

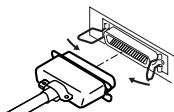
## 3.2 Collegamento dei cavi di interfaccia

Verificare che l'interruttore di alimentazione sia su OFF (scollegato) e collegare il cavo di interfaccia.

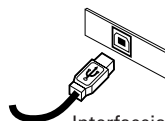
Orientare correttamente il terminale del cavo di interfaccia ed inserirlo nel connettore di interfaccia.



Interfaccia seriale



Interfaccia parallela



Interfaccia USB

### ⚠ ATTENZIONE!

- Quando si scollega il cavo, afferrarlo sempre per il connettore.
- Fare attenzione a non inserire il cavo di interfaccia USB nel connettore "kick-out", del cassetto.

Per il cavo di interfaccia seriale, utilizzare quello avente il collegamento seguente.

Cavo 25 piedini - 25 piedini (PIN)

PC		Stampante	
Segnale	Piedino	Piedino	Segnale
FG	1	1	FG
TXD	2	2	TXD
RXD	3	3	RXD
CTS	5	4	RTS
DSR	6	6	DSR
SG	7	7	SG
DTR	20	20	DTR

Cavo 9 piedini - 25 piedini (PIN)

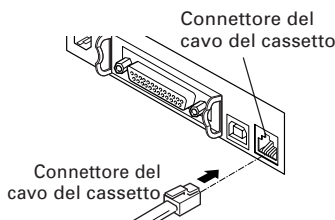
PC		Stampante	
Segnale	Piedino	Piedino	Segnale
RXD	2	2	TXD
TXD	3	3	RXD
DTR	4	4	RTS
SG	5	6	DSR
DSR	6	7	SG
CTS	8	20	DTR

### ⚠ ATTENZIONE!

Evitare di mettere il cavo di interfaccia nei posti che possono causare intralcio E quindi la caduta della stampante.

## 3.3 Collegamento del cassetto

1. Verificare se l'interruttore di alimentazione è staccato (OFF).
2. Verificare la parte superiore e quella inferiore del connettore del cavo del cassetto ed inserirlo nel connettore "kick-out", nella parte posteriore della stampante.
3. Avvitare il filo di massa del cassetto al corpo della stampante.

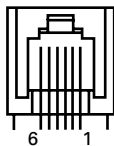


### ⚠ ATTENZIONE!

NON collegare nessun altro dispositivo, che non sia il cassetto specificato, al connettore "kickout", del cassetto. ( Non collegare assolutamente ad una linea telefonica).

(1) Configurazione dei piedini del connettore

No.	Segnale	Funzione
1	FG	Massa (Frame Ground)
2	DRAWER 1	Segnale comando cassetto 1
3	DRSW	Input cambio cassetto
4	VDR	Alimentazione corrente comando cassetto
5	DRAWER 2	Segnale comando cassetto 2
6	GND	Messa a terra comune sui circuiti



Connettore utilizzato:  
TM5RJ3-66 (Hirose) o  
equivalente  
Connettore applicabile:  
TM3P-66P (Hirose) o  
equivalente

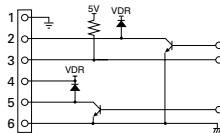
(2) Caratteristiche elettriche

- 1) Tensione di comando: 24 VCC
- 2) Corrente di comando: Max. circa 1 A (non dovrà superare la durata di 510 ms)
- 3) Segnale DRSW: Livelli segnale: "L" = 0 a 0,5 V, "H" = 3 a 5 V

(3) Segnale DRSW

Lo stato del segnale DRSW può essere verificato con i comandi DLE+EOT, GS+a, o GS+r o al piedino 34 sulla porta dell'interfaccia parallela.

(4) Circuito di comando (lato della stampante)



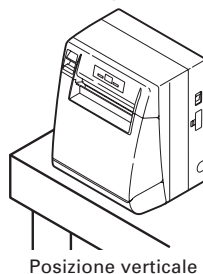
## ⚠ ATTENZIONE!

- Durante la stampa non viene prodotto nessun segnale di output.
- I cassettei 1 e 2 non possono essere pilotati contemporaneamente.
- Il solenoide utilizzato per il cassetto dovrebbe avere un'impedenza di 24 Ω o superiore. La corrente di uscita non dovrebbe essere maggiore di 1A (se più bassa è meglio) in caso contrario potrebbero verificarsi danni o svilupparsi fiamme.

## 3.4 Sistemazione della stampante

La stampante può essere installata orizzontalmente, verticalmente e sulla parete. Al momento della spedizione, la stampante viene regolata per una sistemazione orizzontale. Per installare la stampante verticalmente o sulla parete, le regolazioni seguenti sono necessarie.

1. **Regolazione della posizione del sensore di quasi-fine carta (vedi la sezione 3.7)**
2. **Piedi di gomma antidrucciolevoli (per una sistemazione verticale)**
3. **Kit in opzione di montaggio alla parete (per il montaggio alla parete)**



Posizione verticale

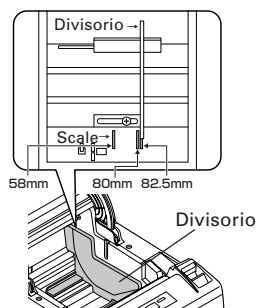
## ⚠ ATTENZIONE!

- Quando è utilizzata in posizione verticale, la stampante espelle la carta in modo che non cada normalmente anche con taglio completo. Fatte bene attenzione quando utilizzate l'attrezzatura incorporata della stampante, ecc.
- Assicurarsi che la parete sulla quale la stampante deve essere montata presenta una resistenza sufficiente prima del montaggio.
- Quando si utilizza una sistemazione orizzontale, evitare un taglio completo. Altrimenti, la carta tagliata rischia di cadere nella taglierina automatica, causando un doppio taglio e pezzi di carta. Questo può causare un inceppamento di carta.

## 3.5 Divisorio per il rotolo di carta

Questo scomparto non è installato al momento della spedizione.

1. Verificare che l'interruttore di alimentazione sia scollegato (OFF).
2. Aprire il coperchio della stampante.
3. Inserire lo scomparto nella fessura ed allinearlo con la scala all'interno della stampante che è conforme alla larghezza del rotolo di carta da utilizzare. Quando il rotolo di carta di 80 mm o 82,5 mm di larghezza è utilizzato, regolare lo scomparto utilizzando la vite secondaria.  
\*58 mm è previsto solo per il modello che supporta le etichette.
4. Cambiare la regolazione della larghezza di carta riferendosi alla Sezione 5.2 del manuale "Regolazione manuale dei memory switch".



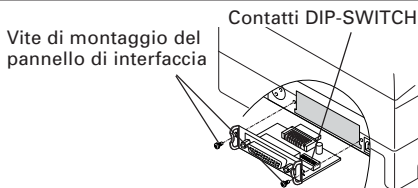
### ATTENZIONE!

Quando il rotolo di carta di 112 è utilizzato, lo scomparto non è utilizzato.

## 3.6 Regolazione del contatto DIP

I DIP-Switch sono posizionati sul pannello dell'interfaccia seriale.

La funzione di ogni Switch è indicata di seguito.



### ATTENZIONE!

- Quanto alla regolazione dell'interfaccia seriale, dà la precedenza alla regolazione del memory switch piuttosto che il contatto DIP come regolazione di default della fabbrica.
- Consultare il fornitore dove la stampante è stata acquisita nel caso in cui il cambio della regolazione del contatto DIP sia necessario.

No. contatto	Funzione	ON (collegato)	OFF (scollegato)	Regolazioni iniziali
1	Metodo di regolazione della condizione di comunicazione	Regolazione del contatto DIP	Regolazione del contatto di memoria	OFF
2	Inizio di sessione ("hand shake")	XON/XOFF	DTR/DSR	OFF
3	Lunghezza bit	7 bits	8 bits	OFF
4	Controllo di parità	Con parità	Nessuna	OFF
5	Selezione parità	Parità uguale	Parità dispari	OFF
6	Selezione baud rate	Vedi la tabella qui di seguito		OFF
7				ON
8	INIT	Ripristino	Invalido	OFF

### SELEZIONE DEI DIP-SWITCH

Tasso di baud (bps)	No. contatto	
	6	7
2400	OFF	OFF
4800	ON	OFF
9600	OFF	ON
19200	ON	ON

I valori 38400, 57600 e 115200 bps possono anche essere selezionati tramite un comando.

## 3.7 Regolazione del sensore di quasi-fine carta

1. Premere leggermente il sensore di quasi-fine carta.
2. Mentre si continua a premere, spostare il sensore verso destra o verso sinistra per scegliere la posizione desiderata. La posizione da regolare varia secondo la messa a punto della stampante, orizzontale o verticale, o del diametro del rotolo di carta, secondo le indicazioni della figura seguente.

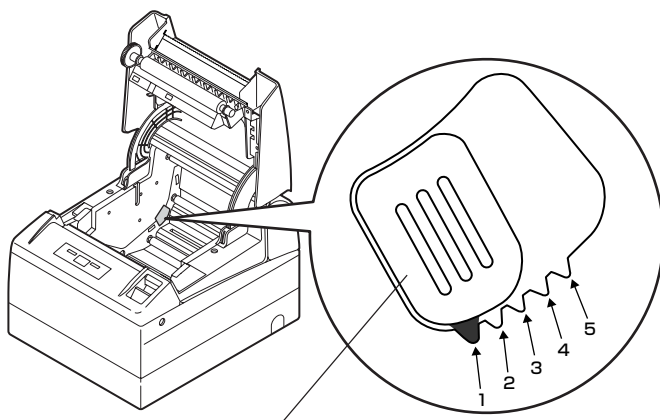
	Posizione del sensore	Diametro della carta rimanente nel rotolo compresa l'anima. (Ø)	Diametro esterno dell'anima interna del rotolo di carta (Ø)
Orizzontale	** 1	21.0	18.0
	* 2	24.5	21.5
	3	28.0	25.5
	4	31.5	28.0
	5	35.0	32.0
Verticale	5	21.0	18.0
	4	24.5	21.5
	3	28.0	25.5
	2	31.5	28.0
	1	35.0	32.0

\* Regolazione della fabbrica

\*\* Fabbrica che mette per altra versione di paese

### **ATTENZIONE!**

- La possibile rimanenza di carta differisce secondo il tipo di rotolo e di carta utilizzata.
- Il diametro interno del rotolo di carta è un dato da ritenersi solo come riferimento. Diametro dell'estremità del rotolo di carta
- Quando un errore di fine di carta è individuato incorrettamente mentre si utilizza un rullo di carta con un nucleo di tipo a nido di api, spostate la posizione della sensore al numero più elevato.



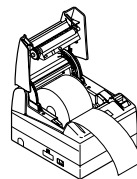
Sensore di quasi-fine di carta



## 4. MANUTENZIONE E ASSISTENZA

### 4.1 Sistemazione/sostituzione del rotolo di carta

1. Tirare la leva di apertura del coperchio in avanti.
2. Aprire il coperchio della stampante.
3. Inserire un rotolo di carta con la sua superficie termo sensibile rivolta verso il basso, secondo le indicazioni della figura, poi tirare l'estremità dalla carta per alcuni centimetri (o pollici) al di fuori della stampante, assicurandosi che sia dritta.
4. Chiudere bene il coperchio della stampante fino a quando si sente uno scatto.



Vedi il paragrafo 5.3 Regolazione manuale dei memory switch

#### **ATTENZIONE!**

- Utilizzare solo i tipi di rotoli di carta specificati.
- Verificare che il rotolo di carta sia installato correttamente.
- Quando la carta è piegata e non è stesa, nella parte inferiore del coperchio della stampante, aprire il coperchio e posizionarla correttamente.
- Dopo la regolazione della carta, quando il coperchio è ancora aperto, tirare la carta al di fuori della stampante, assicurandosi di tirarla dritta e per alcuni centimetri (o pollici) al di fuori della stampante, poi chiudere il coperchio.
- Quando si chiude il coperchio della stampante, premere sulla parte centrale per chiuderlo correttamente
- Durante la fase di aggiustamento della carta, fare attenzione alle dita perché i bordi della carta possono essere taglienti.
- Nel caso della scelta di "Valid", con la memoria SW4-3, la carta è alimentata e tagliata automaticamente quando il coperchio della stampante si chiude.

#### **AVVERTENZA**

Aprendo il coperchio della stampante, **NON** toccare la testina di stampa o la lama del meccanismo di taglio, perchè si possono causare ustioni o ferite alle mani.

### 4.2 Rimozione della carta incastrata

1. Spegnerne la stampante.
2. Aprire il coperchio della stampante.  
**Se la lama del tagliatore rimane sporgente con la carta bloccata, non forzare il coperchio della stampante per aprirlo. Riferendosi alla sezione 4.7, rimettere la lama nella sua posizione normale, poi aprire il coperchio.**
3. Togliere la carta inceppata insieme con ogni residuo di carta.
4. Accendere la stampante. Il meccanismo di taglio automatico viene resettato e l'allarme viene eliminato.

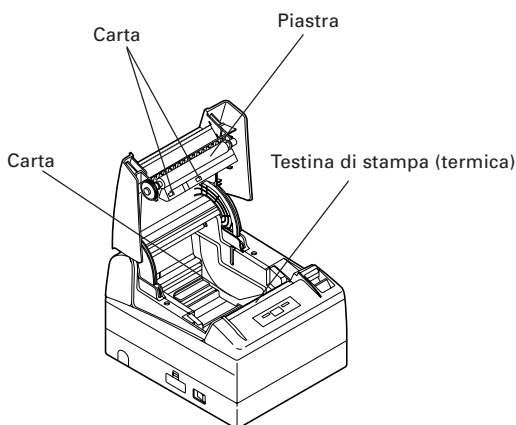
#### **ATTENZIONE!**

- Se la lama del tagliatore rimane sporgente con la carta inceppata, non aprire il coperchio della stampante forzandolo, e provare a scollegare (OFF) e collegare (ON) l'alimentazione della stampante. Se la lama del tagliatore non può essere ristabilita, riferirsi alla Sezione 4.7.
- La testina di stampa diventa calda subito dopo la stampa. Non toccarla con le mani. Non toccare l'elemento di riscaldamento della testina con le mani nude o con oggetti metallici.

## 4.3 Pulizia periodica

Se la testina o la piastra di stampa è sporcata, una stampa netta non sarà possibile o un difetto potrebbe prodursi. Se la polvere di carta o altro è presente sulla pellicola di protezione del sensore, la carta per etichette o la carta "Blackmark" non potranno essere individuate correttamente. Una pulizia periodica conformemente al metodo seguente è raccomandata.

1. **Accendere la stampante.**
2. **Aprire il coperchio della stampante.**
3. **Attendere alcuni minuti. Eliminare chiazze di polvere e simili sull'elemento di riscaldamento della testina utilizzando un tampone di cotone imbevuto con alcol etilico. Immediatamente dopo la stampa, la testina (termica) di stampa è molto riscaldata. Fatte attenzione a non toccarla con la mano.**
4. **Umidificate la punta di un tampone di cotone con l'acqua e pulite la superficie della pellicola di protezione del sensore. Evitate di utilizzare un solvente come alcol etilico. Il suo utilizzo rischia di causare una velatura della pellicola di protezione del sensore.**

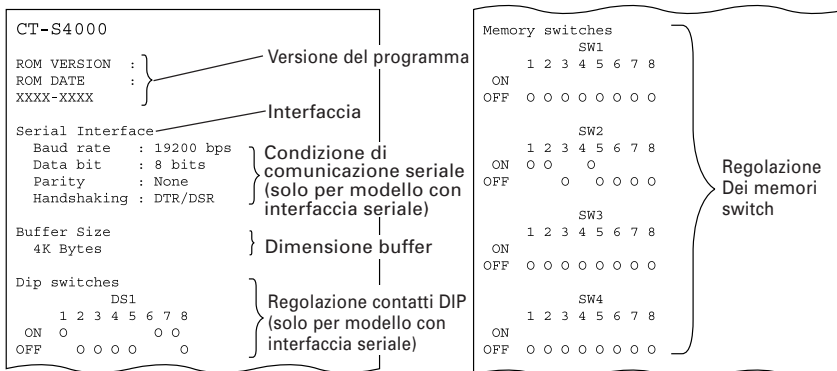


### **ATTENZIONE!**

- Non toccate la superficie dell'elemento di riscaldamento della testina di stampa con la vostra mano esposta o un oggetto metallico.
- Pulite la polvere della superficie della piastra periodicamente con un tampone di cotone umidificato con alcol etilico. In particolare, quando il taglio completo è utilizzato per la carta per etichette, la polvere di carta può aderirsi sulla piastra secondo la proprietà della pellicola di rivestimento, il diametro di carta in rotolo, l'ambiente d'impiego della stampante, ecc.

## 4.4 Stampa automatica (Autotest)

Inserire la carta nella stampante. Con il pulsante di avanzamento (FEED) premuto e mantenuto inserito, ristabilire la corrente della stampante, mantenere il pulsante di avanzamento inserito per circa 1 secondo, poi liberare il pulsante di avanzamento. La stampante inizia la stampa automatica. La stampante stampa il nome, la versione, la regolazione dei contatti DIP, la regolazione dei memori switch e i font integrati.



## 4.5 Copia memoria esadecimale

La funzione di memoria esadecimale consente la stampa in numeri esadecimali dei dati Inviati alla stampante. Se si riscontrano problemi come dati mancanti, duplicazione di dati, ecc., questa funzione permette di verificare se la stampante riceve i dati correttamente.

Caricare la carta nella stampante e mantenere il coperchio della stampante aperto. Con il pulsante di avanzamento (FEED) premuto e mantenuto inserito, ristabilire la corrente alla stampante, poi chiudere il coperchio. La stampante prima stampa "HEX Dump print mode (Memoria esadecimale)", poi stampa tutti i dati successivi in forma esadecimale e caratteri.

### ATTENZIONE!

- Se un carattere corrispondente ai dati ricevuti non è disponibile, al suo posto viene stampato " . ".
- Durante l'esecuzione della memoria esadecimale, nessuna altra funzione eccetto alcuni comandi rimane operativa.
- Se i dati di stampa NON riempiono una linea, premere il pulsante FEED per stampare la linea.

Quando si preme il pulsante di avanzamento FEED per tre volte consecutive o si spegne la stampante o la stampante riceve un segnale di riavvio dall'interfaccia, la stampa della memoria esadecimale termina.

#### Esempio di stampa

```
HEX DUMP PRINT MODE
1B 21 00 1B 20 04 41 42 43 44 .!.. .ABCD
45 46 47 48 49 4A 4B 4C 4D 4E EFGHIJKLMN
4F 50 0D 0A 31 32 33 0D 0A OP..123..
```

## 4.6 INDICAZIONE DEGLI ERRORI

- **Fine della carta**  
Lo stato della carta esaurita è individuato in due tappe: vicino alla fine della carta e fine della carta. La LED di ERRORE si accenderà quando la carta è esaurita. Queste condizioni accenderanno il LED ERRORE. Se il coperchio a protezione della carta è aperto, la fine carta è rilevata.
- **Coperchio a protezione della carta aperto**  
Durante la stampa, non aprire il coperchio della stampante. Se si apre il coperchio inavvertitamente il LED ERRORE lampeggia. Verificare la carta, tirare la carta dritta su diversi centimetri (o pollici) fuori della stampante, poi chiudere il coperchio della stampante. La stampa riprenderà automaticamente. La trasmissione di un comando di ripresa della stampa può essere necessario, in base alla regolazione dei memori switch.
- **Chiusura della taglierina**  
Se il funzionamento della lama del meccanismo di taglio si interrompe, dovuto ad un inceppamento della carta o altro problema, il LED ERRORE lampeggia. Eliminare la causa del problema e premere sul pulsante di avanzamento. Se la lama non si muove ed il coperchio della stampante non può essere aperto, riferirsi alla Sezione 4.7.
- **Surriscaldamento della testina termica**  
Quando si stampano caratteri ad alta densità o un'immagine scura, la temperatura della testina termica si alza. Se la temperatura della testina termica supera un livello stabilito, la stampante cessa la stampa ed aspetta fino a che la temperatura della testina termica si abbassa. Durante l'attesa, il LED ERRORE lampeggia. Quando la temperatura della testina termica è tornata a valori accettabili, la stampa riprende automaticamente.
- **Errore di inceppamento di carta**  
Se l'alimentazione di carta non è normale ed un inceppamento della carta si produce nella piastra, ecc., la stampa e l'avanzamento di linea si interrompe e l'indicazione "LED ERRORE" lampeggia.
- **Errore d'operazione dell'interruttore d'alimentazione**  
Se ristabilite la corrente immediatamente dopo la messa fuori tensione dell'apparecchio, un errore può prodursi.  
Prima di ristabilire la corrente, aspettate fino a che la LED ALIMENTAZIONE si estingua completamente dopo la messa fuori tensione della macchina.
- **Errore d'individuazione del "Black Mark" (in modalità "Black Mark")**  
Quando nessun "Black Mark" può essere individuato, anche se la stampante ha già fatto passare una certa quantità di carta sotto il sensore, viene generato un errore d'individuazione del "Black Mark". Se l'individuazione del "Black Mark" supera il tempo stabilito, la stampante entra nella condizione di "mancanza carta".
- **Attesa per il taglio di carta (etichetta)**  
Se l'istruzione "GS+FF" è eseguita con l'operazione di taglio automatico disattivato (il microinterruttore di memoria 2-2 su OFF (è staccato)), la carta per etichette è espulsa e la LED ERRORE lampeggia. Quando il pulsante di avanzamento FEED è premuto in questa condizione, la carta torna alla posizione di partenza della stampa e la LED ERRORE si estingue.
- **Errore d'individuazione di carta (etichetta)**  
Se l'individuazione di carta non è disponibile anche con l'avanzamento della carta di un quantità data per individuare lo spazio tra le etichette o la carta per etichette, la LED ERRORE lampeggia. In questo caso, regolate il sensore in modo di carta di regolazione del sensore. Se nessuna individuazione si produce anche dopo avere regolato il sensore, si sostituisce la carta per etichette. Se la sostituzione della carta per etichette non è efficace per l'individuazione, il sensore, ecc. rischia di essere difettoso (degradazione). Vi preghiamo di entrare in contatto con il tecnico di servizio.

Lo stato d'illuminazione e di lampeggiamento di ogni errore, compreso quello appena citato, è indicato di seguito.

Stato	DEL ALIMENTAZIONE	DEL ERRORE	Cicalino
Fine di carta	Si accende	Si accende	
Quasi-fine di carta	Si accende	Si accende	—
Coperchio della stampante aperto	Si accende	Si accende	—
Errore d'apertura del coperchio coperchio della stampante*1	Si accende		
Chiusura della taglierina	Si accende		
Errore surriscaldamento testina	Si accende		—
Errore di inceppamento della carta	Si accende		—
Errore controllo memoria		Si accende	—
Errore tensione bassa	Si accende		—
Errore di alta tensione o errore di funzionamento dell'interruttore d'alimentazione	Si accende		—
Attesa di esecuzione macro *2	Si accende		—
Errore d'individuazione di "Black Mark"	scollegato		
Attesa per il taglio di carta (etichetta) *L,*M	scollegato		—
Errore d'individuazione di carta (etichetta) *L,*M	scollegato		

\*1: Quando la stampante stampa.

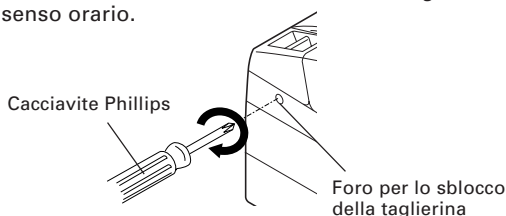
\*2: La LED ERRORE può lampeggiare anche durante l'esecuzione della macro funzione.

## 4.7 Quando il coperchio non può essere aperto

Se la lama della taglierina resta sporgentea causa di un inceppamento della carta o qualunque anomalia, l'apertura del coperchio a protezione della carta può non essere attuabile.

In questo caso, non aprire il coperchio forzando. Inserire un cacciavite Phillips (Dimensione #1) nell'orificio di alimentazione di liberazione della chiusura della taglierina e girare nella direzione della freccia in senso orario.

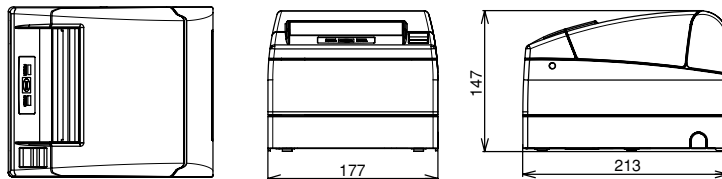
Quando le due estremità della lama hanno raggiunto la posizione più bassa, interrompere di girare il cacciavite. Aprire il coperchio e seguire il metodo per rimuovere l'inceppamento o per eliminare il problema.



# 5. ALTRO

## 5.1 Viste e dimensioni esterne

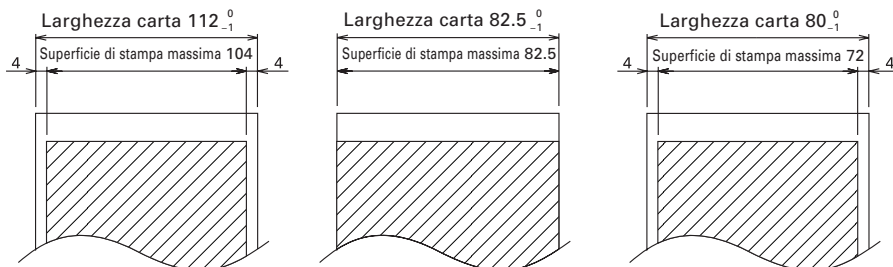
(Unità: mm)



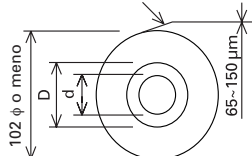
## 5.2 Carta per la stampa

Utilizzare la carta di stampa indicata nella tabella seguente o la carta con una qualità equivalente.

Tipo di carta	Nome del prodotto
Rotolo di carta termica raccomandata	F230AA, P220AG, HP220A, HP220AB-1, P220AB, P220AE-1, PB670 (Rosso /Nero), PB770 (Blu/Nero) from Mitsubishi Paper TF50KS-E2D from Nippon Paper PD150R, PD160R from Ohji Paper



(Unità: mm)



Spessore della carta (μm)*	65-75	75-150
Diametro interno del centro d (mm)	φ12	φ25.4
Diametro esterno del centro D (mm)	φ18	φ32

\*Lo spessore della carta per etichette rappresenta il totale dello spessore di "Pellicola di rivestimento" e "Etichetta".

### **ATTENZIONE!**

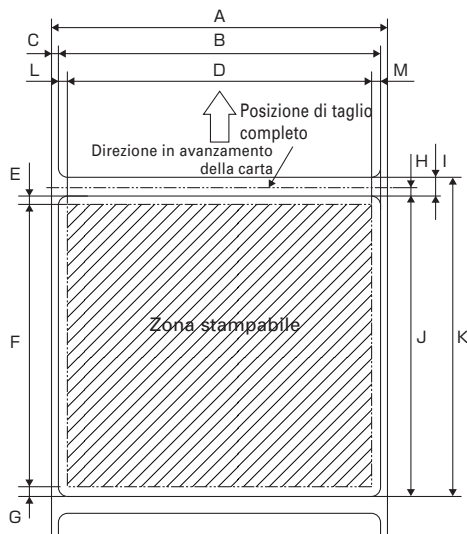
NON utilizzare rotoli di carta con le seguenti caratteristiche:

- Carta con pieghe.
- Carta con angoli piegati.
- Carta incollata o fissata al nucleo.
- Rotolo di carta avvolta verso l'interno (lato di stampa interno).

Quando utilizzate “Carta per etichette” con i modelli CT-S4000L e CT-S4000DCL, riferitevi ai punti seguenti. Utilizzate il tipo di carta seguente o una carta equivalente.

Tipo di carta	Nome del prodotto
Carta per etichette termica raccomandata	150LA-1 di marchio Ricoh, GG40/P22/G6B di marchio Ojitic, HD75 di marchio Nippon Paper

a) Carta per etichette \*L



Unit: mm

Marchio	Articolo	Dimensioni
A	Larghezza di rivestimento	Da 58 a 112. <sub>1</sub> <sup>0</sup>
B	Larghezza di etichetta	Da 54 a 108 ± 0.5
C	Bordo sinistro di etichetta	2 + 0.5
D	Larghezza di stampa	Da 50 a 104
E	Margine superiore	2 ± 1
F	Lunghezza di stampa	Da 21 a 296
G	Margine inferiore	2 ± 1
H	Posizione di taglio tra le etichette	1/2 x (Dimensione I)
I	Spazio tra le etichette	Da 4 a 30
J	Lunghezza di etichetta	Da 25 a 300
K	Passo di etichetta	I+J
L	Margine sinistro	2 ± 1
M	Margine destro	2 ± 1

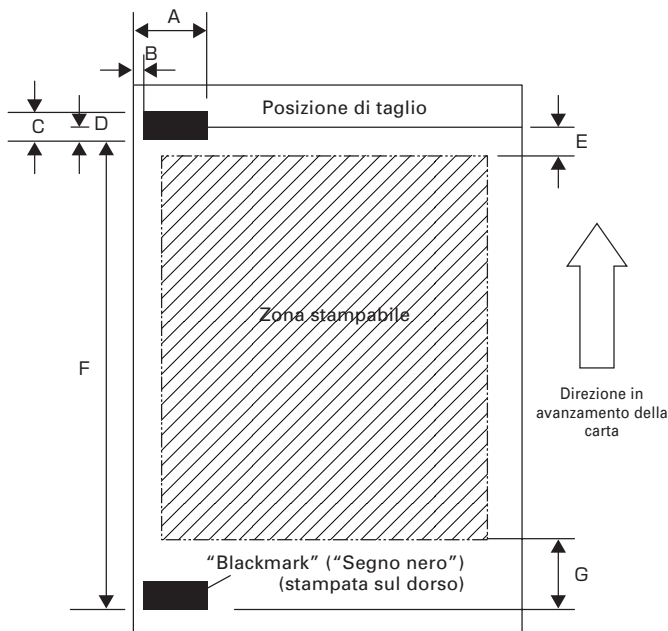
## **ATTENZIONE!**

Fatte attenzione ai punti seguenti quando utilizzate il tagliatore automatico per evitare ogni inceppamento del tagliatore o un difetto del suo funzionamento.

- Regolate la lunghezza di taglio della carta a 25 mm o di più.
- Utilizzando la carta per etichette, tagliate lo spazio tra le etichette (foglio di rivestimento). Non tagliate la carta per etichette (carta taccuino).
- La regolazione del sensore di carta deve essere effettuata quando il tipo di rivestimento è cambiato.

La carta per etichette non può essere utilizzata con il modello che sopporta la carta “Blackmark” (CT-S4000M/CT-S4000DCM).

b) Carta "Blackmark" (carta BM)



Unit: mm

Marchio	Articolo	Dimensioni
A	Bordo diritto di "Blackmark"	15 o di più
B	Bordo sinistro "Blackmark"	Da 0 a 1.5
C	Altezza "Blackmark"	5
D	Posizione di taglio in "Blackmark"	2.5
E	Margine superiore	6.5 / 12
F	Passo "Blackmark"	Da 30 a 300
G	Margine inferiore	9

\* Nel caso di taglio di carta con la stampante, il margine superiore sarà cambiato con la regolazione del microinterruttore di memoria 4-8. È 6,5 mm a 0 (OFF) ed a 12 mm ad 1 (ON).

\* Nel caso in cui la stampante non tagli la carta, il margine superiore è 6,5 mm.

## **ATTENZIONE!**

- Il valore PCS di "Blackmark" deve essere 0,9 o più.
- Utilizzando la carta "Blackmark", prendete in considerazione il margine di +/- 2 mm per posizione di stampa rispetto alla posizione standard, e +/- 5 mm per la lunghezza di stampa.
- Riferitevi allo schema qui sopra per la zona stampabile ed occorrerebbe prevedere abbastanza margine, così precisato ai segni E e G. Se la dimensione dei dati di stampa è fuori della zona stampabile, la stampante dovrebbe passare alla pagina seguente.



## 5.3 Regolazione manuale dei memory switch

I memory switch possono essere regolati manualmente o con un comando.

Per la regolazione manuale, riferirsi alla pagina seguente.

La funzione di ognuno viene indicato nella tabella seguente. (I caratteri bianco su nero rappresentano quelli della regolazione di fabbrica).

No. microinterruttore	Regolazione	0 (OFF)	1 (ON)
Memory SW1-1	Power ON Info	Valid	Not send
SW1-2	Buffer Size	4k bytes	45 bytes
SW1-3	Busy Condition	Full/Err	Full
SW1-4	Receive Error	Print "?"	No Print
SW1-5	CR mode	Ignored	LF
SW1-6	Reserved	Fixed	-
SW1-7	DSR Signal	Invalid	Valid
SW1-8	Init Signal	Invalid	Valid
Memory SW2-1	Reserved	-	Fixed
SW2-2	Auto Cutter	Invalid	Valid
SW2-3	Spool Print	Invalid	Valid
SW2-4	Full Col Print	LineFeed	WaitData
SW2-5	Resume aft PE	Next	Top
SW2-6	Reserved	Fixed	-
SW2-7	Reserved	Fixed	-
SW2-8	PNE Sensor	Valid	Invalid
Memory SW3-1	Resum Ctrr Err	Valid	Invalid
SW3-2	Reserved	Fixed	-
SW3-3	Parallel 31 Pin	Valid	Invalid
SW3-4	Reserved	Fixed	-
SW3-5	Reserved	Fixed	-
SW3-6	Reserved	Fixed	-
SW3-7	CBM1000 Mode	Invalid	Valid
SW3-8	Resum Open Err	Close	Command
Memory SW4-1 *M	P. Length Set	Auto Measure	Command
SW4-2 *M	Power on TOF	Invalid	Valid
SW4-3	Feed&Cut at TOF	Invalid	Valid
SW4-4 *L	Paper Select *1	Thermal Roll	BM.P / Lbl.P *4
SW4-5 *L	Position detect *2	Black Mark	Label
SW4-4 *M	Paper Select *1	Thermal Roll	BM.P
SW4-5 *M	Position detect *2	Black Mark	-
SW4-6	Reserved	Fixed	-
SW4-7	Reserved	Fixed	-
SW4-8 *3	Prtial Only	Invalid	Valid

Notes:

\*1: La regolazione in fabbrica di "Selezione carta,, [Paper Select] sarà diversa, secondo la classificazione del modello.

\*2: Nel caso della scelta del rotolo termico con la SW4, la SW4 non sarà disponibile. La SW4 sarà regolata allo stato di "Segno Nero,, [Black Mark] per la stampante di versione Segno Nero.

\*3: In modo di etichetta (con i commutatori di memoria SW4-4 e SW4-5 regolati alla posizione ON), il taglio completo è utilizzato per la carta indipendentemente dalla regolazione del microinterruttore di memoria SW4-8.

\*4: Nel caso della stampa sulla carta per etichette, le colonne di stampa di 660 punti non possono essere utilizzate.

Il microinterruttore di memoria SW2-8 non è utilizzabile con la carta per etichette.

No. microinterruttore	Regolazione	0 (OFF)	1 (ON)
Memory SW5-1	Buzzer	Valid	Invalid
SW5-2	Line Pitch	360	406
SW5-3	USB Mode	Virtual COM	Printer Class
SW5-4	Reserved	Fixed	-
SW5-5	Reserved	nvalid	-
SW5-6	Reserved	Fixed	-
SW5-7	Reserved	Fixed	-
SW5-8	Reserved	Fixed	-

No. microinterruttore	Regolazione	Regolazione implicita	Valori di regolazione
Memory SW7-1	Baud Rate	9600 bps	1200 bps, 2400 bps, 4800 bps, 9600 bps, 19200 bps, 38400 bps, 57600 bps, 115200 bps
SW7-2	Data Length	8Bits	7Bits, 8Bits
SW7-3	Stop Bit	1Bit	1Bit, 2Bits
SW7-4	Parity	NONE	NONE, EVEN, ODD
SW7-5	Flow Control	DTR/DSR	DTR/DSR, XON/XOFF
SW7-6	DMA Control	Valid	Valid, Invalid
SW7-7	VCom Protocol	PC Setting	PC Setting, DTR/DSR, XON/XOFF
Memory SW8-1	Print Width	832dots	832dots(69 col.), 720dots(60col.), 660dots(55col), 576dots(48col.), 512dots(42col)
SW8-2	Paper Type	1 Color Normal	1 Color Normal, 2 Color Normal
Memory SW9-1	Code Page	PC437	PC437/Katakana/PC850,858/PC860/PC863/PC865/PC852/PC866/PC857/WPC1252/PC864/Thai Code 18
Memory SW9-2	Int'Char Set	USA	USA, France, Germany, England, Denmark, Sweden, Italy, Spain, Japan, Norway, Denmark 2, Spain 2, Latin America, Korea Croatia, China
Memory SW9-3*	Kanji	OFF	ON, OFF
SW9-4*	JIS/Shift JIS	JIS	JIS, Shift JIS
Memory SW10-1	Print Density	100%	70%, 75%, 80%, 85%, 90%, 95%, 100%, 105%, 110%, 115%, 120%, 125%, 130%, 135%, 140%
SW10-2	Print Speed	Level 9	Level 1, Level 2, Level 3, Level 4, Level 5, Level 6, Level 7, Level 8, Level 9
SW10-3	ACK Timing	Before Busy	Before Busy, Same Period, After Busy
SW10-4	NV User	192K bytes	1K bytes, 64K bytes, 128K bytes, 192K bytes
SW10-5	NV Graphic	384K bytes	0 byte, 64K bytes, 128K bytes, 192K bytes, 256K bytes, 320K bytes, 384K bytes

\* I microinterruttori di memoria 9-3 e 9-4 di questa stampante non possono utilizzarsi.

## Regolazione manuale dei memory switch("Memory SW")

Il memory switch può essere scelto, cambiato, o essere memorizzato dalla combinazione di tre azioni: premendo sul pulsante di avanzamento, premendo e mantenendo inserito il pulsante di avanzamento ed aprendo o chiudendo il coperchio della stampante.

1. **Passaggio in modo di regolazione del memory switch**  
Regolare la carta nella stampante e mantenere il coperchio della stampante aperto. Con il pulsante di avanzamento (FEED) premuto e mantenuto inserito, attivare l'alimentazione della stampante, poi premere il pulsante di avanzamento due volte. Chiudere il coperchio. Se le regolazioni correnti del memory switch, ecc. vengono stampate, la stampante è ora nella modalità di regolazione dei memory switch.

Memory SW (1) 00000000

0: Stato OFF (scollegato)  
1: Stato ON (collegato)

(Nessun'indicazione per 0/1 con il memory Switch SW7 a SW10)

2. **Selezione dei memory switch (MODO DI SELEZIONE DEL MEMORY SWITCH)**  
Quando l'interruttore di avanzamento è premuto per una durata breve (\*1), viene prodotta una stampa che ha la seguente sequenza di "Memory SW1" → "Memory SW2" → "Memory SW3" → ..... "Memory SW10" → "Save To Memory" → "Memory SW1" → ..... varie volte. Quando il microinterruttore di memoria che si vuole cambiare viene indicato, premere e mantenere premuto l'interruttore di avanzamento (per più di 2 secondi).
3. **Selezione dei sub-menù di ogni memory switch**  
Ci sono 2-16 sub-menù per ogni memory switch. Mantenere premuto il pulsante di avanzamento FEED per un lungo periodo (\*2), e la stampante passerà alla prossima voce e stamperà le regolazioni correnti del menù. Continuare a premere e mantenere inserito fino all'articolo che volete cambiare sia raggiunto.

Power ON notify setting (Valid )

Stato OFF: DEL ERRORE OFF  
Stato ON: DEL ERRORE ON

(Con il memory switch SW7 a SW10, il LED ERRORE si illumina solo con la selezione fatta in fabbrica).

4. **Cambio della selezione**  
Quando la voce che volete cambiare viene indicata, premete il pulsante di avanzamento (FEED) per un breve periodo (\*1). Il valore cambiato viene stampato. (Per tornare al valore precedente, premere il pulsante di avanzamento per un breve periodo. Quando si preme il pulsante di avanzamento per un lungo periodo di tempo (\*2), il valore cambiato viene accettato e la stampante passerà alla prossima selezione.
5. **Ritorno al MODO DI SELEZIONE DEL MEMORY SWITCH (Item 2 sopra)**  
Quando la regolazione del contenuto desiderato è completata, aprire il coperchio a protezione della carta, poi chiudere. Questo permetterà alla stampante di stampare i nuovi valori impostati.
6. **Per memorizzare le impostazioni, uscire dal modo di regolazione dei memory switch**  
Premere il commutatore FEED per un breve periodo (\*1) per muoversi a "Save To Memory,.". Quindi mantenere premuto il pulsante di avanzamento. La stampante stampa il contenuto della nuova regolazione e uscirà dal modo di regolazione del memory switch per tornare allo stato normale di attesa.  
\* A meno che non venga effettuata la memorizzazione dei dati, la nuova impostazione non può essere convalidata.
7. **Inizializzazione dei memory switch**  
Se volete rimettere i memory switch allo stato iniziale, passate a "Save To Memory" con il metodo citato sopra. In questo caso, aprite il coperchio della carta e mantenete premuto il pulsante di avanzamento FEED sino a quando viene attivato il cicalino. Questo permetterà alla stampante di tornare allo stato iniziale.  
\* Tutte le posizioni dei microinterruttori di memoria sono tornate ai valori regolati in fabbrica.  
\* 1: Premere per meno di 2 secondi \* 2: Premere per oltre 2 secondi

## 5.4 Selezione del tipo di carta \*L, \*M

La selezione del tipo di carta è disponibile con la combinazione dei commutatori di memoria SW4-4 e SW4-5 utilizzando il "Modo di selezione di microinterruttore di memoria". Inoltre, il metodo seguente è disponibile.

### 1. Introdurre il modo di selezione del tipo di carta.

- 1) Aprite il coperchio della stampante e togliete la carta. Premendo e mantenendo premuto il pulsante FEED (AVANZAMENTO), attivate la stampante. La LED ALIMENTAZIONE si mette a lampeggiare.
- 2) Liberare il pulsante FEED (AVANZAMENTO), quindi chiudete il coperchio della stampante. Il cicalino risuona ed il tipo di carta regolata ora è indicato dalla LED sul pannello di comando.

### 2. Scegliete il tipo di carta.

Premete il pulsante FEED (AVANZAMENTO) per corrispondere al tipo di carta caricata secondo le indicazioni del LED nella tabella qui di seguito. (Riferitevi alla tabella qui di seguito).

	LED ALIMENTAZIONE	LED ERRORE
Etichetta	Illuminato in verde	(OFF)
Rullo di carta termica	(OFF)	Illuminato in rosso
Carta "Blackmark"	Illuminato in verde	Illuminato in rosso

### 3. Memorizzate il tipo di carta scelta alla stampante.

Aprite e chiudete il coperchio della stampante. Con quest'operazione, il tipo di carta scelta è messa nella memoria della stampante ed il modo di selezione del tipo di carta è terminato.

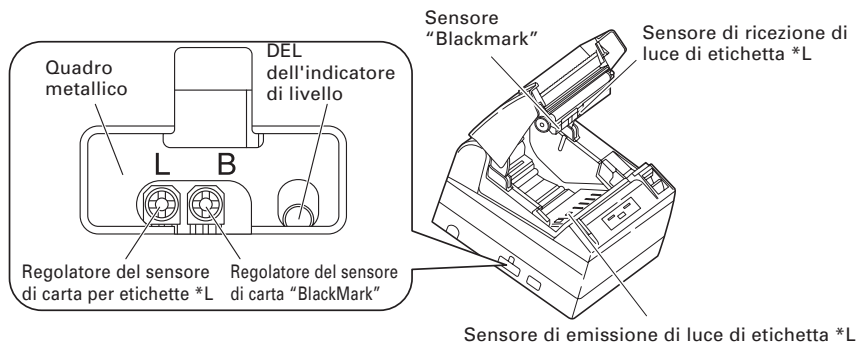
La "Regolazione lunghezza pagina" del microinterruttore di memoria 4-1 è disattivata. Quando chiudete il coperchio della stampante durante la regolazione della carta "Blackmark" o della carta per etichette nella stampante, la lunghezza della carta è misurata, ed il risultato sarà stampato.

- \* Se un errore d'individuazione di carta si produce quando la lunghezza su carta è misurata, la stampante passa automaticamente al modo di regolazione del sensore di carta. Regolate il sensore secondo le indicazioni date nella sezione "5-5 Regolazione del sensore di carta".

## 5.5 Regolazione del sensore di carta \*L, \*M

Prima di utilizzare la carta "Blackmark" (carta BM) o etichetta, regolate il sensore di carta. Innanzitutto, mantenete la leva all'estremità superiore del coperchio di comando di regolazione del sensore messo a sinistra dell'interruttore d'alimentazione, e premete la leva e verso la parte anteriore per togliere il coperchio della stampante.

Come indicato sotto, il regolatore del sensore di carta per etichette è posizionato all'estremità sinistra, poi segue il regolatore del sensore di carta "BlackMark", quindi c'è la LED dell'indicatore di livello a destra. Regolate questi comandi secondo il metodo seguente.



### 1. Passate al modo di regolazione del sensore di carta.

Aprire il coperchio della stampante, togliete la carta, poi mettete l'interruttore d'alimentazione della stampante alla posizione ON. In questo caso, la LED ALIMENTAZIONE e la LED ERRORE si illuminano attivando il cicalino. Chiudete quindi il coperchio della stampante mentre premete il pulsante FEED (AVANZAMENTO). La LED ERRORE si mette a lampeggiare con il cicalino attivato.

### 2. Mettete la carta da regolare sulla stampante.

Questa stampante presenta tre tipi di sensore di carta incorporato.

Nel caso di etichetta, regolate in modo che l'etichetta sia messa sul sensore di ricezione di luce di etichetta ed il sensore d'emissione di luce di etichetta. Nel caso della carta "Blackmark", regolate in modo che la parte stampabile (altro che quella del "Blackmark") sia messa sul sensore "Blackmark". In questo modo, chiudendo il coperchio della stampante, la LED ERRORE lampeggia con il cicalino attivato.

### 3. Regolate il sensore di carta.

Girate il regolatore che corrisponde nel senso antiorario utilizzando un cacciavite a testina piatta. Mettete il regolatore alla posizione alla quale la LED inizia a cambiare dal colore arancione a quella verde.

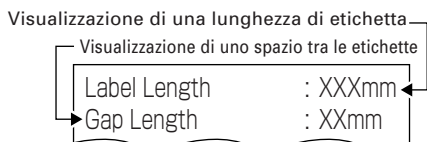


\* Mentre si gira il regolatore tramite il cacciavite, non lasciate il cacciavite toccare il telaio metallico. Se questo si produce, il colore di luce adeguata del LED non sarà mostrato in caso di contatto.

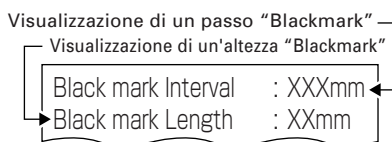
### 4. Effettuate l'operazione di misura della carta

Quando il pulsante FEED (AVANZAMENTO) è premuto, l'etichetta avanza e la misura della carta si effettua. Se il pulsante FEED (AVANZAMENTO) è premuto durante la misura della carta, il risultato sarà stampato come segue, ed il microinterruttore di memoria della stampante sarà inizializzato.

\* Il risultato di misura rappresenta un valore di riferimento.



< Esempio di risultato di misura di etichetta \*L >



< Esempio del risultato di misura della carta "Blackmark" \*M >

## 5.6 Carta per etichette di taglio completo \*L

In caso di taglio completo della carta per etichette con la stampante installata orizzontalmente, assicuratevi che la placca guida sia regolata all'uscita della carta del coperchio della stampante.

(Questa placca guida è stata regolata alla stampante al momento della spedizione dell'apparecchio dalla fabbrica).

La placca guida impedisce alla carta ritagliata di cadere nella stampante.

### **ATTENZIONE!**

- Se circa 10 strati di carta tagliata si accumulano all'uscita della carta, togliete la carta.
  - **In caso d'accatastamento di 10 carte o di più, un inceppamento della carta può prodursi.**
- Togliete la placca guida per il taglio di carta per etichette diversa da quella del taglio completo, con la stampante installata orizzontalmente.
  - **Il tagliatore manuale non può essere utilizzato quando la placca guida è montata.**
  - **Può essere difficile fare uscire il documento per etichette corte con la stampante installata verticalmente.**

#### ● Montaggio e smontaggio della placca guida

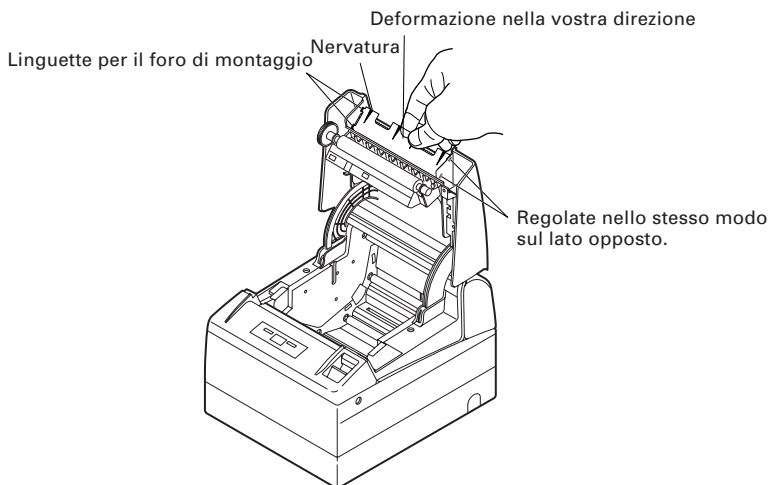
##### • Montaggio

**Con il coperchio della stampante aperto, inserite le linguette della placca guida ai due fori di montaggio (foro a destra o a sinistra) situati all'interno della parte precedente del coperchio. Regolate la placca guida con la sua nervatura diretta nella vostra direzione.**

**Quindi, con la placca guida che si deforma nella vostra direzione, inserite le linguette ai due fori di montaggio sulla parte opposta del coperchio.**

##### • Smontaggio

**Con il coperchio della stampante aperto, tirate la parte centrale della placca guida nella vostra direzione per togliere la placca guida.**



**ESPAÑOL**

## PRECAUCIONES GENERALES

- Antes de utilizar este producto, asegúrese de leer completamente este manual. Después de leer este manual, guárdelo en un lugar seguro y de fácil acceso para consultas futuras.
- La información de este manual está sujeta a cambios sin previo aviso.
- La reproducción o transferencia parcial o total de este documento por cualquier medio está prohibida si no se dispone del permiso de Citizen Systems.
- Citizen Systems no es responsable de los resultados de impresión debidos a la pérdida o erratas en la impresión en este manual.
- Citizen Systems no es responsable por cualquier problema causado como resultado del uso de partes opcionales o materiales de consumo no especificados en este manual.
- A menos que se explique en alguna parte en este manual, no intente desmontar o reparar este producto.
- Citizen Systems no es responsable por ningún daño atribuible a una operación/ manejo incorrecto, o condiciones ambientales inadecuadas que no se especifiquen en este manual.
- Los datos son básicamente para uso temporal y no son almacenados durante un largo período de tiempo ni permanentemente. Tenga en cuenta que Citizen Systems no se hará responsable por daños o pérdida de beneficios debido a la pérdida de datos causada por accidentes, reparaciones, pruebas u otras causas.
- En caso de falta de información, error, o para cualquier pregunta relativa al uso de la impresora, no dude en ponerse en contacto con su concesionario Citizen Systems.
- En caso de encontrar página(s) en orden incorrecto o faltantes, no dude en ponerse en contacto con su concesionario Citizen Systems para su reemplazo.

## INDICE

<b>1. NOCIONES GENERALES .....</b>	<b>7</b>
<b>2. EXPLICACION DE LAS PARTES DE LA IMPRESORA .....</b>	<b>10</b>
<b>3. PREPARACION .....</b>	<b>12</b>
<b>4. MANTENIMIENTO Y LOCALIZACION DE AVERIAS .....</b>	<b>17</b>
<b>5. OTROS .....</b>	<b>22</b>

CITIZEN is a registered trade mark of Citizen Holdings Co., Japan  
CITIZEN es una marca registrada de Citizen Holdings Co., Japón  
Company names and product names in this manual are trademarks or  
registered trademarks of relevant companies.  
Copyright © 2008 by CITIZEN SYSTEMS JAPAN CO., LTD.



# NORMAS DE SEGURIDAD ... QUE DEBEN SER SEGUIDAS ESTRICTAMENTE

Antes de utilizar este producto por primera vez, lea atentamente estas NORMAS DE SEGURIDAD. La manipulación incorrecta puede resultar en accidentes (incendio, choque eléctrico o lesión). Para evitar lesiones a los operadores, a terceros, o daños materiales, en este Manual de Usuario se utilizan símbolos especiales de advertencia para indicar los puntos importantes que deben observarse estrictamente.

- Después de haber leído este manual, guárdelo en un lugar seguro al que pueda acceder fácilmente para poder consultarlo en el futuro.
- Algunas de las descripciones de este manual podrían no ser relevantes para algunos modelos de impresoras.

A continuación se describe el grado de peligro y los daños que podrían producirse si la impresora no es utilizada de la forma correcta o si se ignoran las instrucciones indicadas por los símbolos de advertencia.

## **AVERTISSEMENT**

Si no se cumplen las normas indicadas por este símbolo se pueden producir lesiones mortales o graves.

## **PRECAUCION**

Si no se cumplen las precauciones indicadas por este símbolo se pueden producir lesiones o daños en propiedades.



Este símbolo se utiliza para avisarle de puntos importantes.



Este símbolo se utiliza para avisarle del peligro de descargas eléctricas o daños electrostáticos.



Este símbolo indica que la impresora debe ser desconectada de la toma de corriente.



Este símbolo se utiliza para indicar una información útil, tal como procedimientos, instrucciones y otros.



Este símbolo se utiliza para indicar acciones prohibidas.

## **ADVERTENCIA**

■ No utilice ni guarde este producto en un lugar donde esté expuesto a:

- \* Llamas o aire húmedo
- \* Luz solar directa
- \* Aire caliente o calor procedente de un aparato de calefacción
- \* Atmósfera salina o gases corrosivos
- \* Lugar mal ventilado
- \* Reacciones químicas en un laboratorio
- \* Aceite, partículas de acero o polvo en el aire
- \* Electricidad estática o campos magnéticos intensos

• **Si no se observan estas advertencias se puede producir un fallo en la impresora, recalentamiento, emisión de humo, incendio o descarga eléctrica.**



■ No deje caer ningún objeto extraño ni derrame líquidos en el interior de la impresora. No ponga tampoco ningún objeto encima de la impresora.

■ No deje caer ningún objeto metálico como, por ejemplo, un clip para papel, alfiler o tornillo en el interior de la impresora.

■ No ponga un florero, pote o taza que tenga agua encima de la impresora.

■ No derrame café, bebidas o cualquier otro líquido en el interior de la impresora.

■ No rocíe insecticida ni ningún otro líquido químico encima de la impresora.

• **Un objeto metálico, que caiga por accidente en el interior de la impresora, puede causar averías, un incendio o una descarga eléctrica. Si ocurriese, apague inmediatamente la impresora, desenchúfela de la toma de corriente y llame a su concesionario Citizen Systems local.**



No utilice la impresora en los siguientes casos:

■ No exponga la impresora a golpes fuertes o sacudidas bruscas (por ejemplo, no la pisotee, deje caer o golpee con un elemento duro).

■ No intente nunca desmontar ni modificar la impresora.

• **El manejo incorrecto de la impresora puede ser la causa de que ésta falle, se recaliente, emita humo, se produzca un incendio o una descarga eléctrica.**



■ Instale, utilice o guarde la impresora fuera del alcance de los niños.

• **Los aparatos eléctricos pueden causar lesiones o accidentes inesperados si se manejan o utilizan incorrectamente.**

• **Mantenga el cable de alimentación y los cables de señales fuera del alcance de los niños. Tampoco debe permitirse que los niños tengan acceso a la parte interna de la impresora.**

• **La bolsa de plástico en la que se entrega la impresora deberá ser eliminada correctamente o guardarse fuera del alcance de los niños. Cubrirse la cabeza con ella puede causar asfixia.**



## **ADVERTENCIA**

Tenga en cuenta las precauciones siguientes para la fuente de alimentación y el cable de alimentación:

- No enchufe ni desenchufe el cable de alimentación con las manos mojadas.
- Utilice la impresora solamente con la tensión y la frecuencia especificada.
- Asegúrese de que la toma de corriente a la que conecte la impresora tenga la capacidad suficiente.
- No conecte la impresora a una toma de corriente compartida con otros aparatos.
- No enchufe el cable de alimentación en una toma de corriente cuando el enchufe tenga polvo u otras cosas adheridas.
- No utilice un cable de alimentación deformado o estropeado.
- No mueva la impresora mientras está con energía aplicada.
- **El manejo incorrecto de la impresora puede ser la causa de que ésta falle, emita humo, se produzca un incendio o una descarga eléctrica.**
- **Una sobrecarga puede ser la causa de que el cable de alimentación se recaliente o el disyuntor se dispare.**
- No coloque nada encima del cable de alimentación. No coloque la impresora donde el cable de alimentación pueda ser pisado.
- No utilice ni traslade la impresora con su cable de alimentación doblado, retorcido o estirado.
- No intente modificar el cable de alimentación si no es necesario.
- No coloque el cable de alimentación cerca de un aparato de calefacción.
- **Si no se toman estas precauciones podrán romperse los cables o el aislamiento, lo que podría causar fugas, descargas eléctricas, o falla de la impresora. Si el cable de alimentación sufre daños, entre en contacto con su concesionario Citizen Systems.**
- No deje cosas alrededor de la toma de corriente.
- Suministre alimentación eléctrica a la impresora desde una toma de pared conveniente, fácilmente accesible en el caso de una emergencia.
- **La impresora tal vez no se apague inmediatamente en un caso de emergencia.**
- Inserte completamente el enchufe de alimentación en la toma de corriente.
- Si la impresora no va a ser utilizada durante un largo período de tiempo, déjela desconectada de su toma de corriente.
- Sostenga el enchufe y el conector cuando enchufe o desenchufe el cordón de alimentación o cable de señales después de apagar la impresora y el aparato conectado a ésta.



# PRECAUCION

No utilice la impresora en las siguientes condiciones.

- Una posición sujeta a vibración o una posición inestable.
- Una posición con el equipo inclinado.
- **De lo contrario la caída puede causar lesiones.**
- **Puede ocurrir impresión con calidad deficiente.**
- Una posición en que los orificios de ventilación de la impresora estén bloqueados por una pared cercada u otro equipo.
- Una posición en que haya algún objeto encima de la impresora
- Una posición donde la impresora esté cubierta o envuelta con algún tipo de tela o sábana.
- **Tenga cuidado con la acumulación de calor en el interior que podría causar un incendio o deformar la caja del aparato.**
- Evite utilizar la impresora cerca de una radio o de un televisor, evite también conectarla a la misma toma de corriente de estos aparatos.
- Evite utilizar la impresora interconectada con un cable o cordón que no tenga protección contra ruido. (Para las interconexiones, utilice un cable blindado o un cable de par trenzado y núcleos de ferrita, u otros dispositivos antirruído.)
- Evite utilizar la impresora junto a un aparato que sea una fuente de ruido intenso.
- **La impresora puede causar un efecto adverso en las emisiones de radio y TV cercadas. También pueden haber casos en que los aparatos eléctricos cercanos afecten adversamente a la impresora, causando errores de datos o fallos de funcionamiento.**
- Una posición en que el equipo es instalado verticalmente o lateralmente.
- Puede resultar en funcionamiento erróneo, falla o choque eléctrico.

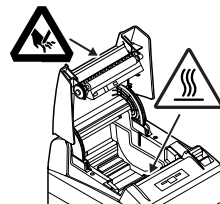


- Utilice la impresora conectada correctamente a tierra.
- **Si ocurre una fuga se puede producir una descarga eléctrica.**
- No conecte el punto de conexión a masa de la impresora a ninguno de los puntos siguientes:
  - \* Tubería de gas
    - **Podría producirse una explosión de gas**
  - \* Tierra de la línea telefónica
  - \* Pararrayos
    - **Si cae un rayo, la sobrecorriente podría causar un incendio o una descarga eléctrica.**
  - \* Tuberías de agua
    - **Para hacer la conexión a tierra no deberán utilizarse tuberías de agua de plástico. (Podrán utilizarse las tuberías aprobadas por la compañía de Abastecimiento de Agua.)**
- Antes de conectar o desconectar el cable de puesta a tierra a/de la impresora, desenchufe siempre la impresora de la toma de corriente.



Hay una etiqueta de precaución adherida en la posición mostrada en la figura siguiente. Lea cuidadosamente las precauciones de utilización antes de utilizar la impresora.

**ESTAS ETIQUETAS INDICAN EL RIESGO DE LESIONES DEBIDO A "ALTA TEMPERATURA" DE LA CABEZA DE IMPRESIÓN Y "BORDE DIENTE DE SIERRA" DEL CORTADOR MANUAL.**



## PRECAUCION

- No transporte esta impresora con el rollo de papel en el interior.
- Puede ocurrir falla o daños.

Para evitar fallos de funcionamiento tenga en cuenta lo siguiente:

- Evite utilizar la impresora sin estar correctamente cargado el papel.
- Evite utilizar papel que no cumpla con las especificaciones.
- **Puede resultar en una calidad de impresión inadecuada.**
- Evite utilizar piezas de papel roto o empalmado con cinta adhesiva de plástico.
- Evite tirar con la mano del papel que ya está cargado.
- Evite la entrada torcida del papel en la impresora.
- **El papel se puede atascar. Para soltarlo, consulte "Extracción del papel atascado" en este manual.**
- Evite utilizar un objeto puntiagudo para pulsar las teclas del panel.



- Asegúrese de insertar firmemente el enchufe en su receptáculo correspondiente.
- **Una mala conexión puede dañar los componentes electrónicos internos o el hardware del ordenador al que está conectada.**
- Utilice solamente la impresora con los dispositivos que tienen las especificaciones de solenoide descritas para el conector de interfaz del cajón portamonedas.
- **Si no se tiene en cuenta esta precaución se pueden producir fallos de funcionamiento de la impresora.**



Para impedir lesiones y fallos de funcionamiento tenga en cuenta lo siguiente:

- No toque la superficie de impresión de la cabeza térmica.
- No toque ninguna de las piezas móviles (por ejemplo, el cortador de papel, los engranajes o las piezas eléctricas con corriente) mientras la impresora está funcionando.
- En el caso de problemas no intente reparar la impresora. Solicite la reparación al centro de servicio de Citizen Systems.
- Tenga cuidado para que la cubierta de la impresora no prenda sus manos o dedos.
- Tenga cuidado con los bordes agudos de la impresora. Evite lesiones o daños a la propiedad.
- **Se puede producir descarga eléctrica, quemadura o lesión.**



**Si la impresora emite humo, olor extraño o ruidos poco corrientes al imprimir, anule inmediatamente la sesión de impresión actual y desenchufe la impresora de la toma de corriente.**

## MANTENIMIENTO DIARIO

Tome las precauciones siguientes para el mantenimiento diario:

- Cuando limpie la impresora, apáguela y desconéctela siempre de la toma de corriente.
- Utilice un paño suave y seco para limpiar la superficie de la caja de la impresora.
- Para las manchas difíciles de retirar, utilice un paño suave humedecido ligeramente en agua.
- Nunca utilice disolventes orgánicos de limpieza tal como alcohol, diluyente de pintura, tricloroetileno, bencina o cetona. Nunca utilice un paño de limpieza procesado químicamente.
- Para eliminar los residuos de papel, utilice un cepillo blando.
- Para retirar el polvo de papel, utilice una escobilla suave.



## PRECAUCION

- **La cabeza térmica estará muy caliente inmediatamente después de imprimir. Deje que ésta se enfríe antes de iniciar el trabajo de mantenimiento.**

# 1. NOCIONES GENERALES

Este producto consiste de impresoras de líneas termales diseñadas para ser usadas en un amplio rango de equipos de terminales incluyendo datos, POS y terminales de cocina. Con extensas características, pueden ser usadas en una amplia gama de aplicaciones.

## 1.1 Características

- Capacidad Versátil de Rollo con habilidad para utilizar rollos de papel de 80 mm, 82.5 mm y 112 mm de anchura.
- Puede utilizar rollo de papel con un máximo de 102 mm de diámetro.
- Mecanismo de descenso de rollo de papel que facilita la manipulación del papel y limpieza del cabezal fácilmente.
- Impresión a alta velocidad (150 mm/s).
- Equipado con interfaz USB como estándar más una selección de interfaz serial o paralela.
- Placa de interfaz reemplazable.
- Interfaz paralelo de alta velocidad (modelo con interfaz paralelo)
- Interfaz de cajón portamonedas incorporada.
- Mecanismo de corte automático suministrado como estándar.
- Personalizaciones del usuario tal como ajuste de memory switches disponibles.
- Modo de papel.
- Registro de caracteres y logotipos definidos por el usuario en la memoria flash.
- Soporta la impresión de código de barras y código de barras 2D.
- Impresión en 2 colores soportada (Cuando se usa el papel especificado).
- Indicación de error disponible con LED o zumbador.

[Solamente CT-S4000L, CT-S4000DCL]

- Impresión a alta velocidad (132 mm/s).
- Se puede usar papel de etiqueta de 58 a 107 mm de ancho, además de papel de etiqueta de 112 mm sin paso.

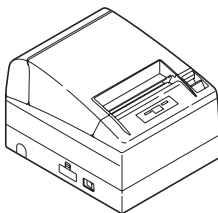
[Solamente CT-S4000L, CT-S4000DCL, CT-S4000M, CT-S4000DCM]

- Se adopta el sistema de ajuste de sensibilidad de sensor de papel por volumen.

## 1.2 Desembalaje

Cuando desembale la impresora, confirme que disponga de lo siguiente:

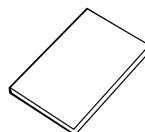
- Impresora: 1
- Cable de alimentación de CA : 1 (sólo para CT-S4000, CT-S4000L, CT-S4000M)
- Manual de usuario (Este manual): 1
- Rollo de papel de muestra: 1 rollo
- Separador: 1
- Tornillo: 1



CT-S4000



Cable de alimentación de CA



Manual de usuario (Este manual)



Rollo de papel de muestra



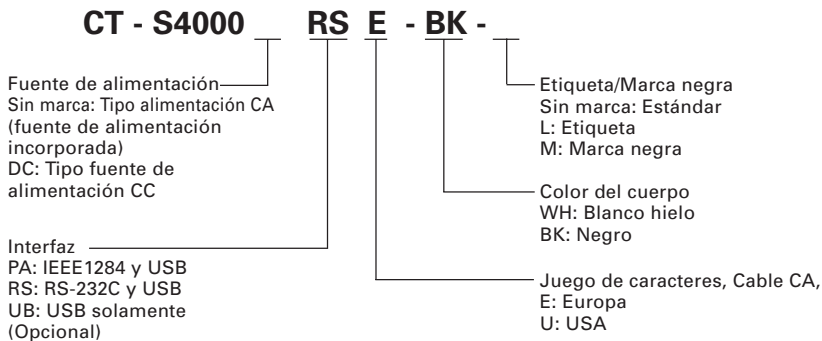
Separador



Tornillo

## 1.3 Clasificación del Modelo

Los modelos de impresora se clasifican de acuerdo al método de designación siguiente:



\*La descripción marcada “\*L” en este manual es la descripción para CT-S4000L/CT-S4000DCL y aquella marcada “\*M” es para CT-S4000M/CTS4000DCM. Lea este manual después de confirmar el modelo que usted usa.

## 1.4 Especificaciones Básicas

Elemento	Especificaciones					
Modelo	CT-S4000 PA/RS/UB, CT-S4000DC PA/RS/UB					
Método de impresión	Método de impresión térmica de líneas formadas por puntos					
Anchura de impresión *1	104 mm/832 puntos, 82.5 mm/660 puntos, 72 mm/576 puntos 104 mm/832 puntos, 72 mm/576 puntos, 50 mm/400 puntos					
Densidad de puntos	8 × 8 puntos/mm (203 ppp) en horizontal y vertical					
Velocidad de impresión	150 mm/s (Más rápido, densidad de impresión de 100 %), 1200 líneas de puntos /s Sólo en el modo de etiqueta, 132 mm/s (máx.), el nivel de densidad de impresión es de 88%, y 1056 líneas de puntos/s.					
Número de columnas de *2	—	Número de columnas de impresión (columnas)				Configuración de punto (Punto)
	Anchura de papel Fuente	112mm	82.5mm	80mm	58mm*L	
	Fuente A	69	55	48	33	12 × 24
	Fuente B	92	73	64	44	9 × 24
Fuente C	104	82	72	50	8 × 16	
Tamaño de caracteres *3	Fuente A: 1.50 × 3.00 mm, Fuente B: 1.13 × 3.00 mm, Fuente C: 1.00 × 2.00 mm					
Tipos de caracteres	Alfanumérico, internacional, PC437/850/852/857/858/860/863/864/865/866/WPC1252/Katakana/Tailandés código 18					
Memoria de usuario	384 KB (Capaz de registrar logotipos y caracteres definidos por el usuario)					
Tipos de códigos de barras y códigos de barras 2D	UPC-A/E, JAN (EAN) 13/8 columnas, ITF, CODE 39, CODE 128, CODABAR, CODE 93, PDF417, QR Code					
Espaciamento entre líneas *4	4,23 mm (1/6 de pulgada)					
Rollo de papel	Rollo de papel térmico: 112 <sup>0</sup> -1 mm/82.5 <sup>0</sup> -1 mm/80 <sup>0</sup> -1 mm × Máximo φ102 mm Espesor de papel: 65-150 μm					
Interfaz	Serie (cumple con RS-232C), Paralelo (cumple con IEEE 1284), USB					
Interfaz de cajón portamonedas	Se soporta 2 cajones portamonedas.					
Memoria buffer	4 K bytes/ 45 bytes (seleccionable) en la interfaz serial o paralela, 16 K bytes en la interfaz USB.					
Tensión de alimentación	100 a 240 V C.A., 50/60 Hz, 130 VA / 24 V C.C., 2,0 A					
Consumo	Aproximadamente 70 W (en impresión normal)					
Peso	Aproximadamente 2.3 kg:CT-S4000, CT-S4000L, CT-S4000M Aproximadamente 2.0 kg:CT-S4000DC, CT-S4000DCL, CT-S4000DCM					
Dimensiones externas	177 (An) × 213 (L) × 147 (Al) mm					
Temperatura y humedad de funcionamiento	5 a 45°C, 10 a 90% de humedad relativa (Sin condensación)					
Temperatura y humedad para almacenamiento	-20 a 60°C, 10 a 90% de humedad relativa (Sin condensación)					
Fiabilidad	Duración del cabezal de impresión: 100 km, 1 × 10 <sup>9</sup> impulsos (A temperatura/humedad normal usando el papel recomendado) Duración del cortador automático: 1.000.000 de cortes (A temperatura/humedad normal usando el papel recomendado)					
Normas de seguridad	UL, C-UL, FCC Class A, TÜV-GS, CE Marking					

### Notas:

\*1: Cuando la anchura del papel es 112, 82.5, 80 mm

\*2: El número de columnas que se puede imprimir se selecciona con un Memory Switch.

El número de columnas en esta tabla se refiere al modelo típico. La impresora varía parcialmente en el número de columnas dependiendo de las especificaciones de la impresora.

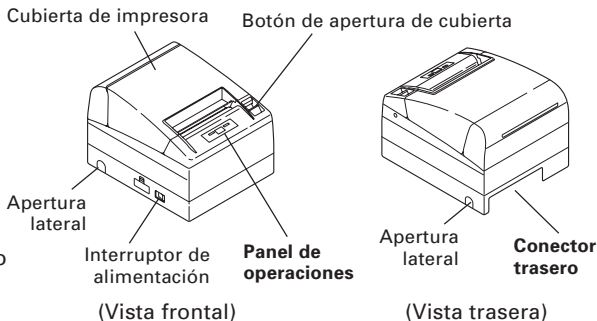
\*3: Debido a que el tamaño de cada carácter incluye el espacio de la fuente de caracteres, el carácter real parece más pequeño.

\*4: El espaciado de línea es seleccionable mediante comando o conmutador de memoria. Cuando la impresora está encendida, será seleccionada mediante el conmutador de memoria.



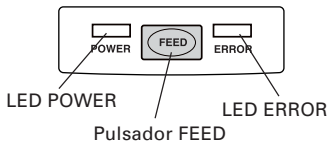
## 2. EXPLICACION DE LAS PARTES DE LA IMPRESORA

### 2.1 Apariencia de la Impresora



- **Cubierta de impresora**  
El papel es cargado debajo de esta cubierta.
- **Botón de apertura de cubierta**  
Para rellenar o reemplazar el papel, abra la tapa de la impresora empujando hacia delante el botón de apertura de la tapa.
- **Interruptor de alimentación**  
Este interruptor enciende/apaga la impresora.
- **Apertura lateral**  
Los cables conectados a la impresora pueden ser guiados a través de la apertura lateral. (Antes de su uso, empuje la barrera plástica pequeña en la cubierta hasta que se rompa.)

#### Panel de Operaciones



- **LED POWER**  
Se ilumina cuando la energía de la impresora está aplicada y se apaga cuando se desconecta la energía de la impresora. Puede parpadear o encenderse de un modo especial o en el caso de una falla.
- **LED ERROR**  
Se ilumina o parpadea cuando falta papel o en caso de falla. La longitud del intervalo de parpadeo representa el tipo de error.
- **Pulsador FEED**  
Una presión de este pulsador hace que el papel sea alimentado una línea. A mayor tiempo de presión del pulsador, mayor es la alimentación de papel. Presionando este botón se causa que el papel se alimente hasta la próxima posición de Marca Negra en el modo de Marca Negra.



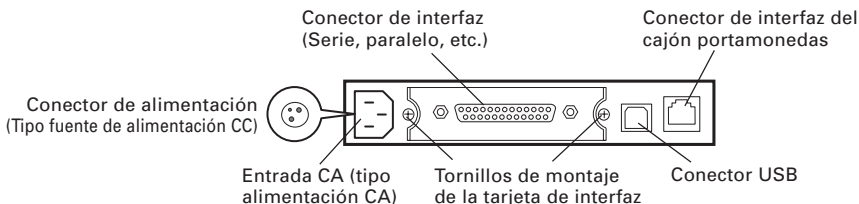
Ver 5.3 Ajuste Manual de los "Memory Switches"

En caso de error del cortador automático, presione el pulsador FEED después de eliminar la causa del error.



Ver 4.6 Indicación de Error

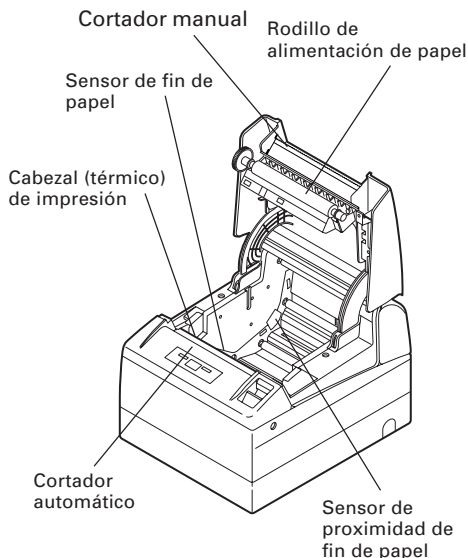
## Conectores Traseros



- Conector de interfaz (Serie, paralelo, etc.)  
Conecte al cable de interfaz. Se provee un DIP switch en la placa de interfaz en serie.
- Conector de enganche del cajón portamonedas  
Conecte al cable del cajón portamonedas.
- Entrada CA (tipo alimentación CA)  
Se conecta al cable de alimentación CA
- Conector de alimentación (Tipo fuente de alimentación CC)  
Se conecta al cable desde la fuente de alimentación de C.C.

## 2.2 Interior de la Cubierta de la Impresora

- Rodillo de alimentación de papel  
Alimenta papel como parte del mecanismo de impresión.
  - Sensor de proximidad de fin de papel  
Detecta la proximidad del fin del papel, cambia la posición de acuerdo con el diámetro externo del núcleo del rollo de papel.
  - Cortador automático  
Corta el papel con un comando al fin de la impresión. El método de corte se puede seleccionar con un comando entre corte parcial y corte total.
- \* El ajuste por defecto de la fábrica de la memoria SW4-8 se ajusta a "Corte parcial", de manera que el comando sea ignorado. Sin embargo, el corte pleno se ajusta para el modelo que soporta etiquetas.

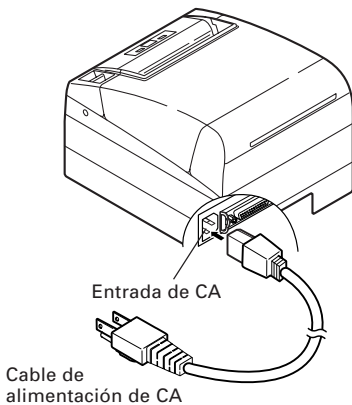


- Cortador manual  
Corta el papel a mano.
- Cabezal (térmico) de impresión  
Imprime datos de caracteres y/o gráficos en un papel térmico.
- Sensor de fin de papel  
Detiene la impresión cuando este sensor detecta el fin de papel.

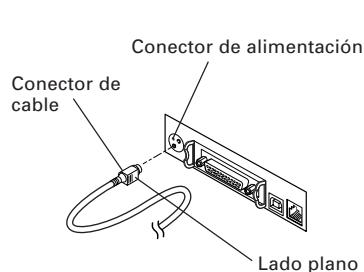
# 3. PREPARACION

## 3.1 Conexión del Cable de Alimentación de CA

1. **Desconecte la alimentación de la impresora.**
2. **Para el modelo con adaptador de CA solamente: Inserte el conector del cable en el conector de alimentación del lado posterior de la impresora, con el lado plano del conector del cable del adaptador de CA hacia arriba.**



Tipo alimentación CA  
(Tipo fuente de alimentación CC)



Tipo fuente de alimentación CC

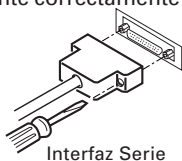
### ¡PRECAUCION!

- Cuando desconecte un cable, no tire de él, tire siempre del enchufe.
- Mantenga siempre la fuente de alimentación de CA distante de otros equipos que generan ruido.
- No tire del cable de alimentación, ya que podría producirse un incendio, una descarga eléctrica, o la interrupción de la alimentación.
- En caso de tormenta, desenchufe el cable de alimentación de CA de la toma de corriente. Podría producirse un incendio o una descarga eléctrica.
- Mantenga el cable de alimentación distante de aparatos generadores de calor. De lo contrario el blindaje del cable de alimentación puede fundirse y producir un incendio o una descarga eléctrica.
- Si la impresora no va a ser utilizada por un largo período de tiempo, déjela desconectada de su salida de alimentación.
- Evite colocar el cable de alimentación de CA en lugares que pueden causar desconexión o caída.

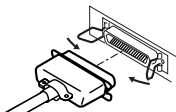
## 3.2 Conexión de los Cables de Interfaz

Confirme que el interruptor de alimentación esté desconectado y conecte el cable de interfaz.

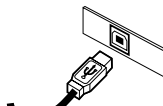
Oriento correctamente el terminal del cable de interfaz e inserte en el conector de interfaz.



Interfaz Serie



Interfaz Paralelo



Interfaz USB

### ¡PRECAUCION!

- Cuando desconecte el cable, sujételo siempre por el conector.
- Tenga cuidado de no insertar el cable de interfaz de USB en el conector de enganche de cajón portamonedas.

Para el cable de interfaz serie, utilice uno con la siguiente configuración.

Cable de 25 pins – 25 pins

PC		Impresora	
Señal	Pin	Pin	Señal
FG	1	1	FG
TXD	2	2	TXD
RXD	3	3	RXD
CTS	5	4	RTS
DSR	6	6	DSR
SG	7	7	SG
DTR	20	20	DTR

Cable de 9 pins – 25 pins

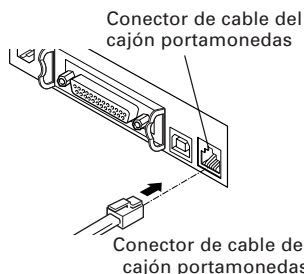
PC		Impresora	
Señal	Pin	Pin	Señal
RXD	2	2	TXD
TXD	3	3	RXD
DTR	4	4	RTS
SG	5	6	DSR
DSR	6	7	SG
CTS	8	20	DTR

### ¡PRECAUCION!

Evite colocar el cable de interfaz en lugares que pueden causar desconexión o caída.

## 3.3 Conexión del Cajón Portamonedas

1. Confirme que el interruptor de alimentación esté desconectado.
2. Confirme la parte superior e inferior del conector de cable del cajón portamonedas e insértelo en el conector de enganche del cajón portamonedas de la parte trasera de la impresora.
3. Atornille el cable de tierra del cajón portamonedas al cuerpo de la impresora.

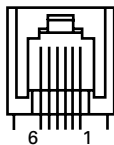


### ¡PRECAUCION!

NO conecte ningún otro dispositivo diferente al cajón portamonedas especificado al conector de enganche del cajón portamonedas. (TAMPOCO conecte una línea telefónica.)

(1) Configuración de contactos del conector

No.	Señal	Función
1	FG	Tierra del bastidor
2	DRAWER 1	Señal de activación del cajón 1
3	DRSW	Entrada de conmutador de cajón
4	VDR	Suministro de alimentación de activación de cajón
5	DRAWER 2	Señal de activación del cajón 2
6	GND	Tierra común en los circuitos



Conector utilizado:  
TM5RJ3-66 (Hirose) o equivalente  
Conector aplicable:  
TM3P-66P (Hirose) o equivalente

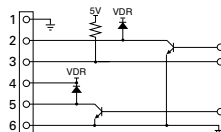
(2) Características eléctricas

- 1) Tensión de activación: 24 V CC
- 2) Corriente de activación: Aproximadamente 1A máximo (no deberá exceder de 510 ms.)
- 3) Señal DRSW: Niveles de señales: "L" = 0 a 0,5 V, "H" = 3 a 5 V

(3) Señal DRSW

El estado de la señal DRSW puede ser probado con el comando DEL+EOT, GS+a, o GS+r o en el contacto 34 del puerto de interfaz paralelo.

(4) Circuito de activación (lado de la impresora)



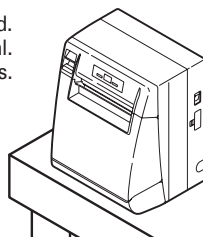
## ¡PRECAUCION!

- No se puede activar el cajón durante la impresión.
- Los cajones portamonedas 1 y 2 no pueden ser activados simultáneamente.
- El solenoide que se utilice para el cajón portamonedas deberá ser de 24 Ω o más. La corriente de salida deberá mantenerse a 1A o menos; de lo contrario, se podría estropear o incluso quemar el circuito.

## 3.4 Instalación de la Impresora

La impresora puede ser instalada horizontalmente, verticalmente y en la pared. En el momento del envío, la impresora está ajustada para instalación horizontal. Para instalarla verticalmente o en la pared, se requieren los siguientes ajustes.

1. **Ajuste de posición del sensor de proximidad de fin de papel (Ver la sección 3.7)**
2. **Almohadillas de caucho antideslizante (para instalación vertical)**
3. **Juego opcional para montaje en pared (para montaje en la pared)**



Posición vertical



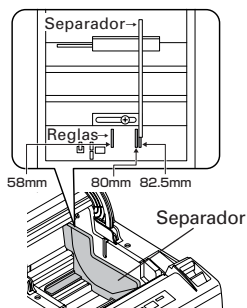
## ¡PRECAUCION!

- Cuando se usa en posición vertical, la impresora entrega el papel de manera que no caiga naturalmente, incluso si se hace el corte completo. Use la impresora con su equipo asociado, etc.
- Asegúrese que la pared en que está montada la impresora sea suficientemente resistente antes de la instalación.
- Cuando la utilice en posición horizontal, evite el corte completo. De lo contrario, el papel cortado puede caer en el cortador y puede resultar en doble corte. Esto puede ser causa de atascos de papel y en trocitos "virutas" de papel.

## 3.5 Separador para Rollo de Papel

Al momento del embarque, esta partición no está instalada.

1. Confirme que el interruptor de alimentación esté desconectado.
2. Abra la cubierta de la impresora.
3. Inserte la partición en la ranura y alinéela con la regla dentro de la impresora, de acuerdo con el ancho del rollo de papel usado. Cuando se usa el rollo de papel de ancho de 80 mm u 82,5 mm, ajuste la partición usando el tornillo de accesorios.  
\* 58 mm es sólo para el modelo que soporta etiquetas.
4. Cambie el ajuste de anchura de papel consultando la sección 5.2, "Ajuste Manual de Memory Switch".



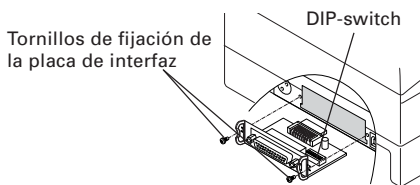
### ¡PRECAUCION!

Cuando se usa un rollo de papel 112, la partición no se usa.

## 3.6 Ajuste de los DIP-Switches

El DIP switch se encuentra en la placa de interfaz en serie.

A continuación se muestra la función de cada conmutador.



### ¡PRECAUCION!

- En lo que respecta a los ajustes de la interfaz serial, se da prioridad al ajuste del conmutador de memoria sobre el conmutador DIP, como valor por defecto de fábrica.
- Consulte con el distribuidor donde se compró la impresora cuando sea necesario cambiar el ajuste del conmutador DIP.

No. de Conmutador	Función	ON	OFF	Ajuste Inicial
1	Método de ajuste de los parámetros de comunicación	Ajuste vía DIP-switch	Ajuste vía "memory switch"	OFF
2	Establecimiento de conexión	XON/XOFF	DTR/DSR	OFF
3	Longitud de bits	7 bits	8 bits	OFF
4	Verificación de paridad	Con paridad	Sin paridad	OFF
5	Selección de paridad	Par	Impar	OFF
6	Selección de velocidad de transmisión en baudios	Consulte la tabla abajo.		OFF
7				ON
8	INIT	Reset	Inválido	OFF

### Selección de velocidad de transmisión en baudios

Velocidad de Transmisión en Baudios (bps)	No. de Conmutador	
	6	7
2400	OFF	OFF
4800	ON	OFF
9600	OFF	ON
19200	ON	ON

38400, 57600 y 115200 bps pueden también ser seleccionados por un comando, etc.

## 3.7 Ajuste del Sensor de Proximidad de Fin de Papel

1. Presione ligeramente la unidad de sensor de proximidad de fin de papel.
2. Mueva la unidad de sensor de proximidad de fin de papel hacia la derecha e izquierda mientras la mantiene presionada. La posición a ser ajustada varía de acuerdo con el ajuste de la impresora, horizontal o vertical, o el diámetro del rollo de papel, como se muestra en la siguiente figura.

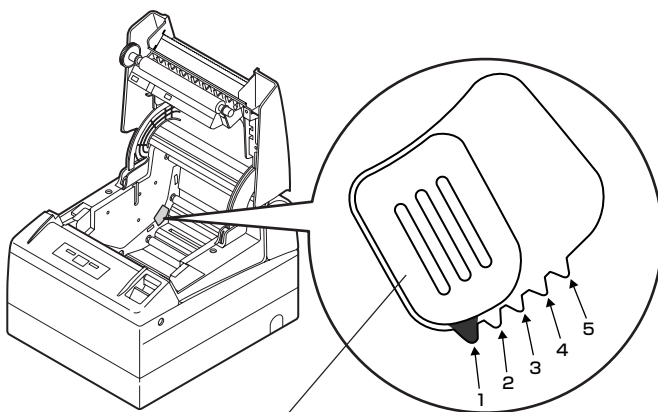
	Sensorposition	Diámetro del rollo de papel en la detección del fin de papel	Diámetro del núcleo externo del rollo de papel utilizado
Horizontal	** 1	φ21.0	φ18.0
	*2	φ24.5	φ21.5
	3	φ28.0	φ25.5
	4	φ31.5	φ28.0
	5	φ35.0	φ32.0
Vertical	5	φ21.0	φ18.0
	4	φ24.5	φ21.5
	3	φ28.0	φ25.5
	2	φ31.5	φ28.0
	1	φ35.0	φ32.0

\* Arrangement d'usine

\*\* Fábrica que pone para otra versión rural

### ¡PRECAUCION!

- El remanente de papel difiere según el tipo de rollo de papel utilizado.
- El diámetro externo del rollo de papel es solamente para referencia.
- Cuando se detecta incorrectamente un error de fin de papel durante el uso de un rollo de papel con el núcleo de tipo panal de abejas, mueva la posición del sensor al número mayor.

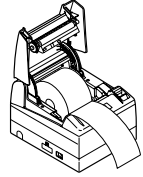


Unidad de sensor de proximidad de fin de papel

## 4. MANTENIMIENTO Y LOCALIZACION DE AVERIAS

### 4.1 Colocación/Cambio del Rollo de Papel

1. Empuje el botón de apertura de la tapa hacia delante.
2. Abra la cubierta de la impresora.
3. Inserte un rollo de papel con su área de impresión hacia abajo como se muestra en la figura y tire del extremo del papel en sentido recto algunos centímetros (o pulgadas) hacia fuera de la impresora.
4. Cierre firmemente la cubierta de la impresora hasta que se escuche un clic.



Ver 5.3 Ajuste Manual de los "Memory Switches"



#### ¡PRECAUCION!

- Utilice siempre los tipos especificados de rollos de papel.
- Confirme que el rollo de papel está colocado correctamente.
- Cuando el papel se curve y no se extienda en forma recta debajo de la cubierta de la impresora, abra la cubierta de la impresora y ajuste el papel correctamente.
- Cuando se abre la cubierta después de colocar el papel, asegúrese de tirar el papel en forma recta algunos centímetros (o pulgadas) fuera de la impresora, y luego cierre la cubierta.
- Cuando cierre la cubierta de la impresora, presione en la parte central de la cubierta para cerrarla firmemente.
- Cuando ajuste el papel, tenga cuidado para no herirse los dedos con el cortador manual o el borde del papel.
- En caso de seleccionar "Válido" con la memoria SW4-3, el papel se alimenta y corta automáticamente cuando se cierra la tapa de la impresora.



#### ADVERTENCIA

Cuando abra la cubierta de la impresora, NO toque el cabezal de impresión o la cuchilla del cortador. De lo contrario, podría resultar en quemadura o lesión de la mano.

### 4.2 Extracción del Papel Atascado

1. Desconecte la alimentación de la impresora.
2. Abra la cubierta de la impresora.  
Si la hoja del cortador permanece protuberante con el papel atascado, no abra la tapa a la fuerza. Consulte la sección 4.7, restaure la cuchilla a la posición normal y luego abra la cubierta.
3. Remueva el papel atascado incluyendo los pedazos de papel restantes.
4. Encienda la impresora. El mecanismo del cortador automático se inicializa y se cancela la alarma.



#### ¡PRECAUCION!

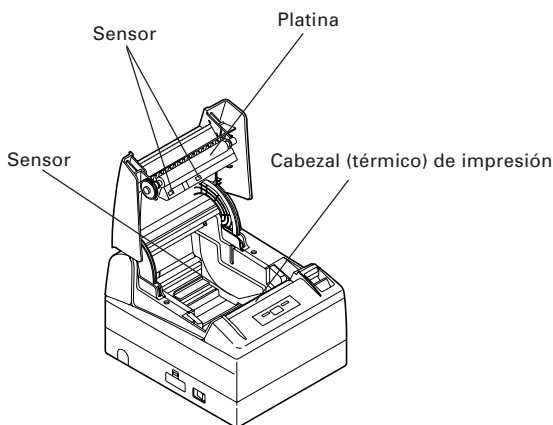
- Si la hoja del cortador permanece protuberante con el papel atascado, NO abra la tapa de la impresora a la fuerza, e intente apagar y encender la impresora. Si la hoja de la cortadora no puede ser restaurada, refiérase a la sección 4.7.
- El cabezal de impresión se calienta inmediatamente después de imprimir. No lo toque con las manos. No toque el elemento calefactor del cabezal con las manos desnudas ni tampoco con un objeto metálico.



## 4.3 Limpieza periódica

Si la cabeza de impresión o la platina están sucias, no se podrá tener una impresión clara o se podría producir una falla. Si hay polvo de papel o similares presentes en la hoja de protección del sensor, el papel de etiqueta o el papel "blackmark" pueden no ser detectados correctamente. Se recomienda efectuar limpieza periódica de acuerdo con el siguiente procedimiento.

1. **Desconecte la alimentación de la impresora.**
2. **Abra la cubierta de papel.**
3. **Espera algunos minutos. Limpie las manchas del elemento de calentamiento del cabezal utilizando un trozo de algodón empapado en alcohol etílico. Inmediatamente después de la impresión, la cabeza de impresión (térmica) permanece a alta temperatura. Tenga cuidado de no tocarla con las manos.**
4. **Humedezca la punta de la mota de algodón con agua y limpie la suciedad de la superficie de la hoja de protección del sensor. Evite usar un solvente tal como alcohol. Su uso puede resultar en una hoja de protección del sensor ahumada.**

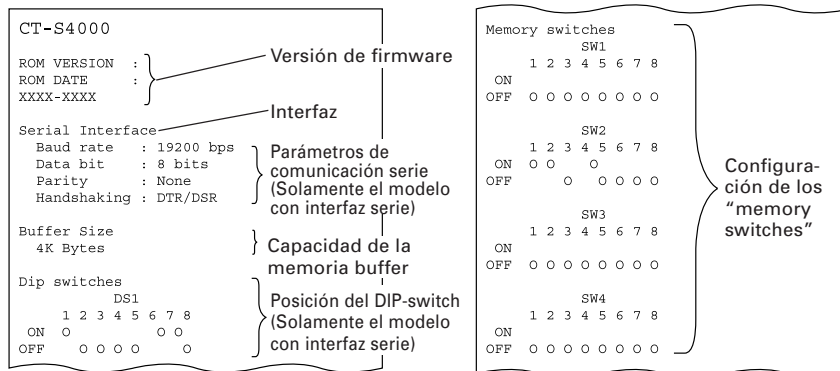


### ¡PRECAUCION!

- No toque la superficie del elemento de calentamiento de la cabeza de impresión con las manos desnudas o con materiales metálicos.
- Limpie el polvo de la superficie de la platina periódicamente con una mota de algodón humedecida con alcohol etílico. Especialmente, cuando se usa el corte pleno para el papel de etiqueta, el polvo de papel se puede adherir a la platina dependiendo de la propiedad de la hoja de recubrimiento, el diámetro del papel en rollo y las condiciones ambientales en que se usa la impresora, etc.

## 4.4 Autotest

Inserte papel en la impresora. Con el pulsador FEED mantenido pulsado, conecte el interruptor de la impresora, mantenga pulsado el pulsador FEED por aproximadamente 1 segundo, y luego libere el pulsador FEED. La impresora empieza la autoimpresión. La impresora imprime el nombre de modelo, versión, posición del pulsador FEED, configuración de los "memory switches" y fuentes incorporadas.



## 4.5 Impresión de Volcado Hexadecimal

Esta función es para imprimir todos los datos recibidos en números hexadecimales. Si ocurriesen problemas como datos perdidos, duplicación de datos, etc., esta función permite verificar si la impresora está recibiendo los datos correctamente.

Cargue el papel en la impresora y mantenga la tapa de la impresora abierta. Con el pulsador FEED mantenido pulsado, conecte la alimentación de la impresora y luego cierre la cubierta de la impresora. La impresora imprime "HEX dump print mode" seguido por los datos recibidos impresos en números hexadecimales y algunos caracteres.

### ¡PRECAUCION!

- La impresora imprime "." si no existen caracteres correspondientes a los datos.
- Durante el volcado hexadecimal, no se activarán las funciones excepto algunos comandos.
- Si el dato de impresión NO cubre una línea, pulse el pulsador FEED para imprimir la línea.

Cuando pulsa el pulsador FEED tres veces consecutivamente, o desconecta la alimentación de la impresora, o la impresora recibe una señal de reposición del interfaz, se termina la impresión de volcado hexadecimal.

#### Ejemplo de impresión

```

HEX DUMP PRINT MODE
1B 21 00 1B 20 04 41 42 43 44 .!.. .ABCD
45 46 47 48 49 4A 4B 4C 4D 4E EFGHIJKLMN
4F 50 0D 0A 31 32 33 0D 0A OP..123..
    
```

## 4.6 Indicación de Error

- **Fin del papel**  
Se detecta falta de papel en dos pasos: Papel cerca del fin y fin de papel. El LED de ERROR se encenderá cuando la bandeja de papel esté vacía. Esto hace que se encienda el LED ERROR. Si se detecta el fin del papel, cargue con papel. Si la cubierta de papel está abierta, se detecta un aviso de fin de papel.
- **Cubierta de papel abierta**  
Durante la impresión, no abra la cubierta de la impresora. Si accidentalmente abre la cubierta de la impresora, el LED ERROR parpadea. Verifique el papel, tire del papel de manera recta varios cm (o pulgadas) fuera de la impresora, y luego cierre la tapa de la impresora. La impresión se reanuda automáticamente. Puede ser necesario el envío de un comando para reanudar la impresión dependiendo del ajuste del memory switch.
- **Bloqueo del cortador**  
Si la cuchilla del cortador deja de operar debido a atasco de papel o algo parecido, el LED ERROR parpadea. Elimine la causa del problema y pulse el pulsador FEED. Si la hoja aun no se mueve y la tapa de la impresora no puede ser abierta, refiérase a la sección 4.7.
- **Recalentamiento de la cabeza térmica**  
Cuando usted imprime caracteres densos o imágenes oscuras, la temperatura de la cabeza se eleva. Si la temperatura de la cabeza excede un nivel especificado, la impresora detiene la operación de impresión y espera hasta que la temperatura de la cabeza disminuya. Durante la espera, el LED ERROR parpadea. Cuando la temperatura de la cabeza disminuye, la impresión se reanuda automáticamente.
- **Error de atascamiento de papel**  
Si la alimentación de papel no es normal y se produce un atascamiento de papel en la platina, etc.; la operación de impresión y alimentación de líneas se detiene y el LED ERROR parpadea.
- **Error de operación del interruptor de alimentación**  
Si usted enciende la unidad nuevamente después de apagarla, se puede producir un error. Antes de encender nuevamente la unidad, espere hasta que el LED POWER (alimentación) se apague completamente después del apagado.
- **Error de detección de Marca Negra (en el modo Marca Negra)**  
Cuando no se puede detectar la Marca Negra aunque se alimente cierta cantidad de papel para la detección de Marca Negra, ocurre un error de detección de Marca Negra. Cuando la detección de Marca Negra continúa después del período especificado, se considera una condición Sin Papel y se indica el mismo error que Sin Papel.
- **Espera por el corte de papel (etiqueta)**  
Si se ejecuta el comando "GS+FF" bajo la condición de que la operación de cortadora automática está inhabilitada (conmutador de memoria 2-2 está apagado (OFF)), el papel de la etiqueta se eyecta y el LED ERROR parpadea. Cuando el conmutador FEED (alimentación) se presiona bajo esta circunstancia, el papel retorna a la posición de comienzo de la impresión y el LED ERROR se apaga.
- **Error de detección de papel (etiqueta)**  
Si la detección no está disponible, incluso con alimentación de papel de una cantidad dada para detectar el espacio entre las etiquetas o el papel de etiquetas, el LED ERROR parpadea. En este caso, ajuste el sensor en el modo de ajuste del sensor de papel. Si no se produce la detección, incluso después del ajuste del sensor, reemplace el papel de etiquetas. Si el reemplazo del papel de etiquetas no es efectivo para la detección, el sensor, etc. puede estar fallado (degradado). Contacte al representante de servicio.

A continuación se muestra el estado de iluminación y parpadeo de cada error inclusive los anteriores.

Estado	LED POWER	LED ERROR	Zumbador
Fin de papel	Se enciende	Se enciende	
Proximidad de fin de papel	Se enciende	Se enciende	—
Tapa de la impresora abierta	Se enciende	Se enciende	—
Error de tapa de la impresora abierta *1	Se enciende		
Error de bloqueo de cortador	Se enciende		
Error de recalentamiento de cabeza	Se enciende		—
Error de atascamiento de papel	Se enciende		—
Error de comprobación de memoria		Se enciende	—
Error de tensión baja	Se enciende		—
Error de alto voltaje o Error de operación del interruptor de alimentación	Se enciende		—
Espera de ejecución de macro *2	Se enciende		—
Error de detección de Marca Negra	OFF		
Espera por el corte de papel (etiqueta) *L, *M	OFF		—
Error de detección de papel (etiqueta) *L, *M	OFF		

\*1: Cuando la impresora está imprimiendo.

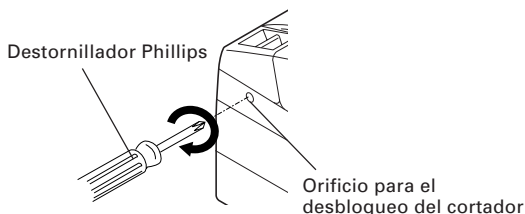
\*2: El LED ERROR puede parpadear incluso durante la ejecución de la función macro.

## 4.7 Cuando no se Puede Abrir la Cubierta de Papel

Si la cuchilla del cortador permanece extendida debido a un atasco de papel o a otra incidencia, puede que sea imposible abrir la cubierta de papel.

En este caso, no fuerce la cubierta de papel. Inserte un destornillador Phillips (Tamaño #1) en el orificio para el desbloqueo del cortador y gírelo en la dirección de la flecha (a la derecha).

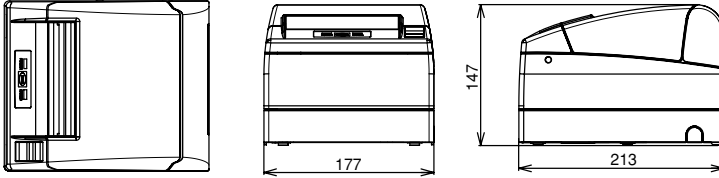
Cuando ambos extremos de la cuchilla lleguen a la posición más baja, deje de girar el destornillador. Abra la cubierta y siga el procedimiento de extracción de papel atascado u otra causa de problema.



# 5. OTROS

## 5.1 Vistas Externas y Dimensiones

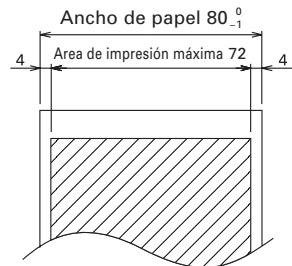
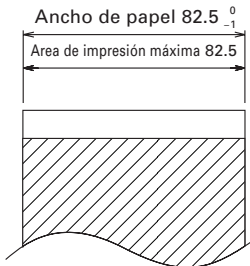
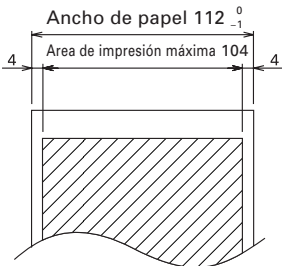
(Unidad: milímetro)



## 5.2 Papel de Impresión

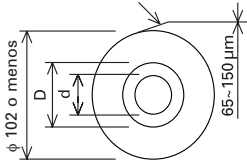
Utilice el papel de impresión mostrado en la siguiente tabla o papel con calidad equivalente.

Tipo de Papel	Nombre del Producto
Rollo de papel térmico recomendado	F230AA, P220AG, HP220A, HP220AB-1, P220AB, P220AE-1, PB670 (Rojo/Negro), PB770 (Azul/Negro) from Mitsubishi Paper TF50KS-E2D from Nippon Paper PD150R, PD160R from Ohji Paper



Superficie de impresión

(Unidad: milímetro)



Espesura de pape (μm)*	65-75	75-150
Diámetro interno del núcleo d (mm)	φ12	φ25.4
Diámetro externo del núcleo D (mm)	φ18	φ32

\*El espesor del papel de etiqueta es el total del espesor de la "hoja de recubrimiento" y la "etiqueta".

### ¡PRECAUCION!

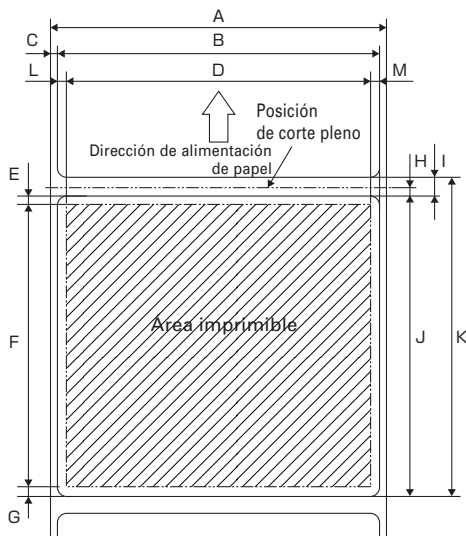
NO utilice el siguiente tipo de rollo de papel.

- Papel con pliegues.
- Papel con esquinas dobladas.
- Papel adherido al núcleo.
- Rollo de papel curvado (lado de impresión hacia dentro).

Cuando se usa “papel de etiqueta” con la CT-S4000L y la CT-S4000DCL, refiérase a lo siguiente. Use el papel siguiente u otro papel equivalente.

Tipo de Papel	Nombre del Producto
Papel de etiqueta térmica recomendado	150LA-1 de Ricoh, GG40/P22/G6B de Ojitic, HD75 de Nippon Paper

a) Papel de etiqueta \*L



Unit: mm

Marca	Ítem	Dimensiones
A	Ancho del recubrimiento	58 a 112. <sub>.1</sub>
B	Ancho de la etiqueta	54 a 108 ± 0.5
C	Borde izquierdo de la etiqueta	2 + 0.5
D	Ancho de impresión	50 a 104
E	Margen superior	2 ± 1
F	Longitud de impresión	21 a 296
G	Margen inferior	2 ± 1
H	Posición de corte entre las etiquetas	1/2 x (Tamaño I)
I	Espacio entre las etiquetas	4 a 30
J	Longitud de la etiqueta	25 a 300
K	Paso de la etiqueta	I+J
L	Margen izquierdo	2 ± 1
M	Margen derecho	2 ± 1

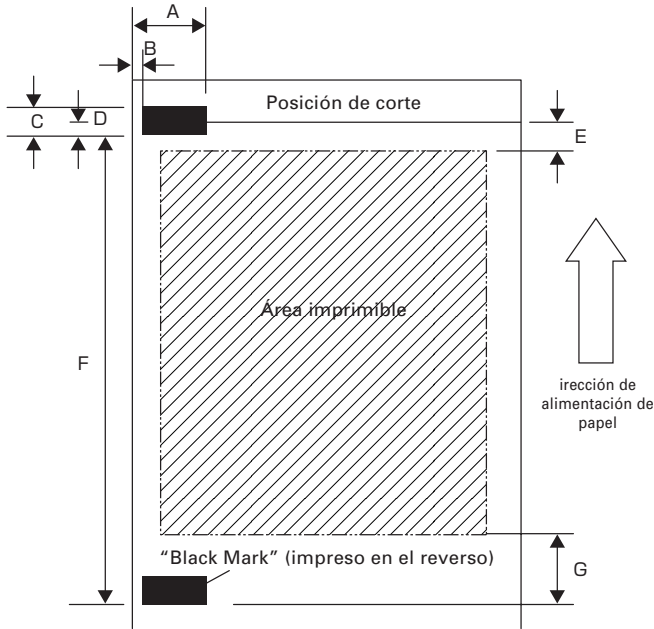
## ¡PRECAUCION!

Ponga atención en lo siguiente cuando use la cortadora automática. De otra manera, se puede producir un bloqueo de cortadora o falla de cortadora.

- Ajuste la longitud de corte del papel a 25 mm o más.
- Cuando se usa papel de etiquetas, corte el espacio entre las etiquetas (hoja de recubrimiento). No corte el papel de la etiqueta (papel de taco).
- Se debe efectuar el ajuste del sensor de papel cuando se cambia el tipo de recubrimiento.

El papel de etiqueta no puede ser usado con el modelo que soporte “Black Mark” (CT-S4000M / CT-4000DCM).

b) Papel "Black Mark" (papel BM)



Unit: mm

Marca	Ítem	Dimensiones
A	Borde derecho de "Black Mark"	15 ó más
B	Borde izquierdo de "Black Mark"	0 a 1.5
C	Altura de "Black Mark"	5
D	Posición de corte en "Black Mark"	2.5
E	Margen superior	6.5 / 12
F	Paso de "Black Mark"	30 a 300
G	Margen inferior	9

\* En el caso de operación en que la impresora corta el papel, el margen superior será cambiado mediante el ajuste del conmutador de memoria 4-8. Es 6,5 mm a 0 (OFF (apagado)) y 12 mm a 1 (ON (encendido)).

\* En el caso de operación en que la impresora no corte el papel, el margen superior es de 6,5 mm.

## ¡PRECAUCIÓN!

- El valor PCS de "Black Mark" debe ser de 0,9 o más.
- Cuando se usa el papel "Black Mark", considere un margen de  $\pm 2$  mm para la posición de impresión contra la posición estándar y  $\pm 5$  mm para la longitud de impresión.
- Refiérase al dibujo anterior para el área imprimible y que tenga los márgenes suficientes especificados en las marcas E y G. Si el tamaño de los datos de impresión está fuera del área imprimible, la impresora debería saltarse a la próxima página.

## 5.3 Ajuste Manual de los “Memory Switches”

Los “memory switches” pueden ser ajustados manualmente o vía comando. Para el ajuste manual, consulte la siguiente página.

En la siguiente tabla se muestra la función de cada “memory switch”. (Los caracteres blancos sobre fondo negro son ajustes de fábrica.)

No. de Conmutador	Ajuste	0 (OFF)	1 (ON)
Memory SW1-1	Power ON Info	Valid	Not send
SW1-2	Buffer Size	4k bytes	45 bytes
SW1-3	Busy Condition	Full/Err	Full
SW1-4	Receive Error	Print "?"	No Print
SW1-5	CR mode	Ignored	LF
SW1-6	Reserved	Fixed	-
SW1-7	DSR Signal	Invalid	Valid
SW1-8	Init Signal	Invalid	Valid
Memory SW2-1	Reserved	-	Fixed
SW2-2	Auto Cutter	Invalid	Valid
SW2-3	Spool Print	Invalid	Valid
SW2-4	Full Col Print	LineFeed	WaitData
SW2-5	Resume aft PE	Next	Top
SW2-6	Reserved	Fixed	-
SW2-7	Reserved	Fixed	-
SW2-8	PNE Sensor	Valid	Invalid
Memory SW3-1	Resum Ctrr Err	Valid	Invalid
SW3-2	Reserved	Fixed	-
SW3-3	Parallel 31 Pin	Valid	Invalid
SW3-4	Reserved	Fixed	-
SW3-5	Reserved	Fixed	-
SW3-6	Reserved	Fixed	-
SW3-7	CBM1000 Mode	Invalid	Valid
SW3-8	Resum Open Err	Close	Command
Memory SW4-1 *M	P. Length Set	Auto Measure	Command
SW4-2 *M	Power on TOF	Invalid	Valid
SW4-3	Feed&Cut at TOF	Invalid	Valid
SW4-4 *L	Paper Select *1	Thermal Roll	BM.P / Lbl.P *4
SW4-5 *L	Position detect *2	Black Mark	Label
SW4-4 *M	Paper Select *1	Thermal Roll	BM.P
SW4-5 *M	Position detect *2	Black Mark	-
SW4-6	Reserved	Fixed	-
SW4-7	Reserved	Fixed	-
SW4-8 *3	Prtial Only	Invalid	Valid

Notas:

\*1: El ajuste de fábrica de “Selección de papel” será diferente, dependiendo de la clasificación del modelo.

\*2: En caso de seleccionar el rollo térmico con SW4-4, SW4-5 no estará disponible. SW4-5 se ajustará al estado “Marca Negra” para la impresora versión Marca Negra.

\*3: En el modo de etiqueta (con los conmutadores de memoria SW4-4 y SW4-5 ajustados a ON (encendido)), el corte pleno se usa para el papel independientemente del ajuste del conmutador de memoria SW4-8.

\*4: Cuando se imprime en el papel de etiquetas, la impresión de columnas de 660 puntos no es utilizable.

El conmutador de memoria SW2-8 no es utilizable con el papel de etiquetas.



No. de Conmutador	Ajuste	0 (OFF)	1 (ON)
Memory SW5-1	Buzzer	Valid	Invalid
SW5-2	Line Pitch	360	406
SW5-3	USB Mode	Virtual COM	Printer Class
SW5-4	Reserved	Fixed	-
SW5-5	Reserved	Invalid	-
SW5-6	Reserved	Fixed	-
SW5-7	Reserved	Fixed	-
SW5-8	Reserved	Fixed	-

No. de Conmutador	Ajuste	Por omisión	Valores de Ajuste
Memory SW7-1	Baud Rate	9600 bps	1200 bps, 2400 bps, 4800 bps, 9600 bps, 19200 bps, 38400 bps, 57600 bps, 115200 bps
SW7-2	Data Length	8Bits	7Bits, 8Bits
SW7-3	Stop Bit	1Bit	1Bit, 2Bits
SW7-4	Parity	NONE	NONE, EVEN, ODD
SW7-5	Flow Control	DTR/DSR	DTR/DSR, XON/XOFF
SW7-6	DMA Control	Valid	Valid, Invalid
SW7-7	VCom Protocol	PC Setting	PC Setting, DTR/DSR, XON/XOFF
Memory SW8-1	Print Width	832dots	832dots(69 col.), 720dots(60col.), 660dots(55col), 576dots(48col.), 512dots(42col)
SW8-2	Paper Type	1 Color Normal	1 Color Normal, 2 Color Normal
Memory SW9-1	Code Page	PC437	PC437/Katakana/PC850,858/PC860/PC863/PC865/PC852/PC866/PC857/WPC1252/PC864/Thai Code 18
Memory SW9-2	Int'Char Set	USA	USA, France, Germany, England, Denmark, Sweden, Italy, Spain, Japan, Norway, Denmark 2, Spain 2, Latin America, Korea Croatia, China
Memory SW9-3*	Kanji	OFF	ON, OFF
SW9-4*	JIS/Shift JIS	JIS	JIS, Shift JIS
Memory SW10-1	Print Density	100%	70%, 75%, 80%, 85%, 90%, 95%, 100%, 105%, 110%, 115%, 120%, 125%, 130%, 135%, 140%
SW10-2	Print Speed	Level 9	Level 1, Level 2, Level 3, Level 4, Level 5, Level 6, Level 7, Level 8, Level 9
SW10-3	ACK Timing	Before Busy	Before Busy, Same Period, After Busy
SW10-4	NV User	192K bytes	1K bytes, 64K bytes, 128K bytes, 192K bytes
SW10-5	NV Graphic	384K bytes	0 byte, 64K bytes, 128K bytes, 192K bytes, 256K bytes, 320K bytes, 384K bytes

\* En esta impresora, no se usan los Memory Switches 9-3 y 9-4.

## Ajuste Manual de los "Memory Switches" (Memory SW)

El memory switch puede ser seleccionado, cambiado, o escrito por la combinación de tres acciones: pulsando el pulsador FEED, manteniendo pulsado el pulsador FEED, y abriendo y cerrando la cubierta de la impresora.

1. Entrar en el modo de ajuste de los "memory switches"

Ajuste el papel en la impresora y mantenga la tapa de la impresora abierta. Con el pulsador FEED mantenido pulsado, conecte la alimentación de la impresora, y luego pulse dos veces el pulsador FEED. Cierre la cubierta. Si los ajustes actuales del "memory switch" etc, se imprimen, la impresora está ahora en el modo de ajuste de los "memory switches".

Memory SW (1) 00000000

0: Estado OFF  
1: Estado ON

(No hay indicación para 0/1 con conmutador de memoria SW7 a SW10)

2. Selección del "memory switch" (Modo de selección de conmutador de memoria)  
Cuando se pulsa brevemente el pulsador FEED (\*1) ocurre la impresión en el orden de "Memory SW1" → "Memory SW2" → "Memory SW3" → ..... "Memory SW10" → "Save To Memory" → "Memory SW1" →..... repetidamente. Al llegar al memory switch que desea cambiar, mantenga pulsado el pulsador FEED (por más de 2 segundos).
3. Selección de las opciones de cada "memory switch"  
Existen 2-16 opciones de ajuste para cada switch. Manteniendo pulsado el pulsador FEED por un tiempo prolongado (\*2), la impresora pasa a la siguiente opción e imprime el ajuste actual de la opción. Repita el presionado y retención hasta que se alcance el ítem que usted desea alcanzar.

Power ON notify setting (Valid )

Estado OFF:  
LED DE ERROR APAGADO  
Estado ON:  
LED DE ERROR ENCENDIDO

(Con el memory switch SW7 a SW10, el LED ERROR se enciende solamente en el ajuste de fábrica.)

4. Cambio de ajuste  
Cuando la opción que desea cambiar se imprime, pulse brevemente el pulsador FEED (\*1). Se imprime el valor de ajuste cambiado. (Cuando el cambio del valor de ajuste se repite, se recupera el valor de ajuste original). Cuando pulsa el pulsador FEED por un tiempo prolongado (\*2), el valor de ajuste es aceptado y luego la impresora pasa a la siguiente opción de ajuste.
5. Retorno al Modo de selección de conmutador de memoria (ítem 2 arriba)  
Al completar el ajuste del contenido deseado, abra la cubierta de papel y luego ciérrela. Esto permite que la impresora imprima el valor del "memory switch" cambiado.
6. Grabación del ajuste y salida del modo de ajuste de "memory switch"  
Pulse brevemente el pulsador FEED (\*1) para pasar a "Save To Memory". Luego mantenga pulsado el pulsador FEED. La impresora imprime el contenido del nuevo ajuste y sale del modo de ajuste del "memory switch" para retornar al estado de espera normal.  
\* Si no se hace la grabación del ajuste, el ajuste cambiado no será habilitado.
7. Inicialización del "memory switch"  
Cuando desea retornar el ajuste del "memory switch" al estado inicial, vaya a "Save To Memory" del procedimiento anterior. Aquí, abra la cubierta de la impresora y mantenga pulsado el pulsador FEED hasta que suene el zumbador. Esto permite que la impresora retorne al estado inicial.  
\* Todos los ajustes de los "memory switches" retornan a los valores de ajuste de fábrica.

\*1: Presione por menos de 2 segundos \*2: Presione por más de 2 segundos

## 5.4 Selección del tipo de papel \*L, \*M

La selección del tipo de papel está disponible mediante la combinación de los conmutadores de memoria SW4-4 y SW4-5 de los usados en el “modo de selección de conmutador de memoria”. Además, se dispone del siguiente procedimiento.

### 1. Ingrese al modo de selección del tipo de papel.

- 1) Abra la cubierta de la impresora y remueva el papel. Presionando y sosteniendo el botón FEED (alimentación), encienda la alimentación eléctrica de la impresora. El LED POWER (encendido) comienza a parpadear.
- 2) Libere el botón FEED (alimentación) y luego cierre la cubierta de la impresora. El zumbador suena y el tipo de papel actualmente ajustado es indicado mediante el LED en el panel de operación.

### 2. Seleccione el tipo de papel

Presione el botón FEED (alimentación) para hacer coincidir el tipo de papel cargado con las indicaciones LED en la tabla de abajo. (Refiérase a la tabla de abajo.)

	LED POWER (encendido)	LED ERROR
Etiqueta	Verde encendido	(OFF)
Rollo de papel térmico	(OFF)	Rojo encendido
Papel “Black Mark”	Verde encendido	Rojo encendido

### 3. Almacene el tipo de papel seleccionado en la impresora.

Abra y cierre la cubierta de la impresora. Mediante esta operación, el tipo de papel seleccionado se almacena en la memoria de la impresora y el modo de selección del tipo de papel se termina.

A partir de entonces, “ajuste de longitud de página” del conmutador de memoria 4-1 se inhabilita.

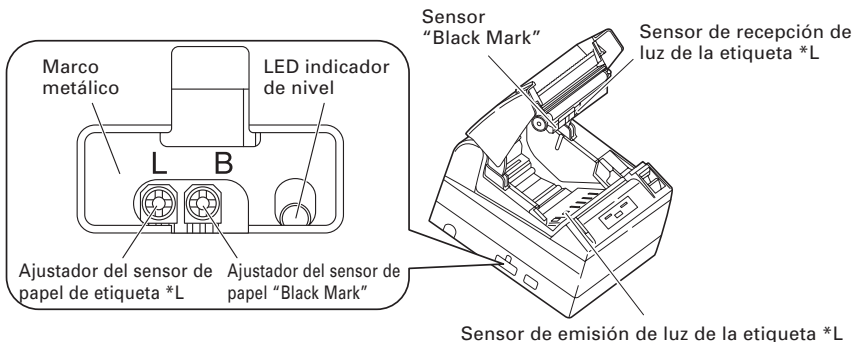
Cuando se cierra la cubierta de la impresora durante el ajuste de papel “Black Mark” o el papel de etiqueta en la impresora, la longitud del papel se mide, y el resultado será impreso.

- \* Si el error de detección de papel se produce en la medición de la longitud de papel, la impresora entra automáticamente en el modo de ajuste del sensor de papel. Ajuste el sensor de acuerdo con “5-5 Ajuste del sensor de papel”.

## 5.5 Ajuste del sensor de papel \*L, \*M

Antes de usar el papel “Black Mark” (papel BM) o de etiqueta, ajuste el sensor de papel. Primero, sostenga la palanca en el extremo superior de la cubierta de control de ajuste del sensor localizado a la izquierda del interruptor y presione la palanca hacia abajo y hacia el frente, para remover la cubierta de la impresora.

Como se muestra abajo, el de la extrema izquierda es un ajustador del sensor de papel de etiqueta, el próximo es el ajustador de sensor de papel “Black Mark” y el de la derecha es un LED indicador de nivel. Ajústelos mediante el siguiente procedimiento.



### 1. Ingrese al modo de ajuste del sensor de papel.

Abra la cubierta de la impresora, remueva el papel, y luego ajuste el interruptor de alimentación de la impresora a ON (encendido). Aquí, el LED POWER (encendido) y el LED ERROR se encienden y el zumbador suena. Luego, cierre la cubierta de la impresora mientras presiona el botón FEED (alimentación). El LED ERROR comienza a parpadear con el sonido del zumbador.

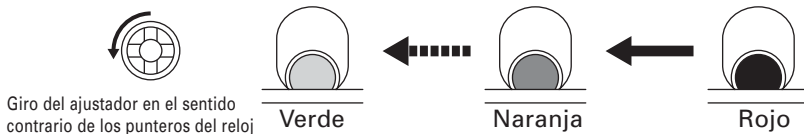
### 2. Ajuste el papel a ser ajustado a la impresora.

Esta impresora tiene tres tipos de sensores de papel incorporados.

En caso de la etiqueta, ajústela de manera que la etiqueta esté posicionada sobre el sensor de recepción de luz de la etiqueta y el sensor de emisión de luz de la etiqueta. En el caso del papel "Black Mark", ajústelo de manera que la porción imprimible (aparte de la "Black Mark") sea posicionada en el sensor "Black Mark". Manteniendo este estado, el cierre de la cubierta de la impresora causa que el LED ERROR parpadee y que el zumbador suene.

### 3. Ajuste del sensor de papel

Gire el ajustador correspondiente en el sentido contrario a los punteros del reloj usando un destornillador de paleta plana. Ajuste el ajustador a la posición en que el LED comienza a cambiar de naranja a verde.

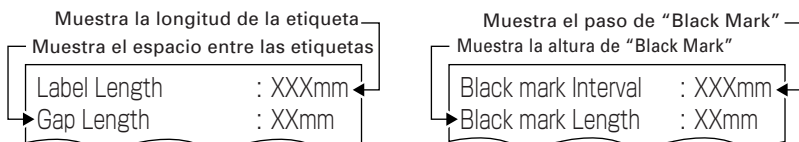


\* Mientras gira el ajustador mediante el destornillador, no permita que ninguna parte del destornillador toque el marco metálico. De otra manera, el color de luz del LED no será visualizado mientras se toca.

### 4. Efectúe la operación de medición de papel

Cuando se presiona el botón FEED (alimentación), la etiqueta se alimenta y se efectúa la medición del papel. Si el botón FEED (alimentación) se presiona durante la medición de papel, el resultado será impreso de la manera siguiente, y se inicializará el conmutador de memoria de la impresora.

\* El resultado de la medición es un valor de referencia.



< Ejemplo del resultado de medición de la etiqueta \*L > < Ejemplo de resultado de medición de papel "Black Mark" \*M >

## 5.6 Papel de etiqueta de corte pleno \*L

Cuando se efectúa el corte pleno del papel de etiqueta con la impresora instalada horizontalmente. Asegúrese que la placa guía esté montada en la salida de papel de la cubierta de la impresora.

(Esta placa guía fue ajustada a la impresora al momento de embarque desde la fábrica.) La placa guía evita que el papel cortado caiga a la impresora.

### ⚠ ¡PRECAUCION!

- Si se acumulan aproximadamente 10 hojas de papel cortado en la salida de papel, remueva el papel.
  - Si se acumulan 10 ó más hojas de papel, se podría producir un atascamiento de papel.
- Remueva la placa guía para corte de papel de etiqueta distinto a la de corte pleno, con la impresora instalada horizontalmente.
  - La cortadora manual no puede ser usada cuando la placa guía está montada.
  - Es posible que sea difícil que salga el papel de etiqueta corto con la impresora instalada verticalmente.

#### ● Montaje y desmontaje de la placa guía

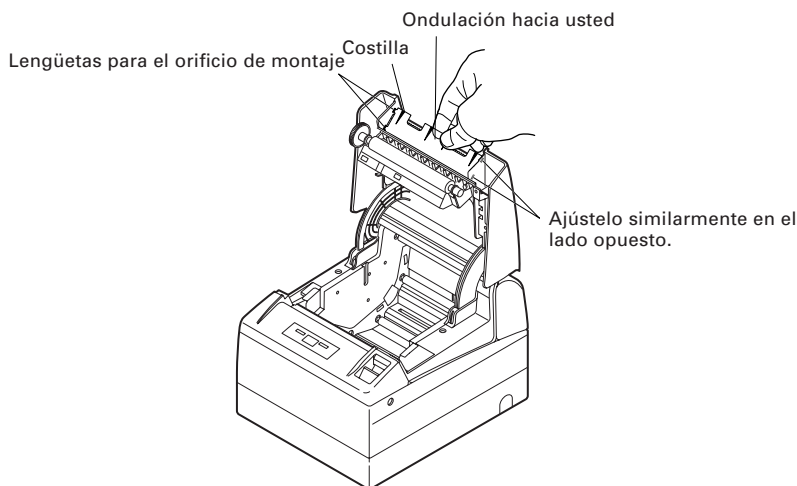
##### • Montaje

Con la cubierta de la impresora mantenida abierta, inserte las lengüetas de la placa guía en los dos orificios de montaje (en el orificio derecho o izquierdo) localizados en el interior de la parte delantera de la cubierta. Ajuste la placa guía con su costilla apuntando hacia usted.

Luego, con la ondulación de la placa guía hacia usted, inserte las lengüetas en los dos orificios de montaje en el lado opuesto de la cubierta.

##### • Desmontaje

Con la cubierta de la impresora mantenida abierta, tire de la parte central de la placa guía hacia usted para remover la placa guía.





# WEEE MARK

- En** If you want to dispose this product, do not mix with general household waste. There is a separate collection systems for used electronics products in accordance with legislation under the WEEE Directive (Directive 2002/96/EC) and is effective only within European Union.
- Ge** Wenn Sie dieses Produkt entsorgen wollen, dann tun Sie dies bitte nicht zusammen mit dem Haushaltsmüll. Es gibt im Rahmen der WEEE-Direktive innerhalb der Europäischen Union (Direktive 2002/96/EC) gesetzliche Bestimmungen für separate Sammelsysteme für gebrauchte elektronische Geräte und Produkte.
- Fr** Si vous souhaitez vous débarrasser de cet appareil, ne le mettez pas à la poubelle avec vos ordures ménagères. Il existe un système de récupération distinct pour les vieux appareils électroniques conformément à la législation WEEE sur le recyclage des déchets des équipements électriques et électroniques (Directive 2002/96/EC) qui est uniquement valable dans les pays de l'Union européenne.  
Les appareils et les machines électriques et électroniques contiennent souvent des matières dangereuses pour l'homme et l'environnement si vous les utilisez et vous vous en débarrassez de façon inappropriée.
- Sp** Si desea deshacerse de este producto, no lo mezcle con residuos domésticos de carácter general. Existe un sistema de recogida selectiva de aparatos electrónicos usados, según establece la legislación prevista por la Directiva 2002/96/CE sobre residuos de aparatos eléctricos y electrónicos (RAEE), vigente únicamente en la Unión Europea.
- It** Se desiderate gettare via questo prodotto, non mescolatelo ai rifiuti generici di casa. Esiste un sistema di raccolta separato per i prodotti elettronici usati in conformità alla legislazione RAEE (Direttiva 2002/96/CE), valida solo all'interno dell'Unione Europea.
- Du** Deponer dit product niet bij het gewone huishoudelijk afval wanneer u het wilt verwijderen. Er bestaat ingevolge de WEEE-richtlijn (Richtlijn 2002/96/EG) een speciaal wettelijk voorgeschreven verzamelsysteem voor gebruikte elektronische producten, welk alleen geldt binnen de Europese Unie.
- Da** Hvis du vil skille dig af med dette produkt, må du ikke smide det ud sammen med dit almindelige husholdningsaffald. Der findes et separat indsamlingsssystem for udtjente elektroniske produkter i overensstemmelse med lovgivningen under WEEE-direktivet (direktiv 2002/96/EC), som kun er gældende i den Europæiske Union.
- Por** Se quiser deitar fora este produto, não o misture com o lixo comum. De acordo com a legislação que decorre da Directiva REEE – Resíduos de Equipamentos Eléctricos e Electrónicos (2002/96/CE), existe um sistema de recolha separado para os equipamentos electrónicos fora de uso, em vigor apenas na União Europeia.
- Pol** Jeżeli zamierzasz pozbyć się tego produktu, nie wyrzucaj go razem ze zwykłymi domowymi odpadkami. Według dyrektywy WEEE (Dyrektywa 2002/96/EC) obowiązującej w Unii Europejskiej dla używanych produktów elektronicznych należy stosować oddzielne sposoby utylizacji.



# **CITIZEN SYSTEMS JAPAN CO., LTD.**

6-1-12, Tanashi-cho, Nishi-Tokyo-shi Tokyo, 188-8511, Japan

Tel: +81 (0) 42 468 4608 Fax: +81 (0) 42 468 4996

<http://www.citizen-systems.co.jp>

TB74916-00F

1.00E-0804

Printed in Japan