

- (D) Montageanweisung - - - - -Elektrischer Ventilantrieb
- (F) Instructions d' Installation - - - - -Servomoteur de Vanne
- (I) Istruzioni per l' Installazione - - - - -Attuatore elettrico lineare
- (NL) Installatievoorschrift - - - - -Lineaire elektrische klepmotor
- (DK) Installationsinstruks\_ - - - - -Elektrisk linjær ventilmotor
- (N) Installationsinstruktioner - - - - -Elektrisk ventilmotor
- (FIN) Asennusohje - - - - -Sähköinen lineaarinen ventilin toimilaitte
- (S) Installations Instruktioner - - - - -Linjärt ventilställdon
- (E) Instrucciones de montaje - - - - -Actuador eléctrico lineal

## ML6420A3072

## ML7420A3071

### ELECTRIC LINEAR VALVE ACTUATORS

### INSTALLATION INSTRUCTIONS

**Dimensions:** 80 mm height,  $\geq 100$  mm clearance.

**Step 1:** Insert the actuator into the valve body.

**Step 2:** Tighten the actuator to the valve body. Labels: a, b, c, d, e, f.

**Step 3:** Rotate the actuator. Warning: 24VAC. Label: 4...5 mm.

**Step 4:** Strip the wires to 3 mm. Label: 1.5mm<sup>2</sup> max. Label: C.

**Step 5 (ML7420A3071):** Connect wires to terminals W3 and 10V.

**Step 6:** Tighten the actuator. Warning: 24VAC.

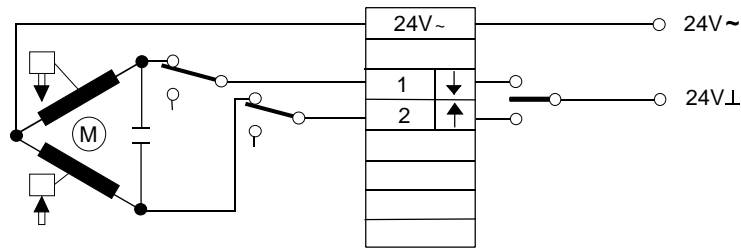
**Step 7:** Final assembly. Warning: 24VAC.

**Step B:** Final assembly. Warning: 24VAC.

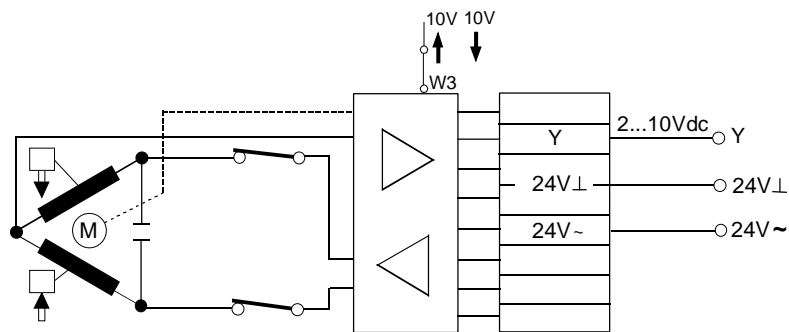
**Step 1:** Final assembly. Sequence: A3 → 4 → 6 → 2 → 1.

**C**

**ML6420A3072**



**ML7420A3071**



**Honeywell**

**Automation and Control Products**

Honeywell GmbH  
 Böblinger Straße 17  
 D-71101 Schönaich  
 Phone: (49) 7031 63701  
 Fax: (49) 7031 637493  
<http://europe.hbc.honeywell.com>

Subject to change without notice. Printed in Germany

Manufacturing location certified to

**DIN EN ISO  
 9001/14001**

MU1B-0236GE51 R0705A