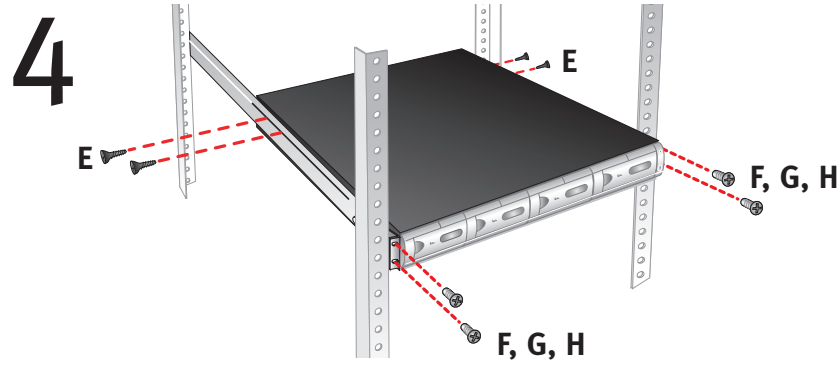
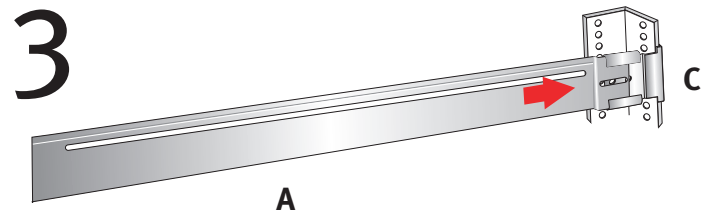
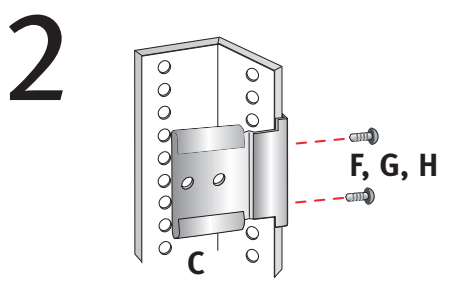
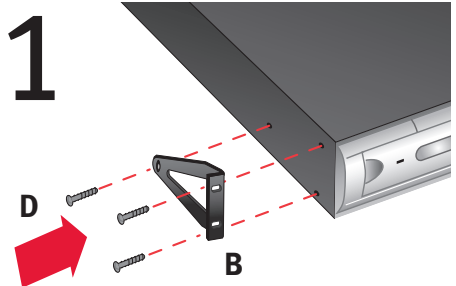
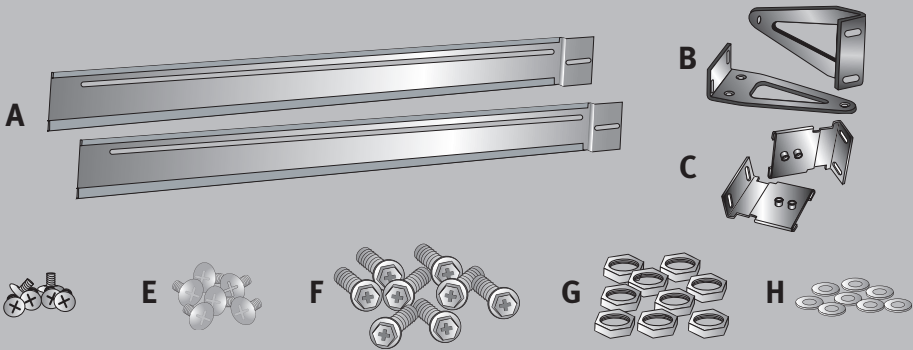


IOMEGA NAS 400



Copyright © 2003 Iomega Corporation. Iomega and NAS brand block are either registered trademarks or trademarks of Iomega Corporation in the United States and/or other countries. Certain other product names, brand names, and company names may be trademarks or designations of their respective owners.