

# Bushnell®



WITH REALVOICE™ OUTPUT  
AVEC SORTIE REALVOICE™  
CON SALIDA REALVOICE™  
MIT REALVOICE™ SPRACHAUSGABE  
CON USCITA REALVOICE™

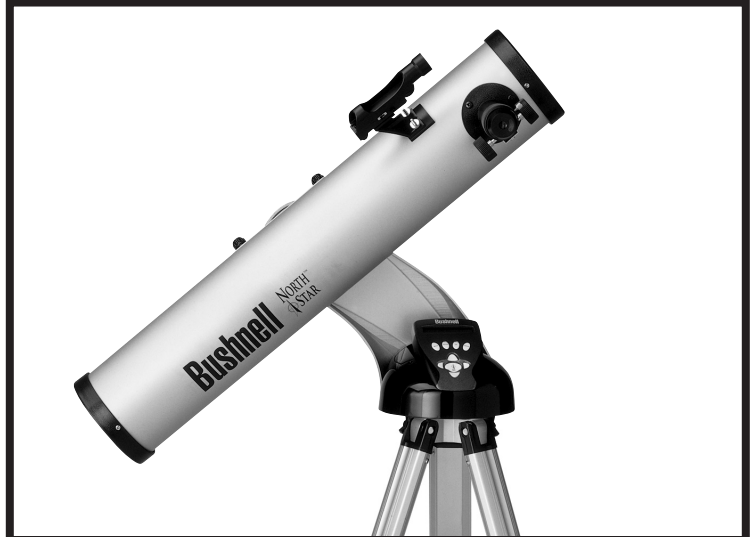
INSTRUCTION MANUAL  
MANUEL D'INSTRUCTIONS  
MANUAL DE INSTRUCCIONES  
BEDIENUNGSANLEITUNG  
MANUALE DI ISTRUZIONI

Lit.#: 98-0433/03-10

78-8840, 78-8850, 78-8890 MAKSTOV-CASSEGRAIN



78-8831 76MM REFLECTOR



78-8846 114MM REFLECTOR





## ENJOYING YOUR NEW TELESCOPE

1. You may already be trying to decide what you plan to look at first, once your telescope is setup and aligned. Any bright object in the night sky is a good starting point. One of the favorite starting points in astronomy is the moon. This is an object sure to please any budding astronomer or experienced veteran. When you have developed proficiency at this level, other objects become good targets. Saturn, Mars, Jupiter, and Venus are good second steps to take.
2. The low power eyepiece (the one with the largest number printed on it) is perfect for viewing the full moon, planets, star clusters, nebulae, and even constellations. These should build your foundation. Avoid the temptation to move directly to the highest power. The low power eyepiece will give you a wider field of view, and brighter image—thus making it very easy to find your target object. However, for more detail, try bumping up in magnification to a higher power eyepiece on some of these objects. During calm and crisp nights, the light/dark separation line on the moon (called the “Terminator”) is marvelous at high power. You can see mountains, ridges and craters jump out at you due to the highlights. Similarly, you can move up to higher magnifications on the planets and nebulae. Star clusters and individual stars are best viewed through the low power no matter what.
3. The recurring astronomical theater we call the night sky is an ever-changing billboard. In other words, the same movie does not play all the time. Rather, the positions of the stars change not only hourly as they seem to rise and set, but also throughout the year. As the earth orbits the sun our perspective on the stars changes on a yearly cycle about that orbit. The reason the sky seems to move daily just as the sun and the moon “move” across our sky is that the earth is rotating about its axis. As a result you may notice that after a few minutes or a few seconds depending on what power you are viewing at, the objects in your telescope will move. At higher magnifications especially, you will notice that the moon or Jupiter will “race” right out of the field of view. To compensate, just move your telescope to “track” it in the necessary path.

## HELPFUL HINTS

1. Your telescope is a very sensitive instrument. For best results and fewer vibrations set your telescope up on a level location on the ground rather than your concrete driveway or your wooden deck. This will provide a more stable foundation for viewing, especially if you’ve drawn a crowd with your new telescope.
2. If possible, view from a location that has relatively few lights. This will allow you to see much fainter objects. You’d be surprised how much more you’ll see from your local lake or park when compared to a backyard in the city.
3. Using your telescope out a window is NEVER recommended.
4. View objects that are high in the sky if possible. Waiting until the object rises well above the horizon will provide a brighter and crisper image. Objects on the horizon are viewed through several layers of earth’s atmosphere. Ever wonder why the moon appears orange as it sets on the horizon? It’s because you are looking through a considerable more amount of atmosphere than you would directly overhead. (Note: If objects high in the sky are distorted or wavy, you are probably viewing on a very humid night.) During nights of unstable atmosphere, viewing through a telescope can be frustrating if not impossible. Astronomers refer to crisp, clear nights as nights of “good seeing.”

## WHERE DO I START?

**Your Bushnell telescope can bring the wonders of the universe to your eye. While this manual is intended to assist you in the set-up and basic use of this instrument, it does not cover everything you might like to know about astronomy. Although Northstar will give a respectable tour of the night sky, it is recommended you get a very simple star chart and a flashlight with a red bulb or red cellophane over the end. For objects other than stars and constellations, a basic guide to astronomy is a must. But, some of the standbys that you can see are:**

**The Moon**—a wonderful view of our lunar neighbor can be enjoyed with any magnification. Try viewing at different phases of the moon. Lunar highlands, lunar maria (lowlands called “seas” for their dark coloration), craters, ridges and mountains will astound you.

**Saturn**—even at the lowest power you should be able to see Saturn’s rings and moons. This is one of the most satisfying objects in the sky to see simply because it looks like it does in pictures. Imagine seeing what you’ve seen in textbooks or NASA images from your backyard!

**Jupiter**—the largest planet in our solar system is spectacular. Most noted features are its dark stripes or bands both above and below its equator. These are the north and south equatorial belts. Also interesting are Jupiter’s four major moons. Pay close attention to their positions from night to night. They appear to be lined up on either side of Jupiter.

**Mars**—The Great Red Planet appears as a reddish-orange disk. Look at different times of the year and try to catch a glimpse of the white polar ice caps.

**Venus**—just like the moon, Venus changes phases from month to month. At times Venus appears brilliantly in the night sky, just as if you were looking at a distant crescent moon.

**Nebulae**—The Great Orion Nebula is a very well known night sky object. This and many others are brought to you by this telescope.

**Star Clusters**—View millions of stars densely packed in a cluster that resembles a ball.

**Galaxies**—One of the greatest and most interesting galaxies is our neighbor the Andromeda Galaxy. Enjoy this and many others.

Congratulations on the purchase of your Bushnell Northstar Goto Telescope with Real Voice Output! This is the first telescope ever created that actually speaks to you to educate you about the night sky. Consider this feature as your personal astronomy assistant.

After reading through this manual and preparing for your observing session as outlined in these pages you can start enjoying the Real Voice Output feature by doing the following:

- To activate your telescope, simply turn it on! The Real Voice Output feature is built in to the remote control handset.
- Along the way the telescope will speak various helpful comments during the alignment process. Once aligned, the Real Voice Output feature will really shine anytime the enter key is depressed when an object name or number is displayed at the bottom right of the LCD viewscreen. That object description will be spoken to you as you follow along with the scrolling text description.
- If at anytime you wish to disable the speaking feature, you can cancel the speech by pressing the "Back" button on the remote control keypad.

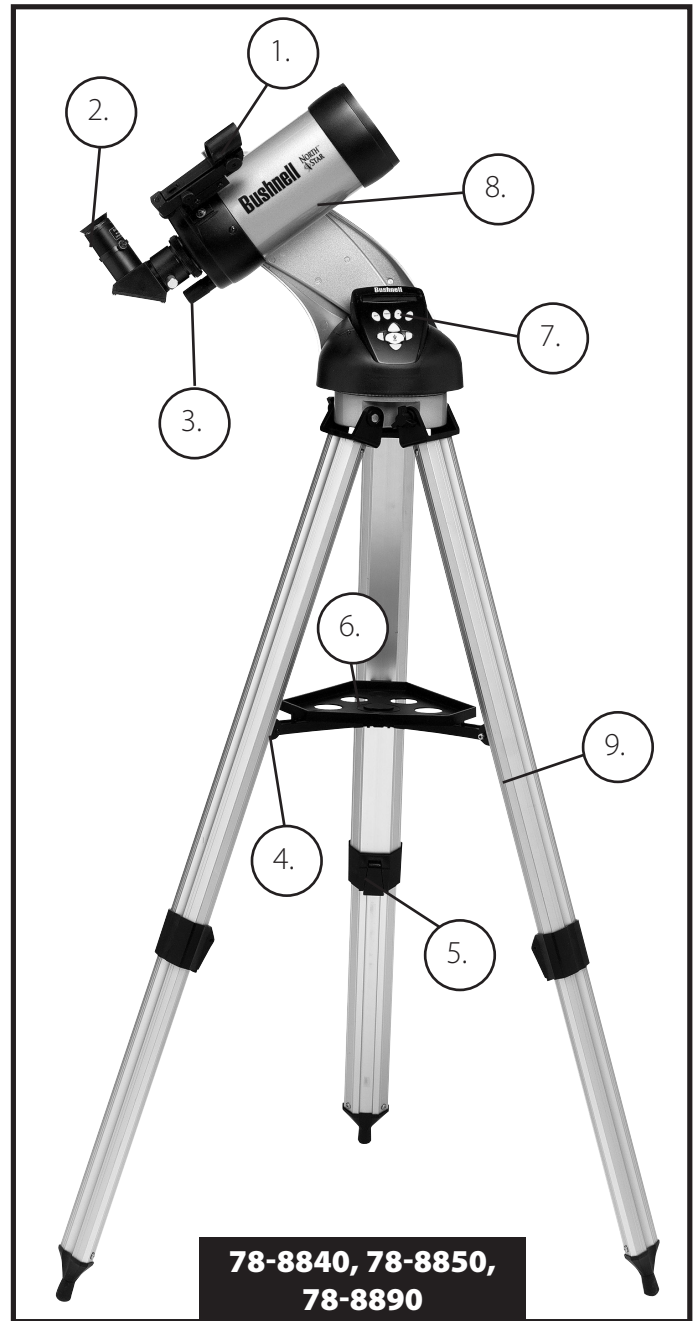
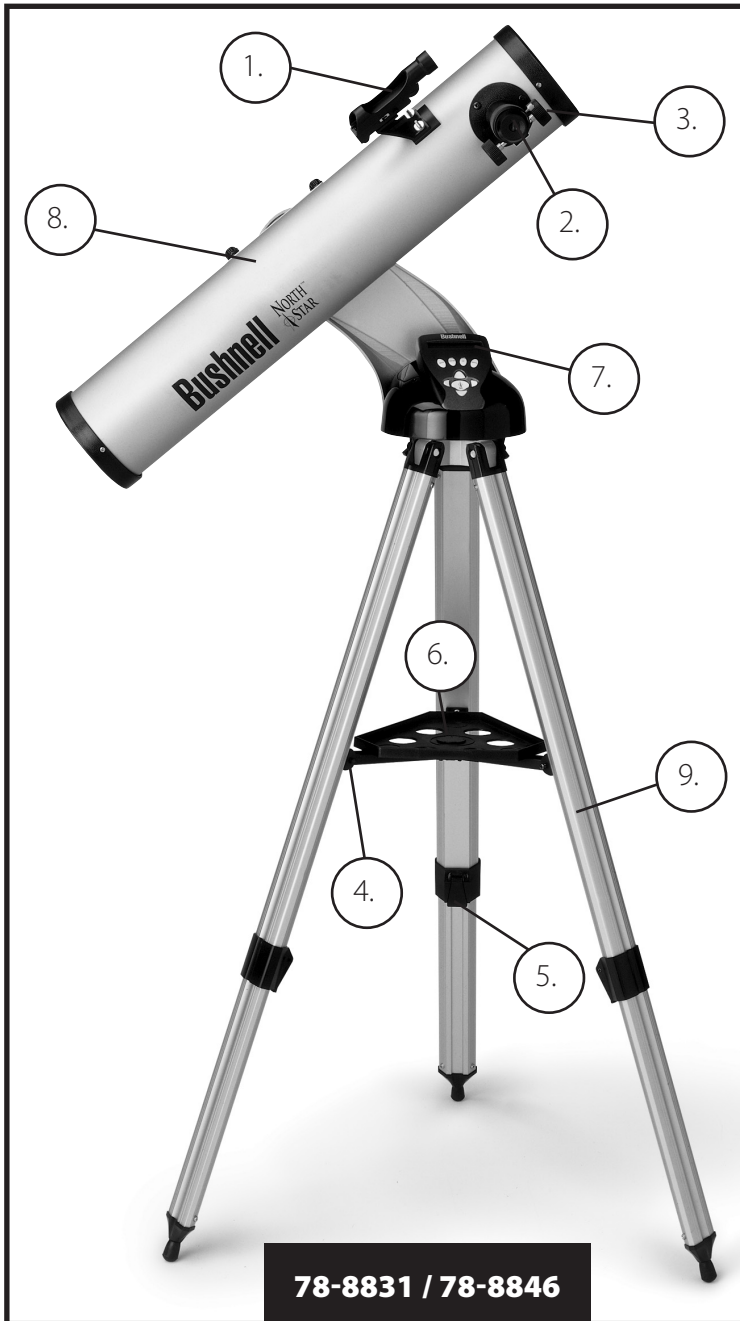
It is our sincere hope that you will enjoy this telescope for years to come!



**NEVER LOOK DIRECTLY AT THE SUN  
WITH YOUR TELESCOPE**

**PERMANENT DAMAGE TO YOUR EYES  
MAY OCCUR**

## PARTS DIAGRAMS

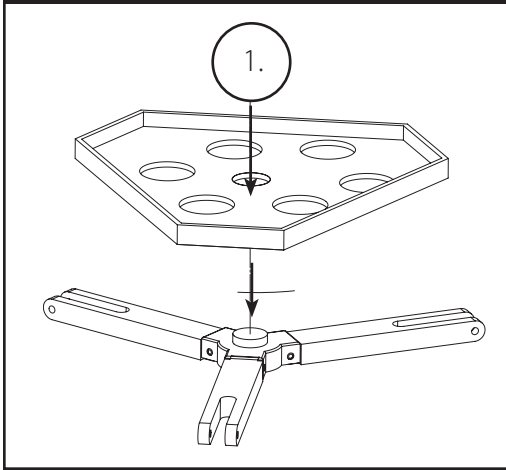


### Telescope Parts Diagram

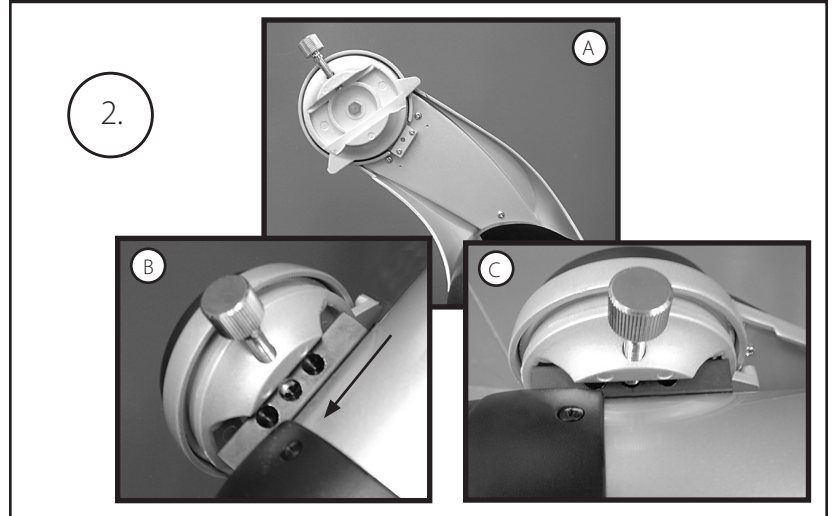
- |                                       |   |
|---------------------------------------|---|
| 1. Red Dot Finderscope                | 6. Quick-Release Accessory Tray             |
| 2. 1.25" Format Eyepiece (2 included) | 7. Remote Handset Computer Controller       |
| 3. Rack and Pinion Focusing Mechanism | 8. Main Telescope Tube                      |
| 4. Accessory Tray Brace               | 9. Quick-Release Adjustable Aluminum Tripod |
| 5. Quick-Release Tripod Leg Lever     |   |

## QUICK ASSEMBLY DIAGRAM

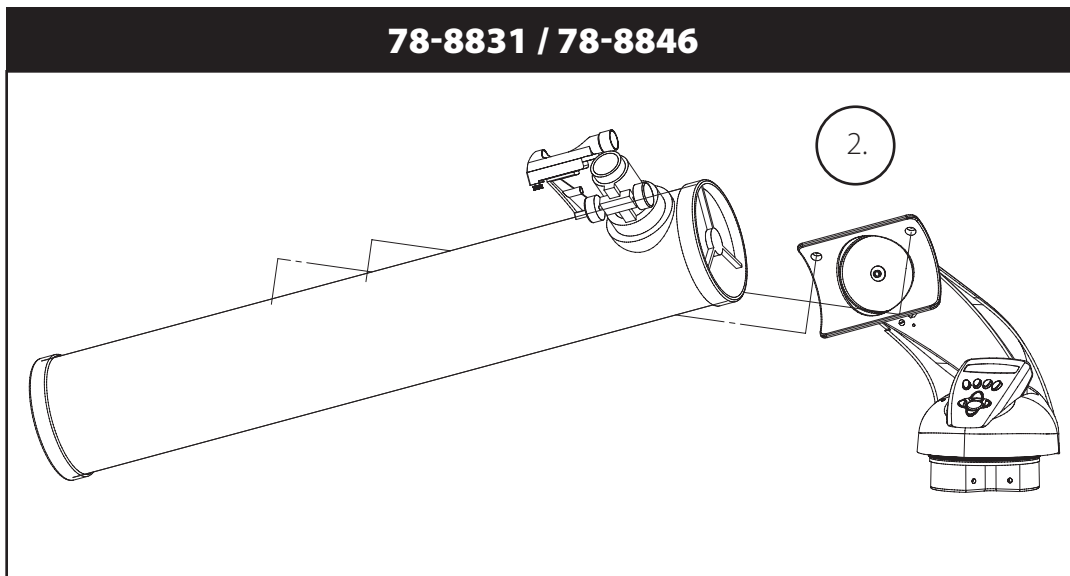
**78-8831 / 78-8846 / 78-8840  
78-8850 / 78-8890**



**78-8840, 78-8850, 78-8890**



**78-8831 / 78-8846**



## PARTS LIST

- Adjustable Aluminum Tripod Assembly  
(Pre-assembled to Northstar Computerized Star Locator Base)
- Quick Release Accessory Tray
- Northstar Telescope with finger attachment nuts
- Red Dot Finderscope
- 2 Eyepieces
- Barlow Lens (Reflectors Only)
- 90° Erecting Prism (Maksutov Only)

## DETAILED ASSEMBLY

No tools are required for assembly of your telescope.

Remove all components from the carton and identify all components. It is a good idea to lay all the parts out in front of you before assembly. Since your telescope is a precision optical system the parts require careful handling—particularly the onboard computer, telescope, eyepieces, and various accessory lenses.

### SET UP TRIPOD AND ACCESSORY TRAY

1. Stand Northstar Computerized Star Locator Assembly and attached tripod legs in the upright position. Spread tripod legs to a comfortable distance.
2. Fold down the accessory tray braces and place the Quick Release Accessory Tray on top of braces. *(See Quick Assembly Diagram #1)*
3. Turn accessory tray until it snaps into place.
4. Adjust tripod leg height to suit by opening tripod leg lever and extending tripod legs to desired height. Clamp Tripod Leg lever closed when complete.

### ATTACH TELESCOPE TUBE *(See Quick Assembly Diagram #2)*

1. Locate Main Telescope Tube.
2. Remove Telescope Tube Thumb Nuts from side of Telescope Tube (78-8831 and 78-8846 only). For 78-8890, back out silver lug screw on Telescope Mount top.
3. Position Main Telescope Tube Attachment Bolts through Telescope Tube Bracket at the top of the Northstar Computerized Star Locator Assembly (78-8831 and 78-8846 only). For 78-8890, slide black telescope tube bracket into telescope mount receiver. Make sure telescope is pointing in the correction direction. (Logo on telescope tube should be right-side up.)
4. Reattach Telescope Tube Thumb Nuts to Main Telescope Tube Attachment Bolts once Main Telescope Tube and Northstar Computerized Star Locator Assembly are assembled together (78-8831 and 78-8846 only). For 78-8890, tighten silver lug screw on Telescope Mount top into desired depression on the black telescope tube bracket.

### ATTACH FINAL TELESCOPE ACCESSORIES

1. Locate Red Dot Finderscope.  
**For Reflector Telescopes:** Remove Finderscope attachment nuts from Main Telescope Tube. Place Finderscope Assembly over Finderscope Attachment Bolts and reattach Finderscope thumb nuts to Finderscope Mount Bolts.

**NOTE:** The large end of the finderscope should face the open end of telescope tube.

2. Attach Low Power Eyepiece.  
**For Reflector Telescope Models:** Insert lowest power eyepiece in the focusing mechanism by backing out eyepiece set screw and inserting eyepiece fully.
3. Tighten all set screws to secure accessories.

### SELECTING AN EYEPIECE

You should always start viewing with the lowest power eyepiece, which in this case is the 20 mm lens. Note: the base power of each eyepiece is determined by the focal length of the telescope objective lens. A formula can be used to determine the power of each eyepiece: telescope OBJECTIVE lens focal length divided by EYEPIECE focal length = MAGNIFICATION (e.g. Using the 20 mm lens, a sample calculation could look like this: 750 mm / 20 = 38x or 38 power. Telescope models will vary in focal length.)

(Reflectors Only)

Included with this telescope is a Barlow lens. Barlow lenses are used to double or triple the power of your telescope. Place your Barlow between the focusing tube and the eyepiece. Using the example above, your 3x Barlow lens would give you a total power of 114x or 114 power. (38 x 3 = 114x or 114 power). The magnification calculation would look like this: 750 mm / 20mm = 38 power. 38 power x 3=114 power.



## DETAILED ASSEMBLY (CONTINUED)

### FOCUSING TELESCOPE

1. After selecting the desired eyepiece, aim main telescope tube at a land-based target at least 200 yards away (e.g. a telephone pole or building).
2. Fully extend Focusing Tube by turning Rack and Pinion Focusing Mechanism.
3. While looking through selected eyepiece (in this case the 20 mm), slowly retract Focusing Tube by turning Rack and Pinion Focusing Mechanism until object comes into focus.

### ATTACH REMOTE COMPUTER CONTROLLER AND BATTERY

1. Locate Remote Computer Controller and coil cord.
2. Locate Battery Door on Northstar Computerized Star Locator Base.
3. Remove Battery Door and insert one 9V battery.
4. Replace Battery Door.
5. Attach Remote Computer Controller with coil cord to Northstar Computerized Star Locator Base.

### ALIGNING FINDERSCOPE

Look through Main Telescope Tube and establish a well-defined target. (see "Focusing Telescope" section)

Remove plastic insulator from between Red Dot Finderscope battery and battery clip.

Turn Red Dot Finderscope on.

Looking through Red Dot Finderscope, turn adjustment wheels until the red dot is precisely centered on the same object already centered in Main Telescope Tube's field of view.

Now, objects located first with the Red Dot Finderscope will be centered in the field of view of the main telescope.

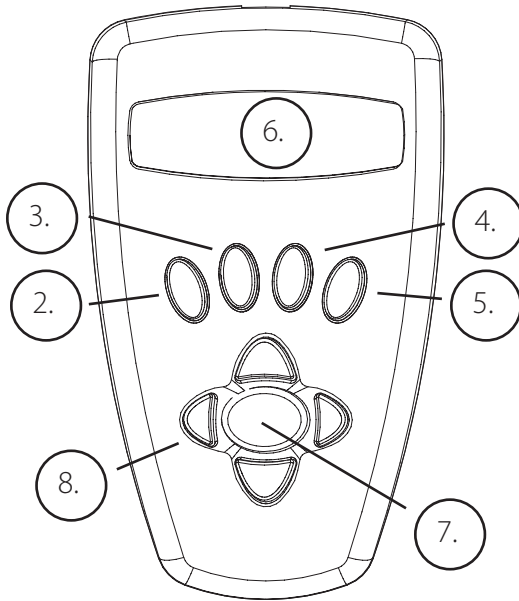
**NEVER LOOK DIRECTLY AT THE SUN  
WITH YOUR TELESCOPE**



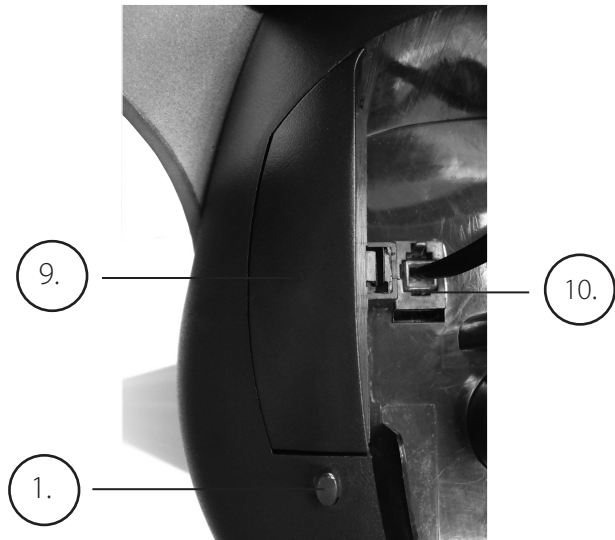
**PERMANENT DAMAGE TO YOUR EYES  
MAY OCCUR**

## NORTHSTAR COMPUTER HANDSET INTERFACE DIAGRAM

1. On/Off Button (*in base/handset cradle-see photo*)
2. Back Button
3. Enter Button
4. Scroll Up Button
5. Scroll Down Button
6. LCD Display
7. "GO" Button
8. Motorized Movement Buttons (*set of 4*)
9. Battery Door (*in base/handset cradle-see photo*)
10. Handset Cable Jack



**Inside Mounting Base  
(cradle underneath handset)**



## BUTTON FUNCTIONS

### ALL BUTTONS ARE ILLUMINATED FOR NIGHTTIME USE.

**On/Off Button:** The On/Off Button will turn the Northstar Computerized Star Locator on and off. This button flashes or strobes on and off during normal use. To turn the unit off, simply depress and hold the On/Off button for three seconds and release. (Note: The Northstar Computerized Star Locator will automatically turn itself off after 10 minutes of inactivity.)

**Back Button:** This button functions to navigate to the previous level within the operating framework and/or back to the previous level of input. If at anytime you wish to disable the speaking feature, you can cancel the speech by pressing the "Back" button on the remote control keypad.

**Enter Button:** This button functions to select certain menu choices. By pressing the ENTER button Northstar will advance to the selected level. When an object name or number is listed on the screen, the ENTER button can also be pressed to hear a spoken description and display a scrolling text description of the object.

**Scroll Up Button:** This button functions to scroll **up** through various menus within Northstar. Anytime you encounter a blinking text/number option, the scroll button will display the various choices within that menu. (Note: To select an option that you have scrolled to, just press the ENTER button.)

**Scroll Down Button:** This button functions to scroll **down** through various menus within Northstar. Anytime you encounter a blinking text/number option, the scroll button will display the various choices within that menu. (Note: To select an option that you have scrolled to, just press the ENTER button.)

## BUTTON FUNCTIONS *(Continued)*

**“GO” Button:** The GO button will automatically center the telescope on any object displayed on the LCD display. By pushing the “GO” button, the telescope will automatically find and follow the selected object until another object is selected and the “GO” button is pushed again.

**Motorized Movement Buttons:** These four multi-directional buttons will allow the user to override the tracking system and move the telescope utilizing the motors manually to another desired location. The longer these buttons are depressed, the faster the Northstar will move until it reaches its maximum speed.

## LCD DISPLAY

The Liquid Crystal Display (LCD) is a two-line, sixteen character display. The LCD is illuminated for use during nighttime viewing just like the buttons.

## HANDSET MODES

**Explore:** The Explore Mode of Northstar provides the ability to explore various astronomical objects categorized by object type. These objects would fall under one or more of the following types of objects: Deep Sky, Planets, Constellations, and Stars. Each of these subheadings would also have subcategories of objects beneath their menu structure. (See Menu Tree for full list of menu functions and options.)

**Sky Tour:** The Sky Tour Mode of Northstar provides the ability to take a quick tour of the best and brightest objects for any given month of the year. If the date has been input into the system (see Step 3 in *"Aligning Northstar for the First Time"*), the Sky Tour Mode will automatically default to that month. Objects can be chosen by using the scroll **up** or **down** arrows and pressing ENTER. To find out more information about any given object press the ENTER button while that object is displayed to see the scrolling text message.

**Telescope:** The Telescope Mode of Northstar provides real-time data on where the telescope is pointing. Astronomical Coordinates for Right Ascension (RA) and Declination (DEC) as well as Altitude (ALT) and Azimuth (AZ) are displayed simultaneously. In addition, in the lower right-hand corner will be the abbreviation for the current constellation that the telescope is pointed at.

**Identify:** The Identify Mode of Northstar provides the ability to identify any object within your telescope field of view. Subcategories for different classes of identifiable objects are included as well as an Identify Any option.

**Align Earth:** The Align Earth Mode of Northstar provides the ability to easily align your telescope utilizing common information non-astronomers would readily know. By entering simple information such as time, date, city, etc. a first time telescope user can begin exploring the immense Northstar database of astronomical objects within minutes.

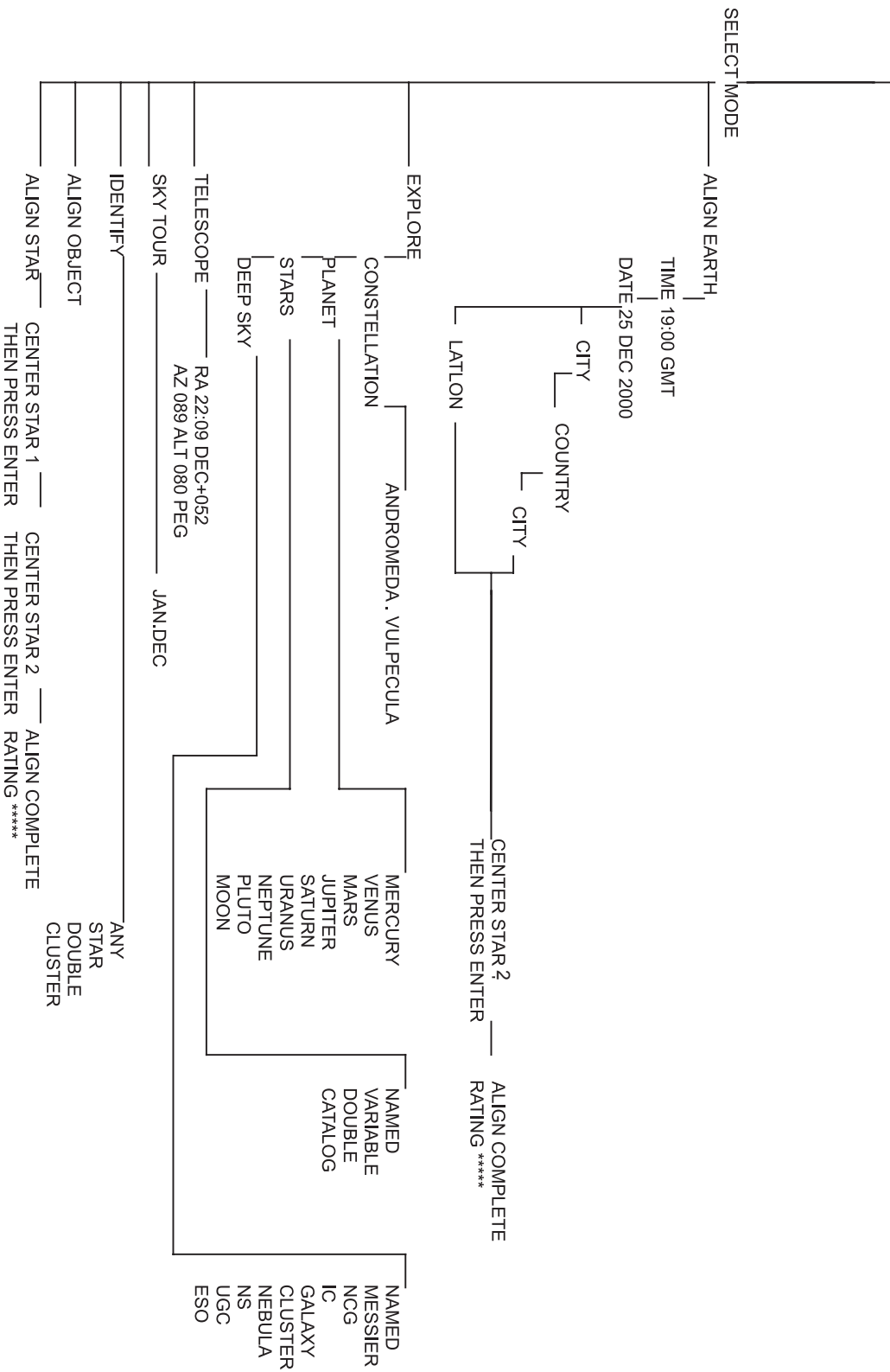
**Align Star:** The Align Star Mode of Northstar provides the ability to align your telescope utilizing some astronomical knowledge. By knowing where two stars are located in the sky, a novice user can circumvent the city, date, and time input and quickly start utilizing the Northstar database to locate astronomical objects with excellent accuracy.

**Align Object:** The Align Object Mode of Northstar provides the ability to refine your telescope alignment during the middle of your observing session. This might come in very handy if the family dog has just bumped the telescope out of alignment. By using this mode you can center the telescope on any known object and select align object to quickly recalibrate the Northstar alignment allowing continued enjoyment for the duration of the evening.

# MENU TREE

## BUSHNELL NORTHSTAR COMPUTER MENU STRUCTURE (For Step-By-Step Easy Use Refer to Quick Reference Guide)

WELCOME TO BUSHNELL NORTHSTAR



## ALIGNING NORTHSTAR FOR THE FIRST TIME

**(NOTE: Make certain that the telescope is set up on a level surface.)**

### **STEP 1:**

Before turning the telescope on, remove the remote control handset. When you turn the telescope on, a spoken and scrolling welcome message will be heard and seen as:

BUSHNELL NORTHSTAR Vx.x (the version number of the operating software)

Following this message, the telescope will execute a diagnostic check and level the telescope tube in relation to the telescope mount.

Then the default menu will appear:

SELECT MODE  
ALIGN EARTH ↑↓

The ALIGN EARTH mode assumes that even if the telescope user is a first time user and does not know anything about astronomy that they can be successful aligning the telescope in a few simple steps. Another option is the "ALIGN STAR" mode which requires a bit more experience but yields somewhat more accurate results-this will be described later.

The ALIGN EARTH option is flashing.

Press ENTER to choose the ALIGN EARTH option.

NOTE: ANY FLASHING ITEM ON THE DISPLAY IS A MENU CHOICE. OTHER CHOICES ARE AVAILABLE BY USING THE SCROLL UP OR SCROLL DOWN BUTTONS.

### **STEP 2: SET THE TIME**

By using the UP and DOWN buttons and the ENTER button, the time can easily be set as well as the time zone. Each flashing option will need to be changed (using UP/DOWN) to read the appropriate number. Once the appropriate number is displayed, accept the number by pressing ENTER. Then set the next flashing option until the time (24 hr format) and time zone are set. Note: "\_ST" indicates Standard Time and "\_DT" indicates Daylight savings Time.

### **STEP 3: SET THE DATE**

Again by using the SCROLL UP and SCROLL DOWN buttons and the ENTER button, the date can easily be set. Each flashing option will need to be changed to read the appropriate number or month. Once the appropriate number is displayed, accept the number by pressing ENTER. Then set the next flashing option until the day, month and year are set.

### **STEP 4: SET THE LOCATION**

The next screen will display:

ALIGN EARTH  
CITY ↑↓

CITY will be flashing. Press the ENTER button, the display will change to:

COUNTRY  
U.S.A. ↑↓

The country will be flashing.

## ALIGNING NORTHSTAR FOR THE FIRST TIME (Continued)

Again by using the SCROLL UP and SCROLL DOWN buttons and the ENTER button, the COUNTRY can be chosen. When the appropriate Country is found and the ENTER button is pushed, choose the city that you are closest to with the UP/DOWN buttons, then press ENTER when it is displayed.

*NOTE: CHOOSE THE CITY CLOSEST TO YOUR VIEWING LOCATION. THIS IS NOT A CRITICAL STEP AND THE ALIGNMENT WILL BE REFINED AUTOMATICALLY AS WE PROGRESS.*

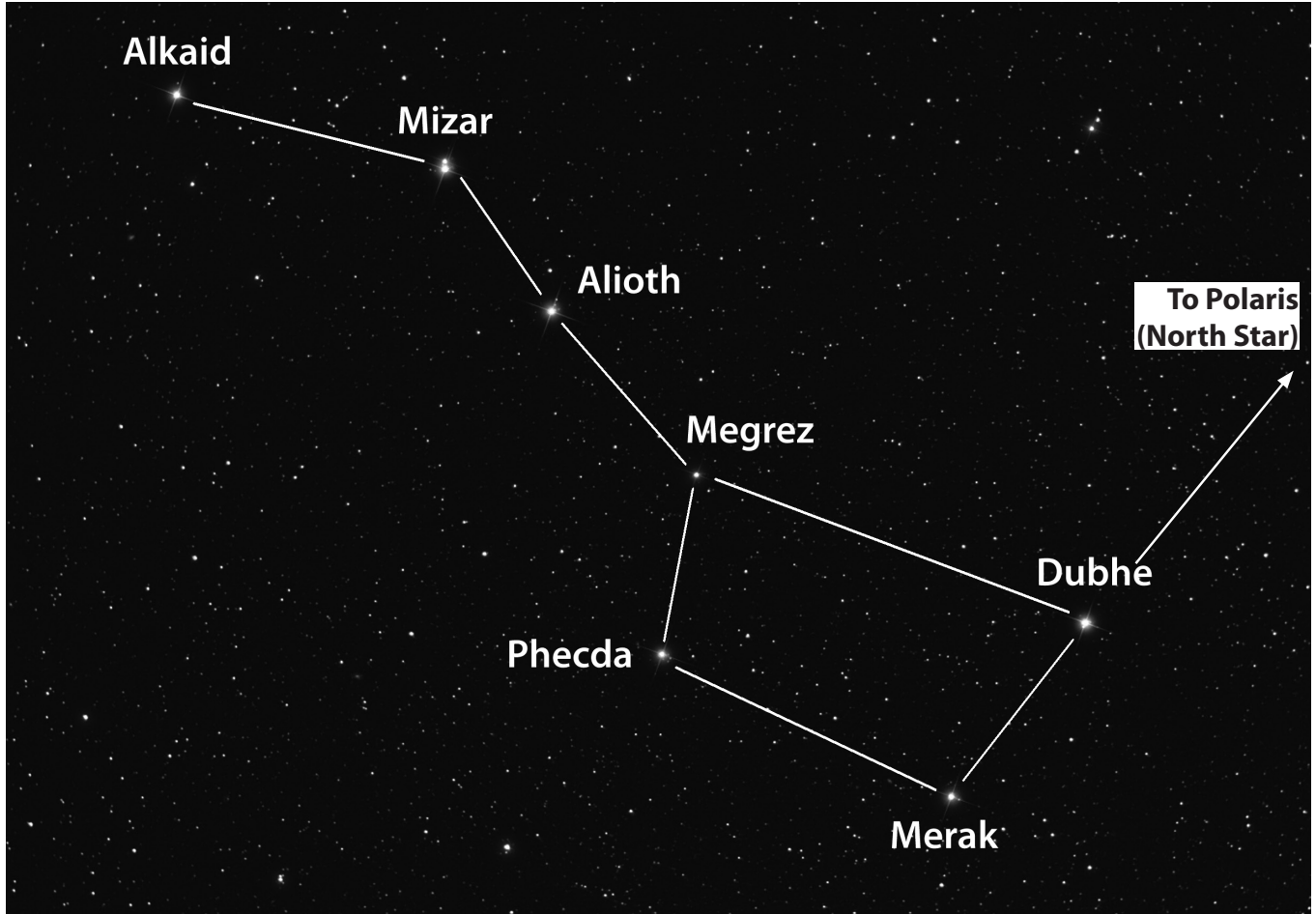
### **STEP 5: CHOOSE AND CENTER A STAR**

After your CITY has been entered, the next scrolling message reads CENTER STAR 2 THEN PRESS ENTER

This means that you will need to choose the name of a star (this will be your "guide star") from the list on the display, then position that star in the center of the viewing field as you look through the telescope (by moving it by hand or via the motor buttons), and then press ENTER.

You may be wondering why the message refers to "STAR 2"-why not "STAR 1"? The reason is that we are using the faster, easier ALIGN EARTH mode, which only requires you to locate and center one star (unlike the ALIGN STAR mode, which requires using two stars). When you entered the time, date, country and city, that basically took the place of finding "STAR 1"-you're using earth based information in its place.

If you are located in the earth's northern hemisphere, the easiest star for a beginner to find and use is probably one of the brighter ones in the familiar "Big Dipper" as shown below. As you may already know, the stars that form the Big Dipper are located near Polaris, also known as the North Star, which is the star at or near the center of the night sky, appearing directly overhead. *(Note that the Big Dipper may appear upside down in the sky or in positions other than the one shown below at different times of the year).* An imaginary line can be traced through Merak and Dubhe in the Big Dipper directly to Polaris (it's about 5 times farther away than the distance between those two "pointer stars").



## ALIGNING NORTHSTAR FOR THE FIRST TIME (Continued)

Merak, Dubhe and Mizar are bright and relatively easy to find, so you might try one of those. If you are located in the earth's southern hemisphere where the "Big Dipper" is not visible, you can of course still use "ALIGN EARTH" mode, selecting any star you like from the list of visible stars in your area shown on the telescope's display. The star charts towards the back of this manual may also be helpful in choosing a star.

Use the UP/DOWN scroll buttons to find the name of the star you've chosen on the display. The display will also show you two numbers with vertical and horizontal arrows, indicating **roughly** which direction and by how much the telescope needs to be moved to place that star in the center of the telescope's view. If you press the "GO" button, the telescope's motors will move it into a position that is at least "in the ballpark"-remember that you have not finished the alignment process yet, but this may still be helpful to get you in the general area of the sky. The numbers by the position arrows should be closer to "0" now (when they get below 10, the arrows act as "decimal points", displaying each number with greater precision-"8 arrow 4" indicates 8.4). Now you can use the red dot finder scope to aim the telescope more precisely at the star you chose (one within the Big Dipper). Next, looking through the eyepiece, position that star right in the center of the viewing field by moving the telescope by hand or using the motorized movement buttons). Once you have your star centered, press ENTER.

After this step is completed, you will see a display that reads:

```
ALIGN COMPLETE
RATING *****
```

(Note: The more stars that appear on the second line of the display the better, up to 5. If the rating is very low, you may need to find and center a different star to better refine the alignment)

### **STEP 6: EXPLORE THE NIGHT SKY!**

After EARTH ALIGN, the display will then read:

```
SELECT MODE
EXPLORE ↑↓
```

Select EXPLORE by pressing ENTER. SCROLL UP and DOWN to see what flashing menu choices you have. Choose PLANET. These are the most interesting. Even if you are a first time telescope user, PLANET objects can be very exciting.

Press ENTER when the display reads:

```
EXPLORE
PLANET
```

This will take you into a list of named PLANET objects. By using the SCROLL UP or SCROLL DOWN buttons, you can explore several items in the object list.

```
PLANET
JUPITER ↑↓
```

Press ENTER to choose the PLANET you wish to view. The display will then be *(the numbers indicate the object's position in degrees of azimuth and altitude)* :

```
PLANET
←120 ↑52 JUPITER
```

NOTE: IF AN OBJECT IS CURRENTLY LOCATED BELOW THE HORIZON (WHERE YOU WOULD BE UNABLE TO SEE IT), THE DISPLAY WILL PERIODICALLY DISPLAY THE WORD "HORIZON."

SCROLL UP or SCROLL DOWN to see other PLANETS in the list. Notice the display shows you directions to each object. But what if you are a first time user wanting to find out more about the object? Wouldn't it be nice to know what the object is before moving the telescope?

## ALIGNING NORTHSTAR FOR THE FIRST TIME (Continued)

PRESS ENTER when:

```
PLANET
←120 ↑52 JUPITER
```

or any other PLANET item is displayed. You will see a scrolling message telling you the coordinates for the object, how big it is, what its proper name is, what constellation it is in, and a brief description of what the object is. For JUPITER it reads:

```
JUPITER fifth planet from sun.
Largest planet in solar system.
16 moons. Orbit is 11.86 years.
Diameter 143,000 km. Named for roman king of gods.
```

Now imagine that you are a parent trying to impress your children (or vice versa). Ten minutes into your first observing session you are already learning astronomical objects. This is a great educational tool !!!!

To find the object, just press the "GO" button and that object will be right in the telescope's eyepiece!

By pressing the BACK button, you return to the previous level each time the button is pressed. Press the button two times and you are back at the main level menu. The display will read:

```
SELECT MODE
EXPLORE ↑↓
```

SCROLL UP or SCROLL DOWN to select

```
SELECT MODE
SKY TOUR ↑↓.
```

Press ENTER.

This mode will take you through the best and brightest objects for each month. If you have done the ALIGN EARTH alignment and entered the date, it will automatically take you to the current month. Don't know what some of these obscure objects and abbreviations mean? Just press the ENTER key for more information.

Press the BACK button until you get back to the main menu:

```
SELECT MODE
SKY TOUR ↑↓.
```

SCROLL UP or SCROLL DOWN until the display reads:

```
SELECT MODE
IDENTIFY ↑↓
```

PRESS ENTER

This mode will default to the level

```
IDENTIFY ANY
```

By selecting this option with the ENTER key, it will IDENTIFY the object that you are currently viewing OR the closest object to where your telescope is currently pointed. You also have the options to choose other types of IDENTIFY menus. These will IDENTIFY the closest CLUSTERS, NEBULAS, etc. to your current telescope position.



## ALIGNING NORTHSTAR FOR THE FIRST TIME / ALIGN STAR MODE

To select the final mode press ENTER at the display:

```
SELECT MODE
TELESCOPE ↑↓
```

The display reads something like:

```
RA18:53 DEC+38.7
AZ280 ALT+62 LZR
```

The TELESCOPE mode gives you dynamic real-time information on your telescope's current position in terms of astronomical coordinates. Play around with this mode by moving the telescope around. Notice the three letter abbreviation in the lower right portion of the display. This dynamically displays the current CONSTELLATION that the telescope is pointing at. These names are abbreviated in this mode. Definitions for the abbreviations are listed in an index at the back of the manual.

### **OPTIONAL: USING ALIGN STAR MODE (Two Star Alignment Method)**

This mode requires you to locate and center two stars instead of just one, so it may take a little more time and experience. However, it will provide more accurate, precise operation and guidance as you continue to use your NorthStar telescope. It's also useful if you are in a remote location and can't find a nearby city from the list in ALIGN EARTH mode.

To use the ALIGN STAR mode, after you turn on the telescope's power and the SELECT MODE message appears on the display after the welcome message, press the DOWN button to select ALIGN STAR. Press ENTER. The message changes to ALIGN STAR 1.

Using the star charts on the next pages for reference (there is a chart for each of the four seasons, in both northern and southern hemispheres), choose a star you think you will be able to find in the night sky (perhaps within one of the constellation groups), and use the UP/DOWN buttons to find it's name on the displayed list. The display also shows two numbers with vertical and horizontal position arrows. Pressing "GO" will move the telescope into a position roughly near the star. Now use the red dot finder scope to aim the telescope more precisely at the star you chose. Next, looking through the eyepiece, position that star right in the center of the viewing field by moving the telescope by hand or using the motorized movement buttons).

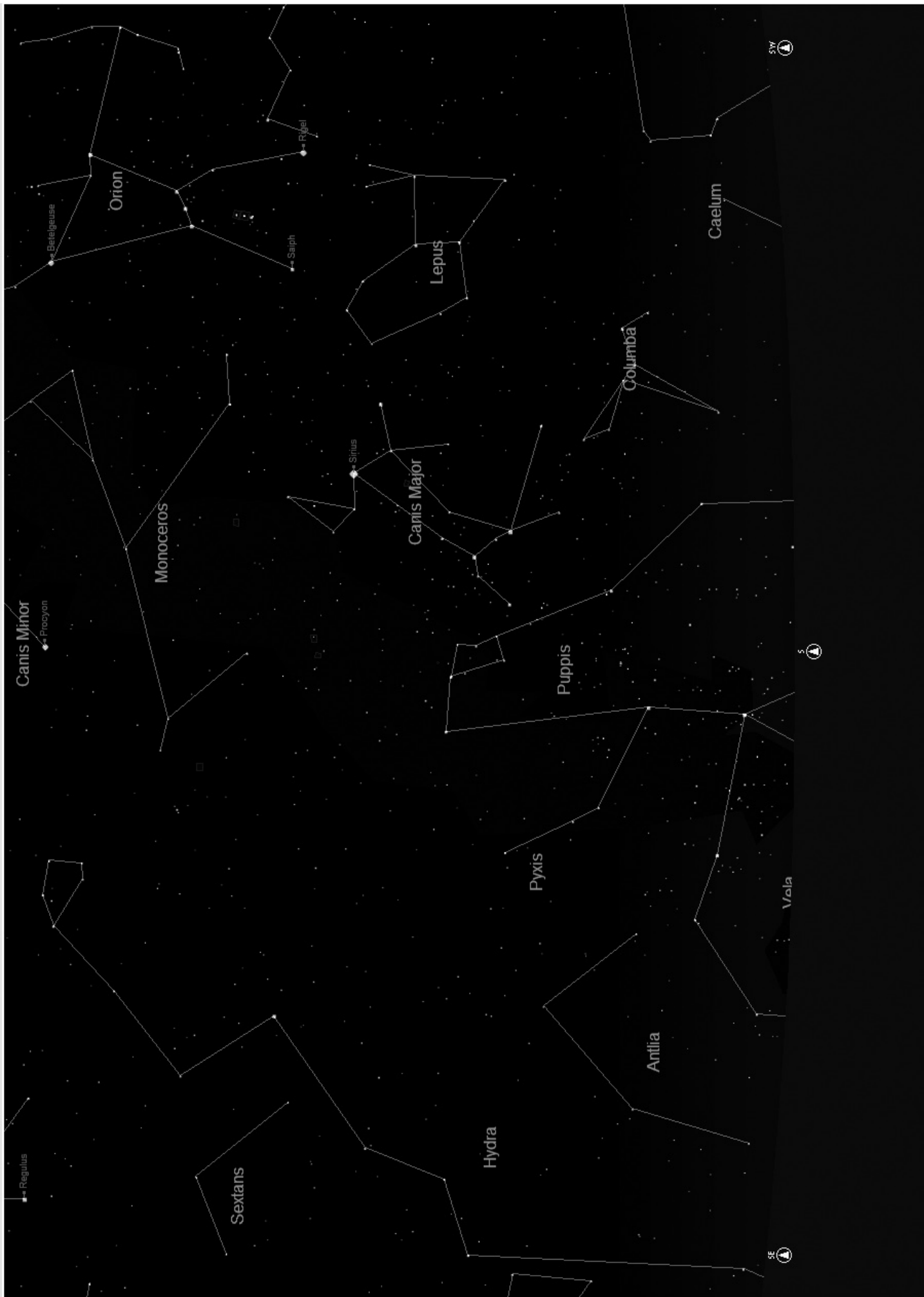
Once you have your first star centered, press ENTER. The display changes to "ALIGN STAR 2". Select another star from the list (again using the star charts for reference) and repeat the process for the second star. After this step is completed, you will see a display that reads:

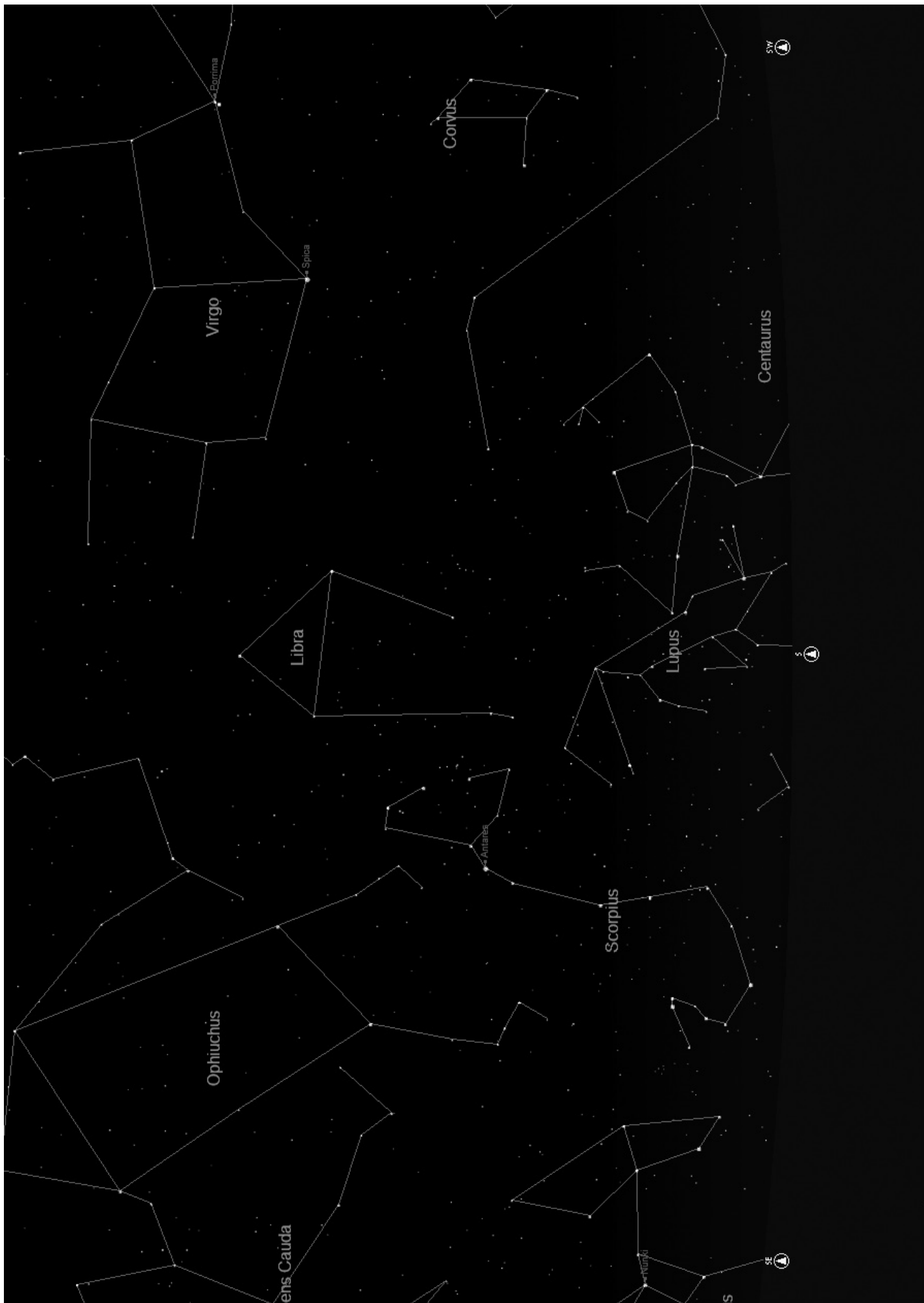
```
ALIGN COMPLETE
RATING *****
```

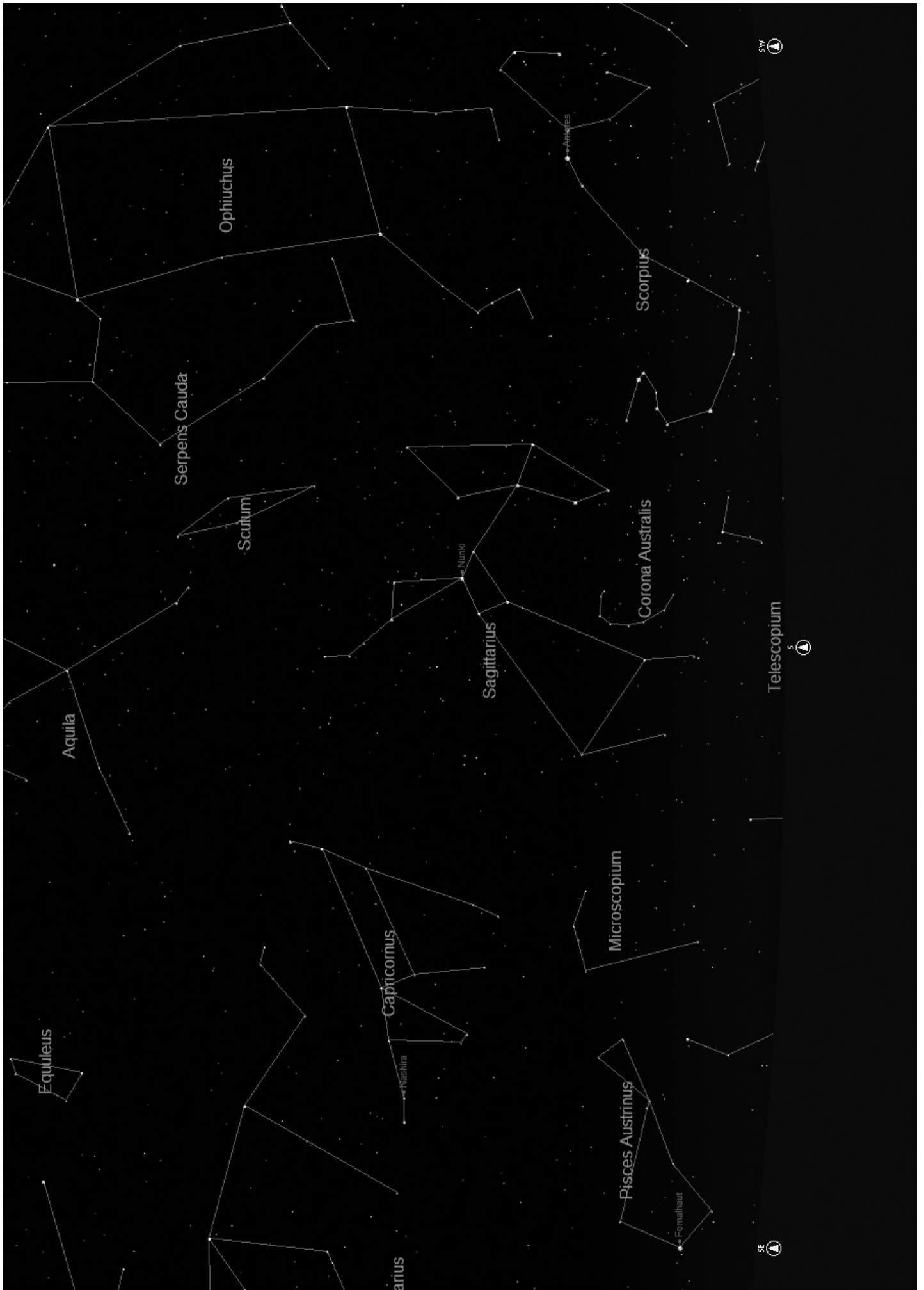
(Note: The more stars that appear on the second line of the display the better, up to 5)

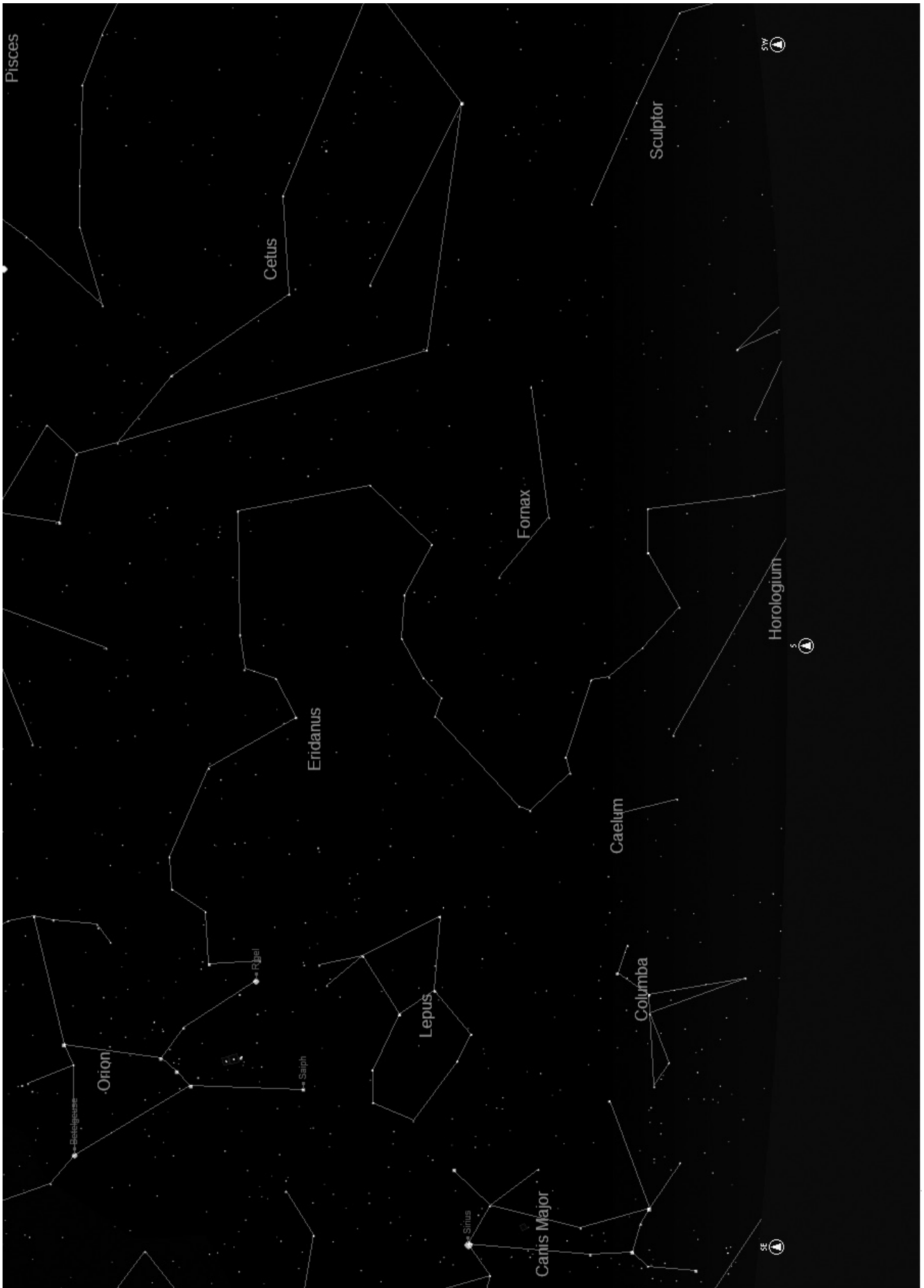
The telescope is now aligned and ready to use. The display will again read SELECT MODE. Please refer to the directions and suggestions in **Step 6: "Explore the Night Sky"**. For example, you might start off selecting the EXPLORE mode, then selecting PLANET if you are new to the world of astronomy.

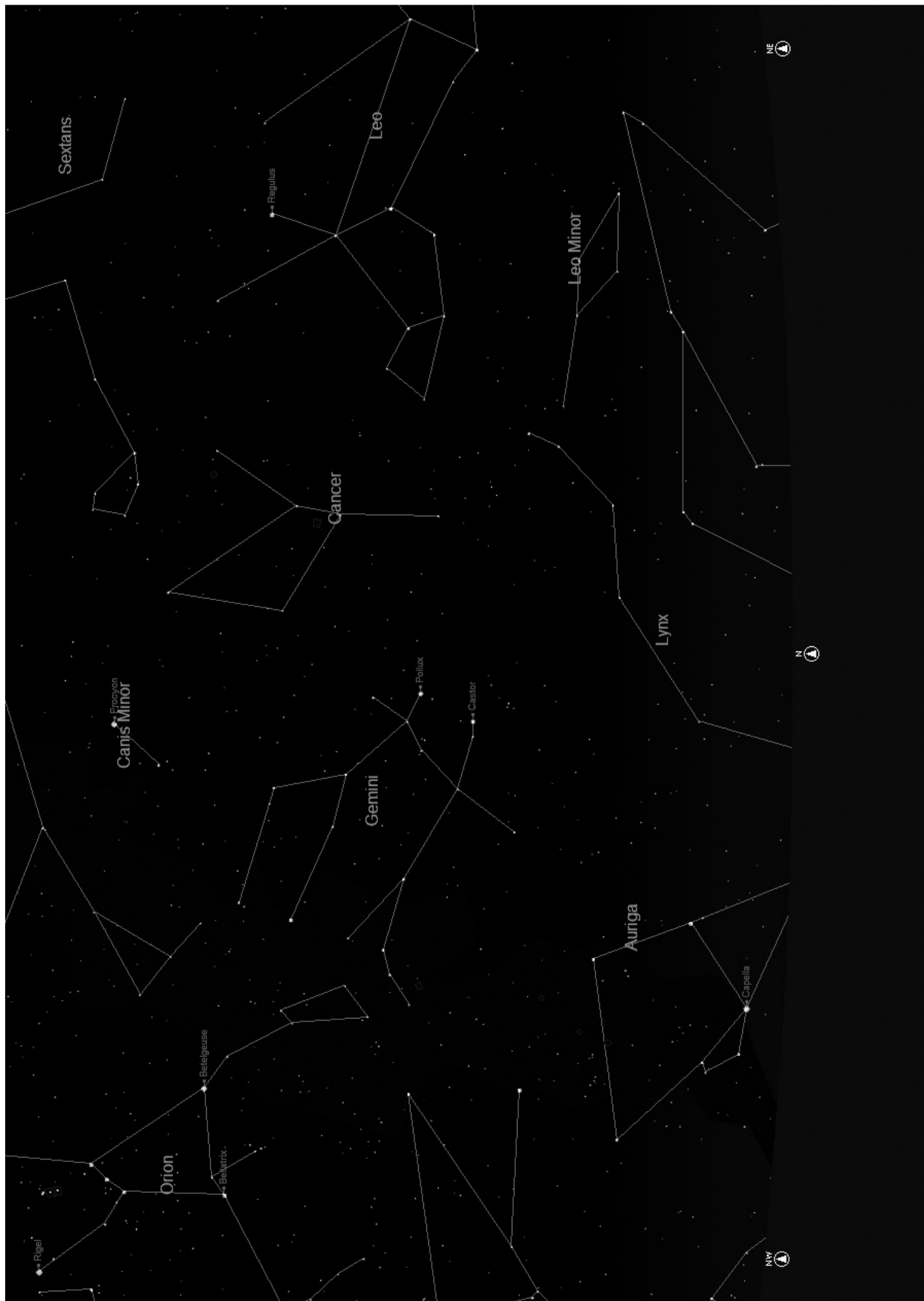
NORTHERN HEMISPHERE / SPRING



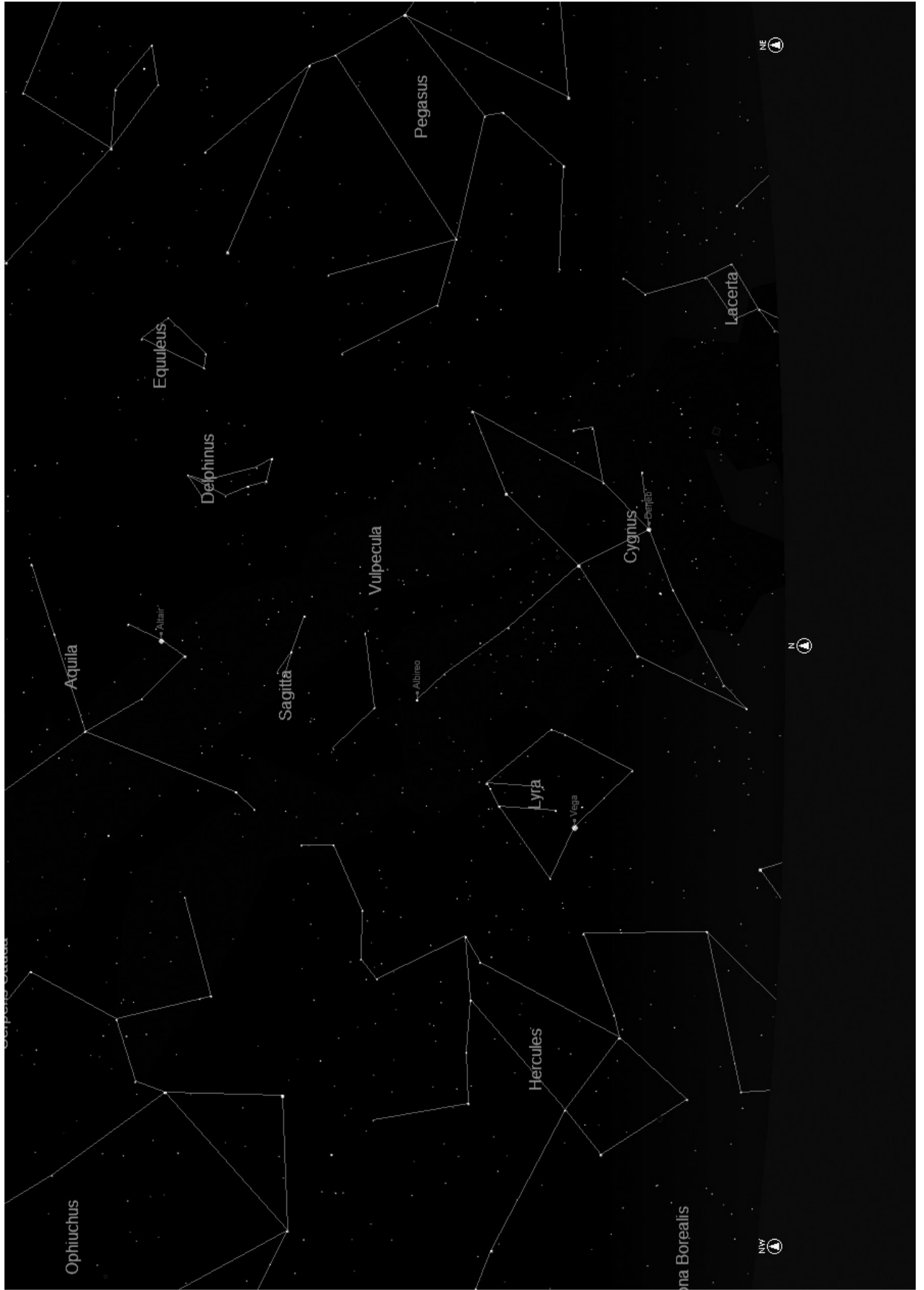






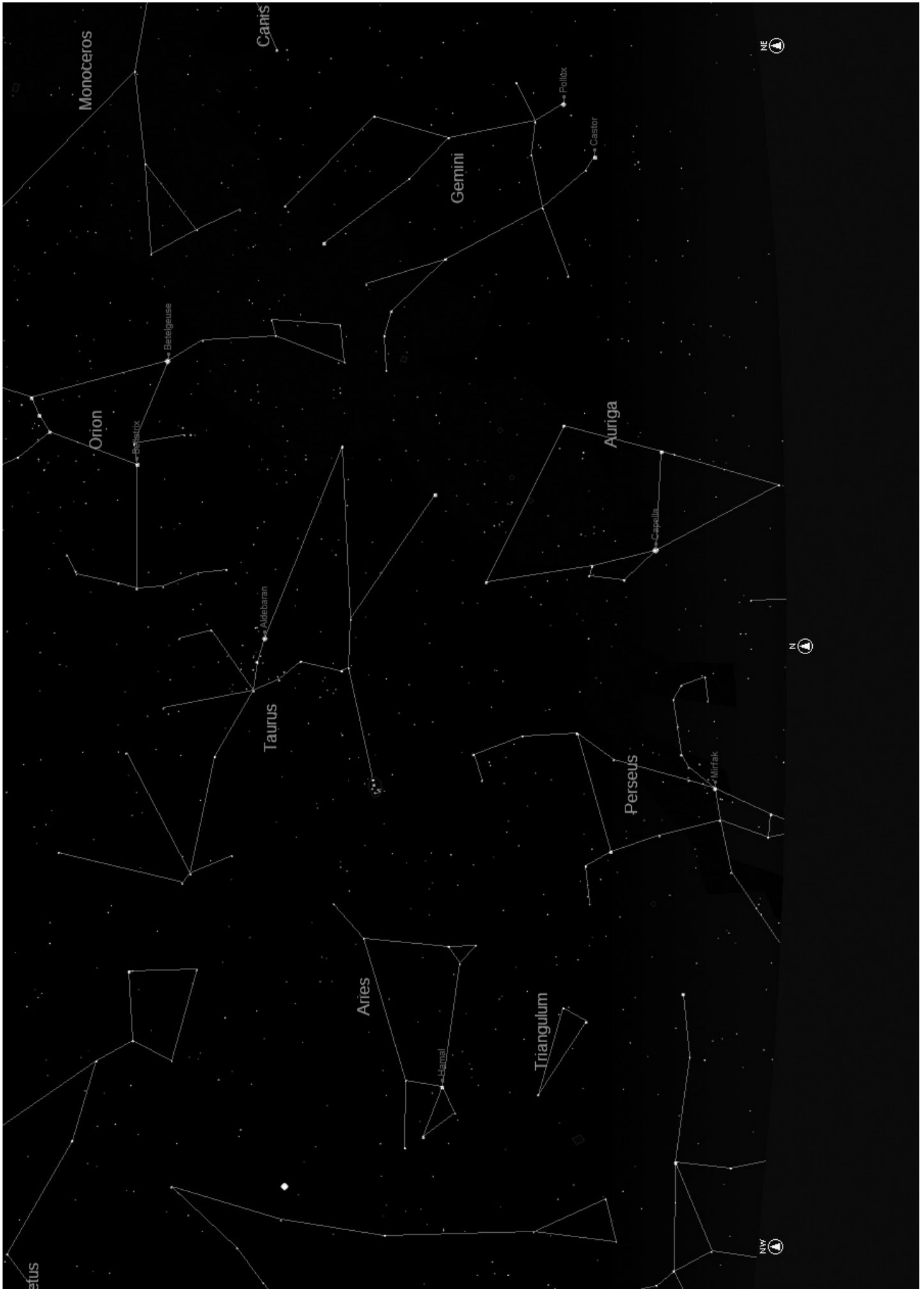








# STAR CHARTS



# Constellation Abbreviations

Andromeda (And)	Lacerta (Lac)
Antila (Ant)	Leo (Leo)
Apus (Aps)	Leo Minor (LMi)
Aquarius (Aqr)	Lepus (Lep)
Aquila (Aql)	Libra (Lib)
Ara (Ara)	Lupus (Lup)
Aries (Ari)	Lynx (Lyn)
Auriga (Aur)	Lyra (Lyr)
Bootes (Boo)	Mensa (Men)
Caelum (Cae)	Microscopium (Mic)
Camelopardis (Cam)	Monoceros (Mon)
Cancer (Cnc)	Musca (Mus)
Canes Venatici (CVn)	Norma (Nor)
Canis Major (CMa)	Octans (Oct)
Canis Minor (CMi)	Ophiuchus (Oph)
Capricornus (Cap)	Orion (Ori)
Carina (Car)	Pavo (Pav)
Cassiopeia (Cas)	Pegasus (Peg)
Centaurus (Cen)	Perseus (Per)
Cepheus (Cep)	Phoenix (Phe)
Cetus (Cet)	Pictor (Pic)
Chameleon (Cha)	Pisces (Psc)
Circinus (Cir)	Piscis Austrinus (PsA)
Columbia (Col)	Puppis (Pup)
Coma Berenices (Com)	Pyxis (Pyx)
Corona Australis (CrA)	Reticulum (Ret)
Corona Borealis (CrB)	Sagitta (Sge)
Corvus (Crv)	Sagittarius (Sgr)
Crater (Crt)	Scorpius (Sco)
Crux (Cru)	Sculptor (Scl)
Cygnus (Cyg)	Scutum (Sct)
Delphinus (Del)	Serpens (Ser)
Dorado (Dor)	Sextans (Sex)
Draco (Dra)	Taurus (Tau)
Equuleus (Equ)	Telescopium (Tel)
Eridanus (Eri)	Triangulum (Tri)
Fornax (For)	Triangulum Australe (TrA)
Gemini (Gem)	Tucana (Tuc)
Grus (Gru)	Ursa Major (UMa)
Hercules (Her)	Ursa Minor (UMi)
Horologium (Hor)	Vela (Vel)
Hydra (Hya)	Virgo (Vir)
Hydrus (Hyi)	Volcans (Vol)
Indus (Ind)	Vulpecula (Vul)

## Additional Reference

For sake of space, we have chosen not to include the entire list of the 20,000 celestial objects that are programmed into your NorthStar telescope's database in this manual. However, the complete list of stars and Messier objects that are included in the telescope's database are available online at [www.bushnell.com/manuals/telescopes](http://www.bushnell.com/manuals/telescopes) for your reference.

# WARRANTY / REPAIR

## TELESCOPE LIFETIME LIMITED WARRANTY

Your Bushnell® telescope is warranted to be free of defects in materials and workmanship for the lifetime of the original owner. The Lifetime Limited Warranty is an expression of our confidence in the materials and mechanical workmanship of our products and is your assurance of a lifetime of dependable service.

If your telescope contains electrical components, these components are warranted to be free of defects in materials and workmanship for two years after the date of purchase.

In the event of a defect under this warranty, we will, at our option, repair or replace the product, provided that you return the product postage prepaid. This warranty does not cover damages caused by misuse, improper handling, installation, or maintenance provided by someone other than a Bushnell Authorized Service Department.

Any return made under this warranty must be accompanied by the items listed below:

- 1) A check/money order in the amount of \$15.00 to cover the cost of postage and handling
- 2) Name and address for product return
- 3) An explanation of the defect
- 4) Proof of Date Purchased
- 5) Product should be well packed in a sturdy outside shipping carton, to prevent damage in transit, with return postage prepaid to the address listed below:

**IN U.S.A. Send To:**

Bushnell Outdoor Products  
Attn.: Repairs  
8500 Marshall Drive  
Lenexa, Kansas 66214

**IN CANADA Send To:**

Bushnell Outdoor Products  
Attn.: Repairs  
25A East Pearce Street, Unit 1  
Richmond Hill, Ontario L4B 2M9

For products purchased outside the United States or Canada please contact your local dealer for applicable warranty information. In Europe you may also contact Bushnell at:

Bushnell Germany GmbH  
European Service Centre  
Mathias-Brüggen-Str. 80  
D-50827 Köln  
GERMANY  
Tel: +49 221 995568-0  
Fax: +49 221 995568-20

This warranty gives you specific legal rights.  
You may have other rights which vary from country to country.

©2010 Bushnell Outdoor Products

1. Vous pouvez désormais décider ce que vous prévoyez d'observer en premier lieu, une fois votre télescope réglé et aligné. N'importe quel objet brillant du ciel nocturne est un bon point de départ. L'un des points de départ préférés en astronomie est la Lune. C'est un objet intéressant pour l'astronome débutant aussi bien que pour les astronomes expérimentés. Lorsque vous vous êtes exercés à ce niveau, d'autres objets deviennent de bonnes cibles. Saturne, Mars, Jupiter et Vénus sont intéressantes en seconde étape..
2. L'oculaire à faible grossissement (celui portant la valeur la plus élevée) est parfait pour observer la pleine lune, les planètes, les amas d'étoiles, les nébuleuses et même les constellations. Ces objets constituent votre base. Toutefois, pour voir plus de détails, essayez d'utiliser des oculaires à plus fort grossissement sur certains de ces objets. Durant les nuits calmes et vives, la ligne de séparation des parties éclairée et obscure de la Lune (appelée « Terminator ») est merveilleuse à fort grossissement. Les montagnes, crêtes et cratères paraissent avec un fort relief à cause de la mise en lumière. De manière similaire, vous pouvez utiliser de plus forts grossissements sur les planètes et nébuleuses. Quant aux amas d'étoiles et aux étoiles individuelles, la meilleure observation s'effectue toujours à faible grossissement.
3. Le théâtre astronomique renouvelé que nous appelons le ciel nocturne est un écran géant toujours changeant. Autrement dit, ce n'est pas toujours le même film qui repasse. Bien au contraire, les positions des étoiles changent non seulement d'heure en heure alors qu'elles semblent se lever et se coucher, mais aussi tout au long de l'année. À mesure que la Terre tourne autour du Soleil, notre vue des étoiles change sur un cycle annuel, selon cette orbite. La raison pour laquelle le ciel semble se déplacer chaque jour, tout comme le Soleil et la Lune « se déplacent » dans le ciel, c'est que la Terre tourne autour de son axe. C'est ainsi que vous pouvez remarquer qu'au bout de quelques minutes ou quelques secondes, suivant le grossissement utilisé, les objets se déplacent dans le télescope. Aux forts grossissements surtout, vous remarquerez que la Lune ou Jupiter « courent » et sortent du champ rapidement. Pour compenser, déplacez simplement le télescope pour qu'il suive sa trajectoire.

## CONSEILS UTILES

1. Le télescope est un instrument très sensible. Pour obtenir les meilleurs résultats et le moins de vibrations, installez le télescope sur un endroit plat, sur le sol plutôt que sur une surface en béton ou une plate-forme en bois. Cela fournira une base plus stable pour l'observation, surtout si votre nouveau télescope a attiré une foule.
2. Si possible, observez à partir d'un endroit comportant relativement peu de lumière. Vous pourrez ainsi voir des objets d'une luminosité plus faible. Vous serez surpris(e) de constater que vous pouvez voir bien plus d'objets célestes à partir d'un lac ou d'un parc local qu'à partir d'un jardin situé en ville.
3. Il N'est JAMAIS recommandé d'observer avec le télescope à partir d'une fenêtre.
4. Autant que possible, observez les objets qui sont hauts dans le ciel. Attendez que l'objet monte bien au-dessus de l'horizon pour obtenir une image plus brillante et plus nette. Les objets situés à l'horizon sont aperçus à travers plusieurs couches de l'atmosphère terrestre. Vous êtes-vous jamais demandé pourquoi la Lune paraît orange lorsqu'elle se couche à l'horizon? C'est parce que vous la regardez à travers une quantité d'atmosphère bien plus grande qu'il n'y en a directement au-dessus. (Remarque: Si les objets hauts dans le ciel paraissent déformés ou ondulés, la nuit est probablement très humide). Durant les nuits où l'atmosphère est instable, l'observation avec un télescope peut être difficile sinon impossible. Les astronomes parlent des nuits vives et claires comme des nuits de "bonne observation".

## PAR QUOI COMMENCER?

**Votre télescope de Bushnell peut révéler à vos yeux les merveilles de l'univers. Bien que ce manuel soit conçu pour vous aider à installer et à utiliser cet instrument simplement, il ne couvre pas tout ce que vous aimeriez savoir sur l'astronomie. Même si Northstar donne une bonne vue d'ensemble du ciel nocturne, il est recommandé de se procurer une carte très simple des étoiles et une lampe de poche avec une ampoule rouge ou recouverte de cellophane rouge à l'extrémité. Pour les objets autres que les étoiles et constellations, il est nécessaire d'avoir un guide de base d'astronomie. Vous trouverez les sources recommandées sur notre site Internet à : [www.bushnell.com](http://www.bushnell.com). Vous y trouverez également les événements du ciel actuels et les suggestions d'observation. Mais, parmi les éléments principaux que vous pouvez voir, il y a :**

**La Lune**—une vue magnifique de notre voisine s'obtient à n'importe quel grossissement. Essayez d'observer ses différentes phases. Les montagnes lunaires, les mers lunaires (étendues basses ainsi appelées à cause de leur couleur sombre), les cratères, les crêtes vous étonneront.

**Saturne**—même au grossissement le plus faible, vous devriez pouvoir voir ses anneaux et ses lunes. C'est l'un des objets les plus intéressants du ciel à observer car il ressemble vraiment à sa représentation sur les images. Imaginez que vous pouvez voir depuis votre jardin ce que vous avez vu dans des livres ou sur des images de la NASA !

**Jupiter**—la planète la plus grosse de notre système solaire est spectaculaire. Ses traits caractéristiques sont ses rayures ou bandes sombres au-dessus et au-dessous de son équateur. Ce sont les ceintures équatoriales du nord et du sud. Les quatre lunes principales de Jupiter sont aussi intéressantes. Remarquez leurs différentes positions une nuit après l'autre. Elles semblent alignées de chaque côté de Jupiter.

**Mars**—La grande planète rouge apparaît comme un disque rouge orangé. Observez-la à différents moments de l'année pour essayer d'apercevoir les chapeaux de glace polaire blancs.

**Vénus**—tout comme la Lune, Vénus change de phases d'un mois à l'autre. Par moments, elle est très brillante dans le ciel nocturne, comme si l'on regardait une lune en croissant distante.

**Nébuleuses**—La grande nébuleuse d'Orion est un objet très connu du ciel nocturne. Vous pourrez voir celle-ci et bien d'autres grâce à ce télescope.

**Amas d'étoiles**—Regardez des millions d'étoiles groupées de manière dense en un amas qui ressemble à une boule.

**Galaxies**—L'une des galaxies les plus grandes et les plus intéressantes est notre voisine la galaxie d'Andromède. Vous l'aimerez ainsi que bien d'autres.

Merci d'avoir acheté le télescope Northstar Goto avec sortie Real Voice de Bushnell ! C'est le premier télescope jamais créé qui vous parle et vous informe sur le ciel nocturne. Cette fonction peut être considérée comme votre assistant personnel en astronomie.

Après avoir lu ce manuel et vous être préparé à votre séance d'observation comme il est décrit dans ces pages, vous pouvez commencer à profiter de la fonction de sortie Real Voice en procédant comme suit:

- Pour activer le télescope, il suffit de le mettre en marche! La fonction de sortie Real Voice est intégrée à la télécommande.
- Au cours du processus d'alignement, la voix du télescope fournit divers commentaires utiles. Une fois le télescope aligné, la fonction de sortie Real Voice montre tous ses talents chaque fois que vous appuyez sur la touche d'entrée, lorsqu'un nombre ou le nom d'un objet apparaît à la partie inférieure droite de l'écran de visualisation à cristaux liquides. La voix vous décrit l'objet à mesure que vous suivez le texte déroulant sur l'écran.
- Si, à un moment quel qu'il soit, vous voulez supprimer la voix, vous pouvez le faire en appuyant sur le bouton "Back" (retour arrière) du clavier de la télécommande.

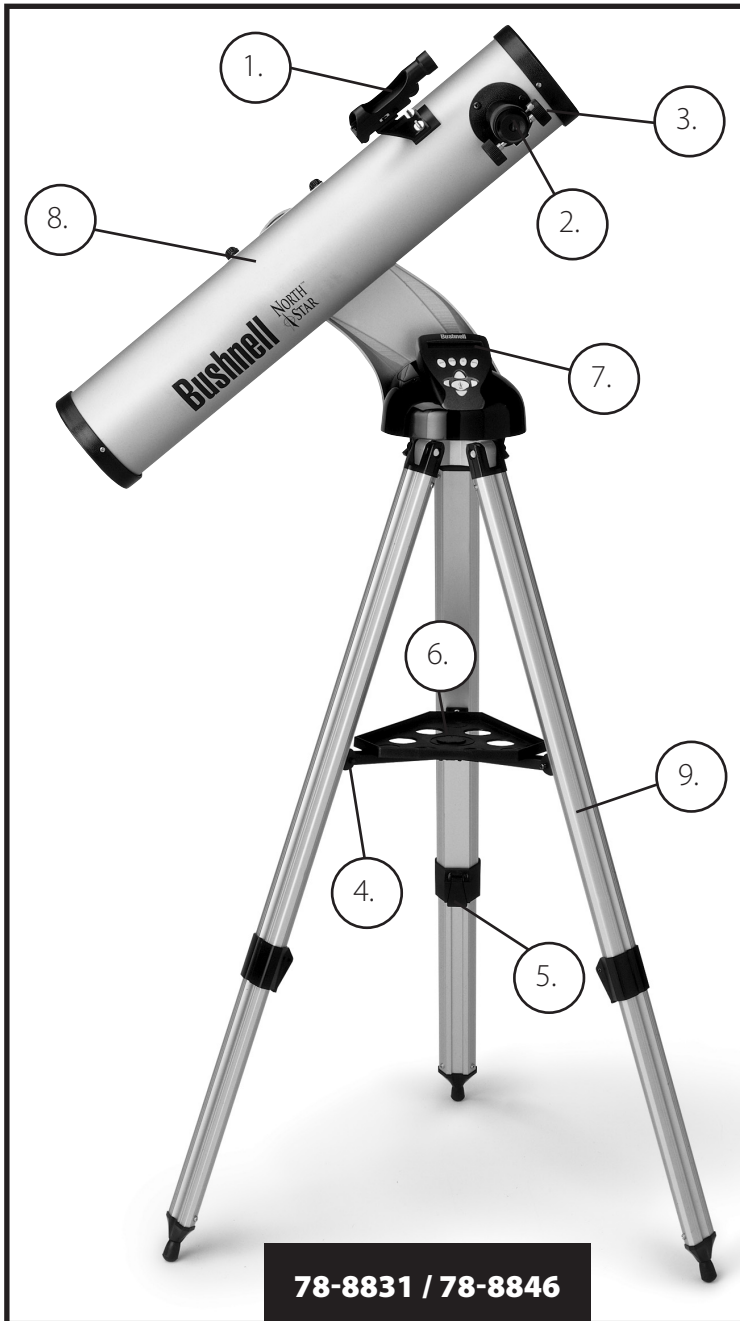
Nous espérons sincèrement que ce télescope vous divertira pendant les années à venir!



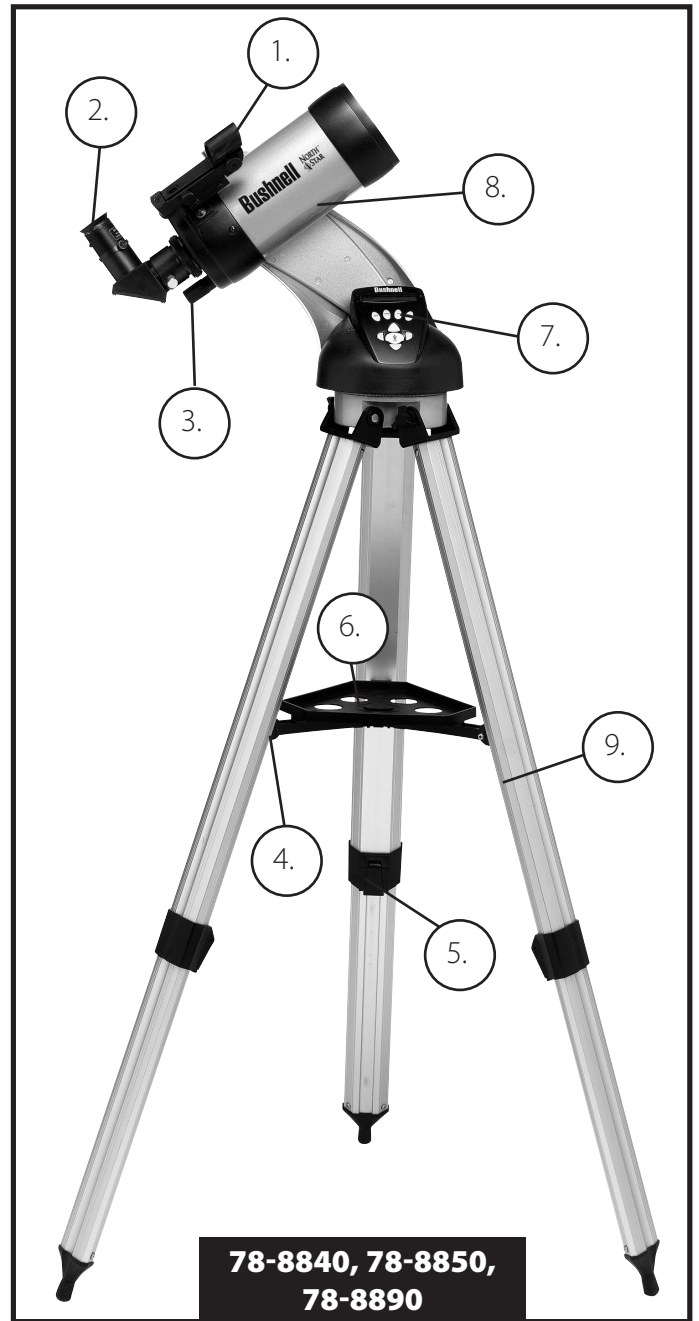
**NE REGARDEZ JAMAIS DIRECTEMENT LE  
SOLEIL À TRAVERS LE TÉLESCOPE**

**RISQUE DE LÉSIONS OCULAIRES  
PERMANENTES**

## SCHÉMA DES PIÈCES



**78-8831 / 78-8846**



**78-8840, 78-8850,  
78-8890**

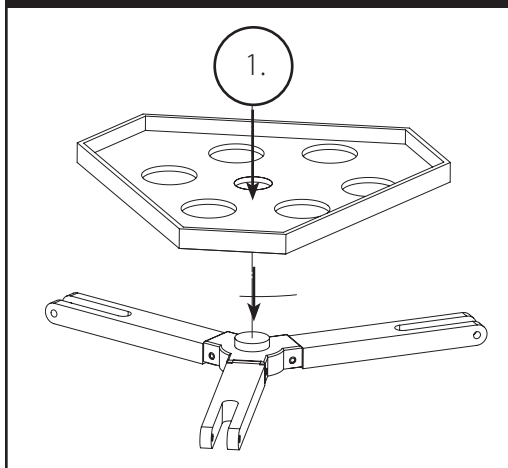
### Schéma des pièces du télescope

- |   |  |
|---|--|
| 1. Chercheur à point rouge                            | 5. Levier de trépied à ouverture rapide              |
| 2. Oculaire de format 1,25 po (2 pièces)              | 6. Plateau d'accessoire à ouverture rapide           |
| 3. Mécanisme de mise au point à crémaillère et pignon | 7. Contrôleur D'ordinateur à Distance                |
| 4. Renfort de plateau d'accessoire                    | 8. Tube principal du télescope                       |
|   | 9. Trépied en aluminium réglable, à ouverture rapide |

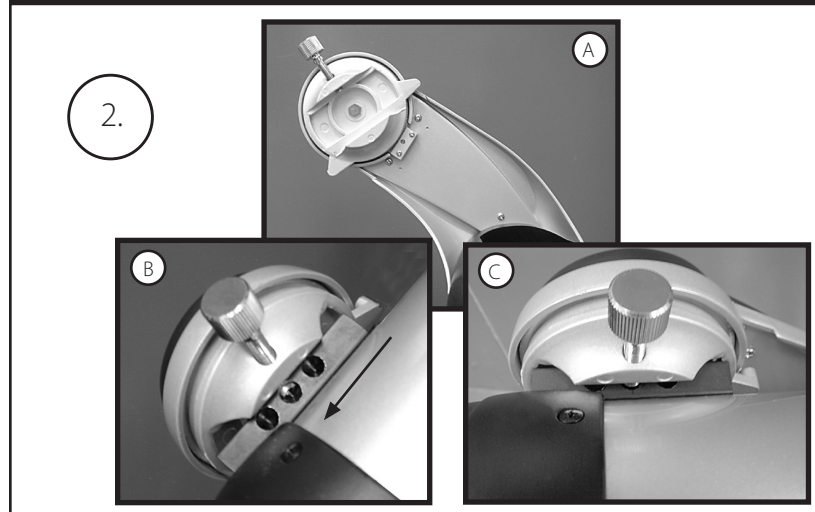


## GUIDE D'ASSEMBLAGE RAPIDE

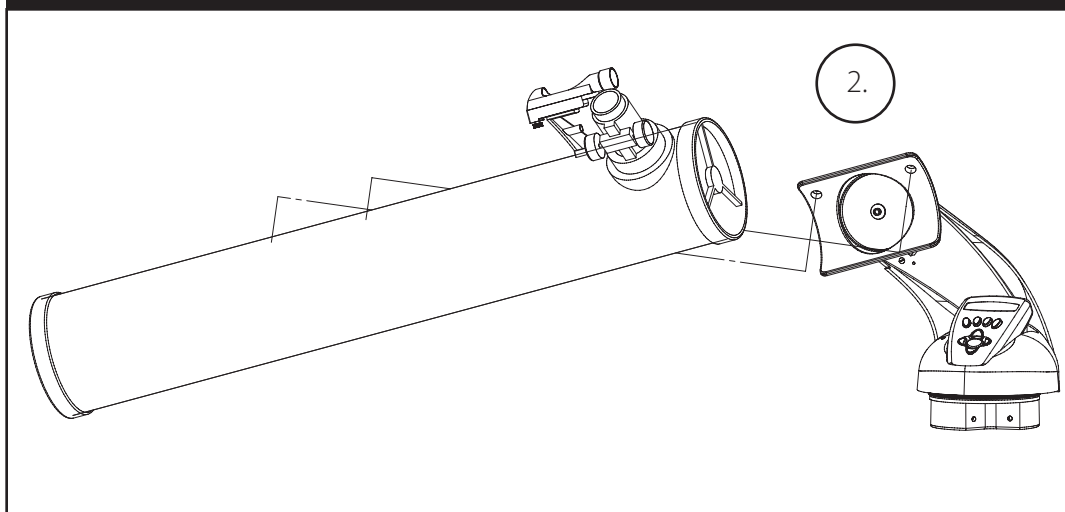
**78-8831 / 78-8846 / 78-8840  
78-8850 / 78-8890**



**78-8840, 78-8850, 78-8890**



**78-8831 / 78-8846**



### LISTE DES PIÈCES

- Ensemble de trépied en aluminium réglable  
*(Préassemblé à la base du dispositif de repérage  
d'étoiles informatisé Northstar)*
- Plateau d'accessoire à ouverture rapide
- Télescope Northstar avec écrous à oreilles de fixation
- Chercheur à point rouge
- Oculaires (2)
- Lentille Barlow (Réflecteur)
- Oculaire redresseur (Maksutov)

## ASSEMBLAGE DÉTAILLÉ

Aucun outil n'est nécessaire pour l'assemblage du télescope.

Sortez toutes les pièces du carton et identifiez-les. Avant de faire l'assemblage, il est conseillé de poser toutes les pièces devant soi. Le télescope étant un système optique de précision, veuillez manipuler les pièces avec précaution : en particulier l'ordinateur intégré, le télescope, les oculaires et les diverses lentilles accessoires.

### MISE EN PLACE DU TRÉPIED ET DU PLATEAU D'ACCESSOIRE

1. Mettez debout l'ensemble du dispositif de repérage d'étoiles informatisé Northstar et les pieds de trépied attachés. Écartez les pieds de trépied à une distance confortable.
2. Abaissez les renforts du plateau d'accessoire et placez le plateau d'accessoire à ouverture rapide au-dessus des renforts. (*Rapportez-vous au schéma d'assemblage rapide N° 1*).
3. Tournez le plateau d'accessoire jusqu'à ce qu'il s'enclenche avec un déclic.
4. Réglez la hauteur du trépied en actionnant le levier des pieds et en écartant les pieds pour obtenir la hauteur souhaitée. Resserez le levier en position fermée une fois le réglage terminé.

### FIXATION DU TUBE DU TÉLESCOPE (*Rapportez-vous au schéma d'assemblage rapide N° 2*)

1. Trouvez le tube principal du télescope.
2. Retirez les écrous à oreilles du tube du télescope situés sur le côté du tube (78-8831 et 78-8846 uniquement). Pour le 78-8890, dévissez légèrement la vis taquet argent sur le dessus de la monture du télescope.
3. Faites passer les boulons de fixation du tube principal du télescope à travers le support du tube du télescope, en haut de l'ensemble du dispositif de repérage d'étoiles informatisé Northstar (78-8831 et 78-8846 uniquement). Pour le 78-8890, glissez le support de tube noir du télescope dans le berceau de la monture du télescope. Vérifiez que le télescope est dirigé dans la bonne direction. (Le logo situé sur le tube du télescope doit être à l'endroit).
4. Une fois que le tube principal du télescope et l'ensemble du dispositif de repérage d'étoiles informatisé Northstar sont assemblés l'un à l'autre, fixez les écrous à oreilles aux boulons de fixation du tube principal du télescope (78-8831 et 78-8846 uniquement). Pour le 78-8890, serrez la vis taquet argent sur le dessus de la monture du télescope, au creux souhaité sur le support de tube noir du télescope.

### FIXATION DU RESTE DES ACCESSOIRES DU TÉLESCOPE

1. Trouvez le chercheur à point rouge. Pour les télescopes à réflecteur: Retirez les écrous de fixation du chercheur du tube principal du télescope. Placez le chercheur par-dessus les boulons de fixation et reposez les écrous à oreilles du chercheur sur les boulons de fixation. REMARQUE: La grande extrémité du chercheur doit être en face de l'extrémité ouverte du tube du télescope.
2. Fixez l'oculaire à faible grossissement. Pour les modèles de télescopes à réflecteur : Insérez l'oculaire à grossissement le plus faible dans le mécanisme de mise au point en dévissant la vis de serrage d'oculaire et en poussant l'oculaire à fond.
3. Vissez toutes les vis de serrage pour fixer les accessoires.

### CHOIX D'UN OCULAIRE

Il est recommandé de toujours commencer l'observation avec l'oculaire au grossissement le plus faible, dans ce cas, la lentille de 20 mm. Remarque: le grossissement de base de chaque oculaire est déterminé par la longueur focale de l'objectif du télescope. Il existe une formule servant à déterminer le grossissement de chaque oculaire: Longueur focale de l'OBJECTIF du télescope divisée par la longueur focale de l'OCULAIRE = GROSSISSEMENT (ex. : en utilisant une lentille de 20 mm, le calcul serait:  $750 \text{ mm} / 20 = 38 \text{ x}$  ou grossissement de 38 fois. La longueur focale varie suivant les modèles de télescopes).

#### (Réflecteur)

Un oculaire Barlow est inclus avec ce télescope. Les oculaires Barlow servent à doubler ou à tripler le grossissement du télescope. Placez l'oculaire Barlow entre le tube de mise au point et l'oculaire. Dans l'exemple ci-dessus, l'oculaire Barlow de 3 x donnerait un grossissement total de 114 x ou 114 fois. ( $38 \times 3 = 114 \text{ x}$  ou 114 fois). Le calcul du grossissement serait:  $750 \text{ mm} / 20 \text{ mm} = 38 \text{ fois}$ .  $38 \text{ fois} \times 3 = 114 \text{ fois}$ .

## ASSEMBLAGE DÉTAILLÉ (Suite)

### MISE AU POINT DU TÉLESCOPE

1. Après avoir mis en place l'oculaire choisi, dirigez le tube principal du télescope sur une cible terrestre située à une distance d'au moins 200 mètres (poteau téléphonique ou bâtiment, par exemple).
2. Tournez le mécanisme de mise au point à crémaillère et pignon pour allonger entièrement le tube de mise au point.
3. Tout en regardant dans l'oculaire choisi (celui de 20 mm dans ce cas), rétractez lentement le tube de mise au point en tournant le mécanisme de mise au point à crémaillère et pignon jusqu'à ce que l'objet soit net.

### FIXATION DU CONTRÔLEUR D'ORDINATEUR À DISTANCE ET DE LA PILE

1. Trouvez le contrôleur d'ordinateur à distance et le cordon spiralé.
2. Trouvez le couvercle de compartiment de pile sur la base du dispositif de repérage d'étoiles informatisé Northstar.
3. Enlevez le couvercle du compartiment de pile et placez-y une pile de 9 V.
4. Remettez le couvercle en place sur le compartiment.
5. Fixez le contrôleur d'ordinateur à distance avec le cordon spiralé sur la base du dispositif de repérage d'étoiles informatisé Northstar.

### ALIGNEMENT DU CHERCHEUR

Retirez l'isolateur en plastique se trouvant entre la pile du chercheur à point rouge et le clip de pile.

Activez le chercheur à point rouge.

En regardant dans le chercheur à point rouge, tournez les molettes de réglage jusqu'à ce que le point rouge soit centré précisément sur l'objet déjà centré dans le champ du tube principal du télescope.

Désormais, les objets repérés d'abord à l'aide du chercheur à point rouge seront centrés dans le champ du tube principal du télescope.

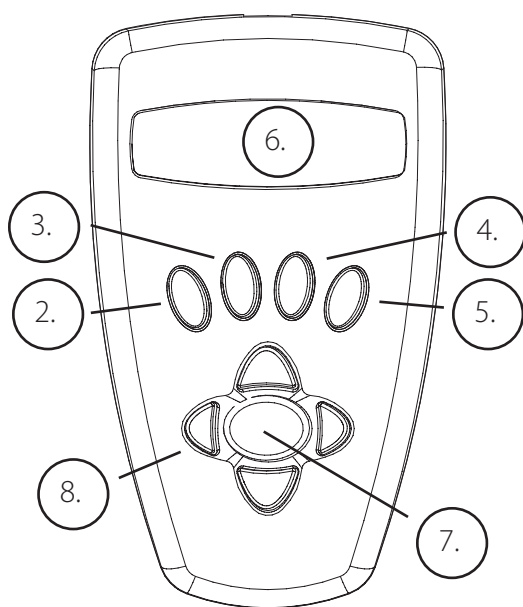
**NE REGARDEZ JAMAIS DIRECTEMENT LE  
SOLEIL À TRAVERS LE TÉLESCOPE**



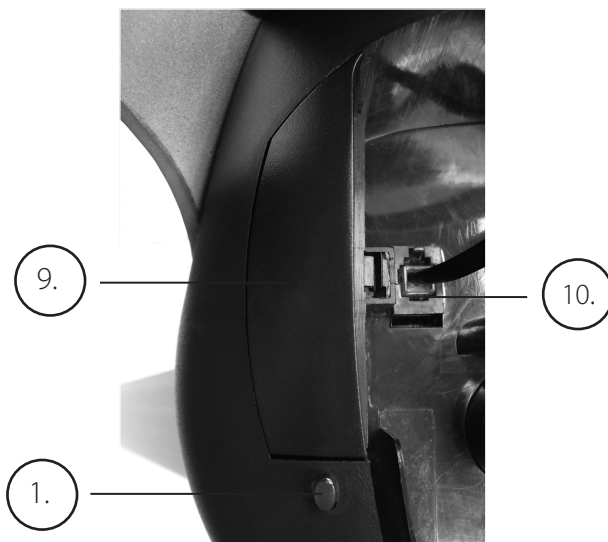
**RISQUE DE LÉSIONS OCULAIRES  
PERMANENTES**

## ORDINATEUR NORTHSTAR SCHÉMA D'INTERFACE

1. Bouton marche/arrêt  
(sur la base/support combiné – voir photo)
2. Bouton de retour arrière
3. Bouton d'entrée
4. Bouton de défilement vers le haut
5. Bouton de défilement vers le bas
6. Écran LCD
7. Bouton « GO » (Aller)
8. Boutons (4) de commande du mouvement motorisé
9. Couvercle de compartiment de pile  
(sur la base/support combiné – voir photo)
10. Prise combiné



**Base de support intérieure  
(support au-dessous du combiné)**



## FONCTIONS À BOUTONS

### TOUS LES BOUTONS SONT LUMINEUX POUR L'UTILISATION NOCTURNE.

**Bouton marche/arrêt:** Le bouton marche/arrêt sert à activer et à désactiver le dispositif de repérage d'étoiles informatisé Northstar. Il clignote ou émet des éclairs durant l'utilisation normale. Pour désactiver, il suffit de maintenir le bouton marche/arrêt enfoncé pendant trois secondes et de le relâcher. (Remarque: Le dispositif de repérage d'étoiles informatisé Northstar se désactive automatiquement au bout de 10 minutes d'inactivité).

**Bouton de retour arrière:** Il permet de naviguer jusqu'au niveau précédent dans le cadre des fonctions et/ou de revenir au niveau précédent d'entrée. Si, à un moment quel qu'il soit, vous voulez supprimer la voix, vous pouvez le faire en appuyant sur le bouton "Back" (retour arrière) du clavier de la télécommande.

**Bouton d'entrée:** Il permet d'effectuer certains choix de menu. En appuyant sur le bouton ENTER (entrée), Northstar avance au niveau choisi. Lorsqu'un nombre ou un nom d'objet apparaît sur l'écran, vous pouvez aussi appuyer sur ce bouton pour entendre la voix décrire et afficher le texte déroulant de la description de l'objet.

**Bouton de défilement vers le haut:** Il permet de faire défiler vers le haut dans les divers menus de Northstar. Chaque fois que vous rencontrez une option de texte/nombre qui clignote, une pression sur le bouton de défilement affichera les divers choix dans ce menu. (Remarque: Pour sélectionner une option jusqu'à laquelle vous avez fait défiler, appuyez simplement sur le bouton ENTER (Entrée)).

**Bouton de défilement vers le bas:** Il permet de faire défiler vers le bas dans les divers menus de Northstar. Chaque fois que vous rencontrez une option de texte/nombre qui clignote, une pression sur le bouton de défilement affichera les divers choix dans

## FONCTIONS À BOUTONS (Suite)

ce menu. (Remarque: Pour sélectionner une option jusqu'à laquelle vous avez fait défiler, appuyez simplement sur le bouton ENTER (Entrée).

**Bouton "GO" (Aller):** Il sert à centrer automatiquement n'importe quel objet qui apparaît sur l'affichage à cristaux liquides. En appuyant sur ce bouton, le télescope cherche et suit automatiquement l'objet sélectionné jusqu'à ce qu'un autre objet soit sélectionné et que le bouton soit de nouveau enfoncé.

**Boutons de commande du mouvement motorisé:** Ces quatre boutons multidirectionnels permettent à l'utilisateur de contourner le système de poursuite et de déplacer le télescope, par commande manuelle des moteurs, vers un autre emplacement souhaité. Plus la durée de pression sur ces boutons est longue, plus le dispositif Northstar se déplace rapidement, jusqu'à atteindre sa vitesse maximum.

## AFFICHAGE À CRISTAUX LIQUIDES

L'affichage à cristaux liquides comporte deux lignes de seize caractères. Il est lumineux pour l'observation nocturne, tout comme les boutons.

## GÉNÉRALITÉS SUR LES MODES DE L'INSTRUMENT

**Exploration:** Le mode Exploration de Northstar permet d'explorer les divers objets astronomiques classés par type d'objet. Ces objets se trouvent dans un ou plusieurs des types d'objets suivants: ciel lointain, planètes, constellations et étoiles. Chacun de ces sous-titres comporte aussi des sous-catégories d'objets sous la structure du menu. (Reportez-vous à l'arbre des menus pour obtenir la liste complète des fonctions et options de menus).

**Tour du ciel:** Le mode Tour du ciel de Northstar permet de faire un tour rapide des objets les plus brillants et les plus intéressants d'un mois donné de l'année. Si la date a été entrée dans le dispositif (*se rapporter à l'étape 3 de la section «Alignement de Northstar pour la première fois»*), le mode Tour du ciel passera automatiquement à ce mois. Choisissez les objets en appuyant sur les flèches de défilement vers le haut ou vers le bas puis sur le bouton d'entrée. Pour obtenir davantage d'informations sur un objet quel qu'il soit, appuyez sur le bouton ENTER (ENTRÉE) pendant que cet objet est affiché afin de voir le texte déroulant.

**Télescope:** Le mode Télescope de Northstar fournit des données en temps réel sur l'objet sur lequel le télescope est dirigé. Les coordonnées astronomiques d'ascension droite (RA), de déclinaison (DEC), d'altitude (ALT) et d'azimut (AZ) sont affichées simultanément. De plus, l'abréviation du nom de la constellation sur laquelle le télescope est dirigé apparaît dans le coin inférieur droit.

**Identification:** Le mode Identification de Northstar permet d'identifier n'importe quel objet se trouvant dans le champ du télescope. Des sous-catégories des différentes classes d'objets identifiables sont incluses ainsi qu'une option Identification quelconque.

**Alignement de la Terre:** Le mode Alignement de la Terre de Northstar permet d'aligner facilement le télescope à l'aide d'information simple que les personnes non-astronomes connaissent. En entrant des renseignements simples tels que l'heure, la date, la ville, etc., une personne qui utilise le télescope pour la première fois peut explorer, en quelques minutes, l'immense base de données d'objets astronomiques de Northstar.

**Alignement d'étoiles:** Le mode Alignement d'étoiles de Northstar permet d'aligner le télescope en utilisant une certaine connaissance astronomique. En sachant où deux étoiles se trouvent dans le ciel, un utilisateur novice peut contourner l'entrée de la ville, de la date et de l'heure et commencer à utiliser rapidement la base de données de Northstar pour repérer d'étonnants objets célestes.

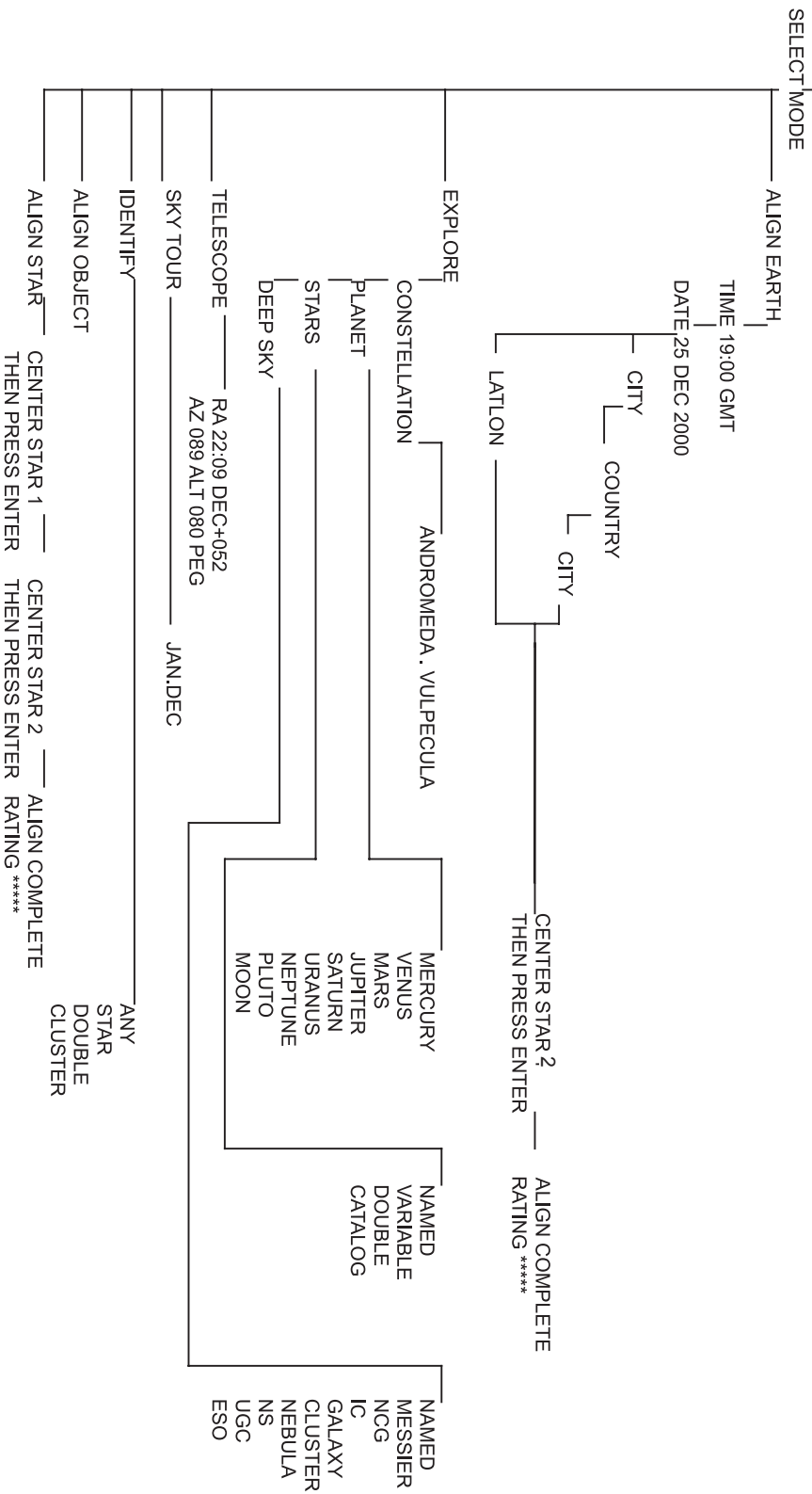
**Alignement d'objets:** Le mode Alignement d'objets de Northstar permet de préciser l'alignement du télescope durant la séance d'observation. Cela peut être très utile si le chien de la famille vient juste de bousculer le télescope qui se trouve désaligné. À l'aide de ce mode, vous pouvez centrer le télescope sur n'importe quel objet connu et choisir le mode Alignement d'objet pour recalibrer rapidement l'alignement de Northstar et continuer à observer le reste de la soirée.

# MENU TREE

WELCOME TO BUSHNELL NORTHSTAR

**BUSHNELL NORTHSTAR COMPUTER MENU STRUCTURE**  
(For Step-By-Step Easy Use Refer to Quick Reference Guide)

**STRUCTURE DU MENU INFORMATIQUE DE BUSHNELL NORTHSTAR**  
(Pour une utilisation facile étape par étape, consultez le guide de référence rapide)



## ALIGNEMENT DE NORTHSTAR POUR LA PREMIÈRE FOIS

**(REMARQUE : Assurez-vous de placer le télescope sur une surface horizontale).**

### **ÉTAPE 1:**

Avant d'activer le télescope, retirez la télécommande. Lorsque vous activez le télescope, un message d'accueil oral et déroulant apparaît:

BUSHNELL NORTHSTAR Vx.x (le numéro de version du logiciel d'exploitation)

À la suite de ce message, le télescope effectue une vérification de diagnostic et met le tube de niveau par rapport à la monture.

Puis le menu par défaut apparaît:

SELECT MODE  
ALIGN EARTH ↑↓

Ce mode présuppose que, même si l'utilisateur du télescope l'emploie pour la première fois et ne connaît rien à l'astronomie, il peut réussir à aligner le télescope en quelques opérations simples.. Une autre option est le mode « ALIGN STAR » [ALIGNEMENT D'ÉTOILES], qui requiert un peu plus d'expérience mais qui rapporte des résultats légèrement plus précis (décrit plus loin).

L'option ALIGNEMENT DE LA TERRE (ALIGN EARTH) clignote.

Appuyez sur ENTRÉE (ENTER) pour choisir l'option d'ALIGNEMENT DE LA TERRE.

REMARQUE: TOUT ARTICLE DE L'AFFICHAGE QUI CLIGNOTE EST UN CHOIX DE MENU. D'AUTRES CHOIX SONT DISPONIBLES EN UTILISANT LES BOUTONS DE DÉFILEMENT VERS LE HAUT OU VERS LE BAS..

### **ÉTAPE 2: RÉGLEZ L'HEURE**

En se servant des boutons de DÉFILEMENT VERS LE HAUT, VERS LE BAS et d'ENTRÉE, il est facile de régler la date. Chaque option qui clignote doit être changée et indiquer le chiffre ou le mois approprié. Une fois le nombre approprié affiché, acceptez-le en appuyant sur ENTRÉE. Réglez alors l'option suivante qui clignote jusqu'à ce que l'heure (format de 24 h) et la zone horaire soient enregistrées. Remarque: « \_ST » indique l'heure standard et « \_DT » indique l'heure d'été.

### **ÉTAPE 3: RÉGLEZ LA DATE**

En se servant des boutons de DÉFILEMENT VERS LE HAUT, VERS LE BAS et d'ENTRÉE, il est facile de régler la date. Chaque option qui clignote doit être changée et indiquer le chiffre ou le mois approprié. Une fois le nombre approprié affiché, acceptez-le en appuyant sur ENTRÉE. Réglez alors l'option suivante qui clignote jusqu'à ce que le jour, le mois et l'année soient enregistrés.

### **ÉTAPE 4: RÉGLEZ LE LIEU**

L'écran suivant affiche :

ALIGN EARTH  
CITY ↑↓

LA VILLE (CITY) clignote. En appuyant sur le bouton d'ENTRÉE, l'affichage passe à:

COUNTRY  
U.S.A. ↑↓

Le pays clignote.

## ALIGNEMENT DE NORTHSTAR POUR LA PREMIÈRE FOIS (Suite)

En se servant des boutons de DÉFILEMENT VERS LE HAUT, VERS LE BAS et d'ENTRÉE, il est facile de choisir le PAYS. Quand le pays approprié est affiché, appuyez sur le bouton d'ENTRÉE et choisissez la ville la plus proche du lieu où vous vous trouvez en appuyant sur le bouton d'ENTRÉE quand elle est affichée.

*REMARQUE: CHOISISSEZ LA VILLE LA PLUS PROCHE DE VOTRE LIEU D'OBSERVATION. IL NE S'AGIT PAS D'UNE OPÉRATION ESSENTIELLE ET L'ALIGNEMENT PEUT ÊTRE RÉAJUSTÉ AUTOMATIQUÉMENT À MESURE QUE NOUS PROGRESSONS*

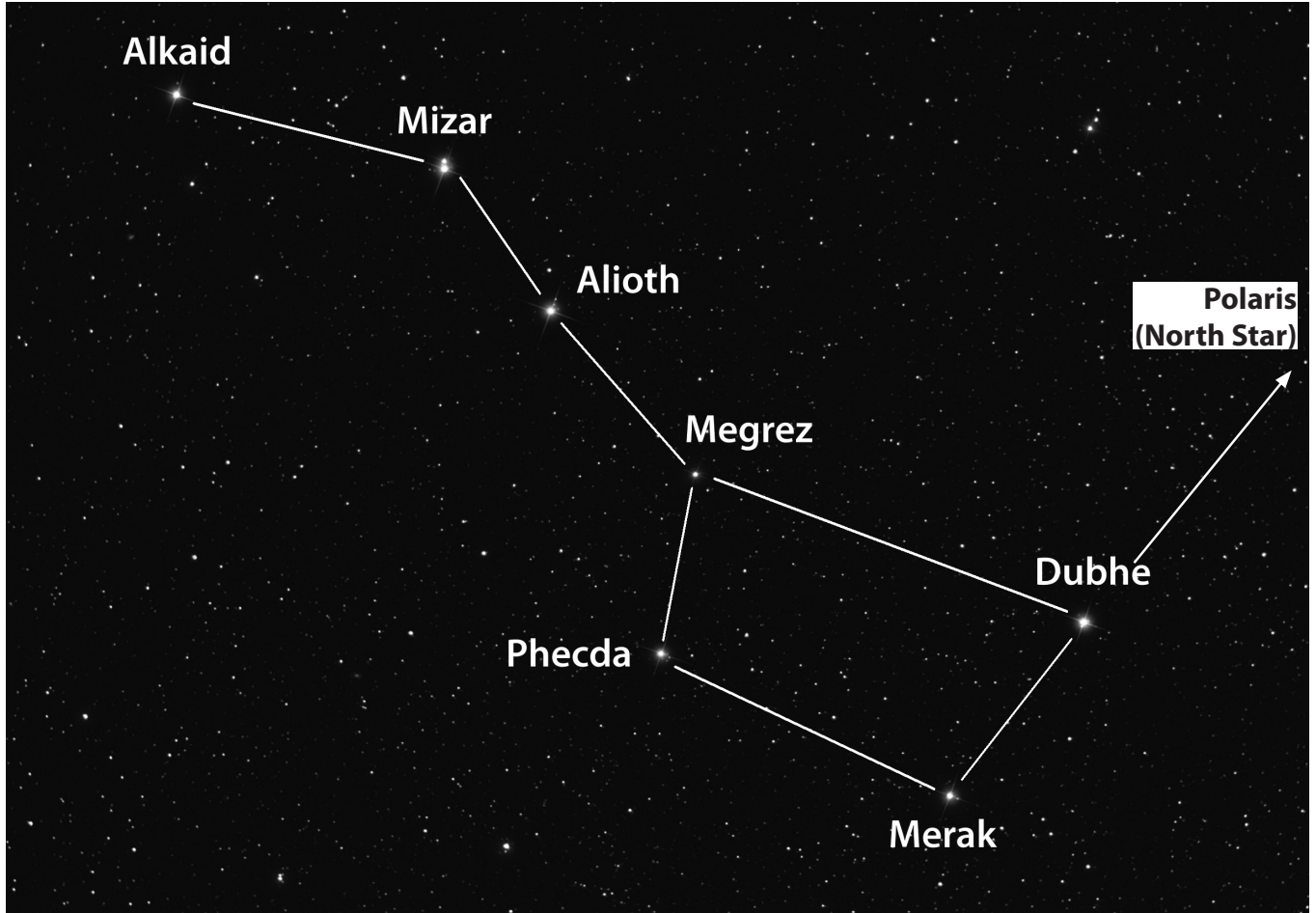
### ETAPE 5: CHOISISSEZ ET CENTREZ UNE ÉTOILE

Une fois votre VILLE entrée, le message déroulant suivant indique CENTER STAR 2 [CENTRER L'ÉTOILE 2] puis d'appuyer sur ENTER [ENTRER]

Cela signifie que vous devrez choisir dans la liste le nom de votre « étoile guide », puis la centrer dans le champ du télescope (en déplaçant celui-ci à la main ou à l'aide des boutons de commande du moteur) et appuyer sur ENTER [ENTRER].

Il se peut que vous vous demandiez pourquoi le message se rapporte à l'« ÉTOILE 2 » et non pas à l'« ÉTOILE 1 ». C'est que nous utilisons le mode le plus rapide et simple à régler, l'ALIGN EARTH [ALIGNEMENT DE LA TERRE], qui ne demande que de repérer et centrer une seule étoile (à la différence du mode ALIGN STAR [ALIGNEMENT D'ÉTOILES] où il faut en repérer deux). Lorsque vous entrez l'heure, la date, le pays et la ville, c'est-à-dire des données ayant essentiellement remplacé la fonction de repérage de l'« ÉTOILE 1 », vous êtes en train d'utiliser des informations terrestres.

Si vous êtes dans l'hémisphère nord, l'étoile la plus facile à repérer et à utiliser par un astronome novice est probablement l'une des plus lumineuses de la célèbre constellation de la « Grande Ourse », tel que montré ci-dessous. Comme vous devez sûrement le savoir, les étoiles composant la Grande Ourse se trouvent près de l'étoile Polaire, appelée également étoile du Nord, qui est l'étoile située au centre du ciel nocturne (ou près) et que l'on voit juste au-dessus de nous. (Notez que selon la période de l'année, la Grande Ourse peut apparaître à l'envers dans le ciel ou dans des positions différentes de celle montrée ci-dessous) On peut





## ALIGNEMENT DE NORTHSTAR POUR LA PREMIÈRE FOIS (Suite)

tracer une ligne imaginaire en partant de la Grande Ourse directement vers l'étoile Polaire, en passant par Merak et Dubhe (cela représente environ 5 fois la distance reliant ces deux « pointeurs »).

Étant donné que Merak, Dubhe et Mizar sont des étoiles lumineuses et relativement faciles à repérer, vous pourriez essayer avec l'une d'elles. Si vous êtes dans l'hémisphère sud, où la « Grande Ourse » n'est pas visible, vous pouvez utiliser le mode D'ALIGNEMENT DE LA TERRE en choisissant une étoile de votre gré dans la liste qui apparaît sur l'affichage, d'étoiles visibles dans votre région. Les chartes des étoiles qui se trouvent à la fin de ce manuel peuvent également être utiles pour choisir une étoile.

Utilisez les boutons de défilement UP/DOWN [VERS LE HAUT / VERS LE BAS] pour trouver le nom de l'étoile que vous avez choisie sur l'affichage. L'affichage montrera également deux chiffres avec des flèches verticale et horizontale, indiquant de façon approximative dans quelle direction, et combien, le télescope doit être déplacé pour régler l'étoile au centre du champ visuel du télescope. En appuyant sur « GO » [ALLER], les moteurs déplaceront le télescope vers une position tout au moins approximative (même si vous n'avez pas encore terminé le processus d'alignement, cela peut vous permettre de vous situer dans la région générale du ciel). Les chiffres à côté des flèches de position devraient être désormais plus près de « 0 » (quand ils sont à moins de 10, les flèches servent de « décimale » et chaque chiffre est affiché avec une plus grande précision (« 8 flèche 4 » indique 8,4). Vous pouvez désormais utiliser le chercheur à point rouge du télescope pour cibler avec une plus grande précision l'étoile que vous avez choisie (une dans la Grande Ourse). Ensuite, en regardant dans l'oculaire, centrez l'étoile dans le champ visuel en déplaçant le télescope à la main ou à l'aide des boutons de commande du mouvement motorisé). Une fois que l'étoile est centrée, appuyez sur ENTER [ENTRER].

Une fois cette étape accomplie, vous verrez un affichage qui indique:

```
ALIGN COMPLETE
RATING *****
```

*(Remarque: Plus il y a d'étoiles sur la seconde ligne de l'affichage, mieux c'est ; 5 au maximum). Si le classement est très faible, il se peut que vous deviez trouver et centrer une étoile différente pour mieux ajuster l'alignement)*

Remarque: SI UN OBJET SE TROUVE SOUS L'HORIZON (OÙ VOUS NE POURREZ PAS LE VOIR), L'AFFICHAGE FERA APPARAÎTRE PÉRIODIQUEMENT LE MOT « HORIZON ».

### **ÉTAPE 6: EXPLORER LE CIEL NOCTURNE !**

Après l'ALIGNEMENT DE LA TERRE, l'affichage indique :

```
SELECT MODE
EXPLORE ↑↓
```

Sélectionnez EXPLORE (EXPLORATION) en appuyant sur ENTER (ENTRÉE). Utilisez les boutons de DÉFILEMENT VERS LE HAUT et VERS LE BAS pour voir les choix de menus qui clignotent. Choisissez PLANET (PLANÈTES). Ce sont les plus intéressantes. Même si vous utilisez le télescope pour la première fois, les PLANÈTES sont fascinantes.

Appuyez sur ENTRÉE quand l'affichage indique :

```
EXPLORE
PLANET
```

Ceci vous amène à la liste des objets appelés PLANÈTES. En utilisant les boutons de DÉFILEMENT VERS LE HAUT ou VERS LE BAS, vous pouvez explorer plusieurs objets de la liste.

```
PLANET
JUPITER ↑↓
```

Appuyez sur ENTRÉE pour choisir la PLANÈTE que vous souhaitez observer. L'affichage indique alors :

```
PLANET
+120 ↑52 JUPITER
```

## ALIGNEMENT DE NORTHSTAR POUR LA PREMIÈRE FOIS (Suite)

REMARQUE: SI UN OBJET SE TROUVE SOUS L'HORIZON, L'AFFICHAGE FAIT APPARAÎTRE PÉRIODIQUEMENT LE MOT "HORIZON."

Utilisez les boutons de DÉFILEMENT VERS LE HAUT ou VERS LE BAS pour voir les autres PLANÈTES de la liste.

Notez que l'affichage indique la direction de chaque objet. Et si l'utilisateur qui se sert du télescope pour la première fois souhaite en apprendre davantage sur un objet? Ne serait-il pas intéressant de savoir ce qu'est l'objet avant de déplacer le télescope ?

Appuyez sur ENTRÉE quand :

```
PLANET
←120 ↑52 JUPITER
```

une autre PLANÈTE est affichée. Un message déroulant indique alors les coordonnées de l'objet, sa luminosité, sa grosseur, son nom correct, la constellation dans laquelle il se trouve et en donne une brève description. Pour JUPITER, c'est:

```
JUPITER fifth planet from sun.
Largest planet in solar system.
16 moons. Orbit is 11.86 years.
Diameter 143,000 km. Named for roman king of gods.
```

Imaginons maintenant que vous êtes un parent qui essaye d'épater ses enfants (ou vice versa). Au bout de dix minutes de votre première séance d'observation, vous êtes déjà en train d'apprendre l'astronomie. C'est un merveilleux outil éducatif !

Pour trouver l'objet, il suffit d'appuyer sur le bouton "GO" et l'objet doit apparaître dans l'oculaire du télescope !

À chaque pression du bouton BACK (RETOUR ARRIÈRE), vous revenez au niveau précédent. Appuyez trois fois sur le bouton pour revenir au menu du niveau principal. L'affichage indique :

```
SELECT MODE
EXPLORE ↑↓
```

Utilisez les boutons de DÉFILEMENT VERS LE HAUT ou VERS LE BAS pour choisir

```
SELECT MODE
SKY TOUR ↑↓.
```

Appuyez sur ENTRÉE.

Ce mode vous emmène faire le tour des objets les plus intéressants et les plus brillants chaque mois. Si vous avez effectué ALIGN EARTH (ALIGNEMENT DE LA TERRE) et si la date a été enregistrée, le télescope passe automatiquement au mois en cours. Vous ne savez pas ce que sont certains de ces objets obscurs et ce que les abréviations signifient ? Il suffit d'appuyer sur ENTER (ENTRÉE) pour avoir plus de détails.

Appuyez sur le bouton de RETOUR ARRIÈRE pour revenir au menu principal:

```
SELECT MODE
SKY TOUR ↑↓.
```

Utilisez les boutons de DÉFILEMENT VERS LE HAUT ou VERS LE BAS jusqu'à ce que l'affichage indique:

```
SELECT MODE
IDENTIFY ↑↓
```

Appuyez sur ENTRÉE.

Ce mode passe par défaut au niveau

```
IDENTIFY ANY
```

## MALIGNEMENT DE NORTHSTAR POUR LA PREMIÈRE FOIS / MODE D'ALIGNEMENT D'ÉTOILES

Le choix de cette option à l'aide de la touche ENTRÉE permet d'IDENTIFIER l'objet en cours d'observation OU l'objet le plus proche de l'endroit où le télescope est dirigé. Il existe aussi des options pour choisir d'autres types de menus IDENTIFY (IDENTIFICATION). Ceux-ci permettent d'IDENTIFIER les AMAS D'ÉTOILES, NÉBULEUSES, etc. les plus proches de la position en cours du télescope.

Pour choisir le mode final, appuyez sur ENTRÉE à l'affichage :

```
SELECT MODE
TELESCOPE ↑↓
```

L'affichage indique approximativement :

```
RA18:53 DEC+38.7
AZ280 ALT+62 LYN
```

Le mode TELESCOPE (TÉLESCOPE) fournit des informations dynamiques en temps réel sur la position en cours de l'instrument, en coordonnées astronomiques. Il est possible de se familiariser avec ce mode en déplaçant le télescope. Notez l'abréviation à trois lettres à la partie inférieure droite de l'affichage. L'affichage indique de manière dynamique la CONSTELLATION vers laquelle le télescope est dirigé. Dans ce mode, ces noms sont abrégés. Les définitions des abréviations figurent à l'annexe de ce manuel.

### **FACULTATIF: UTILISANT DU MODE D'ALIGNEMENT D'ÉTOILES (méthode d'alignement sur deux étoiles)**

Ce mode requiert que vous repérez et centriez deux étoiles au lieu d'une seule, ce qui peut demander un peu plus de temps et d'expérience. Cependant, cela fournira un fonctionnement et des instructions plus précis(es) et plus approprié(es) pendant que vous continuez à utiliser votre télescope Northstar. C'est aussi utile si vous êtes dans un endroit éloigné et que vous ne pouvez pas trouver une ville à proximité dans la liste, à partir du mode ALIGN EARTH [ALIGNEMENT DE LA TERRE].

Pour utiliser le mode d'ALIGNEMENT D'ÉTOILES, après la mise sous tension du télescope et l'affichage du message SELECT MODE [SÉLECTIONNER LE MODE] suivant le message d'accueil, appuyez sur DOWN [VERS LE BAS] pour sélectionner ALIGN STAR. Appuyez sur ENTER [ENTRER]. Le message change à ALIGN STAR 1 [ALIGNEMENT DE L'ÉTOILE 1].

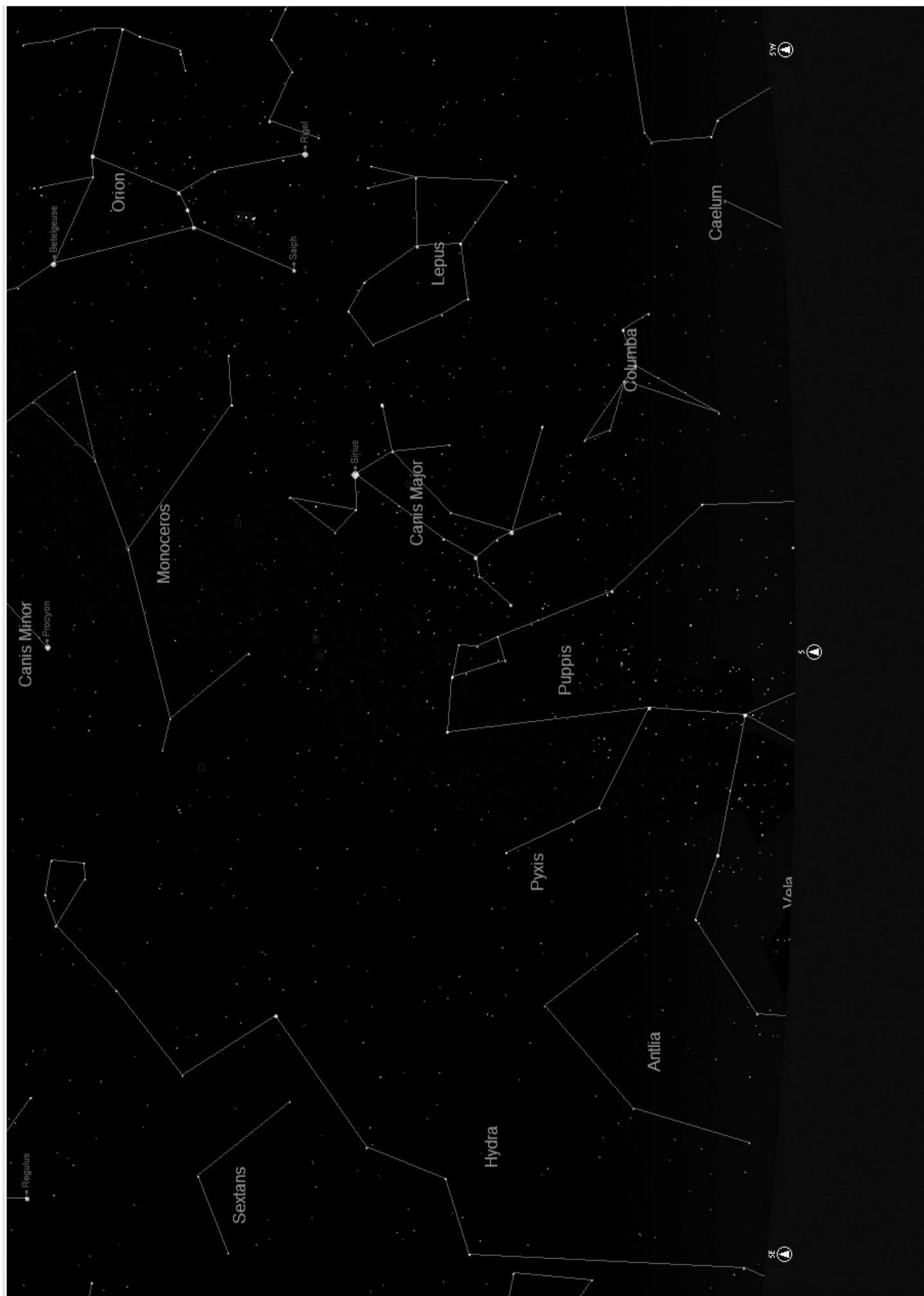
À l'aide des chartes des étoiles (une charte par saison, hémisphères nord et sud), choisissez une étoile à repérer (dans un des groupes de constellations p.ex.) et utilisez les boutons UP/DOWN pour en trouver le nom dans la liste qui s'affiche. L'affichage montre également deux chiffres avec des flèches en position verticale et horizontale. Appuyez sur « GO » [ALLER] pour déplacer le télescope dans une position plus ou moins près de l'étoile. Utilisez maintenant le chercheur à point rouge du télescope pour cibler avec une plus grande précision l'étoile que vous avez choisie. Ensuite, en regardant dans l'oculaire, centrez l'étoile dans le champ visuel en déplaçant le télescope à la main ou à l'aide des boutons de commande du mouvement motorisé).

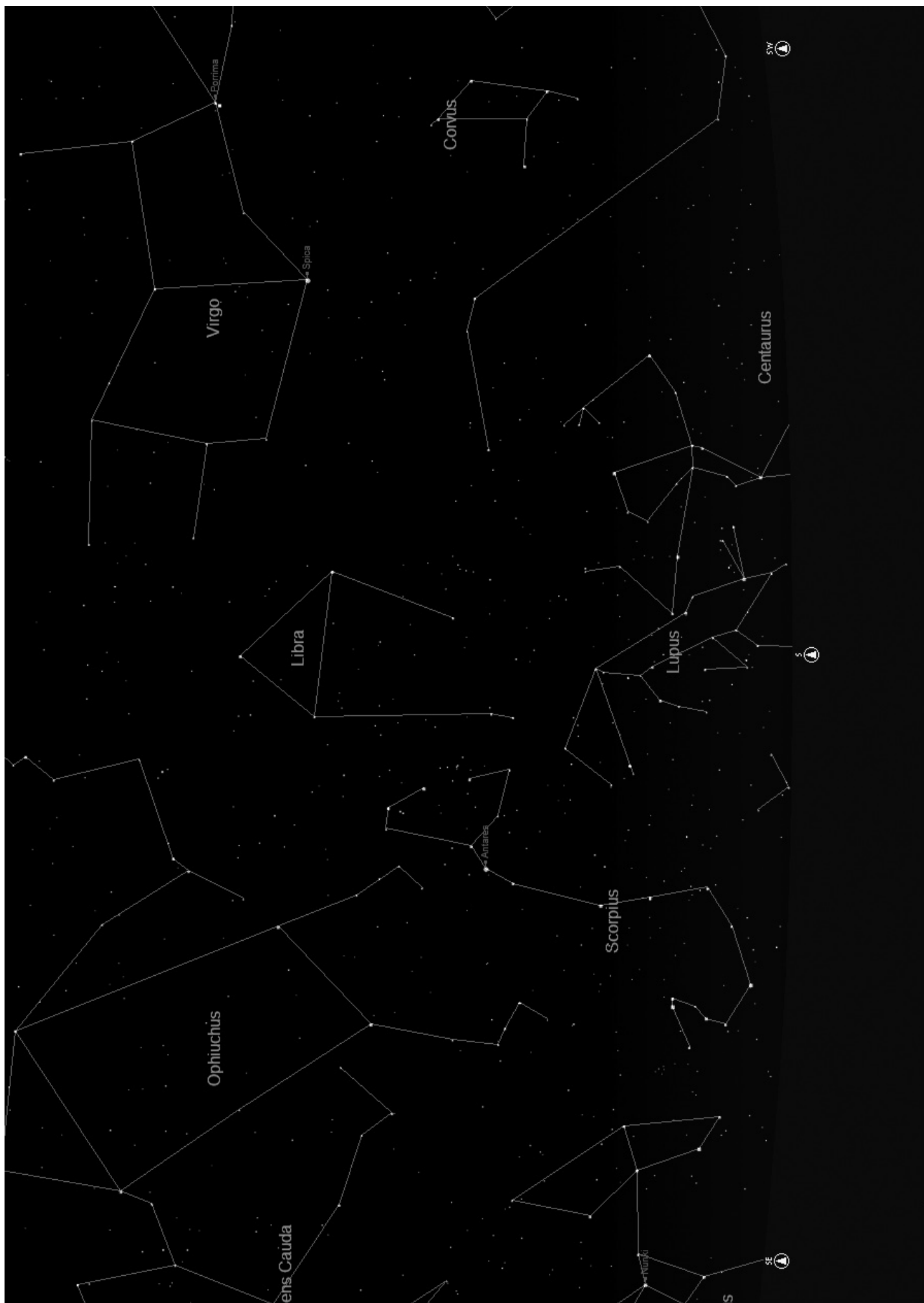
Une fois que votre première étoile est centrée, appuyez sur ENTER [ENTRER]. L'affichage change à « ALIGN STAR 2 » [ALIGNEMENT DE L'ÉTOILE 2]. Sélectionnez une autre étoile dans la liste (en utilisant encore une fois les chartes des étoiles fournies pour référence) et procédez de même pour la deuxième étoile. Une fois cette étape accomplie, vous verrez un affichage qui indique:

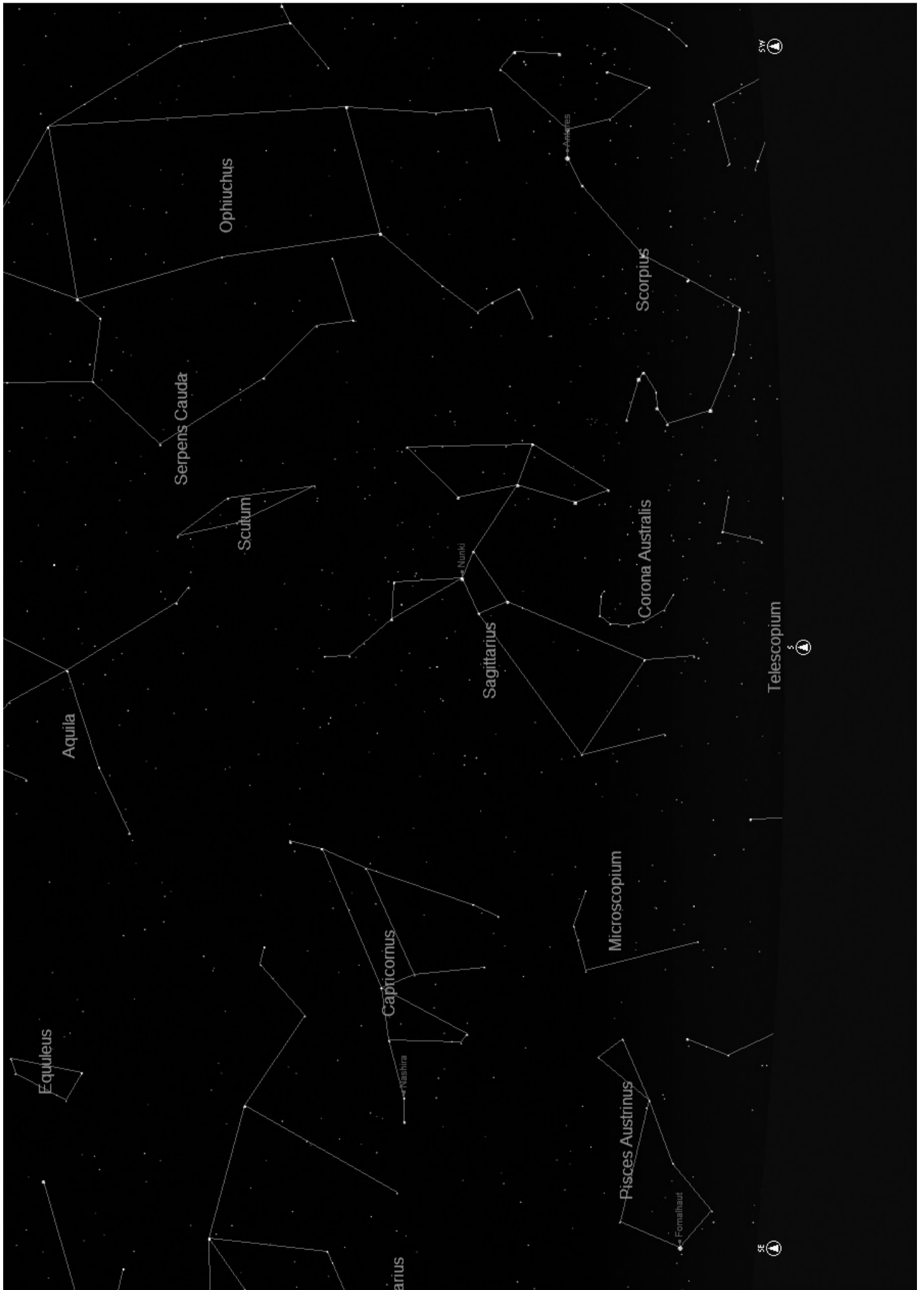
```
ALIGN COMPLETE [ALIGNEMENT TERMINÉ]
RATING ***** [CLASSEMENT]
```

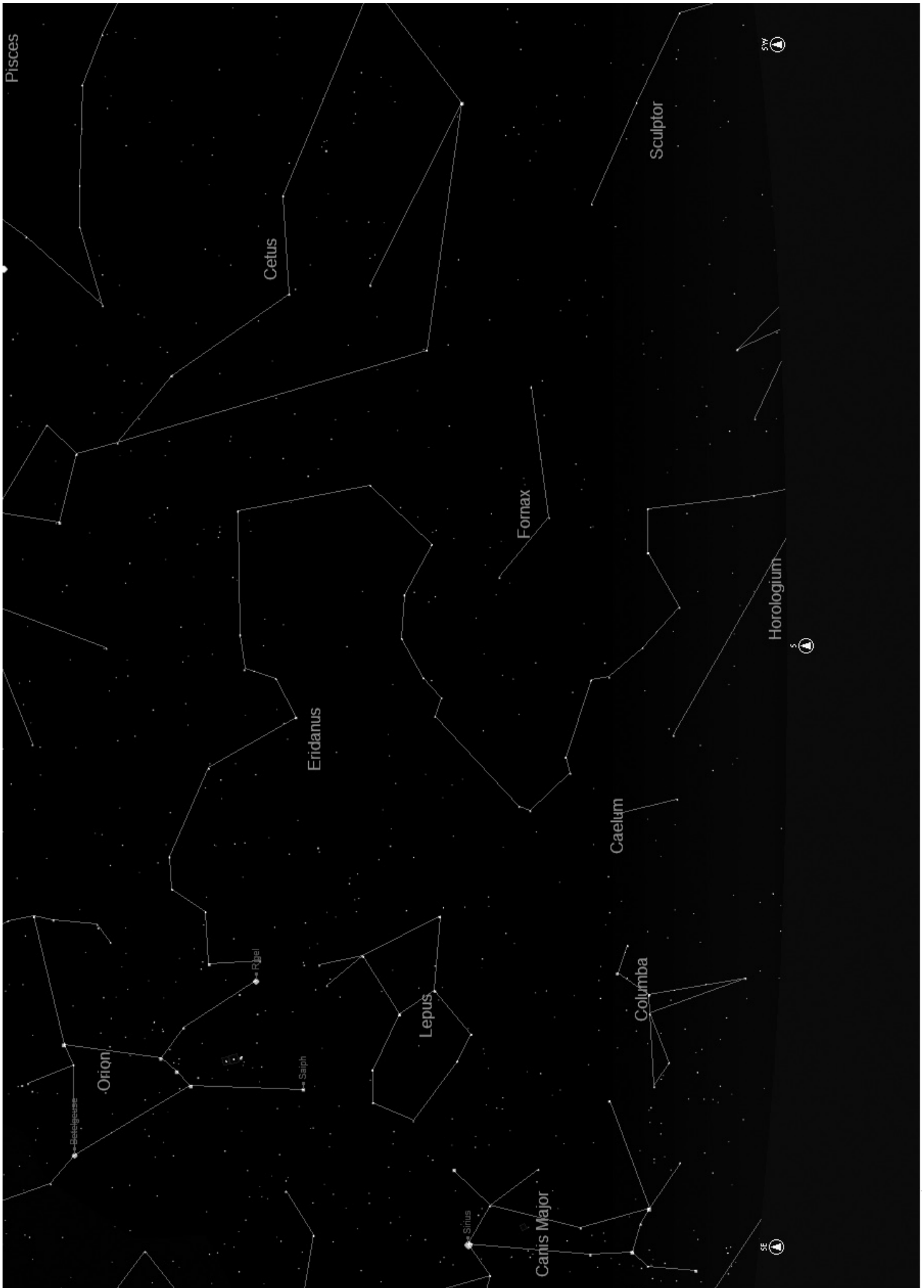
(Remarque: Plus il y a d'étoiles sur la seconde ligne de l'affichage, mieux c'est ; 5 au maximum)

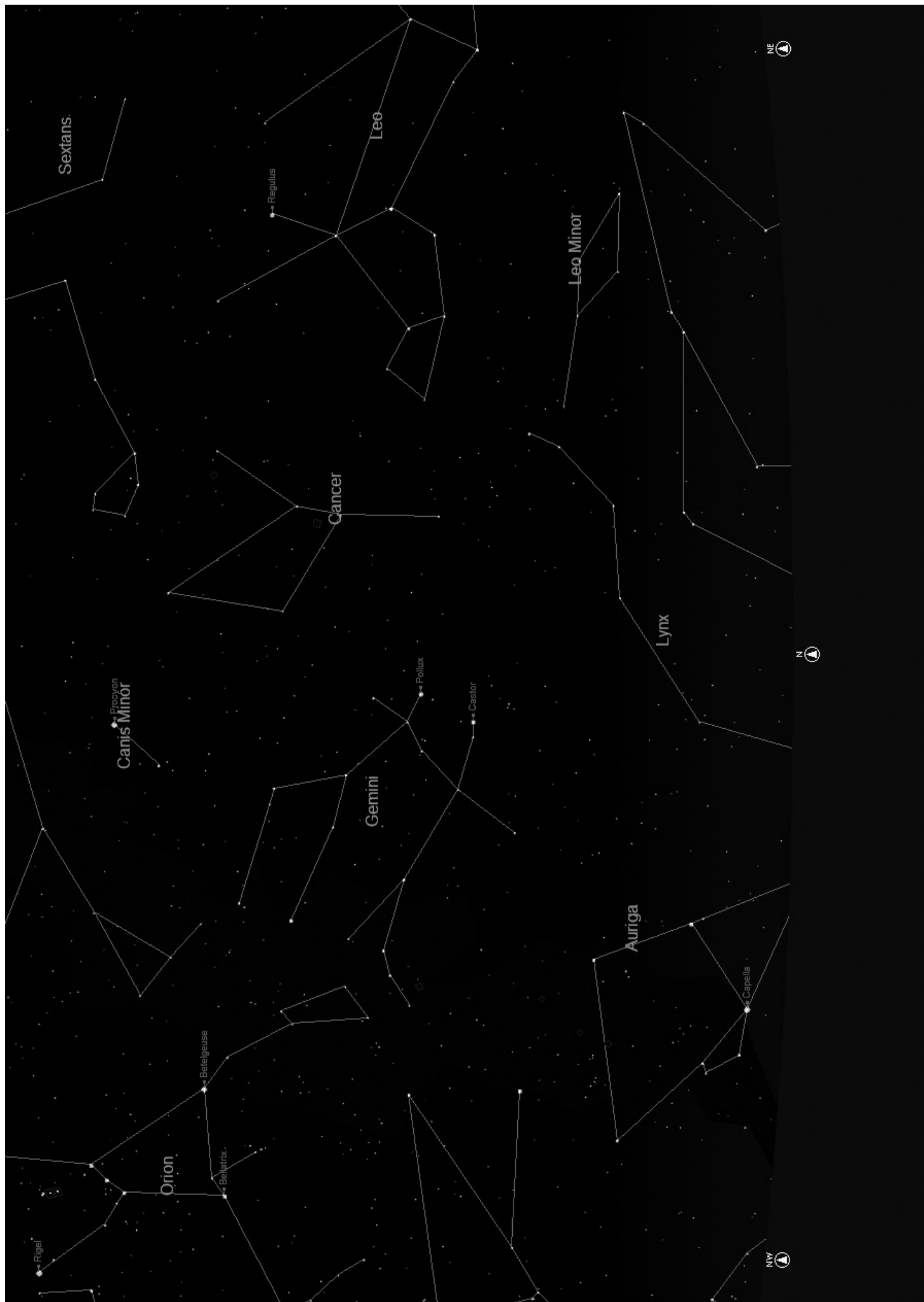
Le télescope est maintenant aligné et prêt pour être utilisé. L'affichage indiquera de nouveau SELECT MODE [SÉLECTIONNER LE MODE]. Veuillez vous rapporter aux instructions et suggestions fournies dans l'étape 6 : « Explore the Night Sky » [Explorer le ciel nocturne]. Par exemple, vous pourriez démarrer en choisissant le mode EXPLORE [EXPLORATION], puis en choisissant PLANET [PLANÈTE] si vous êtes nouveau dans le monde de l'astronomie.





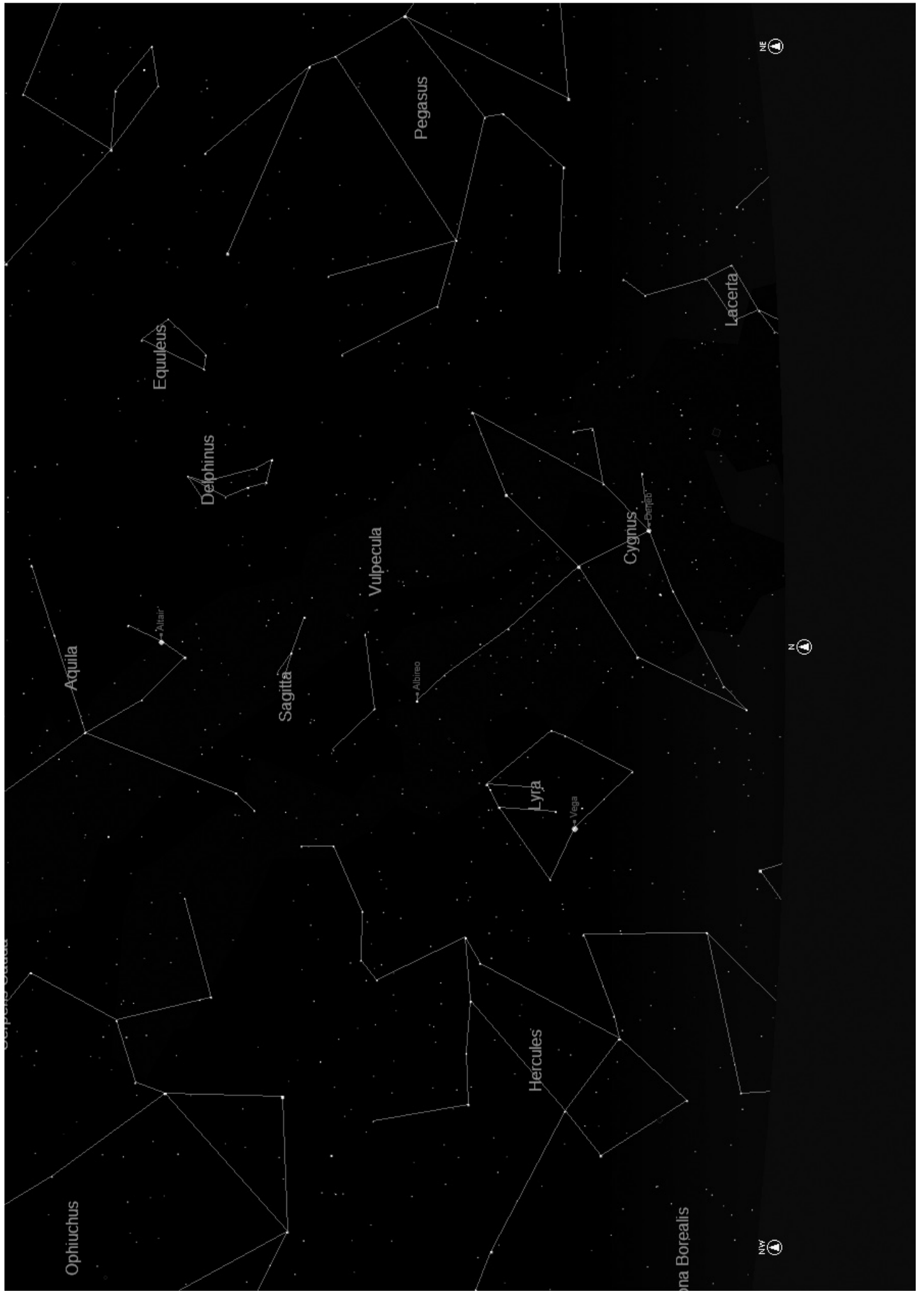


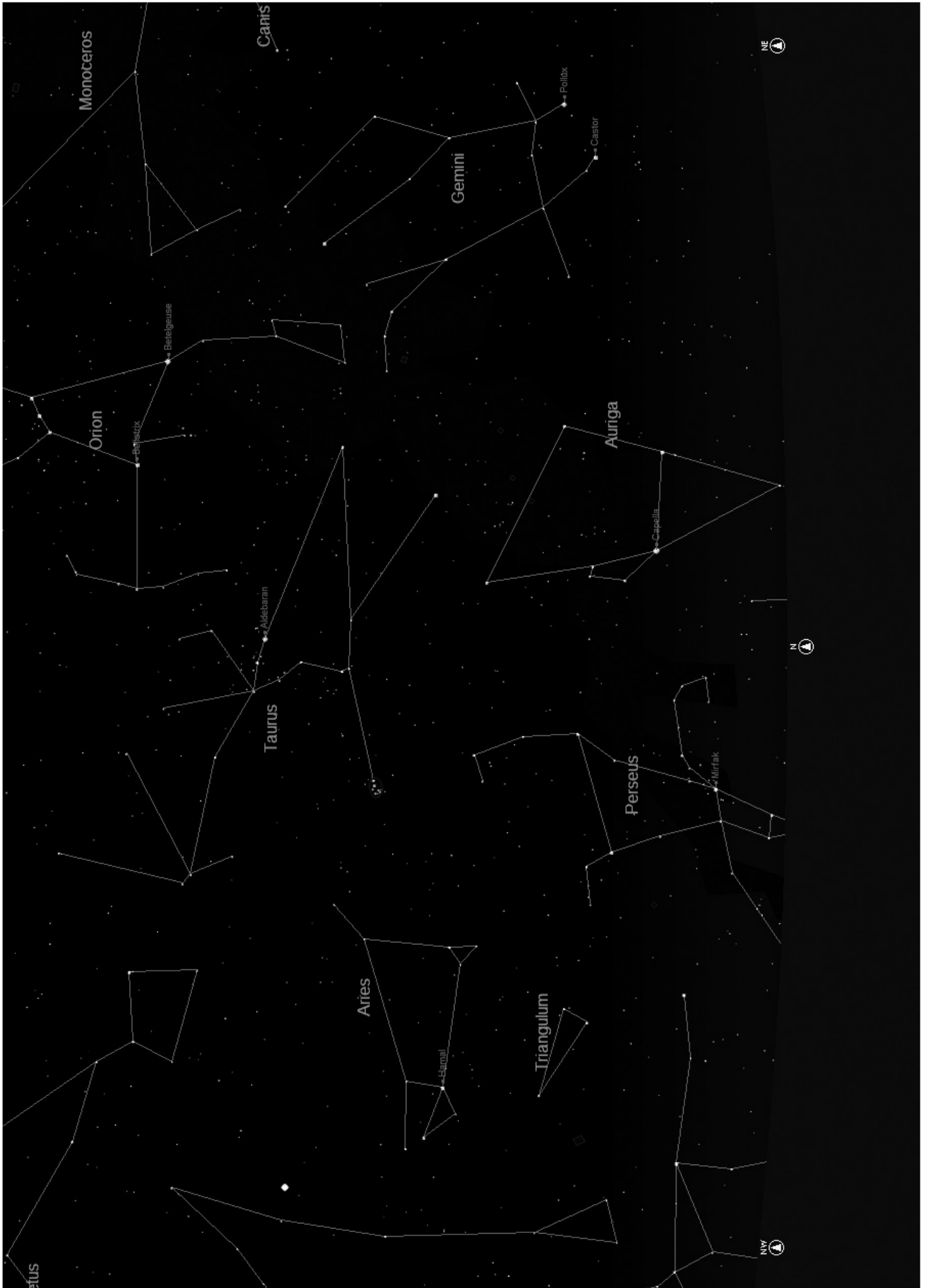












# Abréviations Des Constellations

Andromeda (And)	Lacerta (Lac)
Antila (Ant)	Leo (Leo)
Apus (Aps)	Leo Minor (LMi)
Aquarius (Aqr)	Lepus (Lep)
Aquila (Aql)	Libra (Lib)
Ara (Ara)	Lupus (Lup)
Aries (Ari)	Lynx (Lyn)
Auriga (Aur)	Lyra (Lyr)
Bootes (Boo)	Mensa (Men)
Caelum (Cae)	Microscopium (Mic)
Camelopardis (Cam)	Monoceros (Mon)
Cancer (Cnc)	Musca (Mus)
Canes Venatici (CVn)	Norma (Nor)
Canis Major (CMa)	Octans (Oct)
Canis Minor (CMi)	Ophiuchus (Oph)
Capricornus (Cap)	Orion (Ori)
Carina (Car)	Pavo (Pav)
Cassiopeia (Cas)	Pegasus (Peg)
Centaurus (Cen)	Perseus (Per)
Cepheus (Cep)	Phoenix (Phe)
Cetus (Cet)	Pictor (Pic)
Chameleon (Cha)	Pisces (Psc)
Circinus (Cir)	Piscis Austrinus (PsA)
Columbia (Col)	Puppis (Pup)
Coma Berenices (Com)	Pyxis (Pyx)
Corona Australis (CrA)	Reticulum (Ret)
Corona Borealis (CrB)	Sagitta (Sge)
Corvus (Crv)	Sagittarius (Sgr)
Crater (Crt)	Scorpius (Sco)
Crux (Cru)	Sculptor (Scl)
Cygnus (Cyg)	Scutum (Sct)
Delphinus (Del)	Serpens (Ser)
Dorado (Dor)	Sextans (Sex)
Draco (Dra)	Taurus (Tau)
Equuleus (Equ)	Telescopium (Tel)
Eridanus (Eri)	Triangulum (Tri)
Fornax (For)	Triangulum Australe (TrA)
Gemini (Gem)	Tucana (Tuc)
Grus (Gru)	Ursa Major (UMa)
Hercules (Her)	Ursa Minor (UMi)
Horologium (Hor)	Vela (Vel)
Hydra (Hya)	Virgo (Vir)
Hydrus (Hyi)	Volcans (Vol)
Indus (Ind)	Vulpecula (Vul)

## Référence supplémentaire

Pour des questions d'espace, nous avons choisi de ne pas inclure la liste complète des 20 000 objets célestes programmés dans la base de données de votre télescope NorthStar, dans le présent manuel. Néanmoins, la liste complète d'étoiles et les listes d'objets Messier entières qui sont comprises dans la base de données du télescope sont disponibles en ligne sur [www.bushnell.com/manuals/telescopes](http://www.bushnell.com/manuals/telescopes) pour votre référence.

# GARANTIE/RÉPARATION

## GARANTIE À VIE LIMITÉE DU TÉLESCOPE

Votre télescope Bushnell® est garanti exempt de défauts de matériaux et de fabrication pendant la durée de vie de son premier propriétaire. La garantie à vie limitée traduit notre confiance dans les matériaux et l'exécution mécanique de nos produits et représente pour vous l'assurance de toute une vie de service fiable.

Si votre télescope contient des composants électriques, ces composants sont garantis exempts de défauts de matériaux et de fabrication pendant deux ans après la date d'achat.

Au cas où un défaut apparaîtrait sous cette garantie, nous nous réservons l'option de réparer ou de remplacer le produit, à condition de nous le renvoyer en port payé. La présente garantie ne couvre pas les dommages causés par une utilisation, une manipulation, une installation incorrecte(s) ou un entretien incorrect ou fourni par quelqu'un d'autre qu'un centre de réparation agréé par Bushnell.

Tout retour effectué dans le cadre de la présente garantie doit être accompagné des articles indiqués ci-dessous :

- 1) un chèque ou mandat d'une somme de 15,00 \$ US pour couvrir les frais d'envoi et de manutention
- 2) le nom et l'adresse pour le retour du produit
- 3) une description du défaut constaté
- 4) la preuve de la date d'achat
- 5) Le produit doit être emballé soigneusement, dans un carton d'expédition solide, pour éviter qu'il ne soit endommagé durant le transport ; envoyez-le en port payé, à l'adresse indiquée ci-dessous :

**Aux États-Unis, envoyez à**  
**Bushnell Outdoor Products**  
**Attn.: Repairs**  
**8500 Marshall Drive**  
**Lenexa, Kansas 66214**

**Au CANADA, envoyez à :**  
**Bushnell Outdoor Products**  
**Attn.: Repairs**  
**25A East Pearce Street, Unit 1**  
**Richmond Hill, Ontario L4B 2M9**

Pour les produits achetés en dehors des États-Unis et du Canada, veuillez contacter votre distributeur local pour tous renseignements concernant la garantie. En Europe, vous pouvez aussi contacter Bushnell au ::

**Bushnell Germany GmbH**  
**European Service Centre**  
**Mathias-Brüggen-Str. 80**  
**D-50827 Köln**  
**GERMANY**  
**Tel: +49 221 995568-0**  
**Fax: +49 221 995568-20**

**La présente garantie vous donne des droits légaux spécifiques.**  
**Vous pouvez avoir d'autres droits qui varient selon les pays.**

©2010 Bushnell Outdoor Products

## CÓMO DISFRUTAR DE SU NUEVO TELESCOPIO

1. Puede que ya esté decidiendo que empezar a mirar, una vez montado y alineado su telescopio. Cualquier objeto brillante del cielo nocturno es un buen punto de partida. Uno de los puntos de partida favoritos en astronomía es la Luna. Es un objeto celeste que con toda seguridad agrada tanto a cualquier astrónomo en ciernes como a los veteranos con mucha experiencia. Cuando llegue a dominar este nivel, hay otros objetos que pueden convertirse en buenos blancos. Saturno, Marte, Júpiter y Venus son unos buenos segundos pasos que se deben tomar.
2. El ocular de baja potencia (el que lleva impreso el número más alto) es perfecto para ver la luna llena, planetas, cúmulos de estrellas, nebulosas, y hasta constelaciones. Estos deben ser sus cimientos. Sin embargo, para más detalle, trate de usar aumentos más altos con oculares de potencias más altas en algunos de estos objetos. Durante las noches en calma y nítidas, la línea de separación de luz/oscuridad de la Luna (denominada el "Terminator") es maravillosa usando una potencia alta. Puede ver montañas, colinas y cráteres delante de sus ojos. De igual forma, puede usar un mayor aumento en los planetas y las nebulosas. Los cúmulos de estrella y las estrellas individuales se pueden ver mejor con las potencias menores en cualquier caso.
3. El teatro astronómico recurrente que denominamos cielo nocturno es una especie de valla publicitaria en constante cambio. En otras palabras, no se ve la misma película todo el tiempo. Más bien, las posiciones de las estrellas cambian no solamente cada hora mientras parece que aparecen y desaparecen, sino que también cambian a lo largo del año. A medida que la Tierra describe su órbita alrededor del Sol, nuestra perspectiva de las estrellas cambia siguiendo un ciclo anual por dicha órbita. La razón por la que parece que el firmamento se mueve a diario de igual forma que el Sol y la Luna se "mueven" a través del nuestro cielo, es que la Tierra gira alrededor de su eje. Como resultado, puede que observe que transcurridos unos cuantos minutos o segundos, dependiendo de la potencia a la que esté mirando, los objetos de su telescopio se moverán. A aumentos más altos, especialmente, observará que la Luna o Júpiter aparecerán como si estuvieran "corriendo" justo desde el campo de visión. Para compensar, sólo tiene que mover el telescopio para hacer su "seguimiento" siguiendo la trayectoria necesaria.

## CONSEJOS ÚTILES

1. Su telescopio es un instrumento muy sensible. Para obtener mejores resultados y menos vibraciones coloque el telescopio sobre una superficie nivelada en lugar de ponerlo sobre un camino de hormigón de acceso a la casa o en una terraza de madera. De esta forma tendrá una superficie más estable para hacer sus observaciones, especialmente si ha atraído a una muchedumbre con su nuevo telescopio.
2. Si es posible, haga sus observaciones desde un lugar que tenga relativamente pocas luces. De esta forma podrá ver objetos mucho más tenues. Se sorprenderá con cuántas más cosas podrá ver desde un lago o parque locales comparado con lo que normalmente ve desde su jardín en la ciudad.
3. No se recomienda NUNCA usar su telescopio mirando a través de una ventana.
4. Si es posible, observe objetos que estén en lo más alto del cielo. Si espera a que el objeto se eleve muy por encima del horizonte logrará una imagen más brillante y nítida. Los objetos situados en el horizonte se ven a través de varias capas de la atmósfera terrestre. ¿Se ha preguntado alguna vez por qué la Luna se ve de color anaranjado cuando está cerca del horizonte? Se debe a que la vemos a través de una cantidad más considerable de atmósfera que cuando está directamente encima de nosotros. (Nota: si los objetos en lo alto del cielo aparecen distorsionados o temblorosos es probable que los esté observando durante una noche muy húmeda.) Durante las noches con una atmósfera inestable, observar con un telescopio puede ser frustrante, sino imposible. Los astrónomos se refieren a las noches claras y nítidas como noches "buenas para observar."

## ¿POR DÓNDE EMPIEZO?

**Su telescopio Bushnell puede poner las maravillas del universo delante de sus ojos. Si bien este manual trata de asistirle en el montaje y el uso básico de este instrumento, no cubre todo lo que le gustaría saber sobre astronomía. Aunque Northstar le proporcionará un viaje respetable por el cielo nocturno, le recomendamos que consiga una carta celeste básica y una linterna con bombilla roja o cubierta con papel de celofán rojo. En el caso de los objetos que no sean estrellas y constelaciones, es muy importante disponer de una guía astronómica básica. En nuestro sitio web [www.bushnell.com](http://www.bushnell.com), ofrecemos algunas de las fuentes recomendadas. También podrá ver en nuestro sitio web los acontecimientos recientes en el firmamento cuya visión aconsejamos. En cualquier caso, algunos de los cuerpos celestes más importantes que se pueden ver son:**

**La Luna**—con cualquier aumento se puede disfrutar de una vista maravillosa de nuestra vecina lunar. Trate de observarla en las diferentes fases lunares. Se quedará atónito con las altiplanicies, los mares lunares (tierras bajas que se llaman “mares” por su color oscuro), los cráteres, las colinas y las montañas de la Luna.

**Saturno**—hasta con los aumentos más bajos podrá ver los anillos y las lunas de Saturno. Es uno de los cuerpos celestes que producen una mayor satisfacción debido a que su aspecto es igual al que estamos acostumbrados a ver en las fotografías. ¡Imagínese observando desde su jardín lo que antes ha visto en los libros de texto o en las imágenes de la NASA!

**Júpiter**—el planeta más grande de nuestro sistema solar es espectacular. Las características más notables son sus tiras o bandas oscuras, tanto por arriba como por debajo de su ecuador. Éstas son las cintas ecuatoriales del norte y del sur. También son interesantes las cuatro lunas principales de Júpiter. Preste una atención especial a sus respectivas posiciones de una noche a otra. Parece que están alineadas a ambos lados de Júpiter.

**Marte**—El Gran Planeta Rojo parece un disco rojo-anaranjado. Mírelo en diferentes épocas del año y trate de ver el blanco de sus casquetes polares.

**Venus**—igual que la Luna, Venus cambia de fases de un mes a otro. Hay veces que Venus aparece brillantemente en el cielo nocturno como si fuera una luna creciente distante.

**Nebulosas**—El Gran Orión es una nebulosa muy conocida en el cielo nocturno que se puede ver, junto con otras muchas más, con este telescopio.

**Cúmulos de estrellas**—Vea millones de estrellas densamente unidas formando un cúmulo que parece una bola.

**Galaxias**—Una de las galaxias más grandes e interesantes es nuestra vecina la galaxia Andrómeda. Podrá disfrutar de esta galaxia y otras muchas.



Felicidades por haber comprado un telescopio Bushnell Northstar Goto con Real Voice Output (Salida de voz real). Es el primer telescopio creado hasta la fecha que habla realmente para instruirle sobre el cielo nocturno. Considere esta función como su asistente personal en astronomía.

Después de leer este manual y de prepararse para la sesión de observación siguiendo las indicaciones de estas páginas, puede empezar a disfrutar de la función Real Voice Output haciendo lo siguiente:

- Para activar el telescopio, ¡sólo tiene que encenderlo! La función Real Voice Output está integrada en el dispositivo de control remoto.
- El telescopio hará diferentes comentarios útiles durante el proceso de alineamiento. Una vez alineado, la función Real Voice Output brillará realmente siempre que se pulse la tecla "enter" (introducción) cuando se visualice el nombre o el número de un objeto en la esquina inferior derecha de la pantalla LCD de visualización. Se escuchará una voz que hará la descripción del objeto al mismo tiempo que se mueve el texto de la descripción en la pantalla.
- Si en cualquier momento desea anular la función de habla, puede cancelarla pulsando el botón "Back" (Regresar) en el teclado de control remoto.

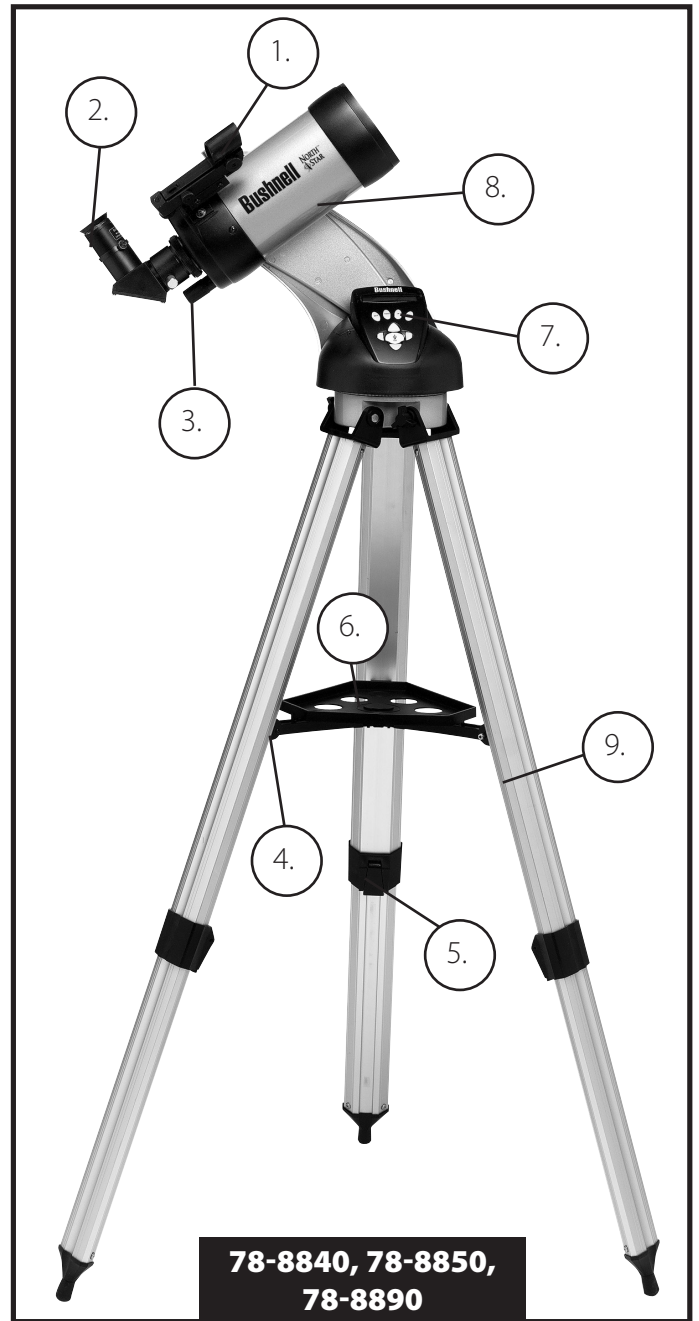
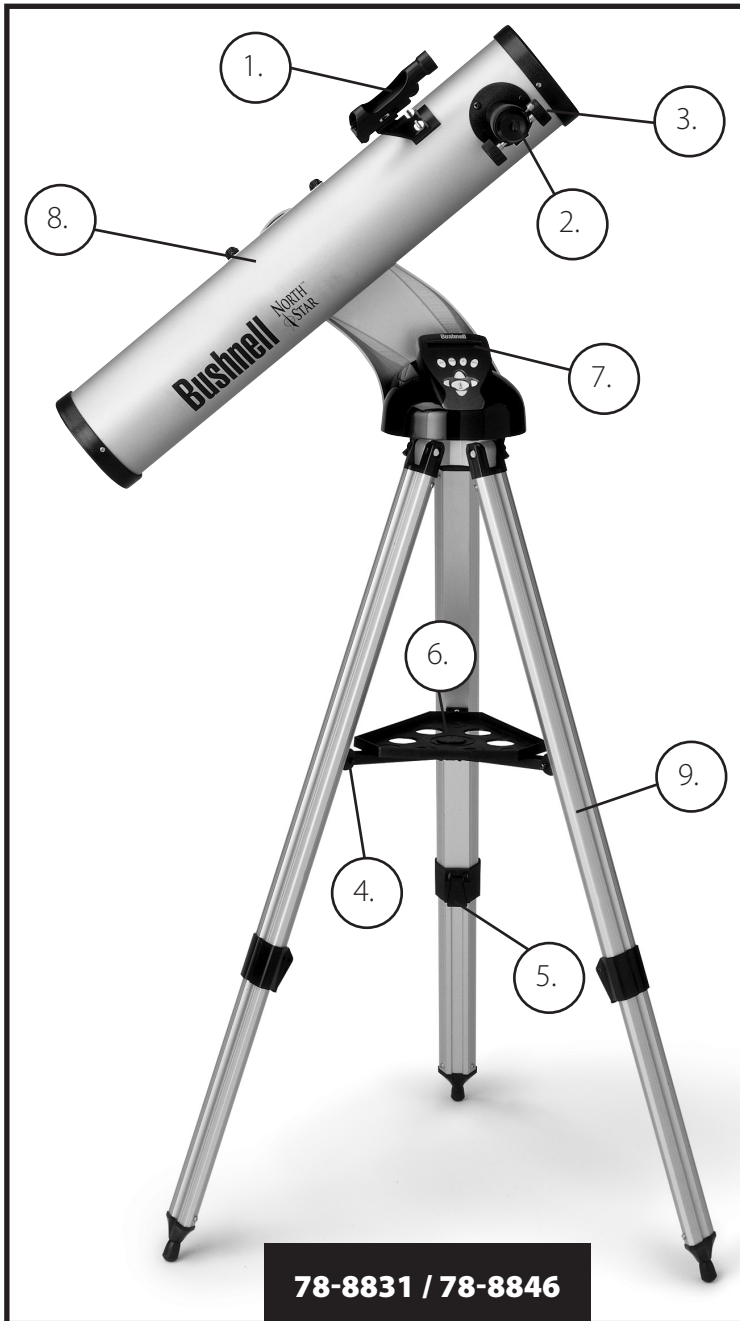
¡Esperamos sinceramente que disfrute de su telescopio durante muchos años!



**NO MIRE NUNCA DIRECTAMENTE AL SOL  
CON SU TELESCOPIO**

**PODRÍA SUFRIR DAÑOS PERMANENTES EN  
LOS OJOS**

## DIAGRAMA DE PIEZAS

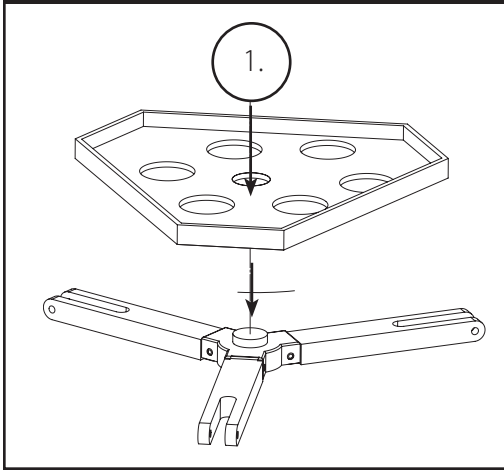


### Diagrama de piezas del telescopio

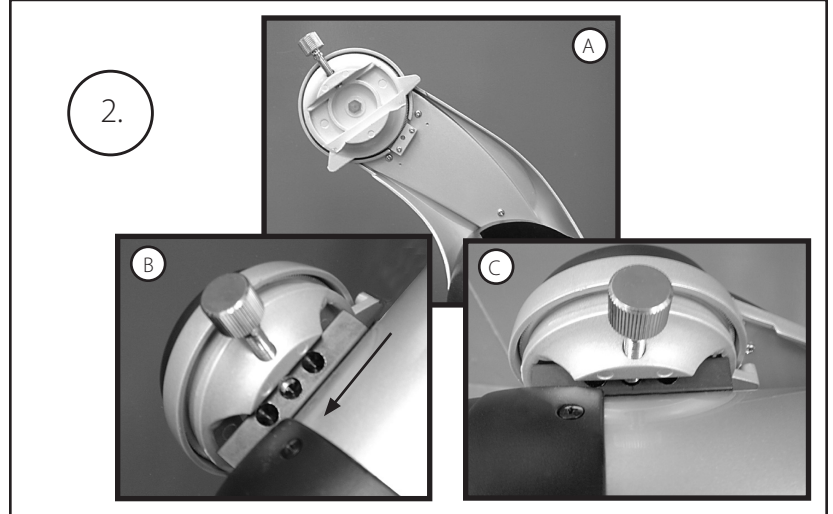
- |   |  |
|---|--|
| 1. Visor de localización de Red Dot (Punto Rojo)    | 6. Bandeja para accesorios de desconexión rápida       |
| 2. Ocular de formato 1,25" (se han incluido dos)    | 7. Mando de control remoto del ordenador               |
| 3. Mecanismo de enfoque de cremallera               | 8. Tubo del telescopio principal                       |
| 4. Tirante de la bandeja para accesorios            | 9. Trípode de aluminio ajustable de desconexión rápida |
| 5. Palanca de pata de trípode de desconexión rápida |  |

## GUÍA DE MONTAJE RÁPIDO

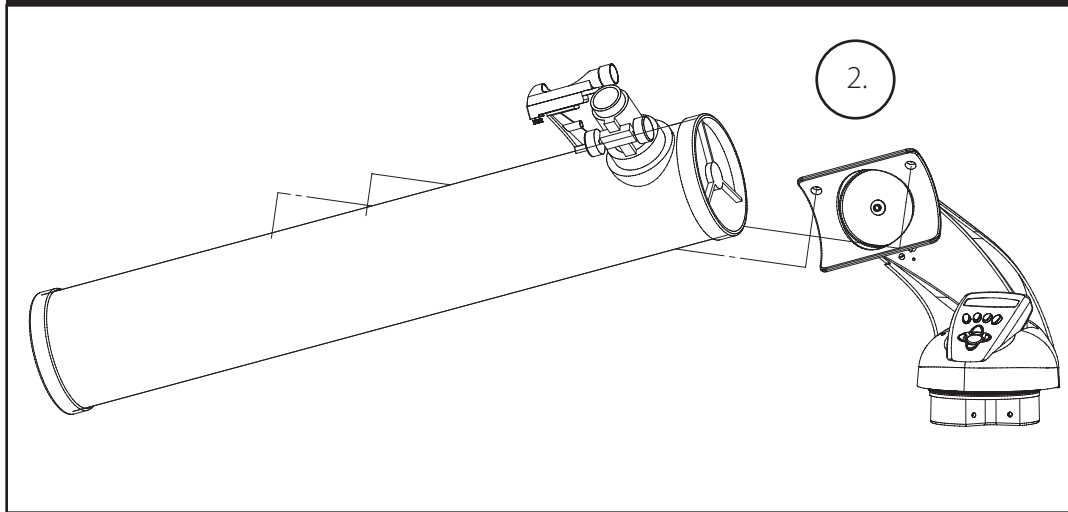
**78-8831 / 78-8846 / 78-8840  
78-8850 / 78-8890**



**78-8840, 78-8850, 78-8890**



**78-8831 / 78-8846**



## LISTA DE PIEZAS

- Conjunto de trípode de aluminio ajustable (Pre-montado en la base del localizador de estrellas computerizado del Northstar)
- Bandeja de accesorios de desconexión rápida
- Telescopio Northstar con tuercas de conexión a mano
- Visor de localización Red Dot
- Oculares (2)
- Lente Barlow (Reflector)
- Ocular inversor de imágenes (Maksutov)

## MONTAJE DETALLADO

No se requieren herramientas para el montaje del telescopio.

Saque todos los componentes de la caja e identifíquelos. Es una buena idea extender todas las piezas delante de usted antes de empezar el montaje. Como quiera que el telescopio es un sistema óptico de precisión, es necesario manejar las piezas con cuidado—particularmente el ordenador de a bordo, el telescopio, los oculares y las diferentes lentes accesorias.

### MONTE EL TRÍPODE Y LA BANDEJA PARA ACCESORIOS

1. Ponga el conjunto del localizador de estrellas computerizado Northstar y las patas de trípode conectadas en posición vertical. Extienda las patas del trípode a una distancia confortable.
2. Pliegue los tirantes de la bandeja para accesorios y coloque la bandeja para accesorios de desconexión rápida sobre los tirantes. (Vea el diagrama de montaje rápido).
3. Gire la bandeja para accesorios hasta que encaje en su lugar.
4. Ajuste la altura de las patas del trípode abriendo la palanca de la pata del trípode y extendiendo las patas del trípode hasta la altura deseada. Fije la palanca de la pata del trípode cuando termine.

### CONEXIÓN DEL TUBO DEL TELESCOPIO

1. Localice el tubo del telescopio principal.
2. Quite las tuercas de aleta del tubo del telescopio del lado del tubo del telescopio (sólo en los modelos 78-8831 y 78-8846). En el modelo 78-8890, afloje el tornillo de orejeta plateado de la parte superior de la montura del Telescopio.
3. Ponga los tornillos de conexión del tubo del telescopio principal a través del soporte del tubo del telescopio en la parte superior del conjunto del localizador de estrellas computerizado Northstar (sólo en 78-8831 y 78-8846). En el modelo 78-8890, deslice hacia atrás el soporte del tubo del telescopio sobre el receptor de la montura del telescopio. Asegúrese de que el telescopio apunte a la dirección correcta. (El logotipo del tubo del telescopio debe mirar hacia arriba).
4. Reconectar las tuercas de aleta del tubo del telescopio a los tornillos de conexión del tubo del telescopio principal una vez que el tubo del telescopio principal y el conjunto del localizador de estrellas computerizado Northstar se conecten entre sí (sólo en 78-8831 y 78-8846). En el modelo 78-8890, apriete el tornillo de orejeta en la parte superior de la montura del telescopio formando la depresión deseada en el soporte del tubo del telescopio principal.

### CONEXIÓN DE LOS ACCESORIOS DE TELESCOPIO FINALES

1. Encuentre el visor de localización Red Dot.  
**En los telescopios reflectores:** Quite las tuercas de conexión del visor de localización del tubo del telescopio principal. Coloque el conjunto de visor de localización sobre los tornillos de conexión del mismo y reconecte las tuercas de aleta del visor de localización a los tornillos de la montura del visor.  
**NOTA:** El extremo grande del visor de localización debe mirar al extremo abierto del tubo del telescopio.
2. Conecte el ocular de potencia baja.  
**En los modelos de telescopio reflector:** Inserte el ocular de potencia más baja en el mecanismo de enfoque aflojando el tornillo de fijación del ocular e insertando completamente el ocular.
3. Apriete todos los tornillos de fijación para asegurar bien los accesorios.

### CÓMO SE SELECCIONA EL OCULAR

Hay que empezar a mirar siempre con el ocular de potencia más baja, que en este caso es la lente de 20 mm. Nota: la potencia base de cada ocular viene determinada por la distancia focal del objetivos del telescopio. Se puede usar una fórmula para determinar la potencia de cada ocular: distancia focal del OBJETIVO del telescopio dividido por la distancia focal del OCULAR = AUMENTO (por ejemplo, si se usa una lente de 20 mm, un cálculo sencillo podría hacerse así:  $750 \text{ mm} / 20 = 38 \text{ x}$ , es decir, una potencia de 38. Los modelos de telescopio varían en distancia focal).

#### (Reflector)

Con este telescopio se entrega una lente Barlow. Las lentes Barlow se utilizan para duplicar o triplicar la potencia de su telescopio. Coloque la lente Barlow entre el tubo de enfoque y el ocular. Aplicando el ejemplo anterior, la lente Barlow 3x le daría una potencia total de 114x, es decir, una potencia de 114. ( $38 \times 3 = 114\text{x}$ , una potencia de 114). El cálculo del aumento sería algo parecido a:  $750 \text{ mm} / 20\text{mm} = \text{potencia de } 38$ . Potencia de  $38 \times 3 = \text{potencia de } 114$ .

## MONTAJE DETALLADO *(Continuación)*

### CÓMO SE ENFOCA EL TELESCOPIO

1. Después de seleccionar el ocular deseado, apunte el tubo del telescopio principal a un blanco basado en tierra situado a una distancia mínima de 200 yardas (p. ej.: un poste de teléfono o un edificio).
2. Extienda completamente el tubo de enfoque girando el mecanismo de enfoque de cremallera.
3. Mientras mira por el ocular seleccionado (en este caso el de 20 mm), retraiga lentamente el tubo de enfoque girando el mecanismo de enfoque de cremallera hasta que el objeto aparezca enfocado.

### CONECTAR EL CONTROLADOR Y LA PILA DEL ORDENADOR REMOTO

1. Localice el controlador de ordenador remoto y el cable en espiral.
2. Localice la puerta del hueco de la pila en la base del localizador de estrellas computerizado Northstar.
3. Quite la puerta del hueco de la pila e inserte una pila de 9 voltios.
4. Vuélvase a poner la puerta del hueco de la pila.
5. Conecte el controlador de ordenador remoto con el cable en espiral a la base del localizador de estrellas computerizado Northstar.

### CÓMO SE HACE EL ALINEAMIENTO DEL VISOR DE LOCALIZACIÓN

Mire por el tubo del telescopio principal y establezca un blanco bien definido. (vea la sección Cómo se enfoca el telescopio)  
Quite el aislador plástico que hay entre la pila del visor de localización Red Dot y el clip de la pila.

Encienda el visor de localización Red Dot.

Mirando por el visor de localización Red Dot, gire las ruedas de ajuste hasta que el punto rojo esté centrado con precisión en el mismo objeto que ya está centrado en el campo de visión del tubo del telescopio principal.

Ahora, los objetos que se localizan primero con el visor de localización Red Dot se centrarán en el campo de visión del telescopio principal.

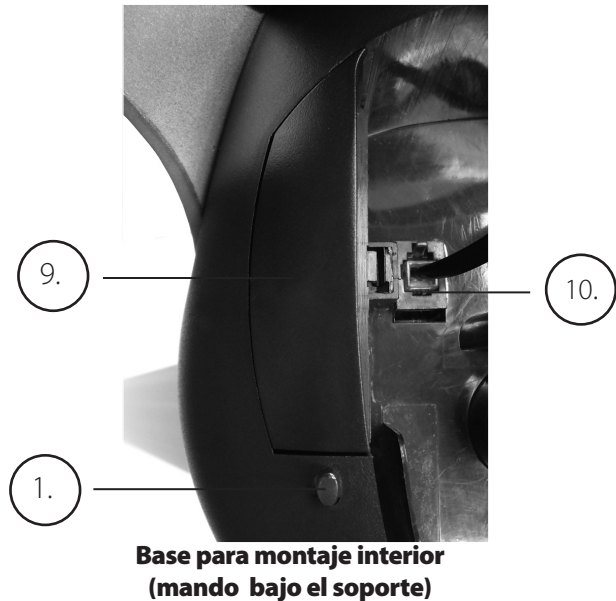
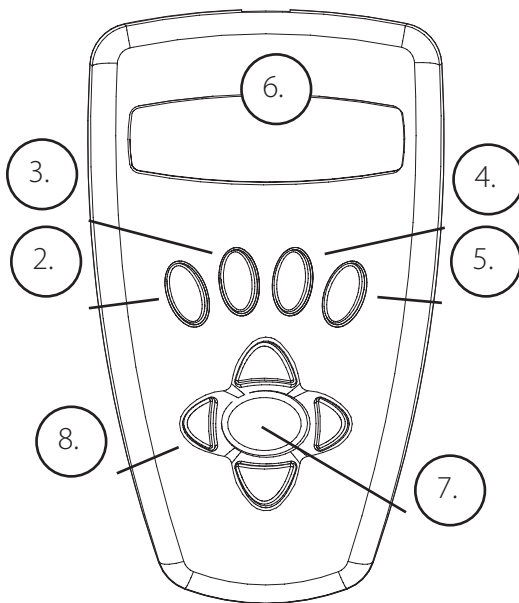
**NO MIRE NUNCA DIRECTAMENTE AL SOL  
CON SU TELESCOPIO**



**PODRÍA SUFRIR DAÑOS PERMANENTES EN  
LOS OJOS**

## DIAGRAMA DEL INTERFAZ DEL ORDENADOR DE NORTHSTAR

- |  |  |
|--|--|
| 1. Botón de On/Off - encendido/apagado<br>(en la base Northstar-observe la foto) | 6. Pantalla LCD  |
| 2. Botón "Back" (Regreso)  | 7. Botón "GO" (IR)   |
| 3. Botón "Enter" (Introducción)  | 8. Botones de movimientos motorizados (4)  |
| 4. Botón Scroll Up (Desplazamiento en pantalla hacia arriba)                     | 9. Puerta del hueco de la pila<br>(en la base/ soporte del mando, observe la foto) |
| 5. Botón Scroll Down (Desplazamiento en pantalla hacia abajo)                    | 10. Conector del cable del mando (en la base Northstar)                            |



## BOTONES DE FUNCIONES

### TODOS LOS BOTONES SE ILUMINAN PARA USARSE DURANTE LA NOCHE.

**Botón de encendido/apagado (On/Off):** El botón On/Off sirve para encender y apagar el localizador de estrellas computerizado Northstar. Este botón destella o emite impulsos estroboscópicos durante el uso normal. Para apagar la unidad, sólo tiene que pulsar y mantener pulsado el botón On/Off durante tres segundos y soltarlo. (Nota: El localizador de estrellas computerizado Northstar se apagará automáticamente por su cuenta después de 10 minutos de inactividad).

**Botón Back (Regreso):** Este botón funciona para pasar al nivel previo dentro del marco de referencia operativo o regresar al nivel previo de entrada. Si en cualquier momento quiere desactivar la función de habla, puede cancelarla pulsando el botón "Back" (Regreso) en el teclado de control remoto.

**Botón Enter (Introducción):** Este botón funciona para seleccionar ciertas opciones de menú. Si pulsa el botón ENTER, Northstar avanzará hasta el nivel seleccionado. Cuando el nombre o el número de un objeto aparece listado en la pantalla, también se puede pulsar el botón ENTER para escuchar una descripción hablada y visualizar una descripción en texto de dicho objeto.

**Botón Scroll Up (Desplazamiento en pantalla hacia arriba):** Este botón funciona para desplazarse hacia arriba en la pantalla por diferentes menús con Northstar. Siempre que encuentre una opción de texto/número destellando, el botón "scroll" visualizará las diferentes opciones dentro de ese menú. (Nota: Para seleccionar una opción a la que ha llegado desplazándose por la pantalla, sólo tiene que pulsar el botón ENTER).

## BOTONES DE FUNCIONES (Continuación)

**Botón Scroll Down (Desplazamiento en pantalla hacia abajo):** Este botón funciona para desplazarse hacia abajo en la pantalla por diferentes menús dentro de Northstar. Siempre que encuentre una opción de texto/número destellando, el botón "scroll" visualizará las diferentes opciones dentro de ese menú. (Nota: Para seleccionar una opción a la que ha llegado desplazándose por la pantalla, sólo tiene que [pulsar el botón ENTER].

**Botón "GO" (IR):** El botón GO centrará automáticamente cualquier objeto que se visualice en la pantalla LCD. Pulsando el botón "GO," el telescopio encontrará y seguirá automáticamente el objeto seleccionado hasta que se seleccione otro objeto y se vuelva a pulsar el botón "GO."

**Botones de movimientos motorizados:** Estos cuatro botones multidireccionales permiten que el usuario pueda cancelar el sistema de seguimiento y mover el telescopio utilizando manualmente los motores hasta ir a la posición deseada. Cuanto más tiempo se pulsen estos botones, más rápido se moverá el Northstar hasta alcanzar su velocidad máxima.

## PANTALLA LCD

La Pantalla de Cristal Líquido (LCD) presenta una visualización de dos líneas y dieciséis caracteres. La pantalla LCD se ilumina para poder usarse durante la noche de la misma forma que los botones.

## MODOS DEL MANDO

**Explorar:** La modalidad Explore (Explorar) de Northstar ofrece la capacidad de explorar varios objetos astronómicos categorizados por tipo de objeto. Estos objetos entran dentro de uno, o más, de los siguientes tipos de objetos: Espacio interplanetario, Planetas, Constelaciones y Estrellas. Cada uno de estos subencabezamientos tendrá también subcategorías de objetos dentro de su estructura de menú. (Consulte Árbol del Menú para ver una lista completa de las funciones y opciones del menú).

**Viaje por el firmamento:** La modalidad Sky Tour (Viaje por el firmamento) de Northstar ofrece la capacidad de realizar un viaje rápido de los objetos celestes mejores y más brillantes durante cualquier mes dado del año. Si se ha introducido la fecha en el sistema (consulte el paso 3 de "Alineación del Northstar por primera"), la modalidad Sky Tour pasará automáticamente a la función predeterminada correspondiente a ese mes. Los objetos se pueden elegir usando las flechas scroll up o down (desplazamiento arriba o abajo) y pulsando ENTER. Para más información sobre un objeto dado pulse el botón ENTER mientras se visualiza dicho objeto para ver un mensaje de texto desplazándose en pantalla.

**Telescopio:** La modalidad de Telescopio de Northstar ofrece datos en tiempo real sobre la dirección en que está apuntando el telescopio. Las coordenadas astronómicas de Ascensión Recta (RA) y Declinación (DEC), así como de Altitud (ALT) y Azimut (AZ) se visualizan simultáneamente. Además, en la esquina derecha inferior aparecerá la abreviatura de la constelación a la que está apuntando el telescopio.

**Identificar:** La modalidad Identify (Identificar) de Northstar ofrece la capacidad de identificar cualquier objeto dentro del campo de visión del telescopio. También se incluyen las subcategorías de las diferentes clases de objetos identificables, así como una opción Identify Any (Identificar Cualquiera).

**Alinear Tierra:** La modalidad Align Earth (Alinear Tierra) de Northstar ofrece la capacidad de alinear fácilmente el telescopio utilizando información común que ya se sabe sin necesidad de ser astrónomos. Sólo se necesita introducir información sencilla como hora, fecha, ciudad, etc. y un usuario que utiliza el telescopio por primera vez puede explorar en unos minutos la inmensa base de datos de objetos astronómicos de Northstar.

**Alinear Estrella:** La modalidad Align Star (Alinear Estrella) de Northstar ofrece la capacidad de alinear el telescopio utilizando ciertos conocimientos astronómicos. Sabiendo dónde están situadas dos estrellas en el cielo, un usuario novel puede sortear la entrada de ciudad, fecha y hora y empezar rápidamente a utilizar la base de datos de Northstar para localizar objetos astronómicos increíbles.

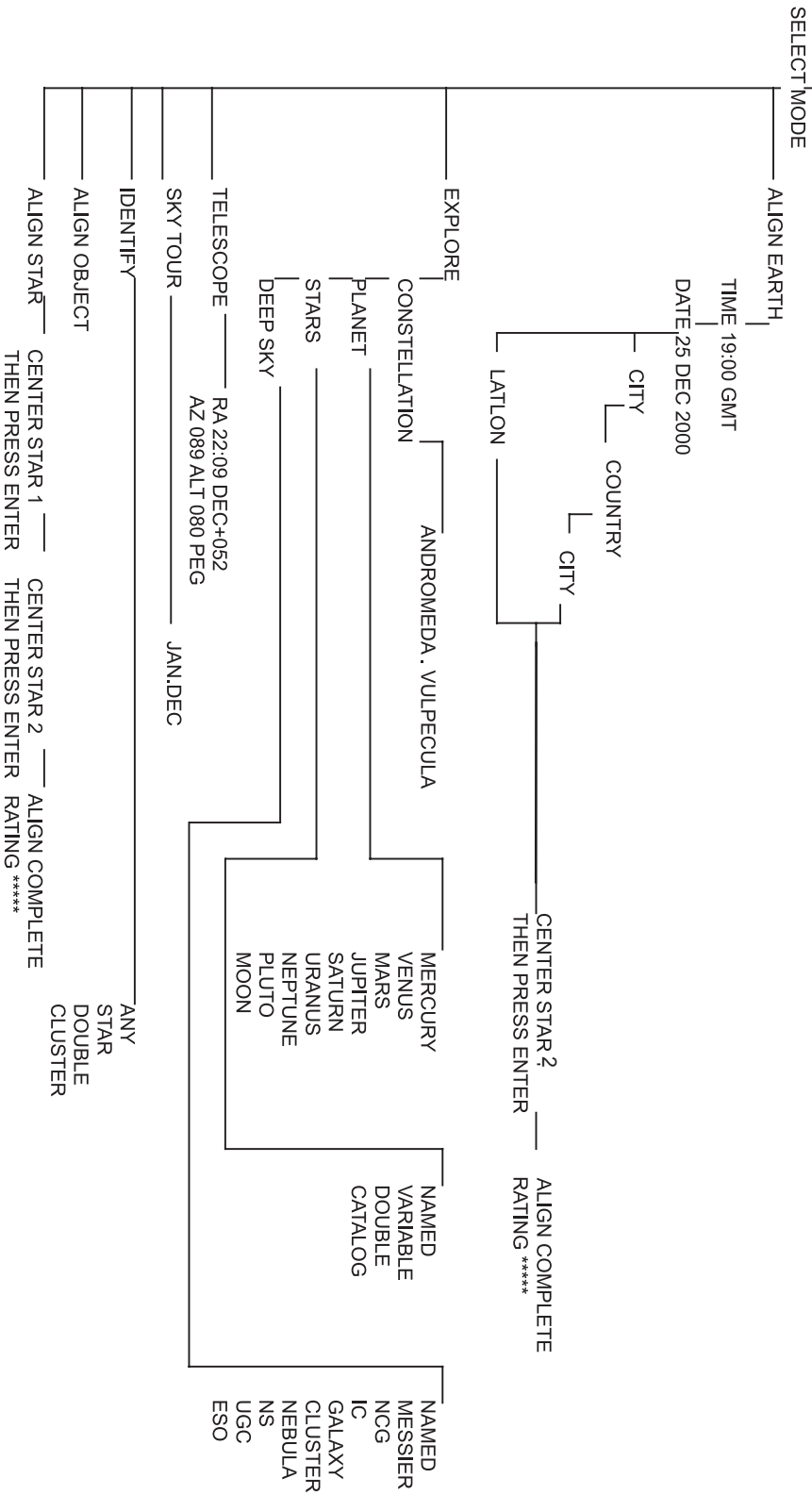
**Alinear Objeto:** La modalidad Align Object (Alinear Objeto) de Northstar ofrece la capacidad de refinar el alineamiento del telescopio a la mitad de la sesión de observación. Esto viene muy bien cuando el perro acaba de chocar por accidente el telescopio cambiando su alineamiento. Usando esta modalidad se puede centrar el telescopio sobre cualquier objeto conocido y seleccionar "alinear objeto" para recalibrar rápidamente el alineamiento del Northstar y seguir disfrutando del mismo durante el resto de la velada.

# MENU TREE

WELCOME TO BUSHNELL NORTHSTAR

**BUSHNELL NORTHSTAR COMPUTER MENU STRUCTURE**  
 (For Step-By-Step Easy Use Refer to Quick Reference Guide)

**ESTRUCTURA DE MENÚS DEL ORDENADOR NORTHSTAR DE BUSHNELL**  
 (En la Guía de referencia radio encontrará la utilización sencilla paso a paso)





## CÓMO SE HACE EL ALINEAMIENTO DEL NORTHSTAR POR PRIMERA VEZ

**(NOTA: Asegúrese de que el telescopio esté sobre una superficie horizontal).**

### **PASO 1:**

Antes de encender el telescopio, quite el aparato de control remoto. Cuando conecte el telescopio, oirá y verá un mensaje de bienvenida hablado y escrito como:

BUSHNELL NORTHSTAR Vx.x (el número de versión del software operativo)

Después de este mensaje, el telescopio ejecutará una comprobación de diagnóstico y nivelará el tubo del telescopio en relación con la montura del telescopio.

Entonces aparecerá el menú predeterminado:

SELECT MODE  
ALIGN EARTH ↑↓

Esta modalidad supone que aun cuando el usuario esté utilizando el telescopio por primera vez y no sepa nada de astronomía, podrá alinear con éxito el telescopio siguiendo unos sencillos pasos. Otra opción es el modo "ALINEAR ESTRELLA" que precisa un poco más de experiencia pero ofrece unos resultados algo más precisos, se explicará posteriormente.

La opción ALIGN EARTH aparece destellando.

Pulse ENTER para elegir la opción ALIGN EARTH (ALINEAR TIERRA).

NOTA: CUALQUIER TEXTO QUE DESTELLE EN LA PANTALLA ES UNA OPCIÓN DEL MENÚ. TAMBIÉN HAY OTRAS OPCIONES DISPONIBLES USANDO LOS BOTONES SCROLL UP (DESPLAZAMIENTO ARRIBA) O SCROLL DOWN (DESPLAZAMIENTO ABAJO).

### **PASO 2: PONER LA HORA**

Usando los botones SCROLL UP y SCROLL DOWN y el botón ENTER, se puede poner fácilmente la hora y el huso horario. Cada opción destellante se tendrá que cambiar para leer el número apropiado. Una vez que se visualice el número apropiado, acepte el número pulsando ENTER. Después fije la siguiente opción destellante hasta que queden fijadas la hora (formato de 23 h) y la zona horaria. Nota: "\_ST" indica hora estándar y "\_DT" indica horario de ahorro de luz diurna.

### **PASO 3: PONER LA FECHA**

De nuevo, usando los botones SCROLL UP y SCROLL DOWN y el botón ENTER, la fecha se puede poner fácilmente. Cada opción destellante se tendrá que cambiar para leer el número o mes apropiados. Una vez que se visualiza el número apropiado, acepte el número pulsando ENTER. Luego, ponga la siguiente opción destellante hasta que se fije el día, mes y año.

### **PASO 4: PONER LA SITUACIÓN**

Se visualizará la siguiente pantalla:

ALIGN EARTH  
CITY ↑↓

CITY (CIUDAD) aparecerá destellando. Pulsando el botón ENTER, la pantalla cambiará a:

COUNTRY  
U.S.A. ↑↓

El país aparecerá destellando.

## CÓMO SE HACE EL ALINEAMIENTO DEL NORTHSTAR POR PRIMERA VEZ *(Continuación)*

Usando los botones SCROLL UP y SCROLL DOWN y el botón ENTER, se puede elegir el PAÍS. Cuando haya encontrado el País apropiado y pulse el botón ENTER, elija la ciudad que esté más cerca pulsando ENTER cuando se visualice.

*NOTA: ESCOJA LA CIUDAD QUE ESTÉ MÁS CERCA DE SU LUGAR DE OBSERVACIÓN. ÉSTE NO ES UN PASO QUE TENGA UNA IMPORTANCIA CRÍTICA Y EL ALINEAMIENTO SE REFINARÁ AUTOMÁTICAMENTE A MEDIDA QUE VAYAMOS PROGRESANDO.*

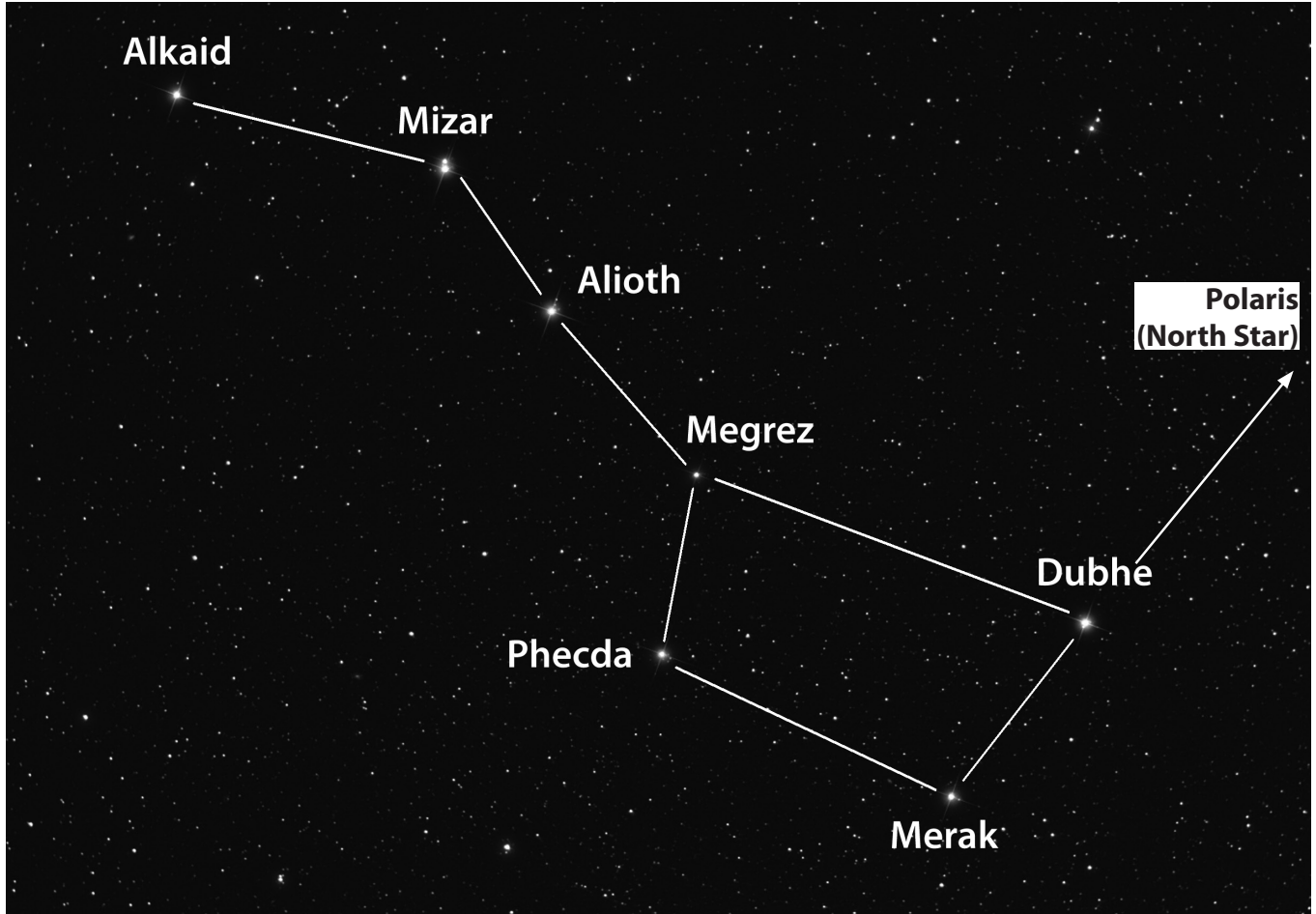
### **PASO 5: ELEGIR Y CENTRAR UNA ESTRELLA**

Después de introducir su CIUDAD, el siguiente mensaje indica CENTRE LA ESTRELLA 2 Y PULSE INTRO

Esto significa que tendrá que elegir el nombre de una estrella (que será su "estrella de guía") en la lista de la pantalla, colocar la estrella en el centro del campo de visión mirando a través del telescopio (desplazándolo a mano o con los botones de los motores) y pulsar INTRO.

¿Puede que se pregunte porqué "ESTRELLA 2" y no "ESTRELLA 1?" La razón es que utilizamos el modo ALINEAR TIERRA, más rápido y sencillo, que sólo le exige que localice y centre una estrella (a diferencia del modo ALINEAR ESTRELLA que precisa usar dos estrellas). Cuando introdujo la hora, fecha, país y ciudad, fue en lugar de encontrar la "ESTRELLA 1": en lugar de ello está utilizando información basada en la Tierra.

Si se encuentra en el hemisferio norte de la Tierra la estrella más sencilla de encontrar y utilizar para un principiante es probablemente alguna de las más brillantes del conocido "Carro Mayor", mostrado a continuación. Como ya debe saber, las estrellas que forman el Carro Mayor se encuentran cerca de la estrella Polar, también llamada Estrella del Norte, que es la estrella situada en el centro del cielo o muy cerca, que parece estar justo encima. (tenga en cuenta que el Carro Mayor puede aparecer boca abajo en el cielo, o en posiciones distintas a la mostrada, en distintas épocas del año). Una línea imaginaria trazada desde Merak a Dubhe en el Carro Mayor va directamente a la estrella Polar (situada a unas cinco veces la distancia entre estas dos "estrellas apuntadoras").



## CÓMO SE HACE EL ALINEAMIENTO DEL NORTHSTAR POR PRIMERA VEZ (Continuación)

Merak, Dubhe y Mizar son brillantes y relativamente fáciles de encontrar, por lo que puede probar con alguna de estas. Si se encuentra en el hemisferio sur del planeta, donde no puede verse el Carro Mayor, naturalmente también puede utilizar el modo "ALINEAR TIERRA" seleccionando alguna estrella de la lista de estrellas visibles de su zona, mostradas en la pantalla del telescopio. Los mapas estelares del final de este manual también pueden ayudarle a elegir una estrella.

Use los botones de desplazamiento ARRIBA/ABAJO para encontrar el nombre que ha elegido en la pantalla. La pantalla también le mostrará dos números con flechas verticales y horizontales que indican aproximadamente en qué dirección y cuánto debe desplazarse el telescopio para colocar esa estrella en el centro de la vista del telescopio. Si pulsa el botón "GO" ("ir"), los motores del telescopio los desplazarán a una posición que está, como menos, por la zona de la estrella (recuerde que aún no ha terminado el proceso de alineación, pero esto también puede ayudarle en la zona general del cielo). Los números de las estrellas de posición deben ser ahora cercanos a "0" (cuando están por debajo de 10 las flechas actúan como "comas decimales", mostrando cada número con mayor precisión: "8 flecha 4" indica 8,4). Ahora puede utilizar el anteojo buscador de punto rojo para orientar el telescopio con mayor precisión hacia la estrella que ha elegido (una del Carro Mayor). Seguidamente, mirando a través del ocular, coloque esa estrella justo en el centro del campo de visión desplazando el telescopio a mano o con los botones de desplazamiento motorizado. Cuando tenga la estrella centrada pulse "ENTER" (INTRO).

Una vez terminado este paso verá una pantalla que indica:

```
ALIGN COMPLETE
RATING *****
```

(Nota: Cuantas más estrellas aparezcan en la segunda línea de la vista mejor, hasta 5. Si la relación es muy baja tendrá que encontrar y centrar una estrella distinta para refinar mejor la alineación)

NOTA: SI EN ESE MOMENTO UN OBJETO SE ENCUENTRA POR DEBAJO DEL HORIZONTE (DONDE USTED NO PUEDE VERLO), LA PANTALLA MOSTRARÁ PERIÓDICAMENTE LA PALABRA "HORIZONTE".

### **PASO 6: EXPLORAR EL CIELO NOCTURNO**

Después de EARTH ALIGN (ALINEAR TIERRA), aparecerá en pantalla el siguiente mensaje:

```
SELECT MODE
EXPLORE ↑↓
```

Seleccione EXPLORE (EXPLORAR) pulsando ENTER. Use los botones SCROLL UP y DOWN para qué opciones de menú destellantes tiene. Elija PLANET (PLANETA). Son los más interesantes. Aun cuando use el telescopio por primera vez, los objetos de la opción PLANET (PLANETA) pueden ser muy fascinantes.

Pulse ENTER cuando vea en pantalla:

```
EXPLORE
PLANET
```

De esta forma verá una lista de objetos que son PLANETAS. Usando los botones SCROLL UP o SCROLL DOWN, podrá explorar varios planetas que aparecen en la lista.

```
PLANET
JUPITER ↑↓
```

Pulse ENTER para escoger el PLANETA que quiera ver. Entonces visualizará lo siguiente:

```
PLANET
←120 ↑52 JUPITER
```

NOTA: SI UN OBJETO SE ENCUENTRA POR DEBAJO DEL HORIZONTE, LA PANTALLA VISUALIZARÁ PERIÓDICAMENTE LA PALABRA "HORIZON" (HORIZONTE).

## CÓMO SE HACE EL ALINEAMIENTO DEL NORTHSTAR POR PRIMERA VEZ (Continuación)

Use los botones SCROLL UP o SCROLL DOWN para ver otros PLANETAS de la lista. Observe que la pantalla muestra la dirección hasta cada objeto. Pero, ¿qué ocurre si está usando el telescopio por primera vez y quiere saber más cosas sobre el objeto? ¿No sería bueno saber qué objeto es antes de mover el telescopio?

PULSE ENTER cuando vea:

```
PLANET
←120 ↑52 JUPITER
```

se visualizará cualquier otro PLANETA. Verá un mensaje de texto desplazándose en pantalla que le dirá las coordenadas del objeto, cómo es de brillante, qué tamaño tiene, cuál es su nombre propio, en qué constelación está y una breve descripción sobre el objeto. En el caso de JÚPITER se podrá leer lo siguiente:

```
JUPITER fifth planet from sun.
Largest planet in solar system.
16 moons. Orbit is 11.86 years.
Diameter 143,000 km. Named for roman king of gods.
```

Ahora, imagínese que está tratando de impresionar a uno de sus hijos (o viceversa). Diez minutos después de haber comenzado su primera sesión de observación ya está aprendiendo muchas cosas sobre los objetos astronómicos. ¡Ésta es una herramienta educativa excelente!

Para buscar un objeto, sólo tiene que pulsar el botón "GO" (IR) y dicho objeto aparecerá en el ocular del telescopio.

Pulsando el botón BACK (REGRESAR) regresará al nivel previo cada vez que pulse el botón. Pulse el botón tres veces y regresará al menú del nivel principal. La pantalla mostrará lo siguiente:

```
SELECT MODE
EXPLORE ↑↓
```

Use los botones SCROLL UP o SCROLL DOWN para seleccionar

```
SELECT MODE
SKY TOUR ↑↓.
```

Pulse ENTER.

Esta modalidad le llevará por los objetos mejores y más brillantes de cada mes. Si ha hecho el alineamiento ALIGN EARTH (ALINEAR TIERRA) y ha puesto la fecha, el telescopio le llevará automáticamente al presente mes. Si no sabe qué significan las abreviaturas de algunos objetos oscuros, sólo tiene que pulsar la tecla ENTER para pedir más información.

Pulse el botón BACK (REGRESAR) hasta que egrese al menú principal:

```
SELECT MODE
SKY TOUR ↑↓.
```

Use los botones SCROLL UP o SCROLL DOWN hasta que vea el siguiente texto:

```
SELECT MODE
IDENTIFY ↑↓
```

PULSE ENTER.

Esta modalidad le llevará al nivel predeterminado

```
IDENTIFY ANY
```

Seleccionando esta opción con la tecla ENTER, IDENTIFICARÁ el objeto que está viendo en esos momentos O el objeto más cercano hacia dónde está apuntando el telescopio en ese momento. También tendrá la opción de elegir otros tipos de menús IDENTIFY (IDENTIFICAR).

## CÓMO SE HACE EL ALINEAMIENTO DEL NORTHSTAR POR PRIMERA VEZ (Continuación)

Estos tipos IDENTIFICARÁN los CÚMULOS DE ESTRELLAS, las NEBULOSAS, etc. que estén más cerca de la posición actual de su telescopio.

Para seleccionar la modalidad final, pulse ENTER cuando aparezca el pantalla:

```
SELECT MODE
TELESCOPE ↑↓
```

La pantalla presentará algo parecido a:

```
RA18:53 DEC+38.7
AZ280 ALT+62 LYR
```

la modalidad de TELESCOPIO ofrece una información dinámica en tiempo real de la posición actual de su telescopio en términos de coordenadas astronómicas. Juegue con esta modalidad moviendo el telescopio a voluntad. Observe la abreviatura de tres letras que aparece en la esquina inferior derecha de la pantalla. Esto visualiza dinámicamente la CONSTELACIÓN actual a la que está apuntando el telescopio. Estos nombres se abrevian en esta modalidad. Las definiciones de las abreviaturas se enumeran en el dorso del manual.

### **OPCIONAL: UTILIZACIÓN DEL MODO ALINEAR ESTRELLA (Método De Alineación De Dos Estrellas)**

Este modo precisa que localice y centre dos estrellas en lugar de solo una, de forma que puede necesitar algo más de tiempo y experiencia. A cambio, ofrecerá un funcionamiento y orientación más preciso y ajustado cuando siga utilizando su telescopio Northstar. También resulta útil si se encuentra en una situación remota y no encuentra ninguna ciudad cercana en el modo ALINEA TIERRA.

Para usar el modo ALINEAR ESTRELLA, después de conectar la corriente del telescopio y aparecer en pantalla el mensaje SELECCIONAR MODO, después del mensaje de bienvenida, pulse el botón ABAJO para seleccionar ALINEAR ESTRELLA. Pulse INTRO. El mensaje cambia a ALINEAR ESTRELLA 1.

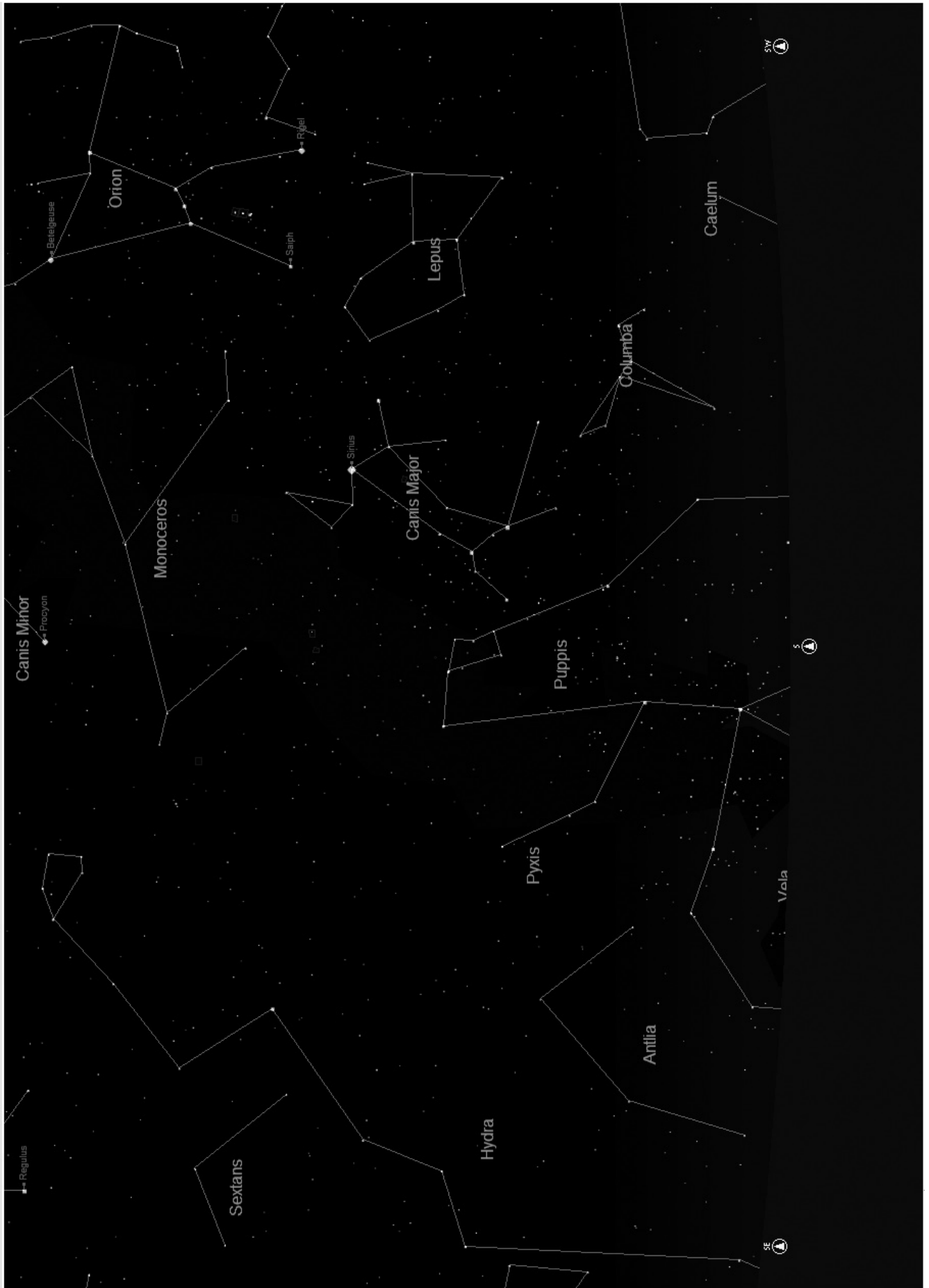
Con los mapas estelares de las Pginas siguientes como referencia (hay un mapa para cada una de las cuatro estaciones, tanto de los hemisferios norte como sur), elija una estrella que piense que podrá encontrar en el cielo nocturno (quizás uno de los grupos de constelaciones) y use los botones ARRIBA/ABAJO para encontrar su nombre en la lista visualizada. La pantalla también muestra dos número con las flechas de posición vertical y horizontal. Si pulsa "GO" desplazará el telescopio a una posición aproximadamente cercana a la estrella. Ahora utilice el anteojo buscador de punto rojo para orientar el telescopio con mayor precisión hacia la estrella que ha elegido. Seguidamente, mirando a través del ocular, coloque esa estrella justo en el centro del campo de visión desplazando el telescopio a mano o con los botones de desplazamiento motorizado.

Cuando tenga centrada la primera estrella pulse INTRO. La pantalla cambia a ALINEAR ESTRELLA 2. Seleccione otra estrella de la lista (de nuevo con los mapas estelares como referencia) y repita el proceso con la segunda estrella. Una vez terminado este paso verá una pantalla que indica:

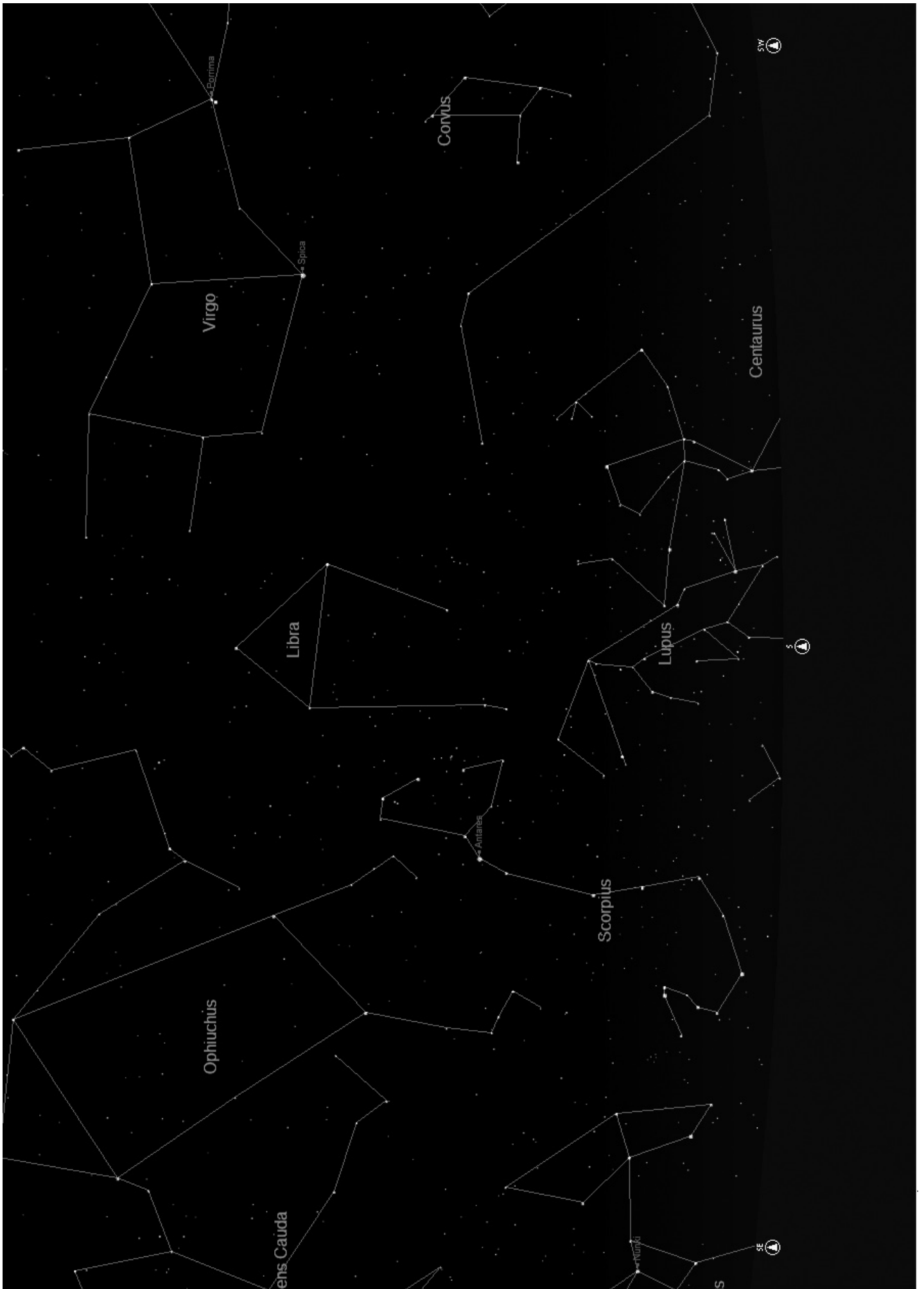
```
ALIGN COMPLETE
RATING *****
```

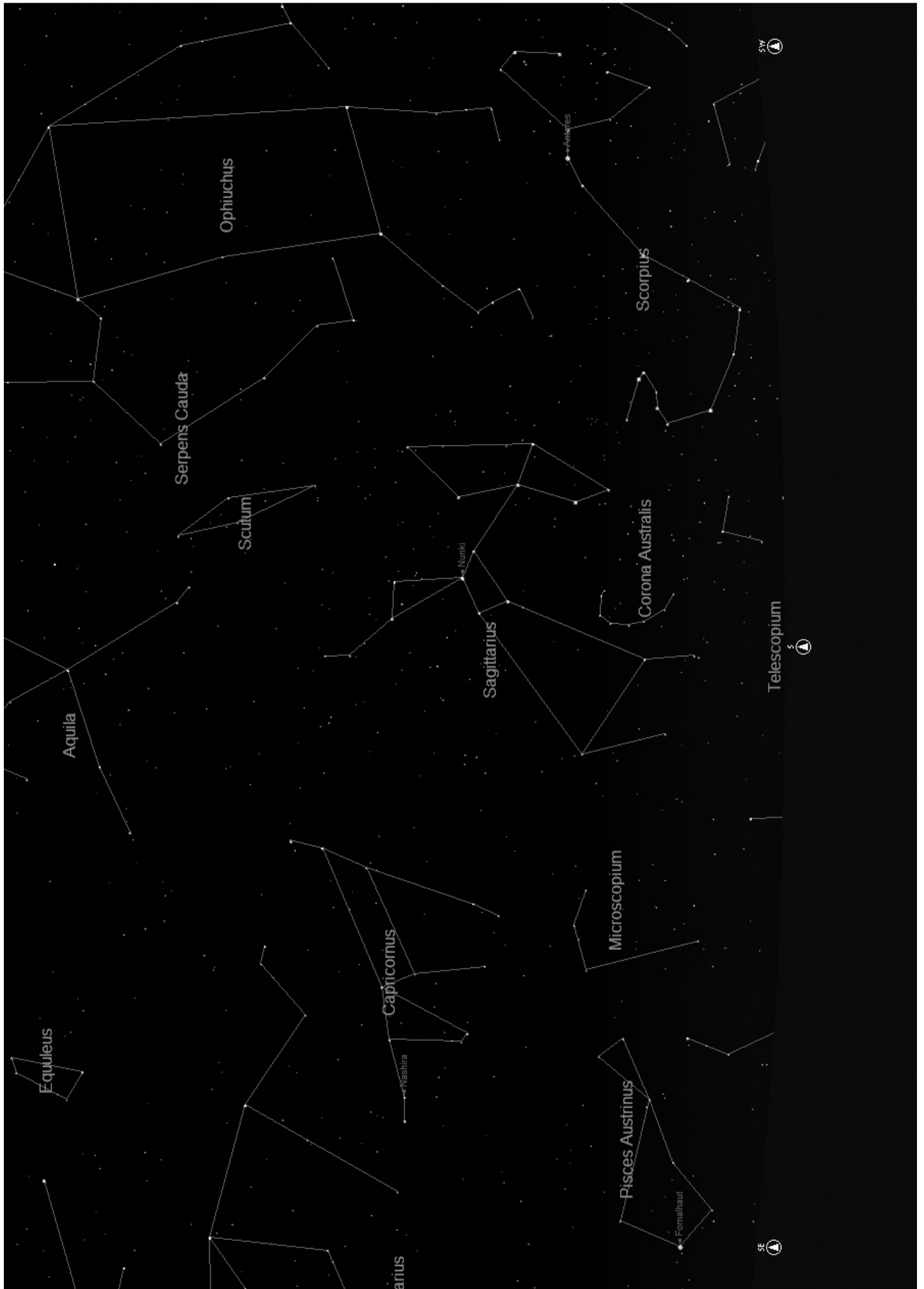
(Nota: Cuantas más estrellas aparezcan en la segunda línea de la vista mejor, hasta 5

Ahora el telescopio está alineado y listo para usar. La pantalla indicará de nuevo SELECCIONAR MODO. Consulte las indicaciones y sugerencias de **Paso 6: "Explorar el cielo nocturno"**. Por ejemplo, puede empezar seleccionando el modo EXPLORAR y después seleccionar PLANETA si está empezando en el mundo de la astronomía.



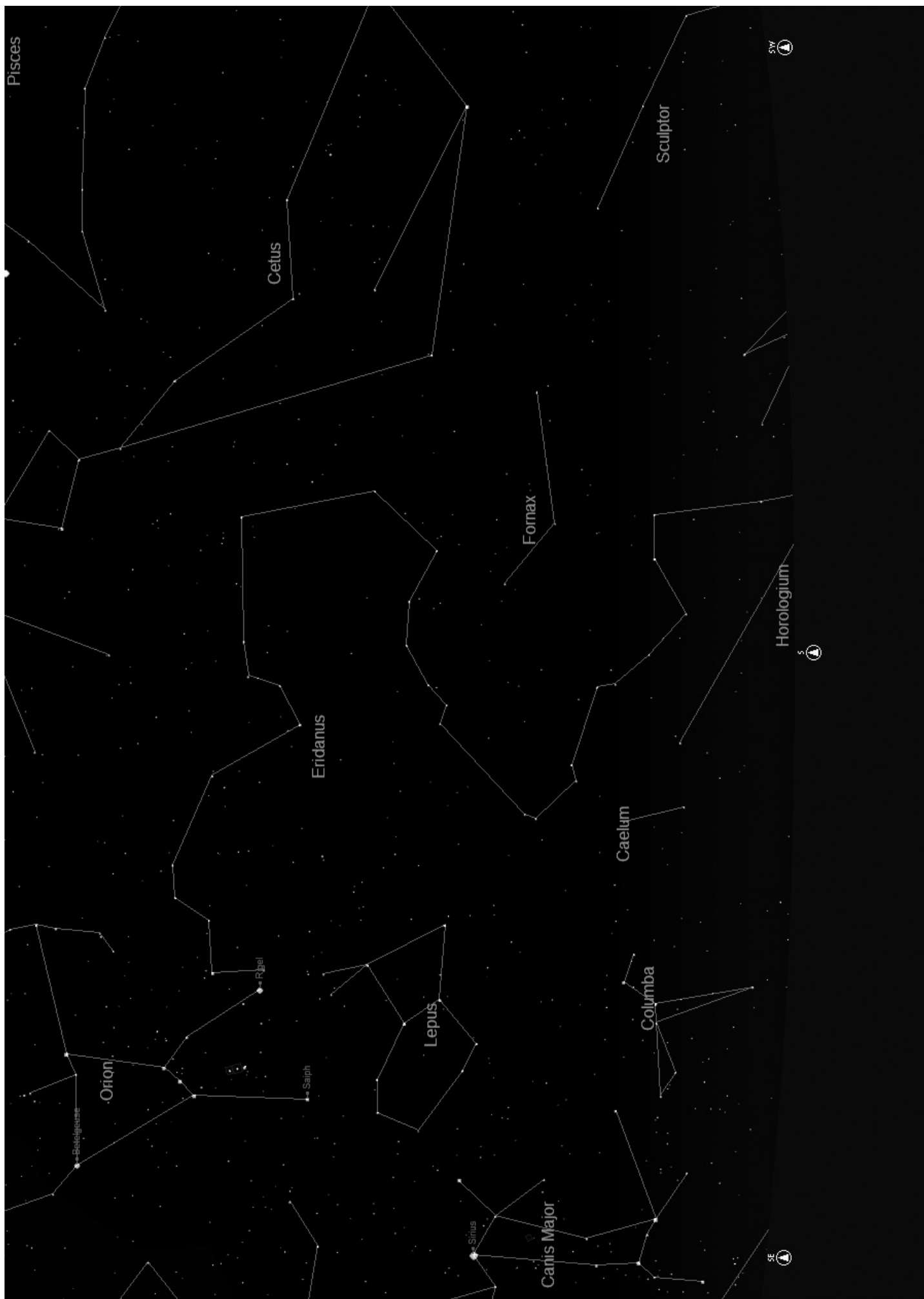
# MAPAS ESTELARES



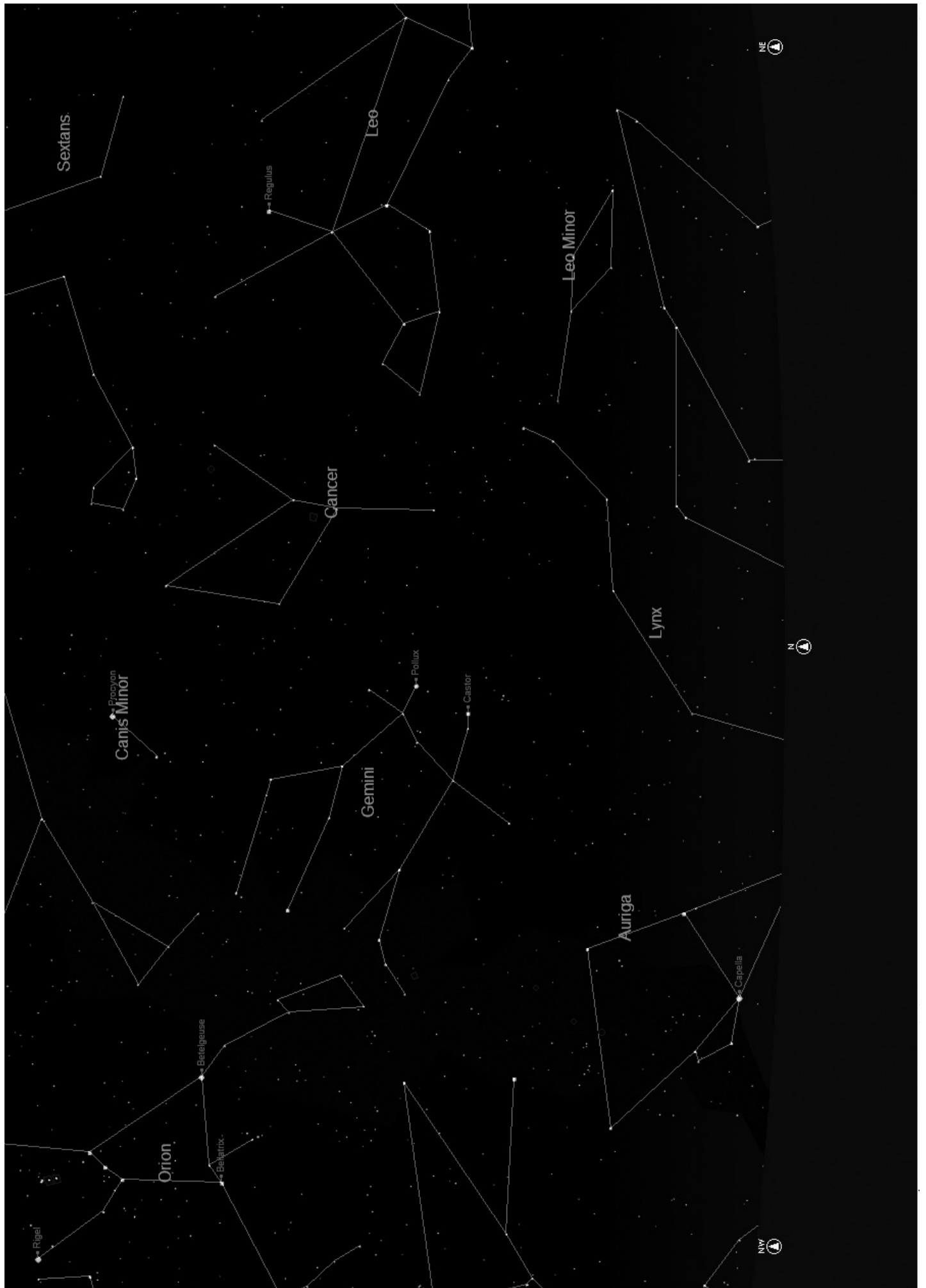


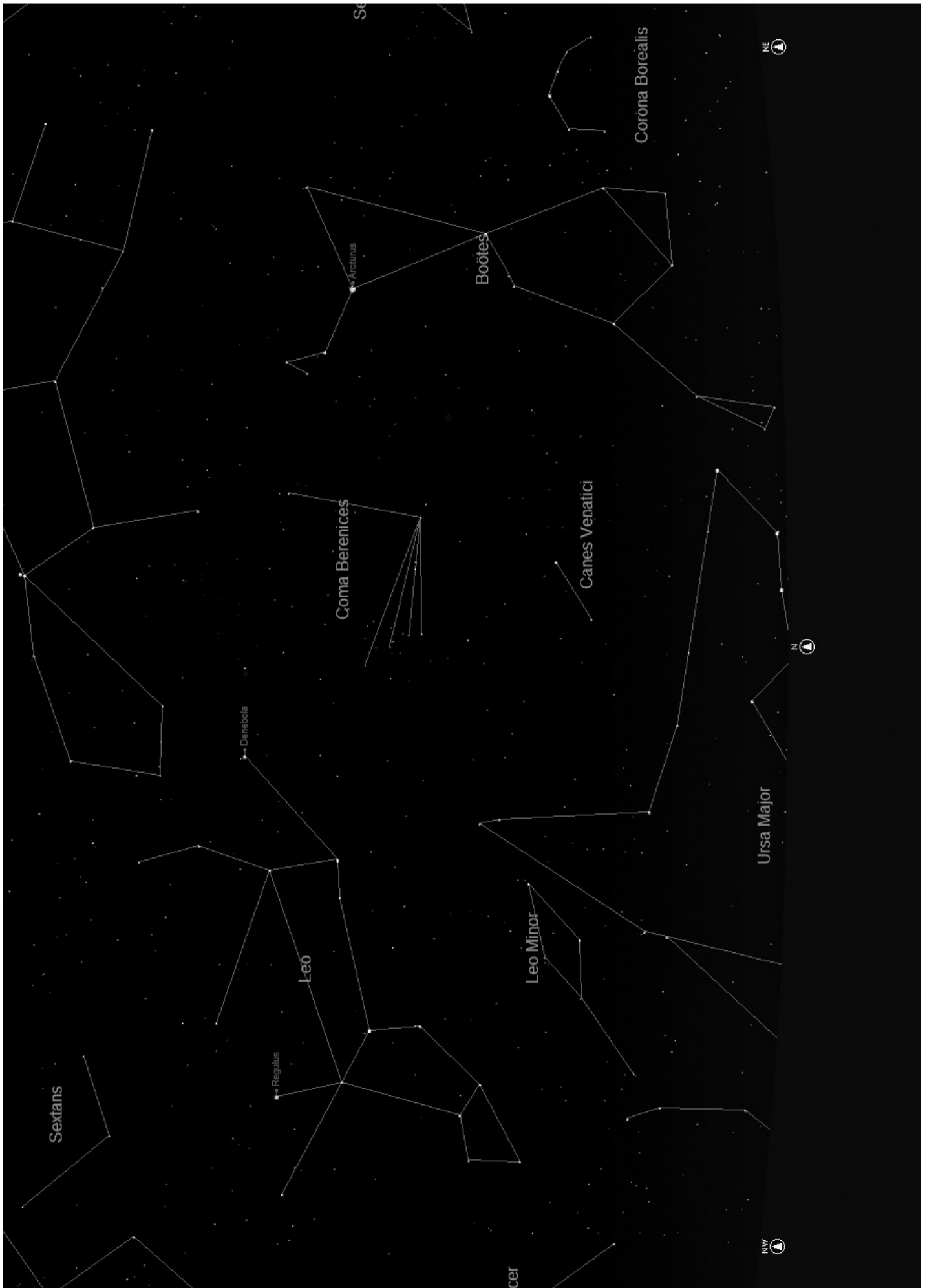


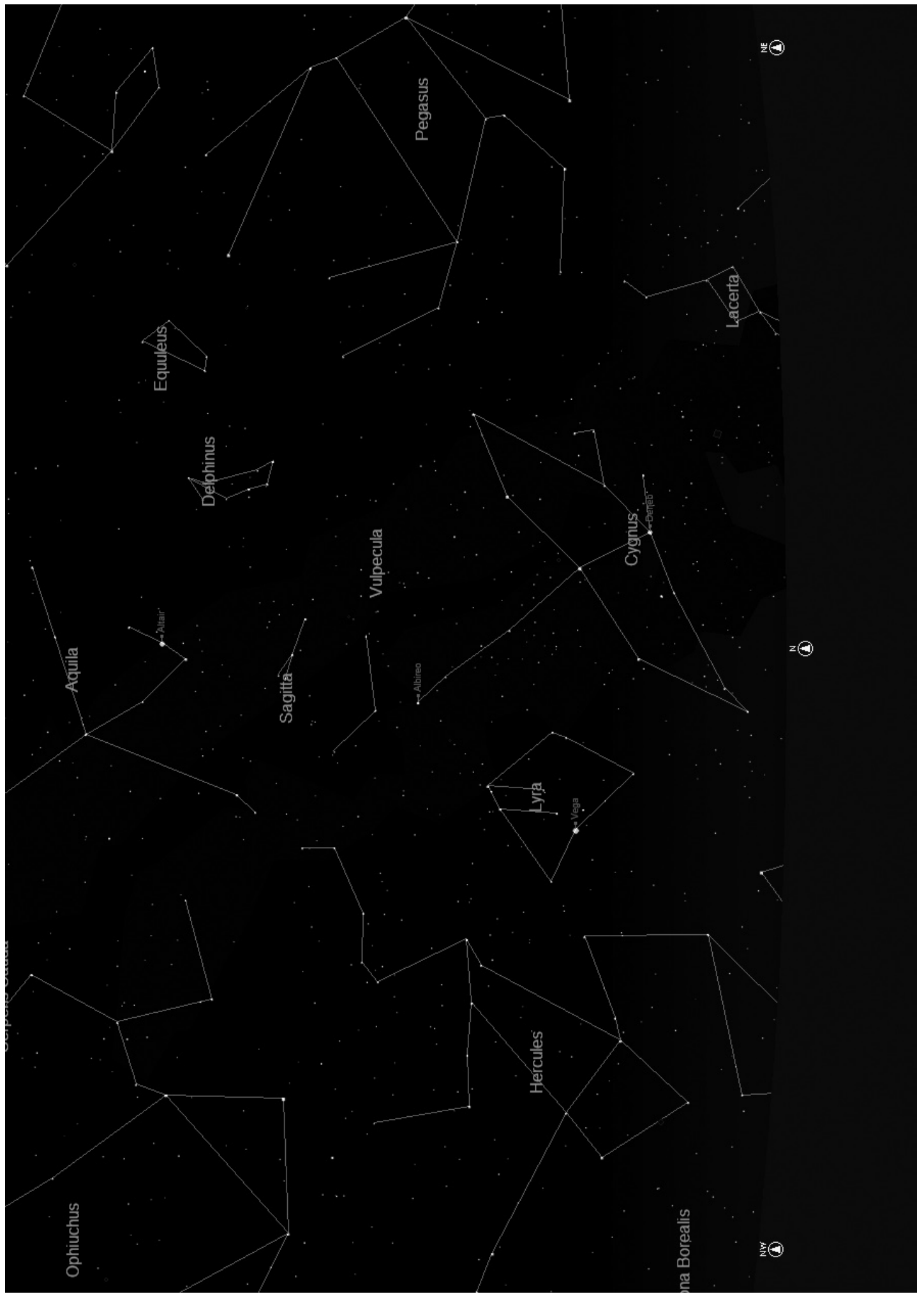
# MAPAS ESTELARES

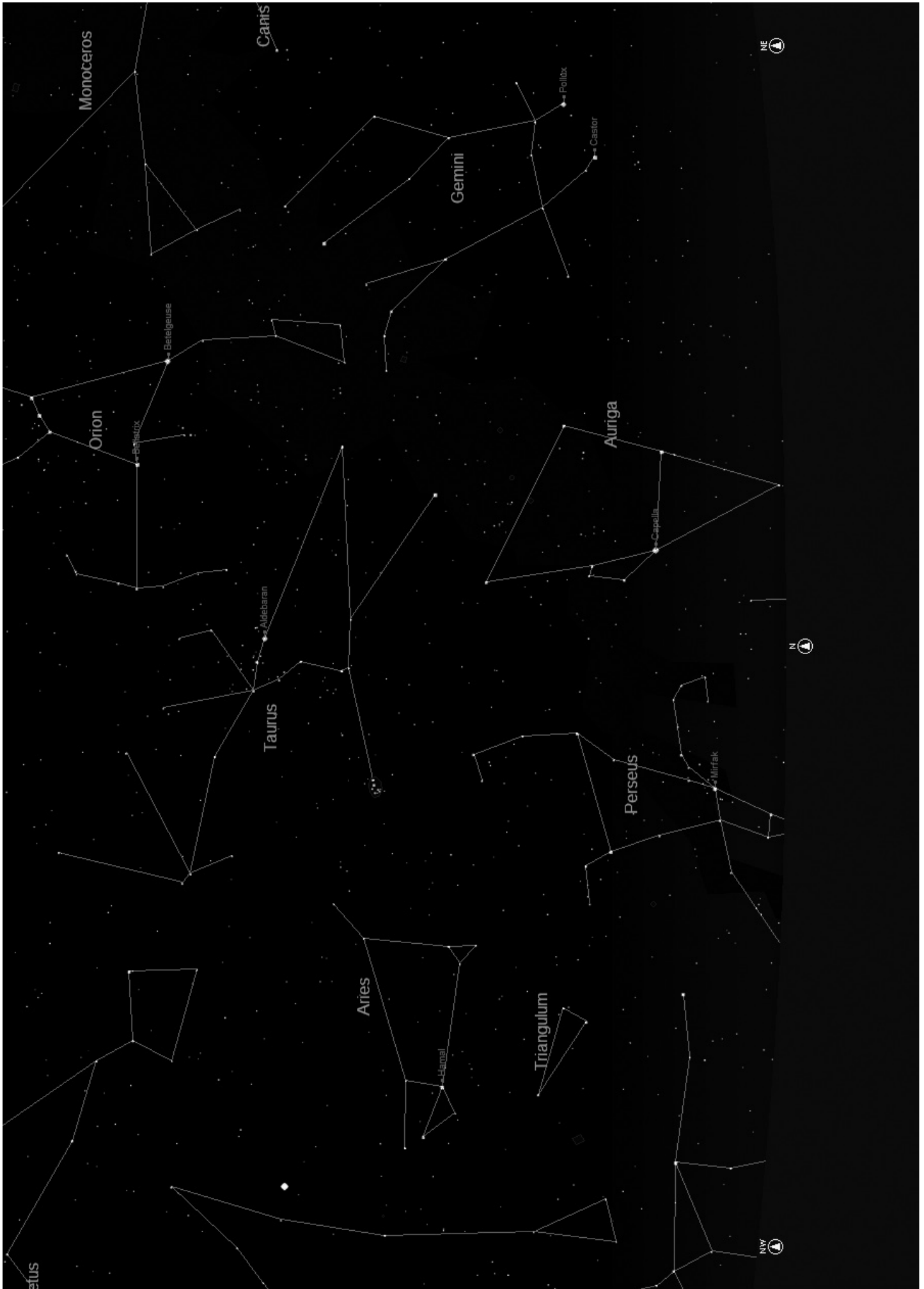


HEMISFERIO NORTE / INVIERNO









# Abreviaturas De Constelaciones

Andromeda (And)	Lacerta (Lac)
Antila (Ant)	Leo (Leo)
Apus (Aps)	Leo Minor (LMi)
Aquarius (Aqr)	Lepus (Lep)
Aquila (Aql)	Libra (Lib)
Ara (Ara)	Lupus (Lup)
Aries (Ari)	Lynx (Lyn)
Auriga (Aur)	Lyra (Lyr)
Bootes (Boo)	Mensa (Men)
Caelum (Cae)	Microscopium (Mic)
Camelopardis (Cam)	Monoceros (Mon)
Cancer (Cnc)	Musca (Mus)
Canes Venatici (CVn)	Norma (Nor)
Canis Major (CMa)	Octans (Oct)
Canis Minor (CMi)	Ophiuchus (Oph)
Capricornus (Cap)	Orion (Ori)
Carina (Car)	Pavo (Pav)
Cassiopeia (Cas)	Pegasus (Peg)
Centaurus (Cen)	Perseus (Per)
Cepheus (Cep)	Phoenix (Phe)
Cetus (Cet)	Pictor (Pic)
Chameleon (Cha)	Pisces (Psc)
Circinus (Cir)	Piscis Austrinus (PsA)
Columbia (Col)	Puppis (Pup)
Coma Berenices (Com)	Pyxis (Pyx)
Corona Australis (CrA)	Reticulum (Ret)
Corona Borealis (CrB)	Sagitta (Sge)
Corvus (Crv)	Sagittarius (Sgr)
Crater (Crt)	Scorpius (Sco)
Crux (Cru)	Sculptor (Scl)
Cygnus (Cyg)	Scutum (Sct)
Delphinus (Del)	Serpens (Ser)
Dorado (Dor)	Sextans (Sex)
Draco (Dra)	Taurus (Tau)
Equuleus (Equ)	Telescopium (Tel)
Eridanus (Eri)	Triangulum (Tri)
Fornax (For)	Triangulum Australe (TrA)
Gemini (Gem)	Tucana (Tuc)
Grus (Gru)	Ursa Major (UMa)
Hercules (Her)	Ursa Minor (UMi)
Horologium (Hor)	Vela (Vel)
Hydra (Hya)	Virgo (Vir)
Hydrus (Hyi)	Volcans (Vol)
Indus (Ind)	Vulpecula (Vul)

## Referencia Adicional

Por razones de espacio hemos optado por no incluir en este manual la lista completa de los 20.000 objetos celestes programados en la base de datos de su telescopio NorthStar. Sin embargo, la lista completa de estrella y objetos Messier incluidos en la base de datos del telescopio está disponible en línea en [www.bushnell.com/manuals/telescopes](http://www.bushnell.com/manuals/telescopes) por si desea consultarla.

# GARANTÍA / REPARACIÓN

## GARANTÍA LIMITADA PARA TODA LA VIDA DEL TELESCOPIO

Su telescopio Bushnell® está garantizado contra defectos de material y fabricación durante toda la vida del propietario original. La Garantía Limitada para Toda la Vida\* es una expresión de la confianza que tenemos en nuestros materiales y en la fabricación mecánica de nuestros productos, que le garantiza un servicio fiable durante toda la vida.

Si su telescopio contiene componentes eléctricos, dichos componentes electrónicos están garantizados de estar libres de defectos de material y fabricación durante dos años a partir de la fecha de compra.

En caso de defectos bajo esta garantía, nosotros, a nuestra opción, repararemos o sustituiremos el producto siempre que lo devuelva con portes pagados. Esta garantía no cubre defectos causados por el uso indebido, ni por un manejo, instalación o mantenimiento del producto inapropiados o el mantenimiento hecho por otro que no sea un Centro de Servicio Autorizado de Bushnell.

Cualquier envío que se haga bajo garantía deberá venir acompañado por lo siguiente:

- 1) Un cheque/giro postal por la cantidad de 15 dólares para cubrir los gastos de manejo y envío
- 2) Nombre y dirección donde quiere que se le envíe el producto
- 3) Una explicación del defecto
- 4) Prueba de fecha de compra
- 5) El producto debe empaquetarse bien en una caja resistente para evitar que se dañe durante el transporte, y enviarse con portes pagados a la dirección que se muestra a continuación:

**En EE UU, enviar a:**

Bushnell Outdoor Products  
Attn.: Repairs  
8500 Marshall Drive  
Lenexa, Kansas 66214

**En CANADÁ, enviar a:**

Bushnell Outdoor Products  
Attn.: Repairs  
25A East Pearce Street, Unit 1  
Richmond Hill, Ontario L4B 2M9

En el caso de los productos comprados fuera de los Estados Unidos o Canadá, llame al distribuidor local para la información pertinente sobre la garantía. En Europa también puede llamar al:

Bushnell Germany GmbH  
European Service Centre  
Mathias-Brüggen-Str. 80  
D-50827 Köln  
GERMANY  
Tel: +49 221 995568-0  
Fax: +49 221 995568-20

Esta garantía le ofrece derechos legales específicos.  
Puede que tenga otros derechos que varían de un país a otro.

©2010 Bushnell Outdoor Products



## GENIESSEN SIE IHR NEUES TELESKOP

1. Bestimmt überlegen Sie sich schon beim Aufbau und Ausrichten Ihres Teleskops, was Sie damit wohl als Erstes anschauen. Jeder helle Gegenstand im Nachthimmel ist ein guter Ausgangspunkt. Aber einer der Lieblingsausgangspunkte der Astronomie ist der Mond. Er ist ein Objekt, das jedem angehenden Astronomen und jedem erfahrenen Veteran immer wieder Freude bereitet. Wenn Sie mit Ihrem Teleskop etwas vertrauter sind, gibt es noch viele andere Objekte als interessante Ziele. Saturn, Mars, Jupiter, und Venus sind beispielsweise hervorragend zur Beobachtung in klaren Nächten geeignet.
2. Das Low-Power-Visier (mit Aufdruck der größten Zahl) ist ideal zum Betrachten des Vollmond geeignet, die Planeten, Sternhaufen, Nebulöse und sogar Konstellationen anzusehen. Diese sollen Ihre Grundlage sein. Um die Details genauer zu erforschen, können Sie versuchen, einige dieser Objekte in Vergrößerung mit stärkeren Okularen zu besichtigen. In windstillen und klaren Nächten ist die Betrachtung der hell / dunkel Trennungslinie auf dem Mond ("Terminator" genannt) mit großer Vergrößerung, d.h. höherer Auflösung ein Erlebnis. Bedingt durch die kontrastreiche Beleuchtung von der Sonne, springen Ihnen Berge, Kämme und Krater förmlich entgegen. In ähnlicher Weise können Sie nach und nach auch Planeten und Sternnebel mit höheren Vergrößerungen angehen. Sternanhäufungen und individuelle Sterne werden am besten mit schwach vergrößernden Okularen betrachtet.
3. Dieses wiederkehrende, astronomische Theater, das wir den Nachthimmel nennen, ist eine sich ständig verändernde Anschlagtafel. Mit anderen Worten heißt das, dass hier nicht ständig derselbe Film gespielt wird. Die Stellungen der Sterne ändern sich nicht nur stündlich mit Aufgang und Untergang, sondern auch im Laufe des Jahres. Da die Erdbahn um die Sonne verläuft, ändert sich unsere Perspektive der Sterne auf dem alljährlichen Kreislauf in dieser Bahn. Der Grund weswegen sich der Himmel täglich wie Sonne und Mond bewegt ist, dass die Erde um ihre Achse rotiert. Sie werden daher bemerken, dass, abhängig von der gewählten Vergrößerung, nach ein paar Minuten oder sogar schon nach ein paar Sekunden, sich die Objekte in Ihrem Teleskop bewegen. Bei höherer Vergrößerung werden Sie bemerken, dass der Mond oder Jupiter direkt aus dem Sehfeld zu rennen scheint. Um diese Erdbewegung zu kompensieren, muss die Nachlaufsteuerung (auch "Tracking" genannt) auf der entsprechenden Bahn am Teleskop eingeschaltet werden.

## NÜTZLICHE HINWEISE

1. Ihr Teleskop ist ein sehr empfindliches Instrument. Für beste Ergebnisse und weniger Vibrationen sollten Sie Ihr Teleskop auf einer horizontalen Erdbodenoberfläche und nicht auf einer Betonfahrbahn oder einer Holzplattform aufstellen. Dadurch erhalten Sie einen stabileren Untergrund für Ihre Himmelsbetrachtungen, insbesondere wenn sich eine Menschenmenge um Ihr neues Teleskop herum versammelt hat.
2. Machen Sie Ihre Himmelsforschungen möglichst an einem Ort, an dem sich relativ wenig Beleuchtungen befinden. Hier können Sie dann auch wesentlich weniger helle Himmelsobjekte sehen. Sie werden überrascht feststellen, dass Sie beispielsweise an einem dunklen See oder in einem dunklen Park wesentlich mehr Details am Himmel sehen, als in einem Hof in der Stadt.
3. Himmelsbetrachtungen aus einem Fenster sind NIE zu empfehlen.
4. Richten Sie Ihr Teleskop möglichst auf Objekte, die hoch am Himmel stehen. Wenn Sie warten bis das Objekt genügend hoch am Himmel aufgestiegen ist, erhalten Sie ein helleres und schärferes Bild. Gegenstände in der Nähe des Horizonts werden zwangsläufig durch mehrere unterschiedlich brechende Luftschichten der Erdatmosphäre hindurch betrachtet. Haben Sie sich noch nicht gewundert, warum der Mond in Horizontnähe orangefarbig erscheint? Dies kommt daher, dass Sie ihn am Horizont durch eine wesentlich dickere Luftschicht hindurch beobachten, als wenn er in der Nähe des Zenits über Ihnen steht.  
(Hinweis: Wenn hoch am Himmel stehende Objekte verzerrt oder wellig erscheinen, befinden Sie sich wahrscheinlich in einer sehr feuchten Nacht.) Teleskopbetrachtungen in einer instabilen Atmosphäre können frustrierend oder sogar unmöglich sein. Astronomen bezeichnen trockene und klare Nächte als "Nights of good seeing" (klarsichtige Nächte).

## WO SOLL ICH ANFANGEN?

Ihr Bushnell Teleskop zeigt Ihnen die Wunder des Universums. Dieses Handbuch wurde dazu geschaffen, Ihnen beim Einstellen und beim Grundgebrauch dieses Instrumentes zu helfen, es kann jedoch nicht alles schildern, was Sie über Astronomie wissen möchten. Obwohl Ihnen Northstar eine beachtliche Reise durch den Nachthimmel verschafft, empfehlen wir, dass Sie sich eine einfache Sternkarte und eine Taschenlampe mit einer roten Birne oder einer roten Kunststoff-Folie über dem Reflektor zulegen. Für andere Objekte außer Sternen und Konstellationen, brauchen Sie unbedingt auch einen Astronomieführer. Einige empfohlene Literaturquellen finden Sie auf unserer Webseite [www.bushnell.com](http://www.bushnell.com). Diese Webseite bringt auch aktuelle Tagesereignisse am Himmel und Betrachtungsvorschläge. Einige Objekte, die Sie ständig sehen können, sind folgende:

**Mond** —Die wunderschönen Ansichten unseres Mondnachbarn können mit jeder Vergrößerung genossen werden. Versuchen Sie, die verschiedenen Mondphasen anzusehen. Die Mondgebirge, die Mondmeere (Tiefebenen genannt "Meere" wegen ihrer dunklen Farbe), Krater, Kämme und Berge werden Sie verblüffen.

**Saturn**—Sogar mit der geringsten Vergrößerung sollen Sie imstande sein, die Ringe des Saturns und seine Monde zu sehen. Saturn ist einer der schönsten Objekte im Sternhimmel, einfach, weil er genau so aussieht, wie auf seinen Abbildungen. Stellen Sie sich vor, selbst in Ihrem Garten zu sehen, was Sie aus Lehrbüchern oder Bildern der NASA kennen!

**Jupiter**—Der größte Planet in unserem Sonnensystem ist sensationell. Die bekanntesten Eigenschaften sind seine dunklen Streifen oder Bänder sowohl oberhalb als auch unterhalb seines Äquators. Es sind die Nord- und Süd- Äquatorialringe. Interessant sind auch die vier Hauptmonde des Jupiters. Beobachten Sie sie mehrere Nächte lang genau. Sie scheinen, auf beiden Seiten des Jupiters aufgereiht zu sein.

**Mars**—Der Große Rote Planet erscheint als eine rötlich-orangefarbene Scheibe. Sehen Sie sich ihn zu verschiedenen Jahreszeiten an und versuchen Sie, seine weißen Polareiskappen einzufangen.

**Venus**—Genau wie der Mond ändert Venus ihre Phasen Monat für Monat. Manchmal erscheint Venus glänzend im Nachthimmel, so als wenn Sie einen entfernten zunehmenden Mond ansehen.

**Nebulöse**—Der Große Orion Nebelfleck ist ein sehr gut bekanntes Nachthimmelsobjekt. Dieses und viele andere werden dank dieses Teleskops sichtbar.

**Sternhaufen**—Ansicht von Millionen von zu einer Traube zusammengedrängten Sternen, die einer Kugel ähnelt.

**Galaxien**—Eine der größten und interessantesten Galaxien ist unser Nachbar die Andromeda Galaxie. Genießen Sie sie und viele andere.

Herzlichen Glückwunsch zum Kauf Ihres Bushnell Northstar Goto-Teleskops mit Sprachausgabe!!  
Es ist das erste Teleskop, das Ihnen den Nachthimmel per Sprache erklärt.  
Sie haben mit dieser Eigenschaft jederzeit Ihren persönlichen Astronomieassistenten zur Hand.

Nach dem Lesen dieses Handbuches und der auf diesen Seiten beschriebenen Vorbereitungen auf Ihre Himmelsbeobachtung, können Sie die Sprachausgabe genießen, in dem Sie folgendermaßen vorgehen:

- Um Ihr Teleskop zu aktivieren, schalten Sie es einfach ein! Die Sprachausgabe ist in der Fernsteuerung eingebaut.
- Während des Einstellvorgangs gibt Ihnen die Sprachausgabe des Teleskops verschiedene, nützliche Hinweise. Nach der Einstellung können Sie die Sprachausgabe hören, wenn Sie die Entertaste drücken, wenn der Name oder die Hummer eines Objekts am unteren Rand des LCD Displays angezeigt wird. Diese Gegenstandsbeschreibung wird vom Teleskop gesprochen, wenn Sie den Anzeigetext ablaufen lassen.
- Wenn Sie die Sprachausgabe abschalten wollen, drücken Sie die Taste "Back" auf der Fernsteuerungstastatur.

Wir hoffen, dass Ihnen dieses Teleskop über lange Jahre viel Freude bereitet!

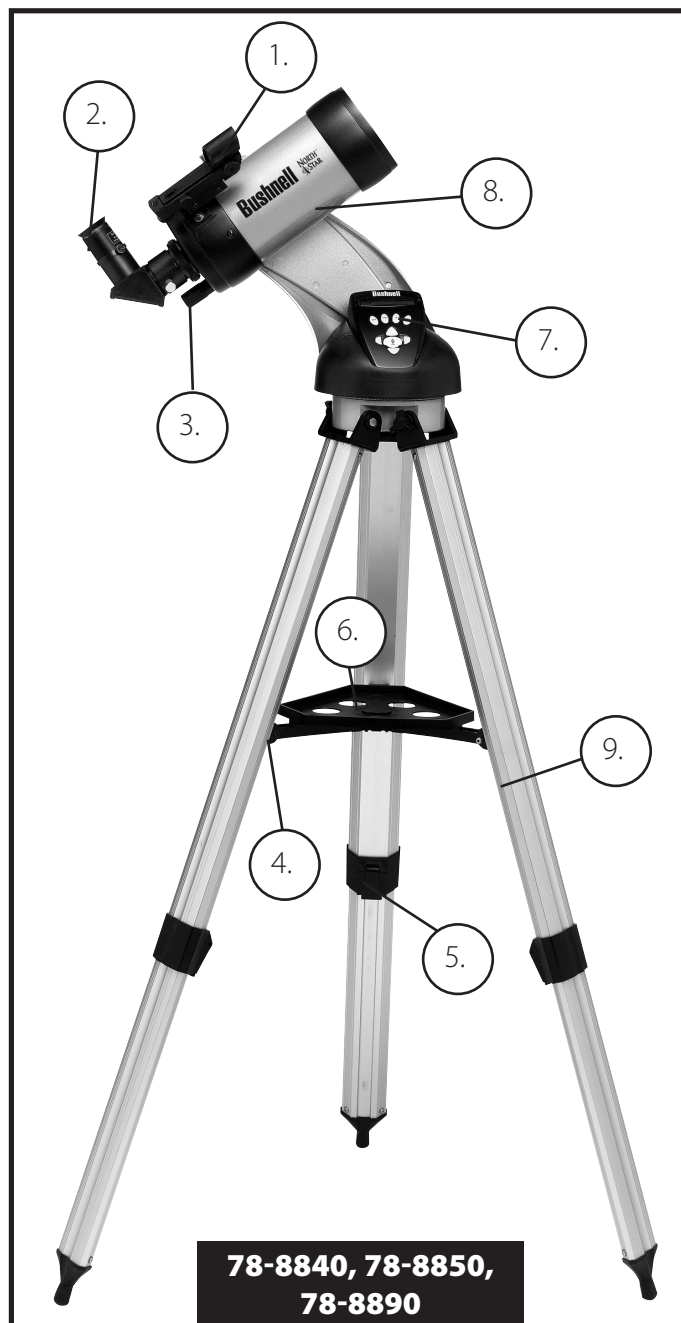
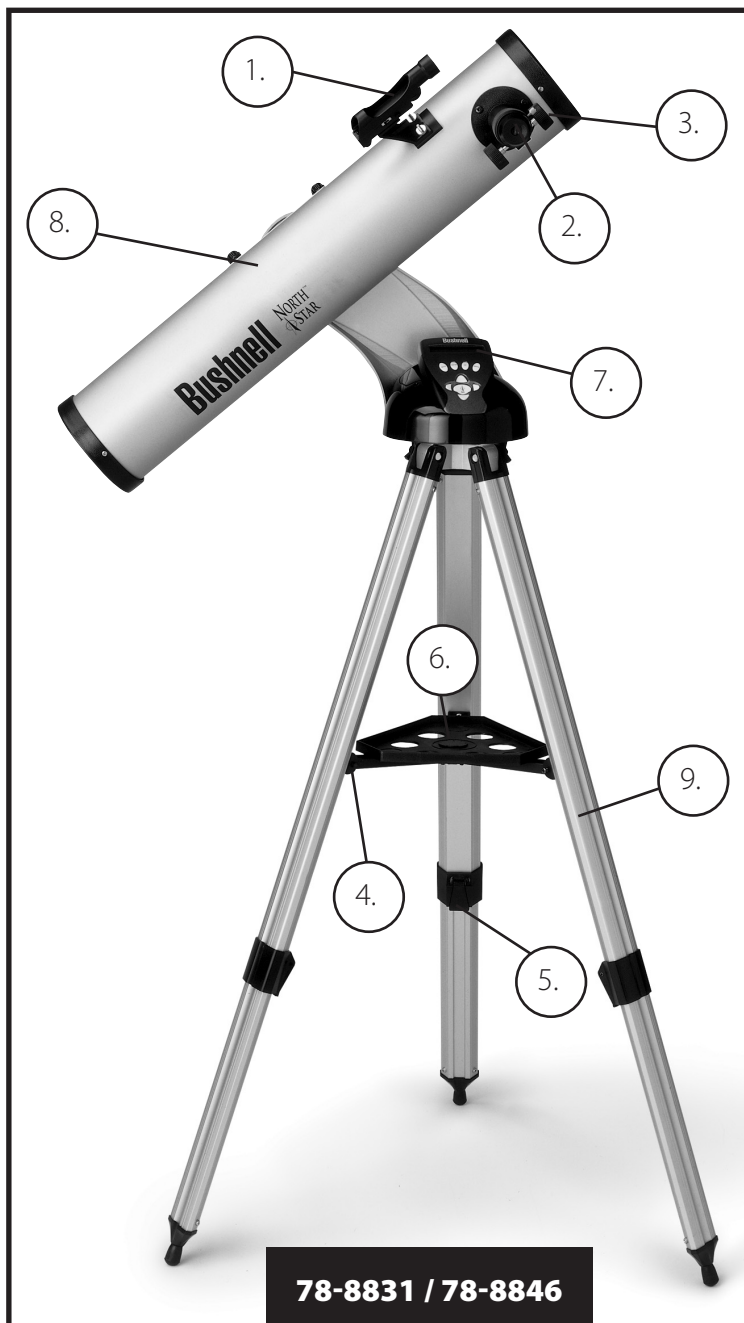


**VORSICHT: BLICKEN SIE NIE MIT DEM  
TELESKOP IN DIE SONNE**



**SIE LAUFEN GEFAHR, SICH EINE SCHWERE  
AUGENVERLETZUNG ZUZUZIEHEN**

## TEILE DIAGRAMM



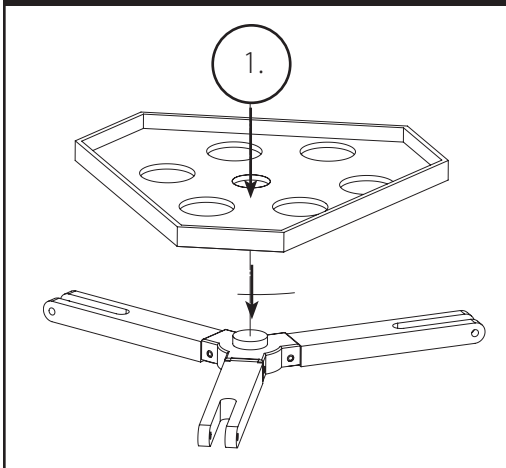
## Teleskop-Teile-Diagramm

1. Rotpunkt Suchfernrohr
2. Okular im Format 1,25"  
(2 im Lieferumfang enthalten)
3. Zahngetriebe Fokussier-Mechanismus
4. Zusatzgeräte Ablageplattenstrebe

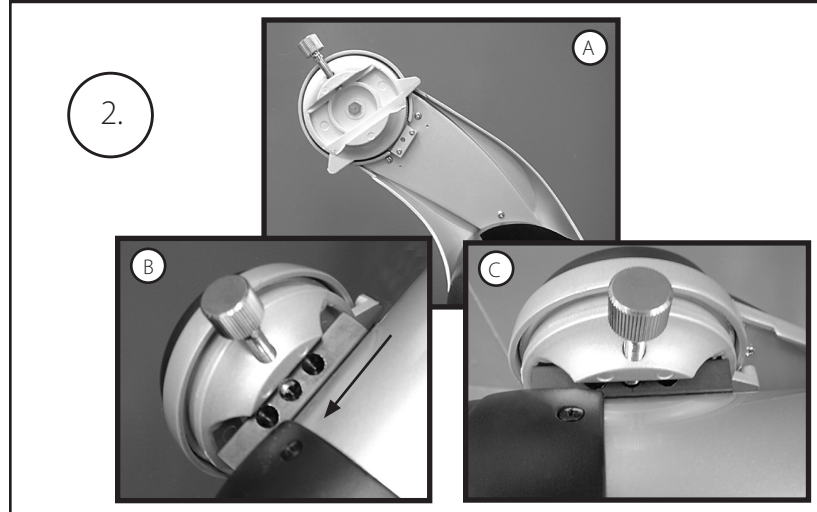
5. Schnellfreigabe Stativbein-Hebel
6. Schnelleinstell-Ablageplatte
7. Fernsteuerung für Mobilteil
8. Teleskop Hauptrohr
9. Schnelleinstell Aluminium Stativ

## SCHNELLZUSAMMENBAU

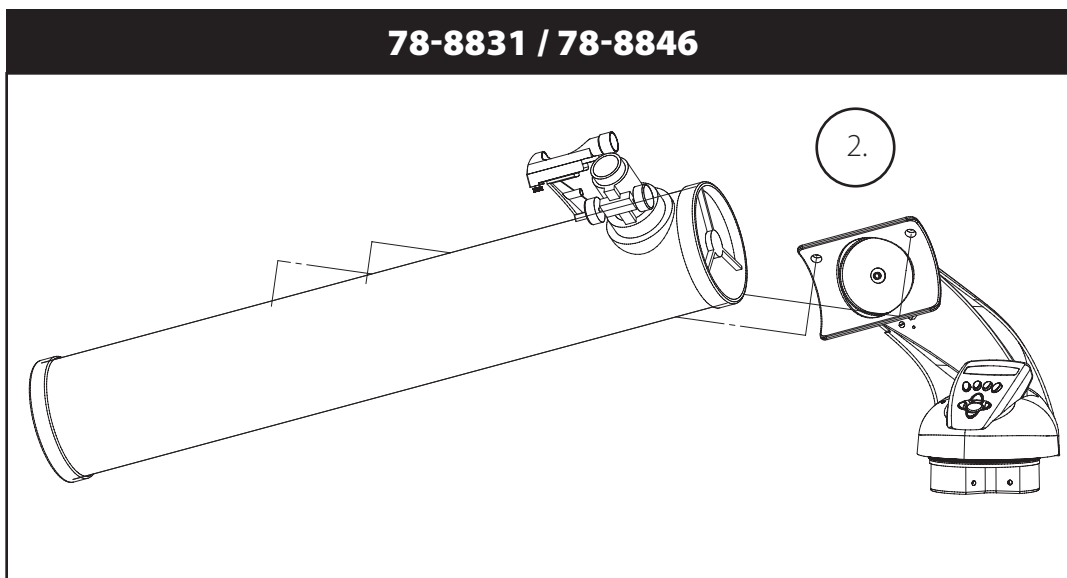
**78-8831 / 78-8846 / 78-8840  
78-8850 / 78-8890**



**78-8840, 78-8850, 78-8890**



**78-8831 / 78-8846**



## TEILELISTE

- Einstellbares Aluminiumstativ  
(mit eingebautem Northstar Sternlokalisierungs-Computer)
- Schnelleinstell-Ablageplatte
- Northstar Teleskop mit Flügelmuttern
- Rotpunkt Laserlicht Suchfernrohr
- Okulare (2)
- Barlow Linse (Reflektor)
- 90° Bildumkehr-Okular (Maksutov)

# ZUSAMMENBAUANLEITUNG

Zum Zusammenbau Ihres Teleskops werden keinerlei Werkzeuge benötigt.

Nehmen Sie alle Bestandteile aus dem Karton und identifizieren Sie sie. Es ist eine gute Idee, vor dem Zusammenbau alle Teile vor Ihnen auszulegen. Ihr Teleskop ist ein optisches Präzisionsgerät, d.h. Sie müssen seine Teile vorsichtig behandeln; insbesondere den integrierten Computer, das Teleskop, die Okulare und die verschiedenen Zusatzlinsen.

## MONTIERUNG VON STATIV- UND ABLAGEPLATTE

1. Northstar Sternlokalisierungs-Computer und daran befestigte Stativbeine senkrecht aufstellen. Stativ-Beine auf eine stabile und bequeme Entfernung aufspreizen.
2. Stützen des Ablagebretts herunterklappen und Schnelleinstell-Ablageplatte auflegen. (Siehe Zeichnung Nr. 1 für Schnellaufbau)
3. Ablageplatte drehen, bis sie einschnappt.
4. Stativhöhe entsprechend Ihrer Körpergröße einstellen indem die Beinhöhenverstellungs-Feststellhebel geöffnet und die Beine auf die gewünschte Höhe eingestellt werden. Nach der Einstellung die Feststellhebel wieder schließen.

## TELESKOPROHR ANBRINGEN (siehe Zeichnung Nr. 2 für Schnellaufbau)

1. Teleskop Hauptrohr zur Hand nehmen.
2. Teleskoprohr Flügelmuttern von der Teleskoprohrseite entfernen (nur 78-8831 und 78-8846). Bei 78-8890 silberfarbene Befestigungsschraube an der Spitze der Teleskopbefestigung ausdrehen.
3. An der Oberseite des Northstar Sternlokalisierungs-Computers, die Teleskop Hauptrohr Befestigungsschrauben durch die Teleskoprohrträger stecken (nur 78-8831 und 78-8846). Bei 78-8890 Teleskoprohrträger in die Teleskoprohr-Montageaufnahme schieben. Prüfen ob das Teleskop in die richtige Richtung zeigt (das Firmenzeichen am Teleskoprohr muss an der rechten Seite aufrecht stehen)
4. Nachdem Teleskop Hauptrohr und Northstar Sternlokalisierungs-Computer zusammengebaut sind (nur 78-8831 und 78-8846), Teleskoprohr Flügelmuttern wieder auf die Teleskop Hauptrohr Befestigungsschrauben aufdrehen. Beim 78-8890, silberfarbene Befestigungsschraube an der gewünschten Sicke in der Teleskop Befestigungsspitze an der schwarzen Teleskoprohrhalterung anziehen.

## TELESKOP-ZUBEHÖR ANBRINGEN

1. Rotpunkt Suchfernrohr zur Hand nehmen.  
**Für Spiegelteleskope:** Suchfernrohr-Befestigungsmuttern vom Teleskop Hauptrohr abnehmen. Suchfernrohr auf die Suchfernrohr Halteschrauben stecken und Suchfernrohr Flügelmuttern wieder auf Suchfernrohr Halteschrauben aufdrehen

**HINWEIS:** Das breite Ende des Suchfernrohrs muss dem offenen Ende des Teleskoprohrs gegenüber liegen.

2. Okular mit der geringsten Vergrößerung anbringen.  
**Für Spiegelteleskope:** Okular mit der geringsten Vergrößerung in den Fokussiermechanismus einschrauben, in dem die Okulareinstellschraube herausgedreht und das Okular ganz eingeführt wird.
3. Alle Zusammenbauschrauben gut anziehen.

## OKULARAUSWAHL

Sie sollten Ihre Beobachtungen immer mit dem Okular mit der geringsten Vergrößerung beginnen, in unserem Fall also mit dem 20 mm Okular. Hinweis: die Vergrößerung der Okulare wird von der Brennweite der Objektivlinse bestimmt. Mit der folgenden Formel kann die Vergrößerung der Okulare bestimmt werden:  $\text{Objektiv-Brennweite} / \text{Okularbrennweite} = \text{Vergrößerung}$  (Beispiel eines 20 mm Okulars an einem Fernrohrobjektiv mit 750 mm Brennweite:  $750 \text{ mm} / 20 \text{ mm} = 38\text{-fache Vergrößerung}$ . Die Brennweiten der Teleskopobjektive sind je nach Modell unterschiedlich.)

## (REFLEKTOR)

Diesem Teleskop liegt eine Barlow-Linse bei. Barlow-Linsen verdoppeln oder verdreifachen die Vergrößerung Ihres Teleskops. Die Barlow Linse muss zwischen dem Fokussierrohr-Ende und Okular angebracht werden. In obigem Beispiel würde Ihre 3-fach Barlow-Linse einen Gesamtvergrößerungsfaktor von 114 ergeben. ( $38 \times 3 = 114x$ ). Die Vergrößerungs-berechnung mit der 3-fach Barlow-Linse würde also sein:  $750 \text{ mm} / 20 \text{ mm} = 38$ .  $38 \times 3 = 114$ , was auch als Teleskopleistung bezeichnet wird.

## ZUSAMMENBAUANLEITUNG (Fortsetzung)

### SCHARFEINSTELLUNG DES TELESKOPS

1. Nach dem Einbau des Okulars mit der größten Brennweite (also 20 mm), richten Sie das Hauptteleskop bei Tageslicht auf ein mindestens 200m entferntes Objekt auf der Erdoberfläche (z.B. auf einen Telefon- oder Stromnetzmasten oder auf ein Gebäude).
2. Fahren Sie nun den Zahnradgetriebe-Fokussiermechanismus komplett aus.
3. Während Sie durch das Okular blicken, drehen Sie den Zahnradgetriebe-Fokussiermechanismus langsam soweit zurück, bis das Objekt scharf erscheint.

### ANBAU DER COMPUTERSTEUERUNG

1. Nehmen Sie die Computerfernsteuerung mit ihrem Kabel zur Hand.
2. Suchen Sie das Batteriefach des Northstar Sternlokalisierungs-Computers.
3. Öffnen Sie das Batteriefach, schließen Sie die 9V Batterie an und legen Sie sie ins Batteriefach.
4. Schließen Sie das Batteriefach wieder.
5. Verbinden Sie die Computerfernsteuerung mit dem Northstar Sternlokalisierungs-Computer.

### JUSTIEREN DES SUCHFERNROHRS

Visieren Sie, wie oben bei der Scharfstellung beschrieben, ein gut sichtbares Ziel durch das Teleskop an.

Am Rotpunkt Suchfernrohr sehen Sie eine Kunststoffflasche am Batteriefach. Sie dient vor Inbetriebnahme des Geräts als Batterieschutz. Ziehen Sie die Lasche heraus, damit die Batterie den Suchlaser mit Strom versorgen kann. Schalten Sie das Rotpunkt Suchfernrohr ein.

Schauen Sie nun durch das Suchfernrohr und verdrehen Sie die Stellschrauben so, dass der rote Lichtpunkt genau in der Mitte des Zielobjekts liegt, das Sie vorher mit dem Teleskop anvisiert haben.

Damit sind Suchfernrohr und Teleskop justiert und Sie können den Suchlaser wieder abschalten.

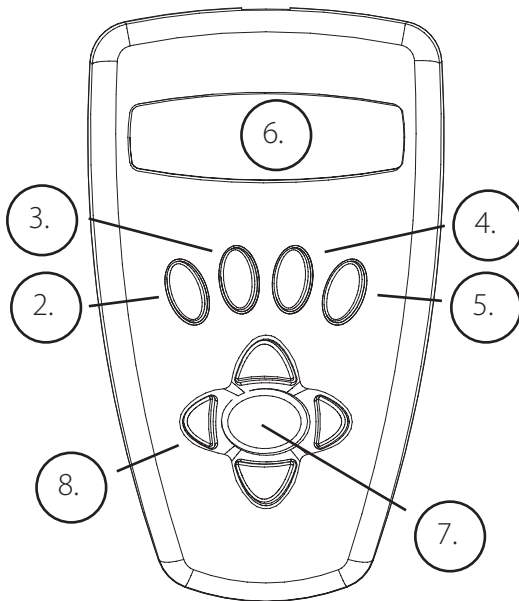
**VORSICHT: BLICKEN SIE NIE MIT DEM TELESKOP  
IN DIE SONNE**



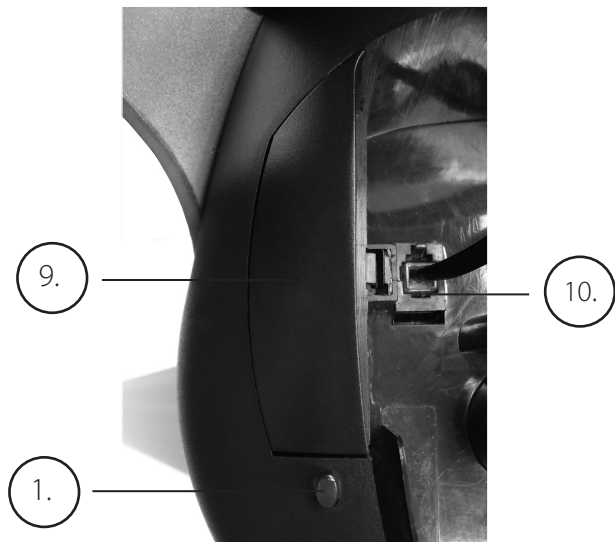
**SIE LAUFEN GEFAHR, SICH EINE SCHWERE  
AUGENVERLETZUNG ZUZUZIEHEN**

## NORTHSTAR COMPUTER SCHNITTSTELLENDIAGRAMM

- |  |   |
|--|---|
| <ol style="list-style-type: none"> <li>1. Ein / Aus Taste (<i>Basis/ Basisstation für das Mobilteil siehe Abbildung</i>)</li> <li>2. Rückwärts Taste</li> <li>3. Enter Taste</li> <li>4. Aufwärts Scroll Taste</li> <li>5. Abwärts Scroll Taste</li> </ol> | <ol style="list-style-type: none"> <li>6. LCD Display</li> <li>7. "GO" Taste</li> <li>8. Motorantriebstasten (4)</li> <li>9. Batteriefach Deckel (<i>Basis/ Basisstation für das Mobilteil siehe Abbildung</i>)</li> <li>10. Kabelbuchse für das Mobilteil</li> </ol> |
|--|---|



**Interne Aufbauplatte  
(Basisstation unter dem Mobilteil)**



## TASTENFUNKTIONEN

**Zur besseren Erkennbarkeit in der Dunkelheit sind alle Tasten beleuchtet.**

**Ein / Aus Taste:** Die Ein / Aus Taste schaltet den Northstar Sternlokalisierungs-Computer ein und aus. Bei normalem Gebrauch blinkt diese Taste. Zum Ausschalten des Computers müssen Sie diese Taste drei Sekunden lang gedrückt halten. (Hinweis: Der Northstar Sternlokalisierungs-Computer schaltet sich bei Nichtgebrauch automatisch nach 10 Minuten ab)

**Back Taste:** Dieser Taste bewirkt die Rückkehr zum vorhergehenden Menüpunkt und / oder die Rückkehr zum vorherigen Eingangsniveau. Wenn Sie die Sprachausgabefunktion abstellen möchten, könne Sie dies durch Drücken der "Back" Taste an der Fernsteuerungstastatur bewerkstelligen.

**ENTER Taste:** Mit dieser Taste werden die angezeigten Menüpunkte ausgewählt vorgenommen. Durch Drücken der ENTER-Taste geht Northstar zum ausgewählten Niveau. Wenn ein Objekt-Name oder eine -Nummer auf dem Bildschirm erscheint, kann die ENTER-Taste auch gedrückt werden, um eine gesprochene Beschreibung zu hören und eine ablaufende bzw. scrollende Text-Beschreibung des Objekts am Display anzeigen zu lassen.

**Scroll Up Taste:** Diese Taste bewirkt den Ablauf der Northstar-Menüs von unten nach oben. Immer, wenn Sie zu einer blinkenden Text- oder Nummern Option kommen, zeigt die Scroll-Taste die verschiedenen Wahlmöglichkeiten innerhalb dieses Menüs an. (Hinweis: Um die Option auszuwählen, die gerade angezeigt ist, drücken Sie die ENTER-Taste.)

**Scroll Down Taste:** Diese Taste bewirkt den Ablauf der Northstar-Menüs von oben nach unten. Immer, wenn Sie zu einer blinkenden Text- oder Zahlen-Option kommen, zeigt die Scroll-Taste die verschiedenen Wahlmöglichkeiten innerhalb dieses Menüs an. (Hinweis: Um die Option auszuwählen, die gerade angezeigt ist, drücken Sie die ENTER-Taste.)



## TASTENFUNKTIONEN (Fortsetzung)

**“GO” Taste:** Die GO Taste bewirkt die automatische Ausrichtung des Teleskops auf das in der LCD-Anzeige gezeigte Objekt. Nach der Einstellung des Objekts, bewirkt ein Druck auf die “GO” Taste, dass das Teleskop automatisch auf dieses Objekt ausgerichtet wird und seiner Bahn folgt, bis ein anderes Objekt ausgewählt wird und die “GO” Taste erneut gedrückt wird.

**Motorantriebstasten:** Diese vier Richtungstasten gestatten dem Benutzer, das Nachführsystem zu umgehen und das Teleskop per Motorantrieb von Hand auf ein anderes Objekt auszurichten. Je länger diese Tasten gedrückt werden, desto schneller läuft der Northstar-Antrieb, bis er seine Höchstgeschwindigkeit erreicht hat.

## LCD DISPLAY

Das Liquid Crystal Display (LCD) hat zwei Zeilen zu je 16 Zeichen und ist genau wie die Tasten beleuchtet, damit es auch bei Dunkelheit gut ablesbar ist.

## HANDSET-MODI

**Explorieren:** Mit dem Northstar Explorier-Modus können verschiedenartige, astronomische, als Objekt-Typen kategorisierte Objekte erforscht werden. Diese Objekte fallen unter eine oder mehrere der folgenden Objekt-Typen: Deep Sky (Universum außerhalb unseres Planetensystems), Planeten, Konstellationen und Sterne. Jeder dieser Untertitel hat in seiner Menüstruktur weitere Objekt-Unterkategorien. (Siehe die Gesamtliste der Menüfunktionen und Optionen in der Menü-Baumstruktur).

**Sky Tour:** Der Northstar Sky-Tour Modus bietet die Möglichkeit, in jedem Monat des Jahres eine optische Reise zu den interessantesten und hellsten Objekten zu unternehmen. Nachdem das Datum ins System eingegeben wurde, wird der Sky-Tour Modus des betreffenden Monats automatisch aufgerufen. Durch Vorwärts- und Rückwärts-Scrollen im Menü mit den Pfeiltasten können Objekte gewählt werden, wenn anschließend die ENTER Taste gedrückt wird. Genaue Informationen über jedes der angegebenen Objekte erhalten Sie, wenn Sie die ENTER-Taste drücken, während das Objekt im Display steht.

**Teleskop:** Der Northstar Teleskop Modus liefert astronomische Echtzeitdaten des Punktes auf den das Teleskop gerichtet ist. Astronomische Koordinaten für geradlinige Aszension (RA) und Deklination (DEZ) sowie auch die Höhe (ALT) und den Azimut (AZ) werden gleichzeitig gezeigt. Außerdem, wird in der rechten, unteren Ecke des Displays die Abkürzung der aktuell betrachteten Konstellation angezeigt, auf die das Teleskop gerichtet ist.

**Identify:** Der Northstar Identifizierungs- Modus bietet die Möglichkeit, alle Objekte im Sehfeld Ihres Teleskops zu identifizieren. Hier finden Sie auch Unterkategorien für verschiedene Klassen identifizierbarer Objekte und die Option “Identify Any” zur Feststellung beliebiger Identitäten.

**Align Earth:** Die Northstar Erdausrichtung-Methode bietet die Möglichkeit, das Teleskop anhand von Nicht-Astronomen bekannten Daten auszurichten. Durch Eingabe einfacher Daten wie Uhrzeit, Datum und Stadt, etc. kann ein Amateur, der zum ersten Mal ein Teleskop benutzt, innerhalb von Minuten die riesige Northstar Datenbank astronomischer Objekte durchforschen.

**Align Star:** Der Northstar Stern-Ausrichtmodus bietet die Möglichkeit, das Teleskop anhand einiger weniger astronomischer Kenntnisse auszurichten. Wenn die Positionen von zwei Sternen am Himmel bekannt sind, kann der Anfänger Stadt, Datum, und Zeiteingabe umgehen und die Northstar Datenbank schneller zur Auffindung erstaunlicher, astronomischer Objekte einsetzen.

**Align Object:** Der Northstar Objekt Ausrichtmodus bietet die Möglichkeit, die Teleskopausrichtung während einer Beobachtung zu verfeinern. Dies kann sehr z.B. sehr praktisch sein, wenn Ihr Kleinkind oder Ihr Hund gegen das Stativ gestoßen ist. Mit diesem Modus können Sie das Teleskop auf jedes bekannte Objekt richten und dann Align-Object wählen, um die Northstar Ausrichtung schnell neu zu justieren und Ihre Beobachtungen praktisch unterbrechungslos fortzusetzen.

# MENU TREE

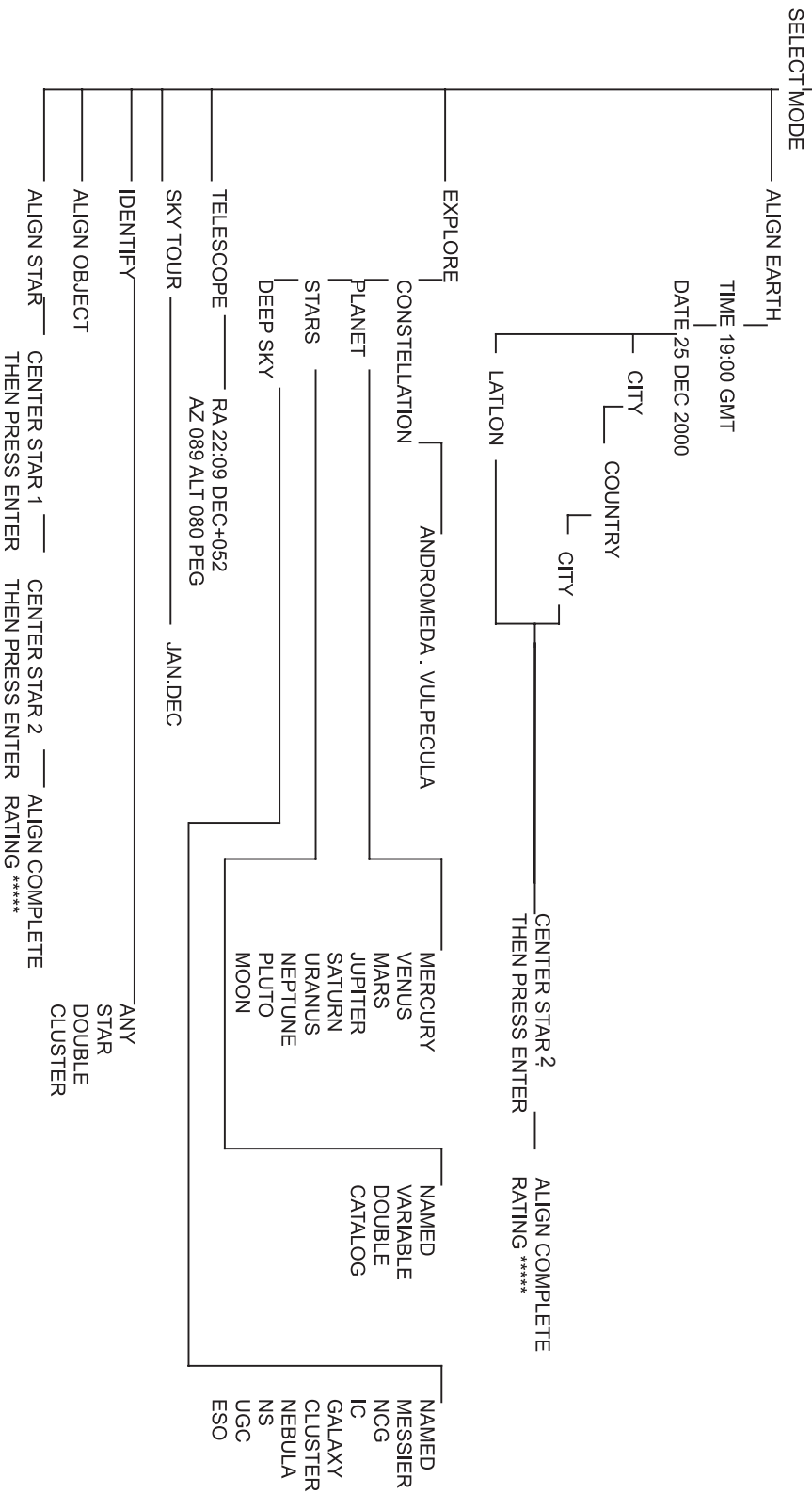
## BUSHNELL NORTHSTAR COMPUTER MENU STRUCTURE

(For Step-By-Step Easy Use Refer to Quick Reference Guide)

WELCOME TO BUSHNELL NORTHSTAR

### COMPUTERMENÜAUFBAU DES BUSHNELL NORTHSTAR

(Für eine einfache Schritt-für-Schritt-Einweisung schlagen Sie im Schnellverweis nach)



## ERSTMALIGE NORTHSTAR AUSRICHTUNG

**(HINWEIS: Vergewissern Sie sich, dass das Teleskop auf einer ebenen Fläche steht.)**

### **SCHRITT 1:**

Entfernen Sie die Fernsteuerung vor dem Einschalten des Teleskops. Beim Einschalten des Teleskops ertönt eine gesprochene Willkommensnachricht, die ertönt und gelesen werden kann als:

BUSHNELL NORTHSTAR Vx . x (die Version der Betreibersoftware)

Nach dieser Nachricht führt das Teleskop einen Selbsttest aus und richtet das Teleskop-Rohr relativ zur Teleskop-Montierung aus.

Dann erscheint das Hauptmenü:

```
SELECT MODE
ALIGN EARTH ↑↓
```

Dieser Modus ermöglicht, dass selbst wenn der Benutzer sein Teleskop zum ersten Mal gebraucht und keinerlei Kenntnisse in Astronomie hat, er die Justierung in einigen einfachen Schritten durchführen kann. Als weitere Version steht der Modus "ALIGN STAR" zur Verfügung, der etwas mehr Erfahrung voraussetzt, aber auch ein genaueres Ergebnis liefert. Dies wird später noch beschrieben.

Die ALIGN EARTH Option blinkt.

ENTER drücken, um ALIGN EARTH zu wählen.

HINWEIS: JEDES BLINKEN DER ANZEIGE IST EINE MENÜWAHL. ANDERE AUSWAHLMÖGLICHKEITEN KÖNNEN MIT DEN AUFWÄRTS- ODER ABWÄRTS-SCROLL TASTEN AUFGERUFEN WERDEN.

### **SCHRITT 2: UHRZEITEINSTELLUNG**

Mit den aufwärts- und abwärts-Scrolltasten und der ENTER Taste, können Uhrzeit und Zeitzone leicht eingestellt werden. Jede Blinkoption kann geändert werden, bis die richtige Zahl angezeigt wird. Sobald die richtige Zahl angezeigt wird, drücken Sie die ENTER Taste zur Bestätigung. Stellen Sie dann die nächste blinkende Option ein, bis Zeit (24-Stunden-Format) und Zeitzone eingestellt sind. Hinweis: "\_ST" steht für Standardeinstellung und "\_DT" steht für Sommerzeit (Daylight Savings Time).

### **SCHRITT 3: DATUMSEINSEL**

Mit den aufwärts- und abwärts-Scrolltasten und der ENTER Taste, kann auch das Datum leicht eingestellt werden. Jede Blinkoption kann geändert werden, bis die richtige Zahl angezeigt wird. Sobald die richtige Zahl angezeigt wird, drücken Sie die ENTER Taste zur Bestätigung. Dann gehen Sie zur folgenden Blinkoption, bis Tag, Monat und Jahr eingestellt sind.

### **SCHRITT 4: BEOBACHTUNGSORT EINSTELLEN**

Als nächstes erscheint am Display:

```
ALIGN EARTH
CITY ↑↓
```

CITY blinkt. Drücken Sie ENTER und die Anzeige wird nun:

```
COUNTRY
U.S.A. ↑↓
```

COUNTRY blinkt.

## ERSTMALIGE NORTHSTAR AUSRICHTUNG (Fortsetzung)

Mit den aufwärts- und abwärts-Scrolltasten wählen Sie das Land, in dem Ihr Teleskop aktuell aufgestellt ist. Wenn das passende Land erscheint, drücken Sie ENTER. Das Programm geht dann zur Anzeige der Städte in diesem Land. Scrollen Sie bis zur der Stadt, die Ihrem Beobachtungsort am nächsten liegt und drücken dann ENTER.

*HINWEIS: WÄHLEN SIE DIE IHREM BETRACHTUNGSORT AM NÄCHSTEN GELEGENE STADT. DIESE EINSTELLUNG IST UNKRITISCH. DIE AUSRICHTUNG WIRD SPÄTER NOCH AUTOMATISCH VERFEINERT.*

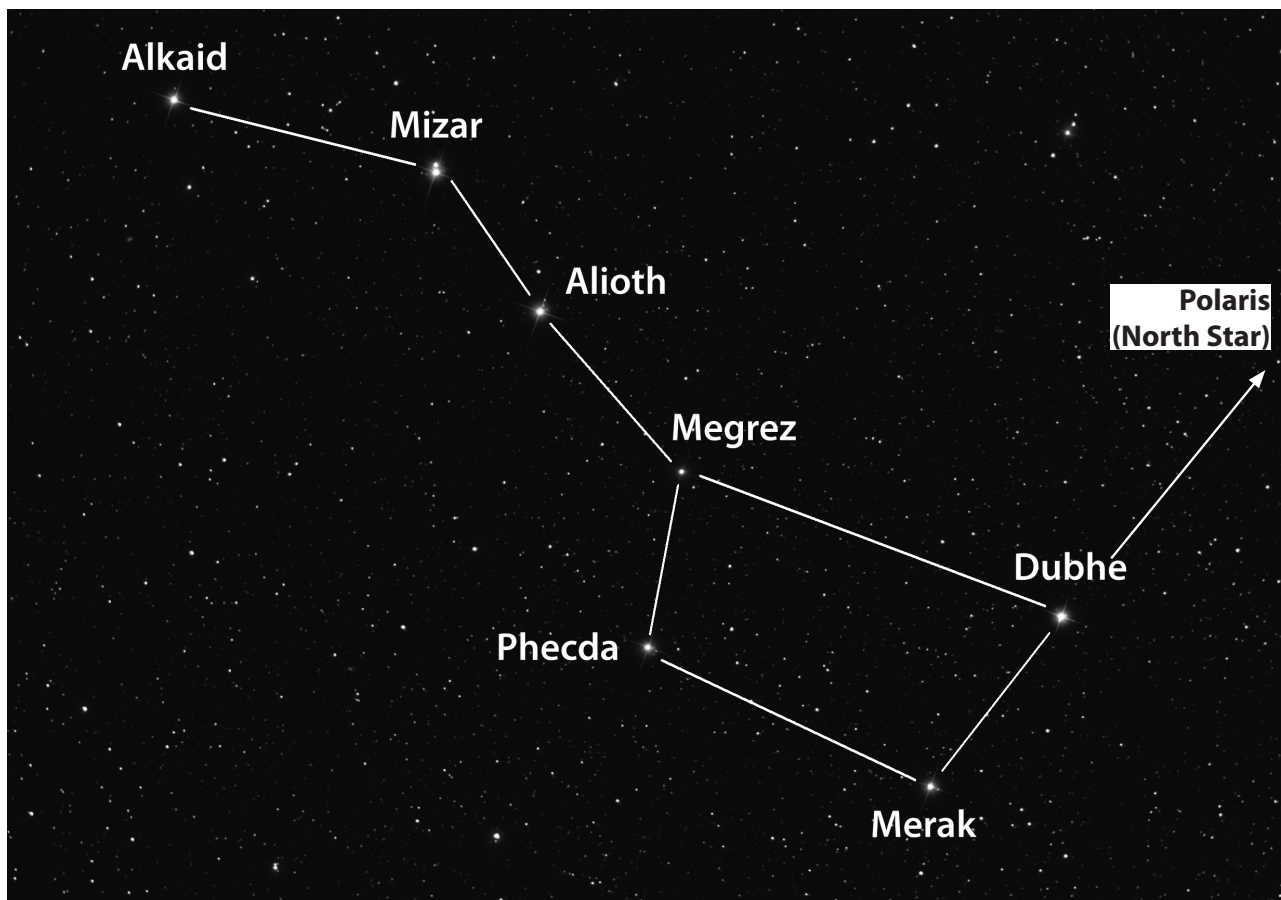
### SCHRITT 5: AUSWAHL UND EINEN STERN AUSRICHTEN

Nach Eingabe Ihrer STADT erscheint als nächste Nachricht STERN 2 AUSRICHTEN, DANN AUF EINGABE DRÜCKEN

Das bedeutet, dass Sie aus der in der Anzeige erscheinenden Aufstellung den Namen eines Sterns auswählen (dabei handelt es sich um Ihren "Leitstern"). Richten Sie dann diesen Stern beim Schauen durch das Teleskop in der Mitte des Sichtfeldes aus (entweder durch manuelles Verschieben oder Einsatz der automatischen Tasten). Drücken Sie danach auf EINGABE.

Sie werden Sie womöglich fragen, warum die Mitteilung sich auf "STAR 2" und nicht auf "STAR 1" bezieht? Der Grund dafür liegt darin, weil wir den schnelleren und einfacher zu bedienenden Modus ALIGN EARTH (ERDE EINSTELLEN) verwenden, bei dem Sie nur einen Stern lokalisieren und ausrichten müssen (nicht wie beim Modus ALIGN STAR), bei dem 2 Sterne erforderlich sind. Nach Eingabe von Zeit Datum, Land und Stadt, was im Prinzip das Auffinden von "STAR 1" ersetzt, verwenden Sie anstatt dessen auf der Erde basierende Angaben.

Falls Sie sich auf der nördlichen Erdhalbkugel befinden, ist der für einen Anfänger am leichtesten zu findende Stern einer, der zu der helleren Gruppe des großen Wagens (großer Bär) zählt wie unten aufgezeigt. Wie Sie womöglich bereits wissen, befinden sich die Sterne, die zum Bild des Großen Wagens gehören in der Nähe des Polarsterns, der ganz oder fast in der Mitte direkt über uns am Nachthimmel erscheint. (*Beachten Sie bitte, dass der große Wagen je nach Jahreszeit auch auf dem Kopf stehend oder in anderen als den aufgezeigten Positionen am Himmel erscheinen kann*). Stellen Sie sich durch den großen Wagen eine Linie durch Merak und Dubhe direkt zum Polarstern vor (verlängern Sie die Entfernung zwischen den beiden "Richtungssterne" um etwa das Fünffache").



## ERSTMALIGE NORTHSTAR AUSRICHTUNG (Fortsetzung)

Merak, Dubhe und Mizar strahlen hell und sind relativ einfach zu finden. Am besten Sie fangen mit diesen Sternen an. Falls Sie sich auf der südlichen Erdhalbkugel befinden, von wo aus der Große Wagen nicht sichtbar ist, können Sie selbstverständlich dennoch den Modus "ERDE EINSTELLEN" zur Bestimmung eines Sterns aus der für Ihre Erdhalbkugel sichtbaren Sterne in der Anzeige Ihres Teleskops einstellen. Sie können auch die Tabelle mit den Sternen am Ende dieser Bedienungsanleitung als Hilfe heranziehen.

Mit den Tasten NACH OBEN/NACH UNTEN können Sie die Bezeichnung des gewählten Sterns in der Anzeige finden. In der Anzeige erscheinen auch zwei Zahlen mit senkrechten und waagrechten Pfeilen, die ungefähr angeben, in welche Richtung und in welchem Ausmaß das Teleskop bewegt werden muss, um den Stern im Visier des Teleskops zu zentrieren. Durch Betätigen der Taste "GO" bewegt der Motor das Teleskop in eine Position, die zumindest im ungefähren Bereich liegt. Denken Sie daran, dass Sie mit dem Anpassen noch nicht fertig sind, dennoch kann dies eine Hilfestellung sein, Sie in die richtige Himmelsrichtung zu deuten. Die Zahlen bei den Positionspfeilen sollten nun näher an "0" liegen (unter 10 übernehmen die Pfeile die Aufgabe als "Dezimalstellen" und zeigen noch genauere Zahlen an. So bedeutet "8 Pfeil 4" dann 8,4). Jetzt können Sie mit dem roten Punkt im Suchfernrohr das Teleskop gezielt auf den von Ihnen gewählten Stern einstellen (ein Stern innerhalb des Großen Wagens). Positionieren Sie dann, wenn Sie durch das Okular schauen, den Stern durch manuelles oder durch Automatik gesteuertes Einstellen genau in der Mitte des Sichtfeldes). Sobald Sie Ihren Stern zentriert haben drücken Sie auf EINGABE.

Nachdem dieser Schritt abgeschlossen ist, erscheint in der Anzeige die folgende Mitteilung:

```
ALIGN COMPLETE
RATING *****
```

(Hinweis: Je mehr Sterne in der zweiten Reihe der Anzeige erscheinen, desto besser, bis zu 5. Bei sehr niedriger Einstufung empfiehlt es sich, einen anderen Stern zu finden und zu zentrieren, um die Ausrichtung zu verfeinern)

### **SCHRITT 6: DEN HIMMEL BEI NACHT ERKUNDEN**

Nach EARTH ALIGN, erscheint auf dem Display:

```
SELECT MODE
EXPLORE ↑↓
```

Um EXPLORE auszuwählen, müssen Sie ENTER drücken. Scrollen Sie nach oben und unten, um zu sehen, welche Menüwahlmöglichkeiten Sie haben. Wählen Sie PLANETEN. Diese sind die interessantesten. Weil Sie das Teleskop zum ersten Mal benutzen, können Planeten sehr aufregende Objekte sein.

Drücken Sie ENTER, wenn in der Anzeige steht:

```
EXPLORE
PLANET
```

Es erscheint nun eine Liste mit den derzeit sichtbaren Planeten. Mit den Aufwärts- oder Abwärts- Scroll Tasten können Sie mehrere Planeten aus der Objekt-Liste erforschen, z.B. den Jupiter

```
PLANET
JUPITER ↑↓
```

Drücken Sie ENTER, um den Jupiter zu wählen. Das Display zeigt nun:

```
PLANET
+120 ↑52 JUPITER
```

Hinweis: FALLS SICH IM MOMENT EIN OBJEKT UNTER DEM HORIZONT BEFINDET (WO ES FÜR SIE NICHT SICHTBAR WÄRE), ERSCHEINT IN DER ANZEIGE REGELMÄSSIG DER BEGRIFF "HORIZONT:"

Aufwärts- oder abwärts- scrollen, um andere PLANETEN in der Liste zu sehen. Die Anzeige zeigt Ihnen die Richtungen zu jedem Objekt. Was aber, wenn Sie ein Erstbenutzer sind, der mehr über das Objekt wissen will? Wäre es nicht besser, mehr über das Objekt zu erfahren, bevor das Teleskop es ins Sehfeld bringt?

## ERSTMALIGE NORTHSTAR AUSRICHTUNG (Fortsetzung)

Wenn Sie in der Planeten-Anzeige sind, drücken Sie ENTER:

```
PLANET
←120 ↑52 JUPITER
```

(genauso bei jedem anderen PLANETEN). Am Display erscheint nun eine Lauftextanzeige die Ihnen die Koordinaten dieses Objekts angibt, dessen Helligkeit, Größe, Name, Konstellations-Zugehörigkeit und eine Kurzbeschreibung. Für JUPITER wird z.B. das folgende angezeigt:

```
JUPITER fifth planet from sun.
Largest planet in solar system.
16 moons. Orbit is 11.86 years.
Diameter 143,000 km. Named for roman king of gods.
```

Stellen Sie sich jetzt vor, dass Sie als Eltern ihre Kinder beeindruckend wolle (oder umgekehrt). Zehn Minuten nach Beginn Ihrer Amateur-Astronomen Laufbahn, lernen Sie bereits Einzelheiten astronomischer Objekte. Ist das nicht ein großartiges, pädagogisches Werkzeug ?

Um ein beliebiges Objekt zu finden, brauchen Sie es nur im Display auszuwählen und die "GO" Taste antippen. Und schon erscheint das gesuchte Objekt haargenau im Teleskop-Okular !

Durch Drücken der BACK Taste gelangen Sie zum vorherigen Menü zurück. Drücken Sie nun die BACK Taste dreimal und Sie sind wieder im Hauptmenü. Das Display zeigt:

```
SELECT MODE
EXPLORE ↑↓
```

Scrollen Sie nach oben oder unten, bis erscheint:

```
SELECT MODE
SKY TOUR ↑↓.
```

Drücken Sie ENTER.

Dieser Modus führt Sie durch die besten und hellsten Objekte des jeweiligen Beobachtungsmonats. Wenn Sie die ALIGN EARTH Ausrichtung wie oben geschildert durchgeführt haben und auch das aktuelle Datum eingegeben haben, bringt Ihnen das Sky Tour Programm die interessantesten astronomischen Objekte zum gegenwärtigen Zeitpunkt. Sie wissen nicht, was einige dieser obskuren Objekte und Abkürzungen bedeuten? Drücken Sie einfach die ENTER Taste und schon zeigt Ihnen der Northstar Computer alle wissenswerten Informationen.

Drücken Sie die BACK Taste, bis Sie wieder im Hauptmenü sind:

```
SELECT MODE
SKY TOUR ↑↓.
```

Scrollen Sie nach oben oder unten, bis im Display erscheint:

```
SELECT MODE
IDENTIFY ↑↓
```

Drücken Sie ENTER

Das Programm geht automatisch ins vorgesteuerte Untermenü

```
IDENTIFY ANY
```

Durch Wahl dieser Option mit der ENTER Taste, identifiziert der Computer das Objekt, das Sie zur Zeit ansehen ODER (falls kein Objekt im Teleskop ist) das dieser Himmelsposition am nächsten gelegene Objekt. Sie können aber auch noch andere IDENTIFY Optionen wählen, zu Beispiel die der aktuellen Teleskopstellung am nächsten gelegenen Sternhaufen, Sternnebel, usw.

## ERSTMALIGE NORTHSTAR AUSRICHTUNG/ MODUS STERN EINSTELLEN

Damit kommen wir zum letzten Modus. Drücken Sie ENTER, wenn das Display anzeigt:

```
SELECT MODE
TELESCOPE ↑↓
```

Nun erscheinen auf dem Display die folgenden Angaben:

```
RA18:53 DEC+38.7
AZ280 ALT+62 LYR
```

Der Teleskop-Modus gibt Ihnen dynamische Echtzeitinformationen über die gegenwärtige Position Ihres Teleskops in Form von astronomischen Koordinaten. Amüsieren Sie sich mit diesem Modus in dem Sie das Teleskop bewegen. Beachten Sie die Abkürzung mit den drei Buchstaben rechts unten im Display. Sie erfahren hier dynamisch die gegenwärtige Konstellation, auf die das Teleskop gerichtet ist (hier Lyra). Die Namen der Konstellationen werden in diesem Modus abgekürzt. Die Abkürzungen werden in einem Verzeichnis am Ende dieser Gebrauchsanleitung aufgelistet.

### WAHLWEISE: MODUS "STERN EINSTELLEN" VERWENDEN (ZWEI-STERNE-METHODE)

In diesem Modus müssen zwei Sterne anstelle von einem eingestellt und zentriert werden, daher erfordert diese Methode etwas mehr Zeit und Erfahrung. Auf der anderen Pg erhalten Sie genauere Ergebnisse und Einstellungen bei der weiteren Verwendung Ihres Northstar-Teleskops. Es ist auch dann nützlich, wenn Sie sich an einem abgelegenen Standort aufhalten und keine Stadt aus der Liste im Modus ERDE EINSTELLEN verfügbar ist.

Um nach dem Anstellen des Teleskops und Erscheinen der Mitteilung MODUS WÄHLEN sowie der Begrüßung im Modus STERN EINSTELLEN zu arbeiten, betätigen Sie die NACH UNTEN-TASTE und wählen STERN EINSTELLEN. Drücken Sie auf EINGABE. Die Mitteilung ändert sich in STERN EINSTELLEN 1.

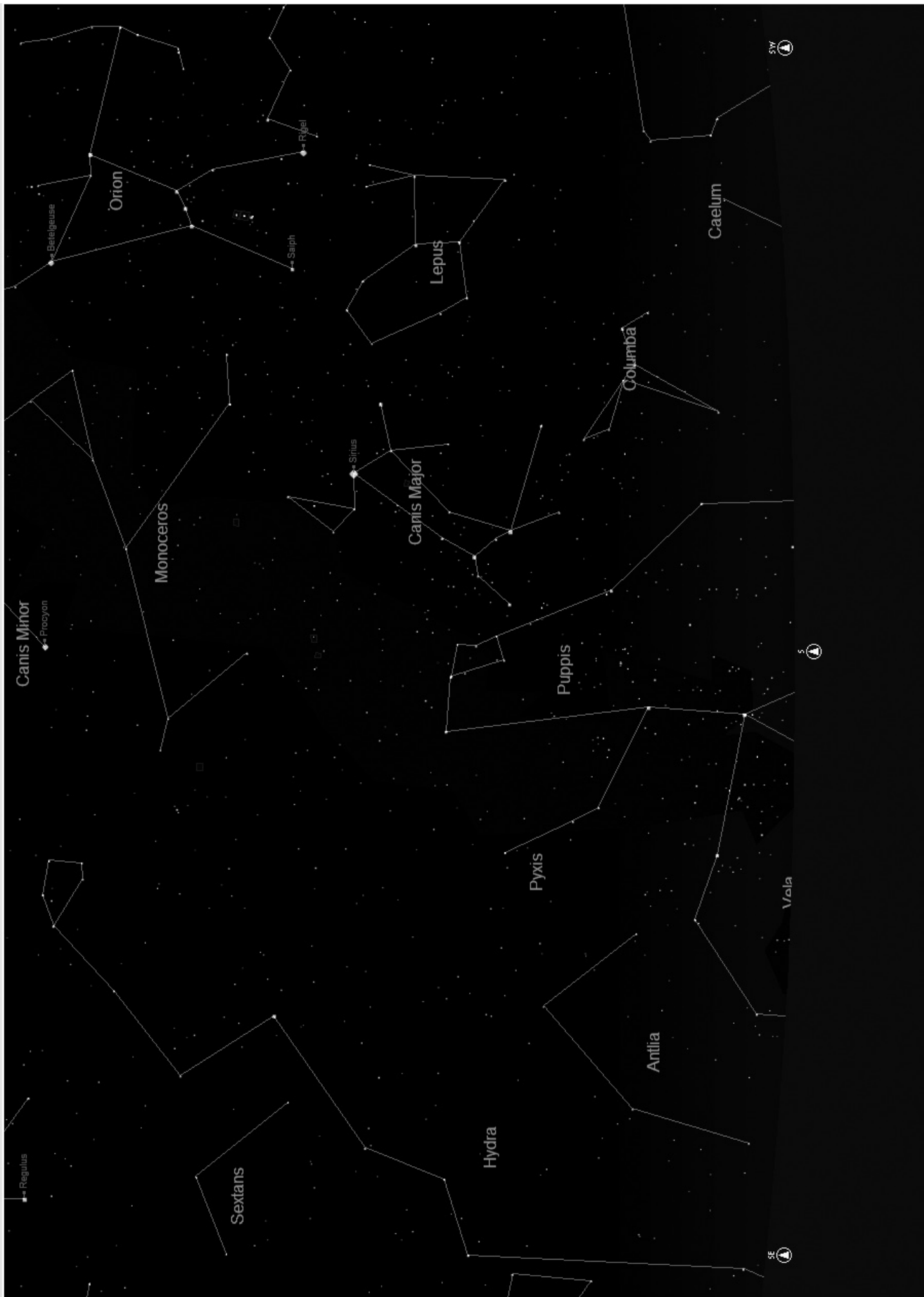
Mit Hilfe der Sternlisten auf den folgenden Pgn (für jede Jahreszeit wurde ein eigenes Sternbild sowohl für die südliche als auch die nördliche Erdhalbkugel erstellt) wählen Sie einen Stern aus, von dem Sie glauben, ihn am Nachthimmel zu entdecken (vielleicht innerhalb der Sternkonstellationen), und suchen Sie seine Bezeichnung mit den Tasten NACH OBEN/NACH UNTEN in der angezeigten Liste. In der Anzeige erscheinen auch zwei Zahlen mit senkrechten und waagrechten Positionspfeilen. Wenn Sie auf "GO" drücken, wird das Teleskop in die ungefähre Nähe des Sterns positioniert. Stellen Sie jetzt das Teleskop mit dem Sucher und dem roten Punkt genauer auf den Stern ein, den Sie suchen. Positionieren Sie dann, wenn Sie durch das Okular schauen, den Stern durch manuelles oder durch Automatik gesteuertes Einstellen genau in der Mitte des Sichtfeldes).

Sobald Sie Ihren Stern zentriert haben drücken Sie auf EINGABE. Die Anzeige ändert sich in STERN EINSTELLEN 2. Wählen Sie einen anderen Stern aus der Liste (verwenden Sie auch hierzu wieder die Sternlisten als Hilfestellung) und wiederholen den Vorgang für den zweiten Stern. Nachdem dieser Schritt abgeschlossen ist, erscheint in der Anzeige die folgende Mitteilung:

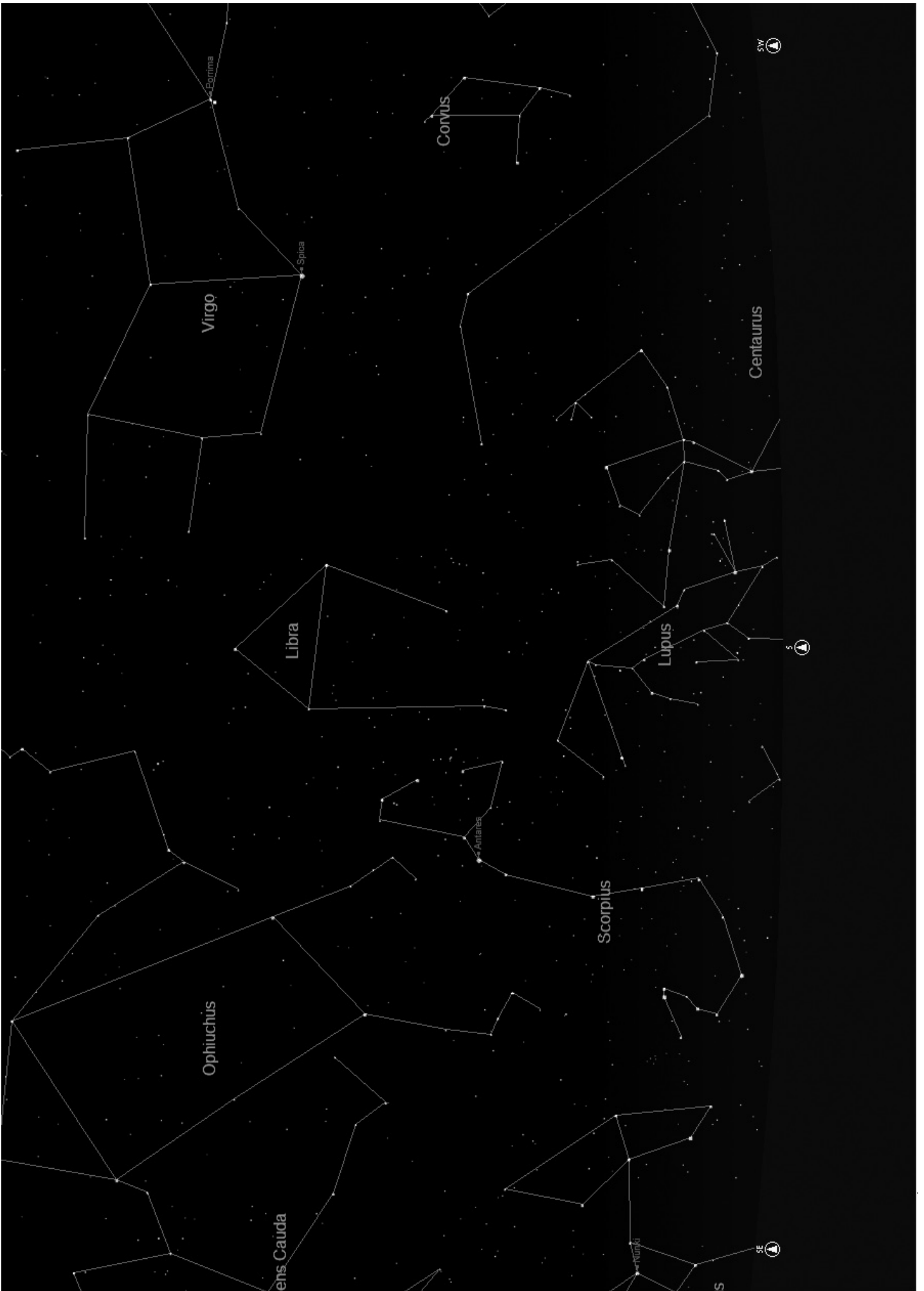
```
ALIGN COMPLETE
RATING *****
```

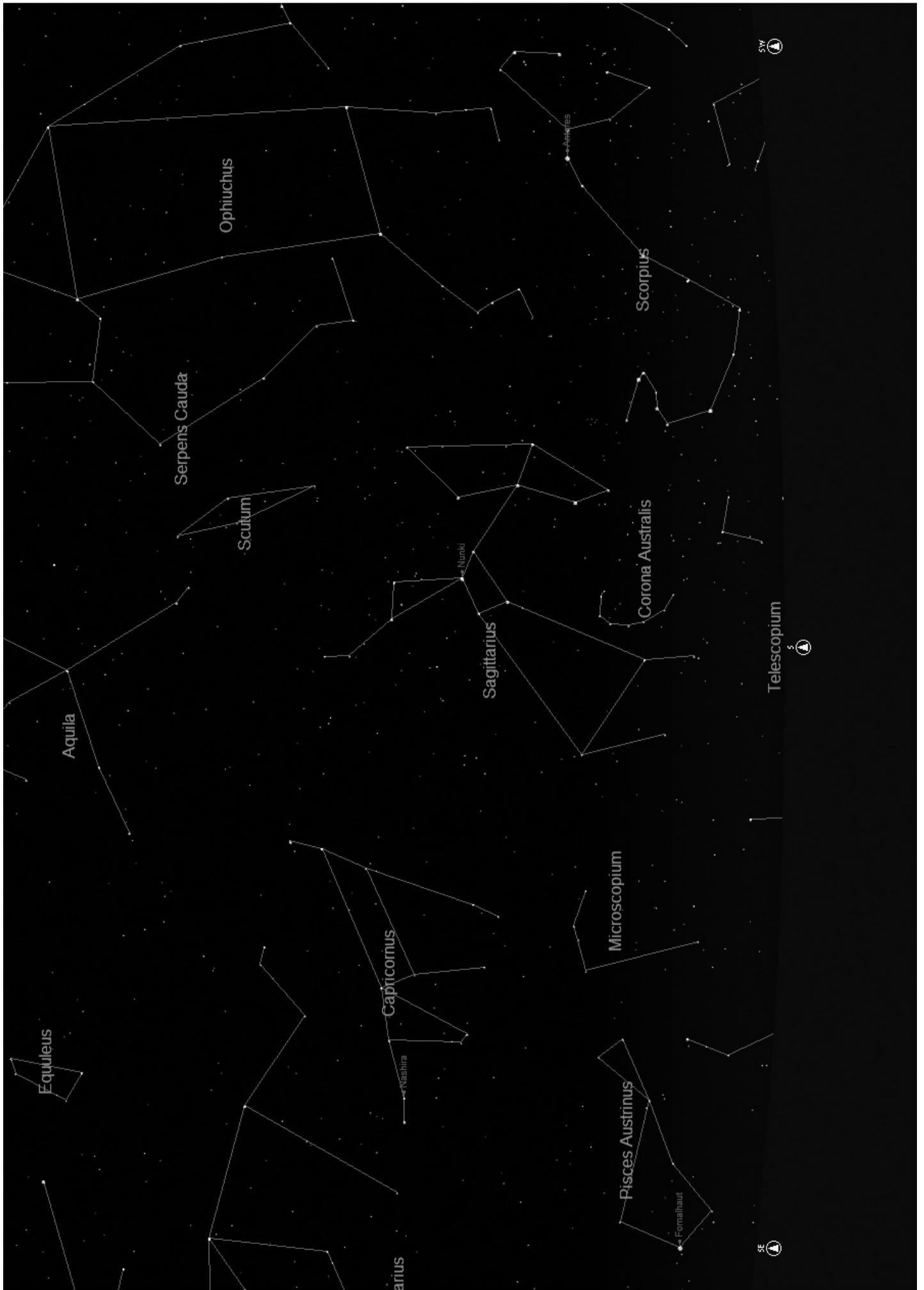
(Hinweis: Je mehr Sterne in der zweiten Reihe der Anzeige erscheinen, desto besser, bis zu 5.)

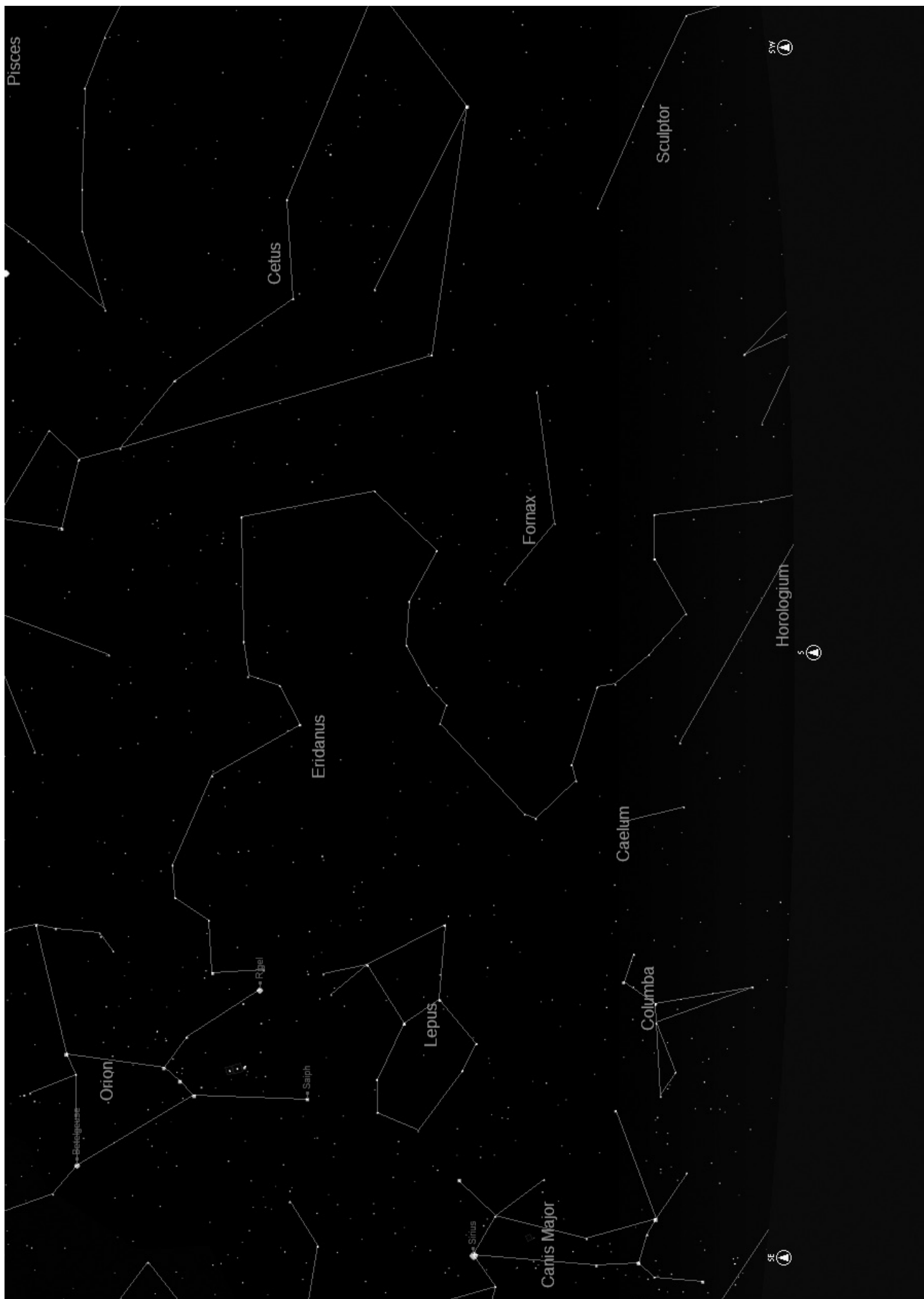
Das Teleskop ist nun eingestellt und betriebsbereit. In der Anzeige erscheint erneut MODUS WÄHLEN. Bitte lesen Sie die Anweisungen und Empfehlungen unter **Schritt 6: "Den Himmel bei Nacht erkunden"**. Sie können zum Beispiel mit der Wahl des Modus EXPLORE beginnen. Falls Sie ein Anfänger der Astronomie sind, wählen Sie danach PLANET.

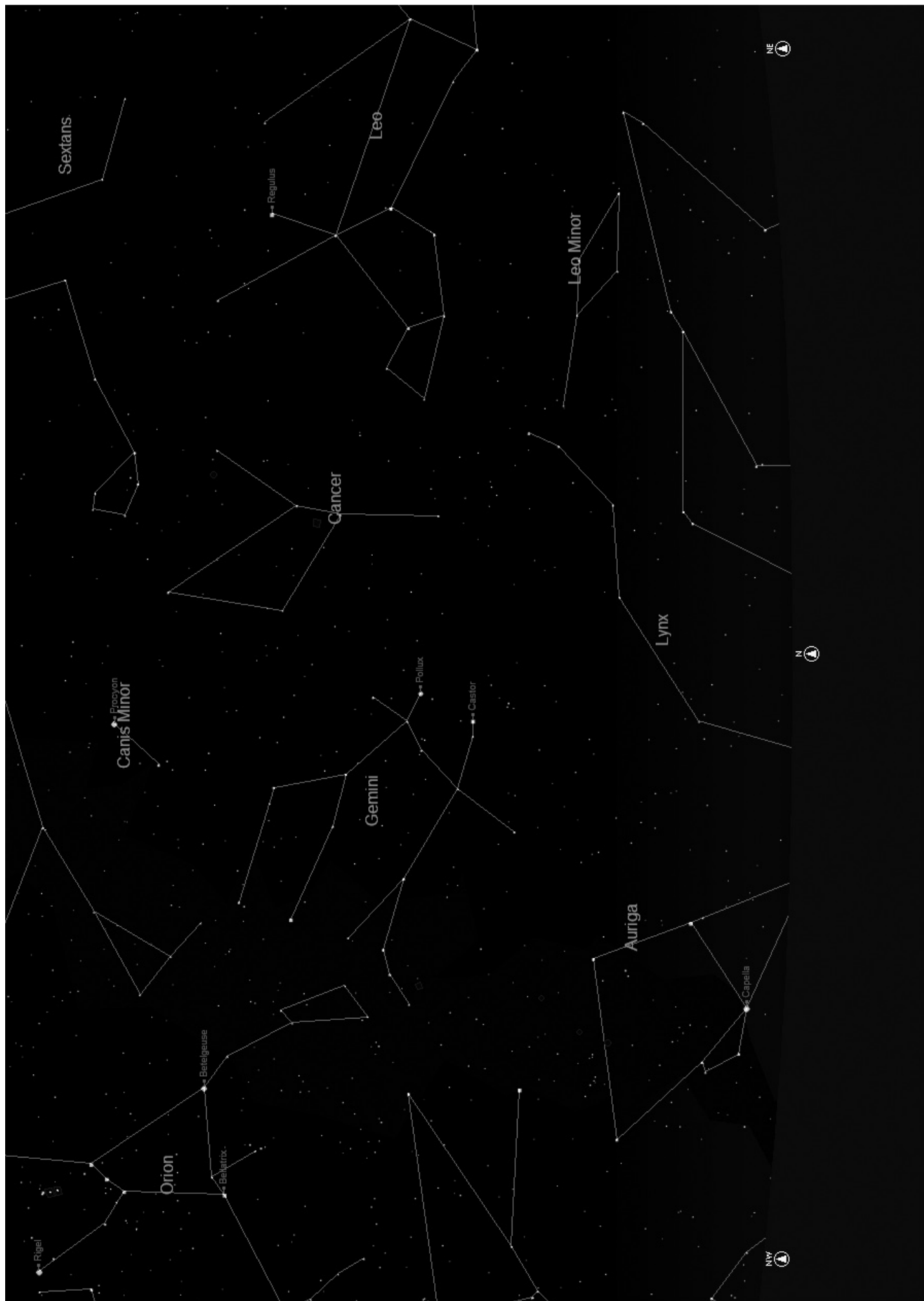


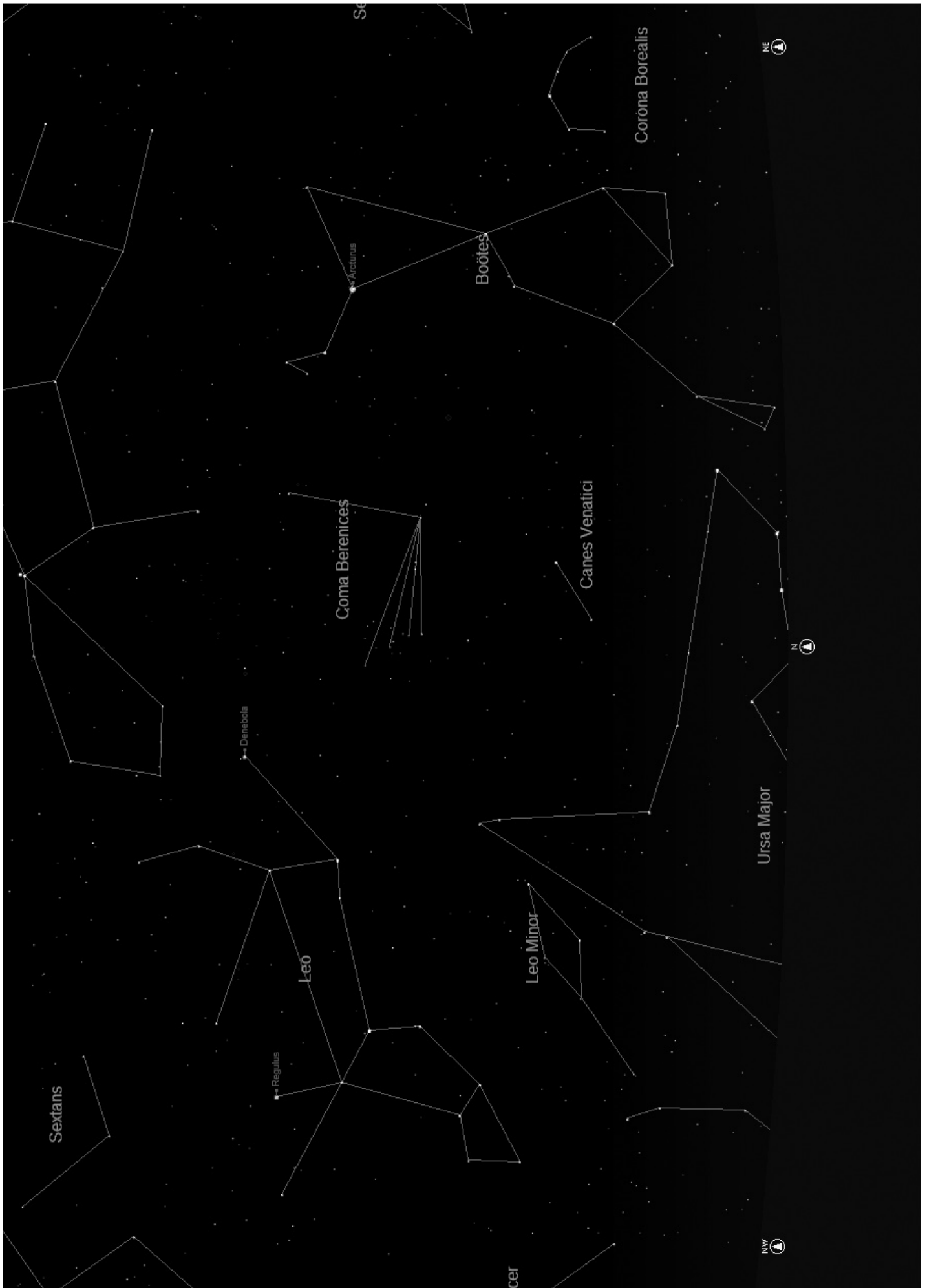




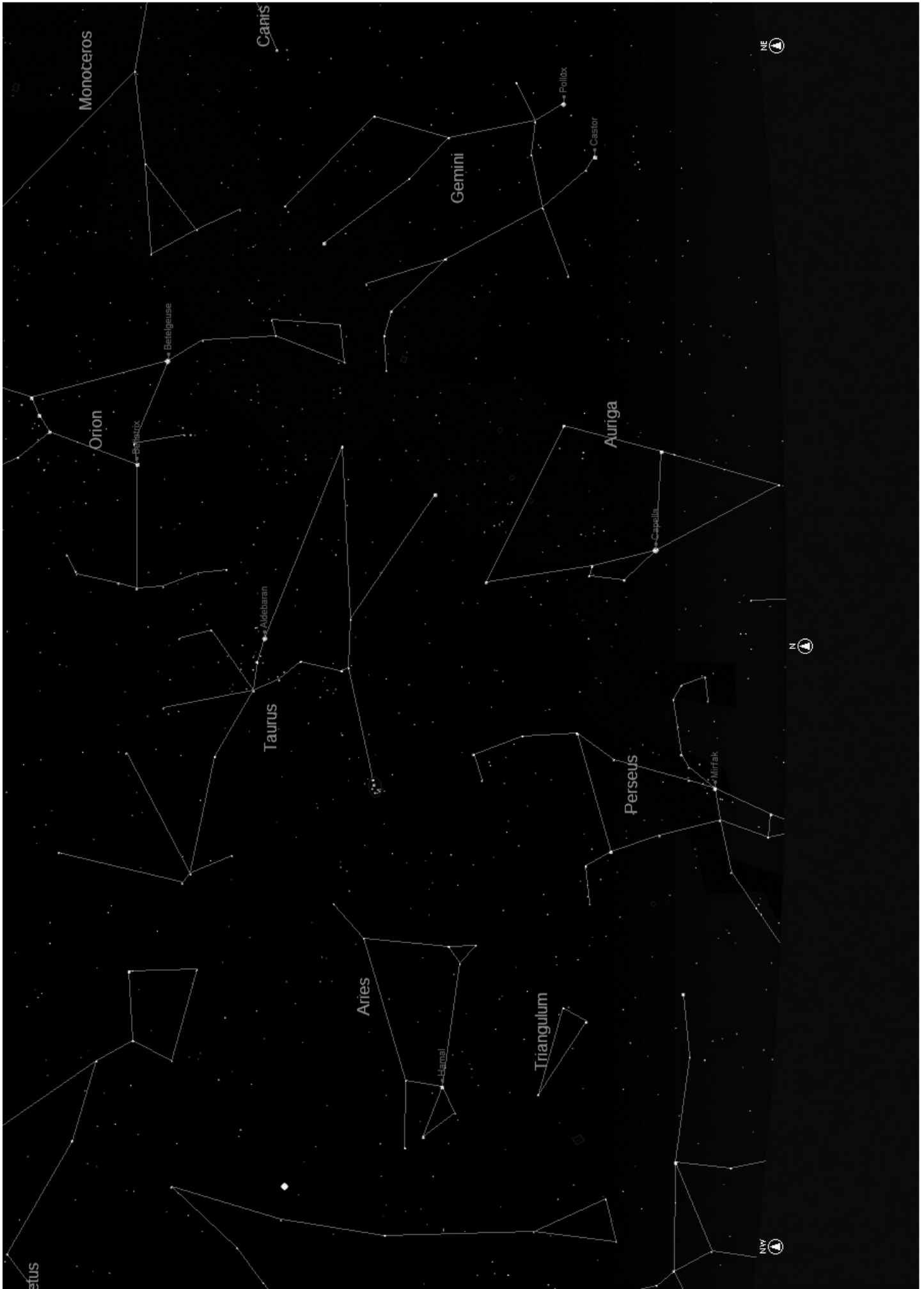












# KONSTELLATIONS ABKÜRZUNGEN

Andromeda (And)	Lacerta (Lac)
Antila (Ant)	Leo (Leo)
Apus (Aps)	Leo Minor (LMi)
Aquarius (Aqr)	Lepus (Lep)
Aquila (Aql)	Libra (Lib)
Ara (Ara)	Lupus (Lup)
Aries (Ari)	Lynx (Lyn)
Auriga (Aur)	Lyra (Lyr)
Bootes (Boo)	Mensa (Men)
Caelum (Cae)	Microscopium (Mic)
Camelopardis (Cam)	Monoceros (Mon)
Cancer (Cnc)	Musca (Mus)
Canes Venatici (CVn)	Norma (Nor)
Canis Major (CMa)	Octans (Oct)
Canis Minor (CMi)	Ophiuchus (Oph)
Capricornus (Cap)	Orion (Ori)
Carina (Car)	Pavo (Pav)
Cassiopeia (Cas)	Pegasus (Peg)
Centaurus (Cen)	Perseus (Per)
Cepheus (Cep)	Phoenix (Phe)
Cetus (Cet)	Pictor (Pic)
Chameleon (Cha)	Pisces (Psc)
Circinus (Cir)	Piscis Austrinus (PsA)
Columbia (Col)	Puppis (Pup)
Coma Berenices (Com)	Pyxis (Pyx)
Corona Australis (CrA)	Reticulum (Ret)
Corona Borealis (CrB)	Sagitta (Sge)
Corvus (Crv)	Sagittarius (Sgr)
Crater (Crt)	Scorpius (Sco)
Crux (Cru)	Sculptor (Scl)
Cygnus (Cyg)	Scutum (Sct)
Delphinus (Del)	Serpens (Ser)
Dorado (Dor)	Sextans (Sex)
Draco (Dra)	Taurus (Tau)
Equuleus (Equ)	Telescopium (Tel)
Eridanus (Eri)	Triangulum (Tri)
Fornax (For)	Triangulum Australe (TrA)
Gemini (Gem)	Tucana (Tuc)
Grus (Gru)	Ursa Major (UMa)
Hercules (Her)	Ursa Minor (UMi)
Horologium (Hor)	Vela (Vel)
Hydra (Hya)	Virgo (Vir)
Hydrus (Hyi)	Volcans (Vol)
Indus (Ind)	Vulpecula (Vul)



## Zusätzlicher Hinweis

Aus Platzgründen haben wir uns dazu entschlossen, in dieser Bedienungsanleitung nicht die komplette Aufstellung der 20.000 in Ihrem NorthStar-Teleskop gespeicherten Himmelsobjekte mitzuliefern. Eine vollständige Aufstellung aller Sterne und sonstiger in der Datenbank enthaltenen Objekte stehen online unter [www.bushnell.com/manuals/telescopes](http://www.bushnell.com/manuals/telescopes) für Sie zur Verfügung.

# GARANTIE/REPARATUR

## BESCHRÄNKTE LEBENSLANGE GARANTIE AUF TELESKOPE

Sie erhalten für Ihr Bushnell®-Teleskop eine lebenslange Garantie. Die Garantie gilt für den Erstbesitzer und erstreckt sich auf Material- und Herstellungsfehler. Die beschränkte lebenslange Garantie ist Ausdruck unseres Vertrauens in die Materialien und die mechanische Ausführung unserer Produkte und gewährleistet Ihnen einen lebenslangen zuverlässigen Kundendienst.

Wenn Ihr Teleskop elektrische Bauteile enthält, garantieren wir für einen Zeitraum von zwei Jahren ab dem Kaufdatum, dass diese Bauteile frei von Material- und Herstellungsfehlern sind.

Für den Fall, dass ein Mangel im Rahmen dieser Garantie auftritt, werden wir das Produkt nach unserer Wahl reparieren oder austauschen, vorausgesetzt, dass Sie das Produkt freigemacht zurückschicken. Von dieser Garantie ausgeschlossen sind Schäden, die auf Missbrauch, unsachgemäße Behandlung, Installations- oder Wartungsarbeiten, die nicht von einer autorisierten Bushnell-Kundendienstabteilung vorgenommen werden, zurückzuführen sind.

Jeder Rücksendung im Rahmen dieser Garantie müssen folgende Dokumente und Angaben beigelegt werden:

- 1) Ein Scheck/eine Zahlungsanweisung in Höhe von 15,00 USD zur Abdeckung der Porto- und Bearbeitungskosten
- 2) Name und Anschrift für die Rücksendung des Produkts
- 3) Eine Erläuterung des Mangels
- 4) Nachweis des Kaufdatums
- 5) Das Produkt sollte zur Vermeidung von Transportschäden gut verpackt in einem stabilen Versandkarton an die nachstehend aufgeführte Adresse geschickt werden, wobei die Gebühren für die Rücksendung im Voraus zu entrichten sind.

### **Adresse für Rücksendungen in die USA:**

Bushnell Outdoor Products  
Attn.: Repairs  
8500 Marshall Drive  
Lenexa, Kansas 66214

### **Adresse für Rücksendungen nach KANADA:**

Bushnell Outdoor Products  
Attn.: Repairs  
25A East Pearce Street, Unit 1  
Richmond Hill, Ontario L4B 2M9

Bei Produkten, die Sie außerhalb der Vereinigten Staaten oder Kanadas gekauft haben, erhalten Sie die entsprechenden Informationen zur Garantie von ihrem Händler vor Ort. In Europa erreichen Sie Bushnell auch unter:

Bushnell Germany GmbH  
European Service Centre  
Mathias-Brüggen-Str. 80  
D-50827 Köln  
GERMANY  
Tel: +49 221 995568-0  
Fax: +49 221 995568-20

Mit dieser Garantie erwerben Sie bestimmte Rechtsansprüche.  
Sie haben möglicherweise darüber hinaus noch andere Rechte, die von Land zu Land variieren.

©2010 Bushnell Outdoor Products

## COME MEGLIO APPREZZARE IL TELESCOPIO NUOVO

1. Potete già tentare di decidere la prima cosa che volete esaminare, una volta che il vostro telescopio è installato e allineato. Qualsiasi oggetto luminoso nel cielo notturno rappresenta un buon punto d'inizio. Uno dei punti d'inizio preferiti in astronomia è la Luna. Questo è un oggetto che certamente non mancherà mai di soddisfare gli astronomi in erba o i più esperti. Una volta sviluppata una certa esperienza a questo livello, ci si potrà dedicare ad altri oggetti. Saturno, Marte, Giove e Venere sono buone scelte di secondo livello.
2. L'oculare a bassa potenza (quello su cui è stampato il numero più grande) è perfetto per vedere la luna tutta intera, i pianeti, gli agglomerati stellari, le nebulose e anche le costellazioni: questa costituisce la base di partenza per le osservazioni future. Ad ogni modo, per riuscire ad osservare un maggior numero di dettagli, è utile provare a passare ad ingrandimenti maggiori, su alcuni di questi oggetti, con oculati più potenti. Nelle notti calme e serene, la linea di separazione luce/oscurità sulla luna (detta "Terminatore") è meravigliosa da osservare ad alta potenza. Le montagne, i crinali e i crateri risultano vividissimi grazie ai punti di luce più forte. Analogamente si può passare a ingrandimenti maggiori anche sui pianeti e sulle nebulose. Gli agglomerati stellari e le singole stelle si osservano, comunque, meglio a bassa potenza.
3. Il teatro astronomico che chiamiamo cielo notturno è un fondale in costante cambiamento. In altre parole, non viene proiettato sempre lo stesso film. Infatti, le posizioni delle stelle cambiano non solo da un'ora all'altra quando sembrano sorgere e tramontare, ma anche nel corso dell'anno. Man mano che la Terra orbita intorno al sole, la nostra prospettiva sulle stelle cambia a seconda del ciclo stellare dell'orbita. La ragione per cui il cielo sembra spostarsi tutti i giorni proprio come il sole e la luna si "spostano" nel cielo sta nel fatto che è la Terra a ruotare sul proprio asse. Di conseguenza, si noterà che dopo pochi minuti, o pochi secondi, (a seconda della potenza dell'oculare) gli oggetti nel telescopio si spostano. Specialmente con ingrandimenti maggiori, si noterà che la luna o Giove "scappano" fuori dal campo visivo. Per compensare, basta spostare il telescopio per "rimmetterlo" sul percorso giusto.

## CONSIGLI UTILI

1. Questo telescopio è uno strumento molto sensibile. Per avere i migliori risultati, e ridurre al minimo le vibrazioni, si consiglia di allestirlo in un punto piano del terreno, piuttosto che sul cortile o sul marciapiede in cemento o sul terrazzo in legno. In questo modo si realizza una base ben salda d'osservazione, specialmente in quei casi in cui si è circondati da un gruppo di curiosi.
2. Se possibile, installare lo strumento in un luogo poco illuminato perché in tal modo sarà possibile vedere anche gli oggetti meno brillanti. Se si osserva il cielo dalla riva di un fiume o da un parco, si riesce a vedere un numero molto maggiore di oggetti rispetto ad un'appostazione nel cortile di casa in città.
3. Si **SCONSIGLIA** caldamente di osservare da una finestra.
4. Se possibile, osservare gli oggetti quando sono alti nel cielo. Se si aspetta, infatti, fino a quando sono molto più alti rispetto all'orizzonte, risultano molto più luminosi e nitidi all'osservazione col telescopio. Si tenga presente che l'occhio vede gli oggetti all'orizzonte attraverso vari strati di atmosfera terrestre. Ci si è mai chiesti perché la luna appaia di color arancione quando cala all'orizzonte? La si vede di quel colore perché la si osserva attraverso una quantità molto maggiore di atmosfera rispetto a quando è alta nel cielo. (Nota: se gli oggetti in cielo appaiono distorti o mossi, è probabile che si stia osservando il cielo in una serata molto umida). Nelle notti in cui l'atmosfera è instabile, l'osservazione con il telescopio può risultare difficile se non addirittura impossibile. Gli astronomi, infatti, chiamano le notti chiare e serene le notti da "buona osservazione".

## DOVE INIZIARE?

**Il vostro telescopio Bushnell è in grado di portare l'universo proprio davanti ai vostri occhi. Se da un lato questo manuale ha lo scopo di assistere l'utente nell'impostazione e nell'utilizzo di base dello strumento, esso non tratta tutto ciò che desiderate apprendere sull'astronomia. Sebbene Northstar permetta di fare un giro del tutto rispettabile del cielo notturno, si raccomanda di procurarsi una semplicissima mappa stellare e una torcia elettrica con una lampadina rossa o coperta da un cellophane rosso. Se si desiderano vedere e studiare altri oggetti, oltre alle stelle e alle costellazioni, sarà necessario munirsi di una guida di base sull'astronomia. Sul nostro sito web [www.bushnell.com](http://www.bushnell.com) sono riportate alcune risorse utili, oltre a eventi correnti di cui si consiglia la visione. Ma alcune delle cose più importanti da vedere sono:**

**La luna** — è possibile osservarla a qualsiasi ingrandimento. Provate ad osservare le sue diverse fasi. Osservate gli altopiani e i mari lunari (terre basse così chiamate per il loro colore scuro), i crateri, i crinali e le catene montuose. Vi lasceranno a bocca aperta.

**Saturno** — Dovreste riuscire a vedere gli anelli e le lune di Saturno anche alla potenza più bassa: si tratta di uno degli oggetti più soddisfacenti da vedere in cielo, poiché lo si vede esattamente come appare nelle fotografie. Immaginate di vedere dal vostro giardino ciò che avete sempre visto nei libri di testo o nelle immagini della NASA!

**Giove** — il più grande pianeta del nostro sistema solare è, a dir poco, spettacolare. Le sue caratteristiche salienti sono le strisce o bande scure sopra e sotto l'equatore: le cinture equatoriali nord e sud. Di grande interesse sono anche le quattro lune principali di Giove. Fate attenzione alle loro posizioni da una notte all'altra: sembrano allinearsi da una parte o dall'altra di Giove.

**Marte** — Il grande pianeta rosso appare come un disco rosso-arancio. Osservandolo in diversi periodi dell'anno sarà possibile scorgere le calotte polari bianche.

**Venere** — Proprio come la Luna, Venere cambia fase da un mese all'altro. Talvolta Venere splende al punto da sembrare una luna crescente.

**Nebulose** — La grande Nebulosa di Orione è uno degli oggetti più conosciuti visibili nel cielo notturno. Questo telescopio permette di vedere questa nebulosa e molti altri oggetti.

**Agglomerati stellari** — Osservate milioni di stelle raggruppate fra di loro in un insieme che assomiglia a una palla splendente.

**Galassie** — Una delle galassie più grandi e interessanti è la vicina galassia di Andromeda. Col telescopio, è possibile vedere questa e molte altre.

Complimenti per l'acquisto del telescopio Bushnell Northstar Goto con messaggi vocali reali (Real Voice Output)!! È il primo telescopio mai creato che parla all'utente per indicargli su ciò che vede in cielo. È come avere il proprio assistente astronomico personale.

Dopo aver letto il manuale ed essersi preparati alla seduta di osservazione come illustrato in queste pagine, sarà possibile iniziare a far uso della funzione vocale nel modo illustrato qui di seguito:

- Per attivare il telescopio basta accenderlo! La funzione vocale è incorporata nel telecomando.
- Durante la procedura di allineamento, il telescopio fornisce diversi consigli vocali utili all'utente. Una volta allineato, la funzione vocale si illumina ogni volta che si preme il tasto di invio quando il nome o il numero di un oggetto vengono visualizzati nell'angolo inferiore destro dello schermo a cristalli liquidi. La descrizione dell'oggetto viene enunciata man mano che si segue la descrizione sotto forma di testo a scorrimento.
- Se in qualsiasi momento si desidera disabilitare la funzione vocale, basta annullarla premendo il tasto "Back" (Indietro) del telecomando.

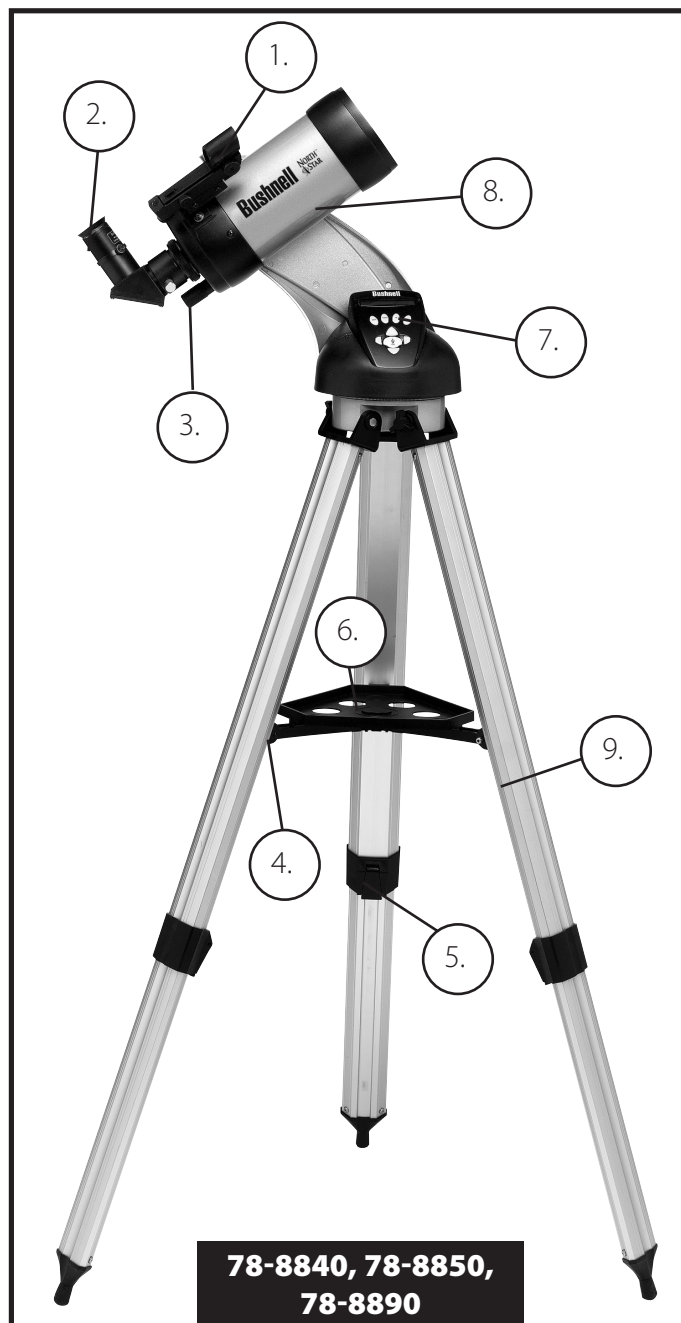
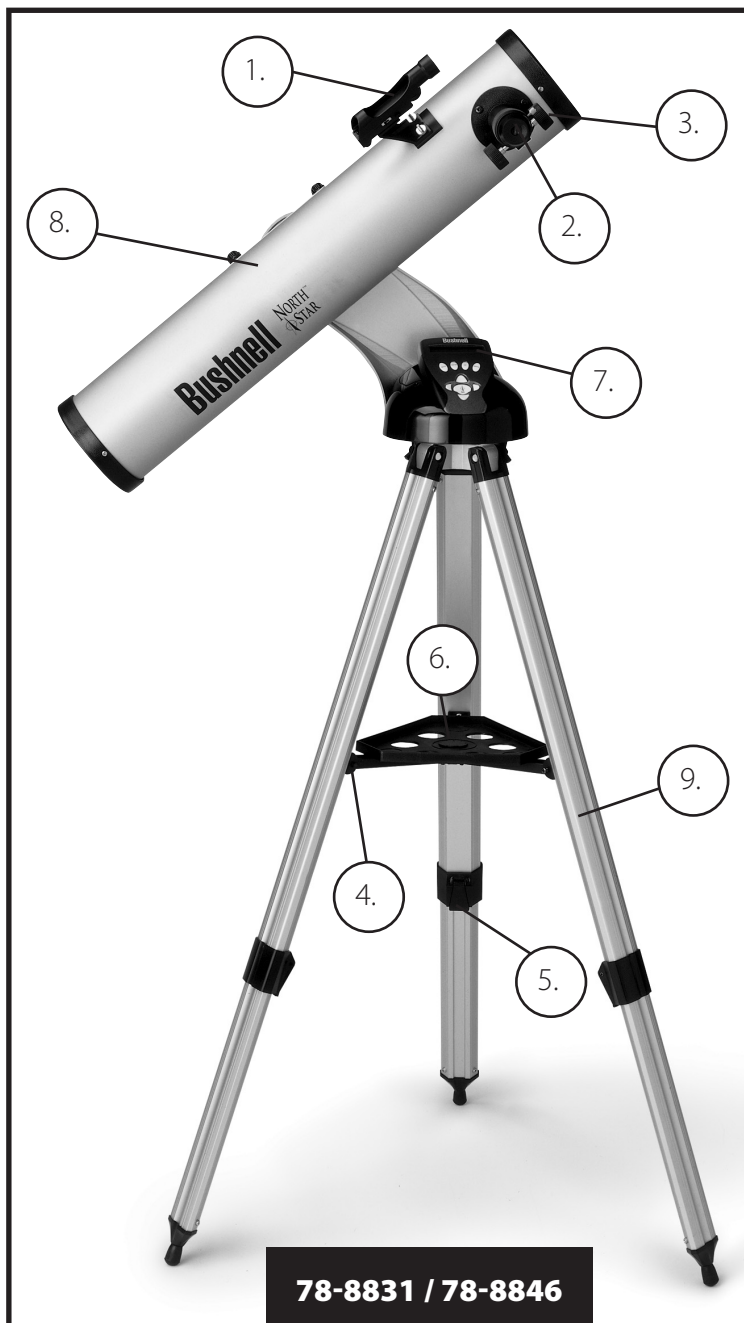
Vi auguriamo tanto divertimento per tanti anni!



**NON GUARDARE MAI DIRETTAMENTE IL SOLE  
COL TELESCOPIO**

**SI POTREBBERO DANNEGGIARE GLI OCCHI**

## SCHEMA DELLE PARTI

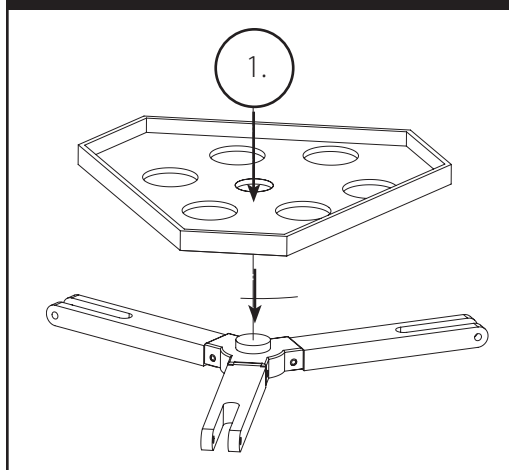


### Schema delle diverse parti del telescopio

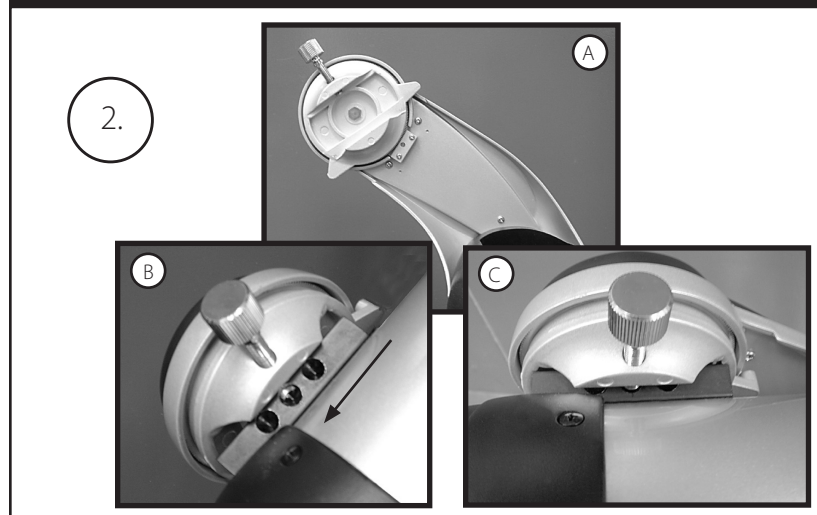
1. Cercatore a punto rosso
2. Oculare di formato 1,25" (ne sono inclusi 2)
3. Dispositivo di messa a fuoco a cremagliera
4. Staffa per vassoio accessorio
5. Leva delle gambe del treppiede a sgancio rapido
6. Vassoio per accessori a sgancio rapido
7. Controller del ricevitore remoto computerizzato
8. Tubo principale del telescopio
9. Treppiede in alluminio regolabile a sgancio rapido

## GUIDA AL MONTAGGIO RAPIDO

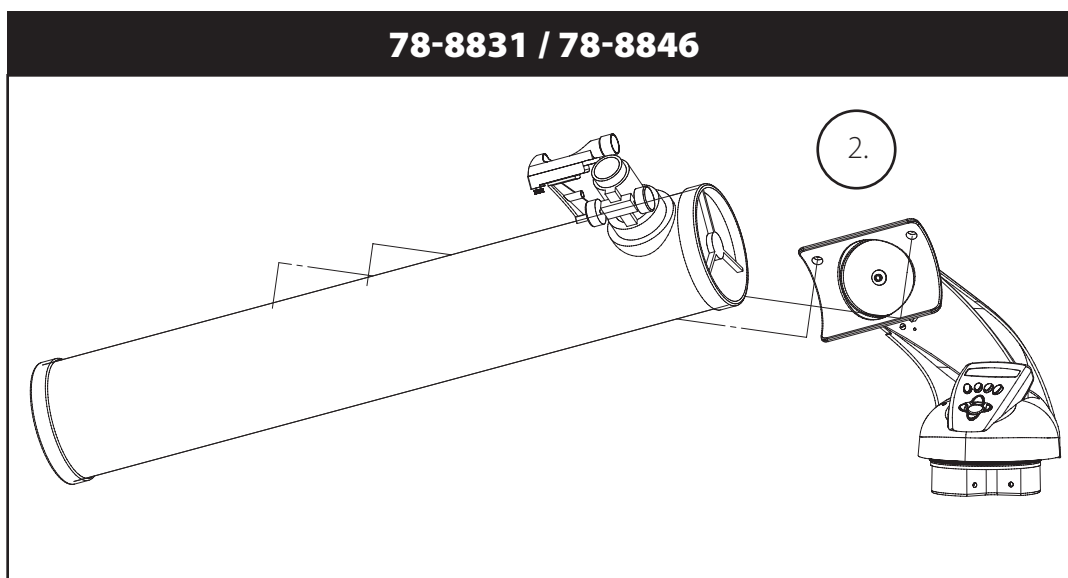
**78-8831 / 78-8846 / 78-8840  
78-8850 / 78-8890**



**78-8840, 78-8850, 78-8890**



**78-8831 / 78-8846**



## ELENCO DEI PEZZI

- Treppiede regolabile in alluminio (Preassemblato per la base con planisfero celeste computerizzato Northstar)
- Vassoio per accessori a sgancio rapido
- Telescopio Northstar con viti serrabili a mano
- Cercatore a punto rosso
- Oculari (2)
- Lente di Barlow (Riflettore)
- Oculare raddrizzatore (Maksutov)

## MONTAGGIO DETTAGLIATO

Per il montaggio del telescopio non occorrono utensili.

Togliere tutti i componenti dalla confezione e identificarli stendendoli magari di fronte a sé prima del montaggio. Dato che il telescopio è un dispositivo ottico di precisione, è necessario maneggiare i pezzi con la massima cautela, in particolare il computer integrato, il telescopio, gli oculari e le varie lenti accessorie.

### APPRENTARE IL TREMPIEDE E IL PIATTO PER GLI ACCESSORI

1. Mettere in posizione verticale il planisfero celeste computerizzato Northstar con le gambe del treppiede fissate. Aprire le gambe del treppiede alla distanza adeguata.
2. Piegare le staffe del piatto per accessori verso il basso e collocare il piatto per accessori a sgancio rapido sopra le staffe. *(Vedere schema n.1 per il montaggio rapido)*
3. Girare il piatto per accessori finché non si inserisce con uno scatto.
4. Regolare la lunghezza delle gambe del treppiede aprendo l'apposita levetta e regolandole come si desidera. Raggiunta la lunghezza giusta, serrare la levetta.

### MONTARE IL TUBO DEL TELESCOPIO *(Vedere schema n.2 per il montaggio rapido)*

1. Trovare il tubo principale del telescopio.
2. Togliere i dadi ad alette situati sul lato del tubo del telescopio (solo 78-8831 e 78-8846). Per il modello 78-8890, allentare la vite a staffa color argento sulla parte superiore della montatura del telescopio.
3. Posizionare i bulloni del tubo principale del telescopio attraverso il supporto del tubo del telescopio situato nella parte superiore del planisfero celeste computerizzato Northstar (solo 78-8831 e 78-8846). Per il modello 78-8890, far scorrere il supporto nero del tubo del telescopio nel punto di inserimento. Assicurarsi che il telescopio punti nella direzione giusta (il logo sul tubo del telescopio deve essere rivolto verso l'alto).
4. Riavvitare i dadi ad alette del tubo del telescopio sui bulloni di fissaggio del tubo principale del telescopio una volta che questo e il planisfero celeste computerizzato Northstar sono montati (solo 78-8831 e 78-8846). Per il modello 78-8890, serrare la vite a staffa color argento sulla parte superiore della montatura del telescopio nella depressione desiderata sul supporto nero del tubo del telescopio.

### MONTARE GLI ACCESSORI FINALI DEL TELESCOPIO

1. Individuare il Cercatore a punto rosso. **Per i telescopi riflettori:** togliere i dadi di fissaggio del cercatore dal tubo principale del telescopio. Collocare il gruppo del cercatore sui bulloni di fissaggio del cercatore e riavvitare i dadi del cercatore sui bulloni di montaggio della montatura del cercatore.

**NOTA:** il capo più grande del cercatore deve essere rivolto verso l'estremità aperta del tubo del telescopio.

2. Montare l'oculare a bassa potenza. **Per i modelli riflettori:** inserire l'oculare a più bassa potenza nel meccanismo di messa a fuoco allentando il grano dell'oculare e inserendo, quindi, completamente l'oculare.
3. Stringere tutte le viti per fissare gli accessori.

### SCelta DELL'OCULARE

Si dovrebbe iniziare sempre dall'oculare a potenza inferiore, che in questo caso corrisponde alla lente da 20 mm. Nota: la potenza di base di ciascun oculare è determinata dalla lunghezza focale dell'obiettivo. Per determinare la potenza di ciascun oculare è possibile utilizzare una formula: lunghezza focale dell'OBIETTIVO del telescopio diviso lunghezza focale dell'OCULARE = INGRANDIMENTO (ad es., se si usa la lente da 20 mm, un calcolo indicativo potrebbe essere il seguente:  $750 \text{ mm} / 20 =$  potenza 38x o 38. La lunghezza focale varia a seconda dei modelli di telescopio).

### (Riflettore)

In dotazione col telescopio vi è una lente di Barlow. Le lenti di Barlow sono impiegate per raddoppiare o triplicare la potenza del telescopio. Posizionare la lente di Barlow tra il tubo di messa a fuoco e l'oculare. Utilizzando l'esempio riportato sopra, la lente di Barlow 3x darà una potenza totale di 114x o 114. ( $38 \times 3 =$  potenza 114x o 114). Il calcolo dell'ingrandimento sarà il seguente:  $750 \text{ mm} / 20 \text{ mm} =$  potenza 38. Potenza  $38 \times 3 =$  potenza 114.



## MONTAGGIO DETTAGLIATO (*continuazione*)

### MESSA A FUOCO DEL TELESCOPIO

1. Dopo aver scelto l'oculare desiderato, puntare il tubo principale del telescopio su un oggetto terrestre situato a una distanza di almeno 200 metri (ad es., il palo del telefono o un palazzo).
2. Estendere completamente il tubo di messa a fuoco girando il dispositivo di messa a fuoco a cremagliera.
3. Guardando attraverso l'oculare selezionato (in questo caso, quello da 20 mm), retrainare lentamente il tubo di messa a fuoco girando il dispositivo di messa a fuoco a cremagliera fino a quando l'oggetto è messo a fuoco.

### MONTAGGIO DEL TELECOMANDO COMPUTERIZZATO E DELLA PILA

1. Trovare il telecomando computerizzato e il cavo.
2. Individuare il coperchio del comparto della pila sulla base del planisfero celeste computerizzato Northstar.
3. Togliere il coperchio dello scomparto della pila e inserirne una da 9 V.
4. Chiudere il coperchio dello scomparto.
5. Fissare il telecomando computerizzato alla base del planisfero celeste computerizzato Northstar usando l'apposito cavo.

### ALLINEAMENTO DEL CERCATORE

Guardare attraverso il tubo principale del telescopio e puntare su un oggetto ben definito (vedere la sezione "Messa a fuoco del telescopio").

Togliere l'isolamento di plastica tra la pila del cercatore a punto rosso e il morsetto della pila.  
Accendere il cercatore a punto rosso.

Guardare attraverso il cercatore a punto rosso, quindi girare le rotelline di regolazione finché il puntino rosso è centrato esattamente sullo stesso oggetto già centrato nel campo visivo del tubo principale del telescopio.

A questo punto gli oggetti trovati prima col cercatore a punto rosso sono centrati nel campo visivo del telescopio principale.

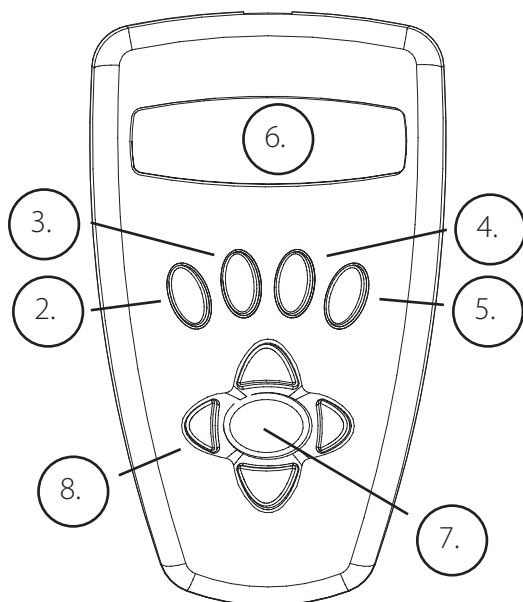
**NON GUARDARE MAI DIRETTAMENTE IL  
SOLE COL TELESCOPIO**



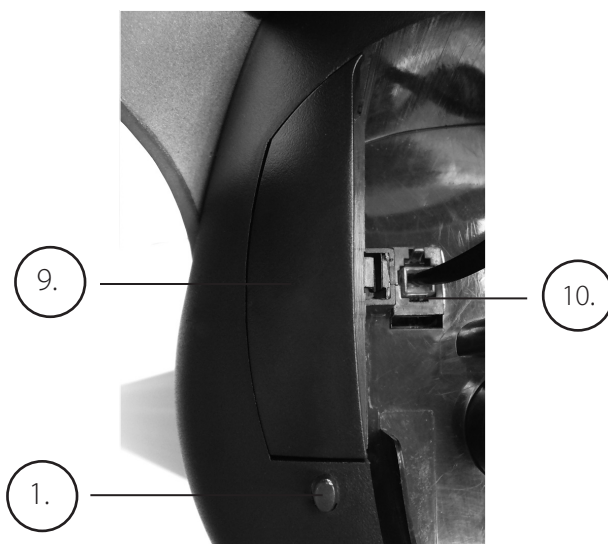
**SI POTREBBERO DANNEGGIARE GLI OCCHI**

## SCHEMA INTERFACCIA COMPUTER NORTHSTAR

1. Tasto On/Off (*Culla in base/ Ricevitore: vedere foto*)
2. Tasto Indietro
3. Tasto di invio
4. Tasto di scorrimento verso l'alto
5. Tasto di scorrimento verso il basso
6. Schermo a cristalli liquidi
7. Tasto "GO" (Vai)
8. Tasti motorizzati di movimento (4)
9. Sportello scomparto pila (*culla in base*)
10. Connettore cavo del ricevitore



**Base di montaggio interna  
(Culla al di sotto del ricevitore)**



## FUNZIONI DEI TASTI

### TUTTI I TASTI SONO ILLUMINATI PER L'USO NOTTURNO.

**Tasto On/Off:** Il Tasto On/Off permette di accendere e spegnere il planisfero celeste computerizzato Northstar. Questo tasto lampeggia o si accende e spegne durante il normale utilizzo. Per spegnere lo strumento basta tenere premuto il tasto On/Off per tre secondi e poi rilasciarlo (nota: il planisfero celeste computerizzato Northstar si spegne automaticamente dopo 10 minuti di inattività).

**Tasto Indietro:** Questo tasto serve a tornare al livello precedente del quadro operativo o di immissione. Se, in qualsiasi momento, si desidera disabilitare la funzione vocale, è sufficiente premere il tasto "Back" (Indietro) sul tastierino del telecomando.

**Tasto di invio:** Questo tasto serve a fare determinate scelte di menu. Quando si preme il tasto di INVIO, Northstar avanza al livello selezionato. Se si preme il tasto di INVIO quando il nome o il numero di un oggetto è visualizzato sullo schermo, si sente la descrizione parlata e il computer visualizzare testo scorrevole della descrizione dell'oggetto.

**Tasto di scorrimento verso l'alto:** Questo tasto serve a scorrere verso l'alto i vari menu di Northstar. Ogni volta che si ha un'opzione di testo/numero lampeggiante, il tasto di scorrimento visualizza le varie scelte selezionabili all'interno di quel menu (nota: per selezionare l'opzione desiderata basta, quindi, premere il tasto di INVIO).

**Tasto di scorrimento verso il basso:** Questo tasto serve a scorrere verso il basso i vari menu di Northstar. Ogni volta che si ha un'opzione di testo/numero lampeggiante, il tasto di scorrimento visualizza le varie scelte selezionabili all'interno di quel menu (nota: per selezionare l'opzione desiderata basta, quindi, premere il tasto di INVIO).

## FUNZIONI DEI TASTI (continuazione)

**Tasto "GO" (Vai):** Il tasto GO centra automaticamente qualsiasi oggetto visualizzato sullo schermo a cristalli liquidi. Quando si preme il tasto "GO", il telescopio trova e segue automaticamente l'oggetto selezionato, fino a quando non si seleziona un altro oggetto e si preme di nuovo il tasto "GO".

**Tasti di movimento motorizzato:** Questi quattro tasti multidirezionali permettono all'utente di escludere il sistema di tracciatura e di spostare il telescopio utilizzando manualmente i motori verso un'altra posizione desiderata. Più a lungo si tengono premuti questi tasti, più velocemente Northstar si sposta fino a raggiungere la massima velocità.

## SCHERMO A CRISTALLI LIQUIDI

Lo schermo a cristalli liquidi (LCD) è un display a due righe e a sedici caratteri. Lo schermo LCD è illuminato per l'uso notturno, così come i tasti.

## PANORAMICA DELLE MODALITÀ DEL PRODOTTO

**Explore:** La modalità "Explore" (Esplora) di Northstar permette di esplorare vari oggetti astronomici categorizzati per tipologia. Tali oggetti appartengono a una o più delle seguenti tipologie: Spazio profondo, Pianeti, Costellazioni e Stelle. Ciascuna di queste categorie presenta sottocategorie di oggetti nel relativo menu (l'elenco completo delle funzioni e delle opzioni di menu è riportato nel paragrafo Albero dei menu).

**Sky Tour:** La modalità "Sky Tour" (Escursione del cielo) di Northstar permette di fare una breve escursione degli oggetti migliori e più luminosi in ogni mese dell'anno. Se la data è stata inserita nel sistema (*Si veda la Fase 3 di "Allineamento del Northstar per la prima volta"*), la modalità "Sky Tour" conosce automaticamente il mese corrente. L'utente può scegliere gli oggetti usando le frecce di scorrimento su o giù e premendo ENTER (INVIO). Per maggiori informazioni su un qualsiasi oggetto è sufficiente premere il tasto di INVIO mentre è visualizzato: sullo schermo appare il testo con le informazioni.

**Telescope:** La modalità "Telescope" (Telescopio) di Northstar permette di conoscere in tempo reale i dati relativi al punto verso cui è puntato il telescopio. Le coordinate astronomiche per l'Ascensione Retta (RA - Right Ascension) e la Declinazione (DEC - Declination), oltre a quelle per Altitudine (ALT - Altitude) e Azimuth (AZ) sono visualizzate simultaneamente. Inoltre, nell'angolo inferiore destro è visualizzata l'abbreviazione della costellazione verso la quale è puntato il telescopio.

**Identify:** La modalità "Identify" (Identifica) di Northstar permette di identificare un qualsiasi oggetto nel campo visivo del telescopio. Le sottocategorie per le diverse classi di oggetti identificabili sono anch'esse incluse sotto l'opzione "Identify Any".

**Align Earth:** La modalità "Align Earth" (Allinea terra) di Northstar consente di allineare facilmente il telescopio utilizzando informazioni comuni alla portata anche delle persone non appassionate di astronomia. Immettendo semplici dati, quali ora, data, città, ecc., anche chi utilizza il telescopio per la prima volta può esplorare l'immenso database di oggetti astronomici Northstar nel giro di pochi minuti.

**Align Star:** La modalità "Align Star" (Allinea stella) di Northstar permette di allineare il telescopio utilizzando qualche concetto astronomico. Se si sa dove si trovano due stelle nel cielo, anche un principiante può evitare di inserire dati quali città, data e ora e iniziare in brevissimo tempo a usare il database Northstar per individuare e osservare oggetti astronomici veramente straordinari.

**Align Object:** La modalità "Align Object" (Allinea oggetto) di Northstar permette di mettere a punto l'allineamento del telescopio durante la seduta di osservazione. Questa modalità può rivelarsi utile in vari casi come, ad esempio, quando il cagnolino di famiglia urta il telescopio mettendolo fuori allineamento. Quando si usa questa modalità è possibile centrare il telescopio su qualsiasi oggetto noto e selezionare "Align Object" per ritrarre rapidamente il dispositivo Northstar e continuare ad osservare il cielo per il resto della serata.

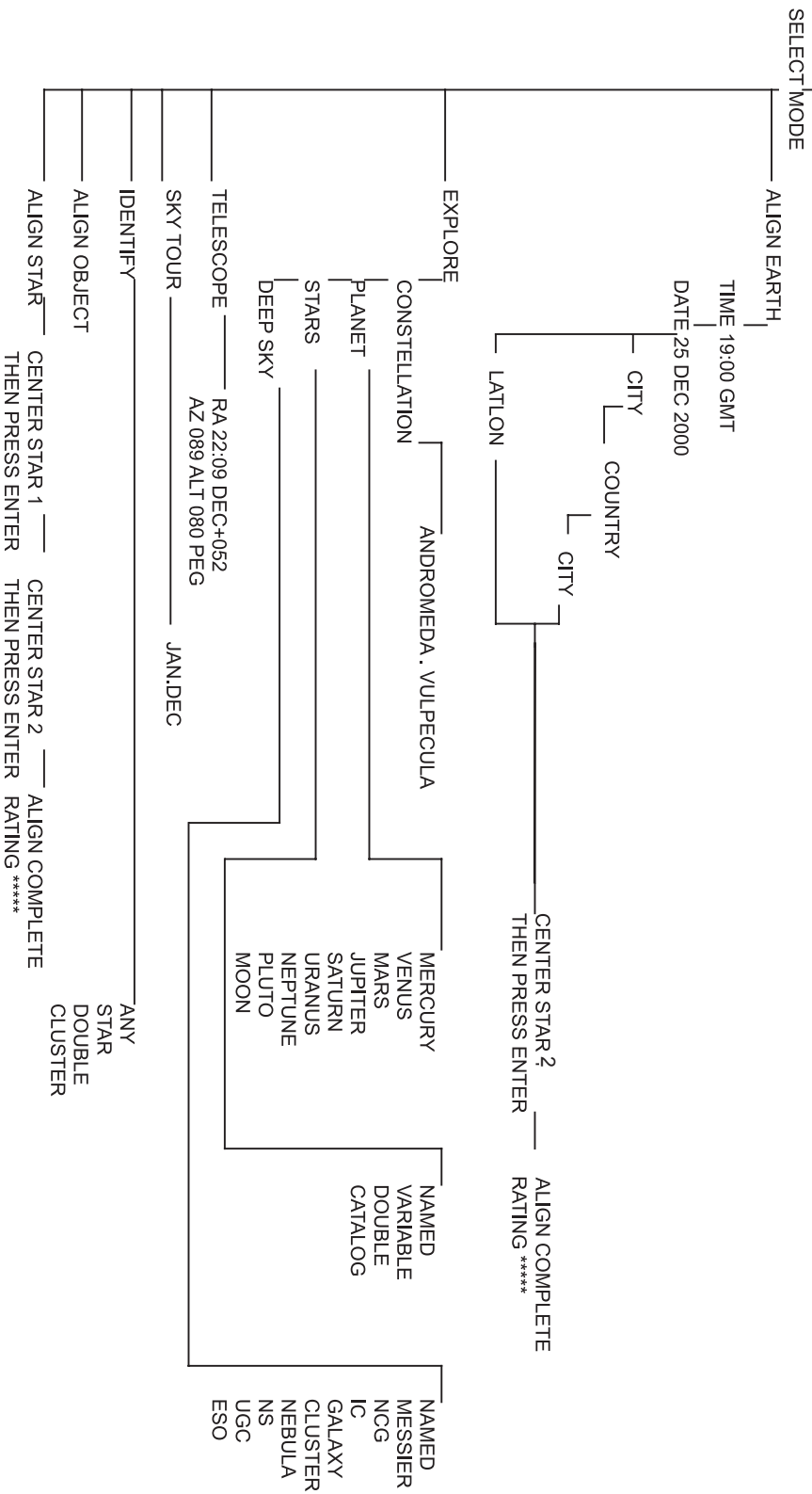
# MENU TREE

## BUSHNELL NORTHSTAR COMPUTER MENU STRUCTURE

(For Step-By-Step Easy Use Refer to Quick Reference Guide)

WELCOME TO BUSHNELL NORTHSTAR

**STRUTTURA MENU' DEL COMPUTER NORTHSTAR**  
 (Per un facile uso passo-passo, fare riferimento  
 alla Guida di Riferimento Rapido)



## PRIMO ALLINEAMENTO DI NORTHSTAR

**(NOTA: Accertarsi che il telescopio sia posizionato su una superficie piana)**

### **FASE 1:**

Prima di accendere il telescopio, rimuovere il telecomando. Quando si accende il telescopio, verrà udito e visualizzato un messaggio di benvenuto parlato con testo in scorrimento come:

BUSHNELL NORTHSTAR Vx . x (il numero di versione del software operativo)

Dopo il messaggio, il telescopio esegue un controllo diagnostico e allinea il tubo del telescopio in relazione alla montatura di quest'ultimo.

Sullo schermo appare quindi il menu predefinito:

```
SELECT MODE
ALIGN EARTH ↑↓
```

Questa modalità presume che, anche se l'utente del telescopio è un principiante e non sa nulla di astronomia, è comunque in grado di allineare il telescopio seguendo poche righe di istruzioni. Un'altra opzione consiste nella modalità "ALLINEARE STELLA" che richiede un po' più d'esperienza ma dà risultati alquanto più precisi. Ne verrà data una descrizione in seguito.

L'opzione ALIGN EARTH lampeggia.

Premere ENTER (INVIO) per scegliere l'opzione ALIGN EARTH (Allinea Terra).

NOTA: LE VOCI CHE LAMPEGGIANO SULLO SCHERMO SONO OPZIONI DI MENU. UTILIZZARE I TASTI DI SCORRIMENTO VERSO L'ALTO O IL BASSO PER VEDERE LE ALTRE VOCI SELEZIONABILI.

### **FASE 2: IMPOSTAZIONE DELL'ORA**

Utilizzando i tasti di scorrimento verso l'alto (SCROLL UP) e verso il basso (SCROLL DOWN) e il tasto di INVIO è possibile impostare l'ora e il fuso orario. Occorrerà cambiare tutte le opzioni lampeggianti fino ad correggere tutti i numeri. Una volta visualizzato il numero corretto, occorre accettarlo premendo il tasto di INVIO. Poi impostare la successiva opzione che lampeggia fino all'impostazione dell'ora (formato 24 ore) e del fuso orario. Nota: "\_ST" indica l'Ora Standard e "\_DT" indica l'Ora Legale.

### **FASE 3: IMPOSTAZIONE DELLA DATA**

Utilizzando i tasti di scorrimento verso l'alto (SCROLL UP) e verso il basso (SCROLL DOWN) e il tasto di INVIO è possibile impostare la data. Occorrerà cambiare tutte le opzioni lampeggianti fino ad correggere tutti i numeri. Una volta visualizzato il numero corretto, occorre accettarlo premendo il tasto di INVIO. Quindi impostare l'opzione lampeggiante successiva fino ad impostare il giorno, il mese e l'anno corretti.

### **FASE 4: IMPOSTAZIONE DELLA POSIZIONE**

Nella schermata successiva appare:

```
ALIGN EARTH
CITY ↑↓
```

CITY lampeggia. Se si preme il tasto di INVIO, lo schermo appare:

```
COUNTRY
U.S.A. ↑↓
```

La parola Country (Paese) lampeggia.

## PRIMO ALLINEAMENTO DI NORTHSTAR (continuazione)

Utilizzando i tasti di scorrimento verso l'alto (SCROLL UP) e verso il basso (SCROLL DOWN) e il tasto di INVIO è possibile scegliere il Paese (COUNTRY). Una volta trovato il paese corretto e dopo aver premuto il tasto di INVIO, scegliere la città a cui si è più vicini premendo INVIO quando viene visualizzata.

*NOTA: SCEGLIERE LA CITTÀ PIÙ VICINA ALLA PROPRIA POSIZIONE DI OSSERVAZIONE. NON SI TRATTA, COMUNQUE, DI UNA COSA D'IMPORTANZA CRITICA: L'ALLINEAMENTO VIENE MESSO A PUNTO A MANO A MANO CHE SI PROCEDE.*

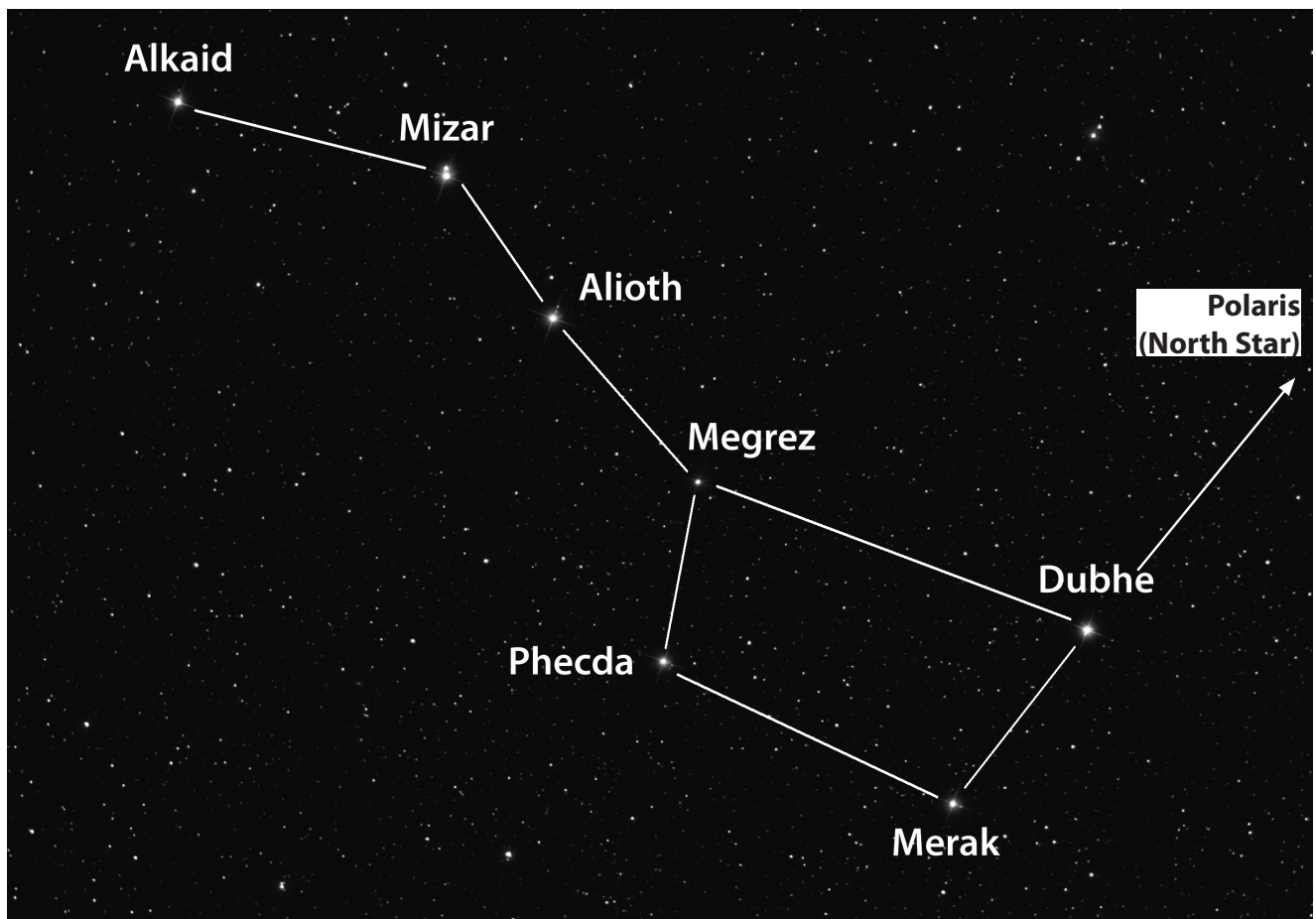
### **FASE 5: SCEGLIERE E CENTRARE UNA STELLA**

Dopo avere inserito la vostra CITTÀ, il successivo messaggio in scorrimento indica CENTRARE STELLA 2 POI PREMERE ENTER

Questo significa che è necessario scegliere il nome di una stella (sarà la vostra "stella guida") dall'elenco del display, poi posizionare la stella al centro del campo visivo mentre guardate nel telescopio (muovendolo a mano o tramite i pulsanti del motore), e poi premere ENTER.

Forse vi chiederete perché il messaggio si riferisca a una "STELLA 2", perché non a una "STELLA 1"? Il motivo è che stiamo usando la modalità ALLINEA TERRA, che è più rapida e semplice e vi richiede soltanto di localizzare e centrare una stella (diversamente dalla modalità ALLINEA STELLA, che richiede di puntare due stelle). Quando avete inserito l'ora, la data, la nazione e la città, ciò ha fondamentalmente sostituito la ricerca della "STELLA 1" e al suo posto state usando delle informazioni che si basano sulla terra.

Se vi trovate nell'emisfero settentrionale, probabilmente la stella di più facile individuazione e utilizzazione per un principiante è una delle più luminose della ben nota "Orsa Maggiore", come mostrato qui sotto. Come forse saprete già, le stelle che compongono l'Orsa Maggiore si trovano nelle vicinanze della stella Polare, nota anche come Stella del Nord che è la stella centrale, o quasi, del cielo notturno ed appare direttamente sulla vostra verticale. (Si noti che l'Orsa Maggiore in stagioni diverse dell'anno può apparire in cielo rovesciata o in posizione diversa da quella mostrata qui sotto. Si può tracciare una linea immaginaria che collega Merak e Dubhe nell'Orsa Maggiore direttamente alla Stella Polare (si trova all'incirca 5 volte più lontano rispetto alla distanza tra queste due "stelle di puntamento").



## PRIMO ALLINEAMENTO DI NORTHSTAR (continuazione)

Merak, Dubhe e Mizar sono luminose e reperibili in modo relativamente facile, a così potreste provare con una di esse. Se vi trovate nell'emisfero terrestre meridionale dove l' "Orsa Maggiore" non è visibile, naturalmente potete ancora usare la modalità "ALLINEA TERRA", selezionando qualsiasi stella vogliate dall'elenco delle stelle visibili nella vostra area che appaiono nel display del telescopio. Nella scelta di una stella, possono anche essere utili le carte stellari che si trovano sul retro del presente manuale.

Usare i pulsanti di scorrimento SU/GIU' per trovare il nome della stella che avete selezionato sul display. Il display vi mostrerà anche due numeri con frecce verticali e orizzontali, che indicano all'incirca in quale direzione e di quanto il telescopio deve essere spostato per posizionare quella stella al centro del visore del telescopio. Se premete il pulsante VAI, i motori del telescopio lo faranno muovere in una posizione che è quanto meno "nelle vicinanze". Ricordate che non avete ancora terminato il processo di allineamento, ma ciò può essere ancora utile per farvi raggiungere l'area generale del cielo. Ora i numeri accanto alle frecce di posizione dovrebbero essere più vicini a "0" (quando scendono al di sotto di 10, le frecce fungono da "punti decimali", visualizzando ogni numero con maggior precisione: "8 freccia 4" indica 8,4). Ora potete usare il cercatore con mira a punto rosso per puntare il telescopio con maggior precisione sulla stella che avete scelto (una stella dell'Orsa Maggiore). Successivamente, guardando nell'oculare, posizionate quella stella proprio al centro del campo visivo muovendo a mano il telescopio oppure utilizzando i pulsanti del movimento motorizzato). Una volta che avrete centrato la stella, premere ENTER.

Una volta completata questa operazione, sullo schermo appare una schermata su cui si legge:

```
ALIGN COMPLETE
RATING *****
```

(Nota: più stelle appaiono sulla seconda riga della schermata, meglio è, fino a 5). Se l'indice è molto basso, per affinare l'allineamento può essere necessario scegliere e centrare un'altra stella)

### **FASE 6: ESPLORA DEL CIELO NOTTURNO!**

Dopo l'allineamento della Terra (EARTH ALIGN) sullo schermo si legge:

```
SELECT MODE
EXPLORE ↑↓
```

Selezionare EXPLORE premendo INVIO. Usare i tasti di scorrimento verso l'alto (SCROLL UP) e verso il basso (SCROLL DOWN) per vedere quali voci di menu lampeggianti si possono selezionare. Scegliere PLANET. Queste sono le voci più interessanti. Gli oggetti PLANET (pianeti) sono elettrizzanti anche per i principianti.

Premere INVIO quando sullo schermo appare:

```
EXPLORE
PLANET
```

Apparirà un elenco di oggetti PLANET (Pianeti). Usare i tasti di scorrimento verso l'alto (SCROLL UP) e verso il basso (SCROLL DOWN) per esplorare le varie voci visualizzate nell'elenco degli oggetti.

```
PLANET
JUPITER ↑↓
```

Premere INVIO per scegliere il Pianeta che si desidera visualizzare. Sullo schermo appare:

```
PLANET
←120 ↑52 JUPITER
```

NOTA: SE ATTUALMENTE VIENE INDIVIDUATO UN OGGETTO CHE SI TROVA AL DI SOTTO DELL'ORIZZONTE (DOVE NON POTRESTE VEDERLO), IL DISPLAY VISUALIZZERA' PERIODICAMENTE LA PAROLA "ORIZZONTE".

Usare i tasti di scorrimento verso l'alto (SCROLL UP) e verso il basso (SCROLL DOWN) per vedere gli altri pianeti dell'elenco. Si noti che sulla schermata sono visualizzate le indicazioni per giungere a ciascun oggetto. Ma come

## PRIMO ALLINEAMENTO DI NORTHSTAR (continuazione)

soddisfare la curiosità del principiante che desidera maggiori informazioni su un determinato oggetto? Non sarebbe bello sapere quale oggetto si trova davanti al telescopio?

Premere INVIO quando:

```
PLANET
←120 ↑52 JUPITER
```

è visualizzato un qualsiasi altro PIANETA. Sullo schermo appare un messaggio a scorrimento che riporta le coordinate dell'oggetto, la sua luminosità, la sua grandezza, il suo nome, la costellazione a cui appartiene e una breve descrizione. Per JUPITER (Giove) si legge:

```
JUPITER fifth planet from sun.
Largest planet in solar system.
16 moons. Orbit is 11.86 years.
Diameter 143,000 km. Named for roman king of gods.
```

Ora, immaginate di essere i genitori che desiderano far inorgoglire di sé i figli (o viceversa). Dopo soli dieci minuti dal montaggio del telescopio avete già imparando qualcosa sull'astronomia. Si tratta davvero di un grande strumento istruttivo !!!!

Per trovare l'oggetto, basta premere il tasto "GO": l'oggetto si troverà proprio nell'oculare del telescopio!

Se si preme il tasto "Back" si ritorna al livello precedente. Se lo si preme tre volte si torna al menu del livello principale. Sullo schermo si legge:

```
SELECT MODE
EXPLORE ↑↓
```

Usare i tasti di scorrimento SU e GIÙ per selezionare

```
SELECT MODE
SKY TOUR ↑↓.
```

Premere INVIO.

Questa modalità permette di vedere gli oggetti migliori e più luminosi ogni mese dell'anno. Se si è eseguito l'allineamento ALIGN EARTH e si è inserita la data, questa modalità sa automaticamente qual è il mese corrente. Se non si conoscono alcuni degli oggetti e delle abbreviazioni, premere il tasto INVIO per ottenere maggiori informazioni.

Premere il tasto "Back" fino a ritornare al menu principale:

```
SELECT MODE
SKY TOUR ↑↓.
```

Usare i tasti di scorrimento SU e GIÙ finché sullo schermo appare:

```
SELECT MODE
IDENTIFY ↑↓
```

Premere INVIO.

Questa modalità porterà automaticamente al livello:

```
IDENTIFY ANY
```

Se si seleziona questa opzione col tasto INVIA, il sistema identifica l'oggetto che si sta osservando OPPURE quello più vicino su cui è puntato il telescopio. L'utente può scegliere altri tipi di menu IDENTIFY (Identifica). Essi permettono di identificare gli agglomerati (CLUSTERS), le nebulose (NEBULAS), ecc. più vicini alla posizione attuale del telescopio.



## PRIMO ALLINEAMENTO DI NORTHSTAR (continuazione)

Per selezionare la modalità finale, premere INVIO quando appare:

```
SELECT MODE
TELESCOPE ↑↓
```

Esempio di ciò che appare sullo schermo:

```
RA18:53 DEC+38.7
AZ280 ALT+62 L YR
```

La modalità TELESCOPE fornisce informazioni in tempo reale sulla posizione del telescopio in termini di coordinate astronomiche. Sperimentare con questa modalità spostando il telescopio. Notare l'abbreviazione a tre lettere nella parte inferiore a destra dello schermo. Essa visualizza in modo dinamico la costellazione su cui è puntato il telescopio. I nomi, in questa modalità, sono abbreviati. La definizione delle abbreviazioni è elencata in un indice che si trova sul retro del manuale.

### **OPZIONALE: UTILIZZO DELLA MODALITÀ ALLINEA STELLA (METODO DI ALLINEAMENTO CON DUE STELLE)**

Questa modalità richiede che vengano individuate e centrate due stelle anziché una sola, quindi potrebbe comportare un po' più di tempo e di esperienza. D'altro canto, consentirà un'operazione e una guida più precisa, continuando a utilizzare il vostro telescopio Northstar. Essa è utile anche se vi trovate in una località remota e non siete in grado di trovare una città nell'elenco della modalità ALLINEA TERRA.

Per usare la modalità ALLINEA STELLA, dopo aver acceso il telescopio e dopo che sul display è apparso il messaggio SELEZIONARE MODALITA', premere il pulsante GIU' per selezionare ALLINEA STELLA. Premere ENTER. Il messaggio cambia in ALLINEA STELLA 1.

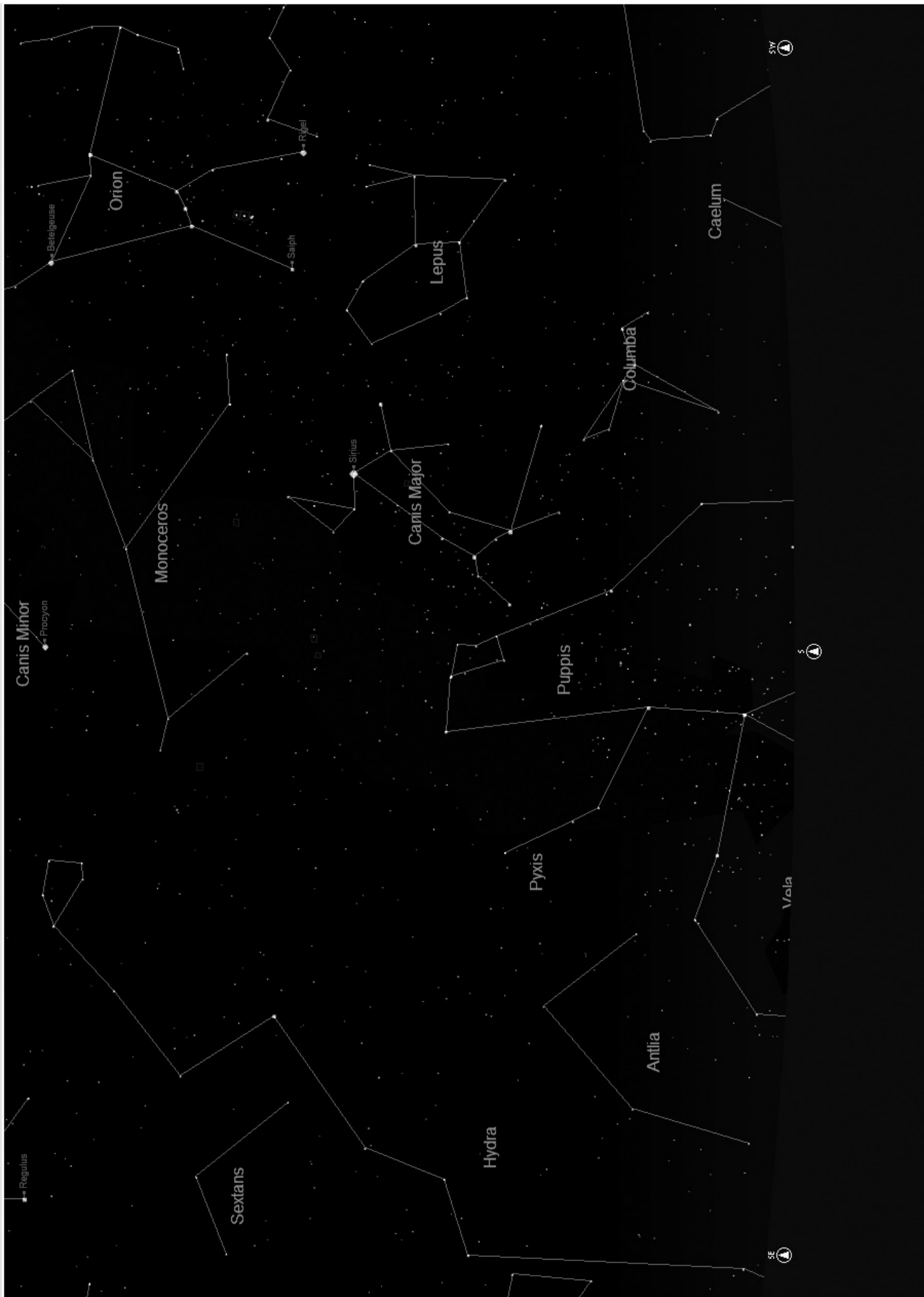
Utilizzando le carte stellari poste come riferimento nelle Pagine seguenti (c'è una carta per ciascuna delle quattro stagioni, sia per l'emisfero settentrionale che per quello meridionale), scegliere una stella che pensate di poter trovare nel cielo notturno (forse in uno dei gruppi di costellazioni) e usare i pulsanti SU/GIU' per trovarne il nome sull'elenco visualizzato. Il display mostra anche due numeri con frecce di posizione verticale ed orizzontale. Premendo il pulsante "VAI" il telescopio si porterà in una posizione che si trova nelle vicinanze della stella. Ora usare il cercatore con mira a punto rosso per puntare con maggior precisione il telescopio sulla stella che avete scelto. Successivamente, guardando nell'oculare, posizionate la stella proprio al centro del campo visivo muovendo il telescopio a mano oppure usando i pulsanti del movimento motorizzato).

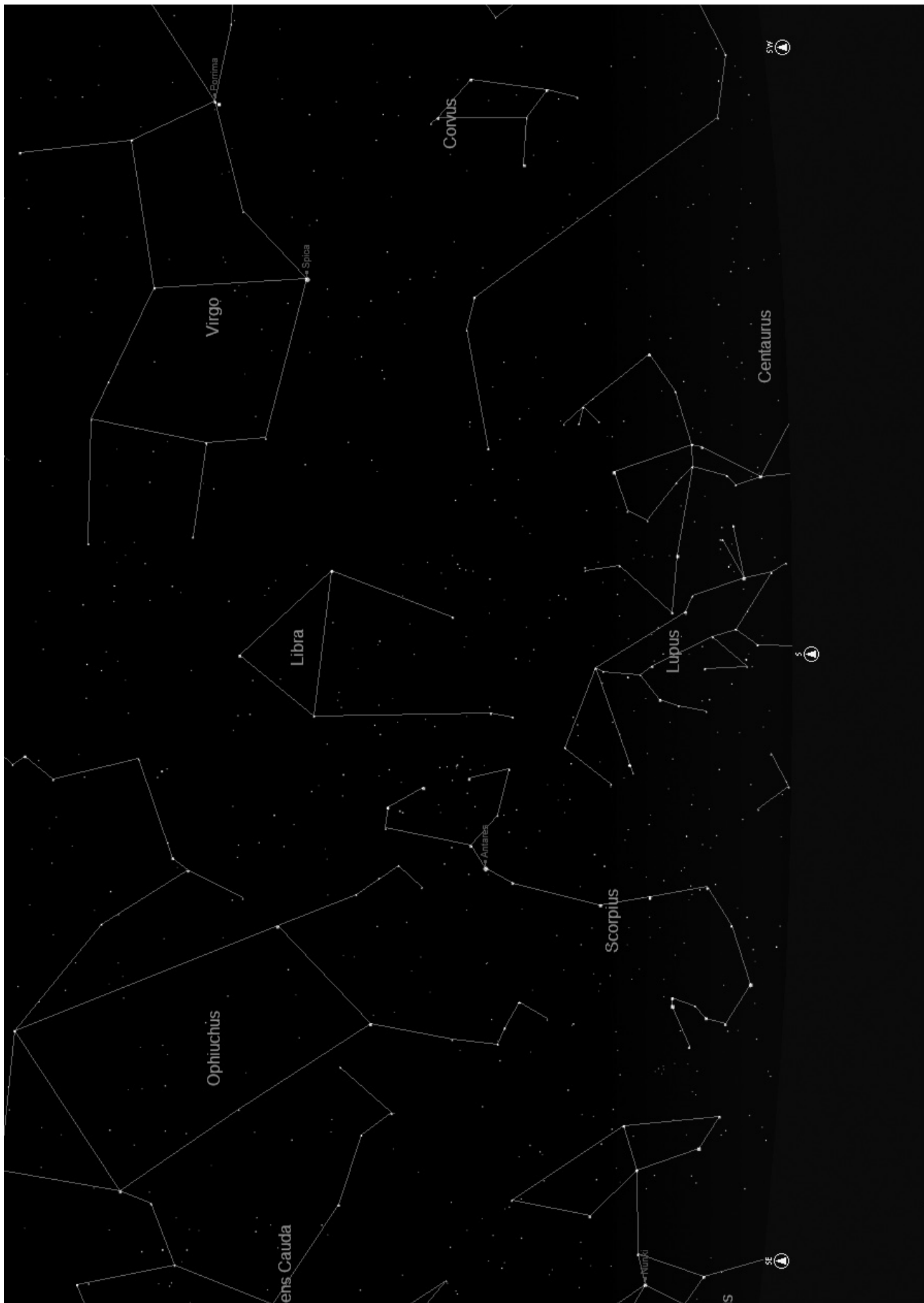
Una volta centrata la vostra prima stella, premere ENTER. Il display cambia in "ALLINEA STELLA 2". Scegliere un'altra stella dall'elenco (ancora una volta usando le carte stellari di riferimento) e ripetere il processo per la seconda stella. Dopo aver completato questa fase, apparirà una visualizzazione che dice:

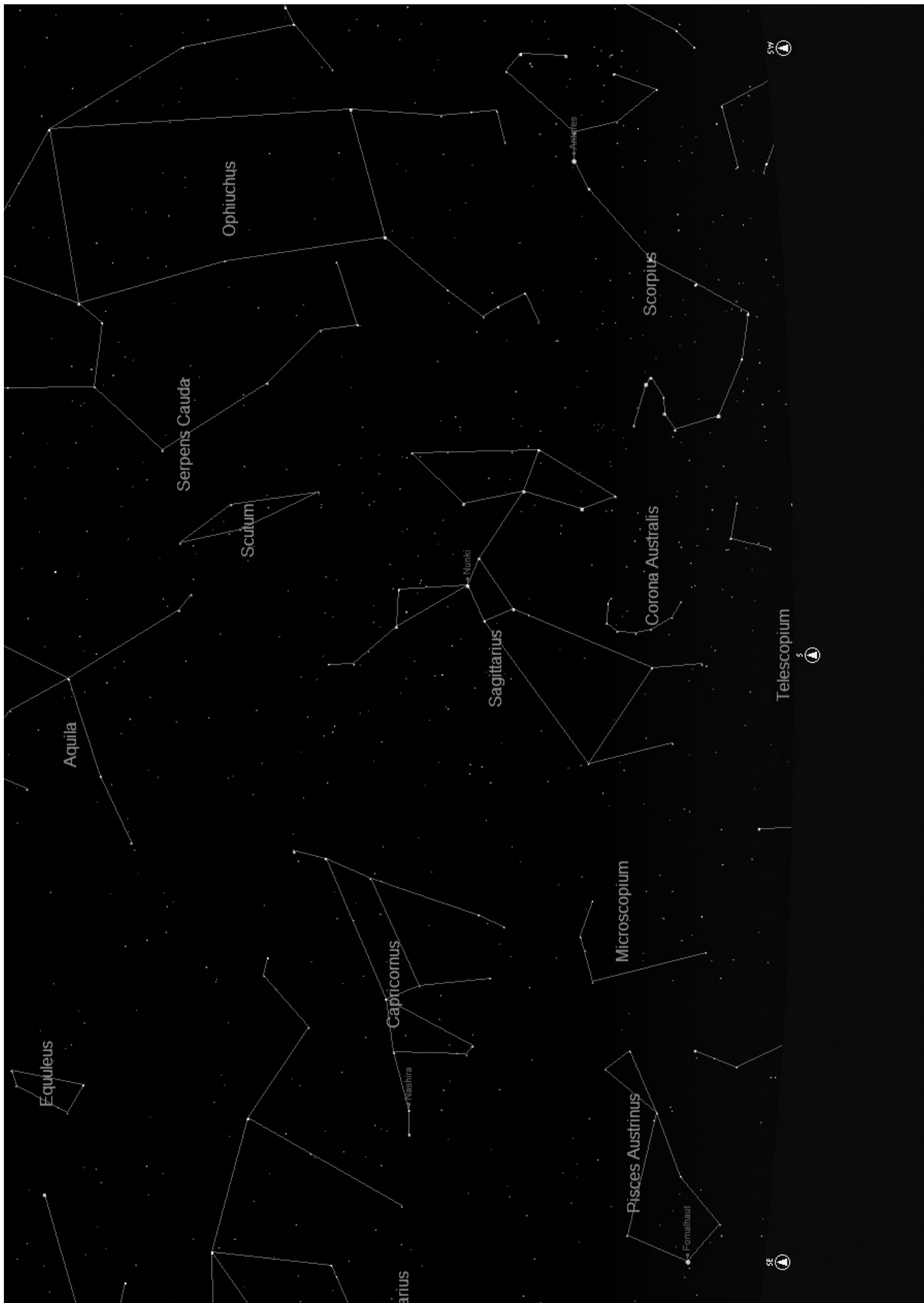
```
ALLINEAMENTO COMPLETO
INDICE *****
```

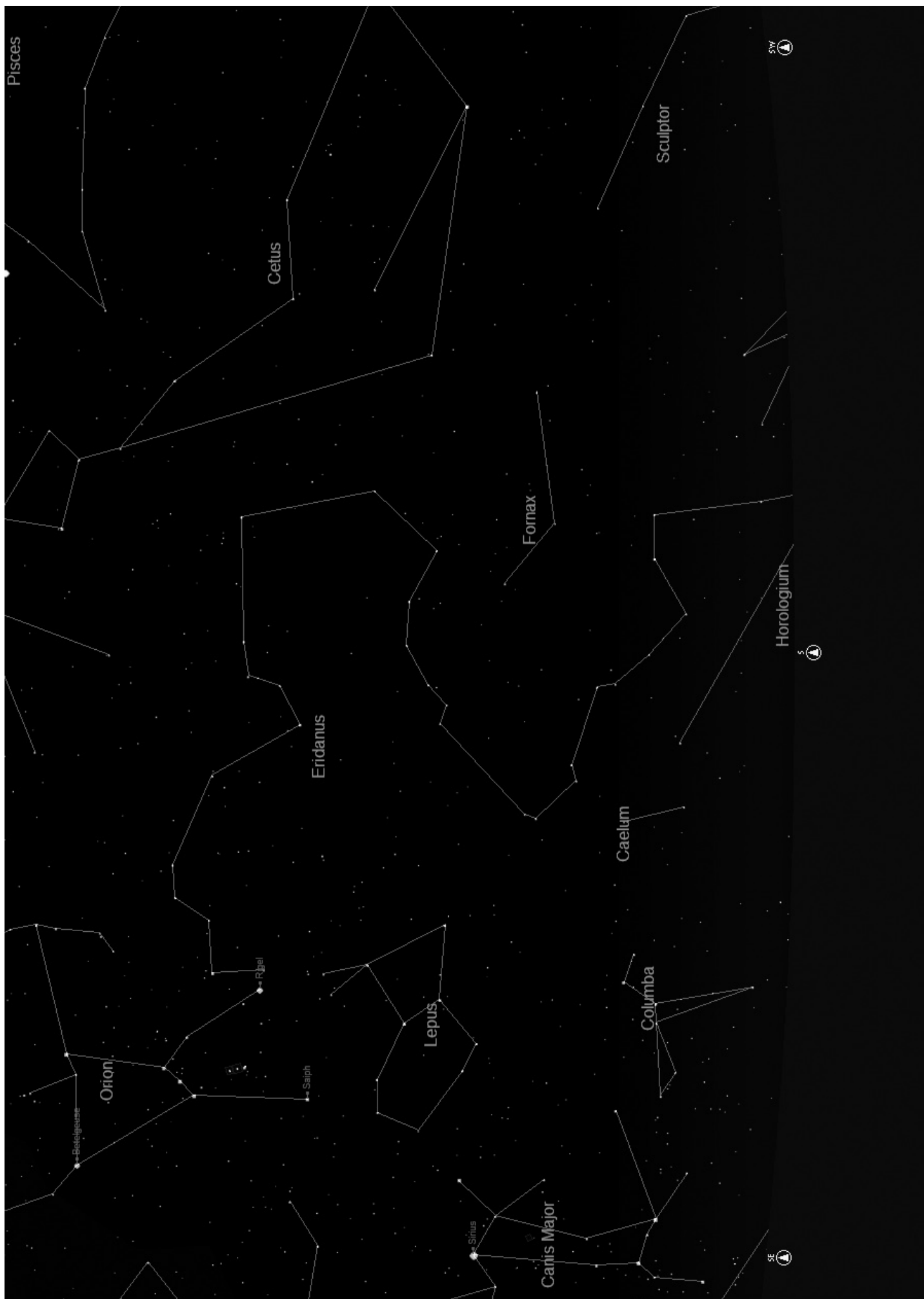
*Nota: Più stelle appaiono sulla seconda riga del display e meglio è, fino a 5.*

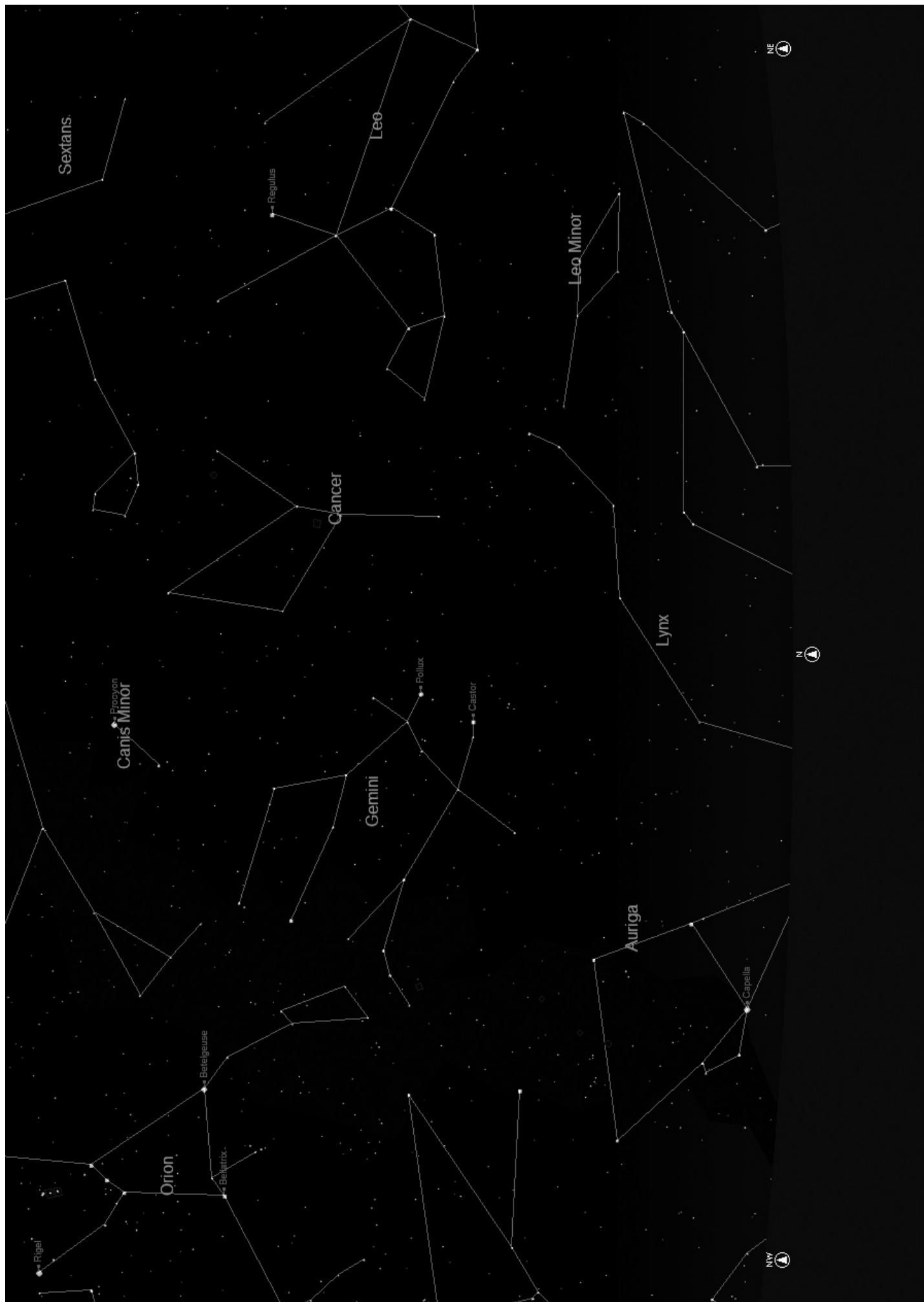
Ora il telescopio è allineato e pronto all'uso. Il display visualizzerà ancora la dicitura SELEZIONARE MODALITA'. Si prega di fare riferimento alle indicazioni e ai consigli della **Fase 6: "Esplorazione del cielo notturno"**. Ad esempio, potreste cominciare selezionando la modalità ESPLORA, poi, se siete dei novizi nel mondo dell'astronomia, selezionando PIANETA.

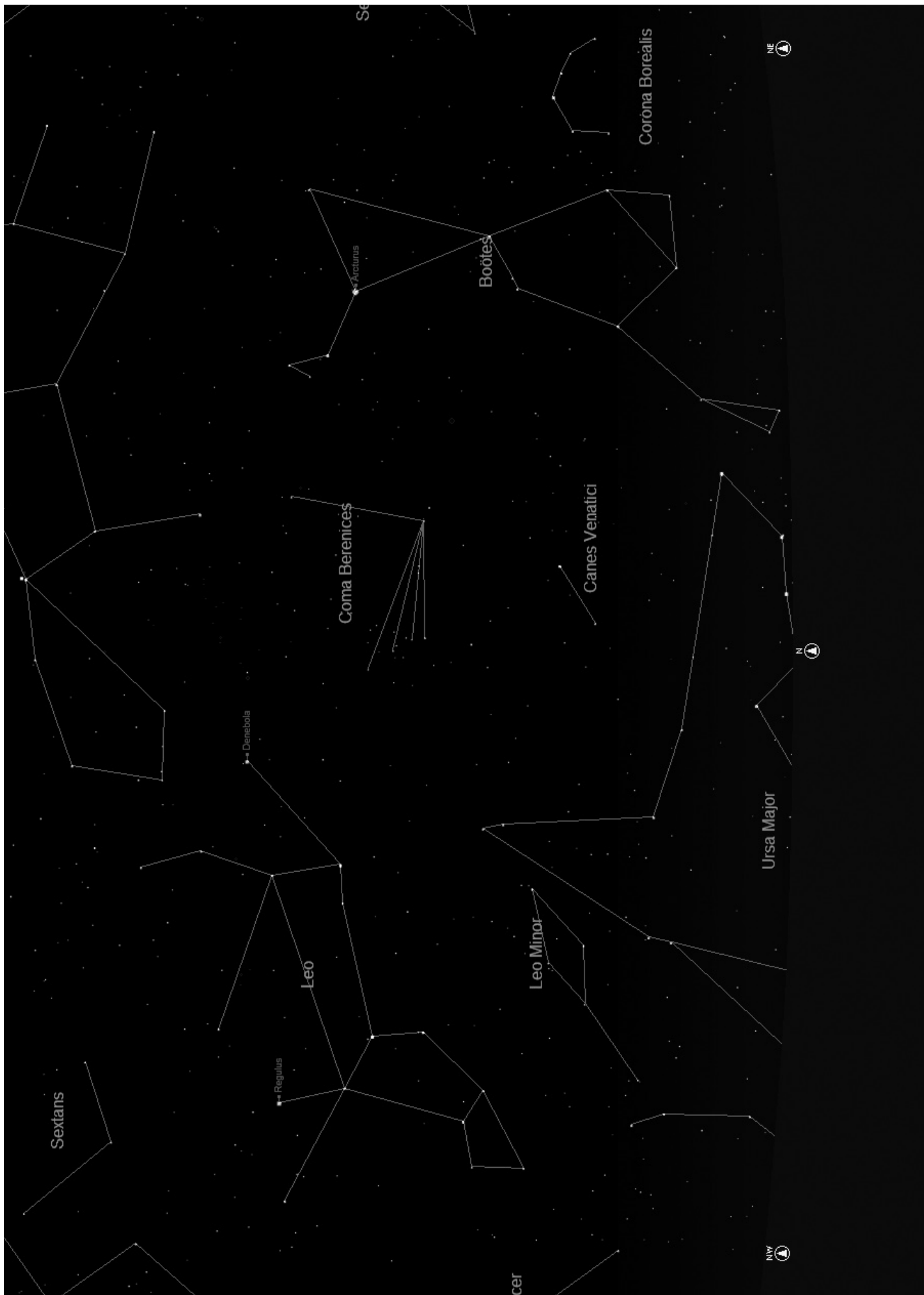








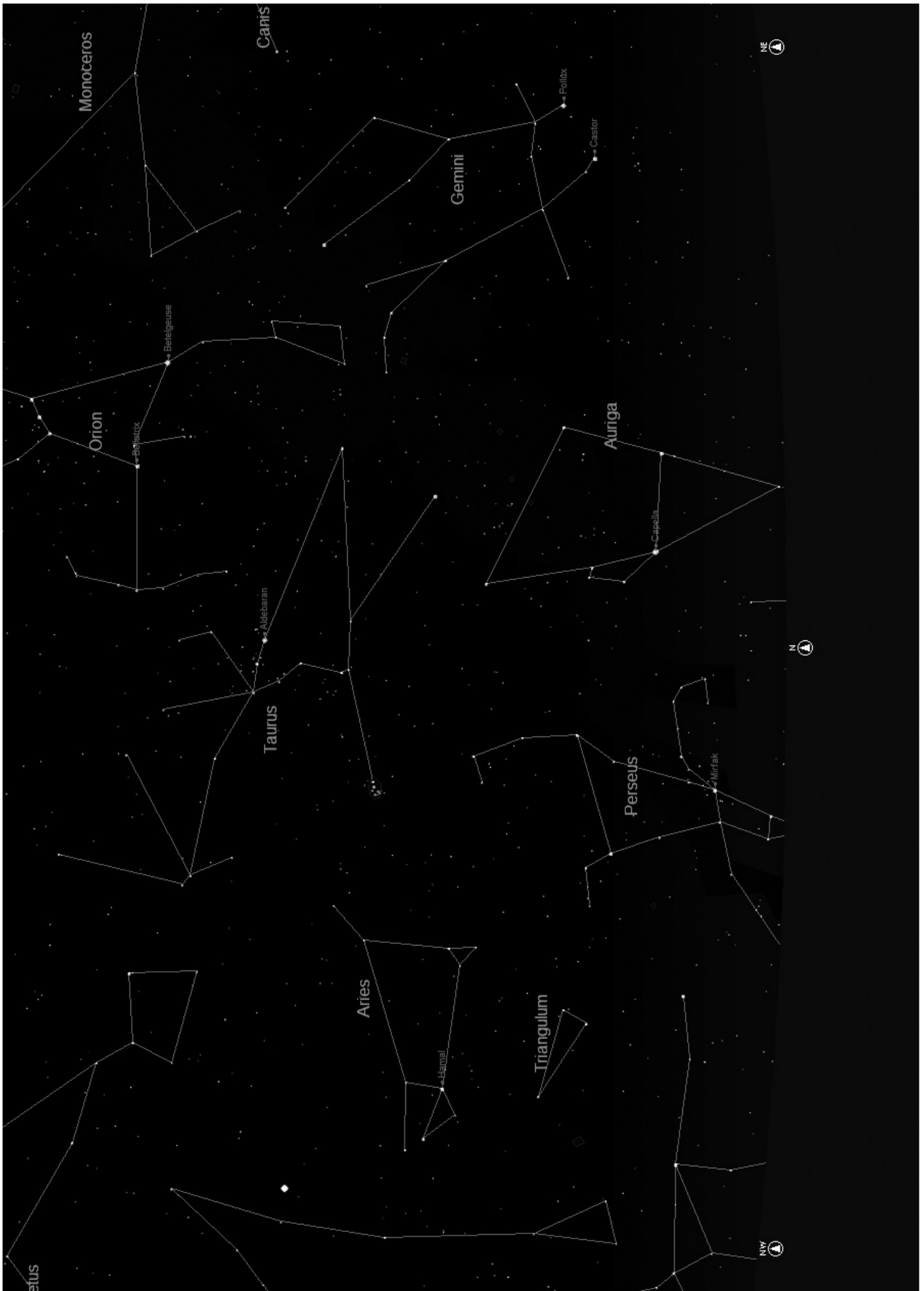








# CARTE STELLARI



# Abbreviazioni Delle Costellazioni

Andromeda (And)	Lacerta (Lac)
Antila (Ant)	Leo (Leo)
Apus (Aps)	Leo Minor (LMi)
Aquarius (Aqr)	Lepus (Lep)
Aquila (Aql)	Libra (Lib)
Ara (Ara)	Lupus (Lup)
Aries (Ari)	Lynx (Lyn)
Auriga (Aur)	Lyra (Lyr)
Bootes (Boo)	Mensa (Men)
Caelum (Cae)	Microscopium (Mic)
Camelopardis (Cam)	Monoceros (Mon)
Cancer (Cnc)	Musca (Mus)
Canes Venatici (CVn)	Norma (Nor)
Canis Major (CMa)	Octans (Oct)
Canis Minor (CMi)	Ophiuchus (Oph)
Capricornus (Cap)	Orion (Ori)
Carina (Car)	Pavo (Pav)
Cassiopeia (Cas)	Pegasus (Peg)
Centaurus (Cen)	Perseus (Per)
Cepheus (Cep)	Phoenix (Phe)
Cetus (Cet)	Pictor (Pic)
Chameleon (Cha)	Pisces (Psc)
Circinus (Cir)	Piscis Austrinus (PsA)
Columbia (Col)	Puppis (Pup)
Coma Berenices (Com)	Pyxis (Pyx)
Corona Australis (CrA)	Reticulum (Ret)
Corona Borealis (CrB)	Sagitta (Sge)
Corvus (Crv)	Sagittarius (Sgr)
Crater (Crt)	Scorpius (Sco)
Crux (Cru)	Sculptor (Scl)
Cygnus (Cyg)	Scutum (Sct)
Delphinus (Del)	Serpens (Ser)
Dorado (Dor)	Sextans (Sex)
Draco (Dra)	Taurus (Tau)
Equuleus (Equ)	Telescopium (Tel)
Eridanus (Eri)	Triangulum (Tri)
Fornax (For)	Triangulum Australe (TrA)
Gemini (Gem)	Tucana (Tuc)
Grus (Gru)	Ursa Major (UMa)
Hercules (Her)	Ursa Minor (UMi)
Horologium (Hor)	Vela (Vel)
Hydra (Hya)	Virgo (Vir)
Hydrus (Hyi)	Volcans (Vol)
Indus (Ind)	Vulpecula (Vul)

## Riferimento Supplementare

Per ragioni di spazio, abbiamo scelto di non includere nel presente manuale l'intero elenco dei 20.000 oggetti celesti che sono programmati nel database del telescopio NorthStar. Peraltro, l'elenco completo di stelle e oggetti Messier inclusi nel database del telescopio è disponibile online al sito [www.bushnell.com/manuals/telescopes](http://www.bushnell.com/manuals/telescopes) per vostro riferimento.

# GARANZIA/RIPARAZIONI

## GARANZIA LIMITATA A VITA PER IL TELESCOPIO

Si garantisce che questo telescopio Bushnell® sarà esente da difetti di materiale e fabbricazione finché rimarrà in possesso del proprietario originale. La presente garanzia limitata a vita esprime la nostra fiducia nei materiali e nella fabbricazione dei nostri prodotti e l'assicurazione di anni e anni di servizio affidabile.

Se il telescopio contiene componenti elettrici, si garantisce che questi saranno esenti da difetti di materiale e fabbricazione per due anni a decorrere dalla data di acquisto.

In caso di difetto durante il periodo di garanzia, a nostra discrezione ripareremo o sostituiremo il prodotto purché sia restituito franco destinatario. Sono esclusi dalla garanzia eventuali danni causati da abuso, maneggiamento improprio, installazione o manutenzione eseguiti da persone non autorizzate dal servizio di assistenza Bushnell.

A un prodotto restituito e coperto da questa garanzia occorre allegare quanto segue:

- 1) Assegno/ordine di pagamento per l'importo di 15 \$US per coprire i costi di spedizione.
- 2) Nome e indirizzo da utilizzare per la restituzione del prodotto.
- 3) Una spiegazione del difetto.
- 4) Scontrino riportante la data di acquisto.
- 5) Il prodotto deve essere imballato in una scatola robusta, per prevenire danni durante il trasporto, e va spedito franco destinatario a uno dei seguenti indirizzi:

**Recapito negli Stati Uniti:**

Bushnell Outdoor Products  
Attn.: Repairs  
8500 Marshall Drive  
Lenexa, Kansas 66214

**Recapito in Canada:**

Bushnell Outdoor Products  
Attn.: Repairs  
25A East Pearce Street, Unit 1  
Richmond Hill, Ontario L4B 2M9

Per prodotti acquistati fuori degli Stati Uniti o del Canada, rivolgersi al rivenditore per le clausole pertinenti della garanzia. In Europa si può anche contattare la Bushnell a questo numero:

Bushnell Germany GmbH  
European Service Centre  
Mathias-Brüggen-Str. 80  
D-50827 Köln  
GERMANY  
Tel: +49 221 995568-0  
Fax: +49 221 995568-20

Questa garanzia dà specifici diritti legali.  
Eventuali altri diritti variano da una nazione all'altra.

©2010 Bushnell Outdoor Products







**For further questions or additional information please contact:**

**Bushnell Outdoor Products  
9200 Cody, Overland Park, Kansas 66214  
(800) 423-3537 • [www.bushnell.com](http://www.bushnell.com)**