

Bushnell®

L A S E R R A N G E F I N D E R S

TOUR $\sqrt{2}$

DISTANCE TO THE FLAG EVERY TIME!

Literature #: 98-1026/10-07

Bushnell®

L A S E R R A N G E F I N D E R S

TOUR V₂

English.	3
French.	16
Spanish.	30
German.	44
Italian.	58
Portuguese.	72



CONGRATULATIONS ON YOUR PURCHASE OF THE BUSHNELL® TOUR V2™ WITH PINSEEKER™ TECHNOLOGY.

The TOUR V2 is a precision Laser Rangefinding optical instrument designed to provide many years of enjoyment. This booklet will help you achieve optimum performance by explaining its adjustments and features as well as how to care for this precise laser rangefinding optical instrument. To ensure optimal performance and longevity, please read these instructions before using your TOUR V2.

INTRODUCTION

Your Bushnell® TOUR V2 is an advanced premium laser rangefinder comprised of Digital Technology allowing range readings from 5-1000 yards / 5-914 meters. Measuring a mere 1.6 x 2.8 x 4.3 inches, the 6.6 ounce delivers superb and accurate range performance to +/- one yard. The TOUR V2 features Selective Targeting™ Modes, 5x magnification, and multi-coated optics for excellent light transmission, clarity, and brightness.

HOW OUR DIGITAL TECHNOLOGY WORKS

The TOUR V2 emits invisible, eye safe, infrared energy pulses. The TOUR V2's Advanced Digital microprocessor and ASIC chip (Application-Specific Integrated Circuit) results in instantaneous and accurate readings every time. Sophisticated digital technology instantaneously calculates distances by measuring the time it takes for each pulse to travel from the rangefinder, to the target, and back.

RANGING ACCURACY

The ranging accuracy of the TOUR V2 is plus or minus one yard / meter under most circumstances. The maximum range of the instrument depends on the reflectivity of the target. The maximum distance for most objects is 600 yards / 549 meters while for highly reflective objects the maximum is 1000 yards / 914 meters. Note: You will get both longer and shorter maximum distances depending on the reflective properties of the particular target and the environmental conditions at the time the distance of an object is being measured.

The color, surface finish, size and shape of the target all affect reflectivity and range. The brighter the color, the longer the range. Red is highly reflective, for example, and allows longer ranges than the color black, which is the least reflective color. A shiny finish provides more range than a dull one. A small target is more difficult to range than a larger target. The angle to the target also has an effect. Shooting to a target at a 90 degree angle (where the target surface is perpendicular to the flight path of the emitted energy pulses) provides good range while a steep angle on the other hand, provides limited ranging. In addition, lighting conditions (e.g. the amount of sunlight) will affect the ranging capabilities of the unit. The less light (e.g. overcast skies) the farther the unit's maximum range will be. Conversely, very sunny days will decrease the unit's maximum range.

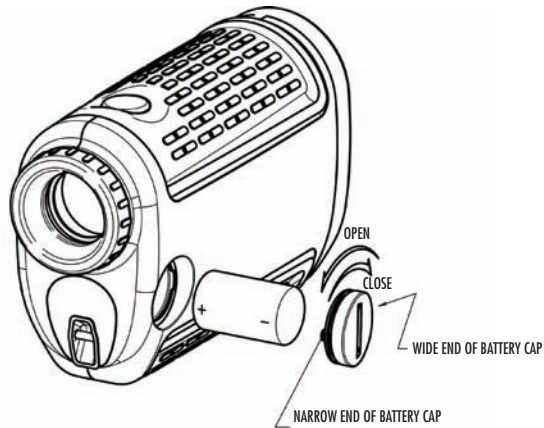
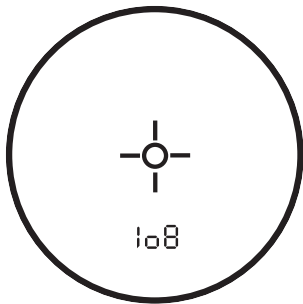
GETTING STARTED

INSERTING THE BATTERY

Remove the battery cap with a coin by rotating the cap counter clockwise and insert a 3-volt lithium battery into the compartment positive end first, then replace the battery cap.

NOTE: It is recommended that the battery be replaced at least once every 12 months.

Low Battery Indicator: If the " 108 " is displayed within the in-view readout, this means "low battery" or battery charge is getting low and the 3-volt lithium battery should be replaced.



ADJUSTING THE EYEPIECE

Your TOUR V2 is constructed with an adjustable eyepiece (+/- 2 Diopter Adjustment) that allows one to focus the LCD display relative to the image. Simply rotate the eyepiece until the reticle and object distanced to are in focus to your eye.

OPERATIONAL SUMMARY

While looking through the 5x eyepiece, depress the power button once to activate the in-view Liquid Crystal Display (LCD). Place the aiming circle (located in the center of the field of view) upon a target at least 5 yards away, depress and hold the power button down until the range reading is displayed near the bottom of the in-view display. Crosshairs surrounding the aiming circle indicate that the laser is being transmitted. Once a range has been acquired, you can release the power button. The crosshairs surrounding the aiming circle will disappear once the power button has been released (i.e. the laser is no longer being transmitted). Note: Once activated, the LCD will remain active and display the last distance measurement for 30 seconds. You can depress the power button again at any time to distance to a new target. As with any laser device, it is not recommended to directly view the emissions for long periods of time with magnified lenses. The maximum time the laser is transmitted (fired) is 10 seconds. To re-fire, press the button down again.

LIQUID CRYSTAL DISPLAY (LCD) INDICATORS

Your TOUR V2 LCD incorporates illuminated indicators that advise the user unit of measure, when the laser is actively firing, when a target has been acquired, and targeting modes. A summary of these features is presented below:

UNIT OF MEASURE OPTIONS

The TOUR V2 can be used to measure distances in yards or meters. The unit of measure indicators are located in the lower right portion of the LCD. To select between yards and meters, quickly press and release the POWER button to turn on the unit (on top of the unit), look through the eyepiece, depress the "MODE" button (left side of the eyepiece) and hold it down for approximately 5 seconds. If you are changing from yards to meters, a change in unit of measure will be indicated by the illumination of the M for meter indicator while the Y for Yard indicator is turned off. If you are changing from meters to yards, the opposite will occur. The TOUR V2 will return to the last unit of measure setting used each time the unit is turned on.

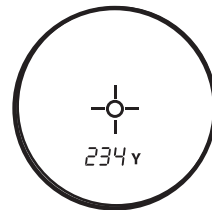
ACTIVE LASER


Crosshairs surrounding the aiming circle indicate that the laser is being transmitted. Once a range has been acquired, you can release the power button. The crosshairs surrounding the circle will disappear once the power button has been released (i.e. the laser is no longer being transmitted).

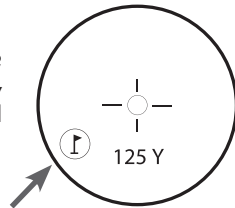
SELECTIVE TARGETING™ MODES

The TOUR V2 was especially designed with golfers in mind. The selective targeting modes allow you to adjust the performance parameters of the unit to suit your specific situation and environment. To move from one mode to another, press the POWER button once to turn on the unit. While looking through the eyepiece, press the MODE button and quickly release. The different targeting modes available and mode indicators are listed below:

Standard with Automatic SCAN (LCD Indicator – none) This setting allows most targets to be distanced up to 1000 yards. Used for moderately reflective targets that are typical of most distancing situations. The minimum distance in the standard mode is 5 yards. To use the Automatic SCAN feature, simply hold down on the POWER button for approximately 3 seconds and move the rangefinder from object to object while leaving the POWER button depressed. Automatic SCAN will allow the range to be continuously updated as multiple objects are targeted.



PinSeeker™ (LCD Indicator - ) Ever have trouble getting distance to the flag? This advanced mode allows easy acquisition of the flag without inadvertently getting distances to background targets (i.e. trees) that have stronger signal strength.



Once in this mode, press the POWER button to turn the unit on. Next, align the aiming circle reticle onto the flag that you want distance to. Next, press and hold the POWER button and move the laser slowly over the flag or desired object until a circle surrounds the flag indicator. If the laser beam recognized more than one object (i.e. flag and background trees), distance of the flag will be displayed and a circle will surround the PinSeeker indicator informing the user that distance to the flag (i.e. closer object) is being displayed in the LCD (as seen below). There may be times when only the laser beam only sees one object in its path. In this case, the distance will be displayed, but because more than one object was not acquired, a circle will not surround the flag indicator.

TIP: While pressing the POWER button, you can move the device slowly from object to object and intentionally force the laser to hit multiple objects to ensure that you are only displaying the closest of the objects recognized by the laser.

Once the device has shut off, the unit will always default back to the last mode used.

OPTICAL DESIGN

MAGNIFICATION AND COATINGS

The TOUR V2 features 5x magnification and Multi-Coated optics. A liquid crystal display (LCD) is mounted within the optical system and when activated, displays a reticle for targeting, yards / meters, and Mode indicators. Inherent in the manufacturing process are small black spots that appear in the optical system. These are a natural characteristic of the LCD and cannot be fully eliminated in the manufacturing process. They do not affect the distancing performance of the unit.

TRIPOD MOUNT

Molded into the bottom of your TOUR V2 is a threaded tripod mount that will allow you to attach a tripod for a more stable operation during long periods of use.

TOUR V2 SPECIFICATIONS:

Dimensions:	Measuring 4.3 x 2.8 x 1.6 inches
Weight:	6.6 oz.
Ranging Accuracy:	+/- 1 yard
Range:	5-1000 Yards / 5-914 Meters
Magnification:	5x
Objective Diameter:	24 mm
Optical Coatings:	Multi-Coated
Display:	LCD
Power Source:	3-volt lithium (included)
Field Of View:	367 ft. @ 1000 yards
Extra Long Eye Relief:	21mm
Exit Pupil:	4.8 mm
Built-In Tripod Mount	
Includes battery, carrying case and strap	

CLEANING

Gently blow away any dust or debris on the lenses (or use a soft lens brush). To remove dirt or fingerprints, clean with a soft cotton cloth, rubbing in a circular motion. Use of a coarse cloth or unnecessary rubbing may scratch the lens surface and eventually cause permanent damage. For a more thorough cleaning, photographic lens tissue and photographic-type lens cleaning fluid or isopropyl alcohol may be used. Always apply the fluid to the cleaning cloth - never directly on the lens.

TWO-YEAR LIMITED WARRANTY

Your Bushnell® product is warranted to be free of defects in materials and workmanship for two years after the date of purchase. In the event of a defect under this warranty, we will, at our option, repair or replace the product, provided that you return the product postage prepaid. This warranty does not cover damages caused by misuse, improper handling, installation, or maintenance provided by someone other than a Bushnell Authorized Service Department.

Any return made under this warranty must be accompanied by the items listed below:

- 1) A check/money order in the amount of \$10.00 to cover the cost of postage and handling
- 2) Name and address for product return
- 3) An explanation of the defect
- 4) Proof of Date Purchased
- 5) Product should be well packed in a sturdy outside shipping carton, to prevent damage in transit, with return postage prepaid to the address listed below:

IN U.S.A. Send To:

Bushnell Outdoor Products
Attn.: Repairs
8500 Marshall Drive
Lenexa, Kansas 66214

IN CANADA Send To:

Bushnell Outdoor Products
Attn.: Repairs
25A East Pearce Street, Unit 1
Richmond Hill, Ontario L4B 2M9

For products purchased outside the United States or Canada please contact your local dealer for applicable warranty information.

In Europe you may also contact Bushnell at:

BUSHNELL Outdoor Products GmbH
European Service Centre
MORSESTRASSE 4
D- 50769 KÖLN
GERMANY
Tél: +49 (0) 221 709 939 3

Fax: +49 (0) 221 709 939 8

This warranty gives you specific legal rights.

You may have other rights which vary from country to country.

©2007 Bushnell Outdoor Products

TROUBLE SHOOTING TABLE

If unit does not turn on - LCD does not illuminate:

- Depress POWER button.
- Check and if necessary, replace battery.

If unit powers down (display goes blank when attempting to power the laser):

- The battery is either weak or low quality. Replace the battery with a good quality 3 -volt lithium battery.

If target range cannot be obtained:

- Make sure LCD is illuminated.
- Make sure that the power button is being depressed.
- Make sure that nothing, such as your hand or finger, is blocking the objective lenses (lenses closest to the target) that emit and receive the laser pulses.
- Make sure unit is held steady while depressing power button.

NOTE: The last range reading does not need to be cleared before ranging another target. Simply aim at the new target using the LCD's reticle, depress the power button and hold until new range reading is displayed.

Specifications, instructions, and the operation of these products are subject to change without notice.

FCC NOTE

This equipment has been tested and found to comply with the limits for a Class B digital device, pursuant to Part 15 of the FCC Rules. These limits are designed to provide reasonable protection against harmful interference in a residential installation. This equipment generates, uses and can radiate radio frequency energy and, if not installed and used in accordance with the instructions, may cause harmful interference to radio communications. However, there is no guarantee that interference will not occur in a particular installation. If this equipment does cause harmful interference to radio or television reception, which can be determined by turning the equipment off and on, the user is encouraged to try to correct the interference by one or more of the following measures:

- Reorient or relocate the receiving antenna.
- Increase the separation between the equipment and receiver.
- Connect the equipment into an outlet on a circuit different from that to which the receiver is connected.
- Consult the dealer or an experienced radio/TV technician for help.

Shielded interface cable must be used with the equipment in order to comply with the limits for a digital device pursuant to Subpart B of Part 15 of FCC Rules.

Specifications and designs are subject to change without any notice or obligation on the part of the manufacturer.





Bushnell[®]
LASER RANGEFINDERS

TOUR V₂

LA DISTANCE JUSQU'AU DRAPEAU À CHAQUE MESURE !

Nous vous félicitons pour l'achat de votre Bushnell® TOUR V2™ à technologie PinSeeker™. Le TOUR V2 est un instrument optique de télémétrie laser de précision conçu pour offrir de nombreuses années d'utilisation. Ce manuel décrit les différents réglages et fonctions, ainsi que l'entretien de ce télémètre laser optique de précision, afin d'obtenir des résultats optimum. Pour assurer des performances et une longévité optimum, veuillez lire ces instructions avant d'utiliser le TOUR V2.

INTRODUCTION

Le Bushnell® TOUR V2 est un télémètre laser de pointe utilisant la technologie numérique pour effectuer des mesures de 5 à 1000 yards / 5 à 914 mètres. D'un encombrement de 4,1 x 7,1 x 10,9 cm pour un poids de 187 g à peine, il offre d'excellentes mesures de distance exactes à +/- un mètre près. Le TOUR V2 comporte des modes de visée sélective, un grossissement 5x et des lentilles traitées multicouches assurant un excellent niveau de transmission de la lumière, de clarté et de luminosité.

COMMENT NOTRE TECHNOLOGIE FONCTIONNE

Le TOUR V2 émet des impulsions d'énergie infrarouge invisible sans danger pour les yeux. Le microprocesseur Advanced Digital et le circuit intégré spécialisé (ASIC) du TOUR V2 produisent des mesures précises et instantanées. La technologie numérique sophistiquée assure un calcul instantané des distances par la mesure de la durée nécessaire à chaque impulsion pour effectuer l'aller-retour entre le télémètre et la cible.

PRÉCISION EN DISTANCE

La précision de la mesure de distance du TOUR V2 est de plus ou moins un mètre / yard dans la majorité des cas. La portée maximale de l'appareil dépend de la réflectivité de la cible. La distance maximale pour la majorité des objets est de 600 yards / 549 mètres et de 1000 yards / 914 mètres pour les objets hautement réfléchissants. Remarque : Les distances maximales obtenues peuvent être supérieures ou inférieures en fonction des propriétés réfléchissantes de la cible considérée et des conditions ambiantes au moment de la mesure de distance.

La couleur, l'état de surface, la taille et la forme de la cible sont autant de facteurs influant sur la réflectivité et la portée. La portée est d'autant plus longue que la couleur est vive. Le rouge, par exemple, est fortement réfléchissant et permet des portées supérieures au noir, qui est la couleur la moins réfléchissante. Une finition brillante permet une portée plus longue qu'une surface terne. Une cible de petite taille rend la mesure plus difficile qu'une cible plus grande. L'orientation de la cible a également un effet sur la mesure. La visée d'une cible à un angle de 90 degrés (où la surface de la cible est perpendiculaire au trajet des impulsions émises) offre une bonne portée de mesure, alors qu'un angle très fermé réduit la portée de l'appareil. En outre, les conditions d'éclairage (ensoleillement, par ex.) influent les capacités de mesure de distance de l'appareil. Moins il y a de lumière (ciel couvert, par ex.) et plus la portée maximale de l'appareil est importante. Par contre, les jours très ensoleillés, la portée maximale de l'appareil est réduite.

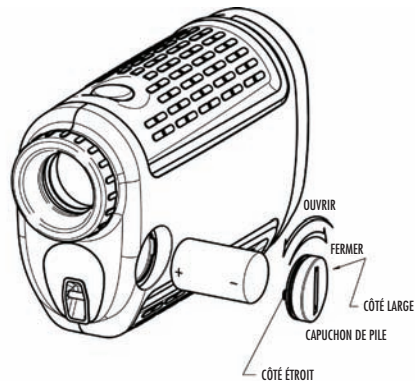
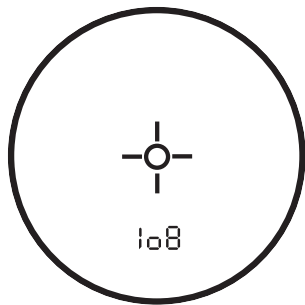
COMMENT DÉMARRER

MISE EN PLACE DE LA PILE

Ouvrir le capuchon de pile en le tournant dans le sens inverse des aiguilles d'une montre à l'aide d'une pièce de monnaie, puis placer une pile au lithium de 3 volts, borne positive d'abord, et refermer le capuchon.

REMARQUE : Il est conseillé de changer la pile au minimum tous les 12 mois.

Indicateur de décharge de la pile : L'affichage de " 108 " dans l'oculaire signifie que la charge de la pile est faible et que la pile au lithium de 3 volts doit être changée.



RÉGLAGE DE L'OCULAIRE

Le TOUR V2 comporte un oculaire réglable (+/- 2 dioptries) permettant la mise au point de l'affichage LCD par rapport à l'image. Il suffit de tourner l'oculaire jusqu'à ce que le réticule et l'objet visé apparaissent nets.

FONCTIONNEMENT EN BREF

Tout en observant à travers l'oculaire 5x, appuyer une fois sur le bouton de marche pour activer l'affichage à cristaux liquides (LCD) dans l'oculaire. Placer le cercle de visée (situé au centre du champ de vision) sur une cible placée à au moins 5 mètres de distance puis appuyer sur le bouton de marche et le tenir enfoncé jusqu'à ce qu'une mesure de distance s'affiche au bas de l'écran. Des fils croisés s'affichent autour du cercle pendant l'émission d'impulsions laser. Une fois la mesure effectuée, le bouton de marche peut être relâché. Les fils croisés autour du cercle de visée disparaissent quand le bouton est relâché (arrêt de l'émission laser). Remarque : Une fois activé, l'affichage LCD reste actif et indique la distance mesurée pendant 30 secondes. Appuyer à nouveau sur le bouton de marche à tout moment pour mesurer distance d'une nouvelle cible. Comme avec tout appareil laser, il est déconseillé d'observer directement les émissions d'impulsion avec des verres grossissants pendant une durée prolongée. La durée maximale d'émission du laser est de 10 secondes. Pour émettre une nouvelle fois, appuyer de nouveau sur le bouton.

INDICATEURS DE L’AFFICHAGE À CRISTAUX LIQUIDES (LCD)

L’affichage LCD du TOUR V2 comporte des indicateurs lumineux qui informent l’utilisateur de l’unité de mesure, lorsque l’émission laser est activée, lorsque la cible est acquise et quels sont les modes de visée. Ces fonctions sont récapitulées ci-dessous :

OPTIONS D’UNITÉ DE MESURE

Le TOUR V2 permet de mesurer les distances en yards et en mètres. Les indicateurs d’unité de mesure sont placés dans la partie inférieure droite de l’afficheur. Pour choisir entre les yards et les mètres, appuyer brièvement sur le bouton MARCHE (sur le dessus du boîtier) pour mettre l’appareil sous tension, observer à travers l’oculaire, appuyer sur le bouton MODE (côté gauche du boîtier) et le tenir enfoncé pendant 5 secondes environ. La mention « SETUP » s’affiche au sommet de l’affichage LCD et l’unité de mesure courante, « Y » pour yard ou « M » pour mètre, clignote pendant que SETUP est affiché. Appuyer sur le bouton MODE pour alterner entre les unités de mesure.

Lorsque l’unité souhaitée est affichée, appuyer sur le bouton MARCHE pour valider l’unité de mesure et revenir au menu d’exploitation normal. Lorsqu’il est mis en marche, le TOUR V2 revient à la dernière unité de mesure utilisée.


LASER ACTIVÉ

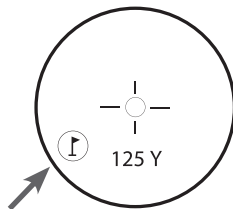
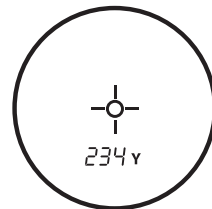
Des fils croisés s’affichent autour du cercle pendant l’émission d’impulsions laser. Une fois la mesure effectuée, le bouton de marche peut être relâché. Les fils croisés autour du cercle disparaissent quand le bouton est relâché (arrêt de l’émission laser).

MODE DE VISÉE SÉLECTIVE

Le TOUR V2 a été conçu spécifiquement à l’intention des golfeurs. Les modes de visée sélective permettent d’ajuster les paramètres de fonctionnement de l’appareil en fonction de la situation particulière et du milieu environnant. Pour passer d’un mode à l’autre, appuyer une fois sur le bouton MARCHE pour mettre l’appareil sous tension. Tout en observant à travers l’oculaire, appuyer brièvement sur le bouton MODE. Les différents modes de visée disponibles et les indicateurs de mode sont présentés ci-dessous :

Standard avec EXPLORATION automatique (indicateur LCD – aucun) Ce réglage permet de mesurer la distance de la majorité des cibles jusqu’à 914 m (1000 yards). S’utilise pour des cibles modérément réfléchissantes typiques de la plupart des situations de mesure. La distance minimale en mode standard est 5 m (5 yards). Pour utiliser la fonction d’exploration automatique (SCAN), il suffit de tenir le bouton MARCHE enfoncé pendant 3 secondes environ tout en déplaçant le télémètre d’un objet à l’autre. L’exploration automatique permet d’actualiser la distance en continu alors que plusieurs objets successifs sont visés.

PinSeeker (indicateur LCD - ) Problème pour évaluer la distance jusqu’au drapeau ? Ce mode évolué permet une acquisition facile du drapeau sans mesurer par inadvertance la distance de cibles en arrière-plan (arbres, par ex.) renvoyant un signal plus fort.



Une fois dans ce mode, appuyer sur le bouton MARCHE pour activer l'appareil. Aligner ensuite le cercle de visée sur drapeau dont la distance doit être mesurée. Ensuite, tenir le bouton MARCHE enfoncé et déplacer lentement le laser sur le drapeau ou l'objet jusqu'à l'affichage d'un cercle autour de l'indicateur Drapeau. Si le faisceau laser détecte plus d'un objet (drapeaux et arbres en arrière-plan, par ex.), la distance du drapeau s'affiche et un cercle entoure l'indicateur PinSeeker pour informer l'utilisateur que la distance affichée est celle du drapeau (c.-à-d. l'objet le plus proche) (comme représenté ci-dessous). Certaines fois, le faisceau laser ne voit qu'un seul objet sur son trajet. Dans ce cas, la distance est affichée mais, comme l'acquisition n'inclut qu'un seul objet, l'indicateur Drapeau n'est pas entouré d'un cercle.

CONSEIL : Alors que le bouton MARCHE est maintenu enfoncé, il est possible de déplacer l'appareil lentement d'un objet à l'autre et de forcer intentionnellement le laser à acquérir plusieurs objets et à afficher la plus proche des cibles reconnues.

Une fois que l'appareil a été éteint, par défaut, il revient toujours au dernier mode utilisé.

CONCEPTION OPTIQUE

Grossissement et traitements

Le TOUR V2 comporte une optique traitée multicouche de grossissement 5x. Un affichage à cristaux liquides (LCD) est installé à l'intérieur du système optique ; lorsqu'il est activé, il affiche un réticule pour la visée, les yards / mètres et les indicateurs de mode. De petites taches noires, inhérentes au procédé de fabrication, sont visibles dans le système optique. Ce sont des particularités propres aux écrans LCD ne pouvant pas être totalement éliminées lors du procédé de fabrication. Elles n'altèrent aucunement les performances de mesure de l'appareil.

MONTURE DE TRÉPIED

Le TOUR V2 comporte à sa base une monture de trépied taraudée permettant de fixer un trépied pour stabiliser l'appareil durant les périodes d'utilisation prolongées.

CARACTÉRISTIQUES:

Dimensions : 10,9 cm x 7,1 cm x 4,1 cm

Poids : 187 g

Précision en distance : +/- 1 yard/m

Portée : 5-1000 yards / 5-914 mètres

Grossissement : 5x

Diamètre d'objectif : 24 mm

Traitements optiques : Multicouche

Affichage : Écran à cristaux liquides (LCD)

Source d'alimentation : Pile au lithium 3 V (fournie)

Champ de vision : 112/m/367 ft. à 914 m/1000 yards

Dégagement oculaire extra long : 21 mm

Pupille de sortie : 4,8 mm

Monture de trépied intégrée

Pile, étui et dragonne inclus

NETTOYAGE

Souffler délicatement la poussière et autres débris des lentilles (ou utiliser un pinceau pour lentille à poils souples). Pour éliminer la saleté ou les traces de doigts, nettoyer avec un chiffon doux en frottant d'un mouvement circulaire. L'emploi d'un chiffon rêche ou un frottement excessif peuvent rayer la surface des lentilles et causer des dommages permanents. Pour effectuer un nettoyage plus poussé, utiliser éventuellement des mouchoirs en papier de type photo avec un liquide nettoyant pour objectif photo ou de l'alcool isopropylique. Toujours appliquer le liquide nettoyant sur le mouchoir, jamais directement sur la lentille.

GARANTIE LIMITÉE DE DEUX ANS

Ce produit Bushnell® est garanti pièces et main-d'œuvre pendant deux ans à compter de la date d'achat. Dans l'éventualité d'un défaut couvert par la garantie, nous réparerons ou changerons le produit, à notre entière discrétion, à condition qu'il nous soit renvoyé en port payé. Cette garantie ne couvre pas les dommages causés par une utilisation abusive, une mauvaise manipulation, l'installation ou un entretien effectué autrement que par un service de réparation agréé par Bushnell. Tout renvoi effectué sous couvert de la présente garantie doit être accompagné des pièces ci-dessous :

1) Chèque/mandat d'un montant de 10,00 \$ pour couvrir les frais d'affranchissement et de manutention

2) Nom et adresse du destinataire pour le renvoi du produit

3) Description du problème

4) Justificatif de la date d'achat

5) Le produit doit être correctement emballé dans un robuste carton d'emballage extérieur afin d'éviter tout dommage durant le transport et renvoyé en port payé à l'adresse ci-dessous :

AUX ÉTATS-UNIS, envoyer à :

Bushnell Outdoor Products

Attn.: Repairs

8500 Marshall Drive

Lenexa, Kansas 66214

AU CANADA, envoyer à :

Bushnell Outdoor Products

Attn.: Repairs

25A East Pearce Street, Unit 1

Richmond Hill, Ontario L4B 2M9

Pour les produits achetés en-dehors des États-Unis et du Canada, veuillez contacter votre revendeur local concernant le recours à la garantie. En Europe, vous pouvez également contacter Bushnell à :

BUSHNELL Outdoor Products GmbH

European Service Centre

MORSESTRASSE 4

D- 50769 KÖLN GERMANY

Tél: +49 (0) 221 709 939 3

Fax: +49 (0) 221 709 939 8

Cette garantie vous confère des droits spécifiques.

Vous pouvez également bénéficier d'autres droits susceptibles de varier d'un pays à l'autre.

©2007 Bushnell Outdoor Products

DÉPANNAGE

Si l'appareil ne s'allume pas - l'écran LCD ne s'active pas :

- Appuyer sur le bouton MARCHE.
- Si l'appareil ne répond pas, remplacer la pile par une pile au lithium 3 V de bonne qualité.

Si l'appareil s'arrête (l'affichage disparaît lorsqu'on tente d'activer le laser) :

- La pile est déchargée ou de mauvaise qualité. Remplacer la pile par une pile au lithium 3 V de bonne qualité.

Si la distance de la cible ne peut pas être obtenue :

- S'assurer que l'écran est activé.
- Veiller à bien appuyer sur le bouton de marche.
- Vérifier que rien (main ou doigt par exemple) ne bloque les objectifs d'émission et de réception des impulsions laser (lentilles du côté de la cible).
- Veiller à tenir l'appareil bien immobile pendant que le bouton de marche est enfoncé.

REMARQUE : Il n'est pas nécessaire d'effacer la dernière mesure de distance avant d'effectuer une nouvelle mesure. Il suffit de viser la nouvelle cible au moyen du réticule de l'écran, d'appuyer sur le bouton de marche et de le tenir enfoncé jusqu'à ce que la nouvelle mesure de distance s'affiche.
Les caractéristiques, les instructions et le fonctionnement de ces produits sont sujets à changement sans préavis.

Avis FCC

Ce matériel a été testé et déclaré conforme aux limites pour les appareils numériques de Classe B, en vertu de la Partie 15 des règles de la FCC. Ces limites sont conçues pour assurer une protection raisonnable contre le brouillage préjudiciable dans une installation résidentielle. Ce matériel produit, utilise et peut rayonner de l'énergie radiofréquence et, s'il n'est pas installé et utilisé conformément aux instructions, peut causer un brouillage préjudiciable aux communications radio. Toutefois, il n'est pas garanti qu'un brouillage ne se produira pas dans une installation particulière. Si ce matériel cause un brouillage préjudiciable à la réception de radio ou de télévision, ce qui peut être établi en éteignant puis rallumant le matériel, l'utilisateur est invité à essayer de supprimer le brouillage par l'un ou plusieurs des moyens suivants :

- Réorienter ou déplacer l'antenne de réception.
- Augmenter la distance séparant le matériel et le récepteur.
- Brancher le matériel sur une prise de courant d'un circuit différent de celui sur lequel est branché le récepteur.
- Obtenir l'aide du revendeur ou d'un technicien de radio/télévision compétent.

Un câble d'interface blindé doit être utilisé avec le matériel pour assurer sa conformité avec les limites pour les appareils numériques en vertu de la Partie 15, Sous-partie B des règles de la FCC.

Les fonctions et caractéristiques sont sujettes à changement sans préavis ni obligation de la part du fabricant.





Bushnell®

L A S E R R A N G E F I N D E R S

TOUR V₂

¡LA DISTANCIA HASTA EL BANDERÍN CADA VEZ!

Enhorabuena por su compra del telémetro Bushnell® TOUR V2™ con tecnología PinSeeker™. El TOUR V2 es un instrumento óptico y telémetro láser de precisión diseñado para brindarle muchos años de servicio. Este folleto le ayudará a lograr el desempeño óptimo al explicarle sobre los ajustes y características y también sobre cómo cuidar este instrumento óptico de telemetría láser de precisión. A fin de asegurar el óptimo desempeño y larga vida útil del instrumento, le sugerimos leer estas instrucciones antes de usar su TOUR V2.

INTRODUCCIÓN

Su unidad TOUR V2 de Bushnell® es un telémetro láser avanzado de primerísima calidad con tecnología digital integrada que le permite obtener lecturas telemétricas desde 5 hasta 1000 yardas (5 hasta 914 metros). Con dimensiones exteriores de apenas 1,6 x 2,8 x 4,3 pulgadas, este equipo de sólo 6,6 onzas ofrece superiores y exactas capacidades telemétricas con una tolerancia de +/- una yarda (0,91 m). La unidad TOUR V2 incluye las características siguientes Modalidades Selective Targeting™, 5 aumentos (5x), y ópticas con múltiples capas de recubrimiento para excelente transmisión de luz, claridad y brillo.

CÓMO FUNCIONA NUESTRA TECNOLOGÍA DIGITAL

El telémetro TOUR V2 emite impulsos de energía infrarroja, invisible e inocua para la vista. El microprocesador digital avanzado del TOUR V2 y la pastilla de circuitos integrados ASIC (siglas en inglés para "circuito integrado para aplicación específica") produce lecturas instantáneas y exactas todo el tiempo. La tecnología digital sofisticada calcula instantáneamente las distancias mediante la medición del tiempo que toma a cada impulso desplazarse desde el telémetro, hasta el blanco y de regreso al telémetro.

EXACTITUD DE LA TELEMETRÍA

La exactitud de la telemetría del TOUR V2 es más o menos una yarda o metro en la mayoría de las circunstancias. El máximo alcance del instrumento depende de la reflectividad del blanco. La distancia máxima para la mayoría de objetos es de 600 yardas / 549 metros mientras que para los objetos altamente reflectantes la distancia máxima es de 1000 yardas / 914 metros. Nota: Obtendrá ambas distancias máximas, larga y corta, dependiendo de las características reflectantes del blanco en particular y las condiciones atmosféricas al momento en que se mida la distancia hasta un objeto.

El color, el acabado de la superficie, el tamaño y la forma del blanco afectan en conjunto la capacidad reflectante y por lo tanto el alcance del instrumento. Mientras más brillante sea el color, mayor será el alcance. Por ejemplo, el color rojo es altamente reflectante, y permite lograr mayores alcances que el color negro, el cual es el color menos reflectante. Un acabado brillante proporciona un mayor alcance que uno sin brillo. Un blanco pequeño es más difícil de medir que un blanco de mayor tamaño. El ángulo de incidencia al blanco también causa efectos. Disparar a un blanco con un ángulo de incidencia de 90 grados (en el que la superficie del blanco es perpendicular a la trayectoria de los impulsos de energía emitidos) produce un buen cálculo de la distancia mientras que un ángulo de incidencia más agudo, proporciona una capacidad limitada para el cálculo de distancias. Además, las condiciones de iluminación (por ejemplo, la cantidad de luz solar) afectarán las capacidades de telemetría de la unidad. Con un menor nivel de luz solar (por ejemplo, con cielos nublados) el alcance máximo de la unidad será mayor. Por el contrario, en los días muy soleados el alcance máximo de la unidad será menor.

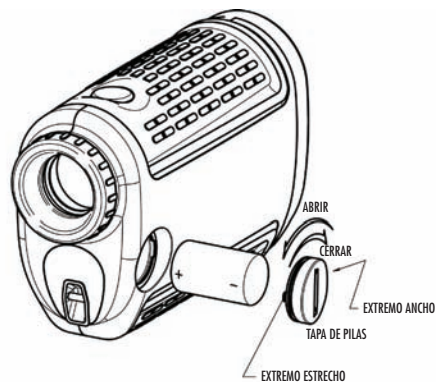
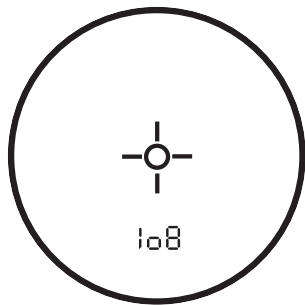
INSTRUCCIONES INICIALES

CÓMO INTRODUCIR LA PILA

Retire la tapa del compartimiento de la pila y para ello, con una moneda gire la tapa a la izquierda, e introduzca una pila de litio de 3 voltios en el compartimiento con el extremo positivo (+) por delante, después vuelva a colocar la tapa del compartimiento.

NOTA Se recomienda reemplazar la pila al menos una vez cada 12 meses.

Indicador de carga baja de la pila: Si aparece el indicador "108" en la pantalla del visor, esto significa "carga baja de la pila" o que la pila se está descargando y que es el momento de reemplazar la pila de litio de 3 voltios.



CÓMO AJUSTAR EL OCULAR

Su unidad TOUR V2 está fabricada con un ocular ajustable (Ajuste de +/- 2 dioptrías) que permite al usuario enfocar la pantalla de LCD pertinente a la imagen. Sencillamente gire el ocular hasta que la retícula y el objeto al cual se mide la distancia estén enfocados según su agudeza visual.

RESUMEN OPERACIONAL

Mientras observa a través del ocular con 5 aumentos (5x), presione una vez el botón del interruptor principal para activar la pantalla de cristal líquido (LCD) en el visor. Coloque el círculo de puntería (ubicado en el centro del campo de visibilidad) sobre un blanco colocado a un mínimo de 5 yardas de distancia, presione sin soltar el botón del interruptor principal hasta que la lectura de distancia aparezca cerca de la parte inferior de la pantalla en el visor. Los filamentos que rodean el círculo de puntería indican que se está transmitiendo el láser. Después de adquirir un valor de distancia, puede soltar el botón del interruptor principal. Los filamentos que rodean el círculo de puntería desaparecerán cuando se suelte el botón del interruptor principal (es decir, el láser ya no se está transmitiendo). Nota: Después de activada, la pantalla LCD permanecerá activa y mostrará durante 30 segundos la última distancia medida. Puede volver a presionar el botón del interruptor principal en cualquier momento para calcular la distancia a un nuevo blanco. Al igual que con cualquier dispositivo láser, no se recomienda ver directamente las emisiones durante períodos prolongados con lentes de aumento. El tiempo máximo de transmisión (disparo) del láser es de 10 segundos. Para volver a disparar, vuelva a presionar el botón.

INDICADORES DE LA PANTALLA DE CRISTAL LÍQUIDO (LCD)

La pantalla LCD de su unidad TOUR V2 incorpora indicadores iluminados que indican las unidades de medición del usuario, cuando el láser está disparando activamente, cuando se adquiere un blanco y en las modalidades de obtención de blanco. A continuación se presenta un resumen de estas características:

OPCIONES DE UNIDAD DE MEDIDA

La unidad TOUR V2 se puede usar para medir distancias en yardas o metros. Los indicadores de la unidad de medida están ubicados en la porción inferior derecha de la pantalla LCD. Para seleccionar entre yardas y metros, presione y suelte el botón POWER para encender la unidad (en la parte superior de la unidad), observe a través del ocular, presione el botón "MODE" (en el lado izquierdo de la unidad) y manténgalo presionado sin soltar durante aproximadamente 5 segundos. Aparecerá la palabra "SETUP" en la parte superior de la pantalla LCD, la unidad de medida actual, "Y" para yardas o "M" para metros destellará en la pantalla LCD y el icono SETUP continuará encendido. Al presionar el botón MODE se alternará la unidad de medida.

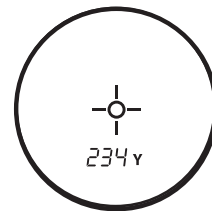
Cuando aparezca la unidad de medida deseada, presione el botón POWER para aceptar la unidad de medida y para regresar al menú de operación normal. La unidad TOUR V2 regresará a la última unidad de medida seleccionada cada vez que se vuelva a encender.


LASER ACTIVO Los filamentos que rodean el círculo de puntería indican que se está transmitiendo el láser. Después de adquirir un valor de distancia, puede soltar el botón del interruptor principal. Los filamentos que rodean el círculo de puntería desaparecerán cuando se suelte el botón del interruptor principal (es decir, el láser ya no se está transmitiendo).

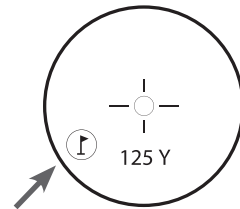
MODALIDADES SELECTIVE TARGETING™

El TOUR V2 fue diseñado teniendo como principal objetivo satisfacer las necesidades de los jugadores de golf. Las modalidades de determinación selectiva de blanco le permite ajustar los parámetros de desempeño de la unidad para adaptarlos a su situación específica y el entorno. Para cambiar de una modalidad a otra, presione el botón POWER una vez para encender la unidad. Mientras observa a través del ocular, presione el botón MODE y suéltelo rápidamente. Las diferentes modalidades de adquisición de blanco disponibles y los indicadores de modalidad aparecen listados a continuación:

Standard with Automatic SCAN (Indicador LCD – ninguno) Este parámetro permite calcular la distancia a la mayoría de blancos hasta un máximo de 1000 yardas. Se utiliza para blancos con capacidad reflectante moderada que son típicos para la mayoría de las situaciones de cálculo de distancias. La distancia mínima en la modalidad estándar es de 5 yardas. Para usar la opción de escaneado automático (Automatic SCAN), sencillamente presione sin soltar el botón POWER durante aproximadamente 3 segundos y mueva el telémetro de objeto a objeto mientras continúa presionado el botón POWER. La modalidad Automatic SCAN permitirá la actualización continua cuando se tiene en la mira a varios objetos.



PinSeeker (Indicador en pantalla LCD - ) ¿Alguna vez ha tenido dificultades para obtener la distancia hasta el banderín? Esta modalidad avanzada le permite la adquisición fácil de la distancia al banderín sin obtener inadvertidamente las distancias a blancos en el trasfondo (por ejemplo, árboles) que emitan una mayor señal.



Al estar en esta modalidad, presione el botón POWER para encender la unidad. Después, alinee la retícula del círculo de puntería sobre el banderín hasta el cual desea medir la distancia. A continuación, presione sin soltar el botón POWER y mueva el láser lentamente sobre el banderín u objeto deseado hasta que un círculo rodee el indicador de banderín. Si el haz láser ha reconocido a más de un objeto (por ejemplo, el banderín y los árboles en el trasfondo), aparecerá la distancia al banderín y un círculo rodeará al indicador PinSeeker para informar al usuario que es la distancia al banderín (al objeto más cercano) la que se muestra en la pantalla LCD (según se muestra a continuación). Puede haber ocasiones en la que el haz láser detecta únicamente un objeto en su trayectoria. En este caso, aparecerá la distancia, pero debido a que no se adquirió más de un objeto, el círculo no rodeará al indicador de banderín.

CONSEJO: Al presionar el botón POWER, mueva lentamente el dispositivo de objeto a objeto y fuerce deliberadamente el láser para hacer contacto con múltiples objetos para asegurarse de que la pantalla esté mostrando únicamente el más cercano de los objetos reconocidos por el láser.

Cuando se apague el dispositivo, la unidad regresará siempre, de manera predeterminada, a la última modalidad seleccionada.

DISEÑO ÓPTICO

Aumentos y recubrimientos

El TOUR V2 ofrece una capacidad de 5 aumentos (5X) y óptica con múltiples capas de recubrimiento. Una pantalla de cristal líquido (LCD) está montada dentro del sistema óptico y cuando se activa muestra una retícula para adquirir el blanco, yardas / metros e indicadores de modalidad. Inherentes en el proceso de fabricación hay pequeños puntos negros que aparecen en el sistema de óptica. Éstos son una característica natural de la pantalla LCD y no se pueden eliminar completamente en el proceso de fabricación. Éstos no afectan el desempeño de los cálculos de distancias de la unidad.

ADAPTADOR DE MONTAJE EN TRÍPODE

Moldeado en la parte inferior de su unidad TOUR V2 se encuentra un adaptador roscado de montaje en trípode que le permitirá acoplar un trípode para un funcionamiento más estable durante períodos prolongados de uso.

ESPECIFICACIONES:

Dimensiones: Medidas 4,3 x 2,8 x 1,6 pulgadas
Peso: 6,6 onzas
Exactitud de telemetría: +/- 1 yarda
Alcance: 5-1000 Yardas / 5-914 Metros
Aumentos: 5x
Diámetro del objetivo: 24 mm
Recubrimientos ópticos: Múltiples recubrimientos
Pantalla: LCD
Fuente de alimentación: Pila de litio de 3 voltios (incluida)
Campo de visibilidad: 367 pies a 1000 yardas
Distancia extendida para alivio de fatiga ocular: 21 mm
Pupila de salida: 4,8 mm
Adaptador incorporado para montaje en trípode
Incluye la pila, estuche de acarreo y correa

LIMPIEZA

Sople cuidadosamente las lentes para eliminar el polvo o los residuos en ellas (o use un cepillo suave para lentes). Para quitar el polvo o las marcas de huellas dactilares, limpie con un paño suave de algodón, frotando en movimiento circular. El uso de un paño áspero o el frotado innecesario puede rayar la superficie de la lente y con el tiempo producir daños permanentes. Para efectuar una limpieza más completa, se pueden usar papeles y fluido de limpieza para lentes fotográficas o alcohol isopropílico. Aplique siempre fluido al paño de limpieza – nunca directamente en la lente.

GARANTÍA LIMITADA DE DOS AÑOS

Su producto Bushnell® está garantizado contra defectos en materiales y mano de obra durante dos años después de la fecha de compra. Si ocurre algún defecto durante la vigencia de esta garantía, a nuestra sola opción, repararemos o reemplazaremos el producto, siempre y cuando usted devuelva el producto con porte postal prepagado. Esta garantía no cubre los daños causados por el uso indebido, manejo erróneo, instalación o mantenimiento realizado por terceros y ajenos a un departamento de servicio autorizado por Bushnell. Cualquier devolución que se realice en virtud de esta garantía deberá traer consigo:

- 1) Un cheque/giro postal por un total de \$10.00 para cubrir el costo de porte postal y manejo
- 2) Nombre y dirección para la devolución del producto
- 3) Una explicación del defecto
- 4) Comprobante de la fecha de compra
- 5) El producto deberá embalarse debidamente en una caja robusta y apropiada para el envío, a fin de prevenir daños que puedan ocurrir durante el envío, con porte postal prepagado para la devolución y dirigido a la dirección que se indica a continuación:

EN EE.UU. enviar a:

Bushnell Outdoor Products
Attn.: Repairs
8500 Marshall Drive
Lenexa, Kansas 66214

EN CANADÁ enviar a:

Bushnell Outdoor Products
Attn.: Repairs
25A East Pearce Street, Unit 1
Richmond Hill, Ontario L4B 2M9

Para los productos comprados fuera de EE.UU. o Canadá le sugerimos comunicarse con el concesionario en su localidad para obtener la información sobre la garantía aplicable. En Europa puede además comunicarse con Bushnell en:

BUSHNELL Outdoor Products GmbH

European Service Centre
MORSESTRASSE 4
D- 50769 KÖLN GERMANY
Tél: +49 (0) 221 709 939 3 Fax: +49 (0) 221 709 939 8

Esta garantía le otorga derechos legales específicos.

Usted puede tener otros derechos que variarán de un país a otro. ©2007 Bushnell Outdoor Products

TABLA DE RESOLUCIÓN DE PROBLEMAS

Si la unidad no se enciende – La pantalla LCD no se enciende:

- Presione el botón POWER.
- Si la unidad no responde a las pulsaciones de la tecla, reemplace la pila con una pila nueva de litio de 3 voltios y de buena calidad.

Si la unidad se apaga (la pantalla queda en blanco cuando se intenta encender el láser):

- La pila está descargada o es de mala calidad.
- Reemplace la pila con una pila de litio de 3 voltios y de buena calidad.

Si no se puede obtener la distancia al blanco:

- Cerciórese de que la pantalla LCD esté iluminada.
- Cerciórese de que esté presionado el botón Power.
- Cerciórese de que nada, incluso su mano o dedos, estén bloqueado las lentes de objetivo (las lentes más cercanas al blanco) que emiten y reciben los impulsos láser.
- Al presionar el botón, cerciórese de mantener firmemente la unidad.

NOTA: es necesario borrar la última lectura de distancia antes de calcular la distancia a otro blanco. Sencillamente apunte al nuevo blanco utilizando la retícula de la pantalla LCD, presione el botón Power sin soltarlo antes de que aparezca una nueva lectura de distancia. Las especificaciones, instrucciones y el funcionamiento de estos productos están sujetos a cambio sin aviso previo.

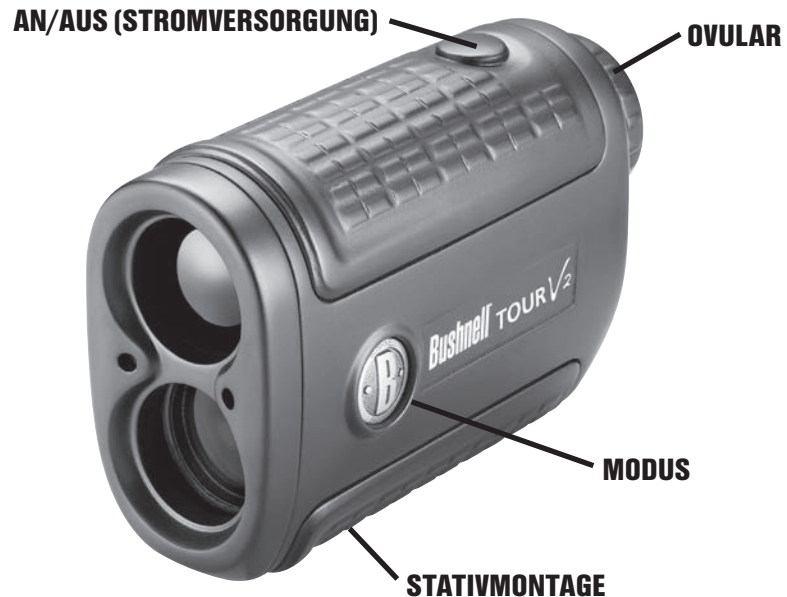
NOTA DE LA FCC

Este equipo ha sido probado y se ha demostrado que cumple con los límites de emisiones para un dispositivo digital Clase B, de acuerdo con la Parte 15 de las normativas de la FCC. Estos límites están diseñados para proporcionar protección razonable contra la interferencia perjudicial en una instalación residencial. Este equipo genera, usa y puede irradiar energía de radiofrecuencias y, si no se lo instala y usa de acuerdo con las instrucciones, puede causar interferencia perjudicial a las comunicaciones de radio. Sin embargo, no existe garantía de que dicha interferencia no ocurrirá en una instalación particular. Si este equipo sí causa interferencia perjudicial a la recepción de radio o televisión, lo cual se puede determinar apagando y encendiendo el equipo, se exhorta al usuario a corregir la interferencia por medio de una o más de las acciones siguientes:

- Reoriente o reubique la antena receptora.
- Aumente la separación entre el equipo y el receptor.
- Conecte el equipo en un tomacorriente que pertenezca a un circuito diferente al cual esté conectado el receptor.
- Consulte al concesionario, o a un técnico de radio/TV con experiencia, para obtener ayuda.

Es necesario usar cable blindado de interconexión con el equipo a efectos de cumplir con los límites para un dispositivo digital de acuerdo con lo estipulado por la subparte B de la parte 15 de las normativas de la FCC.

Las especificaciones y diseños están sujetos a cambios sin previo aviso ni obligación de parte del fabricante.



Bushnell[®]
LASER RANGEFINDERS

TOUR V₂

MESSEN DER ENTFERNUNG ZUR FAHNE – JEDES MAL!

Herzlichen Glückwunsch zum Erwerb Ihres Bushnell® TOUR V2™ mit PinSeeker™ Technologie. Das TOUR V2 ist ein optisches Präzisionsinstrument mit Laser-Entfernungsmesser, das Ihnen über viele Jahre verlässliche Dienste leisten wird. Diese Gebrauchsanweisung hilft Ihnen, das Gerät optimal zu nutzen. Sie enthält Erläuterungen zu den Einstellungen und Funktionen sowie zur Pflege dieses optischen Präzisionsinstruments mit Laser-Entfernungsmesser. Um die optimale Leistung und lange Lebensdauer des Instruments zu gewährleisten, lesen Sie bitte diese Anweisungen vor dem Gebrauch Ihres TOUR V2 durch.

EINFÜHRUNG

Ihr Bushnell® TOUR V2 ist ein fortschrittlicher Laser-Entfernungsmesser der Spitzenklasse, der dank seiner Digitaltechnologie Entfernungsmessungen im Bereich von 5 bis 914 Metern ermöglicht. Das Gerät ist lediglich 406 x 711 x 109 mm groß, wiegt 187 g, und bietet genaue Entfernungsmessungen bis +/- 1 Meter. Das TOUR V2 verfügt über Selective Targeting™ (selektive Zielanpeilungs-) Modi, 5-fache Vergrößerung und mehrfach vergütete Optik, die herausragende Lichtdurchlässigkeit, Klarheit und Helligkeit gewährleisten.

SO FUNKTIONIERT UNSERE DIGITALTECHNOLOGIE

Das TOUR V2 strahlt unsichtbare und für das Auge unschädliche Infrarot-Energieimpulse aus. Der fortschrittliche digitale Mikroprozessor und der ASIC-Chip (Application-Specific Integrated Circuit – anwendungsspezifischer integrierter Schaltkreis) des TOUR V2 sorgen jedes Mal für eine sofortige und genaue Messanzeige. Die hoch entwickelte Digitaltechnik berechnet sofort die Entfernung, indem sie die Zeitdauer misst, die jeder Impuls für den Weg vom Entfernungsmesser zum Zielobjekt und zurück benötigt.

MESSGENAUIGKEIT

Die Genauigkeit der Entfernungsmessung des TOUR V2 beträgt unter den meisten Bedingungen plus/minus ein Meter. Die maximale Reichweite des Instruments hängt vom Reflexionsvermögen des Ziels ab. Die maximale Entfernung für die meisten Objekte beträgt 549 Meter; bei stark reflektierenden Objekten beträgt sie 914 Meter. Hinweis: In Abhängigkeit von den Reflexionseigenschaften des jeweiligen Zielobjekts und den Umgebungsbedingungen zum Zeitpunkt der Entfernungsmessung eines Objekts können sowohl größere als auch kürzere maximale Entfernungen erreicht werden.

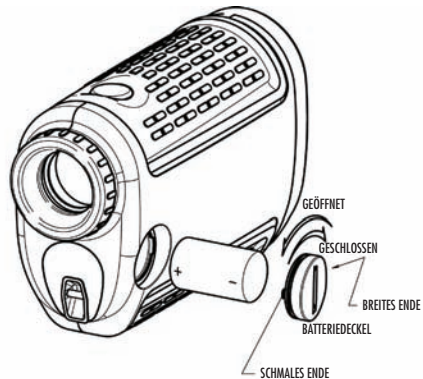
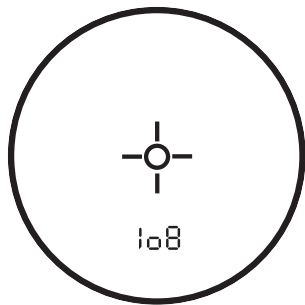
Reflexionsvermögen und Reichweite werden von Farbe, Oberflächenbeschaffenheit, Größe und Form des Zielobjekts beeinflusst. Je heller die Farbe, desto größer die Reichweite. Rot weist beispielsweise ein hohes Reflexionsvermögen auf und ermöglicht größere Reichweiten als Schwarz, die Farbe mit dem geringsten Reflexionsvermögen. Eine glänzende Oberfläche ermöglicht eine größere Reichweite als eine matte. Die Entfernung zu einem kleinen Zielobjekt ist schwerer zu messen als zu einem größeren. Auch der Winkel zum Zielobjekt spielt eine Rolle. Wenn die Entfernung eines Zielobjekts in einem 90-Grad-Winkel gemessen wird (wobei sich die Oberfläche des Zielobjekts senkrecht zum Flugpfad der ausgestrahlten Energieimpulse befindet), lässt sich eine gute Reichweite erzielen, während die Reichweite durch einen steilen Winkel verringert wird. Darüber hinaus wirken sich die Lichtverhältnisse (z. B. die Menge an Sonnenlicht) auf die Entfernungsmessungsleistung des Geräts aus. Je weniger Licht vorhanden ist (z. B. bei bedecktem Himmel), desto größer ist die maximale Reichweite des Geräts. Umgekehrt ist die maximale Reichweite des Geräts an sehr sonnigen Tagen reduziert.

INBETRIEBNAHME

EINSETZEN DER BATTERIE

Drehen Sie die Batterieabdeckung durch Einsetzen einer Münze gegen den Uhrzeigersinn und nehmen Sie sie ab. Setzen Sie eine 3-V-Lithiumbatterie mit dem positiven Ende nach vorne in das Batteriefach ein und bringen Sie dann die Batterieabdeckung wieder an.

HINWEIS: Die Batterie sollte mindestens alle 12 Monate ersetzt werden. Batteriestandsanzeige: Wenn " 108 " in der In-View-Anzeige erscheint, so bedeutet dies „niedriger Batteriestand“ oder dass die Batterie nicht mehr ausreichend geladen ist und die 3-V-Lithiumbatterie ersetzt werden sollte.



EINSTELLEN DES OKULARS

Das TOUR V2 verfügt über ein einstellbares Okular (+/- 2 Dioptrieneinstellung) zur Scharfeinstellung der LCD-Anzeige in Bezug auf das Bild. Hierzu drehen Sie einfach das Okular, bis das Fadenkreuz und das Objekt, dessen Entfernung gemessen werden soll, für Sie scharf eingestellt sind.

ZUSAMMENFASSUNG DER FUNKTIONSWEISE

Während Sie durch das 5-fach vergrößern Okular blicken, drücken Sie einmal die Taste Power (Ein/Aus), um die Flüssigkristallanzeige (LCD) im Sehfeld zu aktivieren. Richten Sie den Zielkreis (in der Mitte des Sehfelds) auf ein mindestens 4,4 m entferntes Zielobjekt, drücken Sie die Taste Power und halten Sie sie gedrückt, bis der Entfernungswert nahe des unteren Anzeigerandes im Sehfeld angezeigt wird. Fadenkreuze um den Zielkreis geben an, dass der Laser Licht ausstrahlt. Nachdem der Bestimmung der Entfernung können Sie die Taste Power loslassen. Nachdem Sie die Taste Power losgelassen haben, werden die Fadenkreuze um den Zielkreis ausgeblendet (d. h. der Laser strahlt kein Licht mehr aus). Hinweis: Nach der Aktivierung bleibt die LCD-Anzeige aktiv und zeigt 30 Sekunden lang die letzte Entfernungsmessung an. Sie können jederzeit die Taste Power nochmals drücken, um die Entfernung zu einem neuen Zielobjekt zu messen. Wie bei jedem anderen Lasergerät auch ist es nicht empfehlenswert, längere Zeit mit Vergrößerungslinsen direkt in das ausgestrahlte Licht zu blicken. Der Laser wird für eine maximale Zeitdauer von 10 Sekunden aktiviert. Um ihn erneut zu aktivieren, müssen Sie die Taste erneut drücken.

FLÜSSIGKRISTALLANZEIGEN (LCD)

Das LCD des TOUR V2 verfügt über beleuchtete Anzeigen, die den Benutzer über die Maßeinheit, den tatsächlichen Zeitpunkt der Laserlichtausstrahlung, den Zeitpunkt der Erfassung eines Zielobjekts sowie die Zielanpeilungsmodi informieren. Nachstehend folgt eine Zusammenfassung dieser Funktionen:

MASSEINHEIT-OPTIONEN

Mit dem TOUR V2 können Entfernungen in Yards oder in Metern gemessen werden. Die Maßeinheitenanzeigen befinden sich im unteren rechten Teil der LCD-Anzeige. Um zwischen Yards und Metern auszuwählen, drücken Sie die Taste POWER (oben auf dem Gerät) und halten Sie sie gedrückt, um das Gerät einzuschalten. Blicken Sie durch das Okular, drücken Sie die Taste MODE (auf der linken Seite des Geräts) und halten Sie sie etwa 5 Sekunden lang gedrückt. Das Wort „SETUP“ wird oben in der LCD-Anzeige eingeblendet und die aktuelle Maßeinheit („Y“ für Yards oder „M“ für Meter) blinkt in der Anzeige auf, während das SETUP-Symbol weiterhin angezeigt wird. Mit der Taste MODE können Sie die Maßeinheit umschalten.

Drücken Sie die Taste POWER, wenn die gewünschte Maßeinheit angezeigt wird, um diese anzunehmen und zum normalen Betriebsmenü zurückzukehren. Das TOUR V2 kehrt jeweils beim Einschalten des Geräts zur zuletzt verwendeten Maßeinheitseinstellung zurück.

AKTIVER LASER

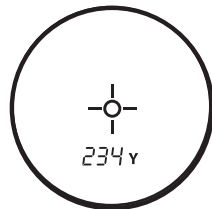
Fadenkreuze um den Zielkreis geben an, dass der Laser Licht ausstrahlt. Nachdem der Bestimmung der Entfernung können Sie die Taste Power loslassen. Nachdem Sie die Taste Power losgelassen haben, werden die Fadenkreuze um den Kreis ausgeblendet (d. h. der Laser strahlt kein Licht mehr aus).


SELEKTIVE TARGETING™ MODI

Bei der Entwicklung des TOUR V2 wurden besonders die Bedürfnisse von Golfspielern berücksichtigt. Die selektiven Zielanpeilungsmodi ermöglichen die Anpassung der Leistungsparameter des Geräts an Ihre spezielle Situation und Ihre Umgebung. Um von einem Modus zu einem anderen umzuschalten, drücken Sie die Taste POWER einmal, um das Gerät einzuschalten. Drücken Sie die Taste MODE, während Sie durch das Okular blicken, und lassen Sie sie daraufhin sofort los. Die verschiedenen verfügbaren Zielanpeilungsmodi und Modus-Anzeigen werden nachstehend aufgeführt:

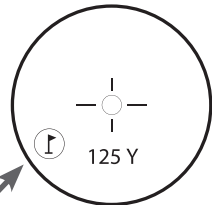
Standard mit Automatic SCAN (automatischem Abtasten)

(LCD-Anzeige – keine): Mit dieser Einstellung kann die Entfernung der meisten Zielobjekte bis zu 914 m gemessen werden. Sie wird für Zielobjekte mit mäßigem Reflexionsvermögen verwendet, die bei den meisten Entfernungsmessungen normalerweise angetroffen werden. Die Mindestentfernung im Standardmodus beträgt 4,6 m. Um die Funktion „Automatic SCAN“ zu verwenden, halten Sie die Taste POWER etwa 3 Sekunden lang gedrückt und bewegen Sie den Entfernungsmesser von Objekt zu Objekt. Dabei halten Sie die Taste POWER weiterhin gedrückt. Automatic SCAN ermöglicht die kontinuierliche Aktualisierung der Entfernung, während mehrere Objekte angepeilt werden.



PinSeeker (LCD-Anzeige - ) Haben Sie manchmal Probleme mit der Entfernungsmessung zur Fahne? Mit diesem fortgeschrittenen Modus kann die Fahne ganz leicht angepeilt werden, ohne dass versehentlich Entfernungen zu Objekten im Hintergrund gemessen werden (z. B. Bäume), die eine stärkere Signalstärke aufweisen.

Nachdem dieser Modus aufgerufen ist, drücken Sie die Taste POWER, um das



Gerät einzuschalten. Richten Sie das Kreisfadencross dann mit der Fahne aus, deren Entfernung gemessen werden soll. Halten Sie anschließend die Taste POWER gedrückt und bewegen Sie den Laser langsam über die Fahne bzw. das gewünschte Zielobjekt, bis die Fahnenanzeige von einem Kreis umgeben ist. Falls der Laserstrahl mehr als ein Objekt erkannt hat (z. B. Fahne und Bäume im Hintergrund), wird die Entfernung zur Fahne angezeigt und die PinSeeker-Anzeige ist von einem Kreis umgeben. Hiermit wird der Benutzer darauf hingewiesen, dass die Entfernung zur Fahne (d. h. zum näheren Objekt) in der LCD-Anzeige dargestellt ist (siehe Abbildung unten). Es kann vorkommen, dass der Laserstrahl nur ein Objekt in seinem Pfad erkennt. In diesem Fall wird die Entfernung angezeigt; da aber nicht mehr als ein Objekt erfasst wurde, ist die Fahnenanzeige nicht von einem Kreis umgeben.

TIPP: Während die POWER-Taste gedrückt ist, können Sie das Instrument langsam von Objekt zu Objekt bewegen und den Laser absichtlich dazu zwingen, mehrere Objekte zu erfassen um sicherzustellen, dass nur das am nächsten liegende Objekt angezeigt wird, dass vom Laser erfasst wurde.

OPTISCHES DESIGN

Vergößerung und Vergütungen

Das TOUR V2 verfügt über 5-fache Vergrößerung und mehrfach vergütete Optik. Das optische System verfügt über eine Flüssigkristallanzeige (LCD), die ein Fadenkreuz zur Zielanpeilung, Yards/Meter- und Modus-Anzeigen einblendet, wenn sie aktiviert ist. Beim Fertigungsprozess entstehen kleine schwarze Punkte, die im optischen System erscheinen. Es handelt sich dabei um natürliche Merkmale der LCD-Anzeige, die beim Fertigungsprozess nicht vollständig beseitigt werden können. Sie beeinträchtigen jedoch die Entfernungsmessleistung des Geräts nicht.

STATIVANSCHLUSS

In die Unterseite des TOUR V2 ist ein Gewindeanschluss eingeformt, der die Anbringung eines Stativs ermöglicht, um bei längerem Gebrauch einen stabileren Betrieb zu gewährleisten.

TECHNISCHE DATEN:

Abmessungen: 109 x 711 x 406 mm

Gewicht: 187 g

Messgenauigkeit: +/- 1 Meter

Reichweite: 5-914 Meter

Vergößerung: 5-fach

Objektiv-Durchmesser: 24 mm

Vergütung der Optik: mehrfache Vergütung

Anzeige: LCD

Stromversorgung: 3 V Lithium (enthalten)

Sehfeld: 112 m bei 914 m

Extra großer Augenabstand: 21 mm

Austrittspupille: 4,8 mm

Eingebauter Stativanschluss

Einschließlich Batterie, Tragetasche und Riemen

REINIGUNG

Blasen Sie Staub oder Rückstände behutsam von den Linsen weg (oder benutzen Sie eine weiche Linsenbürste). Um Schmutz oder Fingerabdrücke zu entfernen, reinigen Sie die Linsen mit einem weichen Baumwolltuch in kreisförmigen Bewegungen. Grobes Stoffmaterial oder unnötiges Reiben kann die Linsenoberfläche zerkratzen und mit der Zeit dauerhaft beschädigen. Für eine gründlichere Reinigung können Kameralinsen-Reinigungstücher und Kameralinsen-Reinigungsflüssigkeiten oder Isopropyl-Alkohol verwendet werden. Dabei sollten Sie immer das Reinigungstuch mit der Flüssigkeit benetzen und niemals direkt auf die Linse geben.

INGESCHRÄNKTE ZWEIJÄHRIGE GARANTIE

Für Ihr Bushnell®-Produkt gilt eine Garantie gegen Material- und Fertigungsfehler für den Zeitraum von zwei Jahren ab Kaufdatum. Im Fall eines unter diese Garantie fallenden Fehlers werden wir nach unserem Ermessen das Produkt reparieren oder ersetzen, vorausgesetzt das Produkt wurde von Ihnen portofrei zurückgesandt. Die Garantie erstreckt sich nicht auf Schäden, die durch fehlerhafte oder nicht ordnungsgemäße Behandlung, Installation oder Wartung verursacht wurden, die von Personen durchgeführt wurde, die nicht zu einem von Bushnell autorisierten Kundendienst gehören. Sämtliche Rücksendungen im Rahmen dieser Garantie müssen entsprechend den unten aufgeführten Punkten erfolgen:

- 1) Scheck/Money Order im Betrag von \$ 10,00 für Porto und Bearbeitungsgebühr
- 2) Name und Anschrift für die Rücksendung des Produkts
- 3) Beschreibung des Fehlers
- 4) Nachweis des Kaufdatums
- 5) Das Produkt muss in einem stabilen Versandkarton gut verpackt sein, um Transportschäden zu vermeiden.

Das Produkt ist portofrei an die folgende Adresse zu schicken:

Adresse in den USA:

Bushnell Outdoor Products
Attn.: Repairs
8500 Marshall Drive
Lenexa, Kansas 66214

Adresse in KANADA:

Bushnell Outdoor Products
Attn.: Repairs
25A East Pearce Street, Unit 1
Richmond Hill, Ontario L4B 2M9

Bei Produkten, die außerhalb der USA oder Kanada erworben wurden, setzen Sie sich bitte mit dem jeweils zuständigen Händler bzgl. der Garantiefinformationen in Verbindung. In Europa können Sie sich auch unter der folgenden Adresse an Bushnell wenden:

BUSHNELL Outdoor Products GmbH
European Service Centre
MORSESTRASSE 4
D- 50769 KÖLN
GERMANY DEUTSCHLAND
Tél: +49 (0) 221 709 939 3
Fax: +49 (0) 221 709 939 8

Diese Garantie verleiht Ihnen bestimmte Rechte. Sie können je nach Land weitere Rechte haben. ©2007 Bushnell Outdoor Products

TABELLE ZUR FEHLERBEHEBUNG

Instrument lässt sich nicht einschalten – LCD leuchtet nicht auf:

- POWER-Taste drücken.
- Wenn das Instrument nicht auf das Drücken der Taste reagiert, ersetzen Sie die Batterie mit einer 3-Volt-Lithiumbatterie guter Qualität.

Instrument schaltet ab (Display ist leer, wenn der Laser eingeschaltet wird):

- Batterie ist entweder schwach oder minderer Qualität. Ersetzen Sie die Batterie mit einer 3-Volt-Lithiumbatterie guter Qualität.

Die Zielentfernung lässt sich nicht feststellen:

- Achten Sie darauf, dass das LCD-Display erleuchtet ist.
- Achten Sie darauf, dass die Ein/Aus-Taste gedrückt wurde.
- Achten Sie darauf, dass z. B. weder Ihre Hand noch die Finger die Objektivlinsen verdecken (die dem Ziel am nächsten befindlichen Linsen), die die Laser-Impulse abstrahlen und empfangen.
- Achten Sie darauf, dass das Instrument ruhig gehalten wird, während die Ein/Aus-Taste gedrückt wird.

HINWEIS: Der letzte Wert muss vor der Entfernungsmessung zu einem anderen Ziel nicht gelöscht werden. Zielen Sie einfach mit dem Retikel auf dem LCD-Display auf das neue Ziel, drücken Sie auf die Ein/Aus-Taste und halten Sie diese gedrückt, bis der neue Entfernungswert angezeigt wird.

Änderung der technischen Daten, Anleitungen und der Verwendung dieser Produkte vorbehalten.

FCC-HINWEIS

Dieses Instrument wurde geprüft und entspricht den Bestimmungen für Digitalgeräte der Klasse B gem. Teil 15 der FCC-Bestimmungen. Diese Grenzen dienen der Aufrechterhaltung des angemessenen Schutzes vor schädlichen Störungen im häuslichen Bereich. Dieses Instrument erzeugt, verwendet und strahlt eventuell Hochfrequenzenergie ab und kann, wenn es nicht anweisungsgemäß installiert und verwendet wird, zu Störungen im Funkverkehr führen. Es besteht jedoch keine Gewährleistung, dass es bei einer bestimmten Installation nicht zu Störungen kommt. Wenn dieses Instrument den Funkverkehr oder Fernsehempfang stört, was sich durch das Ein- und Ausschalten des Instruments feststellen lässt, wird dem Benutzer empfohlen, die Störung mithilfe einer der folgenden Maßnahmen zu beheben:

- Neuausrichtung oder Neuauflistung der Empfangsantenne.
- Erhöhen des Abstands zwischen Gerät und Empfänger.
- Schließen Sie das Gerät an der Steckdose eines anderen Stromkreises als dem des Empfängers an.
- Wenden Sie sich zwecks Unterstützung an den Händler oder einen erfahrenen Radio/TV-Techniker.

Ein abgeschirmtes Kabel muss mit diesem Instrument verwendet werden, um die Bestimmungen für Digitalgeräte entsprechend Unterparagraph B von Teil 15 der FCC-Bestimmungen zu erfüllen.

Änderungen der technischen Daten und der Konstruktion durch den Hersteller vorbehalten.





Bushnell[®]
LASER RANGEFINDERS

TOUR V₂

CALCOLATE SEMPRE ESATTAMENTE LA DISTANZA ALLA BANDIERINA!

Congratulazioni per la preferenza accordataci acquistando il telemetro Bushnell® TOUR V2™ dotato della tecnologia PinSeeker™. Il TOUR V2 è uno strumento ottico di precisione laser per rilevare la distanza, costruito in modo da assicurare diversi anni di utilizzo senza problemi. Il presente manuale spiega le regolazioni e le caratteristiche del telemetro laser, e come averne cura. Leggete attentamente le istruzioni prima di usare il TOUR V2, per ottenere risultati ottimali e la massima durata possibile.

INTRODUZIONE

Il telemetro Bushnell® TOUR V2 è un avanzato telemetro laser che utilizza una tecnologia digitale per consentire la misura delle distanze da 5 a 914 metri (5-1000 yarde). Compatto (4 x 7 x 11 cm) e leggero (187 g), il TOUR V2 offre prestazioni di alto livello con precisione di +/- 90 cm (1 yarda). Il TOUR V2 è dotato delle modalità Selective Targeting™, ingrandimento 5x e di lenti con trattamento multistrato completo per una eccellente trasmissione della luce, chiarezza e luminosità.

DESCRIZIONE DELLA TECNOLOGIA DIGITALE IMPIEGATA

Il TOUR V2 emette impulsi di energia a raggi infrarossi, invisibili ma non pericolosi per gli occhi. Il microprocessore Advanced Digital e il chip ASIC (Application-Specific Integrated Circuit) utilizzati nel TOUR V2 permettono di ottenere ogni volta letture immediate e precise. Sostituiti circuiti digitali calcolano istantaneamente le distanze misurando l'intervallo necessario a ciascun impulso emesso per raggiungere il bersaglio e ritornare al telemetro.

PRECISIONE DELLE LETTURE

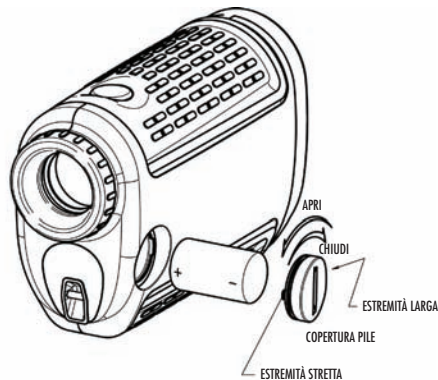
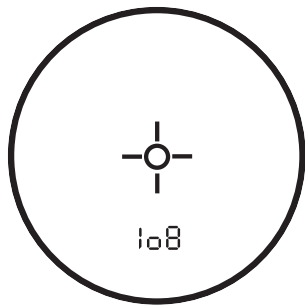
La precisione delle letture ottenibili con il TOUR V2 è di +/- 90 cm (1 yard) nella maggior parte delle condizioni. La portata massima dello strumento dipende dal grado di riflettività del bersaglio. La distanza massima per la maggior parte degli oggetti è di 549 metri / 600 yarde, mentre per oggetti ad alta riflettività è di 914 metri / 1000 yarde. Nota: sarà possibile ottenere sia la distanza massima che quella minima, a seconda delle proprietà riflettenti del bersaglio particolare e delle condizioni ambientali presenti nel momento in cui viene misurata la distanza di un oggetto.

Il colore, la finitura superficiale, la dimensione e la forma del bersaglio influiscono sul potere riflettente e sulla distanza. Quanto più brillante è il colore, tanto maggiore sarà la distanza di mira possibile. Per esempio, il rosso è altamente riflettente e consente distanze di mira più lunghe del nero, che è il colore meno riflettente. Una finitura lucida consente una mira maggiore di una finitura opaca. Un bersaglio piccolo è più difficile da puntare di un bersaglio più grande. Anche l'angolazione rispetto al bersaglio influisce sul potere riflettente e sulla distanza. Mirare ad un bersaglio ad un'angolazione di 90 gradi (dove la superficie del bersaglio è perpendicolare al percorso di volo degli impulsi di energia emessi), offre un buon campo di mira, mentre un'angolazione molto stretta permette un campo di mira limitato. Inoltre, le condizioni di luce (per esempio, la quantità di luce solare) influiscono sulle capacità di mira dell'unità. Quanto minore sarà l'entità della luce disponibile (per esempio, con un cielo molto nuvoloso), tanto maggiore sarà la capacità di mira massima dell'unità. Analogamente, giornate molto soleggiate riducono la capacità di mira massima dell'unità.

PER INIZIARE INSERIMENTO DELLA PILA

Con una moneta rimuovere il coperchio della pila ruotandolo in senso antiorario e inserire una pila al litio da 3 volt nel vano, inserendo per primo il polo positivo, quindi rimettere a posto il coperchio della pila.

NOTA: Si raccomanda di sostituire la pila almeno ogni 12 mesi. Indicatore di bassa carica della pila: Se appaiono le lettere " 108 " significa che la carica della pila è bassa ed è necessario sostituire la pila alcalina da 3 volt.



REGOLAZIONE DELL'OCULARE

Il TOUR V2 è dotato di un oculare regolabile (+/- 2 diottrie) che permette di mettere a fuoco il display LCD relativamente all'immagine. È sufficiente ruotare l'oculare fino a quando il reticolo e l'oggetto lontano sono a fuoco.

MODALITÀ D'USO

Mentre si osserva attraverso l'oculare da 5x, premere una volta il pulsante dell'alimentazione per accendere il display a cristalli liquidi. Puntare il cerchio di mira (situato al centro del campo visivo) verso un oggetto lontano almeno 5 metri, quindi premere e mantenere premuto il pulsante dell'alimentazione finché quasi in fondo al display non si visualizza la distanza misurata. I crocicchi intorno al reticolo circolare indicano che la trasmissione del laser è in corso. Una volta acquisita la distanza, rilasciare il pulsante dell'alimentazione. Dopo aver rilasciato il pulsante, i crocicchi spariscono (cioè, il laser non viene più trasmesso). Nota: Una volta attivato, l'LCD rimane attivo e visualizza per 30 secondi l'ultima distanza misurata. Per calcolare la distanza di un altro bersaglio, premere di nuovo in qualsiasi momento il pulsante dell'alimentazione. Alla pari di un altro dispositivo laser qualsiasi, si raccomanda di non guardare direttamente le emissioni per lunghi periodi di tempo usando lenti d'ingrandimento. La durata massima di trasmissione (lancio) del laser è 10 secondi. Per lanciare di nuovo il laser, premere di nuovo il pulsante.

INDICATORI SUL DISPLAY A CRISTALLI LIQUIDI (LCD)

Il display di TOUR V2 presenta indicatori illuminati che mostrano l'unità di misura, quando il laser sta lanciando, quando un bersaglio viene acquisito e le modalità di acquisizione del bersaglio. Queste caratteristiche sono descritte qui sotto:

OPZIONI PER LE UNITÀ DI MISURA

Il TOUR V2 può visualizzare le distanze misurate in yard o metri. Gli indicatori dell'unità di misura sono situati sulla parte inferiore destra del display. Per selezionare yard o metri, premere e rilasciare il pulsante POWER per accendere il display (posto sulla parte superiore del telemetro), osservare attraverso l'oculare, premere il pulsante "MODE" (a sinistra sull'unità) e mantenerlo premuto per circa 5 secondi. In alto sul display apparirà la parola "SETUP" e l'unità di misura corrente, "Y" per yard o "M" per metri, lampeggerà nell'LCD e l'icona di SETUP continuerà ad essere visualizzata. Premere il pulsante MODE per alternare l'unità di misura.

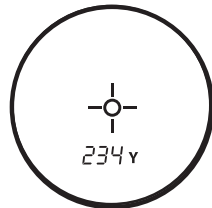
Quando viene visualizzata l'unità di misura desiderata, premere il pulsante POWER per accettarla e tornare al normale menu operativo. Ogni volta che l'unità viene accesa, TOUR V2 tornerà all'ultima impostazione dell'unità di misura usata.

LASER ATTIVO I crocicchi intorno al reticolo circolare indicano che la trasmissione del laser è in corso. Una volta acquisita la distanza, rilasciare il pulsante dell'alimentazione. Dopo aver rilasciato il pulsante, i crocicchi spariscono (cioè, il laser non viene più trasmesso).

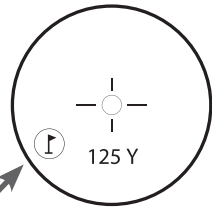
MODALITÀ SELECTIVE TARGETING™

Il TOUR V2 è stato concepito espressamente per i giocatori di golf. Le modalità selettive di puntamento consentono di regolare i parametri del telemetro in base alle condizioni e all'ambiente. Per passare da una modalità all'altra, premere una volta il pulsante POWER per accendere il telemetro. Mentre si osserva attraverso l'oculare, premere e rilasciare rapidamente il pulsante MODE. Le varie modalità selettive di puntamento e i corrispondenti indicatori sono descritti qui sotto:

Standard con funzione Automatic SCAN (indicatore sull'LCD – nessuno)) Questa impostazione permette di calcolare la distanza di oggetti fino a 914 metri. È utile per oggetti con riflettività moderata, tipici nella maggior parte delle situazioni. La distanza minima in questa modalità è di 4,5 metri. Per utilizzare la funzione Automatic SCAN, tenere premuto il pulsante POWER per circa 3 secondi, e spostare il telemetro da oggetto ad oggetto tenendo sempre premuto il pulsante POWER. Automatic SCAN aggiorna continuamente la distanza man mano che si acquisisce un bersaglio dopo l'altro.



PinSeeker (Indicatore sul display - I) Avete mai avuto problemi nel calcolare la distanza alla bandierina? Questa modalità avanzata permette di ottenere facilmente la distanza solo alla bandierina, e non ad altri eventuali obiettivi sullo sfondo (per esempio, alberi) che hanno segnali più potenti.



In questa modalità, premere il pulsante POWER per accendere il telemetro. Allineare quindi il reticolo del mirino sulla bandiera alla quale si desidera calcolare la distanza. Premere e tenere premuto il pulsante POWER e spostare lentamente il laser sulla bandierina o sull'oggetto desiderato fino a quando un cerchio circonda l'indicatore della bandierina. Se il fascio laser riconosce più di un oggetto (per esempio, la bandierina e gli alberi retrostanti), verrà visualizzata la distanza alla bandierina, ed un cerchietto circonda l'indicatore di PinSeeker segnalando all'utente che la distanza alla bandierina (cioè, l'oggetto più vicino) è visualizzata sul display (come mostrato qui sotto). Può accadere che il fascio laser veda solo un oggetto nella sua traiettoria. In questo caso, la distanza verrà visualizzata, ma, poiché è stato acquisito solo un oggetto, il cerchio non circonda l'indicatore della bandierina.

CARATTERISTICHE COSTRUTTIVE DELL'OTTICA

Ingrandimento e trattamento

Il TOUR V2 è dotato di ingrandimento 5X e lenti con trattamento multistrato. Sul sistema ottico è montato un display a cristalli liquidi che, quando è acceso, visualizza un reticolo per l'inquadratura del bersaglio in yard o in metri, e gli indicatori delle modalità. I piccoli punti neri che compaiono nel sistema ottico sono intrinseci al processo di fabbricazione. Costituiscono una caratteristica naturale del display e non possono essere eliminati completamente durante la produzione. I punti neri non influiscono sulle prestazioni del telemetro.

SOSTEGNO PER TREPPIEDE

Nella parte inferiore del TOUR V2 è integrato un sostegno filettato, che consente di fissare un treppiede per ottenere una maggiore stabilità del telemetro durante lunghi periodi d'uso.

DATI TECNICI:

Dimensioni: 4 x 7 x 11 cm

Peso: 187 gr.

Precisione della lettura della distanza: +/- 1 yarda (90 cm)

Portata: 5-1000 Yarde/ 5-914 Metri

Ingrandimento: 5x

Diametro dell'obiettivo: 24 mm

Tattamento delle lenti: multistrato

Display LCD

Alimentazione: pila al litio da 3 volt (inclusa)

Campo visivo: 112 metri a 900 metri

Grandissima estrazione pupillare: 21 mm

Pupilla di uscita: 4,8 mm

Sostegno integrato per treppiede

Incluse: pila, custodia e tracolla

PULIZIA

Soffiare delicatamente per rimuovere polvere e detriti dalle lenti (oppure usare uno spazzolino morbido per lenti). Per rimuovere sporco o ditate, pulire con un panno morbido di cotone strofinando con un movimento circolare. Lo strofinamento inutile o l'uso di un panno ruvido possono graffiare la superficie delle lenti e causare un danno permanente. Per una pulizia più a fondo, usare un panno per lenti fotografiche e liquido detergente speciale per lenti fotografiche oppure alcool isopropilico. Applicare sempre il liquido sul panno di pulizia, mai direttamente sulle lenti.

GARANZIA LIMITATA PER DUE ANNI

Si garantisce che questo prodotto Bushnell® sarà esente da difetti di materiale e fabbricazione per due anni a decorrere dalla data di acquisto. In caso di difetto durante il periodo di garanzia, a nostra discrezione ripareremo o sostituiremo il prodotto purché sia restituito franco destinatario. Sono esclusi dalla garanzia eventuali danni causati da abuso, maneggiamento improprio, installazione o manutenzione eseguiti da persone non autorizzate dal servizio di assistenza Bushnell.

A un prodotto restituito e coperto da questa garanzia occorre allegare quanto segue.

- 1) Assegno/ordine di pagamento per l'importo di 10 \$US per coprire i costi di spedizione.
- 2) Nome e indirizzo da utilizzare per la restituzione del prodotto.
- 3) Una spiegazione del difetto.
- 4) Scontrino riportante la data di acquisto.
- 5) Il prodotto deve essere imballato in una scatola robusta, per prevenire danni durante il trasporto, e va spedito franco destinatario a uno dei seguenti indirizzi.

Recapito negli Stati Uniti:

Bushnell Outdoor Products
Attn.: Repairs
8500 Marshall Drive
Lenexa, Kansas 66214

Recapito in Canada:

Bushnell Outdoor Products
Attn.: Repairs
25A East Pearce Street, Unit 1
Richmond Hill, Ontario L4B 2M9

Per prodotti acquistati fuori degli Stati Uniti o del Canada, rivolgersi al rivenditore per le clausole pertinenti della garanzia. In Europa si può anche contattare la Bushnell a questo numero:

BUSHNELL Outdoor Products GmbH
European Service Centre
MORSESTRASSE 4
D- 50769 - Cologne
Germania
Tél: +49 (0) 221 709 939 3
Fax: +49 (0) 221 709 939 8

Questa garanzia dà specifici diritti legali.
Eventuali altri diritti variano da una nazione all'altra.

©2007 Bushnell Outdoor Products

GUIDA ALLA SOLUZIONE DEI PROBLEMI

Se l'unità non si accende – il LED non si illumina:

- Premere il pulsante POWER.
- Se il telemetro non risponde alla pressione di un tasto, sostituire la pila con una pila alcalina da 3 volt di buona qualità.

Se l'unità si spegne (il display si spegne al momento di alimentare il laser):

- La pila è quasi scarica o di qualità scadente. Sostituire la pila con una pila al litio da 3 volt di buona qualità.

Se non si riesce a misurare la distanza dal bersaglio:

- Accertarsi che l'LCD sia illuminato.
- Accertarsi che il pulsante dell'alimentazione sia premuto.
- Accertarsi che niente, per esempio la mano o il dito, blocchi le lenti dell'obiettivo (quelle più vicine al bersaglio) che emettono e ricevono gli impulsi laser.
- Accertarsi che l'unità rimanga ferma mentre si preme il pulsante dell'alimentazione.

NOTA: Non è necessario cancellare l'ultima misura della distanza prima di calcolare la distanza di un nuovo bersaglio. Basta mirare al nuovo bersaglio usando il reticolo dell'LCD, premere il pulsante dell'alimentazione e tenerlo premuto fino a quando appare la misura della nuova distanza.

I dati tecnici, le istruzioni e il funzionamento di questi prodotti possono cambiare senza preavviso.

NOTA FCC

Questo apparecchio è stato testato e riscontrato conforme ai limiti stabiliti per gli apparati digitali di classe B, ai sensi della Parte 15 delle normative FCC. Tali limiti sono stati fissati per fornire una protezione ragionevole contro le interferenze dannose nelle installazioni residenziali. Questo apparecchio genera, utilizza e può irradiare energia a radiofrequenza e, pertanto, se non viene installato e utilizzato in conformità alle istruzioni fornite potrebbe interferire con le comunicazioni radio. Non è comunque possibile garantire l'assenza delle interferenze in ogni installazione. Se l'apparecchio interferisce con la ricezione radiotelevisiva, verificabile spegnendolo e riaccendendolo, si consiglia di eliminare l'interferenza in uno dei seguenti modi:

Riorientando o riposizionando l'antenna ricevente.

Aumentando la distanza dall'apparecchio al ricevitore.

Inserendo la spina dell'apparecchio nella presa di un circuito diverso da quello in cui è inserito il ricevitore.

Rivolgersi, se necessario, al concessionario o ad un tecnico competente.

Utilizzare il cavo interfaccia schermato per soddisfare i limiti dei dispositivi digitali definiti nel sottoparagrafo B della Parte 15 delle normative FCC.

Le specifiche e le caratteristiche di progettazione possono cambiare senza preavviso o alcun obbligo a carico del produttore.





Bushnell[®]

L A S E R R A N G E F I N D E R S

TOUR V₂

SAIBA QUAL É A DISTÂNCIA À BANDEIRA TODAS AS VEZES!

Parabéns pela aquisição de seu Bushnell® TOUR V2™ com a tecnologia PinSeeker™. O TOUR V2 1500 é um telêmetro a laser de grande precisão, projetado para oferecer muitos anos de satisfação. Este livreto, que explica os ajustes, recursos e como cuidar desse instrumento, lhe ajudará a obter ótimos resultados com esse instrumento óptico e preciso. Para garantir o melhor desempenho e duração, leia essas instruções antes de usar seu TOUR V2.

INTRODUÇÃO

Seu Bushnell® TOUR V2 é um telêmetro a laser superior e avançado, incluindo Tecnologia Digital e capacidade de fazer leituras na faixa de 5-1000 jardas / 5-914 metros. De pequenas dimensões – 4,1 x 7,1 x 10, 9 cm (1,6 x 2,8 x 4,3 polegadas) - e pesando apenas 187 gramas (6,6 onças) , ele oferece extraordinário desempenho e precisão de alcance: +/- 1 jarda (0,91 m). O TOUR V2 apresenta os recursos de Selective Targeting™ Modes (modos seletivos de miras), ampliação 5x e óptica multirrevestida para excelente transmissão da luz, nitidez e brilho.

COMO FUNCIONA NOSSA TECNOLOGIA DIGITAL

O TOUR V2 emite pulsos de energia infravermelho, invisíveis e seguros para os olhos. Seu microprocessador digital avançado e o chip ASIC (Application-Specific Integrated Circuit – Circuito Integrado de Aplicação Específica) proporcionam leituras instantâneas e precisas, todas as vezes. A sofisticada tecnologia digital calcula instantaneamente as distâncias, medindo o tempo que leva para cada pulso se deslocar do telêmetro ao alvo e de volta.

PRECISÃO DE MEDIDAS

Na maioria dos casos, a precisão da leitura do TOUR V2 é de mais ou menos uma jarda/ um metro. O alcance máximo do instrumento depende da refletividade do alvo. A distância máxima para a maioria dos objetos é de 549 metros / 600 jardas, podendo chegar a 915 metros / 1000 jardas para objetos altamente refletivos. Observação: as distâncias obtidas podem ser maiores ou menores, dependendo das propriedades refletivas do alvo em questão e das condições ambientais no momento em que a distância ao objeto é medida.

A cor, o acabamento da superfície, o tamanho e a forma do alvo: todos esses fatores afetam a refletividade e a distância que pode ser medida. Quanto mais brilhante a cor, maior o alcance (distância que pode ser medida). O vermelho, por exemplo, é altamente refletivo e permite medir maiores distâncias do que o preto, a cor menos refletiva. Um acabamento brilhoso proporciona maior alcance do que um fosco. Alvos pequenos são mais difíceis de medir do que alvos grandes. O ângulo ao alvo também afeta a medida. Apontar para um alvo num ângulo de 90 graus (quando a superfície do alvo é perpendicular à trajetória percorrida pelos pulsos de energia emitidos) proporcionará maior leitura da distância, ao passo que um ângulo acentuado limitará essa distância. Além disso, as condições de iluminação (como a quantidade de luz do sol, por exemplo) afetarão as capacidades de medição de distância da unidade: quanto menos luz (como em dias encobertos), maior a distância que a unidade será capaz de medir. Por outro lado, em dias muito ensolarados, ela será reduzida.

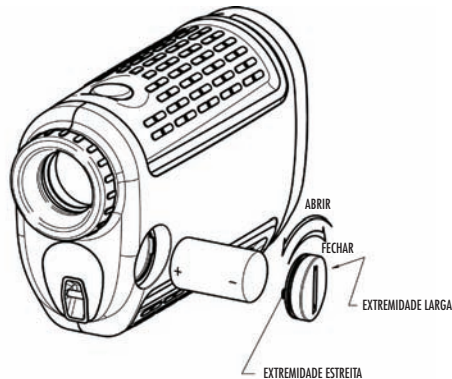
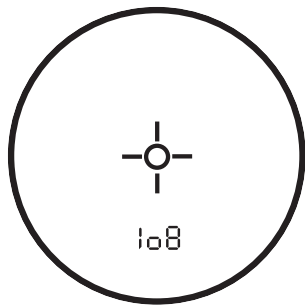
COMO COMEÇAR

INSERÇÃO DA PILHA

Retire a tampa da pilha com uma moeda, girando-a no sentido anti-horário e insira uma pilha de lítio de 3 volts, primeiro com a extremidade positiva, no compartimento. Em seguida, recoloque a tampa.

OBSERVAÇÃO: recomenda-se trocar a pilha pelo menos uma vez a cada 12 meses.

Indicador de baixa carga da pilha: Se " 108 " aparecer no visor, significa "baixa carga da pilha" ou que a carga está ficando fraca e que a pilha de lítio de 3 volts precisa ser trocada.



AJUSTE DA OCULAR

O TOUR V2 é construído com uma ocular ajustável (ajuste de dioptria +/- 2) permitindo focar o display LCD em relação à imagem. Basta girar a ocular até que o retículo e o objeto cuja distância está sendo medida estejam em foco para o seu olho.

RESUMO OPERACIONAL

Olhando pela ocular de 5x, aperte o botão power (liga/desliga) uma vez para ativar o sistema do display de cristal líquido (LCD). Posicione o círculo de pontaria (localizado no centro do campo de visão) em um alvo que esteja a pelo menos 4,5 m (5 jardas) de distância. Pressione e mantenha o botão liga/desliga pressionado até a leitura de distância ser exibida próxima da parte inferior do display de observação. Os fios cruzados em torno do retículo circular indicam a transmissão de laser. Pode-se soltar o botão liga/desliga depois de obtida a leitura de distância. Os fios em torno do círculo circular desaparecem depois de o botão liga/desliga ser solto (ou seja, o laser deixa de ser transmitido). Observação: uma vez acionado, o LCD permanecerá ativo e exibirá a medida da última distância realizada por 30 segundos. Aperte o botão liga/desliga a qualquer momento que desejar medir a distância a um novo alvo. Assim como com qualquer outro dispositivo laser, não se recomenda observar diretamente as emissões por longos períodos com lentes de aumento. O tempo máximo de transmissão do laser é de 10 segundos. Para dispará-lo outra vez, pressione novamente o botão.

INDICADORES DO DISPLAY DE CRISTAL LÍQUIDO (LCD)

O LCD do TOUR V2 inclui indicadores iluminados que informam a unidade da medida, quando o laser está disparando ativamente, quando alcançou o alvo e os modos de obtenção da mira. Um resumo desses recursos é apresentado abaixo:

OPÇÕES DA UNIDADE DE MEDIDA

O TOUR V2 pode ser usado para medir distâncias em jardas ou em metros. Os indicadores da unidade de medida ficam localizados na área inferior direita do LCD. Para selecionar entre jardas e metros, pressione e solte o botão POWER na parte superior da unidade para ligá-la, olhe pela ocular, pressione o botão "MODE" (no lado esquerdo da unidade) e mantenha-o pressionado por aproximadamente 5 segundos. A palavra "SETUP"(CONFIGURAÇÃO) aparecerá na parte superior do display LCD e a unidade de medida atual, "Y" correspondente a jardas ou "M" a metros, piscará no LCD e o ícone SETUP continuará aparecendo. Pressionar o botão MODE alternará entre as unidades de medida.

Quando a unidade de medida de sua preferência aparecer, pressione o botão POWER para aceitá-la e retornar ao menu de operação normal. O TOUR V2 retornará à última unidade de medida configurada toda vez que a unidade for ligada.

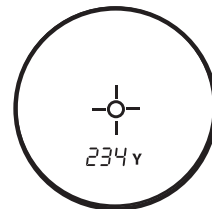
LASER ATIVO


Os fios cruzados em torno do retículo circular indicam a transmissão de laser. Pode-se soltar o botão liga/desliga depois de obtida a leitura de distância. Os fios vão desaparecer depois que o botão liga/desliga for solto (ou seja, o laser não está mais sendo transmitindo).

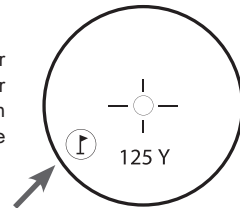
MODOS SELECTIVE TARGETING™

O TOUR V2 foi projetado com os jogadores de golfe em mente. Os modos seletivos de obtenção da mira permitem ajustar os parâmetros de desempenho da unidade para que melhor se adaptem à situação e ambiente específicos. Para passar de um modo a outro, pressione uma vez o botão POWER (LIGA/DESLIGA) para ligar a unidade. Olhando pela ocular, pressione o botão MODE e solte-o rapidamente. Os diferentes modos de obtenção da mira disponíveis e os indicadores correspondentes estão relacionados abaixo:

Padrão com SCAN automático (sem indicador de LCD) Esta configuração permite medir obter a distância da maioria dos objetos localizados até 914 metros (1000 jardas). Usado para alvos moderadamente refletivos, típicos na grande maioria das situações de medidas da distância. A distância mínima no modo padrão é de 4,5 metros (5 jardas). Para usar o recurso de scan automático, basta pressionar o botão POWER por aproximadamente 3 segundos e movimentar o telêmetro de objeto a objeto mantendo esse botão pressionado. O SCAN automático permite fazer medidas contínuas da distância à medida que se aponta para objetos diversos.



PinSeeker (Indicador no LCD - ) Você tem problemas para saber qual a distância até a bandeira? Esse modo avançado permite adquirir essa distância com facilidade sem que, inadvertidamente, se obtenham distâncias de objetos no plano de fundo (como por exemplo árvores) que possuam sinais de maior intensidade.



Nesse modo, pressione o botão POWER para ligar a unidade. Em seguida, alinhe o retículo do círculo de pontaria com a bandeira cuja distância você deseja medir. Depois disso, pressione e mantenha o botão POWER pressionado e mova o laser lentamente sobre a bandeira ou o objeto desejado até um círculo contornar o indicador da bandeira. Se o feixe de laser reconhecer mais de um objeto (como por exemplo a bandeira e árvores ao fundo), será exibida a distância da bandeira e um círculo ficará em volta do indicador, informando ao usuário que a distância até a bandeira (ou seja, o objeto mais próximo) está sendo exibida no LCD (como indicado abaixo). Há situações em que o feixe de laser identifica apenas um objeto em sua trajetória. Nesse caso a distância será exibida, porém, como não foi obtida a distância de mais de um objeto, o círculo não ficará em volta do indicador da bandeira.

DICA: ao pressionar o botão POWER pode-se movimentar lentamente o dispositivo de um objeto a outro e, intencionalmente, forçar o laser a atingir vários objetos, assegurando que apenas aquele mais próximo seja reconhecido por ele.

DESIGN ÓPTICO

Ampliação e revestimentos

O TOUR V2 possui ampliação de 5X e óptica multirrevestida. Um display de cristal líquido (LCD) é montado no interior do sistema óptico e, quando ativado, exibe um retículo para obtenção da mira, distância da medida em jardas / metros e indicadores de modos. No sistema óptico, aparecem pequenas manchas pretas, inerentes ao processo de fabricação. Essas manchas são uma característica natural do LCD e não podem ser totalmente eliminadas. Elas não afetam o desempenho de medição da distância da unidade.

MONTAGEM EM TRIPÉ

Moldada na parte inferior do TOUR V2 há um suporte rosqueado que permite a conexão de um tripé, proporcionando uma operação mais estável durante longos períodos de uso.

ESPECIFICAÇÕES:

Dimensões: 10,9 x 7,1 x 4,1 cm (4,3 x 2,8 x 1,6 polegadas)

Peso: 187 gramas (6,6 onças)

Precisão da leitura de distância: +/- 1 jarda (0,91 m)

Alcance: 5-1000 jardas/ 5-914 metros

Ampliação: 5x

Diâmetro da lente objetiva: 24 mm

Revestimentos ópticos: Multirrevestido

Display: LCD

Fonte de alimentação: pilha de lítio de 3 volts (incluída)

Campo de visão: 367 pés a 1000 jardas

Distância olho-ocular extra longa: 21 mm

Saída pupilar: 4,8 mm

Suporte interno para tripé

Inclui pilha, estojo para transporte e alça

LIMPEZA

Sobre levemente toda a sujeira ou detritos nas lentes (ou use uma escova macia para lentes). Para retirar a sujeira ou marcas deixadas pelos dedos, limpe com tecido de algodão macio, usando movimentos circulares. A utilização de um pano áspero ou o atrito desnecessário poderá arranhar a superfície da lente e causar danos irreversíveis. Para uma limpeza mais completa, pode-se usar um lenço especial para lentes com fluido de limpeza "tipo fotográfico" ou com álcool isopropílico. Coloque sempre o fluido sobre o pano de limpeza, nunca diretamente sobre a lente.

GARANTIA LIMITADA DE DOIS ANOS

Garantimos que seu produto Bushnell® estará isento de defeitos materiais e de fabricação, por dois anos após a data de aquisição. Caso tenha algum um defeito sob esta garantia, iremos a nossa opção, consertar ou trocar este produto desde que o produto seja devolvido com porte pago. Esta garantia não abrange danos causados por uso indevido, operação, instalação, ou manutenção incorretas efetuadas a não ser que seja do Departamento do Serviço de Manutenção Autorizada da Bushnell.

Qualquer devolução efetuada sob esta garantia deve incluir os itens relacionados a seguir:

- 1) Um cheque/ordem de pagamento no montante de \$10,00 para cobrir as despesas de porte e gastos administrativos
- 2) Nome e endereço para a devolução do produto
- 3) Uma explicação do defeito
- 4) Comprovante da Data de Aquisição
- 5) O produto deve ser cuidadosamente embalado, numa caixa de papelão resistente para prevenir danos enquanto em trânsito e enviado para os endereços indicados a seguir com porte de devolução pago:

NOS EUA REMETER PARA:

Bushnell Outdoor Products
Attn.: Repairs
8500 Marshall Drive
Lenexa, Kansas 66214

NO CANADÁ REMETER PARA:

Bushnell Outdoor Products
Attn.: Repairs
25A East Pearce Street, Unit 1
Richmond Hill, Ontario L4B 2M9

Para produtos adquiridos fora dos Estados Unidos ou do Canadá favor contatar seu revendedor local quanto a informações aplicáveis referentes a sua garantia. A Bushnell também pode ser contatada na Europa pelo telefone:

BUSHNELL Outdoor Products Gmbh
European Service Centre
MORSESTRASSE 4
D- 50769 KÖLN
Alemanha
Tél: +49 (0) 221 709 939 3
Fax: +49 (0) 221 709 939 8

Esta garantia lhe dá direitos legais específicos.
Poderá ter outros direitos que podem variar de país para país.
©2007 Bushnell Outdoor Products

TABELA DE IDENTIFICAÇÃO E SOLUÇÃO DE PROBLEMAS

A unidade não liga – o LCD não acende:

- Pressione o botão POWER.
- Se a unidade não reagir quando a tecla for pressionada, troque a pilha por uma outra pilha de lítio de 3 volts de boa qualidade.

Se faltar energia (o display fica totalmente em branco ao tentar energizar o laser):

- A pilha está fraca ou é de baixa qualidade. Troque a pilha por uma pilha de lítio de 3 volts de boa qualidade.

Se a leitura da distância do alvo não puder ser obtida:

- Certifique-se de que o LCD esteja iluminado.
- Verifique se o botão de força está pressionado.
- Certifique-se de que nada, como sua mão ou dedo, esteja bloqueando as lentes objetivas (lentes mais próximas do alvo) que emitem e recebem os pulsos de laser.
- Certifique-se de manter a unidade estável ao pressionar o botão de força.

OBSERVAÇÃO: A última leitura de distância não necessita ser removida antes de se passar para um novo alvo. Basta mirar no novo alvo usando o retículo do LCD, apertar o botão liga/desliga e mantê-lo pressionado até a nova distância ser exibida.

As especificações, instruções e operação desses produtos estão sujeitas a alterações sem aviso prévio.

NOTA DA FCC

Este equipamento foi testado e verificou-se que cumpre com os limites para um dispositivo digital Classe B, de acordo com a Parte 15 das regras da FCC. Esses limites são estabelecidos para oferecer proteções adequadas contra a interferência prejudicial em uma instalação residencial. Este equipamento gera, usa e pode irradiar energia de radiofrequência e, se não for instalado e usado de acordo com as instruções, poderá causar interferência prejudicial nas radiocomunicações. Entretanto, não há garantia de que não ocorrerão casos de interferência em determinadas instalações. Se este equipamento causar interferência prejudicial na recepção de rádio ou televisão (a qual poderá ser determinada ligando-se e desligando-se o equipamento), tente corrigir o problema adotando uma ou mais das medidas seguintes:

- Reoriente ou mude o lugar da antena receptora.
- Aumente a distância entre o equipamento e receptor.
- Conecte o equipamento em uma tomada que faça parte de um circuito diferente daquele onde o receptor se encontra conectado.
- Consulte um representante ou um técnico experiente em rádio/televisão para auxílio.

O cabo de interferência blindado deve ser usado com o equipamento para cumprir os limites de dispositivo digital segundo a Sub-parte B da Parte 15 das Regras da FCC. Projetos e especificações estão sujeitos a mudanças sem aviso prévio ou obrigação por parte do fabricante.



Bushnell®

L A S E R R A N G E F I N D E R S

www.bushnellgolf.com

9200 Cody, Overland Park, KS 66214

4 rue Diderot, Suresnes, France 92150

©2007 Bushnell Outdoor Products

Bushnell,™, ®, denotes trademark of Bushnell Outdoor Products

Literature #: 98-1026/10-07