

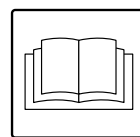
S2

S3

INSTRUCTIONS MANUAL **US**

MANUEL D'INSTRUCTIONS **F**

MANUAL DE INSTRUCCIONES **E**



C344-US-F-E

03/2010

Table of contents

Instructions for use	2
Operator safety	2
Operator Safety	2
General information for using the vacuum cleaner	2
Proper uses	2
Improper Use	3
CE Declaration of conformity	3
General recommendations	3
Vacuum cleaner description	4
Vacuum Cleaner Parts and Labels	4
Optional kits	4
Accessories	4
Packing and unpacking	4
Unpacking, moving, use and storage	4
Connecting to the power supply	5
Extensions	5
Wet and dry applications	5
Maintenance and repairs	5
Technical Specifications	6
Controls and indicators	7
Inspections prior to starting	7
Starting and stopping	7
Vacuum cleaner operation	7
Primary filter shaker	8
Emergency stopping	8
Emptying the dust container	8
Plastic bag	8
How to change the bag	9
Liquids vacuuming	9
At the end of a cleaning session	9
Maintenance, cleaning and decontamination	10
Primary and HEPA filter disassembly and replacement	10
Primary filter replacement	11
HEPA filter replacement	12
Seal inspection	12
Disposing of the vacuum cleaner	12
Recommended spare parts	13
Troubleshooting	14

US

Instructions for use

READ ALL THE OPERATING INSTRUCTIONS BEFORE USING THIS APPLIANCE.

Comply with the important safety recommendations identified by the word **WARNING!**

Operator safety

Before starting the machine, it is absolutely essential to read these operating instructions and to keep them on file for consultation. The vacuum cleaner can only be used by people who are familiar with the way it works and who have been explicitly authorized and trained for the purpose. Before using the vacuum cleaner, operators must be informed, instructed and trained on how to work it and for which substances its usage is permitted including the safe method for removing and disposing of the vacuumed material.

IMPORTANT SAFETY INSTRUCTIONS

Operator Safety

To reduce the risk of fire, electric shock, or injury:

- Do not leave appliance when plugged in. Unplug from outlet when not in use and before servicing.
- To reduce the risk of electrical shock, do not use outdoors or on wet surfaces.
- Do not allow this appliance to be used as a toy. This machine is for adult-use only.
- Use only as described in this manual. Use only the manufacturer's recommended attachments.
- Do not use with damaged cord or plug. If appliance is not working as it should, has been dropped, damaged, left outdoors or dropped into water, return it to a service center.
- Do not pull or carry by the cord, use cord as a handle, close a door on cord, or pull cord around sharp edges or corners. Do not run the appliance over the cord. Keep cord away from heated surfaces.
- Do not unplug by pulling on cord. To unplug, grasp the plug, not the cord.
- Do not handle plug, cord or appliance with wet hands.
- Do not put any object into the openings. Do not use with any opening blocked; keep free from dust, lint, hair, and anything that may reduce airflow.
- Keep hair, loose clothing, fingers, and all parts of the body away from openings and moving parts.
- Turn off all controls before unplugging.
- Use extra care when cleaning stairs.
- Do not use to pick up flammable or combustible liquids such as gasoline or use in areas where they may be present.
- Do not pick up anything that is burning or smoking, such as cigarettes, matches, or hot ashes, or any hazardous dusts.
- Do not use without dust bag/or filters in place.
- Connect to a properly grounded outlet only. See grounding instructions.

US

SAVE THESE INSTRUCTIONS

GROUNDING INSTRUCTIONS

This appliance must be grounded. If it should malfunction or breakdown, grounding provides a path of least resistance for electric current to reduce the risk of electric shock. This appliance is equipped with a cord that has an equipment-grounding conductor and grounding plug. The plug must be inserted into an appropriate outlet that is properly installed and grounded in accordance with all local codes and ordinances.



WARNING!

Improper connection of the equipment-grounding conductor can result in a risk of electric shock. Check with a qualified electrician or service person if you are in the doubt as to whether the outlet is properly grounded. Do not modify the plug provided with the appliance-if it will not fit the outlet, have a proper outlet installed by a qualified electrician.

Make sure that the appliance is connected to an outlet having the same configuration as the plug. No adapter should be used with this appliance. If the appliance must be reconnected for use on a different type of electric circuit, the reconnection should be made by a qualified service personnel.

General information for using the vacuum cleaner

Use of the vacuum cleaner is governed by the laws in force in the country where it is used.

Besides the operating instructions and the laws in force in the country where the vacuum cleaner is used, the technical regulations for ensuring safe and correct operation must also be observed .

Do not carry out any operation that could jeopardize the safety of people, property and the environment.

Comply with the safety indications and prescriptions in this instruction manual.

Proper uses

This vacuum cleaner is suitable for commercial use, in hotels, schools, hospitals, factories, shops, offices and apartment hotels.

This vacuum cleaner is suitable for cleaning and vacuuming solid materials in indoor and outdoor environments.

- Always leave enough room around the vacuum cleaner to reach the controls easily.

The vacuum cleaner has been designed to be used by one operator only.

This vacuum cleaner consists of an automated vacuum unit, with a filter upstream and a container for collecting the vacuumed material.

Improper Use



WARNING!

The following use of the vacuum cleaner is strictly forbidden:

- *Outdoors in case of atmospheric precipitation.*
- *When placed on uneven surfaces.*
- *When the filtering unit is not installed.*
- *When the vacuum inlet and/or hose are placed on parts of the human body.*
- *Use without the cover on the vacuum unit.*
- *When the dust bag is not installed.*
- *Use without the guards, protective covers and safety systems installed by the manufacturer.*
- *When the cooling vents are partially or totally clogged.*
- *When the vacuum cleaner is covered with plastic or fabric sheets.*
- *Use with the air outlet partially or totally closed.*
- *When used in narrow areas where there is no fresh air.*
- *Vacuuming liquids with vacuum cleaners without liquid level monitoring function.*
- *Vacuuming the following materials:*
 1. *Burning materials (embers, hot ashes, lit cigarettes, etc.).*
 2. *Naked flames.*
 3. *Combustible gas.*
 4. *Flammable liquids, aggressive fuels (gasoline, solvents, acids, alkaline solutions, etc.).*
 5. *Explosive dust/substances and/or ones liable to ignite in a spontaneous way (such as magnesium or aluminium dusts, etc.).*

Versions

HEPA

This vacuum cleaner can be equipped with a HEPA filter for vacuuming dust hazardous to one's health. The procedures for servicing and emptying the vacuum cleaner including removing the dust container, must only be performed by specialised personnel wearing protective clothing. Do not use without the complete filter system in place.

[NOTE]

- *In the case of dust harmful to health, contact the local health and safety authorities, and observe national regulations in force both during use and disposal.*
- *Radioactive substances are not included in the definition of the type of dust harmful to health described above.*

LIQUIDS COLLECTION

This vacuum cleaner can also be produced in a version for vacuuming liquids, with level monitoring function.

CE Declaration of conformity

Every vacuum cleaner comes with a CE Declaration of conformity. See facsimile in fig. 20.

[NOTE]

The Declaration of conformity is an important document and should be kept in a safe place to be presented to the Authorities on request.

General recommendations



WARNING!

The vacuum cleaner can only be used when it is certain that active sources of ignition are not going to be vacuumed.

Do not vacuum the following materials: burning materials (hot ashes, lighted cigarettes, etc.), flammable liquids, aggressive fuels (e.g. gasoline, solvents, acids, alkaline solutions, etc.).

Do not vacuum the following materials: explosive dusts or ones liable to ignite spontaneously (such as magnesium or aluminium dusts, etc.).

The vacuum cleaner is not suitable for vacuuming explosive or similar substances, as established by the laws governing explosive substances, particularly: liquid fuels and mixtures of flammable dusts and liquids.



WARNING!

If an emergency situation occurs:

- *Filter breakage*
- *Fire outbreak*
- *Short-circuit*
- *Motor block*
- *Electric shock*
- *Etc.*

Turn the vacuum cleaner off, unplug it and request assistance from qualified personnel.

[NOTE]

Check the place of work and substances tolerated for the vacuum cleaner suitable for liquids.

US



WARNING!

The vacuum cleaners must not be used or stored outdoors, or in damp places.

Only versions with the level sensor can be used for liquids, if not, they can only be used to vacuum dry materials.



DANGER!

Version for liquids.

If foam or liquid leaks out of the vacuum cleaner, turn it off immediately, unplug it and contact qualified personnel for assistance.

Vacuum cleaner description

Vacuum Cleaner Parts and Labels

Figure 1

1. Model code, Technical Specifications (see table on page 6), Serial N^o., CE Mark, Year of manufacture, Nominal voltage.
2. Dust container
3. Dust container release lever
4. Inlet
7. Accessories compartment
9. Exhaust air outlet
10. Attention plate: Draws the operator's attention to the fact that the filter must only be shaken when the vacuum cleaner is turned off (see also par. "Primary filter shaker").
11. Plug for connecting the vacuum cleaner to an electrical socket.

Figure 2

This vacuum cleaner creates a strong air flow which is drawn in through the inlet (4 - Fig. 1) and blown out through the exhaust outlet (9 - Fig. 1).

Before turning on the vacuum cleaner, fit the vacuum hose into the inlet and then fit the required tool on to the end part (refer to the manufacturer's accessory catalogue or Service Centre).

The diameters of the authorized hoses are given in the technical specifications table.

The vacuum cleaner is equipped with a primary filter which enables it to be used for the majority of applications.

Besides the primary filter, which retains the most common types of dust, the vacuum cleaner can be fitted with a HEPA filter with a higher filtering capacity for fine dusts and dusts that are hazardous to health.

Optional kits

Please contact the manufacturer's sales network for information on optionals.

Instructions for installing the optionals are included in the conversion kit.



WARNING!

Use only supplied and authorized genuine spare parts.

Accessories

Various accessories are available; refer to the manufacturer's accessory catalogue.



WARNING!

Use only genuine accessories supplied and authorized by the manufacturer.

Packing and unpacking

Dispose of the packing materials in compliance with the laws in force.

Figure 3

Model	S2 (50L)	S3 (50L)	S3 (100 L)
A (in)	27.6	27.6	27.6
B (in)	33.9	33.9	33.9
C (in)	68.9	68.9	68.9
Weight with packaging (lbs.)	176	190	196

Unpacking, moving, use and storage

Operate on flat, horizontal surfaces.

The load-bearing capacity of the surface the vacuum cleaner is placed on must be suitable for bearing its weight).

Connecting to the power supply



WARNING!

- *Make sure there is no evident sign of damage to the vacuum cleaner before starting work.*
- *Before plugging the vacuum cleaner into the electrical mains, make sure that the voltage rating indicated on the data plate corresponds to that of the electrical mains.*
- *Plug the vacuum cleaner into a socket with a correctly installed ground contact/connection.*
- *Make sure that the vacuum cleaner is turned off.*
- *The plugs and connectors of the connection cables must be protected against splashed water.*
- *Make sure that connections to the electrical mains and plug are correct.*
- *Use the vacuum cleaners only when the cables that connect to the electrical mains are in perfect condition (damaged cables could lead to electric shocks!).*
- *Regularly check that the electric cable does not show signs of damage, excessive wear, cracks or ageing.*



WARNING!

- When the vacuum cleaner is operating, do not:*
- *Crush, pull, damage or tread on the cable that connects to the electrical mains.*
 - *Only disconnect the cable from the electrical mains by removing the plug (do not pull the cable).*
 - *Only replace the electric power cable with one of the same type as the original: SJT. The same rule applies if an extension is used.*
 - *The cable must be replaced by the manufacturer's Service Centre staff or by equivalent qualified personnel.*

Extensions

If an extension cable is used, make sure it is sized properly for the power requirements of the vacuum cleaner.



WARNING!

Never spray water on the vacuum cleaner: this could be dangerous for persons exposed and could short circuit the power supply.

Wet and dry applications

[NOTE]

The supplied filters and the bag (if applicable) must be installed correctly.



WARNING!

Comply with the safety regulations governing the materials for which the vacuum cleaner is used.



WARNING!

If the version for liquids is used:

- *Make sure the liquid level sensor is working correctly before vacuuming liquids.*
- *If foam forms, turn off the vacuum cleaner immediately and empty the container.*
- *Warning: Switch off the vacuum cleaner immediately if foam or liquid leaks out.*
- *Regularly clean the liquid level limiting device and check to make sure that there are no signs of damage.*
- *Warning: dirty liquid vacuumed up by the vacuum cleaner must be considered conductive.*



WARNING!

When vacuuming a mix of water and air, take care to avoid overloading the motor of the vacuum unit.

Maintenance and repairs



WARNING!

Disconnect the vacuum cleaner from its power source before cleaning, servicing, replacing parts or converting it to another version/variant, the plug must be disconnected from the socket.

- *Carry out only the maintenance operations described in this manual.*
 - *Use only original spare parts.*
 - *Do not modify the vacuum cleaner in any way.*
- Failure to comply with these instructions could jeopardize your safety. Moreover, such action would immediately make the EC declaration of conformity issued with the vacuum cleaner void.*



WARNING!

Contact manufacturer's technical service or sales network for maintenance operations not described in this manual.

US

Technical Specifications

Parameter	Units	S2N1 (50 liter)	S2N6 (50 liter)	S3N1 (50 liter)	S3N1 (100 liter)
Voltage @ 60Hz	Volts	120	120	120	120
Type of Power	No. of phases	1	1	1	1
Power, max	kW	2	1.6	2.4	2.4
Current Draw, rated	Amps	14.5	11.5	15.8	15.8
Waterlift, max	Inches H2O	83.1	71.5	71.5	71.5
Airflow, max	cfm	198	180	270	270
Filter Area, main	Sq. ft	21	21	21	21
Filter Area, optional HEPA	Sq. ft	37.7	37.7	37.7	37.7
Noise Level, @ 3' 3" (1 meter)	dB(A)	70	70	71	71
Protection Class	IP	44	44	44	44
Insulation Class	Class	F	F	F	F
Tank Capacity	Gallons/liters	13/50	13/50	13/50	26/100
Machine Inlet	Inches	3	3	3	3
Dimensions (l x w x h)	Inches	31.5 x 23.6 x 51.2	31.5 x 23.6 x 51.2	31.5 x 23.6 x 51.2	31.5 x 23.6 x 62.2
Weight	lbs.	139	139	150	157
Cord Length	ft	30	30	30	30
Filter efficiency, HEPA	MPPS tested	99.995% @ 0.18 micron	99.995% @ 0.18 micron	99.995% @ 0.18 micron	99.995% @ 0.18 micron

■ Storage conditions:

T : -10°C ÷ +40°C

Humidity: 85%

■ Operating conditions:

Maximum altitude: 800 m

(Up to 2,000 m with reduced performances)

T : -10°C ÷ +40°C

Humidity: 85%

Controls and indicators

Figure 5

2. Start/Stop indicator and button
If the indicator is lit, the motor is ON.
You can start/stop each motor with this button.
5. Stop button
This button stops all the motors simultaneously when pressed (but doesn't turn the power of the vacuum cleaner off).
6. Low compressor pressure alarm indicator (only used with automatic filter cleaning option with air compressor)
If lit, this indicates low air pressure inside air tank
7. Max. vacuumed level indicator
If lit, this indicates the maximum level of the vacuumed material has been reached in the container, if the level control for liquids or solids has been installed on machine.
8. Voltage indicator
Indicates the vacuum cleaner is energized.
9. Primary filter indicator
Green - Indicates the primary filter is functioning properly.
Red - Indicates the primary filter is blocked and needs to be cleaned.
10. HEPA filter indicator (if installed)
Red - Indicates the HEPA filter is blocked and should be replaced.
11. Manual filter shaker knob (models with manual filter shaker)

Figure 6

1. Dust Container release lever
2. Castor lever
3. Closing band lever
5. Electric power cable
6. Handle

Figure 7

1. Inlet

Inspections prior to starting

Prior to starting, check that:

- The filters are installed;
- All the levers are locked in place;
- The vacuum hose and tools have been correctly fitted to the inlet (1 - Fig.7);
- The bag is installed, if applicable.



Do not use the vacuum cleaner if the filter is faulty.

Starting and stopping

Figure 8



Lock the castor brakes (1) before starting the vacuum cleaner.

- Press button (2) to start each vacuum motor
- Press button (2) again to stop each motor or press "stop" button to stop all motors at once.

Vacuum cleaner operation



**The air speed in the suction tube should not be less than 20 m/s.
If the air speed drops below this rate, the red indicator light will illuminate on the primary filter.**

When using the vacuum cleaner, check:

- The state of the max. vacuumed material level indicator (7 - Fig. 5) if the level check is installed.
- The state of the primary filter (9 - Fig. 5) and the HEPA filter (if installed) (10 - Fig. 5).
- The state of the low compressor pressure indicator (6 - Fig. 5) (if installed).



If one of the indicators is lit, follow the instructions.

Symbol	Indicator signal	Indicator color	Vacuum cleaner state and procedure
 bar/psi	Low compressor pressure (6 - Fig. 5)	Red	Suction stopped. Check the compressor is functioning properly (if installed).
	Max. vacuumed material level (7 - Fig. 5)	Red	Suction stopped. Empty the container (See relevant paragraph).
	Primary filter (9 - Fig. 5)	Red	Suction on. Use the primary filter shaker after stopping the vacuum cleaner (on models with a manual filter shaker).
	HEPA filter (10 - Fig. 5)	Red	Suction on. Change HEPA filter (See relevant paragraph).



Consult the "Troubleshooting" chapter if faults occur.

US

Primary filter shaker

Automatic primary filter shaker

On models with an automatic primary filter shaker, the filter shaker will be automatically activated at the start and end of the operating cycle, respectively after starting the vacuum cleaner and after all the motors have stopped.

Diagram A (see bottom of page - work phase sequence).

Manual primary filter shaker

Figure 9

In relation to the quantity of material vacuumed and if indicator (9 - Fig. 5) is red, turn the vacuum cleaner off and use knob (1 - Fig. 9) of the manual filter shaker.



WARNING!

Stop the vacuum cleaner before using the filter shaker. Do not shake the filter while the vacuum cleaner is on, as this could damage the filter.

Wait before restarting the vacuum cleaner, to allow the dust to settle. Replace the filter element if the indicator remains red (9 - Fig. 5) even after the filter has been shaken (consult the "Primary filter replacement" paragraph).

Emergency stopping

Press Stop button (5 - Fig. 5). The vacuum cleaner stops.



WARNING!

The motors and internal components of the vacuum cleaner will still be electrically powered.

To start the vacuum cleaner again, press the buttons of each single motor.

Emptying the dust container



WARNING!

- **Before proceeding with these operations, turn the vacuum cleaner off and disconnect the plug from the power socket.**
- **Check the class of the vacuum cleaner.**

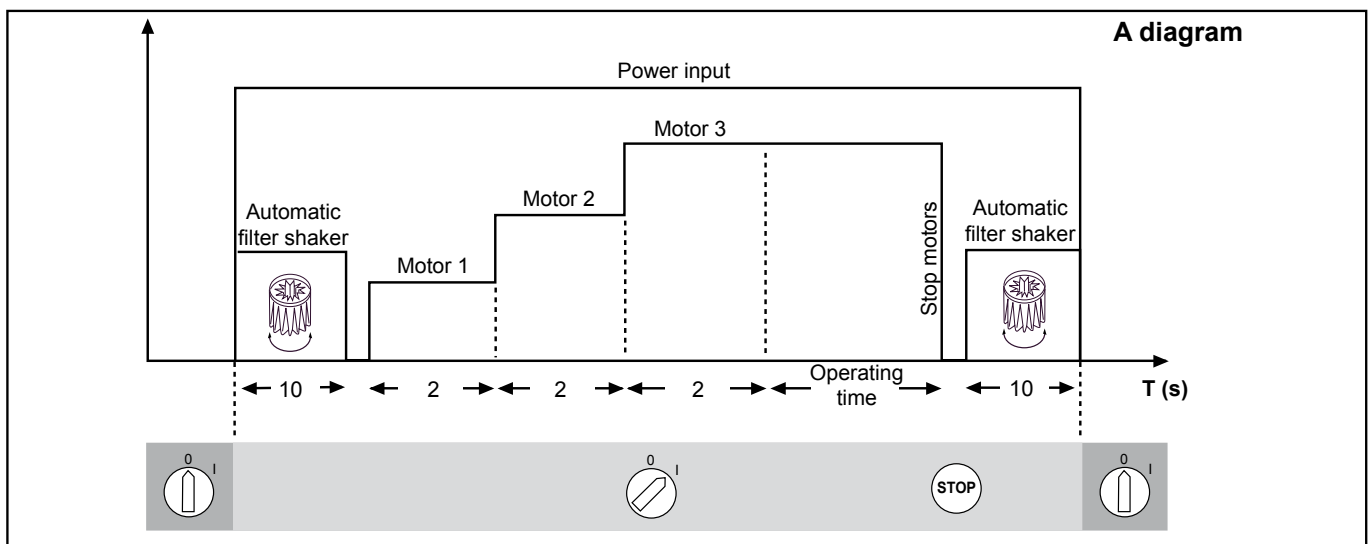
Before emptying the container it is advisable to clean the filter (see "Primary filter shaker").

- Machines without HEPA filters are not suitable for vacuuming hazardous dust
 - **Release dust container (1, Fig. 10), with lever (2), then remove and empty it.**
 - **Make sure the seal is in good condition and correctly positioned.**
 - **Place the container back in position and secure it again.**

Plastic bag

You can use the plastic bags supplied by our sales network (Fig. 10A) as an alternate collection means.

US



How to change the bag



WARNING!

- *These operations can only be carried out by trained and qualified personnel who must wear adequate clothing, in compliance with the laws in force.*
- *Take care not to raise dust during these operations. Wear a protective mask.*
- *In case of dangerous and/or toxic dust, you must use the supplied safety bag for these certified vacuum cleaners.*
- *The bag must only be disposed of by qualified personnel and in compliance with the laws in force.*

Liquids vacuuming



WARNING!

Make sure that the vacuum cleaner is equipped with a liquid level sensor and is suitable for vacuum liquids.

- The filter element will be wet after liquids have been vacuumed.
A wet filter element can quickly become clogged if the vacuum cleaner is then used to vacuum dry substances.
For this reason, make sure that the filter element is dry or replace it with another one before using the vacuum cleaner for dry materials.

At the end of a cleaning session

- Turn the vacuum cleaner off and disconnect the plug from the socket.
- Wind the connection cable up and hang it in the relevant compartment (Fig. 13).
- Empty the container as described in the "Emptying the container" paragraph.
- Clean the vacuum cleaner as described in the paragraph "Maintenance, cleaning and decontamination".
- Wash the container with clean water if aggressive substances have been vacuumed.
- Store the vacuum cleaner in a dry place, out of reach of unauthorized persons.

Maintenance, cleaning and decontamination



WARNING!

The precautions described below must be taken during all maintenance operations, including cleaning and replacing the primary and HEPA filters.



WARNING!

The maintenance, cleaning and decontamination operations must only be performed with the vacuum cleaner turned off and the plug disconnected from the power socket.

*It is absolutely forbidden to perform maintenance with the plug connected to the socket.
Danger of electric shock!*

- If the user is performing the maintenance operations, the vacuum cleaner must be disassembled, cleaned and overhauled as far as reasonably possible without hazards for the maintenance personnel or other people. The suitable precautions include decontamination before disassembling the vacuum cleaner, adequate filtered ventilation of the exhaust air from the room in which it is disassembled, cleaning the maintenance area and suitable personal protection.
- All parts of the vacuum cleaner must be considered contaminated when they are removed from the hazardous zone and appropriate actions must be taken to prevent the dispersion of dust.

When maintenance or repair procedure are carried out, all the contaminated elements that cannot be properly cleaned, must be eliminated.

These elements must be disposed of in sealed bags conform to applicable regulations and in accordance with the local laws governing the disposal of such material.

This procedure must also be followed when the filters are eliminated (primary and HEPA filters).

Compartments that are not dust-tight must be opened with suitable tools (screwdrivers, wrenches, etc.) and thoroughly cleaned.



WARNING!

This vacuum cleaner can be equipped with a HEPA filter for vacuuming dust hazardous to one's health. The procedures for servicing and emptying the vacuum cleaner including removing the dust container, must only be performed by specialised personnel wearing protective clothing. Do not use without the complete filter system in place.

Primary and HEPA filter disassembly and replacement



WARNING!

When the vacuum cleaner is used to vacuum hazardous substances, the filters become contaminated, therefore:

- *Work with care and avoid spilling the vacuumed dust and/or material;*
- *Place the disassembled and/or replaced filter in a sealed plastic bag;*
- *Close the bag hermetically;*
- *Dispose of the filter in accordance with the laws in force.*



WARNING!

*Filter replacement is a serious matter. The filter must be replaced with one of identical characteristics, filtering surface and category.
Otherwise the vacuum cleaner will not operate correctly.*

US

Primary filter replacement

Figure 14

1. Vacuuming unit
2. Locking lever
3. Filter cage
4. Primary filter
5. Filter shaker housing



Take care not to raise dust when this operation is carried out. Wear a mask and other protective clothing plus protective gloves suited to the hazardous nature of the dust collected, refer to the laws in force.

Before proceeding with these operations, turn the vacuum cleaner off and disconnect the plug from the power socket.

- Use lever (2) to release vacuum unit (1) then pull it up and out of the vacuum cleaner.
- Remove the filter cage from the vacuum cleaner.
- Remove the old filter by removing the plastic ties..
- Fit the new filter and secure it in the cage with new plastic ties.
- Dispose of the old filter according to the laws in force.

Replacing a primary filter with automatic filter shaker



Reassemble with care to avoid trapping your hands between the vacuum unit and the container.

- After replacing the filter in the cage (3), install it in the container again.
- Reassemble vacuum unit (1) making sure filter cage (3) fits into shaped housing (5) of the filter shaker.
- Turn the power switch on and the vacuum unit will self-centre automatically.
- Use locking lever (2) to lock the vacuum unit in place.

Replacing a primary filter with manual filter shaker

Figure 15

1. Manual filter shaker knob
2. Vacuuming unit
3. Locking lever
4. Filter cage
5. Filter shaker housing



Reassemble with care to avoid trapping your hands between the vacuum unit and the container.

- After having replaced and fitted the filter in the cage, insert filter shaker cage (4) in the shaped seat (5) of the filter shaker.
- Position the manual filter shaker knob (1) in the middle.
- Reassemble vacuum unit (2) complete with cage and filter, in the vacuum container.
- Check the filter shaker works properly and if necessary adjust the position of the filter cage by turning the vacuum unit.
- Use locking lever (3) to lock the vacuum unit in place.

If necessary contact the manufacturer's Service Centre.

HEPA filter replacement

Version for dust harmful for the health.



WARNING!

Take care not to raise dust when this operation is carried out. Wear a mask and other protective clothing plus protective gloves suited to the hazardous nature of the dust collected, refer to the laws in force.



WARNING!

Do not use the HEPA filter again after having removed it from the vacuum cleaner.

Figure 16

1. Vacuuming unit
2. Locking lever
4. HEPA filter lock ring
5. HEPA filter disc
6. HEPA filter



WARNING!

Reassemble with care to avoid trapping your hands between the vacuum unit and the container.

Before proceeding with these operations, turn the vacuum cleaner off and disconnect the plug from the power socket.

- Use lever (2) to release vacuum unit (1) then pull it up and out of the vacuum cleaner.
- Unscrew ring (4).
- Pull out disc (5) and HEPA filter (6).
- Place HEPA filter (6) in a plastic bag, close the bag hermetically and dispose of the filter in accordance with the laws in force.
- Insert a new filter (6) with the same filtering characteristics as the removed one.
- Lock the HEPA filter with disc (5) and tighten ring (4).
- Replace vacuum unit (1).
- Fix the vacuum unit in place with lever (2) and lock safety bolt (3) again.

Seal inspection

Hoses check

Make sure the connecting hoses (Fig. 17) are in a good condition and correctly fixed.

If the hoses are damaged, broken or have loose connections, they must be replaced.

When sticky materials are treated, check for possible clogging along the hose, in the inlet and on the baffle plate inside the filtering chamber.

Scrape inlet (2, Fig. 17) from the outside and remove the deposited waste as indicated in figure 17.

Filtering chamber seal check

If the gasket (1, Fig. 18) between the container (4) and the filtering chamber (3) fails to seal properly:

- Loosen the four screws (2) that lock the filtering chamber (3) against the vacuum cleaner structure.
- Allow the filtering chamber (3) to lower down and tighten the screws (2) once it has reached the tightness position.

If an optimal seal cannot be obtained and the gasket is torn or cracked, etc. it must be replaced.

Disposing of the vacuum cleaner

Figure 19

Dispose of the vacuum cleaner in compliance with the laws in force.

- Proper disposal (electric and electronic waste). (Applicable in the European Union and in countries providing a separate collection system)

The above symbol (Fig. 19), which is present on the product or in its documentation, indicates that the product cannot be disposed of together with other domestic waste at the end of its life cycle.

To prevent damage to the environment or health caused by improper waste disposal, please separate this product from other waste and recycle it responsibly in order to support the sustainable reutilization of material resources.

This product can not be disposed of together with other commercial waste.

Recommended spare parts

The following is a list of spare parts that should be kept ready at hand in order to speed up maintenance operations.

Refer to the manufacturer's spare parts catalogue when ordering spare parts.

Description	P/N
Primary Filter Kit	40000338 (includes filter 8 17080)
Primary Filter Seal	8-17026
Filter Chamber Gasket	40000762
Filter Clamp	8-18079
HEPA Filter	4081700936
120V, 800W motor (models S2N6 and S3N1)	40000928
120V, 1000W motor (model S2N1 only)	40000904
Replacement carbon brush for 800W and 1000W motor	40000886

Troubleshooting

Problem	Cause	Remedy
The vacuum cleaner does not start	Lack of power supply	Check for power at the socket. Check the condition of the socket and the cable. Ask for assistance to be performed by a qualified manufacturer's technician.
The vacuum cleaner motors increase in rpm	Clogged primary filter	Use the filter shaker (models with manual filter shaker). Replace it if this is not sufficient.
	Clogged vacuum hose	Check the vacuum hose and clean it.
Dust leaks from the vacuum cleaner	The filter is torn	Replace it with another of identical type.
	Inadequate filter	Replace it with another of a suitable category and check.
Noisy motors	Motor brushes (carbon) worn or broken	Remove and replace the (carbon) motor brushes.
Electrostatic shock coming from the vacuum cleaner	Non existent or insufficient grounding	Check all ground connections. In particular on the vacuum inlet fitting; replace the hose with an antistatic hose.

Index

Mode d'emploi	2
Sécurité de l'opérateur	2
Sécurité de l'opérateur	2
Informations générales sur l'utilisation de l'aspirateur.....	2
Utilisations prévues	2
Utilisations inappropriées	3
Déclaration CE de conformité	3
Recommandations générales.....	3
Description de l'aspirateur	4
Composants et étiquettes de l'aspirateur	4
Options de transformation	4
Accessoires	4
Emballage et déballage	4
Déballage, manutention, emploi et stockage	4
Branchement au réseau d'alimentation.....	5
Rallonges	5
Aspiration de substances sèches et de liquides.....	5
Entretien et réparation.....	5
Données techniques.....	6
Commandes et indicateurs.....	7
Contrôles avant la mise en marche.....	7
Mise en marche et arrêt	7
Fonctionnement de l'aspirateur	7
Secoueur filtre primaire	8
Arrêt d'urgence.....	8
Vidange de la cuve à poussière	8
Sac en plastique.....	8
Mode de remplacement des sacs	9
Aspiration de liquides	9
En fin de poste	9
Entretien, nettoyage et décontamination.....	10
Démontage et remplacement des filtres primaire et HEPA	10
Remplacement du filtre primaire	11
Remplacement du filtre HEPA.....	12
Contrôle de l'étanchéité.....	12
Mise à la ferraille de l'aspirateur.....	12
Pièces détachées conseillées	13
Recherche des pannes	14

Mode d'emploi

LIRE TOUTES LES INSTRUCTIONS D'UTILISATION AVANT D'UTILISER LA MACHINE.

Observer les avertissements importants de sécurité repérés par **ATTENTION !**

Sécurité de l'opérateur

Avant de mettre la machine en service, lire absolument les instructions d'utilisation et les garder à portée de main pour pouvoir les consulter en cas de besoin. L'utilisation de l'aspirateur est réservée exclusivement au personnel expérimenté, formé et expressément chargé du fonctionnement. Avant l'utilisation, les opérateurs doivent être instruits et formés à l'utilisation de l'aspirateur et des substances pour lesquelles il doit être utilisé, y compris la méthode sûre d'évacuation et d'élimination de la matière recueillie.

INSTRUCTIONS IMPORTANTS DE SÉCURITÉ

Sécurité de l'opérateur

Pour réduire le risque d'incendie, chocs électriques ou blessures :

- Ne pas laisser la machine sans surveillance lorsqu'elle est branchée. La débrancher lorsqu'elle n'est pas utilisée et avant toute opération d'entretien.
- Pour réduire le risque de chocs électriques, ne pas l'utiliser à l'extérieur ou sur des surfaces mouillées.
- Ne pas permettre que la machine soit utilisée comme jouet. La machine doit être utilisée exclusivement par les adultes.
- Utiliser la machine selon les indications décrites dans le présent manuel. Utiliser exclusivement les accessoires recommandés par le fabricant.
- Ne pas utiliser avec des câbles ou des fiches endommagés. Si la machine ne fonctionne pas correctement, si elle est endommagée, laissée à l'extérieur ou tombée dans l'eau, la porter auprès d'un Service après-vente agréé.
- Ne pas la tirer par le câble, ne pas utiliser le câble comme poignée, ne pas fermer de porte sur le câble et ne pas tirer le câble sur des surfaces ou coins tranchants. Ne pas démarrer la machine sur le câble. Tenir le câble loin des surfaces chaudes.
- Ne pas tirer le câble pour débrancher la machine. Pour débrancher la machine, saisir la fiche et non le câble.
- Ne pas toucher la fiche, le câble ou la machine avec les mains mouillées.
- Ne pas insérer d'objets dans les ouvertures. Ne pas utiliser si les ouvertures sont colmatées ; les garder libres de poussière, filasse, poils et tout autre corps étranger à même de réduire le flux d'air.
- Éviter que les poils, les vêtements amples, les doigts et les parties du corps soient entraînés dans les parties mobiles de la machine.
- Désactiver toutes les commandes avant de débrancher la machine de la prise de courant.
- Prêter particulièrement attention pendant le nettoyage des escaliers.
- Ne pas utiliser pour aspirer de liquides inflammables ou combustibles (par exemple, l'essence) et ne pas utiliser dans des endroits où ils pourraient être présents.
- Ne pas aspirer de matières ardentes (cigarettes, braises, cendres chaudes ou poussières dangereuses).
- Ne pas utiliser sans le sac à collecte de poussière ou le filtre.
- Brancher exclusivement à une prise électrique de terre adaptée. Lire les instructions de mise à la terre.

INSTRUCTIONS DE MISE A LA TERRE

Cet appareil doit être branché à la terre. En cas de panne, la mise à la terre fournit au courant un chemin de moindre résistance qui réduit le risque de choc électrique. Cet appareil est pourvu d'un cordon muni d'un conducteur de terre et d'une fiche avec broche de mise à la terre. La fiche doit être branchée à une prise électrique de terre correctement installée, appropriée et conforme aux normes et aux lois en vigueur.



ATTENTION !

Le branchement non correct comporte le risque de choc électrique. Demander l'intervention d'un électricien ou d'un technicien qualifié en cas de doutes concernant le branchement de la prise électrique de terre. Ne pas modifier la fiche livrée avec la machine. Si la fiche ne peut pas être branchée à la prise électrique, demander l'intervention d'un électricien qualifié pour installer une prise électrique de terre appropriée.

Vérifier que la machine soit branchée à une prise électrique ayant la même configuration de la fiche. Aucun adaptateur ne doit être utilisé avec cette machine. S'il est nécessaire de brancher à nouveau la machine à un circuit électrique différent, l'opération doit être effectuée par du personnel formé.

Informations générales sur l'utilisation de l'aspirateur

L'utilisation de l'aspirateur est soumise aux normes internationales en vigueur.

En plus des instructions du mode d'emploi et des règlements en vigueur dans le Pays où l'aspirateur est utilisé, pour la prévention des accidents il est nécessaire d'observer les règles techniques pour un travail sûr et correct.

Éviter tout travail pouvant porter atteinte à la sécurité des gens, des choses et de l'environnement.

Observer les informations et les prescriptions de sécurité contenues dans ce manuel d'instructions.

Utilisations prévues

Cet aspirateur convient pour l'emploi commercial, par exemple dans des hôtels, des écoles, des hôpitaux, des usines, des magasins, des bureaux et des résidences. Cet aspirateur convient pour les travaux de nettoyage et de collecte de matières solides en lieux couverts et à ciel ouvert.

- Prévoir toujours un espace libre autour de l'aspirateur pour permettre un accès aisé aux commandes.

La machine a été conçue pour être utilisée par un seul opérateur.

Cet aspirateur est formé d'une unité d'aspiration motorisée, précédée d'une unité filtrante et munie d'une cuve pour la collecte de la matière aspirée.

CONSERVER CES INSTRUCTIONS

Utilisations inappropriées



ATTENTION !

Sont formellement interdites :

- *L'utilisation en plein air en cas de précipitations atmosphériques.*
- *L'utilisation sur des surfaces dénivelées.*
- *L'utilisation sans l'unité filtrante prévue par le fabricant.*
- *L'utilisation avec l'embout et / ou le tuyau d'aspiration tournés vers le corps humain.*
- *L'utilisation sans couverture de l'unité d'aspiration.*
- *L'utilisation sans avoir installé la cuve de récupération.*
- *L'utilisation sans les abris, les protections et les dispositifs de sécurité installés par le fabricant.*
- *L'utilisation de l'aspirateur en occluant partiellement ou totalement les prises d'air de refroidissement des composants à l'intérieur.*
- *L'utilisation de l'aspirateur couvert par des toiles en plastique ou en tissu.*
- *L'utilisation avec les bouches d'échappement d'air complètement ou partiellement fermées.*
- *L'utilisation dans des endroits exigus, qui ne permettent pas l'échange d'air.*
- *L'aspiration de liquides sans le contrôle de niveau.*
- **Aspirer les matières suivantes :**
 1. *Matières ardentes (braises, cendres chaudes, cigarettes allumées, etc.).*
 2. *Flammes libres.*
 3. *Gaz combustibles.*
 4. *Liquides inflammables, combustibles agressifs (essence, solvants, acides, solutions alcalines, etc.).*
 5. *Poussières / substances et / ou mélanges explosifs et à allumage spontané (poussières de magnésium ou d'aluminium, etc.).*

Versions

FILTRE HEPA

Cet aspirateur peut être équipé du filtre HEPA pour l'aspiration de poussières nuisibles à la santé. Les procédures d'entretien et de vidange, y compris le retrait de la cuve à poussière, doivent être confiées exclusivement à du personnel spécialisé, qui doit porter un habillement protecteur. Ne pas mettre en marche sans le système de filtration au complet.

[REMARQUE]

- *En cas de poussières nuisibles à la santé, s'adresser aux autorités nationales préposées à la santé et la sécurité, et respecter les normatives nationales en vigueur pendant l'emploi et l'élimination.*
- *Les substances radio-actives ne font pas partie par définition du type de poussières nocives pour la santé, décrites plus haut.*

ASPIRATION DES LIQUIDES

Cet aspirateur peut aussi être produit en exécution pour aspiration de liquides avec contrôle de niveau.

Déclaration CE de conformité

Tout aspirateur est accompagné de sa Déclaration CE de conformité. Voir fac-similé fig. 20.

[REMARQUE]

La Déclaration de Conformité est un document de la plus haute importance qui doit être conservé avec le plus grand soin pour être disponible en cas de demande des Organismes de contrôle.

Recommandations générales



ATTENTION !

L'aspirateur peut être utilisé seulement lorsqu'on a vérifié que de sources actives d'allumage ne seront pas aspirées.

Ne pas aspirer les matières suivantes : matières ardentes (cendres chaudes, cigarettes allumées, etc.), liquides inflammables, combustibles agressifs (essence, solvants, acides, solutions alcalines, etc.).

Ne pas aspirer les matières suivantes : poussières explosives et à allumage spontané (poussières de magnésium ou d'aluminium, etc.). L'aspirateur n'est pas adaptée à l'aspiration de poussières explosives ou similaires, conformément aux lois se référant aux substances explosives, en particulier : combustibles liquides et mélanges de poussières et de liquides inflammables.



ATTENTION !

En cas d'urgence :

- *Rupture du filtre*
- *Incendie*
- *Court-circuit*
- *Blocage du moteur*
- *Choc électrique*
- *Etc.*

Éteindre l'aspirateur, débrancher la fiche et demander l'intervention du personnel spécialisé.

[REMARQUE]

Vérifier les substances éventuellement admises et la zone de travail en cas d'aspirateur dans la version (exécution) pour liquides.



ATTENTION !

Les aspirateurs ne doivent pas être utilisés ou emmagasinés en plein air ou en présence d'humidité. Seulement les versions à contrôle de niveau peuvent être utilisées pour aspirer des liquides, dans le cas contraire les aspirateurs peuvent être utilisés uniquement pour aspirer à sec.



DANGER !

Version (exécution) pour liquides.

En cas de sortie de mousse ou de liquide, éteindre immédiatement l'aspirateur, débrancher la fiche et demander l'intervention de personnel spécialisé.

F

Description de l'aspirateur

Composants et étiquettes de l'aspirateur

Figure 1

1. Code modèle, données techniques (voir tableau page 6), N° de série, marquage CE, année de fabrication, valeur de la tension de secteur.
2. Cuve à poussière
3. Levier de décrochage cuve à poussière
4. Embout d'aspiration
7. Compartiment porte accessoires
8. Échappement air déchargé
9. Plaque d'attention : Attire l'attention de l'opérateur en l'avertissant de la nécessité de secouer le filtre seulement avec la machine éteinte (voir aussi le paragraphe "Secouage du filtre primaire").
10. Fiche pour le raccordement de l'aspirateur à la prise électrique.

Figure 2

Cet aspirateur produit un fort flux d'air qui est aspiré par la bouche d'aspiration (4 - Fig. 1) et est émis par le système d'échappement (9 - Fig. 1).

Avant de mettre l'aspirateur en marche, brancher le tuyau d'aspiration dans l'embout spécial et monter l'accessoire adapté au travail à faire sur l'extrémité du tuyau ; veuillez consulter le catalogue des accessoires du fabricant ou le service après-vente.

Le diamètre des tuyaux autorisés est indiqué dans le tableau des caractéristiques techniques.

L'aspirateur est équipé d'un filtre primaire qui permet le fonctionnement de la plupart des applications.

En plus du filtre primaire qui retient les poussières ordinaires, un filtre HEPA à haut pouvoir filtrant peut être monté pour les poussières fines et nuisibles à la santé.

Options de transformation

Pour les options de transformation, veuillez contacter le réseau commercial du fabricant.

Les instructions pour l'installation des parties en option sont contenues dans le kit de transformation.



Utiliser uniquement des options d'origine fournies et autorisées.

Accessoires

Plusieurs accessoires sont disponibles ; veuillez consulter le catalogue des accessoires du constructeur.



Utiliser uniquement des accessoires d'origine fournis et autorisés par le constructeur.

Emballage et déballage

Éliminer les matériaux de l'emballage conformément à la législation en vigueur.

Figure 3

Modèle	S2 (50 litres)	S3 (50 litres)	S3 (100 litres)
A (pouces)	27,6	27,6	27,6
B (pouces)	33,9	33,9	33,9
C (pouces)	68,9	68,9	68,9
Poids avant déballage (livres)	176	190	196

Déballage, manutention, emploi et stockage

Travailler sur des surfaces plates et horizontales.

La portée du plan d'appui doit être adaptée au poids de l'aspirateur.

Branchement au réseau d'alimentation



- Avant la mise en service, s'assurer que l'aspirateur n'ait subi aucun dégât apparent.
- Avant de brancher l'aspirateur au réseau, s'assurer que la tension indiquée sur la plaque corresponde à celle du réseau.
- Brancher la fiche du câble de connexion dans une prise avec contact / raccordement de mise à la terre installé correctement.
- S'assurer que l'aspirateur soit éteint.
- Les fiches et les connecteurs des câbles de raccordement au réseau doivent être protégés des projections d'eau.
- Contrôler si le raccordement au réseau électrique et la fiche sont corrects.
- Utiliser seulement des aspirateurs dont les câbles de raccordement au réseau électrique sont en parfait état (si les câbles sont endommagés, il y a risque d'électrocution !).
- Vérifier régulièrement l'absence de dégâts et de signes d'usure, déchirures ou vieillissement du câble de raccordement au réseau.



Pendant le fonctionnement éviter de :

- Piétiner, écraser, tirer ou endommager le câble de connexion au réseau électrique.
- Débrancher le câble simplement en retirant la fiche (ne pas tirer le câble électrique).
- En cas de remplacement du câble d'alimentation électrique, le remplacer par un câble d'origine du même type : SJT. La même règle est valable si l'on utilise une rallonge.
- Le câble d'alimentation doit être remplacé par le Service Après-Vente du constructeur ou par du personnel qualifié équivalent.

Rallonges

Si l'on utilise une rallonge, faire attention aux dimensions qui doivent être adaptées aux valeurs de l'alimentation de l'aspirateur.



Ne jamais éclabousser l'aspirateur d'eau : ceci est dangereux pour les personnes et risque de créer un court-circuit de l'alimentation.

Aspiration de substances sèches et de liquides

[REMARQUE]

Les filtres fournis et le sac de collecte (s'ils sont prévus) doivent être mis en place correctement.



Respecter les consignes de sécurité relatives aux matières aspirées.



Dans le cas d'aspirateur à liquides :

- Avant d'aspirer des liquides, vérifier le fonctionnement du dispositif de contrôle du niveau des liquides.
- En cas de formation de mousse, arrêter immédiatement le travail et vider la cuve.
- Attention : en cas de fuite de mousse ou de liquide, éteindre immédiatement l'aspirateur.
- Nettoyer régulièrement le dispositif de limitation du niveau des liquides et contrôler qu'il n'y ait pas de signes de dégâts.
- Attention : le liquide encrassé recueilli par l'appareil pour l'aspiration d'eau doit être considéré comme conducteur.



Veiller à aspirer un mélange d'air et de liquide pour éviter la surcharge du moteur de l'unité d'aspiration.

Entretien et réparation



Avant d'effectuer des travaux de nettoyage ou d'entretien et pendant le remplacement des pièces ou la reconversion de l'aspirateur en une autre exécution / variante, débrancher l'aspirateur de la source d'alimentation ; la fiche doit être débranchée de la prise.

- Effectuer seulement les travaux d'entretien décrits dans le présent manuel.
 - Utiliser seulement des pièces détachées d'origine.
 - Ne pas apporter de modifications à l'aspirateur.
- Si ces indications ne sont pas respectées, votre sécurité peut être compromise. En outre, la déclaration CE de conformité émise avec l'aspirateur n'est plus valable.



Veillez contacter le service technique ou le réseau commercial du fabricant pour les travaux d'entretien décrits dans ce manuel.

F

Données techniques

Paramètre	Unité de mesure	S2N1 (50 litres)	S2N6 (50 litres)	S3N1 (50 litres)	S3N1 (100 litres)
Tension @ 60Hz	Volts	120	120	120	120
Type d'alimentation	N° de phases	1	1	1	1
Puissance maximum	kW	2	1,6	2,4	2,4
Courant nominale	Ampères	14,5	11,5	15,8	15,8
Portée d'eau maximum	Pouces H2O	83,1	71,5	71,5	71,5
Flux d'air maximum	cfm	198	180	270	270
Zone filtrante maximum	Pieds carrés	21	21	21	21
Zone filtrante, filtre HEPA optionnel	Pieds carrés	37,7	37,7	37,7	37,7
Niveau de bruit @ 3' 3" (1 mètre)	dB(A)	70	70	71	71
Classe de protection	IP	44	44	44	44
Classe d'isolation	Classe	F	F	F	F
Capacité réservoir	Gallons / litres	13/50	13/50	13/50	26/100
Embout d'aspiration machine	Pouces	3	3	3	3
Dimensions (l x l x h)	Pouces	31,5 x 23,6 x 51,2	31,5 x 23,6 x 51,2	31,5 x 23,6 x 51,2	31,5 x 23,6 x 62,2
Poids	Livres	139	139	150	157
Longueur câble	Pieds	30	30	30	30
Rendement filtre HEPA	Testé avec méthode MPPS	99,995% @ 0,18 micron	99,995% @ 0,18 micron	99,995% @ 0,18 micron	99,995% @ 0,18 micron

■ Conditions d'emmagasinage :

T : -10°C ÷ +40°C

Humidité : 85%

■ Conditions de fonctionnement :

Altitude maximum : 800 m

(Jusqu'à 2.000 m avec performances réduites)

T : -10°C ÷ +40°C

Humidité : 85%

Commandes et indicateurs

Figure 5

2. Bouton de mise en marche / d'arrêt
S'il est allumé, le témoin indique que le moteur est en marche. Le bouton permet de mettre en marche / arrêter chaque moteur.
5. Bouton d'arrêt
Quand on appuie dessus, il arrête tous les moteurs simultanément (mais ne coupe pas le courant de l'aspirateur).
6. Témoin d'alarme de basse pression du compresseur (utilisé exclusivement avec la fonction de nettoyage automatique du filtre avec le compresseur d'air)
S'il est allumé, le témoin indique que la pression de l'air dans le réservoir est basse.
7. Témoin de niveau maximum de matière aspirée
S'il est allumé, il signale que le niveau maximum de matière aspirée a été atteint dans la cuve, s'il y a un contrôle de niveau de liquides ou de solides.
8. Témoin présence tension
Il signale la présence de courant dans l'aspirateur.
9. Témoin de filtre primaire
Vert - signale le bon fonctionnement du filtre primaire.
Rouge - signale que le filtre primaire est colmaté et qu'il doit être nettoyé.
10. Témoin de filtre HEPA (si l'aspirateur en est équipé)
Rouge - signale que le filtre HEPA est colmaté et qu'il doit être remplacé.
11. Pommeau du secoueur manuel (modèles avec secoueur manuel)

Figure 6

1. Levier de décrochage cuve à poussière
2. Levier de blocage roue
3. Levier d'étrier de fermeture
5. Câble d'alimentation électrique
6. Poignée

Figure 7

1. Embout d'aspiration

Contrôles avant la mise en marche

Avant la mise en marche, contrôler :

- La présence des filtres ;
- Que tous les leviers soient bloqués ;
- Que le tuyau d'aspiration et les accessoires soient installés correctement dans l'embout d'aspiration (1 - Fig. 7) ;
- La présence du sac de collecte, s'il est prévu.



Ne pas aspirer avec un élément filtrant défectueux.

Mise en marche et arrêt

Figure 8



Avant de mettre l'aspirateur en marche, bloquer les freins des roues (1).

- Appuyer sur le bouton (2) pour mettre en marche chaque moteur.
- Appuyer à nouveau sur le bouton (2) pour arrêter chaque moteur ou appuyer sur le bouton d'arrêt pour arrêter tous les moteurs.

Fonctionnement de l'aspirateur



**La vitesse de l'air dans le tuyau d'aspiration ne doit pas être inférieure à 20 m/s.
Si la vitesse de l'air est inférieure à cette valeur, le témoin rouge s'allume sur le filtre primaire.**

Vérifier pendant l'utilisation de l'aspirateur :

- L'état du témoin de niveau maximum de matière aspirée (7 - Fig. 5) si le contrôle de niveau est prévu.
- L'état du témoin du filtre primaire (9 - Fig. 5) et filtre HEPA (si l'aspirateur en est équipé) (10 - Fig. 5).
- L'état du témoin de basse pression du compresseur (6 - Fig. 5) (si l'aspirateur en est équipé).



En cas de déclenchement d'un des témoins décrits, suivre les indications spécifiées.

Symbole	Signalisation de témoin	Couleur de déclenchement du témoin	État de l'aspirateur et procédure
	Basse pression du compresseur (6 - Fig. 5)	Rouge	Aspiration interrompue. Vérifier le bon fonctionnement du compresseur (si l'aspirateur en est équipé).
	Niveau maximum de matière aspirée (7 - Fig. 5)	Rouge	Aspiration interrompue. Effectuer la vidange de la cuve à poussières (Voir le paragraphe correspondant).
	Filtre primaire (9 - Fig. 5)	Rouge	Aspiration en marche. Actionner le secoueur du filtre primaire après avoir arrêté l'aspirateur (dans les modèles avec secoueur manuel).
	Filtre HEPA (10 - Fig. 5)	Rouge	Aspiration en marche. Remplacer le filtre HEPA (Voir le paragraphe correspondant).



En cas de problème, voir le chapitre "Recherche des pannes".

F

Secoueur filtre primaire

Secoueur automatique du filtre primaire

Dans les modèles à secoueur automatique du filtre primaire, il se met en marche automatiquement au début et à la fin du cycle de travail, respectivement après avoir mis l'aspirateur en marche et après avoir arrêté tous les moteurs. Schéma A (voir bas de page - ordre des étapes de travail).

Secoueur manuel du filtre primaire

Figure 9

En fonction de la quantité de matière aspirée et si le témoin (9 - Fig. 5) devient rouge, éteindre l'aspirateur et actionner le pommeau (1 - Fig. 9) du secoueur manuel.



Avant d'actionner le secoueur, arrêter l'aspirateur. Ne pas actionner le secoueur avec l'aspirateur en marche, on peut endommager le filtre.

Avant le redémarrage, attendre que la poussière ait le temps de se déposer. Si malgré le secouage, le témoin reste de couleur rouge (9, Fig. 5), il faut remplacer l'élément filtrant (voir le paragraphe "Remplacement du filtre primaire").

Arrêt d'urgence

Appuyer sur le bouton d'arrêt (5 - Fig. 5). L'aspirateur s'arrête.



Les moteurs et les dispositifs intérieurs de l'aspirateur restent alimentés en électricité.

Pour remettre l'aspirateur en marche, appuyer sur les boutons de chaque moteur.

Vidange de la cuve à poussière



- **Avant d'effectuer ces travaux, éteindre l'aspirateur et débrancher la fiche de la prise de courant.**
- **Contrôler la classe de l'aspirateur.**

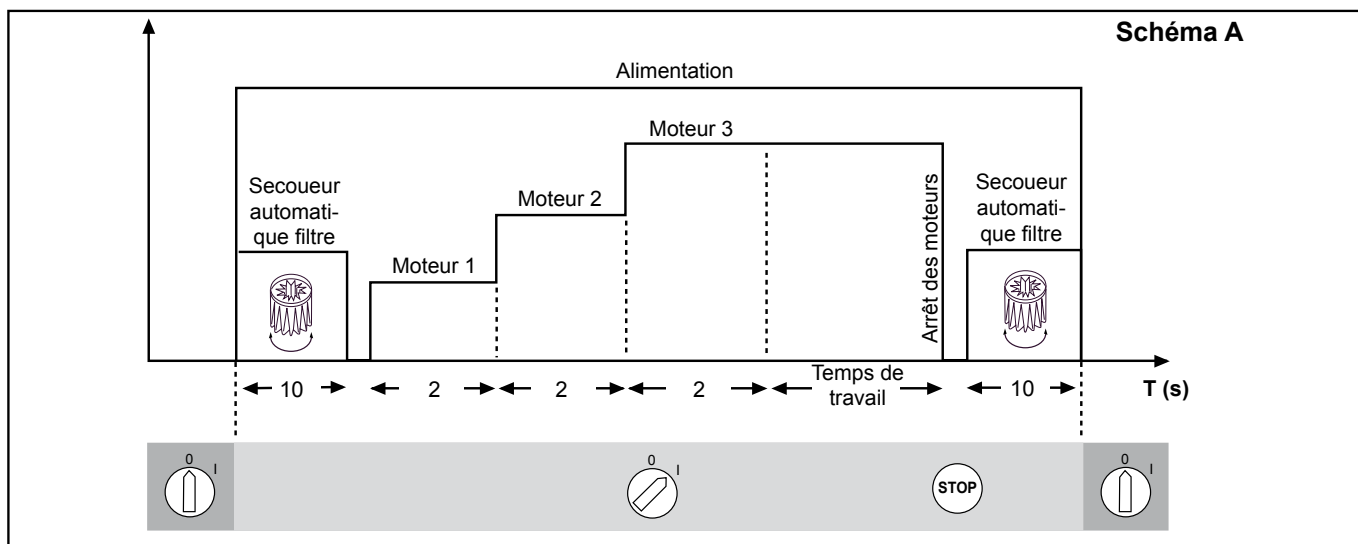
Avant d'effectuer la vidange, il est conseillé de nettoyer le filtre (voir le paragraphe "Secoueur du filtre primaire").

- Les machines sans filtre HEPA ne sont pas adaptées à l'aspiration de poussières nuisibles à la santé
 - **Décrocher la cuve à poussière (1, Fig. 10) à l'aide du levier (2), la retirer et la vider.**
 - **Contrôler l'intégrité et le positionnement correct du joint d'étanchéité.**
 - **Remettre la cuve en position et la raccrocher.**

Sac en plastique

Pour une collecte alternative de poussière, on peut utiliser un sac en plastique en vente dans le commerce (Fig. 10A).

F



Mode de remplacement des sacs



ATTENTION !

- Ces opérations peuvent être effectuées, dans le respect des lois en vigueur, uniquement par du personnel formé et spécialisé qui doit porter des vêtements de protection appropriés.
- Pendant ces travaux, faire attention à ne pas soulever de poussière. Porter un masque de protection.
- En cas de poussières dangereuses et / ou nuisibles à la santé, utiliser un sac de sécurité fourni de série pour ces types d'aspirateurs certifiés.
- L'élimination du sac doit être effectuée par du personnel formé et dans le respect des lois en vigueur.

Aspiration de liquides



ATTENTION !

Contrôler que l'aspirateur soit équipé de capteur de niveau des liquides et adapté à l'aspiration de liquides.

- Après avoir aspiré les liquides, l'élément filtrant est humide.
- Un élément filtrant humide peut se colmater rapidement si ensuite on aspire des substances sèches.
- Pour cette raison, avant d'aspirer des substances sèches, s'assurer que l'élément filtrant soit sec ou le remplacer par un autre.

En fin de poste

- Éteindre l'aspirateur et débrancher la fiche de la prise.
- Enrouler le câble de raccordement et le pendre dans son logement (Fig. 13).
- Vider la cuve en suivant les instructions indiquées au paragraphe "Vidange de la cuve à poussières".
- Nettoyer l'aspirateur comme prévu au paragraphe "Entretien, nettoyage et décontamination".
- Si des substances agressives sont aspirées, laver la cuve à l'eau propre.
- Déposer l'aspirateur dans un endroit sec, hors de la portée de personnes non autorisées.

F

Entretien, nettoyage et décontamination



Les précautions décrites ci-dessous doivent être appliquées pendant toutes les opérations d'entretien, y compris le nettoyage et le remplacement des filtres primaire et HEPA.



Les opérations d'entretien, nettoyage et décontamination doivent être effectuées exclusivement lorsque l'aspirateur est éteint et que la fiche est débranchée de la prise. Il est formellement interdit d'effectuer tout entretien avec la fiche branchée à la prise. Danger d'électrocution !

- Pour l'entretien à la charge de l'utilisateur, l'aspirateur doit être démonté, nettoyé et révisé, pour autant que cela soit raisonnablement applicable, sans comporter de risques au personnel d'entretien et aux autres personnes. Les précautions appropriées incluent la décontamination avant le démontage, les conditions de ventilation filtrée de l'air déchargé dans l'endroit où est monté l'aspirateur, le nettoyage de la zone d'entretien et une protection adéquate du personnel.

- Toutes les parties de l'aspirateur doivent être considérées contaminées quand elles sont enlevées de la zone dangereuse et il faut prendre des précautions pour prévenir la dispersion de la poussière.

Quand on effectue des opérations d'entretien ou de réparation, tous les éléments contaminés qui ne peuvent pas être nettoyés correctement doivent être éliminés.

Ces éléments doivent être éliminés dans des sachets imperméables conformément aux règlements applicables dans le respect des lois locales pour l'élimination de ces matières.

Cette procédure doit être respectée pour l'élimination des filtres (primaire et HEPA).

Les compartiments qui ne sont pas étanches à la poussière doivent être ouverts avec des outils appropriés (tournevis, clés, etc.) et soigneusement nettoyés.



Cet aspirateur peut être équipé du filtre HEPA pour l'aspiration de poussières nuisibles à la santé. Les procédures d'entretien et de vidange, y compris le retrait de la cuve à poussière, doivent être confiées exclusivement à du personnel spécialisé, qui doit porter un habillement protecteur. Ne pas mettre en marche sans le système de filtration au complet.

Démontage et remplacement des filtres primaire et HEPA



Quand l'aspirateur aspire des substances dangereuses, les filtres sont contaminés, il faut par conséquent :

- Procéder avec prudence pour éviter la dispersion de poussière et / ou de la matière aspirée ;
- Placer le filtre démonté et / ou remplacé dans un sac imperméable en plastique ;
- Le refermer hermétiquement ;
- Éliminer le filtre dans le respect des lois en vigueur.



Le remplacement du filtre ne doit pas être effectué avec imprudence. Il faut le remplacer par un filtre ayant les mêmes caractéristiques, une surface filtrante identique et appartenant à la même catégorie. Dans le cas contraire, on risque de compromettre le fonctionnement correct de l'aspirateur.

Remplacement du filtre primaire

Figure 14

1. Unité d'aspiration
2. Levier de blocage
3. Cage porte-filtre
4. Filtre primaire
5. Siège secoueur filtre



Pendant ces travaux faire attention à ne pas soulever de poussière. Porter un masque, des vêtements et des gants de protection adaptés à la classe de risque de la poussière aspirée, en se référant à la législation en vigueur.

Avant d'effectuer ces travaux, éteindre l'aspirateur et débrancher la fiche de la prise de courant.

- A l'aide du levier (2), débloquer l'unité d'aspiration (1), puis l'extraire de l'aspirateur en la soulevant.
- Extraire la cage porte-filtre de l'aspirateur.
- Déposer le filtre utilisé en enlevant les joints en plastique.
- Monter le nouveau filtre et le bloquer à la cage au moyen des nouveaux joints en plastique.
- Éliminer le filtre conformément aux lois en vigueur.

Remontage du filtre primaire avec un secoueur automatique



Procéder au remontage avec précaution, en veillant à ne pas se coincer les mains entre l'unité d'aspiration et la cuve.

- Après avoir remplacé et monté le filtre sur la cage (3), le réintroduire dans la cuve d'aspiration.
- Remonter l'unité d'aspiration (1) en veillant à introduire la cage porte-filtre (3) dans le siège façonné (5) du secoueur.
- Tourner l'interrupteur de mise en marche, l'unité d'aspiration se centre automatiquement.
- Bloquer l'unité d'aspiration en place à l'aide du levier de blocage (2).

Remplacement du filtre primaire avec un secoueur manuel

Figure 15

1. Pommeau secoueur manuel filtre
2. Unité d'aspiration
3. Levier de blocage
4. Cage porte-filtre
5. Siège secoueur filtre



Procéder au remontage avec précaution, en veillant à ne pas se coincer les mains entre l'unité d'aspiration et la cuve.

- Après avoir remplacé et monté le filtre sur la cage, introduire la cage (4) du secoueur dans le siège façonné (5) du secoueur.
- Placer le pommeau du secoueur manuel (1) à mi-course.
- Remonter l'unité d'aspiration (2) avec la cage et le filtre, dans la cuve d'aspiration.
- Vérifier le bon fonctionnement du secoueur et corriger éventuellement la position de la cage porte-filtre, en tournant l'unité d'aspiration.
- Bloquer l'unité d'aspiration en place à l'aide du levier de blocage (3).

En cas de besoin, contacter le Service Après-Vente du fabricant.

Remplacement du filtre HEPA

Version pour poussières nuisibles à la santé.



Pendant ces travaux faire attention à ne pas soulever de poussière. Porter un masque, des vêtements et des gants de protection adaptés à la classe de risque de la poussière aspirée, en se référant à la législation en vigueur.



Ne pas réutiliser le filtre HEPA une fois qu'il a été démonté de l'aspirateur.

Figure 16

1. Unité d'aspiration
2. Levier de blocage
4. Frette de blocage du filtre HEPA
5. Disque de fixation du filtre HEPA
6. Filtre HEPA



Procéder au remontage avec précaution, en veillant à ne pas se coincer les mains entre l'unité d'aspiration et la cuve.

Avant d'effectuer ces travaux, éteindre l'aspirateur et débrancher la fiche de la prise de courant.

- A l'aide du levier (2), débloquer l'unité d'aspiration (1), puis l'extraire de l'aspirateur en la soulevant.
- Dévisser la frette (4).
- Extraire le disque de fixation (5) et le filtre HEPA (6).
- Introduire le filtre HEPA (6) dans un sac en plastique, le fermer hermétiquement et l'éliminer conformément aux lois en vigueur.
- Introduire un nouveau filtre (6) ayant la même capacité de filtration.
- Bloquer le filtre HEPA avec le disque (5) et revisser la frette (4).
- Remplacer l'unité d'aspiration (1).
- Fixer l'unité d'aspiration au moyen du levier (2) et bloquer à nouveau le boulon de sécurité (3).

Contrôle de l'étanchéité

Contrôle des tuyauteries

Contrôler le bon état et la bonne fixation des tuyaux de raccordement (Fig. 17).

Si les tuyaux sont endommagés, cassés ou si les connexions sont desserrées, il faut remplacer les tuyaux.

En cas d'aspiration de matières collantes contrôler le long du tuyau, dans l'embout et sur le déflecteur de la chambre filtrante car ils auront tendance à s'obstruer.

Pour le nettoyage, racler depuis l'extérieur de l'embout (2, Fig. 17) et enlever la matière qui s'est déposée, comme indiqué dans la figure 17.

Vérification de l'étanchéité de la chambre filtrante

Si le joint (1, Fig. 18) entre la cuve (4) et la chambre filtrante (3) ne garantit plus l'étanchéité :

- Desserrer les quatre vis (2) qui fixent la chambre filtrante (3) à la structure de l'aspirateur.
- Faire descendre la chambre filtrante (3) en utilisant les rainures et atteindre la position d'étanchéité, puis bloquer à nouveau les vis (2).

Si on obtient pas une étanchéité optimale et si le joint a subi des lacérations, des fissures, etc., le remplacer.

Mise à la ferraille de l'aspirateur

Figure 19

Éliminer l'aspirateur conformément à la législation en vigueur.

- Élimination correcte du produit (déchets électriques et électroniques) (applicable dans les pays de l'Union Européenne et dans les pays dotés d'un système de collecte sélective)

Le symbole (Fig. 19) présent sur le produit ou sur sa documentation indique que le produit ne doit pas être mis au rebut avec d'autres déchets domestiques à la fin de son cycle de vie.

L'élimination incontrôlée des déchets pouvant porter préjudice à l'environnement ou à la santé humaine, veuillez le séparer des autres types de déchets et le recycler de façon responsable. Vous favoriserez ainsi la réutilisation durable des ressources matérielles.

Ce produit ne doit pas être éliminé avec d'autres déchets commerciaux.

Pièces détachées conseillées

Il est recommandé d'avoir toujours à disposition les pièces détachées indiquées ci-dessous pour rendre les interventions d'entretien plus rapides.

Pour effectuer une commande, consulter le catalogue des pièces détachées du fabricant.

Description	Numéro de pièce
Kit de filtre primaire	40000338 (y compris le filtre 8 17080)
Joint filtre primaire	8-17026
Joint chambre filtrante	40000762
Collier de serrage filtre	8-18079
Filtre HEPA	4081700936
Moteur 120 V, 800 W (modèles S2N6 et S3N1)	40000928
Moteur 120 V, 1000 W (exclusivement modèle S2N1)	40000904
Charbons moteurs brosses pour moteurs 800 W et 1000 W	40000886

Recherche des pannes

Inconvénient	Cause	Remède
L'aspirateur ne démarre pas	Manque de courant	Vérifier s'il y a du courant dans la prise. Vérifier l'état de la fiche et du câble. Demander l'assistance d'un technicien agréé du fabricant.
Le régime des moteurs de l'aspirateur augmente	Filtre primaire colmaté	Actionner le secoueur (pour les modèles à secoueur manuel). Si cela ne suffit pas, le remplacer.
	Tuyau d'aspiration bouché	Contrôler le tuyau d'aspiration et le nettoyer.
Fuite de poussière de l'aspirateur	Le filtre est déchiré	Remplacer par un filtre de la même catégorie.
	Le filtre n'est pas approprié	Remplacer par un filtre de catégorie adéquate et vérifier.
Moteurs d'aspiration bruyants	Charbons pour moteurs usés ou cassés	Démonter et remplacer les charbons des moteurs.
Choc électrostatique provenant de l'aspirateur	Mise à la terre absente ou insuffisante	Vérifier toutes les mises à la terre, notamment le raccord à l'embout d'aspiration ; en outre, remplacer le tuyau par un tuyau antistatique.

Índice

Instrucciones de uso.....	2
Seguridad del operador.....	2
Uso seguro.....	2
Información general para usar la aspiradora.....	2
Usos correctos.....	2
Uso no permitido.....	3
Declaración CE de conformidad.....	3
Recomendaciones generales.....	3
Descripción de la aspiradora.....	4
Piezas y etiquetas de la aspiradora.....	4
Kits opcionales.....	4
Accesorios.....	4
Embalaje y desembalaje.....	4
Desembalaje, desplazamiento, uso y almacenamiento.....	4
Conecte a la fuente de alimentación.....	5
Cables de extensión.....	5
Uso con sustancias secas y húmedas.....	5
Mantenimiento y reparaciones.....	5
Especificaciones técnicas.....	6
Comandos e indicadores.....	7
Comprobaciones antes de empezar.....	7
Arranque y parada.....	7
Funcionamiento de la aspiradora.....	7
Agitador del filtro primario.....	8
Parada de emergencia.....	8
Vaciado del contenedor de polvo.....	8
Bolsa de plástico.....	8
Cómo cambiar la bolsa.....	9
Aspirado de líquidos.....	9
Al final de la sesión de limpieza.....	9
Mantenimiento, limpieza y descontaminación.....	10
Desmontaje y sustitución del filtro primario y HEPA.....	10
Sustitución del filtro primario.....	11
Sustitución del filtro HEPA.....	12
Inspección del sellado.....	12
Eliminación del aspirador.....	12
Recambios recomendados.....	13
Resolución de problemas.....	14

Instrucciones de uso

LEA LAS INSTRUCCIONES DE FUNCIONAMIENTO ANTES DE USAR ESTE APARATO.

Cumpla las importantes recomendaciones de seguridad, marcadas con la palabra ¡ATENCIÓN!

Seguridad del operador

Es muy importante que lea estas instrucciones de funcionamiento antes de poner en marcha la máquina y las tenga en el archivo por si necesitara consultarlas. Sólo pueden utilizar la aspiradora aquellas personas que conozcan bien su funcionamiento, hayan recibido la formación adecuada y hayan sido explícitamente autorizadas para este propósito. Antes de usar la aspiradora, la persona que vaya a utilizarla debe estar informada y haber recibido las instrucciones y la formación adecuadas sobre el funcionamiento del aparato y sobre las sustancias con las que está permitido su uso, así como el modo correcto de extraer y desechar el material aspirado.

IMPORTANTES INSTRUCCIONES DE SEGURIDAD

Uso seguro

Para reducir el riesgo de incendio, electrochoque o lesiones:

- No deje la máquina conectada. Desenchufe la máquina cuando no se usa y antes de efectuar el mantenimiento.
- Para reducir el riesgo de electrochoque no la use al exterior o en lugares húmedos.
- No permitir que se use como un juguete. Sólo los adultos pueden usar esta máquina.
- Úsela sólo como indicado en este manual. Use sólo accesorios aprobados por el fabricante.
- No use si el cable o el enchufe están dañados. Si el aparato no funciona correctamente, está dañado, quedado al exterior o bañado, llevarlo a un Centro de asistencia.
- No tire o transporte la máquina por el cable, no use el cable como empuñadura, no cierre el cable en una puerta y no lo tire sobre bordes o ángulos afilados. No atropelle el cable del cargador de baterías con la máquina. Tenga el cable lejos de superficies calientes.
- No desenchufe tirando del cable. Para desenchufar, agarre el enchufe, no el cable.
- No tocar el enchufe, el cable o el aparato con las manos bañadas.
- No deje que material extraño entre en las aperturas. No use la máquina en el caso de que las aperturas estén bloqueadas; las aperturas deben mantenerse libre de polvo, hilacha, pelos y cualquier otro cuerpo extraño que pueda reducir el flujo de aire.
- Tenga pelo, prendas sueltas, dedos y otras partes del cuerpo lejos de aperturas y componentes móviles.
- Desactive todos los mandos antes de desenchufar.
- Tenga mucho cuidado cuando se limpian escaleras.
- No use para aspirar líquidos inflamables o combustibles, como gasolina, y no use en áreas donde estos materiales podrían ser presentes.
- No use para recoger materiales como cigarrillos, cerillas o cenizas calientes o polvos peligrosos.
- No utilice el aparato si la bolsa para el polvo o los filtros no están instalados.
- Conecte a una toma de corriente con puesta a tierra. Véase las instrucciones para la puesta a tierra.

INSTRUCCIONES PARA LA PUESTA A TIERRA

Esta máquina debe tener una conexión de tierra. En caso de averías, la conexión de tierra reduce el riesgo de electrochoque al proporcionar un alambre de escape para la corriente eléctrica. La máquina está equipada de un cable de alimentación con un hilo de tierra y un enchufe con puesta a tierra. El enchufe del cable de alimentación se debe conectar a una toma de corriente que se haya instalado y conectado a tierra debidamente, según todos los códigos y estatutos locales.



¡ATENCIÓN!

La conexión incorrecta del enchufe de conexión a tierra puede dar como resultado el que exista un riesgo de electrochoque. Si hay dudas sobre la presencia de puesta a tierra en la toma eléctrica que se debe usar, contactar con un electricista calificado. No modificar el enchufe de la máquina. Si el enchufe no entra en la toma de corriente, contactar con un electricista para la instalación de una toma adecuada.

Compruebe que el aparato esté conectado a una toma compatible con el enchufe. No use adaptadores con este aparato. Si el aparato necesita modificaciones para conectarse a un circuito eléctrico de tipo diferente, las modificaciones deben ser efectuadas por el personal de asistencia cualificado.

Información general para usar la aspiradora

El uso de la aspiradora está regido por la legislación vigente del país en el cual se utiliza.

Además de las instrucciones de funcionamiento y las leyes vigentes en el país donde la aspiradora se utiliza, deberán cumplirse también las normas técnicas que garanticen un funcionamiento seguro y correcto de la aspiradora.

No realice ninguna operación que pueda poner en peligro la seguridad de las personas, la propiedad o el medioambiente. Siga las indicaciones de seguridad que se especifican en este manual de instrucciones.

Usos correctos

Esta aspiradora se puede utilizar, por ejemplo, en hoteles, escuelas, hospitales, fábricas, tiendas, oficinas y residencias. Esta aspiradora es adecuada para la limpieza y la aspiración de materiales sólidos en exteriores e interiores.

- Deje siempre suficiente espacio alrededor de la aspiradora para llegar fácilmente a los controles.

La aspiradora ha sido diseñada para que no la utilice más de una persona.

El aparato está formado por una unidad de aspiración automatizada, con un filtro ascendente y un contenedor para recoger el material aspirado.

GUARDE ESTAS INSTRUCCIONES

Uso no permitido



¡ATENCIÓN!

Se prohíbe terminantemente utilizar la aspiradora de las siguientes formas:

- En lugares abiertos en caso de precipitaciones atmosféricas.
- Sobre superficies irregulares.
- Cuando la unidad de filtración no está instalada.
- Cuando la boca de aspiración y/o el tubo de vacío están dirigidos hacia partes del cuerpo humano.
- Utilizarla sin la tapadera en la unidad de aspiración.
- Cuando la bolsa para el polvo no está instalada.
- Utilizarla sin las protecciones, las cubiertas protectoras y los sistemas de seguridad instalados por el fabricante.
- Cuando las bocas de refrigeración están parcialmente o totalmente obstruidas.
- Cuando la aspiradora está protegida por una tela de plástico o de otro material.
- Utilizarla cuando la toma de salida aire está parcial o totalmente cerrada.
- En espacios estrechos sin recambio de aire.
- Aspirar líquidos con aspiradoras que no tenga la función de control de nivel.
- Aspirar los siguientes elementos:
 1. Materiales ardiendo (ascuas, cenizas calientes, cigarrillos encendidos, etc.)
 2. Llamas libres.
 3. Gases combustibles.
 4. Líquidos inflamables, combustibles agresivos (gasolina, disolventes, ácidos, soluciones alcalinas, etc.).
 5. Polvo/substancias de materiales explosivos y/o que puedan inflamarse fácilmente de forma espontánea (como el polvo de magnesio, de aluminio, etc.).

Versiones

HEPA

Esta aspiradora puede equiparse de filtro HEPA para aspirar polvo nocivo para la salud. Las tareas de mantenimiento y vaciado de la aspiradora (incluyendo la extracción del contenedor de polvo), deben ser efectuadas únicamente por personal especializado y equipado con indumentaria protectora. No utilice el aparato si el sistema de filtrado completo no está instalado.

[AVISO]

- En el caso de polvo nocivo para la salud, póngase en contacto con las autoridades sanitarias y de seguridad locales y respete las normas nacionales vigentes a la hora de utilizar y desechar el aparato.
- Las sustancias radioactivas no se incluyen en la definición de tipos de polvo nocivos para la salud descrita anteriormente.

ASPIRACIÓN DE LÍQUIDOS

Esta aspiradora también se fabrica en la variante para líquidos, que incluye la función de control de nivel.

Declaración CE de conformidad

Todas las aspiradoras vienen con una Declaración CE de conformidad. Véase la copia en la fig. 20.

[AVISO]

La Declaración de conformidad es un documento importante que debería guardar a buen recaudo para mostrarlo a las autoridades si éstas se lo solicitan.

Recomendaciones generales



¡ATENCIÓN!

Sólo debe utilizar la aspiradora cuando esté seguro de que no succionará materiales que puedan ser causa de deflagración.

No aspire los siguientes elementos: materiales de combustión (cenizas aún calientes, cigarrillos encendidos, etc.), líquidos inflamables, combustibles corrosivos (por ejemplo, gasolina, disolventes, ácidos o soluciones alcalinas).

No aspire los siguientes elementos: polvo de materiales explosivos o que puedan inflamarse fácilmente de forma espontánea (como el polvo de magnesio, de aluminio, etc.).

La aspiradora no se puede utilizar para succionar sustancias explosivas o similares, como se establece en la legislación referente a sustancias explosivas, y más concretamente: carburantes líquidos y mezclas de polvos y líquidos inflamables.



¡ATENCIÓN!

En caso de emergencia:

- Rotura del filtro
- Incendio
- Cortocircuito
- Bloqueo del motor
- Descarga eléctrica
- Etc.

Apague la aspiradora, desenchúfela y póngase en contacto con el personal de asistencia cualificado.

[AVISO]

Compruebe el lugar de trabajo y las sustancias toleradas por la aspiradora de líquidos.



¡ATENCIÓN!

No utilice ni guarde las aspiradoras en el exterior ni en lugares húmedos.

Las versiones con sensor de nivel son las únicas que se pueden utilizar para succionar líquidos. Las demás versiones sólo se deben utilizar para aspirar materiales secos.



¡PELIGRO!

Versión para líquidos.

Si se filtra espuma o líquido de la aspiradora, apáguela inmediatamente, desenchúfela y póngase en contacto con personal técnico cualificado.

E

Descripción de la aspiradora

Piezas y etiquetas de la aspiradora

Figura 1

1. Código de modelo, especificaciones técnicas (consulte la tabla en la página 6), N° de serie, marcación CE, año de fabricación, voltaje de red nominal.
2. Contenedor de polvo
3. Palanca para desensamblar el contenedor de polvo
4. Toma de admisión
7. Compartimento de accesorios
8. Salida aire de escape
9. Placa de aviso: Indica a la persona que utiliza la aspiradora que no debe mover el filtro sin apagar antes el aparato (véase también el apartado "Sacudimiento del filtro primario").
10. Para conectar la aspiradora, enchúfela a una toma eléctrica.

Figura 2

Esta aspiradora crea una potente corriente de aire que entra a través de la toma de admisión (4 - Fig. 1) y sale por la toma de salida (9 - Fig. 1).

Antes de poner en marcha la aspiradora, ensamble el tubo de vacío en la toma de admisión y, a continuación, añada la herramienta que necesite en el extremo (consulte el catálogo de accesorios del fabricante o póngase en contacto con el Centro de Mantenimiento).

Los diámetros de los tubos autorizados se detallan en la tabla de especificaciones técnicas.

La aspiradora posee un filtro primario que se puede utilizar para la mayoría de aplicaciones.

Además del filtro primario, que retiene los tipos más comunes de polvo, con esta aspiradora se puede utilizar un filtro HEPA que aumenta la capacidad de filtración de polvos finos y polvos peligrosos para la salud.

Kits opcionales

Si desea obtener más información sobre los kits opcionales, póngase en contacto con la red de ventas del fabricante.

En los kits de adaptación se incluyen las instrucciones de instalación de los kits opcionales.



¡ATENCIÓN!

Utilice solamente recambios originales proporcionados y autorizados por el fabricante.

Accesorios

Hay distintos accesorios disponibles. Si desea más información, consulte el catálogo de accesorios del fabricante.



¡ATENCIÓN!

Utilice solamente accesorios originales proporcionados y autorizados por el fabricante.

Embalaje y desembalaje

Deseche los materiales del embalaje conforme a la legislación vigente.

Figura 3

Modelo	S2 (50L)	S3 (50L)	S3 (100 L)
A (pulgadas)	27,6	27,6	27,6
B (pulgadas)	33,9	33,9	33,9
C (pulgadas)	68,9	68,9	68,9
Peso con embalaje (libras)	176	190	196

Desembalaje, desplazamiento, uso y almacenamiento

Trabaje en superficies planas y horizontales.

La capacidad de carga de la superficie en la que se coloque la aspiradora debe ser capaz de soportar su peso.

Conecte a la fuente de alimentación



- *Antes de empezar a trabajar, asegúrese de que no hay signos de daños evidentes en la aspiradora.*
- *Antes de conectar la aspiradora a la red eléctrica, asegúrese de que la tensión límite indicada en la placa de datos se corresponde con la de la red eléctrica.*
- *Conecte la aspiradora al enchufe de la corriente eléctrica mediante una conexión con toma de tierra correctamente instalada.*
- *Compruebe que la aspiradora esté apagada.*
- *Los enchufes y conectores de los cables de conexión deben estar protegidos contra las salpicaduras de agua.*
- *Asegúrese de que las conexiones a la corriente eléctrica y al enchufe están en buen estado.*
- *Utilice la aspiradora sólo cuando los cables de conexión a la red de suministro eléctrico estén en perfecto estado (unos cables dañados podrían ser causa de descargas eléctricas).*
- *Compruebe periódicamente que el cable eléctrico no muestra signos de excesivo desgaste, rajaduras o envejecimiento.*



Quando la aspiradora esté funcionando, no:

- *Aplaste, dañe, pise ni tire del cable que conecta el aparato al suministro eléctrico.*
- *Desconecte únicamente el cable de la red eléctrica quitando el enchufe (no tire del cable).*
- *Si tiene que sustituir el cable, utilice otro del mismo tipo que el original: SJT. Se aplica la misma norma si se usa un cable de extensión.*
- *El cable debe ser sustituido por el personal del Centro de Servicio del fabricante o personal cualificado equivalente.*

Cables de extensión

En caso de que utilice un cable de extensión, asegúrese de que se ajusta a la alimentación y a la aspiradora.



No moje la aspiradora con agua: si lo hace, será un peligro para las personas expuestas y podría producirse un cortocircuito en la corriente eléctrica.

Uso con sustancias secas y húmedas

[AVISO]

Los filtros y la bolsa, si procede, que se proporcionan con la aspiradora deben estar correctamente instalados.



Observe la normativa de seguridad sobre los materiales que vaya a recoger con la aspiradora.



En caso que utilice la versión para líquidos:

- *Asegúrese de que el sensor de nivel de líquidos funciona correctamente antes de aspirar líquidos.*
- *Si apareciera espuma, apague inmediatamente la aspiradora y vacíe el contenedor.*
- *Atención: Apague la aspiradora inmediatamente si se filtra espuma o líquido.*
- *Limpie con frecuencia el dispositivo que limita el nivel de líquido y compruebe que no sufre ningún deterioro.*
- *Atención: los líquidos sucios aspirados por la aspiradora deben considerarse conductores.*



Al aspirar una mezcla de agua y aire, procure no sobrecargar el motor de la unidad de aspiración.

Mantenimiento y reparaciones



Antes de limpiar, revisar, sustituir partes o adaptar la aspiradora para obtener otra versión/variante, desconéctela de la toma de corriente desconectando el enchufe de la toma eléctrica.

- *Realice sólo las operaciones de mantenimiento descritas en este manual.*
- *Utilice sólo recambios originales.*
- *No realice modificaciones de ningún tipo en la aspiradora.*

El incumplimiento de estas instrucciones podría poner en peligro su seguridad. Además, dejaría inmediatamente sin efecto la declaración de conformidad de la CE emitida con la aspiradora.



Para realizar operaciones de mantenimiento que no se especifiquen en este manual, póngase en contacto con el servicio de asistencia técnica del fabricante o consulte con la red de ventas.

E

Especificaciones técnicas

Parámetro	Unidades	S2N1 (50 litros)	S2N6 (50 litros)	S3N1 (50 litros)	S3N1 (100 litros)
Tensión @ 60Hz	Volt	120	120	120	120
Tipo de alimentación	N° de fase	1	1	1	1
Potencia máx.	kW	2	1,6	2,4	2,4
Consumo de corriente, nominal	Amp.	14,5	11,5	15,8	15,8
Altura de succión máx.	Pulgadas H2O	83,1	71,5	71,5	71,5
Flujo de aire máx.	Pie cúbico por minuto	198	180	270	270
Área filtro principal	Pies cuadrados	21	21	21	21
Área filtro HEPA opcional	Pies cuadrados	37,7	37,7	37,7	37,7
Nivel de ruido, @ 3' 3" (1 metro)	dB(A)	70	70	71	71
Clase de protección	IP	44	44	44	44
Clase de aislamiento	Clase	F	F	F	F
Capacidad del depósito	Galones/litros	13/50	13/50	13/50	26/100
Toma de admisión máquina	Pulgadas	3	3	3	3
Dimensiones (l x a x a)	Pulgadas	31,5 x 23,6 x 51,2	31,5 x 23,6 x 51,2	31,5 x 23,6 x 51,2	31,5 x 23,6 x 62,2
Peso	Libras	139	139	150	157
Longitud del cable	Pies	30	30	30	30
Eficacia filtro HEPA	MPPS comprobado	99,995% @ 0,18 micrón	99,995% @ 0,18 micrón	99,995% @ 0,18 micrón	99,995% @ 0,18 micrón

■ Condiciones de almacenamiento:

T : -10°C ÷ +40°C

Humedad: 85%

■ Condiciones de funcionamiento:

Altitud máxima: 800 m

(Hasta 2.000 m con rendimiento reducido)

T : -10°C ÷ +40°C

Humedad: 85%

Comandos e indicadores

Figura 5

2. Indicador y botón Start/Stop

Si el indicador está iluminado, el motor está encendido. Con este botón, puede encender/parar cada motor.

5. Botón de parada

Este botón detiene todos los motores simultáneamente (pero no desactiva la aspiradora).

6. Indicador que alerta de la baja presión del compresor (sólo se usa con opción de limpieza automática del filtro con compresor de aire)

Si encendido, indica baja presión del aire en el depósito

7. Indicador de nivel máx. aspirado

Si se enciende, indica que se ha alcanzado el nivel máximo de material aspirado en el contenedor, si en la máquina está instalado el control de nivel para líquidos o sólidos.

8. Indicador de tensión

Indica que la aspiradora está alimentada.

9. Indicador del filtro primario

Verde: indica que el filtro primario funciona correctamente.

Rojo: indica que el filtro primario está obstruido y se debe limpiar.

10. Indicador de filtro HEPA (si está instalado)

Rojo: indica que el filtro HEPA está bloqueado y se debe sustituir.

11. Tirador del agitador de filtro manual (modelos con agitador de filtro manual)

Figura 6

1. Palanca para desensamblar el contenedor de polvo

2. Palanca de la ruedecilla

3. Palanca de la cinta de cierre

5. Cable de alimentación eléctrica

6. Empuñadura

Figura 7

1. Toma de admisión

Comprobaciones antes de empezar

Antes de empezar, compruebe que:

- Los filtros estén instalados;
- Todas las palancas estén bloqueadas en su sitio;
- El tubo de vacío y las herramientas se hayan acoplado correctamente a la toma de admisión (1 - Fig.7);
- La bolsa esté instalada, si procede.



No utilice la aspiradora si el filtro es defectuoso.

Arranque y parada

Figura 8



Bloquee los frenos (1) de las ruedecillas antes de arrancar la aspiradora.

- Pulse el botón (2) para activar cada motor de aspiración.
- Pulse de nuevo el botón (2) para apagar cada motor o pulse el botón "stop" para apagar todos los motores contemporáneamente.

Funcionamiento de la aspiradora



La velocidad del aire en el tubo de aspiración no debe ser inferior a 20 m/s. Si la velocidad del aire es inferior a este valor, el indicador rojo en el filtro primario se enciende.

Al utilizar la aspiradora, compruebe:

- El estado del indicador de nivel de material máximo aspirado (7 - Fig. 5) si el control de nivel está instalado.
- El estado del filtro primario (9 - Fig. 5) y del filtro HEPA (si está instalado) (10 - Fig. 5).
- El estado del indicador de baja presión del compresor (6 - Fig. 5) (si está instalado).



Si se enciende alguno de los indicadores, siga las instrucciones.

Símbolo	Señal del indicador	Color del indicador	Estado y procedimiento de la aspiradora
	Baja presión del compresor (6 - Fig. 5)	Rojo	Aspiración detenida. Compruebe que el compresor funciona correctamente (si está instalado).
	Nivel de material máximo aspirado (7 - Fig. 5)	Rojo	Aspiración detenida. Vaciar el contenedor (Consultar el apartado correspondiente).
	Filtro primario (9 - Fig. 5)	Rojo	Aspiración activada. Utilice el agitador de filtro manual después de detener la aspiradora (en modelos con un agitador de filtro manual).
	Filtro HEPA (10 - Fig. 5)	Rojo	Aspiración activada. Sustituya el filtro HEPA (Consultar el apartado correspondiente).



Si hubiera algún fallo, consulte el apartado de "Solución de problemas".

E

Agitador del filtro primario

Agitador automático del filtro primario

En modelos que dispongan de un agitador automático de filtro primario, el agitador se activará automáticamente al comenzar y terminar el ciclo de funcionamiento; lo harán después de iniciar la aspiradora y después de que se hayan detenido todos los motores, respectivamente. Esquema A (consulte parte inferior de la página, secuencia de fases de trabajo).

Agitador manual del filtro primario

Figura 9

En relación con la cantidad de material aspirado y si el indicador (9 - Fig. 5) está en rojo, apague la aspiradora y utilice el botón (1 - Fig. 9) del agitador manual de filtro.



¡ATENCIÓN!

Detenga la aspiradora antes de utilizar el agitador de filtro.

No sacuda el filtro cuando la aspiradora esté encendida, ya que esto podría dañar el filtro.

Espere unos instantes antes de volver a encender la aspiradora para que el polvo se asiente en el fondo del contenedor. Si el indicador sigue iluminado de color rojo (9 - Fig. 5) incluso después de agitar el filtro, sustitúyalo por otro nuevo (consulte el aparato "Sustitución del filtro primario").

Parada de emergencia

Pulse el botón de parada (5 - Fig. 5). La aspiradora se detiene.



¡ATENCIÓN!

Los motores y los componentes internos de la aspiradora recibirán corriente eléctrica.

Para volver a encender de nuevo la aspiradora, pulse los botones de cada motor individual.

Vaciado del contenedor de polvo



¡ATENCIÓN!

- **Antes de realizar estas operaciones, apague la aspiradora y desconecte el enchufe de la toma de corriente.**
- **Compruebe qué clase de aspiradora posee.**

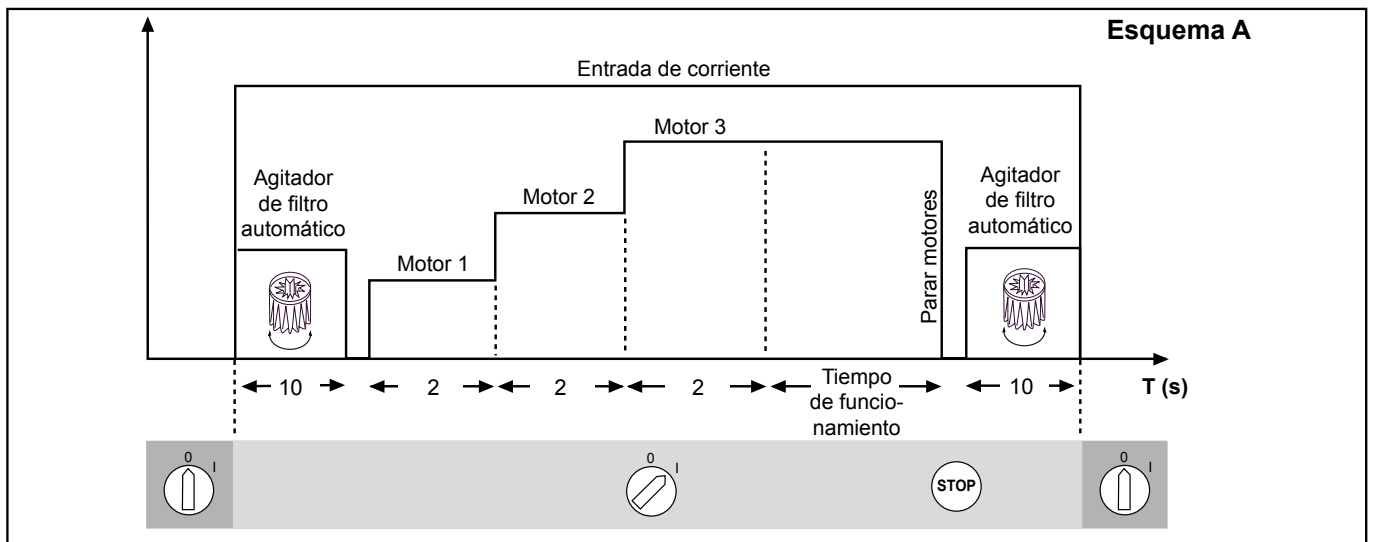
Le aconsejamos que limpie el filtro antes de vaciar el contenedor (consulte el apartado "Agitador del filtro primario").

- Las máquinas sin filtro HEPA no son adecuadas para aspirar polvos de materiales peligrosos
 - **Libere el contenedor de polvo (1, Fig. 10), con la palanca (2), extráigalo y vacíelo.**
 - **Compruebe que la junta esté en buen estado y bien colocada.**
 - **Coloque el contenedor en su lugar original para volver a fijarlo en su posición.**

Bolsa de plástico

Puede utilizar las bolsas de plásticos suministradas por nuestra red de ventas (Fig. 10A) como medio de colección alterno.

E



Cómo cambiar la bolsa



- **Sólo podrán llevar a cabo estas operaciones personal cualificado con una indumentaria adecuada y que cumplan con la legislación vigente.**
- **Intente no levantar polvo durante estas operaciones. Utilice una máscara protectora.**
- **Si está limpiando polvo de materiales peligrosos y/o tóxicos, debe utilizar la bolsa de seguridad suministrada para estas aspiradoras certificadas.**
- **Sólo el personal cualificado podrá desechar la bolsa de conformidad con la legislación vigente.**

Aspirado de líquidos



Compruebe que la aspiradora esté equipada con un sensor de nivel de líquido y sea apropiada para aspirar líquidos.

- Después de aspirar líquidos el filtro estará húmedo. Si utiliza la aspiradora para aspirar sustancias secas con el filtro húmedo, éste puede obstruirse con facilidad. Por ello, antes de utilizar la aspiradora para limpiar materiales secos, compruebe que el filtro esté seco o sustitúyalo por otro.

Al final de la sesión de limpieza

- Apague la aspiradora y desconecte el enchufe de la toma de corriente.
- Enrolle el cable de conexión y cuélguelo en el compartimento correspondiente (Fig. 13).
- Vacíe el contenedor como se indica en el apartado "Vaciado del contenedor".
- Limpie la aspiradora como se detalla en el apartado "Mantenimiento, limpieza y descontaminación".
- Si ha aspirado sustancias agresivas, lave el contenedor con agua limpia.
- Guarde la aspiradora en un lugar seco, fuera del alcance de personal no autorizado.

Mantenimiento, limpieza y descontaminación



¡ATENCIÓN!

Las precauciones que se describen a continuación deben respetarse durante las operaciones de mantenimiento, incluidas la limpieza o sustitución de los filtros primario y HEPA.



¡ATENCIÓN!

Las operaciones de mantenimiento, limpieza y descontaminación solo deben realizarse después de apagar la aspiradora y de desconectar el enchufe de la toma de corriente.

Se prohíbe terminantemente realizar el mantenimiento con el enchufe conectado a la toma de corriente. ¡Peligro de electrocución!

- Para que el operador pueda realizar las operaciones de mantenimiento, la aspiradora deberá estar desmontada, limpia y revisada, en la medida de lo razonable, sin que represente un peligro para el personal de mantenimiento ni para otras personas. Para cumplir las precauciones correctas deberá descontaminar el aparato antes de desmontar la aspiradora, ventilar el aire de escape mediante filtros y de forma apropiada de la habitación en la que se haya desmontado la aspiradora y limpiar la zona de mantenimiento para proteger al personal.
- Cuando se quiten de la zona de peligro, todas las partes de la aspiradora se considerarán contaminadas y será necesario llevar a cabo las operaciones apropiadas para evitar la dispersión del polvo.

Una vez realizado el procedimiento de mantenimiento o reparación, hay que desechar todos los elementos contaminados que no se puedan limpiar correctamente.

Estos elementos se deben desechar en bolsas selladas, según la normativa aplicable y de acuerdo con la legislación local sobre el desecho de estos materiales.

Este procedimiento debe seguirse también cuando se eliminan los filtros (filtros primario y HEPA).

Es importante abrir los compartimentos que no sean herméticos con las herramientas adecuadas (destornilladores, llaves inglesas, etc.) y limpiarlos en profundidad.



¡ATENCIÓN!

Esta aspiradora puede equiparse de filtro HEPA para aspirar polvo nocivo para la salud. Las tareas de mantenimiento y vaciado de la aspiradora (incluyendo la extracción del contenedor de polvo), deben ser efectuadas únicamente por personal especializado y equipado con indumentaria protectora. No utilice el aparato si el sistema de filtrado completo no está instalado.

Desmontaje y sustitución del filtro primario y HEPA



¡ATENCIÓN!

Cuando se utilice la aspiradora para limpiar sustancias peligrosas, los filtros se contaminarán. Por tanto:

- *Trabaje cuidadosamente e intente no derramar el polvo y/o material aspirado;*
- *Coloque el filtro desmontado y/o sustituido en una bolsa de plástico sellada;*
- *Cierre la bolsa herméticamente;*
- *Deseche el filtro según la legislación vigente.*



¡ATENCIÓN!

La sustitución del filtro es un asunto muy importante. El filtro debe ser sustituido por otro con idénticas características, superficie de filtración y categoría. De no ser así, el aspirador no funcionaría correctamente.

Sustitución del filtro primario

Figura 14

1. Unidad de aspiración
2. Palanca de bloqueo
3. Jaula filtro
4. Filtro primario
5. Alojamiento del agitador de filtro



Intente no levantar polvo cuando efectúe esta operación. Utilice una máscara de protección e indumentaria protectora, además de guantes protectores apropiados para el tipo de polvo peligroso que se haya recogido, según la legislación vigente.

Antes de realizar estas operaciones, apague la aspiradora y desconecte el enchufe de la toma de corriente.

- Utilice la palanca (2) para liberar la unidad de aspiración (1); después, tire de ella hacia arriba y extráigala de la aspiradora.
- Extraiga la jaula del filtro de la aspiradora.
- Quitar el viejo filtro quitando las abrazaderas de plástico.
- Coloque el nuevo filtro y fíjelo en la jaula con nuevas abrazaderas de plástico.
- Deseche el filtro usado según la legislación vigente.

Sustituir un filtro primario con agitador automático



Vuelva a armar todo con cuidado para evitar atraparse las manos entre la unidad de aspiración y el contenedor.

- Después de volver a colocar el filtro en la jaula (3), instálela de nuevo en el contenedor.
- Vuelva a montar la unidad de aspiración (1), asegurándose de que la jaula del filtro (3) encaja en el alojamiento moldeado (5) del agitador de filtro.
- Pulse el interruptor de encendido y la unidad de aspiración se autocentrará automáticamente.
- Con la palanca de bloqueo (2), bloquee la unidad de aspiración en su sitio.

Sustituir un filtro primario con agitador manual

Figura 15

1. Tirador del agitador de filtro manual
2. Unidad de aspiración
3. Palanca de bloqueo
4. Jaula filtro
5. Alojamiento del agitador de filtro



Vuelva a armar todo con cuidado para evitar atraparse las manos entre la unidad de aspiración y el contenedor.

- Después de colocar y encajar el filtro en la jaula, inserte la jaula del agitador de filtro (4) en el alojamiento moldeado (5) del agitador de filtro.
- Coloque el botón del agitador manual de filtro (1) en el centro.
- Vuelva a montar la unidad de aspiración (2), sin olvidar la jaula y el filtro, en el contenedor de aspiración.
- Compruebe que el agitador de filtro funciona correctamente y, si es necesario, ajuste la posición de la jaula del filtro girando la unidad de aspiración.
- Con la palanca de bloqueo (3), bloquee la unidad de aspiración en su sitio.

Si necesario póngase en contacto con el Centro de Servicios del fabricante.

Sustitución del filtro HEPA

Versión para polvo de materiales peligrosos para la salud.

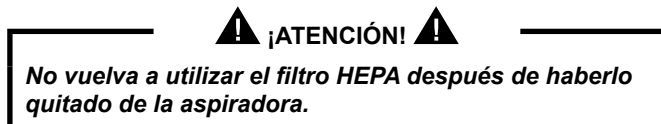
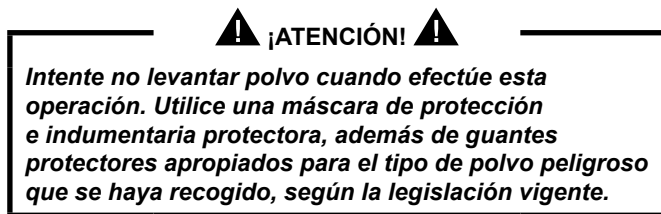
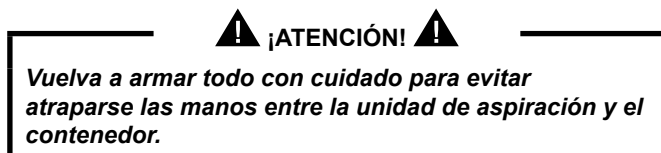


Figura 16

1. Unidad de aspiración
2. Palanca de bloqueo
4. Anillo de seguridad de filtro HEPA
5. Disco filtro HEPA
6. Filtro HEPA



Antes de realizar estas operaciones, apague la aspiradora y desconecte el enchufe de la toma de corriente.

- Utilice la palanca (2) para liberar la unidad de aspiración (1); después, tire de ella hacia arriba y extráigala de la aspiradora.
- Desenrosque el anillo (4).
- Extraiga el disco (5) y el filtro HEPA (6).
- Guarde el filtro HEPA (6) en una bolsa de plástico, cierre la bolsa herméticamente y deseche el filtro según la legislación vigente.
- Introduzca un filtro nuevo (6) con las mismas características de filtración del filtro quitado.
- Bloquee el filtro HEPA con el disco (5) y apriete el anillo (4).
- Sustituya la unidad de aspiración (1).
- Fije en su lugar la unidad de aspiración con la palanca (2) y bloquee el perno de seguridad (3) otra vez.

Inspección del sellado

Comprobación de los tubos

Asegúrese de que los tubos de conexión (Fig. 17) está en buen estado y bien fijados.

Si los tubos están dañados, rotos o tiene conexiones aflojadas, se deben sustituir.

Cuando aspire materiales pegajosos, compruebe que no haya obstrucciones en el tubo, en la toma de admisión y en el deflector dentro de la cámara de filtración.

Limpie la toma de admisión (2, Fig. 17) por fuera y quite los desechos que se hayan depositado en ella, como se indica en la figura 17.

Comprobación de la junta de la cámara de filtrado

Si la junta (1, Fig. 18) entre el contenedor (4) y la cámara de filtrado (3) no es hermética:

- Afloje los cuatro tornillos (2) que fijan la cámara de filtración (3) a la estructura de la aspiradora.
- Deje que la cámara de filtrado (3) baje y vuelva a apretar los tornillos (2) cuando haya alcanzado una posición hermética.

Si no puede sellarse de forma óptima y la junta está rota, fracturada, etc., será necesario proceder a su sustitución.

Eliminación del aspirador

Figura 19

Deseche la aspiradora conforme a la legislación vigente.

- Eliminación correcta (residuos eléctricos y electrónicos). (Aplicable en la Unión Europea y en países que disponen de un sistema de recogida independiente)

El símbolo anterior (Fig. 19), que está presente en el producto o en su documentación, indica que el producto no puede eliminarse junto con otros residuos del hogar al final de su ciclo de vida.

Para evitar daños al medio ambiente o a la salud debido a una eliminación incorrecta de residuos, separe este producto de otros residuos y recíclelo con el fin de apoyar la reutilización sostenible de recursos materiales. Este producto no puede eliminarse junto con otros residuos comerciales.

Recambios recomendados

Las siguiente lista incluye los recambios que se deberían tener a mano para ahorrar tiempo en las operaciones de mantenimiento.

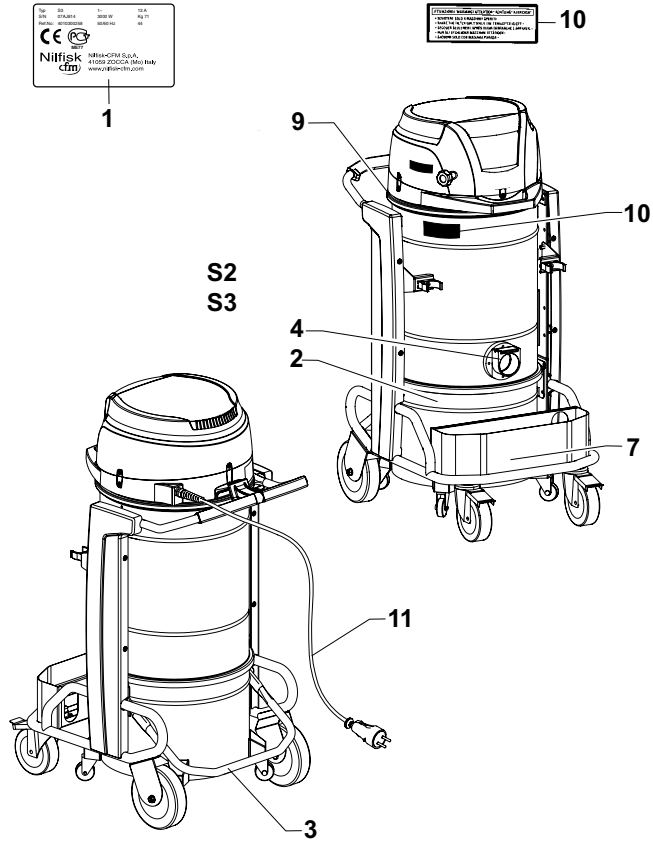
Para encargar recambios, consulte el catálogo de recambios del fabricante.

Descripción	Número de parte
Conjunto filtro primario	40000338 (incluye 8 filtros 17080)
Junta filtro primario	8-17026
Junta cámara filtro	40000762
Abrazadera filtro	8-18079
Filtro HEPA	4081700936
Motor 120V, 800W (modelos S2N6 y S3N1)	40000928
Motor 120V, 1000W (sólo modelo S2N1)	40000904
Escobillas de carbón para motor 800W y 1000W	40000886

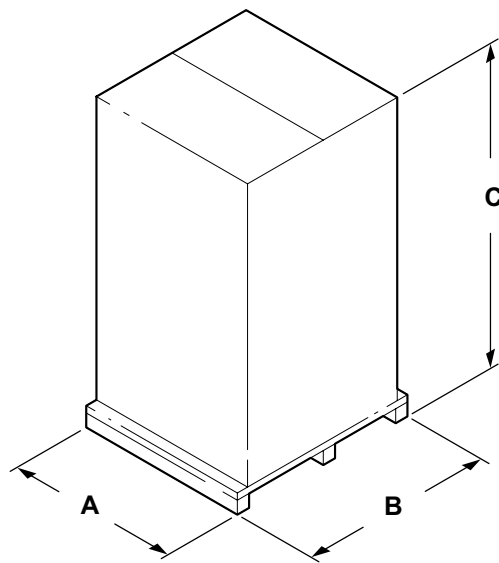
Resolución de problemas

Problema	Causa	Solución
La aspiradora no se pone en marcha	Falta de alimentación	Compruebe la presencia de alimentación en correspondencia de la toma de corriente. Compruebe el estado del enchufe y del cable. Solicite la asistencia de un técnico del fabricante cualificado.
El régimen de los motores de la aspirador aumenta	Filtro primario obstruido	Utilice el agitador de filtro (modelos con agitador de filtro manual). Si esta acción no fuera suficiente, sustitúyalo por otro.
	Tubo de vacío bloqueado	Compruebe el tubo de vacío y límpielo.
Sale polvo de la aspiradora	El filtro está roto	Sustitúyalo por otro filtro del mismo tipo.
	Filtro incorrecto	Sustitúyalo por otro filtro del tipo correcto y compruebe el funcionamiento.
Motores ruidosos	Escobillas de motor (carbón) gastadas o rotas	Quite y sustituya las escobillas (de carbón) del motor.
Choque electrostático de la aspiradora	Toma de tierra inexistente o ineficaz	Compruebe todas las conexiones a tierra. Sobre todo en la instalación de la toma de aspiración; sustituya el tubo por otro antiestático.

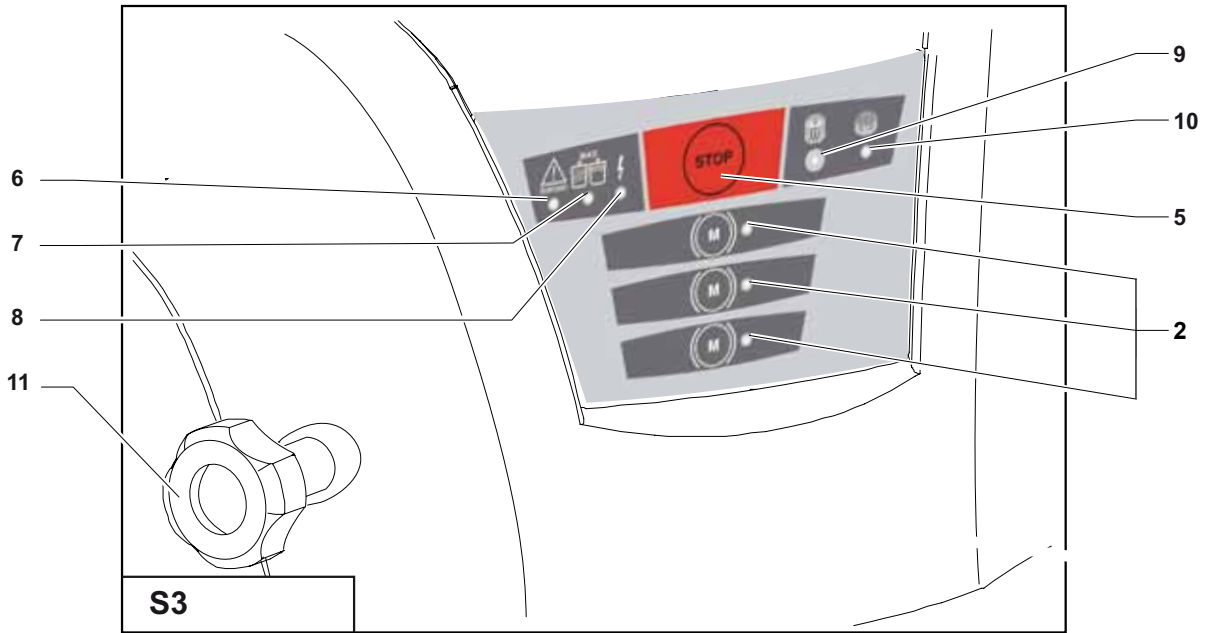
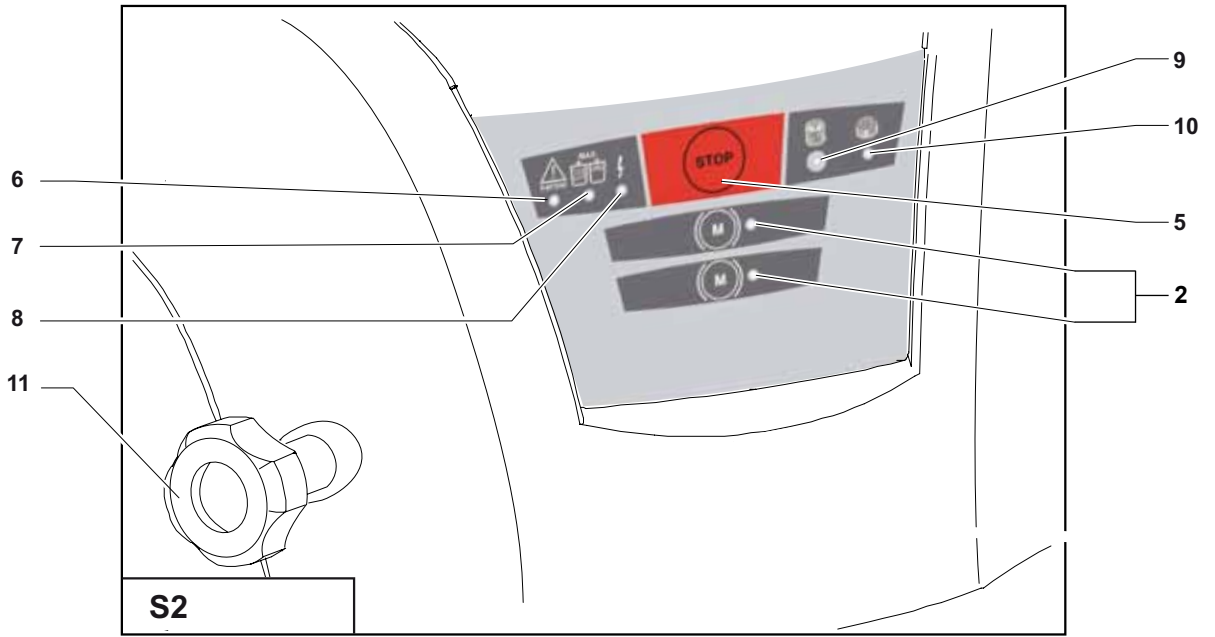
1



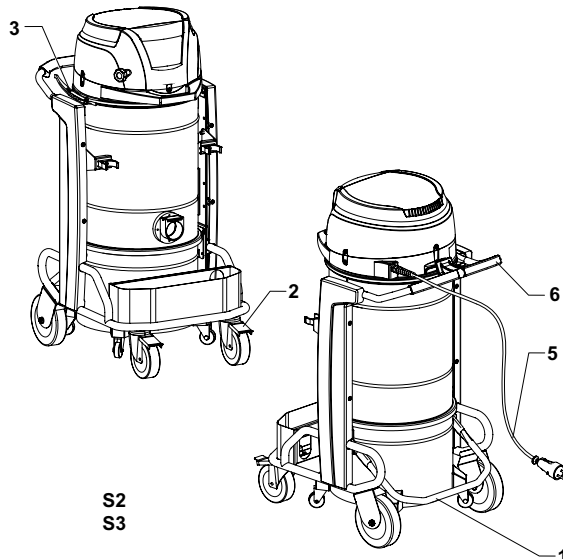
3



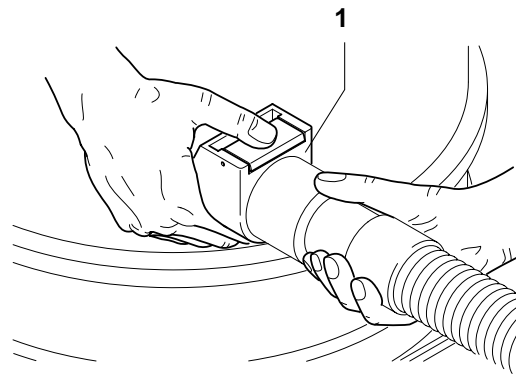
5



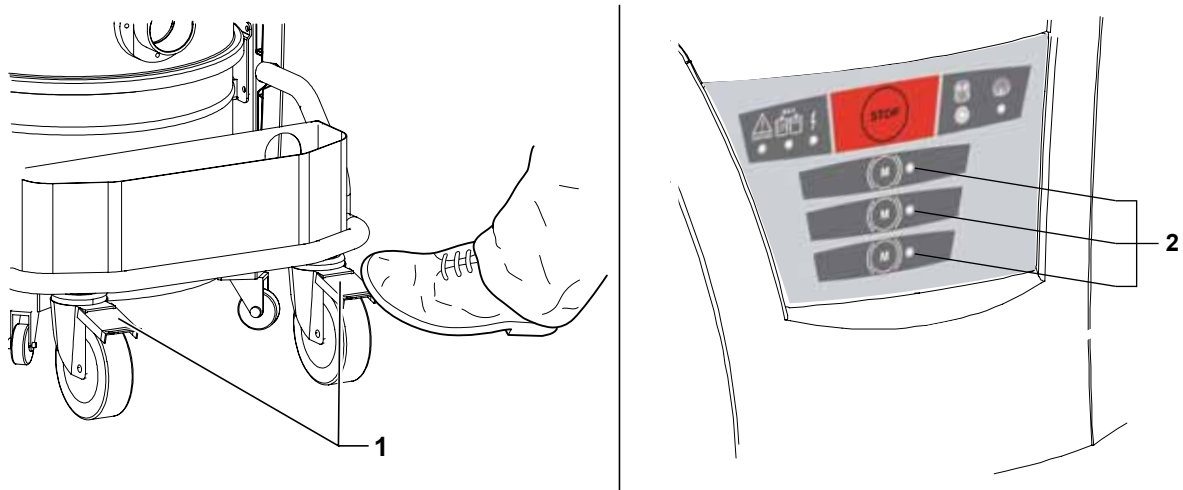
6



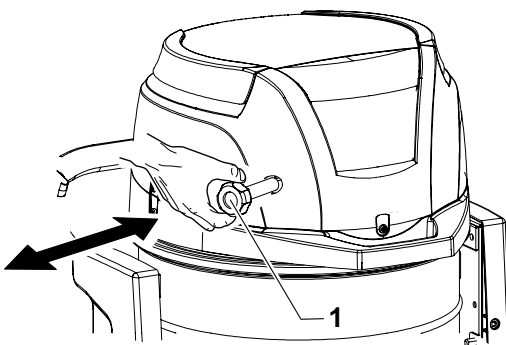
7



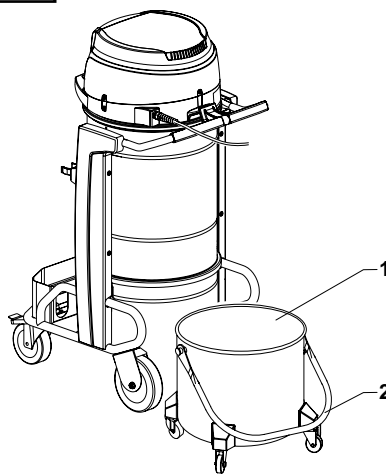
8



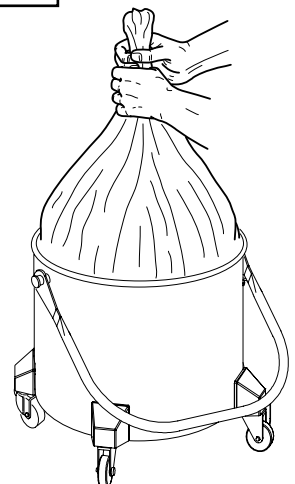
9



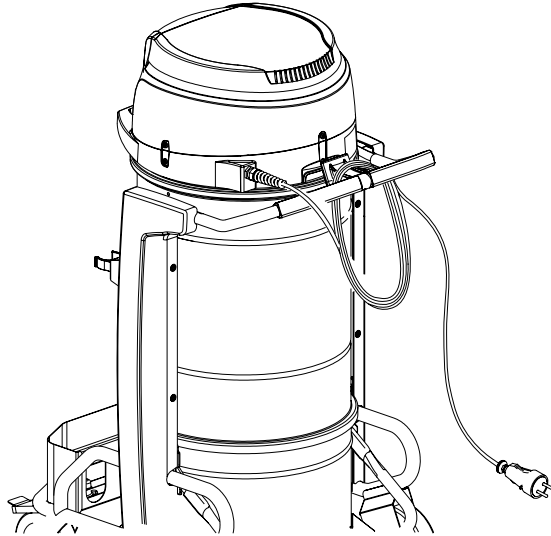
10



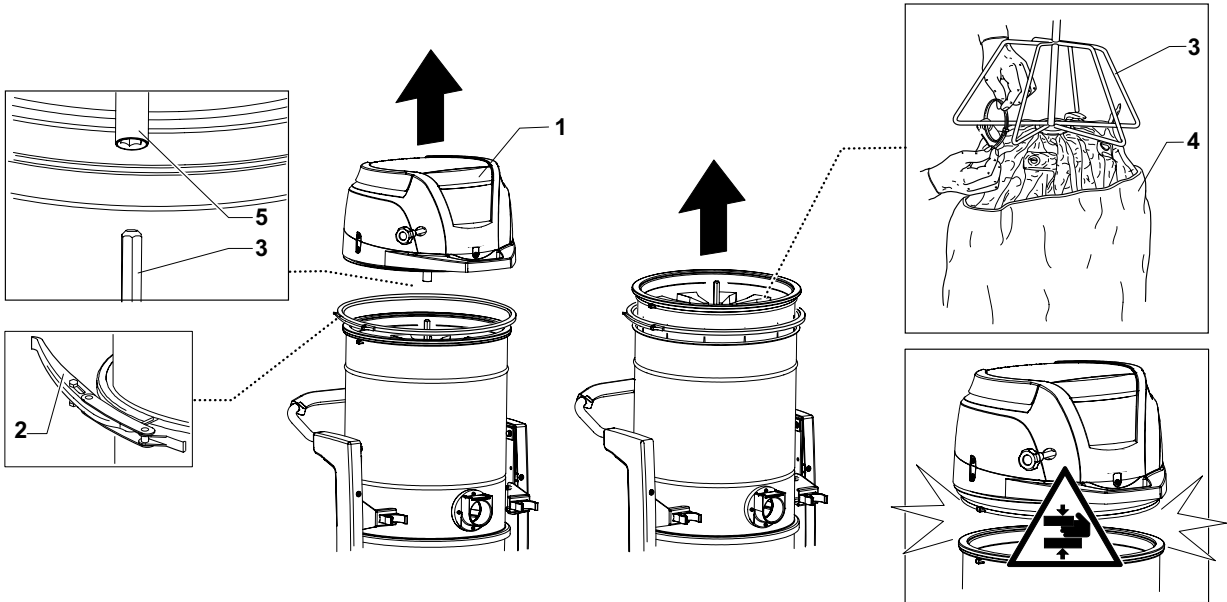
10A



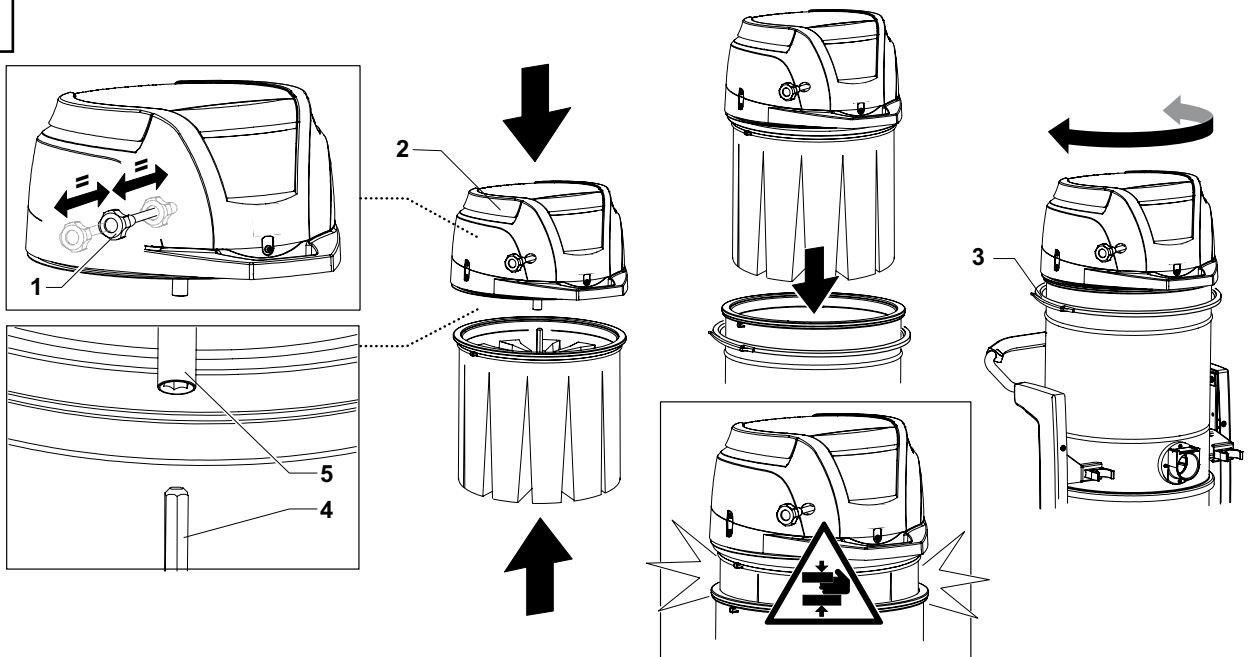
13



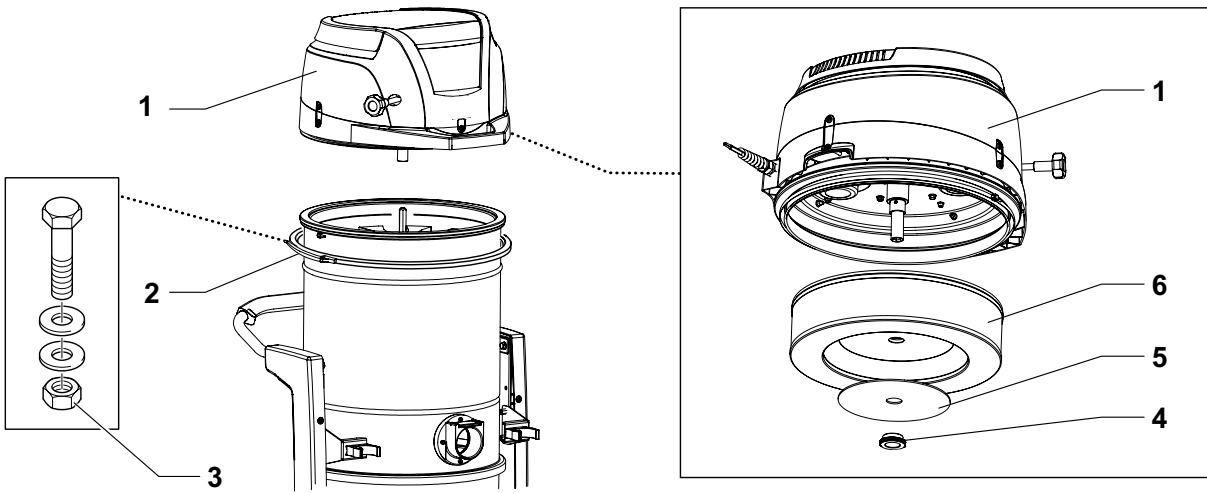
14



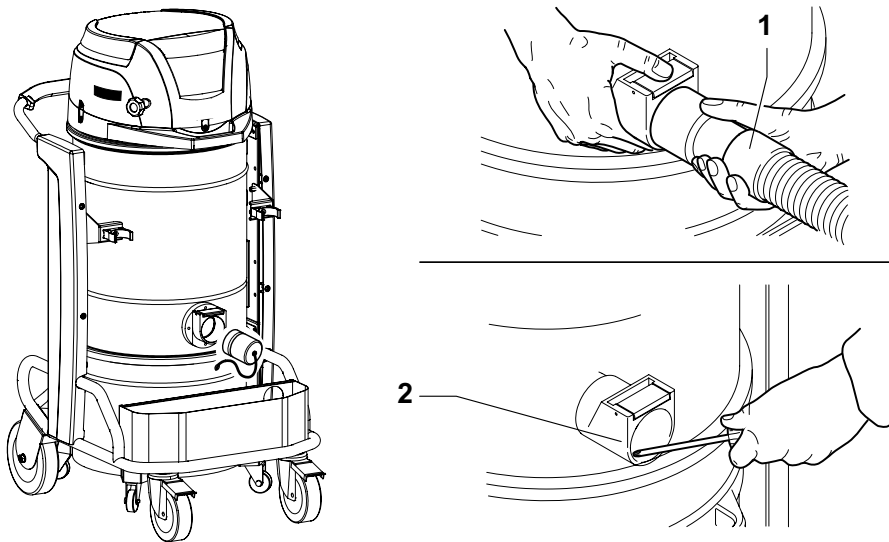
15



16



17



18

