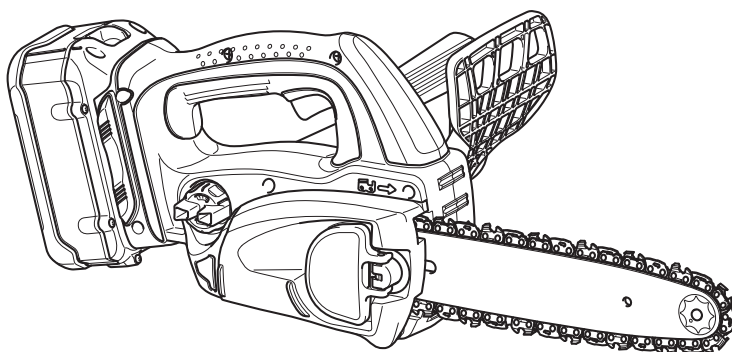


DOLMAR

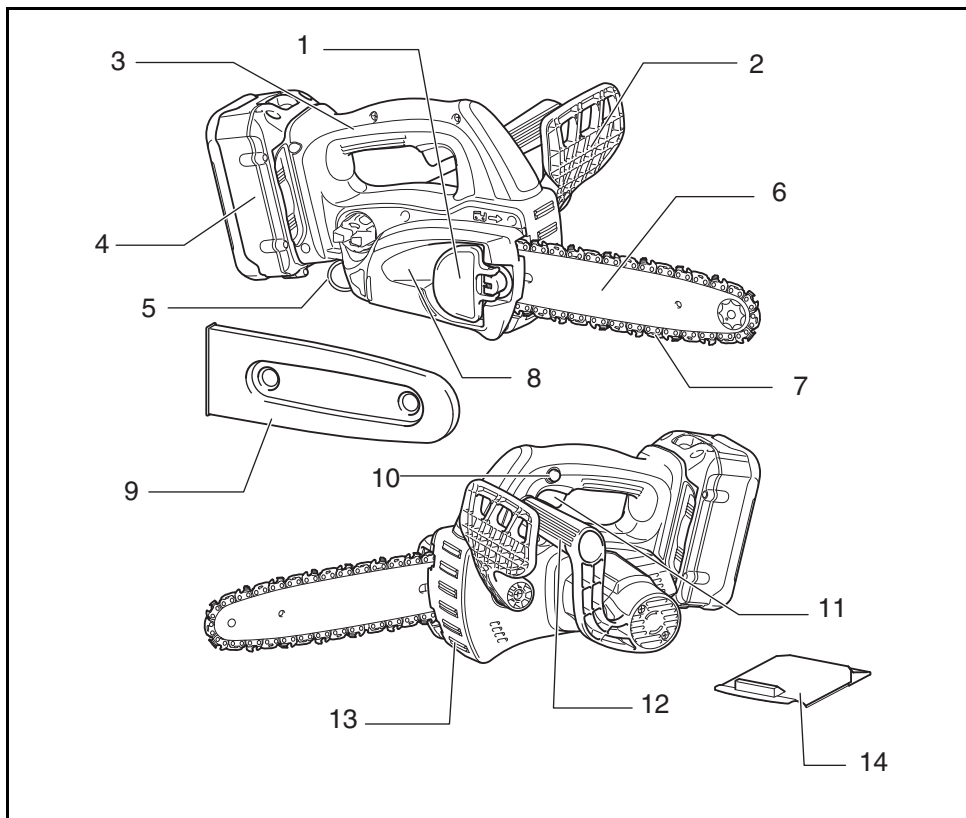


GB	Cordless Chain Saw	Instruction Manual
F	Tronçonneuse sans Fil	Manuel d'instructions
D	Akku-Kettensäge	Betriebsanleitung
I	Motosega a batteria	Istruzioni per l'uso
NL	Accu-kettingzaag	Gebruiksaanwijzing
E	Electrosierra Inalámbrica	Manual de instrucciones
P	Motosserra a Bateria	Manual de instruções
DK	Akku-kædesav	Brugsanvisning
GR	Αλυσοπίοιο μπαταρίας	Οδηγίες χρήσεως

AS-3625



**PARTS DESCRIPTION / DESCRIPTION DES PIÈCES / BESCHREIBUNG DER TEILE /
DESCRIZIONE DELLE PARTI / BESCHRIJVING VAN ONDERDELEN / DESCRIPCIÓN DE LAS PARTES /
DESCRIPAÇÃO DAS PEÇAS / BESKRIVELSE AF DELE / ΠΕΡΙΓΡΑΦΗ ΤΩΝ ΕΞΑΡΤΗΜΑΤΩΝ**



ENGLISH

1	Lever
2	Front hand guard
3	Top handle
4	Battery cartridge
5	Carabiner or rope attachment point
6	Guide bar
7	Saw chain
8	Sprocket cover
9	Chain cover
10	Lock off button
11	Switch trigger
12	Front handle
13	Serrated rail (claw stop)
14	Battery cover

FRANÇAIS

1	Levier
2	Protège-main avant
3	Poignée supérieure
4	Batterie
5	Point de fixation du mousqueton ou de la corde
6	Guide de chaîne
7	Chaîne
8	Couvre-pignon
9	Cache de chaîne
10	Bouton de sécurité
11	Gâchette
12	Poignée avant
13	Rail dentelé (butée à griffe)
14	Couvercle de batterie

DEUTSCH

1	Hebel
2	Vorderer Handschutz
3	Obergriff
4	Akku
5	Befestigungsöse für Karabinerhaken oder Seil
6	Schwert
7	Sägekette
8	Kettenraddeckel
9	Kettenabdeckung
10	Einschaltarretierung
11	Schalter
12	Frontgriff
13	Krallenanschlag (Klauenanschlag)
14	Akkuabdeckung

NEDERLANDS

1	Hendel
2	Beschermkap van voorhandgreep
3	Bovenhandgreep
4	Accu
5	Bevestigingsoog voor karabijnhaak of touw
6	Zaagblad
7	Zaagketting
8	Afdekking van ketting wiel
9	Kettingdeksel
10	Ontgrendelknop
11	Trekschakelaar
12	Voorhandgreep
13	Getande kam (klauwaanslag)
14	Deksel van de accu

ITALIANO

1	Leva
2	Protezione mano anteriore
3	Manico superiore
4	Cartuccia batteria
5	Gancio o punto di attacco fune
6	Barra guida
7	Catena sega
8	Coperchio rocchetto
9	Coperchio catena
10	Bottone di sblocco
11	Interruttore a grilletto
12	Manico anteriore
13	Guida dentata (fermo dente)
14	Coperchio batteria

ESPAÑOL

1	Baja
2	Protector de la mano delantera
3	Empuñadura principal
4	Cartucho de batería
5	Punto de sujeción de mosquetón o cuerda
6	Placa de guía
7	Cadena de sierra
8	Cubierta del piñón
9	Cubierta de la cadena
10	Botón de seguro
11	Gatillo interruptor
12	Empuñadura delantera
13	Riel dentado (tope de gancho)
14	Tapa de la batería

PORTUGUÊS

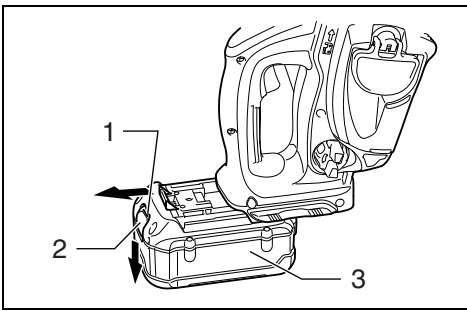
1	Alavanca
2	Protector frontal das mãos
3	Pega superior
4	Bateria
5	Ponto de fixação da corda ou gancho
6	Espada
7	Corrente da electroerra
8	Cobertura da roda dentada
9	Cobertura da corrente
10	Botão de bloqueio
11	Gatilho do interruptor
12	Pega frontal
13	Trilho dentado (retentor de garras)
14	Tampa da bateria

ΕΛΛΗΝΙΚΑ

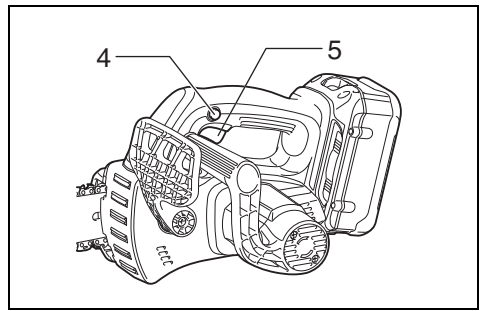
1	Μοχλός
2	Μπροστινός προφυλακτήρας χεριών
3	Άνω λαβή
4	Κασετίνα μπαταρίας
5	Carabiner ή σημείο πρόσδεσης σχοινού
6	Κατευθυντήρια λάμα
7	Αλυσίδα πριονιού
8	Κάλυμμα οδοντωτού τροχού
9	Κάλυμμα αλυσίδας
10	Πλήκτρο ασφάλειας
11	Σκανδάλη διακόπτης
12	Μπροστινή λαβή
13	Οδοντωτή ράγα (στοπ σιαγόνας)
14	Κάλυμμα μπαταρίας

DANSK

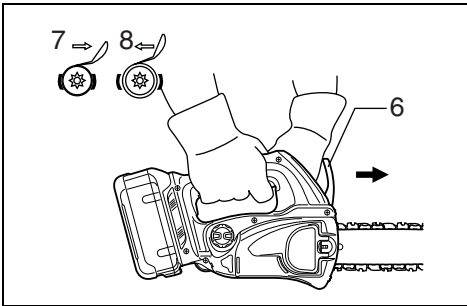
1	Arm
2	Frontkappe
3	Tophåndtag
4	Akku
5	Fastgørelsespunkt til karabinhage eller reb
6	Sværd
7	Savkæde
8	Kædehjulsdæksel
9	Kædedæksel
10	Låseknop
11	Afbryderknop
12	Fronthåndtag
13	Takket kant (hage-stop)
14	Batteridæksel



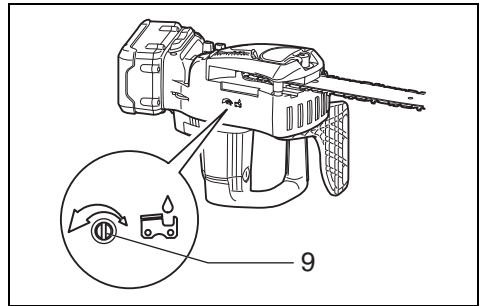
1



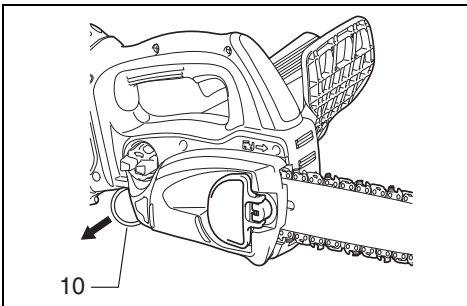
2



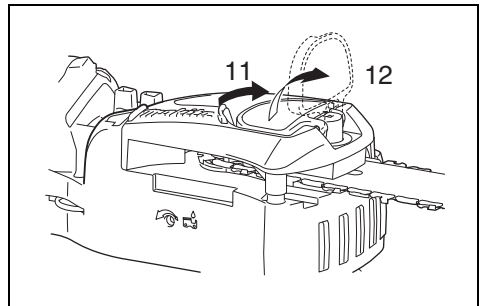
3



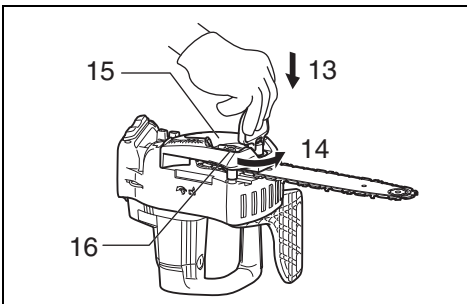
4



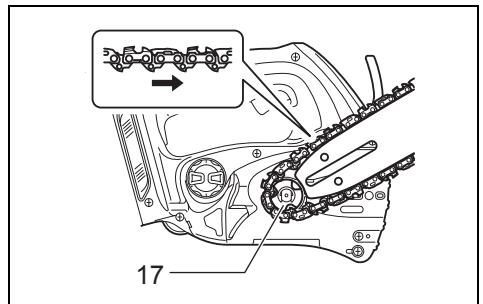
5



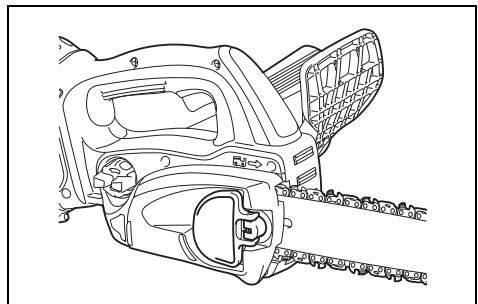
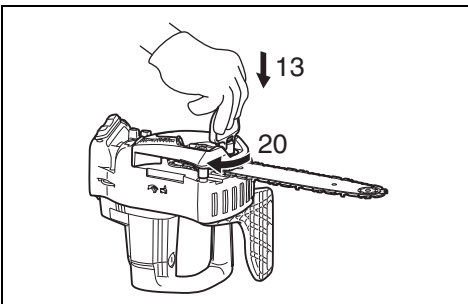
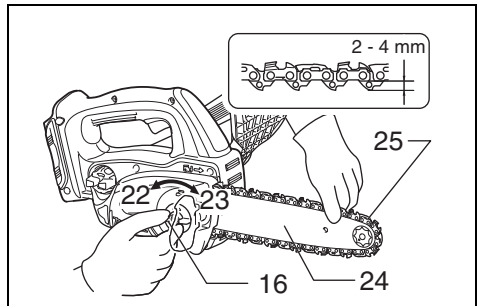
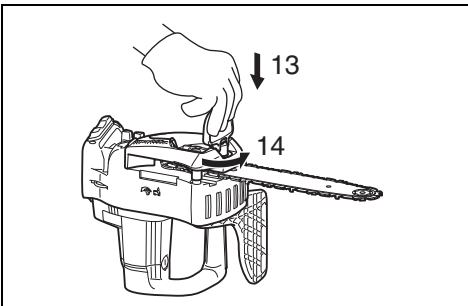
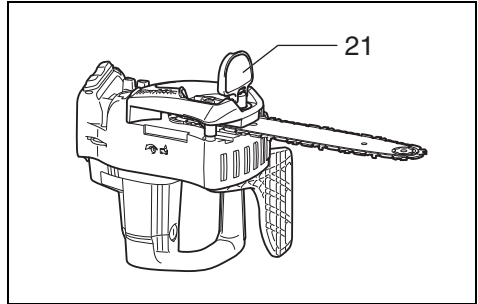
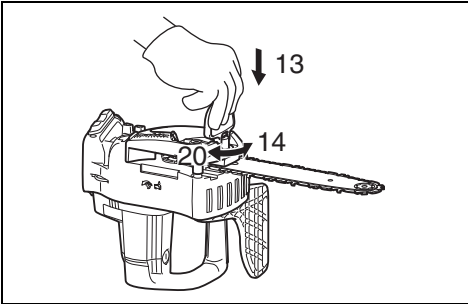
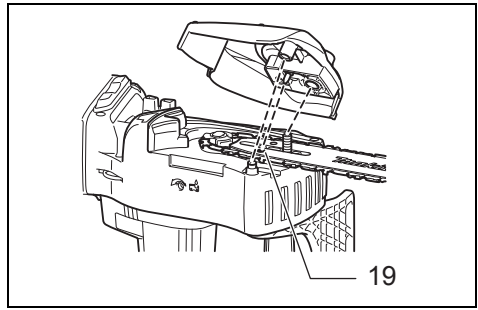
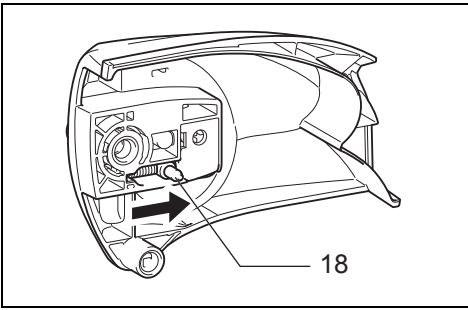
6

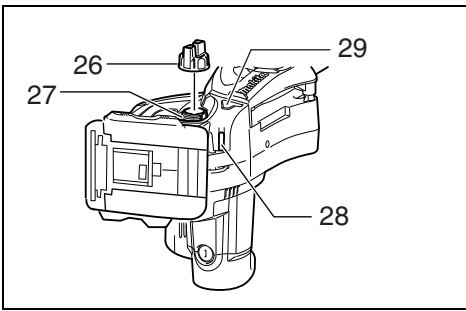


7

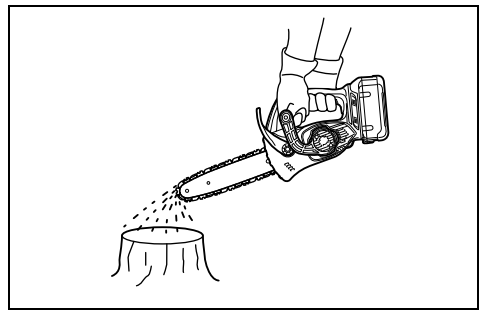


8

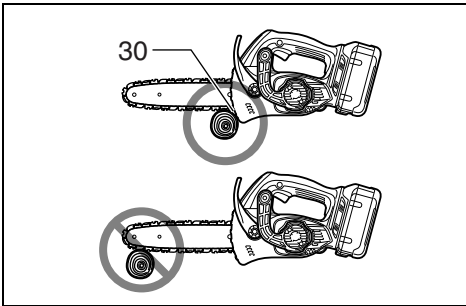




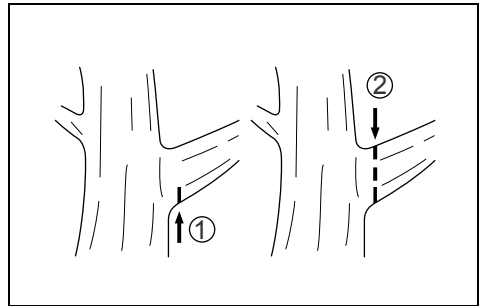
17



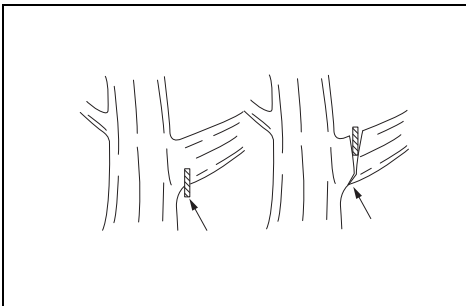
18



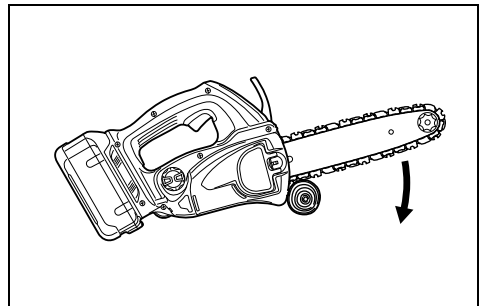
19



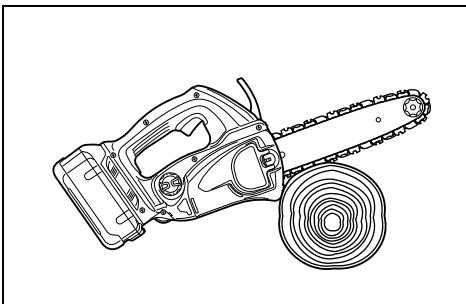
20



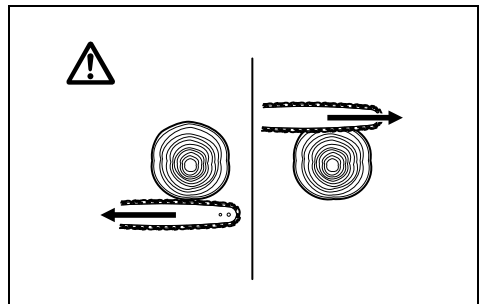
21



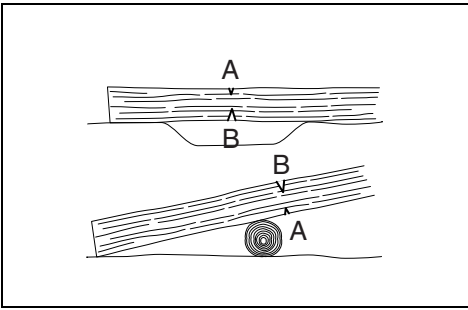
22



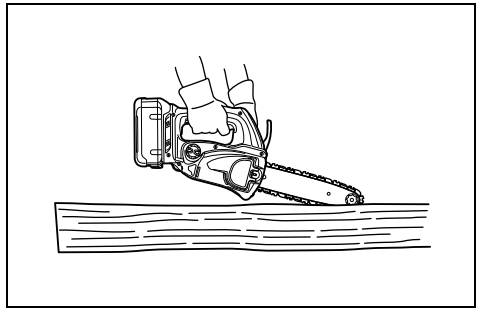
23



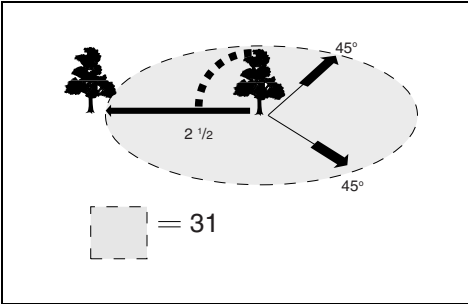
24



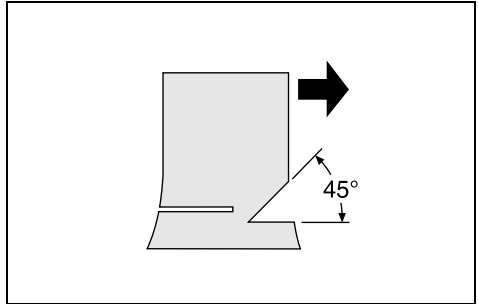
25



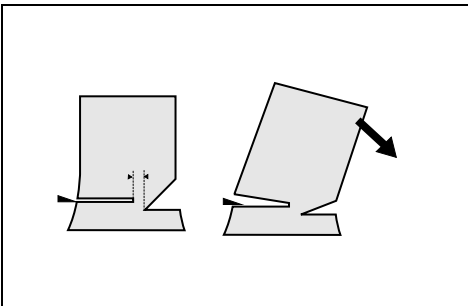
26



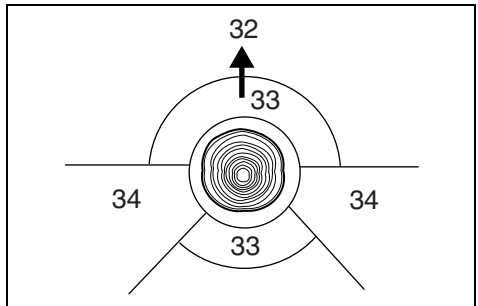
27



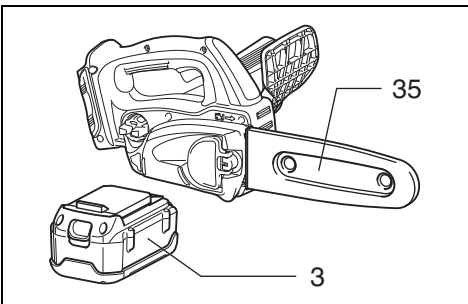
28



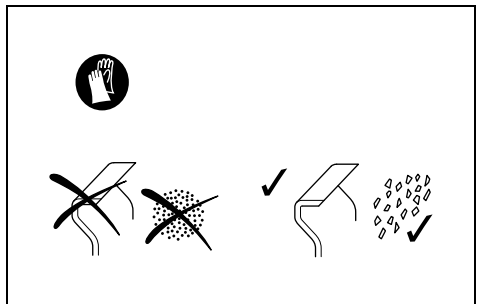
29



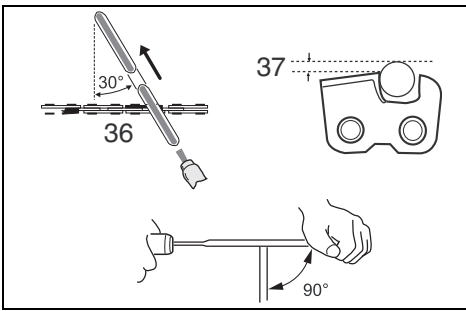
30



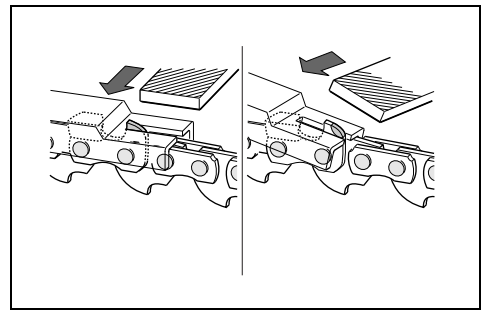
31



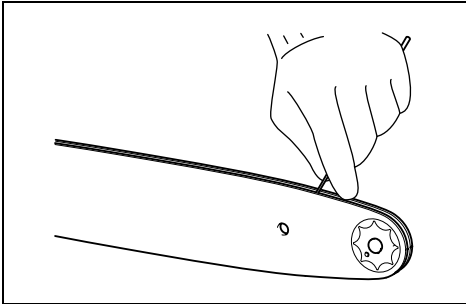
32



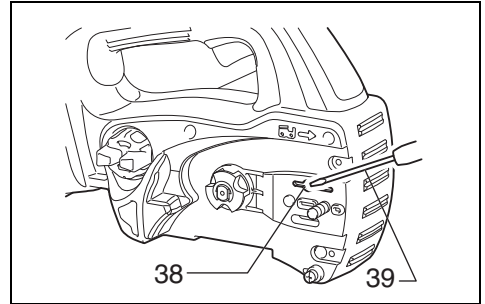
33



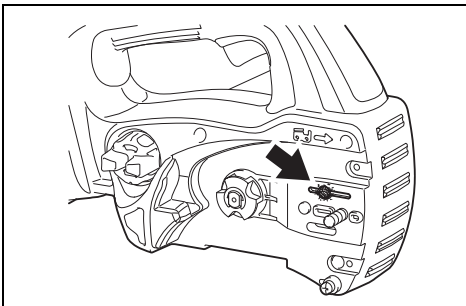
34



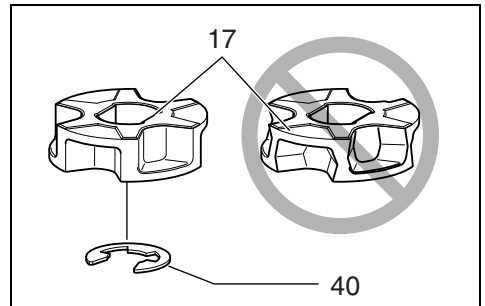
35



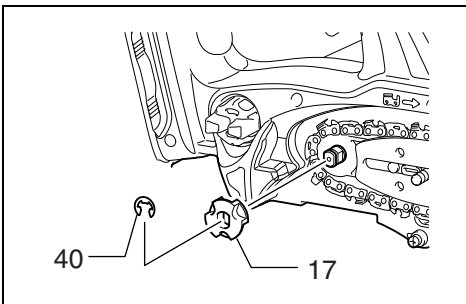
36



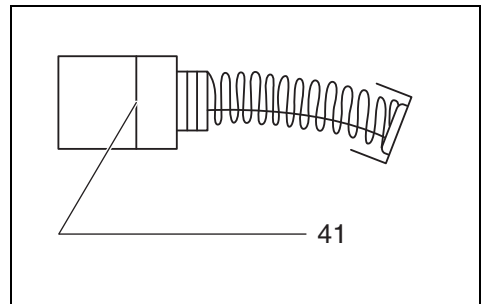
37



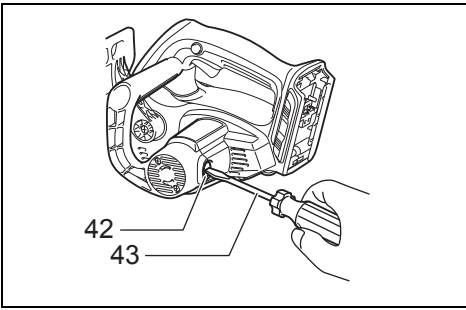
38



39



40



41

END005-4

Symbols

The followings show the symbols used for the equipment. Be sure that you understand their meaning before use.

Symboles

Nous donnons ci-dessous les symboles utilisés pour l'outil. Assurez-vous que vous en avez bien compris la signification avant d'utiliser l'outil.

Symbol

Die folgenden Symbole werden für die Maschine verwendet. Machen Sie sich vor der Benutzung unbedingt mit ihrer Bedeutung vertraut.

Simboli

Per questo utensile vengono usati i simboli seguenti. Bisogna capire il loro significato prima di usare l'utensile.

Symbolen

Voor dit gereedschap worden de volgende symbolen gebruikt. Zorg ervoor dat u de betekenis van deze symbolen begrijpt alvorens het gereedschap te gebruiken.

Símbolos

A continuación se muestran los símbolos utilizados con esta herramienta. Asegúrese de que entienda su significado antes de usarla.

Símbolos

O seguinte mostra os símbolos utilizados para a ferramenta. Certifique-se de que compreende o seu significado antes da utilização.

Symboler

Nedenstående symboler er anvendt i forbindelse med denne maskine. Vær sikker på, at De har forstået symbolernes betydning, før maskinen anvendes.

Σύμβολα

Τα ακόλουθα δείχνουν τα σύμβολα που χρησιμοποιούνται για το μηχάνημα. Βεβαιωθείτε ότι καταλαβαίνετε τη σημασία τους πριν από τη χρήση.



- Read instruction manual.
- Lire le mode d'emploi.
- Bitte Bedienungsanleitung lesen.
- Leggete il manuale di istruzioni.
- Lees de gebruiksaanwijzing.
- Lea el manual de instrucciones.
- Leia o manual de instruções.
- Læs brugsanvisningen.
- Διαβάστε τις οδηγίες χρήσης.



- Wear eye protection.
- Portez une protection pour les yeux.
- Eine Schutzbrille tragen.
- Indossare gli occhiali di protezione.
- Draag oogbescherming.
- Póngase protección para los ojos.
- Utilize protectores para os olhos.
- Brug øjenbeskyttelse.
- Να φοράτε προστατευτικά ματιών.



- Wear ear protection.
- Portez une protection pour les oreilles.
- Einen Gehörschutz tragen.
- Indossare la protezione delle orecchie.
- Draag gehoorbescherming.
- Póngase protección para los oídos.
- Utilize protectores para os ouvidos.
- Brug høreværn.
- Να φοράτε προστατευτικά αυτιών.



- Wear a helmet, goggles and ear protection.
- Portez un casque, des lunettes de sécurité et une protection pour les oreilles.
- Tragen Sie einen Helm, eine Schutzbrille und einen Gehörschutz.
- Indossare il casco, gli occhiali di protezione e i paraorecchi.
- Draag een veiligheidshelm, veiligheidsbril en oorbescherming.
- Póngase casco, gafas de seguridad y protección para los oídos.
- Use um capacete, óculos de segurança e protectores para os ouvidos.
- Bær hjelm, sikkerhedsbriller og høreværn.
- Να φοράτε κράνος και μέσα προστασίας όρασης και ακοής.



- Do not expose to rain.
- N'exposez pas l'outil à la pluie.
- Die Maschine keinem Regen aussetzen.
- Non esporre alla pioggia.
- Stel het gereedschap niet bloot aan regen.
- No exponga a la lluvia.
- Não exponha a ferramenta à chuva.
- Udsæt ikke saven for regn.
- Να μην εκτίθεται στη βροχή.



- Hold the saw with both hands while working! One-handed use is extremely hazardous!
- Tenez la scie fermement à deux mains pendant que vous travaillez ! L'utilisation avec une seule main est extrêmement dangereuse !
- Die Säge während der Arbeit mit beiden Händen halten! Einhändiger Betrieb ist äußerst gefährlich!
- Tenere la sega con entrambe le mani durante il lavoro! L'uso con una sola mano è estremamente pericoloso!
- Houd de kettingzaag tijdens het werk met beide handen vast! Gebruik met slechts één hand is uitermate gevaarlijk.
- ¡Sujete la sierra con ambas manos mientras realiza el trabajo! ¡La utilización una sola mano es muy peligroso!
- Segure a electroserra com as duas mãos ao trabalhar. É muito perigoso segurá-la só com uma mão.
- Hold i saven med begge hænder under arbejdet! Anvendelse med kun den ene hånd på saven er yderst farligt!
- Να κρατάτε το αλυσοπρίονο με τα δύο χέρια στη διάρκεια της εργασίας! Η χρήση με το ένα χέρι είναι εξαιρετικά επικίνδυνη!



- Maximum permissible cut length
- Longueur de coupe maximale admise
- Höchstzulässige Schnittlänge
- Lunghezza di taglio massima permmissibile
- Maximaal toegestane zaaglengte
- Longitud de corte permitida máxima
- Comprimento máximo de corte permitido
- Maks. tilladt skærelængde
- Μέγιστο επιτρεπόμενο μήκος κοπής



- Direction of chain travel
- Sens de progression de la chaîne
- Kettenumlaufrichtung
- Direzione di corsa catena
- Draairichting van de ketting
- Dirección de desplazamiento de la cadena
- Sentido de movimento da corrente
- Retning af kædens bevægelse
- Κατεύθυνση διαδρομής αλυσίδας



- Saw chain oil adjustment
- Réglage d'huile de la chaîne
- Sägekettenöleinstellung
- Regolazione olio catena sega
- Afstelling voor zaagkettingolie
- Ajuste del aceite de la cadena de sierra
- Regulação da lubrificação da corrente da electroserra
- Justering af savkædeolie
- Ρύθμιση λίπανσης αλυσίδας αλυσοπρίονου



- Only for EU countries
Do not dispose of electric equipment or battery pack together with household waste material!
In observance of European Directive 2002/96/EC on waste electric and electronic equipment, 2006/66/EC on batteries and accumulators and waste batteries and accumulators and their implementation in accordance with national laws, electric equipment and battery pack that have reached the end of their life must be collected separately and returned to an environmentally compatible recycling facility.
- Uniquement pour les pays de l'UE
Ne pas jeter les appareils électriques et les batteries avec les ordures ménagères !
Conformément aux directives européennes 2002/96/CE (relative aux déchets d'équipements électriques et électroniques) et 2006/66/CE (relative aux piles et accumulateurs ainsi qu'aux déchets de piles et accumulateurs), ainsi qu'à leur application en conformité avec les lois nationales, les appareils électriques et batteries qui ont atteint la fin de leur durée de service doivent être collectés séparément et renvoyés à un établissement de recyclage respectueux de l'environnement.
- Nur für EG-Länder
Werfen Sie Elektrogeräte oder Akkus nicht in den Hausmüll!
Gemäß der Europäischen Richtlinie 2002/96/EG über Elektro- und Elektronik-Altgeräte, 2006/66/EG über Batterien, Akkus sowie verbrauchte Batterien und Akkus und ihre Umsetzung gemäß den Landesgesetzen müssen Elektrogeräte und Akkus, die das Ende ihrer Lebensdauer erreicht haben, getrennt gesammelt und einer umweltgerechten Recycling-Einrichtung zugeführt werden.
- Soltanto per i Paesi dell'unione europea
Questo apparecchio elettrico o la batteria non devono essere gettati via con i rifiuti domestici.
In osservanza alla Direttiva Europea 2002/96/CE sugli apparecchi elettrici ed elettronici di scarto, 2006/66/CE sulle batterie e gli accumulatori, e sulle batterie e gli accumulatori esausti, e la sua implementazione secondo le leggi locali, gli apparecchi elettrici e le batterie che hanno raggiunto la fine della loro vita di servizio devono essere raccolti separatamente e portati in un centro di smaltimento ecocompatibile.
- Alleen voor EU-landen
Geef elektrisch gereedschap of accu's niet met het huisvuil mee!
Volgens de Europese richtlijn 2002/96/EC inzake oude elektrische en elektronische apparaten, richtlijn 2006/66/EC inzake batterijen en accu's en wegwerpbatterijen, en de toepassing daarvan binnen de nationale wetgeving, dienen gebruikte elektrische apparaten en accu's die het einde van hun levensduur hebben bereikt, gescheiden te worden ingezameld en te worden afgevoerd naar een recyclebedrijf dat voldoet aan de geldende milieu-eisen.
- Sólo para países de la Unión Europea
¡No tire aparatos eléctricos ni baterías a la basura con los residuos domésticos!
En conformidad con la Directiva Europea 2002/96/EC sobre residuos de aparatos eléctricos y electrónicos y la Directiva Europea 2006/66/EC sobre baterías y acumuladores y residuos de baterías y de acumuladores y su aplicación de acuerdo con la legislación nacional, los aparatos eléctricos y las baterías cuya vida útil haya llegado a su fin se deberán recoger por separado y trasladar a una planta de reciclaje que cumpla con las exigencias ecológicas.
- Apenas para os países da União Europeia
Não deite equipamentos eléctricos nem baterias no lixo doméstico!
De acordo com as directivas europeias 2002/96/CE sobre ferramentas eléctricas e electrónicas usadas e 2006/66/CE sobre baterias e acumuladores e respectivos resíduos e a implementação dessas directivas conforme a lei nacional, as ferramentas eléctricas e as baterias que atingem o fim de sua vida útil devem ser recolhidas em separado e encaminhadas a uma instalação de reciclagem compatível com os regulamentos sobre o meio ambiente.
- Gælder kun lande i EU
Undlad at bortskaffe elektrisk udstyr eller akkuer sammen med almindeligt husholdningsaffald.
I henhold til EU-direktiv 2002/96/EC angående brugt elektrisk og elektronisk udstyr, 2006/66/EC angående batterier og akkumulatører og brugte batterier og iværksættelse af bortskaffelse af batterier og akkumulatører i overensstemmelse med nationale love, skal elektrisk udstyr og akkuer, der har nået slutningen af deres levetid, indsamles separat og afhændes til en genbrugsfacilitet, som er miljømæssigt kompatibel.
- Μόνο για χώρες ΕΕ
Μην απορρίπτετε ηλεκτρικό εξοπλισμό ή μπαταρίες μαζί με τα οικιακά απόβλητα!
Σύμφωνα με την Ευρωπαϊκή Οδηγία 2002/96/EK περί αποβλήτων ειδών ηλεκτρικού και ηλεκτρονικού εξοπλισμού και την Οδηγία 2006/66/EK περί μπαταριών και συσσωρευτών και αποβλήτων μπαταριών και συσσωρευτών και την εφαρμογή τους σύμφωνα με την εθνική νομοθεσία, απαιτείται συλλογή του ηλεκτρικού εξοπλισμού και των μπαταριών, το όριο ζωής των οποίων έχει λήξει, ξεχωριστά και επιστροφή τους σε εγκατάσταση ανακύκλωσης συμβατή με την προστασία του περιβάλλοντος.

Explanation of general view

1 Red part	15 Sprocket cover	29 Oil inspection window
2 Button	16 Adjusting dial	30 Lower guide
3 Battery cartridge	17 Sprocket	31 Felling area
4 Lock-off button	18 Adjusting pin	32 Felling direction
5 Switch trigger	19 Small hole	33 Danger zone
6 Front hand guard	20 Tighten	34 Escape route
7 Lock	21 Lever	35 Scabbard (chain cover)
8 Unlock	22 Low	36 File forward stroke
9 Adjusting screw	23 High	37 1/5 of the file diameter
10 Carabiner (rope attachment point)	24 Guide bar	38 Small dust or particles
11 Slightly slide	25 Saw chain	39 Slotted bit screwdriver
12 Move in the upright position	26 Oil tank cap	40 Locking ring
13 Press in	27 Oil tank opening	41 Limit mark
14 Loosen	28 Oil inspection window (for refilling the tank with oil)	42 Brush holder cap
		43 Screwdriver

SPECIFICATIONS

Model		AS-3625	
Chain speed per minute		8.3 m/s (500 m/min)	
Length of guide bar		250 mm	
Guide bar type		Sprocket nose bar	Carving bar
Saw chain	Type	91VG	25AP
	Pitch	3/8"	1/4"
	No. of drive links	40	60
Number of teeth		6	9
Overall length		576 mm	589 mm
Net weight		4.5 kg	
Rated voltage		D.C. 36 V	

- Weight, with battery cartridge, according to EPTA-Procedure 01/2003

ENE031-1

Intended use

The tool is intended for cutting lumbers and logs.

GEA010-1

General Power Tool Safety Warnings

⚠ WARNING Read all safety warnings and all instructions. Failure to follow the warnings and instructions may result in electric shock, fire and/or serious injury.

Save all warnings and instructions for future reference.

GEB071-5

CORDLESS CHAIN SAW SAFETY WARNINGS:

- 1. Keep all parts of the body away from the saw chain when the chain saw is operating. Before you start the chain saw, make sure the saw chain is not contacting anything.** A moment of inattention while operating chain saws may cause entanglement of your clothing or body with the saw chain.
- 2. Always hold the chain saw with your right hand on the rear handle and your left hand on the front handle.** Holding the chain saw with a reversed hand configuration increases the risk of personal injury and should never be done.
- 3. Hold the power tool by insulated gripping surfaces only, because the saw chain may contact hidden wiring.** Saw chains contacting a "live" wire may make exposed metal parts of the power tool "live" and could give the operator an electric shock.
- 4. Wear safety glasses and hearing protection. Further protective equipment for head, hands, legs and feet is recommended.** Adequate protective clothing will reduce personal injury by flying debris or accidental contact with the saw chain.
- 5. Before starting work, check that the chain saw is in proper working order and that its condition complies with the safety regulations. Check in particular that:**
 - The chain brake is working properly;
 - The run-down brake is working properly;
 - The bar and the sprocket cover are fitted correctly;
 - The chain has been sharpened and tensioned in accordance with the regulations;
- 6. Do not operate a chain saw in a tree.** Operation of a chain saw while up in a tree may result in personal injury.

7. **Always keep proper footing and operate the chain saw only when standing on fixed, secure and level surface.** Slippery or unstable surfaces such as ladders may cause a loss of balance or control of the chain saw.
8. **When cutting a limb that is under tension be alert for spring back.** When the tension in the wood fibres is released the spring loaded limb may strike the operator and/or throw the chain saw out of control.
9. **Use extreme caution when cutting brush and saplings.** The slender material may catch the saw chain and be whipped toward you or pull you off balance.
10. **Carry the chain saw by the front handle with the chain saw switched off and away from your body. When transporting or storing the chain saw always fit the guide bar cover.** Proper handling of the chain saw will reduce the likelihood of accidental contact with the moving saw chain.
11. **Follow instructions for lubricating, chain tensioning and changing accessories.** Improperly tensioned or lubricated chain may either break or increase the chance for kickback.
12. **Keep handles dry, clean, and free from oil and grease.** Greasy, oily handles are slippery causing loss of control.
13. **Cut wood only. Do not use chain saw for purposes not intended. For example: do not use chain saw for cutting plastic, masonry or non-wood building materials.** Use of the chain saw for operations different than intended could result in a hazardous situation.
14. **Causes and operator prevention of kickback:**

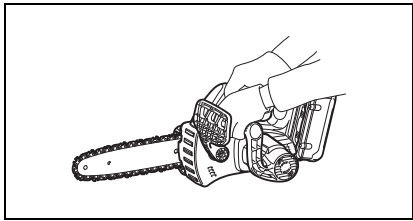
Kickback may occur when the nose or tip of the guide bar touches an object, or when the wood closes in and pinches the saw chain in the cut. Tip contact in some cases may cause a sudden reverse reaction, kicking the guide bar up and back towards the operator.

Pinching the saw chain along the top of the guide bar may push the guide bar rapidly back towards the operator.

Either of these reactions may cause you to lose control of the saw which could result in serious personal injury. Do not rely exclusively upon the safety devices built into your saw. As a chain saw user, you should take several steps to keep your cutting jobs free from accident or injury.

Kickback is the result of tool misuse and/or incorrect operating procedures or conditions and can be avoided by taking proper precautions as given below:

- Maintain a firm grip, with thumbs and fingers encircling the chain saw handles, with both hands on the saw and position your body and arm to allow you to resist kickback forces. Kickback forces can be controlled by the operator, if proper precautions are taken. Do not let go of the chain saw.



- **Do not overreach and do not cut above shoulder height.** This helps prevent unintended tip contact and enables better control of the chain saw in unexpected situations.
 - **Only use replacement bars and chains specified by the manufacturer.** Incorrect replacement bars and chains may cause chain breakage and/or kickback.
 - **Follow the manufacturer's sharpening and maintenance instructions for the saw chain.** Decreasing the depth gauge height can lead to increased kickback.
15. **Do not start the chain saw with the chain cover being installed on it.** Starting the chain saw with the chain cover being installed on it may cause the chain cover to be thrown out forward resulting in personal injury and damage to objects around the operator.

SAVE THESE INSTRUCTIONS.

⚠️ WARNING:

DO NOT let comfort or familiarity with product (gained from repeated use) replace strict adherence to safety rules for the subject product. **MISUSE** or failure to follow the safety rules stated in this instruction manual may cause serious personal injury.

ENC007-4

IMPORTANT SAFETY INSTRUCTIONS

FOR BATTERY CARTRIDGE

1. **Before using battery cartridge, read all instructions and cautionary markings on (1) battery charger, (2) battery, and (3) product using battery.**
2. **Do not disassemble battery cartridge.**
3. **If operating time has become excessively shorter, stop operating immediately. It may result in a risk of overheating, possible burns and even an explosion.**
4. **If electrolyte gets into your eyes, rinse them out with clear water and seek medical attention right away. It may result in loss of your eyesight.**
5. **Do not short the battery cartridge:**
 - (1) **Do not touch the terminals with any conductive material.**
 - (2) **Avoid storing battery cartridge in a container with other metal objects such as nails, coins, etc.**
 - (3) **Do not expose battery cartridge to water or rain.**

A battery short can cause a large current flow, overheating, possible burns and even a breakdown.

6. Do not store the tool and battery cartridge in locations where the temperature may reach or exceed 50°C (122°F).
7. Do not incinerate the battery cartridge even if it is severely damaged or is completely worn out. The battery cartridge can explode in a fire.
8. Be careful not to drop or strike battery.
9. Do not use dropped or struck battery.

SAVE THESE INSTRUCTIONS.

Tips for maintaining maximum battery life

1. Charge the battery cartridge before completely discharged.
Always stop tool operation and charge the battery cartridge when you notice less tool power.
2. Never recharge a fully charged battery cartridge. Overcharging shortens the battery service life.
3. Charge the battery cartridge with room temperature at 10°C – 40°C (50°F – 104°F). Let a hot battery cartridge cool down before charging it.

FUNCTIONAL DESCRIPTION

⚠ CAUTION:

- Always be sure that the tool is switched off and the battery cartridge is removed before adjusting or checking function on the tool.

Installing or removing battery cartridge (Fig. 1)

⚠ CAUTION:

- Hold the tool and the battery cartridge firmly when installing or removing battery cartridge. Failure to hold the tool and the battery cartridge firmly may cause them to slip off your hands and result in damage to the tool and battery cartridge and a personal injury.
- Always switch off the tool before installing or removal of the battery cartridge.
- To remove the battery cartridge, withdraw it from the tool while sliding the button on the front of the cartridge.
- To insert the battery cartridge, align the tongue on the battery cartridge with the groove in the housing and slip it into place. Always insert it all the way until it locks in place with a little click. If you can see the red part on the upper side of the button, it is not locked completely. Insert it fully until the red part cannot be seen. If not, it may accidentally fall out of the tool, causing injury to you or someone around you.
- Do not use force when inserting the battery cartridge. If the cartridge does not slide in easily, it is not being inserted correctly.

Battery protection system

The battery cartridge is equipped with the protection system, which automatically cuts off the output power for its long service life.

The tool may stop during operation when the tool and/or battery are placed under the following situation. This is caused by the activation of protection system and does not show the tool trouble.

- When the tool is overloaded:
At this time, release the switch trigger and remove causes of overload and then pull the switch trigger again to restart. When the tool does not work even after pulling the switch trigger, the battery power auto-stop is still at work. Charge the battery cartridge before use.
- When the remaining battery capacity becomes low:
Recharge the battery cartridge.

Switch action (Fig. 2)

⚠ CAUTION:

- Before inserting the battery cartridge into the tool, always check to see that the switch trigger actuates properly and returns to the "OFF" position when released.

To prevent the switch trigger from being accidentally pulled, a lock-off button is provided.

To start the tool, depress the lock-off button and pull the switch trigger. Release the switch trigger to stop.

Checking the chain brake (Fig. 3)

NOTE:

- If the chain saw fails to start, the chain brake must be released. Pull the front hand guard backwards firmly until you feel it engage.

Hold the chain saw with both hands when switching it on. Hold the top handle with your right hand, the front handle with your left. The bar and the chain must not be in contact with any object.

First press the lock-off button, then the switch trigger.

The saw chain starts immediately.

Press the front hand guard forwards using the back of your hand. The saw chain must come to an immediate standstill.

⚠ CAUTION:

- Should the saw chain not stop immediately when this test is performed, the saw may not be used under any circumstances. Consult a DOLMAR specialist repair shop.

Checking the run-down brake

Switch on the chain saw.

Release the switch trigger completely. The saw chain must come to a standstill within one second.

⚠ CAUTION:

- Should the saw chain not come to a stop within one second when this test is performed, the saw must not be used. Consult a DOLMAR specialist repair shop.

Adjusting the chain lubrication (Fig. 4)

You can adjust the oil pump feed rate with the adjusting screw. The amount of oil can be adjusted using the universal wrench.

Carabiner (rope attachment point) (Fig. 5)

Carabiner (Rope attachment point) is for use of tool hanging. Before using carabiner, pull it out and tie it with a rope.

ASSEMBLY

⚠ CAUTION:

- Always be sure that the tool is switched off and the battery cartridge is removed before carrying out any work on the tool.

Installing or removing saw chain

⚠ CAUTION:

- Always be sure that the tool is switched off and the battery cartridge is removed before installing or removing the saw chain.

- Always wear gloves when installing or removing the saw chain.

1. To remove the saw chain, slightly slide the lever in the direction of arrow so that it can be released from the locked position and move the lever in the upright position as shown in the figure. (Fig. 6)
2. Press the lever and with the lever pressed in, turn it counterclockwise to loosen the nut until sprocket cover comes off. (Pressing in the lever leads to the fitting of lever into the nut.) (Fig. 7)
3. Turn the adjusting dial counterclockwise to release the saw chain tension.
4. Remove the sprocket cover.
5. Remove the saw chain and guide bar from the chain saw.
6. To install the saw chain, fit in one end of the saw chain on the top of the guide bar and the other end of it around the sprocket. (Fig. 8)

At this time, fit the saw chain as shown in the figure because it rotates in the direction of arrow.

7. Rest the guide bar in place on the chain saw.
8. Turn the adjusting dial counterclockwise to slide the adjusting pin in the direction of arrow. (Fig. 9)
9. Place the sprocket cover on the chain saw so that the adjusting pin is positioned in a small hole in the guide bar. (Fig. 10)
10. Press in the lever and with the lever depressed turn it fully clockwise to tighten the nut. Then make it about a quarter turn counterclockwise to loosen the nut lightly. (Fig. 11)

Adjusting saw chain tension

The saw chain may become loose after many hours of use. From time to time check the saw chain tension before use. (Fig. 12)

Move the lever in the upright position.

Press in the lever. With the lever depressed, make a quarter turn on it counterclockwise to loosen the nut lightly. (Pressing in the lever leads to the fitting of lever into the nut.) (Fig. 13)

Turn the adjusting dial to adjust saw chain tension. Grasp the saw chain in the middle of the guide bar and lift up. The gap between the guide bar and the tie strap of the saw chain should be approx. 2 – 4 mm. If the gap is not approx. 2 – 4 mm, slightly turn the adjusting dial which secures the guide bar. At this time, adjust with the tip of guide bar slightly pointing up. (Fig. 14)

With the lever depressed, turn it fully clockwise to tighten the nut firmly. (Fig. 15)

Return the lever to its original position. (Fig. 16)

⚠ CAUTION:

- Excessively high tension of saw chain may cause breakage of saw chain, wear of the guide bar and breakage of the adjusting dial.

- Installing or removing saw chain should be carried out in a clean place free from sawdust and the like.

OPERATION

Lubrication (Fig. 17)

Saw chain is automatically lubricated when the tool is in operation.

Check the amount of remaining oil in the oil tank through the oil inspection window.

To refill the tank, remove the cap from the oil tank opening. The oil tank capacity is 80 ml.

After refilling the tank, always screw the provided oil tank cap on the chain saw.

⚠ CAUTION:

- When filling the chain saw with chain oil for the first time, or refilling the tank after it has been completely emptied, add oil up to the bottom edge of the filler neck. The oil delivery may otherwise be impaired.
- As a saw chain oil, use oil exclusively for DOLMAR chain saws or oil available in market.
- Never use oil including dust and particles or volatile oil.
- When pruning trees, use botanical oil. Mineral oil may harm trees.
- Never force the chain saw when pruning trees.
- Before cutting out, make sure that the provided oil tank cap is screwed in place.

Hold the chain saw away from the tree. Start it and wait until lubrication on saw chain is adequate.

Bring the lower guide into contact with the branch to be cut before switching on. Cutting without bringing the lower guide into contact with the branch may cause the guide bar to wobble, resulting in injury to operator.

Saw the wood to be cut by just moving it down. (Fig. 18)

WORKING WITH THE CHAIN SAW

The first time user should, as a minimum practice, do cutting logs on a saw-horse or cradle.

Pruning trees

⚠ CAUTION:

- Keep all parts of the body away from the saw chain when the motor is operating.
- Hold the chain saw firmly with both hands when the motor is running.
- Do not overreach. Keep proper footing and balance at all times.

Bring the lower guide into contact with the branch to be cut before switching on. Cutting without bringing the lower guide into contact with the branch may cause the guide bar to wobble, resulting in injury to operator. (Fig. 19)

When cutting thick branches, first make a shallow undercut and then make the finish cut from the top. (Fig. 20)

If you try to cut off thick branches from the bottom, the branch may close in and pinch the saw chain in the cut. If you try to cut off thick branches from the top without a shallow undercut, the branch may splinter. (Fig. 21)

If you cannot cut the timber right through with a single stroke:

Apply light pressure to the handle and continue sawing and draw the chain saw back a little; then apply the spike a little lower and finish the cut by raising the handle. (Fig. 22)

Bucking

For bucking cuts, rest the serrated rail shown in the figure on the wood to be cut. (Fig. 23)

With the saw chain running, saw into the wood, using the top handle to raise the saw and the front one to guide it. Use the serrated rail as a pivot.

Continue the cut by applying slight pressure to the front handle, easing the saw back slightly. Move the serrated rail further down the timber and raise the front handle again.

When making several cuts, switch the chain saw off between cuts.

⚠ CAUTION:

- If the upper edge of the bar is used for cutting, the chain saw may be deflected in your direction if the chain becomes trapped. For this reason, cut with the lower edge, so that the saw will be deflected away from your body. (Fig. 24)

Cut wood under tension on the pressure side (A) first. Then make the final cut on the tension side (B). This prevents the bar from becoming trapped. (Fig. 25)

Limbing

⚠ CAUTION:

- Limbing may only be performed by trained persons. A hazard is presented by the risk of kick-back.

When limbing, support the chain saw on the trunk if possible. Do not cut with the tip of the bar, as this presents a risk of kickback.

Pay particular attention to branches under tension. Do not cut unsupported branches from below. Do not stand on the felled trunk when limbing.

Burrowing and parallel-to-grain cuts

⚠ CAUTION:

- Burrowing and parallel-to-grain cuts may only be carried out by persons with special training. The possibility of kickback presents a risk of injury.

Perform parallel-to-grain cuts at as shallow an angle as possible. Carry out the cut as carefully as possible, as the serrated rail cannot be used. (Fig. 26)

Felling

⚠ CAUTION:

- Felling work may only be performed by trained persons. The work is hazardous.

Observe local regulations if you wish to fell a tree.

- Before starting felling work, ensure that: (Fig. 27)

- (1) Only persons involved in the felling operation are in the vicinity;
- (2) Any person involved has an unhindered path of retreat through a range of approximately 45° either side of the felling axis. Consider the additional risk of tripping over electrical cables;
- (3) The base of the trunk is free of foreign objects, roots and branches;
- (4) No persons or objects are present over a distance of 2 1/2 tree lengths in the direction in which the tree will fall.

- Consider the following with respect to each tree:

- Direction of lean;
- Loose or dry branches;
- Height of the tree;
- Natural overhang;
- Whether or not the tree is rotten.

- Consider the wind speed and direction. Do not carry out felling work if the wind is gusting strongly.

- Trimming of root swellings: Begin with the largest swellings. Make the vertical cut first, then the horizontal cut. (Fig. 28)

- Cut a scarf: The scarf determines the direction in which the tree will fall, and guides it. It is made on the side towards which the tree is to fall. Cut the scarf as close to the ground as possible. First make the horizontal cut to a depth of 1/5 – 1/3 of the trunk diameter. Do not make the scarf too large. Then make the diagonal cut.

- Cut any corrections to the scarf across its entire width.
- Make the back cut a little higher than the base cut of the scarf. The back cut must be exactly horizontal. Leave approximately 1/10 of the trunk diameter between the back cut and the scarf.

The wood fibers in the uncut trunk portion act as a hinge. Do not cut right through the fibers under any circumstances, as the tree will otherwise fall unchecked. Insert wedges into the back cut in time. (Fig. 29)

- Only plastic or aluminum wedges may be used to keep the back cut open. The use of iron wedges is prohibited.

- Stand to the side of the falling tree. Keep an area clear to the rear of the falling tree up to an angle of 45° either side of the tree axis (refer to the “felling area” figure (Fig. 27)). Pay attention to falling branches.

- An escape path should be planned and cleared as necessary before cuts are started. The escape path should extend back and diagonally to the rear of the expected line of fall as illustrated in figure. (Fig. 30)

Carrying tool (Fig. 31)

Always remove the battery cartridge from the tool and overlap the guide bar with the scabbard before carrying the tool. Also cover the battery cartridge with the battery cover.

MAINTENANCE

⚠ CAUTION:

- Always be sure that the tool is switched off and the battery cartridge is removed before attempting to perform inspection or maintenance.
- Always wear gloves when performing any inspection or maintenance.
- Never use gasoline, benzine, thinner, alcohol or the like. Discoloration, deformation or cracks may result.

Sharpening the saw chain

⚠ CAUTION:

- Always remove the battery cartridge and wear safety gloves when performing work on the saw chain.

Sharpen the saw chain when:

- Mealy sawdust is produced when damp wood is cut;
- The chain penetrates the wood with difficulty, even when heavy pressure is applied;
- The cutting edge is obviously damaged;
- The saw pulls to the left or right in the wood. The reason for this behaviour is uneven sharpening of the saw chain, or damage to one side only. (Fig. 32)

Sharpen the saw chain frequently, but remove only a little material each time.

Two or three strokes with a file are usually sufficient for routine reshaping. When the saw chain has been reshaped several times, have it sharpened in a DOLMAR specialist repair shop.

File and file guiding

- Use a special round file (optional accessory) for saw chains, with a diameter of 4 mm, to sharpen the chain. Normal round files are not suitable.
- The file should only engage the material on the forward stroke. Lift the file off the material on the return stroke.
- Sharpen the shortest cutter first. The length of this cutter is then the gauge dimension for all other cutters on the saw chain.
- Guide the file as shown in the figure. **(Fig. 33)**
- The file can be guided more easily if a file holder (accessory) is employed. The file holder has markings for the correct sharpening angle of 30° (align the markings parallel to the saw chain) and limits the depth of penetration (to 4/5 of the file diameter).

Guide the file as shown in the figure. **(Fig. 34)**

- After sharpening the chain, check the height of the depth gauge using the chain gauge tool (optional accessory).
- Remove any projecting material, however small, with a special flat file (optional accessory).
- Round off the front of the depth gauge again.
- Wash away dust and particles from saw chain after adjusting the height of depth gauge.

Cleaning guide bar (Fig. 35)

Chips and sawdust will build up in the guide bar groove, clogging it and impairing oil flow. Always clean out the chips and sawdust when sharpening or replacing the saw chain.

Cleaning the oil discharge hole

Small dust or particles may be built up in the oil discharge hole during operation.

Small dust or particles built up in the oil discharge hole may impair the oil discharge flow and cause an insufficient lubrication on the whole saw chain.

When a poor chain oil delivery occurs at the top of guide bar, clean the oil discharge hole as follows.

Remove the battery cartridge from the tool.

Remove the sprocket cover and saw chain from the tool. (Refer to the section titled "Installing or removing saw chain".)

Remove the small dust or particles using a slotted bit screwdriver with a slender shaft or the like. **(Fig. 36)**

Insert the battery cartridge into the tool.

Pull the switch trigger to flow built-up dust or particles off the oil discharge hole by discharging chain oil. **(Fig. 37)**

Remove the battery cartridge from the tool.

Reinstall the sprocket cover and saw chain on the tool.

Replacing the sprocket (Fig. 38 & 39)

Before fitting a new saw chain, check the condition of the sprocket.

⚠ CAUTION:

- A worn sprocket will damage a new saw chain. Have the sprocket replaced in this case. The sprocket need to be installed so that it always faces as shown in the figure.

Always fit a new locking ring when replacing the sprocket.

Replacing carbon brushes (Fig. 40 & 41)

Remove and check the carbon brushes regularly. Replace when they wear down to the limit mark. Keep the carbon brushes clean and free to slip in the holders. Both carbon brushes should be replaced at the same time. Use only identical carbon brushes.

Use a screwdriver to remove the brush holder caps. Take out the worn carbon brushes, insert the new ones and secure the brush holder caps.

Storing tool

Clean the tool before storing. Remove any chips and sawdust from the tool after removing the sprocket cover. After cleaning the tool, run it under no load to lubricate the saw chain and guide bar.

Cover the guide bar with the scabbard.

Remove oil from the oil tank to empty it and place the chain saw.

To maintain product SAFETY and RELIABILITY, repairs, any other maintenance or adjustment should be performed by DOLMAR Authorized Service Centres, always using DOLMAR replacement parts.

ACCESSORIES

⚠ CAUTION:

- These accessories or attachments are recommended for use with your DOLMAR tool specified in this manual. The use of any other accessories or attachments might present a risk of injury to persons. Only use accessory or attachment for its stated purpose.

If you need any assistance for more details regarding these accessories, ask your local DOLMAR service center.

- Various type of DOLMAR genuine batteries and chargers
- Saw chain
- Scabbard
- Guide bar complete
- File
- Tool bag

Noise

The typical A-weighted noise level determined according to EN60745:

Sound pressure level (L_{pA}): 87.3 dB (A)

Sound power level (L_{WA}): 95.3 dB (A)

Uncertainty (K): 3.0 dB (A)

Wear ear protection

ENG221-2

Vibration

The vibration total value (tri-axial vector sum) determined according to EN60745:

Work mode: cutting wood

Vibration emission (a_{rh}): 7.0 m/s²

Uncertainty (K): 1.6 m/s²

ENG901-1

- The declared vibration emission value has been measured in accordance with the standard test method and may be used for comparing one tool with another.
- The declared vibration emission value may also be used in a preliminary assessment of exposure.

⚠ WARNING:

- The vibration emission during actual use of the power tool can differ from the declared emission value depending on the ways in which the tool is used.
- Be sure to identify safety measures to protect the operator that are based on an estimation of exposure in the actual conditions of use (taking account of all parts of the operating cycle such as the times when the tool is switched off and when it is running idle in addition to the trigger time).

For European countries only**EC Declaration of Conformity**

The undersigned, Tamiro Kishima and Rainer Bergfeld, as authorized by Dolmar GmbH, declare that the DOLMAR machine(s):

Designation of Machine:

Cordless Chain Saw

Model No./ Type: AS-3625

Specifications: see "SPECIFICATIONS" table.

are of series production and

Conforms to the following European Directives:

2000/14/EC, 2006/42/EC

And are manufactured in accordance with the following standards or standardised documents:

EN60745

The EC Type-Examination Certificate No.3400780.01CE

The EC Type-Examination per 2006/42/EC was performed by:

KEMA Quality GmbH

Enderstraße 92b

01277 Dresden

Germany

Identification No.2140

The technical documentation is on file at:

Dolmar GmbH,

Jenfelder Straße 38, Abteilung FZ,

D-22045 Hamburg

The conformity assessment procedure required by Directive 2000/14/EC was in Accordance with annex V.

Measured Sound Power Level: 95.2dB

Guaranteed Sound Power Level: 98.0 dB

12.05.2010



Tamiro Kishima
Managing Director



Rainer Bergfeld
Managing Director

Descriptif

1	Partie rouge	16	Bague de réglage	29	Fenêtre d'inspection du réservoir d'huile
2	Bouton	17	Pignon	30	Guide inférieur
3	Batterie	18	Broche de réglage	31	Zone de chute
4	Bouton de sécurité	19	Petit orifice	32	Sens de la chute
5	Gâchette	20	Serrer	33	Zone de danger
6	Protège-main avant	21	Levier	34	Voie de retraite
7	Verrouiller	22	Bas	35	Fourreau (cache de chaîne)
8	Déverrouiller	23	Haut	36	Limage vers l'avant
9	Vis de réglage	24	Guide de chaîne	37	1/5 du diamètre de lime
10	Mousqueton (point de fixation de la corde)	25	Chaîne	38	Poussières ou particules
11	Faire glisser légèrement	26	Bouchon du réservoir d'huile	39	Tournevis à tête fendue
12	Placer à la verticale	27	Ouverture du réservoir d'huile	40	Bague de blocage
13	Enfoncer	28	Fenêtre d'inspection du réservoir d'huile (pour remplir le réservoir d'huile)	41	Trait de limite d'usure
14	Desserrer			42	Bouchons de porte-charbon
15	Couvre-pignon			43	Tournevis

SPÉCIFICATIONS

Modèle		AS-3625	
Vitesse de chaîne par minute		8,3 m/s (500 m/min)	
Longueur du guide de chaîne		250 mm	
Type de guide de chaîne		Guide à pignon de renvoi	Barre de cisèlement
Chaîne	Type	91VG	25AP
	Pas	3/8"	1/4"
	Nombre de maillons d'entraînement	40	60
Nombre de dents		6	9
Longueur totale		576 mm	589 mm
Poids net		4,5 kg	
Tension nominale		D.C. 36 V	

- Poids, avec la batterie, conformément à la procédure EPA-01/2003

ENE031-1

GEB071-5

Utilisations

L'outil est conçu pour le tronçonnage du bois d'œuvre et des rondins.

GEA010-1

Consignes de sécurité générales pour outils électriques

⚠ MISE EN GARDE Veuillez lire toutes les mises en garde et toutes les instructions. Il y a risque de choc électrique, d'incendie et/ou de blessure grave si les mises en garde et les instructions ne sont pas respectées.

Conservez toutes les mises en garde et instructions pour référence ultérieure.

CONSIGNES DE SÉCURITÉ POUR TRONÇONNEUSE SANS FIL :

- 1. Gardez toute partie du corps à l'écart de la chaîne pendant l'utilisation de la tronçonneuse. Avant de faire démarrer la tronçonneuse, assurez-vous que la chaîne n'entre en contact avec rien.** Tout moment d'inattention pendant l'utilisation d'une tronçonneuse comporte un risque de contact entre la chaîne et vos vêtements ou votre corps.
- 2. Tenez toujours la tronçonneuse fermement avec la main droite sur la poignée arrière et la main gauche sur la poignée avant.** N'inversez jamais les mains pour tenir la tronçonneuse car il y a risque de blessure.
- 3. Tenez l'outil électrique uniquement par ses surfaces de poigne isolées, car la chaîne peut entrer en contact avec des câbles cachés.** Le contact de la chaîne avec un câble sous tension peut mettre les parties métalliques dénudées de l'outil sous tension et exposer l'utilisateur à un choc électrique.

4. **Portez des lunettes de sécurité et une protection d'oreilles. Il est recommandé de porter des dispositifs de protection supplémentaires pour la tête, les mains, les jambes et les pieds.** Le port de vêtements de protection adéquats réduit le risque de blessure causée par les débris éjectés ou par le contact avec la chaîne.
5. Avant de commencer le travail, assurez-vous que la tronçonneuse est en bon état et conforme aux réglementations de sécurité. Vérifiez tout particulièrement les points suivants :
 - Le frein de chaîne fonctionne bien.
 - Le frein de désamorçage fonctionne bien.
 - Le guide et le couvre-pignon sont posés correctement.
 - La chaîne est bien aiguisée et bien tendue, conformément aux réglementations.
6. **N'utilisez pas la tronçonneuse en grimant sur un arbre.** Il y a risque de blessure si la tronçonneuse est utilisée sur un arbre.
7. **Assurez-vous toujours d'être en bonne position d'équilibre et d'utiliser la tronçonneuse sur une surface stable, sûre et plane.** Vous risquez de perdre l'équilibre ou de perdre la maîtrise de la tronçonneuse si vous travaillez sur une surface glissante ou instable comme une échelle.
8. **Lorsque vous coupez une branche tendue, prenez garde au retour de la branche.** Lorsque la tension exercée sur les fibres de la branche tendue est libérée, elle risque de frapper l'utilisateur et/ou de provoquer une perte de maîtrise de la tronçonneuse.
9. **Faites preuve d'une grande prudence lorsque vous coupez des broussailles ou des jeunes arbres.** Des fines pièces de bois, en se coinçant dans la chaîne, peuvent être projetées vers vous ou exercer une traction vous mettant hors d'équilibre.
10. **Pour transporter la tronçonneuse, coupez le contact, saisissez-la par la poignée avant et gardez-la éloignée du corps. Avant de transporter ou de ranger la tronçonneuse, installez toujours le protecteur du guide de chaîne.** Une manipulation adéquate de la tronçonneuse réduit le risque de contact avec la chaîne en mouvement.
11. **Suivez les instructions de lubrification, de réglage de la tension de la chaîne et de changement des accessoires.** Une chaîne mal tendue ou mal lubrifiée peut se casser ou augmenter les risques de choc en retour.
12. **Maintenez les poignées sèches, propres et exemptes d'huile et de graisse.** Les poignées grasses ou huileuses sont glissantes et peuvent causer une perte de maîtrise.
13. **Coupez uniquement dans le bois. N'utilisez pas la tronçonneuse pour des travaux autres que ceux pour lesquels elle a été conçue. Par exemple, ne l'utilisez pas pour couper le plastique, les matériaux de maçonnerie et les matériaux de construction autres que le bois.** L'utilisation de la tronçonneuse pour effectuer des travaux autres que ceux pour lesquels elle a été conçue comporte un risque de danger.
14. **Causes de choc en retour et mesures préventives à prendre :**

Il y a risque de choc en retour lorsque le nez ou le bout du guide de chaîne touche un objet, ou lorsque le bois se referme et coince la chaîne dans sa ligne de coupe.

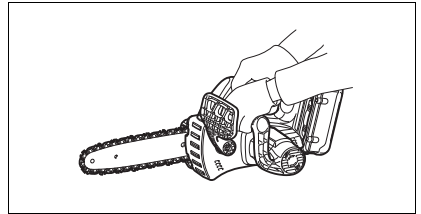
Le contact du bout, dans certains cas, peut entraîner une réaction instantanée en sens inverse, projetant le guide de chaîne vers le haut et vers l'utilisateur.

Le guide de chaîne risque d'être projeté vers l'utilisateur si la chaîne se coince le long de la partie supérieure du guide de chaîne.

L'une ou l'autre de ces réactions peut entraîner une perte de maîtrise de la scie et causer une grave blessure. Ne vous fiez pas uniquement aux dispositifs de sécurité intégrés à la scie. En tant qu'utilisateur de la tronçonneuse, vous devez prendre des mesures pour écarter les risques d'accident ou de blessure pendant le travail de coupe.

Le choc en retour est le résultat d'une mauvaise utilisation et/ou de procédures ou conditions inadéquates de travail. Il peut être évité en prenant les mesures appropriées, tel qu'indiqué ci-dessous :

- Maintenez une prise ferme, avec les pouces et les doigts encerclant les poignées de la tronçonneuse, tenez la tronçonneuse à deux mains et placez le corps et les bras dans une position vous permettant de résister aux chocs en retour. Les forces de choc en retour peuvent être contrôlées par l'utilisateur s'il prend les précautions nécessaires. Ne lâchez pas la tronçonneuse.



- **Ne vous penchez pas trop en avant, et ne coupez pas plus haut qu'à la hauteur des épaules.** Cela aide à éviter le contact involontaire du bout et permet de mieux maîtriser la tronçonneuse dans les situations imprévues.
 - **Utilisez exclusivement les guides et chaînes spécifiés par le fabricant.** Un remplacement incorrect du guide ou de la chaîne peut causer le bris de la chaîne et/ou un choc en retour.
 - **Suivez les instructions du fabricant concernant l'affûtage et l'entretien de la chaîne.** Le risque de choc en retour augmente si l'on abaisse la jauge de profondeur.
15. **Ne faites pas démarrer la tronçonneuse sans avoir retiré le cache de chaîne.** Si vous faites démarrer la tronçonneuse sans avoir retiré le cache de chaîne, celui-ci risquera d'être éjecté vers l'avant, ce qui comporte un risque de blessure et peut endommager les objets autour de l'utilisateur.

CONSERVEZ CES INSTRUCTIONS.

⚠ AVERTISSEMENT :

NE vous laissez PAS tromper (au fil d'une utilisation répétée) par un sentiment d'aisance et de familiarité avec le produit, en négligeant le respect rigoureux des consignes de sécurité qui accompagnent le produit en question. La MAUVAISE UTILISATION de l'outil ou l'ignorance des consignes de sécurité indiquées dans ce manuel d'instructions peut entraîner une blessure grave.

PRÉCAUTIONS IMPORTANTES

POUR LA BATTERIE

- Avant d'utiliser la batterie, lisez toutes les instructions et précautions relatives (1) au chargeur de batterie, (2) à la batterie, et (3) à l'outil utilisant la batterie.
- Ne démontez pas la batterie.
- Cessez immédiatement l'utilisation si le temps de fonctionnement devient excessivement court. Il y a risque de surchauffe, de brûlures, voire d'explosion.
- Si l'électrolyte pénètre dans vos yeux, rincez-les à l'eau claire et consultez immédiatement un médecin. Il y a risque de perte de la vue.
- Ne court-circuitez pas la batterie :
 - (1) Ne touchez les bornes avec aucun matériau conducteur.
 - (2) Évitez de ranger la batterie dans un conteneur avec d'autres objets métalliques, par exemple des clous, des pièces de monnaie, etc.
 - (3) N'exposez pas la batterie à l'eau ou à la pluie. Un court-circuit de la batterie pourrait provoquer un fort courant, une surchauffe, parfois des brûlures et même une panne.
- Ne rangez pas l'outil ou la batterie dans des endroits où la température risque d'atteindre ou de dépasser 50°C.
- Ne jetez pas la batterie au feu même si elle est sérieusement endommagée ou complètement épuisée. La batterie peut exploser au contact du feu.
- Prenez garde d'échapper ou de heurter la batterie.
- N'utilisez pas une batterie qui a été échappée ou heurtée.

CONSERVEZ CES INSTRUCTIONS.

Conseils pour assurer la durée de vie optimale de la batterie

- Rechargez la batterie avant qu'elle ne soit complètement déchargée. Arrêtez toujours l'outil et rechargez la batterie quand vous remarquez que la puissance de l'outil diminue.
- Ne rechargez jamais une batterie complètement chargée. La surcharge réduit la durée de service de la batterie.
- Chargez la batterie alors que la température de la pièce se trouve entre 10°C et 40°C. Avant de charger une batterie chaude, laissez-la refroidir.

⚠ ATTENTION :

- Assurez-vous toujours que l'outil est hors tension et que sa batterie est retirée avant de l'ajuster ou de vérifier son fonctionnement.

Installation et retrait de la batterie (Fig. 1)

⚠ ATTENTION :

- Tenez fermement l'outil et la batterie lorsque vous insérez ou retirez la batterie. Si vous ne tenez pas fermement l'outil et la batterie, vous risquez de les endommager et de vous blesser en les échappant.
- Mettez toujours l'outil hors tension avant d'installer ou de retirer la batterie.
- Pour retirer la batterie, sortez-la de l'outil tout en faisant glisser le bouton à l'avant de la batterie.
- Pour insérer la batterie, alignez la languette de la batterie avec la rainure située dans le carter, puis faites-la glisser en place. Insérez-la toujours à fond, jusqu'à ce qu'un léger déclic se fasse entendre. Si vous pouvez voir la partie rouge du côté supérieur du bouton, la batterie n'est pas complètement verrouillée. Insérez-la entièrement, jusqu'à ce que la partie rouge ne soit plus visible. Sinon, elle pourrait tomber accidentellement de l'outil, au risque de vous blesser ou de blesser quelqu'un se trouvant près de vous.
- N'insérez pas la batterie de force. Si elle ne rentre pas facilement, c'est que vous ne l'insérez pas correctement.

Circuit de protection de la batterie

La batterie est dotée d'un circuit de protection qui coupe automatiquement l'alimentation pour assurer une longue durée de service.

Il se peut que l'outil s'arrête en cours d'utilisation si l'outil et/ou la batterie se trouvent dans la situation suivante. Cela est dû à l'activation du circuit de protection et n'indique aucun problème de fonctionnement de l'outil.

- Lorsque l'outil est surchargé :
Libérez alors la gâchette, éliminez la cause de la surcharge puis appuyez de nouveau sur la gâchette pour redémarrer. Si l'outil ne fonctionne toujours pas sur pression de la gâchette, cela signifie que l'arrêt automatique de la batterie est encore activé.
Chargez la batterie avant l'utilisation.
- Lorsque la charge restante de la batterie est faible :
Rechargez la batterie.

Interrupteur (Fig. 2)

⚠ ATTENTION :

- Avant d'insérer la batterie dans l'outil, vérifiez toujours que la gâchette fonctionne correctement et qu'elle revient sur la position "OFF" quand vous la relâchez.

Pour éviter tout déclenchement accidentel de la gâchette, un bouton de sécurité a été prévu.

Pour démarrer l'outil, appuyez sur le bouton de sécurité et tirez sur la gâchette. Pour l'arrêter, relâchez la gâchette.

Vérification du frein de chaîne (Fig. 3)

NOTE :

- Si la tronçonneuse ne démarre pas, vous devez libérer le frein de chaîne. Tirez fermement le protège-main avant vers l'arrière, jusqu'à ce que vous sentiez qu'il s'engage.

Tenez la tronçonneuse à deux mains lorsque vous mettez le contact.

Tenez la poignée supérieure avec la main droite, et la poignée avant avec la main gauche. Le guide et la chaîne ne doivent entrer en contact avec aucun objet.

Appuyez d'abord sur le bouton de sécurité, puis sur la gâchette.

La chaîne démarre immédiatement.

Poussez le protège-main avant vers l'avant avec le dos de la main. La chaîne doit s'immobiliser immédiatement.

⚠ ATTENTION :

- Si la chaîne ne s'arrête pas immédiatement lors de ce test, la chaîne ne doit être utilisée en aucune circonstance. Contactez un atelier de réparation spécialisé en outils DOLMAR.

Vérification du frein de désamorçage

Faites démarrer la tronçonneuse.

Libérez complètement la gâchette. La chaîne doit s'arrêter en moins d'une seconde.

⚠ ATTENTION :

- Si la chaîne ne s'arrête pas en moins d'une seconde lors de ce test, la tronçonneuse ne doit pas être utilisée. Contactez un atelier de réparation spécialisé en outils DOLMAR.

Réglage de la lubrification de la chaîne (Fig. 4)

Vous pouvez régler le taux d'alimentation de la pompe à huile à l'aide de la vis de réglage. La quantité d'huile peut être réglée à l'aide de la clé universelle.

Mousqueton (point de fixation de la corde) (Fig. 5)

Le mousqueton (point de fixation de la corde) sert à suspendre l'outil. Avant d'utiliser le mousqueton, tirez dessus pour le dégager et attachez-y une corde.

ASSEMBLAGE

⚠ ATTENTION :

- Assurez-vous toujours que l'outil est hors tension et que sa batterie est retirée avant d'effectuer tout travail dessus.

Installation ou retrait de la chaîne

⚠ ATTENTION :

- Assurez-vous toujours que l'outil est hors tension et que la batterie est retirée avant d'installer ou de retirer la chaîne de scie.
- Portez toujours des gants pour installer ou retirer la chaîne de scie.

1. Pour retirer la tronçonneuse, faites glisser légèrement le levier dans le sens de la flèche pour qu'il puisse être libéré de la position de verrouillage, puis placez-le à la verticale tel qu'illustré. (Fig. 6)

2. Appuyez sur le levier et, tout en le maintenant enfoncé, tournez-le dans le sens contraire des aiguilles d'une montre pour desserrer l'écrou jusqu'à ce que le couvre-pignon se détache. (La pression sur le levier le fait pénétrer dans l'écrou.) (Fig. 7)

3. Tournez la bague de réglage dans le sens contraire des aiguilles d'une montre pour réduire la tension de la chaîne.
4. Retirez le couvre-pignon.
5. Retirez la chaîne et le guide de chaîne de la tronçonneuse.
6. Pour installer la chaîne, placez une de ses extrémités sur le dessus du guide de chaîne, et l'autre extrémité autour du pignon. (Fig. 8)

Posez alors la chaîne tel qu'illustré, car elle tourne dans le sens de la flèche.

7. Laissez reposer le guide de chaîne dans cette position sur la tronçonneuse.
8. Tournez la bague de réglage dans le sens contraire des aiguilles d'une montre pour faire glisser la broche de réglage dans le sens de la flèche. (Fig. 9)
9. Placez le couvre-pignon sur la tronçonneuse de sorte que la broche de réglage se trouve dans un petit orifice du guide de chaîne. (Fig. 10)
10. Appuyez sur le levier et, tout en le maintenant enfoncé, tournez-le complètement dans le sens des aiguilles d'une montre pour serrer l'écrou. Faites-le ensuite tourner d'un quart de tour dans le sens contraire des aiguilles d'une montre pour desserrer légèrement l'écrou. (Fig. 11)

Réglage de la tension de la chaîne

La chaîne peut se détendre au bout de plusieurs heures d'utilisation. Vérifiez de temps à autre la tension de la chaîne avant l'utilisation. (Fig. 12)
Redressez le levier.

Enfoncez le levier. Avec le levier enfoncé, faites-le tourner d'un quart de tour dans le sens contraire des aiguilles d'une montre pour desserrer légèrement l'écrou. (La pression sur le levier le fait pénétrer dans l'écrou.) (Fig. 13)

Tournez la bague de réglage pour ajuster la tension de la chaîne. Saisissez la chaîne au milieu du guide de chaîne et soulevez-la. L'espace libre entre le guide de chaîne et l'éclisse extérieure de la chaîne doit être d'environ 2 à 4 mm. Si l'espace libre n'est pas d'environ 2 à 4 mm, tournez légèrement la bague de réglage qui retient le guide de chaîne. Effectuez alors le réglage avec le bout du guide de chaîne pointant légèrement vers le haut. (Fig. 14)

Avec le levier enfoncé, tournez-le complètement dans le sens des aiguilles d'une montre pour serrer l'écrou fermement. (Fig. 15)

Remettez le levier sur sa position initiale. (Fig. 16)

⚠ ATTENTION :

- Si la chaîne est trop tendue, il y a risque de bris de la chaîne, d'usure du guide de chaîne et de bris de la bague de réglage.
- L'installation et le retrait de la chaîne doivent être effectués dans un emplacement propre, sans sciure de bois, etc.

OPÉRATION

Lubrification (Fig. 17)

La chaîne se lubrifie automatiquement pendant l'utilisation de l'outil.

Vérifiez la quantité d'huile restante par la fenêtre d'inspection du réservoir d'huile.

Pour remplir le réservoir, retirez le bouchon posé sur l'ouverture du réservoir d'huile. La capacité du réservoir d'huile est de 80 ml.

Une fois le réservoir rempli, n'oubliez pas de visser le bouchon du réservoir d'huile sur la tronçonneuse.

⚠ ATTENTION :

- La première fois que vous faites le plein d'huile sur la tronçonneuse, ou lorsque vous refaites le plein après avoir complètement vidé le réservoir d'huile, ajoutez de l'huile jusqu'au bord inférieur du goulot de remplissage. Autrement l'alimentation en huile risque d'être affectée.
- Pour huiler la chaîne, utilisez exclusivement de l'huile à chaîne DOLMAR ou une huile similaire disponible en magasin.
- N'utilisez jamais d'huile contenant des poussières ou particules, ni de l'huile volatile.
- Pour élaguer les arbres, utilisez une huile végétale. L'huile minérale risquerait d'endommager les arbres.
- Ne forcez jamais la tronçonneuse lorsque vous élaguez des arbres.
- Avant de tronçonner, assurez-vous que le bouchon du réservoir d'huile est bien vissé en place.

Gardez la tronçonneuse à l'écart de l'arbre. Démarrez-la et attendez que la chaîne soit bien lubrifiée.

Avant de mettre le contact, mettez le guide inférieur en contact avec la branche à couper. Le guide de chaîne risque de trembler et vous risquez de vous blesser si vous procédez à la coupe sans mettre le guide inférieur en contact avec la branche.

Déplacez simplement la tronçonneuse vers le bas pour couper la branche. (Fig. 18)

UTILISATION DE LA TRONÇONNEUSE

Un utilisateur sans expérience doit effectuer, en guise d'entraînement minimum, des coupes de rondins sur un chevalet ou autre appui.

Elagage des arbres

⚠ ATTENTION :

- Eloignez toutes les parties du corps de la chaîne lorsque le moteur fonctionne.
- Tenez la tronçonneuse fermement des deux mains lorsque le moteur tourne.
- Ne vous penchez pas trop. Gardez une bonne assise et un bon équilibre en tout temps.

Avant de mettre le contact, mettez le guide inférieur en contact avec la branche à couper. Le guide de chaîne risque de trembler et vous risquez de vous blesser si vous procédez à la coupe sans mettre le guide inférieur en contact avec la branche. (Fig. 19)

Pour couper de grosses branches, commencez par faire une entaille peu profonde sous la branche, puis terminez la coupe en procédant par le haut. (Fig. 20)

Si vous essayez de couper les grosses branches par le bas, la branche risque de s'affaisser et de coincer la chaîne dans la découpe. Par ailleurs, si vous essayez de couper les grosses branches à partir du haut sans faire une légère entaille sous la branche, la branche risque de se fendre. (Fig. 21)

Si vous n'arrivez pas à couper complètement la branche d'un seul coup :

Appuyez légèrement sur la poignée et continuez à scier et déplacez la tronçonneuse d'avant en arrière ; puis dirigez la pointe un peu plus vers le bas et terminez la coupe en relevant la poignée. (Fig. 22)

Tronçonnage

Pour tronçonner, faites reposer le rail dentelé sur la pièce de bois à couper, tel qu'illustré. (Fig. 23)

Avec la chaîne qui tourne, sciez dans le bois, en utilisant la poignée supérieure pour soulever la tronçonneuse, et la poignée avant pour la diriger.

Utilisez le rail dentelé comme pivot.

Poursuivez la coupe en appliquant une légère pression sur la poignée avant et en relâchant légèrement la pression à l'arrière de la tronçonneuse. Abaissez davantage le rail dentelé sur l'arbre et soulevez encore une fois la poignée avant.

Lorsque vous effectuez plusieurs coupes, coupez le contact de la tronçonneuse entre chaque coupe.

⚠ ATTENTION :

- Si vous utilisez le bord supérieur du guide pour tronçonner, la tronçonneuse risquera de dévier dans votre direction si la chaîne se coince. Il faut donc tronçonner avec le bord inférieur, de sorte que la tronçonneuse dévie dans le sens opposé à votre corps. (Fig. 24)

Si l'arbre est tendu, coupez-le d'abord par la face de pression (A) illustrée.

Effectuez ensuite la coupe finale par la face de tension (B) illustrée. Cela permet d'éviter que le guide ne se coince. (Fig. 25)

Ébranchage

⚠ ATTENTION :

- L'ébranchage doit être effectué uniquement par des personnes qui ont reçu une formation. Il y a risque de dangereux choc en retour.

Lors de l'ébranchage, appuyez la tronçonneuse contre le tronc si possible. Ne tronçonnez pas avec le bout du guide, car il y a risque de choc en retour.

Prêtez une attention particulière aux branches tendues. Ne tronçonnez pas par en dessous les branches non soutenues.

Ne montez pas sur l'arbre tombé pour l'ébrancher.

Évidage et coupes dans le sens du grain

⚠ ATTENTION :

- L'évidage et les coupes dans le sens du grain doivent être effectués uniquement par des personnes ayant reçu une formation spéciale. Il y a risque de choc en retour et de blessure.

Effectuez les coupes dans le sens du grain avec l'angle le plus petit possible. Comme il n'est pas possible d'utiliser le rail dentelé, effectuez la coupe le plus prudemment possible. (Fig. 26)

Abattage

⚠ ATTENTION :

- L'abattage doit être effectué uniquement par des personnes qui ont reçu une formation. Ce travail est dangereux.

Respectez les réglementations locales lorsque vous désirez abattre un arbre.

- Avant de commencer le travail d'abattage, vérifiez les points suivants : (Fig. 27)

- (1) Seules les personnes participant à l'abattage sont présentes dans la zone de travail ;
- (2) Toute personne qui participe à l'abattage doit avoir une voie de retraite d'environ 45° de chaque côté de l'axe d'abattage. Tenez aussi compte des risques de trébuchement sur des câbles électriques.
- (3) La base du tronc doit être exempte de corps étrangers, racines et branches.
- (4) Il ne doit y avoir personne, ni aucun objet, sur une distance égale à 2 1/2 fois la longueur de l'arbre dans le sens où il tombera.

- Pour chaque arbre, tenez compte des facteurs suivants :

- Le sens de l'abattage ;
 - La présence de branches arrachées ou de branches sèches ;
 - La hauteur de l'arbre ;
 - La présence d'un surplomb naturel ;
 - La pourriture ou non de l'arbre ;
- Tenez compte de la vitesse et de la direction du vent. N'effectuez pas l'abattage si le vent souffle violemment.

- Éboutage des pattes de racine : Commencez par les plus grosses pattes. Effectuez d'abord la coupe verticale, puis la coupe horizontale. (Fig. 28)

- Faites une entaille : L'entaille détermine le sens dans lequel l'arbre tombera et elle l'entraîne dans ce sens. Il faut la faire du côté où l'arbre doit tomber. Entaillez l'arbre le plus près possible du sol. Coupez d'abord à l'horizontale sur une profondeur de 1/5 à 1/3 du diamètre du tronc. Évitez de faire une entaille trop large. Effectuez ensuite la coupe à la diagonale.

- Les corrections apportées à l'entaille doivent l'être sur toute sa longueur.

- Faites le trait d'abattage un peu plus haut que la semelle de l'entaille. Le trait d'abattage doit être parfaitement horizontal. Laissez environ 1/10 du diamètre du tronc entre le trait d'abattage et l'entaille.

- Les fibres de la partie non coupée du tronc jouent le rôle de charnière. Ne coupez ces fibres en aucun cas, car l'arbre tomberait en chute libre. Insérez des chevilles dans le trait d'abattage au moment opportun. (Fig. 29)

- Utilisez exclusivement des chevilles de plastique ou d'aluminium pour garder le trait d'abattage ouvert. Il ne faut pas utiliser de chevilles de fer.

- Tenez-vous à côté de l'arbre à abattre. Assurez-vous qu'il y a une aire bien dégagée derrière l'arbre, sur une plage de 45° de chaque côté par rapport à l'axe (reportez-vous à la figure "zone d'abattage" (Fig. 27)). Prenez garde aux chutes de branches.

- Une voie de retraite doit être prévue et nettoyée au besoin avant de commencer la coupe. La voie de retraite doit s'étendre derrière et en diagonale derrière la ligne prévue pour la chute, tel qu'illustré. (Fig. 30)

Transport de l'outil (Fig. 31)

Sortez toujours la batterie de l'outil et recouvrez le guide de chaîne avec le fourreau avant de transporter l'outil. Recouvrez également la batterie avec le cache de la batterie.

ENTRETIEN

⚠ ATTENTION :

- Assurez-vous toujours que l'outil est hors tension et que la batterie est retirée avant d'y effectuer tout travail d'inspection ou d'entretien.
- Portez toujours des gants pour effectuer toute opération d'inspection ou d'entretien.
- N'utilisez jamais d'essence, benzine, diluant, alcool ou autre produit similaire. Cela risquerait de provoquer la décoloration, la déformation ou la fissuration de l'outil.

Affûtage de la chaîne

⚠ ATTENTION :

- Retirez toujours la batterie et portez des gants de protection lorsque vous travaillez avec la chaîne.

Affûtez la chaîne si :

- de la sciure de bois granuleuse est produite lorsque vous coupez du bois humide ;
- la chaîne pénètre difficilement dans le bois même si vous appliquez une forte pression ;
- le tranchant est nettement endommagé ;
- la tronçonneuse tire vers la gauche et la droite dans le bois. Cela est dû à un affûtage inégal de la chaîne ou au fait qu'elle est endommagée d'un côté seulement. (Fig. 32)

Affûtez la chaîne régulièrement, mais en ne retirant chaque fois qu'une petite quantité de matériau.

Deux ou trois coups de lime suffisent généralement pour l'affûtage de routine. Après plusieurs affûtages de la chaîne, faites-la affûter par un centre de réparation agréé DOLMAR.

Lime et limage

- Pour affûter la chaîne, utilisez une lime ronde spéciale (accessoire en option) pour chaînes de tronçonneuse, d'un diamètre de 4 mm. N'utilisez pas une lime ronde ordinaire.
- La lime ne doit toucher le matériau que lors du limage vers l'avant. Au retour, soulevez la lime pour ne pas qu'elle touche le matériau.
- Affûtez d'abord le tranchant du maillon le plus court. La longueur de ce maillon servira de dimension de la jauge pour tous les autres maillons de la chaîne.
- Passez la lime tel qu'indiqué sur l'illustration. (Fig. 33)
- Le limage sera plus facile si vous employez un porte-lime (accessoire). Des symboles sont apposés sur le porte-lime pour indiquer le bon angle d'affûtage de 30° (alignez les symboles parallèlement à la chaîne) et les limites de profondeur de pénétration (jusqu'à 4/5 du diamètre de la lime).

Passez la lime tel qu'indiqué sur l'illustration. (Fig. 34)

- Une fois la chaîne affûtée, vérifiez la hauteur de la jauge de profondeur à l'aide de l'outil de jauge de la chaîne (accessoire en option).
- Retirez toute aspérité restante, aussi petite soit-elle, à l'aide d'une lime plate spéciale (accessoire en option).
- Arrondissez encore une fois l'avant de la jauge de profondeur.
- Essayez les poussières et particules de la chaîne après avoir ajusté la hauteur de la jauge de profondeur.

Nettoyage du guide de chaîne (Fig. 35)

Les copeaux et la sciure s'accumulent dans la rainure du guide de chaîne, ce qui la colmate et entrave la bonne répartition de l'huile. Enlevez toujours les copeaux et la sciure lorsque vous affûtez ou que vous remplacez la chaîne de scie.

Nettoyage de l'orifice d'évacuation en huile

Des poussières ou particules peuvent s'accumuler dans l'orifice d'évacuation en huile pendant l'utilisation.

Les poussières ou particules accumulées dans l'orifice d'évacuation en huile peuvent affecter l'évacuation en huile et causer une lubrification insuffisante de la chaîne. Lorsque l'évacuation en huile ne s'effectue pas correctement sur la partie supérieure du guide de chaîne, nettoyez l'orifice d'évacuation en huile en procédant comme suit.

Retirez la batterie de l'outil.

Retirez le couvre-pignon et la chaîne de l'outil. (Reportez-vous à la section intitulée "Installation ou retrait de la chaîne".)

Retirez les poussières ou particules à l'aide d'un tournevis à tête fendue et à tige mince, ou d'un objet similaire.

(Fig. 36)

Insérez la batterie dans l'outil.

Appuyez sur la gâchette pour que les poussières et particules accumulées dans l'orifice d'alimentation en huile soient évacuées par l'alimentation en huile. (Fig. 37)

Retirez la batterie de l'outil.

Remettez en place le couvre-pignon et la chaîne sur l'outil.

Remplacement du pignon (Fig. 38 et 39)

Avant de poser une chaîne neuve, vérifiez l'état du pignon.

ATTENTION :

- La chaîne neuve sera endommagée si le pignon est usé. Le cas échéant, faites remplacer le pignon. Le pignon doit être installé de sorte qu'il soit toujours orienté comme indiqué sur l'illustration.

Posez toujours une bague de blocage neuve lorsque vous remplacez le pignon.

Remplacement des charbons (Fig. 40 et 41)

Retirez et vérifiez régulièrement les charbons. Remplacez-les lorsqu'ils sont usés jusqu'au trait de limite d'usure. Maintenez les charbons propres et en état de glisser aisément dans les porte-charbon. Les deux charbons doivent être remplacés en même temps. N'utilisez que des charbons identiques.

Utilisez un tournevis pour retirer les bouchons de porte-charbon. Enlevez les charbons usés, insérez-en de nouveaux et revissez solidement les bouchons de porte-charbon.

Rangement de l'outil

Nettoyez l'outil avant de le ranger. Essayez les copeaux et la sciure de bois qui recouvrent l'outil après avoir retiré le couvre-pignon. Après avoir nettoyé l'outil, faites le tourner à vide pour lubrifier la chaîne et le guide de chaîne.

Recouvrez le guide de chaîne avec le fourreau.

Videz le réservoir d'huile et posez la tronçonneuse.

Pour maintenir la SÉCURITÉ et la FIABILITÉ du produit, les réparations, l'entretien ou les réglages doivent être effectués par le Centre d'Entretien DOLMAR.

ACCESSOIRES

ATTENTION :

- Ces accessoires ou pièces complémentaires sont recommandés pour l'utilisation avec l'outil DOLMAR spécifié dans ce mode d'emploi. L'utilisation de tout autre accessoire ou pièce complémentaire peut comporter un risque de blessure. N'utilisez les accessoires ou pièces qu'aux fins auxquelles ils ont été conçus.

Si vous désirez obtenir plus de détails concernant ces accessoires, veuillez contacter le centre de service après-vente DOLMAR le plus près.

- Les divers types de batteries et chargeurs DOLMAR authentiques
- Chaîne
- Fourreau
- Guide de chaîne complet
- Lime
- Sac de l'outil

Bruit

Niveau de bruit pondéré A typique, déterminé selon EN60745 :

Niveau de pression sonore (L_{pA}) : 87,3 dB (A)
 Niveau de puissance sonore (L_{WA}) : 95,3 dB (A)
 Incertitude (K) : 3,0 dB (A)

Porter des protecteurs anti-bruit

ENG221-2

Vibrations

Valeur totale de vibrations (somme de vecteur triaxial) déterminée selon EN60745 :

Mode de travail : coupe du bois
 Émission de vibrations (a_{rh}) : 7,0 m/s²
 Incertitude (K) : 1,6 m/s²

ENG901-1

- La valeur d'émission de vibrations déclarée a été mesurée conformément à la méthode de test standard et peut être utilisée pour comparer les outils entre eux.
- La valeur d'émission de vibrations déclarée peut aussi être utilisée pour l'évaluation préliminaire de l'exposition.

⚠ AVERTISSEMENT :

- L'émission de vibrations lors de l'usage réel de l'outil électrique peut être différente de la valeur d'émission déclarée, suivant la façon dont l'outil est utilisé.
- Les mesures de sécurité à prendre pour protéger l'utilisateur doivent être basées sur une estimation de l'exposition dans des conditions réelles d'utilisation (en tenant compte de toutes les composantes du cycle d'utilisation, comme par exemple le moment de sa mise hors tension, lorsqu'il tourne à vide et le moment de son déclenchement).

Pour les pays d'Europe uniquement**Déclaration de conformité CE**

Les soussignés, Tamiro Kishima et Rainer Bergfeld, tel qu'autorisés par Dolmar GmbH, déclarent que le(s) machine(s) DOLMAR suivante(s) :

Désignation de la machine :

Tronçonneuse sans Fil

N° de modèle / Type : AS-3625

Spécifications : voir le tableau "SPÉCIFICATIONS".

sont produites en série et

sont conformes aux Directives européennes suivantes :

2000/14/CE, 2006/42/CE

et qu'elles sont fabriquées conformément aux normes ou documents normalisés suivants :

EN60745

N° certifié de l'examen de type CE 3400780.01CE

L'examen de type CE pour 2006/42/CE a été effectué par :

KEMA Quality GmbH

Enderstraße 92b

01277 Dresden

Allemagne

N° d'identification 2140

La documentation technique se trouve sur fichier à l'adresse suivante :

Dolmar GmbH,

Jenfelder Straße 38, Abteilung FZ,

D-22045 Hamburg

La procédure d'évaluation de la conformité requise par la Directive 2000/14/CE a été réalisée conformément à l'Annexe V.

Niveau de puissance sonore mesuré : 95,2 dB

Niveau de puissance sonore garanti : 98,0 dB

12.05.2010



Tamiro Kishima
Président directeur



Rainer Bergfeld
Président directeur

Übersicht

1 Roter Teil	16 Stellrad	31 Fällbereich
2 Knopf	17 Kettenrad	32 Fällrichtung
3 Akku	18 Einstellstift	33 Gefahrenzone
4 Einschaltarretierung	19 Kleines Loch	34 Fluchtweg
5 EIN-/AUS-Schalter	20 Anziehen	35 Sägekettenschutz (Kettenabdeckung)
6 Vorderer Handschutz	21 Hebel	36 Vorwärtshub der Feile
7 Verriegeln	22 Niedrig	37 1/5 des Feilendurchmessers
8 Entriegeln	23 Hoch	38 Kleine Staubkörner oder Partikel
9 Einstellschraube	24 Schwert	39 Schlitzschraubenzieher
10 Karabiner (Seilbefestigungspunkt)	25 Sägekette	40 Sicherungsring
11 Geringfügig verschieben	26 Öltankverschluss	41 Verschleißgrenze
12 In Aufrechtstellung bringen	27 Öltanköffnung	42 Bürstenhalterkappe
13 Hineindrücken	28 Ölstand-Prüf fenster (zum Auffüllen des Tanks mit Öl)	43 Schraubendreher
14 Lösen	29 Ölstand-Prüf fenster	
15 Kettenraddeckel	30 Untere Führung	

TECHNISCHE DATEN

Modell		AS-3625	
Kettendrehzahl		8,3 m/s (500 m/min)	
Schwertlänge		250 mm	
Schwerttyp		Umlenksternschwert	Schnitzschwert
Sägekette	Typ	91VG	25AP
	Teilung	3/8"	1/4"
	Treibsglieder	40	60
Zähnezahl		6	9
Gesamtlänge		576 mm	589 mm
Nettogewicht		4,5 kg	
Nennspannung		DC 36 V	

• Gewicht mit Akku nach EPTA-Verfahren 01/2003

GEB071-5

ENE031-1

Vorgesehene Verwendung

Die Maschine ist für das Schneiden von Nutzholz und Holzstämmen vorgesehen.

GEA010-1

Allgemeine Sicherheitswarnungen für Elektrowerkzeuge

⚠️ WARNUNG Lesen Sie alle Sicherheitswarnungen und Anweisungen durch. Eine Missachtung der unten aufgeführten Warnungen und Anweisungen kann zu einem elektrischen Schlag, Brand und/oder schweren Verletzungen führen.

Bewahren Sie alle Warnungen und Anweisungen für spätere Bezugnahme auf.

SICHERHEITSWARNUNGEN FÜR AKKU-KETTENSÄGE:

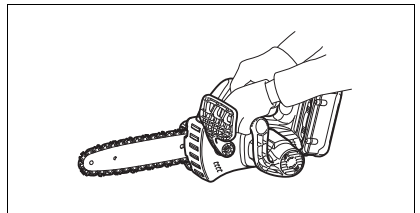
- Halten Sie alle Körperteile während des Betriebs der Kettensäge von der Sägekette fern. Vergewissern Sie sich vor dem Einschalten der Kettensäge, dass die Sägekette nicht mit irgendeinem Gegenstand in Berührung ist.** Ein Augenblick der Unaufmerksamkeit während des Betriebs von Kettensägen kann dazu führen, dass Ihre Kleidung oder Körperteile von der Sägekette erfasst werden.
- Halten Sie die Kettensäge stets mit Ihrer rechten Hand am hinteren Griff und mit Ihrer linken Hand am vorderen Griff.** Das Halten der Kettensäge mit vertauschter Handhaltung führt zu erhöhter Verletzungsgefahr und ist daher unbedingt zu vermeiden.
- Halten Sie das Elektrowerkzeug nur an den isolierten Griffflächen, weil die Gefahr besteht, dass die Sägekette verborgene Kabel kontaktiert.** Bei Kontakt mit einem Strom führenden Kabel können die freiliegenden Metallteile des Elektrowerkzeugs ebenfalls Strom führend werden, so dass der Benutzer einen elektrischen Schlag erleiden kann.

4. **Tragen Sie eine Schutzbrille und einen Gehörschutz. Zusätzliche Schutzausrüstung für Kopf, Hände, Beine und Füße wird empfohlen.** Geeignete Schutzkleidung reduziert die Verletzungsgefahr durch fliegende Trümmer oder versehentlichen Kontakt mit der Sägekette.
5. Stellen Sie vor Arbeitsbeginn sicher, dass die Kettensäge in einwandfreiem Betriebszustand ist, und dass ihr Zustand den Sicherheitsvorschriften entspricht. Prüfen Sie insbesondere, dass:
 - Die Kettenbremse einwandfrei funktioniert;
 - Die Auslaufbremse einwandfrei funktioniert;
 - Schwert und Kettenraddeckel korrekt angebracht sind;
 - Die Kette geschärft und vorschriftsmäßig gespannt worden ist;
6. **Betreiben Sie die Kettensäge nicht in einem Baum.** Der Betrieb der Kettensäge in einer Baumkrone kann zu Verletzungen führen.
7. **Achten Sie stets auf sicheren Stand, und betreiben Sie die Kettensäge nur, wenn Sie auf einer festen, sicheren und ebenen Fläche stehen.** Schlüpfrige oder instabile Standflächen, wie z. B. Leitern, können zu einem Verlust der Balance oder der Kontrolle über die Kettensäge führen.
8. **Wenn Sie einen unter Spannung stehenden Ast abschneiden, achten Sie auf Zurückschnellen.** Wenn sich die Spannung in den Holzfasern entlädt, kann der unter Spannung stehende Ast die Bedienungsperson treffen und/oder die Kettensäge außer Kontrolle bringen.
9. **Lassen Sie beim Schneiden von Gestrüpp und jungen Bäumen äußerste Vorsicht walten.** Die dünnen Äste können an der Sägekette hängen bleiben und gegen Sie geschleudert werden oder Sie aus dem Gleichgewicht bringen.
10. **Tragen Sie die Kettensäge nach dem Ausschalten mit Abstand zu Ihrem Körper am vorderen Griff. Bringen Sie zum Transportieren oder Lagern der Kettensäge stets die Schwertschutzhülle an.** Sachgemäße Handhabung der Kettensäge reduziert die Wahrscheinlichkeit einer versehentlichen Berührung der umlaufenden Sägekette.
11. **Befolgen Sie die Anweisungen für die Schmierung, die Kettenspannung und den Austausch von Zubehör.** Eine unsachgemäß gespannte oder geschmierte Kette kann entweder reißen oder die Gefahr von Rückschlägen erhöhen.
12. **Halten Sie die Griffe trocken, sauber und frei von Öl und Fett.** Fett- und överschierte Griffe sind schlüpfrig und verursachen den Verlust der Kontrolle.
13. **Schneiden Sie nur Holz. Verwenden Sie die Kettensäge nicht für sachfremde Zwecke.** Zum Beispiel: Verwenden Sie die Kettensäge nicht zum Schneiden von Kunststoff, Mauerwerk oder Nicht-Holz-Baumaterial. Der Gebrauch der Kettensäge für sachfremde Zwecke kann zu einer Gefahrsituation führen.
14. **Ursachen und Verhütung von Rückschlägen:** Rückschläge können auftreten, wenn die Nase oder Spitze des Schwerts ein Objekt berührt, oder wenn sich das Holz schließt und die Sägekette im Schnitt einklemmt. Spitzenkontakt kann in manchen Fällen eine plötzliche Gegenreaktion verursachen, so dass das Schwert nach oben oder hinten zur Bedienungsperson geschleudert wird.

Durch Einklemmen der Sägekette entlang dem oberen Lauf des Schwerts kann das Schwert zur Bedienungsperson zurückgeschleudert werden.

Jede dieser Reaktionen kann zu einem Verlust der Kontrolle über die Säge und daraus resultierenden schweren Verletzungen führen. Verlassen Sie sich nicht ausschließlich auf die in Ihre Säge eingebauten Sicherheitsvorrichtungen. Als Kettensägenbenutzer sollten Sie bestimmte Maßnahmen ergreifen, um Ihre Sägearbeiten unfall- und verletzungsfrei zu halten. Rückschlag ist das Resultat falscher Handhabung der Maschine und/oder falscher Arbeitsverfahren oder -bedingungen und kann durch Anwendung der nachstehenden Vorsichtsmaßnahmen vermieden werden:

- Halten Sie die Kettensäge beidhändig mit festem Griff, wobei Ihre Daumen und Finger die Griffe umschließen, und positionieren Sie Körper und Arme so, dass Sie Rückschlagkräfte auffangen können. Rückschlagkräfte können durch Treffen geeigneter Vorsichtsmaßnahmen von der Bedienungsperson kontrolliert werden. Lassen Sie die Kettensäge nicht los.



- **Übernehmen Sie sich nicht, und schneiden Sie nicht oberhalb der Schulterhöhe.** Dies trägt zur Verhütung unbeabsichtigten Spitzenkontakts bei und ermöglicht bessere Kontrolle der Kettensäge in unerwarteten Situationen.
 - **Verwenden Sie nur vom Hersteller empfohlene Schwerte und Ketten.** Geeignete Schwerte und Ketten können Kettenbruch und/oder Rückschlag verursachen.
 - **Befolgen Sie die Herstelleranweisungen zum Schärfen und Warten der Sägekette.** Eine Verringerung der Tiefenanschlaghöhe kann zu vermehrten Rückschlägen führen.
15. **Schalten Sie die Kettensäge nicht mit noch angebrachtem Kettenschutz ein.** Wird die Kettensäge mit noch angebrachtem Kettenschutz eingeschaltet, kann der Kettenschutz nach vorn herausgeschleudert werden, was zu Personenverletzungen und Beschädigung von Gegenständen im Umfeld des Bedieners führen kann.

BEWAHREN SIE DIESE HINWEISE SORGFÄLTIG AUF.

⚠️ WARNUNG:

Lassen Sie sich **NICHT** durch Bequemlichkeit oder Vertrautheit mit dem Produkt (durch wiederholten Gebrauch erworben) von der strikten Einhaltung der Sicherheitsregeln für das vorliegende Produkt abhalten. **MISSBRAUCH** oder Missachtung der Sicherheitsvorschriften in dieser Anleitung können schwere Verletzungen verursachen.

WICHTIGE SICHERHEITSVORSCHRIFTEN**FÜR AKKU**

1. Lesen Sie vor der Benutzung des Akkus alle Anweisungen und Warnhinweise, die an (1) Ladegerät, (2) Akku und (3) Akkuwerkzeug angebracht sind.
2. Unterlassen Sie ein Zerlegen des Akkus.
3. Falls die Betriebszeit beträchtlich kürzer geworden ist, stellen Sie den Betrieb sofort ein. Andernfalls besteht die Gefahr von Überhitzung, möglichen Verbrennungen und sogar einer Explosion.
4. Falls Elektrolyt in Ihre Augen gelangt, waschen Sie sie mit sauberem Wasser aus, und begeben Sie sich unverzüglich in ärztliche Behandlung. Andernfalls können Sie Ihre Sehkraft verlieren. Der Akku darf nicht kurzgeschlossen werden:
5. (1) Die Kontakte dürfen nicht mit leitfähigem Material berührt werden.
- (2) Lagern Sie den Akku nicht in einem Behälter zusammen mit anderen Metallgegenständen, wie z.B. Nägel, Münzen usw.
- (3) Setzen Sie den Akku weder Wasser noch Regen aus.
Ein Kurzschluss des Akkus verursacht starken Stromfluss, der Überhitzung, Verbrennungen und einen Defekt zur Folge haben kann.
6. Lagern Sie Maschine und Akku nicht an Orten, an denen die Temperatur 50°C erreichen oder überschreiten kann.
7. Versuchen Sie niemals, den Akku zu verbrennen, selbst wenn er stark beschädigt oder vollkommen verbraucht ist. Der Akku kann im Feuer explodieren.
8. Achten Sie darauf, dass der Akku nicht fallen gelassen oder Stößen ausgesetzt wird.
9. Verwenden Sie keinen Akku, der fallen gelassen oder erschüttert wurde.

BEWAHREN SIE DIESE HINWEISE SORGFÄLTIG AUF.**Hinweise zur Aufrechterhaltung der maximalen Akku-Nutzungsdauer**

1. Laden Sie den Akku, bevor er vollkommen erschöpft ist.
Schalten Sie die Maschine stets aus, und laden Sie den Akku, wenn Sie ein Nachlassen der Maschinenleistung feststellen.
2. Unterlassen Sie das erneute Laden eines voll aufgeladenen Akkus. Überladen führt zu einer Verkürzung der Nutzungsdauer des Akkus.
3. Laden Sie den Akku bei Raumtemperatur zwischen 10°C – 40°C. Lassen Sie einen heißen Akku abkühlen, bevor Sie ihn laden.

⚠ VORSICHT:

- Vergewissern Sie sich vor der Durchführung von Einstellungen oder Funktionsprüfungen der Maschine stets, dass die Maschine ausgeschaltet und der Akku abgenommen ist.

Ein- und Ausbau des Akkus (Abb. 1)**⚠ VORSICHT:**

- **Halten Sie Maschine und Akku beim Anbringen oder Abnehmen des Akkus sicher fest.** Wenn Sie Maschine und Akku nicht sicher festhalten, können sie Ihnen aus der Hand rutschen, was zu einer Beschädigung der Maschine und des Akkus und zu Körperverletzungen führen kann.
- Schalten Sie vor dem Ein- bzw. Ausbau des Akkus immer das Gerät ab.
- Ziehen Sie den Akku zum Abnehmen von der Maschine ab, während Sie den Knopf an der Vorderseite des Akkus drücken.
- Zum Einsetzen des Akkus richten Sie die Führungsfeder des Akkus auf die Nut im Maschinengehäuse aus und schieben den Akku hinein. Schieben Sie den Akku stets vollständig ein, bis er mit einem hörbaren Klicken einrastet. Wenn der rote Teil an der Oberseite des Knopfes sichtbar ist, ist der Akku nicht richtig eingearbeitet. Schieben Sie den Akku vollständig ein, bis der rote Teil verschwindet. Andernfalls kann er aus der Maschine herausfallen und Sie oder umstehende Personen verletzen.
- Beim Einsetzen des Akkus keine Gewalt anwenden. Der Akku muss leicht in das Gerät einzuführen sein, andernfalls überprüfen Sie die Position der Plus- und Minusmarkierungen am Akku und Maschinengehäuse.

Akku-Schutzsystem

Der Blockakku ist mit einem Schutzsystem ausgestattet, das die Stromabgabe automatisch abschaltet, um eine lange Lebensdauer zu gewährleisten.

Die Maschine kann sich während des Betriebs abschalten, wenn Maschine und/oder Akku in die folgende Situation geraten. Dies wird durch die Aktivierung des Schutzsystems verursacht und ist kein Anzeichen für eine Störung der Maschine.

- Wenn die Maschine überlastet wird:
Lassen Sie in diesem Fall den EIN-/AUS-Schalter los, und beseitigen Sie die Ursachen der Überlastung, bevor Sie den EIN-/AUS-Schalter erneut betätigen, um die Maschine wieder einzuschalten. Falls die Maschine auch nach Betätigung des EIN-/AUS-Schalters nicht funktioniert, ist die Akkustrom-Abschaltautomatik noch aktiv. Laden Sie den Blockakku vor Gebrauch auf.
- Wenn die Akku-Restkapazität niedrig wird:
Laden Sie den Blockakku auf.

Schalterbetätigung (Abb. 2)

VORSICHT:

- Vergewissern Sie sich vor dem Einsetzen des Akkus in die Maschine stets, dass der EIN-/AUS-Schalter ordnungsgemäß funktioniert und beim Loslassen in die AUS-Stellung zurückkehrt.

Um eine versehentliche Schalterbetätigung zu verhindern, ist die Maschine mit einer Schalterarretierung ausgestattet.

Zum Einschalten drücken Sie den EIN-/AUS-Schalter und gleichzeitig die Schalterarretierung. Zum Ausschalten den EIN-/AUS-Schalter loslassen.

Überprüfen der Kettenbremse (Abb. 3)

HINWEIS:

- Falls die Kettensäge nicht anläuft, muss die Kettenbremse gelöst werden. Ziehen Sie den vorderen Handschutz kräftig zurück, bis Einrasten spürbar ist.

Halten Sie die Kettensäge beim Einschalten mit beiden Händen.

Halten Sie den Obergriff mit der rechten, und den Frontgriff mit der linken Hand. Dabei dürfen Schwert und Kette mit keinem Gegenstand in Berührung sein.

Drücken Sie zuerst die Einschaltarretierung, dann den EIN-/AUS-Schalter.

Die Sägekette läuft sofort an.

Schieben Sie den vorderen Handschutz mit dem Handrücken vorwärts. Die Sägekette muss zum sofortigen Stillstand kommen.

VORSICHT:

- Sollte die Sägekette bei der Durchführung dieser Prüfung nicht sofort anhalten, darf die Säge unter keinen Umständen benutzt werden. Konsultieren Sie eine DOLMAR-Reparaturwerkstatt.

Überprüfen der Auslaufbremse

Schalten Sie die Kettensäge ein.

Lassen Sie den EIN-/AUS-Schalter vollkommen los. Die Sägekette muss innerhalb einer Sekunde zum Stillstand kommen.

VORSICHT:

- Sollte die Sägekette bei der Durchführung dieser Prüfung nicht innerhalb einer Sekunde zum Stillstand kommen, darf die Säge nicht benutzt werden. Konsultieren Sie eine DOLMAR-Reparaturwerkstatt.

Einstellen der Kettenschmierung (Abb. 4)

Die Ölpumpen-Fördermenge kann mit der Einstellschraube reguliert werden. Verwenden Sie zur Einstellung der Ölmenge den Kombischlüssel.

Karabiner (Seilbefestigungspunkt) (Abb. 5)

Der Karabiner (Seilbefestigungspunkt) dient zum Aufhängen der Maschine. Den Karabiner vor der Benutzung herausziehen und ein Seil daran anbinden.

MONTAGE

VORSICHT:

- Vergewissern Sie sich vor der Ausführung von Arbeiten an der Maschine stets, dass die Maschine ausgeschaltet und der Akku abgenommen ist.

Montage bzw. Demontage der Sägekette

VORSICHT:

- Vergewissern Sie sich vor der Montage bzw. Demontage der Sägekette stets, dass die Maschine ausgeschaltet und der Akku entfernt ist.
- Tragen Sie bei der Montage bzw. Demontage der Sägekette zum Schutz Ihrer Hände Arbeitshandschuhe.

1. Um die Sägekette zu entfernen, den Hebel geringfügig in Pfeilrichtung verschieben, so dass er aus der verriegelten Stellung gelöst werden kann, und dann in Aufrechtstellung bringen, wie in der Abbildung gezeigt. **(Abb. 6)**
2. Drücken Sie den Hebel hinein, und drehen Sie ihn im gedrückten Zustand entgegen dem Uhrzeigersinn, um die Mutter zu lösen, bis sich der Kettenraddeckel ablöst. (Durch Hineindrücken wird der Hebel in die Mutter eingepasst.) **(Abb. 7)**
3. Drehen Sie das Stellrad entgegen dem Uhrzeigersinn, um die Sägekettenspannung zu verringern.
4. Entfernen Sie den Kettenraddeckel.
5. Entfernen Sie die Sägekette und das Schwert von der Kettensäge.
6. Um die Sägekette zu montieren, legen Sie das eine Ende der Sägekette auf die Oberkante des Schwerts und das andere Ende um das Kettenrad. **(Abb. 8)**

Bringen Sie dabei die Sägekette so an, wie in der Abbildung gezeigt, weil sie sich in Pfeilrichtung dreht.

7. Legen Sie das Schwert auf die Kettensäge.
8. Drehen Sie das Stellrad entgegen dem Uhrzeigersinn, um den Einstellstift in Pfeilrichtung zu schieben. **(Abb. 9)**
9. Setzen Sie den Kettenraddeckel auf die Kettensäge, so dass der Einstellstift in einem der kleinen Löcher des Schwerts ruht. **(Abb. 10)**
10. Drücken Sie den Hebel hinein, und drehen Sie ihn in gedrücktem Zustand vollständig im Uhrzeigersinn, um die Mutter anzuziehen. Drehen Sie ihn dann um etwa eine Vierteldrehung entgegen dem Uhrzeigersinn, um die Mutter geringfügig zu lockern. **(Abb. 11)**

Einstellen der Sägekettenspannung

Die Sägekette kann sich nach vielen Betriebsstunden lockern. Überprüfen Sie daher die Sägekettenspannung von Zeit zu Zeit vor dem Gebrauch. **(Abb. 12)**

Bringen Sie den Hebel in die Aufrechtstellung.

Drücken Sie den Hebel hinein. Drehen Sie den Hebel in gedrücktem Zustand um eine Vierteldrehung entgegen dem Uhrzeigersinn, um die Mutter geringfügig zu lockern. (Durch Hineindrücken wird der Hebel in die Mutter eingepasst.) **(Abb. 13)**

Drehen Sie das Stellrad, um die Sägekettenspannung einzustellen. Fassen Sie die Sägekette in der Mitte des Schwerts, und heben Sie sie hoch. Der Spalt zwischen dem Schwert und dem Zugbügel der Sägekette sollte ca. 2 – 4 mm betragen. Beträgt der Spalt nicht ca. 2 – 4 mm, drehen Sie das Stellrad, welches das Schwert sichert, geringfügig. Nehmen Sie dabei die Einstellung vor, während die Spitze des Schwerts geringfügig nach oben zeigt. **(Abb. 14)**

Drehen Sie den hineingedrückten Hebel vollständig im Uhrzeigersinn, um die Mutter festzuziehen. **(Abb. 15)**

Bringen Sie den Hebel wieder in seine Ausgangsstellung. **(Abb. 16)**

⚠ VORSICHT:

- Eine übermäßig hohe Spannung der Sägekette kann zu einem Bruch der Sägekette, Verschleiß des Schwerts und Bruch des Stellrads führen.
- Die Montage bzw. Demontage der Sägekette sollte an einem sauberen Ort, der frei von Sägemehl und dergleichen ist, durchgeführt werden.

BETRIEB

Schmierung (Abb. 17)

Die Sägekette wird während des Betriebs der Maschine automatisch geschmiert.

Überprüfen Sie die im Öltank verbleibende Ölmenge durch das Ölstand-Prüfenster.

Um den Tank aufzufüllen, entfernen Sie die Kappe von der Öltanköffnung. Das Fassungsvermögen des Öltanks beträgt 80 ml.

Schrauben Sie nach dem Auffüllen des Öltanks stets die mitgelieferte Öltankverschluss auf die Kettensäge.

⚠ VORSICHT:

- Wenn Sie die Kettensäge zum ersten Mal mit Öl füllen oder den völlig leeren Öltank auffüllen, füllen Sie Öl bis zur Unterkante des Einfüllstutzens ein. Anderenfalls kann die Ölzuführung beeinträchtigt werden.
- Als Sägekettenöl verwenden Sie exklusives Öl für DOLMAR-Kettensägen oder auf dem Markt erhältliches Öl.
- Verwenden Sie keinesfalls Öl, das Staub und Fremdkörper enthält, oder leichtflüchtiges Öl.
- Verwenden Sie zum Beschneiden von Bäumen botanisches Öl. Mineralöl kann Bäume schädigen.
- Üben Sie beim Beschneiden von Bäumen niemals Druck auf die Kettensäge aus.
- Vergewissern Sie sich vor dem Ausschneiden, dass die mitgelieferte Öltankverschluss angebracht ist.

Halten Sie die Kettensäge vom Baum abgewandt. Starten Sie die Säge, und warten Sie, bis eine angemessene Schmierung der Sägekette erreicht ist.

Bringen Sie die untere Führung vor dem Einschalten mit dem zu schneidenden Ast in Berührung. Wird der Schnitt ausgeführt, ohne die untere Führung mit dem Ast in Berührung zu bringen, kann das Schwert flattern, was zu einer Verletzung der Bedienungsperson führen kann.

Sägen Sie das zu schneidende Holz durch einfache Abwärtsbewegung. (Abb. 18)

ARBEITEN MIT DER KETTENSÄGE

Anfänger sollten, als minimale Übung, Rundholzstämmen auf einem Sägebock oder einem Gestell schneiden.

Entasten

⚠ VORSICHT:

- Führen Sie die Kettensäge so, dass sich kein Körperteil im verlängerten Schwenkbereich der Sägekette befindet.
- Bei jeder Arbeit ist die Kettensäge mit beiden Händen festzuhalten, nur so kann sie jederzeit sicher geführt werden.
- Beugen Sie sich beim Betrieb nicht zu weit vor. Achten Sie bei der Arbeit stets auf sicheren Stand.

Bringen Sie die untere Führung vor dem Einschalten mit dem zu schneidenden Ast in Berührung. Wird der Schnitt ausgeführt, ohne die untere Führung mit dem Ast in Berührung zu bringen, kann das Schwert flattern, was zu einer Verletzung der Bedienungsperson führen kann. (Abb. 19)

Holz unter Spannung muss immer zuerst auf der Druckseite eingeschnitten werden. Erst dann kann der Trennschnitt auf der Zugseite erfolgen. (Abb. 20)

Wird der Trennschnitt auf der Druckseite durchgeführt, kann der Ast mit der Sägekette in Berührung kommen und sie einklemmen. Ohne Vorschnitt kann der Ast beim Trennschnitt auf der Zugseite splintern. (Abb. 21)

Wenn das Holz nicht in einem Arbeitsgang gesägt werden kann:

Setzen Sie das Sägen unter leichter Druckausübung auf den Griff fort und ziehen Sie die Kettensäge geringfügig zurück; dann setzen Sie die Zackenleiste etwas tiefer an und beenden Sie den Schnitt durch Anheben des Griffes. (Abb. 22)

Ablängen

Um Ablängsschnitte auszuführen, drücken Sie den Krallenanschlag gegen das zu schneidende Holz, wie in der Abbildung gezeigt. (Abb. 23)

Sägen Sie mit laufender Sägekette in das Holz, wobei Sie die Säge mit dem Obergriff anheben und mit dem Frontgriff führen.

Verwenden Sie den Krallenanschlag als Drehpunkt.

Setzen Sie den Schnitt fort, indem Sie leichten Druck auf den Frontgriff ausüben und die Säge geringfügig zurückziehen. Schieben Sie den Krallenanschlag weiter am Holz hinunter, und heben Sie den Frontgriff erneut an.

Wenn Sie mehrere Schnitte ausführen, schalten Sie die Kettensäge zwischen den Schnitten aus.

⚠ VORSICHT:

- Wird die Oberkante des Schwerts zum Schneiden verwendet, kann die Kettensäge in Ihre Richtung abgelenkt werden, falls die Kette eingeklemmt wird. Schneiden Sie aus diesem Grund mit der Unterkante, so dass die Säge von Ihrem Körper weg abgelenkt wird. (Abb. 24)

Schneiden Sie unter Spannung stehendes Holz zuerst auf der Druckseite (A) ein.

Machen Sie dann den Endschnitt auf der Spannungsseite (B). Dadurch wird Einklemmen des Schwerts verhindert. (Abb. 25)

Entasten

⚠ VORSICHT:

- Entasten darf nur von geschulten Personen durchgeführt werden. Es besteht die Gefahr von Rückschlägen.

Stützen Sie die Kettensäge beim Entasten nach Möglichkeit am Stamm ab. Schneiden Sie nicht mit der Schwertschulter, weil dabei Rückschlaggefahr besteht.

Beachten Sie besonders unter Spannung stehende Äste. Trennen Sie frei hängende Äste nicht von unten durch.

Stellen Sie sich beim Entasten nicht auf den gefällten Stamm.

Aushöhlsschnitte und Schnitte parallel zur Faserrichtung

VORSICHT:

- Aushöhlsschnitte und Schnitte parallel zur Faserrichtung dürfen nur von besonders geschulten Personen ausgeführt werden. Es besteht Verletzungsgefahr durch Rückschläge.

Führen Sie Schnitte parallel zur Faserrichtung mit möglichst flachem Winkel durch. Führen Sie den Schnitt äußerst vorsichtig aus, da der Krallenanschlag nicht benutzt werden kann. **(Abb. 26)**

Fällen

VORSICHT:

- Fällen darf nur von geschulten Personen durchgeführt werden. Die Arbeit ist gefährlich.

Beachten Sie die örtlichen Vorschriften, wenn Sie einen Baum fällen möchten.

- Bevor Sie mit dem Fällen beginnen, stellen Sie Folgendes sicher: **(Abb. 27)**

- (1) Nur mit dem Fällen beschäftigte Personen dürfen sich in der Nähe aufhalten.
- (2) Für jede beteiligte Person ist eine unbehinderte Rückweiche über einen Bereich von ungefähr 45° auf beiden Seiten der Fällachse vorhanden. Berücksichtigen Sie die zusätzliche Gefahr des Stolperns über elektrische Kabel.
- (3) Der Stammfuß ist frei von Fremdkörpern, Wurzeln und Ästen.
- (4) Keine Personen oder Gegenstände sind auf einer Entfernung von 2 1/2 Baumängen in Fallrichtung des Baums vorhanden.

- Beachten Sie Folgendes in Bezug auf den jeweiligen Baum:

- Neigungsrichtung,
- Lose oder dürre Äste,
- Höhe des Baums,
- Natürlicher Überhang,
- Ob der Baum morsch ist oder nicht.

- Berücksichtigen Sie die Windgeschwindigkeit und Windrichtung. Führen Sie keine Fällarbeiten bei stark böigem Wind aus.

- Beischnitten von Wurzelanläufen: Beginnen Sie mit den größten Anläufen. Machen Sie zuerst den vertikalen, dann den horizontalen Schnitt. **(Abb. 28)**

- Schneiden Sie einen Fallkerb: Der Fallkerb bestimmt die Fallrichtung des Baums und führt den Baum. Er wird auf der Seite angelegt, in deren Richtung der Baum fallen soll. Schneiden Sie den Fallkerb so dicht wie möglich über dem Boden. Schneiden Sie zuerst die Kerbsohle bis zu einer Tiefe von 1/5 – 1/3 des Stammdurchmessers. Machen Sie den Fallkerb nicht zu groß. Schneiden Sie dann das Kerbdach.

- Schneiden Sie Korrekturen des Fallkerbs über seine ganze Breite.

- Legen Sie den Fällschnitt etwas höher als die Kerbsohle des Fallkerbs an. Der Fällschnitt muss genau horizontal ausgeführt werden. Lassen Sie ungefähr 1/10 des Stammdurchmessers zwischen Fällschnitt und Fallkerb stehen.

Die Holzfasern im ungeschnittenen Stammteil fungieren als Scharnier. Schneiden Sie die Fasern unter keinen Umständen sofort durch, weil sonst der Baum unkontrolliert fällt. Führen Sie Keile rechtzeitig in den Fällschnitt ein. **(Abb. 29)**

- Nur Keile aus Kunststoff oder Aluminium werden verwendet, um den Fällschnitt offen zu halten. Die Verwendung von Eisenkeilen ist verboten.

- Stehen Sie seitlich vom fallenden Baum. Halten Sie den Bereich hinter dem fallenden Baum bis zu einem Winkel von 45° auf beiden Seiten der Baumachse frei (siehe die Abbildung „Fällbereich“ **(Abb. 27)**). Achten Sie auf herunterfallende Äste.

- Bei Bedarf sollte eine Rückweiche geplant und geräumt werden, bevor die Schnitte begonnen werden. Die Rückweiche sollte sich schräg zur Rückseite der erwarteten Falllinie erstrecken, wie in der Abbildung dargestellt. **(Abb. 30)**

Transport **(Abb. 31)**

Entfernen Sie stets den Akku aus der Maschine und schützen Sie das Schwert mit dem Sägekettenschutz, bevor Sie die Maschine transportieren. Die Kontaktschutzkappe auf den Akku setzen.

WARTUNG

VORSICHT:

- Vergewissern Sie sich vor der Durchführung von Inspektions- oder Wartungsarbeiten stets, dass die Maschine ausgeschaltet und der Akku abgenommen ist.
- Tragen Sie beim Ausführen von Überprüfungs- und Instandhaltungsarbeiten unbedingt Arbeitsschuhe.
- Verwenden Sie auf keinen Fall Benzin, Benzol, Verdünnern, Alkohol oder dergleichen. Solche Mittel können Verfärbung, Verformung oder Rissbildung verursachen.

Schärfen der Sägekette

VORSICHT:

- Nehmen Sie stets den Akku ab, und tragen Sie Schutzhandschuhe, wenn Sie Arbeiten an der Sägekette ausführen.

Schärfen Sie die Sägekette, wenn:

- beim Schneiden von feuchtem Holz mehliges Sägemehl erzeugt wird.
- die Kette selbst bei Ausübung starken Drucks nur schwach in das Holz eindringt.
- die Schnittkante sichtbar beschädigt ist.
- die Säge im Holz nach links oder rechts zieht. Der Grund für dieses Verhalten ist ungleichmäßige Schärfung der Sägekette, oder einseitige Beschädigung. **(Abb. 32)**

Schärfen Sie die Sägekette häufig, aber tragen Sie jedes Mal nur wenig Material ab.

Zwei bis drei Hiebe mit einer Feile sind gewöhnlich für eine routinemäßige Nachschärfung ausreichend. Wenn die Sägekette mehrmals nachgeschärft worden ist, lassen Sie sie bei einer DOLMAR-Reparaturwerkstatt schärfen.

Feile und Feilenführung

- Verwenden Sie eine spezielle Rundfeile (Sonderzubehör) für Sägeketten mit einem Durchmesser von 4 mm zum Schärfen der Kette. Normale Rundfeilen sind ungeeignet.

- Nur beim Vorwärtshub der Feile sollte Material abgetragen werden. Heben Sie die Feile beim Rückwärtshub vom Material ab.

- Schärfen Sie den kürzesten Zahn zuerst. Die Länge dieses Zahns dient dann als Sollmaß für alle übrigen Hobelzähne der Sägekette.

- Führen Sie die Feile, wie in der Abbildung gezeigt. **(Abb. 33)**

- Die Feile kann leichter geführt werden, wenn ein Feilenhalter (Zubehör) verwendet wird. Der Feilenhalter weist Markierungen für den korrekten Schärfungswinkel von 30° auf (die Markierungen parallel zur Sägekette ausrichten) und begrenzt die Eindringtiefe (auf 4/5 des Feilendurchmessers).

Führen Sie die Feile, wie in der Abbildung gezeigt.

(Abb. 34)

- Überprüfen Sie nach dem Schärfen der Kette die Höhe des Tiefenanschlags mithilfe der Kettenmesslehre (Sonderzubehör).
- Entfernen Sie etwaige Rauigkeiten, wie klein auch immer, mit einer speziellen Flachfeile (Sonderzubehör).
- Runden Sie die Vorderkante des Tiefenanschlags erneut ab.
- Waschen Sie Staub und Partikel nach der Einstellung der Höhe des Tiefenanschlags von der Sägekette ab.

Reinigen des Schwert (Abb. 35)

Späne und Sägemehl sammeln sich in der Führungsnut des Schwert. Der Ölfluß wird dadurch behindert und der Lauf der Sägekette erschwert. Achten Sie beim Schärfen oder Auswechseln der Sägekette stets darauf, Späne und Sägemehl mit einer geeigneten Maschine zu reinigen.

Reinigen der Ölauslassöffnung

Kleine Staubpartikel oder Fremdkörper können sich während des Betriebs in der Ölauslassöffnung ansammeln. Diese können den Ölfluss behindern und unzureichende Schmierung auf der ganzen Sägekette verursachen.

Wenn schlechte Ölzufuhr an der Oberseite des Schwerts auftritt, reinigen Sie die Ölauslassöffnung wie folgt.

Nehmen Sie den Akku von der Maschine ab.

Entfernen Sie den Kettenraddeckel und die Sägekette von der Maschine. (Siehe den Abschnitt "Montage bzw. Demontage der Sägekette".)

Entfernen Sie kleine Staubkörner oder Partikel mit einem Schlitzschraubenzieher mit schmalem Schaft oder dergleichen. **(Abb. 36)**

Setzen Sie den Akku in die Maschine ein.

Betätigen Sie den Ein-/Aus-Schalter, um abgelagerte Staubpartikel oder Fremdkörper durch Ablassen des Kettenöls aus der Ölauslassöffnung auszuschwemmen.

(Abb. 37)

Nehmen Sie den Akku von der Maschine ab.

Setzen Sie den gereinigten Ölfilter in die Ölauslassöffnung ein.

Montieren Sie den Kettenraddeckel und die Sägekette wieder an der Maschine.

Auswechseln des Kettenrads (Abb. 38 u. 39)

Bevor Sie eine neue Sägekette anbringen, überprüfen Sie den Zustand des Kettenrads.

⚠ VORSICHT:

- Ein verschlissenes Kettenrad beschädigt eine neue Sägekette. Wechseln Sie in diesem Fall das Kettenrad aus. Das Kettenrad muss so montiert werden, dass es immer gemäß der Abbildung ausgerichtet ist.

Bringen Sie beim Auswechseln des Kettenrads stets einen neuen Sicherungsring an.

Auswechseln der Kohlebürsten (Abb. 40 u. 41)

Die Kohlebürsten müssen regelmäßig entfernt und überprüft werden. Wenn sie bis zur Verschleißgrenze abgenutzt sind, müssen sie erneuert werden. Halten Sie die Kohlebürsten stets sauber, damit sie ungehindert in den Haltern gleiten können. Beide Kohlebürsten sollten gleichzeitig erneuert werden. Verwenden Sie nur identische Kohlebürsten.

Drehen Sie die Bürstenhalterkappen mit einem Schraubendreher heraus. Nehmen Sie die abgenutzten Kohlebürsten heraus, setzen Sie die neuen ein, und drehen Sie dann die Bürstenhalterkappen wieder ein.

Lagern der Maschine

Reinigen Sie die Maschine vor der Lagerung. Entfernen Sie etwaige Späne und Sägemehl von der Maschine, nachdem Sie den Kettenraddeckel abmontiert haben.

Lassen Sie die Maschine nach der Reinigung unter Nulllast laufen, um die Sägekette und das Schwert zu schmieren.

Schützen Sie das Schwert mit dem Sägekettenschutz.

Entleeren Sie den Öltank, und lagern Sie die Kettensäge.

Um die SICHERHEIT und ZUVERLÄSSIGKEIT dieses Gerätes zu gewährleisten, sollten Reparatur-, Wartungs-, und Einstellarbeiten nur von DOLMAR autorisierten Werkstätten oder Kundendienstzentren unter ausschließlicher Verwendung von DOLMAR-Originalersatzteilen ausgeführt werden.

ZUBEHÖR

⚠ VORSICHT:

- Die folgenden Zubehörteile oder Vorrichtungen werden für den Einsatz mit der in dieser Anleitung beschriebenen DOLMAR-Maschine empfohlen. Die Verwendung anderer Zubehörteile oder Vorrichtungen kann eine Verletzungsgefahr darstellen. Verwenden Sie Zubehörteile oder Vorrichtungen nur für ihren vorgesehenen Zweck.

Wenn Sie weitere Einzelheiten bezüglich dieser Zubehörteile benötigen, wenden Sie sich bitte an Ihre DOLMAR-Kundendienststelle.

- Verschiedene Original-DOLMAR-Akkus und -Ladegeräte
- Sägekette
- Sägekettenschutz
- Komplettes Schwert
- Feile
- Maschinentasche

Geräusch

Typischer A-bewerteter Geräuschpegel ermittelt gemäß EN60745:

Schalldruckpegel (L_{pA}): 87,3 dB (A)
 Schalleistungspegel (L_{WA}): 95,3 dB (A)
 Ungewissheit (K): 3,0 dB (A)

Gehörschutz tragen

ENG221-2

Vibration

Vibrationsgesamtwert (Drei-Achsen-Vektorsumme) ermittelt gemäß EN60745:

Arbeitsmodus: Schneiden von Holz
 Vibrationsemission (a_h): 7,0 m/s²
 Ungewissheit (K): 1,6 m/s²

ENG901-1

- Der angegebene Vibrationsemissionswert wurde im Einklang mit der Standardprüfmethode gemessen und kann für den Vergleich zwischen Maschinen herangezogen werden.
- Der angegebene Vibrationsemissionswert kann auch für eine Vorbewertung des Gefährdungsgrads verwendet werden.

⚠️ WARNUNG:

- Die Vibrationsemission während der tatsächlichen Benutzung des Elektrowerkzeugs kann je nach der Benutzungsweise der Maschine vom angegebenen Emissionswert abweichen.
- Identifizieren Sie Sicherheitsmaßnahmen zum Schutz des Benutzers anhand einer Schätzung des Gefährdungsgrads unter den tatsächlichen Benutzungsbedingungen (unter Berücksichtigung aller Phasen des Arbeitszyklus, wie z. B. Ausschalt- und Leerlaufzeiten der Maschine zusätzlich zur Betriebszeit).

Nur für europäische Länder**EG-Übereinstimmungserklärung**

Die unterzeichneten, Tamiro Kishima und Rainer Bergfeld, bevollmächtigt von Dolmar GmbH, erklären, dass die DOLMAR-Maschine(n):

Bezeichnung der Maschine:

Akku-Kettensäge

Modell-Nr./ Typ: AS-3625

Technische Daten: Siehe Tabelle "TECHNISCHE DATEN".
 der Serienproduktion entstammen und

den folgenden europäischen Richtlinien entsprechen:

2000/14/EC, 2006/42/EG

und gemäß den folgenden Standards oder standardisierter Dokumenten hergestellt werden:

EN60745

Die Zertifikat-Nr.3400780.01CE der EG-Typenprüfung

Die EG-Typenprüfung gemäß 2006/42/EG wurde durchgeführt von:

KEMA Quality GmbH

Enderstraße 92b

01277 Dresden

Deutschland

Identifizierungs-Nr. 2140

Die technische Dokumentation ist archiviert bei:

Dolmar GmbH,

Jenfelder Straße 38, Abteilung FZ,

D-22045 Hamburg

Das von der Richtlinie 2000/14/EG geforderte Konformitätsbewertungsverfahren war in Übereinstimmung mit Anhang V.

Gemessener Schalleistungspegel: 95,2 dB

Garantierter Schalleistungspegel: 98,0 dB

12.05.2010



Tamiro Kishima
Geschäftsführer



Rainer Bergfeld
Geschäftsführer

Visione generale

1 Parte rossa	15 Coperchio del rocchetto	29 Finestrella di ispezione olio
2 Pulsante	16 Ghiera di regolazione	30 Guida inferiore
3 Cartuccia batteria	17 Rocchetto	31 Area di caduta
4 Bottone di sblocco	18 Spina di regolazione	32 Direzione di caduta
5 Interruttore a grilletto	19 Foro piccolo	33 Zona pericolosa
6 Protezione anteriore per la mano	20 Serrare	34 Percorso di fuga
7 Blocca	21 Leva	35 Fodero (Coperchio catena)
8 Sblocca	22 Basso	36 Corsa in avanti lima
9 Vite di regolazione	23 Alto	37 1/5 del diametro lima
10 Gancio (punto di attacco fune)	24 Barra di guida	38 Polvere sottile o particelle
11 Spingere leggermente	25 Catena della sega	39 Cacciavite piatto
12 Spostare in posizione dritta	26 Tappo serbatoio olio	40 Anello di blocco
13 Premere all'interno	27 Apertura serbatoio olio	41 Segno di limite
14 Allentare	28 Finestrella di ispezione olio (per riempire il serbatoio di olio)	42 Tappo portaspazzola
		43 Cacciavite

DATI TECNICI

Modello		AS-3625	
Velocità catena al minuto		8,3 m/s (500 m/min.)	
Lunghezza della barra di guida		250 mm	
Tipo barra guida		Barra estremità anteriore rocchetto	Barra intaglio
Catena della sega	Tipo	91VG	25AP
	Passo	3/8"	1/4"
	Numero di maglie	40	60
Numero di denti		6	9
Lunghezza totale		576 mm	589 mm
Peso netto		4,5 kg	
Tensione nominale		C.c. 36 V	

• Peso, con batteria, secondo la Procedura EPTA 01/2003

ENE031-1

GEB071-5

Utilizzo previsto

Questo utensile è progettato per il taglio del legname e dei tronchi.

GEA010-1

Avvertimenti generali per la sicurezza dell'utensile elettrico

⚠️ AVVERTIMENTO Leggere tutti gli avvertimenti per la sicurezza e le istruzioni. La mancata osservanza degli avvertimenti e delle istruzioni può causare scosse elettriche, incendio e/o gravi incidenti.

Conservare tutti gli avvertimenti e le istruzioni per riferimenti futuri.

AVVERTENZE DI SICUREZZA PER MOTOSEGA A BATTERIA:

- 1. Tenere tutte le parti del corpo lontane dalla motosega mentre sta funzionando. Prima di avviare la motosega, accertarsi che la catena della sega non faccia alcun contatto.** Un momento di disattenzione durante l'utilizzo della motosega potrebbe causare l'impigliarsi dei vestiti o il contatto della catena della sega con il corpo.
- 2. Tenere sempre la motosega con la mano destra sul manico posteriore e la mano sinistra sul manico anteriore.** Tenendo la motosega con le mani in posizione inversa si aumenta il pericolo di incidenti, per cui ciò non deve mai essere fatto.
- 3. Tenere l'utensile elettrico soltanto per le parti di presa isolate, perché la catena della sega potrebbe venire a contatto con fili elettrici nascosti.** La catena della sega che viene a contatto con un filo elettrico "sotto tensione" potrebbe mettere "sotto tensione" le parti metalliche dell'utensile elettrico, potrebbe dare una scossa elettrica all'operatore.

4. **Indossare occhiali di protezione e la protezione della orecchie. Si consigliano anche le protezioni aggiuntive per la testa, le mani, le gambe e i piedi.** L'abbigliamento di protezione adeguato riduce le lesioni causate dai frammenti volanti o dal contatto accidentale con la catena della sega.

5. Prima di iniziare il lavoro, verificare che la motosega sia in ordine e che le sue condizioni siano conformi alle norme di sicurezza. In particolare verificare quanto segue:

- Il freno della catena funzioni correttamente;
- Il freno di blocco funzioni correttamente;
- La barra e il coperchio del rocchetto siano montati correttamente;
- La catena sia stata affilata e tesa secondo specifiche;

6. **La motosega non deve essere usata stando sugli alberi.** L'utilizzo della motosega su un albero potrebbe causare incidenti.

7. **Appoggiare sempre saldamente i piedi, e far funzionare la motosega soltanto stando su una superficie fissa, sicura e piana.** Le superfici scivolose o instabili, come le scale, potrebbero causare la perdita dell'equilibrio o del controllo della motosega.

8. **Quando si taglia un ramo sotto tensione, fare attenzione ai contraccolpi.** Quando la tensione delle fibre del legno si rilancia, il ramo sotto tensione potrebbe colpire l'operatore e/o far perdere il controllo della motosega.

9. **Fare molta attenzione quando si tagliano siepi e arboscelli.** Il materiale sottile potrebbe rimanere impigliato nella catena della sega con azione sferzante sull'operatore, o fargli perdere l'equilibrio.

10. **Trasportare la motosega per il manico anteriore, spenta e discosta dal corpo.** Quando si trasporta o si ripone la motosega, montare sempre il coperchio barra di guida. Il maneggiamento corretto della motosega riduce il pericolo di incidenti o il contatto accidentale con la catena della sega in funzione.

11. **Seguire le istruzioni per la lubrificazione, la tensione della catena e il cambiamento degli accessori.** Una catena con una tensione o lubrificazione incorretta potrebbe rompersi o aumentare il rischio di contraccolpi.

12. **Mantenere i manici asciutti, puliti ed esenti da olio o grasso.** Il grasso e l'olio rendono i manici scivolosi causando una perdita di controllo.

13. **Tagliare soltanto il legno. La motosega non deve essere usata per scopi non previsti. Per esempio: la motosega non deve essere usata per tagliare la plastica, i mattoni o il materiale di costruzione che non è di legno.** L'utilizzo della motosega per operazioni diverse da quelle previste potrebbe causare situazioni pericolose.

14. **Cause e prevenzione dei contraccolpi da parte dell'operatore:**

I contraccolpi si verificano quando l'estremità o punta della barra di guida tocca un oggetto, o quando il legno si chiude e stringe la catena della sega nel taglio.

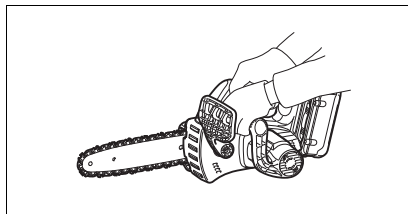
Il contatto della punta potrebbe in alcuni casi causare una improvvisa reazione indietro, spingendo la barra di guida su e indietro verso l'operatore.

Se la catena della sega viene stretta lungo la parte superiore della barra di guida, questa potrebbe essere spinta rapidamente indietro verso l'operatore.

Queste reazioni potrebbero causare la perdita di controllo della sega, con grande pericolo di gravi incidenti. Non bisogna affidarsi esclusivamente ai dispositivi di sicurezza della sega. L'utente della motosega deve usare alcune precauzioni per mantenere il lavoro di taglio senza pericoli di incidenti o lesioni.

I contraccolpi sono il risultato dell'utilizzo sbagliato e/o di procedure o condizioni operative scorrette, e possono essere evitati prendendo le precauzioni appropriate come indicato di seguito.

- Mantenere una presa salda, con i pollici e le dita che circondano i manici della motosega, con entrambe le mani sulla sega, e posizionare il corpo e le braccia in modo da permettere di resistere alla forza dei contraccolpi. La forza dei contraccolpi può essere controllata dall'operatore prendendo le dovute precauzioni. Non bisogna mollare la motosega.



- **Evitare di allungarsi troppo e non tagliare sopra l'altezza della spalla.** Ciò evita il contatto involontario della punta e permette un controllo migliore della motosega in situazioni impreviste.

- **Usare soltanto le barre e catene di ricambio specificate dal produttore.** Le barre e catene di ricambio sbagliate potrebbero causare la rottura della catena e/o i contraccolpi.

- **Seguire le istruzioni del produttore per l'affilatura e la manutenzione della catena della sega.** La riduzione dell'altezza del calibro di profondità può causare un aumento dei contraccolpi.

15. **Non avviare la motosega con il coperchio della catena installato su di essa.** Se si avvia la motosega con il coperchio della catena installato su di essa, si potrebbe causare l'espulsione in avanti del coperchio con pericolo di incidenti e di danni agli oggetti intorno all'operatore.

CONSERVATE QUESTE ISTRUZIONI.

⚠ AVVERTIMENTO:

NON lasciare che comodità o la familiarità d'utilizzo con il prodotto (acquisita con l'uso ripetuto) sostituisca la stretta osservanza delle norme di sicurezza. L'utilizzo SBAGLIATO o la mancata osservanza delle norme di sicurezza di questo manuale di istruzioni potrebbero causare lesioni serie.

DESCRIZIONE FUNZIONALE

⚠️ ATTENZIONE:

- Accertarsi sempre che l'utensile sia spento e che la batteria sia stata rimossa prima di regolare o di controllare il funzionamento dell'utensile.

Installazione o rimozione della cartuccia batteria (Fig. 1)

⚠️ ATTENZIONE:

- **Tenere saldamente l'utensile e la cartuccia batteria quando si installa o si rimuove la cartuccia batteria.** Se non si tiene saldamente l'utensile e la cartuccia batteria, potrebbero scappare di mano danneggiando l'utensile e la cartuccia batteria e ferire l'operatore.
- Spegnerne sempre la motosega prima di inserire o di rimuovere la cartuccia batteria.
- Per rimuovere la batteria, ritrarla dall'utensile spingendo il bottone sulla parte anteriore della batteria.
- Per inserire la cartuccia batteria, allineare l'appendice sulla cartuccia batteria con la scanalatura dell'alloggiamento e inserirla in posizione. Inserirla sempre completamente finché non si blocca con un piccolo scatto. Se si vede la parte rossa del lato superiore del bottone, vuol dire che esso non è bloccato completamente. Inserirlo completamente finché la parte rossa non è più visibile. In caso contrario, potrebbe cadere dall'utensile con pericolo di ferite per l'operatore o per chi gli è vicino.
- Non usare forza per inserire la cartuccia batteria. Se non scorre dentro facilmente, vuol dire che non è inserita correttamente.

Sistema di protezione della batteria

La cartuccia batteria è dotata di un sistema di protezione che interrompe automaticamente l'alimentazione per prolungare la vita utile.

L'utensile potrebbe arrestarsi durante l'uso se il medesimo e/o la batteria si dovessero trovare nelle seguenti condizioni. Ciò è dovuto all'intervento del sistema di protezione e non si tratta di un guasto dell'utensile.

- Se l'utensile è sovraccarico:
In tal caso, rilasciare l'interruttore a grilletto ed eliminare le cause del sovraccarico, quindi tirare il grilletto per riavviare. Se l'utensile non si riavvia dopo aver tirato il grilletto, l'arresto automatico dell'alimentazione della batteria è ancora in funzione. Caricare la cartuccia batteria prima dell'uso.
- Se la carica residua della batteria è bassa:
Ricaricare la cartuccia batteria.

Funzionamento dell'interruttore (Fig. 2)

⚠️ ATTENZIONE:

- Prima di inserire la cartuccia batteria nella motosega, accertarsi sempre che l'interruttore a grilletto funzioni correttamente e che ritorni sulla posizione "OFF" quando lo si rilascia.

Per evitare che l'interruttore a grilletto venga schiacciato accidentalmente, la motosega è dotata del bottone di sblocco.

Per avviarla, spingere il bottone di sblocco e schiacciare l'interruttore a grilletto. Rilasciare l'interruttore a grilletto per fermarla.

ISTRUZIONI IMPORTANTI DI SICUREZZA

PER LA CARTUCCIA DELLA BATTERIA

1. Prima di usare la cartuccia della batteria, leggere tutte le istruzioni e le avvertenze sul (1) carica-batteria, sulla (2) batteria e sul (3) prodotto che utilizza la batteria.
2. Non smontare la cartuccia della batteria.
3. Se il tempo di utilizzo è diventato molto corto, smettere immediatamente di usare l'utensile. Può risultare un rischio di surriscaldamento, possibili ustioni e addirittura un'esplosione.
4. Se l'elettrolita va negli occhi, risciacquarli con acqua pulita e rivolgersi immediatamente ad un medico. Può risultare la perdita della vista.
5. Non cortocircuitare la cartuccia della batteria:
 - (1) Non toccare i terminali con qualche metallo conduttivo.
 - (2) Evitare di conservare la cartuccia della batteria in un contenitore con altri oggetti metallici come i chiodi, le monete, ecc.
 - (3) Non esporre la cartuccia della batteria all'acqua o alla pioggia.
Un cortocircuito della batteria può causare un grande flusso di corrente, il surriscaldamento, possibili ustioni e addirittura un guasto.
6. Non conservare l'utensile e la cartuccia della batteria in luoghi in cui la temperatura può raggiungere o superare i 50°C.
7. Non incenerire la cartuccia della batteria anche se è gravemente danneggiata o è completamente esaurita. La cartuccia della batteria può esplodere e provocare un incendio.
8. Fare attenzione a non lasciar cadere o a colpire la batteria.
9. Non usare una batteria che è caduta o che ha subito un colpo.

CONSERVARE QUESTE ISTRUZIONI.

Suggerimenti per mantenere la durata massima della batteria

1. Caricare la cartuccia della batteria prima che si scarichi completamente.
Smettere sempre di usare l'utensile e caricare la cartuccia della batteria quando si nota che la potenza dell'utensile è diminuita.
2. Non ricaricare mai una cartuccia della batteria completamente carica. La sovraccarica riduce la durata della batteria.
3. Caricare la cartuccia della batteria con la temperatura ambiente da 10°C a 40°C. Lasciar raffreddare una cartuccia della batteria calda prima di caricarla.

Controllo del freno della catena (Fig. 3)

NOTA:

- Se la motosega non si avvia, è necessario liberare il freno della catena. Tirare indietro con decisione la protezione anteriore per la mano finché si blocca.

Per avviare la motosega, afferrarla saldamente con ambedue le mani.

Afferrare la maniglia superiore con la mano destra e la maniglia anteriore con la mano sinistra. La barra e la catena non devono essere in contatto con alcun oggetto. Innanzi tutto premere il pulsante di sblocco, quindi l'interruttore a grilletto.

La catena della sega si avvia immediatamente.

Premere in avanti la protezione anteriore per la mano usando il dorso della mano. La catena della sega deve bloccarsi immediatamente.

⚠ATTENZIONE:

- Se durante questa prova la catena della sega non si dovesse arrestare immediatamente, non deve essere usata in nessuna circostanza. Rivolgersi a un centro specializzato di riparazione DOLMAR.

Controllo del freno inerziale

Accendere la motosega.

Rilasciare completamente l'interruttore a grilletto. La catena della sega deve arrestarsi entro un secondo.

⚠ATTENZIONE:

- Se la catena della sega non si dovesse arrestare entro un secondo quando viene effettuata questa prova, non deve essere usata. Rivolgersi a un centro specializzato di riparazione DOLMAR.

Regolazione della lubrificazione della catena (Fig. 4)

È possibile regolare la mandata della pompa dell'olio usando la vite di regolazione. La quantità di olio può essere regolata con la chiave universale.

Gancio (punto di attacco fune) (Fig. 5)

Il gancio (punto di attacco fune) serve ad appendere l'utensile. Prima di usare il gancio, tirarlo fuori e legarlo con una fune.

MONTAGGIO

⚠ATTENZIONE:

- Accertarsi sempre che l'utensile sia spento e che la batteria sia stata rimossa prima di qualsiasi intervento sull'utensile.

Installazione o rimozione della catena della sega

⚠ATTENZIONE:

- Accertarsi sempre che la motosega sia spenta e che la cartuccia batteria sia stata rimossa prima di installare o di rimuovere la catena della sega.
- Indossare sempre i guanti per installare o rimuovere la catena della sega.

1. Per rimuovere la motosega, spingere leggermente la leva nella direzione della freccia in modo da rilasciarla dalla posizione di blocco, e spostare la leva in posizione diritta come mostrato nella illustrazione. (Fig. 6)

2. Premere la leva e mantenendola premuta, girare in senso antiorario per allentare il dado finché si smonta il coperchio del rocchetto. (Premendo la leva si inserisce nel dado.) (Fig. 7)

3. Girare la ghiera di regolazione in senso antiorario per allentare la catena della sega.
4. Smontare il coperchio del rocchetto.
5. Smontare la catena della sega e la barra di guida dalla motosega.
6. Per montare la catena della sega, inserire un estremo della catena nella la barra di guida e l'altro estremo intorno al rocchetto. (Fig. 8)

In queste condizioni, montare la catena della sega come indicato nella figura, poiché girerà nella direzione indicata dalla freccia.

7. Inserire in posizione la barra di guida sulla motosega.
8. Girare la ghiera di regolazione in senso antiorario per fare scorrere la spina di regolazione nella direzione della freccia. (Fig. 9)
9. Montare il coperchio del rocchetto sulla motosega in modo che la spina di regolazione sia inserita nel foro piccolo nella barra di guida. (Fig. 10)
10. Premere la leva e mantenendola premuta girare completamente in senso orario per serrare il dado. Quindi ruotare circa di un quarto di giro in senso antiorario per allentare un poco il dado. (Fig. 11)

Regolazione della tensione della catena della sega

Dopo molte ore di uso la catena della sega potrebbe allentarsi. Ogni tanto, prima dell'uso, verificare la tensione della catena della sega. (Fig. 12)

Spostare la leva in alto.

Premere la leva. Con la leva premuta, ruotare di un quarto di giro in senso antiorario per allentare un poco il dado. (Premendo la leva si inserisce nel dado.) (Fig. 13)

Girare la ghiera di regolazione per regolare la tensione della catena della sega. Afferrare la catena della sega nel mezzo della barra di guida e sollevarla. Lo spazio fra la barra di guida e le maglie della catena della sega deve essere di circa 2 – 4 mm. Se lo spazio non è di circa 2 – 4 mm, girare leggermente la ghiera di regolazione che blocca la barra di guida. A questo punto, regolare tenendo la punta della barra di guida leggermente verso l'alto. (Fig. 14)

Con la leva premuta, girare completamente in senso orario per serrare saldamente il dado. (Fig. 15)

Riportare la leva nella posizione originale. (Fig. 16)

⚠ATTENZIONE:

- Una tensione eccessiva della catena della sega potrebbe causarne la rottura, consumare la barra di guida e provocare la rottura della ghiera di regolazione.
- L'installazione o la rimozione della catena della sega devono essere eseguite in un luogo pulito, esente da polvere e simili.

FUNZIONAMENTO

Lubrificazione (Fig. 17)

La catena della sega si lubrifica automaticamente quando l'utensile sta funzionando.

Controllare la quantità di olio restante nel serbatoio dell'olio attraverso la finestrella di ispezione olio.

Per rabboccare il serbatoio, togliere il tappo dall'apertura del serbatoio dell'olio. La capacità del serbatoio dell'olio è di 80 ml.

Dopo il rabbocco del serbatoio, avvitare sempre il tappo serbatoio olio in dotazione alla motosega.

⚠ ATTENZIONE:

- Quando si rabbocca la motosega con l'olio catena per la prima volta, oppure rabbocando il serbatoio dopo che si è svuotato completamente, aggiungere l'olio fino al bordo inferiore del bocchettone di riempimento. L'alimentazione dell'olio potrebbe altrimenti essere ostacolata.
- Come olio catena della sega, usare esclusivamente l'olio per motoseghe DOLMAR o un olio disponibile sul mercato.
- Non si devono mai usare oli contenenti polvere e particelle, o oli volatili.
- Per la potatura degli alberi, usare oli botanici. Gli oli minerali potrebbero danneggiare gli alberi.
- Durante la potatura degli alberi non si deve mai forzare la motosega.
- Prima di fare un taglio, accertarsi che il tappo serbatoio olio in dotazione sia avvitato in posizione.

Tenere la motosega lontana dall'albero. Avviarla e aspettare finché la lubrificazione della catena della sega sia adeguata.

Far contattare la guida inferiore con il ramo da tagliare prima di accendere la motosega. Se si taglia senza che la guida inferiore faccia contatto con il ramo, la barra di guida potrebbe ondeggiare causando un incidente all'operatore.

Segare il legno da tagliare spostando semplicemente in giù la motosega. (Fig. 18)

USO DELLA MOTOSEGA

Chi usa l'utensile per la prima volta, dovrebbe fare un minimo di pratica tagliando tronchi su un cavalletto o supporto.

Potatura degli alberi

⚠ ATTENZIONE:

- Tenere tutte le parti del corpo lontane dalla catena della sega quando il motore gira.
- Tenere saldamente la motosega con entrambe le mani mentre il motore gira.
- Non cercare di raggiungere parti lontane. Mantenere sempre i piedi appoggiati saldamente restando bilanciati.

Far contattare la guida inferiore con il ramo da tagliare prima di accendere la motosega. Se si taglia senza che la guida inferiore faccia contatto con il ramo, la barra di guida potrebbe ondeggiare causando un incidente all'operatore. (Fig. 19)

Per tagliare i rami grossi, fare prima un taglio poco profondo dal basso e finire poi di tagliare dall'alto. (Fig. 20)

Se si cerca di tagliare i rami grossi dal basso, il ramo potrebbe abbassarsi incastrandosi nella catena della sega nel taglio. Se si cerca di tagliare i rami grossi dall'alto senza fare prima un taglio poco profondo dal basso, il ramo potrebbe spaccarsi. (Fig. 21)

Se non è possibile tagliare con un solo movimento:

Esercitare una leggera pressione sul manico, continuare a segare e tirare leggermente indietro la motosega, inserire il cuneo un po' più in basso e finire di tagliare alzando il manico. (Fig. 22)

Taglio trasversale

Per il taglio trasversale, appoggiare la guida dentata indicata nella figura sul tronco da tagliare. (Fig. 23)

Con la catena della sega in movimento, tagliare il legno, usando la maniglia superiore per sollevare la motosega e quella anteriore per guidarla.

Usare la guida dentata come perno.

Continuare il taglio applicando una leggera pressione alla maniglia anteriore e alleggerendo un poco la parte posteriore della sega. Abbassare ancora lungo il pezzo la guida dentata e alzare di nuovo la maniglia anteriore.

Quando si operano più tagli, spegnere la motosega fra un taglio e l'altro.

⚠ ATTENZIONE:

- Se si usa per tagliare il bordo superiore della barra, la motosega potrebbe girarsi verso l'operatore se la catena dovesse rimanere bloccata. In tal caso, tagliare con il bordo inferiore, affinché eventualmente la sega si giri lontano dal corpo dell'operatore. (Fig. 24)

Tagliare i tronchi in tensione prima dal lato in pressione (A).

Quindi effettuare il taglio finale dal lato in tensione (B). Così facendo si evita che la catena rimanga impigliata. (Fig. 25)

Sramatura

⚠ ATTENZIONE:

- La sramatura deve essere effettuata unicamente da operatori esperti. Si presenta il rischio di contraccolpi.

Per sramare, se possibile appoggiare la motosega sul tronco. Non tagliare con la punta della barra, perché presenta il rischio di contraccolpi.

Prestare particolare attenzione ai rami in tensione. Non tagliare da sotto rami sospesi.

Durante la sramatura, non stare in piedi sul tronco abbattuto.

Taglio nel pieno e parallelo alle venature.

⚠ ATTENZIONE:

- Il taglio nel pieno e parallelo alle venature deve essere effettuato unicamente da operatori appositamente addestrati. La possibilità di contraccolpi presenta il rischio di lesioni.

Effettuare il taglio parallelo alle venature con il minore angolo di inclinazione possibile. Effettuare il taglio con la massima attenzione poiché non è possibile usare la guida dentata. (Fig. 26)

Abbattimento

⚠ ATTENZIONE:

- L'abbattimento deve essere effettuato unicamente da operatori addestrati. È un lavoro pericoloso.

Nell'abbattere un albero, rispettare la normativa locale in vigore.

- Prima di abbattere, verificare quanto segue: **(Fig. 27)**

- (1) Nelle vicinanze devono essere presenti soltanto persone coinvolte nel lavoro di abbattimento;
- (2) Tutte le persone coinvolte debbono avere un percorso di fuga libero da ostacoli di un'apertura di almeno 45° su ciascun lato dell'asse di abbattimento. Tenere in considerazione il rischio aggiuntivo di caduta su linee elettriche;
- (3) Alla base del tronco non siano presenti oggetti estranei, radici e rami;
- (4) Non siano presenti persone od oggetti a meno di 2 1/2 volte la lunghezza del tronco nella direzione di caduta.

- Considerare quanto segue per quanto riguarda ogni albero:

- Direzione di inclinazione;
 - Rami rotti o secchi;
 - Altezza dell'albero;
 - Copertura della chioma;
 - Se l'albero è secco o no.
- Tenere in considerazione la velocità e la direzione del vento. Non abbattere alberi con vento forte.
- Taglio di radici sporgenti. Iniziare dalle radici che sporgono maggiormente. Effettuare innanzi tutto un taglio verticale, quindi orizzontale. **(Fig. 28)**
- Tagliare una tacca: La tacca determina la direzione in cui l'albero cadrà e lo guida. Deve essere effettuata sul lato di caduta desiderato dell'albero. Effettuare la tacca il più possibile vicino al terreno. Effettuare innanzi tutto il taglio orizzontale a una profondità di 1/5 – 1/3 del diametro del tronco. Non realizzare una tacca troppo grande. Quindi tagliare in diagonale.
- Tagliare eventuali correzioni alla tacca lungo tutto lo spessore.
- Effettuare il taglio posteriore un po' più in alto del taglio di base della tacca. Il taglio posteriore deve essere precisamente orizzontale. Lasciare circa 1/10 del diametro del tronco tra il taglio posteriore e la tacca. Le fibre del legno nella parte non tagliata del tronco agiscono da cardine. Non tagliare mai tutte le fibre, altrimenti l'albero cadrà senza alcun controllo. Inserire per tempo dei cunei nel taglio posteriore. **(Fig. 29)**
- Per tenere aperto il taglio posteriore usare unicamente cunei di plastica o di alluminio. L'uso di cunei di ferro è proibito.
- Stare a lato dell'albero in caduta. Lasciare un'area libera dietro all'albero in caduta di 45° di apertura su ambedue i lati dell'asse dell'albero (fare riferimento all'illustrazione dell'area di caduta **(Fig. 27)**). Prestare attenzione alla caduta di rami.
- Stabilire e liberare un percorso di fuga prima di iniziare a tagliare. Il percorso di fuga deve essere posteriore e diagonale rispetto alla probabile direzione di caduta come indicato nella figura. **(Fig. 30)**

Trasporto della motosega **(Fig. 31)**

Prima di trasportare la motosega, rimuovere sempre la cartuccia batteria e coprire la barra di guida con il fodero. Coprire inoltre la cartuccia batteria con il coperchio della batteria.

MANUTENZIONE

⚠ ATTENZIONE:

- Accertarsi sempre che l'utensile sia spento e che la batteria sia stata rimossa prima dell'intervento di ispezione o manutenzione.
- Indossare sempre i guanti prima di eseguire qualsiasi ispezione o manutenzione.
- Mai usare benzina, benzene, solventi, alcol e altre sostanze simili. Potrebbero causare scolorimenti, deformazioni o crepe.

Affilatura della catena della sega

⚠ ATTENZIONE:

- Rimuovere sempre la cartuccia batteria e indossare i guanti di protezione quando si lavora con la catena della sega.

Affilare la catena della sega se:

- Si produce una segatura farinosa quando si taglia il legno bagnato;
- La catena penetra nel legno con difficoltà, anche se vi si applica sopra una grande pressione;
- Il bordo di taglio è palesemente danneggiato;
- La motosega tira a destra o a sinistra nel legno. Ciò è causato da una affilatura irregolare della catena, oppure se la catena della sega è danneggiata su un lato soltanto. **(Fig. 32)**

Affilare frequentemente la catena della sega, ma rimuovere soltanto poco materiale ogni volta.

Per la normale riaffilatura sono generalmente sufficienti due o tre colpi di lima. Dopo che la catena della sega è stata riaffilata diverse volte, farla affilare in una officina di riparazione DOLMAR specializzata.

Lima e modo di guidare la lima

- Per affilare la catena, usare una speciale lima rotonda per catene (accessorio opzionale) con un diametro di 4 mm. Le normali lime rotonde non sono adatte.
- La lima deve fare contatto con il materiale della catena soltanto durante la corsa in avanti. Sollevare la lima dal materiale durante la corsa di ritorno.
- Affilare per prima la lama più corta. La lunghezza di questa lama diventa la dimensione di calibro di tutte le altre lame della catena della sega.
- Guidare la lama come mostrato nella illustrazione. **(Fig. 33)**
- La lima può essere guidata più facilmente se si usa un portalima (accessorio). Sul portalima ci sono i segni per l'angolo corretto di affilatura di 30° (allineare i segni paralleli alla catena della sega) e limita la profondità di penetrazione (a 4/5 del diametro della lima).

Guidare la lima come mostrato nella illustrazione. **(Fig. 34)**

- Dopo aver affilato la catena, controllare l'altezza del calibro di spessore usando l'attrezzo di calibro della catena (accessorio opzionale).
- Rimuovere tutto il materiale sporgente, per quanto piccolo, con una speciale lima piatta (accessorio opzionale).
- Arrotondare di nuovo la parte anteriore del calibro di spessore.
- Lavare via la polvere e le particelle dalla catena della sega dopo aver regolato l'altezza del calibro di spessore.

Pulizia della barra di guida (Fig. 35)

Le bave e la segatura si accumulano nella cava della barra di guida, intasandola e ostacolando il flusso dell'olio. Togliere sempre le bave e la segatura dopo aver affilato o rimontato la catena della sega.

Pulizia del foro di scarico dell'olio

Durante l'utilizzo, nel foro di scarico dell'olio si potrebbero essere accumulate polvere o particelle.

La polvere o le particelle nel foro di scarico dell'olio potrebbero ostacolare il flusso di scarico dell'olio e causare una lubrificazione insufficiente dell'intera catena della sega.

Se sulla parte superiore della barra di guida si verifica una scarsa alimentazione dell'olio catena, pulire il foro di scarico dell'olio come segue.

Rimuovere la cartuccia batteria dall'utensile.

Rimuovere dall'utensile il coperchio del rocchetto e la catena della sega. (Vedere la sezione dal titolo "Installazione o rimozione della catena della sega".)

Togliere polvere sottile e particelle utilizzando un cacciavite a taglio, un albero cilindrico sottile o analogo.

(Fig. 36)

Inserire la cartuccia batteria nell'utensile.

Schiacciare l'interruttore a grilletto per far uscire la polvere o particelle dal foro di scarico olio scaricando l'olio catena. **(Fig. 37)**

Rimuovere la cartuccia batteria dall'utensile.

Reinstallare sull'utensile il coperchio del rocchetto e la catena della sega.

Sostituzione del rocchetto (Fig. 38 e 39)

Prima di montare una nuova catena della sega, controllare le condizioni del rocchetto.

⚠ ATTENZIONE:

- Un rocchetto usurato danneggia una nuova catena sega. In tal caso, far sostituire il rocchetto. Il rocchetto deve essere installato in modo che sia sempre rivolto come mostrato nella illustrazione.

Montare sempre un nuovo anello di blocco quando si sostituisce il rocchetto.

Sostituzione delle spazzole di carbone

(Fig. 40 e 41)

Rimuovere e controllare regolarmente le spazzole di carbone. Sostituirle quando sono usurate fino al segno del limite. Mantenere le spazzole di carbone pulite e libere di slittare nelle portaspazzole. Entrambe le spazzole di carbone devono essere sostituite allo stesso tempo. Usare soltanto spazzole di carbone identiche.

Usare un cacciavite per rimuovere i tappi dei portaspazzole. Estrarre le spazzole di carbone usurate, inserire le nuove spazzole e fissare i tappi dei portaspazzole.

Immagazzinaggio

Pulire l'utensile prima di immagazzinarlo. Togliere dall'utensile tutti i trucioli e la segatura dopo aver rimosso il coperchio del rocchetto. Dopo aver pulito l'utensile, farlo girare a vuoto per lubrificare la catena della sega e la barra di guida.

Coprire la barra guida con il fodero.

Togliere l'olio dal serbatoio per svuotarlo, e posare la motosega.

Per mantenere la SICUREZZA e l'AFFIDABILITÀ del prodotto, le riparazioni, la manutenzione o le regolazioni dovrebbero essere eseguite da un centro di assistenza DOLMAR autorizzato.

ACCESSORI

⚠ ATTENZIONE:

- Questi accessori o attrezzi sono consigliati per l'uso con l'utensile DOLMAR specificato in questo manuale. L'impiego di altri accessori o attrezzi può costituire un rischio di lesioni alle persone. Usare gli accessori soltanto per il loro scopo prefissato.

Per ottenere maggiori dettagli su questi accessori, rivolgersi a un Centro Assistenza DOLMAR autorizzato.

- Vari tipi di batterie e caricatori genuini DOLMAR
- Catena della sega
- Fodero
- Barra di guida completa
- Lima
- Custodia utensile

Rumore

Il tipico livello di rumore pesato A determinato secondo EN60745:

Livello pressione sonora (L_{pA}): 87,3 dB (A)

Livello potenza sonora (L_{WA}): 95,3 dB (A)

Incertezza (K): 3,0 dB (A)

Indossare i paraorecchi

ENG221-2

Vibrazione

Il valore totale di vibrazione (somma vettore triassiale) determinato secondo EN60745:

Modalità di lavoro: taglio del legno

Emissione di vibrazione (a_{H1}): 7,0 m/s²

Incertezza (K): 1,6 m/s²

ENG901-1

- Il valore di emissione delle vibrazioni dichiarato è stato misurato conformemente al metodo di test standard, e può essere usato per paragonare un utensile con un altro.
- Il valore di emissione delle vibrazioni dichiarato può anche essere usato per una valutazione preliminare dell'esposizione.

AVVERTIMENTO:

- L'emissione delle vibrazioni durante l'uso reale dell'utensile elettrico può differire dal valore di emissione dichiarato a seconda dei modi in cui viene usato l'utensile.
- Identificare le misure di sicurezza per la protezione dell'operatore basate sulla stima dell'esposizione nelle condizioni reali d'utilizzo (tenendo presente tutte le parti del ciclo operativo, come le volte in cui l'utensile viene spento e quando gira a vuoto, oltre al tempo di funzionamento).

Modello per l'Europa soltanto

Dichiarazione CE di conformità

I sottoscritti, Tamiro Kishima e Rainer Bergfeld, con l'autorizzazione della Dolmar GmbH, dichiariamo che le macchine DOLMAR:

Designazione della macchina:

Motosega a batteria

Modello No./Tipo: AS-3625

Dati tecnici: vedere la tabella "DATI TECNICI".

sono una produzione di serie e

conformi alle direttive europee seguenti:

2000/14/CE, 2006/42/CE

E sono fabbricate conformemente ai seguenti standard o documenti standardizzati:

EN60745

Certificato di conformità tipo CE n. 3400780.01CE

L'esame del tipo CE per 2006/42/CE è stato eseguito da:

KEMA Quality GmbH

Enderstraße 92b

01277 Dresden

Germania

Numero di identificazione 2140

Il file della documentazione tecnica si trova all'indirizzo seguente:

Dolmar GmbH,

Jenfelder Straße 38, Abteilung FZ,

D-22045 Hamburg

La procedura di determinazione della conformità richiesta dalla Direttiva 2000/14/CE è stata eseguita secondo l'allegato V.

Livello di potenza sonora misurato: 95,2 dB

Livello di potenza sonora garantito: 98,0 dB

12.05.2010



Tamiro Kishima
Amministratore delegato



Rainer Bergfeld
Amministratore delegato

Verklaring van algemene gegevens

1 Rood gedeelte	15 Afdekking van kettingwiel	30 Onderkantgeleider
2 Knop	16 Stelknop	31 Omzagen
3 Accu	17 Kettingwiel	32 Valrichting
4 Ontgrendelknop	18 Stelpen	33 Gevarenszone
5 Trekschakelaar	19 Klein gat	34 Vluchtroute
6 Beschermkap van voorhandgreep	20 Vastdraaien	35 Kettingbeschermer (Kettingdeksel)
7 Vergrendelen	21 Hendel	36 Voorwaartse beweging van de vijl
8 Ontgrendelen	22 Laag	37 1/5 van de diameter van de vijl
9 Stelschroef	23 Hoog	38 Kleine vuil- of stofdeeltjes
10 Karabijnhaak (bevestigingssoog voor touw)	24 Zaagblad	39 Platkopschroevendraaier
11 Iets verschuiven	25 Zaagketting	40 Borgring
12 Rechtop zetten	26 Dop van olietank	41 Limietmarkering
13 Indrukken	27 Olievulopening	42 Dop van koolborstelhouder
14 Losdraaien	28 Oliepeilglas (voor bijvullen van olie in de tank)	43 Schroevendraaier
	29 Oliepeilglas	

TECHNISCHE GEGEVENS

Model		AS-3625	
Kettingsnelheid per minuut		8,3 m/s (500 m/min.)	
Lengte van zaagblad		250 mm	
Type zaagblad		Tandwielzaagblad	Precisieblad
Zaagketting	Type	91VG	25AP
	Steek	3/8"	1/4"
	Aantal kettingschakels	40	60
Aantal zaagtanden		6	9
Totale lengte		576 mm	589 mm
Netto gewicht		4,5 kg	
Nominale spanning		DC 36 V	

- Gewicht, inclusief accu, volgens de EPTA-procedure 01/2003

GEB071-5

ENE031-1

Doeleinden van gebruik

Het gereedschap is bedoeld om stammen te zagen.

GEA010-1

Algemene veiligheidswaarschuwingen voor elektrisch gereedschap

⚠ WAARSCHUWING! Lees alle veiligheidsaanschuwingen en alle instructies. Het niet volgen van de waarschuwingen en instructies kan leiden tot elektrische schokken, brand en/of ernstig letsel.

Bewaar alle waarschuwingen en instructies om in de toekomst te kunnen raadplegen.

VEILIGHEIDSWAARSCHUWINGEN SPECIFIEK VOOR EEN ACCU-KETTINGZAAG:

1. **Houd alle lichaamsdelen uit de buurt van de zaagketting terwijl de kettingzaag in bedrijf is. Alvorens de kettingzaag te starten, controleert u dat de zaagketting niet raakt.** In slechts een kort moment van onoplettendheid tijdens het gebruik van de kettingzaag kan uw kleding of lichaam in aanraking komen met de zaagketting.
2. **Houd de kettingzaag altijd vast met uw rechterhand aan de achterhandgreep en uw linkerhand aan de voorhandgreep.** Houd de kettingzaag nooit vast met uw handen verwisseld, omdat dan de kans op persoonlijk letsel groter is.

3. **Houd het elektrisch gereedschap alleen vast bij het geïsoleerde oppervlak omdat de zaagketting met verborgen bedrading in aanraking kan komen.** Wanneer de kettingzaag in aanraking komt met onder spanning staande draden, zullen de niet-geïsoleerde metalen delen van het gereedschap onder spanning komen te staan zodat de gebruiker een elektrische schok kan krijgen.
4. **Draag een veiligheidsbril en gehoorbescherming. Verdere veiligheidsmiddelen voor hoofd, handen, benen en voeten worden aanbevolen.** Afdoende beschermende kleding verkleint de kans op persoonlijk letsel als gevolg van rondvliegend afval of het per ongeluk aanraken van de zaagketting.
5. Alvorens met het werk te beginnen, controleert u dat de kettingzaag zich in goede werkende staat bevindt, en dat deze voldoet aan de veiligheidsregels. Controleer met name dat:
 - De kettingrem goed werkt;
 - De uitlooprem goed werkt;
 - Het zaagblad en de afdekking van kettingwiel goed zijn gemonteerd;
 - De ketting is geslepen en gespannen overeenkomstig de regels;
6. **Werk niet met de kettingzaag in een boom.** Het gebruik van de kettingzaag terwijl u in een boom zit, vergroot de kans op persoonlijk letsel.
7. **Zorg altijd voor een stevige stand en bedien de kettingzaag alleen terwijl u op een vaste, stabiele en horizontale ondergrond staat.** Een gladde of instabiele ondergrond, zoals een ladder, kan leiden tot verlies van evenwicht of controle over de kettingzaag.
8. **Bij het afzagen van een tak die onder spanning staat, let u goed op eventuele terugslag.** Wanneer de spanning in de houtvezels vrij komt, kan de onder spanning staande tak de gebruiker een tik geven of ertoe leiden dat hij/zij de controle over de kettingzaag verliest.
9. **Wees uiterst voorzichtig bij het zagen van struiken en jonge boompjes.** Het dunne materiaal kan zich vasthaken aan de zaagketting en naar u toe geslingerd worden of u uit balans brengen.
10. **Draag de kettingzaag aan de voorhandgreep terwijl deze uitgeschakeld is en van uw lichaam af gekeerd is.** Bij het transporteren of opbergen van de zaagketting moet altijd de schede om het zaagblad worden gedaan. Een juiste behandeling van de kettingzaag verkleint de kans op het per ongeluk aanraken van de bewegende zaagketting.
11. **Volg de instructies voor het smeren, kettingspannen, en verwisselen van accessoires.** Een verkeerd gespannen of gesmeerde ketting kan breken of verhoogt de kans op terugslag.
12. **Houd de handgrepen droog, schoon en vrij van olie en vetten.** Met vet of olie bevuilde handgrepen zijn glad en leiden tot verlies van controle over de kettingzaag.
13. **Zaag uitsluitend hout. Gebruik de kettingzaag niet voor doeleinden waarvoor deze niet bedoeld is.** Bijvoorbeeld: gebruik de kettingzaag niet om kunststof, steen of bouwmaterialen anders dan hout te zagen. Het gebruik van de kettingzaag bij andere werkzaamheden dan waarvoor deze bedoeld is, kan leiden tot gevaarlijke situaties.

14. Oorzaken van terugslag en wat de gebruiker hieraan kan doen:

Terugslag kan zich voordoen wanneer de neus of voorrand van het zaagblad een voorwerp raakt of wanneer het hout zich sluit en de zaagketting in de zaagsnede vastklemt.

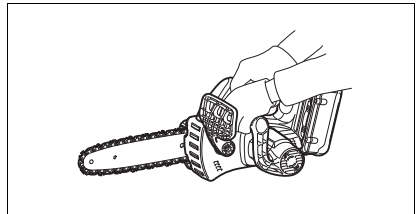
Zagen met alleen de punt van het zaagblad kan een plotselinge, omgekeerde reactie veroorzaken waardoor het zaagblad omhoog geworpen wordt in de richting van de gebruiker.

Het beknellen van de zaagketting langs de bovenrand van het zaagblad kan het zaagblad snel terugwerpen in de richting van de gebruiker.

Deze beide reacties kunnen ertoe leiden dat u de controle over de kettingzaag verliest waardoor ernstig persoonlijk letsel kan ontstaan. Wees niet afhankelijk van alleen de veiligheidsvoorzieningen ingebouwd in uw kettingzaag. Als gebruiker van de kettingzaag moet u meerdere stappen ondernemen om ervoor te zorgen dat uw zaagwerkzaamheden zonder ongelukken of letsel verlopen.

Terugslag is het gevolg van misgebruik van het gereedschap en/of onjuiste gebruiksprocedures of -omstandigheden, en kan worden voorkomen door goede voorzorgsmaatregelen te treffen, zoals hieronder vermeld:

- Houd de kettingzaag stevig vast, met de duimen en vingers rondom de handgrepen van de kettingzaag, met beide handen en positioneer uw lichaam en armen zodanig dat u een eventuele terugslag kan opvangen. De kracht van een terugslag kan worden opgevangen door de gebruiker mits de juiste voorzorgsmaatregelen getroffen worden. Laat de kettingzaag nooit los.



- **Reik niet te ver en zaag nooit boven schouderhoogte.** Dit helpt te voorkomen dat de punt van het zaagblad per ongeluk iets raakt en biedt een betere controle van de kettingzaag in onverwachte situaties.
 - **Gebruik bij het vervangen van het zaagblad of de zaagketting uitsluitend onderdelen die zijn opgegeven door de fabrikant.** Vervanging door een verkeerd zaagblad of zaagketting kan ertoe leiden dat de zaagketting breekt en/of terugslaat.
 - **Volg de instructies van de fabrikant over het slijpen en onderhouden van de zaagketting.** Het verlagen van de hoogte van de dieptevoeler kan leiden tot toegenomen terugslag.
15. **Start de kettingzaag niet terwijl de schede om het zaagblad is geplaatst.** Als de kettingzaag wordt gestart terwijl de schede om het zaagblad is geplaatst, kan de schede naar voren worden weggevoerd, waardoor in de buurt van de operator persoonlijk letsel en materiële schade kan worden veroorzaakt.

BEWAAR DEZE VOORSCHRIFTEN

⚠ WAARSCHUWING:

Laat u NIET misleiden door een vals gevoel van comfort en bekendheid met het gereedschap (na veelvuldig gebruik) en neem alle veiligheidsvoorschriften van het betreffende gereedschap altijd strikt in acht. VERKEERD GEBRUIK of het niet naleven van de veiligheidsvoorschriften in deze gebruiksaanwijzing kan leiden tot ernstige verwondingen.

ENC007-4

BELANGRIJKE VEILIGHEIDSVORSCHRIFTEN

VOOR ACCU

1. Lees alle voorschriften en waarschuwingen op (1) de acculader, (2) de accu, en (3) het product waarvoor de accu wordt gebruikt, aandachtig door alvorens de acculader in gebruik te nemen.
2. Neem de accu niet uit elkaar.
3. Als de gebruikstijd van een opgeladen accu aanzienlijk korter is geworden, moet u het gebruik ervan onmiddellijk stopzetten. Voortgezet gebruik kan oververhitting, brandwonden en zelfs een ontploffing veroorzaken.
4. Als er elektrolyt in uw ogen is terechtgekomen, spoel dan uw ogen met schoon water en roep onmiddellijk de hulp van een dokter in. Elektrolyt in de ogen kan blindheid veroorzaken.
5. Voorkom kortsluiting van de accu:
 - (1) Raak de accuklemmen nooit aan met een geleidend materiaal.
 - (2) Bewaar de accu niet in een bak waarin andere metalen voorwerpen zoals spijkers, munten e.d. worden bewaard.
 - (3) Stel de accu niet bloot aan water of regen. Kortsluiting van de accu kan oorzaak zijn van een grote stroomafgifte, oververhitting, brandwonden, en zelfs defecten.
6. Bewaar het gereedschap en de accu niet op plaatsen waar de temperatuur kan oplopen tot 50°C of hoger.
7. Werp de accu nooit in het vuur, ook niet wanneer hij zwaar beschadigd of volledig versleten is. De accu kan namelijk ontploffen in het vuur.
8. Wees voorzichtig dat u de accu niet laat vallen en hem niet blootstelt aan schokken of stoten.
9. Gebruik een accu niet meer nadat deze is gevallen of gestoten.

BEWAAR DEZE VOORSCHRIFTEN

Tips voor een maximale levensduur van de accu

1. Laad de accu op voordat hij volledig ontladen is. Stop het gebruik van het gereedschap en laad de accu op telkens wanneer u vaststelt dat het vermogen van het gereedschap is afgenomen.
2. Laad een volledig opgeladen accu nooit opnieuw op. Als u de accu te veel oplaadt, zal hij minder lang meegaan.
3. Laad de accu op bij een kamertemperatuur tussen 10°C en 40°C. Laat een warme accu afkoelen alvorens hem op te laden.

BESCHRIJVING VAN DE FUNCTIES

⚠ LET OP:

- Zorg altijd dat het gereedschap is uitgeschakeld en de accu ervan is verwijderd alvorens de functies op het gereedschap af te stellen of te controleren.

Installeren of verwijderen van de accu (Fig. 1)

⚠ LET OP:

- **Houd het gereedschap en de accu stevig vast tijdens het aanbrengen of verwijderen van de accu.** Als u het gereedschap en de accu niet stevig vasthoudt, kunnen deze uit uw handen glijpen en beschadigd raken, of kan persoonlijk letsel worden veroorzaakt.
- Schakel de machine altijd uit alvorens de accu te installeren of te verwijderen.
- Om de accu uit het gereedschap te halen, verschuift u de knop op de voorkant van de accu en trekt u de accu eraf.
- Om de accu te installeren, doet u de tong op de accu overeenkomen met de groef in de behuizing en dan schuift u de accu erin. Schuif de accu zo ver mogelijk erin totdat deze op zijn plaats vastklikt. Wanneer het rode gedeelte op de bovenkant van de knop nog zichtbaar is, zit de accu niet volledig erin. Schuif hem volledig erin totdat het rode gedeelte niet meer zichtbaar is. Als u dit niet doet, kan de accu per ongeluk eruit vallen en uzelf of andere personen in uw omgeving verwonden.
- Gebruik geen overmatige kracht wanneer u de accu erin steekt. Indien de accu niet gemakkelijk naar binnen schuift, betekent dit dat deze niet juist erin is gestoken.

Accubeveiligingssysteem

De accu is voorzien van een beveiligingssysteem dat automatisch het uitgangsvermogen onderbreekt voor een langere levensduur.

Het gereedschap kan tijdens het gebruik stoppen wanneer het gereedschap en/of de accu zich in de volgende situatie bevinden. Dit wordt veroorzaakt door de inwerkingtreding van het beveiligingssysteem en duidt niet op een defect van het gereedschap.

- Bij overbelasting van het gereedschap:

In dit het geval is, laat u de aan/uit-schakelaar los, heft u de oorzaak van de overbelasting op en knijpt u daarna de aan/uit-schakelaar weer in om weer te beginnen. Als het gereedschap nog steeds niet werkt nadat de aan/uit-schakelaar is ingeknepen, is de automatische uitschakeling van het accuvermogen nog steeds in werking. Laad de accu op alvorens deze te gebruiken.
- Als de resterende acculading laag is:

Laad de accu op.

Werking van de trekschakelaar (Fig. 2)

⚠ LET OP:

- Alvorens de accu in de machine te plaatsen, moet u altijd controleren of de trekschakelaar juist werkt en bij het loslaten naar de "OFF" positie terugkeert.

Deze machine is voorzien van een ontgrendelknop, om te voorkomen dat de trekschakelaar per ongeluk wordt ingedrukt.

Om de machine te starten, drukt u de ontgrendelknop in en daarna drukt u de trekschakelaar in. Om de machine te stoppen, laat u de trekschakelaar los.

De werking van de kettingrem controleren (Fig. 3)

OPMERKING:

- Als de kettingzaag niet kan worden gestart, moet u de kettingrem loszetten. Trek de beschermkap van de voorhandgreep naar achteren tot u voelt dat deze aangrijpt.

Houd de kettingzaag met beide handen vast bij het inschakelen.

Houd de bovenhandgreep met uw rechterhand vast en de voorhandgreep met uw linkerhand. Het zaagblad en de ketting mogen geen enkel voorwerp aanraken.

Druk eerst de uit-vergrendelknop in en knijp daarna de aan/uit-schakelaar in.

De zaagketting begint onmiddellijk te draaien.

Duw de beschermkap van de voorhandgreep naar voren met de rug van uw hand. De zaagketting moet onmiddellijk tot stilstand komen.

⚠ LET OP:

- Als de zaagketting niet onmiddellijk tot stilstand komt wanneer deze controle wordt uitgevoerd, mag de kettingzaag onder geen beding worden gebruikt. Neem contact op met een in DOLMAR gespecialiseerde reparatiedienst.

De uitlooprem controleren

Schakel de kettingzaag in.

Laat de aan/uit-schakelaar helemaal los. De zaagketting moet binnen een seconde tot stilstand komen.

⚠ LET OP:

- Als de zaagketting niet binnen een seconde tot stilstand komt wanneer deze controle wordt uitgevoerd, mag de kettingzaag niet worden gebruikt. Neem contact op met een in DOLMAR gespecialiseerde reparatiedienst.

De kettingsmering instellen (Fig. 4)

U kunt de toevoersnelheid van de oliepomp instellen met behulp van de stelschroef. De hoeveelheid olie kan worden ingesteld met behulp van een moersleutel.

Karabijnhaak (bevestigingssoog voor touw) (Fig. 5)

De karabijnhaak (bevestigingssoog voor touw) wordt gebruikt om het gereedschap op te hangen. Als u de karabijnhaak wilt gebruiken, trekt u deze naar buiten en bindt u er een touw aan vast.

INEENZETTEN

⚠ LET OP:

- Controleer altijd of het gereedschap is uitgeschakeld en de accu ervan is verwijderd alvorens enig werk aan het gereedschap uit te voeren.

Aanbrengen of verwijderen van de zaagketting

⚠ LET OP:

- Controleer altijd of de machine is uitgeschakeld en de accu is verwijderd alvorens de zaagketting aan te brengen of te verwijderen.
- Draag altijd handschoenen wanneer u de zaagketting aanbrengt of verwijderd.

1. Om de zaagketting te verwijderen, verschuift u de hendel iets in de richting van de pijl zodat deze wordt ontgrendeld uit de vergrendelde stand, en zet u de hendel rechtop, zoals aangegeven in de afbeelding. (Fig. 6)

2. Druk de hendel in en draai de ingedrukte hendel linksom om de moer los te draaien tot de afdekking van kettingwiel los komt. (Door de hendel in te drukken grijpt deze aan op de moer.) (Fig. 7)
3. Draai de stelknop linksom om de spanning van de zaagketting af te halen.
4. Verwijder de afdekking van kettingwiel.
5. Haal de zaagketting en zaagblad van de kettingzaag af.
6. Om de zaagketting te monteren, plaatst u een uiteinde van de zaagketting rond de voorkant van het zaagblad en het andere uiteinde rond het kettingwiel. (Fig. 8)

Monteer op dat moment de zaagketting zoals aangegeven in de afbeelding omdat deze draait in de richting van de pijl.

7. Leg het zaagblad op zijn plaats op de kettingzaag.
8. Draai de stelknop linksom zodat de stelpen in de richting van de pijl verschuift. (Fig. 9)
9. Leg de afdekking van kettingwiel op de kettingzaag zodanig dat de stelpen in een klein gat in het zaagblad steekt. (Fig. 10)
10. Druk de hendel in en draai de ingedrukte hendel zo ver mogelijk rechtsom om de moer vast te draaien. Draai daarna de hendel een kwartslag linksom om de moer iets los te draaien. (Fig. 11)

De kettingspanning instellen

De zaagketting kan na vele gebruiksuren los gaan zitten. Controleer regelmatig de kettingspanning vóór gebruik. (Fig. 12)

Zet de hendel rechtop.

Druk de hendel in. Draai de ingedrukte hendel een kwart slag linksom om de moer iets los te draaien. (Door de hendel in te drukken grijpt deze aan op de moer.) (Fig. 13) Draai de stelknop om de kettingspanning in te stellen. Pak de zaagketting in het midden van het zaagblad vast en trek deze omhoog. De opening tussen het zaagketting en de rand van het zaagblad moet ongeveer 2 tot 4 mm zijn. Als de opening niet ongeveer 2 tot 4 mm is, draait u de stelknop waarmee het zaagblad is vastgezet iets. Zorg ervoor dat op dat moment de punt van het zaagblad iets omhoog wijst. (Fig. 14)

Draai de ingedrukte hendel zo ver mogelijk rechtsom om de moer stevig vast te draaien. (Fig. 15)

Zet de hendel terug in de oorspronkelijke stand. (Fig. 16)

⚠ LET OP:

- Door een buitensporig hoge kettingspanning kan de zaagketting breken, het zaagblad slijten en de stelknop afbreken.
- Het monteren en verwijderen van de zaagketting dient te gebeuren op een schone plaats zonder zaagsel, enz.

BEDIENING

Smeren (Fig. 17)

De zaagketting wordt automatisch gesmeerd tijdens het gebruik van de kettingzaag.

Controleer hoeveel olie er nog in de olietank zit door naar het oliepeilglas te kijken.

Om de olietank bij te vullen, draait u de dop van de olie-velopening van de olietank af. De inhoud van de olietank is 18 ml.

Draai na het bijvullen van de olietank altijd de dop van de olietank van de kettingzaag.

⚠ LET OP:

- Wanneer u de kettingzaag voor het eerst vult met kettlingolie, of de olietank bijvult nadat deze geheel leeg is geraakt, vult u olie bij tot aan de onderrand van de vulnek. Anders kan de olietoevoer gehinderd worden.
- Als kettlingolie gebruikt u een olie exclusief voor DOLMAR-kettingzagen of een in de winkel verkrijgbare kettlingolie.
- Gebruik nooit olie verontreinigd met vuil- en stofdeeltjes of vluchtige olie.
- Gebruik botanische olie voor het snoeien van bomen. Minerale olie kan de bomen beschadigen.
- Dwing de kettingzaag nooit tijdens het snoeien van bomen.
- Voordat u de kettingzaag uitzet, controleert u of de bijgeleverde dop van de olietank is gedraaid.

Houd de kettingzaag uit de buurt van de boom. Start de kettingzaag en wacht tot de zaagketting voldoende gesmeerd is.

Breng de onderkantgeleider in aanraking met de tak die u wilt afzagen alvorens de kettingzaag in te schakelen. Als u begint te zagen zonder eerst de onderkantgeleider in aanraking te brengen met de tak die u wilt afzagen kan het zaagblad gaan schommelen, waardoor letsel van de gebruiker kan worden veroorzaakt.

Zaag het hout door de kettingzaag omlaag te bewegen. (Fig. 18)

WERKEN MET DE KETTINGZAAG

Als minimale voorbereiding dient een beginnende gebruiker eerst te oefenen door stammen te zagen op een schraag of bok.

Snoeien van bomen

⚠ LET OP:

- Houd alle delen van uw lichaam uit de buurt van de zaagketting wanneer de motor draait.
- Houd de kettingzaag stevig vast met beide handen wanneer de motor draait.
- Reik niet te ver. Zorg ervoor dat u altijd stevige steun voor de voeten hebt en uw evenwicht behoudt.

Breng de onderkantgeleider in aanraking met de tak die u wilt afzagen alvorens de kettingzaag in te schakelen. Als u begint te zagen zonder eerst de onderkantgeleider in aanraking te brengen met de tak die u wilt afzagen kan het zaagblad gaan schommelen, waardoor letsel van de gebruiker kan worden veroorzaakt. (Fig. 19)

Voor het zagen van dikke takken moet u eerst een ondiepe ondersnede maken en dan de rest van de snede van boven af zagen. (Fig. 20)

Wanneer u dikke takken vanaf de onderkant van de tak probeert af te zagen, kan de tak zich sluiten zodat de zaagketting in de zaagsnede vastgeklemd raakt. Wanneer u dikke takken vanaf de bovenkant probeert af te zagen zonder een ondiepe snede van onderen te maken, kan de tak splinteren. (Fig. 21)

Indien u niet in één keer recht door het hout kunt zagen: Oefen lichte druk uit op het handvat en ga door met zagen en trek de kettingzaag een beetje terug; breng de spijkers een beetje lager aan en zaag de rest van de snede door het handvat omhoog te brengen. (Fig. 22)

Afzagen

Plaats bij het afzagen de getande kam op het hout waarin u wilt zagen, zoals aangegeven in de afbeelding. (Fig. 23)

Zaag met draaiende zaagketting in het hout en til de bovenhandgreep op terwijl u met de voorhandgreep het zagen geleidt.

Gebruik op deze manier de getande kam als scharnierpunt.

Vervolg de zaagsnede door licht op de voorhandgreep te drukken en de kettingzaag iets terug te trekken. Plaats de getande kam lager tegen het hout en til de voorhandgreep weer op.

Als u meerdere zaagsneden maakt, schakelt u de kettingzaag uit tussen de zaagsneden.

⚠ LET OP:

- Als de zaagketting langs de bovenrand van het zaagblad wordt gebruikt om te zagen, kan de kettingzaag in uw richting worden bewogen als de ketting klem komt te zitten. Om deze reden moet u met de onderrand van het zaagblad zagen zodat de kettingzaag van uw lichaam af wordt bewogen. (Fig. 24)

Als hout onder spanning staat, zaagt u eerst de kant met de trekkracht (A).

Maak de eindsnede aan de kant met de duwkracht (B). Hiermee voorkomt u dat het zaagblad bekneld raakt. (Fig. 25)

Takken afzagen

⚠ LET OP:

- Takken afzagen mag uitsluitend worden uitgevoerd door ervaren personen. Door het risico van terugslag kan een gevaarlijke situatie ontstaan.

Ondersteun bij het afzagen van takken zo mogelijk de kettingzaag op de boomstam. Zaag niet met de punt van het zaagblad omdat hierdoor de kans op terugslag ontstaat.

Let met name goed op bij takken die onder spanning staan. Zaag geen takken vanaf de onderkant als deze niet worden ondersteund.

Ga bij het afzagen van takken niet bovenop de omgezaagde boomstam staan.

Inzagen en in de richting van de houtnerf zagen

⚠ LET OP:

- Inzagen en in de richting van de houtnerf zagen mag uitsluitend worden uitgevoerd door personen met speciale training. Het risico van terugslag vormt een kans op letsel.

Als u in de richting van de houtnerf zaagt, moet de hok zo klein mogelijk zijn. Voer het zagen zo voorzichtig mogelijk uit, want de getande kam kan niet worden gebruikt. (Fig. 26)

Omzagen

LET OP:

- Omzagen mag uitsluitend worden uitgevoerd door getrainde personen. Het werk is gevaarlijk.

Houd u aan de plaatselijke regelgeving als u een boom wilt omzagen.

- Voordat u met het omzagen begint, controleert u de volgende punten: **(Fig. 27)**

- (1) Uitsluitend de personen die betrokken zijn bij het omzagen mogen zich in de buurt bevinden;
- (2) Iedere betrokken persoon moet een ongehinderde vluchtroute hebben door een gebied van ongeveer 45° aan weerskanten van de vallijn. Let op het risico van struikelen over elektrische snoeren;
- (3) De voet van de stam met vrij zijn van vreemde voorwerpen, wortels en takken;
- (4) Binnen een afstand van 2 1/2 keer de lengte van de boom mogen zich geen personen of voorwerpen bevinden in de richting waarin de boom zal vallen.

- Let met betrekking tot ieder boom op de volgende punten:

- De richting waarin de boom overhelst;
 - Losse of droge takken;
 - Hoogte van de boom;
 - Natuurlijke overhang;
 - Of de boom verrot is of niet.
- Let op de windsnelheid en -richting. Zaag geen bomen om als er sterke rukwinden zijn.
 - Afkorten van worteluitwassen: Begin met de grootste uitwassen. Maak eerst de verticale zaagsnede en daarna de horizontale zaagsnede. **(Fig. 28)**
 - Zaag een inkeping: De inkeping bepaalt de richting waarin de boom valt en geleidt de val. De inkeping wordt gemaakt aan de kant waarheen de boom moet vallen. Maak de inkeping zo dicht mogelijk bij de grond. Maak eerst de horizontale zaagsnede tot een diepte van 1/5 tot 1/3 van de stamdiameter. Maak de inkeping niet te groot. Maak vervolgens de diagonale zaagsnede.
 - Maak eventuele correcties aan de inkeping over de gehele breedte ervan.
 - Maak de zaagsnede aan de achterkant iets hoger dan de horizontale zaagsnede van de inkeping. De zaagsnede aan de achterkant moet precies horizontaal zijn. Laat ongeveer 1/10 van de stamdiameter over tussen de zaagsnede aan de achterkant en de inkeping. De houtvezels in het niet-doorgezaagde deel van de stam werken als een scharnier. Zaag niet de volledige diameter van de stam door omdat dan de boom ongecontroleerd zal vallen. Plaats bijtijds wiggen in de achterkant. **(Fig. 29)**
 - Alleen kunststof- of aluminiumwiggen mogen worden gebruikt om de achterkant open te houden. IJzeren wiggen mogen niet worden gebruikt.
 - Ga aan de zijkant van de vallende boom staan. Houd aan de achterkant van de vallende boom een gebied vrij met een hoek van 45° aan weerskanten van de vallijn (zie bij "Omzagen" **Fig. 27**). Let goed op vallende takken.
 - U dient een vluchtroute te plannen en eventueel vrij te maken voordat u met het zagen begint. De vluchtroute moet diagonaal naar achteren lopen weg van de valrichting, zoals aangegeven in de afbeelding. **(Fig. 30)**

Dragen van de machine (Fig. 31)

Verwijder altijd de accu uit het gereedschap en plaats de kettingbeschermer op het zaagblad alvorens het gereedschap te gaan dragen. Plaats ook het accudeksel op de accu.

ONDERHOUD

LET OP:

- Zorg altijd dat het gereedschap is uitgeschakeld en de accu ervan is verwijderd alvorens te beginnen met onderhoud of inspectie.
- Draag voor inspectie- of onderhoudswerkzaamheden altijd handschoenen.
- Gebruik nooit benzine, wasbenzine, thinner, alcohol en dergelijke. Hierdoor het verkleuring, vervormingen en barsten worden veroorzaakt.

De zaagketting slijpen

LET OP:

- Haal altijd de accu van het gereedschap af en draag altijd veiligheidshandschoenen wanneer u werkzaamheden uitvoert aan de zaagketting.

Slijp de zaagketting als:

- Poederachtig zaagsel wordt geproduceerd tijdens het zagen van vochtig hout;
- De zaagketting moeizaam in het hout binnendringt, zelfs wanneer hoge druk wordt uitgeoefend;
- De zaagsnede duidelijk beschadigd is;
- De kettingzaag naar links of rechts trekt in het hout. De reden hiervan is een ongelijkmatige scherpte van de zaagketting, of een beschadiging aan slechts een kant. **(Fig. 32)**

Slijp de zaagketting veelvuldig, maar slijp iedere keer slechts een weinig materiaal weg.

Twee of drie bewegingen met een vijl zijn doorgaans voldoende voor regelmatig bijlijpen. Als de zaagketting meerdere malen is bijgeslepen, laat u deze een keer slijpen door een in DOLMAR gespecialiseerde reparatiedienst.

Vijl en vijlbeweging

- Gebruik een speciale ronde vijl (los verkrijgbaar) voor het slijpen van een zaagketting met een diameter van 4 mm. Normale ronde vijlen zijn niet geschikt.
- De vijl mag alleen tijdens de voorwaartse beweging met het materiaal in aanraking komen. Til de vijl van het materiaal af tijdens de achterwaartse beweging.
- Slijp eerst het kortste mes. De lengte van dit mes is vervolgens de maatstaf voor alle andere messen op de zaagketting.
- Beweeg de vijl zoals aangegeven in de afbeelding. **(Fig. 33)**
- De vijl kan gemakkelijker worden bewogen als een vijlhouder (accessoire) wordt gebruikt. Op de vijlhouder staan merktekens voor de juiste slijphoek van 30° (lijn de merktekens parallel uit met de zaagketting) en beperkt de diepte waartoe de vijl doordringt (tot 4/5 van de vijldiameter).

Beweeg de vijl zoals aangegeven in de afbeelding.

(Fig. 34)

- Nadat de zaagketting is geslepen, controleert u de hoogte van de dieptemeter met behulp van het kettingmeetgereedschap (los verkrijgbaar).
- Verwijder eventueel uitstekend materiaal, ongeacht hoe klein, met een speciale platte vijl (los verkrijgbaar).
- Maak de voorkant van de dieptevoeler weer rond.
- Spoel vuil- en stofdeeltjes van de zaagketting af na het instellen van de hoogte van de dieptemeter.

Reinigen van het zaagblad (Fig. 35)

Schilfertjes en zaagsel zullen in de groef van het zaagblad blijven zitten, zodat de groef verstopt raakt en de oliestroom wordt belemmerd. Verwijder altijd schilfertjes en zaagsel uit de groef wanneer u de zaagketting aanscherpt of vervangt.

De oliestroomopening schoonmaken

Kleine vuil- of stofdeeltjes kunnen zich tijdens gebruik ophopen in de oliestroomopening.

Kleine vuil- of stofdeeltjes die zich in de oliestroomopening hebben verzameld kunnen het uitstromen van de olie belemmeren waardoor de hele kettingzaag onvolgende wordt gesmeerd.

Wanneer onvoldoende toevoer van kettingolie optreedt aan het uiteinde van het zaagblad, maakt u de oliestroomopening als volgt schoon.

Verwijder de accu van het gereedschap.

Verwijder de afdekking van kettingwiel en de zaagketting van het gereedschap. (Raadpleeg het gedeelte getiteld "Aanbrengen of verwijderen van de zaagketting".)

Verwijder het stof en de kleine deeltjes met behulp van een platkopschroevendraaier met een dunne steel of iets dergelijks. (Fig. 36)

Steek de accu in het gereedschap.

Knijs de aan/uit-schakelaar in om opgehoopte vuil- en stofdeeltjes uit de oliestroomopening te persen door kettingolie te doen stromen. (Fig. 37)

Verwijder de accu van het gereedschap.

Monteer de afdekking van kettingwiel en de zaagketting weer op het gereedschap.

Het kettingwiel vervangen (Fig. 38 en 39)

Controleer de conditie van het kettingwiel voordat u een nieuwe zaagketting monteert.

⚠ LET OP:

- Een versleten kettingwiel beschadigt de nieuw zaagketting. Vervang in dat geval eerst het kettingwiel. Het kettingwiel moet worden gemonteerd in de richting aangegeven in de afbeelding.

Monteer bij het vervangen van het kettingwiel altijd een nieuwe borgring.

Vervangen van de koolborstels (Fig. 40 en 41)

Verwijder en controleer regelmatig de koolborstels. Vervang de koolborstels wanneer ze tot aan de limietmarkering versleten zijn. Houd de koolborstels schoon zodat ze goed in de houders glijden. Beide koolborstels dienen tegelijkertijd te worden vervangen. Gebruik uitsluitend identieke koolborstels.

Gebruik een schroevendraaier om de doppen van de koolborstelhouders te verwijderen. Haal de versleten borstels eruit, steek de nieuwe erin, en zet de doppen weer goed vast.

Het gereedschap bewaren

Reinig het gereedschap voordat u het opbergt. Haal de afdekking van kettingwiel eraf en verwijder zaagsel en houtsnippers vanaf het gereedschap. Laat na het schoonmaken het gereedschap onbelast draaien om de zaagketting en het zaagblad te smeren.

Plaats de kettingbeschermer op het zaagblad.

Verwijder de olie uit de olietank zodat deze leeg is en leg de kettingzaag weg.

Opdat de machine VEILIG en BETROUWBAAR BLIJFT, dienen alle reparaties, onderhoud of afstellingen te worden uitgevoerd bij een erkend DOLMAR Servicecentrum.

ACCESSOIRES

⚠ LET OP:

- Deze accessoires of hulpstukken worden aanbevolen voor gebruik met het DOLMAR gereedschap dat in deze gebruiksaanwijzing is beschreven. Bij gebruik van andere accessoires of hulpstukken bestaat er gevaar voor persoonlijke verwonding. Gebruik de accessoires of hulpstukken uitsluitend voor hun bestemde doel.

Raadpleeg het dichtstbijzijnde DOLMAR Servicecentrum voor verder advies of bijzonderheden omtrent deze accessoires.

- Diverse types originele DOLMAR accu's en acculaders
- Zaagketting
- Kettingbeschermer
- Compleet zaagblad
- Vijl
- Gereedschapetui

Geluidsniveau

De typisch, A-gewogen geluidsniveaus vastgesteld volgens EN60745:

Geluidsdrukniveau (L_{pA}): 87,3 dB (A)

Geluidsvermogeniveau (L_{WA}): 95,3 dB (A)

Onnauwkeurigheid (K): 3,0 dB (A)

Draag oorbeschermers

ENG221-2

Trilling

De totaalwaarde van de trillingen (triaxiale vectorsom) vastgesteld volgens EN60745:

Gebruikstoepassing: zagen in hout

Trillingsemmissie (a_h): 7,0 m/s²

Onnauwkeurigheid (K): 1,6 m/s²

ENG901-1

- De opgegeven trillingsemmissiewaarde is gemeten volgens de standaardtestmethode en kan worden gebruikt om dit gereedschap te vergelijken met andere gereedschappen.
- De opgegeven trillingsemmissiewaarde kan ook worden gebruikt voor een beoordeling vooraf van de blootstelling.

⚠ WAARSCHUWING:

- De trillingsemmissie tijdens het gebruik van het elektrisch gereedschap in de praktijk kan verschillen van de opgegeven trillingsemmissiewaarde afhankelijk van de manier waarop het gereedschap wordt gebruikt.
- Zorg ervoor dat veiligheidsmaatregelen worden getroffen ter bescherming van de operator die zijn gebaseerd op een schatting van de blootstelling onder praktijkomstandigheden (rekening houdend met alle fasen van de bedrijfscyclus, zoals de tijdsduur gedurende welke het gereedschap is uitgeschakeld en stationair draait, naast de ingeschakelde tijdsduur).

Alleen voor Europese landen**EU-Verklaring van Conformiteit**

Ondergetekenden, Tamiro Kishima en Rainer Bergfeld, als erkende vertegenwoordigers van Dolmar GmbH, verklaren dat de DOLMAR-machine(s):

Aanduiding van de machine:

Accu-kettingzaag

Modelnr./Type: AS-3625

Technische gegevens: zie de tabel "TECHNISCHE GEGEVENS".

in serie zijn geproduceerd en

Voldoen aan de volgende Europese richtlijnen:

2000/14/EC, 2006/42/EC

En zijn gefabriceerd in overeenstemming met de volgende normen of genormaliseerde documenten:

EN60745

Verklaringnr. van EU-typeonderzoek 3400780.01CE

Het EU-typeonderzoek volgens 2006/42/EC werd uitgevoerd door:

KEMA Quality GmbH

Enderstraße 92b

01277 Dresden

Duitsland

Identificatienr. 2140

De technische documentatie wordt bewaard door:

Dolmar GmbH,

Jenfelder Straße 38, Abteilung FZ,

D-22045 Hamburg

De conformiteitsbeoordelingsprocedure vereist door Richtlijn 2000/14/EC was in Overeenstemming met annex V.

Gemeten geluidsvermogeniveau: 95,2 dB

Gegarandeerd geluidsvermogeniveau: 98,0 dB

12.05.2010



Tamiro Kishima
Hoofddirecteur



Rainer Bergfeld
Hoofddirecteur

Explicación de los dibujos

1 Parte roja	16 Dial de ajuste	29 Ventanilla de inspección del aceite
2 Botón	17 Piñón	30 Guía inferior
3 Cartucho de batería	18 Pasador de ajuste	31 Área de caída
4 Botón de seguro	19 Agujero pequeño	32 Dirección de caída
5 Gatillo interruptor	20 Apretar	33 Zona de peligro
6 Protector de la mano delantera	21 Palanca	34 Ruta de escape
7 Bloquear	22 Baja	35 Funda (cubierta de la cadena)
8 Desbloquear	23 Alta	36 Movimiento de avance de la lima
9 Tornillo de regulación	24 Placa de guía	37 1/5 del diámetro de la lima
10 Mosquetón (punto de sujeción de la cuerda)	25 Cadena de sierra	38 Polvo fino o partículas
11 Deslice ligeramente	26 Tapón del depósito de aceite	39 Destornillador de punta ranurada
12 Mueva a la posición vertical	27 Abertura del depósito de aceite	40 Anillo de bloqueo
13 Presionar hacia dentro	28 Ventanilla de inspección del aceite	41 Marca límite
14 Aflojar	(para rellenar el depósito con aceite)	42 Tapón portaescobillas
15 Cubierta del piñón		43 Destornillador

ESPECIFICACIONES

Modelo		AS-3625	
Velocidad de la sierra por minuto		8,3 m/s (500 m/min.)	
Longitud de la placa de guía		250 mm	
Tipo de placa de guía		Placa de morro de piñón	Placa de tallar
Cadena de sierra	Tipo	91VG	25AP
	Paso	3/8"	1/4"
	N.º de eslabones de arrastre	40	60
Número de dientes		6	9
Longitud total		576 mm	589 mm
Peso neto		4,5 kg	
Tensión nominal		CC 36 V	

- Peso, con el cartucho de batería, de acuerdo con el procedimiento EPTA 01/2003

GEB071-5

ENE031-1

Uso previsto

La herramienta ha sido prevista para talar árboles y cortar troncos.

GEA010-1

Advertencias de seguridad generales para herramientas eléctricas

⚠ ¡ADVERTENCIA! Lea todas las advertencias de seguridad y todas las instrucciones. Si no sigue todas las advertencias e instrucciones podrá ocasionar una descarga eléctrica, un incendio y/o heridas graves.

Guarde todas las advertencias e instrucciones para futuras referencias.

ADVERTENCIAS DE SEGURIDAD PARA LA ELECTROSIERRA INALÁMBRICA:

1. **Mantenga todas las partes del cuerpo alejadas de la cadena de sierra cuando esté siendo utilizada la electrosierra. Antes de poner en marcha la electrosierra, asegúrese de que la cadena de sierra no está en contacto con nada.** Un momento de desatención mientras se están utilizando sierras de cadena puede dar lugar a que la cadena de sierra se enrede en sus ropas o cuerpo.
2. **Sujete siempre la electrosierra con la mano derecha en el asidero trasero y la mano izquierda en el asidero delantero.** Si sujeta la electrosierra con las manos al contrario aumentará el riesgo de producirse heridas personales y por ello nunca deberá hacerse.

3. **Sujete la herramienta eléctrica por las superficies de asimiento aisladas solamente, porque la cadena de sierra puede entrar en contacto con cableado oculto.** El contacto de la cadena de sierra con un cable con corriente hará que la corriente circule por las partes metálicas expuestas de la herramienta eléctrica y podrá soltar una descarga eléctrica al operario.
4. **Póngase gafas de seguridad y protección para los oídos. También es recomendable utilizar equipo protector para la cabeza, las manos, las piernas y los pies.** La ropa de protección adecuada reducirá las heridas personales debidas a los restos que salen despedidos o al contacto accidental con la cadena de sierra.
5. Antes de comenzar a trabajar, compruebe que la electrosierra está en perfecto estado de funcionamiento y que su condición cumple con las normas de seguridad. Compruebe especialmente que:
 - El freno de cadena está funcionando debidamente;
 - El freno de retención está funcionando debidamente;
 - La placa y la cubierta del piñón están colocadas correctamente;
 - La cadena ha sido afilada y tensada de acuerdo con las normas;
6. **No utilice la electrosierra subido a un árbol.** La utilización de una electrosierra mientras está subido en un árbol puede resultar en heridas personales.
7. **Mantenga siempre los pies sobre suelo adecuado y utilice la electrosierra solamente cuando esté sobre una superficie fija, segura y nivelada.** Las superficies resbaladizas e inestables tales como escaleras de mano pueden ocasionar una pérdida del equilibrio o del control de la electrosierra.
8. **Cuando corte una rama que esté bajo tensión, manténgase alerta por si retrocede de repente.** Cuando se libera la tensión en las fibras de madera la rama bajo tensión puede golpear al operario y/o descontrolar la electrosierra.
9. **Extreme las precauciones cuando corte maleza y árboles jóvenes.** El material delgado puede engancharse en la cadena de sierra y producir un latigazo hacia usted o hacerle perder el equilibrio.
10. **Transporte la electrosierra agarrándola por la empuñadura delantera teniéndola apagada y alejada de su cuerpo.** Cuando transporte o almacene la electrosierra, coloque siempre la cubierta de la placa de guía. Un manejo correcto de la electrosierra reducirá la posibilidad de un contacto accidental con la cadena de sierra.
11. **Siga las instrucciones para lubricar, tensar la cadena y cambiar los accesorios.** Una cadena tensada o lubricada incorrectamente podrá romperse o aumentar la probabilidad de que se produzca un retroceso brusco.
12. **Mantenga las empuñaduras secas, limpias y libres de aceite y grasa.** Las empuñaduras grasientas o aceitosas son resbaladizas y pueden ocasionar la pérdida del control.

13. **Corte madera solamente. No utilice la electrosierra con fines para los que no ha sido prevista. Por ejemplo: No utilice la electrosierra para cortar plástico, mampostería ni materiales de construcción que no sean de madera.** La utilización de la electrosierra para operaciones distintas de las previstas podrá ponerle en una situación peligrosa.
14. **Causas y prevención de retrocesos bruscos:**

El retroceso brusco podrá ocurrir cuando el morro o la punta de la placa de guía toca un objeto, o cuando la madera se cierra y aprisiona la cadena de sierra en la hendidura del corte.

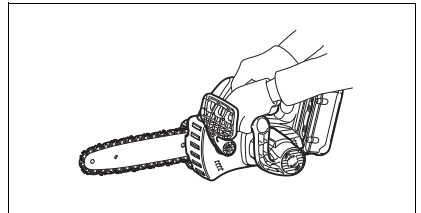
El contacto de la punta puede ocasionar en algunos casos una reacción brusca hacia atrás, golpeando la placa de guía hacia arriba y hacia atrás en dirección del operario.

El aprisionamiento de la cadena de sierra a lo largo de la parte superior de la placa de guía puede empujar la placa de guía rápidamente hacia atrás en dirección del operario.

Cualquiera de estas reacciones puede hacerle perder el control de la sierra y resultar en heridas personales de gravedad. No dependa exclusivamente de los dispositivos de seguridad incorporados en la sierra. Como usuario de una electrosierra, deberá tomar varias medidas para mantener sus tareas de corte libres de accidentes o heridas.

Los retrocesos bruscos se deben a un mal uso de la herramienta y/o a procedimientos o condiciones de trabajo incorrectos y pueden evitarse tomando las precauciones indicadas a continuación:

- Mantenga la electrosierra sujeta firmemente, con los pulgares y los dedos rodeando las empuñaduras, con ambas manos en la sierra y posicionando su cuerpo y brazos de forma que pueda resistir las fuerzas del retroceso brusco. El operario puede controlar las fuerzas del retroceso brusco tomando las precauciones apropiadas. No suelte la electrosierra.



- **No corte donde no llegue ni a una altura superior a la de sus hombros.** Esto le ayudará a evitar que la punta toque algo sin querer y le permitirá controlar mejor la electrosierra en situaciones inesperadas.
- **Utilice solamente placas y cadenas de repuesto especificadas por el fabricante.** Las barras y cadenas de repuesto incorrectas pueden ocasionar la rotura de la cadena y/o retrocesos bruscos.
- **Siga las instrucciones de afilado y mantenimiento del fabricante para la cadena de sierra.** La disminución de la altura del calibre de profundidad puede ocasionar un aumento de los retrocesos bruscos.

15. No ponga en marcha la electrosierra con la cubierta de la cadena instalada en ella. Si pone en marcha la electrosierra con la cubierta de la cadena instalada en ella, la cubierta de la cadena podrá salir despedida hacia adelante resultando en heridas personales y daños a objetos alrededor del operario.

GUARDE ESTAS INSTRUCCIONES.

⚠ ADVERTENCIA:

NO deje que la comodidad o familiaridad con el producto (a base de utilizarlo repetidamente) sustituya la estricta observancia de las normas de seguridad para el producto en cuestión. El MAL USO o el no seguir las normas de seguridad establecidas en este manual de instrucciones podrá ocasionar graves heridas personales.

ENC007-4

INSTRUCCIONES DE SEGURIDAD IMPORTANTES

PARA CARTUCHO DE BATERÍA

1. Antes de utilizar el cartucho de batería, lea todas las instrucciones e indicaciones de precaución sobre (1) el cargador de baterías, (2) la batería, y (3) el producto con el que se utiliza la batería.
2. No desarme el cartucho de batería.
3. Si el tiempo de uso del cartucho de batería se acorta demasiado, deje de usarlo inmediatamente. Podría resultar en un riesgo de recalentamiento, posibles quemaduras e incluso una explosión.
4. Si entra electrólito en sus ojos, aclárelos con agua limpia y vea a un médico inmediatamente. Existe el riesgo de poder perder la vista.
5. No cortocircuite el cartucho de batería:
 - (1) No toque los terminales con ningún material conductor.
 - (2) Evite guardar el cartucho de batería en un cajón junto con otros objetos metálicos, tales como clavos, monedas, etc.
 - (3) No exponga el cartucho de batería al agua ni a la lluvia.Un cortocircuito en la batería puede producir una gran circulación de corriente, un recalentamiento, posibles quemaduras e incluso una rotura de la misma.
6. No guarde la herramienta ni el cartucho de batería en lugares donde la temperatura pueda alcanzar o exceder los 50°C.
7. Nunca incinere el cartucho de batería incluso en el caso de que esté dañado seriamente o ya no sirva en absoluto. El cartucho de batería puede explotar si se tira al fuego.
8. Tenga cuidado de no dejar caer ni golpear el cartucho de batería.
9. No utilice una batería que haya dejado caer o golpeado.

GUARDE ESTAS INSTRUCCIONES.

Consejos para alargar al máximo la vida de servicio de la batería

1. Cargue el cartucho de batería antes de que se descargue completamente. Pare siempre la operación y cargue el cartucho de batería cuando note menos potencia en la herramienta.
2. No cargue nunca un cartucho de batería que esté completamente cargado. La sobrecarga acortará la vida de servicio de la batería.
3. Cargue el cartucho de batería a temperatura ambiente de 10°C – 40°C. Si un cartucho de batería está caliente, déjelo enfriar antes de cargarlo.

DESCRIPCIÓN DEL FUNCIONAMIENTO

⚠ PRECAUCIÓN:

- Asegúrese siempre de que la herramienta esté apagada y el cartucho de batería extraído antes de realizar cualquier ajuste o comprobación en la herramienta.

Instalación o extracción del cartucho de batería (Fig. 1)

⚠ PRECAUCIÓN:

- Sujete la herramienta y el cartucho de batería firmemente cuando instale o extraiga el cartucho de batería. Si no sujeta la herramienta y el cartucho de batería firmemente podrán caerse de las manos y resultar en daños a la herramienta y cartucho de batería y heridas personales.
- Apague siempre la herramienta antes de insertar o retirar el cartucho de batería.
- Para extraer el cartucho de batería, sáquelo de la herramienta a la vez que desliza el botón de la parte frontal del cartucho.
- Para insertar el cartucho de batería, alinee la lengüeta del cartucho de batería con la acanaladura del alojamiento y deslícelo hasta encajarlo en su sitio. Insértelo siempre a tope hasta que quede bloqueado en su sitio produciendo un chasquido. Si puede ver la parte roja del lado superior del botón, no estará bloqueado completamente. Insértelo completamente hasta que no pueda verse la parte roja. De lo contrario, podrá caerse de la herramienta accidentalmente, pudiendo ocasionarle heridas a usted o a alguien cerca de usted.
- No emplee fuerza para insertar el cartucho de batería. Si no puede deslizarse fácilmente será porque no lo está insertando debidamente.

Sistema de protección de la batería

El cartucho de batería está equipado con el sistema de protección, que corta automáticamente la alimentación para asegurar una larga vida de servicio.

La herramienta podrá detenerse durante la operación cuando la herramienta y/o la batería sean puestas en una de las situaciones siguientes. Esto es causado por la activación del sistema de protección y no significa un problema de la herramienta.

- Cuando la herramienta está sobrecargada:
En este momento, suelte el gatillo interruptor y elimine las causas de la sobrecarga y después apriete el gatillo interruptor otra vez para reanudar. Si la herramienta no funciona aun después de apretar el gatillo interruptor, todavía estará funcionando la detención automática de la alimentación de la batería. Cargue el cartucho de batería antes de utilizarla.
- Cuando la capacidad de batería restante sea baja:
Cargue el cartucho de batería.

Accionamiento del interruptor (Fig. 2)

⚠ PRECAUCIÓN:

- Antes de insertar el cartucho de batería en la herramienta, compruebe siempre para ver si el gatillo interruptor se acciona correctamente y regresa a la posición de desconexión "OFF" cuando se libera.

Para evitar que el gatillo interruptor sea apretado accidentalmente se ha provisto un botón de seguro.

Para poner en marcha la herramienta, meta el botón de seguro y apriete el gatillo interruptor. Para parar la herramienta suelte el gatillo interruptor.

Comprobación del freno de cadena (Fig. 3)

NOTA:

- Si la electrosierra no se puede poner en marcha, deberá soltar el freno de cadena. Tire del protector de la mano delantera hacia atrás firmemente hasta que sienta que se acciona.

Sujete la electrosierra con ambas manos cuando la encienda.

Sujete la empuñadura principal con la mano derecha y la empuñadura delantera con la izquierda. La placa y la cadena no deberán hacer contacto con ningún objeto.

Primero presione el botón de seguro, después apriete el gatillo interruptor.

La cadena de sierra se pone en marcha inmediatamente. Presione el protector de la mano delantera hacia delante utilizando la parte trasera de su mano. La cadena de sierra deberá pararse de inmediato.

⚠ PRECAUCIÓN:

- Si la cadena de sierra no se detiene inmediatamente cuando realice esta prueba, la sierra no deberá ser utilizada bajo ninguna circunstancia. Consulte con un taller de reparación especializado de DOLMAR.

Comprobación del freno de retención

Encienda la electrosierra.

Suelte el gatillo interruptor completamente. La cadena de sierra deberá pararse de inmediato en un segundo.

⚠ PRECAUCIÓN:

- Si la cadena de sierra no se detiene en un segundo cuando realice esta prueba, la sierra no deberá ser utilizada. Consulte con un taller de reparación especializado de DOLMAR.

Ajuste de la lubricación de la cadena (Fig. 4)

Puede ajustar el ritmo de alimentación de la bomba de aceite con el tornillo de regulación. La cantidad de aceite puede ser regulada utilizando la llave universal.

Mosquetón (punto de sujeción de la cuerda) (Fig. 5)

El mosquetón (punto de sujeción de la cuerda) se usa para colgar la herramienta. Antes de utilizar el mosquetón, sáquelo y átelo con una cuerda.

MONTAJE

⚠ PRECAUCIÓN:

- Asegúrese siempre de que la herramienta esté apagada y el cartucho de batería extraído antes de realizar cualquier trabajo en la herramienta.

Instalación o extracción de la cadena de sierra

⚠ PRECAUCIÓN:

- Asegúrese siempre de que la herramienta esté apagada y que el cartucho de batería haya sido retirado antes de instalar o extraer la cadena de sierra.
- Póngase siempre guantes cuando vaya a instalar o extraer la cadena de sierra.

1. Para quitar la cadena de sierra, deslice ligeramente la palanca en la dirección de la flecha para poderla liberar de la posición bloqueada y mueva la palanca a la posición vertical como se muestra en la figura. **(Fig. 6)**
2. Presione la palanca y con la palanca presionada hacia dentro, gírela hacia la izquierda para aflojar la tuerca hasta que se suelte la cubierta del piñón. (Al presionar la palanca hacia dentro, la palanca encaja en la tuerca.) **(Fig. 7)**
3. Gire el dial de ajuste hacia la izquierda para aflojar la tensión de la cadena de sierra.
4. Quite la cubierta del piñón.
5. Quite la cadena de sierra y la placa de guía de la electrosierra.
6. Para instalar la cadena de sierra, encaje un extremo de la cadena de sierra encima de la placa de guía y el otro extremo de la misma alrededor del piñón. **(Fig. 8)**

En este momento, encaje la cadena de sierra como se muestra en la figura porque gira en dirección de la flecha.

7. Apoye la placa de guía en su sitio sobre la electrosierra.
8. Gire el dial de ajuste hacia la izquierda para deslizar el pasador de ajuste en la dirección de la flecha. **(Fig. 9)**
9. Ponga la cubierta del piñón encima de la electrosierra de forma que el pasador de ajuste quede posicionado en un agujero pequeño de la placa de guía. **(Fig. 10)**
10. Presione hacia dentro la palanca y con la palanca bajada gírela a tope hacia la derecha para apretar la tuerca. Después gírela aproximadamente un cuarto de vuelta hacia la izquierda para aflojar la tuerca ligeramente. **(Fig. 11)**

Ajuste de la tensión de la cadena de sierra

Es posible que la cadena de sierra se afloje después de muchas horas de utilización. Compruebe de vez en cuando la tensión de la cadena de sierra antes de utilizarla. (Fig. 12)

Mueva la palanca a la posición vertical.

Presione hacia dentro la palanca. Con la palanca bajada, gírela un cuarto de vuelta hacia la izquierda para aflojar la tuerca ligeramente. (Al presionar la palanca hacia dentro, la palanca encaja en la tuerca.) (Fig. 13)

Gire el dial de ajuste para ajustar la tensión de la cadena de sierra. Agarre la cadena de sierra en la mitad de la placa de guía y levántela. La holgura entre la placa de guía y la cinta de conexión de la cadena de sierra deberá ser aprox. 2 – 4 mm. Si la holgura no es aprox. 2 – 4 mm, gire ligeramente el dial de ajuste que sujeta la placa de guía. En este momento, ajuste con la punta de la placa de guía apuntando ligeramente hacia arriba. (Fig. 14)

Con la palanca bajada, gírela a tope hacia la derecha para apretar la tuerca firmemente. (Fig. 15)

Vuelva a poner la palanca en su posición original. (Fig. 16)

⚠ PRECAUCIÓN:

- Una excesiva tensión de la cadena de sierra puede ocasionar la rotura de la cadena de sierra, desgaste de la placa de guía y rotura del dial de ajuste.
- La instalación o extracción de la cadena de sierra deberá hacerse en un lugar limpio libre de serrín y sustancias similares.

OPERACIÓN

Lubricación (Fig. 17)

La cadena de sierra se lubrica automáticamente cuando la herramienta está funcionando.

Compruebe la cantidad restante de aceite en el depósito de aceite a través de la ventanilla de inspección del aceite.

Para rellenar el depósito, quite el tapón de la abertura del depósito de aceite. La capacidad del depósito de aceite es de 80 ml.

Después de rellenar el depósito, rosque siempre el tapón del depósito de aceite en la electrosierra.

⚠ PRECAUCIÓN:

- Cuando llene la electrosierra con aceite de cadena por primera vez, o rellene el depósito después de haberse vaciado completamente, añada aceite hasta el borde inferior de la boca de llenado. De lo contrario el suministro de aceite podrá verse afectado.
- Como aceite de cadena de sierra, utilice aceite exclusivamente para sierras de cadena DOLMAR o aceite disponible en el comercio.
- No utilice nunca aceite que contenga polvo y partículas o aceite volátil.
- Cuando pade árboles, utilice aceite botánico. El aceite mineral puede dañar los árboles.
- No fuerce nunca la electrosierra cuando pade árboles.
- Antes de ponerse a cortar, asegúrese de que el tapón del depósito de aceite suministrado está roscado en la boca de llenado.

Sujete la electrosierra alejado del árbol. Arránquela y espere hasta que la lubricación de la cadena de sierra sea apropiada.

Ponga la guía inferior en contacto con la rama que quiere cortar antes de poner en marcha. Si corta sin poner la guía inferior en contacto con la rama, la placa de guía podrá bambolear, resultando en heridas al operario.

Sierre la madera que quiere cortar simplemente moviéndola hacia abajo. (Fig. 18)

TRABAJO CON LA ELECTROSIERRA

El que utilice por primera vez la herramienta deberá, como práctica mínima, realizar corte de troncos sobre un caballete de aserrar o un soporte.

Podado de árboles

⚠ PRECAUCIÓN:

- Mantenga todas las partes del cuerpo alejadas de la cadena de sierra cuando el motor esté en marcha.
- Sujete la electrosierra firmemente con ambas manos cuando el motor esté en marcha.
- No se acerque demasiado. Pise siempre sobre suelo firme y mantenga un buen equilibrio.

Ponga la guía inferior en contacto con la rama que quiere cortar antes de poner en marcha. Si corta sin poner la guía inferior en contacto con la rama, la placa de guía podrá bambolear, resultando en heridas al operario. (Fig. 19)

Cuando vaya a cortar ramas gruesas, haga un ligero corte por debajo y luego realice el corte final por arriba. (Fig. 20)

Si intenta cortar ramas gruesas por debajo, la presión de la rama podrá oprimir la cadena de sierra. Si intenta cortar ramas gruesas por arriba sin haber hecho antes un ligero corte por debajo, la rama se astillará. (Fig. 21)

Si no puede cortar de una sola pasada un trozo de madera:

Aplique una ligera presión sobre la empuñadura, continúe serrando y desplace la electrosierra un poco hacia atrás; luego ponga los dientes un poco más abajo y termine el corte elevando la empuñadura. (Fig. 22)

Tronzado

Para cortes de tronzado, apoye el riel dentado mostrado en la figura en la madera que quiere cortar. (Fig. 23)

Con la cadena de sierra girando, sierra la madera, utilizando la empuñadura principal para levantar la sierra y la delantera para guiarla.

Utilice el riel dentado como pivote.

Continúe el corte aplicando una ligera presión a la empuñadura delantera, aliviando ligeramente la parte trasera de la sierra. Mueva el riel dentado más abajo en la madera y suba la empuñadura delantera otra vez.

Cuando haga varios cortes, apague la electrosierra entre un corte y otro.

⚠ PRECAUCIÓN:

- Si utiliza el borde superior de la placa para cortar, la electrosierra podrá desviarse hacia usted si la cadena se atranca. Por esta razón, corte con el borde inferior, de forma que la sierra se desvíe en dirección contraria a su cuerpo. (Fig. 24)

Corte la madera que esté bajo tensión en el lado de presión (A) primero.

Después haga el corte final en el lado de tensión (B). De esta forma evitará que la placa quede atrancada. (Fig. 25)

Desrame

PRECAUCIÓN:

- El desrame deberá ser realizado solamente por personas capacitadas. Existe el riesgo de que se produzca un retroceso brusco.

Cuando desrame, apoye la electrosierra en el tronco si es posible. No corte con la punta de la placa, porque corre el riesgo de que se produzca un retroceso brusco. Preste especial atención a las ramas que estén bajo tensión. No corte desde abajo ramas que no estén apoyadas.

No se suba encima del tronco talado cuando desrame.

Cortes de ahondamiento y paralelo al grano

PRECAUCIÓN:

- Los cortes de ahondamiento y paralelo al grano deberán ser realizados solamente por personas con adiestramiento especial. La posibilidad de un retroceso brusco presenta un riesgo de sufrir heridas.

Realice los cortes paralelos al grano con el menor ángulo posible. Realice el corte con el mayor cuidado posible, porque no se puede utilizar el riel dentado. (Fig. 26)

Talado

PRECAUCIÓN:

- El trabajo de talado deberá ser realizado solamente por personas capacitadas. El trabajo es peligroso.

Observe las normas locales si quiere talar un árbol.

- Antes de comenzar el trabajo de talado, asegúrese de que: (Fig. 27)

- (1) Solamente se encuentran en el lugar las personas que van a intervenir en la operación de talado;
- (2) Cualquier persona que vaya a intervenir tenga una ruta de escape sin obstrucciones a través de un rango de aproximadamente 45° a cada lado del eje de caída del árbol. Considere el riesgo adicional de tropezar con cables eléctricos;
- (3) La base del tronco está libre de objetos extraños, raíces y ramas;
- (4) No haya personas ni objetos en una distancia de 2 1/2 veces la longitud del árbol en la dirección en la que va a caer el árbol.

- Considere lo siguiente con relación a cada árbol:

- Dirección de inclinación;
- Ramas sueltas o secas;
- Altura del árbol;
- Proyección natural;
- Si el árbol está podrido o no.

- Considere la velocidad y dirección del viento. No realice tareas de talar si hay fuertes ráfagas de viento.

- Recortado de abultamientos de raíces: Comience con los abultamientos más grandes. Realice el corte vertical primero, después el corte horizontal. (Fig. 28)

- Corte una muesca: La muesca determina la dirección en la que va a caer el árbol, y lo guía. Se hace en el lado hacia el que va a caer el árbol. Corte la muesca lo más cerca posible del suelo. Primero haga un corte horizontal de una profundidad de 1/5 a 1/3 del diámetro del tronco. No haga la muesca demasiado grande. Después haga el corte diagonal.

- Corte cualquier corrección que haga a la muesca en toda su anchura.

- Haga el corte trasero de tala un poco más arriba que el corte de la base de la muesca. El corte trasero de tala deberá ser exactamente horizontal. Deje aproximadamente 1/10 del diámetro del tronco entre el corte trasero de tala y la muesca.

Las fibras de madera de la porción de tronco sin cortar actúan como una bisagra. No corte directamente a través de las fibras bajo ninguna circunstancia, porque de lo contrario el árbol caerá sin control. Inserte cuñas en el corte trasero a su debido tiempo. (Fig. 29)

- Solamente deberán utilizarse cuñas de plástico o aluminio para mantener el corte trasero abierto. La utilización de cuñas de acero está prohibida.

- Póngase al costado del lado por el que va a caer el árbol. Mantenga un área despejada por detrás de donde va a caer el árbol de un ángulo de 45° a cada lado del eje del árbol (consulte la figura del “área de caída” (Fig. 27)). Preste atención a las ramas que caen.

- Antes de comenzar a cortar será necesario planear una ruta de escape y despejarla. La ruta de escape deberá extenderse hacia atrás y diagonalmente a la parte trasera de la línea de caída esperada como se muestra en la figura. (Fig. 30)

Para transportar la herramienta (Fig.31)

Retire siempre el cartucho de batería de la herramienta y cubra la placa de guía con la funda antes de transportar la herramienta. Tape también el cartucho de batería con la tapa de batería.

MANTENIMIENTO

PRECAUCIÓN:

- Asegúrese siempre de que la herramienta esté apagada y el cartucho de batería extraído antes de intentar realizar una inspección o mantenimiento.
- Póngase guantes siempre que vaya a realizar cualquier trabajo de inspección o mantenimiento.
- No utilice nunca gasolina, bencina, disolvente, alcohol o similares. Podría producir descolocación, deformación o grietas.

Afilado de la cadena de sierra

PRECAUCIÓN:

- Extraiga siempre el cartucho de batería y póngase guantes de seguridad cuando vaya a realizar tareas en la cadena de sierra.

Afile la cadena de sierra cuando:

- Se produzca serrín granuloso al cortar madera húmeda;
- La cadena penetre la madera con dificultad, aún cuando se aplica fuerte presión;
- El borde cortante esté obviamente dañado;
- La sierra tire hacia la izquierda o hacia la derecha en la madera. La razón de este comportamiento es un afilado desigual de la cadena de sierra, o daño en un solo lado. (Fig. 32)

Afile la cadena de sierra con frecuencia, pero rebaje solamente una mínima cantidad de material cada vez.

Dos o tres pasadas con una lima son generalmente suficientes para un reafileado rutinario. Cuando la cadena de sierra haya sido reafileada varias veces, llévela a un taller de reparación de DOLMAR para que la afile un especialista.

Lima y guía de limado

- Utilice una lima redonda especial (accesorio opcional) para cadenas de sierra, con un diámetro de 4 mm, para afilar la cadena. Las limas redondas normales no son apropiadas.
- La lima solamente deberá tocar el material en el movimiento de avance. Levante la lima del material en el movimiento de retroceso.
- Afíle primero la cuchilla más corta. La longitud de esta cuchilla es entonces la dimensión del calibre para todas las demás cuchillas de la cadena de sierra.
- Guíe la lima como se muestra en la figura. (Fig. 33)
- La lima podrá ser guiada más fácilmente si se emplea un soporte de lima (accesorio). El soporte de lima tiene marcas para el ángulo de afilado correcto de 30° (alinee las marcas paralelas a la cadena de sierra) y limita la profundidad de penetración (a 4/5 del diámetro de la lima).

Guíe la lima como se muestra en la figura. (Fig. 34)

- Una vez afilada la cadena, compruebe la altura del calibre de profundidad utilizando la herramienta de calibre de cadena (accesorio opcional).
- Quite cualquier material que sobresalga, por pequeño que sea, con una lima plana especial (accesorio opcional).
- Redondee la parte frontal del calibre de profundidad otra vez.
- Limpie el polvo y las partículas de la cadena de sierra después de ajustar la altura del calibre de profundidad.

Limpieza de la placa de guía (Fig. 35)

En la acanaladura de la placa de guía se acumularán virutas y serrín, obstruyéndola e impidiendo que fluya el aceite. Cuando afíle o cambie la cadena de sierra, limpie siempre las virutas y el serrín.

Limpieza del agujero de descarga de aceite

Durante la operación puede acumularse polvo fino o partículas en el agujero de descarga de aceite.

El polvo fino o las partículas acumulados en el agujero de descarga de aceite pueden obstaculizar el flujo de descarga de aceite y ocasionar una lubricación insuficiente en toda la cadena de sierra.

Cuando se produzca un deficiente suministro de aceite de cadena en la parte superior de la placa de guía, limpie el agujero de descarga de aceite de la forma siguiente.

Quite el cartucho de batería de la herramienta.

Quite la cubierta del piñón y la cadena de sierra de la herramienta. (Consulte la sección titulada "Instalación o extracción de la cadena de sierra".)

Quite el polvo fino o partículas utilizando un destornillador de punta ranurada con cuerpo espigado o similar. (Fig. 36)

Inserte el cartucho de batería en la herramienta.

Apriete el gatillo interruptor para retirar el polvo o las partículas acumulados en el agujero de descarga de aceite descargando aceite de cadena. (Fig. 37)

Quite el cartucho de batería de la herramienta.

Vuelva a instalar la cubierta del piñón y la cadena de sierra en la herramienta.

Reemplazo del piñón (Fig. 38 y 39)

Antes de colocar una cadena de sierra nueva, compruebe la condición del piñón.

⚠ PRECAUCIÓN:

- Un piñón desgastado dañará una cadena de sierra nueva. En este caso pida que le reemplacen el piñón. El piñón tiene que ser instalado de forma que siempre quede orientado como se muestra en la figura.

Coloque siempre un anillo de bloqueo nuevo cuando reemplace el piñón.

Reemplazo de las escobillas de carbón (Fig. 40 y 41)

Extraiga e inspeccione las escobillas de carbón regularmente. Reemplácelas cuando se hayan desgastado hasta la marca límite. Mantenga las escobillas de carbón limpias de forma que entren libremente en los portaescobillas. Deberán reemplazarse ambas escobillas de carbón al mismo tiempo. Utilice únicamente escobillas de carbón idénticas.

Utilice un destornillador para quitar los tapones portaescobillas. Extraiga las escobillas desgastadas, inserte las nuevas y vuelva a colocar los tapones portaescobillas.

Almacenamiento de la herramienta

Limpie la herramienta antes de almacenarla. Quite todas las virutas y serrín de la herramienta después de quitar la cubierta del piñón. Después de limpiar la herramienta, póngala en marcha sin carga para lubricar la cadena de sierra y la placa de guía.

Cubra la placa de guía con la funda.

Extraiga el aceite del depósito de aceite hasta vaciarlo y ponga la electrosierra.

Para mantener la SEGURIDAD y FIABILIDAD del producto, las reparaciones, el mantenimiento y los ajustes deberán ser realizados por un Centro de Servicio Autorizado de DOLMAR, siempre con piezas de repuesto de DOLMAR.

ACCESORIOS

⚠ PRECAUCIÓN:

- Estos accesorios o aditamentos están recomendados para su uso con la herramienta DOLMAR especificada en este manual. El uso de cualquier otro accesorio o aditamento puede suponer un riesgo de lesiones personales. Utilice el accesorio o aditamento exclusivamente para su uso declarado.

Si necesita información más detallada sobre estos accesorios, consulte con su centro local de servicio de DOLMAR.

- Diferentes tipos de baterías y cargadores genuinos de DOLMAR
- Cadena de sierra
- Funda
- Placa de guía completa
- Lima
- Bolsa de herramientas

Ruido

El nivel de ruido A-ponderado típico determinado de acuerdo con la norma EN60745:

Nivel de presión sonora (L_{pA}): 87,3 dB (A)

Nivel de potencia sonora (L_{WA}): 95,3 dB (A)

Incerteza (K): 3,0 dB (A)

Póngase protectores en los oídos

ENG221-2

Vibración

El valor total de la vibración (suma de vectores triaxiales) determinado de acuerdo con la norma EN60745:

Modo de trabajo: corte de madera

Emisión de vibración (a_h): 7,0 m/s²

Incerteza (K): 1,6 m/s²

ENG901-1

- El valor de emisión de vibración declarado ha sido medido de acuerdo con el método de prueba estándar y se puede utilizar para comparar una herramienta con otra.
- El valor de emisión de vibración declarado también se puede utilizar en una valoración preliminar de exposición.

⚠️ ADVERTENCIA:

- La emisión de vibración durante la utilización real de la herramienta eléctrica puede variar del valor de emisión declarado dependiendo de las formas en las que la herramienta sea utilizada.
- Asegúrese de identificar medidas de seguridad para proteger al operario que estén basadas en una estimación de la exposición en las condiciones reales de utilización (teniendo en cuenta todas las partes del ciclo operativo tal como las veces cuando la herramienta está apagada y cuando está funcionando en vacío además del tiempo de gatillo).

Para países europeos solamente

Declaración de conformidad CE

Los abajo firmantes, Tamiro Kishima y Rainer Bergfeld, como personas autorizadas por Dolmar GmbH, declaran que la(s) máquina(s) DOLMAR:

Designación de máquina:

Electrosierra Inalámbrica

Modelo N°/Tipo: AS-3625

Especificaciones: consulte la tabla de "ESPECIFICACIONES".

son producidas en serie y

Cumplen con las directivas europeas siguientes:

2000/14/EC, 2006/42/EC

Y que están fabricadas de acuerdo con las normas o documentos normalizados siguientes:

EN60745

N.º de certificado del examen de tipo CE 3400780.01CE

El examen de tipo EC según 2006/42/EC fue realizado por:

KEMA Quality GmbH

Enderstraße 92b

01277 Dresden

Alemania

N.º de identificación 2140

Los documentos técnicos están en un archivo en:

Dolmar GmbH,

Jenfelder Straße 38, Abteilung FZ,

D-22045 Hamburgo

El procedimiento de valoración de conformidad requerido por la Directiva 2000/14/EC ha sido realizado de acuerdo con el anexo V.

Nivel de potencia de sonido medido: 95,2 dB

Nivel de potencia de sonido garantizado: 98,0 dB

12.05.2010



Tamiro Kishima
Director General



Rainer Bergfeld
Director General

Explicação geral

1 Parte vermelha	16 Selector de ajuste	30 Espada inferior
2 Botão	17 Roda dentada	31 Área de queda
3 Bateria	18 Pino de ajuste	32 Direcção da queda
4 Botão de bloqueio	19 Pequeno orifício	33 Zona de perigo
5 Gatilho do interruptor	20 Apertar	34 Caminho de fuga
6 Protector frontal das mãos	21 Alavanca	35 Capa (Cobertura da corrente)
7 Bloquear	22 Baixa	36 Impulso da lima para a frente
8 Desbloquear	23 Alta	37 1/5 do diâmetro da lima
9 Parafuso de regulação	24 Espada	38 Pó fino ou particulas
10 Gancho (para prender a corda)	25 Corrente da electroserra	39 Chave de fenda
11 Deslizar ligeiramente	26 Tampa do tanque de óleo	40 Anel de trava
12 Mover para a posição vertical	27 Boca do tanque de óleo	41 Marca limite
13 Pressionar	28 Visor de inspecção do óleo	42 Tampa do porta escovas
14 Desapertar	(para encher o tanque de óleo)	43 Chave de parafusos
15 Cobertura da roda dentada	29 Visor de inspecção do óleo	

ESPECIFICAÇÕES

Modelo		AS-3625	
Velocidade da corrente por minuto		8,3 m/s (500 m/min.)	
Comprimento da espada		250 mm	
Tipo da espada		Espada de roda dentada	Espada de talhar
Corrente da electroserra	Tipo	91VG	25AP
	Passo	3/8"	1/4"
	Número de elos motor	40	60
Número de dentes		6	9
Comprimento total		576 mm	589 mm
Peso líquido		4,5 kg	
Voltagem nominal		36 V CC	

- Peso, com a bateria, de acordo com o Procedimento 01/2003 da EPTA (European Power Tool Association)

GEB071-5

ENE031-1

INSTRUÇÕES DE SEGURANÇA PARA A MOTOSSERRA A BATERIA:

Utilização a que se destina

Esta ferramenta é para cortar madeiras vivas e de construção.

GEA010-1

Avisos gerais de segurança para ferramentas eléctricas

⚠ AVISO! Leia todas os avisos de segurança e todas as instruções. O não cumprimento de todos os avisos e instruções pode originar choque eléctrico, incêndio e/ou ferimentos graves.

Guarde todos os avisos e instruções para futuras referências.

- 1. Mantenha todo o seu corpo afastado da corrente da electroserra quando a motosserra estiver a funcionar. Antes de ligar a motosserra, certifique-se de que a corrente da electroserra não esteja em contacto com nada.** Um momento de distração ao funcionar com a electroserra pode prender as roupas ou o corpo na corrente da electroserra.
- 2. Segure sempre a motosserra com a mão direita na pega traseira e a mão esquerda na pega frontal.** Segurar a motosserra com as mãos ao contrário da configuração indicada aumenta o risco de ferimentos pessoais e não deve nunca ser feito.
- 3. Segure a ferramenta eléctrica somente pelas pegas isoladas, pois a corrente da electroserra pode fazer contacto com fios ocultos.** O contacto da corrente da electroserra com um fio "ligado" poderá carregar as partes metálicas da ferramenta e causar choque eléctrico no operador.

4. **Use óculos de protecção e protectores para os ouvidos. É recomendável a utilização de protectores para a cabeça, mãos, pernas e pés.** Vestuário de protecção adequado reduz o risco de ferimentos causados por detritos que saltam ou contacto accidental com a corrente da electroserra.

5. Antes de iniciar o trabalho, verifique se a motosserra está em condições próprias para o trabalho e em conformidade com os regulamentos de segurança. Verifique especialmente se:

- O freio da corrente está funcionar correctamente;
- O freio de inactividade está funcionar correctamente;
- A espada e cobertura da roda dentada estão correctamente afixadas;
- A corrente foi afiada e tensionada de acordo com os regulamentos.

6. **Não funcione com a motosserra em uma árvore.** Funcionar com a motosserra em cima de uma árvore pode provocar ferimentos pessoais.

7. **Mantenha sempre os pés bem firmes e em equilíbrio e utilize a motosserra somente quando estiver sobre uma superfície fixa, segura e nivelada.** Superfícies escorregadias ou instáveis como escadas podem causar perda de equilíbrio ou do controlo da motosserra.

8. **Ao cortar um ramo que esteja com alguma tensão, tenha cuidado com a volta do ramo para trás.** Quando a tensão nas fibras da madeira é aliviada, o ramo pode voltar e bater no operador e/ou causar a perda de controlo da electroserra.

9. **Tenha muito cuidado especialmente quando está a cortar arbustos e brotos.** O material fino pode ficar preso na corrente da electroserra e ser atirado no operador ou causar a perda de equilíbrio.

10. **Transporte a motosserra desligada segurando-a pela pega frontal e afastada de si. Ao transportar ou guardar a motosserra, sempre cubra a espada com a capa.** O manuseio adequado da electroserra reduz o risco de contacto accidental com a corrente da electroserra em movimento.

11. **Siga as instruções para lubrificação, regulação da tensão e troca de acessórios.** Uma corrente mal lubrificada ou cuja tensão não esteja devidamente regulada pode quebrar ou aumentar a probabilidade de recuo.

12. **Mantenha a pegas secas, limpas e sem óleo ou graxa.** Pegas oleosas são escorregadias e causam a perda de controlo.

13. **Corte somente madeira. Não utilize a motosserra para finalidades diferentes. Por exemplo: não utilize a motosserra para cortar plástico, alvenaria ou materiais de construção que não sejam madeira.** O uso da motosserra para operações diferentes daquelas para as quais ela foi concebida pode resultar em situações perigosas.

14. **Causas de recuo e como o operador pode prevenir:**

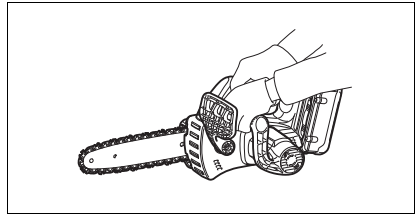
O recuo pode ocorrer quando a ponta da espada faz contacto com um objecto ou quando a madeira comprime e prende a corrente da electroserra no corte. Em alguns casos, o contacto da ponta causa uma acção inversa repentina, propulsionando a espada para cima e para trás na direcção do operador.

Se a corrente da electroserra ficar presa na ponta da espada, a espada pode pular de repente para trás na direcção do operador.

Qualquer uma dessas reacções pode causar a perda de controlo da electroserra e provocar graves ferimentos pessoais. Não confie exclusivamente nos mecanismos de segurança incorporados na electroserra. Como um utilizador de motosserra, deverá tomar as medidas necessárias para que o seu trabalho de cortar seja seguro e livre de acidentes ou ferimentos.

O recuo é o resultado de uso impróprio da electroserra e/ou condições ou procedimentos incorrectos para o funcionamento e pode ser evitado tomando-se as medidas de precaução relacionadas abaixo:

- Segure a motosserra com firmeza, com todos os dedos a circundar as pegas e as duas mãos na electroserra, e posicione-se de forma que o seu corpo e braço permita a resistir às forças de um recuo. O operador poderá controlar as forças do recuo se tomar as devidas precauções. Não deixe a motosserra sem atendimento.



- **Não se incline e não corte nada acima da altura dos próprios ombros.** Isso ajuda a evitar o contacto accidental da ponta e possibilita maior controlo da motosserra em situações imprevistas.

- **Utilize somente espadas e correntes de reposição especificadas pelo fabricante.** A substituição de espadas e correntes incorrectas pode causar a quebra da corrente e/ou recuo.

- **Siga as instruções do fabricante para afiação e manutenção da corrente da electroserra.** Diminuição da altura do limitador de profundidade pode provocar o aumento de recuos.

15. **Não ligue a electroserra se a cobertura da corrente estiver instalada.** Se ligar a electroserra com a cobertura da corrente instalada, a cobertura da corrente pode ser lançada para a frente e provocar ferimentos pessoais e danos a objectos nas proximidades do operador.

GUARDE ESTAS INSTRUÇÕES.

⚠ AVISO:

NÃO permita que conforto ou familiaridade com o produto (adquirido com o uso repetido) substitua a aderência estrita às regras de segurança da ferramenta. MÁ INTERPRETAÇÃO ou não seguimento das regras de segurança estabelecidas neste manual de instruções pode causar danos pessoais sérios.

Instalação ou extracção da bateria (Fig. 1)**⚠️ PRECAUÇÃO:**

- **Agarre na ferramenta e na bateria com firmeza ao instalar ou retirar a bateria.** Falha em agarrar a ferramenta e a bateria com firmeza pode provocar a queda de ambas e resultar em danos à ferramenta e à bateria, assim como ferimentos pessoais.
- Desligue sempre a ferramenta antes de colocar ou retirar a bateria.
- Para retirar a bateria, tire-a da ferramenta deslizando o botão na parte da frente da bateria.
- Para colocar a bateria, alinhe a lingueta na bateria com a ranhura na caixa e deslize-a para o seu lugar. Coloque-a sempre completamente até que faça um clique no seu lugar. Se conseguir ver a parte vermelha no lado superior do botão, não está completamente colocada. Coloque-a completamente até que não possa ver a parte vermelha. Se assim não for, pode acidentalmente cair da ferramenta ferindo-o a si ou alguém próximo.
- Não force a introdução da bateria. Se a bateria não deslizar facilmente é porque não foi colocada correctamente.

Sistema de protecção da bateria

A bateria é equipada com um sistema de protecção que desactiva automaticamente o consumo de energia a fim de prolongar a sua vida útil.

A ferramenta pode parar durante o funcionamento se a mesma e/ou bateria se encontrar nas seguintes circunstâncias. Isso é devido à activação do sistema de protecção e não é sinal de avaria.

- No caso de sobrecarga da ferramenta:

Solte o gatilho do interruptor, elimine a causa da sobrecarga e carregue no gatilho outra vez para reiniciar. Se a ferramenta não funcionar mesmo depois de carregar no gatilho do interruptor, o sistema de parada automática da bateria ainda está activado. Recarregue a bateria antes da utilização.

- Quando a carga da bateria diminuir:
Recarregue a bateria.

Interruptor (Fig. 2)**⚠️ PRECAUÇÃO:**

- Antes de colocar a bateria na electroserra, verifique sempre se o gatilho do interruptor funciona correctamente e volta para a posição "OFF" quando libertado.

Para evitar que o gatilho seja acidentalmente pressionado existe um botão de bloqueio.

Para ligar a electroserra, pressione o botão de bloqueio e carregue no gatilho. Liberte o gatilho para parar.

Verificar o freio da corrente (Fig. 3)**NOTA:**

- Se a motosserra não ligar, deve-se soltar o freio da corrente. Puxe o protector frontal das mãos firmemente para trás até sentir que engatou.

Segure a motosserra com as duas mãos quando a liga. Segure a pega superior com a mão direita e a frontal com a mão esquerda. A espada e a corrente não devem tocar em nenhum objecto.

Primeiro pressione o botão de bloqueio e depois o gatilho do interruptor.

A corrente da electroserra liga imediatamente.

Pressione o protector frontal das mãos para a frente com a parte de trás da sua mão. A corrente da electroserra deve parar imediatamente.

IMPORTANTES INSTRUÇÕES DE SEGURANÇA**PARA BATERIA**

1. Antes de utilizar a bateria, leia todas as instruções e etiquetas de precaução no (1) carregador de bateria (2) bateria e (3) produto que utiliza a bateria.
2. Não abra a bateria.
3. Se o tempo de funcionamento se tornar excessivamente curto, pare o funcionamento imediatamente. Pode resultar em sobreaquecimento, possíveis queimaduras e mesmo explosão.
4. Se entrar electrólito nos seus olhos, lave-os com água e consulte imediatamente um médico. Pode resultar em perda de visão.
5. Não corte-circuite a bateria:
 - (1) Não toque nos terminais com qualquer material condutor.
 - (2) Evite guardar a bateria juntamente com outros objectos metálicos tais como pregos, moedas, etc.
 - (3) Não exponha a bateria à água ou chuva. Um curto-circuito pode ocasionar um enorme fluxo de corrente, sobreaquecimento, possíveis queimaduras e mesmo estragar-se.
6. Não guarde a ferramenta e a bateria em locais onde a temperatura pode atingir ou exceder 50°C.
7. Não queime a bateria mesmo que esteja estragada ou completamente gasta. A bateria pode explodir no fogo.
8. Tenha cuidado para não deixar cair ou dar pancadas na bateria.
9. Não utilize uma bateria que tenha sido derrubada ou batida.

GUARDE ESTAS INSTRUÇÕES.**Conselhos para manter a máxima vida útil da bateria**

1. Carregue a bateria antes que esteja completamente descarregada.
Pare sempre o funcionamento da ferramenta e carregue a bateria quando notar menos poder na ferramenta.
2. Nunca carregue uma bateria completamente carregada. Carregamento excessivo diminui a vida útil da bateria.
3. Carregue a bateria à temperatura ambiente de 10°C – 40°C. Deixe que uma bateria quente arrefeça antes de a carregar.

DESCRIÇÃO FUNCIONAL**⚠️ PRECAUÇÃO:**

- Certifique-se sempre de que a ferramenta está desligada e a bateria retirada antes de regular ou verificar qualquer função na ferramenta.

PRECAUÇÃO:

- Se a corrente da electroterra não parar imediatamente ao efectuar este teste, a serra não deve ser utilizada de maneira nenhuma. Consulte um centro de assistência especializada DOLMAR.

Verificar o freio de inactividade

Ligue a motosserra.

Solte o gatilho do interruptor completamente. A corrente da electroterra deve parar completamente dentro de um segundo.

PRECAUÇÃO:

- Se a corrente da electroterra não parar dentro de um segundo ao efectuar este teste, a serra não deve ser utilizada. Consulte um centro de assistência especializada DOLMAR.

Regular a lubrificação da corrente (Fig. 4)

Pode regular o fluxo de óleo com o parafuso de regulação. A quantidade de óleo pode ser regulada com uma chave universal.

Gancho (para prender a corda) (Fig. 5)

O gancho (para prender a corda) é utilizado para pendurar a ferramenta. Antes de utilizar o gancho, puxe-o para fora e amarre a corda.

ASSEMBLAGEM

PRECAUÇÃO:

- Certifique-se sempre de que a ferramenta está desligada e a bateria retirada antes de executar qualquer manutenção na ferramenta.

Instalação ou extracção da corrente da electroterra

PRECAUÇÃO:

- Certifique-se sempre de que a electroterra está desligada e a bateria retirada antes de colocar ou retirar a corrente da electroterra.
- Use sempre luvas quando colocar ou retirar a corrente da electroterra.

1. Para remover a corrente, deslize ligeiramente a alavanca na direcção na seta para que possa ser libertada da posição de bloqueio e mova-a para a posição vertical, como mostrado na ilustração. (Fig. 6)

2. Pressione a alavanca e, com a alavanca nessa posição, rode-a para a esquerda para desapertar a porca até que a cobertura da roda dentada se desprenda. (Pressionar a alavanca encaixa-a na porca.) (Fig. 7)

3. Rode o selector de regulação para a esquerda para diminuir a tensão da corrente da electroterra.

4. Retire a cobertura da roda dentada.

5. Retire a corrente da electroterra e a espada da motosserra.

6. Para instalar a corrente da electroterra, encaixe uma ponta da corrente da electroterra na ponta da espada e a outra ao redor da roda dentada. (Fig. 8)

Encaixe a corrente da electroterra como ilustrado na figura porque ela roda no sentido da seta.

7. Coloque a espada na motosserra.

8. Rode o selector de regulação para a esquerda para deslizar o pino de ajuste na direcção da seta. (Fig. 9)

9. Coloque a cobertura da roda dentada na motosserra de maneira que o pino de ajuste fique posicionado no pequeno orifício da espada. (Fig. 10)

10. Pressione a alavanca e, com a mesma na posição de pressionada, rode completamente para a direita para apertar a porca. Em seguida, rode-a para a esquerda um quarto de volta para desapertar a porca ligeiramente. (Fig. 11)

Regular a tensão da corrente da electroterra

A corrente da electroterra pode ficar frouxa após muitas horas de utilização. Verifique de vez em quando a tensão da corrente da electroterra antes de utilizar a serra. (Fig. 12)

Mova a alavanca para cima.

Pressione a alavanca. Com a alavanca pressionada, rode-a para a esquerda um quarto de volta para desapertar a porca ligeiramente. (Pressionar a alavanca encaixa-a na porca.) (Fig. 13)

Rode o selector de regulação para ajustar a tensão da corrente da electroterra. Agrade a corrente da electroterra na metade da espada e levante-a. O intervalo entre a espada e a braçadeira da corrente da electroterra deve ser de aprox. 2 a 4 mm. Se o intervalo não for cerca de 2 a 4 mm, rode ligeiramente o selector de regulação que prende a espada. Ajuste com a ponta da espada ligeiramente apontada para cima. (Fig. 14)

Com a alavanca pressionada, rode-a completamente para a direita para apertar a porca com firmeza. (Fig. 15) Coloque a alavanca de volta na sua posição original. (Fig. 16)

PRECAUÇÃO:

- Uma corrente da electroterra com tensão excessivamente alta pode quebrar, provocar o desgaste da espada e avariar o selector de regulação.
- A instalação ou remoção da corrente da electroterra deve ser realizada num local limpo, sem pó de serra, etc.

FUNCIONAMENTO

Lubrificação (Fig. 17)

A corrente da electroterra é lubrificada automaticamente ao funcionar com a ferramenta.

Verifique a quantidade de óleo restante no tanque através do visor de inspecção.

Retire a tampa do tanque de óleo para encher o tanque. A capacidade do tanque é 80 ml.

Depois de encher, sempre feche a tampa do tanque de óleo da motosserra.

PRECAUÇÃO:

- Ao colocar óleo de corrente na electroterra pela primeira vez ou quando encher o tanque após o mesmo estar completamente vazio, adicione o óleo até a borda inferior do gargalo de enchimento. Caso contrário, o fornecimento de óleo pode ser prejudicado.
- Utilize óleo exclusivo para electroterras DOLMAR ou outros óleos disponíveis no mercado como óleo de lubrificação.
- Nunca utilize óleo com poeira ou partículas nem óleo volátil.
- Utilize sempre óleo vegetal quando podar árvores. O óleo mineral pode danificar as árvores.
- Nunca force a motosserra ao podar árvores.
- Antes de começar a podar, certifique-se de que a tampa do tanque de óleo está fechada.

Segure a motosserra afastada da árvore. Ligue-a e aguarde até que a corrente da electroterra seja lubrificada adequadamente.

Aproxime da espada inferior até tocar o ramo a cortar antes de ligar a electroterra. Cortar sem antes tocar o ramo com a espada inferior pode causar a oscilação da espada e ferir o operador.

Corte a madeira simplesmente movendo a ferramenta para baixo. (Fig. 18)

TRABALHAR COM A MOTOSSERRA

Os utilizadores iniciantes devem antes praticar e cortar troncos sobre um cavalete de serra ou suporte.

Podar árvores

⚠️ PRECAUÇÃO:

- Mantenha todo o seu corpo afastado da corrente da electroterra quando o motor estiver a funcionar.
- Segure a motosserra firmemente com as duas mãos quando o motor estiver a funcionar.
- Não se incline. Mantenha sempre os pés firmes e em equilíbrio.

Aproxime da espada inferior até tocar o ramo a cortar antes de ligar a electroterra. Cortar sem antes tocar o ramo com a espada inferior pode causar a oscilação da espada e ferir o operador. (Fig. 19)

Quando cortar ramos grossos, faça primeiro um corte pouco profundo por baixo e em seguida faça o corte final a partir de cima. (Fig. 20)

Se tentar cortar ramos grossos por baixo, o ramo pode dobrar-se sobre a corrente da electroterra e prendê-la. Se tentar cortar ramos grossos por cima sem ter feito um corte pouco profundo por baixo, o ramo pode estilhaçar-se. (Fig. 21)

Se não conseguir cortar a madeira completamente com um simples corte:

Exerça uma pressão ligeira na pega e continue a serrar e recue a motosserra um pouco; em seguida coloque a ponta um pouco mais baixa e acabe o corte levantando a pega. (Fig. 22)

Cortes transversais

Para cortes transversais, coloque o trilho dentado na madeira a ser cortada como ilustrado na figura. (Fig. 23) Com a corrente da electroterra a funcionar, serre a madeira utilizando a pega superior para elevar a serra e a frontal para guiá-la.

Utilize o trilho dentado como um pivô.

Continue a serrar pressionando levemente a pega frontal e inclinando a serra um pouco para trás. Mova o trilho dentado mais fundo na madeira e levante a pega frontal outra vez.

Ao executar diversos cortes, desligue a motosserra entre os cortes.

⚠️ PRECAUÇÃO:

- Se utilizar a borda superior da espada para cortar, a motosserra pode ser impulsionada na sua direcção se a corrente ficar presa. Por isso, corte com a borda inferior para que, se ocorrer, a serra seja impulsionada para o lado oposto a si. (Fig. 24)

Se a madeira estiver sob tensão, corte primeiro o lado sob pressão (A).

Em seguida execute o corte final no lado de tensão (B). Isto evita que a espada fique presa. (Fig. 25)

Cortar ramos

⚠️ PRECAUÇÃO:

- O corte de ramos deve ser executado somente por pessoal treinado. Há alto perigo de recuo.

Quando corta ramos, procure apoiar a motosserra no tronco, se possível. Não utilize a ponta da espada para cortar, pois isso provoca o risco de recuo.

Terha muita cautela com os ramos que tenham tensão. Não corte por baixo os ramos livres.

Não fique de pé sobre o tronco derrubado quando corta ramos.

Cortes profundos e paralelos à fibra

⚠️ PRECAUÇÃO:

- Os cortes profundos e paralelos à fibra devem ser executados somente por pessoal com treinamento especial. A possibilidade de recuo provoca o risco de ferimentos.

Execute os cortes paralelos à fibra num ângulo o mais raso possível. Execute o corte com o máximo cuidado, pois não é possível utilizar o trilho dentado. (Fig. 26)

Abate de árvores

⚠️ PRECAUÇÃO:

- O trabalho de abate de árvores deve ser executado somente por pessoal treinado. Este trabalho é muito perigoso.

Observe os regulamentos locais se desejar abater uma árvore.

- Antes de começar o abate de árvores, certifique-se de que: (Fig. 27)

- (1) Somente pessoas envolvidas na operação de abate de árvores estejam nas proximidades;
- (2) Todas as pessoas envolvidas tenham um caminho para afastar-se com distância de cerca de 45° em cada lado do eixo de queda. Considere também o risco adicional de tropeçar nos fios eléctricos;
- (3) A base do tronco esteja livre de objectos estranhos, raízes e ramos;
- (4) Não há pessoas nem objectos em uma distância de 2 1/2 vezes a altura da árvore na direcção que a árvore vai cair.

- Considere o seguinte com respeito a cada árvore:

- Direcção da inclinação;
 - Ramos soltos ou secos;
 - Altura da árvore;
 - Saliência natural;
 - Se a árvore está podre ou não.
- Tenha em conta a direcção e a velocidade do vento. Não corte árvores se estiver a ventar demais.
- Corte de raízes salientes: Comece com a raiz maior. Primeiro execute o corte vertical e depois o horizontal. (Fig. 28)
- Corte o entalhe: O entalhe determina a direcção da queda e guia a árvore. O entalhe deve ser executado no lado que a árvore cairá. Corte o entalhe perto do solo o máximo possível. Primeiro faça o corte horizontal com uma profundidade cerca de 1/5 a 1/3 do diâmetro do tronco. Não faça o entalhe grande demais. Em seguida, faça o corte diagonal.
- Quando corrige o corte, faça sempre em toda a extensão da largura do entalhe.

- Faça o corte de trás um pouco mais alto do que o corte inferior do entalhe. O corte de trás deve ser exactamente horizontal. Deixe uma distância aproximada de 1/10 do diâmetro do tronco entre o corte de trás e o entalhe.
As fibras da madeira na parte não cortada do tronco funcionam como uma dobradiça. Nunca, sob nenhuma circunstância, corte completamente as fibras, ou a árvore cairá sem controlo. Coloque cunhas no corte de trás a tempo. (Fig. 29)
- Deve-se utilizar somente cunhas de alumínio ou de plástico para manter o corte de trás aberto. A utilização de cunhas de ferro não é permitida.
- Fique sempre ao lado da árvore a cair. Mantenha uma zona livre atrás da árvore a cair com um ângulo de 45° em cada um dos lados do eixo da árvore (consulte a ilustração “Área de queda” (Fig. 27)). Tenha cuidado com os ramos a cair.
- Antes de começar a cortar, deve-se planejar e abrir um caminho de fuga, como necessário. O caminho de fuga deve estender-se diagonalmente para trás da linha da queda, como indicado na ilustração. (Fig. 30)

Transporte da electroserra (Fig. 31)

Retire sempre a bateria e cubra a espada com capa antes de transportar a electroserra. Cubra a bateria com a respectiva tampa.

MANUTENÇÃO

⚠️ PRECAUÇÃO:

- Certifique-se sempre de que a ferramenta está desligada e a bateria retirada antes de tentar executar qualquer inspeção ou manutenção.
- Use sempre luvas quando executar qualquer inspeção ou manutenção.
- Nunca utilize gasolina, benzina, diluente, álcool ou produtos semelhantes. Pode ocorrer a descoloração, deformação ou rachaduras.

Afiação da corrente da electroserra

⚠️ PRECAUÇÃO:

- Sempre retire a bateria e utilize luvas de segurança ao efectuar a manutenção da corrente da electroserra.

Afiar a corrente da electroserra quando:

- O pó de serragem produzido ao serrar madeira húmida parece farinha.
- A corrente penetra na madeira com dificuldade, mesmo que exerça bastante pressão.
- O fio do corte está obviamente danificado;
- A serra puxa para a esquerda ou direita ao serrar a madeira. Isto é devido à afiação irregular da corrente da electroserra ou danos a um dos lados. (Fig. 32)

Afiar a corrente da electroserra frequentemente, mas sem remover muito material.

Normalmente, duas ou três passadas da lima será o suficiente para afiação regular. Leve a corrente da electroserra para ser afiada num centro especializado DOLMAR se já a afiou várias vezes.

Limas e como trabalhar com elas

- Use uma lima redonda especial (acessório opcional) para correntes de electroserra, com um diâmetro de 4 mm, para afiar a corrente. Limas redondas comuns não são apropriadas.
- A lima deve desbastar o material somente quando empurrada para a frente. Levante a lima quando trazendo-a de volta para trás.

- Afie a aresta de corte mais curta primeiro. O comprimento desta aresta de corte torna-se o padrão para todas as outras da corrente da electroserra.
- Movimento a lima como indicado na ilustração. (Fig. 33)
- O movimento da lima torna-se mais fácil se utilizar um porta-limas (acessório). O porta-limas é marcado com o ângulo de afiação correcto de 30° (alinhar as marcas paralelas com a corrente da electroserra) e limita a profundidade de penetração (aos 4/5 do diâmetro da lima).

Movimento a lima como indicado na ilustração. (Fig. 34)

- Depois de afiar a corrente, verifique a altura do limitador de profundidade utilizando um calibrador de corrente (acessório opcional).
- Retire qualquer material saliente, por menor que seja, com uma lima chata especial (acessório opcional).
- Arredonde a frente do limitador de profundidade outra vez.
- Lave a poeira e as partículas da corrente da electroserra depois de regular a altura do limitador de profundidade.

Limpar a espada (Fig. 35)

Partículas e pó da electroserra acumulam-se na ranhura da espada obstruindo e diminuindo o fluxo do óleo. Retire sempre as partículas e o pó quando afiar ou substituir a corrente da electroserra.

Limpeza do orifício de saída de óleo

Pó fino ou partículas podem se acumular no orifício de saída de óleo do durante o funcionamento.

Pó fino ou partículas acumuladas no orifício de saída podem prejudicar o fluxo de óleo e resultar em lubrificação insuficiente da corrente da electroserra inteira.

Se ocorrer a dispensa insuficiente de óleo da corrente no topo da espada, limpe o orifício de saída como a seguir: Retire a bateria da ferramenta.

Retire a cobertura da roda dentada e a corrente da electroserra. (Consulte a secção intitulada “Instalação ou extracção da corrente da electroserra”.)

Limpe o pó fino ou partículas com uma chave de fenda com ponta alongada ou dispositivo semelhante. (Fig. 36) Coloque a bateria na ferramenta.

Aperte o gatilho do interruptor para expelir óleo a fim de remover a poeira e partículas acumuladas no orifício de saída de óleo. (Fig. 37)

Retire a bateria da ferramenta.

Reinstale a cobertura da roda dentada e a corrente da electroserra.

Substituição da roda dentada (Fig. 38 e 39)

Antes de instalar uma corrente da electroserra nova, verifique a condição da roda dentada.

⚠️ PRECAUÇÃO:

- Uma roda dentada gasta danificará a corrente da electroserra nova. Substitua a roda dentada quando estiver gasta. A roda dentada deve ser instalada de modo que fique de acordo com a ilustração.

Sempre coloque um anel de trava novo ao substituir a roda dentada.

Substituição das escovas de carvão (Fig. 40 e 41)

Retire e inspecione as escovas de carvão regularmente. Substitua-as quando estiverem gastas até à marca limite. Mantenha as escovas de carvão limpas e a deslizar livremente nos suportes. As duas escovas de carvão devem ser substituídas ao mesmo tempo. Utilize só escovas de carvão idênticas.

Utilize uma chave de parafusos para retirar as tampas da porta escovas. Tire as escovas gastas, coloque as novas e prenda as tampas da porta escovas.

Armazenar a ferramenta

Limpe a ferramenta antes de armazenar. Limpe as partículas e o pó da electro-serra depois de retirar a cobertura da roda dentada. Depois de limpa, funcione-a em vazio para lubrificar a corrente da electro-serra e a espada.

Cubra a espada com a capa.

Esvazie o tanque de óleo e coloque a motosserra.

Para salvaguardar a SEGURANÇA e a FIABILIDADE do produto, as reparações, manutenção e afinações deverão ser sempre efectuadas por um Centro de Assistência Oficial DOLMAR.

ACESSÓRIOS

⚠ PRECAUÇÃO:

Estes acessórios ou peças são recomendados para utilização com a ferramenta DOLMAR especificada neste manual. A utilização de outros acessórios ou peças pode ser perigosa para as pessoas. Utilize apenas acessórios ou peças para os fins indicados.

Se precisar de ajuda para obter mais informações relativas a estes acessórios, entre em contacto com o centro de assistência DOLMAR local.

- Vários tipos de baterias e carregadores DOLMAR
- Corrente da electro-serra
- Capa
- Espada completa
- Lima
- Bolsa da ferramenta

ENG102-3

Ruído

A característica do nível de ruído A determinado de acordo com EN60745:

Nível de pressão de som (L_{pA}): 87,3 dB (A)

Nível do som (L_{WA}): 95,3 dB (A)

Variabilidade (K): 3,0 dB (A)

Utilize protectores para os ouvidos

ENG221-2

Vibração

Valor total da vibração (soma vectorial tri-axial) determinado conforme EN60745:

Modo de trabalho: cortar madeira

Emissão de vibração (a_h): 7,0 m/s²

Variabilidade (K): 1,6 m/s²

12.05.2010

ENG901-1

- O valor da emissão de vibração indicado foi medido de acordo com o método de teste padrão e pode ser utilizado para comparar duas ferramentas.
- O valor da emissão de vibração indicado pode também ser utilizado na avaliação preliminar da exposição.

⚠ AVISO:

- A emissão de vibração durante a utilização real da ferramenta eléctrica pode diferir do valor de emissão indicado, dependendo das formas como a ferramenta é utilizada.
- Certifique-se de identificar as medidas de segurança para protecção do operador que sejam baseadas em uma estimativa de exposição em condições reais de utilização (considerando todas as partes do ciclo de operação, tal como quando a ferramenta está desligada e quando está a funcionar em marcha lenta além do tempo de accionamento).

ENH03-1

Só para países Europeus

Declaração de conformidade CE

Os abaixo assinados, Tamiro Kishima e Rainer Bergfeld, autorizados por Dolmar GmbH, declaram que a(s) máquina(s) DOLMAR:

Designação da ferramenta:

Motosserra a Bateria

Modelo n.º/Tipo: AS-3625

Especificações: consulte a tabela "ESPECIFICAÇÕES". São de produção de série e

Em conformidade com as seguintes directivas europeias:

2000/14/EC, 2006/42/EC

E estão fabricadas de acordo com as seguintes normas ou documentos normativos:

EN60745

N.º de certificado do exame de tipo CE 3400780.01CE

Exame EC de tipo efectuado em conformidade com a 2006/42/EC por:

KEMA Quality GmbH

Enderstraße 92b

01277 Dresden

Alemanha

Identificação N.º 2140

A documentação técnica encontra-se arquivada em:

Dolmar GmbH,

Jenfelder Straße 38, Abteilung FZ,

D-22045 Hamburg

Os procedimentos de avaliação da conformidade requeridos pela directiva 2000/14/EC foram efectuados de acordo com o anexo V.

Nível de potência sonora medido: 95,2 dB

Nível de potência sonora garantido: 98,0 dB

Tamiro Kishima
Director Gerente

Rainer Bergfeld
Director Gerente

Illustrationsoversigt

1 Rød del	15 Kædehjulsdæksel	29 Olieinspektionsrude
2 Knap	16 Justeringsdrejeknap	30 Nedre del af sværdet
3 Akku	17 Kædehjul	31 Fældningsområde
4 Låseknap	18 Justeringsspind	32 Fældningsretning
5 Afbryderknap	19 Lille hul	33 Farezone
6 Frontkappe	20 Stram	34 Flugtvej
7 Lås	21 Arm	35 Skede (sværdbeskytter)
8 Frigør	22 Lav	36 Fremadstrygning af fil
9 Justérskrue	23 Høj	37 1/5 af fildiameter
10 Karabinhage	24 Sværd	38 Små støvpartikler
(fastgørelsespunkt til reb)	25 Savkæde	39 Kærvskruetrækker
11 Skyd en smule i stilling	26 Olie-tankhætte	40 Låsering
12 Flyt til opret stilling	27 Olie-tankåbning	41 Slidmarkering
13 Tryk ind	28 Olieinspektionsrude	42 Kulholderdæksel
14 Løsn	(til opfyldning af tanken med olie)	43 Skruetrækker

SPECIFIKATIONER

Model		AS-3625	
Kædehastighed per minut		8,3 m/s (500 m/min.)	
Sværdlængde		250 mm	
Sværdtype		Kædehjuls spids	Udskæringsstang
Savkæde	Type	91VG	25AP
	Stigning	3/8"	1/4"
	Antal drivled	40	60
Antal tænder		6	9
Længde		576 mm	589 mm
Nettovægt		4,5 kg	
Mærkespænding		DC 36 V	

• Vægt inklusive akku, i henhold til EPTA-Procedure 01/2003

GEB071-5

ENE031-1

**SIKKERHEDSADVARSLER FOR
AKKU-KÆDESAV:**

Tilsigtet anvendelse

Værktøjet er beregnet til skæring i tømmer og træstammer.

GEA010-1

Almindelige sikkerhedsregler for el-værktøj

⚠ ADVARSEL! Læs alle sikkerhedsadvarsler og alle sikkerhedsinstruktioner. Hvis nedenstående advarsler og instruktioner ikke overholdes, kan resultatet blive elektrisk stød, brand og/eller alvorlig personskade.

Gem alle advarsler og instruktioner til fremtidig reference.

- Hold alle kropsdele på god afstand af savkæden, når kædesaven er i gang. Sørg for, inden kædesaven startes, at savkæden ikke er i kontakt med noget.** Et øjeblik uopmærksomhed under anvendelse af kædesaven kan bevirke, at Deres tøj eller kropsdele kommer i kontakt med savkæden.
- Hold altid i kædesaven med højre hånd på det bageste håndtag og venstre hånd på det forreste håndtag.** Hvis De holder i kædesaven med omvendt placering af hænderne, vil risikoen for tilskadekomst blive øget, hvorfor dette aldrig bør gøres.
- Hold altid kun i maskinen i de isolerede grebflader, da savkæden kan komme i berøring med skjulte ledninger.** En savkæde, der kommer i berøring med en strømførende ledning, kan gøre de udsatte metaldele på maskinen strømførende, hvilket kan give operatøren elektrisk stød.

4. **Bær altid sikkerhedsbriller og høreværn. Anvendelse af yderligere beskyttelsesudstyr til hoved, hænder, ben og fødder anbefales.** Fyldestgørende beskyttelsestøj vil reducere risikoen for tilskadekomst, som er forårsaget af flyvende afskær eller utilsigtet kontakt med savkæden.
5. Kontroller, inden arbejdet påbegyndes, at kædesaven er i korrekt arbejdstilstand og at dens tilstand opfylder betingelserne i sikkerhedsregulativerne. Kontroller specielt at:
 - Kædebremsen fungerer ordentligt.
 - Stopbremsen fungerer ordentligt.
 - Styret og kædehjulsdækslet er korrekt monteret.
 - Kæden er blevet skærpet og spændt i overensstemmelse med regulativerne.
6. **Anvend ikke kædesaven i et træ.** Anvendelse af kædesaven oppe i et træ kan resultere i tilskadekomst.
7. **Oprethold altid et hensigtsmæssigt fodfæste og anvend kun kædesaven, når De står på en fast, sikker og plan flade.** Glatte og ustabile flader, som for eksempel stiger, kan medføre at man mister balancen eller herredømmet over kædesaven.
8. **Når man skærer en gren, der er spændt, skal man være på vagt mod tilbageslag.** Når træfibrenes spænding udløses, kan den spændte gren ramme operatøren og/eller slynge kædesaven ud af kontrol.
9. **Udvis den største forsigtighed, når De skærer krat og unge træer.** Det tynde materiale kan blive fanget i savkæden og blive slynget mod Dem eller slå Dem ud af balance.
10. **Bær altid kædesaven i det forreste håndtag med kædesaven slukket og vendende bort fra kroppen.** Når kædesaven transporteres eller lægges til opbevaring, skal sværdbeskytteren altid sættes på. Korrekt håndtering af kædesaven vil reducere sandsynligheden for utilsigtet kontakt med den kørende savkæde.
11. **Følg instruktionerne for smøring, kædespænding og udskiftning af ekstraudstyr.** En fejlagtig spændt eller smurt kæde kan enten knække, eller risikoen for tilbageslag kan øges.
12. **Hold håndtagene tørre, rene og fri for olie og fedt.** Fedtede, olieglatte håndtag er glatte og kan bevirke, at herredømmet over saven mistes.
13. **Skær kun i træ. Anvend ikke kædesaven til andre formål end dem, den er beregnet til. Anvend for eksempel ikke kædesaven til at skære i plastic, murværk eller byggematerialer, som ikke er af træ.** Anvendelse af kædesaven til andre formål end de tilsigtede kan resultere i farlige situationer.
14. **Årsager til tilbageslag og hvordan operatøren kan forhindre det:**

Tilbageslag kan opstå, hvis næsen eller spidsen af sværdet berører en genstand eller hvis træet lukker sammen og klemmer savkæden fast i snittet.

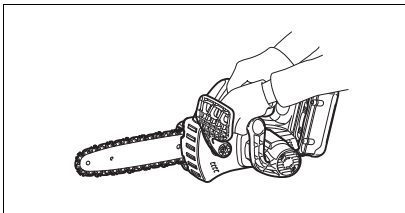
Spidskontakt kan i visse tilfælde forårsage en pludselig baglæns reaktion, hvorved sværdet trykkes op og tilbage mod operatøren.

Hvis savkæden klemmes fast langs sværdets over-side, kan sværdet blive presset hurtigt tilbage mod operatøren.

Begge disse reaktioner kan bevirke, at De mister herredømmet over saven, hvilket kan resultere i alvorlig tilskadekomst. Stol ikke udelukkende på de sikkerhedsanordninger, som er indbygget i saven. Som bruger af en kædesav, bør De tage adskillige forholdsregler for at forhindre, at ulykker og tilskadekomst opstår under skærearbejdet.

Tilbageslag er et resultat af misbrug og/eller forkert anvendelse af saven eller ukorrekte forhold og kan undgås ved at de herunder anviste sikkerhedsforskrifter overholdes:

- Hold godt fast i kædesaven med tommelfingre og de andre fingre omkring savens håndtag og med begge hænder på saven, således at tilbageslag modvirkes. Tilbageslag kan forhindres af operatøren, hvis de rigtige forholdsregler tages. Slip ikke kædesaven.



- **Ræk ikke over og skær ikke over skulderhøjde.** Dette bidrager til at forebygge utilsigtet spidskontakt og muliggør en bedre beherskelse af kædesaven i uventede situationer.
 - **Anvend udelukkende udskiftningsværld og -kæder, som er specificeret af fabrikanten.** Forkerte udskiftningsværld og udskiftningskæder kan medføre brud på kæden og/eller tilbageslag.
 - **Følg fabrikantens anvisninger for skærpelse og vedligeholdelse af savkæden.** Mindskning af dybdemålerhøjden kan føre til øget tilbageslag.
15. **Start ikke kædesaven med kædedækslet monteret.** Hvis kædesaven startes med kædedækslet monteret, kan det bevirke, at kædedækslet slynges fremad med personskaade og skade på genstande omkring operatøren som resultat.

GEM DISSE FORSKRIFTER.

⚠ ADVARSEL:

LAD IKKE bekvemmelighed eller kendskab til produktet (opnået gennem gentagen brug) forhindre, at sikkerhedsforskrifterne for produktet nøje overholdes. MISBRUG eller forsømmelse af at følge de i denne brugsvejledning givne sikkerhedsforskrifter kan føre til, at De kommer alvorligt til skade.

ENC007-4

VIKTIGE SIKKEHEDSFORSKRIFTER

FOR AKKU

1. Læs alle instruktioner og advarselmærkater på (1) akku opladeren, (2) akku og (3) produktet, som anvender akku.
2. Lad være med at skille batteripatronen ad.
3. Hold straks op med at anvende opladeren, hvis brugstiden er blevet stærkt afkortet. Fortsat anvendelse kan resultere i risiko for overophedning, forbrændinger og endog eksplosion.

4. Hvis du har fået elektrolytvæske i øjnene, skal du straks skylle den ud med rent vand og derefter øjeblikkeligt søge lægehjælp. I modsat fald kan resultatet blive, at du mister synet.
5. Vær påpasselig med ikke at komme til at kortslutte akkuen:
 - (1) Rør ikke ved terminalerne med noget ledende materiale.
 - (2) Undgå at opbevare akkuen i en beholder sammen med andre genstande af metal, som for eksempel søm, mønter og lignende.
 - (3) Udsæt ikke akkuen for vand eller regn. Kortslutning af akkuen kan være årsag til en kraftig øgning af strømmen, overophedning, mulige forbrændinger og endog maskinstop.
6. Opbevar ikke værktøj og akkuen på et sted, hvor temperaturen kan nå eller overstige 50°C.
7. Lad være med at brænde akkuen, selv ikke i tilfælde, hvor det har lidt alvorlig skade eller er fuldstændig udtjent. Akkuen kan eksplodere, hvis man forsøger at brænde den.
8. Lad være med at brænde akkuen eller udsætte det for stød.
9. Anvend ikke et akku, der er blevet tabt eller udsat for stød.

GEM DENNE BRUGSANVISNING.

Tips til opnåelse af maksimal akku-levetid

1. Oplad altid akkuen, inden den er helt afladet. Stop altid værktøj og oplad akkuen, hvis det bemærkes, at maskineffekten er dalende.
2. Genoplad aldrig en fuldt opladet akku. Overopladning vil afkorte akkuens levetid.
3. Oplad akkuen ved stuetemperatur ved 10°C – 40°C. Lad altid en varm akku få tid til at køle af, inden den oplades.

FUNKTIONSBESKRIVELSE

⚠ FORSIGTIG:

- Sørg altid for at værktøjet er slukket, og at akkuen er taget ud, før der udføres justering eller kontrol af funktioner på værktøj.

Montering og afmontering af akku (Fig. 1)

⚠ FORSIGTIG:

- Hold godt fast i maskinen og akkuen, når akkuen installeres eller fjernes. Forsømmelse af at holde godt fast i maskinen og akkuen kan bevirke, at de glider ud af hænderne på Dem, hvilket kan resultere i beskadigelse af maskinen og akkuen samt personskade.
- Kontrollér altid at værktøj er slået fra før akkuen monteres eller afmonteres.
- Akkuen fjernes ved at man trækker den ud af værktøjet, mens man skyder knappen foran på akkuen i stilling.
- Isæt akkuen ved at rette dens tunge ind efter rillen i huset. Skyd derefter akkuen helt ind, til den låser på plads med et lille klik. Hvis den røde del på oversiden af knappen er synlig, er akkuen ikke låst korrekt. Skyd akkuen helt ind, indtil den røde del ikke er synlig. Hvis akkuen ikke sættes i på denne måde, kan den ved et uheld falde ud af værktøjet, og eventuelt forvolde personskade på Dem selv eller andre.
- Brug aldrig magt når akkuen sættes i. Hvis ikke akkuen glider i uden besvær, er det fordi den vender forkert.

Akku-beskyttelsessystem

Akkuen er udstyret med et beskyttelsessystem, som automatisk afbryder output-strømmen, hvorved akkuens levetid forlænges.

Maskinen kan stoppe under anvendelsen, hvis maskinen og/eller akkuen anbringes i den følgende situation. Dette skyldes aktivering af beskyttelsessystemet og betyder ikke, at der er noget i vejen med maskinen.

- Hvis maskinen er overbelastet:

Frigrør på dette tidspunkt afbryderknappen og eliminer årsagen til overbelastningen og træk derefter afbryderknappen igen for at starte igen. Hvis maskinen ikke fungerer, efter at afbryderknappen er trukket, betyder det, at akkuens auto-stopfunktion stadig er aktiveret. Oplad akkuen inden brugen.

- Når den tilbageværende akku-kapacitet er blevet lav: Genoplad akkuen.

Afbryderknappbetjening (Fig. 2)

⚠ FORSIGTIG:

- Før akkuen sættes i værktøjet, bør De altid kontrollere, at afbryderknappen fungerer korrekt og returnerer til "OFF" positionen, når den slippes.

For at forhindre utilsigtet indtrykning af afbryderknappen er værktøj forsynet med en låseknop.

For at starte værktøjet trykkes låseknappen ind, hvorefter der trykkes på afbryderknappen. Slip afbryderknappen for at standse.

Kontrol af kædebremsen (Fig. 3)

BEMÆRK:

- Hvis kædesaven ikke starter, skal kædebremsen udløses. Træk frontkappen godt bagud, indtil det mærkes, at den er i indgreb.

Hold kædesaven med begge hænder, når De starter den. Hold det øverste håndtag med højre hånd og det forreste håndtag med venstre hånd. Sværdet og kæden må ikke være i berøring med nogen genstand.

Tryk først på låseknappen efterfulgt af afbryderknappen. Savkæden starter øjeblikkeligt.

Tryk frontkappen fremad med håndryggen. Savkæden skal stoppe umiddelbart.

⚠ FORSIGTIG:

- Hvis savkæden ikke stopper umiddelbart, når denne test udføres, må saven ikke under nogen omstændigheder anvendes. Rådfør Dem med en DOLMAR-forretning, der er specialist i reparationer.

Kontrol af stopbremsen

Tænd for kædesaven.

Frigrør afbryderknappen helt. Savkæden skal være helt stoppet inden for et sekund.

⚠ FORSIGTIG:

- Hvis savkæden ikke er helt stoppet inden for et sekund, når denne test udføres, må saven ikke anvendes. Rådfør Dem med en DOLMAR-forretning, der er specialist i reparationer.

Justering af kædesmøringen (Fig. 4)

Det er muligt at justere pumpens fremføringsforhold med justeringsskruen. Mængden af olie kan justeres med universalnøglen.

Karabinhage (fastgørelsespunkt til reb) (Fig. 5)

Karabinhage (fastgørelsespunkt til reb) anvendes til ophængning af værktøj. Inden karabinhagen tages i brug, skal den trækkes ud og bindes med et reb.

SAMLING

⚠ FORSIGTIG:

- Sørg altid for at maskinen er slukket, og at akkuen er taget ud, før der udføres noget arbejde på maskinen.

Montering og afmontering af savkæde

⚠ FORSIGTIG:

- Kontrollér altid, at værktøjet er slået fra, og at akkuen er fjernet, før De monterer eller afmonterer savkæden.
- Bær altid beskyttelseshandsker, når De monterer eller afmonterer savkæden.

1. For at fjerne savkæden, skal man skyde armen en smule i pilens retning, så den kan frigøres fra den låste stilling, og derefter flytte armen til opret stilling som vist på illustrationen. (Fig. 6)
2. Tryk på armen og drej den, med armen trykket ind, mod uret for at løsne møtrikken, indtil kædehjulsdækslet går af. (Indtrykning af armen fører til, at den passer ind i møtrikken). (Fig. 7)
3. Drej justeringsdrejknappen mod uret for at udløse savkædens spænding.
4. Tag kædehjulsdækslet af.
5. Fjern savkæden og sværdet fra kædesaven.
6. Savkæden monteres ved at man anbringer den ene ende af den øverst på sværdet og den anden ende af den omkring kædehjulet. (Fig. 8)

Anbring på dette tidspunkt savkæden som vist på illustrationen, da den roterer i retningen vist med pilen.

7. Anbring sværdet på plads på kædesaven.
8. Drej justeringsdrejknappen mod uret for at flytte justeringsspinden i pilens retning. (Fig. 9)
9. Anbring kædehjulsdækslet på kædesaven, således at justeringsspinden er placeret i et lille hul i sværdet. (Fig. 10)
10. Tryk armen ind og, med armen trykket ind, strammes møtrikken ved at dreje armen hele vejen i retningen med uret. Udfør derefter en kvart omdrejning i retningen mod uret for at løsne møtrikken en smule. (Fig. 11)

Indstilling af savkædens spænding

Savkæden kan blive løs efter mange timers brug. Kontrollér fra tid til anden savkædens spænding inden brug. (Fig. 12)

Flyt armen til den oprette stilling.

Tryk armen ind. Udfør, med armen trykket ind, en kvart omdrejning mod uret for at løsne møtrikken en smule. (Indtrykning af armen fører til, at den passer ind i møtrikken). (Fig. 13)

Drej justeringsdrejknappen for at justere savkædens spænding. Tag fat i savkæden midt på sværdet og løft op. Mellemrummet mellem sværdet og forbindelsesledet skal være cirka 2 – 4 mm. Hvis mellemrummet ikke er cirka 2 – 4 mm, skal De dreje en smule på drejknappen, der fastgør sværdet. Justér på dette tidspunkt med spidsen på sværdet pegende en smule opad. (Fig. 14)

Med armen trykket ind, drejes den hele vejen med uret for at stramme møtrikken godt. (Fig. 15)

Sæt armen tilbage til dens udgangsstilling. (Fig. 16)

⚠ FORSIGTIG:

- Ekstrem høj spænding på savkæden kan bevirke, at den brækker, at sværdet nedslides og at justeringsdrejknappen brækker.
- Installation og aftagning af savkæden bør udføres på et ryddeligt sted, sov er fri for savsmuld og lignende.

ANVENDELSE

Smøring (Fig. 17)

Savkæden smøres automatisk, når værktøjet er i brug. Kontroller mængden af tilbageværende olie i olietanken gennem olieinspektionsruden.

For at fylde tanken op, skal man tage hættten af olietankåbningen. Olietankens kapacitet er 80 ml.

Når tanken er fyldt op, skal man altid skrue den medfølgende olietankhætte på kædesaven.

⚠ FORSIGTIG:

- Når kædesaven for første gang fyldes op med kædeolie, eller tanken fyldes op igen, efter at den er blevet helt tom, skal der påfyldes olie op til bundkanten af påfyldningsstudsene. Hvis dette ikke gøres, kan oliefor-syningen blive mangelfuld.
- Mht. savkædeolie, skal der udelukkende anvendes olie beregnet til DOLMAR-kædesave eller olie, som fås i handelen.
- Anvend aldrig olie, som indeholder snavs og partikler eller flygtig olie.
- Ved beskæring af træer skal der anvendes planteolie. Anvendelse af mineralsk olie kan skade træerne.
- Pres aldrig kædesaven under beskæring af træer.
- Bekræft, inden skæringen påbegyndes, at den medfølgende olietankhætte er skruet på plads.

Hold kædesaven væk fra træet. Start den og vent, indtil smøremidlet på savkæden er tilstrækkeligt.

Bring den nedre del af sværdet i kontakt med den gren, som skal skæres, inden De tænder for saven. Skæring uden at den nedre del af sværdet er i kontakt med grenen, kan bevirke, at sværdet kaster sig med tilskade-komst af operatøren som resultat.

Sav i det træ, der skal skæres, ved blot at føre saven nedad. (Fig. 18)

ARBEJDE MED KÆDESAVEN

Førstegangsbrugeren bør i det mindste øve sig på at skære bjælker på en savbuk eller et stativ.

Beskæring af træer

⚠ FORSIGTIG:

- Hold alle kropsdeler væk fra savkæden, når motoren er i gang.
- Hold fast på kædesaven med begge hænder, når motoren kører.
- Stræk ikke armene for langt ud. Sørg hele tiden for sikkert fodfæste og balance.

Bring den nedre del af sværdet i kontakt med den gren, som skal skæres, inden De tænder for saven. Hvis man skærer uden at bringe den nedre del af sværdet i kontakt med grenen, kan dette bevirke, at sværdet kaster sig med tilskadekomst af operatøren som resultat. (Fig. 19)

Når der saves tykke grene, skal der først laves en lille undersavning, hvorefter der færdigsaves ovenfra. (Fig. 20)

Hvis man forsøger at save tykke grene nedenfra, kan grenen brække nedad og klemme fast om savkæden. Hvis man forsøger at save tykke grene ovenfra uden at lave en lille undersavning, vil grenen flække. (Fig. 21)

Hvis man ikke kan save igennem emnet i et snit:

Sav med et let tryk samtidig med at kædesaven trækkes lidt tilbage, sværdspidsen skærer sig lidt nedad og snittet færdiggøres ved at håndtaget løftes opad. (Fig. 22)

Skæring i træstammer

Ved skæring i træstammer placeres den takkede kant på det træ, der skal skæres i, som vist på illustrationen. (Fig. 23)

Lad savkæden køre og sav ned i træet, idet De benytter det øverste håndtag til at til at løfte saven og det forreste til at styre det.

Brug den takkede kant som omdrejningspunkt.

Fortsæt snittet ved at trykke let på det forreste håndtag og trække saven let tilbage. Flyt den takkede kant længere ned ad tommeret og løft det forreste håndtag igen.

Sluk for saven mellem snittene, hvis De laver flere snit.

⚠ FORSIGTIG:

- Hvis den øverste kant af sværdet bruges til at skære, kan kædesaven blive slynget mod Dem, hvis kæden kommer i klemme. Skær derfor med den nederste kant, så saven i givet fald slynges væk fra Dem. (Fig. 24)

Ved savning i træ, der ligger i spænd, skal der først saves på tryksiden (A).

Foretag derefter det sidste snit på spændsiden (B). Dette forhindrer at sværdet kommer i klemme. (Fig. 25)

Afgrening

⚠ FORSIGTIG:

- Afgrening må kun udføres af trænede personer. Risikoen for tilbageslag udgør en fare.

Ved afgrening skal kædesaven så vidt muligt understøttes på stammen. Sav ikke med spidsen af sværdet.

Vær især opmærksom på grene, der ligger i spænd. Sav ikke grene, der ikke er understøttet, nedefra.

Stå ikke på det fældede træ, mens De afgrener.

Indsnit og savning på langs af træårene

⚠ FORSIGTIG:

- Indsnit og savning på langs af træårene må kun udføres af personer med specialtræning. Muligheden for tilbageslag medfører risiko for tilskadekomst.

Udfør savning på langs af årene i en så lille vinkel som muligt. Udfør snittet så forsigtigt som muligt, da den takkede kant ikke kan benyttes. (Fig. 26)

Fældning

⚠ FORSIGTIG:

- Fældningsarbejde må kun udføres af øvede personer. Dette arbejde er farligt.

Vær opmærksom på den lokale lovgivning, hvis De vil fælde et træ.

- For De påbegynder fældningsarbejde, skal De sikre Dem at: (Fig. 27)

- (1) Kun personer, der har med fældningsarbejdet at gøre, er i nærheden,
- (2) Alle involverede personer har en uhindret flugtvej i et område på ca. 45° på hver side af fældningsaksen. Vær desuden opmærksom på risikoen for at snuble over elektriske ledninger.

(3) Foden af træstubben er fri for fremmedlegemer, rødder og grene.

(4) Der ikke er nogen personer eller genstande i en afstand på 2 1/2 gange træets længde i den retning, træet vil falde i.

- Vær opmærksom på følgende for hvert træ:

- Den retning, det hælder i.
- Løse eller tørre grene.
- Træets højde.
- Naturlige fremspring.
- Om træet er råddent.

- Vær opmærksom på vindstyrken og -retningen. Undlad at udføre fældningsarbejde, hvis der er kraftige vindstød.

- Beskæring af rodfremspring: Begynd med de største fremspring. Udfør det lodrette snit først og derefter det vandrette snit. (Fig. 28)

- Skær et vinkelret snit: Vinkelsnittet bestemmer, hvilken retning træet falder i, og fører det. Snittet foretages på den side, som træet skal falde til. Skær vinkelsnittet så tæt på jorden som muligt. Skær først det vandrette snit til en dybde af 1/5 – 1/3 af stammens diameter. Lav ikke vinkelsnittet for stort. Skær derefter det skrå snit.

- Skær alle korrektioner af vinkelsnittet i hele dets bredde.

- Skær bagsnittet lidt højere end grundsnittet i vinkelsnittet. Bagsnittet skal være helt vandret. Lad cirka 1/10 af stammens diameter mellem bagsnittet og vinkelsnittet være.

Træfibrene i den uskærne del af stammen fungerer som et hængsel. De må under ingen omstændigheder gennemskære fibrene, da træet i så fald vil falde ukontrolleret. Sæt kiler ind i bagsnittet i tide. (Fig. 29)

- Der må kun anvendes plastic- og aluminiumskiler til at holde bagsnittet åbent. Brug af jernkiler er forbudt.

- Stå til siden af det fældende træ. Hold et område bag det fældende træ ryddet på op til 45° til hver side af træets akse (se illustrationen "fældningsområde" (Fig. 27)). Vær opmærksom på fældende grene.

- En flugtvej bør forberedes og ryddes efter behov, inden arbejdet påbegyndes. Flugtvejen bør strække sig bagud og diagonalt til bagsiden af den forventede faldlinje som vist på illustrationen. (Fig. 30)

Når saven skal bæres (Fig. 31)

Fjern altid akkuen og dæk sværdet med skeden, før værktøj bæres. Tildæk også akkuen med akkudækslet.

VEDLIGEHODELSE

⚠ FORSIGTIG:

- Sørg altid for at værktøj er slukket, og at akkuen er taget ud, før der udføres eftersyn eller vedligeholdelse på værktøj.
- Bær altid beskyttelseshandsker, når der udføres eftersyn eller vedligeholdelse.
- Anvend aldrig benzin, rensbenzin, fortynder, alkohol og lignende. Resultatet kan blive misfarvning, deformation eller revner.

Skærpning af savkæden

⚠ FORSIGTIG:

- Tag altid akkuen ud og brug sikkerhedshandsker, når De udfører arbejde på savkæden.

Skærp savkæden, hvis:

- Der frembringes melet savsmuld, når der skæres i fugtigt træ;
- Kæden kun gennemskærer træet med besvær, selv hvis der anvendes et kraftigt tryk;
- Skærekanten er klart ødelagt;
- Saven trækker til venstre eller højre i træet. Årsagen til dette fænomen er uensartet skærping af savkæden eller beskadigelse af kun den ene side. (Fig. 32)

Skærp savkæden hyppigt, men fjern kun en smule materiale hver gang.

To eller tre strøg med en fil er sædvanligvis tilstrækkeligt til at udføre en almindelig skærping. Når savkæden er blevet skærpet adskillige gange, skal den skærpes af en DOLMAR-butik med speciale i reparationer.

Fil og korrekt anvendelse af fil

- Anvend en speciel rund fil (ekstraudstyr medfølger ikke) til savkæder med en diameter på 4 mm til at skærpe kæden. Almindelige runde filer er ikke egnede.
- Filen bør kun være i kontakt med materialet ved fremadstrøget. Hæv filen fra materialet ved returstrøget.
- Skærp det korteste skærende led først. Længden af dette skærende led er så måledimensionen for alle andre skærende led på savkæden.
- Før filen som vist på illustrationen. (Fig. 33)
- Det er nemmere at føre filen, hvis en filholder (medfølgende udstyr) anvendes. Filholderen har afmærkninger til den korrekte skærpningsvinkel på 30° (sæt afmærkningerne parallelt med savkæden) og begrænser dybden af gennemskæringen (til 4/5 af fildiameteren).

Før filen som vist på illustrationen. (Fig. 34)

- Kontroller, når kæden er skærpet, højden af dybdemåleren ved hjælp af kædemålerværktøjet (ekstraudstyr medfølger ikke).
- Fjern alt fremspringende materiale, hvor småt det end måtte være, ved hjælp af en speciel flad fil (ekstraudstyr medfølger ikke).
- Afrund forsiden af dybdemåleren igen.
- Skyl snavs og partikler bort fra savkæden, når dybdemålerens højde er indstillet.

Rengøring af sværd (Fig. 35)

Spåner og savsmuld samler sig i sværdrillen, tilstopper den og vanskeliggør oliestrømningen. Fjern altid spåner og savsmuld, når savkæden hvæsses eller udskiftes.

Rengøring af olieudløbshullet

Små støv- og andre partikler kan samle sig i olieudløbshullet under arbejdet.

Små støv- og andre partikler, som får lov til at samle sig i olieudløbshullet, kan forringe olieudløbsstrømmen og medføre en utilstrækkelig smøring af hele savkæden.

Rengør olieudløbshullet som vist herunder, hvis oliestrømmen er for svag ved toppen af sværdet.

Tag akkuen ud af værktøjet.

Fjern kædehjulsdækslet og savkæden fra værktøjet. (Se ansnittet "Montering og afmontering af savkæde").

Fjern alle mindre støvpartikler med en skruetrækker med kærvspids med et smalt skaft eller lignende. (Fig. 36)

Sæt akkuen i værktøjet.

Tryk på afbryderknappen for at fjerne akkumulerede støv- og andre partikler bort fra olieudløbshullet ved at lade kædeolie flyde ud. (Fig. 37)

Tag akkuen ud af værktøjet.

Monter kædehjulsdækslet og savkæden på værktøjet igen.

Udskiftning af kædehjulet (Fig. 38 og 39)

Kontroller kædehjulets tilstand, inden en ny savkæde monteres.

⚠ FORSIGTIG:

- Et udtjent kædehjul vil beskadige en ny savkæde. I sådant et tilfælde skal kædehjulet skiftes ud med et nyt. Kædehjulet skal monteres således, at det altid vender som vist på illustrationen.

Sæt altid den nye låsering på, når kædehjulet skiftes ud.

Udskiftning af kul (Fig. 40 og 41)

Udtag og efterse kullene med regelmæssige mellemrum. Udskift kullene, når de er slidt ned til slidmarkeringen. Hold kullene rene og i stand til frit at glide ind i holderne. Begge kul skal udskiftes parvist samtidigt. Anvend kun identiske kulbørster.

Benyt en skruetrækker til at afmontere kulholderdækslerne. Tag de slidte kul ud, isæt de nye og fastgør derefter kulholderdækslerne.

Opbevaring af værktøj

Rengør værktøjet, inden den lægges til opbevaring. Fjern alle savspåner fra værktøjet, efter at kædehjulsdækslet er taget af. Når værktøjet er rengjort, skal den køres uden belastning for at smøre savkæden og sværdet.

Dæk sværdet med skeden.

Fjern olie fra olietanken for at tømme den, og anbring kædesaven.

For at opretholde produktets SIKKERHED og PÅLIDELIGHED, må istandsættelse, vedligeholdelse eller justering kun udføres af et autoriseret DOLMAR Servicecenter.

TILBEHØR

⚠ FORSIGTIG:

- Det følgende tilbehør og ekstraudstyr er anbefalet til brug med Deres DOLMAR maskine, der er beskrevet i denne brugsanvisning. Anvendelse af andet tilbehør eller ekstraudstyr kan udgøre en risiko for personskade. Anvend kun tilbehør og ekstraudstyr til det beskrevne formål.

Hvis De har behov for yderligere detaljer om dette tilbehør, bedes De kontakte Deres lokale DOLMAR Servicecenter.

- Forskellige typer originale DOLMAR-akkuer og opladere
- Savkæde
- Skede
- Komplet sværd
- Fil
- Værktøjspose

Lyd

Det typiske A-vægtede støjniveau bestemt i overensstemmelse med EN60745:

Lydtryksniveau (L_{pA}): 87,3 dB (A)

Lydeffektniveau (L_{WA}): 95,3 dB (A)

Usikkerhed (K): 3,0 dB (A)

Bær høreværn

ENG221-2

Vibration

Vibrations totalværdi (tre-aksial vektorsum) bestemt i overensstemmelse med EN60745:

Arbejdsformål : skæring af træ

Vibrationsafgivelse (a_h): 7,0 m/s²

Usikkerhed (K): 1,6 m/s²

ENG901-1

- Den angivne vibrationsemissionsværdi er blevet målt i overensstemmelse med standardtestmetoden og kan anvendes til at sammenligne en maskine med en anden.
- Den angivne vibrationsemissionsværdi kan også anvendes i en preliminær eksponeringsvurdering.

⚠ ADVARSEL:

- Vibrationsemissionen under den faktiske anvendelse af maskinen kan være forskellig fra den erklærede emissionsværdi, afhængigt af den måde, hvorpå maskinen anvendes.
- Sørg for at identificere de sikkerhedsforskrifter til beskyttelse af operatøren, som er baseret på en vurdering af eksponering under de faktiske brugsforhold (med hensyntagen til alle dele i brugscyklen, som f.eks. de gange, hvor maskinen er slukket og når den kører i tomgang i tilgift til afbrydertiden).

Kun for lande i Europa**EU-konformitetserklæring**

Undertegnede Tamiro Kishima og Rainer Bergfeld, som autoriseret af Dolmar GmbH, erklærer at DOLMAR maskinen (maskinerne):

Maskinens betegnelse:

Akku-kædesav

Model nr./Type: AS-3625

Specifikationer: Se oversigten "SPECIFIKATIONER"

er i serieproduktion og

opfylder betingelserne i de følgende EU-direktiver:

2000/14/EC, 2006/42/EC

og er fremstillet i overensstemmelse med de følgende standarder eller standardiserede dokumenter:

EN60745

EC-undersøgelsens certifikatnr. 3400780.01CE

EC-typeundersøgelsen pr. 2006/42/EC er foretaget af:

KEMA Quality GmbH

Enderstraße 92b

01277 Dresden

Tyskland

Identifikation nr. 2140

Den tekniske information opbevares hos:

Dolmar GmbH,

Jenfelder Straße 38, Abteilung FZ,


D-22045 Hamburg

Den procedure for konformitetsfastsættelse, som kræves i Direktiv 2000/14/EC, er fundet i overensstemmelse med tillæg V.

Målt lydbelastningsniveau: 95,2 dB

Garanteret lydbelastningsniveau: 98,0 dB

12.05.2010



Tamiro Kishima
Administrerende direktør



Rainer Bergfeld
Administrerende direktør

Περιγραφή γενικής άποψης

1 Κόκκινο τμήμα	16 Καντράν ρύθμισης	30 Κάτω οδηγό
2 Πλήκτρο	17 Οδοντωτός τροχός	31 Περιοχή υλοτόμησης
3 Κασετίνα μπαταρίας	18 Πείρος ρύθμισης	32 Κατευθυνση υλοτόμησης
4 Πλήκτρο ασφάλειας	19 Μικρή οπή	33 Ζώνη κινδύνου
5 Σκανδάλη διακόπτης	20 Σφίξτε	34 Διαδρομή διαφυγής
6 Μπροστινός προφυλακτήρας χεριών	21 Μοχλός	35 Θήκη (κάλυμμα αλυσίδας)
7 Ασφάλιση	22 Χαμηλό	36 Διαδρομή της λιάμας προς τα εμπρός
8 Απασφάλιση	23 Υψηλό	37 1/5 της διαμέτρου της λιάμας
9 Βίδα ρύθμισης	24 Κατευθυντήρια λάμα	38 Σκόνη ή μικρά σωματίδια
10 Carabiner (σημείο πρόσδεσης σχοινιού)	25 Αλυσίδα πριονιού	39 Κατσαβίδι με ίσια μύτη (συνθησιμένο κατσαβίδι)
11 Σύρετε ελαφρά	26 Πώμα του δοχείου ελαίου	40 Ασφαλιστικός δακτύλιος
12 Μετακινήστε στην όρθια θέση	27 Άνοιγμα δοχείου ελαίου	41 Σημάδι ορίου
13 Πιέστε μέσα	28 Παράθυρο ελέγχου στάθμης ελαίου (για επαναπλήρωση του δοχείου με λάδι)	42 Καπάκι θήκης ψήκτρας
14 Ξεσφίξτε	29 Παράθυρο ελέγχου στάθμης ελαίου	43 Κατσαβίδι
15 Κάλυμμα οδοντωτού τροχού		

ΤΕΧΝΙΚΑ ΧΑΡΑΚΤΗΡΙΣΤΙΚΑ

Μοντέλο		AS-3625	
Ταχύτητα χωρίς φορτίο		8,3 m/s (500 μ.λ.)	
Μήκος κατευθυντήριας λάμας		250 χιλ	
Τύπος κατευθυντήριας λάμας		Λάμα πίεσης με οδοντωτό τροχό	Λάμα υλοτόμησης
Αλυσίδα πριονιού	Τύπος	91VG	25AP
	Βήμα	3/8"	1/4"
	Αρ. κινητήριων συνδέσμων	40	60
Αριθμός δοντιών		6	9
Συνολικό μήκος		576 χιλ	589 χιλ
Καθαρό Βάρος		4,5 κιλά	
Εξοδος		D.C. 36 V	

• Βάρος, με κασέτα μπαταρίας, σύμφωνα με τη διαδικασία EPTA 01/2003

ENE031-1

Προοριζόμενη ρήση

Το εργαλείο προορίζεται για την κοπή οικοδομικής ξυλείας και ακατέργαστων κορμών.

GEA010-1

Γενικές προειδοποιήσεις ασφαλείας για το ηλεκτρικό εργαλείο

⚠️ ΠΡΟΕΙΔΟΠΟΙΗΣΗ Διαβάστε όλες τις προειδοποιήσεις ασφαλείας και όλες τις οδηγίες. Η μη τήρηση των προειδοποιήσεων και οδηγιών ενδέχεται να καταλήξει σε ηλεκτροπληξία, πυρκαγιά ή/και σοβαρό τραυματισμό.

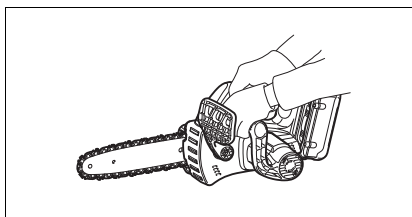
Φυλάξτε όλες τις προειδοποιήσεις και τις οδηγίες για μελλοντική παραπομπή.

GEB071-5

ΑΛΥΣΟΠΡΙΟΝΟ ΜΠΑΤΑΡΙΑΣ ΠΡΟΕΙΔΟΠΟΙΗΣΕΙΣ ΑΣΦΑΛΕΙΑΣ:

- 1. Να φροντίζετε ώστε όλα τα μέρη του σώματος να βρίσκονται σε απόσταση από την αλυσίδα πριονιού, όταν το αλυσοπρίονο λειτουργεί. Πριν από την εκκίνηση του αλυσοπρίονου, βεβαιωθείτε ότι η αλυσίδα πριονιού δεν έρχεται σε επαφή με οτιδήποτε. Μια στιγμή απροσεξίας στη διάρκεια χειρισμού ενός αλυσοπρίονου αρκεί για να προκαλέσει εμπλοκή της αλυσίδας πριονιού σε μέρος του ρουχισμού ή του σώματος.**
- 2. Να κρατάτε πάντα το αλυσοπρίονο με το δεξί χέρι σας στην πίσω λαβή και το αριστερό χέρι σας στη μπροστινή λαβή. Σε περίπτωση κρατήματος του αλυσοπρίονου με αντίστροφο σχηματισμό χεριών αυξάνει ο κίνδυνος προσωπικού τραυματισμού και δεν θα πρέπει να χρησιμοποιείται ποτέ.**

3. **Κρατήστε το ηλεκτρικό εργαλείο μόνον από τις μονωμένες επιφάνειες συγκράτησης, επειδή ενδέχεται η αλυσίδα πριονιού να έλθει σε επαφή με κρυφές καλωδιώσεις.** Σε περίπτωση επαφής της αλυσίδας κοπής με “ηλεκτροφόρο” καλώδιο, τα εκτεθειμένα μεταλλικά εξαρτήματα του ηλεκτρικού εργαλείου ενδέχεται να καταστούν τα ίδια “ηλεκτροφόρα” και να προκαλέσουν ηλεκτροπληξία στον χειριστή.
4. **Να φοράτε γυαλιά ασφαλείας και προστατευτικά ακοής. Συνιστάται η χρήση περαιτέρω εξοπλισμού προστασίας κεφαλής, χεριών, κνημών και πελμάτων.** Ο επαρκής ρουχισμός προστασίας μειώνει τον κίνδυνο προσωπικού τραυματισμού λόγω εκτινασόμενων θραυσμάτων ή τυχαίας επαφής με την αλυσίδα πριονιού.
5. Πριν από την έναρξη της εργασίας, βεβαιωθείτε ότι το αλυσοπρίονο είναι σε καλή κατάσταση λειτουργίας και ότι η κατάσταση του συμμορφώνεται με τους κανονισμούς ασφαλείας. Συγκεκριμένα, ελέγξτε τα εξής:
 - Το φρένο της αλυσίδας λειτουργεί κατάλληλα.
 - Το φρένο ανάσχεσης περιστροφής ηλεκτροκινητήρα λειτουργεί κατάλληλα.
 - Το κάλυμμα της λάμας και το κάλυμμα οδοντωτού τροχού έχει τοποθετηθεί κατάλληλα.
 - Η αλυσίδα έχει ακονιστεί και τετνωθεί σύμφωνα με τους κανονισμούς.
6. **Να μην χρησιμοποιείτε το αλυσοπρίονο ενώ βρίσκεστε μέσα σε ένα δέντρο.** Η χρήση του αλυσοπρίονου ενώ βρίσκεστε πάνω σε ένα δέντρο ενδέχεται να καταλήξει σε προσωπικό τραυματισμό.
7. **Να στηρίζετε πάντα σταθερά στα πόδια σας και να χειρίζεστε το αλυσοπρίονο μόνον όταν στέκεστε σε σταθερή, ασφαλή και επίπεδη επιφάνεια.** Οι ολισθηρές ή ασταθείς επιφάνειες όπως οι φορητές σκάλες, ενδέχεται να προκαλέσουν απώλεια ισορροπίας ή ελέγχου του αλυσοπρίονου.
8. **Κατά την κοπή κλαδιού που είναι τετνωμένο, να είστε προσεκτικοί σε περίπτωση εκτίναξης προς τα πίσω.** Κατά την απελευθέρωση της έντασης στις ίνες του ξύλου, το κλαδί που βρίσκεται υπό ένταση ενδέχεται να χτυπήσει το χειριστή ή/και να προκαλέσει απώλεια ελέγχου του αλυσοπρίονου.
9. **Να είστε εξαιρετικά προσεκτικοί κατά την κοπή χαμόδεντρων και δενδρύλλιων.** Το λεπτό υλικό ενδέχεται να σκαλώσει στην αλυσίδα πριονιού και να εκτιναχθεί προς το μέρος σας ή να προκαλέσει απώλεια της ισορροπίας σας.
10. **Να μεταφέρετε το αλυσοπρίονο κρατώντας το από τη μπροστινή λαβή και μακριά από το σώμα σας, όταν βρίσκεται εκτός λειτουργίας. Κατά τη μεταφορά ή φύλαξη του αλυσοπρίονου, να τοποθετείτε πάντα το κάλυμμα της κατευθυντήριας λάμας.** Ο κατάλληλος χειρισμός του αλυσοπρίονου μειώνει την πιθανότητα τυχαίας επαφής με την κινούμενη αλυσίδα πριονιού.
11. **Να τηρούνται οι οδηγίες λίπανσης, τεντώματος της αλυσίδας και αλλαγής παρελκομένων.** Η Το ακατάλληλο τέντωμα ή λίπανση της αλυσίδας ενδέχεται να προκαλέσει θραύση της ή αυξημένη πιθανότητα ανάκρουσης (οπισθολάκτισμα).
12. **Να φροντίζετε ώστε οι λαβές να διατηρούνται στεγνές, καθαρές και χωρίς ίχνη ελαίου ή γράσου.** Οι λαβές με ίχνη γράσου ή ελαίου είναι ολισθηρές και προκαλούν απώλεια ελέγχου.
13. **Να κόβετε μόνο ξύλα. Να μη χρησιμοποιείτε το αλυσοπρίονο για σκοπούς για τους οποίους δεν προορίζεται. Για παράδειγμα: μη χρησιμοποιείτε το αλυσοπρίονο για την κοπή πλαστικών, τοιχοποιίας ή μη ξύλινων οικοδομικών υλικών.** Η χρήση του αλυσοπρίονου για σκοπούς διαφορετικούς από τους προβλεπόμενους θα μπορούσε να καταλήξει σε επικίνδυνη κατάσταση.
14. **Αίτια και πρόληψη ανάκρουσης (οπισθολάκτισμα) από το χειριστή:**
 Η ανάκρουση (οπισθολάκτισμα) ενδέχεται να προκληθεί, όταν η μύτη ή το άκρο της κατευθυντήριας λάμας ακουμπήσει σε ένα αντικείμενο, ή όταν τα δύο τεμάχια του ξύλου κλείσουν και προκαλέσουν σύσφιξη της αλυσίδας πριονιού μέσα στην τομή.
 Σε ορισμένες περιπτώσεις, η επαφή του άκρου ενδέχεται να προκαλέσει ξαφνική ανάστροφη αντίδραση, λακτίζοντας την κατευθυντήρια λάμα προς τα άνω και πίσω προς το μέρος του χειριστή.
 Η σύσφιξη της αλυσίδας πριονιού σε κάποιο σημείο του άνω μέρους της κατευθυντήριας λάμας ενδέχεται να ωθησει τη λάμα τάχιστα προς τα πίσω προς το μέρος του χειριστή.
 Οποιαδήποτε από αυτές τις αντιδράσεις ενδέχεται να προκαλέσει απώλεια ελέγχου του αλυσοπρίονου, πράγμα το οποίο θα μπορούσε να καταλήξει σε σοβαρό προσωπικό τραυματισμό. Μην επαφίεστε αποκλειστικά και μόνο στις ενσωματωμένες διατάξεις ασφαλείας του αλυσοπρίονου. Ως χειριστής αλυσοπρίονου, θα πρέπει να λαμβάνετε ορισμένα μέτρα ασφαλείας ώστε να προλαμβάνετε τυχόν ατυχήματα ή τραυματισμούς κατά την εργασία κοπής.
 Η ανάκρουση (οπισθολάκτισμα) είναι αποτέλεσμα κακής χρήσης ή/και εσφαλμένων διαδικασιών ή συνθηκών χειρισμού και είναι δυνατόν να αποφευχθεί λαμβάνοντας κατάλληλες προφυλάξεις, όπως περιγράφεται κατωτέρω:
 - Κρατήστε σταθερά, με τα δάχτυλα και τους αντίχειρες γύρω από τις λαβές του αλυσοπρίονου, με τα δύο χέρια πάνω στο αλυσοπρίονο και τοποθετήστε σώμα και βραχίονες έτσι ώστε να ασκείται αντίσταση στις δυνάμεις ανάκρουσης (οπισθολάκτισμα). Ο έλεγχος των δυνάμεων ανάκρουσης (οπισθολάκτισμα) από το χειριστή είναι εφικτός, εάν ληφθούν οι κατάλληλες προφυλάξεις. Μην επιτρέψτε να σας φύγει το αλυσοπρίονο.



- Μην εκτείνετε υπέρ του δέοντος και μην χειριζέστε κοπή πάνω από το ύψος των ώμων. Αυτό βοηθά στην αποφυγή ανεπιθύμητης επαφής του άκρου και διευκολύνει στον καλύτερο έλεγχο του αλυσοπριονίου σε μη αναμενόμενες καταστάσεις.
 - Να χρησιμοποιείτε μόνο λάμες και αλυσίδες αντικατάστασης που συνιστώνται από τον κατασκευαστή. Οι λάμες και αλυσίδες αντικατάστασης εσφαλμένου τύπου ενδέχεται να προκαλέσουν θραύση της αλυσίδας ή/και ανάκρουση (οπισθολάκτισμα).
 - Ακολουθήστε τις οδηγίες του κατασκευαστή για το τρόχισμα και τη συντήρηση της αλυσίδας πριονιού. Η μείωση του ύψους του ρυθμιστή του βάθους κοπής μπορεί να οδηγήσει σε αύξηση της ανάκρουσης (οπισθολάκτισμα).
15. Μην θέσετε το αλυσοπρίονο σε λειτουργία όταν το κάλυμμα της αλυσίδας δεν έχει αφαιρεθεί. Εάν θέσετε το αλυσοπρίονο σε λειτουργία όταν το κάλυμμα της αλυσίδας δεν έχει αφαιρεθεί, ενδέχεται να προκληθεί εκτίναξη του καλύμματος προς τα εμπρός με αποτέλεσμα τραυματισμό και την πρόκληση ζημίας σε αντικείμενα που βρίσκονται στο χώρο γύρω από το χειριστή.

ΦΥΛΑΞΤΕ ΤΙΣ ΟΔΗΓΙΕΣ ΑΥΤΕΣ.

⚠ ΠΡΟΕΙΔΟΠΟΙΗΣΗ:

ΜΗΝ επιτρέψετε το βαθμό άνεσης ή εξοικείωσης με το προϊόν (λόγω επανειλημμένης χρήσης) να αντικαταστήσει την αυστηρή τήρηση των κανόνων ασφαλείας του παρόντος εργαλείου. ΚΑΚΗ ΧΡΗΣΗ ή αμέλεια να ακολουθήσετε τους κανόνες ασφαλείας που διατυπώνονται σ'αυτό το εγχειρίδιο οδηγιών μπορεί να προκαλέσει σοβαρό προσωπικό τραυματισμό.

ENC007-4

ΣΗΜΑΝΤΙΚΕΣ ΟΔΗΓΙΕΣ ΑΣΦΑΛΕΙΑΣ

ΓΙΑ ΚΑΣΕΤΑ ΜΠΑΤΑΡΙΑΣ

1. Πριν χρησιμοποιήσετε την κασέτα μπαταρίας, διαβάστε όλες τις οδηγίες και σημειώσεις προφύλαξης (1) στον φορτιστή μπαταρίας, (2) στην μπαταρία και (3) στο προϊόν που χρησιμοποιεί την μπαταρία.
2. Μην αποσυναρμολογήσετε την κασέτα μπαταρίας.
3. Εάν ο χρόνος λειτουργίας έχει γίνει υπερβολικά βραχύς, σταματήστε την λειτουργία αμέσως. Αλλιώς, μπορεί να έχει ως αποτέλεσμα κίνδυνο υπερθέρμανσης, πιθανά εγκαύματα ή ακόμη και έκρηξη.

4. Εάν ηλεκτρολύτης μπει στα μάτια σας, ξεπλύνετε τα με καθαρό νερό και ζητήστε ιατρική φροντίδα αμέσως. Αλλιώς, μπορεί να έχει ως αποτέλεσμα απώλεια της όρασης σας.
5. Μην βραχυκυκλώνετε την κασέτα μπαταρίας:
 - (1) Μην αγγίζετε τους πόλους με οτιδήποτε αγώγιμο υλικό.
 - (2) Αποφεύγετε να αποθηκεύετε την κασέτα μπαταρίας μέσα σε ένα δοχείο μαζί με άλλα μεταλλικά αντικείμενα όπως καρφιά, νομίσματα, κλπ.
 - (3) Μην εκθέτε την κασέτα μπαταρίας στο νερό ή στη βροχή.Ενα βραχυκύκλωμα μπαταρίας μπορεί να προκαλέσει μεγάλη ροή ρεύματος, υπερθέρμανση, πιθανά εγκαύματα ακόμη και σοβαρή βλάβη.
6. Μην αποθηκεύετε το εργαλείο και την κασέτα μπαταρίας σε τοποθεσίες όπου η θερμοκρασία μπορεί να φτάσει ή να ξεπεράσει τους 50°C.
7. Μην καίτε την κασέτα μπαταρίας ακόμη και εάν έχει σοβαρή ζημιά ή είναι εντελώς φθαρμένη. Η κασέτα μπαταρίας μπορεί να εκραγεί στην φωτιά.
8. Προσέχετε να μη ρίξετε κάτω ή χτυπήσετε την μπαταρία.
9. Να μην χρησιμοποιείται μπαταρία που έχει υποστεί πτώση ή κτύπημα.

ΦΥΛΑΞΤΕ ΤΙΣ ΟΔΗΓΙΕΣ ΑΥΤΕΣ.

Συμβουλές για διατήρηση μέγιστης ζωής μπαταρίας

1. Φορτίζετε την κασέτα μπαταρίας πριν από την πλήρη αποφόρτιση της. Πάντοτε σταματάτε την λειτουργία του εργαλείου και φορτίζετε την κασέτα μπαταρίας όταν παρατηρείτε μειωμένη ισχύ εργαλείου.
2. Ποτέ μην επαναφορτίζετε μία πλήρως φορτισμένη κασέτα μπαταρίας. Υπερφόρτιση μειώνει την ωφέλιμη ζωή της μπαταρίας.
3. Φορτίζετε την κασέτα μπαταρίας σε θερμοκρασία δωματίου 10°C – 40°C. Αφήστε μία θερμή κασέτα μπαταρίας να κρυώσει πριν την φορτίσετε.

ΠΕΡΙΓΡΑΦΗ ΛΕΙΤΟΥΡΓΙΑΣ

⚠ ΠΡΟΣΟΧΗ:

• Πάντοτε βεβαιώνετε ότι το εργαλείο είναι σβηστό και η κασέτα μπαταρίας έχει αφαιρεθεί πριν ρυθμίσετε ή ελέγξετε κάποια λειτουργία στο εργαλείο.

Τοποθέτηση ή αφαίρεση της κασετίνας μπαταρίας (Εικ. 1)

⚠ ΠΡΟΣΟΧΗ:

• Κρατήστε το εργαλείο και την κασέτα μπαταρίας σταθερά κατά την τοποθέτηση και αφαίρεση της κασετίνας μπαταρίας. Εάν δεν κρατήσετε το εργαλείο και την κασέτα μπαταρίας σταθερά ενδέχεται να γλιστρήσουν από τα χέρια σας με αποτέλεσμα την πρόκληση ζημίας στο εργαλείο και την κασέτα μπαταρίας όπως και τραυματισμό.

• Πάντοτε να κλείνετε το μηχάνημα πριν την εισαγωγή ή την αφαίρεση της κασετίνας μπαταρίας.

- Για να αφαιρέσετε την κασέτα μπαταρίας, βγάλτε την από το εργαλείο ενώ σύρετε το κουμπί στο εμπρόσθιο μέρος της κασέτας.
- Για να τοποθετήσετε την κασέτα μπαταρίας, ευθυγραμμίστε την γλώσσα στην κασέτα μπαταρίας με την εγκοπή στην υποδοχή και τοποθετήστε την. Πάντοτε να την σπρώχνετε πλήρως μέχρι να κλειδώσει, γεγονός που υποδηλώνεται με ένα χαρακτηριστικό ήχο. Εάν μπορείτε να δείτε το κόκκινο κομμάτι στην επάνω πλευρά του πλήκτρου, δεν έχει κλειδώσει ολοκληρωτικά. Βάλτε την πλήρως έτσι ώστε να μην φαίνεται. Σε αντίθεση περίπτωσης, ίσως πέσει κατά λάθος από το μηχάνημα, τραυματίζοντας εσάς ή κάποιον τριγύρω σας.
- Μην χρησιμοποιήσετε δύναμη κατά την τοποθέτηση της κασετίνας μπαταρίας. Αν η κασετίνα δεν γλιστρά με ευκολία, δεν έχει τοποθετηθεί σωστά.

Σύστημα προστασίας μπαταρίας

Η κασέτα μπαταρίας διαθέτει σύστημα προστασίας, το οποίο διακόπτει αυτόματα την ισχύ εξόδου σε όλη τη μακρά διάρκεια ζωής του.

Το εργαλείο ενδέχεται να σταματήσει στη διάρκεια της λειτουργίας, όταν το εργαλείο ή/και η μπαταρία βρίσκονται κάτω από τις ακόλουθες συνθήκες. Αυτό συμβαίνει λόγω ενεργοποίησης του συστήματος προστασίας και δεν υποδεικνύει δυσλειτουργία του εργαλείου.

- Όταν το εργαλείο έχει υπερφορτωθεί:
Σε αυτήν την περίπτωση, ελευθερώστε τη σκανδάλη ενεργοποίησης και απομακρύνετε τις αιτίες υπερφόρτωσης, στη συνέχεια πιέστε ξανά τη σκανδάλη ενεργοποίησης για επανεκκίνηση. Εάν το εργαλείο δεν τεθεί σε λειτουργία ακόμη και όταν πιέσετε τη σκανδάλη ενεργοποίησης, αυτό σημαίνει ότι η λειτουργία της αυτόματης διακοπής παροχής ρεύματος από τη μπαταρία συνεχίζει να είναι ενεργοποιημένη. Φορτίστε την κασέτα μπαταρίας πριν από τη χρήση.
- Όταν η εναπομένουσα φόρτιση της μπαταρίας είναι χαμηλή:
Επαναφορτίστε την κασέτα μπαταρίας.

Δράση διακόπτη (Εικ. 2)

⚠ ΠΡΟΣΟΧΗ:

- Πριν βάλετε την κασετίνα μπαταρίας μέσα στο μηχάνημα, πάντοτε ελέγχετε να δείτε αν η σκανδάλη διακόπτης ενεργοποιείται κανονικά και επιστρέφει στη θέση "OFF" όταν ελευθερώνεται.

Για αποφυγή τυχάιου τραβήγματος της σκανδάλης διακόπτη, παρέχεται ένα πλήκτρο ασφαλείας.

Για να ξεκινήσει το μηχάνημα, απελευθερώστε το πλήκτρο ασφαλείας και τραβήξτε την σκανδάλη διακόπτη. Ελευθερώστε την σκανδάλη διακόπτη για να σταματήσει.

Έλεγχος φρένου αλυσίδας (Εικ. 3)

ΣΗΜΕΙΩΣΗ:

- Εάν το αλυσοπρίονο δεν τίθεται σε λειτουργία, θα πρέπει να ελευθερώσετε το φρένο της αλυσίδας. Τραβήξτε το μπροστινό προφυλακτικά χεριών προς τα πίσω σταθερά, έως ότου αισθανθείτε τη σύμπλεξη.

Κατά την ενεργοποίηση, να κρατάτε το αλυσοπρίονο με τα δύο χέρια.

Κρατήστε την άνω λαβή με το δεξιό χέρι και τη μπροστινή λαβή με το αριστερό. Η λάμα και η αλυσίδα δεν πρέπει να έρχονται σε επαφή με κανένα αντικείμενο.

Πρώτα πιέστε το κουμπί ασφάλισης, στη συνέχεια τη σκανδάλη ενεργοποίησης.

Η αλυσίδα πριονιού τίθεται αμέσως σε λειτουργία.

Πιέστε το μπροστινό προφυλακτικά χεριών προς τα εμπρός, χρησιμοποιώντας το πίσω μέρος του χεριού σας. Η αλυσίδα πριονιού πρέπει να ακινητοποιηθεί αμέσως.

⚠ ΠΡΟΣΟΧΗ:

- Εάν η αλυσίδα πριονιού δεν ακινητοποιηθεί αμέσως κατά τη διενέργεια αυτής της δοκιμής, απαγορεύεται η χρήση του αλυσοπριονίου σε οποιαδήποτε περίπτωση. Απευθυνθείτε σε εξειδικευμένο κατάστημα επισκευών της DOLMAR.

Έλεγχος του φρένου ανάσχεσης περιστροφής ηλεκτροκινητήρα

Ενεργοποιήστε το αλυσοπρίονο.

Απελευθερώστε τελείως τη σκανδάλη ενεργοποίησης. Το αλυσοπρίονο πρέπει να ακινητοποιηθεί πλήρως εντός ενός δευτερολέπτου.

⚠ ΠΡΟΣΟΧΗ:

- Εάν η αλυσίδα πριονιού δεν ακινητοποιηθεί εντός ενός δευτερολέπτου, κατά τη διενέργεια αυτής της δοκιμής, απαγορεύεται οποιαδήποτε χρήση του αλυσοπριονίου. Απευθυνθείτε σε εξειδικευμένο κατάστημα επισκευών της DOLMAR.

Ρύθμιση λίπανσης αλυσίδας (Εικ. 4)

Μπορείτε να ρυθμίσετε το ρυθμό παροχής της αντλίας λαδιού με τη βίδα ρύθμισης. Η ποσότητα λαδιού μπορεί να ρυθμιστεί χρησιμοποιώντας το κλειδί γενικής χρήσης.

Carabiner (σημείο πρόσδεσης σχοινιού) (Εικ. 5)

Το carabiner (σημείο πρόσδεσης σχοινιού) χρησιμοποιείται για την ανάρτηση του εργαλείου. Πριν χρησιμοποιήσετε το carabiner, τραβήξτε το έξω και προσδέστε ένα σχοινί.

ΣΥΝΑΡΜΟΛΟΓΗΣΗ

⚠ ΠΡΟΣΟΧΗ:

- Πάντοτε βεβαιώνετε ότι το εργαλείο είναι σβηστό και η κασέτα μπαταρίας έχει αφαιρεθεί πριν εκτελέσετε κάποια εργασία στο εργαλείο.

Τοποθέτηση και αφαίρεση της αλυσίδας πριονιού

⚠ ΠΡΟΣΟΧΗ:

- Πάντοτε να βεβαιώνετε ότι το μηχάνημα είναι απενεργοποιημένο και ότι η κασετίνα μπαταρίας είναι βγαλμένη πριν την τοποθέτηση ή την αφαίρεση της αλυσίδας πριονιού.
- Πάντοτε να φοράτε γάντια κατά την τοποθέτηση ή την αφαίρεση της αλυσίδας πριονιού.

1. Για να αφαιρέσετε την αλυσίδα, σύρετε ελαφρά το μοχλό προς την κατεύθυνση του βέλους ώστε να ελευθερωθεί από τη θέση ασφάλισης και μετακινήστε το μοχλό στην όρθια θέση όπως υποδεικνύεται στην εικόνα. (Εικ. 6)

2. Πιέστε το μοχλό και ταυτόχρονα γυρίστε τον αριστερόστροφα για να ξεσφίξετε το παξιμάδι έως ότου αποσπάσετε το κάλυμμα του οδοντωτού τροχού. (Όταν ο μοχλός πιέζεται μέσα, εφαρμόζεται σε ένα παξιμάδι.) **(Εικ. 7)**
3. Γυρίστε το καντράν ρύθμισης αριστερόστροφα για να εκκωνώσετε την ένταση της αλυσίδας πριονιού.
4. Αφαιρέστε το κάλυμμα του οδοντωτού τροχού.
5. Αφαιρέστε την αλυσίδα πριονιού και την κατευθυντήρια λάμα από το αλυσοπρίονο.
6. Για να εγκαταστήσετε την αλυσίδα πριονιού, τοποθετήστε ένα άκρο της αλυσίδας πριονιού στο άνω μέρος της κατευθυντήριας λάμας και το άλλο άκρο γύρω από τον οδοντωτό τροχό. **(Εικ. 8)**

Σε αυτό το σημείο, εφαρμόστε την αλυσίδα πριονιού όπως υποδεικνύεται στην εικόνα, επειδή περιστρέφεται προς την κατεύθυνση του βέλους.

7. Τοποθετήστε την κατευθυντήρια λάμα στη θέση της πάνω στο αλυσοπρίονο.
8. Γυρίστε το καντράν ρύθμισης αριστερόστροφα ώστε να σύρετε τον πείρο ρύθμισης προς την κατεύθυνση του βέλους. **(Εικ. 9)**
9. Τοποθετήστε το κάλυμμα του οδοντωτού τροχού στο αλυσοπρίονο ώστε ο πείρος ρύθμισης να βρίσκεται μέσα σε μια μικρή οπή της κατευθυντήριας λάμας. **(Εικ. 10)**
10. Πιέστε μέσα το μοχλό και ταυτόχρονα γυρίστε τον πλήρως δεξιόστροφα για να σφίξετε το παξιμάδι. Στη συνέχεια, γυρίστε τον κατά 1/4 της στροφής αριστερόστροφα ώστε να ξεσφίξετε το παξιμάδι ελαφρά. **(Εικ. 11)**

Ρύθμιση έντασης αλυσίδας πριονιού

Μετά από πολλές ώρες εργασίας, η αλυσίδα πριονιού ενδέχεται να χαλαρώσει. Περιστασιακά, να ελέγχετε την ένταση της αλυσίδας πριονιού πριν από τη χρήση. **(Εικ. 12)**

Μετακινήστε το μοχλό στην όρθια θέση.

Πιέστε μέσα το μοχλό. Ενώ ο μοχλός είναι πιεσμένος, γυρίστε τον κατά ένα τέταρτο της στροφής αριστερόστροφα για να ξεσφίξετε το παξιμάδι ελαφρά. (Όταν ο μοχλός πιέζεται μέσα, εφαρμόζεται σε ένα παξιμάδι.) **(Εικ. 13)**

Γυρίστε το καντράν ρύθμισης για να ρυθμίσετε την ένταση της αλυσίδας πριονιού. Πιάστε την αλυσίδα πριονιού στη μέση της κατευθυντήριας λάμας και ανασηκώστε την. Το διάκενο μεταξύ κατευθυντήριας λάμας και θηλυκού τμήματος σύνδεσης της αλυσίδας πριονιού θα πρέπει να είναι 2 – 4 χιλ περίπου. Εάν το διάκενο δεν είναι 2 – 4 χιλ περίπου, γυρίστε ελαφρά το καντράν ρύθμισης που ασφαρίζει την κατευθυντήρια λάμα. Σε αυτό το σημείο, διενεργήστε τη ρύθμιση με το άκρο της κατευθυντήριας λάμας στραμμένο ελαφρά προς τα άνω. **(Εικ. 14)**

Ενώ ο μοχλός είναι πιεσμένος, γυρίστε τον πλήρως δεξιόστροφα για να σφίξετε το παξιμάδι σταθερά. **(Εικ. 15)**

Επαναφέρετε το μοχλό στην αρχική του θέση. **(Εικ. 16)**

⚠️ ΠΡΟΣΟΧΗ:

- Η υπερβολική ένταση της αλυσίδας πριονιού ενδέχεται να προκαλέσει θραύση της αλυσίδας πριονιού, φθορά της κατευθυντήριας λάμας και θραύση του καντράν ρύθμισης.
- Η τοποθέτηση ή αφαίρεση της αλυσίδας πριονιού θα πρέπει να πραγματοποιείται σε καθαρό μέρος χωρίς ίχνη από πριονίδι και άλλα παρόμοια.

ΛΕΙΤΟΥΡΓΙΑ

Λίπανση (Εικ. 17)

Όταν το εργαλείο βρίσκεται σε λειτουργία γίνεται αυτόματη λίπανση της αλυσίδας πριονιού.

Ελέγξτε την ποσότητα του υπάρχοντος ελαίου εντός του δοχείου ελαίου μέσω του παραθύρου ελέγχου της στάθμης ελαίου.

Για εκ νέου πλήρωση του δοχείου, αφαιρέστε το πάω που καλύπτει το άνοιγμα του δοχείου ελαίου. Η χωρητικότητα του δοχείου ελαίου είναι 80 ml.

Μετά από την εκ νέου πλήρωση του δοχείου, να βιδώνετε πάντα το παρεχόμενο πάω στο δοχείο ελαίου του αλυσοπριονιού.

⚠️ ΠΡΟΣΟΧΗ:

- Κατά τη λίπανση της αλυσίδας πριονιού με έλαιο αλυσίδας για πρώτη φορά ή την εκ νέου πλήρωση του δοχείου όταν έχει αδειάσει τελείως, προσθέστε έλαιο έως το κάτω άκρο του αυχένα πλήρωσης. Διαφορετικά, ενδέχεται να παρεμποδίζεται η παροχή ελαίου.
- Ως έλαιο λίπανσης της αλυσίδας πριονιού, να χρησιμοποιείτε έλαιο αποκλειστικά για τα αλυσοπρίονα DOLMAR ή έλαιο που διατίθεται στο εμπόριο.
- Να μη χρησιμοποιείτε ποτέ έλαιο που περιέχει ίχνη σκόνης και σωματίδια ή πτητικό έλαιο.
- Στο κλάδεμα δέντρων, να χρησιμοποιείτε βοτανικό έλαιο. Το ορυκτέλαιο ενδέχεται να βλάψει τα δέντρα.
- Ποτέ μην ασκείτε πίεση στο αλυσοπρίονο όταν κλαδεύετε δέντρα.
- Πριν από την κοπή, βεβαιωθείτε ότι βιδώσατε το παρεχόμενο πάω του δοχείου ελαίου.

Κρατήστε το αλυσοπρίονο μακριά από το δέντρο. Θέστε το σε λειτουργία και περιμένετε, έως ότου η αλυσίδα πριονιού λιπανθεί επαρκώς.

Ακουμπήστε τον κάτω οδηγό πάνω στο κλαδί προς κοπή πριν από την ενεργοποίηση. Εάν επιχειρήσετε κοπή χωρίς να ακουμπήσετε τον κάτω οδηγό πάνω στο κλαδί, ενδέχεται να προκληθεί κλυδωνισμός της κατευθυντήριας λάμας με αποτέλεσμα τραυματισμό του χειριστή.

Πριονίστε το ξύλο προς κοπή με απλή κίνηση προς τα κάτω. **(Εικ. 18)**

ΕΡΓΑΣΙΑ ΜΕ ΤΟ ΑΛΥΣΟΠΡΙΟΝΟ

Την πρώτη φορά, προς απόκτηση ελάχιστης εμπειρίας, ο χρήστης θα πρέπει να επιχειρήσει να κόψει κούτσουρα πάνω σε καβαλέτο ή βάση στήριξης.

Κλάδεμα δέντρων

⚠️ ΠΡΟΣΟΧΗ:

- Κρατάτε όλα τα μέρη του σώματός σας μακριά από την αλυσίδα πριονιού όταν το μοτέρ λειτουργεί.
- Κρατάτε το αλυσοπρίονο γερά με τα δύο σας χέρια όταν το μοτέρ λειτουργεί.

- Μην υποβάλλετε σε υπερπροσπάθεια. Κρατάτε πάντοτε σταθερό πάτημα και την ισορροπία σας.

Ακουμπήστε τον κάτω οδηγό πάνω στο κλαδί προς κοπή πριν από την ενεργοποίηση. Εάν επιχειρήσετε κοπή χωρίς να ακουμπήσετε τον κάτω οδηγό πάνω στο κλαδί, ενδέχεται να προκληθεί κλυδωνισμός της κατευθυντήριας λάμας με αποτέλεσμα τραυματισμό του χειριστή. **(Εικ. 19)**

Όταν κόβετε χοντρά κλαδιά, πρώτα να κάνετε ένα επιφανειακό κόψιμο από κάτω και μετά ολοκληρώστε την κοπή από το πάνω μέρος. **(Εικ. 20)**
Αν προσπαθήσετε να κόψετε χοντρά κλαδιά από το κάτω μέρος, το κλαδί μπορεί να κλείσει και να συσφίξει την αλυσίδα πριονιού μέσα στην κοπή. Αν προσπαθήσετε να κόψετε χοντρά κλαδιά από το πάνω μέρος χωρίς το επιφανειακό κόψιμο από το κάτω μέρος, το κλαδί μπορεί να σχιστεί. **(Εικ. 21)**
Αν δεν μπορείτε να κόψετε το ξύλο τελείως με μια προσπάθεια:

Εφαρμόστε ελαφριά πίεση στη χειρολαβή και συνεχίστε το πριόνισμα και τραβήξτε το αλυσοπρίονο λίγο προς τα πίσω, μετά συνεχίστε το κόψιμο λίγο πιο κάτω και ολοκληρώστε την κοπή υψώνοντας τη χειρολαβή. **(Εικ. 22)**

Τεμαχισμός κορμών

Για τομές τεμαχισμού κορμών, ακουμπήστε την οδοντωτή ράγα που υποδεικνύεται στην εικόνα πάνω στο ξύλο προς κοπή. **(Εικ. 23)**

Με την αλυσίδα πριονιού σε λειτουργία, πριονίστε το ξύλο, χρησιμοποιώντας την άνω λαβή για να αναστηκώσετε το αλυσοπρίονο και τη μπροστινή λαβή για να το κατευθύνετε.

Χρησιμοποιήστε την οδοντωτή ράγα ως κέντρο περιστροφής.

Συνεχίστε την κοπή ασκώντας μικρή πίεση στη μπροστινή λαβή και τραβώντας το αλυσοπρίονο ελαφρά προς τα πίσω. Μετακινήστε την οδοντωτή ράγα πιο κάτω στον κορμό και αναστηκώστε ξανά τη μπροστινή λαβή.

Όταν εκτελείτε πολλές τομές, να απενεργοποιείτε το αλυσοπρίονο μεταξύ των τομών.

⚠️ ΠΡΟΣΟΧΗ:

- Εάν χρησιμοποιήσετε την άνω ακμή της λάμας για την κοπή, το αλυσοπρίονο ενδέχεται να εκτραπεί προς το μέρος σας σε περίπτωση παγίδευσης. Για το λόγο αυτό, η κοπή θα πρέπει να εκτελείται χρησιμοποιώντας την κάτω ακμή, ώστε το αλυσοπρίονο να εκτρέπεται μακριά από το σώμα σας. **(Εικ. 24)**

Κόψτε έναν κορμό υπό ένταση, στην πλευρά της πίεσης (Α) πρώτα.

Στη συνέχεια, εκτελέστε την τελική κοπή στην πλευρά της έντασης (Β). Έτσι θα αποφύγετε τυχόν παγίδευση της λάμας. **(Εικ. 25)**

Αποκλάδωση

⚠️ ΠΡΟΣΟΧΗ:

- Η εργασία της αποκλάδωσης θα πρέπει να εκτελείται μόνον από εκπαιδευμένα άτομα. Η επικινδυνότητα οφείλεται στον κίνδυνο ανάκρουσης.

Όταν διενεργείτε εργασία αποκλάδωσης, να στηρίζετε το αλυσοπρίονο πάνω στον κορμό, εάν είναι δυνατόν. Δεν θα πρέπει να χρησιμοποιείτε το άκρο της λάμας για την κοπή, διότι υπάρχει κίνδυνος ανάκρουσης.

Να προσέχετε ιδιαίτερα τα κλαδιά υπό ένταση. Μην κόβετε μη υποστηριζόμενα κλαδιά από το κάτω μέρος.

Μην στέκεστε πάνω στον τεμαχισμένο κορμό κατά την αποκλάδωση.

Σκάψιμο και τομές παράλληλα με τα νερά του ξύλου

⚠️ ΠΡΟΣΟΧΗ:

- Το σκάψιμο και οι τομές παράλληλα με τα νερά του ξύλου θα πρέπει να διενεργούνται μόνον από άτομα με ειδική εκπαίδευση. Η πιθανότητα ανάκρουσης ενέχει κίνδυνο τραυματισμού.

Η τομές παράλληλα με τα νερά του ξύλου θα πρέπει να εκτελούνται υπό τη μικρότερη δυνατή γωνία. Η κοπή θα πρέπει να εκτελείται με τη μεγαλύτερη δυνατή προσοχή, διότι δεν μπορείτε να χρησιμοποιήσετε την οδοντωτή ράγα. **(Εικ. 26)**

Υλοτόμηση

⚠️ ΠΡΟΣΟΧΗ:

- Η εργασία της υλοτόμησης θα πρέπει να διενεργείται μόνον από εκπαιδευμένα άτομα. Η εργασία είναι επικίνδυνη.

Εάν επιθυμείτε να κόψετε ένα δέντρο, να τηρείτε τους τοπικούς κανονισμούς.

- Πριν ξεκινήσετε με την εργασία της υλοτόμησης, βεβαιωθείτε για τα εξής: **(Εικ. 27)**

- (1) Μόνον τα άτομα που εμπλέκονται στην εργασία της υλοτόμησης παρευρίσκονται στην περιοχή.
- (2) Οποιοδήποτε εμπλεκόμενο άτομο να διαθέτει οδό οπισθοχώρησης χωρίς εμπόδια σε εύρος περίπου 45° εκατέρωθεν του άξονα υλοτόμησης. Να εξετάζετε τον επιπλέον κίνδυνο να σκοντάψει κανείς σε ηλεκτρικά καλώδια.
- (3) Η βάση του κορμού είναι ελεύθερη από ξένα αντικείμενα, ρίζες και κλαδιά.
- (4) Δεν υπάρχουν άτομα ή αντικείμενα σε απόσταση 2 1/2 μήκη δέντρου προς την κατεύθυνση που θα πέσει το δέντρο.

- Να εξετάζετε τα ακόλουθα όσον αφορά κάθε δέντρο:

- Κατεύθυνση που γέρνει.
 - Χαλαρά ή ξερά κλαδιά.
 - Ύψος δέντρου.
 - Φυσικά προεξέχοντα τμήματα.
 - Εάν η όχι είναι σάπιο το δέντρο.
- Να εξετάζετε την ταχύτητα και την κατεύθυνση του ανέμου. Εάν ο άνεμος είναι ισχυρός, μην εκτελείτε εργασίες υλοτόμησης.
- Περικοπή διογκωμένων ριζών: Ξεκινήστε με τις μεγαλύτερες διογκώσεις. Εκτελέστε την κάθετη τομή πρώτα, στη συνέχεια την οριζόντια τομή. **(Εικ. 28)**

- Λοξότμηση: Η λοξότμηση καθορίζει την κατεύθυνση προς την οποία θα πέσει το δέντρο και το καθοδηγεί. Εκτελείται στην πλευρά προς την οποία θα πρέπει να πέσει το δέντρο. Εκτελέστε τη λοξότμηση όσο το δυνατόν πλησιέστερα στο έδαφος. Πρώτα εκτελέστε την οριζόντια τομή σε βάθος 1/5 – 1/3 της διαμέτρου του κορμού. Η λοξότμηση δεν θα πρέπει να είναι πολύ μεγάλη. Στη συνέχεια, εκτελέστε τη διαγώνια τομή.
- Προχωρήστε σε τυχόν διορθώσεις της λοξότμησης σε όλο το πλάτος της.
- Εκτελέστε μια πίσω τομή λίγο ψηλότερα από την τομή βάσης της λοξότμησης. Η πίσω τομή πρέπει να είναι ακριβώς οριζόντια. Αφήστε απόσταση ίση με το 1/10 περίπου της διαμέτρου του κορμού μεταξύ πίσω τομής και λοξότμησης. Οι ίνες του ξύλου στο άκρο τμήμα του κορμού ενεργούν ως μεντεσές. Σε καμία περίπτωση μην κόψετε τελειώς τις ίνες, διότι το δέντρο θα πέσει ανεξέλεγκτα. Τοποθετήστε σφήνες μέσα στη πίσω τομή εγκαίρως. **(Εικ. 29)**
- Επιτρέπεται να χρησιμοποιήσετε μόνον πλαστικές ή αλουμιένιες σφήνες για να κρατήσετε ανοιχτή τη πίσω τομή. Η χρήση σιδηρών σφηνών απαγορεύεται.
- Σταθείτε στη μια πλευρά του δέντρου που θα πέσει. Φροντίστε να υπάρχει κενή περιοχή στο πίσω μέρος του δέντρου σε εύρος γωνίας έως 45° εκατέρωθεν του άξονα του δέντρου (βλ. εικόνα “περιοχή υλοτόμησης” **(Εικ. 27)**). Προσέξτε τα κλαδιά που πέφτουν.
- Θα πρέπει να σχεδιάσετε οδό διαφυγής και να φροντίσετε για τον κατάλληλο καθαρισμό της, πριν προχωρήσετε στις τομές. Η οδός διαφυγής θα πρέπει να εκτείνεται προς τα πίσω και διαγωνίως έως το πίσω μέρος της αναμενόμενης γραμμής πτώσης όπως υποδεικνύεται στην εικόνα. **(Εικ. 30)**

Μεταφορά του μηχανήματος (Εικ. 31)

Πάντοτε να βγάζετε την κασετίνα μπαταρίας από το μηχάνημα και να καλύπτετε την κατευθυντήρια λάμα με τη θήκη πριν τη μεταφορά του μηχανήματος. Επίσης να καλύπτετε την κασετίνα μπαταρίας με το κάλυμμα της μπαταρίας.

ΣΥΝΤΗΡΗΣΗ

⚠ ΠΡΟΣΟΧΗ:

- Πάντοτε βεβαιώνετε ότι το εργαλείο είναι σβηστό και η κασέτα μπαταρίας έχει αφαιρεθεί πριν επιχειρήσετε να κάνετε έλεγχο ή συντήρηση.
- Πάντοτε να φοράτε γάντια όταν εκτελείτε έλεγχο ή συντήρηση.
- Μην χρησιμοποιείτε ποτέ βενζίνη, πετρελαϊκό αιθέρα, διαλυτικό, αλκοόλη ή παρόμοιες ουσίες. Ενδέχεται να προκληθεί αποχρωματισμός παραμόρφωση ή ρωγμές.

Τρόχισμα αλυσίδας πριονιού

⚠ ΠΡΟΣΟΧΗ:

- Να αφαιρείτε πάντα την κασέτα μπαταρίας και να φοράτε γάντια ασφαλείας, κατά την εκτέλεση εργασίας με το την αλυσίδα πριονιού.

Να τροχίζετε την αλυσίδα πριονιού όταν:

- Παράγεται αλευρώδες πριονίδι κατά την κοπή υγρού ξύλου.
- Η αλυσίδα διαπερνά το ξύλο με δυσκολία, ακόμη και όταν ασκείται μεγάλη πίεση.
- Είναι προφανές ότι η ακμή κοπής έχει υποστεί ζημία.
- Το πριόνι ωθείται αριστερά ή δεξιά εντός του ξύλου. Ο λόγος που συμβαίνει αυτό είναι το μη ομοιόμορφο τρόχισμα της αλυσίδας πριονιού ή ζημία στη μία πλευρά μόνο. **(Εικ. 32)**

Να τροχίζετε την αλυσίδα πριονιού συχνά, αλλά να αφαιρείτε λίγο μόνο υλικό κάθε φορά.

Δύο ή τρία περάσματα με τη λάμα επαρκούν συνήθως για λόγους τροχίσματος ρουτίνας. Όταν η αλυσίδα πριονιού έχει τροχιστεί αρκετές φορές, αναθέστε το τρόχισμα σε εξειδικευμένο κατάστημα επισκευών της DOLMAR.

Λίμα και οδήγηση λάμας

- Να χρησιμοποιείτε ειδική στρογγυλή λάμα (προαιρετικό παρελκόμενο) για αλυσοπριονα, διαμέτρου 4 χιλ, για το τρόχισμα της αλυσίδας. Οι συνήθειες στρογγυλές λίμες δεν είναι κατάλληλες.
- Η λάμα θα πρέπει να έρχεται σε επαφή με το μέταλλο μόνο κατά την πρόσθια κίνηση. Να ανασηκώνετε τη λάμα από το μέταλλο κατά την πίσω κίνηση.
- Να τροχίζετε το μικρότερο κόπτη πρώτα. Το μήκος αυτού του κόπτη αποτελεί στη συνέχεια το μέτρο σύγκρισης για όλους τους υπόλοιπους κόπτες της αλυσίδας πριονιού.
- Να οδηγείτε τη λάμα όπως υποδεικνύεται στην εικόνα. **(Εικ. 33)**
- Η οδήγηση της λάμας καθίσταται πιο εύκολη, εάν χρησιμοποιείτε συγκρατητήρα λάμας (παρελκόμενο). Ο συγκρατητήρας της λάμας διαθέτει ενδείξεις για την κατάλληλη γωνία τροχίσματος 30° (ευθυγραμμίστε τις ενδείξεις παράλληλα με την αλυσίδα πριονιού) και περιορίζει το βάθος διείσδυσης (σε 4/5 της διαμέτρου της λάμας).

Να οδηγείτε τη λάμα όπως υποδεικνύεται στην εικόνα. **(Εικ. 34)**

- Μετά από το τρόχισμα της αλυσίδας, ελέγξτε το ύψος του ρυθμιστή του βάθους κοπής χρησιμοποιώντας το εργαλείο μέτρησης αλυσίδας (προαιρετικό παρελκόμενο).
- Αφαιρέστε τυχόν προσεχόν υλικό, όσο μικρό και αν είναι, με ειδική επίπεδη λάμα (προαιρετικό παρελκόμενο).
- Αποτελείστε το μπροστινό μέρος του ρυθμιστή βάθους κοπής ξανά.
- Ξεπλύντε τυχόν ίχνη σκόνης και σωματιδίων από την αλυσίδα πριονιού μετά από τη ρύθμιση του ύψους του ρυθμιστή βάθους κοπής.

Καθαρισμός της κατευθυντήριας λάμας (Εικ. 35)

Ρινίσματα και πριονόσκονη θα συσσωρευτούν στην εγκοπή της κατευθυντήριας λάμας, βουλώνοντας την και ελαττώνοντας την ροή του λαδιού. Πάντοτε να καθαρίζετε τα ρινίσματα τα την πριονόσκονη όταν ακονίζετε ή αντικαθιστάτε την αλυσίδα πριονιού.

Καθαρισμός οπής παροχής ελαίου

Ενδέχεται να παρουσιαστεί συσσώρευση σκόνης και σωματιδίων εντός της οπής παροχής ελαίου στη διάρκεια της λειτουργίας.

Τυχόν συσσώρευση σκόνης και σωματιδίων εντός της οπής παροχής ελαίου ενδέχεται να παρεμποδίζει τη ροή της παροχής ελαίου και να προκαλέσει ανεπαρκή λίπανση ολόκληρης της αλυσίδας πριονιού.

Όταν παρατηρηθεί κακή παροχή ελαίου λίπανσης στο πάνω μέρος της κατευθυντήριας λάμας, καθαρίστε την οπή παροχής ελαίου ως ακολούθως. Αφαιρέστε την κασέτα μπαταρίας από το εργαλείο. Αφαιρέστε το κάλυμμα του οδοντωτού τροχού και την αλυσίδα πριονιού από το εργαλείο. (Ανατρέξτε στην ενότητα “Τοποθέτηση και αφαίρεση της αλυσίδας πριονιού”.)

Αφαιρέστε σκόνη ή μικρά σωματίδια χρησιμοποιώντας ένα καταβίδι με μύτη για εγκοπές με λεπτό άξονα ή παρόμοιο. **(Εικ. 36)**

Τοποθετήστε την κασέτα μπαταρίας στο εργαλείο.

Τραβήξτε τη σκανδάλη διακόπτη ώστε η συσσωρευμένη σκόνη και τα σωματίδια να αποβληθούν από την οπή παροχής ελαίου μέσω της ροής ελαίου. **(Εικ. 37)**

Αφαιρέστε την κασέτα μπαταρίας από το εργαλείο.

Τοποθετήστε εκ νέου την αλυσίδα πριονιού και το κάλυμμα του οδοντωτού τροχού στο εργαλείο.

Αντικατάσταση οδοντωτού τροχού

(Εικ. 38 και 39)

Πριν από την τοποθέτηση μιας νέας αλυσίδας πριονιού, ελέγξτε την κατάσταση του οδοντωτού τροχού.

⚠️ ΠΡΟΣΟΧΗ:

- Ένας φθαρμένος οδοντωτός τροχός θα προκαλέσει φθορά στη νέα αλυσίδα πριονιού. Σε αυτή την περίπτωση αντικαταστήστε τον οδοντωτό τροχό. Η αντικατάσταση του οδοντωτού τροχού πραγματοποιείται ώστε να είναι πάντα στραμμένος όπως υποδεικνύεται στην εικόνα.

Να τοποθετείτε πάντα νέο ασφαλιστικό δακτύλιο, όταν αντικαθιστάτε τον οδοντωτό τροχό.

Αντικαταστήστε ψηκτρών άνθρακα

(Εικ. 40 και 41)

Αφαιρείτε και ελέγχετε τις ψήκτρες άνθρακα τακτικά. Αντικαθιστάτε τις όταν φθαρούν μέχρι το σημάδι ορίου. Κρατάτε τις ψήκτρες άνθρακα καθαρές και ελεύθερες να γλιστρούν στις θήκες. Και οι δύο ψήκτρες άνθρακα πρέπει να αντικαθίστανται ταυτόχρονα. Χρησιμοποιείτε μόνο ταυτόσημες ψήκτρες άνθρακα.

Χρησιμοποιείστε ένα καταβίδι για να αφαιρέσετε τα καπάκια των θηκών των ψηκτρών. Αφαιρέστε τις φθαρμένες ψήκτρες, βάλτε τις νέες και ασφαλίστε τα καπάκια των θηκών των ψηκτρών.

Φύλαξη εργαλείου

Καθαρίστε το εργαλείο πριν από τη φύλαξη. Αφαιρέστε τυχόν ροκανίδια και πριονίδι από το εργαλείο μετά από την αφαίρεση του καλύμματος του οδοντωτού τροχού. Μετά από τον καθαρισμό του εργαλείου, αφήστε το σε λειτουργία χωρίς φορτίο ώστε να λιπανθεί η αλυσίδα πριονιού και η κατευθυντήρια λάμα.

Καλύψτε την κατευθυντήρια λάμα με τη θήκη.

Αφαιρέστε το έλαιο από το δοχείο ελαίου ώστε να αδειάσει και τοποθετήστε το αλυσοπρίονο.

Για τη διασφάλιση της ΑΣΦΑΛΕΙΑΣ και ΑΞΙΟΠΙΣΤΙΑΣ των προϊόντων μας πρέπει οι επισκευές, εργασίες συντήρησης ή ρυθμίσεις να εκτελούνται από εξουσιοδοτημένα εργαστήρια σέρβις πελατών DOLMAR.

ΑΝΤΑΛΛΑΚΤΙΚΑ

⚠️ ΠΡΟΣΟΧΗ:

- Αυτά τα ανταλλακτικά ή προσαρτήματα συνιστώνται για χρήση με το εργαλείο σας της DOLMAR που περιγράφεται στο εγχειρίδιο αυτό. Η χρήση οτιδήποτε άλλων ανταλλακτικών ή προσαρτημάτων μπορεί να παρουσιάσουν κίνδυνο τραυματισμού σε άτομα.

Εάν χρειάζεστε βοήθεια ή περισσότερες λεπτομέρειες σε σχέση με αυτά τα ανταλλακτικά, ρωτήστε το τοπικό σας κέντρο εξυπηρέτησης της DOLMAR.

- Διάφοροι τύποι αυθεντικών μπαταριών και φορτιστών DOLMAR
- Αλυσίδα πριονιού
- Θήκη
- Πλήρης κατευθυντήρια λάμα
- Λίμα
- Τσάντα εργαλείων

Θόρυβος

Το τυπικό Α επίπεδο μετρημένου θορύβου καθορίζεται σύμφωνα με το EN60745:

Στάθμη πίεσης ήχου (L_{pA}): 87,3 dB (A)

Στάθμη δύναμης ήχου (L_{WA}): 95,3 dB (A)

Αβεβαιότητα (K): 3,0 dB (A)

Φοράτε ωτοασπίδες

ENG221-2

Κραδασμός

Η ολική τιμή δόνησης (άθροισμα τρι-αξονικού διανύσματος) καθορίζεται σύμφωνα με το EN60745:

Είδος εργασίας: κοπή ξύλων

Εκπομπή δόνησης (a_{h1}): 7,0 m/s²

Αβεβαιότητα (K): 1,6 m/s²

ENG901-1

- Η δηλωμένη τιμή εκπομπής κραδασμών έχει μετρηθεί σύμφωνα με την πρότυπη μέθοδο δοκιμής και μπορεί να χρησιμοποιηθεί για τη σύγκριση ενός εργαλείου με άλλο.
- Η δηλωμένη τιμή εκπομπής κραδασμών μπορεί να χρησιμοποιηθεί και στην προκαταρκτική αξιολόγηση έκθεσης.

⚠️ ΠΡΟΕΙΔΟΠΟΙΗΣΗ:

- Η εκπομπή κραδασμών κατά τη χρήση του ηλεκτρικού εργαλείου σε πραγματικές συνθήκες μπορεί να διαφέρει από τη δηλωμένη τιμή εκπομπής ανάλογα με τον τρόπο χρήσης του εργαλείου.
- Φροντίστε να λάβετε τα κατάλληλα μέτρα προστασίας του χειριστή βάσει υπολογισμού της έκθεσης σε πραγματικές συνθήκες χρήσης (λαμβάνοντας υπόψη όλες τις συνιστώσες του κύκλου λειτουργίας όπως τους χρόνους που το εργαλείο είναι εκτός λειτουργίας και όταν βρίσκεται σε αδρανή λειτουργία πέραν του χρόνου ενεργοποίησης).

Μόνο για χώρες της Ευρώπης**Δήλωση Συμμόρφωσης ΕΚ**

Οι κάτωθι υπογεγραμμένοι, Tamiro Kishima και Rainer Bergfeld, εξουσιοδοτούμενοι από τη Dolmar GmbH, δηλώνουν ότι το/τα μηχανήμα(τα) DOLMAR:

Χαρακτηρισμός μηχανήματος:

Αλυσοπρίνο μπαταρίας

Αρ. μοντέλου/ Τύπος: AS-3625

Προδιαγραφές: βλ. πίνακα "ΤΕΧΝΙΚΑ ΧΑΡΑΚΤΗΡΙΣΤΙΚΑ".

είναι εν σειρά παραγωγή και

συμμορφώνονται με τις ακόλουθες Ευρωπαϊκές Οδηγίες:

2000/14/ΕΚ, 2006/42/ΕΚ

και κατασκευάζονται σύμφωνα με τα ακόλουθα πρότυπα ή έγγραφα τυποποίησης:

EN60745

Το Πιστοποιητικό Εξέτασης τύπου ΕΚ αρ. 3400780.01CE

Η εξέταση τύπου ΕΚ βάσει 2006/42/ΕΚ διενεργήθηκε από:

KEMA Quality GmbH

Enderstraße 92b

01277 Dresden

Germany (Γερμανία)

Αρ. ταυτοποίησης 2140

Το αρχείο της τεχνικής τεκμηρίωσης φυλάσσεται στη διεύθυνση:

Dolmar GmbH,

Jenfelder Straße 38, Abteilung FZ,

D-22045 Hamburg (Αμβούργο)

Η απαιτούμενη διαδικασία αξιολόγησης συμμόρφωσης βάσει της Οδηγίας 2000/14/ΕΚ ήταν σύμφωνη με το Παράρτημα V.

Στάθμη ηχητικής ισχύος μέτρησης: 95,2 dB

Εγγυημένη στάθμη ηχητικής ισχύος: 98,0 dB

12.05.2010



Tamiro Kishima
Γενικός Διευθυντής



Rainer Bergfeld
Γενικός Διευθυντής

DOLMAR


DOLMAR GmbH
Postfach 70 04 20
D-22004 Hamburg
http://www.dolmar.com