

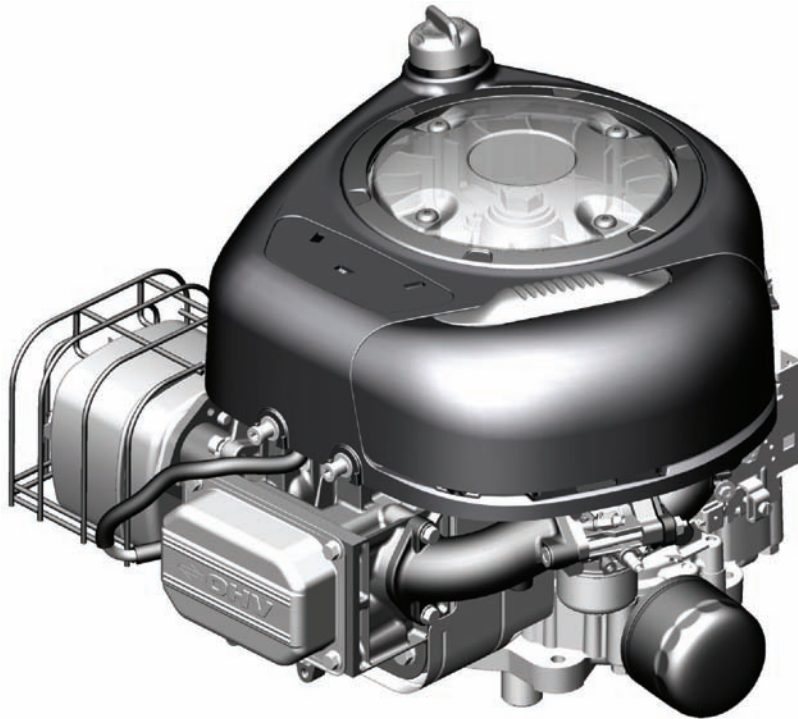


- (en) Operator's Manual**
- (da) Betjeningsvejledning**
- (de) Bedienungsanleitung**
- (el) Εγχειρίδιο Χρήσης**
- (es) Manual del Operario**
- (fi) Käyttäjän käsikirja**
- (fr) Manuel de l'opérateur**
- (it) Manuale dell'Operatore**
- (nl) Gebruiksaanwijzing**
- (no) Brukerhåndbok**
- (pt) Manual do Operador**
- (sv) Instruktionsbok**



Model 310000

I/C® Gaseous

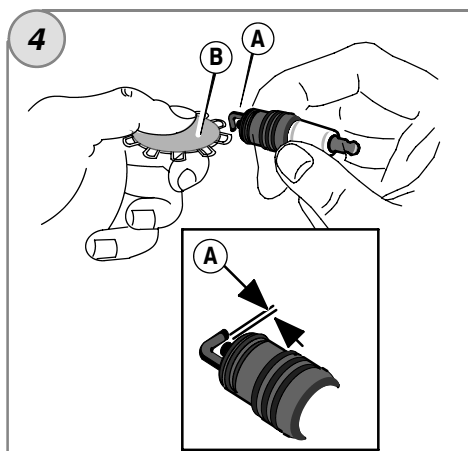
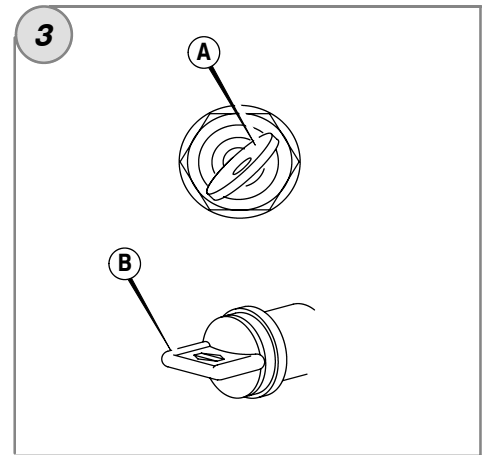
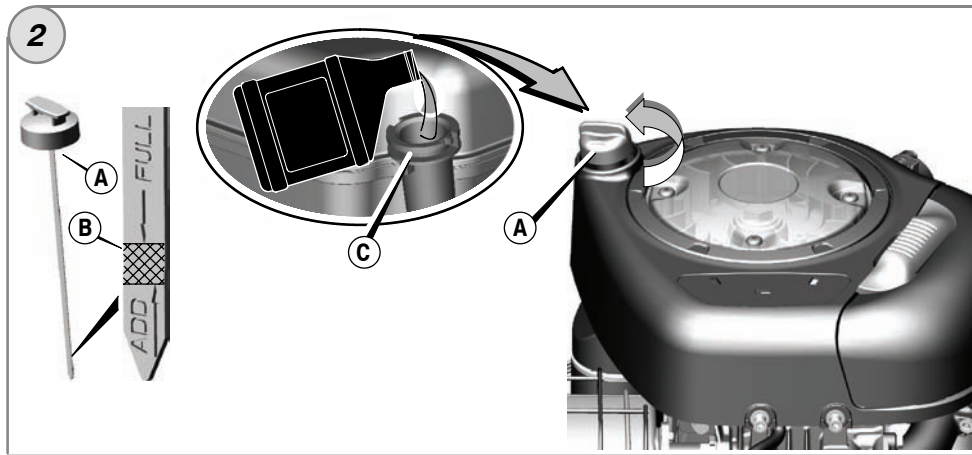
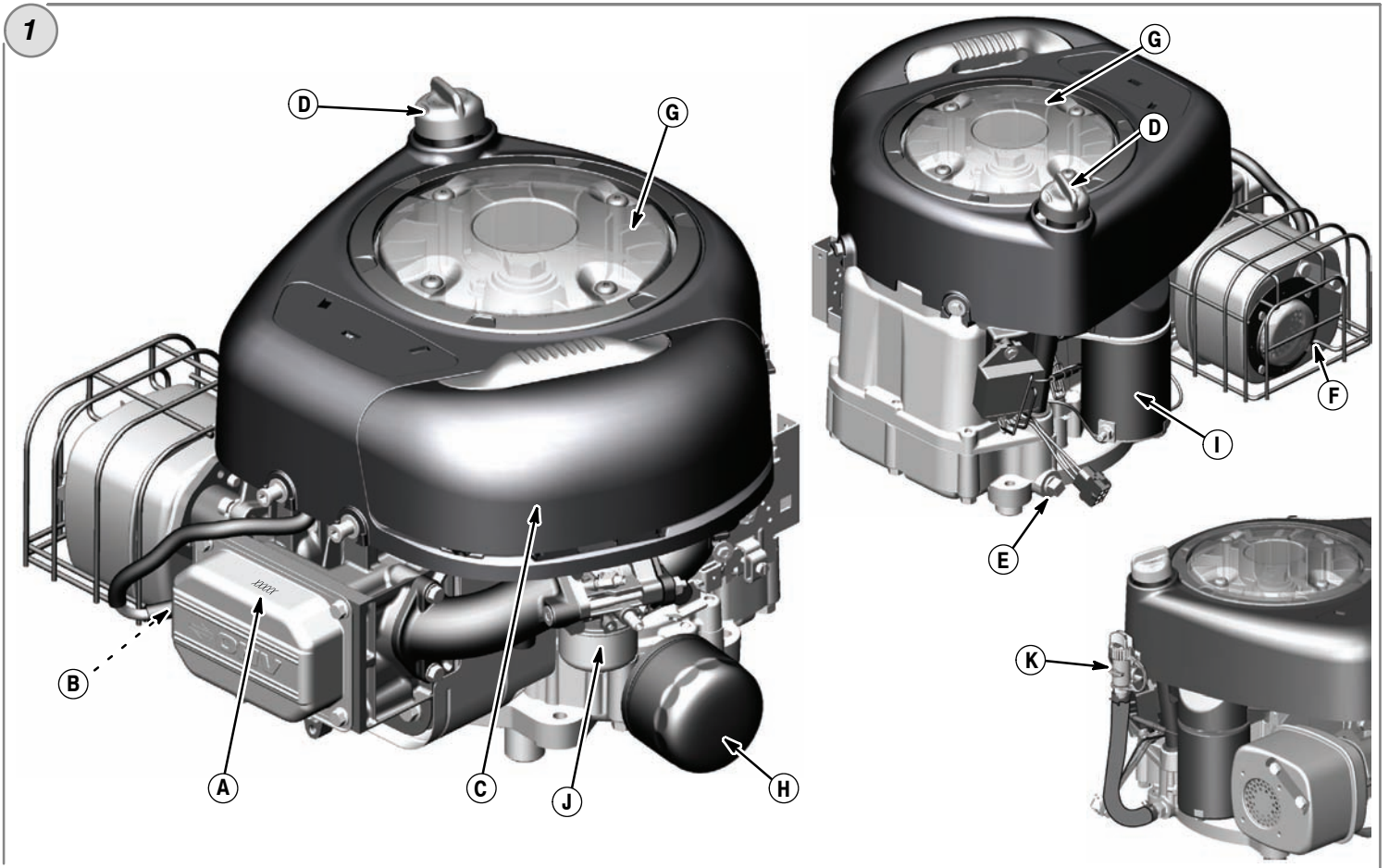


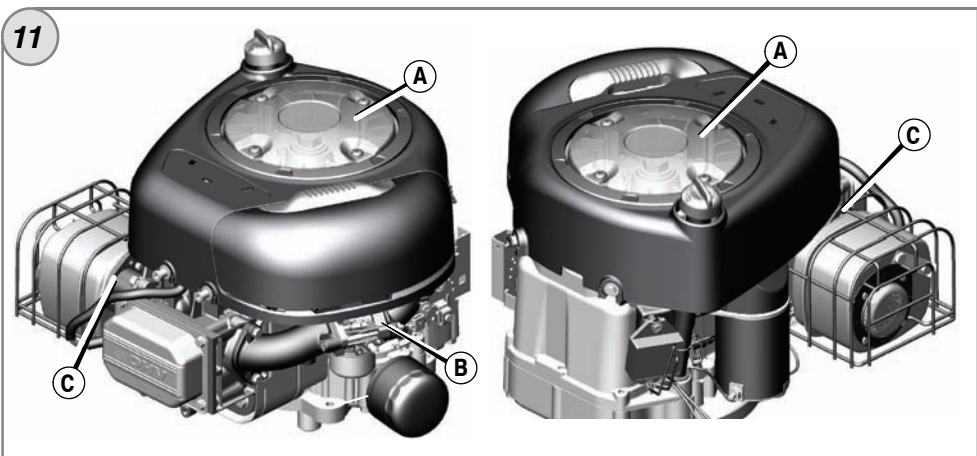
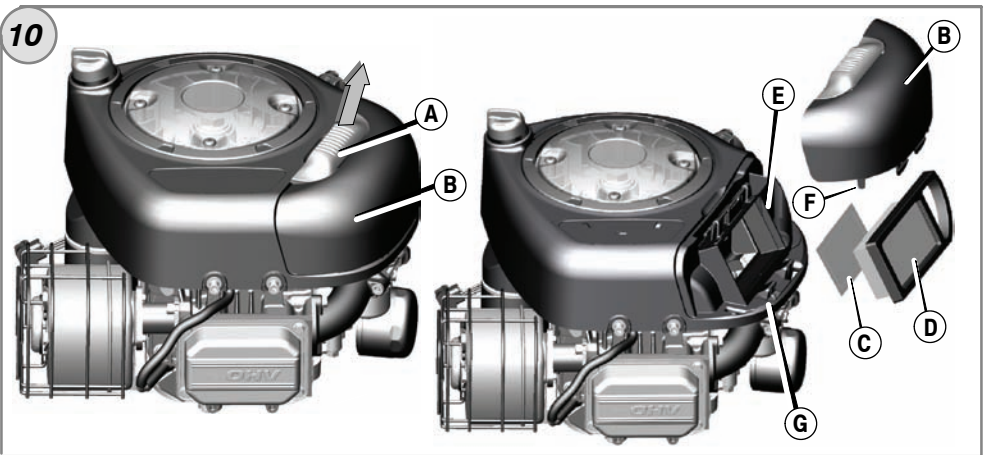
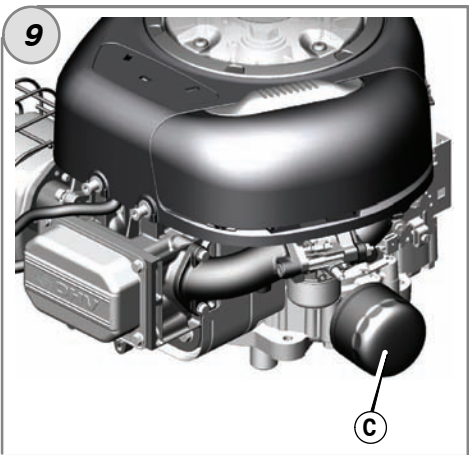
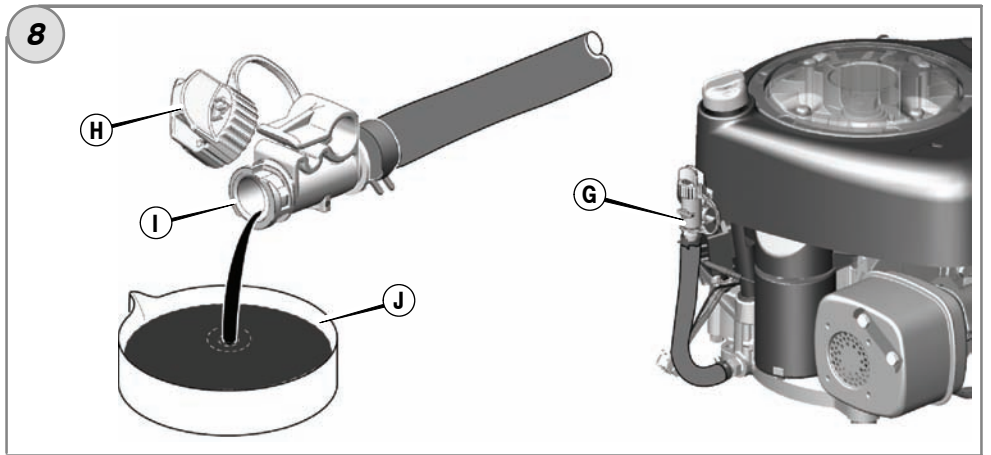
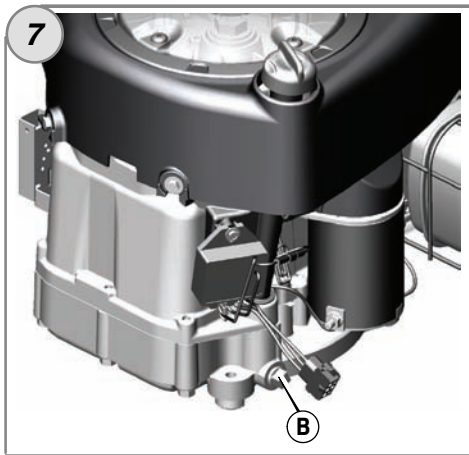
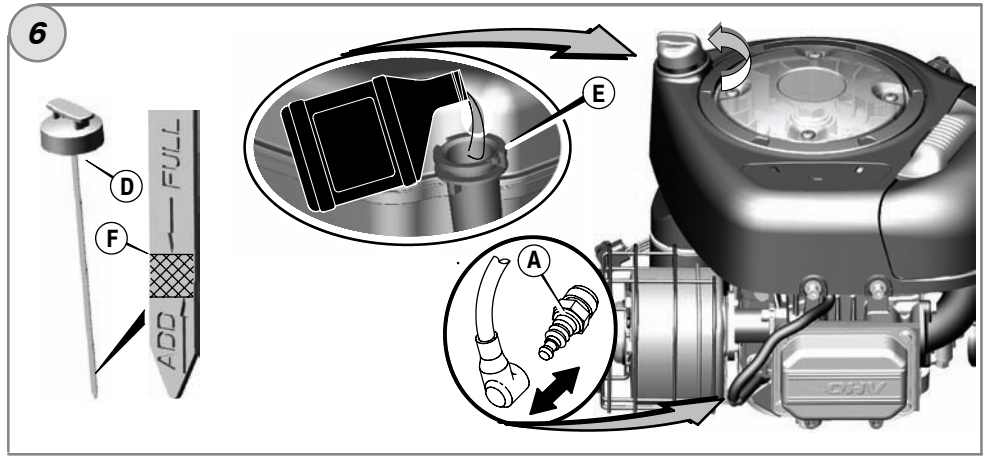
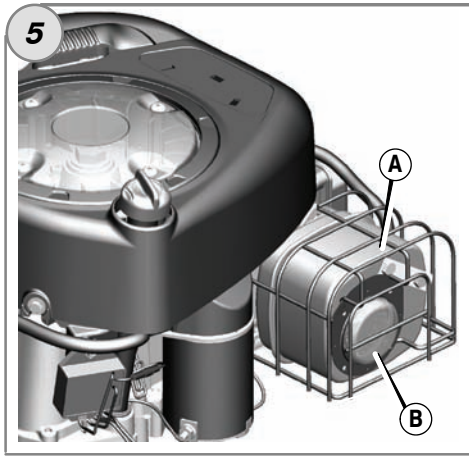
Briggs & Stratton is a registered trademark of Briggs & Stratton Corporation

© 2008 Briggs & Stratton Corporation, Milwaukee, WI, USA. All rights reserved.

Form No. 277766**WST -**

English	Dansk	Deutsch	Ελληνικά	Español	Suomi	Français	Italiano	Nederlands	Norsk	Português	Svenska
en	da	de	el	es	fi	fr	it	nl	no	pt	sv





General Information

For replacement parts or technical assistance, record below the engine model, type, and code numbers along with the date of purchase. These numbers are located on your engine (see the **Features and Controls** page).

Date of purchase: _____
MM/DD/YYYY

Engine model: _____
Model: Type: Code:

Engine Power Rating Information

The gross power rating for individual gas engine models is labeled in accordance with SAE (Society of Automotive Engineers) code J1940 (Small Engine Power & Torque Rating Procedure), and rating performance has been obtained and corrected in accordance with SAE J1995 (Revision 2002-05). Torque values are derived at 3060 RPM; horsepower values are derived at 3600 RPM. Actual gross engine power will be lower and is affected by, among other things, ambient operating conditions and engine-to-engine variability. Given both the wide array of products on which engines are placed and the variety of environmental issues applicable to operating the equipment, the gas engine will not develop the rated gross power when used in a given piece of power equipment (actual "on-site" or net power). This difference is due to a variety of factors including, but not limited to, accessories (air cleaner, exhaust, charging, cooling, carburetor, fuel pump, etc.), application limitations, ambient operating conditions (temperature, humidity, altitude), and engine-to-engine variability. Due to manufacturing and capacity limitations, Briggs & Stratton may substitute an engine of higher rated power for this Series engine.

Operator Safety

SAFETY AND CONTROL SYMBOLS



Fire



Moving Parts



Oil



Toxic Fumes



Slow



Fast



Stop



Explosion



Shock



Fuel



Choke



On Off



Fuel Shutoff



Kickback



Wear Eye Protection



Hazardous Chemical




Read Manual



Hot Surface



Frostbite

The safety alert symbol  is used to identify safety information about hazards that can result in personal injury. A signal word (DANGER, WARNING, or CAUTION) is used with the alert symbol to indicate the likelihood and the potential severity of injury. In addition, a hazard symbol may be used to represent the type of hazard.



DANGER indicates a hazard which, if not avoided, **will result in death or serious injury**.



WARNING indicates a hazard which, if not avoided, **could result in death or serious injury**.



CAUTION indicates a hazard which, if not avoided, **might result in minor or moderate injury**.

CAUTION, when used **without** the alert symbol, indicates a situation that **could result in damage to the product**.



WARNING

The engine exhaust from this product contains chemicals known to the State of California to cause cancer, birth defects, or other reproductive harm.



WARNING

Briggs & Stratton does not approve or authorize the use of these engines on 3-wheel All Terrain Vehicles (ATVs), motor bikes, fun/recreational go-karts, aircraft products, or vehicles intended for use in competitive events. Use of these engines in such applications could result in property damage, serious injury (including paralysis), or even death.

CAUTION: This engine was shipped from Briggs & Stratton without oil. Before you start the engine, make sure you add oil according to the instructions in this manual. If you start the engine without oil, it will be damaged beyond repair and will not be covered under warranty.



WARNING



Gaseous vapors are extremely flammable and explosive. Fire or explosion can cause severe burns or death.



When Adding Fuel

- Fill fuel tank outdoors or in well-ventilated area.
- Check fuel lines, tank, cap, and fittings frequently for cracks or leaks. Replace if necessary.

When Starting Engine

- Ensure that spark plug, muffler, and air cleaner (if equipped) are in place and secured.
- Do not crank engine with spark plug removed.

When Operating Equipment

- Never start or run the engine with the air cleaner assembly (if equipped) or the air filter (if equipped) removed.

When Transporting Equipment

- On Natural/Liquid Petroleum (LP) Gas engines, transport with fuel cylinder empty or valve closed, or fuel tank disconnected.

When Storing Equipment With Fuel In Tank

- Store away from furnaces, stoves, water heaters or other appliances that have a pilot light or other ignition source because they can ignite gaseous vapors.



WARNING



Starting engine creates sparking. Sparking can ignite nearby flammable gases. Explosion and fire could result.



- If there is natural or LP gas leakage in area, do not start engine.
- Do not use pressurized starting fluids because vapors are flammable.



WARNING



Engines give off carbon monoxide, an odorless, colorless, poison gas. Breathing carbon monoxide can cause nausea, fainting or death.

- Start and run engine outdoors.
- Do not start or run engine in enclosed area, even if doors or windows are open.



WARNING



Rapid retraction of starter cord (kickback) will pull hand and arm toward engine faster than you can let go. Broken bones, fractures, bruises or sprains could result.

- When starting engine, pull the starter cord slowly until resistance is felt and then pull rapidly to avoid kickback.
- Remove all external equipment/engine loads before starting engine.
- Direct-coupled equipment components such as, but not limited to, blades, impellers, pulleys, sprockets, etc., must be securely attached.



WARNING



Rotating parts can contact or entangle hands, feet, hair, clothing, or accessories.

Traumatic amputation or severe laceration can result.

- Operate equipment with guards in place.
- Keep hands and feet away from rotating parts.
- Tie up long hair and remove jewelry.
- Do not wear loose-fitting clothing, dangling drawstrings or items that could become caught.



WARNING



Running engines produce heat. Engine parts, especially muffler, become extremely hot.

Severe thermal burns can occur on contact.



Combustible debris, such as leaves, grass, brush, etc. can catch fire.

- Allow muffler, engine cylinder and fins to cool before touching.
- Remove accumulated debris from muffler area and cylinder area.
- Install and maintain in working order a spark arrester before using equipment on forest-covered, grass-covered, brush-covered unimproved land. The state of California requires this (Section 4442 of the California Public Resources Code). Other states may have similar laws. Federal laws apply on federal land.



WARNING



Unintentional sparking can result in fire or electric shock.

Unintentional start-up can result in entanglement, traumatic amputation, or laceration.



Fire hazard



Before performing adjustments or repairs:

- Disconnect the spark plug wire and keep it away from the spark plug.
- Disconnect battery at negative terminal (only engines with electric start.)
- Use only correct tools.
- Do not tamper with governor spring, links or other parts to increase engine speed.
- Replacement parts must be the same and installed in the same position as the original parts.
- Do not strike the flywheel with a hammer or hard object because the flywheel may later shatter during operation.

When testing for spark:

- Use approved spark plug tester.
- Do not check for spark with spark plug removed.



WARNING



Gaseous fuels are extremely flammable and readily form explosive air-vapor mixtures at ambient temperatures.

- Do not start the engine.
- Do not actuate any electrical switches.
- Do not use a phone in the vicinity.
- Evacuate the area.
- Contact the gas supplier or fire department.



WARNING



Wear eye protection when doing repair work.

Frostbite can result from skin/eye contact with leaking LP liquid.



- Installation, adjustment and repair work should be done by a qualified technician.
- Regularly check flexible supply line. Make sure they are in good condition. Replace damaged or leaking components.



WARNING



Missing or inoperative "fuel lock-off" valve can cause a fire or explosion.

- Do not operate the equipment if the "fuel lock-off" valve is missing or inoperative.

Features and Controls

Compare the illustration **1** with your engine to familiarize yourself with the location of various features and controls.

- A. Engine Identification
Model Type Code
- B. Spark Plug
- C. Air Cleaner
- D. Dipstick
- E. Oil Drain Plug
- F. Muffler
Muffler Guard (optional)
Spark Arrester (optional)
- G. Rotating Screen
- H. Oil Filter
- I. Electric Starter
- J. LPG/NG Mixer
- K. Quick Oil Drain (optional)

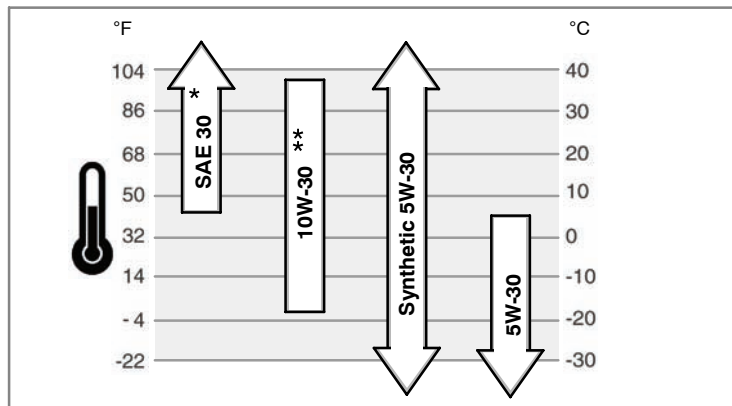
Operation

Oil capacity (see the **Specifications** section)

Oil Recommendations

We recommend the use of Briggs & Stratton Warranty Certified oils for best performance. Other high-quality detergent oils are acceptable if classified for service SF, SG, SH, SJ or higher. Do not use special additives.

Outdoor temperatures determine the proper oil viscosity for the engine. Use the chart to select the best viscosity for the outdoor temperature range expected.



* Below 40°F (4°C) the use of SAE 30 will result in hard starting.

** Above 80°F (27°C) the use of 10W-30 may cause increased oil consumption. Check oil level more frequently.

How To Check/Add Oil - Figure 2

Before adding or checking the oil

- Place engine level.
 - Clean the oil fill area of any debris.
1. Remove the dipstick (A) and wipe with a clean cloth (Figure 2).
 2. Insert and tighten the dipstick.
 3. Remove the dipstick and check the oil level. It should be at the FULL mark (B) on the dipstick.
 4. If low, add oil slowly into the engine oil fill (C). **Do not overfill.** After adding oil, wait one minute and then recheck the oil level.
Note: Do not add oil at the quick oil drain (K, Figure 1) (if equipped).
 5. Replace and tighten the dipstick.

Oil Pressure

If the oil pressure is too low, a pressure switch (if equipped) will either stop the engine or activate a warning device on the equipment. If this occurs, stop the engine and check the oil level with the dipstick.

If the oil level is below the ADD mark, add oil until it reaches the FULL mark. Start the engine and check for proper pressure before continuing to operate.

If the oil level is between the ADD and FULL marks, **do not start** the engine. Contact an Authorized Briggs & Stratton Dealer to have the oil pressure problem corrected.

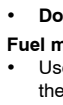
Fuel Recommendations



WARNING



Missing or inoperative “fuel lock-off” valve can cause a fire or explosion.



- **Do not** operate the equipment if the “fuel lock-off” valve is missing or inoperative.

Fuel must meet these requirements:

- Use clean, dry fuel, free of moisture or any particulate material. Using fuels outside the following recommended values may cause performance problems.
- In engines set up to run on LPG, commercial grade HD5 LPG is recommended. Recommended fuel composition is fuel with a minimum fuel energy of 2500 BTU's/ft³ with maximum propylene content of 5% and butane and heavier gas content of 2.5% and minimum propane content of 90%.

NG or LPG engines are certified to operate on natural or liquid propane gas. The emissions control system for this engine is EM (Engine Modifications).



WARNING: The equipment on which this engine is mounted is equipped with an automatic safety gas “fuel lock-off” valve. Do not operate the equipment if the “fuel lock-off” valve is missing or inoperative.

How To Add Fuel



WARNING



Gaseous vapors are extremely flammable and explosive. Fire or explosion can cause severe burns or death.

When Adding Fuel

- Fill fuel tank outdoors or in well-ventilated area.
- Check fuel lines, tank, cap, and fittings frequently for cracks or leaks. Replace if necessary.

For information on refueling natural or LP gas engines, read the operating instructions supplied by the equipment manufacturer.

How To Start The Engine - Figure 3



WARNING



Gaseous vapors are extremely flammable and explosive. Fire or explosion can cause severe burns or death.

When Starting Engine

- Ensure that spark plug, muffler and air cleaner are in place and secured.
- Do not crank engine with spark plug removed.



WARNING



Engines give off carbon monoxide, an odorless, colorless, poison gas. Breathing carbon monoxide can cause nausea, fainting or death.

- Start and run engine outdoors.
- Do not start or run engine in enclosed area, even if doors or windows are open.

CAUTION: This engine was shipped from Briggs & Stratton without oil. Before you start the engine, make sure you add oil according to the instructions in this manual. If you start the engine without oil, it will be damaged beyond repair and will not be covered under warranty.

1. Check the oil level. See the **How To Check/Add Oil** section.
2. Make sure equipment drive controls, if equipped, are disengaged. See the equipment manual for location and operation of these controls.
3. Turn the fuel shut-off valve (B), if equipped, to the on position (Figure 3). See the equipment manual for location and operation of the fuel shut-off valve.
4. Turn the electric start switch (A), if equipped, to the on/start position. See the equipment manual for the location and operation of the switch.

Note: If the engine does not start after three attempts, go to BRIGGSandSTRATTON.COM or call 1-800-233-3723 (in USA).

CAUTION: To extend the life of the starter, use short starting cycles (five seconds maximum). Wait one minute between starting cycles.

How To Stop The Engine - Figure 3

1. Turn the key switch (A, Figure 3) to the off position. Remove the key and keep in a safe place out of the reach of children.
2. After the engine stops, turn the fuel shut-off valve (B), if equipped, to the closed position.

Maintenance

Use only original equipment replacement parts. Other parts may not perform as well, may damage the unit, and may result in injury. In addition, use of other parts may void your warranty.

We recommend that you see any Briggs & Stratton Authorized Dealer for all maintenance and service of the engine and engine parts.

CAUTION: All the components used to build this engine must remain in place for proper operation.

Emissions Control

Maintenance, replacement, or repair of the emissions control devices and systems may be performed by any non-road engine repair establishment or individual. However, to obtain "no charge" emissions control service, the work must be performed by a factory authorized dealer. See the Emissions Warranty.



WARNING

Unintentional sparking can result in fire or electric shock.
Unintentional start-up can result in entanglement, traumatic amputation, or laceration.
Fire hazard

Before performing adjustments or repairs:

- Disconnect the spark plug wire and keep it away from the spark plug.
- Use only correct tools.
- Do not tamper with governor spring, links or other parts to increase engine speed.
- Replacement parts must be the same and installed in the same position as the original parts.
- Do not strike the flywheel with a hammer or hard object because the flywheel may later shatter during operation.

When testing for spark:

- Use approved spark plug tester.
- Do not check for spark with spark plug removed.

Maintenance Chart

First 5 Hours
<ul style="list-style-type: none">• Change oil
Every 8 Hours or Daily
<ul style="list-style-type: none">• Check engine oil level• Clean area around muffler and controls• Clean finger guard (if equipped)
Every 25 Hours or Annually
<ul style="list-style-type: none">• Clean air filter *• Clean pre-cleaner *
Every 50 Hours or Annually
<ul style="list-style-type: none">• Change engine oil• Replace oil filter (if equipped)• Check muffler and spark arrester
Annually
<ul style="list-style-type: none">• Replace air filter• Replace pre-cleaner• Replace spark plug• Clean air cooling system *• Check valve clearance **

* In dusty conditions or when airborne debris is present, clean more often.

** Not required unless engine performance problems are noted.

CAUTION: The manufacturer of the equipment on which this engine is installed specifies the top speed at which the engine will be operated. Do not exceed this speed.

How To Replace The Spark Plug - Figure 4

Check the gap (A, Figure 4) with a wire gauge (B). If necessary, reset the gap. Install and tighten the spark plug to the recommended torque. For gap setting or torque, see the **Specifications** section.

en

Note: In some areas, local law requires using a resistor spark plug to suppress ignition signals. If this engine was originally equipped with a resistor spark plug, use the same type for replacement.

Inspect Muffler And Spark Arrester - Figure 5



WARNING



Running engines produce heat. Engine parts, especially muffler, become extremely hot.



Severe thermal burns can occur on contact.

Combustible debris, such as leaves, grass, brush, etc. can catch fire.

- Allow muffler, engine cylinder and fins to cool before touching.
- Remove accumulated debris from muffler area and cylinder area.
- Install and maintain in working order a spark arrester before using equipment on forest-covered, grass-covered, brush-covered unimproved land. The state of California requires this (Section 4442 of the California Public Resources Code). Other states may have similar laws. Federal laws apply on federal land.

Inspect the muffler (A, Figure 5) for cracks, corrosion, or other damage. Remove the spark arrester (B), if equipped, and inspect for damage or carbon blockage. If replacement parts are required, make sure to use only original equipment replacement parts.



WARNING: Replacement parts must be the same and installed in the same position as the original parts or fire could result.

How To Change The Oil - Figure 6 7 8 9

CAUTION: Used oil is a hazardous waste product and must be disposed of properly. Do not discard with household waste. Check with your local authorities, service center, or dealer for safe disposal/recycling facilities.

Remove Oil

1. With engine off but still warm, disconnect the spark plug wire (A) and keep it away from the spark plug (Figure 6).
2. Remove the dipstick (D).

Standard Oil Drain Plug

3. Remove the oil drain plug (B, Figure 7). Drain the oil into an approved container.

Note: Any of the oil drain plugs shown below may be installed in the engine.



4. After the oil has drained, install and tighten the oil drain plug.

Optional Quick Oil Drain

1. Disconnect the oil drain hose (G, Figure 8) from the side of the engine.
2. Turn and remove the oil drain cap (H). Carefully lower the quick oil drain (I) into an approved container (J).
3. After the oil has drained, install the oil drain cap. Attach the oil drain hose to the side of the engine.

Change The Oil Filter (if equipped)

Some models are equipped with oil filter. For replacement intervals, see the **Maintenance** chart.

1. Drain the oil from the engine. See **Remove Oil** section.
2. Remove the oil filter (C) and dispose of properly. See Figure 9.
3. Before you install the new oil filter, lightly lubricate the oil filter gasket with fresh, clean oil.
4. Install the oil filter by hand until the gasket contacts the oil filter adapter, then tighten the oil filter 1/2 to 3/4 turns.
5. Add oil. See **Add Oil** section.
6. Start and run the engine. As the engine warms up, check for oil leaks.
7. Stop the engine and check the oil level. It should be at the FULL mark on the dipstick.

Add Oil

- Place engine level.
 - Clean the oil fill area of any debris.
 - See the **Specifications** section for oil capacity.
1. Remove the dipstick (D) and wipe with a clean cloth (Figure 6).
 2. Pour the oil slowly into the engine oil fill (E). Do not overfill. After adding oil, wait one minute and then check the oil level.
 3. Install and tighten the dipstick.
 4. Remove the dipstick and check the oil level. It should be at the FULL mark (F) on the dipstick.
 5. Install and tighten the dipstick.

How To Service The Air Filter - Figure 10



WARNING



Gaseous vapors are extremely flammable and explosive. Fire or explosion can cause severe burns or death.

- Never start or run the engine with the air cleaner assembly or the air filter removed.

CAUTION: Do not use pressurized air or solvents to clean the filter. Pressurized air can damage the filter and solvents will dissolve the filter.

The air filter system uses either a flat or oval cartridge. Some models are also equipped with a pre-cleaner that can be washed and reused.

Flat Air Filter

1. Pull up on the cover handle (A, Figure 10). Rotate the cover handle toward the engine and then remove the cover (B).
2. Remove the pre-cleaner (C), if equipped, and the filter (D).
3. To loosen debris, gently tap the filter on a hard surface. If the filter is excessively dirty, replace with a new filter.
4. Wash the pre-cleaner in liquid detergent and water. Then allow it to thoroughly air dry. **Do not** oil the pre-cleaner.
5. Assemble the dry pre-cleaner and the filter into the engine base (E).
6. Align the tabs (F) on the cover with the slots (G) in the blower housing. Rotate the cover handle back and push down to lock in place.

How To Clean The Air Cooling System - Figure 11



WARNING



Running engines produce heat. Engine parts, especially muffler, become extremely hot.

Severe thermal burns can occur on contact.

Combustible debris, such as leaves, grass, brush, etc. can catch fire.

- Allow muffler, engine cylinder and fins to cool before touching.
- Remove accumulated debris from muffler area and cylinder area.

CAUTION: Do not use water to clean the engine. Water could contaminate the fuel system. Use a brush or dry cloth to clean the engine.

This is an air cooled engine. Dirt or debris can restrict air flow and cause the engine to overheat, resulting in poor performance and reduced engine life.

Use a brush or dry cloth to remove debris from the finger guard/rotating screen (A). Keep linkage, springs and controls (B) clean. Keep the area around and behind the muffler (C) free of any combustible debris (Figure 11).

Storage



WARNING



Gaseous vapors are extremely flammable and explosive. Fire or explosion can cause severe burns or death.

When Storing Equipment With Fuel In Tank

- Store away from furnaces, stoves, water heaters or other appliances that have pilot lights or other ignition sources because they can ignite gaseous vapors.

Engine Oil

While the engine is still warm, change the engine oil.

Troubleshooting

Need Assistance? Go to BRIGGSandSTRATTON.COM or call 1-800-233-3723.

Specifications

Engine Specifications

Model	310000
Displacement	30.52 ci (500 cc)
Bore	3.563 in (90.49 mm)
Stroke	3.062 in (77.77 mm)
Oil Capacity - with filter	46 - 48 oz (1.36 - 1.40 L)

Tune-up Specifications *

Model	310000
Spark Plug Gap	0.030 in (0.76 mm)
Spark Plug Torque	180 lb-in (20 Nm)
Armature Air Gap	0.010 - 0.014 in (0.25 - 0.36 mm)
Intake Valve Clearance	0.003 - 0.005 in (0.08 - 0.13 mm)
Exhaust Valve Clearance	0.005 - 0.007 in (0.13 - 0.18 mm)

* Engine power will decrease 3.5% for each 1,000 feet (300 meters) above sea level and 1% for each 10° F (5.6° C) above 77° F (25° C). The engine will operate satisfactorily at an angle up to 15°. Refer to the equipment operator's manual for safe allowable operating limits on slopes.

Common Service Parts ✓

Service Part	Part Number
Air Filter, Flat	790263
Air Filter Pre-cleaner, Flat	697015
Oil Filter	492932, 5049
Oil - SAE 30 (20 oz, 0.6 L)	100005
Oil - SAE 30 (48 oz, 1.4 L)	100028
Resistor Spark Plug	491055
Long Life Platinum Spark Plug	5066
Spark Plug Wrench	89838, 5023
Spark Tester	19368

✓ We recommend that you see any Briggs & Stratton Authorized Dealer for all maintenance and service of the engine and engine parts. Use only genuine Briggs & Stratton parts.

LIMITED WARRANTY

Briggs & Stratton Corporation will repair or replace, free of charge, any part(s) of the engine that is defective in material or workmanship or both. Transportation charges on product submitted for repair or replacement under this warranty must be borne by purchaser. This warranty is effective for and is subject to the time periods and conditions stated below. For warranty service, find the nearest Authorized Service Dealer in our dealer locator map at BRIGGSandSTRATTON.COM, or by calling 1-800-233-3723, or as listed in the 'Yellow Pages™'.

There is no other expressed warranty. Implied warranties, including those of merchantability and fitness for a particular purpose, are limited to one year from purchase, or to the extent permitted by law and all implied warranties are excluded. Liability for incidental or consequential damages are excluded to the extent exclusion is permitted by law. Some states or countries do not allow limitations on how long an implied warranty lasts, and some states or countries do not allow the exclusion or limitation of incidental or consequential damages, so the above limitation and exclusion may not apply to you. This warranty gives you specific legal rights and you may also have other rights which vary from state to state and country to country.

STANDARD WARRANTY TERMS * ▲

Brand/Product Type	Consumer Use	Commercial Use
Vanguard™	2 years	2 years
Extended Life Series™, I/C® [®] , Intek™ I/C® [®] , Intek™ Pro	2 years	1 year
Snow Series MAX™ with Dura-Bore™ Cast Iron Sleeve	2 years	1 year
All Other Briggs & Stratton Engines	2 years	90 days

* These are our standard warranty terms, but occasionally there may be additional warranty coverage that was not determined at time of publication. For a listing of current warranty terms for your engine, go to BRIGGSandSTRATTON.COM or contact your Authorized Briggs & Stratton Service Dealer.

▲ Engines used on Home Standby Generator applications are warranted under consumer use only. This warranty does not apply to engines on equipment used for prime power in place of a utility. **Engines used in competitive racing or on commercial or rental tracks are not warranted.**

The warranty period begins on the date of purchase by the first retail consumer or commercial end user, and continues for the period of time stated in the table above. "Consumer use" means personal residential household use by a retail consumer. "Commercial use" means all other uses, including use for commercial, income producing or rental purposes. Once an engine has experienced commercial use, it shall thereafter be considered as a commercial use engine for purposes of this warranty.

No warranty registration is necessary to obtain warranty on Briggs & Stratton Products. Save your proof of purchase receipt. If you do not provide proof of the initial purchase date at the time warranty service is requested, the manufacturing date of the product will be used to determine the warranty period.

About Your Warranty

Briggs & Stratton welcomes warranty repair and apologizes to you for being inconvenienced. Any Authorized Service Dealer may perform warranty repairs. Most warranty repairs are handled routinely, but sometimes requests for warranty service may not be appropriate.

If a customer differs with the decision of the Service Dealer, an investigation will be made to determine whether the warranty applies. Ask the Service Dealer to submit all supporting facts to his Distributor or the Factory for review. If the Distributor or the Factory decides that the claim is justified, the customer will be fully reimbursed for those items that are defective. To avoid misunderstanding which might occur between the customer and the Dealer, listed below are some of the causes of engine failure that the warranty does not cover.

Normal wear: Engines, like all mechanical devices, need periodic parts service and replacement to perform well. Warranty will not cover repair when normal use has exhausted the life of a part or an engine. Warranty would not apply if engine damage occurred because of misuse, lack of routine maintenance, shipping, handling, warehousing or improper installation. Similarly, warranty is void if the serial number of the engine has been removed or the engine has been altered or modified.

Improper maintenance: The life of an engine depends upon the conditions under which it operates, and the care it receives. Some applications, such as tillers, pumps and rotary mowers, are very often used in dusty or dirty conditions, which can cause what appears to be premature wear. Such wear, when caused by dirt, dust, spark plug cleaning grit, or other abrasive material that has entered the engine because of improper maintenance, is not covered by warranty.

This warranty covers engine related defective material and/or workmanship only, and not replacement or refund of the equipment to which the engine may be mounted. Nor does the warranty extend to repairs required because of:

- 1 Problems caused by parts that are not original Briggs & Stratton parts.
- 2 Equipment controls or installations that prevent starting, cause unsatisfactory engine performance, or shorten engine life. (Contact equipment manufacturer.)

- 3 Leaking carburetors, clogged fuel pipes, sticking valves, or other damage, caused by using contaminated or stale fuel.
- 4 Parts which are scored or broken because an engine was operated with insufficient or contaminated lubricating oil, or an incorrect grade of lubricating oil (check and refill when necessary, and change at recommended intervals). OIL GARD may not shut down running engine. Engine damage may occur if oil level is not properly maintained.
- 5 Repair or adjustment of associated parts or assemblies such as clutches, transmissions, remote controls, etc., which are not manufactured by Briggs & Stratton.
- 6 Damage or wear to parts caused by dirt, which entered the engine because of improper air cleaner maintenance, re-assembly, or use of a non-original air cleaner element or cartridge. At recommended intervals, clean and/or replace the filter as stated in the Operator's Manual.
- 7 Parts damaged by over-speeding, or overheating caused by grass, debris, or dirt, which plugs or clogs the cooling fins, or flywheel area, or damage caused by operating the engine in a confined area without sufficient ventilation. Clean engine debris at recommended intervals as stated in the Operator's Manual.
- 8 Engine or equipment parts broken by excessive vibration caused by a loose engine mounting, loose cutter blades, unbalanced blades or loose or unbalanced impellers, improper attachment of equipment to engine crankshaft, over-speeding or other abuse in operation.
- 9 A bent or broken crankshaft, caused by striking a solid object with the cutter blade of a rotary lawn mower, or excessive v-belt tightness.
- 10 Routine tune-up or adjustment of the engine.

Warranty service is available only through authorized service dealers by Briggs & Stratton Corporation. Locate your nearest Authorized Service Dealer in our dealer locator map on BRIGGSandSTRATTON.COM or by calling 1-800-233-3723, or as listed in the 'Yellow Pages™'.

Emissions Control System Warranty Statement

Briggs & Stratton Corporation (B&S), the California Air Resources Board (CARB) and the United States Environmental Protection Agency (U.S. EPA) Emissions Control System Warranty Statement (Owner's Defect Warranty Rights and Obligations)

California, United States and Canada Emissions Control Defects Warranty Statement

The California Air Resources Board (CARB), U.S. EPA and B&S are pleased to explain the Emissions Control System Warranty on your small off-road engine (SORE). In California, new small off-road engines model year 2006 and later must be designed, built and equipped to meet the State's stringent anti-smog standards. Elsewhere in the United States, new non-road, spark-ignition engines certified for model year 1997 and later must meet similar standards set forth by the U.S. EPA. B&S must warrant the emissions control system on your engine for the periods of time listed below, provided there has been no abuse, neglect or improper maintenance of your small off-road engine.

Your emissions control system includes parts such as the carburetor, air cleaner, ignition system, fuel line, muffler and catalytic converter. Also included may be connectors and other emissions related assemblies.

Where a warrantable condition exists, B&S will repair your small off-road engine at no cost to you including diagnosis, parts and labor.

Briggs & Stratton Emissions Control Defects Warranty Coverage

Small off-road engines are warranted relative to emissions control parts defects for a

period of two years, subject to provisions set forth below. If any covered part on your engine is defective, the part will be repaired or replaced by B&S.

Owner's Warranty Responsibilities

As the small off-road engine owner, you are responsible for the performance of the required maintenance listed in your Operating and Maintenance Instructions. B&S recommends that you retain all your receipts covering maintenance on your small off-road engine, but B&S cannot deny warranty solely for the lack of receipts or for your failure to ensure the performance of all scheduled maintenance.

As the small off-road engine owner, you should however be aware that B&S may deny you warranty coverage if your small off-road engine or a part has failed due to abuse, neglect, improper maintenance or unapproved modifications.

You are responsible for presenting your small off-road engine to an Authorized B&S Service Dealer as soon as a problem exists. The undisputed warranty repairs should be completed in a reasonable amount of time, not to exceed 30 days.

If you have any questions regarding your warranty rights and responsibilities, you should contact a B&S Service Representative at (414) 259-5262.

The emissions warranty is a defects warranty. Defects are judged on normal engine performance. The warranty is not related to an in-use emissions test.

Briggs & Stratton Emissions Control Defects Warranty Provisions

The following are specific provisions relative to your Emissions Control Defects Warranty Coverage. It is in addition to the B&S engine warranty for non-regulated engines found in the Operating and Maintenance Instructions.

1. Warranted Parts

Coverage under this warranty extends only to the parts listed below (the emissions control systems parts) to the extent these parts were present on the engine purchased.

a. Fuel Metering System

- Cold start enrichment system (soft choke)
- Carburetor and internal parts
- Fuel pump
- Fuel line, fuel line fittings, clamps
- Fuel tank, cap and tether
- Carbon canister

b. Air Induction System

- Air cleaner
- Intake manifold
- Purge and vent line

c. Ignition System

- Spark plug(s)
- Magneto ignition system

d. Catalyst System

- Catalytic converter
- Exhaust manifold
- Air injection system or pulse valve

e. Miscellaneous Items Used in Above Systems

- Vacuum, temperature, position, time sensitive valves and switches
- Connectors and assemblies

2. Length of Coverage

B&S warrants to the initial owner and each subsequent purchaser that the Warranted Parts shall be free from defects in materials and workmanship which caused the

failure of the Warranted Parts for a period of two years from the date the engine is delivered to a retail purchaser.

3. No Charge

Repair or replacement of any Warranted Part will be performed at no charge to the owner, including diagnostic labor which leads to the determination that a Warranted Part is defective, if the diagnostic work is performed at an Authorized B&S Service Dealer. For emissions warranty service contact your nearest Authorized B&S Service Dealer as listed in the "Yellow Pages" under "Engines, Gasoline," "Gasoline Engines," "Lawn Mowers," or similar category.

4. Claims and Coverage Exclusions

Warranty claims shall be filed in accordance with the provisions of the B&S Engine Warranty Policy. Warranty coverage shall be excluded for failures of Warranted Parts which are not original B&S parts or because of abuse, neglect or improper maintenance as set forth in the B&S Engine Warranty Policy. B&S is not liable to cover failures of Warranted Parts caused by the use of add-on, non-original, or modified parts.

5. Maintenance

Any Warranted Part which is not scheduled for replacement as required maintenance or which is scheduled only for regular inspection to the effect of "repair or replace as necessary" shall be warranted as to defects for the warranty period. Any Warranted Part which is scheduled for replacement as required maintenance shall be warranted as to defects only for the period of time up to the first scheduled replacement for that part. Any replacement part that is equivalent in performance and durability may be used in the performance of any maintenance or repairs. The owner is responsible for the performance of all required maintenance, as defined in the B&S Operating and Maintenance Instructions.

6. Consequential Coverage

Coverage hereunder shall extend to the failure of any engine components caused by the failure of any Warranted Part still under warranty.

Look For Relevant Emissions Durability Period and Air Index Information On Your Engine Emissions Label

Engines that are certified to meet the California Air Resources Board (CARB) Emissions Standard must display information regarding the Emissions Durability Period and the Air Index. Briggs & Stratton makes this information available to the consumer on our emissions labels. The engine emissions label will indicate certification information.

The **Emissions Durability Period** describes the number of hours of actual running time for which the engine is certified to be emissions compliant, assuming proper maintenance in accordance with the Operating & Maintenance Instructions. The following categories are used:

Moderate:

Engine is certified to be emissions compliant for 125 hours of actual engine running time.

Intermediate:

Engine is certified to be emissions compliant for 250 hours of actual engine running time.

Extended:

Engine is certified to be emissions compliant for 500 hours of actual engine running time. For example, a typical walk-behind lawn mower is used 20 to 25 hours per year. Therefore, the **Emissions Durability Period** of an engine with an **intermediate** rating would equate to 10 to 12 years.

Briggs & Stratton engines are certified to meet the United States Environmental Protection Agency (USEPA) Phase 2 emissions standards. For Phase 2 certified engines, the Emissions Compliance Period referred to on the Emissions Compliance label indicates the number of operating hours for which the engine has been shown to meet Federal emissions requirements.

For engines less than 225 cc displacement.

Category C = 125 hours, Category B = 250 hours, Category A = 500 hours

For engines of 225 cc or more displacement.

Category C = 250 hours, Category B = 500 hours, Category A = 1000 hours

Generelle oplysninger

Notér motorens modelserie, type og kodenumre samt købsdatoen. Dette vil være en hjælp, når du skal bestille reservedele eller teknisk assistance. Disse oplysninger findes på din motor (se siden **Udstyr og betjeningslementer**).

Købsdato: _____
DD/MM/ÅÅÅÅ

Motormodel: _____
Modelserie: _____ Type: _____ Kode: _____

Oplysninger om motors nominelle effekt

Bruttoeffekten for de enkelte gasmotortyper er mærket i overensstemmelse med SAE (Society of Automotive Engineers) code J1940 (Small Engine Power & Torque Rating Procedure), og den nominelle effekt er opnået og korrigeret i overensstemmelse med SAE J1995 (Revision 2002-05). Værdier for drejningsmoment er opnået ved 3060 omdrejninger pr. minut; HK-værdier er opnået ved 3600 omdrejninger pr. minut. Motorens reelle bruttoeffekt er lavere og kan f.eks. være afhængig af de omgivende driftsforhold samt indbyrdes forskelle mellem motorerne. Når der tages hensyn til den lange række produkter, motorer anbringes på og de mange miljøforhold, der er gældende for anvendelse af udstyret, vil gasmotoren ikke udvikle den nominelle bruttoeffekt, når den anvendes i et givet udstyr (den reelle effekt "på stedet" eller nettoeffekt). Forskellen skyldes en række faktorer, bl.a. tilbehør (luftfilter, udstødning, opladning, køling, karburator, benzinpumpe etc.), anvendelsesbegrænsninger, de omgivende driftsforhold (temperaturer, fugtighed, højde) samt indbyrdes forskelle mellem motorerne. På grund af begrænsninger med hensyn til produktion og kapacitet, kan Briggs & Stratton erstatte en motor fra denne serie med en motor, der har en højere nominel effekt.

Sikkerhed for operatoren

SIKKERHEDS- OG KONTROLSYMBOLER



Brand



Bevægelige dele



Olie



Giftige dampe



Langsom



Hurtig



Stop



Ekspllosion



Stød



Brændstof



Choker



On/Off-kontakt



Brændstofhane



Tilbageslag



Bær beskyttelsesbriller



Farligt kemikalie




Læs vejledningen



Varm overflade



Forfrysninger

Advarselssymbolet FARE  anvendes til at fremhæve sikkerhedsoplysninger om farer, der kan medføre alvorlig personskade. Ordene FARE, ADVARSEL og FORSIGTIG anvendes sammen med advarselssymbolet til at angive, hvor stor risikoen for skader er og omfanget eller alvoren af sådanne personskader. Desuden anvendes et faresymbol til at angive den relevante type fare.



FARE angiver en farlig situation, som vil medføre død eller alvorlig personskade, hvis den ikke undgås.



ADVARSEL angiver en farlig situation, som kan medføre død eller alvorlig personskade, hvis den ikke undgås.



FORSIGTIG angiver en farlig situation, som kan medføre mindre eller moderat personskade, hvis den ikke undgås.

da

FORSIGTIG, hvor dette anvendes uden advarselssymbolet, angiver det en situation, hvor der kan ske skade på produktet.



ADVARSEL

I henhold til amerikansk lovgivning (Californien) gøres der opmærksom på, at udstødningsgasserne fra denne maskine indeholder kræftfremkaldende stoffer. Disse stoffer kan ligeledes medføre fosterskader og kan have en negativ effekt på forplantningsevnen.



ADVARSEL

Briggs & Stratton godkender eller autoriserer ikke brug af disse motorer på 3-hjulede terrængående køretøjer (ATV'er), motorcykler, gokarts til ikke-professionel brug, luftfartøjer eller køretøjer til brug i konkurrencer. Brug af disse motorer til ovennævnte formål kan forårsage tingsskade, alvorlig personskade (bl.a. lammelse) og i værste tilfælde død.

FORSIGTIG: Denne motor er leveret fra Briggs & Stratton uden olie. Sørg for at komme olie i motoren ifølge instruktionerne i denne vejledning, før motoren startes. Hvis motoren startes uden olie, vil den blive beskadiget uden mulighed for reparation, og garantien bortfalder.



ADVARSEL

Benzindampe er yderst brandfarlige og eksplosive.

Brand eller eksplosion kan medføre alvorlige forbrændinger eller døden.



Påfyldning af brændstof

- Påfyld kun benzin udendørs eller på et sted med god udluftning.
- Foretag hyppige eftersyn af brændstofslanger, tanken og tankdækslet samt fittings for revner og utætheder. Udskift om nødvendigt.

Start af motoren

- Kontrollér, at tændrør, lyddæmper og luftfilter (hvis monteret) er monteret og fastgjort.
- Tørn ikke motoren, når tændrøret er afmonteret.

Betjening af redskabet

- Start aldrig motoren eller lad aldrig motoren køre med luftfilterenheden (hvis monteret) eller luftfiltret (hvis monteret) fjernet.

Transport af redskabet

- Motorer, der anvender Naturgas/Flydende autogas (LP), skal transporteres med tom brændstofcylinder, ventilen lukket eller tanken frakoblet.

Opbevaring af redskab med brændstof i tanken

- Sørg for, at benzin og redskaber med brændstof i tanken opbevares i sikker afstand fra fyr, ovne, vandvarmere og andre apparater, hvori der anvendes vågeblus, samt andre antændelseskilder, da disse kan antænde benzindampe.



ADVARSEL

Når motoren startes, dannes der gnister.

Gnister kan antænde brændbare gasarter, der befinder sig i nærheden af motoren.

Dette kan medføre eksplosion og brand.



- Motoren må ikke startes, hvis der er naturgas eller flaskegas i nærheden.
- Der må ikke anvendes startvæske på dåse til at starte motoren, da dampene er brændbare.



ADVARSEL

Motorer udsender kulilte, der er en lugtfri og farveløs, giftig gasart.

Indånding af kulilte kan medføre kvalme, besvimelse eller døden.



- Motoren må kun startes og anvendes udendørs.
- Motoren må aldrig startes og anvendes i lukkede rum. Dette gælder også, selv om døre og vinduer er åbne.



ADVARSEL

Hurtig tilbageslækning af startsnoren (tilbageslag) vil trække hånd og arm tilbage mod motoren, hurtigere end du kan nå at slippe snoren.



Dette kan medføre, at du brækker armen, får knoglebrud, blå mærker eller forstrækninger.

- Når motoren startes, skal du trække langsomt i startsnoren, indtil du kan mærke modstand. Træk derefter hurtigt for at undgå tilbageslag.
- Sørg for, at alle anordninger på redskabet er udkoblet, dvs. at motoren ikke er belastet, før den startes.
- Direkte tilkoblede dele på redskabet, bl.a. skæreknive, skovlhjul, remskiver, kædehjul osv. skal være forsvarligt monteret.



ADVARSEL

Hænder, fødder, hår og tøj kan sætte sig fast i roterende dele.



Dette kan medføre, at legemsdele skæres af, eller at brugeren får alvorlige snitsår.

- Redskaber må kun anvendes med alle sikkerhedsafskærmninger på plads.
- Hold hænder og fødder i sikker afstand fra roterende dele.
- Langt hår bør bindes op, og smykker og lignende genstande bør tages af.
- Undgå at bære løstsiddende tøj, tøj med snore eller andre genstande, der kan sætte sig fast i de roterende dele.



ADVARSEL

Kørende motorer udvikler varme. Motorens dele, især lyddæmperen, bliver meget varme.



Kontakt med varme dele kan forårsage alvorlige forbrændinger.



Der kan gå ild i brændbart affald som f.eks. blade, græs og grene.

- Lyddæmper, cylinder og køleribber skal køle af, før du rører ved dem.
- Fjern snavs, der samler sig i området omkring lyddæmperen og cylinderen.
- Hvis redskabet anvendes på steder med skov, græs eller krat, skal der monteres en gnistfanger. Den skal altid holdes i korrekt stand. Overhold altid lokale regler for brug af motorer – ikke mindst i perioder med tørke, hvor der er større risiko for brand.



ADVARSEL

Gnister, som frembringes ved et uheld, kan medføre brand eller stød.



Hvis motoren startes ved et uheld, kan dette medføre, at personer kommer i klemme i redskabets mekanismer, at legemsdele bliver skåret af, eller at personer får snitsår.



Brandfare



Før justering eller reparation af motoren:

- Tag tændrørskablet af tændrøret, og hold det i sikker afstand fra tændrøret.
- Tag minuskablet af batteriet, hvis motoren er udstyret med el-starter.
- Brug kun korrekt værktøj.
- Foretag aldrig ændring af regulatorfjeder, regulatorforbindelser eller andre dele for at øge motorens omdrejningstal.
- Udskiftningsdele skal være af samme type som originaldelene og skal monteres samme sted.
- Slå aldrig på svinghjulet med en hammer eller en hård genstand, da dette kan få svinghjulet til at splintres under drift.

Kontrol af gnist:

- Brug en godkendt gnisttester.
- Kontrollér ikke gnisten med tændrøret afmonteret.



ADVARSEL

Benzindampe er yderst brandfarlige og kan let antændes ved lave temperaturer.



Hvis du kan lugte gas:

- Start **ikke** motoren.
- **Undgå** at aktivere elektriske kontakter.
- **Undlad** at anvende en telefon i det omkringliggende område.
- Evakuer området, og kontakt gasleverandøren eller alarmcentralen.



ADVARSEL

Bær beskyttelsesbriller ved udførelse af reparationsarbejde.



Udsivende autogas, som kommer i kontakt med hud/øjne, kan give forfrysninger.

- Installation, justering og reparation skal udføres af en kvalificeret tekniker.
- Kontrollér fleksible brændstofslanger regelmæssigt. Alle dele skal være i god stand. Udskift beskadigede eller utætte komponenter.



ADVARSEL

Hvis brændstofhanen mangler eller ikke fungerer kan dette medføre eksplosion eller brand.



- Udstyret **må ikke** betjenes, hvis brændstofhanen mangler eller ikke fungerer.

Udstyr og betjeningselementer

Sammenhold illustrationen **1** med din motor for at lære placeringen af udstyr og betjeningselementer.

- A. Identifikation af motoren
Model-, type-, og kodenummer
- B. Tændrør
- C. Luffilter
- D. Oliepind
- E. Olieaftappingsprop
- F. Lyddæmper
Lyddæmperskærm (ekstraudstyr)
Gnistfanger (ekstraudstyr)
- G. Roterende skærm
- H. Oliefilter
- I. Elektrisk starter
- J. Flydende autogas (LPG)/Naturgas Mixer
- K. Anordning til hurtig olieaftapning (ekstraudstyr)

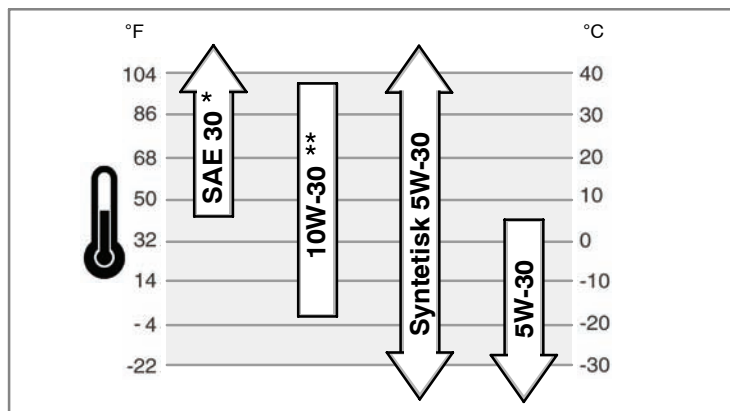
Betjening

Oliekapacitet (se **Specifikationer** afsnittet)

Anbefalinger vedrørende olie

Vi anbefaler at bruge Briggs & Stratton Garanti-godkendte olier for den bedste ydelse. Andre olier af høj kvalitet kan accepteres, såfremt disse hører under serviceklassificering SF, SG, SH, SJ eller er af bedre kvaliteter. Anvend ikke specielle additiver.

Udendørs temperaturer bestemmer motorens rette olieviskositet. Brug skemaet til at udvælge den bedste viskositet for de forventede udendørs temperaturintervaller.



* Hvis en SAE 30 olie benyttes ved temperaturer under 40°F (4°C), vil det resultere i startproblemer.

** Ved temperaturer over 80°F (27°C) vil brugen af 10W-30 medføre et olieforbrug, der er højere end normalt. Kontrollér oliestanden hyppigere.

Kontrol/påfyldning af olie - Figur 2

Før påfyldning eller kontrol af olien

- Sørg for, at motoren er vandret.
- Rengør oliepåfyldningsområdet for eventuelt snavs.
- 1. Tag oliepinde (A) ud, og tør den af med en ren klud (Figur 2).
- 2. Sæt oliepinde tilbage, og spænd den fast.
- 3. Tag oliepinde ud, og kontrollér oliestanden. Kontrollér, at oliestanden er ved FULL-mærket (B) på oliepinde.
- 4. Hvis oliestanden er lav, fyld langsomt olie ind i motorens oliepåfyldning (C). **Overfyld ikke.** Efter oliepåfyldning skal du vente et minut og derefter kontrollere oliestanden igen.
Bemærk: Undlad at påfylde olie via anordningen til hurtig oliepåfyldning (K, Figur 1) (hvis monteret).
- 5. Udskift og fastspænd oliepinde.

Olietryk

Hvis olietrykket er for lavt, vil en trykkontakt (hvis monteret) enten stoppe motoren eller aktivere en advarselsanordning på udstyret. Hvis dette sker, stop motoren og kontrollér oliestanden med oliepinde.

Hvis oliestanden er under ADD mærket, påfyld olie indtil FULL mærket nås. Start motoren og kontrollér, at der er korrekt tryk før du fortsætter driften.

Hvis oliestanden er mellem ADD og FULL mærkerne, **start ikke** motoren. Kontrakt en autoriseret Briggs & Stratton forhandler for at afhjælpe olietrykproblemet.

da

Anbefalinger vedr. brændstof



ADVARSEL



Hvis brændstofhanen mangler eller ikke fungerer kan dette medføre eksplosion eller brand.

- Udstyret må **ikke** betjenes, hvis brændstofhanen mangler eller ikke fungerer.

Benzinen skal leve op til disse krav:

- Anvend rent, tørt brændstof, fri for fugt eller anden specielt materiale. Ved anvendelse af brændstof udendørs kan følgende anbefalede værdier forårsage ydelsesproblemer.
- Til motorer, der er beregnet til at køre på autogas, anbefales autogas af kvalitet HD5. Den anbefalede brændstofsammensætning er brændstof med en brændstofenergi på mindst 2.500 BTU pr. kubikfod³ med et maksimalt propylenindhold på 5 % og et indhold af butan og tungere gasarter på 2,5 % samt et propanindhold på mindst 90 %.

Natur- eller autogasmotorer er certificeret til anvendelse af naturgas eller autogas. Emissionsreguleringssystemet for denne motor er EM (Engine Modifications) såkaldte justeringer.



ADVARSEL: Det udstyr, hvorpå denne type motor er monteret, er udstyret med en automatisk "sikkerhedsgasbrændstofhane". Udstyret må ikke betjenes, hvis brændstofhanen mangler eller ikke fungerer.

Påfyldning af brændstof



ADVARSEL



Benzindampe er yderst brandfarlige og eksplosive.

Brand eller eksplosion kan medføre alvorlige forbrændinger eller døden.

Påfyldning af brændstof

- Påfyld kun benzin udendørs eller på et sted med god udluftning.
- Foretag hyppige eftersyn af brændstofslanger, tanken og tankdækslet samt fittings for revner og utætheder. Udskift om nødvendigt.

Læs betjeningsvejledningen fra producenten for at få oplysninger om genopfyldning af brændstof på en naturgas-/autogasmotor.

Start af motoren - Figur 3



ADVARSEL



Benzindampe er yderst brandfarlige og eksplosive.

Brand eller eksplosion kan medføre alvorlige forbrændinger eller døden.

Start af motoren

- Sørg for, at tændrøret, lyddæmperen og luffiltret er på plads og forsvarligt fastgjort.
- Tørn ikke motoren, når tændrøret er afmonteret.



ADVARSEL



Motorer udsender kullilte, der er en lugtfri og farveløs, giftig gasart.

Indånding af kullilte kan medføre kvalme, besvimelse eller døden.

- Motoren må kun startes og anvendes udendørs.
- Motoren må aldrig startes og anvendes i lukkede rum. Dette gælder også, selv om døre og vinduer er åbne.

FORSIGTIG: Denne motor blev afsendt fra Briggs & Stratton uden olie. Før du starter motoren, sørg altid for at påfylde olie i henhold til de instruktioner angivet i denne manual. Hvis du starter motoren uden påfyldning af olie, vil denne blive beskadiget og vil ikke kunne repareres mere og derfor ikke være dækket af garantien.

1. Kontrollér oliestanden. Se i **Kontrol/påfyldning af olie** afsnittet.
2. Sørg for, at udstyrets kørselsbetjeningsanordninger, hvis monteret, er frakoblet. Se i udstyrsmanualen for placering og styring af disse betjeningsanordninger.
3. Drej brændstofhanen (B), hvis monteret, på on-position. (Figur 3). Se i udstyrsmanualen for placering og betjening af brændstofhanen.
4. Drej den elektriske startkontakt (A), hvis monteret, på on/start position. Se i udstyrsmanualen for placering og drift af denne knap.

Bemærk: Hvis motoren ikke starter efter tre startforsøg, gå til hjemmesiden **BRIGGSandSTRATTON.COM** eller ring på **1-800-233-3723** (i USA).

FORSIGTIG: For at forlænge starterens levetid, brug korte startperioder (maksimalt i fem sekunder). Vent et minut mellem hver startperiode.

Afbrydelse af motoren Engine - Figur 3

1. Drej nøglekontakten (A, Figur 3) til off-position. Tag nøglen ud, og opbevar den et sikkert sted uden for børns rækkevidde.
2. Efter standning af motoren sæt da brændstofhanen (B), hvis monteret, på lukket position.

Vedligeholdelse

Anvend kun originale reservedele. Andre reservedele fungerer muligvis ikke så godt, kan evt. resultere i skader på enheden og kan måske resultere i personskade. Endvidere kan brug af ikke originale dele resultere i bortfald af garantien.

Vi anbefaler, at du kontakter en autoriseret Briggs & Stratton forhandler vedrørende al vedligeholdelse og service af motoren og motordele.

FORSIGTIG: Alle dele i denne motor skal være korrekt placeret for at give korrekt funktion.

Emissionsregulering

Vedligeholdelse, reservedelsudskiftning eller reparation af de emissionsregulerende anordninger og systemer kan udføres af enhver person eller ethvert ikke-vej motorreparationsværksted. Hvis du imidlertid ønsker at få udført emissionsregulerende service "uden beregning", så skal arbejdet udføres af en fabriksautoriseret forhandler. Se under afsnittet Emissionsgaranti.



ADVARSEL

Gnister, som frembringes ved et uheld, kan medføre brand eller stød. Hvis motoren startes ved et uheld, kan dette medføre, at personer kommer i klemme i redskabets mekanismer, at legemsdele bliver skåret af, eller at personer får snitsår.

Brandfare

Før justering eller reparation af motoren:

- Tag tændrørskabet af tændrøret, og hold det i sikker afstand fra tændrøret.
- Brug kun korrekt værktøj.
- Foretag aldrig ændring af regulatorfjeder, regulatorforbindelser eller andre dele for at øge motorens omdrejningstal.
- Udskiftningsdele skal være af samme type som originaldelene og skal monteres samme sted.
- Slå aldrig på svinghjulet med en hammer eller en hård genstand, da dette kan få svinghjulet til at splintres under drift.

Kontrol af gnist:

- Brug en godkendt gnisttester.
- Kontrollér ikke gnisten med tændrøret afmonteret.

Vedligeholdelsesoversigt

Første fem timer
<ul style="list-style-type: none">• Skift olie
For hver otte driftstimer eller hver dag
<ul style="list-style-type: none">• Kontrollér oliestanden i motoren.• Rengør området omkring lyddæmperen og betjeningsanordningerne• Rengør fingerskærmen (hvis monteret)
For hver 25 driftstimer eller én gang årligt
<ul style="list-style-type: none">• Rengør luftfiltret *• Rengør forfiltret *
For hver 50 driftstimer eller én gang årligt
<ul style="list-style-type: none">• Skift motorolie• Udskift oliefiltret (hvis monteret)• Kontrollér lyddæmper og gnistfanger
En gang årligt
<ul style="list-style-type: none">• Udskift luftfiltret• Udskift forfiltret• Udskift tændrøret• Rengør luftkølesystemet *• Kontrollér ventilfrigangen **

* Under støvede forhold eller når luftbåret snavs er til stede, rengør da oftere.

** Dette er ikke nødvendigt, medmindre der konstateres ydelsesproblemer med motoren.

FORSIGTIG: Producenten af det redskab, som denne motor er monteret på, har fastsat det maksimale omdrejningstal, som motoren må køre med. Motoren må ikke køre med højere omdrejningstal.

Udskiftning af tændrør - Figur 4

Kontrollér gnistgabets (A, Figur 4) med en målelære (B). Juster gabet, hvis dette er nødvendigt. Monter og spænd tændrøret til det anbefalede tilspændingsmoment. For justering af gnistgabets eller tilspændingsmomentet se afsnittet **Specifikationer**.

Bemærk: I visse lande kræver lovgivningen brug af støjdæmpede tændrør for at dæmpe tændingssignalet. Hvis motoren oprindeligt var udstyret med et støjdæmpet tændrør, skal samme type tændrør anvendes ved udskiftning.

Efterse lyddæmper og gnistfanger - Figur 5



ADVARSEL



Kørende motorer udvikler varme. Motorens dele, især lyddæmperen, bliver meget varme.



Kontakt med varme dele kan forårsage alvorlige forbrændinger.

Der kan gå ild i brændbart affald som f.eks. blade, græs og grene.

- Lyddæmper, cylinder og køleribber skal køle af, før du rører ved dem.
- Fjern snavs, der samler sig i området omkring lyddæmperen og cylinderen.
- Hvis redskabet anvendes på steder med skov, græs eller krat, skal der monteres en gnistfanger. Den skal altid holdes i korrekt stand. Overhold altid lokale regler for brug af motorer - især i perioder med tørke, hvor der er større risiko for brand.

Efterse lyddæmperen (A, Figur 5) for revner, korrosion eller anden beskadigelse. Fjern gnistfangeren (B) hvis monteret, og efterse for beskadigelse eller kulspærring. Hvis det er nødvendigt at udskifte reservedele, skal det sikres, at der kun anvendes originale reservedele.



ADVARSEL: Reservedelene skal være de samme som originaldelene og placeres i nøjagtig samme position som originaldelene, da der ellers kan opstå brand.

Olieskift - Figur 6 7 8 9

FORSIGTIG: Brugt olie er et farligt affaldsprodukt og brugt olie skal bortskaffes korrekt. Må ikke bortsmides med husholdningsaffald. Skal bortskaffes i overensstemmelse med gældende lokale bestemmelser (kontakt de kommunale myndigheder, forhandleren eller nærmeste nærgenbrugsstation).

Aftapning af olie

1. Medens motoren er slukket men stadig er varm, frakobl tændrørsledningen (A) og hold denne væk fra tændrøret (Figur 6).
2. Tag olieinden ud (D).

Standard olieaftapningsprop

3. Fjern olieaftapningsproppen (B, Figur 7). Aftap olien i en godkendt beholder. **Bemærk:** Enhver af de viste olieaftapningspropper kan installeres i motoren.



4. Efter at olien er blevet aftappet, sæt olieaftapningsproppen på igen, og tilspænd denne.

Anordning til hurtig olieaftapning som ekstraudstyr

1. Afbryd olieaftapningsslangen (G, Figur 8) fra siden af motoren.
2. Drej og fjern olieaftapningsdækslet (H). Sænk forsigtigt anordningen til hurtig olieaftapning (I) ned i en godkendt beholder (J).
3. Efter aftapning af olien, monteres olieaftapningsdækslet. Fastgør olieaftapningsslangen på siden af motoren.

Udskiftning af oliefilter (hvis monteret)

Nogle modeller er udstyret med et oliefilter. For udskiftningsintervaller, se oversigten **Vedligeholdelse**.

1. Tøm olien fra motoren. Se i **Aftapning af olie** afsnittet.
2. Fjern oliefiltret (C), og sørg for at bortskaffe dette på korrekt vis. Se Figur 9.
3. Før du påmonterer det nye oliefilter, smør let oliefilterets pakning med frisk, ren olie.
4. Monter oliefiltret med hånden indtil pakningen er i kontakt med oliefilteradapteren, og stram derefter oliefiltret 1/2 til 3/4 omgange.
5. Påfyld olie. Se i **Påfyldning af olie** afsnittet.
6. Start og kørs motoren. Mens motoren varmes op, kontrollér for olielækager.
7. Stop motoren og kontrollér oliestanden. Kontrollér, at oliestanden er ved FULL-mærket (F) på olieinden.

Påfyldning af olie

- Sørg for, at motoren er vandret.
 - Rengør oliepåfyldningsområdet for eventuelt snavs.
 - Oliekapaciteten fremgår af afsnittet **Specifikationer**.
1. Tag olieinden ud (D), og tør den af med en ren klud (Figure 6).
 2. Hæld langsomt olien ind i motorens oliepåfylder (E). **Overfyld ikke.** Efter oliepåfyldning skal du vente et minut, og derefter kontrollere oliestanden igen.
 3. Sæt olieinden på plads og fastspænd denne.
 4. Tag olieinden ud, og kontrollér oliestanden. Kontrollér, at oliestanden er ved FULL-mærket (F) på olieinden.
 5. Sæt olieinden på plads og fastspænd denne.

Eftersyn af luftfilteret - Figur 10



ADVARSEL



Benzindampe er yderst brandfarlige og eksplosive.



Brand eller eksplosion kan medføre alvorlige forbrændinger eller døden.

- Start aldrig motoren eller lad aldrig motoren køre med luftfilterenheden eller luftfiltret fjernet.

FORSIGTIG: Anvend ikke trykluft eller opløsningsmidler til rengøring af filtret. Trykluft kan beskadige filtret, og opløsningsmidler opløser det.

Luftfiltersystemet anvender enten en flad eller en oval filterindsats. Nogle modeller er udstyret med et forfilter, som kan vaskes og genanvendes.

Fladt luftfilter

1. Træk op i dækselgrebet (A, Figur 10). Drej dækselgrebet mod motoren, og fjern dækslet (B).
2. Fjern forfiltret (C), hvis monteret, og filtret (D).
3. For at løsne snavs, bank forsigtigt filtret mod en hård overflade. Hvis filtret er ekstremt snavset, udskift dette med et nyt filter.
4. Vask forfiltret i flydende rensmiddel og vand. Lad det derefter tørre helt. **Smør ikke** forfiltret med olie.
5. Saml det tørre forfilter og monter filtret ind i motorhuset (E).
6. Sørg for at finnerne (F) på dækslet står på linje med rillerne (G) i blæserhuset. Drej dækselgrebet tilbage, og skub dette ned for at låse det på plads.

Rengøring af luftkølesystemet - Figur 11



ADVARSEL



Kørende motorer udvikler varme. Motorens dele, især lyddæmperen, bliver meget varme.



Kontakt med varme dele kan forårsage alvorlige forbrændinger. Der kan gå ild i brændbart affald som f.eks. blade, græs og grene.

- Lyddæmper, cylinder og køleribber skal køle af, før du rører ved dem.
- Fjern snavs, der samler sig i området omkring lyddæmperen og cylinderen.

FORSIGTIG: Brug ikke vand til at rengøre motoren. Vand kan forurene brændstofsyste­met. Brug i stedet en børste eller en tør klud til at rengøre motoren.

Dette er en luftkølet motor. Snavs og rester kan begrænse luftstrømmen og resultere i overhedning af motoren med forringet ydelse og reduceret levetid af motoren til følge.

Brug en børste eller en tør klud for at fjerne snavs fra fingerskærmen/den roterende skærm (A). Hold ledforbindelser, fjedre og betjeningsanordninger (B) rene. Hold området omkring og bag ved lyddæmperen (C) fri for brændbart affald (Figur 11).

Opbevaring



ADVARSEL



Benzindampe er yderst brandfarlige og eksplosive.



Brand eller eksplosion kan medføre alvorlige forbrændinger eller døden.

Opbevaring af redskab med brændstof i tanken

- Sørg for, at benzin og redskaber med brændstof i tanken opbevares i sikker afstand fra fyr, ovne, vandvarmere og andre apparater, hvori der anvendes vågeblus, samt andre antændelseskilder, da disse kan antænde benzindampe.

Motorolie

Skift motorolien, mens motoren stadig er varm.

Fejlfinding

Har du brug for assistance? Gå ind på hjemmesiden **BRIGGSandSTRATTON.COM** eller ring på **1-800-233-3723**.

Specifikationer

Motorspecifikationer	
Modelserie	100000
Slagvolumen	500 cc
Boring	90,49 mm
Slaglængde	77,77 mm
Oliekapacitet - med filter	1,36 - 1,40 l

Optuningsspecifikationer *	
Modelserie	100000
Tændrørs­gab	0,76 mm
Tilspændingsmoment for tændrør	20 Nm
Rotorelektrodeafstand	0,25 - 0,36 mm
Ventilspillerum (indsugning)	0,08 - 0,13 mm
Ventilspillerum (udstødning)	0,13 - 0,18 mm

* Motoreffekten falder med 3,5% for hver 300 m over havets overflade og med 1% for hver 5,6° C over 25° C. Motoren kan køre tilfredsstillende ved en hældning på op til 15°. Yderligere oplysninger om grænseværdierne for drift på hældninger findes i udstyrets betjeningsvejledning.

Fælles reservedele ✓	
Reserve­del	Delnummer
Fladt luftfilter	790263
Forfilter til fladt luftfilter	697015
Oliefilter	492932, 5049
Olie - SAE 30 (0,6 l)	100005
Olie - SAE 30 (1,4 l)	100028
Støjdæmpet tændrør	491055
Tændrør med platin med lang levetid	5066
Tændrør­snøgle	89838, 5023
Gnisttester	19368

✓ Vi anbefaler, at du kontakter en autoriseret Briggs & Stratton forhandler vedrørende al vedligeholdelse og service af motoren og motordele. Brug kun originale Briggs & Stratton reservedele.

BEGRÆNSET GARANTI

Briggs & Stratton Corporation reparerer eller erstatter vederlagsfrit enhver del eller dele på en motor, som er defekte som følge af materiale- eller fremstillingsfejl. Transportudgifter vedrørende produkter, som indsendes til reparation eller udskiftning i henhold til denne garanti, afholdes af køber. Denne garanti gælder i de nedenfor anførte perioder og på de nedenfor anførte betingelser. For at få udført garantiservice skal du kontakte den nærmeste autoriserede serviceforhandler, som du finder i vores forhandleroversigt på BRIGGSandSTRATTON.COM (eller som anført i telefonbogen).

Der findes ingen anden udtrykkelig garanti. Stiltiende garantier, herunder garanti for salgbarhed og egnethed til et bestemt formål, er begrænset til ét år fra købstidspunktet, eller i det omfang dette tillades i henhold til gældende lovgivning, og alle underforståede garantier er undtaget fra garantien. Ansvar for hændelige skader eller følgeskader er undtaget i det omfang undtagelsen er tilladt i følge loven. Nogle lande tillader ikke begrænsninger på varigheden af en stiltiende garanti, og nogle lande tillader ikke undtagelse eller begrænsning af indirekte tab eller følgetab, og som følge heraf er det ikke sikkert, at ovenstående begrænsning og undtagelse gælder for dig. Denne garanti giver dig specifikke juridiske rettigheder, og du kan endvidere have andre rettigheder, som kan variere fra land til land.

ALMINDELIGE GARANTIBETINGELSER * ▲

Mærke/produkttype	Almindelig brug	Erhvervsmæssig brug
Vanguard™	2 år	2 år
Extended Life Series™, I/C®, Intek™ I/C®, Intek™ Pro	2 år	1 år
Snow Series MAX™ med Dura-Bore™ støbejernsforing	2 år	1 år
Alle andre Briggs & Stratton motorer	2 år	90 dage

- * Disse er vores almindelige garantibetingelser, men under tiden kan der foreligge yderligere garantidækning, som ikke var fastlagt på udgivelsestidspunktet. Se en liste over gældende garantibetingelser for din motor ved at gå til BRIGGSandSTRATTON.COM, eller kontakt din autoriserede Briggs & Stratton forhandler.
- ▲ Motorer, der anvendes på nødgeneratorer til almindelig brug, er kun underlagt garanti til almindelig brug. Denne garanti gælder ikke for motorer på udstyr, der anvendes som primæreffekt i stedet for normal kraftforsyning. **Motorer, der anvendes i væddeløbskørsel eller på kommercielle eller lejede baner, er ikke omfattet af garantien.**

Garantiperioden løber fra den dato, hvor den første privatkunde eller erhvervskunde købte produktet, og løber i den tidsperiode, der er anført i ovenstående tabel. "Almindelig brug" betyder brug i privat husholdning af en almindelig privatbruger. "Erhvervsmæssig brug" henviser til al øvrig brug, herunder brug til erhvervs-, indtægts- eller lejeformål. Når en motor har været anvendt erhvervsmæssigt, skal den herefter anses for at være en motor til erhvervsbrug i henhold til denne garanti.

Fremvisning af garantibevis er ikke påkrævet for at gøre garantien på produkter fra Briggs & Stratton gældende. Gem din købskvittering. Hvis du ikke kan fremvise dokumentation for den oprindelige købsdato på det tidspunkt, hvor garantikravet gøres gældende, vil produktets fremstillingsdato blive brugt som grundlag for fastlæggelse af garantiperioden.

Om garantien

Briggs & Stratton udfører gerne garantiarbejde og undskylder for den ulejlighed du har haft i forbindelse hermed. En autoriseret serviceforhandler kan udføre de nødvendige garantioperationer. De fleste garantioperationer udføres rutinemæssigt, men nogle gange kan ønske om garantiarbejde ikke imødekommes.

Hvis en kunde er uenig i serviceforhandlerens afgørelse, vil der blive iværksat en undersøgelse for at afgøre, om garantien gælder i den pågældende sag. Bed serviceforhandleren om at sende alt støttemateriale til sin distributor eller fabrik til gennemgang. Hvis distributøren eller fabrikken afgør, at garantikravet er berettiget, godtgøres kunden for alle defekte dele. For at undgå, at der opstår misforståelser mellem kunden og forhandleren, er der nedenfor anført nogle årsager til motordefekter, som ikke er omfattet af garantien.

Normal slitage: Ligesom alt andet mekanisk udstyr skal motordele efterses regelmæssigt og udskiftes for at yde det optimale. Garantien omfatter ikke reparationsarbejde, hvis en del eller motoren er slidt op som følge af normal brug. Garantien gælder f.eks. ikke, hvis motorskaden opstod som følge af forkert brug, mangel på regelmæssig vedligeholdelse, ukorrekt transporthåndtering, opbevaring eller montering. Garantien bortfalder ligeledes, hvis motorens serienummer er fjernet, eller hvis motoren er ændret eller modificeret.

Forkert vedligeholdelse: En motors levetid afhænger af de forhold, den anvendes under, og dens vedligeholdelse. Udstyr som f.eks. fræsere, pumper og rotorplæneklippere anvendes ofte under meget støvede eller snavede forhold, hvilket kan forårsage, hvad der tilsyneladende er for tidlig slitage. Slitage, som skyldes snavs, støv, slibemiddel til tændrør eller andre slibende materialer, der er kommet i motoren på grund af forkert vedligeholdelse, er ikke omfattet af garantien.

Denne garanti omfatter kun motordefekt som følge af materiale- og/eller fremstillingsfejl og ikke udskiftning eller erstatning af det redskab, hvorpå motoren er monteret. Endvidere omfatter garantien ikke reparationer som følge af:

- 1 Problemer, som skyldes brug af dele, der ikke er originale Briggs & Stratton dele.
- 2 Redskabets betjeningsgreb eller installationer, som forhindrer start, forårsager utilfredsstillende motorydelse eller afkorter motorens levetid. (Yderligere oplysninger fås ved at kontakte redskabsproducenten).

- 3 Lækkende karburatorer, tilstoppede brændstofslinger, fastsiddende ventiler eller anden skade, som skyldes brug af forurenede eller gammelt brændstof.
- 4 Dele, som er ridsede eller knækket, fordi en maskine er betjent med utilstrækkelig eller forurenede smørelolie eller en forkert kvalitet. (Kontrollér og genopfyld efter behov, og foretag olieskift på baggrund af de anbefalede intervaller). OIL GARD vil ikke i alle tilfælde standse motoren. Motoren kan beskadiges, hvis oliestanden ikke kontrolleres regelmæssigt.
- 5 Reparation eller justering af tilhørende dele eller konstruktioner som f.eks. koblinger, gearkasser, fjernbetjening osv., som ikke er Briggs & Stratton produkter.
- 6 Beskadigelse af eller slitage på dele, som skyldes snavs i motoren på grund af manglende vedligeholdelse af luftfilter, ukorrekt genmontering eller brug af et uoriginalt luftfilter eller en uoriginal filterpatron. Filteret skal rengøres og/eller udskiftes med de anbefalede intervaller, der er angivet i betjeningsvejledningen.
- 7 Dele, som beskadiges, fordi motoren kører med for høje omdrejningstal eller overophedes som følge af græs, aflejringer eller snavs, der tilstopper køleribberne eller området omkring svinghjulet, eller skader som følge af brug af motoren i et lukket rum uden tilstrækkelig udluftning. Rengør motoren for snavs med de anbefalede intervaller, der er angivet i betjeningsvejledningen.
- 8 Motor- eller redskabsdele, der knækker på grund af for voldsomme vibrationer som følge af løs motormontering, løse skæreknive, ubalancerede knive eller løse eller ubalancerede blæserhjul, forkert montering af redskabet på motorens krumtapaksel, kørsel med for høje omdrejningstal eller anden forkert brug.
- 9 En bojet eller brækket krumtapaksel som følge af påkørsel af en fast genstand med plæneklipperens skæreknive eller en for stram kilerem.
- 10 Rutinemæssig optuning eller justering af motoren.

Garantiarbejde må kun udføres af serviceforhandlere, som er autoriseret af Briggs & Stratton Corporation. Den nærmeste autoriserede serviceforhandler finder du i vores forhandleroversigt på BRIGGSandSTRATTON.com eller ved at kontakte os telefonisk på 1-800-233-3723 eller som anført i telefonbogen.

Allgemeines

Für Ersatzteile oder technische Unterstützung tragen Sie hier die Modell-, Typen- und Codenummer des Motors und das Kaufdatum ein. Diese Nummern befinden sich an Ihrem Motor (siehe die Seite **Funktionen und Bedienungselemente**).

Kaufdatum: _____
TT/MM/JJJJ

Motormodell: _____
Modell: Typ: Code:

Informationen zur Nennleistung der Motoren

Die Brutto-Nennleistung für individuelle Benzinmotormodelle ist entsprechend dem SAE-Code (Society of Automotive Engineers) J1940 (Leistungs- & Drehmomentbestimmung für kleine Motoren) gekennzeichnet, und der Leistungsgrad wurde entsprechend SAE J1995 (überarbeitete Fassung 2002-05) ermittelt und korrigiert. Drehmomentwerte wurden bei 3060 U/Min. und Leistungswerte bei 3600 U/Min. ermittelt. Die tatsächliche Brutto-Motorleistung ist niedriger und wird u. a. von den Einsatzbedingungen sowie von motorspezifischen Faktoren beeinträchtigt. Aufgrund des breiten Produktangebots, an dem die Motoren eingesetzt werden, und der Verschiedenartigkeit der beim Betrieb der Geräte vorherrschenden Umweltbedingungen entwickelt der Benzinmotor beim Einsatz an einem spezifischen Motorgerät nicht die angegebene Brutto-Nennleistung (tatsächliche "Einsatz-" oder Nettoleistung). Dieser Unterschied beruht auf einer Vielzahl von Faktoren wie u. a. Zubehör (Luftfilter, Auspuff, Ladung, Kühlung, Vergaser, Kraftstoffpumpe usw.), Anwendungseinschränkungen, Einsatzbedingungen (Temperatur, Feuchtigkeit, Höhe) und Abweichungen von Motor zu Motor. Aufgrund von Herstellungs- und Kapazitätsengpässen kann Briggs & Stratton für einen Motor dieser Serie ersatzweise einen Motor mit höherer Nennleistung liefern.

Sicherheit der Bedienungsperson

WARN- UND REGLERSYMBOLS



Feuer



Bewegliche Teile



Öl



Giftige Dämpfe



Langsam



Schnell



Stopp



Explosionsgefahr



Stromschlag



Kraftstoff



Choke



Ein Aus



Kraftstoffabspernung



Rückschlag



Schutzbrille tragen



Gefährliche Chemikalien




Anleitung lesen





Heiße Oberfläche




Erfrierungen

Das Warnsymbol () kennzeichnet Sicherheitsinformationen zu Risiken, die zu Verletzungen führen können. Zusammen mit dem Symbol wird ein Signalwort (GEFAHR, ACHTUNG oder VORSICHT) verwendet, um den Grad der Gefahr und die Schwere der möglichen Verletzung anzugeben. Darüber hinaus kann ein Gefahrensymbol zur Kennzeichnung der Art der Gefahr benutzt werden.

 **GEFAHR** kennzeichnet ein Risiko, das zu **Tod oder schweren Verletzungen** führt, wenn der Hinweis nicht beachtet wird.

 **ACHTUNG** kennzeichnet ein Risiko, das zu **Tod oder schweren Verletzungen** führen kann, wenn der Hinweis nicht beachtet wird.

 **VORSICHT** kennzeichnet ein Risiko, das zu **kleineren Verletzungen** führen kann.

Wenn **VORSICHT** ohne das Warnsymbol steht, kennzeichnet es eine Situation, die zu **Produktschaden** führen kann.



ACHTUNG

Die Motorabgase dieses Produkts enthalten Chemikalien, die in Kalifornien als Erreger von Krebs, Geburtsschäden und anderen Fortpflanzungsschäden gelten.



ACHTUNG

Briggs & Stratton autorisiert nicht die Verwendung dieser Motoren an dreirädrigen Geländefahrzeugen, Motorrädern, Gokarts, Flugzeugen oder Fahrzeugen, die in Wettbewerben eingesetzt werden. Die Verwendung dieser Motoren an solchen Geräten kann zu Sachschäden und schweren Verletzungen (einschließlich Lähmung) oder sogar Tod führen.

VORSICHT: Dieser Motor wird von Briggs & Stratton ohne Öl geliefert. Vor Start des Motors muss entsprechend den Anweisungen in dieser Anleitung Öl nachgefüllt werden. Wenn der Motor ohne Öl gestartet wird, wird er so beschädigt, dass er nicht mehr repariert werden kann. Dieser Schaden wird nicht von der Garantie abgedeckt.



ACHTUNG



Benzindämpfe sind extrem leicht entflammbar und explosiv.

Feuer oder Explosionen können zu schweren Verbrennungen oder Tod führen.

Beim Nachfüllen von Kraftstoff

- Den Kraftstofftank im Freien oder in einem gut belüfteten Bereich füllen.
- Kraftstoffleitungen, Tank, Deckel und Anschlüsse regelmäßig auf Sprünge und undichte Stellen untersuchen und bei Bedarf austauschen.

Beim Start des Motors

- Darauf achten, dass Zündkerze, Schalldämpfer, Tankdeckel und Luftfilter (falls vorhanden) an ihrem Platz und sicher befestigt sind.
- Nicht den Motor anlassen, wenn die Zündkerze entfernt wurde.

Bei Betrieb des Geräts

- Niemals den Motor mit abgenommenem Luftfilter (falls vorhanden) oder Filtereinsatz (falls vorhanden) starten oder laufen lassen.

Beim Transport des Geräts

- Erdgas/Flüssiggas-Motoren mit leerem Kraftstoffzylinder, geschlossenem Ventil oder nicht angeschlossenem Tank transportieren.

Beim Lagern von Benzin oder von Geräten mit Kraftstoff im Tank

- Niemals in der Nähe von Öfen, Herden, Warmwasserbereitern oder ähnlichen Geräten mit Dauerflammen oder anderen Zündquellen abstellen, weil Benzindämpfe entzündet werden könnten.



ACHTUNG



Beim Start des Motors werden Funken erzeugt.

Funken können entflammbare Gase in der Nähe entzünden.

Es kann zu Feuer und Explosionen kommen.

- Wenn sich undichte Gasleitungen in der Nähe befinden, darf der Motor nicht gestartet werden.
- Keine unter Druck stehenden Startflüssigkeiten verwenden, weil sich ihre Dämpfe entzünden könnten.



ACHTUNG



Motoren erzeugen Kohlenmonoxid, ein geruchloses, farbloses, giftiges Gas.

Wenn Kohlenmonoxid eingeatmet wird, kann es zu Übelkeit, Ohnmacht oder Tod kommen.

- Den Motor im Freien starten und laufen lassen.
- Den Motor nicht in geschlossenen Räumen starten oder laufen lassen, selbst wenn Türen oder Fenster geöffnet sind.



ACHTUNG



Wenn das Starterseil schnell zurückspringt, werden Hand und Arm schneller zum Motor gezogen, als das Seil losgelassen werden kann. Es kann zu Knochenbrüchen, Quetschungen und Verstauchungen kommen.

- Zum Start des Motors langsam am Starterseil ziehen, bis Widerstand spürbar wird, und dann kräftig ziehen, um Rückschlag zu vermeiden.
- Alle externen Geräte- und Motorlasten beseitigen, bevor der Motor gestartet wird.
- Direkt mit dem Motor verbundene Gerätekomponenten wie u. a. Schnittmesser, Impeller, Seilscheiben, Zahnräder usw. müssen sicher befestigt sein.



ACHTUNG



Rotierende Teile können Hände, Füße, Haare, Kleidungsstücke oder Schmuck berühren und sich darin verfangen.

Es kann zu Amputationen oder anderen schweren Verletzungen kommen.

- Beim Einsatz des Geräts müssen sich alle Schutzvorrichtungen an ihrem Platz befinden.
- Hände und Füße von rotierenden Teilen fern halten.
- Lange Haare hochbinden und Schmuck abnehmen.
- Keine lose sitzende Kleidung, herunterbaumelnde Schnüre oder ähnliche Teile tragen, die sich verfangen könnten.



ACHTUNG



Laufende Motoren erzeugen Wärme. Motorteile, insbesondere Schalldämpfer, werden extrem heiß.

Bei Berührung kann es zu schweren Verbrennungen kommen.

Brennbare Fremdkörper wie Laub, Gras usw. können sich entzünden.



- Schalldämpfer, Zylinder und Kühlrippen abkühlen lassen, bevor sie berührt werden.
- Fremdkörperansammlungen vom Schalldämpfer- und Zylinderbereich entfernen.
- Einen Funkenfänger installieren und instandhalten, bevor das Gerät auf Wald-, Gras- oder Buschland eingesetzt wird.



ACHTUNG



Funken können Feuer oder Stromschläge verursachen.

Ungewollter Start kann schwere Verletzungen verursachen.

Feuergefahr



Vor Einstellungs- oder Reparaturarbeiten:

- Das Zündkabel abziehen und von der Zündkerze fern halten.
- Die Batterie von der negativen Klemme lösen (nur Motoren mit Elektrostart).
- Die richtigen Werkzeuge verwenden.
- Nicht an Reglerfeder, Gestängen oder anderen Teilen herumbasteln, um die Drehzahl zu erhöhen.
- Ersatzteile müssen den Originalteilen entsprechen und in derselben Position angebracht werden.
- Nicht mit einem Hammer oder anderen harten Gegenstand gegen das Schwungrad schlagen, weil es sonst später während des Betriebs auseinander platzen könnte.

Bei der Zündfunkenkontrolle:

- Einen geeigneten Zündkerzenprüfer verwenden.
- Nicht bei entfernter Zündkerze kontrollieren, ob ein Zündfunke vorhanden ist.



ACHTUNG



Gasförmige Kraftstoffe sind extrem leicht entflammbar und neigen zur Bildung von explosiven Luft-Gas-Gemischen bei Umgebungstemperaturen.



Bei Gasgeruch

- Den Motor **nicht** starten.
- **Keine** Schalter betätigen.
- **Kein** Telefon in der Nähe benutzen.
- Den Bereich evakuieren und dann Gaslieferanten bzw. die Feuerwehr verständigen.



ACHTUNG



Bei der Durchführung von Reparaturarbeiten eine Schutzbrille tragen.

Durch Kontakt von auslaufendem Flüssiggas auf Haut/Augen kann es zu Erfrierungen kommen.



- Installation, Einstellungen und Reparaturen müssen von einem qualifizierten Techniker vorgenommen werden.
- Schlauchleitungen müssen regelmäßig auf guten Zustand überprüft werden. Beschädigte oder undichte Komponenten müssen ausgetauscht werden.



ACHTUNG



Bei fehlendem oder defektem Absperrventil kann es zu Feuer oder Explosionen kommen.



- Das Gerät darf **nicht** betrieben werden, wenn das Absperrventil fehlt oder defekt ist.

Funktionen und Bedienungselemente

Vergleichen Sie die Abbildung **1** mit Ihrem Motor, um die Positionen der einzelnen Funktionen und Bedienungselemente kennen zu lernen.

- A. Motorkennzeichnung
Modell Typ Code
- B. Zündkerze
- C. Luftfilter
- D. Ölmesstab
- E. Ölablassschraube
- F. Schalldämpfer
Berührungsschutz (Zubehör)
Funkenfänger (Zubehör)
- G. Lüftersieb
- H. Ölfilter
- I. E-Starter
- J. Flüssiggas-/Naturgas-Mischer
- K. Öl-Schnellablass (Zubehör)

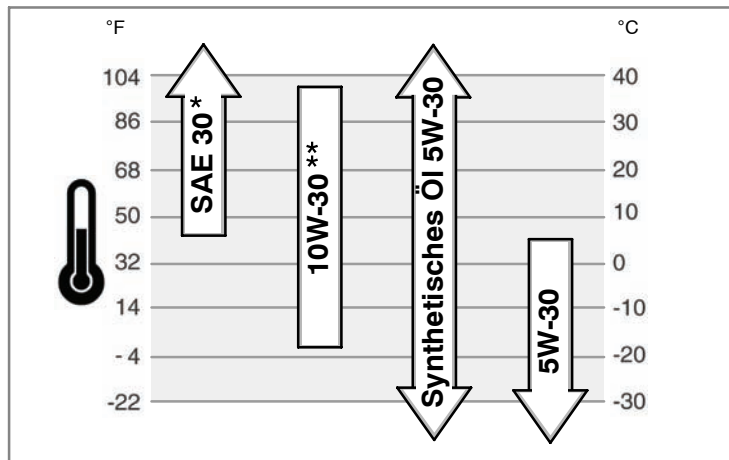
Betrieb

Öl Fassungsvermögen (siehe Abschnitt **Technische Daten**)

Empfehlungen zum Öl

Für optimale Leistung empfehlen wir Öle mit Briggs & Stratton-Garantiezertifikat. Andere hochwertige HD-Öle mit der Klassifizierung "for service SF, SG, SH, SJ" oder höher sind zulässig. Keine speziellen Zusätze verwenden.

Die Umgebungstemperaturen bestimmen die richtige Ölviskosität für den Motor. Wählen Sie die beste Viskosität für den voraussichtlichen Temperaturbereich anhand des Diagramms aus.



* Unter 4°C führt die Verwendung von SAE 30 zu Startschwierigkeiten.

** Über 27°C kann 10W-30 zu höherem Ölverbrauch führen. Den Ölstand häufiger kontrollieren.

Kontrolle/Nachfüllen von Öl - Abb. 2

Vor dem Nachfüllen von Öl bzw. der Ölstandskontrolle

- Den Motor waagrecht stellen.
- Den Öleinfüllbereich von Fremdkörpern reinigen.
- 1. Den Peilstab (A) herausziehen und mit einem sauberen Lappen abwischen (Abb. 2).
- 2. Den Peilstab einsetzen und festziehen.
- 3. Den Peilstab herausziehen und den Ölstand kontrollieren. Er sollte an der FULL-Marke (B) am Peilstab stehen.
- 4. Bei niedrigem Ölstand Öl langsam in die Motoröleinfüllöffnung (C) nachfüllen. **Nicht überfüllen.** Nach dem Einfüllen des Öls eine Minute warten und dann den Ölstand nachkontrollieren.
Hinweis: Kein Öl am Öl-Schnellablass (K, Abb. 1) einfüllen (falls vorhanden).
- 5. Den Peilstab wieder einsetzen und festziehen.

Öldruck

Wenn der Öldruck abfällt, stoppt ein Öldruckschalter (falls vorhanden) entweder den Motor oder aktiviert eine Warnvorrichtung am Gerät. Falls dies auftritt, den Motor stoppen und den Ölstand mit dem Peilstab kontrollieren.

Wenn der Ölstand unter der Marke ADD am Peilstab steht, Öl einfüllen, bis der Ölstand die Marke FULL erreicht. Den Motor starten und vor dem weiteren Betrieb kontrollieren, ob der richtige Öldruck wiederhergestellt ist.

Wenn der Ölstand zwischen den Marken ADD und FULL am Peilstab steht, **nicht versuchen**, den Motor wieder zu starten. Wenden Sie sich an einen Briggs & Stratton-Vertragshändler, um das Öldruckproblem beheben zu lassen.

Kraftstoffempfehlungen



ACHTUNG



Ein fehlendes oder funktionsunfähiges Kraftstoffabsperrentil kann Feuer oder Explosionen verursachen.

- Das Gerät darf **nicht** betrieben werden, wenn das Kraftstoffabsperrentil fehlt oder defekt ist.

Kraftstoff muss diese Anforderungen erfüllen:

- Sauberen trockenen Kraftstoff verwenden, der frei von Feuchtigkeit und Materialpartikeln ist. Bei Verwendung von Kraftstoffen außerhalb der folgenden Empfehlungen können Leistungsprobleme entstehen.
- Für Motoren, die für den Betrieb mit Flüssiggas (LPG) eingerichtet sind, wird HD5-Gas empfohlen. Es wird Kraftstoff mit einer Mindest-Energie von 2500 BTU/ft³ mit einem maximalen Propylengasgehalt von 5% und einem Gehalt an Butan und schwererem Gas von 2,5% sowie einem Mindest-Propangehalt von 90% empfohlen.

Naturgas- bzw. Flüssiggas-Motoren wurden für den Betrieb mit Erdgas bzw. flüssigem Propan konstruiert. Der Motor hat das Abgassystem EM (Engine Modifications).



ACHTUNG: Das Gerät, an dem dieser Motor montiert ist, ist mit einem automatischen Sicherheits-Gasabsperrentil ausgestattet. Das Gerät darf nicht betrieben werden, wenn das Absperrventil fehlt oder defekt ist.

Nachfüllen von Kraftstoff



ACHTUNG



Benzindämpfe sind extrem leicht entflammbar und explosiv. Feuer oder Explosionen können zu schweren Verbrennungen oder Tod führen.

Beim Nachfüllen von Kraftstoff

- Den Kraftstofftank im Freien oder in einem gut belüfteten Bereich füllen.
- Kraftstoffleitungen, Tank, Deckel und Anschlüsse regelmäßig auf Sprünge und undichte Stellen untersuchen und bei Bedarf austauschen.

Für Informationen zum Betanken von Naturgas- bzw. Flüssiggas-Motoren siehe die Betriebsanleitung des Geräteherstellers.

Starten des Motors - Abb. 3



ACHTUNG



Benzindämpfe sind extrem leicht entflammbar und explosiv. Feuer oder Explosionen können zu schweren Verbrennungen oder Tod führen.

Beim Start des Motors

- Darauf achten, dass Zündkerze, Schalldämpfer und Luftfilter an ihrem Platz und sicher befestigt sind.
- Nicht den Motor anlassen, wenn die Zündkerze entfernt wurde.



ACHTUNG



Motoren erzeugen Kohlenmonoxid, ein geruchloses, farbloses, giftiges Gas.

Wenn Kohlenmonoxid eingeatmet wird, kann es zu Übelkeit, Ohnmacht oder Tod kommen.

- Den Motor im Freien starten und laufen lassen.
- Den Motor nicht in geschlossenen Räumen starten oder laufen lassen, selbst wenn Türen oder Fenster geöffnet sind.

VORSICHT: Dieser Motor wird von Briggs & Stratton ohne Öl geliefert. Vor Start des Motors muss entsprechend den Anweisungen in dieser Anleitung Öl nachgefüllt werden. Wenn der Motor ohne Öl gestartet wird, wird er so beschädigt, dass er nicht mehr repariert werden kann.

1. Den Ölstand kontrollieren. Siehe den Abschnitt **Kontrolle/Nachfüllen von Öl**.
2. Darauf achten, dass die Bedienungselemente für den Geräteantrieb (falls vorhanden) ausgeschaltet sind. Zu Position und Betätigung der Bedienungselemente siehe die Geräte-Anleitung.
3. Den Kraftstoffhahn (B) (falls vorhanden) aufdrehen (Abb. 3). Zu Position und Betätigung des Kraftstoffhahns siehe die Geräte-Anleitung.
4. Den E-Start-Schalter (A), falls vorhanden, auf Position An/Start stellen. Zu Position und Betätigung des Schalters siehe die Geräte-Anleitung.

Hinweis: Wenn der Motor nach drei Versuchen nicht anspringt, konsultieren Sie **BRIGGSandSTRATTON.COM** oder rufen Sie **1-800-233-3723** an (in den USA).

VORSICHT: Um die Lebensdauer des Anlassers zu verlängern, den Anlasser jeweils nur kurz betätigen (maximal fünf Sekunden). Zwischen den Betätigungen jeweils eine Minute warten.

Stoppen des Motors - Abb. 3

1. Den Zündschalter (A, Abb. 3) auf Position OFF drehen. Den Schlüssel abziehen und an einem sicheren Ort von Kindern fern aufbewahren.
2. Wenn der Motor aus ist, den Kraftstoffhahn (B), falls vorhanden, zudrehen.

Wartung

Nehmen Sie nur Original-Ersatzteile. Andere Teile bringen u. U. nicht die gleiche Leistung, können das Gerät beschädigen und Verletzungen verursachen. Darüber hinaus kann bei Verwendung anderer Teile die Garantie verloren gehen.

Wir empfehlen, dass Sie sich für alle Wartungsarbeiten am Motor und an Motorteilen an einen Briggs & Stratton-Vertragshändler wenden.

VORSICHT: Zum ordnungsgemäßen Betrieb müssen alle zum Bau dieses Motors verwendeten Komponenten an ihrem Platz bleiben.

Abgasbegrenzung

Wartung, Austausch oder Reparatur von Komponenten des Abgassystems bzw. kompletter Systeme können von jeder Reparaturwerkstatt bzw. jedem Mechaniker durchgeführt werden. Um jedoch kostenlosen Service am Abgassystem zu erhalten, muss die Arbeit von einem vom Werk autorisierten Fachhändler durchgeführt werden. Siehe die Gewährleistung auf das Abgasbegrenzungssystem.



ACHTUNG

Funken können Feuer oder Stromschläge verursachen.
Ungewollter Start kann schwere Verletzungen verursachen.
Feuergefahr

Vor Einstellungs- oder Reparaturarbeiten:

- Das Zündkabel abziehen und von der Zündkerze fern halten.
- Die richtigen Werkzeuge verwenden.
- Nicht an Reglerfeder, Gestängen oder anderen Teilen herumbasteln, um die Drehzahl zu erhöhen.
- Ersatzteile müssen den Originalteilen entsprechen und in derselben Position angebracht werden.
- Nicht mit einem Hammer oder anderen harten Gegenstand gegen das Schwungrad schlagen, weil es sonst später während des Betriebs auseinander platzen könnte.

Bei der Zündfunkenkontrolle:

- Einen geeigneten Zündkerzenprüfer verwenden.
- Nicht bei entfernter Zündkerze kontrollieren, ob ein Zündfunke vorhanden ist.

Wartungsplan

Nach den ersten 5 Stunden
<ul style="list-style-type: none">• Motoröl wechseln
Alle 8 Stunden oder täglich
<ul style="list-style-type: none">• Motorölstand kontrollieren• Bereich um Schalldämpfer und Bedienungselemente reinigen• Fingerschutz (falls vorhanden) reinigen
Alle 25 Stunden oder jährlich
<ul style="list-style-type: none">• Luftfilter reinigen *• Vorfilter reinigen *
Alle 50 Stunden oder jährlich
<ul style="list-style-type: none">• Motoröl wechseln• Ölfilter austauschen (falls vorhanden)• Schalldämpfer und Funkenfänger überprüfen
Jährlich
<ul style="list-style-type: none">• Luftfilter austauschen• Vorfilter austauschen• Zündkerze austauschen• Luftkühlungssystem reinigen *• Ventilspiel überprüfen **

* Bei hohem Staubaufkommen oder Fremdkörpern in der Luft häufiger reinigen.

** Nur erforderlich, wenn Leistungsprobleme festgestellt werden.

VORSICHT: Der Hersteller des Geräts, an dem dieser Motor installiert ist, gibt die Höchstdrehzahl an, bei der der Motor laufen soll. Diese Drehzahl **nicht überschreiten**.

Austausch der Zündkerze - Abb. 4

Den Elektrodenabstand (A, Abb. 4) mit einer Drahtlehre (B) kontrollieren und bei Bedarf nachstellen. Die Zündkerze einsetzen und mit dem empfohlenen Anzugswert festziehen. Zu Einstellung des Elektrodenabstands und Anzugswerten siehe den Abschnitt **Technische Daten**.

Hinweis: In einigen Ländern sind Widerstandszündkerzen zur Unterdrückung von Zündsignalen vorgeschrieben. Wenn dieser Motor ursprünglich mit einer Widerstandszündkerze ausgestattet war, muss zum Austausch derselbe Zündkerzentyp verwendet werden.

Überprüfung von Schalldämpfer und Funkenfänger - Abb. 5



ACHTUNG



Laufende Motoren erzeugen Wärme. Motorteile, insbesondere Schalldämpfer, werden extrem heiß.



Bei Berührung kann es zu schweren Verbrennungen kommen.

Brennbare Fremdkörper wie Laub, Gras usw. können sich entzünden.

- Schalldämpfer, Zylinder und Kühlrippen abkühlen lassen, bevor sie berührt werden.
- Fremdkörperansammlungen vom Schalldämpfer- und Zylinderbereich entfernen.
- Einen Funkenfänger installieren und instandhalten, bevor das Gerät auf Wald-, Gras- oder Buschland eingesetzt wird.

Den Schalldämpfer (A, Abb. 5) auf Risse, Korrosion oder andere Schäden untersuchen. Den Funkenfänger (B) entfernen (falls vorhanden) und auf Schäden und Ölkohleablagerungen untersuchen. Wenn Ersatzteile erforderlich sind, ist darauf zu achten, dass nur Originalgeräteeile verwendet werden.



ACHTUNG: Ersatzteile müssen mit den Originalteilen identisch sein und an denselben Positionen installiert werden. Andernfalls besteht Brandgefahr.

Ölwechsel - Abb. 6 7 8 9

VORSICHT: Altöl ist ein gefährliches Abfallprodukt und muss richtig entsorgt werden. Es gehört nicht in den Hausmüll. Informationen zur Entsorgung von Altöl erhalten Sie bei Behörden, Werkstätten oder Fachhändlern.

Ölablass

1. Bei abgestelltem aber noch warmem Motor das Zündkabel (A) abziehen und von der Zündkerze fern halten (Abb. 6).
2. Den Peilstab (D) herausnehmen.

Standard-Ölablassschraube

3. Die Ölablassschraube (B, Abb. 7) abnehmen. Das Öl in einen zugelassenen Behälter ablassen.

Hinweis: Jede der unten abgebildeten Ölablassschrauben kann im Motor angebracht werden.



4. Nachdem das Öl abgelassen worden ist, die Ölablassschraube einsetzen und festziehen.

Öl-Schnellablass (Zubehör)

1. Den Ölablassschlauch (G, Abb. 8) von der Motorseite lösen.
2. Den Ölablassverschluss (H) losdrehen und abnehmen. Den Öl-Schnellablass (I) vorsichtig in einen zugelassenen Behälter (J) senken.
3. Nachdem das Öl abgelassen worden ist, den Ölablassverschluss anbringen. Den Ölablassschlauch an der Motorseite befestigen.

Wechsel des Ölfilters (falls vorhanden)

Einige Modelle sind mit einem Ölfilter ausgestattet. Zu Austauschintervallen siehe den **Wartungsplan**.

1. Das Öl vom Motor ablassen. Siehe den Abschnitt **Ölablass**.
2. Den Ölfilter (C) herausnehmen und ordnungsgemäß entsorgen. Siehe Abb. 9.
3. Bevor der neue Ölfilter angebracht wird, die Ölfilterdichtung leicht mit frischem sauberem Öl schmieren.
4. Den Ölfilter mit den Hand so einsetzen, dass die Dichtung den Ölfilteradapter berührt. Dann den Ölfilter um 1/2 bis 3/4 Umdrehung festziehen.
5. Öl nachfüllen. Siehe den Abschnitt **Nachfüllen von Öl**.
6. Den Motor starten und laufen lassen. Während der Motor warmläuft, überprüfen, ob Ölleckagen vorhanden sind.
7. Den Motor abstellen und den Ölstand kontrollieren. Er sollte an der FULL-Marke am Peilstab stehen.

Nachfüllen von Öl

- Den Motor waagrecht stellen.
 - Den Öleinfüllbereich von Fremdkörpern reinigen.
 - Zum Ölfassungsvermögen siehe den Abschnitt **Spezifikationen**.
1. Den Peilstab (D) herausziehen und mit einem sauberen Lappen abwischen (Abb. 6).
 2. Das Öl langsam in die Motoröleinfüllöffnung (E) gießen. **Nicht überfüllen**. Nach dem Einfüllen des Öls eine Minute warten und dann den Ölstand erneut kontrollieren.
 3. Den Peilstab einsetzen und festziehen.
 4. Den Peilstab herausziehen und den Ölstand kontrollieren. Er sollte an der FULL-Marke (F) am Peilstab stehen.
 5. Den Peilstab einsetzen und festziehen.

Wartung des Luftfilters - Abb. 10



ACHTUNG



Benzindämpfe sind extrem leicht entflammbar und explosiv.



Feuer oder Explosionen können zu schweren Verbrennungen oder Tod führen.

- Niemals den Motor mit abgenommenem Luftfilter oder Filtereinsatz starten oder laufen lassen.

VORSICHT: Zur Reinigung des Filters keine Druckluft und keine Lösungsmittel verwenden. Druckluft kann den Filter beschädigen, Lösungsmittel zersetzen ihn. Im Luftfiltersystem wird entweder ein flacher oder ein ovaler Filtereinsatz verwendet. Einige Modelle sind außerdem mit einem Vorfilter ausgestattet, der gewaschen und wiederverwendet werden kann.

Flacher Luftfilter

1. Den Griff (A, Abb. 10) der Abdeckung nach oben ziehen. Den Griff zum Motor drehen und dann die Abdeckung (B) abnehmen.
2. Den Vorfilter (C), falls vorhanden, und den Filter (D) abnehmen.
3. Um Fremdkörper zu lösen, mit dem Filter leicht auf eine harte Oberfläche klopfen. Wenn der Filter sehr schmutzig ist, muss er ausgetauscht werden.
4. Den Vorfilter in flüssigem Reinigungsmittel und Wasser waschen. Dann gründlich an der Luft trocknen lassen. Den Vorfilter **nicht** ölen.
5. Den trockenen Vorfilter und den Filter in der Motorbasis (E) anbringen.
6. Die Zungen (F) an der Abdeckung auf die Schlitze (G) im Lüftergehäuse ausrichten. Den Griff der Abdeckung wieder zurückdrehen und herunterdrücken, um ihn zu verriegeln.

Reinigung des Luftkühlungssystems - Abb. 11



ACHTUNG



Laufende Motoren erzeugen Wärme. Motorteile, insbesondere Schalldämpfer, werden extrem heiß.



Bei Berührung kann es zu schweren Verbrennungen kommen. Brennbare Fremdkörper wie Laub, Gras usw. können sich entzünden.

- Schalldämpfer, Zylinder und Kühlrippen abkühlen lassen, bevor sie berührt werden.
- Fremdkörperansammlungen vom Schalldämpfer- und Zylinderbereich entfernen.

VORSICHT: Zur Reinigung des Motors kein Wasser verwenden. Wasser könnte die Kraftstoffanlage verunreinigen. Den Motor mit einer Bürste oder einem trockenen Lappen reinigen.

Dieser Motor ist luftgekühlt. Schmutz oder Fremdkörper können die Luftströmung einschränken und Überhitzung des Motors und in der Folge Leistungsverlust und verkürzte Lebensdauer des Motors verursachen.

Fremdkörper mit einer Bürste oder einem trockenen Lappen vom Fingerschutz/Lüftersieb (A) beseitigen. Gestänge, Federn und Bedienungselemente (B) sauber halten. Den Bereich um und hinter dem Schalldämpfer (C) von brennbaren Fremdkörpern frei halten (Abb. 11).

Lagerung



ACHTUNG



Benzindämpfe sind extrem leicht entflammbar und explosiv.



Feuer oder Explosionen können zu schweren Verbrennungen oder Tod führen.

Beim Lagern von Benzin oder von Geräten mit Kraftstoff im Tank

- Niemals in der Nähe von Öfen, Herden, Warmwasserbereitern oder ähnlichen Geräten mit Dauerflammen oder anderen Zündquellen abstellen, weil Gasdämpfe entzündet werden könnten.

Motoröl

Bei noch warmem Motor das Motoröl wechseln.

Fehlersuche

Brauchen Sie Hilfe? Gehen Sie zu BRIGGSandSTRATTON.COM oder rufen Sie 1-800-233-3723 an.

Technische Daten

Motorspezifikationen	
Modell	310000
Hubraum	30,52 ci (500 cc)
Bohrung	3,563 in (90,49 mm)
Hub	3,062 in (77,77 mm)
Ölfassungsvermögen - mit Filter	46 - 48 oz (1,36 - 1,40 L)

Daten zur Motoreinstellung*	
Modell	310000
Elektrodenabstand	0,030 in (0,76 mm)
Zündkerzendrehmoment	180 lb-in (20 Nm)
Anker-Luftspalt	0,010 - 0,014 in (0,25 - 0,36 mm)
Einlassventilspiel	0,003 - 0,005 in (0,08 - 0,13 mm)
Auslassventilspiel	0,005 - 0,007 in (0,13 - 0,18 mm)

* Die Motorleistung nimmt alle 300 m über Meeresniveau um jeweils 3,5% und alle 5,6° C oberhalb von 25° C um jeweils 1% ab. Der Motor läuft zufriedenstellend bei einem Winkel bis zu 15°. Zu sicheren Betriebsgrenzen an geneigten Flächen siehe die Bedienungsanleitung des Geräts.

Übliche Ersatzteile ✓	
Ersatzteil	Teilenummer
Luftfilter, flach	790263
Luftfilter-Vorfilter, flach	697015
Ölfilter	492932, 5049
Öl - SAE 30 (0,6 l)	100005
Öl - SAE 30 (1,4 l)	100028
Widerstandszündkerze	491055
Long-Life-Platinzündkerze	5066
Zündkerzenschlüssel	89838, 5023
Funkenprüfer	19368

✓ Wir empfehlen, dass Sie sich für alle Wartungsarbeiten am Motor und an Motorteilen an einen Briggs & Stratton-Vertragshändler wenden. Benutzen Sie nur Briggs & Stratton-Originalteile.

EINGESCHRÄNKTE GEWÄHRLEISTUNG

Briggs & Stratton Corporation repariert oder ersetzt kostenlos jedes Teil oder Teile des Motors, die Material- oder Verarbeitungsschäden oder beides aufweisen. Die Kosten für den Transport von Produkten, die unter dieser Garantie für Reparatur oder Austausch eingeschickt werden, sind vom Käufer zu tragen. Diese Garantie ist für die nachstehend angegebenen Zeiträume gültig und den hier aufgeführten Bedingungen unterworfen.

Es gibt keine andere ausdrückliche Garantieleistung. Inbegriffene Garantieleistungen, einschließlich solcher für marktgängige Qualität und Eignung für einen bestimmten Zweck, sind auf ein Jahr ab Kaufdatum beschränkt, oder alle inbegriffenen Garantieleistungen sind, soweit von der Gesetzgebung erlaubt, ausgeschlossen. Haftung für Neben- und Folgeschäden ist unter allen Garantieleistungen ausgeschlossen, soweit ein derartiger Ausschluss vom Gesetz erlaubt ist. In manchen Ländern sind Einschränkungen hinsichtlich der Dauer einer konkludenten Garantieleistung nicht zulässig, und in manchen Ländern sind Ausschluss oder Einschränkung von Neben- oder Folgeschäden nicht zulässig, weswegen die oben aufgeführten Einschränkungen und Ausschlüsse u. U. in Ihrem Fall nicht zutreffen. Diese Garantieleistung verleiht Ihnen bestimmte Rechte, neben denen Sie noch andere Rechte haben können, die von Land zu Land abweichen.

STANDARD-GARANTIEFRISTEN * ▲

Marke/Produkttyp	Verbraucheranwendung	Gewerblicher Einsatz
Vanguard™	2 Jahre	2 Jahre
Extended Life Series™, I/C®, Intek™ I/C®, Intek™ Pro	2 Jahre	1 Jahr
Snow Series MAX™ mit Dura-Bore™-Zylinderlauffläche	2 Jahre	1 Jahr
Alle anderen Briggs & Stratton-Motoren	2 Jahre	90 Tage

* Dies sind unsere Standard-Garantiefristen, neben denen noch zusätzliche Garantieabdeckungen vorhanden sein können, die während des Veröffentlichungszeitpunkts noch nicht festgelegt worden waren. Eine Auflistung der aktuellen Garantiefristen für unsere Motoren finden Sie unter BRIGGSandSTRATTON.COM oder bei Ihrem Briggs & Stratton-Fachhändler.

▲ Motoren, die an privaten Bereitschafts-Generatoren verwendet werden, fallen unter die private Nutzung. Diese Gewährleistung deckt keine Motoren an Geräten ab, die zur Erzeugung von Energie eingesetzt werden, die die Energie aus dem öffentlichen Stromnetz ersetzen soll. **Motoren, die in Rennwettbewerben oder auf gewerblichen oder Mietrennbahnen eingesetzt werden, haben keine Garantie.**

Die Garantiefrist beginnt mit dem Datum des Kaufs durch den ersten Einzelverbraucher oder gewerblichen Endverbraucher und hat die in der Tabelle oben angegebene Dauer. "Verbraucheranwendung" bedeutet die private Anwendung im Haushalt eines Verbrauchers. "Gewerblicher Einsatz" bedeutet alle anderen Anwendungen, einschließlich Anwendungen für gewerbliche, gewinnbringende oder Vermietungszwecke. Sobald ein Motor einmal gewerblich eingesetzt worden ist, wird er für die Zwecke dieser Gewährleistung auch weiterhin als Motor für den gewerblichen Einsatz angesehen.

Die Garantie für Geräte von Briggs & Stratton ist auch ohne Registrierung rechtskräftig. Bewahren Sie Ihren Kaufbeleg gut auf. Wenn Sie bei der Forderung von Garantieleistungen keinen Beleg für das erste Kaufdatum vorlegen können, wird die Garantiezeit anhand des Datums der Herstellung des Geräts bestimmt.

Zur Garantie

Briggs & Stratton führt gerne Garantiereparaturen aus und entschuldigt sich für die Ihnen entstandenen Unannehmlichkeiten. Jeder Fachhändler kann Garantiereparaturen durchführen. Die meisten Garantiereparaturen sind Routinearbeiten, jedoch können Garantieforderungen manchmal nicht gerechtfertigt sein.

Wenn ein Kunde mit der Entscheidung des Vertragshändlers nicht einverstanden ist, wird eine Untersuchung durchgeführt, um zu bestimmen, ob die Garantie in Anspruch genommen werden kann. Bitten Sie den Händler, seinem Großhändler bzw. dem Werk alle zweckdienlichen Angaben zu übermitteln. Wenn der Großhändler bzw. das Werk entscheidet, dass der Anspruch gerechtfertigt ist, werden dem Kunden die defekten Teile vollständig erstattet. Zur Vermeidung von eventuellen Missverständnissen zwischen Kunden und Händlern sind nachstehend einige der Ursachen für Motordefekte aufgeführt, die von der Garantie nicht abgedeckt werden.

Normaler Verschleiß: Wie alle mechanischen Geräte benötigen auch Motoren zum ordnungsgemäßen Betrieb regelmäßige Wartung und Austausch von Teilen. Die Garantie deckt keine Reparaturen ab, die dadurch erforderlich werden, dass ein Teil oder ein Motor durch normalen Einsatz abgenutzt worden ist. Die Garantie trifft auch nicht auf Motorschäden zu, die durch Missbrauch, unterlassene Wartung, Transport, Lagerung oder falsche Montage verursacht werden. Die Garantie ist ebenfalls nichtig, wenn die Seriennummer des Motors entfernt oder der Motor modifiziert worden ist.

Unzureichende Wartung: Die Lebensdauer eines Motors ist abhängig von den Bedingungen, unter denen er eingesetzt wird, sowie von der Pflege, die er erhält. Einige Geräte wie Ackerfräsen, Pumpen und Kreiselmäher werden sehr oft in Staub oder Schmutz eingesetzt, wodurch es zu Erscheinungen kommen kann, die wie vorzeitiger Verschleiß aussehen. Derartiger Verschleiß, der durch das Eindringen von Schmutz, Staub, Zündkerzen-Reinigungsmittel oder anderen scheuernden Stoffen in den Motor aufgrund von unzureichender Wartung verursacht wurde, wird nicht durch die Garantie abgedeckt.

Diese Garantie deckt nur Material- und/oder Verarbeitungsschäden am Motor ab, und nicht den Austausch oder die Rückerstattung für das Gerät, an dem der Motor installiert ist. Außerdem gilt die Garantie nicht für Reparaturen, die durch Folgendes notwendig geworden sind:

1 Probleme durch Teile, die keine Briggs & Stratton-Originalteile sind.

- Gerätetreger oder -vorrichtungen, die Start verhindern, unzureichende Motorleistung verursachen oder die Motorlebensdauer verkürzen. (Wenden Sie sich an den Gerätehersteller.)
- Undichte Vergaser, verstopfte Kraftstoffrohre, blockierende Ventile oder andere Schäden durch Verwendung von verunreinigtem oder altem Kraftstoff.
- Teile, die riefig oder gebrochen sind, weil der Motor mit zu wenig oder verschmutztem Schmieröl oder einer falschen Schmierölsorte gelaufen ist (kontrollieren und bei Bedarf Öl nachfüllen, und die empfohlenen Ölwechselintervalle einhalten.) Das OIL-GARD-System stellt einen laufenden Motor u. U. nicht ab. Bei falschem Ölstand kann es zu Motorschaden kommen.
- Reparatur oder Einstellungen montierter Teile wie Kupplungen, Getriebe, Fernbedienungen usw., die nicht von Briggs & Stratton hergestellt werden.
- Schäden oder Verschleiß an Teilen durch Schmutz, der durch unzureichende Luftfilterwartung, falschen Wiederausbau oder Verwendung von nicht-originalen Luftfilterelementen oder Patronen in den Motor eingedrungen ist. In den in der Bedienungsanleitung angegebenen empfohlenen Intervallen den Filter reinigen und/oder austauschen.
- Teile, die durch Überdrehen oder Überhitzung aufgrund von Gras, Fremdkörpern oder Schmutz, die die Kühlrippen oder den Schwungradbereich verstopfen, beschädigt werden, oder Schäden durch Einsatz des Motors in engen Räumen ohne ausreichende Belüftung. Fremdkörper in den in der Bedienungsanleitung angegebenen empfohlenen Intervallen vom Motor beseitigen.
- Motor- oder Geräteteile, die durch starke Vibrationen durch lose Motormontage, lose Schnittmesser, unausgewuchtete Messer oder lose oder unausgewuchtete Impeller, falsche Montage des Geräts an der Motorkurbelwelle, Überdrehen oder anderen Missbrauch bei Betrieb gebrochen sind.
- Eine verbogene oder gebrochene Kurbelwelle durch Auftreffen eines Kreiselmäher-Schnittmessers auf einen harten Gegenstand oder zu starke Spannung des Keilriemens.
- Routineeinstellungen des Motors.

Garantieleistungen sind nur bei Vertragshändlern der Briggs & Stratton Corporation erhältlich. Sie finden den nächsten Vertragshändler in unserem Händlerverzeichnis unter BRIGGSandSTRATTON.com oder in den Gelben Seiten.

Γενικές πληροφορίες

Για ανταλλακτικά ή τεχνική υποστήριξη, σημειώστε παρακάτω το μοντέλο, τον τύπο και τους κωδικούς του κινητήρα καθώς και την ημερομηνία αγοράς. Οι αριθμοί αυτοί βρίσκονται επάνω στον κινητήρα (ανατρέξτε στη σελίδα **Στοιχεία και Μοχλοί**).

Ημερομηνία αγοράς: _____
MM/HH/EEEE

Μοντέλο κινητήρα: _____
Μοντέλο: Τύπος: Κωδικός:

Πληροφορίες για τις ονομαστικές τιμές ισχύος του κινητήρα

Οι ονομαστικές τιμές ισχύος για μεμονωμένα μοντέλα κινητήρων βενζίνης επισημαίνονται σύμφωνα με τις απαιτήσεις του κώδικα J1940 (Διαδικασία Καθορισμού Ονομαστικής Ισχύος & Ροπής Στρέψης Μικρών Κινητήρων) της SAE (Society of Automotive Engineers), και η απόδοση των ονομαστικών τιμών έχει υπολογιστεί και διορθωθεί σύμφωνα με τον κώδικα J1995 της SAE (Αναθεώρηση 2002-05). Οι τιμές της ροπής στρέψης προκύπτουν με βάση τις 3060 RPM. Οι τιμές της ιπποδύναμης προκύπτουν με βάση τις 3600 RPM. Η πραγματική ισχύς του κινητήρα μπορεί να είναι μικρότερη και επηρεάζεται, μεταξύ άλλων, από τις περιβαλλοντικές συνθήκες λειτουργίας και από τις παραλλαγές μεταξύ κινητήρων. Δεδομένης της ευρείας γκάμας των προϊόντων στα οποία τοποθετούνται οι κινητήρες καθώς και των ποικίλων περιβαλλοντικών παραμέτρων υπό τις οποίες μπορεί να λειτουργεί το μηχανήμα, ο κινητήρας βενζίνης ενδέχεται να μην αναπτύσσει την ονομαστική ισχύ όταν χρησιμοποιείται σε έναν συγκεκριμένο εξοπλισμό (πραγματική ισχύς κατά τη λειτουργία ή καθαρή ιπποδύναμη). Η διαφορά αυτή οφείλεται σε ποικιλία παραγόντων μεταξύ των οποίων, τα εξαρτήματα (φίλτρο αέρα, εξάτμιση, τροφοδότηση, ψύξη, καρμπυρατέρ, αντλία καυσίμου, κ.λπ.), οι περιορισμοί της εφαρμογής, οι περιβαλλοντικές συνθήκες λειτουργίας (θερμοκρασία, υγρασία, υψόμετρο), και οι παραλλαγές μεταξύ κινητήρων. Λόγω των περιορισμών που επιβάλλονται ως προς την κατασκευή και τη χωρητικότητα, η Briggs & Stratton μπορεί για τη συγκεκριμένη σειρά κινητήρων να χρησιμοποιήσει κινητήρες χαμηλότερης ονομαστικής ισχύος.

Ασφάλεια Χειριστή

ΣΥΜΒΟΛΑ ΑΣΦΑΛΕΙΑΣ ΚΑΙ ΕΛΕΓΧΟΥ



Το σύμβολο συναγερμού ασφάλειας χρησιμοποιείται για την αναγνώριση πληροφοριών ασφάλειας σε σχέση με κινδύνους οι οποίοι μπορούν να επιφέρουν προσωπικό τραυματισμό. Το σύμβολο συναγερμού συνοδεύεται από μια ενδεικτική λέξη (ΚΙΝΔΥΝΟΣ, ΠΡΟΕΙΔΟΠΟΙΗΣΗ ή ΠΡΟΣΟΧΗ), δηλωτική της πιθανότητας τραυματισμού και της ενδεχόμενης σοβαρότητας αυτού. Επιπλέον, μπορεί να χρησιμοποιείται και ένα σύμβολο κινδύνου, ενδεικτικό του τύπου κινδύνου.

Η ένδειξη **ΚΙΝΔΥΝΟΣ** δηλώνει κίνδυνο ο οποίος, εάν δεν αποφευχθεί, θα προκαλέσει θάνατο ή σοβαρό τραυματισμό.

el

Η ένδειξη **ΠΡΟΕΙΔΟΠΟΙΗΣΗ** δηλώνει κίνδυνο ο οποίος, εάν δεν αποφευχθεί, **θα μπορούσε να προκαλέσει θάνατο ή σοβαρό τραυματισμό**.

Η ένδειξη **ΠΡΟΣΟΧΗ** δηλώνει κίνδυνο ο οποίος, εάν δεν αποφευχθεί, **ίσως να προκαλέσει τραυματισμό μικρού ή μεσαίου βαθμού**.

Η ένδειξη **ΠΡΟΣΟΧΗ**, όταν χρησιμοποιείται **χωρίς** το σύμβολο προειδοποίησης, δηλώνει μια κατάσταση η οποία **θα μπορούσε να προκαλέσει βλάβη του προϊόντος**.

ΠΡΟΕΙΔΟΠΟΙΗΣΗ

Τα αέρια που εκπέμπει ο παρών κινητήρας περιέχουν χημικές ουσίες οι οποίες, σύμφωνα με έρευνες που πραγματοποιήθηκαν στην Πολιτεία της Καλιφόρνια, προκαλούν καρκίνο, γενετικές ατέλειες, ή άλλες γενετικές βλάβες.

ΠΡΟΕΙΔΟΠΟΙΗΣΗ

Η Briggs & Stratton δεν εγκρίνει και δεν επιτρέπει τη χρήση των εν λόγω κινητήρων σε 3τροχα οχήματα παντός εδάφους (ATVs), μοτοσυκλέτες, αυτοκινητίδια αναψυχής (go-karts), αεροσκάφη ή αγωνιστικά οχήματα. Η χρήση των κινητήρων σε τέτοιες εφαρμογές μπορεί να προκαλέσει υλικές ζημιές, σοβαρό τραυματισμό (μεταξύ άλλων παράλυση), ακόμη και θάνατο.

ΠΡΟΣΟΧΗ: Ο κινητήρας αποστέλλεται από την Briggs & Stratton χωρίς λάδι. Προτού εκκινήσετε τον κινητήρα, βεβαιωθείτε ότι έχετε προσθέσει λάδι σύμφωνα με τις οδηγίες που παρέχονται στο εγχειρίδιο. Εάν ο κινητήρας τεθεί σε λειτουργία χωρίς λάδι, τότε θα υφίσταται ανεπανόρθωτη βλάβη και δεν θα καλύπτεται από την εγγύηση.

ΠΡΟΕΙΔΟΠΟΙΗΣΗ

Οι αναθυμιάσεις αερίων είναι εξαιρετικά εύφλεκτες και εκρηκτικές ουσίες.
 Ενδεχόμενη φωτιά ή έκρηξη μπορούν να προκαλέσουν σοβαρά εγκαύματα ή θάνατο.

Κατά την προσθήκη καυσίμου

- Γεμίστε το ντεπόζιτο καυσίμου σε εξωτερικό ή καλά αεριζόμενο χώρο.
- Ελέγχετε συχνά τις σωληνώσεις καυσίμου, το ντεπόζιτο καυσίμου, το πάμα και τα εξαρτήματα για ρωγμές ή διαρροές. Προβείτε σε αντικατάστασις εάν είναι απαραίτητο.

Κατά την εκκίνηση του κινητήρα

- Βεβαιωθείτε ότι το μπουζί, η εξάτμιση και το φίλτρο αέρα (εάν υπάρχει) βρίσκονται στη θέση τους και ότι έχουν στερεωθεί καλά.
- Μην προσπαθείτε να εκκινήσετε τον κινητήρα με βγαλμένο το μπουζί.

Κατά το χειρισμό του εξοπλισμού

- Ο κινητήρας δεν πρέπει να τίθεται σε λειτουργία ή να λειτουργεί χωρίς το συγκρότημα του φίλτρου αέρα (εάν υπάρχει) ή το φίλτρο αέρα (εάν υπάρχει).

Κατά τη μεταφορά του εξοπλισμού

- Κινητήρες φυσικού αερίου/υγραερίου: κατά τη μεταφορά ο κύλινδρος καυσίμου πρέπει να είναι άδειος και η αντλία κλειστή ή το ντεπόζιτο αποσυνδεδεμένο.

Για την αποθήκευση βενζίνης ή εξοπλισμού με γεμάτο ντεπόζιτο καυσίμου

- Αποθηκεύστε μακριά από φούρνους, θερμάστρες, θερμοσίφωνες ή άλλες συσκευές που χρησιμοποιούν ενδεικτική λυχνία ή άλλες ενδεχόμενες πηγές ανάφλεξης διότι μπορεί να προκληθεί ανάφλεξη των αναθυμιάσεων.

ΠΡΟΕΙΔΟΠΟΙΗΣΗ

Η εκκίνηση του κινητήρα προκαλεί σπινθηρισμούς.
 Οι σπινθηρισμοί μπορούν να προκαλέσουν ανάφλεξη παρακείμενων εύφλεκτων αερίων.
 Θα μπορούσαν να προκληθούν έκρηξη και φωτιά.

- Εάν στην περιοχή υπάρχει διαρροή φυσικού αερίου ή υγραερίου, μην θέτετε σε λειτουργία τον κινητήρα.
- Μην χρησιμοποιείτε ρευστά εκκίνησης υπό πίεση. Οι αναθυμιάσεις είναι εύφλεκτες.



ΠΡΟΕΙΔΟΠΟΙΗΣΗ



Οι κινητήρες εκπέμπουν μονοξείδιο του άνθρακα, ένα άοσμο, άχρωμο, δηλητηριώδες αέριο.
Η εισπνοή του μονοξειδίου του άνθρακα μπορεί να προκαλέσει ναυτία, λιποθυμία ή θάνατο.

- Εκκινείτε και λειτουργείτε τον κινητήρα σε εξωτερικό χώρο.
- Μην προβαίνετε σε εκκίνηση και λειτουργία του κινητήρα σε κλειστό χώρο, ακόμη και αν οι πόρτες και τα παράθυρα είναι ανοικτά.



ΠΡΟΕΙΔΟΠΟΙΗΣΗ



Η ταχεία επανατύλιξη του σχοινιού εκκίνησης (κλώστρημα) θα τραβήξει το χέρι και τον βραχιονά σας προς τον κινητήρα πριν προλάβετε να αφήσετε το σχοινί.
Ενδέχεται να υποστείτε κατάγματα, συντριπτικά κατάγματα, μώλωπες ή διαστρέμματα.

- Κατά την εκκίνηση του κινητήρα, τραβήξτε το σχοινί εκκίνησης αργά έως ότου αισθανθείτε αντίσταση και, στη συνέχεια, τραβήξτε απότομα για να αποφύγετε τυχόν κλώστρημα.
- Πριν να εκκινήσετε τον κινητήρα, αφαιρέστε όλα τα εξωτερικά φορτία του εξοπλισμού/κινητήρα.
- Εξαρτήματα άμεσης ζεύξης όπως, μεταξύ άλλων, λεπίδες, πτερωτές, τροχαλίες, αλυσοτροχοί, κλπ., πρέπει να ασφαλιζονται.



ΠΡΟΕΙΔΟΠΟΙΗΣΗ



Τα περιστρεφόμενα εξαρτήματα μπορούν να αγγίξουν ή να μαγκώσουν χέρια, πόδια, μαλλιά, ρούχα ή αξεσουάρ.
Ενδέχεται να προκληθεί ακρωτηριασμός ή σοβαρής μορφής κατατεμαχισμός.

- Όταν χειρίζεστε τον εξοπλισμό φροντίστε ώστε οι προφυλακτήρες να βρίσκονται εγκαταστημένοι στη θέση τους.
- Κρατάτε τα χέρια και τα πόδια σας μακριά από τα περιστρεφόμενα εξαρτήματα.
- Μαζέψτε τα μαλλιά σας, εάν είναι μακριά, και αφαιρέστε τυχόν κοσμήματα.
- Μην φοράτε ρούχα που εφαρμόζουν χαλαρά επάνω σας, κορδόνια που κρέμονται ή είδη που θα μπορούσαν να πιαστούν στα περιστρεφόμενα εξαρτήματα του κινητήρα.



ΠΡΟΕΙΔΟΠΟΙΗΣΗ



Η λειτουργία των κινητήρων παράγει θερμότητα. Τα εξαρτήματα του κινητήρα, και ιδιαίτερα η εξάτμιση, λαμβάνουν εξαιρετικά υψηλές θερμοκρασίες.



Τυχόν επαφή μπορεί να προκαλέσει σοβαρά εγκαύματα.
Υπολείμματα καύσιμων υλών, όπως φύλλα, γρασίδι, φύλλα θάμνων, κλπ. μπορούν να πιάσουν φωτιά.

- Μην αγγίζετε την εξάτμιση, τον κύλινδρο του κινητήρα και τα πτερύγια όσο είναι ακόμη θερμά.
- Απομακρύνετε τα συσσωρευμένα υπολείμματα από την περιοχή της εξάτμισης και του κυλίνδρου.
- Εγκαταστήστε και διατηρείτε σε λειτουργική κατάσταση μια σήτα συγκράτησης σπινθήρων πριν τη χρήση του εξοπλισμού σε δασώδη, χλωώδη, θαμνώδη άγρια περιοχή, όπως απαιτείται από τη νομοθεσία της πολιτείας της Καλιφόρνια (Τμήμα 4442 του Κώδικα περί Φυσικών Πόρων της Καλιφόρνια). Παρόμοιοι νόμοι ενδέχεται να ισχύουν και σε άλλες πολιτείες. Στην περίπτωση ομοσπονδιακού εδάφους ισχύει η ομοσπονδιακή νομοθεσία.



ΠΡΟΕΙΔΟΠΟΙΗΣΗ



Τυχόν ακούσιοι σπινθηρισμοί μπορούν να προκαλέσουν φωτιά ή ηλεκτροπληξία.



Τυχόν ακούσια εκκίνηση μπορεί να προκαλέσει εμπλοκή μέλους στον κινητήρα, ακρωτηριασμό, ή κατατεμαχισμό.
Κίνδυνος πυρκαγιάς

Πριν από την εκτέλεση ρυθμίσεων ή επισκευών

- Αποσυνδέστε το καλώδιο του μπουζί και κρατήστε το μακριά από το μπουζί.
- Αποσυνδέστε τον αρνητικό πόλο της μπαταρίας (μόνο για μηχανές με ηλεκτρική εκκίνηση).
- Χρησιμοποιείτε αποκλειστικά και μόνο τα κατάλληλα εργαλεία.
- Μην επεμβαίνετε στα ελατήρια του ρυθμιστή ταχύτητας, τους μηχανισμούς ή τα άλλα εξαρτήματα για να αυξήσετε την ταχύτητα του κινητήρα.
- Τα ανταλλακτικά πρέπει να είναι ίδια και να τοποθετούνται στην ίδια θέση με τα αυθεντικά.
- Μην χτυπάτε την πτερωτή με σφυρί ή άλλο σκληρό αντικείμενο, διότι υπάρχει κίνδυνος να σπάσει κατά τη λειτουργία.

Κατά τον έλεγχο για σπινθήρα:

- Χρησιμοποιείτε εγκεκριμένη διάταξη δοκιμής μπουζί.
- Μην ελέγχετε για σπινθήρα ενώ έχετε αφαιρέσει το μπουζί.



ΠΡΟΕΙΔΟΠΟΙΗΣΗ



Τα αέρια καύσιμα είναι ιδιαίτερα εύφλεκτα, και σε θερμοκρασία περιβάλλοντος εύκολα σχηματίζουν εκρηκτικά μίγματα αέρα-αναθυμιάσεων.



Εάν σας μυρίσει αέριο:

- Μην θέσετε σε λειτουργία τον κινητήρα.
- Μην ενεργοποιήσετε κανέναν ηλεκτρικό διακόπτη.
- Μην χρησιμοποιήσετε τηλέφωνο σε μικρή απόσταση από τον κινητήρα.
- Εκκενώστε τον χώρο και ειδοποιήστε τον προμηθευτή αερίου ή την πυροσβεστική υπηρεσία.



ΠΡΟΕΙΔΟΠΟΙΗΣΗ



Κατά τη διάρκεια των εργασιών επισκευής φοράτε προστατευτικά για τα μάτια.



Εάν το δέρμα/τα μάτια έρθουν σε επαφή με υγραέριο, μπορεί να προκληθεί κρουπάγημα.

- Τις εργασίες εγκατάστασης, ρύθμισης και επισκευής πρέπει να αναλαμβάνει ειδικευμένος τεχνικός.
- Ελέγχετε τακτικά εάν οι ελαστικές σωληνώσεις τροφοδοσίας βρίσκονται σε καλή κατάσταση. Αντικαθιστάτε τα εξαρτήματα που παρουσιάζουν βλάβη ή διαρροή.



ΠΡΟΕΙΔΟΠΟΙΗΣΗ



Εάν η βαλβίδα διακοπής της παροχής καυσίμου λείπει ή δεν λειτουργεί, μπορεί να προκληθεί φωτιά ή έκρηξη



- Μην χειρίζεστε τον εξοπλισμό εάν η βαλβίδα διακοπής της παροχής καυσίμου λείπει ή δεν λειτουργεί.

Στοιχεία και Μοχλοί

Για να εξοικειωθείτε με τη θέση των διαφόρων στοιχείων και μοχλών, συγκρίνετε την εικόνα **1** με τον κινητήρα σας.

- A. Στοιχεία κινητήρα
Μοντέλο Τύπος Κωδικός
- B. Μπουζί
- C. Φίλτρο αέρα
- D. Δείκτης στάθμης λαδιού
- E. Πώμα αδειάσματος λαδιού
- F. Εξάτμιση
Προστατευτικό εξάτμισης (προαιρετικός)
Σήτα συγκράτησης σπινθήρων (προαιρετική)
- G. Περιστρεφόμενη σήτα
- H. Φίλτρο λαδιού
- I. Ηλεκτρικός εκκινητής
- J. Αναμίκτης υγραερίου/φυσικού αερίου
- K. Σωλήνας ταχείας αποστράγγισης λαδιού (προαιρετικό)

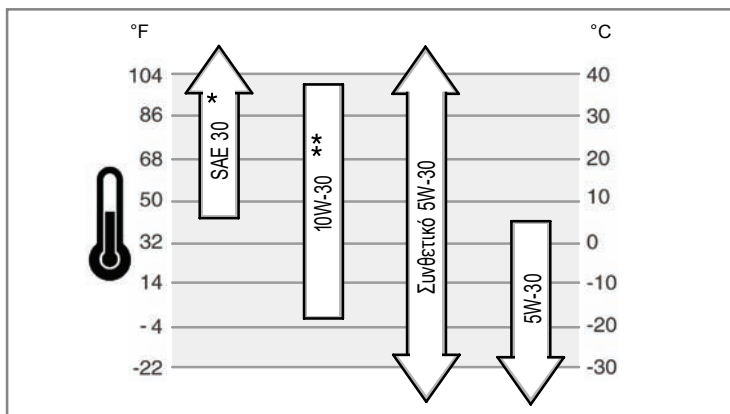
Λειτουργία

Χωρητικότητα λαδιού (ανατρέξτε στην ενότητα **Προδιαγραφές**)

Συστάσεις για το λάδι

Για βέλτιστες επιδόσεις συνιστάται η χρήση των πιστοποιημένων βάσει εγγύησης λαδιών της Briggs & Stratton. Επιτρέπεται επίσης η χρήση άλλων λαδιών υψηλής ποιότητας με κατάταξη για συντήρηση SF, SG, SH, SJ ή υψηλότερη. Μην χρησιμοποιείτε ειδικά προσθετικά.

Το σωστό ιξώδες λαδιού εξαρτάται από την εξωτερική θερμοκρασία. Χρησιμοποιήστε το διάγραμμα για να επιλέξετε το κατάλληλο ιξώδες για το προβλεπόμενο εύρος θερμοκρασιών.



- * Η χρήση λαδιού SAE 30 σε θερμοκρασίες κάτω των 4°C (40°F) θα έχει ως αποτέλεσμα τη δύσκολη εκκίνηση του κινητήρα.
- ** Η χρήση 10W-30 σε θερμοκρασίες άνω των 27°C (80°F) θα έχει ως αποτέλεσμα την αυξημένη κατανάλωση λαδιού. Ελέγχετε τη στάθμη του λαδιού συχνότερα.

Έλεγχος/προσθήκη λαδιού - Εικόνα 2

Πριν από την προσθήκη ή τον έλεγχο του λαδιού

- Φέρτε τον κινητήρα σε οριζόντια θέση.
 - Καθαρίστε την περιοχή γύρω από το πώμα πλήρωσης λαδιού από τυχόν υπολείμματα.
1. Αφαιρέστε τον δείκτη στάθμης λαδιού (A) και σκουπίστε τον με ένα καθαρό πανί (Εικόνα 2).
 2. Τοποθετήστε και σφίξτε τον δείκτη στάθμης λαδιού.
 3. Αφαιρέστε το δείκτη στάθμης λαδιού και ελέγξτε τη στάθμη του λαδιού. Βεβαιωθείτε ότι φτάνει μέχρι την ένδειξη FULL (γεμάτο) (B) στο δείκτη.
 4. Εάν η στάθμη βρίσκεται χαμηλότερα, προσθέστε αργά λάδι στην οπή πλήρωσης (C). **Μην υπερπληρώνετε.** Μετά από την προσθήκη λαδιού, περιμένετε ένα λεπτό και στη συνέχεια ελέγξτε εκ νέου τη στάθμη λαδιού.
Σημείωση: Μην προσθέτετε λάδι στον σωλήνα ταχείας αποστράγγισης λαδιού (K, Εικόνα 1) (εφόσον υπάρχει).
 5. Επανατοποθετήστε και σφίξτε τον δείκτη στάθμης λαδιού.

Πίεση λαδιού

Εάν η πίεση του λαδιού είναι υπερβολικά χαμηλή, ένας διακόπτης πίεσης (εφόσον υπάρχει) σταματά τη λειτουργία του κινητήρα ή ενεργοποιεί έναν προειδοποιητικό μηχανισμό που διαθέτει το μηχανήμα. Στην περίπτωση αυτή, σταματήστε τον κινητήρα και ελέγξτε τη στάθμη του λαδιού με τον δείκτη στάθμης λαδιού.

Αν η στάθμη του λαδιού είναι χαμηλότερη από την ένδειξη ADD, προσθέστε λάδι μέχρι την ένδειξη FULL (γεμάτο). Επανεκκινήστε τον κινητήρα και προτού συνεχίσετε τη λειτουργία του βεβαιωθείτε ότι η πίεση του λαδιού είναι κανονική.

Εάν η στάθμη του λαδιού βρίσκεται μεταξύ των ενδείξεων ADD και FULL, **μην θέτετε** σε λειτουργία τον κινητήρα. Για την αποκατάσταση του προβλήματος της πίεσης επικοινωνήστε με εξουσιοδοτημένο αντιπρόσωπο της Briggs & Stratton.

Συστάσεις για το καύσιμο



ΠΡΟΕΙΔΟΠΟΙΗΣΗ



Εάν η βαλβίδα παροχής καυσίμου λείπει ή δεν λειτουργεί, μπορεί να προκληθεί φωτιά ή έκρηξη.

- Μην χειρίζεστε τον εξοπλισμό εάν η βαλβίδα παροχής καυσίμου λείπει ή δεν λειτουργεί.

Το καύσιμο πρέπει να πληροί τις ακόλουθες απαιτήσεις:

- Χρησιμοποιείτε καθαρά, χωρίς υγρασία καύσιμα, που δεν περιέχουν σωματίδια. Η χρήση καυσίμων πέραν των ακολούθως συνιστώμενων μπορεί να δημιουργήσει προβλήματα λειτουργίας στον κινητήρα.
- Για κινητήρες που λειτουργούν με υγραέριο, συνιστάται η χρήση υγραερίου του εμπορίου, βαθμού HD5. Η συνιστώμενη σύνθεση καυσίμου αντιστοιχεί σε ελάχιστη ενέργεια 2500 BTU's/ft³, μέγιστη περιεκτικότητα σε προπυλένιο 5%, περιεκτικότητα σε βουτάνιο και βαρύτερα αέρια 2,5% και ελάχιστη περιεκτικότητα σε προπάνιο 90%.

Οι κινητήρες φυσικού αερίου ή υγραερίου είναι πιστοποιημένοι για λειτουργία με φυσικό αέριο ή υγραέριο. Το σύστημα ελέγχου εκπομπών καυσαερίων για τον συγκεκριμένο κινητήρα είναι EM (Τροποποιήσεις Κινητήρα).



ΠΡΟΕΙΔΟΠΟΙΗΣΗ:

Ο εξοπλισμός στον οποίο στερεώνεται ο κινητήρας διαθέτει αυτόματη βαλβίδα ασφαλείας για τον αποκλεισμό του καυσίμου. Μην χειρίζεστε τον εξοπλισμό εάν η βαλβίδα διακοπής της παροχής καυσίμου λείπει ή δεν λειτουργεί.

Προσθήκη καυσίμου



ΠΡΟΕΙΔΟΠΟΙΗΣΗ



Οι αναθυμιάσεις αερίων αποτελούν εξαιρετικά εύφλεκτες και εκρηκτικές ουσίες. Ενδεχόμενη φωτιά ή έκρηξη μπορούν να προκαλέσουν σοβαρά εγκαύματα ή θάνατο.

Κατά την προσθήκη καυσίμου

- Γεμίστε το ντεπόζιτο καυσίμου σε εξωτερικό ή καλά αεριζόμενο χώρο.
- Ελέγχετε συχνά τις σωληνώσεις καυσίμου, το ντεπόζιτο καυσίμου, το πώμα και τα εξαρτήματα για ρωγμές ή διαρροές. Προβείτε σε αντικαταστάσεις εάν είναι απαραίτητα.

Διαβάστε τις οδηγίες χειρισμού του εξοπλισμού που παρέχει ο κατασκευαστής για να πληροφορηθείτε σχετικά με την προσθήκη φυσικού αερίου ή υγραερίου στον κινητήρα.

Εκκίνηση του κινητήρα - Εικόνα 3



ΠΡΟΕΙΔΟΠΟΙΗΣΗ



Οι αναθυμιάσεις αερίων αποτελούν εξαιρετικά εύφλεκτες και εκρηκτικές ουσίες. Ενδεχόμενη φωτιά ή έκρηξη μπορούν να προκαλέσουν σοβαρά εγκαύματα ή θάνατο.

Κατά την εκκίνηση του κινητήρα

- Βεβαιωθείτε ότι το μπουζί, η εξάτμιση και το φίλτρο αέρα βρίσκονται στη θέση τους και ότι έχουν στερεωθεί καλά.
- Μην προσπαθείτε να εκκινήσετε τον κινητήρα με βγαλμένο το μπουζί.



ΠΡΟΕΙΔΟΠΟΙΗΣΗ



Οι κινητήρες εκπέμπουν μονοξείδιο του άνθρακα, ένα άοσμο, άχρωμο, δηλητηριώδες αέριο. Η εισπνοή του μονοξειδίου του άνθρακα μπορεί να προκαλέσει ναυτία, λιποθυμία ή θάνατο.

- Εκκινείτε και λειτουργείτε τον κινητήρα σε εξωτερικό χώρο.
- Μην προβαίνετε σε εκκίνηση και λειτουργία του κινητήρα σε κλειστό χώρο, ακόμη και αν οι πόρτες και τα παράθυρα είναι ανοικτά.

ΠΡΟΣΟΧΗ: Ο κινητήρας αποστέλλεται από την Briggs & Stratton χωρίς λάδι. Προτού εκκινήσετε τον κινητήρα, βεβαιωθείτε ότι έχετε προσθέσει λάδι σύμφωνα

με τις οδηγίες που παρέχονται στο εγχειρίδιο. Εάν θέσετε τον κινητήρα σε λειτουργία χωρίς λάδι, θα υποστεί ανεπανόρθωτη βλάβη η οποία δεν καλύπτεται από την εγγύηση.

1. Ελέγξτε τη στάθμη του λαδιού. Ανατρέξτε στην ενότητα **Έλεγχος/Προσθήκη λαδιού section**.
2. Βεβαιωθείτε ότι όλοι οι μηχανισμοί μετάδοσης κίνησης του μηχανήματος, εάν υπάρχουν, είναι αποσυμπλεγμένοι. Ανατρέξτε στο εγχειρίδιο του μηχανήματος για τη θέση και τη λειτουργία των εν λόγω μηχανισμών.
3. Στρέψτε τη βαλβίδα διακοπής της παροχής καυσίμου (**B**), εάν υπάρχει, στη θέση on (Εικόνα 3). Ανατρέξτε στο εγχειρίδιο του μηχανήματος για τη θέση και τη λειτουργία της βαλβίδας διακοπής της παροχής καυσίμου.
4. Στρέψτε τον διακόπτη ηλεκτρικής εκκίνησης (**A**), εάν υπάρχει, στη θέση on/start. Ανατρέξτε στο εγχειρίδιο του μηχανήματος για τη θέση και τη λειτουργία του διακόπτη.

Σημείωση: Εάν μετά από τρεις προσπάθειες ο κινητήρας δεν τίθεται σε λειτουργία, επισκεφθείτε τη σελίδα **BRIGGSandSTRATTON.COM** στο Διαδίκτυο ή καλέστε στο **1-800-233-3723** (για τις ΗΠΑ).

ΠΡΟΣΟΧΗ: Για να επιμηκύνετε τη διάρκεια ζωής του εκκινητή χρησιμοποιείτε κύκλους εκκίνησης μικρού χρονικού διαστήματος (πέντε δευτερόλεπτα το μέγιστο). Περιμένετε για ένα λεπτό μεταξύ των κύκλων εκκίνησης.

Διακοπή λειτουργίας του κινητήρα - Εικόνα 3

1. Στρέψτε το κλειδί (**C**, Εικόνα 3) στη θέση off. Αφαιρέστε το κλειδί και φυλάξτε το σε ασφαλές μέρος μακριά από παιδιά.
2. Όταν ο κινητήρας σταματήσει, στρέψτε τη βαλβίδα παροχής καυσίμου (**B**), εάν υπάρχει, στην κλειστή θέση.

Συντήρηση

Χρησιμοποιείτε μόνο γνήσια ανταλλακτικά. Με τη χρήση άλλων εξαρτημάτων ενδέχεται να επηρεαστεί η επίδοση, να προκληθεί βλάβη στον κινητήρα και τραυματισμός. Επιπλέον, η χρήση άλλων εξαρτημάτων μπορεί να ακυρώσει την εγγύησή σας.

Για κάθε εργασία συντήρησης του κινητήρα και των εξαρτημάτων του σας συνιστούμε να επισκέπτεστε έναν εξουσιοδοτημένο αντιπρόσωπο συντήρησης της Briggs & Stratton.

ΠΡΟΣΟΧΗ: Για να διασφαλίζεται η ομαλή λειτουργία αυτού του κινητήρα, όλα τα εξαρτήματα που χρησιμοποιήθηκαν για την κατασκευή του πρέπει να παραμείνουν στη θέση τους.

Έλεγχος Εκπομπών Καυσαερίων

Τη συντήρηση, αντικατάσταση και επισκευή των συσκευών και συστημάτων ελέγχου εκπομπών κινητήρων που χρησιμοποιούνται εκτός δρόμου μπορούν να αναλαμβάνουν ιδιώτες ή εταιρείες επισκευής. Ωστόσο, τη συντήρηση του συστήματος ελέγχου εκπομπών καυσαερίων χωρίς επιβάρυνση πρέπει να αναλαμβάνει εξουσιοδοτημένος αντιπρόσωπος του κατασκευαστή. Ανατρέξτε στην Εγγύηση του Συστήματος Εκπομπών Καυσαερίων.



ΠΡΟΕΙΔΟΠΟΙΗΣΗ

Τυχόν ακούσιοι σπινθηρισμοί μπορούν να προκαλέσουν φωτιά ή ηλεκτροπληξία.

Τυχόν ακούσια εκκίνηση μπορεί να προκαλέσει εμπλοκή μέλους στον κινητήρα, ακρωτηριασμό, ή τεμαχισμό.

Κίνδυνος πυρκαγιάς

Πριν από την εκτέλεση ρυθμίσεων ή επισκευών

- Αποσυνδέστε το καλώδιο του μπουζί και κρατήστε το μακριά από το μπουζί.
- Χρησιμοποιείτε αποκλειστικά και μόνο τα κατάλληλα εργαλεία.
- Μην επεμβαίνετε στα ελατήρια του ρυθμιστή ταχύτητας, τους μηχανισμούς ή τα άλλα εξαρτήματα για να αυξήσετε την ταχύτητα του κινητήρα.
- Τα ανταλλακτικά πρέπει να είναι ίδια και να τοποθετούνται στην ίδια θέση με τα αυθεντικά.
- Μην χτυπάτε το σφόνδυλο με σφυρί ή άλλο σκληρό αντικείμενο, διότι υπάρχει κίνδυνος να σπάσει κατά τη λειτουργία.

Κατά τον έλεγχο για σπινθήρα:

- Χρησιμοποιείτε εγκεκριμένη διάταξη δοκιμής μπουζί.
- Μην ελέγχετε για σπινθήρα ενώ έχετε αφαιρέσει το μπουζί.

Πίνακας Συντήρησης

Πρώτες 5 ώρες
• Αλλαγή λαδιού
Κάθε 8 ώρες ή κάθε μέρα
• Έλεγχος στάθμης λαδιού κινητήρα • Καθαρισμός της περιοχής γύρω από την εξάτμιση και τους μοχλούς • Καθαρισμός του προστατευτικού δακτύλων (εφόσον υπάρχει)
Κάθε 25 ώρες ή ετησίως
• Καθαρισμός του φίλτρου αέρα * • Καθαρισμός του προφίλτρου *
Κάθε 50 ώρες ή ετησίως
• Αλλαγή λαδιού κινητήρα • Αντικατάσταση φίλτρου λαδιού (εφόσον υπάρχει) • Έλεγχος της εξάτμισης και της σίτας απορρόφησης σπινθήρων
Ετησίως
• Αντικατάσταση του φίλτρου αέρα • Αντικατάσταση του προφίλτρου • Αντικατάσταση μπουζί • Καθαρισμός του αερόψυκτου συστήματος * • Έλεγχος του διακένου βαλβίδας **

* Υπό συνθήκες σκόνης ή όταν υπάρχουν αερόφερτα υπολείμματα, να καθαρίζετε πιο συχνά.

** Απαιτείται μόνο σε περίπτωση που διαπιστωθούν προβλήματα στην επίδοση του κινητήρα.

ΠΡΟΣΟΧΗ: Ο κατασκευαστής του μηχανήματος πάνω στο οποίο είναι εγκατεστημένος αυτός ο κινητήρας καθορίζει την μέγιστη ταχύτητα στην οποία ο κινητήρας θα λειτουργεί. Μην υπερβαίνετε αυτήν την ταχύτητα.

Αντικατάσταση μπουζί - Εικόνα 4

Ελέγχετε το διάκενο (**A**, Εικόνα 4) με διακενόμετρο (**B**). Εάν χρειάζεται, ρυθμίστε το εκ νέου. Τοποθετήστε και σφίξτε το μπουζί σύμφωνα με τη συνιστώμενη ροπή στρέψης. Σχετικά με τη ρύθμιση του διακένου ή τη ροπή στρέψης, ανατρέξτε στην ενότητα **Προδιαγραφές**.

Σημείωση: Σε ορισμένες περιοχές, η τοπική νομοθεσία απαιτεί τη χρήση μπουζί με αντίσταση για να καταστέλλονται τα κύματα ανάφλεξης. Αν ο κινητήρας σας είχε αρχικά μπουζί με αντίσταση, πρέπει να χρησιμοποιήσετε τον ίδιο τύπο στις επόμενες αντικαταστάσεις.

Επιθεώρηση της εξάτμισης και τη σίτας απορρόφησης σπινθήρων - Εικόνα 5



ΠΡΟΕΙΔΟΠΟΙΗΣΗ



Η λειτουργία των κινητήρων παράγει θερμότητα. Τα εξαρτήματα του κινητήρα, και ιδιαίτερα η εξάτμιση, λαμβάνουν εξαιρετικά υψηλές θερμοκρασίες.



Τυχόν επαφή μπορεί να προκαλέσει σοβαρά εγκαύματα.

Υπολείμματα καύσιμων υλών, όπως φύλλα, γρασίδι, φύλλα θάμνων, κλπ. μπορούν να πιάσουν φωτιά.

- Μην αγγίζετε την εξάτμιση, τον κύλινδρο του κινητήρα και τα πτερύγια όσο είναι ακόμη θερμά.
- Απομακρύνετε τα συσσωρευμένα υπολείμματα από την περιοχή της εξάτμισης και του κυλίνδρου.
- Εγκαταστήστε και διατηρείτε σε λειτουργική κατάσταση μια σήτα συγκράτησης σπινθήρων πριν τη χρήση του εξοπλισμού σε δασώδη, χλωώδη, θαμνώδη άγρια περιοχή, όπως απαιτείται από τη νομοθεσία της πολιτείας της Καλιφόρνια (Τμήμα 4442 του Κώδικα περί Φυσικών Πόρων της Καλιφόρνια). Παρόμοιοι νόμοι ενδέχεται να ισχύουν και σε άλλες πολιτείες. Στην περίπτωση ομοσπονδιακού εδάφους ισχύει η ομοσπονδιακή νομοθεσία.

Ελέγξτε την εξάτμιση (**A**, Εικόνα 5) για ρωγμές, διάβρωση ή άλλες ζημιές. Αφαιρέστε τη σήτα απορρόφησης σπινθήρων (**B**), εάν υπάρχει, και ελέγξτε για ζημιές ή συσσωρευση άνθρακα. Σε περίπτωση που απαιτούνται ανταλλακτικά, βεβαιωθείτε ότι χρησιμοποιείτε μόνο γνήσια ανταλλακτικά του μηχανήματος.



ΠΡΟΣΟΧΗ: Τα ανταλλακτικά πρέπει να είναι ίδια και να εγκαθίστανται στο ίδιο σημείο με τα γνήσια εξαρτήματα διότι, διαφορετικά, υπάρχει κίνδυνος πυρκαγιάς.

Αλλαγή λαδιού - Εικόνα 6 7 8 9

ΠΡΟΣΟΧΗ: Το χρησιμοποιημένο λάδι είναι επικίνδυνο όταν απορρίπτεται και, ως εκ τούτου, πρέπει να φροντίζετε για την ορθή απόρριψη του. Μην το απορρίπτετε με τα οικιακά απορρίμματα. Απευθυνθείτε στις τοπικές αρχές, στο κέντρο συντήρησης ή στον αντιπρόσωπο της περιοχής σας για πληροφορίες σχετικά με εγκαταστάσεις ασφαλούς απόρριψης/ανακύκλωσης των προϊόντων.

Αδειασμα λαδιού

1. Με τον κινητήρα απενεργοποιημένο αλλά ακόμα ζεστό, αποσυνδέστε το καλώδιο του μπουζί (A) και κρατήστε το μακριά από το μπουζί (Εικόνα 6).
2. Αφαιρέστε τον δείκτη στάθμης λαδιού (D).

Σύνηθες πώμα αποστράγγισης λαδιού

3. Αφαιρέστε το πώμα αποστράγγισης λαδιού (B, Εικόνα 7). Αδειάστε το λάδι σε εγκεκριμένο δοχείο.

Σημείωση: Μπορείτε να εγκαταστήσετε στον κινητήρα οποιοδήποτε από τα πώματα αποστράγγισης λαδιού που απεικονίζονται παρακάτω.



4. Αφού αδειάσετε το λάδι, τοποθετήστε και σφίξτε το πώμα.

Προαιρετικός σωλήνας ταχείας αποστράγγισης λαδιού

1. Αποσυνδέστε τον σωλήνα αποστράγγισης λαδιού (G, Εικόνα 8) από τα πλαινά του κινητήρα.
2. Στρέψτε και αφαιρέστε το πώμα αποστράγγισης λαδιού (H). Φέρτε προς τα κάτω με προσοχή τον σωλήνα ταχείας αποστράγγισης λαδιού (I) και αποστραγγίστε σε ένα εγκεκριμένο δοχείο (J).
3. Αφού αδειάσετε το λάδι, τοποθετήστε το πώμα αποστράγγισης λαδιού. Συνδέστε τον σωλήνα αποστράγγισης λαδιού στα πλαινά του κινητήρα.

Αλλαγή φίλτρου λαδιού (εφόσον υπάρχει)

Ορισμένα μοντέλα διαθέτουν φίλτρο λαδιού. Για τη συχνότητα αντικατάστασης, ανατρέξτε στο **Διάγραμμα** συντήρησης.

1. Αδειάστε το λάδι από τον κινητήρα. Ανατρέξτε στην ενότητα **Αδειασμα λαδιού**.
2. Αφαιρέστε το φίλτρο λαδιού (C) και φροντίστε για την ορθή απόρριψη του. Βλέπε Εικόνα 9.
3. Πριν τοποθετήσετε το καινούριο φίλτρο λαδιού, λαδώστε ελαφρά το στόμιό του με φρέσκο, καθαρό λάδι.
4. Βιδώστε το φίλτρο με το χέρι μέχρι το σημείο επαφής του στομίου του με τον προσαρμογέα και στη συνέχεια σφίξτε το φίλτρο λαδιού κατά 1/2 έως 3/4 στροφές.
5. Προσθήκη λαδιού. Ανατρέξτε στην ενότητα **Προσθήκη λαδιού**.
6. Εκκινήστε τον κινητήρα και αφήστε τον να λειτουργήσει. Όσο ο κινητήρας θερμαίνεται, ελέγξτε για τυχόν διαρροές λαδιού.
7. Σταματήστε τον κινητήρα και ελέγξτε τη στάθμη του λαδιού. Η στάθμη πρέπει να βρίσκεται στην ένδειξη FULL (γεμάτο) του δείκτη.

Προσθήκη λαδιού

- Φέρτε τον κινητήρα σε οριζόντια θέση.
 - Καθαρίστε την περιοχή γύρω από το πώμα πλήρωσης λαδιού από τυχόν υπολείμματα.
 - Για τη χωρητικότητα σε λάδι, ανατρέξτε στην ενότητα **Προδιαγραφές**.
1. Αφαιρέστε τον δείκτη στάθμης λαδιού (D) και σκουπίστε τον με ένα καθαρό πανί (Εικόνα 6).
 2. Προσθέστε αργά λάδι στον κινητήρα από την οπή πλήρωσης (E). **Μην υπερπληρώνετε.** Μετά την προσθήκη του λαδιού, περιμένετε ένα λεπτό και εν συνεχεία ελέγξτε τη στάθμη του λαδιού.
 3. Τοποθετήστε και σφίξτε τον δείκτη λαδιού.
 4. Αφαιρέστε τον δείκτη λαδιού και ελέγξτε τη στάθμη λαδιού. Η στάθμη του λαδιού θα πρέπει να βρίσκεται στην ένδειξη FULL (γεμάτο) (F) του δείκτη.
 5. Τοποθετήστε και σφίξτε τον δείκτη λαδιού.

Συντήρηση του φίλτρου αέρα - Εικόνα 10



ΠΡΟΕΙΔΟΠΟΙΗΣΗ



Οι αναθυμιάσεις αερίων αποτελούν εξαιρετικά εύφλεκτες και εκρηκτικές ουσίες.



Ενδεχόμενη φωτιά ή έκρηξη μπορούν να προκαλέσουν σοβαρά εγκαύματα ή θάνατο.

- Ο κινητήρας δεν πρέπει να τίθεται σε λειτουργία ή να λειτουργεί χωρίς το συγκρότημα του φίλτρου αέρα ή το φίλτρο αέρα.

ΠΡΟΣΟΧΗ: Μην χρησιμοποιείτε πεπιεσμένο αέρα ή διαλύτες για να καθαρίσετε το φίλτρο. Ο πεπιεσμένος αέρας μπορεί να προκαλέσει βλάβη στο φίλτρο, ενώ οι διαλύτες θα το διαλύσουν.

Στο σύστημα φίλτρου αέρα χρησιμοποιείται είτε επίπεδο είτε οβάλ στοιχείο. Ορισμένα μοντέλα διαθέτουν προφίλτρο που μπορεί να πλένεται και να επαναχρησιμοποιείται.

Επίπεδο φίλτρο αέρα

1. Τραβήξτε προς τα επάνω τη λαβή του καπακιού (A, Εικόνα 10). Περιστρέψτε τη λαβή με κατεύθυνση προς τον κινητήρα και αφαιρέστε το καπάκι (B).
2. Αφαιρέστε το προφίλτρο (C), εφόσον υπάρχει, και το φίλτρο (D).
3. Για να απομακρύνετε τα υπολείμματα, χτυπήστε ελαφρά το φίλτρο σε σκληρή επιφάνεια. Εάν το φίλτρο είναι πολύ βρόμικο, αντικαταστήστε το με ένα καινούργιο.
4. Πλύντε το προφίλτρο με υγρό απορρυπαντικό και νερό. Στη συνέχεια, αφήστε το να στεγνώσει καλά στον αέρα. **Μην** λιπαίνετε το προφίλτρο.
5. Συναρμολογήστε το στεγνό προφίλτρο και το φίλτρο στη βάση του κινητήρα (E).
6. Ευθυγραμμίστε τις γλωττίδες (F) του καπακιού με τις υποδοχές (G) του περιβλήματος της πτερωτής. Περιστρέψτε αντίστροφα τη λαβή του καπακιού και πιέστε την προς τα κάτω για να κλειδώσει στη θέση της.

Καθαρισμός του συστήματος ψύξης - Εικόνα 11



ΠΡΟΕΙΔΟΠΟΙΗΣΗ



Η λειτουργία των κινητήρων παράγει θερμότητα. Τα εξαρτήματα του κινητήρα, και ιδιαίτερα η εξάτμιση, λαμβάνουν εξαιρετικά υψηλές θερμοκρασίες.



Τυχόν επαφή μπορεί να προκαλέσει σοβαρά εγκαύματα. Υπολείμματα καύσιμων υλών, όπως φύλλα, γρασίδι, φύλλα θάμνων, κλπ. μπορούν να πιάσουν φωτιά.

- Μην αγγίζετε την εξάτμιση, τον κύλινδρο του κινητήρα και τα πτερύγια όσο είναι ακόμη θερμά.
- Απομακρύνετε τα συσσωρευμένα υπολείμματα από την περιοχή της εξάτμισης και του κυλίνδρου.

ΠΡΟΣΟΧΗ: Μην χρησιμοποιείτε νερό για να καθαρίσετε τον κινητήρα, διότι το νερό μπορεί να εισχωρήσει στο σύστημα τροφοδοσίας καυσίμου. Χρησιμοποιείτε βούρτσα ή στεγνό πανί.

Ο κινητήρας αυτός είναι αερόψυκτος. Οι σκόνες και τα διάφορα υπολείμματα μπορούν να περιορίσουν την παροχή αέρα και να προκαλέσουν υπερθέρμανση του κινητήρα, με αποτέλεσμα τη χαμηλή απόδοση και τη μείωση της διάρκειας ζωής του.

Χρησιμοποιήστε βούρτσα ή στεγνό ύφασμα για να αφαιρέσετε τα υπολείμματα από το προστατευτικό δακτύλων/την περιστρεφόμενη σήτα (A). Φροντίστε οι σύνδεσμοι, τα ελατήρια και οι διατάξεις ελέγχου (B) να διατηρούνται καθαρά. Φροντίστε η περιοχή γύρω και πίσω από την εξάτμιση (C) να διατηρείται ελεύθερη από εύφλεκτα υπολείμματα (Εικόνα 11).

Αποθήκευση



ΠΡΟΕΙΔΟΠΟΙΗΣΗ



Οι αναθυμιάσεις αερίων αποτελούν εξαιρετικά εύφλεκτες και εκρηκτικές ουσίες.



Ενδεχόμενη φωτιά ή έκρηξη μπορούν να προκαλέσουν σοβαρά εγκαύματα ή θάνατο.

Για την αποθήκευση βενζίνης ή εξοπλισμού με γεμάτο ντεπόζιτο καυσίμου

- Αποθηκεύετε μακριά από φούρνους, θερμάστρες, θερμοσίφωνες ή άλλες συσκευές που χρησιμοποιούν ενδεικτική λυχνία ή άλλες ενδεχόμενες πηγές ανάφλεξης των αναθυμιάσεων αερίων.

Λάδι κινητήρα

Αλλάζετε το λάδι του κινητήρα όταν ο κινητήρας είναι ακόμη ζεστός.

Ανίχνευση Βλαβών

Χρειάζεστε βοήθεια; Επισκεφτείτε τη σελίδα **BRIGGSandSTRATTON.COM** στο Διαδίκτυο ή καλέστε στο **1-800-233-3723**.

Προδιαγραφές

Προδιαγραφές Κινητήρα

Μοντέλο	310000
Κυβισμός	30,52 ci (500 cc)
Εσωτερική Διάμετρος (ΕΔ)	3,563 in (90,49 mm)
Διαδρομή εμβόλου	3,062 in (77,77 mm)
Χωρητικότητα λαδιού – με φίλτρο	46 - 48 oz (1,36 - 1,40 L)

Προδιαγραφές γενικής συντήρησης *

Μοντέλο	310000
Διάκενο μπουζί	0,030 in (0,76 mm)
Ροπή στρέψης του μπουζί	180 lb-in (20 Nm)
Διάκενο ρύθμισης ηλεκτρονικής	0,010 - 0,014 in (0,25 - 0,36 mm)
Διάκενο βαλβίδας εισαγωγής	0,003 - 0,005 in (0,08 - 0,13 mm)
Διάκενο βαλβίδας εξαγωγής	0,005 - 0,007 in (0,13 - 0,18 mm)

* Η ισχύς του κινητήρα θα μειώνεται κατά 3.5% ανά 300 μέτρα επάνω από το επίπεδο της θάλασσας και κατά 1% ανά 5,6° C (10° F) επάνω από τους 25° C (77° F). Ο κινητήρας θα λειτουργεί ικανοποιητικά σε γωνία έως 15°. Για τα επιτρεπόμενα όρια ασφαλούς λειτουργίας σε επικλινές έδαφος, ανατρέξτε στο εγχειρίδιο χρήσης του εξοπλισμού.

Κοινά εξαρτήματα ✓

Ανταλλακτικό	Αριθμός εξαρτήματος
Φίλτρο αέρα, επίπεδο	790263
Προφίλτρο φίλτρου αέρα, επίπεδο	697015
Φίλτρο λαδιού	492932, 5049
Λάδι – SAE 30 (20 oz, 0,6 L)	100005
Λάδι – SAE 30 (48 oz, 1,4 L)	100028
Μπουζί με αντίσταση	491055
Μπουζί από πλατίνα μεγάλης διάρκειας ζωής	5066
Μπουζόκλειδο	89838, 5023
Δοκιμαστής Σπινθήρων	19368

✓ Για κάθε εργασία συντήρησης του κινητήρα και των εξαρτημάτων του σας συνιστούμε να επισκέπτεστε εξουσιοδοτημένο συνεργείο της Briggs & Stratton. Χρησιμοποιείτε αποκλειστικά γνήσια ανταλλακτικά της Briggs & Stratton.

ΠΕΡΙΟΡΙΣΜΕΝΗ ΕΓΓΥΗΣΗ

H Briggs & Stratton Corporation θα επισκευάσει ή θα αντικαταστήσει, χωρίς καμία δική σας επιβάρυνση, κάθε εξάρτημα ή εξαρτήματα του κινητήρα των οποίων το υλικό ή η καταργασία τους ή αμφότερα είναι ελαττωματικά. Τα εξόδα μεταφοράς για τα προϊόντα που αποστέλλονται για επισκευή ή αντικατάσταση στο πλαίσιο της παρούσας εγγύησης επιβαρύνουν τον αγοραστή. Η παρούσα εγγύηση ισχύει για τα χρονικά διαστήματα και υπό τους όρους που αναφέρονται παρακάτω. Για εξυπηρέτηση βάσει της εγγύησης απευθυνθείτε στο πλησιέστερο εξουσιοδοτημένο συνεργείο συντήρησης που θα βρείτε στον χάρτη αντιπροσώπων, στην ιστοσελίδα μας BRIGGSandSTRATTON.COM, ή τηλεφωνήστε στο 1-800-233-3723 ή ανατρέξτε στο «Χρυσό Οδηγό™».

Δεν υπάρχει άλλη ρητή εγγύηση. Οι υποδηλούμενες εγγυήσεις, συμπεριλαμβανομένων και εκείνων της εμπορευσιμότητας και της καταλληλότητας για ένα συγκεκριμένο σκοπό περιορίζονται στο χρονικό διάστημα ενός έτους από την ημερομηνία αγοράς ή, στο βαθμό που επιτρέπει ο νόμος, και όλες οι υποδηλούμενες εγγυήσεις εξαιρούνται. Καμία εγγύηση δεν καλύπτει τις συμπτωματικές ή επακόλουθες ζημιές στο μέτρο που αυτό επιτρέπεται από το νόμο. Κάποιες χώρες ή πολιτείες δεν επιτρέπουν περιορισμούς ως προς τη διάρκεια μιας υποδηλούμενης εγγύησης ενώ, κάποιες χώρες ή πολιτείες, δεν επιτρέπουν τον αποκλεισμό ή τον περιορισμό των συμπτωματικών ή επακόλουθων ζημιών και, συνεπώς, ο ως άνω περιορισμός και αποκλεισμός ενδέχεται να μην εφαρμόζονται στην περίπτωση σας. Αυτή η εγγύηση σας παρέχει ειδικά νομικά δικαιώματα και, ενδεχομένως, και άλλα δικαιώματα που διαφέρουν από χώρα σε χώρα και από πολιτεία σε πολιτεία.

ΒΑΣΙΚΟΙ ΟΡΟΙ ΕΓΓΥΗΣΗΣ * ▲

Μάρκα/Τύπος προϊόντος	Χρήση από Ιδιώτη	Επαγγελματική χρήση
Vanguard™	2 έτη	2 έτη
Σειρά κινητήρων παρατεταμένης διάρκειας ζωής Extended Life Series™, I/C® [®] , Intek™ I/C® [®] , Intek™ Pro	2 έτη	1 έτος
Snow Series MAX™ με σύνδεσμο από χυτοσίδηρο Dura-Bore™	2 έτη	1 έτος
Όλοι οι άλλοι κινητήρες της Briggs & Stratton	2 έτη	90 ημέρες

* Αυτοί είναι οι βασικοί όροι εγγύησης που παρέχει η εταιρεία μας αλλά, κατά περίπτωση, μπορεί να υπάρχουν πρόσθετες καλύψεις οι οποίες δεν προσδιορίζονται κατά τη δημοσίευση της εγγύησης. Για τους όρους εγγύησης που ισχύουν για τον κινητήρα σας, ανατρέξτε στην ιστοσελίδα της BRIGGSandSTRATTON.COM ή επικοινωνήστε με τον εξουσιοδοτημένο αντιπρόσωπο της Briggs & Stratton.

▲ Κινητήρες που χρησιμοποιούνται με συστήματα γεννητριών οικιακής χρήσης καλύπτονται από την εγγύηση μόνο σε περίπτωση χρήσης από ιδιώτη. Η παρούσα εγγύηση δεν καλύπτει κινητήρες σε εξοπλισμό που χρησιμοποιείται ως κύρια πηγή ισχύος, αντικαθιστώντας την πηγή ισχύος που παρέχεται από τους οργανισμούς κοινής ωφέλειας. **Οι κινητήρες που χρησιμοποιούνται σε αγώνες, σε αυτοκίνητα επαγγελματικής χρήσης ή ενοικιαζόμενα δεν καλύπτονται από την εγγύηση.**

Η περίοδος ισχύος της εγγύησης αρχίζει από την ημερομηνία αγοράς από τον αρχικό αγοραστή, στην περίπτωση λιανικής πώλησης, ή τον τελικό χρήστη, στην περίπτωση επαγγελματικής χρήσης, και συνεχίζεται για τη χρονική περίοδο που δηλώνεται στον παραπάνω πίνακα. "Χρήση από ιδιώτη" σημαίνει χρήση σε χώρο προσωπικής διαμονής από τον αρχικό αγοραστή λιανικής πώλησης. "Επαγγελματική χρήση" σημαίνει όλες τις άλλες χρήσεις, συμπεριλαμβανομένης και της χρήσης για εμπορικό σκοπό, χρήση επί αμοιβή ή ενοίκηση. Εφόσον ένας κινητήρας έχει χρησιμοποιηθεί για επαγγελματικούς σκοπούς, στο πλαίσιο της παρούσας εγγύησης, θα θεωρείται ως κινητήρας επαγγελματικής χρήσης.

Δεν απαιτείται συμπλήρωση κάρτας για να έχετε εγγύηση στα προϊόντα της Briggs & Stratton. Φυλάξτε το αποδεικτικό αγοράς. Εάν δεν προσκομίσετε αποδεικτικό της αρχικής αγοράς τη στιγμή της αίτησης για επισκευή βάσει της εγγύησης, ο προσδιορισμός της περιόδου εγγύησης θα βασιστεί στην ημερομηνία κατασκευής του προϊόντος.

Σχετικά με την εγγύησή σας

H Briggs & Stratton ευχαρίστως αναλαμβάνει επισκευές εφόσον υπάρχει εγγύηση και ζητάει συγγνώμη για την ταλαιπωρία σας. Κάθε εξουσιοδοτημένο συνεργείο μπορεί να αναλάβει επισκευές στο πλαίσιο της εγγύησης. Οι περισσότερες επισκευές βάσει εγγύησης εξυπηρετούνται προγραμματισμένα, αλλά κάποιες φορές τα αιτήματα για επισκευή ενδέχεται να μην καλύπτονται από την εγγύηση.

Εάν ένας πελάτης αμφισβητεί την απόφαση του αντιπροσώπου συντήρησης, μπορεί να κάνει μία έρευνα για να προσδιορίσει εάν ισχύει η εγγύηση. Ζητήστε από τον αντιπρόσωπο συντήρησης να υποβάλλει όλα τα απαραίτητα στοιχεία στο Διανομέα του ή στο Εργοστάσιο για εξέταση. Εάν ο Διανομέας ή το Εργοστάσιο αποφασίσει ότι η απαίτηση είναι δικαιολογημένη, ο πελάτης θα αποζημιωθεί πλήρως για εκείνα τα τεμάχια τα οποία είναι ελαττωματικά. Για να αποφεύγονται οι παρεξηγήσεις που θα μπορούσαν να συμβούν μεταξύ του πελάτη και του Αντιπροσώπου, αναφέρονται παρακάτω κάποιες από τις αιτίες της βλάβης κινητήρα τις οποίες δεν τις καλύπτει η εγγύηση.

Φυσιολογική φθορά: Όπως όλες οι μηχανές, οι κινητήρες χρειάζονται περιοδική συντήρηση ή αντικατάσταση εξαρτημάτων προκειμένου να λειτουργούν σωστά. Η εγγύηση δεν καλύπτει την επισκευή σε περιπτώσεις όπου ένα εξάρτημα ή ένας κινητήρας, μετά από κανονική χρήση, έχει φθάσει στο τέλος της διάρκειας ζωής του. Η εγγύηση δεν ισχύει σε περίπτωση βλάβης του κινητήρα λόγω κακής μεταχείρισης, έλλειψης προγραμματισμένης συντήρησης, διακίνησης, χειρισμού, αποθήκευσης ή ακατάλληλης εγκατάστασης. Ομοίως, η εγγύηση δεν ισχύει στην περίπτωση που έχει αφαιρεθεί ο αριθμός σειράς του κινητήρα ή ο κινητήρας έχει υποστεί μετατροπές ή τροποποιήσεις.

Μη σωστή συντήρηση: Η διάρκεια ζωής ενός κινητήρα εξαρτάται από τις συνθήκες υπό τις οποίες λειτουργεί και από την συντήρηση που του γίνεται. Κάποιες εφαρμογές όπως π.χ. καλλιεργητικά, αντλίες και περιστροφικά χλοοκοπτικά χρησιμοποιούνται πολύ συχνά σε συνθήκες με σκόνη ή βρωμιά, οι οποίες μπορούν να προκαλέσουν πρόωγη φθορά. Μία τέτοια φθορά, όταν προκαλείται από σκόνη, βρωμιά, ύλη επικαλυψής μπουζί ή από άλλο υλικό που προξενεί φθορά και το οποίο έχει εισέλθει στον κινητήρα λόγω μη σωστής συντήρησης, δεν καλύπτεται από εγγύηση.

Αυτή η εγγύηση καλύπτει ελαττωματικό υλικό ή/και εργασία σε σχέση με τον κινητήρα μόνο και όχι αντικατάσταση ή επιστροφή χρημάτων για το μηχανήμα πάνω στο οποίο ενδέχεται να είναι τοποθετημένος ο κινητήρας. Η εγγύηση επίσης δεν καλύπτει τις επισκευές που χρειάστηκαν λόγω:

- 2 Στοιχείων ελέγχου του μηχανήματος ή εγκαταστάσεων που εμποδίζουν την εκκίνηση, προκαλούν μη ικανοποιητική απόδοση του κινητήρα ή περιορίζουν τη διάρκεια ζωής του (απευθυνθείτε στον κατασκευαστή του μηχανήματος).
- 3 Καρμπυρατέρ με διαρροή, φραγμένον σωληνώσεων καυσίμου, κολλημένον βαλβίδων, ή άλλης ζημιάς που προκλήθηκε από τη χρήση "μολυσμένου" καυσίμου, ή καυσίμου που έμεινε για καιρό μέσα στο ρεζερβουάρ.
- 4 Εξαρτημάτων με ρωγμές ή σπασίματα, λόγω λειτουργίας του κινητήρα χωρίς αρκετό λιπαντικό, ή με "μολυσμένο" λάδι, ή με λάδι ακατάλληλου βαθμού (ελέγχετε τη στάθμη, προσθέτετε λάδι όποτε χρειάζεται και αλλάζετε το λάδι με την προτεινόμενη συχνότητα). Το σύστημα προστασίας από έλλειψη λαδιού (Oil GARD) ενδέχεται να μην σβήσει τον κινητήρα. Αν η στάθμη του λαδιού δεν διατηρείται όπως πρέπει, μπορεί να προκληθεί βλάβη του κινητήρα.
- 5 Επισκευής ή ρύθμισης συνδυαζόμενων εξαρτημάτων ή συγκροτημάτων όπως συμπλεκτών, γρναζιών μετάδοσης κίνησης, τηλεχειρισμών κλπ. τα οποία δεν κατασκευάζονται από τη Briggs & Stratton.
- 6 Ζημιάς ή βλάβης σε εξαρτήματα η οποία προέκυψε από σκόνη που εισήλθε στον κινητήρα λόγω μη σωστής συντήρησης του φίλτρου αέρα, επανασυναρμολόγησης, ή χρήσης μη γνήσιου στοιχείου του φίλτρου. Στα συνιστώμενα τακτά χρονικά διαστήματα, να καθαρίζετε και/ή να αντικαθιστάτε το φίλτρο σύμφωνα με το Εγχειρίδιο Χρήσης.
- 7 Εξαρτημάτων που έπαθαν ζημιά από υπερβολική ταχύτητα, ή υπερθέρμανση που προκλήθηκε από γρασίδι, σκόνη, ή υπολείμματα τα οποία βουλώνουν ή φράζουν τα περυσία ψύξης, ή την περιοχή της φτερωτής, ή ζημιάς που προκλήθηκε από την λειτουργία του κινητήρα σε περιορισμένο χώρο, χωρίς επαρκή αερισμό. Καθαρίζετε τα υπολείμματα στον κινητήρα κατά τα συνιστώμενα τακτά χρονικά διαστήματα, σύμφωνα με το Εγχειρίδιο Χρήσης.
- 8 Εξαρτημάτων του κινητήρα ή του μηχανήματος που έχουν σπάσει λόγω υπερβολικών δονήσεων που προκλήθηκαν από χαλαρή συναρμολόγηση του κινητήρα, από λασκαρισμένες κοπτικές λεπίδες, από μη ζυγοσταθμισμένες λεπίδες ή λασκαρισμένες ή μη ζυγοσταθμισμένες φτερωτές, από μη σωστή προσαρτήση του μηχανήματος στο στροφαλοφόρο άξονα του κινητήρα, από υπερβολική ταχύτητα ή άλλη παραβίαση κατά τη λειτουργία.
- 9 Στραβωμένου ή σπασμένου στροφαλοφόρου άξονα, λόγω κτυπήματος στερεού αντικείμενου με την κοπτική λεπίδα περιστρεφόμενου χορτοκοπτικού ή λόγω υπερβολικού τεντώματος του τραπεζοειδούς ιμάντα.
- 10 Προγραμματισμένης γενικής συντήρησης ή ρύθμισης του κινητήρα.

Η συντήρηση, βάσει της εγγύησης, παρέχεται μόνο μέσω των εξουσιοδοτημένων συνεργείων της Briggs & Stratton Corporation. Βρείτε το πλησιέστερο, εξουσιοδοτημένο συνεργείο συντήρησης στον χάρτη αναζήτησης των αντιπροσώπων, μέσω της ιστοσελίδας μας BRIGGSandSTRATTON.COM, ή καλέστε το 1-800-233-3723, ή ανατρέξτε στον «Χρυσό Οδηγό™».

1 Προβλημάτων που προέκυψαν από εξαρτήματα τα οποία δεν είναι γνήσια ανταλλακτικά της Briggs & Stratton.



Información General

Para conseguir repuestos o asistencia técnica registre los números de modelo, tipo y código de su motor junto con la fecha de compra. Estos números los encuentra localizados en su motor (consulte la página de **Características y Controles**).

Fecha de compra: _____
MES/DIA/AÑO

Modelo del motor: _____
Modelo: Tipo: Código:


Información de Clasificación de Potencia del Motor


La clasificación de potencia para un modelo de motor a gas en particular se designa de acuerdo al código J1940 de SAE (Sociedad de Ingenieros Automotrices) (Procedimiento de Clasificación de Potencia & Torque del Motor Pequeño), y la clasificación de desempeño ha sido obtenida y corregida de acuerdo con el código J1995 de SAE (Revisión 2002-05). Los valores de torque se obtienen a 3060 RPM; los valores de potencia se obtienen a 3600 RPM. La potencia bruta actual del motor será inferior y está afectada, entre otras cosas, por las condiciones ambientales operativas y la variabilidad de motor a motor. Dado ambos un amplio conjunto de productos en los cuales son puestos nuestros motores, y la variedad de emisiones ambientales aplicables al operar el equipo, el motor a gas no desarrollará la potencia nominal cuando sea usado en una parte del equipo acoplado (potencia real "en el-sitio" o potencia neta). Esta diferencia se debe a una variedad de factores que incluyen, pero que no están limitados a, accesorios (filtro de aire, sistema de escape, sistema de carga, sistema de enfriamiento, carburador, bomba de combustible, etc.) limitaciones de la aplicación, condiciones ambientales de operación (temperatura, humedad, altitud), y la variabilidad de motor a motor. Debido a las limitaciones, Briggs & Stratton puede sustituir este motor con clasificación de potencia más alta por esta serie de motor.


Seguridad del Operario


SÍMBOLOS DE SEGURIDAD Y CONTROL




El símbolo de aviso de seguridad  se utiliza para identificar la información de seguridad relacionada con los peligros que pueden ocasionar lesiones personales. Se señala con una palabra (PELIGRO, ADVERTENCIA o PRECAUCIÓN) con el símbolo de aviso para indicar la probabilidad de una lesión y su gravedad potencial. Además, un símbolo de peligro puede ser utilizado para representar el tipo de peligro.


 **PELIGRO** indica un peligro que si no es evitado, **ocasionará la muerte o heridas graves.**

 **ADVERTENCIA** indica un peligro que si no es evitado, **podría ocasionar la muerte o heridas graves.**




 **PRECAUCIÓN** indica un peligro que, si no es evitado, **podría ocasionar lesiones menores o moderadas.**

PRECAUCIÓN, cuando aparece **sin** el símbolo de aviso, indica una situación que **podría ocasionar daños al producto.**

 **ADVERTENCIA**
La descarga de escape de este motor causada por este producto contiene químicos que las autoridades del Estado de California saben que pueden ocasionar cáncer, defectos de nacimiento u otros daños que pueden ser perjudiciales para la reproducción.

 **ADVERTENCIA**
Briggs & Stratton no aprueba ni autoriza el uso de estos motores en Vehículos Todo Terreno de 3-ruedas (ATVs), bicicletas motorizadas, karts para diversión/recreo, productos para aviación o vehículos para uso en eventos competitivos. El uso de estos motores en tales aplicaciones podría ocasionar daños a la propiedad, lesiones graves (incluyendo parálisis), o incluso la muerte.

PRECAUCIÓN: Este motor fue despachado de Briggs & Stratton sin aceite. Antes de darle arranque al motor, asegúrese de agregar aceite de acuerdo con las instrucciones de este manual. Si da arranque al motor sin que éste tenga aceite, se dañará hasta tal punto que no podrá ser reparado y no será cubierto por la garantía.

 **ADVERTENCIA**
 **Los vapores gaseosos son extremadamente inflamables y explosivos.**
 **Un incendio o una explosión pueden causar graves quemaduras o la muerte.**

Cuando Aprovechone con Combustible

- Llene el tanque de combustible en exteriores o en un área bien ventilada.
- Compruebe con frecuencia si existen grietas o fugas en las mangueras de combustible, el tanque, la tapa y en los accesorios. Cámbielos si es necesario.

Cuando le de Arranque al motor

- Asegúrese de que la bujía, el mofle y el filtro de aire (si está equipado) estén en su lugar y firmemente asegurados.
- No haga girar el motor si removió la bujía.

Cuando Opere El Equipo




- Nunca arranque u opere el motor cuando el conjunto del filtro de aire (si está equipado) o el filtro de aire (si está equipado) estén desmontados.

Cuando Transporte el Equipo



- Transporte los motores que operen con Gas Natural/Gas Propano (LP) con el cilindro de combustible vacío o con la válvula cerrada, o con el tanque desconectado.

Cuando Almacene Equipos Con Combustible En El Tanque

- Almacénelo a distancia de hornos, estufas, calentadores de agua u otros aparatos que utilicen lámparas piloto u otras fuentes de ignición ya que éstas pueden encender vapores gaseosos.

 **ADVERTENCIA**
 **Dar arranque al motor crea chispeo.**
 **El chispeo puede encender los gases inflamables cercanos.**
Podría ocurrir una explosión o un incendio.

- Si hay una fuga de gas natural o gas propano LP en el área, no le de arranque al motor.
- No use líquidos de arranque presurizado ya que los vapores son inflamables.

 **ADVERTENCIA**
 **Los motores emiten monóxido de carbono, un gas venenoso que carece de olor y de color.**
Respirar monóxido de carbono puede ocasionar náuseas, desmayos o la muerte.

- Dele arranque al motor y opérela en exteriores.
- No le de arranque al motor ni lo opere en un área encerrada, aun cuando las puertas o las ventanas se encuentren abiertas.



ADVERTENCIA



La retracción rápida de la cuerda de arranque (contragolpe) le halará la mano y el brazo hacia el motor más rápido de lo que usted la pueda dejar ir.

Podrían ocasionarse roturas de huesos, fracturas, moretones o torceduras.

- Al dar arranque al motor, hale lentamente la cuerda de arranque hasta que se sienta resistencia y después hálela rápidamente para evitar un contragolpe.
- Remueva todas las cargas externas del equipo/motor antes de darle arranque al motor.
- Los componentes de acople directo del equipo tal como, pero sin limitarse a, cuchillas, impulsores, poleas, dientes de piñones, etc. se deben asegurar firmemente.



ADVERTENCIA



Las partes rotantes pueden tener contacto o enredar las manos, los pies, el cabello, la ropa o los accesorios.

Puede producirse una traumática amputación o una grave laceración.

- Opere el equipo con los protectores en su lugar.
- Mantenga sus manos y sus pies a distancia de las partes rotantes.
- Recójase el cabello largo y quítese las joyas.
- NO use ropa floja, tiras que cuelguen ni artículos que puedan ser agarrados.



ADVERTENCIA



El funcionamiento de los motores produce calor. Las partes de los motores, especialmente el mofle, se calientan demasiado.

Pueden ocurrir graves quemaduras a causa de su contacto.

Desechos combustibles, tal como hojas, grama, maleza, etc. pueden alcanzar a encenderse.

- Deje que el mofle, el cilindro y las aletas del motor se enfríen antes de tocarlos.
- Remueva los desechos acumulados en el área del mofle y en el área del cilindro.
- Instale y mantenga en orden de funcionamiento un atrapachispas antes de utilizar el equipo en una zona con vegetación tupida o en terrenos agrestes con grama. El Estado de California lo exige (Sección 4442 del Código de Recursos Públicos de California). Otros estados pueden tener leyes similares. Las leyes federales se aplican en tierras federales.



ADVERTENCIA



Un chispeo involuntario puede producir un incendio o una descarga eléctrica.

Una puesta en marcha involuntaria puede ocasionar un enredo, una amputación traumática o una laceración.

Peligro de incendio



Antes de hacer ajustes o reparaciones:

- Desconecte el cable de la bujía y mántegalo a distancia de la bujía.
- Desconecte la batería en la terminal negativa (únicamente motores con arranque eléctrico).
- Use únicamente las herramientas correctas.
- No manipule los resortes del regulador, las varillas u otras partes para incrementar la velocidad del motor.
- Los repuestos deben ser iguales e instalarse en la misma posición que tenían las partes originales.
- No golpee la volante con un martillo ni con un objeto pesado ya que la volante podría astillarse más adelante durante la operación.

Cuando compruebe chispa:

- Utilice un probador aprobado.
- No compruebe chispa si removió la bujía.



ADVERTENCIA



Los combustibles gaseosos son extremadamente inflamables y fácilmente forman mezclas explosivas de aire-vapor en temperaturas ambiente.



Si Percibe un Olor a Gas

- No de arranque al motor.
- No accione ninguno de los suiches eléctricos.
- No use el teléfono cerca.
- Evacue el área, luego contacte el abastecedor de gas o el departamento de bomberos.



ADVERTENCIA



Protéjase los ojos cuando realice un trabajo de reparación.

Se puede presentar congelamiento por el contacto de la piel/ojos con una fuga de gas propano.



- La instalación, el ajuste y las labores de reparación deben hacerse por un técnico calificado.
- Las mangueras flexibles de suministro deben revisarse con regularidad para asegurarse que están en buenas condiciones. Reemplace los componentes que estén dañados o que presenten fugas.



ADVERTENCIA



Si falta la válvula de "cierre de combustible" o si es inoperante se podría generar una explosión o un incendio.



- No opere el equipo si falta la válvula de "cierre de combustible" o si es inoperante.

Características y Controles

Compare la ilustración **1** con su motor para que se familiarice con la ubicación de las diversas características y controles.

- A. Identificación del motor
Modelo, Tipo y Código. Ejemplo:
- B. Bujía
- C. Filtro de Aire
- D. Varilla Indicadora Nivel de Aceite
- E. Tapón Drenaje Aceite
- F. Mofle
Protector del mofle (opcional)
Atrapachispas (opcional)
- G. Malla de la Volante
- H. Filtro de Aceite
- I. Arranque eléctrico
- J. Mezclador LPG/NG
- K. Drenaje rápido del aceite (opcional)

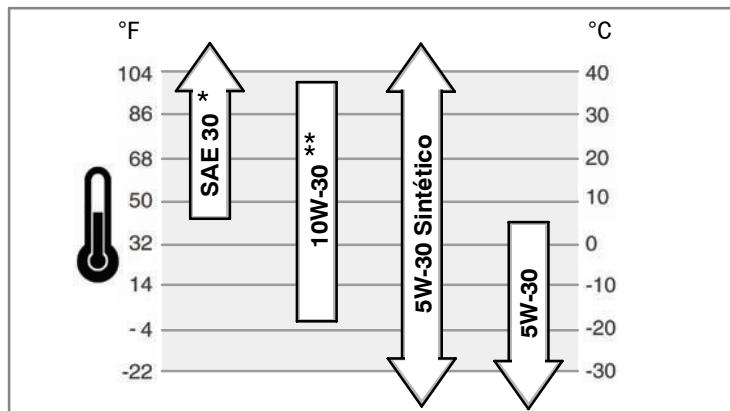
Operación

Capacidad de aceite (vea la sección de **Especificaciones**)

Recomendaciones de Aceite

Se recomienda el uso de aceites Certificados por la Garantía Briggs & Stratton para mejor rendimiento. Otros aceites detergentes de alta calidad son aceptables si están clasificados para servicio SF, SG, SH, SJ o superior. No utilice aditivos especiales.

Las temperaturas exteriores determinan la viscosidad del aceite apropiada para el motor. Utilice el cuadro para seleccionar la mejor viscosidad para el rango de temperatura exterior esperado.



* El uso de aceite SAE 30 a temperaturas inferiores a 40°F (4°C) producirá dificultad de arranque.

** El uso de aceite 10W-30 a temperaturas superiores a 80°F (27°C) puede producir un incremento en el consumo de aceite. Compruebe el nivel de aceite con mayor frecuencia.

Cómo verificar/Añadir aceite - Figura 2

Antes de aprovisionar con aceite o de comprobar el nivel de aceite

- Coloque el motor a nivel.
 - Limpie el área de llenado de aceite de todo desecho.
1. Remueva la varilla indicadora de nivel de aceite (A) y límpiela con un trapo limpio (Figura 2).
 2. Inserte y apriete la varilla indicadora de nivel de aceite.
 3. Remueva la varilla indicadora de nivel de aceite y compruebe el nivel de aceite. El aceite debe alcanzar la marca FULL (B) en la varilla indicadora de nivel de aceite.
 4. Si el nivel de aceite es bajo, añada aceite lentamente por dentro del tubo de llenado de aceite (C). **No llene excesivamente.** Después de aprovisionar con aceite, espere un minuto y después vuelva a comprobar el nivel de aceite.
Nota: No agregue aceite al drenaje rápido del aceite (K, Figura 1) (si está equipado).
 5. Coloque y apriete la varilla indicadora de nivel de aceite.

Presión de Aceite

Si la presión de aceite es muy baja, un suiche de presión (si está equipado) detendrá el motor o activará un dispositivo de advertencia en el equipo. Si esto ocurre, detenga el motor y compruebe el nivel de aceite con la varilla indicadora de nivel de aceite.

Si el nivel de aceite está por debajo de la marca ADD, agregue aceite hasta que alcance la marca FULL. De arranque al motor y compruebe que tenga la presión correcta antes de continuar la operación.

Si el nivel de aceite está entre las marcas ADD y FULL, **no de arranque** al motor. Contacte un Distribuidor Autorizado Briggs & Stratton para corregir el problema de presión de aceite.

Recomendaciones para el Combustible



ADVERTENCIA



Si falta la válvula de "paso de combustible" o si es inoperante se podría presentar una explosión o un incendio.

- No opere el equipo si falta la válvula de "paso de combustible" o si es inoperante.
- El combustible debe cumplir con estos requerimientos:**
- Use combustible limpio, seco, libre de humedad o cualquier partícula. El uso de combustibles por fuera de los siguientes valores recomendados podría ocasionar problemas de rendimiento.
 - En motores ajustados para operar con gas propano LPG, se recomienda un grado comercial HD5 LPG. La composición recomendada de combustible es combustible con una energía mínima de combustible de 2500 BTU's/pies³ con un contenido máximo de propileno del 5% y butano y un contenido más denso de gas del 2.5% y un contenido mínimo de propano del 90%.

Los motores NG o LPG están certificados para funcionar con gas natural o con gas propano. El sistema de control de emisiones para este motor es EM (Modificaciones del Motor).



ADVERTENCIA: El equipo en el cual se monta este motor viene equipado con una válvula automática de seguridad de "cierre de combustible". No opere el equipo si falta la válvula de "cierre de combustible" o si es inoperante.

Cómo Aprovisionar con Combustible



ADVERTENCIA



Los vapores gaseosos son extremadamente inflamables y explosivos. Un incendio o una explosión pueden causar graves quemaduras o la muerte.

Cuando Aprovisione con Combustible

- Llene el tanque de combustible en exteriores o en un área bien ventilada.
- Compruebe con frecuencia si existen grietas o fugas en las mangueras de combustible, el tanque, la tapa y en los accesorios. Cámbielos si es necesario.

Para obtener información acerca del aprovisionamiento de combustible para motores que funcionan con gas natural o con gas propano LP, lea las instrucciones de operación suministradas por el fabricante del equipo.

Cómo Darle Arranque al Motor - Figura 3



ADVERTENCIA



Los vapores gaseosos son extremadamente inflamables y explosivos. Un incendio o una explosión pueden causar graves quemaduras o la muerte.

Cuando le de Arranque al motor

- Asegúrese que la bujía, el mofle y el filtro de aire estén en su lugar, y firmemente asegurados.
- No haga girar el motor si removió la bujía.



ADVERTENCIA



Los motores emiten monóxido de carbono, un gas venenoso que carece de olor y de color.

Respirar monóxido de carbono puede ocasionar náuseas, desmayos o la muerte.

- Dele arranque al motor y opérela en exteriores.
- No le de arranque al motor ni lo opere en un área encerrada, aun cuando las puertas o las ventanas se encuentren abiertas.

PRECAUCIÓN: Este motor fue despachado de Briggs & Stratton sin aceite. Antes de darle arranque al motor, asegúrese de aprovisionar con aceite de acuerdo con las instrucciones de este manual. Si le da arranque al motor sin que esté provisto de aceite, éste se dañará más allá de la reparación y no será cubierto por la garantía.

1. Compruebe el nivel de aceite. Vea la sección **Cómo Comprobar/Aprovisionar con Aceite**.
2. Asegúrese de que los controles de accionamiento del equipo, si está equipado, se encuentren desengranados. Consulte en el manual de equipo la ubicación y operación de estos controles.
3. Gire la válvula de cierre de combustible (B), si está equipado, hacia la posición on (Figura 3). Refiérase al manual del equipo para la ubicación y operación de la válvula de cierre de combustible.
4. Gire el suiche del arranque eléctrico (A) hacia la posición on/Start. Refiérase al manual del equipo para la ubicación y operación del suiche.

NOTA: Si el motor no arranca después de tres intentos, vaya a BRIGGSandSTRATTON.COM o llame al 1-800-233-3723 (en los EE.UU.).

PRECAUCIÓN: Para prolongar la duración del arrendador, utilice ciclos de arranque cortos (máximo de cinco segundos). Espere un minuto entre ciclos de arranque.

PRECAUCIÓN: El fabricante del equipo en el cual es instalado el motor especifica la velocidad máxima en la cual será operado el motor. **No exceda** esta velocidad.

Cómo Detener el Motor - Figura 3

1. Gire el suiche de llave (A, Figura 3) hacia la posición off. Retire la llave y guárdela en un lugar seguro fuera del alcance de los niños.
2. Después de que se detenga el motor, gire la válvula de cierre de combustible (B), si está equipado, a la posición cerrada.

Mantenimiento

Utilice sólo repuestos originales para los equipos. Es posible que otros repuestos no funcionen tan bien, dañen la unidad y hasta pueden ocasionar lesiones. Además, el uso de otros repuestos puede anular la validez de su garantía.

Recomendamos contactar un Distribuidor Autorizado Briggs & Stratton para todo lo relacionado con el mantenimiento y el servicio del motor y sus partes.

PRECAUCIÓN: Todos los componentes utilizados para fabricar este motor deben mantenerse en su lugar para una correcta operación.

Control de Emisiones

El mantenimiento, cambio o reparación de los dispositivos y sistemas del control de emisiones pueden ser realizados por cualquier establecimiento o persona que repare motores todo terreno. Sin embargo, para obtener servicio de control de emisiones "sin costo", la labor debe ser realizada por un distribuidor autorizado por la fábrica. Vea la Garantía de Emisiones.



ADVERTENCIA

Un chispeo involuntario puede producir un incendio o una descarga eléctrica.



Una puesta en marcha involuntaria puede ocasionar un enredo, una amputación traumática o una laceración.



Peligro de incendio

Antes de hacer ajustes o reparaciones:

- Desconecte el cable de la bujía y mántegalo a distancia de la bujía.
- Use únicamente las herramientas correctas.
- No manipule los resortes del regulador, las varillas u otras partes para incrementar la velocidad del motor.
- Los repuestos deben ser iguales e instalarse en la misma posición que tenían las partes originales.
- No golpee la volante con un martillo ni con un objeto pesado ya que la volante podría astillarse más adelante durante la operación.

Cuando compruebe chispa:

- Utilice un probador aprobado.
- No compruebe chispa si removió la bujía.

Cuadro de Mantenimiento

Las Primeras 5 horas
<ul style="list-style-type: none"> • Cambie aceite
Cada 8 Horas o Diariamente
<ul style="list-style-type: none"> • Compruebe el nivel de aceite del motor. • Limpie el área alrededor del mofle y los controles • Limpie el protector de dedos (si está equipado)
Cada 25 horas o anualmente
<ul style="list-style-type: none"> • Limpie el filtro de aire * • Limpie el pre-filtro *
Cada 50 horas o anualmente
<ul style="list-style-type: none"> • Cambie el aceite del motor • Reemplace el filtro de aceite (si está equipado) • Compruebe el mofle y el atrapachispas
Anualmente
<ul style="list-style-type: none"> • Cambie el filtro de aire. • Reemplace el pre-filtro • Cambie la bujía • Limpie el sistema de enfriamiento de aire * • Compruebe la tolerancia de la válvula **

* Limpie con mayor frecuencia en condiciones de mucho polvo o cuando el aire contenga muchas partículas.

** No se requiere a menos que se detecten problemas de rendimiento del motor.

Cómo reemplazar la bujía - Figura 4

Compruebe el entrehierro (A, Figura 4) con un calibrador de alambre (B). Si es necesario, reajuste el entrehierro. Instale y apriete la bujía al par de apriete recomendado. Para el ajuste del entrehierro o el par de apriete, consulte la sección de **Especificaciones**.

Nota: En algunas áreas, las leyes locales requieren el uso de una bujía con resistencia para suprimir las señales de encendido. Si este motor vino originalmente equipado con una bujía con resistencia, utilice el mismo tipo de bujía para el cambio.

Inspección del Mofle y el Atrapachispas - Figura 5



ADVERTENCIA



El funcionamiento de los motores produce calor. Las partes de los motores, especialmente el mofle, se calientan demasiado.



Pueden ocurrir graves quemaduras a causa de su contacto.

Desechos combustibles, tal como hojas, grama, maleza, etc. pueden alcanzar a encenderse.

- Deje que el mofle, el cilindro y las aletas del motor se enfríen antes de tocarlos.
- Remueva los desechos acumulados en el área del mofle y en el área del cilindro.
- Instale y mantenga en orden de funcionamiento un atrapachispas antes de utilizar el equipo en una zona con vegetación tupida o en terrenos agrestes con grama. El Estado de California lo exige (Sección 4442 del Código de Recursos Públicos de California). Otros estados pueden tener leyes similares. Las leyes federales se aplican en tierras federales.

Inspeccione el mofle (A, Figura 5) en búsqueda de grietas, corrosión u otros daños. Remueva el atrapachispas (B), en caso de estar equipado, e inspeccione en búsqueda de daños u obstrucciones de carbón. Si se requieren repuestos, asegúrese de usar únicamente repuestos originales para el equipo.



ADVERTENCIA! Los repuestos deben ser iguales y ser instalados en la misma posición que tenían las partes originales, de lo contrario puede ocurrir un incendio.

Cómo cambiar el aceite - Figura 6 7 8 9

PRECAUCIÓN: El aceite usado es un producto de desecho peligroso y se debe disponer de éste adecuadamente. No lo descarte en la basurera de la casa. Verifique con sus autoridades locales, con el centro de servicio, o con su distribuidor para obtener información acerca de las facilidades seguras para su destrucción/reciclaje.

Remoción del Aceite

1. Con el motor apagado pero aún caliente, desconecte el cable de la bujía (A) y mántegalo a distancia de la bujía (Figura 6).
2. Retire la varilla indicadora de nivel de aceite (D).

Tapón de drenaje de aceite estándar

3. Remueva el tapón de drenaje de aceite (B, Figura 7). Drene el aceite a un recipiente aprobado.

Nota: Cualquiera de los tapones de drenaje de aceite mostrados a continuación puede estar instalado en el motor.



4. Después de haber drenado el aceite del motor, instale y apriete el tapón de drenaje de aceite.

Tapón de drenaje de aceite opcional

1. Desconecte la manguera de drenaje de aceite (G, Figura 8) del lado del motor.
2. Gire y retire la tapa de drenaje del aceite (H). Cuidadosamente haga descender el drenaje rápido del aceite (I) a un recipiente aprobado (J).
3. Después de drenar el aceite, coloque y apriete la tapa de drenaje de aceite. Fije a la manguera de drenaje del aceite al lado del motor.

Cambie el Filtro de Aceite (si está equipado)

Algunos modelos están equipados con un filtro de aceite. Para saber cada cuánto requiere ser reemplazado, consulte el cuadro de **Mantenimiento**.

1. Drene el aceite del motor. Consulte la sección **Remoción del Aceite**.
2. Remueva el filtro de aceite (C) y deséchelo de manera adecuada. Vea la Figura 9.
3. Antes de instalar el nuevo filtro de aceite, lubrique un poco el empaque del filtro de aceite con aceite fresco y limpio.
4. Instale manualmente el filtro de aceite de hasta que el empaque haga contacto con el adaptador del filtro de aceite, luego apriete el filtro de aceite dándole 1/2 a 3/4 de giro.
5. Añada aceite. Consulte la sección **Aprovisionamiento de Aceite**.
6. De arranque y opere el motor. A medida que el motor se caliente compruebe si hay fugas de aceite.
7. Detenga el motor y compruebe el nivel de aceite. El nivel de aceite debe alcanzar la marca FULL en la varilla indicadora de nivel de aceite.

Aprovisionamiento de Aceite

- Coloque el motor a nivel.
 - Limpie el área de llenado de aceite de todo desecho.
 - Consulte la sección de **Especificaciones** para la capacidad de aceite.
1. Remueva la varilla indicadora de nivel de aceite (D) y límpiela con un trapo limpio (Figura 6).
 2. Vierta el aceite lentamente por dentro del tubo de llenado de aceite (E). **No lo llene excesivamente.** Después de aprovisionar con aceite, espere un minuto y vuelva a comprobar el nivel de aceite.
 3. Coloque y ajuste la varilla indicadora.
 4. Remueva la varilla indicadora de nivel de aceite y compruebe el nivel de aceite en la varilla. El nivel de aceite debe alcanzar la marca FULL (F) en la varilla indicadora de nivel de aceite.
 5. Coloque y ajuste la varilla indicadora.

Cómo mantener el filtro de aire - Figura 10



ADVERTENCIA



Los vapores gaseosos son extremadamente inflamables y explosivos. Un incendio o una explosión pueden causar graves quemaduras o la muerte.

- Nunca arranque u opere el motor si removió el conjunto del filtro de aire o el filtro de aire.

PRECAUCIÓN: No use aire a presión ni solventes para limpiar el filtro. El aire a presión puede dañar el filtro y los solventes pueden disolverlo.

El sistema del filtro de aire utiliza un cartucho plano u ovalado. Algunos modelos también incluyen un pre-filtro que se puede lavar y utilizar de nuevo.

Filtro de Aire Plano

1. Hale la manija de la tapa (A, Figura 10). Gire la manija de la tapa hacia el motor y a luego retire la tapa (B).
2. Remueva el pre-filtro (C), si está equipado, y el filtro (D).
3. Para aflojar los desechos, golpee suavemente el filtro sobre una superficie dura. Si el filtro está excesivamente sucio, reemplácelo con un nuevo filtro.
4. Lave el pre-filtro en detergente líquido y agua. Luego permita que se seque completamente al aire. **No aceite el pre-filtro.**
5. Instale el pre-filtro seco y el filtro sobre la base del motor (E).
6. Alinee las pestañas (F) de la tapa con las muescas (G) en la tapa del ventilador. Gire la manija de la tapa hacia atrás y empuje hacia abajo para que ajuste.

Cómo Limpiar el Sistema de Enfriamiento de Aire - Figura 11



ADVERTENCIA



El funcionamiento de los motores produce calor. Las partes de los motores, especialmente el mofle, se calientan demasiado.



Pueden ocurrir graves quemaduras a causa de su contacto.

Desechos combustibles, tal como hojas, grama, maleza, etc. pueden alcanzar a encenderse.

- Deje que el mofle, el cilindro y las aletas del motor se enfríen antes de tocarlos.
- Remueva los desechos acumulados en el área del mofle y en el área del cilindro.

PRECAUCIÓN: No use agua para limpiar el motor. El agua podría contaminar el sistema de combustible. Utilice un cepillo o un trapo seco para limpiar el motor.

Este es un motor enfriado por aire. Las suciedades o los desechos pueden restringir el flujo de aire y ocasionar recalentamiento en el motor, produciendo un desempeño pobre y una vida del motor reducida.

Utilice un cepillo o un trapo seco para remover los desechos del protector de dedos/malla de la volante (A). Mantenga las varillas, los resortes y los controles (B) limpios. Mantenga el área alrededor y por detrás del mofle (C) libre de todo desecho combustible (Figura 11).

Bodegaje



ADVERTENCIA



Los vapores gaseosos son extremadamente inflamables y explosivos.



Un incendio o una explosión pueden causar graves quemaduras o la muerte.

Cuando Almacene Equipos Con Combustible En El Tanque

- Almacene a distancia de hornos, estufas, calentadores de agua u otros aparatos que utilicen testigos piloto u otras fuentes de encendido ya que estos pueden encender los vapores gaseosos.

Aceite del Motor

Cambie el aceite del motor mientras que el motor se encuentre todavía caliente.

Detección de Fallas

¿Necesita Asistencia? Vaya a BRIGGSandSTRATTON.COM o marque el teléfono 1-800-233-3723.

Especificaciones

Especificaciones del Motor	
Modelo	310000
Desplazamiento	30,52 pulgadas cúbicas (500 cc)
Diámetro Interno del Cilindro	3,563 pulgadas (90,49 mm)
Carrera	3,062 pulgadas (77,77 mm)
Capacidad de Aceite - con filtro	46 - 48 onzas (1,36 - 1,40 L)

Especificaciones de Ajuste *	
Modelo	310000
Entrehierro de la Bujía	0,030 pulgadas (0,76 mm)
Par de apriete de la bujía	180 lb-plg (20 Nm)
Entrehierro Inducido	0,010 - 0,014 pulgadas (0,25 - 0,36 mm)
Tolerancia de la Válvula de Admisión	0,003 - 0,005 pulgadas (0,08 - 0,13 mm)
Tolerancia de la Válvula de Escape	0,005 - 0,007 pulgadas (0,13 - 0,18 mm)

* La potencia del motor disminuirá 3.5% por cada 1.000 pies (300 metros) sobre el nivel del mar y un 1% por cada 10° F (5,6° C) por encima de 77° F (25° C). Este operará satisfactoriamente a un ángulo de hasta 15°. Refiérase al manual del operador del equipo para obtener información acerca de los límites de operación permitidos en pendientes.

Partes de Servicio Comunes	
Parte de Servicio	Numero de parte
Filtro de Aire, Plano	790263
Pre-filtro del Filtro de Aire, Plano	697015
Filtro de Aceite	492932, 5049
Aceite - SAE 30 (20 oz, 0.6 L)	100005
Aceite - SAE 30 (48 oz, 1.4 L)	100028
Bujía con Resistencia	491055
Bujía de Platino de Larga Vida	5066
Llave de Bujía	89838, 5023
Probador de Chispa	19368

✓ Recomendamos que contacte a cualquier Distribuidor de Servicio Autorizado Briggs & Stratton para todo lo relacionado con el mantenimiento y el servicio del motor y sus partes. Use únicamente repuestos originales Briggs & Stratton.

GARANTIA LIMITADA

Briggs & Stratton Corporation reparará o reemplazará, sin costo alguno, cual(es)quier parte(s) del motor considerada(s) como defectuosas en material, mano de obra o ambos. Los gastos de transporte del producto sometido a reparación o cambio bajo esta Garantía deben ser abonados por el comprador. Esta garantía tiene vigencia y está sujeta a los períodos y condiciones establecidos a continuación. Para recibir servicio de garantía, contacte el Distribuidor de Servicio Autorizado más cercano en nuestro mapa de localización de distribuidores en BRIGGSandSTRATTON.COM, o marque el 1-800-233-3723, o según aparezca listado en las 'Páginas Amarillas™'.

No existe ninguna otra garantía expresa. Las garantías implícitas, incluso aquellas de mercantilidad o adaptabilidad para un fin determinado quedan limitadas a un año a partir de la fecha de compra o a la extensión permitida por la ley, quedando excluidas todas las garantías implícitas. La responsabilidad por daños fortuitos o consecuentes bajo cualesquier y todas las garantías queda excluida en la medida que dicha exclusión sea permitida por la ley. Algunos países o estados no contemplan limitaciones en cuanto a la duración de una garantía implícita, y otros países o estados no permiten la exclusión o limitación de daños consecuentes o incidentales, en cuyo caso la limitación y la exclusión anteriores pueden no ser aplicables para usted. Esta garantía le da derechos legales específicos, pudiendo tener a su vez otros derechos que varían de un país a otro y de un estado a otro.

TÉRMINOS ESTÁNDAR PARA GARANTÍA * ▲

Marca/Tipo de Producto	Uso Privado	Uso Comercial
Vanguard™	2 años	2 años
Serie Larga Vida™, I/C®, Intek™ I/C®, Intek™ Pro	2 años	1 año
Serie Snow MAX™ con Funda de Hierro Colado Dura-Bore™	2 años	1 año
Todos los otros motores Briggs & Stratton	2 años	90 días

- * Éstos son nuestros términos de garantía estándares, pero de vez en cuando puede existir una cobertura adicional de la garantía que no fue determinada en el momento de la publicación. Para obtener un listado de los términos de garantía corrientes para su motor, vaya a BRIGGSandSTRATTON.COM o póngase en contacto con su Distribuidor de Servicio autorizado de Briggs & Stratton.
- ▲ Los motores usados en aplicaciones de Generadores Domésticos están garantizados únicamente para uso privado. Esta garantía no se aplica a motores en equipos usados para energía principal en lugar de un servicio. **Los motores usados en eventos competitivos o en trayectorias comerciales o de renta no están cubiertos por la garantía.**

El período de garantía comienza a partir de la fecha en la cual lo compró el consumidor detallista original o usuario final comercial, y continúa por el período de tiempo establecido en la tabla anterior. "Uso privado" significa uso doméstico personal por el consumidor detallista original. "Uso Comercial" significa todos los otros usos, incluyendo fines comerciales o que produzcan ingresos o renta. Una vez que el motor haya experimentado uso comercial, será considerado en adelante como motor de uso comercial para fines de esta garantía.

No es necesario registrar la garantía para obtener servicio de Briggs & Stratton Products. Guarde su recibo de compra. Si no aporta la prueba de la fecha de compra inicial en el momento de requerir servicio de garantía, se utilizará la fecha de fabricación del producto para determinar el período de garantía.

Acerca de su Garantía

Briggs & Stratton recibe con agrado la reparación bajo garantía y le pedimos disculpas por los inconvenientes presentados. Cualquier Distribuidor de Servicio Autorizado puede hacer reparaciones bajo garantía. La mayor parte de las reparaciones bajo garantía se atienden de manera rutinaria, pero algunas veces las peticiones para el servicio de garantía pueden no ser apropiadas.

Si un cliente no está de acuerdo con la decisión del Distribuidor de Servicio, se realizará una investigación para determinar la aplicabilidad de la garantía. Pida a su Distribuidor de Servicio que envíe toda la información pertinente a su Distribuidor o a la Fábrica para proceder a su revisión. Si el Distribuidor o la Fábrica deciden que su reclamación es justificada, al cliente le será reembolsado totalmente el importe de aquellas partes que son defectuosas. Para evitar cualquier malentendido que pudiera presentarse entre el cliente y el Distribuidor de Servicio, listamos a continuación algunas de las causas de fallas del motor que no cubre la garantía.

Desgaste Normal: Los motores necesitan, como todos los dispositivos mecánicos, el cambio y el servicio periódico de las partes para desempeñarse bien. La garantía no cubrirá la reparación cuando el uso normal haya agotado la vida de una parte o del motor. La garantía no podría aplicarse si el daño del motor ocurrió debido a abuso, falta del mantenimiento habitual, transporte, manejo, bodegaje o instalación inapropiados. De igual manera se invalidará la garantía si el número serial del motor ha sido removido o si el motor ha sido alterado o modificado.

Mantenimiento Incorrecto: La vida útil de un motor depende de las condiciones bajo las cuales opere el motor y del cuidado que éste reciba. Algunas aplicaciones, tales como cultivadoras, bombas y máquinas cortacésped rotantes, se utilizan con mucha frecuencia en condiciones de mucho polvo o en condiciones muy sucias, las cuales pueden hacer que parezca un desgaste prematuro del motor. Tal desgaste, cuando es ocasionado por suciedad, polvo o por el hecho de limpiar la bujía con chorro de arena, o porque otro material abrasivo haya entrado al motor debido a un mantenimiento no apropiado, no será cubierto por la garantía.

Esta garantía cubre únicamente, material defectuoso y/o mano de obra relacionados con el motor, y no el cambio o reembolso del equipo en el cual haya sido montado el motor. Ni extenderá la garantía a reparaciones requeridas debido a:

- 1 Problemas ocasionados por el uso de partes que no sean partes originales Briggs & Stratton.
- 2 Controles del equipo o instalaciones que impidan el arranque, ocasionando un rendimiento poco satisfactorio del motor, o que acorten la vida del motor. (Contacte el fabricante del equipo.)

- 3 Carburadores con fugas, conductos de combustible obstruidos, válvulas atascadas u otros daños causados por el uso de combustible contaminado o pasado.
- 4 Partes que se hayan rayado o reventado por operar el motor con aceite lubricante insuficiente o contaminado, o por el uso del grado de viscosidad de aceite incorrecto (compruebe el nivel de aceite y termine de aprovisionar cuando sea necesario, y cambie aceite según los intervalos recomendados.) El dispositivo protector del aceite OIL GARD no se puede apagar durante la operación del motor. Se podrían presentar daños en el motor si el nivel de aceite no se mantiene correctamente.
- 5 Reparación o ajuste de partes asociadas o conjuntos tales como embragues, transmisiones, controles remoto, etc., los cuales no son fabricados por Briggs & Stratton.
- 6 Daño o desgaste de partes causado por la entrada de suciedades al motor debido al mantenimiento incorrecto del filtro de aire, montaje incorrecto, o por el uso de un elemento o cartucho para el filtro de aire que no sea original. Limpie y/o cambie el filtro según los intervalos recomendados de acuerdo a lo establecido en el Manual del Operador.
- 7 Partes dañadas por velocidad excesiva o recalentamiento causado por residuos de grama, desechos o suciedades los cuales taponan u obstruyen las aletas de enfriamiento, o el área de la volante, o por daños causados por operar el motor en un área confinada sin la suficiente ventilación. Limpie los desechos del motor según los intervalos recomendados de acuerdo a lo establecido en el Manual del Operador.
- 8 Partes del motor o del equipo quebradas por vibración excesiva causada por un montaje flojo del motor, cuchillas de corte flojas, cuchillas o impulsores flojos o no balanceados, fijación incorrecta del equipo al cigüeñal del motor, velocidad excesiva u otro abuso en la operación.
- 9 Un cigüeñal deformado o quebrado causado por golpear con un objeto sólido la cuchilla de corte de una máquina cortacésped rotante, o por tensión excesiva de las correas en v.
- 10 Afinación o ajuste de rutina del motor.

Se dispone del servicio de garantía únicamente a través de distribuidores de servicio autorizados por Briggs & Stratton Corporation. Localice su Distribuidor de Servicio Autorizado más cercano en nuestro mapa de localización de distribuidores en BRIGGSandSTRATTON.COM, o marcando el teléfono 1-800-233-3723, o según aparezca listado en las 'Páginas Amarillas™'.

Yleinen informaatio

Siltä varalta, että tarvitset varaosia tai teknistä apua merkitse alle moottorin malli-, tyyppi- ja koodinumerot sekä ostopäivä. Nämä numerot löytyvät moottorista (katso **Ominaisuudet ja säädöt**-sivu).

Ostopäivä: _____
MM/DD/YYYY

Moottorin malli: _____
Malli: _____ Tyyppi: _____ Koodi: _____

Moottorin tehoarvotiedot

Yksittäisten kaasumoottorimallien bruttotehoarvot merkitään SAE:n (Society of Automotive Engineers) J1940-standardin (Pienmoottoreiden teho- ja väännömittausnormisto) mukaisesti, ja arvot on saatu ja korjattu SAE J1995-normin mukaisesti (tarkistettu 2002-05). Vääntöarvot on saatu 3060:n kierrosnopeudella; tehoarvot on saatu 3600:n kierrosnopeudella. Moottorin todellinen bruttoteho saattaa olla pienempi. Siihen vaikuttavat muun muassa ympäristön käyttöolosuhteet ja moottoreiden yksilölliset erot. Moottoreitamme käytetään voimanlähteenä lukuisissa erilaisissa laitteissa, jolloin laitteen asettamat rajoitukset sekä ympäristökijäät vaikuttavat moottorin tehoon. Tällaisia seikkoja ovat: lisälaitteet (ilmanpuhdistin, pakoputki, lataus, jäähdytys, kaasutin, polttoainepumppu jne.), käyttörajoitukset, ympäristön käyttöolosuhteet (lämpötila, kosteus, korkeus) ja koneiden väliset erot. Valmistuksesta ja kapasiteetin rajoituksista johtuen Briggs & Stratton voi korvata tämän sarjan moottorin nimellistehoalta suuremmalla moottorilla.

Käyttäjän turvallisuus

TURVALLISUUS- JA SÄÄTÖSYMBOLIT



Tulipalo



Liikkuvia osia



Öljy



Myrkyllisiä kaasuja



Hidas



Nopea



Seis



Räjähdyksen



Sähköisku



Polttoaine



Rikastin



Päällä Pois



Polttoainehana



Takapotku



Käytä suojalaseja



Vaarallinen kemikaali




Lue käyttöopas





Kuuma pinta



Pakkasen purema

Vaarasymbolia  käytetään merkinä vaaroista, jotka saattavat johtaa henkilövahinkoihin. Merkkisanaa (HENGENVAARA, VAARA, tai VAROITUS) käytetään symbolin ohella kuvaamaan loukkaantumisen mahdollisuutta ja vakavuutta. Lisäksi vaarasymbolia voidaan käyttää esittämään vaaran tyyppiä.

 **HENGENVAARA** merkitsee vaaraa, joka saattaa, mikäli sitä ei vältetä, johtaa vakavaan loukkaantumiseen tai kuolemaan.

 **VAARA** merkitsee vaaraa, joka saattaa, mikäli sitä ei vältetä, johtaa vakavaan loukkaantumiseen tai kuolemaan.

 **VAROITUS** merkitsee vaaraa, joka saattaa, mikäli sitä ei vältetä, voi johtaa lievään tai merkittävään loukkaantumiseen.

VAROITUS, jos käytetty ilman varoitusymbolia, ilmaisee tilannetta, joka saattaa aiheuttaa vaurioita tuotteeseen.



VAROITUS

Tämän tuotteen pakokaasu sisältää Kalifornian valtion tutkimusten mukaan terveydelle haitallisia aineita.



VAROITUS

Briggs & Stratton ei hyväksy tai salli näiden moottoreiden käyttämistä 3-pyöräisissä maastoajoneuvoissa, moottoripyörissä/kärryissä, harrastus/käytössä olevissa mikroautoissa, ilma-aluksissa tai kilpailuissa käytettävissä ajoneuvoissa. Näiden moottoreiden käyttäminen tällaisissa laitteissa saattaa aiheuttaa omaisuusvahinkoja, vakavan tapaturman (halvaantuminen mukaan lukien) tai jopa kuoleman.

VAROITUS: Kun tämä moottori lähtee Briggs & Strattonin tehtaalta, siinä ei ole öljyä. Lisää moottoriin öljyä tässä käyttöoppaassa annettujen ohjeiden mukaisesti ennen moottorin käynnistämistä. Mikäli käynnistät moottorin lisäämättä öljyä, moottori vaurioituu korjauskelvottomaksi eikä takuu korvaa vahinkoja.



VAROITUS



Kaasumaiset höyryt ovat erittäin tulenarkoja ja räjähdysherkkiä. Tulipalot ja räjähdys saattaa aiheuttaa vakavia palovammoja tai kuoleman.



Polttoaineen lisääminen

- Täytä säiliö hyvin ilmastoidussa tilassa.
- Tarkasta polttoaineputket ja liittimet, tankki ja tankin korkki säännöllisesti halkeamien ja vuotojen varalta. Vaihda tarvittaessa.

Moottorin käynnistäminen

- Varmista, että sytytystulppa, äänenvaimentimen ja ilmanpuhdistin (mikäli käytössä) ovat paikoillaan ja tiukasti kiinnitetyjä.
- Älä käynnistä moottoria sytytystulpan ollessa irrotettuna.

Laitteen käyttäminen

- Älä koskaan käynnistä tai käytä moottoria ilmansuodatin (mikäli käytössä) poistettuna.

Laitteen kuljettaminen

- Kuljeta kaasukäyttöisellä moottorilla varustettuja laitteita polttoainesylinteri tyhjänä, venttiili suljettuna tai säiliö irrotettuna.

Laitteen varastointi kun tankissa on polttoainetta

- Älä varastoi lämmityskattilan, uunin, vedenlämmittimen tai muun kipinän aikaansaavan laitteen läheisyyteen, sillä ne voivat aiheuttaa kaasuhöyryjen syttymisen.



VAROITUS



Moottorin käynnistämisen yhteydessä syntyy kipinöitä.

Kipinöinti voi sytyttää läheisyydessä olevat tulenarat kaasut.



Räjähdyksen- ja tulipalovaara on olemassa.

- Älä käynnistä moottoria, mikäli läheisyydessä on luonnonkaasu- tai nestekaasuvuoto.
- Älä käytä paineistettuja käynnistyssumutteita, koska niiden kaasut ovat herkästi syttyviä.



VAROITUS



Pakokaasut sisältävät hiilimonoksidia, joka on hajuton ja väritön, myrkyllinen kaasu. Hiilimonoksidin hengittäminen saattaa aiheuttaa pahoinvointia, pyörtymisen tai kuoleman.

- Käynnistä ja käytä moottoria ulkona.
- Älä käynnistä moottoria sisällä, vaikka ovet tai ikkunat olisivat auki.



VAROITUS



Väärästä käynnistystavasta johtuva takapotku vetää köyttä takaisin moottoriin päin nopeammin kuin ehdit laskea kahvasta irti. Tästä voi seurata luunmurtumia, ruhjeita tai venähdyksiä.

- Oikea tapa käynnistää moottori ja välttää takapotku, on vetää köydestä hitaasti, kunnes vastus tuntuu, ja sitten vetää nopeasti.
- Kytke pois kaikki ylimääräinen moottorin/laitteen kuormitus käynnistyksen ajaksi.
- Kaikki suoraan kytketyt komponentit, kuten esimerkiksi terät, tuulettimet, juoksupyörät, hihnapyörät, ketjupyörät, tms. tulee olla tiukasti kiinnitettyinä.



VAROITUS



Pyörivät osat voivat osua tai tarttua käsiin, hiuksiin tai vaatteisiin. Tästä voi seurata vakavia silpoutumia tai haavoittumista.

- Käytä laitetta aina kaikki suojukset paikallaan.
- Pidä kädet ja jalat pois pyörivistä osista.
- Kiinnitä pitkät hiukset ja poista korut.
- Älä käytä liian väljiä vaatteita, varo sitomattomia, roikkuvia nauhoja tai muita helposti tarttuvia vaatekappaleita.



VAROITUS



Käyvä moottori tuottaa lämpöä. Moottorin osat, varsinkin äänenvaimennin, tulevat erittäin kuumiksi.

Osien koskettaminen saattaa aiheuttaa vakavia palovammoja.

Syttyvät roskat, kuten lehdet, ruoho, jne. saattavat syttyä palamaan.

- Anna äänenvaimentimen, sylinterin jäähditysripiöjen ja muiden osien jäähtyä ennen kuin kosketat niitä.
- Poista kertyneet roskat vaimentimen ja sylinterin läheisyydestä.
- Asenna kipinäsuojain, mikäli laitetta käytetään metsäisessä, heinikköisessä tai muuten helposti syttyvässä ja kuivassa maastossa. Tarkasta kipinäsuojaimen toimivuus säännöllisesti.



VAROITUS



Hallitsematon kipinäointi voi aiheuttaa tulipalon tai sähköiskun.

Moottorin käynnistyminen vahingossa voi aiheuttaa vaaratilanteita ja henkilövahinkoja.

Tulipalovaara



Ennen säätö- tai korjaustoimenpiteitä:

- Irrota sytytystulpan johto ja pidä se erillään sytytystulpasta.
- Irrota akun negatiivinen kaapeli (vain sähkökäynnistimellä varustetut moottorit).
- Käytä vain oikeita työkaluja.
- Älä koske keskipakosäätimen jousiin, niveliin tai muihin osiin moottorin nopeuden säätämiseksi.
- Varaosien täytyy olla oikean tyyppisiä ja ne on asennettava saman asentoon kuin alkuperäisosat.
- Älä lyö vauhtipyörää vasaralla tai kovalla esineellä, koska vauhtipyörä voi aiheuttaa ravistusta myöhemmin käytön aikana.

Sytytyskipinän testaaminen:

- Käytä ainoastaan hyväksyttyä kipinätesteriä.
- Älä tarkista kipinää sytytystulpan ollessa irrotettuna.



VAROITUS



Kaasumaiset polttoaineet ovat erittäin helposti syttyviä ja muodostavat räjähtäviä seoksia ilman kanssa jo hyvinkin alhaisissa lämpötiloissa.



Jos haistat kaasun

- Älä käynnistä moottoria.
- Älä aktivoi mitään sähköisiä kytkimiä tai katkaisimia.
- Älä käytä puhelinta laitteen läheisyydessä.
- Evakuoï alue ja ota yhteys kaasuyhtiöön tai palokuntaan..



VAROITUS



Käytä suojalaseja korjaustöiden aikana.

Jäätyminen saattaa aiheuttaa kosketuksesta näkö/ihovammoja nestekaasuvuodon yhteydessä.



- Asennukset, säädöt ja korjaukset on syytä jättää ammattmiehen tehtäväksi.
- Taipuisat polttoaineletkut on tarkastettava säännöllisesti. Varmista että ne ovat hyvässä kunnossa. Vaihda vuotavat tai vaurioituneet komponentit uusiin.



VAROITUS



Mikäli katkaisuventtiili puuttuu tai on viallinen, koska seurauksena voi olla räjähdys tai tulipalo.



- Älä käytä laitetta, mikäli katkaisuventtiili puuttuu tai on viallinen.

Ominaisuudet ja säätimet

Vertaa kuvitusta **1** omaan moottoriin tutustuaksesi moottorin eri ominaisuuksiin ja säätimiin.

- A. Moottorin tunniste
Malli Tyyppi Koodi
- B. Sytytystulppa
- C. Ilmansuodatin
- D. Mittatikku
- E. Öljynpoistoaukon tulppa
- F. Äänenvaimennin
Äänenvaimentimen suojus (lisävaruste)
Kipinäsuojain (lisävaruste)
- G. Pyörivä suojaverkko
- H. Öljynsuodatin
- I. Sähkökäynnistin
- J. NESTEKAASU-/MAAKAASU-sekoitin
- K. Öljyn pikatyhjennysaukko (lisävaruste)

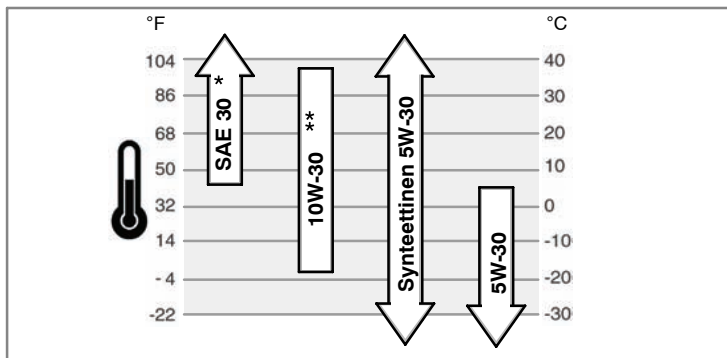
Toiminta

Öljytilavuus (katso **Tekniset tiedot** -luku)

Öljyysuositukset

Moottorin parhaan toiminnan takaamiseksi suosittelemme käytettäväksi Briggs & Strattonin takuuhyväksytyjä öljyjä. Muita hyväksytyksi peseväytyypisiä öljyjä ovat SF, SG, SH, SJ. Älä käytä mitään lisäaineita.

Käytettävän öljyn viskositeetti määräytyy ulkoilman lämpötilan mukaan. Valitse tästä taulukosta öljyn viskositeettiluokka, joka sopii odotettuun käynnistyslämpötilaan ennen seuraavaa öljynvaihtoa.



* Alle 40°F (4°C) lämpötiloissa SAE 30 -öljyn käyttö johtaa huonoon käynnistyvyyteen.

** Yli 80°F (27°C) lämpötiloissa 10W-30-öljyn käyttö saattaa johtaa normaalia suurempaan öljynkulutukseen. Tarkista öljyn määrä normaalia useammin

Öljyn tarkistaminen/lisääminen - kuva **2**

Ennen öljyn lisäämistä tai tarkistamista

- Aseta moottori vaakasuoraan asentoon.
- Puhdista öljyntäyttöaukon ympärys liasta.
- 1. Irrota mittatikku (A) ja pyyhi se puhtaaseen kankaaseen (kuva 2).
- 2. Laita mittatikku takaisin paikalleen ja kiristä.
- 3. Irrota mittatikku ja tarkista öljyn määrä. Sen tulee olla mittatikuksen FULL-merkin (B) tasolla.
- 4. Jos öljyä on vähän, lisää sitä hitaasti moottorin öljyntäyttöaukon kautta (C). **Älä ylitäytä.** Lisättyäsi öljyn, odota minuutin ajan ja tarkista öljyn määrä sitten uudelleen.
Huomaa: Älä lisää öljyä öljyn pikapoistoaukon kautta (K, kuva 1) (mikäli käytössä).
- 5. Aseta mittatikku paikalleen ja kiristä.

ÖLJYNPAINE

Jos öljynpaine on liian pieni, painekeytkin (jos sellainen on) joko pysäyttää moottorin tai aktivoi laitteiston varoituslaitteen. Jos näin käy, pysäytä moottori ja tarkista öljyn määrä mittatikulla.

Jos öljytaso on ADD-merkin alapuolella, lisää öljyä, kunnes se saavuttaa FULL-merkin. Käynnistä moottori ja tarkista, että paine on oikea ennen kuin jatkat käyttöä.

Jos öljyn määrä on ADD- ja FULL-merkkien välissä, **älä käynnistä** moottoria. Ota yhteyttä valtuutettuun Briggs & Strattonin jälleenmyyjään, jotta öljynpaineongelma saadaan korjattua.

Polttoainesuositukset



VAROITUS

Puuttuva tai viallinen polttoaineen sulkuventtiili voi aiheuttaa tulipalon tai räjähdys.

- Älä käytä laitetta, mikäli sulkuventtiili puuttuu tai on viallinen.

Polttoaineen on täytettävä seuraavat vaatimukset:

- Käytä puhdasta, kuivaa polttoainetta, jossa ei ole kosteutta eikä partikkeleita. Suositeltujen arvojen ulkopuolella olevan polttoaineen käyttö voi aiheuttaa suorituskyvyn ongelmia.
- Nestekaasulla toimiviin moottoreihin suositeltava polttoaine on luokituksestaan HD5. Suositellun polttoaineen koostumus on minimi-energialtaan 2500 BTU's/ft³. Maksimi propyleenipitoisuus on 5%, butaani- ja raskaskaasupitoisuus 2.5% ja maksimi propaanipitoisuus 90%.

Moottorit on suunniteltu käytettäväksi maa- tai nestekaasulla. Tämän moottorin pakokaasupäästöjen rajoitusjärjestelmä on EM (Moottorin modifikaatiot).



VAROITUS: Laite, jota tämä moottori käyttää, on varustettu automaattisella polttoaineen sulkuventtiilillä. Älä käytä laitetta, mikäli sulkuventtiili puuttuu tai on viallinen.

Polttoaineen lisääminen



VAROITUS



Kaasuhöyryt ovat erittäin tulenarkoja ja räjähdysalttiita.

Tulipalot ja räjähdys saattaa aiheuttaa vakavia palovammoja tai kuoleman.

Polttoaineen lisääminen

- Täytä säiliö hyvin ilmastoidussa tilassa.
- Tarkasta polttoaineputket ja liittimet, tankki ja tankin korkki säännöllisesti halkeamien ja vuotojen varalta. Vaihda tarvittaessa.

Lue laitevalmistajan toimittamat käyttöohjeet ja suorita polttoaineen täyttäminen tarkasti suositellulla tavalla.

Moottorin käynnistäminen - kuva **3**



VAROITUS



Kaasuhöyryt ovat erittäin tulenarkoja ja räjähdysalttiita.

Tulipalot ja räjähdys saattaa aiheuttaa vakavia palovammoja tai kuoleman.

Moottorin käynnistäminen

- Varmista, että sytytystulppa, äänenvaimennin ja ilmanpuhdistin ovat paikoillaan ja tiukasti kiinnitettyjä.
- Älä käynnistä moottoria sytytystulpan ollessa irrotettuna.



VAROITUS



Pakokaasut sisältävät hiilimonoksidia, joka on hajuton ja väritön, myrkyllinen kaasu..

Hiilimonoksidin hengittäminen saattaa aiheuttaa pahoinvointia, pyörtymisen tai kuoleman.

- Käynnistä ja käytä moottoria ulkona.
- Älä käynnistä moottoria sisällä, vaikka ovet tai ikkunat olisivat auki.

VAROITUS: Kun tämä moottori lähtee Briggs & Strattonin tehtaalta, siinä ei ole öljyä. Lisää moottoriin öljyä tässä käyttöoppaassa annettujen ohjeiden mukaisesti ennen moottorin käynnistämistä. Mikäli käynnistät moottorin lisäämättä öljyä, moottori vaurioituu korjauskelvottomaksi eikä takuu korvaa vahinkoja.

1. Tarkista öljymäärä. Katso kappale **Öljyn tarkistaminen/lisääminen**.
2. Varmista, että laitteen voimansiirron säätölaitteet, mikäli käytössä, ovat vapaalla. Tarkista näiden säätimien sijainti ja toiminta laitteen käsikirjasta.
3. Käännä polttoaineen sulkuventtiili (B), mikäli käytössä, on-asentoon (kuva 3). Katso polttoaineen sulkuventtiilin sijainti ja toiminta laitteiston käyttöohjeesta.
4. Käännä sähkökäynnistimen kytkin (A), mikäli käytössä, on-/start-asentoon. Katso kytkimen sijainti laitteen käyttöoppaasta.

Huomaa: Mikäli moottori ei käynnisty kolmen yrityksen jälkeen, katso ohjeet sivulta **BRIGGSandSTRATTON.COM** tai soita numeroon **1-800-233-3723** (Yhdysvalloissa).

VAROITUS: Voit pidentää käynnistimen käyttöikää käynnistämällä moottoria vain lyhyitä jaksoja (korkeintaan viisi sekuntia kerrallaan). Pidä minuutin tauko käynnistysyritysten välillä.

Moottorin sammuttaminen - kuva **3**

1. Käännä virtakytkin (A, kuva 3) off-asentoon. Irrota virta-avain ja pidä se lasten ulottumattomissa.
2. Kun moottori on sammunut, sulje polttoaineen sulkuventtiili (B), mikäli sellainen on käytössä.

Huolto

Käytä vain alkuperäisiä varaosia. Muut osat eivät ehkä toimi yhtä hyvin, voivat vaurioittaa tuotetta ja johtaa vammoihin. Lisäksi muiden osien käyttö voi mitätöidä takuun.

Suosittellemme, että otat yhteyttä mihin tahansa valtuutettuun Briggs & Stratton-huoltoliikkeeseen kaikissa moottoreiden huolto- ja korjausta ja moottoreiden varaosia koskevilla kysymyksillä.

VAROITUS: Kaikki tämän moottorin valmistuksessa käytettyjen osien on oltava paikoillaan, jotta moottori toimisi kunnolla.

Päästökontrolli

Päästökontrollijärjestelmän osien vaihdon tai huollon voi suorittaa mikä tahansa pienkonekorjaamo tai yksityishenkilö. Takuukorjaukset tai -huollot voi suorittaa ainoastaan valtuutettu Briggs & Stratton-huoltoliike. Katso takuupäästötakuu.



VAROITUS



Hallitsematon kipinäntoimi voi aiheuttaa tulipalon tai sähköiskun. Moottorin käynnistyminen vahingossa voi aiheuttaa vaaratilanteita ja henkilövahinkoja.



Tulipalon vaara



Ennen säätö- tai korjaustoimenpiteitä:

- Irrota sytytystulpan johto ja pidä se erillään sytytystulpasta.
- Käytä vain oikeita työkaluja.
- Älä koske keskipakosäätimen jousiin, niveliin tai muihin osiin moottorin nopeuden säätämiseksi.
- Varaosien täytyy olla oikean tyyppisiä ja ne on asennettava saman asentoon kuin alkuperäisosat.
- Älä lyö vauhtipyörää vasaralla tai kovalla esineellä, koska vauhtipyörä voi hajota pirstaleiksi myöhemmin käytön aikana.

Sytytyskipinän testaaminen:

- Käytä ainoastaan hyväksyttyä kipinätesteriä.
- Älä tarkista kipinää sytytystulpan ollessa irrotettuna.

Huoltokaavio

5 ensimmäisen käyttötunnin jälkeen
<ul style="list-style-type: none">• Vaihda öljy
8 tunnin välein tai päivittäin
<ul style="list-style-type: none">• Tarkista öljymäärä• Puhdista äänenvaimentimen ja säätimien ympäristö.• Puhdista sormisuojaus (mikäli käytössä)
Joka 25. tunti tai vuosittain
<ul style="list-style-type: none">• Puhdista ilmansuodatin *• Puhdista esisuodatin *
Joka 50. tunti tai vuosittain
<ul style="list-style-type: none">• Vaihda moottoriöljy• Vaihda öljysuodatin (mikäli käytössä)• Tarkista äänenvaimennin ja kipinäsuojain
Vuosittain
<ul style="list-style-type: none">• Vaihda ilmansuodatin• Vaihda esipuhdistin• Vaihda sytytystulppa• Puhdista jäähdytysjärjestelmä *• Tarkasta venttiilivälitys **

* Puhdista useammin pölyisissä tai roskaisissa olosuhteissa.

** Ei tarvita, jollei moottorin toiminnassa havaita ongelmia.

VAARA: Laitteen valmistaja on määrittellyt suurimman moottorin käyntinopeuden. Älä ylitä tätä nopeutta.

Sytytystulpan vaihto - kuva 4

Tarkista tulpan väli (A, kuva 4) lankatulkilla (B). Säädä väli uudestaan tarpeen vaatiessa. Asenna tulppa paikalleen ja kiristä suositeltu tiukkuuteen. Katso tulpan väliasetus tai tiukkuus kohdasta **Tekniset tiedot**.

Huom: Eräissä maissa laki vaatii, että on käytettävä vastussytytystulppia sytytyksestä aiheutuvien häiriöiden vaimentamiseksi. Jos moottorissa on alun perin vastussytytystulppa, käytä samantyyppistä tulppaa myös jatkossa.

Tarkista äänenvaimennin ja kipinäsuojus - kuva 5



VAROITUS



Käyvä moottori tuottaa lämpöä. Moottorin osat, varsinkin äänenvaimennin, tulevat erittäin kuumiksi.



Osien koskettaminen saattaa aiheuttaa vakavia palovammoja. Syttyvät roskat, kuten lehdet, ruoho, jne. saattavat syttyä palamaan.

- Anna äänenvaimentimen, sylinterin jäähdytysriipojen ja muiden osien jäähtyä ennen kuin kosketat niitä.
- Poista kertyneet roskat vaimentimen ja sylinterin läheisyydestä.
- Asenna kipinäsuojain, mikäli laitetta käytetään metsäisessä, heinikköisessä tai muuten helposti syttyvässä ja kuivassa maastossa. Tarkasta kipinäsuojaimen toimivuus säännöllisesti.

Tarkista, onko äänenvaimentimessa (A, kuva 5) murtumia, ruostetta tai muita vaurioita. Irrota kipinäsuojain (B), mikäli sellainen on käytössä ja tarkista, onko se vaurioitunut ja onko siinä hiilen aiheuttamia tukkeumia. Mikäli tarvitset varaosia, varmista, että käytät vain alkuperäisiä varaosia.



VAROITUS: Varaosien täytyy olla oikean tyyppisiä ja ne on asennettava saman asentoon kuin alkuperäisosat tai seurauksena voi olla tulipalo.

Öljyn vaihto - kuva 6 7 8 9

VAARA: Jäteöljy on ympäristölle vaarallinen tuote ja on hävitettävä oikealla tavalla. Älä hävitä sitä talousjätteiden mukana. Tarkista paikallisilta viranomaisilta, huoltoedustajalta tai jälleenmyyjältä, miten öljy voidaan hävittää/kierrättää turvallisesti.

Poista öljy

1. Irrota sytytystulpan johto (A) moottorin ollessa vielä lämmin ja pidä johto erillään sytytystulpasta (kuva 6).
2. Irrota mittatikku (D).

Normaali öljynpoistoaukon tulppa

3. Irrota öljynpoistoaukon tulppa (B, kuva 7). Tyhjennä öljy hyväksytyyn astiaan.

Huomaa: Moottoriin voidaan asentaa mikä tahansa alla näkyvistä öljynpoistoaukon tulppista.



4. Kun öljysäiliö on tyhjentynyt, asenna öljyntäyttöaukon tulppa paikalleen ja kiristä tiukalle.

Lisävarusteena saatava öljyn pikapoistoaukko

1. Irrota öljyn poistoletku (G, kuva 8) moottorin sivulta.
2. Käännä ja irrota öljynpoistoaukon tulppa (H). Laske öljynpoistoletku (I) varovasti hyväksytyyn astiaan (J).
3. Kun öljy on valunut pois, asenna öljynpoistoaukon tulppa paikalleen. Kiinnitä öljynpoistoletku moottorin sivulle.

Öljynsuodattimen vaihto (mikäli käytössä)

Joissakin malleissa on öljynsuodatin. Katso vaihtovälit **Huoltokaaviosta**.

1. Valuta öljy pois moottorista. Katso osa **Öljyn vaihto**.
2. Irrota öljynsuodatin (C) ja hävitä se oikein. Katso kuva 9.
3. Ennen kuin asennat uuden öljynsuodattimen, voitele öljynsuodattimen tiiviste kevyesti tuoreella öljyllä.
4. Kiristä öljynsuodatin käsin, kunnes tiiviste ottaa kiinni soviteeseen. Kiristä suodatinta sitten vielä 1/2 - 3/4 kierrosta.
5. Lisää öljyä. Katso kohta **Öljyn lisääminen**.
6. Käynnistä moottori ja anna sen käydä. Tarkista öljyvuotojen varalta, kun moottori lämpenee.
7. Pysäytä moottori ja tarkista öljytaso. Sen tulee olla mittatikun FULL-tasolla.

Öljyn lisääminen

- Aseta moottori vaakasuoraan asentoon.
- Puhdista öljyntäyttöaukon ympärys liasta.
- Katso öljytilavuus kappaleesta **Tekniset tiedot**.

1. Irrota mittatikku (D) ja pyyhi se puhtaaseen kankaaseen (kuva 6).
2. Kaada moottorin öljyntäyttöaukosta hitaasti öljyä (E). **Älä ylitäytää.** Kun öljyä on lisätty, odota minuutin ajan ja tarkista määrä sitten.
3. Aseta mittatikku paikalleen ja kiristä tiukalle.
4. Poista mittatikku ja tarkista öljyn määrä. Sen tulee olla mittatikun FULL-tasolla (F).
5. Aseta mittatikku paikalleen ja kiristä tiukalle.

Ilmansuodattimen huolto - kuva 10



VAROITUS



Kaasuhöyryt ovat erittäin tulenarkoja ja räjähdysalttiita. Tulipalot ja räjähdys saattaa aiheuttaa vakavia palovammoja tai kuoleman.

- Älä koskaan käynnistä tai käytä moottoria ilmansuodatin poistettuna.

VAROITUS: Älä käytä suodattimen puhdistamiseen paineilmaa tai liuotainaineita. Paineilma voi vahingoittaa suodatinta ja liuottimet hajottavat sen.

Ilmansuodattimessa käytetään joko tasaista tai soikeaa patruunaa. Joissakin malleissa on esipuhdistin, joka voidaan pestä ja käyttää uudelleen.

Tasainen ilmansuodatin

- Vedä kannen kahva (A, kuva 10) ylös. Käännä kahvaa moottorin suuntaan ja irrota kansi (B).
- Irrota esipuhdistin (C), mikäli käytössä ja suodatin (D).
- Puhdista lika suodattimesta taputtamalla sitä varovasti kovaa alustaa vasten. Mikäli suodatin on erittäin likainen, vaihda tilalle uusi suodatin.
- Pese esipuhdistin nestemäisellä pesuaineella ja vedellä. Anna sen kuivua sen jälkeen perusteellisesti. **Älä** voitele esipuhdistinta öljyllä.
- Asenna esipuhdistin ja suodatin moottorin pohjaan (E).
- Kohdista kannessa olevat tapit F kotelossa oleviin hahloihin G. Käännä kannen kahva takaisin ja paina alas, jolloin kansi lukittuu paikalleen.

Jäähdytysjärjestelmän puhdistus - kuva 11



VAROITUS



Käyvä moottori tuottaa lämpöä. Moottorin osat, varsinkin äänenvaimennin, tulevat erittäin kuumiksi.

Osien koskettaminen saattaa aiheuttaa vakavia palovammoja.

Syttyvät roskat, kuten lehdet, ruoho, jne. saattavat syttyä palamaan.

- Anna äänenvaimentimen, sylinterin jäähdytysripien ja muiden osien jäähtyä ennen kuin kosketat niitä.
- Poista kertyneet roskat vaimentimen ja sylinterin läheisyydestä.

VAROITUS: Älä puhdista moottoria vedellä, sillä vesi voi tunkeutua polttoaineen joukkoon. Käytä moottorin puhdistamiseen harjaa tai kuivaa kangasta.

Tämä on ilmajäähdytteinen moottori. Lika ja roskat voivat estää ilman virtauksen ja aiheuttaa moottorin ylikuumentumisen, mikä heikentää moottorin tehoa ja lyhentää sen käyttöikää.

Käytä harjaa tai kuivaa kangasta, kun haluat poistaa lian sormisuojausta/pyörivästä suojuksesta (A). Pidä nivelet, jouset ja säätimet (B) puhtaina. Äänenvaimentimessa (C) tai sen läheisyydessä ei saa olla palavia epäpuhtauksia (kuva 11).

Varastointi



VAROITUS



Kaasuhöyryt ovat erittäin tulenarkoja ja räjähdysalttiita. Tulipalot ja räjähdys saattaa aiheuttaa vakavia palovammoja tai kuoleman.

Laitteen varastointi kun tankissa on polttoainetta

- Älä varastoi lämmityskattilan, uunin, vedenlämmittimen tai muun kipinän aikaansaavan laitteen läheisyyteen, sillä ne voivat sytyttää höyrystyvät kaasut.

Moottoriöljy

Vaihda moottoriöljy kun moottori on vielä lämmin.

Vianetsintä

Lisäohjeita huollon tekemiseksi löydät verkko-osoitteesta BRIGGSandSTRATTON.COM tai soita numeroon **1-800-233-3723**.

Tekniset tiedot

Moottorin tekniset tiedot	
Malli	310000
Iskutilavuus	30,52 ci (500 cc)
Sylinterin halkaisija	3,563 in (90,49 mm)
Iskun pituus	3,062 in (77,77 mm)
Öljytilavuus - suodattimen kanssa	46 - 48 oz (1,36 - 1,40 L)

Säätöarvot	
Malli	310000
Tulpan kärkiväli	0,030 in (0,76 mm)
Sytytystulpan kiristysarvo	180 lb-in (20 Nm)
Sytytyspuolan ilmaväli	0,010 - 0,014 in (0,25 - 0,36 mm)
Imuventtiilin välys	0,003 - 0,005 in (0,08 - 0,13 mm)
Pakovenntiilin välys	0,005 - 0,007 in (0,13 - 0,18 mm)

* Moottorin teho laskee 3.5% jokaista 1000 jalkaa (300 metriä) kohti merenpinnan yläpuolella ja 1% jokaista 10° F (5.6° C) kohti lämpötilassa yli 77° F (25° C). Moottori toimii tyydyttävästi, mikäli se ei joudu yli 15° asteen kulmaan. Katso käyttöohjekirjaa turvallisille käyttörajoille kaltevilla pinnoilla.

Tärkeimmät huolto-osat ✓

Huolto-osa	Varaosanumero
Ilmansuodatin, tasainen	790263
Ilmansuodattimen esipuhdistin, tasainen	697015
Öljynsuodatin	492932, 5049
Öljy - SAE 30 (20 oz, 0.6 L)	100005
Öljy - SAE 30 (48 oz, 1.4 L)	100028
Vastussytytystulppa	491055
Platinakärkitulppa	5066
Sytytystulppa-avain	89838, 5023
Kipinätesteri	19368

✓ Suosittelemme, että otat yhteyttä mihin tahansa valtuutettuun Briggs & Stratton-huoltooliikkeeseen kaikissa moottoreiden huolto- ja korjausta ja moottoreiden varaosia koskevissa kysymyksissä. Käytä vain aitoja Briggs & Stratton-varaosia.

RAJOITETTU TAKUU

Briggs & Stratton Corporation korjaa tai vaihtaa veloituksetta kaikki moottorin osat, jotka ovat viallisia joko materiaalin tai työn tai kummankin osalta. Tämän takuun mukaan ostaja vastaa tuotteen kuljetuskustannuksista korjausta tai vaihtoa varten. Tämä takuu on voimassa alla esitetyn ajan ja alla esitetyillä ehdoilla. Selvitä takuuta koskevat palvelut lähimmältä huoltoedustajaltamme, jonka löydät verkkosivuiltamme BRIGGSandSTRATTON.COM, soittamalla numeroon 1-800-233-3723, tai 'Keltaisilta sivuilta™'.

Muuta ilmaista takuuta ei ole. Oletetut vastuut, mukaan lukien oletetut vastuut soveltuvuudesta tai sopivuudesta tiettyyn käyttötarkoitukseen, rajoittuvat yhteen vuoteen alkaen ostopäivästä tai lain sallimissa puitteissa torjutaan kaikki oletetut vastuut. Vastuu välillisistä vahingonkorvauksista takuun nojalla torjutaan lain sallimissa puitteissa. Joissakin maissa takuun rajoittamista ei sallita ja joissakin maissa takuun on katettava myös välilliset vahingot, joten yllä olevat rajoitukset eivät välttämättä koske Teitä. Tämä takuu antaa Teille nimenomaiset lailliset oikeudet ja Teillä voi olla myös muita Suomen lain mukaisia oikeuksia.

NORMAALIT TAKUUEHDOT * ▲

Merkki/Tuotetyyppi	Yksityiskäyttö	Kaupallinen käyttö
Vanguard™	2 vuotta	2 vuotta
Extended Life Series™, I/C®, Intek™ I/C®, Intek™ Pro	2 vuotta	1 vuosi
Valurautaisella Dura-Bore™ sylinteriputkella varustettu Snow Series MAX™	2 vuotta	1 vuosi
Kaikki muut Briggs & Stratton-moottorit	2 vuotta	90 päivää

* Käytössä ovat normaalit vakuutusehtomme, mutta joissakin tapauksissa takuu saattaa kattaa muutakin, jota ei ollut määritetty julkaisuajankohtana. Saat luettelon moottoriasi koskevista takuuehdoista menemällä osoitteeseen BRIGGSandSTRATTON.COM tai ota yhteys valtuutettuun Briggs & Stratton maahantuojaan.

▲ Kotikäyttöön tarkoitetuissa varageneraattoreissa käytettäviä moottoreita koskee ainoastaan yksityiskäyttötakuu. Tämä takuu ei koske niiden laitteiden moottoreita, joita käytetään voiman tuottamiseen hyötykäytössä. **Kilpa-ajoissa tai kaupallisilla tai vuokratiedoilla käytettäviä moottoreita takuu ei koske.**

Takuuaika alkaa ostokuitissa mainitusta päivämäärästä ja koskien ensimmäistä omistajaa tai kaupallista loppukäyttäjää, ja on voimassa yllä mainitun ajanjakson. Tässä takuukirjassa "yksityiskäyttö" tarkoittaa yksityisten kuluttajien käytössä olevia talouksia. "Kaupallinen käyttö" tarkoittaa muita käyttökohteita, mukaan lukien kaupalliset, tuottoja tuottavat tai vuokraustarkoitukset. Jos moottori on ollut kaupallisessa käytössä, sitä pidetään sen jälkeen kaupalliseen käyttöön tarkoitettuna moottorina tämän takuun osalta.

Mitään takuukorttia ei tarvita takuhuollon saamiseksi Briggs & Stratton -moottoreille. ostokuitti on säilytettävä. Mikäli et esitä ostokuittia takuhuoltoon tuotaessa, moottorin koodinumeroa käytetään takuun alkamispäivämääränä.

Takuuehdot

Briggs & Stratton suorittaa moottoreihinsa takuukorjauksia ja pahoittelee asiasta koituvaa vaivannäköä. Takuukorjauksia saavat suorittaa kaikki valtuutetut huoltopisteet. Useimmat takuukorjaukset hoidetaan rutiinomaisesti, mutta joskus takuukorjauspyynnöt eivät ole asianmukaisia.

Jos asiakas on eri mieltä huoltopisteen päätöksestä, takuun voimassaolon toteamiseksi suoritetaan tutkimus. Pyydä huoltoa toimittamaan kaikki asiaa koskevat tosiasiat maahantuojalle tai tehtaalte tarkistusta varten. Jos maahantuojaa tai tehdas päättää, että vaade on oikeutettu, asiakas saa täyden korvauksen viallisista osista. Asiakkaan ja jälleenmyyjän välisten väärinkäsitysten välttämiseksi alla on lueteltu muutamia moottorivaurioiden syitä, joita takuu ei kata.

Normaali kuluminen: Moottorit, kuten kaikki mekaaniset laitteet, vaativat ajoittaista osien uusimista ja huoltoa toimiakseen kunnolla. Takuu ei korvaa normaalin kulumisen aiheuttamia korjauskustannuksia. Takuu ei esimerkiksi ole voimassa, jos moottorivaurio on tapahtunut väärinkäytön, säännöllisen kunnossapidon laiminlyönnin, kuljetuksen, käsittelyn, varastoinnin tai väärän asennuksen johdosta. Samoin takuu on mitätön, jos moottorin sarjanumero on poistettu tai moottoria on jollakin tavoin muutettu.

Epäasianmukainen kunnossapito: Moottorin käyttöikä riippuu käyttöolosuhteista ja sen saamasta huolenpidosta. Eräitä laitteita, kuten jyrsimiä, pumppuja ja pyöriväteräisiä ruohonleikkureita käytetään hyvin usein pölyisissä tai likaisissa oloissa, jotka voivat johtaa ennenaikaiselta näytävään kulumiseen. Takuu ei kata tällaista kulumista, kun se johtuu lian, pölyn tai sytytystulpan puhdistuksessa käytetyn hiekka-aineksen tai muun hiovan materiaalin pääsystä moottoriin epäasianmukaisen kunnossapidon seurauksena.

Tämä takuu kattaa vain moottoriin liittyvät vialliset materiaalit ja/tai työvirheet eikä mitään vaihto-osia eikä korvausta laitteesta, johon moottori on kiinnitetty. Takuu ei myöskään kata seuraavista syistä johtuvia korjauksia:

- 1 Ongelmat aiheutuvat osista, jotka eivät ole alkuperäisiä Briggs & Stratton-osia.
- 2 Laitteen säätimet tai asennukset, jotka estävät käynnistymisen, heikentävät moottorin suorituskykyä tai lyhentävät sen elinikää. (Ota yhteys laitteen valmistajaan.)

- 3 Kaasutinvuodot, tukkeutuneet polttoaineputket, juuttuneet venttiilit tai muut vauriot ovat aiheutuneet likaantuneesta tai vanhasta polttoaineesta.
- 4 Osat, jotka ovat rikkoutuneet tai leikanneet kiinni puutteellisesta voiteluöljyn määrästä tai väärästä öljyn viskositeetista johtuen (tarkista ja lisää tarvittaessa sekä vaihda suositeltujen ajanjaksojen päästä.) OIL GARD -öljyvahti ei välttämättä sammuta käyvää moottoria. Moottorivaurio on mahdollinen jos öljytasosta ei huolehdita.
- 5 Moottoriin liittyvien osien tai kokoonpanojen korjaus tai säätö, kuten esim. kytkimet, voimansiirto, kaukosäätölaitteet, jne., jotka eivät ole Briggs & Strattonin valmistamia.
- 6 Osien vauriot tai kulumiset, jotka johtuvat moottoriin päässeestä liasta ilmanpuhdistimen epäasianmukaisen kunnossapidon seurauksena, osien kokoonpanosta tai muun kuin alkuperäisen ilmanpuhdistinelementin tai suodattimen käytöstä. Puhdista ja öljyä suositelluin aikaväleihin käyttäjän käsikirjassa mainitulla tavalla.
- 7 Osat, jotka ovat vaurioituneet ylikierrosten takia tai liiallisen kuumenemisen takia ruohon, roskien tai lian tukkiessa jäähdytysrivat tai juoksupyörän alueen, taikka vauriot, jotka ovat aiheutuneet moottorin käyttämisestä suljetussa tilassa ilman riittävää ilmanvaihtoa. Puhdista roskat moottorista suositelluin aikaväleihin käyttäjän käsikirjassa mainitulla tavalla.
- 8 Moottori tai laitteen osat ovat rikkoutuneet liiallisesta värinästä, joka on aiheutunut moottorin löysästä kiinnityksestä, löysistä leikkausteristä, epätasapainossa olevista teristä tai löysistä tai epätasapainossa olevista tuulettimista, laitteen sopimattomasta kiinnityksestä moottorin kampiakseliin, ylikierroksista tai muusta väärinkäytöstä.
- 9 Taipunut tai rikkoutunut kampiakseli, jonka on aiheuttanut pyörivän ruohonleikkurin leikkausterän iskeytyminen kiinteään esineeseen tai liian tiukalla ollut kiilahihna.
- 10 Moottorin tavanomainen viritys tai säätö.

Takuuhuoltoa antavat vain Briggs & Stratton Corporationin valtuuttamat huoltokorjaamot. Lähimmän valtuutetun huoltoliikkeen löydät verkkosivulla BRIGGSandSTRATTON.com löytyvän jälleenmyyjäkartan avulla, soittamalla numeroon 1-800-233-3723 tai 'Keltaisilta sivuilta™'.

Informations générales

Pour obtenir des pièces de rechange ou une assistance technique, reporter ici les numéros de Modèle, Type et Code du moteur ainsi que la date d'achat. Ces numéros sont situés sur le moteur (voir la page **Caractéristiques et commandes**).

Date d'achat: _____
JJ/MM/AAAA

Modèle de moteur: _____
Modèle: _____ Type: _____ Code: _____

Informations concernant la puissance théorique du moteur

La puissance brute pour chaque Modèle de moteur à essence est indiquée conformément au code J1940 (procédure de calcul de la puissance et du couple des petits moteurs) de la SAE (Society of Automotive Engineers) et les performances théoriques ont été obtenues et corrigées selon SAE J1995 (révision 2002-05). Les valeurs de couple sont calculées sur la base de 3060tr/min et celles de puissance sur la base de 3600tr/min. La puissance brute réelle du moteur peut être plus faible notamment à cause des conditions de fonctionnement et des variations d'un moteur à l'autre. Compte tenu de la grande variété de machines sur lesquelles nos moteurs sont utilisés et du nombre de problèmes environnementaux applicables au fonctionnement des équipements, il se peut que le moteur à essence ne développe pas sa puissance théorique une fois qu'il est monté sur une machine particulière (puissance nette ou réelle «sur site»). Cette différence s'explique par un grand nombre de facteurs, tels que (liste non limitative): accessoires (filtre à air, échappement, admission, refroidissement, carburateur, pompe à essence, etc.), limites d'utilisation, conditions ambiantes d'utilisation (température, humidité, altitude) et variations d'un moteur à l'autre. Pour des raisons de fabrication et de capacité limitées, Briggs & Stratton est susceptible de remplacer ce Modèle par un moteur plus puissant.

Sécurité de l'utilisateur

SYMBOLES DE SÉCURITÉ ET DE COMMANDE



Incendie



Pièces en mouvement



Huile



Fumées toxiques



Slow



Fast



Arrêter



Explosion



Choc



Essence



Starter



Marche Arrêt



Robinet d'essence



Retour brutal



Porter des lunettes



Produits chimiques dangereux




Lire le manuel



Surface très chaude



Gelure

Le symbole d'alerte de sécurité  est utilisé pour identifier des informations sur des risques qui peuvent entraîner des blessures. Un mot (DANGER, AVERTISSEMENT, ATTENTION) est utilisé avec le symbole d'alerte pour indiquer le risque de blessure. En outre, un signal de danger peut être utilisé pour représenter le type de risque.



DANGER indique un risque qui, s'il n'est pas éliminé, **entraînera la mort ou des blessures très graves**.



AVERTISSEMENT indique un risque qui, s'il n'est pas éliminé, **pourrait entraîner la mort ou des blessures très graves**.



ATTENTION indique un risque qui, s'il n'est pas éliminé, **pourrait entraîner des blessures mineures ou légères**.

ATTENTION, lorsqu'il est utilisé **sans** le symbole d'alerte, indique une situation qui **pourrait endommager l'appareil**.



AVERTISSEMENT

Les gaz d'échappement de ce moteur contiennent des substances chimiques pouvant causer des cancers, des malformations fœtales ou d'autres problèmes de fécondation.



AVERTISSEMENT

Briggs & Stratton n'approuve pas et n'autorise pas l'utilisation de ces moteurs sur les véhicules tout-terrain à 3 roues, les motocyclettes, les karts de loisir, les avions ou les véhicules destinés à être utilisés en compétition. L'utilisation de ces moteurs pour ces applications peut entraîner des dommages matériels, des lésions graves (y compris la paralysie) ou la mort.

ATTENTION: ce moteur a été livré par Briggs & Stratton sans huile. Avant de démarrer le moteur, faire le plein d'huile selon les instructions de ce manuel. Si le moteur est démarré sans huile, il sera endommagé sans possibilité de réparation et ne sera pas couvert par la garantie.



AVERTISSEMENT



Les vapeurs gazeuses sont extrêmement inflammables et explosives. Un incendie ou une explosion peut entraîner des blessures très graves ou même la mort.

Pour faire le plein

- Remplir le réservoir de carburant à l'extérieur ou dans un local extrêmement bien ventilé.
- Contrôler que les Durits, le réservoir, le bouchon et les raccords de carburant ne présentent ni fissures ni fuites. Remplacer si nécessaire.

Pour démarrer le moteur

- S'assurer que la bougie, le silencieux et le filtre à air (le cas échéant) sont montés et solidement fixés.
- Ne pas faire tourner le moteur avec la bougie enlevée.

Lors de l'utilisation de l'équipement

- Ne pas démarrer ou faire fonctionner un moteur sans filtre à air (le cas échéant) ou avec le filtre à air (le cas échéant) enlevé.

Pour transporter l'équipement

- Pour les moteurs à gaz naturel/GPL, transporter avec la bonbonne de carburant vide, le robinet fermé ou le réservoir débranché.

Pour stocker l'équipement avec de l'essence dans le réservoir

- Les ranger loin des chaudières, cuisinières, chauffe-eau ou tout autre appareil comportant une veilleuse ou une source susceptible de produire une étincelle car ils pourraient enflammer les vapeurs gazeuses.



AVERTISSEMENT



Le démarrage du moteur produit des étincelles. Les étincelles peuvent enflammer les gaz inflammables à proximité. Ceci pourrait provoquer une explosion ou un incendie.

- S'il y a une fuite de gaz naturel ou de GPL à proximité, ne pas démarrer le moteur.
- Ne pas utiliser de liquides de démarrage sous pression car leurs vapeurs sont inflammables.



AVERTISSEMENT



Les moteurs produisent du monoxyde de carbone, qui est un gaz toxique inodore et invisible. L'inhalation de monoxyde de carbone peut provoquer des nausées, un évanouissement et entraîner la mort.

- Démarrer et faire fonctionner le moteur à l'extérieur.
- Ne pas démarrer ou faire fonctionner le moteur dans un local fermé, même si les portes et les fenêtres sont ouvertes.



AVERTISSEMENT



La rétraction rapide de la corde de lanceur (retour brutal) tirera votre main et votre bras vers le moteur beaucoup plus vite que vous ne pourrez les laisser partir.

Ceci pourrait entraîner des fêlures, des fractures, des ecchymoses ou des foulures.

- Pour démarrer le moteur, tirer lentement sur la corde jusqu'à sentir une résistance et tirer alors rapidement afin d'éviter l'effet de rétraction.
- Retirer tout équipement extérieur ou charge avant de démarrer le moteur.
- Les composants directement couplés à l'équipement, tels que lames, turbines, poulies, engrenages, etc. sans que cette liste soit limitative, devront être fermement arrimés.



AVERTISSEMENT



Les pièces en rotation peuvent toucher ou saisir les mains, les pieds, les cheveux, les vêtements ou les accessoires.

Le résultat peut en être une amputation ou une lacération grave.

- Ne faire fonctionner l'équipement qu'avec les protections en place.
- Ne pas approcher les mains ou les pieds des pièces en mouvement.
- Attacher les cheveux longs et retirer les bijoux.
- Ne pas porter de vêtements amples, de ceintures larges pendantes ou tout vêtement pouvant être saisi.



AVERTISSEMENT



Un moteur en marche produit de la chaleur. Les pièces du moteur, et plus particulièrement le silencieux, deviennent extrêmement chaudes. Les toucher peut provoquer des brûlures sévères.



Les débris combustibles comme les feuilles, l'herbe, les broussailles peuvent s'enflammer.

- Laisser le silencieux, le cylindre du moteur et les ailettes refroidir avant de les toucher.
- Retirer les débris accumulés autour du silencieux et du cylindre.
- Monter un pare-étincelles en parfait état de marche avant d'utiliser l'équipement sur un terrain en friche recouvert de bois mort, d'herbe ou de broussailles. Ceci est obligatoire dans l'État de Californie (chapitre 4442 du California Public Resources Code). D'autres États peuvent avoir des lois similaires. Les lois fédérales s'appliquent sur le territoire fédéral.



AVERTISSEMENT



Une étincelle accidentelle peut provoquer un incendie ou un choc électrique.



Un démarrage accidentel peut causer un étranglement, l'amputation ou la lacération d'un membre.



Risque d'incendie

Avant d'effectuer des réglages ou des réparations

- Débrancher le fil de bougie et l'attacher à bonne distance de la bougie.
- Débrancher le câble Négatif de la batterie (seulement pour les moteurs à démarrage électrique).
- N'utiliser que les outils corrects.
- Ne pas modifier les ressorts du régulateur, les tringles et autres pièces pour augmenter le régime du moteur.
- Les pièces de rechange doivent être d'origine et installées de la même façon que les pièces précédentes.
- Ne pas taper sur le volant moteur avec un marteau ou un objet dur cela pourrait entraîner une rupture ultérieure du volant pendant que le moteur fonctionne.

Contrôle de l'étincelle

- Utiliser un contrôleur homologué.
- Ne pas contrôler l'étincelle avec la bougie retirée.



AVERTISSEMENT



Les combustibles gazeux sont extrêmement inflammables et forment facilement un mélange air-vapeur explosif à la température ambiante.



En cas d'odeur de gaz

- **Ne pas** démarrer le moteur.
- **Ne pas** manipuler d'interrupteur électrique.
- **Ne pas** utiliser de téléphone à proximité.
- Évacuer la zone et prendre contact avec la compagnie du gaz ou avec les pompiers.



AVERTISSEMENT



Porter des lunettes de protection pour les réparations.

Le contact du gaz liquéfié sur la peau ou les yeux peut provoquer des engelures.



- L'installation, les réglages et les réparations doivent être effectués par un technicien qualifié.
- Vérifier régulièrement les Durits d'alimentation pour s'assurer qu'elles sont en bon état. Remplacer les composants endommagés ou présentant des fuites.



AVERTISSEMENT



L'absence de «clapet de sécurité» ou le mauvais fonctionnement de ce dernier peut entraîner une explosion ou un incendie.



- **Ne pas** le faire fonctionner si le «clapet de sécurité» a été enlevé ou ne fonctionne pas.

Caractéristiques et commandes

Comparer l'illustration **1** avec le moteur pour se familiariser avec l'emplacement des différents composants et commandes.

A. Identification du moteur

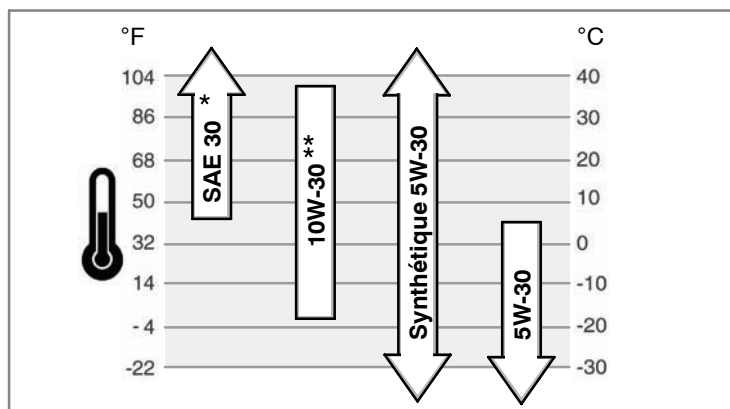
- | Modèle | Type | Code |
|--------|---|------|
| B. | Bougie | |
| C. | Filtre à air | |
| D. | Jauge à huile | |
| E. | Bouchon de vidange | |
| F. | Échappement | |
| | Grille du pot d'échappement (en option) | |
| | Pare-étincelles (en option) | |
| G. | Grille de volant | |
| H. | Filtre à huile | |
| I. | Démarrateur électrique | |
| J. | Diffuseur GPL/GN | |
| K. | Vidange d'huile rapide (en option) | |

Fonctionnement

Capacité d'huile (voir la section **Spécifications**)

Recommandations concernant l'huile

Nous recommandons l'utilisation des huiles certifiées par la garantie Briggs & Stratton pour obtenir les meilleures performances. D'autres huiles détergentes sont acceptables si elles sont classées SF, SG, SH, SJ ou supérieur. Ne pas utiliser d'additifs pour huile. La température extérieure détermine la viscosité de l'huile. Utiliser le tableau pour sélectionner la viscosité qui correspond à la gamme de température attendue.



* L'emploi d'huile SAE 30 au-dessous de 4°C rend le démarrage difficile.

** L'utilisation d'une huile 10W-30 à des températures supérieures 27°C entraînera une consommation d'huile supérieure à la normale. Vérifier le niveau d'huile plus souvent.

Vérification/Plein d'huile - Figure 2

Avant de vérifier ou de faire le plein d'huile

- Mettre le moteur de niveau.
 - Nettoyer le pourtour de l'orifice de remplissage de tout débris.
- Sortir la jauge (A) et nettoyer avec un chiffon propre (Figure 2).
 - Mettre la jauge et la serrer.
 - Sortir la jauge et vérifier le niveau d'huile. Il doit se situer sur la marque FULL (B).
 - Si l'est plus bas, verser doucement de l'huile dans l'orifice de remplissage du moteur (C). **Ne pas trop remplir.** Après avoir ajouté de l'huile, attendre une minute et revérifier le niveau d'huile.
Remarque: Ne pas ajouter d'huile au niveau de la vidange d'huile rapide (K, Figure 1) (le cas échéant).
- Remettre la jauge et la serrer.

Pression d'huile

Si la pression de l'huile est trop basse, un contacteur de pression (le cas échéant) arrête le moteur ou active un dispositif sonore sur l'équipement. Dans ce cas, arrêter le moteur et vérifier le niveau d'huile avec la jauge.

Si le niveau d'huile est situé au-dessous du repère ADD, verser de l'huile jusqu'au repère FULL. Démarrer le moteur et vérifier que la pression est correcte avant de continuer.

Si le niveau d'huile est situé entre les repères ADD et FULL, **ne pas démarrer** le moteur. Contacter un Réparateur Agréé Briggs & Stratton pour corriger le problème de pression de l'huile.

Recommandations concernant le carburant



AVERTISSEMENT



Un «détendeur» enlevé ou ne fonctionnant pas peut provoquer une explosion ou un incendie.

- Ne pas faire fonctionner l'équipement si le «détendeur» a été enlevé ou ne fonctionne pas.

Le carburant doit répondre aux critères suivants:

- Utiliser un carburant récent, propre, sans humidité ni particules solides. Le fait d'utiliser des carburants qui ne correspondent pas aux spécifications requises peut entraîner des problèmes de performances.
- Pour les moteurs qui sont réglés pour fonctionner au GPL, la qualité recommandée est HD5 GPL. La composition recommandée pour ce carburant doit permettre de disposer d'une énergie minimale de 18Kcal/m³, d'une concentration maximale de propylène de 5%, de butane et de gaz lourd de 2,5% et d'une concentration minimale de propane de 90%.

Les moteurs GN ou GPL sont certifiés fonctionner au gaz naturel ou au gaz de pétrole liquéfié. Le système de contrôle des émissions de ce moteur est EM (Modifications Moteur).



ATTENTION: L'équipement sur lequel ce moteur est monté est équipé d'un «détendeur» automatique de sécurité. Ne pas le faire fonctionner si le «détendeur» a été enlevé ou ne fonctionne pas.

Plein d'essence



AVERTISSEMENT



Les vapeurs gazeuses sont extrêmement inflammables et explosives. Un incendie ou une explosion peut entraîner des blessures très graves ou même la mort.

Pour faire le plein

- Remplir le réservoir de carburant à l'extérieur ou dans un local extrêmement bien ventilé.
- Contrôler que les Durits, le réservoir, le bouchon et les raccords de carburant ne présentent ni fissures ni fuites. Remplacer si nécessaire.

Lire les instructions fournies par le constructeur de l'équipement sur le plein de gaz naturel ou de GPL.

Démarrage du moteur - Figure 3



AVERTISSEMENT



Les vapeurs gazeuses sont extrêmement inflammables et explosives. Un incendie ou une explosion peut entraîner des blessures très graves ou même la mort.

Pour démarrer le moteur

- S'assurer que la bougie, le silencieux et le filtre à air sont montés et solidement fixés.
- Ne pas faire tourner le moteur avec la bougie enlevée.



AVERTISSEMENT



Les moteurs produisent du monoxyde de carbone, qui est un gaz toxique inodore et invisible.

L'inhalation de monoxyde de carbone peut provoquer des nausées, un évanouissement et entraîner la mort.

- Démarrer et faire fonctionner le moteur à l'extérieur.
- Ne pas démarrer ou faire fonctionner le moteur dans un local fermé, même si les portes et les fenêtres sont ouvertes.

ATTENTION: Ce moteur a été expédié de chez Briggs & Stratton sans huile. Avant de le démarrer, s'assurer d'avoir fait le plein d'huile selon les instructions de ce manuel. Si le moteur est démarré sans huile, il sera endommagé irréremédiablement et ne sera pas couvert par la garantie.

- Vérifier le niveau d'huile. Voir la section **Vérification/Plein d'huile**.
- Le cas échéant, s'assurer que l'entraînement de l'équipement est débrayé. Voir dans le manuel de l'équipement l'emplacement et le fonctionnement de ces commandes.
- Placer le robinet d'essence (B), le cas échéant, sur la position ON (Figure 3). Consulter le manuel de l'équipement pour connaître la position et le fonctionnement du robinet d'essence.
- Mettre le contact du démarreur électrique (A), le cas échéant, sur la position ON/START. Voir le manuel de l'équipement pour connaître la position et le fonctionnement du contacteur.

Remarque: Si le moteur ne démarre pas après trois tentatives, consulter **BRIGGSandSTRATTON.COM** ou appeler au **1-800-233-3723** (aux États-Unis).

PRÉCAUTION: Pour préserver l'usage du démarreur, ne l'utiliser que pendant des cycles courts (cinq secondes maximum). Attendre une minute avant de recommencer.

Arrêt du moteur - Figure 3

1. Tourner le contacteur à clé (A, Figure 3) sur la position OFF. Retirer la clé et la conserver dans un endroit sûr hors de la portée des enfants.
2. Quand le moteur est arrêté, mettre le robinet d'essence (B), le cas échéant, en position fermée.

Entretien

N'utiliser que des pièces de rechange d'origine. Les pièces de rechange autres que celles d'origine peuvent ne pas fonctionner aussi bien, risquent d'endommager l'appareil et peuvent entraîner des blessures. En outre, l'utilisation de pièces de rechange non d'origine peut annuler la garantie.

Nous recommandons de voir un Réparateur Agréé Briggs & Stratton pour tout l'entretien du moteur et l'acquisition de pièces.

ATTENTION: Tous les composants de ce moteur doivent rester à leur place d'origine pour que le moteur fonctionne correctement.

Contrôle des émissions

L'entretien, le remplacement ou la réparation des dispositifs et des systèmes de contrôle des émissions gazeuses peut être effectué par tout établissement ou individu spécialisé dans la réparation des moteurs autres que les moteurs automobiles. Néanmoins, pour que les réparations soient prises en charge par Briggs & Stratton au titre de la garantie, l'intervention doit être effectuée par un Réparateur Agréé. Voir la garantie des émissions.



AVERTISSEMENT

Une étincelle accidentelle peut provoquer un incendie ou un choc électrique.

Un démarrage accidentel peut causer un étranglement, l'amputation ou la lacération d'un membre.

Risque d'incendie

Avant d'effectuer des réglages ou des réparations

- Débrancher le fil de bougie et l'attacher à bonne distance de la bougie.
- N'utiliser que les outils corrects.
- Ne pas modifier les ressorts du régulateur, les tringles et autres pièces pour augmenter le régime du moteur.
- Les pièces de rechange doivent être d'origine et installées de la même façon que les pièces précédentes.
- Ne pas taper sur le volant moteur avec un marteau ou un objet dur cela pourrait entraîner une rupture ultérieure du volant pendant que le moteur fonctionne.

Contrôle de l'étincelle

- Utiliser un contrôleur homologué.
- Ne pas contrôler l'étincelle avec la bougie retirée.

Tableau d'entretien

Après les 5 premières heures
<ul style="list-style-type: none">• Vidanger l'huile
Toutes les 8 heures ou chaque jour
<ul style="list-style-type: none">• Vérifier le niveau d'huile du moteur.• Nettoyer aux alentours du silencieux et des commandes• Nettoyer le protège-mains (le cas échéant)
Toutes les 25 heures ou une fois par an
<ul style="list-style-type: none">• Nettoyer le filtre à air *• Nettoyer le pré-filtre du filtre à air *
Toutes les 50 heures ou une fois par an
<ul style="list-style-type: none">• Vidanger l'huile moteur• Remplacer le filtre à huile, Si il est prévu.• Inspecter le silencieux d'échappement et l'écran pare-étincelles
Une fois par an
<ul style="list-style-type: none">• Remplacer le filtre à air• Remplacer le pré-filtre• Remplacer la bougie• Nettoyer le système de refroidissement par air *• Contrôler le jeu des soupapes *

* Nettoyer plus souvent dans des conditions d'utilisation en atmosphère poussiéreuse ou chargée de débris aériens.

** Non obligatoire si les performances du moteur ne sont pas altérées.

ATTENTION: Le fabricant de l'équipement sur lequel est monté ce moteur a spécifié le régime maximum à vide d'utilisation du moteur. **Ne pas dépasser** ce régime maximum.

Remplacement de la bougie - Figure 4

Vérifier l'écartement des électrodes (A, Figure 4) avec une jauge à fil (B). Le cas échéant, régler l'écartement. Remettre la bougie et la serrer au couple recommandé. Pour régler l'écartement et trouver le couple de serrage, voir la section **Spécifications**. *Remarque:* Dans certains pays, la législation impose l'emploi de bougies à résistance pour supprimer les parasites de l'allumage. Si ce moteur était équipé d'une bougie avec résistance, utiliser le même type de bougie lors de son remplacement.

Inspection du silencieux d'échappement et de l'écran pare-étincelles - Figure 5



AVERTISSEMENT



Un moteur en marche produit de la chaleur. Les pièces du moteur, et plus particulièrement le silencieux, deviennent extrêmement chaudes. Les toucher peut provoquer des brûlures sévères.



Les débris combustibles comme les feuilles, l'herbe, les broussailles peuvent s'enflammer.

- Laisser le silencieux, le cylindre du moteur et les ailettes refroidir avant de les toucher.
- Retirer les débris accumulés autour du silencieux et du cylindre.
- Monter un pare-étincelles en parfait état de marche avant d'utiliser l'équipement sur un terrain en friche recouvert de bois mort, d'herbe ou de broussailles. Ceci est obligatoire dans l'État de Californie (chapitre 4442 du California Public Resources Code). D'autres États peuvent avoir des lois similaires. Les lois fédérales s'appliquent sur le territoire fédéral.

Inspecter le silencieux (A, Figure 5) à la recherche de fissures, de corrosion ou autre dommage. Enlever le pare-étincelles (B), le cas échéant, et inspecter s'il est endommagé ou obstrué par des dépôts de carbone. S'il est nécessaire de remplacer des pièces, n'utiliser que des pièces de rechange d'origine.



AVERTISSEMENT: Les pièces de rechange doivent être identiques aux pièces précédentes et installées de la même façon, sous peine de provoquer un incendie.

Changement d'huile - Figure 6 7 8 9

ATTENTION: L'huile usagée est un produit dangereux. S'en débarrasser correctement. Ne pas la jeter avec les ordures ménagères. Vérifier le lieu de collecte ou de recyclage avec les autorités locales, le/centre de services ou le vendeur.

Vidange de l'huile

1. Quand le moteur est arrêté mais encore chaud, débrancher le fil de bougie (A) et l'éloigner de la bougie (Figure 6).
2. Retirer la jauge (D).

Bouchon de vidange standard

3. Retirer le bouchon de vidange (B, Figure 7). Vidanger l'huile dans un récipient approuvé.

Remarque: Chacun des bouchons de vidange illustrés ci-après peut être monté sur ce moteur.



4. Quand l'huile a été vidangée, remettre le bouchon de vidange. Le serrer.

Vidange d'huile rapide optionnelle

1. Débrancher le tuyau de vidange d'huile (G, Figure 8) sur le côté du moteur.
2. Dévisser et retirer le bouchon de vidange (H). Abaisser soigneusement la vidange rapide (I) dans un conteneur homologué (J).
3. Quand toute l'huile a été vidangée, remettre le bouchon de vidange en place. Rebrancher le tuyau de vidange sur le côté du moteur.

Changer le filtre à huile (le cas échéant)

Certains modèles sont équipés d'un filtre à huile. Pour connaître les intervalles de maintenance, se reporter au **Tableau d'entretien**.

1. Vidanger l'huile du moteur. Voir la section **Vidange de l'huile**.
2. Enlever le filtre à huile (C) et le jeter correctement. Voir Figure 9.
3. Avant d'installer le nouveau filtre à huile, lubrifier légèrement le joint du filtre avec de l'huile neuve.
4. Installer le filtre à huile à la main jusqu'à ce que le joint soit au contact de l'adaptateur du filtre puis visser le filtre de 1/2 à 3/4 tours.
5. Ajouter de l'huile. Voir la section **Faire le plein d'huile**.
6. Démarrer puis faire tourner le moteur. Lorsque le moteur chauffe, détecter les éventuelles fuites d'huile.
7. Arrêter le moteur et vérifier le niveau d'huile. Il doit être sur FULL sur la jauge.

Faire le plein d'huile

- Mettre le moteur de niveau.
 - Nettoyer le pourtour de l'orifice de remplissage de tout débris.
 - Voir la capacité d'huile dans la section **Spécifications**.
1. Sortir la jauge (D) et nettoyer avec un chiffon propre (Figure 6).
 2. Verser doucement l'huile dans l'orifice de remplissage (E). **Ne pas trop remplir.** Après avoir fait le plein d'huile, attendre une minute et revérifier le niveau d'huile.

3. Installer et serrer la jauge.
4. Sortir la jauge et vérifier le niveau d'huile. Il doit se situer sur FULL (F).
5. Installer et serrer la jauge.

Entretien du filtre à air - Figure 10



AVERTISSEMENT



Les vapeurs gazeuses sont extrêmement inflammables et explosives. Un incendie ou une explosion peut entraîner des blessures très graves ou même la mort.

- Ne pas démarrer ou faire fonctionner un moteur sans filtre à air ou avec le filtre à air enlevé.

ATTENTION: Ne pas utiliser d'air comprimé ni de solvant pour nettoyer le filtre à air. L'air comprimé peut endommager le filtre, les solvants le dissoudre.

Le système de filtre à air est équipé d'une cartouche plate ou ovale. Certains modèles sont également équipés d'un pré-filtre qui peut être lavé et réutilisé.

Filtre à air plat

1. Soulever la poignée du couvercle (A, Figure 10) et la faire tourner vers le moteur puis enlever le couvercle (B).
2. Enlever l'éventuel pré-filtre (C) et le filtre (D).
3. Pour le nettoyer, le tapoter doucement contre une surface dure. Si le filtre est excessivement encrassé, le remplacer par un neuf.
4. Nettoyer le pré-filtre dans de l'eau additionnée de détergent liquide. **Ne pas graisser** le pré-filtre.
5. Assembler le pré-filtre et le filtre sur l'embase du moteur (E).
6. Aligner les taquets (F) du couvercle avec les encoches (G) du carter de lanceur. Faire tourner la poignée du couvercle vers l'arrière et pousser pour bloquer en position.

Nettoyage du système de refroidissement par air - Figure 11



AVERTISSEMENT



Un moteur en marche produit de la chaleur. Les pièces du moteur, et plus particulièrement le silencieux, deviennent extrêmement chaudes. Les toucher peut provoquer des brûlures sévères.



Les débris combustibles comme les feuilles, l'herbe, les broussailles peuvent s'enflammer.

- Laisser le silencieux, le cylindre du moteur et les ailettes refroidir avant de les toucher.
- Retirer les débris accumulés autour du silencieux et du cylindre.

ATTENTION: Ne pas utiliser d'eau pour nettoyer le moteur. L'eau peut contaminer le système d'alimentation en essence. Utiliser une brosse ou un chiffon sec pour nettoyer le moteur.

Ce moteur est refroidi par air. De la poussière ou des débris peuvent affecter le débit d'air et faire chauffer le moteur, ce qui réduit ses performances et sa durée de vie. Utiliser une brosse ou un chiffon sec pour enlever les débris du protège-doigts/grille de volant (A). Nettoyer les biellettes, les ressorts et les commandes (B). Ne pas laisser les débris combustibles s'accumuler autour et derrière le silencieux d'échappement (C) (Figure 11).

Stockage



AVERTISSEMENT



Les vapeurs gazeuses sont extrêmement inflammables et explosives. Un incendie ou une explosion peut entraîner des blessures très graves ou même la mort.

Pour stocker l'équipement avec de l'essence dans le réservoir

- Les ranger loin des chaudières, cuisinières, chauffe-eau ou tout autre appareil comportant une veilleuse ou une source susceptible de produire une étincelle, car ils pourraient enflammer les vapeurs d'essence.

Huile moteur

Pendant que le moteur est encore chaud, changer l'huile du moteur.

Dépannage

Besoin d'aide? Aller sur BRIGGSandSTRATTON.COM ou appeler au 1-800-233-3723.

Spécifications

Spécifications du moteur	
Modèle	310000
Cylindrée	30,52 pouces cubes (500 cm ³)
Alésage	3,563 pouces (90,49 mm)
Course	3,062 pouces (77,77 mm)
Capacité d'huile - avec filtre	46 - 48 oz (1,36 - 1,40 l)

Spécifications de réglage *	
Modèle	310000
Écartement des électrodes	0,030 pouces (0,76 mm)
Couple de serrage de la bougie	180 lb-in (20 Nm)
Entrefer bobine	0,010 - 0,014 pouces (0,25 - 0,36 mm)
Jeu de soupape d'admission	0,003 - 0,005 pouces (0,08 - 0,13 mm)
Jeu de soupape d'échappement	0,005 - 0,007 pouces (0,13 - 0,18 mm)

* La puissance du moteur décroît de 3,5% par 300mètres d'altitude au-dessus du niveau de la mer et de 1% par 5,6° C au-delà de 25° C. Le moteur fonctionne normalement jusqu'à 15° d'inclinaison. Voir le manuel d'utilisation de l'équipement pour les limites autorisées de fonctionnement en pente.

Pièces d'entretien courant ✓	
Pièce d'entretien	Référence
Filtre à air, plat	790263
Pré-filtre du filtre à air, plat	697015
Filtre à huile	492932, 5049
Huile - SAE 30 (20oz, 0,6l)	100005
Huile - SAE 30 (48oz, 1,4l)	100028
Bougie à résistance	491055
Bougie en platine longue durée	5066
Clé à bougie	89838, 5023
Éclateur	19368

✓ Nous recommandons de voir un Réparateur Agréé Briggs & Stratton pour tout l'entretien de votre moteur et de ses pièces. N'utiliser que des pièces de rechange Briggs & Stratton d'origine.

GARANTIE LIMITÉE

Briggs & Stratton remplacera ou réparera gratuitement toute(s) pièce(s) du moteur présentant un défaut de matière ou de fabrication ou les deux. Tous les frais de transport du produit destiné à être remplacé ou réparé au titre de la présente garantie restent à charge de l'acheteur. Cette garantie est applicable pendant la période et aux conditions prévues dans le présent document. Pour toute intervention sous garantie, cherchez le Réparateur Agréé Briggs & Stratton le plus proche dans la liste des Réparateurs sur notre site Internet BRIGGSandSTRATTON.COM ou en consultant les Pages Jaunes®.

Il n'existe aucune autre garantie expresse. Les garanties implicites, y compris celles de la valeur marchande et d'adaptation à un objectif particulier, sont limitées à un an à partir de la date d'achat ou à la période légale admise. Toute autre garantie implicite est exclue. Notre responsabilité pour les dégâts provoqués par l'équipement ou les dommages-intérêts accessoires est exclue dans la limite des exclusions autorisées par la loi. Certains pays ou États n'autorisent pas la limitation de la durée de la garantie implicite et certains pays ou États n'autorisent pas l'exclusion ou la limitation des dégâts provoqués ou consécutifs à un accident, ce qui fait que les limitation et exclusion ci-dessus peuvent ne pas s'appliquer à vous. Cette garantie vous donne des droits légaux et vous pouvez bénéficier d'autres droits qui peuvent varier d'un pays à l'autre ou d'un État à l'autre.

CONDITIONS DE GARANTIE STANDARD * ▲

Marque/Type de produit	Usage privé	Usage professionnel
Vanguard™	2 ans	2 ans
Extended Life Series™, I/C®, Intek™ I/C®, Intek™ Pro	2 ans	1 an
Snow Series MAX™ avec chemise en fonte Dura-Bore™	2 ans	1 an
Tous les autres moteurs Briggs & Stratton	2 ans	90 jours

* Ces conditions sont nos conditions de garantie standard. Néanmoins, dans certains cas, nos produits peuvent bénéficier d'une couverture supplémentaire qui n'était pas déterminée au moment de la publication. Pour consulter les conditions de garantie actuelles de votre moteur, rendez-vous sur BRIGGSandSTRATTON.COM ou contactez le Réparateur Agréé Briggs & Stratton.

▲ Les moteurs utilisés sur les groupes électrogènes stationnaires ne sont garantis que dans le cadre d'un usage privé. Les équipements utilisés pour une alimentation principale en remplacement du réseau public d'électricité ne sont pas couverts par la présente garantie. **Les moteurs utilisés en compétition ou avec un but d'exploitation commerciale ou de location ne sont pas garantis.**

La période de garantie débute à la date d'achat par l'acheteur particulier initial ou l'utilisateur professionnel final et continue pendant la période indiquée dans le tableau ci-dessus. «Usage privé» signifie utilisation pour l'entretien de sa résidence personnelle par un acheteur particulier. «Usage commercial» couvre toutes les autres utilisations, y compris dans un but commercial, de rentabilité ou de location. Dès qu'un moteur a servi à un usage commercial, il sera considéré comme moteur à usage commercial dans le cadre de la présente garantie.

Pour tous les équipements fabriqués par Briggs & Stratton, l'enregistrement de la garantie n'est pas obligatoire pour qu'elle prenne effet. Conservez le reçu comme preuve d'achat. Si, lors d'une demande d'intervention sous garantie, la date initiale d'achat ne peut être fournie, la date de fabrication du produit sert de référence pour déterminer la période de garantie.

Au sujet de la garantie

Briggs & Stratton se fera un plaisir d'effectuer une réparation en garantie tout en déplorant les inconvénients qu'elle peut vous occasionner. Tout Réparateur Agréé peut effectuer des réparations en garantie. La plupart des réparations en garantie sont effectuées sans discussion mais il peut arriver que la demande de réparation en garantie soit injustifiée.

Si le client n'est pas d'accord avec la décision d'un Réparateur Agréé, une enquête sera effectuée afin de déterminer si la garantie peut être appliquée. Demandez au Réparateur Agréé de soumettre tous les faits au Grossiste ou à l'usine pour examen. Si le Grossiste ou l'usine décide que la demande est justifiée, les articles reconnus défectueux seront intégralement remboursés au client. Afin d'éviter tout malentendu entre les propriétaires de moteurs et les Réparateurs Agréés Briggs & Stratton, nous indiquons ci-après quelques-unes des causes de défaillance des moteurs pour lesquelles le remplacement ou la réparation n'est pas couvert par la garantie.

Usure normale: Les moteurs, comme tous les dispositifs mécanisés, nécessitent un entretien régulier et le remplacement des pièces d'usure pour fonctionner correctement. Cette garantie ne couvre pas la réparation de pièces ou d'équipements usés par un usage normal. La garantie ne s'applique pas quand la défaillance du moteur est due à un abus, un manque d'entretien courant, l'expédition, la manutention, l'entreposage ou une mauvaise installation. Il en va de même si le numéro de série du moteur a été éliminé ou que le moteur a été modifié ou trafiqué.

Entretien inadéquat: La longévité d'un moteur dépend des conditions dans lesquelles il est utilisé et de l'entretien qu'il reçoit. Certaines applications, comme les motoculteurs, les pompes et les tondeuses, sont souvent utilisées dans un environnement poussiéreux ou sale, ce qui peut être la cause d'une usure pouvant paraître prématurée. Une telle usure, lorsqu'elle est consécutive à l'entrée de poussière, sable ou autre produit abrasif à cause d'un mauvais entretien, n'est pas couverte par la garantie.

Cette garantie couvre uniquement les pièces défectueuses et/ou la main-d'œuvre et pas le remplacement ou le remplacement de l'équipement sur lequel est monté le moteur. La garantie ne s'applique pas non plus aux réparations dues à :

1 Des problèmes provoqués par l'emploi de pièces non d'origine Briggs & Stratton.

2 Les commandes de l'équipement ou les dispositifs qui empêchent le démarrage, perturbent le fonctionnement du moteur ou abrègent sa durée de vie. (Contactez le fabricant de l'équipement.)

- 3 Les fuites de carburateur, l'obstruction des Durits d'alimentation, le gommage des soupapes ou autres dommages provoqués par une essence contaminée ou trop vieille.
- 4 Les pièces qui seraient rayées ou cassées du fait du fonctionnement du moteur avec un manque d'huile ou d'une huile polluée, ou encore d'un indice de viscosité de l'huile inadéquat (vérifier et refaire le niveau quand c'est nécessaire et vidanger aux périodes recommandées). Le dispositif OIL GARD peut ne pas couper un moteur en marche. Le moteur peut être endommagé si le niveau d'huile n'est pas maintenu régulièrement.
- 5 La réparation ou le réglage de pièces ou d'un groupe de pièces associées tels que les embrayages, transmissions, commandes à distance, etc., qui ne sont pas fabriqués par Briggs & Stratton.
- 6 Les dommages ou l'usure de pièces provoqués par la pénétration de poussière due au manque d'entretien ou au mauvais montage du filtre à air ou à l'emploi d'un élément ou d'une cartouche de filtre à air non d'origine. Aux intervalles recommandés, nettoyer et/ou remplacer le filtre comme indiqué dans le manuel d'utilisation.
- 7 Les pièces endommagées suite à un surrégime ou une surchauffe provoqués par l'obstruction des ailettes de refroidissement et de la zone du volant par des débris d'herbe ou de la poussière ou par l'utilisation du moteur dans un local fermé insuffisamment ventilé. Nettoyer les débris aux intervalles recommandés comme indiqué dans le manuel d'utilisation.
- 8 Le bris de pièces du moteur ou de l'équipement dû à des vibrations excessives résultant d'un serrage insuffisant des boulons de fixation du moteur, d'une lame ou d'une turbine desserrée ou mal équilibrée, d'une mauvaise adaptation de l'équipement sur le vilebrequin du moteur, d'un surrégime ou d'une mauvaise utilisation.
- 9 Vilebrequin faussé ou cassé suite au choc de la lame d'une tondeuse rotative sur un corps dur, ou d'une courroie trapézoïdale trop tendue.
- 10 Réglage ou mise au point normale du moteur.

Les interventions sous garantie ne sont effectuées que par les Réparateurs Agréés par Briggs & Stratton Corporation. Recherchez-les dans la liste des Réparateurs sur notre site Internet BRIGGSandSTRATTON.COM ou en consultant les Pages Jaunes™.

Déclaration de garantie du système de contrôle des émissions

Déclaration de garantie du système de contrôle des émissions de Briggs & Stratton Corporation (B&S), du California Air Resources Board (CARB) et de la United States Environmental Protection Agency (U.S. EPA) (Droits et obligations du propriétaire au titre de la garantie contre tout défaut)

Déclaration de garantie pour les défauts de contrôle d'émissions pour la Californie, les États-Unis et le Canada

Le California Air Resources Board (CARB), l'U.S. EPA et B&S ont le plaisir de vous expliquer la garantie du système de contrôle des émissions pour votre petit moteur à usage non routier. En Californie, les petits moteurs à usage non routier à partir de l'année 2006 doivent être conçus, fabriqués et équipés pour répondre aux normes sévères antibrouillard de l'État. Ailleurs aux États-Unis, les nouveaux moteurs à usage non routier à allumage commandé par bougie depuis l'année 1997 doivent répondre à des normes semblables édictées par l'U.S. EPA. B&S doit garantir le système de contrôle des émissions de votre moteur pendant les durées indiquées ci-après, en supposant que le petit moteur à usage non routier ne soit pas mal utilisé, négligé ou que son entretien ne soit pas défectueux.

Le système de contrôle des émissions comprend des pièces comme le carburateur, le filtre à air, le système d'allumage, la Durit de carburant, le silencieux et le convertisseur catalytique. Des connecteurs et d'autres assemblages impliqués dans les émissions peuvent aussi en faire partie.

Si la condition de garantie est remplie, B&S réparera gratuitement votre moteur y compris le diagnostic, les pièces et la main-d'œuvre.

Couverture de la garantie de défektivité du contrôle des émissions de Briggs & Stratton Corporation.

Les petits moteurs à usage non routier sont garantis en ce qui concerne les défauts des pièces du contrôle des émissions pendant une période de deux ans, aux conditions

énoncées plus loin. Si une pièce de votre moteur couverte par cette garantie est défectueuse, B&S la réparera ou la remplacera.

Responsabilités du propriétaire au titre de la garantie

En tant que propriétaire d'un petit moteur non routier, vous êtes responsable de l'entretien nécessaire indiqué dans les instructions de fonctionnement et d'entretien. B&S recommande de conserver toutes les factures de maintenance de votre moteur, mais B&S ne peut renier la garantie uniquement à cause de l'absence de factures.

En tant que propriétaire d'un petit moteur à usage non routier, vous devez néanmoins savoir que B&S peut refuser d'appliquer la garantie si la défektivité de votre moteur ou d'une partie de ce moteur est due à un abus, une négligence, un entretien non correct ou des modifications non approuvées.

Vous avez la responsabilité de confier votre moteur à un Réparateur Agréé B&S dès que vous découvrez un problème. Les réparations incontestables sous garantie seront effectuées en un temps raisonnable qui ne doit pas excéder 30 jours.

Si vous avez des questions au sujet de vos droits ou de vos responsabilités quant à la garantie, veuillez contacter un représentant de B&S au 1-414-259-5262.

La garantie d'émission est une garantie contre des défektivités. Les défektivités sont jugées en fonction des performances normales d'un moteur. La garantie n'est pas liée à un test d'émissions en fonctionnement.

Dispositions de la garantie de défektivité du contrôle des émissions de Briggs & Stratton Corporation

Suivent les dispositions particulières de la couverture de la garantie de défektivité du contrôle des émissions. Elles viennent en complément de la garantie des moteurs B&S pour les moteurs non réglementés qui se trouve dans les instructions de fonctionnement et d'entretien.

1. Pièces garanties

La couverture au titre de cette garantie ne s'étend qu'aux pièces énumérées ci-dessous (celles du système de contrôle des émissions) dans la mesure où ces pièces étaient présentes dans le moteur au moment de l'achat.

a. Système de dosage du carburant

- Système d'enrichissement pour démarrages à froid (starter)
- Carburateur et pièces internes
- Pompe à carburant
- Durit et raccords de carburant, colliers
- Réservoir de carburant, bouchon et câble d'attache
- Réservoir à charbon activé

b. Système d'admission d'air

- Filtre à air
- Collecteur d'admission
- Conduite de vidange et de mise à l'air

c. Système d'allumage

- Bougie(s)
- Système d'allumage par volant magnétique

d. Système catalytique

- Convertisseur catalytique
- Collecteur d'échappement
- Système d'injection d'air ou soupape d'impulsion

e. Pièces diverses utilisées dans les systèmes ci-dessus

- Soupapes et contacteurs de dépression, de température, de position et de durée.
- Raccords et assemblages

2. Durée de la couverture

B&S garantit au propriétaire initial et à tous les acheteurs suivants les pièces contre tout défaut de matière ou de fabrication qui pourrait entraîner une défektivité des pièces garanties pendant une période de deux ans à partir de la date de livraison du moteur à un acheteur individuel.

3. Gratuité

La réparation ou le remplacement de toute pièce garantie s'effectuera gratuitement pour l'acheteur, y compris les frais de diagnostic permettant de déterminer qu'une pièce garantie est défectueuse, si le diagnostic est effectué par un Réparateur Agréé B&S. Pour bénéficier du service de garantie, veuillez contacter le Réparateur Agréé B&S le plus proche de chez vous listé dans les Pages Jaunes sous la rubrique «Moteurs, essence», «Moteurs à essence», «Tondeuses à gazon» ou autre catégorie semblable.

4. Réclamations et exclusions de garantie

Les réclamations sous garantie seront présentées selon les dispositions de la police de garantie des moteurs de B&S. La garantie ne couvre pas les pièces qui ne sont pas des pièces B&S d'origine ou qui ont fait l'objet d'abus, de négligence ou d'un mauvais entretien ainsi qu'indiqué dans la police de garantie des moteurs de B&S. B&S n'est pas responsable des défaillances dues à l'utilisation de pièces rajoutées, non d'origine ou modifiées.

5. Entretien

Toute pièce garantie qui ne doit pas être remplacée au titre de l'entretien ou qui est sujette à une inspection régulière avec la mention «réparer ou remplacer si besoin est» est garantie contre tout défaut pendant la période de garantie. Toute pièce dont le remplacement est prévu au titre de l'entretien n'est garantie contre tout défaut que pendant sa période normale d'utilisation. Les opérations de maintenance et de réparation doivent utiliser des pièces équivalentes sur le plan des performances et de la longévité. Le propriétaire est responsable de l'entretien défini dans les instructions de fonctionnement et d'entretien de B&S.

6. Couverture des conséquences

La présente couverture s'étend à la défaillance de tout composant du moteur due à la défaillance d'une pièce encore sous garantie.

Consulter les informations sur la période de durabilité des émissions et l'indice d'air sur l'étiquette d'émissions du moteur

Les moteurs qui sont certifiés conformes à la norme d'émissions du California Air Resources Board (CARB) doivent afficher l'information concernant la période de durabilité des émissions et l'indice d'air. Cette information est indiquée sur les étiquettes apposées sur les moteurs par Briggs & Stratton. L'étiquette du moteur indique les informations de certification.

La **période de durabilité des émissions** indique le nombre d'heures d'utilisation normale pour lequel le moteur est certifié conforme aux normes d'émissions sous réserve d'un entretien approprié tel qu'indiqué dans le manuel d'utilisation et d'entretien. Les catégories suivantes sont utilisées:

Modéré:

le moteur est certifié conforme pour 125 heures d'utilisation normale.

Intermédiaire:

le moteur est certifié conforme pour 250 heures d'utilisation normale.

Étendu:

le moteur est certifié conforme pour 500 heures d'utilisation normale. Par exemple, une tondeuse à conducteur marchant classique est utilisée 20 à 25 heures par an. Par conséquent, la **période de durabilité des émissions** d'un moteur de catégorie **intermédiaire** équivaudrait à une douzaine d'années.

Moteurs de Briggs & Stratton soyez certifiés conformes aux normes environnementales d'émissions de la United States Environmental Protection Agency (U.S. EPA) Phase 2. Pour les moteurs certifiés Phase 2, la période de conformité d'émissions mentionnée sur les étiquettes indique le nombre d'heures d'utilisation pour lequel le moteur est en conformité avec les normes fédérales.

Pour les moteurs de cylindrée inférieure à 225 cm³.

Catégorie C = 125 heures, catégorie B = 250 heures et catégorie A = 500 heures.

Pour les moteurs de plus de 225 cm³.

Catégorie C = 250 heures, catégorie B = 500 heures et catégorie A = 1000 heures.

Informazioni generali

Per un futuro fabbisogno di parti di ricambio o assistenza tecnica, registrare di seguito il modello del motore, il tipo e i numeri di codice insieme alla data di acquisto. Questi numeri si trovano sul vostro motore (consultare la pagina **Funzioni e controlli**).

Data di acquisto: _____
MM/GG/AAAA

Modello del motore: _____
Modello: Tipo: Codice:

Informazioni sulle potenze nominali dei motori

La valutazione della potenza lorda per modelli di motore a gas è etichettata in conformità con SAE (Society of Automotive Engineers) codice J1940 (Potenza di piccoli motori e procedura di valutazione della coppia) e le prestazioni di valutazione sono state ottenute e corrette in conformità con SAE J1995 (revisione 2002-05). I valori di coppia sono ricavati a 3060 RPM; i valori della potenza sono ricavati a 3600 RPM. La potenza lorda reale del motore sarà più bassa e tra le altre cose è influenzata dalle condizioni di funzionamento ambientali e della variabilità da motore a motore. Considerando la vasta gamma di applicazioni in cui vengono utilizzati i nostri motori e la varietà delle condizioni ambientali nelle quali operano le macchine, il motore a gas non svilupperà la potenza indicata sull'apparecchiatura in questione (potenza "effettiva" potenza netta). Questa differenza può essere dovuta ad una varietà di fattori tra cui, ma non limitati a: accessori (filtro dell'aria, scarico, caricamento, raffreddamento, carburatore, pompa carburante, ecc.), limiti dell'applicazione, condizioni ambientali di funzionamento (temperatura, umidità, altitudine) e variabilità da motore a motore. A causa delle limitazioni di produzione e capacità, Briggs & Stratton può sostituire questa serie di motori con un motore di potenza indicata maggiore.

Sicurezza dell'operatore

SIMBOLI DI SICUREZZA E CONTROLLO



Incendio



Parti mobili / Parti in movimento



Olio



Fumi tossici



Lento



Veloce



Stop



Esplosione



Scossa elettrica



Carburante



Starter



Acceso Spento



Chiusura del carburante



Contraccolpo



Indossare occhiali protettivi



Sostanza chimica pericolosa




Leggere il manuale



Superficie calda



Congelamento

Il simbolo di avvertenza di sicurezza () si utilizza per identificare le norme di sicurezza sui pericoli in grado di provocare lesioni personali. Insieme al simbolo viene utilizzata una parola (PERICOLO, AVVERTENZA o ATTENZIONE) che indica la natura ed il livello del potenziale pericolo. Inoltre, per rappresentare il tipo di pericolo può essere presente un simbolo di pericolo.



PERICOLO indica un pericolo che, in caso di mancato rispetto delle norme di sicurezza, **provocherà gravi lesioni personali o morte.**



AVVERTENZA indica un pericolo che, in caso di mancato rispetto delle norme di sicurezza, **può provocare gravi lesioni personali o morte.**



ATTENZIONE indica un pericolo, che in caso di mancato rispetto, **può provocare lesioni personali o incidenti di minore entità.**

ATTENZIONE, quando non è osservato il simbolo di avvertenza indica una situazione che **può provocare danni al prodotto.**



AVVERTENZA

Ai sensi delle leggi dello Stato della California, i gas di scarico di questo motore contengono sostanze chimiche in grado di provocare cancro, malformazioni fetali o altri difetti riproduttivi.



AVVERTENZA

Briggs & Stratton non approva o autorizza l'utilizzo di questi motori su veicoli fuoristrada a 3 ruote (ATV), ciclomotori, veicoli ricreativi, go-kart, aeroplani o veicoli progettati per eventi sportivi. L'utilizzo di questi motori nelle suddette applicazioni può provocare danni alle cose, gravi lesioni personali (ad es. paralisi) o addirittura la morte.

ATTENZIONE: Questo motore viene venduto da Briggs & Stratton senza olio. Prima di accendere il motore, aggiungere olio secondo le istruzioni di questo manuale. Se si accende il motore senza olio, verrà danneggiato irrimediabilmente e il danno non è coperto dalla garanzia.



AVVERTENZA

I vapori gassosi sono estremamente infiammabili ed esplosivi.



Un incendio oppure un'esplosione possono provocare gravi ustioni o morte.

Durante il rifornimento del carburante

- Effettuare il rifornimento in esterni oppure in un'area ben ventilata.
- Controllare frequentemente che il sistema di alimentazione, il serbatoio, il tappo e i raccordi non presentino crepe né perdite. Se necessario, sostituire le parti danneggiate.

All'avviamento del motore

- Accertarsi che candela, silenziatore e filtro dell'aria (se presente) siano saldamente fissati in posizione.
- Non far girare il motore senza candela.

Durante l'uso dell'attrezzatura

- Non far girare o avviare mai il motore senza il gruppo del filtro dell'aria (se presente) o senza il filtro dell'aria (se presente).

Durante il trasporto dell'attrezzatura

- I motori a metano/GPL devono essere trasportati con la bombola del gas vuota o la valvola chiusa, oppure il serbatoio scollegato.

Immagazzinaggio dell'attrezzatura con il serbatoio pieno

- Conservare lontano da forni, stufe, caldaie o altri dispositivi con fiamme pilota o altre fonti di accensione in grado di infiammare i vapori del carburante.



AVVERTENZA

All'avviamento del motore viene prodotta una scintilla.



La scintilla può incendiare gli eventuali gas infiammabili nelle vicinanze. Pericolo di incendio o esplosione.

- Non avviare il motore in prossimità di perdite di metano o GPL.

- Non utilizzare fluidi di avviamento pressurizzati poiché i relativi vapori sono infiammabili.



AVVERTENZA

Il motore emette monossido di carbonio, un gas inodore, incolore e velenoso.



L'inalazione di monossido di carbonio può provocare nausea, svenimento o morte.

- Avviare e far funzionare il motore all'aperto in un'area ben ventilata.
- Non avviare o far funzionare il motore in locali chiusi, anche se porte e finestre sono aperte.



AVVERTENZA

La rapida ritrazione della fune di avviamento (contraccolpo) può proiettare con forza mani e braccia in direzione del motore in modo più veloce rispetto al rilascio.

Pericolo di lussazioni, fratture, contusioni o distorsioni.

- Per avviare il motore, tirare lentamente la fune finché non si sente una certa resistenza, quindi tirarla con forza per evitare il contraccolpo.
- Prima di avviare il motore, disinserire le trasmissioni/gli eventuali carichi dal motore, eliminare i trascinalenti.
- I componenti ad accoppiamento diretto come lame, giranti, pulegge, pignoni, ecc. debbono essere saldamente bloccati alla PTO.



AVVERTENZA

Le parti rotanti possono toccare o intrappolare mani, piedi, capelli, indumenti o accessori.

Pericolo di amputazione o gravi lacerazioni.

- Utilizzare sempre l'attrezzatura con le protezioni installate correttamente.
- Tenere mani e piedi lontani dalle parti rotanti.
- Raccogliere i capelli lunghi e togliersi eventuali gioielli.
- Non indossare indumenti larghi, stringhe lunghe o altri oggetti che potrebbero rimanere impigliati.



AVVERTENZA

I motori accesi generano calore. Le parti del motore, in particolare il silenziatore, possono diventare estremamente calde.

In caso di contatto sussiste il rischio di gravi ustioni.

I detriti infiammabili, ad esempio foglie, erba, paglia, ecc. possono incendiarsi.

- Lasciare sempre raffreddare il silenziatore, i cilindri e le alette prima di toccarli.
- Rimuovere eventuali detriti infiammabili accumulati nelle vicinanze di cilindri e silenziatore.
- Ai sensi della legge dello Stato della California (Sezione 4442 del California Public Resources Code), installare un parascintille ed accertarsi sempre che sia in buone condizioni prima di utilizzare l'attrezzatura all'interno di foreste, boschi o terreni erbosi. Altri stati possono avere leggi simili. Sui terreni federali si applicano le leggi federali.



AVVERTENZA

Una scintilla accidentale può provocare un incendio oppure una scossa elettrica.

L'avviamento accidentale può provocare schiacciamento, amputazione o lacerazione degli arti.

Rischio di incendio

Prima di eventuali regolazioni o riparazioni

- Scollegare il cavo della candela e allontanatelo.
- Staccare il terminale negativo della batteria (solamente sui motori ad avviamento elettrico).
- Usare solo strumenti corretti.
- Non manomettere le molle del regolatore, i leverismi o altre parti per aumentare la velocità del motore.
- I ricambi per il silenziatore devono essere uguali e installati nella stessa posizione dei componenti originali.
- Non battere il volano con un martello o un oggetto metallico in quanto si potrebbe lesionare ed esplodere durante il funzionamento.

In caso di verifica della scintilla

- Utilizzare sempre il tester omologato per verificare la scintilla.
- Controllare la scintilla con la candela installata.



AVVERTENZA

I carburanti gassosi sono estremamente infiammabili e tendono a formare miscele esplosive a contatto con l'aria a temperature ambiente.

Qualora vi sia odore di gas

- **Non** avviare il motore.
- **Non** premere alcun interruttore elettrico.
- **Non** utilizzare un telefono nelle vicinanze.
- Evacuare l'area, quindi contattare il fornitore del gas oppure i Vigili del Fuoco.



AVVERTENZA

Durante le riparazioni, indossare sempre occhiali protettivi.

Il contatto del GPL con la pelle e/o gli occhi può provocare ustioni da congelamento.

- L'installazione, le regolazioni e le riparazioni devono essere effettuate da un tecnico qualificato.
- Controllare regolarmente che i tubi flessibili siano in buone condizioni. Sostituire i componenti danneggiati o che presentano perdite.



AVVERTENZA

Se la valvola di "intercettazione" del carburante è mancante o difettosa, sussiste il rischio di esplosione o incendio.

- **Non** utilizzare l'attrezzatura se la valvola di "intercettazione" del carburante è mancante o difettosa.

Funzioni e controlli

Confrontare le illustrazioni **1** con il motore per acquisire familiarità con la posizione dei vari comandi e delle funzioni.

- A. Identificazione del motore
Modello Tipo Codice
- B. Candela
- C. Filtro dell'aria
- D. Asta di livello
- E. Tappo di spurgo dell'olio
- F. Silenziatore
Protezione del silenziatore (opzionale)
Parascintille (opzionale)
- G. Schermo rotante
- H. Filtro dell'olio
- I. Motorino di avviamento
- J. Miscelatore GPL/GN
- K. Scarico rapido dell'olio (opzionale)

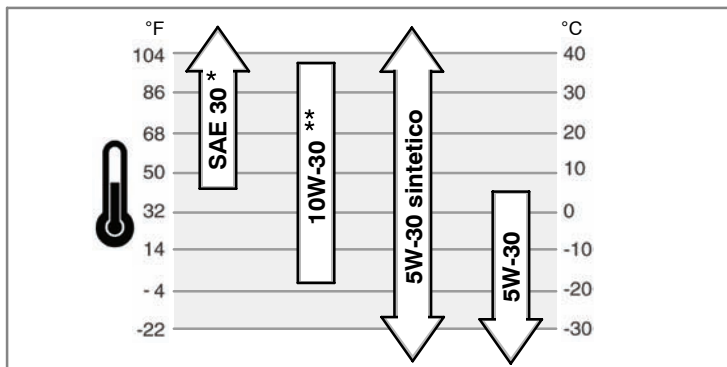
Funzionamento

Capacità olio (vedere la sezione **Dati tecnici**)

Raccomandazioni relative all'olio

Si consiglia, per le migliori prestazioni, l'uso di olio con certificato di garanzia Briggs & Stratton. Altri oli detergenti di alta qualità sono accettabili se rispettano le specifiche SF, SG, SH, SJ o superiori. Non utilizzare additivi speciali.

La corretta viscosità dell'olio motore è in funzione della temperatura esterna. Usare il grafico per selezionare il grado di viscosità più adatto alle temperature di utilizzo.



* Con temperature esterne inferiori a 40°F (4°C) l'uso di olio SAE 30 comporta difficoltà di avviamento.

** Con temperature esterne superiori a 80°F (27°C) l'uso di olio 10W-30 può aumentare il consumo del lubrificante. Controllare il livello dell'olio con maggiore frequenza.

Controllo/rabbocco olio - Figura 2

Prima di rabboccare o controllare il livello dell'olio.

- Posizionare il motore su una superficie piana.
 - Pulire l'area di riempimento dell'olio da eventuali detriti.
 - 1. Rimuovere l'astina (A) e asciugare con un panno pulito (Figura 2).
 - 2. Inserire e serrare l'asta di livello.
 - 3. Rimuovere l'astina e controllare il livello dell'olio. Assicurarsi che il livello dell'olio sia sul segno PIENO (B) sull'astina.
 - 4. Se necessario, rabboccare lentamente l'olio nel motore (C). **Non superare il segno full - pieno.** Dopo aver aggiunto l'olio, attendere un minuto prima di verificare nuovamente il livello.
- Nota: non aggiungere olio allo scarico rapido (K, Figura 1) (se presente).
- 5. Rimettere l'astina e serrare e controllare il livello dell'olio.

Pressione dell'olio

In caso di bassa pressione dell'olio, un pressostato (se previsto) spegne il motore o attiva un dispositivo di allarme sull'attrezzatura. In tal caso, spegnere il motore e controllare il livello dell'olio con l'asta di livello.

Se il livello dell'olio è inferiore al segno ADD, rabboccare l'olio finché non raggiunge il segno FULL. Avviare il motore e controllare che la pressione sia corretta prima di continuare ad utilizzarlo.

Se il livello dell'olio è compreso tra i segni ADD e FULL, **non avviare** il motore. Contattare un Centro di Assistenza Autorizzato Briggs & Stratton per risolvere il problema di pressione dell'olio.

Raccomandazioni relative al carburante



AVVERTENZA



Se la valvola di "intercettazione" del carburante è mancante o difettosa, sussiste il rischio di esplosione o incendio.

- Non utilizzare l'attrezzatura se la valvola di "intercettazione" del carburante è mancante o difettosa.

È necessario che la benzina sia conforme a questi requisiti:

- Utilizzare esclusivamente carburante fresco e pulito, privo di umidità o particolato. L'utilizzo di carburanti non conformi ai valori raccomandati di seguito può provocare problemi di prestazioni.
- Nei motori a GPL, si raccomanda di utilizzare un GPL di tipo commerciale HD5. Il carburante deve avere un tenore energetico minimo di 2500 BTU/ft³ con un contenuto massimo di propilene del 5%, di butano e gas pesanti del 2,5% ed un contenuto minimo di propano del 90%.

I motori a metano o GPL sono omologati per il funzionamento a metano oppure gas propano liquido. Il sistema di controllo delle emissioni è EM (Engine Modifications, Modifiche al motore).



AVVERTENZA: l'attrezzatura su cui è installato il motore è dotata di una valvola di sicurezza automatica di "intercettazione" del gas. Non utilizzare l'attrezzatura se la valvola di "intercettazione" del gas è mancante o difettosa.

Come fare rifornimento di carburante



AVVERTENZA



I vapori gassosi sono estremamente infiammabili ed esplosivi.

Un incendio oppure un'esplosione possono provocare gravi ustioni o morte.

Durante il rifornimento del carburante

- Effettuare il rifornimento in esterni oppure in un'area ben ventilata.
- Controllare frequentemente che il sistema di alimentazione, il serbatoio, il tappo e i raccordi non presentino crepe né perdite. Se necessario, sostituire le parti danneggiate.

Per informazioni sul rifornimento dei motori a metano o GPL, leggere le istruzioni per l'uso fornite dal produttore dell'attrezzatura.

Avvio del motore - Figura 3



AVVERTENZA



I vapori gassosi sono estremamente infiammabili ed esplosivi.

Un incendio oppure un'esplosione possono provocare gravi ustioni o morte.

All'avviamento del motore

- Accertarsi che candela, silenziatore e filtro dell'aria siano saldamente posizionati nelle proprie sedi.
- Non far girare il motore senza candela.



AVVERTENZA



Il motore emette monossido di carbonio, un gas inodore, incolore e velenoso.

L'inalazione di monossido di carbonio può provocare nausea, svenimento o morte.

- Avviare e far funzionare il motore all'aperto in un'area ben ventilata.
- Non avviare o far funzionare il motore in locali chiusi, anche se porte e finestre sono aperte.

ATTENZIONE: il motore viene spedito da Briggs & Stratton senza olio. Prima di avviare il motore, assicurarsi di rifornire con olio secondo le istruzioni contenute in questo manuale. Se il motore viene avviato senza olio, si danneggerà in modo irreparabile e non sarà coperto da garanzia.

1. Controllare il livello dell'olio. Vedere la sezione **Come controllare/Aggiungere l'olio**.
2. Verificare che i comandi delle attrezzature, se presenti, siano disinnestati. Consultare il manuale della specifica attrezzatura per la posizione e il funzionamento dei relativi comandi.
3. Ruotare la valvola d'intercettazione del carburante (B), se presente, in posizione ON (Figura 3). Consultare il manuale della specifica attrezzatura per la posizione e il funzionamento della valvola di intercettazione del carburante.
4. Ruotare l'interruttore di avvio elettrico (A), se presente, sulla posizione ON/di avvio. Consultare il manuale della specifica attrezzatura per la posizione e il funzionamento dell'interruttore.

Nota: se il motore non si avvia dopo tre tentativi, visitare il sito **BRIGGSandSTRATTON.COM** o contattare il numero **1-800-233-3723** (in USA).

ATTENZIONE: per estendere la durata dello starter, usare cicli di avviamento brevi (al massimo, cinque secondi). Attendere un minuto prima di ripetere il tentativo di avviamento.

Arresto del motore - Figura 3

1. Ruotare l'interruttore (A, Figura 3) per la posizione di spegnimento. Rimuovere la chiave e conservarla lontano dalla portata dei bambini.
2. Quando il motore è spento, ruotare la valvola di intercettazione del carburante (B), se presente, in posizione di chiusura.

Manutenzione

Utilizzare solo parti di ricambio di attrezzature originali. Parti non originali possono dare prestazioni inferiori, danneggiare l'unità o causare lesioni. Inoltre, l'uso di ricambi non originali può invalidare la garanzia.

Si consiglia di contattare un rivenditore autorizzato Briggs & Stratton per tutte le operazioni di assistenza e manutenzione del motore e dei relativi componenti.

ATTENZIONE: tutti i componenti utilizzati per costruire questo motore devono rimanere in posizione per un funzionamento corretto.

Controllo emissioni

La manutenzione, la riparazione o la sostituzione degli impianti e dei dispositivi per il controllo delle emissioni può essere realizzato da qualsiasi meccanico o officina per motori non stradali. Tuttavia, per ottenere un controllo delle emissioni gratuito, il lavoro deve essere eseguito da un'officina autorizzata. Consultare la Garanzia sulle emissioni.



AVVERTENZA

Una scintilla accidentale può provocare un incendio oppure una scossa elettrica.

L'avviamento accidentale può provocare schiacciamento, amputazione o lacerazione degli arti.

Rischio di incendio

Prima di eventuali regolazioni o riparazioni

- Scollegare il cavo della candela e allontanarlo.
- Usare solo strumenti corretti.
- Non manomettere le molle del regolatore, i leverismi o altre parti per aumentare la velocità del motore.
- I ricambi per il silenziatore devono essere uguali e installati nella stessa posizione dei componenti originali.
- Non battere il volano con un martello o un oggetto metallico in quanto si potrebbe lesionare ed esplodere durante il funzionamento.

In caso di verifica della scintilla

- Utilizzare sempre il tester omologato per verificare la scintilla.
- Controllare la scintilla con la candela installata.

Tabella di manutenzione

Prime 5 ore
<ul style="list-style-type: none">• Cambiare l'olio
Ogni 8 ore o giornalmente
<ul style="list-style-type: none">• Controllare il livello dell'olio• Pulire l'area intorno al silenziatore e ai comandi• Pulire il paradita (se previsto)
Ogni 25 ore oppure una volta l'anno
<ul style="list-style-type: none">• Pulire il filtro dell'aria *• Pulire il prefiltra *
Ogni 50 ore oppure una volta l'anno
<ul style="list-style-type: none">• Sostituire l'olio motore• Sostituire il filtro dell'olio (se presente)• Controllare il silenziatore e il parascintille
Annualmente
<ul style="list-style-type: none">• Sostituire il filtro dell'aria• Sostituire il prefiltra• Sostituire le candele• Pulire il sistema di raffreddamento dell'aria *• Controllare il gioco delle valvole **

* Pulire più frequentemente in condizioni di lavoro particolarmente gravose o nel caso in cui siano presenti detriti nell'aria.

** Eseguire solo in caso di problemi legati alle prestazioni.

ATTENZIONE: il costruttore dell'attrezzatura su cui è installato il motore specifica la velocità massima a cui deve funzionare il motore. **Non superare** tale velocità.

Sostituzione della candela - Figura 4

Controllare la distanza tra gli elettrodi (A, Figura 4) con uno spessimetro (B). Se necessario, ripristinare la distanza. Montare e serrare la candela al valore di coppia prescritto. Per i valori della coppia di serraggio o della distanza tra gli elettrodi, consultare il paragrafo **Specifiche**.

Nota: in alcune zone, le norme locali prescrivono l'uso di una candela schermata per eliminare i disturbi dovuti all'accensione. Se il motore è stato equipaggiato all'origine con una candela schermata, usare lo stesso tipo in caso di sostituzione.

Ispezionare il silenziatore e il parascintille - Figura 5



AVVERTENZA



I motori accesi generano calore. Le parti del motore, in particolare il silenziatore, possono diventare estremamente calde.

In caso di contatto sussiste il rischio di gravi ustioni.



I detriti infiammabili, ad esempio foglie, erba, paglia, ecc. possono incendiarsi.

- Lasciare sempre raffreddare il silenziatore, i cilindri e le alette prima di toccarli.
- Rimuovere eventuali detriti infiammabili accumulati nelle vicinanze di cilindri e silenziatore.
- Ai sensi della legge dello Stato della California (Sezione 4442 del California Public Resources Code), installare un parascintille ed accertarsi sempre che sia in buone condizioni prima di utilizzare l'attrezzatura all'interno di foreste, boschi o terreni erbosi. Altri stati possono avere leggi simili. Sui terreni federali si applicano le leggi federali.

Ispezionare il silenziatore (A, Figura 5) per crepe, corrosione o altri danneggiamenti. Rimuovere il parascintille (B), se montato, e ispezionare per danneggiamenti o presenza di residui carboniosi. In caso sia necessario procedere alla sostituzione di alcuni particolari, utilizzare solo parti di ricambio originali.



AVVERTENZA: il ricambio deve avere la stessa qualità del dispositivo originale e deve essere montato nella stessa posizione per evitare il rischio d'incendio.

Cambio dell'olio - Figura 6 7 8 9

ATTENZIONE: l'olio esausto è un prodotto di scarto dannoso e deve essere smaltito in modo appropriato. Non smaltire tra i rifiuti domestici. Verificare presso le autorità locali, i centri specializzati o il rivenditore, la presenza di un sicuro impianto di smaltimento/riciclaggio.

Rimuovere l'olio

1. Con il motore spento ma ancora caldo, scollegare il cavo della candela (A) e allontanarlo (Figura 6).
2. Rimuovere l'astina (D).

Tappo di spurgo dell'olio standard

3. Togliere il tappo di drenaggio dell'olio (B, Figura 7). Scaricare l'olio in un contenitore appropriato.

Nota: è possibile installare nel motore uno qualsiasi dei tappi di drenaggio dell'olio illustrati in basso.



4. Dopo aver scaricato l'olio, rimontare il tappo di drenaggio dell'olio e serrare.

Scarico rapido dell'olio opzionale

1. Scollegare il flessibile di scarico dell'olio (G, Figura 8) dalla parte laterale del motore.
2. Ruotare e rimuovere il tappo di scarico dell'olio (H). Abbassare delicatamente lo scarico rapido dell'olio (I) versando il contenuto in un contenitore approvato (J).
3. Dopo aver scaricato l'olio, rimontare il tappo di dell'olio. Collegare il flessibile di scarico dell'olio alla parte laterale del motore.

Sostituzione del filtro dell'olio (se previsto)

Alcuni modelli sono dotati di filtro dell'olio. Per gli intervalli di sostituzione, consultare la tabella di **Manutenzione**.

1. Scaricare l'olio dal motore. Vedere la sezione **Rimuovere l'olio**.
2. Rimuovere il filtro dell'olio (C) e smaltirlo nella maniera appropriata. Vedere Figura 9.
3. Prima di installare il nuovo filtro dell'olio, lubrificare la guarnizione del filtro dell'olio con un velo di olio fresco e pulito.
4. Installare il filtro dell'olio e serrare manualmente finché la guarnizione con tocca l'adattatore del filtro dell'olio, quindi serrare il filtro dell'olio di altri 1/2 - 3/4 di giro.
5. Rabboccare l'olio. Vedere la sezione **Rabbocco dell'olio**.
6. Avviare e far funzionare il motore. Quando il motore si è riscaldato, controllare che non siano presenti perdite d'olio.
7. Spegnerne il motore e controllare il livello dell'olio, che deve raggiungere il segno FULL sull'astina di livello.

Rifornire di olio

- Posizionare il motore su una superficie piana.
 - Pulire l'area di riempimento dell'olio da eventuali detriti.
 - Vedere la sezione **Dati tecnici** per la capacità di olio motore.
1. Rimuovere l'astina (D) e asciugare con un panno pulito (Figura 6).
 2. Versare lentamente l'olio nel tappo di rifornimento del motore (E). **Non rabboccare eccessivamente.** Dopo aver rabboccato l'olio, attendere un minuto e ricontrollare il livello dell'olio.
 3. Installare e serrare il tappo con l'astina di livello.
 4. Rimuovere l'asta di livello e controllare il livello dell'olio, che deve raggiungere il segno FULL (F) sull'asta di livello.
 5. Installare e serrare il tappo con l'astina di livello.

Manutenzione del filtro dell'aria - Figura 10



AVVERTENZA



I vapori gassosi sono estremamente infiammabili ed esplosivi. Un incendio oppure un'esplosione possono provocare gravi ustioni o morte.

- Non avviare o mettere in funzione il motore senza il gruppo del filtro o il filtro dell'aria

ATTENZIONE: non utilizzare aria compressa o solventi per pulire il filtro. L'aria compressa può danneggiare il filtro e i solventi possono scioglierlo.

Il sistema del filtro dell'aria utilizza una cartuccia ovale o piatta. Alcuni modelli sono inoltre dotati di un prefiltro che può essere lavato e riutilizzato.

Filtro dell'aria piatto

1. Tirare l'impugnatura del coperchio (A, Figura 10). Ruotare l'impugnatura verso il motore e rimuovere il coperchio (B).
2. Rimuovere il prefiltro (C), se presente, e il filtro (D).
3. Per far staccare lo sporco, picchiare leggermente il filtro su una superficie dura. Se il filtro è eccessivamente sporco, sostituirlo.
4. Lavare il prefiltro in un detergente liquido diluito in acqua. Farlo asciugare completamente. **Non** ungere il prefiltro.
5. Montare il prefiltro asciutto e il filtro sulla base del motore (E).
6. Allineare le linguette (F) del coperchio con le asole (G) del convogliatore aria. Ruotare l'impugnatura del coperchio e spingerlo verso il basso per bloccarlo in posizione.

Pulizia del sistema di raffreddamento dell'aria - Figura 11



AVVERTENZA



I motori accesi generano calore. Le parti del motore, in particolare il silenziatore, possono diventare estremamente calde.

In caso di contatto sussiste il rischio di gravi ustioni.



I detriti infiammabili, ad esempio foglie, erba, paglia, ecc. possono incendiarsi.

- Lasciare sempre raffreddare il silenziatore, i cilindri e le alette prima di toccarli.
- Rimuovere eventuali detriti infiammabili accumulati nelle vicinanze di cilindri e silenziatore.

ATTENZIONE: non utilizzare acqua per pulire il motore. L'acqua potrebbe contaminare il sistema di carburante. Utilizzare un pennello o un panno asciutto per pulire il motore. Si tratta di un motore raffreddato ad aria. La presenza di sporco o detriti può restringere il flusso dell'aria, causare il surriscaldamento del motore e ridurre le prestazioni e la durata del motore.

Utilizzare un pennello o un panno asciutto per rimuovere lo sporco dalla protezione per le dita/dallo schermo rotante (A). Tenere puliti i collegamenti, le molle e i comandi (B). Mantenere l'area circostante e posteriore del silenziatore (C) pulita da detriti infiammabili (Figura 11).

Rimessaggio



AVVERTENZA



I vapori gassosi sono estremamente infiammabili ed esplosivi.

Un incendio oppure un'esplosione possono provocare gravi ustioni o morte.



Immagazzinaggio del dispositivo con il combustibile nel serbatoio

- Conservare lontano da forni, stufe, caldaie o altri dispositivi con fiamme pilota o altre fonti di accensione in grado di infiammare i vapori gassosi.

Olio motore

Con il motore ancora caldo, sostituire l'olio motore.

Ricerca dei guasti

Serve assistenza? Visitate BRIGGSandSTRATTON.COM o contattate il numero **1-800-233-3723**.

Specifiche

Specifiche del motore	
Modello	310000
Cilindrata	30,52 ci (500 cc)
Alesaggio	3,563 pollici (90,49 mm)
Corsa	3,062 pollici (77,77 mm)
Capacità dell'olio, con filtro	46 - 48 once (1,36 - 1,40 L)
Specifiche di messa a punto*	
Modello	310000
Distanza elettrodo candele	0,030 pollici (0,76 mm)
Coppia di serraggio candela	180 libbre-pollici (20 Nm)
Intraferro indotto	0,010 - 0,014 pollici (0,25 - 0,36 mm)
Gioco punteria valvola di aspirazione	0,003 - 0,005 pollici (0,08 - 0,13 mm)
Gioco punteria valvola di scarico	0,005 - 0,007 pollici (0,13 - 0,18 mm)

* La potenza erogata dal motore diminuirà del 3,5% per ogni 300 metri (1.000 piedi) di altitudine e dell'1% ogni 10° F (5,6° C) oltre 77° F (25° C). Il motore funzionerà in modo soddisfacente a un angolo fino a 15°. Fare riferimento al Manuale dell'operatore dell'attrezzatura per i limiti di funzionamento in sicurezza sui tratti in pendenza.

Ricambi comuni

Parte per la manutenzione	Codice
Filtro aria, piatto	790263
prefiltro, per filtro piatto	697015
Filtro dell'olio	492932, 5049
Olio, SAE 30 (20 oz, 0,6 L)	100005
Olio - SAE 30 (48 oz, 1,4 L)	100028
Candela con resistore	491055
Candela al platino a lunga durata	5066
Chiave per candele	89838, 5023
Tester di scintilla	19368

✓ Si consiglia di contattare un rivenditore autorizzato Briggs & Stratton per tutte le operazioni di assistenza e manutenzione del motore e dei relativi componenti. Utilizzare esclusivamente ricambi originali Briggs & Stratton.

GARANZIA LIMITATA

La Briggs & Stratton Corporation riparerà o sostituirà gratuitamente la parte o le parti del motore che dimostrino la presenza di difetti nel materiale o nelle lavorazioni, o entrambi. Tutte le spese di trasporto dei prodotti destinati alla riparazione o sostituzione coperti dalla presente garanzia sono a carico dell'acquirente. La presente garanzia è valida per il periodo di tempo indicato ed è soggetta alle condizioni indicate di seguito. Per il servizio in garanzia, rivolgetevi al Centro di Assistenza Briggs & Stratton più vicino, che potete trovare con il nostro Dealer Locator all'indirizzo BRIGGSandSTRATTON.COM o chiamando il numero 1-800-233-3723, oppure sulle 'Pagine Gialle'.

Non viene riconosciuta nessun'altra garanzia esplicita. Le garanzie implicite, incluse quelle di commerciabilità e adattabilità a scopi particolari, sono limitate a un anno dall'acquisto o al periodo di tempo previsto per legge e tutte le garanzie implicite vengono escluse. La responsabilità per i danni incidentali e consequenziali è esclusa nei termini previsti dalla legge. Alcuni stati o paesi non consentono limitazioni sulla durata della garanzia implicita e alcuni stati o paesi non consentono l'esclusione o la limitazione dei danni incidentali o consequenziali, quindi tali limitazioni o esclusioni non si applicano in questi casi. Questa garanzia dà all'acquirente specifici diritti legali ma lo stesso può avere altri diritti che variano di stato in stato e di paese in paese.

TERMINI STANDARD DI GARANZI * ◀

Marchio/Tipo di prodotto	Uso privato	Uso commerciale
Vanguard™	2 anni	2 anni
Extended Life Series™, I/C®, Intek™ I/C®, Intek™ Pro	2 anni	1 anno
Serie da neve MAX™ caratterizzata dal cilindro in ghisa Dura-Bore™	2 anni	1 anno
Tutti gli altri motori Briggs & Stratton	2 anni	90 giorni

* Si tratta dei termini standard di garanzia, ma occasionalmente può essere prevista un'ulteriore copertura della garanzia, non determinato al momento della pubblicazione. Per un elenco completo dei termini di garanzia attuali, applicati al proprio motore, visitare il sito Web BRIGGSandSTRATTON.COM, oppure contattare il centro di assistenza autorizzato Briggs & Stratton.

▲ I motori utilizzati in applicazioni di generazione domestica in standby sono garantiti solo per l'utilizzo da parte dei clienti. Tale garanzia non è applicabile ai motori o ai dispositivi utilizzati per fornire potenza al posto di un accessorio. **La garanzia non è valida sui motori utilizzati per corse o su tratte commerciali o da noleggio.**

Il periodo di garanzia inizia alla data di acquisto del primo consumatore o utente professionale si conclude come indicato nella tabella. Per "uso privato" si intende l'utilizzo effettuato da un acquirente al dettaglio presso la propria residenza. Per "uso professionale" si intendono tutti gli altri tipi di utilizzo, l'utilizzo professionale, l'uso per conto terzi e il noleggio. Dopo che un motore è stato utilizzato ad uso professionale, sarà sempre classificato come motore per uso professionale ai fini di questa polizza di garanzia.

Non è necessario compilare alcuna cedola per ottenere la garanzia sui prodotti Briggs & Stratton. conservare la ricevuta di acquisto. se la ricevuta di acquisto non viene presentata alla richiesta di una riparazione in garanzia, per determinare il periodo di validità della garanzia verrà utilizzata la data di produzione del prodotto.

Informazioni sulla garanzia

La Briggs & Stratton è lieta di effettuare le riparazioni in garanzia e si scusa per gli eventuali inconvenienti. Le riparazioni in garanzia possono essere eseguite presso tutti i Centri di Assistenza Autorizzati. La maggior parte delle richieste di garanzia viene di norma gestito celermente come semplice procedura di routine; tuttavia, alcune richieste di garanzia non appaiono giustificate.

Se non viene trovato un accordo con il Centro di Assistenza interpellato, verrà svolta una ricerca allo scopo di determinare l'effettiva applicabilità della garanzia. Richiedere al Centro di Assistenza di sottoporre tutti i fatti giustificativi all'attenzione del proprio Distributore o al Produttore per un esame più approfondito. Se il Distributore o il Produttore decidono che la richiesta è giustificata, il costo per i pezzi ritenuti difettosi viene completamente rimborsato. Per evitare fraintendimenti che possano verificarsi tra i proprietari ed i Concessionari, elenchiamo di seguito alcune delle cause di guasto la cui riparazione o sostituzione non è coperta dalla garanzia Briggs & Stratton.

Usura normale: i motori, come tutti i dispositivi meccanici, devono essere sottoposti a interventi di manutenzione periodica e sostituzione delle parti per funzionare bene. La garanzia non copre le riparazioni quando l'utilizzo normale ha portato una parte o il motore alla fine della vita utile. La garanzia non si applica a motori danneggiati a causa di cattivo utilizzo, assenza di manutenzione di routine, spedizioni, usi, stoccaggi o installazioni non corretti. Allo stesso modo, la garanzia non è valida se il numero di serie del prodotto è stato rimosso oppure se il motore è stato alterato o modificato.

Manutenzione non accurata: La vita utile di qualsiasi motore dipende dalla cura prestatagli e dalle condizioni in cui si trova ad operare. Alcune applicazioni, quali motozappe, pompe, falciatrici rotative, vengono molto spesso usate in condizioni polverose o sporche causando un'usura prematura. Tale usura, nel caso in cui venga causata dalla sporcizia, dalla polvere, da residui di graniglia provenienti dalla pulizia della candela o da altro materiale abrasivo penetrato all'interno del motore a causa di una manutenzione non accurata, non è coperta dalla garanzia.

La presente garanzia copre esclusivamente i difetti del motore dovuti a difetti di materiale e/o lavorazione e non la sostituzione o il rimborso dell'attrezzatura sulla quale il motore può essere installato. La garanzia non è estesa alle riparazioni dovute a:

1 Problemi causati dall'uso di pezzi non originali Briggs & Stratton.

- Comandi dell'attrezzatura o installazioni che impediscono l'avviamento, provocano un insoddisfacente rendimento del motore o ne riducono la durata. (Rivolgersi al produttore dell'attrezzatura).
- Perdite dal carburatore, tubi del carburante occlusi, valvole bloccate o altri danni causati dall'uso di carburante impuro o vecchio.
- Parti intaccate o rotte in seguito al funzionamento del motore con lubrificante insufficiente, impuro o di gradazione inadeguata (rabboccare se necessario e cambiare l'olio agli intervalli consigliati). OIL GARD potrebbe non spegnere il motore in caso di livello dell'olio insufficiente con conseguenti danni al motore.
- Riparazioni o regolazioni di parti combinate o di gruppi, quali frizioni, trasmissioni, comandi a distanza, ecc., non prodotti dalla Briggs & Stratton.
- Danni o usura di parti del motore causati da sporcizia penetrata all'interno del motore a causa di manutenzione e rimontaggio non corretti del filtro dell'aria nonché utilizzo di elemento o cartuccia del filtro dell'aria non originali. Agli intervalli consigliati, pulire e/o sostituire il filtro come indicato nel Manuale dell'Operatore.
- Parti danneggiate da velocità eccessiva o surriscaldamento del motore in seguito ad intasamento delle alette di raffreddamento o dell'area del volano con erba, detriti o sporcizia nonché da uso del motore in aree chiuse con ventilazione insufficiente. Rimuovere i detriti dal motore agli intervalli consigliati come indicato nel Manuale dell'Operatore.
- Parti del motore o dell'attrezzatura rotte a causa di vibrazioni eccessive causate da un cattivo fissaggio del motore alla macchina, lame di taglio non bloccate, lame o giranti sbilanciate o allentate, accoppiamento inadeguato della macchina all'albero motore, velocità eccessiva o abuso del motore stesso.
- Albero a gomiti piegato o rotto, probabile conseguenza dell'urto contro un oggetto solido da parte della lama di taglio di una falciatrice rotativa oppure a causa di un'eccessiva tensione della cinghia trapezoidale.
- Messa a punto periodica o regolazione del motore.

La garanzia è disponibile solo presso i Centri di Assistenza Autorizzati Briggs & Stratton Corporation. Potete trovare il Centro di Assistenza Autorizzato più vicino con il nostro Dealer Locator all'indirizzo BRIGGSandSTRATTON.COM o chiamando il numero 1-800-233-3723, oppure sulle 'Pagine Gialle'.

Algemene informatie

Noteer voor vervangingsonderdelen of technische ondersteuning de motor model-, type- en codenummers en de aanschafdatum. Deze nummers bevinden zich op uw motor (zie de *Kenmerken en bedieningen* pag).

Aanschafdatum: _____
MM/DD/JJJJ

Motor model: _____
Model: Type: Code:

Motorvermogen klasseringinformatie

De bruto vermogenklassering voor individuele benzine motormodellen is gelabeld in overeenstemming met SAE (Society of Automotive Engineers) code J1940 (Vermogen Kleine Motoren & Procedure Koppelklassering) en het geclassificeerde vermogen is verkregen en gecorrigeerd in overeenstemming met SAE J1995 (Revisie 2002-05). Koppelwaarden zijn verkregen bij 3060 t/min., vermogenwaarden zijn verkregen bij 3600 t/min. Het werkelijk bruto motorvermogen zal lager zijn en wordt beïnvloed door onder andere omgevingsbedrijfsomstandigheden en verschillen van motor tot motor. Vanwege de grote verscheidenheid aan machines waarop motoren geplaatst zijn en de verscheidenheid aan omgevingsaspecten met betrekking tot het gebruik van de machine, kan de benzinemotor mogelijk niet het opgegeven bruto vermogen leveren indien gebruikt in een bepaalde machine (werkelijk "beschikbaar" of netto vermogen). Dit verschil wordt veroorzaakt door allerlei factoren zoals, maar niet beperkt tot, accessoires (luchtfilter, uitlaat, laden, koelen, carburateur, brandstofpomp, enz.), beperkingen van de toepassing, bedrijfsomstandigheden (temperatuur, luchtvochtigheid, hoogte) en verschillen van motor tot motor. Vanwege beperkingen met betrekking tot fabricage en capaciteit, kan Briggs & Stratton een motor met een hogere vermogenklassering leveren om de motor van deze motorseries te vervangen.

Gebruiker veiligheid

VEILIGHEID EN BEDIENINGSSYMBOLEN



Brand



Bewegende Delen



Olie



Giftige Dampen



Snel



Langzaam



Stop



Explosie



Schok



Brandstof



Choke



Aan Uit



Brandstofkraan



Terugslag



Draag Oogbescherming



Gevaarlijke chemische stof



Lees de gebruiksaanwijzing




Heet Oppervlak



Bevriezing

Symbolen en Waarschuwingen

Het veiligheid waarschuwingssymbool  wordt gebruikt om veiligheidsinformatie te identificeren over gevaren die kunnen resulteren in persoonlijk letsel. Een signaalwoord (GEVAAR, WAARSCHUWING, of OPGEPAST) wordt met het waarschuwingssymbool gebruikt om de waarschijnlijkheid en de potentiële ernst van het letsel aan te geven. Daarbij kan een gevarensymbool gebruikt worden om het soort gevaar aan te geven.



GEVAAR duidt op een gevaar dat, indien niet voorkomen, zal resulteren in de dood of ernstig letsel.



WAARSCHUWING duidt op een gevaar dat, indien niet voorkomen, kan resulteren in de dood of ernstig letsel.



OPGEPAST duidt op een gevaar dat, indien niet vermeden, kan resulteren in licht of matig letsel.

OPGEPAST, indien gebruikt **zonder** het waarschuwingssymbool, geeft een situatie aan die kan resulteren in schade aan de machine.



WAARSCHUWING

De uitlaatgassen van dit product bevatten chemicaliën die in de Staat Californië bekend staan kanker, geboortefwijkingen of andere reproductieve schade te kunnen veroorzaken.



WAARSCHUWING

Briggs & Stratton keurt het gebruik niet goed of autoriseert het gebruik van deze motor niet voor toepassing op 3-wielige "Alle Terrein Voertuigen" (ATV's), motorfietsen, plezier/recreatie go-karts, vliegtuigproducten of voertuigen die bedoeld zijn voor wedstrijden. Het gebruik van deze motoren voor zulke toepassingen kan resulteren in beschadiging van eigendommen, ernstig letsel (inclusief verlamming) of zelfs de dood.

OPGEPAST: Deze motor is door Briggs & Stratton zonder olie verzonden. Voeg, voordat U de motor start olie bij volgens de instructies van deze handleiding. Wanneer U de motor zonder olie start, zal deze onherstelbaar beschadigd raken en dit zal niet door garantie gedekt zijn.



WAARSCHUWING



Gasvormige dampen zijn uiterst brandbaar en explosief.

Brand of explosie kunnen ernstige brandwonden of de dood veroorzaken.

Bij het toevoegen van brandstof

- Vul de brandstoftank buitenshuis of in een goed geventileerde omgeving.
- Controleer brandstofslangen, tank, dop en nippels regelmatig op barsten of lekkages. Zonodig vervangen.

Bij het starten van de motor

- Zorg ervoor dat bougie, uitlaat en luchtfilter (indien hiermee uitgerust) op hun plaats en stevig bevestigd zijn.
- Torn de motor niet indien de bougie verwijderd is.

Bij Het Gebruik Van De Machine

- Start of gebruik de motor nooit met verwijderde luchtfilter (indien hiermee uitgerust).

Bij het transporteren van de machine

- Een Aardgas/LPG motor transporteren met lege brandstofcilinder of gesloten afsluiter, of met ontkoppelde tank.

Bij Het Opslaan Van De Machine Met Brandstof In De Tank

- Opslaan uit de buurt van fornuizen, kachels, geisers of andere apparaten die een waakvlam bevatten of andere ontstekingsbronnen, omdat deze gasvormige dampen kunnen doen ontbranden.



WAARSCHUWING



Het starten van de motor creëert vonken.

Vonken kunnen brandbare gassen ontsteken die zich in de buurt bevinden.

Explosie en brand kunnen het resultaat zijn.

- Indien zich aardgas of LPG lekkage in de buurt bevindt, de motor niet starten.
- Gebruik geen onder druk staande startvloeistoffen omdat de dampen brandbaar zijn.



WAARSCHUWING



Motoren geven koolmonoxide af, een reukloos, kleurloos, gifgas.

Het inademen van koolmonoxide kan misselijkheid, flauwvallen of de dood veroorzaken.

- Start en gebruik de motor buiten.
- De motor niet in een afgesloten ruimte starten of gebruiken, zelfs niet met open deuren of ramen.



WAARSCHUWING

Snel terugtrekken van het startkoord (terugslag) zal uw hand en arm sneller naar de motor toetrekken dan U kunt loslaten.



Gebroken botten, kneuzingen of verstuikingen kunnen het resultaat zijn.

- Trek bij het starten van de motor het koord langzaam uit tot er weerstand gevoeld wordt en trek het koord dan snel uit om terugslag te voorkomen.
- Verwijder alle externe machine/motorbelastingen voordat de motor gestart wordt.
- Direct verbonden machinecomponenten zoals, maar niet beperkt tot, messen, aandrijvingen, poelies, tandwielen enz., moeten stevig bevestigd zijn.



WAARSCHUWING

Handen, voeten, haar, kleren, of accessoires kunnen in aanraking komen met- en verstrikt raken in draaiende onderdelen.



Traumatische amputatie of ernstige verscheuring kan het resultaat zijn.

- De machine gebruiken met afschermingen op hun plaats.
- Houd handen en voeten weg van draaiende delen.
- Bind lang haar op en verwijder sierraden.
- Draag geen loszittende kleding, hangende koorden of zaken die verstrikt kunnen raken.



WAARSCHUWING

Draaiende motoren produceren hitte. Motoronderdelen, vooral de uitlaat, worden uiterst heet.



Ernstige brandwonden kunnen optreden bij contact.

Brandbaar vuil, zoals bladeren, gras, hout, enz., kan in brand geraken.



- Laat uitlaat, motorcilinder en vinnen afkoelen voordat deze aangeraakt worden.
- Verwijder opgehoopt vuil van het uitlaat- en cilindergebied.
- Installeer een vonkenvanger en houd deze in goede staat voordat de machine wordt gebruikt op bebost, met gras of struiken bedekt ongecultiveerd land. De staat Californië vereist dit (Sectie 4442 van de California Public Resources Code). Andere staten kunnen gelijkwaardige wetten hebben. Federale wetten zijn van toepassing op federaal land.



WAARSCHUWING

Per ongeluk vonken kan resulteren in brand of een elektrische schok.



Per ongeluk starten kan resulteren in verwarring, traumatische amputatie, of verscheuring.

Brandgevaar



Voordat afstellingen of reparaties worden uitgevoerd:

- Ontkoppel de bougiekabel en houd deze weg van de bougie.
- Ontkoppel de accu bij de negatieve aansluiting (alleen motoren met elektrostart).
- Gebruik uitsluitend de juiste gereedschappen.
- Verander niets aan reguleerveren, verbindingstangen of andere onderdelen om het motortoerental te verhogen.
- Vervangingsonderdelen voor de uitlaat moeten hetzelfde zijn en op dezelfde manier geïnstalleerd worden als de originele onderdelen.
- Sla niet met een hamer of hard voorwerp tegen het vliegwiel omdat het vliegwiel anders later uit elkaar kan vliegen tijdens bedrijf.

Bij het controleren op vonken:

- Gebruik een goedgekeurde vonktester.
- Controleer niet op vonken met de bougie verwijderd.



WAARSCHUWING

Gasvormige brandstoffen zijn uiterst brandbaar en vormen snel explosieve lucht/damp mengsels bij omgevingstemperaturen.



Wanneer U gas ruikt

- **Start de motor niet.**
- **Bedien geen** elektrische schakelaars.
- **Gebruik geen** telefoon in de nabijheid.
- Verlaat het gebied, raadpleeg dan de gasleverancier of de brandweer.



WAARSCHUWING

Draag oogbescherming bij het uitvoeren van reparaties.



Bevriezing kan het gevolg zijn van huid/oogcontact met lekkende LPG vloeistof.



- Installatie, afstelling en reparatie dient uitgevoerd te worden door een gekwalificeerde technicus.
- Controleer regelmatig flexibele toevoerslangen. Zorg ervoor dat deze in goede staat zijn. Vervang beschadigde of lekke componenten.



WAARSCHUWING

Een ontbrekende of niet goed werkende “brandstof afsluiter” kan brand of explosie veroorzaken.



- **Gebruik de machine niet** wanneer de “brandstof afsluiter” ontbreekt of defect is.

Kenmerken en bedieningen

Vergelijk de afbeelding **1** met uw motor om Uzelf vertrouwd te maken met de plaats van de diverse kenmerken en bedieningen.

- A. Motoridentificatie
Model Type Code
- B. Bougie
- C. Luchtfilter
- D. Peilstok
- E. Olie aftapplug
- F. Uitlaat
Uitlaatafscherming (optie)
Vonkenvanger (optie)
- G. Roterend Scherm
- H. Oliefilter
- I. Elektrische Starter
- J. LPG/NG-menger
- K. Snelle olie aftap (optie)

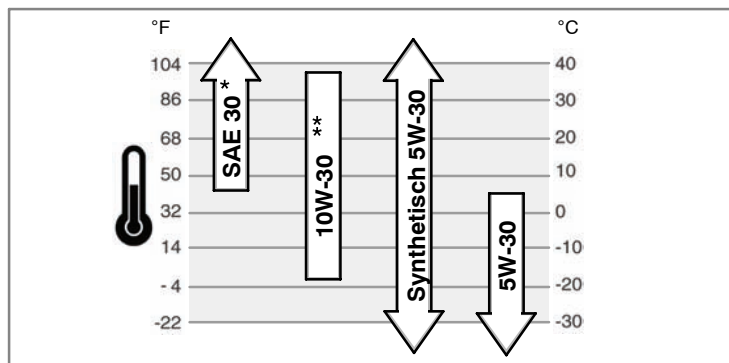
Werking

Oliecapaciteit (zie het **Specificaties** hoofdstuk)

Olie Aanbevelingen

Wij raden voor de beste prestaties het gebruik aan van Briggs & Stratton garantiegecertificeerde olie. Andere hoge kwaliteit olie is aanvaardbaar wanneer deze geclassificeerd is "for service SF, SG, SH, SJ" of hoger. Gebruik geen speciale toevoegingen.

De buitentemperaturen bepalen de juiste olieviscositeit voor de motor. Gebruik de kaart om de beste viscositeit te bepalen voor het verwachte buitentemperatuurbereik.



* Wordt SAE 30 olie gebruikt bij temperaturen onder 4°C, dan leidt dat tot slecht starten.

** Het gebruik van 10W-30 bij temperaturen boven 27°C zal resulteren in hoger olieoverbruik. Controleer het oliepeil vaker.

Olie controleren/bijvullen - Fig. 2

Voordat de olie bijgevuld of gecontroleerd wordt

- Plaats de motor waterpas.
- Reinig rond de olieulopening.
- 1. Verwijder de peilstok (A) en veeg deze af met een schone doek (Fig. 2).
- 2. Installeer de peilstok en draai deze vast.
- 3. Verwijder de peilstok en controleer het oliepeil. Het moet tot de "FULL" (=vol) markering (B) op de peilstok zijn.
- 4. Indien laag, langzaam olie bijvullen via de olieulopening van de motor (C). **Niet overvullen.** Wacht na het olie bijvullen een minuut en controleer dan opnieuw het oliepeil.
Noot: Vul geen olie bij via de snelle olie aftap (K, Fig. 1) (indien hiermee uitgerust).
- 5. Breng de peilstok weer aan en draai hem vast.

Oliedruk

Indien de oliedruk te laag is, dan zal een drukschakelaar (indien hiermee uitgerust) de motor stoppen of een waarschuwing op de machine activeren. Stop wanneer dit optreedt de motor en controleer het oliepeil met de peilstok.

Indien het oliepeil zich onder de "ADD" (=bijvullen) markering bevindt, voeg dan olie bij tot deze de "FULL" markering bereikt. Start de motor en controleer op een juiste druk voordat de machine weer gebruikt wordt.

Indien het oliepeil zich bevindt tussen de markeringen "ADD" (=bijvullen) en "FULL" (=vol), **de motor niet starten.** Raadpleeg een geautoriseerde Briggs & Stratton Dealer om het probleem met de oliedruk te verhelpen.

Brandstof Aanbevelingen



WAARSCHUWING



Een ontbrekende of defecte "brandstof afsluiter" kan brand of een explosie veroorzaken.

- Gebruik de machine niet wanneer de "brandstof afsluiter" ontbreekt of defect is.

Brandstof moet aan deze voorwaarden voldoen:

- Gebruik schone, droge brandstof, vrij van vocht of welk materiaal dan ook. Het gebruik van brandstoffen anders dan de aanbevolen waarden kan prestatieproblemen veroorzaken.
- In motoren die zijn ingericht voor gebruik op LPG, wordt HD5 LPG aanbevolen. De aanbevolen brandstofsamenstelling is brandstof met een minimum brandstofenergie van 22250 k-cal/m³ met een maximum propyleeninhoud van 5% en butaan en zwaarder gas inhoud van 2,5% en minimum propaan inhoud van 90%.

Aardgas of LPG motoren zijn gecertificeerd om gebruikt te worden op aardgas of vloeibaar propaan. Het emissie beheersingsysteem van deze motor is EM (Engine Modifications).



WAARSCHUWING: De machine waarop de motor is geïnstalleerd is voorzien van een automatische gas "brandstof afsluiter". Gebruik de machine niet wanneer de "brandstof afsluiter" ontbreekt of defect is.

Brandstof bijvullen



WAARSCHUWING



Benzinedampen zijn uiterst brandbaar en explosief.

Brand of explosie kunnen ernstige brandwonden of de dood veroorzaken.

Bij het toevoegen van brandstof

- Vul de brandstoftank buitenshuis of in een goed geventileerde omgeving.
- Controleer brandstofslangen, tank, dop en nippels regelmatig op barsten of lekkages. Zonodig vervangen.

Lees de gebruiksaanwijzing die door de machinefabrikant is meegeleverd voor informatie over het bijtanken van een aardgas of LPG motor.

De Motor Starten - Fig. 3



WAARSCHUWING



Benzinedampen zijn uiterst brandbaar en explosief.

Brand of explosie kunnen ernstige brandwonden of de dood veroorzaken.

Bij het starten van de motor

- Zorg ervoor dat bougie, uitlaat en luchtfilter op hun plaats en stevig bevestigd zijn.
- Torn de motor niet indien de bougie verwijderd is.



WAARSCHUWING



Motoren geven koolmonoxide af, een reukloos, kleurloos, gifgas.

Het inademen van koolmonoxide kan misselijkheid, flauwvallen of de dood veroorzaken.

- Start en gebruik de motor buiten.
- De motor niet in een afgesloten ruimte starten of gebruiken, zelfs niet met open deuren of ramen.

OPGEPAST: Deze motor is door Briggs & Stratton zonder olie verzonden. Zorg er voordat U de motor start voor dat olie volgens de instructies in deze handleiding wordt bijgevoerd. Wanneer U de motor zonder olie start, zal deze onherstelbaar beschadigen en dit zal niet door garantie gedekt zijn.

1. Controleer het oliepeil. Zie het **Olie controleren/toevoegen** hoofdstuk.
2. Zorg ervoor dat de aandrijvingbedieningen van de machine, indien hiermee uitgerust, ontkoppeld zijn. Raadpleeg de handleiding van de machine voor de plaats en werking van deze bedieningen.
3. Draai de brandstofkraan (B), indien hiermee uitgerust open (Fig. 3). Raadpleeg de handleiding van de machine voor de locatie en werking van de brandstofkraan.
4. Draai de start sleutel (A), indien hiermee uitgerust naar de stand "ON" (=aan/"start". Raadpleeg de handleiding van de machine voor de plaats en werking van het startslot.

Noot: Indien de motor niet na drie pogingen start, ga dan naar BRIGGSandSTRATTON.COM of raadpleeg een dealer.

OPGEPAST: Start om de levensduur van de startmotor te verlengen steeds kortstondig (vijf seconden maximaal). Wacht een minuut tussen twee startpogingen.

De motor stoppen - Fig. 3

1. Draai het startslot (A, Fig. 3) naar de stand "OFF" (=uit). Verwijder de sleutel en bewaar deze op een veilige plaats buiten het bereik van kinderen.

2. Draai nadat de motor stopt de brandstofkraan (B) dicht, indien hiermee uitgerust.

Onderhoud

Gebruik uitsluitend originele onderdelen. Andere onderdelen kunnen mogelijk niet zo goed presteren, schade aan de machine veroorzaken of resulteren in persoonlijk letsel. Ook kan het gebruik van andere onderdelen uw garantie ongeldig doen maken.

Wij adviseren dat U voor al het onderhoud en alle service aan de motor en de motoronderdelen een geautoriseerde Briggs & Stratton dealer raadpleegt.

OPGEPAST: Alle componenten die zijn gebruikt om deze motor te bouwen moeten op hun plaats blijven voor een juiste werking.

Emissie Beheersing

Onderhoud, vervanging of reparatie van emissiebeheersing voorzieningen en systemen kunnen uitgevoerd worden door elke reparatie-inrichting of -individu voor "non-road" motoren. Echter, voor het verkrijgen van gratis emissiebeheersing service moet het werk worden uitgevoerd door een door de fabriek geautoriseerde dealer. Zie de Emissies Garantie.



WAARSCHUWING

Per ongeluk vonken kan resulteren in brand of een elektrische schok. Per ongeluk starten kan resulteren in verwarring, traumatische amputatie, of verscheuring. Brandgevaar

Voordat afstellingen of reparaties worden uitgevoerd:

- Ontkoppel de bougiekabel en houd deze weg van de bougie.
- Gebruik uitsluitend de juiste gereedschappen.
- Verander niets aan reguleerveren, verbindingstangen of andere onderdelen om het motortoerental te verhogen.
- Vervangingsonderdelen voor de uitlaat moeten hetzelfde zijn en op dezelfde manier geïnstalleerd worden als de originele onderdelen.
- Sla niet met een hamer of hard voorwerp tegen het vliegwiel omdat het vliegwiel anders later uit elkaar kan vliegen tijdens bedrijf.

Bij het controleren op vonken:

- Gebruik een goedgekeurde vonktester.
- Controleer niet op vonken met de bougie verwijderd.

Onderhoudskaart

Eerste 5 uur
• Olie verversen
Iedere 8 uur of dagelijks
• Motoroliepeil controleren
• Reinigen rond uitlaat en bedieningen
• Reinig de vingerbeschermers (indien hiermee uitgerust)
Iedere 25 uur of jaarlijks
• Luchtfilter reinigen *
• Voorfilter reinigen *
Iedere 50 uur of jaarlijks
• Motorolie verversen
• Oliefilter vervangen (indien aanwezig)
• Uitlaat en vonkvangervangert controleren
Jaarlijks
• Luchtfilter vervangen
• Voorfilter vervangen
• Bougie vervangen
• Luchtkoelsysteem reinigen *
• Klepbeurt controleren **

* Vaker reinigen onder stoffige omstandigheden of wanneer zich veel zwevend vuil in de omgeving bevindt.

** Niet nodig tenzij zich prestatieproblemen van de motor voordoen.

OPGEPAST: De fabrikant van de machine waarop deze motor is geïnstalleerd specificeert het maximum toerental waarop de motor gebruikt zal worden. **Overtref** dit toerental niet.

De bougie vervangen - Fig. 4

Controleer de elektrodeafstand (A, Fig. 4) met een draadvoeler (B). Verstel zonodig de opening. Installeer de bougie en draai deze vast met het aanbevolen aanhaalkoppel. Zie voor afstelling van de opening of het aanhaalkoppel het **Specificaties** hoofdstuk.

Noot: In sommige gebieden schrijven plaatselijke wetten het gebruik voor van een weerstandsbougie om ontstekingsignalen te onderdrukken. Indien deze motor origineel was uitgerust met een weerstandsbougie, gebruik dan voor vervanging hetzelfde type bougie.

Uitlaat en vonkvangervangert inspecteren - Fig. 5



WAARSCHUWING



Draaiende motoren produceren hitte. Motoronderdelen, vooral de uitlaat, worden uiterst heet.



Ernstige brandwonden kunnen optreden bij contact.

Brandbaar vuil, zoals bladeren, gras, hout, enz., kan in brand geraken.

- Laat uitlaat, motorcilinder en vinnen afkoelen voordat deze aangeraakt worden.
- Verwijder opgehoopt vuil van het uitlaat- en cilindergebied.
- Installeer een vonkvangervangert en houd deze in goede staat voordat de machine wordt gebruikt op bebost, met gras of struiken bedekt ongecultiveerd land. De staat Californië vereist dit (Sectie 4442 van de California Public Resources Code). Andere staten kunnen gelijkwaardige wetten hebben. Federale wetten zijn van toepassing op federaal land.

Inspecteer de uitlaat (A, Fig. 5) op barsten, corrosie of andere beschadiging. Verwijder de vonkvangervangert (B), indien hiermee uitgerust en inspecteer deze op beschadiging of koolverstopping. Zorg er, als vervanging nodig is, voor dat uitsluitend originele onderdelen gebruikt worden.



WAARSCHUWING: Vervangingsonderdelen moeten origineel zijn en op dezelfde manier gemonteerd worden als de oorspronkelijke onderdelen, anders kan brand optreden.

De olie vervangen - Fig. 6 7 8 9

OPGEPAST: Gebruikte olie is gevaarlijk afval en moet op de juiste manier weggegooid worden. Niet met huishoudelijk afval weggooien. Raadpleeg de plaatselijke instanties, het servicecentrum of de dealer voor veilige manieren om weg te gooien/te recyclen.

Olie verwijderen

1. Ontkoppel, met de motor uit maar nog steeds warm, de bougiekabel (A) en houd deze weg van de bougie (Fig. 6).
2. Verwijder de peilstok (D).

Standaard olie aftapplug

3. Verwijder de olie aftapplug (B, Fig. 7). Tap de olie af in een goedgekeurde opvangbak.

Noot: Elke olie aftapplug die getoond is kan in de motor gemonteerd zijn.



4. Installeer nadat de olie is afgetapt de olie aftapplug en draai deze vast.

Optionele snelle olie aftap

1. Ontkoppel de olie aftapslang (G, Fig. 8) van de zijkant van de motor.
2. Draai en verwijder de olie aftapdoop (H). Laat de snelle olie aftap voorzichtig (I) in een goedgekeurde container zakken (J).
3. Installeer nadat de olie is afgetapt de olie aftapdoop. Bevestig de olie aftapslang aan de zijkant van de motor.

Oliefilter vervangen (indien hiermee uitgerust)

Sommige modellen zijn uitgerust met een oliefilter. Zie voor vervangingsintervallen de **Onderhoud** kaart.

1. Tap de olie uit de motor af. Zie de **Olie Verwijderen** sectie.
2. Verwijder de oliefilter (C) en gooi deze op de juiste manier weg. Zie Fig. 9.
3. Smeer, voordat U de nieuwe oliefilter installeert, de filterpakking in met verse, schone olie.
4. Installeer de oliefilter met de hand tot de pakking de oliefilteradapter raakt, draai de oliefilter dan nog 1/2 tot 3/4 slag vast.
5. Vul olie bij. Zie de **Olie bijvullen** sectie.
6. Start de motor en laat deze draaien. Controleer terwijl de motor opwarmt op olie lekkages.
7. Stop de motor en controleer het oliepeil. Het moet tot de "FULL" (=vol) markering op de peilstok komen.

Olie bijvullen

- Plaats de motor waterpas.
 - Reinig rond de olie vulopening.
 - Raadpleeg het hoofdstuk **Specificaties** voor de oliecapaciteit.
1. Verwijder de peilstok (D) en veeg deze af met een schone doek (Fig. 6).
 2. Giet de olie langzaam in de olie vulopening van de motor (E). **Niet overvullen.** Wacht na het olie bijvullen een minuut en controleer dan het oliepeil.
 3. Breng de peilstok weer aan en draai hem vast.
 4. Verwijder de peilstok en controleer het oliepeil. Het moet tot de "FULL" (=vol) markering (F) op de peilstok komen.
 5. Breng de peilstok weer aan en draai hem vast.

De luchtfilter onderhouden - Fig. 10



WAARSCHUWING



Benzinedampen zijn uiterst brandbaar en explosief.



Brand of explosie kunnen ernstige brandwonden of de dood veroorzaken.

- Start of gebruik de motor nooit met verwijderde luchtfilter.

OPGEPAST: Gebruik geen perslucht of oplosmiddelen om de luchtfilter te reinigen. Perslucht kan de filter beschadigen en oplosmiddelen zullen de filter oplossen.

Het luchtfiltersysteem gebruikt een plat of ovaal patroon. Sommige modellen zijn ook uitgerust met een voorfilter dat uitgewassen en hergebruikt kan worden.

Plat luchtfilter

1. Trek het dekselhendel omhoog (A, Fig. 10). Draai het dekselhendel naar de motor en verwijder dan het deksel (B).
2. Verwijder voorfilter (C), indien hiermee uitgerust, en filter (D).
3. Tik om vuil los te maken voorzichtig tegen een hard oppervlak. Wanneer de filter erg vuil is, vervang deze dan door een nieuwe filter.
4. Was de voorfilter in een vloeibaar oplosmiddel en water. Laat deze dan grondig drogen. De voorfilter **niet** inoliën.
5. Assembleer de droge voorfilter en de filter in de motorbasis (E).
6. Lijn de nokken (F) op het deksel uit met de sleuven (G) in de koelluchtkep. Draai het dekselhendel terug en druk deze naar beneden om op zijn plaats te klikken.

Luchtkoelingsysteem reinigen - Fig. 11



WAARSCHUWING



Draaiende motoren produceren hitte. Motoronderdelen, vooral de uitlaat, worden uiterst heet.



Ernstige brandwonden kunnen optreden bij contact.



Brandbaar vuil, zoals bladeren, gras, hout, enz., kan in brand geraken.

- Laat uitlaat, motorcilinder en vinnen afkoelen voordat deze aangeraakt worden.
- Verwijder opgehoopt vuil van het uitlaat- en cilindergebied.

OPGEPAST: Gebruik geen water om de motor te reinigen. Water kan het brandstofsysteem verontreinigen. Gebruik een borstel en droge doek om de motor te reinigen.

Dit is een luchtgekoelde motor. Vuil kan de luchtstroom belemmeren en veroorzaken dat de motor oververhit raakt, wat resulteert in slechte prestaties en verminderde levensduur van de motor.

Gebruik een borstel of droge doek om vuil van vingerbeschermer/roterend scherm (A) te verwijderen. Houd verbindingen, veren en bedieningen (B) schoon. Houd het gebied rond en achter de uitlaat (C) vrij van brandbaar vuil (Fig. 11).

Opslag



WAARSCHUWING



Benzinedampen zijn uiterst brandbaar en explosief.



Brand of explosie kunnen ernstige brandwonden of de dood veroorzaken.

Opslaan van de machine met brandstof in de tank

- Opslaan uit de buurt van fornuizen, kachels, geisers of boilers of andere apparaten die een waakvlam bevatten of andere ontstekingsbronnen, omdat deze gasdampen kunnen doen ontbranden.

Motorolie

Ververs, terwijl de motor nog warm is, de motorolie.

Storingzoeken

Hulp nodig? Ga naar BRIGGSandSTRATTON.COM of raadpleeg de website van de importeur 1-800-233-3723.

Specificaties

Motor Specificaties	
Model	310000
Cilinderinhoud	30,52 ci (500 cc)
Boring	3,563 in (90,49 mm)
Slag	3,062 in (77,77 mm)
Olie-inhoud - met filter	46 - 48 oz (1,36 - 1,40 L)

Onderhoud specificaties *	
Model	310000
Bougie elektrodeafstand	0,030 in (0,76 mm)
Bougie aanhaalkoppel	180 lb-in (20 Nm)
Ontstekingsspoel luchtspleet	0,010 - 0,014 in (0,25 - 0,36 mm)
Inlaatklepspeling	0,003 - 0,005 in (0,08 - 0,13 mm)
Uitlaatklepspeling	0,005 - 0,007 in (0,13 - 0,18 mm)

* Het motorvermogen zal afnemen met 3,5% voor elke 300 meter boven zeeniveau en 1% voor iedere 5,6° C boven 25° C. De motor zal bevredigend functioneren onder een hoek tot 15°. Raadpleeg de gebruiksaanwijzing van de machine voor maximum veilige toegestane hellingshoeken.

Algemene service onderdelen ✓	
Service onderdeel	Onderdeelnummer
Luchtfilter, plat	790263
Luchtfilter voorfilter, plat	697015
Oliefilter	492932, 5049
Olie - SAE 30 (20 oz, 0,6 L)	100005
Olie - SAE 30 (48 oz, 1,4 L)	100028
Weerstandsbougie	491055
"Long life platinum" bougie	5066
Bougiesleutel	89838, 5023
Vonktester	19368

✓ Wij adviseren dat U voor al het onderhoud en alle service aan de motor en de motoronderdelen een geautoriseerde Briggs & Stratton servicedealer raadpleegt. Gebruik uitsluitend originele Briggs & Stratton onderdelen.

GARANTIEBEPALINGEN

De Briggs & Stratton Corporation zal elk onderdeel gratis repareren of vervangen dat een defect vertoont in materiaal of bewerking of beide. Transportkosten voor onderdelen die zijn ingezonden voor reparatie of vervanging onder deze garantie komen ten laste van de koper. Deze garantie is geldig voor- en onderhavig aan de onderstaande periodes en voorwaarden. Raadpleeg voor garanteservice de dichtstbijzijnde Geautoriseerde Service Dealer in onze "dealer locator map" op BRIGGSandSTRATTON.COM, of kijk in de 'Gouden Gids™'.

Er is geen andere expliciete garantie. Impliciete garanties als verkoopbaarheid en geschiktheid voor een bepaald doel zijn beperkt tot één jaar vanaf aankoop, of tot mate die door de wet is toegestaan. Alle impliciete garanties zijn uitgesloten. Aansprakelijkheid voor incidentele of gevolgschades zijn uitgesloten voor zover deze uitsluiting wettelijk is toegestaan. Sommige rechtsgebieden staan geen beperkingen toe met betrekking tot de lengte van impliciete garantie, en sommige rechtsgebieden staan geen beperking toe met betrekking tot gevolgschades, dus de bovenvermelde beperkingen kunnen mogelijk niet op U van toepassing zijn. Deze garantie geeft U bepaalde specifieke wettelijke rechten en U kunt mogelijk andere rechten hebben die van rechtsgebied tot rechtsgebied variëren.

STANDAARD GARANTIEVOORWAARDEN * ▲

Merk/Producttype	Particulier gebruik	Commercieel gebruik
Vanguard™	2 jaar	2 jaar
Extended Life Series™, I/C®, Intek™ I/C®, Intek™ Pro	2 jaar	1 jaar
Snow Series MAX™ met Dura-Bore™ gietijzieren motoren	2 jaar	1 jaar
Alle andere Briggs & Stratton motoren	2 jaar	90 dagen

* Dit zijn onze standaard garantievoorwaarden. Soms kan er echter aanvullende garantiedekking zijn die nog niet was bepaald ten tijde van deze publicatie. Ga voor een lijst van de op dit moment geldende garantievoorwaarden voor uw motor naar BRIGGSandSTRATTON.COM of neem contact op met uw erkende Briggs & Stratton servicedealer.

▲ Motoren die worden gebruikt op "Standby" generatoren voor particuliere woningen worden uitsluitend onder particulier gebruik gegarandeerd. Deze garantie geldt niet voor toepassingen die primair worden gebruikt ter vervanging van het utiliteitsnet. **Motoren die worden gebruikt voor wedstrijdracen of op commerciële of huircircuits zijn uitgesloten van garantie.**

De garantieperiode begint op de dag van aankoop van de eerste detailhandelconsument of commerciële eindgebruiker en gaat door voor de tijdsperiode in bovenstaande tabel. "Particulier gebruik" betekent persoonlijk huishoudelijk gebruik door een detailhandelconsument. "Commercieel gebruik" betekent elk ander gebruik, inclusief inkomen verschaffend gebruik of verhuurdoeleinden. Als een motor eenmaal commercieel gebruikt is, dan zal deze daarna voor deze garantie als commercieel gebruikt worden beschouwd.

Er is geen garantieregistratie nodig om garantie te verkrijgen op Briggs & Stratton producten. Bewaar uw aankoopnota. Indien u geen bewijs van de eerste aankoopdatum kunt overleggen op het moment dat om garanteservice verzocht wordt, dan zal de fabricagedatum van het product gebruikt worden om de garantieperiode te bepalen.

Over uw garantie

Briggs & Stratton voert de reparatie onder garantie graag voor u uit en verontschuldigt zich bij voorbaat voor het ongemak. Reparaties onder garantie mogen worden uitgevoerd door elke geautoriseerde Service Dealer. De meeste garantiereparaties worden zo afgehandeld; soms zijn verzoeken om garantie echter niet gerechtvaardigd.

Indien een klant het niet eens is met de beslissing van de Service Dealer, zal een onderzoek worden uitgevoerd om te bepalen of garantie van toepassing is. Vraag de Service Dealer om alle ondersteunende feiten naar de fabriek of diens vertegenwoordigende importeur te sturen voor onderzoek. Als de Importeur of de Fabriek besluit dat de claim gerechtvaardigd is, zal de klant volledig vergoed worden voor die onderdelen die defect zijn. Om misverstanden, die kunnen optreden tussen de klant en de Dealer, te voorkomen, zijn hieronder sommige oorzaken van motorstoring afgedrukt die de garantie niet dekt.

Normale slijtage: Net als alle andere mechanische apparaten hebben motoren periodiek onderhoud nodig en moeten bepaalde onderdelen om de zoveel tijd worden onderhouden of vervangen om goed te presteren. De garantie is niet van toepassing als de motorschade het gevolg is van verkeerd gebruik, gebrek aan routineonderhoud, verzending, verkeerde behandeling of opslag of onjuiste installatie. Ook vervalt het recht op garantie als het serienummer van de motor is verwijderd of als er iets aan de motor is gewijzigd of aangepast.

Verkeerd onderhoud: De levensduur van een motor is afhankelijk van de omstandigheden waaronder hij wordt gebruikt en de mate van zorg voor de motor. Bepaalde toepassingen, zoals grondfreesen, vuilwaterpompen of cirkelmaaiers moeten vaak werken onder stoffige en vuile omstandigheden, die kunnen leiden tot wat lijkt op voortijdige slijtage. Zulke slijtage, indien veroorzaakt door vuil, stof, bougiereinigingsgrit of ander schurend materiaal dat de motor is binnengedrongen door verkeerd onderhoud, wordt niet door garantie gedekt.

Deze garantie dekt uitsluitend aan de motor gerelateerde defecte materialen en/of bewerkingen, en niet vervanging of vergoeding van de machine waarop de motor gemonteerd kan zijn. Noch strekt de garantie zich uit tot reparaties die nodig zijn door:

1 Problemen veroorzaakt door onderdelen die geen originele Briggs & Stratton onderdelen zijn.

- 2 Bedieningsonderdelen of -installaties waardoor de motor niet start, die slechte motorprestaties veroorzaken of de levensduur van de motor bekorten. (Neem contact op met de machinefabrikant.)
- 3 Lekkende carburateurs, verstopte brandstofbuizen, vastklevende kleppen, of andere schade die wordt veroorzaakt door vervuilde of verschaalde brandstof.
- 4 Onderdelen die zijn ingelopen of kapot zijn gegaan omdat een motor werd gebruikt met onvoldoende of vervuilde smeerolie, of een verkeerd type smeerolie (controleer het oliepeil en vul het zondig bij met de aanbevolen intervallen). OIL GARD kan mogelijk een draaiende motor niet uitschakelen. Motorschade kan optreden wanneer de olie niet correct op peil gehouden wordt.
- 5 Reparaties van afstelling van bijbehorende onderdelen en samenstellen zoals koppelingen, aandrijvingen, afstandbedieningen enz. die geen Briggs & Stratton-fabricaat zijn.
- 6 Schade of slijtage die veroorzaakt is door het binnendringen van vuil doordat de luchtfilter verkeerd is onderhouden of weer gemonteerd, of wanneer een niet-origineel luchtfilterelement of -patroon wordt gebruikt. Reinig en/of vervang de filter als aangegeven in de gebruiksaanwijzing.
- 7 Onderdelen die beschadigd zijn door overtoeren draaien of oververhitting veroorzaakt door gras, vuil of verontreiniging dat de koelvinnen afdekt of het vliegwielfgebied verstopt, of schade die wordt veroorzaakt door het gebruik van de motor in een afgesloten ruimte zonder voldoende ventilatie. Reinig de motor en verwijder het vuil conform de intervallen die zijn aangegeven in de gebruiksaanwijzing.
- 8 Motor- of machineonderdelen die kapot zijn gegaan door overmatig trillen als gevolg van te losse motorbevestiging, losse maaimessen, niet uitbalancerde messen of losse of niet uitbalancerde waaiers, verkeerde bevestiging van de machine aan de motorkrukas, overtoeren draaien of ander verkeerd gebruik als de motor in bedrijf is.
- 9 Een kromme of kapotte krukas als gevolg van het raken van een hard voorwerp door het maaimes van een motormaaier, of als gevolg van een te strak gespannen V-snaar.
- 10 Normaal onderhoud of afstelling van de motor.

Garanteservice is uitsluitend beschikbaar via Service Dealers die zijn geautoriseerd door Briggs & Stratton Corporation. U vindt uw dichtstbijzijnde Geautoriseerde Service Dealer in onze "dealer locator" kaart op www.BRIGGSandSTRATTON.com of kijk in de 'Gouden Gids™'.

Generell informasjon

Noter motormodell, type, kodenumre og kjøpedato nedenfor slik at du har dem når du skal bestille reservedeler eller be om teknisk assistanse. Disse numrene står på motoren (se **Tekniske detaljer og kontroller** side).

Kjøpedato: _____
MM/DD/ÅÅÅÅ

Motormodell: _____
Modell: _____ Type: _____ Kode: _____

Informasjon om effektberegning

Den totale effektberegningen for individuelle bensinmotor modeller er merket i henhold til SAE (Society of Automotive Engineers) kode J1940 (Small Engine Power & Torque Rating Procedure), og merketelsen er oppnådd og korrigert i henhold til SAE J1995 (revisjon 2002-05). Momentverdiene ble beregnet ved 3060 rpm; hestekreftene ble beregnet ved 3600 rpm. Motorens virkelige bruttoeffekt vil være lavere og påvirkes blant annet av arbeidsforholdene og variasjoner fra motor til motor. Når man tar i betraktning det store utvalget av produkter som motorene er montert i og de varierende miljøforskritene som gjelder for bruk av utstyret, så vil ikke bensinmotoren oppnå merkeeffekten når den brukes i en gitt motordrevet maskin (den virkelige nettoeffekten). Denne forskjellen oppstår på grunn av diverse faktorer som inkluderer blant annet tilleggsutstyr (luftfilter, eksos, lading, kjøling, forgasser, drivstoffpumpe etc.), begrensninger av bruksområde, omgivelsestemperaturen som motoren arbeider i, (temperatur, fuktighet høyde over havet), og variasjoner fra motor til motor. På grunn av begrensninger med produksjon og kapasitet kan Briggs & Stratton erstatte motorer i denne serien med en motor med høyere merkeeffekt.

Sikkerhet for operatør

SIKKERHET OG KONTROLL SYMBOLER



Brann



Bevegelige deler



Olje



Giftig gass



Sakte



Hurtig



Stopp



Eksplosjon



Elektrisk støt



Fyll bensin



Choke



På Av



Drivstofftilførselen er stengt



Tilbakeslag



Øyebeskyttelse



Farlig kjemikalie




Les håndboken





Varm flate




Frostskader

Sikkerhetsvarselsymboler  brukes til å identifisere informasjon om farlige situasjoner som kan føre til at noen skades. Et signalord (FARLIG, ADVARSEL eller FORSIKTIG) er brukt sammen med varselsymboler for å vise hvor alvorlig den potensielle skaden kan være. I tillegg kan det være gitt et faresymbol som viser til hva slags faresituasjon det gjelder.

 **FARLIG** viser til en faresituasjon som vil føre til at noen blir drept eller alvorlig skadet hvis den ikke unngås.

 **ADVARSEL** viser til en faresituasjon som kan føre til at noen blir drept eller alvorlig skadet hvis den ikke unngås.

 **FORSIKTIG** viser til en faresituasjon som kan føre til mindre eller moderate skader hvis den ikke unngås.

FORSIKTIG, brukt uten varselsymboler, viser til en situasjon som kan føre til at produktet blir skadet.



ADVARSEL

Avgasser fra denne motoren inneholder kjemikalier som ifølge staten California er kreftfremkallende og forårsaker fosterskader eller andre skader på forplantningssystemet.



ADVARSEL

Briggs & Stratton verken godkjenner eller autoriserer bruk av disse motorene på 3-hjuls terrengkjøretøy (ATV'er), motorsykler, gocarter til lek/fritidsbruk, flyprodukter eller kjøretøy som skal brukes i konkurransesammenheng. Bruk av disse motorene i slike sammenhenger kan resultere i skade på eiendom, alvorlige personskader (inkludert lammelse) og til og med dødsulykker.

FORSIKTIG: Denne motoren ble sendt fra Briggs & Stratton uten olje. Før du starter motoren, må du sørge for å fylle olje på den slik som beskrevet i denne håndboken. Hvis motoren startes uten olje, vil den bli fullstendig ødelagt og garantien vil ikke være gyldig.



ADVARSEL

Gassformig damp er meget brannfarlig og eksplosiv.



En brann eller eksplosjon kan føre til alvorlige brannskader eller dødsfall.



Påfylling av bensin

- Fyll drivstofftanken utendørs eller på et sted med god ventilasjon.
- Sjekk drivstoffslanger, tank, lokk, og fester ofte for å se om de har sprekker eller lekkasjer. Skift ut der det er nødvendig.

Start av motoren

- Sjekk at tennpluggen, eksospotten og luftfilteret (hvis montert) sitter godt på plass.
- Motoren må ikke dreies rundt når tennpluggen er tatt ut.

Bruk av maskinen

- Motoren må aldri startes eller kjøres uten at luftfilteret er montert (hvis montert).

Transport av maskinen

- Motorer med naturgass/flytende petroleumsgass (LP) transporteres med tom drivstoffylsylinder, stengt kran eller frakoplet tank.

Lagring/oppbevaring av maskiner med drivstoff på tanken

- Må ikke lagres/oppbevares i nærheten av fyringsanlegg, ovner, varmtvannsberedere eller annet utstyr med sparebluss eller lignende varmekilder, fordi de kan antenne bensingass. Det vil dannes gnister når motoren startes.



ADVARSEL

Det vil dannes gnister når motoren startes.



Gnister kan antenne brennbar gass som befinner seg i nærheten.

Dette kan føre til at det oppstår en eksplosjon eller brann.



- Hvis det lekker naturgass eller LP-gass i nærheten, må du ikke starte motoren.
- Ikke bruk "startgass" da denne gassen er brannfarlig.



ADVARSEL

Motoren produserer kulloksid som er en luktfri og fargeløs giftgass.



Innånding av kulloksid kan føre til kvalme, besvimelse eller dødsfall.

- Motoren må startes og brukes utendørs.
- Motoren må ikke startes og kjøres på et innelukket område, selv om dører eller vinduer står åpne.



ADVARSEL



Hurtig tilbakespoling av startsnoren (tilbakeslag) vil trekke hånden og armen raskere mot motoren enn du klarer å slippe taket.

Dette kan resultere i beinbrudd, blåmerker eller forstuvning.

- Når motoren skal startes, trekk sakte i startsnoren helt til du kjenner at det er motstand og trekk så raskt i den for å unngå tilbakeslag.
- Ta av alt påmontert utstyr/motorbelastninger før motoren startes.
- Maskinkomponenter som er montert direkte, slik som, men ikke begrenset til, kniver, viftehjul, remskiver, kjedehjul etc., må sitte godt fast.



ADVARSEL



Hender, føtter, hår, klesplagg eller smykker kan komme i kontakt med roterende deler eller sette seg fast i dem.

Dette kan føre til traumatisk amputasjon av lemsdeler eller store sårskader.

- Dekslene må alltid sitte på plass når utstyret er i bruk.
- Hold hender og føtter borte fra roterende deler.
- Sett opp langt hår og ta av smykker.
- Du må ikke ha på deg løstsittende klær, snører som henger løst eller noe annet som kan sette seg fast i maskinen.



ADVARSEL



Motorer som er i gang produserer varme. Motordeler, spesielt eksospotten, blir meget varm.



Berøring av slike deler kan forårsake alvorlige brannskader.



Brennbart materiale, slik som løv, gress, småkratt etc., kan antennes.

- Vent til eksospotten, motorsylindere og ribbene blir kalde før du tar på dem.
- Fjern brennbart rusk som har samlet seg i området rundt eksospotten og sylindere.
- Monter en gnistfanger og pass på at den er i god stand før utstyret brukes på skogbunnet eller udyrket land med gress eller kratt. Dette er påkrevd i California (seksjon 4442 i California Public Resources Code). Andre steder kan ha liknende lover. Offentlige lover gjelder på offentlig land.



ADVARSEL



En tilfeldig gnist kan forårsake brann eller elektrisk støt.



Tilfeldig start kan resultere i at du blir sittende fast i maskineriet, traumatisk amputasjon av lemsdeler eller sårskader.



Brannfare



Før justering eller reparasjoner utføres:

- Ta av tennpluggkabelen og hold den unna tennpluggen.
- Koble fra den negative batteripolen (gjelder kun motorer med elektrisk start).
- Bruk kun korrekt verktøy.
- Ikke kluss med regulatorfjærene, forbindelsesleddene eller andre deler for å øke motorturtallet.
- Reservedelene må være av samme type og installeres i samme posisjon som originaldelene.
- Det må aldri brukes en hammer eller annen hard gjenstand fordi svinghjulet kan sprekke senere under drift.

Testing av gnist:

- Bruk en godkjent gnisttester.
- Du må ikke undersøke om det er gnist mens tennpluggen er tatt ut.



ADVARSEL



Gassholdig drivstoff er meget brannfarlig og danner lett eksplosive luft/damp-blandinger ved omgivelsestemperatur.



Hvis du kjenner bensinlukt

- Ikke start motoren.
- Ikke slå på elektriske brytere.
- Ikke bruk telefonen i området.
- Evakuer området og ring deretter drivstoffleverandøren eller brannvesenet.



ADVARSEL



Bruk vernebriller når du utfører reparasjoner.



Hud/øyne kan påføres frostsår ved kontakt med LP-væske.



- Installasjon, justeringer og reparasjonsarbeid bør utføres av en kvalifisert mekaniker.
- Sjekk bøyelige tilførselsslanger regelmessig. Forsikre deg om at de er i god stand. Deler med skade eller lekkasje må skiftes ut.



ADVARSEL



En manglende sikkerhetsventil kan føre til brann eller eksplosjon.



- Ikke bruk maskinen hvis sikkerhetsventilen mangler eller er i ustand.

Egenskaper og betjening

Sammenlign illustrasjonen **1** med motoren for å bli kjent med hvor de forskjellige kontrollene og justeringene er plassert.

- A. Motoridentifikasjon
Modell Type Kode
- B. Tennplugg
- C. Luftfilter
- D. Peilestav
- E. Oljeavløpsplugg
- F. Eksospotte
Eksospotteskydd (valgfritt)
Gnistfanger (valgfri)
- G. Roterende deksel
- H. Oljefilter
- I. Elektrisk starter
- J. LPG/NG blander
- K. Hurtigtømmingsanordning for olje (valgfritt)

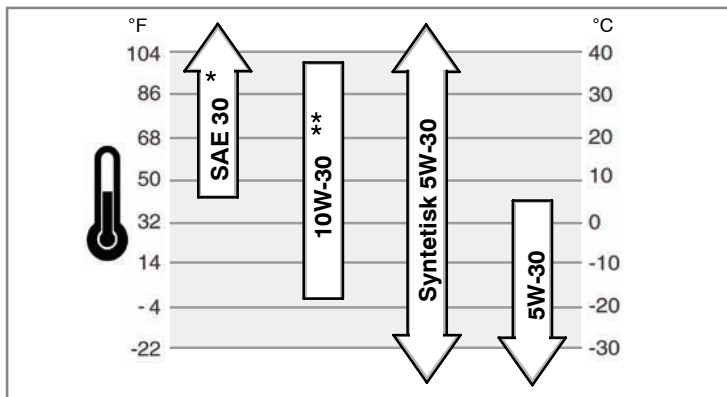
Funksjon

Oljekapasitet (se under **Spesifikasjoner**)

Anbefalt olje

Vi anbefaler bruk av Briggs & Stratton oljer som er godkjent under garantien for å få den beste ytelsen. Andre oljer av høy kvalitet er akseptable hvis de er klassifisert for service SF, SG, SH, SJ eller høyere. Det skal ikke brukes spesielle tilsetningsmidler.

Utetemperaturer er avgjørende for valg av riktig oljeviskositet til motoren. Bruk tabellen for å velge den beste viskositeten for det sannsynlige temperaturområdet.



* Bruk av SAE 30 oljer i temperaturer under 40°F (4°C) vil føre til at motoren blir vanskelig å starte.

** Bruk av 10W-30 i temperaturer over 80°F (27°C) kan føre til økt oljeforbruk. Oljenivået må sjekkes oftere.

Hvordan oljen sjekkes/fylles på - Figur 2

Før oljen fylles på og sjekkes

- Sett motoren vannrett.
 - Rengjør området rundt oljepåfyllingen.
1. Ta ut peilestaven (A) og tørk av den med en ren klut. (Figur 2).
 2. Sett inn peilestaven og skru den fast.
 3. Ta ut staven og sjekk oljenivået. Sjekk at oljen når opp til FULL-merket (B) på peilestaven.
 4. Hvis nivået er lavt, fyller oljen på ved å helle den sakte i oljepåfyllingshullet (C). **Ikke fyll på for mye.** Vent i ett minutt etter at oljen er fylt og sjekk så oljenivået på nytt.
Obs: Oljen må ikke fylles i hurtigtømmingsanordningen for olje (K, Figur 1) (hvis montert).
 5. Sett peilestaven tilbake og skru den fast.

Oljetrykk

Hvis oljetrykket er for lavt, vil en oljetrykkbryter (hvis montert) enten stanse motoren eller aktivere en varselanordning på utstyret. Hvis dette skjer, stans motoren og sjekk oljenivået med peilestaven.

Hvis oljenivået er nedenfor ADD (fyll) merket, fylles olje opp til FULL-merket. Start motoren og sjekk at oljetrykket er riktig før du fortsetter arbeidet.

Hvis oljenivået ligger mellom ADD (fyll) og FULL-merkene, må du **ikke starte** motoren. Ta kontakt med en autorisert Briggs & Stratton forhandler for å få reparert oljetrykkproblemet.

Anbefalt drivstoff



ADVARSEL



En manglende eller defekt sikkerhetsventil kan føre til brann eller eksplosjon.

- **Ikke** bruk maskinen hvis sikkerhetsventilen mangler eller er i ustand.

Bensinen må oppfylle disse kravene:

- Bruk rent og tørt drivstoff uten fuktighet eller partikkelholdige stoffer. Bruk av drivstoff med andre verdier enn de som anbefales nedenfor, kan føre til problemer med driften.
- Hvis motoren er innstilt på å bruke LPG, anbefales den kommersielle graden HD5 LPG. Anbefalt blanding er et drivstoff med en minsteenergi på 2500 BTU's/ft³ med et maksimalt propyleninnhold på 5% og butan- og tyngre gassinnhold på 2,5% og et propaninnhold på minst 90%.

NG eller LPG motorer er sertifisert til å bruke naturgass eller flytende propangass. Avgasskontrollsystemet på denne motoren er EM (Engine Modifications - Motormodifikasjoner).



ADVARSEL: Maskinen som drives av denne motoren har en automatisk sikkerhetsventil som stenger tilførselen av drivstoff. Maskinen må ikke brukes hvis denne sikkerhetsventilen mangler eller er i ustand.

Slik fylles drivstoff



ADVARSEL



Gassformig damp er meget brannfarlig og eksplosiv.

En brann eller eksplosjon kan føre til alvorlige brannskader eller dødsfall.

Påfylling av bensin

- Fyll bensintanken utendørs eller på et sted med god ventilasjon.
- Sjekk drivstoffslanger, tank, lokk, og fester ofte for å se om de har sprekker eller lekkasjer. Skift ut der det er nødvendig.

Les bruksanvisningen fra maskinprodusenten for å få informasjon om hvordan man fyller drivstoff på en motor som drives av naturgass eller flytende propangass.

Slik startes motoren - Figur 3



ADVARSEL



Gassformig damp er meget brannfarlig og eksplosiv.

En brann eller eksplosjon kan føre til alvorlige brannskader eller dødsfall.

Start av motoren

- Pass på at tennpluggen, eksosporten og luftfilteret sitter på plass og er godt festet.
- Motoren må ikke dreies rundt når tennpluggen er tatt ut.



ADVARSEL



Motorer produserer kulloksid som er en luktfri og fargeløs giftgass.

Innånding av kulloksid kan føre til kvalme, besvimelse eller dødsfall.

- Motoren må startes og brukes utendørs.
- Motoren må ikke startes og kjøres på et innelukket område, selv om dører eller vinduer står åpne.

FORSIKTIG: Denne motoren ble sendt fra Briggs & Stratton uten olje. Før du starter motoren, må du sørge for å fylle olje på den slik som beskrevet i denne håndboken. Hvis motoren startes uten olje, vil den bli fullstendig ødelagt og garantien vil ikke være gyldig

1. Sjekk oljenivået. Se under **Hvordan oljen sjekkes/fylles**.
2. Sjekk at drivkontrollene på utstyret (hvis montert) er slått av. Se håndboken som tilhører utstyret for plassering og bruk av disse kontrollene.
3. Drei drivstoffkranen (B), hvis montert, i stillingen "on" (på) (Figur 3). Se i håndboken som tilhører utstyret for å finne ut hvor drivstoffkranen er plassert og hvordan den brukes.
4. Drei den elektriske startbryteren (A), i stillingen "on/start" (på/start). Se hvor denne bryteren er plassert og hvordan den brukes i håndboken som tilhører utstyret.

OBS: Hvis ikke motoren starter etter tre forsøk, gå til **BRIGGSandSTRATTON.COM** eller ring **1-800-233-3723** (i USA).

FORSIKTIG: Bruk korte startsykluser (maks. fem sekunder) for å unngå unødvendig slitasje på starterens. Vent ett minutt mellom hver startsyklus

Slik stoppes motoren - Figur 3

1. Vri nøkkelbryteren (A, Figur 3) i stillingen "off" (av). Ta ut nøkkelen og legg den på et sted der den ikke er tilgjengelig for barn.

2. Når motoren har stanset, stenges drivstoffkranen (B), hvis montert.

Vedlikehold

Bruk kun originale reservedeler. Andre deler kan fungere dårlig, skade maskinen og føre til personskader. Bruk av andre deler kan også føre til at garantien ugyldiggjøres.

Vi anbefaler at du tar kontakt med et Briggs & Stratton autorisert forhandlerverksted for å få utført alt vedlikeholdsarbeid og service av motoren og de tilhørende delene.

FORSIKTIG: Alle komponenter som er brukt i denne motoren må være montert for at den skal fungerer riktig.

Utslippskontroll

Vedlikehold, utskifting eller reparasjon av avgasskontroll anordninger kan utføres av alle verksteder eller individer som reparerer små off-road motorer. For å få "kostnadsfri" service av avgasskontroller må imidlertid arbeidet utføres hos en forhandler med autorisasjon fra fabrikk. Se avgass garantien.



ADVARSEL

En tilfeldig gnist kan forårsake brann eller elektrisk støt. Tilfeldig start kan resultere i at du blir sittende fast i maskineriet, traumatisk amputasjon av lemsedeler eller sårskader. Brannfare

Før justering eller reparasjoner utføres:

- Koble fra tennpluggkabelen og hold den unna tennpluggen.
- Bruk kun korrekt verktøy.
- Ikke kluss med regulatorfjærene, forbindelsesleddene eller andre deler for å øke motorturtallet.
- Reservedelene må være av samme type og installeres i samme posisjon som originaldelene.
- Det må aldri brukes en hammer eller annen hard gjenstand fordi svinghjulet kan sprekkes under drift.

Testing av gnist:

- Bruk en godkjent gnisttester.
- Du må ikke undersøke om det er gnist mens tennpluggen er tatt ut.

Vedlikeholdsskjema

De første 5 timene
<ul style="list-style-type: none">• Skift olje
Etter 8 timer eller daglig
<ul style="list-style-type: none">• Sjekk oljenivået i motoren• Rengjør området rundt eksospotten og kontrollene• Rengjør fingerskyddet (hvis montert)
Etter 25 timer eller en gang i året
<ul style="list-style-type: none">• Rens luftfilteret *• Rens forfilteret *
Etter 50 timer eller en gang i året
<ul style="list-style-type: none">• Skift motorolje• Bytt oljefilter (hvis montert)• Sjekk eksospotten og gnistfangeren
En gang i året
<ul style="list-style-type: none">• Bytt luftfilter• Bytt forfilter• Skift tennplugg• Rens luftkjølingsanlegget *• Sjekk ventilklaringen **

* Rengjør oftere hvis arbeidsforholdene er veldig støvete eller hvis mye rusk virvles opp i luften.

** Unødvendig hvis det ikke er problemer med motorytelsen

FORSIKTIG: Produsenten av utstyret som denne motoren er montert i, har gitt en topphastighet som motoren skal gå med. Denne hastigheten **må ikke overskrides.**

Slik skiftes tennpluggen - Figur 4

Sjekk elektrodeavstanden (A, Figur 4) med en følelære (B). Juster avstanden om nødvendig. Sett inn tennpluggen og trekk den til med anbefalt moment. Elektrodeavstand og moment står under **Spesifikasjoner**.

Obs: På enkelte steder må man i henhold til lokale forskrifter bruke en tennplugg av resistortypen for radiodemping. Hvis denne motoren opprinnelig hadde en resistortennplugg, må man benytte samme type ved utskifting.

Sjekk lydporten og gnistfangeren - Figur 5



ADVARSEL



Motorer som er i gang produserer varme. Motordeler, spesielt eksospotten, blir meget varm.



Berøring av slike deler kan forårsake alvorlige brannskader.

Brennbart materiale, slik som løv, gress, småkratt etc., kan antennes.

- Vent til eksospotten, motorsylinderen og ribbene blir kalde før du tar på dem.
- Fjern brennbart materiale som har samlet seg i området rundt eksospotten og sylinderen.
- Monter en gnistfanger og pass på at den er i god stand før utstyret brukes på skogbunner eller udyrket land med gress eller kratt. Dette er påkrevd i California (seksjon 4442 i California Public Resources Code). Andre steder kan ha liknende lover. Offentlige lover gjelder på offentlig land.

Sjekk om eksospotten (A, Figur 5) har sprekker, korrosjon eller andre skader. Ta av gnistfangeren (B), hvis montert, og sjekk om den er skadet eller full av sot. Hvis det er nødvendig å bruke reservedeler, er det viktig å kun bruke originale reservedeler.



ADVARSEL: Reservedeler må være de samme som de originale delene og de må monteres i samme stilling, hvis ikke kan det oppstå brann.

Slik skiftes oljen - Figur 6 7 8 9

FORSIKTIG: Brukt olje er et farlig avfallsprodukt som må kasseres i henhold til forskriftene. Den må ikke kasseres sammen med husholdningsavfall. Snakk med lokale myndigheter, serviceverkstedet eller forhandleren for å finne ut hvor oljen trygt kan kasseres/resirkuleres.

Tømming av olje

1. Slå av motoren og ta av tennpluggkabelen (A) mens motoren fremdeles er varm. Pass på at kabelen ikke kommer i kontakt med tennpluggen (Figur 6).

2. Ta ut peilestaven (D).

Standard oljetappeplugg

3. Ta ut oljetappepluggen (B, Figur 7). Tøm oljen i en godkjent kanne.

Obs: Alle oljetappepluggene som er vist nedenfor kan brukes til motoren.



4. Sett inn oljetappepluggen igjen og trekk den godt til etter at oljen er tømt ut.

Valgfri hurtigtømmingsanordning for olje

1. Ta av oljetømmeslangen (G, Figur 8) på siden av motoren.
2. Skru av oljetømmelokket (H). Senk hurtigtømmingsanordningen (I) forsiktig ned i en godkjent beholder (J).
3. Sett på oljetømmelokket etter at oljen er tømt ut. Monter oljetømmeslangen på siden av motoren.

Bytt oljefilter (hvis montert)

Noen modeller er utstyrt med et oljefilter. Intervallene for bytte av filter står i **Vedlikeholdstabellen**.

1. Tøm oljen ut av motoren. Se **Tømming av olje**.
2. Fjern oljefilteret (C) og kast det i henhold til forskriftene. Se Figur 9.
3. Før det nye oljefilteret monteres skal pakningen på filteret smøres med litt ren, ny olje.
4. Skru inn filteret for hånd helt til pakningen kommer i kontakt med oljefilteradapten. Deretter strammes oljefilteret 1/2 til 3/4 omdreining.
5. Fyll på olje. Se **Påfylling av olje**.
6. Start motoren og la den gå. Se etter oljelekkasjer mens motoren varmes opp.
7. Stopp motoren og sjekk oljenivået. Det skal nå opp til FULL-merket på peilestaven.

Påfylling av olje

- Sett motoren vannrett.
 - Rengjør området rundt oljepåfyllingen.
 - Se under **Spesifikasjoner** for oljekapasiteten.
1. Ta ut peilestaven (D) og tørk av med en ren klut (Figur 6).
 2. Hell oljen sakte i oljepåfyllingshullet (E). **Det må ikke være for fullt** Når oljen er fylt på, må du vente i ett minutt og deretter sjekke oljenivået på nytt.

3. Sett inn peilestaven og skru den fast.
4. Ta ut peilestaven og sjekk oljenivået. Oljenivået skal nå opp til FULL-merket (F) på peilestaven
5. Sett inn peilestaven og skru den fast.

Slik utføres service på luftfilteret - Figur 10



ADVARSEL



Gassformig damp er meget brannfarlig og eksplosiv. En brann eller eksplosjon kan føre til alvorlige brannskader eller dødsfall.

- Motoren må aldri startes eller kjøres uten at luftfilteret sitter på plass.

FORSIKTIG: Bruk aldri trykkluft eller løsemidler til å rengjøre filteret. Trykkluft kan skade filteret, og løsemidler vil oppløse det.

Luftfiltersystemet har enten en flat eller en oval kassett. Noen modeller har også et forfilter som kan vaskes og brukes om igjen.

Flatt luftfilter

1. Trekk håndtaket (A, Figur 10), på dekslet oppover. Drei håndtaket mot motoren og ta deretter av dekslet (B).
2. Fjern forfilteret (C), hvis montert, og filteret (D).
3. Bank filteret lett mot en hard flate for å løsne rusk etc. Hvis filteret er veldig skittent, må det skiftes ut.
4. Vask forfilteret i et flytende vaskemiddel og vann. La det lufttørke til det er helt tørt. Forfilteret skal **ikke** oljes.
5. Sett forfilteret og filteret inn i motorens bunn (E).
6. Rett opp tappene (F) på dekslet med slissene (G) i viftehuset. Drei håndtaket på dekslet tilbake og trykk ned for å låse det.

Slik renses luftkjølingsanlegget - Figur 11



ADVARSEL



Motorer som er i gang produserer varme. Motordeler, spesielt eksospotten, blir meget varm.



Berøring av slike deler kan forårsake alvorlige brannskader.

Brennbart materiale, slik som løv, gress, småkratt etc., kan antennes.

- Vent til eksospotten, motorsylindere og ribbene blir kalde før du tar på dem.
- Fjern brennbart materiale som har samlet seg i området rundt eksospotten og sylindere.

FORSIKTIG: Motoren må aldri rengjøres med vann. Vann kan forurense drivstoffsystemet. Bruk en børste eller en tørr klut til å rengjøre motoren.

Dette er en luftkjølt motor. Skitt eller rusk kan blokkere luftstrømmen slik at motoren overopphetes. Dette fører til dårlig ytelse og unødvendig slitasje på motoren.

Bruk en børste eller en tørr klut til å fjerne partikler fra fingerskyddet/den roterende nettingen (A), Forbindelsesledd, fjærer og kontroller (B) må holdes rene. Sørg for at det ikke er brennbart materiale i området rundt og bak eksospotten (C) (Figur 11).

Lagring/oppbevaring



ADVARSEL



Gassformig damp er meget brannfarlig og eksplosiv.

En brann eller eksplosjon kan føre til alvorlige brannskader eller dødsfall.

Lagring/oppbevaring av maskiner med drivstoff på tanken

- Må ikke lagres/oppbevares i nærheten av fyringsanlegg, ovner, varmtvannsberedere eller annet utstyr med sparebluss eller lignende varmekilder, fordi de kan antenne gassformig damp.

Motorolje

Skift olje mens motoren ennå er varm.

Feilsøking

Trenger du hjelp? Gå til BRIGGSandSTRATTON.COM eller ring 1-800-233-3723.

Spesifikasjoner

Motorspesifikasjoner	
Modell	310000
Sylindervolum	30,52 ci (500 ccm)
Sylinderboring	3,563 in (90,49 mm)
Slaglengde	3,062 in (77,77 mm)
Oljekapasitet - med filter	46 - 48 oz (1,36 - 1,40 l)

Spesifikasjoner for vedlikehold *	
Modell	310000
Tennpluggens elektrodeavstand	0,030 in (0,76 mm)
Tiltrekningsmoment for tennplugg	180 lb-in (20 Nm)
Tennspolens luftspalte	0,010 - 0,014 in (0,25 - 0,36 mm)
Inntaksventil klaring	0,003 - 0,005 in (0,08 - 0,13 mm)
Eksosventil klaring	0,005 - 0,007 in (0,13 - 0,18 mm)

* Motorytelsen vil reduseres med 3,5% for hver 300 meter over havet, og med 1% for hver 10° F (5,6° C) over 77° F (25° C). Motoren vil fungere tilfredsstillende med en vinkel opp til 15°. Se maskinens bruksanvisning for tillatt trykk arbeidsvinkel i bakker.

Vanlige reservedeler	
Reserve del	Del nummer
Luftfilter, flatt	790263
Forfilter for luftfilter, flatt	697015
Oljefilter	492932, 5049
Olje - SAE 30 (20 oz, 0,6 l)	100005
Olje - SAE 30 (48 oz, 1,4 l)	100028
Resistortennplugg	491055
Long Life Platina Tennplugg	5066
Tennpluggnøkkel	89838, 5023
Gnisttester	19368

✓ Vi anbefaler at du tar kontakt med et autorisert Briggs & Stratton forhandlerverksted for å få utført alt vedlikeholdsarbeid og service av motoren og de tilhørende delene. Bruk kun originale Briggs & Stratton deler.

BEGRENSET GARANTI

Briggs & Stratton Corporation vil reparere eller erstatte gratis alle del(er) av motoren som er funnet defekt i materiale eller utførelse eller begge deler. Alle transportkostnader for et produkt som skal skiftes ut eller repareres under denne garantien må dekkes av kjøperen. Denne garantien er gyldig i den tidsperioden og med de vilkårene som er gitt nedenfor. For å hevde garantien må man ta kontakt med nærmeste autoriserte forhandlerverksted som finnes på kartet over forhandlere på BRIGGSandSTRATTON.COM, ved å ringe 1-800-233-3723, eller ved å slå opp i telefonkatalogens 'Gule sider'™.

Det gis ingen annen eksplisitt garanti. Implisitt garanti, inklusive kjøpegarantier og at utstyr skal passe til et bestemt formål, er begrenset til ett år fra salgsdato eller så lenge som påbudt av gjeldende norske lover. Dette opphever alle andre garantier. Dette opphever alle andre garantier. Alle krav om erstatning for følgeskader eller avsavn er ugyldige såfremt de ikke er påbudt ved lov. Noen land tillater ikke at det settes tidsbegrensning på en implisitt garanti, og i enkelte land er det heller ikke lov å utelukke eller begrense ansvaret for følgeskader. Det kan derfor være mulig at reglene som er gitt ovenfor ikke gjelder der du bor. Denne garantien gir deg spesielle rettigheter, og du kan også ha andre rettigheter som vil variere fra land til land i tillegg.

VILKÅR FOR STANDARD GARANTI * ▲

Merke/Produkt type	Privat bruk	Profesjonelt bruk
Vanguard™	2 år	2 år
Extended Life Series™, I/C® [®] , Intek™ I/C® [®] , Intek™ Pro	2 år	1 år
Snow Series MAX™ med Dura-Bore™ sylindreforing av støpejern	2 år	1 år
Alle andre Briggs & Stratton motorer	2 år	90 dager

* Dette er våre vilkår for standard garantien, men det kan av og til komme noe i tillegg som også dekkes av garantien som ikke var tilstede for publikasjonen. For å se en oversikt over garantivilkårene som gjelder for din motor, gå til BRIGGSandSTRATTON.COM eller ta kontakt med ditt autoriserte Briggs & Stratton forhandlerverksted.

▲ Motorer på generatorer til hjemmebruk er kun garantert for privat bruk. Denne garantien gjelder ikke motorer på utstyr som brukes som strømforsyning på et produksjonssted. **Motorer som er brukt til konkurransekjøring eller på kommersielle baner eller utleiebaner dekkes ikke av garantien.**

Garantiperioden gjelder fra datoen produktet blir solgt for første gang, enten til privat bruk eller til profesjonelt bruk, og ut perioden som er gitt i tabellen ovenfor. "Privat bruk" betyr bruk i private husholdninger. "Profesjonelt bruk" betyr all annen bruk, inklusive kommersiell bruk, bruk for inntektservervelse og utleie. Så snart en motor er blitt anvendt til profesjonelt bruk, vil den deretter bli betraktet som en kommersiell motor med hensyn til denne garantien.

Det er ikke nødvendig å vise et garantiregistreringskort for å oppnå garantirettigheter for Briggs & Stratton-produkter. Ta vare på kvitteringen du fikk da du kjøpte motoren. Hvis du ikke kan fremlegge bevis på første salgsdato når du krever garantien, vil produktets produksjonsdato bli brukt til å avgjøre garantiperioden.

Om garantien

Briggs & Stratton tar med glede i mot garantireparasjoner og beklager at du fikk bryderiet med dette. Alle autoriserte forhandlerverksteder kan utføre garantireparasjoner. De fleste garantireparasjonene utføres rutinemessig, men noen ganger kan det hende at et garantikrav ikke er berettiget.

Hvis en kunde er uenig i forhandlerverkstedets avgjørelse, vil garantikravet bli undersøkt nærmere. Be forhandlerverkstedet sende alle detaljer til importøren eller fabrikkens vurdering. Hvis importøren eller fabrikkens avgjør at kravet er berettiget, vil kunden få full erstatning for de defekte delene. For å unngå evt. misforståelser mellom kunden og verkstedet, har vi beskrevet noen utvalgte feilsituasjoner som ikke dekkes av garantien.

Normal slitasje: Motorer, som alle andre mekaniske innretninger, trenger regelmessig service og skifte av deler for at de skal fungere optimalt. Garantien dekker ikke reparasjoner der en del eller en motor er blitt utslitt som resultat av normalt bruk. Garantien gjelder ikke hvis motoren ble skadet som resultat av feil bruk, dårlig vedlikehold, transport, håndtering, oppbevaring eller feil montering. Garantien gjelder heller ikke hvis motorens serienummer er blitt fjernet eller hvis motoren på noen måte er blitt endret eller modifisert.

Utilstrekkelig vedlikehold: Levetiden til en motor avhenger av hvordan den brukes og hvordan den blir vedlikeholdt. Enkelte maskiner, som f.eks. jordfresere, pumper og rotasjonsplenklippere, benyttes ofte der det er mye støv og skitt. Dette kan forårsake hurtig slitasje. Slik slitasje, forårsaket av at skitt, støv, sot/støv fra rensing av tennplugg og andre slipende partikler er kommet inn i motoren p.g.a. utilstrekkelig vedlikehold, dekkes ikke av garantien.

Denne garantien dekker kun defekter i materialer og/eller utførelse i forbindelse med motoren. Garantien gjelder ikke for erstatning av maskinen som motoren er montert i og gjelder heller ikke reparasjoner som følge av:

- 1 Problemer som er forårsaket av deler som ikke er originale Briggs & Stratton deler.
- 2 Kontrollutstyr eller andre deler som hindrer start, forårsaker at motoren går dårlig eller forkorter motorens levetid. (Ta kontakt med maskinprodusenten.)

- 3 Lekkasje i forgassere, tette drivstoffslanger, ventiler som har skjært seg eller andre feil forårsaket av forurenset eller gammelt drivstoff.
- 4 Deler som har skjært seg eller er blitt ødelagt fordi motoren ble kjørt med for lite eller forurenset smøreolje, eller feil type smøreolje (Oljenivået må sjekkes og påfylles når det er nødvendig, og skiftes med anbefalte intervaller.) Det kan hende at OIL GARD ikke stanser motoren. Motoren kan få skader hvis ikke oljen holdes på riktig nivå.
- 5 Reparasjon eller justering av tilhørende deler eller enheter som f.eks. clutcher, transmisjoner, fjernstyring etc. som ikke er produsert av Briggs & Stratton.
- 6 Skade eller slitasje på deler som er forårsaket av at det har kommet skitt inn i motoren p.g.a. for dårlig vedlikehold av luftfilteret eller at det er feil satt sammen eller at det er brukt feil type luftfilter eller kassett. Rengjør og/eller bytt filteret ved anbefalte intervaller som angitt i instruksjonsboken.
- 7 Deler som er skadet som resultat av for høyt turtall, eller overoppheting som skyldes at skitt, gress eller rusk tetter igjen kjøleribbene eller svinghjulet, eller skader forårsaket av at motoren er blitt brukt på steder uten tilstrekkelig ventilasjon. Fjern gressrester og rusk fra motoren med anbefalte intervaller slik som beskrevet i instruksjonsboken.
- 8 Deler på maskinen eller motoren som er brukt p.g.a. sterk vibrasjon forårsaket av at motoren sitter løst, løstsittende kniver, ubalanserte kniver eller løse eller ubalanserte viftehjul, utstyr som er feil montert på motorakslingen, for høyt turtall eller annen uforsiktig bruk.
- 9 En bøyd eller brukt veivaksel forårsaket av at kniven på en roterende gressklipper har slått mot en hard gjenstand, eller av at v-reimen er for stram.
- 10 Rutinemessig trimming eller justering av motoren.

Service under garantien er kun tilgjengelig hos forhandlerverksteder som er autorisert av Briggs & Stratton Corporation. Finn ditt nærmeste autoriserte forhandlerverksted på kartet over forhandlere på BRIGGSandSTRATTON.COM, ved å ringe 1-800-233-3723, eller ved å slå opp i telefonkatalogens 'Gule sider'™.

Informações gerais

Para obter peças de reposição ou assistência técnica, registre abaixo os números de modelo, tipo e código do motor, além da data de compra. Esses números estão localizados no motor (consulte a página de **Recursos e controles**).

Data de compra: _____
DD/MM/AAAA

Modelo do motor: _____
Modelo: Tipo: Código:

Informações sobre classificação de potência do motor

A potência bruta para os modelos de motor a gás individuais é classificada conforme o código J1940 (Small Engine Power & Torque Rating Procedure - Procedimento de Classificação de Potência e Torque para Pequenos Motores) da SAE (Society of Automotive Engineers - Sociedade de Engenheiros Automotivos) e o desempenho da classificação foi obtido e corrigido de acordo com o código SAE J1995 (Revisão de 2002-05). Os valores de torque são calculados a 3060 RPM; os valores de HP são calculados a 3600 RPM. A potência bruta real do motor será inferior e é afetada por condições ambientais de operação e variabilidade dos motores, entre outros fatores. Devido à ampla diversidade de produtos nos quais são instalados motores e à variedade de questões ambientais aplicáveis ao funcionamento do equipamento, o motor a gás não desenvolverá a potência bruta classificada quando usado em um determinado equipamento de potência (potência líquida ou "no local"). Essa diferença ocorre por vários fatores, inclusive, mas não somente, acessórios (filtro de ar, escapamento, aparelho de carregamento, resfriamento, carburador, bomba de combustível, etc.), limitações de aplicação, condições ambientais de operação (temperatura, umidade, altitude) e variabilidade de motores. Devido a limitações de fabricação e capacidade, a Briggs & Stratton poderá substituir um motor de potência classificada mais alta por um motor desta série.

Segurança do operador

SÍMBOLOS DE SEGURANÇA E CONTROLE



O símbolo de alerta de segurança é usado para identificar informações de segurança sobre perigos que possam resultar em ferimentos. Uma palavra de sinalização (PERIGO, AVISO ou CUIDADO) acompanha o símbolo de alerta para indicar o potencial e a possível gravidade de ferimentos. Além disso, um símbolo de perigo pode ser usado para representar o tipo de perigo.

PERIGO indica um perigo que, se não for evitado, **resultará em morte ou ferimentos graves**.

AVISO indica um perigo que, se não for evitado, **podará resultar em morte ou ferimentos graves**.

CUIDADO indica um perigo que, se não for evitado, **podará resultar em ferimentos graves ou leves**.

CUIDADO, quando usado **sem** o símbolo de alerta, indica uma situação que **pode resultar em danos no produto**.

AVISO
A exaustão do motor deste produto contém produtos químicos conhecidos no Estado da Califórnia como causadores de câncer, defeitos congênitos ou outros problemas associados à reprodução humana.

AVISO
A Briggs & Stratton não aprova ou autoriza o uso desses motores em qualquer veículo terrestre (ATVs) de três rodas, mobiletes/karts para recreação, produtos ou veículos aéreos construídos para uso em competições. A utilização desses motores para tais aplicações pode resultar em danos materiais, ferimentos graves (incluindo paralisias) ou até mesmo morte.

CUIDADO: Este motor foi enviado pela Briggs & Stratton sem óleo. Antes de dar partida no motor, lembre-se de adicionar óleo de acordo com as instruções neste manual. Se o motor for acionado sem óleo, ele será danificado sem possibilidade de reparo e não estará coberto pela garantia.

AVISO

Os vapores de gases são extremamente inflamáveis e explosivos. O fogo ou uma explosão poderá provocar graves queimaduras ou morte.

Quando acrescentar combustível

- Abasteça o tanque em área aberta ou bem ventilada.
- Verifique frequentemente as tubulações de combustível, o tanque, o tampão e as conexões quanto a rachaduras ou vazamentos. Substitua, se necessário.

Quando der partida no motor

- Certifique-se de que a vela de ignição, o silencioso e o filtro de ar (se houver) estejam em seus lugares e seguros.
- Não acione o motor sem a vela de ignição.

Quando operar o equipamento

- Nunca dê partida ou movimento o motor com a peça de purificação de ar (se houver) ou o filtro de ar (se houver) removido.

Quando transportar o equipamento

- Em motores com funcionamento a gás natural/petróleo líquido (LP), transporte com o tanque de combustível vazio, válvula fechada ou o tanque desconectado.

Quando armazenar gasolina ou equipamento com combustível no tanque

- Guarde longe de fornalhas, fogões, aquecedores de água ou outros aparelhos que tenham uma luz piloto ou outra fonte de ignição porque eles podem inflamar vapores contendo gases.

AVISO

Acionar o motor produz faísca. As faíscas poderão incendiar os gases inflamáveis que se encontram na área. Poderão verificar-se explosão e fogo.

- Se tiver conhecimento de algum vazamento de gás natural ou de petróleo liquefeito na área, não dê a partida do motor.
- Não utilize fluidos de acionamento pressurizados, porque os vapores são inflamáveis.

AVISO

Os motores libertam monóxido de carbono, um gás tóxico inodoro e incolor. Respirar monóxido de carbono poderá provocar náuseas, desmaios ou morte.

- Dê a partida e deixe o motor funcionando ao ar livre.
- Não acione nem faça funcionar o motor em áreas fechadas, mesmo com janelas ou portas abertas.



AVISO

A rápida retração da corda da partida (contragolpe) puxará a mão e o braço em direção ao motor mais rapidamente do que você a poderia soltar.

Isto poderá resultar em ossos quebrados, fraturas, contusões ou entorses.

- Ao dar partida no motor, puxe a corda da partida lentamente até sentir resistência e então puxe-a rapidamente para evitar o contragolpe.
- Retire todas as cargas sobre o motor/equipamento externo antes de dar a partida.
- Componentes de equipamento acoplados diretamente, tais como palhetas, impulsos, polias, dentes de roda dentada, entre outros, devem estar bem presos.



AVISO

As peças rotativas poderão entrar em contato ou prender mãos, pés, cabelo, vestuário ou acessórios.

Isto poderá resultar em amputação traumática ou grave laceração.

- Opere o equipamento com as proteções no devido lugar.
- Mantenha as mãos e os pés afastados das peças de rotação.
- Se tiver cabelo longo ou usar jóias, prenda o cabelo e retire seus acessórios.
- Não use roupa solta, cordões pendentes ou itens que poderão ficar presos.



AVISO

O funcionamento dos motores produz calor. As peças do motor, especialmente o silencioso, ficam extremamente quentes.

Poderão ocorrer graves queimaduras térmicas com o contato.

Os resíduos combustíveis, tais como folhas, grama, galhos, etc. poderão incendiar-se.

- Deixe o silencioso, o cilindro do motor e as aletas esfriarem antes de tocar neles.
- Remova resíduos acumulados da área do silencioso e do cilindro.
- Instale e mantenha em condição de funcionamento um retentor de faíscas, antes de utilizar o equipamento em locais cobertos de mata. Isso é uma exigência do estado da Califórnia (Seção 4442 da lei de recursos públicos da Califórnia), porém, outros estados poderão ter leis similares. As leis federais aplicam-se a territórios federais.



AVISO

A liberação não intencional de faísca poderá resultar em incêndio ou choque elétrico.

O acionamento não intencional poderá resultar em emaranhamento, amputação traumática ou laceração.

Risco de incêndio



Antes de realizar ajustes ou reparos:

- Desconecte o cabo da vela de ignição e mantenha-o afastado.
- Desligue a bateria, no terminal negativo (apenas motores com partida elétrica).
- Use somente as ferramentas apropriadas.
- Não adultere o motor com mola de regulagem, articulação ou outras peças para aumentar a velocidade.
- As peças de reposição devem ser iguais e instaladas na mesma posição que as peças originais.
- Não golpeie o volante do motor com um martelo ou objeto sólido, pois poderá quebrar mais tarde durante o funcionamento.

Quando fizer teste de faíscas:

- Use sempre um analisador de faíscas aprovado.
- Não verifique se existem faíscas com a vela de ignição retirada.



AVISO



Os combustíveis gasosos são extremamente inflamáveis e são capazes de formar misturas explosivas de ar-vapor em temperatura ambiente.



Caso sinta cheiro de gás

- Não dê partida no motor.
- Não acione nenhuma chave elétrica.
- Não use telefone nas proximidades.
- Evacue a área, em seguida ligue para o fornecedor de gás ou para o Corpo de Bombeiros.



AVISO



Use proteção para os olhos quando estiver fazendo reparos.

Pode ocorrer úlcera de congelamento por meio do contato da pele/olhos com o líquido LP que vaza.



- Instalação, ajustes e reparos devem ser realizados por um técnico qualificado.
- Verifique regularmente as linhas de abastecimento flexíveis. Certifique-se de que estejam em boas condições. Substitua componentes que estejam danificados ou vazando.



AVISO



Uma válvula “de fechamento do combustível” inexistente ou inoperante pode causar incêndio ou explosão.



- Não opere o equipamento se não houver a válvula “de fechamento do combustível” ou caso a mesma esteja inoperante.

Recursos e controles

Compare a ilustração **1** com seu motor para familiarizar-se com o local de vários recursos e controles.

- A. Identificação do motor
Modelo Tipo Código
- B. Vela de ignição
- C. Purificador de ar
- D. Vareta de nível de óleo
- E. Bujão de drenagem de óleo
- F. Silencioso
Protetor do silencioso (opcional)
Retentor de faíscas (opcional)
- G. Tela giratória
- H. Filtro de óleo
- I. Partida elétrica.
- J. Misturador LPG/NG
- K. Dreno rápido de óleo (opcional)

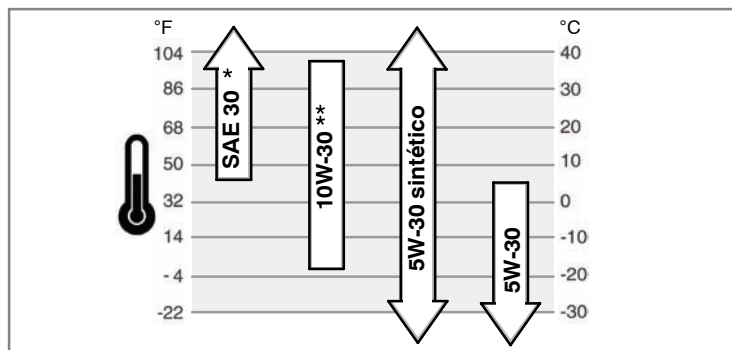
Funcionamento

Capacidade de óleo (consulte a seção **Especificações**)

Recomendações sobre o óleo

Recomendamos o uso dos óleos com garantia certificada da Briggs & Stratton para obter o melhor desempenho. Outros óleos detergentes de alta qualidade são aceitáveis se forem classificados para serviço SF, SG, SH, SJ ou superior. Não utilize aditivos especiais.

As temperaturas externas determinam a viscosidade de óleo apropriada para o motor. Use a tabela a fim de selecionar a melhor viscosidade para a faixa de temperatura externa esperada.



* O óleo SAE 30, quando utilizado a temperaturas inferiores a 4°C, provocará uma partida difícil do motor.

** O óleo 10W-30, quando utilizado a temperaturas superiores a 27°C, poderá causar aumento no consumo de óleo. Verifique mais freqüentemente o nível do óleo.

Como verificar/adicionar óleo - Figura 2

Antes de adicionar ou verificar o óleo

- Coloque o motor de modo de fique plano.
 - Limpe a área de enchimento de óleo removendo toda a sujeira e os resíduos.
1. Remova a vareta (A) e passe um pano limpo (Figura 2).
 2. Insira e rosqueie a vareta.
 3. Retire a vareta e verifique o nível de óleo. Verifique se o óleo está na marca de FULL (cheio) (B) na vareta.
 4. Se o nível estiver baixo, adicione óleo lentamente dentro do bocal de enchimento de óleo (C). **Não deixe transbordar.** Depois de colocar óleo, aguarde um minuto e depois verifique o nível de óleo.
Nota: Não adicione óleo no dreno rápido de óleo (K, Figura 1) (se houver).
 5. Recoloque e rosqueie a vareta.

Pressão do óleo

Se a pressão do óleo for muito baixa, uma chave de pressão (se houver) irá parar o motor ou ativar um dispositivo de aviso no equipamento. Se isso ocorrer, pare o motor e verifique o nível de óleo com a vareta.

Se o nível de óleo estiver abaixo da marca ADD (adicionar), acrescente óleo até atingir a marca FULL (cheio). Dê partida no motor e verifique se a pressão está adequada antes de continuar a operar.

Se o nível de óleo estiver entre as marcas ADD e FULL, **não inicie** o motor. Entre em contato com o Revendedor Autorizado Briggs & Stratton para que o problema de pressão de óleo seja corrigido.

Recomendações de combustível



AVISO



Uma válvula “de fechamento do combustível” inexistente ou inoperante pode causar incêndio ou explosão.

- Não opere o equipamento se não houver a válvula “de fechamento do combustível” ou caso a mesma esteja inoperante.

O combustível deve atender a estes requisitos:

- Use combustível limpo e seco, livre de qualquer umidade ou material em partículas. Usar combustíveis fora dos valores recomendados a seguir pode causar problemas de desempenho.
- Em motores montados para funcionarem com LPG, é recomendado o HD5 LPG comercial. A composição de combustível recomendada é a com o mínimo de 2500 BTUs/ft³ com conteúdo de propileno máximo de 5% e butano e conteúdo de gás mais denso de 2,5% e conteúdo mínimo de propano de 90%.

Os motores NG ou LPG estão certificados para operação com gás natural ou propano líquido. O sistema de controle de emissão deste motor é EM (Engine Modifications - Modificações de Motor).



AVISO: O equipamento no qual este motor está instalado é equipado com uma válvula automática de segurança de gás “de fechamento do combustível”. Não opere o equipamento se não houver a válvula “de fechamento do combustível” ou caso a mesma esteja inoperante.

Como adicionar combustível



AVISO



Vapores de gases são extremamente inflamáveis e explosivos. O fogo ou uma explosão poderá provocar graves queimaduras ou morte.

Quando acrescentar combustível

- Abasteça o tanque em área aberta ou bem ventilada.
- Verifique freqüentemente as tubulações de combustível, o tanque, o tampão e as conexões quanto a rachaduras ou vazamentos. Substitua, se necessário.

Para obter informações sobre reabastecimento dos motores a gás natural ou LP, leia as instruções de operação fornecidas pelo fabricante do equipamento.

Como iniciar o motor - Figura 3



AVISO



Vapores de gases são extremamente inflamáveis e explosivos. O fogo ou uma explosão poderá provocar graves queimaduras ou morte.

Quando der partida no motor

- Certifique-se de que a vela de ignição, o silencioso e o purificador de ar estejam em seus lugares e seguros.
- Não acione o motor sem a vela de ignição.



AVISO



Os motores liberam monóxido de carbono, um gás tóxico inodoro e incolor.

Respirar monóxido de carbono poderá provocar náuseas, desmaios ou morte.

- Dê a partida e deixe o motor funcionando ao ar livre.
- Não acione nem faça funcionar o motor em áreas fechadas, mesmo com janelas ou portas abertas.

CUIDADO: Este motor foi enviado pela Briggs & Stratton sem óleo. Antes de dar partida no motor, lembre-se de adicionar óleo de acordo com as instruções neste manual. Se o motor for acionado sem óleo, ele será danificado sem possibilidade de reparo e não estará coberto pela garantia.

1. Verifique o nível de óleo. Consulte a seção **Como verificar/adicionar** óleo.
2. Verifique se os controles de transmissão, se houver, estão desengatados. Consulte o manual do equipamento para informar-se sobre a localização e a operação desses controles.
3. Coloque a válvula de fechamento de combustível (B), se houver, na posição on (Figura 3). Consulte o manual do equipamento para informar-se sobre a localização e a operação da válvula de fechamento de combustível.
4. Gire a chave de partida elétrica (A), se houver, para a posição on/start (ligado/partida). Consulte o manual do equipamento para saber o local da chave e como operá-la.

Nota: Se o motor não der partida após três tentativas, vá para **BRIGGSandSTRATTON.COM** ou ligue para **1-800-233-3723** (nos EUA).

CUIDADO: Para prolongar a vida útil da partida, use ciclos de partida curtos (máximo de cinco segundos). Aguarde um minuto entre os ciclos de partida.

Como parar o motor - Figura 3

1. Gire a chave (A, Figura 3) para a posição off. Retire a chave e a mantenha em um lugar seguro, fora do alcance de crianças
2. Quando o motor parar, coloque a válvula de fechamento de combustível (B), se houver, na posição fechado.

Manutenção

Use apenas peças de substituição de equipamento originais. Outras peças não têm desempenho tão bom, podem danificar a unidade de podem resultar em danos. Além disso, o uso de outras peças pode invalidar a garantia.

Recomendamos que você consulte um Centro Autorizado Briggs & Stratton para qualquer manutenção e serviço em motores e em suas peças.

CUIDADO: Todos os componentes usados na montagem deste motor devem permanecer em seus lugares para o funcionamento adequado.

Controle de emissões

A manutenção, substituição e o reparo de dispositivos e sistemas de controle de emissão podem ser realizados por qualquer estabelecimento ou técnico de reparo de motores non-road (que não circulam em vias públicas). Entretanto, para obter serviço de controle de emissão "sem custos adicionais", o trabalho deve ser realizado por um centro autorizado da fábrica. Consulte a garantia de emissões.



AVISO

A liberação não intencional de faísca poderá resultar em incêndio ou choque elétrico.



O acionamento não intencional poderá resultar em emaranhamento, amputação traumática ou laceração.



Risco de incêndio

Antes de realizar ajustes ou reparos:

- Desconecte o cabo da vela de ignição e mantenha-o afastado.
- Use somente as ferramentas apropriadas.
- Não adultere o motor com mola de regulagem, articulação ou outras peças para aumentar a velocidade.
- As peças de substituição devem ser as mesmas e instaladas na mesma posição que as originais.
- Não golpeie o volante do motor com um martelo ou objeto sólido, pois poderá quebrar mais tarde durante o funcionamento.

Quando fizer teste de faíscas:

- Use sempre um analisador de faíscas aprovado.
- Não verifique se existem fagulhas com a vela de ignição retirada.

Gráfico de manutenção

Primeiras 5 horas
<ul style="list-style-type: none">• Trocar o óleo
Cada 8 horas ou diariamente
<ul style="list-style-type: none">• Verifique o nível de óleo do motor.• Limpar a área em torno do silencioso e os controles• Limpe o protetor de dedos (se houver)
Cada 25 horas ou anualmente
<ul style="list-style-type: none">• Limpar o filtro de ar *• Limpar o pré-purificador *
Cada 50 horas ou anualmente
<ul style="list-style-type: none">• Trocar o óleo do motor• Substituir o filtro de óleo (se houver)• Verificar o silencioso e retentor de faíscas
Anualmente
<ul style="list-style-type: none">• Substituir o filtro de ar• Substituir o pré-purificador• Substituir a vela de ignição• Limpar o sistema de arrefecimento do ar *• Verificar a folga das válvulas **

* Em locais de muita poeira ou quando partículas trazidas pelo ar estão presentes, limpe com maior frequência.

** Não é necessário a menos que sejam observados problemas no desempenho do motor.

CUIDADO: O fabricante do equipamento em que este motor é instalado fornece indicações quanto à velocidade máxima a que o motor pode ser operado. Não exceda essa velocidade.

Como substituir a vela de ignição - Figura 4

Substitua a vela de ignição anualmente. Verifique a folga (A, Figura 4) com um calibrador de fio (B). Se necessário, reajuste a folga. Instale e aperte a vela de ignição com o torque recomendado. Para obter o ajuste ou o torque, consulte a seção **Especificações**.

Nota: Em algumas áreas, a legislação local exige a utilização de uma vela de ignição resistiva para eliminar sinais de ignição. Se este motor for originalmente equipado com uma vela de ignição resistiva, use o mesmo tipo para substituição.

Inspeção do Silencioso e o Retentor de Faíscas - Figura 5



AVISO



O funcionamento dos motores produz calor. As peças do motor, especialmente o silencioso, ficam extremamente quentes.



Poderão ocorrer graves queimaduras térmicas com o contato.

Os resíduos combustíveis, tais como folhas, grama, galhos, etc. poderão incendiar-se.

- Deixe o silencioso, o cilindro do motor e as aletas esfriarem antes de tocar neles.
- Remova resíduos acumulados da área do silencioso e do cilindro.
- Instale e mantenha em condição de funcionamento um retentor de faíscas, antes de utilizar o equipamento em locais cobertos de mata. Isso é uma exigência do estado da Califórnia (Seção 4442 da lei de recursos públicos da Califórnia), porém, outros estados poderão ter leis similares. As leis federais aplicam-se a territórios federais.

Inspeção do silencioso (A, Figura 5) para verificar se há rachaduras, corrosão ou outros danos. Remova o defletor de silencioso (B), se houver, e inspecione para observar se há danos ou bloqueio na passagem de carbono. Caso seja necessária a instalação de peças de reposição, utilize somente peças de equipamento originais.



AVISO: As peças de reposição devem ser iguais e instaladas na mesma posição que as peças originais ou poderão incendiar-se.

Como trocar o óleo - Figura 6 7 8 9

CUIDADO: Óleo usado é um produto descartável de risco e deve ser disposto adequadamente. Não descarte junto com o lixo doméstico. Verifique se há um local para reciclagem/descarte seguro junto às autoridades locais, centro de serviço ou revendedor.

Remoção de óleo

1. Com o motor desligado, mas ainda quente, desconecte o cabo da vela de ignição (A) e mantenha-o afastado (Figura 6)
2. Remova a vareta (D).

Bujão de drenagem de óleo padrão

3. Remova o bujão de drenagem de óleo (B, Figura 7). Drene o óleo para um contêiner aprovado.

Nota: Qualquer um dos bujões de drenagem de óleo mostrados abaixo pode ser instalado no motor.



4. Após a drenagem de todo o óleo, recoloque e aperte o bujão de drenagem de óleo.

Dreno rápido de óleo opcional

1. Desconecte o tubo de dreno de óleo (G, Figura 8) da lateral do motor.
2. Gire e remova a tampa de drenagem de óleo remove a tampa de dreno de óleo (H). Abaixo com cuidado o dreno rápido (I) para um contêiner aprovado (J).
3. Depois de óleo ter sido drenado, instale a tampa de dreno de óleo. Fixe o tubo na lateral do motor.

Trocar o filtro de óleo

Alguns modelos são equipados com um filtro de óleo. Para conhecer os intervalos de substituição, consulte o gráfico de **Manutenção**.

1. Drene o óleo do motor. Consulte a seção **Remover óleo**.
2. Remova o filtro de óleo (C) e faça o descarte de modo adequado. Consulte a Figura 9.
3. Antes de instalar o novo filtro de óleo, lubrifique levemente a vedação do filtro de com óleo limpo e novo.
4. Instale o filtro de óleo manualmente e até que a vedação esteja em contato com o adaptador do filtro de óleo, em seguida aperte o filtro de óleo com 1/2 volta a 3/4 de volta.
5. Adicione óleo. Consulte a seção **Adicionar óleo**.
6. Dê partida no motor. Enquanto é aquecido, verifique se há vazamento de óleo.
7. Pare o motor e verifique o nível de óleo. Ele deve estar na marca FULL (cheio) na vareta.

Adição de óleo

- Coloque o motor de modo de fique plano.
- Limpe a área de enchimento de óleo removendo toda a sujeira e os resíduos.

- Consulte a seção **Especificações** para obter informações sobre a capacidade de óleo.m
1. Remova a vareta (D) e passe um pano limpo (Figura 6).
 2. Despeje óleo lentamente no bocal de enchimento de óleo do motor (E). **Não deixe transbordar.** Depois de acrescentar óleo, aguarde um minuto e, em seguida, verifique novamente o nível de óleo.
 3. Instale e rosqueie a vareta.
 4. Remova a vareta e verifique o nível de óleo. Deve estar na marca FULL (F) na vareta.
 5. Instale e rosqueie a vareta.

Como fazer manutenção no filtro de ar - Figura 10



AVISO



Vapores de gases são extremamente inflamáveis e explosivos.

O fogo ou uma explosão poderá provocar graves queimaduras ou morte.



- Nunca dê partida ou movimente o motor com a peça de purificação de ar ou o filtro de ar removido(a).

CUIDADO: Não use ar pressurizado ou solventes para limpar o filtro. O ar pressurizado pode danificar o filtro e os solventes irão dissolvê-lo.

O sistema de filtro de ar usa um cartucho oval ou plano. Alguns modelos também incluem um pré-purificador que pode ser lavado e reutilizado.

Filtro de ar plano

1. Puxe a alça da tampa para cima (A, Figura 10). Gire a alça da tampa em direção ao motor e retire a tampa (B).
2. Retire o pré-purificador (C), se houver, e o filtro (D).
3. Para soltar os resíduos, bata suavemente o filtro em uma superfície rígida. Se o filtro estiver excessivamente sujo, substitua por um novo filtro.
4. Lave o pré-purificador em detergente líquido e água. Então deixe secar por completo naturalmente. **Não** coloque óleo no pré-purificador.
5. Monte o pré-purificador seco e o filtro na base do motor (E).
6. Alinhe as guias (F) na tampa com os encaixes (G) no alojamento da ventoinha. Gire a alça da tampa de volta e empurre para baixo para travá-la.

Como limpar o sistema de refrigeração de ar - Figura 11



AVISO



O funcionamento dos motores produz calor. As peças do motor, especialmente o silencioso, ficam extremamente quentes.

Poderão ocorrer graves queimaduras térmicas com o contato.



Os resíduos combustíveis, tais como folhas, grama, galhos, etc. poderão incendiar-se.

- Deixe o silencioso, o cilindro do motor e as aletas esfriarem antes de tocar neles.
- Remova resíduos acumulados da área do silencioso e do cilindro.

CUIDADO: NÃO limpe as peças do motor com água, evitando, assim, que o sistema de combustível seja contaminado. Use uma escova ou um pano seco para limpar o motor. Este é um motor com refrigeração de ar. Sujeira ou poeira pode restringir o fluxo de ar e fazer com que o motor fique superaquecido, resultado em redução no desempenho e menor vida útil do motor.

Use uma escova ou pano seco para remover resíduos do protetor/tela giratória (A).

Mantenha os tubos, molas e controles (B) limpos. Mantenha a área em torno e atrás do silencioso (C) livre de resíduos de combustível (Figura 11).

Armazenagem



AVISO



Vapores de gases são extremamente inflamáveis e explosivos.

O fogo ou uma explosão poderá provocar graves queimaduras ou morte.



Quando armazenar equipamentos com combustível no tanque

- Guarde o motor longe de fomalhas, fogões, aquecedores de água ou outros aparelhos com luz piloto ou fontes de ignição, uma vez que poderão inflamar os vapores de gasolina.

Óleo do motor

Com o motor ainda quente, troque o óleo.

Deteção de problemas

Precisa de assistência? Acesse BRIGGSandSTRATTON.COM ou ligue para **1-800-233-3723**.

Especificações

Especificações do motor	
Modelo	310000
Deslocamento	30,52 ci (500 cc)
Calibre	3,563 pol (90,49 mm)
Curso	3,062 pol (77,77 mm)
Capacidade de óleo - com filtro	46 - 48 oz (1,36 - 1,40 L)

Especificações de ajuste *	
Modelo	310000
Folga da vela de ignição	0,030 pol (0,76 mm)
Torque da vela de ignição	180 lb-pol (20 Nm)
Folga de ar da armação	0,010 - 0,014 pol (0,25 - 0,36 mm)
Folga da válvula de entrada	0,003 - 0,005 pol (0,08 - 0,13 mm)
Folga da válvula de exaustão	0,005 - 0,007 pol (0,13 - 0,18 mm)

* A potência do motor reduzirá 3,5% a cada 300 metros (1.000 pés) acima do nível do mar e 1% a cada 5,6° C (10° F) acima de uma temperatura de 25° C (77° F). O motor funcionará satisfatoriamente em um ângulo de até 15°. Consulte o manual do operador do equipamento a fim de obter os limites permitidos para o funcionamento seguro em declive.

Peças de serviço comuns ✓	
Peça de serviço	Número da peça
Filtro de ar, plano	790263
Pré-purificado do filtro de ar, plano	697015
Filtro de óleo	492932, 5049
Óleo - SAE 30 (20 oz, 0,6 L)	100005
Óleo - SAE 30 (48 oz, 1,4 L)	100028
Vela de ignição com resistor	491055
Vela de ignição de platina de longa duração	5066
Chave de velas de ignição	89838, 5023
Analisador de faíscas	19368

✓ Recomendamos que você consulte um Centro Autorizado Briggs & Stratton para todos os serviços de reparo e manutenção do motor e das peças do motor. Utilize somente peças genuínas da Briggs & Stratton.

GARANTIA LIMITADA

A Briggs & Stratton Corporation consertará ou substituirá gratuitamente, qualquer componente (s) do motor que possua defeito em material, em montagem ou em ambos. Contudo, todos os custos de transporte dos produtos dentro da cobertura desta Garantia submetidos para reparo ou substituição ficarão a cargo do comprador. Esta garantia está em vigor durante os períodos de tempo e sujeita às condições estabelecidas abaixo. Para assistência sob garantia, localize o Centro de Serviço Autorizado Briggs & Stratton mais próximo, no mapa de localização em BRIGGSandSTRATTON.COM.

Não há outra garantia expressa. As garantias implícitas, incluindo aquelas de comercialização e adequação para um determinado fim, são limitadas ao período de um ano a partir da data da compra, ou pelo tempo permitido por lei. Toda e qualquer garantia implícita está excluída. A responsabilidade por danos consequenciais ou incidentais sob toda e qualquer garantia está excluída na extensão permitida por lei. Alguns países ou estados não permitem limitações no tempo de duração de garantias implícitas, e outros países ou estados não permitem exclusão ou limitação de danos consequenciais ou acidentais, portanto a limitação e exclusão acima podem não se aplicar. Esta garantia dá direitos legais específicos e o consumidor pode também ter outros direitos que variam de país para país ou de estado para estado.

TERMOS DA GARANTIA PADRÃO * ▲

Tipo de produto/marca	Uso Residencial	Uso Comercial
Vanguard™	2 anos	2 anos
Extended Life Series™, I/C®, Intek™ I/C®, Intek™ Pro	2 anos	1 ano
Snow Series MAX™ com braço de ferro fundido Dura-Bore™	2 anos	1 ano
Todos os outros motores Briggs & Stratton	2 anos	90 dias

* Esses são nossos termos de garantia padrão, mas ocasionalmente pode haver cobertura de garantia adicional que não foi determinada no momento da publicação. Para obter uma listagem dos termos de garantia atuais de seu equipamento, acesse BRIGGSandSTRATTON.COM ou entre em contato com o Centro de Serviço Autorizado Briggs & Stratton.

▲ Os motores usados em aplicações de gerador caseiro são garantidos apenas para uso por consumidores. Esta garantia não se aplica a motores com equipamentos usados como energia principal no lugar de um utilitário. **Os motores usados em competições, em pistas comerciais ou de aluguel não estão garantidos.**

O período de garantia inicia-se na data de compra pelo primeiro consumidor ou usuário final comercial e é mantido pelo período de tempo mencionado na tabela acima. "Uso por consumidor" significa um uso pessoal residencial por um consumidor de varejo. "Uso comercial" significa todos os outros usos, incluindo uso para propósitos comerciais de produção de renda ou de aluguel. Uma vez tendo sido usado comercialmente, o motor será posteriormente considerado de uso comercial para os propósitos desta garantia.

Não é necessário o registro da garantia para obtê-la para os produtos da Briggs & Stratton. Guarde seu comprovante de compra. Se você não apresentar o comprovante com a data de compra ao solicitar o serviço de garantia, será usada a data de fabricação do produto para calcular o prazo de garantia.

Sobre a Garantia

A Briggs & Stratton gentilmente aceita o reparo em garantia e lamenta pela inconveniência causada. Qualquer Centro de Serviço Autorizado pode realizar reparos de garantia. A maioria de reparos nessa condição são serviços rotineiros, mas às vezes os pedidos por serviço em garantia podem não ser considerados adequados.

Caso um cliente não concorde com a decisão do Centro de Serviço, será realizada uma investigação para determinar a aplicabilidade da garantia. Peça ao Centro de Serviço que apresente todos os fatos comprobatórios ao seu Distribuidor ou à Fábrica, para revisão. Se o Distribuidor ou a Fábrica decidir que a reclamação é justificada, o cliente será totalmente reembolsado relativamente aos itens aceites como defeituosos. Para evitar equívocos que possam eventualmente ocorrer entre o cliente e o Centro de Serviço, descrevemos abaixo algumas das causas de falha dos motores que não estão cobertas pela garantia.

Desgaste normal: Os motores, assim como qualquer equipamento mecânico, precisam de manutenção e substituição periódicas das peças para que funcionem bem. A garantia não cobre reparos relacionados ao desgaste causado por uso em uma peça ou motor. A garantia não se aplicaria se o dano ao motor ocorresse por uso indevido, falta de manutenção de rotina, transporte, manuseio, armazenamento ou instalação inadequada. Da mesma forma, a garantia fica invalidada se o número de série do motor tiver sido removido ou se o motor tiver sido alterado ou modificado.

Manutenção incorreta: A vida útil de um motor depende das condições em que é utilizado e dos cuidados que recebe. Algumas aplicações, tais como picadores de forragem, bombas e cortadores de grama, são muitas vezes utilizadas em condições em que estão sujeitas a poeiras e sujeira, que podem causar um aparente desgaste prematuro. Tal desgaste não está coberto pela garantia, quando causado pela penetração no motor de impurezas, pó, resíduos de limpeza das velas ou qualquer outro material abrasivo, decorrente de uma manutenção incorreta.

Esta garantia cobre somente material e/ou mão-de-obra defeituosos relacionados com o motor e não a substituição ou reembolso do equipamento em que o motor possa estar montado. Além disso, a garantia também não cobre reparos devidos a:

- 1 Problemas causados por peças que não sejam peças originais Briggs & Stratton.
- 2 Controles de equipamentos ou instalações que impeçam a partida, provocando um desempenho insatisfatório do motor ou a redução da vida útil do motor. (Contate o fabricante do equipamento.)

- 3 Carburadores com vazamentos, tubos de combustível entupidos, válvulas coladas ou outras avarias causadas pela utilização de combustível contaminado ou envelhecido.
- 4 Peças riscadas ou quebradas resultantes da utilização do motor com óleo contaminado ou insuficiente ou de um óleo de grau incorreto (verifique e complete sempre que necessário e troque nos intervalos recomendados.) O indicador de segurança OIL GARD poderá não se desligar durante o funcionamento do motor. O motor poderá ficar danificado se o nível do óleo não for mantido corretamente.
- 5 O reparo ou ajuste de componentes associados ou de conjuntos, tais como embreagens, transmissões, controles à distância, etc., que não sejam de fabricação da Briggs & Stratton.
- 6 Avaria ou desgaste de componentes devido à penetração de impurezas no motor, decorrente de manutenção ou remontagem inadequada do purificador de ar, ou da utilização de um elemento ou cartucho de purificador de ar que não seja original. A intervalos recomendados, limpe e/ou substitua o filtro, de acordo com as recomendações do Manual de operação.
- 7 Componentes danificados devido a sobrevelocidade ou a superaquecimento causado por grama, areias ou sujeira que tapem ou entupam as aletas de arrefecimento ou a área do volante, ou devido à utilização do motor numa área confinada sem ventilação suficiente. Limpe os resíduos no motor nos intervalos recomendados no manual de operação.
- 8 Componentes do motor ou do equipamento quebrados devido a vibração excessiva provocada por montagem frouxa do motor, lâminas cortantes frouxas, pás desbalanceadas ou impulsores frouxos ou desbalanceados, fixação incorreta do equipamento ao virabrequim do motor, sobrevelocidade ou outro abuso na operação.
- 9 Virabrequim empenado ou quebrado devido ao choque de um objeto sólido com uma lâmina cortante de uma máquina rotativa para cortar grama, ou devido ao aperto excessivo da correia em V.
- 10 Regulagem ou ajustamento rotineiro do motor.

O serviço de garantia está disponível apenas por meio de distribuidores de serviço autorizados pela Briggs & Stratton Corporation. Localize o Centro de Serviço Autorizado Briggs & Stratton mais próximo, no mapa de localização em BRIGGSandSTRATTON.com.

Allmän information

Behöver du reservdelar eller teknisk assistans, notera du motormodellen, typen och koderna tillsammans med inköpsdatum nedan. Numren finns på motorn (se sidan med **Funktioner och regler**).

Inköpsdatum: _____
MM/DD/ÅÅÅÅ

Motormodell: _____
Modell: Typ: Kod:

Effektuppgifter

Bruttoeffekten för de olika motormodellerna anges i enlighet med SAE (Society of Automotive Engineers) kod J1940 (mätning av effekt och vridmoment för små motorer), och uppgifterna har inhämtats och korrigerats i enlighet med SAE J1995 (revision 2002-05). Vridmomentvärdena mäts vid 3060 varv/min. Effektvärdena mäts vid 3600 varv/min. Verklig bruttoeffekt är lägre och varierar med bland annat utetemperatur och mellan olika motorexemplar. Utifrån det breda spektrat maskiner som motorerna används i och hur de används samt omgivningsmiljön, så utvecklar inte bensinmotorn angiven bruttoeffekt när den används i en given maskin (verklig "monterad" effekt eller nettoeffekt). Skillnaden beror på ett antal olika faktorer, bland annat hjälpkomponenter (luftrenare, ljuddämpare, laddning, kylning, förgasare, bränslepump m.m.), användningsbegränsningar, driftmiljö (temperatur, fuktighet, höjd över havet) och skillnader mellan olika motorexemplar. På grund av tillverknings- och kapacitetsbegränsningar, kan Briggs & Stratton ersätta en motor med en med högre märkeffekt i stället för motorn i denna serie.

Förarsäkerhet

SÄKERHETS OCH REGLAGESYMBOLER



Brand



Snurrande delar



Olja



Giftiga gaser



Långsamt



Fort



Stopp



Explosion



Stötar



Bränsle



Choke



På Av



Bränslekran



Bakslag



Bär ögonskydd



Farlig kemikalie




Läs instruktionsboken



Varm yta



Frostskador

Säkerhetsalersymbolen  används för att ange säkerhetsinformation om risker som kan resultera i personsador. Signalord (FARA, VARNING eller OBS) används tillsammans med alersymbolen för att ange sannolikheten för skador och deras grad. Risksymbolen kan dessutom användas för att representera risktypen.



FARA anger en risk som, om den inte undviks, **resulterar i död eller svåra skador**.



VARNING anger en risk som, om den inte undviks, **kan resultera i död eller svåra skador**.



OBS anger en risk som, om den inte undviks, **kan resultera i lindriga skador**.

OBS, använt utan varningssymbolen anger en situation som **kan resultera i produktsador**.



VARNING

Avgaserna från denna produkt innehåller kemikalier som i staten Kalifornien konstaterats orsaka cancer, födelsedefekter eller andra reproduktionsstörningar.



VARNING

Briggs & Stratton godkänner inte användning av dessa motorer på 3-hjuliga terrängfordon (ATV), motorcyklar, go-karts, flygplansprodukter eller fordon avsedda för tävlingar. Användning av dessa motorer i sådana tillämpningar kan leda till materialsador, svåra personsador (inkl. förlamning) och t.o.m. död.

VARNING: Motorn levererades från Briggs & Stratton utan olja. Fyll på olja enligt anvisningarna i handboken inna du startar motorn. Om du startar den utan att fylla på olja skadas den så att den inte går att reparera och skadorna omfattas inte av garantin.



VARNING

Bensinångor är ytterst antändbara och explosiva.

Brand och explosion kan orsaka svåra brännskador eller dödsfall.



Vid bensinpåfyllning

- Fyll bränsletanken utomhus eller i välventilerat utrymme.
- Kontrollera regelbundet bränsleslangar, tank, tanklock och kopplingar för spricker eller läckor. Byt ut vid behov.

Vid start

- Kontrollera att tändstift, ljuddämpare och luftrenare (i förekommande fall) sitter på plats.
- Dra inte runt motorn med tändstiftet uttaget.

Vid körning av maskinen

- Kör aldrig motorn med luftrenaren (i förekommande fall) eller luftfiltret (i förekommande fall) borttaget.

Vid transport av maskinen

- Natur-/LP-gasdrivna motorer ska transporteras med tom bränslecylinder och stängd kran, eller bortkopplad tank.

Vid förvaring av bensin eller utrustning med bränsle i tanken

- Förvara på avstånd från ugnar, brännare, vattenvärmare och andra apparater med tändlågor eller andra tändkällor, då sådana kan antända bensinångor.



VARNING

Motorstart skapar gnistor.

Gnistor kan antända gaser i närheten.

Explosion och brand kan inträffa.



- Starta inte motorn om det finns natur- eller LP-gasläckage i området.
- Använd inte startvätskor under tryck då ångor är antändbara.



VARNING

Motorer avger koloxid, en luktfri, färglös och giftig gas.



Inandning av koloxid kan orsaka illamående, svimning eller dödsfall.

- Starta och kör motorn utomhus.
- Starta inte motorn i stängda utrymmen, även om dörrar och fönster är öppna.



VARNING

Snabb indragning av startsnöret (bakslag) drar hand och arm mot motorn innan man hinner släppa.



Brutna ben, frakturer, blåmärken, o.d. kan inträffa.

- Dra först ut snöret långsamt tills ett motstånd känns och sedan snabbt så undviks backslag.
- Avlägsna alla utvändiga maskin-/motorbelastningar innan motorn startas.
- Direktkopplade maskindelar som t.ex. blad, rotor, remskivor, kuggkransar, etc., måste vara ordentligt fästa.



VARNING



Snurrande delar kan komma i kontakt med händer, fötter, hår, kläder eller smycken.

Svåra skärskador eller t.o.m. amputation kan inträffa.

- Kör maskinen med skydden på plats.
- Håll händer och fötter borta från snurrande delar.
- Sätt upp långt hår och ta av alla smycken.
- Bär inte löst sittande kläder, dragband eller andra föremål som kan trassla in sig.



VARNING



Gående motorer producerar värme. Motordelar, speciellt ljuddämpare, blir mycket varma.



Svåra brännskador kan inträffa vid beröring.



Brännbart skräp, som t.ex. löv, gräs, buskar, etc. kan börja brinna.

- Låt ljuddämpare, motorcylinder och flänsar svalna innan du rör dem.
- Avlägsna ansamlad skräp från ljuddämpar- och cylinderområdet.
- Innan du använder maskinen på skogs-, busk- eller gräsbevuxen ouppodlad mark bör du montera ett gnistskydd och hålla det i funktionsdugligt skick. I Kalifornien är detta lagstadgat (sektion 4442 av California Public Resources Code). Andra stater kan ha liknande lagar. Federala lagar gäller på federala land.



VARNING



Oavsiktliga gnistor kan resultera i brand eller stötar.



Oavsiktlig start kan resultera i intrassling, skärskador eller amputation.



Brandrisk

Före justering eller reparation

- Lossa tändstiftkabeln och håll den på avstånd från tändstiftet.
- Koppla bort batteriet vid minuspolen (endast motorer med elstart).
- Använd endast rätta verktyg.
- Justera inte regulatorfjädrar, länkar eller andra delar för att höja motorvarvtalet.
- Utbytesdelar måste vara de samma och installeras i samma position som originaldelarna.
- Slå inte på svänghjulet med hammare eller hårt föremål, eftersom svänghjulet då kan splittras under gång.

Vid kontroll av tändningssystem:

- Använd godkänd gnistprovare.
- Testa inte gnistan med tändstiftet demonterat.



VARNING



Gasformiga bränslen är ytterst antändbara och bildar snabbt explosiva luft-ångblandningar i rumstemperatur.



Om det luktar gas

- Starta **inte** motorn.
- Slå **inte** på någon strömbrytare.
- Använd **inte** telefoner i närheten.
- Utrym området. Kontakta sedan gasleverantören eller brandkåren



VARNING



Bär ögonskydd vid reparationsarbeten.



Frostskador kan uppstå om ögon/hud kommer i kontakt med LP-vätska.

- Monterings-, justerings- och reparationsarbeten bör utföras av en kvalificerad mekaniker.
- Flexibla tillförselslangar ska kontrolleras regelbundet. Kontrollera att de är i gott skick. Byt ut skadade eller läckande delar.



VARNING



Om den automatiska "bränsleavstängningsventilen" saknas eller är defekt kan detta leda till brand eller explosion.



- **Kör inte** maskinen om den automatiska "bränsleavstängningsventilen" saknas eller är defekt.

Egenskaper och reglage

Jämför din motor med figuren **1** för att bekanta dig med de olika egenskaperna och reglagens placering.

- A. Motorbeteckning
Modell Typ Kod
- B. Tändstift
- C. Luftrenare
- D. Oljesticka
- E. Oljeavtappningsplugg
- F. Ljuddämpare
Ljuddämparskydd (tillbehör)
Gnisttskydd (extra tillbehör)
- G. Roterande nät
- H. Oljefilter
- I. startmotorer
- J. LP-gas-/natargasblandare
- K. Snabbtömningsöppning för olja (tillbehör)

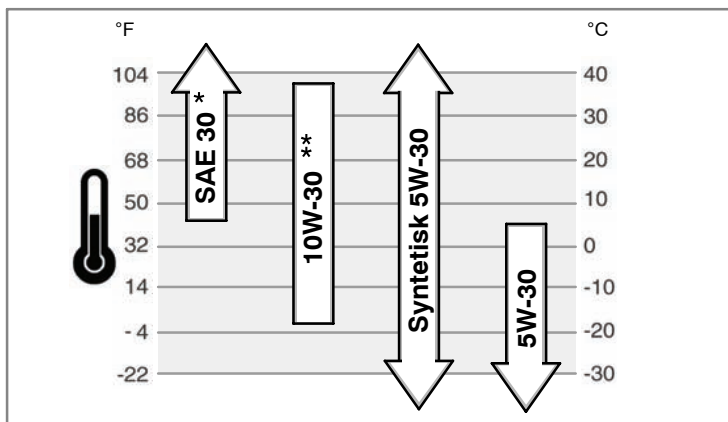
Drift

Oljevolym (se avsnittet **Tekniska data**)

Oljerekommendationer

Vi rekommenderar av Briggs & Stratton certifierade och garanterade oljor för att få bästa prestanda. Andra högkvalitativa renande oljor får användas om de är klassade SF, SG, SH, SJ eller bättre. Använd inga tillsatser.

Utetemperaturer avgör vilken oljeviskositet som ska användas i motorn. Välj olja i tabellen efter förväntad utetemperatur.



* Användning av SAE 30-olja i temperaturer under 4°C gör det svårare att starta motorn.

** Vid användning av 10W-30 i temperaturer över 27°C stiger oljeförbrukningen. Kontrollera oljenivån oftare.

Kontroll av oljenivå/Fylla på olja - bild 2

Innan du fyller på eller kontrollerar oljan

- Sätt motorn i vågrätt läge.
 - Avlägsna skräp från oljerörsområdet.
1. Ta ut oljesticka (A) och torka av den med en ren trasa (bild 2).
 2. Sätt tillbaka oljesticka och skruva åt.
 3. Ta ut oljesticka och kontrollera nivån. Den ska ligga vid markeringen FULL (B) på stickan.
 4. Fyll på olja i påfyllningsröret (C) om nivån är låg. **Fyll inte på för mycket.** Vänta en minut och kontrollera sedan nivån.
Obs.: Fyll inte på olja genom snabbpåfyllningsöppningen (K, fig. 1) (om sådan finns).
 5. Sätt tillbaka och dra åt oljesticka.

Oljetryck

En tryckvakt (om sådan finns på motorn) endera stannar motorn eller aktiverar en varning på maskinen om oljetrycket blir för lågt. Stanna motorn och kontrollera oljenivån på stickan om detta inträffar.

Fyll på olja till FULL-markeringen om nivån sjunkit under ADD-markeringen. Starta motorn och kontrollera att oljetrycket är korrekt innan du fortsätter köra maskinen.

Starta inte motorn om nivån ligger mellan ADD- och FULL-markeringarna. Vänd dig till en auktoriserad Briggs & Stratton-återförsäljare för att få oljetrycksproblemet åtgärdat.

Bränslerekommendationer



VARNING



Om den automatiska "bränsleavstängningsventilen" saknas eller är defekt kan detta leda brand till eller explosion.

- **Kör inte** maskinen om den automatiska "bränsleavstängningsventilen" saknas eller är defekt.

Bränslet måste uppfylla dessa krav:

- Använd rent och torrt bränsle som inte innehåller fukt och partiklar. Bränslen som inte uppfyller de rekommenderade värdena kan ge prestandaproblem.
- I motorer avsedda för LP-gas, rekommenderas HD5 LP-gas. Rekommenderad sammansättning är bränsle med en minsta bränsleenergi på 2500 BTU/ft³ med en högsta propylenhalt av 5% och butan- samt tyngre gashalt av 2,5% och minsta propanhalt av 90%.

NG- och LPG-motorer är certifierade för drift med natur- eller LP-gas. Avgasreningssystemet för motorn är EM (motormodifikationer).



VARNING: Den maskin på vilken denna motor är monterad är försedd med en automatisk "bränsleavstängningsventil". Kör inte maskinen om "bränsleavstängningsventilen" saknas eller är defekt.

Påfyllning av bränsle



VARNING



Bensinångor är ytterst antändbara och explosiva.

Brand och explosion kan orsaka svåra brännskador eller dödsfall.

Vid bensinpåfyllning

- Fyll bränsletanken utomhus eller i välventilerat utrymme.
- Kontrollera regelbundet bränsleslangar, tank, tanklock och kopplingar för sprickor eller läckor. Byt ut vid behov.

Läs bruksanvisningen från maskintillverkaren för information om påfyllning av natur- eller LP-gasmotorer.

Starta motorn - bild 3



VARNING



Bensinångor är ytterst antändbara och explosiva.

Brand och explosion kan orsaka svåra brännskador eller dödsfall.

Vid start

- Se till att tändstift, ljuddämpare, tanklock och luftrenare är på plats och ordentligt fastsatta.
- Dra inte runt motorn med tändstiftet uttaget.



VARNING



Motorer avger koloxid, en luktfri, färglös och giftig gas.

Inandning av koloxid kan orsaka illamående, svimning eller dödsfall.

- Starta och kör motorn utomhus.
- Starta inte motorn i stängda utrymmen, även om dörrar och fönster är öppna.

OBS.: Motorn levererades från Briggs & Stratton utan olja. Fyll på olja enligt anvisningarna i handboken innan du startar motorn. Om du startar den utan att fylla på olja, skadas det så att den inte går att reparera och garantin upphävs.

1. Kontrollera oljenivån. Se avsnittet **Kontrollera/fylla på olja**.
2. Kontrollera i förekommande fall att redskapet är urkopplat. Var reglagen sitter och hur de används beskrivs i maskinhandboken.
3. Ställ i förekommande fall bränslekranen (B) i läge på (fig. 3). Var kranen sitter och hur den manövreras beskrivs i maskinhandboken.
4. Vrid startkontakten (A), om maskinen har en sådan, till läge on/start. Var kontakten sitter och hur den används beskrivs i maskinhandboken.

OBS.: Gå in på **BRIGGSandSTRATTON.COM** eller ring **1-800-233-3723** om motorn inte startar på tre försök.

OBS.: Gör korta startförsök (högst fem sekunder) så håller starmotorn längre. Vänta en minut mellan startförsöken.

Stoppa motorn - bild 3

1. Vrid tändningsnyckeln (A, fig. 3) till läge av. Ta ur nyckeln och förvara den utom räckhåll för barn.
2. Stäng i förekommande fall bensinkranen (B) när motorn stannat.

Underhåll

Använd enbart originalreservdelar. Andra delar fungerar kanske inte lika bra, kan skada maskinen och orsaka personskador. Dessutom kan sådana delar göra att garantin inte gäller.

Vi rekommenderar att du tar kontakt med en auktoriserad Briggs & Stratton-verkstad för underhåll och reparation av motorn och dess delar.

VARNING: För att motorn ska arbeta rätt, måste alla de komponenter som använts för att bygga den sitta kvar. peration.

Utsläppskontroll

Underhåll, byte och reparation av avgasreningskomponenter kan utföras av alla verkstäder. För att få "gratis" service av avgasreningen måste den utföras vid en verkstad som auktoriserats av fabriken. Se avgasreningsgarantin.



VARNING

Oavsiktliga gnistor kan resultera i brand eller stötar.

Oavsiktlig start kan resultera i intrassling, skärskador eller amputation.

Brandrisk

Före justering eller reparation

- Lossa tändstiftkabeln och håll den på avstånd från tändstiftet.
- Använd endast rätta verktyg.
- Justera inte regulatorfjädrar, länkar eller andra delar för att höja motorvarvtalet.
- Utbytesdelar måste vara de samma och installeras i samma position som originaldelarna.
- Slå inte på svänghjulet med hammare eller hårt föremål, eftersom svänghjulet då kan splittras under gång.

Vid kontroll av tändningssystem:

- Använd godkänd gnistprovare.
- Testa inte gnistan med tändstiftet demonterat.

Underhållsschema

Första 5 timmarna
<ul style="list-style-type: none">• Byt olja
Var 8:e timme eller dagligen
<ul style="list-style-type: none">• Kontrollera oljenivån i motorn.• Rengör området runt ljuddämparen och reglagen• Rengör fingerskyddet (om sådant finns)
Var 25:e timme eller en gång per år
<ul style="list-style-type: none">• Rengör luftfiltret *• Rengör förrenare *
Var 50:e timme eller en gång per år
<ul style="list-style-type: none">• Byt olja i motorn• Byt oljefilter (om sådant finns)• Inspektera ljuddämparen och gnistskyddet
Årligen
<ul style="list-style-type: none">• Byt ut luftfiltret• Byt ut förrenaren• Byt ut tändstiftet• Rengör luftkylsystemet *• Kontrollera ventilspelet **

* Rengör oftare i dammiga miljöer och där det finns luftburet skräp.

** Behövs inte om du inte märker av prestandaproblem.

OBS: Tillverkaren av den maskin på vilken motorn är monterad specificerar det toppvarv på vilket denna motor får köras. Överskrid inte detta varvtal.

Byta tändstift - bild 4

Kontrollera elektrodgapet (A, bild 4) med ett bladmått (B). Justera vid behov. Skruva in och dra åt tändstiftet till rekommenderat moment, se avsnittet **Tekniska data**.

Anm.: I vissa områden fordrar den lokala lagstiftningen avstörda tändstift för att undertrycka tändsignaler. Om denna motor ursprungligen utrustats med avstört tändstift, bör samma typ av tändstift användas vid byte.

Inspektera ljuddämparen och gnistskyddet - bild 5



VARNING



Gående motorer producerar värme. Motordelar, speciellt ljuddämpare, blir mycket varma.



Svåra brännskador kan inträffa vid beröring.

Brännbart skräp, som t.ex. löv, gräs, buskar, etc. kan börja brinna.

- Låt ljuddämpare, motorcylinder och flänsar svalna innan du rör dem.
- Avlägsna ansamlat skräp från ljuddämpar- och cylinderområdet.
- Innan du använder maskinen på skogs-, busk- eller gräsbevuxen ouppodlad mark bör du montera ett gnistskydd och hålla det i funktionsdugligt skick. I Kalifornien är detta lagstadgat (sektion 4442 av California Public Resources Code). Andra stater kan ha liknande lagar. Federala lagar gäller på federala land.

Inspektera ljuddämparen (A, bild 5) och leta efter sprickor, rost och andra skador. Ta bort gnistskyddet (B) om sådant finns och titta efter skador och koksavlagringar. Använd endast originaldelar om delar måste bytas ut.



VARNING: Reservdelar måste vara likadana och monteras på samma plast som originaldelarna, annars kan brand uppstå.

Byta olja - bild 6 7 8 9

OBS: Gammal olja är en farlig avfallsprodukt. Bortskaffa använd olja på rätt sätt. Släng den inte tillsammans med hushållsavfall. Rådgör med lokala myndigheter, servicecenter eller handlare.

Uttappning av olja

1. Motorn ska vara avstängd men varm. Lossa tändkabeln (A) och se till att den inte kommer i kontakt med tändstiftet (bild 6).
2. Ta ur oljestickan (D).

Standard oljeplugg

3. Skruva ur oljepluggen (B, bild 7). Tappa ur oljan i lämpligt kärl.

Anm.: Någon av alla oljepluggar nedan på bilden kan finnas på motorn.



4. Sätt tillbaka och dra åt oljepluggen när oljan runnit ut.

Tillbehöret snabbtömningsöppning

1. Lossa oljeslangen (G, fig. 8) från sidan på motorn.
2. Vrid och ta bort oljelocket (H). Sänk försiktigt ner snabbtömningsöppningen (I) i ett lämpligt kärl (J).
3. Sätt tillbaka oljelocket när oljan runnit ut. Sätt tillbaka oljeslangen på sidan på motorn.

Byta oljefilter (i förekommande fall)

Alla modeller är försedda med oljefilter. Utbytesintervallen framgår av tabellen **Underhåll**.

1. Tappa ur oljan ur motorn. Se avsnittet **Tappa ur oljan**.
2. Ta bort oljefiltret (C) och lämna in det för destruktion. Se bild 9.
3. Olja in packningen på det nya oljefiltret lätt med ny och ren olja innan du monterar det.
4. Skruva på oljefiltret med handen till packningen går emot fästet och dra sedan åt ytterligare 1/2 till 3/4 varv.
5. Fyll på olja. Se avsnittet **Fylla på olja**.
6. Starta och kör motorn. Titta efter läckor medan motorn värms upp.
7. Stanna motorn och kontrollera oljenivån. Den ska ligga vid markeringen FULL på oljestickan.

Fyll på olja

- Sätt motorn i vågrätt läge.
 - Avlägsna skräp från oljerörsområdet.
 - Oljevolymer finns angiven i avsnittet **Tekniska data**.
1. Ta ut oljestickan (D) och torka av den med en ren trasa (bild 6).
 2. Häll sakta i olja i oljepåfyllningsröret (E). Fyll inte på för mycket. Vänta en minut och kontrollera sedan nivån.
 3. Sätt i och dra åt oljestickan.
 4. Ta ut oljestickan och kontrollera nivån. Den ska ligga vid markeringen FULL (F) på oljestickan.
 5. Sätt i och dra åt oljestickan.

Rengöring av luftfilter - bild 10



VARNING



Bensinångor är ytterst antändbara och explosiva.
Brand och explosion kan orsaka svåra brännskador eller dödsfall.

- Starta och kör aldrig motorn med luftrenaren eller luftfiltret borttaget.

VARNING: Använd inte tryckluft eller lösningsmedel för att rengöra filtret. Tryckluft kan skada filtret, lösningsmedel löser upp det.

Luftfiltret har endera en plan eller en oval insats. På vissa modeller finns också en förrenare som kan tvättas och användas på nytt.

Plant luftfilter

1. Dra kåphandtaget uppåt (A, fig. 10). Vrid handtaget mot motorn och ta sedan bort kåpan (B).
2. Ta bort förrenare (C), om sådan finns, och filtret (D).
3. Knacka försiktigt filtret mot en hård yta så att skräp lossnar. Byt till ett nytt filter om det är mycket smutsigt.
4. Tvätta förfiltret i flytande diskmedel och vatten. Låt det lufttorka ordentligt. Olja **inte** in förfiltret.
5. Sätt in den torra förrenaren och filtret i hållaren (E).
6. Passa ni flikarna (F) på kåpan mot spåren (G) i fläkthuset. Vrid tillbaka kåphandtaget och tryck nedåt så att det låses.

Rengöring av luftkylsystem - bild 11



VARNING



Gående motorer producerar värme. Motordelar, speciellt ljuddämpare, blir mycket varma.

Svåra brännskador kan inträffa vid beröring.

Brännbart skräp, som t.ex. löv, gräs, buskar, etc. kan börja brinna.

- Låt ljuddämpare, motorcylinder och flänsar svalna innan du rör dem.
- Avlägsna ansamlad skräp från ljuddämpar- och cylinderområdet.

OBS.: Rengör inte motorn med vatten. Vatten kan förorena bränslesystemet. Använd i stället en borste eller torr trasa.

Motorn är luftkyld. Skräp och smuts kan hindra luftflödet och orsaka att motorn överhettas, vilket ger sämre prestanda och förkortar livslängden.

Avlägsna smuts och skräp från fingerskyddet/roterande skärmen (A) med en borste eller torr trasa. Håll länkage, fjädrar och reglage (B) rena. Håll området omkring och bakom ljuddämparen (C) rent från brännbart skräp (fig. 11).

Förvaring



VARNING



Bensinångor är ytterst antändbara och explosiva.
Brand och explosion kan orsaka svåra brännskador eller dödsfall.

Vid förvaring av bensin eller utrustning med bränsle i tanken

- Förvara på avstånd från ugnar, brännare, vattenvärmare och andra apparater med tändlågor eller andra tändkällor, då sådana kan antända bensinångor.

Motorolja

Byt olja medan motorn fortfarande är varm.

Felsökning

Behöver du hjälp? Gå in på BRIGGSandSTRATTON.COM eller ring **1-800-233-3723**.

Specifikationer

Motorspecifikationer

Modell	310000
Slagvolym	500 ml
Diameter	90,49 mm
Slaglängd	77,77 mm
Oljevolym – med filter	1,36 – 1,40 l

Finjusteringsspecifikationer *

Modell	310000
Tändstiftsgap	0,76 mm
Åtdragningsmoment, tändstift	20 Nm
Luftgap	0,25 - 0,36 mm
Intake Valve Clearance	0,08 - 0,13 mm
Spel, avgasventil	0,13 - 0,18 mm

* Motoreffekten minskar 3,5 % för varje 300 meter över havsytan och 1 % för varje 5,6° C över 25° C. Motorn arbetar tillfredsställande i en vinkel på upp till 15°. Se maskinens instruktionsbok för säkra driftgränser på slutningar.

Vanliga utbytesdelar ✓

Utbytesdel	Artikelnr
Luftfilter, plant	790263
Förrenare, plan	697015
Oljefilter	492932, 5049
Olja - SAE 30 (0,6 l)	100005
Olja - SAE 30 (1,4 l)	100028
Avstört tändstift	491055
Platina- tändstift med lång livslängd	5066
Tändstiftsnyckel	89838, 5023
Gnistprovare	19368

✓ Vi rekommenderar att du tar kontakt med en auktoriserad Briggs & Stratton-verkstad för underhåll och reparation av motorn och dess delar. Använd endast Briggs & Stratton originaldelar.

BEGRÄNSAD GARANTI

Briggs & Stratton Corporation byter ut eller reparerar kostnadsfritt motordelar som är defekta i material eller utförande, eller båda delarna. Fraktkostnader för en produkt, som sänds in för reparation eller utbyte under denna garanti, bekostas av köparen. Denna garanti gäller under nedanstående tidsperiod och med nedanstående villkor. För garantireparation kontaktas närmaste auktoriserade verkstad som återfinns på vår återförsäljarlokalisatorkarta på BRIGGSandSTRATTON.COM eller genom att ringa Briggs & Stratton Sweden AB på 08-4495630 eller genom att slå upp i Gula sidorna.

Annan uttrycklig garanti lämnas inte. Underförstådda garantier, inklusive sådana som avser säljbarhet och lämplighet för ett speciellt ändamål, begränsas till ett år från inköpet eller till lagligt tillåten utsträckning och alla underförstådda garantier betraktas som ogiltiga. Vi ansvarar inte för följskador enligt någon form av garanti, om sådant undantag kan göras enligt lag. Vissa länder eller delstater medger inte begränsning av hur länge en underförstådd garanti gäller och vissa tillåter inte undantagande eller begränsning av ansvaret för följskador, så ovanstående gäller därför inte alla köpare. Denna garanti ger specifika legala rättigheter, men det kan även finnas andra rättigheter som varierar från land till land eller stat till stat.

STANDARD GARANTIVILLKOR * ▲

Märke/Produkttyp	Privat användning	Kommersiell användning
Vanguard™	2 år	2 år
Extended Life Series™, I/C®, Intek™ I/C®, Intek™ Pro	2 år	1 år
Snow Series MAX™ med Dura-Bore™ gjutjärnsfoder	2 år	1 år
Alla andra Briggs & Stratton-motorer	2 år	90 dagar

* Dessa är våra standardvillkor, men ibland föreligger även annan garantitäckning som inte var fastställd vid utgivningstillfället. För en förteckning över aktuella garantivillkor för din motor, gå till BRIGGSandSTRATTON.COM eller kontakta den auktoriserade Briggs & Stratton-återförsäljaren.

▲ Motorer som används på reservverk för hemmet garanteras endast för privat användning. Denna garanti gäller inte för motorer på maskiner som används för huvudström i stället för hushållsström. **Motorer som används i tävlings syfte eller på tävlingsbanor täcks inte av garantin.**

Garanti perioden börjar den dag den första konsumenten eller kommersiella slutanvändaren köper motorn och löper under den tidsperiod som uppges i ovanstående tabell. Med "privat användning" avses en konsumentens privata användning i hushållet. Med "kommersiell användning" avses all annan användning, inklusive användning i kommersiellt, inkomstbringande och uthyrningssyfte. En motor som en gång har använts kommersiellt, ska därefter alltid betraktas som kommersiell i samband med denna garanti.

Garantiregistreringskort fordras inte för garantireparationer på Briggs & Stratton-produkter. Spara inköpskvittot. Om inköpskvittot inte kan uppvisas vid yrkan på garantireparation, kommer produktens tillverkningsdatum att användas för att bestämma garanti perioden.

Angående garantin

Briggs & Stratton välkomnar möjligheten att utföra garantireparationer och ursäktar sig för olägenheten. Garantireparationer kan utföras på vilken som helst av våra auktoriserade verkstäder. I de flesta fall behandlar vi garantireklamationer rutinmässigt men i vissa fall är garantireparationer inte berättigade.

Om en kund inte är nöjd med verkstadens bedömning, kommer en granskning att företas för att fastställa garantins tillämpning. Be verkstaden sända in alla uppgifter till distributören eller fabriken för granskning. Om distributören eller fabriken fastställer att reklamationen är berättigad, får kunden full ersättning för alla delar som bedöms vara defekta. För att undvika missförstånd mellan kund och återförsäljare, tar vi nedan upp några motorfel som inte täcks av garantin.

Normal förslitning: För att arbeta tillfredsställande behöver motorer, precis som alla andra mekaniska anordningar, periodisk service och utbyte av delar. Garantin täcker inte reparation av en del eller en motor p.g.a. normal förslitning. Garantin gäller t.ex. inte när motorskador uppstår p.g.a. felaktig användning, brist på rutinunderhåll, frakt, hantering, magasinering eller felaktig montering. Likaledes upphävs garantin om motorns serienummer har avlägsnats eller om motorn har byggts om eller modifierats.

Felaktigt underhåll: Motorns livslängd beror på de förhållanden under vilka den arbetar och på den vård den får. Motorer som driver jordfräsar, pumpar och gräsklippare arbetar ofta under dammiga och smutsiga förhållanden och slits därför fortare. Sådant slitage som vållats av smuts, damm, sand från tändstiftsblästring och liknande föreningar som trängt in i motorn på grund av felaktigt underhåll, täcks inte av garantin.

Denna garanti täcker endast motorrelaterat defekt material och/eller utförande och täcker inte utbyte av eller ersättning för den maskin på vilken motorn kan vara monterad. Garantin täcker inte heller sådana reparationer som fordras p g a:

- 1 Problem orsakade av delar som inte är Briggs & Stratton originaldelar.
- 2 Maskinreglage eller montage som förhindrar start, orsakar otillfredsställande motoreffekt eller förkortar motorns livslängd. (Kontakta maskintillverkaren.)

- 3 Läckande förgasare, igentäppta bränslerör, fastnade ventiler eller andra skador orsakade av förorenat eller gammalt bränsle.
- 4 Delar som är brända eller trasiga därför att motorn har körts med för lite eller förorenad olja, eller olja av fel sort (kontrollera oljenivån och fyll vid behov på, och byt olja med rekommenderade mellanrum). OIL GARD stänger eventuellt inte av en gående motor. Motorn kan skadas om oljenivån är för låg.
- 5 Reparation eller justering av tillbehör, som t.ex. kopplingar, växellådor, fjärreglage, etc., som inte är av Briggs & Stratton-fabrikat.
- 6 Skador och förslitning på delar som vållats av att smuts trängt in i motorn på grund av felaktigt underhåll eller ihopsättning av luftrenaren eller användning av icke-originalfilter eller -patron. Rengör och/eller byt ut filtret med de rekommenderade intervall som anges i instruktionsboken.
- 7 Delar som skadats av rusning eller överhettning orsakad av att kylflänsarna och området runt svänghjulet satts igen av smuts, gräs eller skräp, eller av att motorn körts i ett slutet utrymme med otillräcklig ventilation. Avlägsna motorskräp med de rekommenderade intervall som anges i instruktionsboken.
- 8 Motor- eller maskindelar som gått sönder på grund av kraftiga vibrationer orsakade av lösa motorfästen, lösa skärblad, obalanserade blad eller lösa eller obalanserade rotor, felaktigt fastsättning av maskinen på motorns vevaxel, rusning eller ovarsamhet vid körning.
- 9 Krokig eller avbruten vevaxel som orsakats av att ett fast föremål träffat skärbladen på en gräsklippare, eller för hårt spänd V-rem.
- 10 Rutintrimming eller -justering av motorn.

Garantireparationer utförs endast på av Briggs & Stratton Corporation auktoriserade verkstäder. Närmaste auktoriserade verkstad hittar du på vår lokalisatorkarta på BRIGGSandSTRATTON.com eller genom att ringa Briggs & Stratton Sweden AB på 08/449 56 30 eller genom att slå upp i Gula Sidorna.

en Briggs & Stratton Engines Are Made Under One Or More Of The Following Patents: Design D-247,177 (Other Patents Pending)
da Briggs & Stratton-motorer fremstilles i henhold til et eller flere af følgende patenter: Design D-247,177 (yderligere patentansøgninger indgivet)
de Briggs & Stratton-Motoren werden unter einem oder mehreren der folgenden Patente hergestellt: Konstruktion D-247.177 (andere Patente angemeldet)
el Οι κινητήρες της Briggs & Stratton είναι κατασκευασμένοι με βάση μια ή περισσότερες από τις ακόλουθες ευρεσιτεχνίες: Σχεδιασμός D -247.177 (άλλες ευρεσιτεχνίες εκκρεμούν)
es Los Motores Briggs & Stratton Son Fabricados Bajo Una O Más De Las Sigüientes Patentes: Diseño D-247.177 (Otras Patentes Pendientes)
fi Briggs & Stratton-moottoreita koskee yksi tai useampi seuraavista patenteista: Design D-247.177 (muut patentit haussa)
fr Les moteurs Briggs & Stratton sont protégés par un ou plusieurs des brevets suivants: Conception D-247.177 (Demandes d'autres brevets introduites)
it I motori Briggs & Stratton sono prodotti utilizzando uno o più dei seguenti Brevetti: Design D-247.177 (Altri brevetti in fase di omologazione)
no Briggs & Stratton motorene er produsert under en eller flere av de følgende patentene: Design D-247.177 (Andre patenter er anmeldt)
nl Briggs & Stratton Motoren Zijn Gemaakt Onder Eén Of Meer Van De Volgende Patenten: Design D-247.177 (Andere Patenten Aangevraagd)
pt Os motores Briggs & Stratton são fabricados sob uma ou mais das seguintes patentes: Design D-247.177 (Outras patentes pendentes)
sv Briggs & Stratton-motorer tillverkas under ett eller flera av nedanstående patent: Design D-247,177 (andra patentsökta)

6,691,683	6,520,141	6,325,036	6,145,487	6,012,420	5,803,035	5,548,955	5,243,878	5,138,996	4,875,448	D 476,629
6,647,942	6,495,267	6,311,663	6,142,257	5,992,367	5,765,713	5,546,901	5,235,943	5,086,890	4,819,593	D 457,891
6,622,683	6,494,175	6,284,123	6,135,426	5,904,124	5,732,555	5,445,014	5,234,038	5,070,829	4,720,638	D 368,187
6,615,787	6,472,790	6,263,852	6,116,212	5,894,715	5,645,025	5,503,125	5,228,487	5,058,544	4,719,682	D 375,963
6,617,725	6,460,502	6,260,529	6,105,548	5,887,678	5,642,701	5,501,203	5,197,426	5,040,644	4,633,556	D 309,457
6,603,227	6,456,515	6,242,828	6,347,614	5,852,951	5,628,352	5,497,679	5,197,425	5,009,208	4,630,498	D 372,871
6,595,897	6,382,166	6,239,709	6,082,323	5,843,345	5,619,845	5,320,795	5,197,422	4,996,956	4,522,080	D 361,771
6,595,176	6,369,532	6,237,555	6,077,063	5,823,153	5,606,948	5,301,643	5,191,864	4,977,879	4,520,288	D 356,951
6,584,964	6,356,003	6,230,678	6,064,027	5,819,513	5,606,851	5,271,363	5,188,069	4,977,877	4,512,499	D 309,457
6,557,833	6,349,688	6,213,083	6,040,767	5,813,384	5,605,130	5,269,713	5,186,142	4,971,219	4,453,507	D 308,872
6,542,074	6,347,614	6,202,616	6,014,808	5,809,958	5,497,679	5,265,700	5,150,674	4,895,119	4,430,984	D 308,871



THE POWER WITHIN™