



Installation, Start-Up and Operator's Manual

Manual de Instalación, Arranque y Operario

Manuel d'Installation, Démarrage et Utilisation

Questions? Help is just a moment away!
Preguntas? La ayuda es justa un momento
lejos!

Vous avez des questions? Vous n'avez pas
besoin d'aller loin pour trouver de l'aide!

Call: **Home Generator Helpline**

Llamada: **Línea Directa de Generador de Hogar**

Appelez: **Ligne Directe de Génératrice la Maison**

1-800-743-4115 M-F 8-5 CT

BRIGGSandSTRATTON.COM



7000 Rated Watts Home Generator System



TABLE OF CONTENTS


TABLE OF CONTENTS

TABLE OF CONTENTS	2	Generator Control Circuit Connection	17
IMPORTANT SAFETY INSTRUCTIONS	3-5	Remote Diagnostic LED Plate	17
KNOW YOUR HOME STANDBY GENERATOR	6	BEFORE INITIAL START-UP	17
KNOW YOUR CONTROL PANEL	7	Engine Oil	17
SAVE THESE INSTRUCTIONS	8	Oil Considerations	17
INTRODUCTION	8	Battery Connection	18
CUSTOMER RESPONSIBILITIES	8	Fuel Supply System	18
INSTALLER RESPONSIBILITIES	8	FUEL SYSTEM SELECTION	19
INSTALLATION ASSISTANCE	8	INITIAL START-UP (NO LOAD)	19
For the Home Owner:	8	AUTOMATIC OPERATION SEQUENCE	19
For the Installing Dealer/Contractor:	8	Utility Voltage Dropout Sensor	19
OWNER ORIENTATION	9	Utility Voltage Pickup Sensor	19
Fuel Factors	9	Engine Cool-down Timer	19
Power Decrease at High Altitude or High Temperature	9	SETTING EXERCISE TIMER	20
INSTALLATION PROCEDURES	9	INSTALLATION INSPECTION	20
Unpacking Precautions	9	SPECIFICATIONS	21
Delivery Inspection	9	AUTOMATIC OPERATION	21
Approved Transfer Switches	9	Checking Automatic Operation	21
Shipment Contents	9	Servicing The System	21
Lifting the Generator	10	FAULT DETECTION SYSTEM	21
Home Standby Generator Location	10	Reset Fault Detection System	22
Generator Clearances	10	No LED - Discharged Battery	22
General Location Guidelines	10	Low Oil Pressure	22
Essential Circuits	11	Engine Fails to Start	22
Essential Circuit Selection	11-12	Low Frequency	22
Disconnect Box Mounting Guidelines	12	Engine Overspeed	22
Fuel Inlet Dimensions	12	GENERATOR MAINTENANCE	23
Removable Roof and Access Door	12	Changing Engine Oil and Filter	23
To remove roof:	12	Changing Oil	23
To remove access door:	12	Changing Oil Filter	23
To install access door and roof:	12	To Clean the Generator	24
THE GASEOUS FUEL SYSTEM	13-14	When Calling the Factory	24
Fuel Consumption	14	STORAGE	24
Fuel Pipe Sizing	15	TROUBLESHOOTING	25
Fuel Comparison Chart	16	SCHEMATIC	26
Size of Propane Tank Required at Various Temperatures	16	WIRING DIAGRAM	27
When Kept at Least Half Full	16	REPLACEMENT PARTS	28-34
WIRE CONNECTIONS	17	WARRANTY	35
Recommended Torque Values	17	ESPAÑOL	36-61
Generator AC Connection System	17	FRANÇAIS	62-88
Grounding the Generator	17		

Copyright © 2007 Briggs & Stratton Power Products Group, LLC. All rights reserved. No part of this material may be reproduced or transmitted in any form by any means without the express written permission of Briggs & Stratton Power Products Group, LLC.

SAVE THESE INSTRUCTIONS










IMPORTANT SAFETY INSTRUCTIONS

The safety alert symbol () is used with a signal word (DANGER, CAUTION, WARNING), a pictorial and/or a safety message to alert you to hazards. **DANGER** indicates a hazard which, if not avoided, *will* result in death or serious injury. **WARNING** indicates a hazard which, if not avoided, *could* result in death or serious injury. **CAUTION** indicates a hazard which, if not avoided, *might* result in minor or moderate injury. **NOTICE**, indicates a situation that could result in equipment damage. Follow safety messages to avoid or reduce the risk of injury or death.





The manufacturer cannot possibly anticipate every possible circumstance that might involve a hazard. The warnings in this manual, and the tags and decals affixed to the unit are, therefore, not all-inclusive. If you use a procedure, work method or operating technique that the manufacturer does not specifically recommend, you must satisfy yourself that it is safe for you and others. You must also make sure that the procedure, work method or operating technique that you choose does not render the generator unsafe.



NOTE: Your generator is equipped with a spark arrester muffler. The spark arrester must be maintained in effective working order by the owner/operator. In the State of California, a spark arrester is required by law (Section 4442 of the California Public Resources Code). Other states may have similar laws. Federal laws apply on federal lands.

Hazard Symbols and Meanings



		
Toxic Fumes	Rotating Parts	Electrical Shock
		
Hot Surface	Explosion	Fire
		
Explosive Pressure	Chemical Burn	Operator's Manual




 WARNING	
The engine exhaust from this product contains chemicals known to the State of California to cause cancer, birth defects, or other reproductive harm.	




 WARNING	
	Storage batteries give off explosive hydrogen gas during recharging. Slightest spark will ignite hydrogen and cause explosion.
	Battery electrolyte fluid contains acid and is extremely caustic. Contact with battery contents will cause severe chemical burns.
	A battery presents a risk of electrical shock and high short circuit current.
<ul style="list-style-type: none"> • DO NOT dispose of battery in a fire. • DO NOT allow any open flame, spark, heat, or lit cigarette during and for several minutes after charging a battery. • DO NOT open or mutilate the battery. • Wear protective goggles, rubber apron, and rubber gloves. • Remove watches, rings, or other metal objects. • Use tools with insulated handles. 	

 WARNING	
	Running engine gives off carbon monoxide, an odorless, colorless, poison gas. Breathing carbon monoxide can cause headache, fatigue, dizziness, vomiting, confusion, seizures, nausea, fainting or death.
<ul style="list-style-type: none"> • Operate generator ONLY outdoors. • Install a battery operated carbon monoxide alarm near the bedrooms. • Keep exhaust gas from entering a confined area through windows, doors, ventilation intakes, or other openings. 	

SAFETY RULES

 WARNING	
	<p>Generator produces hazardous voltage. Failure to properly ground generator can result in electrocution.</p> <p>Failure to isolate generator from power utility can result in death or injury to electric utility workers due to backfeed of electrical energy.</p>
<ul style="list-style-type: none"> • When using generator for backup power, notify utility company. • DO NOT touch bare wires or receptacles. • DO NOT use generator with electrical cords which are worn, frayed, bare or otherwise damaged. • DO NOT handle generator or electrical cords while standing in water, while barefoot, or while hands or feet are wet. • If you must work around a unit while it is operating, stand on an insulated dry surface to reduce shock hazard. • DO NOT allow unqualified persons or children to operate or service generator. • In case of an accident caused by electrical shock, immediately shut down the source of electrical power and contact the local authorities. Avoid direct contact with the victim. • Despite the safe design of the Home Generator System, operating this equipment imprudently, neglecting its maintenance or being careless can cause possible injury or death. • Remain alert at all times while working on this equipment. NEVER work on the equipment when you are physically or mentally fatigued. • Before performing any maintenance on the generator, disconnect the battery cable indicated by a NEGATIVE, NEG or (-) first. When finished, reconnect that cable last. • After your Home Generator System is installed, the generator may crank and start without warning any time there is a power failure. To prevent possible injury, always set the AUTO/OFF/MANUAL switch to OFF, remove the service disconnect from the disconnect box AND remove the 15 Amp fuse BEFORE working on the equipment. 	

 WARNING	
	Propane and Natural Gas are extremely flammable and explosive.
	Fire or explosion can cause severe burns or death.
<ul style="list-style-type: none"> • Install the fuel supply system according to applicable fuel-gas codes. • Before placing the Home Generator System into service, the fuel system lines must be properly purged and leak tested. • After the generator is installed, you should inspect the fuel system periodically. • NO leakage is permitted. • DO NOT operate engine if smell of fuel is present or other explosive conditions exist. • DO NOT smoke around the generator. Wipe up any oil spills immediately. Ensure that no combustible materials are left in the generator compartment. Keep the area near the generator clean and free of debris. 	

 WARNING	
	Contact with muffler area can result in serious burns.
	Exhaust heat/gases can ignite combustibles or structures causing a fire.
<ul style="list-style-type: none"> • DO NOT touch hot parts and AVOID hot exhaust gases. • Allow equipment to cool before touching. • DO NOT install the generator closer than 5 feet (1.5m) from any combustibles or structures with combustible walls having a fire resistance rating of less than 1 hour. • Keep at least 3 ft. (91 cm) clearance on all sides of generator including overhead. • Code of Federal Regulation (CFR) Title 36 Parks, Forests, and Public Property require equipment powered by an internal combustion engine to have a spark arrester, maintained in effective working order, complying to USDA Forest service standard 5100-1C or later revision. In the State of California a spark arrester is required under section 4442 of the California Public resources code. Other states may have similar laws. 	

SAFETY RULES

WARNING



Starter and other rotating parts can entangle hands, hair, clothing, or accessories.

- NEVER operate generator without protective housing or covers.
- DO NOT wear loose clothing, jewelry or anything that may be caught in the starter or other rotating parts.
- Tie up long hair and remove jewelry.

CAUTION



Installing the 15A fuse could cause the engine to start.

- Observe that the 15 Amp fuse has been removed from the control panel for shipping.
- DO NOT install this fuse until all plumbing and wiring has been completed and inspected.

CAUTION

Excessively high operating speeds increase risk of injury and damage to generator.

Excessively low speeds impose a heavy load.

- DO NOT tamper with governed speed. Generator supplies correct rated frequency and voltage when running at governed speed.
- DO NOT modify generator in any way.

NOTICE

Exceeding generators wattage/amperage capacity can damage generator and/or electrical devices connected to it.

- See "Essential Circuits".
- Start generator and let engine stabilize before connecting electrical loads.

NOTICE

Improper treatment of generator can damage it and shorten its life.

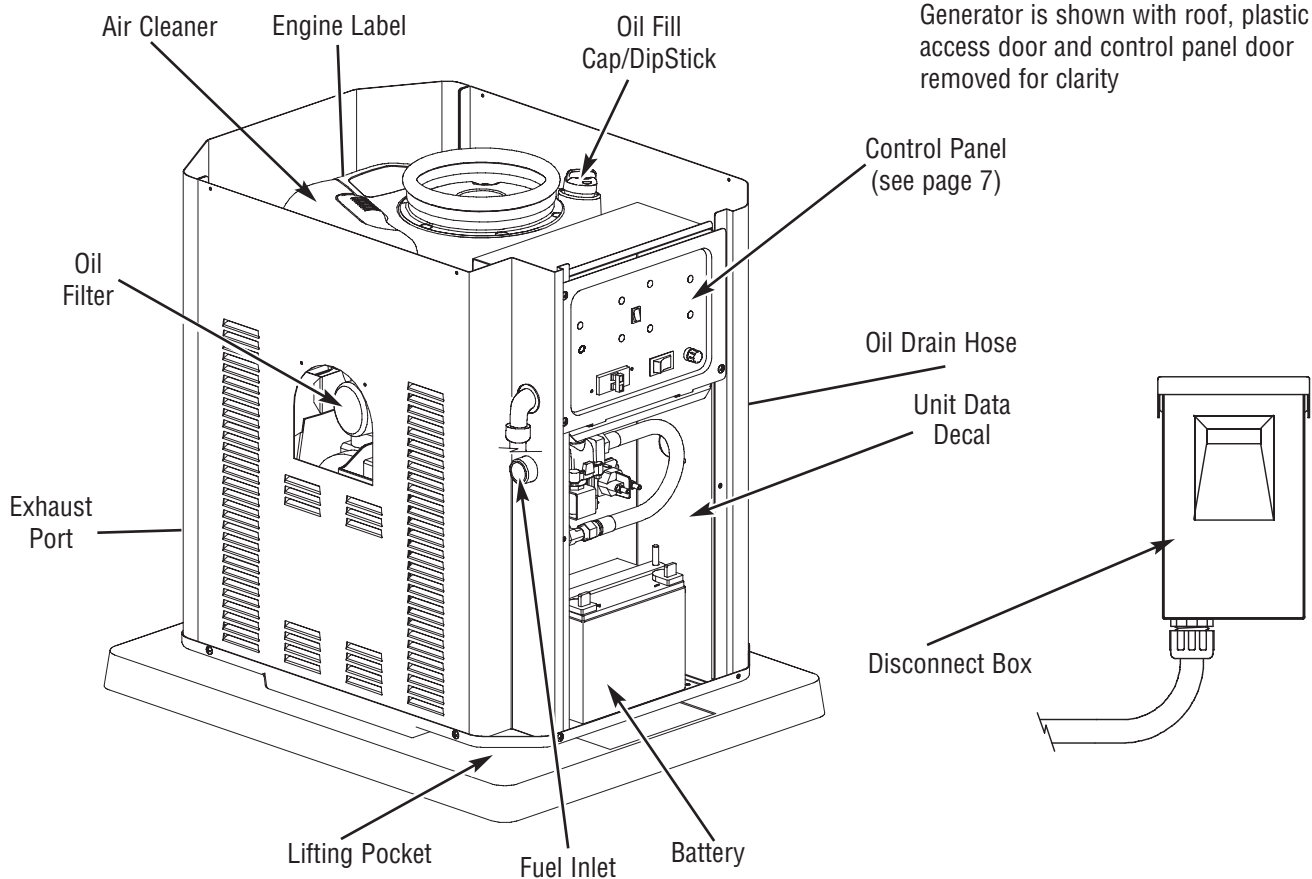
- Use generator only for intended uses.
- If you have questions about intended use, ask dealer or contact Briggs and Stratton.
- Operate generator only on level surfaces.
- Adequate, unobstructed flow of cooling and ventilating air is critical to correct generator operation.
- The doors must be installed whenever the unit is running.
- DO NOT expose generator to excessive moisture, dust, dirt, or corrosive vapors.
- Despite the safe design of the Home Generator System, operating this equipment imprudently, neglecting its maintenance or being careless can cause possible injury or death.
- Remain alert at all times while working on this equipment. NEVER work on the equipment when you are physically or mentally fatigued.
- DO NOT start engine with air cleaner or air cleaner cover removed.
- DO NOT insert any objects through cooling slots.
- DO NOT use the generator or any of its parts as a step. Stepping on the unit can cause stress and break parts. This may result in dangerous operating conditions from leaking exhaust gases, fuel leakage, oil leakage, etc..
- If connected devices overheat, turn them off and disconnect them from generator.
- Shut off generator if:
 - electrical output is lost;
 - equipment sparks, smokes, or emits flames;
 - unit vibrates excessively.

KNOW YOUR HOME STANDBY GENERATOR



Read this Operator's Manual and safety rules before operating your generator.

Compare the illustrations with your generator, to familiarize yourself with the locations of various controls and adjustments. Save this manual for future reference.



Generator is shown with roof, plastic access door and control panel door removed for clarity

Air Cleaner — Uses a dry type filter element and foam precleaner to protect engine by filtering dust and debris out of intake air.

Battery — 12 Volt DC, 33 Amp-Hour sealed battery provides power to start the engine. Battery receives trickle charge whenever generator is not running.

Control Panel — Used for various test, operation and maintenance functions. See “KNOW YOUR CONTROL PANEL” on the next page.

Disconnect Box — Convenient junction box for ease of installation. Allows you to connect to generator output and disconnect utility input.

Engine Label (stamped on top of valve cover) — Identifies engine model and type.

Exhaust Port — High-performance muffler lowers engine noise to comply with most residential codes.

Fuel Inlet — Attach appropriate fuel supply to generator here.

Lifting Pocket — Provided at each corner for lifting generator.

Oil Fill Cap/Dipstick — Check and fill engine with recommended oil here.

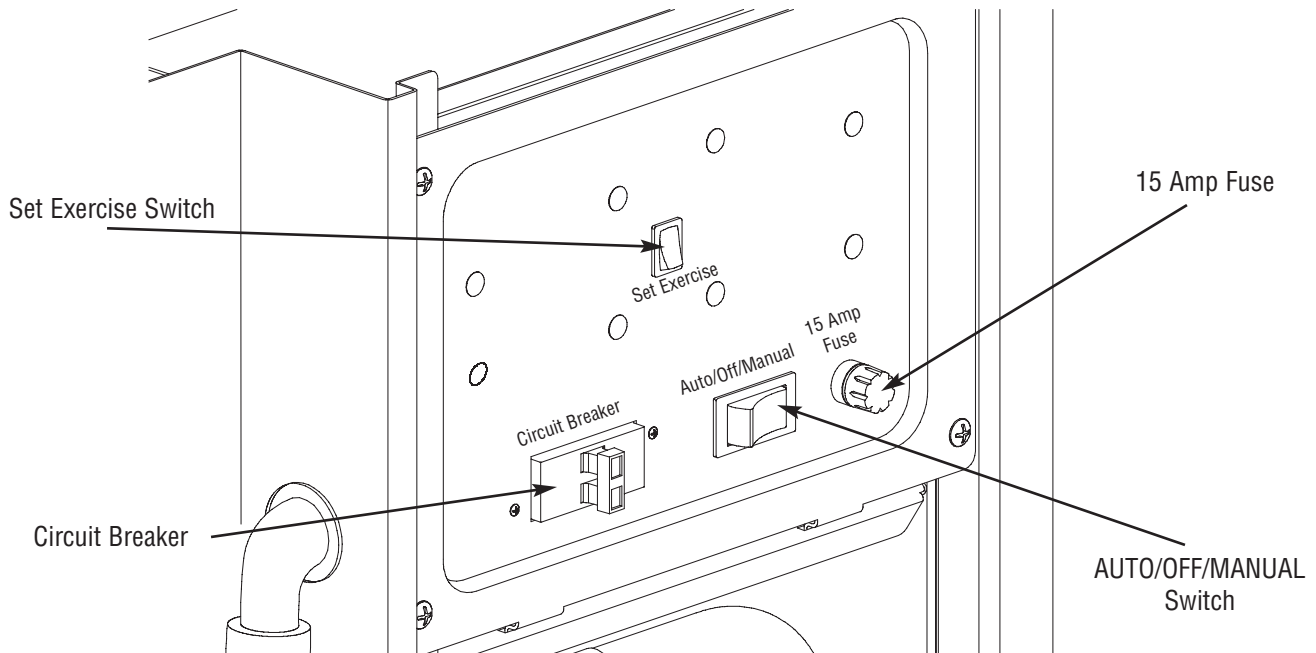
Oil Drain Hose — Provided to facilitate oil changing.

Oil Filter — Filters engine oil to prolong generator life.

Unit Data Decal — Identifies unit by serial number.

KNOW YOUR CONTROL PANEL

Compare this Control Panel illustration with your generator to familiarize yourself with the location of these important controls:



15 Amp Fuse — Protects the Home Standby Generator DC control circuits. If the fuse has melted open or was removed, the engine cannot crank or start. Replace the fuse using only an identical BUSS AGC 15A fuse.

AUTO/OFF/MANUAL Switch — This three-position switch is used as follows:

- **“AUTO”** position is the normal operating mode. If a utility power outage is sensed, the generator will start automatically. When utility power is restored, the generator will shut down, and is ready for the next utility power outage.

- **“OFF”** position turns off generator, prevents generator from starting and resets any faults.
- **“MANUAL”** position starts the generator. It is used for maintenance or diagnostic functions.

Circuit Breaker — Protects the system from over-current conditions and must be in the **“On”** position to supply power to the Transfer Switch.

Set Exercise Switch — Used to set the exercise cycle start time and day-of-the-week. Exercise cycle only occurs in AUTO mode.

SAVE THESE INSTRUCTIONS

This manual contains important instructions that should be followed during installation and maintenance of the generator and battery.

INTRODUCTION

Thank you for your purchase of a Briggs & Stratton Home Standby Generator. This product is intended for use as an optional standby system which provides an alternate source of electric power and to serve loads such as heating, refrigeration systems, and communication systems that, when stopped during any power outage, could cause discomfort, or the like. This product DOES NOT qualify for emergency standby as defined by NFPA 70 (NEC).

This manual is an important document and should be retained by the owner after installation has been completed.

This manual contains installation, startup and adjustment instructions for a Home Standby Generator that supplies 120/240 Volt, single phase, 60Hz devices. The Home Standby Generator may be operated on LP vapor or natural gas fuel.

Every effort has been made to ensure that the information in this manual is both accurate and current. However, the manufacturer reserves the right to change, alter or otherwise improve the generator at any time without prior notice.

Briggs and Stratton has made every effort to provide for a safe, streamlined and cost-effective installation. Because each installation is unique, it is impossible to know of and advise the trade of all conceivable procedures and methods by which installation might be achieved. Neither could we know of possible hazards and/or the results of each method or procedure. For these reasons,

Only current licensed electrical and plumbing contractors should attempt Home Standby Generator installations. Installations must strictly comply with all applicable codes, industry standards and regulations.

CUSTOMER RESPONSIBILITIES

- Read and follow the instructions given in this manual, especially the section regarding selecting essential circuits.
- Follow a regular schedule in maintaining, caring for and using your Home Standby Generator, as specified in this manual.

INSTALLER RESPONSIBILITIES

- Read and observe the safety rules.
 - Read and follow the instructions given in this manual.
- IMPORTANT: If operating the generator below 40°F, it is recommended that a battery warmer be installed. If operating the generator below 32°F, a battery warmer MUST be installed.** This item is available at your local servicing dealer.

INSTALLATION ASSISTANCE

For the Home Owner:

To help you make informed choices and communicate effectively with your installation contractor(s),

Read and understand the Owner Orientation Section of this manual BEFORE contracting or starting your Home Standby Generator installation.

To arrange for proper installation, contact the store at which you purchased your Briggs & Stratton Standby Generator, your dealer, a licensed electrician or your utility power provider.

The Home Standby Generator Warranty is VOID unless the generator is installed by licensed electrical and plumbing professionals.

For the Installing Dealer/Contractor:

- For most applications, this manual contains all the information required to properly install and start the Home Standby Generator. This manual also describes essential circuit selection, routine operation and owner maintenance procedures.
- If you need more information, call 1-800-743-4115, between 8:00 AM and 5:00 PM CT.

The Emission Control System for this generator is warranted for standards set by the U.S. Environmental Protection Agency and by the California Air Resources Board (CARB).

OWNER ORIENTATION

This section provides the Home Standby Generator owner with the information necessary to achieve the most satisfactory and cost effective installation possible.

The illustrations are for typical circumstances and are meant to familiarize you with the installation options available with the Home Standby Generator. A thorough understanding of these options will provide fundamental control over the cost of installation, as well as ensure final satisfaction and security.

Federal and local codes, appearance, noise levels, fuel types, and distances are the factors that must be considered when negotiating with an installation professional. As the distance from the existing electrical service and gaseous fuel supply increases, so must the piping and wiring materials. This is necessary to comply with local codes, overcome electrical voltage drops and gaseous fuel pressure drops.

The factors mentioned above will have a direct affect on the overall price of your Home Standby Generator installation.




NOTE: In some areas you may need to acquire electrical permits for installing the Home Standby Generator, building permits for installing gas lines, and permits for noise allowances. Your installer should check your local codes AND obtain the permits before installing the generator.

Fuel Factors

An important consideration affecting the entire installation is the type of fuel used by your Home Standby Generator. The generator was factory tested and adjusted using natural gas as a fuel. liquid propane vapor (LP) may also be used as fuel by installing the included conversion kit.

For proper generator performance, the following fuel guidelines are recommended:

In engines set up to run on liquid propane vapor (LP), commercial grade HD5 propane with a minimum fuel energy of 2500 BTUs/ft³ with maximum propylene content of 5% and butane and heavier gas content of 2.5% and minimum propane content of 90%.

 WARNING	
	Propane and Natural Gas are extremely flammable and explosive.
	Fire or explosion can cause severe burns or death.
<ul style="list-style-type: none"> • The Home Generator System is equipped with an automatic safety gas “fuel shut-off” valve. • DO NOT operate the equipment if the “fuel shut-off” valve is missing or inoperative. 	

Power Decrease at High Altitude or High Temperature

Air density is less at high altitudes, resulting in less available engine power. Specifically, engine power will decrease 3.5% for each 1,000 feet (300 meters) above sea level and 1% for each 10° F (5.6°C) above 77°F (25°C). Make sure you and your installer consider these factors when determining total generator load.

INSTALLATION PROCEDURES

Unpacking Precautions

The unit is shipped bolted to its mounting pad, ready for installation. Avoid damage from dropping, bumping, collision, etc. Store and unpack carton with the proper side up, as noted on the shipping carton.

Delivery Inspection

After removing the carton, carefully inspect the Home Standby Generator for any damage that may have occurred during shipment.

IMPORTANT: If loss or damage is noted at time of delivery, have the person(s) making delivery note all damage on the freight bill and affix his signature under the consignor's memo of loss or damage. If loss or damage is noted after delivery, separate the damaged materials and contact the carrier for claim procedures. Missing or damaged parts are not warranted.

Approved Transfer Switches

The Home Standby Generator should be used ONLY with Briggs & Stratton Power Products UL approved Transfer Switches. Connection to any other transfer switch will void your generator warranty.

Shipment Contents


The Home Standby Generator is supplied with:

- Home Standby Generator w/disconnect box
- Pre-attached mounting pad
- One flexible hook-up hose (meets UL 569 and CSA 8.3)
- Installation, start-up and operator's manual
- Installation checklist
- Remote diagnostic LED plate
- Oil drain tray
- Touch-up paint
- One spare 15A fuse
- LP conversion kit
- Roof hardware bag

INSTALLATION

Lifting the Generator


The generator weighs more than 280 pounds. Proper tools, equipment and qualified personnel should be used in all phases of handling and moving generator.

⚠ WARNING	
	Lifting Hazard / Heavy Object Can cause muscle strain or back injury.
<ul style="list-style-type: none"> • DO NOT lift or move generator without assistance. • DO NOT lift unit by roof as damage to generator will occur. 	

Lifting pockets are provided at each corner between the base of the generator and its mounting pad. Retouch any chipped paint with supplied touch-up paint.

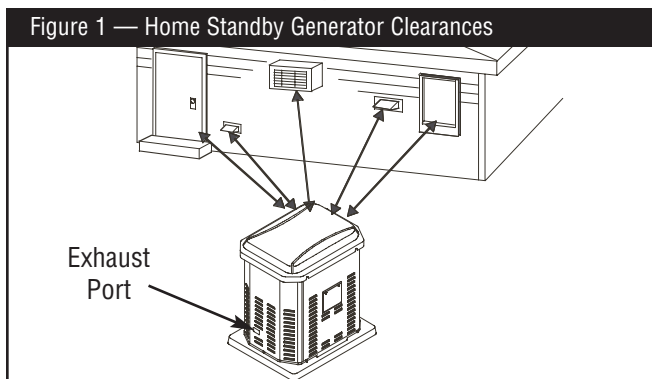
Home Standby Generator Location


Before installing generator, consult with homeowner and convey the following guidelines which may affect the desired location.

⚠ WARNING	
	Exhaust heat/gases can ignite combustibles or structures causing a fire.
<ul style="list-style-type: none"> • DO NOT install the generator closer than 5 feet (1.5m) from any combustibles or structures with combustible walls having a fire resistance rating of less than 1 hour. • Keep at least 3 ft. (91 cm) clearance on all sides of generator including overhead. 	

Generator Clearances

Install generator outdoors in an area which will not accumulate deadly exhaust gas. DO NOT install generator where exhaust gas could accumulate and enter inside or be drawn into a potentially occupied building. Ensure exhaust gas is kept away from any windows, doors, ventilation intakes or other openings that can allow exhaust gas to collect in a confined area (Figure 1). Prevailing winds and air currents should be taken into consideration when positioning generator.



⚠ WARNING	
	Running engine gives off carbon monoxide, an odorless, colorless, poison gas. Breathing carbon monoxide can cause headache, fatigue, dizziness, vomiting, confusion, seizures, nausea, fainting or death.
<ul style="list-style-type: none"> • Operate generator ONLY outdoors. • Install a battery operated carbon monoxide alarm near the bedrooms. • Keep exhaust gas from entering a confined area through windows, doors, ventilation intakes, or other openings. 	

General Location Guidelines

- Install the unit outdoors **ONLY**.
- Place the unit in a prepared location that is flat and has provisions for water drainage.
- Install the unit in a location where sump pump discharge, rain gutter down spouts, roof run-off, landscape irrigation, or water sprinklers will not flood the unit or spray the enclosure and enter any air inlet or outlet openings.
- Install the unit where the location of any services such as phone, electrical, fuel, air conditioning, irrigation, including covered, concealed and underground services will not be affected or obstructed.
- Install the unit where air inlet and outlet openings will not become obstructed by leaves, grass, snow, etc. If prevailing winds will cause blowing or drifting, you may need to construct a windbreak to protect the unit.
- Install the generator as close as possible to the fuel supply to reduce length of pipes.

IMPORTANT: Laws or local codes may regulate the distance to the fuel supply.

The Home Standby Generator is shipped already attached to its mounting pad. Unless mandated by local code, a concrete slab is not required.

If mandated by local code, construct a concrete slab at least 3 inches thick and 6 inches longer and wider than the unit. Attach unit to slab with 1/4" diameter (minimum) masonry anchor bolts long enough to retain the unit.

Essential Circuits

Consult with owner to clearly identify the circuits in building that are "essential".

It is important that you understand which circuits the owner wants to include as "Essential Circuits". Depending on the power consumed by these circuits, most or all of them can be switched to the Home Standby Generator for the duration of normal power interruption.

The wattage reference guide shown in Figure 2 will assist the owner with their decision-making process. It provides the wattage used by many ordinary household devices. Use it as a guide when selecting essential circuits. Review this information with the owner and convey any technical considerations that might affect the cost of installation.

Essential Circuit Selection

When selecting the essential circuits that will be switched to "Standby Power," it is important that the sum of the combined circuit loads does not exceed the wattage/ampere capacity of the generator. To help you with your selection of essential circuits, please consider the following:

- Add up the total wattage of all electrical devices to be connected at one time. This total should **NOT** be greater than the generator's wattage capacity.
- The rated wattage of lights can be taken from light bulbs. The rated wattage of tools, appliances and motors can usually be found on a data plate or decal affixed to the device.
- If the appliance, tool or motor nameplate does not list wattage, multiply volts times the ampere rating to determine watts (**Volts x Amps = Watts**).
- Some electric motors (induction types) require about three times more watts of power for starting than for running. This surge lasts for only a few seconds. Be sure you allow for this high starting wattage when selecting electrical devices that will be energized by the Home Standby Generator:
 - Figure the watts required to start the largest motor.
 - Add that to the total running watts of all other connected loads.

This Briggs & Stratton Home Standby Generator complies with the following "stationary standby power rating":

The standby power rating is applicable for supplying power for the duration of normal power interruption. NO sustained overload capability is available for this rating.

Figure 2 — Wattage Reference Guide

	Device	Running Watts
<input type="checkbox"/>	Air Conditioner (12,000 Btu)*	1700
<input type="checkbox"/>	Air Conditioner (24,000 Btu)*	3800
<input type="checkbox"/>	Air Conditioner (40,000 Btu)*	6000
<input type="checkbox"/>	Battery Charger (20 Amp)	500
<input type="checkbox"/>	Circular Saw (6-1/2")	800 to 1000
<input type="checkbox"/>	Clothes Dryer (Electric)*	5750
<input type="checkbox"/>	Clothes Dryer (Gas)*	700
<input type="checkbox"/>	Clothes Washer*	1150
<input type="checkbox"/>	Coffee Maker	1750
<input type="checkbox"/>	Compressor (1 HP)*	2000
<input type="checkbox"/>	Compressor (1/2 HP)*	1400
<input type="checkbox"/>	Compressor (3/4 HP)*	1800
<input type="checkbox"/>	Curling Iron	700
<input type="checkbox"/>	Dehumidifier*	650
<input type="checkbox"/>	Electric Blanket	400
<input type="checkbox"/>	Electric Range (per element)	1500
<input type="checkbox"/>	Electric Skillet	1250
<input type="checkbox"/>	Freezer*	700
<input type="checkbox"/>	Furnace Fan (3/5 HP)*	875
<input type="checkbox"/>	Garage Door Opener*	500 to 750
<input type="checkbox"/>	Hair Dryer	1200
<input type="checkbox"/>	Hand Drill	250 to 1100
<input type="checkbox"/>	Iron	1200
<input type="checkbox"/>	Jet Pump*	800
<input type="checkbox"/>	Light Bulb	100
<input type="checkbox"/>	Microwave Oven	700 to 1000
<input type="checkbox"/>	Milk Cooler*	1100
<input type="checkbox"/>	Oil Burner on Furnace	300
<input type="checkbox"/>	Oil Fired Space Heater (140,000 Btu)	400
<input type="checkbox"/>	Oil Fired Space Heater (30,000 Btu)	150
<input type="checkbox"/>	Oil Fired Space Heater (85,000 Btu)	225
<input type="checkbox"/>	Radio	50 to 200
<input type="checkbox"/>	Refrigerator	700
<input type="checkbox"/>	Slow Cooker	200
<input type="checkbox"/>	Submersible Pump (1 HP)*	2000
<input type="checkbox"/>	Submersible Pump (1/2 HP)*	1500
<input type="checkbox"/>	Submersible Pump (1-1/2 HP)*	2800
<input type="checkbox"/>	Sump Pump*	800 to 1050
<input type="checkbox"/>	Table Saw (10")*	1750 to 2000
<input type="checkbox"/>	Television	200 to 500
<input type="checkbox"/>	Toaster	1000 to 1650

*Allow three (3) times listed watts for starting device

INSTALLATION

This rating is applicable to installations served by a reliable normal utility source. This rating is only applicable to variable loads with an average load factor of 80% of the standby rating. The standby rating is only applicable for optional standby power where the generator set serves as the backup to the normal utility source.

Use the “Wattage Reference Guide” provided and mark those circuits you consider “critical” or “essential”. Make sure you and your installer consider the generator’s altitude above sea level and the ambient temperature range when determining total generator load.

Disconnect Box Mounting Guidelines

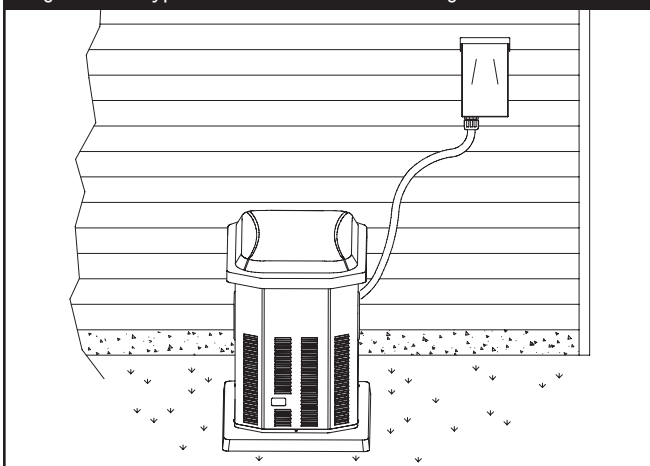
The disconnect box is a NEMA Type 3R enclosure suitable for outdoor use. Installations must strictly comply with all applicable codes, industry standards and regulations.

Guidelines for mounting the disconnect box include:

- The disconnect box must be installed with appropriate hardware for conduit connections.
- Install disconnect box on a firm, sturdy supporting structure, making sure it is level and plumb.
- NEVER install disconnect box where any corrosive substance might drip onto enclosure.
- Protect disconnect box at all times against excessive moisture, dust, dirt, lint, construction grit and corrosive vapors.

The typical installation of the disconnect box is depicted in Figure 3. Discuss layout suggestions/changes with owner before beginning installation process.

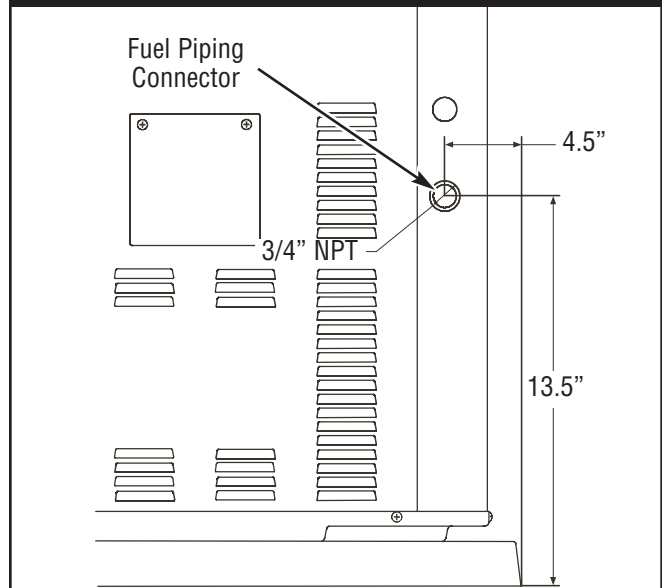
Figure 3 — Typical Disconnect Box Mounting



Fuel Inlet Dimensions

Figure 4, below, depicts the location of the fuel piping connector.

Figure 4 — Generator Fuel Attachment Location



Removable Roof and Access Door

The Home Standby Generator is equipped with an enclosure that has a removable roof and an access door for the control panel.

To Remove Roof:

Remove the four screws and lift off.




To Remove Access Door:

1. Remove roof as described above.
2. Remove screw at top of access door.
3. Pull access door outward (away) from unit while pulling door upward and out of base. Door will come free of generator enclosure.

To Install Access Door and Roof:

1. Guide bottom of access door into base.
2. Push access door until it is flush with sides.
3. Replace door screw.
4. Replace roof and screws.

THE GASEOUS FUEL SYSTEM


 WARNING	
	Propane and Natural Gas are extremely flammable and explosive.
	Fire or explosion can cause severe burns or death.
<ul style="list-style-type: none"> • LP gas is heavier than air and will settle in low areas. • Natural gas is lighter than air and will collect in high areas. • The slightest spark can ignite these fuels and cause an explosion. • DO NOT light a cigarette or smoke. 	

The information provided below is to assist gaseous fuel system technicians in planning installations. In no way should this information be interpreted to conflict with applicable fuel gas codes. Consult with your local fuel supplier or Fire Marshall if questions or problems arise.

TO THE INSTALLER: Consult with the Home Generator System owner(s) and convey any technical considerations that might affect their installation plans before applying these general guidelines.




The following general rules apply to gaseous fuel system piping:

- The piping should be of a material that conforms to federal and local codes, rigidly mounted and protected against vibration.
- Piping should be protected from physical damage where it passes through flower beds, shrub beds, and other cultivated areas where damage could occur.
- Install the flexible, gaseous hose that meets UL 569 and CSA 8.3 (supplied) between the Home Generator System Fuel Inlet port and rigid piping to prevent thermal expansion or contraction from causing excessive stress on the piping material.

 CAUTION	
The supplied flexible gaseous pipe is not to be installed underground or in contact with the ground.	
<ul style="list-style-type: none"> • The entire flexible gaseous pipe must be visible for periodic inspection and must not be concealed within, contact, or run through any wall, floor, or partition. 	

NOTE: Where local conditions include earthquake, tornado, unstable ground, or flood hazards, special consideration shall be given to increase strength and flexibility of piping supports and connections.

- Piping must be of the correct size to maintain the required supply pressures and volume flow under varying generator load conditions with all gas appliances connected to the fuel system turned on and operating.
- Use an approved pipe sealant or joint compound on all threaded fittings to reduce the possibility of leakage.
- Installed piping must be properly purged and leak tested, in accordance with applicable codes and standards.

 WARNING	
	Propane and Natural Gas are extremely flammable and explosive.
	Fire or explosion can cause severe burns or death.
<ul style="list-style-type: none"> • Before placing the Home Generator System into service, the fuel system lines must be properly purged and leak tested. • NO leakage is permitted. 	

Consider the following factors when planning to install the fuel supply system:

The Home Generator System engine is fitted with a fuel mixer system that meets the specifications of the California Air Resources Board for “tamper-proof” dual fuel systems. The unit will run on natural gas or liquefied propane vapor.

- A minimum of one accessible, approved manual shutoff valve shall be installed in the fuel supply line within 6 ft (1.8 m) of the Home Generator System. A union or flanged connection shall be provided downstream from this valve to permit removal of controls.
- Natural gas fuel supply pressure at the generator's fuel inlet port should be between 5 to 7 inches of water (in. W.C.) at full load. LP fuel supply pressure should be 11 to 14 inches of water (in. W.C.) at full load.

INSTALLATION

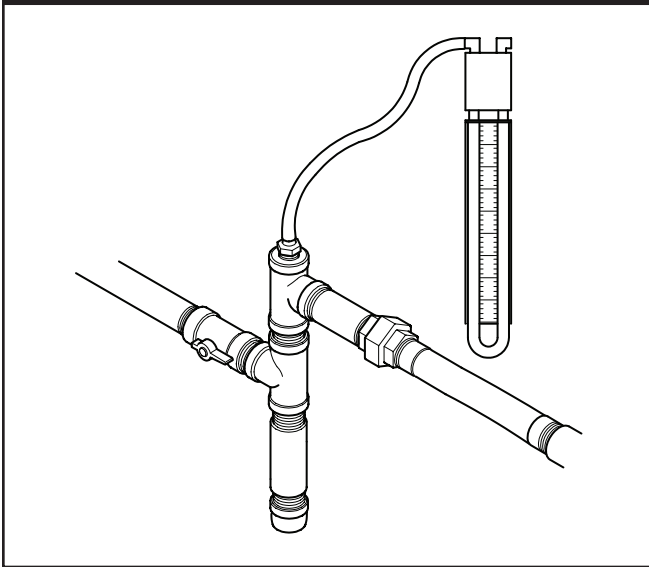
The Home Generator System unit has been factory set to run on natural gas. If you need to change from natural gas to LP gas, the unit will need to be reconfigured, as described on page 19.

It is recommended that the fuel connection incorporate the following components:

- A manual fuel shut-off valve located in the interior of the building.
- A manual fuel shut-off valve located outside the building, just before the generator unit.
- Where the formation of hydrates or ice is known to occur, piping should be protected against freezing. The termination of hard piping should include a sediment trap where condensate is not likely to freeze.
- A manometer port should be provided.

The manometer port permits temporary installation of a manometer (Figure 5), to ensure that the engine receives the correct fuel pressure to operate efficiently throughout its operating range.

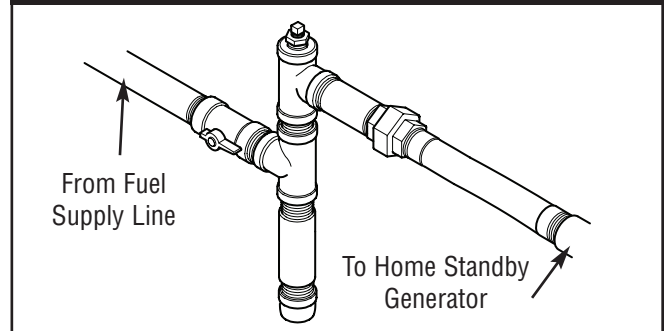
Figure 5 — Temporary Manometer Installed



NOTE: A digital manometer, P/N 19495, is available at your local Briggs & Stratton service center.

When the initial test runs are completed, the manometer is removed and the port is plugged. A typical final fuel connection assembly is shown in Figure 6.

Figure 6 — Completed Fuel Connections



Fuel Consumption

See Figure 7 for estimated fuel supply requirements at half and full load for both natural gas and LP vapor.

Figure 7 — Fuel Supply Requirements

Natural Gas*		LP Vapor**	
1/2 Load	Full Load	1/2 Load	Full Load
80	137	33	56

* = Natural Gas is in cubic feet per hour
 ** = LP Vapor is in cubic feet per hour

INSTALLATION

Fuel Pipe Sizing

Figures 8 and 9 provide the maximum capacity of pipe in cubic feet of gas per hour for gas pressures of 0.5 psi or less and a pressure drop of 0.3 in. water column. Specific gravity of gas is shown.

Listed values compensate for a nominal amount of restriction from bends, fittings, etc. If an unusual number of fittings, bends, or other restrictions are used, please refer to federal and local codes.

Figure 8 — **NATURAL GAS (NG)** Pipe Size - Gas Flow Chart, in cubic feet per hour

NPT	10ft	15ft	20ft	30ft	40ft	50ft	60ft	70ft	80ft	90ft	100ft
1/2"	168	146	115	93	79	70	63	59	55	51	48
3/4"	346	293	240	192	163	145	132	120	113	106	99
1"	653	549	446	360	307	274	250	230	211	197	187

Natural Gas (sg=0.65)

Figure 9 — **LIQUID PROPANE (LP) GAS** Pipe Size - Gas Flow Chart, in cubic feet per hour

NPT	10ft	15ft	20ft	30ft	40ft	50ft	60ft	70ft	80ft	90ft	100ft
1/2"	110	96	76	61	52	46	42	38	36	33	32
3/4"	277	192	158	126	107	95	87	79	74	69	65
1"	428	360	293	236	202	180	164	151	139	129	123

Liquid Propane (LP) (sg=1.50)

INSTALLATION

Fuel Comparison Chart

Physical Properties	Propane	Natural Gas
Normal Atmospheric State	Gas	Gas
Boiling Point (in °F):		
Initial	-44	-259
End	-44	-259
Heating Value:		
BTU per gallon (Net LHV*)	83,340	63,310
BTU per Gallon (Gross**)	91,547	
Cubic Feet (Gas)	2,500	1,000
Density***	36.39	57.75
Weight†	4.24	2.65
Octane Number:		
Research	110+	110+
Motor	97	
<p>* LHV (Low Heat Value) is the more realistic rating.</p> <p>** Gross Heat Value does not consider heat lost in the form of water during combustion.</p> <p>*** Density is given in "Cubic Feet of Gas per Gallon of Liquid".</p> <p>† Weight is given in "Pounds per Gallon of Liquid".</p>		

Size of Propane Tank Required at Various Temperatures When Kept at Least Half Full

Given the gas withdrawal rate and the lowest average winter temperature, an installer can specify the required LP storage tank size:

Withdrawal Rate	32°F	20°F	10°F	0°F	-10°F	-30°F	-40°F
50 CFH	115	115	115	250	250	400	600
100 CFH	250	250	250	400	500	1000	1500
150 CFH	300	400	500	500	1000	1500	2500
200 CFH	400	500	750	1000	1200	2000	2500
300 CFH	750	1000	1500	2000	2500	4000	5000

WIRE CONNECTIONS

Recommended Torque Values

Torque all wire connections/fasteners to values recommended in Figure 10. Suitable for copper wire of 60°/75°C rating.

Figure 10 — Recommended Torque Values	
CONNECTIONS:	Torque Value
In Main Distribution Panel: Refer to panel manufacturer specs	
In Disconnect Box:	
240V AC Utility	5 in-lb
Engine Start	5 in-lb
Remote Status	5 in-lb
Generator	17 in-lb
Ground	40 in-lb
Circuit Breakers: Refer to circuit breaker manufacturer specs	

Generator AC Connection System

A single-phase, three-wire AC connection system is used in the Home Standby Generator. The stator assembly consists of a pair of stationary windings with two leads brought out of each winding. The junction of leads 22 and 33 forms the neutral lead. A complete schematic and wiring diagram can be found on pages 26-27.

NOTE: Neutral is not bonded to ground at generator.

Grounding the Generator

Ground the Home Generator System per applicable codes, standards, and regulations. The GND lug is located in the disconnect box.

Generator Control Circuit Connection

Control circuit interconnections consist of "240V AC Utility" leads. These two leads must be routed in conduit. Control lead functions are briefly described as follows:

- Leads deliver utility power to the generator's circuit board, optional battery warmer and oil heater and charge the battery.

Using installer-supplied minimum 300V, 14 AWG copper wire, connect control circuit terminals in the disconnect box to the Transfer Switch.

Remote Diagnostic LED Plate

The light on the remote LED plate is referred to as the Diagnostic LED. The LED will stay lit indicating the generator is in ready mode and will turn on and off in a series of blinks if certain faults are detected in the Home Standby Generator. A mounting plate is supplied so that it can be installed at a convenient indoor location. The owner will use it to observe the status of the Home Standby Generator. Consult with the owner for a convenient location.

To install the remote diagnostic LED plate:

- Mount installer-supplied electrical box to wall.
- Using installer-supplied wire, connect the remote LED leads to the "Remote Status Light" in disconnect box.

NOTE: LED leads are polarity sensitive.

- Attach mounting plate to electrical box.

Refer to the section "Fault Detection System" on pages 21-22 for operation.

BEFORE INITIAL START-UP

Engine Oil

This engine is shipped from the factory filled with the recommended oil. Before starting the engine, check oil level and ensure that engine is serviced as described in the engine operator's manual.

NOTICE

Any attempt to crank or start the engine before it has been properly serviced with the recommended oil will result in equipment failure.

- Refer to engine manual for oil fill information.
- Damage to equipment resulting from failure to follow this instruction will void warranty.

Oil Considerations

Your Home Standby Generator is equipped with an engine that has been pre-run at the factory and does not require the traditional "break-in" procedure.

The generator is filled with **synthetic oil** (API SJ/CF 5W-30W). This allows for generator operation in the widest range of temperature and climate conditions.

NOTE: The use of **synthetic oil DOES NOT** alter the required oil change intervals described in the engine operator's manual.

Battery Connection

The Home Standby Generator is supplied with a 12 Volt DC, AGM type, 33 Amp-Hour, valve regulated battery. It is a sealed, lead-acid rechargeable battery. It is installed in the unit and the battery cables are connected at the factory. The unit's 15 Amp fuse, which isolates the battery and prevents the unit from starting, has been removed for shipping. The battery will lose some charge prior to installation of the generator. If battery voltage is below 12 Volts, charge the battery.

IMPORTANT: If battery voltage is below 5 Volts, it may not take a charge and you will need a new battery.

Charging the Battery

If it is necessary to charge the battery, proceed as follows:

1. Set the generator's "AUTO/OFF/MANUAL" switch to **OFF**.
2. Remove the 15 Amp fuse from the control panel.
3. Disconnect the negative battery cable to the negative battery terminal (indicated by **NEGATIVE, NEG, or (-)**).

NOTICE

Failure to disconnect negative battery cable will result in equipment failure.

- DO NOT attempt to jump start the battery.
- Damage to equipment resulting from failure to follow this instruction will void warranty.

4. Charge battery with battery charger at 2 Amps until battery holds 12 Volts.

NOTE: DO NOT exceed 13.7 Volts charging.

! WARNING



Storage batteries give off explosive hydrogen gas during recharging.

Slightest spark will ignite hydrogen and cause explosion.



Battery electrolyte fluid contains acid and is extremely caustic.

Contact with battery contents will cause severe chemical burns.



A battery presents a risk of electrical shock and high short circuit current.

- DO NOT dispose of battery in a fire.
- DO NOT allow any open flame, spark, heat, or lit cigarette during and for several minutes after charging a battery.
- DO NOT open or mutilate the battery.
- Wear protective goggles, rubber apron, and rubber gloves.
- Remove watches, rings, or other metal objects.
- Use tools with insulated handles.

NOTE: With the battery installed and utility power available to the Automatic Transfer Switch, the battery receives a trickle charge whenever the engine is not running. This process may take up to 72 hours to fully charge a battery from 5 Volts. The trickle charge cannot be used to recharge a battery that is completely discharged.

5. Connect the negative battery cable to the negative battery terminal (indicated by **NEGATIVE, NEG, or (-)**).
6. Ensure hardware on both positive and negative battery terminals is secure.
7. Reinstall the 15 Amp fuse in the control panel.



CAUTION



Installing the 15A fuse could cause the engine to start.

- DO NOT install this fuse until all plumbing and wiring has been completed and inspected.

8. Set the generator's "AUTO/OFF/MANUAL" switch to **AUTO**.

Servicing the Battery

If it is necessary to service the battery, proceed as follows:

1. Set the generator's "AUTO/OFF/MANUAL" switch to **OFF**.
2. Remove the 15 Amp fuse from the control panel.
3. Service or replace battery as required.
4. Connect the red battery cable to the battery positive terminal (indicated by **POSITIVE, POS, or (+)**).
5. Connect the negative battery cable to the negative battery terminal (indicated by **NEGATIVE, NEG, or (-)**).
6. Ensure hardware on both positive and negative battery terminals is secure.
7. Reinstall the 15 Amp fuse in the control panel.
8. Set the generator's "AUTO/OFF/MANUAL" switch to **AUTO**.

Fuel Supply System

Ensure that all fuel pipe connections are tight, secure and without leaks.

Ensure that all gas line shutoff valves are OPEN and that adequate fuel pressure is available whenever automatic operation is desired.

FUEL SYSTEM SELECTION

The engine of your Home Standby Generator is factory calibrated to run on natural gas (NG). It may also be operated on liquid propane vapor (LP).

To configure the fuel system for LP use:

1. LP fuel inlet pressure must be between 11 and 14 inches water column.
2. Set AUTO/OFF/MANUAL switch to **OFF**.
3. Pull service disconnect from disconnect box.
4. Remove 15 Amp fuse.
5. Change main jet in fuel mixer following instruction sheet provided in LP conversion kit.
6. Reinstall 15 Amp fuse.
7. Reinstall service disconnect in disconnect box.
8. Set AUTO/OFF/MANUAL switch to **AUTO**.
9. Reset exercise timer following instructions "Setting Exercise Timer" on page 20.

The generator is now ready to operate automatically using LP fuel. With a fixed main jet for LP gas, there is no need to perform any engine adjustments for LP operation.

INITIAL START-UP (NO LOAD)

Begin testing the generator without any electrical loads connected, as follows:

1. Set AUTO/OFF/MANUAL switch to **OFF**.
2. Set generator's main circuit breaker to **OFF** (open) position.
3. **Install 15 Amp fuse in control panel.**
4. Set AUTO/OFF/MANUAL switch to **MANUAL**.

NOTE: When the Home Standby Generator is started for the very first time, it will require that air in the gaseous fuel lines be purged. This may take a few minutes.

5. DO NOT crank engine for more than 15 seconds, then pause for 15 seconds to reduce heat in starter.
6. Repeat process until engine starts.
7. Listen for unusual noises, vibration or other indications of abnormal operation. Check for oil leaks while the engine runs.
8. Let engine warm up for about five minutes to allow internal temperatures to stabilize. Then, set generator's main circuit breaker to **ON** (or closed) position.

9. Connect an RMS AC voltmeter and a frequency meter to check generator output at load side of circuit breaker. Voltage should be 230-240 Volts, frequency should be 62.0 - 62.5 Hz.
10. Check generator output between one generator connection lug and neutral lug, then between other generator connection lug and neutral lug. In both cases, voltage reading should be between 115-120 Volts.
11. Set AUTO/OFF/MANUAL switch to **OFF**. Engine will shut down.

AUTOMATIC OPERATION SEQUENCE

The generator's control panel houses a logic control circuit board. This control board constantly monitors utility power source voltage. Should that voltage drop below a preset level, control board action will signal the engine to crank and start.

When utility source voltage is restored above a preset voltage level, the engine is signaled to shut down.

The actual system operation is not adjustable and is sequenced by sensors and timers on the control board, as follows:

Utility Voltage Dropout Sensor

- This sensor monitors utility source voltage.
- If utility source voltage drops below 70 percent of the nominal supply voltage, the sensor energizes a six second timer.
- Once the timer has expired, the generator will start.

Utility Voltage Pickup Sensor

This sensor monitors utility power supply voltage. When that voltage is restored above 80 percent of the nominal source voltage, a time delay starts timing and the generator will go to engine cool-down.

Engine Cool-down Timer

- When the load is transferred back to the utility power source, the engine cool-down timer starts timing.
- The timer will run for about one minute, then the generator will stop.
- Minimum generator run time is five minutes.

SETTING EXERCISE TIMER

The Home Standby Generator is equipped with an exercise timer that will start and exercise the generator once every seven days. During this exercise period, the unit runs for approximately 20 minutes and then shuts down. Electrical load transfer DOES NOT occur during the exercise cycle (unless an utility power outage occurs).

A switch on the control panel is labeled “Set Exercise” (see page 7). On the specific day and time the switch is pressed, the control board is programmed. This date and time is then used to automatically initiate the generator exercise cycle.

To perform the Set Exercise procedure:

1. Choose day and time you want Home Standby Generator to exercise.
2. On that day and time, set AUTO/OFF/MANUAL switch to **OFF** position.
3. Press and hold down “Set Exercise” switch for two seconds.
4. Set AUTO/OFF/MANUAL switch to **AUTO**. “Set Exercise” is complete.

For example, if you press the “Set Exercise” switch on Sunday morning at 10:00 AM, the unit will run an exercise cycle the following Sunday at 10:00 AM (+/- 1 hour).

NOTE: “Set Exercise” will only work if the unit is in the Automatic mode and this exact procedure is followed.

If you want to change the day and time the unit exercises, simply perform the “Set Exercise” procedure at the day and time you want it to take place.

INSTALLATION INSPECTION

Before placing the Home Standby Generator into service, inspect the entire installation carefully. Ensure that any scratches or broken paint on the inside or outside of the enclosure are touched up with the supplied paint.

Complete the “Installation Checklist” as you make the inspection. Ensure all items have been filled-in and all signatures have been obtained. Instruct the owner to mail the white copy to:

**Briggs & Stratton Power Products
Warranty Registration
P. O. Box 1144
Milwaukee, WI 53201-1144**

SPECIFICATIONS

Rated Maximum Power (LP*)	7.0 kW
Rated Maximum Load Current:	
at 240 Volts	29.1 Amps
at 120 Volts	58.2 Amps
Rated AC Voltage	120/240 Volts
Rated Frequency	60 Hz at 3600 rpm
Phase	Single Phase
Power Factor	1.0
NG Fuel Supply Pressure	.5-7 in W.C.
LP Fuel Supply Pressure	11-14 in W.C.
Normal Operating Range	-20°F (-28.8°C) to 104°F (40°C)
Output Sound Level	.81 dB(A) at 23 ft. (7 m) at full load
Shipping Weight	.280 lbs.

* Natural gas rating will depend on specific fuel but typical derating of generator is between 10 to 20% off the LP gas rating.

AUTOMATIC OPERATION

To select automatic operation, do the following:

1. Set service disconnect or main distribution panel circuit breaker that sends utility voltage to transfer switch to **ON**.
2. Set generator's main circuit breaker to **ON** position.
3. Set AUTO/OFF/MANUAL switch to **AUTO**.

Checking Automatic Operation

To check the system for proper automatic operation, proceed as follows:

1. Turn **OFF** service disconnect or main distribution panel circuit breaker sending power to automatic transfer switch.

The generator will crank and start once the utility voltage drops out and the sensor has timed out. Let the system go through its entire automatic operation sequence.

2. With generator output supplying load, turn **ON** service disconnect or main distribution panel circuit breaker that supplies utility power to automatic transfer switch.
3. Automatic transfer switch will transfer loads back to utility power after five minute minimum run time and utility is restored.
4. Generator will run for approximately an additional minute for engine cool down, then shut down.
5. Install control panel access door and roof following instructions in "Removable Roof and Access Door" on page 12.

NOTE: If generator does not shut down after approximately 10 minutes, put AUTO/OFF/MANUAL switch to **OFF** and contact your local service center.

This completes the test procedures for automatic operation. The Home Standby Generator will now start automatically when utility power is lost and will supply power to the transfer switch.

Servicing the System

To service system:

1. Remove roof by removing four screws and lifting off.
2. Remove screw at top of control panel access door.
3. Pull access door outward (away) from unit while pulling door upward and out of base. Door will come free of generator enclosure.
4. Set AUTO/OFF/MANUAL switch to **OFF**.
5. Set generator's main circuit breaker to **OFF** position.
6. Pull service disconnect from disconnect box.
7. Remove 15A fuse from control panel.

FAULT DETECTION SYSTEM

The generator may have to run for long periods of time with no operator present. For that reason, the system is equipped with sensors that automatically shut down the generator in the event of potentially damaging conditions, such as low oil pressure, over speed, and other conditions.

A light on the remote LED plate is called the Diagnostic LED. The LED will turn on and off in a series of blinks if certain problems are detected in your Home Standby Generator. The blink pattern is repeated with a brief pause between each series. The number of blinks in the series indicates the detected fault, as listed on the mounting plate and as follows:

OPERATION

Number of LED Flashes	Fault Description
2	Low oil pressure
4	Engine failed to start
5	Low frequency
6	Engine overspeed

Reset Fault Detection System

The operator must reset the fault detection system each time it activates. To do so, place the AUTO/OFF/MANUAL switch in the **OFF** position for 30 seconds or more. Return the Home Standby Generator to service after correcting the problem by placing the AUTO/OFF/MANUAL switch in the **AUTO** position.

A description of each fault and suggested remedies are as follows:

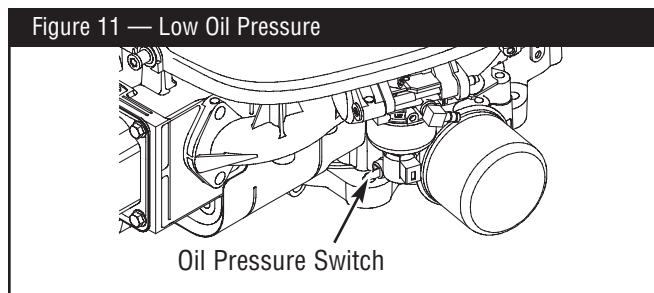
No LED - Discharged Battery

This condition is caused by a completely discharged battery. To remedy the problem, remove the 15 Amp fuse and disconnect the battery from the generator. Take the battery to a local battery store for analysis.

Install the battery after it has been fully recharged or replaced, connecting the **NEGATIVE** cable last. Install the 15 Amp fuse.

Low Oil Pressure

This fault is indicated by two blinks. The generator is equipped with an oil pressure switch (Figure 11). Should oil pressure drop, switch contacts close and the engine is shut down.



To remedy the low oil pressure condition, add the recommended oil to the **FULL** mark on the dipstick.

If low oil pressure condition still exists, generator will start, then shut down after approximately 10 seconds and diagnostic LED will flash. In this case, contact your local service center.

Engine Fail To Start

This fault is indicated by four blinks. This feature prevents the generator from damage by continually attempting to start. Each time the system is directed to start, the generator will crank for 15 seconds, pause for 15 seconds, crank for 15 seconds, pause for 15 seconds, and repeat. If the generator does not begin producing electricity after approximately 90 seconds, the generator will stop cranking and the LED will blink.

The most likely cause of this problem is no fuel supply. Check the inside and outside fuel shut off valves to ensure they are fully open. Other causes could be failed spark plug, failed engine ignition, or the engine air filter is clogged. You may need to contact your local service center for assistance if you can't remedy these problems.

Low Frequency

This fault is indicated by five blinks. This feature protects devices connected to the transfer switch by shutting the generator down if the engine runs slower than the preset limit.

This condition may be potentially caused by a failed engine governor. To remedy the problem, you should contact your local service center for assistance.

This condition may also be potentially caused by excessive loads on the generator. Turn off devices one at a time and check the frequency. To remedy the problem, you may need to contact your local service center for assistance.

Engine Overspeed

This fault is indicated by six blinks. This feature protects devices connected to the transfer switch by shutting the generator down if the engine happens to run faster than the preset limit. The overspeed fault is detected as follows:

- If the generator output frequency runs at 72 Hz for five seconds, the generator will shut down.
- If the generator output frequency reaches 75 Hz, the generator will shut down immediately.

This condition is potentially caused by a failed engine governor. To remedy the problem, you should contact your local service center for assistance.

GENERATOR MAINTENANCE

The generator warranty does not cover items that have been subjected to operator abuse or neglect. To receive full value from the warranty, the operator must maintain the engine as instructed in the engine operator's manual.

IMPORTANT: Before performing any maintenance on the generator, be sure you follow all steps in "Servicing the System" on page 21.

Generator maintenance consists of keeping the unit clean. Operate the unit in an environment where it will not be exposed to excessive dust, dirt, moisture or any corrosive vapors. Cooling air louvers on the enclosure must not become clogged with snow, leaves, or any other foreign material.

Check the cleanliness of the unit frequently and clean when dust, dirt, oil, moisture or other foreign substances are visible on its exterior/interior surface.

NOTE: DO NOT use direct spray from a garden hose to clean generator. Water can enter the engine and generator and cause problems.

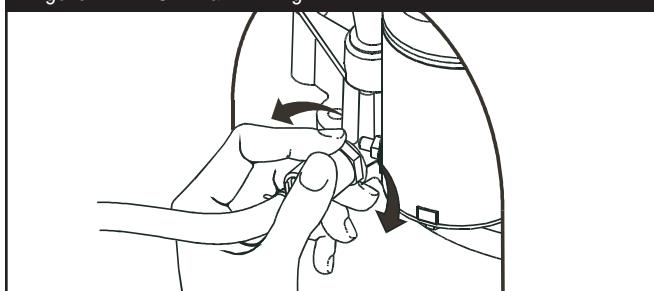
Changing Engine Oil and Filter

Remove the two screws from each plastic access cover and remove both access covers from the two sides of the generator enclosure.

Changing Oil

1. Place oil drain tube into approved container.
2. Push in and rotate oil drain fitting 1/4 turn counterclockwise. Slowly pull outward until oil starts draining (Figure 12). DO NOT pull oil drain fitting off engine.

Figure 12 — Oil Drain Fitting

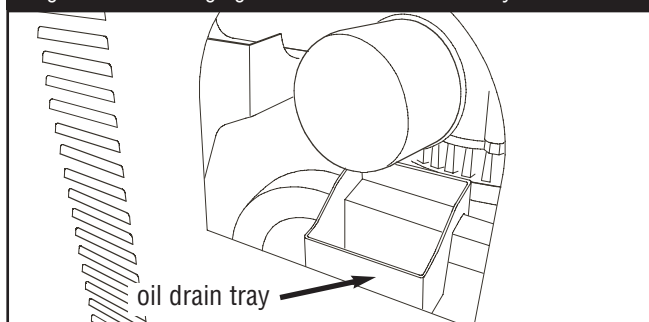


3. When oil has drained, push oil drain fitting in and rotate 1/4 turn clockwise until it locks in place.
4. Slide oil drain tube up into clamp on generator.

Changing Oil Filter

1. Place oil drain tray over tubing and slide it under oil filter (Figure 13).

Figure 13 — Changing Oil Filter with Oil Drain Tray



2. Follow instructions given in engine operator's manual for changing oil filter.
3. Remove oil drain tray from under oil filter and clean up any spilled oil.

CAUTION

Avoid prolonged or repeated skin contact with used motor oil.

- Used motor oil has been shown to cause skin cancer in certain laboratory animals.
- Thoroughly wash exposed areas with soap and water.



KEEP OUT OF REACH OF CHILDREN. DON'T POLLUTE. CONSERVE RESOURCES. RETURN USED OIL TO COLLECTION CENTERS.

To fill your engine with oil:

- Follow synthetic oil grade recommendation given in "Engine Oil" on page 17 and oil fill instructions given in engine operator's manual.

NOTICE

Any attempt to crank or start the engine before it has been properly serviced with the recommended oil will result in equipment failure.

- Refer to engine manual for oil fill information.
- Damage to equipment resulting from failure to follow this instruction will void warranty.

To Clean the Generator

- Use a damp cloth to wipe exterior surfaces clean.

NOTICE
Improper treatment of generator can damage it and shorten its life.
<ul style="list-style-type: none">• DO NOT expose generator to excessive moisture, dust, dirt, or corrosive vapors.• DO NOT insert any objects through cooling slots.

- DO NOT expose generator to excessive moisture, dust, dirt, or corrosive vapors.
 - DO NOT insert any objects through cooling slots.
- Use a soft, bristle brush to loosen caked on dirt, oil, etc.
 - Use a vacuum cleaner to pick up loose dirt and debris.
 - Inspect cooling air slots and openings on the generator. These openings must be kept clean and unobstructed.

When Calling the Factory

You must have the following information at hand if it is necessary to contact a local service center regarding service or repair of this unit:

1. Obtain unit Model Number and Serial Number from unit data decal. See “Know Your Home Standby Generator” diagram for location.
2. Obtain engine Model/Type/Code numbers from engine label. See “Know Your Home Standby Generator” diagram for location. Please note that model number may vary slightly from that presented herein.

STORAGE

The Briggs & Stratton Home Standby Generator is designed for continuous backup operational duty. As such, there is no need to take any storage precautions. However, if it becomes necessary to take the system out of service for an extended period, call Briggs & Stratton Technical Services at 1-800-743-4115, between 8:00 AM and 5:00 PM CT for specific recommendations.

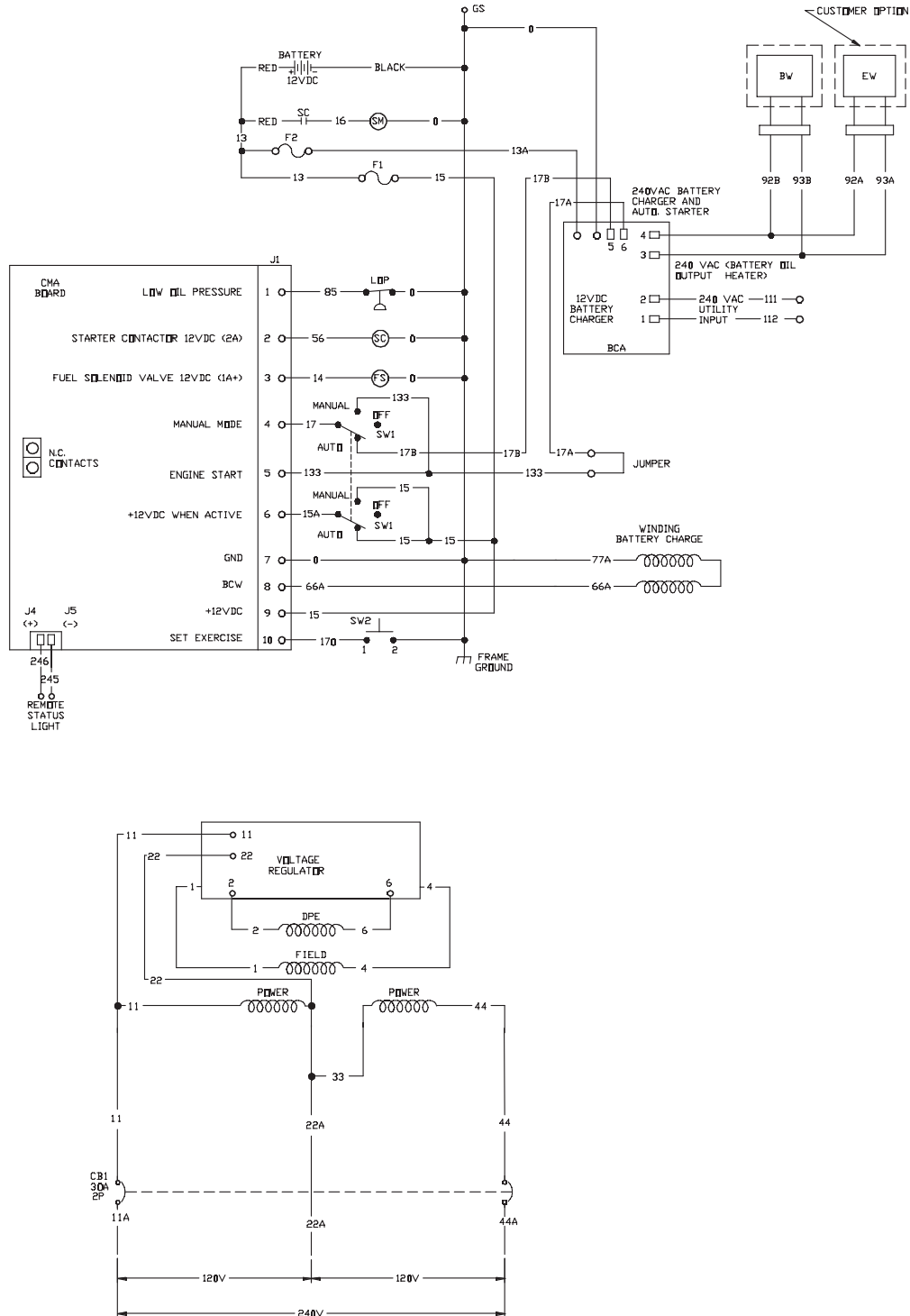
TROUBLESHOOTING

TROUBLESHOOTING

Problem	Cause	Correction
Engine is running, but no AC output is available.	<ol style="list-style-type: none"> 1. Circuit breaker open or defective. 2. Fault in generator. 3. Poor wiring connections or defective transfer switch. 	<ol style="list-style-type: none"> 1. Reset or replace circuit breaker. 2. Contact local service facility. 3. Check and repair.
Engine runs good at no-load but "bogs down" when loads are connected.	<ol style="list-style-type: none"> 1. Short circuit in a connected load. 2. Generator is overloaded. 3. Shorted generator circuit. 4. Fuel Pressure is incorrect. 5. Natural gas fuel mixture is incorrect. 	<ol style="list-style-type: none"> 1. Disconnect shorted electrical load. 2. See "Essential Circuits". 3. Contact local service facility. 4. See "The Gaseous Fuel System". 5. See "The Gaseous Fuel System".
Engine will not start; or starts and runs rough.	<ol style="list-style-type: none"> 1. 15 Amp fuse missing or blown. 2. Out of fuel. 3. Battery doesn't have enough power to crank over generator in cold temperatures. 4. Failed battery. 	<ol style="list-style-type: none"> 1. Install (new) 15 Amp fuse. See "Know Your Control Panel". 2. Open fuel valve(s); check propane tank. 3. Install battery warmer, contact local service facility. 4. Replace battery.
Engine shuts down during operation.	<ol style="list-style-type: none"> 1. Out of fuel. 2. Fault indicator blinking. 	<ol style="list-style-type: none"> 1. Check fuel valves, fill propane tank. 2. Count blinks and refer to "Fault Detection System".
Loss of power on essential circuits.	<ol style="list-style-type: none"> 1. Generator circuit breaker is open. 2. Transfer switch problems. 	<ol style="list-style-type: none"> 1. Reset circuit breaker. 2. See transfer switch manual.

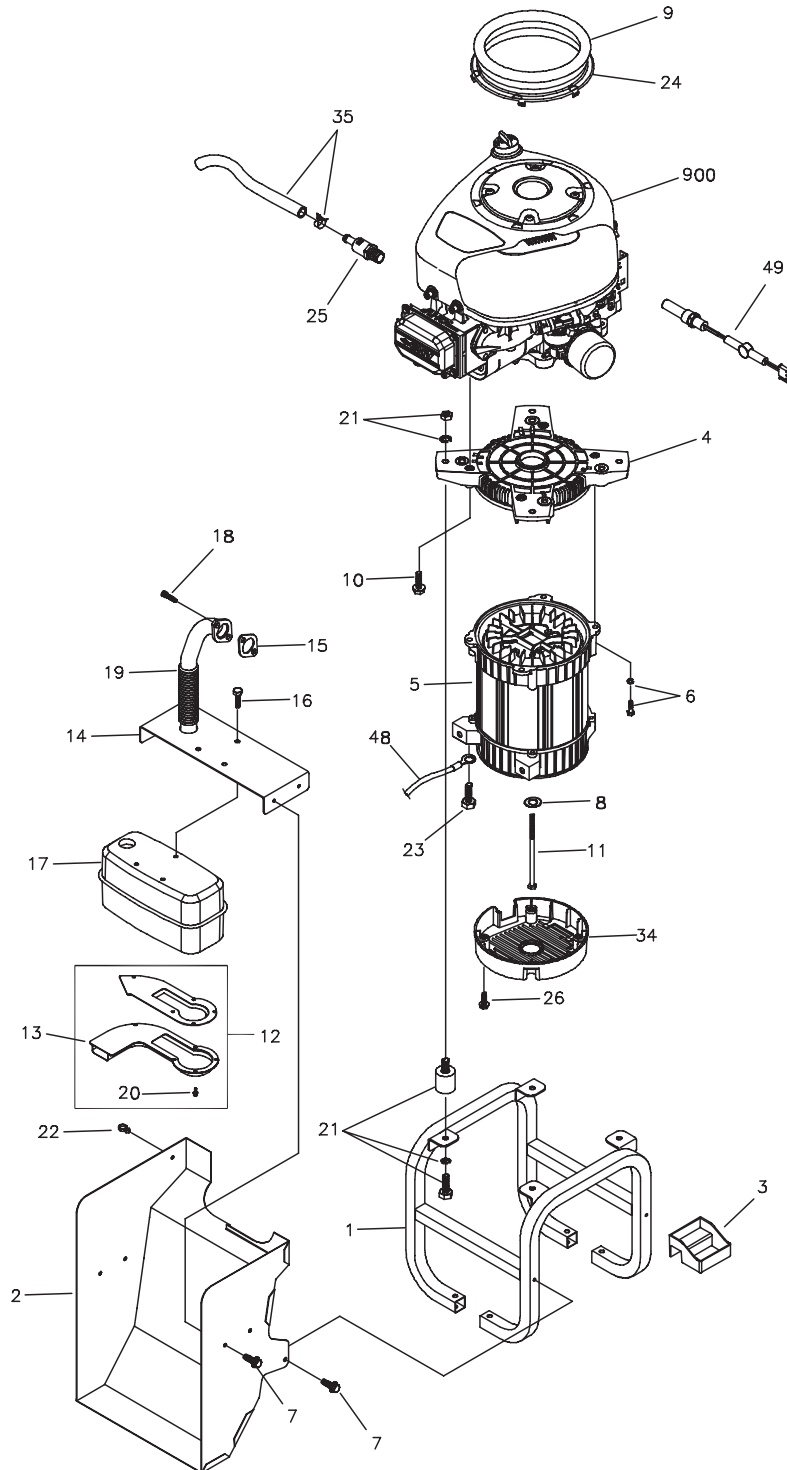
SCHEMATIC

SCHEMATIC



EXPLODED VIEW

EXPLODED VIEW - MAIN UNIT



PARTS LIST

PARTS LIST - MAIN UNIT

Item	Part #	Description
1	B191860GS	WELDMENT, Cradle
2	194568GS	ASSY, Duct, Air Muffler
3	193536GS	TRAY, Oil Drain
4	191793GS	ADAPTER, Engine
5	NSP	ASSY, Alternator (see page 34)
6	194728GS	KIT, Hardware Mounting Adapter
7	*	BOLT, Swage, 1/4 - 20 x 1/2
8	96796GS	WASHER, 8.4 x 22.2 x 3
9	193012GS	SEAL, Engine Air Intake
10	75246GS	SCREW, 3/8 - 16 x 1-1/4 Taptite
11	187365HGS	HHCS, 5/16-24 x 9.84
12	194990GS	KIT, Deflector Muffler Assy w/Hrdwr
13	193605GS	ASSY, Deflector Muffler
14	194569GS	BRACKET, Muffler
15	692236	GASKET
16	83512GS	SCREW, M8 1.25 x 15, Taptite
17	193064GS	MUFFLER
18	698941	SCREW, Socket Head Cap
19	194159GS	PIPE, Exhaust
20	195008GS	KIT, Muffler Hardware
21	194209GS	KIT, Vibration Mount
22	192940GS	CLIP, Retainer Fuel Hose
23	*	HHCS, M6 - 1.0 x 16
24	192853GS	COLLAR, Inlet Air
25	204025GS	VALVE, Oil Drain
26	74908GS	SCREW, M5- .8 x 10 Taptite
34	192906GS	COVER Bearing
35	194992GS	KIT, Oil Hose w/Clamp
48	15253621GS	WIRE, Ground
49	01916	WARMER, Oil
900	§	ENGINE

Items Not Illustrated

198838GS	MANUAL, Operator's
198833GS	KIT, Manual/Accessory, ELS
194089GS	ASSY, Disconnect Box
202295GS	FLEX HOSE
198810GS	PAINT, Touchup, Gry
194989GS	ASSY, Plate Status, Auto
MS3787	MANUAL, Engine
195069GS	KIT, CNVRSN, LP
196731BGS	BIT, Screw

Optional Accessories

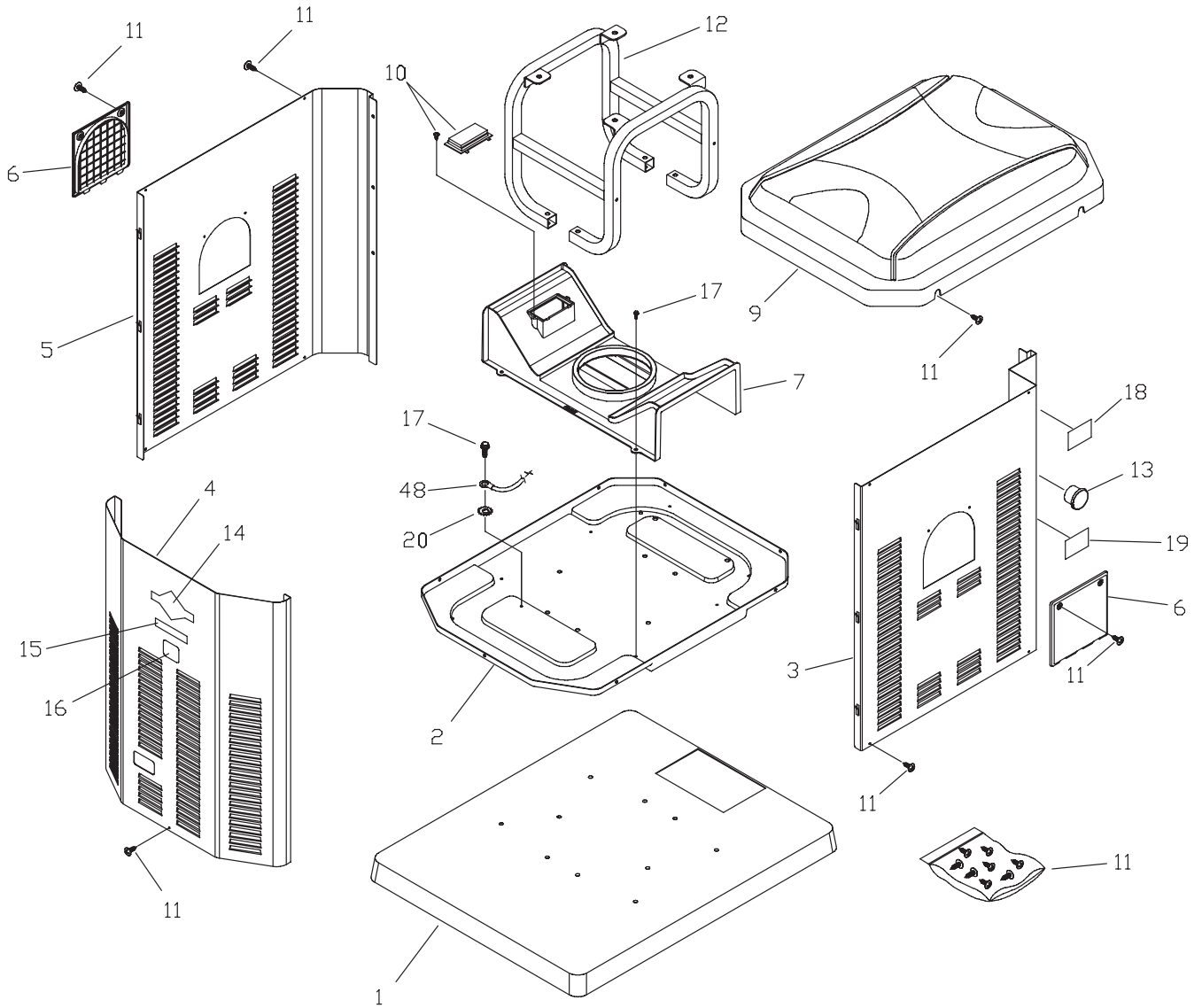
01915	WARMER, Battery
199474GS	PAINT, Touchup Spray, 12oz, Gry

* - Items without part numbers are common fasteners and are available at local hardware stores.

§ - Contact Engine Manufacturer

EXPLODED VIEW

EXPLODED VIEW - ENCLOSURE



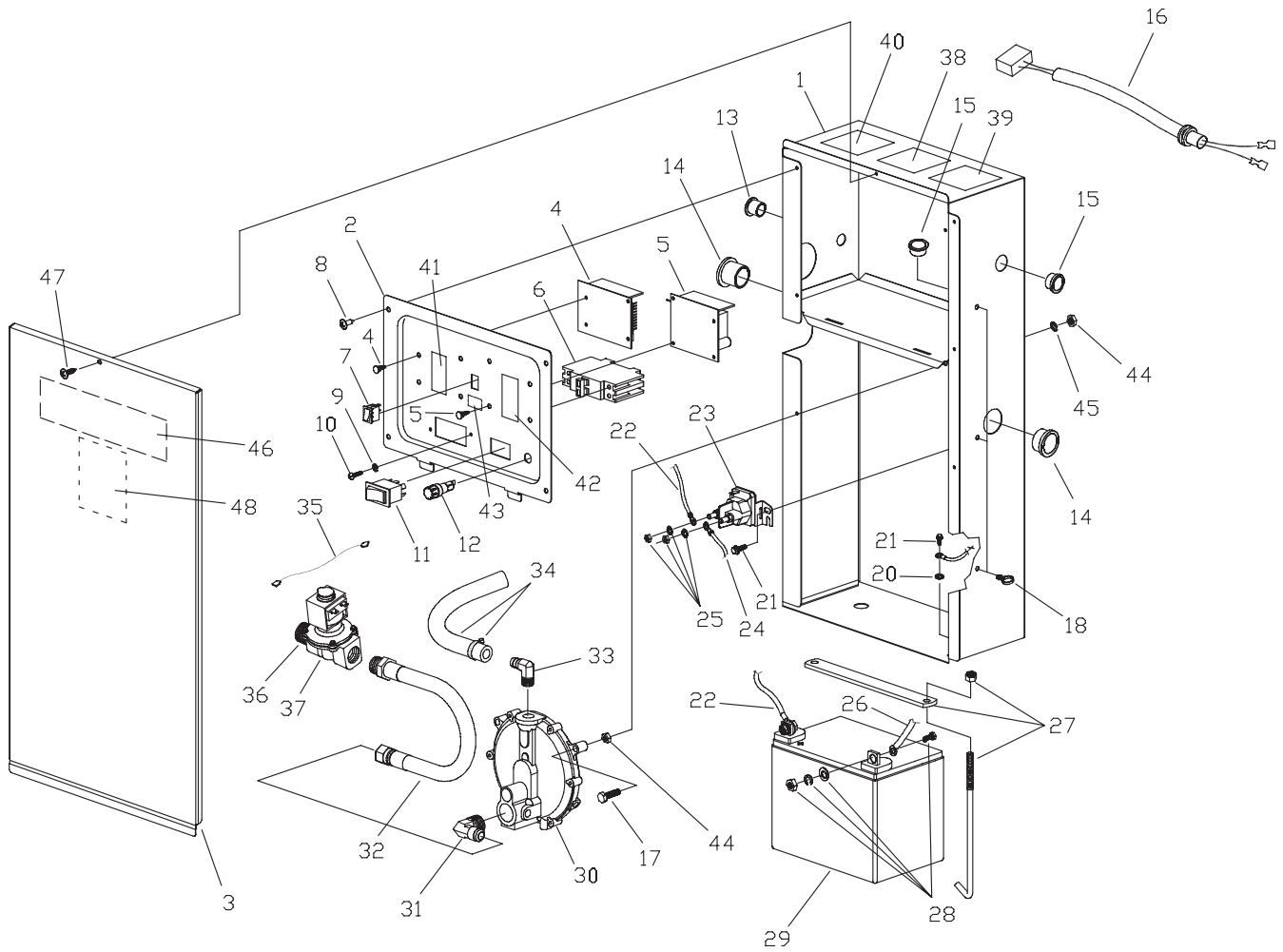
PARTS LIST - ENCLOSURE

Item	Part #	Description
1	192441AGS	PAD, ELS
2	U191852GS	BASE, Plate
3	198989GS	ASSY, Panel, Right side
4	199333GS	ASSY, Panel, Front
5	199335GS	ASSY, Panel, Left Side
6	199007GS	COVER, Oil Filter Drain
7	195228GS	KIT, Baffle, Air In-take w/Seals
9	199009GS	ASSY, Unit Cover
10	194993GS	KIT, AVR Circuit Board w/Hrdwr
11	194991GS	KIT, Enclosure Hardware Bag
12	B191860GS	WELDMENT, Cradle
13	185976GS	PLUG, Hole
14	199296GS	DECAL, Logo
15	200542GS	DECAL, Empower
16	200409GS	DECAL, Caution Hot
17	*	BOLT, Swage, 1/4 - 20 x 1/2
18	195642GS	DECAL, Rainproof
19	186643GS	DECAL, Fuel Inlet
20	*	WASHER, Shakeproof, Ext. M6 - 1/4
48	195496GS	WIRE, Ground

* - Items without part numbers are common fasteners and are available at local hardware stores.

EXPLODED VIEW

EXPLODED VIEW - CONTROL PANEL



PARTS LIST

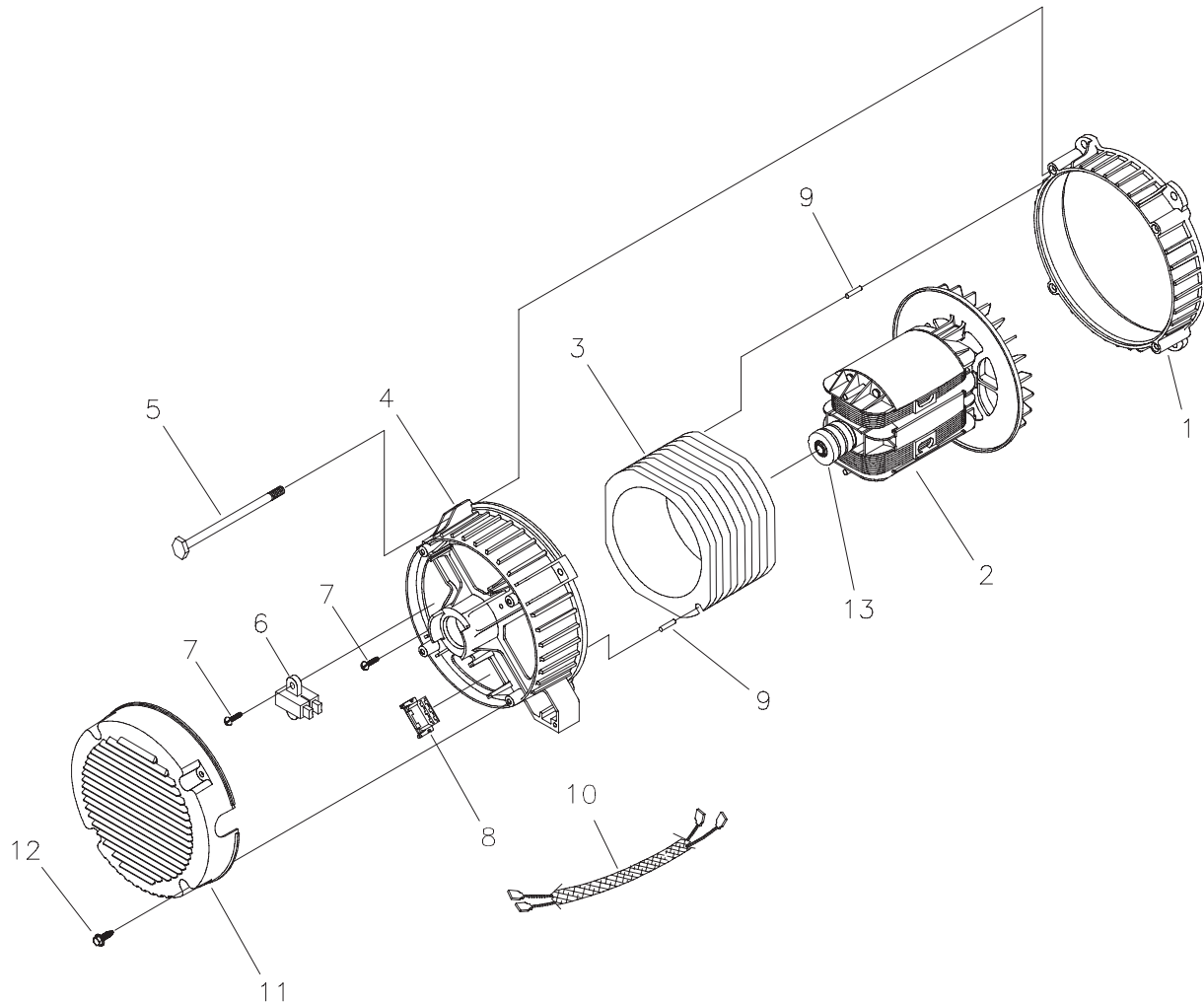
PARTS LIST - CONTROL PANEL

Item	Part #	Description	Item	Part #	Description
1	195229GS	ASSY, Control Box	27	199844GS	KIT, J-Bolt/Strap with Hardware
2	199334GS	ASSY, Panel, Control	28	193347GS	KIT, Battery Hardware
3	198990GS	PANEL, Back Cover	29	188443GS	BATTERY
4	195004GS	KIT, Control Board w/ Clips	30	193291GS	REGULATOR, Fuel
	186413GS	Clip, Standoff, Fastex	31	186151GS	FITTING, Elbow, 3/4 NPT
5	195003GS	KIT, Battery Charge Circuit w/ Clips	32	186148GS	HOSE, Gas, Reg. to Valve
	186413GS	Clip, Standoff, Fastex	33	186150GS	FITTING, Elbow, 3/8 NPT
6	190818EGS	BREAKER, Circuit, 30A	34	195005GS	KIT, Hose, Reg to Engine with Clamps
7	87799GS	SWITCH, Rocker	35	193537CGS	WIRE, 18 AWG, Blue
8	*	SCREW, #10 x 5.8"	36	192449GS	FITTING, Nipple, 3/4 x 2
9	*	WASHER, Shakeproof #6	37	B4773GS	SOLENOID, Gas Fuel
10	*	PPHMS, #6 - 32 x 3/8"	38	186646GS	DECAL, Warning, Auto Start
11	193423GS	SWITCH	39	186647GS	DECAL, Warning, Outdoor Install
12	195006GS	KIT, Fuse Holder w/ Fuse	40	190992GS	DECAL, Warning Electrical Shock
13	192455GS	BUSHING, Snap 5/8"	41	186645GS	DECAL, Caution, Shock
14	186173GS	BUSHING, Snap 1-3/8"	42	195306GS	DECAL, Set Exercise Timer
15	186582GS	BUSHING, Snap 7/8"	43	B4986AGS	DECAL, Ground
16	195007GS	KIT, Wire Harness with Crimp Nut	44	*	NUT, M6 - 1.0
17	*	HHCS, M6 - 1.0 x 30	45	*	LOCKWASHER, 1/4
18	195009GS	KIT, Plastic Clips	46	186641GS	DECAL, Operating Instructions
20	*	WASHER, Shakeproof, Ext M6 - 1/4	47	*	SCREW, 10 x 32 x 1 Phillips Truss Head
21	*	BOLT, Swage, 1/4 - 20 x 1/2	48	202896GS	DECAL, Fuel Requirements
22	193171GS	ASSY, Wire, 6AWG, Red			
23	691656	CONTACTOR, Starter			
24	194659GS	ASSY, Wire, 6AWG, Red			
25	194251GS	KIT, Hardware Starter Contact			
26	188573AGS	ASSY, Wire, Series w/2 Ring Lug			

* - Items without part numbers are common fasteners and are available at local hardware stores.

EXPLODED VIEW AND PARTS LIST

EXPLODED VIEW AND PARTS LIST - ALTERNATOR



Item	Part #	Description
1	186059GS	ADAPTER, Mounting, Alternator
2	195430GS	ROTOR (Includes Item 13)
3	193091AGS	STATOR
4	193336GS	RBC, (with O-Ring p/n 189197GS)
5	86308KGS	HHCS, M6 - 1.0 x 140 SEMS
6	66386GS	ASSY, Holder, Brush
7	66849GS	TAPTITE, M5 - 0.8 x 16
8	22694GS	RECEPTACLE, 6 pin
9	81917GS	PIN, Roll, 4mm x 10
10	193472GS	HARNESS, Wire DC Charge
11	192906GS	COVER, Bearing
12	74908GS	SCREW, M5 - .8 x 10 Taptite
13	65791GS	BEARING

BRIGGS & STRATTON POWER PRODUCTS GROUP, LLC 7KW AND 10KW HOME GENERATOR OWNER WARRANTY POLICY

Effective September 1, 2005 replaces all undated Warranties and all Warranties dated before September 1, 2005

LIMITED WARRANTY

Briggs & Stratton Power Products Group, LLC will repair or replace, free of charge, any part(s) of the equipment that is defective in material or workmanship or both. Transportation charges on product submitted for repair or replacement under this warranty must be borne by purchaser. This warranty is effective for the time periods and subject to the conditions stated below. For warranty service, find the nearest Authorized Service Dealer in our dealer locator map at BRIGGSandSTRATTON.COM.

THERE IS NO OTHER EXPRESS WARRANTY. IMPLIED WARRANTIES, INCLUDING THOSE OF MERCHANTABILITY AND FITNESS FOR A PARTICULAR PURPOSE, ARE LIMITED TO ONE YEAR FROM PURCHASE, OR TO THE EXTENT PERMITTED BY LAW. ANY AND ALL IMPLIED WARRANTIES ARE EXCLUDED. LIABILITY FOR INCIDENTAL OR CONSEQUENTIAL DAMAGES ARE EXCLUDED TO THE EXTENT EXCLUSION IS PERMITTED BY LAW. Some states or countries do not allow limitations on how long an implied warranty lasts, and some states or countries do not allow the exclusion or limitation of incidental or consequential damages, so the above limitation and exclusion may not apply to you. This warranty gives you specific legal rights and you may also have other rights which vary from state to state or country to country.

WARRANTY PERIOD

Consumer Use	2 years
Commercial Use	None

The warranty period begins on the date of purchase by the first retail consumer or commercial end user, and continues for the period of time stated in the table above. "Consumer use" means personal residential household use by a retail consumer. "Commercial use" means all other uses, including use for commercial, income producing or rental purposes. Once equipment has experienced commercial use, it shall thereafter be considered as commercial use for purposes of this warranty.

NO WARRANTY REGISTRATION IS NECESSARY TO OBTAIN WARRANTY ON BRIGGS & STRATTON PRODUCTS. SAVE YOUR PROOF OF PURCHASE RECEIPT. IF YOU DO NOT PROVIDE PROOF OF THE INITIAL PURCHASE DATE AT THE TIME WARRANTY SERVICE IS REQUESTED, THE MANUFACTURING DATE OF THE PRODUCT WILL BE USED TO DETERMINE THE WARRANTY PERIOD.

ABOUT YOUR WARRANTY

We welcome warranty repair and apologize to you for being inconvenienced. Any Authorized Service Dealer may perform warranty repairs. Most warranty repairs are handled routinely, but sometimes requests for warranty service may not be appropriate. For example, warranty service would not apply if equipment damage occurred because of misuse, lack of routine maintenance, shipping, handling, warehousing or improper installation. Similarly, the warranty is void if the manufacturing date or the serial number on the equipment has been removed or the equipment has been altered or modified. During the warranty period, the Authorized Service Dealer, at its option, will repair or replace any part that, upon examination, is found to be defective under normal use and service. This warranty will not cover the following repairs and equipment:

- **Normal Wear:** Outdoor Power Equipment and engines, like all mechanical devices, needs periodic parts and service to perform well. This warranty does not cover repair when normal use has exhausted the life of a part or the equipment.
- **Installation and Maintenance:** This warranty does not apply to equipment or parts that have been subjected to improper or unauthorized installation or alteration and modification, misuse, negligence, accident, overloading, overspeeding, improper maintenance, repair or storage so as, in our judgment, to adversely affect its performance and reliability. This warranty also does not cover normal maintenance such as adjustments, fuel system cleaning and obstruction (due to chemical, dirt, carbon, lime, etc.).
- **Other Exclusions:** This warranty excludes wear items such as oil gauges, o-rings, filters, fuses, spark plugs, etc., or damage or malfunctions resulting from accidents, abuse, modifications, alterations, or improper servicing or freezing or chemical deterioration. Accessory parts are excluded from the product warranty. This warranty excludes failures due to acts of God and other force majeure events beyond the manufacturers control. Also excluded is used, reconditioned, and demonstration equipment; equipment used for prime power in place of utility power and equipment used in life support applications. 198182E, Rev. D, 12/31/2006

BRIGGS & STRATTON POWER PRODUCTS GROUP, LLC
JEFFERSON, WI, USA

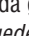
TABLA DE CONTENIDO

TABLA DE CONTENIDO

TABLA DE CONTENIDO	36	Conexión a Tierra del Sistema	51
INSTRUCCIONES IMPORTANTES DE SEGURIDAD	37-39	Interconexiones del Circuito de Control	51
CONOZCA SU GENERADOR DE RESERVA	40	Placa de LED Remoto	51
CONOZCA EL PANEL DE CONTROL	41	ANTES DEL ARRANQUE INICIAL	51
CONSERVE ESTAS INSTRUCCIONES	42	Aceite de Motor	51
INTRODUCCIÓN	42	Consideraciones Sobre el Aceite	51
RESPONSABILIDADES DEL CLIENTE	42	Conexión de la Batería	52
RESPONSABILIDADES DEL INSTALADOR	42	Sistema de Suministro de Combustible	52
ASISTENCIA PARA LA INSTALACIÓN	42	SELECCIÓN DEL SISTEMA DE COMBUSTIBLE	53
Para el Propietario Doméstico	42	ARRANQUE INICIAL (SIN CARGA)	53
Para el Agente de Ventas/Contratista	42	SECUENCIA DE OPERACIÓN AUTOMÁTICA	53
ORIENTACIÓN PARA EL PROPIETARIO	43	Sensor de Caída de Tensión de la Compañía Proveedor de Electricidad	53
Factores Relacionados con el Combustible	43	Sensor de Excitación de Tensión de la Compañía Proveedor de Electricidad	54
Disminución de la Potencia a Temperaturas Elevadas o en Lugares Altos	43	Temporizador de Enfriamiento del Motor	54
PROCEDIMIENTOS DE INSTALACIÓN	43	AJUSTE DEL TEMPORIZADOR DE EJERCICIO	54
Precauciones al Momento del Desempaque	43	INSPECCIÓN POSTERIOR A LA INSTALACIÓN	54
Inspección al Momento de la Entrega	43	ESPECIFICACIONES	55
Conmutadores de Transferencia Aprobados	43	OPERACIÓN AUTOMÁTICA	55
Contenido de la Caja	44	Verificación de la Operación Automática	55
Elevación del Generador	44	Paro del Sistema	55
Ubicación del Generador de Reserva	44	SISTEMA DE DETECCIÓN DE FALLAS	55
Distancias Desde el Generador	44	Restablecimiento del Sistema de Detección de Fallas	56
Directrices Generales de Ubicación	44	No se Enciende el LED - Batería Descargada	56
Circuitos Fundamentales	45	Baja Presión de Aceite	56
Selección de los Circuitos Fundamentales	45-46	El Motor no Arranca	56
Directrices de Montaje del Cuadro de Desconexión	46	Baja Frecuencia	56
Dimensiones de la Entrada de Combustible	46	Sobrevelocidad del Motor	56
Techo y Puerta de Acceso Desmontables	46	MANTENIMIENTO DEL GENERADOR	57
Para Desmontar el Techo:	46	Cambio del Aceite del Motor y del Filtro	57
Para Desmontar la Puerta de Acceso:	46	Cambio del Aceite	57
Para Instalar la Puerta de Acceso y el Techo:	46	Cambio del Filtro de Aceite	57
SISTEMA DE COMBUSTIBLE GASEOSO	47-48	Para Limpiar el Generador	58
Consumo de Combustible	48	Si Llama a la Fábrica	58
Dimensiones de la Cañería de Combustible	49	ALMACENAMIENTO	58
Cuadro de Comparación de Combustibles	50	REPARACION DE AVERIAS	59
Tamaño del Tanque de Propano Requerido a Distintas Temperaturas Cuando se Mantiene con la Mitad de su Capacidad, como Mínimo	50	NOTAS	60
CONEXIONES DE CABLES	51	ESQUEMA	26
Valores de Par de Apriete Recomendados	51	DIAGRAMA DE CABLEADO	27
Sistema de Conexión de c.a. del Generador	51	PIEZAS DE REPUESTO	28-34
		GARANTÍA	61

CONSERVE ESTAS INSTRUCCIONES

INSTRUCCIONES IMPORTANTES DE SEGURIDAD


El símbolo de alerta de seguridad () es usado con una palabra (PELIGRO, ADVERTENCIA, PRECAUCIÓN), un mensaje por escrito o una ilustración, para alertarlo acerca de cualquier situación de peligro que pueda existir. **PELIGRO** indica un riesgo el cual, si no se evita, *causará* la muerte o una herida grave. **ADVERTENCIA** indica un riesgo el cual, si no se evita, *puede* causar la muerte o una herida grave. **PRECAUCIÓN** indica un riesgo, el cual, si no se evita, *puede* causar heridas menores o moderadas. **AVISO** indica una situación que podría resultar en el daño del equipo. Siga los mensajes de seguridad para evitar o reducir los riesgos de heridas e inclusive la muerte.

El fabricante no puede prever todas las posibles circunstancias que pueden implicar riesgos. Por lo tanto, las advertencias que aparecen en este manual y las etiquetas y calcomanías adheridas a la unidad no incluyen todas las posibilidades. Si aplica un procedimiento, método de trabajo o técnica de operación no recomendada específicamente por el fabricante, debe estar seguro de que se trata de una práctica segura para usted y para otras personas. También debe asegurarse de que el procedimiento, método de trabajo o técnica de operación que elija, no haga que el generador se torne inseguro.

NOTA: El generador viene equipado con un silenciador del escape con amortiguador de chispas. El operador o el propietario debe mantener el amortiguador de chispas en perfectas condiciones de funcionamiento. En el estado de California, el amortiguador de chispas es un elemento requerido por la ley (Sección 4442 del California Public Resources Code). Otros estados pueden tener leyes similares. En los territorios federales se aplican las leyes federales.

Símbolos de Peligro y Significados



		
Gases Tóxicos	Manual de Operario	Descarga Eléctrica
		
Retroceso	Explosión	Fuego
		
Superficie Caliente	Presión Explosiva	Quemaduras Química




 ADVERTENCIA	
El escape del motor de este producto contiene elementos químicos reconocidos en el Estado de California por producir cáncer, defectos de nacimiento u otros daños de tipo reproductivo.	

 ADVERTENCIA	
	Las baterías almacenadas producen hidrógeno explosivo mientras estén siendo recargadas. Una pequeña chispa puede encender el hidrógeno y causar una explosión.
	El fluido de electrolito de la batería contiene ácido y es extremadamente cáustico.
	El contacto con el fluido de la batería puede causar quemaduras químicas severas.
	Las baterías presentan un riesgo de descarga eléctrica y de elevada corriente de cortocircuito.
<ul style="list-style-type: none"> • NO deseche la batería tirándola al fuego. • No permita ninguna llama abierta, chispa, calor, o encienda un cigarrillo durante y por varios minutos después de haber recargado la batería. • NO abra ni manipule la batería. • Lleve puestos las gafas protectoras, delantal y guantes de goma. • No lleve relojes, anillos ni otros objetos metálicos. • Utilice herramientas con mangos aislados. 	

 ADVERTENCIA	
	Al motor funcionar, se produce monóxido de carbono, un gas inodoro y venenoso. Respirar monóxido de carbono puede provocar dolor de cabeza, fatiga, mareos, vómitos, confusión, ataques, náuseas, desmayos o incluso la muerte.
<ul style="list-style-type: none"> • Opere el generador SOLAMENTE al aire libre. • Instale una alarma de monóxido de carbono con batería cerca de los dormitorios. • Asegúrese de que los gases de escape no puedan entrar por ventanas, puertas, tomas de aire de ventilación u otras aberturas en un espacio cerrado en el que puedan acumularse. 	

REGLAS DE SEGURIDAD

 ADVERTENCIA	
	<p>Los generadores producen un voltaje muy poderoso. Si no hace tierra apropiadamente con un generador, puede hacer que ocurra un electrocutamiento.</p> <p>Si no aísla el generador de utilidades de energía, puede hacer que los trabajadores de electricidad sufran heridas graves e inclusive la muerte, debido a la retroalimentación de la energía eléctrica.</p>
<ul style="list-style-type: none"> • Cuando use un generador como poder de energía auxiliar, notifique a la compañía de utilidades. • NO toque los alambres pelados o receptáculos. • NO use un generador con cables eléctricos que estén malgastados, rotos, pelados o dañados de cualquier forma. • NO maneje el generador o cables eléctricos mientras esté parado en agua, descalzo o cuando las manos y los pies estén mojados. • Si fuera necesario realizar trabajos en cercanías de la unidad mientras está en funcionamiento, párese sobre una superficie seca y aislada para reducir los riesgos de una descarga. • NO permita que personas descalzadas o niños operen o sirvan al generador. • En caso de que se produzca un accidente causado por una descarga eléctrica, cierre inmediatamente la fuente de energía eléctrica y contacta administración local. Evite el contacto directo con la víctima. • A pesar del diseño seguro del sistema de generador de doméstico, si se opera este equipo en forma imprudente, si no se cumple con el mantenimiento o si se actúa con descuido, se pueden producir lesiones o la muerte. • Permanezca siempre alerta cuando trabaje con este equipo. NUNCA trabaje con este equipo si se siente cansado física o mentalmente. • Antes de realizar cualquier tarea de mantenimiento en el generador, desconecte primero el cable de la batería marcado como NEGATIVE, NEG o (-). Cuando haya terminado, vuelva a conectar el cable en último lugar. • Una vez que el generador de reserva está instalado, el generador puede arrancar manualmente sin ninguna advertencia cada vez que se produce una falla en el suministro de electricidad. Para evitar posibles lesiones, siempre fije el interruptor AUTO/OFF/MANUAL en OFF, Y retire el fusible de 15 Amperios ANTES de realizar trabajos en el equipo. 	

 ADVERTENCIA	
	El Gas Natural y el Propano son extremadamente inflamables y explosivos.
	El fuego o una explosión pueden causar quemaduras severas e inclusive la muerte.
<ul style="list-style-type: none"> • Instale el sistema de suministro de combustible de acuerdo con los códigos de gas combustible que correspondan. • Antes de poner en servicio el sistema de generador de doméstico, se deben purgar las líneas del sistema de combustible y se debe probar si presentan pérdidas. • Una vez instalado el sistema, se lo debe inspeccionar en forma periódica. • NO se debe permitir que se produzca ninguna pérdida. • NO haga funcionar el motor si se percibe olor a combustible o si existe alguna otra fuente de ignición. • NO fume cerca del generador. Limpie en forma inmediata cualquier derrame de aceite. Asegúrese de no dejar materiales combustibles en el compartimiento del generador. Mantenga el área próxima al generador limpia y libre de desperdicios. 	

 ADVERTENCIA	
	El contacto con la zona del silenciador puede producir quemaduras graves.
	Los gases y el calor de escape pueden inflamar los materiales combustibles y las estructuras y provocar un incendio.
<ul style="list-style-type: none"> • NO toque las superficies calientes y evite los gases del escape a alta temperatura. • Permita que el equipo se enfríe antes de tocarlo. • NO instale el generador a menos de 1,5 metros (5 pies) de todo material combustible o estructura con muros combustibles cuya resistencia al fuego sea inferior a una hora. • Deje un espacio mínimo de 91 cm (3 pies) alrededor del generador, incluida la parte superior. • El Código de Normativa Federal (CFR, Título 36: Parques, Bosques y Propiedad Pública) obliga a instalar una pantalla apagachispas en los equipos con motor de combustión interno y a mantenerla en buenas condiciones de funcionamiento, conforme a la norma 5100-1C (o posterior) del Servicio Forestal de la USDA. En el Estado de California, la ley exige el uso de una pantalla apagachispas (Sección 4442 del Código de Recursos Públicos de California). En otros estados puede haber leyes similares en vigor. 	

REGLAS DE SEGURIDAD

ADVERTENCIA



El arrancador y otras piezas que rotan pueden enredar las manos, el pelo, la ropa, o los accesorios.

- NUNCA utilice la generador sin sus carcasas o tapas de protección.
- NO use ropa suelta, joyas o elementos que puedan quedar atrapados en el arranque o en otras partes rotatorias.
- Ate para arriba el pelo largo y quite la joyería.

PRECAUCIÓN



Instala el fusible se puede producir el arranque del motor.

- Tenga en cuenta que el fusible de 15 Amperios ha sido retirado del panel de control para realizar el envío.
- NO instale este fusible hasta que no se hayan completado e inspeccionado todas las conexiones de cables y tuberías.

PRECAUCIÓN

Las velocidades de operación en exceso, aumentan los riesgos de heridas y daños al generador.

Las velocidades bajan en exceso, imponen una carga muy pesada.

- NO cambie ninguna velocidad determinada. El generador suministra una frecuencia y un voltaje calificado cuando funciona a una velocidad determinada.
- NO modifique al generador en ninguna forma.

AVISO

El sobrepasar la capacidad del amperaje y vataje del generador, puede dañar al generador y los aparatos eléctricos conectados al mismo.

- Vea "Circuitos Fundamentales".
- Encienda su generador y deje que el motor se estabilice antes de conectar las cargas eléctricas.

AVISO

El tratamiento inadecuado del generador puede dañarlo y acortar su vida productiva.

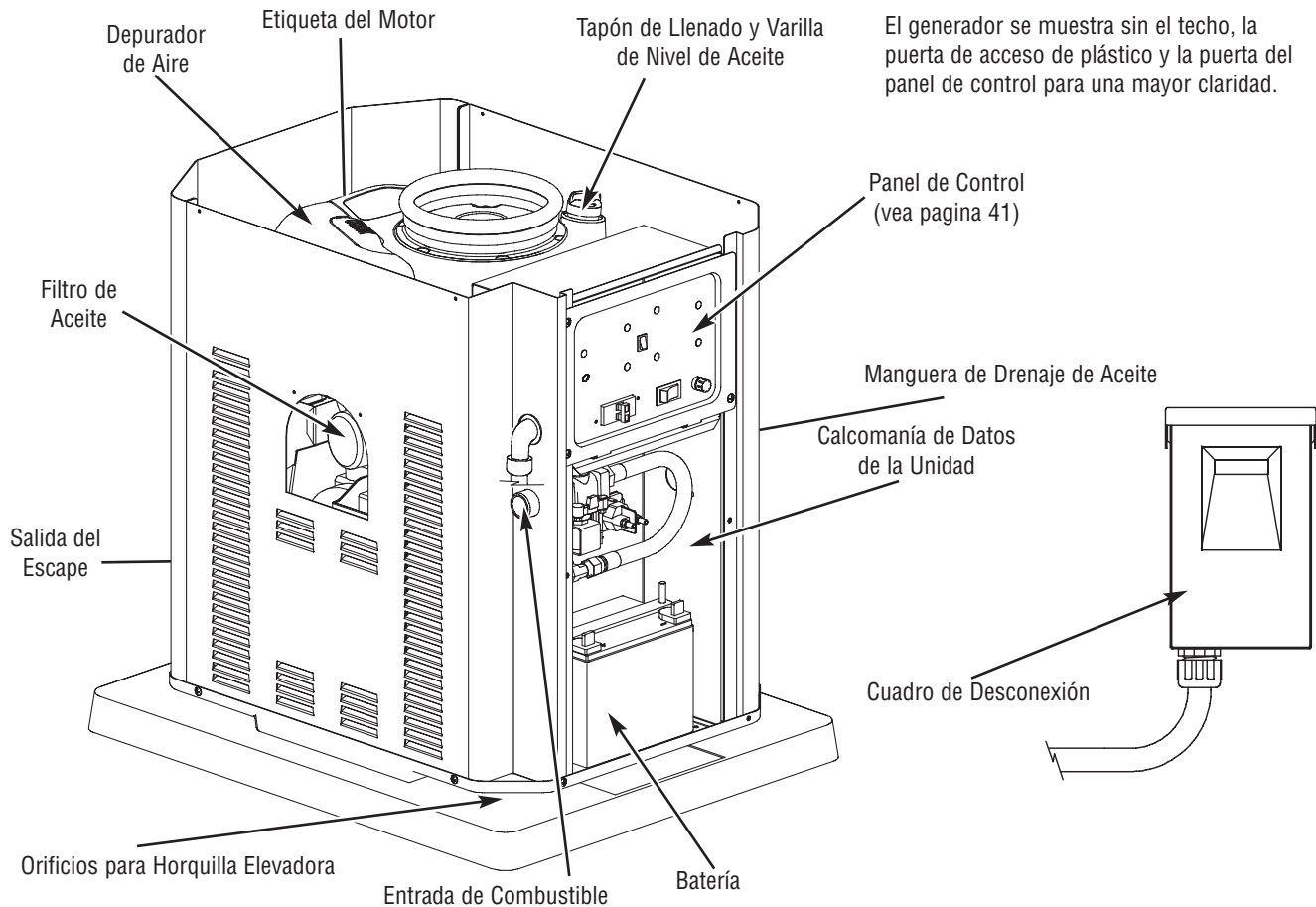
- Use el generador solamente con la finalidad para el cual fue diseñado.
- Si usted tiene alguna pregunta acerca de las finalidades de uso del generador, pregúntele a su concesionario o contacte a Briggs and Stratton.
- Opere el generador solamente en superficies niveladas.
- Para la correcta operación del generador es fundamental contar con ventilación y una circulación de aire de refrigeración adecuada y que no sufra obstrucciones.
- La puerta de acceso y el techo deben estar instalados siempre que la unidad esté en funcionamiento.
- NO exponga al generador a una humedad excesiva, polvo, suciedad o vapores corrosivos.
- A pesar del diseño seguro del Generador Doméstico, si se opera este equipo en forma imprudente, si no se cumple con el mantenimiento o si se actúa con descuido, se pueden producir lesiones o la muerte.
- Permanezca siempre alerta cuando trabaje con este equipo. NUNCA trabaje con este equipo si se siente cansado física o mentalmente.
- NUNCA encienda el motor si el filtro de aire o su cubierta han sido retirados.
- NO inserte cualquier objeto a través de las ranuras de enfriamiento.
- NUNCA utilice el generador ni ninguna de sus piezas como escalera. Si se sube sobre la unidad, sus piezas se pueden ver sobreexigidas y pueden romperse. Esto puede dar como resultado condiciones de operación peligrosas como consecuencias de la fuga de gases del escape, pérdida de combustible, pérdida de aceite, etc.
- Si los aparatos conectados se sobrecalientan, apáguelos y desconéctelos del generador.
- Apague el generador si:
 - Se pierde la salida eléctrica;
 - El equipo produce chispas, humo o emite llamas;
 - La unidad vibra de una manera excesiva.

CONOZCA SU GENERADOR DE RESERVA



LEA ESTE MANUAL DEL OPERARIO Y LAS REGLAS DE SEGURIDAD ANTES DE OPERAR SU GENERADOR.

Compare las ilustraciones con su Generador para familiarizarse con las ubicaciones de los diferentes controles y ajustes. Conserve este manual para referencias futuras.



El generador se muestra sin el techo, la puerta de acceso de plástico y la puerta del panel de control para una mayor claridad.

Batería - La batería sellada de 12 Voltios de c.c. y 33 Amperios/h proporciona la energía necesaria para arrancar el motor. La batería recibe carga lenta y continua mientras el generador no está en funcionamiento.

Calcomanía de Datos de la Unidad - Identifica a la unidad mediante un número de serie.

Cuadro de Desconexión - Cómodo cuadro de conexiones de fácil instalación. Permite la conexión a la salida del generador y la desconexión de la entrada de la red pública.

Depurador de Aire - Filtra el aire de entrada a medida que penetra en el motor.

Entrada de Combustible - Conecte una línea de suministro de combustible adecuada.

Etiqueta del Motor (embutido en la parte superior de la tapa de válvulas) - Identifica el tipo y modelo del motor.

Filtro de Aceite - Filtra el aceite del motor para prolongar la vida útil del sistema.

Manguera de Drenaje de Aceite - Provista para facilitar el cambio de aceite.

Orificios para Horquilla Elevadora - Proporcionado en cada esquina para levantar el generador.

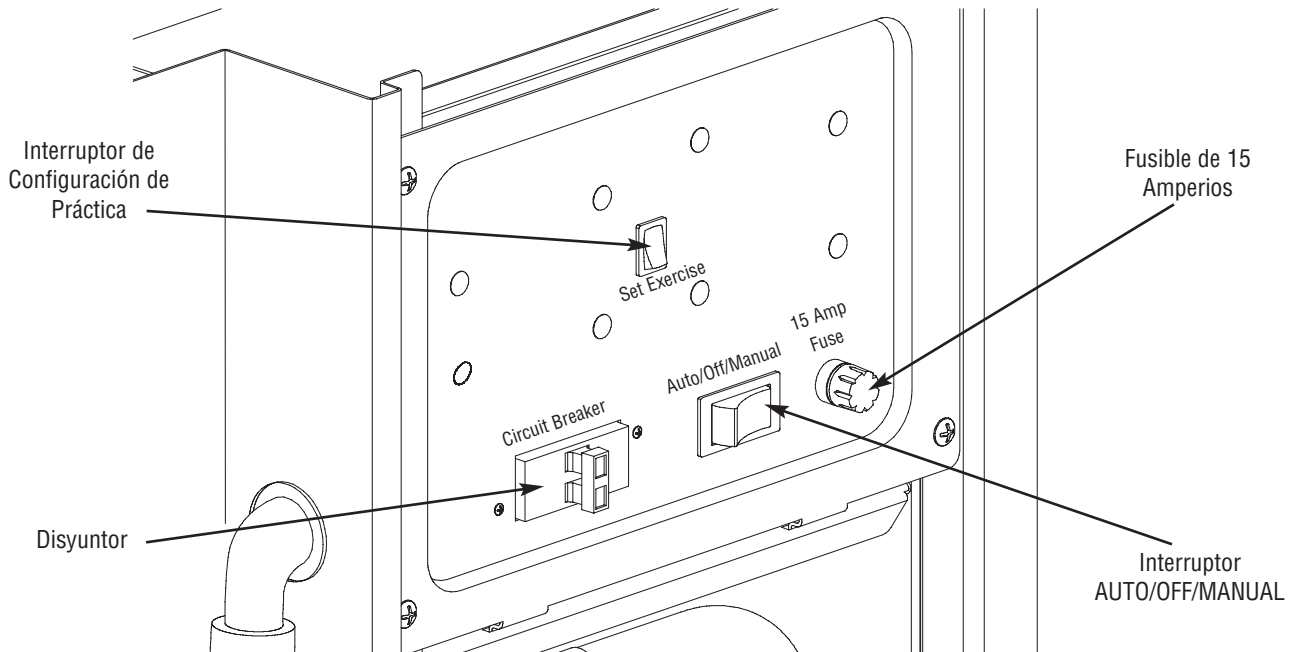
Panel de Control - Se utiliza para distintas funciones de mantenimiento, operación y prueba. Consulte la sección "CONOZCA EL PANEL DE CONTROL", en la página siguiente.

Salida del Escape - Silenciador de alto rendimiento que disminuye los ruidos del motor para cumplir con los códigos necesarios para zonas residenciales.

Tapón de Llenado y Varilla de Nivel de Aceite - Permite comprobar el nivel de aceite y llenar el motor.

CONOZCA EL PANEL DE CONTROL

Compare esta ilustración del panel de control con su generador para familiarizarse con la ubicación de estos controles importantes:



Fusible de 15 Amperios - Protege los circuitos de control de c.c. del generador de reserva. Si el fusible está "quemado" (fundido abierto) o si se ha retirado, el motor no se puede arrancar ni arrancar manualmente en forma lenta. Reemplace el fusible utilizando únicamente un fusible BUS AGC de 15 Amperios.

Interruptor AUTO/OFF/MANUAL - Este dispositivo de tres posiciones es el control más importante en el sistema. Se utiliza de la siguiente manera:

- La posición **"AUTO"** corresponde al modo normal funcionamiento. Si se detecta una interrupción de la alimentación eléctrica de la red, el generador arranca automáticamente. Cuando se restablece la alimentación de la red, el generador se para y queda preparado para la próxima interrupción del suministro de la red eléctrica.

- La posición **"OFF"** para el generador, impide su arranque y reinicializa cualquier fallo detectado.
- La posición **"MANUAL"** arranca el generador. Se utiliza para funciones de mantenimiento o diagnóstico.

Interruptor de Configuración de Práctica - Se utiliza para configurar la hora y el día de la semana en que se inicia el ciclo de práctica. El ciclo de práctica sólo se produce en el modo AUTO.

Disyuntor - Protege el sistema contra las condiciones de sobrecorriente y debe estar en la posición **ON** para suministrar energía al conector.

CONSERVE ESTAS INSTRUCCIONES

Este manual contiene instrucciones importantes que se deben seguir durante la instalación y el mantenimiento del generador y de la batería.

INTRODUCCIÓN

Muchas gracias por comprar un generador de reserva Briggs & Stratton. Este producto está pensado para utilizarlo como un sistema de reserva opcional y proporciona una fuente alternativa de energía eléctrica con capacidad para alimentar cargas tales como sistemas de calefacción y refrigeración y sistemas de telecomunicaciones, que cuando dejan de funcionar a causa de una interrupción de la alimentación eléctrica de la red pueden producir incomodidades o problemas. Este producto no pertenece a la categoría de reserva de emergencia según lo definido por la norma NFPA 70 (NEC).

Este manual es un documento importante que debe ser conservado por el propietario después de haber terminado la instalación.

Este manual contiene instrucciones de instalación, puesta en marcha y ajuste de un sistema generador doméstico que suministra energía eléctrica a dispositivos monofásicos de 120/240 V y 60 Hz. El sistema generador doméstico se puede utilizar con propano líquido (LP) o gas natural como combustible.

Se han tomado todos los recaudos posibles para asegurar que la información incluida en este manual sea correcta y esté actualizada. Sin embargo, los fabricantes se reservan el derecho de cambiar, alterar o mejorar el sistema de cualquier otra manera y en cualquier momento, sin previo aviso.

Briggs and Stratton ha hecho todo lo posible para lograr una instalación segura, eficiente y rentable. Como cada instalación es única, es imposible conocer e informar acerca de todos los procedimientos y métodos mediante los cuales se puede realizar la instalación. Tampoco es posible conocer los riesgos o resultados potenciales de cada método o procedimiento. Por todo lo expuesto,

La instalación del generador de reserva debe estar a cargo de contratistas especializados en electricidad y plomería, sin excepciones. Las instalaciones deben cumplir estrictamente con todos los códigos, regulaciones y normas industriales aplicables.

RESPONSABILIDADES DEL CLIENTE

- Lea y cumpla las instrucciones incluidas en este manual, en especial la sección dedicada a la seguridad y la sección relacionada con la selección de los circuitos fundamentales.
- Siga un programa regular para mantener, cuidar y utilizar el generador de reserva, según se especifica en este manual.

RESPONSABILIDADES DEL INSTALADOR

- Lea y observe las reglas de seguridad que se encuentran en este manual.
- Lea y siga las instrucciones que se encuentran en este manual.

IMPORTANTE: Si se utiliza el generador a una temperatura inferior a 5°C (40°F), se recomienda instalar un calentador de batería. Si se utiliza el generador a una temperatura inferior a 0°C (32 °F), será necesario instalar un calentador de batería. Podrá encontrar ambos accesorios en su distribuidor local.

Asistencia para la instalación

Para el Propietario Doméstico:

Para que pueda tomar decisiones fundamentadas y lograr una comunicación efectiva con el o los contratistas de instalación,

Lea y comprenda la sección de este manual denominada Orientación para el Propietario ANTES de contratar o iniciar la instalación de su Generador de Reserva.

Para coordinar y organizar una instalación adecuada, consulte al comercio en el cual adquirió su generador de reserva Briggs & Stratton, a su agente de ventas o a la compañía proveedora de electricidad.

La garantía del Generador de Reserva se ANULA si la instalación del sistema no está a cargo de profesionales especializados en electricidad y plomería debidamente certificados y matriculados.

Para el Agente de Ventas/Contratista que Realiza la instalación:

Para la mayoría de las aplicaciones, el Manual de Instalación contiene toda la información necesaria para instalar y arrancar adecuadamente el generador de reserva. Este manual describe también la selección de los circuitos fundamentales, la operación de rutina y los procedimientos de mantenimiento que debe llevar a cabo el propietario.

Si necesita más información, llame al 1-800-743-4115, entre las 8:00 AM y las 5:00 PM hora del centro.

El sistema de control de emisiones para este generador está garantizado para las normas establecidas por la Agencia de Protección Ambiental de EE.UU. y por el Consejo de Recursos del Aire de California (CARB).

ORIENTACIÓN PARA EL PROPIETARIO

En esta sección se brinda al propietario del generador de reserva la información necesaria para lograr la instalación más rentable y satisfactoria posible.

Las ilustraciones se aplican a circunstancias típicas y están destinadas a que usted se familiarice con las opciones de instalación disponibles con su generador de reserva. El entendimiento completo de dichas opciones permite tener un control fundamental sobre el costo de la instalación y garantiza su seguridad y satisfacción final.

Los códigos locales, la apariencia, los niveles de ruido, los tipos de combustible y las distancias son los factores fundamentales a tener en cuenta cuando se realiza la negociación con el profesional que tendrá a su cargo la instalación. Al aumentar la distancia desde el servicio eléctrico y la fuente de combustible gaseoso, se deben prolongar también las tuberías y los cables. Ello es necesario para cumplir con la normativa vigente y para superar las caídas de tensión eléctrica y de presión del combustible gaseoso.

Los factores antes mencionados tendrán un efecto directo sobre el precio general de la instalación del generador de reserva.

NOTA: En algunas áreas, es posible que deba obtener permisos especiales para las instalaciones eléctricas del generador de reserva, permisos de construcción para la instalación de las líneas de gas y permisos para niveles de ruido admisibles. El instalador debe verificar los códigos locales Y obtener los permisos correspondientes antes de instalar el sistema.

Factores Relacionados con el Combustible

El tipo de combustible utilizado para hacer funcionar el generador eléctrico es un aspecto importante que hay que tener en cuenta ya que afecta a toda la instalación. El generador se prueba y ajusta en fábrica para utilizar gas natural. También puede utilizar propano líquido (PL) como combustible mediante la instalación del juego de conversión que acompaña a la unidad.

Se recomienda respetar las siguientes directrices para obtener el rendimiento óptimo del generador:

En motores preparados para funcionar a gas propano (PL), el propano comercial de grado HD5 con un nivel de energía combustible mínimo de 2500 BTU/pie cúbico con un contenido de propileno máximo del 5% y un contenido de gas butano o gases más pesados y un contenido mínimo de propano de 90%.



ADVERTENCIA



El Gas Natural y el Propano son extremadamente inflamables y explosivos.



El fuego o una explosión pueden causar quemaduras severas e inclusive la muerte.

- Este equipo cuenta con una válvula automática de seguridad de cierre de combustible.
- NO haga funcionar el equipo si la válvula de cierre de combustible no funciona o ha sido retirada.

Disminución de la Potencia a Temperaturas Elevadas o en Lugares Altos

La densidad del aire es menor en alturas elevadas, dando como resultado una menor energía disponible del motor. Específicamente, la potencia del motor disminuirá un 3.5% cada 1000 pies (300 metros) por sobre el nivel del mar y un 1% cada 10° F (5.6°C) por encima de los 77°F (25°C). Tanto usted como el instalador deben tener en cuenta estos factores cuando determinen la carga total del generador.

PROCEDIMIENTOS DE INSTALACIÓN

Precauciones al Momento del Desempaque

La unidad se envía abulonada a su placa de montaje, lista para engancharla hacia arriba. Tenga cuidado a fin de evitar daños causados por caídas, golpes, choques, etc. Guarde y desempaque la caja ubicando el lado correcto hacia arriba, tal como se indica en la misma.

Inspección al Momento de la Entrega

Luego de retirar la caja, inspeccione cuidadosamente el generador de reserva para detectar cualquier daño que pudiera haber ocurrido durante el traslado.

IMPORTANTE: Si en el momento de la entrega se detecta alguna pérdida o daño, solicite a la persona o personas encargadas de la entrega que dejen debida constancia en la nota de entrega y que firmen debajo de la nota del consignador donde se informa acerca de la pérdida o daño. Si la pérdida o el daño se detecta después de la entrega, separe los materiales dañados y póngase en contacto con el transportista para llevar a cabo los procedimientos de reclamo. Las piezas perdidas o dañadas no están garantizadas.

Conmutadores de Transferencia Aprobados

El generador de reserva doméstico debe ser utilizado ÚNICAMENTE con los siguientes interruptores de transferencia aprobados por UL. La conexión a cualquier interruptor de transferencia supondrá la anulación de la garantía del generador.

Contenido de la Caja

El generador de reserva incluye lo siguiente:

- Generador de reserva de reserva con cuadro de desconexión
- Placa de montaje fijada previamente
- Un tubo de enganche flexible (encuentra UL 569 y CSA 8.3)
- Manual de instalación, de puesta en marcha y del operario
- Lista de verificación de la instalación
- Placa de LED de diagnóstico remoto
- Bandeja de vaciado de aceite
- Pintura de contacto
- Un fusible de 15 Amperios de repuesto
- Juego de conversión a PL
- Bolsa de tornillería para el techo

Elevación del Generador

El generador pesa más de 280 libras (127 kg). En todas las etapas de manipulación y traslado de la unidad se deben utilizar las herramientas y los equipos apropiados y debe intervenir personal capacitado.

⚠ ADVERTENCIA	
	Peligro al elevar el equipo / Objeto pesado Puede provocar daños en los músculos y en la espalda.
<ul style="list-style-type: none"> • NO eleve ni mueva el generador sin ayuda. • NO levante la unidad por la parte superior; podría provocar daños en el generador. 	

Cada esquina del generador dispone de un orificio para horquilla elevadora entre la base y el soporte de montaje. Retoque los desconchones con la pintura que se suministra a tal efecto.

Ubicación del Generador de Reserva

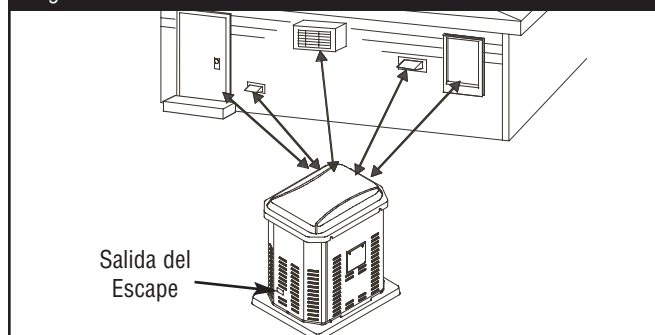
Antes de aplicar estas pautas generales, consulte al propietario y comuníquese cualquier factor técnico a tener en cuenta que pudiera influir en sus decisiones y deseos.

⚠ ADVERTENCIA	
	Los gases y el calor de escape pueden inflamar los materiales combustibles y las estructuras provocar un incendio.
<ul style="list-style-type: none"> • NO instale el generador a menos de 1,5 metros (5 pies) de todo material combustible o estructura con muros combustibles cuya resistencia al fuego sea inferior a una hora. • Deje un espacio mínimo de 91 cm (3 pies) alrededor del generador, incluida la parte superior. 	

Distancias Desde el Generador

Sítue el generador en una zona bien ventilada que permita la eliminación de los gases de escape mortales. NO instale el generador en lugares en los que los gases de escape se puedan acumular o entrar en un edificio que pueda estar ocupado. Asegúrese de que los gases de escape no puedan entrar por ventanas, puertas, tomas de aire de ventilación u otras aberturas en un espacio cerrado en el que puedan acumularse (Figura 14). Tenga en cuenta los vientos y las corrientes de aire preponderantes cuando elija la ubicación del generador.

Figura 14 — Distancias desde el Generador de Reserva



⚠ ADVERTENCIA



Al motor funcionar, se produce monóxido de carbono, un gas inodoro y venenoso.

Respirar monóxido de carbono puede provocar dolor de cabeza, fatiga, mareos, vómitos, confusión, ataques, náuseas, desmayos o incluso la muerte.

- Opere el generador SOLAMENTE al aire libre.
- Instale una alarma de monóxido de carbono con batería cerca de los dormitorios.
- Asegúrese de que los gases de escape no puedan entrar por ventanas, puertas, tomas de aire de ventilación u otras aberturas en un espacio cerrado en el que puedan acumularse.

Pautas Generales para la Ubicación del Generador

- La unidad **SÓLO** debe instalarse en exteriores.
- Ubique la unidad en un lugar preparado, que sea plano y cuente con sistemas de drenaje de agua.
- Instale la unidad en un lugar en el que el agua procedente de bombas, canalizaciones de desagüe, canalones de tejado, sistemas de irrigación o aspersores no pueda inundarla, mojar la caja ni penetrar por las aberturas de entrada o salida de aire.
- Instale la unidad de forma que no dificulte ni afecte a servicios tales como el teléfono, la electricidad, el suministro de combustible, el aire acondicionado o el riego, incluidos los servicios ocultos o subterráneos.
- Instale la unidad en un lugar donde las aberturas de entrada y salida de aire no queden obstruidas por hojas, pasto, nieve, etc. Si los vientos preponderantes ocasionan voladuras o arrastres, es posible que deba construir un rompevientos para proteger la unidad.
- Instale el generador lo más cerca posible del suministro de combustible para reducir la longitud de los caños.

IMPORTANTE: Es posible que las leyes o los códigos locales regulen la distancia al suministro de combustible.

El Sistema de Generador de Doméstico se envía ya unido a su placa de montaje. A menos que los códigos locales así lo soliciten, no es necesario construir una losa de concreto.

Si los códigos locales exigen ese requisito, construya una losa de concreto que tenga por lo menos 3 pulgadas (7.5 cm) de espesor y que sea 6 pulgadas (15 cm) más larga y más ancha que la unidad. Coloque la unidad sobre la losa utilizando pernos de anclaje para albañilería de 14" de diámetro (como mínimo), que sean lo suficientemente largos para soportar la unidad.

Circuitos Fundamentales

Consulte con el propietario para identificar claramente los circuitos del edificio que sean "esenciales".

Es importante comprender cuáles son los circuitos que el propietario desea incluir como "circuitos esenciales". Dependiendo de la energía eléctrica consumida en dichos circuitos, será posible transferir la mayoría o todos ellos al generador de reserva durante una interrupción normal de la alimentación eléctrica.

La guía de referencia de potencia en vatios que se muestra en la Figura 15 ayudará al propietario a tomar una decisión. Indica la potencia en vatios que utilizan muchos aparatos domésticos. Utilícela como ayuda para seleccionar los circuitos esenciales. Revise esta información con el propietario y transmítale todas las consideraciones técnicas que puedan afectar al coste de la instalación.

Selección de los Circuitos Fundamentales

Al seleccionar los circuitos fundamentales que pasarán a "Energía de Respaldo", es importante que la suma de las cargas de los circuitos combinados no supere la capacidad de potencia/corriente del generador. Tenga en cuenta lo siguiente para facilitar la selección de los circuitos fundamentales:

- Sume la potencia total de todos los dispositivos eléctricos que se van a conectar al mismo tiempo. Este total **NO** debe ser mayor que la capacidad de vatiaje del generador.
- La potencia nominal de la iluminación puede obtenerse observando las lamparillas. La potencia nominal de las herramientas, los electrodomésticos y los motores, por lo general se puede encontrar en una placa de datos o en una calcomanía adherida a cada dispositivo.
- Si el electrodoméstico, la herramienta o el motor no muestra el valor de potencia, multiplique voltios por el valor nominal de corriente en amperios para determinar los vatios ($\text{Voltios} \times \text{Amperios} = \text{Vatios}$).
- Algunos motores eléctricos (los del tipo de inducción) requieren aproximadamente tres veces más vatios de potencia para arrancar que la que utilizan mientras están en funcionamiento. Esta sobrecarga dura sólo unos pocos segundos. Asegúrese de tener en cuenta este elevado valor de potencia de arranque cuando seleccione los dispositivos eléctricos que serán energizados utilizando el generador de reserva.
 - Considere los vatios necesarios para arrancar el motor más grande.
 - Agregue ese valor a los vatios totales necesarios para el funcionamiento de todas las otras cargas conectadas.

El generador de reserva Briggs & Stratton respeta los siguientes "valores nominales de energía de reserva fija":

El valor nominal de energía de reserva se aplica para proporcionar energía de emergencia para el tiempo que dure la interrupción del servicio de energía normal. No está disponible la capacidad de sobrecarga para este valor nominal.

Figura 15 — Guía de Referencia de Potencia

	Dispositivo	Vatíaaje de operación
<input type="checkbox"/>	Aire acondicionado (12000 Btu)*	1700
<input type="checkbox"/>	Aire acondicionado (24000 Btu)*	3800
<input type="checkbox"/>	Aire acondicionado (40000 Btu)*	6000
<input type="checkbox"/>	Cargador de baterías (20 amperios)	500
<input type="checkbox"/>	Sierra circular (6-1/2")	entre 800 y 1000
<input type="checkbox"/>	Secadora de ropa (eléctrica)*	5750
<input type="checkbox"/>	Secadora de ropa (a gas)*	700
<input type="checkbox"/>	Lavadora de ropa*	1150
<input type="checkbox"/>	Cafetera	1750
<input type="checkbox"/>	Compresor (1 HP)*	2000
<input type="checkbox"/>	Compresor (1/2 HP)*	1400
<input type="checkbox"/>	Compresor (3/4 HP)*	1800
<input type="checkbox"/>	Tenacillas rizadoras	700
<input type="checkbox"/>	Deshumidificador*	650
<input type="checkbox"/>	Manta eléctrica	400
<input type="checkbox"/>	Cocina eléctrica (por elemento)	1500
<input type="checkbox"/>	Sartén eléctrica	1250
<input type="checkbox"/>	Freezer*	700
<input type="checkbox"/>	Ventilador de caldera (3/5 HP)*	875
<input type="checkbox"/>	Sistema de apertura de la puerta del garaje*	entre 500 y 750
<input type="checkbox"/>	Secador de cabello	1200
<input type="checkbox"/>	Taladro de mano	entre 250 y 1100
<input type="checkbox"/>	Plancha	1200
<input type="checkbox"/>	Bomba de chorro*	800
<input type="checkbox"/>	Lamparilla de luz	100
<input type="checkbox"/>	Horno de microondas	entre 700 y 1000
<input type="checkbox"/>	Refrigerador de leche*	1100
<input type="checkbox"/>	Quemador de aceite en una caldera	300
<input type="checkbox"/>	Calefactor de ambientes a aceite (140000 Btu)	400
<input type="checkbox"/>	Calefactor de ambientes a aceite (30000 Btu)	150
<input type="checkbox"/>	Calefactor de ambientes a aceite (85000 Btu)	225
<input type="checkbox"/>	Radio	entre 50 y 200
<input type="checkbox"/>	Refrigerador	700
<input type="checkbox"/>	Aparato para cocimiento lento	200
<input type="checkbox"/>	Bomba sumergible (1 HP)*	2000
<input type="checkbox"/>	Bomba sumergible (1/2 HP)*	1500
<input type="checkbox"/>	Bomba sumergible (1-1/2 HP)*	2800
<input type="checkbox"/>	Bomba de sumidero*	entre 800 y 1050
<input type="checkbox"/>	Sierra de banco (10")*	entre 1750 y 2000
<input type="checkbox"/>	Televisor	entre 200 y 500
<input type="checkbox"/>	Tostadora	entre 1000 y 1650

* Considere tres (3) veces el vatíaaje indicado para arrancar el dispositivo

INSTALACIÓN

Estos valores nominales son aplicables a instalaciones alimentadas por una fuente de energía eléctrica normal fiable. Este valor nominal sólo es aplicable a cargas variables con un factor de carga medio del 80% del valor nominal de reserva. El valor nominal de reserva sólo es aplicable para la alimentación eléctrica de reserva opcional cuando el grupo generador sirve como reserva para la fuente de alimentación normal de la compañía eléctrica.

Utilice la "Guía de Referencia de Potencia" provista y marque aquellos circuitos que considere "críticos" o "fundamentales". Tanto usted como el instalador deben tener en cuenta los rangos de temperatura ambiente y de altitud por sobre el nivel del mar cuando determinen la carga total del generador.

Directrices de Montaje del Cuadro de Desconexión

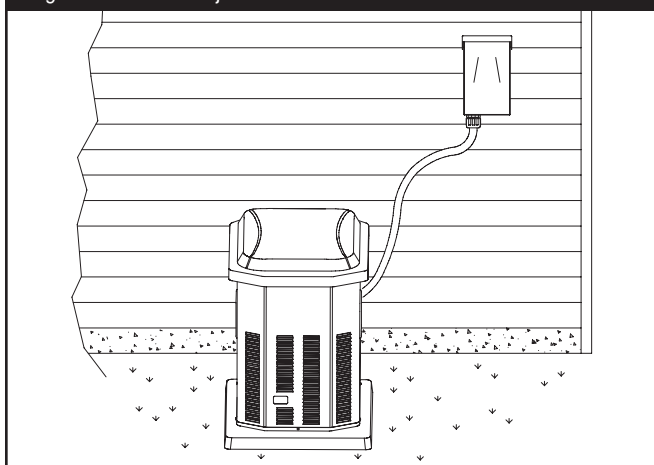
El cuadro de desconexión está encerrado en una caja NEMA tipo 3R, que es adecuada para uso en interiores y a la intemperie. Las instalaciones deben cumplir estrictamente con todos los códigos, regulaciones y normas industriales aplicables.

Directrices de montaje del cuadro de desconexión:

- El cuadro de desconexión debe instalarse con fijaciones adecuadas para conexiones de conductos.
- Instale el cuadro de desconexión en una estructura de apoyo firme y sólida, asegurándose de que esté nivelado y a plomo. Para ello, puede colocar arandelas entre el cuadro de desconexión y la superficie de montaje.
- NUNCA instale el cuadro de desconexión donde haya riesgo de goteo de sustancias corrosivas en la caja.
- Proteja el cuadro de desconexión en todo momento contra el exceso de humedad, polvo, suciedad, pelusas, arenilla y vapores corrosivos.

La Figura 16 ilustra la instalación habitual del cuadro de desconexión. Discuta las sugerencias y los cambios del diseño con el propietario antes de iniciar el proceso de instalación.

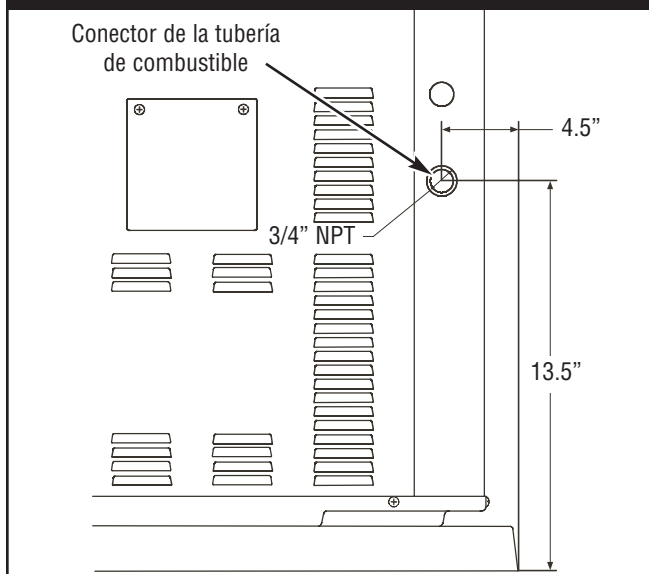
Figura 16 — Montaje Habitual del Cuadro de Desconexión



Dimensiones de la Entrada de Combustible

La Figura 17 muestra la situación del conector del conducto de combustible.

Figura 17 — Ubicación de los Accesorios del Combustible del Generador



Techo y Puerta de Acceso Desmontables

El generador de reserva doméstico está equipado con una carcasa con techo desmontable y puerta de acceso al panel de control.

Para desmontar el techo:

Retire los cuatro tornillos y levante el techo.




Para desmontar la puerta de acceso:

1. Retire el techo como se ha descrito anteriormente.
2. Retire el tornillo de la parte superior de la puerta de acceso.
3. Extraiga la puerta de acceso tirando de ella y levantándola para separarla de la base. La puerta se separará de la carcasa del generador.

Para instalar la puerta de acceso y el techo:

1. Inserte la parte inferior de la puerta de acceso en la base.
2. Empuje la puerta de acceso hasta empostrarla en la carcasa.
3. Vuelva a colocar el tornillo de la puerta.
4. Vuelva a colocar el tejado y sus tornillos.

SISTEMA DE COMBUSTIBLE GASEOSO


 ADVERTENCIA	
	El Gas Natural y el Propano son extremadamente inflamables y explosivos.
	El fuego o una explosión pueden causar quemaduras severas e inclusive la muerte.
<ul style="list-style-type: none"> • El gas LP es más pesado que el aire y se puede concentrar en áreas bajas. • El gas natural es más liviano que el aire y se puede concentrar en áreas elevadas. • Hasta la menor chispa puede hacer que estos combustibles se enciendan y causen una explosión. • NO encienda un cigarrillo o fume. 	

La información que se encuentra a continuación sirve para asistir a los técnicos especializados en sistemas de combustibles gaseosos en la planificación de las instalaciones. En ninguna circunstancia esta información debe interpretarse en forma contraria a los códigos aplicables a temas de gas combustible. Consulte al proveedor de combustible local o al supervisor del departamento de bomberos si surgen problemas o preguntas.

AL INSTALADOR: Antes de aplicar estas pautas generales, consulte al propietario del sistema de generador de doméstico y comuníquelo cualquier factor técnico a tener en cuenta que pudiera influir en sus planes de instalación.




Las siguientes son reglas generales que se aplican a las cañerías utilizadas en los sistemas de combustible gaseoso:

- Las tuberías deben ser de un material que cumpla los reglamentos nacionales y locales y deben montarse rígidamente y protegerse contra las vibraciones.
- Los tubos deben estar protegidos contra daños físicos cuando pasen por arriates de flores y arbustos y por otras zonas cultivadas.
- Instale el tubo flexible para gases eso encuentra UL 569 y CSA 8.3 (suministrado) entre la entrada de combustible del sistema de generador de doméstico y los tubos rígidos para evitar que la expansión o contracción térmica someta a un exceso de presión a los tubos.

 PRECAUCIÓN	
El cañería de gas flexibles no se debe instalar en forma subterránea ni se debe utilizar en contacto con el suelo.	
<ul style="list-style-type: none"> • Todo el conector flexible debe mantenerse visible para realizar inspecciones periódicas y no se lo debe ocultar dentro o en contacto con o a través de ninguna pared, piso o división. 	

NOTA: En caso de peligro de terremoto, tornado, inestabilidad del terreno o inundación, se recomienda adoptar medidas especiales para mejorar la resistencia y flexibilidad de los soportes y las conexiones de los tubos.

- La dimensión de los tubos debe ser la adecuada para mantener la presión y el caudal suficientes en distintas condiciones de carga del generador, con todos los equipos de gas conectados al sistema de combustible y en funcionamiento.
- Utilice un compuesto sellador o apto para juntas aprobado para cañerías en todos los accesorios adaptadores roscados. Se reducirán así las posibilidades de fugas.
- Las cañerías instaladas deben ser adecuadamente purgadas y se debe verificar que no tengan fugas, de acuerdo con las normas y los códigos correspondientes.

 ADVERTENCIA	
	El Gas Natural y el Propano son extremadamente inflamables y explosivos.
	El fuego o una explosión pueden causar quemaduras severas e inclusive la muerte.
<ul style="list-style-type: none"> • Antes de poner en servicio el sistema de generador de doméstico, se deben purgar las líneas del sistema de combustible y se debe probar si presentan pérdidas. • NO se debe permitir que se produzca ninguna pérdida. 	

Tenga en cuenta los siguientes factores cuando planifique la instalación del sistema de suministro de combustible:

El motor del sistema de generador de doméstico está provisto de un sistema carburador de combustible que cumple con las especificaciones del California Air Resources Board para sistemas de combustibles duales. La unidad puede funcionar a gas natural o propano licuado.

- Se debe instalar como mínimo una válvula de paso manual homologada y accesible en el conducto de suministro de combustible a menos de 1,8 m (6 pies) del sistema de generador de doméstico. Se instalará una unión o conexión con brida entre la válvula y el equipo para facilitar el desmontaje de los mandos.
- La presión de suministro de gas natural en la entrada de combustible del generador debe estar entre 5 y 7 pulgadas de columna de agua con carga completa. La presión de suministro de LP debe estar entre 11 y 14 pulgadas de columna de agua con carga completa.

INSTALACIÓN

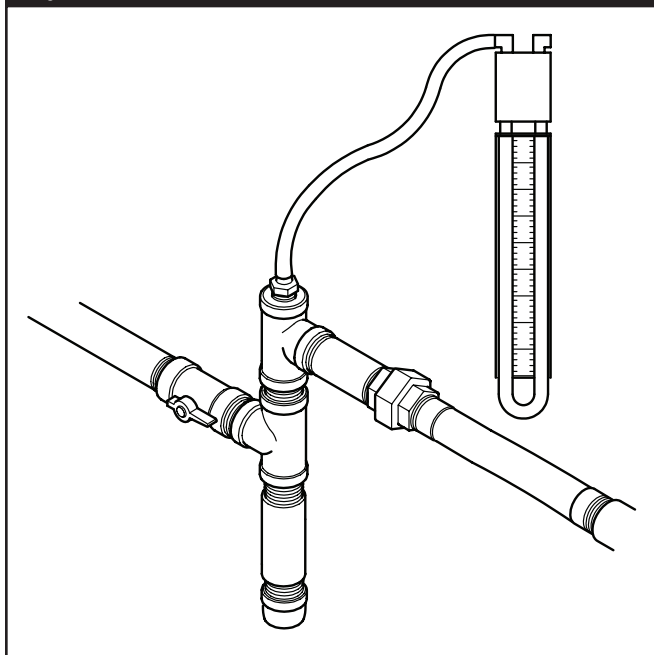
El sistema de generador de doméstico viene preparado de fábrica para funcionar a gas natural. Si necesita cambiar gas natural a LP, se deberá reconfigurar la unidad, tal como se describe en la página 53.

Es conveniente que la conexión de combustible incorpore los siguientes componentes:

- Una válvula de cierre manual de combustible ubicada en el interior del edificio.
- Una válvula de cierre manual de combustible ubicada fuera del edificio, justo antes del generador.
- En caso de peligro de formación de hidratos o hielo, los tubos se deberán proteger contra la congelación. En uno de los extremos del circuito de tubos rígidos debe haber un depósito de sedimentos en el que no se congele el vapor de agua condensado.
- Se debe contar también con una abertura para manómetro.

La abertura para el manómetro permite la instalación transitoria de un manómetro (Figura 18) para asegurar que el motor reciba la presión de combustible apropiada para funcionar en forma eficiente durante todo el rango de operación.

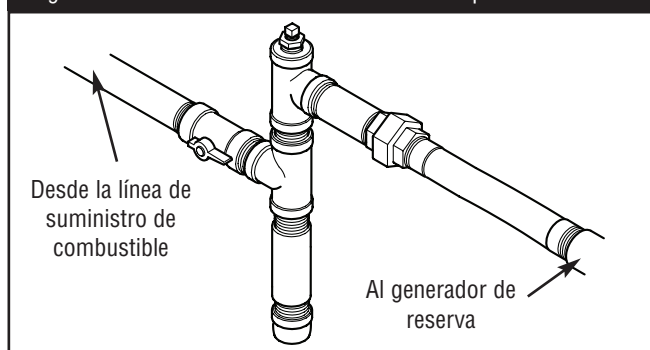
Figura 18 — Manómetro Instalado Transitoriamente



NOTA: Puede adquirir un manómetro digital (Ref. 19495) en su centro de servicio local.

Una vez que las operaciones de prueba iniciales están completas, se retira el manómetro y se tapa la abertura. En la Figura 19 se muestra un conjunto típico de conexión de combustible final.

Figura 19 — Conexiones de Combustible Completas



Consumo de Combustible

Consulte en la Figura 20 los requisitos de media y plena carga para gas natural y vapor de LP.

Figura 20 — Requerimientos de Suministro de Combustible

Gas Natural*		Vapor de PL**	
1/2 Carga	Carga completa	1/2 Carga	Carga completa
80	137	33	56

* = Gas Natural en pies cúbicos por hora

** = Vapor de PL se expresa en pies cúbicos por hora

INSTALACIÓN

Dimensiones de la Cañería de Combustible

Las Figuras 21 y 22 indican la capacidad máxima de la cañería en pies cúbicos de gas por hora para presiones de gas de 0.5 libras por pulgada cuadrada (psi) o menos y una caída de presión de 0.3 pulgadas en columna de agua. Se muestra el peso específico del gas.

En los valores indicados se ha tenido en cuenta una cantidad normal de restricciones debidas a curvas, accesorios, etc. Si se utiliza un número inusual de accesorios, curvas u otras restricciones, consulte los reglamentos nacionales y locales.

Figura 21 — Dimensiones de la Cañería de **GAS NATURAL (NG)** - Diagrama de Caudal de Gas, en pies cúbicos por hora

NPT	10ft	15ft	20ft	30ft	40ft	50ft	60ft	70ft	80ft	90ft	100ft
1/2"	168	146	115	93	79	70	63	59	55	51	48
3/4"	346	293	240	192	163	145	132	120	113	106	99
1"	653	549	446	360	307	274	250	230	211	197	187

Gas Natural (peso específico = 0.65)

Figura 22 — Dimensiones de la Cañería de **GAS PROPANO LÍQUIDO (PL)** - Diagrama de Caudal de Gas, en pies cúbicos por hora

NPT	10ft	15ft	20ft	30ft	40ft	50ft	60ft	70ft	80ft	90ft	100ft
1/2"	110	96	76	61	52	46	42	38	36	33	32
3/4"	277	192	158	126	107	95	87	79	74	69	65
1"	428	360	293	236	202	180	164	151	139	129	123

Propano Líquido (PL) (peso específico = 1.50)

INSTALACIÓN

Cuadro de Comparación de Combustibles

Propiedades físicas	Propano	Gas natural
Estado normal a presión atmosférica	Gas	Gas
Punto de ebullición (en °F):		
Inicial	-44	-259
Final	-44	-259
Poder calorífico		
BTU por galón (LHV Neto*)	83 340	63 310
BTU por galón (bruto**)	91 547	
Pies cúbicos (gas)	2500	1000
Densidad***	36.39	57.75
Peso†	4.24	2.65
Número de octanos:		
De investigación	110+	110+
De motor	97	
<p>* LHV (poder calorífico inferior) es el valor nominal más realista. ** El poder calorífico bruto no considera la pérdida de calor en forma de agua durante la combustión. *** La densidad se expresa en "Pies Cúbicos de Gas por Galón de Líquido". † El peso se indica en "Libras por Galón de Líquido".</p>		

Tamaño del Tanque de Propano Requerido a Distintas Temperaturas Cuando se Mantiene con la Mitad de su Capacidad, Como Mínimo

Considerando la tasa de consumo de gas y la temperatura mínima promedio durante el invierno, un instalador puede especificar el tamaño necesario del tanque de almacenamiento de PL:

Tasa de consumo	32°F	20°F	10°F	0°F	-10°F	-30°F	-40°F
50 pies cúbicos/h	115	115	115	250	250	400	600
100 pies cúbicos/h	250	250	250	400	500	1000	1500
150 pies cúbicos/h	300	400	500	500	1000	1500	2500
200 pies cúbicos/h	400	500	750	1000	1200	2000	2500
300 pies cúbicos/h	750	1000	1500	2000	2500	4000	5000

CONEXIONES DE CABLES

Valores de Par de Apriete Recomendados

Aplice el par de apriete recomendado en la Figura 23 a todas las conexiones y los terminales de conexión de cables. Conveniente para el alambre de cobre de la calificación 60°/75°C.

Figura 23 — Valores de Par de Apriete Recomendados	
CONEXIONES:	Par de Apriete
En el panel de distribución principal: Consulte las especificaciones del fabricante del panel	
En el cuadro de desconexión:	
Servicio de 240 V CA	5 in-lb
Arranque del motor	5 in-lb
Estado remoto	5 in-lb
Generador	17 in-lb
Tierra	40 in-lb
Disyuntores: Consulte las especificaciones del fabricante del disyuntor	

Sistema de Conexión de c.a. del Generador

En el generador de reserva doméstico se utiliza un sistema de conexión monofásico de CA de tres hilos. El conjunto del estator consta de un par de devanados estacionarios con dos terminales que salen de cada devanado. La unión de los terminales 22 y 33 forma el terminal neutro. Las páginas 26 y 27 contienen un esquema y un diagrama de conexiones.

NOTA: El neutro no está conectado a tierra en el generador.

Conexión a Tierra del Sistema

Conecte a tierra el sistema generador doméstico con arreglo a los códigos y normas vigentes. El terminal GND (tierra) está situado en el cuadro de desconexión.

Interconexiones del Circuito de Control

Las interconexiones del circuito de control se realizan con cables de servicio de 240 V CA. Ambos cables deben pasar a través del conducto. La función de los cables de control se describe brevemente a continuación.

- Además de cargar la batería, los cables suministran la energía eléctrica de la red a la tarjeta de circuito impreso y a los calentadores opcionales de la batería y de aceite.

Conecte los terminales del circuito de control del cuadro de desconexión al conector con cable de cobre trenzado 14 AWG, de 300 V como mínimo, suministrado por el instalador.

Placa de LED Remoto

El indicador luminoso de la placa de LED remoto se denomina LED de diagnóstico. El LED permanecerá encendido para indicar que el generador está preparado y parpadeará cuando se detecten ciertos fallos en el generador de reserva. Se suministra una placa de montaje que se puede instalar en un punto interior adecuado. El propietario la utilizará para observar el estado del generador. Consulte con él la ubicación más adecuada.

Para instalar la placa de LED remoto:

- Monte en un muro el cuadro eléctrico suministrado por el instalador.
- Conecte los cables del LED remoto a la luz de estado remoto del cuadro de desconexión.
- Fije la placa de montaje al cuadro eléctrico.

NOTA: Los cables del LED son sensibles a la polaridad.

Encontrará las instrucciones de uso en la sección "Sistema de detección de fallas" de la páginas 55-56.

ANTES DEL ARRANQUE INICIAL

Aceite de Motor

Este motor se envía desde la fábrica lleno con el aceite recomendado. Antes de arrancar el motor, verifique el nivel de aceite y asegúrese de que el motor haya recibido el mantenimiento que se describe en la manual del motor.

AVISO

Cualquier intento para arrancar el motor antes de haberle proporcionado el mantenimiento apropiado con el aceite recomendado, podría ocasionar la falla del motor.

- Consulte el manual del operario del motor para añadir al motor el aceite y el combustible recomendado.
- El daño a la generador, resultado de la desatención a esta precaución, no será cubierto por la garantía.

Consideraciones Sobre el Aceite

El generador de reserva está equipado con un motor que ha completado el proceso de funcionamiento previo en la fábrica y no requiere el procedimiento tradicional de "entrada forzada".

A fin de proporcionar una mayor capacidad de "respaldo", el generador se llena con **aceite sintético** (API SJ/CF 5W-30W). Esto permite la operación del sistema en un amplio rango de condiciones climáticas y de temperatura.

NOTA: El hecho de utilizar **aceite sintético NO** modifica los intervalos de cambio de aceite necesarios descritos más adelante en la sección dedicada a mantenimiento en la manual del motor.

Conexión de la Batería

El generador de reserva doméstico se suministra con una batería con regulación por válvulas, tipo AGM de 12 V CC, 33 Ah. Es una batería estanca de plomo-ácido recargable. La batería se suministra instalada en la unidad y sus cables se conectan en fábrica. El fusible de 15 A, que aísla la batería e impide el arranque de la unidad, se quita para el transporte. El batería que perderá parte de su carga antes de la instalación del generador. Si la tensión es inferior a 12 V, cargar la batería antes de la instalación.

IMPORTANTE: Si la tensión de la batería es inferior a 5 V, puede que no admita carga y que necesite una nueva batería.

Cargar la Batería

Si es necesario realizar el cargar de la batería, proceda de la manera siguiente:

1. Fije el interruptor "AUTO/OFF/MANUAL" del generador en la posición **OFF**.
2. Quite el fusible de 15 A del panel de control.
3. Desconecte el cable negativo de la batería al terminal negativo (marcado como **NEGATIVE, NEG** ó (-)).

AVISO

Si no se desconecta el cable negativo de la batería, se provocará una avería.

- NO intente arrancar en puente la batería.
- El daño a la generador, resultado de la desatención a esta precaución, no será cubierto por la garantía.

4. Cargue la batería con un cargador a 2 A hasta alcanzar una carga de 12 V.

NOTA: NO supere 13,7 V de tensión de carga.

ADVERTENCIA



Las baterías almacenadas producen hidrógeno explosivo mientras estén siendo recargadas.

Una pequeña chispa puede encender el hidrógeno y causar una explosión.



El fluido de electrolito de la batería contiene ácido y es extremadamente cáustico.

El contacto con el fluido de la batería puede causar quemaduras químicas severas.



Las baterías presentan un riesgo de descarga eléctrica y de elevada corriente de cortocircuito.

- NO deseche la batería tirándola al fuego.
- No permita ninguna llama abierta, chispa, calor, o encienda un cigarrillo durante y por varios minutos después de haber recargado la batería.
- NO abra ni manipule la batería.
- Lleve puestos las gafas protectoras, delantal y guantes de goma.
- No lleve relojes, anillos ni otros objetos metálicos.
- Utilice herramientas con mangos aislados.

NOTA: Con la batería instalada y tensión de la red aplicada al interruptor automático de transferencia, la batería recibe una carga lenta siempre que el motor no está funcionando. Mediante este proceso, la carga de una batería con una tensión de 5 V puede tardar hasta 72 horas. La carga lenta no se puede utilizar para cargar una batería que se haya descargado por completo.

5. Conecte el cable negativo de la batería al terminal negativo (marcado como **NEGATIVE, NEG** ó (-)).
6. Compruebe que los elementos de fijación en los terminales negativo y positivo de la batería están perfectamente apretados.
7. Instale el fusible de 15 Amperios en el panel de control.

PRECAUCIÓN



Instala el fusible se puede producir el arranque del motor.

- NO instale este fusible hasta que no se hayan completado e inspeccionado todas las conexiones de cables y tuberías.

8. Fije el interruptor "AUTO/OFF/MANUAL" en la posición **AUTO**.

Servicio la Batería

Si es necesario realizar el servicio de la batería, proceda de la manera siguiente:

1. Fije el interruptor "AUTO/OFF/MANUAL" del generador en la posición **OFF**.
2. Quite el fusible de 15 A del panel de control.
3. El servicio o reemplaza batería como requerido.
4. Conectar el conductor rojo de la batería al terminal positivo de la misma (marcado como **Positive, POS** ó (+)).
5. Conecte el cable negativo de la batería al terminal negativo (marcado como **NEGATIVE, NEG** ó (-)).
6. Compruebe que los elementos de fijación en los terminales negativo y positivo de la batería están perfectamente apretados.
7. Instale el fusible de 15 Amperios en el panel de control.
8. Fije el interruptor "AUTO/OFF/MANUAL" en la posición **AUTO**.

Sistema de Suministro de Combustible

Asegúrese de que todas las conexiones de la cañería de combustible estén ceñidas, firmes y que no presenten pérdidas.

Asegúrese de que todas las válvulas de cierre de la línea de gas estén abiertas (OPEN) y que la presión de combustible sea la adecuada.

SELECCIÓN DEL SISTEMA DE COMBUSTIBLE

El motor del generador de reserva viene calibrado de fábrica para funcionar a gas natural (NG). También puede funcionar con propano líquido (PL).

Para configurar el sistema de combustible para uso de PL:

1. Sin embargo, la presión de entrada del combustible PL debe estar entre las 11 y las 14 pulgadas en columna de agua.
2. Fije el interruptor "AUTO/OFF/MANUAL" en la posición **OFF**.
3. Extraiga el seccionador de servicio del cuadro de desconexión.
4. Quite el fusible de 15 A del panel de control.
5. Cambie el propulsor principal del mezclador de combustible conforme a las indicaciones de la hoja de instrucciones (nº de pieza 195083GS) incluida en el juego de conversión a PL.
6. Vuelva a instalar el fusible de 15 Amperios.
7. Vuelva a instalar el seccionador de servicio en el cuadro de desconexión.
8. Fije el interruptor "AUTO/OFF/MANUAL" en la posición **AUTO**.
9. Reinicialice el temporizador de ejercicio conforme a las instrucciones de la sección "Ajuste del temporizador de ejercicio" de la página 54.

El sistema ahora está preparado para operar automáticamente utilizando combustible PL. Con un chorro principal fijo de gas PL, no es necesario realizar ningún ajuste del motor para la operación con PL.

ARRANQUE INICIAL (SIN CARGA)

Comience probando el sistema sin ninguna carga eléctrica conectada, de la siguiente manera:

1. Fije el interruptor "AUTO/OFF/MANUAL" en la posición **OFF**.
2. Fije el interruptor de potencia principal del generador en la posición **OFF** (abierta).
3. **Instale el fusible de 15 Amperios en el panel de control.**
4. Fije el interruptor "AUTO/OFF/MANUAL" en la posición **MANUAL**.

NOTA: Cuando el Sistema del generador de reserva se arranca por primera vez, es necesario purgar el aire de las líneas de combustible gaseoso. Esto puede tardar algunos minutos.

5. NO intente arrancar el motor durante más de 15 segundos. Tras cada intento, haga una pausa de 15 segundos para evitar el sobrecalentamiento del sistema de arranque.
6. Repita el proceso hasta que arranque el motor.

7. Escuche si se oyen ruidos anormales o si se observa vibración u otros indicios de funcionamiento anormal. Compruebe si se produce alguna fuga de aceite durante el funcionamiento del generador.
8. Deje que el motor se caliente durante aproximadamente cinco minutos para permitir que las temperaturas internas se estabilicen. Luego, fije el interruptor de potencia principal del generador en la posición **ON** (o cerrada).
9. Conecte un voltímetro CA RMS y un medidor de frecuencia para controlar la salida del generador en el lado de la carga del disyuntor. La tensión debe estar entre 230 y 240 Voltios y la frecuencia entre 62.0 y 62.5 Hz.
10. Verifique la salida del generador entre una de las orejetas terminales de conexión al generador (generator connection) y la orejeta terminal de conexión al neutro, luego entre la otra orejeta de conexión al generador (GENERATOR CONNECTION) y la orejeta terminal de conexión al neutro. En ambos casos, las lecturas de tensión deben estar entre 115 y 120 Voltios.
11. Fije el interruptor "AUTO/OFF/MANUAL" en la posición **OFF**. El motor se debe apagar.

SECUENCIA DE OPERACIÓN AUTOMÁTICA

El panel de control del generador aloja una plaqueta de control lógico. Esta plaqueta de control supervisa constantemente la tensión de origen de energía de la compañía proveedora de electricidad. Si esa tensión cae por debajo de un nivel preestablecido, la acción de la plaqueta de control indica al motor que arranque o que lo haga en forma manual.

Quando se restablece la tensión de origen de la compañía proveedora de electricidad por encima de un nivel de tensión preestablecida, se indica al motor que se apague.

La operación real del sistema no se puede ajustar y se divide en secuencias mediante sensores y temporizadores en la plaqueta de control, de la siguiente manera:

Sensor de caída de tensión de la compañía proveedora de electricidad

- Este sensor supervisa la tensión de origen de la compañía proveedora de electricidad.
- Si la tensión de origen de la compañía proveedora de electricidad cae por debajo de aproximadamente el 70 por ciento de la tensión de suministro nominal, el sensor energiza un temporizador de 6 segundos.
- Una vez transcurrido el tiempo del temporizador, el motor arranca en forma manual.

Sensor de excitación de tensión de la compañía proveedora de electricidad

Este sensor vigila la tensión de alimentación de la red. Cuando se restablece la tensión alcanzando un valor superior al 80 por ciento de la tensión nominal, se pone en marcha un temporizador y el motor sigue funcionando durante un tiempo para enfriarse.

Temporizador de enfriamiento del motor

- Cuando la carga se transfiere nuevamente a la fuente de energía de la compañía proveedora de electricidad, comienza el conteo de tiempo del temporizador de enfriamiento del motor.
- El temporizador funciona durante aproximadamente un minuto, luego el generador se apaga.
- El tiempo mínimo de funcionamiento del motor es de 5 minutos.

AJUSTE DEL TEMPORIZADOR DE EJERCICIO

El generador de reserva está equipado con un temporizador de práctica que arranca el sistema y lo prueba una vez cada siete días. Durante este período de práctica, la unidad trabaja durante aproximadamente 20 minutos y luego se apaga. Durante el ciclo de práctica NO se produce la transferencia de cargas eléctricas (a menos que se produzca un corte en el suministro de la compañía proveedora de electricidad).

En el panel de control se encuentra un interruptor rotulado "Set Exercise" (configurar práctica) (ilustrado en página 41). La tarjeta de control se programa en el momento preciso en que se pulsa el interruptor. Esta fecha y esta hora se utilizan para iniciar automáticamente el ciclo de práctica del sistema.

Para llevar a cabo el procedimiento para configurar la práctica (Set Exercise):

1. Elija el día y la hora en que desea que se realice la práctica del generador de reserva.
2. Ese día y a esa hora, fije el interruptor "AUTO/OFF/MANUAL" en la posición **OFF**.

3. Presión y mantenga presionado el interruptor "Set Exercise" (preparar prueba) durante dos segundos.
4. Fije el interruptor "AUTO/OFF/MANUAL" en la posición **AUTO**. La operación de configuración de práctica ("Set Exercise") está completa.

Por ejemplo, si presiona el interruptor "Set Exercise" el domingo a las 10 de la mañana, la unidad realizará un ciclo de práctica el próximo domingo a las 10 de la mañana.

NOTA: La función de configuración de práctica ("Set Exercise") sólo funciona si la unidad se encuentra en el modo Automático y si se cumple este procedimiento en forma estricta.

Si desea cambiar el día y la hora en que se realiza la práctica de la unidad, simplemente realice el procedimiento de configuración de práctica ("Set Exercise") exactamente el día de la semana y a la hora en que desea que se lleve a cabo.

INSPECCIÓN POSTERIOR A LA INSTALACIÓN

Antes de poner en servicio el generador de reserva, inspeccione cuidadosamente toda la instalación. Asegúrese de retocar con la pintura provista todos los rayones o partes de pintura deterioradas en la parte interior y exterior del compartimiento.

A medida que realiza la inspección, vaya completando la "Lista de verificación de la instalación". Asegúrese de que se hayan completado todos los puntos y que se hayan obtenido todas las firmas correspondientes. Indique al propietario que debe enviar la copia blanca por correo a:

**Briggs & Stratton Power Products
Warranty Registration
P. O. Box 1144
Milwaukee, Wisconsin 53201-1144**

ESPECIFICACIONES

Potencia Nominal Máxima	7,000 Vatios
Corriente de Carga Nominal Máxima:	
a 240 Voltios	29.1 Amperios
a 120 Voltios	58.3 Amperios
Tensión de c.a. Nominal	120/240 Voltios
Frecuencia Nominal	60 Hz at 3600 rpm
Fases	Monofásico
Factor de Potencia	1.0
Presión de Suministro de Gas Natural como Combustible	entre 5 y 17 Pulgadas en Columna de Agua
Presión de Suministro de PL como Combustible	entre 11 y 14 Pulgadas en Columna de Agua
Rango Operativo Normal	-20°F (-28.8°C) to 104°F (40°C)
Nivel de Ruido	.81 dB(A) a 23 pies (7 m) con Carga Completa
Peso de Envío del Sistema	.280 lbs.

* Los valores nominales de gas natural dependerán del combustible específico, pero por lo general se encuentran entre el 10 y el 20% por debajo de los valores nominales para PL.

OPERACIÓN AUTOMÁTICA

Para seleccionar la operación de transferencia automática, haga lo siguiente:

1. Ponga el seccionador de servicio o el interruptor del cuadro de distribución principal que alimenta tensión de la red al interruptor de transferencia en la posición **ON** (cerrado).
2. Ponga el interruptor principal del generador en la posición **ON**.
3. Ponga el interruptor AUTO/OFF/MANUAL en la posición **AUTO**.

Verificación de la Operación Automática

Para verificar la correcta operación automática del sistema, proceda de la siguiente manera:

1. Ponga en el seccionador de servicio o el interruptor del cuadro de distribución principal que alimenta tensión al interruptor automático de transferencia en la posición **OFF**.

El motor comenzará a dar vueltas y arrancará cuando descienda la tensión de la red y transcurra el tiempo determinado por el temporizador. Deje que el sistema realice la secuencia completa de funcionamiento automático.

2. Con la salida del generador alimentando las cargas conectadas, ponga el seccionador de servicio o el interruptor del cuadro de distribución principal que alimenta tensión al interruptor automático de transferencia en la posición **ON**.

3. El interruptor automático de transferencia transferirá de nuevo las cargas a la red después de un tiempo de funcionamiento de cinco minutos como mínimo, restableciéndose la alimentación desde la red.
4. El generador seguirá funcionando durante aproximadamente un minuto más para que se enfríe el motor y luego se parará.

NOTA: Si el generador no se para después de transcurrir diez minutos, ponga el interruptor AUTO/OFF/MANUAL en la posición **OFF** y póngase en contacto con el instalador o con el centro de servicio local.

De esta manera se completan los procedimientos de prueba de la operación automática. El generador de reserva arrancará automáticamente cuando se pierda la energía de la compañía proveedora de electricidad y proporcionará energía al conmutador de transferencia.

Mantenimiento del Sistema

Para desactivar el sistema de transferencia de energía para realizar tareas de mantenimiento:

1. Quite los cuatro tornillos y levante el techo para retirarlo.
2. Retire el tornillo de la parte superior del panel de control.
3. Extraiga la puerta de acceso tirando de ella y levantándola para separarla de la base. La puerta se separará de la carcasa del generador.
4. Fije el interruptor "AUTO/OFF/MANUAL" en la posición **OFF**.
5. Fije el interruptor de potencia principal del generador en la posición **OFF**.
6. Extraiga el seccionador de servicio del cuadro de desconexión.
7. Quite el fusible de 15 A del panel de control.

SISTEMA DE DETECCIÓN DE FALLAS

Es posible que el generador deba funcionar durante períodos prolongados sin la presencia de un operador. Por esta razón, el sistema está equipado con detectores que apagan automáticamente el generador en condiciones de riesgo potencial para el equipo (baja presión de aceite, exceso de velocidad, etc.).

El indicador luminoso de la placa de LED remoto se denomina LED de diagnóstico. Parpadeará reproduciendo el mismo patrón si se detectan determinados problemas en el generador. El patrón de parpadeo se repite con pausas breves entre cada serie. La cantidad de parpadeos en la serie indica la falla detectada, tal como se indica cerca del panel de control, en la placa de montaje y a continuación:

Cantidad de Destellos del LED	Descripción de la Falla
2	Baja presión de aceite
4	El motor no arranca
5	Baja frecuencia
6	Sobrevelocidad del motor

Restablecimiento del Sistema de Detección de Fallas

El operador debe restablecer el sistema de detección de fallas cada vez que se activa. Para hacerlo, ponga el interruptor AUTO/OFF/MANUAL en la posición **OFF** durante 30 segundos o más. Vuelva a poner el generador de reserva en servicio después de corregir el problema. Para hacerlo, ponga el interruptor AUTO/OFF/MANUAL en la posición **AUTO**.

A continuación se encuentra la descripción de cada falla y las soluciones sugeridas:

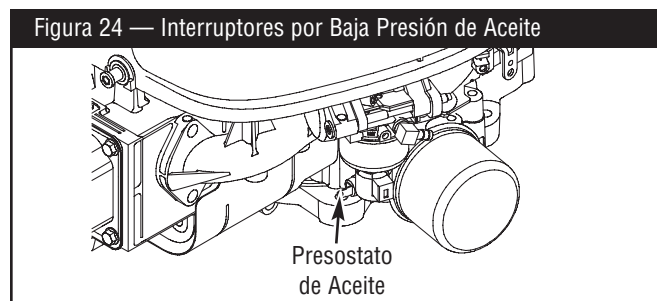
No se Enciende el LED - Batería Descargada

Esta condición se debe a que la batería de arranque está completamente muerta. Para solucionar el problema, retire el fusible de 15 Amperios y desconecte la batería del generador. Lleve la batería a una tienda local especializada para que la revisen.

Instale la batería una vez sustituida o cargada totalmente, conectando el cable NEGATIVO en último lugar. Instale el fusible de 15 A.

Baja Presión de Aceite

Esta falla se indica mediante dos parpadeos. La unidad está equipada con un presostato de aceite (Figura 24) que utiliza contactos normalmente cerrados que se mantienen abiertos por la presión del aceite del motor durante la operación. En caso de caída de la presión de aceite, los contactos se cierran y el motor se para.



Para solucionar el problema de baja presión de aceite, añada el aceite recomendado hasta que el nivel llegue a la marca FULL (lleno) de la varilla de nivel de aceite.

Si la situación de baja presión de aceite persiste, el motor arrancará y se detendrá luego de aproximadamente 10 segundos. El LED de diagnóstico se encenderá. En ese caso, consulte al servicio técnico autorizado.

El Motor no Arranca

Esta falla se indica mediante cuatro parpadeos. Esta función evita que el generador sufra daños al intentar arrancar continuamente, como por ejemplo que no haya suministro de combustible. Cada vez que se da al sistema la instrucción de arrancar, la unidad realiza el arranque manual durante 15 segundos, luego hace una pausa de 15 segundos, realiza el arranque manual durante 15 segundos, hace una pausa de 15 segundos y repite la acción. Si el sistema no comienza a producir electricidad luego de aproximadamente 90 segundos, la unidad deja de realizar el arranque manual y el LED comienza a titilar.

La causa más probable de este problema es la falta de suministro de combustible. Verifique las válvulas de cierre de combustible que se encuentran en el interior y en el exterior para asegurarse de que estén completamente abiertas. Otras causas podrían ser las bujías defectuosas, una falla en el sistema de ignición del motor o que el filtro de aire del motor esté obstruido. Es posible que deba consultar al servicio técnico autorizado para solicitar asistencia si no logra solucionar estos problemas.

Baja Frecuencia

Esta falla se indica mediante 5 parpadeos. Esta función protege los dispositivos conectados al conmutador de transferencia apagando el generador si el motor trabaja a una velocidad inferior al límite preestablecido.

Esta condición puede deberse a una avería en un regulador del motor. Para solucionar el problema, póngase en contacto con el centro de servicio local.

Esta condición también puede deberse a un exceso de carga en el generador. Apague uno a uno los aparatos y compruebe la frecuencia. Para solucionar el problema, puede que necesite ponerse en contacto con el centro de servicio local.

Sobrevelocidad del Motor

Esta falla se indica mediante 6 parpadeos. Esta función protege los dispositivos conectados al conmutador de transferencia apagando el generador si el motor trabaja a una velocidad superior al límite preestablecido. La falla por sobrevelocidad se detecta de la siguiente manera:

- Si la frecuencia de salida del generador trabaja a 72 Hz durante cinco segundos, el generador se para.
- Si la frecuencia de salida del generador alcanza los 75 Hz, el generador se para inmediatamente.

Esta condición se debe a una falla en el regulador del motor. Para solucionar el problema, puede que necesite ponerse en contacto con el centro de servicio local.

MANTENIMIENTO DEL GENERADOR

La garantía del generador no cubre artículos que hayan sido sometidos al abuso o negligencia por parte del operador. Para recibir el valor total de la garantía, el operador debe dar mantenimiento al sistema de acuerdo con las indicaciones del manual del operario del motor.

IMPORTANTE: Antes de realizar cualquier operación de mantenimiento del generador, asegúrese de seguir todos los pasos que se detallan en la sección "Mantenimiento del Sistema" de la página 55.

El mantenimiento del generador consiste en conservar la unidad limpia y seca. Opere y almacene la unidad en un ambiente limpio y seco donde no será expuesta al polvo, suciedad, humedad o vapores corrosivos. Las ranuras del aire de enfriamiento del generador no deben estar tapadas con nieve, hojas, o cualquier otro material extraños.

Verifique que la unidad sea limpiada con frecuencia y lávela cuando observe polvo, suciedad, aceite, humedad u otras sustancias extrañas en la superficie exterior.

NOTA: NO recomendamos el uso de mangueras de jardín para limpiar el generador. El agua podría introducirse en el motor y causar problemas.

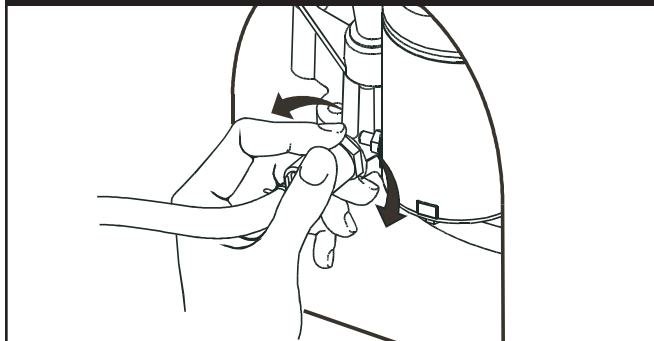
Cambio del Aceite del Motor y del Filtro

Extraiga los dos tornillos de cada tapa de acceso de plástico y retire ambas tapas de los dos lados de la carcasa del generador.

Cambio del Aceite

1. Coloque el tubo de vaciado de aceite en un recipiente homologado.
2. Presione y gire el adaptador de vaciado de aceite 1/4 de vuelta hacia la izquierda. Tire lentamente hasta que empiece a salir el aceite (Figura 25). No separe el adaptador de vaciado de aceite del motor.

Figura 25 — Adaptador de Vaciado de Aceite

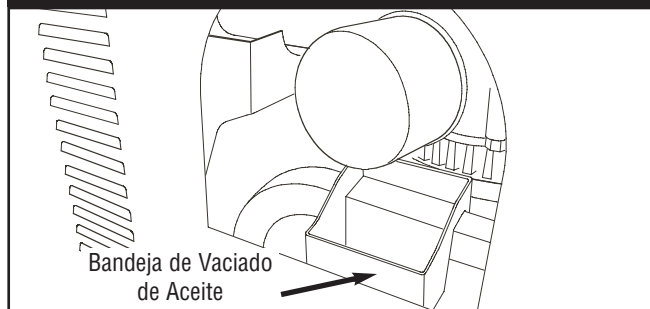


3. Una vez vaciado todo el aceite, presione el adaptador de vaciado de aceite y gírelo 1/4 de vuelta hacia la derecha hasta que quede bloqueado.
4. Deslice el tubo de vaciado de aceite hacia arriba para situarlo en el soporte del generador.

Cambio del Filtro de Aceite

1. Coloque la bandeja de vaciado de aceite sobre la tubería y deslícela para situarla debajo del filtro de aceite (Figura 26).

Figura 26 — Cambio del Filtro de Aceite con Bandeja de Vaciado de Aceite



2. Siga las instrucciones de cambio de aceite del manual del operario del motor.
3. Retire la bandeja de vaciado de aceite de debajo del filtro y limpie bien los restos de aceite.



PRECAUCIÓN

Evite el contacto prolongado o repetido de piel con aceite usado de motor.

- El aceite usado del motor ha sido mostrado al cáncer de la piel de la causa en ciertos animales del laboratorio.
- Completamente lavado expuso áreas con el jabón y el agua.



MANTENGA FUERA DE ALCANCE DE NIÑOS. NO CONTAMINE. CONSERVE los RECURSOS. VUELVA ACEITE USADO A la COLECCION CENTRA.

Para llenar el motor de aceite:

- Utilice aceite sintético del grado recomendado en la sección "Aceite del Motor" de la página 51 y siga las instrucciones de llenado de aceite que se indican en el manual del operario del motor.

AVISO

Cualquier intento para arancar el motor antes de haberle proporcionado el mantenimiento apropiado con el aceite recomendado, podría ocasionar la falla del motor.

- Consulte el manual del operario del motor para añadir al motor el aceite y el combustible recomendado.
- El daño a la generador, resultado de la desatención a esta precaución, no será cubierto por la garantía.

Para Limpiar el Generador

- Utilice un trapo húmedo para limpiar las superficies exteriores.

AVISO

El tratamiento inadecuado del generador puede dañarlo y acortar su vida productiva.

- NO esponga al generador a una humedad excesiva, polvo, suciedad o vapores corrosivos.
- NO inserte cualquier objeto a través de las ranuras de enfriamiento.
- Puede usar un cepillo de cerdas suaves para retirar la suciedad endurecida, aceite, etc.
- Puede usar una máquina aspiradora para eliminar suciedad y residuos sueltos.
- Inspeccione las ranuras para aire de enfriamiento y la apertura del generador. Estas aperturas deberán mantenerse limpias y despejadas.

Si Llama a la Fábrica

En caso de que sea necesario consultar al Servicio técnico de Briggs & Stratton respecto a servicios o reparaciones de esta unidad, usted debe tener disponible la siguiente información:

1. Obtenga el número de serie y el número de modelo de la calcomanía de datos adherida a la unidad. Vea el diagrama denominado "Conozca su Generador de Reserva" para determinar la ubicación.
2. Obtenga los números de código/tipo/modelo de motor de la etiqueta del motor. Vea el diagrama denominado "Conozca su Generador de Reserva" para determinar la ubicación. Tenga en cuenta que el número de modelo puede variar con respecto al que se muestra en este documento.

ALMACENAMIENTO

El generador de reserva Briggs & Stratton está diseñado para una operación de respaldo continuo. Como tal, no hay necesidad de tomar precaución alguna con relación al almacenamiento. Sin embargo, si fuera necesario mantener el sistema fuera de servicio durante un tiempo prolongado, llame al Servicio técnico de Briggs and Stratton al 1-800-743-4115, entre las 8:00 AM y las 5:00 PM hora del centro, para obtener recomendaciones específicas.

REPARACION DE AVERIAS

Problema	Causa	Corrección
El motor está funcionando pero no hay salida de c.a. disponible.	<ol style="list-style-type: none"> 1. El interruptor automático está abierto o defectuoso. 2. Falla en el generador. 3. Las conexiones de cableado son inadecuadas o el conmutador de transferencia está defectuoso. 	<ol style="list-style-type: none"> 1. Restablezca el interruptor automático o reemplácelo. 2. Consulte al servicio de Briggs & Stratton. 3. Verifíquelo y repárelo.
El motor funciona cuando no tiene carga pero "se atasca" cuando se conectan las cargas.	<ol style="list-style-type: none"> 1. Hay un cortocircuito en una de las cargas conectadas. 2. El generador está sobrecargado. 3. Hay un circuito del generador en cortocircuito. 4. La presión del combustible es incorrecta. 5. La mezcla del gas natural (NG) es incorrecta. 	<ol style="list-style-type: none"> 1. Desconecte la carga que está en cortocircuito. 2. Vea la sección titulada "Circuitos Fundamentales". 3. Consulte al servicio de Briggs & Stratton. 4. Consulte la sección "El sistema de combustible gaseoso". 5. Consulte la sección "El sistema de combustible gaseoso".
El motor no arranca o arranca pero funciona con dificultad.	<ol style="list-style-type: none"> 1. Falta un fusible de 15 Amperios o está fundido. 2. No hay combustible. 3. La batería no tiene suficiente poder de acodar sobre el generador en temperaturas frías. 4. La batería presenta una falla. 	<ol style="list-style-type: none"> 1. Instale un fusible de 15 Amperios (nuevo). 2. Abra la o las válvulas de combustible; verifique el tanque de propano. 3. Instale batería más tibia, consulte al servicio de Briggs & Stratton. 4. Reemplace la batería.
El motor se apaga durante la operación.	<ol style="list-style-type: none"> 1. No hay combustible. 2. El indicador de fallas se enciende en forma intermitente. 	<ol style="list-style-type: none"> 1. Verifique las válvulas de combustible, llene el tanque de propano. 2. Cuente los parpadeos y consulte la sección "Sistema de Detección de Fallas".
Pérdida de potencia en los circuitos fundamentales.	<ol style="list-style-type: none"> 1. El interruptor automático del generador está abierto. 2. Problemas en el interruptor de transferencia. 	<ol style="list-style-type: none"> 1. Restablezca el interruptor automático. 2. Consulte el manual del interruptor de transferencia.

**POLÍTICA DE GARANTÍA PARA EL PROPIETARIO DEL GENERADOR DOMÉSTICO DE 7 KW Y 10 KW
DE BRIGGS & STRATTON POWER PRODUCTS GROUP, LLC**

Fecha de entrada en vigor: 1 de Septiembre de 2005. Sustituye a todas las garantías sin fecha y a las de fecha anterior al 1 de Septiembre de 2005

GARANTÍA LIMITADA

Briggs & Stratton Power Products Group, LLC reparará o sustituirá sin cargo alguno cualquier componente del equipo que presente defectos de materiales y/o mano de obra. Los gastos de transporte de la producto enviadas para reparar o sustituir conforme a los términos de esta garantía correrán a cargo del comprador. El periodo de vigencia y las condiciones de esta garantía son los que se estipulan a continuación. Para obtener servicio en garantía, localice el distribuidor de servicio autorizado más próximo en nuestro mapa de distribuidores, en www.BRIGGSandSTRATTON.COM.

NO EXISTE NINGUNA OTRA GARANTÍA EXPLÍCITA. LAS GARANTÍAS IMPLÍCITAS, INCLUIDAS LAS DE COMERCIABILIDAD O IDONEIDAD PARA UN FIN CONCRETO, SE LIMITAN A UN AÑO DESDE LA FECHA DE COMPRA O AL LÍMITE DE TIEMPO PERMITIDO POR LA LEY. QUEDAN EXCLUIDAS TODAS LAS GARANTÍAS IMPLÍCITAS QUEDA EXCLUIDA LA RESPONSABILIDAD POR DAÑOS SECUNDARIOS Y DERIVADOS HASTA EL LÍMITE PERMITIDO POR LA LEY. Algunos países o estados no permiten limitar la duración de una garantía implícita ni excluir o limitar los daños secundarios y derivados. Por tanto, es posible que las limitaciones y exclusiones mencionadas no sean aplicables en su caso. Esta garantía le otorga determinados derechos legales y es posible que tenga otros derechos que pueden variar de un país o estado a otro.

PERÍODO DE GARANTÍA

Uso del consumidor	2 años
Uso comercial	ninguno

El período de garantía comienza en la fecha de compra del primer consumidor o usuario comercial final y se prolonga durante el tiempo especificado en la siguiente tabla. "Uso del consumidor" significa uso doméstico personal por parte de un consumidor final. "Uso comercial" significa cualquier otro uso, incluidos los usos con fines comerciales, de generación de ingresos o alquiler. Una vez que el equipo se haya usado con fines comerciales, se considerará como equipo de uso comercial a efectos de esta garantía.

NO ES NECESARIO REGISTRAR LA GARANTÍA PARA OBTENER SERVICIO DE BRIGGS & STRATTON PRODUCTS. GUARDE SU RECIBO DE COMPRA. SI NO APORTA LA PRUEBA DE LA FECHA DE COMPRA INICIAL, SE UTILIZARÁ LA FECHA DE FABRICACIÓN DEL PRODUCTO PARA DETERMINAR EL PERÍODO DE GARANTÍA.

ACERCA DE LA EQUIPO GARANTÍA

Esperamos que disfrute de nuestra garantía y le pedimos disculpas por las molestias causadas. Cualquier distribuidor de servicio autorizado puede llevar a cabo reparaciones en garantía. La mayoría de las reparaciones en garantía se gestionan normalmente, pero algunas veces la solicitud de servicio en garantía puede no ser procedente. Por ejemplo, la garantía no será válida si el equipo presenta daños debidos al mal uso, la falta de mantenimiento, el transporte, la manipulación, el almacenamiento o la instalación inadecuados. De manera similar, la garantía quedará anulada si se ha borrado la fecha de fabricación o el número de serie del equipo, o si el equipo ha sido alterado o modificado. Durante el período de garantía, el distribuidor de servicio autorizado podrá reparar o sustituir, a su libre elección, cualquier pieza que, previa inspección, sea defectuosa en condiciones normales de uso y servicio. Esta garantía no cubre las reparaciones y equipos que se detallan a continuación:

- **Desgaste normal:** Al igual que cualquier otro aparato mecánico y motores, los equipos de uso en exteriores necesitan piezas y mantenimiento periódicos para funcionar correctamente. Esta garantía no cubre las reparaciones cuando el uso normal haya agotado la vida útil de una pieza concreta del equipo.
- **Instalación y mantenimiento:** Esta garantía no cubre los equipos ni las piezas cuya instalación sea incorrecta o no haya sido autorizada, ni aquellos que hayan sido objeto de cualquier tipo de alteración, mal uso, negligencia, accidente, sobrecarga, exceso de velocidad o mantenimiento, reparación o almacenamiento inadecuados que, a nuestro juicio, haya afectado negativamente a su funcionamiento y su fiabilidad. La garantía tampoco cubre el mantenimiento normal, como los ajustes y la limpieza, o la obstrucción del sistema de combustión (debido a materias químicas, suciedad, carbón, cal, etc.).
- **Otras exclusiones:** Quedan excluidos de esta garantía el desgaste de elementos tales como medidores de aceite, juntas tóricas, filtros, fusibles, bujías, etc. así como los daños derivados de accidentes, uso indebido, modificaciones, alteraciones, servicio inadecuado, congelación o deterioro químico. Quedan excluidos de la garantía del producto los elementos accesorios. Esta garantía excluye los fallos debidos a hechos fortuitos y a otros acontecimientos de fuerza mayor que escapan al control del fabricante. También se excluyen los equipos usados o reacondicionados y los destinados a demostraciones; los equipos utilizados como fuente principal de energía en lugar de un servicio público y los equipos sanitarios destinados al mantenimiento de las constantes vitales. 198182S, Rev. D, 12/31/2006

BRIGGS & STRATTON POWER PRODUCTS GROUP, LLC
JEFFERSON, WI, EE.UU

TABLE DES MATIÈRES

TABLE DES MATIÈRES	62	Système de Branchement C.A. de la Génératrice	77
DIRECTIVES DE SÉCURITÉ IMPORTANTES	63-65	Mise à la Masse du Système	77
FAMILIARISEZ-VOUS AVEC VOTRE GÉNÉRATRICE D'ÉTAT D'ATTENTE	66	Interconnexions du Circuit de Commande	77
FAMILIARISEZ-VOUS AVEC LE TABLEAU DE COMMANDE	67	Plaque DEL à distance	77
VEUILLEZ CONSERVER CES INSTRUCTIONS	68	AVANT LE DÉMARRAGE INITIAL	77
INTRODUCTION	68	Huile à Moteur	77
RESPONSABILITÉS DE L'ACHETEUR	68	Points Importants Concernant l'Huile	78
RESPONSABILITÉS DE L'INSTALLATEUR	68	Branchement de la Batterie	78
AIDE À L'INSTALLATION	68	Système d'Alimentation de Combustible	78
Au Propriétaire Résidentiel	68	SÉLECTION DU SYSTÈME DE COMBUSTIBLE	79
Au Détaillant/à l'Entrepreneur Procédant à l'Installation	68	DÉMARRAGE INITIAL (SANS CHARGE)	79
CONSEILS AU PROPRIÉTAIRE	69	SÉQUENCE DE FONCTIONNEMENT AUTOMATIQUE	79
Facteurs Relatifs au Combustible	69	Capteur de Désexcitation de la Tension de l'Alimentation de Service	79
Baisse de Puissance à Haute Altitude ou à Température Élevée	69	Capteur de Prise en Charge de la Tension de Service ..	79
PROCÉDURES D'INSTALLATION	69	Minuterie de Refroidissement du Moteur	79
Précautions Lors du Déballage	69	RÉGLAGE DE LA MINUTERIE D'EXERCICE	80
Vérification de la Livraison	69	VÉRIFICATION INSTALLATION	80
Commutateurs de Transfert Approuvés	69	CARACTÉRISTIQUES	81
Contenu de la Boîte	69	FONCTIONNEMENT AUTOMATIQUE	81
Soulèvement de la Génératrice	70	Vérification du Fonctionnement Automatique	81
Emplacement du Génératrice d'état d'attente	70	Entretien du Système	81
Dégagement Autour de la Génératrice	70	SYSTÈME DE DÉTECTION DES PANNES	81
Directives générales concernant l'emplacement	70	Réarmement du Système de Détection des Pannes ...	82
Circuits Essentiels	71	Aucun DEL - Batterie déchargée	82
Sélection des Circuits Essentiels	71-72	Faible pression d'huile	82
Directives d'assemblage du boîtier de débranchement	72	Le moteur ne démarre pas	82
Dimensions de l'orifice d'admission du combustible	72	Fréquence basse	82
Toit amovible et porte d'accès	72	Emballage du moteur	82
Pour enlever le toit	72	ENTRETIEN DE LA GÉNÉRATRICE	83
Pour enlever la porte d'accès	72	Changement d'huile à moteur et de filtre	83
Pour installer la porte d'accès et le toit	72	Changement d'huile	83
LE SYSTÈME DE COMBUSTIBLE GAZEUX	73-74	Changement du filtre à huile	83
Consommation de Combustible	74	Pour Nettoyer la Génératrice	84
Grosseur du Tuyau de Combustible	75	Communications avec le Fabricant	84
Charte de Comparaison des Combustibles	76	REMISAGE	84
Dimension du Réservoir de Propane Requis Selon Diverses Températures Lorsque Celui-ci est Maintenu au Moins à Moitié Plein	76	DÉPANNAGE	85
RACCORDS DE FILS	77	REMARQUES	86-87
Couples de serrage recommandés	77	SCHÉMA	26
		SCHÉMA DE CÂBLAGE	27
		PIÈCES DE RECHANGE	28-34
		GARANTIE	88

VEUILLEZ CONSERVER CES INSTRUCTIONS

DIRECTIVES DE SÉCURITÉ IMPORTANTES










Le symbole indiquant un message de sécurité est accompagné d'un mot indicateur (DANGER, ATTENTION, AVERTISSEMENT), d'un message illustré et/ou d'un message de sécurité visant à vous avertir des dangers. **DANGER** indique un danger qui, s'il n'est pas évité, *provoquera* des blessures graves, voire fatales.

AVERTISSEMENT indique un danger qui, s'il n'est pas évité, *peut* provoquer des blessures graves, voire fatales. **ATTENTION** indique un danger qui, s'il n'est pas évité, *peut* provoquer des blessures mineures ou légères. Le mot **AVIS** indique une situation pouvant endommager l'équipement. Suivez les messages de sécurité pour éviter ou réduire les risques de blessures ou de mort.

Le fabricant ne peut anticiper toutes les circonstances potentielles pouvant comporter un danger. Par conséquent, les avertissements contenus dans le présent manuel, ainsi que les plaques et les décalques apposés sur l'unité n'englobent pas toutes les possibilités. Si vous utilisez une procédure, une méthode de travail ou une technique d'opération non spécifiquement recommandée par le fabricant, vous devez vous assurer qu'elle ne compromet pas votre sécurité ni celle des autres. Vous devez également vous assurer que la procédure, la méthode de travail ou la technique d'opération que vous choisissez ne rende pas la génératrice dangereuse.

REMARQUE: Votre génératrice est munie d'un silencieux pare-étincelles. Le propriétaire/opérateur doit maintenir l'écran pare-étincelles en bon état. Dans l'État de la Californie, un pare-étincelles est requis par la Loi (Section 4442 du California Public Resources Code). Il se peut que d'autres États aient des lois semblables. Les lois fédérales s'appliquent sur les terres fédérales.




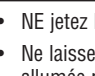
Symboles de Danger et Moyens

		
Emanations Toxiques	Choc Électrique	Manuel d'utilisation
		
Recul	Explosion	Feu
		
Surface Chaude	Pression Explosive	Brûlures Chimiques

⚠ AVERTISSEMENT


L'échappement du moteur de ce produit contient des produits chimiques que l'État de Californie considère comme causant le cancer, des déformations à la naissance ou d'autres dangers concernant la reproduction.

⚠ AVERTISSEMENT

	Les batteries d'accumulateur produisent du gaz hydrogène explosif lorsqu'elles se rechargent.
	La plus petite étincelle enflammera l'hydrogène et provoquera une explosion.
	Le liquide d'électrolyte de l'accumulateur contient de l'acide et est extrêmement caustique.
	Le contact avec le liquide de l'accumulateur provoquera de graves brûlures chimiques.
	Toute batterie présente un risque de choc électrique et de courant de court-circuit élevé.



- NE jetez PAS la batterie dans le feu.
- Ne laissez aucune flamme, étincelle, source de chaleur ou cigarette allumée pendant ou plusieurs minutes suivant la charge de l'accumulateur.
- N'ouvrez PAS ni N'endommagez la batterie.
- Portez des lunettes de protection, un tablier et des gants en caoutchouc.
- Enlevez votre montre, vos bagues et tout autre objet de métal.
- Utilisez des outils avec des poignées isolées.




⚠ AVERTISSEMENT



	Le moteur, lorsqu'il fonctionne, produit du monoxyde de carbone, un gaz toxique inodore et incolore.
	L'inhalation du monoxyde de carbone peut causer des maux de tête, de la fatigue, des étourdissements, le vomissement, de la confusion, des crises épileptiques, des nausées, l'évanouissement ou la mort.

- Faites fonctionner le générateur SEULEMENT à l'extérieur.
- Installez un avertisseur de monoxyde de carbone à piles près des chambres à coucher.
- Évitez que les gaz d'échappement entrent dans un espace restreint, par une fenêtre, une porte, une prise d'aération ou toute autre ouverture.

RÈGLES DE SÉCURITÉ

 AVERTISSEMENT	
	<p>Le générateur produit une tension élevée. Ne pas relier le générateur à la terre risque de provoquer des électrocutions. NE PAS isoler le générateur de l'installation électrique risque de provoquer des blessures ou même d'être fatal pour les ouvriers électriciens et de causer des dommages au générateur dus à un "backfeed" d'énergie électrique.</p>
<ul style="list-style-type: none"> • Lorsque vous utilisez le générateur comme source d'énergie de secours, il est nécessaire d'aviser les services publics d'électricité. • NE touchez PAS les fils dénudés ou les boîtiers. • N'utilisez PAS le générateur avec des cordons électriques usés, effilochés ou dénudés, ou abîmés de quelque sorte que ce soit. • NE manipulez PAS le générateur ou les cordons d'alimentation lorsque vous êtes debout dans l'eau, pieds nus ou avec les mains ou les pieds humides. • Si vous devez travailler autour d'une unité alors qu'elle est en marche, placez-vous sur une surface sèche isolée afin de réduire les risques de choc électrique. • NE laissez PAS des personnes non qualifiées ou des enfants se servir ou réparer le générateur. • En cas d'accident causé par un choc électrique, procédez immédiatement à la mise hors tension de l'alimentation électrique et contacter des autorités locales. Évitez tout contact direct avec la victime. • En dépit de la conception sécuritaire du groupe électrogène, le fait d'opérer l'équipement de façon imprudente, de ne pas l'entretenir ou d'être négligent peut causer des blessures et la mort. • Demeurez alerte en tout temps lorsque vous travaillez sur cet équipement. NE travaillez JAMAIS sur l'équipement si vous êtes fatigué physiquement ou mentalement. • Avant de procéder à tout entretien sur la génératrice, débranchez tout d'abord le câble de batterie identifié par NEGATIVE, NEG ou (-). Rebranchez le câble après avoir terminé. • Une fois votre génératrice d'état d'attente installée, la génératrice peut se lancer et démarrer sans avertissement lorsque survient une panne électrique. Pour prévenir des blessures potentielles, AVANT de travailler sur l'équipement, réglez toujours l'interrupteur AUTO/OFF/MANUAL sur OFF, ET enlevez le fusible de 15 Ampères. 	

 AVERTISSEMENT	
	Le gaz propane et le gaz naturel sont extrêmement inflammables et explosifs.
	Le feu ou l'explosion risque de provoquer des blessures graves, pouvant être fatales.
<ul style="list-style-type: none"> • Installez le système d'alimentation de combustible conformément aux codes applicables aux combustibles et aux gaz. • Avant de mettre en service le génératrice d'état d'attente, il faut purger adéquatement les lignes d'alimentation de combustible et les tester pour les fuites. • Une fois le système installé, vous devez vérifier le système de combustible sur une base régulière. • Aucune fuite ne peut être tolérée. • NE faites PAS fonctionner le moteur si vous sentez une odeur de combustible ou si d'autres conditions d'explosion sont présentes. • Abstenez-vous de fumer près de la génératrice. Essayez immédiatement tout déversement d'huile. Assurez-vous de ne laisser aucun matériau combustible dans le compartiment de la génératrice. Gardez la zone autour de la génératrice propre et sans débris. 	

 AVERTISSEMENT	
	Tout contact avec la zone du silencieux peut causer des brûlures graves.
	La chaleur et les gaz d'échappement peuvent enflammer des matériaux combustibles et les structures ainsi que causer un incendie.
<ul style="list-style-type: none"> • NE touchez PAS aux pièces chaudes et évitez le contact avec les gaz d'échappement. • Laissez l'équipement refroidir avant de le toucher. • N'installez PAS la génératrice à moins de 1,5 m (5 pi) de tous matériaux combustibles ou structures comportant des murs combustibles dont le degré de résistance au feu est de moins d'une heure. • Laissez un dégagement d'au moins 91 cm (3 pi) tout autour de la génératrice, y compris au-dessus. • Le Code of Federal Regulation (CFR) Title 36 Parks, Forests, and Public Property exige que de l'équipement alimenté par un moteur à combustion interne soit doté d'un pare-étincelles et constamment maintenu en bon état fonctionnement, conformément à la norme de service 5100-1C de la USDA Forest ou à une révision de celle-ci. Dans l'État de la Californie, un pare-étincelles est requis en vertu de la section 4442 du California Public Resources Code. Il se peut que d'autres États aient des lois semblables aux terres fédérales. Si vous équipez le silencieux d'un pare-étincelles, il doit être en bon état de fonctionnement. 	

INSTALLATION

AVERTISSEMENT



Démarrateur et autres tournantes peuvent empêcher mains, cheveux, vêtement, ou accessoires.

- N'utilisez JAMAIS un générateur sans bâti ou couvercles protecteurs.
- NE portez PAS de vêtements lâches, de bijoux ou tout ce qui risquerait d'être pris dans le démarreur ou toute autre pièce rotative.
- Embouteiller des cheveux longs et enlever la bijouterie.

ATTENTION



L'installation du fusible pourrait causer le démarrage du moteur.

- Prenez note que, avant l'expédition, le fusible de 15 Ampères a été retiré du panneau électrique.
- N'installez PAS ce fusible avant que toute la plomberie et le câblage n'aient été complétés et vérifiés.

ATTENTION

Les vitesses de fonctionnement excessivement élevées augmentent les risques de blessure ou risquent d'endommager le générateur.

Les vitesses extrêmement lentes entraînent une charge importante.

- NE trafiquez PAS la vitesse réglée. Le générateur produit une fréquence nominale et une tension correctes lorsqu'il fonctionne à une vitesse réglée.
- NE modifiez PAS le générateur d'aucune façon.

AVIS

Dépasser la capacité de puissance ou d'ampérage du générateur risque d'endommager ce dernier et/ou les autres appareils électriques qui y sont branchés.

- Voir la section "Circuits Essentiels".
- Démarrez le générateur et laissez le moteur se stabiliser avant de brancher les charges électriques.

AVIS

Un traitement inapproprié du générateur risque de l'endommager et de raccourcir sa durée d'utilisation.

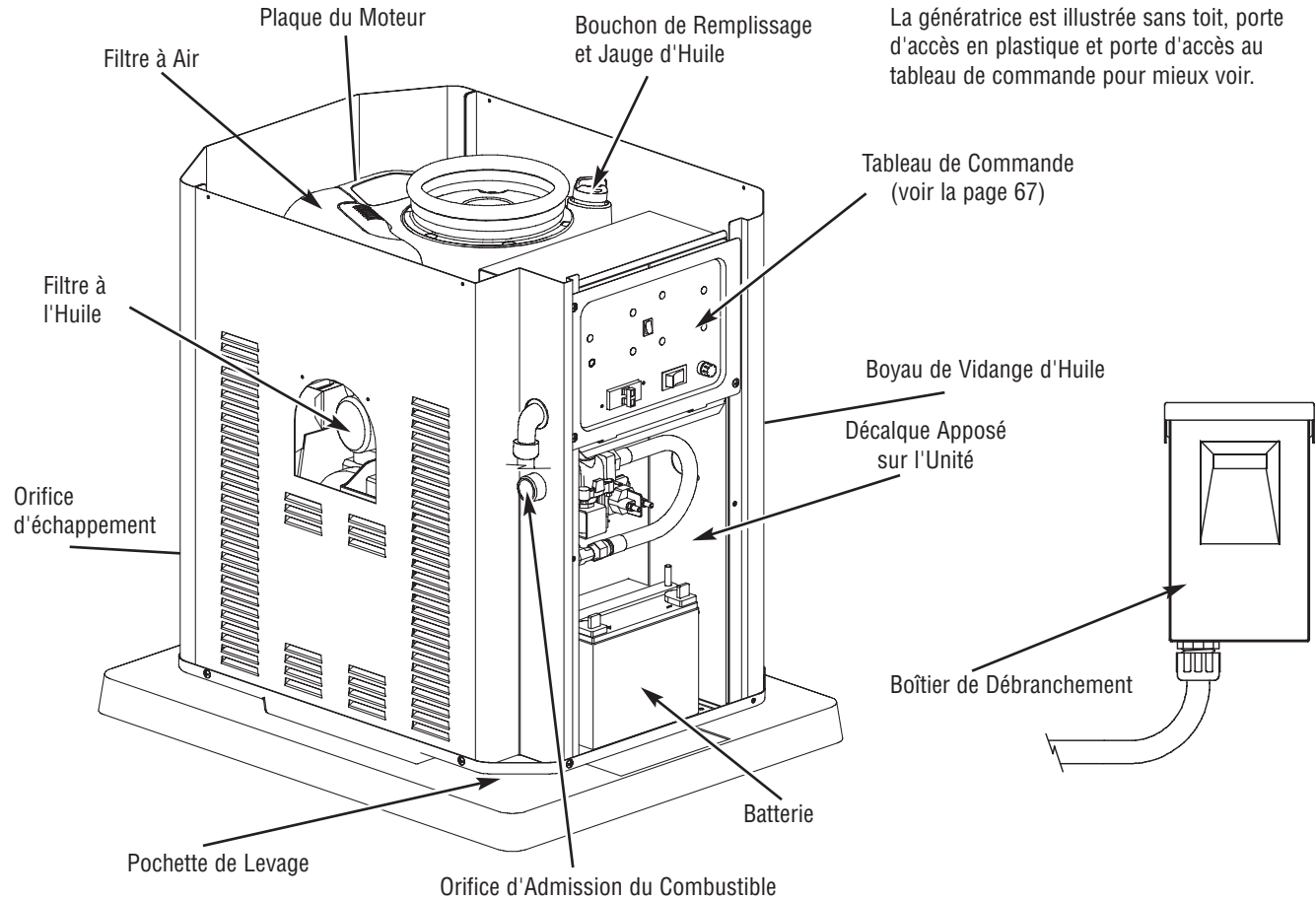
- NE vous servez du générateur que pour les utilisations prévues.
- Si vous avez des questions concernant les utilisations prévues, demandez à votre distributeur ou contactez Briggs and Stratton.
- NE faites fonctionner le générateur que sur des surfaces horizontales.
- Des débits d'air de refroidissement et d'aération adéquats sont nécessaires au bon fonctionnement de la génératrice.
- La porte d'accès et le toit doivent être installés lorsque l'unité est en marche.
- N'EXPOSEZ PAS le générateur à une humidité excessive, à de la poussière, à de la saleté ou à des vapeurs corrosives.
- En dépit de la conception sécuritaire du groupe électrogène, le fait d'opérer l'équipement de façon imprudente, de ne pas l'entretenir ou d'être négligent peut causer des blessures et la mort.
- Demeurez alerte en tout temps lorsque vous travaillez sur cet équipement. Ne travaillez jamais sur l'équipement si vous êtes fatigué physiquement ou mentalement.
- NE démarrez JAMAIS le moteur sans son filtre à air ou sans le couvercle du filtre à air.
- N'INSÉREZ aucun objet dans les fentes de refroidissement.
- N'UTILISEZ PAS la génératrice ni aucune partie de celle-ci comme palier. Le fait de marcher sur l'unité peut causer des contraintes et briser des pièces. Cela peut résulter en des conditions de fonctionnement dangereuses à cause d'une fuite de gaz d'échappement, de combustible, d'huile, etc.
- Si les appareils branchés sont en surchauffe, éteignez-les et débranchez-les du générateur.
- Arrêtez le générateur si :
 - la puissance électrique est inexistante;
 - l'équipement produit des étincelles, de la fumée ou des flammes;
 - l'unité vibre excessivement.

FAMILIARISEZ-VOUS AVEC VOTRE GÉNÉRATRICE D'ÉTAT D'ATTENTE



Lire ce manuel de l'utilisation et les règles de sécurité avant de faire marcher votre générateur.

Comparez les illustrations avec votre générateur pour vous familiariser avec l'emplacement des diverses commandes et réglages. Gardez ce manuel pour le consulter plus tard.



La génératrice est illustrée sans toit, porte d'accès en plastique et porte d'accès au tableau de commande pour mieux voir.

Batterie - Batterie scellée de 12 Volts C.C., 33 Ampères-heures, fournissant l'énergie pour démarrer le moteur. La batterie reçoit une charge à faible débit lorsque la génératrice n'est pas en marche.

Boîtier de Débranchement - Boîte de jonction pratique pour faciliter l'installation. Il vous permet de brancher des appareils à la sortie de la génératrice et de débrancher l'alimentation de service.

Bouchon de Remplissage et Jauge d'Huile - Vérifiez le niveau d'huile et remplissez le moteur avec l'huile recommandée ici.

Boyaux de Vidange d'Huile - Fourni afin de faciliter les changements d'huile.

Décalques Apposés sur l'Unité - Identifie l'unité par son numéro de série.

Filtre à Air - Utilisez un élément de filtre du type sec et un pré-filtre en mousse pour limiter le montant de saleté et de poussières entrant dans le moteur.

Filtre à l'Huile - Filtre l'huile du moteur afin d'en prolonger la durée de vie utile.

Orifice d'Admission du Combustible - Branchez le dispositif d'alimentation en combustible approprié à la génératrice à cet endroit.

Orifice d'échappement - Silencieux haute performance qui réduit le bruit du moteur afin de se conformer à la plupart des codes en milieu résidentiel.

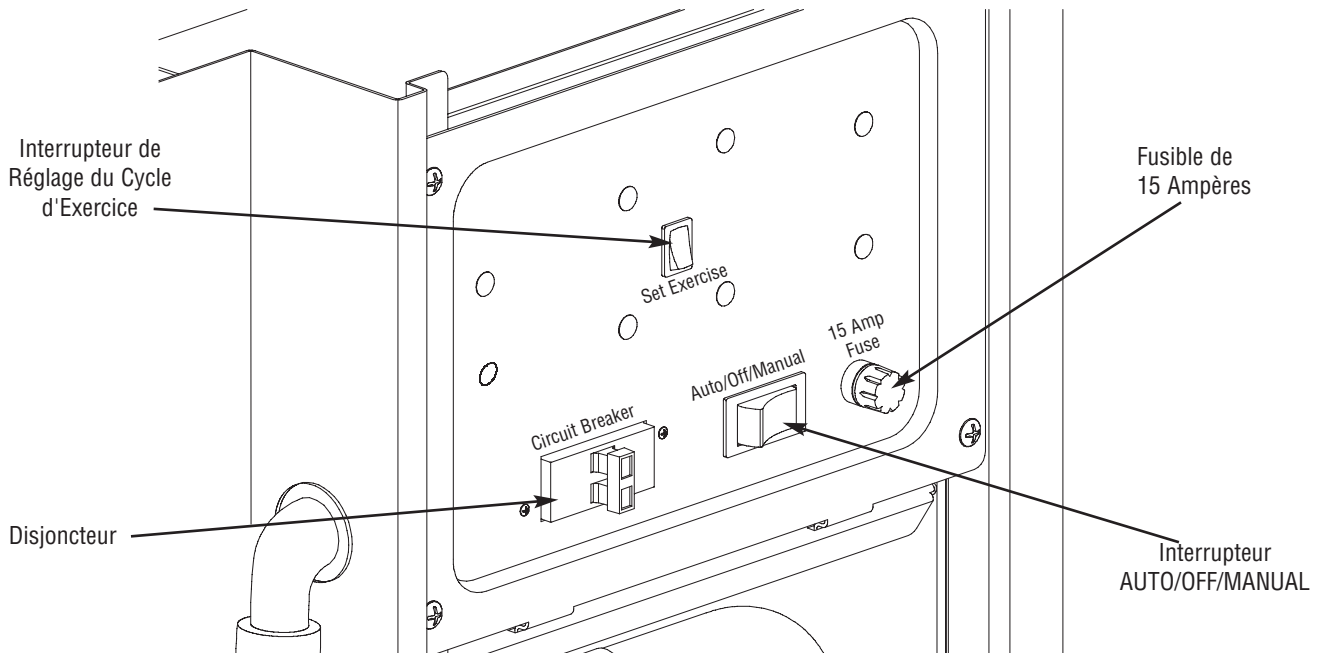
Plaque du Moteur (estampillé sur le dessus du couvercle de soupape) - Identifie le modèle ainsi que le type de moteur.

Pochette de Levage - Fourni à chaque coin pour soulever de génératrice.

Tableau de Commande - Utilisé pour diverses fonctions d'essai, de fonctionnement et d'entretien. Voir "FAMILIARISEZ-VOUS AVEC LE TABLEAU DE COMMANDE" à la page suivante.

FAMILIARISEZ-VOUS AVEC LE TABLEAU DE COMMANDE

Comparez la présente illustration au tableau de commande de votre génératrice afin de vous familiariser avec l'emplacement des importantes commandes suivantes:



Disjoncteur - Protège le système des surtensions et doit être en position **ON** pour alimenter le commutateur de transfert.

Fusible de 15 Ampères - Protège les circuits de commande C.C. du générateur d'état d'attente. Si le fusible est grillé (fondu et ouvert) ou a été enlevé, le moteur ne peut être lancé ou démarré. Remplacez le fusible grillé uniquement par un fusible BUSS AGC de 15A.

Interrupteur AUTO/OFF/MANUAL - Ce dispositif à trois positions est la commande la plus importante du système et s'utilise comme suit:

- La génératrice est réglée à la position "**AUTO**" pour le mode normal de fonctionnement. Si une panne d'électricité est détectée, la génératrice démarrera automatiquement. Lorsque l'alimentation de service est rétablie, la génératrice s'arrête et demeure prête pour la prochaine panne d'électricité.

- La position "**OFF**" ferme la génératrice, ce qui empêche l'unité de démarrer et remet les indications de panne à zéro.
- La position "**MANUAL**" permet de démarrer la génératrice. Cette position est utilisée pour réaliser les activités d'entretien et d'analyse.

Interrupteur de Réglage du Cycle d'Exercice - Utilisé pour régler le jour et l'heure du début du cycle d'exercice. Le cycle d'exercice ne s'exécute qu'en mode AUTO.

CONSERVEZ CES INSTRUCTIONS

Ce manuel contient d'importantes directives qu'il faut suivre lors de l'installation et de la maintenance de la génératrice et de la batterie.

INTRODUCTION

Merci d'avoir acheté une génératrice Briggs & Stratton. Ce produit est conçu pour être utilisé comme génératrice optionnelle fournissant une source d'électricité de rechange et pour desservir des charges comme le chauffage, les systèmes de réfrigération et les systèmes de communication qui, lorsqu'ils sont arrêtés durant une panne d'électricité, peuvent causer de l'inconfort ou d'autres désagréments. Ce produit ne se qualifie pas comme génératrice d'urgence tel que défini par la NFPA 70 (NEC).

Ce guide est un document important. Le propriétaire doit le conserver au terme de l'installation.

Le guide contient des instructions relatives à l'installation, au démarrage et aux réglages du groupe électrogène résidentiel pour les appareils fonctionnant sous 120 et/ou 240 volts, monophasés, 60 Hz. Le groupe électrogène résidentiel doit être utilisé avec du propane liquéfié ou du gaz naturel.

Tout a été fait pour s'assurer que les renseignements contenus dans le présent guide soient exacts et à jour. Toutefois, le fabricant se réserve le droit de changer, de modifier ou encore d'améliorer le système en tout temps, et ce, sans préavis.

La société Briggs & Stratton a tout fait pour fournir une génératrice d'état d'attente dont l'installation soit sécuritaire, facile et économique. Comme chaque installation est unique, il est impossible de connaître et de recommander une marche à suivre présentant toutes les méthodes et consignes d'installation possibles. Briggs & Stratton ignore également les dangers et/ou les résultats potentiels de chaque méthode ou procédure. C'est pourquoi,

Seuls des entrepreneurs en électricité et en plomberie qualifiés devraient procéder à l'installation des groupes électrogènes. Toute installation doit être conforme à tous codes de sécurité applicables, ainsi qu'aux normes et à la réglementation de l'industrie.

RESPONSABILITÉS DE L'ACHETEUR

- Vous devez lire et suivre les instructions indiquées dans ce manuel, en particulier la section Sécurité et la section concernant la sélection des circuits essentiels.
- Établissez un programme d'entretien, de soins et d'utilisation régulier de votre génératrice d'état d'attente, tel qu'indiqué dans ce manuel.

RESPONSABILITÉS DE L'INSTALLATEUR

- Vous devez lire et respecter les règles de sécurité décrites dans ce manuel.
- Vous devez lire et suivre les instructions indiquées dans ce manuel.

IMPORTANT: Nous recommandons d'installer un chauffe-batterie lorsque la génératrice est utilisée à des températures inférieures à 4,5 °C (40 °F). Un chauffe-batterie doit être installé lorsque la génératrice est utilisée à des températures inférieures à 32°C (90 °F). Ces articles sont disponibles auprès de votre commerçant local.

AIDE À L'INSTALLATION

Au Propriétaire Résidentiel:

Afin de vous aider à faire des choix avisés et à communiquer efficacement avec l'entrepreneur qui procédera à l'installation,

Veillez lire avec soin la section Conseils au propriétaire dans le présent guide avant de contracter un entrepreneur ou de commencer l'installation de votre génératrice d'état d'attente.

Pour assurer une installation adéquate, veuillez contacter le magasin qui vous a vendu votre génératrice d'état d'attente Briggs & Stratton, votre détaillant ou votre fournisseur de services d'électricité.

Si l'installation de la génératrice d'état d'attente n'est pas effectuée par des professionnels certifiés en électricité et en plomberie, la garantie sera ANNULÉE.

Au Détaillant ou à l'Entrepreneur Procédant à l'Installation:

- Le manuel renferme tous les renseignements nécessaires à l'installation adéquate ainsi qu'au démarrage de la génératrice d'état d'attente pour la plupart des usages. Le présent manuel décrit les procédures de sélection des circuits essentiels, de fonctionnement normal et d'entretien par le propriétaire.
- Si vous avez besoin de renseignements supplémentaires, veuillez appeler au (800) 743-4115 de 8 h à 17 h HNC.

Nous garantissons que le dispositif antipollution de cette génératrice répond aux normes établies par le U.S. Environmental Protection Agency et le California Air Resources Board (CARB).

CONSEILS AU PROPRIÉTAIRE

La présente section présente au propriétaire du générateur d'état d'attente les renseignements dont il aura besoin pour que l'installation du générateur d'état d'attente soit la plus satisfaisante et économique possible.

Les illustrations se rapportent à des cas typiques et ont pour but de vous familiariser avec les différentes options d'installation de votre générateur d'état d'attente dont vous disposez. En comprenant pleinement ces options, vous pourrez bien contrôler les coûts liés à votre installation et assurer votre satisfaction finale ainsi que votre sécurité.

Au moment de négocier avec un installateur professionnel, il faudra tenir compte des facteurs suivants : les codes de sécurité locaux, l'apparence, le niveau de bruits, les types de carburant et les distances. À mesure qu'augmente la distance entre la génératrice et le service électrique existant ou l'alimentation en combustible gazeux, la tuyauterie et le câblage doivent être modifiés en conséquence. Ces modifications sont nécessaires pour se conformer aux codes de sécurité locaux et pour surmonter les chutes de tension et les baisses de pression du combustible gazeux.

Les facteurs mentionnés ci-dessus auront une incidence directe sur le prix total de l'installation de votre générateur d'état d'attente.

REMARQUE: Dans certaines régions, vous devrez vous procurer un permis de travail d'électricité pour installer le générateur d'état d'attente, un permis de construction pour l'installation des canalisations de gaz, ainsi qu'un permis relatif au bruit. Votre installateur est tenu de vérifier les codes locaux ET d'obtenir les permis requis avant de procéder à l'installation du système.

Facteurs Relatifs au Combustible

Le type de combustible utilisé par votre générateur de secours aura une incidence importante sur l'ensemble de l'installation. La génératrice a été testée en usine et réglée pour l'utilisation du gaz naturel en tant que combustible. Le gaz de pétrole liquéfié (GPL) peut également être utilisé en installant la trousse de conversion incluse.

Pour assurer le fonctionnement approprié de la génératrice, il est recommandé de suivre les directives suivantes relatives au combustible:

Pour les moteurs réglés sur l'utilisation du gaz de pétrole liquéfié (GPL), le propane commercial de classe HD5, ayant une énergie combustible minimum de 2500 Btu/pi3 à teneur maximum de 5% de propylène et de butane et de 2,5% de gaz plus lourds et une teneur minimum en propane de 90%, convient.



AVERTISSEMENT



Le gaz propane et le gaz naturel sont extrêmement inflammables et explosifs.



Le feu ou l'explosion risque de provoquer des blessures graves, pouvant être fatales.

- Cet équipement est muni d'un robinet de sécurité pour la fermeture automatique des gaz.
- N'opérez PAS l'équipement si le robinet de fermeture du combustible est manquant ou ne fonctionne pas.

Baisse de Puissance à Haute Altitude ou à Température élevée

La densité de l'air étant moindre en haute altitude, la puissance du moteur est donc réduite. En fait, la puissance du moteur sera réduite de 3,5% pour chaque 1000 pieds (300 mètres) au-dessus du niveau de la mer, et de 1% pour chaque 10° F (5,6°C) au-dessus de 77°F (25°C). Votre installateur et vous-même devriez vous assurer de tenir compte de ces facteurs au moment de déterminer la charge totale de la génératrice.

PROCÉDURES D'INSTALLATION

Précautions Lors du Déballage

L'unité est boulonnée à son berceau de montage pour l'expédition et est prête à être branchée. Prenez soins d'éviter les dommages causés par une chute, un choc, une collision, etc. Entrez et déballez la boîte dans le bon sens, tel qu'indiqué sur le carton d'expédition.

Vérification de la Livraison

Après avoir enlevé le carton, examinez avec soin les éléments de la génératrice pour tout dommage subi durant l'expédition.

IMPORTANT: Au moment de la livraison, si vous remarquez des dommages ou des pièces manquantes, demandez au livreur de noter tous les dommages sur la facture de fret et d'apposer sa signature dans l'espace réservé à cet effet. Après la livraison, si vous remarquez des pièces manquantes ou des dommages, mettez les pièces endommagées de côté et communiquez avec le transporteur pour connaître les procédures de réclamation. Les pièces manquantes ou endommagées ne sont pas garanties.

Commutateurs de Transfert Approuvés

Le générateur d'état d'attente doit être utilisé SEULEMENT avec les commutateurs de transfert homologués UL suivants. Brancher tout autre commutateur de transfert annulera la garantie sur l'unité.


Contenu de la Boîte

Le Générateur d'état d'attente est Livré avec les Éléments Suivants:

- Générateur d'état d'attente avec boîtier de débranchement
- Berceau de montage préfixé
- Un tuyau de montage flexible (rencontre UL 569 et CSA 8.3)
- Manuel d'installation, de démarrage et du utilisation
- Liste de vérification d'installation
- Plaque DEL diagnostic à distance
- Bac de vidange d'huile
- Peinture de retouche
- Un fusible de rechange de 15 A
- Trousse de conversion au GPL
- Sac pour le toit

Soulèvement de la Génératrice


La génératrice pèse plus de 280 livres (127 kg). Il faut utiliser des outils et de l'équipement appropriés et recourir à un personnel qualifié pour chacune des phases de manipulation et de déplacement de l'unité.

⚠ AVERTISSEMENT	
	Risque de levage/Objet lourd Peut entraîner un claquage musculaire ou des blessures au dos.
<ul style="list-style-type: none"> NE soulevez ni ne déplacez PAS la génératrice sans aide. NE soulevez PAS l'unité par sa partie supérieure car cela endommagera la génératrice. 	

Il y a des pochettes de levage dans chaque coin, entre la base de la génératrice et son berceau de montage. À l'aide de la peinture pour retouche fournie, effectuez les retouches de peinture pour toute surface écaillée.

Emplacement du Génératrice d'état d'Attente

Avant d'appliquer les présentes directives générales, consultez le propriétaire et faites-lui part de toute considération technique qui pourrait influencer sur ses désirs.

⚠ AVERTISSEMENT	
	La chaleur et les gaz d'échappement peuvent enflammer des matériaux combustibles et les structures ainsi que causer un incendie.
<ul style="list-style-type: none"> N'installez PAS la génératrice à moins de 1,5 m (5 pi) de tous matériaux combustibles ou structures comportant des murs combustibles dont le degré de résistance au feu est de moins d'une heure. Laissez un dégagement d'au moins 91 cm (3 pi) tout autour de la génératrice, y compris au-dessus. 	

Dégagement Autour de la Génératrice

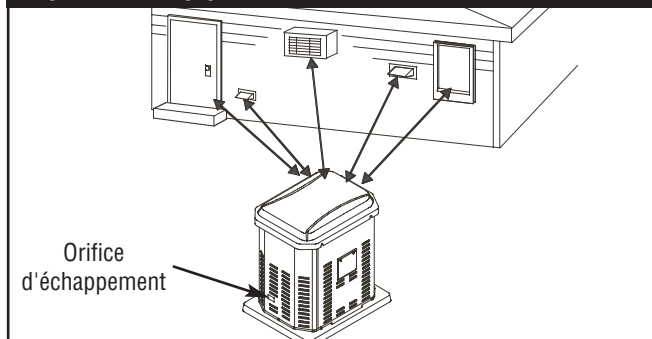
Placez la génératrice dans un endroit bien ventilé qui permet l'élimination des gaz d'échappement mortels. N'installez pas la génératrice dans un endroit où les gaz d'échappement pourraient s'accumuler et pénétrer ou être aspirés dans un édifice qui pourrait être occupé. Assurez-vous que les gaz d'échappement ne puissent entrer par une fenêtre, une porte, une prise d'aération ou une autre ouverture qui pourrait leur permettre de s'accumuler dans un espace restreint (Figure 27). Tenez aussi compte des vents dominants et des courants d'air au moment de choisir l'endroit où vous installerez la génératrice.

Directives Générales Concernant l'Emplacement

- Installez l'unité à l'extérieur **SEULEMENT**.
- Placez l'unité dans un endroit préparé à cet effet qui soit plat et muni d'un drain pour l'écoulement des eaux.
- Installez l'appareil dans un endroit où l'évacuation d'une pompe de puisard, l'écoulement des gouttières et du toit, l'irrigation d'aménagement paysagé ou un système de pulvérisation d'eau n'entraînera pas une inondation de l'appareil, l'arrosage du boîtier ou l'entrée d'eau par l'admission d'air ou les ouvertures de sortie.

⚠ AVERTISSEMENT	
	Le moteur, lorsqu'il fonctionne, produit du monoxyde de carbone, un gaz toxique inodore et incolore. L'inhalation du monoxyde de carbone peut causer des maux de tête, de la fatigue, des étourdissements, le vomissement, de la confusion, des crises épileptiques, des nausées, l'évanouissement ou la mort.
<ul style="list-style-type: none"> Faites fonctionner le générateur SEULEMENT à l'extérieur. Installez un avertisseur de monoxyde de carbone à piles près des chambres à coucher. Évitez que les gaz d'échappement entrent dans un espace restreint, par une fenêtre, une porte, une prise d'aération ou toute autre ouverture. 	

Figure 27 — Dégagement du Générateur d'état d'attente



- Installez l'appareil dans un endroit où l'emplacement de tout service dont le téléphone, l'électricité, la climatisation, l'irrigation, incluant des services recouverts, enfermés et souterrains ne seront pas touchés ou obstrués.
- Installez l'unité là où les ouvertures pour l'entrée et la sortie d'air ne seront pas obstruées par les feuilles, le gazon, la neige, etc. Si des vents dominants causent des bourrasques ou des amoncellements, il faut construire un brise-vent pour protéger l'unité.
- Installez la génératrice aussi près que possible de l'alimentation en combustible afin de réduire la longueur des tuyaux.

IMPORTANT: La loi ou les codes locaux peuvent réglementer la distance entre le générateur d'état d'attente et la source d'alimentation en combustible.

Le générateur d'état d'attente a été fixé à son berceau de montage avant l'expédition. Sauf si stipulé par un code local, aucune dalle en béton n'est nécessaire.

Si le code local exige une telle dalle, coulez une dalle de béton mesurant au moins 3 pouces (7,5 cm) d'épaisseur et six pouces plus long et plus large que l'unité elle-même. À l'aide de boulons d'ancrage de maçonnerie de 1/4 po (0,64 cm) de diamètre (au minimum) et suffisamment longs pour retenir l'unité, fixez l'unité à la dalle.

Circuits Essentiels

Consultez le propriétaire de l'immeuble pour en identifier clairement les circuits "essentiels".

Il est important de bien comprendre quels circuits le propriétaire souhaite inclure parmi les " circuits essentiels ". Selon la quantité d'énergie consommée par ces circuits, la plupart de ceux-ci ou tous, peuvent être commutés vers la génératrice de secours pour la durée d'une panne de courant normale.

La Figure 28 présente un tableau de référence de puissance qui guidera le propriétaire dans son choix. Celui-ci indique la puissance utilisée par plusieurs appareils électroménagers courants. Utilisez ce tableau comme guide au moment de choisir les circuits essentiels. Réviser ces renseignements avec le propriétaire et expliquez-lui les aspects techniques ayant une incidence sur le coût de l'installation.

Sélection des Circuits Essentiels

Lors de la sélection des circuits essentiels qui seront commutés vers l'alimentation de secours, il importe que la charge totale combinée de ces circuits ne dépasse pas la capacité de puissance ou d'intensité du courant de la génératrice. Veuillez tenir compte des points suivants dans la sélection des circuits essentiels:

- Additionnez la puissance totale de tous les appareils qui seront branchés en même temps. Ce total NE doit PAS dépasser la capacité de puissance de la génératrice.
- La puissance nominale des lampes est indiquée sur les ampoules. La puissance nominale des outils électriques, des appareils électroménagers et des moteurs est habituellement indiquée sur les plaques ou les décalques apposés sur les appareils.
- Si la puissance n'est pas indiquée sur un appareil électroménager, un outil ou un moteur, multipliez volts par l'intensité nominale de l'appareil pour déterminer le nombre de watts (**Volts x Ampères = Watts**).
- Certains moteurs électriques (les moteurs à induction) nécessitent environ trois fois plus de watts de puissance au démarrage que lorsqu'ils sont en marche. Cette surtension ne dure que quelques secondes. Lors de la sélection des appareils électriques qui seront alimentés par le génératrice d'état d'attente, assurez-vous d'allouer suffisamment de puissance pour combler cette puissance de démarrage élevée.
 - Calculez le nombre de watts nécessaires au démarrage du plus gros moteur.
 - Ajoutez le résultat au nombre de watts total de toutes les autres charges branchées.

Le génératrice d'état d'attente de Briggs & Stratton est conforme à la "puissance nominale de réserve stationnaire" suivante:

La puissance nominale de réserve s'applique à la fourniture d'électricité d'urgence pour la durée normale d'une panne de courant. Cette puissance n'inclut aucune capacité de surcharge permanente.

Figure 28 — Guide de Référence de Puissance

	Appareil	Watts utilisés
<input type="checkbox"/>	Conditionneur d'air (12 000 Btu)*	1 700
<input type="checkbox"/>	Conditionneur d'air (24 000 Btu)*	3 800
<input type="checkbox"/>	Conditionneur d'air (40 000 Btu)*	6 000
<input type="checkbox"/>	Chargeur de batterie (20 ampères)	500
<input type="checkbox"/>	Scie circulaire (6,5 po) (16,5 cm)	800 à 1 000
<input type="checkbox"/>	Sècheuse (électrique)*	5 750
<input type="checkbox"/>	Sècheuse (gaz)*	700
<input type="checkbox"/>	Lessiveuse*	1 150
<input type="checkbox"/>	Cafetière	1 750
<input type="checkbox"/>	Compresseur (1 HP)*	2 000
<input type="checkbox"/>	Compresseur (1/2 HP)*	1 400
<input type="checkbox"/>	Compresseur (3/4 HP)*	1 800
<input type="checkbox"/>	Fer à friser	700
<input type="checkbox"/>	Déshumidificateur*	650
<input type="checkbox"/>	Couverture électrique	400
<input type="checkbox"/>	Cuisinière électrique (par élément)	1 500
<input type="checkbox"/>	Poêle électrique	1 250
<input type="checkbox"/>	Congélateur*	700
<input type="checkbox"/>	Ventilateur de fournaise (3/5 HP)*	875
<input type="checkbox"/>	Ouvre-porte de garage*	500 à 750
<input type="checkbox"/>	Séchoir à cheveux	1 200
<input type="checkbox"/>	Perceuse à main	250 à 1 100
<input type="checkbox"/>	Fer à repasser	1 200
<input type="checkbox"/>	Pompe aspirante*	800
<input type="checkbox"/>	Ampoule électrique	100
<input type="checkbox"/>	Four à micro-ondes	700 à 1 000
<input type="checkbox"/>	Refrigerateur à lait*	1 100
<input type="checkbox"/>	Brûleur à mazout pour fournaise	300
<input type="checkbox"/>	Radiateur autonome au mazout (140 000 Btu)	400
<input type="checkbox"/>	Radiateur autonome au mazout (30 000 Btu)	150
<input type="checkbox"/>	Radiateur autonome au mazout (85 000 Btu)	225
<input type="checkbox"/>	Radio	50 à 200
<input type="checkbox"/>	Réfrigérateur	700
<input type="checkbox"/>	Mijoteuse	200
<input type="checkbox"/>	Pompe submersible (1 HP)*	2 000
<input type="checkbox"/>	Pompe submersible (1/2 HP)*	1 500
<input type="checkbox"/>	Pompe submersible (1 1/2 HP)*	2 800
<input type="checkbox"/>	Pompe de puisard*	800 à 1 050
<input type="checkbox"/>	Scie d'établi (10 po)*	1 750 à 2 000
<input type="checkbox"/>	Téléviseur	200 à 500
<input type="checkbox"/>	Grille-pain	1 000 à 1 650

*Allouez trois (3) fois le nombre de watts pour le démarrage des appareils

INSTALLATION

Cette puissance nominale s'applique aux installations desservies par un service électrique normalement fiable. Cette puissance ne s'applique qu'aux charges variables avec facteur de charge moyen de 80 % de la puissance de réserve. La puissance de réserve ne s'applique qu'à l'alimentation de réserve optionnelle là où la génératrice sert de source d'énergie de réserve normale.

Utilisez le Guide de référence de puissance fourni, et indiquez les circuits que vous considérez "critiques" ou "essentiels". L'installateur et vous-même devez vous assurer de tenir compte de l'altitude au-dessus du niveau de la mer et de la plage de température ambiante lors de la détermination de la charge totale de la génératrice.

Directives d'Assemblage du Boîtier de Débranchement

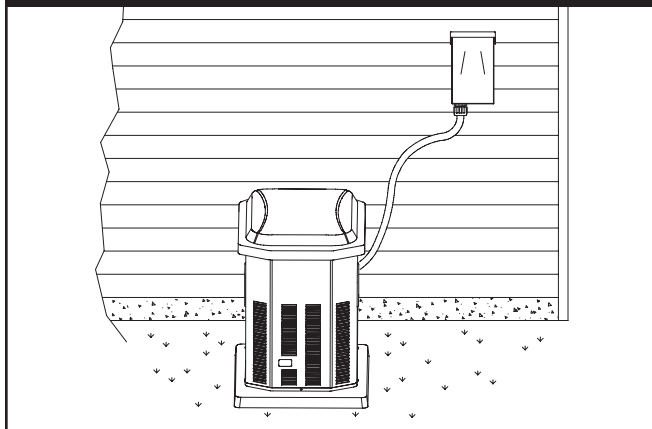
Le boîtier de débranchement se trouve dans un boîtier de type NEMA 3R adapté pour un usage à l'intérieur et à l'extérieur. Toute installation doit être conforme à tous codes de sécurité applicables, ainsi qu'aux normes et à la réglementation de l'industrie.

Les directives pour l'assemblage du boîtier de débranchement comprennent:

- Le boîtier de débranchement doit être installé avec la quincaillerie de raccordement de conduits appropriée.
- Installez le boîtier de débranchement sur une structure de soutien ferme et solide. Assurez-vous qu'il est au niveau et d'aplomb. Ceci peut être accompli en insérant des rondelles entre le boîtier de débranchement et la surface de fixation.
- N'installez JAMAIS le boîtier de débranchement dans un endroit où une substance corrosive pourrait s'infiltrer.
- Protégez le boîtier de débranchement en tout temps contre l'humidité, les poussières, les saletés, les peluches, le gravier et les vapeurs corrosives.

La Figure 29 illustre une installation typique de boîtier de débranchement. Discutez des suggestions/changements de disposition avec le propriétaire avant d'entamer le processus d'installation.

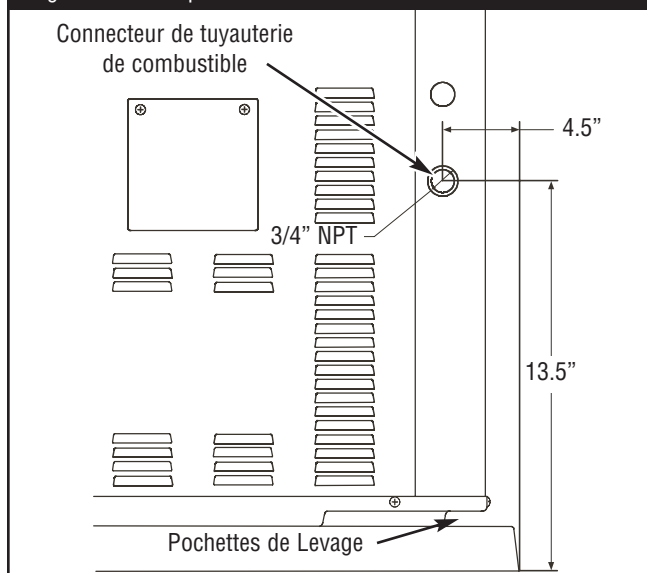
Figure 29 — Assemblage Typique d'un Boîtier de Débranchement



Dimensions de l'Orifice d'Admission du Combustible

Ci-dessous, la Figure 30 décrit l'emplacement du raccord de tuyauterie du combustible.

Figure 30 — Emplacement du Combustible et des Éléments



Toit Amovible et Porte d'Accès

Le générateur d'état d'attente est équipé d'une enceinte avec toit amovible et porte d'accès au panneau électrique.

Pour enlever le toit:

Retirez les quatre vis et soulevez le toit.




Pour enlever la porte d'accès:

1. Retirez le toit de la façon décrite ci-dessus.
2. Retirez la vis en haut de la porte d'accès.
3. Tirez la porte d'accès vers l'extérieur de l'unité tout exerçant une pression vers le haut et en l'éloignant de la base. La porte se dégagera de l'enceinte de la génératrice.

Pour installer la porte d'accès et le toit :

1. Guidez le bas de la porte d'accès dans la base.
2. Poussez la porte d'accès jusqu'à ce qu'elle s'aligne avec les côtés.
3. Remplacez la vis de la porte.
4. Remplacez le toit et les vis.

LE SYSTÈME DE COMBUSTIBLE GAZEUX


 AVERTISSEMENT	
	Le gaz propane et le gaz naturel sont extrêmement inflammables et explosifs.
	Le feu ou l'explosion risque de provoquer des blessures graves, pouvant être fatales.
<ul style="list-style-type: none"> • Le gaz de pétrole liquéfié est plus lourd que l'air et s'accumule près du sol. • Le gaz naturel est plus léger que l'air et s'accumule en hauteur. • Même la plus petite étincelle peut enflammer ces combustibles et causer une explosion. • N'allumez PAS de cigarette ou ne fumez pas à proximité de l'appareil. 	

Les renseignements ci-dessous aideront les techniciens en systèmes de combustible gazeux à concevoir les installations. Ces renseignements ne doivent en aucun cas être interprétés de façon à aller à l'encontre des codes applicables aux combustibles gazeux. Si vous avez des questions ou des problèmes, consultez votre fournisseur de combustible local ou votre chef des pompiers.

À L'INSTALLATEUR: Avant d'appliquer ces consignes générales, consultez le propriétaire du groupe électrogène et soulevez toute considération technique qui pourrait influencer sur ses plans d'installation.

Les règles générales suivantes s'appliquent à la tuyauterie utilisée dans les systèmes de combustible gazeux.

- La tuyauterie doit être fabriquée d'un matériau conforme aux codes de sécurité fédéraux et locaux; elle doit être fixée solidement et protégée contre les vibrations.
- La tuyauterie doit être protégée contre les dommages physiques aux endroits où elle traverse les massifs de fleurs, les massifs d'arbustes ainsi que les autres surfaces cultivées susceptibles de subir des dommages.
- Installez les tuyaux flexibles pour combustibles cela rencontre UL 569 et CSA 8.3 (fournis) entre l'orifice d'admission de combustible du groupe électrogène résidentiel et la tuyauterie rigide afin d'empêcher l'expansion thermique ou la contraction de causer une contrainte excessive aux matériaux de la tuyauterie.

 ATTENTION	
Le connecteur ne doit pas être installé sous terre ou être en contact avec la sol.	
<ul style="list-style-type: none"> • Il faut que toute la longueur du connecteur flexible soit visible pour l'inspection régulière et celui-ci ne doit être enfermé, être en contact ou traverser un mur, un plancher ou une cloison. 	

REMARQUE : Lorsque les conditions locales impliquent des tremblements de terre, des tornades, un sol instable ou des risques d'inondation, des considérations spéciales doivent être apportées afin d'augmenter la force et la flexibilité des supports et des raccords de la tuyauterie.

- La tuyauterie doit être de la bonne dimension afin de maintenir les pressions d'alimentation ainsi que le débit volumétrique nécessaires sous les diverses conditions de la génératrice alors que tous les appareils au gaz sont reliés au système d'alimentation et en fonctionnement.
- Afin de réduire la possibilité de fuites, utilisez un scellant ou un composé approuvé pour joints de tuyauterie sur tous les raccords à visser.
- Conformément aux codes et aux normes applicables, la tuyauterie installée doit être adéquatement purgée et testée pour son étanchéité.

 AVERTISSEMENT	
	Le gaz propane et le gaz naturel sont extrêmement inflammables et explosifs.
	Le feu ou l'explosion risque de provoquer des blessures graves, pouvant être fatales.
<ul style="list-style-type: none"> • Avant de mettre en service le groupe électrogène, il faut purger adéquatement les lignes d'alimentation de combustible et les tester pour les fuites. • Aucune fuite ne peut être tolérée. 	

Tenez compte des facteurs suivants lorsque vous planifiez l'installation du système d'alimentation en combustible:

En ce qui a trait aux systèmes bi-énergie inviolables, le moteur du groupe électrogène est conçu avec un système de carburation du combustible qui satisfait aux spécifications de la California Air Resources Board. L'unité fonctionnera avec le gaz naturel ou le propane liquéfié.

- Au moins un robinet de fermeture manuelle approuvé doit être installé sur la ligne d'alimentation en combustible à l'intérieur de 1,8 m (6 pi) du groupe électrogène résidentiel. Un raccord union ou un raccord à brides doit être installé en aval de sorte à permettre le retrait des commandes.
- La pression de ravitaillement en gaz naturel à l'orifice d'alimentation de combustible de la génératrice devrait se situer entre 5 et 7 pouces d'eau (po W.C.) à pleine capacité. La pression de ravitaillement en pétrole liquéfié devrait se situer entre 11 et 14 pouces d'eau (po W.C.) à pleine capacité.

INSTALLATION

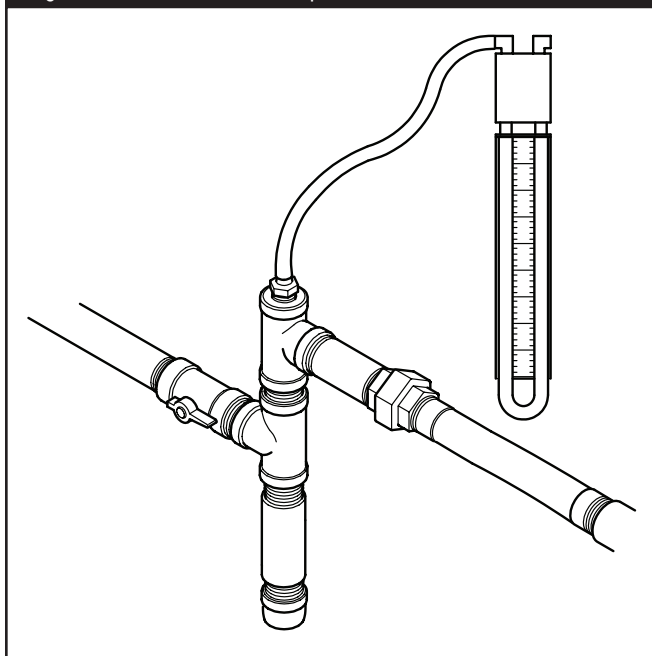
Le groupe électrogène a été réglé en usine pour fonctionner au gaz naturel. Si vous devez changer le combustible principal du gaz naturel au gaz de pétrole liquéfié, il faudra reconfigurer l'unité en suivant les indications à la page 79.

Il est recommandé que le raccord du combustible inclut les pièces suivantes:

- Un robinet de fermeture manuelle du carburant situé à l'intérieur de l'édifice.
- Un robinet de fermeture manuelle du combustible situé à l'extérieur de l'édifice, juste avant la génératrice.
- La tuyauterie doit être protégée contre le gel dans les régions propices à la formation d'hydrates ou de glace. La terminaison de la tuyauterie rigide devrait inclure une trappe à sédiments dans les régions où le condensat ne gèle habituellement pas.
- Il faudrait inclure une sortie pour manomètre.

La sortie pour manomètre permet l'installation temporaire d'un manomètre (Figure 31), afin de s'assurer que le moteur reçoit la pression de carburant adéquate pour fonctionner efficacement dans l'ensemble de sa plage de fonctionnement.

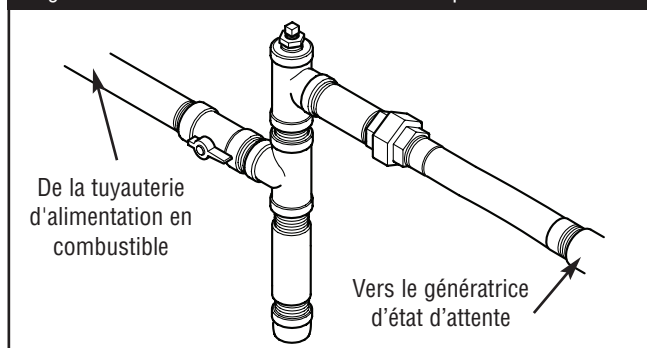
Figure 31 — Manomètre Temporaire Installé



REMARQUE: Un manomètre numérique, no de pièce 19495, est disponible à votre centre de service local.

Lorsque la série initiale d'essais est complétée, le manomètre est enlevé et la sortie bouchée. La Figure 32 présente un assemblage typique de raccord de combustible.

Figure 32 — Raccords de Combustible Complétés



Consommation de Combustible

Voir la Figure 33 pour les exigences en matière d'alimentation en combustible à demi charge et à pleine charge pour le gaz naturel et le gaz de pétrole liquéfié.

Figure 33 — Exigences en Matière d'Alimentation en Combustible

Gas Naturel*		Vapeur PL**	
1/2 Charge	Pleine charge	1/2 Charge	Pleine charge
80	137	33	56

* = Gaz naturel en pieds cubes par heure (PCH)
 ** = Vapeur de pétrole liquéfié en pieds cubes par heure

INSTALLATION

Grosueur du Tuyau de Combustible

Les Figures 34 et 35 indiquent la capacité maximum du tuyau en pieds cubes de gaz par heure pour des pressions de gaz de 0,5 psi ou moins et une colonne d'eau à chute de pression de 0,3 po. La gravité spécifique des gaz y est illustrée.

Les valeurs indiquées compensent pour une quantité nominale de restrictions causées par les lyres de dilatation, les joints, etc. Si la tuyauterie comporte une quantité anormalement élevée de joints, de lyres de dilatation ou d'autres restrictions, reportez-vous aux codes fédéraux et locaux.

Figure 34 — Dimensions du tuyau de GAZ NATUREL - Tableau de Débit du Gaz, en Pieds Cubes par Heure

NPT	10ft	15ft	20ft	30ft	40ft	50ft	60ft	70ft	80ft	90ft	100ft
1/2"	168	146	115	93	79	70	63	59	55	51	48
3/4"	346	293	240	192	163	145	132	120	113	106	99
1"	653	549	446	360	307	274	250	230	211	197	187
Gaz Naturel (densité = 0,65)											

Figure 35 — Dimensions du Tuyau de GAZ DE PÉTROLE LIQUÉFIÉ (GPL) - Tableau de Débit du Gaz, en Pieds Cubes par Heure

NPT	10ft	15ft	20ft	30ft	40ft	50ft	60ft	70ft	80ft	90ft	100ft
1/2"	110	96	76	61	52	46	42	38	36	33	32
3/4"	277	192	158	126	107	95	87	79	74	69	65
1"	428	360	293	236	202	180	164	151	139	129	123
Gaz de Pétrole Liquéfié (GPL) (densité = 1,50)											

INSTALLATION

Charte de Comparaison des Combustibles

Propriétés physiques	Propane	Gaz naturel
État atmosphérique normal	Gaz	Gaz
Point d'ébullition (en °F) :		
Initial	-44	-259
Final	-44	-259
Valeur calorifique :		
Btu par gallon (LHV net*)	83 340	63 310
Btu par gallon (Brut**)	91 547	
Pieds cubes (Gaz)	2 500	1 000
Densité***	36,39	57,75
Poids†	4,24	2,65
Indice d'octane :		
Recherche	110+	110+
Moteur	97	
<p>* PCI (Pouvoir calorifique inférieur) est la valeur nominale la plus réaliste.</p> <p>** Le pouvoir calorifique supérieur ne tient pas compte de la perte de chaleur sous forme d'eau lors de la combustion.</p> <p>*** La densité est indiquée en "Pieds cubes de gaz par gallon de liquide".</p> <p>† Le poids est indiqué en "Livres par gallon de liquide".</p>		

Dimension du Réservoir de Propane Nécessaire Selon Diverses Températures Lorsque au Moins à Moitié Plein

En tenant compte du débit de soutirage du gaz et de la température moyenne la plus froide en hiver, un installateur peut spécifier la dimension requise du réservoir de stockage de pétrole liquéfié:

Débit de soutirage (en pieds cubes par heure, PCH)	32°F (0° C)	20°F (-6,7° C)	10°F (-12,2° C)	0°F (-17,8° C)	-10°F (-23,3° C)	-30°F (-34,4° C)	-40°F (-40° C)
50 PCH	115	115	115	250	250	400	600
100 PCH	250	250	250	400	500	1000	1500
150 PCH	300	400	500	500	1000	1500	2500
200 PCH	400	500	750	1000	1200	2000	2500
300 PCH	750	1000	1500	2000	2500	4000	5000

RACCORDS DE FILS

Couples de Serrage Recommandés

Serrez au couple tous les raccords/attaches selon les valeurs recommandées indiquées à la Figure 36. Convenable pour le fil de cuivre de 60°/75°C classement.

Figure 36 — Couples de Serrage Recommandés	
RACCORDS:	Couple de serrage
Dans le panneau de distribution principal: Référez-vous aux spécifications du fabricant du panneau	
Dans le boîtier de débranchement:	
240 V C.A. de service	5 in-lb
Démarrage du moteur	5 in-lb
Voyant d'état à distance	5 in-lb
Génératrice	17 in-lb
Mise à la terre	40 in-lb
Coupe-circuits: Reportez-vous aux spécifications du fabricant des coupe-circuits	

Système de Branchement C.A. de la Génératrice

Un système de branchement C.A. monophasé à trois fils est utilisé pour le génératrice d'état d'attente. L'assemblage du stator est constitué d'une paire de bobines stationnaires à deux bornes sortant de chaque bobine. La jonction des fils 22 et 33 forme le fil neutre. Vous trouverez un schéma complet et un schéma de câblage aux pages 26 et 27.

REMARQUE: Le neutre n'est pas raccordé à la terre au niveau de la génératrice.

Mise à la Masse du Système

Mettez à la masse le groupe électrogène résidentiel en conformité avec tous les codes, normes et réglementations applicables. Le goujon de mise à la masse (GND) est situé dans le boîtier de débranchement.

Interconnexions du Circuit de Commande

Les interconnexions du circuit de commande sont formées de fils de "240V c.a.". Ces deux fils doivent être acheminés par le conduit. Voici une brève description des fonctions des fils de commande :

- Les fils transportent l'électricité vers la carte de circuit imprimé de la génératrice, le chauffe-batterie et le réchauffeur d'huile optionnels et ils chargent la batterie.

À l'aide d'un fil de cuivre torsadé d'au moins 300 V et 14 AWG, fourni par l'installateur, raccordez les terminaux du circuit de commande du boîtier de débranchement au commutateur de transfert.

Plaque DEL à Distance

Le voyant de la plaque DEL à distance s'appelle le voyant DEL de diagnostic. Le voyant DEL restera allumé, indiquant que la génératrice est en mode d'attente, et clignotera un certain nombre de fois si des anomalies sont détectées dans la génératrice. Une plaque de montage est fournie pour son installation à l'intérieur dans un endroit pratique. Il permet au propriétaire de contrôler l'état de la génératrice. Consultez le propriétaire pour convenir d'un endroit pratique.

Pour installer la plaque DEL à distance:

- Fixez la boîte électrique fournie par l'installateur au mur.
- À l'aide d'un câble fourni par l'installateur, branchez les fils du voyant DEL à distance au "Voyant d'état à distance" dans le boîtier de débranchement.
- Fixez la plaque de montage à la boîte électrique.

REMARQUE: Les fils du voyant DEL sont sensibles à la polarité.

Voir la section "Système de Détection des Pannes" à la pages 81-82 pour en connaître le fonctionnement.

AVANT LE DÉMARRAGE INITIAL

Huile à Moteur

Le moteur a été rempli avec l'huile recommandée avant son expédition de l'usine. Avant de démarrer le moteur, vérifiez le niveau d'huile et assurez-vous que le moteur a subi l'entretien décrit dans le manuel d'Moteur.

AVIS

Toute tentative de démarrer le moteur sans qu'il ait été rempli avec l'huile recommandée entraînera une panne de l'équipement.

- Reportez-vous au manuel d'utilisation du moteur au sujet de l'huile et du combustible.
- La garantie sera annulée si des dommages à l'équipement sont entraînés par le manquement à se conformer à cette directive.

Points importants Concernant l'Huile

Votre génératrice d'état d'attente est muni d'un moteur qui a été testé en usine, et il n'est donc pas nécessaire d'effectuer la procédure de rodage traditionnelle.

Afin de fournir une meilleure capacité de réserve, le système est rempli d'**huile synthétique** (API SJ/CF 5W-30W). Cela permet au système de fonctionner dans une plage élargie de températures et de conditions climatiques.

REMARQUE: L'utilisation de l'**huile synthétique NE** modifie nullement les intervalles de changement d'huile recommandés ci-dessous dans le manuel d'Moteur.

Branchement de la Batterie

Le groupe électrogène est livré avec une batterie de 12 volts C.C., de type AGM, 33 ampères-heures, à soupape régulatrice. C'est une batterie rechargeable scellée avec accumulateurs au plomb. Elle est installée dans l'unité, et ses câbles sont branchés en usine. Le fusible de 15 Ampères de l'unité, lequel isole la batterie et empêche le démarrage de l'unité, a été enlevé pour fins d'expédition. La batterie qui perd une partie de sa charge avant l'installation de la génératrice. Si la tension de la batterie est inférieure à 12 volts, rechargez-la batterie.

IMPORTANT: Si la tension de la batterie est inférieure à 5 volts, il est possible qu'elle se ne charge pas et que vous ayez besoin d'une autre batterie.

Rechargez la Batterie

Si vous devez faire charge de la batterie, procédez comme suit:

1. Réglez l'interrupteur "AUTO/OFF/MANUAL" de la génératrice sur **OFF**.
2. Retirez le fusible de 15 ampères du panneau électrique.
3. À l'aide de la quincaillerie fournie, débrancher le fil noir de la batterie au terminal négative de la batterie (identifié par **NEGATIVE, NEG** ou **(-)**).

AVIS

L'omission de débrancher le câble négatif de la batterie entraînera une panne de l'équipement.

- NE tentez PAS d'utiliser une batterie d'appoint.
 - La garantie sera annulée si des dommages à l'équipement sont entraînés par le non-respect de cette directive.
4. Rechargez la batterie avec le chargeur de batterie à 2 ampères jusqu'à obtention de la tension de 12 volts.

AVERTISSEMENT



Les batteries d'accumulateur produisent du gaz hydrogène explosif lorsqu'elles se rechargent.

La plus petite étincelle enflammera l'hydrogène et provoquera une explosion.



Le liquide d'électrolyte de l'accumulateur contient de l'acide et est extrêmement caustique.



Le contact avec le liquide de l'accumulateur provoquera de graves brûlures chimiques.

Toute batterie présente un risque de choc électrique et de courant de court-circuit élevé.

- NE jetez PAS la batterie dans le feu.
- Ne laissez aucune flamme, étincelle, source de chaleur ou cigarette allumée pendant ou plusieurs minutes suivant la charge de l'accumulateur.
- N'ouvrez PAS ni N'endommagez la batterie.
- Portez des lunettes de protection, un tablier et des gants en caoutchouc.
- Enlevez votre montre, vos bagues et tout autre objet de métal.
- Utilisez des outils avec des poignées isolées.

REMARQUE: N'excédez PAS la recharge à 13.7 Volts.

REMARQUE : Alors que la batterie est installée, que tous les câbles reliant le commutateur de transfert et le groupe électrogène sont branchés, que l'électricité de service est fournie au commutateur de transfert automatique et que l'unité est en mode AUTO, la batterie reçoit une charge à faible débit si le moteur n'est pas en marche. Ce procédé peut exiger jusqu'à 72 heures pour une recharge complète de la batterie à partir de 5 volts. Le chargeur à faible débit ne peut être utilisé pour recharger une batterie complètement à plat.

5. À l'aide de la quincaillerie fournie, branchez le fil noir de la batterie au terminal négative de la batterie (identifié par **NEGATIVE, NEG** ou **(-)**).
6. Assurez-vous que la quincaillerie des terminaux positif et de retour de la batterie sont fixés solidement.
7. Installez le fusible de 15 Ampères dans le panneau électrique.

ATTENTION



L'installation du fusible pourrait causer le démarrage du moteur.

- N'installez PAS ce fusible avant que toute la plomberie et le câblage n'aient été complétés et vérifiés.

8. Réglez l'interrupteur "AUTO/OFF/MANUAL" sur **AUTO**.

Entretien de la Batterie

Si vous devez faire l'entretien de la batterie, procédez comme suit:

1. Réglez l'interrupteur "AUTO/OFF/MANUAL" de la génératrice sur **OFF**.
2. Retirez le fusible de 15 ampères du panneau électrique.
3. Le service ou remplace la batterie comme exigé.
4. À l'aide de la quincaillerie fournie, branchez le fil rouge de la batterie au terminal positif de la batterie (identifié par **POSITIVE, POS** ou **(+)**).
5. À l'aide de la quincaillerie fournie, branchez le fil noir de la batterie au terminal négative de la batterie (identifié par **NEGATIVE, NEG** ou **(-)**).
6. Assurez-vous que la quincaillerie des terminaux positif et de retour de la batterie sont fixés solidement.
7. Installez le fusible de 15 Ampères dans le panneau électrique.
8. Réglez l'interrupteur "AUTO/OFF/MANUAL" sur **AUTO**.

Système d'Alimentation en Combustible

Assurez-vous que tous les raccords du tuyau de combustible sont fermement serrés et fixés et qu'il n'y a pas de fuite.

Assurez-vous que tous les robinets de fermeture de la canalisation de gaz sont en position "OPEN" et qu'une pression de combustible adéquate est disponible.

SÉLECTION DU SYSTÈME DE COMBUSTIBLE

Le moteur de votre génératrice d'état d'attente est calibré en usine pour utiliser le gaz naturel (GN). Il peut également fonctionner avec du gaz de pétrole liquéfié (GPL). Aucune quincaillerie ni équipement supplémentaire n'est nécessaire pour changer de combustible.

Pour configurer le système de combustible pour le gaz de pétrole liquéfié:

- Toutefois, la pression d'entrée du combustible de pétrole liquéfié doit se situer entre 11 à 14 pouces d'eau.
- Réglez l'interrupteur "AUTO/OFF/MANUAL" sur **OFF**.
- Dégagez l'interrupteur de débranchement du boîtier de débranchement.
- Enlevez le fusible de 15 Ampères.
- Changez le gicleur principal dans le mélangeur de combustible en suivant la feuille de directives (numéro de pièce 195083GS) fournie dans la trousse de conversion au GPL.
- Réinstallez le fusible de 15 Ampères.
- Réinstallez l'interrupteur de débranchement dans le boîtier de débranchement.
- Réglez l'interrupteur "AUTO/OFF/MANUAL" sur **AUTO**.
- Réinitialisez la minuterie de cycle d'exercice en suivant les directives de la section " Réglage de la minuterie du cycle d'exercice " à la page 80.

Le système est maintenant prêt à fonctionner automatiquement avec du gaz de pétrole liquéfié. Avec un gicleur principal fixe pour le gaz de pétrole liquéfié, nul besoin de régler le moteur pour qu'il fonctionne au pétrole liquéfié.

DÉMARRAGE INITIAL (SANS CHARGE)

Commencez des essais du système sans aucun branchement de charges électriques, tel qu'indiqué ci-dessous:

1. Réglez l'interrupteur "AUTO/OFF/MANUAL" sur **OFF**.
2. Réglez le disjoncteur principal de la génératrice sur sa position **OFF** (ouverte).
3. **Installez le fusible de 15 Ampères dans le panneau électrique.**
4. Réglez l'interrupteur "AUTO/OFF/MANUAL" sur **MANUAL**.

REMARQUE: Pour le démarrage initial de la génératrice d'état d'attente, il faut purger l'air contenue dans les canalisations de combustible. Cela peut nécessiter quelques minutes.

5. NE démarrez PAS le moteur pendant plus de 15 secondes; prenez une pause de 15 secondes pour réduire la chaleur dans le démarreur.
6. Recommencez le processus jusqu'à ce que le moteur démarre.
7. Écoutez s'il y a des bruits ou vibrations inhabituels et soyez attentif à tout signe de fonctionnement anormal. Vérifiez s'il y a des fuites d'huile pendant que la génératrice fonctionne.

8. Laissez le moteur se réchauffer durant cinq minutes environ afin de permettre à sa température interne de se stabiliser. Puis, réglez le disjoncteur principal de la génératrice à la position **ON** (fermé).
9. Branchez un voltmètre C.A. RMS et un fréquencemètre du côté charge du coupe-circuits pour vérifier la sortie de la génératrice. La tension devrait être de 230 à 240 volts, et la fréquence devrait être de 62,0 à 62,5 Hz.
10. Vérifiez la tension de sortie de la génératrice entre une des languettes de contact generator connection et la languette de contact neutre, puis entre l'autre languette de contact de la emergency/generator connection et la languette de contact neutre. Dans les deux cas, la lecture de la tension de sortie devrait se situer entre 115 et 120 volts.
11. Réglez l'interrupteur "AUTO/OFF/MANUAL" sur **OFF**. Le moteur devrait s'arrêter.

SÉQUENCE DE FONCTIONNEMENT AUTOMATIQUE

Le panneau électrique de la génératrice contient une carte de circuit logique de commande. Ce tableau de commande contrôle constamment la tension de l'électricité de service. Si cette tension baisse sous un niveau prédéfini, le tableau de commande signalera le lancement et le démarrage du moteur.

Lorsque la tension de service est rétablie au-delà d'un niveau de tension préétabli, le moteur reçoit un signal d'arrêt.

Le fonctionnement actuel du système ne peut être modifié, et il est séquencé par des capteurs et des minuteries du tableau de commande de la manière suivante:

Capteur de Désexcitation de la Tension de l'Alimentation de Service

- Ce capteur contrôle la tension de l'alimentation de service.
- Si la tension baisse sous 70 pour cent de la tension d'alimentation nominale, le capteur amorce un décompte de 6 secondes.
- Lorsque le décompte est expiré, le moteur est lancé et démarre.

Capteur de Prise en Charge de la Tension de Service

Ce capteur supervise la tension d'alimentation de service. Lorsque cette tension est rétablie à 80 pour cent de la tension nominale source, un délai est déclenché et le moteur entrera en mode refroidissement du moteur.

Minuterie de Refroidissement du Moteur

- Lorsque la charge est transférée à nouveau à la source d'alimentation de service, la minuterie de refroidissement du moteur s'active.
- Environ une minute s'écoule avant l'arrêt de la génératrice.
- Le moteur tourne durant au moins 5 minutes.

RÉGLAGE DE LA MINUTERIE DU CYCLE D'EXERCICE

Le génératrice d'état d'attente est muni d'une minuterie de cycle d'exercice qui se met en marche et vérifie le système une fois par semaine. Au cours de ce cycle d'exercice, l'unité fonctionne durant une douzaine de 20 minutes, puis s'arrête. Le transfert de charge électrique N'A PAS lieu durant le cycle d'exercice (sauf si une panne de courant survient).

Un interrupteur du tableau de commande est étiqueté "Set Exercise" (décrit en page 67). Le tableau de commande est programmé pour le jour et l'heure spécifique où l'on appuie sur le commutateur. Ce jour et cette heure sont alors utilisés pour initialiser automatiquement le cycle d'exercice du système.

Pour Exécuter la Procédure de Réglage du Cycle d'Exercice:

1. Choisissez le jour et l'heure à laquelle vous désirez que le cycle d'exercice du génératrice d'état d'attente ait lieu.
2. À ce jour et à cette heure, réglez l'interrupteur AUTO/OFF/MANUAL sur **OFF**.
3. Appuyez et maintenez enfoncé l'interrupteur "Set Exercise" pendant deux secondes.
4. Réglez l'interrupteur "AUTO/OFF/MANUAL" sur **AUTO**. Le réglage du cycle d'exercice est complété.

Par exemple, si vous appuyez sur l'interrupteur de réglage du cycle d'exercice le dimanche à 10 h, l'unité exécutera un cycle d'exercice le dimanche suivant à 10 h.

REMARQUE: Le réglage du cycle d'exercice **ne** fonctionnera que si l'unité est en mode Automatique et que si la procédure exacte est suivie.

Si vous voulez changer le jour et l'heure du cycle d'exercice, vous n'avez qu'à exécuter à nouveau la procédure de "Réglage de Cycle d'Exercice" le jour et à l'heure exacte à laquelle vous voulez que le cycle d'exercice ait lieu.

VÉRIFICATION INSTALLATION

Avant de mettre en service le génératrice d'état d'attente, vérifiez avec soins l'ensemble de l'installation. Assurez-vous de retoucher toute éraflure ou écaillage de peinture à l'intérieur ou à l'extérieur de l'enceinte avec la peinture de retouche fournie.

Tout en procédant à la vérification, complétez la liste de contrôle de l'installation. Assurez-vous que tous les éléments sont cochés et que toutes les signatures ont été obtenues. Indiquez au propriétaire qu'il doit poster la copie blanche à:

Briggs & Stratton Power Products
Warranty Registration
P. O. Box 1144
Milwaukee, Wisconsin 53201-1144

CARACTÉRISTIQUES

Puissance Nominale Maximum (PL*)	7,000 Watts
Charge Nominale Maximum:	
à 240 Volts	29.1 Ampères
à 120 Volts	58,3 Ampères
Tension Nominale C.A.	120/240 Volts
Fréquence Nominale	60 Hz à 3,600 tr/m
Phase	Monophasé
Facteur de Puissance	1.0
Pression d'alimentation en combustible (gaz naturel)	5 à 7 po W.C.
Pression d'alimentation en combustible (gaz de pétrole liquéfié)	11 à 14 po W.C.
Plage d'Utilisation Normale	-20°F (-28.8°C) to 104°F (40°C)
Niveau de bruit en sortie	.81 dB(A) à 23 pi (7 m) à pleine charge
Poids du Système à l'Expédition	280 lbs.

* Le débit de gaz naturel dépend du combustible spécifique, mais la dépréciation typique se situe entre 10 et 20% du débit du gaz de pétrole liquéfié.

FONCTIONNEMENT AUTOMATIQUE

Pour actionner le transfert automatique, suivez la procédure décrite ci-dessous:

1. Réglez sur **ON** l'interrupteur de débranchement ou le disjoncteur principal du panneau de distribution qui alimente la tension de service vers le commutateur de transfert.
2. Réglez le disjoncteur principal de la génératrice en position **ON**.
3. Réglez l'interrupteur "AUTO/OFF/MANUAL" sur **AUTO**.

Vérification du Fonctionnement Automatique

Pour vérifier si le fonctionnement automatique du système est adéquat, procédez comme suit:

1. Mettez **HORS** tension l'interrupteur de débranchement ou le disjoncteur principal du panneau de distribution qui alimente le commutateur de transfert automatique.

Lorsqu'il y aura baisse de tension et que le temps imparti du capteur sera écoulé, le moteur sera lancé et démarrera. Laissez le système compléter la totalité de sa séquence de fonctionnement automatique.

2. Alors que la génératrice alimente ses charges, mettez **SOUS** tension l'interrupteur de débranchement ou le disjoncteur principal du panneau de distribution qui alimente le commutateur de transfert automatique.
3. L'interrupteur de transfert automatique transférera les charges à l'alimentation de service après 5 minutes de fonctionnement minimum et du rétablissement de l'électricité.
4. La génératrice fonctionnera environ une minute de plus pour refroidir le moteur, puis s'arrêtera.

REMARQUE: Si la génératrice ne s'arrête pas après 10 minutes, mettez l'interrupteur AUTO/OFF/MANUAL à OFF et appelez votre installateur ou votre centre de service local.

Cela complète les procédures d'essais du fonctionnement automatique. Le génératrice d'état d'attente démarrera automatiquement lors d'une panne électrique et alimentera le commutateur de transfert de circuits essentiels.

Entretien du Système

Pour désactiver le commutateur de transfert afin d'effectuer l'entretien du système:

1. Retirez le toit en dévissant les quatre vis et en le soulevant.
2. Retirez la vis en haut de la porte d'accès du tableau de commande.
3. Tirez la porte d'accès vers l'extérieur de l'unité tout exerçant une pression vers le haut et en l'éloignant de la base. La porte se dégagera de l'enceinte de la génératrice.
4. Réglez l'interrupteur "AUTO/OFF/MANUAL" sur **OFF**.
5. Réglez le disjoncteur principal de la génératrice en position **OFF**.
6. Dégagez l'interrupteur de débranchement du boîtier de débranchement.
7. Enlevez le fusible de 15 Ampères.

SYSTÈME DE DÉTECTION DES PANNES

La génératrice fonctionnera sans doute sur de longues périodes sans la présence d'un opérateur. C'est pourquoi le système est muni de capteurs qui arrêtent automatiquement la génératrice lorsque surviennent des problèmes potentiels, tels une faible pression de l'huile, l'emballement du moteur et d'autres conditions.

Le voyant de la plaque DEL à distance s'appelle le voyant DEL de diagnostic. Si certains problèmes sont détectés dans votre génératrice d'état d'attente, les deux voyants clignotent simultanément. Une série de clignotements se répète avec de brèves pauses entre chaque série. Tel qu'indiqué sur la plaque de montage située près du tableau de commande, et ci-dessous, le nombre de clignotements dans la série indique la défaillance détectée:

Nombre de Clignotements du Voyant	Description du Problème
2	Faible pression d'huile
4	Le moteur ne démarre pas
5	Fréquence basse
6	Emballement du moteur

Réarmement du Système de Détection des Pannes

L'opérateur doit réarmer le système de détection des pannes chaque fois que celui-ci est activé. Pour ce faire, placez l'interrupteur AUTO/OFF/MANUAL en position **OFF** durant au moins 30 secondes. Après avoir corrigé le problème, remettez le générateur d'état d'attente en service en plaçant l'interrupteur AUTO/OFF/MANUAL en position **AUTO**.

Voici une description de chaque panne, ainsi que des suggestions pour les résoudre:

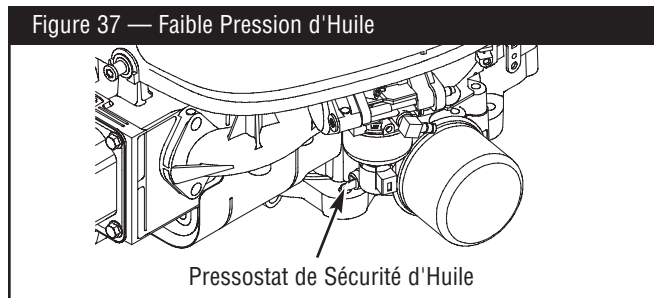
Aucun DEL - Batterie déchargée

Ce problème est causé par une batterie complètement à plat. Pour régler le problème, appelez votre centre de service local pour vérifier la puissance de la charge à faible débit de la batterie. Ôtez le fusible de 15 ampères et débranchez la batterie de la génératrice. Amenez la batterie chez un fournisseur local pour fins d'analyse.

Installez la batterie entièrement rechargée ou une batterie de remplacement en vous assurant de brancher le câble DE RETOUR en dernier. Installez le fusible de 15 ampères.

Faible Pression d'Huile

Lorsque ce problème survient, le voyant émet une série de deux clignotements. L'unité est munie d'un manoccontact d'huile (Figure 37) utilisant des contacts normalement fermés qui sont maintenus ouverts par la pression de l'huile du moteur lorsque celui-ci est en marche. Si la pression d'huile baisse, les manoccontacts se referment et le moteur s'arrête.



Pour régler un problème de faible pression d'huile, ajoutez l'huile recommandée jusqu'à la marque FULL de la jauge d'huile.

Si la faible pression d'huile persiste toujours, le moteur démarrera puis s'arrêtera après une dizaine de secondes et le voyant de diagnostic clignotera à nouveau. Dans ce cas, contactez un technicien de service autorisé.

Le Moteur Ne Démarre Pas

Lorsque ce problème survient, le voyant émet une série de quatre clignotements. Cette caractéristique protège la génératrice contre les tentatives répétées de démarrage, comme par exemple un manque de combustible. Chaque fois que le système reçoit le signal de démarrage, l'unité se lance durant 15 secondes, fait une pause de 15 secondes, se lance durant 15 secondes, fait une pause de 15 secondes, et ainsi de suite. Si, après environ 90 secondes, le système ne commence pas à produire de l'électricité, l'unité s'arrête et le voyant clignote.

La source la plus probable de ce problème est le manque de combustible. Vérifiez si les valves de fermeture interne et externe du combustible sont entièrement ouvertes. D'autres causes pourraient être une bougie défectueuse, un allumage défectueux, ou un filtre d'air encrassé. Pour y remédier, vous devrez demander l'aide de service technique de Briggs & Stratton.

Basse Fréquence

Lorsque ce problème survient, le voyant émet une série de cinq clignotements. Cette caractéristique protège les appareils branchés au commutateur de transfert des circuits essentiels en arrêtant la génératrice si le régime du moteur est plus lent que la limite préétablie.

Ce problème peut être causé par une défectuosité du régulateur de régime. Pour régler ce problème, vous devez demander l'aide de votre centre de service local.

Ce problème peut aussi être causé par des charges excessives sur la génératrice. Éteignez les appareils, un à la fois, et vérifiez la fréquence. Pour régler ce problème, vous devrez peut-être demander l'aide de votre centre de service local.

Emballement du Moteur

Lorsque ce problème survient, le voyant émet une série de six clignotements. Cette caractéristique protège les appareils branchés au commutateur de transfert des circuits essentiels en arrêtant la génératrice si le régime du moteur est plus rapide que la limite préétablie. Le problème d'emballement est détecté comme suit:

- Si la fréquence de sortie de la génératrice atteint 72 Hz durant cinq secondes, la génératrice s'arrête.
- Si la fréquence de sortie de la génératrice atteint 75 Hz, la génératrice s'arrête instantanément.

Ce problème est causé par une défectuosité du régulateur de régime. Pour y remédier, vous devrez obtenir l'aide de service technique de Briggs & Stratton.

ENTRETIEN DU GÉNÉRATEUR

La garantie de la génératrice ne couvre pas les éléments soumis à l'abus ou à la négligence de l'opérateur. Pour obtenir la pleine application de la garantie, il faut que l'opérateur maintienne le système conformément aux instructions du manuel d'utilisation du moteur.

IMPORTANT: Avant d'effectuer un entretien de la génératrice, suivez bien toutes les étapes de la section "Entretien du système" de la page 81.

L'entretien du générateur consiste à le garder propre et sec. Faire marcher et remiser l'appareil dans un environnement propre et sec où celui-ci ne sera pas exposé à trop de poussière, de saleté, d'humidité ou à des vapeurs corrosives. Les fentes de refroidissement par air du générateur ne doivent pas être bouchées par de la neige, des feuilles ou tout autre corps étranger.

Vérifiez souvent la propreté de l'appareil et nettoyez ce dernier lorsque de la poussière, des saletés, de l'huile, de l'humidité ou d'autres substances étrangères sont visibles sur sa surface extérieure.

REMARQUE: Nous NE RECOMMANDONS PAS d'utiliser un tuyau d'arrosage pour nettoyer le générateur. L'eau peut entrer dans le moteur et causer des problèmes.

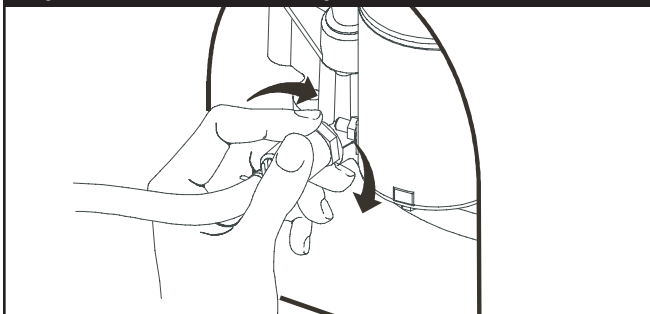
Changement d'Huile à Moteur et de Filtre

Retirez les deux vis de chaque couvercle d'accès en plastique, puis enlevez les couvercles d'accès des deux côtés de l'enceinte de la génératrice.

Vidange de l'Huile

1. Déposez le tube de vidange d'huile dans un récipient approuvé.
2. Enfoncez et tournez le raccord de vidange d'huile d'un quart de tour dans le sens antihoraire. Tirez lentement le raccord vers l'extérieur jusqu'à ce que l'huile commence à s'écouler (Figure 38). Prenez garde de NE PAS retirer complètement le raccord.

Figure 38 — Raccord de Vidange d'Huile

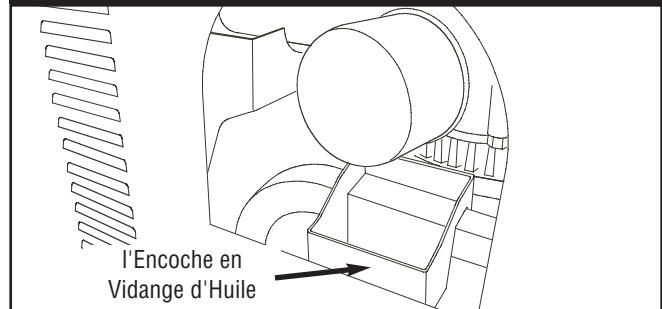


3. Une fois l'huile vidangée, enfoncez le raccord et tournez-le d'un quart de tour dans le sens horaire jusqu'à ce qu'il se bloque en place.
4. Glissez le tube de vidange d'huile dans son attache sur le générateur.

Changement du filtre à huile

1. Placez le bac de vidange d'huile sur la tuyauterie et faites-le glisser sous le filtre à huile (Figure 39).

Figure 39 — Changement du Filtre à Huile avec l'Encoche en Vidange d'Huile



2. Pour changer le filtre à huile, suivez les instructions du manuel d'utilisation du moteur.
3. Retirez le bac de vidange d'huile sous le filtre à huile et nettoyez tout déversement d'huile.

⚠ ATTENTION

Évitez tout contact cutané prolongé ou répété avec l'huile moteur usagée.

- Il a été démontré que l'huile moteur usagée risque de provoquer un cancer de la peau chez certains animaux de laboratoire.
- Rincez consciencieusement les zones exposées avec de l'eau et du savon.



GARDEZ HOS DE PORTÉE DES ENFANTS. NE POLLUEZ PAS. CONSERVEZ LE SURPLUS. RAPPORTEZ L'HUILE USAGÉE AUX CENTRES DE RECYCLAGE.

Pour mettre de l'huile dans le moteur:

- Suivez les recommandations applicables à l'huile synthétique données à la section " Huile à moteur " de la page 77 et les directives de remplissage d'huile qui figurent dans le manuel d'utilisation du moteur.

AVIS

Toute tentative de démarrer le moteur sans qu'il ait été rempli avec l'huile recommandée entraînera une panne de l'équipement.

- Reportez-vous au manuel d'utilisation du moteur au sujet de l'huile et du combustible.
- La garantie sera annulée si des dommages à l'équipement sont entraînés par le manquement à se conformer à cette directive.

Pour Nettoyer le Générateur

- Se servir d'un chiffon humide pour essuyer et nettoyer les surfaces extérieures.

AVIS

Un traitement inapproprié du générateur risque de l'endommager et de raccourcir sa durée d'utilisation.

- N'EXPOSEZ PAS le générateur à une humidité excessive, à de la poussière, à de la saleté ou à des vapeurs corrosives.
 - N'INSÉREZ aucun objet dans les fentes de refroidissement.
- Une brosse douce à poils soyeux peut être utilisée pour dégager la saleté, l'huile durcie.
 - Un aspirateur peut être utilisé pour ramasser la saleté et les débris qui ne sont pas collés.
 - Inspectez les fentes d'air de refroidissement et les ouvertures sur le générateur. Ces ouvertures doivent rester propres et non bouchées.

Communications avec le Fabricant

Si vous devez communiquer avec le service technique de la société Briggs & Stratton pour l'entretien ou la réparation de cette unité, ayez en main les renseignements suivants:

1. Notez le numéro de modèle ainsi que le numéro de série de l'unité, lesquels sont indiqués sur le décalque apposé sur l'unité. Consultez le schéma "Familiarisez-vous Avec Votre Générateur d'état d'Attente" pour déterminer leur emplacement.
2. Notez les numéros de modèle, de type et de code du moteur, lesquels sont indiqués sur la plaque apposée au moteur. Consultez le schéma "Familiarisez-vous Avec Votre Générateur d'état d'Attente" pour déterminer leur emplacement. Veuillez noter que le numéro de modèle peut varier légèrement de celui illustré dans le présent document.

REMISAGE

La génératrice Briggs & Stratton est conçue pour produire une alimentation de secours de façon continue. Ainsi, vous n'avez nul besoin de prendre des précautions d'entreposage. Toutefois, s'il devient nécessaire de désactiver le système durant une période prolongée, appelez le service technique de Briggs & Stratton au (800) 743-4115, entre 8 h et 17 h HNC, pour obtenir des recommandations spécifiques.

DÉPANNAGE

Problème	Cause	Solution
Le moteur fonctionne, mais il n'y a aucune sortie de C.A.	<ol style="list-style-type: none"> 1. Disjoncteur ouvert ou défectueux. 2. Défaillance dans la génératrice. 3. Raccords du câblage mal effectués ou commutateur de transfert défectueux. 	<ol style="list-style-type: none"> 1. Réarmez ou remplacez le disjoncteur. 2. Contactez le centre d'entretien Briggs & Stratton. 3. Vérifiez et réparez.
Le moteur tourne bien sans charge mais connaît des ratés lorsque les charges sont branchées.	<ol style="list-style-type: none"> 1. Court-circuit dans une des charges branchées. 2. Surcharge de la génératrice. 3. Court-circuit sur un circuit de la génératrice. 4. La pression de combustible est incorrecte. 5. Le mélange de combustible (NG) est incorrecte. 	<ol style="list-style-type: none"> 1. Débranchez la charge électrique ayant un court-circuit. 2. Voir "Circuits Essentiels". 3. Contactez le centre d'entretien Briggs & Stratton. 4. Consultez la section "Système de combustible gazeux" du guide d'installation. 5. Consultez la section "Système de combustible gazeux" du guide d'installation.
Le moteur ne démarre pas, ou il démarre et a des ratés.	<ol style="list-style-type: none"> 1. Fusible de 15 Ampères manquant ou grillé. 2. Panne de combustible. 3. La batterie n'a pas assez de pouvoir pour couder par-dessus le génératrice dans les températures froides. 4. Batterie défectueuse. 	<ol style="list-style-type: none"> 1. Installez un fusible (neuf) de 15 Ampères. 2. Ouvrez la(les) vanne(s) de combustible; vérifiez le réservoir de gaz propane. 3. Installer la batterie plus chaude, contactez le centre d'entretien Briggs & Stratton 4. Remplacez la batterie.
Le moteur s'arrête lorsqu'il est en marche.	<ol style="list-style-type: none"> 1. Panne de combustible. 2. Le voyant de panne clignote. 	<ol style="list-style-type: none"> 1. Vérifiez les vannes de combustible; remplissez le réservoir de gaz propane. 2. Comptez le nombre de clignotements et référez-vous à "Système de Détection des Pannes".
Perte de puissance sur les circuits essentiels.	<ol style="list-style-type: none"> 1. Disjoncteur ouvert sur la génératrice. 2. Problèmes de commutateur de transfert. 	<ol style="list-style-type: none"> 1. Réarmez le disjoncteur. 2. Voir le manuel du commutateur de transfert.

REMARQUES

REMARQUES

**GARANTIE DU PROPRIÉTAIRE DE GÉNÉRATRICE RÉSIDENIELLE 7 KW ET 10 KW
BRIGGS & STRATTON POWER PRODUCTS GROUP, LLC**

Preise d'effet au 1^{er} Septembre 2005, annule et remplace toutes les garanties précédentes et les garanties antérieures au 1^{er} Septembre 2005

GARANTIE LIMITÉE

Briggs & Stratton Power Products Group, LLC réparera ou remplacera, sans frais, toutes pièces d'équipement défectueuses comportant un vice de matériau ou un défaut de fabrication ou les deux. En vertu de la présente garantie, les frais de transport de produit soumises pour réparation ou remplacement sont à la charge de l'acheteur. La présente garantie sera en vigueur durant les périodes stipulées ci-dessous et est assujettie aux conditions stipulées ci-dessous. Pour obtenir des services en vertu de la garantie, veuillez consulter notre Outil de recherche d'un Service après-vente agréé au <http://www.BRIGGSandSTRATTON.COM> afin de trouver un distributeur de service après-vente agréé dans votre région.

IL N'EXISTE AUCUNE AUTRE GARANTIE EXPRESSE. LES GARANTIES IMPLICITES, INCLUANT CELLES DE QUALITÉ MARCHANDE ET D'ADAPTATION À UN USAGE PARTICULIER, SONT LIMITÉES À UNE PÉRIODE D'UN AN À PARTIR DE LA DATE D'ACHAT OU JUSQU'À LA LIMITE PERMISE PAR LA LOI, TOUTE GARANTIE IMPLICITE EST EXCLUE. LA RESPONSABILITÉ POUR DOMMAGES ACCESSOIRES OU INDIRECTS EST EXCLUE DANS LA MESURE OÙ UNE TELLE EXCLUSION EST PERMISE PAR LA LOI. Certains États/provinces ou pays n'autorisent aucune restriction sur la durée d'une garantie implicite, et certains États/provinces ou pays n'autorisent pas l'exclusion ou la limitation des dommages consécutifs ou indirects. Par conséquent, les restrictions et exclusions décrites ci-dessus pourraient ne pas s'appliquer dans votre cas. La présente garantie vous accorde certains droits légaux spécifiques et vous pourriez également en avoir d'autres, qui peuvent varier d'un État ou d'une province à l'autre et d'un pays à l'autre.

PÉRIODE DE GARANTIE

Usage par un consommateur	2 ans
Usage à des fins commerciales	aucune

La période de garantie débute à la date d'achat par le premier acheteur au détail ou par le premier utilisateur commercial final, et se prolonge pour la durée stipulée dans le tableau ci-dessus. "Usage par un consommateur" signifie utilisation domestique personnelle dans une résidence, par l'acheteur au détail. "Usage à des fins commerciales" signifie toute autre utilisation, y compris à des fins commerciales, générant de revenus ou de location. Aux fins de la présente garantie, dès qu'un équipement a été utilisé commercialement une fois, il est par la suite considéré comme étant d'usage à des fins commerciales.

POUR EXERCER LA GARANTIE SUR TOUT PRODUIT FABRIQUÉ PAR BRIGGS & STRATTON, IL N'EST PAS NÉCESSAIRE DE L'ENREGISTRER. CONSERVEZ LE REÇU COMME PREUVE D'ACHAT. SI, LORS D'UNE RÉCLAMATION DE GARANTIE, VOUS NE POUVEZ PROUVER LA DATE INITIALE DE L'ACHAT, NOUS UTILISERONS LA DATE DE FABRICATION DU PRODUIT COMME DATE DE RÉFÉRENCE POUR DÉTERMINER LA PÉRIODE DE GARANTIE.

À PROPOS DE LA ÉQUIPEMENT GARANTIE

Nous acceptons de faire effectuer les réparations couvertes par la garantie et tenons à nous excuser pour tout inconvénient subi. Tout agent d'un service après-vente agréé peut exécuter les réparations couvertes par la garantie. La plupart des réparations couvertes par la garantie sont traitées automatiquement; cependant, il arrive parfois que les demandes de service en vertu de la garantie soient non fondées. Par exemple, la garantie ne couvre pas les dommages causés à l'équipement par une utilisation abusive, par un manque d'entretien périodique, durant l'expédition, la manutention ou l'entreposage, ou en raison d'une installation inadéquate. De même, la garantie sera annulée si la date de fabrication ou le numéro de série apposé à l'équipement a été enlevé ou si l'équipement a été changé ou modifié. Durant la période de garantie, le distributeur de service après-vente agréé réparera ou remplacera, à son gré, toute pièce qui, après examen, est trouvée défectueuse à la suite d'une utilisation et d'un entretien normaux. La présente garantie ne couvre pas les réparations et les équipements suivants:

- **Usure normale:** Comme tout autre dispositif mécanique et moteurs, les groupes électrogènes d'extérieur nécessitent l'entretien périodiques de certaines pièces pour fonctionner adéquatement. La présente garantie ne couvre pas les frais de réparation des pièces ou des équipements dont la durée de vie utile a été dépassée à la suite d'une utilisation normale.
- **Installation et entretien:** La présente garantie ne couvre pas les équipements ou les pièces qui ont fait l'objet d'une installation ou de modifications et de changements inadéquats ou non autorisés, d'une mauvaise utilisation, de négligence, d'un accident, d'une surcharge, d'emballement, d'entretien inadéquat, de réparation ou d'entreposage qui, selon nous, auraient nui à la performance et à la fiabilité du produit. De plus, la garantie ne couvre pas l'entretien normal tel que le réglage, le nettoyage du circuit d'alimentation et son obstruction (causée par l'accumulation de produits chimiques, de saletés, de calamine, de calcaire, etc.).
- **Exclusions supplémentaires:** La présente garantie exclut les pièces qui s'usent telles que les jauges d'huile, les joints toriques, les filtres, les fusibles et les bougies, etc., ou tout dommage ou tout mauvais fonctionnement résultant d'un accident, d'une utilisation abusive, de modifications, de changements ou d'un entretien inadéquat du système, du gel ou d'une détérioration chimique. Les pièces accessoires ne sont pas couvertes par la garantie du produit. Cette garantie exclut toute défaillance due à une catastrophe naturelle ou à toute autre force majeure hors du contrôle du fabricant. Est aussi exclu tout équipement usé, remis à neuf ou de démonstration, tout équipement utilisé pour l'alimentation principale en remplacement de l'alimentation de service et tout équipement utilisé pour l'alimentation d'appareils de maintien des fonctions vitales. 198182F, Rev. D, 12/31/2006



0 24847 38524 3

BRIGGS & STRATTON POWER PRODUCTS GROUP, LLC
JEFFERSON, WI, USA