



3200 PSI / 220 BAR

*Operator's Manual / Manuel d'opérateur / Bedienungsanleitung /
Manual do Operador / Manual del Operario*



BRIGGS & STRATTON POWER PRODUCTS GROUP, LLC
JEFFERSON, WISCONSIN, U.S.A.



Model No. 020225 (3200 PSI Pressure Washer) Manual No. 203764GS Revision - (04/23/2007)

TABLE OF CONTENTS

Safety Rules.....	2-5
Know Your Pressure Washer.....	6
Assembly.....	7-9
Operation.....	10-13
Product Specifications.....	14
Maintenance.....	14-15
Storage.....	16
Troubleshooting.....	17
Notes.....	18
Warranty.....	19

EQUIPMENT DESCRIPTION



Read this manual carefully and become familiar with your pressure washer. Know its applications, its limitations and any hazards involved.


This manual contains information for a high pressure washer that operates at 3,200 PSI at a flow rate of 4.0 gallons per minute. This powerful, high quality system features large 12" wheels, a pump equipped with an automatic cool down system, chemical injection system, nozzle extension with quick connect nozzles, safety goggles, heavy duty 50' hose, and more.

Every effort has been made to ensure that information in this manual is accurate and current. However, we reserve the right to change, alter or otherwise improve the product and this document at any time without prior notice.

SAFETY RULES



This is the safety alert symbol. It is used to alert you to potential personal injury hazards. Obey all safety messages that follow this symbol to avoid possible injury or death.

The safety alert symbol () is used with a signal word (DANGER, CAUTION, WARNING), a pictorial and/or a safety message to alert you to hazards. **DANGER** indicates a hazard which, if not avoided, *will* result in death or serious injury. **WARNING** indicates a hazard which, if not avoided, *could* result in death or serious injury. **CAUTION** indicates a hazard which, if not avoided, *might* result in minor or moderate injury. **CAUTION**, when used **without** the alert symbol, indicates a situation that could result in equipment damage. Follow safety messages to avoid or reduce the risk of injury or death.

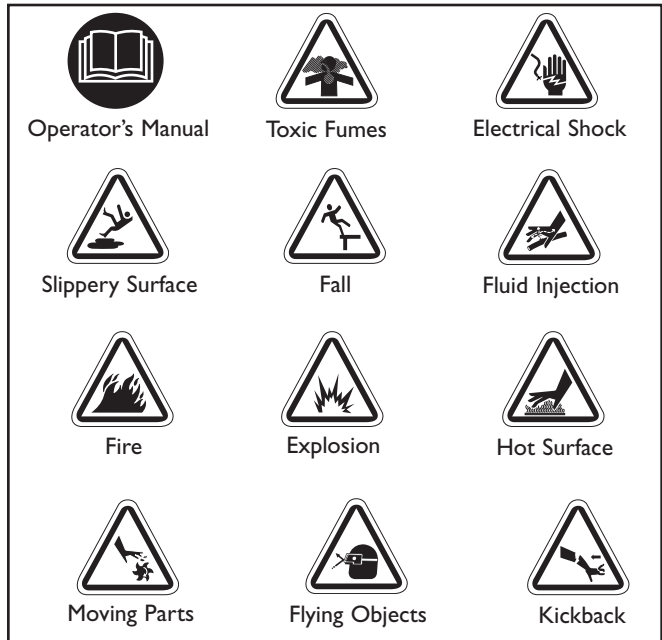
Warning Tag

A warning tag (Figure 1) is provided on your unit to inform you of potential safety hazards. If the tag becomes damaged or illegible, replace it by contacting your local Briggs & Stratton dealer to obtain a new one.



The icons on the warning tag are shown and described in detail later in the next section.

Hazard Symbols and Meanings



Copyright © 2007 Briggs & Stratton Power Products Group, LLC. All rights reserved. No part of this material may be reproduced or transmitted in any form by any means without the express written permission of Briggs & Stratton Power Products Group, LLC.

SAFETY RULES

WARNING



Running engine gives off carbon monoxide, an odorless, colorless, poison gas.

Breathing carbon monoxide can cause nausea, fainting or death.

Some chemicals or detergents may be harmful if inhaled or ingested, causing severe nausea, fainting or poisoning.

- Operate pressure washer **ONLY** outdoors.
- Keep exhaust gas from entering a confined area through windows, doors, ventilation intakes or other openings.
- **DO NOT** operate pressure washer inside any building or enclosure, even if doors or windows are open.
- Use a respirator or mask whenever there is a chance that vapors may be inhaled.
- Read all instructions with mask so you are certain the mask will provide the necessary protection against inhaling harmful vapors.

WARNING



Use of pressure washer can create puddles and slippery surfaces.



High pressure spray could cause you to fall if you are too close to the cleaning surface.

- Keep spray nozzle between 8 to 24 inches away from cleaning surface.
- Operate this unit on a stable surface.
- The cleaning area should have adequate slopes and drainage to reduce the possibility of a fall due to slippery surfaces.
- Be extremely careful if you must use the pressure washer from a ladder, scaffolding or any other relatively unstable location.
- Firmly grasp spray gun with both hands when using high pressure spray to avoid injury when gun kicks back.

WARNING



Fuel and its vapors are extremely flammable and explosive.



Fire or explosion can cause severe burns or death.

WHEN ADDING FUEL

- Turn pressure washer **OFF** and let it cool at least 2 minutes before removing gas cap.
- Fill fuel tank outdoors.
- **DO NOT** overfill tank. Allow space for fuel expansion.
- Keep fuel away from sparks, open flames, pilot lights, heat, and other ignition sources.
- **DO NOT** light a cigarette or smoke.

WHEN OPERATING EQUIPMENT

- **DO NOT** tip engine or equipment at angle which causes fuel to spill.
- **DO NOT** spray flammable liquids.

WHEN TRANSPORTING OR REPAIRING EQUIPMENT

- Transport/repair with fuel tank **EMPTY** or with fuel shutoff valve **OFF**.

WHEN STORING FUEL OR EQUIPMENT WITH FUEL IN TANK

- Store away from furnaces, stoves, water heaters, clothes dryers or other appliances that have pilot light or other ignition source because they can ignite fuel vapors.

WARNING



Spray contact with electrical wiring can result in electrocution.

- Keep water spray away from electric wiring or fatal electric shock may result.

SAFETY RULES

WARNING



Rapid retraction of starter cord (kickback) will pull hand and arm toward engine faster than you can let go.

Broken bones, fractures, bruises or sprains could result.

- ALWAYS point gun in safe direction and squeeze spray gun trigger, to release pressure and avoid kickback each time, before starting engine. Engage trigger lock when not in use.
- When starting engine, pull cord slowly until resistance is felt and then pull rapidly to avoid kickback.
- After each starting attempt, where engine fails to run, always point gun in safe direction and squeeze spray gun trigger to release high pressure.
- Firmly grasp spray gun with both hands when using high pressure spray to avoid injury when gun kicks back.

WARNING



Running engines produce heat. Temperature of muffler and nearby areas can reach or exceed 150°F (65°C).



Severe burns can occur on contact.

Exhaust heat/gases can ignite combustibles, structures or damage fuel tank causing a fire.

- DO NOT touch hot surfaces and avoid hot exhaust gases.
- Allow equipment to cool before touching.
- Keep at least 5 ft. (152 cm) clearance on all sides of pressure washer including overhead.

WARNING



Starter and other rotating parts can entangle hands, hair, clothing, or accessories.

- DO NOT wear loose clothing, jewelry or anything that may be caught in the starter or other rotating parts.
- Tie up long hair and remove jewelry.

WARNING



The high pressure stream of water that this equipment produces can pierce skin and its underlying tissues, leading to serious injury and possible amputation.

Spray gun traps high water pressure, even when engine is stopped and water is disconnected, which can cause injury.

- NEVER aim spray gun at people, animals or plants.
- DO NOT allow CHILDREN to operate pressure washer.
- NEVER repair high pressure hose. Replace it.
- NEVER repair leaking connections with sealant of any kind. Replace o-ring or seal.
- Keep high pressure hose connected to pump and spray gun while system is pressurized.
- ALWAYS point gun in safe direction and squeeze spray gun trigger, to release high pressure, every time you stop engine. Engage trigger lock when not in use.

WARNING



High pressure spray can cause paint chips or other particles to become airborne.

- Always wear safety goggles when using this equipment or in vicinity of where equipment is in use.
- Before starting the pressure washer, be sure you are wearing adequate safety goggles.

WARNING



Unintentional sparking can result in fire or electric shock.



WHEN ADJUSTING OR MAKING REPAIRS TO YOUR PRESSURE WASHER

- Disconnect spark plug wire from spark plug and place wire where it cannot contact spark plug.

WHEN TESTING FOR ENGINE SPARK

- Use approved spark plug tester.
- DO NOT check for spark with spark plug removed.

SAFETY RULES



CAUTION

Excessively high or low operating speeds increase risk of injury and damage to pressure washer.

- DO NOT tamper with governed speed.
- DO NOT operate pressure washer above rated pressure.



CAUTION

A pressure washer produces a high pressure spray which increases risk of injury and damage to unit.

- DO NOT secure spray gun in open position.
- DO NOT leave spray gun unattended while machine is running.
- NEVER use a spray gun which does not have a trigger lock or trigger guard in place and in working order.
- Always be certain spray gun, nozzles and accessories are correctly attached.

CAUTION

High pressure spray may damage fragile items including glass.

- DO NOT point spray gun at glass when in jet spray mode.
- NEVER aim spray gun at plants.

CAUTION

Improper treatment of pressure washer can damage it and shorten its life.

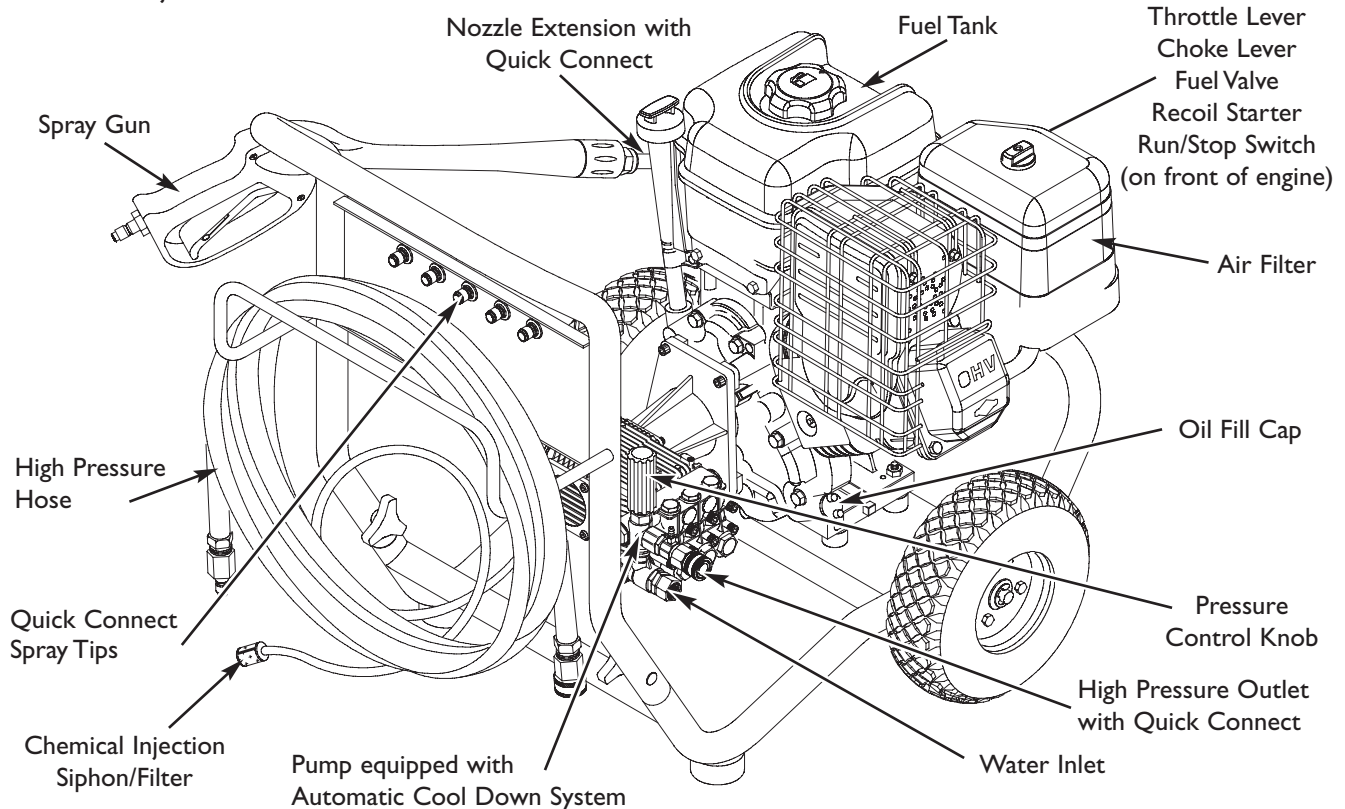
- If you have questions about intended use, ask dealer or contact Briggs & Stratton Power Products.
- NEVER operate units with broken or missing parts, or without protective housing or covers.
- DO NOT by-pass any safety device on this machine.
- Before starting pressure washer in cold weather, check all parts of the equipment to be sure ice has not formed there.
- NEVER move machine by pulling on hoses. Use handle provided on unit.
- Check fuel system for leaks or signs of deterioration, such as chafed or spongy hose, loose or missing clamps, or damaged tank or cap. Correct all defects before operating pressure washer.
- This equipment is designed to be used with Briggs & Stratton Power Products authorized parts **ONLY**. If equipment is used with parts that DO NOT comply with minimum specifications, user assumes all risks and liabilities.

KNOW YOUR PRESSURE WASHER



Read this operator's manual and safety rules before operating your pressure washer.

Compare the illustrations with your pressure washer to familiarize yourself with the locations of various controls and adjustments. Save this manual for future reference.



Air Filter — Protects engine by filtering dust and debris out of intake air.

Automatic Cool Down System — Cycles water through pump when water reaches 125°-155°F. Warm water will discharge from pump onto ground. This system prevents internal pump damage.

Chemical Injection Siphon/Filter — Used to siphon detergent or other pressure washer chemicals into the low pressure stream.

Choke Lever — Prepares a cold engine for starting.

Fuel Tank — Fill tank with recommended fuel.

High Pressure Hose — Connect one end to the water pump and the other end to the spray gun.

High Pressure Outlet with Quick Connect — To connect high pressure hose.

Nozzle Extension with Quick Connect — Permits easy switching between five different spray tips.

Oil Fill Cap — Fill engine with oil here.

Pressure Control Knob — Varies pressure of high pressure spray.

Pump — Develops high pressure.

Recoil Starter — Use for starting the engine manually.

Run/Stop Switch — Set this switch to **"Run"** before using recoil starter. Set switch to **"Stop"** to switch off engine.

Spray Gun — Controls the application of water onto cleaning surface with trigger device. Includes safety latch.

Quick Connect Spray Tips — Detergent, 0°, 15°, 25°, and 40°: for various cleaning applications.

Throttle Lever — Sets engine in starting mode for recoil starter.

Water Inlet — Connect garden hose here.

ASSEMBLY

IMPORTANT: Read entire operator's manual before you attempt to assemble or operate your new pressure washer.

Unpack the Pressure Washer

1. Remove everything from carton except pressure washer.
2. Open carton completely by cutting each corner from top to bottom.
3. Remove pressure washer from carton.

Carton Contents

Items in the carton include:

- Main unit
- High pressure hose
- Spray gun with quick connect fitting
- Nozzle extension with quick connect fitting
- Handle
- Parts Bag (includes the following):
 - Hose fittings
 - Quick connects
 - Bag containing 5 multi-colored quick connect spray tips
 - Safety goggles
 - Operator's manual
 - Engine operator's manual
 - Maintenance kit
 - Handle fastening hardware kit (which includes):
 - Carriage bolts (2)
 - Plastic knobs (2)

If parts are missing or damaged, contact the local Briggs & Stratton service center.

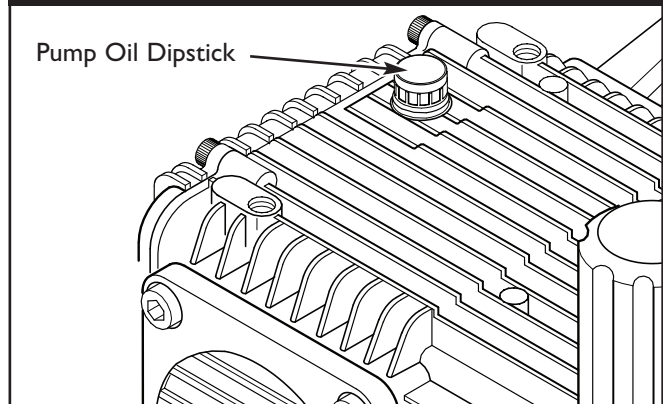
PREPARING PRESSURE WASHER FOR USE

To prepare your pressure washer for operation, you will need to perform these tasks:

1. Attach handle to main unit.

2. Verify oil dipstick has been installed into pump (Figure 2).

Figure 2 — Pump Dipstick



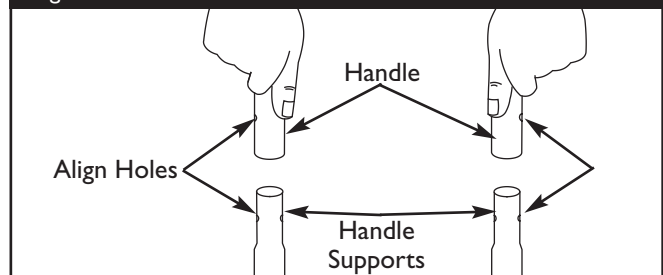
3. Add oil to engine crankcase.
4. Add fuel to fuel tank.
5. Connect high pressure hose to spray gun and pump.
6. Connect water supply to pump.
7. Attach nozzle extension to spray gun.
8. Select/attach quick connect spray tip to nozzle extension.

Attach Handle

NOTE: All assembly operations given in this section will be described from the perspective of assembling the pressure washer from the rear.

1. Place handle assembly onto handle supports connected to main unit. Make sure holes in handle align with holes on handle supports (Figure 3).

Figure 3 — Attach Handle to Base

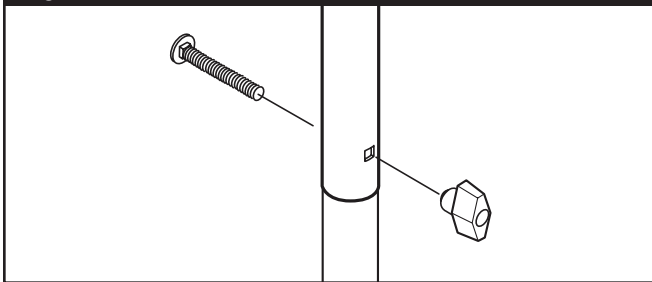


ASSEMBLY

NOTE: It may be necessary to move the handle supports from side to side in order to align the handle so it will slide over the handle supports.

2. Insert carriage bolts through holes from outside of unit and attach plastic knob on inside of handles (Figure 4). Tighten by hand.

Figure 4 — Secure Handle



3. Insert multi-colored spray tips in spaces provided in handle.

Add Engine Oil and Fuel

- Place pressure washer on a level surface.

CAUTION

Any attempt to crank or start the engine before it has been properly filled with the recommended oil will result in equipment failure.

- Refer to engine manual for oil and fuel fill information.
 - Damage to equipment resulting from failure to follow this instruction will void warranty.
- Refer to engine operator's manual and follow oil and fuel recommendations and instructions.

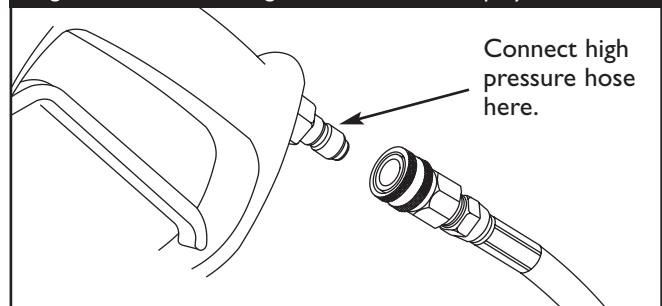
NOTE: Check oil often during engine break-in. Refer to engine operator's manual for recommendations.

Connect Hose and Water Supply to Pump

IMPORTANT: To avoid pump damage, you must assemble the nozzle extension to the spray gun and attach all hoses before you start the engine.

1. Uncoil high pressure hose and attach quick connect end of hose to base of spray gun (Figure 5). Pull down on collar of quick connect, slide onto spray gun and let go of collar. Tug on hose to be sure of tight connection.

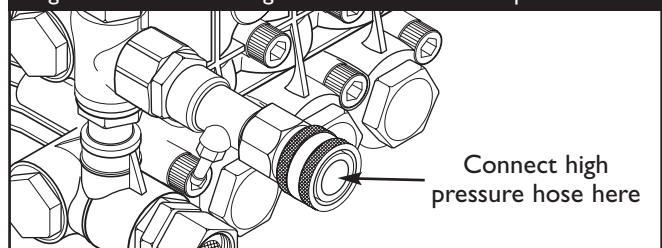
Figure 5 — Connect High Pressure Hose to Spray Gun



NOTE: Remove and discard all pump shipping caps before attaching hoses.

2. Similarly, attach other end of high pressure hose to high pressure outlet on pump (Figure 6). Pull down on collar of quick connect, slide onto pump and let go of collar. Pull on hose to be sure of tight connection.

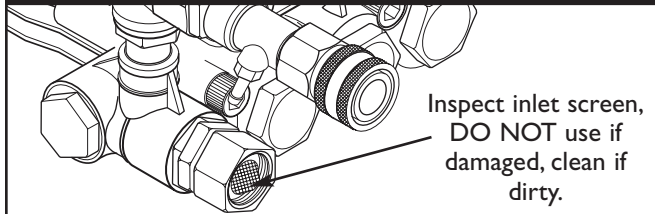
Figure 6 — Connect High Pressure Hose to Pump



ASSEMBLY

- Before connecting garden hose to water inlet, inspect inlet screen (Figure 7). Clean screen if it contains debris or replace if damaged. **DO NOT RUN PRESSURE WASHER IF SCREEN IS DAMAGED.**

Figure 7 — Inspect Inlet Screen

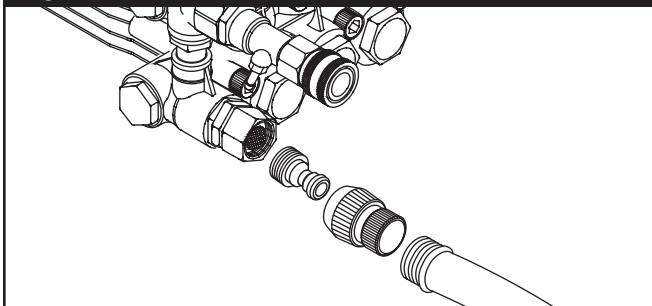


- Run water through garden hose for 30 seconds to clean out any debris.

IMPORTANT: DO NOT siphon standing water for water supply. Use **ONLY** cold water (less than 100°F).

- Attach female quick connect to garden hose. Attach male quick connect to water inlet on pump (Figure 8).

Figure 8 — Connect the Garden Hose to Water Inlet



- Connect garden hose (not to exceed 50 feet in length) to water inlet (Figure 8). Pull back on collar of quick connect, slide fitting onto pump and let go of collar. Pull on hose to be sure of a tight connection.

CAUTION

There **MUST** be at least ten feet of unrestricted garden hose between the pressure washer inlet and any flow shut off device, such as a 'Y' shut-off connector or other convenience-type water shut-off valve.

- Damage to equipment resulting from failure to follow this instruction will void warranty.

- Turn ON water, point gun in a safe direction and squeeze trigger to purge pump system of air and impurities.



WARNING



High pressure spray can cause paint chips or other particles to become airborne.

- Always wear safety goggles when using this equipment or in vicinity of where equipment is in use.
- Before starting the pressure washer, be sure you are wearing adequate safety goggles.

Checklist Before Starting Engine

Review the unit's assembly to confirm you have performed all of the following:



- Be sure to read "Safety Rules" and "How To Use Your Pressure Washer" before using pressure washer.
- Make sure handle is in place and secure.
- Check that oil has been added to the proper level in engine crankcase.
- Add proper fuel to fuel tank.
- Check for properly attached hose connections.
- Check to make sure that there are no kinks, cuts, or damage to high pressure hose.
- Provide a proper water supply at an adequate flow.

HOW TO USE PRESSURE WASHER

If you have any problems operating your pressure washer, please contact the local Briggs & Stratton service center.

Pressure Washer Location

Pressure Washer Clearance

	WARNING
	Exhaust heat/gases can ignite combustibles, structures or damage fuel tank causing a fire.
<ul style="list-style-type: none"> • Keep at least 5 ft. (152 cm) clearance on all sides of pressure washer including overhead. 	

Place pressure washer outdoors. **DO NOT** place pressure washer where exhaust gas could accumulate and enter inside or be drawn into a potentially occupied building. Ensure exhaust gas is kept away from any windows, doors, ventilation intakes or other openings that can allow exhaust gas to collect in a confined area (Figure 9). Prevailing winds and air currents should be taken into consideration when positioning pressure washer.



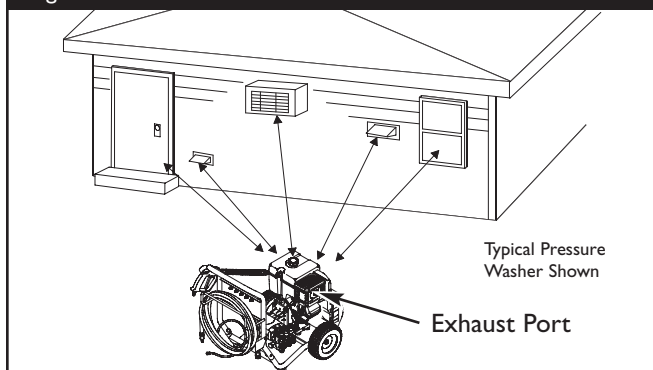
	WARNING
	Running engine gives off carbon monoxide, an odorless, colorless, poison gas. Breathing carbon monoxide can cause nausea, fainting or death.
<ul style="list-style-type: none"> • Operate pressure washer ONLY outdoors. • Keep exhaust gas from entering a confined area through windows, doors, ventilation intakes or other openings. • DO NOT operate pressure washer inside any building or enclosure, even if doors or windows are open. 	

Figure 9 — Pressure Washer Clearance



How To Start Pressure Washer

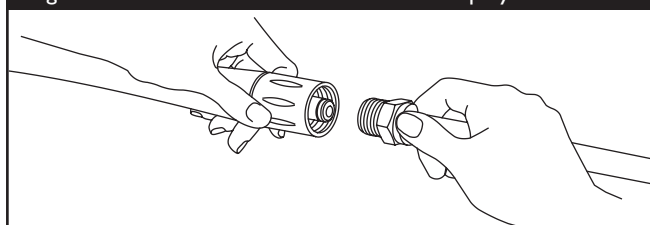
To start your pressure washer for the first time, follow these instructions step-by-step. This starting information also applies if you have let the pressure washer sit idle for at least a day.

1. Place pressure washer near an outside water source capable of supplying water at a flow rate greater than 5.0 gallons per minute and no less than 20 PSI at pressure washer end of garden hose.
2. Check that high pressure hose is tightly connected to spray gun and to pump. See “Preparing Pressure Washer for Use” for illustrations.
3. Make sure unit is in level position.
4. Connect garden hose to water inlet on pressure washer pump.
5. Turn ON water, point gun in a safe direction and squeeze trigger to purge pump system of air and impurities.

CAUTION
DO NOT run the pump without the water supply connected and turned on.
<ul style="list-style-type: none"> • Damage to equipment resulting from failure to follow this instruction will void warranty.

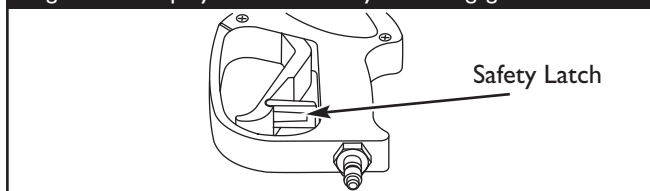
6. Attach nozzle extension to spray gun (Figure 10). Tighten by hand.

Figure 10 — Connect Nozzle Extension to Spray Gun



7. Choose spray tip you want to use and insert it into nozzle extension. See “How to Use Spray Tips”.
8. Engage safety latch to spray gun trigger (Figure 11).

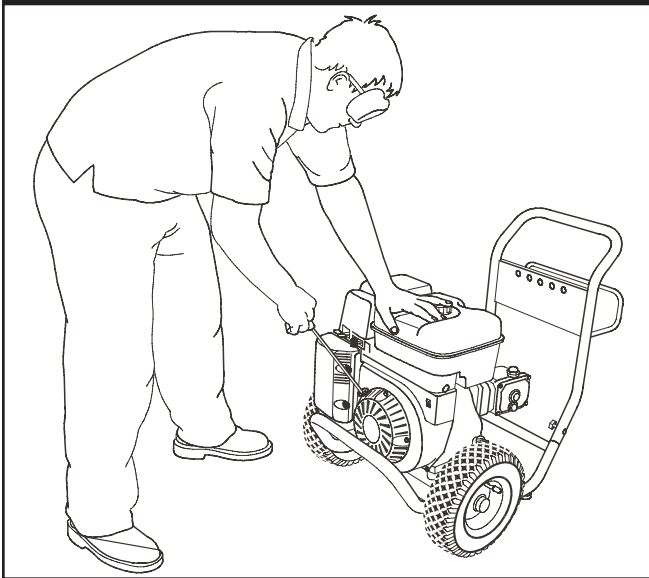
Figure 11 — Spray Gun with Safety Latch Engaged



OPERATION

9. When starting engine, position yourself as recommended in Figure 12 and start engine according to instructions given in engine operator's manual.

Figure 12 - Recommended Starting Position



! WARNING



Rapid retraction of starter cord (kickback) will pull hand and arm toward engine faster than you can let go.

Broken bones, fractures, bruises or sprains could result.

- ALWAYS point gun in safe direction and squeeze spray gun trigger, to release pressure and avoid kickback each time, before starting engine.
- When starting engine, pull cord slowly until resistance is felt and then pull rapidly to avoid kickback.
- After each starting attempt, where engine fails to run, always point gun in safe direction and squeeze spray gun trigger to release high pressure.
- Firmly grasp spray gun with both hands when using high pressure spray to avoid injury when gun kicks back.

NOTE: Always keep the throttle lever in the “Fast” position when operating the pressure washer.



! WARNING



Running engines produce heat. Temperature of muffler and nearby areas can reach or exceed 150°F (65°C).



Severe burns can occur on contact.

Exhaust heat/gases can ignite combustibles, structures or damage fuel tank causing a fire.

- DO NOT touch hot surfaces and avoid hot exhaust gases.
- Allow equipment to cool before touching.
- Keep at least 5 ft. (152 cm) clearance on all sides of pressure washer including overhead.

How To Stop Pressure Washer

1. Let engine idle for two minutes.
2. Turn engine off according to instructions given in engine operator's manual.
3. ALWAYS point gun in a safe direction and squeeze spray gun trigger to release retained high water pressure.

IMPORTANT: Spray gun traps high water pressure, even when engine is stopped and water is disconnected.



! WARNING



The high pressure stream of water that this equipment produces can pierce skin and its underlying tissues, leading to serious injury and possible amputation.

Spray gun traps high water pressure, even when engine is stopped and water is disconnected, which can cause injury.

- Keep high pressure hose connected to pump and spray gun while system is pressurized.
- ALWAYS point gun in safe direction and squeeze spray gun trigger, to release high pressure, every time you stop engine. Engage trigger lock when not in use.

4. Engage safety latch on spray gun when not in use.

OPERATION

How to Use Spray Tips

The quick-connect on the nozzle extension allows you to switch between five different spray tips. The spray tips vary the spray pattern as shown below (Figure 13).



CAUTION

A pressure washer produces a high pressure spray which increases risk of injury and damage to unit.

- NEVER exchange spray tips without locking the safety latch on the trigger.

Follow these instructions to change spray tips:

1. Engage safety latch on spray gun.
2. Pull back collar on quick-connect and pull current spray tip off. Store spray tips in space provided on handle storage panel.
3. Select desired spray tip:
 - For gentle rinse, select white 40° or green 25° spray tip.
 - To scour surface, select yellow 15° or red 0° spray tip.
 - To apply detergent, select black spray tip.
4. Pull back on collar, insert new spray tip and release collar. Tug on spray tip to make sure it is securely in place.
5. For most effective cleaning, keep spray tip from 8 to 24 inches away from cleaning surface. If you get spray tip too close, you may damage cleaning surface.
6. DO NOT get closer than 6 inches when cleaning tires.

Cleaning and Applying Detergent

IMPORTANT: Use detergents designed specifically for pressure washers. Household detergents could damage the pump.

CAUTION

You must attach all hoses before you start the engine.

- Starting the engine without all the hoses connected and without the water turned ON will damage the pump.
- Damage to equipment resulting from failure to follow this instruction will void warranty.

To apply detergent follow these steps:

1. Review spray tip use.
2. Prepare detergent solution as required by manufacturer.
3. Place small filter end of detergent siphoning tube into detergent container.

CAUTION

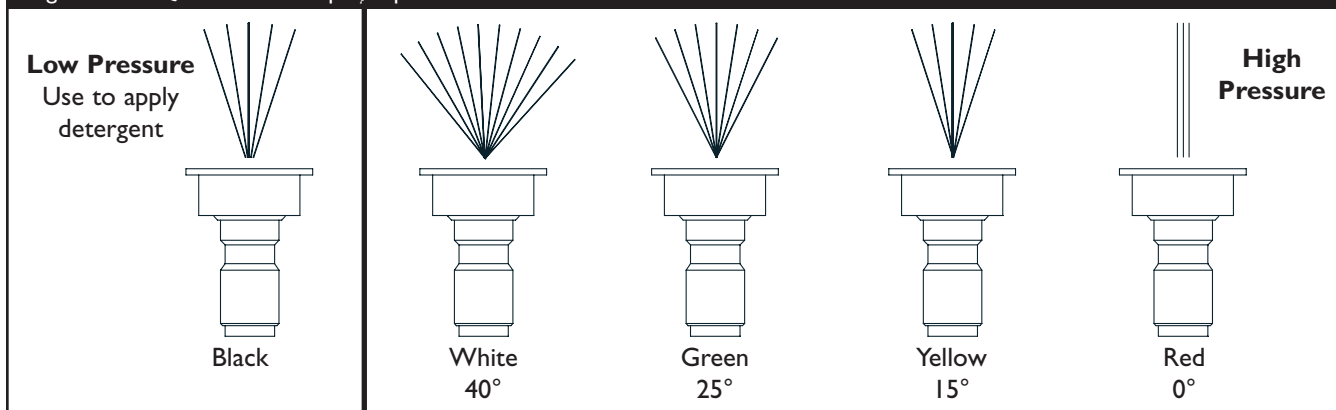
Keep the detergent siphoning tube from coming in contact with the hot muffler.

- When inserting the filter into a detergent solution bottle, route the tube so as to keep it from inadvertently contacting the hot muffler.

4. Make sure black spray tip is installed.

NOTE: Detergent cannot be applied with the high pressure spray tips (White, Green, Yellow, or Red).

Figure 13 — Quick Connect Spray Tips



OPERATION

5. Make sure garden hose is connected to water inlet. Check that high pressure hose is connected to spray gun and pump and start engine.
6. Apply detergent to a dry surface, starting at lower portion of area to be washed and work upward, using long, even, overlapping strokes.
7. Allow detergent to soak in between 3–5 minutes before washing and rinsing. Reapply as needed to prevent surface from drying. **DO NOT** allow detergent to dry on (prevents streaking).

IMPORTANT: You must flush the detergent siphoning system after each use by placing the filter into a bucket of clean water, then run the pressure washer in low pressure for 1-2 minutes.

Pressure Washer Rinsing

After you have applied detergent, scour the surface and rinse it clean as follows:

1. Engage safety latch on spray gun.
2. Remove black spray tip from nozzle extension.
3. Select and install desired high pressure spray tip following instructions in “How to Use Spray Tips”.
4. Increase (decrease) spray pressure by turning pressure control knob clockwise (counterclockwise) (See “Know Your Pressure Washer”). Use lower pressure to wash items such as a car or boat. Use higher pressure to strip paint and degrease driveways.



WARNING



High pressure spray could cause you to fall if you are too close to the cleaning surface.

- Keep spray nozzle between 8 to 24 inches away from cleaning surface.
- Operate this unit on a stable surface.
- Be extremely careful if you must use the pressure washer from a ladder, scaffolding or any other relatively unstable location.
- Firmly grasp spray gun with both hands when using high pressure spray to avoid injury when gun kicks back.

5. Apply high pressure spray to small area and check surface for damage. If no damage is found, you can assume it is okay to continue cleaning.
6. Start at top of area to be rinsed, working down with same overlapping strokes as you used for cleaning.

Cleaning Detergent Siphoning Tube

If you used the detergent siphoning tube, you must flush it with clean water before stopping the engine.

1. Place detergent siphoning tube/filter in a bucket full of clean water.
2. Engage safety latch on spray gun.
3. Attach black cleaning detergent nozzle.
4. Flush for 1-2 minutes.
5. Shut off engine.
6. **ALWAYS** point gun in a safe direction and squeeze spray gun trigger to release retained high water pressure.

IMPORTANT: Spray gun traps high water pressure, even when engine is stopped and water is disconnected.



WARNING



The high pressure stream of water that this equipment produces can pierce skin and its underlying tissues, leading to serious injury and possible amputation.

Spray gun traps high water pressure, even when engine is stopped and water is disconnected, which can cause injury.

- Keep high pressure hose connected to pump and spray gun while system is pressurized.
- **ALWAYS** point gun in safe direction and squeeze spray gun trigger, to release high pressure, every time you stop engine. Engage trigger lock when not in use.

Automatic Cool Down System (Thermal Relief)

If you run the engine on your pressure washer for 3-5 minutes without pressing the trigger on the spray gun, circulating water in the pump can reach temperatures above 125°F. The system engages to cool the pump by **discharging the warm water onto the ground.**

SPECIFICATIONS

- Outlet Pressure** 3200 psi
Flow Rate 4.0 gallons per minute (gpm)
Detergent Use detergent approved for pressure washers
Water Supply Temperature Not to Exceed 100°F
Automatic Cool Down System Will cycle when water reaches 125°-155°F
Shipping Weight 155 lbs.

GENERAL MAINTENANCE RECOMMENDATIONS

The pressure washer warranty does not cover items that have been subjected to operator abuse or negligence. To receive full value from the warranty, the operator must maintain the pressure washer as instructed in this manual.

NOTE: Should you have questions about replacing components on your pressure washer, please visit our website at **BRIGGSandSTRATTON.COM**.

- Some adjustments will need to be made periodically to properly maintain your pressure washer.
- All maintenance in this manual and the engine operator’s manual should be made at least once each season.
- Once a year you should check the spray gun and nozzle extension assembly for wear. Also clean or replace the spark plug and clean or replace the engine air filter. Please refer to engine operator’s manual for more details.
- If equipped with inflatable tires, keep the air pressure at the value marked on the tire or within 15 and 40 psi.

Before Each Use

1. Check engine oil level.
2. Check water inlet screen for damage.
3. Check high pressure hose for leaks.
4. Check detergent siphoning tube and filter for damage.
5. Check spray gun and nozzle extension assembly for leaks.
6. Rinse out garden hose to flush out debris.



PRESSURE WASHER MAINTENANCE

Check and Clean Inlet Screen

Examine the screen on the water inlet. Clean it if the screen is clogged or replace it if screen is damaged.

Check High Pressure Hose

The high pressure hose can develop leaks from wear, kinking, or abuse. Inspect the hose each time before using it. Check for cuts, leaks, abrasions or bulging of cover, damage or movement of couplings. If any of these conditions exist, replace the hose immediately.

	WARNING
	The high pressure stream of water that this equipment produces can pierce skin and its underlying tissues, leading to serious injury and possible amputation.
<ul style="list-style-type: none"> • NEVER repair high pressure hose. Replace it. • Replacement hose rating MUST exceed maximum pressure rating of unit. 	

Check Detergent Siphoning Tube

Examine the filter on the detergent tube and clean if clogged. The tube should fit tightly on the barbed fitting. Examine the tube for leaks or tears. Replace the filter or tube if either is damaged.

Check Gun and Nozzle Extension

Examine the hose connection to the spray gun and make sure it is secure. Test the trigger by pressing it and making sure it “springs back” into place when you release it. Put the safety latch in the **ON** position and test the trigger. You should not be able to press the trigger.

Nozzle Maintenance

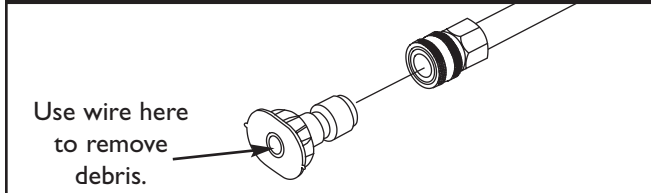
A pulsing sensation felt while squeezing the spray gun trigger may be caused by excessive pump pressure. The principal cause of excessive pump pressure is a spray tip clogged or restricted with foreign materials, such as dirt, etc. To correct the problem, immediately clean the spray tip following these instructions:

1. Shut off engine and turn off water supply.
2. Remove spray tip from end of nozzle extension.

MAINTENANCE

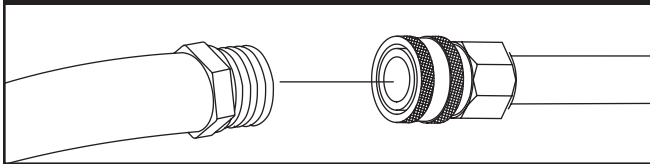
- Use a small paper clip to free any foreign material clogging or restricting spray tip (Figure 14).

Figure 14 — Nozzle Maintenance



- Using a garden hose, remove additional debris by back flushing water through nozzle extension (Figure 15). Back flush between 30 to 60 seconds.

Figure 15 — Backflushing the Nozzle Extension



- Reinstall spray tip filter into nozzle extension.
- Reconnect nozzle extension to spray gun.
- Reconnect water supply, turn on water, and start engine.
- Test pressure washer by operating with each Quick Connect spray tip.

O-Ring Maintenance

Through the normal operation of your pressure washer, o-rings are used to keep the connections of the hoses and spray gun tight and leak-free. These o-rings may become worn or damaged.

An O-Ring Maintenance Kit is provided with your pressure washer which includes replacement o-rings, rubber washer and water inlet filter. Refer to the instruction sheet provided in the kit to service your unit's o-rings. Note that you will not use all of the parts in the kit.

To remove a worn or damaged o-ring; use a small flathead screwdriver to get underneath the o-ring and pry it off.



WARNING



The high pressure stream of water that this equipment produces can pierce skin and its underlying tissues, leading to serious injury and possible amputation.

- NEVER repair leaking connections with sealant of any kind. Replace o-ring or seal.

Pump Maintenance

Changing Pump Oil

Change oil after first 50 hours of operation and then every 200 hours or 3 months, whichever occurs first.

NOTE: When changing pump oil, use only high quality nondetergent 30 weight oil. Use no special additives.

Change pump oil as follows:

- Clean area around brass oil drain plug at bottom of pump.
- Remove oil drain plug. Drain oil completely into an approved container.
- When oil has completely drained, install oil drain plug and tighten firmly.
- Clean area around pump oil dipstick. Remove dipstick and fill pump with recommended oil to "Full" mark on dipstick (typically 0.43L or 15 oz.).
- Install pump oil dipstick.
- Wipe up any spilled oil.

ENGINE MAINTENANCE

See the engine operator's manual for instructions on how to properly maintain the engine.



CAUTION

Avoid prolonged or repeated skin contact with used motor oil.

- Used motor oil has been shown to cause skin cancer in certain laboratory animals.
- Thoroughly wash exposed areas with soap and water.



KEEP OUT OF REACH OF CHILDREN. DON'T POLLUTE. CONSERVE RESOURCES. RETURN USED OIL TO COLLECTION CENTERS.

PREPARING THE UNIT FOR STORAGE

Water should not remain in the unit for long periods of time. Sediments or minerals can deposit on pump parts and “freeze” pump action. If you do not plan to use the pressure washer for more than 30 days, follow this procedure:

1. Flush detergent siphoning tube by placing the filter into a pail of clean water while running pressure washer in low pressure mode. Flush for one to two minutes.
2. Shut off the engine and let it cool, then remove all hoses. Disconnect spark plug wire from spark plug.
3. Empty the pump of all pumped liquids by pulling the recoil handle about 6 times. This should remove most of the liquid in the pump.
4. Draw RV antifreeze (non-alcohol) into the pump by pouring the solution into a 3-foot section of garden hose connected to inlet adapter and pulling recoil handle twice.
If available, use PumpSaver in place of RV antifreeze and follow package instructions.
5. Store unit in a clean, dry area.

STORING THE ENGINE

See the engine operator’s manual for instructions on how to properly prepare the engine for storage.

TROUBLESHOOTING

TROUBLESHOOTING

Problem	Cause	Correction
Pump has following problems: failure to produce pressure, erratic pressure, chattering, loss of pressure, low water volume.	<ol style="list-style-type: none"> 1. Low pressure spray tip installed. 2. Water inlet is blocked. 3. Inadequate water supply. 4. Inlet hose is kinked or leaking. 5. Clogged inlet hose strainer. 6. Water supply is over 100°F. 7. High pressure hose is blocked or leaks. 8. Gun leaks. 9. Spray tip is obstructed. 10. Pump is faulty. 	<ol style="list-style-type: none"> 1. Replace spray tip with high pressure spray tip. 2. Clear inlet. 3. Provide adequate water flow. 4. Straighten inlet hose, patch leak. 5. Check and clean inlet hose strainer. 6. Provide cooler water supply. 7. Clear blocks in outlet hose. 8. Replace gun. 9. Clean spray tip. 10. Contact Authorized service facility.
Detergent fails to mix with spray.	<ol style="list-style-type: none"> 1. Detergent siphoning tube is not submerged. 2. Detergent filter is clogged or cracked. 3. High pressure spray tip installed. 	<ol style="list-style-type: none"> 1. Insert detergent siphoning tube into detergent. 2. Clean or replace filter/detergent siphoning tube. 3. Replace spray tip with low pressure spray tip.
Engine shuts down during operation.	Out of fuel.	Fill fuel tank.

NOTES

BRIGGS & STRATTON POWER PRODUCTS GROUP, LLC PRESSURE WASHER OWNER WARRANTY POLICY

Effective December 1, 2005 replaces all undated Warranties and all Warranties dated before December 1, 2005

LIMITED WARRANTY

Briggs & Stratton Power Products Group, LLC will repair or replace, free of charge, any part(s) of the pressure washer that is defective in material or workmanship or both. Transportation charges on product submitted for repair or replacement under this warranty must be borne by purchaser. This warranty is effective for the time periods and subject to the conditions stated below. For warranty service, find the nearest Authorized Service Dealer in our dealer locator map at BRIGGSandSTRATTON.COM.

THERE IS NO OTHER EXPRESS WARRANTY. IMPLIED WARRANTIES, INCLUDING THOSE OF MERCHANTABILITY AND FITNESS FOR A PARTICULAR PURPOSE, ARE LIMITED TO ONE YEAR FROM PURCHASE, OR TO THE EXTENT PERMITTED BY LAW. ANY AND ALL IMPLIED WARRANTIES ARE EXCLUDED. LIABILITY FOR INCIDENTAL OR CONSEQUENTIAL DAMAGES ARE EXCLUDED TO THE EXTENT EXCLUSION IS PERMITTED BY LAW. Some states or countries do not allow limitations on how long an implied warranty lasts, and some states or countries do not allow the exclusion or limitation of incidental or consequential damages, so the above limitation and exclusion may not apply to you. This warranty gives you specific legal rights and you may also have other rights which vary from state to state or country to country.

WARRANTY PERIOD

Consumer Use	1 year
Commercial Use	90 days

The warranty period begins on the date of purchase by the first retail consumer or commercial end user, and continues for the period of time stated above. "Consumer use" means personal residential household use by a retail consumer. "Commercial use" means all other uses, including use for commercial, income producing or rental purposes. Once equipment has experienced commercial use, it shall thereafter be considered as commercial use for purposes of this warranty.

NO WARRANTY REGISTRATION IS NECESSARY TO OBTAIN WARRANTY ON BRIGGS & STRATTON PRODUCTS. SAVE YOUR PROOF OF PURCHASE RECEIPT. IF YOU DO NOT PROVIDE PROOF OF THE INITIAL PURCHASE DATE AT THE TIME WARRANTY SERVICE IS REQUESTED, THE MANUFACTURING DATE OF THE PRODUCT WILL BE USED TO DETERMINE THE WARRANTY PERIOD.

ABOUT YOUR WARRANTY

We welcome warranty repair and apologize to you for being inconvenienced. Any Authorized Service Dealer may perform warranty repairs. Most warranty repairs are handled routinely, but sometimes requests for warranty service may not be appropriate. For example, warranty service would not apply if equipment damage occurred because of misuse, lack of routine maintenance, shipping, handling, warehousing or improper installation. Similarly, the warranty is void if the manufacturing date or the serial number on the pressure washer or engine has been removed or the equipment has been altered or modified. During the warranty period, the Authorized Service Dealer, at its option, will repair or replace any part that, upon examination, is found to be defective under normal use and service. This warranty will not cover the following repairs and equipment:

- **Normal Wear:** Outdoor Power Equipment, like all mechanical devices, needs periodic parts and service to perform well. This warranty also does not cover normal maintenance such as air filters, adjustments, fuel system cleaning and obstruction (due to chemical, lime, dirt, and so forth).
- **Installation and Maintenance:** This warranty does not apply to equipment or parts that have been subjected to improper or unauthorized installation or alteration and modification, misuse, negligence, accident, overloading, overspeeding, improper maintenance, repair or storage so as, in our judgment, to adversely affect its performance and reliability. This warranty also does not cover normal maintenance such as air filters, adjustments, fuel system cleaning and obstruction (due to chemical, lime, dirt, and so forth).
- **Other Exclusions:** This warranty excludes wear items such as quick couplers, seals, o-rings, pumps that have been run without water supplied or damage or malfunctions resulting from accidents, abuse, modifications, alterations, or improper servicing or freezing or chemical deterioration. Accessory parts, such as guns, hoses, nozzle extensions (wands), and nozzles, are excluded from the product warranty. This warranty excludes used, reconditioned, and demonstration equipment and failures due to acts of God and other force majeure events beyond the manufacturers control.
198187E, Rev. C, 12/31/2006

BRIGGS & STRATTON POWER PRODUCTS GROUP, LLC
JEFFERSON, WI, USA

TABLE DES MATIÈRES

Consignes de sécurité.....	20-23
Connaître Votre Nettoyeur Haute Pression	24
Assemblage	25-27
Fonctionnement	28-31
Caractéristiques	32
Maintenance.....	32-33
Entreposage	34
Diagnostic des problèmes	35
Remarques	36
Garantie	37

DESCRIPTION DE L'ÉQUIPEMENT



L'utilisateur doit lire ce manuel soigneusement et se familiariser avec le nettoyeur haute pression. Il doit prendre connaissance de ses applications, de ses limites et des risques inhérents à son utilisation.

Ce manuel contient les informations relatives à un nettoyeur haute pression fonctionnant sous 220 bars (3 200 PSI) avec un débit de 15,14 l/mn (4.0 gallons/mn). Ce système puissant de grande qualité comporte de grosses roues de 30 cm (12 pouces), une pompe dotée d'un système de refroidissement automatique, un système d'injection de produit chimique, une rallonge de buse à embouts à fixation rapide, des lunettes de sécurité, un tuyau flexible de 15 m (50 pieds) et plus encore.

Tout a été fait pour s'assurer que les renseignements contenus dans le présent guide soient exacts et à jour. Toutefois, le fabricant se réserve le droit de changer, de modifier ou encore d'améliorer le système en tout temps et ce, sans préavis.

CONSIGNES DE SÉCURITÉ



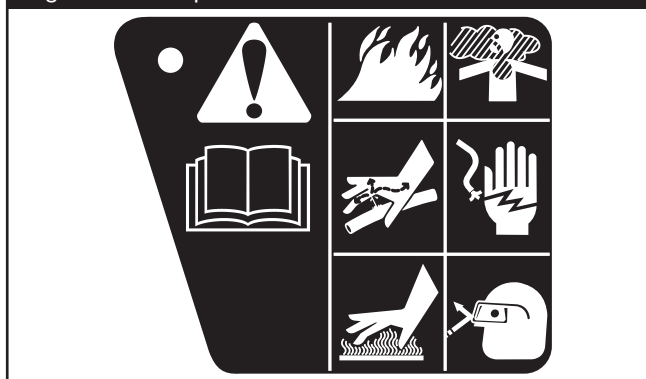
Voici le symbole d'avertissement de sécurité. Ces symboles attirent votre attention sur le risque de blessure corporelle. Pour éviter toute blessure mortelle ou non, observer toutes les consignes de sécurité associées à ces symboles.

Le symbole d'alerte (⚠) apparaît complété par un qualificatif (DANGER, ATTENTION, AVERTISSEMENT), une image ou un message de sécurité pour attirer l'attention sur les risques. Un **DANGER** signale un risque qui - s'il n'est pas écarté - entraîne des blessures graves ou la mort. Un **AVERTISSEMENT** signale un risque qui - s'il n'est pas écarté - pourrait entraîner des blessures graves ou la mort. La mention **ATTENTION** signale un risque qui - s'il n'est pas écarté - pourrait entraîner des blessures légères ou modérées. La mention **ATTENTION**, utilisée sans le symbole d'alerte, signale une situation qui pourrait entraîner une détérioration de l'équipement. Respectez scrupuleusement les consignes de sécurité pour éliminer ou réduire les risques de blessures ou dangers de mort.

Plaque d'avertissement

Une plaque d'avertissement (figure 16) figure sur l'appareil pour signaler les risques pour la sécurité. Si cette plaque vient à être endommagée ou illisible, la remplacer par une étiquette neuve disponible auprès de votre représentant local Briggs & Stratton.

Figure 16 — Plaque d'avertissement



Les pictogrammes de la plaque d'avertissement sont explicités plus bas dans cette section consacrée à la sécurité.

Pictogrammes des risques et signification

Manuel d'opérateur	Vapeurs toxiques	Choc électrique
Surface glissante	Risque de chute	Injection de fluide
Incendie	Explosion	Surface chaude
Pièces en mouvement	Projection d'objets	Risque de recul

CONSIGNES DE SÉCURITÉ



AVERTISSEMENT



En fonctionnement, le moteur dégage du monoxyde de carbone, un gaz inodore, incolore et mortel.

Respirer du monoxyde de carbone peut provoquer des nausées, l'évanouissement ou la mort.

Certains produits chimiques ou détergents peuvent être dangereux et, s'ils sont inhalés ou ingérés, provoquer des nausées importantes, des évanouissements ou des empoisonnements.

- Utiliser le nettoyeur EXCLUSIVEMENT en extérieur.
- Empêchez les gaz d'échappement de pénétrer dans un lieu confiné par les fenêtres, portes, entrées d'aération et d'autres ouvertures.
- NE FAITES PAS fonctionner le nettoyeur haute pression à l'intérieur d'un bâtiment ou d'un lieu clos, même si les portes ou les fenêtres sont ouvertes.
- S'il y a un risque d'inhalation de vapeurs, utiliser un appareil ou un masque respiratoire.
- Lire soigneusement les instructions d'emploi du masque afin d'être certain qu'il protège efficacement contre l'inhalation de vapeurs dangereuses.



AVERTISSEMENT



L'utilisation du nettoyeur haute pression peut causer l'apparition de flaques d'eau et rendre les surfaces glissantes et dangereuses.



Le jet à haute pression peut également faire tomber l'utilisateur s'il se tient trop près de la surface à nettoyer.

- Maintenir la buse de pulvérisation à une distance de 20 à 60 centimètres de la surface à nettoyer.
- Utiliser cet appareil sur une surface stable.
- La pente et le drainage de l'aire de nettoyage doivent être suffisants pour réduire le risque de chute accru sur des surfaces glissantes.
- Agir avec une extrême prudence en cas d'utilisation du nettoyeur haute pression sur une échelle, un échafaudage ou tout autre emplacement relativement instable.
- Pour éviter tout risque de blessure en cas de recul du pistolet de pulvérisation, le tenir fermement des deux mains pour la pulvérisation haute pression.



AVERTISSEMENT



L'essence sous forme liquide ou vapeur est extrêmement inflammable et explosive.



Un incendie ou une explosion peuvent provoquer de graves brûlures ou la mort.

METTRE DE L'ESSENCE

- ARRETER le nettoyeur haute pression et le laisser refroidir au moins deux minutes avant d'ouvrir le bouchon d'essence.
- Faire le plein du réservoir à l'air libre.
- NE PAS trop remplir le réservoir. Laisser un espace suffisant pour l'évaporation de l'essence.
- Manipuler l'essence à l'abri des étincelles, des flammes nues, des veilleuses, de la chaleur ainsi que d'autres sources potentielles d'inflammation.
- NE PAS allumer de cigarettes, ni fumer.

UTILISATION DE L'ÉQUIPEMENT

- NE JAMAIS incliner le moteur ni l'équipement au point que l'essence se mette à couler.
- NE PAS vaporiser de liquides inflammables.

TRANSPORT ET RÉPARATION DE L'ÉQUIPEMENT

- VIDER le réservoir et FERMER le robinet d'essence pour transporter et réparer l'équipement.
- Fixez le nettoyeur haute pression en position debout pendant le transport pour qu'il ne bascule pas et ne répande pas d'essence et d'huile.

ENTREPOSAGE D'ESSENCE OU D'UN ÉQUIPEMENT DONT LE RÉSERVOIR CONTIENT DE L'ESSENCE.

- NE PAS entreposer à proximité de fours, poêles, chauffe-eau, sèche-linge ou d'autres équipements susceptibles de comporter une veilleuse ou une source potentielle d'inflammation des vapeurs d'essence.



AVERTISSEMENT



La pulvérisation d'eau sur les circuits électriques peut entraîner une électrocution.

- Éloigner la pulvérisation d'eau des câbles électriques pour éviter tout risque d'électrocution.

CONSIGNES DE SÉCURITÉ



AVERTISSEMENT



Le recul rapide du câble de démarreur peut tirer la main et le bras en direction du moteur plus rapidement que vous ne vous y attendez.

Ce peut être la cause de fêlures, fractures, contusions ou foulures.

- **TOUJOURS** pointer le pistolet dans une direction sans danger et appuyer sur la détente pour libérer la pression et éviter le recul lors du démarrage du moteur. Engager le verrou de la détente du pistolet de pulvérisation lorsque vous n'utilisez pas le pistolet.
- Lors du démarrage du moteur, tirer lentement sur la corde jusqu'à sentir une résistance, puis tirer rapidement afin d'éviter l'effet de recul.
- Après chaque tentative de démarrage, lorsque le moteur ne démarre pas, toujours pointer le pistolet dans une direction sans danger et appuyer sur la détente pour libérer la haute pression d'eau.
- Pour éviter tout risque de blessure en cas de recul du pistolet de pulvérisation, le tenir fermement des deux mains pour la pulvérisation haute pression.



AVERTISSEMENT



Un moteur en marche dégage de la chaleur et des gaz d'échappement brûlants. La température du échappement et de certaines pièces voisines peut atteindre ou dépasser 65 °C (150 °F).

Un incendie ou des blessures graves peuvent survenir.



Les gaz ou la chaleur d'échappement peuvent mettre le feu à des produits combustibles, des structures ou endommager le réservoir d'essence et provoquer un incendie.

- **NE PAS** toucher les surfaces chaudes et éviter les gaz d'échappement chauds.
- Laisser l'équipement refroidir avant d'y toucher.
- Conserver un débattement d'au moins 152 cm autour du nettoyeur haute pression, y compris au-dessus du nettoyeur.



AVERTISSEMENT



Le démarreur et les autres pièces en rotation peuvent attraper les mains, les cheveux, les vêtements ou les accessoires.

- **NE PAS** porter de vêtements amples, de bijoux ni d'autres effets qui pourraient être happés par le démarreur ou les autres pièces en rotation.
- Retenir les cheveux longs en chignon et retirer les bijoux.



AVERTISSEMENT



Le jet d'eau à haute pression produit par ce matériel peut percer la peau et les tissus sous-jacents, provoquer des blessures graves et même une amputation.

Le pistolet de pulvérisation conserve l'eau à haute pression, même lorsque le moteur est arrêté et l'arrivée d'eau débranchée, et peut donc provoquer des blessures.

- **NE JAMAIS** diriger le jet vers des personnes, des animaux ou des plantes.
- **NE PAS** laisser des **ENFANTS** manipuler le nettoyeur haute pression.
- **NE JAMAIS** tenter de réparer le flexible haute pression. Le remplacer systématiquement.
- **Ne JAMAIS** réparer les connexions qui fuient avec un mastic d'étanchéité. Remplacer le joint torique ou le joint.
- Toujours garder le tuyau flexible haute pression raccordé à la pompe et au pistolet de pulvérisation lorsque le système est sous pression.
- **TOUJOURS** pointer le pistolet dans une direction sans danger et appuyer sur la détente pour libérer la haute pression d'eau, chaque fois que vous arrêtez le moteur. Engager le verrou de la détente du pistolet de pulvérisation lorsque vous n'utilisez pas le pistolet.



AVERTISSEMENT



Le jet à haute pression peut mettre en suspension dans l'air des particules de peinture ou d'autres matériaux.

- Toujours porter des lunettes de sécurité lors de l'utilisation de ce matériel ou dans la zone où ce matériel est utilisé.
- Avant de démarrer le nettoyeur haute pression, veiller à porter des lunettes de sécurité adaptées.



AVERTISSEMENT



La production involontaire d'étincelles peut provoquer un incendie ou une électrocution.



POUR RÉGLER OU RÉPARER LE NETTOYEUR HAUTE PRESSION

- Débrancher le fil de bougie d'allumage et l'écarter de sorte qu'il ne puisse toucher la bougie.

LORS DES ESSAIS D'ALLUMAGE

- Utiliser un testeur de bougie d'allumage approuvé.
- **NE PAS** vérifier l'allumage lorsque la bougie est retirée.

CONSIGNES DE SÉCURITÉ



ATTENTION

Une vitesse de fonctionnement du moteur trop élevée ou trop faible augmente le risque d'occasionner des blessures ou d'endommager le nettoyeur.

- NE PAS modifier la vitesse réglée du moteur.
- NE PAS faire fonctionner le nettoyeur à une pression supérieure à la pression nominale.



ATTENTION

Les nettoyeurs haute pression produisent un jet à haute pression qui accroît les risques de blessure et de dommage à l'appareil.

- NE PAS verrouiller le pistolet de pulvérisation en position ouverte.
- NE PAS laisser le pistolet de pulvérisation sans surveillance lorsque l'appareil est en marche.
- Ne JAMAIS utiliser un pistolet de pulvérisation dont le verrou de détente ou le pontet n'est pas installé et en ordre de marche.
- Toujours s'assurer que le pistolet de pulvérisation, les buses et les accessoires sont bien fixés.

ATTENTION

Le jet à haute pression peut endommager les matériaux fragiles, le verre par exemple.

- En mode haute pression, ne pas diriger le jet sur des vitres.
- NE JAMAIS diriger le jet sur des plantes.

ATTENTION

Un traitement inadéquat du nettoyeur haute pression peut l'endommager et réduire sa durée de vie utile.

- En cas de questions à propos de l'utilisation conforme de cet appareil, consulter le distributeur ou prendre contact avec Briggs & Stratton Power Products.
- Ne JAMAIS utiliser un appareil dont des pièces sont cassées, manquantes ou non munies de leur capot ou de leurs couvercles protecteurs.
- NE neutraliser AUCUN dispositif de sécurité de cette machine.
- Par temps froid, avant de démarrer le nettoyeur à haute pression, vérifier tous ses éléments pour vérifier l'absence de gel.
- Ne JAMAIS utiliser le flexible haute pression comme poignée pour déplacer l'appareil. Toujours utiliser pour cela la poignée de l'appareil.
- Vérifier la présence de fuites ou de signes de détérioration du circuit de carburant, comme un flexible usé ou spongieux, des brides de serrage desserrées ou manquantes, ou un réservoir ou un bouchon endommagé. Réparer toutes les déficiences avant d'utiliser le nettoyeur haute pression.
- Cet appareil est conçu pour être utilisé uniquement avec des pièces Briggs & Stratton Power Products d'origine. Si l'équipement est utilisé avec des pièces qui NE sont PAS conformes aux caractéristiques minimales, tous les risques et responsabilités incomberont à l'utilisateur.

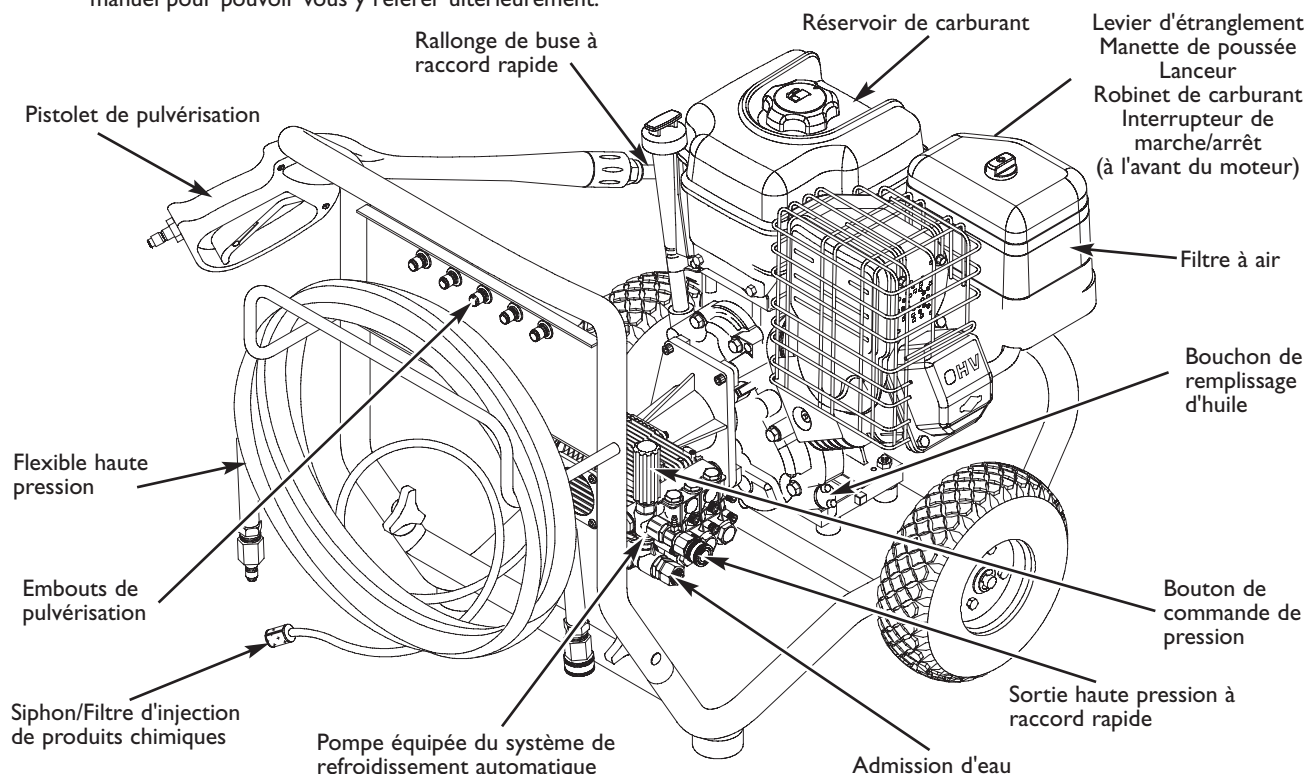
CONNAÎTRE VOTRE NETTOYEUR HAUTE PRESSION

CONNAÎTRE VOTRE NETTOYEUR HAUTE PRESSION



Lisez ce manuel d'opérateur et ces règles de sécurité avant d'utiliser le nettoyeur haute pression.

Reportez-vous aux illustrations pour repérer l'emplacement des divers réglages et commandes de votre nettoyeur. Conservez ce manuel pour pouvoir vous y référer ultérieurement.



Admission d'eau - Raccorder le tuyau d'arrosage à cet endroit.

Bouchon de remplissage d'huile - Orifice de remplissage de l'huile du moteur.

Bouton de commande de pression - Permet de modifier la pression de pulvérisation.

Embouts de pulvérisation à raccord rapide - Injection de produit chimique, 0°, 15°, 25° et 40° : pour diverses applications de nettoyage.

Filtre à air - Protège le moteur en filtrant la poussière et les débris avant la prise d'air.

Flexible haute pression - Raccorder une des extrémités du flexible à la pompe à eau et l'autre au pistolet de pulvérisation.

Interrupteur de marche/arrêt - Mettre cet interrupteur sur "Run" avant d'utiliser le lanceur. Mettre l'interrupteur sur "Stop" pour arrêter le moteur.

Lanceur - Sert à démarrer le moteur manuellement.

Levier d'étranglement - Prépare le moteur froid au démarrage lorsqu'il est froid.

Manette de poussée - Place le moteur en mode de démarrage pour le lanceur.

Pistolet de pulvérisation - Un dispositif de détente permet de contrôler le jet d'eau sur la surface à nettoyer. Le pistolet est muni d'un verrou de sécurité de la détente.

Pompe - Fournit la haute pression.

Rallonge de buse à raccord rapide - Permet de passer rapidement de l'un à l'autre des cinq embouts de pulvérisation différents.

Réservoir de carburant - Remplir le réservoir avec du carburant sans plomb normal. Ne jamais remplir complètement le réservoir pour permettre la dilatation du carburant.

Robinet de carburant - Sert à ouvrir et à fermer l'arrivée du carburant au moteur.

Siphon/Filtre d'injection de produits chimiques - Sert à siphonner les détergents ou autres produits chimiques de nettoyage sous pression dans le circuit basse pression.

Sortie haute pression à raccord rapide - Sert au branchement du flexible haute pression.

Système de refroidissement automatique - Fait circuler de l'eau dans la pompe lorsque la température de l'eau atteint 51,6 à 68,3 °C. **L'eau chaude de la pompe est évacuée au sol. Ce système prévient tout dommage interne à la pompe.**

ASSEMBLAGE

IMPORTANT: Lire entièrement le manuel d'opérateur avant de monter et d'utiliser l'appareil.

Déballer le nettoyeur haute pression

1. Sortir tous les éléments de l'emballage, sauf le nettoyeur haute pression.
2. Ouvrir complètement le carton en coupant chaque coin de haut en bas.
3. Sortir le nettoyeur haute pression de l'emballage.

Contenu de la boîte

La boîte contient les éléments suivants :

- Unité principale
- Poignée
- Flexible haute pression
- Pistolet de pulvérisation à raccord rapide
- Rallonge de buse à raccord rapide
- Sachet de pièces détachées (contenant les éléments suivants) :
 - Manuel d'opérateur
 - Manuel du moteur
 - Lunettes de sécurité
 - Kit d'entretien
 - Raccords de tuyau
 - Raccords rapides
 - Sachet contenant 5 embouts de pulvérisation à raccord rapide de différentes couleurs
 - Kit de quincaillerie de fixation de la poignée (comprenant):
 - Boulons (2)
 - Boutons en plastique (2)

Si des pièces manquent ou sont endommagées, contacter le centre de réparation Briggs & Stratton le plus proche.

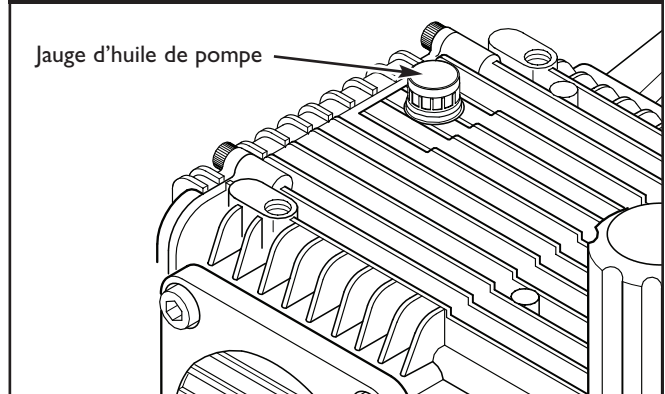
PRÉPARATION DU NETTOYEUR HAUTE PRESSON AVANT UTILISATION

Pour mettre le nettoyeur haute pression en état de fonctionnement, les tâches suivantes doivent être effectuées:

1. Fixer la poignée à l'unité principale.

2. Vérifier que la jauge d'huile est installée dans la pompe (figure 17).

Figure 17 — Jauge de pompe



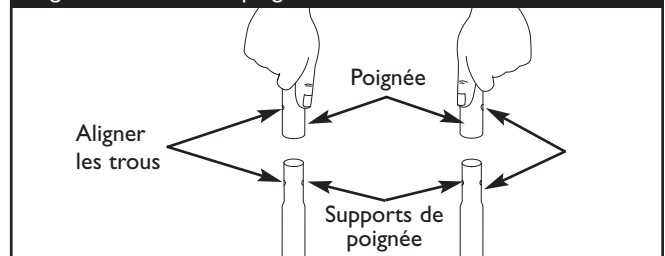
3. Faire le niveau d'huile.
4. Faire le plein d'essence.
5. Raccorder le flexible haute pression au pistolet et pompe.
6. Raccorder l'alimentation en eau à la pompe.
7. Monter la lance sur le pistolet.
8. Choisir et fixer l'embout de pulvérisation à raccord rapide à la rallonge de buse.

Fixer la poignée

REMARQUE: Toutes les opérations de montage décrites dans cette section se rapportent à un montage par rapport à l'arrière du nettoyeur haute pression.

1. Placer la poignée sur les supports déjà reliés à l'unité principale. Vérifier que les trous de la poignée et des supports sont alignés (figure 18).

Figure 18 — Fixer la poignée sur la base

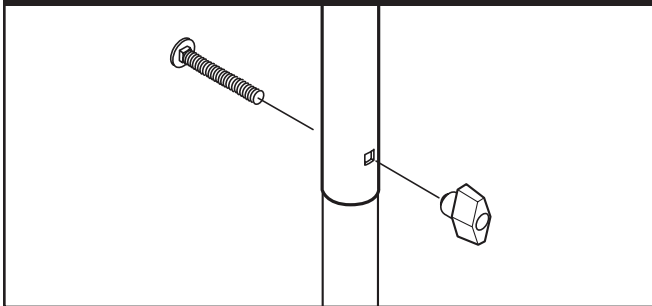


REMARQUE: Il peut être nécessaire de déplacer les supports d'un côté à l'autre.

ASSEMBLAGE

- Insérer les boulons dans les trous par l'extérieur de l'unité et fixer un bouton en plastique par l'intérieur de l'unité (figure 19). Serrer à la main.

Figure 19 — Immobiliser la poignée



- Insérer les embouts de pulvérisation de couleur dans les espaces prévus à cet effet dans la poignée.

Charger en huile moteur et en carburant

- Placer le nettoyeur haute pression sur une surface horizontale.

ATTENTION

Toute tentative de démarrage du moteur sans qu'il ait été rempli avec l'huile recommandée entraînera une panne de l'équipement.

- Consulter le manuel d'opérateur du moteur au sujet de l'huile et du carburant.
 - La garantie sera annulée si l'équipement est endommagé par suite du non-respect de cette instruction.
- Consulter le manuel d'opérateur du moteur et suivre les instructions et les recommandations relatives à l'huile et au carburant.

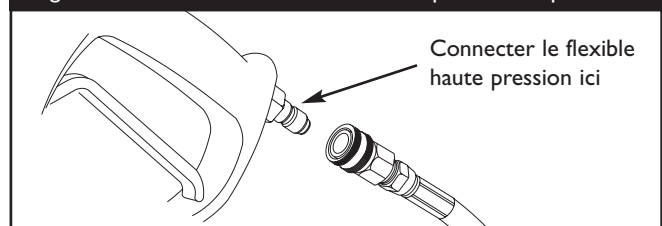
REMARQUE: Toujours vérifier le niveau d'huile avant utilisation, comme expliqué dans le manuel d'opérateur du moteur.

Raccorder le flexible et l'alimentation en eau à la pompe

IMPORTANT: Pour éviter d'endommager la pompe, il est impératif de monter la rallonge de buse au pistolet de pulvérisation et raccorder tous les flexibles avant de lancer le moteur.

- Engager le connecteur rapide du flexible dans la base du pistolet (figure 20). Pour cela, tirer vers le bas la bague du connecteur rapide, pousser le raccord dans la base du pistolet et relâcher la bague. S'assurer que le flexible est bien fixé.

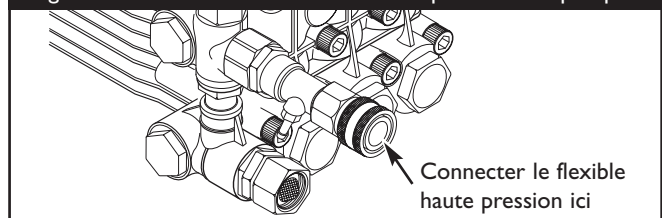
Figure 20 — Raccorder le flexible haute pression au pistolet



REMARQUE: Enlever et jeter tous les bouchons d'obturation de la pompe avant de raccorder les flexibles.

- Engager l'autre extrémité du flexible haute pression dans la sortie haute pression de la pompe (figure 21). Pour cela tirer vers le bas la bague du connecteur rapide, pousser le raccord dans la pompe et relâcher la bague. S'assurer que le flexible est bien fixé.

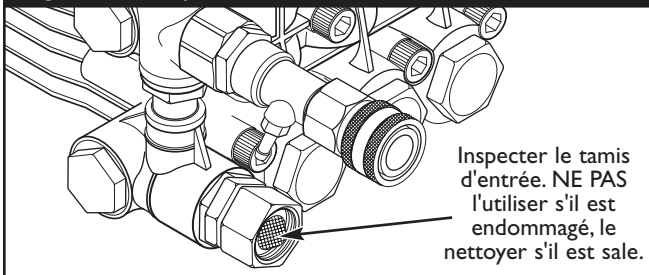
Figure 21 — Raccorder le flexible haute pression à la pompe



ASSEMBLAGE

3. Avant de raccorder le tuyau d'arrosage à l'entrée d'eau du nettoyeur, inspecter le tamis d'entrée (figure 22). Nettoyer le tamis s'il contient des débris, le remplacer s'il est endommagé. **NE JAMAIS UTILISER UN NETTOYEUR HAUTE PRESSION DONT LE TAMIS D'ENTRÉE EST ENDOMMAGÉ.**

Figure 22 — Inspecter le tamis d'entrée

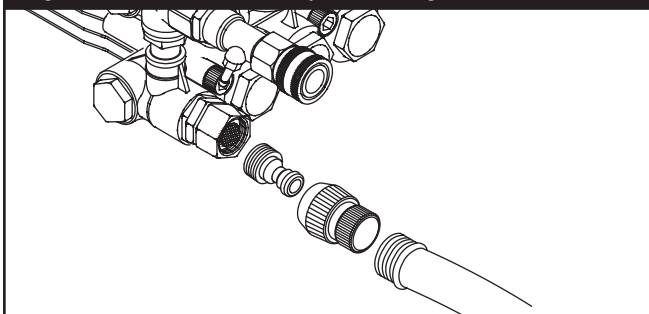


4. Faire couler l'eau dans le tuyau d'arrosage pendant trente secondes pour éliminer tous les débris en suspension. Refermer l'eau.

IMPORTANT: NE PAS siphonner une eau stagnante pour alimenter le nettoyeur. Utiliser **EXCLUSIVEMENT** de l'eau froide (moins de 35 °C).

5. Fixer un raccord rapide femelle au tuyau d'arrosage. Fixer un raccord rapide mâle à l'admission d'eau de la pompe (figure 23).

Figure 23 — Connecter le tuyau d'arrosage d'admission d'eau



6. Brancher le tuyau d'arrosage (de moins de 15m) à l'orifice d'admission d'eau (figure 23). Repousser le collier du raccord rapide, emboîter le raccord sur la pompe et relâcher le collier. Tirer sur le tuyau pour vérifier la solidité du branchement.

ATTENTION

Il **FAUT** laisser au moins 3 mètres de tuyau d'arrosage libre entre l'entrée du nettoyeur haute pression et un dispositif d'arrêt, par exemple un raccord d'arrêt en Y ou tout autre type de robinet.

- Les dommages causés au nettoyeur haute pression en raison du non-respect de cette mise en garde ne sont pas couverts par la garantie.

7. Ouvrir l'arrivée d'eau, pointer le pistolet dans une direction sans danger et appuyer sur la détente pour purger le système de pompe de l'air et des impuretés.



AVERTISSEMENT



Le jet à haute pression peut mettre en suspension dans l'air des particules de peinture ou d'autres matériaux.

- Toujours porter des lunettes de sécurité lors de l'utilisation de ce matériel ou dans la zone où ce matériel est utilisé.
- Avant de démarrer le nettoyeur haute pression, veiller à porter des lunettes de sécurité adaptées.

Liste de vérifications avant le démarrage du moteur

Inspecter le montage de l'appareil pour confirmer que les tâches suivantes ont été accomplies:



1. S'assurer que l'utilisateur a pris connaissance des "Consignes de sécurité" et du paragraphe "Utilisation du nettoyeur haute pression" avant d'utiliser l'appareil.
2. S'assurer que la poignée est bien fixée sur le chariot.
3. Vérifier que le niveau d'huile du carter moteur est correct.
4. Vérifier que l'essence ajoutée dans le réservoir est d'un type approprié.
5. Vérifier que les raccords du flexible haute pression sont correctement serrés. Vérifier que le flexible haute pression est exempt de pincements, de coupures ou de tout autre dommage.
6. Vérifier que l'alimentation en eau et son débit sont appropriés.

UTILISATION DU NETTOYEUR HAUTE PRESSION

Si le fonctionnement du nettoyeur haute pression pose problème, contacter le centre de réparation Briggs & Stratton le plus proche.

Emplacement du nettoyeur haute pression

Débattement autour du nettoyeur haute pression

	AVERTISSEMENT
	Les gaz ou la chaleur d'échappement peuvent mettre le feu à des produits combustibles, des structures ou endommager le réservoir d'essence et provoquer un incendie.
<ul style="list-style-type: none"> • Conserver un débattement d'au moins 152 cm autour du nettoyeur haute pression, y compris au-dessus du nettoyeur. 	

Placer le nettoyeur haute pression à l'extérieur. NE PAS placer le nettoyeur haute pression dans un endroit où les gaz d'échappement pourraient s'accumuler et pénétrer ou être aspirés dans un bâtiment qui pourrait être occupé. Éloigner les gaz d'échappement des portes, fenêtres, entrées de ventilations ou d'autres ouvertures pouvant permettre aux gaz d'échappement de s'accumuler dans un endroit confiné (figure 24). Tenir compte des vents dominants et courants d'air lorsque vous positionnez le nettoyeur haute pression.



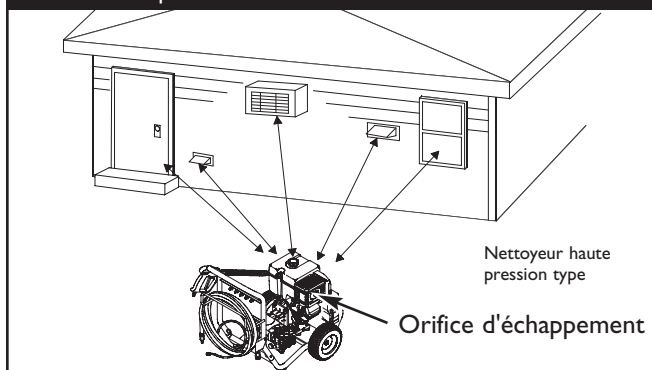
	AVERTISSEMENT
	En fonctionnement, le moteur dégage du monoxyde de carbone, un gaz inodore, incolore et mortel. Respirer du monoxyde de carbone peut provoquer des nausées, l'évanouissement ou la mort.
<ul style="list-style-type: none"> • Utiliser le nettoyeur EXCLUSIVEMENT en extérieur. • Empêchez les gaz d'échappement de pénétrer dans un lieu confiné par les fenêtres, portes, entrées d'aération et d'autres ouvertures. • NE FAITES PAS fonctionner le nettoyeur haute pression à l'intérieur d'un bâtiment ou d'un lieu clos, même si les portes ou les fenêtres sont ouvertes. 	

Figure 24 — Débattement autour du nettoyeur haute pression



Procédure de démarrage du nettoyeur haute pression

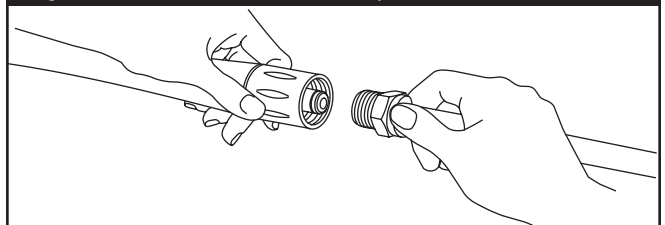
Pour le démarrage initial du nettoyeur haute pression, suivre les instructions pas à pas. Ces instructions de démarrage sont également valables si le nettoyeur n'a pas été utilisé pendant plus d'une journée.

1. Placer le nettoyeur haute pression près d'une arrivée d'eau extérieure capable d'un débit supérieur à 19 litres/minute sous une pression égale ou supérieure à 20 PSI (1,38 bar) au niveau de l'extrémité du tuyau d'arrosage, côté nettoyeur haute pression.
2. Vérifier que le flexible haute pression est solidement raccordé au pistolet et à la pompe. Pour les illustrations, se reporter au paragraphe "Préparation du nettoyeur haute pression avant utilisation".
3. S'assurer que l'appareil est placé sur une surface plane.
4. Vérifier que le tuyau d'arrosage est raccordé à l'entrée d'eau de la pompe du nettoyeur haute pression.
5. Ouvrir l'arrivée d'eau, pointer le pistolet dans une direction sans danger et appuyer sur la détente pour purger le système de pompe de l'air et des impuretés.

ATTENTION
NE PAS faire fonctionner la pompe si l'alimentation en eau n'est pas raccordée et ouverte.
<ul style="list-style-type: none"> • La garantie sera annulée si l'équipement est endommagé par suite du non-respect de cette instruction.

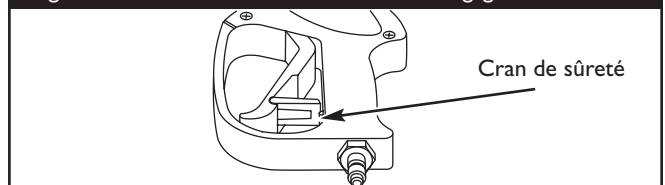
6. Monter la lance sur le pistolet (figure 25). Serrer à la main.

Figure 25 — Raccorder la lance au pistolet



7. Choisir l'embout de pulvérisation à utiliser et l'insérer dans la rallonge de buse. Voir "Utilisation des embouts de pulvérisation".
8. Mettre le cran de sûreté du pistolet (figure 26).

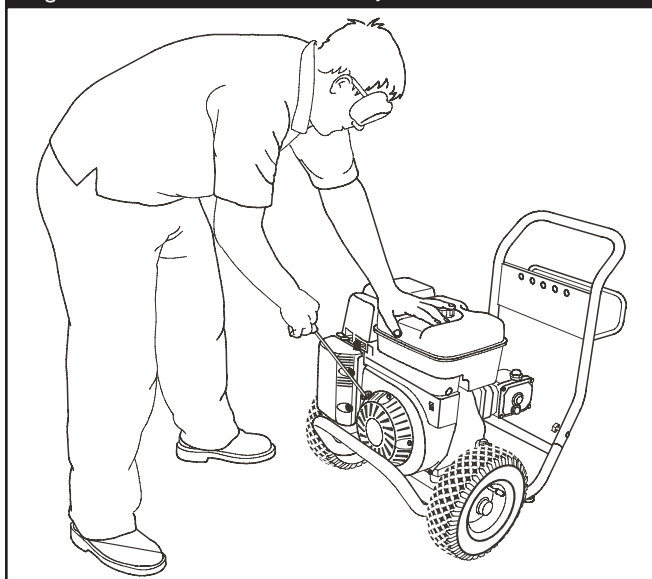
Figure 26 — Pistolet avec cran de sûreté engagé



FONCTIONNEMENT

9. Lors du lancement du moteur, se placer conformément aux consignes de la figure 27 et lancer le moteur en suivant les instructions du manuel d'opérateur du moteur.

Figure 27 - Recommandé Commençant la Position



AVERTISSEMENT



Le recul rapide du câble de démarreur peut tirer la main et le bras en direction du moteur plus rapidement que vous y attendez.

Ce peut être la cause de fêlures, fractures, contusions ou foulures.

- TOUJOURS pointer le pistolet dans une direction sans danger et appuyer sur la détente pour libérer la pression et éviter le recul lors du démarrage du moteur. Engager le verrou de la détente du pistolet de pulvérisation lorsque vous n'utilisez pas le pistolet.
- Lors du démarrage du moteur, tirer lentement sur la corde jusqu'à sentir une résistance, puis tirer rapidement afin d'éviter l'effet de recul.
- Après chaque tentative de démarrage, lorsque le moteur ne démarre pas, toujours pointer le pistolet dans une direction sans danger et appuyer sur la détente pour libérer la haute pression d'eau.
- Pour éviter tout risque de blessure en cas de recul du pistolet de pulvérisation, le tenir fermement des deux mains pour la pulvérisation haute pression.

REMARQUE: Toujours laisser le levier d'étranglement en position "Fast" lors de l'utilisation du nettoyeur haute pression.



AVERTISSEMENT



Un moteur en marche dégage de la chaleur et des gaz d'échappement brûlants. La température du échappement et de certaines pièces voisines peut atteindre ou dépasser 65 °C (150 °F).



Un incendie ou des blessures graves peuvent survenir.

Les gaz ou la chaleur d'échappement peuvent mettre le feu à des produits combustibles, des structures ou endommager le réservoir d'essence et provoquer un incendie.

- NE PAS toucher les surfaces chaudes et éviter les gaz d'échappement chauds.
- Laisser l'équipement refroidir avant d'y toucher.
- Conserver un débettement d'au moins 152 cm autour du nettoyeur haute pression, y compris au-dessus du nettoyeur.

Procédure d'arrêt du nettoyeur haute pression

1. Laisser reposer le moteur pendant deux minutes.
2. Pour éteindre le moteur, suivre les instructions qui figurent dans le manuel d'opérateur du moteur.
3. TOUJOURS pointer le pistolet dans une direction sans danger et appuyer sur la détente pour libérer la haute pression d'eau.

IMPORTANT: Le pistolet de pulvérisation conserve l'eau à haute pression, même lorsque le moteur est arrêté et l'arrivée d'eau débranchée.



AVERTISSEMENT



Le jet d'eau à haute pression produit par ce matériel peut percer la peau et les tissus sous-jacents, provoquer des blessures graves et même une amputation.

Le pistolet de pulvérisation conserve l'eau à haute pression, même lorsque le moteur est arrêté et l'arrivée d'eau débranchée, et peut donc provoquer des blessures.

- Toujours garder le tuyau flexible haute pression raccordé à la pompe et au pistolet de pulvérisation lorsque le système est sous pression.
 - TOUJOURS pointer le pistolet dans une direction sans danger et appuyer sur la détente pour libérer la haute pression d'eau, chaque fois que vous arrêtez le moteur. Engager le verrou de la détente du pistolet de pulvérisation lorsque vous n'utilisez pas le pistolet.
4. Engager le verrou de la détente du pistolet de pulvérisation lorsque vous n'utilisez pas le pistolet.

FONCTIONNEMENT

Utilisation des embouts de pulvérisation

Le raccord rapide de la rallonge de buse permet d'utiliser tour à tour cinq embouts de pulvérisation différents. Les embouts de pulvérisation permettent de modifier la forme du jet comme illustré ci-dessous (figure 28).



AVERTISSEMENT

Les nettoyeurs haute pression produisent un jet à haute pression qui accroît les risques de blessures et de dommages à l'appareil.

- NE JAMAIS permuter les embouts de pulvérisation sans verrouiller la sécurité de la détente.

Suivre les instructions ci-dessous pour changer d'embout de pulvérisation:

1. Tirer vers l'arrière le collier du raccord rapide et ôter l'embout déjà installé. Placer les embouts de pulvérisation fournis sur le panneau de rangement de la poignée.
2. Placer les embouts de pulvérisation dans le porte-embouts de la rallonge de buse.
3. Choisir l'embout désiré:
 - Pour un rinçage doux, sélectionner l'embout blanc à 40° ou l'embout vert à 25°.
 - Pour récurer une surface, sélectionner l'embout jaune à 15° ou l'embout rouge à 0°.
 - Pour appliquer un produit chimique, sélectionner l'embout noir.
4. Tirer vers l'arrière le collier, insérer le nouvel embout et relâcher le collier. Tirer sur l'embout pour vérifier qu'il est bien en place.
5. Pour un nettoyage plus efficace, garder l'embout de pulvérisation à une distance comprise entre 20 et 60 cm de la surface à nettoyer. Si l'embout est trop près, la surface à nettoyer peut être endommagée.
6. NE PAS nettoyer les pneus de voitures à une distance inférieure à 15 cm.

Nettoyage avec application de produit détergent

IMPORTANT: Utiliser des détergents spécifiquement conçus pour les nettoyeurs haute pression. Les détergents ménagers peuvent endommager la pompe.

ATTENTION

Avant de démarrer le moteur, il est impératif de raccorder tous les flexibles.

- La pompe sera endommagée si le moteur est démarré en l'absence des flexibles de d'arrivée d'eau.
- La garantie sera annulée si l'équipement est endommagé par suite du non-respect de cette instruction.

Pour appliquer le détergent, procéder comme suit:

1. Lire le mode d'emploi de l'embout de pulvérisation.
2. Préparer la solution de détergent selon les instructions du fabricant.
3. Placer le siphon-filtre d'injection de détergent dans le bidon de détergent.

ATTENTION

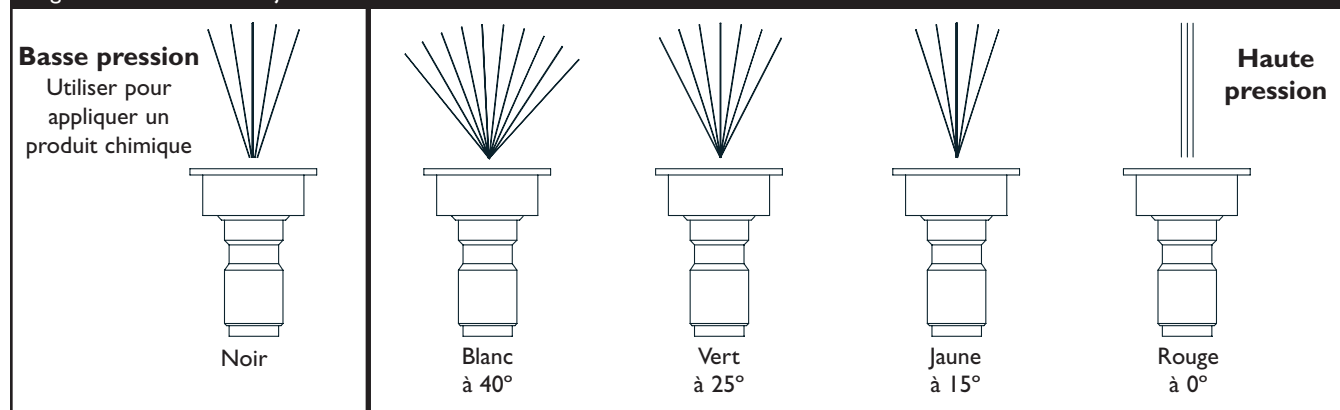
Prendre garde que le tube provenant du bidon de détergent ne vienne pas au contact du silencieux d'échappement chaud.

- Lors de l'insertion du filtre dans un flacon de solution de détergent, placer le tube de manière qu'il ne puisse pas entrer accidentellement en contact avec le silencieux chaud.
4. Vérifier que c'est bien l'embout de pulvérisation noir qui est installé.

REMARQUE: Il est impossible d'appliquer le détergent avec les embouts de pulvérisation haute pression (blanc, vert, jaune ou rouge).

5. Vérifier que le tuyau d'arrosage est relié à l'arrivée d'eau. Vérifier que le flexible haute pression est relié au pistolet de pulvérisation et à la pompe; démarrer le moteur.

Figure 28 — Formes de jet selon l'embout choisi



FONCTIONNEMENT

- Appliquer le détergent sur une surface sèche en commençant par le bas et en remontant en effectuant de larges mouvements de va-et-vient horizontaux se chevauchant.
- Laisser le détergent agir entre 3 et 5 minutes avant de nettoyer et rincer. Au besoin, faire une nouvelle application pour éviter le séchage de la surface. NE PAS laisser le détergent sécher (pour éviter les traces).
- Pulvériser sous haute pression sur une petite surface puis rechercher des dommages éventuels. En l'absence de dommage, on peut supposer qu'il est possible de poursuivre le rinçage.
- Commencer en haut de la zone à rincer, en travaillant de haut en bas avec les mêmes chevauchements que pour le nettoyage.

IMPORTANT: Il est impératif de rincer le système d'injection du produit chimique après chaque utilisation en plaçant le filtre dans un seau d'eau propre, puis en faisant fonctionner le nettoyeur sous basse pression pendant 1 à 2 minutes.

Rinçage avec le nettoyeur haute pression

Si du détergent a été appliqué, recurer la surface avec le jet à haute pression puis la rincer selon la procédure suivante:

- Mettre le cran de sûreté du pistolet.
- Ôter la buse noire pour produit chimique de la rallonge de buse.
- Choisir et installer la buse haute pression voulue en suivant les instructions de la section "Utilisation des embouts de pulvérisation", page 30.
- Augmenter ou diminuer la pression du jet en tournant la buse réglable respectivement dans le sens antihoraire ou horaire. Utiliser une pression plus basse pour nettoyer par exemple une voiture ou un bateau. Utiliser une pression plus élevée pour décapier de la peinture ou dégraisser une allée.



AVERTISSEMENT



Le jet à haute pression peut également faire tomber l'utilisateur s'il se tient trop près de la surface à nettoyer.

- Maintenir la buse de pulvérisation à une distance de 20 à 60 centimètres de la surface à nettoyer.
- Utiliser cet appareil sur une surface stable.
- Agir avec une extrême prudence en cas d'utilisation du nettoyeur haute pression sur une échelle, un échafaudage ou tout autre emplacement relativement instable.
- Pour éviter tout risque de blessure en cas de recul du pistolet de pulvérisation, le tenir fermement des deux mains pour la pulvérisation haute pression.

Nettoyage du tuyau de siphonnage de détergent

En cas d'utilisation du tuyau de siphonnage, il convient de le rincer à l'eau propre avant d'arrêter le moteur.

- Placer le tuyau/filtre de siphonnage de détergent dans un seau plein d'eau propre.
- Engager le verrou de sécurité du pistolet de pulvérisation.
- Fixer la buse noire pour détergent.
- Rincer pendant 1 à 2 minutes.
- Arrêter le moteur.
- TOUJOURS pointer le pistolet dans une direction sans danger et appuyer sur la détente pour libérer la haute pression d'eau.

IMPORTANT : Le pistolet de pulvérisation conserve l'eau à haute pression, même lorsque le moteur est arrêté et l'arrivée d'eau débranchée.



AVERTISSEMENT



Le jet d'eau à haute pression produit par ce matériel peut percer la peau et les tissus sous-jacents, provoquer des blessures graves et même une amputation.

Le pistolet de pulvérisation conserve l'eau à haute pression, même lorsque le moteur est arrêté et l'arrivée d'eau débranchée, et peut donc provoquer des blessures.

- Toujours garder le tuyau flexible haute pression raccordé à la pompe et au pistolet de pulvérisation lorsque le système est sous pression.
- TOUJOURS pointer le pistolet dans une direction sans danger et appuyer sur la détente pour libérer la haute pression d'eau, chaque fois que vous arrêtez le moteur. Engager le verrou de la détente du pistolet de pulvérisation lorsque vous n'utilisez pas le pistolet.

Système de refroidissement automatique (dissipation de la chaleur)

Si le moteur du nettoyeur haute pression fonctionne pendant 3 à 5 minutes sans que l'on appuie sur la détente du pistolet de pulvérisation, l'eau en circulation dans la pompe peut atteindre des températures supérieures à 51°C. Le système commence alors à refroidir la pompe **en évacuant l'eau chaude sur le sol.**

CARACTÉRISTIQUES

Pression de sortie 220 bar (3200 psi)

Débit 15,14 litres/minute (4,0 gpm)

Détergent Utiliser un détergent compatible avec les nettoyeurs haute pression

Température de l'eau d'alimentation . . Ne doit pas dépasser 37,7°C (100°F)

Système de refroidissement automatique Se déclenche lorsque la température de l'eau atteint 51 à 68 °C (125-155°F)

Poids d'expédition 70,3 kg (155 lbs.)

RECOMMANDATIONS D'ENTRETIEN GÉNÉRALES

La garantie du nettoyeur haute pression ne couvre pas les pièces que l'utilisateur a endommagées ou qu'il a négligées. Pour obtenir la pleine application de la garantie, il faut que l'utilisateur entretienne et utilise le nettoyeur haute pression selon les instructions décrites dans le présent manuel.

REMARQUE: Pour toute question sur le remplacement des composants du nettoyeur haute pression BSPP, rendez-vous sur notre site sur la toile mondiale à l'adresse **BRIGGSandSTRATTON.COM**.

- Certains réglages doivent être effectués périodiquement pour entretenir le nettoyeur haute pression.
- L'entretien décrit dans ce manuel ainsi que dans le manuel d'opérateur du moteur doit être effectué au moins une fois par an.
- Une fois par an, nettoyer ou remplacer la bougie d'allumage, nettoyer ou remplacer le filtre à air et vérifier l'usure du pistolet de pulvérisation et de la rallonge de buse à raccord rapide. Une bougie d'allumage neuve et un filtre à air propre permettent d'assurer un mélange essence-air adéquat, contribuent au meilleur fonctionnement du moteur et accroissent sa durée de vie. Consulter le manuel d'opérateur du moteur pour plus de détails.
- En cas d'utilisation de pneus gonflables, maintenir la pression d'air à la valeur indiquée sur les pneus ou entre 15 et 40 psi (1 à 2,75 bars).

Avant chaque utilisation

1. Contrôler le niveau d'huile du moteur.
2. Contrôler le bon état du tamis d'entrée d'eau.
3. Vérifier l'absence de fuite du flexible haute pression.
4. Contrôler le bon état du tube de siphonnage et du filtre du détergent.

5. Vérifier l'absence de fuites dans le pistolet de pulvérisation, la rallonge de buse et les embouts de pulvérisation.
6. Rincer le tuyau d'arrosage pour éliminer les débris avant de raccorder le nettoyeur haute pression.


ENTRETIEN DU NETTOYEUR HAUTE PRESSION

Vérifier et nettoyer le tamis de filtrage d'entrée

Contrôler le tamis à l'entrée d'eau. Nettoyer le tamis s'il est colmaté, le remplacer s'il est endommagé.

Contrôler le flexible haute pression

Le flexible haute pression peut fuir en raison de l'usure, de pincements ou d'une mauvaise utilisation. Vérifier le bon état du flexible avant chaque utilisation. Vérifier l'absence de coupures, de fuites, d'usure ou de renflement du revêtement, de détérioration et de jeu dans les raccords. Remplacer le flexible immédiatement au moindre signe de détérioration.

	AVERTISSEMENT
	Le jet d'eau à haute pression produit par l'appareil est capable d'entraîner des blessures graves.
<ul style="list-style-type: none">• NE JAMAIS tenter de réparer le flexible haute pression. Le remplacer.• Le flexible de remplacement DOIT pouvoir résister à une pression supérieure à la pression nominale du nettoyeur.	

Vérifier le tuyau de siphonnage de détergent

Examiner le filtre du tuyau de détergent et le nettoyer s'il est obstrué. Le tuyau doit s'adapter étroitement à l'embout barbelé. Rechercher des déchirures ou des fuites sur le tuyau. Remplacer le filtre ou le tuyau si l'un ou l'autre est endommagé.

Contrôler le pistolet et la lance

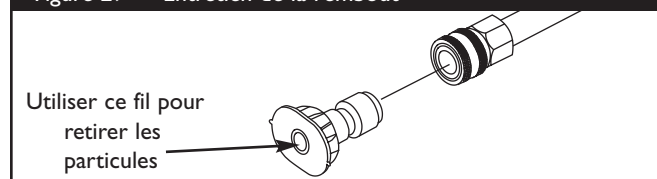
Examiner le raccordement du flexible au pistolet et s'assurer de sa solidité. Contrôler le fonctionnement de la gâchette en la manœuvrant et en s'assurant qu'elle revient d'elle-même en position de repos. Mettre le cran de sûreté et tenter d'appuyer sur la gâchette. La gâchette doit rester bloquée.

Entretien de la buse

Une sensation de pulsation ressentie en appuyant sur la détente du pistolet de pulvérisation peut être due à une pression trop élevée dans la pompe. Cet excès de pression dans la pompe est souvent dû à l'engorgement ou au blocage d'un embout de pulvérisation par des corps étrangers, tels que de la poussière, etc. Pour remédier au problème, nettoyer immédiatement les embouts de pulvérisations en suivant les instructions ci-dessous:

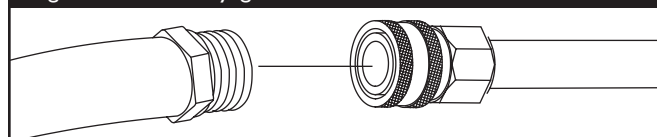
1. Arrêter le moteur et couper l'alimentation en eau.
2. Ôter l'embout de pulvérisation de l'extrémité de la rallonge de buse.
3. Utiliser le fil fourni dans le kit (ou un petit trombone à papier) pour déloger tout matériau étranger susceptible de boucher ou de bloquer l'embout de pulvérisation (figure 29).

Figure 29 — Entretien de la l'embout



4. À l'aide d'un tuyau d'arrosage, éliminer tout autre débris en rinçant la lance en sens inverse du débit normal (figure 30). Effectuer ce rinçage à contre-débit pendant 30 s à 1 minute.

Figure 30 — Nettoyage de la lance à contre-débit



5. Remettre l'embout en place dans la rallonge de buse.
6. Remonter la lance sur le pistolet.
7. Reconnecter l'alimentation en eau, rouvrir l'eau et redémarrer le moteur.
8. Essayer le nettoyeur haute pression avec chacun des embouts de pulvérisation à raccord rapide.

Entretien des joints toriques

Les joints toriques maintiennent l'étanchéité des raccords des flexibles et du pistolet. En fonctionnement normal du nettoyeur haute pression, ils s'usent et finissent par s'abîmer.

Un kit d'entretien est disponible pour le nettoyeur haute pression ; il contient des joints toriques de rechange, des joints en caoutchouc et des tamis de filtrage. Consulter la notice d'instruction fournie avec le kit pour le remplacement des joints. Noter que la totalité des pièces du kit ne sont pas utilisées sur chaque modèle de nettoyeur.

Pour déposer un joint usé ou endommagé; glisser la lame plate d'un petit tournevis sous le joint et l'extraire.

AVERTISSEMENT	
	Le jet d'eau à haute pression produit par ce matériel peut percer la peau et les tissus sous-jacents, provoquer des blessures graves et même une amputation.
<ul style="list-style-type: none"> • Ne JAMAIS réparer les connexions qui fuient avec un mastic d'étanchéité. Remplacer le joint torique ou le joint. 	

Entretien de la pompe

Vidange de l'huile

Remplacer l'huile après 50 heures de fonctionnement puis toutes les 200 heures de fonctionnement, ou 3 mois si cette période échoit la première.

REMARQUE: Utiliser exclusivement de l'huile non détergente de viscosité 30 de bonne qualité. NE PAS utiliser d'additif.

Vidanger la pompe selon la procédure suivante:

1. Nettoyer autour du bouchon de vidange en laiton au-dessous de la pompe.
2. Déposer le bouchon de vidange. Vidanger l'huile complètement dans un récipient homologué pour cet usage.
3. Lorsque l'huile cesse de s'écouler, remettre le bouchon de vidange en place et le serrer fermement.
4. Nettoyer autour de la jauge à huile. Déposer la jauge à huile et remplir la pompe avec l'huile recommandée jusqu'à la marque "Full" gravée sur la jauge (typiquement 0.43L ou 15 oz.).
5. Remettre la jauge en place.
6. Essuyer toute trace d'huile répandue.

ENTRETIEN DU MOTEUR

Pour avoir des instructions sur la façon d'entretenir correctement le moteur, se reporter au manuel d'opérateur du moteur.

ATTENTION	
Éviter un contact prolongé ou répété de l'huile moteur usagée avec la peau.	
<ul style="list-style-type: none"> • Il a été montré en laboratoire que l'huile moteur usagée peut provoquer des cancers de la peau chez certains animaux. • Laver à l'eau savonneuse et rincer soigneusement les parties exposées. 	



MAINTENIR HORS DE PORTÉE DES ENFANTS.
POUR LE RESPECT DE L'ENVIRONNEMENT,
DÉPOSER L'HUILE USAGÉE DANS UN CENTRE
AGRÉÉ.

PRÉPARATION DE L'APPAREIL AVANT DE L'ENTREPOSER

Il n'est pas conseillé de laisser de l'eau dans l'appareil pendant de longues périodes. Des sédiments ou des minéraux peuvent se déposer sur les pièces de la pompe et la rendre inopérante. En cas de non-utilisation prévue pendant une période supérieure à 30 jours, procéder comme suit:

1. Rincer le tube à détergent en plaçant le filtre dans un récipient rempli d'eau claire tout en faisant fonctionner le nettoyeur en mode basse pression. Rincer pendant une ou deux minutes.
2. Arrêter le moteur et le laisser refroidir, puis débrancher tous les flexibles. Débrancher le fil de bougie.
3. Vider la pompe de tout liquide en manœuvrant la poignée environ six fois. Ceci devrait retirer la majeure partie du liquide de la pompe.

4. Remplir la pompe d'un liquide antigel RV (sans alcool) en versant une solution de ce liquide dans un tuyau d'arrosage d'un mètre de long raccordé sur l'entrée et en manœuvrant deux fois la poignée.

Si disponible, utiliser du liquide PumpSaver au lieu de l'antigel RV et suivre les indications portées sur l'emballage.

5. Placer l'appareil dans un endroit propre et sec.

ENTREPOSAGE DU MOTEUR

Pour avoir des instructions sur la façon de préparer correctement le moteur en vue de l'entreposage, se reporter au manuel d'opérateur du moteur.

DIAGNOSTIC DES PROBLÈMES

DIAGNOSTIC DES PROBLÈMES

Symptôme	Cause	Solution
La pompe rencontre les problèmes suivants : impossible de monter en pression, pression intermittente, à coups de pression, faible débit d'eau.	<ol style="list-style-type: none"> 1. Buse à basse pression installée. 2. Entrée d'eau obstruée. 3. Alimentation en eau inadéquate. 4. Pincement ou fuite sur le flexible d'entrée. 5. Crépine du flexible d'entrée colmatée. 6. Température d'eau supérieure à 35 °C. 7. Colmatage ou fuite du flexible haute pression. 8. Fuite au pistolet. 9. La buse est obstruée. 10. Pompe défectueuse. 	<ol style="list-style-type: none"> 1. Remplacer la buse par la buse à haute pression. 2. Nettoyer l'entrée. 3. Fournir un débit d'eau adéquat. 4. Éliminer le pincement, réparer la fuite. 5. Vérifier et nettoyer la crépine d'entrée du flexible. 6. Fournir une alimentation en eau plus froide. 7. Déboucher le flexible haute pression. 8. Remplacer le pistolet ou les joints toriques. 9. Nettoyer la buse. 10. Contacter le centre d'entretien Briggs & Stratton Power Products.
Le détergent ne se mélange pas avec le jet d'eau.	<ol style="list-style-type: none"> 1. Tube de siphonnage non immergé dans le détergent. 2. Filtre pour détergent bouché. 3. Buse à haute pression installée. 	<ol style="list-style-type: none"> 1. Faire plonger le tube de siphonnage dans le détergent 2. Nettoyer ou remplacer le filtre ou le tube de siphonnage du détergent. 3. Remplacer la buse par la buse à basse pression.
Le moteur tourne bien à vide mais a des ratés en charge.	Régime moteur trop faible.	Déplacer la manette des gaz en position FAST (rapide). Si le moteur continue à avoir des pertes de régime en charge, contacter le service après-vente Briggs & Stratton Power Products.
Le moteur s'arrête inopinément.	Panne sèche.	Refaire le plein.

REMARQUES

REMARQUES

GARANTIE DU PROPRIÉTAIRE D'UN NETTOYEUR HAUTE PRESSION DE BRIGGS & STRATTON POWER PRODUCTS GROUP, LLC

À partir du 1^{er} décembre 2005, la présente garantie remplace toute garantie non datée et toute garantie dont la date est antérieure au 1^{er} décembre 2005

GARANTIE LIMITÉE

Briggs & Stratton Power Products Group, LLC réparera ou remplacera, sans frais, toutes pièces du nettoyeur haute pression défectueuses comportant un vice de matériau, un défaut de fabrication ou les deux. Les frais de transport des pièces envoyées en réparation ou pour être remplacées au titre de la présente garantie sont à la charge de l'acheteur. La garantie est en vigueur durant les périodes et aux conditions stipulées dans le présent document. Pour faire jouer la garantie, s'adresser à l'établissement de service après-vente agréé le plus proche indiqué sur le site <http://www.BRIGGSandSTRATTON.COM>.

IL N'EXISTE AUCUNE AUTRE GARANTIE EXPLICITE. LES GARANTIES IMPLICITES, COMPRENANT CELLES DE QUALITÉ MARCHANDE ET D'APTITUDE À UN USAGE PARTICULIER, SONT LIMITÉES À UN AN À PARTIR DE LA DATE D'ACHAT, SANS PRÉJUDICE D'UNE DURÉE LÉGALE DIFFÉRENTE EXCLUANT TOUTE GARANTIE IMPLICITE. LA RESPONSABILITÉ DES DOMMAGES ACCESSOIRES OU INDIRECTS EST EXCLUE DANS LA MESURE OÙ UNE TELLE EXCLUSION EST LÉGALE. Certains pays ou États/provinces n'autorisent aucune restriction sur la durée d'une garantie implicite, et certains pays ou États/provinces n'autorisent pas l'exclusion ou la limitation des dommages accessoires ou indirects. Par conséquent, les restrictions et exclusions décrites ci-dessus pourraient ne pas s'appliquer dans certains cas. La présente garantie accorde légalement à l'utilisateur certains droits spécifiques auxquels peuvent également s'ajouter d'autres droits qui varient d'un pays ou d'un état à l'autre.

PÉRIODE DE GARANTIE

Usage privé	1 an
Usage professionnel	90 jours

La période de garantie débute à la date d'achat par le premier acheteur de détail ou par le premier utilisateur commercial final, et couvre la durée stipulée dans le tableau ci-dessus. Par " usage privé ", on entend une utilisation personnelle résidentielle par l'acheteur de détail. Par " usage professionnel " on entend toute autre utilisation, y compris à des fins commerciales, donnant lieu à rémunération ou location. Dès la première exploitation de l'équipement en usage professionnel il est réputé être définitivement à usage professionnel au titre de la présente garantie. Les équipements utilisés pour une alimentation principale en remplacement du réseau public d'électricité ne sont pas couverts par la présente garantie. Les nettoyeurs haute pression à moteur électrique utilisés à des fins commerciales ne sont pas couverts.

POUR TOUTS LES ÉQUIPEMENTS FABRIQUÉS PAR BRIGGS & STRATTON, L'ENREGISTREMENT DE LA GARANTIE N'EST PAS OBLIGATOIRE POUR QU'ELLE PRENNE EFFET. CONSERVER LE REÇU COMME PREUVE D'ACHAT. SI, LORS D'UNE DEMANDE D'INTERVENTION SOUS GARANTIE, LA DATE INITIALE D'ACHAT NE PEUT ÊTRE FOURNIE, LA DATE DE FABRICATION DU PRODUIT SERT DE RÉFÉRENCE POUR DÉTERMINER LA PÉRIODE DE GARANTIE.

À PROPOS DE LA GARANTIE DE VOTRE ÉQUIPEMENT

Nous vous encourageons à faire réparer votre appareil au titre de la garantie et tenons à nous excuser pour tout inconvénient subi. Tout établissement de service après-vente agréé peut effectuer les réparations sous garantie. La plupart des réparations sous garantie sont traitées sans formalité ; cependant, il arrive parfois qu'une demande d'intervention au titre de la garantie ne soit pas fondée. Par exemple, la garantie ne couvre pas les dommages causés à l'équipement par une mauvaise utilisation, par un manque d'entretien périodique, durant l'expédition, la manutention ou l'entreposage, ou en raison d'un montage incorrect. De même, la garantie sera annulée si la date de fabrication ou le numéro de série apposé sur l'équipement a été enlevé ou si le matériel a été altéré ou modifié. Durant la période de garantie, l'établissement de service après-vente agréé réparera ou remplacera, à sa discrétion, toute pièce qui, après examen, est trouvée défectueuse à la suite d'une utilisation et d'un entretien normaux. La présente garantie ne couvre pas les réparations ni les équipements suivants:

- **Usure normale:** Comme tout appareil mécanique, le matériel motorisé extérieur nécessite, pour fonctionner correctement, que certaines de ses pièces soient régulièrement entretenues et remplacées. La présente garantie ne couvre pas les frais de réparation lorsque la durée de vie d'une pièce ou de l'équipement est dépassée par suite de l'utilisation normale.
- **Montage et entretien:** la présente garantie ne couvre pas les équipements ni les pièces dans les cas qui, selon nous, auraient nuit à la performance et à la fiabilité du produit, à savoir : montage et modifications inadéquats ou non autorisés ; mauvaise utilisation, négligence, accident, surcharge, emballage ; réparation, entreposage ou entretien inadéquats. De plus, la garantie ne couvre pas l'entretien normal tel que les filtres à air, les réglages, le nettoyage du système de carburant et l'obstruction (due à des produits chimiques, des débris, de la poussière, ainsi de suite).
- **Autres exclusions:** La présente garantie exclut les pièces telles que les raccords rapides, les joints, les joints toriques, les pompes ayant fonctionné sans alimentation en eau ou tout dommage ou tout mauvais fonctionnement résultant d'un accident, d'une utilisation abusive, de modifications, de changements ou d'un entretien inadéquat du système, du gel ou d'une détérioration chimique. La garantie du produit ne couvre pas les pièces accessoires telles que les pistolets, les tuyaux, les rallonges de buse (lances) et les buses. Cette garantie ne couvre ni le matériel d'occasion, reconditionné et de démonstration, ni les pannes dues au fait de Dieu et autres cas de force majeure hors du contrôle des fabricants. 198187CF, Rev. C, 12/31/2006

BRIGGS & STRATTON POWER PRODUCTS GROUP, LLC
JEFFERSON, WI, USA

INHALTSVERZEICHNIS

Sicherheitsvorkehrungen	38-41
Kennen Sie Ihre Hochdruckreiniger	42
Zusammenbau	43-45
Betrieb	46-49
Technische Daten	50
Wartung	50-51
Lagerung	52
Fehlersuche	53
Hinweis	54
Garantie	55

GERÄTEBESCHREIBUNG



Lesen Sie dieses Handbuch sorgfältig durch, um sich mit Ihrem Hochdruckreiniger vertraut zu machen: mit seinen Möglichkeiten, seinen Grenzen und den möglichen Gefahren.


Dieses Handbuch enthält Informationen über einen Hochdruckreiniger mit einem Betriebsdruck von 220 bar und einer Durchflussmenge von 15 Liter pro Sekunde. Dieses leistungsfähige, hochwertige Gerät besitzt große Räder (30 cm), eine Pumpe mit automatischem Kühlsystem und ein Chemikalien-Einspritzsystem. Zum Lieferumfang gehören u. a. eine Düsenverlängerung mit Schnellwechseldüsen, eine Sicherheitsbrille, ein 15 m langer Hochdruckschlauch.

Es wurde sorgfältig auf die Genauigkeit und Aktualität der Informationen in diesem Handbuch geachtet. Jedoch behalten wir uns das Recht vor, das Produkt und dieses Dokument zu jeder Zeit ohne vorherige Ankündigung zu ändern oder zu verbessern.

SICHERHEITSVORKEHRUNGEN



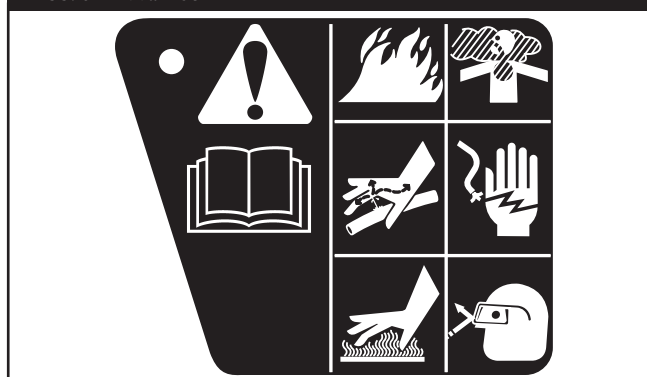
Dieses Sicherheitssymbol weist Sie auf mögliche Verletzungsfahren hin. Beachten Sie alle auf dieses Symbol folgenden Sicherheitshinweise, um die Möglichkeit der Verletzung oder der Todesgefahr auszuschließen.

Das Sicherheitssymbol () weist Sie in Verbindung mit einem entsprechenden Wort (GEFAHR, VORSICHT, WARNUNG), einer Abbildung und/oder einem erläuternden Text auf Gefahrensituationen hin. **GEFAHR** zeigt eine Gefahrensituation an, die, wenn sie nicht vermieden wird, unvermeidlich zum Tode führt oder schwere Verletzungen nach sich zieht. **WARNUNG** zeigt eine Gefahrensituation an, die, wenn sie nicht vermieden wird, u. U. zum Tode führt oder schwere Verletzungen nach sich zieht. **VORSICHT** zeigt eine Gefahrensituation an, die, wenn sie nicht vermieden wird, geringfügige oder leichte Verletzungen nach sich ziehen könnte. **Ohne** das Hinweissymbol zeigt **VORSICHT** eine Situation an, die eine Beschädigung von Geräten nach sich ziehen könnte. Beachten Sie die Sicherheitshinweise, um das Risiko für Verletzung und Tod zu vermeiden bzw. zu verringern.

Warnschild

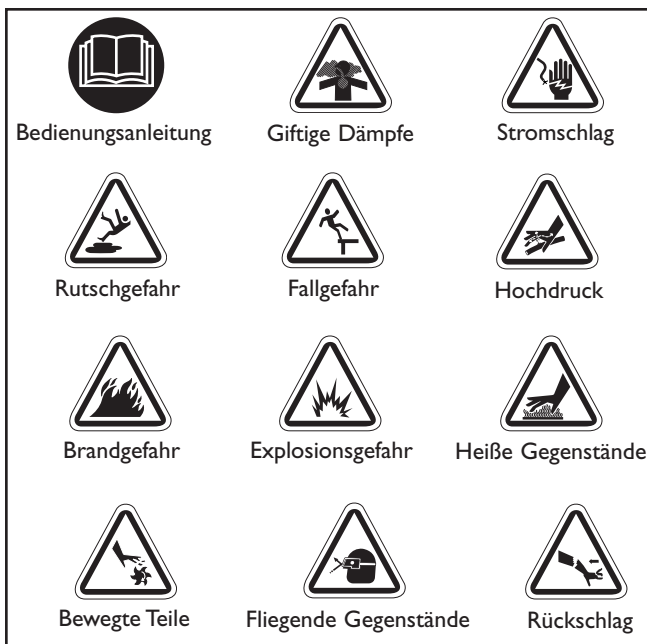
Am Gerät befindet sich ein Warnschild, das auf mögliche Gefahrenquellen hinweist (Abb. 31). Beschädigte oder unleserliche Schilder sind zu ersetzen. Ersatzschilder sind bei Briggs & Stratton Händlern erhältlich.

Abb. 31 - Warnschild



Die Symbole auf dem Warnschild werden später in diesem Abschnitt zum Thema Sicherheit ausführlicher dargestellt und beschrieben.

Gefahrenhinweise und ihre Bedeutung



SICHERHEITSVORKEHRUNGEN

WARNUNG



Vom laufenden Motor wird Kohlenmonoxid ausgestoßen, ein geruch- und farbloses giftiges Gas. Das Einatmen von Kohlenmonoxid führt zu Übelkeit, Bewusstlosigkeit oder zum Tod.

Einige Chemikalien oder Reinigungsmittel können gesundheitsschädlich sein, wenn sie eingeatmet oder verschluckt werden, und starke Übelkeit, Bewusstlosigkeit oder Vergiftung zur Folge haben.

- Den Hochdruckreiniger NUR im Freien verwenden.
- Abgase dürfen nicht durch Fenster, Türen, Lüftungsschächte oder andere Öffnungen in geschlossene Räume gelangen.
- Den Hochdruckreiniger nicht in Gebäuden oder geschlossenen Bereichen betreiben, auch wenn Türen und Fenster offen sind.
- Ein Atemschutzgerät oder eine Schutzmaske tragen, wenn die Gefahr des Einatmens von Dämpfen besteht.
- Lesen Sie alle Anweisungen für die Schutzmaske durch, damit gewährleistet ist, dass sie den erforderlichen Schutz gegen das Einatmen von gesundheitsschädlichen Dämpfen leistet.

WARNUNG



Der Hochdruckstrahl kann auch dazu führen, dass Sie stürzen, wenn Sie sich zu nahe an der zu reinigenden Fläche befinden.

Der Druck in einem in Betrieb befindlichen Hochdruckreiniger steigt mit zunehmender Höhe an. Wenn Sie auf den Schalter drücken, können Sie durch den Rückstoß des austretenden Strahls umgeworfen werden.



Beim Arbeiten mit dem Hochdruckreiniger können Pfützen und rutschige Stellen entstehen.

- Sprühdüse im Abstand von 20 bis 60 cm von der zu reinigenden Fläche halten.
- Besonders vorsichtig vorgehen, wenn der Hochdruckreiniger auf einer Leiter, einem Gerüst oder an anderen verhältnismäßig wenig Standsicherheit bietenden Orten eingesetzt wird.
- Der zu reinigende Bereich muss ausreichend geneigt sein und Abflussmöglichkeiten bieten, um das Risiko des Stürzens auf rutschigem Boden zu verringern.
- Das Gerät nur auf stabilem Untergrund einsetzen.
- Bei Hochdruckarbeiten ist die Sprühpistole mit beiden Händen festzuhalten, da Rückstöße auftreten können.

WARNUNG



Benzin und dessen Dämpfe sind in hohem Maße brennbar und explosiv.



Feuer oder eine Explosion können zu schweren Verbrennungen oder zum Tod führen.

NACHFÜLLEN VON KRAFTSTOFF

- Hochdruckreiniger ausschalten und mindestens zwei Minuten lang abkühlen lassen, bevor der Tankdeckel aufgedreht wird.
- Kraftstofftank im Freien auffüllen.
- Nicht zu viel Kraftstoff in den Tank einfüllen. Platz für die Kraftstoffausdehnung berücksichtigen.
- Kraftstoff von Funken, offenen Flammen, Kontrollleuchten, Hitze und anderen Zündquellen fernhalten.
- Keine Zigaretten anzünden und nicht rauchen.

BETRIEB DES GERÄTS

- Motor oder Gerät nicht so weit kippen, dass Benzin auslaufen kann.
- Keine brennbaren Flüssigkeiten versprühen.

TRANSPORT ODER REPARATUR DES GERÄTS

- Zum Transportieren bzw. Reparieren muss der Kraftstofftank LEER bzw. das Kraftstoff-Absperrventil GESCHLOSSEN sein.
- Der Hochdruckreiniger muss in aufrechter Position transportiert werden und ist gegen Umkippen zu sichern, da sonst Kraftstoff und Öl auslaufen können.

LAGERN VON BENZIN ODER DES GERÄTS MIT KRAFTSTOFF IM TANK

- Nicht in der Nähe von Öfen, Herden, Wasserkochern, Wäschetrocknern oder sonstigen Geräten mit Kontrollleuchten oder anderen Zündquellen lagern, da diese Benzindämpfe entzünden können.

WARNUNG



Wenn Sprühnebel mit Strom führenden Kabeln in Berührung kommen, kann dies zum Tod durch einen elektrischen Schlag führen.

- In der Nähe von Strom führenden Kabeln kein Wasser versprühen, da es andernfalls zu einem tödlichen elektrischen Schlag kommen kann.

SICHERHEITSVORKEHRUNGEN



WARNUNG



Durch das schnelle Rückziehen des Anlasserseils (Rückschlag) werden Hand und Arm so schnell zum Motor gezogen, dass es nicht möglich ist loszulassen. Dabei kann es zu Knochenbrüchen, blauen Flecken oder Verstauchungen kommen.

- Die Sprühpistole ist **IMMER** in eine sichere Richtung zu halten. Der Wasserdruck muss vor jedem Motorstart durch Betätigen des Sprühpistolenhebels reduziert werden, um Rückschläge zu verhindern. Bei Nichtbetrieb ist die Hebelsperre umzulegen.
- Beim Anlassen des Motors langsam am Seil ziehen, bis ein Widerstand fühlbar wird, und dann schnell am Seil ziehen, um den Rückschlag zu vermeiden.
- Sollte der Motor nicht starten, ist die Sprühpistole in eine sichere Richtung zu halten und der Hebel der Sprühpistole zu betätigen, um den Druck abzubauen.
- Bei Hochdruckarbeiten ist die Sprühpistole mit beiden Händen festzuhalten, da Rückstöße auftreten können.



WARNUNG



Laufende Motoren geben Wärme und heiße Abgase ab. Die Temperatur des Schalldämpfers und des umliegenden Bereichs kann 65 °C erreichen oder überschreiten.



Brand- und Verbrennungsgefahr.

Abgase können brennbare Stoffe, Möbel, Gebäude u. Ä. entzünden. Lecks im Tank können Brände auslösen.

- Heiße Teile nicht berühren und Abgase nicht einatmen.
- Das Gerät abkühlen lassen, bevor es berührt wird.
- Nach allen Seiten und nach oben hin muss ein Freiraum von mindestens 1,5 m gewährleistet sein.



WARNUNG



Vom Starter und von anderen sich drehenden Teilen können Hände, Haare, Kleidung und Schmuck o. Ä. erfasst werden.

- Keine lose Kleidung, Schmuck oder andere Dinge tragen, die sich im Starter oder in anderen sich drehenden Teilen verfangen können.
- Lange Haare hochbinden und Schmuck ablegen.



WARNUNG



Der aus dem Gerät unter hohem Druck austretende Wasserstrahl kann die Haut und das darunter befindliche Gewebe durchdringen, was schwere Verletzungen und Amputationen zur Folge haben kann.

Die Sprühpistole steht auch nach Ausschalten des Motors und Abschalten der Wasserzufuhr unter Hochdruck – Verletzungsgefahr!

- Eine Sprühpistole niemals auf Menschen, Tiere oder Pflanzen richten.
- **KINDERN** nicht die Bedienung des Hochdruckreinigers erlauben.
- Hochdruckschlauch auf keinen Fall reparieren, sondern stets erneuern.
- Anschlusslecks dürfen **NICHT** mit Dichtmitteln abgedichtet werden. Stattdessen ist ein neuer O-Ring bzw. eine neue Dichtung einzusetzen.
- Das Drucksystem erst in Betrieb nehmen, wenn der Hochdruckschlauch an Pumpe und Sprühpistole angeschlossen ist.
- Die Sprühpistole ist **IMMER** in eine sichere Richtung zu halten. Der Wasserdruck muss vor jedem Motorstart durch Betätigen des Sprühpistolenhebels reduziert werden. Bei Nichtbetrieb ist die Hebelsperre umzulegen.



WARNUNG



Von dem unter hohem Druck austretenden Strahl können Lackteile oder andere Partikel gelöst werden und so in die Luft gelangen.

- Beim Arbeiten mit dem Gerät oder beim Aufenthalt in der Nähe des eingeschalteten Geräts ist eine Schutzbrille zu tragen.
- Bevor der Hochdruckreiniger in Betrieb genommen wird, ist die Schutzbrille zu überprüfen und aufzusetzen.



WARNUNG



Durch unbeabsichtigte Funkenerzeugung kann es zum Brand oder elektrischen Schlag kommen.



EINSTELLEN ODER REPARIEREN DES HOCHDRUCKREINIGERS

- Zündkabel von der Zündkerze abziehen und so befestigen, dass es nicht mit der Zündkerze in Berührung kommen kann.

PRÜFEN DER ZÜNDKERZE

- Zugelassenen Kerzenprüfer verwenden.
- Keine Prüfung bei ausgebauter Zündkerze durchführen.

SICHERHEITSVORKEHRUNGEN



VORSICHT

Durch übermäßig hohe oder niedrige Betriebsgeschwindigkeiten erhöht sich die Gefahr der Verletzung und der Beschädigung des Hochdruckreinigers.

- Die eingeregelte Geschwindigkeit nicht ändern.
- Den Nenndruck des Hochdruckreinigers nicht überschreiten.



VORSICHT

Der von Hochdruckreinigern erzeugte Druckstrahl kann zu Verletzungen und Beschädigungen führen.

- Sprühpistole NICHT in geöffneter Position sichern.
- Sprühpistole im laufenden Betrieb NICHT UNBEAUFSICHTIGT lassen.
- Sprühpistolen NUR mit voll funktionsfähiger Hebelsperre verwenden.
- Sprühpistole, Düsen und Zubehör vor Inbetriebnahme auf korrekten Anschluss prüfen.

VORSICHT

Von dem unter hohem Druck stehenden Strahl können zerbrechliche Gegenstände wie etwa Glas beschädigt werden.

- Die Spritzpistole nicht auf Glas richten, wenn mit hartem Strahl gearbeitet wird.
- Die Sprühpistole niemals auf Pflanzen richten.

VORSICHT

Durch unsachgemäße Behandlung kann der Hochdruckreiniger beschädigt werden und vorzeitig ausfallen.

- Bei Fragen zum sachgemäßen Betrieb des Geräts wenden Sie sich an den Fachhändler oder an Briggs & Stratton Power Products.
- KEIN BETRIEB von unvollständigen oder teilweise defekten Geräten und von Geräten ohne Schutzgehäuse.
- Die Sicherheitsvorrichtungen dieses Geräts dürfen NICHT UMGANGEN werden.
- Vor der Inbetriebnahme des Hochdruckreinigers bei niedrigen Temperaturen alle Teile auf Eisablagerungen überprüfen.
- Das Gerät NICHT durch Ziehen am Hochdruckschlauch bewegen, sondern immer am Griff anfassen.
- Kraftstoffsystem auf Lecks oder andere Beschädigungen wie angescheuerte oder poröse Schläuche, lockere oder fehlende Klammern und Schäden an Tank bzw. Deckel prüfen. Vor der Inbetriebnahme alle Schäden beseitigen.
- Dieses Gerät darf nur mit Teilen betrieben werden, die von Briggs & Stratton Power Products genehmigt worden sind. Bei Betrieb des Geräts mit Teilen, die NICHT den Mindestanforderungen entsprechen, trägt der Benutzer das volle Risiko und haftet für alle Schäden und Verletzungen.

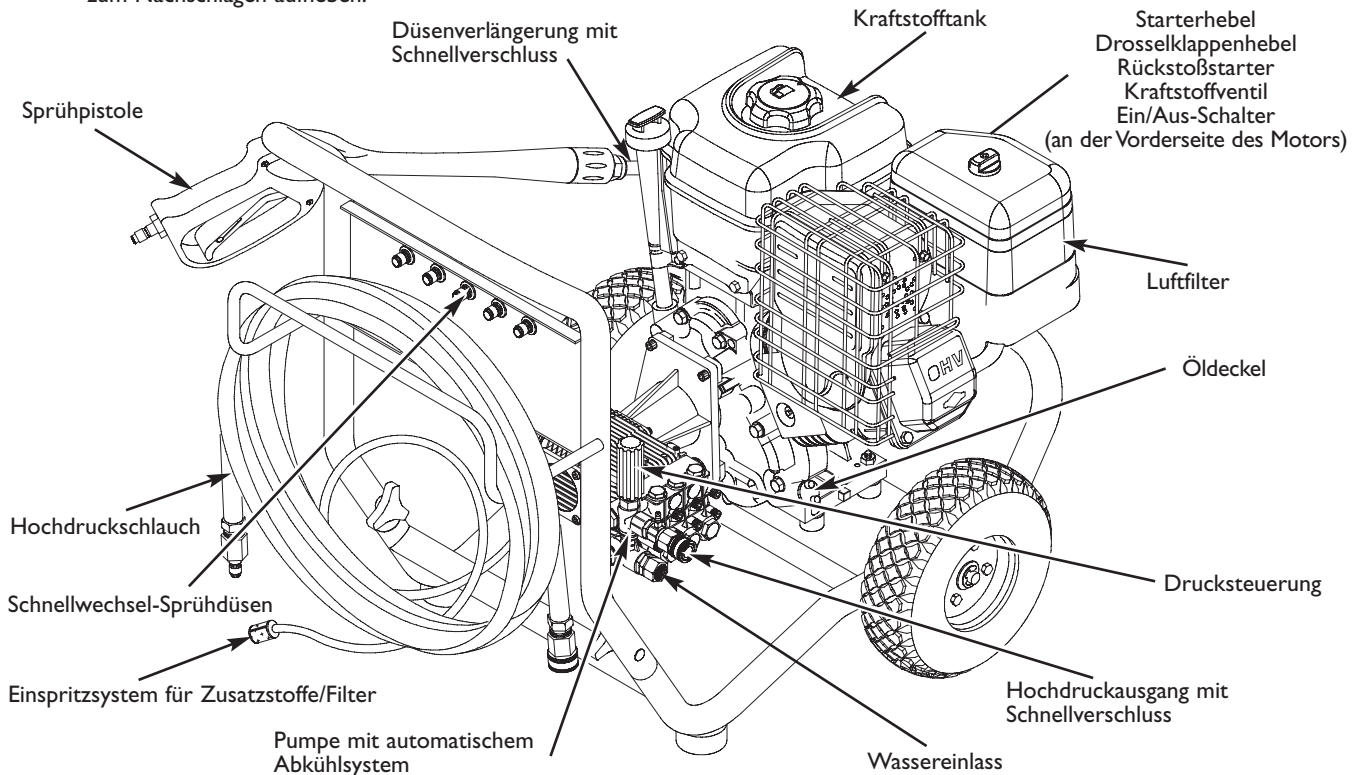
KENNEN SIE IHRE HOCHDRUCKREINIGER

KENNEN SIE IHRE HOCHDRUCKREINIGER



Vor der Inbetriebnahme sind die Bedienungsanleitung und die Sicherheitshinweise zu lesen.

Der Benutzer sollte sich anhand der Abbildungen mit der Lage der einzelnen Bedienelemente vertraut machen. Das Handbuch zum Nachschlagen aufheben.



Automatisches Abkühlsystem - Pumpt Wasser aus dem Gerät, sobald eine Wassertemperatur von 50 bis 68 C erreicht wird. Das Abkühlsystem verhindert eine Beschädigung der Pumpe.

Drosselklappenhebel - Bringt den Motor in den Startmodus (Rückstoßstarter).

Drucksteuerung - Stellt den Sprühdruk ein.

Düsenverlängerung mit Schnellverschluss - Zum einfachen Wechseln zwischen den fünf mitgelieferten Sprühdüsen

Ein/Aus-Schalter - Vor Betätigung des Rückstoßstarters den Schalter auf "Run" stellen. Zum Ausschalten des Motors auf "Stop" stellen.

Einspritzsystem für Zusatzstoffe/Filter - Ermöglicht die Beigabe von Reinigungsmitteln und anderen Hochdruckstoffen in den Niederdruckstrahl.

Hochdruckausgang mit Schnellverschluss - Hier wird der Hochdruckschlauch angeschlossen.

Hochdruckschlauch - Wird an Wasserpumpe und Sprühpistole angeschlossen.

Kraftstofftank - Mit bleifreiem Normalbenzin füllen. Kraftstoffausdehnung berücksichtigen.

Kraftstoffventil - Zum Ein- und Ausschalten der Kraftstoffzufuhr.

Luftfilter - Filtert Staub und Schmutz aus der eingesaugten Luft und schützt so den Motor.

Öldeckel - Hier wird das Öl eingefüllt.

Pumpe - Erzeugt den Hochdruck.

Rückstoßstarter - Zum manuellen Anlassen des Motors.

Schnellwechsel-Sprühdüsen - Zur Beigabe von Zusatzstoffen. Die Sprühdüsen haben einen Austrittswinkel von 0°, 15°, 25° und 40° und eignen sich für unterschiedliche Anwendungen.

Sprühpistole - Steuert das Ausbringen des Sprühstrahls auf die zu reinigende Fläche mit Hilfe eines Hebels. Die Sprühpistole hat einen Sperrhebel.

Starterhebel - Zum Anlassen des kalten Motors.

Wassereinlass - Hier Gartenschlauch anschließen.

ZUSAMMENBAU

WICHTIG: Lesen Sie die Bedienungsanleitung ganz durch, bevor Sie Ihren neuen Hochdruckreiniger zusammenbauen oder in Betrieb nehmen.

Hochdruckreiniger auspacken

1. Das gesamte Verpackungsmaterial und Zubehör aus der Verpackung entfernen.
2. Verpackung vollständig öffnen; dazu ist die Verpackung an allen Seiten von oben bis unten aufzuschneiden.
3. Hochdruckreiniger auspacken.

Verpackungsinhalt

Der Karton enthält folgende Teile:

- Haupteinheit
- Griff
- Hochdruckschlauch
- Sprühpistole mit Schnellverschluss
- Düsenverlängerung mit Schnellverschluss
- Komponentenbeutel mit:
 - Bedienungsanleitung
 - Motorhandbuch
 - Wartungssatz
 - Schlauchverbindungen
 - Schnellkupplungen
 - Sicherheitsbrille
 - Beutel mit fünf farbkodierten Schnellwechsel-Sprühdüsen
 - Griff-Montagesatz mit:
 - Schlossschrauben (2)
 - Kunststoffknöpfe (2)

Wenn irgendeine Teile verpassen, oder hat beschädigt, wenden Sie sich an das Kundendienstzentrum von Briggs & Stratton vor Ort.

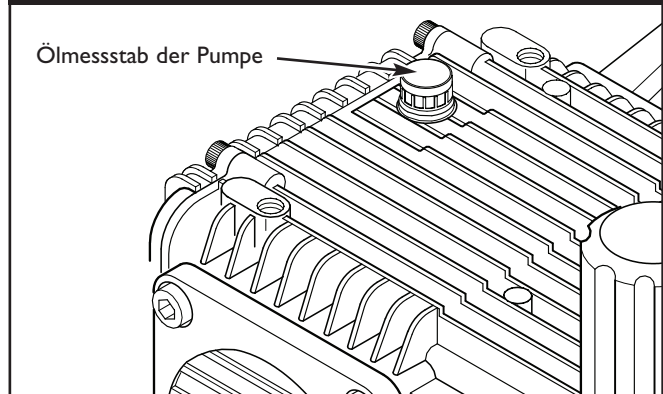
VORBEREITEN DES HOCHDRUCKREINIGERS AUF DEN EINSATZ

Zur Vorbereitung des Hochdruckreinigers für den Einsatz die folgenden Schritte durchführen:

1. Griff am Hauptgerät anbringen.

2. Überprüfen, ob Ölmesstab in die Pumpe eingebaut wurde (Abb. 32).

Abb. 32 - Ölmesstab der Pumpe



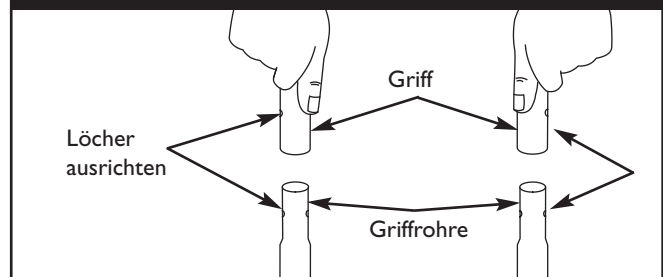
3. Öl in den Motor einfüllen.
4. Kraftstoff in den Kraftstofftank einfüllen.
5. Hochdruckschlauch an der Spritzpistole und an der Pumpe anschließen.
6. Wasserzulauf an der Pumpe anschließen.
7. Düsenverlängerung an der Spritzpistole anbringen.
8. Schnellwechsel-Sprühdüse auswählen und auf Düsenverlängerung schieben.

Anbringen des Griffs am Gerät

HINWEIS: Bei allen Montagehinweisen in diesem Abschnitt wird vorausgesetzt, dass der Benutzer das Gerät von der Rückseite des Reinigers aus gesehen montiert.

1. Den Griff auf die bereits am Gerät befindlichen Griffrohre aufstecken. Darauf achten, dass die Löcher im Griff auf die Löcher in den Griffrohren ausgerichtet sind (Abb. 33).

Abb. 33 - Aufstecken des Griffs auf das Griffrohr

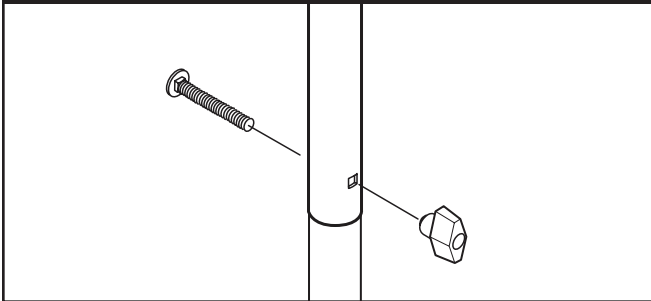


HINWEIS: Gegebenenfalls müssen die Griffrohre seitlich hin und her bewegt werden.

ZUSAMMENBAU

- Schlossschrauben durch die Löcher von der Außenseite der Einheit einsetzen und an der Innenseite der Einheit mit einem Kunststoffknopf sichern (Abb. 34). Von Hand festziehen.

Abb. 34 - Befestigen des Griffs



- Die farbigen Sprühdüsen in den dafür vorgesehenen Aussparungen des Griffs einsetzen.

Motoröl und Kraftstoff einfüllen

- Den Hochdruckreiniger auf ebenen Untergrund stellen.

VORSICHT

Wird der Motor durchgedreht oder vor dem Einfüllen des Öls gestartet, wird das Gerät beschädigt.

- Weitere Hinweise zum Umgang mit Öl und Kraftstoff sind dem Motorhandbuch zu entnehmen.
- Für Schäden, die sich aus Nichtbeachtung der Anweisungen ergeben, übernimmt der Hersteller keine Haftung. In diesem Fall erlischt die Garantie.

- Das Motorhandbuch enthält Hinweise und Anleitungen zum Umgang mit Öl und Kraftstoff.

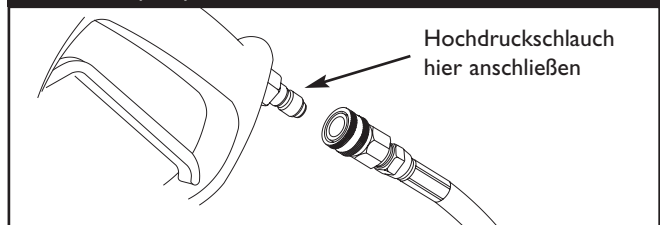
HINWEIS: Wie im Handbuch zum Motor erläutert, während der ersten Betriebsstunden häufig den Ölfüllstand prüfen.

Anschließen der Schläuche und der Wasserzufuhr an die Pumpe

WICHTIG: Bevor der Motor gestartet wird, müssen die Düsenverlängerung an der Sprühpistole angebracht und alle Schläuche angeschlossen werden, da sonst die Pumpe beschädigt werden kann.

- Das Schlauchende mit der Kupplung an der Spritzpistole anschließen (Abb. 35). Den Ring an der Schnellkupplung herunterziehen, auf die Spritzpistole aufstecken und den Ring loslassen. Am Schlauch ziehen, um auf festen Sitz zu prüfen.

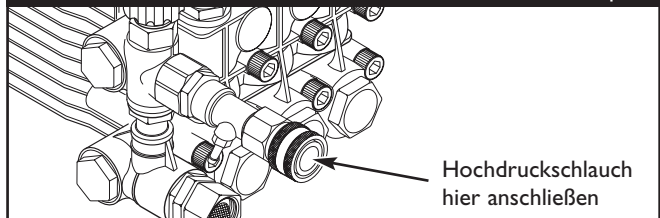
Abb. 35 - Anschließen des Hochdruckschlauchs an der Spritzpistole



HINWEIS: Vor dem Anbringen der Schläuche sind alle Transportsicherungen von der Pumpe zu entfernen.

- Das andere Ende des Hochdruckschlauchs am Hochdruckanschluss der Pumpe anschließen (Abb. 36). Den Ring an der Schnellkupplung herunterziehen, auf die Pumpe aufstecken und den Ring loslassen. Am Schlauch ziehen, um auf festen Sitz zu prüfen.

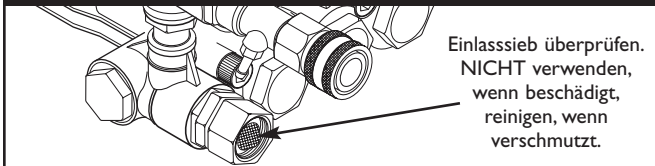
Abb. 36 - Anschließen des Hochdruckschlauchs an der Pumpe



ZUSAMMENBAU

3. Bevor der Gartenschlauch am Wassereinlass angeschlossen wird, das Einlasssieb überprüfen (Abb. 37). Verunreinigtes Sieb reinigen, beschädigtes Sieb erneuern. **DEN HOCHDRUCKREINIGER NICHT IN BETRIEB NEHMEN, WENN DAS SIEB BESCHÄDIGT IST.**

Abb. 37 - Einlasssieb überprüfen

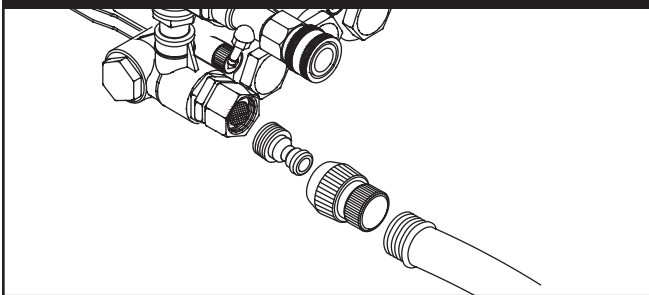


4. Um alle Verunreinigungen zu entfernen, 30 Sekunden lang Wasser durch den Gartenschlauch laufen lassen. Wasser abstellen.

WICHTIG: KEIN stehendes Wasser für die Wasserzufuhr ansaugen. NUR kaltes Wasser verwenden (unter 38 °C).

5. Buchsenteil der Schnellkupplung am Gartenschlauch anschließen. Steckteil der Schnellkupplung am Wassereinlass der Pumpe anschließen (Abb. 38).

Abb. 38 - Anschließen des Gartenschlauchs an den Wassereinlass



6. Gartenschlauch am Wassereinlass anschließen (Abb. 38). Der Schlauch darf nicht länger als 15 m sein. Ring an der Schnellkupplung herunterziehen, Fitting auf die Pumpe aufstecken und den Ring loslassen. Am Schlauch ziehen, um auf festen Sitz zu prüfen.

VORSICHT

Zwischen dem Einlass des Hochdruckreinigers und einer Absperrvorrichtung, wie etwa einer Y-Absperrkupplung oder einem anderen geeigneten Absperrventil, MUSS die Länge des freien Gartenschlauchs mindestens 3 m betragen.

- Schäden, die infolge der Nichtbeachtung dieses Warnhinweises am Hochdruckreiniger auftreten, werden nicht durch die Garantie abgedeckt.

7. Wasserzufuhr einschalten, Sprühpistole in eine sichere Richtung halten und Hebel drücken. Dadurch wird das Pumpensystem von Luft und Verunreinigungen gesäubert.



WARNUNG



Von dem unter hohem Druck austretenden Strahl können Lackteile oder andere Partikel gelöst werden und so in die Luft gelangen.

- Beim Arbeiten mit dem Gerät oder beim Aufenthalt in der Nähe des eingeschalteten Geräts ist eine Schutzbrille zu tragen.
- Bevor der Hochdruckreiniger in Betrieb genommen wird, ist die Schutzbrille zu überprüfen und aufzusetzen.

Liste der vor dem Starten des Motors vorzunehmenden Prüfungen

Am Gerät überprüfen, ob alle nachstehend genannten Schritte durchgeführt wurden:



1. Vor Inbetriebnahme des Geräts die Abschnitte "Sicherheitsregeln" und "Verwendung des Hochdruckreinigers" durchlesen.
2. Griff auf festen Sitz prüfen.
3. Prüfen, ob Öl bis zur vorgeschriebenen Füllhöhe in das Kurbelgehäuse des Motors eingefüllt wurde.
4. Vorgeschriebene Benzinsorte in den Kraftstofftank einfüllen.
5. Schlauchanschlüsse auf festen Sitz prüfen.
6. Prüfen, ob der Hochdruckschlauch Knicke, Risse oder sonstige Schäden aufweist.
7. Geeigneten Wasseranschluss mit ausreichendem Durchfluss bereitstellen.

VERWENDUNG DES HOCHDRUCKREINIGERS

Wenn Sie Schwierigkeiten mit der Inbetriebnahme des Hochdruckreinigers haben, wenden Sie sich an das Kundendienstzentrum von Briggs & Stratton vor Ort.

Aufstellung des Hochdruckreinigers

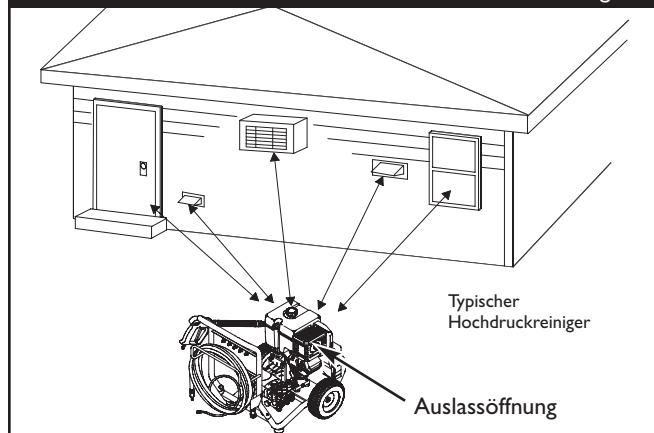
Erforderlicher Freiraum um den Hochdruckreiniger

 WARNUNG	
	Abgase können brennbare Stoffe, Möbel, Gebäude u. Ä. entzünden. Lecks im Tank können Brände auslösen.
<ul style="list-style-type: none"> Nach allen Seiten und nach oben hin muss ein Freiraum von mindestens 1,5 m gewährleistet sein. 	

Der Hochdruckreiniger darf nicht in geschlossenen Räumen betrieben werden. Der Reiniger darf nicht an Orten betrieben werden, an denen sich die Abgase ansammeln und (z. B. durch Lüftungsschächte) in Gebäude gesogen werden können. Abgase dürfen nicht durch Fenster, Türen, Lüftungsschächte oder andere Öffnungen in geschlossene Räume gelangen (Abb. 39). Beim Aufstellen des Hochdruckreinigers sollten Windrichtung und Luftströmungen berücksichtigt werden.

 WARNUNG	
	Vom laufenden Motor wird Kohlenmonoxid ausgestoßen, ein geruch- und farbloses giftiges Gas. Das Einatmen von Kohlenmonoxid führt zu Übelkeit, Bewusstlosigkeit oder zum Tod.
<ul style="list-style-type: none"> Den Hochdruckreiniger NUR im Freien verwenden. Abgase dürfen nicht durch Fenster, Türen, Lüftungsschächte oder andere Öffnungen in geschlossene Räume gelangen. Den Hochdruckreiniger nicht in Gebäuden oder geschlossenen Bereichen betreiben, auch wenn Türen und Fenster offen sind. 	

Abb. 39 - Erforderlicher Freiraum um den Hochdruckreiniger



Inbetriebnahme des Hochdruckreinigers

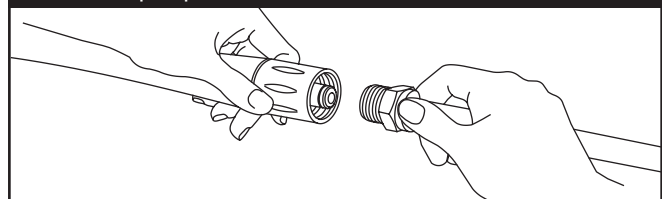
Zur ersten Inbetriebnahme des Hochdruckreinigers, nacheinander die folgenden Schritte durchführen. Diese Maßnahmen sind auch durchzuführen, wenn das Gerät mindestens einen Tag lang nicht eingesetzt wurde.

- Hochdruckreiniger in der Nähe einer Wasserquelle aufstellen, die eine Durchflussrate von mehr als 18,9 l/m bei einem Mindestdruck von 1,38 bar am Schlauchende garantieren kann.
- Prüfen, ob der Hochdruckschlauch fest an der Spritzpistole und an der Pumpe angeschlossen ist. Zu den Abbildungen siehe "Vorbereiten des Hochdruckreinigers auf den Einsatz".
- Sicherstellen, dass das Gerät gerade steht.
- Prüfen, ob der Gartenschlauch am Wassereinlass an der Pumpe des Hochdruckreinigers angeschlossen ist.
- Wasserzufuhr einschalten, Sprühpistole in eine sichere Richtung halten und Hebel drücken. Dadurch wird das Pumpensystem von Luft und Verunreinigungen gesäubert.

VORSICHT	
Pumpe nicht einschalten, wenn die Wasserzufuhr nicht angeschlossen und eingeschaltet ist.	
<ul style="list-style-type: none"> Für Schäden, die sich aus Nichtbeachtung der Anweisungen ergeben, übernimmt der Hersteller keine Haftung. In diesem Fall erlischt die Garantie. 	

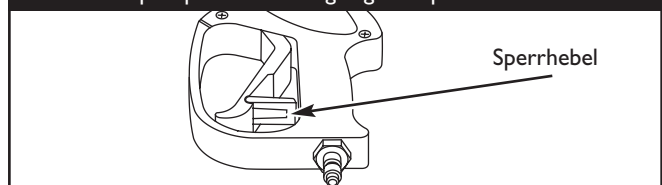
- Düsenverlängerung an der Spritzpistole anbringen (Abb. 40). Von Hand festziehen.

Abb. 40 - Anschließen der Düsenverlängerung an der Spritzpistole



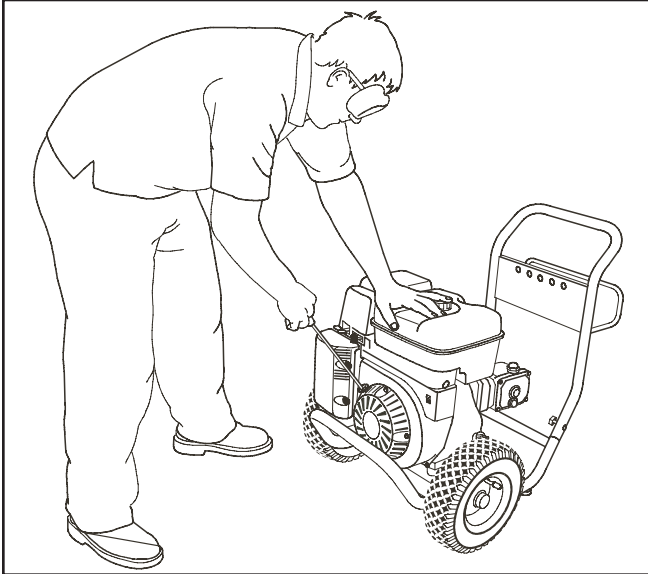
- Die gewünschte Sprühdüse auswählen und in die Düsenverlängerung einsetzen (siehe Abschnitt "Verwenden der Sprühdüsen").
- Sicherheitsperre am Spritzpistolenhebel umlegen (Abb. 41).

Abb. 41 - Spritzpistole mit umgelegtem Sperrhebel



9. Vor dem Einschalten ist eine sichere Betriebsposition einzunehmen (Abb. 42). Anschließend kann der Motor gestartet werden.

Abb. 42 - Empfohlen Fangend Position An



WARNUNG



Durch das schnelle Rückziehen des Anlasserseils (Rückschlag) werden Hand und Arm so schnell zum Motor gezogen, dass es nicht möglich ist loszulassen. Dabei kann es zu Knochenbrüchen, blauen Flecken oder Verstauchungen kommen.

- Die Sprühpistole ist **IMMER** in eine sichere Richtung zu halten. Der Wasserdruck muss vor jedem Motorstart durch Betätigen des Sprühpistolenhebels reduziert werden, um Rückschläge zu verhindern. Bei Nichtbetrieb ist die Hebelsperre umzulegen.
- Beim Anlassen des Motors langsam am Seil ziehen, bis ein Widerstand fühlbar wird, und dann schnell am Seil ziehen, um den Rückschlag zu vermeiden.
- Sollte der Motor nicht starten, ist die Sprühpistole in eine sichere Richtung zu halten und der Hebel der Sprühpistole zu betätigen, um den Druck abzubauen.
- Bei Hochdruckarbeiten ist die Sprühpistole mit beiden Händen festzuhalten, da Rückstöße auftreten können.

HINWEIS: Während des Betriebs muss der Drosselklappenhebel in der Hochdruckposition verbleiben.



WARNUNG



Laufende Motoren geben Wärme und heiße Abgase ab. Die Temperatur des Schalldämpfers und des umliegenden Bereichs kann 65 °C erreichen oder überschreiten.



Brand- und Verbrennungsgefahr.

Abgase können brennbare Stoffe, Möbel, Gebäude u. Ä. entzünden. Lecks im Tank können Brände auslösen.

- Heiße Teile nicht berühren und Abgase nicht einatmen.
- Das Gerät abkühlen lassen, bevor es berührt wird.
- Nach allen Seiten und nach oben hin muss ein Freiraum von mindestens 1,5 m gewährleistet sein.

Ausschalten des Hochdruckreinigers

1. Motor zwei Minuten im Leerlauf laufen lassen.
2. Den Motor wie im Motorhandbuch beschrieben ausschalten.
3. Die Sprühpistole ist **IMMER** in eine sichere Richtung zu halten. Der Wasserdruck wird durch Betätigen des Sprühpistolenhebels reduziert.

WICHTIG: Die Sprühpistole steht auch nach Ausschalten des Motors und Abschalten der Wasserzufuhr unter Hochdruck.



WARNUNG



Der aus dem Gerät unter hohem Druck austretende Wasserstrahl kann die Haut und das darunter befindliche Gewebe durchdringen, was schwere Verletzungen und Amputationen zur Folge haben kann.

Die Sprühpistole steht auch nach Ausschalten des Motors und Abschalten der Wasserzufuhr unter Hochdruck – Verletzungsgefahr!

- Das Drucksystem erst in Betrieb nehmen, wenn der Hochdruckschlauch an Pumpe und Sprühpistole angeschlossen ist.
 - Die Sprühpistole ist **IMMER** in eine sichere Richtung zu halten. Der Wasserdruck muss vor jedem Motorstart durch Betätigen des Sprühpistolenhebels reduziert werden. Bei Nichtbetrieb ist die Hebelsperre umzulegen.
4. Bei Nichtbetrieb die Hebelsperre an der Sprühpistole umlegen.

Verwenden der Sprühdüsen

Mit Hilfe des Schnellverschlusses an der Düsenverlängerung kann zwischen fünf Sprühdüsen gewechselt werden. Das Sprühmuster der einzelnen Sprühdüsen ist weiter unten abgebildet (Abb. 43).



VORSICHT

Der von Hochdruckreinigern erzeugte Druckstrahl kann zu Verletzungen und Beschädigungen führen.

- Niemals die Sprühdüsen wechseln, ohne den Sicherheitshebel zu sperren.

Zum Wechseln der Sprühdüsen wie folgt vorgehen:

1. Ring des Schnellwechslers zurückziehen und Düse abziehen. Düse in Aufbewahrungsfach des Griffs legen.
2. Sprühdüsen im Düsenverlängerungshalter aufbewahren.
3. Gewünschte Sprühdüse auswählen:
 - Weicher Strahl: 40° (weiß) oder 25° (grün).
 - Harter Strahl: 15° (gelb) oder 0° (rot).
 - Zusatzstoffe: schwarz.
4. Ring zurückziehen, ausgewählte Sprühdüse einsetzen und Ring loslassen. An der Sprühdüse ziehen, um den festen Sitz zu überprüfen.
5. Die besten Reinigungsergebnisse werden erzielt, wenn die Sprühdüse im Abstand von 20 bis 60 cm von der zu reinigenden Fläche gehalten wird. Bei zu geringem Abstand kann die besprühte Fläche beschädigt werden.
6. Beim Reinigen von Autoreifen einen Abstand von mindestens 15 cm einhalten.

Reinigung und Einsetzen von Chemikalien

WICHTIG: Speziell für Hochdruckreiniger bestimmte Seifen verwenden. Durch Haushaltsreiniger könnte die Pumpe beschädigt werden.

VORSICHT

Vor dem Anlassen des Motors müssen alle Schläuche angeschlossen werden.

- Durch Anlassen des Motors ohne vollständige Schlauchverbindung oder ohne **INGESCHALTETE** Wasserzufuhr wird die Pumpe beschädigt.
- Für Schäden, die sich aus Nichtbeachtung der Anweisungen ergeben, übernimmt der Hersteller keine Haftung. In diesem Fall erlischt die Garantie.

Zum Arbeiten mit Reinigungsmitteln wie folgt vorgehen:

1. Hinweise zur Verwendung der Sprühdüsen lesen.
2. Reinigungsmittellösung gemäß den Anweisungen des Herstellers vorbereiten.
3. Chemikalien-Zuführungsrohr/Filter in den Reinigungsmittelbehälter stecken.

VORSICHT

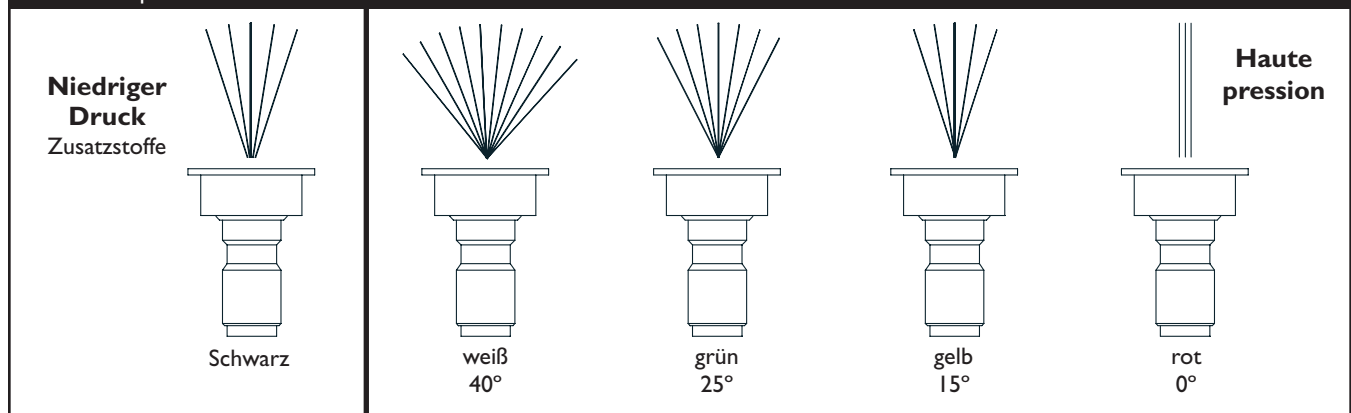
Darauf achten, dass das Chemikalien-Zuführungsrohr nicht mit dem heißen Schalldämpfer in Berührung kommt.

- Beim Einsetzen des Filters in eine Flasche mit Reinigungslösung ist der Schlauch so zu verlegen, dass der heiße Schalldämpfer nicht berührt werden kann.

4. Überprüfen, ob die schwarze Sprühdüse eingesetzt wurde.

HINWEIS: Reinigungsmittel kann nicht mit den Hochdrucksprühdüsen aufgebracht werden (weiß, grün, gelb oder rot).

Abb. 43 - Sprühmuster





- Überprüfen, ob der Gartenschlauch mit dem Wassereinlass verbunden ist. Überprüfen, ob der Hochdruckschlauch mit Sprühpistole und Pumpe verbunden ist, und anschließend Motor anlassen.
- Reinigungsmittel drei bis fünf Minuten einwirken lassen, bevor es abgewaschen und nachgespült wird. Nach Bedarf wiederholen, um das Trocknen der Fläche zu verhindern. Reinigungsmittel nicht antrocknen lassen (verhindert die Streifenbildung).

WICHTIG: Nach jedem Gebrauch ist das Zusatzstoff-Beigabesystem zu spülen. Dazu den Filter in einen Eimer mit sauberem Wasser legen und den Hochdruckreiniger bei niedrigem Druck ein bis zwei Minuten laufen lassen.

Abspülen mit dem Hochdruckreiniger

Nach dem Aufbringen des Reinigungsmittels die Fläche mit dem Hochdruckwasserstrahl abspritzen und anschließend wie folgt abspülen:

- Sperrhebel an der Spritzpistole umlegen.
- Schwarze Sprühdüse von Düsenverlängerung nehmen.
- Gewünschte Hochdruckdüse entsprechend der Anleitung "Verwenden der Sprühdüsen" auf S. 48 auswählen und einsetzen.
- Durch Drehen des Druckregelknopfs, im bzw. gegen den Uhrzeigersinn den Druck erhöhen bzw. verringern. Zum Abwaschen eines Autos oder eines Boots niedrigeren Druck verwenden. Zum Entfernen von Farbe und Reinigen von Einfahrten eine höhere Druckeinstellung wählen.

 WARNUNG	
	Beim Arbeiten mit dem Hochdruckreiniger können Pfützen und rutschige Stellen entstehen. Der Hochdruckstrahl kann auch dazu führen, dass Sie stürzen, wenn Sie sich zu nahe an der zu reinigenden Fläche befinden.
	<ul style="list-style-type: none"> Sprühdüse im Abstand von 20 bis 60 cm von der zu reinigenden Fläche halten. Das Gerät nur auf stabilem Untergrund einsetzen. Der zu reinigende Bereich muss ausreichend geneigt sein und Abflussmöglichkeiten bieten, um das Risiko des Stürzens auf rutschigem Boden zu verringern. Besonders vorsichtig vorgehen, wenn der Hochdruckreiniger auf einer Leiter, einem Gerüst oder an anderen verhältnismäßig wenig Standsicherheit bietenden Orten eingesetzt wird. Bei Hochdruckarbeiten ist die Sprühpistole mit beiden Händen festzuhalten, da Rückstöße auftreten können.



- Hochdruckstrahl auf einen kleinen Bereich konzentrieren und besprühte Fläche auf Schäden prüfen. Wenn keine Schäden sichtbar sind, kann das Abspülen fortgesetzt werden.
- Mit dem oberen, abzusplüsenden Bereich beginnen und überlappend nach unten vorarbeiten (genauso wie beim Reinigen).

Reinigen des Reinigungsmittel-Saugrohrs

Das Reinigungsmittel-Saugrohr muss zuerst mit sauberem Wasser gespült werden, bevor der Motor angehalten werden kann.

- Das Reinigungsmittel-Saugrohr mit Filter in einen Eimer mit sauberem Wasser tauchen.
- Hebelsperre an Sprühpistole umlegen.
- Schwarze Sprühdüse aufsetzen.
- Ein bis zwei Minuten lang spülen.
- Motor ausschalten.
- Die Sprühpistole ist **IMMER** in eine sichere Richtung zu halten. Der Wasserdruck wird durch Betätigen des Sprühpistolenhebels reduziert.

WICHTIG: Die Sprühpistole steht auch nach Ausschalten des Motors und Abschalten der Wasserzufuhr unter Hochdruck.

 WARNUNG	
	Der aus dem Gerät unter hohem Druck austretende Wasserstrahl kann die Haut und das darunter befindliche Gewebe durchdringen, was schwere Verletzungen und Amputationen zur Folge haben kann. Die Sprühpistole steht auch nach Ausschalten des Motors und Abschalten der Wasserzufuhr unter Hochdruck – Verletzungsgefahr!
	<ul style="list-style-type: none"> Das Drucksystem erst in Betrieb nehmen, wenn der Hochdruckschlauch an Pumpe und Sprühpistole angeschlossen ist. Die Sprühpistole ist IMMER in eine sichere Richtung zu halten. Der Wasserdruck muss vor jedem Motorstart durch Betätigen des Sprühpistolenhebels reduziert werden. Bei Nichtbetrieb ist die Hebelsperre umzulegen.

Automatisches Abkühlsystem (Wärmeabbau)

Bei längerem Betrieb des Geräts (3-5 Minuten) ohne Betätigung des Hebels an der Sprühpistole erreicht das Wasser in der Pumpe eine Temperatur von mehr als ca. 50 C und wird automatisch abgelassen.

TECHNISCHE DATEN

- Ausgangsdruck** 220 bar (3200 psi)
Durchflussrate 15,14 Liter pro Minute (4.0 gpm)
Reinigungsmittel Nur für Hochdruckreiniger zugelassene
Reinigungsmittel verwenden
Temperatur des Weniger als 38 C (100°F)
zugeführten Wassers
Automatisches Bei Temperaturen von 50 bis 68°C
Abkühlsystem wird das Wasser automatisch abgelassen
Liefergewicht 70,3 kg (155 lbs.)

ALLGEMEINE WARTUNGSEMPFEHLUNGEN

Durch die Garantie für den Hochdruckreiniger sind keine Teile abgedeckt, die vom Benutzer falsch behandelt oder vernachlässigt werden. Um die Garantieleistung voll auszuschöpfen, muss der Benutzer den Hochdruckreiniger gemäß den Angaben in diesem Handbuch warten.

HINWEIS: Anleitungen zum Ersetzen von Teilen des BSPP-Hochdruckreinigers finden Sie auf der Website des Herstellers unter **BRIGGSandSTRATTON.COM**.

- Zur ordnungsgemäßen Wartung des Hochdruckreinigers sind in regelmäßigen Abständen bestimmte Einstellungen vorzunehmen.
- Alle in diesem Handbuch und im Handbuch zum Motor genannten Wartungsarbeiten sind mindestens einmal pro Saison durchzuführen.
- Einmal pro Jahr sind Zündkerze und Luftfilter zu reinigen oder auszutauschen und die Sprühpistole sowie die Düsenverlängerung auf Beschädigungen zu überprüfen. Durch Verwendung einer neuen Zündkerze und eines sauberen Luftfilters wird ein korrektes Kraftstoff-Luft-Gemisch gewährleistet - der Motor läuft besser und hält länger. Weitere Hinweise sind dem Motorhandbuch zu entnehmen.
- Bei aufblasbaren Reifen darf der Luftdruck den auf den Reifen angegebenen Wert nicht überschreiten bzw. muss zwischen 1 und 2,8 bar liegen.

Vor jedem Einsatz

1. Motoröl-Füllstand prüfen.
2. Sieb im Wassereinlass auf Beschädigung prüfen.
3. Hochdruckschlauch auf Undichtigkeiten prüfen.
4. Reinigungsmittel-Saugrohr und Filter auf Beschädigung prüfen.
5. Sprühpistole, Düsenverlängerung und Düsen auf Undichtigkeiten prüfen.

6. Gartenschlauch vor dem Anschluss an den Hochdruckreiniger ausspülen, um Verunreinigungen zu entfernen.

WARTUNG DES HOCHDRUCKREINIGERS

Prüfen und Reinigen des Einlasssiebs

Das Sieb am Wassereinlass untersuchen. Das Sieb reinigen, wenn es verstopft ist, bzw. erneuern, wenn es beschädigt ist.

Prüfen des Hochdruckschlauchs

Der Hochdruckschlauch kann infolge von Verschleiß, durch Knicken oder falschen Gebrauch undicht werden. Den Schlauch vor jedem Gebrauch überprüfen. Auf Risse, undichte Stellen, Abrieb oder Ausbeulungen der Umhüllung und Beschädigung oder Verstellung der Kupplungen prüfen. Werden entsprechende Mängel festgestellt, den Schlauch sofort erneuern.

Zusatzstoffschlauch überprüfen

Den Filter am Reinigungsmittelrohr untersuchen und reinigen, wenn er verstopft ist. Das Rohr muss fest auf dem Steck-Fitting sitzen. Das Rohr auf undichte Stellen und Risse untersuchen. Den Filter bzw. das Rohr erneuern, wenn sie beschädigt sind.

 WARNUNG	
	Der aus diesem Gerät unter hohem Druck austretende Wasserstrahl kann die Haut und das darunter befindliche Gewebe durchdringen, was schwere Verletzungen und die Notwendigkeit einer Amputation zur Folge haben kann.
<ul style="list-style-type: none">• Hochdruckschlauch auf keinen Fall reparieren, sondern stets erneuern.• Der zulässige Druck von Ersatzschläuchen MUSS höher sein als der Maximaldruck des Geräts.	

Prüfen von Spritzpistole und Düsenverlängerung

Den Schlauchanschluss an der Spritzpistole untersuchen und auf festen Sitz prüfen. Zum Prüfen des Betätigungshebels diesen drücken und darauf achten, ob er nach dem Loslassen in die Ausgangsposition zurückspringt. Sperre in die Sperrposition bringen und Hebel betätigen; es darf nicht möglich sein, ihn zu drücken.

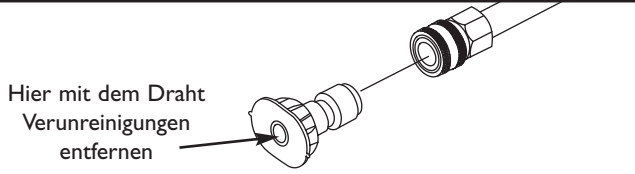
Wartung der Düsen

Ein pulsierendes Gefühl beim Betätigen des Sprühpistolenhebels kann seine Ursache in zu hohem Pumpendruck haben. Hauptursache für zu großen Pumpendruck sind verstopfte Düsen. Um Verstopfungen vorzubeugen, sind die Sprühdüsen sofort nach Verwendung folgendermaßen zu reinigen:

1. Motor abstellen und Wasserzufuhr absperren.

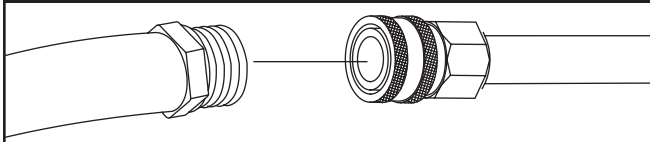
2. Sprühdüse aus Düsenverlängerung nehmen.
3. Mit dem im Satz enthaltenen Draht (oder einer kleinen Büroklammer) das Fremdmaterial aus der Sprühdüse entfernen (Abb. 44).

Abb. 44 - Düsenwartung



4. Mit einem Gartenschlauch Wasser entgegen der Spritzrichtung durch die Düsenverlängerung laufen lassen, um alle Verunreinigungen zu entfernen (Abb. 45). Wasser etwa 30 bis 60 Sekunden lang durchlaufen lassen.

Abb. 45 - Durchspülen der Düsenverlängerung



5. Sprühdüse wieder in die Düsenverlängerung einsetzen.
6. Düsenverlängerung wieder an der Spritzpistole befestigen.
7. Wasserzufuhr anschließen, Wasser anstellen und Motor starten.
8. Gerät nacheinander mit allen Schnellwechsel-Sprühdüsen testen.

Wartung der O-Ringe

O-Ringe sorgen für die Dichtigkeit der Anschlüsse von Schläuchen und Spritzpistole. Sie können beim normalen Betrieb des Hochdruckreinigers verschleifen oder beschädigt werden.

Zum Lieferumfang des Hochdruckreinigers gehört ein O-Ring-Wartungssatz, der Ersatz-O-Ringe, eine Gummidichtung und einen Wassereinflussfilter enthält. Hinweise zur Wartung der O-Ringe des Geräts entnehmen Sie bitte dem Informationsblatt im Wartungssatz. Beachten Sie, dass nicht alle im Satz enthaltenen Teile für Ihr Gerät vorgesehen sind.

Ausbauen eines verschlissenen oder beschädigten O-Rings: Einen kleinen Schlitzschraubendreher unter den O-Ring einstecken und den O-Ring hochdrücken.



WARNUNG



Der aus dem Gerät unter hohem Druck austretende Wasserstrahl kann die Haut und das darunter befindliche Gewebe durchdringen, was schwere Verletzungen und Amputationen zur Folge haben kann.

- Anschlusslecks dürfen NICHT mit Dichtmitteln abgedichtet werden. Stattdessen ist ein neuer O-Ring bzw. eine neue Dichtung einzusetzen.

Pumpenwartung

Wechseln des Pumpenöls

Das Öl nach den ersten 50 Betriebsstunden und dann alle 200 Stunden bzw. alle 3 Monate wechseln, je nachdem, was zuerst eintritt.

HINWEIS: Zum Wechseln nur hochwertiges Pumpenöl SAE 30 ohne Reinigungszusätze verwenden. Keine speziellen Additive hinzufügen.

Beim Wechseln des Öls wie folgt vorgehen:

1. Den Bereich um die Messing-Ablassschraube an der Unterseite der Pumpe reinigen.
2. Ablassschraube herausdrehen. Das gesamte Öl in einen zulässigen Behälter ablassen.
3. Wenn alles Öl abgelassen ist, Ablassschraube wieder eindrehen und festziehen.
4. Bereich um den Ölmesstab reinigen. Messstab herausziehen und Pumpenöl der empfohlenen Sorte bis zur Markierung "Full" auf dem Messstab einfüllen (Typisch 0.43L oder 15 oz.).
5. Ölmesstab einstecken.
6. Verschüttetes Öl aufwischen.

MOTORWARTUNG

Hinweise zur ordnungsgemäßen Wartung des Motors entnehmen Sie bitte dem Handbuch zum Motor.



VORSICHT

Längeren oder wiederholten Hautkontakt mit altem Motoröl vermeiden.

- Altes Motoröl hat bei Laborversuchen bei bestimmten Tieren zu Hautkrebs geführt.
- Motoröl mit Wasser und Seife abwaschen.



NICHT FÜR KINDER ZUGÄNGLICH LAGERN.
SCHÜTZEN SIE DIE UMWELT UND LASSEN SIE
ALTÖL IN FACHBETRIEBEN ORDNUNGSGEMÄSS
ENTSORGEN.

VORBEREITEN DES GERÄTS FÜR DIE LAGERUNG

Soll das Gerät länger gelagert werden, muss das Wasser abgelassen werden. Auf den Pumpenteilen können sich Sedimente und Mineralien ablagern, so dass die Pumpe ausfällt. Wenn der Hochdruckreiniger länger als 30 Tage nicht benutzt werden soll, die folgenden Schritte durchführen:

1. Reinigungsmittel-Saugrohr durchspülen. Dazu den Filter in einen Eimer mit sauberem Wasser eintauchen und gleichzeitig den Hochdruckreiniger im Niederdruckbetrieb laufen lassen. Ein bis zwei Minuten lang durchspülen.
2. Motor abstellen und abkühlen lassen, dann alle Schläuche lösen. Zündkerzenkabel von der Zündkerze abziehen.
3. Alle gepumpten Flüssigkeiten aus der Pumpe beseitigen, dazu den Hebel an der Spritzpistole ungefähr sechs Mal betätigen. Auf diese Weise müsste der größte Teil der Flüssigkeit aus der Pumpe entfernt werden.
4. RV-Frostschutzmittel (ohne Alkohol) in die Pumpe ansaugen. Dazu die Lösung in ein etwa 1 m langes Stück am Einlassadapter angeschlossenen Gartenschlauch einfüllen und den Hebel an der Spritzpistole zwei Mal betätigen.
Soweit verfügbar, anstelle des RV-Frostschutzmittels "PumpSaver" verwenden und die Anweisungen auf der Verpackung befolgen.
5. Das Gerät an einem sauberen und trockenen Ort lagern.

LAGERN DES MOTORS

Hinweise zur ordnungsgemäßen Vorbereitung des Motors für die Lagerung entnehmen Sie bitte dem Handbuch zum Motor.

FEHLERSUCHE

FEHLERSUCHE

Problem	Ursache	Korrektur
Pumpe hat folgende Probleme: kein Druckaufbau, Druckschwankungen, Klappern, Druckverlust, niedrige Wassermenge.	<ol style="list-style-type: none"> 1. Niederdruckdüse eingesetzt. 2. Wassereinlass verstopft. 3. Nicht ausreichende Wasserzufuhr. 4. Einlassschlauch geknickt oder undicht. 5. Sieb im Einlassschlauch zugesetzt. 6. Zugeführtes Wasser über 38 °C. 7. Hochdruckschlauch verstopft oder undicht. 8. Spritzpistole undicht. 9. Sprühdüse ist verstopft. 10. Pumpe defekt. 	<ol style="list-style-type: none"> 1. Sprühdüse durch Hochdruckdüse ersetzen. 2. Einlass reinigen. 3. Für ausreichende Wasserzufuhr sorgen. 4. Knick entfernen, undichte Stelle schließen. 5. Sieb im Einlassschlauch prüfen und reinigen. 6. Kälteres Wasser zuführen. 7. Verstopfung im Auslassschlauch beseitigen. 8. Spritzpistole oder O-Ringe erneuern. 9. Sprühdüse reinigen. 10. An Briggs & Stratton Kundendienst wenden.
Reinigungsmittel tritt nicht mit Wasserstrahl aus.	<ol style="list-style-type: none"> 1. Reinigungsmittel-Saugrohr ist nicht eingetaucht. 2. Chemischer Filter ist verstopft. 3. Hochdruckdüse eingesetzt. 	<ol style="list-style-type: none"> 1. Reinigungsmittel-Saugrohr in Reinigungsmittel eintauchen. 2. Filter/Reinigungsmittel-Saugrohr reinigen oder erneuern. 3. Sprühdüse durch Niederdruckdüse ersetzen.
Motor läuft ohne Last gut, unter Last aber "schwerfällig".	<p>Motordrehzahl zu niedrig.</p>	<p>Drosselklappenhebel in die Position FAST stellen. Läuft der Motor noch immer "schwerfällig", an den Briggs & Stratton Kundendienst wenden.</p>
Motor geht aus.	<p>Kraftstofftank leer.</p>	<p>Kraftstofftank auffüllen.</p>

HINWEIS

BRIGGS & STRATTON POWER PRODUCTS GROUP, LLC – GARANTIEERKLÄRUNG

Gældende fra 1. Dezember 2005, erstatter alle udaterede Garantier og alle Garantier dateret for 1. Dezember 2005

BEGRENZTE GARANTIE

Briggs & Stratton Power Products Group repariert oder ersetzt kostenlos alle Teile des Geräts, die Material- bzw. Verarbeitungsfehler aufweisen. Die beim Einschicken der Teile zwecks Reparatur oder Austausch gemäß dieser Garantie entstehenden Transportkosten sind vom Käufer zu tragen. Für diese Garantie gelten die unten genannten Zeiten und Bedingungen. Bei Garantiefragen wenden Sie sich bitte an einen in Ihrer Nähe befindlichen Vertragshändler; eine Übersichtskarte finden Sie unter www.BRIGGSandSTRATTON.COM.

ES EXISTIEREN KEINE SONSTIGEN AUSDRÜCKLICHEN GARANTIEEN. KONKLUDENTE GARANTIEEN, EINSCHLIESSLICH DER FÜR DIE MARKTGÄNGIGKEIT ODER DIE EIGNUNG FÜR EINEN BESTIMMTEN ZWECK, SIND AUF DIE DAUER VON EINEM JAHR AB KAUF BZW. AUF DIE GESETZLICHE ZULÄSSIGKEIT BEGRENZT. DIE HAFTUNG FÜR ZUFÄLLIGE ODER FOLGESCHÄDEN IST INSOWEIT AUSGESCHLOSSEN, ALS EIN SOLCHER AUSSCHLUSS GESETZLICH ZULÄSSIG IST. Da in einigen US-Bundesstaaten und Ländern eine Begrenzung der Dauer von konkludenten Garantieleistungen oder der Ausschluss oder die Begrenzung von zufälligen oder Folgeschäden nicht zulässig ist, sind die oben genannte Begrenzung und der oben genannte Ausschluss u. U. für Sie nicht zutreffend. Diese Garantie verleiht Ihnen bestimmte Rechte, und Sie besitzen u. U. weitere Rechte, die in den verschiedenen US-Bundesstaaten bzw. Ländern unterschiedlicher Art sein können.

GARANTIEZEIT

Private Nutzung	1 Jahr
Gewerbliche Nutzung	90 Tage

Die Garantiezeit beginnt am Datum des Kaufs durch den ersten Einzelhandelskunden bzw. gewerblichen Endbenutzer und dauert entsprechend den Angaben in oben stehender Tabelle. "Private Nutzung" bezieht sich auf die Nutzung in privaten Haushalten durch Einzelhandelsverbraucher. "Gewerbliche Nutzung" bezieht sich auf alle anderen Arten der Nutzung, einschließlich der Nutzung zu gewerblichen, gewinnbringenden oder Ausleihzwecken. Nachdem das Gerät einmal für gewerbliche Zwecke genutzt wurde, gilt es für den Zweck dieser Garantie als gewerblich genutztes Produkt. Für Geräte, die für eigenerzeugte Energie anstelle der Energie der öffentlichen Versorger eingesetzt werden, ist diese Garantie nicht gültig. Elektrisch betriebene Hochdruckreiniger, die für gewerbliche Zwecke eingesetzt werden, unterliegen nicht der Garantie.

DIE GARANTIE FÜR GERÄTE VON BRIGGS & STRATTON IST AUCH OHNE REGISTRIERUNG RECHTSKRÄFTIG. BEWAHREN SIE IHREN KAUFBELEG GUT AUF. WENN SIE BEI DER FORDERUNG VON GARANTIELEISTUNGEN KEINEN BELEG FÜR DAS ERSTE KAUFDATUM VORLEGEN KÖNNEN, WIRD DIE GARANTIEZEIT ANHAND DES DATUMS DER HERSTELLUNG DES GERÄTS BESTIMMT.

ÜBER IHRE GERÄTE GARANTIE

Wir führen gern Garantiereparaturen für Sie durch und entschuldigen uns für etwaige Unannehmlichkeiten. Garantiereparaturen können von allen Vertragshändlern durchgeführt werden. Bei den meisten Garantiereparaturen handelt es sich um Routinearbeiten; mitunter ist jedoch der Anspruch auf die Garantieleistung nicht gerechtfertigt. Beispielsweise wird keine Garantieleistung erbracht, wenn das Gerät durch falschen Gebrauch, durch mangelhafte Wartung, unsachgemäßen Transport, unsachgemäße Handhabung oder Lagerung oder durch falsche Installation beschädigt wurde. Ebenso besteht kein Garantieanspruch, wenn das Herstellungsdatum oder die Seriennummer am Hochdruckreiniger oder am Motor entfernt oder Änderungen am Gerät vorgenommen wurden. Während der Garantiezeit repariert oder ersetzt der Vertragshändler nach eigenem Ermessen jedes Teil, das nach der Überprüfung nach seinem Urteil unter normalen Gebrauchs- und Betriebsbedingungen nicht mehr eingesetzt werden kann. Durch diese Garantie sind die folgenden Reparaturen und Geräte nicht abgedeckt:


- **Normaler Verschleiß:** Bei im Freien eingesetzten motorgetriebenen Geräten, wie etwa bei allen mechanischen Geräten, müssen regelmäßig Wartungsarbeiten durchgeführt und Teile erneuert werden, damit das Gerät einwandfrei funktioniert. Diese Garantie bietet keinen Anspruch auf Reparatur, wenn ein Teil oder das ganze Gerät durch normalen Gebrauch verschlissen ist.
- **Installation und Wartung:** Diese Garantie gilt nicht, wenn das Gerät oder Teile unsachgemäß oder unbefugt installiert oder geändert, falsch eingesetzt, vernachlässigt, durch Unfall beschädigt, überlastet, mit überhöhter Drehzahl betrieben, unsachgemäß gewartet, repariert oder gelagert wurden, so dass nach unserer Auffassung die Leistung oder Zuverlässigkeit beeinträchtigt wurde. Ebenfalls nicht unter diese Garantie fallen normale Wartungsarbeiten wie der Austausch von Luftfiltern, Einstellungen, die Reinigung des Kraftstoffsystems und die Beseitigung von Verunreinigungen (Chemikalien, Kalk, Schmutz usw.).
- **Sonstige Ausschlüsse:** Ausgeschlossen von der Garantie sind Verschleißteile wie Schnellkupplungen, Dichtungen, Öldruckanzeigen, Riemen, O-Ringe, Filter, Pumpendichtungen usw. sowie Pumpen, die ohne Wasser betrieben wurden, und Schäden oder Funktionsstörungen, welche die Folge von Unfällen, unsachgemäßem Gebrauch, Modifikationen oder unsachgemäßer Wartung, Einfrieren oder Qualitätsverlust von Chemikalien sind. Zubehörteile wie Sprühpistolen, Schläuche, Düsenverlängerungen und Düsen sind von der Produktgarantie ausgeschlossen. Die Garantie gilt nicht für Gebrauchtgeräte, generalüberholte Geräte und Vorführgeräte sowie für Ausfälle aufgrund höherer Gewalt. 198187G, Rev. C, 12/31/2006

BRIGGS & STRATTON POWER PRODUCTS GROUP, LLC
JEFFERSON, WI, USA

TABELA DE CONTEÚDO

Regras de Segurança	56-59
Conheça sua Lavadora à Pressão	60
Montagem	61-63
Operação	64-67
Especificações	68
Manutenção	68-69
Armazenamento	70
Solução de Problemas	71
Notas	72
Garantia	73


DESCRIÇÃO DO EQUIPAMENTO

 **Leia este manual cuidadosamente para se familiarizar com a sua lavadora à pressão. Conheça aplicações, limitações e riscos envolvidos.**

Este manual contém informações sobre lavadoras a alta pressão que operam a 3.200 PSI em uma vazão de 15,14 litros/min (4,0 gpm). As características deste sistema poderoso de alta qualidade compreendem rodas grandes de 30,5 cm, uma bomba equipada com um sistema automático de refrigeração, sistema de injeção de produtos químicos, extensão com bicos de conexão rápida, óculos de segurança, mangueira reforçada de 15 m, entre outros acessórios.

Todo cuidado foi tomado para garantir que as informações neste manual estejam corretas e atualizadas. Entretanto, nos reservamos o direito de alterar, modificar ou melhorar o produto e sua documentação a qualquer momento sem aviso prévio.

REGRAS DE SEGURANÇA

 **Este é o símbolo de alerta de segurança. É usado para alertá-lo sobre os riscos potenciais de danos pessoais. Obedeça todas as mensagens de segurança que acompanham esse símbolo para evitar possíveis danos ou morte.**

O símbolo de alerta de segurança é usado com uma palavra (PERIGO, CUIDADO, ATENÇÃO), uma ilustração e/ou uma mensagem de segurança para avisá-lo dos riscos. **PERIGO** indica um risco que se não for evitado, *resultará* em morte ou ferimentos graves. **ATENÇÃO** indica um risco que se não for evitado, *pode* resultar em morte ou ferimentos graves. **CUIDADO** indica um risco que se não for evitado, *poderia* resultar em ferimentos menores. **CUIDADO**, usado **sem** o símbolo de alerta, indica uma situação que pode resultar em dano ao equipamento. Siga as mensagens de segurança para evitar ou reduzir os riscos de ferimento ou morte.

Etiqueta de Advertência

A sua unidade é fornecida com uma etiqueta de advertência (Figura 46) para informá-lo dos riscos em potencial relativos à segurança. Se a etiqueta ficar danificada ou ilegível, entre em contato com o revendedor local da Briggs & Stratton para substituí-la por uma nova.



Os ícones da etiqueta de advertência são apresentados e descritos em detalhes mais adiante nesta seção sobre segurança.

Símbolos de Riscos e Seus Significados



REGRAS DE SEGURANÇA



ATENÇÃO



A operação do motor libera monóxido de carbono, um gás venenoso, incolor e sem odor.

Aspirar monóxido de carbono causa náusea, desmaios ou morte.

Alguns produtos químicos ou detergentes podem ser nocivos se inalados ou ingeridos, provocando náusea grave, desmaios ou envenenamento.

- SÓ opere a lavadora ao ar livre.
- Impeça que o gás de exaustão entre em uma área confinada através de janelas, portas, entradas de ventilação ou outras aberturas.
- Não opere a lavadora a pressão dentro de edificações ou locais confinados, mesmo se as portas ou janelas estiverem abertas.
- Use um respirador ou máscara sempre que houver a possibilidade de inalação de vapores.
- Leia todas as instruções que acompanham a máscara para ter certeza que ela fornecerá a proteção necessária contra a inalação de vapores nocivos.



ATENÇÃO



O uso da lavadora à pressão pode criar poças e superfícies escorregadias.



O spray de alta pressão também pode provocar quedas se a pessoa estiver muito próxima à superfície de limpeza.

- Mantenha o bico de pulverização 20 a 61 cm longe da superfície de limpeza.
- Opere esta unidade em uma superfície estável.
- A área de limpeza deverá ter inclinação e drenagem adequadas para reduzir a possibilidade de uma queda devido a superfícies escorregadias.
- Seja extremamente cuidadoso se precisar usar a lavadora à pressão em uma escada, andaime ou qualquer outro local instável.
- Segure firmemente a pistola de pulverização com as duas mãos ao utilizar pulverização em alta pressão para evitar ferimentos quando a pistola quicar.



ATENÇÃO



A combustível e seus vapores são extremamente inflamáveis e explosivos.



Fogo ou explosão pode causar queimaduras sérias ou morte.

AO ADICIONAR COMBUSTÍVEL

- DESLIGUE a lavadora à pressão e deixe-a esfriar pelo menos 2 minutos antes de remover a tampa de combustível.
- Reabasteça ao ar livre.
- Não encha o tanque completamente. Deixe um espaço para expansão do combustível.
- Mantenha a combustível longe de fagulhas, chama descoberta, lâmpada piloto, calor e outras fontes de ignição.
- Não acenda cigarro, nem fume.

AO OPERAR O EQUIPAMENTO

- Não incline o motor ou o equipamento em um ângulo tal que a combustível possa se derramar.
- Não borrife líquidos inflamáveis.

AO TRANSPORTAR OU CONSERTAR O EQUIPAMENTO

- Transporte ou conserte o equipamento com o tanque VAZIO ou com o registro de combustível FECHADO.
- Mantenha a lavadora a pressão ereta durante o transporte de modo que não se incline e derrame combustível e óleo.

AO ARMAZENAR COMBUSTÍVEL OU EQUIPAMENTO COM COMBUSTÍVEL NO TANQUE

- Armazene longe de fogões, fornos, aquecedores de água, secadoras de roupa ou qualquer outro equipamento que tenha uma lâmpada piloto ou outra fonte de ignição porque podem disparar a combustão dos vapores de combustível.



ATENÇÃO



O contato de líquidos pulverizados com a fiação elétrica pode causar eletrocução.

- Mantenha o spray de água longe da fiação elétrica ou poderá ocorrer choque elétrico fatal.

REGRAS DE SEGURANÇA

ATENÇÃO



O cabo de arranque (reversão) retrai-se rapidamente, puxando sua mão e seu braço na direção do motor mais rapidamente do que você é capaz de soltá-lo. Isso poderia causar ossos quebrados, fraturas, escoriações ou luxações.

- Aponte SEMPRE a pistola para uma direção segura e aperte o gatilho da pistola de pulverização para liberar a pressão e evitar a reversão todas as vezes antes de ligar o motor. Trave o gatilho quando não estiver em uso.
- Ao dar a partida no motor, puxe a corda lentamente até sentir a resistência e, em seguida, puxe rapidamente para evitar o contragolpe.
- Após cada tentativa de acionamento, quando o motor não ligar, aponte sempre a pistola de pulverização para uma direção segura e aperte o gatilho da pistola de pulverização para liberar a alta pressão.
- Segure firmemente a pistola de pulverização com as duas mãos ao utilizar pulverização em alta pressão para evitar ferimentos quando a pistola quicar.

ATENÇÃO



A operação de motores produz calor e gases de exaustão quentes. A temperatura do exaustão e áreas próximas pode alcançar ou exceder 65°C.

Existe o risco de incêndio ou de queimaduras graves.



Gases de escape/aquecimento podem incendiar combustíveis, estruturas ou danificar tanques de combustíveis, causando incêndios.

- NÃO toque em superfícies quentes e evite gases de escape quentes.
- Deixe o equipamento esfriar antes de tocá-lo.
- Deixe pelo menos 1,52 m de folga em todas as laterais da lavadora a pressão, incluindo a parte superior.

ATENÇÃO



A ignição e outras peças giratórias podem enroscar nas mãos, cabelos, roupas ou acessórios.

- NÃO use roupas soltas, jóias ou nada que possa ficar preso no acionador de partida ou em outras peças giratórias.
- Amarre os cabelos se forem compridos e remova as jóias.

ATENÇÃO



O fluxo de água a alta pressão que este equipamento produz pode perfurar a pele e seus tecidos subjacentes, ocasionando sérios danos e possível amputação.

A pistola de pulverização retém água em alta pressão mesmo quando o motor está parado e a água está desligada, o que pode causar ferimentos.

- NUNCA direcione a pistola de pulverização a pessoas, animais ou plantas.
- Não permita que CRIANÇAS operem a lavadora à pressão.
- Nunca conserte a mangueira de alta pressão. Substitua a mesma.
- NUNCA conserte conexões que estão vazando com nenhum tipo de vedante. Substitua o anel de vedação ou a vedação.
- Mantenha a mangueira de alta pressão conectada à bomba e à pistola de pulverização enquanto o sistema estiver sendo pressurizado.
- Aponte SEMPRE a pistola para uma direção segura e aperte o gatilho da pistola de pulverização para liberar a alta pressão todas as vezes que você parar o motor. Trave o gatilho quando não estiver em uso.

ATENÇÃO



O spray a alta pressão pode provocar o transporte pelo ar de lascas de tinta ou de outras partículas.

- Use sempre óculos de segurança ao utilizar este equipamento ou quando estiver perto de onde este equipamento está em uso.
- Antes de acionar a lavadora a pressão, certifique-se de usar óculos de segurança adequados.

ATENÇÃO



O faiscamento involuntário pode provocar incêndio ou choque elétrico.



AO AJUSTAR OU REALIZAR REPAROS EM SUA LAVADORA À PRESSÃO

- Desconecte o cabo da vela e mantenha-o em local onde não possa entrar em contato com a vela.

AO TESTAR A VELA DO MOTOR

- Use um testador aprovado para vela de motor.
- NÃO verifique se há centelha se a vela tiver sido removida.

REGRAS DE SEGURANÇA



CUIDADO

Velocidades de operação muito altas ou baixas aumentam o risco de ferimentos e danos para a lavadora à pressão.

- Não mexa com o controle de velocidade.
- Não opere a lavadora acima da pressão nominal.



CUIDADO

Uma lavadora à pressão gera pulverização a alta pressão e isso aumenta o risco de ferimentos pessoais e de danos à unidade.

- NÃO mantenha a pistola de pulverização na posição "Open" (Aberta).
- Enquanto a unidade estiver em operação, NÃO deixe a pistola de pulverização sem supervisão.
- NUNCA utilize pistolas de pulverização sem a trava ou a proteção do acionador; verificar sempre as condições operacionais desses dispositivos.
- Verifique sempre se a pistola de pulverização, os bicos e os acessórios estão corretamente instalados.

CUIDADO

O spray à alta pressão pode danificar itens frágeis incluindo vidro.

- Não aponte a pistola de pulverização quando estiver no modo de jato.
- Nunca direcione a pistola de pulverização a plantas.

CUIDADO

O tratamento inadequado da lavadora à pressão poderá danificá-la e reduzir sua vida útil.

- Se você tiver dúvidas sobre as instruções de utilização, consulte o revendedor ou entre em contato com a Briggs & Stratton Power Products.
- NUNCA opere unidades com peças quebradas, faltantes ou sem as tampas ou caixas protetoras.
- NÃO desconsidere nenhum dispositivo de segurança desta máquina.
- Em dias frios, antes de dar a partida na lavadora à pressão, verifique todas as peças do equipamento, para certificar-se de não haver formação de gelo.
- NUNCA movimente a máquina puxando a mangueira de alta pressão. Use o puxador da unidade.
- Verifique se não existem vazamentos ou sinais de deterioração no sistema de combustível, por exemplo, mangueira desgastada ou porosa ou, ainda, se faltam abraçadeiras ou se as mesmas estão soltas ou se há danos no tanque ou na respectiva tampa. Antes de operar a lavadora à pressão, todos os defeitos devem ser corrigidos.
- Este equipamento foi projetado para uso somente com peças sobressalentes autorizadas da Briggs & Stratton Power Products. O usuário assumirá os riscos e as responsabilidades decorrentes do uso do equipamento com peças sobressalentes que NÃO estejam de acordo com as especificações mínimas.

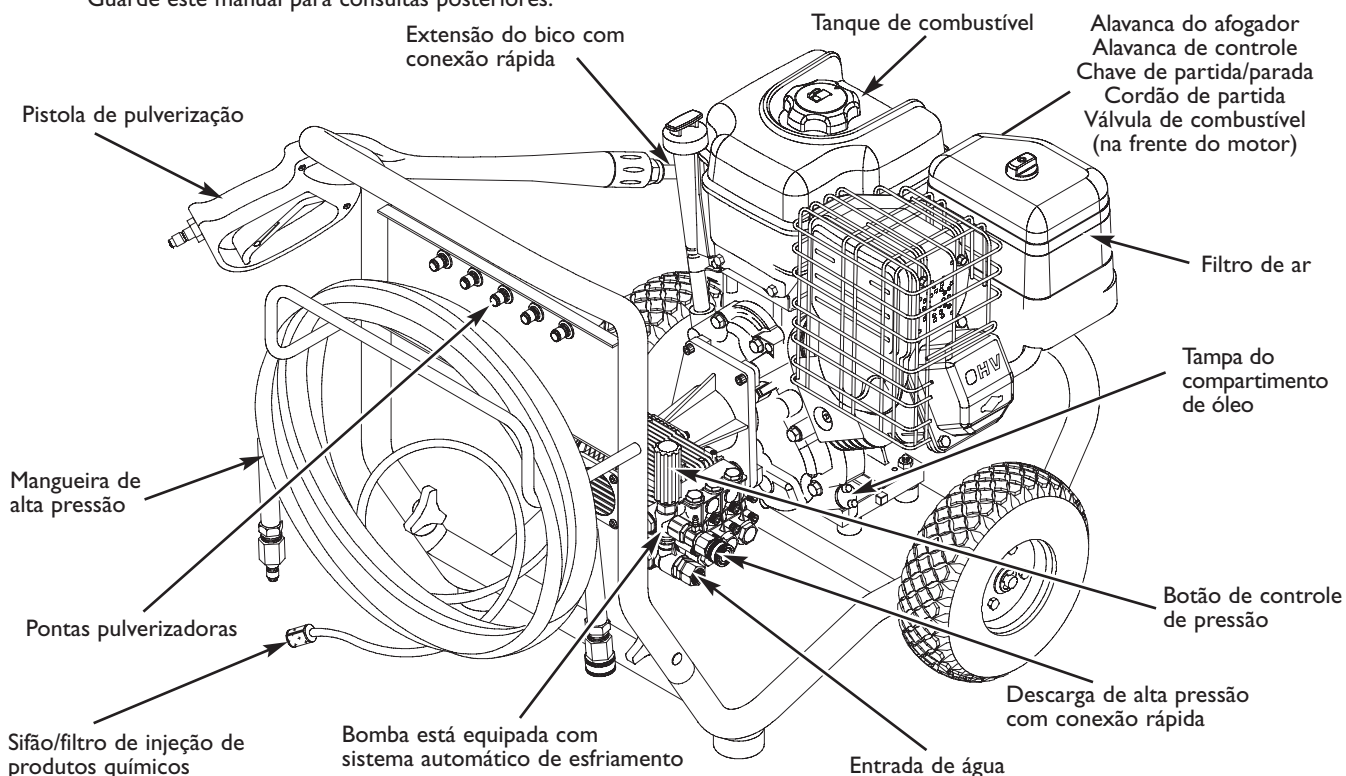
CONHEÇA SUA LAVADORA À PRESSÃO

CONHEÇA SUA LAVADORA À PRESSÃO



Leia este manual do operador e as regras de segurança antes de operar a lavadora à pressão.

Compare as ilustrações com a sua lavadora à pressão, para se familiarizar com a localização dos diversos controles e ajustes. Guarde este manual para consultas posteriores.



Alavanca do afogador - Prepara o motor frio para a partida.

Alavanca de controle - Ajusta o motor para o modo de partida com o cordão.

Bomba - Cria a alta pressão.

Botão de controle de pressão - Controla a pressão da pulverização a alta pressão.

Chave de partida/parada - Ajuste esta chave na posição "Run" (Partir) antes de dar a partida com o cordão. Ajuste a chave em "Stop" (Parar) para desligar o motor.

Cordão de partida - Use para dar a partida manual do motor.

Descarga de alta pressão - Para conexão da mangueira de alta pressão.

Entrada de água - Conecte a mangueira de jardim nesta entrada.

Extensão do bico com conexão rápida - Facilita a troca entre as 5 pontas pulverizadoras diferentes.

Filtro de ar - Protege o motor ao filtrar a poeira e os detritos do ar de admissão.

Mangueira de alta pressão - Conecte uma das extremidades à bomba d'água e a outra, à pistola de pulverização.

Pistola de pulverização - Controla a aplicação de água sobre a superfície de limpeza por meio do dispositivo acionador. Inclui trava de segurança.

Pontas pulverizadoras de conexão rápida - Injeção de produtos químicos a 0°, 15°, 25° e 40°: para várias aplicações de limpeza.

Sifão/filtro de injeção de produtos químicos - Use para sifonar o detergente ou outros produtos químicos da lavadora à pressão no fluxo de baixa pressão.

Sistema automático de esfriamento - Faz circular a água pela bomba quando a água atinge a temperatura de 52°C-68°C (125°F-155°F). A água aquecida será descarregada da bomba para o chão. Este sistema evita danos internos à bomba.

Tampa do compartimento de óleo - Para adicionar óleo para o motor.

Tanque de combustível - Encha o tanque com combustível normal, sem chumbo. Sempre deixe um espaço para a expansão do combustível.

Válvula de combustível - Usada para ligar e desligar o motor.

MONTAGEM

IMPORTANTE: Leia todo o manual do operador antes de tentar montar ou operar sua nova lavadora à pressão.

Remoção da Lavadora a Pressão da Embalagem

1. Remova tudo o que está na embalagem, exceto a lavadora a pressão.
2. Abra a embalagem completamente, cortando os cantos de cima a baixo.
3. Remova a lavadora a pressão da embalagem.

Conteúdo da Caixa

Os itens da caixa são os seguintes:

- Unidade principal
- Puxador
- Mangueira de alta pressão
- Pistola de pulverização com acessório de conexão rápida
- Extensão do bico com acessório de conexão rápida
- Bolsa de peças (inclui os seguintes itens):
 - Kit de manutenção
 - Manual do operador
 - Manual do motor
 - Acessórios da mangueira
 - Conexões rápidas
 - Óculos de segurança
 - Bolsa com 5 pontas pulverizadoras de conexão rápida em várias cores
 - Kit de ferramentas para fixação do puxador (com os seguintes itens):
 - Parafuso francês (2)
 - Botão de plástico (2)

Se houver alguma peça faltando ou danificada, contate o centro de manutenção local autorizado da Briggs & Stratton.

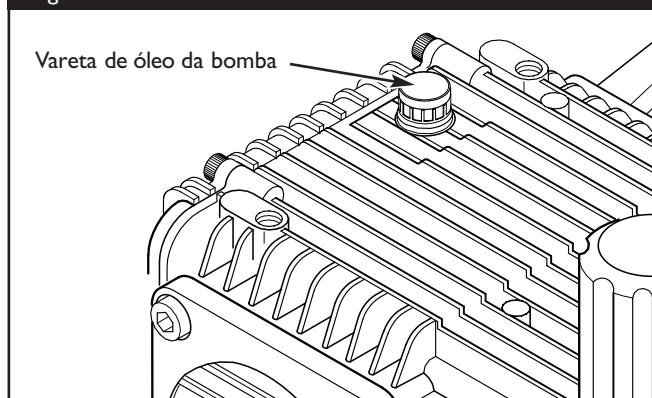
PREPARO DA LAVADORA À PRESSÃO PARA USO

Para preparar a lavadora à pressão para operação, será necessário realizar estas tarefas:

1. Fixe a puxador na unidade principal.

2. Verifique se a vareta de óleo está instalada na bomba (Figura 47).

Figura 47 — Vareta da bomba



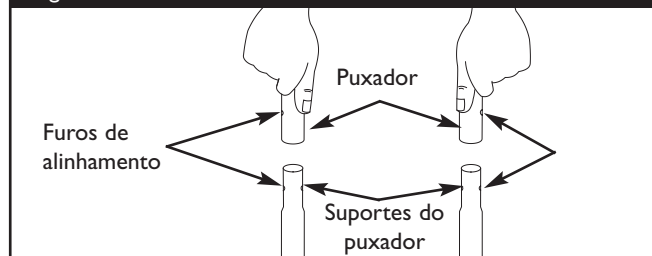
3. Abasteça o motor de óleo.
4. Adicione combustível ao tanque.
5. Conecte a mangueira de alta pressão à pistola de pulverização e à bomba.
6. Conecte o suprimento de água à bomba.
7. Conecte a extensão do bico à pistola de pulverização.
8. Escolha/fixe a ponta pulverizadora de conexão rápida na extensão do bico.

Fixe o Puxador

NOTA: As operações de montagem mencionadas nesta seção serão descritas pela perspectiva de montagem da lavadora à pressão de trás para frente.

1. Posicione o puxador nos respectivos suportes já conectados à unidade principal. Certifique-se de que os furos no puxador fiquem alinhados com os furos nos suportes do puxador (Figura 48).

Figura 48 — Conecte o Puxador à Base

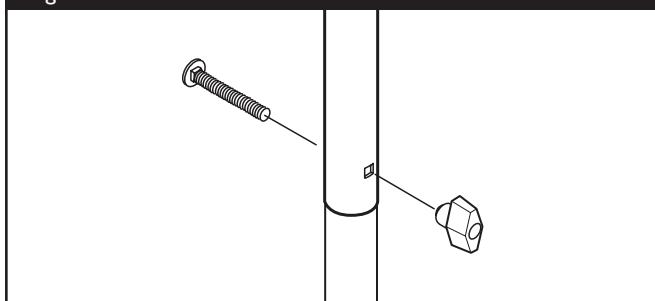


NOTA: Pode ser necessário mover os suportes do puxador de um lado para o outro.

MONTAGEM

2. Passe os parafusos franceses pelos furos, pelo lado externo da unidade, e coloque um botão de plástico pelo lado interno da unidade (Figura 49). Aperte com a mão.

Figura 49 — Prenda o Puxador



3. Coloque as pontas pulverizadoras coloridas nos espaços previstos, no puxador.

Adicione Combustível e Óleo de Motor

- Posicione a lavadora à pressão em uma superfície nivelada.

CUIDADO

Qualquer tentativa de girar o motor ou de dar a partida antes que ele esteja devidamente abastecido com o óleo recomendado resultará em falha do equipamento.

- Consulte o manual do motor para obter informações sobre o abastecimento de óleo e combustível.
- Danos no equipamento decorrentes da não obediência a estas instruções invalidarão a garantia oferecida.
- Consulte o manual do operador do motor e siga as recomendações e instruções relativas ao óleo e ao combustível.

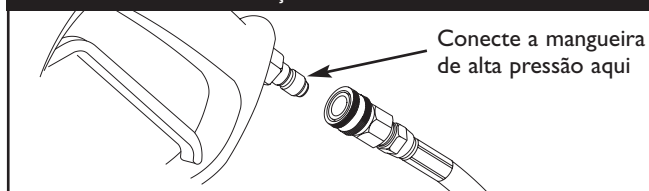
NOTA: Verifique o óleo com frequência durante a operação inicial, conforme explicado no manual do operador do motor.

Conecte a Mangueira e o Suprimento de Água à Bomba

IMPORTANTE: Para evitar danos à bomba, é preciso montar a extensão do bico na pistola de pulverização e fixar todas as mangueiras antes de dar a partida no motor.

1. Conecte a extremidade da mangueira de conexão rápida à base da pistola de pulverização (Figura 50). Abaixar o anel da conexão rápida, deslize na pistola de pulverização e solte o anel. Puxe a mangueira com força para ter certeza de que a conexão ficou firme.

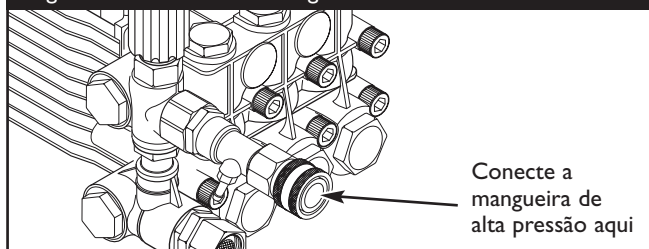
Figura 50 — Conecte a Mangueira de Alta Pressão à Pistola de Pulverização



NOTA: Retire e descarte todas as tampas de transporte da bomba antes de fixar as mangueiras.

2. Conecte a outra extremidade da mangueira à saída de alta pressão na bomba (Figura 51). Abaixar o anel da conexão rápida, deslize na bomba e solte o anel. Puxe a mangueira para ter certeza de que a conexão ficou firme.

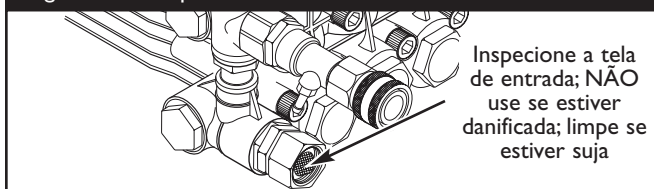
Figura 51 — Conecte a Mangueira de Alta Pressão à Bomba



MONTAGEM

3. Antes de conectar a mangueira de jardim à entrada de água, inspecione a tela de entrada (Figura 52). Limpe a tela se ela contiver detritos, substitua-a se estiver danificada. **NÃO OPERE A LAVADORA À PRESSÃO SE A TELA ESTIVER DANIFICADA.**

Figura 52 — Inspeção a Tela de Entrada

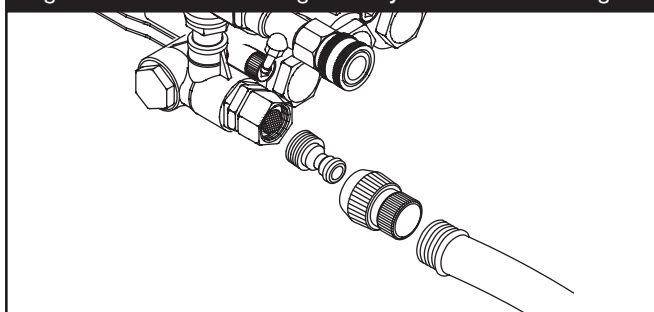


4. Passe água através da mangueira de jardim por 30 segundos para limpar qualquer detrito. Desligue a água.

IMPORTANTE: NÃO puxe pelo sifão água parada para o suprimento de água. Use **SOMENTE** água fria (menos de 38°C).

5. Fixe a conexão rápida fêmea à mangueira de jardim. Fixe a conexão rápida macho à entrada de água na bomba (Figura 53).

Figura 53 — Conecte a Mangueira de Jardim à Entrada de Água



6. Faça a conexão da mangueira de jardim (comprimento inferior a 15 m ou 50 pés) na entrada de água (Figura 53). Puxe o anel da conexão rápida para trás, fixe a conexão na bomba e solte o anel. Puxe a mangueira para ter certeza de que a conexão ficou firme.

CUIDADO

DEVE haver pelo menos 3 metros de mangueira de jardim entre a entrada da lavadora à pressão e qualquer dispositivo de suspensão de fluxo, como um conector de desligamento em Y ou outra válvula de interrupção de água de uso geral.

- Dano à lavadora à pressão resultante da desconsideração desta advertência não estará coberto pela garantia.

7. Ligue a água, aponte a pistola para uma direção segura e aperte o gatilho para purgar ar e impurezas do sistema da bomba.



ATENÇÃO



O spray a alta pressão pode provocar o transporte pelo ar de lascas de tinta ou de outras partículas.

- Use sempre óculos de segurança ao utilizar este equipamento ou quando estiver perto de onde este equipamento está em uso.
- Antes de acionar a lavadora à pressão, certifique-se de usar óculos de segurança adequados.

Lista de Verificação para Usar Antes de dar a Partida no Motor

Revise a montagem da unidade para confirmar a execução de todas estas etapas:

1. Certifique-se de ler as "Regras de segurança" e "Como usar sua lavadora à pressão" antes de usar a lavadora à pressão.
2. Verifique se o puxador está seguro.
3. Verifique se foi adicionado óleo até o nível adequado no cárter do motor.
4. Adicione a gasolina adequada ao tanque de combustível.
5. Verifique se as conexões da mangueira foram apertadas adequadamente.
6. Certifique-se de que não existam dobras, cortes ou danos à mangueira de alta pressão.
7. Forneça uma fonte adequada de água com fluxo suficiente.

COMO USAR SUA LAVADORA À PRESSÃO

Se você tiver qualquer problema ao operar a lavadora à pressão, contate o centro de manutenção local da Briggs & Stratton.

Localização da Lavadora a Pressão

Vão da Lavadora a Pressão

ATENÇÃO

Gases de escape/aquecimento podem incendiar combustíveis, estruturas ou danificar tanques de combustíveis, causando incêndios.

- Deixe pelo menos 1,52 m de folga em todas as laterais da lavadora a pressão, incluindo a parte superior.

Coloque a lavadora a pressão em um ambiente externo. Não coloque a lavadora a pressão onde gás possa se acumular e penetrar ou ser sugado para dentro de edificação potencialmente ocupada. Assegure-se de manter o gás de exaustão distante de janelas, portas, entradas de ventilação ou outras aberturas que possam permitir que o gás se acumule em área confinada (Figura 54). Ao posicionar a lavadora a pressão, deve-se ter em consideração ventos e correntes de ar.

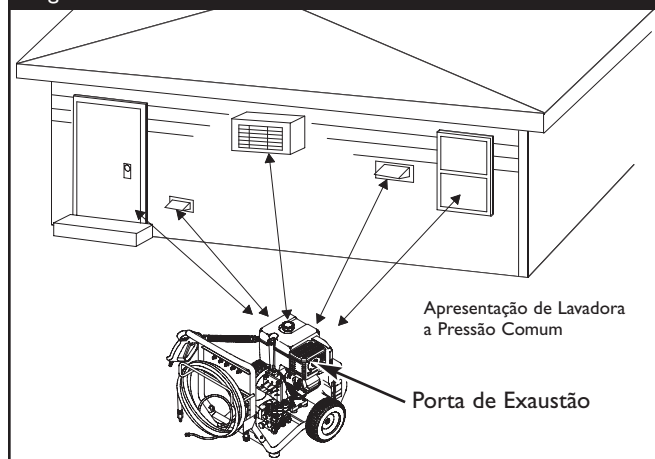
ATENÇÃO

A operação do motor libera monóxido de carbono, um gás venenoso, incolor e sem odor.

Aspirar monóxido de carbono causa náusea, desmaios ou morte.

- SÓ opere a lavadora ao ar livre.
- Impeça que o gás de exaustão entre em uma área confinada através de janelas, portas, entradas de ventilação ou outras aberturas.
- NÃO opere a lavadora a pressão dentro de edificações ou locais confinados, mesmo se as portas ou janelas estiverem abertas.

Figura 54 — Vão da Lavadora a Pressão



Como dar a Partida na Lavadora à Pressão

Para dar a partida na lavadora à pressão pela primeira vez, siga estas instruções passo a passo. Também é possível aplicar estas informações de partida se a lavadora à pressão tiver ficado ociosa por no mínimo um dia.

1. Coloque a lavadora à pressão próxima de um suprimento externo, capaz de fornecer água a uma vazão superior a 18,9 litros/minuto (5,0 gal./min) e não inferior a 20 psi na extremidade da mangueira de jardim da lavadora à pressão.
2. Verifique se a mangueira de alta pressão está conectada firmemente à pistola de pulverização e à bomba. Consulte o item "Preparo da lavadora à pressão para uso" para obter ilustrações.
3. Certifique-se de que a unidade esteja em uma posição nivelada.
4. Verifique se a mangueira de jardim está conectada à entrada de água na bomba da lavadora à pressão.
5. Ligue a água, aponte a pistola para uma direção segura e aperte o gatilho para purgar ar e impurezas do sistema da bomba.

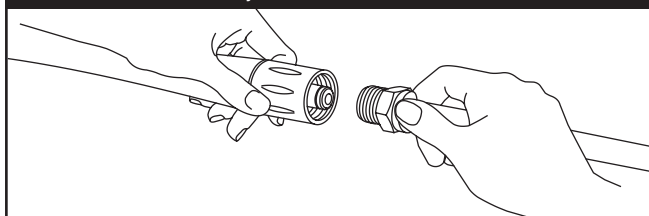
CUIDADO

NÃO opere a bomba sem a fonte de água estar conectada e ligada.

- Danos no equipamento decorrentes da não obediência a estas instruções invalidarão a garantia oferecida.

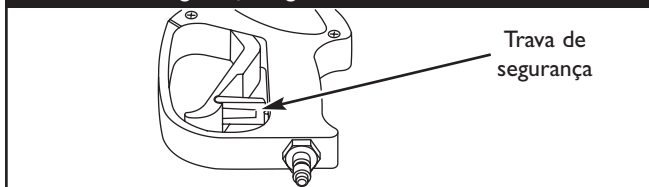
6. Conecte a extensão do bico à pistola de pulverização (Figura 55). Aperte com a mão.

Figura 55 — Conecte a Extensão do Bico à Pistola de Pulverização



7. Escolha a ponta pulverizadora que deseja usar e instale-a na extensão do bico. Consulte "Como usar as pontas pulverizadoras".
8. Conecte a trava de segurança ao acionador da pistola de pulverização (Figura 56).

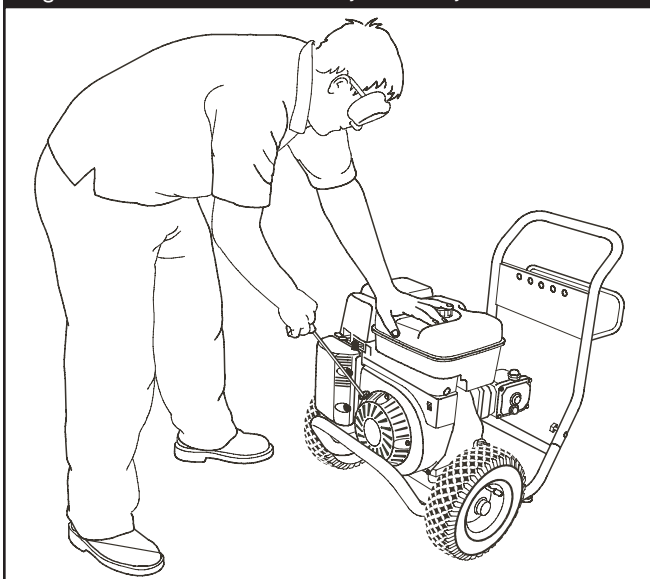
Figura 56 — Pistola de Pulverização com a Trava de Segurança Engatada



OPERAÇÃO

9. Ao ligar o motor, fique posicionado conforme recomendado na Figura 57 e ligue o motor de acordo com as instruções dadas no manual de operação do motor.

Figura 57 - Recomendado Começando Posição



ATENÇÃO



O cabo de arranque (reversão) retrai-se rapidamente, puxando sua mão e seu braço na direção do motor mais rapidamente do que você é capaz de soltá-lo. Isso poderia causar ossos quebrados, fraturas, escoriações ou luxações.

- Aponte SEMPRE a pistola para uma direção segura e aperte o gatilho da pistola de pulverização para liberar a pressão e evitar a reversão todas as vezes antes de ligar o motor. Trave o gatilho quando não estiver em uso.
- Ao dar a partida no motor, puxe a corda lentamente até sentir a resistência e, em seguida, puxe rapidamente para evitar o contragolpe.
- Após cada tentativa de acionamento, quando o motor não ligar, aponte sempre a pistola de pulverização para uma direção segura e aperte o gatilho da pistola de pulverização para liberar a alta pressão.
- Segure firmemente a pistola de pulverização com as duas mãos ao utilizar pulverização em alta pressão para evitar ferimentos quando a pistola quicar.

NOTA: Ao operar a lavadora à pressão, mantenha sempre a alavanca de controle na posição "Fast" (Rápida).

ATENÇÃO



A operação de motores produz calor e gases de exaustão quentes. A temperatura do exaustão e áreas próximas pode alcançar ou exceder 65°C.



Existe o risco de incêndio ou de queimaduras graves.

Gases de escape/aquecimento podem incendiar combustíveis, estruturas ou danificar tanques de combustíveis, causando incêndios.

- NÃO toque em superfícies quentes e evite gases de escape quentes.
- Deixe o equipamento esfriar antes de tocá-lo.
- Deixe pelo menos 1,52 m de folga em todas as laterais da lavadora a pressão, incluindo a parte superior.

Como Desligar a sua Lavadora à Pressão

1. Deixe o motor parado por 2 minutos.
2. Desligue o motor de acordo com as instruções fornecidas no manual de operação do motor.
3. Aponte SEMPRE a pistola para uma direção segura e aperte o gatilho da pistola de pulverização para liberar a água em alta pressão que estava retida.

IMPORTANTE: A pistola de pulverização retém água em alta pressão mesmo quando o motor está parado e a água está desconectada.

ATENÇÃO



O fluxo de água a alta pressão que este equipamento produz pode perfurar a pele e seus tecidos subjacentes, ocasionando sérios danos e possível amputação.

A pistola de pulverização retém água em alta pressão mesmo quando o motor está parado e a água está desligada, o que pode causar ferimentos.

- Mantenha a mangueira de alta pressão conectada à bomba e à pistola de pulverização enquanto o sistema estiver sendo pressurizado.
 - Aponte SEMPRE a pistola para uma direção segura e aperte o gatilho da pistola de pulverização para liberar a alta pressão todas as vezes que você parar o motor. Trave o gatilho quando não estiver em uso.
4. Acione a trava do gatilho da pistola de pulverização quando não estiver em uso.

OPERAÇÃO

Como usar as Pontas Pulverizadoras

A conexão rápida da extensão do bico permite ao usuário alternar as cinco diferentes pontas pulverizadoras. As pontas pulverizadoras produzem diferentes formas de pulverização, conforme apresentado a seguir (Figura 58).



CUIDADO

Uma lavadora à pressão gera pulverização a alta pressão e isso aumenta o risco de ferimentos pessoais e de danos à unidade.

- NUNCA troque as pontas pulverizadoras sem fechar a trava de segurança do acionador.

Siga estas instruções para trocar as pontas pulverizadoras:

1. Puxe o anel na conexão rápida para trás e retire a ponta atual. Guarde as pontas pulverizadoras no lugar adequado, no painel de armazenamento do puxador.
2. Guarde as pontas pulverizadoras no prendedor adequado existente na extensão do bico.
3. Escolha a ponta pulverizadora ideal:
 - Para um enxágüe mais suave, escolha a ponta pulverizadora branca de 40° ou a verde de 25°.
 - Para lavar superfícies, escolha a ponta pulverizadora amarela de 15° ou a vermelha de 0°.
 - Para aplicar produtos químicos, escolha a ponta pulverizadora preta.
4. Puxe o anel para trás, insira a nova ponta pulverizadora e solte o anel. Puxe com força a ponta pulverizadora para verificar se está bem firme.
5. Para uma limpeza mais eficiente, mantenha uma distância de 20 a 61 cm (8-24") da ponta pulverizadora à superfície de limpeza. Se a ponta pulverizadora ficar muito próxima, poderá haver danos à superfície de limpeza.
6. NÃO se aproxime mais de 15 cm ao limpar pneus de automóveis.

Limpeza e Aplicação de Produtos Químicos

IMPORTANTE: Use sabões específicos para lavadoras à pressão. Detergentes domésticos podem danificar a bomba.

CUIDADO

Antes de dar a partida no motor, é preciso fazer a conexão de todas as mangueiras.

- O motor só poderá trabalhar se todas as mangueiras estiverem conectadas e se houver fluxo de água; caso contrário, a bomba será danificada.
- Danos no equipamento decorrentes da não obediência a estas instruções invalidarão a garantia oferecida.

Para aplicar detergente, siga estas etapas:

1. Instale as pontas pulverizadoras no prendedor.
2. Prepare a solução de detergente conforme exigido pelo fabricante.
3. Coloque o sifão/filtro de injeção de produtos químicos no recipiente do detergente.

CUIDADO

Evite o contato do tubo de injeção de produtos químicos com o silencioso quente.

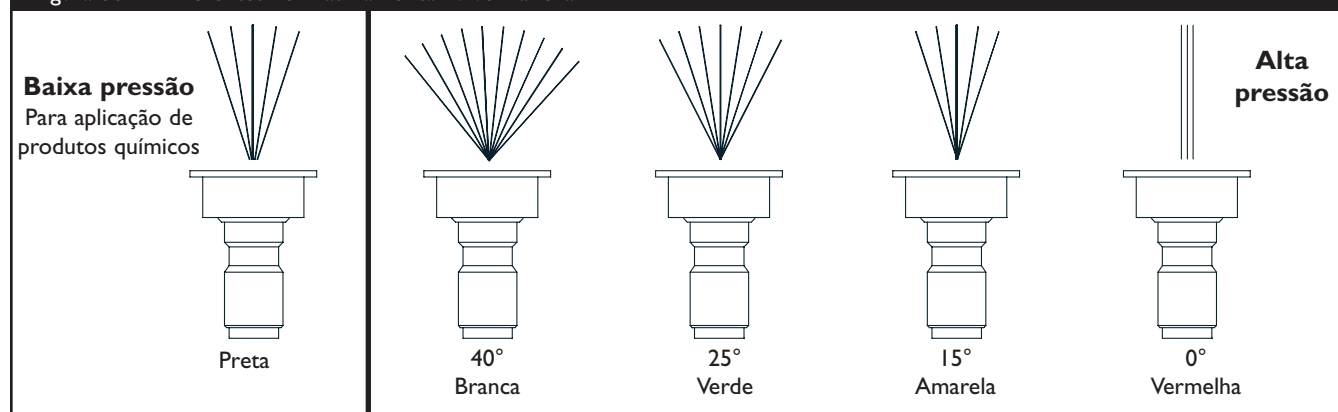
- Ao inserir o filtro em uma garrafa com a solução detergente, faça-o de forma a evitar o contato inadvertido com o silencioso (quente).

4. Verifique se a ponta pulverizadora preta está instalada.

NOTA: NÃO é possível aplicar detergente com as pontas de pulverização de alta pressão (branca, verde, amarela ou vermelha).

5. Verifique se a mangueira de jardim está conectada à entrada de água. Verifique se a mangueira de alta pressão está conectada à pistola de pulverização e à bomba para só então dar a partida no motor.

Figura 58 — Diferentes Formas da Ponta Pulverizadora



OPERAÇÃO



6. Aplique o detergente em uma superfície seca, iniciando na parte inferior da área a ser lavada e trabalhando para cima, com movimentos longos, iguais e superpostos.
7. Deixe o detergente saturar a superfície de 3 a 5 minutos antes de lavar e enxaguar. Reaplique conforme necessário para evitar que a superfície seque. **NÃO** deixe o detergente secar (evita riscos).

IMPORTANTE: É preciso enxaguar o sistema de injeção de produtos químicos após cada uso: coloque o filtro em um balde com água limpa; em seguida, ligue a lavadora à pressão por 1-2 minutos em baixa pressão.

Enxágüe com a Lavadora à Pressão

Após a aplicação do detergente, limpe a superfície com o fluxo de água de alta pressão e, em seguida, enxágüe conforme as seguintes instruções:

1. Verifique o uso das pontas pulverizadoras.
2. Retire o bico para pulverização de produtos químicos (preto) da respectiva extensão.
3. Selecione e instale o bico de alta pressão necessário, de acordo com as instruções da pág. 66, "Como usar as pontas pulverizadoras".
4. Aumente ou diminua a pressão de pulverização girando o botão de controle de pressão no sentido anti-horário ou horário, respectivamente, se a lavadora estiver equipada com esse dispositivo. Use pressão mais baixa para lavar itens como um carro ou um barco. Use pressão mais alta para remover tinta e desengordurar pistas.

	ATENÇÃO
	O spray de alta pressão também pode provocar quedas se a pessoa estiver muito próxima à superfície de limpeza.
<ul style="list-style-type: none">• Mantenha o bico de pulverização 20 a 61 cm longe da superfície de limpeza.• Opere esta unidade em uma superfície estável.• A área de limpeza deverá ter inclinação e drenagem adequadas para reduzir a possibilidade de uma queda devido a superfícies escorregadias.• Segure firmemente a pistola de pulverização com as duas mãos ao utilizar pulverização em alta pressão para evitar ferimentos quando a pistola quicar.	



5. Aplique a pulverização a alta pressão em uma área pequena; em seguida, verifique se houve danos na superfície. Se não houver nenhum dano, considera-se que o processo está correto e o enxágüe pode continuar.
6. O enxágüe deve ser realizado de cima para baixo, com movimentos sobrepostos, repetindo a ação utilizada para limpeza.

Limpeza do Tubo de Sifonagem de Detergente

Se você utilizou o tubo de sifonagem de detergente, precisará limpá-lo com água limpa antes de desligar o motor.

1. Coloque o tubo/filtro de sifonagem de detergente em um balde cheio de água limpa.
2. Acione a trava de segurança da pistola de pulverização.
3. Conecte o bico preto de detergente de limpeza.
4. Lave por 1 a 2 minutos.
5. Desligue o motor.
6. Aponte **SEMPRE** a pistola para uma direção segura e aperte o gatilho da pistola de pulverização para liberar a água em alta pressão que estava retida.

IMPORTANTE: A pistola de pulverização retém água em alta pressão mesmo quando o motor está parado e a água está desconectada.

	ATENÇÃO
	O fluxo de água a alta pressão que este equipamento produz pode perfurar a pele e seus tecidos subjacentes, ocasionando sérios danos e possível amputação. A pistola de pulverização retém água em alta pressão mesmo quando o motor está parado e a água está desligada, o que pode causar ferimentos.
<ul style="list-style-type: none">• Mantenha a mangueira de alta pressão conectada à bomba e à pistola de pulverização enquanto o sistema estiver sendo pressurizado.• Aponte SEMPRE a pistola para uma direção segura e aperte o gatilho da pistola de pulverização para liberar a alta pressão todas as vezes que você parar o motor. Trave o gatilho quando não estiver em uso.	

Sistema Automático de Esfriamento (Alívio Térmico)

Ao operar o motor da lavadora à pressão por 3 a 5 minutos, sem apertar o acionador na pistola de pulverização, a água de circulação na bomba pode alcançar temperaturas superiores a 52°C (125°F). O sistema realiza o esfriamento da bomba descarregando a água aquecida no chão.

ESPECIFICAÇÕES

Pressão de descarga . . . 220 bar (3200 psi)

Vazão 15,14 litros/min (4,0 gpm)

Detergente Use detergente aprovado para lavadoras à pressão

Temperatura da água de operação . Inferior a 38°C (100°F)

Sistema automático de esfriamento . . Entrará em funcionamento quando a água atingir 52°C-68°C (125°F-155°F)

Peso para transporte . . 70,8 kg (155 lbs)

RECOMENDAÇÕES GERAIS PARA MANUTENÇÃO

A garantia da lavadora à pressão não cobre itens sujeitos ao uso indevido ou à negligência do operador. Para receber o valor total da garantia, o operador deve realizar a manutenção da lavadora à pressão como indicado neste manual.

NOTA: Se você tiver alguma dúvida sobre como trocar componentes de sua lavadora a pressão BSPP, visite nosso website: **BRIGGSandSTRATTON.COM**.

- Alguns ajustes periódicos serão necessários para realizar a manutenção adequada da sua lavadora à pressão.
- Toda manutenção neste manual e no manual do operador do motor deve ser feita pelo menos uma vez a cada estação.
- Uma vez por ano será preciso limpar ou substituir a vela de ignição, limpar ou substituir o filtro de ar, verificar a pistola de pulverização e o conjunto extensão do bico ajustável quanto a desgastes. Uma vela de ignição nova e um filtro de ar limpo/novo garantem a mistura combustível/ar adequada e fazem com que o motor funcione melhor e tenha maior durabilidade. Consulte o manual de operador do motor para obter mais detalhes.
- Se equipado com pneus infláveis, mantenha a pressão do ar de acordo com o valor marcado no pneu ou entre 15 e 40 psi.

Antes de Cada Uso

1. Verifique o nível de óleo do motor.
2. Verifique se houve danos à tela da entrada de água.
3. Verifique se há vazamentos na mangueira de alta pressão.
4. Verifique se houve danos ao filtro e ao tubo de sifonagem de detergente.
5. Verifique se há vazamentos na pistola de pulverização, na extensão do bico e na pontas pulverizadoras.
6. Enxágüe a mangueira de jardim para lavar os detritos antes de conectá-la à lavadora à pressão.



MANUTENÇÃO DA LAVADORA À PRESSÃO

Verifique e Limpe a Tela de Entrada

Examine a tela na entrada de água. Limpe a tela se estiver entupida ou a substitua se estiver danificada.

Verifique a Mangueira de Alta Pressão

A mangueira de alta pressão pode desenvolver vazamentos devido ao desgaste, dobras ou uso indevido. Inspeccione a mangueira sempre que for usá-la. Verifique a presença de cortes, vazamentos, desgastes ou abaulamento do revestimento, dano ou movimento de junções. Se alguma destas condições existir, substitua a mangueira imediatamente.

 ATENÇÃO	
	O fluxo de água a alta pressão que este equipamento produz pode perfurar a pele e seus tecidos subjacentes, ocasionando sérios danos e possível amputação.
<ul style="list-style-type: none">• NUNCA conserte a mangueira de alta pressão. Substitua a mesma.• A capacidade nominal da mangueira substituída DEVE ser superior à pressão máxima nominal da unidade.	

Verifique a Mangueira de Injeção de Produtos Químicos

Examine o filtro no tubo de detergente e o limpe se estiver entupido. Convém que o tubo ajuste-se firmemente ao encaixe farpado. Examine a presença de vazamentos ou rasgos no tubo. Substitua o filtro ou tubo se algum deles estiver danificado.

Verifique a Pistola e a Extensão do Bico

Examine a conexão da mangueira à pistola de pulverização e certifique-se de que esteja firme. Teste o acionador pressionando-o e certificando-se de que ele retorna ao local ao soltá-lo. Coloque a trava de segurança na posição "On" e teste o acionador. Você não deve ser capaz de pressionar o acionador.

Manutenção do Bico

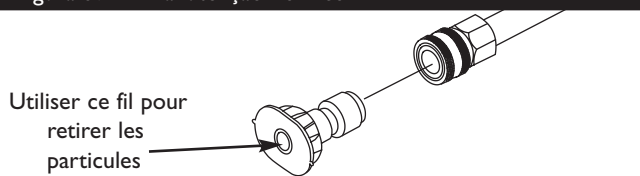
Uma sensação de pulsar sentida ao apertar o acionador da pistola de pulverização pode ser causada por excesso de pressão na bomba. A principal causa do excesso de pressão na bomba pode ser devida a uma ponta de pulverização entupida ou obstruída por materiais estranhos, como sujeira, etc. Para corrigir o problema, limpe imediatamente as pontas pulverizadoras de acordo com estas instruções:

1. Desligue o motor e o suprimento de água.
2. Retire a ponta pulverizadora da extremidade da extensão do bico.

MANUTENÇÃO

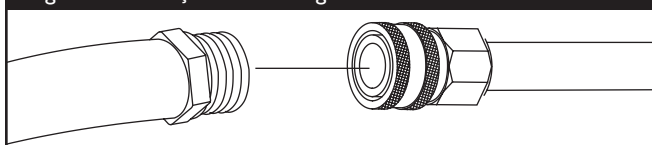
- Use o arame incluído no kit (ou um pequeno clipe de papel) para retirar qualquer material estranho entupindo ou obstruindo a ponta pulverizadora (Figura 59).

Figura 59 — Manutenção do Bico



- Use uma mangueira de jardim para remover outros detritos por retrolavagem com água através da extensão do bico (Figura 60). Faça a retrolavagem durante 30 a 60 segundos.

Figura 60 — Faça a Retrolavagem da Extensão do Bico



- Reinstale a ponta pulverizadora e na extensão do bico.
- Reconecte a extensão do bico na pistola de pulverização.
- Reconecte o suprimento de água, ligue a água e dê a partida no motor.
- Teste a lavadora à pressão com cada uma das pontas pulverizadoras de conexão rápida.

Manutenção do Anel de Vedação

Os anéis de vedação mantêm firmes e livres de vazamentos as conexões das mangueiras e da pistola de pulverização. Devido à operação normal da lavadora à pressão, eles podem tornar-se desgastados ou danificados.

A sua lavadora à pressão está equipada com um Kit de manutenção de anéis de vedação que inclui anéis de vedação de reposição, arruela de borracha e filtro de entrada de água. Consulte o folheto de instruções fornecido com o kit para fazer a manutenção dos anéis de vedação da sua unidade. Observe que nem todas as peças do kit serão usadas na unidade.

Para remover um anel de vedação gasto ou danificado; use uma pequena chave de fenda de ponta chata para alcançar a parte de baixo do anel de vedação e forçá-lo para fora.



ATENÇÃO



O fluxo de água a alta pressão que este equipamento produz pode perfurar a pele e seus tecidos subjacentes, ocasionando sérios danos e possível amputação.

- NUNCA conserte conexões que estão vazando com nenhum tipo de vedante. Substitua o anel de vedação ou a vedação.

Manutenção da Bomba

Troca do Óleo da Bomba

Troque o óleo após as primeiras 50 horas de operação e, em seguida, a cada 200 horas ou 3 meses, o que ocorrer primeiro.

NOTA: Ao trocar o óleo da bomba, use apenas óleo 30 não detergente e de alta qualidade. NÃO use aditivos especiais.

Troque o óleo da bomba conforme descrito a seguir:

- Limpe a área ao redor do plugue de latão do dreno de óleo no fundo da bomba.
- Remova o plugue do dreno de óleo. Drene o óleo completamente em um recipiente aprovado.
- Quando o óleo tiver drenado completamente, instale o plugue do dreno de óleo e aperte com firmeza.
- Limpe a área ao redor da vareta de óleo da bomba. Remova a vareta e abasteça a bomba com o óleo recomendado até a marca de "Full" (cheio) na vareta (tipicamente 0.43L ou 15 oz.).
- Instale a vareta de óleo da bomba.
- Limpe qualquer óleo derramado.

MANUTENÇÃO DO MOTOR

Consulte o manual de operador do motor para obter instruções de como realizar a manutenção adequada do motor.



CUIDADO

Evite o contato prolongado ou freqüente com óleo de motor usado.

- O óleo de motor usado tem mostrado ser capaz de provocar câncer de pele em alguns animais de laboratório.
- Lave bem as áreas expostas com sabão e água.



MANTENHA O FLUIDO FORA DO ALCANCE DAS CRIANÇAS. NÃO POLUA. CONSERVE OS RECURSOS NATURAIS. LEVE O ÓLEO USADO PARA OS CENTROS DE COLETA.

PREPARO DA UNIDADE PARA ARMAZENAMENTO

Não convém deixar água na unidade por longos períodos de tempo. Sedimentos ou minerais podem se depositar nas peças da bomba e "congelar" a ação da bomba. Se você não planeja usar a lavadora à pressão por mais de 30 dias, siga este procedimento:

1. Lave o tubo de sifonagem de detergente colocando o filtro em um balde de água limpa enquanto opera a lavadora à pressão no modo de baixa pressão. Lave por 1 a 2 minutos.
2. Desligue o motor e deixe esfriar, em seguida, remova todas as mangueiras. Desconecte o fio da vela.
3. Drene todos os líquidos da bomba puxando o cabo do cordão aproximadamente 6 vezes. Este procedimento deve remover a maior parte do líquido na bomba.
4. Sugue o anticongelante RV (sem álcool) para dentro da bomba derramando a solução em uma seção de 90 cm de mangueira de jardim, conectada ao adaptador de entrada, e puxando o cabo do cordão duas vezes.
Caso disponível, use o anticongelante PumpSaver no lugar do RV e siga as instruções da embalagem.
5. Armazene a unidade em uma área limpa e seca.

ARMAZENAMENTO DO MOTOR

Consulte o manual de operador do motor para obter instruções sobre como preparar adequadamente o motor para armazenamento.

SOLUÇÃO DE PROBLEMAS

SOLUÇÃO DE PROBLEMAS

Problema	Causa	Correção
A bomba tem os seguintes problemas: falha em produzir pressão, pressão errática, vibração, perda de pressão, baixo volume de água.	<ol style="list-style-type: none"> 1. Ponta de pulverização de baixa pressão instalada. 2. A entrada de água está bloqueada. 3. Fonte inadequada de água. 4. A mangueira de entrada está dobrada ou vazando. 5. Filtro da mangueira de entrada entupido. 6. A temperatura do suprimento de água é superior a 38°C. 7. A mangueira de alta pressão está bloqueada ou vazando. 8. A pistola está vazando. 9. A ponta de pulverização está obstruída. 10. A bomba está defeituosa. 	<ol style="list-style-type: none"> 1. Substitua a ponta de pulverização pela ponta de alta pressão. 2. Limpe a entrada. 3. Forneça um fluxo adequado de água. 4. Endireite a mangueira de entrada, conserte o vazamento. 5. Verifique e limpe o filtro da mangueira de entrada. 6. Abasteça com água mais fria. 7. Limpe bloqueios na mangueira de saída. 8. Substitua a pistola ou os anéis de vedação. 9. Limpe a ponta de pulverização. 10. Entre em contato com o serviço de manutenção da Briggs & Stratton.
Falha do detergente em misturar -se com o spray.	<ol style="list-style-type: none"> 1. O tubo de sifonagem de detergente não está submerso. 2. O filtro de produtos químicos está entupido. 3. Ponta de pulverização de alta pressão instalada. 	<ol style="list-style-type: none"> 1. Insira o tubo de sifonagem no detergente. 2. Limpe ou substitua o filtro ou o tubo de sifonagem de detergente. 3. Substitua a ponta de pulverização pela ponta de baixa pressão.
O motor funciona sem carga mas "vacila" quando se adiciona carga.	Velocidade do motor muito baixa.	Mova o controle de velocidade para a posição RÁPIDO. Se o motor ainda "vacilar", entre em contato com o serviço de manutenção da Briggs and Stratton.
O motor desliga durante o funcionamento.	Sem combustível.	Reabasteça o tanque.

NOTAS

GARANTIA PARA O PROPRIETÁRIO DA LAVADORA A PRESSÃO DA BRIGGS & STRATTON POWER PRODUCTS GROUP, LLC

A data de vigência 1º de Dezembro de 2005 substitui todas as garantias sem data e todas as garantias com data anterior a 1º de Dezembro de 2005

GARANTIA LIMITADA

A Briggs & Stratton Power Products Group, LLC reparará ou trocará gratuitamente qualquer peça (ou peças) do equipamento que apresente defeitos de material, de fabricação ou ambos. As taxas de transporte incidentes sobre as peças enviadas para reparo ou troca cobertas por esta garantia ficam por conta do comprador. Esta garantia é válida pelos prazos e sujeita às condições especificadas a seguir. Para a utilização da garantia, localize o Fornecedor Autorizado de Serviços mais próximo em nosso mapa de fornecedores em www.BRIGGSandSTRATTON.COM.

NÃO EXISTE QUALQUER OUTRA GARANTIA EXPRESSA. AS GARANTIAS IMPLÍCITAS, INCLUSIVE AS DE COMERCIALIZAÇÃO E ADEQUAÇÃO A UM OBJETIVO ESPECÍFICO, ESTÃO LIMITADAS A UM ANO DA COMPRA, OU ATÉ ONDE FOR PERMITIDO PELA LEGISLAÇÃO TODA E QUALQUER GARANTIA IMPLÍCITA ESTÁ EXCLUÍDA. ESTÁ EXCLUÍDA A RESPONSABILIDADE POR DANOS CONSEQUENTES OU INCIDENTAIS, ATÉ ONDE TAL EXCLUSÃO SEJA PERMITIDA PELA LEGISLAÇÃO. Alguns estados ou países não permitem restrições sobre o prazo de duração de uma garantia implícita, e outros não permitem a exclusão ou limitação de danos incidentais ou consequentes, de modo que é possível que a limitação e exclusão citadas anteriormente não se apliquem ao seu caso. Esta garantia concede ao proprietário direitos específicos e, provavelmente, outros direitos que variam de um estado ou de um país para o outro.

PRAZO DE GARANTIA

Uso Residencial	1 ano
Uso Comercial	90 dias

O prazo de garantia inicia-se na data da compra efetuada pelo primeiro cliente do varejo ou usuário final do comércio, e é válida pelo prazo especificado na tabela anterior. "Uso residencial" significa o uso doméstico residencial executado pelo cliente do varejo. "Uso comercial" significa todos os outros usos, inclusive o uso para produção de receita do comércio ou para fins de aluguel. Para fins desta garantia, assim que o equipamento for utilizado comercialmente, dessa data em diante ele será considerado como uso comercial. Esta garantia não se aplica aos equipamentos usados como fonte de energia em vez de utilizá-lo. Também não estão garantidas as lavadoras elétricas à pressão usadas para fins comerciais.

NÃO É NECESSÁRIO O REGISTRO DA GARANTIA PARA OBTÊ-LA PARA OS PRODUTOS DA BRIGGS & STRATTON. GUARDE SEU COMPROVANTE DE COMPRA. SE VOCÊ NÃO APRESENTAR O COMPROVANTE COM A DATA DE COMPRA AO SOLICITAR O SERVIÇO DE GARANTIA, SERÁ USADA A DATA DE FABRICAÇÃO DO PRODUTO PARA CALCULAR O PRAZO DE GARANTIA.

SOBRE SUA EQUIPAMENTO GARANTIA

Executaremos os serviços de manutenção na garantia, e pedimos desculpas por qualquer inconveniência. Qualquer Fornecedor de Serviços Autorizado pode executar os reparos cobertos pela garantia. A maioria dos reparos cobertos pela garantia é tratada rotineiramente mas, às vezes, podem ocorrer solicitações inadequadas ao serviço de garantia. Por exemplo, o serviço de garantia não seria aplicável se o dano do equipamento ocorresse devido ao uso incorreto, falta de manutenção rotineira, expedição, manuseio, estocagem ou instalação inadequados. A garantia será inválida se a data de fabricação ou o número de série da lavadora a pressão ou do motor tiverem sido removidos ou se o equipamento tiver sido alterado ou modificado. Durante o período de garantia, o Fornecedor autorizado de serviços poderá, por exclusiva opção sua, reparar ou substituir qualquer peça que conforme testes seja considerada defeituosa em condições normais de uso e de manutenção. Esta garantia não cobre os seguintes reparos e equipamentos:

- **Desgaste normal:** O Equipamento de Força ao Ar Livre, assim como todos os dispositivos mecânicos, precisa que as peças usadas periodicamente e a manutenção funcionem bem. Esta garantia não cobre reparos quando o desgaste normal exauriu a vida útil de uma peça ou do equipamento.
- **Instalação e manutenção:** Esta garantia não é aplicável aos equipamentos ou às peças submetidas à instalação ou alteração e modificações não autorizadas, ao uso incorreto, à negligência, acidentes, sobrecarga, excesso de velocidade e manutenção, reparo ou armazenamento inadequados que, de acordo com os critérios da Briggs and Stratton Corporation, tenham prejudicado o desempenho e a confiabilidade dos mesmos. Esta garantia também não abrange manutenção normal, como filtros de ar, ajustes, limpeza do sistema de combustível e obstrução (devido a produtos químicos, sujeira, carvão, cal, etc.).
- **Outras Exclusões:** Também estão excluídos desta garantia itens desgastados, como acopladores rápidos, vedações, anéis de vedação, bombas que tenham funcionado sem água ou danos ou defeitos resultantes de acidentes, utilização errada, modificações, alterações, manutenção incorreta, congelamento ou deterioração química. Acessórios como pistolas, mangueiras, extensões de bicos (varetas) e bicos estão excluídos da garantia do produto. Esta garantia exclui equipamento usado, recondicionado e de demonstração, além de falhas devido a causas naturais e outros motivos de força maior que vão além do controle dos fabricantes. 198187P, Rev. C, 12/31/2006

BRIGGS & STRATTON POWER PRODUCTS GROUP, LLC
JEFFERSON, WI, EUA

TABLA DE CONTENIDOS

Reglas De Seguridad	74-77
Conozca Su Generador	78
Ensamblaje	79-81
Funcionamiento	82-85
Especificaciones Del Producto	86
Mantenimiento	86-87
Almacenamiento	88
Diagnosticos De Averías	89
Notas	90-91
Garantía	92

DESCRIPCIÓN DEL EQUIPO



Lea este manual de manera cuidadosa y familiarícese con su lavadora a presión. Conozca sus usos, sus limitaciones y cualquier peligro relacionado con el mismo.


Este manual contiene información sobre una limpiadora a alta presión que funciona a 3.200 PSI con un caudal 15,1 litros por minuto. Es un potente sistema de alta calidad que incluye grandes ruedas de 30 cm, bomba con sistema automático de refrigeración, sistema de inyección de productos químicos, prolongador de boquilla con boquillas de conexión rápida, gafas de seguridad y manguera de alta resistencia de 15,2 m, entre otros accesorios.

Se ha realizado el máximo esfuerzo para reunir en este manual la información más precisa y actualizada. No obstante, nos reservamos el derecho de modificar, alterar o mejorar de cualquier otra forma el producto y este documento en cualquier momento y sin previo aviso.

REGLAS DE SEGURIDAD



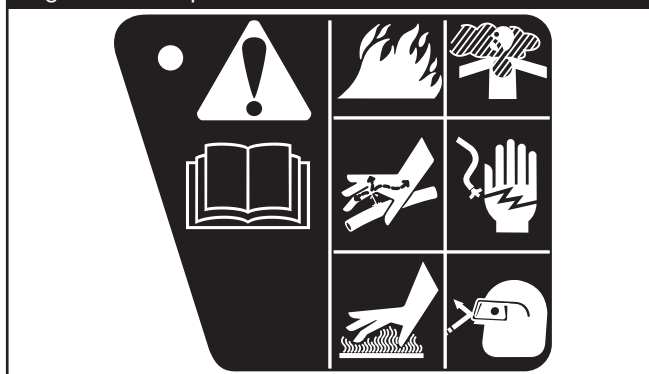
Éste es el símbolo de alerta de seguridad. Sirve para advertir al usuario de un posible riesgo para su integridad física. Siga todos los mensajes de seguridad que figuren después de este símbolo para evitar lesiones o incluso la muerte.

El símbolo de alerta de seguridad () es usado con una palabra (PELIGRO, ADVERTENCIA, PRECAUCIÓN), un mensaje por escrito o una ilustración, para alertarlo acerca de cualquier situación de peligro que pueda existir. **PELIGRO** indica un riesgo el cual, si no se evita, *causará* la muerte o una herida grave. **ADVERTENCIA** indica un riesgo el cual, si no se evita, *puede* causar la muerte o una herida grave. **PRECAUCIÓN** indica un riesgo, el cual, si no se evita, *puede* causar heridas menores o moderadas. **PRECAUCIÓN**, cuando se usa *sin* el símbolo de alerta, indica una situación que podría resultar en el daño del equipo. Siga los mensajes de seguridad para evitar o reducir los riesgos de heridas e inclusive la muerte.

Etiqueta de Advertencia

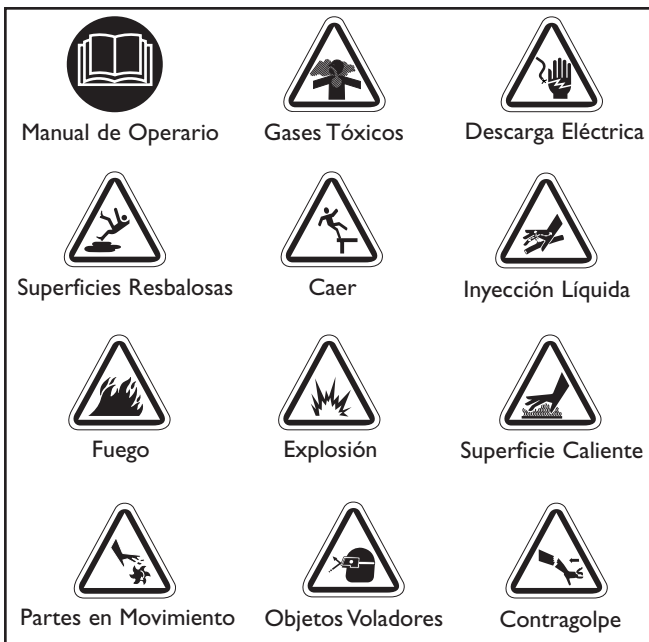
La unidad incluye una etiqueta de advertencia (Figura 61) que le informa de los posibles riesgos para su seguridad. Si la etiqueta se estropea o llega a ser ilegible, diríjase a su distribuidor de Briggs & Stratton para obtener una etiqueta nueva.

Figura 61 — Etiqueta de Advertencia



Los iconos de la etiqueta de advertencia se muestran y describen detalladamente más adelante en esta sección de seguridad.

Símbolos de Peligro y Significados



REGLAS DE SEGURIDAD

ADVERTENCIA



Al motor funcionar, se produce monóxido de carbono, un gas inodoro y venenoso. El respirar el monóxido de carbono, producirá náusea, desmayo o la muerte. Algunas sustancias químicas o los detergentes pueden ser perjudiciales si inhalados o ingeridos, causando la náusea severa, desmayando o para envenenar.

- Opere el lavadora de presión SOLAMENTE al aire libre.
- Asegúrese de que los gases de escape no puedan entrar por ventanas, puertas, tomas de aire de ventilación u otras aberturas en un espacio cerrado en el que puedan acumularse.
- NO opere el lavadora de presión dentro de un edificio o lugar cerrado, aunque haya puertas o ventanas abiertas.
- Utilice un respirador o máscara siempre que exista la posibilidad de inhalar vapores.
- Lea todas las instrucciones de la máscara para asegurarse de que le brindará la protección necesaria contra la inhalación de vapores nocivos.

ADVERTENCIA



El uso de lavadora de presión puede crear los charcos y superficies resbalosas.



El rociado de la alta presión podría hacerlo caer si está muy cerca de la superficie de limpieza.

- Mantenga la boquilla de rociado de 8 a 24 pulgadas de la superficie de limpieza.
- Opere y almacene esta unidad sobre una superficie estable.
- El área de limpieza deberá tener inclinaciones y drenajes adecuados para disminuir la posibilidad de caídas debido a superficies resbalosas.
- Sea extremadamente cuidadoso si usa la máquina lavadora a presión desde una escalera, andamio o cualquier superficie relativamente inestable.
- Sujete firmemente la pistola rociadora con ambas manos cuando aplique un rociado a alta presión para evitar lesiones cuando se produzca el retroceso de la pistola.

ADVERTENCIA



La gasolina y sus vapores son extremadamente inflamables y explosivos.



El fuego o una explosión pueden causar quemaduras severas e inclusive la muerte.

CUANDO AÑADA COMBUSTIBLE

- Apague el lavadora de presión (posición OFF) y déjelo enfriar al menos por 2 minutos antes de remover la tapa de la gasolina.
- Llene el tanque al aire libre.
- NO llene demasiado el tanque. Permita al menos espacio para la expansión del combustible.
- Mantenga la gasolina alejada de chispas, llamas abiertas, pilotos, calor y otras fuentes de ignición.
- NO encienda un cigarrillo o fume.

CUANDO OPERE EL EQUIPO

- NO incline el motor o el equipo, de tal manera que la gasolina se pueda derramar.
- NO rocíe líquidos inflamables.

CUANDO TRANSPORTE O REPARE EL EQUIPO

- Transporte o repare el equipo con el tanque de combustible vacío, o con la válvula para apagar el combustible, apagada (posición OFF).

CUANDO ALMACENE O GUARDE EL EQUIPO CON COMBUSTIBLE EN EL TANQUE

- Almacene alejado de calderas, estufas, calentadores de agua, secadoras de ropa u otros aparatos electrodomésticos que posean pilotos u otras fuentes de ignición, porque ellos pueden encender los vapores de la gasolina.

ADVERTENCIA



El contacto del rocío con alambrado eléctrico puede tener como resultado electrocution.

- Mantenga el chorro del agua alejado de alambrados eléctricos, de lo contrario podrían ocurrir descargas eléctricas fatales.

REGLAS DE SEGURIDAD

ADVERTENCIA



El rápido repliegue del cable del arrancador (retroceso) impedirá que el usuario suelte el cable a tiempo y tirará de su mano y brazo hacia el motor.

Como resultado, podrían producirse fracturas, contusiones o esguinces.

- Antes de arrancar el motor, apunte SIEMPRE con la pistola rociadora hacia una dirección segura y apriete el gatillo para descargar la presión y evitar el retroceso.
- Cuando arranque el motor, tire lentamente del cable hasta sentir una resistencia y, a continuación, tire rápidamente de él para evitar su retroceso.
- Después que cada tentativa que empieza, donde motor falla de correr, siempre señalar el fusil en la dirección segura y el disparador del fusil del rocío del estrujón para liberar la presión alta.
- Sujete firmemente la pistola rociadora con ambas manos cuando aplique un rociado a alta presión para evitar lesiones cuando se produzca el retroceso de la pistola.

ADVERTENCIA



Los motores al funcionar producen calor. La temperatura del silenciador y de las áreas cercanas puede alcanzar o pasar los 150°F (65°C).

Quemaduras severas pueden ocurrir al hacer contacto.



Los gases y el calor de escape pueden inflamar los materiales combustibles y las estructuras o dañar el depósito de combustible y provocar un incendio.

- NO toque las superficies calientes y evite los gases del escape a alta temperatura.
- Permita que el equipo se enfríe antes de tocarlo.
- Deje un espacio mínimo de 152 cm (5 pies) alrededor del lavadora a presión, incluida la parte superior.

ADVERTENCIA



El arrancador y otras piezas que rotan pueden enredar las manos, el pelo, la ropa, o los accesorios.

- NO use ropa suelta, joyas o elementos que puedan quedar atrapados en el arranque o en otras partes rotatorias.
- Ate para arriba el pelo largo y quite la joyería.

ADVERTENCIA



La corriente de agua de alta presión que produce este equipo pueden perforar la piel y sus tejidos profundos, ocasionando lesiones serias y posible amputación.

La pistola rociadora contiene agua a alta presión incluso con el motor parado y el agua desconectada, que puede causar la herida.

- NUNCA apunte la pistola a la gente, animales o plantas.
- NO permita en ningún momento que NIÑOS operen la máquina lavadora a presión.
- NUNCA repare la manguera de alta presión. Remplacela.
- NUNCA utilice ningún tipo de sellador para reparar una fuga en una conexión. Sustituya la junta tórica o la junta.
- Mantenga conectada la manguera a la máquina o a la pistola de rociado cuando el sistema esté presurizado.
- SIEMPRE que pare el motor, apunte con la pistola rociadora hacia una dirección segura y apriete el gatillo para descargar la presión y evitar el retroceso. Active el seguro del gatillo cuando no utilice la pistola.

ADVERTENCIA



Chispear involuntario puede tener como resultado el fuego o el golpe eléctrico.



CUANDO AJUSTE O HAGA REPARACIONES A SU MÁQUINA LAVADORA DE PRESIÓN

- Siempre desconecte el alambre de la bujía y colóquelo donde no pueda entrar en contacto con la bujía.

CUANDO PRUEBE LA BUJÍA DEL MOTOR

- Utilice un comprobador de bujías homologado.
- NO compruebe la chispa sin la bujía instalada.

ADVERTENCIA



El rociado de alta presión puede hacer que partículas pequeñas de pintura u otras partículas salgan disparadas y viajen a altas velocidades.

- Utilice siempre gafas de protección cuando utilice este equipo o si se encuentra cerca de donde se está utilizando.
- Antes de poner en marcha la limpiadora a presión, asegúrese de llevar gafas de protección adecuadas.

REGLAS DE SEGURIDAD



PRECAUCIÓN

Hacer funcionar el motor a velocidades excesivas aumenta el riesgo de lesiones personales.

- NO juegue con partes que puedan aumentar o disminuir la velocidad de mando.
- NO opere la máquina lavadora a presión con un valor de presión superior a su clasificación de presión.



PRECAUCIÓN

El lavadora de presión produce un rocío alto de la presión cuál riesgo de aumentos de la herida y dañe a la unidad.

- NO asegure la pistola de rociado en la posición (open = abierto).
- NO abandone la pistola de rociado cuando la máquina esté en funcionamiento.
- NUNCA utilice una pistola de rociado que no tenga un seguro para gatillo o protección para gatillo en su lugar y en buenas condiciones.
- Siempre asegúrese de que la pistola de rociado, boquillas y accesorios estén conectados correctamente.

PRECAUCIÓN

El rociado de alta presión puede dañar elementos frágiles, incluyendo el vidrio.

- NO apunte la pistola de rociado al vidrio cuando esté en el modo de rociado a chorro.
- NUNCA apunte la pistola a plantas.

PRECAUCIÓN

El tratamiento inadecuado del lavadora de presión puede dañarlo y acortar su vida productiva.

- Si usted tiene alguna pregunta acerca de las finalidades de uso del generador, pregúntele a su concesionario o contacte a Briggs & Stratton Power Products.
- NUNCA deberán ser operadas las unidades con partes rotas o ausentes, o sin la caja o cubiertas de protección.
- NO eluda ningún dispositivo de seguridad de esta máquina.
- Antes de poner en marcha la máquina lavadora a presión en clima frío, revise todas las partes del equipo y asegúrese de que no se haya formado hielo sobre ellas.
- NUNCA mueva la máquina halando la manguera de alta presión. Utilice la manija que viene con la unidad.
- Revise que el sistema de combustible no presente fugas o signos de deterioro, como mangueras desgastadas o porosas, sujetadores flojos o ausentes, tapa o tanque dañados. Corrija todos los defectos antes de operar la máquina lavadora a presión.
- El equipo de alta presión está diseñado para ser utilizado UNICAMENTE con las partes autorizadas Briggs & Stratton Power Products. Si utiliza este equipo con partes que no cumplan con las especificaciones mínimas, el usuario asume todos los riesgos y responsabilidades.

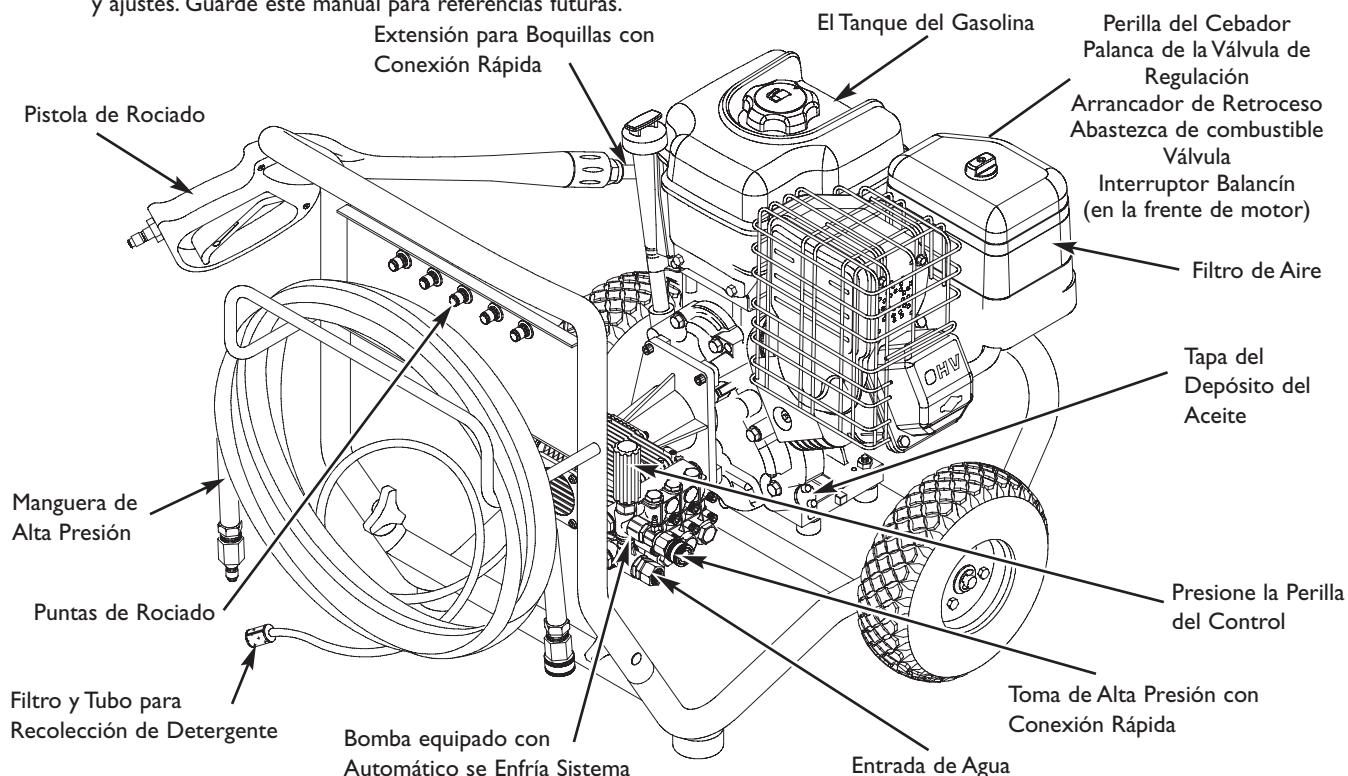
CONOZCA SU MAQUINA LAVADORA DE PRESION

CONOZCA SU MAQUINA LAVADORA DE PRESION



Lea el manual del operario y las reglas de seguridad antes de poner en marcha su máquina lavadora a presión.

Compare las ilustraciones con su máquina lavadora a presión para familiarizarse con las ubicaciones de los diferentes controles y ajustes. Guarde este manual para referencias futuras.



Abastecza de combustible Válvula - Esté acostumbrado a prender el combustible y lejos al motor.

Arrancador de Retroceso - Usado para arrancar el motor manualmente.

Automático se Enfria Sistema - Los ciclos regan por bomba cuando agua alcanza 125°-155°F. Entibiar agua descargará de la bomba en el suelo. Este sistema previene el daño interno de bomba.

Bomba - Desarrolla alta presión de agua.

El Tanque del Gasolina - Llene el tanque con gasolina regular sin contenido de plomo en este punto.

Entrada de Agua - Conexión para la manguera de jardín.

Extensión para Boquillas con Conexión Rápida - Le permite usar cinco boquillas de rociado diferentes.

Filtro de Aire - El elemento de filtro tipo seco limita la cantidad de suciedad y polvo que se introduce en el motor.

Filtro y Tubo para Recolección de Detergente - Usado para succionar detergente de la botella de químicos a la corriente de agua de baja presión.

Interruptor Balancín - Deberá estar en la posición "Run" (Corra) para darle arranque al motor. Colóquelo en la posición "Stop" (Parada) para detener un motor en funcionamiento.

Manguera de Alta Presión - Conecte un extremo a la pistola de rociado y el otro extremo a la toma de alta presión.

Palanca de Control de la Válvula de Regulación - Coloca el motor en modo de arranque para el arrancador de retroceso.

Perilla del Cebador - Usada para arranque de motores fríos.

Pistola de Rociado - Controla la aplicación de agua sobre la superficie de limpieza con el gatillo. Incluye cerrojo de seguridad.

Presione la Perilla del Control - Varía la presión del rocío alto de la presión.

Puntas de Rociado - Inyección de químicos, 0°, 15°, 25°, 40°; para diferentes alta presión aplicaciones de limpieza.

Tapa del Depósito del Aceite - Llene el motor con aceite aquí. Siempre habitación de hoja para la expansión del combustible.

Toma de Alta Presión con Conexión Rápida - Conexión para la manguera de alta presión.

MONTAJE

IMPORTANTE: Lea totalmente el manual del operario antes que intente ensamblar u operar su lavador a presión.

Desembale la Lavadora a Presión

1. Saque todo el contenido de la caja de cartón, a excepción de la lavadora a presión.
2. Abra completamente la caja de cartón cortando cada una de sus esquinas de arriba abajo.
3. Saque la lavadora a presión de la caja de cartón.

Contenido de la Caja

Los Artículos que se Encuentran en la Caja Son:

- Unidad principal
- Manguera de Alta Presión
- Manubrio
- Pistola Rociadora con Conector Rápido
- Extensión de la Lanza con las Piezas de Conexión Rápida
- Bolsa de accesorios (incluye lo siguiente):
 - Manual del Operario
 - Manual del Motor
 - Juego de Mantenimiento
 - Acoplamientos para manguera
 - Conexiones rápidas
 - Gafas de Seguridad
 - Bolsa con 5 Puntas de Rocío de Conexiones Rápidas Multicolores
 - Piezas para la Manubrio (incluye lo siguiente):
 - Perno del Soporte (2)
 - Perilla Plástica (2)

Si una de las partes que se mencionan arriba se encuentran dañadas o hacen falta, diríjase al centro de servicio local de Briggs & Stratton.

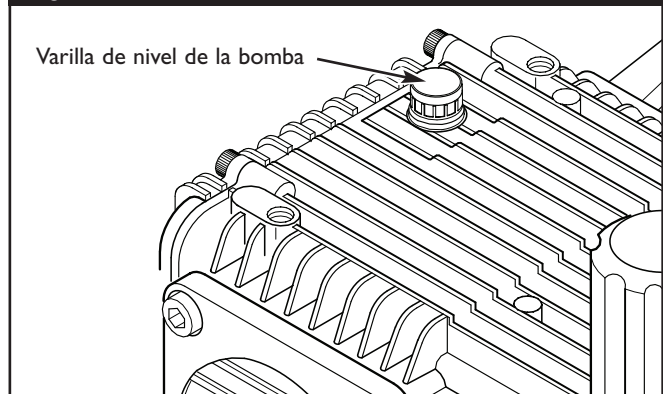
PREPARANDO EL LAVADOR A PRESIÓN PARA SU USO

A prepara su arandela de la presión para la operación, usted necesitará a realiza estas tareas:

1. Conecte manubrio a unidad principal.

2. Compruebe que la varilla de nivel de aceite se ha instalado en la bomba (Figura 62).

Figura 62 — Varilla de nivel de la bomba



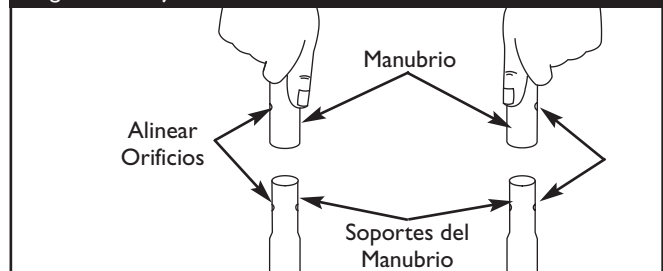
3. Añada aceite al motor.
4. Añada gasolina al tanque de combustible.
5. Conecte manguera a alta presión a pistola rociadora y a bomba.
6. Conecte el suministro de agua a bomba.
7. Conecte boquilla la extensión al pistola rociadora.
8. Selecto/conecta rápido conecta boquilla a la extensión de la boquilla.

Conecte el Manubrio

NOTA: Todas las operaciones de ensamble proporcionadas en esta sección, serán descritas desde la perspectiva del ensamblaje de la lavadora a presión desde su parte posterior.

1. Coloque el manubrio sobre los soportes del mismo que ya están adheridos a la unidad principal. Asegúrese de que los orificios en el manubrio estén alineados con los orificios en los soportes del mismo manubrio (Figura 63).

Figura 63 - Fijar el Manubrio a la Base

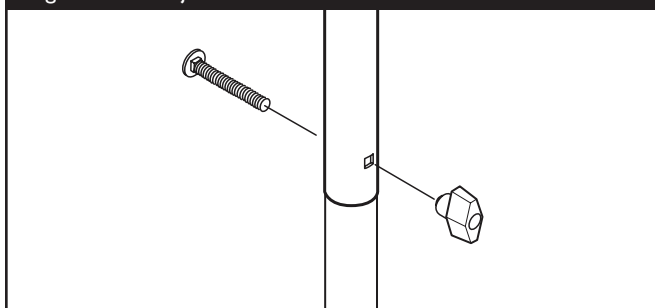


NOTA: Tal vez será necesario mover los soportes del manubrio de un lado a otro para alinear el manubrio de tal manera que pueda deslizarse sobre los soportes del mismo manubrio.

MONTAJE

2. Inserte los pernos de cabeza redonda en los orificios, desde el exterior de la unidad, y coloque un pomo de plástico desde la parte interior (Figura 64). Apriete a mano.

Figura 64 — Sujetar el Manubrio



3. Inserte las puntas de rociado de colores en los espacios correspondientes del manubrio.

Agregar Aceite al Motor y Combustible

- Coloque la lavadora a presión sobre una superficie nivelada.

PRECAUCIÓN

Cualquier intento para arrancar el motor antes de haberle proporcionado el mantenimiento apropiado con el aceite recomendado, podría ocasionar la falla del motor.

- Consulte el manual del operario del motor para añadir al motor el aceite y el combustible recomendado
 - El daño a la lavadora a presión, resultado de la desatención a esta precaución, no será cubierto por la garantía.
- Consulte el manual del operario del motor para añadir al motor el aceite y el combustible recomendado.

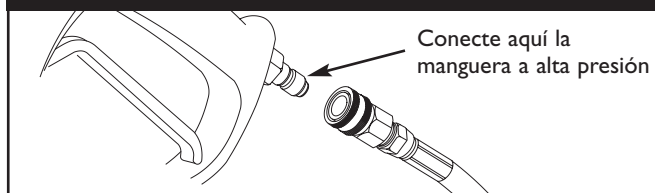
NOTA: Verifique el aceite del motor de manera frecuente cuando éste se esfuerce demasiado. Consulte el manual del operario del motor para conocer cuáles son las recomendaciones al respecto.

Conecte Manguera y Suministro de Agua a Bomba

IMPORTANTE: Usted deberá armar conectar todas las mangueras antes de darle arranque al motor. La bomba resultará dañada si arranca el motor sin tener todas las mangueras conectadas y el suministro agua abierto.

1. conecte el extremo correspondiente de la manguera a la base de la pistola pulverizadora (Figura 65). Tire hacia abajo del manguito del conector rápido, inserte la manguera en la pistola pulverizadora y suelte el manguito. Tire de la manguera para comprobar si está firmemente conectada.

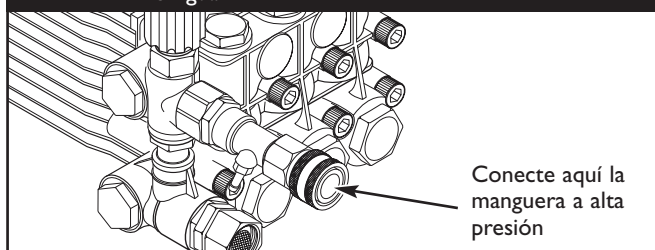
Figura 65 - Conecte la Manguera a Alta Presión a la Pistola Rociadora



NOTA: Retire y deseche todos los tapones de transporte de la bomba antes de conectar las mangueras.

2. Conecte el otro extremo de la manguera de alta presión a la salida de alta presión de la bomba (Figura 66). Tire hacia abajo del manguito del conector rápido, inserte la manguera en la bomba y suelte el manguito. Tire de la manguera para comprobar si está firmemente conectada.

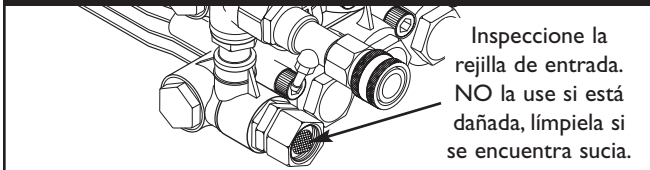
Figura 66 - Conectar la Manguera de Alta Presión a la Toma de Agua



MONTAJE

3. Antes de que conecte la manguera de jardín a la entrada de agua, inspeccione el colador de la entrada (Figura 67). Limpie el colador si tiene residuos o solicite su remplazo si está dañado. **NO HAGA FUNCIONAR LA MÁQUINA LAVADORA A PRESIÓN SI EL COLADOR DE LA ENTRADA ESTÁ DAÑADO.**

Figura 67 - Inspeccione la Rejilla de Entrada

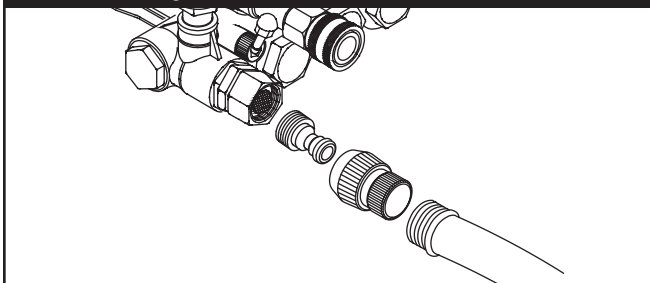


4. Haga correr el agua a través de la manguera de su jardín por 30 segundos para limpiar cualquier escombros que se encuentre en ella. Corte el agua.

IMPORTANTE: Hace no agua de parar de siphon para el abastecimiento de agua. Use agua **SOLO** fría (menos que 100°F).

5. Conecte el conector rápido hembra a la manguera del jardín. Conecte el conector rápido macho a la entrada de agua de la bomba (Figura 68).

Figura 68 — Conectar la Manguera del Jardín a la Entrada de Agua



6. Conecte la manguera del jardín (longitud máxima: 15 m) a la entrada de agua (Figura 68). Tire hacia atrás del anillo del conector rápido, inserte el acoplamiento en la bomba y suelte el anillo. Tire de la manguera para comprobar que la conexión sea firme.

PRECAUCIÓN

DEBE haber por lo menos diez pies de manguera de jardín libre entre la entrada de agua de la lavadora a presión y cualquier dispositivo de control de flujo de agua, sea el caso de un conector 'Y' o de cualquier otro tipo de válvula.

- El daño a la lavadora a presión, resultado de la desatención a esta precaución, no será cubierto por la garantía.

7. **ABRA** el agua, apunte con la pistola hacia una dirección segura y apriete el gatillo para eliminar el aire y las impurezas del sistema de bombeo.



ADVERTENCIA



El rociado de alta presión puede hacer que partículas pequeñas de pintura u otras partículas salgan disparadas y viajen a altas velocidades.

- Utilice siempre gafas de protección cuando utilice este equipo o si se encuentra cerca de donde se está utilizando.
- Antes de poner en marcha la limpiadora a presión, asegúrese de llevar gafas de protección adecuadas.

Lista de Revision Previa al Arranque Motor

Revise la unidad para asegurarse que ha llevado a cabo los siguientes procedimientos:

1. Asegúrese de leer las secciones "Instrucciones de Seguridad" y "Cómo Usar Su Lavadora A Presión" antes de usar la máquina lavadora a presión.
2. Cerciórese el manecilla es seguro.
3. Revise que haya sido depositado aceite y esté al nivel correcto en la caja del cigüeñal del motor.
4. Deposite la gasolina adecuada en el tanque del combustible.
5. Revise que todas las conexiones de las mangueras (alta presión y suministro de agua) estén apretadas correctamente y que no existan dobleces, cortes o daño de la manguera de alta presión.
6. Proporcione el suministro de agua adecuado.

CÓMO USAR SU MÁQUINA LAVADORA A PRESIÓN

Si tiene algún problema para hacer funcionar la limpiadora a presión, diríjase al centro de servicio local de Briggs & Stratton.

Ubicación del Lavadora a Presión

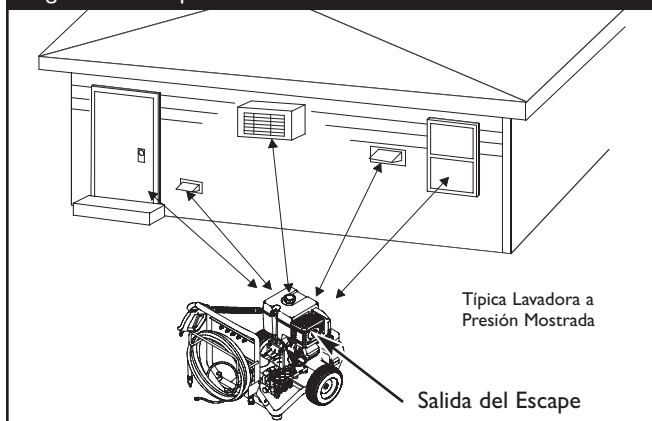
Espacio Libre Alrededor del Lavadora a Presión

	ADVERTENCIA
	Los gases y el calor de escape pueden inflamar los materiales combustibles y las estructuras o dañar el depósito de combustible y provocar un incendio.
<ul style="list-style-type: none"> • Deje un espacio mínimo de 152 cm (5 pies) alrededor del lavadora a presión, incluida la parte superior. 	

Sitúe el lavadora a presión en una zona bien ventilada que permita la eliminación de los gases de escape mortales. NO instale el lavadora a presión en lugares en los que los gases de escape se puedan acumular o entrar en un edificio que pueda estar ocupado. Asegúrese de que los gases de escape no puedan entrar por ventanas, puertas, tomas de aire de ventilación u otras aberturas en un espacio cerrado en el que puedan acumularse (Figura 69). Tenga en cuenta los vientos y las corriente de aire preponderantes cuando elija la ubicación del lavadora a presión.

	ADVERTENCIA
	Al motor funcionar, se produce monóxido de carbono, un gas inodoro y venenoso. El respirar el monóxido de carbono, producirá náusea, desmayo o la muerte.
<ul style="list-style-type: none"> • Opere el lavadora de presión SOLAMENTE al aire libre. • Asegúrese de que los gases de escape no puedan entrar por ventanas, puertas, tomas de aire de ventilación u otras aberturas en un espacio cerrado en el que puedan acumularse. • NO opere el lavadora de presión dentro de un edificio o lugar cerrado, aunque haya puertas o ventanas abiertas. 	

Figura 69 — Espacio Libre Alrededor del Lavadora a Presión



Cómo Darle Arranque a su Máquina Lavadora a Presión

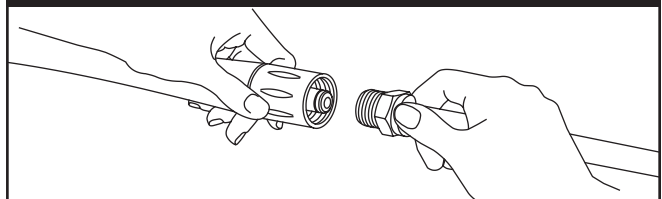
Para darle arranque a su máquina lavadora a presión movida a motor por primera vez, siga estas instrucciones paso a paso. Esta información acerca del arranque inicial también se aplica cuando vaya a darle arranque al motor después de haber dejado de la máquina lavadora a presión fuera de uso por al menos un día.

1. Coloque la máquina lavadora a presión en un área cercana a un suministro de agua exterior capaz de abastecer agua a un volumen mayor de 5.0 galones por minuto en no menos que 20 PSI en el fin de arandela de presión de la manga del jardín.
2. Revise que la manguera de alta presión se encuentre conectada firmemente a la pistola de rociado y a la bomba. Vea "Preparando El Lavador A Alta Presión Para Su Uso".
3. Asegúrese que la unidad esté nivelada.
4. Conecte la manguera de jardín a la entrada del agua. Apriete la con la mano.
5. ABRA el agua, apunte con la pistola hacia una dirección segura y apriete el gatillo para eliminar el aire y las impurezas del sistema de bombeo.

PRECAUCIÓN
NO haga funcionar la bomba si no tiene el suministro conectado y abierto.
<ul style="list-style-type: none"> • El daño a la lavadora a presión, resultado de la desatención a esta precaución, no será cubierto por la garantía.

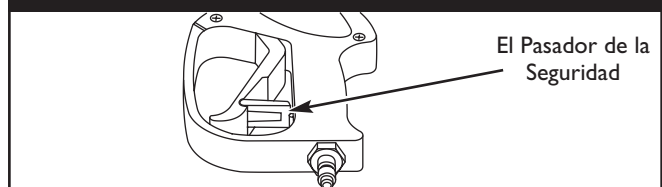
6. Conecte la extensión de la lanza a la pistola rociadora. Apriete la con las manos (Figura 70).

Figura 70 — Conecte la Extensión de la Lanza a la Pistola Rociadora



7. Seleccione la puntas de rocío de conexión rápida que usted desee e insértela en el extremo de la extensión de la lanza (Vea "Como Usar las Puntas de Rocío").
8. Coloque el pasador de seguridad al gatillo de la pistola rociadora (Figura 71).

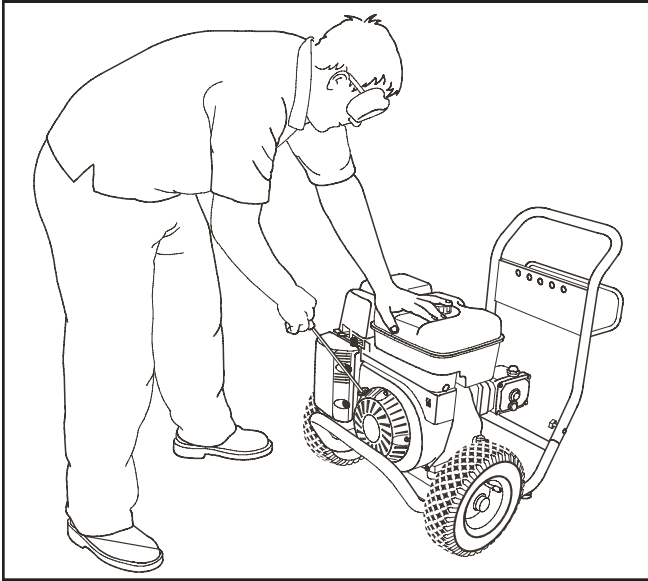
Figura 71 - La Pistola Rociadora con el Pasador de Seguridad en su Posición



FUNCIONAMIENTO

9. Cuando arranque el motor, colóquese en la posición recomendada en la Figura 72 y siga las instrucciones del manual del operario del motor.

Figura 72 - Posición Recomendada para el Arranque



ADVERTENCIA

El rápido repliegue del cable del arrancador (retroceso) impedirá que el usuario suelte el cable a tiempo y tirará de su mano y brazo hacia el motor.

Como resultado, podrían producirse fracturas, contusiones o esguinces.

- Antes de arrancar el motor, apunte SIEMPRE con la pistola rociadora hacia una dirección segura y apriete el gatillo para descargar la presión y evitar el retroceso.
- Cuando arranque el motor, tire lentamente del cable hasta sentir una resistencia y, a continuación, tire rápidamente de él para evitar su retroceso.
- Después de cada tentativa que empiece, donde motor falla de correr, siempre señalar el fusil en la dirección segura y el disparador del fusil del rocío del estrujón para liberar la presión alta.
- Sujete firmemente la pistola rociadora con ambas manos cuando aplique un rociado a alta presión para evitar lesiones cuando se produzca el retroceso de la pistola.

NOTA: Siempre mantenga el control de válvula de admisión en el "Rápido" ("Fast") posición cuando operar la arandela de la presión.

ADVERTENCIA



Los motores al funcionar producen calor. La temperatura del silenciador y de las áreas cercanas puede alcanzar o pasar los 150°F (65°C).

Quemaduras severas pueden ocurrir al hacer contacto.



Los gases y el calor de escape pueden inflamar los materiales combustibles y las estructuras o dañar el depósito de combustible y provocar un incendio.

- NO toque las superficies calientes y evite los gases del escape a alta temperatura.
- Permita que el equipo se enfríe antes de tocarlo.
- Deje un espacio mínimo de 152 cm (5 pies) alrededor del lavadora a presión, incluida la parte superior.

Cómo Detener su Máquina Lavadora a Presión

1. Deje funcionar el motor al ralenti durante dos minutos.
2. Pare el motor tal y como se explica en el manual del operario del motor.
3. SIEMPRE fusil de punto en una dirección segura y el disparador del fusil del rocío del estrujón para liberar la presión retenida de la pleamar.

IMPORTANTE: La pistola rociadora contiene agua a alta presión incluso con el motor parado y el agua desconectada.

ADVERTENCIA



La corriente de agua de alta presión que produce este equipo pueden perforar la piel y sus tejidos profundos, ocasionando lesiones serias y posible amputación.

La pistola rociadora contiene agua a alta presión incluso con el motor parado y el agua desconectada, que puede causar la herida.

- Mantenga conectada la manguera a la máquina o a la pistola de rociado cuando el sistema esté presurizado.
 - SIEMPRE que pare el motor, apunte con la pistola rociadora hacia una dirección segura y apriete el gatillo para descargar la presión y evitar el retroceso. Active el seguro del gatillo cuando no utilice la pistola.
4. Active el seguro del gatillo de la pistola rociadora cuando no la utilice.

FUNCIONAMIENTO

Cómo Usar las Puntas de Rocío

El conector rápido del prolongador de la boquilla permite cambiar la punta de rociado y montar una de las cinco diferentes. Las puntas de rociado varían el patrón de rociado tal como se muestra a continuación (Figura 73).



PRECAUCIÓN

El lavadora de presión produce un rocío alto de la presión cuál riesgo de aumentos de la herida y dañe a la unidad.

- NUNCA intercambie puntas de rocío sin haber asegurado el cerrojo de seguridad del gatillo.

Para cambiar las puntas de rocío:

1. Coloque el pestillo de seguridad de la pistola de rociado.
2. Desplace hacia atrás el anillo del conector rápido y tire de la punta de rociado que esté montada.
3. Seleccione la punta de rociado deseada:
 - Para enjuagado suave, seleccione la punta de rociado blanca de 40° ó verde de 25°.
 - Para fregar la superficie, seleccione las puntas de rociado amarilla de 15° ó roja de 0°.
 - Para aplicar productos químicos, seleccione la punta de rociado negra.
4. Desplace hacia atrás el anillo, inserte la nueva punta de rociado y suelte el anillo. Tire de la punta de rociado para comprobar que está bien montada.
5. Para una limpieza más efectiva, mantenga la boquilla de rociado de 8 a 24 pulgadas de la superficie de limpieza. Si coloca la boquilla muy cerca, podría dañar la superficie que está limpiando.
6. NO coloque la boquilla a menos de 6 pulgadas cuando esté limpiando llantas.

Limpieza y Aplicación del Químico

IMPORTANTE: Utilice químicos diseñados específicamente para máquinas lavadoras a presión. Los detergentes caseros podrían dañar la bomba.

PRECAUCIÓN

Usted deberá conectar todas las mangueras antes de darle arranque al motor.

- Arrancar el motor sin tener todas las mangueras conectadas y sin el suministro de agua ABIERTO (ON) causará el daño de la bomba.
- El daño a la lavadora a presión, resultado de la desatención a esta precaución, no será cubierto por la garantía.

Para aplicar el detergente, siga los siguientes pasos:

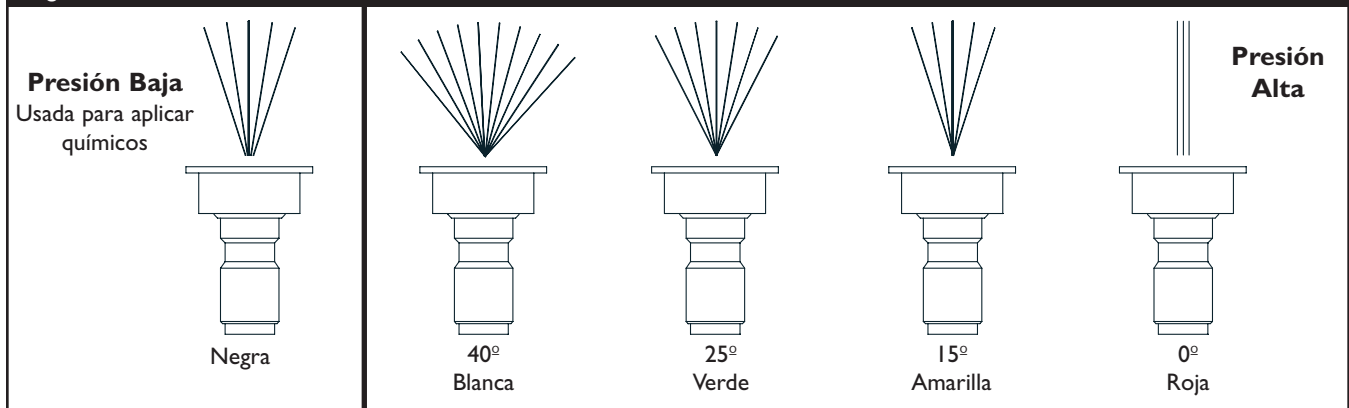
1. Revise el uso de las puntas de rociado.
2. Prepare la solución detergente siguiendo las instrucciones del fabricante.
3. Coloque el pequeño extremo final del filtro del tubo de inyección del detergente dentro del contenedor del detergente.

PRECAUCIÓN

Evite que el tubo de inyección de químicos entre en contacto con el silenciador caliente.

- Cuando coloque el filtro en la botella del químico, coloque el tubo de manera que no entre en contacto accidentalmente con el silenciador caliente.
4. Asegúrese de que la puntas de rocío negra esté instalada en la extensión para boquillas.
- NOTA:** No se puede aplicar detergente con las puntas de rocío de alta presión (Blanca, Verde, Amarilla o Roja).
5. Asegúrese que la manguera de jardín esté conectada a la entrada del agua. Revise que la manguera de alta presión esté conectada a la pistola de rociado y a la bomba. Dele arranque al motor.

Figura 73 — Rocío los Modelos del Rocío de Punta



FUNCIONAMIENTO

- Aplique el detergente sobre la superficie seca, comenzando en la parte inferior del área y dirigiéndose hacia arriba, utilizando movimientos largos, parejos y superpuestos.
- Permita que el detergente penetre de 3 a 5 minutos antes de enjuagar. Vuelva a aplicar cuando sea necesario para evitar que la superficie se seque. NO permita que el detergente se seque. Si permite que el detergente se seque, la superficie podría quedar con manchas.

IMPORTANTE: Usted deberá lavar el sistema de inyección de químicos después de cada uso colocando el filtro en un balde de agua limpia y haciendo funcionar la máquina lavadora a presión de 1 a 2 minutos en el modo de baja presión.

Enjuage de la Máquina Lavadora a Presión

Después de haber aplicado el detergente, refríe la superficie y enjuágela de la siguiente manera:

- Coloque el cerrojo de seguridad a la pistola de rociado.
- Retire la boquilla negra para químicos de la extensión para boquillas.
- Seleccione e instale la boquilla de alta presión que desee siguiendo las instrucciones de "Cómo Usar las Puntas de Rocío" de la página 84.
- Disminuya o aumente la presión de rociado al darle vuelta a la perilla en la dirección de las manecillas del reloj o en dirección opuesta, respectivamente. Use una presión más baja para lavar cosas como carros o botes. Use una presión más alta para eliminar pintura y la grasa de las calzadas.



ADVERTENCIA



El rociado de la alta presión podría hacerlo caer si está muy cerca de la superficie de limpieza.

- Mantenga la boquilla de rociado de 8 a 24 pulgadas de la superficie de limpieza.
- Opere y almacene esta unidad sobre una superficie estable.
- Sea extremadamente cuidadoso si usa la máquina lavadora a presión desde una escalera, andamio o cualquier superficie relativamente inestable.
- Sujete firmemente la pistola rociadora con ambas manos cuando aplique un rociado a alta presión para evitar lesiones cuando se produzca el retroceso de la pistola.

- Aplique un rociado de alta presión en un área pequeña, después revise si la superficie presenta daños. Si no encuentra daños, puede continuar con el trabajo de limpieza.
- Comience en la parte superior del área que va a enjuagar, dirigiéndose hacia abajo con los mismos movimientos superpuestos que utilizó para la limpieza.

Limpiando el Tubo

Si usted usó el tubo, usted debe lavarlo con agua limpia antes de parar el motor.

- Coloque el filtro y la inyección química en un balde lleno de agua limpia.
- Coloque el cerrojo de seguridad a la pistola de rociado.
- Conecte la puntas de rocío negra de baja presión.
- Lave de 1 a 2 minutos.
- Apague el motor.
- SIEMPRE fusil de punto en una dirección segura y el disparador del fusil del rocío del estrujón para liberar la presión retenida de la pleamar.

IMPORTANTE: La pistola rociadora contiene agua a alta presión incluso con el motor parado y el agua desconectada.



ADVERTENCIA



La corriente de agua de alta presión que produce este equipo pueden perforar la piel y sus tejidos profundos, ocasionando lesiones serias y posible amputación.

La pistola rociadora contiene agua a alta presión incluso con el motor parado y el agua desconectada, que puede causar la herida.

- Mantenga conectada la manguera a la máquina o a la pistola de rociado cuando el sistema esté presurizado.
- SIEMPRE que pare el motor, apunte con la pistola rociadora hacia una dirección segura y apriete el gatillo para descargar la presión y evitar el retroceso. Active el seguro del gatillo cuando no utilice la pistola.

Sistema de Enfriamiento Automático (Alivio Térmico)

El agua que circula dentro de la bomba puede alcanzar temperaturas entre los 125°-155°F si hace funcionar el motor de su máquina lavadora a presión de 3 a 5 minutos sin oprimir el gatillo de la pistola de rociado. Cuando el agua alcanza dicha temperatura, el sistema de enfriamiento automático se activa y enfría la bomba **descargando agua caliente en el piso.**

ESPECIFICACIONES

Presión de Salida	3200 PSI
Promedio de Flujo	4.0 galones por minuto (gpm)
Detergente	Use el detergente adecuado para lavadores a presión
Temperatura del Suministro de Agua	Que no pase de 100°F
Sistema de Enfriamiento Automático	Funcionará cuando el agua alcance de 125°-155°F
Peso que Embarca	155 lbs.

RECOMENDACIONES GENERALES

La garantía de la máquina lavadora a presión no cubre los elementos que han sido sujetos a abuso o negligencia por parte del operador. Para hacer válida la cobertura total de la garantía, el operador deberá mantener la lavadora de presión tal y como se indica en el manual.

NOTA: En caso de dudas sobre la sustitución de los componentes de su limpiadora a presión BSPP, consulte nuestro sitio web **BRIGGSandSTRATTON.COM**.

- Algunos ajustes tendrán que hacerse periódicamente para mantener adecuadamente su máquina lavadora a presión.
- Todos los servicios y ajustes deberán hacerse por lo menos una vez en cada estación.
- Una vez al año, usted deberá limpiar o reemplazar la bujía y el filtro de aire. Una bujía nueva y un filtro de aire limpio garantizan una mezcla de combustible-aire adecuada y le ayuda a su motor a funcionar mejor y a tener una vida útil más prolongada. Por favor, para mayores detalles, consulte el manual del operario del motor.
- Si equipó con llantas que se puede hinchar, mantenga la presión aérea en el valor marcado en la llanta o dentro de 15 y 40 psi.

Antes de Cada Uso

1. Revise el nivel de aceite del motor.
2. Revise si existen daños en el colador de la entrada de agua.
3. Revise si existen fugas en la manguera de alta presión.
4. Revise si existen daños en los filtros de químicos.
5. Revise si existen fugas en el conjunto de la extensión para boquillas y pistola.
6. El aclarado fuera manga de jardín para limpiar fuera escombros.



MANTENIMIENTO DE LA MAQUINA LAVADORA A PRESION

Revise y Limpie el Colador de Entrada

Examine el colador de entrada de la manguera de jardín. Límpiolo si está tapado o reemplacelo si está roto.

Revise la Manguera de Alta Presión

Las mangueras de alta presión pueden desarrollar fugas debido al desgaste, dobleces o abuso. Revise la manguera antes de cada uso. Revise si existen cortes, fugas, abrasiones, levantamiento de la cubierta, daño o movimiento de los acoplamientos. Si existe cualquiera de estas condiciones, reemplace la manguera inmediatamente.

	ADVERTENCIA
	La corriente de agua de alta presión que produce este equipo pueden perforar la piel y sus tejidos profundos, ocasionando lesiones serias y posible amputación.
<ul style="list-style-type: none">• NUNCA repare la manguera de alta presión. Reemplacela.• Reemplacela con una manguera que cumpla con la capacidad mínima de presión de su máquina lavadora a presión.	

Chequee el Tubo de Sifón del Detergente

Examine el filtro en el tubo del detergente y límpiolo si se encuentra sucio. El tubo debería quedar apretado en la pieza. Examine el tubo para ver si existe cualquier tipo de goteo o está roto. Reemplace el filtro o el tubo si alguno de ellos se encuentra dañado.

Revise la Pistola y la Extensión para Boquillas

Examine la conexión de la manguera a la pistola y cerciorese de que esté en buen estado. Pruebe el gatillo oprimiéndolo y asegurándose de que se devuelve a su sitio cuando lo suelta. Coloque el cerrojo de seguridad y pruebe el gatillo. Usted no debe ser capaz de oprimir el gatillo. Reemplace la pistola inmediatamente si falla cualquiera de estas pruebas.

Mantenimiento de las Boquillas

Si siente una sensación pulsante al momento de apretar el gatillo de la pistola rociadora, puede que sea causada por la presión excesiva en la bomba. La causa más probable del exceso de presión es la obstrucción de un orificio debido a la suciedad u otro material extraño. Para eliminar el problema, limpie inmediatamente el orificio con las herramientas que se suministran con la limpiadora a presión y conforme a las siguientes instrucciones:

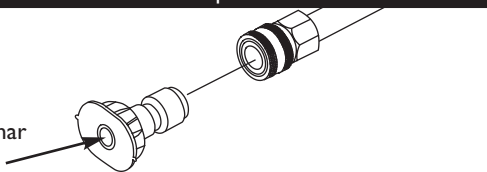
1. Apague el motor y apague el suministro de agua.
2. Remueva la puntas de rocío del extremo de la extensión de la boquilla.

MANTENIMIENTO

- Use el pequeño sujetapapeles para liberar cualquier material extraño que esté tapando la punta de rocío (Figura 74).

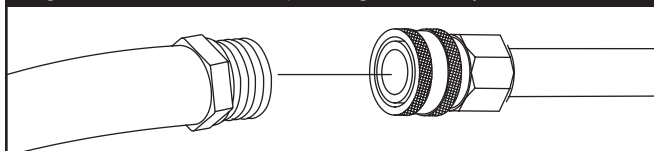
Figura 74 - Mantenimiento de la Boquilla

Use el alambre aquí para eliminar los residuos.



- Usando una manguera de jardín, remueva cualquier desecho adicional, poniendo agua en la extensión de la boquilla (Figura 75). Haga esto de 30 a 60 segundos.

Figura 75 - Suministrar Flujo de Agua a la Boquilla



- Instale de nuevo la punta de rocío en la extensión.
- Conecte de nuevo la extensión de la boquilla a la pistola rociadora.
- Conecte de nuevo el suministro de agua, prenda el agua, y encienda el motor.
- Pruebe el lavador a presión al hacer funcionar con cada una de las puntas de rocío de Conexiones rápidas que viene con el lavador a presión.

Mantenimiento de los Anillos 'O'

Durante la operación normal de su máquina lavadora a presión los anillos 'o' mantienen apretadas y libres de fugas las conexiones de las mangueras y la pistola, ellos pueden desgastarse o dañarse con el uso.

Su máquina lavadora a presión viene con un Juego de Mantenimiento para anillos 'O', el cual contiene anillos 'o', arandela de caucho y un colador de repuesto para la entrada de la manguera de jardín. La nota que no todas las partes en el juego se usarán en su unidad.

Para retirar un anillo 'O' desgastado o dañado; utilice un destornillador de cabeza plana pequeño, colóquelo por debajo del anillo 'o' y sáquelo haciendo palanca.



ADVERTENCIA



La corriente de agua de alta presión que produce este equipo pueden perforar la piel y sus tejidos profundos, ocasionando lesiones serias y posible amputación.

- NUNCA utilice ningún tipo de sellador para reparar una fuga en una conexión. Sustituya la junta tórica o la junta.

Mantenimiento de la Bomba

Cambio del aceite de la bomba

Cambie el aceite después de las primeras 50 horas de funcionamiento y luego, cada 200 horas o 3 meses, lo que suceda antes.

NOTA: Al cambiar el aceite de la bomba, use exclusivamente aceite no detergente de alta calidad de viscosidad 30. NO utilice aditivos especiales.

Cambie el aceite como se indica a continuación:

- Limpie la zona de alrededor del tapón de vaciado de aceite de latón que se encuentra en la parte inferior de la bomba.
- Retire el tapón de vaciado de aceite. Vacíe todo el aceite de la bomba en un recipiente homologado.
- Cuando la bomba se haya vaciado completamente de aceite, vuelva a colocar el tapón de vaciado y apriételo firmemente.
- Limpie la zona de alrededor de la varilla de nivel de aceite de la bomba. Extraiga la varilla de nivel y llene la bomba con el aceite recomendado hasta que el nivel llegue a la marca "Full" (Lleno) de la varilla (típicamente 0.43L o 15 oz.).
- Vuelva a poner la varilla de nivel de aceite de la bomba en su lugar.
- Limpie el aceite que se haya podido derramar.

MANTENIMIENTO DEL MOTOR

Consulte el manual del operario del motor para las instrucciones de cómo mantener adecuadamente el motor.



PRECAUCIÓN

Evite el contacto prolongado o repetido de piel con aceite usado de motor:

- El aceite usado del motor ha sido mostrado al cáncer de la piel de la causa en ciertos animales del laboratorio.
- Completamente lavado expuso áreas con el jabón y el agua.



MANTENGA FUERA DE ALCANCE DE NIÑOS. NO CONTAMINE. CONSERVE los RECURSOS. VUELVA ACEITE USADO A la COLECCION CENTRA.

PREPARANDO LA UNIDAD PARA SU ALMACENAMIENTO

El agua no debe permanecer en la unidad por un largo periodo de tiempo. Los sedimentos o minerales se pueden depositar en las piezas de la bomba y "congelar" la acción de la bomba. Si usted no piensa usar el lavador a presión por más de 30 días, siga este procedimiento:

1. Vacíe el tubo de detergente, colocando el filtro en un envase lleno de agua limpia mientras esté corriendo el agua a baja presión. Lave por 1 o 2 minutos.
2. Apague el motor y permita refrescar, entonces quite mangas altas de presión y jardín. Desconecte el alambre de la bujía.
3. Vacíe todos los líquidos presentes en la bomba, halando la manecilla de retroceso hasta seis veces. Esto debería remover la mayor parte de los líquidos presentes en la bomba.

4. Ponga anticongelante RV (que no contenga alcohol) en la bomba, en una sección de 3 pies de la manguera del jardín conectada a un adaptador y halando la manecilla dos veces. Si disponible, el uso PumpSaver en lugar de anticongelante de RV y seguir paquete las instrucciones.
5. Almacene la unidad en un lugar limpio y seco.

ALMACENANDO EL MOTOR

Consulte el manual del operario del motor para las instrucciones de cómo preparar adecuadamente el motor para su almacenamiento.

REPARACION DE AVERIAS

REPARACION DE AVERIAS

Problema	Causa	Solución
<p>La bomba presenta los siguientes problemas: no produce presión, produce una presión errada, traqueteo, pérdida de presión, bajo volumen de agua.</p>	<ol style="list-style-type: none"> 1. La boquilla está en el modo de baja presión. 2. La entrada de agua está bloqueada. 3. Suministro de agua inadecuado. 4. La manguera de entrada está doblada o presenta fugas. 5. El colador de la manguera de entrada está tapado. 6. El suministro de agua está por encima de los 100°F. 7. La manguera de alta presión está bloqueada o presenta fugas. 8. La pistola presenta fugas. 9. El orificio está obstruido. 10. Bomba defectuosa. 	<ol style="list-style-type: none"> 1. Mueva la boquilla hacia atrás para el modo de alta presión. 2. Limpie la entrada. 3. Proporcione flujo de agua adecuado. 4. Estire la manguera de entrada, coloque un parche en la fuga. 5. Revise y limpie el colador de la manguera de entrada. 6. Proporcione suministro de agua más fría. 7. Retire las obstrucciones de la manguera de salida. 8. Reemplace la pistola. 9. Limpie el orificio. 10. Póngase en contacto con el centro de servicio Briggs & Stratton Power Products.
<p>El detergente no se mezcla con el rociado.</p>	<ol style="list-style-type: none"> 1. El tubo de succión de detergente no está sumergido. 2. El filtro de químicos está tapado. 3. La boquilla está en el modo de alta presión. 	<ol style="list-style-type: none"> 1. Coloque el tubo de succión de detergente en el detergente. 2. Limpie o reemplace el filtro/tubo de succión de detergente. 3. Mueva la boquilla hacia adelante para el modo de baja presión.
<p>El motor funciona bien cuando no tiene cargas, pero funciona "mal" cuando se conecta una carga.</p>	<p>La velocidad del motor es demasiado lenta.</p>	<p>Mueva el control de la válvula de regulación a la posición FAST (RAPIDO). Si el motor continua funcionando mal, póngase en contacto el fabricante del motor.</p>
<p>El motor se apaga durante la operación.</p>	<p>Sin gasolina.</p>	<p>Llene el tanque de combustible.</p>

NOTAS

NOTAS

**POLÍTICA DE GARANTÍA PARA EL PROPIETARIO DE UNA LAVADORA A PRESIÓN
BRIGGS & STRATTON POWER PRODUCTS GROUP, LLC**

Fecha de entrada en vigor: 1 de Diciembre de 2005. Sustituye a todas las garantías sin fecha y a las de fecha anterior al 1 Diciembre de 2005.

GARANTÍA LIMITADA

Briggs & Stratton Power Products Group, LLC reparará o sustituirá sin cargo alguno cualquier componente de la lavadora a presión que presente defectos de materiales y/o mano de obra. Los gastos de transporte de las productos enviadas para reparar o sustituir conforme a los términos de esta garantía correrán a cargo del comprador. El período de vigencia y las condiciones de esta garantía son los que se estipulan a continuación. Para obtener servicio en garantía, localice el distribuidor de servicio autorizado más próximo en nuestro mapa de distribuidores, en www.BRIGGSandSTRATTON.COM.

NO EXISTE NINGUNA OTRA GARANTÍA EXPLÍCITA. LAS GARANTÍAS IMPLÍCITAS, INCLUIDAS LAS DE COMERCIABILIDAD O IDONEIDAD PARA UN FIN CONCRETO, SE LIMITAN A UN AÑO A PARTIR DE LA FECHA DE COMPRA O AL LÍMITE DE TIEMPO PERMITIDO POR LA LEY. QUEDAN EXCLUIDAS TODAS LAS GARANTÍAS IMPLÍCITAS QUEDA EXCLUIDA LA RESPONSABILIDAD POR DAÑOS SECUNDARIOS Y DERIVADOS HASTA EL LÍMITE PERMITIDO POR LA LEY. Algunos países o estados no permiten limitar la duración de una garantía implícita ni excluir o limitar los daños secundarios y derivados. Por tanto, es posible que las limitaciones y exclusiones mencionadas no sean aplicables en su caso. Esta garantía le otorga determinados derechos legales y es posible que tenga otros derechos que pueden variar de un país o estado a otro.

PERÍODO DE GARANTÍA

Uso del consumidor	1 año
Uso comercial	90 días

El período de garantía comienza en la fecha de compra del primer consumidor o usuario comercial final y se prolonga durante el tiempo especificado anteriormente. "Uso del consumidor" significa uso doméstico personal por parte de un consumidor final. "Uso comercial" significa cualquier otro uso, incluidos los usos con fines comerciales, de generación de ingresos o alquiler. Una vez que el equipo se haya usado con fines comerciales, se considerará como equipo de uso comercial a efectos de esta garantía.

NO ES NECESARIO REGISTRAR LA GARANTÍA PARA OBTENER SERVICIO DE BRIGGS & STRATTON PRODUCTS. GUARDE SU RECIBO DE COMPRA. SI NO APORTA LA PRUEBA DE LA FECHA DE COMPRA INICIAL EN EL MOMENTO DE SOLICITAR EL SERVICIO EN GARANTÍA, SE UTILIZARÁ LA FECHA DE FABRICACIÓN DEL PRODUCTO PARA DETERMINAR EL PERÍODO DE GARANTÍA.

ACERCA DE LA GARANTÍA

Esperamos que disfrute de nuestra garantía y le pedimos disculpas por las molestias causadas. Cualquier distribuidor de servicio autorizado puede llevar a cabo reparaciones en garantía. La mayoría de las reparaciones en garantía se gestionan normalmente, pero algunas veces la solicitud de servicio en garantía puede no ser procedente. Por ejemplo, la garantía no será válida si el equipo presenta daños debidos al mal uso, la falta de mantenimiento, el transporte, la manipulación, el almacenamiento o la instalación inadecuados. De manera similar, la garantía quedará anulada si se ha borrado la fecha de fabricación o el número de serie de la lavadora a presión o del motor, o si el equipo ha sido alterado o modificado. Durante el período de garantía, el distribuidor de servicio autorizado podrá reparar o sustituir, a su libre elección, cualquier pieza que, previa inspección, sea defectuosa en condiciones normales de uso y servicio. Esta garantía no cubre las reparaciones y los equipos que se detallan a continuación:

- **Desgaste normal.** Al igual que cualquier otro aparato mecánico, los equipos de uso en exteriores necesitan piezas y mantenimiento periódicos para funcionar correctamente. Esta garantía no cubre las reparaciones cuando el uso normal haya agotado la vida útil de una pieza concreta del equipo.
- **Instalación y mantenimiento.** Esta garantía no cubre los equipos ni las piezas cuya instalación sea incorrecta o no haya sido autorizada, ni aquellos que hayan sido objeto de cualquier tipo de alteración, mal uso, negligencia, accidente, sobrecarga, exceso de velocidad o mantenimiento, reparación o almacenamiento inadecuados que, a nuestro juicio, haya afectado negativamente a su funcionamiento y su fiabilidad. La garantía tampoco cubre el mantenimiento normal, como los filtros de aire, los ajustes y la limpieza o la obstrucción del sistema de combustión (debido a materias químicas, suciedad, carbón, cal, y así sucesivamente).
- **Otras exclusiones.** Esta garantía excluye los elementos sujetos a desgaste, como las conectores, juntas, las juntas tóricas, las bombas que se hayan hecho funcionar sin agua y los daños derivados de accidentes, uso indebido, modificaciones, alteraciones, servicio inadecuado, congelación o deterioro químico. Los accesorios tales como pistolas, mangueras, extensiones de boquilla (varillas) y boquillas quedan excluidos de la garantía del producto. Esta garantía excluye los equipos usados o reacondicionados y los destinados a demostraciones y los fallos debidos a hechos fortuitos y a otros acontecimientos de fuerza mayor que escapan al control del fabricante. 198187S, Rev. C, 12/31/2006

BRIGGS & STRATTON POWER PRODUCTS GROUP, LLC
JEFFERSON, WI, EE.UU.