



COMMERCIAL POWER



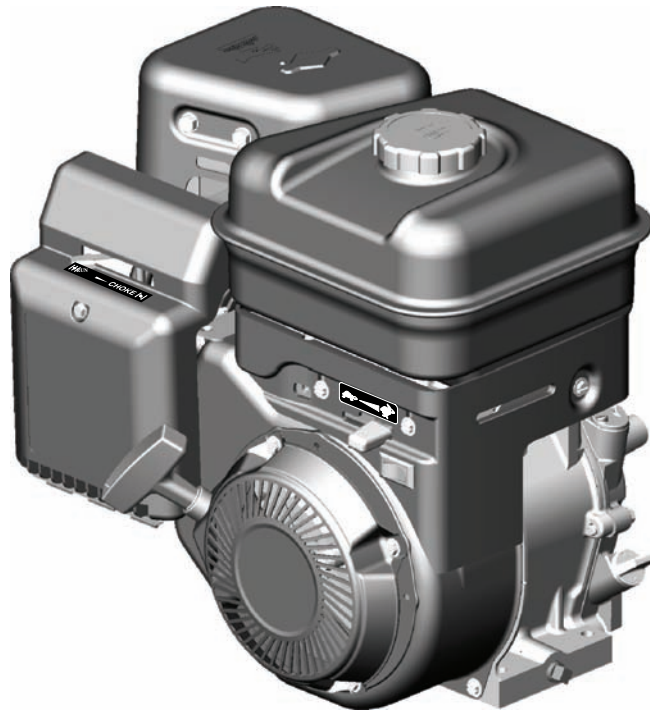
- (en) Operator's Manual**
- (da) Betjeningsvejledning**
- (de) Bedienungsanleitung**
- (el) Εγχειρίδιο Χρήσης**
- (es) Manual del Operario**
- (fi) Käyttäjän käsikirja**
- (fr) Manuel de l'opérateur**
- (it) Manuale dell'Operatore**
- (nl) Gebruiksaanwijzing**
- (no) Brukerhåndbok**
- (pt) Manual do Operador**
- (sv) Instruktionsbok**

Model 120000

Vanguard™

Model 200000

Vanguard™

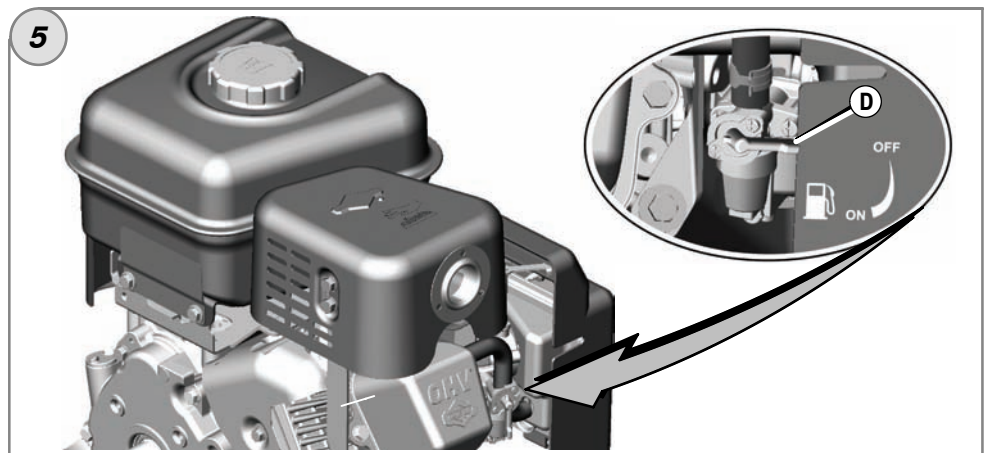
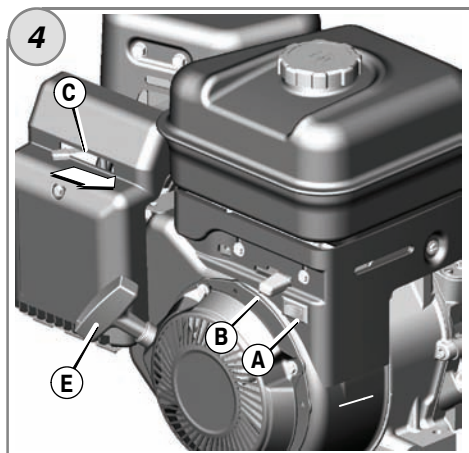
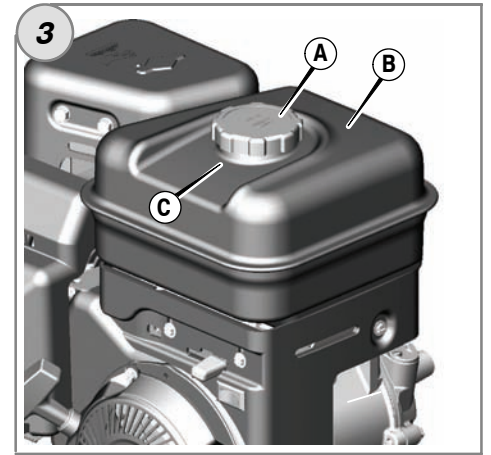
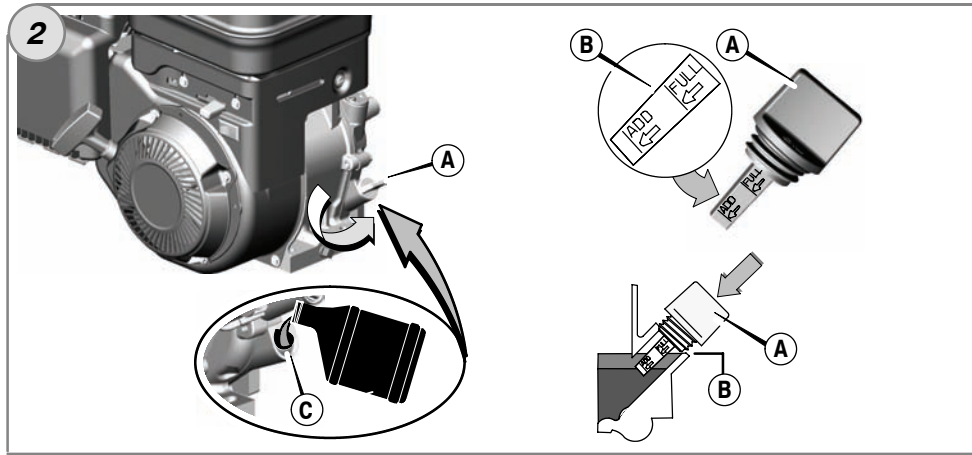
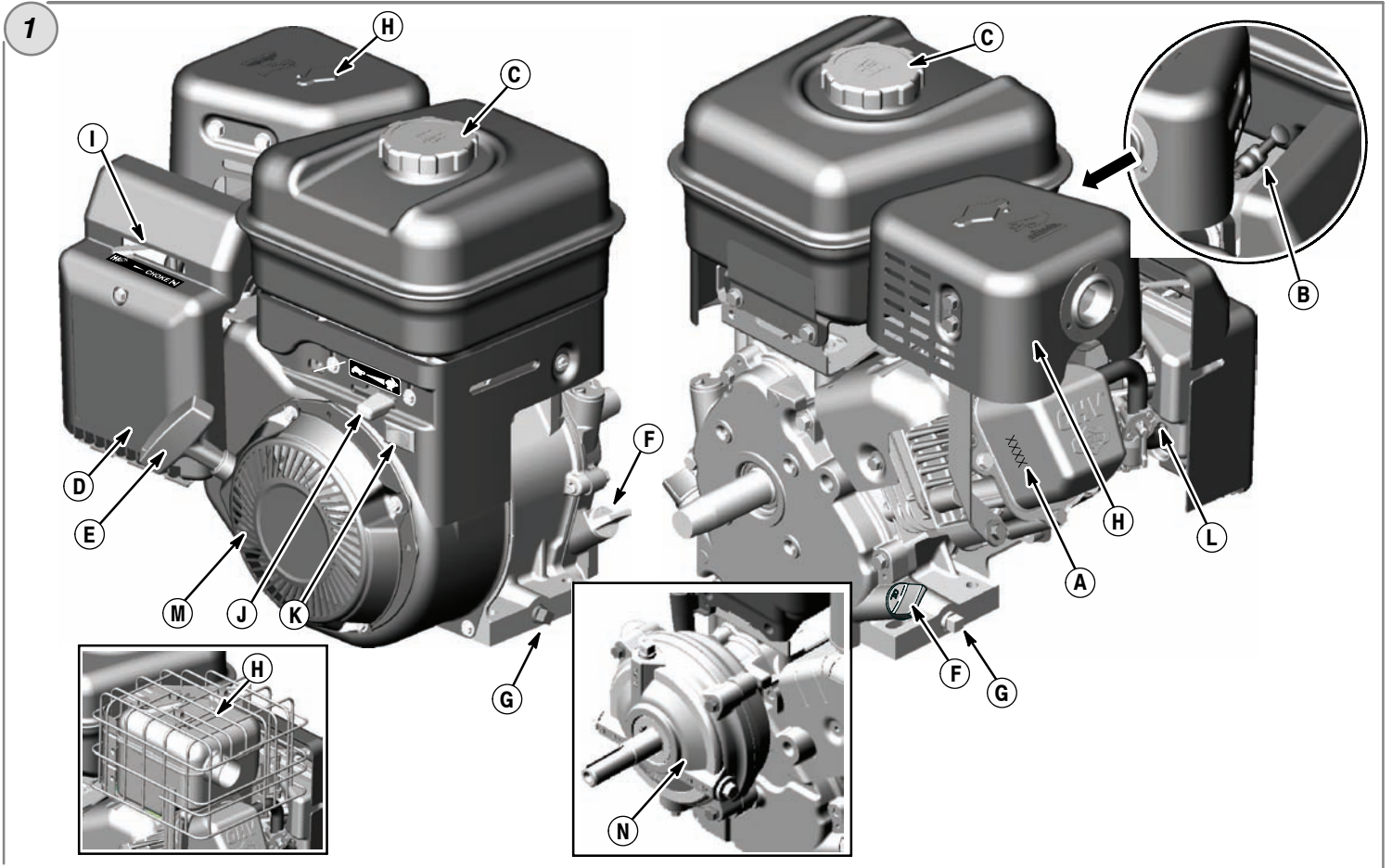


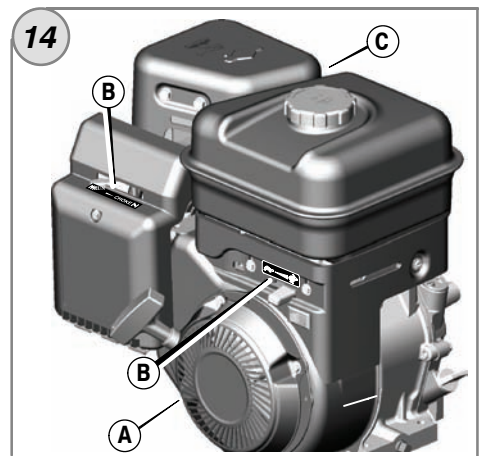
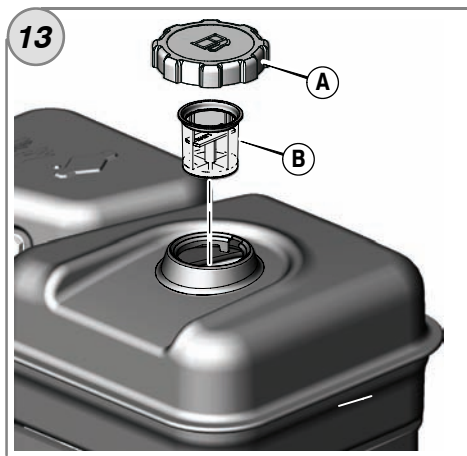
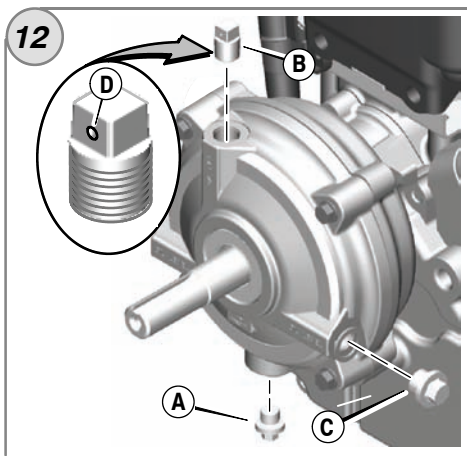
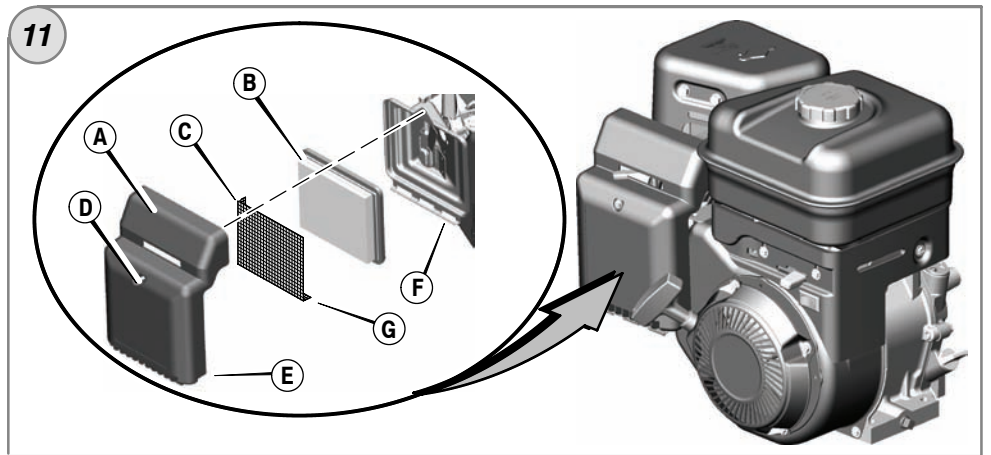
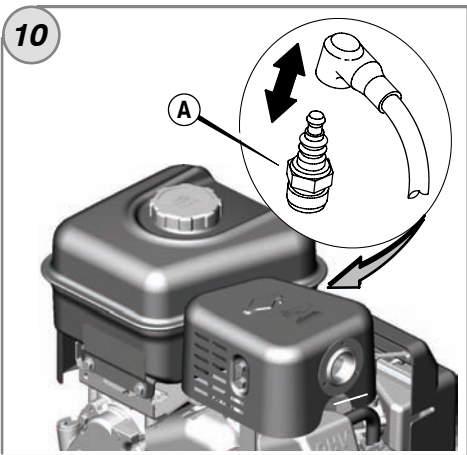
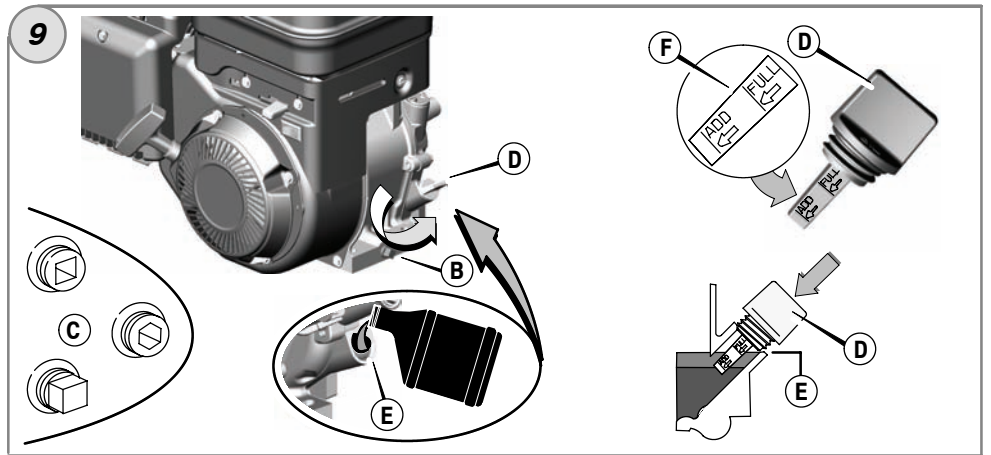
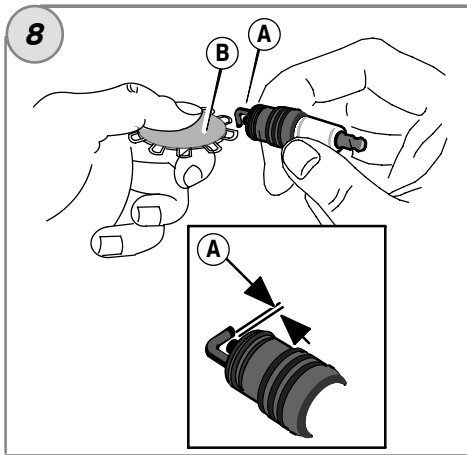
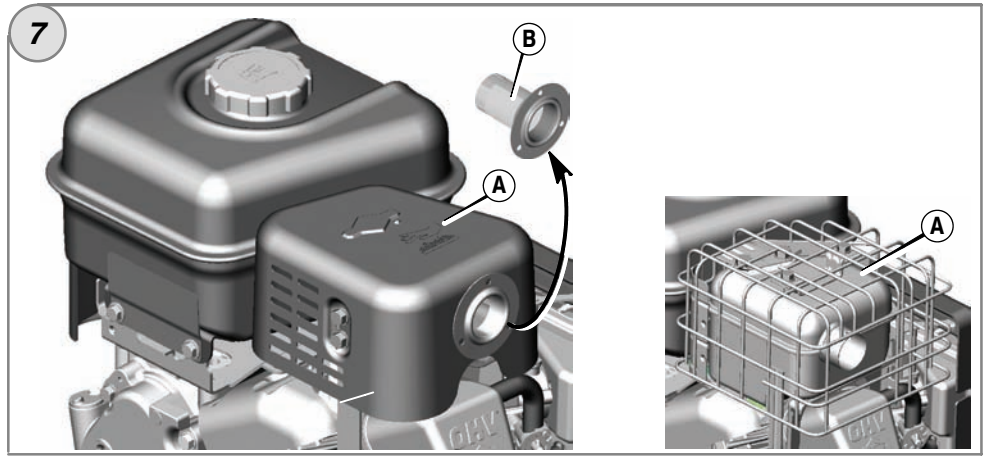
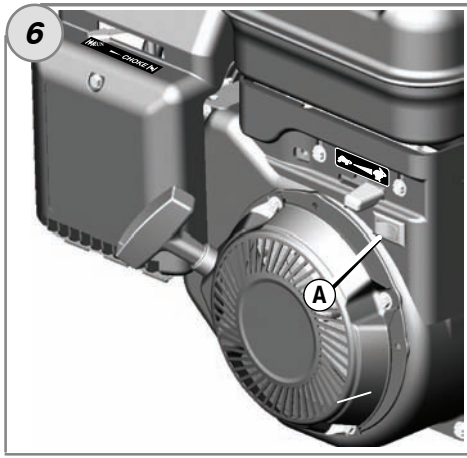
Briggs & Stratton is a registered trademark of Briggs & Stratton Corporation

© 2008 Briggs & Stratton Corporation, Milwaukee, WI, USA. All rights reserved.

Form No. 277552WST A

English	Dansk	Deutsch	Ελληνικά	Español	Suomi	Français	Italiano	Nederlands	Norsk	Português	Svenska
en	da	de	el	es	fi	fr	it	nl	no	pt	sv





## General Information

For replacement parts or technical assistance, record below the engine model, type, and code numbers along with the date of purchase. These numbers are located on your engine (see the **Features and Controls** page).

Date of purchase: \_\_\_\_\_  
MM/DD/YYYY

Engine model: \_\_\_\_\_  
Model: Type: Code:

## Engine Power Rating Information

The gross power rating for individual gas engine models is labeled in accordance with SAE (Society of Automotive Engineers) code J1940 (Small Engine Power & Torque Rating Procedure), and rating performance has been obtained and corrected in accordance with SAE J1995 (Revision 2002-05). Torque values are derived at 3060 RPM; horsepower values are derived at 3600 RPM. Actual gross engine power will be lower and is affected by, among other things, ambient operating conditions and engine-to-engine variability. Given both the wide array of products on which engines are placed and the variety of environmental issues applicable to operating the equipment, the gas engine will not develop the rated gross power when used in a given piece of power equipment (actual "on-site" or net power). This difference is due to a variety of factors including, but not limited to, accessories (air cleaner, exhaust, charging, cooling, carburetor, fuel pump, etc.), application limitations, ambient operating conditions (temperature, humidity, altitude), and engine-to-engine variability. Due to manufacturing and capacity limitations, Briggs & Stratton may substitute an engine of higher rated power for this Series engine.

## Operator Safety

### SAFETY AND CONTROL SYMBOLS



Fire



Moving Parts



Oil



Toxic Fumes



Slow



Fast



Stop



Explosion



Shock



Fuel



Choke



On Off



Fuel Shutoff



Kickback



Wear Eye Protection



Hazardous Chemical




Read Manual



Hot Surface



Frostbite

The safety alert symbol  is used to identify safety information about hazards that can result in personal injury. A signal word (DANGER, WARNING, or CAUTION) is used with the alert symbol to indicate the likelihood and the potential severity of injury. In addition, a hazard symbol may be used to represent the type of hazard.



**DANGER** indicates a hazard which, if not avoided, **will result in death or serious injury**.



**WARNING** indicates a hazard which, if not avoided, **could result in death or serious injury**.



**CAUTION** indicates a hazard which, if not avoided, **might result in minor or moderate injury**.

**CAUTION**, when used **without** the alert symbol, indicates a situation that **could result in damage to the product**.



### WARNING

The engine exhaust from this product contains chemicals known to the State of California to cause cancer, birth defects, or other reproductive harm.



### WARNING

Briggs & Stratton does not approve or authorize the use of these engines on 3-wheel All Terrain Vehicles (ATVs), motor bikes, fun/recreational go-karts, aircraft products, or vehicles intended for use in competitive events. Use of these engines in such applications could result in property damage, serious injury (including paralysis), or even death.

**CAUTION:** This engine was shipped from Briggs & Stratton without oil. Before you start the engine, make sure you add oil according to the instructions in this manual. If you start the engine without oil, it will be damaged beyond repair and will not be covered under warranty.



### WARNING



**Gasoline and its vapors are extremely flammable and explosive. Fire or explosion can cause severe burns or death.**

#### When Adding Fuel

- Turn engine off and let engine cool at least 2 minutes before removing the fuel cap.
- Fill fuel tank outdoors or in well-ventilated area.
- Do not overfill fuel tank. Fill tank to approximately 1.5 inches (38 mm) below top of neck to allow for fuel expansion.
- Keep gasoline away from sparks, open flames, pilot lights, heat, and other ignition sources.
- Check fuel lines, tank, cap, and fittings frequently for cracks or leaks. Replace if necessary.
- If fuel spills, wait until it evaporates before starting engine.

#### When Starting Engine

- Ensure that spark plug, muffler, fuel cap and air cleaner (if equipped) are in place and secured.
- Do not crank engine with spark plug removed.
- If engine floods, set choke (if equipped) to OPEN/RUN position, move throttle (if equipped) to FAST position and crank until engine starts.

#### When Operating Equipment

- Do not tip engine or equipment at angle which causes gasoline to spill.
- Do not choke the carburetor to stop engine.
- Never start or run the engine with the air cleaner assembly (if equipped) or the air filter (if equipped) removed.

#### When Changing Oil

- If you drain the oil from the top oil fill tube, the fuel tank must be empty or fuel can leak out and result in a fire or explosion.

#### When Transporting Equipment

- Transport with fuel tank EMPTY or with fuel shut-off valve OFF.

#### When Storing Gasoline Or Equipment With Fuel In Tank

- Store away from furnaces, stoves, water heaters or other appliances that have pilot light or other ignition source because they can ignite gasoline vapors.



### WARNING



**Starting engine creates sparking. Sparking can ignite nearby flammable gases. Explosion and fire could result.**

- If there is natural or LP gas leakage in area, do not start engine.
- Do not use pressurized starting fluids because vapors are flammable.



### WARNING



**Engines give off carbon monoxide, an odorless, colorless, poison gas. Breathing carbon monoxide can cause nausea, fainting or death.**

- Start and run engine outdoors.
- Do not start or run engine in enclosed area, even if doors or windows are open.



### WARNING



**Rapid retraction of starter cord (kickback) will pull hand and arm toward engine faster than you can let go.  
Broken bones, fractures, bruises or sprains could result.**

- When starting engine, pull the starter cord slowly until resistance is felt and then pull rapidly to avoid kickback.
- Remove all external equipment/engine loads before starting engine.
- Direct-coupled equipment components such as, but not limited to, blades, impellers, pulleys, sprockets, etc., must be securely attached.



### WARNING



**Rotating parts can contact or entangle hands, feet, hair, clothing, or accessories.  
Traumatic amputation or severe laceration can result.**

- Operate equipment with guards in place.
- Keep hands and feet away from rotating parts.
- Tie up long hair and remove jewelry.
- Do not wear loose-fitting clothing, dangling drawstrings or items that could become caught.



### WARNING



**Running engines produce heat. Engine parts, especially muffler, become extremely hot.  
Severe thermal burns can occur on contact.  
Combustible debris, such as leaves, grass, brush, etc. can catch fire.**

- Allow muffler, engine cylinder and fins to cool before touching.
- Remove accumulated debris from muffler area and cylinder area.
- Install and maintain in working order a spark arrester before using equipment on forest-covered, grass-covered, brush-covered unimproved land. The state of California requires this (Section 4442 of the California Public Resources Code). Other states may have similar laws. Federal laws apply on federal land.



### WARNING



**Unintentional sparking can result in fire or electric shock.  
Unintentional start-up can result in entanglement, traumatic amputation, or laceration.  
Fire hazard**



#### Before performing adjustments or repairs:

- Disconnect the spark plug wire and keep it away from the spark plug.
- Disconnect battery at negative terminal (only engines with electric start.)
- Use only correct tools.
- Do not tamper with governor spring, links or other parts to increase engine speed.
- Replacement parts must be the same and installed in the same position as the original parts.
- Do not strike the flywheel with a hammer or hard object because the flywheel may later shatter during operation.

#### When testing for spark:

- Use approved spark plug tester.
- Do not check for spark with spark plug removed.

# Features and Controls

Compare the illustration **1** with your engine to familiarize yourself with the location of various features and controls.

- A. Engine Identification  
**Model Type Code**
- B. Spark Plug
- C. Fuel Tank and Cap
- D. Air Cleaner
- E. Starter Cord Handle
- F. Oil Fill and Dipstick
- G. Oil Drain Plug
- H. Muffler  
Muffler Guard (optional)  
Spark Arrester (optional)
- I. Choke Control
- J. Throttle Control (optional)
- K. Stop Switch
- L. Shut-off Valve (optional)
- M. Finger Guard
- N. Gear Reduction Unit (optional)

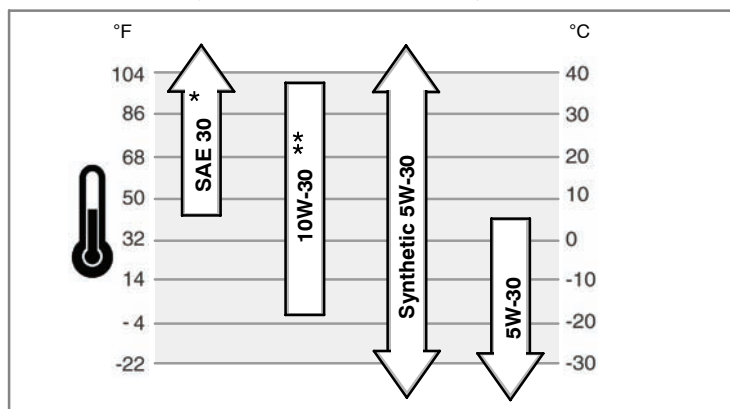
## Operation

Oil capacity (see the **Specifications** section)

### Oil Recommendations

We recommend the use of Briggs & Stratton Warranty Certified oils for best performance. Other high-quality detergent oils are acceptable if classified for service SF, SG, SH, SJ or higher. Do not use special additives.

Outdoor temperatures determine the proper oil viscosity for the engine. Use the chart to select the best viscosity for the outdoor temperature range expected.



\* Below 40°F (4°C) the use of SAE 30 will result in hard starting.

\*\* Above 80°F (27°C) the use of 10W-30 may cause increased oil consumption. Check oil level more frequently.

### How To Check/Add Oil - Figure 2

**Before adding or checking the oil**

- Place engine level.
  - Clean the oil fill area of any debris.
1. Remove the dipstick (A) and wipe with a clean cloth.
  2. Insert the dipstick but **do not** screw in. Oil level should be at the FULL mark (B) on the dipstick.
  3. To add oil, pour the oil slowly into the engine oil fill (C). Fill to point of overflowing.
  4. Replace and tighten the dipstick.

### Fuel Recommendations

**Fuel must meet these requirements:**

- Clean, fresh, unleaded gasoline.
- A minimum of 87 octane/87 AKI (91 RON). High altitude use, see below.
- Gasoline with up to 10% ethanol (gasohol) or up to 15% MTBE (methyl tertiary butyl ether) is acceptable.

**CAUTION:** Do not use unapproved gasolines, such as E85. Do not mix oil in gasoline or modify the engine to run on alternate fuels. This will damage the engine components and void the engine warranty.

To protect the fuel system from gum formation, mix a fuel stabilizer into the fuel. See **Storage**. All fuel is not the same. If starting or performance problems occur, change fuel

providers or change brands. This engine is certified to operate on gasoline. The emissions control system for this engine is EM (Engine Modifications).

### High Altitude

At altitudes over 5,000 feet (1524 meters), a minimum 85 octane/85 AKI (89 RON) gasoline is acceptable. To remain emissions compliant, high altitude adjustment is required. Operation without this adjustment will cause decreased performance, increased fuel consumption, and increased emissions. See a Briggs & Stratton Authorized Dealer for high altitude adjustment information.

Operation of the engine at altitudes below 2,500 feet (762 meters) with the high altitude kit is not recommended.

### How To Add Fuel - Figure 3



#### WARNING



**Gasoline and its vapors are extremely flammable and explosive. Fire or explosion can cause severe burns or death.**

#### When Adding Fuel

- Turn engine off and let engine cool at least 2 minutes before removing the fuel cap.
  - Fill fuel tank outdoors or in well-ventilated area.
  - Do not overfill fuel tank. Fill tank to approximately 1.5 inches (38 mm) below top of neck to allow for fuel expansion.
  - Keep gasoline away from sparks, open flames, pilot lights, heat, and other ignition sources.
  - Check fuel lines, tank, cap, and fittings frequently for cracks or leaks. Replace if necessary.
  - If fuel spills, wait until it evaporates before starting engine.
1. Clean the fuel cap area of dirt and debris. Remove the fuel cap (A). See Figure 3.
  2. Fill the fuel tank (B) with gasoline. To allow for expansion of the gasoline, do not fill above the bottom of the fuel tank neck (C).
  3. Reinstall the fuel cap.

### How To Start The Engine - Figure 4 5



#### WARNING



**Rapid retraction of starter cord (kickback) will pull hand and arm toward engine faster than you can let go. Broken bones, fractures, bruises or sprains could result.**

- When starting engine, pull the starter cord slowly until resistance is felt and then pull rapidly to avoid kickback.



#### WARNING



**Gasoline and its vapors are extremely flammable and explosive. Fire or explosion can cause severe burns or death.**

#### When Starting Engine

- Ensure that spark plug, muffler, fuel cap and air cleaner are in place and secured.
- Do not crank engine with spark plug removed.
- If engine floods, set choke (if equipped) to open/run position, move throttle (if equipped) to fast position and crank until engine starts.



#### WARNING



**Engines give off carbon monoxide, an odorless, colorless, poison gas. Breathing carbon monoxide can cause nausea, fainting or death.**

- Start and run engine outdoors.
- Do not start or run engine in enclosed area, even if doors or windows are open.


**CAUTION:** This engine was shipped from Briggs & Stratton without oil. Before you start the engine, make sure you add oil according to the instructions in this manual. If you start the engine without oil, it will be damaged beyond repair and will not be covered under warranty.

1. Check the oil level. See the **How To Check/Add Oil** section.
2. Make sure equipment drive controls, if equipped, are disengaged. See the equipment manual for location and operation of these controls.
3. Push the stop switch (A) to the on position (Figure 4).
4. Move the throttle control (B), if equipped, to the fast position. Operate the engine in the fast position.
5. Move the choke control (C) to the choke position.

Note: Choke is usually unnecessary when restarting a warm engine.

- Turn the fuel shut-off valve (D), if equipped, to the on position (Figure 5).
- Rewind Start:** Firmly hold the starter cord handle (E). Pull the starter cord handle slowly until resistance is felt, then pull rapidly (Figure 4).


Note: If the engine does not start after three attempts, go to **BRIGGSandSTRATTON.COM** or call **1-800-233-3723** (in USA).

 **WARNING:** Rapid retraction of the starter cord (kickback) will pull your hand and arm toward the engine faster than you can let go. Broken bones, fractures, bruises or sprains could result. When starting engine, pull the starter cord slowly until resistance is felt and then pull rapidly to avoid kickback.

- Electric Start:** Turn the electric start switch to the on/start position. See the equipment manual for the location and operation of the switch.

Note: If the engine does not start after three attempts, go to **BRIGGSandSTRATTON.COM** or call **1-800-233-3723** (in USA).

**CAUTION:** To extend the life of the starter, use short starting cycles (five seconds maximum). Wait one minute between starting cycles.

- As the engine warms up, move the choke control (C) to the run  position (Figure 4).

## How To Stop The Engine - Figure



### WARNING

Gasoline and its vapors are extremely flammable and explosive. Fire or explosion can cause severe burns or death.

- Do not choke the carburetor to stop engine.
- Push the stop switch (A, Figure 6) to the off position  
or  
**Electric Start:** Turn the electric start switch to the off/stop position. See the equipment manual for the location and operation of the switch.
  - After the engine stops, turn the fuel shut-off valve (D, Figure 5) to the closed position.

## Maintenance

Use only original equipment replacement parts. Other parts may not perform as well, may damage the unit, and may result in injury. In addition, use of other parts may void your warranty.

We recommend that you see any Briggs & Stratton Authorized Dealer for all maintenance and service of the engine and engine parts.

**CAUTION:** All the components used to build this engine must remain in place for proper operation.

### Emissions Control

Maintenance, replacement, or repair of the emissions control devices and systems may be performed by any non-road engine repair establishment or individual. However, to obtain "no charge" emissions control service, the work must be performed by a factory authorized dealer. See the Emissions Warranty.



### WARNING

Unintentional sparking can result in fire or electric shock. Unintentional start-up can result in entanglement, traumatic amputation, or laceration. Fire hazard

#### Before performing adjustments or repairs:

- Disconnect the spark plug wire and keep it away from the spark plug.
- Use only correct tools.
- Do not tamper with governor spring, links or other parts to increase engine speed.
- Replacement parts must be the same and installed in the same position as the original parts.
- Do not strike the flywheel with a hammer or hard object because the flywheel may later shatter during operation.

## Maintenance Chart

First 5 Hours
<ul style="list-style-type: none"><li>Change oil</li></ul>
Every 8 Hours or Daily
<ul style="list-style-type: none"><li>Check engine oil level</li><li>Clean area around muffler and controls</li><li>Clean finger guard</li></ul>
Every 25 Hours or Annually
<ul style="list-style-type: none"><li>Clean air filter *</li><li>Clean pre-cleaner *</li></ul>
Every 100 Hours or Annually
<ul style="list-style-type: none"><li>Change engine oil</li><li>Check muffler and spark arrester</li></ul>
Every 100 Hours
<ul style="list-style-type: none"><li>Change gear reduction oil (if equipped)</li></ul>
Annually
<ul style="list-style-type: none"><li>Replace air filter</li><li>Replace pre-cleaner</li><li>Replace spark plug</li><li>Clean/Replace fuel filter</li><li>Clean air cooling system *</li><li>Check valve clearance **</li></ul>

\* In dusty conditions or when airborne debris is present, clean more often.

\*\* Not required unless engine performance problems are noted.

### Carburetor Adjustment

Never make adjustments to the carburetor. The carburetor was set at the factory to operate efficiently under most conditions. However, if adjustments are required, see any Briggs & Stratton Authorized Dealer for service.

**CAUTION:** The manufacturer of the equipment on which this engine is installed specifies the top speed at which the engine will be operated. Do not exceed this speed.

### How To Check The Spark Plug - Figure

Check the gap (A, Figure 8) with a wire gauge (B). If necessary, reset the gap. Install and tighten the spark plug to the recommended torque. For gap setting or torque, see the **Specifications** section.

Note: In some areas, local law requires using a resistor spark plug to suppress ignition signals. If this engine was originally equipped with a resistor spark plug, use the same type for replacement.

### Inspect Muffler And Spark Arrester - Figure



### WARNING



Running engines produce heat. Engine parts, especially muffler, become extremely hot.



Severe thermal burns can occur on contact. Combustible debris, such as leaves, grass, brush, etc. can catch fire.

- Allow muffler, engine cylinder and fins to cool before touching.
- Remove accumulated debris from muffler area and cylinder area.
- Install and maintain in working order a spark arrester before using equipment on forest-covered, grass-covered, brush-covered unimproved land. The state of California requires this (Section 4442 of the California Public Resources Code). Other states may have similar laws. Federal laws apply on federal land.

Inspect the muffler (A, Figure 7) for cracks, corrosion, or other damage. Remove the spark arrester (B), if equipped, and inspect for damage or carbon blockage. If replacement parts are required, make sure to use only original equipment replacement parts.



**WARNING:** Replacement parts must be the same and installed in the same position as the original parts or fire could result.

### How To Change The Oil - Figure

**CAUTION:** Used oil is a hazardous waste product and must be disposed of properly. Do not discard with household waste. Check with your local authorities, service center, or dealer for safe disposal/recycling facilities.

#### Remove Oil

- With engine off but still warm, disconnect the spark plug wire (A) and keep it away from the spark plug (Figure 10).

- Remove the oil drain plug (B, Figure 9). Drain the oil into an approved receptacle.  
*Note:* Any of the oil drain plugs (C) shown may be installed in the engine.
- After the oil has drained, install and tighten the oil drain plug.

### Add oil

- Place engine level.
  - Clean the oil fill area of any debris.
  - See the **Specifications** section for oil capacity.
- Remove the dipstick (D) and wipe with a clean cloth.
  - Pour the oil slowly into the engine oil fill (E). Fill to point of overflowing.
  - Install the dipstick but **do not** screw in. Remove and check the oil level. Oil level should be at the FULL mark (F) on the dipstick.
  - Install and tighten the dipstick.

### How To Service The Air Filter - Figure 11



#### WARNING

Gasoline and its vapors are extremely flammable and explosive. Fire or explosion can cause severe burns or death.



- Never start or run the engine with the air cleaner assembly or the air filter removed.

**CAUTION:** Do not use pressurized air or solvents to clean the filter. Pressurized air can damage the filter and solvents will dissolve the filter.

The air cleaner system uses a pleated filter with an optional pre-cleaner. The pre-cleaner can be washed and reused.

#### Flat Air Filter

- Loosen the fastener (D) that holds the cover (A). See Figure 11.
- Open the cover and remove the pre-cleaner (C) and the filter (B).
- To loosen debris, gently tap the filter on a hard surface. If the filter is excessively dirty, replace with a new filter.
- Wash the pre-cleaner in liquid detergent and water. Then allow it to thoroughly air dry. **Do not** oil the pre-cleaner.
- Assemble the dry pre-cleaner to the filter with the lip (G) of the pre-cleaner on the bottom of the filter pleats.
- Install the filter.
- Install the cover tabs (E) into the slots (F).
- Close the cover and secure with the fastener.

### How To Change The Gear Reduction Oil - Figure 12

If your engine is equipped with a gear reduction unit, service as follows.

- Remove the oil fill plug (B) and the oil level plug (C).
- Remove the oil drain plug (A, Figure 12) and drain the oil into an appropriate receptacle.
- Install and tighten the oil drain plug.
- To refill, slowly pour gear lube into the oil fill hole (see **Specifications** section). Continue to pour until the oil runs out of the oil level hole.
- Install and tighten the oil level plug.
- Install and tighten the oil fill plug.  
**Important:** The oil fill plug has a vent hole (D) and must be installed on the top of the gear case cover as shown.

### How To Clean/Replace The Fuel Filter - Figure 13



#### WARNING

Gasoline and its vapors are extremely flammable and explosive. Fire or explosion can cause severe burns or death.



- Keep gasoline away from sparks, open flames, pilot lights, heat, and other ignition sources.

- Check fuel lines, tank, cap, and fittings frequently for cracks or leaks. Replace if necessary.
  - Before replacing the fuel filter, drain the fuel tank or close the fuel shut-off valve.
  - Replacement parts must be the same and installed in the same position as the original parts.
  - If fuel spills, wait until it evaporates before starting engine.
- Remove the fuel cap (A, Figure 13).
  - Remove the fuel filter (B).
  - If the fuel filter is dirty, clean or replace it. If you replace the fuel filter, make sure to use an original equipment replacement filter.

### How To Clean The Air Cooling System - Figure 14



#### WARNING



Running engines produce heat. Engine parts, especially muffler, become extremely hot.



Combustible debris, such as leaves, grass, brush, etc. can catch fire.

- Allow muffler, engine cylinder and fins to cool before touching.
- Remove accumulated debris from muffler area and cylinder area.

**CAUTION:** Do not use water to clean the engine. Water could contaminate the fuel system. Use a brush or dry cloth to clean the engine.

This is an air cooled engine. Dirt or debris can restrict air flow and cause the engine to overheat, resulting in poor performance and reduced engine life.

Use a brush or dry cloth to remove debris from the finger guard (A). Keep linkage, springs and controls (B) clean. Keep the area around and behind the muffler (C) free of any combustible debris (Figure 14).

After a period of time, debris can accumulate in the cylinder cooling fins and cause the engine to overheat. This debris cannot be removed without partial disassembly of the engine. Have a Briggs & Stratton Authorized Dealer inspect and clean the air cooling system as recommended in the **Maintenance Chart**.

#### Storage



#### WARNING



Gasoline and its vapors are extremely flammable and explosive. Fire or explosion can cause severe burns or death.



#### When Storing Gasoline Or Equipment With Fuel In Tank

- Store away from furnaces, stoves, water heaters or other appliances that have pilot lights or other ignition sources because they can ignite gasoline vapors.

#### Fuel System

Fuel can become stale when stored over 30 days. Stale fuel causes acid and gum deposits to form in the fuel system or on essential carburetor parts. To keep fuel fresh, use Briggs & Stratton FRESH START® fuel stabilizer, available as a liquid additive or a drip concentrate cartridge.

There is no need to drain gasoline from the engine if a fuel stabilizer is added according to instructions. Run the engine for 2 minutes to circulate the stabilizer throughout the fuel system. The engine and fuel can then be stored up to 24 months.

If gasoline in the engine has not been treated with a fuel stabilizer, it must be drained into an approved container. Run the engine until it stops from lack of fuel. The use of a fuel stabilizer in the storage container is recommended to maintain freshness.

#### Engine Oil

While the engine is still warm, change the engine oil.

#### Troubleshooting

Need Assistance? Go to [BRIGGSandSTRATTON.COM](http://BRIGGSandSTRATTON.COM) or call 1-800-233-3723.



# Specifications

## Engine Specifications

Model	120000
Displacement	12.48 ci (205 cc)
Bore	2.688 in (68.28 mm)
Stroke	2.200 in (55.88 mm)
Oil Capacity	18 - 20 oz (0.54 - 0.59 L)
Gear Reduction Oil	80W-90

## Engine Specifications

Model	200000
Displacement	18.63 ci (305 cc)
Bore	3.120 in (79.24 mm)
Stroke	2.438 in (61.93 mm)
Oil Capacity	26 - 28 oz (0.77 - 0.83 L)
Gear Reduction Oil	SAE 30

## Tune-up Specifications \*

Model	120000
Spark Plug Gap	0.030 in (0.76 mm)
Spark Plug Torque	180 lb-in (20 Nm)
Armature Air Gap	0.010 - 0.014 in (0.25 - 0.36 mm)
Intake Valve Clearance	0.004 - 0.006 in (0.10 - 0.15 mm)
Exhaust Valve Clearance	0.009 - 0.011 in (0.23 - 0.28 mm)

## Tune-up Specifications \*

Model	200000
Spark Plug Gap	0.030 in (0.76 mm)
Spark Plug Torque	180 lb-in (20 Nm)
Armature Air Gap	0.008 - 0.012 in (0.20 - 0.30 mm)
Intake Valve Clearance	0.004 - 0.006 in (0.10 - 0.15 mm)
Exhaust Valve Clearance	0.009 - 0.011 in (0.22 - 0.28 mm)

\* Engine power will decrease 3.5% for each 1,000 feet (300 meters) above sea level and 1% for each 10° F (5.6° C) above 77° F (25° C). The engine will operate satisfactorily at an angle up to 15°. Refer to the equipment operator's manual for safe allowable operating limits on slopes.

## Common Service Parts ✓

Service Part	Part Number
Flat Air Filter	491588, 5043
Flat Air Filter Pre-cleaner	493537, 5064
Fuel Filter	792917
Fuel Additive	5041, 5058

Service Part	Part Number
Resistor Spark Plug	491055
Long Life Platinum Spark Plug	5066
Spark Plug Wrench	89838, 5023
Spark Tester	19368

✓ We recommend that you see any Briggs & Stratton Authorized Dealer for all maintenance and service of the engine and engine parts. Use only genuine Briggs & Stratton parts.

**LIMITED WARRANTY**

Briggs & Stratton Corporation will repair or replace, free of charge, any part(s) of the engine that is defective in material or workmanship or both. Transportation charges on product submitted for repair or replacement under this warranty must be borne by purchaser. This warranty is effective for and is subject to the time periods and conditions stated below. For warranty service, find the nearest Authorized Service Dealer in our dealer locator map at BRIGGSandSTRATTON.COM, or by calling 1-800-233-3723, or as listed in the 'Yellow Pages'™.

**There is no other expressed warranty. Implied warranties, including those of merchantability and fitness for a particular purpose, are limited to one year from purchase, or to the extent permitted by law and all implied warranties are excluded. Liability for incidental or consequential damages are excluded to the extent exclusion is permitted by law.** Some states or countries do not allow limitations on how long an implied warranty lasts, and some states or countries do not allow the exclusion or limitation of incidental or consequential damages, so the above limitation and exclusion may not apply to you. This warranty gives you specific legal rights and you may also have other rights which vary from state to state and country to country.

**STANDARD WARRANTY TERMS \* ▲**

Brand/Product Type	Consumer Use	Commercial Use
Vanguard™	2 years	2 years
Extended Life Series™, I/C® <sup>®</sup> , Intek™ I/C® <sup>®</sup> , Intek™ Pro	2 years	1 year
Snow Series MAX™ with Dura-Bore™ Cast Iron Sleeve	2 years	1 year
All Other Briggs & Stratton Engines	2 years	90 days

\* These are our standard warranty terms, but occasionally there may be additional warranty coverage that was not determined at time of publication. For a listing of current warranty terms for your engine, go to BRIGGSandSTRATTON.COM or contact your Authorized Briggs & Stratton Service Dealer.

▲ Engines used on Home Standby Generator applications are warranted under consumer use only. This warranty does not apply to engines on equipment used for prime power in place of a utility. **Engines used in competitive racing or on commercial or rental tracks are not warranted.**

The warranty period begins on the date of purchase by the first retail consumer or commercial end user, and continues for the period of time stated in the table above. "Consumer use" means personal residential household use by a retail consumer. "Commercial use" means all other uses, including use for commercial, income producing or rental purposes. Once an engine has experienced commercial use, it shall thereafter be considered as a commercial use engine for purposes of this warranty.

**No warranty registration is necessary to obtain warranty on Briggs & Stratton Products. Save your proof of purchase receipt. If you do not provide proof of the initial purchase date at the time warranty service is requested, the manufacturing date of the product will be used to determine the warranty period.**

**About Your Warranty**

Briggs & Stratton welcomes warranty repair and apologizes to you for being inconvenienced. Any Authorized Service Dealer may perform warranty repairs. Most warranty repairs are handled routinely, but sometimes requests for warranty service may not be appropriate.

If a customer differs with the decision of the Service Dealer, an investigation will be made to determine whether the warranty applies. Ask the Service Dealer to submit all supporting facts to his Distributor or the Factory for review. If the Distributor or the Factory decides that the claim is justified, the customer will be fully reimbursed for those items that are defective. To avoid misunderstanding which might occur between the customer and the Dealer, listed below are some of the causes of engine failure that the warranty does not cover.

**Normal wear:** Engines, like all mechanical devices, need periodic parts service and replacement to perform well. Warranty will not cover repair when normal use has exhausted the life of a part or an engine. Warranty would not apply if engine damage occurred because of misuse, lack of routine maintenance, shipping, handling, warehousing or improper installation. Similarly, warranty is void if the serial number of the engine has been removed or the engine has been altered or modified.

**Improper maintenance:** The life of an engine depends upon the conditions under which it operates, and the care it receives. Some applications, such as tillers, pumps and rotary mowers, are very often used in dusty or dirty conditions, which can cause what appears to be premature wear. Such wear, when caused by dirt, dust, spark plug cleaning grit, or other abrasive material that has entered the engine because of improper maintenance, is not covered by warranty.

**This warranty covers engine related defective material and/or workmanship only, and not replacement or refund of the equipment to which the engine may be mounted. Nor does the warranty extend to repairs required because of:**

- 1 Problems caused by parts that are not original Briggs & Stratton parts.
- 2 Equipment controls or installations that prevent starting, cause unsatisfactory engine performance, or shorten engine life. (Contact equipment manufacturer.)
- 3 Leaking carburetors, clogged fuel pipes, sticking valves, or other damage, caused by using contaminated or stale fuel.

- 4 Parts which are scored or broken because an engine was operated with insufficient or contaminated lubricating oil, or an incorrect grade of lubricating oil (check and refill when necessary, and change at recommended intervals). OIL GARD may not shut down running engine. Engine damage may occur if oil level is not properly maintained.
- 5 Repair or adjustment of associated parts or assemblies such as clutches, transmissions, remote controls, etc., which are not manufactured by Briggs & Stratton.
- 6 Damage or wear to parts caused by dirt, which entered the engine because of improper air cleaner maintenance, re-assembly, or use of a non-original air cleaner element or cartridge. At recommended intervals, clean and/or replace the filter as stated in the Operator's Manual.
- 7 Parts damaged by over-speeding, or overheating caused by grass, debris, or dirt, which plugs or clogs the cooling fins, or flywheel area, or damage caused by operating the engine in a confined area without sufficient ventilation. Clean engine debris at recommended intervals as stated in the Operator's Manual.
- 8 Engine or equipment parts broken by excessive vibration caused by a loose engine mounting, loose cutter blades, unbalanced blades or loose or unbalanced impellers, improper attachment of equipment to engine crankshaft, over-speeding or other abuse in operation.
- 9 A bent or broken crankshaft, caused by striking a solid object with the cutter blade of a rotary lawn mower, or excessive v-belt tightness.
- 10 Routine tune-up or adjustment of the engine.
- 11 Engine or engine component failure, i.e., combustion chamber, valves, valve seats, valve guides, or burned starter motor windings, caused by the use of alternate fuels such as, liquified petroleum, natural gas, altered gasolines, etc.

**Warranty service is available only through authorized service dealers by Briggs & Stratton Corporation. Locate your nearest Authorized Service Dealer in our dealer locator map on BRIGGSandSTRATTON.COM or by calling 1-800-233-3723, or as listed in the 'Yellow Pages'™.**

# Emissions Control System Warranty Statement

## Briggs & Stratton Corporation (B&S), the California Air Resources Board (CARB) and the United States Environmental Protection Agency (U.S. EPA) Emissions Control System Warranty Statement (Owner's Defect Warranty Rights and Obligations)

### California, United States and Canada Emissions Control Defects Warranty Statement

The California Air Resources Board (CARB), U.S. EPA and B&S are pleased to explain the Emissions Control System Warranty on your small off-road engine (SORE). In California, new small off-road engines model year 2006 and later must be designed, built and equipped to meet the State's stringent anti-smog standards. Elsewhere in the United States, new non-road, spark-ignition engines certified for model year 1997 and later must meet similar standards set forth by the U.S. EPA. B&S must warrant the emissions control system on your engine for the periods of time listed below, provided there has been no abuse, neglect or improper maintenance of your small off-road engine.

Your emissions control system includes parts such as the carburetor, air cleaner, ignition system, fuel line, muffler and catalytic converter. Also included may be connectors and other emissions related assemblies.

Where a warrantable condition exists, B&S will repair your small off-road engine at no cost to you including diagnosis, parts and labor.

### Briggs & Stratton Emissions Control Defects Warranty Coverage

Small off-road engines are warranted relative to emissions control parts defects for a

period of two years, subject to provisions set forth below. If any covered part on your engine is defective, the part will be repaired or replaced by B&S.

### Owner's Warranty Responsibilities

As the small off-road engine owner, you are responsible for the performance of the required maintenance listed in your Operating and Maintenance Instructions. B&S recommends that you retain all your receipts covering maintenance on your small off-road engine, but B&S cannot deny warranty solely for the lack of receipts or for your failure to ensure the performance of all scheduled maintenance.

As the small off-road engine owner, you should however be aware that B&S may deny you warranty coverage if your small off-road engine or a part has failed due to abuse, neglect, improper maintenance or unapproved modifications.

You are responsible for presenting your small off-road engine to an Authorized B&S Service Dealer as soon as a problem exists. The undisputed warranty repairs should be completed in a reasonable amount of time, not to exceed 30 days.

If you have any questions regarding your warranty rights and responsibilities, you should contact a B&S Service Representative at (414) 259-5262.

The emissions warranty is a defects warranty. Defects are judged on normal engine performance. The warranty is not related to an in-use emissions test.

## Briggs & Stratton Emissions Control Defects Warranty Provisions

The following are specific provisions relative to your Emissions Control Defects Warranty Coverage. It is in addition to the B&S engine warranty for non-regulated engines found in the Operating and Maintenance Instructions.

### 1. Warranted Parts

Coverage under this warranty extends only to the parts listed below (the emissions control systems parts) to the extent these parts were present on the engine purchased.

#### a. Fuel Metering System

- Cold start enrichment system (soft choke)
- Carburetor and internal parts
- Fuel pump
- Fuel line, fuel line fittings, clamps
- Fuel tank, cap and tether
- Carbon canister

#### b. Air Induction System

- Air cleaner
- Intake manifold
- Purge and vent line

#### c. Ignition System

- Spark plug(s)
- Magneto ignition system

#### d. Catalyst System

- Catalytic converter
- Exhaust manifold
- Air injection system or pulse valve

#### e. Miscellaneous Items Used in Above Systems

- Vacuum, temperature, position, time sensitive valves and switches
- Connectors and assemblies

### 2. Length of Coverage

B&S warrants to the initial owner and each subsequent purchaser that the Warranted Parts shall be free from defects in materials and workmanship which caused the

failure of the Warranted Parts for a period of two years from the date the engine is delivered to a retail purchaser.

### 3. No Charge

Repair or replacement of any Warranted Part will be performed at no charge to the owner, including diagnostic labor which leads to the determination that a Warranted Part is defective, if the diagnostic work is performed at an Authorized B&S Service Dealer. For emissions warranty service contact your nearest Authorized B&S Service Dealer as listed in the "Yellow Pages" under "Engines, Gasoline," "Gasoline Engines," "Lawn Mowers," or similar category.

### 4. Claims and Coverage Exclusions

Warranty claims shall be filed in accordance with the provisions of the B&S Engine Warranty Policy. Warranty coverage shall be excluded for failures of Warranted Parts which are not original B&S parts or because of abuse, neglect or improper maintenance as set forth in the B&S Engine Warranty Policy. B&S is not liable to cover failures of Warranted Parts caused by the use of add-on, non-original, or modified parts.

### 5. Maintenance

Any Warranted Part which is not scheduled for replacement as required maintenance or which is scheduled only for regular inspection to the effect of "repair or replace as necessary" shall be warranted as to defects for the warranty period. Any Warranted Part which is scheduled for replacement as required maintenance shall be warranted as to defects only for the period of time up to the first scheduled replacement for that part. Any replacement part that is equivalent in performance and durability may be used in the performance of any maintenance or repairs. The owner is responsible for the performance of all required maintenance, as defined in the B&S Operating and Maintenance Instructions.

### 6. Consequential Coverage

Coverage hereunder shall extend to the failure of any engine components caused by the failure of any Warranted Part still under warranty.

## Look For Relevant Emissions Durability Period and Air Index Information On Your Engine Emissions Label

Engines that are certified to meet the California Air Resources Board (CARB) Emissions Standard must display information regarding the Emissions Durability Period and the Air Index. Briggs & Stratton makes this information available to the consumer on our emissions labels. The engine emissions label will indicate certification information.

The **Emissions Durability Period** describes the number of hours of actual running time for which the engine is certified to be emissions compliant, assuming proper maintenance in accordance with the Operating & Maintenance Instructions. The following categories are used:

#### Moderate:

Engine is certified to be emissions compliant for 125 hours of actual engine running time.

#### Intermediate:

Engine is certified to be emissions compliant for 250 hours of actual engine running time.

#### Extended:

Engine is certified to be emissions compliant for 500 hours of actual engine running time. For example, a typical walk-behind lawn mower is used 20 to 25 hours per year. Therefore, the **Emissions Durability Period** of an engine with an **intermediate** rating would equate to 10 to 12 years.

Briggs & Stratton engines are certified to meet the United States Environmental Protection Agency (USEPA) Phase 2 emissions standards. For Phase 2 certified engines, the Emissions Compliance Period referred to on the Emissions Compliance label indicates the number of operating hours for which the engine has been shown to meet Federal emissions requirements.

For engines less than 225 cc displacement.

Category C = 125 hours, Category B = 250 hours, Category A = 500 hours

For engines of 225 cc or more displacement.

Category C = 250 hours, Category B = 500 hours, Category A = 1000 hours

## Generelle oplysninger

Notér motorens modelserie, type og kodenumre samt købsdatoen. Dette vil være en hjælp, når du skal bestille reservedele eller teknisk assistance. Disse oplysninger findes på din motor (se siden **Udstyr og betjeningslementer**).

**Købsdato:** \_\_\_\_\_  
DD/MM/ÅÅÅÅ

**Motormodel:** \_\_\_\_\_  
Modelserie: \_\_\_\_\_ Type: \_\_\_\_\_ Kode: \_\_\_\_\_

## Oplysninger om motors nominelle effekt

Bruttoeffekten for de enkelte gasmotorer er mærket i overensstemmelse med SAE (Society of Automotive Engineers) code J1940 (Small Engine Power & Torque Rating Procedure), og den nominelle effekt er opnået og korrigeret i overensstemmelse med SAE J1995 (Revision 2002-05). Værdier for drejningsmoment er opnået ved 3060 omdrejninger pr. minut; HK-værdier er opnået ved 3600 omdrejninger pr. minut. Motorens reelle bruttoeffekt er lavere og kan f.eks. være afhængig af de omgivende driftsforhold samt indbyrdes forskelle mellem motorerne. Når der tages hensyn til den lange række produkter, motorer anbringes på og de mange miljøforhold, der er gældende for anvendelse af udstyret, vil gasmotoren ikke udvikle den nominelle bruttoeffekt, når den anvendes i et givet udstyr (den reelle effekt "på stedet" eller nettoeffekt). Forskellen skyldes en række faktorer, bl.a. tilbehør (luftfilter, udstødning, opladning, køling, karburator, benzinpumpe etc.), anvendelsesbegrænsninger, de omgivende driftsforhold (temperaturer, fugtighed, højde) samt indbyrdes forskelle mellem motorerne. På grund af begrænsninger med hensyn til produktion og kapacitet, kan Briggs & Stratton erstatte en motor fra denne serie med en motor, der har en højere nominal effekt.

## Sikkerhed for operatoren

### SIKKERHEDS- OG KONTROLSYMBOLER



Brand



Bewegelige dele



Olie



Giftige dampe



Langsom



Hurtig



Stop



Ekspllosion



Stød



Brændstof



Choker



On/Off-kontakt



Brændstofhane



Tilbageslag



Bær beskyttelsesbriller



Farligt kemikalie




Læs vejledningen




Varm overflade




Forfrysninger

Advarselssymbolet **FARE**  anvendes til at fremhæve sikkerhedsoplysninger om farer, der kan medføre alvorlig personskade. Ordene **FARE**, **ADVARSEL** og **FORSIGTIG** anvendes sammen med advarselssymbolet til at angive, hvor stor risikoen for skader er og omfanget eller alvoren af sådanne personskader. Desuden anvendes et faresymbol til at angive den relevante type fare.

 **FARE** angiver en farlig situation, som vil medføre død eller alvorlig personskade, hvis den ikke undgås.

 **ADVARSEL** angiver en farlig situation, som kan medføre død eller alvorlig personskade, hvis den ikke undgås.

 **FORSIGTIG** angiver en farlig situation, som kan medføre mindre eller moderat personskade, hvis den ikke undgås.

**FORSIGTIG**, hvor dette anvendes uden advarselssymbolet, angiver det en situation, hvor der kan ske skade på produktet.



## ADVARSEL

I henhold til amerikansk lovgivning (Californien) gøres der opmærksom på, at udstødningsgasserne fra denne maskine indeholder kræftfremkaldende stoffer. Disse stoffer kan ligeledes medføre fosterskader og kan have en negativ effekt på forplantningsevnen.



## ADVARSEL

Briggs & Stratton godkender eller autoriserer ikke brug af disse motorer på 3-hjulede terrængående køretøjer (ATV'er), motorcykler, gokarts til ikke-professionel brug, luftfartøjer eller køretøjer til brug i konkurrencer. Brug af disse motorer til ovennævnte formål kan forårsage tingsskade, alvorlig personskade (bl.a. lammelse) og i værste tilfælde død.

**FORSIGTIG:** Denne motor er leveret fra Briggs & Stratton uden olie. Sørg for at komme olie i motoren ifølge instruktionerne i denne vejledning, før motoren startes. Hvis motoren startes uden olie, vil den blive beskadiget uden mulighed for reparation, og garantien bortfalder.



## ADVARSEL

**Benzin og benzindampe er yderst brandfarlige og eksplosive. Brand eller eksplosion kan medføre alvorlige forbrændinger eller døden.**



### Påfyldning af brændstof

- Sluk for motoren og lad motoren køle af i mindst to minutter, før tankdækslet fjernes.
- Påfyld kun benzin udendørs eller på et sted med god udluftning.
- Undgå at fylde for meget benzin på tanken. Fyld tanken op til ca. 4 cm under kanten på påfyldningsstuds, således at der er plads til, at benzinen kan udvide sig.
- Benzin skal opbevares i sikker afstand fra gnister, åben ild, vågeblus, varme og andre mulige antændelseskilder.
- Foretag hyppige eftersyn af brændstofslanger, tanken og tankdækslet samt fittings for revner og utætheder. Udskift om nødvendigt.
- Hvis du spilder benzin, så vent med at starte motoren, indtil benzinen er fordampet.

### Start af motoren

- Sørg for, at tændrøret, lyddæmperen, tankdækslet og luftfilteret (hvis monteret) er på plads og forsvarligt fastgjort.
- Tørn ikke motoren, når tændrøret er afmonteret.
- Hvis motoren er druknet, sættes chokeren (hvis monteret) i stillingen "OPEN/RUN" og gasregulatoren (hvis monteret) i stillingen "FAST", hvorefter motoren tørrnes, indtil den starter.

### Betjening af redskabet

- Undgå at vippe motoren eller redskabet, således at benzinen løber ud.
- Brug ikke chokeren til at standse motoren.
- Start aldrig motoren eller lad aldrig motoren køre med luftfilterenheden (hvis monteret) eller luftfiltret (hvis monteret) fjernet.

### Olieskift

- Hvis du udtømmer olie fra det øverste oliepåfyldningsrør, skal benzintanken være tom. Ellers kan benzin sive ud og forårsage en brand eller eksplosion.

### Transport af redskabet

- Transport skal foregå med TOM brændstofftank eller med brændstofhane LUKKET.

### Opbevaring af benzin og redskaber med brændstof i tanken

- Sørg for, at benzin og redskaber med brændstof i tanken opbevares i sikker afstand fra fyr, ovne, vandvarmere og andre apparater, hvori der anvendes vågeblus, samt andre antændelseskilder, da disse kan antænde benzindampe.



## ADVARSEL

**Når motoren startes, dannes der gnister. Gnister kan antænde brændbare gasarter, der befinder sig i nærheden af motoren. Dette kan medføre eksplosion og brand.**



- Motoren må ikke startes, hvis der er naturgas eller flaskegas i nærheden.
- Der må ikke anvendes startvæske på dåse til at starte motoren, da dampene er brændbare.



### ADVARSEL

Motorer udsender kullite, der er en lugtfri og farveløs, giftig gasart. Indånding af kullite kan medføre kvalme, besvimelse eller døden.



- Motoren må kun startes og anvendes udendørs.
- Motoren må aldrig startes og anvendes i lukkede rum. Dette gælder også, selv om døre og vinduer er åbne.



### ADVARSEL

Hurtig tilbagetrækning af startsnoren (tilbageslag) vil trække hånd og arm tilbage mod motoren, hurtigere end du kan nå at slippe snoren.



Dette kan medføre, at du brækker armen, får knoglebrud, blå mærker eller forstrækninger.

- Når motoren startes, skal du trække langsomt i startsnoren, indtil du kan mærke modstand. Træk derefter hurtigt for at undgå tilbageslag.
- Sørg for, at alle anordninger på redskabet er udkoblet, dvs. at motoren ikke er belastet, før den startes.
- Direkte tilkoblede dele på redskabet, bl.a. skæreknive, skovlhjul, remskiver, kædehjul osv. skal være forsvarligt monteret.



### ADVARSEL

Hænder, fødder, hår og tøj kan sætte sig fast i roterende dele.



Dette kan medføre, at lelemsdele skæres af, eller at brugeren får alvorlige snitsår.

- Redskaber må kun anvendes med alle sikkerhedsafskærmninger på plads.
- Hold hænder og fødder i sikker afstand fra roterende dele.
- Langt hår bør bindes op, og smykker og lignende genstande bør tages af.
- Undgå at bære løstsiddende tøj, tøj med snore eller andre genstande, der kan sætte sig fast i de roterende dele.



### ADVARSEL

Kørende motorer udvikler varme. Motorens dele, især lyddæmperen, bliver meget varme.



Kontakt med varme dele kan forårsage alvorlige forbrændinger.



Der kan gå ild i brændbart affald som f.eks. blade, græs og grene.

- Lyddæmper, cylinder og køleribber skal køle af, før du rører ved dem.
- Fjern snavs, der samler sig i området omkring lyddæmperen og cylinderen.
- Hvis redskabet anvendes på steder med skov, græs eller krat, skal der monteres en gnistfanger. Den skal altid holdes i korrekt stand. Overhold altid lokale regler for brug af motorer - ikke mindst i perioder med tørke, hvor der er større risiko for brand.



### ADVARSEL

Gnister, som frembringes ved et uheld, kan medføre brand eller stød.



Hvis motoren startes ved et uheld, kan dette medføre, at personer kommer i klemme i redskabets mekanismer, at lelemsdele bliver skåret af, eller at personer får snitsår.



Brandfare



#### Før justering eller reparation af motoren:

- Tag tændrørskablet af tændrøret, og hold det i sikker afstand fra tændrøret.
- Tag minuskablet af batteriet, hvis motoren er udstyret med el-starter.
- Brug kun korrekt værktøj.
- Foretag aldrig ændring af regulatorfjeder, regulatorforbindelser eller andre dele for at øge motorens omdrejningstal.
- Udskiftningsdele skal være af samme type som originaldelene og skal monteres samme sted.
- Slå aldrig på svinghjulet med en hammer eller en hård genstand, da dette kan få svinghjulet til at splintres under drift.

#### Kontrol af gnist:

- Brug en godkendt gnisttester.
- Kontrollér ikke gnisten med tændrøret afmonteret.

# Udstyr og betjeningselementer

Sammenhold illustrationen **1** med din motor for at lære placeringen af udstyr og betjeningselementer.

- A. Identifikation af motoren  
**Model-, type-, og kodenummer**
- B. Tændrør
- C. Brændstoftank og tankdæksel
- D. Luftfilter
- E. Starterledningshåndtag
- F. Oliepåfylder og oliepind
- G. Olieaftappingsprop
- H. Lyddæmper  
Lyddæmperskærm (ekstraudstyr)  
Gnistfanger (ekstraudstyr)
- I. Chokerbetjeningsanordning
- J. Gasspjældsregulator (ekstraudstyr)
- K. Stopkontakt
- L. Brændstoftane (ekstraudstyr)
- M. Fingerskærm
- N. Gearkasseanordning (ekstraudstyr)

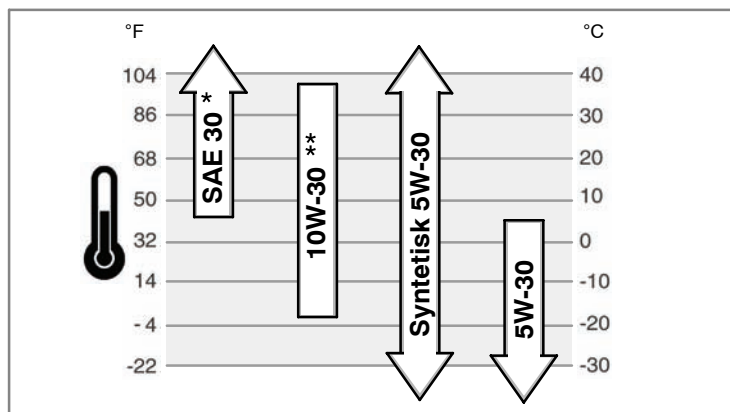
## Betjening

Oliekapacitet (se *Specifikationer* afsnittet)

### Anbefalinger vedrørende olie

Vi anbefaler at bruge Briggs & Stratton Garanti-godkendte olier for den bedste ydelse. Andre olier af høj kvalitet kan accepteres, såfremt disse hører under serviceklassificering SF, SG, SH, SJ eller er af bedre kvaliteter. Anvend ikke specielle additiver.

Udendørs temperaturer bestemmer motorens rette olieviskositet. Brug skemaet til at udvælge den bedste viskositet for de forventede udendørs temperaturintervaller.



\* Hvis en SAE 30 olie benyttes ved temperaturer under 40°F (4°C), vil det resultere i startproblemer.

\* Ved temperaturer over 80°F (27°C) vil brugen af 10W-30 medføre et olieforbrug, der er højere end normalt. Kontrollér oliestanden hyppigere.

### Kontrol/påfyldning af olie - Figur 2

Før påfyldning eller kontrol af olie

- Sørg for, at motoren er vandret.
  - Rengør oliepåfyldningsområdet for eventuelt snavs.
1. Fjern oliepinden (A) og tør denne med en ren klud.
  2. Sæt oliepinden på plads igen, men **skru ikke** denne fast. Kontrollér, at oliestanden er ved FULL-mærket (B) på oliepinden.
  3. For at tilføje olie skal olien langsomt hældes ind i motorens oliepåfylder (C). Fyld helt op til kanten.
  4. Udskift og fastspænd oliepinden.

### Anbefalinger vedr. brændstof

**Benzinen skal leve op til disse krav:**

- Ren, frisk, blyfri benzin.
- Oktantal på mindst 87/87 AKI (91 RON). Hvis motoren skal anvendes i højtbeliggende områder, henvises til nedenstående.
- Benzin med op til 10 % ethanol (gasohol) eller op til 15 % MTBE (methyl-tertiær-butylæter) kan anvendes.

**FORSIGTIG:** Der må ikke anvendes ikke-godkendt benzin, såsom E85. Der må ikke blandes olie i benzinen, og motoren må ikke modificeres, så den kan køre med alternative brændstoffer. I så fald vil motorens komponenter blive beskadiget, og **garantien på motoren bortfalder.**

For at beskytte brændstofsyste­met fra gummidannelse bland en brændstofstabilisator i brændstoffet. Se i afsnittet **Opbevaring**. Intet brændstof er ens. Hvis der opstår problemer ved start eller ydelse, skift da brændstofleverandør eller skift brændstofmærke. Denne motor er anerkendt til benzinbrug. Emissionsreguleringssystemet for denne motor er EM (Engine Modifications) såkaldte justeringer.

### Anvendelse i højtbeliggende områder

Ved højtbeliggende områder på over 5.000 fod (1524 meter), oktantal på mindst 85/85 AKI (89 RON) er benzin acceptabelt. For at være følgagtig over for emissionerne, er det nødvendigt at foretage justeringer ved højtbeliggende områder. Drift uden foretagelse af denne justering vil forårsage formindsket ydelse, forøget brændstofforbrug og stigende emissioner. Henvend dig til en autoriseret Briggs & Stratton forhandler for at få oplysninger vedrørende justeringer i højtbeliggende områder.

Betjening af motoren ved højtbeliggende områder på under 2.500 fod (762 meter) med sættet beregnet til anvendelse ved højtbeliggende områder er ikke anbefalet.

### Påfyldning af brændstof - Figur 3



#### ADVARSEL



**Benzin og benzindampe er yderst brandfarlige og eksplosive.**

**Brand eller eksplosion kan medføre alvorlige forbrændinger eller døden.**



#### Påfyldning af brændstof

- Sluk for motoren og lad motoren køle af i mindst to minutter, før tankdækslet fjernes.
  - Påfyld kun benzin udendørs eller på et sted med god udluftning.
  - Undgå at fylde for meget benzin på tanken. Fyld tanken op til ca. 4 cm under kanten på påfyldningsstuds­en, således at der er plads til, at benzinen kan udvide sig.
  - Benzin skal opbevares i sikker afstand fra gnister, åben ild, vågeblus, varme og andre mulige antændelseskilder.
  - Foretag hyppige eftersyn af brændstofslanger, tanken og tankdækslet samt fittings for revner og utætheder. Udskift om nødvendigt.
  - Hvis du spilder benzin, så vent med at starte motoren, indtil benzinen er fordampet.
1. Fjern brændstofdæksel området for snavs og rester. Fjern brændstofdækslet (A). Se Figur 3.
  2. Fyld brændstoftanken (B) op med benzin. Undlad at fylde helt op til kanten på påfyldningsstuds­en (C), således at der er plads til at benzinen kan udvide sig.
  3. Genmonter tankdækslet.

### Start af motoren - Figur 4 5



#### ADVARSEL



**Hurtig tilbagetrækning af startsnoren (tilbageslag) vil trække hånd og arm tilbage mod motoren, hurtigere end du kan nå at slippe snoren.**

**Dette kan medføre, at du brækker armen, får knoglebrud, blå mærker eller forstrækninger.**

- Når motoren startes, træk langsomt i startsnoren, indtil du mærker modstand, og træk derefter hurtigt for at undgå tilbageslag.



#### ADVARSEL



**Benzin og benzindampe er yderst brandfarlige og eksplosive.**

**Brand eller eksplosion kan medføre alvorlige forbrændinger eller døden.**



#### Start af motoren

- Sørg for, at tændrøret, lyddæmperen, tankdækslet og luftfiltret er på plads og forsvarligt fastgjort.
- Tørn ikke motoren, når tændrøret er afmonteret.
- Hvis motoren er druknet, sættes chokeren (hvis monteret) i "open/run"-position (kør) og gasspjældsregulatoren i fast-position (hurtig), hvorefter motoren tørnes, indtil den starter.





## ADVARSEL

Motoren udsender kulilte, der er en lugtfri og farveløs, giftig gasart. Indånding af kulilte kan medføre kvalme, besvimelse eller døden.

- Motoren må kun startes og anvendes udendørs.
- Motoren må aldrig startes og anvendes i lukkede rum. Dette gælder også, selv om døre og vinduer er åbne.

**FORSIGTIG:** Denne motor blev afsendt fra Briggs & Stratton uden olie. Før du starter motoren, sørg altid for at påfylde olie i henhold til de instruktioner angivet i denne manual. Hvis du starter motoren uden påfyldning af olie, vil denne blive beskadiget og vil ikke kunne repareres mere og derfor ikke være dækket af garantien.

1. Kontrollér oliestanden. Se i **Kontrol/påfyldning af olie** afsnittet.
2. Sørg for, at udstyrets kørselsbetjeningsanordninger, hvis monteret, er frakoblet. Se i udstyrsmanualen for placering og styring af disse betjeningsanordninger.
3. Skub stopkontakten (A), på on-position (Figur 4).
4. Flyt gasspældsregulatorstangen (B), hvis monteret, på fast  position (hurtig).  
Betjen motoren i fast  position (hurtig).

5. Flyt chokerreguleringsanordningen (C) på choker  position.

*Bemærk:* Brug af choker er normalt unødvendigt, når motoren er varm.

6. Drej brændstofhanen (D), hvis monteret, på on-position (Figur 5).
7. **Ved genstart:** Hold fast i startsnorgrebet (E). Træk langsomt i startsnorgrebet indtil du mærker modstand, og træk derefter hurtigt i snoren (Figur 4).

*Bemærk:* Hvis motoren ikke starter efter tre startforsøg, gå da til hjemmesiden **BRIGGSandSTRATTON.COM** eller ring på **1-800-233-3723** (i USA).

**ADVARSEL:** Hurtig tilbagetrækning af startsnoren (tilbageslag) vil trække hånd og arm tilbage mod motoren, hurtigere end du kan nå at slippe snoren. Dette kan medføre, at du brækker armen, får knoglebrud, blå mærker eller forstrækninger. Når motoren startes, træk langsomt i startsnoren indtil du mærker modstand og træk derefter hurtigt for at undgå tilbageslag.

8. **Elstart:** Drej den elektriske startkontakt på on/start position. Se i udstyrsmanualen for placering og drift af denne knap.

*Bemærk:* Hvis motoren ikke starter efter tre startforsøg, gå da til hjemmesiden **BRIGGSandSTRATTON.COM** eller ring på **1-800-233-3723** (i USA).

**FORSIGTIG:** For at forlænge starterens levetid, brug korte startperioder (maksimalt i fem sekunder). Vent et minut mellem hver startperiode.

9. Medens motoren opvarmes, sæt chokerreguleringsanordningen (C) på *kør/run*  position (Figur 4).

## Standning af motoren - Figur



## ADVARSEL

Benzin og benzindampe er yderst brandfarlige og eksplosive. Brand eller eksplosion kan medføre alvorlige forbrændinger eller døden.

- Tip ikke karburatoren til at standse motoren.
1. Skub stopkontakten (A, Figur 6) på off- position *eller*  
**Elstart:** Drej elstartkontakten på off/stop position. Se i udstyrsmanualen for placering og styring af denne kontakt.
  2. Efter standning af motoren sæt da brændstofhanen (D Figur 5) på lukket position.

## Vedligeholdelse

Brug kun originale reservedele ved udskiftning. Andre dele kan ikke yde lige så optimalt, hvilket kan medføre beskadigelse af enheden og kan resultere i eventuel personskade. Derudover kan brug af andre dele ophæve din garanti.

Vi anbefaler, at du kontakter en autoriseret Briggs & Stratton forhandler vedrørende al vedligeholdelse og service af motoren og motordele.

**FORSIGTIG:** Alle dele i denne motor skal være korrekt placeret for at give korrekt funktion.

## Emissionsregulering

**Vedligeholdelse, reservedelsudskiftning eller reparation af de emissionsregulerende anordninger og systemer kan udføres af enhver person eller ethvert ikke-vej motorreparationsværksted.** Hvis du imidlertid ønsker at få udført emissionsregulerende service "uden beregning", så skal arbejdet udføres af en fabriksautoriseret forhandler. Se under afsnittet Emissionsgaranti.



## ADVARSEL



**Gnister, som frembringes ved et uheld, kan medføre brand eller elektrisk stød.**

**Hvis motoren startes ved et uheld, kan dette medføre, at personer kommer i klemme i redskabets mekanismer, at legemsdele bliver skåret af, eller at personer får snitsår.**

**Brandfare**

## Før justering eller reparation af motoren:

- Tag tændrørskabet af tændrøret, og hold det i sikker afstand fra tændrøret.
- Brug kun korrekt værktøj.
- Foretag aldrig ændring af regulatorfjeder, regulatorforbindelser eller andre dele for at øge motorens omdrejningstal.
- Udskiftningsdele skal være af samme type som originaldelene og skal monteres samme sted.
- Slå aldrig på svinghjulet med en hammer eller en hård genstand, da dette kan få svinghjulet til at splintres under drift.

## Kontrol af gnist:

- Brug en godkendt gnisttester.
- Kontrollér ikke gnisten med tændrøret afmonteret.

## Vedligeholdelsesoversigt

<b>Første 5 driftstimer</b>
<ul style="list-style-type: none"> <li>• Skift olie</li> </ul>
<b>For hver 8 driftstimer eller hver dag</b>
<ul style="list-style-type: none"> <li>• Kontrollér oliestanden i motoren.</li> <li>• Rengør området omkring lyddæmperen og betjeningsanordningerne</li> <li>• Rengør fingerskærm</li> </ul>
<b>For hver 25 driftstimer eller én gang årligt</b>
<ul style="list-style-type: none"> <li>• Rengør luftfiltret *</li> <li>• Rengør forfiltret *</li> </ul>
<b>For hver 100 driftstimer eller én gang årligt</b>
<ul style="list-style-type: none"> <li>• Skift motorolie</li> <li>• Kontrollér lyddæmper og gnistfanger</li> </ul>
<b>For hver 100 driftstimer</b>
<ul style="list-style-type: none"> <li>• Skift gearkasseolie (hvis monteret)</li> </ul>
<b>En gang årligt</b>
<ul style="list-style-type: none"> <li>• Udskift luftfiltret</li> <li>• Udskift forfiltret</li> <li>• Udskift tændrøret</li> <li>• Rengør/udskift brændstoffiltret</li> <li>• Rengør luftkølesystemet *</li> <li>• Kontrollér ventilfrigangen **</li> </ul>

\* Under støvede forhold eller når luftbåret snavs er til stede, rengør da oftere.

\*\* Dette er ikke nødvendigt, medmindre der konstateres ydelsesproblemer med motoren.

## Justering af karburator

Foretag aldrig justeringer på karburatoren. Karburatoren er på fabrikken installeret til at være så ydedygtig som muligt under de fleste arbejdsforhold. Hvis justeringer alligevel er påkrævet, henvend dig da til en autoriseret Briggs & Stratton forhandler for serviceudførelse på maskinen.

**FORSIGTIG:** Producenten af det redskab, som denne motor er monteret på, har fastsat det maksimale omdrejningstal, som motoren må køre med. Motoren **MÅ IKKE** køre med højere omdrejningstal.

## Kontrol af tændrøret - Figur 8

Kontrollér gnistgabet (A, Figur 8) med en wire gauge til måling af tråddimensioner (B). Regulér gabet, hvis dette er nødvendigt. Monter og fastspænd tændrøret til det anbefalede tilspændingsmoment. For regulering eller spænding af gnistgabet, se i **Specifikationer** afsnittet.

**Bemærk:** I visse lande kræver lovgivningen brug af støjdæmpede tændrør for at dæmpe tændingssignalet. Hvis motoren oprindeligt var udstyret med et støjdæmpet tændrør, skal samme type tændrør anvendes ved udskiftning.

## Efterse lyddæmper og gnistfanger - Figur 7



### ADVARSEL

Kørende motorer udvikler varme. Motorens dele, især lyddæmperen, bliver meget varme.



Kontakt med varme dele kan forårsage alvorlige forbrændinger.



Der kan gå ild i brændbart affald som f.eks. blade, græs og grene.

- Lyddæmper, cylinder og køleribber skal køle af, før du rører ved dem.
- Fjern snavs, der samler sig i området omkring lyddæmperen og cylinderen.
- Hvis redskabet anvendes på steder med skov, græs eller krat, skal der monteres en gnistfanger. Den skal altid holdes i korrekt stand. Overhold altid lokale regler for brug af motorer – ikke mindst i perioder med tørke, hvor der er større risiko for brand.

Efterse lyddæmperen (A) for revner, korrosion eller anden beskadigelse. Fjern lyddæmperskærmen (B), hvis lyddæmperen er udstyret med sådan en skærm og efterse for beskadigelse eller kulspæringer. Hvis det er nødvendigt at udskifte reservedele, skal det sikres, at der kun anvendes originale reservedele.



**ADVARSEL:** Reservedelene skal være de samme som originaldelene og placeres i nøjagtig samme position som originaldelene, da der ellers kan opstå brand.

## Olieskift - Figur 9

**FORSIGTIG:** Brugt olie er et farligt affaldsprodukt og brugt olie skal bortskaffes korrekt. Må ikke bortsmides med husholdningsaffald. Skal bortskaffes i overensstemmelse med gældende lokale bestemmelser (kontakt de kommunale myndigheder, forhandleren eller nærmeste nærgenbrugsstation).

## Aftapning af olie

1. Medens motoren er slukket, men stadig er varm, frakobl tændrørsledningen (A) og hold denne væk fra tændrøret (Figur 10).
2. Fjern olieaftapningsproppen (B, Figur 9). Aftap olien ind i en godkendt beholder.  
**Bemærk:** Enhver af de viste olieaftapningsproppe (C) kan installeres i motoren.
3. Efter at olien er blevet aftappet, sæt olieaftapningsproppen på igen, og tilspænd denne.

## Påfyldning af olie

- Sørg for, at motoren er vandret.
  - Rengør oliepåfyldningsområdet for eventuelt snavs.
  - Se i **Specifikationer** under afsnittet for oliekapacitet.
1. Fjern oliepinden (D) og tør denne med en ren klud.
  2. Hæld langsomt olien ind i motorens oliepåfylder (E). Fyld op indtil denne er fyldt helt til kanten.
  3. Sæt oliepinden på plads, men **skru ikke** denne fast. Tag oliepinden ud, og kontrollér oliestanden. Kontrollér, at oliestanden er ved FULL-mærket (F) på oliepinden.
  4. Sæt oliepinden på plads og fastspænd denne.

## Eftersyn af luftfiltret - Figur 11



### ADVARSEL

Benzin og benzindampe er yderst brandfarlige og eksplosive. Brand eller eksplosion kan medføre alvorlige forbrændinger eller døden.



- Start aldrig motoren eller lad aldrig motoren køre med luftfilterenheden eller luftfiltret fjernet.

**BEMÆRK:** Anvend ikke trykluft eller opløsningsmidler til rengøring af filtret. Trykluft kan beskadige filtret, og opløsningsmidler opløser det.

Luftfiltersystemet anvender et foldet luftfilter og kan leveres med et forfilter. Forfiltret kan vaskes og genanvendes.

## Fladt luftfilter

1. Løs fastspændingsskruerne, (D) der fastholder låget (A). Se Figur 11.
2. Åbn låget og fjern forfiltret (C) og filtret (B).
3. For at løse snavs, bank forsigtigt filtret mod en hård overflade. Hvis filtret er ekstremt snavs, udskift dette med et nyt filter.
4. Vask forfiltret i flydende rensmiddel og vand. Lad det derefter tørre helt. **Smør ikke** forfiltret med olie.
5. Monter det tørre forfilter på filtret med forfiltrets læbe (G) monteret på bunden af filterfolderne.
6. Monter filtret.
7. Monter lågets faner (E) ind i rillerne (F).
8. Luk låget og fastspænd det forsvarligt med fastspændingsskruen.

## Skift gearkasseolie - Figur 12

Hvis motoren er udstyret med en gearkasseanordning udfør service på følgende måde.

1. Fjern oliepåfyldningsproppen (B) og oliestandsproppen (C).
2. Fjern olieaftapningsproppen (A, Figur 12) og aftap olien ned i en egnet beholder.
3. Monter og fastspænd olieaftapningsproppen.
4. For at fylde op med olie, hæld langsomt smøreolien ind i oliepåfyldningshullet (se i **Specifikationer** afsnittet). Fortsæt med at hælde indtil olien løber ud af oliestandshullet.
5. Monter og fastspænd oliestandsproppen.
6. Monter og fastspænd oliepåfyldningsproppen.  
**Vigtigt:** Oliepåfyldningsproppen har et ventilationshul (D) og skal installeres overst på beskyttelsesskærmen som vist.

## Rengør/udskift brændstoffilter - Figur 13



### ADVARSEL

Benzin og benzindampe er yderst brandfarlige og eksplosive. Brand eller eksplosion kan medføre alvorlige forbrændinger eller døden.



- Benzin skal opbevares i sikker afstand fra gnister, åben ild, vågeblus, varme og andre mulige antændelseskilder.
  - Foretag hyppige eftersyn af brændstofslanger, tanken og tankdækslet samt fittings for revner og utætheder. Udskift om nødvendigt.
  - Før brændstoffiltret udskiftes, aftap brændstofftanken eller luk brændstoffhanen.
  - Udskiftingsdele skal være af samme type som originaldelene og skal monteres samme sted.
  - Hvis du spiller benzin, så vent med at starte motoren, indtil benzinen er fordampet.
1. Fjern brændstoffdækslet (A, Figur 13).
  2. Fjern brændstoffiltret (B).
  3. Hvis brændstoffiltret er snavs, rengør eller udskift dette. Hvis du udskifter brændstoffiltret, sørg da for at anvende et originalt udskiftningsfilter.

## Rengøring af luftkølesystemet - Figur 14



### ADVARSEL

Kørende motorer udvikler varme. Motorens dele, især lyddæmperen, bliver meget varme.



Kontakt med varme dele kan forårsage alvorlige forbrændinger.



Der kan gå ild i brændbart affald som f.eks. blade, græs og grene.

- Lyddæmper, cylinder og køleribber skal køle af, før du rører ved dem.
- Fjern snavs, der samler sig i området omkring lyddæmperen og cylinderen.

**FORSIGTIG:** Brug ikke vand til at rengøre motoren. Vand kan forurene brændstofssystemet. Brug i stedet en børste eller en tør klud til at rengøre motoren.

Dette er en luftkølet motor. Snavs og rester kan begrænse luftstrømmen og resultere i overhedning af motoren med forringet ydelse og reduceret levetid af motoren til følge.

Kontrollér motoren for ophobet snavs og rester, som kan begrænse luftstrømmen. Anvend en børste eller en tør klud for at fjerne snavs fra fingerskærmen (A). Hold ledforbindelser, fjedre og betjeningsanordninger (B) rene for snavs. Sørg for at området omkring og bag ved lyddæmperen (C) er frit for brændbart affald (Figur 14).



## Opbevaring



### ADVARSEL



**Benzin og benzindampe er yderst brandfarlige og eksplosive. Brand eller eksplosion kan medføre alvorlige forbrændinger eller døden.**



### Opbevaring af benzin og udstyr med brændstof i tanken

- Sørg for, at benzin og redskaber med brændstof i tanken opbevares i sikker afstand fra fyr, ovne, vandvarmere og andre apparater, hvori der anvendes vågeblus, samt andre antændelseskilder, da disse kan antænde benzindampe.

### Brændstofsysteem

Brændstof kan blive for gammelt ved opbevaring over 30 dage. Gammelt brændstof resulterer i syre- og gummi aflejringer, som dannes i brændstofsysteem eller på vigtige karburatordele. For at holde brændstoffet friskt, brug Briggs & Stratton FRESH START®

brændstofstabilisator, som enten kan fås som væskeadditiv eller som en koncentreret indsats med dryppfunktion.

Der er ikke behov for at aftappe benzinen fra motoren, hvis en brændstofstabilisator tilføjes i overensstemmelse med instruktionerne. Lad motoren køre i 2 minutter for at lade stabilisatoren cirkulere gennem hele brændstofsysteem. Motoren og brændstoffet kan derefter opbevares op til 24 måneder.

Hvis benzinen i motoren ikke er blevet behandlet med en brændstofstabilisator, skal denne aftappes ned i en godkendt beholder. Lad motoren køre indtil denne standser på grund af brændstofmangel. Det anbefales at bruge en brændstofstabilisator i opbevaringsbeholderen for at bevare benzinen i frisk stand.

### Motorolie

Skift motorolien, mens motoren stadig er varm.

### Fejlfinding

Har du brug for assistance? Gå ind på hjemmesiden **BRIGGSandSTRATTON.COM** for at finde de nødvendige kontaktinformationer eller ring på **1-800-233-3723**.

## Specifikationer

Motorspecifikationer	
Modelserie	100000
Slagvolumen	205 cc
Boring	68,28 mm
Slaglængde	55,88 mm
Oliekapacitet	0,54 - 0,59 l
Reduktionsgearolie	80W-90

Motorspecifikationer	
Modelserie	200000
Slagvolumen	305 cc
Boring	79,24 mm
Slaglængde	61,93 mm
Oliekapacitet	0,77 - 0,83 l
Reduktionsgearolie	SAE 30

Optuningsspecifikationer *	
Modelserie	100000
Tændrørsgab	0,76 mm
Tilspændingsmoment for tændrør	20 Nm
Rotorelektrodeafstand	0,25 - 0,36 mm
Ventilspillerum (indsugning)	0,10 - 0,15 mm
Ventilspillerum (udstødning)	0,23 - 0,28 mm

Optuningsspecifikationer *	
Modelserie	200000
Tændrørsgab	0,76 mm
Tilspændingsmoment for tændrør	20 Nm
Rotorelektrodeafstand	0,20 - 0,30 mm
Ventilspillerum (indsugning)	0,10 - 0,15 mm
Ventilspillerum (udstødning)	0,22 - 0,28 mm

\* Motoreffekten falder med 3,5% for hver 300 m over havets overflade og med 1% for hver 5,6°C over 25°C. Motoren kan køre tilfredsstillende ved en hældning på op til 15°. Yderligere oplysninger om grænseværdierne for drift på hældninger findes i udstyrets betjeningsvejledning.

### Fælles reservedele ✓

Reserve del	Delnummer
Fladt luftfilter	491588, 5043
Fladt luftfilter Forfilter	493537, 5064
Brændstoffilter	792917
Brændstofadditiv	5041, 5058

Reserve del	Delnummer
Støjdæmpet tændrør	491055
Tændrør med platin med lang levetid	5066
Tændrørsgnogle	89838, 5023
Gnisttester	19368

✓ Vi anbefaler, at du kontakter en autoriseret Briggs & Stratton forhandler vedrørende al vedligeholdelse og service af motoren og motordele. Brug kun originale Briggs & Stratton reservedele.

## BEGRÆNSET GARANTI

Briggs & Stratton Corporation reparerer eller erstatter vederlagsfrit enhver del eller dele på en motor, som er defekte som følge af materiale- eller fremstillingsfejl. Transportudgifter vedrørende produkter, som indsendes til reparation eller udskiftning i henhold til denne garanti, afholdes af køber. Denne garanti gælder i de nedenfor anførte perioder og på de nedenfor anførte betingelser. For at få udført garantiservice skal du kontakte den nærmeste autoriserede serviceforhandler, som du finder i vores forhandleroversigt på BRIGGSandSTRATTON.COM (eller som anført i telefonbogen).

**Der findes ingen anden udtrykkelig garanti. Stiltiende garantier, herunder garanti for salgbarhed og egnethed til et bestemt formål, er begrænset til ét år fra købstidspunktet, eller i det omfang dette tillades i henhold til gældende lovgivning, og alle underforståede garantier er undtaget fra garantien. Ansvar for hændelige skader eller følgeskader er undtaget i det omfang undtagelsen er tilladt i følge loven.** Nogle lande tillader ikke begrænsninger på varigheden af en stiltiende garanti, og nogle lande tillader ikke undtagelse eller begrænsning af indirekte tab eller følgetab, og som følge heraf er det ikke sikkert, at ovenstående begrænsning og undtagelse gælder for dig. Denne garanti giver dig specifikke juridiske rettigheder, og du kan endvidere have andre rettigheder, som kan variere fra land til land.

## ALMINDELIGE GARANTIBETINGELSER \* ▲

Mærke/produkttype	Almindelig brug	Erhvervmæssig brug
Vanguard™	2 år	2 år
Extended Life Series™, I/C®, Intek™ I/C®, Intek™ Pro	2 år	1 år
Snow Series MAX™ med Dura-Bore™ støbejernsforing	2 år	1 år
Alle andre Briggs & Stratton motorer	2 år	90 dage

- \* Disse er vores almindelige garantibetingelser, men under tiden kan der foreligge yderligere garantidækning, som ikke var fastlagt på udgivelsestidspunktet. Se en liste over gældende garantibetingelser for din motor ved at gå til BRIGGSandSTRATTON.COM, eller kontakt din autoriserede Briggs & Stratton forhandler.
- ▲ Motorer, der anvendes på nødgeneratorer til almindelig brug, er kun underlagt garanti til almindelig brug. Denne garanti gælder ikke for motorer på udstyr, der anvendes som primæreffekt i stedet for normal kraftforsyning. **Motorer, der anvendes i væddeløbskørsel eller på kommercielle eller lejede baner, er ikke omfattet af garantien.**

Garantiperioden løber fra den dato, hvor den første privatkunde eller erhvervskunde købte produktet, og løber i den tidsperiode, der er anført i ovenstående tabel. "Almindelig brug" betyder brug i privat husholdning af en almindelig privatbruger. "Erhvervmæssig brug" henviser til al øvrig brug, herunder brug til erhvervs-, indtægts- eller lejeformål. Når en motor har været anvendt erhvervmæssigt, skal den herefter anses for at være en motor til erhvervsbrug i henhold til denne garanti.

**Fremvisning af garantibevis er ikke påkrævet for at gøre garantien på produkter fra Briggs & Stratton gældende. Gem din købskvittering. Hvis du ikke kan fremvise dokumentation for den oprindelige købsdato på det tidspunkt, hvor garantikravet gøres gældende, vil produktets fremstillingsdato blive brugt som grundlag for fastlæggelse af garantiperioden.**

## Om garantien

Briggs & Stratton udfører gerne garantiarbejde og undskylder for den ulejlighed du har haft i forbindelse hermed. En autoriseret serviceforhandler kan udføre de nødvendige reparationsarbejder. De fleste garantireparationer udføres rutinemæssigt, men nogle gange kan ønskes om garantiarbejde ikke imødekommes.

Hvis en kunde er uenig i serviceforhandlerens afgørelse, vil der blive iværksat en undersøgelse for at afgøre, om garantien gælder i den pågældende sag. Bed serviceforhandleren om at sende alt støttemateriale til sin distributor eller fabrik til gennemgang. Hvis distributøren eller fabrikken afgør, at garantikravet er berettiget, godtgøres kunden for alle defekte dele. For at undgå, at der opstår misforståelser mellem kunden og forhandleren, er der nedenfor anført nogle årsager til motordefekter, som ikke er omfattet af garantien.

**Normal slitage:** Ligesom alt andet mekanisk udstyr skal motordele efterses regelmæssigt og udskiftes for at yde det optimale. Garantien omfatter ikke reparationsarbejde, hvis en del eller motoren er slidt op som følge af normal brug. Garantien gælder f.eks. ikke, hvis motorskaden opstod som følge af forkert brug, mangel på regelmæssig vedligeholdelse, ukorrekt transporthåndtering, opbevaring eller montering. Garantien bortfalder ligeledes, hvis motorens serienummer er fjernet, eller hvis motoren er ændret eller modificeret.

**Forkert vedligeholdelse:** En motors levetid afhænger af de forhold, den anvendes under, og dens vedligeholdelse. Udstyr som f.eks. fræsere, pumper og rotorplæneklippere anvendes ofte under meget støvede eller snavsede forhold, hvilket kan forårsage, hvad der tilsyneladende er for tidlig slitage. Slitage, som skyldes snavs, støv, slibemiddel til tændrør eller andre slibende materialer, der er kommet i motoren på grund af forkert vedligeholdelse, er ikke omfattet af garantien.

**Denne garanti omfatter kun motordefekt som følge af materiale- og/eller fremstillingsfejl og ikke udskiftning eller erstatning af det redskab, hvorpå motoren er monteret. Endvidere omfatter garantien ikke reparationer som følge af:**

- 1 Problemer, som skyldes brug af dele, der ikke er originale Briggs & Stratton dele.
- 2 Redskabets betjeningsgreb eller installationer, som forhindrer start, forårsager utilfredsstillende motorydelse eller afkorter motorens levetid. (Yderligere oplysninger fås ved at kontakte redskabsproducenten).

- 3 Lækkende karburatorer, tilstoppede brændstofslinger, fastsiddende ventiler eller anden skade, som skyldes brug af forurenede eller gammelt brændstof.
- 4 Dele, som er ridsede eller knækket, fordi en maskine er betjent med utilstrækkelig eller forurenede smørelolie eller en forkert kvalitet. (Kontrollér og genopfyld efter behov, og foretag olieskift på baggrund af de anbefalede intervaller). OIL GARD vil ikke i alle tilfælde standse motoren. Motoren kan beskadiges, hvis oliestanden ikke kontrolleres regelmæssigt.
- 5 Reparation eller justering af tilhørende dele eller konstruktioner som f.eks. koblinger, gearkasser, fjernbetjening osv., som ikke er Briggs & Stratton produkter.
- 6 Beskadigelse af eller slitage på dele, som skyldes snavs i motoren på grund af manglende vedligeholdelse af luftfilter, ukorrekt genmontering eller brug af et uoriginalt luftfilter eller en uoriginal filterpatron. Filteret skal rengøres og/eller udskiftes med de anbefalede intervaller, der er angivet i betjeningsvejledningen.
- 7 Dele, som beskadiges, fordi motoren kører med for høje omdrejningstal eller overophedes som følge af græs, aflejringer eller snavs, der tilstopper kølerribberne eller området omkring svinghjulet, eller skader som følge af brug af motoren i et lukket rum uden tilstrækkelig udluftning. Rengør motoren for snavs med de anbefalede intervaller, der er angivet i betjeningsvejledningen.
- 8 Motor- eller redskabsdele, der knækker på grund af for voldsomme vibrationer som følge af løs motormontering, løse skæreknive, ubalancerede knive eller løse eller ubalancerede blæserhjul, forkert montering af redskabet på motorens krumtapaksel, kørsel med for høje omdrejningstal eller anden forkert brug.
- 9 En bøjet eller brækket krumtapaksel som følge af påkørsel af en fast genstand med plæneklipperens skæreknive eller en for stram kilerem.
- 10 Rutinemæssig optuning eller justering af motoren.
- 11 Motor- eller komponentsvigt f.eks. forbrændingskammer, ventiler, ventil sæder, ventilstyr, eller brændte startmotorviklinger som følge af brug af alternative brændstoffer som f.eks. flydende petroleum, naturgas, alternative benzinblandinger osv.

**Garantiarbejde må kun udføres af serviceforhandlere, som er autoriseret af Briggs & Stratton Corporation. Den nærmeste autoriserede serviceforhandler finder du i vores forhandleroversigt på BRIGGSandSTRATTON.com eller ved at kontakte os telefonisk på 1-800-233-3723 eller som anført i telefonbogen.**

## Allgemeines

Für Ersatzteile oder technische Unterstützung tragen Sie hier die Modell-, Typen- und Codenummer des Motors und das Kaufdatum ein. Diese Nummern befinden sich an Ihrem Motor (siehe die Seite **Funktionen und Bedienungselemente**).

**Kaufdatum:** \_\_\_\_\_  
TT/MM/JJJJ

**Motormodell:** \_\_\_\_\_  
Modell: Typ: Code:

## Informationen zur Nennleistung der Motoren

Die Brutto-Nennleistung für individuelle Benzinmotormodelle ist entsprechend dem SAE-Code (Society of Automotive Engineers) J1940 (Leistungs- & Drehmomentbestimmung für kleine Motoren) gekennzeichnet, und der Leistungsgrad wurde entsprechend SAE J1995 (überarbeitete Fassung 2002-05) ermittelt und korrigiert. Drehmomentwerte wurden bei 3060 U/Min. und Leistungswerte bei 3600 U/Min. ermittelt. Die tatsächliche Brutto-Motorleistung ist niedriger und wird u. a. von den Einsatzbedingungen sowie von motorspezifischen Faktoren beeinträchtigt. Aufgrund des breiten Produktangebots, an dem die Motoren eingesetzt werden, und der Verschiedenartigkeit der beim Betrieb der Geräte vorherrschenden Umweltbedingungen entwickelt der Benzinmotor beim Einsatz an einem spezifischen Motorgerät nicht die angegebene Brutto-Nennleistung (tatsächliche "Einsatz-" oder Nettoleistung). Dieser Unterschied beruht auf einer Vielzahl von Faktoren wie u. a. Zubehör (Luftfilter, Auspuff, Ladung, Kühlung, Vergaser, Kraftstoffpumpe usw.), Anwendungseinschränkungen, Einsatzbedingungen (Temperatur, Feuchtigkeit, Höhe) und Abweichungen von Motor zu Motor. Aufgrund von Herstellungs- und Kapazitätsengpässen kann Briggs & Stratton für einen Motor dieser Serie ersatzweise einen Motor mit höherer Nennleistung liefern.

## Sicherheit der Bedienungsperson

### WARN- UND REGLERSYMBOL



Feuer



Bewegliche Teile



Öl



Giftige Dämpfe



Langsam



Schnell



Stopp



Explosionsgefahr



Stromschlag



Kraftstoff



Choke



Ein Aus



Kraftstoffabsperrung



Rückschlag



Schutzbrille tragen



Gefährliche Chemikalien




Anleitung lesen



Heiße Oberfläche



Erfrierungen

Das Warnsymbol () kennzeichnet Sicherheitsinformationen zu Risiken, die zu Verletzungen führen können. Zusammen mit dem Symbol wird ein Signalwort (GEFAHR, ACHTUNG oder VORSICHT) verwendet, um den Grad der Gefahr und die Schwere der möglichen Verletzung anzugeben. Darüber hinaus kann ein Gefahrensymbol zur Kennzeichnung der Art der Gefahr benutzt werden.



**GEFAHR** kennzeichnet ein Risiko, das zu **Tod oder schweren Verletzungen** führt, wenn der Hinweis nicht beachtet wird.



**ACHTUNG** kennzeichnet ein Risiko, das zu **Tod oder schweren Verletzungen** führen kann, wenn der Hinweis nicht beachtet wird.



**VORSICHT** kennzeichnet ein Risiko, das zu **kleineren Verletzungen** führen kann.

Wenn **VORSICHT ohne** das Warnsymbol steht, kennzeichnet es eine Situation, die zu **Produktschaden** führen kann.

de



### ACHTUNG

Die Motorabgase dieses Produkts enthalten Chemikalien, die in Kalifornien als Erreger von Krebs, Geburtsschäden und anderen Fortpflanzungsschäden gelten.



### ACHTUNG

Briggs & Stratton autorisiert nicht die Verwendung dieser Motoren an dreirädrigen Geländefahrzeugen, Motorrädern, Gokarts, Flugzeugen oder Fahrzeugen, die in Wettbewerben eingesetzt werden. Die Verwendung dieser Motoren an solchen Geräten kann zu Sachschäden und schweren Verletzungen (einschließlich Lähmung) oder sogar Tod führen.

**VORSICHT:** Dieser Motor wird von Briggs & Stratton ohne Öl geliefert. Vor Start des Motors muss entsprechend den Anweisungen in dieser Anleitung Öl nachgefüllt werden. Wenn der Motor ohne Öl gestartet wird, wird er so beschädigt, dass er nicht mehr repariert werden kann. Dieser Schaden wird nicht von der Garantie abgedeckt.



### ACHTUNG



**Benzin und Benzindämpfe sind extrem leicht entflammbar und explosiv. Feuer oder Explosionen können zu schweren Verbrennungen oder Tod führen.**

#### Beim Nachfüllen von Kraftstoff

- Den Motor ausschalten und mindestens 2 Minuten lang abkühlen lassen, bevor der Tankdeckel abgenommen wird.
- Den Kraftstofftank im Freien oder in einem gut belüfteten Bereich füllen.
- Den Kraftstofftank nicht ganz füllen, sondern nur bis ca. 38 mm unter den Rand des Einfüllstutzens, damit der Kraftstoff Platz zum Ausdehnen hat.
- Benzin von Funken, offenen Flammen, Dauerflammen, Wärmequellen und anderen Zündquellen fernhalten.
- Kraftstoffleitungen, Tank, Deckel und Anschlüsse regelmäßig auf Risse und undichte Stellen untersuchen und bei Bedarf austauschen.
- Wenn Kraftstoff verschüttet wurde, warten, bis sich die Dämpfe verflüchtigt haben, bevor der Motor gestartet wird.

#### Beim Start des Motors

- Darauf achten, dass Zündkerze, Schalldämpfer, Tankdeckel und Luftfilter (falls vorhanden) an ihrem Platz und sicher befestigt sind.
- Nicht den Motor anlassen, wenn die Zündkerze entfernt wurde.
- Wenn der Motor überfettet ist, den Choke (falls vorhanden) auf Position OPEN/RUN und den Gashebel (falls vorhanden) auf Position FAST stellen und den Motor anlassen, bis er anspringt.

#### Beim Betrieb des Geräts

- Motor bzw. Gerät nicht so kippen, dass Benzin verschüttet werden könnte.
- Zum Stoppen des Motors nicht den Choke benutzen.
- Niemals den Motor mit abgenommenem Luftfilter (falls vorhanden) oder Filtereinsatz (falls vorhanden) starten oder laufen lassen.

#### Beim Ölwechsel

- Wenn das Öl aus dem oberen Öleinfüllrohr abgelassen wird, muss der Kraftstofftank leer sein, weil sonst Kraftstoff auslaufen und Feuer oder Explosionen verursachen kann.

#### Beim Transport des Geräts

- Das Gerät mit LEEREM Kraftstofftank oder mit GESCHLOSSENEM Kraftstoffhahn transportieren.

#### Beim Lagern von Benzin oder von Geräten mit Kraftstoff im Tank

- Niemals in der Nähe von Öfen, Herden, Warmwasserbereitern oder ähnlichen Geräten mit Dauerflammen oder anderen Zündquellen abstellen, weil Benzindämpfe entzündet werden könnten.



### ACHTUNG



**Beim Start des Motors werden Funken erzeugt. Funken können entflammare Gase in der Nähe entzünden. Es kann zu Feuer und Explosionen kommen.**

- Wenn sich undichte Gasleitungen in der Nähe befinden, darf der Motor nicht gestartet werden.
- Keine unter Druck stehenden Startflüssigkeiten verwenden, weil sich ihre Dämpfe entzünden könnten.



### ACHTUNG



Motoren erzeugen Kohlenmonoxid, ein geruchloses, farbloses, giftiges Gas.

Wenn Kohlenmonoxid eingeatmet wird, kann es zu Übelkeit, Ohnmacht oder Tod kommen.

- Den Motor im Freien starten und laufen lassen.
- Den Motor nicht in geschlossenen Räumen starten oder laufen lassen, selbst wenn Türen oder Fenster geöffnet sind.



### ACHTUNG



Wenn das Starterseil schnell zurückspringt, werden Hand und Arm schneller zum Motor gezogen, als das Seil losgelassen werden kann.

Es kann zu Knochenbrüchen, Quetschungen und Verstauchungen kommen.

- Zum Start des Motors langsam am Starterseil ziehen, bis Widerstand spürbar wird, und dann kräftig ziehen, um Rückschlag zu vermeiden.
- Alle externen Geräte- und Motorlasten beseitigen, bevor der Motor gestartet wird.
- Direkt mit dem Motor verbundene Gerätekomponenten wie u. a. Schnittmesser, Impeller, Seilscheiben, Zahnräder usw. müssen sicher befestigt sein.



### ACHTUNG



Rotierende Teile können Hände, Füße, Haare, Kleidungsstücke oder Schmuck berühren und sich darin verfangen.

Es kann zu Amputationen oder anderen schweren Verletzungen kommen.

- Beim Einsatz des Geräts müssen sich alle Schutzvorrichtungen an ihrem Platz befinden.
- Hände und Füße von rotierenden Teilen fern halten.
- Lange Haare hochbinden und Schmuck abnehmen.
- Keine lose sitzende Kleidung, herunterbaumelnde Schnüre oder ähnliche Teile tragen, die sich verfangen könnten.



### ACHTUNG



Laufende Motoren erzeugen Wärme. Motorteile, insbesondere Schalldämpfer, werden extrem heiß.

Bei Berührung kann es zu schweren Verbrennungen kommen.

Brennbare Fremdkörper wie Laub, Gras usw. können sich entzünden.



- Schalldämpfer, Zylinder und Kühlrippen abkühlen lassen, bevor sie berührt werden.
- Fremdkörperansammlungen vom Schalldämpfer- und Zylinderbereich entfernen.
- Einen Funkenfänger installieren und instandhalten, bevor das Gerät auf Wald-, Gras- oder Buschland eingesetzt wird.



### ACHTUNG



Funken können Feuer oder Stromschläge verursachen.

Ungewollter Start kann schwere Verletzungen verursachen.

Feuergefahr



#### Vor Einstellungs- oder Reparaturarbeiten:

- Das Zündkabel abziehen und von der Zündkerze fern halten.
- Die Batterie von der negativen Klemme lösen (nur Motoren mit Elektrostart).
- Die richtigen Werkzeuge verwenden.
- Nicht an Reglerfeder, Gestängen oder anderen Teilen herumbasteln, um die Drehzahl zu erhöhen.
- Ersatzteile müssen den Originalteilen entsprechen und in derselben Position angebracht werden.
- Nicht mit einem Hammer oder anderen harten Gegenstand gegen das Schwungrad schlagen, weil es sonst später während des Betriebs auseinander platzen könnte.

#### Bei der Zündfunkenkontrolle:

- Einen geeigneten Zündkerzenprüfer verwenden.
- Nicht bei entfernter Zündkerze kontrollieren, ob ein Zündfunke vorhanden ist.

# Funktionen und Bedienungselemente

Vergleichen Sie die Abbildung **1** mit Ihrem Motor, um die Positionen der einzelnen Funktionen und Bedienungselemente kennen zu lernen.

- A. Motorkennzeichnung  
**Modell Typ Code**
- B. Zündkerze
- C. Kraftstofftank und Deckel
- D. Luftfilter
- E. Starterseilgriff
- F. Öleinfüllrohr und Peilstab
- G. Ölablassschraube
- H. Schalldämpfer  
Berührungsschutz (optional)  
Funkenfänger (optional)
- I. Chokeregler
- J. Gashebel (optional)
- K. Stoppschalter
- L. Kraftstoffhahn (optional)
- M. Fingerschutz
- N. Untersetzungsgetriebe (optional)

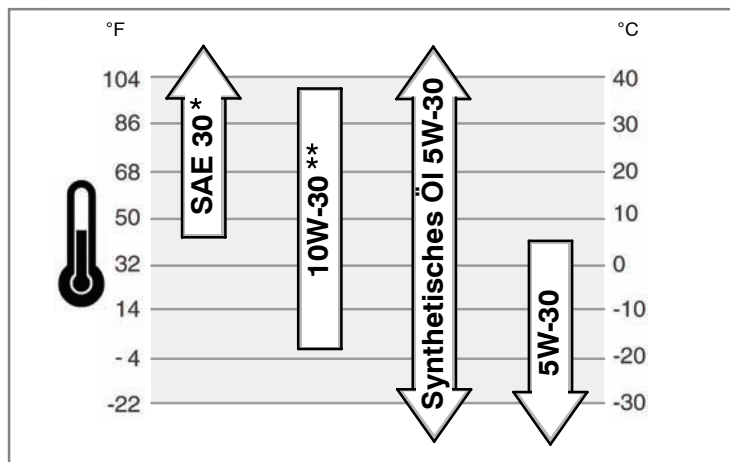
## Betrieb

Öl Fassungsvermögen (siehe Abschnitt **Spezifikationen**)

### Empfehlungen zum Öl

Für optimale Leistung empfehlen wir Öle mit Briggs & Stratton-Garantiebescheinigung. Andere hochwertige HD-Öle mit der Klassifizierung "for service SF, SG, SH, SJ" oder höher sind zulässig. Keine speziellen Zusätze verwenden.

Die Umgebungstemperaturen bestimmen die richtige Ölviskosität für den Motor. Wählen Sie die beste Viskosität für den voraussichtlichen Temperaturbereich anhand des Diagramms aus.



\* Unter 4°C führt die Verwendung von SAE 30 zu Startschwierigkeiten.

\*\* Über 27°C kann 10W-30 zu höherem Ölverbrauch führen. Den Ölstand häufiger kontrollieren.

### Kontrolle/Nachfüllen von Öl - Abb. 2

Vor dem Nachfüllen von Öl bzw. der Ölstandskontrolle

- Den Motor waagrecht stellen.
  - Den Öleinfüllbereich von Fremdkörpern reinigen.
1. Den Peilstab (A) herausziehen und mit einem sauberen Lappen abwischen.
  2. Den Peilstab einsetzen, aber **nicht** festschrauben. Der Ölstand sollte an der FULL-Marke (B) am Peilstab stehen.
  3. Zum Nachfüllen das Öl langsam bis zum Überlaufpunkt in die Motoröleinfüllöffnung (C) gießen.
  4. Den Peilstab wieder einsetzen und festziehen.

### Kraftstoffempfehlungen

Kraftstoff muss diese Anforderungen erfüllen:

- Sauberes, frisches, bleifreies Benzin.
- Mindestens 87 Oktan/87 AKI (91 RON). Bei Einsatz in großen Höhen siehe unten.
- Benzin mit bis zu 10% Ethanol oder bis zu 15% MTBE ist akzeptabel.

**VORSICHT:** Kein nicht zugelassenes Benzin wie E85 verwenden. Kein Öl mit dem Benzin mischen. Den Motor nicht so modifizieren, dass er mit alternativen Kraftstoffen laufen kann. Bei Nichtbeachtung dieser Punkte werden Motorkomponenten beschädigt, und die **Motorgarantie wird aufgehoben**.

Zum Schutz der Kraftstoffanlage vor Kraftstoffrückständen sollte dem Kraftstoff ein Kraftstoffstabilisator beigemischt werden. Siehe **Lagerung**. Nicht jeder Kraftstoff ist

gleich. Wenn es zu Start- oder Leistungsproblemen kommt, sollte der Kraftstoff anderswo gekauft oder die Marke gewechselt werden. Dieser Motor ist für den Betrieb mit Benzin zugelassen. Der Motor hat das Abgassystem EM (Engine Modifications).

### Einsatz in großen Höhen

In Höhen über 1500 m ist Benzin mit mindestens 85 Oktan/85 AKI (89 RON) akzeptabel. Damit die Emissionsbestimmungen weiterhin erfüllt werden, ist eine Einstellung für große Höhen erforderlich. Wenn der Motor ohne diese Einstellung läuft, kommt es zu Leistungsabfall, erhöhtem Kraftstoffverbrauch und mehr Emissionen. Informationen zur Einstellung für große Höhen bekommen Sie bei einem Briggs & Stratton-Vertragshändler.

Es wird nicht empfohlen, den Motor in Höhen unter 760 m einzusetzen, wenn der Satz für große Höhen installiert ist.

### Nachfüllen von Kraftstoff - Abb. 3



#### ACHTUNG

**Benzin und Benzindämpfe sind extrem leicht entflammbar und explosiv. Feuer oder Explosionen können zu schweren Verbrennungen oder Tod führen.**



#### Beim Nachfüllen von Kraftstoff

- Den Motor ausschalten und mindestens 2 Minuten lang abkühlen lassen, bevor der Tankdeckel abgenommen wird.
  - Den Kraftstofftank im Freien oder in einem gut belüfteten Bereich füllen.
  - Den Kraftstofftank nicht ganz füllen, sondern nur bis ca. 38 mm unter den Rand des Einfüllstutzens, damit der Kraftstoff Platz zum Ausdehnen hat.
  - Benzin von Funken, offenen Flammen, Dauerflammen, Wärmequellen und anderen Zündquellen fernhalten.
  - Kraftstoffleitungen, Tank, Deckel und Anschlüsse regelmäßig auf Risse und undichte Stellen untersuchen und bei Bedarf austauschen.
  - Wenn Kraftstoff verschüttet wurde, warten, bis sich die Dämpfe verflüchtigt haben, bevor der Motor gestartet wird.
1. Den Bereich um den Tankdeckel von Schmutz und Fremdkörpern reinigen. Den Tankdeckel (A) abnehmen. Siehe Abb. 3.
  2. Den Kraftstofftank (B) mit Benzin füllen. Um dem Benzin Platz zum Ausdehnen zu lassen, nicht über die Unterkante des Kraftstofftankstutzens (C) hinaus füllen.
  3. Den Tankdeckel wieder anbringen.

### Start des Motors - Abb. 4 5



#### ACHTUNG

**Wenn das Starterseil schnell zurückspringt, werden Hand und Arm schneller zum Motor gezogen, als das Seil losgelassen werden kann. Es kann zu Knochenbrüchen, Quetschungen und Verstauchungen kommen.**



- Zum Start des Motors langsam am Starterseil ziehen, bis Widerstand spürbar wird, und dann kräftig ziehen, um Rückschlag zu vermeiden.



#### ACHTUNG

**Benzin und Benzindämpfe sind extrem leicht entflammbar und explosiv. Feuer oder Explosionen können zu schweren Verbrennungen oder Tod führen.**



#### Beim Start des Motors

- Darauf achten, dass Zündkerze, Schalldämpfer, Tankdeckel und Luftfilter an ihrem Platz und sicher befestigt sind.
- Nicht den Motor anlassen, wenn die Zündkerze entfernt wurde.
- Wenn der Motor überfettet ist, den Choke (falls vorhanden) auf offene/Betriebs-Position und den Gashebel (falls vorhanden) auf schnelle Position stellen und den Motor anlassen, bis er anspringt.



#### ACHTUNG

**Motoren erzeugen Kohlenmonoxid, ein geruchloses, farbloses, giftiges Gas.**








**Wenn Kohlenmonoxid eingeatmet wird, kann es zu Übelkeit, Ohnmacht oder Tod kommen.**

- Den Motor im Freien starten und laufen lassen.
- Den Motor nicht in geschlossenen Räumen starten oder laufen lassen, selbst wenn Türen oder Fenster geöffnet sind.

**VORSICHT:** Dieser Motor wird von Briggs & Stratton ohne Öl geliefert. Vor Start des Motors muss entsprechend den Anweisungen in dieser Anleitung Öl nachgefüllt werden. Wenn der Motor ohne Öl gestartet wird, wird er so beschädigt, dass er nicht mehr repariert werden kann. Dieser Schaden wird nicht von der Garantie abgedeckt.

1. Den Ölstand kontrollieren. Siehe den Abschnitt **Kontrolle/Nachfüllen von Öl**.

- Darauf achten, dass die Bedienungselemente für den Geräteantrieb (falls vorhanden) ausgeschaltet sind. Zu Position und Betätigung der Bedienungselemente siehe die Geräte-Anleitung.
- Den Stoppschalter (A) auf eingeschaltete Position stellen (Abb. 4).
- Den Gashebel (B, falls vorhanden) auf schnelle Position  stellen. Den Motor in schneller Position  laufen lassen.
- Den Chokehebel (C) auf Choke-Position  stellen.  
*Hinweis:* Beim erneuten Start eines warmen Motors ist der Choke gewöhnlich nicht nötig.
- Den Kraftstoffhahn (D) (falls vorhanden) aufdrehen (Abb. 5).
- Rücklaufstarter:** Den Starterseilgriff (E) sicher festhalten. Langsam am Starterseilgriff ziehen, bis Widerstand spürbar wird. Dann kräftig ziehen (Abb. 4).  
*Hinweis:* Wenn der Motor nach drei Versuchen nicht anspringt, konsultieren Sie **BRIGGSandSTRATTON.COM** oder rufen Sie **1-800-233-3723** an (in den USA).  
 **ACHTUNG:** Ein schnell zurückspringendes Starterseil zieht Hand und Arm schneller zum Motor, als das Seil losgelassen werden kann. Es könnte zu Knochenbrüchen, Prellungen oder Zerrungen kommen. Beim Start des Motors langsam am Starterseil ziehen, bis Widerstand spürbar wird. Dann schnell ziehen, um zu verhindern, dass das Seil zurückspringt.
- Elektrostart:** Den E-Start-Schalter auf Position An/Start stellen. Zu Position und Betätigung des Schalters siehe die Geräte-Anleitung.  
*Hinweis:* Wenn der Motor nach drei Versuchen nicht anspringt, konsultieren Sie **BRIGGSandSTRATTON.COM** oder rufen Sie **1-800-233-3723** an (in den USA).  
**VORSICHT:** Um die Lebensdauer des Anlassers zu verlängern, den Anlasser jeweils nur kurz betätigen (maximal fünf Sekunden). Zwischen den Betätigungen jeweils eine Minute warten.
- Wenn sich der Motor aufwärmt, den Choke-Hebel (C) auf Betriebs-Position  stellen (Abb. 4).

## Abstellen des Motors - Abb.



### ACHTUNG

**Benzin und Benzindämpfe sind extrem leicht entflammbar und explosiv. Feuer oder Explosionen können zu schweren Verbrennungen oder Tod führen.**



- Zum Stoppen des Motors nicht den Choke benutzen.
- Den Stoppschalter (A, Abb. 6) auf ausgeschaltete Position stellen *oder*  
**Elektrostart:** Den E-Start-Schalter auf Position Aus/Stoppen stellen. Zu Position und Betätigung des Schalters siehe die Geräte-Anleitung.
- Wenn der Motor aus ist, den Kraftstoffhahn (D, Abb. 5) zudrehen.

## Wartung

**Nehmen Sie nur Original-Ersatzteile. Andere Teile bringen u. U. nicht die gleiche Leistung, können das Gerät beschädigen und Verletzungen verursachen.** Darüber hinaus kann bei Verwendung anderer Teile die Garantie verloren gehen.

Wir empfehlen, dass Sie sich für alle Wartungsarbeiten am Motor und an Motorteilen an einen Briggs & Stratton-Vertragshändler wenden.

**VORSICHT:** Zum ordnungsgemäßen Betrieb müssen alle zum Bau dieses Motors verwendeten Komponenten an ihrem Platz bleiben.

### Abgasbegrenzung

**Wartung, Austausch oder Reparatur von Komponenten des Abgassystems bzw. kompletter Systeme können von jeder Reparaturwerkstatt bzw. jedem Mechaniker durchgeführt werden.** Um jedoch kostenloses Service am Abgassystem zu erhalten, muss die Arbeit von einem vom Werk autorisierten Fachhändler durchgeführt werden. Siehe die Gewährleistung auf das Abgasbegrenzungssystem.



### ACHTUNG

**Funken können Feuer oder Stromschläge verursachen. Ungewollter Start kann schwere Verletzungen verursachen. Feuergefahr**



### Vor Einstellungs- oder Reparaturarbeiten:

- Das Zündkabel abziehen und von der Zündkerze fern halten.
- Die richtigen Werkzeuge verwenden.
- Nicht an Reglerfeder, Gestängen oder anderen Teilen herumbasteln, um die Drehzahl zu erhöhen.

- Ersatzteile müssen den Originalteilen entsprechen und in derselben Position angebracht werden.
- Nicht mit einem Hammer oder anderen harten Gegenstand gegen das Schwungrad schlagen, weil es sonst später während des Betriebs auseinander platzen könnte.

### Bei der Zündfunkenkontrolle:

- Einen geeigneten Zündkerzenprüfer verwenden.
- Nicht bei entfernter Zündkerze kontrollieren, ob ein Zündfunke vorhanden ist.

## Wartungsplan

<b>Nach den ersten 5 Stunden</b>
<ul style="list-style-type: none"> <li>Öl wechseln</li> </ul>
<b>Alle 8 Stunden oder täglich</b>
<ul style="list-style-type: none"> <li>Motorölstand kontrollieren</li> <li>Bereich um Schalldämpfer und Bedienungselemente reinigen</li> <li>Fingerschutz reinigen</li> </ul>
<b>Alle 25 Stunden oder jährlich</b>
<ul style="list-style-type: none"> <li>Luftfilter reinigen *</li> <li>Vorfilter reinigen *</li> </ul>
<b>Alle 100 Stunden oder jährlich</b>
<ul style="list-style-type: none"> <li>Motoröl wechseln</li> <li>Schalldämpfer und Funkenfänger überprüfen</li> </ul>
<b>Alle 100 Stunden</b>
<ul style="list-style-type: none"> <li>Getriebeöl wechseln (bei Untersetzungsgetriebe)</li> </ul>
<b>Jährlich</b>
<ul style="list-style-type: none"> <li>Luftfilter austauschen</li> <li>Vorfilter austauschen</li> <li>Zündkerze austauschen</li> <li>Kraftstofffilter reinigen/austauschen</li> <li>Luftkühlungssystem reinigen *</li> <li>Ventilspiel überprüfen **</li> </ul>

\* Bei hohem Staubaufkommen oder Fremdkörpern in der Luft häufiger reinigen.

\*\* Nur erforderlich, wenn Leistungsprobleme festgestellt werden.

### Vergasereinstellung

Niemals Einstellungen am Vergaser vornehmen. Der Vergaser wurde ab Werk für effizienten Betrieb unter den meisten Einsatzbedingungen eingestellt. Falls dennoch Einstellungen erforderlich sind, wenden Sie sich bitte an einen Briggs & Stratton-Vertragshändler.

**VORSICHT:** Der Hersteller des Geräts, an dem dieser Motor installiert ist, gibt die Höchstdrehzahl an, bei der der Motor laufen soll. Diese Drehzahl **nicht überschreiten**.

### Überprüfung der Zündkerze - Abb.

Den Elektrodenabstand (A, Abb. 8) mit einer Drahtlehre (B) kontrollieren und bei Bedarf nachstellen. Die Zündkerze einsetzen und mit dem empfohlenen Anzugswert festziehen. Zu Einstellung des Elektrodenabstands und Anzugswerten siehe den Abschnitt **Technische Daten**.

*Hinweis:* In einigen Ländern sind Widerstandszündkerzen zur Unterdrückung von Zündsignalen vorgeschrieben. Wenn dieser Motor ursprünglich mit einer Widerstandszündkerze ausgestattet war, muss zum Austausch derselbe Zündkerzentyp verwendet werden.

### Überprüfung von Schalldämpfer und Funkenfänger - Abb.



### ACHTUNG

**Laufende Motoren erzeugen Wärme. Motorteile, insbesondere Schalldämpfer, werden extrem heiß.**



**Bei Berührung kann es zu schweren Verbrennungen kommen.**



**Brennbare Fremdkörper wie Laub, Gras usw. können sich entzünden.**



- Schalldämpfer, Zylinder und Kühlrippen abkühlen lassen, bevor sie berührt werden.
- Fremdkörperansammlungen vom Schalldämpfer- und Zylinderbereich entfernen.
- Einen Funkenfänger installieren und instandhalten, bevor das Gerät auf Wald-, Gras- oder Buschland eingesetzt wird.

Den Schalldämpfer (A) auf Risse, Korrosion oder andere Schäden untersuchen. Den Funkenfänger (B) entfernen (falls vorhanden) und auf Schäden und Ölkohleablagerungen untersuchen. Wenn Ersatzteile erforderlich sind, ist darauf zu achten, dass nur Originalgeräteeile verwendet werden.



**ACHTUNG:** Ersatzteile müssen mit den Originalteilen identisch sein und an denselben Positionen installiert werden. Andernfalls besteht Brandgefahr.

## Ölwechsel - Abb. 9 10

**VORSICHT:** Altöl ist ein gefährliches Abfallprodukt und muss richtig entsorgt werden. Es gehört nicht in den Hausmüll. Informationen zur Entsorgung von Altöl erhalten Sie bei Behörden, Werkstätten oder Fachhändlern.

### Ölablass

1. Bei abgestelltem aber noch warmem Motor das Zündkabel (A) abziehen und von der Zündkerze (Abb. 10) fern halten.
2. Die Ölablassschraube (B, Abb. 9) abnehmen. Das Öl in einen zugelassenen Behälter ablassen.  
*Hinweis:* Jede der abgebildeten Ölablassschrauben (C) kann im Motor angebracht werden.
3. Nachdem das Öl abgelassen worden ist, die Ölablassschraube einsetzen und festziehen.

### Nachfüllen von Öl

- Den Motor waagrecht stellen.
  - Den Öleinfüllbereich von Fremdkörpern reinigen.
  - Zum Ölfassungsvermögen siehe den Abschnitt **Spezifikationen**.
1. Den Peilstab (D) herausziehen und mit einem sauberen Lappen abwischen.
  2. Das Öl langsam bis zum Überlaufpunkt in die Motoröleinfüllöffnung (E) gießen.
  3. Den Peilstab anbringen, aber **nicht** festschrauben. Den Stab herausziehen und den Ölstand kontrollieren. Der Ölstand sollte an der FULL-Marke (F) am Peilstab stehen.
  4. Den Peilstab einsetzen und festziehen.

## Wartung des Luftfilters - Abb. 11



### ACHTUNG

**Benzin und Benzindämpfe sind extrem leicht entflammbar und explosiv. Feuer oder Explosionen können zu schweren Verbrennungen oder Tod führen.**



- Niemals den Motor mit abgenommenem Luftfilter oder Filtereinsatz starten oder laufen lassen.

**VORSICHT:** Zur Reinigung des Filters keine Druckluft und keine Lösungsmittel verwenden. Druckluft kann den Filter beschädigen, Lösungsmittel zersetzen ihn.

Am Luftfiltersystem wird ein Filtereinsatz mit optionalem Vorfilter verwendet. Der Vorfilter kann gewaschen und wiederverwendet werden.

### Flacher Luftfilter

1. Das Befestigungselement (D) lösen, mit dem die Abdeckung (A) befestigt ist. Siehe Abb. 11.
2. Die Abdeckung öffnen und den Vorfilter (C) und den Filter (B) herausnehmen.
3. Um Fremdkörper zu lösen, mit dem Filter leicht auf eine harte Oberfläche klopfen. Wenn der Filter sehr schmutzig ist, muss er ausgetauscht werden.
4. Den Vorfilter in flüssigem Reinigungsmittel und Wasser waschen. Dann gründlich an der Luft trocknen lassen. Den Vorfilter **nicht** ölen.
5. Den trockenen Vorfilter so am Filter anbringen, dass die Lippe (G) des Vorfilters unten an den Falten des Filtereinsatzes liegt.
6. Den Filter installieren.
7. Die Ansätze (E) der Abdeckung in den Schlitzen (F) anbringen.
8. Die Abdeckung schließen und mit dem Befestigungselement sichern.

## Wechsel des Getriebeöls - Abb. 12

Wenn der Motor mit einem Untersetzungsgetriebe ausgestattet ist, muss es wie folgt gewartet werden.

1. Die Öleinfüllschraube (B) und die Ölstandsschraube (C) entfernen.
2. Die Ölablassschraube (A, Abb. 12) entfernen und das Öl in einen geeigneten Behälter ablassen.
3. Die Ölablassschraube anbringen und festziehen.
4. Zum Nachfüllen langsam Getriebeöl in die Öleinfüllöffnung gießen (siehe Abschnitt **Technische Daten**). Solange gießen, bis das Öl aus der Ölstandsöffnung herausläuft.
5. Die Ölstandsschraube anbringen und festziehen.
6. Die Öleinfüllschraube anbringen und festziehen.  
**Wichtig:** Die Öleinfüllschraube hat eine Entlüftungsöffnung (D) und muss wie gezeigt oben auf der Getriebeabdeckung angebracht werden.

## Reinigung/Austausch des Kraftstofffilters - Abb. 13



### ACHTUNG

**Benzin und Benzindämpfe sind extrem leicht entflammbar und explosiv. Feuer oder Explosionen können zu schweren Verbrennungen oder Tod führen.**



- Benzin von Funken, offenen Flammen, Dauerflammen, Wärmequellen und anderen Zündquellen fernhalten.
  - Kraftstoffleitungen, Tank, Deckel und Anschlüsse regelmäßig auf Sprünge und undichte Stellen untersuchen und bei Bedarf austauschen.
  - Vor Austausch des Kraftstofffilters den Kraftstofftank leerlaufen lassen oder den Kraftstoffhahn schließen.
  - Ersatzteile müssen den Originalteilen entsprechen und in derselben Position angebracht werden.
  - Wenn Kraftstoff verschüttet wurde, warten, bis sich die Dämpfe verflüchtigt haben, bevor der Motor gestartet wird.
1. Den Tankdeckel (A, Abb. 13) abnehmen.
  2. Den Kraftstofffilter (B) abnehmen.
  3. Wenn der Kraftstofffilter schmutzig ist, muss er gereinigt oder ausgetauscht werden. Wenn der Kraftstofffilter ausgetauscht wird, ist darauf zu achten, dass ein Originalgerät-Austauschfilter verwendet wird.

## Reinigung des Luftkühlungssystems - Abb. 14



### ACHTUNG

**Laufende Motoren erzeugen Wärme. Motorteile, insbesondere Schalldämpfer, werden extrem heiß.**



**Bei Berührung kann es zu schweren Verbrennungen kommen.**

**Brennbare Fremdkörper wie Laub, Gras usw. können sich entzünden.**



- Schalldämpfer, Zylinder und Kühlrippen abkühlen lassen, bevor sie berührt werden.
  - Fremdkörperansammlungen vom Schalldämpfer- und Zylinderbereich entfernen.
- VORSICHT:** Zur Reinigung des Motors kein Wasser verwenden. Wasser könnte die Kraftstoffanlage verunreinigen. Den Motor mit einer Bürste oder einem trockenen Lappen reinigen.
- Dieser Motor ist luftgekühlt. Schmutz oder Fremdkörper können die Luftströmung einschränken und Überhitzung des Motors und in der Folge Leistungsverlust und verkürzte Lebensdauer des Motors verursachen.
- Fremdkörper mit einer Bürste oder einem trockenen Lappen vom Fingerschutz (A) beseitigen. Gestänge, Federn und Bedienungselemente (B) sauber halten. Den Bereich um und hinter dem Schalldämpfer (C) von brennbaren Fremdkörpern frei halten (Abb. 14).

### Lagerung



### ACHTUNG

**Benzin und Benzindämpfe sind extrem leicht entflammbar und explosiv. Feuer oder Explosionen können zu schweren Verbrennungen oder Tod führen.**



### Beim Lagern von Benzin oder von Geräten mit Kraftstoff im Tank

- Niemals in der Nähe von Öfen, Herden, Warmwasserbereitern oder ähnlichen Geräten mit Dauerflammen oder anderen Zündquellen abstellen, weil Benzindämpfe entzündet werden könnten.

### Kraftstoffanlage

Kraftstoff kann schlecht werden, wenn er länger als 30 Tage gelagert wird. Durch abgestandenen Kraftstoff bilden sich Rückstände in der Kraftstoffanlage oder an wichtigen Vergaserteilen. Um den Kraftstoff frisch zu halten, sollte Briggs & Stratton FRESH START®-Kraftstoffstabilisator verwendet werden, der als Flüssigzusatz oder Konzentratpatrone erhältlich ist.

Wenn ein Kraftstoffstabilisator entsprechend den Anweisungen zugegeben wird, braucht das Benzin nicht aus dem Motor abgelassen zu werden. Den Motor 2 Minuten lang laufen lassen, um den Stabilisator durch die Kraftstoffanlage zirkulieren zu lassen. Motor und Kraftstoff können dann bis zu 24 Monate gelagert werden.

Wenn das Benzin im Motor nicht mit Kraftstoffstabilisator behandelt wurde, muss es in einen zugelassenen Behälter abgelassen werden. Dann den Motor laufen lassen, bis er aus Kraftstoffmangel ausgeht. Es wird empfohlen, einen Kraftstoffstabilisator in den Lagerungsbehälter zu geben, um den Kraftstoff frisch zu halten.

### Motoröl

Bei noch warmem Motor das Motoröl wechseln.

### Fehlersuche

Brauchen Sie Hilfe? Gehen Sie zu [BRIGGSandSTRATTON.COM](http://BRIGGSandSTRATTON.COM) oder rufen Sie 1-800-233-3723 an

# Technische Daten

Motorspezifikationen	
Modell	120000
Hubraum	205 cm <sup>3</sup>
Bohrung	68,28 mm
Hub	55,88 mm
Ölmenge	0,54 - 0,59 L
Untersetzungsgetriebeöl	80W-90

Motorspezifikationen	
Modell	200000
Hubraum	305 cm <sup>3</sup>
Bohrung	79,24 mm
Hub	61,93 mm
Ölmenge	0,77 - 0,83 L
Untersetzungsgetriebeöl	SAE 30

Daten zur Motoreinstellung*	
Modell	120000
Elektrodenabstand	0,76 mm
Zündkerzendrehmoment	20 Nm
Anker-Luftspalt	0,25 - 0,36 mm
Einlassventilspiel	0,10 - 0,15 mm
Auslassventilspiel	0,23 - 0,28 mm

Daten zur Motoreinstellung*	
Modell	200000
Elektrodenabstand	0,76 mm
Zündkerzendrehmoment	20 Nm
Anker-Luftspalt	0,20 - 0,30 mm
Einlassventilspiel	0,10 - 0,15 mm
Auslassventilspiel	0,22 - 0,28 mm

\* Die Motorleistung nimmt alle 300 m über Meeresniveau um jeweils 3,5% und alle 5,6° C oberhalb von 25° C um jeweils 1% ab. Der Motor läuft zufriedenstellend bei einem Winkel bis zu 15°. Zu sicheren Betriebsgrenzen an geneigten Flächen siehe die Bedienungsanleitung des Geräts.

Übliche Ersatzteile ✓			
Ersatzteil	Teilenummer	Ersatzteil	Teilenummer
Flacher Luftfilter	491588, 5043	Widerstandszündkerze	491055
Flacher Luftfilter-Vorfilter	493537, 5064	Long-Life-Platinzündkerze	5066
Kraftstofffilter	792917	Zündkerzenschlüssel	89838, 5023
Kraftstoffzusatzstoff	5041, 5058	Funkenprüfer	19368

✓ Wir empfehlen, dass Sie sich für alle Wartungsarbeiten am Motor und an Motorteilen an einen Briggs & Stratton-Vertragshändler wenden. Benutzen Sie nur Briggs & Stratton-Originalteile.



### INGESCHRÄNKTE GEWÄHRLEISTUNG

Briggs & Stratton Corporation repariert oder ersetzt kostenlos jedes Teil oder Teile des Motors, die Material- oder Verarbeitungsschäden oder beides aufweisen. Die Kosten für den Transport von Produkten, die unter dieser Garantie für Reparatur oder Austausch eingeschickt werden, sind vom Käufer zu tragen. Diese Garantie ist für die nachstehend angegebenen Zeiträume gültig und den hier aufgeführten Bedingungen unterworfen.

**Es gibt keine andere ausdrückliche Garantieleistung. Inbegriffene Garantieleistungen, einschließlich solcher für marktgängige Qualität und Eignung für einen bestimmten Zweck, sind auf ein Jahr ab Kaufdatum beschränkt, oder alle inbegriffenen Garantieleistungen sind, soweit von der Gesetzgebung erlaubt, ausgeschlossen. Haftung für Neben- und Folgeschäden ist unter allen Garantieleistungen ausgeschlossen, soweit ein derartiger Ausschluss vom Gesetz erlaubt ist.** In manchen Ländern sind Einschränkungen hinsichtlich der Dauer einer konkludenten Garantieleistung nicht zulässig, und in manchen Ländern sind Ausschluss oder Einschränkung von Neben- oder Folgeschäden nicht zulässig, weswegen die oben aufgeführten Einschränkungen und Ausschlüsse u. U. in Ihrem Fall nicht zutreffen. Diese Garantieleistung verleiht Ihnen bestimmte Rechte, neben denen Sie noch andere Rechte haben können, die von Land zu Land abweichen.

### STANDARD-GARANTIEFRISTEN \* ▲

Marke/Produkttyp	Verbraucheranwendung	Gewerblicher Einsatz
Vanguard™	2 Jahre	2 Jahre
Extended Life Series™, I/C® <sup>®</sup> , Intek™ I/C® <sup>®</sup> , Intek™ Pro	2 Jahre	1 Jahr
Snow Series MAX™ mit Dura-Bore™-Zylinderlauffläche	2 Jahre	1 Jahr
Alle anderen Briggs & Stratton-Motoren	2 Jahre	90 Tage

\* Dies sind unsere Standard-Garantiefrieten, neben denen noch zusätzliche Garantieabdeckungen vorhanden sein können, die während des Veröffentlichungszeitpunkts noch nicht festgelegt worden waren. Eine Auflistung der aktuellen Garantiefrieten für unsere Motoren finden Sie unter BRIGGSandSTRATTON.COM oder bei Ihrem Briggs & Stratton-Fachhändler.

▲ Motoren, die an privaten Bereitschafts-Generatoren verwendet werden, fallen unter die private Nutzung. Diese Gewährleistung deckt keine Motoren an Geräten ab, die zur Erzeugung von Energie eingesetzt werden, die die Energie aus dem öffentlichen Stromnetz ersetzen soll. **Motoren, die in Rennwettbewerben oder auf gewerblichen oder Mietrennbahnen eingesetzt werden, haben keine Garantie.**

Die Garantiefriete beginnt mit dem Datum des Kaufs durch den ersten Einzelverbraucher oder gewerblichen Endverbraucher und hat die in der Tabelle oben angegebene Dauer. "Verbraucheranwendung" bedeutet die private Anwendung im Haushalt eines Verbrauchers. "Gewerblicher Einsatz" bedeutet alle anderen Anwendungen, einschließlich Anwendungen für gewerbliche, gewinnbringende oder Vermietungszwecke. Sobald ein Motor einmal gewerblich eingesetzt worden ist, wird er für die Zwecke dieser Gewährleistung auch weiterhin als Motor für den gewerblichen Einsatz angesehen.

**Die Garantie für Geräte von Briggs & Stratton ist auch ohne Registrierung rechtskräftig. Bewahren Sie Ihren Kaufbeleg gut auf. Wenn Sie bei der Forderung von Garantieleistungen keinen Beleg für das erste Kaufdatum vorlegen können, wird die Garantiezeit anhand des Datums der Herstellung des Geräts bestimmt.**

### Zur Garantie

Briggs & Stratton führt gerne Garantiereparaturen aus und entschuldigt sich für die Ihnen entstandenen Unannehmlichkeiten. Jeder Fachhändler kann Garantiereparaturen durchführen. Die meisten Garantiereparaturen sind Routinearbeiten, jedoch können Garantieanfragen manchmal nicht gerechtfertigt sein.

Wenn ein Kunde mit der Entscheidung des Vertragshändlers nicht einverstanden ist, wird eine Untersuchung durchgeführt, um zu bestimmen, ob die Garantie in Anspruch genommen werden kann. Bitten Sie den Händler, seinem Großhändler bzw. dem Werk alle zweckdienlichen Angaben zu übermitteln. Wenn der Großhändler bzw. das Werk entscheidet, dass der Anspruch gerechtfertigt ist, werden dem Kunden die defekten Teile vollständig erstattet. Zur Vermeidung von eventuellen Missverständnissen zwischen Kunden und Händlern sind nachstehend einige der Ursachen für Motordefekte aufgeführt, die von der Garantie nicht abgedeckt werden.

**Normaler Verschleiß:** Wie alle mechanischen Geräte benötigen auch Motoren zum ordnungsgemäßen Betrieb regelmäßige Wartung und Austausch von Teilen. Die Garantie deckt keine Reparaturen ab, die dadurch erforderlich werden, dass ein Teil oder ein Motor durch normalen Einsatz abgenutzt worden ist. Die Garantie trifft auch nicht auf Motorschäden zu, die durch Missbrauch, unterlassene Wartung, Transport, Lagerung oder falsche Montage verursacht werden. Die Garantie ist ebenfalls nichtig, wenn die Seriennummer des Motors entfernt oder der Motor modifiziert worden ist.

**Unzureichende Wartung:** Die Lebensdauer eines Motors ist abhängig von den Bedingungen, unter denen er eingesetzt wird, sowie von der Pflege, die er erhält. Einige Geräte wie Ackerfräsen, Pumpen und Kreiselmäher werden sehr oft in Staub oder Schmutz eingesetzt, wodurch es zu Erscheinungen kommen kann, die wie vorzeitiger Verschleiß aussehen. Derartiger Verschleiß, der durch das Eindringen von Schmutz, Staub, Zündkerzen-Reinigungsmittel oder anderen scheuernden Stoffen in den Motor aufgrund von unzureichender Wartung verursacht wurde, wird nicht durch die Garantie abgedeckt.

**Diese Garantie deckt nur Material- und/oder Verarbeitungsschäden am Motor ab, und nicht den Austausch oder die Rückerstattung für das Gerät, an dem der Motor installiert ist. Außerdem gilt die Garantie nicht für Reparaturen, die durch Folgendes notwendig geworden sind:**

- 1 Probleme durch Teile, die keine Briggs & Stratton-Originalteile sind.
- 2 Geräteregler oder -vorrichtungen, die Start verhindern, unzureichende Motorleistung verursachen oder die Motorlebensdauer verkürzen. (Wenden Sie sich an den Gerätehersteller.)

- 3 Undichte Vergaser, verstopfte Kraftstoffrohre, blockierende Ventile oder andere Schäden durch Verwendung von verunreinigtem oder altem Kraftstoff.
- 4 Teile, die riefig oder gebrochen sind, weil der Motor mit zu wenig oder verschmutztem Schmieröl oder einer falschen Schmierölsorte gelaufen ist (kontrollieren und bei Bedarf Öl nachfüllen, und die empfohlenen Ölwechselintervalle einhalten.) Das OIL-GARD-System stellt einen laufenden Motor u. U. nicht ab. Bei falschem Ölstand kann es zu Motorschaden kommen.
- 5 Reparatur oder Einstellungen montierter Teile wie Kupplungen, Getriebe, Fernbedienungen usw., die nicht von Briggs & Stratton hergestellt werden.
- 6 Schäden oder Verschleiß an Teilen durch Schmutz, der durch unzureichende Luftfilterwartung, falschen Wiederausbau oder Verwendung von nicht-originalen Luftfilterelementen oder Patronen in den Motor eingedrungen ist. In den in der Bedienungsanleitung angegebenen empfohlenen Intervallen den Filter reinigen und/oder austauschen.
- 7 Teile, die durch Überdrehen oder Überhitzung aufgrund von Gras, Fremdkörpern oder Schmutz, die die Kühlrippen oder den Schwungradbereich verstopfen, beschädigt werden, oder Schäden durch Einsatz des Motors in engen Räumen ohne ausreichende Belüftung. Fremdkörper in den in der Bedienungsanleitung angegebenen empfohlenen Intervallen vom Motor beseitigen.
- 8 Motor- oder Geräteteile, die durch starke Vibrationen durch lose Motormontage, lose Schnittmesser, unausgewuchtete Messer oder lose oder unausgewuchtete Impeller, falsche Montage des Geräts an der Motorkurbelwelle, Überdrehen oder anderen Missbrauch bei Betrieb gebrochen sind.
- 9 Eine verbogene oder gebrochene Kurbelwelle durch Auftreffen eines Kreiselmäher-Schnittmessers auf einen harten Gegenstand oder zu starke Spannung des Keilriemens.
- 10 Routineeinstellungen des Motors.
- 11 Schäden an Motor oder Motorkomponenten, d. h. an Verbrennungskammer, Ventilen, Ventilsitzen, Ventilführungen, oder durchgebrannte Starterwicklungen durch Verwendung von alternativen Kraftstoffen wie Flüssiggas, Erdgas, modifiziertes Benzin usw.

**Garantieleistungen sind nur bei Vertragshändlern der Briggs & Stratton Corporation erhältlich. Sie finden den nächsten Vertragshändler in unserem Händlerverzeichnis unter BRIGGSandSTRATTON.com oder in den Gelben Seiten.**

## Γενικές πληροφορίες

Για ανταλλακτικά ή τεχνική υποστήριξη, σημειώστε παρακάτω το μοντέλο, τον τύπο και τους κωδικούς του κινητήρα καθώς και την ημερομηνία αγοράς. Οι αριθμοί αυτοί βρίσκονται επάνω στον κινητήρα (ανατρέξτε στη σελίδα **Στοιχεία και Μοχλάϊ**).

Ημερομηνία αγοράς: \_\_\_\_\_  
MM/HH/EEEE

Μοντέλο κινητήρα: \_\_\_\_\_  
Μοντέλο: Τύπος: Κωδικός:

## Πληροφορίες για τις ονομαστικές τιμές ισχύος του κινητήρα

Οι ονομαστικές τιμές ισχύος για μεμονωμένα μοντέλα κινητήρων βενζίνης επισημαίνονται σύμφωνα με τις απαιτήσεις του κώδικα J1940 (Διαδικασία Καθορισμού Ονομαστικής Ισχύος & Ροπής Στρέψης Μικρών Κινητήρων) της SAE (Society of Automotive Engineers), και η απόδοση των ονομαστικών τιμών έχει υπολογιστεί και διορθωθεί σύμφωνα με τον κώδικα J1995 της SAE (Αναθεώρηση 2002-05). Οι τιμές της ροπής στρέψης προκύπτουν με βάση τις 3060 RPM. Οι τιμές της υποδύναμης προκύπτουν με βάση τις 3600 RPM. Η πραγματική ισχύς του κινητήρα μπορεί να είναι μικρότερη και επηρεάζεται, μεταξύ άλλων, από τις περιβαλλοντικές συνθήκες λειτουργίας και από τις παραλλαγές μεταξύ κινητήρων. Δεδομένης της ευρείας γκάμας των προϊόντων στα οποία τοποθετούνται οι κινητήρες καθώς και των ποικίλων περιβαλλοντικών παραμέτρων υπό τις οποίες μπορεί να λειτουργεί το μηχανήμα, ο κινητήρας βενζίνης ενδέχεται να μην αναπτύσσει την ονομαστική ισχύ όταν χρησιμοποιείται σε έναν συγκεκριμένο εξοπλισμό (πραγματική ισχύς κατά τη λειτουργία ή καθαρή ιπποδύναμη). Η διαφορά αυτή οφείλεται σε ποικιλία παραγόντων μεταξύ των οποίων, τα εξαρτήματα (φίλτρο αέρα, εξάτμιση, τροφοδότηση, ψύξη, καρμπυρατέρ, αντλία καυσίμου, κ.λπ.), οι περιορισμοί της εφαρμογής, οι περιβαλλοντικές συνθήκες λειτουργίας (θερμοκρασία, υγρασία, υψόμετρο), και οι παραλλαγές μεταξύ κινητήρων. Λόγω των περιορισμών που επιβάλλονται ως προς την κατασκευή και τη χωρητικότητα, η Briggs & Stratton μπορεί για τη συγκεκριμένη σειρά κινητήρων να χρησιμοποιήσει κινητήρες χαμηλότερης ονομαστικής ισχύος.

## Ασφάλεια Χειριστή

### ΣΥΜΒΟΛΑ ΑΣΦΑΛΕΙΑΣ ΚΑΙ ΕΛΕΓΧΟΥ



Το σύμβολο συναγερμού ασφάλειας χρησιμοποιείται για την αναγνώριση πληροφοριών ασφάλειας σε σχέση με κινδύνους οι οποίοι μπορούν να επιφέρουν προσωπικό τραυματισμό. Το σύμβολο συναγερμού συνοδεύεται από μια ενδεικτική λέξη (ΚΙΝΔΥΝΟΣ, ΠΡΟΕΙΔΟΠΟΙΗΣΗ ή ΠΡΟΣΟΧΗ), δηλωτική της πιθανότητας τραυματισμού και της ενδεχόμενης σοβαρότητας αυτού. Επιπλέον, μπορεί να χρησιμοποιείται και ένα σύμβολο κινδύνου, ενδεικτικό του τύπου κινδύνου.

Η ένδειξη **ΚΙΝΔΥΝΟΣ** δηλώνει κίνδυνο ο οποίος, εάν δεν αποφευχθεί, θα προκαλέσει θάνατο ή σοβαρό τραυματισμό.

Η ένδειξη **ΠΡΟΕΙΔΟΠΟΙΗΣΗ** δηλώνει κίνδυνο ο οποίος, εάν δεν αποφευχθεί, θα μπορούσε να προκαλέσει θάνατο ή σοβαρό τραυματισμό.

Η ένδειξη **ΠΡΟΣΟΧΗ** δηλώνει κίνδυνο ο οποίος, εάν δεν αποφευχθεί, ίσως να προκαλέσει τραυματισμό μικρού ή μεσαίου βαθμού.

Η ένδειξη **ΠΡΟΣΟΧΗ**, όταν χρησιμοποιείται **χωρίς** το σύμβολο προειδοποίησης, δηλώνει μια κατάσταση η οποία **θα μπορούσε να προκαλέσει βλάβη του προϊόντος**.

**ΠΡΟΕΙΔΟΠΟΙΗΣΗ**

Τα αέρια που εκπέμπει ο παρών κινητήρας περιέχουν χημικές ουσίες οι οποίες, σύμφωνα με έρευνες που πραγματοποιήθηκαν στην Πολιτεία της Καλιφόρνια, προκαλούν καρκίνο, γενετικές ατέλειες, ή άλλες γενετικές βλάβες.

**ΠΡΟΕΙΔΟΠΟΙΗΣΗ**

Η Briggs & Stratton δεν εγκρίνει και δεν επιτρέπει τη χρήση των εν λόγω κινητήρων σε 3τροχα οχήματα παντός εδάφους (ATVs), μοτοσυκλέτες, αυτοκινητίδια αναψυχής (go-karts), αεροσκάφη ή αγωνιστικά οχήματα. Η χρήση των κινητήρων σε τέτοιες εφαρμογές μπορεί να προκαλέσει υλικές ζημιές, σοβαρό τραυματισμό (μεταξύ άλλων παράλυση), ακόμη και θάνατο.

**ΠΡΟΣΟΧΗ:** Ο κινητήρας αποστέλλεται από την Briggs & Stratton χωρίς λάδι. Προτού εκκινήσετε τον κινητήρα, βεβαιωθείτε ότι έχετε προσθέσει λάδι σύμφωνα με τις οδηγίες που παρέχονται στο εγχειρίδιο. Εάν ο κινητήρας τεθεί σε λειτουργία χωρίς λάδι, τότε θα υποστεί ανεπανόρθωτη βλάβη και δεν θα καλύπτεται από την εγγύηση.

**ΠΡΟΕΙΔΟΠΟΙΗΣΗ**

Η βενζίνη και οι αναθυμιάσεις της αποτελούν εξαιρετικά εύφλεκτες και εκρηκτικές ουσίες.

**Ενδεχόμενη φωτιά ή έκρηξη μπορούν να προκαλέσουν σοβαρά εγκαύματα ή θάνατο.**

### Κατά την προσθήκη καυσίμου

- Σβήστε τον κινητήρα και αφήστε τον να κρυώσει για τουλάχιστον 2 λεπτά προτού να αφαιρέσετε το πώμα του δοχείου καυσίμου.
- Γεμίστε το ντεπόζιτο καυσίμου σε εξωτερικό ή καλά αεριζόμενο χώρο.
- Μην υπερπληρώνετε το δοχείο. Αφήστε ένα κενό περίπου 38 mm (1,5 ίντσα) κάτω από το στόμιο ώστε να είναι δυνατή η εκτόνωση του καυσίμου.
- Διατηρείτε τη βενζίνη μακριά από σπινθήρες, γυμνή φλόγα, ενδεικτικές λυχνίες, θερμότητα, και άλλες πηγές ανάφλεξης.
- Ελέγχετε συχνά τις σωληνώσεις καυσίμου, το ντεπόζιτο καυσίμου, το πώμα και τα εξαρτήματα για ρωγμές ή διαρροές. Προβείτε σε αντικαταστάσεις εάν είναι απαραίτητο.
- Εάν χυθεί καύσιμο, περιμένετε έως ότου εξατμιστεί προτού να προβείτε σε εκκίνηση του κινητήρα.

### Κατά την εκκίνηση του κινητήρα

- Βεβαιωθείτε ότι το μπουζί, η εξάτμιση, το πώμα του ντεπόζιτου καυσίμου και το φίλτρο αέρα (εάν υπάρχει) βρίσκονται στη θέση τους και ότι έχουν στερεωθεί καλά.
- Μην προσπαθείτε να εκκινήσετε τον κινητήρα με βγαλμένο το μπουζί.
- Εάν ο κινητήρας μπουκώσει, θέστε το τσοκ (εάν υπάρχει) στη θέση OPEN/RUN, μετακινήστε τον μοχλό του γκαζιού (εάν υπάρχει) στη θέση FAST και τραβήξτε το σχοινί εκκίνησης επανειλημμένα έως ότου ο κινητήρας τεθεί σε λειτουργία.

### Κατά τον χειρισμό του εξοπλισμού

- Μην δίνετε στον κινητήρα ή τον εξοπλισμό κλίση σε γωνία που προκαλεί έκχυση βενζίνης.
- Μην κλείνετε τον αέρα στο καρμπυρατέρ για να σταματήσετε τον κινητήρα.
- Ο κινητήρας δεν πρέπει να τίθεται σε λειτουργία ή να λειτουργεί χωρίς το συγκρότημα του φίλτρου αέρα (εάν υπάρχει) ή το φίλτρο αέρα (εάν υπάρχει).

### Κατά την αλλαγή λαδιού

- Εάν αδειάζετε το λάδι από τον επάνω σωλήνα πλήρωσης λαδιού, το δοχείο πρέπει να είναι άδειο, διαφορετικά υπάρχει κίνδυνος διαρροής καυσίμου και πρόκλησης πυρκαγιάς ή έκρηξης.

### Κατά τη μεταφορά του εξοπλισμού

- Μεταφέρετε τον εξοπλισμό με το ντεπόζιτο καυσίμου ΑΔΕΙΟ ή με τη βαλβίδα παροχής καυσίμου κλειστή (θέση OFF).

### Για την αποθήκευση βενζίνης ή εξοπλισμού με γεμάτο ντεπόζιτο καυσίμου

- Αποθηκεύετε μακριά από φούρνους, θερμάστρες, θερμοσίφωνες ή άλλες συσκευές που χρησιμοποιούν ενδεικτική λυχνία ή άλλες ενδεχόμενες πηγές ανάφλεξης των αναθυμιάσεων της βενζίνης.



### ΠΡΟΕΙΔΟΠΟΙΗΣΗ



Η εκκίνηση του κινητήρα προκαλεί σπινθηρισμούς. Οι σπινθηρισμοί μπορούν να προκαλέσουν ανάφλεξη παρακείμενων εύφλεκτων αερίων.



Θα μπορούσαν να προκληθούν έκρηξη και φωτιά.

- Εάν στην περιοχή υπάρχει διαρροή φυσικού αερίου ή υγραερίου, μην θέτετε σε λειτουργία τον κινητήρα.
- Μην χρησιμοποιείτε ρευστά εκκίνησης υπό πίεση. Οι αναθυμιάσεις είναι εύφλεκες.



### ΠΡΟΕΙΔΟΠΟΙΗΣΗ



Οι κινητήρες εκπέμπουν μονοξειδίο του άνθρακα, ένα άοσμο, άχρωμο, δηλητηριώδες αέριο.

Η εισπνοή του μονοξειδίου του άνθρακα μπορεί να προκαλέσει ναυτία, λιποθυμία ή θάνατο.

- Εκκινείτε και λειτουργείτε τον κινητήρα σε εξωτερικό χώρο.
- Μην προβαίνετε σε εκκίνηση και λειτουργία του κινητήρα σε κλειστό χώρο, ακόμη και αν οι πόρτες και τα παράθυρα είναι ανοικτά.



### ΠΡΟΕΙΔΟΠΟΙΗΣΗ



Η ταχεία επανατύλιξη του σχοινιού εκκίνησης (κλώτσημα) θα τραβήξει το χέρι και τον βραχιόνά σας προς τον κινητήρα πριν προλάβετε να αφήσετε το σχοινί.

Ενδέχεται να υποστείτε κατάγματα, συντριπτικά κατάγματα, μώλωπες ή διαστρέμματα.

- Κατά την εκκίνηση του κινητήρα, τραβήξτε το σχοινί εκκίνησης αργά έως ότου αισθανθείτε αντίσταση και, στη συνέχεια, τραβήξτε απότομα για να αποφύγετε τυχόν κλώτσημα.
- Πριν να εκκινήσετε τον κινητήρα, αφαιρέστε όλα τα εξωτερικά φορτία του εξοπλισμού/κινητήρα.
- Εξαρτήματα άμεσης ζεύξης όπως, μεταξύ άλλων, λεπίδες, πτερωτές, τροχαλίες, αλυσοτροχοί, κλπ., πρέπει να ασφαλιζονται.



### ΠΡΟΕΙΔΟΠΟΙΗΣΗ



Τα περιστρεφόμενα εξαρτήματα μπορούν να αγγίξουν ή να μαγκώσουν χέρια, πόδια, μαλλιά, ρούχα ή αξεσουάρ.

Ενδέχεται να προκληθεί ακρωτηριασμός ή σοβαρής μορφής κατατεμαχισμός.

- Όταν χειρίζεστε τον εξοπλισμό φροντίστε ώστε οι προφυλακτικές να βρίσκονται εγκαταστημένοι στη θέση τους.
- Κρατάτε τα χέρια και τα πόδια σας μακριά από τα περιστρεφόμενα εξαρτήματα.
- Μαζέψτε τα μαλλιά σας, εάν είναι μακριά, και αφαιρέστε τυχόν κοσμήματα.
- Μην φοράτε ρούχα που εφαρμόζουν χαλαρά επάνω σας, κορδόνια που κρέμονται ή είδη που θα μπορούσαν να πιαστούν στα περιστρεφόμενα εξαρτήματα του κινητήρα.



### ΠΡΟΕΙΔΟΠΟΙΗΣΗ



Η λειτουργία των κινητήρων παράγει θερμότητα. Τα εξαρτήματα του κινητήρα, και ιδιαίτερα η εξάτμιση, λαμβάνουν εξαιρετικά υψηλές θερμοκρασίες.



Τυχόν επαφή μπορεί να προκαλέσει σοβαρά εγκαύματα.

Υπολείμματα καύσιμων υλών, όπως φύλλα, γρασίδι, φύλλα θάμνων, κλπ. μπορούν να πιάσουν φωτιά.

- Μην αγγίζετε την εξάτμιση, τον κύλινδρο του κινητήρα και τα πτερύγια όσο είναι ακόμη θερμά.
- Απομακρύνετε τα συσσωρευμένα υπολείμματα από την περιοχή της εξάτμισης και του κυλίνδρου.
- Εγκαταστήστε και διατηρείτε σε λειτουργική κατάσταση μια σήτα συγκράτησης σπινθήρων πριν τη χρήση του εξοπλισμού σε δασώδη, χλωώδη, θαμνώδη άγρια περιοχή, όπως απαιτείται από τη νομοθεσία της πολιτείας της Καλιφόρνια (Τμήμα 4442 του Κώδικα περί Φυσικών Πόρων της Καλιφόρνια). Παρόμοιοι νόμοι ενδέχεται να ισχύουν και σε άλλες πολιτείες. Στην περίπτωση ομοσπονδιακού εδάφους ισχύει η ομοσπονδιακή νομοθεσία.



### ΠΡΟΕΙΔΟΠΟΙΗΣΗ



Τυχόν ακούσιοι σπινθηρισμοί μπορούν να προκαλέσουν φωτιά ή ηλεκτροπληξία.



Τυχόν ακούσια εκκίνηση μπορεί να προκαλέσει εμπλοκή μέλους στον κινητήρα, ακρωτηριασμό, ή κατατεμαχισμό.

Κίνδυνος πυρκαγιάς



#### Πριν από την εκτέλεση ρυθμίσεων ή επισκευών

- Αποσυνδέστε το καλώδιο του μπουζί και κρατήστε το μακριά από το μπουζί.
- Αποσυνδέστε τον αρνητικό πόλο της μπαταρίας (μόνο για μηχανές με ηλεκτρική εκκίνηση).
- Χρησιμοποιείτε αποκλειστικά και μόνο τα κατάλληλα εργαλεία.
- Μην επεμβαίνετε στα ελατήρια του ρυθμιστή ταχύτητας, τους μηχανισμούς ή τα άλλα εξαρτήματα για να αυξήσετε την ταχύτητα του κινητήρα.
- Τα ανταλλακτικά πρέπει να είναι ίδια και να τοποθετούνται στην ίδια θέση με τα αυθεντικά.
- Μην χτυπάτε την πτερωτή με σφυρί ή άλλο σκληρό αντικείμενο, διότι υπάρχει κίνδυνος να σπάσει κατά τη λειτουργία.

#### Κατά τον έλεγχο για σπινθήρα:

- Χρησιμοποιείτε εγκεκριμένη διάταξη δοκιμής μπουζί.
- Μην ελέγχετε για σπινθήρα ενώ έχετε αφαιρέσει το μπουζί.

# Στοιχεία και Μοχλοί

Για να εξοικειωθείτε με τη θέση των διαφόρων στοιχείων και μοχλών, συγκρίνετε την εικόνα **1** με τον κινητήρα σας.

- A. Στοιχεία κινητήρα  
Μοντέλο Τύπος Κωδικός
- B. Μπουζί
- C. Ντεπόζιτο καυσίμου και πώμα
- D. Φίλτρο αέρα
- E. Λαβή σχοινίου εκκίνησης
- F. Πώμα πλήρωσης λαδιού και δείκτης στάθμης λαδιού
- G. Πώμα αδειάσματος λαδιού
- H. Εξάτμιση  
Προστατευτικό εξάτμισης (προαιρετικό)  
Σήτα συγκράτησης σπινθήρων (προαιρετικό)
- I. Μοχλός τσοκ
- J. Μοχλός γκαζιού (προαιρετικό)
- K. Διακόπτης παύσης
- L. Βαλβίδα διακοπής παροχής (προαιρετικό)
- M. Προστατευτικό δακτύλων
- N. Μονάδα μειωτήρα (προαιρετικό)

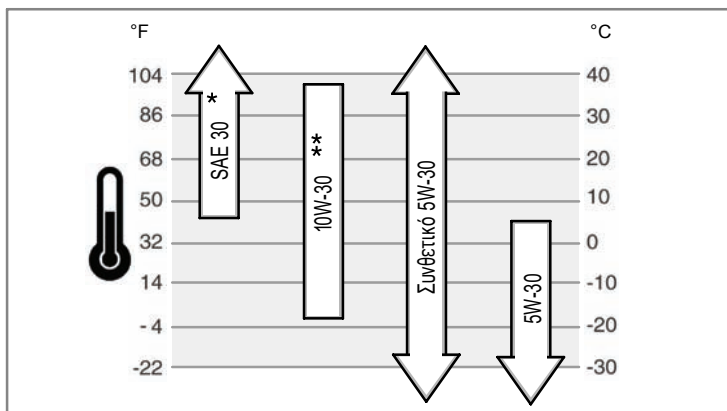
## Λειτουργία

Χωρητικότητα λαδιού (ανατρέξτε στην ενότητα **Προδιαγραφές**)

### Συστάσεις για το λάδι

Για βέλτιστη απόδοση συνιστάται η χρήση πιστοποιημένων, βάσει εγγύησης, λαδιών της Briggs & Stratton. Επιτρέπεται επίσης η χρήση άλλων λαδιών υψηλής ποιότητας με κατάταξη για συντήρηση SF, SG, SH, SJ ή υψηλότερη. Μην χρησιμοποιείτε ειδικά προσθετικά.

Το σωστό ιξώδες του λαδιού για τον κινητήρα εξαρτάται από την εξωτερική θερμοκρασία. Για να επιλέξετε το σωστό ιξώδες χρησιμοποιήστε το διάγραμμα του προβλεπόμενου εύρους θερμοκρασιών.



\* Η χρήση λαδιού SAE 30 σε θερμοκρασίες κάτω των 40°F (4°C) θα έχει ως αποτέλεσμα τη δύσκολη εκκίνηση του κινητήρα.

\*\* Η χρήση λαδιού 10W-30 σε θερμοκρασίες άνω των 80°F (27°C) θα έχει ως αποτέλεσμα την αυξημένη κατανάλωση λαδιού. Ελέγχετε συχνότερα τη στάθμη του λαδιού.

### Έλεγχος/Προσθήκη λαδιού - Εικόνα 2

Πριν από την προσθήκη ή τον έλεγχο του λαδιού

- Φέρτε τον κινητήρα σε οριζόντια θέση.
- Καθαρίστε την περιοχή γύρω από το πώμα πλήρωσης λαδιού από τυχόν υπολείμματα.
- 1. Αφαιρέστε τον δείκτη στάθμης λαδιού (A) και σκουπίστε τον με καθαρό πανί.
- 2. Εισάγετε τον δείκτη στάθμης λαδιού αλλά **μην** τον βιδώσετε. Η στάθμη του λαδιού πρέπει να βρίσκεται στην ένδειξη FULL (γεμάτο) (B) του δείκτη.
- 3. Προσθέστε λάδι χύνοντάς το αργά στην οπή πλήρωσης λαδιού του κινητήρα (C). Γεμίστε έως το σημείο υπερχείλισης.
- 4. Επανατοποθετήστε και σφίξτε τον δείκτη στάθμης λαδιού.

### Συστάσεις για το καύσιμο

Το καύσιμο πρέπει να πληροί τις ακόλουθες απαιτήσεις:

- Καθαρή, φρέσκια, αμόλυβδη βενζίνη.
- Αριθμός οκτανίων τουλάχιστον 87/87 AKI (91 RON). Για λειτουργία σε μεγάλο υψόμετρο, βλέπε παρακάτω.

- Βενζίνη με έως και 10 % περιεκτικότητα σε αιθανόλη (βενζόλη) ή έως και 15 % περιεκτικότητα σε MTBE (τριτοταγή μεθυλο-βουτυλ-αιθέρα) είναι αποδεκτή.

**ΠΡΟΣΟΧΗ:** Μην χρησιμοποιείτε μη εγκεκριμένη βενζίνη όπως η E85. Μην αναμιγνύετε λάδι με βενζίνη και μην τροποποιείτε τον κινητήρα προκειμένου να λειτουργήσει με άλλα καύσιμα, διότι κατ' αυτόν τον τρόπο θα προκληθεί βλάβη στα εξαρτήματα του κινητήρα και η **εγγύηση θα καταστεί άκυρη**.

Για να προστατέψετε το σύστημα καύσης από τον σχηματισμό υπολειμμάτων, αναμίξτε το καύσιμο με σταθεροποιητικό καυσίμου. Βλ. **Αποθήκευση**. Όλα τα καύσιμα δεν είναι ίδια. Εάν διαπιστώσετε προβλήματα στην εκκίνηση ή την απόδοση του κινητήρα, αλλάξτε προμηθευτές ή μάρκα καυσίμου. Ο παρών κινητήρας έχει πιστοποιηθεί για λειτουργία με βενζίνη. Το σύστημα ελέγχου εκπομπών καυσαερίων για τον συγκεκριμένο κινητήρα είναι EM (Τροποποιήσεις Κινητήρα)

### Μεγάλο υψόμετρο

Σε υψόμετρα μεγαλύτερα από 1524 μέτρα (5.000 πόδια), είναι αποδεκτή η χρήση βενζίνης τουλάχιστον 85 οκτανίων/85 AKI (89 RON). Για να διασφαλιστεί η συμμόρφωση προς τις απαιτήσεις σχετικά με τις εκπομπές καυσαερίων, απαιτείται ρύθμιση για μεγάλα υψόμετρα. Η λειτουργία χωρίς τη συγκεκριμένη ρύθμιση θα έχει ως αποτέλεσμα μειωμένη απόδοση, αυξημένη κατανάλωση καυσίμων και αυξημένες εκπομπές καυσαερίων. Για πληροφορίες σχετικά με τη ρύθμιση για υψηλά υψόμετρα απευθυνθείτε σε εξουσιοδοτημένο αντιπρόσωπο της Briggs & Stratton.

Η λειτουργία του κινητήρα σε υψόμετρα μικρότερα από 762 μέτρα (2.500 πόδια) με το κιτ μεγάλων υψομέτρων αντενδείκνυται.

### Προσθήκη καυσίμου - Εικόνα 3



#### ΠΡΟΕΙΔΟΠΟΙΗΣΗ

Η βενζίνη και οι αναθυμιάσεις της αποτελούν εξαιρετικά εύφλεκτες και εκρηκτικές ουσίες.



Ενδεχόμενη φωτιά ή έκρηξη μπορούν να προκαλέσουν σοβαρά εγκαύματα ή θάνατο.

#### Κατά την προσθήκη καυσίμου

- Σβήστε τον κινητήρα (θέση OFF) και αφήστε τον να κρυώσει για τουλάχιστον 2 λεπτά προτού να αφαιρέσετε το πώμα του δοχείου καυσίμου.
  - Γεμίστε το ντεπόζιτο καυσίμου σε εξωτερικό ή καλά αεριζόμενο χώρο.
  - Μην υπερπληρώνετε το δοχείο. Αφήστε ένα κενό περίπου 38 mm (1,5 ίντσες) κάτω από το στόμιο ώστε να είναι δυνατή η εκτόνωση του καυσίμου.
  - Διατηρείτε τη βενζίνη μακριά από σπινθήρες, γυμνή φλόγα, ενδεικτικές λυχνίες, θερμότητα, και άλλες πηγές ανάφλεξης.
  - Ελέγχετε συχνά τις σωληνώσεις καυσίμου, το ντεπόζιτο καυσίμου, το πώμα και τα εξαρτήματα για ρωγμές ή διαρροές. Προβείτε σε αντικαταστάσεις εάν είναι απαραίτητο.
  - Εάν χυθεί καύσιμο, περιμένετε έως ότου εξατμιστεί προτού να προβείτε σε εκκίνηση του κινητήρα.
1. Απομακρύνετε ακαθαρσίες και υπολείμματα από την περιοχή γύρω από το πώμα του ντεπόζιτου καυσίμου. Αφαιρέστε το πώμα του ντεπόζιτου καυσίμων (A). Βλέπε Εικόνα 3.
  2. Γεμίστε το ντεπόζιτο (B) με βενζίνη. Μην υπερβαίνετε το κάτω μέρος του στομίου πλήρωσης, ώστε να μην παρεμποδίζεται η διαστολή του καυσίμου (C).
  3. Επανατοποθετήστε το πώμα του ντεπόζιτου καυσίμου.

### Εκκίνηση κινητήρα - Εικόνα 4 5



#### ΠΡΟΕΙΔΟΠΟΙΗΣΗ

Η ταχεία επανατύλιξη του σχοινίου εκκίνησης (κλώτσημα) θα τραβήξει το χέρι και τον βραχίονά σας προς τον κινητήρα πριν προλάβετε να αφήσετε το σχοινί.



Ενδέχεται να υποστείτε κατάγματα, συντριπτικά κατάγματα, μώλωπες ή διαστρέμματα.

- Κατά την εκκίνηση του κινητήρα, τραβήξτε το σχοινί εκκίνησης αργά έως ότου αισθανθείτε αντίσταση και, στη συνέχεια, τραβήξτε απότομα για να αποφύγετε τυχόν κλώτσημα.



#### ΠΡΟΕΙΔΟΠΟΙΗΣΗ

Η βενζίνη και οι αναθυμιάσεις της αποτελούν εξαιρετικά εύφλεκτες και εκρηκτικές ουσίες.



Ενδεχόμενη φωτιά ή έκρηξη μπορούν να προκαλέσουν σοβαρά εγκαύματα ή θάνατο.

#### Κατά την εκκίνηση του κινητήρα

- Βεβαιωθείτε ότι το μπουζί, η εξάτμιση, το πώμα του ντεπόζιτου καυσίμου και το φίλτρο αέρα βρίσκονται στη θέση τους και ότι έχουν στερεωθεί καλά.
- Μην προσπαθείτε να εκκινήσετε τον κινητήρα με βγαλμένο το μπουζί.
- Εάν ο κινητήρας μπουκώσει, θέστε το τσοκ (εάν υπάρχει) στη θέση open/run, μετακινήστε τον μοχλό του γκαζιού (εάν υπάρχει) στη θέση fast και τραβήξτε το σχοινί εκκίνησης επανειλημμένα έως ότου ο κινητήρας τεθεί σε λειτουργία.






## ΠΡΟΕΙΔΟΠΟΙΗΣΗ

Οι κινητήρες εκπέμπουν μονοξειδίο του άνθρακα, ένα άοσμο, άχρωμο, δηλητηριώδες αέριο.

Η εισπνοή του μονοξειδίου του άνθρακα μπορεί να προκαλέσει ναυτία, λιποθυμία ή θάνατο.

- Εκκινείτε και λειτουργείτε τον κινητήρα σε εξωτερικό χώρο.
- Μην προβαίνετε σε εκκίνηση και λειτουργία του κινητήρα σε κλειστό χώρο, ακόμη και αν οι πόρτες και τα παράθυρα είναι ανοικτά.

**ΠΡΟΣΟΧΗ:** Ο κινητήρας αποστέλλεται από την Briggs & Stratton χωρίς λάδι. Προτού εκκινήσετε τον κινητήρα, βεβαιωθείτε ότι έχετε προσθέσει λάδι σύμφωνα με τις οδηγίες που παρέχονται στο εγχειρίδιο. Εάν θέσετε τον κινητήρα σε λειτουργία χωρίς λάδι, θα υποστεί ανεπανόρθωτη βλάβη η οποία δεν καλύπτεται από την εγγύηση.

1. Ελέγξτε τη στάθμη του λαδιού. Ανατρέξτε στην ενότητα **Έλεγχος/Προσθήκη λαδιού**.
2. Βεβαιωθείτε ότι όλοι οι μοχλοί του συστήματος μετάδοσης κίνησης του μηχανήματος, εάν υπάρχουν, είναι απασφαλισμένοι. Ανατρέξτε στο εγχειρίδιο του μηχανήματος για τη θέση και τη λειτουργία των εν λόγω μοχλών.
3. Φέρτε τον διακόπτη λειτουργίας (A) στη θέση on (ενεργοποίηση) (Εικόνα 4).
4. Μετακινήστε τον μοχλό του γκαζιού (B), εάν υπάρχει, στη θέση fast . Χειριστείτε τον κινητήρα στη θέση fast .
5. Μετακινήστε τον μοχλό του τσοκ (C) στη θέση choke .

*Σημείωση:* Στις περισσότερες περιπτώσεις δε χρειάζεται να χρησιμοποιήσετε το τσοκ κατά την επανεκκίνηση ενός κινητήρα που είναι ήδη ζεστός.

6. Στρέψτε τη βαλβίδα παροχής καυσίμου (D), εάν υπάρχει, στη θέση on (Εικόνα 5).
7. **Χειροκίνητη εκκίνηση:** Κρατήστε καλά τη χειρολαβή του σχοινού εκκίνησης (E). Τραβήξτε τη χειρολαβή του σχοινού εκκίνησης αργά, μέχρι να συναντήσετε αντίσταση και, στη συνέχεια, τραβήξτε απότομα (Εικόνα 4).

*Σημείωση:* Εάν ο κινητήρας δεν εκκινήσει μετά από τρεις προσπάθειες, επισκεφθείτε τη σελίδα **BRIGGSandSTRATTON.COM** στο Διαδίκτυο ή καλέστε στο **1-800-233-3723** (για τις ΗΠΑ).



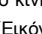
## ΠΡΟΕΙΔΟΠΟΙΗΣΗ:

Η ταχεία επανατύλιξη του σχοινού εκκίνησης (κλώστια) θα τραβήξει το χέρι και τον βραχίονά σας προς τον κινητήρα πριν προλάβετε να αφήσετε το σχοινί. Ενδέχεται να υποστείτε κατάγματα, συντριπτικά κατάγματα, μώλωπες ή διαστρέμματα. Κατά την εκκίνηση του κινητήρα, τραβήξτε το σχοινί αργά μέχρι να συναντήσετε αντίσταση και, στη συνέχεια, τραβήξτε απότομα.

8. **Ηλεκτρική εκκίνηση:** Στρέψτε τον διακόπτη ηλεκτρικής εκκίνησης στη θέση on/start. Ανατρέξτε στο εγχειρίδιο του μηχανήματος για τη θέση και τη λειτουργία του διακόπτη.

*Σημείωση:* Εάν ο κινητήρας δεν εκκινήσει μετά από τρεις προσπάθειες, επισκεφθείτε τη σελίδα **BRIGGSandSTRATTON.COM** στο Διαδίκτυο ή καλέστε στο **1-800-233-3723** (για τις ΗΠΑ).

**ΠΡΟΣΟΧΗ:** Για να επιμηκύνετε τη διάρκεια ζωής του εκκινήτη χρησιμοποιείτε κύκλους εκκίνησης μικρού χρονικού διαστήματος (πέντε δευτερόλεπτα το μέγιστο). Περιμένετε για ένα λεπτό μεταξύ των κύκλων εκκίνησης.

9. Επειδή ο κινητήρας θερμαίνεται, μετακινήστε τον μοχλό του τσοκ (C) στη θέση run  (Εικόνα 4).

## Διακοπή λειτουργίας του κινητήρα - Εικόνα



## ΠΡΟΕΙΔΟΠΟΙΗΣΗ

Η βενζίνη και οι αναθυμιάσεις της αποτελούν εξαιρετικά εύφλεκτες και εκρηκτικές ουσίες.

Ενδεχόμενη φωτιά ή έκρηξη μπορούν να προκαλέσουν σοβαρά εγκαύματα ή θάνατο.

- Μην κλείνετε τον αέρα στο καρμπυρατέρ για να σταματήσετε τον κινητήρα.

1. Φέρτε τον διακόπτη (A, Εικόνα 6) στη θέση off (απενεργοποίηση)

**Ηλεκτρική εκκίνηση:** Στρέψτε τον διακόπτη ηλεκτρικής εκκίνησης στη θέση off/stop. Ανατρέξτε στο εγχειρίδιο του μηχανήματος για τη θέση και τη λειτουργία του διακόπτη.

2. Όταν ο κινητήρας σταματήσει, στρέψτε τη βαλβίδα παροχής καυσίμου (D, Εικόνα 5) στην κλειστή θέση.



## Συντήρηση

Χρησιμοποιείτε μόνο γνήσια ανταλλακτικά. Με τη χρήση άλλων εξαρτημάτων ενδέχεται να επηρεαστεί η απόδοση, να προκληθεί βλάβη στη μονάδα και τραυματισμός. Επιπλέον, η χρήση άλλων εξαρτημάτων μπορεί να ακυρώσει την εγγύησή σας.

Για κάθε εργασία συντήρησης του κινητήρα και των εξαρτημάτων του σας συνιστούμε να επισκέπτεστε εξουσιοδοτημένο αντιπρόσωπο της Briggs & Stratton.

**ΠΡΟΣΟΧΗ:** Για να διασφαλιστεί η ομαλή λειτουργία αυτού του κινητήρα, όλα τα εξαρτήματα που χρησιμοποιήθηκαν για την κατασκευή του πρέπει να παραμείνουν στη θέση τους.

## Έλεγχος Εκπομπών Καυσαερίων

Τις εργασίες συντήρησης, αντικατάστασης και επισκευής των συσκευών και συστημάτων ελέγχου εκπομπών κινητήρων που χρησιμοποιούνται εκτός δρόμου μπορούν να αναλαμβάνουν ιδιώτες ή εταιρείες επισκευής. Ωστόσο, την εργασία για έλεγχο εκπομπών καυσαερίων χωρίς επιβάρυνση, πρέπει να αναλαμβάνει εξουσιοδοτημένος αντιπρόσωπος του κατασκευαστή. Ανατρέξτε στην Εγγύηση του Συστήματος Εκπομπών Καυσαερίου.



## ΠΡΟΕΙΔΟΠΟΙΗΣΗ

Τυχόν ακούσιοι σπινθηρισμοί μπορούν να προκαλέσουν φωτιά ή ηλεκτροπληξία.

Τυχόν ακούσια εκκίνηση μπορεί να προκαλέσει εμπλοκή μέλους στον κινητήρα, ακρωτηριασμό, ή κατατεμαχισμό.

Κίνδυνος πυρκαγιάς



## Πριν από την εκτέλεση ρυθμίσεων ή επισκευών

- Αποσυνδέστε το καλώδιο του μπουζί και κρατήστε το μακριά από το μπουζί.
- Χρησιμοποιείτε αποκλειστικά και μόνο τα κατάλληλα εργαλεία.
- Μην επεμβαίνετε στα ελατήρια του ρυθμιστή ταχύτητας, τους μηχανισμούς ή τα άλλα εξαρτήματα για να αυξήσετε την ταχύτητα του κινητήρα.
- Τα ανταλλακτικά πρέπει να είναι ίδια και να τοποθετούνται στην ίδια θέση με τα αυθεντικά.
- Μην χτυπάτε την πτερωτή με σφυρί ή άλλο σκληρό αντικείμενο, διότι υπάρχει κίνδυνος να σπάσει κατά τη λειτουργία.

## Κατά τον έλεγχο για σπινθήρα:

- Χρησιμοποιείτε εγκεκριμένη διάταξη δοκιμής μπουζί.
- Μην ελέγχετε για σπινθήρα ενώ έχετε αφαιρέσει το μπουζί.

## Πίνακας Συντήρησης

<b>Πρώτες 5 ώρες</b>
• Αλλαγή λαδιού
<b>Κάθε 8 ώρες ή κάθε μέρα</b>
• Έλεγχος στάθμης λαδιού κινητήρα
• Καθαρισμός της περιοχής γύρω από την εξάτμιση και τους μοχλούς.
• Καθαρισμός του προστατευτικού δακτύλων.
<b>Κάθε 25 ώρες ή ετησίως</b>
• Καθαρισμός του φίλτρου αέρα *
• Καθαρισμός του προφίλτρου *
<b>Κάθε 100 ώρες ή ετησίως</b>
• Αλλαγή λαδιού κινητήρα
• Έλεγχος της εξάτμισης και της σήτας συγκράτησης σπινθηρώων
<b>Κάθε 100 ώρες</b>
• Αλλαγή λαδιού μειωτήρα (αν υπάρχει)
<b>Ετησίως</b>
• Αντικατάσταση του φίλτρου αέρα
• Αντικατάσταση του προφίλτρου
• Αντικατάσταση του μπουζί
• Καθαρισμός/Επανατοποθέτηση του φίλτρου καυσίμου
• Καθαρισμός του συστήματος ψύξης με αέρα *
• Έλεγχος του διάκενου των βαλβίδων **

\* Υπό συνθήκες σκόνης ή όταν υπάρχουν αερόφερτα υπολείμματα, να καθαρίζετε πιο συχνά.

\*\* Δεν απαιτείται εκτός εάν σημειωθούν προβλήματα στην απόδοση του κινητήρα.

## Ρύθμιση του καρμπυρατέρ

Ποτέ μην επιφέρετε ρυθμίσεις στο καρμπυρατέρ. Το καρμπυρατέρ έχει ρυθμιστεί στο εργοστάσιο ώστε να λειτουργεί αποτελεσματικά υπό τις περισσότερες συνθήκες. Σε περίπτωση όμως που απαιτούνται ρυθμίσεις, απευθυνθείτε σε εξουσιοδοτημένο αντιπρόσωπο της Briggs & Stratton.

**ΠΡΟΣΟΧΗ:** Ο κατασκευαστής του μηχανήματος πάνω στο οποίο είναι εγκατεστημένος αυτός ο κινητήρας καθορίζει τη μέγιστη ταχύτητα στην οποία ο κινητήρας θα λειτουργεί. **Μην υπερβαίνετε** αυτήν την ταχύτητα.

## Έλεγχος του μπουζί - Εικόνα 8

Ελέγχετε το διάκενο (Α, Εικόνα 8) με διακενόμετρο (Β). Εάν χρειάζεται, ρυθμίστε το εκ νέου. Τοποθετήστε και σφίξτε το μπουζί σύμφωνα με τη συνιστώμενη ροπή στρέψης. Σχετικά με τη ρύθμιση του διακενού ή τη ροπή στρέψης, ανατρέξτε στην ενότητα **Προδιαγραφές**.

**Σημείωση:** Σε ορισμένες περιοχές, η τοπική νομοθεσία απαιτεί τη χρήση μπουζί με αντίσταση για να καταστέλλονται τα κύματα ανάφλεξης. Αν ο κινητήρας σας είχε αρχικά μπουζί με αντίσταση, πρέπει να χρησιμοποιήσετε τον ίδιο τύπο στις επόμενες αντικαταστάσεις.

## Πίνακας Συντήρησης

Τηρείτε τα ημερολογιακά διαστήματα ή τις ώρες λειτουργίας, ανάλογα με το ποιο συμπληρώνεται πρώτο.

## Επιθεώρηση εξάτμισης και σήτα συγκράτησης σπινθήρων - Εικόνα 7



### ΠΡΟΕΙΔΟΠΟΙΗΣΗ

Η λειτουργία των κινητήρων παράγει θερμότητα. Τα εξαρτήματα του κινητήρα, και ιδιαίτερα η εξάτμιση, λαμβάνουν εξαιρετικά υψηλές θερμοκρασίες.

Τυχόν επαφή μπορεί να προκαλέσει σοβαρά εγκαύματα.

Υπολείμματα καυσίμων υλών, όπως φύλλα, γρασίδι, φύλλα θάμνων, κλπ. μπορούν να πιάσουν φωτιά.

- Μην αγγίζετε την εξάτμιση, τον κύλινδρο του κινητήρα και τα πτερύγια όσο είναι ακόμη θερμά.
- Απομακρύνετε τα συσσωρευμένα υπολείμματα από την περιοχή της εξάτμισης και του κυλίνδρου.
- Εγκαταστήστε και διατηρείτε σε λειτουργική κατάσταση μια σήτα συγκράτησης σπινθήρων πριν τη χρήση του εξοπλισμού σε δασώδη, χλωώδη, θαμνώδη άγρια περιοχή, όπως απαιτείται από τη νομοθεσία της πολιτείας της Καλιφόρνια (Τμήμα 4442 του Κώδικα περί Φυσικών Πόρων της Καλιφόρνια). Παρόμοιοι νόμοι ενδέχεται να ισχύουν και σε άλλες πολιτείες. Στην περίπτωση ομοσπονδιακού εδάφους ισχύει η ομοσπονδιακή νομοθεσία.

Ελέγξτε την εξάτμιση (Α) για ρωγμές, διάβρωση ή άλλες ζημιές. Αφαιρέστε τη σήτα απορρόφησης σπινθήρων (Β), εάν υπάρχει, και ελέγξτε για ζημιές ή συσσώρευση άνθρακα. Σε περίπτωση που απαιτούνται ανταλλακτικά, βεβαιωθείτε ότι χρησιμοποιείτε μόνο γνήσια ανταλλακτικά του μηχανήματος.

**ΠΡΟΣΟΧΗ:** Τα ανταλλακτικά πρέπει να είναι ίδια και να εγκαθίστανται στο ίδιο σημείο με τα γνήσια εξαρτήματα, διότι, διαφορετικά, υπάρχει κίνδυνος πυρκαγιάς.

## Αλλαγή λαδιού - Εικόνα 9 10

**ΠΡΟΣΟΧΗ:** Το χρησιμοποιούμενο λάδι είναι επικίνδυνο απόβλητο και πρέπει να απορρίπτεται ως αρμόζει. Μην το απορρίπτετε στον κάδο οικιακών απορριμμάτων. Για ασφαλείς εγκαταστάσεις απόρριψης/ανακύκλωσης, επικοινωνήστε με τις τοπικές αρχές, το κέντρο συντήρησης, ή τον τοπικό αντιπρόσωπο.

### Άδειασμα λαδιού

1. Με τον κινητήρα απενεργοποιημένο αλλά ακόμα ζεστό, αποσυνδέστε το καλώδιο του μπουζί (Α) και κρατήστε το μακριά από το μπουζί (Εικόνα 10).
2. Αφαιρέστε το πώμα αποστράγγισης λαδιού (Β, Εικόνα 9). Αδειάστε το λάδι σε κατάλληλο δοχείο.

**Σημείωση:** Μπορείτε να εγκαταστήσετε στον κινητήρα οποιοδήποτε από τα πώματα αποστράγγισης λαδιού (C) που απεικονίζονται.

3. Όταν αδειάσει το λάδι, τοποθετήστε και σφίξτε το πώμα αποστράγγισης λαδιού.

### Προσθήκη λαδιού

- Φέρτε τον κινητήρα σε οριζόντια θέση.
  - Καθαρίστε την περιοχή γύρω από το πώμα πλήρωσης λαδιού από τυχόν υπολείμματα.
  - Βλέπε την ενότητα **Προδιαγραφές** για τη χωρητικότητα λαδιού.
1. Αφαιρέστε τον δείκτη λαδιού (D) και σκουπίστε τον με καθαρό πανί.
  2. Ρίξτε αργά το λάδι στην οπή πλήρωσης του κινητήρα (E). Γεμίστε τον έως το σημείο υπερχειλίσης.

3. Τοποθετήστε τον δείκτη λαδιού αλλά **μην** τον βιδώνετε. Αφαιρέστε τον και ελέγξτε τη στάθμη του λαδιού. Η στάθμη του λαδιού πρέπει να φθάνει ως την ένδειξη FULL (γεμάτο) (F) του δείκτη.
4. Τοποθετήστε και σφίξτε τον δείκτη λαδιού.

## Συντήρηση του φίλτρου αέρα - Εικόνα 11



### ΠΡΟΕΙΔΟΠΟΙΗΣΗ

Η βενζίνη και οι αναθυμιάσεις της αποτελούν εξαιρετικά εύφλεκτες και εκρηκτικές ουσίες.

Ενδεχόμενη φωτιά ή έκρηξη μπορούν να προκαλέσουν σοβαρά εγκαύματα ή θάνατο.

- Ποτέ μην θέτετε σε λειτουργία και μην χειρίζεστε τον κινητήρα όταν έχει αφαιρεθεί το συγκρότημα του φίλτρου αέρα ή το ίδιο το φίλτρο αέρα.

**Προσοχή:** Μην χρησιμοποιείτε πεπεσμένο αέρα ή διαλύτες για να καθαρίσετε το φίλτρο. Ο πεπεσμένος αέρας μπορεί να προκαλέσει βλάβη στο φίλτρο, ενώ οι διαλύτες θα το διαλύσουν.

Το σύστημα του φίλτρου αέρα χρησιμοποιεί ένα πτυχωτό φίλτρο με προαιρετικό προφίλτρο. Το προφίλτρο μπορεί να πλυθεί και να επαναχρησιμοποιηθεί.

### Επίπεδο φίλτρο αέρα

1. Χαλαρώστε τον συνδετήρα (D) που συγκρατεί το κάλυμμα (A). Βλέπε Εικόνα 11.
2. Ανοίξτε το κάλυμμα και αφαιρέστε το προφίλτρο (C) και το φίλτρο (B).
3. Για να απομακρύνετε τα υπολείμματα, χτυπήστε ελαφρά το φίλτρο σε σκληρή επιφάνεια. Εάν το φίλτρο είναι πολύ βρώμικο, αντικαταστήστε το με ένα καινούργιο.
4. Πλύντε το προφίλτρο με υγρό απορρυπαντικό και νερό. Στη συνέχεια, αφήστε το να στεγνώσει καλά στον αέρα. **Μην** λιπαίνετε το προφίλτρο.
5. Εγκαταστήστε το στεγνό προφίλτρο στο φίλτρο με το χείλος (G) του προφίλτρου στο κάτω μέρος των πτυχών του φίλτρου.
6. Τοποθετήστε το φίλτρο.
7. Τοποθετήστε τις προεξοχές του καλύμματος (E) στις υποδοχές (F).
8. Κλείστε το κάλυμμα και ασφαλίστε τον συνδετήρα.

## Αλλαγή λαδιού μειωτήρα - Εικόνα 12

Εάν ο κινητήρας σας διαθέτει μονάδα μειωτήρα, συντηρείτε τον όπως περιγράφεται ακολούθως.

1. Αφαιρέστε το πώμα πλήρωσης λαδιού (B) και το πώμα στάθμης λαδιού (C).
  2. Αφαιρέστε το πώμα αποστράγγισης λαδιού (A, Εικόνα 12) και αδειάστε το λάδι σε κατάλληλο δοχείο.
  3. Τοποθετήστε και σφίξτε το πώμα αποστράγγισης λαδιού.
  4. Για να ξαναγεμίσετε, ρίξτε αργά λιπαντικό για οδοντωτούς τροχούς στην οπή πλήρωσης λαδιού (βλέπε τμήμα **Προδιαγραφές**). Συνεχίστε έως ότου το λάδι ξεχειλίσει από την οπή στάθμης λαδιού.
  5. Τοποθετήστε και σφίξτε το πώμα στάθμης λαδιού.
  6. Τοποθετήστε και σφίξτε το πώμα πλήρωσης λαδιού.
- Σημαντικό:** Το πώμα πλήρωσης λαδιού διαθέτει οπή εξαερισμού (D) και πρέπει να τοποθετείται στο επάνω μέρος του καλύμματος του κιβωτίου ταχυτήτων, όπως απεικονίζεται.

## Καθαρισμός/Επανατοποθέτηση του φίλτρου καυσίμου - Εικόνα 13



### ΠΡΟΕΙΔΟΠΟΙΗΣΗ

Η βενζίνη και οι αναθυμιάσεις της αποτελούν εξαιρετικά εύφλεκτες και εκρηκτικές ουσίες.

Ενδεχόμενη φωτιά ή έκρηξη μπορούν να προκαλέσουν σοβαρά εγκαύματα ή θάνατο.

- Διατηρείτε τη βενζίνη μακριά από σπινθήρες, γυμνή φλόγα, ενδεικτικές λυχνίες, θερμότητα, και άλλες πηγές ανάφλεξης.
  - Ελέγχετε συχνά τις σωληνώσεις καυσίμου, το ντεπόζιτο καυσίμου, το πώμα και τα εξαρτήματα για ρωγμές ή διαρροές. Προβείτε σε αντικαταστάσεις εάν είναι απαραίτητο.
  - Πριν τοποθετήσετε το φίλτρο καυσίμου, αδειάστε τη δεξαμενή καυσίμου ή κλείστε τη βαλβίδα παροχής καυσίμου.
  - Τα ανταλλακτικά πρέπει να είναι ίδια και να τοποθετούνται στην ίδια θέση με τα αυθεντικά.
  - Εάν χυθεί καύσιμο, περιμένετε έως ότου εξατμιστεί προτού να προβείτε σε εκκίνηση του κινητήρα.
1. Αφαιρέστε το πώμα του ντεπόζιτου καυσίμου (A, Εικόνα 13).
  2. Αφαιρέστε το φίλτρο καυσίμου (B).

3. Εάν το φίλτρο καυσίμου είναι βρώμικο, καθαρίστε ή αντικαταστήστε το. Εάν αντικαταστήσετε το φίλτρο καυσίμου, βεβαιωθείτε ότι χρησιμοποιείτε γνήσιο ανταλλακτικό.

## Καθαρισμός του συστήματος ψύξης με αέρα - Εικόνα 14



### ΠΡΟΕΙΔΟΠΟΙΗΣΗ



Η λειτουργία των κινητήρων παράγει θερμότητα. Τα εξαρτήματα του κινητήρα, και ιδιαίτερα η εξάτμιση, λαμβάνουν εξαιρετικά υψηλές θερμοκρασίες.



Τυχόν επαφή μπορεί να προκαλέσει σοβαρά εγκαύματα.

Υπολείμματα καυσίμων υλών, όπως φύλλα, γρασίδι, φύλλα θάμνων, κλπ. μπορούν να πιάσουν φωτιά.

- Μην αγγίζετε την εξάτμιση, τον κύλινδρο του κινητήρα και τα πτερύγια όσο είναι ακόμη θερμά.
- Απομακρύνετε τα συσσωρευμένα υπολείμματα από την περιοχή της εξάτμισης και του κυλίνδρου.

**ΠΡΟΣΟΧΗ:** Μην χρησιμοποιείτε νερό για να καθαρίσετε τον κινητήρα, διότι το νερό μπορεί να εισχωρήσει στο σύστημα τροφοδοσίας καυσίμου. Χρησιμοποιείτε βούρτσα ή στεγνό πανί.

Ο κινητήρας αυτός είναι αερόψυκτος. Οι σκόνες και τα διάφορα υπολείμματα μπορούν να περιορίσουν την παροχή αέρα και να προκαλέσουν υπερθέρμανση του κινητήρα, με αποτέλεσμα τη χαμηλή απόδοση και τη μείωση της διάρκειας ζωής του.

Χρησιμοποιήστε βούρτσα ή στεγνό ύφασμα για να αφαιρέσετε τα υπολείμματα από το προστατευτικό δακτύλιον (Α). Φροντίστε οι σύνδεσμοι, τα ελατήρια και οι διατάξεις ελέγχου (Β) να διατηρούνται καθαρά. Φροντίστε η περιοχή γύρω και πίσω από την εξάτμιση (C) να διατηρείται καθαρή από εύφλεκτα υπολείμματα (Εικόνα 14).

## Αποθήκευση



### ΠΡΟΕΙΔΟΠΟΙΗΣΗ



Η βενζίνη και οι αναθυμιάσεις της αποτελούν εξαιρετικά εύφλεκτες και εκρηκτικές ουσίες.



Ενδεχόμενη φωτιά ή έκρηξη μπορούν να προκαλέσουν σοβαρά εγκαύματα ή θάνατο.

Για την αποθήκευση βενζίνης ή εξοπλισμού με γεμάτο ντεπόζιτο καυσίμου

- Αποθηκεύετε μακριά από φούρνους, θερμάστρες, θερμοσίφωνες ή άλλες συσκευές που χρησιμοποιούν ενδεικτική λυχνία ή άλλες ενδεχόμενες πηγές ανάφλεξης των αναθυμιάσεων της βενζίνης.

### Σύστημα τροφοδοσίας καυσίμου

Το καύσιμο που παραμένει αποθηκευμένο για περισσότερο από 30 ημέρες χάνει τη φρεσκάδα του. Το παλιό καύσιμο προκαλεί απόθεση υπολειμμάτων οξέων και καυσίμου στο σύστημα καυσίμου και σε άλλα βασικά μέρη του καρμπυρατέρ. Για να διατηρείτε φρέσκο το καύσιμο χρησιμοποιείτε σταθεροποιητικό καυσίμου FRESH START® της Briggs & Stratton, το οποίο διατίθεται σε μορφή υγρού ή συμπυκνωμένο σε φουσίγγιο για ενστάλαξη.

Όταν προσθέτετε σταθεροποιητικό καυσίμου σύμφωνα με τις οδηγίες, δεν χρειάζεται να αδειάσετε τη βενζίνη από τον κινητήρα. Αφήστε τον κινητήρα σε λειτουργία για 2 λεπτά, ώστε το σταθεροποιητικό να κυκλοφορήσει σε ολόκληρο το σύστημα καυσίμου. Στη συνέχεια, ο κινητήρας και το καύσιμο μπορούν να μείνουν αποθηκευμένα για διάστημα έως και 24 μηνών.

Εάν στη βενζίνη του κινητήρα δεν έχει προστεθεί σταθεροποιητικό, τότε πρέπει να αδειάσετε τη βενζίνη σε εγκεκριμένο δοχείο και να αφήσετε τον κινητήρα σε λειτουργία έως ότου σταματήσει λόγω εξάντλησης του καυσίμου. Η χρήση σταθεροποιητικού στο δοχείο αποθήκευσης συνιστάται ώστε το καύσιμο να διατηρείται φρέσκο.

### Λάδι κινητήρα

Αλλάζετε το λάδι του κινητήρα όταν ο κινητήρας είναι ακόμη ζεστός.

## Ανίχνευση Βλαβών

Χρειάζεστε βοήθεια; Επισκεφτείτε τη σελίδα [BRIGGSandSTRATTON.COM](http://BRIGGSandSTRATTON.COM) στο Διαδίκτυο ή καλέστε στο **1-800-233-3723**

## Προδιαγραφές

### Προδιαγραφές Κινητήρα

Μοντέλο	120000
Κυβισμός	12,48 ci (205 cc)
Εσωτερική Διάμετρος (ΕΔ)	2,688 in (68,28 mm)
Διαδρομή εμβόλου	2,200 in (55,88 mm)
Χωρητικότητα λαδιού	18 - 20 oz (0,54 - 0,59 L)
Λάδι μειωτήρα	80W-90

### Προδιαγραφές Κινητήρα

Μοντέλο	200000
Κυβισμός	18,63 ci (305 cc)
Εσωτερική Διάμετρος (ΕΔ)	3,120 in (79,24 mm)
Διαδρομή εμβόλου	2,438 in (61,93 mm)
Χωρητικότητα λαδιού	26 - 28 oz (0,77 - 0,83 L)
Λάδι μειωτήρα	SAE 30

### Προδιαγραφές γενικής συντήρησης \*

Μοντέλο	120000
Διάκενο μπουζί	0,030 in (0,76 mm)
Ροπή στρέψης του μπουζί	180 lb-in (20 Nm)
Διάκενο ρύθμισης ηλεκτρονικής	0,010 - 0,014 in (0,25 - 0,36 mm)
Διάκενο βαλβίδας εισαγωγής	0,004 - 0,006 in (0,10 - 0,15 mm)
Διάκενο βαλβίδας εξαγωγής	0,009 - 0,011 in (0,23 - 0,28 mm)

### Προδιαγραφές γενικής συντήρησης \*

Μοντέλο	200000
Διάκενο μπουζί	0,030 in (0,76 mm)
Ροπή στρέψης του μπουζί	180 lb-in (20 Nm)
Διάκενο ρύθμισης ηλεκτρονικής	0,008 - 0,012 in (0,20 - 0,30 mm)
Διάκενο βαλβίδας εισαγωγής	0,004 - 0,006 in (0,10 - 0,15 mm)
Διάκενο βαλβίδας εξαγωγής	0,009 - 0,011 in (0,22 - 0,28 mm)

\* Η ισχύς του κινητήρα θα μειώνεται κατά 3.5% ανά 300 μέτρα επάνω από το επίπεδο της θάλασσας και κατά 1% ανά 5,6° C (10° F) επάνω από τους 25° C (77° F). Ο κινητήρας θα λειτουργεί ικανοποιητικά σε γωνία έως 15°. Για τα επιτρεπόμενα όρια ασφαλούς λειτουργίας σε επικλινές έδαφος, ανατρέξτε στο εγχειρίδιο χρήσης του εξοπλισμού.

## Κοινά εξαρτήματα ✓

Ανταλλακτικό	Αριθμός εξαρτήματος	Ανταλλακτικό	Αριθμός εξαρτήματος
Επίπεδο φίλτρο αέρα	491588, 5043	Μπουζί με αντίσταση	491055
Προφίλτρο επίπεδου φίλτρο αέρα	493537, 5064	Μπουζί από πλατίνα μεγάλης διάρκειας ζωής	5066
Φίλτρο καυσίμου	792917	Μπουζόκλειδο	89838, 5023
Βελτιωτικό καυσίμου	5041, 5058	Δοκιμαστής Σπινθήρων	19368

✓ Για κάθε εργασία συντήρησης του κινητήρα και των εξαρτημάτων του σας συνιστούμε να επισκεπτεστε εξουσιοδοτημένο συνεργείο της Briggs & Stratton. Χρησιμοποιείτε αποκλειστικά γνήσια ανταλλακτικά της Briggs & Stratton.

**ΠΕΡΙΟΡΙΣΜΕΝΗ ΕΓΓΥΗΣΗ**

H Briggs & Stratton Corporation θα επισκευάσει ή θα αντικαταστήσει, χωρίς καμία δική σας επιβάρυνση, κάθε εξάρτημα ή εξαρτήματα του κινητήρα των οποίων το υλικό ή η κατεργασία τους ή αμφότερα είναι ελαττωματικά. Τα έξοδα μεταφοράς για τα προϊόντα που αποστέλλονται για επισκευή ή αντικατάσταση στο πλαίσιο της παρούσας εγγύησης επιβαρύνουν τον αγοραστή. Η παρούσα εγγύηση ισχύει για τα χρονικά διαστήματα και υπό τους όρους που αναφέρονται παρακάτω. Για εξυπηρέτηση βάσει της εγγύησης απευθυνθείτε στο πλησιέστερο εξουσιοδοτημένο συνεργείο συντήρησης που θα βρείτε στον χάρτη αντιπροσώπων, στην ιστοσελίδα μας BRIGGSandSTRATTON.COM, ή τηλεφωνήστε στο 1-800-233-3723 ή ανατρέξτε στο «Χρυσό Οδηγό™».

**Δεν υπάρχει άλλη ρητή εγγύηση. Οι υποδηλούμενες εγγυήσεις, συμπεριλαμβανομένων και εκείνων της εμπορευσιμότητας και της καταλληλότητας για ένα συγκεκριμένο σκοπό περιορίζονται στο χρονικό διάστημα ενός έτους από την ημερομηνία αγοράς ή, στο βαθμό που επιτρέπει ο νόμος, και όλες οι υποδηλούμενες εγγυήσεις εξαιρούνται. Καμία εγγύηση δεν καλύπτει τις συμπτωματικές ή επακόλουθες ζημιές στο μέτρο που αυτό επιτρέπεται από το νόμο.** Κάποιες χώρες ή πολιτείες δεν επιτρέπουν περιορισμούς ως προς τη διάρκεια μιας υποδηλούμενης εγγύησης ενώ, κάποιες χώρες ή πολιτείες, δεν επιτρέπουν τον αποκλεισμό ή τον περιορισμό των συμπτωματικών ή επακόλουθων ζημιών και, συνεπώς, ο ως άνω περιορισμός και αποκλεισμός ενδέχεται να μην εφαρμόζονται στην περίπτωση σας. Αυτή η εγγύηση σας παρέχει ειδικά νομικά δικαιώματα και, ενδεχομένως, και άλλα δικαιώματα που διαφέρουν από χώρα σε χώρα και από πολιτεία σε πολιτεία.

**ΒΑΣΙΚΟΙ ΟΡΟΙ ΕΓΓΥΗΣΗΣ \* ▲**

Μάρκα/Τύπος προϊόντος	Χρήση από Ιδιώτη	Επαγγελματική χρήση
Vanguard™	2 έτη	2 έτη
Σειρά κινητήρων παρατεταμένης διάρκειας ζωής Extended Life Series™, I/C® <sup>®</sup> , Intek™ I/C® <sup>®</sup> , Intek™ Pro	2 έτη	1 έτος
Snow Series MAX™ με σύνδεσμο από χυτοσίδηρο Dura-Bore™	2 έτη	1 έτος
Όλοι οι άλλοι κινητήρες της Briggs & Stratton	2 έτη	90 ημέρες

\* Αυτοί είναι οι βασικοί όροι εγγύησης που παρέχει η εταιρεία μας αλλά, κατά περίπτωση, μπορεί να υπάρχουν πρόσθετες καλύψεις οι οποίες δεν προσδιορίζονται κατά τη δημοσίευση της εγγύησης. Για τους όρους εγγύησης που ισχύουν για τον κινητήρα σας, ανατρέξτε στην ιστοσελίδα της BRIGGSandSTRATTON.COM ή επικοινωνήστε με τον εξουσιοδοτημένο αντιπρόσωπο της Briggs & Stratton.

▲ Κινητήρες που χρησιμοποιούνται με συστήματα γεννητριών οικιακής χρήσης καλύπτονται από την εγγύηση μόνο σε περίπτωση χρήσης από ιδιώτη. Η παρούσα εγγύηση δεν καλύπτει κινητήρες σε εξοπλισμό που χρησιμοποιείται ως κύρια πηγή ισχύος, αντικαθιστώντας την πηγή ισχύος που παρέχεται από τους οργανισμούς κοινής ωφέλειας. **Οι κινητήρες που χρησιμοποιούνται σε αγώνες, σε αυτοκίνητα επαγγελματικής χρήσης ή νοικοκυζόμενα δεν καλύπτονται από την εγγύηση.**

Η περίοδος ισχύος της εγγύησης αρχίζει από την ημερομηνία αγοράς από τον αρχικό αγοραστή, στην περίπτωση λιανικής πώλησης, ή τον τελικό χρήστη, στην περίπτωση επαγγελματικής χρήσης, και συνεχίζεται για τη χρονική περίοδο που δηλώνεται στον παραπάνω πίνακα. "Χρήση από ιδιώτη" σημαίνει χρήση σε χώρο προσωπικής διαμονής από τον αρχικό αγοραστή λιανικής πώλησης. "Επαγγελματική χρήση" σημαίνει όλες τις άλλες χρήσεις, συμπεριλαμβανομένης και της χρήσης για εμπορικό σκοπό, χρήση επί αμοιβή ή ενοικίαση. Εφόσον ένας κινητήρας έχει χρησιμοποιηθεί για επαγγελματικούς σκοπούς, στο πλαίσιο της παρούσας εγγύησης, θα θεωρείται ως κινητήρας επαγγελματικής χρήσης.

**Δεν απαιτείται συμπλήρωση κάρτας για να έχετε εγγύηση στα προϊόντα της Briggs & Stratton. Φυλάξτε το αποδεικτικό αγοράς. Εάν δεν προσκομίσετε αποδεικτικό της αρχικής αγοράς τη στιγμή της αίτησης για επισκευή βάσει της εγγύησης, ο προσδιορισμός της περιόδου εγγύησης θα βασιστεί στην ημερομηνία κατασκευής του προϊόντος.**

**Σχετικά με την εγγύησή σας**

H Briggs & Stratton ευχαρίστως αναλαμβάνει επισκευές εφόσον υπάρχει εγγύηση και ζητάει συγγνώμη για την ταλαιπωρία σας. Κάθε εξουσιοδοτημένο συνεργείο μπορεί να αναλαμβάνει επισκευές στο πλαίσιο της εγγύησης. Οι περισσότερες επισκευές βάσει εγγύησης εξυπηρετούνται προγραμματισμένα, αλλά κάποιες φορές τα ατύχημα για επισκευή ενδέχεται να μην καλύπτονται από την εγγύηση.

Εάν ένας πελάτης αμφισβητεί την απόφαση του αντιπροσώπου συντήρησης, μπορεί να κάνει μία έρευνα για να προσδιορίσει εάν ισχύει η εγγύηση. Ζητήστε από τον αντιπρόσωπο συντήρησης να υποβάλει όλα τα απαραίτητα στοιχεία στο Διανομέα του ή στο Εργοστάσιο για εξέταση. Εάν ο Διανομέας ή το Εργοστάσιο αποφασίσει ότι η απαίτηση είναι δικαιολογημένη, ο πελάτης θα αποζημιωθεί πλήρως για εκείνα τα τεμάχια τα οποία είναι ελαττωματικά. Για να αποφεύγονται οι παρεξηγήσεις που θα μπορούσαν να συμβούν μεταξύ του πελάτη και του Αντιπροσώπου, αναφέρονται παρακάτω κάποιες από τις αιτίες της βλάβης κινητήρα τις οποίες δεν τις καλύπτει η εγγύηση.

**Φυσιολογική φθορά:** Όπως όλες οι μηχανές, οι κινητήρες χρειάζονται περιοδική συντήρηση ή αντικατάσταση εξαρτημάτων προκειμένου να λειτουργούν σωστά. Η εγγύηση δεν καλύπτει την επισκευή σε περιπτώσεις όπου ένα εξάρτημα ή ένας κινητήρας, μετά από κανονική χρήση, έχει φθάσει στο τέλος της διάρκειας ζωής του. Η εγγύηση δεν ισχύει σε περίπτωση βλάβης του κινητήρα λόγω κακής μεταχείρισης, έλλειψης προγραμματισμένης συντήρησης, διακίνησης, χειρισμού, αποθήκευσης ή ακατάλληλης εγκατάστασης. Ομοίως, η εγγύηση δεν ισχύει στην περίπτωση που έχει αφαιρεθεί ο αριθμός σειράς του κινητήρα ή ο κινητήρας έχει υποστεί μετατροπές ή τροποποιήσεις.

**Μη σωστή συντήρηση:** Η διάρκεια ζωής ενός κινητήρα εξαρτάται από τις συνθήκες υπό τις οποίες λειτουργεί και από την συντήρηση που του γίνεται. Κάποιες εφαρμογές όπως π.χ. καλλιεργητικά, αντλίες και περιστρωφικά χλοοκοπτικά χρησιμοποιούνται πολύ συχνά σε συνθήκες με σκόνη ή βρωμιά, οι οποίες μπορούν να προκαλέσουν πρόωγη φθορά. Μία τέτοια φθορά, όταν προκαλείται από σκόνη, βρωμιά, ύλη επικάλυψης μουτζι ή από άλλο υλικό που προξενεί φθορά και το οποίο έχει εισέλθει στον κινητήρα λόγω μη σωστής συντήρησης, δεν καλύπτεται από εγγύηση.

**Αυτή η εγγύηση καλύπτει ελαττωματικό υλικό ή/και εργασία σε σχέση με τον κινητήρα μόνο και όχι αντικατάσταση ή επιστροφή χρημάτων για το μηχάνημα πάνω στο οποίο ενδέχεται να είναι τοποθετημένος ο κινητήρας. Η εγγύηση επίσης δεν καλύπτει τις επισκευές που χρειάστηκαν λόγω:**

- 1 Προβλημάτων που προέκυψαν από εξαρτήματα τα οποία δεν είναι γνήσια ανταλλακτικά της Briggs & Stratton.
- 2 Στοιχείων ελέγχου του μηχανήματος ή εγκαταστάσεων που εμποδίζουν την εκκίνηση, προκαλούν μη ικανοποιητική απόδοση του κινητήρα ή περιορίζουν τη διάρκεια ζωής του (απευθυνθείτε στον κατασκευαστή του μηχανήματος).

- 3 Καρμπυρατέρ με διαρροή, φραγμένων σωληνώσεων καυσίμου, κολλημένων βαλβίδων, ή άλλης ζημιάς που προκλήθηκε από τη χρήση "μολυσμένου" καυσίμου, ή καυσίμου που έμεινε για καιρό μέσα στο ρεζερβουάρ.
- 4 Εξαρτημάτων με ρωγμές ή σπασίματα, λόγω λειτουργίας του κινητήρα χωρίς αρκετό λιπαντικό, ή με "μολυσμένο" λάδι, ή με λάδι ακατάλληλου βαθμού (ελέγχετε τη στάθμη, προσθέτετε λάδι όποτε χρειάζεται και αλλάζετε το λάδι με την προτεινόμενη συχνότητα). Το σύστημα προστασίας από έλλειψη λαδιού (OIL GARD) ενδέχεται να μην σβήσει τον κινητήρα. Αν η στάθμη του λαδιού δεν διατηρείται όπως πρέπει, μπορεί να προκληθεί βλάβη του κινητήρα.
- 5 Επισκευής ή ρύθμισης συνδυαζόμενων εξαρτημάτων ή συγκροτημάτων όπως συμπλεκτών, γραναζιών μετάδοσης κίνησης, τηλεχειρισμών κλπ. τα οποία δεν κατασκευάζονται από τη Briggs & Stratton.
- 6 Ζημιάς ή βλάβης σε εξαρτήματα η οποία προέκυψε από σκόνη που εισήλθε στον κινητήρα λόγω μη σωστής συντήρησης του φίλτρου αέρα, επανασυναρμολόγησης, ή χρήσης μη γνήσιου στοιχείου του φίλτρου. Στα συνιστώμενα τακτά χρονικά διαστήματα, να καθαρίζετε και/ή να αντικαθιστάτε το φίλτρο σύμφωνα με το Εγχειρίδιο Χρήσης.
- 7 Εξαρτημάτων που έπαθαν ζημιά από υπερβολική ταχύτητα, ή υπερθέρμανση που προκλήθηκε από γρασιδί, σκόνη, ή υπολείμματα τα οποία βουλώνουν ή φράζουν τα περύνια φύξης, ή την περιοχή της φτερωτής, ή ζημιάς που προκλήθηκε από την λειτουργία του κινητήρα σε περιορισμένο χώρο, χωρίς επαρκή αερισμό. Καθαρίζετε τα υπολείμματα στον κινητήρα κατά τα συνιστώμενα τακτά χρονικά διαστήματα, σύμφωνα με το Εγχειρίδιο Χρήσης.
- 8 Εξαρτημάτων του κινητήρα ή του μηχανήματος που έχουν σπάσει λόγω υπερβολικών δονήσεων που προκλήθηκαν από χαλαρή συναρμολόγηση του κινητήρα, από λασκαρισμένες κοπτικές λεπίδες, από μη ζυγοσταθμισμένες λεπίδες ή λασκαρισμένες ή μη ζυγοσταθμισμένες φτερωτές, από μη σωστή προσαρτήση του μηχανήματος στο στροφαλοφόρο άξονα του κινητήρα, από υπερβολική ταχύτητα ή άλλη παραβίαση κατά τη λειτουργία.
- 9 Στραβωμένου ή σπασμένου στροφαλοφόρου άξονα, λόγω κτυπήματος στερεού αντικείμενου με την κοπτική λεπίδα περιστρεφόμενου χορτοκοπτικού ή λόγω υπερβολικού τεντώματος του τραπεζοειδούς μίαντα.
- 10 Προγραμματισμένης γενικής συντήρησης ή ρύθμισης του κινητήρα.
- 11 Βλάβης του κινητήρα ή εξαρτήματος του, π.χ. θαλάμου καύσης, βαλβίδων, εδράσεων βαλβίδων, οδηγών βαλβίδων, ή λόγω καμένων πηνίων του κινητήρα του εκκινητή, που προέκυψαν από τη χρήση εναλλακτικών καυσίμων, όπως υγροποιημένο πετρέλαιο, φυσικό αέριο, εναλλακτικές βενζίνες, κλπ

**Η συντήρηση, βάσει της εγγύησης, παρέχεται μόνο μέσω των εξουσιοδοτημένων συνεργείων της Briggs & Stratton Corporation. Βρείτε το πλησιέστερο, εξουσιοδοτημένο συνεργείο συντήρησης στον χάρτη αναζήτησης των αντιπροσώπων, μέσω της ιστοσελίδας μας BRIGGSandSTRATTON.COM, ή καλέστε το 1-800-233-3723, ή ανατρέξτε στον «Χρυσό Οδηγό™».**



## Información General

Para conseguir repuestos o asistencia técnica registre los números de modelo, tipo y código de su motor junto con la fecha de compra. Estos números los encuentra localizados en su motor (consulte la página de **Características y Controles**).

Fecha de compra: \_\_\_\_\_  
MES/DIA/AÑO

Modelo del motor: \_\_\_\_\_  
Modelo: Tipo: Código:


## Información de Clasificación de Potencia del Motor


La clasificación de potencia para un modelo de motor a gas en particular se designa de acuerdo al código J1940 de SAE (Sociedad de Ingenieros Automotrices) (Procedimiento de Clasificación de Potencia & Torque del Motor Pequeño), y la clasificación de desempeño ha sido obtenida y corregida de acuerdo con el código J1995 de SAE (Revisión 2002-05). Los valores de torque se obtienen a 3060 RPM; los valores de potencia se obtienen a 3600 RPM. La potencia bruta actual del motor será inferior y está afectada, entre otras cosas, por las condiciones ambientales operativas y la variabilidad de motor a motor. Dado ambos un amplio conjunto de productos en los cuales son puestos nuestros motores, y la variedad de emisiones ambientales aplicables al operar el equipo, el motor a gas no desarrollará la potencia nominal cuando sea usado en una parte del equipo acoplado (potencia real "en el sitio" o potencia neta). Esta diferencia se debe a una variedad de factores que incluyen, pero que no están limitados a, accesorios (filtro de aire, sistema de escape, sistema de carga, sistema de enfriamiento, carburador, bomba de combustible, etc.) limitaciones de la aplicación, condiciones ambientales de operación (temperatura, humedad, altitud), y la variabilidad de motor a motor. Debido a las limitaciones, Briggs & Stratton puede sustituir este motor con clasificación de potencia más alta por esta serie de motor.


## Seguridad del Operario


### SÍMBOLOS DE SEGURIDAD Y CONTROL



El símbolo de aviso de seguridad  se utiliza para identificar la información de seguridad relacionada con los peligros que pueden ocasionar lesiones personales. Se señala con una palabra (PELIGRO, ADVERTENCIA o PRECAUCIÓN) con el símbolo de aviso para indicar la probabilidad de una lesión y su gravedad potencial. Además, un símbolo de peligro puede ser utilizado para representar el tipo de peligro.

 **PELIGRO** indica un peligro que si no es evitado, **ocasionará la muerte o heridas graves.**

 **ADVERTENCIA** indica un peligro que si no es evitado, **podría ocasionar la muerte o heridas graves.**

 **PRECAUCIÓN** indica un peligro que, si no es evitado, **podría ocasionar lesiones menores o moderadas.**

**PRECAUCIÓN**, cuando aparece **sin** el símbolo de aviso, indica una situación que **podría ocasionar daños al producto.**

## ADVERTENCIA



La descarga de escape de este motor causada por este producto contiene químicos que las autoridades del Estado de California saben que pueden ocasionar cáncer, defectos de nacimiento u otros daños que pueden ser perjudiciales para la reproducción.

## ADVERTENCIA

Briggs & Stratton no aprueba ni autoriza el uso de estos motores en Vehículos Todo Terreno de 3-ruedas (ATVs), bicicletas motorizadas, karts para diversión/recreo, productos para aviación o vehículos para uso en eventos competitivos. El uso de estos motores en tales aplicaciones podría ocasionar daños a la propiedad, lesiones graves (incluyendo parálisis), o incluso la muerte.

**PRECAUCIÓN:** Este motor fue despachado de Briggs & Stratton sin aceite. Antes de darle arranque al motor, asegúrese de agregar aceite de acuerdo con las instrucciones de este manual. Si da arranque al motor sin que éste tenga aceite, se dañará hasta tal punto que no podrá ser reparado y no será cubierto por la garantía.

## ADVERTENCIA

 **La gasolina y sus vapores son extremadamente inflamables y explosivos.**  
 **Un incendio o una explosión pueden causar graves quemaduras o la muerte.**

### Cuando Aprovisione con Combustible

- Gire el motor hacia la posición off y deje que el motor se enfríe por lo menos 2 minutos antes de remover la tapa de combustible.
- Llene el tanque de combustible en exteriores o en un área bien ventilada.
- No llene demasiado el tanque de combustible. Llene el tanque hasta aproximadamente 1,5 pulgadas (38 mm) por debajo de la parte superior del cuello para permitir la expansión del combustible.
- Mantenga la gasolina y sus vapores a distancia de chispas, llamas abiertas, testigos piloto, calor, o de cualquier otra fuente de encendido.
- Compruebe con frecuencia si existen grietas o fugas en las mangueras de combustible, el tanque, la tapa y en los accesorios. Cámbielos si es necesario.
- Si se derramó combustible, espere hasta que se haya evaporado antes de darle arranque al motor.

### Cuando le de Arranque al motor

- Asegúrese que la bujía, el mofle, la tapa de combustible y el filtro de aire (si está equipado) estén en su lugar, y firmemente asegurados.
- No haga girar el motor si removió la bujía.
- Si el motor se inunda, ajuste el estrangulador (si está equipado) en la posición OPEN/RUN, coloque el acelerador (si está equipado) en la posición FAST y haga girar el motor hasta que de arranque.

### Cuando Opere el Equipo

- No incline el motor ni el equipo a un ángulo que pueda ocasionar derrames de gasolina.
- No use el estrangulador para detener el motor.
- Nunca arranque u opere el motor cuando el conjunto del filtro de aire (si está equipado) o el filtro de aire (si está equipado) estén desmontados.

### Cuando cambie el aceite

- Si drena el aceite desde el tubo superior de relleno de aceite, el tanque de combustible debe estar desocupado o el combustible se podría fugar y generar un incendio o una explosión.




### Cuando Transporte el Equipo

- Transpórtelo con el tanque de combustible VACÍO o con la válvula de paso de combustible en la posición OFF.

### Almacenamiento de la Gasolina o del Equipo con Combustible en el Tanque

- Almacene a distancia de hornos, estufas, calentadores de agua u otros aparatos que utilicen testigos piloto u otras fuentes de encendido ya que estos pueden encender los vapores de gasolina.

## ADVERTENCIA

 **Dar arranque al motor crea chispeo.**  
 **El chispeo puede encender los gases inflamables cercanos.**  
 **Podría ocurrir una explosión o un incendio.**

- Si hay una fuga de gas natural o gas propano LP en el área, no le de arranque al motor.
- No use líquidos de arranque presurizado ya que los vapores son inflamables.



### ADVERTENCIA



Los motores emiten monóxido de carbono, un gas venenoso que carece de olor y de color.

Respirar monóxido de carbono puede ocasionar náuseas, desmayos o la muerte.

- Dele arranque al motor y opérelo en exteriores.
- No le de arranque al motor ni lo opere en un área encerrada, aun cuando las puertas o las ventanas se encuentren abiertas.



### ADVERTENCIA



La retracción rápida de la cuerda de arranque (contragolpe) le halará la mano y el brazo hacia el motor más rápido de lo que usted la pueda dejar ir.

Podrían ocasionarse roturas de huesos, fracturas, moretones o torceduras.

- Al dar arranque al motor, hale lentamente la cuerda de arranque hasta que se sienta resistencia y después hálela rápidamente para evitar un contragolpe.
- Remueva todas las cargas externas del equipo/motor antes de darle arranque al motor.
- Los componentes de acople directo del equipo tal como, pero sin limitarse a, cuchillas, impulsores, poleas, dientes de piñones, etc. se deben asegurar firmemente.



### ADVERTENCIA



Las partes rotantes pueden tener contacto o enredar las manos, los pies, el cabello, la ropa o los accesorios.

Puede producirse una traumática amputación o una grave laceración.

- Opere el equipo con los protectores en su lugar.
- Mantenga sus manos y sus pies a distancia de las partes rotantes.
- Recójase el cabello largo y quítese las joyas.
- NO use ropa floja, tiras que cuelguen ni artículos que puedan ser agarrados.



### ADVERTENCIA



El funcionamiento de los motores produce calor. Las partes de los motores, especialmente el mofle, se calientan demasiado.

Pueden ocurrir graves quemaduras a causa de su contacto.



Desechos combustibles, tal como hojas, grama, maleza, etc. pueden alcanzar a encenderse.

- Deje que el mofle, el cilindro y las aletas del motor se enfríen antes de tocarlos.
- Remueva los desechos acumulados en el área del mofle y en el área del cilindro.
- Instale y mantenga en orden de funcionamiento un atrapachispas antes de utilizar el equipo en una zona con vegetación tupida o en terrenos agrestes con grama. El Estado de California lo exige (Sección 4442 del Código de Recursos Públicos de California). Otros estados pueden tener leyes similares. Las leyes federales se aplican en tierras federales.



### ADVERTENCIA



Un chispeo involuntario puede producir un incendio o una descarga eléctrica.



Una puesta en marcha involuntaria puede ocasionar un enredo, una amputación traumática o una laceración.



Peligro de incendio

#### Antes de hacer ajustes o reparaciones:

- Desconecte el cable de la bujía y mántegalo a distancia de la bujía.
- Desconecte la batería en la terminal negativa (únicamente motores con arranque eléctrico).
- Use únicamente las herramientas correctas.
- No manipule los resortes del regulador, las varillas u otras partes para incrementar la velocidad del motor.
- Los repuestos deben ser iguales e instalarse en la misma posición que tenían las partes originales.
- No golpee la volante con un martillo ni con un objeto pesado ya que la volante podría astillarse más adelante durante la operación.

#### Cuando compruebe chispa:

- Utilice un probador aprobado.
- No compruebe chispa si removió la bujía.

# Características y Controles

Compare la ilustración **1** con su motor para que se familiarice con la localización de las diversas características y controles.

- A. Identificación del motor  
**Modelo, Tipo y Código**
- B. Bujía
- C. Tanque y Tapa de Combustible
- D. Filtro de Aire
- E. Manija de la cuerda de arranque
- F. Extensión de Llenado de Aceite y Varilla Indicadora de Nivel
- G. tapón de drenaje de aceite
- H. Mofle  
Protector del mofle (opcional)  
Atrapachispas (opcional)
- I. Control del Estrangulador
- J. Control del acelerador (opcional)
- K. Suiche de Parada
- L. válvula de cierre de combustible (opcional)
- M. Protector de Dedos
- N. Unidad reductora (opcional)

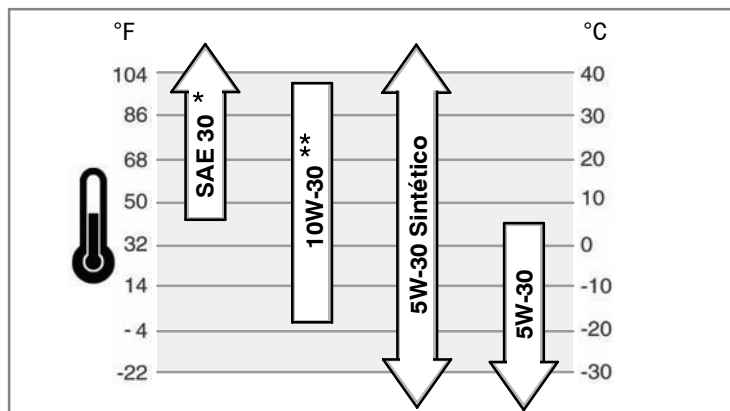
## Operación

Capacidad de aceite (vea la sección de **Especificaciones**)

### Recomendaciones de Aceite

Recomendamos la utilización de aceites certificados para garantía por Briggs & Stratton para lograr el mejor rendimiento. Otros aceites detergentes de alta calidad son aceptables si están clasificados para servicio SF, SG, SH, SJ o superior. No utilice aditivos especiales.

Las temperaturas exteriores determinan la apropiada viscosidad del aceite para el motor. Utilice la gráfica para seleccionar la mejor viscosidad para el rango de temperatura exterior esperado.



\* A temperaturas inferiores a 40°F (4°C) el utilizar SAE 30 producirá un arranque difícil

\*\* A temperaturas superiores a 80°F (27°C) el uso de aceite de grado 10W-30 puede producir un consumo de aceite superior al normal. Compruebe el nivel de aceite con mayor frecuencia.

### Cómo Comprobar/Añadir Aceite - Figura 2

Antes de añadir o comprobar el nivel de aceite

- Coloque el motor a nivel.
- Limpie todos los desechos del área de llenado de aceite.
- 1. Remueva la varilla indicadora de nivel de aceite (A) y límpiela con un trapo limpio.
- 2. Inserte la varilla indicadora de nivel de aceite pero **no** la atornille. El nivel de aceite debe llegar hasta la marca FULL (B) en la varilla indicadora de nivel de aceite.
- 3. Para añadir aceite, vierta el aceite lentamente por dentro del tubo de llenado de aceite (C). Llène hasta el punto de reboso.
- 4. Coloque y apriete la varilla indicadora de nivel de aceite.

### Recomendaciones para el Combustible

El combustible debe cumplir con estos requerimientos:

- gasolina limpia, fresca y libre de plomo.
- Un mínimo de 87 octanos/87 AKI (91 RON). Vea a continuación si se usa a alta altitud.

- Gasolina hasta con el 10% de ethanol (gasohol) o hasta el 15% de MTBE (methyl tertiary butyl ether), es aceptable.

**PRECAUCIÓN:** No use gasolina que no haya sido aprobada tal como E85. Nomezcle el aceite con la gasolina, ni modifique el motor para operarlo con combustibles alternos. Esto dañará los componentes del motor e **invalidará la garantía del motor.**

Para proteger el sistema de combustible de la formación de depósitos de goma, mézclele un estabilizador de combustible cuando le añada combustible. Consulte el aparte: **Bodegaje**. Todos los combustibles no son los mismos. Si se presentan problemas de arranque o de rendimiento cambie de proveedor de combustible o de marca. Este motor está certificado para operar con gasolina. El sistema de control de emisiones para este motor es EM (Modificaciones del Motor).

### Alta Altitud

A elevaciones superiores a 5.000 pies (1.524 metros), es aceptable gasolina con un mínimo de 85 octanos/85 AKI (89 RON). A fin de cumplir con las emisiones, se requiere ajuste para gran altitud. El operar sin éste ajuste causará una disminución el rendimiento, un aumento del consumo de combustible y un aumento en las emisiones. Consulte con un distribuidor autorizado de Briggs & Stratton con relación al ajuste para gran altitud.

No se recomienda operar el motor a elevaciones inferiores a 2.500 pies (762 metros) con el juego para gran altitud.

### Cómo Añadir Combustible - Figura 3



#### ADVERTENCIA



La gasolina y sus vapores son extremadamente inflamables y explosivos.



Un incendio o una explosión pueden causar graves quemaduras o la muerte.

#### Cuando Aprovechone con Combustible

- Apague el motor y deje que el motor se enfríe por lo menos 2 minutos antes de remover la tapa de combustible.
  - Llène el tanque de combustible en exteriores o en un área bien ventilada.
  - No llene demasiado el tanque de combustible. Llène el tanque hasta aproximadamente 1,5 pulgadas (38 mm) por debajo de la parte superior del cuello para permitir la expansión del combustible.
  - Mantenga la gasolina y sus vapores a distancia de chispas, llamas abiertas, testigos piloto, calor, o de cualquier otra fuente de encendido.
  - Compruebe con frecuencia si existen grietas o fugas en las mangueras de combustible, el tanque, la tapa y en los accesorios. Cámbielos si es necesario.
  - Si se derramó combustible, espere hasta que se haya evaporado antes de darle arranque al motor.
1. Limpie la suciedad y los desechos del área de la tapa del combustible. Retire la tapa del combustible (A). Vea Figur 3.
  2. Llène el tanque de combustible (B) con gasolina. Para permitir la expansión de la gasolina no lo llene por encima de la parte inferior del cuello del tanque de combustible (C).
  3. Re-instale la tapa de combustible.

### Cómo Darle Arranque al Motor - Figura 4 5



#### ADVERTENCIA



La retracción rápida de la cuerda de arranque (contragolpe) le halará la mano y el brazo hacia el motor más rápido de lo que usted la pueda dejar ir.

Podrían ocasionarse roturas de huesos, fracturas, moretones o torceduras.

- Cuando le de arranque al motor, hale lentamente la cuerda hasta que se sienta resistencia y después hálela rápidamente para evitar un contragolpe.



#### ADVERTENCIA



La gasolina y sus vapores son extremadamente inflamables y explosivos.



Un incendio o una explosión pueden causar graves quemaduras o la muerte.

#### Cuando le de Arranque al motor

- Asegúrese que la bujía, el mofle, la tapa de combustible y el filtro de aire estén en su lugar, y firmemente asegurados.
- No haga girar el motor si removió la bujía.
- Si el motor a se inunda, ajuste el estrangulador (si está equipado) a la posición open/run, coloque el acelerador en la posición fast y haga girar el motor hasta que arranque.



## ADVERTENCIA



Los motores emiten monóxido de carbono, un gas venenoso que carece de olor y de color.

Respirar monóxido de carbono puede ocasionar náuseas, desmayos o la muerte.

- Dele arranque al motor y opérela en exteriores.
- No le de arranque al motor ni lo opere en un área encerrada, aun cuando las puertas o las ventanas se encuentren abiertas.

**PRECAUCIÓN:** Este motor fue despachado de Briggs & Stratton sin aceite. Antes de darle arranque al motor, asegúrese de agregar aceite de acuerdo con las instrucciones de este manual. Si da arranque al motor sin que éste tenga aceite, se dañará hasta tal punto que no podrá ser reparado y no será cubierto por la garantía.

1. Compruebe el nivel de aceite. Vea la sección **Cómo Comprobar/Añadir Aceite**.
2. Asegúrese de que los controles de impulso del equipo, si están equipados, estén desengranados. Consulte en el manual de equipo la ubicación y operación de estos controles.
3. Desplace el suiche de parada (A) a la posición on (Figura 4).
4. Mueva la palanca del control del acelerador (B), si está equipado, hacia la posición fast . Opere el motor en la posición fast .

5. Gire el control del estrangulador (C) a la posición choke .

*Nota:* Generalmente el estrangulador no es necesario cuando se enciende un motor caliente.

6. Gire la válvula de cierre de combustible (D), si está equipada, hacia la posición on (Figura 5).
7. **Arranque retráctil:** Sostenga firmemente la manija de la cuerda de arranque (E). Jale lentamente la cuerda de arranque hasta que se sienta resistencia, después júlela rápidamente (Figura 4).

*NOTA:* Si el motor no arranca después de tres intentos, vaya a **BRIGGSandSTRATTON.COM** o llame al **1-800-233-3723** (en los EE.UU.).



**ADVERTENCIA:** La retracción rápida de la cuerda de arranque (contragolpe) le halará la mano y el brazo hacia el motor más rápido de lo que usted la pueda dejar ir. Podrían ocasionarse roturas de huesos, fracturas, moretones o torceduras. Cuando le de arranque al motor, hale lentamente la cuerda hasta que se sienta resistencia y después hálela rápidamente para evitar un contragolpe.

8. **Arranque eléctrico:** Gire el suiche del arranque eléctrico hacia la posición on/Start. Refiérase al manual del equipo para la ubicación y operación del suiche.

*NOTA:* Si el motor no arranca después de tres intentos, vaya a **BRIGGSandSTRATTON.COM** o llame al **1-800-233-3723** (en los EE.UU.).

**PRECAUCIÓN:** Para prolongar la duración del arrendador, utilice ciclos de arranque cortos (máximo de cinco segundos). Espere un minuto entre ciclos de arranque.

9. A medida que el motor se calienta, mueva el control del estrangulador (C) a la posición run (Figura 4).

## Cómo Detener el Motor - Figura 5 6



## ADVERTENCIA



La gasolina y sus vapores son extremadamente inflamables y explosivos.



Un incendio o una explosión pueden causar graves quemaduras o la muerte.

- No use el estrangulador para detener el motor.

1. Mueva el suiche de parada (A, Figura 6) a la posición stop.

**Arranque eléctrico:** Gire el suiche del arranque eléctrico hacia la posición off/stop. Refiérase al manual del equipo para la ubicación y operación del suiche.

2. Después de que se detenga el motor, gire la válvula de cierre de combustible (D, Figura 5) a la posición cerrada.

## Mantenimiento

Utilice sólo repuestos originales para los equipos. Es posible que otros repuestos no funcionen tan bien, dañen la unidad y hasta pueden ocasionar lesiones.

Además, el uso de otros repuestos puede anular la validez de su garantía.

Recomendamos que contacte a cualquier Distribuidor Autorizado de Briggs & Stratton para todo lo relacionado con el mantenimiento y el servicio del motor y sus partes.

**PRECAUCIÓN:** Todos los componentes utilizados para fabricar este motor deben mantenerse en su lugar para una correcta operación.

## Control de Emisiones

El mantenimiento, cambio o reparación de los dispositivos y sistemas del control de emisiones pueden ser realizados por cualquier establecimiento o persona que repare motores todo terreno. Sin embargo, para obtener servicio de control de emisiones "sin costo", la labor debe ser realizada por un distribuidor autorizado por la fábrica. Vea la Garantía de Emisiones.



## ADVERTENCIA



Un chispeo involuntario puede producir un incendio o una descarga eléctrica.



Una puesta en marcha involuntaria puede ocasionar un enredo, una amputación traumática o una laceración.



Peligro de incendio

## Antes de hacer ajustes o reparaciones:

- Desconecte el cable de la bujía y manténgalo a distancia de la bujía.
- Use únicamente las herramientas correctas.
- No manipule los resortes del regulador, las varillas u otras partes para incrementar la velocidad del motor.
- Los repuestos deben ser iguales e instalarse en la misma posición que tenían las partes originales.
- No golpee la volante con un martillo ni con un objeto pesado ya que la volante podría astillarse más adelante durante la operación.

## Cuando compruebe chispa:

- Utilice un probador aprobado.
- No compruebe chispa si removió la bujía.

## Cuadro de Mantenimiento

<b>Las Primeras 5 horas</b>
<ul style="list-style-type: none"> <li>• Cambie aceite</li> </ul>
<b>Cada 8 Horas o Diariamente</b>
<ul style="list-style-type: none"> <li>• Compruebe el nivel de aceite del motor.</li> <li>• Limpie el área alrededor del mofle y los controles</li> <li>• Limpie el protector de dedos</li> </ul>
<b>Cada 25 horas o anualmente</b>
<ul style="list-style-type: none"> <li>• Limpie el filtro de aire *</li> <li>• Limpie el pre-filtro *</li> </ul>
<b>Cada 100 horas o anualmente</b>
<ul style="list-style-type: none"> <li>• Cambie el aceite del motor</li> <li>• Compruebe el mofle y el atrapachispas</li> </ul>
<b>Cada 100 horas</b>
<ul style="list-style-type: none"> <li>• Cambiar el aceite del reductor (si llevara)</li> </ul>
<b>Anualmente</b>
<ul style="list-style-type: none"> <li>• Cambie el filtro de aire.</li> <li>• Reemplace el pre-filtro</li> <li>• Cambie la bujía</li> <li>• Limpie/Cambie el filtro de combustible</li> <li>• Limpie el sistema de enfriamiento de aire *</li> <li>• Compruebe la tolerancia de la válvula **</li> </ul>

\* Limpie con mayor frecuencia en condiciones de mucho polvo o cuando el aire contenga muchas partículas.

\*\* No se requiere a menos que se detecten problemas de rendimiento del motor.

## Ajuste del Carburador

Nunca realice ajustes en el carburador. El carburador ha sido ajustado en la fábrica para operar eficientemente bajo la mayoría de las condiciones. Sin embargo, si se requiere que éste sea ajustado, consulte a cualquier Distribuidor de servicio Autorizado Briggs & Stratton.

**PRECAUCIÓN:** El fabricante del equipo en el cual es instalado el motor especifica la velocidad máxima en la cual será operado el motor. **No exceda** esta velocidad.

## Cómo Revisar la Bujía - Figura 8

Compruebe el entrehierro (A, Figura 8) con un calibrador de alambre (B). Si es necesario, reajuste el entrehierro. Instale y apriete la bujía al par de apriete recomendado. Para el ajuste del entrehierro o el par de apriete, consulte la sección de **Especificaciones**.

*Nota:* En algunas áreas, las leyes locales requieren el uso de una bujía con resistencia para suprimir las señales de encendido. Si este motor vino originalmente equipado con una bujía con resistencia, utilice el mismo tipo de bujía cuando la reemplace.

## Inspección del Mofle y el Atrapachispas - Figura 7



### ADVERTENCIA



El funcionamiento de los motores produce calor. Las partes de los motores, especialmente el mofle, se calientan demasiado.



Pueden ocurrir graves quemaduras a causa de su contacto.

Desechos combustibles, tal como hojas, grama, maleza, etc. pueden alcanzar a encenderse.

- Deje que el mofle, el cilindro y las aletas del motor se enfríen antes de tocarlos.
- Remueva los desechos acumulados en el área del mofle y en el área del cilindro.
- Instale y mantenga en orden de funcionamiento un atrapachispas antes de utilizar el equipo en una zona con vegetación tupida o en terrenos agrestes con grama. El Estado de California lo exige (Sección 4442 del Código de Recursos Públicos de California). Otros estados pueden tener leyes similares. Las leyes federales se aplican en tierras federales.

Inspect the muffler (A) for cracks, corrosion, or other damage. Remove the spark arrester (B), if equipped, and inspect for damage or carbon blockage. If replacement parts are required, make sure to use only original equipment replacement parts.



**ADVERTENCIA!** Los repuestos deben ser iguales y ser instalados en la misma posición que tenían las partes originales, de lo contrario puede ocurrir un incendio.

## Cómo Cambiar el Aceite - Figura 9 10

**PRECAUCIÓN:** El aceite usado es un producto de desecho peligroso y debe ser desechado en forma apropiada. No lo descarte en la basurera de la casa. Verifique con sus autoridades locales, con el centro de servicio, o con su distribuidor para obtener información acerca de las facilidades seguras para su destrucción/reciclaje.

### Remoción del Aceite

1. Con el motor apagado pero aún caliente, desconecte el cable de la bujía (A) y manténgalo a distancia de la bujía (Figura 10).
2. Retire el tapón de drenaje de aceite (B, Figura 9). Drene el aceite en el recipiente apropiado.  
*Nota:* Cualquiera de los tapones de aceite (C) mostrados puede estar instalado en el motor.
3. Después de haber drenado el aceite del motor, instale y apriete el tapón de drenaje de aceite.

### Aprovisionamiento de aceite

- Coloque el motor a nivel.
  - Limpie el área de llenado de aceite de todo desecho.
  - Consulte la sección de **Especificaciones** para la capacidad de aceite.
1. Remueva la varilla indicadora de nivel de aceite (D) y límpiela con un trapo limpio.
  2. Vierta el aceite lentamente en el llenado de aceite del motor (E). Llène hasta el punto de desborde.
  3. Instale la varilla indicadora de nivel de aceite pero **no** la atornille. Remueva y verifique el nivel de aceite. El nivel de aceite debería estar en la marca FULL (F) sobre la varilla indicadora de nivel de aceite.
  4. Coloque y ajuste la varilla indicadora.

## Cómo Darle Servicio al Filtro de Aire - Figura 11



### ADVERTENCIA



La gasolina y sus vapores son extremadamente inflamables y explosivos.



Un incendio o una explosión pueden causar graves quemaduras o la muerte.

- Nunca arranque u opere el motor si removió el conjunto del filtro de aire o el filtro de aire.

**PRECAUCIÓN:** No use aire a presión ni solventes para limpiar el filtro. El aire a presión puede dañar el filtro y los solventes pueden disolverlo.

El sistema de filtro de aire utiliza un filtro plegado con un pre-filtro opcional. El pre-filtro puede ser lavado y vuelto a utilizar.

### Filtro de aire plano

1. Afloje el sujetador (D) que sostiene la cubierta (A). Vea Figura 11.
2. Abra la cubierta y retire el pre-filtro (C) y el filtro (B).
3. Para aflojar los desechos, golpee suavemente el filtro sobre una superficie dura. Si el filtro está excesivamente duro, reemplácelo con un nuevo filtro.

4. Lave el pre-filtro en detergente líquido y agua. Luego permita que se seque completamente al aire. **No** aceite el pre-filtro.
5. Instale el pre-filtro seco sobre el filtro con el labio (G) del pre-filtro sobre el aparte de abajo de los pliegues del filtro.
6. Instale el filtro.
7. Instale las pestañas de la tapa (E) en las muescas (F).
8. Cierre la tapa y asegúrela con el sujetador.

## Cómo cambiar el aceite del reductor - Figura 12

Si su motor está equipado con una unidad reductora, proceda como sigue para prestarle cuidados.

1. Retire el tapón de llenado de aceite (B) y el tapón de llenado de aceite (C).
2. Retire el tapón de drenaje de aceite (A, Figura 12) y drene el aceite en el recipiente apropiado.
3. Coloque y ajuste el tapón de drenaje de aceite.
4. Para llenar, vierta lentamente aceite de lubricación en el orificio de llenado (vea la sección de **Especificaciones**). Continúe vertiendo hasta que el aceite salga por el orificio de nivel de aceite.
5. Coloque y ajuste el tapón de nivel de aceite.
6. Coloque y ajuste el tapón de llenado de aceite.  
**Importante:** El tapón de llenado de aceite tiene un orificio de ventilación (D) y debe ser instalado sobre la parte superior de la tapa de la caja del reductor.

## Limpiar/cambiar el filtro de combustible - Figura 13



### ADVERTENCIA



La gasolina y sus vapores son extremadamente inflamables y explosivos.



Un incendio o una explosión pueden causar graves quemaduras o la muerte.

- Mantenga la gasolina y sus vapores a distancia de chispas, llamas abiertas, testigos piloto, calor, o de cualquier otra fuente de encendido.
  - Compruebe con frecuencia si existen grietas o fugas en las mangueras de combustible, el tanque, la tapa y en los accesorios. Cámbielos si es necesario.
  - Antes de reemplazar el filtro de combustible, drene el tanque de combustible o cierre la válvula de paso de combustible.
  - Los repuestos deben ser iguales e instalarse en la misma posición que tenían las partes originales.
  - Si se derramó combustible, espere hasta que se haya evaporado antes de darle arranque al motor.
1. Remueva la tapa de combustible (A, Figura 13).
  2. Remueva el filtro de combustible (B).
  3. Si el filtro está sucio, límpielo o reemplácelo. Si reemplaza el filtro de combustible, cerciórese de utilizar un filtro de reemplazo genuino.

## Cómo Limpiar el Sistema de Enfriamiento de Aire - Figura 14



### ADVERTENCIA



El funcionamiento de los motores produce calor. Las partes de los motores, especialmente el mofle, se calientan demasiado.



Pueden ocurrir graves quemaduras a causa de su contacto.

Desechos combustibles, tal como hojas, grama, maleza, etc. pueden alcanzar a encenderse.

- Deje que el mofle, el cilindro y las aletas del motor se enfríen antes de tocarlos.
- Remueva los desechos acumulados en el área del mofle y en el área del cilindro.

**PRECAUCIÓN:** No use agua para limpiar el motor. El agua podría contaminar el sistema de combustible. Utilice un cepillo o un trapo seco para limpiar el motor.

Este es un motor enfriado por aire. Las suciedades o los desechos pueden restringir el flujo de aire y ocasionar recalentamiento en el motor, produciendo un desempeño pobre y una vida del motor reducida.

Utilice un cepillo o un trapo seco para remover los desechos del protector de dedos (A). Mantenga las varillas, los resortes y los controles (B) limpios. Mantenga el área alrededor y por detrás del mofle (C) libre de todo desecho combustible (Figura 14).

## Bodegaje



### ADVERTENCIA



La gasolina y sus vapores son extremadamente inflamables y explosivos.

Un incendio o una explosión pueden causar graves quemaduras o la muerte.

### Almacenamiento de la Gasolina o del Equipo con Combustible en el Tanque

- Almacene a distancia de hornos, estufas, calentadores de agua u otros aparatos que utilicen testigos piloto u otras fuentes de encendido ya que estos pueden encender los vapores de gasolina.

### Sistema de Combustible

La lata de combustible se pasa cuando es almacenada durante más de 30 días. El combustible pasado ocasiona que se formen depósitos de goma y ácido en el sistema de combustible o en las partes esenciales del carburador. Para mantenerlo fresco utilice

el estabilizador de combustible FRESH START® de Briggs & Stratton, disponible como un aditivo líquido o un cartucho concentrado de goteo.

No hay necesidad de drenar gasolina del motor si se agrega un estabilizador de combustible de acuerdo con las instrucciones. Deje correr del motor durante 2 minutos para circular el estabilizador a través del sistema de combustible. De ese modo el motor y el combustible pueden ser almacenados hasta por 24 meses.

Si la gasolina en el motor no ha sido tratada con un estabilizador de combustible, debe ser drenada a un recipiente aprobado. Deje correr del motor hasta que pare por falta de combustible. Se recomienda el uso de un estabilizador de combustible en el recipiente de almacenamiento para mantener la frescura.

### Aceite del Motor

Cambie el aceite del motor mientras que el motor se encuentre todavía caliente.

### Detección de Fallas

¿Necesita Asistencia? Vaya a [BRIGGSandSTRATTON.COM](http://BRIGGSandSTRATTON.COM) o marque el teléfono **1-800-233-3723**

## Especificaciones

### Especificaciones del Motor

Modelo	120000
Desplazamiento	12,48 ci (205 cc)
Diámetro Interno del Cilindro	2,688 pulgadas (68,28 mm)
Carrera	2,200 pulgadas (55,88 mm)
Capacidad de Aceite	18 - 20 onzas (0,54 - 0,59 L)
Aceite del Reductor	80W-90

### Especificaciones del Motor

Modelo	200000
Desplazamiento	18,63 ci (305 cc)
Diámetro Interno del Cilindro	3,120 pulgadas (79,24 mm)
Carrera	2,438 pulgadas (61,93 mm)
Capacidad de Aceite	26 - 28 onzas (0,77 - 0,83 L)
Aceite del Reductor	SAE 30

### Especificaciones de Ajuste \*

Modelo	120000
Entrehierro de la Bujía	0,030 pulgadas (0,76 mm)
Par de apriete de la bujía	180 lb-plg (20 Nm)
Entrehierro Inducido	0,010 - 0,014 pulgadas (0,25 - 0,36 mm)
Tolerancia de la Válvula de Admisión	0,004 - 0,006 pulgadas (0,10 - 0,15 mm)
Tolerancia de la Válvula de Escape	0,009 - 0,011 pulgadas (0,23 - 0,28 mm)

### Especificaciones de Ajuste \*

Modelo	200000
Entrehierro de la Bujía	0,030 pulgadas (0,76 mm)
Par de apriete de la bujía	180 lb-plg (20 Nm)
Entrehierro Inducido	0,008 - 0,012 pulgadas (0,20 - 0,30 mm)
Tolerancia de la Válvula de Admisión	0,004 - 0,006 pulgadas (0,10 - 0,15 mm)
Tolerancia de la Válvula de Escape	0,009 - 0,011 pulgadas (0,22 - 0,28 mm)

\* La potencia del motor disminuirá 3.5% por cada 1.000 pies (300 metros) sobre el nivel del mar y un 1% por cada 10° F (5,6° C) por encima de 77° F (25° C). Este operará satisfactoriamente a un ángulo de hasta 15°. Refiérase al manual del operador del equipo para obtener información acerca de los límites de operación permitidos en pendientes.

### Partes de Servicio Comunes ✓

Parte de Servicio	Numero de parte
Filtro de Aire plano	491588, 5043
Pre-Filtro del Filtro de Aire plano	493537, 5064
Filtro de Combustible	792917
Aditivo de Combustible	5041, 5058

Parte de Servicio	Numero de parte
Bujía con Resistencia	491055
Bujía de Platino de Larga Vida	5066
Llave de Bujía	89838, 5023
Probador de Chispa	19368

✓ Recomendamos que contacte a cualquier Distribuidor de Servicio Autorizado Briggs & Stratton para todo lo relacionado con el mantenimiento y el servicio del motor y sus partes. Use únicamente repuestos originales Briggs & Stratton.

**GARANTIA LIMITADA**

Briggs & Stratton Corporation reparará o reemplazará, sin costo alguno, cual(es)quier parte(s) del motor considerada(s) como defectuosas en material, mano de obra o ambos. Los gastos de transporte del producto sometido a reparación o cambio bajo esta Garantía deben ser abonados por el comprador. Esta garantía tiene vigencia y está sujeta a los períodos y condiciones establecidos a continuación. Para recibir servicio de garantía, contacte el Distribuidor de Servicio Autorizado más cercano en nuestro mapa de localización de distribuidores en BRIGGSandSTRATTON.COM, o marque el 1-800-233-3723, o según aparezca listado en las 'Páginas Amarillas™'.

**No existe ninguna otra garantía expresa Las garantías implícitas, incluso aquellas de mercantilidad o adaptabilidad para un fin determinado quedan limitadas a un año a partir de la fecha de compra o a la extensión permitida por la ley, quedando excluidas todas las garantías implícitas. La responsabilidad por daños fortuitos o consecuentes bajo cualesquier y todas las garantías queda excluida en la medida que dicha exclusión sea permitida por la ley.** Algunos países o estados no contemplan limitaciones en cuanto a la duración de una garantía implícita, y otros países o estados no permiten la exclusión o limitación de daños consecuentes o incidentales, en cuyo caso la limitación y la exclusión anteriores pueden no ser aplicables para usted. Esta garantía le da derechos legales específicos, pudiendo tener a su vez otros derechos que varían de un país a otro y de un estado a otro.

**TÉRMINOS ESTÁNDAR PARA GARANTÍA \* ▲**

Marca/Tipo de Producto	Uso Privado	Uso Comercial
Vanguard™	2 años	2 años
Serie Larga Vida™, I/C®, Intek™ I/C®, Intek™ Pro	2 años	1 año
Serie Snow MAX™ con Funda de Hierro Colado Dura-Bore™	2 años	1 año
Todos los otros motores Briggs & Stratton	2 años	90 días

- \* Éstos son nuestros términos de garantía estándares, pero de vez en cuando puede existir una cobertura adicional de la garantía que no fue determinada en el momento de la publicación. Para obtener un listado de los términos de garantía corrientes para su motor, vaya a BRIGGSandSTRATTON.COM o póngase en contacto con su Distribuidor de Servicio autorizado de Briggs & Stratton.
- ▲ Los motores usados en aplicaciones de Generadores Domésticos están garantizados únicamente para uso privado. Esta garantía no se aplica a motores en equipos usados para energía principal en lugar de un servicio. **Los motores usados en eventos competitivos o en trayectorias comerciales o de renta no están cubiertos por la garantía.**

El período de garantía comienza a partir de la fecha en la cual lo compró el consumidor detallista original o usuario final comercial, y continúa por el período de tiempo establecido en la tabla anterior. "Uso privado" significa uso doméstico personal por el consumidor detallista original. "Uso Comercial" significa todos los otros usos, incluyendo fines comerciales o que produzcan ingresos o renta. Una vez que el motor haya experimentado uso comercial, será considerado en adelante como motor de uso comercial para fines de esta garantía.

**No es necesario registrar la garantía para obtener servicio de Briggs & Stratton Products. Guarde su recibo de compra. Si no aporta la prueba de la fecha de compra inicial en el momento de requerir servicio de garantía, se utilizará la fecha de fabricación del producto para determinar el período de garantía.**

**Acerca de su Garantía**

Briggs & Stratton recibe con agrado la reparación bajo garantía y le pedimos disculpas por los inconvenientes presentados. Cualquier Distribuidor de Servicio Autorizado puede hacer reparaciones bajo garantía. La mayor parte de las reparaciones bajo garantía se atienden de manera rutinaria, pero algunas veces las peticiones para el servicio de garantía pueden no ser apropiadas.

Si un cliente no está de acuerdo con la decisión del Distribuidor de Servicio, se realizará una investigación para determinar la aplicabilidad de la garantía. Pida a su Distribuidor de Servicio que envíe toda la información pertinente a su Distribuidor o a la Fábrica para proceder a su revisión. Si el Distribuidor o la Fábrica deciden que su reclamación es justificada, al cliente le será reembolsado totalmente el importe de aquellas partes que son defectuosas. Para evitar cualquier malentendido que pudiera presentarse entre el cliente y el Distribuidor de Servicio, listamos a continuación algunas de las causas de fallas del motor que no cubre la garantía.

**Desgaste Normal:** Los motores necesitan, como todos los dispositivos mecánicos, el cambio y el servicio periódico de las partes para desempeñarse bien. La garantía no cubrirá la reparación cuando el uso normal haya agotado la vida de una parte o del motor. La garantía no podría aplicarse si el daño del motor ocurrió debido a abuso, falta del mantenimiento habitual, transporte, manejo, bodegaje o instalación inapropiados. De igual manera se invalidará la garantía si el número serial del motor ha sido removido o si el motor ha sido alterado o modificado.

**Mantenimiento Incorrecto:** La vida útil de un motor depende de las condiciones bajo las cuales opere el motor y del cuidado que éste reciba. Algunas aplicaciones, tales como cultivadoras, bombas y máquinas cortacésped rotantes, se utilizan con mucha frecuencia en condiciones de mucho polvo o en condiciones muy sucias, las cuales pueden hacer que parezca un desgaste prematuro del motor. Tal desgaste, cuando es ocasionado por suciedad, polvo o por el hecho de limpiar la bujía con chorro de arena, o porque otro material abrasivo haya entrado al motor debido a un mantenimiento no apropiado, no será cubierto por la garantía.

**Esta garantía cubre únicamente, material defectuoso y/o mano de obra relacionados con el motor, y no el cambio o reembolso del equipo en el cual haya sido montado el motor. Ni extenderá la garantía a reparaciones requeridas debido a:**

- 1 Problemas ocasionados por el uso de partes que no sean partes originales Briggs & Stratton.
- 2 Controles del equipo o instalaciones que impidan el arranque, ocasionando un rendimiento poco satisfactorio del motor, o que acorten la vida del motor. (Contacte el fabricante del equipo.)

- 3 Carburadores con fugas, conductos de combustible obstruidos, válvulas atascadas u otros daños causados por el uso de combustible contaminado o pasado.
- 4 Partes que se hayan rayado o reventado por operar el motor con aceite lubricante insuficiente o contaminado, o por el uso del grado de viscosidad de aceite incorrecto (compruebe el nivel de aceite y termine de aprovisionar cuando sea necesario, y cambie aceite según los intervalos recomendados.) El dispositivo protector del aceite OIL GARD no se puede apagar durante la operación del motor. Se podrían presentar daños en el motor si el nivel de aceite no se mantiene correctamente.
- 5 Reparación o ajuste de partes asociadas o conjuntos tales como embragues, transmisiones, controles remoto, etc., los cuales no son fabricados por Briggs & Stratton.
- 6 Daño o desgaste de partes causado por la entrada de suciedades al motor debido al mantenimiento incorrecto del filtro de aire, montaje incorrecto, o por el uso de un elemento o cartucho para el filtro de aire que no sea original. Limpie y/o cambie el filtro según los intervalos recomendados de acuerdo a lo establecido en el Manual del Operador.
- 7 Partes dañadas por velocidad excesiva o recalentamiento causado por residuos de grama, desechos o suciedades los cuales taponan u obstruyen las aletas de enfriamiento, o el área de la volante, o por daños causados por operar el motor en un área confinada sin la suficiente ventilación. Limpie los desechos del motor según los intervalos recomendados de acuerdo a lo establecido en el Manual del Operador.
- 8 Partes del motor o del equipo quebradas por vibración excesiva causada por un montaje flojo del motor, cuchillas de corte flojas, cuchillas o impulsores flojos o no balanceados, fijación incorrecta del equipo al cigüeñal del motor, velocidad excesiva u otro abuso en la operación.
- 9 Un cigüeñal deformado o quebrado causado por golpear con un objeto sólido la cuchilla de corte de una máquina cortacésped rotante, o por tensión excesiva de las correas en v.
- 10 Afinación o ajuste de rutina del motor.
- 11 Descuido del motor o de los componentes del motor, es decir, cámara de combustión, válvulas, asientos de válvulas, guías de válvulas o bobinados del motor de arranque quemados, causado por el uso de combustibles alternos tales como, gas propano, gas natural, gasolinas alteradas, etc.

**Se dispone del servicio de garantía únicamente a través de distribuidores de servicio autorizados por Briggs & Stratton Corporation. Localice su Distribuidor de Servicio Autorizado más cercano en nuestro mapa de localización de distribuidores en BRIGGSandSTRATTON.COM, o marcando el teléfono 1-800-233-3723, o según aparezca listado en las 'Páginas Amarillas™'.**

## Yleinen informaatio

Siltä varalta, että tarvitset varaosia tai teknistä apua merkitse alle moottorin malli-, tyyppi- ja koodinumerot sekä ostopäivä. Nämä numerot löytyvät moottorista (katso **Ominaisuudet ja säädöt**-sivu).

Ostopäivä: \_\_\_\_\_  
MM/DD/YYYY

Moottorin malli: \_\_\_\_\_  
Malli: \_\_\_\_\_ Tyyppi: \_\_\_\_\_ Koodi: \_\_\_\_\_

## Moottorin tehoarvotiedot

Yksittäisten kaasumoottorimallien bruttotehoarvot merkitään SAE:n (Society of Automotive Engineers) J1940-standardin (Pienmoottoreiden teho- ja väännönmittausnormisto) mukaisesti, ja arvot on saatu ja korjattu SAE J1995-normin mukaisesti (tarkistettu 2002-05). Vääntöarvot on saatu 3060:n kierrosnopeudella; tehoarvot on saatu 3600:n kierrosnopeudella. Moottorin todellinen bruttoteho saattaa olla pienempi. Siihen vaikuttavat muun muassa ympäristön käyttöolosuhteet ja moottoreiden yksilölliset erot. Moottoreitamme käytetään voimanlähteenä lukuisissa erilaisissa laitteissa, jolloin laitteen asettamat rajoitukset sekä ympäristötekijät vaikuttavat moottorin tehoon. Tällaisia seikkoja ovat: lisälaitteet (ilmanpuhdistin, pakoputki, lataus, jäähdytys, kaasutin, polttoainepumppu jne.), käyttörajoitukset, ympäristön käyttöolosuhteet (lämpötila, kosteus, korkeus) ja koneiden väliset erot. Valmistuksesta ja kapasiteetin rajoituksista johtuen Briggs & Stratton voi korvata tämän sarjan moottorin nimellisteholtaan suuremmalla moottorilla.

## Käyttäjän turvallisuus

### TURVALLISUUS- JA SÄÄTÖSYMBOLIT



Tulipalo



Liikkuvia osia



Öljy



Myrkyllisiä kaasuja



Hidas



Nopea



Seis



Räjähdyksen



Sähköisku



Polttoaine



Rikastin



Päällä Pois



Polttoainehana



Takapotku



Käytä suojalaseja



Vaarallinen kemikaali



Lue käyttöopas



Kuuma pinta



Pakkasen purema

Vaarasymbolia käytetään merkinä vaaroista, jotka saattavat johtaa henkilövahinkoihin. Merkkisanaa (HENGENVAARA, VAARA, tai VAROITUS) käytetään symbolin ohella kuvaamaan loukkaantumisen mahdollisuutta ja vakavuutta. Lisäksi vaarasymbolia voidaan käyttää esittämään vaaran tyyppiä.

**HENGENVAARA** merkitsee vaaraa, joka saattaa, mikäli sitä ei vältetä, johtaa vakavaan loukkaantumiseen tai kuolemaan.

**VAARA** merkitsee vaaraa, joka saattaa, mikäli sitä ei vältetä, johtaa vakavaan loukkaantumiseen tai kuolemaan.

**VAROITUS** merkitsee vaaraa, joka saattaa, mikäli sitä ei vältetä, voi johtaa lievään tai merkittävään loukkaantumiseen.

**VAROITUS**, jos käytetty ilman varoitussymbolia, ilmaisee tilannetta, joka saattaa aiheuttaa vaurioita tuotteeseen.



## VAROITUS

Tämän tuotteen pakokaasu sisältää Kalifornian valtion tutkimusten mukaan terveydelle haitallisia aineita.



## VAROITUS

Briggs & Stratton ei hyväksy tai salli näiden moottoreiden käyttämistä 3-pyöräisissä maastoajoneuvoissa, moottoripyörissä/kärkyissä, harrastus/käytössä olevissa mikroautoissa, ilma-aluksissa tai kilpailuissa käytettävissä ajoneuvoissa. Näiden moottoreiden käyttäminen tällaisissa laitteissa saattaa aiheuttaa omaisuusvahinkoja, vakavan tapaturman (halvaantuminen mukaan lukien) tai jopa kuoleman.

**VAROITUS:** Kun tämä moottori lähtee Briggs & Strattonin tehtaalta, siinä ei ole öljyä. Lisää moottoriin öljyä tässä käyttöoppaassa annettujen ohjeiden mukaisesti ennen moottorin käynnistämistä. Mikäli käynnistät moottorin lisäämättä öljyä, moottori vaurioituu korjauskelvottomaksi eikä takuu korvaa vahinkoja.



## VAROITUS



**Bensiini ja sen höyryt ovat erittäin helposti syttyviä ja räjähdysalttiita. Tulipalot ja räjähdys saattaa aiheuttaa vakavia palovammoja tai kuoleman.**

### Polttoaineen lisääminen

- Sammuta moottori ja anna sen jäähtyä vähintään 2 minuuttia ennen polttoainetankin korkin irrottamista.
- Täytä säiliö hyvin ilmastoidussa tilassa.
- Älä ylitä tankkia. Jätä tankkiin noin 38 mm ilmatilaa, jotta polttoaineella on tilaa laajeta.
- Pidä polttoaine ja sen kaasut poissa kipinöiden, avotulen, sytytysliekin, kuumuuden tai muiden sytytyslähteiden läheisyydestä.
- Tarkasta polttoaineputket ja liittimet, tankki ja tankin korkki säännöllisesti halkeamien ja vuotojen varalta. Vaihda tarvittaessa.
- Jos polttoainetta läikkyy, käynnistä moottori vasta sen haihduttua.

### Moottorin käynnistäminen

- Varmista, että sytytystulppa, äänenvaimennin polttoainesäiliön korkki ja ilmanpuhdistin (mikäli käytössä) ovat paikoillaan ja tiukasti kiinnitettyjä.
- Älä käynnistä moottoria sytytystulpan ollessa irrotettuna.
- Jos moottori tulvii, laita kuristin (mikäli käytössä) AUKI/RUN-asentoon, siirrä nopeudensäädin (mikäli käytössä) FAST-asentoon ja yritä käynnistää, kunnes moottori lähtee käyntiin.

### Laitteen käyttäminen

- Älä kallista moottoria siten, että polttoainetta pääsee vuotamaan.
- Älä sammuta moottoria käyttämällä kuristinta.
- Älä koskaan käynnistä tai käytä moottoria ilmansuodatin (mikäli käytössä) poistettuna.

### Öljyn vaihto

- Mikäli poistat öljyn öljyntäyttöputken yläpään kautta, polttoainesäiliön on oltava tyhjä tai polttoainetta saattaa vuotaa ulos jolloin tuloksena voi olla tulipalo tai räjähdys.

### Laitteen kuljettaminen

- Kuljeta laite tankki TYHJÄNÄ tai polttoainehana SULJETTUNA.

### Polttoaineen varastoiminen tai laitteen varastoiminen, kun tankissa on polttoainetta

- Älä varastoi lämmityskattilan, uunin, vedenlämmittimen tai muun kipinän aikaansaavan laitteen läheisyyteen, sillä ne voivat aiheuttaa bensiinihöyryyn syttymisen.



## VAROITUS



**Moottorin käynnistämisen yhteydessä syntyy kipinöitä. Kipinöinti voi sytyttää läheisyydessä olevat tulenarat kaasut. Räjähdys- ja tulipalovaara on olemassa.**

- Älä käynnistä moottoria, mikäli läheisyydessä on luonnonkaasu- tai nestekaasuvocto.
- Älä käytä paineitettuja käynnistyssumutteita, koska niiden kaasut ovat herkästi syttyviä.





## VAROITUS

Pakokaasut sisältävät hiilimonoksidia, joka on hajuton ja väritön, myrkyllinen kaasu. Hiilimonoksidin hengittäminen saattaa aiheuttaa pahoinvointia, pyörtymisen tai kuoleman.



- Käynnistä ja käytä moottoria ulkona.
- Älä käynnistä moottoria sisällä, vaikka ovet tai ikkunat olisivat auki.



## VAROITUS

Väärästä käynnistystavasta johtuva takapotku vetää köyttä takaisin moottoriin päin nopeammin kuin ehdit laskea kahvasta irti. Tästä voi seurata luunmurtumia, ruhjeita tai venähdyksiä.



- Oikea tapa käynnistää moottori ja välttää takapotku, on vetää köydestä hitaasti, kunnes vastus tuntuu, ja sitten vetää nopeasti.
- Kytke pois kaikki ylimääräinen moottorin/laitteen kuormitus käynnistykseen ajaksi.
- Kaikki suoraan kytketyt komponentit, kuten esimerkiksi terät, tuulettimet, juoksupyörät, hihnapyörät, ketjupyörät, tms. tulee olla tiukasti kiinnitettyinä.



## VAROITUS

Pyörivät osat voivat osua tai tarttua käsiin, hiuksiin tai vaatteisiin. Tästä voi seurata vakavia silpoutumia tai haavoittumista.



- Käytä laitetta aina kaikki suojukset paikallaan.
- Pidä kädet ja jalat pois pyörivistä osista.
- Kiinnitä pitkät hiukset ja poista korut.
- Älä käytä liian väljiä vaatteita, varo sitomattomia, roikkuvia nauhoja tai muita helposti tarttuvia vaatekappaleita.



## VAROITUS

Käyvä moottori tuottaa lämpöä. Moottorin osat, varsinkin äänenvaimennin, tulevat erittäin kuumiksi. Osien koskettaminen saattaa aiheuttaa vakavia palovammoja. Syttyvät roskat, kuten lehdet, ruoho, jne. saattavat syttyä palamaan.



- Anna äänenvaimentimen, sylinterin jäähdytysripojen ja muiden osien jäähtyä ennen kuin kosketat niitä.
- Poista kertyneet roskat vaimentimen ja sylinterin läheisyydestä.
- Asenna kipinäsuojain, mikäli laitetta käytetään metsäisessä, heinikköisessä tai muuten helposti syttyvässä ja kuivassa maastossa. Tarkasta kipinäsuojaimen toimivuus säännöllisesti.



## VAROITUS

Hallitsematon kipinäointi voi aiheuttaa tulipalon tai sähköiskun. Moottorin käynnistyminen vahingossa voi aiheuttaa vaaratilanteita ja henkilövahinkoja. Tulipalovaara



### Ennen säätö- tai korjaustoimenpiteitä:

- Irrota sytytystulpan johto ja pidä se erillään sytytystulpasta.
- Irrota akun negatiivinen kaapeli (vain sähkökäynnistimellä varustetut moottorit).
- Käytä vain oikeita työkaluja.
- Älä koske keskipakosäätimen jousiin, niveliin tai muihin osiin moottorin nopeuden säätämiseksi.
- Varaosien täytyy olla oikean tyyppisiä ja ne on asennettava saman asentoon kuin alkuperäisosat.
- Älä lyö vauhtipyörää vasaralla tai kovalla esineellä, koska vauhtipyörä voi aiheuttaa ravistusta myöhemmin käytön aikana.

### Sytytyskipinän testaaminen:

- Käytä ainoastaan hyväksytyä kipinätesteriä.
- Älä tarkista kipinää sytytystulpan ollessa irrotettuna.

# Ominaisuudet ja säätimet

Katselke oppaan kuvitusta **1** ja omaa moottoriasi samanaikaisesti tutustuaksesi moottorin eri ominaisuuksiin ja säätimiin.

- A. Moottorin tunnistaminen  
**Malli Tyyppi Koodi**
- B. Sytytystulppa
- C. Polttoainesäiliö ja korkki
- D. Ilmansuodatin
- E. Narukäynnistimen kahva
- F. Öljyntäyttöputki ja mittatikku
- G. Öljynpoistoaukon tulppa
- H. Äänenvaimennin  
Äänenvaimentimen suojus (lisävaruste)  
Pakokaasun ohjainlevy
- I. Kuristinvipu
- J. Kaasuvipu (lisävaruste)
- K. Sammutuskatkaisin
- L. Sulkuventtiili (lisävaruste)
- M. Suojus
- N. Alennusvaihteisto (lisävaruste)

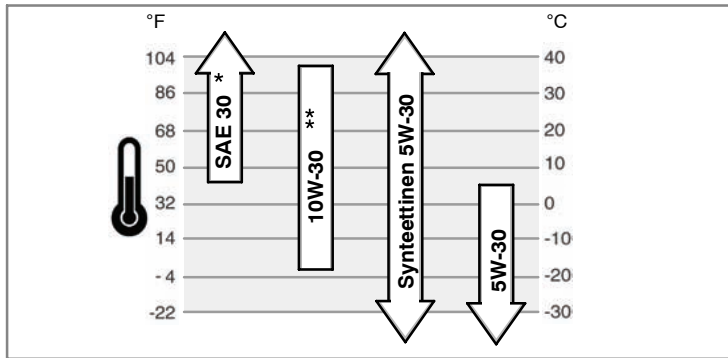
## Toiminta

Öljytilavuus (katso **Tekniset tiedot** -luku)

### Öljyysuositukset

Moottorin parhaan toiminnan takaamiseksi suosittelemme käytettäväksi Briggs & Strattonin takuuhyväksytyjä öljyjä. Muita hyväksyttäviä pesevätyyppejä öljyjä ovat SF, SG, SH, SJ. Älä käytä mitään lisäaineita.

Käytettävän öljyn viskositeetti määrätty ulkoilman lämpötilan mukaan. Valitse tästä taulukosta öljyn viskositeettiluokka, joka sopii odotettuun käynnistyslämpötilaan ennen seuraavaa öljynvaihtoa.



\* Alle 40°F (4°C) lämpötiloissa SAE 30 -öljyn käyttö johtaa huonoon käynnistyvyyteen.

\*\* Yli 80°F (27°C) lämpötiloissa 10W-30-öljyn käyttö saattaa johtaa normaalia suurempaan öljynkulutukseen. Tarkista öljyn määrä normaalia useammin

### Öljyn tarkistaminen/lisääminen - kuva **2**

**Ennen öljyn lisäämistä tai tarkistamista**

- Aseta moottori vaakasuoraan asentoon.
  - Puhdista öljyntäyttöaukon ympärys liasta.
1. Irrota mittatikku (A) ja pyyhi puhtaaseen kankaaseen.
  2. Aseta mittatikku paikalleen, mutta **älä** kiristä tiukalle. Varmista, että öljyä on mittatikuksen FULL-merkkiin (B) saakka.
  3. Lisää öljyä kaatamalla öljyä hitaasti moottorin öljyntäyttöaukosta (C) sisään. Lisää öljyä ripipintaan asti.
  4. Aseta mittatikku paikalleen ja kiristä.

### Polttoainesuosituksukset

**Polttoaineen on täytettävä seuraavat vaatimukset:**

- Polttoaineen on oltava puhdasta, tuoretta ja lyijytöntä.
- vähintään 87 oktaanista/87 AKI (91 RON). Korkean ilmanalan käyttö, katso alempana annettavat ohjeet.
- Polttoaineessa saa olla enintään 10% etanolia (benseni-etanoli-seos) tai enintään 15% MTBE:tä (metyyli-tert-butyylietteriä).

**VAROITUS:** Älä käytä polttoaineita, jotka eivät ole suositusten mukaisia polttoaineita, kuten E85:tä. Älä sekoita öljyä polttoaineeseen tai muuta moottoria käymään vaihtoehtoisilla polttoaineilla. Niiden käyttö vaurioittaa moottoria ja **kumooa moottorin takuun**.

Jottei polttoainejärjestelmään pääse syntymään hartisia, sekoita polttoaineeseen polttoaineen säilytysainetta. Katso kohta **varastointi**. Kaikki polttoaineet eivät ole samanlaisia. Jos moottori ei käynnisty helposti tai moottorin suorituskyky ei ole

odotusten mukainen polttoaineen lisäämisen jälkeen, vaihda polttoaineenmyyjää tai polttoainemerkkiä. Tämä moottori on tarkoitettu toimimaan bensiinillä. Tämän moottorin pakokaasupäästöjen rajoitusjärjestelmä on EM (Moottorin modifikaatiot)

### Korkea ilmanala

Yli 1524 metrin (5000 jalkaa) korkeudessa on käytettävä vähintään 85 oktaanista/85 AKI (89 RON) polttoainetta. Päästönormien täyttämiseksi moottorille on tehtävä korkean paikan säätö. Mikäli säätöä ei tehdä, laitteen suorituskyky heikkenee, polttoaineenkulutus lisääntyy ja päästöt lisääntyvät. Saat lisä tietoja korkean paikan säädöstä valtuutetulta Briggs & Stratton-maahantuojalta.

Korkean paikan sarjaa ei suositella käytettäväksi, mikäli moottoria käytetään alle 762 metrin (2500 jalkaa) korkeudessa.

### Polttoaineen lisääminen - kuva **3**



#### VAROITUS



**Bensiini ja sen höyryt ovat erittäin helposti syttyviä ja räjähdysalttiita. Tulipalot ja räjähdys saattaa aiheuttaa vakavia palovammoja tai kuoleman.**



#### Polttoaineen lisääminen

- Sammuta moottori ja anna sen jäähtyä vähintään 2 minuuttia ennen polttoainetankin korkin irrottamista.
  - Täytä säiliö hyvin ilmastoidussa tilassa.
  - Älä ylitä tankkia. Jätä tankkiin noin 38 mm ilmatilaa, jotta polttoaineella on tilaa laajeta.
  - Pidä polttoaine ja sen kaasut poissa kipinöiden, avotulen, sytytysliekin, kuumuuden tai muiden sytytyslähteiden läheisyydestä.
  - Tarkasta polttoaineputket ja liittimet, tankki ja tankin korkki säännöllisesti halkeamien ja vuotojen varalta. Vaihda tarvittaessa.
  - Jos polttoainetta läikkyy, käynnistä moottori vasta sen haihduttua.
1. Puhdista lika ja roskat tankin korkin ympäriltä. Irrota tankin korkki (A). Katso kuva 3.
  2. Täytä polttoainesäiliö (B) bensiinillä. Täytä tankki täyttöaukon kierteiden alareunaan (C) saakka, jotta polttoaineella on tilaa laajeta.
  3. Kierrä korkki takaisin paikalleen.

### Moottorin käynnistäminen - kuva **4** **5**



#### VAROITUS



**Väärästä käynnistystavasta johtuva takapotku vetää köyttä takaisin moottoriin pain nopeammin kuin ehdit laskea kahvasta irti. Tästä voi seurata luunmurtumia, ruhjeita tai venähdyksiä.**

- Oikea tapa käynnistää moottori ja välttää takapotku, on vetää käynnistimen köydestä hitaasti, kunnes vastus tuntuu ja sitten vetää nopeasti.



#### VAROITUS



**Bensiini ja sen höyryt ovat erittäin helposti syttyviä ja räjähdysalttiita. Tulipalot ja räjähdys saattaa aiheuttaa vakavia palovammoja tai kuoleman.**



#### Moottorin käynnistäminen

- Varmista, että sytytystulppa, äänenvaimennin polttoainesäiliön korkki ja ilmanpuhdistin ovat paikoillaan ja tiukasti kiinnitettyjä.
- Älä käynnistä moottoria sytytystulpan ollessa irrotettuna.
- Jos moottori tulvii, laita kuristin (mikäli käytössä) auki/run-asentoon ja siirrä nopeudensäädin (mikäli käytössä) fast-asentoon ja yritä käynnistää, kunnes moottori lähtee käyntiin.






#### VAROITUS



**Pakokaasut sisältävät hiilimonoksidia, joka on hajuton ja väritön, myrkyllinen kaasu. Hiilimonoksidin hengittäminen saattaa aiheuttaa pahoinvointia, pyörtymisen tai kuoleman.**

- Käynnistä ja käytä moottoria ulkona.
  - Älä käynnistä moottoria sisällä, vaikka ovet tai ikkunat olisivat auki.
- VAROITUS:** Kun tämä moottori lähtee Briggs & Strattonin tehtaalta, siinä ei ole öljyä. Lisää moottoriin öljyä tässä käyttöoppaassa annettujen ohjeiden mukaisesti ennen moottorin käynnistämistä. Mikäli käynnistät moottorin lisäämättä öljyä, moottori vaurioituu korjauskelvottomaksi eikä takuu korvaa vahinkoja.

1. Tarkista öljymäärä. Katso kappale **Öljyn tarkistaminen/lisääminen**.
2. Varmista, että laitteen voimansiirron säätölaitteet, mikäli käytössä, ovat vapaalla. Tarkista näiden säätimien sijainti ja toiminta laitteen käsikirjasta.
3. Paina sammutuskytkin (A) on-asentoon (kuva 4).
4. Siirrä kaasuvipu (B), mikäli käytössä, fast- asentoon. Käytä moottoria kaasuvipu fast-asennossa .

5. Käännä kuristimen säätönappula (C) kuristusasettoon  .  
*Huomaa:* Rikastimen käyttö on tavallisesti tarpeetonta lämmintä moottoria käynnistettäessä.
6. Käännä polttoaineen sulkuventtiili (D), mikäli käytössä, on-asentoon (kuva 5).
7. **Itsepalautuva käynnistin:** Tartu tiukalla otteella käynnistinnaruun (E). Vedä käynnistinnarun kahvasta hitaasti, kunnes vastus tuntuu ja vedä sitten nopeasti (kuva 4).

*Huomaa:* Mikäli moottori ei käynnisty kolmen vedon jälkeen, katso ohjeet sivulta **BRIGGSandSTRATTON.COM** tai soita numeroon **1-800-233-3723** (Yhdysvalloissa).



**VAROITUS:** Väärästä käynnistystavasta johtuva takapotku vetää köyttä takaisin moottoriin päin nopeammin kuin ehdit laskea kahvasta irti. Tästä voi seurata luunmurtumia, ruhjeita tai venähdyksiä. Oikea tapa käynnistää moottori ja välttää takapotku, on vetää käynnistimen köydestä hitaasti, kunnes vastus tuntuu, ja sitten vetää nopeasti.

8. **Sähkökäynnistys:** Käännä sähkökäynnistimen kytkin on-/start-asentoon. Katso kytkimen sijainti laitteen käyttöoppaasta.  
*Huomaa:* Mikäli moottori ei käynnisty kolmen vedon jälkeen, katso ohjeet sivulta **BRIGGSandSTRATTON.COM** tai soita numeroon **1-800-233-3723** (Yhdysvalloissa).

**VAROITUS:** Voit pidentää käynnistimen käyttöikää käynnistämällä moottoria vain lyhyitä jaksoja (korkeintaan viisi sekuntia kerrallaan). Pidä minuutin tauko käynnistysyritysten välillä.

9. Kun moottori on lämmennyt, siirrä rikastinvipu (C) run  -asentoon (kuva 4).

## Moottorin sammuttaminen - kuva



### VAROITUS



**Bensiini ja sen höyryt ovat erittäin helposti syttyviä ja räjähdysalttiita. Tulipalot ja räjähdys saattaa aiheuttaa vakavia palovammoja tai kuoleman.**



- Älä sammuta moottoria käyttämällä kuristinta.
1. Paina pysäytyskytkin (A, kuva 6) off-asentoon <sup>tai</sup> **Sähkökäynnistys:** Käännä sähkökäynnistimen kytkin off-/stop-asentoon. Katso kytkimen sijainti ja käyttö laitteen käyttöoppaasta.
2. Kun moottori on sammunut, sulje polttoaineen sulkuventtiili (D, kuva 5).

## Huolto

**Käytä vain alkuperäisiä varaosia. Muiden valmistajien varaosat eivät ehkä toimi yhtä hyvin, ne voivat vaurioittaa moottoria ja aiheuttaa vammautumisen.** Tämän lisäksi niiden käyttö voi kumota moottorin takuun.

Suosittelemme, että otat yhteyttä mihin tahansa valtuutettuun Briggs & Stratton-huoltoliikkeeseen kaikissa moottoreiden huoltoa ja korjausta ja moottoreiden varaosia koskeissa kysymyksissä.

**VAROITUS:** Kaikki tämän moottorin valmistuksessa käytettyjen osien on oltava paikoillaan, jotta moottori toimisi kunnolla.

## Päästökontrolli

**Päästökontrollijärjestelmän osien vaihdon tai huollon voi suorittaa mikä tahansa pienkonekorjaamo tai yksityishenkilö.** Takuukorjaukset tai -huollot voi suorittaa ainoastaan valtuutettu Briggs & Stratton-huoltoliike. Katso takuupäästötakuu.



### VAROITUS



**Hallitsematon kipinäointi voi aiheuttaa tulipalon tai sähköiskun.**



**Moottorin käynnistyminen vahingossa voi aiheuttaa vaaratilanteita ja henkilövahinkoja.**



**Tulipalovaara**

### Ennen säätö- tai korjaustoimenpiteitä:

- Irrota sytytystulpan johto ja pidä se erillään sytytystulpasta.
- Käytä vain oikeita työkaluja.
- Älä koske keskipakosäätimen jousiin, niveliin tai muihin osiin moottorin nopeuden säätämiseksi.
- Varaosien täytyy olla oikean tyyppisiä ja ne on asennettava saman asentoon kuin alkuperäisosat.
- Älä lyö vauhtipyörää vasaralla tai kovalla esineellä, koska vauhtipyörä voi aiheuttaa ravistusta myöhemmin käytön aikana.

### Sytytyskipinän testaaminen:

- Käytä ainoastaan hyväksyttyä kipinätesteriä.
- Älä tarkista kipinää sytytystulpan ollessa irrotettuna.

## Huoltokaavio

<b>5 ensimmäisen käyttötunnin jälkeen</b>
<ul style="list-style-type: none"> <li>• Vaihda öljy</li> </ul>
<b>8 tunnin välein tai päivittäin</b>
<ul style="list-style-type: none"> <li>• Tarkista öljymäärä</li> <li>• Puhdista äänenvaimentimen ja säätimien ympäristö.</li> <li>• Puhdista sormisuojaus</li> </ul>
<b>Joka 25. tunti tai vuosittain</b>
<ul style="list-style-type: none"> <li>• Puhdista ilmansuodatin *</li> <li>• Puhdista esisuodatin *</li> </ul>
<b>Joka 100. tunti tai vuosittain</b>
<ul style="list-style-type: none"> <li>• Vaihda moottoriöljy</li> <li>• Tarkista äänenvaimennin ja sen suojuus</li> </ul>
<b>Joka 100. käyttötunnin jälkeen</b>
<ul style="list-style-type: none"> <li>• Vaihda alennusvaihteiston öljy (mikäli moottorissa on alennusvaihteisto)</li> </ul>
<b>Vuosittain</b>
<ul style="list-style-type: none"> <li>• Vaihda ilmansuodatin</li> <li>• Vaihda esipuhdistin</li> <li>• Vaihda sytytystulppa</li> <li>• Puhdista/vaihda polttoainesuodatin</li> <li>• Puhdista ilmajäähdytysjärjestelmä *</li> <li>• Tarkista venttiilivällys **</li> </ul>

\* Puhdista useammin pölyisissä tai roskaisissa olosuhteissa.

\*\* Ei tarvita, jollei moottorin toiminnassa havaita ongelmia.

## Kaasuttimen säätö

Älä koskaan säädä kaasutinta. Kaasutin on säädetty tehtaalla toimimaan tehokkaasti useimmissa olosuhteissa. Mutta jos säätöjä on tehtävä, ota yhteyttä mihin tahansa Briggs & Strattonin valtuutettuun huoltoliikkeeseen.

**VAARA:** Laitteen valmistaja on määritellyt suurimman moottorin käyntinopeuden. **Älä ylitä** tätä nopeutta.

## Sytytystulpan tarkistaminen - kuva

Tarkista tulpan väli (A, kuva 8) lankatulkillilla (B). Säädä väli uudestaan tarpeen vaatiessa. Asenna tulppa paikalleen ja kiristä suositeltuun tiukkuuteen. Katso tulpan väliasetus tai tiukkuus kohdasta **Tekniset tiedot**.

*Huom:* Eräissä maissa laki vaatii, että on käytettävä vastussytytystulppia sytytyksestä aiheutuvien häiriöiden vaimentamiseksi. Jos moottorissa on alun perin vastussytytystulppa, käytä samantyyppistä tulppaa myös jatkossa.

## Tarkista äänenvaimennin ja kipinäverkko - kuva



### VAROITUS



**Käyvä moottori tuottaa lämpöä. Moottorin osat, varsinkin äänenvaimennin, tulevat erittäin kuumiksi.**



**Osien koskettaminen saattaa aiheuttaa vakavia palovammoja.**



**Syttyvät roskat, kuten lehdet, ruoho, jne. saattavat syttyä palamaan.**

- Anna äänenvaimentimen, sylinterin jäähdytysriipojen ja muiden osien jäähtyä ennen kuin kosketat niitä.
- Poista kertyneet roskat vaimentimen ja sylinterin läheisyydestä.
- Asenna kipinäsuojain, mikäli laitetta käytetään metsäisessä, heinikkoisessa tai muuten helposti syttyvässä ja kuivassa maastossa. Tarkasta kipinäsuojaimen toimivuus säännöllisesti.

Tarkista, onko äänenvaimentimessa (A) murtumia, ruostetta tai muita vaurioita. Irrota kipinäsuojain (B), mikäli sellainen on käytössä ja tarkista, onko se vaurioitunut ja onko siinä hiilen aiheuttamia tukkeumia. Mikäli tarvitset varaosia, varmista, että käytät vain alkuperäisiä varaosia.



**VAROITUS:** Varaosien täytyy olla oikean tyyppisiä ja ne on asennettava saman asentoon kuin alkuperäisosat tai seurauksena voi olla tulipalo.

## Öljyn vaihto - kuva 9 10

**VAARA:** Jäteöljy on ympäristölle vaarallinen tuote ja on hävitettävä oikealla tavalla. Älä hävitä sitä talousjätteiden mukana. Tarkista paikallisilta viranomaisilta, huoltoedustajalta tai jälleenmyyjältä, miten öljy voidaan hävittää/kierrättää turvallisesti.

### Poista öljy

1. Irrota sytytystulpan johto (A) moottorin ollessa vielä lämmin ja pidä johto erillään sytytystulpasta (kuva 10).

2. Irrota öljynpoistoaukon tulppa (B, kuva 9). Tyhjennä öljy hyväksytyyn astiaan.

*Huomaa:* Moottoriin voidaan asentaa mikä tahansa kuvassa (C) näkyvistä öljynpoistoaukon tulpista.

3. Kun öljysäiliö on tyhjentynyt, aseta öljynpoistoaukon tulppa paikalleen ja kiristä tiukalle.

### Öljyn lisääminen

- Aseta moottori vaakasuoraan asentoon.
- Puhdista öljyntäyttöaukon ympärys liasta.
- Katso öljytilavuus kappaleesta **Tekniset tiedot**.

1. Irrota mittatikku (D) ja pyyhi puhtaaseen kankaaseen.

2. Lisää öljyä kaatamalla öljyä hitaasti moottorin öljyntäyttöaukosta (E) sisään. Lisää öljyä piri-pintaan asti.

3. Aseta mittatikku paikalleen, mutta **älä** kiristä tiukalle. Irrota mittatikku ja tarkista öljymäärä uudestaan. Varmista, että öljyä on mittatikon FULL-merkkiin (F) saakka.

4. Aseta mittatikku paikalleen ja kiristä tiukalle.

## Ilmansuodattimen huolto - kuva 11



### VAROITUS



**Bensiini ja sen höyryt ovat erittäin helposti syttyviä ja räjähdysalttiita. Tulipalot ja räjähdys saattaa aiheuttaa vakavia palovammoja tai kuoleman.**



- Älä koskaan käynnistä tai käytä moottoria ilmansuodatin poistettuna.

**VAROITUS:** Älä käytä suodattimen puhdistamiseen paineilmaa tai liuotainaineita. Paineilma voi vahingoittaa suodatinta ja liuottimet hajottavat sen.

Ilmansuodattimessa käytetään laskostettua suodatinta ja lisävarusteena saatavaa esipuhdistinta. Esipuhdistin voidaan pestä ja käyttää uudelleen.

### Tasainen ilmansuodatin

1. Löysytä kiinnintä (D) joka pitää paikallaan kantta (A). Katso kuva 11.

2. Avaa kansi ja irrota esipuhdistin (C) ja suodatin (B).

3. Puhdista lika suodattimesta taputtamalla sitä varovasti kovaa alustaa vasten. Mikäli suodatin on erittäin likainen, vaihda tilalle uusi suodatin.

4. Pese esipuhdistin nestemäisellä pesuaineella ja vedellä. Anna sen kuivua sen jälkeä perusteellisesti. **Älä** voitele esipuhdistinta öljyllä.

5. Asenna esipuhdistin suodattimeen siten, että esipuhdistimen kieli (G) on suodattimen laskosten pohjalla.

6. Asenna suodatin

7. Aseta kannen kielekkeet (E) aukkoihin (F).

8. Sulje kansi ja kiinnitä kiinnittimellä.

## Alennusvaihteiston öljyn vaihtaminen - kuva 12

Mikäli moottori on varustettu alennusvaihteistolla, huolla se seuraavasti.

1. Irrota öljyntäyttöaukon tulppa (B) ja öljymäärän tarkistustulppa (C).

2. Irrota öljynpoistoaukon tulppa (A, kuva 12) ja tyhjennä öljy hyväksytyyn astiaan.

3. Aseta öljynpoistoaukon tulppa paikalleen ja kiristä tiukalle.

4. Kaada vaihteistoöljyä öljyntäyttöaukkoon (katso luku **Tekniset tiedot**). Jatka kaatamista, kunnes öljyä tulee ulos öljymäärän tarkistusreiästä.

5. Asenna öljymäärän tarkistustulppa paikalleen ja kiristä tiukalle.

6. Asenna öljyntäyttöaukon tulppa ja kiristä tiukalle

**Tärkeää:** Öljyntäyttöaukon tulpassa on huohotusreikä (D) ja se täytyy asentaa vaihdekotelon kannen yläosaan kuvan osoittamalla tavalla.

## Polttoainesuodattimen puhdistus/vaihto - kuva 13



### VAROITUS



**Bensiini ja sen höyryt ovat erittäin helposti syttyviä ja räjähdysalttiita. Tulipalot ja räjähdys saattaa aiheuttaa vakavia palovammoja tai kuoleman.**



- Pidä polttoaine ja sen kaasut poissa kipinöiden, avotulen, sytytysliekin, kuumuuden tai muiden sytytyslähteiden läheisyydestä.
  - Tarkasta polttoaineputket ja liittimet, tankki ja tankin korkki säännöllisesti halkeamien ja vuotojen varalta. Vaihda tarvittaessa.
  - Ennen polttoainesuodattimen asettamista takaisin paikalleen, tyhjennä polttoainesäiliö tai sulje polttoaineen sulkuventtiili.
  - Varaosien täytyy olla oikean tyyppisiä ja ne on asennettava saman asentoon kuin alkuperäisosat.
  - Jos polttoainetta läikkyä, käynnistä moottori vasta sen haihduttua.
1. Irrota polttoainekorkki (A, kuva 13).
  2. Irrota polttoainesuodatin (B).
  3. Mikäli polttoainesuodatin on likainen, puhdista tai vaihda se uuteen. Jos vaihdat polttoainesuodattimen, varmista, että käytät alkuperäistä varaosasuodatinta.

## Jäähdytysjärjestelmän puhdistus - kuva 14



### VAROITUS



**Käyvä moottori tuottaa lämpöä. Moottorin osat, varsinkin äänenvaimennin, tulevat erittäin kuumiksi.**



**Osien koskettaminen saattaa aiheuttaa vakavia palovammoja.**

**Syttyvät roskat, kuten lehdet, ruoho, jne. saattavat syttyä palamaan.**

- Anna äänenvaimentimen, sylinterin jäähdytysriipojen ja muiden osien jäähtyä ennen kuin kosketat niitä.
- Poista kertyneet roskat vaimentimen ja sylinterin läheisyydestä.

**VAROITUS:** Älä puhdista moottoria vedellä, sillä vesi voi tunkeutua polttoaineen joukkoon. Käytä moottorin puhdistamiseen harjaa tai kuivaa kangasta.

Tämä on ilmajäähdytteinen moottori. Lika ja roskat voivat estää ilman virtauksen ja aiheuttaa moottorin ylikuumentumisen, mikä heikentää moottorin tehoa ja lyhentää sen käyttöikää.

Puhdista lika sormisuojauksesta (A) harjalla tai kuivalla kankaalla. Pidä vivusto, jouset ja säätimet (B) puhtaina. Poista syttyvät roskat äänenvaimentimen (C) ympäriltä ja sen takaa (kuva 14).

### Varastointi



### VAROITUS



**Bensiini ja sen höyryt ovat erittäin helposti syttyviä ja räjähdysalttiita. Tulipalot ja räjähdys saattaa aiheuttaa vakavia palovammoja tai kuoleman.**



### Polttoaineen varastoiminen tai laitteen varastoiminen, kun tankissa on polttoainetta

- Älä varastoi lämmityskattilan, uunin, vedenlämmittimen tai muun kipinän aikaansaavan laitteen läheisyyteen, sillä ne voivat aiheuttaa bensiinihöyryn syttymisen.

### Polttoainejärjestelmä

Polttoaine saattaa vanheta, mikäli sitä säilytetään yli 30 päivää. Vanhentunut polttoaine saattaa aiheuttaa happo- ja hartsimuodostumisen syntyminen polttoainejärjestelmään tai tärkeisiin kaasuttimen osiin. Pidä polttoaine tuoreena käyttämällä Briggs & Strattonin FRESH START® polttoaineen lisäainetta, jota on saatavana nestemäisenä tai tiivistepatruunana.

Moottorista ei tarvitse poistaa polttoainetta mikäli polttoaineeseen on lisätty lisäainetta ohjeitten mukaisesti. Anna moottorin käydä 2 minuutin ajan jotta lisäaine pääsee leviämään koko polttoainejärjestelmään. Moottori ja polttoaine voidaan varastoida enintään 24 kuukauden ajaksi.

Mikäli polttoaineeseen ei ole lisätty lisäainetta, polttoaine on tyhjennettävä moottorista sopivaan astiaan. Anna moottorin käydä, kunnes se pysähtyy polttoaineen loppumisen vuoksi. Lisää polttoaineen lisäainetta varastointiaistiaan, jotta polttoaine säilyy tuoreena.

### Moottoriöljy

Vaihda moottoriöljy kun moottori on vielä lämmin.

### Vianetsintä

Lisäohjeita huollon tekemiseksi löydät verkko-osoitteesta **BRIGGSandSTRATTON.COM** tai soita numeroon **1-800-233-3723**

## Tekniset tiedot

Moottorin tekniset tiedot	
Malli	120000
Iskutilavuus	12,48 ci (205 cc)
Sylinterin halkaisija	2,688 in (68,28 mm)
Iskun pituus	2,200 in (55,88 mm)
Öljytilavuus	18 - 20 oz (0,54 - 0,59 L)
Alennusvaihteen öljy	80W-90

Moottorin tekniset tiedot	
Malli	200000
Iskutilavuus	18,63 ci (305 cc)
Sylinterin halkaisija	3,120 in (79,24 mm)
Iskun pituus	2,438 in (61,93 mm)
Öljytilavuus	26 - 28 oz (0,77 - 0,83 L)
Alennusvaihteen öljy	SAE 30

Säätöarvot *	
Malli	120000
Tulpan kärkiväli	0,030 in (0,76 mm)
Sytytystulpan kiristysarvo	180 lb-in (20 Nm)
Sytytyspuolan ilmaväli	0,010 - 0,014 in (0,25 - 0,36 mm)
Imuventtiilin välys	0,004 - 0,006 in (0,10 - 0,15 mm)
Pakovenntiilin välys	0,009 - 0,011 in (0,23 - 0,28 mm)

Säätöarvot *	
Malli	200000
Tulpan kärkiväli	0,030 in (0,76 mm)
Sytytystulpan kiristysarvo	180 lb-in (20 Nm)
Sytytyspuolan ilmaväli	0,008 - 0,012 in (0,20 - 0,30 mm)
Imuventtiilin välys	0,004 - 0,006 in (0,10 - 0,15 mm)
Pakovenntiilin välys	0,009 - 0,011 in (0,22 - 0,28 mm)

\* Moottorin teho laskee 3.5% jokaista 1000 jalkaa (300 metriä) kohti merenpinnan yläpuolella ja 1% jokaista 10° F (5.6° C) kohti lämpötilassa yli 77° F (25° C). Moottori toimii tyydyttävästi, mikäli se ei joudu yli 15° asteen kulmaan. Katso käyttöohjekirjaa turvallisille käyttörajoille kaltevilla pinnoilla.

### Tärkeimmät huolto-osat ✓

Huolto-osa	Varaosanumero
Tasainen ilmansuodatin	491588, 5043
Tasainen ilmansuodattimen esipuhdistin	493537, 5064
Polttoainesuodatin	792917
Bensiinin lisäaine	5041, 5058

Huolto-osa	Varaosanumero
Vastussytytystulppa	491055
Platinakärkitulppa	5066
Sytytystulppa-avain	89838, 5023
Kipinätesteri	19368

✓ Suosittelemme, että otat yhteyttä mihin tahansa valtuutettuun Briggs & Stratton-huoltoliikkeeseen kaikissa moottoreiden huoltoa ja korjausta ja moottoreiden varaosia koskevissa kysymyksissä. Käytä vain aitoja Briggs & Stratton-varaosia.

## RAJOITETTU TAKUU

Briggs & Stratton Corporation korjaa tai vaihtaa veloituksetta kaikki moottorin osat, jotka ovat viallisia joko materiaalin tai työn tai kummankin osalta. Tämän takuun mukaan ostaja vastaa tuotteen kuljetuskustannuksista korjauksista tai vaihtoa varten. Tämä takuu on voimassa alla esitetyn ajan ja alla esitettyillä ehdoilla. Selvitä takuuta koskevat palvelut lähimmältä huoltoedustajaltamme, jonka löydät verkkosivuiltamme BRIGGSandSTRATTON.COM, soittamalla numeroon 1-800-233-3723, tai 'Keltaisilta sivuilta'™.

**Muuta ilmaista takuuta ei ole. Oletetut vastuut, mukaan lukien oletetut vastuut soveltavuudesta tai sopivuudesta tiettyyn käyttötarkoitukseen, rajoittuvat yhteen vuoteen alkaen ostopäivästä tai lain sallimissa puitteissa torjutaan kaikki oletetut vastuut. Vastuu välillisistä vahingonkorvauksista takuun nojalla torjutaan lain sallimissa puitteissa.** Joissakin maissa takuuajan rajoittamista ei sallita ja joissakin maissa takuun on katettava myös välilliset vahingot, joten yllä olevat rajoitukset eivät välttämättä koske Teitä. Tämä takuu antaa Teille nimenomaiset lailliset oikeudet ja Teillä voi olla myös muita Suomen lain mukaisia oikeuksia.

## NORMAALIT TAKUUEHDOT \* ▲

Merkki/Tuotetyyppi	Yksityiskäyttö	Kaupallinen käyttö
Vanguard™	2 vuotta	2 vuotta
Extended Life Series™, I/C®, Intek™ I/C®, Intek™ Pro	2 vuotta	1 vuosi
Valurautaisella Dura-Bore™ sylinteriputkella varustettu Snow Series MAX™	2 vuotta	1 vuosi
Kaikki muut Briggs & Stratton-moottorit	2 vuotta	90 päivää

\* Käytössä ovat normaalit vakuutusehtomme, mutta joissakin tapauksissa takuu saattaa kattaa muutakin, jota ei ollut määritetty julkaisuajankohtana. Saat luettelon moottoriasi koskevista takuuehdoista menemällä osoitteeseen BRIGGSandSTRATTON.COM tai ota yhteys valtuutettuun Briggs & Stratton maahantuojaan.

▲ Kotikäyttöön tarkoitetuissa varageneraattoreissa käytettäviä moottoreita koskee ainoastaan yksityiskäyttötakuu. Tämä takuu ei koske niiden laitteiden moottoreita, joita käytetään voiman tuottamiseen hyötykäytössä. **Kilpa-ajoissa tai kaupallisilla tai vuokraraidoilla käytettäviä moottoreita takuu ei koske.**

Takuuajan alku on ostokuitissa mainitusta päivämäärästä ja koskien ensimmäistä omistajaa tai kaupallista loppukäyttäjää, ja on voimassa yllä mainitun ajanjakson. Tässä takuukirjassa "yksityiskäyttö" tarkoittaa yksityisten kuluttajien käytössä olevia talouksia. "Kaupallinen käyttö" tarkoittaa muita käyttökohteita, mukaan lukien kaupalliset, tuottoja tuottavat tai vuokrauskohteet. Jos moottori on ollut kaupallisessa käytössä, sitä pidetään sen jälkeen kaupalliseen käyttöön tarkoitettuna moottorina tämän takuun osalta.

**Mitään takuukorttia ei tarvita takuuhuollon saamiseksi Briggs & Stratton -moottoreille. ostokuitti on säilytettävä. Mikäli et esitä ostokuittia takuuhuoltoon tuotaessa, moottorin koodinumeroa käytetään takuuajan alkamispäivämääränä.**

## Takuuehdot

Briggs & Stratton suorittaa moottoreihinsa takuukorjauksia ja pahoittelee asiasta koituvaa vaivannäköä. Takuukorjauksia saavat suorittaa kaikki valtuutetut huoltopisteet. Useimmat takuukorjaukset hoidetaan rutiininomaisesti, mutta joskus takuukorjauspyynnöt eivät ole asianmukaisia.

Jos asiakas on eri mieltä huoltopisteen päätöksestä, takuun voimassaolon toteamiseksi suoritetaan tutkimus. Pyydä huolto toimittamaan kaikki asiaa koskevat tosiasiat maahantuojalle tai tehtaalte tarkistusta varten. Jos maahantuojaa tai tehdas päättää, että vaade on oikeutettu, asiakas saa täyden korvauksen viallisia osista. Asiakkaan ja jälleenmyyjän välisten väärinkäsitysten välttämiseksi alla on luetteltu muutamia moottorivaurioiden syitä, joita takuu ei kata.

**Normaali kuluminen:** Moottorit, kuten kaikki mekaaniset laitteet, vaativat ajoittaista osien uusimista ja huoltoa toimiakseen kunnolla. Takuu ei korvaa normaalin kulumisen aiheuttamia korjauskustannuksia. Takuu ei esimerkiksi ole voimassa, jos moottorivaurio on tapahtunut väärinkäytön, säännöllisen kunnossapidon laiminlyönnin, kuljetuksen, käsittelyn, varastoinnin tai väärän asennuksen johdosta. Samoin takuu on mitätön, jos moottorin sarjanumero on poistettu tai moottoria on jollakin tavoin muutettu.

**Epäasianmukainen kunnossapito:** Moottorin käyttöikä riippuu käyttöolosuhteista ja sen saamasta huolenpidosta. Eräitä laitteita, kuten jyrsimiä, pumppuja ja pyörivätereisiä ruohonleikkureita käytetään hyvin usein pölyisissä tai likaisissa oloissa, jotka voivat johtaa ennenaikaiselta näyttävään kulumiseen. Takuu ei kata tällaista kulumista, kun se johtuu lian, pölyn tai syytystulpan puhdistuksessa käytetyn hiekka-aineksen tai muun hiovan materiaalin pääsystä moottoriin epäasianmukaisen kunnossapidon seurauksena.

**Tämä takuu kattaa vain moottoriin liittyvät vialliset materiaalit ja/tai työvirheet eikä mitään vaihto-osia eikä korvausta laitteesta, johon moottori on kiinnitetty. Takuu ei myöskään kata seuraavista syistä johtuvia korjauksia:**

- 1 Ongelmat aiheutuvat osista, jotka eivät ole alkuperäisiä Briggs & Stratton-osia.
- 2 Laitteen säätimet tai asennukset, jotka estävät käynnistyksen, heikentävät moottorin suorituskykyä tai lyhentävät sen elinikää. (Ota yhteys laitteen valmistajaan.)
- 3 Kaasutinvuodot, tukkeutuneet polttoaineputket, juuttuneet venttiilit tai muut vauriot ovat aiheutuneet liikaantuneesta tai vanhasta polttoaineesta.

- 4 Osat, jotka ovat rikkoutuneet tai leikanneet kiinni puutteellisesta voiteluöljyn määrästä tai väärästä öljyn viskositeetista johtuen (tarkista ja lisää tarvittaessa sekä vaihda suositeltujen ajanjaksojen päästä.) OIL GARD -öljyvahti ei välttämättä sammuta käyvää moottoria. Moottorivaurio on mahdollinen jos öljytasosta ei huolehdita.
- 5 Moottoriin liittyvien osien tai kokoonpanojen korjaus tai säätö, kuten esim. kytkimet, voimansiirto, kaukosäätölaitteet, jne., jotka eivät ole Briggs & Strattonin valmistamia.
- 6 Osien vauriot tai kulumiset, jotka johtuvat moottoriin päässeestä liasta ilmanpuhdistimen epäasianmukaisen kunnossapidon seurauksena, osien kokoonpanosta tai muun kuin alkuperäisen ilmanpuhdistinelementin tai suodattimen käytöstä. Puhdista ja öljyä suositelluin aikaväleihin käyttäjän käsikirjassa mainitulla tavalla.
- 7 Osat, jotka ovat vaurioituneet ylikierrosten takia tai liiallisen kuumenemisen takia ruohon, roskien tai lian tukkiessa jäähdytysrivat tai juoksupyörän alueen, taikka vauriot, jotka ovat aiheutuneet moottorin käyttämisestä suljetussa tilassa ilman riittävästi ilmanvaihtoa. Puhdista roskat moottorista suositelluin aikaväleihin käyttäjän käsikirjassa mainitulla tavalla.
- 8 Moottori tai laitteen osat ovat rikkoutuneet liiallisesta tärinästä, joka on aiheutunut moottorin löysästä kiinnityksestä, löysistä leikkausteristä, epätasapainossa olevista teristä tai löysistä tai epätasapainossa olevista tuulettimista, laitteen sopimattomasta kiinnityksestä moottorin kampiakseliin, ylikierroksista tai muusta väärinkäytöstä.
- 9 Taipunut tai rikkoutunut kampiakseli, jonka on aiheuttanut pyörivän ruohonleikkurin leikkausterän iskeytyminen kiinteään esineeseen tai liian tiukalla ollut kiilahiha.
- 10 Moottorin tavanomainen viritys tai säätö.
- 11 Moottorin tai moottorin osan peittäminen, ts. polttokammio, venttiilit, venttiili-istukat, venttiilihojaimet tai palanut käynnistinmoottorin kääntäminen, joka on aiheutunut vaihto-osien polttoaineiden käytöstä; näistä esimerkkeinä nestekaasu, maakaasu, käsitellyt bensiniit, jne.

Takuuhuoltoa antavat vain Briggs & Stratton Corporationin valtuuttamat huoltokorjaamot. Lähimmän valtuutetun huoltoliikkeen löydät verkkosivulla BRIGGSandSTRATTON.com löytyvän jälleenmyyjäkartan avulla, soittamalla numeroon 1-800-233-3723 tai 'Keltaisilta sivuilta'™.

## Informations générales

Pour obtenir des pièces de rechange ou une assistance technique, reporter ici les numéros de Modèle, Type et Code du moteur ainsi que la date d'achat. Ces numéros sont situés sur le moteur (voir la page **Caractéristiques et commandes**).

Date d'achat: \_\_\_\_\_  
JJ/MM/AAAA

Modèle de moteur: \_\_\_\_\_  
Modèle: Type: Code:

## Informations concernant la puissance théorique du moteur

La puissance brute pour chaque Modèle de moteur à essence est indiquée conformément au code J1940 (procédure de calcul de la puissance et du couple des petits moteurs) de la SAE (Society of Automotive Engineers) et les performances théoriques ont été obtenues et corrigées selon SAE J1995 (révision 2002-05). Les valeurs de couple sont calculées sur la base de 3060tr/min et celles de puissance sur la base de 3600tr/min. La puissance brute réelle du moteur peut être plus faible notamment à cause des conditions de fonctionnement et des variations d'un moteur à l'autre. Compte tenu de la grande variété de machines sur lesquelles nos moteurs sont utilisés et du nombre de problèmes environnementaux applicables au fonctionnement des équipements, il se peut que le moteur à essence ne développe pas sa puissance théorique une fois qu'il est monté sur une machine particulière (puissance nette ou réelle «sur site»). Cette différence s'explique par un grand nombre de facteurs, tels que (liste non limitative): accessoires (filtre à air, échappement, admission, refroidissement, carburateur, pompe à essence, etc.), limites d'utilisation, conditions ambiantes d'utilisation (température, humidité, altitude) et variations d'un moteur à l'autre. Pour des raisons de fabrication et de capacité limitées, Briggs & Stratton est susceptible de remplacer ce Modèle par un moteur plus puissant.

## Sécurité de l'utilisateur

### SYMBOLES DE SÉCURITÉ ET DE COMMANDE



Le symbole d'alerte de sécurité est utilisé pour identifier des informations sur des risques qui peuvent entraîner des blessures. Un mot (DANGER, AVERTISSEMENT, ATTENTION) est utilisé avec le symbole d'alerte pour indiquer le risque de blessure. En outre, un signal de danger peut être utilisé pour représenter le type de risque.

**DANGER** indique un risque qui, s'il n'est pas éliminé, **entraînera la mort ou des blessures très graves**.

**AVERTISSEMENT** indique un risque qui, s'il n'est pas éliminé, **pourrait entraîner la mort ou des blessures très graves**.

**ATTENTION** indique un risque qui, s'il n'est pas éliminé, **pourrait entraîner des blessures mineures ou légères**.

**ATTENTION**, lorsqu'il est utilisé **sans** le symbole d'alerte, indique une situation qui **pourrait endommager l'appareil**.

**AVERTISSEMENT**

Les gaz d'échappement de ce moteur contiennent des substances chimiques pouvant causer des cancers, des malformations fœtales ou d'autres problèmes de fécondation.

**AVERTISSEMENT**

Briggs & Stratton n'approuve pas et n'autorise pas l'utilisation de ces moteurs sur les véhicules tout-terrain à 3 roues, les motocyclettes, les karts de loisir, les avions ou les véhicules destinés à être utilisés en compétition. L'utilisation de ces moteurs pour ces applications peut entraîner des dommages matériels, des lésions graves (y compris la paralysie) ou la mort.

**ATTENTION:** ce moteur a été livré par Briggs & Stratton sans huile. Avant de démarrer le moteur, faire le plein d'huile selon les instructions de ce manuel. Si le moteur est démarré sans huile, il sera endommagé sans possibilité de réparation et ne sera pas couvert par la garantie.

**AVERTISSEMENT**

**L'essence et les vapeurs d'essence sont extrêmement inflammables et explosives.**

**Un incendie ou une explosion peut entraîner des blessures très graves ou même la mort.**

### Pour faire le plein

- Couper le moteur et le laisser refroidir au moins 2 minutes avant d'ouvrir le bouchon du réservoir.
- Remplir le réservoir de carburant à l'extérieur ou dans un local extrêmement bien ventilé.
- Ne pas trop remplir le réservoir. Laisser environ 4cm d'espace sous le haut du col pour permettre la dilatation du carburant.
- Veiller à tenir l'essence, ainsi que les vapeurs qui en émanent, à l'écart des étincelles, des flammes nues, des veilleuses, de la chaleur et de toute autre source d'ignition.
- Contrôler que les Durits, le réservoir, le bouchon et les raccords de carburant ne présentent ni fissures ni fuites. Remplacer si nécessaire.
- Si du carburant a été renversé, attendre son évaporation complète avant de démarrer le moteur.

### Pour démarrer le moteur

- S'assurer que la bougie, le bouchon du réservoir de carburant et le filtre à air (le cas échéant) sont montés et solidement fixés.
- Ne pas faire tourner le moteur avec la bougie enlevée.
- Si le moteur est noyé, placer le starter (le cas échéant) sur OPEN/RUN, amener l'accélérateur sur FAST et lancer le moteur jusqu'à ce qu'il démarre.

### Lors de l'utilisation de l'équipement

- Ne pas faire basculer le moteur ou l'équipement au-delà d'un angle qui provoquerait le renversement de l'essence.
- Ne pas actionner le starter pour arrêter le moteur.
- Ne pas démarrer ou faire fonctionner un moteur sans filtre à air (le cas échéant) ou avec le filtre à air (le cas échéant) enlevé.

### Vidange d'huile

- Pour vidanger l'huile par le tube de remplissage, vider le réservoir d'essence sinon il risque de fuir et de provoquer un incendie ou une explosion.

### Pour transporter l'équipement

- Transporter avec le réservoir de carburant VIDE et le robinet de carburant en position FERMÉE.

### Pour stocker de l'essence ou l'équipement avec un réservoir plein

- Les ranger loin des chaudières, cuisinières, chauffe-eau ou tout autre appareil comportant une veilleuse ou une source susceptible de produire une étincelle, car ils pourraient enflammer les vapeurs d'essence.

**AVERTISSEMENT**

**Le démarrage du moteur produit des étincelles. Les étincelles peuvent enflammer les gaz inflammables à proximité. Ceci pourrait provoquer une explosion ou un incendie.**

- S'il y a une fuite de gaz naturel ou de GPL à proximité, ne pas démarrer le moteur.
- Ne pas utiliser de liquides de démarrage sous pression car leurs vapeurs sont inflammables.



### AVERTISSEMENT



Les moteurs produisent du monoxyde de carbone, qui est un gaz toxique inodore et invisible.  
L'inhalation de monoxyde de carbone peut provoquer des nausées, un évanouissement et entraîner la mort.

- Démarrer et faire fonctionner le moteur à l'extérieur.
- Ne pas démarrer ou faire fonctionner le moteur dans un local fermé, même si les portes et les fenêtres sont ouvertes.



### AVERTISSEMENT



La rétraction rapide de la corde de lanceur (retour brutal) tirera votre main et votre bras vers le moteur beaucoup plus vite que vous ne pourrez les laisser partir.

Ceci pourrait entraîner des fêlures, des fractures, des ecchymoses ou des foulures.

- Pour démarrer le moteur, tirer lentement sur la corde jusqu'à sentir une résistance et tirer alors rapidement afin d'éviter l'effet de rétraction.
- Retirer tout équipement extérieur ou charge avant de démarrer le moteur.
- Les composants directement couplés à l'équipement, tels que lames, turbines, poulies, engrenages, etc. sans que cette liste soit limitative, devront être fermement arrimés.



### AVERTISSEMENT



Les pièces en rotation peuvent toucher ou saisir les mains, les pieds, les cheveux, les vêtements ou les accessoires.

Le résultat peut en être une amputation ou une lacération grave.

- Ne faire fonctionner l'équipement qu'avec les protections en place.
- Ne pas approcher les mains ou les pieds des pièces en mouvement.
- Attacher les cheveux longs et retirer les bijoux.
- Ne pas porter de vêtements amples, de ceintures larges pendantes ou tout vêtement pouvant être saisi.



### AVERTISSEMENT



Un moteur en marche produit de la chaleur. Les pièces du moteur, et plus particulièrement le silencieux, deviennent extrêmement chaudes.

Les toucher peut provoquer des brûlures sévères.



Les débris combustibles comme les feuilles, l'herbe, les broussailles peuvent s'enflammer.

- Laisser le silencieux, le cylindre du moteur et les ailettes refroidir avant de les toucher.
- Retirer les débris accumulés autour du silencieux et du cylindre.
- Monter un pare-étincelles en parfait état de marche avant d'utiliser l'équipement sur un terrain en friche recouvert de bois mort, d'herbe ou de broussailles. Ceci est obligatoire dans l'État de Californie (chapitre 4442 du California Public Resources Code). D'autres États peuvent avoir des lois similaires. Les lois fédérales s'appliquent sur le territoire fédéral.



### AVERTISSEMENT



Une étincelle accidentelle peut provoquer un incendie ou un choc électrique.



Un démarrage accidentel peut causer un étranglement, l'amputation ou la lacération d'un membre.



Risque d'incendie

#### Avant d'effectuer des réglages ou des réparations

- Débrancher le fil de bougie et l'attacher à bonne distance de la bougie.
- Débrancher le câble Négatif de la batterie (seulement pour les moteurs à démarrage électrique).
- N'utiliser que les outils corrects.
- Ne pas modifier les ressorts du régulateur, les tringles et autres pièces pour augmenter le régime du moteur.
- Les pièces de rechange doivent être d'origine et installées de la même façon que les pièces précédentes.
- Ne pas taper sur le volant moteur avec un marteau ou un objet dur cela pourrait entraîner une rupture ultérieure du volant pendant que le moteur fonctionne.

#### Contrôle de l'étincelle

- Utiliser un contrôleur homologué.
- Ne pas contrôler l'étincelle avec la bougie retirée.



# Caractéristiques et commandes

Comparer l'illustration **1** avec votre moteur pour vous familiariser avec l'emplacement des différents composants et commandes.

- A. Identification du moteur  
**Modèle Type Code**
- B. Bougie
- C. Réservoir de carburant avec bouchon
- D. Filtre à air
- E. Poignée du lanceur
- F. Jauge et tube d'huile
- G. Bouchon de vidange
- H. Échappement  
Grille du pot d'échappement (en option)  
Pare-étincelles (en option)
- I. Commande de starter
- J. Commande d'accélération (en option)
- K. Interrupteur d'arrêt
- L. Robinet d'alimentation d'essence (en option)
- M. Protège-mains
- N. Réducteur (en option)

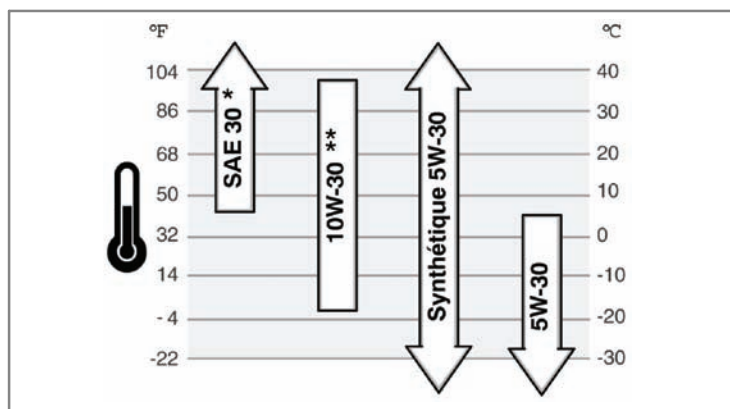
## Fonctionnement

Capacité d'huile (voir la section **Spécifications**)

### Recommandations concernant l'huile

Nous recommandons l'utilisation des huiles certifiées par Briggs & Stratton pour obtenir les meilleures performances. D'autres huiles détergentes de qualité sont acceptables si elles sont classées SF, SG, SH, SJ ou au-delà. Ne pas utiliser d'additifs.

La température extérieure détermine la viscosité de l'huile moteur. Utilisez le tableau pour sélectionner la viscosité qui convient à la température extérieure prévue.



\* L'emploi d'huile SAE 30 au-dessous de 4°C (40°F) rend le démarrage difficile.

\*\* L'utilisation d'une huile 10W-30 à des températures supérieures à 27°C (80°F) entraînera une consommation d'huile supérieure à la normale. Vérifier le niveau d'huile plus souvent.

### Vérification/Plein d'huile - Figure 2

Avant de vérifier ou de faire le plein d'huile

- Mettre le moteur de niveau.
- Nettoyer le pourtour du tube de remplissage d'huile.
- 1. Sortir la jauge (A) et la nettoyer avec un chiffon propre.
- 2. Insérer la jauge mais **ne pas** la visser. Le niveau d'huile doit être à la marque FULL (B) de la jauge.
- 3. Pour faire le plein, verser l'huile lentement dans le tube de remplissage (C). Remplir jusqu'au débordement.
- 4. Remettre la jauge et la serrer.

### Recommandations concernant le carburant

Le carburant doit répondre aux critères suivants:

- Essence récente, propre, sans plomb.

- Un indice minimum d'Octane de 87/87 AKI (91 RON). En cas d'utilisation en altitude, voir ci-après.
- Une essence contenant 10% d'éthanol au maximum ou 15% de MTBE (éther méthyl-tertiobutylque) au maximum, est acceptable.

**ATTENTION:** Ne pas utiliser d'essence non approuvée, comme la E85. Ne pas mélanger d'huile à l'essence ni modifier le moteur pour fonctionner avec des carburants alternatifs. Cela endommagerait le moteur et **annulerait la garantie moteur**.

Pour protéger le système d'admission d'essence contre la formation de gomme, mélanger un stabilisateur à l'essence. Voir **Stockage**. Tous les carburants ne sont pas les mêmes. Si l'utilisateur a du mal à démarrer ou rencontre des problèmes de fonctionnement, changer de fournisseur ou de marque d'essence. Ce moteur est certifié pour fonctionner à l'essence. Le système de contrôle des émissions de ce moteur est EM (Modifications Moteur).

### Haute altitude

Au-dessus de 1524 mètres d'altitude, une essence de 85 d'Octane/85 AKI (89 RON) est acceptable. Pour respecter les normes antipollution, il faut effectuer un réglage haute altitude. Fonctionner sans effectuer ce réglage fera diminuer les performances, augmentera la consommation et les émissions. Voir un Réparateur Agréé Briggs & Stratton pour le réglage haute altitude.

Le fonctionnement de moteurs équipés du kit haute altitude à moins de 762 mètres d'altitude n'est pas recommandé.

### Plein d'essence - Figure 3



#### AVERTISSEMENT



L'essence et les vapeurs d'essence sont extrêmement inflammables et explosives.



Un incendie ou une explosion peut entraîner des blessures très graves ou même la mort.

#### Pour faire le plein

- Couper le moteur et le laisser refroidir au moins 2 minutes avant d'ouvrir le bouchon du réservoir.
  - Remplir le réservoir de carburant à l'extérieur ou dans un local extrêmement bien ventilé.
  - Ne pas trop remplir le réservoir. Laisser environ 4cm d'espace sous le haut du col pour permettre la dilatation du carburant.
  - Veiller à tenir l'essence, ainsi que les vapeurs qui en émanent, à l'écart des étincelles, des flammes nues, des veilleuses, de la chaleur et de toute autre source d'ignition.
  - Contrôler que les Durits, le réservoir, le bouchon et les raccords de carburant ne présentent ni fissures ni fuites. Remplacer si nécessaire.
  - Si du carburant a été renversé, attendre son évaporation complète avant de démarrer le moteur.
1. Nettoyer le pourtour du bouchon d'essence de la poussière et des débris. Enlever le bouchon d'essence (A). Voir Figure 3.
  2. Faire le plein (B) d'essence. Pour permettre la dilatation de l'essence, ne pas remplir au-delà du bas du col de remplissage (C).
  3. Remettre le bouchon du réservoir en place.

### Démarrage du moteur - Figure 4 5



#### AVERTISSEMENT



La rétraction rapide de la corde de lanceur (retour brutal) tirera la main et le bras de l'opérateur vers le moteur beaucoup plus vite qu'il ne pourra les laisser partir. Ceci pourrait entraîner des fêlures, des fractures, des ecchymoses ou des foulures.

- Pour démarrer le moteur, tirer lentement sur la corde jusqu'à sentir une résistance et tirer alors rapidement afin d'éviter l'effet de rétraction.



#### AVERTISSEMENT



L'essence et les vapeurs d'essence sont extrêmement inflammables et explosives.



Un incendie ou une explosion peut entraîner des blessures très graves ou même la mort.

#### Pour démarrer le moteur

- S'assurer que la bougie, le bouchon du réservoir de carburant et le filtre à air sont montés et solidement fixés.
- Ne pas faire tourner le moteur avec la bougie enlevée.
- Si le moteur est noyé, placer le starter (le cas échéant) sur OPEN/RUN, amener l'accélérateur sur FAST et lancer le moteur jusqu'à ce qu'il démarre.



## AVERTISSEMENT






Les moteurs produisent du monoxyde de carbone, qui est un gaz toxique inodore et invisible.

L'inhalation de monoxyde de carbone peut provoquer des nausées, un évanouissement et entraîner la mort.

- Démarrer et faire fonctionner le moteur à l'extérieur.
- Ne pas démarrer ou faire fonctionner le moteur dans un local fermé, même si les portes et les fenêtres sont ouvertes.

**ATTENTION:** Ce moteur a été expédié de chez Briggs & Stratton sans huile. Avant de le démarrer, s'assurer d'avoir fait le plein d'huile selon les instructions de ce manuel. Si le moteur est démarré sans huile, il sera endommagé irrémédiablement et ne sera pas couvert par la garantie.

1. Vérifier le niveau d'huile. Voir la section **Vérification/Plein d'huile**.
2. Le cas échéant, s'assurer que l'entraînement de l'équipement est débrayé. Voir dans le manuel de l'équipement l'emplacement et le fonctionnement de ces commandes.
3. Mettre l'interrupteur (A) en position marche (Figure 4).
4. Mettre le levier de commande d'accélérateur (B), si l'appareil en est équipé, sur la position FAST . Faire toujours fonctionner le moteur avec le levier de commande d'accélérateur sur FAST .
5. Mettre la commande du starter (C) en position  démarrage.

*Remarque:* Le starter est généralement superflu pour redémarrer un moteur chaud.

6. Fermer le robinet d'alimentation d'essence (D), le cas échéant, en position (Figure 5).
7. **Lanceur:** Prendre en main la poignée du lanceur (E). Tirer lentement sur la corde jusqu'à sentir une résistance, puis tirer rapidement (Figure 4).

*Remarque :* Si le moteur ne démarre pas après trois tentatives, consulter **BRIGGSandSTRATTON.COM** ou appeler le **1-800-233-3723** (aux États-Unis).

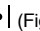


**AVERTISSEMENT:** La rétraction rapide de la corde du lanceur (retour brutal) tirera la main et le bras de l'opérateur vers le moteur beaucoup plus vite qu'il ne pourra les laisser partir. Il risque des fractures, des ecchymoses ou des foulures. Pour démarrer le moteur, tirer lentement sur le lanceur jusqu'à ressentir une résistance et tirer alors rapidement afin d'éviter l'effet de rétraction.

8. **Démarrateur électrique:** Mettre le contact du démarreur électrique sur la position ON/START. Voir le manuel de l'équipement pour connaître la position et le fonctionnement du contacteur.

*Remarque :* Si le moteur ne démarre pas après trois tentatives, consulter **BRIGGSandSTRATTON.COM** ou appeler le **1-800-233-3723** (aux États-Unis).

**PRECAUTION:** Pour préserver l'usage du démarreur, ne l'utiliser que pendant des cycles courts (cinq secondes maximum). Attendre une minute avant de recommencer.

9. Au fur et à mesure du réchauffement du moteur, ramener le starter (C) sur la position RUN  (Figure 4).

## Arrêt du moteur - Figure



## AVERTISSEMENT



L'essence et les vapeurs d'essence sont extrêmement inflammables et explosives.



Un incendie ou une explosion peut entraîner des blessures très graves ou même la mort.

- Ne pas actionner le starter pour arrêter le moteur.
1. Mettre le contact (A, Figure 6) en position d'arrêt   
 ou   
 **Démarrateur électrique:** Mettre le contact du démarreur électrique sur la position OFF/STOP. Voir le manuel de l'équipement pour trouver l'emplacement et le fonctionnement du contacteur.

2. Quand le moteur est arrêté, mettre le robinet d'essence (D, Figure 5) en position fermée.

## Entretien

**N'utiliser que des pièces de rechange d'origine. D'autres pièces peuvent ne pas fonctionner aussi bien, risquent d'endommager l'équipement et peuvent provoquer des blessures.** Par ailleurs, l'utilisation d'autres pièces de rechange peut invalider la garantie.

Nous recommandons de voir un Réparateur Agréé Briggs & Stratton pour tout l'entretien de votre moteur et l'acquisition de pièces.

**ATTENTION:** Tous les composants de ce moteur doivent rester à leur place d'origine pour que le moteur fonctionne correctement.

## Contrôle des émissions

**L'entretien, le remplacement ou la réparation des dispositifs et des systèmes de contrôle des émissions gazeuses peut être effectué par tout établissement ou individu spécialisé dans la réparation des moteurs autres que les moteurs automobiles.** Néanmoins, pour que les réparations soient prises en charge par Briggs & Stratton au titre de la garantie, l'intervention doit être effectuée par un Réparateur Agréé. Voir la garantie des émissions.

## Contrôle de l'étincelle

- Utiliser un contrôleur homologué.
- Ne pas contrôler l'étincelle avec la bougie retirée.



## AVERTISSEMENT



Une étincelle accidentelle peut provoquer un incendie ou un choc électrique.



Un démarrage accidentel peut causer un étranglement, l'amputation ou la lacération d'un membre.



Risque d'incendie

## Avant d'effectuer des réglages ou des réparations

- Débrancher le fil de bougie et l'attacher à bonne distance de la bougie.
- N'utiliser que les outils corrects.
- Ne pas modifier les ressorts du régulateur, les tringles et autres pièces pour augmenter le régime du moteur.
- Les pièces de rechange doivent être d'origine et installées de la même façon que les pièces précédentes.
- Ne pas taper sur le volant moteur avec un marteau ou un objet dur cela pourrait entraîner une rupture ultérieure du volant pendant que le moteur fonctionne.

## Contrôle de l'étincelle

- Utiliser un contrôleur homologué.
- Ne pas contrôler l'étincelle avec la bougie retirée.

## Tableau d'entretien

<b>Après les 5 premières heures</b>
<ul style="list-style-type: none"> <li>• Vidanger l'huile</li> </ul>
<b>Toutes les 8 heures ou chaque jour</b>
<ul style="list-style-type: none"> <li>• Vérifier le niveau d'huile du moteur.</li> <li>• Nettoyer aux alentours du silencieux et des commandes</li> <li>• Nettoyer le protège-doigts</li> </ul>
<b>Toutes les 25 heures ou une fois par an</b>
<ul style="list-style-type: none"> <li>• Nettoyer le filtre à air *</li> <li>• Nettoyer le pré-filtre du filtre à air *</li> </ul>
<b>Toutes les 100 heures ou une fois par an</b>
<ul style="list-style-type: none"> <li>• Vidanger l'huile</li> <li>• Inspecter le silencieux d'échappement et l'écran pare-étincelles</li> </ul>
<b>Toutes les 100 heures</b>
<ul style="list-style-type: none"> <li>• Changer l'huile du réducteur (en option)</li> </ul>
<b>Une fois par an</b>
<ul style="list-style-type: none"> <li>• Remplacer le filtre à air</li> <li>• Remplacer le pré-filtre</li> <li>• Remplacer la bougie</li> <li>• Nettoyer/remplacer le filtre à essence</li> <li>• Nettoyer le système de refroidissement par air *</li> <li>• Contrôler le jeu des soupapes **</li> </ul>

\* Nettoyer plus souvent dans des conditions d'utilisation en atmosphère poussiéreuse ou chargée de débris aériens.

\*\* Non obligatoire si les performances du moteur ne sont pas altérées.

## Réglage du carburateur

Ne pas procéder à des réglages inutiles du carburateur. Il a été réglé en usine pour fonctionner efficacement dans la plupart des applications. Néanmoins, si des réglages sont nécessaires, les confier à un Réparateur Agréé Briggs & Stratton.

**ATTENTION:** Le fabricant de l'équipement sur lequel est monté ce moteur a spécifié le régime maximum à vide d'utilisation du moteur. **Ne pas dépasser** ce régime maximum.

## Vérification de la bougie - Figure 8

Vérifier l'écartement des électrodes (A, Figure 8) avec une jauge à fil (B). Le cas échéant, régler l'écartement. Remettre la bougie et la serrer au couple recommandé. Pour régler l'écartement et trouver le couple de serrage, voir la section **Spécifications**.

*Remarque:* Dans certains pays, la législation impose l'emploi de bougies à résistance pour supprimer les parasites de l'allumage. Si ce moteur était équipé d'une bougie avec résistance, utiliser le même type de bougie lors de son remplacement.

## Inspecter le silencieux et le pare-étincelles - Figure 7



### AVERTISSEMENT



**Un moteur en marche produit de la chaleur. Les pièces du moteur, et plus particulièrement le silencieux, deviennent extrêmement chaudes. Les toucher peut provoquer des brûlures sévères.**



**Les débris combustibles comme les feuilles, l'herbe, les broussailles peuvent s'enflammer.**

- Laisser le silencieux, le cylindre du moteur et les ailettes refroidir avant de les toucher.
- Retirer les débris accumulés autour du silencieux et du cylindre.
- Monter un pare-étincelles en parfait état de marche avant d'utiliser l'équipement sur un terrain en friche recouvert de bois mort, d'herbe ou de broussailles. Ceci est obligatoire dans l'État de Californie (chapitre 4442 du California Public Resources Code). D'autres États peuvent avoir des lois similaires. Les lois fédérales s'appliquent sur le territoire fédéral.

Inspecter le silencieux (A) à la recherche de fissures, de corrosion ou autre dommage. Enlever le pare-étincelles (B), le cas échéant, et inspecter s'il est endommagé ou obstrué par des dépôts de carbone. S'il est nécessaire de remplacer des pièces, n'utiliser que des pièces de rechange d'origine.



**AVERTISSEMENT:** Les pièces de rechange doivent être d'origine et installées de la même façon que les pièces précédentes, sous peine de provoquer un incendie.

## Changement d'huile - Figure 9 10

**ATTENTION:** L'huile usagée est un produit dangereux. S'en débarrasser correctement. Ne pas la jeter avec les ordures ménagères. Vérifier le lieu de collecte ou de recyclage avec les autorités locales, le centre de services ou le vendeur.

### Vidange de l'huile

1. Quand le moteur est arrêté mais encore chaud, débrancher le fil de bougie (A) et l'éloigner de la bougie (Figure 10).
2. Ôter le bouchon de vidange (B, Figure 9). Vidanger l'huile dans un récipient approprié.  
*Remarque:* Chacun des bouchons de vidange (C) illustrés peut être monté sur ce moteur.
3. Quand l'huile a été vidangée, remettre le bouchon de vidange. Le serrer.

### Faire le plein d'huile

- Mettre le moteur de niveau.
  - Nettoyer le pourtour de l'orifice de remplissage de tout débris.
  - Voir la capacité d'huile dans la section **Spécifications**.
1. Sortir la jauge (D) et la nettoyer avec un chiffon propre.
  2. Verser l'huile lentement dans le tube de remplissage (E). Remplir jusqu'au débordement.
  3. Remettre la jauge mais **ne pas** la visser. La retirer et vérifier le niveau. Ce dernier doit être au niveau de la marque FULL (F) de la jauge.
  4. Remettre la jauge et la visser.

## Entretien du filtre à air - Figure 11



### AVERTISSEMENT



**L'essence et les vapeurs d'essence sont extrêmement inflammables et explosives.**



**Un incendie ou une explosion peut entraîner des blessures très graves ou même la mort.**

- Ne pas démarrer ou faire fonctionner un moteur sans filtre à air ou avec le filtre à air enlevé.

**ATTENTION:** Ne pas utiliser d'air comprimé ni de solvant pour nettoyer le filtre à air. L'air comprimé peut endommager le filtre, les solvants le dissoudre.

Le système de filtre à air utilise une cartouche en papier plissé et un pré-filtre en option. Le pré-filtre peut être lavé et réutilisé.

## Filtre à air plat

1. Desserrer la fixation (D) qui retient le couvercle (A). Voir Figure 11.
2. Ouvrir le couvercle pour déposer le pré-filtre (C) et le filtre (B).
3. Pour le nettoyer, le tapoter doucement contre une surface dure. Si le filtre est excessivement encrassé, le remplacer par un neuf.
4. Nettoyer le pré-filtre dans de l'eau additionnée de détergent liquide. **Ne pas graisser** le pré-filtre.
5. Assembler le pré-filtre sec sur le filtre avec la lèvres (G) du pré-filtre contre le fond du filtre en papier.
6. Reposer le filtre.
7. Reposer le couvercle (E) dans les fentes (F).
8. Fermer le couvercle avec la fixation.

## Changement d'huile du réducteur - Figure 12

Si le moteur est équipé d'un réducteur, l'entretenir comme suit.

1. Déposer le bouchon de remplissage d'huile (B) et celui du niveau d'huile (C).
2. Déposer le bouchon de vidange d'huile (A, Figure 12) et vidanger l'huile dans un récipient approprié.
3. Remettre le bouchon de vidange et le serrer.
4. Pour faire le plein, verser lentement de l'huile de boîte dans le trou de remplissage (voir la section **Spécifications**). Remplir jusqu'à ce que l'huile ressorte du trou de niveau.
5. Remettre le bouchon de niveau et le serrer.
6. Remettre le bouchon de remplissage et le serrer.

**Important:** Le bouchon de remplissage a un orifice d'évent (D) qui doit être installé sur le dessus du carter comme illustré.

## Nettoyage ou remplacement du filtre à essence - Figure 13



### AVERTISSEMENT



**L'essence et les vapeurs d'essence sont extrêmement inflammables et explosives.**



**Un incendie ou une explosion peut entraîner des blessures très graves ou même la mort.**

- Veiller à tenir l'essence, ainsi que les vapeurs qui en émanent, à l'écart des étincelles, des flammes nues, des veilleuses, de la chaleur et de toute autre source d'ignition.
- Contrôler que les Durits, le réservoir, le bouchon et les raccords de carburant ne présentent ni fissures ni fuites. Remplacer si nécessaire.
- Avant de remplacer le filtre à essence, vidanger le réservoir d'essence ou fermer le robinet d'essence.
- Les pièces de rechange doivent être d'origine et installées de la même façon que les pièces précédentes.
- Si du carburant a été renversé, attendre son évaporation complète avant de démarrer le moteur.

1. Déposer le bouchon d'essence (A, Figure 13).
2. Déposer le filtre à essence (B).
3. Si le filtre à essence est encrassé, le nettoyer ou le remplacer. En cas de remplacement, utiliser un filtre d'origine.

## Nettoyage du système de refroidissement par air - Figure 14



### AVERTISSEMENT



**Un moteur en marche produit de la chaleur. Les pièces du moteur, et plus particulièrement le silencieux, deviennent extrêmement chaudes. Les toucher peut provoquer des brûlures sévères.**



**Les débris combustibles comme les feuilles, l'herbe, les broussailles peuvent s'enflammer.**

- Laisser le silencieux, le cylindre du moteur et les ailettes refroidir avant de les toucher.
- Retirer les débris accumulés autour du silencieux et du cylindre.

**ATTENTION:** Ne pas utiliser d'eau pour nettoyer le moteur. L'eau peut contaminer le système d'alimentation en essence. Utiliser une brosse ou un chiffon sec pour nettoyer le moteur.

Ce moteur est refroidi par air. De la poussière ou des débris peuvent affecter le débit d'air et faire chauffer le moteur, ce qui réduit ses performances et sa durée de vie.

Utiliser une brosse ou un chiffon sec pour enlever les débris du protège-doigts (A). Nettoyer les biellettes, les ressorts et les commandes (B). Ne pas laisser les débris combustibles s'accumuler autour et derrière le silencieux d'échappement (C) (Figure 14).

## Stockage



### AVERTISSEMENT

L'essence et les vapeurs d'essence sont extrêmement inflammables et explosives.

Un incendie ou une explosion peut entraîner des blessures très graves ou même la mort.

#### Pour stocker de l'essence ou l'équipement avec un réservoir plein

- Les ranger loin des chaudières, cuisinières, chauffe-eau ou tout autre appareil comportant une veilleuse ou une source susceptible de produire une étincelle, car ils pourraient enflammer les vapeurs d'essence.

#### Système d'alimentation

L'essence peut s'évaporer quand on la stocke pendant plus de 30 jours. De l'essence évaporée provoque des dépôts d'acide et de gomme dans le système d'alimentation et sur les principales pièces du carburateur. Pour maintenir l'essence propre, utiliser le

stabilisateur d'essence FRESH START® de Briggs & Stratton, disponible sous forme d'additif liquide ou de cartouche de concentré à écoulement progressif.

Il n'est pas nécessaire de vidanger l'essence du moteur si un stabilisateur est ajouté conformément aux instructions. Faire fonctionner le moteur pendant 2 minutes pour faire circuler le stabilisateur dans le système d'alimentation. Le moteur et l'essence peuvent alors être stockés pendant une durée maximale de 24 mois.

Si l'essence n'a pas été traitée avec un stabilisateur, elle doit être vidangée dans un récipient approuvé. Faire fonctionner le moteur jusqu'à ce qu'il s'arrête en panne sèche. L'utilisation d'un stabilisateur d'essence dans le réservoir de stockage est recommandée pour en conserver la fraîcheur.

#### Huile moteur

Pendant que le moteur est encore chaud, changer l'huile du moteur.

#### Dépannage

Besoin d'aide? Aller sur [BRIGGSandSTRATTON.com](http://BRIGGSandSTRATTON.com) ou appeler 1-800-233-3723

## Spécifications

Spécifications du moteur	
Modèle	120000
Cylindrée	12,48 pouces cube (205 cc)
Alésage	2,688 pouces (68,28 mm)
Course	2,200 pouces (55,88 mm)
Capacité d'huile	18 - 20 oz (0,54 - 0,59 L)
Huile du réducteur	80W-90

Spécifications du moteur	
Modèle	200000
Cylindrée	18,63 pouce cube (305 cc)
Alésage	3,120 pouces (79,24 mm)
Course	2,438 pouces (61,93 mm)
Capacité d'huile	26 - 28 oz (0,77 - 0,83 L)
Huile du réducteur	SAE 30

Spécifications de réglage *	
Modèle	120000
Écartement des électrodes	0,030 pouces (0,76 mm)
Couple de serrage de la bougie	180 lb-in (20 Nm)
Entrefer bobine	0,010 - 0,014 pouces (0,25 - 0,36 mm)
Jeu de soupape d'admission	0,004 - 0,006 pouces (0,10 - 0,15 mm)
Jeu de soupape d'échappement	0,009 - 0,011 pouces (0,22 - 0,28 mm)

Spécifications de réglage *	
Modèle	200000
Écartement des électrodes	0,030 pouces (0,76 mm)
Couple de serrage de la bougie	180 lb-pouces (20 Nm)
Entrefer bobine	0,008 - 0,012 pouces (0,20 - 0,30 mm)
Jeu de soupape d'admission	0,004 - 0,006 pouces (0,10 - 0,15 mm)
Jeu de soupape d'échappement	0,009 - 0,011 pouces (0,22 - 0,28 mm)

\* La puissance du moteur décroît de 3,5% par 300mètres d'altitude au-dessus du niveau de la mer et de 1% par 5,6°C au-delà de 25°C. Le moteur fonctionne normalement jusqu'à 15° d'inclinaison. Voir le manuel d'utilisation de l'équipement pour les limites autorisées de fonctionnement en pente.

## Pièces d'entretien courant ✓

Pièce d'entretien	Référence
Filtre à air plat	491588, 5043
Pré-filtre du filtre à air plat	493537, 5064
Filtre à carburant	792917
Additif pour l'essence	5041, 5058

Pièce d'entretien	Référence
Bougie à résistance	491055
Bougie en platine longue durée	5066
Clé à bougie	89838, 5023
Éclateur	19368

✓ Nous recommandons de voir un Réparateur Agréé Briggs & Stratton pour tout l'entretien de votre moteur et de ses pièces. N'utiliser que des pièces de rechange Briggs & Stratton d'origine.

## GARANTIE LIMITÉE

Briggs & Stratton remplacera ou réparera gratuitement toute(s) pièce(s) du moteur présentant un défaut de matière ou de fabrication ou les deux. Tous les frais de transport du produit destiné à être remplacé ou réparé au titre de la présente garantie restent à charge de l'acheteur. Cette garantie est applicable pendant la période et aux conditions prévues dans le présent document. Pour toute intervention sous garantie, cherchez le Réparateur Agréé Briggs & Stratton le plus proche dans la liste des Réparateurs sur notre site Internet BRIGGSandSTRATTON.COM ou en consultant les Pages Jaunes®.

**Il n'existe aucune autre garantie expresse. Les garanties implicites, y compris celles de la valeur marchande et d'adaptation à un objectif particulier, sont limitées à un an à partir de la date d'achat ou à la période légale admise. Toute autre garantie implicite est exclue. Notre responsabilité pour les dégâts provoqués par l'équipement ou les dommages-intérêts accessoires est exclue dans la limite des exclusions autorisées par la loi.** Certains pays ou États n'autorisent pas la limitation de la durée de la garantie implicite et certains pays ou États n'autorisent pas l'exclusion ou la limitation des dégâts provoqués ou consécutifs à un accident, ce qui fait que les limitation et exclusion ci-dessus peuvent ne pas s'appliquer à vous. Cette garantie vous donne des droits légaux et vous pouvez bénéficier d'autres droits qui peuvent varier d'un pays à l'autre ou d'un État à l'autre.

## CONDITIONS DE GARANTIE STANDARD \* ▲

Marque/Type de produit	Usage privé	Usage professionnel
Vanguard™	2 ans	2 ans
Extended Life Series™, I/C®, Intek™ I/C®, Intek™ Pro	2 ans	1 an
Snow Series MAX™ avec chemise en fonte Dura-Bore™	2 ans	1 an
Tous les autres moteurs Briggs & Stratton	2 ans	90 jours

\* Ces conditions sont nos conditions de garantie standard. Néanmoins, dans certains cas, nos produits peuvent bénéficier d'une couverture supplémentaire qui n'était pas déterminée au moment de la publication. Pour consulter les conditions de garantie actuelles de votre moteur, rendez-vous sur BRIGGSandSTRATTON.COM ou contactez le Réparateur Agréé Briggs & Stratton.

▲ Les moteurs utilisés sur les groupes électrogènes stationnaires ne sont garantis que dans le cadre d'un usage privé. Les équipements utilisés pour une alimentation principale en remplacement du réseau public d'électricité ne sont pas couverts par la présente garantie. **Les moteurs utilisés en compétition ou avec un but d'exploitation commerciale ou de location ne sont pas garantis.**

La période de garantie débute à la date d'achat par l'acheteur particulier initial ou l'utilisateur professionnel final et continue pendant la période indiquée dans le tableau ci-dessus. «Usage privé» signifie utilisation pour l'entretien de sa résidence personnelle par un acheteur particulier. «Usage commercial» couvre toutes les autres utilisations, y compris dans un but commercial, de rentabilité ou de location. Dès qu'un moteur a servi à un usage commercial, il sera considéré comme moteur à usage commercial dans le cadre de la présente garantie.

**Pour tous les équipements fabriqués par Briggs & Stratton, l'enregistrement de la garantie n'est pas obligatoire pour qu'elle prenne effet. Conservez le reçu comme preuve d'achat. Si, lors d'une demande d'intervention sous garantie, la date initiale d'achat ne peut être fournie, la date de fabrication du produit sert de référence pour déterminer la période de garantie.**

## Au sujet de la garantie

Briggs & Stratton se fera un plaisir d'effectuer une réparation en garantie tout en déplorant les inconvénients qu'elle peut vous occasionner. Tout Réparateur Agréé peut effectuer des réparations en garantie. La plupart des réparations en garantie sont effectuées sans discussion mais il peut arriver que la demande de réparation en garantie soit injustifiée.

Si le client n'est pas d'accord avec la décision d'un Réparateur Agréé, une enquête sera effectuée afin de déterminer si la garantie peut être appliquée. Demandez au Réparateur Agréé de soumettre tous les faits au Grossiste ou à l'usine pour examen. Si le Grossiste ou l'usine décide que la demande est justifiée, les articles reconnus défectueux seront intégralement remboursés au client. Afin d'éviter tout malentendu entre les propriétaires de moteurs et les Réparateurs Agréés Briggs & Stratton, nous indiquons ci-après quelques-unes des causes de défaillance des moteurs pour lesquelles le remplacement ou la réparation n'est pas couvert par la garantie.

**Usure normale:** Les moteurs, comme tous les dispositifs mécanisés, nécessitent un entretien régulier et le remplacement des pièces d'usure pour fonctionner correctement. Cette garantie ne couvre pas la réparation de pièces ou d'équipements usés par un usage normal. La garantie ne s'applique pas quand la défaillance du moteur est due à un abus, un manque d'entretien courant, l'expédition, la manutention, l'entreposage ou une mauvaise installation. Il en va de même si le numéro de série du moteur a été éliminé ou que le moteur a été modifié ou trafiqué.

**Entretien inadéquat:** La longévité d'un moteur dépend des conditions dans lesquelles il est utilisé et de l'entretien qu'il reçoit. Certaines applications, comme les motoculteurs, les pompes et les tondeuses, sont souvent utilisées dans un environnement poussiéreux ou sale, ce qui peut être la cause d'une usure pouvant paraître prématurée. Une telle usure, lorsqu'elle est consécutive à l'entrée de poussière, sable ou autre produit abrasif à cause d'un mauvais entretien, n'est pas couverte par la garantie.

**Cette garantie couvre uniquement les pièces défectueuses et/ou la main-d'œuvre et pas le remplacement ou le remboursement de l'équipement sur lequel est monté le moteur. La garantie ne s'applique pas non plus aux réparations dues à:**

- 1 Des problèmes provoqués par l'emploi de pièces non d'origine Briggs & Stratton.
- 2 Les commandes de l'équipement ou les dispositifs qui empêchent le démarrage, perturbent le fonctionnement du moteur ou abrègent sa durée de vie. (Contactez le fabricant de l'équipement.)
- 3 Les fuites de carburateur, l'obstruction des Durits d'alimentation, le gommage des soupapes ou autres dommages provoqués par une essence contaminée ou trop vieille.

- 4 Les pièces qui seraient rayées ou cassées du fait du fonctionnement du moteur avec un manque d'huile ou d'une huile polluée, ou encore d'un indice de viscosité de l'huile inadéquat (vérifier et refaire le niveau quand c'est nécessaire et vidanger aux périodes recommandées). Le dispositif OIL GARD peut ne pas couper un moteur en marche. Le moteur peut être endommagé si le niveau d'huile n'est pas maintenu régulièrement.
- 5 La réparation ou le réglage de pièces ou d'un groupe de pièces associées tels que les embrayages, transmissions, commandes à distance, etc., qui ne sont pas fabriqués par Briggs & Stratton.
- 6 Les dommages ou l'usure de pièces provoqués par la pénétration de poussière due au manque d'entretien ou au mauvais montage du filtre à air ou à l'emploi d'un élément ou d'une cartouche de filtre à air non d'origine. Aux intervalles recommandés, nettoyer et/ou remplacer le filtre comme indiqué dans le manuel d'utilisation.
- 7 Les pièces endommagées suite à un sursrégime ou une surchauffe provoqués par l'obstruction des ailettes de refroidissement et de la zone du volant par des débris d'herbe ou de la poussière ou par l'utilisation du moteur dans un local fermé insuffisamment ventilé. Nettoyer les débris aux intervalles recommandés comme indiqué dans le manuel d'utilisation.
- 8 Le bris de pièces du moteur ou de l'équipement dû à des vibrations excessives résultant d'un serrage insuffisant des boulons de fixation du moteur, d'une lame ou d'une turbine desserrée ou mal équilibrée, d'une mauvaise adaptation de l'équipement sur le vilebrequin du moteur, d'un sursrégime ou d'une mauvaise utilisation.
- 9 Vilebrequin faussé ou cassé suite au choc de la lame d'une tondeuse rotative sur un corps dur, ou d'une courroie trapézoïdale trop tendue.
- 10 Réglage ou mise au point normale du moteur.
- 11 La défaillance du moteur ou des pièces du moteur, telles que chambre de combustion, soupapes, sièges de soupape, guides de soupape ou bobinage du démarreur grillés, suite à l'emploi de carburants de substitution tels que du pétrole liquéfié, du gaz naturel ou des essences modifiées, etc.

**Les interventions sous garantie ne sont effectuées que par les Réparateurs Agréés par Briggs & Stratton Corporation. Recherchez-les dans la liste des Réparateurs sur notre site Internet BRIGGSandSTRATTON.COM ou en consultant les Pages Jaunes™.**

# Déclaration de garantie du système de contrôle des émissions

## Déclaration de garantie du système de contrôle des émissions de Briggs & Stratton Corporation (B&S), du California Air Resources Board (CARB) et de la United States Environmental Protection Agency (U.S. EPA) (Droits et obligations du propriétaire au titre de la garantie contre tout défaut)

### Déclaration de garantie pour les défauts de contrôle d'émissions pour la Californie, les États-Unis et le Canada

Le California Air Resources Board (CARB), l'U.S. EPA et B&S ont le plaisir de vous expliquer la garantie du système de contrôle des émissions pour votre petit moteur à usage non routier. En Californie, les petits moteurs à usage non routier à partir de l'année 2006 doivent être conçus, fabriqués et équipés pour répondre aux normes sévères antibrouillard de l'État. Ailleurs aux États-Unis, les nouveaux moteurs à usage non routier à allumage commandé par bougie depuis l'année 1997 doivent répondre à des normes semblables édictées par l'U.S. EPA. B&S doit garantir le système de contrôle des émissions de votre moteur pendant les durées indiquées ci-après, en supposant que le petit moteur à usage non routier ne soit pas mal utilisé, négligé ou que son entretien ne soit pas défectueux.

Le système de contrôle des émissions comprend des pièces comme le carburateur, le filtre à air, le système d'allumage, la Durit de carburant, le silencieux et le convertisseur catalytique. Des connecteurs et d'autres assemblages impliqués dans les émissions peuvent aussi en faire partie.

Si la condition de garantie est remplie, B&S réparera gratuitement votre moteur y compris le diagnostic, les pièces et la main-d'œuvre.

### Couverture de la garantie de défectuosité du contrôle des émissions de Briggs & Stratton Corporation.

Les petits moteurs à usage non routier sont garantis en ce qui concerne les défauts des pièces du contrôle des émissions pendant une période de deux ans, aux conditions

énoncées plus loin. Si une pièce de votre moteur couverte par cette garantie est défectueuse, B&S la réparera ou la remplacera.

### Responsabilités du propriétaire au titre de la garantie

En tant que propriétaire d'un petit moteur non routier, vous êtes responsable de l'entretien nécessaire indiqué dans les instructions de fonctionnement et d'entretien. B&S recommande de conserver toutes les factures de maintenance de votre moteur, mais B&S ne peut renier la garantie uniquement à cause de l'absence de factures.

En tant que propriétaire d'un petit moteur à usage non routier, vous devez néanmoins savoir que B&S peut refuser d'appliquer la garantie si la défectuosité de votre moteur ou d'une partie de ce moteur est due à un abus, une négligence, un entretien non correct ou des modifications non approuvées.

Vous avez la responsabilité de confier votre moteur à un Réparateur Agréé B&S dès que vous découvrez un problème. Les réparations incontestables sous garantie seront effectuées en un temps raisonnable qui ne doit pas excéder 30 jours.

Si vous avez des questions au sujet de vos droits ou de vos responsabilités quant à la garantie, veuillez contacter un représentant de B&S au 1-414-259-5262.

La garantie d'émission est une garantie contre des défectuosités. Les défectuosités sont jugées en fonction des performances normales d'un moteur. La garantie n'est pas liée à un test d'émissions en fonctionnement.

## Dispositions de la garantie de défectuosité du contrôle des émissions de Briggs & Stratton Corporation

Suivent les dispositions particulières de la couverture de la garantie de défectuosité du contrôle des émissions. Elles viennent en complément de la garantie des moteurs B&S pour les moteurs non réglementés qui se trouve dans les instructions de fonctionnement et d'entretien.

### 1. Pièces garanties

La couverture au titre de cette garantie ne s'étend qu'aux pièces énumérées ci-dessous (celles du système de contrôle des émissions) dans la mesure où ces pièces étaient présentes dans le moteur au moment de l'achat.

#### a. Système de dosage du carburant

- Système d'enrichissement pour démarrages à froid (starter)
- Carburateur et pièces internes
- Pompe à carburant
- Durit et raccords de carburant, colliers
- Réservoir de carburant, bouchon et câble d'attache
- Réservoir à charbon activé

#### b. Système d'admission d'air

- Filtre à air
- Collecteur d'admission
- Conduite de vidange et de mise à l'air

#### c. Système d'allumage

- Bougie(s)
- Système d'allumage par volant magnétique

#### d. Système catalytique

- Convertisseur catalytique
- Collecteur d'échappement
- Système d'injection d'air ou soupape d'impulsion

#### e. Pièces diverses utilisées dans les systèmes ci-dessus

- Soupapes et contacteurs de dépression, de température, de position et de durée.
- Raccords et assemblages

### 2. Durée de la couverture

B&S garantit au propriétaire initial et à tous les acheteurs suivants les pièces contre tout défaut de matière ou de fabrication qui pourrait entraîner une défectuosité des pièces garanties pendant une période de deux ans à partir de la date de livraison du moteur à un acheteur individuel.

### 3. Gratuité

La réparation ou le remplacement de toute pièce garantie s'effectuera gratuitement pour l'acheteur, y compris les frais de diagnostic permettant de déterminer qu'une pièce garantie est défectueuse, si le diagnostic est effectué par un Réparateur Agréé B&S. Pour bénéficier du service de garantie, veuillez contacter le Réparateur Agréé B&S le plus proche de chez vous listé dans les Pages Jaunes sous la rubrique «Moteurs, essence», «Moteurs à essence», «Tondeuses à gazon» ou autre catégorie semblable.

### 4. Réclamations et exclusions de garantie

Les réclamations sous garantie seront présentées selon les dispositions de la police de garantie des moteurs de B&S. La garantie ne couvre pas les pièces qui ne sont pas des pièces B&S d'origine ou qui ont fait l'objet d'abus, de négligence ou d'un mauvais entretien ainsi qu'indiqué dans la police de garantie des moteurs de B&S. B&S n'est pas responsable des défaillances dues à l'utilisation de pièces rajoutées, non d'origine ou modifiées.

### 5. Entretien

Toute pièce garantie qui ne doit pas être remplacée au titre de l'entretien ou qui est sujette à une inspection régulière avec la mention «réparer ou remplacer si besoin est» est garantie contre tout défaut pendant la période de garantie. Toute pièce dont le remplacement est prévu au titre de l'entretien n'est garantie contre tout défaut que pendant sa période normale d'utilisation. Les opérations de maintenance et de réparation doivent utiliser des pièces équivalentes sur le plan des performances et de la longévité. Le propriétaire est responsable de l'entretien défini dans les instructions de fonctionnement et d'entretien de B&S.

### 6. Couverture des conséquences

La présente couverture s'étend à la défaillance de tout composant du moteur due à la défaillance d'une pièce encore sous garantie.

## Consulter les informations sur la période de durabilité des émissions et l'indice d'air sur l'étiquette d'émissions du moteur

Les moteurs qui sont certifiés conformes à la norme d'émissions du California Air Resources Board (CARB) doivent afficher l'information concernant la période de durabilité des émissions et l'indice d'air. Cette information est indiquée sur les étiquettes apposées sur les moteurs par Briggs & Stratton. L'étiquette du moteur indique les informations de certification.

La **période de durabilité des émissions** indique le nombre d'heures d'utilisation normale pour lequel le moteur est certifié conforme aux normes d'émissions sous réserve d'un entretien approprié tel qu'indiqué dans le manuel d'utilisation et d'entretien. Les catégories suivantes sont utilisées:

#### Modéré:

le moteur est certifié conforme pour 125 heures d'utilisation normale.

#### Intermédiaire:

le moteur est certifié conforme pour 250 heures d'utilisation normale.

#### Étendu:

le moteur est certifié conforme pour 500 heures d'utilisation normale. Par exemple, une tondeuse à conducteur marchant classique est utilisée 20 à 25 heures par an. Par conséquent, la **période de durabilité des émissions** d'un moteur de catégorie **intermédiaire** équivaudrait à une douzaine d'années.

Moteurs de Briggs & Stratton soyez certifiés conformes aux normes environnementales d'émissions de la United States Environmental Protection Agency (U.S. EPA) Phase 2. Pour les moteurs certifiés Phase 2, la période de conformité d'émissions mentionnée sur les étiquettes indique le nombre d'heures d'utilisation pour lequel le moteur est en conformité avec les normes fédérales.

Pour les moteurs de cylindrée inférieure à 225 cm<sup>3</sup>.

Catégorie C = 125 heures, catégorie B = 250 heures et catégorie A = 500 heures.

Pour les moteurs de plus de 225 cm<sup>3</sup>.

Catégorie C = 250 heures, catégorie B = 500 heures et catégorie A = 1000 heures.

## Informazioni generali

Per un futuro fabbisogno di parti di ricambio o assistenza tecnica, registrare di seguito il modello del motore, il tipo e i numeri di codice insieme alla data di acquisto. Questi numeri si trovano sul vostro motore (consultare la pagina **Funzioni e controlli**).

**Data di acquisto:** \_\_\_\_\_  
MM/GG/AAAA

**Modello del motore:** \_\_\_\_\_  
Modello: \_\_\_\_\_ Tipo: \_\_\_\_\_ Codice: \_\_\_\_\_

## Informazioni sulle potenze nominali dei motori

La valutazione della potenza lorda per modelli di motore a gas è etichettata in conformità con SAE (Society of Automotive Engineers) codice J1940 (Potenza di piccoli motori e procedura di valutazione della coppia) e le prestazioni di valutazione sono state ottenute e corrette in conformità con SAE J1995 (revisione 2002-05). I valori di coppia sono ricavati a 3060 RPM; i valori della potenza sono ricavati a 3600 RPM. La potenza lorda reale del motore sarà più bassa e tra le altre cose è influenzata dalle condizioni di funzionamento ambientali e della variabilità da motore a motore. Considerando la vasta gamma di applicazioni in cui vengono utilizzati i nostri motori e la varietà delle condizioni ambientali nelle quali operano le macchine, il motore a gas non svilupperà la potenza indicata sull'apparecchiatura in questione (potenza "effettiva" potenza netta). Questa differenza può essere dovuta ad una varietà di fattori tra cui, ma non limitati a: accessori (filtro dell'aria, scarico, caricamento, raffreddamento, carburatore, pompa carburante, ecc.), limiti dell'applicazione, condizioni ambientali di funzionamento (temperatura, umidità, altitudine) e variabilità da motore a motore. A causa delle limitazioni di produzione e capacità, Briggs & Stratton può sostituire questa serie di motori con un motore di potenza indicata maggiore.

## Sicurezza dell'operatore

### SIMBOLI DI SICUREZZA E CONTROLLO



Il simbolo di avvertenza di sicurezza () si utilizza per identificare le norme di sicurezza sui pericoli in grado di provocare lesioni personali. Insieme al simbolo viene utilizzata una parola (PERICOLO, AVVERTENZA o ATTENZIONE) che indica la natura ed il livello del potenziale pericolo. Inoltre, per rappresentare il tipo di pericolo può essere presente un simbolo di pericolo.

**PERICOLO** indica un pericolo che, in caso di mancato rispetto delle norme di sicurezza, **provocherà gravi lesioni personali o morte.**

**AVVERTENZA** indica un pericolo che, in caso di mancato rispetto delle norme di sicurezza, **può provocare gravi lesioni personali o morte.**

**ATTENZIONE** indica un pericolo, che in caso di mancato rispetto, **può provocare lesioni personali o incidenti di minore entità.**

**ATTENZIONE**, quando non è osservato il simbolo di avvertenza indica una situazione che **può provocare danni al prodotto.**

**AVVERTENZA**  
Ai sensi delle leggi dello Stato della California, i gas di scarico di questo motore contengono sostanze chimiche in grado di provocare cancro, malformazioni fetali o altri difetti riproduttivi.

**AVVERTENZA**  
Briggs & Stratton non approva o autorizza l'utilizzo di questi motori su veicoli fuoristrada a 3 ruote (ATV), ciclomotori, veicoli ricreativi, go-kart, aeroplani o veicoli progettati per eventi sportivi. L'utilizzo di questi motori nelle suddette applicazioni può provocare danni alle cose, gravi lesioni personali (ad es. paralisi) o addirittura la morte.

**ATTENZIONE:** Questo motore viene venduto da Briggs & Stratton senza olio. Prima di accendere il motore, aggiungere olio secondo le istruzioni di questo manuale. Se si accende il motore senza olio, verrà danneggiato irrimediabilmente e il danno non è coperto dalla garanzia.

**AVVERTENZA**  
 **La benzina ed i relativi vapori sono altamente infiammabili ed esplosivi. Un incendio oppure un'esplosione possono provocare gravi ustioni o morte.**

### Durante il rifornimento del carburante

- Spegnere il motore e lasciare raffreddare il motore per almeno 2 minuti prima di togliere il tappo del carburante.
- Effettuare il rifornimento in esterni oppure in un'area ben ventilata.
- Non riempire eccessivamente il serbatoio del carburante. Riempire il serbatoio fino a circa 38 mm (1,5 pollici) al di sotto della parte superiore del collo per consentire l'espansione di carburante.
- Tenere benzina e i vapori lontani da scintille, fiamme vive, fiamme pilota, calore e altre fonti di accensione.
- Controllare frequentemente che il sistema di alimentazione, il serbatoio, il tappo e i raccordi non presentino crepe né perdite. Se necessario, sostituire le parti danneggiate.
- In caso di perdite di carburante, lasciarlo evaporare prima di avviare il motore.

### All'avviamento del motore

- Accertarsi che candela, silenziatore, tappo del carburante e filtro dell'aria (se presente) siano saldamente posizionati nelle proprie sedi.
- Non far girare il motore senza candela.
- Se il motore è ingolfato, mettere l'aria (se presente) su OPEN/RUN, spostare il comando acceleratore (se presente) in posizione FAST e provare ad avviare il motore finché non parte.

### Durante l'uso dell'attrezzatura

- Non inclinare il motore o l'attrezzatura al punto da provocare la fuoriuscita del carburante.
- Non agire sul comando chiusura aria del carburatore per spegnere il motore.
- Non far girare o avviare mai il motore senza il gruppo del filtro dell'aria (se presente) o senza il filtro dell'aria (se presente).

### Quando si sostituisce l'olio

- Quando si scarica l'olio dal tubo di riempimento superiore, il serbatoio del carburante deve essere vuoto. Altrimenti la benzina potrebbe uscire e causare un incendio o esplosione.

### Durante il trasporto dell'attrezzatura

- Trasportare l'attrezzatura con il serbatoio VUOTO oppure con il rubinetto del carburante CHIUSO.

### Conservazione del carburante o dell'attrezzatura con il serbatoio pieno

- Conservare lontano da forni, stufe, caldaie o altri dispositivi con fiamme pilota o altre fonti di accensione in grado di infiammare i vapori del carburante.

**AVVERTENZA**  
 **All'avviamento del motore viene prodotta una scintilla. La scintilla può incendiare gli eventuali gas infiammabili nelle vicinanze. Pericolo di incendio o esplosione.**

- Non avviare il motore in prossimità di perdite di metano o GPL.
- Non utilizzare fluidi di avviamento pressurizzati poiché i relativi vapori sono infiammabili.



### AVVERTENZA

Il motore emette monossido di carbonio, un gas inodore, incolore e velenoso.



L'inalazione di monossido di carbonio può provocare nausea, svenimento o morte.

- Avviare e far funzionare il motore all'aperto in un'area ben ventilata.
- Non avviare o far funzionare il motore in locali chiusi, anche se porte e finestre sono aperte.



### AVVERTENZA

La rapida ritrazione della fune di avviamento (contraccolpo) può proiettare con forza mani e braccia in direzione del motore in modo più veloce rispetto al rilascio.



Pericolo di lussazioni, fratture, contusioni o distorsioni.

- Per avviare il motore, tirare lentamente la fune finché non si sente una certa resistenza, quindi tirarla con forza per evitare il contraccolpo.
- Prima di avviare il motore, disinserire le trasmissioni/gli eventuali carichi dal motore, eliminare i trascinamenti.
- I componenti ad accoppiamento diretto come lame, giranti, pulegge, pignoni, ecc. debbono essere saldamente bloccati alla PTO.



### AVVERTENZA

Le parti rotanti possono toccare o intrappolare mani, piedi, capelli, indumenti o accessori.



Pericolo di amputazione o gravi lacerazioni.

- Utilizzare sempre l'attrezzatura con le protezioni installate correttamente.
- Tenere mani e piedi lontani dalle parti rotanti.
- Raccogliere i capelli lunghi e togliersi eventuali gioielli.
- Non indossare indumenti larghi, stringhe lunghe o altri oggetti che potrebbero rimanere impigliati.



### AVVERTENZA



I motori accesi generano calore. Le parti del motore, in particolare il silenziatore, possono diventare estremamente calde.



In caso di contatto sussiste il rischio di gravi ustioni.



I detriti infiammabili, ad esempio foglie, erba, paglia, ecc. possono incendiarsi.

- Lasciare sempre raffreddare il silenziatore, i cilindri e le alette prima di toccarli.
- Rimuovere eventuali detriti infiammabili accumulati nelle vicinanze di cilindri e silenziatore.
- Ai sensi della legge dello Stato della California (Sezione 4442 del California Public Resources Code), installare un parascintille ed accertarsi sempre che sia in buone condizioni prima di utilizzare l'attrezzatura all'interno di foreste, boschi o terreni erbosi. Altri stati possono avere leggi simili. Sui terreni federali si applicano le leggi federali.



### AVVERTENZA



Una scintilla accidentale può provocare un incendio oppure una scossa elettrica.



L'avviamento accidentale può provocare schiacciamento, amputazione o lacerazione degli arti.



Rischio di incendio

#### Prima di eventuali regolazioni o riparazioni

- Scollegare il cavo della candela e allontanarlo.
- Staccare il terminale negativo della batteria (solamente sui motori ad avviamento elettrico).
- Usare solo strumenti corretti.
- Non manomettere le molle del regolatore, i leverismi o altre parti per aumentare la velocità del motore.
- I ricambi per il silenziatore devono essere uguali e installati nella stessa posizione dei componenti originali.
- Non battere il volano con un martello o un oggetto metallico in quanto si potrebbe lesionare ed esplodere durante il funzionamento.

#### In caso di verifica della scintilla

- Utilizzare sempre il tester omologato per verificare la scintilla.
- Controllare la scintilla con la candela installata.



# Funzioni e controlli

Confrontare le illustrazioni **1** con il motore in modo da prendere familiarità con la posizione dei vari comandi e funzioni.

- A. Identificazione del motore  
**Modello Tipo Codice**
- B. Candela
- C. Serbatoio del carburante e tappo
- D. Filtro dell'aria
- E. Maniglia dell'avviamento a strappo
- F. Indicatore di riempimento dell'olio
- G. Tappo di spurgo dell'olio
- H. Silenziatore  
Protezione del silenziatore (opzionale)  
Parascintille (opzionale)
- I. Comando starter
- J. Comando acceleratore (opzionale)
- K. Interruttore di arresto
- L. Valvola di arresto (opzionale)
- M. Protezione dell'avviatore a riavvolgimento
- N. Unità riduttore (opzionale)

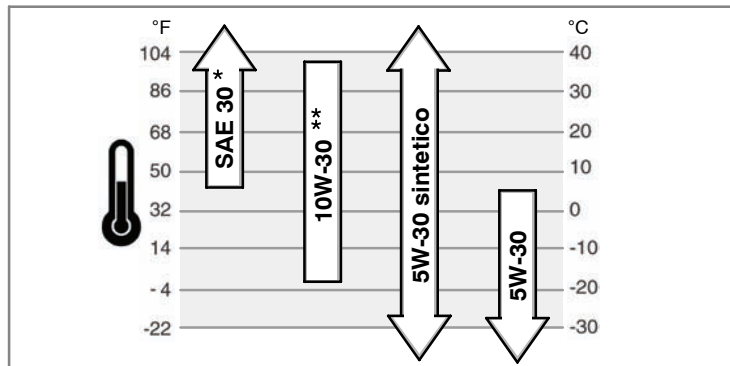
## Funzionamento

Capacità olio (vedere il paragrafo **Specifiche**)

### Raccomandazioni relative all'olio

Si consiglia, per le migliori prestazioni, l'uso di olio con certificato di garanzia Briggs & Stratton. Altri oli detergenti di alta qualità sono accettabili se rispettano le specifiche SF, SG, SH, SJ o superiori. Non utilizzare additivi speciali.

La corretta viscosità dell'olio motore è funzione della temperatura esterna. Usare il grafico per selezionare il grado di viscosità più adatto alle temperature di utilizzo.



\* Con temperature esterne inferiori a 40°F (4°C) l'uso di olio SAE 30 comporta difficoltà di avviamento.

\*\* Con temperature esterne superiori a 80°F (27°C) l'uso di olio 10W-30 può aumentare il consumo del lubrificante. Controllare il livello dell'olio con maggiore frequenza.

### Controllo/rabbocco olio - Figura 2

Prima di un rabbocco di olio o del controllo di livello

- Posizionare il motore su una superficie piana.
- Pulire l'area di riempimento dell'olio da eventuali detriti.
- 1. Rimuovere l'astina (A) e asciugare con un panno pulito.
- 2. Inserire l'astina ma **non** la vite. Assicurarsi che il livello dell'olio sia sul segno PIENO (B) sull'astina.
- 3. Per rabboccare, versare lentamente l'olio nel motore (C). Riempire fino al livello massimo.
- 4. Rimettere l'astina e serrare e controllare il livello dell'olio.

### Raccomandazioni relative al carburante

È necessario che la benzina sia conforme a questi requisiti:

- Benzina pulita, fresca e senza piombo.

- Minimo 87 ottani/87 AKI (91 RON). Se si lavora ad elevate altitudini, vedere di seguito.
- Può essere utilizzata benzina con un contenuto massimo del 10% di etanolo (gasolio) o del 15% MTBE (metil-ter-butil etere).

**ATTENZIONE:** non utilizzare benzina non approvata come E85. Non miscelare olio nella benzina o modificare il motore in modo che funzioni con benzine alternative. Ciò danneggia i componenti del motore e comporta l'**annullamento della garanzia sul motore**.

Per proteggere il sistema di alimentazione dalla formazione di gomme, aggiungere uno stabilizzante al carburante. Vedere **Rimessaggio**. Non tutti i carburanti sono gli stessi. Se si verificano problemi di avviamento o di prestazioni cambiare il fornitore o la marca di carburante. Questo motore è omologato per funzionare con benzina. Il sistema di controllo delle emissioni è EM (Engine Modifications, Modifiche al motore).

### Altitudine elevata

Ad altitudini superiori ai 1524 metri (5.000 piedi), è accettabile anche una benzina con un numero minimo di ottani pari a 85 ottani/85 AKI (89 RON). Per essere sempre conforme ai requisiti sulle emissioni, è necessario effettuare delle modifiche per altitudini elevate. Il funzionamento senza questa regolazione provocherà una diminuzione delle prestazioni, un aumento dei consumi di carburante e un aumento delle emissioni. Contattare un rivenditore autorizzato Briggs & Stratton per le informazioni necessarie alla regolazione per elevate altitudini.

Si raccomanda di non far funzionare il motore ad altitudini inferiori ai 762 metri (2.500 piedi) con il kit per elevate altitudini installato.

### Come fare rifornimento di carburante - Figura 3



#### AVVERTENZA



La benzina ed i relativi vapori sono altamente infiammabili ed esplosivi. Un incendio oppure un'esplosione possono provocare gravi ustioni o morte.



#### Durante il rifornimento del carburante

- Spegner il motore e lasciarlo raffreddare per almeno 2 minuti prima di togliere il tappo del serbatoio del carburante.
  - Effettuare il rifornimento in esterni oppure in un'area ben ventilata.
  - Non riempire eccessivamente. Riempire il serbatoio fino a circa 3-4 cm (1,5 pollici) al di sotto del bordo superiore per consentire al carburante di espandersi.
  - Tenere benzina e i vapori lontani da scintille, fiamme vive, fiamme pilota, calore e altre fonti di accensione.
  - Controllare frequentemente che il sistema di alimentazione, il serbatoio, il tappo e i raccordi non presentino crepe né perdite. Se necessario, sostituire le parti danneggiate.
  - In caso di perdite di carburante, lasciarlo evaporare prima di avviare il motore.
1. Pulire l'area intorno al tappo del combustibile da sporco e detriti. Togliere il tappo del carburante (A). Vedere Figura 3.
  2. Riempire il serbatoio (B) con benzina. Per consentire l'espansione del carburante, non riempire oltre il bordo inferiore del bocchettone del serbatoio (C).
  3. Rimontare il tappo del carburante.

### Avviamento del motore - Figura 4 5



#### AVVERTENZA



La rapida ritrazione della fune di avviamento (contraccolpo) può proiettare con forza mani e braccia in direzione del motore in modo più veloce rispetto al rilascio.

Pericolo di lussazioni, fratture, contusioni o distorsioni.

- Per avviare il motore, tirare lentamente l'impugnatura della fune finché non si sente una certa resistenza, quindi tirarla con forza per evitare il contraccolpo.



#### AVVERTENZA



La benzina ed i relativi vapori sono altamente infiammabili ed esplosivi. Un incendio oppure un'esplosione possono provocare gravi ustioni o morte.



#### All'avviamento del motore

- Accertarsi che candela, silenziatore, tappo del carburante e filtro dell'aria siano saldamente posizionati nelle proprie sedi.
- Non far girare il motore senza candela.
- Se il motore è ingolfato, portare il comando dell'aria (se in dotazione) in posizione OPEN/RUN, portare l'acceleratore (se in dotazione) in posizione FAST e far girare il motorino di avviamento finché non parte.






## AVVERTENZA

Il motore emette monossido di carbonio, un gas inodore, incolore e velenoso.

L'inalazione di monossido di carbonio può provocare nausea, svenimento o morte.

- Avviare e far funzionare il motore all'aperto in un'area ben ventilata.
- Non avviare o far funzionare il motore in locali chiusi, anche se porte e finestre sono aperte.

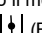
**ATTENZIONE:** il motore viene spedito da Briggs & Stratton senza olio. Prima di avviare il motore, assicurarsi di rifornire con olio secondo le istruzioni contenute in questo manuale. Se il motore viene avviato senza olio, si danneggerà in modo irreparabile e non sarà coperto da garanzia.

1. Controllare il livello dell'olio. Vedere la sezione **Come controllare/Aggiungere l'olio**.
  2. Verificare che i comandi delle attrezzature, se presenti, siano disinnestati. Consultare il manuale della specifica attrezzatura per la posizione e il funzionamento dei relativi comandi.
  3. Spostare l'interruttore di arresto (A) sulla posizione ON (Figura 4).
  4. Portare il comando dell'acceleratore (B), se presente, in posizione FAST . Far funzionare il motore nella posizione FASR .
  5. Spostare il comando dell'aria (C) in posizione di accelerazione .
- Nota:* a motore caldo lo starter di solito non è necessario per riavviarlo.
6. Ruotare la valvola d'intercettazione del carburante (D), se presente, in posizione ON (Figura 5).
  7. **Avviamento a strappo:** afferrare saldamente l'impugnatura della fune dello starter (E). Tirare lentamente la fune finché non si sente una certa resistenza, quindi tirarla con forza (Figura 4).

*Nota:* se il motore non si avvia dopo tre tentativi, visitare il sito **BRIGGSandSTRATTON.COM** o contattare il numero **1-800-233-3723** (in USA).



**AVVERTENZA:** il rapido riavvolgimento della fune di avviamento (contraccolpo) può tirare con forza la mano e il braccio contro il motore molto rapidamente. Pericolo di lussazioni, fratture, contusioni o distorsioni. Quando si avvia il motore, tirare lentamente l'impugnatura della fune finché non si sente una certa resistenza, quindi tirarla con forza per evitare il contraccolpo.

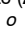
8. **Avviamento elettrico:** ruotare l'interruttore di avvio elettrico sulla posizione ON/di avvio. Consultare il manuale della specifica attrezzatura per la posizione e il funzionamento dell'interruttore.
- Nota:* se il motore non si avvia dopo tre tentativi, visitare il sito **BRIGGSandSTRATTON.COM** o contattare il numero **1-800-233-3723** (in USA).
- ATTENZIONE:** per estendere la durata dello starter, usare cicli di avviamento brevi (al massimo, cinque secondi). Attendere un minuto prima di ripetere il tentativo di avviamento.
9. Quando il motore si è riscaldato, spostare il comando dell'aria (C) nella posizione di marcia  (Figura 4).

## Come arrestare il motore - Figura



## AVVERTENZA

La benzina ed i relativi vapori sono altamente infiammabili ed esplosivi. Un incendio oppure un'esplosione possono provocare gravi ustioni o morte.

- Non agire sul comando aria del carburatore per spegnere il motore.
1. Premere l'interruttore di arresto (A, Figura 6) per la posizione di spegnimento .
- Avviamento elettrico:** ruotare l'interruttore di avvio elettrico sulla posizione OFF/di arresto. Consultare il manuale della specifica attrezzatura per la posizione e il funzionamento dell'interruttore.
2. Quando il motore è spento, ruotare la valvola di intercettazione del carburante (D, Figura 5) in posizione di chiusura.

## Manutenzione

Utilizzare solo parti di ricambio di attrezzature originali. Parti non originali possono dare prestazioni inferiori, danneggiare l'unità o causare lesioni. Inoltre, l'uso di ricambi non originali può invalidare la garanzia.

Si consiglia di contattare un rivenditore autorizzato Briggs & Stratton per tutte le operazioni di assistenza e manutenzione del motore e dei relativi componenti.

**ATTENZIONE:** tutti i componenti utilizzati per costruire questo motore devono rimanere in posizione per un funzionamento corretto.

## Controllo emissioni

La manutenzione, la riparazione o la sostituzione degli impianti e dei dispositivi per il controllo delle emissioni può essere realizzato da qualsiasi meccanico o officina per motori non stradali. Tuttavia, per ottenere un controllo delle emissioni gratuito, il lavoro deve essere eseguito da un'officina autorizzata. Consultare la Garanzia sulle emissioni.



## AVVERTENZA

Una scintilla accidentale può provocare un incendio oppure una scossa elettrica.

L'avviamento accidentale può provocare schiacciamento, amputazione o lacerazione degli arti.

Rischio di incendio



## Prima di eventuali regolazioni o riparazioni

- Scollegare il cavo della candela e allontanarlo.
- Usare solo strumenti corretti.
- Non manomettere le molle del regolatore, i leverismi o altre parti per aumentare la velocità del motore.
- I ricambi per il silenziatore devono essere uguali e installati nella stessa posizione dei componenti originali.
- Non battere il volano con un martello o un oggetto metallico in quanto si potrebbe lesionare ed esplodere durante il funzionamento.

## In caso di verifica della scintilla

- Utilizzare sempre il tester omologato per verificare la scintilla.
- Controllare la scintilla con la candela installata.

## Tabella di manutenzione

<b>Prime 5 ore</b>
<ul style="list-style-type: none"> <li>• Cambiare l'olio</li> </ul>
<b>Ogni 8 ore o giornalmente</b>
<ul style="list-style-type: none"> <li>• Controllare il livello dell'olio</li> <li>• Pulire l'area intorno al silenziatore e ai comandi</li> <li>• Pulire la protezione per le dita</li> </ul>
<b>Ogni 25 ore oppure una volta l'anno</b>
<ul style="list-style-type: none"> <li>• Pulire il filtro dell'aria *</li> <li>• Pulire il prefiltra *</li> </ul>
<b>Ogni 100 ore oppure una volta l'anno</b>
<ul style="list-style-type: none"> <li>• Sostituire l'olio motore</li> <li>• Controllare il silenziatore e il parascintille</li> </ul>
<b>Ogni 100 ore</b>
<ul style="list-style-type: none"> <li>• Cambiare l'olio del riduttore (se presente)</li> </ul>
<b>Annualmente</b>
<ul style="list-style-type: none"> <li>• Sostituire il filtro dell'aria</li> <li>• Sostituire il prefiltra</li> <li>• Sostituire le candele</li> <li>• Pulire/sostituire il filtro del carburante</li> <li>• Pulire il sistema di raffreddamento dell'aria *</li> <li>• Controllare il gioco delle valvole **</li> </ul>

\* Pulire più frequentemente in condizioni di lavoro particolarmente gravose o nel caso in cui siano presenti detriti nell'aria.

\*\* Eseguire solo in caso di problemi legati alle prestazioni.

## Regolazione del carburatore

Non eseguire mai regolazioni sul carburatore. Il carburatore è stato regolato in fabbrica per funzionare in modo efficiente in diverse condizioni. Tuttavia, se fosse necessario eseguire una regolazione, rivolgersi al rivenditore autorizzato Briggs & Stratton.

**ATTENZIONE:** il costruttore dell'attrezzatura su cui è installato il motore specifica la velocità massima a cui deve funzionare il motore. **Non superare** tale velocità.

## Come controllare la candela - Figura 8

Controllare la distanza tra gli elettrodi (A, Figura 8) con uno spessore (B). Se necessario, ripristinare la distanza. Montare e serrare la candela al valore di coppia prescritto. Per i valori della coppia di serraggio o della distanza tra gli elettrodi, consultare il paragrafo **Specifiche**.

**Nota:** in alcune zone, le norme locali prescrivono l'uso di una candela schermata per eliminare i disturbi dovuti all'accensione. Se il motore è stato equipaggiato all'origine con una candela schermata, usare lo stesso tipo in caso di sostituzione.

## Ispezionare il silenziatore e il parascintille - Figura 7



### AVVERTENZA



**I motori accesi generano calore. Le parti del motore, in particolare il silenziatore, possono diventare estremamente calde.**

**In caso di contatto sussiste il rischio di gravi ustioni.**



**I detriti infiammabili, ad esempio foglie, erba, paglia, ecc. possono incendiarsi.**

- Lasciare sempre raffreddare il silenziatore, i cilindri e le alette prima di toccarli.
- Rimuovere eventuali detriti infiammabili accumulati nelle vicinanze di cilindri e silenziatore.
- Ai sensi della legge dello Stato della California (Sezione 4442 del California Public Resources Code), installare un parascintille ed accertarsi sempre che sia in buone condizioni prima di utilizzare l'attrezzatura all'interno di foreste, boschi o terreni erbosi. Altri stati possono avere leggi simili. Sui terreni federali si applicano le leggi federali.

Ispezionare il silenziatore (A) per crepe, corrosione o altri danneggiamenti. Rimuovere il parascintille (B), se montato, e ispezionare per danneggiamenti o presenza di residui carboniosi. In caso sia necessario procedere alla sostituzione di alcuni particolari, utilizzare solo parti di ricambio originali.



**AVVERTENZA:** il ricambio deve avere la stessa qualità del dispositivo originale e deve essere montato nella stessa posizione, per evitare il rischio d'incendio.

## Come cambiare l'olio - Figura 9 10

**ATTENZIONE:** l'olio esausto è un prodotto di scarto dannoso e deve essere smaltito in modo appropriato. Non smaltire tra i rifiuti domestici. Verificare presso le autorità locali, i centri specializzati o il rivenditore, la presenza di un sicuro impianto di smaltimento/riciclaggio.

### Rimuovere l'olio

1. Con il motore spento ma ancora caldo, scollegare il cavo della candela (A) e allontanarlo (Figura 10).
2. Togliere il tappo di drenaggio dell'olio (B, Figura 9). Scaricare l'olio in un contenitore appropriato.  
**Nota:** è possibile installare nel motore uno qualsiasi dei tappi di drenaggio dell'olio (C) illustrati.
3. Dopo aver scaricato l'olio, rimontare il tappo di drenaggio dell'olio e serrare.

### Rifornire di olio

- Posizionare il motore su una superficie piana.
  - Pulire l'area di riempimento dell'olio da eventuali detriti.
  - Vedere la sezione **Dati tecnici** per la capacità di olio motore.
1. Rimuovere l'astina (D) e asciugare con un panno pulito.
  2. Versare lentamente l'olio nel motore (E). Riempire fino al livello massimo.
  3. Installare l'astina ma **non** le viti. Rimuovere e controllare il livello dell'olio. Assicurarsi che il livello dell'olio sia sul segno PIENO (F) sull'astina.
  4. Installare e serrare il tappo con l'astina di livello.

## Come eseguire la manutenzione del filtro dell'aria - Figura 11



### AVVERTENZA



**La benzina ed i relativi vapori sono altamente infiammabili ed esplosivi. Un incendio oppure un'esplosione possono provocare gravi ustioni o morte.**



- Non avviare o mettere in funzione il motore senza il gruppo del filtro o il filtro dell'aria

**ATTENZIONE:** non utilizzare aria compressa o solventi per pulire il filtro. L'aria compressa può danneggiare il filtro e i solventi possono scioglierlo.

Il sistema del filtro dell'aria utilizza un filtro pieghettato dotato di un prefiltro opzionale. È possibile lavare il prefiltro e riutilizzarlo.

## Filtro dell'aria piatto

1. Allentare il fermo (D) che mantiene il coperchio (A). Vedere Figura 11.
2. Aprire il coperchio e rimuovere il prefiltro (C) e il filtro (B).
3. Per far staccare lo sporco, picchiettare leggermente il filtro su una superficie dura. Se il filtro è eccessivamente sporco, sostituirlo.
4. Lavare il prefiltro in un detergente liquido diluito in acqua. Farlo asciugare completamente. **Non** ungere il prefiltro.
5. Montare il prefiltro asciutto sul filtro con il labbro (G) del prefiltro sulla parte posteriore delle pieghe del filtro.
6. Installare il filtro.
7. Installare le alette del coperchio del filtro (E) nelle scanalature (F).
8. Chiudere il coperchio e assicurare con il fermo.

## Sostituzione dell'olio del riduttore - Figura 12

Se il motore è dotato di un'unità riduttore, effettuare la manutenzione nel modo seguente.

1. Togliere il tappo di drenaggio dell'olio (B) e il tappo di livello dell'olio (C).
2. Togliere il tappo di drenaggio dell'olio (A, Figura 12) e drenare l'olio in un contenitore appropriato.
3. Installare e serrare il tappo di drenaggio dell'olio.
4. Per il riempimento, versare lentamente il lubrificante per il motore nel foro di riempimento dell'olio (vedere il paragrafo **Specifiche**). Continuare a versare finché l'olio non fuoriesce dal foro di livello.
5. Installare e serrare il tappo di livello dell'olio.
6. Installare e serrare il tappo di riempimento dell'olio.  
**Importante:** il tappo del foro di riempimento ha un forellino di sfianto (D), per cui tale tappo va sempre messo sull'orifizio superiore come illustrato.

## Pulizia/sostituzione del filtro del carburante - Figura 13



### AVVERTENZA



**La benzina ed i relativi vapori sono altamente infiammabili ed esplosivi. Un incendio oppure un'esplosione possono provocare gravi ustioni o morte.**



- Tenere benzina e i vapori lontani da scintille, fiamme vive, fiamme pilota, calore e altre fonti di accensione.
  - Controllare frequentemente che il sistema di alimentazione, il serbatoio, il tappo e i raccordi non presentino crepe né perdite. Se necessario, sostituire le parti danneggiate.
  - Prima di sostituire il filtro del carburante, scaricare il serbatoio o chiudere la valvola di intercettazione del carburante.
  - I ricambi per il silenziatore devono essere uguali e installati nella stessa posizione dei componenti originali.
  - In caso di perdite di carburante, lasciarlo evaporare prima di avviare il motore.
1. Togliere il tappo del carburante (A, Figura 13).
  2. Togliere il filtro del carburante (B).
  3. Se il filtro del carburante è sporco, pulirlo o sostituirlo. Se si sostituisce il filtro, utilizzare solo filtri di ricambio originali.

## Come pulire il sistema di raffreddamento dell'aria - Figura 14



### AVVERTENZA



**I motori accesi generano calore. Le parti del motore, in particolare il silenziatore, possono diventare estremamente calde.**



**In caso di contatto sussiste il rischio di gravi ustioni.**



**I detriti infiammabili, ad esempio foglie, erba, paglia, ecc. possono incendiarsi.**

- Lasciare sempre raffreddare il silenziatore, i cilindri e le alette prima di toccarli.
- Rimuovere eventuali detriti infiammabili accumulati nelle vicinanze di cilindri e silenziatore.

**ATTENZIONE:** non utilizzare acqua per pulire il motore. L'acqua potrebbe contaminare il sistema di carburante. Utilizzare un pennello o un panno asciutto per pulire il motore.

Si tratta di un motore raffreddato ad aria. La presenza di sporco o detriti può restringere il flusso dell'aria, causare il surriscaldamento del motore e ridurre le prestazioni e la durata del motore.

Utilizzare un pennello o un panno asciutto per rimuovere lo sporco dalla protezione per le dita (A). Tenere puliti i collegamenti, le molle e i comandi (B). Mantenere l'area circostante e posteriore del silenziatore (C) pulita da detriti infiammabili (Figura 14).

## Stoccaggio



### AVVERTENZA

La benzina ed i relativi vapori sono altamente infiammabili ed esplosivi. Un incendio oppure un'esplosione possono provocare gravi ustioni o morte.

### Conservazione del carburante o dell'attrezzatura con il serbatoio pieno

- Conservare lontano da forni, stufe, caldaie o altri dispositivi con fiamme pilota o altre fonti di accensione in grado di infiammare i vapori del carburante.

### Impianto di alimentazione

In caso di stoccaggio superiore a 30 giorni, il carburante invecchiando crea depositi gommosi e ossida le parti contaminate dell'impianto di alimentazione e nei componenti del carburatore. Per conservare il carburante, utilizzare l'additivo Briggs & Stratton

FRESH START®, disponibile in confezioni monouso concentrato oppure in contenitori multiuso.

Non è necessario spurgare il motore qualora si aggiunga un additivo come indicato nelle istruzioni. Far funzionare il motore per 2 minuti per distribuire l'additivo nell'impianto di alimentazione. Il motore ed il carburante possono essere rimessati fino a 24 mesi.

Qualora non sia stato trattato con un additivo, il carburante deve essere spurgato in un contenitore adeguato. Far funzionare il motore finché non si spegne per esaurimento del carburante. Per conservare e proteggere il carburante durante lo stoccaggio aggiungere sempre l'additivo raccomandato nel contenitore e nel serbatoio.

### Olio motore

Con il motore ancora caldo, sostituire l'olio motore.

### Ricerca dei guasti

Serve assistenza? Visitate [BRIGGSandSTRATTON.COM](http://BRIGGSandSTRATTON.COM) o contattate il numero **1-800-233-3723**

## Specifiche

Specifiche del motore	
Modello	120000
Cilindrata	12,48 pollici cubi (205 cc)
Alesaggio	2,688 pollici (68,28 mm)
Corsa	2,200 pollici (55,88 mm)
Capacità olio	18 - 20 once (0,54 - 0,59 L)
Olio riduttore	80W-90

Specifiche del motore	
Modello	200000
Cilindrata	18,63 pollici cubi (305 cc)
Alesaggio	3,120 pollici (79,24 mm)
Corsa	2,438 pollici (61,93 mm)
Capacità olio	26 - 28 once (0,77 - 0,83 L)
Olio riduttore	SAE 30

Specifiche di messa a punto*	
Modello	120000
Distanza elettrodo candele	0,030 pollici (0,76 mm)
Coppia di serraggio candela	180 libbre-pollici (20 Nm)
Intraferro indotto	0,010 - 0,014 pollici (0,25 - 0,36 mm)
Gioco punteria valvola di aspirazione	0,004 - 0,006 pollici (0,10 - 0,15 mm)
Gioco punteria valvola di scarico	0,009 - 0,011 pollici (0,23 - 0,28 mm)

Specifiche di messa a punto*	
Modello	200000
Distanza elettrodo candele	0,030 pollici (0,76 mm)
Coppia di serraggio candela	180 libbre-pollici (20 Nm)
Intraferro indotto	0,008 - 0,012 pollici (0,20 - 0,30 mm)
Gioco punteria valvola di aspirazione	0,004 - 0,006 pollici (0,10 - 0,15 mm)
Gioco punteria valvola di scarico	0,009 - 0,011 pollici (0,22 - 0,28 mm)

\* La potenza erogata dal motore diminuirà del 3,5% per ogni 300 metri (1.000 piedi) di altitudine e dell'1% ogni 10° F (5,6° C) oltre 77° F (25° C). Il motore funzionerà in modo soddisfacente a un angolo fino a 15°. Fare riferimento al Manuale dell'operatore dell'attrezzatura per i limiti di funzionamento in sicurezza sui tratti in pendenza.

### Ricambi comuni ✓

Parte per la manutenzione	Codice
Filtro dell'aria piatto	491588, 5043
Filtro dell'aria piatto prefiltro	493537, 5064
Filtro del carburante	792917
Additivo per carburante	5041, 5058

Parte per la manutenzione	Codice
Candela con resistore	491055
Candela al platino a lunga durata	5066
Chiave per candele	89838, 5023
Tester di scintilla	19368

✓ Si consiglia di contattare un rivenditore autorizzato Briggs & Stratton per tutte le operazioni di assistenza e manutenzione del motore e dei relativi componenti. Utilizzare esclusivamente ricambi originali Briggs & Stratton.

### GARANZIA LIMITATA

La Briggs & Stratton Corporation riparerà o sostituirà gratuitamente la parte o le parti del motore che dimostrino la presenza di difetti nel materiale o nelle lavorazioni, o entrambi. Tutte le spese di trasporto dei prodotti destinati alla riparazione o sostituzione coperti dalla presente garanzia sono a carico dell'acquirente. La presente garanzia è valida per il periodo di tempo indicato ed è soggetta alle condizioni indicate di seguito. Per il servizio in garanzia, rivolgetevi al Centro di Assistenza Briggs & Stratton più vicino, che potete trovare con il nostro Dealer Locator all'indirizzo BRIGGSandSTRATTON.COM o chiamando il numero 1-800-233-3723, oppure sulle 'Pagine Gialle'™.

**Non viene riconosciuta nessun'altra garanzia esplicita. Le garanzie implicite, incluse quelle di commerciabilità e adattabilità a scopi particolari, sono limitate a un anno dall'acquisto o al periodo di tempo previsto per legge e tutte le garanzie implicite vengono escluse. La responsabilità per i danni incidentali e consequenziali è esclusa nei termini previsti dalla legge.** Alcuni stati o paesi non consentono limitazioni sulla durata della garanzia implicita e alcuni stati o paesi non consentono l'esclusione o la limitazione dei danni incidentali o consequenziali, quindi tali limitazioni o esclusioni non si applicano in questi casi. Questa garanzia dà all'acquirente specifici diritti legali ma lo stesso può avere altri diritti che variano di stato in stato e di paese in paese.

### TERMINI STANDARD DI GARANZI \* ◀

Marchio/Tipo di prodotto	Uso privato	Uso commerciale
Vanguard™	2 anni	2 anni
Extended Life Series™, I/C®, Intek™ I/C®, Intek™ Pro	2 anni	1 anno
Serie da neve MAX™ caratterizzata dal cilindro in ghisa Dura-Bore™	2 anni	1 anno
Tutti gli altri motori Briggs & Stratton	2 anni	90 giorni

\* Si tratta dei termini standard di garanzia, ma occasionalmente può essere prevista un'ulteriore copertura della garanzia, non determinato al momento della pubblicazione. Per un elenco completo dei termini di garanzia attuali, applicati al proprio motore, visitare il sito Web BRIGGSandSTRATTON.COM, oppure contattare il centro di assistenza autorizzato Briggs & Stratton.

▲ I motori utilizzati in applicazioni di generazione domestica in standby sono garantiti solo per l'utilizzo da parte dei clienti. Tale garanzia non è applicabile ai motori o ai dispositivi utilizzati per fornire potenza al posto di un accessorio. **La garanzia non è valida sui motori utilizzati per corse o su tratte commerciali o da noleggio.**

Il periodo di garanzia inizia alla data di acquisto del primo consumatore o utente professionale si conclude come indicato nella tabella. Per "uso privato" si intende l'utilizzo effettuato da un acquirente al dettaglio presso la propria residenza. Per "uso professionale" si intendono tutti gli altri tipi di utilizzo, l'utilizzo professionale, l'uso per conto terzi e il noleggio. Dopo che un motore è stato utilizzato ad uso professionale, sarà sempre classificato come motore per uso professionale ai fini di questa polizza di garanzia.

**Non è necessario compilare alcuna cedola per ottenere la garanzia sui prodotti Briggs & Stratton. conservare la ricevuta di acquisto. se la ricevuta di acquisto non viene presentata alla richiesta di una riparazione in garanzia, per determinare il periodo di validità della garanzia verrà utilizzata la data di produzione del prodotto.**

### Informazioni sulla garanzia

La Briggs & Stratton è lieta di effettuare le riparazioni in garanzia e si scusa per gli eventuali inconvenienti. Le riparazioni in garanzia possono essere eseguite presso tutti i Centri di Assistenza Autorizzati. La maggior parte delle richieste di garanzia viene di norma gestito celermente come semplice procedura di routine; tuttavia, alcune richieste di garanzia non appaiono giustificate.

Se non viene trovato un accordo con il Centro di Assistenza interpellato, verrà svolta una ricerca allo scopo di determinare l'effettiva applicabilità della garanzia. Richiedere al Centro di Assistenza di sottoporre tutti i fatti giustificativi all'attenzione del proprio Distributore o al Produttore per un esame più approfondito. Se il Distributore o il Produttore decidono che la richiesta è giustificata, il costo per i pezzi ritenuti difettosi viene completamente rimborsato. Per evitare fraintendimenti che possano verificarsi tra i proprietari ed i Concessionari, elenchiamo di seguito alcune delle cause di guasto la cui riparazione o sostituzione non è coperta dalla garanzia Briggs & Stratton.

**Usura normale:** i motori, come tutti i dispositivi meccanici, devono essere sottoposti a interventi di manutenzione periodica e sostituzione delle parti per funzionare bene. La garanzia non copre le riparazioni quando l'utilizzo normale ha portato una parte o il motore alla fine della vita utile. La garanzia non si applica a motori danneggiati a causa di cattivo utilizzo, assenza di manutenzione di routine, spedizioni, usi, stoccaggi o installazioni non corretti. Allo stesso modo, la garanzia non è valida se il numero di serie del prodotto è stato rimosso oppure se il motore è stato alterato o modificato.

**Manutenzione non accurata:** La vita utile di qualsiasi motore dipende dalla cura prestatagli e dalle condizioni in cui si trova ad operare. Alcune applicazioni, quali motozappe, pompe, falciatrici rotative, vengono molto spesso usate in condizioni polverose o sporche causando un'usura prematura. Tale usura, nel caso in cui venga causata dalla sporcizia, dalla polvere, da residui di graniglia provenienti dalla pulizia della candela o da altro materiale abrasivo penetrato all'interno del motore a causa di una manutenzione non accurata, non è coperta dalla garanzia.

**La presente garanzia copre esclusivamente i difetti del motore dovuti a difetti di materiale e/o lavorazione e non la sostituzione o il rimborso dell'attrezzatura sulla quale il motore può essere installato. La garanzia non è estesa alle riparazioni dovute a:**

- 1 Problemi causati dall'uso di pezzi non originali Briggs & Stratton.
- 2 Comandi dell'attrezzatura o installazioni che impediscono l'avviamento, provocano un insoddisfacente rendimento del motore o ne riducono la durata. (Rivolgersi al produttore dell'attrezzatura).

- 3 Perdite dal carburatore, tubi del carburante occlusi, valvole bloccate o altri danni causati dall'uso di carburante impuro o vecchio.
- 4 Parti intaccate o rotte in seguito al funzionamento del motore con lubrificante insufficiente, impuro o di gradazione inadeguata (rabboccare se necessario e cambiare l'olio agli intervalli consigliati). OIL GARD potrebbe non spegnere il motore in caso di livello dell'olio insufficiente con conseguenti danni al motore.
- 5 Riparazioni o regolazioni di parti combinate o di gruppi, quali frizioni, trasmissioni, comandi a distanza, ecc., non prodotti dalla Briggs & Stratton.
- 6 Danni o usura di parti del motore causati da sporcizia penetrata all'interno del motore a causa di manutenzione e rimontaggio non corretti del filtro dell'aria nonché utilizzo di elemento o cartuccia del filtro dell'aria non originali. Agli intervalli consigliati, pulire e/o sostituire il filtro come indicato nel Manuale dell'Operatore.
- 7 Parti danneggiate da velocità eccessiva o surriscaldamento del motore in seguito ad intasamento delle alette di raffreddamento o dell'area del volano con erba, detriti o sporcizia nonché da uso del motore in aree chiuse con ventilazione insufficiente. Rimuovere i detriti dal motore agli intervalli consigliati come indicato nel Manuale dell'Operatore.
- 8 Parti del motore o dell'attrezzatura rotte a causa di vibrazioni eccessive causate da un cattivo fissaggio del motore alla macchina, lame di taglio non bloccate, lame o giranti sbilanciate o allentate, accoppiamento inadeguato della macchina all'albero motore, velocità eccessiva o abuso del motore stesso.
- 9 Albero a gomiti piegato o rotto, probabile conseguenza dell'urto contro un oggetto solido da parte della lama di taglio di una falciatrice rotativa oppure a causa di un'eccessiva tensione della cinghia trapezoidale.
- 10 Messa a punto periodica o regolazione del motore.
- 11 Guasti al motore o ai relativi componenti, cioè camera di combustione, valvole, sedi delle valvole, guide delle valvole oppure bruciacce degli avvolgimenti del motorino d'avviamento, che si verificano facendo funzionare il motore con combustibili alternativi, quali GPL, metano, benzine alterate, ecc.

**La garanzia è disponibile solo presso i Centri di Assistenza Autorizzati Briggs & Stratton Corporation. Potete trovare il Centro di Assistenza Autorizzato più vicino con il nostro Dealer Locator all'indirizzo BRIGGSandSTRATTON.COM o chiamando il numero 1-800-233-3723, oppure sulle 'Pagine Gialle'™.**

## Algemene informatie

Noteer voor vervangingsonderdelen of technische ondersteuning de motor model-, type- en codenummers en de aanschafdatum. Deze nummers bevinden zich op uw motor (zie de *Kenmerken en bedieningen pag.*).

**Aanschafdatum:** \_\_\_\_\_  
MM/DD/JJJJ

**Motor model:** \_\_\_\_\_  
Model: Type: Code:

## Motorvermogen klasseringinformatie


De bruto vermogenklassering voor individuele benzine motormodellen is gelabeld in overeenstemming met SAE (Society of Automotive Engineers) code J1940 (Vermogen Kleine Motoren & Procedure Koppelklassering) en het geclassificeerde vermogen is verkregen en gecorrigeerd in overeenstemming met SAE J1995 (Revisie 2002-05). Koppelwaarden zijn verkregen bij 3060 t/min., vermogenwaarden zijn verkregen bij 3600 t/min. Het werkelijk bruto motorvermogen zal lager zijn en wordt beïnvloed door onder andere omgevingsbedrijfsomstandigheden en verschillen van motor tot motor. Vanwege de grote verscheidenheid aan machines waarop motoren geplaatst zijn en de verscheidenheid aan omgevingsaspecten met betrekking tot het gebruik van de machine, kan de benzinemotor mogelijk niet het opgegeven bruto vermogen leveren indien gebruikt in een bepaalde machine (werkelijk "beschikbaar" of netto vermogen). Dit verschil wordt veroorzaakt door allerlei factoren zoals, maar niet beperkt tot, accessoires (luchtfiler, uitlaat, laden, koelen, carburateur, brandstofpomp, enz.), beperkingen van de toepassing, bedrijfsomstandigheden (temperatuur, luchtvochtigheid, hoogte) en verschillen van motor tot motor. Vanwege beperkingen met betrekking tot fabricage en capaciteit, kan Briggs & Stratton een motor met een hogere vermogenklassering leveren om de motor van deze motorseries te vervangen.


## Gebruiker veiligheid

### VEILIGHEID EN BEDIENINGSSYMBOLEN




## Symbolen en Waarschuwingen

Het veiligheid waarschuwingssymbool  wordt gebruikt om veiligheidsinformatie te identificeren over gevaren die kunnen resulteren in persoonlijk letsel. Een signaalwoord (GEVAAR, WAARSCHUWING, of OPGEPAST) wordt met het waarschuwingssymbool gebruikt om de waarschijnlijkheid en de potentiële ernst van het letsel aan te geven. Daarbij kan een gevarensymbool gebruikt worden om het soort gevaar aan te geven.

 **GEVAAR** duidt op een gevaar dat, indien niet voorkomen, zal resulteren in de dood of ernstig letsel.

 **WAARSCHUWING** duidt op een gevaar dat, indien niet voorkomen, kan resulteren in de dood of ernstig letsel.

 **OPGEPAST** duidt op een gevaar dat, indien niet vermeden, kan resulteren in licht of matig letsel.

**OPGEPAST**, indien gebruikt **zonder** het waarschuwingssymbool, geeft een situatie aan die **kan resulteren in schade aan de machine**.

## WAARSCHUWING



De uitlaatgassen van dit product bevatten chemicaliën die in de Staat Californië bekend staan kanker, geboortefwijkingen of andere reproductieve schade te kunnen veroorzaken.

## WAARSCHUWING

Briggs & Stratton keurt het gebruik niet goed of autoriseert het gebruik van deze motor niet voor toepassing op 3-wielige "Alle Terrein Voertuigen" (ATV's), motorfietsen, plezier/recreatie go-karts, vliegtuigproducten of voertuigen die bedoeld zijn voor wedstrijden. Het gebruik van deze motoren voor zulke toepassingen kan resulteren in beschadiging van eigendommen, ernstig letsel (inclusief verlamming) of zelfs de dood.

**OPGEPAST:** Deze motor is door Briggs & Stratton zonder olie verzonden. Voeg, voordat U de motor start olie bij volgens de instructies van deze handleiding. Wanneer U de motor zonder olie start, zal deze onherstelbaar beschadigd raken en dit zal niet door garantie gedekt zijn.

## WAARSCHUWING

 **Benzine en haar dampen zijn uiterst brandbaar en explosief.**  
 **Brand of explosie kunnen ernstige brandwonden of de dood veroorzaken.**

### Bij het bijvullen van brandstof

- Zet de motor uit en laat deze tenminste 2 minuten afkoelen voordat de tankdop verwijderd wordt.
- Vul de brandstoftank buitenshuis of in een goed geventileerde omgeving.
- De brandstoftank niet overvullen. Vul de tank tot ongeveer 4 cm onder de bovenkant van de vulopening om de brandstof te kunnen laten uitzetten.
- Houd benzine weg van vonken, open vlammen, waakvlammen, hitte en andere ontstekingsbronnen.
- Controleer brandstofslangen, tank, dop en nippels regelmatig op barsten of lekkages. Zonodig vervangen.
- Indien brandstof gemorst wordt, wachten tot deze verdampt is voordat de motor gestart wordt.

### Bij het starten van de motor

- Zorg ervoor dat bougie, uitlaat, tankdop en luchtfiler (indien hiermee uitgerust) op hun plaats en stevig bevestigd zijn.
- Torn de motor niet indien de bougie verwijderd is.
- Wanneer de motor "verzopen" is, plaats de choke (indien hiermee uitgerust) in de stand OPEN/"RUN" (=aan), beweeg de toerentalbediening (indien hiermee uitgerust) naar de "FAST" (=volgas) positie en torn tot de motor start.

### Bij het gebruik van de machine

- De motor of machine niet kantelen tot een hoek die veroorzaakt dat benzine gemorst wordt.
- De carburateur niet choken om de motor te stoppen.
- Start of gebruik de motor nooit met verwijderde luchtfiler (indien hiermee uitgerust).

### Bij het olie verversen

- Indien U de olie via de bovenkant van de olievulbuis verwijdert, dan moet de brandstoftank leeg zijn, anders kan er brandstof weglekken en brand of een explosie veroorzaken.



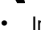
### Bij het transporteren van de machine

- Transporteren met LEGE brandstoftank of met de benzinekraan in de stand "OFF" (=uit).

### Bij het opslaan van benzine of de machine met brandstof in de tank

- Opslaan uit de buurt van fornuizen, kachels, geisers of boilers of andere apparaten die een waakvlam bevatten of andere ontstekingsbronnen, omdat deze benzinedampen kunnen doen ontbranden.

## WAARSCHUWING

 **Het starten van de motor creëert vonken.**  
 **Vonken kunnen brandbare gassen ontsteken die zich in de buurt bevinden.**  
 **Explosie en brand kunnen het resultaat zijn.**

- Indien zich aardgas of LPG lekkage in de buurt bevindt, de motor niet starten.
- Gebruik geen olie onder druk staande startvloeistoffen omdat de dampen brandbaar zijn.



### WAARSCHUWING



**Motoren geven koolmonoxide af, een reukloos, kleurloos, gifgas. Het inademen van koolmonoxide kan misselijkheid, flauwvallen of de dood veroorzaken.**

- Start en gebruik de motor buiten.
- De motor niet in een afgesloten ruimte starten of gebruiken, zelfs niet met open deuren of ramen.



### WAARSCHUWING



**Snel terugtrekken van het startkoord (terugslag) zal uw hand en arm sneller naar de motor toetrekken dan U kunt loslaten. Gebroken botten, kneuzingen of verstuikingen kunnen het resultaat zijn.**

- Trek bij het starten van de motor het koord langzaam uit tot er weerstand gevoeld wordt en trek het koord dan snel uit om terugslag te voorkomen.
- Verwijder alle externe machine/motorbelastingen voordat de motor gestart wordt.
- Direct verbonden machinecomponenten zoals, maar niet beperkt tot, messen, aandrijvingen, poelies, tandwielen enz., moeten stevig bevestigd zijn.



### WAARSCHUWING



**Handen, voeten, haar, kleren, of accessoires kunnen in aanraking komen met- en verstrikt raken in draaiende onderdelen. Traumatische amputatie of ernstige verscheuring kan het resultaat zijn.**

- De machine gebruiken met afschermingen op hun plaats.
- Houd handen en voeten weg van draaiende delen.
- Bind lang haar op en verwijder sierraden.
- Draag geen loszittende kleding, hangende koorden of zaken die verstrikt kunnen raken.



### WAARSCHUWING



**Draaiende motoren produceren hitte. Motoronderdelen, vooral de uitlaat, worden uiterst heet. Ernstige brandwonden kunnen optreden bij contact. Brandbaar vuil, zoals bladeren, gras, hout, enz., kan in brand geraken.**

- Laat uitlaat, motorcilinder en vinnen afkoelen voordat deze aangeraakt worden.
- Verwijder opgehoopt vuil van het uitlaat- en cilindergebied.
- Installeer een vonkenvanger en houd deze in goede staat voordat de machine wordt gebruikt op bebost, met gras of struiken bedekt ongecultiveerd land. De staat Californië vereist dit (Sectie 4442 van de California Public Resources Code). Andere staten kunnen gelijkwaardige wetten hebben. Federale wetten zijn van toepassing op federaal land.



### WAARSCHUWING



**Per ongeluk vonken kan resulteren in brand of een elektrische schok. Per ongeluk starten kan resulteren in verwarring, traumatische amputatie, of verscheuring. Brandgevaar**

#### Voordat afstellingen of reparaties worden uitgevoerd:

- Ontkoppel de bougiekabel en houd deze weg van de bougie.
- Ontkoppel de accu bij de negatieve aansluiting (alleen motoren met elektrostart).
- Gebruik uitsluitend de juiste gereedschappen.
- Verander niets aan reguleerveren, verbindingstangen of andere onderdelen om het motortoerental te verhogen.
- Vervangingsonderdelen voor de uitlaat moeten hetzelfde zijn en op dezelfde manier geïnstalleerd worden als de originele onderdelen.
- Sla niet met een hamer of hard voorwerp tegen het vliegwiel omdat het vliegwiel anders later uit elkaar kan vliegen tijdens bedrijf.

#### Bij het controleren op vonken:

- Gebruik een goedgekeurde vonktester.
- Controleer niet op vonken met de bougie verwijderd.

# Kenmerken en bedieningen

Vergelijk de afbeelding **1** met uw motor om Uzelf vertrouwd te maken met de plaats van de diverse kenmerken en bedieningen.

## A. Motoridentificatie

### Model Type Code

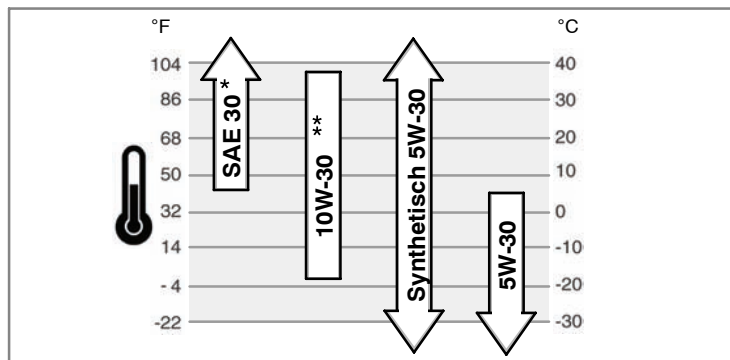
- B. Bougie
- C. Brandstoftank en -dop
- D. LuchtfILTER
- E. Startkoordgreep
- F. Olievulpijp en -peilstok
- G. Olie aftapplug
- H. Uitlaat
  - Uitlaatafscherming (optie)
  - Vonkenvanger (optie)
- I. Chokebediening
- J. Toerentalbediening (optie)
- K. Stopschakelaar
- L. Brandstofkraan (optie)
- M. Vingerbeschermmer
- N. Tandwielvertraging (optie)

# Werking

Oliecapaciteit (zie het **Specificaties** hoofdstuk)

## Aanbevolen olie

Wij bevelen voor de beste prestaties het gebruik aan van Briggs & Stratton Warranty Certified olie. Andere hoogwaardige detergerende oliesoorten zijn aanvaardbaar als ze zijn SF, SG, SH, SJ of hoger zijn geclassificeerd. Geen speciale additieven gebruiken. De juiste olieviscositeit voor de motor wordt bepaald door de buitentemperaturen. Kijk op de overzichtstabel en kies hieruit de beste viscositeit voor de verwachte buitentemperaturen.



\* Wordt SAE 30 olie gebruikt bij temperaturen onder 40°F (4°C), dan leidt dat tot startproblemen.

\* Het gebruik van 10W-30 bij temperaturen boven 80°F (27°C) kan leiden tot verhoogd oliegebruik. Controleer het oliepeil vaker.

## Olie peilen/bijvullen - Fig. 2

### Voordat de olie bijgevuld of gecontroleerd wordt

- Plaats de motor waterpas.
- Reinig rond de olievlopening.
- 1. Verwijder de peilstok (A) en veeg deze af met een schone doek.
- 2. Steek de peilstok in maar draai deze **niet** in. Het oliepeil moet tot de "FULL" (=vol) markering (B) op de peilstok zijn.
- 3. Giet om bij te vullen de olie langzaam in de olievlopening van de motor (C). Vullen tot het punt van overstromen.
- 4. Breng de peilstok weer aan en draai deze vast.

## Brandstofaanbevelingen

### Brandstof moet aan deze voorwaarden voldoen:

- Schone, verse, loodvrije benzine.
- Een minimum octaangetal van 87/87 AKI (91 RON). Zie hieronder voor gebruik op grote hoogten.
- Benzine met tot 10% ethanol (gasohol) of tot 15% MTBE (methyl tertiary butyl ether), is acceptabel.

**OPGEPAST:** Gebruik geen niet-goedgekeurde benzine zoals E85. Meng geen olie door de benzine of modificeer de motor niet voor gebruik op alternatieve brandstoffen. Dit zal motorcomponenten beschadigen en **de motorgarantie ongeldig doen maken**.

Meng om het brandstofsysteem tegen het vormen van gom te beschermen een brandstofstabilisator door de brandstof. Zie **Opslag**. Alle brandstof is niet hetzelfde. Wanneer start- of prestatieproblemen optreden, verander dan van brandstofleverancier of -merk. Deze motor is gecertificeerd om te werken op benzine. Het emissie beheersingsysteem van deze motor is EM (Engine Modifications)

## Grote Hoogten

Bij hoogten boven 1500 meter is een minimum 85 octaan/85 AKI (89 RON) benzine acceptabel. Om te blijven voldoen aan emissievoorschriften, is een afstelling voor grote

hoogten noodzakelijk. Gebruik zonder deze afstelling veroorzaakt slechtere prestaties, hoger brandstofverbruik en toegenomen emissies. Raadpleeg een geautoriseerde Briggs & Stratton dealer voor informatie over afstelling voor grote hoogten.

Gebruik van de motor onder 750 meter met een grote hoogten kit wordt niet aanbevolen.

## Brandstof bijvullen - Fig. 3



### WAARSCHUWING



**Benzine en haar dampen zijn uiterst brandbaar en explosief.**



**Brand of explosie kunnen ernstige brandwonden of de dood veroorzaken.**

### Bij het toevoegen van brandstof

- Zet de motor uit en laat deze tenminste 2 minuten afkoelen voordat de tankdop verwijderd wordt.
  - Vul de brandstoftank buitenshuis of in een goed geventileerde omgeving.
  - De brandstoftank niet overvullen. Vul de tank tot ongeveer 4 cm onder de bovenkant van de vulnek om de brandstof te kunnen laten uitzetten.
  - Houd benzine weg van vonken, open vlammen, waakvlammen, hitte en andere ontstekingsbronnen.
  - Controleer brandstofslangen, tank, dop en nippels regelmatig op barsten of lekkages. Zonodig vervangen.
  - Indien brandstof gemorst wordt, wachten tot deze verdampt is voordat de motor gestart wordt.
1. Reinig het gebied rond de tankdop. Verwijder de tankdop (A). Zie Fig. 3.
  2. Vul de brandstoftank (B) met benzine. Vul niet tot boven de bodem van de brandstoftanknek om uitzetting van de benzine te compenseren (C).
  3. Installeer de tankdop weer.

## De motor starten - Fig. 4 5



### WAARSCHUWING



**Snel terugtrekken van het startkoord (terugschlag) zal uw hand en arm sneller naar de motor toetrekken dan U kunt loslaten.**

**Gebroken botten, kneuzingen of verstuikingen kunnen het resultaat zijn.**

- Trek bij het starten van de motor het koord langzaam uit tot er weerstand gevoeld wordt en trek het koord dan snel uit om terugslag te voorkomen.



### WAARSCHUWING



**Benzine en haar dampen zijn uiterst brandbaar en explosief.**



**Brand of explosie kunnen ernstige brandwonden of de dood veroorzaken.**

### Bij het starten van de motor

- Zorg ervoor dat de bougie, uitlaat, tankdop en luchtfILTER op hun plaats en stevig bevestigd zijn.
- Torn de motor niet indien de bougie verwijderd is.
- Wanneer de motor "verzopen" is, plaats de choke (indien hiermee uitgerust) in de stand OPEN/"RUN" (=aan), beweeg de toerentalbediening (indien hiermee uitgerust) naar de "FAST" (=volgas) positie en torn tot de motor start.



### WAARSCHUWING



**Motoren geven koolmonoxide af, een reukloos, kleurloos, gifgas.**

**Het inademen van koolmonoxide kan misselijkheid, flauwvallen of de dood veroorzaken.**

- Start en gebruik de motor buiten.
- De motor niet in een afgesloten ruimte starten of gebruiken, zelfs niet met open deuren of ramen.

**OPGEPAST:** Deze motor is door Briggs & Stratton zonder olie verzonden. Zorg er voordat U de motor start voor dat olie volgens de instructies in deze handleiding wordt bijgevuld. Wanneer U de motor zonder olie start, zal deze onherstelbaar beschadigen en dit zal niet door garantie gedekt zijn.

1. Controleer het oliepeil. Zie het **Olie controleren/toevoegen** hoofdstuk.
2. Zorg ervoor dat de aandrijvingbedieningen van de machine, indien hiermee uitgerust, ontkoppeld zijn. Raadpleeg de handleiding van de machine voor de plaats en werking van deze bedieningen.
3. Druk de stopschakelaar (A) naar de stand "on" (=aan) (Fig. 4).
4. Beweeg de toerentalbediening (B), indien hiermee uitgerust, naar de stand "fast" (=volgas) . Gebruik de machine in de stand "fast" .
5. Beweeg de chokebediening (C) naar de choke positie.

**Noot:** Over het algemeen hoeft u de choke niet te gebruiken bij het herstarten van een warme motor.

6. Draai de brandstofkraan (D), indien hiermee uitgerust, naar de stand "on" (=aan) (Fig. 5).

7. **Repeteerstarter:** Houd de startkoordgreep stevig vast (E). Trek de startkoordgreep langzaam uit tot er weerstand gevoeld wordt, trek dan snel (Fig. 4).

**Noot:** Indien de motor niet na drie pogingen start, ga dan naar **BRIGGSandSTRATTON.COM** of raadpleeg de importeur.



**WAARSCHUWING:** Snel terugtrekken van het startkoord (terugslag) zal uw hand en arm sneller naar de motor trekken dan U kunt loslaten. Gebroken boten, kneuzingen of verstuingen kunnen het gevolg zijn. Trek bij het starten van de motor het startkoord langzaam uit tot er weerstand gevoeld wordt en trek dan snel om terugslag te voorkomen.

8. **Elektrostart:** Draai de startsleutel naar de stand "on" (=aan)/"start". Raadpleeg de handleiding van de machine voor de plaats en werking van het startslot.

*Noot:* Indien de motor niet na drie pogingen start, ga dan naar **BRIGGSandSTRATTON.COM** of raadpleeg de importeur.

**OPGEPAST:** Start om de levensduur van de startmotor te verlengen steeds kortstondig (vijf seconden maximaal). Wacht een minuut tussen twee startpogingen.

9. Beweeg wanneer de motor opwarmt de chokebediening (C) naar de "run" (=aan) ↑↓ positie (Fig. 4).

## De motor stoppen - Fig. 5 6



### WAARSCHUWING



**Benzine en haar dampen zijn uiterst brandbaar en explosief. Brand of explosie kunnen ernstige brandwonden of de dood veroorzaken.**



- De carburateur niet choken om de motor te stoppen.
- 1. Druk de stopschakelaar (A, Fig. 6) naar de stand "off" (=uit) of

**Elektrostart:** Draai de startsleutel naar de stand "off" (=uit)/"stop". Raadpleeg de handleiding van de machine voor de plaats en werking van het startslot.

2. Draai nadat de motor stopt de brandstofkraan (D, Fig. 5) dicht.

## Onderhoud

Gebruik uitsluitend originele vervangingsonderdelen. Andere onderdelen kunnen mogelijk niet zo goed presteren, de machine beschadigen en in letsel resulteren. Daarbij maken andere onderdelen uw garantie ongeldig.

Wij adviseren dat U voor al het onderhoud en alle service aan de motor en de motoronderdelen een geautoriseerde Briggs & Stratton dealer raadpleegt.

**OPGEPAST:** Alle componenten die zijn gebruikt om deze motor te bouwen moeten op hun plaats blijven voor een juiste werking.

### Emissiebeheersing

Onderhoud, vervanging of reparatie van emissiebeheersing voorzieningen en systemen kunnen uitgevoerd worden door elke reparatie-inrichting of -individu voor "non-road" motoren. Echter, voor het verkrijgen van gratis emissiebeheersing service moet het werk worden uitgevoerd door een door de fabriek geautoriseerde dealer. Zie de Emissies Garantie.



### WAARSCHUWING



**Per ongeluk vonken kan resulteren in brand of een elektrische schok. Per ongeluk starten kan resulteren in verwarring, traumatische amputatie, of verscheuring.**



**Brandgevaar**



**Voordat afstellingen of reparaties worden uitgevoerd:**

- Ontkoppel de bougiekabel en houd deze weg van de bougie.
- Gebruik uitsluitend de juiste gereedschappen.
- Verander niets aan reguleerveren, verbindingstangen of andere onderdelen om het motortoerental te verhogen.
- Vervangingsonderdelen voor de uitlaat moeten hetzelfde zijn en op dezelfde manier geïnstalleerd worden als de originele onderdelen.
- Sla niet met een hamer of hard voorwerp tegen het vliegwiel omdat het vliegwiel anders later uit elkaar kan vliegen tijdens bedrijf.

**Bij het controleren op vonken:**

- Gebruik een goedgekeurde vonktester.
- Controleer niet op vonken met de bougie verwijderd.

### Onderhoudskaart

#### Eerste 5 uur

- Olie verversen

#### Iedere 8 uur of dagelijks

- Motoroliepeil controleren
- Reinigen rond uitlaat en bedieningen
- Vingerbeschermer reinigen

#### Iedere 25 uur of jaarlijks

- Luchtfilter reinigen \*
- Voorfilter reinigen \*

#### Iedere 100 uur of jaarlijks

- Motorolie verversen
- Uitlaat en vonkenvanger controleren

#### Iedere 100 uur

- Olie van tandwielvertraging verversen (indien hiermee uitgerust)

### Jaarlijks

- Luchtfilter vervangen
- Voorfilter vervangen
- Bougie vervangen
- Brandstoffilter reinigen/vervangen
- Luchtkoelsysteem reinigen \*
- Klepspelings controleren \*\*

\* Vaker reinigen onder stoffige omstandigheden of wanneer zich veel zwevend vuil in de omgeving bevindt.

\*\* Niet nodig tenzij zich prestatieproblemen van de motor voordoen.

### Carburateurafstelling

Voer nooit afstellingen aan de carburateur uit. De carburateur was op de fabriek afgesteld om efficiënt te werken onder de meeste omstandigheden. Als echter afstelling noodzakelijk is, raadpleeg dan een geautoriseerde Briggs & Stratton dealer voor service.

**OPGEPAST:** De fabrikant van de machine waarop deze motor is geïnstalleerd specificeert het maximum toerental waarop de motor gebruikt zal worden. **Overtref** dit toerental niet.

### De bougie controleren - Fig. 8

Controleer de elektrodeafstand (A, 8) met een draadvoeler (B). Verstel zonodig de opening. Installeer de bougie en draai deze vast met het aanbevolen aanhaalkoppel. Zie voor afstelling van de opening van het aanhaalkoppel het **Specificaties** hoofdstuk.

*Noot:* In sommige gebieden schrijven plaatselijke wetten het gebruik voor van een weerstandsbougie om ontstekingsignalen te onderdrukken. Indien deze motor origineel was uitgerust met een weerstandsbougie, gebruik dan voor vervanging hetzelfde type bougie.

### Uitlaat en vonkenvanger inspecteren - Fig. 7



### WAARSCHUWING



**Draaiende motoren produceren hitte. Motoronderdelen, vooral de uitlaat, worden uiterst heet.**



**Ernstige brandwonden kunnen optreden bij contact.**

**Brandbaar vuil, zoals bladeren, gras, hout, enz., kan in brand geraken.**

- Laat uitlaat, motorcilinder en vinnen afkoelen voordat deze aangeraakt worden.
- Verwijder opgehoopt vuil van het uitlaat- en cilindergebied.
- Installeer een vonkenvanger en houd deze in goede staat voordat de machine wordt gebruikt op bebost, met gras of struiken bedekt ongecultiveerd land. De staat Californië vereist dit (Sectie 4442 van de California Public Resources Code). Andere staten kunnen gelijkwaardige wetten hebben. Federale wetten zijn van toepassing op federaal land.

Inspecteer de uitlaat (A) op barsten, corrosie of andere beschadiging. Verwijder de vonkenvanger (B), indien hiermee uitgerust en inspecteer deze op beschadiging of koolverstopping. Zorg er, als vervanging nodig is, voor dat uitsluitend originele onderdelen gebruikt worden.



**WAARSCHUWING:** Vervangingsonderdelen moeten origineel zijn en op dezelfde manier gemonteerd worden als de oorspronkelijke onderdelen, anders kan brand optreden.

### Olie verversen - Fig. 9 10

**OPGEPAST:** Gebruikte olie is gevaarlijk afval en moet op de juiste manier weggegooid worden. Niet met huishoudelijk afval weggooid. Raadpleeg de plaatselijke autoriteiten, servicecentrum of dealer voor veilige manieren om weg te gooien/te recyclen.

### Olie verwijderen

1. Ontkoppel, met de motor uit maar nog steeds warm, de bougiekabel (A) en houd deze weg van de bougie (Fig. 10).
2. Verwijder de olie aftapplug (B, Fig. 9). Tap de olie af in een geschikte container.
3. Installeer nadat de olie is afgetapt de olie aftapplug en draai deze vast.

### Olie bijvullen

- Plaats de motor waterpas.
  - Reinig rond de olievulopening.
  - Raadpleeg het **Specificaties** hoofdstuk voor de oliecapaciteit.
1. Verwijder de peilstok (D) en veeg deze af met een schone doek.
  2. Giet de olie langzaam in de vulopening van de motor (E). Vullen tot het punt van overlopen.
  3. Installeer de peilstok maar schroef deze **niet** in. Verwijderen en het oliepeil controleren. Het oliepeil moet tot de "FULL" (=vol) markering (F) op de peilstok zijn.
  4. Installeer de peilstok en draai deze vast.

### De luchtfilter onderhouden - Fig. 11



### WAARSCHUWING



**Benzine en haar dampen zijn uiterst brandbaar en explosief. Brand of explosie kunnen ernstige brandwonden of de dood veroorzaken.**



- Start of gebruik de motor nooit met verwijderde luchtfilter.
- OPGEPAST:** Gebruik geen perslucht of oplosmiddelen om de luchtfilter te reinigen. Perslucht kan de filter beschadigen en oplosmiddelen zullen de filter oplossen. De luchtfilter gebruikt een gevouwen filter met een optionele voorfilter. De voorfilter kan uitgewassen en opnieuw gebruikt worden.

## Plat luchtfilter

1. Draai de bout (D) die het deksel bevestigt los (A). Zie Fig. 11.
2. Open het deksel en verwijder voorfilter (C) en filter (B).
3. Tik om vuil los te maken voorzichtig tegen een hard oppervlak. Wanneer de filter erg vuil is, vervang deze dan door een nieuwe filter.
4. Was de voorfilter in een vloeibaar oplosmiddel en water. Laat deze dan grondig drogen. De voorfilter **niet** inoliën.
5. Assembleer de droge voorfilter tegen de filter met de lip (G) van de voorfilter tegen de bodem van de filtervouw.
6. De filter installeren.
7. Installeer de dekselnokken (E) in de sleuven (F).
8. Sluit het deksel en zet deze vast met de bout.

## Olie van tandwielvertraging verversen - Fig. 12

Ga als volgt te werk wanneer uw motor is uitgerust met een tandwielvertraging.

1. Verwijder de olie vulplug (B) en de olie niveauplug (C).
  2. Verwijder de olie aftapplug (A, Fig. 12) en tap de olie af in een geschikte container.
  3. Installeer de olie aftapplug en draai deze vast.
  4. Giet langzaam tandwielmeermiddel in het olie vulgat (zie het **Specificaties** hoofdstuk). Vullen tot de olie uit het niveaugat stroomt.
  5. Installeer de olie niveauplug en draai deze vast.
  6. Installeer de olie vulplug en draai deze vast.
- Belangrijk:** De olie vulplug heeft een ventilatiegatje (D) en moet gemonteerd worden aan de bovenkant van het deksel van de tandwielkast zoals getoond.

## Brandstoffilter reinigen/vervangen - Fig. 13



### WAARSCHUWING

**Benzine en haar dampen zijn uiterst brandbaar en explosief. Brand of explosie kunnen ernstige brandwonden of de dood veroorzaken.**

- Houd benzine weg van vonken, open vlammen, waakvlammen, hitte en andere ontstekingsbronnen.
  - Controleer brandstofslangen, tank, dop en nippels regelmatig op barsten of lekkages. Zonodig vervangen.
  - Tap voordat de brandstoffilter vervangen wordt de brandstoftank af of draai de brandstofkraan dicht.
  - Vervangingsonderdelen moeten hetzelfde zijn en op dezelfde manier geïnstalleerd worden als de originele onderdelen.
  - Indien brandstof gemorst wordt, wachten tot deze verdampt is voordat de motor gestart wordt.
1. Verwijder de tankdop (A, Fig. 13).
  2. Verwijder de brandstoffilter (B).
  3. Reinig of vervang de brandstoffilter wanneer deze vuil is. Gebruik een originele filter bij vervanging.

## Luchtkoelingsysteem reinigen - Fig. 14



### WAARSCHUWING

**Draaiende motoren produceren hitte. Motoronderdelen, vooral de uitlaat, worden uiterst heet.**

**Ernstige brandwonden kunnen optreden bij contact.**

**Brandbaar vuil, zoals bladeren, gras, hout, enz., kan in brand geraken.**

- Laat uitlaat, motorcilinder en vinnen afkoelen voordat deze aangeraakt worden.
- Verwijder opgehoopt vuil van het uitlaat- en cilindergebied.

**OPGEPAST:** Gebruik geen water om de motor te reinigen. Water kan het brandstofsysteem verontreinigen. Gebruik een borstel en droge doek om de motor te reinigen. Dit is een luchtgekoelde motor. Vuil kan de luchtstroom belemmeren en veroorzaken dat de motor oververhit raakt, wat resulteert in slechte prestaties en verminderde levensduur van de motor.

Gebruik een borstel of droge doek om vuil van de vingerafscherming te verwijderen (A). Houd verbindingen, veren en bedieningen (B) schoon. Houd het gebied rond en achter de uitlaat (C) vrij van elk brandbaar vuil (Fig. 14).

### Opslag



### WAARSCHUWING

**Benzine en haar dampen zijn uiterst brandbaar en explosief. Brand of explosie kunnen ernstige brandwonden of de dood veroorzaken.**

### Bij het opslaan van benzine of de machine met brandstof in de tank

- Opslaan uit de buurt van fornuizen, kachels, geisers of boilers of andere apparaten die een waakvlam bevatten of andere ontstekingsbronnen, omdat deze benzinedampen kunnen doen ontbranden.

### Brandstofsysteem

Als brandstof langer dan 30 dagen wordt opgeslagen kan het verschromen. Bij verschromde brandstof ontstaat zuur- en gomaanslag in het brandstofsysteem of op essentiële onderdelen van de carburateur. Houd brandstof vers met Briggs & Stratton FRESH START® brandstofstabilisator. Deze is verkrijgbaar als vloeibaar additief en als patroon met druppelconcentraat.

Als brandstofstabilisator overeenkomstig de instructies wordt bijgevoegd, is aftappen van de benzine uit de motor niet nodig. Laat de motor 2 minuten draaien om het stabilisatiemiddel in het hele brandstofsysteem te circuleren. De motor en de brandstof kunnen dan tot maximaal 24 maanden worden opgeslagen.

Als de benzine in de motor niet is behandeld met brandstofstabilisator, dan moet hij worden afgetapt in een goedgekeurde opvangbak. Laat de motor draaien tot hij afslaat vanwege gebrek aan brandstof. Het gebruik van een brandstofstabilisator in de opslagbak wordt aangeraden om de brandstof vers te houden.

### Motorolie

Ververs, terwijl de motor nog warm is, de motorolie.

### Storingzoekers

Hulp nodig? Ga naar [BRIGGSandSTRATTON.COM](http://BRIGGSandSTRATTON.COM) of raadpleeg de website van de importeur.

## Specificaties

### Motor Specificaties

Model	120000
Cilinderinhoud	205 cc
Boring	68,28 mm
Slag	55,88 mm
Oliecapaciteit	0,54 - 0,59 L
Olie tandwielvertraging	80W-90

### Motor Specificaties

Model	200000
Cilinderinhoud	305 cc
Boring	79,24 mm
Slag	61,93 mm
Oliecapaciteit	0,77 - 0,83 L
Olie tandwielvertraging	SAE 30

### Onderhoud specificaties \*

Model	120000
Bougie elektrodeafstand	0,76 mm
Bougie aanhaalkoppel	20 Nm
Ontstekingsspoel luchtspleet	0,25 - 0,36 mm
Inlaatklepspeling	0,10 - 0,15 mm
Uitlaatklepspeling	0,23 - 0,28 mm

### Onderhoud specificaties \*

Model	200000
Bougie elektrodeafstand	0,76 mm
Bougie aanhaalkoppel	20 Nm
Ontstekingsspoel luchtspleet	0,20 - 0,30 mm
Inlaatklepspeling	0,10 - 0,15 mm
Uitlaatklepspeling	0,22 - 0,28 mm

\* Het motorvermogen zal afnemen met 3,5% voor elke 300 meter boven zeeniveau en 1% voor iedere 5,6° C boven 25° C. De motor zal bevredigend functioneren onder een hoek tot 15°. Raadpleeg de gebruiksaanwijzing van de machine voor maximum veilige toegestane hellingshoeken.

## Algemene service onderdelen

Service onderdeel	Onderdeelnummer	Service onderdeel	Onderdeelnummer
Plat luchtfilter	491588, 5043	Weerstandsbougie	491055
Plat luchtfilter voorfilter	493537, 5064	"Long life platinum" bougie	5066
Brandstoffilter	792917	Bougiesleutel	89838, 5023
Brandstoftoevoeging	5041, 5058	Vonktester	19368

✓ Wij adviseren dat U voor al het onderhoud en alle service aan de motor en de motoronderdelen een geautoriseerde Briggs & Stratton servicedealer raadpleegt. Gebruik uitsluitend originele Briggs & Stratton onderdelen.

## GARANTIEBEPALINGEN

De Briggs & Stratton Corporation zal elk onderdeel gratis repareren of vervangen dat een defect vertoont in materiaal of bewerking of beide. Transportkosten voor onderdelen die zijn ingezonden voor reparatie of vervanging onder deze garantie komen ten laste van de koper. Deze garantie is geldig voor- en onderhavig aan de onderstaande periodes en voorwaarden. Raadpleeg voor garantieservice de dichtstbijzijnde Geautoriseerde Service Dealer in onze "dealer locator map" op BRIGGSandSTRATTON.COM, of kijk in de 'Gouden Gids™'.

**Er is geen andere expliciete garantie. Impliciete garanties als verkoopbaarheid en geschiktheid voor een bepaald doel zijn beperkt tot één jaar vanaf aankoop, of tot mate die door de wet is toegestaan. Alle impliciete garanties zijn uitgesloten. Aansprakelijkheid voor incidentele of gevolgschades zijn uitgesloten voor zover deze uitsluiting wettelijk is toegestaan.** Sommige rechtsgebieden staan geen beperkingen toe met betrekking tot de lengte van impliciete garantie, en sommige rechtsgebieden staan geen beperking toe met betrekking tot gevolgschades, dus de bovenvermelde beperkingen kunnen mogelijk niet op U van toepassing zijn. Deze garantie geeft U bepaalde specifieke wettelijke rechten en U kunt mogelijk andere rechten hebben die van rechtsgebied tot rechtsgebied variëren.

## STANDAARD GARANTIEVOORWAARDEN \* ▲

Merk/Producttype	Particulier gebruik	Commercieel gebruik
Vanguard™	2 jaar	2 jaar
Extended Life Series™, I/C®, Intek™ I/C®, Intek™ Pro	2 jaar	1 jaar
Snow Series MAX™ met Dura-Bore™ gietijzeren mof	2 jaar	1 jaar
Alle andere Briggs & Stratton motoren	2 jaar	90 dagen

\* Dit zijn onze standaard garantievoorwaarden. Soms kan er echter aanvullende garantiedekking zijn die nog niet was bepaald ten tijde van deze publicatie. Ga voor een lijst van de op dit moment geldende garantievoorwaarden voor uw motor naar BRIGGSandSTRATTON.COM of neem contact op met uw erkende Briggs & Stratton servicedealer.

▲ Motoren die worden gebruikt op "Standby" generatoren voor particuliere woningen worden uitsluitend onder particulier gebruik gegarandeerd. Deze garantie geldt niet voor toepassingen die primair worden gebruikt ter vervanging van het utiliteitsnet. **Motoren die worden gebruikt voor wedstrijdracen of op commerciële of huircircuits zijn uitgesloten van garantie.**

De garantieperiode begint op de dag van aankoop van de eerste detailhandelconsument of commerciële eindgebruiker en gaat door voor de tijdsperiode in bovenstaande tabel. "Particulier gebruik" betekent persoonlijk huishoudelijk gebruik door een detailhandelconsument. "Commercieel gebruik" betekent elk ander gebruik, inclusief inkomen verschaffend gebruik of verhuurdoeleinden. Als een motor eenmaal commercieel gebruikt is, dan zal deze daarna voor deze garantie als commercieel gebruikt worden beschouwd.

**Er is geen garantieregistratie nodig om garantie te verkrijgen op Briggs & Stratton producten. Bewaar uw aankoopnota. Indien u geen bewijs van de eerste aankoopdatum kunt overleggen op het moment dat om garantieservice verzocht wordt, dan zal de fabricagedatum van het product gebruikt worden om de garantieperiode te bepalen.**

## Over uw garantie

Briggs & Stratton voert de reparatie onder garantie graag voor u uit en verontschuldigt zich bij voorbaat voor het ongemak. Reparaties onder garantie mogen worden uitgevoerd door elke geautoriseerde Service Dealer. De meeste garantiereparaties worden zo afgehandeld; soms zijn verzoeken om garantie echter niet gerechtvaardigd.

Indien een klant het niet eens is met de beslissing van de Service Dealer, zal een onderzoek worden uitgevoerd om te bepalen of garantie van toepassing is. Vraag de Service Dealer om alle ondersteunende feiten naar de fabriek of diens vertegenwoordigende importeur te sturen voor onderzoek. Als de Importeur of de Fabriek besluit dat de claim gerechtvaardigd is, zal de klant volledig vergoed worden voor die onderdelen die defect zijn. Om misverstanden, die kunnen optreden tussen de klant en de Dealer, te voorkomen, zijn hieronder sommige oorzaken van motorstoring afgedrukt die de garantie niet dekt.

**Normale slijtage:** Net als alle andere mechanische apparaten hebben motoren periodiek onderhoud nodig en moeten bepaalde onderdelen om de zoveel tijd worden onderhouden of vervangen om goed te presteren. De garantie is niet van toepassing als de motorschade het gevolg is van verkeerd gebruik, gebrek aan routineonderhoud, verzending, verkeerde behandeling of opslag of onjuiste installatie. Ook vervalt het recht op garantie als het serienummer van de motor is verwijderd of als er iets aan de motor is gewijzigd of aangepast.

**Verkeerd onderhoud:** De levensduur van een motor is afhankelijk van de omstandigheden waaronder hij wordt gebruikt en de mate van zorg voor de motor. Bepaalde toepassingen, zoals grondfreesen, vuilwaterpompen of cirkelmaaiers moeten vaak werken onder stoffige en vuile omstandigheden, die kunnen leiden tot wat lijkt op voortijdige slijtage. Zulke slijtage, indien veroorzaakt door vuil, stof, bougie reinigergrit of ander schurend materiaal dat de motor is binnengedrongen door verkeerd onderhoud, wordt niet door garantie gedekt.

**Deze garantie dekt uitsluitend aan de motor gerelateerde defecte materialen en/of bewerkingen, en niet vervanging of vergoeding van de machine waarop de motor gemonteerd kan zijn. Noch strekt de garantie zich uit tot reparaties die nodig zijn door:**

- 1 **Problemen veroorzaakt door onderdelen die geen originele Briggs & Stratton onderdelen zijn.**
- 2 Bedieningsonderdelen of -installaties waardoor de motor niet start, die slechte motorprestaties veroorzaken of de levensduur van de motor bekorten. (Neem contact op met de machinefabrikant.)

- 3 Lekkende carburateurs, verstopte brandstofbuizen, vastklevende kleppen, of andere schade die wordt veroorzaakt door vervuilde of verschaalde brandstof.
- 4 Onderdelen die zijn ingelopen of kapot zijn gegaan omdat een motor werd gebruikt met onvoldoende of vervuilde smeeroilie, of een verkeerd type smeeroilie (controleer het oliepeil en vul het zonnodig bij met de aanbevolen intervallen). OIL GARD kan mogelijk een draaiende motor niet uitschakelen. Motorschade kan optreden wanneer de olie niet correct op peil gehouden wordt.
- 5 Reparatie of afstelling van bijbehorende onderdelen en samenstellen zoals koppelingen, aandrijvingen, afstandbedieningen enz. die geen Briggs & Stratton-fabricaat zijn.
- 6 Schade of slijtage die veroorzaakt is door het binnendringen van vuil doordat de luchtfilter verkeerd is onderhouden of weer gemonteerd, of wanneer een niet-origineel luchtfilterelement of -patroon wordt gebruikt. Reinig en/of vervang de filter als aangegeven in de gebruiksaanwijzing.
- 7 Onderdelen die beschadigd zijn door overtoeren draaien of oververhitting veroorzaakt door gras, vuil of verontreiniging dat de koelvinnen afdekt of het vliegwielgebied verstopt, of schade die wordt veroorzaakt door het gebruik van de motor in een afgesloten ruimte zonder voldoende ventilatie. Reinig de motor en verwijder het vuil conform de intervallen die zijn aangegeven in de gebruiksaanwijzing.
- 8 Motor- of machineonderdelen die kapot zijn gegaan door overmatig trillen als gevolg van te losse motorbevestiging, losse maaimessen, niet uitbalanceerde messen of losse of niet uitbalanceerde waaiers, verkeerde bevestiging van de machine aan de motorkrukas, overtoeren draaien of ander verkeerd gebruik als de motor in bedrijf is.
- 9 Een kromme of kapotte krukas als gevolg van het raken van een hard voorwerp door het maimes van een motormaaier, of als gevolg van een te strak gespannen V-snaar.
- 10 Normaal onderhoud of afstelling van de motor.
- 11 Defect raken van de motor of een motoronderdeel, zoals verbrandingskamer, kleppen, klepzetels, klepgeleiders, of verbrande startmotorwikkelingen, veroorzaakt door het gebruik van alternatieve brandstoffen, zoals LPG, aardgas, veranderde benzines, etc.

**Garantieservice is uitsluitend beschikbaar via Service Dealers die zijn geautoriseerd door Briggs & Stratton Corporation. U vindt uw dichtstbijzijnde Geautoriseerde Service Dealer in onze "dealer locator" kaart op [www.BRIGGSandSTRATTON.com](http://www.BRIGGSandSTRATTON.com) of kijk in de 'Gouden Gids™'.**

## Generell informasjon

Noter motormodell, type, kodenumre og kjøpedato nedenfor slik at du har dem når du skal bestille reservedeler eller be om teknisk assistanse. Disse numrene står på motoren (se **Tekniske detaljer og kontroller** side).

Kjøpedato: \_\_\_\_\_  
MM/DD/ÅÅÅÅ

Motormodell: \_\_\_\_\_  
Modell: \_\_\_\_\_ Type: \_\_\_\_\_ Kode: \_\_\_\_\_

## Informasjon om effektberegning

Den totale effektberegningen for individuelle bensinmotor modeller er merket i henhold til SAE (Society of Automotive Engineers) kode J1940 (Small Engine Power & Torque Rating Procedure), og merkeytelsen er oppnådd og korrigeret i henhold til SAE J1995 (revisjon 2002-05). Momentverdiene ble beregnet ved 3060 rpm; hestekreftene ble beregnet ved 3600 rpm. Motorens virkelige bruttoeffekt vil være lavere og påvirkes blant annet av arbeidsforholdene og variasjoner fra motor til motor. Når man tar i betraktning det store utvalget av produkter som motorene er monteret i og de varierende miljøforskriftene som gjelder for bruk av utstyret, så vil ikke bensinmotoren oppnå merkeeffekten når den brukes i en gitt motordrevet maskin (den virkelige nettoeffekten). Denne forskjellen oppstår på grunn av diverse faktorer som inkluderer blant annet tilleggsutstyr (luftfilter, eksos, lading, kjøling, forgasser, drivstoffpumpe etc.), begrensninger av bruksområde, omgivelsestemperaturen som motoren arbeider i, (temperatur, fuktighet høyde over havet), og variasjoner fra motor til motor. På grunn av begrensninger med produksjon og kapasitet kan Briggs & Stratton erstatte motorer i denne serien med en motor med høyere merkeeffekt.

## Sikkerhet for operator

### SIKKERHET OG KONTROLL SYMBOLER



Brann



Bevegelige deler



Olje



Giftig gass



Sakte



Hurtig



Stopp



Eksplosjon



Elektrisk støt



Fyll bensin



Choke



På Av



Drivstofftilførselen er stengt



Tilbakeslag



Bruk øyebeskyttelse



Farlig kjemikalie




Les håndboken



Varm flate



Frostskafer

Sikkerhetsvarselssymboler  brukes til å identifisere informasjon om farlige situasjoner som kan føre til at noen skades. Et signalord (FARLIG, ADVARSEL eller FORSIKTIG) er brukt sammen med varselssymboler for å vise hvor alvorlig den potensielle skaden kan være. I tillegg kan det være gitt et faresymbol som viser til hva slags faresituasjon det gjelder.



**FARLIG** viser til en faresituasjon som vil føre til at noen blir drept eller alvorlig skadet hvis den ikke unngås.



**ADVARSEL** viser til en faresituasjon som kan føre til at noen blir drept eller alvorlig skadet hvis den ikke unngås.



**FORSIKTIG** viser til en faresituasjon som kan føre til mindre eller moderate skader hvis den ikke unngås.

**FORSIKTIG**, brukt uten varselssymboler, viser til en situasjon som kan føre til at produktet blir skadet.



## ADVARSEL

Avgasser fra denne motoren inneholder kjemikalier som ifølge staten California er kreftfremkallende og forårsaker fosterskader eller andre skader på forplantningssystemet.



## ADVARSEL

Briggs & Stratton verken godkjenner eller autoriserer bruk av disse motorene på 3-hjuls terrengkjøretøy (ATV'er), motorsykler, gocarter til lek/fritidsbruk, flyprodukter eller kjøretøy som skal brukes i konkurransesammenheng. Bruk av disse motorene i slike sammenhenger kan resultere i skade på eiendom, alvorlige personskader (inkludert lammelse) og til og med dødsulykker.

**FORSIKTIG:** Denne motoren ble sendt fra Briggs & Stratton uten olje. Før du starter motoren, må du sørge for å fylle olje på den slik som beskrevet i denne håndboken. Hvis motoren startes uten olje, vil den bli fullstendig ødelagt og garantien vil ikke være gyldig.



## ADVARSEL

**Bensin og bensingass er meget brannfarlig og eksplosiv.**



**En brann eller eksplosjon kan føre til alvorlige brannskader eller dødsfall.**



### Påfylling av drivstoff

- Slå AV motoren og la den avkjøle seg i minst 2 minutter før drivstofflokket tas av.
- Drivstofftanken skal fylles utendørs eller på et sted med god ventilasjon.
- Drivstofftanken må ikke overfylles. Fyll tanken opp til ca. 38 mm nedenfor toppen av halsen slik at drivstoffet har plass til å utvide seg.
- Hold bensin unna gnister, åpne flammer, sparebluss, varme, og andre antenningskilder.
- Sjekk drivstoffslanger, tank, lokk, og fester ofte for å se om de har sprekker eller lekkasjer. Skift ut der det er nødvendig.
- Hvis det er blitt sølt drivstoff må du vente til det har fordampet før motoren startes.

### Start av motoren

- Pass på at tennpluggen, eksospotten, drivstofflokket og luftfilteret (hvis monteret) sitter godt på plass.
- Motoren må ikke dreies rundt når tennpluggen er tatt ut.
- Hvis drivstoffet har rent over, settes choken (hvis monteret) i stillingen OPEN/RUN (åpen/kjør), gassen (hvis monteret) på FAST (hurtig) og motoren dreies rundt til den starter.

### Bruk av utstyret

- Motoren eller utstyret må ikke veltes i en så skarp vinkel at bensin kan renne ut.
- Motoren må ikke stoppes ved å kvele forgasseren.
- Motoren må aldri startes eller kjøres uten at luftfilteret er monteret (hvis monteret).

### Når oljen skiftes

- Hvis oljen tømmes ut fra oljepåfyllingsrøret oppå motoren, må drivstofftanken være tom, ellers kan drivstoff renne ut og forårsake brann eller eksplosjon.

### Transport av utstyret

- Må transporteres med TOM bensintank, eller STENGT bensinkran.

### Lagring/oppbevaring av bensin eller utstyr med drivstoff på tanken

- Må ikke lagres i nærheten av fyringsanlegg, ovner, varmtvannsbereidere eller annet utstyr med sparebluss eller andre varmekilder, fordi de kan antenne bensingass.



## ADVARSEL

**Det vil dannes gnister når motoren startes.**



**Gnister kan antenne brennbar gass som befinner seg i nærheten. Dette kan føre til at det oppstår en eksplosjon eller brann.**



- Hvis det lekker naturgass eller LP-gass i nærheten, må du ikke starte motoren.
- Ikke bruk "startgass" da denne gassen er brannfarlig.



## ADVARSEL

**Motorer produserer kulloksid som er en luktfri og fargeløs giftgass. Innånding av kulloksid kan føre til kvalme, besvimelse eller dødsfall.**



- Motoren må startes og brukes utendørs.
- Motoren må ikke startes og kjøres på et innelukket område, selv om dører eller vinduer står åpne.



### ADVARSEL



Hurtig tilbakespoling av startsnoren (tilbakeslag) vil trekke hånden og armen raskere mot motoren enn du klarer å slippe taket.

Dette kan resultere i beinbrudd, blåmerker eller forstuvning.

- Når motoren skal startes, trekk sakte i startsnoren helt til du kjenner at det er motstand og trekk så raskt i den for å unngå tilbakeslag.
- Ta av alt påmontert utstyr/motorbelastninger før motoren startes.
- Maskinkomponenter som er montert direkte, slik som, men ikke begrenset til, kniver, viftehjul, remskiver, kjedehjul etc., må sitte godt fast.



### ADVARSEL



Hender, føtter, hår, klesplagg eller smykker kan komme i kontakt med roterende deler eller sette seg fast i dem.

Dette kan føre til traumatisk amputasjon av lemsdeler eller store sårskader.

- Dekslene må alltid sitte på plass når utstyret er i bruk.
- Hold hender og føtter borte fra roterende deler.
- Sett opp langt hår og ta av smykker.
- Du må ikke ha på deg løstsittende klær, snører som henger løst eller noe annet som kan sette seg fast i maskinen.



### ADVARSEL



Motorer som er i gang produserer varme. Motordeler, spesielt eksospotten, blir meget varm.



Berøring av slike deler kan forårsake alvorlige brannskader.



Brennbart materiale, slik som løv, gress, småkratt etc., kan antennes.

- Vent til eksospotten, motorsylindren og ribbene blir kalde før du tar på dem.
- Fjern brennbart rusk som har samlet seg i området rundt eksospotten og sylindren.
- Monter en gnistfanger og pass på at den er i god stand før utstyret brukes på skogbunner eller udyrket land med gress eller kratt. Dette er påkrevd i California (seksjon 4442 i California Public Resources Code). Andre steder kan ha liknende lover. Offentlige lover gjelder på offentlig land.



### ADVARSEL



En tilfeldig gnist kan forårsake brann eller elektrisk støt.



Tilfeldig start kan resultere i at du blir sittende fast i maskineriet, traumatisk amputasjon av lemsdeler eller sårskader.



Brannfare

#### Før justering eller reparasjoner utføres:

- Ta av tennpluggkabelen og hold den unna tennpluggen.
- Koble fra den negative batteripolen (gjelder kun motorer med elektrisk start).
- Bruk kun korrekt verktøy.
- Ikke kluss med regulatorfjærene, forbindelsesleddene eller andre deler for å øke motorturtallet.
- Reservedelene må være av samme type og installeres i samme posisjon som originaldelene.
- Det må aldri brukes en hammer eller annen hard gjenstand fordi svinghjulet kan sprekke senere under drift.

#### Testing av gnist:

- Bruk en godkjent gnisttester.
- Du må ikke undersøke om det er gnist mens tennpluggen er tatt ut.

# Egenskaper og betjening

Sammenlign illustrasjonen **1** med motoren for å bli kjent med hvor de forskjellige kontrollene og justeringene er plassert.

- A. Motoridentifikasjon  
**Modell Type Kode**
- B. Tennplugg
- C. Drivstofftank og lokk
- D. Luftfilter
- E. Startsnor håndtak
- F. Oljepåfylling og peilestav
- G. Oljeavløpsplugg
- H. Muffler  
Eksospotteskydd (valgfritt)  
Gnistfanger (valgfri)
- I. Choke
- J. Gasskontroll (valgfri)
- K. Stoppbryter
- L. Bensinkran (valgfri)
- M. Fingerskydd
- N. Reduksjonsgir (valgfritt)

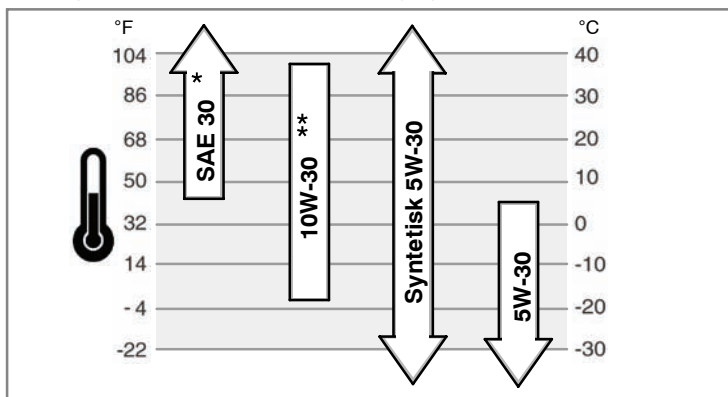
## Funksjon

Oljekapasitet (se under *Spesifikasjoner*)

### Anbefalt olje

Vi anbefaler bruk av Briggs & Stratton oljer som er godkjent under garantien for å få den beste ytelsen. Andre oljer av høy kvalitet er akseptable hvis de er klassifisert for service SF, SG, SH, SJ eller høyere. Det skal ikke brukes spesielle tilsetningsmidler.

Utetemperaturen er avgjørende for valg av riktig oljeviskositet til motoren. Bruk tabellen for å velge den beste viskositeten for det sannsynlige temperaturområdet.



\* Bruk av SAE 30 oljer i temperaturer under 40°F (4°C) vil føre til at motoren blir vanskelig å starte.

\*\* Bruk av 10W-30 i temperaturer over 80°F (27°C) kan føre til økt oljeforbruk. Oljenivået må sjekkes oftere.

### Hvordan oljen sjekkes/påfylles - Figur 2

#### Før oljen fylles på og sjekkes

- Sett motoren vannrett.
- Rengjør området rundt oljepåfyllingshullet.
- 1. Ta ut peilestaven (A) and og tørk av den med en ren fille.
- 2. Sett inn peilestaven men skru den **ikke** fast. Oljenivået skal nå opp til FULL-merket (B) på peilestaven.
- 3. Oljen fylles på ved å helle den sakte i oljepåfyllingshullet (C). Fyll på så mye at det nesten renner over.
- 4. Sett peilestaven tilbake og skru den fast.

### Anbefalt drivstoff

#### Drivstoffet må oppfylle disse kravene:

- Ren, ny, blyfri bensin.
- Minst 87 oktan/87 AKI (91 RON). Se under for bruk i store høyder.
- Bensin med opp til 10% etanol (gasohol) eller opp til 15% MTBE (metyltertiærbutyleter) kan brukes.

**FORSIKTIG:** Det må ikke brukes bensintyper som ikke er godkjent, slik som f.eks. E85. Det må ikke blandes olje i bensinen og motoren må ikke modifiseres til å gå på alternative drivstoff. Dette vil skade komponenter i motoren og **ugyldiggjøre motorgarantien**.

Drivstoffsystemet beskyttes mot gummibelegg ved å blande en drivstoffstabilisator i drivstoffet. Se *Lagring*. Det finnes forskjellige typer drivstoff. Hvis det oppstår problemer med start, bytt drivstoffleverandør eller forsøk et annet merke. Disse motorene er sertifiserte for bruk av bensin. Avgasskontrollsystemet på denne motoren er EM (Engine Modifications - Motormodifikasjoner)

### Store høyder over havet

Bruk av bensin med et minsteoktan på 85/85 AKI (89 RON) i høyder over 1524 meter er akseptabelt. Det er nødvendig å justere motoren for bruk i store høyder over havet for å tilfredsstille forskriftene for avgassutslipp. Hvis motoren brukes uten denne justeringen, vil det føre til dårligere prestasjon, økt bensinforbruk og større avgassutslipp. Ta kontakt med et Briggs & Stratton autorisert forhandlerverksted for å få informasjon om å justere motoren for bruk i store høyder over havet.

Bruk av motoren i høyder under 762 meter når den er justert for bruk i store høyder anbefales ikke.

### Slik fyller du på drivstoff - Figur 3



#### ADVARSEL

Bensin og bensingass er meget brannfarlig og eksplosiv.



En brann eller eksplosjon kan føre til alvorlige brannskader eller dødsfall.



#### Påfylling av drivstoff

- Slå av motoren og la den avkjøle seg i minst 2 minutter før drivstofflokket tas av.
  - Drivstofftanken skal fylles utendørs eller på et sted med god ventilasjon.
  - Drivstofftanken må ikke overfylles. Fyll tanken opp til ca. 38 mm nedenfor toppen av halsen slik at drivstoffet har plass til å utvide seg.
  - Hold bensin unna gnister, åpne flammer, sparebluss, varme, og andre antenningskilder.
  - Sjekk drivstoffslanger, tank, lokk, og fester ofte for å se om de har sprekker eller lekkasjer. Skift ut der det er nødvendig.
  - Hvis det er blitt sølt drivstoff må du vente til den har fordampet før motoren startes.
1. Rengjør området rundt tanklokket. Ta av lokket (A) (Figur 3).
  2. Fyll drivstofftanken (B) med bensin. Bensinen må ha tilstrekkelig med plass til å utvide seg, og må derfor kun fylles opp til bunnen av drivstofftankens påfyllingshals (C).
  3. Sett lokket på drivstofftanken.

### Slik starter du motoren - Figur 4 5



#### ADVARSEL

Hurtig tilbakespoling av startsnoren (tilbakeslag) vil trekke hånden og armen raskere mot motoren enn du klarer å slippe taket.



Dette kan resultere i beinbrudd, blåmerker eller forstuvning.



- Når motoren skal startes, trekk sakte i startsnoren helt til du kjenner at det er motstand og trekk så raskt i den for å unngå tilbakeslag.



#### ADVARSEL

Bensin og bensingass er meget brannfarlig og eksplosiv.



En brann eller eksplosjon kan føre til alvorlige brannskader eller dødsfall.



#### Start av motoren

- Pass på at tennpluggen, eksospotten, bensinlokket og luftfilteret sitter på plass.
- Motoren må ikke dreies rundt når tennpluggen er tatt ut.
- Hvis drivstoffet har rent over, settes choken (hvis montert) i stillingen open/run (åpen/kjør), gassen (hvis montert) på fast (hurtig) og motoren dreies rundt til den starter.



#### ADVARSEL

Motorer produserer kulloksid som er en luktfri og fargeløs giftgass. Innånding av kulloksid kan føre til kvalme, besvimelse eller dødsfall.



- Motoren må startes og brukes utendørs.
- Motoren må ikke startes og kjøres på et innelukket område, selv om dører eller vinduer står åpne.

**FORSIKTIG:** Denne motoren ble sendt fra Briggs & Stratton uten olje. Før du starter motoren, må du sørge for å fylle olje på den slik som beskrevet i denne håndboken. Hvis motoren startes uten olje, vil den bli fullstendig ødelagt og garantien vil ikke være gyldig

1. Sjekk oljenivået Se under *Hvordan oljen sjekkes/fylles*.
2. Sjekk at drivkontrollene på utstyret (hvis montert) er slått av. Se håndboken som tilhører utstyret for plassering og bruk av disse kontrollene.
3. Press stoppbryteren (E) i stillingen "on" (på) (Figur 4).
4. Flytt gasspaken (B), hvis montert i stillingen "fast" (hurtig) . Gasspaken skal stå i hurtigstillingen mens motoren er i drift.
5. Flytt choken (C) til choke stillingen.  
Obs: Det er vanligvis ikke nødvendig å bruke choken når man starter en varm motor.
6. Drei bensinkranen (D), hvis montert, i stillingen "on" (på) (Figur 5).

7. **Snorstart:** Hold godt fast i håndtaket på startsnoren (E). Trekk sakte i snorhåndtaket helt til du kjenner motstand, og trekk så raskt i det (Figur 4).

Obs: Hvis ikke motoren starter etter tre forsøk, gå til **BRIGGSandSTRATTON.COM** eller ring **1-800-233-3723** (i USA).



**ADVARSEL:** Hurtig tilbakeslag av startsnoren (tilbakeslag) vil trekke hånden og armen din mot motoren raskere enn du klarer å slippe taket. Dette kan resultere i beinbrudd, blåmerker, brister eller forstuinger. Når du starter motoren, trekk sakte i startsnoren helt til du kjenner motstand og trekk så raskt i den for å unngå tilbakeslag.

8. **Elektrisk start:** Drei den elektriske startbryteren i stillingen "on/start" (på/start). Se hvor denne bryteren er plassert og hvordan den brukes i håndboken som tilhører utstyret.

Obs: Hvis ikke motoren starter etter tre forsøk, gå til **BRIGGSandSTRATTON.COM** eller ring **1-800-233-3723** (i USA).

**FORSIKTIG:** Bruk korte startsykluser (maks. fem sekunder) for å forlenge starterens levetid. Vent ett minutt mellom hver startsyklus

9. Flytt choken (C) i stillingen "run" (kjør) | ↑ | når motoren varmes opp (Figur 4).

## Slik stopper du motoren - Figur 5 6



### ADVARSEL

Bensin og bensingass er meget brannfarlig og eksplosiv.

En brann eller eksplosjon kan føre til alvorlige brannskader eller dødsfall.



- Motoren må ikke stoppes ved å kvele forgasseren.
- 1. Flytt stoppbryteren (A, Figur 6) i stillingen "off" (av).

eller

**Elektrisk start:** Drei den elektriske startbryteren i stillingen "off/stop" (av/stopp). Se hvor denne bryteren er plassert og hvordan den brukes i håndboken som tilhører utstyret.

2. Når motoren har stanset, stenges drivstoffkranen (D, Figur 5).

## Vedlikehold

**Bruk kun originale reservedeler til utstyret. Bruk av andre deler kan svekke ytelsen eller skade utstyret, og kan føre til at noen skades.** Bruk av andre deler kan i tillegg ugyldiggjøre garantien.

Vi anbefaler at du tar kontakt med et Briggs & Stratton autorisert forhandlerverksted for å få utført alt vedlikeholdsarbeid og service av motoren og de tilhørende delene.

**FORSIKTIG:** Alle komponenter som er brukt i denne motoren må være montert for at den skal fungerer riktig.

### Avgasskontroll

**Vedlikehold, utskifting eller reparasjon av avgasskontroll anordninger kan utføres av alle verksteder eller individer som reparerer små off-road motorer.** For å få "kostnadsfri" service av avgasskontroller må imidlertid arbeidet utføres hos en forhandler med autorisasjon fra fabrikk. Se avgass garantien.



### ADVARSEL

En tilfeldig gnist kan forårsake brann eller elektrisk støt.

Tilfeldig start kan resultere i at du blir sittende fast i maskineriet, traumatisk amputasjon av lemsdelene eller sårskader.

Brannfare



### Før justering eller reparasjoner utføres:

- Koble fra tennpluggkabelen og hold den unna tennpluggen.
- Bruk kun korrekt verktøy.
- Ikke kluss med regulatorfjærene, forbindelsesleddene eller andre deler for å øke motorturtallet.
- Reservedelene må være av samme type og installeres i samme posisjon som originaldelene.
- Det må aldri brukes en hammer eller annen hard gjenstand fordi svinghjulet kan sprekesener under drift.

### Testing av gnist:

- Bruk en godkjent gnisttester.
- Du må ikke undersøke om det er gnist mens tennpluggen er tatt ut.

## Vedlikeholdsskjema

De første 5 timene
<ul style="list-style-type: none"><li>• Skift olje</li></ul>
Etter 8 timer eller daglig
<ul style="list-style-type: none"><li>• Sjekk oljenivået i motoren</li><li>• Rengjør området rundt eksospotten og kontrollene</li><li>• Rengjør fingerskyddet</li></ul>
Etter 25 timer eller en gang i året
<ul style="list-style-type: none"><li>• Rengjør luftfilteret *</li><li>• Rengjør forfilteret *</li></ul>
Etter 100 timer eller en gang i året
<ul style="list-style-type: none"><li>• Skift motorolje</li><li>• Sjekk eksospotten og ginstfangeren</li></ul>
Hver 100. time
<ul style="list-style-type: none"><li>• Skift oljen i reduksjonsgiret (hvis montert)</li></ul>
En gang i året
<ul style="list-style-type: none"><li>• Skift ut luftfilteret</li><li>• Skift ut forfilteret</li><li>• Skift ut tennpluggen</li><li>• Rengjør/skift ut drivstoffilteret</li><li>• Rengjør luftkjølingsanlegget *</li><li>• Sjekk ventilklaringen **</li></ul>

\* Rengjør oftere hvis arbeidsforholdene er veldig støvete eller hvis mye rusk virvles opp i luften.

\*\* Unødvendig hvis det ikke er problemer med motorytelsen

## Justering av forgasseren

Du må aldri justere forgasseren selv. Forgasseren ble innstilt på fabrikk slik at den fungerer effektivt under de fleste forhold. Hvis det imidlertid er nødvendig å justere den, ta kontakt med et Briggs & Stratton autorisert forhandlerverksted som kan utføre arbeidet

**FORSIKTIG:** Produsenten av utstyret som denne motoren er montert i, har gitt en topphastighet som motoren skal gå med. Denne hastigheten **må ikke overskrides**.

## Slik bytter du tennpluggen - Figur 8

Sjekk elektrodeavstanden (A, Figur 8) med en følelære (B). Juster avstanden om nødvendig. Sett inn tennpluggen og trekk den til med anbefalt moment. Elektrodeavstand og moment står under **Spesifikasjoner**.

Obs: På enkelte steder må man i henhold til lokale forskrifter bruke en tennplugg av resistortypen for radiodemping. Hvis denne motoren opprinnelig hadde en resistortennplugg, må man benytte samme type ved utskifting.

## Kontroller lydporten og gnistfangeren - Figur 7



### ADVARSEL

Motorer som er i gang produserer varme. Motordeler, spesielt eksospotten, blir meget varm.



Berøring av slike deler kan forårsake alvorlige brannskader.



Brennbart materiale, slik som løv, gress, småkratt etc., kan antennes.

- Vent til eksospotten, motorsylindere og ribbene blir kalde før du tar på dem.
- Fjern brennbart rusk som har samlet seg i området rundt eksospotten og sylindere.
- Monter en gnistfanger og pass på at den er i god stand før utstyret brukes på skogbunnen eller udyrket land med gress eller kratt. Dette er påkrevd i California (seksjon 4442 i California Public Resources Code). Andre steder kan ha liknende lover. Offentlige lover gjelder på offentlig land.

Sjekk om eksospotten (A) har sprekker, korrosjon eller andre skader. Ta av gnistfangeren (B), hvis montert, og sjekk om den er skadet eller full av sot. Hvis det er nødvendig å bruke reservedeler, er det viktig å kun bruke originale reservedeler.



**ADVARSEL:** Reservedeler må være de samme som de originale delene og de må monteres i samme stilling, hvis ikke kan det oppstå brann.

## Slik skifter du olje - Figur 9 10

**FORSIKTIG:** Brukt olje er et farlig avfallsprodukt som må kasseres i henhold til forskriftene. Den må ikke kasseres sammen med husholdningsavfall. Snakk med lokale myndigheter, serviceverkstedet eller forhandleren for å finne ut hvor oljen trygt kan kasseres//resirkuleres.

### Tømming av olje

1. Slå av motoren og ta av tennpluggkabelen (A) mens motoren fremdeles er varm. Pass på at kabelen ikke kommer i kontakt med tennpluggen (Figur 10).
2. Ta ut oljetappepluggen (B, Figur 9). Tøm oljen i en godkjent beholder.  
*Obs:* Alle oljetappepluggene (C) som er vist kan brukes til motoren.
3. Sett inn oljetappepluggen igjen og trekk den godt til etter at oljen er tømt ut.

### Påfylling av olje

- Sett motoren vannrett.
  - Rengjør området rundt oljepåfyllingen.
  - Se under **Spesifikasjoner** for oljekapasiteten.
1. Ta ut peilestaven (D) og tørk av den med en ren fille
  2. Hell oljen sakte i oljepåfyllingshullet (E). Fyll til det nesten renner over.
  3. Sett inn peilestaven igjen men **ikke** skru den inn. Ta den ut og sjekk oljenivået. Oljenivået skal nå opp til FULL-merket (F) på peilestaven.
  4. Sett inn peilestaven og skru den fast.

## Slik utfører du service på luftfilteret - Figur 11



### ADVARSEL

**Bensin og bensingass er meget brannfarlig og eksplosiv.  
En brann eller eksplosjon kan føre til alvorlige brannskader eller dødsfall.**

- Motoren må aldri startes eller kjøres uten at luftfilteret sitter på plass.
- FORSIKTIG:** Bruk aldri trykkluft eller løsemidler til å rengjøre filteret. Trykkluft kan skade filteret, og løsemidler vil oppløse det.
- Dette luftfiltersystemet har et plissert/foldet filter og et valgfritt forfilter. Forfilteret kan vaskes og brukes om igjen.

### Flatt luftfilter

1. Løsne festene (D) som fester dekslet (A). Se Figur 11.
2. Åpne dekslet og ta ut forfilteret (C) og filteret (B).
3. Bank filteret lett mot en hard flate for å løsne rusk etc. Hvis filteret er veldig skittent, må det skiftes ut.
4. Vask forfilteret i et flytende vaskemiddel og vann. La det lufttørke til det er helt tørt. Forfilteret skal **ikke** oljes.
5. Sett det tørre forfilteret på filteret slik at leppen (G) på forfilteret vender mot bunnen av filterfoldene.
6. Monter filteret.
7. Sett tappene på dekslet (E) inn i hullene (F).
8. Lukk dekslet og fest det med festene.

## Hvordan oljen skiftes i reduksjonsgiret - Figur 12

Hvis motoren din har et reduksjonsgir, skal servicearbeidet utføres på følgende måte.

1. Ta ut oljepåfyllingspluggen (B) og oljenivåpluggen (C).
2. Ta ut oljetappepluggen (A, Figur 12) og tøm oljen over i en passende beholder.
3. Sett inn oljetappepluggen og trekk den til.
4. Hell giroljen sakte ned i oljepåfyllingshullet (se under **Spesifikasjoner**). Fortsett å fylle på olje helt til den renner ut av oljenivåhullet.
5. Sett inn oljenivåpluggen og trekk den til.
6. Sett inn oljepåfyllingspluggen og trekk den til.  
**Viktig:** Oljepåfyllingspluggen har et ventilasjonshull (D) og må monteres oppå girkasdekslet slik som vist.

## Hvordan drivstoffilteret rengjøres/skiftes ut - Figur 13



### ADVARSEL

**Bensin og bensingass er meget brannfarlig og eksplosiv.  
En brann eller eksplosjon kan føre til alvorlige brannskader eller dødsfall.**

- Hold bensin unna gnister, åpne flammer, sparebluss, varme, og andre antenningskilder.
  - Sjekk drivstoffslanger, tank, lokk, og fester ofte for å se om de har sprekker eller lekkasjer. Skift ut der det er nødvendig.
  - Tøm drivstofftanken eller steng drivstoffkranen før drivstofffilteret skiftes.
  - Reservedelene må være av samme type og installeres i samme posisjon som originaldelene.
  - Hvis det er blitt sølt bensin må du vente til den har fordampet før motoren startes.
1. Ta av tanklokket (A, Figur 13).
  2. Fjern drivstofffilteret (B).
  3. Hvis drivstofffilteret er skittent, må det rengjøres eller skiftes ut. Hvis drivstofffilteret skiftes ut, må du bruke en original reservedel.

## Slik rengjør du luftkjølesystemet - Figur 14



### ADVARSEL

**Motorer som er i gang produserer varme. Motordeler, spesielt eksospotten, blir meget varm.  
Berøring av slike deler kan forårsake alvorlige brannskader.  
Brennbart materiale, slik som løv, gress, småkratt etc., kan antennes.**

- Vent til eksospotten, motorsylindere og ribbene blir kalde før du tar på dem.
  - Fjern brennbart rusk som har samlet seg i området rundt eksospotten og sylindere.
- CFORSIKTIG:** Motoren må aldri rengjøres med vann. Vann kan forurense drivstoffsystemet. Bruk en børste eller en tørr klut til å rengjøre motoren. Dette er en luftkjølt motor. Skitt eller rusk kan blokkere luftstrømmen slik at motoren overopphetes. Dette fører til dårlig ytelse og unødvendig slitasje på motoren. Bruk en kost eller en tørr klut til å fjerne rusk fra fingerskyddet (A). Hold forbindelsesledd, fjærer og kontrollere (B) rene. Hold området rundt og bak eksospotten (C) fritt for alt brennbart materiale. (Figur 14).

### Lagring



### ADVARSEL

**Bensin og bensingass er meget brannfarlig og eksplosiv.  
En brann eller eksplosjon kan føre til alvorlige brannskader eller dødsfall.**

### Lagring/oppbevaring av bensin eller maskiner med drivstoff på tanken

- Må ikke lagres/oppbevares i nærheten av fyringsanlegg, ovner, varmtvannsberedere eller annet utstyr med sparebluss eller lignende varmekilder, fordi de kan antenne bensingass. Det vil dannes gnister når motoren startes.

### Drivstoffsystemet

Drivstoff kan bli harskt hvis det lagres i mer enn 30 dager. Harskt drivstoff forårsaker at det dannes syre- og gummibelegg i drivstoffsystemet eller på viktige forgasserdelene. Drivstoffet holdes ferskt ved å bruke Briggs & Stratton FRESH START® drivstoffstabilisator som er tilgjengelig som et flytende tilsetningsmiddel eller en patron med drypptilførsel av konsentrat.

Det er ikke nødvendig å tømme motoren for bensin hvis det brukes en drivstoffstabilisator i henhold til bruksanvisningen. La motoren gå i 2 minutter for å sirkulere stabilisatoren i drivstoffsystemet. Motoren og drivstoffet kan da lagres i opp til 24 måneder.

Hvis bensinen i motoren ikke er behandlet med en drivstoffstabilisator, må den tømmes over på en godkjent kanne. Kjør motoren til den går tom for bensin. Bruk av en drivstoffstabilisator i bensinkannen anbefales for å holde bensinen fersk.

### Motorolje

Skift olje mens motoren ennå er varm.

### Feilsøking

Trenger du hjelp? Gå til **BRIGGSandSTRATTON.COM** eller ring **1-800-233-3723**.



# Spesifikasjoner

Motorspesifikasjoner	
Modell	120000
Sylindervolum	12,48 ci (205 ccm)
Sylinderboring	2,688 in (68,28 mm)
Slaglengde	2,200 in (55,88 mm)
Oljekapasitet	18 - 20 oz (0,54 - 0,59 l)
Reduksjonsgir olje	80W-90

Motorspesifikasjoner	
Modell	200000
Sylindervolum	18,63 ci (305 ccm)
Sylinderboring	3,120 in (79,24 mm)
Slaglengde	2,438 in (61,93 mm)
Oljekapasitet	26 - 28 oz (0,77 - 0,83 l)
Reduksjonsgir olje	SAE 30

Spesifikasjoner for vedlikehold *	
Modell	120000
Tennpluggens elektrodeavstand	0,030 in (0,76 mm)
Tiltrekningsmoment for tennplugg	180 lb-in (20 Nm)
Tennspolens luftspalte	0,010 - 0,014 in (0,25 - 0,36 mm)
Inntaksventil klaring	0,004 - 0,006 in (0,10 - 0,15 mm)
Eksosventil klaring	0,009 - 0,011 in (0,23 - 0,28 mm)


Spesifikasjoner for vedlikehold *	
Modell	200000
Tennpluggens elektrodeavstand	0,030 in (0,76 mm)
Tiltrekningsmoment for tennplugg	180 lb-in (20 Nm)
Tennspolens luftspalte	0,008 - 0,012 in (0,20 - 0,30 mm)
Inntaksventil klaring	0,004 - 0,006 in (0,10 - 0,15 mm)
Eksosventil klaring	0,009 - 0,011 in (0,22 - 0,28 mm)

\* Motorytelsen vil reduseres med 3,5% for hver 300 meter over havet, og med 1% for hver 10° F (5,6° C) over 77° F (25° C). Motoren vil fungere tilfredsstillende med en vinkel opp til 15°. Se maskinens bruksanvisning for tillatt trygg arbeidsvinkel i bakker.

## Vanlige reservedeler

Reservedel	Del nummer
Flatt luftfilter	491588, 5043
Forfilter for flatt luftfilter	493537, 5064
Drivstoffilter	792917
Drivstofftilsetningsmiddel	5041, 5058

Reservedel	Del nummer
Resistortennplugg	491055
Long Life Platina Tennplugg	5066
Tennpluggnøkkel	89838, 5023
Gnisttester	19368

 Vi anbefaler at du tar kontakt med et autorisert Briggs & Stratton forhandlerverksted for å få utført alt vedlikeholdsarbeid og service av motoren og de tilhørende delene. Bruk kun originale Briggs & Stratton deler.

## BEGRENSET GARANTI

Briggs & Stratton Corporation vil reparere eller erstatte gratis alle del(er) av motoren som er funnet defekt i materiale eller utførelse eller begge deler. Alle transportkostnader for et produkt som skal skiftes ut eller repareres under denne garantien må dekkes av kjøperen. Denne garantien er gyldig i den tidsperioden og med de vilkårene som er gitt nedenfor. For å hevde garantien må man ta kontakt med nærmeste autoriserte forhandlerverksted som finnes på kartet over forhandlere på BRIGGSandSTRATTON.COM, ved å ringe 1-800-233-3723, eller ved å slå opp i telefonkatalogens 'Gule sider'™.

**Det gis ingen annen eksplisitt garanti. Implisitt garanti, inklusive kjøpegarantier og at utstyr skal passe til et bestemt formål, er begrenset til ett år fra salgsdato eller så lenge som påbudt av gjeldende norske lover. Dette opphever alle andre garantier. Dette opphever alle andre garantier. Alle krav om erstatning for følgeskader eller avsavv er ugyldige såfremt de ikke er påbudt ved lov.** Noen land tillater ikke at det settes tidsbegrensning på en implisitt garanti, og i enkelte land er det heller ikke lov å utelukke eller begrense ansvaret for følgeskader. Det kan derfor være mulig at reglene som er gitt ovenfor ikke gjelder der du bor. Denne garantien gir deg spesielle rettigheter, og du kan også ha andre rettigheter som vil variere fra land til land i tillegg.

## VILKÅR FOR STANDARD GARANTI \* ▲

Merke/Produkt type	Privat bruk	Profesjonelt bruk
Vanguard™	2 år	2 år
Extended Life Series™, I/C® <sup>®</sup> , Intek™ I/C® <sup>®</sup> , Intek™ Pro	2 år	1 år
Snow Series MAX™ med Dura-Bore™ sylinderforing av støpejern	2 år	1 år
Alle andre Briggs & Stratton motorer	2 år	90 dager

\* Dette er våre vilkår for standard garantien, men det kan av og til komme noe i tillegg som også dekkes av garantien som ikke var tilstede for publikasjonen. For å se en oversikt over garantivilkårene som gjelder for din motor, gå til BRIGGSandSTRATTON.COM eller ta kontakt med ditt autoriserte Briggs & Stratton forhandlerverksted.

▲ Motorer på generatorer til hjemmebruk er kun garantert for privat bruk. Denne garantien gjelder ikke motorer på utstyr som brukes som strømforsyning på et produksjonssted. **Motorer som er brukt til konkurransekjøring eller på kommersielle baner eller utleiebaner dekkes ikke av garantien.**

Garantiperioden gjelder fra datoen produktet blir solgt for første gang, enten til privat bruk eller til profesjonelt bruk, og ut perioden som er gitt i tabellen ovenfor. "Privat bruk" betyr bruk i private husholdninger. "Profesjonelt bruk" betyr all annen bruk, inklusive kommersiell bruk, bruk for inntektservervelse og utleie. Så snart en motor er blitt anvendt til profesjonelt bruk, vil den deretter bli betraktet som en kommersiell motor med hensyn til denne garantien.

**Det er ikke nødvendig å vise et garantiregistreringskort for å oppnå garantirettigheter for Briggs & Stratton-produkter. Ta vare på kvitteringen du fikk da du kjøpte motoren. Hvis du ikke kan fremlegge bevis på første salgsdato når du krever garantien, vil produktets produksjonsdato bli brukt til å avgjøre garantiperioden.**

## Om garantien

Briggs & Stratton tar med glede i mot garantireparasjoner og beklager at du fikk bryderiet med dette. Alle autoriserte forhandlerverksteder kan utføre garantireparasjoner. De fleste garantireparasjonene utføres rutinemessig, men noen ganger kan det hende at et garantikrav ikke er berettiget.

Hvis en kunde er uenig i forhandlerverkstedets avgjørelse, vil garantikravet bli undersøkt nærmere. Be forhandlerverkstedet sende alle detaljer til importøren eller fabrikken for vurdering. Hvis importøren eller fabrikken avgjør at kravet er berettiget, vil kunden få full erstatning for de defekte delene. For å unngå evt. misforståelser mellom kunden og verkstedet, har vi beskrevet noen utvalgte feilsituasjoner som ikke dekkes av garantien.

**Normal slitasje:** Motorer, som alle andre mekaniske innretninger, trenger regelmessig service og skifte av deler for at de skal fungere optimalt. Garantien dekker ikke reparasjoner der en del eller en motor er blitt utslitt som resultat av normalt bruk. Garantien gjelder ikke hvis motoren ble skadet som resultat av feil bruk, dårlig vedlikehold, transport, håndtering, oppbevaring eller feil montering. Garantien gjelder heller ikke hvis motorens serienummer er blitt fjernet eller hvis motoren på noen måte er blitt endret eller modifisert.

**Utilstrekkelig vedlikehold:** Levetiden til en motor avhenger av hvordan den brukes og hvordan den blir vedlikeholdt. Enkelte maskiner, som f.eks. jordfresere, pumper og rotasjonsplenklippere, benyttes ofte der det er mye støv og skitt. Dette kan forårsake hurtig slitasje. Slik slitasje, forårsaket av at skitt, støv, sot/støv fra rensing av tennplugger og andre slipende partikler er kommet inn i motoren p.g.a. utilstrekkelig vedlikehold, dekkes ikke av garantien.

**Denne garantien dekker kun defekter i materialer og/eller utførelse i forbindelse med motoren. Garantien gjelder ikke for erstatning av maskinen som motoren er montert i og gjelder heller ikke reparasjoner som følge av:**

- 1 Problemer som er forårsaket av deler som ikke er originale Briggs & Stratton deler.
- 2 Kontrollutstyr eller andre deler som hindrer start, forårsaker at motoren går dårlig eller forkorter motorens levetid. (Ta kontakt med maskinprodusenten.)
- 3 Lekkasje i forgassere, tette drivstoffslanger, ventiler som har skjært seg eller andre feil forårsaket av forurenset eller gammelt drivstoff.

- 4 Deler som har skjært seg eller er blitt ødelagt fordi motoren ble kjørt med for lite eller forurenset smøreolje, eller feil type smøreolje (Oljenivået må sjekkes og påfylles når det er nødvendig, og skiftes med anbefalte intervaller.) Det kan hende at OIL GARD ikke stanser motoren. Motoren kan få skader hvis ikke oljen holdes på riktig nivå.
- 5 Reparasjon eller justering av tilhørende deler eller enheter som f.eks. clutcher, transmisjoner, fjernstyring etc. som ikke er produsert av Briggs & Stratton.
- 6 Skade eller slitasje på deler som er forårsaket av at det har kommet skitt inn i motoren p.g.a. for dårlig vedlikehold av luftfilteret eller at det er feil satt sammen eller at det er brukt feil type luftfilter eller kassett. Rengjør og/eller bytt filteret ved anbefalte intervaller som angitt i instruksjonsboken.
- 7 Deler som er skadet som resultat av for høyt turtall, eller overoppheting som skyldes at skitt, gress eller rusk tetter igjen kjøleribbene eller svinghjulet, eller skader forårsaket av at motoren er blitt brukt på steder uten tilstrekkelig ventilasjon. Fjern gressrester og rusk fra motoren med anbefalte intervaller slik som beskrevet i instruksjonsboken.
- 8 Deler på maskinen eller motoren som er brukket p.g.a. sterk vibrasjon forårsaket av at motoren sitter løst, løstsittende kniver, ubalanserte kniver eller løse eller ubalanserte viftehjul, utstyr som er feil montert på motorakslingen, for høyt turtall eller annen uforsiktig bruk.
- 9 En bøyd eller brukket veivaksel forårsaket av at kniven på en roterende gressklipper har slått mot en hard gjenstand, eller av at v-reimen er for stram.
- 10 Rutinemessig trimming eller justering av motoren.
- 11 Svikt av motor eller motordeler, dvs. forbrenningskammer, ventiler, ventilseter, ventilførere, eller brante startermotorviklinger forårsaket av at det er blitt brukt alternativt drivstoff slik som flytende petroleum, naturgass, endret bensin etc.

**Service under garantien er kun tilgjengelig hos forhandlerverksteder som er autorisert av Briggs & Stratton Corporation. Finn ditt nærmeste autoriserte forhandlerverksted på kartet over forhandlere på BRIGGSandSTRATTON.COM, ved å ringe 1-800-233-3723, eller ved å slå opp i telefonkatalogens 'Gule sider'™.**

## Informações gerais

Para obter peças de reposição ou assistência técnica, registre abaixo os números de modelo, tipo e código do motor, além da data de compra. Esses números estão localizados no motor (consulte a página de **Recursos e controles**).

Data de compra: \_\_\_\_\_

DD/MM/AAAA

Modelo do motor: \_\_\_\_\_

Modelo:

Tipo:

Código:

## Informações sobre classificação de potência do motor

A potência bruta para os modelos de motor a gás individuais é classificada conforme o código J1940 (Small Engine Power & Torque Rating Procedure - Procedimento de Classificação de Potência e Torque para Pequenos Motores) da SAE (Society of Automotive Engineers - Sociedade de Engenheiros Automotivos) e o desempenho da classificação foi obtido e corrigido de acordo com o código SAE J1995 (Revisão de 2002-05). Os valores de torque são calculados a 3060 RPM; os valores de HP são calculados a 3600 RPM. A potência bruta real do motor será inferior e é afetada por condições ambientais de operação e variabilidade dos motores, entre outros fatores. Devido à ampla diversidade de produtos nos quais são instalados motores e à variedade de questões ambientais aplicáveis ao funcionamento do equipamento, o motor a gás não desenvolverá a potência bruta classificada quando usado em um determinado equipamento de potência (potência líquida ou "no local"). Essa diferença ocorre por vários fatores, inclusive, mas não somente, acessórios (filtro de ar, escapamento, aparelho de carregamento, resfriamento, carburador, bomba de combustível, etc.), limitações de aplicação, condições ambientais de operação (temperatura, umidade, altitude) e variabilidade de motores. Devido a limitações de fabricação e capacidade, a Briggs & Stratton poderá substituir um motor de potência classificada mais alta por um motor desta série.

## Segurança do operador

### SÍMBOLOS DE SEGURANÇA E CONTROLE



O símbolo de alerta de segurança é usado para identificar informações de segurança sobre perigos que possam resultar em ferimentos. Uma palavra de sinalização (PERIGO, AVISO ou CUIDADO) acompanha o símbolo de alerta para indicar o potencial e a possível gravidade de ferimentos. Além disso, um símbolo de perigo pode ser usado para representar o tipo de perigo.

**PERIGO** indica um perigo que, se não for evitado, **resultará em morte ou ferimentos graves**.

**AVISO** indica um perigo que, se não for evitado, **poderá resultar em morte ou ferimentos graves**.

**CUIDADO** indica um perigo que, se não for evitado, **poderá resultar em ferimentos graves ou leves**.

**CUIDADO**, quando usado **sem** o símbolo de alerta, indica uma situação que **pode resultar em danos no produto**.

**AVISO**  
A exaustão do motor deste produto contém produtos químicos conhecidos no Estado da Califórnia como causadores de câncer, defeitos congênitos ou outros problemas associados à reprodução humana.

**AVISO**  
A Briggs & Stratton não aprova ou autoriza o uso desses motores em qualquer veículo terrestre (ATVs) de três rodas, mobiletes/karts para recreação, produtos ou veículos aéreos construídos para uso em competições. A utilização desses motores para tais aplicações pode resultar em danos materiais, ferimentos graves (incluindo paralisias) ou até mesmo morte.

**CUIDADO:** Este motor foi enviado pela Briggs & Stratton sem óleo. Antes de dar partida no motor, lembre-se de adicionar óleo de acordo com as instruções neste manual. Se o motor for acionado sem óleo, ele será danificado sem possibilidade de reparo e não estará coberto pela garantia.

**AVISO**  
A gasolina e seus vapores são extremamente inflamáveis e explosivos. O fogo ou uma explosão poderá provocar graves queimaduras ou morte.

#### Quando adicionar combustível

- Desligue o motor (OFF) e deixe-o esfriar pelo menos 2 minutos antes de retirar o tampão do tanque de combustível.
- Abasteça o tanque em área aberta ou bem ventilada.
- Não encha demais o tanque. Abasteça até cerca de 38 mm (1,5 polegadas) abaixo do topo do bocal para permitir a expansão do combustível.
- Mantenha a gasolina e seus vapores afastados de faíscas, chamas desprotegidas, luzes piloto, calor e outras fontes de ignição.
- Verifique frequentemente as tubulações de combustível, o tanque, o tampão e as conexões quanto a rachaduras ou vazamentos. Substitua, se necessário.
- Se derramar combustível, espere até que evapore antes de acionar o motor.

#### Quando der partida no motor

- Certifique-se de que a vela de ignição, o silencioso, o tampão de combustível e o filtro de ar (se houver) estejam em seus lugares e seguros.
- Não acione o motor sem a vela de ignição.
- Se o motor afogar, ajuste o afogador (se houver) na posição OPEN/RUN (aberto/em funcionamento), coloque o acelerador (se houver) na posição FAST (rápido) e acione até o motor ligar.

#### Quando operar o equipamento

- Não incline o motor ou o equipamento para um ângulo que poderá provocar o derramamento de gasolina.
- Não afogue o carburador a fim de parar o motor.
- Nunca dê partida ou movimento o motor com a peça de purificação de ar (se houver) ou o filtro de ar (se houver) removido.

#### Quando trocar o óleo

- Se você drenar o óleo a partir do tubo de enchimento de óleo superior, o tanque de combustível deverá ser esvaziado ou combustível poderá vazar resultando em incêndio ou explosão.

#### Quando transportar o equipamento

- Transporte com o tanque de combustível VAZIO ou com a válvula de fechamento de combustível desligada.

#### Quando armazenar gasolina ou equipamento com combustível no tanque

- Guarde longe de fomalhas, fogões, aquecedores de água ou outros aparelhos que possuam luz piloto ou outra fonte de ignição, uma vez que poderão incendiar os vapores do combustível.



### AVISO

Acionar o motor produz faísca.



As faíscas poderão incendiar os gases inflamáveis que se encontram na área.



Poderão verificar-se explosão e fogo.

- Se tiver conhecimento de algum vazamento de gás natural ou de petróleo liquefeito na área, não dê a partida do motor.
- Não utilize fluidos de acionamento pressurizados, porque os vapores são inflamáveis.



### AVISO

Os motores libertam monóxido de carbono, um gás tóxico inodoro e incolor.



Respirar monóxido de carbono poderá provocar náuseas, desmaios ou morte.

- Dê a partida e deixe o motor funcionando ao ar livre.
- Não acione nem faça funcionar o motor em áreas fechadas, mesmo com janelas ou portas abertas.



### AVISO



A rápida retração da corda da partida (contragolpe) puxará a mão e o braço em direção ao motor mais rapidamente do que você a poderia soltar.

Isto poderá resultar em ossos quebrados, fraturas, contusões ou entorses.

- Ao dar partida no motor, puxe a corda da partida lentamente até sentir resistência e então puxe-a rapidamente para evitar o contragolpe.
- Retire todas as cargas sobre o motor/equipamento externo antes de dar a partida.
- Componentes de equipamento acoplados diretamente, tais como palhetas, impulsos, polias, dentes de roda dentada, entre outros, devem estar bem presos.



### AVISO



As peças rotativas poderão entrar em contato ou prender mãos, pés, cabelo, vestuário ou acessórios.

Isto poderá resultar em amputação traumática ou grave laceração.

- Opere o equipamento com as proteções no devido lugar.
- Mantenha as mãos e os pés afastados das peças de rotação.
- Se tiver cabelo longo ou usar jóias, prenda o cabelo e retire seus acessórios.
- Não use roupa solta, cordões pendentes ou itens que poderão ficar presos.



### AVISO



O funcionamento dos motores produz calor. As peças do motor, especialmente o silencioso, ficam extremamente quentes.



Poderão ocorrer graves queimaduras térmicas com o contato.

Os resíduos combustíveis, tais como folhas, grama, galhos, etc. poderão incendiar-se.

- Deixe o silencioso, o cilindro do motor e as aletas esfriarem antes de tocar neles.
- Remova resíduos acumulados da área do silencioso e do cilindro.
- Instale e mantenha em condição de funcionamento um retentor de faíscas, antes de utilizar o equipamento em locais cobertos de mata. Isso é uma exigência do estado da Califórnia (Seção 4442 da lei de recursos públicos da Califórnia), porém, outros estados poderão ter leis similares. As leis federais aplicam-se a territórios federais.



### AVISO



A liberação não intencional de faísca poderá resultar em incêndio ou choque elétrico.



O acionamento não intencional poderá resultar em emaranhamento, amputação traumática ou laceração.

Risco de incêndio



#### Antes de realizar ajustes ou reparos:

- Desconecte o cabo da vela de ignição e mantenha-o afastado.
- Desligue a bateria, no terminal negativo (apenas motores com partida elétrica).
- Use somente as ferramentas apropriadas.
- Não adultere o motor com mola de regulagem, articulação ou outras peças para aumentar a velocidade.
- As peças de reposição devem ser iguais e instaladas na mesma posição que as peças originais.
- Não golpee o volante do motor com um martelo ou objeto sólido, pois poderá quebrar mais tarde durante o funcionamento.

#### Quando fizer teste de faíscas:

- Use sempre um analisador de faíscas aprovado.
- Não verifique se existem fagulhas com a vela de ignição retirada.

# Recursos e controles

Compare a ilustração **1** com seu motor para familiarizar-se com o local de vários recursos e controles.

- A. Identificação do motor  
**Modelo Tipo Código**
- B. Vela de ignição
- C. Tampão e tanque de combustível
- D. Purificador de ar
- E. Alça da corda de partida
- F. Bocal de enchimento e vareta de nível de óleo
- G. Bujão de drenagem de óleo
- H. Silencioso  
Protetor do silencioso (opcional)  
Retentor de faíscas (opcional)
- I. Controle do afogador
- J. Controle do acelerador (opcional)
- K. Chave de parada
- L. Válvula de fechamento (opcional)
- M. Tela de proteção
- N. Unidade da engrenagem de redução (opcional)

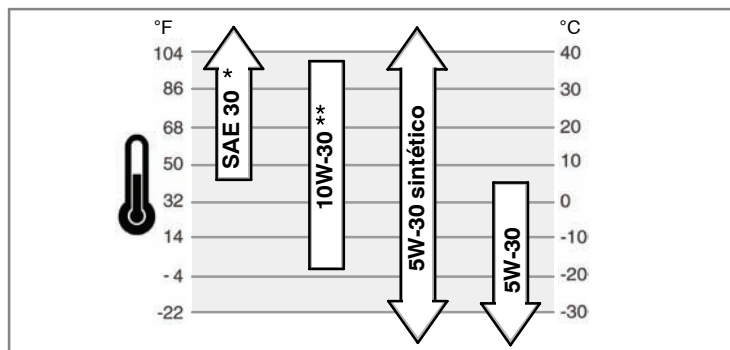
## Funcionamento

Capacidade de óleo (consulte a seção **Especificações**)

### Recomendações sobre o óleo

Recomendamos o uso dos óleos com garantia certificada da Briggs & Stratton para obter o melhor desempenho. Outros óleos detergentes de alta qualidade são aceitáveis se forem classificados para serviço SF, SG, SH, SJ ou superior. Não utilize aditivos especiais.

As temperaturas externas determinam a viscosidade de óleo apropriada para o motor. Use a tabela a fim de selecionar a melhor viscosidade para a faixa de temperatura externa esperada.



\* O óleo SAE 30, quando utilizado a temperaturas inferiores a 4°C, provocará uma partida difícil do motor.

\*\* O óleo 10W-30, quando utilizado a temperaturas superiores a 27°C, poderá causar aumento no consumo de óleo. Verifique mais freqüentemente o nível do óleo.

### Como verificar/adicionar óleo - Figura 2

#### Antes de adicionar ou verificar o óleo

- Coloque o motor nivelado.
- Limpe a área de enchimento de óleo de qualquer resíduo ou sujeira.
- 1. Remova a vareta (A) e limpe-a com um pano limpo.
- 2. Insira a vareta mas **não** a rosqueie. O nível de óleo deve estar na marca FULL (cheio) (B) na vareta.
- 3. Para adicionar óleo, despeje-o lentamente dentro do bocal de enchimento de óleo (C). Encha até o ponto de transbordamento.
- 4. Recoloque e rosqueie a vareta.

### Recomendações de combustível

#### O combustível deve atender a estes requisitos:

- Gasolina sem chumbo limpa e nova.

- Um mínimo de 87 octanos/87 AKI (91 RON). Uso em alta altitude, consulte adiante.
- Gasolina com até 10% de etanol (gasohol) ou até 15% de MTBE (metil tera-butil-éter) é aceitável.

**CUIDADO:** Não utilize gasolinas não aprovadas, tais como E85. Não misture óleo em gasolina ou modifique o motor para funcionar com combustíveis alternativos. Isso causará danos aos componentes do motor e **invalidará a garantia do motor.**

Para proteger o sistema de combustível contra a formação de depósitos gomosos, misture um estabilizador de combustível no combustível. Consulte a seção **Armazenamento**. Nem todos os combustíveis são iguais. Quando ocorrerem problemas de partida ou desempenho, mude de fornecedor ou de marca de combustível. Este motor é certificado para operar com gasolina. O sistema de controle de emissão deste motor é EM (Engine Modifications - Modificações de Motor)

### Alta altitude

A altitudes acima de 1.524 metros (5.000 pés), uma gasolina de no mínimo 85 octanos/85 AKI (89 RON) é aceitável. Para manter o motor em conformidade com os níveis de emissão permitidos, é necessário um ajuste para alta altitude. A operação sem esse ajuste causará redução no desempenho, aumento no consumo de combustível e em emissão. Consulte um Centro de Serviço Autorizado Briggs & Stratton para obter informações sobre o ajuste de alta altitude.

A operação do motor a altitudes acima de 762 metros (2.500 pés) com o kit para alta altitude não é recomendável.

### Como adicionar combustível - Figura 3



#### AVISO



A gasolina e seus vapores são extremamente inflamáveis e explosivos. O fogo ou uma explosão poderá provocar graves queimaduras ou morte.



#### Quando acrescentar combustível

- Desligue o motor (off) e deixe-o esfriar pelo menos 2 minutos antes de retirar o tampão do tanque de combustível.
  - Abasteça o tanque em área aberta ou bem ventilada.
  - Não encha demais o tanque. Abasteça até cerca de 38 mm (1,5 polegadas) abaixo do topo do bocal para permitir a expansão do combustível.
  - Mantenha a gasolina e seus vapores afastados de faíscas, chamas desprotegidas, luzes piloto, calor e outras fontes de ignição.
  - Verifique freqüentemente as tubulações de combustível, o tanque, o tampão e as conexões quanto a rachaduras ou vazamentos. Substitua, se necessário.
  - Se derramar combustível, espere até que evapore antes de acionar o motor.
1. Limpe a área do tampão do tanque de combustível para remover resíduos e sujeira. Retire o tampão (A). Consulte Figura 3.
  2. Abasteça o tanque de combustível (B) com gasolina. A fim de permitir a expansão da gasolina, não encha acima do fundo do bocal do tanque de combustível (C).
  3. Reponha o tampão do tanque de combustível.

### Como dar partida no motor - Figura 4 5



#### AVISO



A rápida retração da corda da partida (contragolpe) puxará a mão e o braço em direção ao motor mais rapidamente do que você a poderia soltar.

Isto poderá resultar em ossos quebrados, fraturas, contusões ou entorses.

- Ao dar partida no motor, puxe a corda da partida lentamente até sentir resistência e então puxe-a rapidamente para evitar o contragolpe.



#### AVISO



A gasolina e seus vapores são extremamente inflamáveis e explosivos. O fogo ou uma explosão poderá provocar graves queimaduras ou morte.



#### Quando dar partida no motor

- Certifique-se de que a vela de ignição, o silencioso, o tampão de combustível e o filtro de ar estejam em seus lugares e seguros.
- Não acione o motor sem a vela de ignição.
- Se o motor afogar, ajuste o afogador (se houver) na posição open/run (aberto/em funcionamento), coloque o acelerador (se houver) na posição fast (rápido) e acione até o motor ligar.




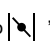
## AVISO

Os motores libertam monóxido de carbono, um gás tóxico inodoro e incolor.

Respirar monóxido de carbono poderá provocar náuseas, desmaios ou morte.

- Dê a partida e deixe o motor funcionando ao ar livre.
- Não acione nem faça funcionar o motor em áreas fechadas, mesmo com janelas ou portas abertas.

**CUIDADO:** Este motor foi enviado pela Briggs & Stratton sem óleo. Antes de dar partida no motor, lembre-se de adicionar óleo de acordo com as instruções neste manual. Se o motor for acionado sem óleo, ele será danificado sem possibilidade de reparo e não estará coberto pela garantia.

1. Verifique o nível de óleo. Consulte a seção **Como verificar/adicionar** óleo.
2. Verifique se os controles de transmissão, se houver, estão desengatados. Consulte o manual do equipamento para informar-se sobre a localização e a operação desses controles.
3. Pressione a chave de parada (E), se equipada, para a posição (Figura 4).
4. Mova a alavanca de controle de aceleração (B), se equipada, para a posição rápido. Opere o motor com a alavanca de controle de aceleração na posição rápido. 
5. Mova o controle do afogador (C) para a posição "choke". 

*Nota:* A escorva é geralmente desnecessária quando se volta a dar a partida de um motor quente.

6. Coloque a válvula de fechamento de combustível (D), se houver, na posição on (ligado) (Figura 5)
7. **Partida retrátil:** Segure a alça da corda de partida com firmeza (E). Puxe a alça da corda de partida lentamente até sentir resistência e, em seguida, puxe-a rapidamente (Figura 4).

*Nota:* Se o motor não der partida após três tentativas, vá para **BRIGGSandSTRATTON.COM** ou ligue **1-800-233-3723** (nos EUA).



**AVISO:** A rápida retração da corda da partida (contragolpe) puxará a mão e o braço em direção ao motor mais rapidamente do que você os poderia soltar. Isto poderá resultar em ossos quebrados, fraturas, contusões ou entorses. Ao dar partida no motor, puxe a corda de partida lentamente até sentir resistência e então puxe-a rapidamente para evitar o contragolpe.

8. **Partida elétrica:** Gire a chave de partida elétrica para a posição on/start (ligado/partida). Consulte o manual do equipamento para saber o local da chave e como operá-la.

*Nota:* Se o motor não der partida após três tentativas, vá para **BRIGGSandSTRATTON.COM** ou ligue **1-800-233-3723** (nos EUA).

**CUIDADO:** Para prolongar a vida útil da partida, use ciclos de partida curtos (máximo de cinco segundos). Aguarde um minuto entre os ciclos de partida.

9. Enquanto o motor aquece, mova o afogador (C) para a posição run (Figura 4) (movimentar).

## Como parar o motor - Figura 5 6



## AVISO

A gasolina e seus vapores são extremamente inflamáveis e explosivos. O fogo ou uma explosão poderá provocar graves queimaduras ou morte.

- Não afogue o carburador a fim de parar o motor.
1. Pressiona a chave de parada (A, Figura 6) para a posição off (desligado)   
 or   
 **Partida Elétrica:** Gire a chave de partida elétrica para a posição off/stop (desligado/parada). Consulte o manual do equipamento para saber o local da chave e como operá-la.
  2. Quando o motor parar, coloque a válvula de fechamento de combustível (D, Figura 5) na posição fechado.

# Manutenção

Use somente peças de reposição originais do equipamento. Outras peças poderão não oferecer o mesmo desempenho, danificar a unidade e resultar em ferimentos. Além disso, o uso de outras peças poderá invalidar sua garantia.

Recomendamos que você consulte um Centro Autorizado Briggs & Stratton para qualquer manutenção e serviço em motores e em suas peças.

**CUIDADO:** Todos os componentes usados na montagem deste motor devem permanecer em seus lugares para o funcionamento adequado.

## Controle de emissões

A manutenção, substituição e o reparo de dispositivos e sistemas de controle de emissão podem ser realizados por qualquer estabelecimento ou técnico de reparo de motores non-road (que não circulam em vias públicas). Entretanto, para obter serviço de controle de emissão "sem custos adicionais", o trabalho deve ser realizado por um centro autorizado da fábrica. Consulte a garantia de emissões.



## AVISO

A liberação não intencional de faísca poderá resultar em incêndio ou choque elétrico.

O acionamento não intencional poderá resultar em emaranhamento, amputação traumática ou laceração.

Risco de incêndio



## Antes de realizar ajustes ou reparos:

- Desconecte o cabo da vela de ignição e mantenha-o afastado.
- Use somente as ferramentas apropriadas.
- Não adultere o motor com mola de regulagem, articulação ou outras peças para aumentar a velocidade.
- As peças de reposição devem ser iguais e instaladas na mesma posição que as peças originais.
- Não golpeie o volante do motor com um martelo ou objeto sólido, pois poderá quebrar mais tarde durante o funcionamento.

## Quando fizer teste de faíscas:

- Use sempre um analisador de faíscas aprovado.
- Não verifique se existem faíscas com a vela de ignição retirada.

## Gráfico de manutenção

<b>Primeiras 5 horas</b>
<ul style="list-style-type: none"> <li>• Trocar o óleo</li> </ul>
<b>Cada 8 horas ou diariamente</b>
<ul style="list-style-type: none"> <li>• Verifique o nível de óleo do motor.</li> <li>• Limpar a área em torno do silencioso e os controles</li> <li>• Limpar o guarda-dedos</li> </ul>
<b>Cada 25 horas ou anualmente</b>
<ul style="list-style-type: none"> <li>• Limpar o filtro de ar *</li> <li>• Limpar o pré-purificador *</li> </ul>
<b>Cada 100 horas ou anualmente</b>
<ul style="list-style-type: none"> <li>• Trocar o óleo do motor</li> <li>• Verificar o silencioso e retentor de faíscas</li> </ul>
<b>A cada 100 horas</b>
<ul style="list-style-type: none"> <li>• Trocar o óleo da engrenagem de redução (quando assim equipado)</li> </ul>
<b>Anualmente</b>
<ul style="list-style-type: none"> <li>• Substituir o filtro de ar</li> <li>• Substituir o pré-purificador</li> <li>• Substituir a vela de ignição</li> <li>• Limpar/Substituir o filtro de combustível</li> <li>• Limpar o sistema de arrefecimento do ar *</li> <li>• Verificar a folga das válvulas **</li> </ul>

\* Em locais de muita poeira ou quando partículas trazidas pelo ar estão presentes, limpe com maior frequência.

\*\* Não é necessário a menos que sejam observados problemas no desempenho do motor.

## Ajuste do carburador

Jamais faça ajustes no carburador. O carburador foi ajustado na fábrica para operar de forma eficiente na maioria das condições. Entretanto, se forem necessários ajustes, consulte um Centro Autorizado Briggs & Stratton para o serviço.

**CUIDADO:** O fabricante do equipamento em que este motor é instalado fornece indicações quanto à velocidade máxima a que o motor pode ser operado. **Não exceda** essa velocidade.

## Como substituir a vela de ignição - Figura 8

Verifique a folga (A, Figura 8) com um calibrador de fio (B). Se necessário, reajuste a folga. Instale e aperte a vela de ignição com o torque recomendado. Para obter o ajuste ou o torque, consulte a seção **Especificações**.

*Nota:* Em algumas áreas, a legislação local exige a utilização de uma vela de ignição resistiva para eliminar sinais de ignição. Se este motor for originalmente equipado com uma vela de ignição resistiva, use o mesmo tipo para substituição.

## Inspeção do Silencioso e o Retentor de Faíscas - Figura 7



### AVISO

O funcionamento dos motores produz calor. As peças do motor, especialmente o silencioso, ficam extremamente quentes.

Poderão ocorrer graves queimaduras térmicas com o contato.

Os resíduos combustíveis, tais como folhas, grama, galhos, etc. poderão incendiar-se.



- Deixe o silencioso, o cilindro do motor e as aletas esfriarem antes de tocar neles.
- Remova resíduos acumulados da área do silencioso e do cilindro.
- Instale e mantenha em condição de funcionamento um retentor de faíscas, antes de utilizar o equipamento em locais cobertos de mata. Isso é uma exigência do estado da Califórnia (Seção 4442 da lei de recursos públicos da Califórnia), porém, outros estados poderão ter leis similares. As leis federais aplicam-se a territórios federais.

Inspeção do silencioso (A) para verificar se há rachaduras, corrosão ou outros danos. Remova o defletor de silencioso (B), se houver, e inspecione para observar se há danos ou bloqueio na passagem de carbono. Caso seja necessária a instalação de peças de reposição, utilize somente peças de equipamento originais.



**AVISO:** As peças de reposição devem ser iguais e instaladas na mesma posição que as peças originais ou poderão incendiar-se.

## Como trocar o óleo - Figura 9 10

**CUIDADO:** Óleo usado é um produto descartável de risco e deve ser disposto adequadamente. Não descarte junto com o lixo doméstico. Verifique se há um local para reciclagem/descarte seguro junto às autoridades locais, centro de serviço ou revendedor.

### Remoção de óleo

1. Com o motor desligado, mas ainda quente, desconecte o cabo da vela de ignição (A) e mantenha-o afastado (Figura 10).
2. Retire o bujão de drenagem de óleo (B, Figura 9). Deixe o óleo escoar dentro de um recipiente aprovado.  
*Nota:* Qualquer um dos bujões de drenagem de óleo (C) mostrados pode ser instalado no motor.
3. Após a drenagem de todo o óleo, recoloque e aperte o bujão de drenagem de óleo.

### Adição de óleo

- Coloque o motor de modo de fique plano.
  - Limpe a área de enchimento de óleo removendo toda a sujeira e os resíduos.
  - Consulte a seção **Especificações** para obter informações sobre a capacidade de óleo.
1. Remova a vareta (D) e limpe-a com um pano limpo.
  2. Despeje o óleo lentamente no bocal de enchimento de óleo do motor (E). Encha até o ponto de transbordamento.
  3. Instale a vareta mas **não** a rosqueie. Remova e verifique o nível de óleo. O nível de óleo deve estar na marca FULL (cheio) (F) na vareta.
  4. Instale e rosqueie a vareta.

## Como fazer manutenção no filtro de ar - Figura 11



### AVISO

A gasolina e seus vapores são extremamente inflamáveis e explosivos. O fogo ou uma explosão poderá provocar graves queimaduras ou morte.



- Nunca dê partida ou movimento o motor com a peça de purificação de ar ou o filtro de ar removido(a).

**CUIDADO:** Não use ar pressurizado ou solventes para limpar o filtro. O ar pressurizado pode danificar o filtro e os solventes irão dissolvê-lo.

O sistema de purificação de ar usa um filtro plissado com um pré-purificador opcional. O pré-purificador pode ser lavado e reutilizado.

### Filtro de ar plano

1. Solte o fixador (D) que prende a tampa (A). Consulte Figura 11.
2. Abra a tampa e retire o pré-purificador (C) e o filtro (B).
3. Para soltar os resíduos, bata suavemente o filtro em uma superfície rígida. Se o filtro estiver excessivamente sujo, substitua por um novo filtro.
4. Lave o pré-purificador em detergente líquido e água. Então deixe secar por completo naturalmente. **Não** coloque óleo no pré-purificador.
5. Monte o pré-purificador seco no filtro com o lábio (G) do pré-purificador na parte inferior dos plissados do filtro.
6. Instale o filtro.
7. Instale as guias da tampa (E) nos encaixes (F).
8. Feche a tampa e prenda com um fixador.

## Como trocar o óleo da engrenagem de redução - Figura 12

Caso seu motor esteja equipado com uma unidade de engrenagem de redução, realize a manutenção conforme as instruções a seguir.

1. Remova o bujão de enchimento de óleo (B) e o bujão de nível de óleo (C).
2. Remova o bujão de drenagem de óleo (A, Figura 12) e drene o óleo para um recipiente apropriado.
3. Instale e firme o bujão de drenagem de óleo.
4. Para reabastecer, despeje lentamente lubrificante de motor no bocal de enchimento de óleo (consulte a seção **Especificações**). Continue a derramar até que o óleo transborde do bocal de nível de óleo.
5. Instale e firme o bujão de nível de óleo.
6. Instale e firme o bujão de enchimento de óleo.  
**Importante:** O bujão de enchimento de óleo tem um orifício de ventilação (D) e deve ser instalado na parte superior da cobertura da caixa de engrenagem conforme mostrado.

## Como limpar/substituir o filtro de combustível - Figura 13



### AVISO

A gasolina e seus vapores são extremamente inflamáveis e explosivos. O fogo ou uma explosão poderá provocar graves queimaduras ou morte.



- Mantenha a gasolina e seus vapores afastados de faíscas, chamas desprotegidas, luzes piloto, calor e outras fontes de ignição.
  - Verifique freqüentemente as tubulações de combustível, o tanque, o tampão e as conexões quanto a rachaduras ou vazamentos. Substitua, se necessário.
  - Antes de recolocar o filtro de combustível, drene o tanque de combustível ou feche a válvula de fechamento de combustível.
  - As peças de substituição devem ser as mesmas e instaladas na mesma posição que as originais.
  - Se derramar combustível, espere até que evapore antes de acionar o motor.
1. Remova o tampão de combustível (A, Figura 13).
  2. Remova o filtro de combustível (B).
  3. Se o filtro de combustível estiver sujo, limpe ou substitua-o. Se substituir o filtro, certifique-se de que seja por um filtro de substituição de equipamento original.

## Como limpar o sistema de refrigeração de ar - Figura 14



### AVISO

O funcionamento dos motores produz calor. As peças do motor, especialmente o silencioso, ficam extremamente quentes.



Poderão ocorrer graves queimaduras térmicas com o contato.



Os resíduos combustíveis, tais como folhas, grama, galhos, etc. poderão incendiar-se.

- Deixe o silencioso, o cilindro do motor e as aletas esfriarem antes de tocar neles.

- Remova resíduos acumulados da área do silencioso e do cilindro.

**CUIDADO:** NÃO limpe as peças do motor com água, evitando, assim, que o sistema de combustível seja contaminado. Use uma escova ou um pano seco para limpar o motor. Este é um motor com refrigeração de ar. Sujeira ou poeira pode restringir o fluxo de ar e fazer com que o motor fique superaquecido, resultado em redução no desempenho e menor vida útil do motor.

Use uma escova ou pano seco para remover o resíduo da tela protetora (A). Mantenha limpos as tubulações, as molas e os controles (B). Mantenham a área em torno e atrás do silencioso (C) livre de qualquer resíduo de combustível (14).

## Armazenamento



### AVISO

A gasolina e seus vapores são extremamente inflamáveis e explosivos.



O fogo ou uma explosão poderá provocar graves queimaduras ou morte.



### Quando armazenar gasolina ou equipamento com combustível no tanque

- Guarde o motor longe de fornalhas, fogões, aquecedores de água ou outros aparelhos com luz piloto ou fontes de ignição, uma vez que poderão inflamar os vapores de gasolina.

### Sistema de combustível

Combustível pode envelhecer se for armazenado por mais de 30 dias. Combustível velho forma depósitos gomosos e ácidos no sistema de combustível e em peças essenciais do carburador. A fim de manter o combustível fresco, use o estabilizador de

combustível FRESH START® da Briggs & Stratton, disponível como um aditivo líquido ou um cartucho de gotejamento.

Não há necessidade de drenar a gasolina do motor se um estabilizador de combustível for adicionado de acordo com as instruções. Deixe o motor ligado por 2 minutos para permitir que o estabilizador circule por todo o sistema de combustível. Dessa forma, o motor e o recipiente de combustível poderão ser armazenados por até 24 meses.

Se a gasolina no motor não for tratada com um estabilizador de combustível, deverá ser escoada dentro de um recipiente aprovado. Deixe o motor em funcionamento até que ele pare devido à falta de combustível. É recomendável utilizar um estabilizador de combustível no recipiente de armazenamento a fim de manter as propriedades da gasolina.

### Óleo do motor

Com o motor ainda quente, troque o óleo.

## Detecção de problemas

Precisa de assistência? Acesse [BRIGGSandSTRATTON.COM](http://BRIGGSandSTRATTON.COM) ou ligue para 1-800-233-3723

# Especificações

### Especificações do motor

Modelo	120000
Deslocamento	12,48 in <sup>3</sup> (205 cm <sup>3</sup> )
Calibre	2,688 pol (68,28 mm)
Curso	2,200 pol (55,88 mm)
Capacidade de óleo	18 - 20 oz (0,54 - 0,59 L)
Óleo da engrenagem de redução	80W-90

### Especificações do motor

Modelo	200000
Deslocamento	18,63 in <sup>3</sup> (305 cm <sup>3</sup> )
Calibre	3,120 pol (79,24 mm)
Curso	2,438 pol (61,93 mm)
Capacidade de óleo	26 - 28 oz (0,77 - 0,83 L)
Óleo da engrenagem de redução	SAE 30

### Especificações de ajuste \*

Modelo	120000
Folga da vela de ignição	0,030 pol (0,76 mm)
Torque da vela de ignição	180 lb-pol (20 Nm)
Folga de ar da armação	0,010 - 0,014 pol (0,25 - 0,36 mm)
Folga da válvula de entrada	0,004 - 0,006 pol (0,10 - 0,15 mm)
Folga da válvula de exaustão	0,009 - 0,011 pol (0,23 - 0,28 mm)

### Especificações de ajuste \*

Modelo	200000
Folga da vela de ignição	0,030 pol (0,76 mm)
Torque da vela de ignição	180 lb-pol (20 Nm)
Folga de ar da armação	0,008 - 0,012 pol (0,20 - 0,30 mm)
Folga da válvula de entrada	0,004 - 0,006 pol (0,10 - 0,15 mm)
Folga da válvula de exaustão	0,009 - 0,011 pol (0,22 - 0,28 mm)

\* A potência do motor reduzirá 3,5% a cada 300 metros (1.000 pés) acima do nível do mar e 1% a cada 5,6° C (10° F) acima de uma temperatura de 25° C (77° F). O motor funcionará satisfatoriamente em um ângulo de até 15°. Consulte o manual do operador do equipamento a fim de obter os limites permitidos para o funcionamento seguro em declive.

## Peças de serviço comuns ✓

Peça de serviço	Número da peça
Filtro de ar plano	491588, 5043
Pre-purificador do filtro de ar plano	493537, 5064
Filtro de combustível	792917
Aditivo para combustível	5041, 5058

Peça de serviço	Número da peça
Vela de ignição com resistor	491055
Vela de ignição de platina de longa duração	5066
Chave de velas de ignição	89838, 5023
Analisador de faíscas	19368

✓ Recomendamos que você consulte um Centro Autorizado Briggs & Stratton para todos os serviços de reparo e manutenção do motor e das peças do motor. Utilize somente peças genuínas da Briggs & Stratton.



**GARANTIA LIMITADA**

A Briggs & Stratton Corporation consertará ou substituirá gratuitamente, qualquer componente (s) do motor que possua defeito em material, em montagem ou em ambos. Contudo, todos os custos de transporte dos produtos dentro da cobertura desta Garantia submetidos para reparo ou substituição ficarão a cargo do comprador. Esta garantia está em vigor durante os períodos de tempo e sujeita às condições estabelecidas abaixo. Para assistência sob garantia, localize o Centro de Serviço Autorizado Briggs & Stratton mais próximo, no mapa de localização em BRIGGSandSTRATTON.COM.

**Não há outra garantia expressa. As garantias implícitas, incluindo aquelas de comercialização e adequação para um determinado fim, são limitadas ao período de um ano a partir da data da compra, ou pelo tempo permitido por lei. Toda e qualquer garantia implícita está excluída. A responsabilidade por danos consequenciais ou incidentais sob toda e qualquer garantia está excluída na extensão permitida por lei.** Alguns países ou estados não permitem limitações no tempo de duração de garantias implícitas, e outros países ou estados não permitem exclusão ou limitação de danos consequenciais ou acidentais, portanto a limitação e exclusão acima podem não se aplicar. Esta garantia dá direitos legais específicos e o consumidor pode também ter outros direitos que variam de país para país ou de estado para estado.

**TERMOS DA GARANTIA PADRÃO \* ▲**

Tipo de produto/marca	Uso Residencial	Uso Comercial
Vanguard™	2 anos	2 anos
Extended Life Series™, I/C®, Intek™ I/C®, Intek™ Pro	2 anos	1 ano
Snow Series MAX™ com braço de ferro fundido Dura-Bore™	2 anos	1 ano
Todos os outros motores Briggs & Stratton	2 anos	90 dias

\* Esses são nossos termos de garantia padrão, mas ocasionalmente pode haver cobertura de garantia adicional que não foi determinada no momento da publicação. Para obter uma listagem dos termos de garantia atuais de seu equipamento, acesse BRIGGSandSTRATTON.COM ou entre em contato com o Centro de Serviço Autorizado Briggs & Stratton.

▲ Os motores usados em aplicações de gerador caseiro são garantidos apenas para uso por consumidores. Esta garantia não se aplica a motores com equipamentos usados como energia principal no lugar de um utilitário. **Os motores usados em competições, em pistas comerciais ou de aluguel não estão garantidos.**

O período de garantia inicia-se na data de compra pelo primeiro consumidor ou usuário final comercial e é mantido pelo período de tempo mencionado na tabela acima. "Uso por consumidor" significa um uso pessoal residencial por um consumidor de varejo. "Uso comercial" significa todos os outros usos, incluindo uso para propósitos comerciais de produção de renda ou de aluguel. Uma vez tendo sido usado comercialmente, o motor será posteriormente considerado de uso comercial para os propósitos desta garantia.

**Não é necessário o registro da garantia para obtê-la para os produtos da Briggs & Stratton. Guarde seu comprovante de compra. Se você não apresentar o comprovante com a data de compra ao solicitar o serviço de garantia, será usada a data de fabricação do produto para calcular o prazo de garantia.**

**Sobre a Garantia**

A Briggs & Stratton gentilmente aceita o reparo em garantia e lamenta pela inconveniência causada. Qualquer Centro de Serviço Autorizado pode realizar reparos de garantia. A maioria de reparos nessa condição são serviços rotineiros, mas às vezes os pedidos por serviço em garantia podem não ser considerados adequados.

Caso um cliente não concorde com a decisão do Centro de Serviço, será realizada uma investigação para determinar a aplicabilidade da garantia. Peça ao Centro de Serviço que apresente todos os fatos comprobatórios ao seu Distribuidor ou à Fábrica, para revisão. Se o Distribuidor ou a Fábrica decidir que a reclamação é justificada, o cliente será totalmente reembolsado relativamente aos itens aceites como defeituosos. Para evitar equívocos que possam eventualmente ocorrer entre o cliente e o Centro de Serviço, descrevemos abaixo algumas das causas de falha dos motores que não estão cobertas pela garantia.

**Desgaste normal:** Os motores, assim como qualquer equipamento mecânico, precisam de manutenção e substituição periódicas das peças para que funcionem bem. A garantia não cobre reparos relacionados ao desgaste causado por uso em uma peça ou motor. A garantia não se aplicaria se o dano ao motor ocorresse por uso indevido, falta de manutenção de rotina, transporte, manuseio, armazenamento ou instalação inadequada. Da mesma forma, a garantia fica invalidada se o número de série do motor tiver sido removido ou se o motor tiver sido alterado ou modificado.

**Manutenção incorreta:** A vida útil de um motor depende das condições em que é utilizado e dos cuidados que recebe. Algumas aplicações, tais como picadores de forragem, bombas e cortadores de grama, são muitas vezes utilizadas em condições em que estão sujeitas a poeiras e sujeira, que podem causar um aparente desgaste prematuro. Tal desgaste não está coberto pela garantia, quando causado pela penetração no motor de impurezas, pó, resíduos de limpeza das velas ou qualquer outro material abrasivo, decorrente de uma manutenção incorreta.

**Esta garantia cobre somente material e/ou mão-de-obra defeituosos relacionados com o motor e não a substituição ou reembolso do equipamento em que o motor possa estar montado. Além disso, a garantia também não cobre reparos devidos a:**

- 1 **Problemas causados por peças que não sejam peças originais Briggs & Stratton.**
- 2 Controles de equipamentos ou instalações que impeçam a partida, provocando um desempenho insatisfatório do motor ou a redução da vida útil do motor. (Contate o fabricante do equipamento.)
- 3 Carburadores com vazamentos, tubos de combustível entupidos, válvulas coladas ou outras avarias causadas pela utilização de combustível contaminado ou envelhecido.

- 4 Peças riscadas ou quebradas resultantes da utilização do motor com óleo contaminado ou insuficiente ou de um óleo de grau incorreto (verifique e complete sempre que necessário e troque nos intervalos recomendados.) O indicador de segurança OIL GARD poderá não se desligar durante o funcionamento do motor. O motor poderá ficar danificado se o nível do óleo não for mantido corretamente.
- 5 O reparo ou ajuste de componentes associados ou de conjuntos, tais como embreagens, transmissões, controles à distância, etc., que não sejam de fabricação da Briggs & Stratton.
- 6 Avaria ou desgaste de componentes devido à penetração de impurezas no motor, decorrente de manutenção ou remontagem inadequada do purificador de ar, ou da utilização de um elemento ou cartucho de purificador de ar que não seja original. A intervalos recomendados, limpe e/ou substitua o filtro, de acordo com as recomendações do Manual de operação.
- 7 Componentes danificados devido a sobrevelocidade ou a superaquecimento causado por grama, areias ou sujeira que tapem ou entupam as aletas de arrefecimento ou a área do volante, ou devido à utilização do motor numa área confinada sem ventilação suficiente. Limpe os resíduos no motor nos intervalos recomendados no manual de operação.
- 8 Componentes do motor ou do equipamento quebrados devido a vibração excessiva provocada por montagem frouxa do motor, lâminas cortantes frouxas, pás desbalanceadas ou impulsores frouxos ou desbalanceados, fixação incorreta do equipamento ao virabrequim do motor, sobrevelocidade ou outro abuso na operação.
- 9 Virabrequim empenado ou quebrado devido ao choque de um objeto sólido com uma lâmina cortante de uma máquina rotativa para cortar grama, ou devido ao aperto excessivo da correia em V.
- 10 Regulagem ou ajustamento rotineiro do motor.
- 11 A falha do motor ou de componentes do motor i.e., câmara de combustão, válvulas, sede de válvulas, guias de válvulas ou enrolamentos queimados do motor de partida - provocada pelo uso de combustíveis alternativos como petróleo liquefeito, gás natural, gasolinas alteradas, etc.

**O serviço de garantia está disponível apenas por meio de distribuidores de serviço autorizados pela Briggs & Stratton Corporation. Localize o Centro de Serviço Autorizado Briggs & Stratton mais próximo, no mapa de localização em BRIGGSandSTRATTON.com.**

## Allmän information

Behöver du reservdelar eller teknisk assistans, notera du motormodellen, typen och koderna tillsammans med inköpsdatum nedan. Numren finns på motorn (se sidan med **Funktioner och reglage**).

Inköpsdatum: \_\_\_\_\_  
MM/DD/ÅÅÅÅ

Motormodell: \_\_\_\_\_  
Modell: Typ: Kod:

## Effektuppgifter

Bruttoeffekten för de olika motormodellerna anges i enlighet med SAE (Society of Automotive Engineers) kod J1940 (mätning av effekt och vridmoment för små motorer), och uppgifterna har inhämtats och korrigerats i enlighet med SAE J1995 (revision 2002-05). Vridmomentvärdena mäts vid 3060 varv/min. Effektvärdena mäts vid 3600 varv/min. Verklig bruttoeffekt är lägre och varierar med bland annat utetemperaturen och mellan olika motorexemplar. Utifrån det breda spektrat maskiner som motorerna används i och hur de används samt omgivningsmiljön, så utvecklar inte bensenmotorn angiven bruttoeffekt när den används i en given maskin (verklig "monterad" effekt eller nettoeffekt). Skillnaden beror på ett antal olika faktorer, bland annat hjälpkomponenter (luftrenare, ljuddämpare, laddning, kylning, förgasare, bränslepump m.m.), användningsbegränsningar, driftmiljö (temperatur, fuktighet, höjd över havet) och skillnader mellan olika motorexemplar. På grund av tillverknings- och kapacitetsbegränsningar, kan Briggs & Stratton ersätta en motor med en med högre märkeffekt i stället för motorn i denna serie.

## Förarsäkerhet

### SÄKERHETS OCH REGLAGESYMBOLER



Brand



Snurrande delar



Olja



Giftiga gaser



Långsamt



Fort



Stopp



Explosion



Stötar



Bränsle



Choke



På Av



Bränslekran



Bakslag



Bär ögonskydd



Farlig kemikalie




Läs instruktionsboken



Varm yta



Frostskador

Säkerhetsalertsymbolen  används för att ange säkerhetsinformation om risker som kan resultera i personsador. Signalord (FARA, VARNING eller OBS) används tillsammans med alertsymbolen för att ange sannolikheten för skador och deras grad. Risksymbolen kan dessutom användas för att representera risktypen.



**FARA** anger en risk som, om den inte undviks, **resulterar i död eller svåra skador**.



**VARNING** anger en risk som, om den inte undviks, **kan resultera i död eller svåra skador**.



**OBS** anger en risk som, om den inte undviks, **kan resultera i lindriga skador**.

**OBS**, använt **utan** varningssymbolen anger en situation som **kan resultera i produktskador**.



**VARNING**  
Avgaserna från denna produkt innehåller kemikalier som i staten Kalifornien konstaterats orsaka cancer, födelsedefekter eller andra reproduktionsstörningar.



## VARNING

Briggs & Stratton godkänner inte användning av dessa motorer på 3-hjulig terrängfordon (ATV), motorcyklar, go-karts, flygplansprodukter eller fordon avsedda för tävlingar. Användning av dessa motorer i sådana tillämpningar kan leda till materialskador, svåra personsador (inkl. förlamning) och t.o.m. död.

**VARNING:** Motorn levererades från Briggs & Stratton utan olja. Fyll på olja enligt anvisningarna i handboken inna du startar motorn. Om du startar den utan att fylla på olja skadas den så att den inte går att reparera och skadorna omfattas inte av garantin.



## VARNING

**Bensin och bensinångor är ytterst antändbara och explosiva.**

**Brand och explosion kan orsaka svåra brännskador eller dödsfall.**



### Vid bensinpåfyllning

- Stäng av motorn och låt den svalna i minst 2 minuter innan du tar av tanklocket.
- Fyll bränsletanken utomhus eller i välventilerat utrymme.
- Fyll inte på för mycket i tanken. Lämna ca 38 mm under tanklocket så att bränslet kan expandera.
- Håll bensin och ångor på avstånd från gnistor, lågor, tändlågor, värme och andra antändningskällor.
- Kontrollera regelbundet bränsleslangar, tank, tanklock och kopplingar för sprickor eller läckor. Byt ut vid behov.
- Vid bensinspill, vänta tills bensen dunstat bort innan du startar motorn.

### Vid start

- Se till att tändstift, ljuddämpare, tanklock och luftrenare (i förekommande fall) är på plats och ordentligt fastsatta.
- Dra inte runt motorn med tändstiftet uttaget.
- Om motorn blir sur, sätt choken (i förekommande fall) i läget OPEN/RUN, gasreglaget i läget FAST och dra runt tills motorn startar.

### Vid körning av maskinen

- Tippa inte motorn eller maskinen i sådan vinkel att bensen spillts ut.
- Choka inte förgasaren för att stoppa motorn.
- Kör aldrig motorn med luftrenaren (i förekommande fall) eller luftfiltret (i förekommande fall) borttaget.

### Vid oljbyte

- Om du håller ur oljan genom oljepåfyllningen måste bränsletanken vara tömd, annars kan den läcka och orsaka brand eller explosion.

### Vid transport av maskinen

- Transportera med TOM tank eller med STÅNGD bränslekran.

### Vid förvaring av bensin eller maskin med bränsle i tanken

- Förvara på avstånd från ugnar, brännare, vattenvärmare och andra apparater med tändlågor eller andra tändkällor, då sådana kan antända bensinångor.



## VARNING

**Motorstart skapar gnistor.**

**Gnistor kan antända gaser i närheten.**

**Explosion och brand kan inträffa.**



- Starta inte motorn om det finns natur- eller LP-gasläckage i området.
- Använd inte startvätskor under tryck då ångor är antändbara.



## VARNING

**Motorer avger koloxid, en luktfri, färglös och giftig gas.**



**Inandning av koloxid kan orsaka illamående, svimning eller dödsfall.**

- Starta och kör motorn utomhus.
- Starta inte motorn i stängda utrymmen, även om dörrar och fönster är öppna.



## VARNING

**Snabb indragning av startsnöret (bakslag) drar hand och arm mot motorn innan man hinner släppa.**



**Brutna ben, frakturer, blåmärken, o.d. kan inträffa.**

- Dra först ut snöret långsamt tills ett motstånd känns och sedan snabbt så undviks backslag.
- Avlägsna alla utvändiga maskin-/motorbelastningar innan motorn startas.
- Direktkopplade maskindelar som t.ex. blad, rotor, remskivor, kuggkransar, etc., måste vara ordentligt fästa.



### VARNING



Snurrande delar kan komma i kontakt med händer, fötter, hår, kläder eller smycken.

Svåra skärskador eller t.o.m. amputation kan inträffa.

- Kör maskinen med skydden på plats.
- Håll händer och fötter borta från snurrande delar.
- Sätt upp långt hår och ta av alla smycken.
- Bär inte löst sittande kläder, dragband eller andra föremål som kan trassla in sig.



### VARNING



Gående motorer producerar värme. Motordelar, speciellt ljuddämpare, blir mycket varma.

Svåra brännskador kan inträffa vid beröring.



Brännbart skräp, som t.ex. löv, gräs, buskar, etc. kan börja brinna.

- Låt ljuddämpare, motorcylinder och flänsar svalna innan du rör dem.
- Avlägsna ansamlat skräp från ljuddämpar- och cylinderområdet.
- Innan du använder maskinen på skogs-, busk- eller gräsbevuxen ouppodlad mark bör du montera ett gnistskydd och hålla det i funktionsdugligt skick. I Kalifornien är detta lagstadgat (sektion 4442 av California Public Resources Code). Andra stater kan ha liknande lagar. Federala lagar gäller på federala land.



### VARNING



Oavsiktliga gnistor kan resultera i brand eller stötar.

Oavsiktlig start kan resultera i intrassling, skärskador eller amputation.

Brandrisk



### Före justering eller reparation

- Lossa tändstiftkabeln och håll den på avstånd från tändstiftet.
- Koppla bort batteriet vid minuspolen (endast motorer med elstart).
- Använd endast rätta verktyg.
- Justera inte regulatorfjädrar, länkar eller andra delar för att höja motorvarvtalet.
- Utbytesdelar måste vara de samma och installeras i samma position som originaldelarna.
- Slå inte på svänghjulet med hammare eller hårt föremål, eftersom svänghjulet då kan splittras under gång.

### Vid kontroll av tändningssystem:

- Använd godkänd gnistprovare.
- Testa inte gnistan med tändstiftet demonterat.

# Egenskaper och reglage

Jämför illustrationen **1** med din motor för att bekanta dig med de olika egenskaperna och reglagens placering.

- A. Motorbeteckning  
**Modell Typ Kod**
- B. Tändstift
- C. Bränsletank och lock
- D. Luftrenare
- E. Starthandtag
- F. Oljerör och oljesticka
- G. Oljeavtappningsplugg
- H. Ljuddämpare  
Ljuddämparskydd (tillbehör)  
Gnistskydd (extra tillbehör)
- I. Chokereglage
- J. Gasreglage (extra tillbehör)
- K. Stoppkontakt
- L. Bränslekran (extra tillbehör)
- M. Fingerskydd
- N. Reduktionsväxel (extra tillbehör)

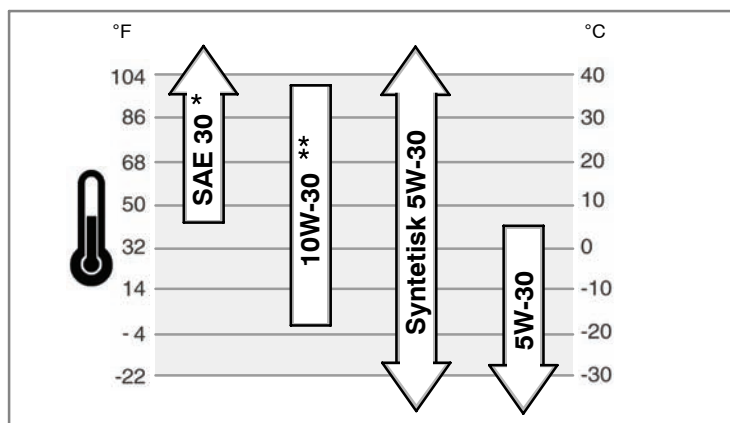
## Drift

Oljevolym (se kapitlet **Specifikationer**)

### Oljerekommendationer

Vi rekommenderar av Briggs & Stratton certifierade och garanterade oljor för att få bästa prestanda. Andra högkvalitativa renande oljor får användas om de är klassade SF, SG, SH, SJ eller bättre. Använd inga tillsatser.

Utetemperaturer avgör vilken oljeviskositet som ska användas i motorn. Välj olja i tabellen efter förväntad utetemperatur.



\* Användning av SAE 30-olja i temperaturer under 4°C gör det svårare att starta motorn.

\*\* Vid användning av 10W-30 i temperaturer över 27°C stiger oljeförbrukningen. Kontrollera oljenivån oftare.

### Kontroll/Påfyllning av olja - fig. 2

Innan du fyller på eller kontrollerar oljan

- Sätt motorn i vågrätt läge.
- Avlägsna skräp från oljerörområdet.
- 1. Ta ur oljestickan (A) och torka av med en ren trasa.
- 2. Sätt i oljestickan men skruva **inte** in den. Oljenivån ska ligga vid märket FULL (B) på oljestickan.
- 3. Håll sakta i olja i oljepåfyllningen (C). Fyll på tills det nästan rinner över.
- 4. Sätt tillbaka och dra åt oljestickan.

### Bränslerkommendationer

Bränslet måste uppfylla dessa krav:

- ren, ny och blyfri bensin.
- minst 87 oktan/87 AKI (91 RON). För körning på hög höjd, se nedan.
- bensin med högst 10 % etanol (gasol) eller högst 15 % MTBE (metyltertiärbutyleter) är godtagbar.

**OBS.:** Använd inte icke-godkänd bensin, som t.ex. E85. Blanda inte olja i bensinen. Modifiera inte motorn att gå på alternativa bränslen. Detta skadar motordelarna och **upphäver garantin**.

Blanda i en bränsletillsats i bränslet för att förhindra att avlagringar bildas. Se **Förvaring**. Allt bränsle är inte likadant, byt leverantör eller märke om du får start- eller prestandaproblem. Motorn är godkänd för att köras på bensin. Avgasreningssystemet för motorn är EM (motormodifikationer)

## Hög höjd

På höjd över 1500 meter, krävs bensin med minst 85 oktan/85 AKI (89 RON). För att avgasreningen ska fungera krävs justering för hög höjd. Körning utan justeringen ger sämre prestanda, ökad bränsleförbrukning och större utsläpp. Närmaste auktoriserade Briggs & Stratton-återförsäljare kan bistå med information om höghöjdsjustering. Vi avråder från körning på höjder under 750 meter med höghöjdsatsen monterad.

### Påfyllning av bränsle - fig. 3



#### VARNING

Bensin och bensinångor är ytterst antändbara och explosiva.

Brand och explosion kan orsaka svåra brännskador eller dödsfall.



#### Vid bensinpåfyllning

- Stäng av motorn och låt den svalna i minst 2 minuter innan du tar av tanklocket.
  - Fyll bränsletanken utomhus eller i välventilerat utrymme.
  - Fyll inte på för mycket i tanken. Lämna ca 4 cm under tanklocket så att bränslet kan expandera.
  - Håll bensin och ångor på avstånd från gnistor, lågor, tändlågor, värme och andra antändningskällor.
  - Kontrollera regelbundet bränsleslangar, tank, tanklock och kopplingar för sprickor eller läckor. Byt ut vid behov.
  - Vid bensinspill, vänta tills bensinen dunstat bort innan du startar motorn.
1. Rengör omkring tanklocket. Skruva av tanklocket (A). Se fig. 3.
  2. Fyll inte mer än till underkanten på påfyllningsröret (C) så att bensinen har utrymme att expandera.
  3. Sätt tillbaka tanklocket.

### Start av motorn - fig. 4 5



#### VARNING

Snabb indragning av startsnöret (bakslag) drar hand och arm mot motorn innan man hinner släppa.

Brutna ben, frakturer, blåmärken, o.d. kan inträffa.



- Starta motorn genom att först dra ut snöret långsamt tills ett motstånd känns och sedan snabbt för att undvika backslag.



#### VARNING

Bensin och bensinångor är ytterst antändbara och explosiva.

Brand och explosion kan orsaka svåra brännskador eller dödsfall.



#### Vid start

- Se till att tändstift, ljuddämpare, tanklock och luftrenare är på plats och ordentligt fastsatta.
- Dra inte runt motorn med tändstiftet uttaget.
- Om motorn blir sur, sätt choken (i förekommande fall) i läget open/run, gasreglaget i läget fast och dra runt tills motorn startar.



#### VARNING

Motorer avger koloxid, en luktfri, färglös och giftig gas.

Inandning av koloxid kan orsaka illamående, svimning eller dödsfall.



- Starta och kör motorn utomhus.
  - Starta inte motorn i stängda utrymmen, även om dörrar och fönster är öppna.
- OBS.:** Motorn levererades från Briggs & Stratton utan olja. Fyll på olja enligt anvisningarna i handboken innan du startar motorn. Om du startar den utan att fylla på olja, skadas det så att den inte går att reparera och garantin upphävs.
1. Kontrollera oljenivån. Se avsnittet **Kontrollera/fylla på olja**.
  2. Kontrollera i förekommande fall att redskapet är urkopplat. Var reglagen sitter och hur de används beskrivs i maskinhandboken.
  3. Tryck stoppkontakten (A) till läge on (fig. 4).
  4. För gasreglaget (B) i förekommande fall till läge . Kör motorn i läge fast .
  5. För choken (C) till läge choke .
- Anm.:* Chokning behövs vanligtvis inte vid start av varm motor.
6. Stäng bränslekranen D, om sådan finns (fig. 5).
  7. **Snörstart:** Håll ordentligt i starthandtaget (E). Dra först ut snöret långsamt tills ett motstånd känns och dra sedan snabbt (fig. 4).
- Anm.:* Gå in på **BRIGGSandSTRATTON.COM** eller ring **1-800-233-3723** om inte motorn startar på tre försök.



**VARNING:** Dras startsnöret in snabbt (bakslag), så hinner inte du inte med med armen. Det kan leda till brutna ben, frakturer, blåmärken och stukningar. Dra sakta i startsnöret till du känner ett motstånd och ryck sedan snabbt så undviks backslag.

8. **Elstart:** Vrid startkontakten till läge on/start. Var kontakten sitter och hur den används beskrivs i maskinhandboken.

Anm.: Gå in på **BRIGGSandSTRATTON.COM** eller ring **1-800-233-3723** om inte motorn startar på tre försök.

**OBS.:** Gör korta startförsök (högst fem sekunder) så håller starmotorn längre. Vänta en minut mellan startförsöken.

9. För choken (C) till läge run | ↑ | när motorn värms upp (fig. 4).

## Avstängning av motorn - fig. 5 6



### VARNING

**Bensin och bensinångor är ytterst antändbara och explosiva.  
Brand och explosion kan orsaka svåra brännskador eller dödsfall.**



- Choka inte förgasaren för att stoppa motorn.
- 1. Tryck stoppkontakten (A, fig. 6) till läge off  
or  
**Elstart:** Vrid elstartbrytaren till läge off/stop. Var brytaren sitter och hur den används beskrivs i maskinhandboken.
- 2. Stäng bensinkranen (D, fig. 5) när motorn stannat.

## Underhåll

Använd endast originalreservdelar. Andra delar fungerar eventuellt sämre, kan skada maskinen och orsaka personskador. Dessutom kan garantin upphöra att gälla om du använder andra delar.

Vi rekommenderar att du tar kontakt med en auktoriserad Briggs & Stratton-verkstad för underhåll och reparation av motorn och dess delar.

**VARNING:** För att motorn ska arbeta rätt, måste alla de komponenter som använts för att bygga den sitta kvar. reparation.

### Utsläppskontroll

**Underhåll, byte och reparation av avgasreningskomponenter kan utföras av alla verkstäder.** För att få "gratis" service av avgasreningen måste den utföras vid en verkstad som auktoriserats av fabriken. Se avgasreningsgarantin.



### VARNING

**Oavsiktliga gnistor kan resultera i brand eller stötar.  
Oavsiktlig start kan resultera i intrassling, skärskador eller amputation.  
Brandrisk**



### Före justering eller reparation

- Lossa tändstiftkabeln och håll den på avstånd från tändstiftet.
- Använd endast rätta verktyg.
- Justera inte regulatorfjädrar, länkar eller andra delar för att höja motorvarvtalet.
- Utbytesdelar måste vara de samma och installeras i samma position som originaldelarna.
- Slå inte på svänghjulet med hammare eller hårt föremål, eftersom svänghjulet då kan splittras under gång.

### Vid kontroll av tändningssystem:

- Använd godkänd gnistprovare.
- Testa inte gnistan med tändstiftet demonterat.

## Underhållsschema

### Första 5 timmarna

- Byt olja

### Var 8:e timme eller dagligen

- Kontrollera oljenivån i motorn.
- Rengör området runt ljuddämparen och reglagen
- Rengör fingerskyddet

### Var 25:e timme eller en gång per år

- Rengör luftfiltret \*
- Rengör förrenare \*

### Var 100:e timme eller en gång per år

- Byt olja i motorn
- Inspektera ljuddämparen och gnistskyddet

### Var 100:e timme

- Byt kuggväxelolja (om tillämpligt)

### Ärligen

- Byt ut luftfiltret
- Byt ut förrenaren
- Byt ut tändstiftet
- Rengör/byt ut bränslefilteret
- Rengör luftkylsystemet \*
- Kontrollera ventilspelet \*\*

\* Rengör oftare i dammiga miljöer och där det finns luftburet skräp.

\*\* Behövs inte om du inte märker av prestandaproblem.

## Förgasarjustering

Justera aldrig förgasaren. Den är inställd vid fabrik för att fungera effektivt under de flesta förhållanden. Vänd dig till en auktoriserad Briggs & Stratton-verkstad om den ändå kräver justering.

**OBS:** Tillverkaren av den maskin på vilken motorn är monterad specificerar det toppvarv på vilket denna motor får köras. **Överskrid inte** detta varvtal.

## Kontroll av tändstift - fig. 8

Kontrollera elektrodgapet (A, fig. 8) med ett bladmått (B). Justera vid behov. Skruva in och dra åt tändstiftet till rekommenderat moment, se avsnittet **Tekniska data**.

**Anm.:** I vissa områden fordrar den lokala lagstiftningen avstörda tändstift för att undertrycka tändsignaler. Om denna motor ursprungligen utrustats med avstört tändstift, bör samma typ av tändstift användas vid byte.

## Inspektion av ljuddämpare och gnistskydd - fig. 7



### VARNING



**Gående motorer producerar värme. Motordelar, speciellt ljuddämpare, blir mycket varma.**



**Svåra brännskador kan inträffa vid beröring.**

**Brännbart skräp, som t.ex. löv, gräs, buskar, etc. kan börja brinna.**

- Låt ljuddämpare, motorcylinder och flänsar svalna innan du rör dem.
- Avlägsna ansamlat skräp från ljuddämpar- och cylinderområdet.
- Innan du använder maskinen på skogs-, busk- eller gräsbevuxen ouppodlad mark bör du montera ett gnistskydd och hålla det i funktionsdugligt skick. I Kalifornien är detta lagstadgat (sektion 4442 av California Public Resources Code). Andra stater kan ha liknande lagar. Federala lagar gäller på federala land.

Inspektera ljuddämparen (A) och leta efter sprickor, rost och andra skador. Ta bort gnistskyddet (B) om sådant finns och titta efter skador och koksavlagringar. Använd endast originaldelar om delar måste bytas ut.



**VARNING:** Reservdelar måste vara likadana och monteras på samma plast som originaldelarna, annars kan brand uppstå.

## Oljebyte - fig. 9 10

**OBS:** Gammal olja är en farlig avfallsprodukt. Bortskaffa använd olja på rätt sätt. Släng den inte tillsammans med hushållsavfall. Rådgör med lokala myndigheter, servicecenter eller handlare.

## Uttappning av olja

1. Motorn ska vara avstängd men varm. Lossa tändkabeln (A) och se till att den inte kommer i kontakt med tändstiftet (fig. 10).
2. Skruva ur oljepluggen (B, fig. 9) Tappa ur oljan i ett godkänt kärl.  
**Anm.:** Någon av alla oljepluggar (C) på bilden kan finnas på motorn.
3. Sätt tillbaka och dra åt oljepluggen när oljan runnit ut.

## Fyll på olja

- Sätt motorn i vågrätt läge.
  - Avlägsna skräp från oljerörsområdet.
  - Oljevolymer finns angivna i avsnittet **Tekniska data**.
1. Ta ur oljestickan (D) och troka av den med en ren trasa.
  2. Häll sakt i olja i oljepåfyllningen på motorn (E). Fyll på tills det nästan rinner över.
  3. Sätt i oljestickan men skruva **inte** in den. Ta ur och kontrollera oljenivån. Nivån ska ligga vid markeringen FULL (F) på oljestickan.
  4. Sätt i och dra åt oljestickan.

## Rengöring av luftfilter - fig. 11



### VARNING



**Bensin och bensinångor är ytterst antändbara och explosiva.  
Brand och explosion kan orsaka svåra brännskador eller dödsfall.**



• Starta och kör aldrig motorn med luftrenaren eller luftfiltret borttaget.  
**VARNING:** Använd inte tryckluft eller lösningsmedel för att rengöra filtret. Tryckluft kan skada filtret, lösningsmedel löser upp det. Luftrenaren har ett veckat filter med ett förfiltret som extra tillbehör. Förfiltret kan tvättas och återanvändas.

## Plant luftfilter

1. Lossa skruven (D) som håller kåpan (A). Se fig. 11.

- Öppna kåpan och ta bort förfiltret (C) och filtret (B).
- Knacka försiktigt filtret mot en hård yta så att skräp lossnar. Byt till ett nytt filter om det är mycket smutsigt.
- Tvätta förfiltret i flytande diskmedel och vatten. Låt det lufttorka ordentligt. Olja inte in förfiltret.
- Montera det torra förfiltret på filtret med läppen (G) på förfiltret mot nederdelen på det veckade filtret.
- Montera filtret.
- Sätt i flikarna på kåpan (E) i spåren (F).
- Stäng kåpan och skruva fast.

### Byte av kuggväxelolja - fig. 12

Utför service enligt nedan om din motor är utrustad med reduktionsväxel.

- Skruva av oljepåfyllningspluggen (B) och oljenivåpluggen (C).
  - Skruva ur oljepluggen (A, fig. 12) och tappa ur oljan i lämpligt kärl.
  - Skruva i och dra åt oljepluggen.
  - Håll sakta kuggväxelolja i oljepåfyllningshålet (se avsnittet **Tekniska data**). Fortsätt hålla till det rinner olja ur oljenivåhålet.
  - Skruva i och dra åt oljenivåpluggen.
  - Skruva i och dra åt oljepåfyllningspluggen.
- Viktigt:** Det finns ett lufthål i oljepåfyllningspluggen (D) och den måste monteras högst upp på växelhuset enligt bilden.

### Rengöring/byte av bränslefilter - fig. 13



#### VARNING

Bensin och bensinångor är ytterst antändbara och explosiva.  
Brand och explosion kan orsaka svåra brännskador eller dödsfall.



- Håll bensin och ångor på avstånd från gnistor, lågor, tändlågor, värme och andra antändningskällor.
  - Kontrollera regelbundet bränsleslangar, tank, tanklock och kopplingar för sprickor eller läckor. Byt ut vid behov.
  - Tappa ur tanken eller stäng bensinkranen innan du byter bränslefilter.
  - Utbytesdelar måste vara de samma och installeras i samma position som originaldelarna.
  - Vid bensinspill, vänta tills bensinen dunstat bort innan du startar motorn.
- Skruva av tanklocket (A, fig. 13).
  - Ta bort bränslefiltret (B).
  - Rengör eller byt ut bränslefiltret om det är smutsigt. Använd en originalreservdel om du byter ut filtret.

### Rengöring av luftkylsystem - fig. 14



#### VARNING



Gående motorer producerar värme. Motordelar, speciellt ljuddämpare, blir mycket varma.



Svåra brännskador kan inträffa vid beröring.

Brännbart skräp, som t.ex. löv, gräs, buskar, etc. kan börja brinna.

- Låt ljuddämpare, motorcylinder och flänsar svalna innan du rör dem.
  - Avlägsna ansamlat skräp från ljuddämpar- och cylinderområdet.
- OBS.:** Rengör inte motorn med vatten. Vatten kan förorena bränslesystemet. Använd i stället en borste eller torr trasa.
- Motorn är luftkyld. Skräp och smuts kan hindra luftflödet och orsaka att motorn överhettas, vilket ger sämre prestanda och förkortar livslängden.
- Avlägsna smuts och skräp från fingerskyddet (A) med en borste eller torr trasa. Håll länkage, fjädrar och reglage (B) rena. Håll området omkring och bakom ljuddämparen (C) rent från brännbart skräp (fig. 14).

### Förvaring



#### VARNING



Bensin och bensinångor är ytterst antändbara och explosiva.

Brand och explosion kan orsaka svåra brännskador eller dödsfall.



#### Vid förvaring av bensin eller maskin med bränsle i tanken

- Förvara på avstånd från ugnar, brännare, vattenvärmare och andra apparater med tändlågor eller andra tändkällor, då sådana kan antända bensinångor.

#### Bränslesystem

Bränsle kan bli för gammalt om det lagras längre än en månad. Gammalt bränsle bildar syra och sega beläggningar i bränslesystemet och viktiga förgasarkomponenter. Håll bränslet färskt med Briggs & Stratton FRESH START® bränsletillsats, som finns både som flytande tillsats och i koncentrerad form i droppatron.

Bensinen behöver inte tappas ur motorn om du haft i bränsletillsatsen enligt anvisningarna. Kör motorn i två minuter så att tillsatsen cirkuleras i bränslesystemet. Motor och bensin kan sedan förvaras i upp till 24 månader.

Om du inte haft i bränsletillsats måste bensinen tappas ur i ett godkänt kärl. Kör motorn tills den stannar av bränslebrist. Vi rekommenderar att du har i bränsletillsats i dunken där bensinen lagras, så att den hålls färsk.

#### Motorolja

Byt olja medan motorn fortfarande är varm.

#### Felsökning

Behöver du hjälp? Gå in på [BRIGGSandSTRATTON.COM](http://BRIGGSandSTRATTON.COM) eller ring 1-800-233-3723

## Specifikationer

#### Motorspecifikationer

Modell	120000
Slagvolym	205 cc
Diameter	68,28 mm
Slaglängd	55,88 mm
Oljevoly	0,54 - 0,59 l
Reduktionsväxelolja	80W-90

#### Motorspecifikationer

Modell	200000
Slagvolym	305 cc
Diameter	79,24 mm
Slaglängd	61,93 mm
Oljevoly	26 - 28 l
Reduktionsväxelolja	SAE 30

#### Finjusteringsspecifikationer \*

Modell	120000
Tändstiftsgap	0,76 mm
Åtdragningsmoment, tändstift	20 Nm
Luftgap	0,25 - 0,36 mm
Ventilspe, insug	0,10 - 0,15 mm
Ventilspe, avgas	0,23 - 0,28 mm

#### Finjusteringsspecifikationer \*

Modell	200000
Tändstiftsgap	0,76 mm
Åtdragningsmoment, tändstift	20 Nm
Luftgapsdiameter	0,20 - 0,30 mm
Ventilspe, insug	0,10 - 0,15 mm
Ventilspe, avgas	0,22 - 0,28 mm

\* Motoreffekten minskar 3,5 % för varje 300 meter över havsytan och 1 % för varje 5,6° C över 25° C. Motorn arbetar tillfredsställande i en vinkel på upp till 15°. Se maskinens instruktionsbok för säkra driftgränser på sluttningar.

### Vanliga utbytesdelar ✓

Utbytesdel	Artikelnr
Plant luftfilter	491588, 5043
Förrenare för plant luftfilter	493537, 5064
Bränslefilter	792917
Bränsletillsats	5041, 5058

Utbytesdel	Artikelnr
Avstört tändstift	491055
Platina- tändstift med lång livslängd	5066
Tändstiftsnyckel	89838, 5023
Gnistprovare	19368

✓ Vi rekommenderar att du tar kontakt med en auktoriserad Briggs & Stratton-verkstad för underhåll och reparation av motorn och dess delar. Använd endast Briggs & Stratton originaldelar.

### BEGRÄNSAD GARANTI

Briggs & Stratton Corporation byter ut eller reparerar kostnadsfritt motordelar som är defekta i material eller utförande, eller båda delarna. Fraktkostnader för en produkt, som sänds in för reparation eller utbyte under denna garanti, bekostas av köparen. Denna garanti gäller under nedanstående tidsperiod och med nedanstående villkor. För garantireparation kontaktas närmaste auktoriserade verkstad som återfinns på vår återförsäljarlokalisatorkarta på BRIGGSandSTRATTON.COM eller genom att ringa Briggs & Stratton Sweden AB på 08-4495630 eller genom att slå upp i Gula sidorna.

**Annan uttrycklig garanti lämnas inte. Underförstådda garantier, inklusive sådana som avser säljbarhet och lämplighet för ett speciellt ändamål, begränsas till ett år från inköpet eller till lagligt tillåten utsträckning och alla underförstådda garantier betraktas som ogiltiga. Vi ansvarar inte för följdskador enligt någon form av garanti, om sådant undantag kan göras enligt lag.** Vissa länder eller delstater medger inte begränsning av hur länge en underförstådd garanti gäller och vissa tillåter inte undantagande eller begränsning av ansvaret för följdskador, så ovanstående gäller därför inte alla köpare. Denna garanti ger specifika legala rättigheter, men det kan även finnas andra rättigheter som varierar från land till land eller stat till stat.

### STANDARD GARANTIVILLKOR \* ▲

Märke/Produkttyp	Privat användning	Kommersiell användning
Vanguard™	2 år	2 år
Extended Life Series™, I/C®, Intek™ I/C®, Intek™ Pro	2 år	1 år
Snow Series MAX™ med Dura-Bore™ gjutjärnsfoder	2 år	1 år
Alla andra Briggs & Stratton-motorer	2 år	90 dagar

\* Dessa är våra standardvillkor, men ibland föreligger även annan garantitäckning som inte var fastställd vid utgivningstillfället. För en förteckning över aktuella garantivillkor för din motor, gå till BRIGGSandSTRATTON.COM eller kontakta den auktoriserade Briggs & Stratton-återförsäljaren.

▲ Motorer som används på reservverk för hemmet garanteras endast för privat användning. Denna garanti gäller inte för motorer på maskiner som används för huvudström i stället för hushållsström. **Motorer som används i tävlings syfte eller på tävlingsbanor täcks inte av garantin.**

Garanti perioden börjar den dag den första konsumenten eller kommersiella slutanvändaren köper motorn och löper under den tidsperiod som uppges i ovanstående tabell. Med "privat användning" avses en konsuments privata användning i hushållet. Med "kommersiell användning" avses all annan användning, inklusive användning i kommersiellt, inkomstbringande och uthyrningssyfte. En motor som en gång har använts kommersiellt, ska därefter alltid betraktas som kommersiell i samband med denna garanti.

**Garantiregistreringskort fordras inte för garantireparationer på Briggs & Stratton-produkter. Spara inköpskvittot. Om inköpskvittot inte kan uppvisas vid yrkan på garantireparation, kommer produktens tillverkningsdatum att användas för att bestämma garanti perioden.**

### Angående garantin

Briggs & Stratton välkomnar möjligheten att utföra garantireparationer och ursäktar sig för olägenheten. Garantireparationer kan utföras på vilken som helst av våra auktoriserade verkstäder. I de flesta fall behandlar vi garantireklamationer rutinmässigt men i vissa fall är garantireparationer inte berättigade.

Om en kund inte är nöjd med verkstadens bedömning, kommer en granskning att företas för att fastställa garantins tillämpning. Be verkstaden sända in alla uppgifter till distributören eller fabriken för granskning. Om distributören eller fabriken fastställer att reklamationen är berättigad, får kunden full ersättning för alla delar som bedöms vara defekta. För att undvika missförstånd mellan kund och återförsäljare, tar vi nedan upp några motorfel som inte täcks av garantin.

**Normal förslitning:** För att arbeta tillfredsställande behöver motorer, precis som alla andra mekaniska anordningar, periodisk service och utbyte av delar. Garantin täcker inte reparation av en del eller en motor p.g.a. normal förslitning. Garantin gäller t.ex. inte när motorskador uppstått p.g.a. felaktig användning, brist på rutinunderhåll, frakt, hantering, magasinering eller felaktig montering. Likaledes upphävs garantin om motorns serienummer har avlägsnats eller om motorn har byggts om eller modifierats.

**Felaktigt underhåll:** Motorns livslängd beror på de förhållanden under vilka den arbetar och på den vård den får. Motorer som driver jordfräsar, pumpar och gräsklippare arbetar ofta under dammiga och smutsiga förhållanden och slits därför fortare. Sådant slitage som vållats av smuts, damm, sand från tändstiftsblästring och liknande föroreningar som trängt in i motorn på grund av felaktigt underhåll, täcks inte av garantin.

**Denna garanti täcker endast motorrelaterat defekt material och/eller utförande och täcker inte utbyte av eller ersättning för den maskin på vilken motorn kan vara monterad. Garantin täcker inte heller sådana reparationer som fordras p.g.a.:**

- 1 Problem orsakade av delar som inte är Briggs & Stratton originaldelar.
- 2 Maskinreglage eller montage som förhindrar start, orsakar otillfredsställande motoreffekt eller förkortar motorns livslängd. (Kontakta maskintillverkaren.)
- 3 Läckande förgasare, igentäppta bränslerör, fastnade ventiler eller andra skador orsakade av förorenat eller gammalt bränsle.

- 4 Delar som är brända eller trasiga därför att motorn har körts med för lite eller förorenad olja, eller olja av fel sort (kontrollera oljenivån och fyll vid behov på, och byt olja med rekommenderade mellanrum). OIL GARD stänger eventuellt inte av en gående motor. Motorn kan skadas om oljenivån är för låg.
- 5 Reparation eller justering av tillbehör, som t.ex. kopplingar, växellådor, fjärreglage, etc., som inte är av Briggs & Stratton-fabrikat.
- 6 Skador och förslitning på delar som vållats av att smuts trängt in i motorn på grund av felaktigt underhåll eller ihopsättning av luftrenaren eller användning av icke-originalfilter eller -patron. Rengör och/eller byt ut filtret med de rekommenderade intervall som anges i instruktionsboken.
- 7 Delar som skadats av rusning eller överhettning orsakad av att kylflänsarna och området runt svänghjulet satts igen av smuts, gräs eller skräp, eller av att motorn körts i ett slutet utrymme med otillräcklig ventilation. Avlägsna motorskräp med de rekommenderade intervall som anges i instruktionsboken.
- 8 Motor- eller maskindelar som gått sönder på grund av kraftiga vibrationer orsakade av lösa motorfästen, lösa skärblad, obalanserade blad eller lösa eller obalanserade rotor, felaktig fastsättning av maskinen på motorns vevaxel, rusning eller ovarsamhet vid körning.
- 9 Krokig eller avbruten vevaxel som orsakats av att ett fast föremål träffat skärbladen på en gräsklippare, eller för hårt spänd V-rem.
- 10 Rutintrimning eller -justering av motorn.
- 11 Motor- eller motordelsfel, som t.ex. förbränningsrum, ventiler, ventilisäten, ventilstyrningar eller brända startmotorlindningar, som orsakats av att motorn körts med alternativa bränslen som t.ex. gasol, naturgas, etc.

**Garantireparationer utförs endast på av Briggs & Stratton Corporation auktoriserade verkstäder. Närmaste auktoriserade verkstad hittar du på vår lokalisatorkarta på BRIGGSandSTRATTON.com eller genom att ringa Briggs & Stratton Sweden AB på 08/449 56 30 eller genom att slå upp i Gula Sidorna.**

**en** Briggs & Stratton Engines Are Made Under One Or More Of The Following Patents: Design D-247,177 (Other Patents Pending)  
**da** Briggs & Stratton-motorer fremstilles i henhold til et eller flere af følgende patenter: Design D-247,177 (yderligere patentansøgninger indgivet)  
**de** Briggs & Stratton-Motoren werden unter einem oder mehreren der folgenden Patente hergestellt: Konstruktion D-247.177 (andere Patente angemeldet)  
**el** Οι κινητήρες της Briggs & Stratton είναι κατασκευασμένοι με βάση μια ή περισσότερες από τις ακόλουθες ευρεσιτεχνίες: Σχεδιασμός D -247.177 (άλλες ευρεσιτεχνίες εκκρεμούν)  
**es** Los Motores Briggs & Stratton Son Fabricados Bajo Una O Más De Las Sigüientes Patentes: Diseño D-247.177 (Otras Patentes Pendientes)  
**fi** Briggs & Stratton-moottoreita koskee yksi tai useampi seuraavista patenteista: Design D-247.177 (muut patentit haussa)  
**fr** Les moteurs Briggs & Stratton sont protégés par un ou plusieurs des brevets suivants: Conception D-247.177 (Demandes d'autres brevets introduites)  
**it** I motori Briggs & Stratton sono prodotti utilizzando uno o più dei seguenti Brevetti: Design D-247.177 (Altri brevetti in fase di omologazione)  
**no** Briggs & Stratton motorene er produsert under en eller flere av de følgende patentene: Design D-247.177 (Andre patenter er anmeldt)  
**nl** Briggs & Stratton Motoren Zijn Gemaakt Onder Eén Of Meer Van De Volgende Patenten: Design D-247.177 (Andere Patenten Aangevraagd)  
**pt** Os motores Briggs & Stratton são fabricados sob uma ou mais das seguintes patentes: Design D-247.177 (Outras patentes pendentes)  
**sv** Briggs & Stratton-motorer tillverkas under ett eller flera av nedanstående patent: Design D-247,177 (andra patentsökta)

6,691,683	6,520,141	6,325,036	6,145,487	6,012,420	5,803,035	5,548,955	5,243,878	5,138,996	4,875,448	D 476,629
6,647,942	6,495,267	6,311,663	6,142,257	5,992,367	5,765,713	5,546,901	5,235,943	5,086,890	4,819,593	D 457,891
6,622,683	6,494,175	6,284,123	6,135,426	5,904,124	5,732,555	5,445,014	5,234,038	5,070,829	4,720,638	D 368,187
6,615,787	6,472,790	6,263,852	6,116,212	5,894,715	5,645,025	5,503,125	5,228,487	5,058,544	4,719,682	D 375,963
6,617,725	6,460,502	6,260,529	6,105,548	5,887,678	5,642,701	5,501,203	5,197,426	5,040,644	4,633,556	D 309,457
6,603,227	6,456,515	6,242,828	6,347,614	5,852,951	5,628,352	5,497,679	5,197,425	5,009,208	4,630,498	D 372,871
6,595,897	6,382,166	6,239,709	6,082,323	5,843,345	5,619,845	5,320,795	5,197,422	4,996,956	4,522,080	D 361,771
6,595,176	6,369,532	6,237,555	6,077,063	5,823,153	5,606,948	5,301,643	5,191,864	4,977,879	4,520,288	D 356,951
6,584,964	6,356,003	6,230,678	6,064,027	5,819,513	5,606,851	5,271,363	5,188,069	4,977,877	4,512,499	D 309,457
6,557,833	6,349,688	6,213,083	6,040,767	5,813,384	5,605,130	5,269,713	5,186,142	4,971,219	4,453,507	D 308,872
6,542,074	6,347,614	6,202,616	6,014,808	5,809,958	5,497,679	5,265,700	5,150,674	4,895,119	4,430,984	D 308,871



**THE POWER WITHIN™**