



Installation & Owner's Manual

Guide d'Installation et d'Utilisation

Manual de Instalación y del Propietario

Questions? Help is just a moment away!

Preguntas? La ayuda es justa
un momento lejos!

Vous avez des questions? Vous n'avez pas
besoin d'aller loin pour trouver de l'aide!

Call: **Transfer Switch Helpline**

Llamada: **Línea Directa de
Interruptor de Transferencia**

Appelez: **Ligne Directe de
Commutateur de Transfert**

1-800-743-4115 M-F 8-5 CT

Web: www.briggspowerproducts.com



60 AMP NEMA I/NEMA 3R Manual Transfer Switch



Controls by Eaton's Cutler-Hammer

c  us
1008 LISTED

Models 071002 & 071003 Part No. 194942GS Rev. 2 (10/27/04)

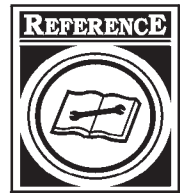


TABLE OF CONTENTS

TABLE OF CONTENTS	2	ESSENTIAL CIRCUIT ISOLATION	6
SAFETY RULES	3	Mounting Instructions	7
INTRODUCTION	4	Power Wiring Interconnections	7-8
For the Home or Business Owner:	4	SYSTEM OPERATION	9
For the Installing Dealer/Contractor:	4	Specifications	9
Owner Orientation	4	Model 071002	9
Installer Responsibilities	4	Model 071003	9
Equipment Description	5	When Calling The Factory	9
INSTALLATION	5	SERVICE PARTS	10
Unpacking	5	NOTES	11-12
Delivery Inspection	5	WARRANTY	13
Shipment Contents	5		
Mounting Dimensions	5		



SAFETY RULES



This is the safety alert symbol. It is used to alert you to potential personal injury hazards. Obey all safety messages that follow this symbol to avoid possible injury or death.

The safety alert symbol (▲) is used with a signal word (DANGER, CAUTION, WARNING), a pictorial and/or a safety message to alert you to hazards. **DANGER** indicates a hazard which, if not avoided, **will** result in death or serious injury. **WARNING** indicates a hazard which, if not avoided, **could** result in death or serious injury.

CAUTION indicates a hazard which, if not avoided, **might** result in minor or moderate injury. **CAUTION**, when used **without** the alert symbol, indicates a situation that could result in equipment damage. Follow safety messages to avoid or reduce the risk of injury or death.

The manufacturer cannot possibly anticipate every possible circumstance that might involve a hazard. The warnings in this manual, and the tags and decals affixed to the unit are, therefore, not all-inclusive. If you use a procedure, work method or operating technique that the manufacturer does not specifically recommend, you must satisfy yourself that it is safe for you and others. You must also make sure that the procedure, work method or operating technique that you choose does not render the transfer switch unsafe.



WARNING

Only qualified electricians should attempt installation of this system, which must strictly comply with applicable codes, standards and regulations.



WARNING



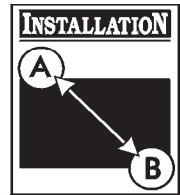
Failure to properly ground transfer switch can result in electrocution.

- DO NOT touch bare wires or receptacles.
- DO NOT use transfer switch with worn, frayed, bare or otherwise damaged wiring.
- DO NOT handle electrical cords while standing in water, while barefoot, or while hands or feet are wet.
- If you must work around a unit while it is operating, stand on an insulated dry surface to reduce shock hazard.
- DO NOT allow unqualified persons or children to operate or service transfer switch.
- In case of an accident caused by electrical shock, immediately shut down the source of electrical power and contact the local authorities. **Avoid direct contact with the victim.**

CAUTION

Improper treatment of transfer switch can damage it and shorten its life.

- Use transfer switch only for intended uses.
- If you have questions about intended use, ask dealer or contact Briggs and Stratton Power Products.
- DO NOT expose transfer switch to excessive moisture, dust, dirt, or corrosive vapors.
- Despite the safe design of the transfer switch, operating this equipment imprudently, neglecting its maintenance or being careless can cause possible injury or death.
- Remain alert at all times while working on this equipment. NEVER work on the equipment when you are physically or mentally fatigued.
- If connected devices overheat, turn them off and turn off their circuit breaker/fuse.



INTRODUCTION

Thank you for your purchase of this Briggs & Stratton Power Products Manual Transfer Switch. This product is intended for use with Briggs & Stratton Home Standby Generator sets **ONLY**. This is an optional home standby system which provides an alternate source of electric power and to serve loads such as heating, refrigeration systems, and communication systems that, when stopped during any power outage, could cause discomfort or the like. This product **DOES NOT** qualify for emergency standby as defined by NFPA 70 (NEC).

Briggs and Stratton Power Products (BSPP) has made every effort to provide for a safe, streamlined and cost-effective installation. Each installation is unique; it is impossible for BSPP to know and advise of all conceivable procedures and methods by which installation might be performed, nor the potential hazards associated with those methods. For these reasons,

Only licensed electrical contractors should install transfer switches. Installations must strictly comply with all applicable federal, state and local codes, standards and regulations.

Your BSPP Transfer Switch is supplied with this combined "Installation and Owner's Manual". This is an important document and should be retained by the owner after the installation has been completed.

Every effort has been expended to make sure that the information in this manual is both accurate and current. However, the manufacturer reserves the right to change, alter or otherwise improve the system at any time without prior notice.

For the Home or Business Owner

To help you make informed choices and communicate effectively with your installation contractor(s),

Read and understand the Owner Orientation Section of this manual BEFORE contracting or starting your transfer switch installation.

To arrange for proper installation, contact the store at which you purchased your BSPP Transfer Switch, your dealer, or your utility power provider.

The Transfer Switch Warranty is VOID unless the system is installed by a licensed electrical professional.

For the Installing Dealer/Contractor

Check federal, state and local codes for questions on installation.

If you need more information about the transfer switch, call 1-800-743-4115, between 8:00 AM and 5:00 PM CT.

Owner Orientation

The illustrations are for typical circumstances and are meant to familiarize you with the installation options available with your transfer switch.

Local codes, appearance, and distances are the factors that must be considered when negotiating with an installation professional. As the distance from the existing electrical service increases, compensation in wiring materials must be allowed for. This is necessary to comply with local codes and overcome electrical voltage drops.

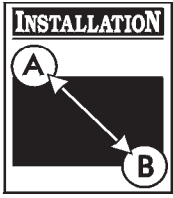
The factors mentioned above will have a direct effect on the overall price of your transfer switch installation.

NOTE: Your installer must check local codes AND obtain permits before installing the system.

- Read and follow the instructions given in this manual.
- Follow a regular schedule in caring for and using your transfer switch, as specified in the manual.

Installer Responsibilities

- Read and observe the safety rules.
- Read and follow the instructions given in this manual.
- Check federal, state and local codes.



Equipment Description

These transfer switches are intended to operate compatible electrical loads of normal residential installations. The load is connected either to utility power (normal) or home standby power (emergency).

These manual transfer switches are equipped with two circuit breakers ("GENERATOR SUPPLY" and "UTILITY SUPPLY") and a mechanical interlock. The "GENERATOR SUPPLY" circuit breaker provides power from the generator to the load devices wired to the manual transfer switch. The "UTILITY SUPPLY" circuit breaker provides utility power from the distribution panel to the load devices wired to the manual transfer switch.

The mechanical interlock allows the circuit breakers for either the generator power "GENERATOR SUPPLY" or the utility power "UTILITY SUPPLY" to be turned on to provide power to the selected house loads. These manual transfer switches will not allow utility line power and generator power to be connected to a load device at the same time.

If utility line power is restored while generator power is being used, there will be no affect on the generator or transfer switch components. When utility power is restored, follow the instructions in the section "System Operation".

INSTALLATION

Unpacking

Delivery Inspection

After removing the carton, carefully inspect the transfer switch components for any damage that may have occurred during shipment.

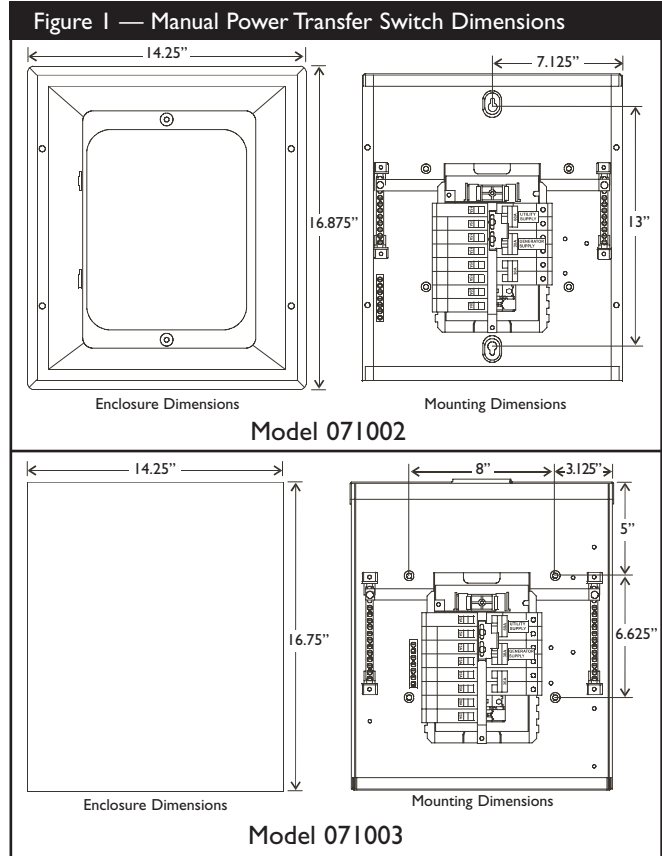
IMPORTANT: If loss or damage is noted at time of delivery, have the person(s) making delivery note all damage on the freight bill and affix his signature under the consignor's memo of loss or damage. If loss or damage is noted after delivery, contact the carrier for claim procedures. Freight damaged parts are not warranted.

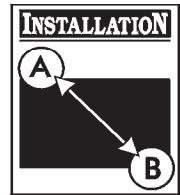
Shipment Contents

- Manual Power Transfer Switch
- Installation and Owner's Manual

Mounting Dimensions

Figure I depicts the physical size and mounting hole locations of the manual transfer switch enclosure. The transfer switch enclosure is commonly secured through the predrilled holes, as shown.





ESSENTIAL CIRCUIT ISOLATION

Essential electrical loads are loads that will be powered by the Standby Generator System. Essential loads are grouped together and wired into the transfer switch.



TO THE INSTALLER: Consult with Standby Generator System owner(s) to discuss their "Selection of Essential Circuits", described in owner's manual.

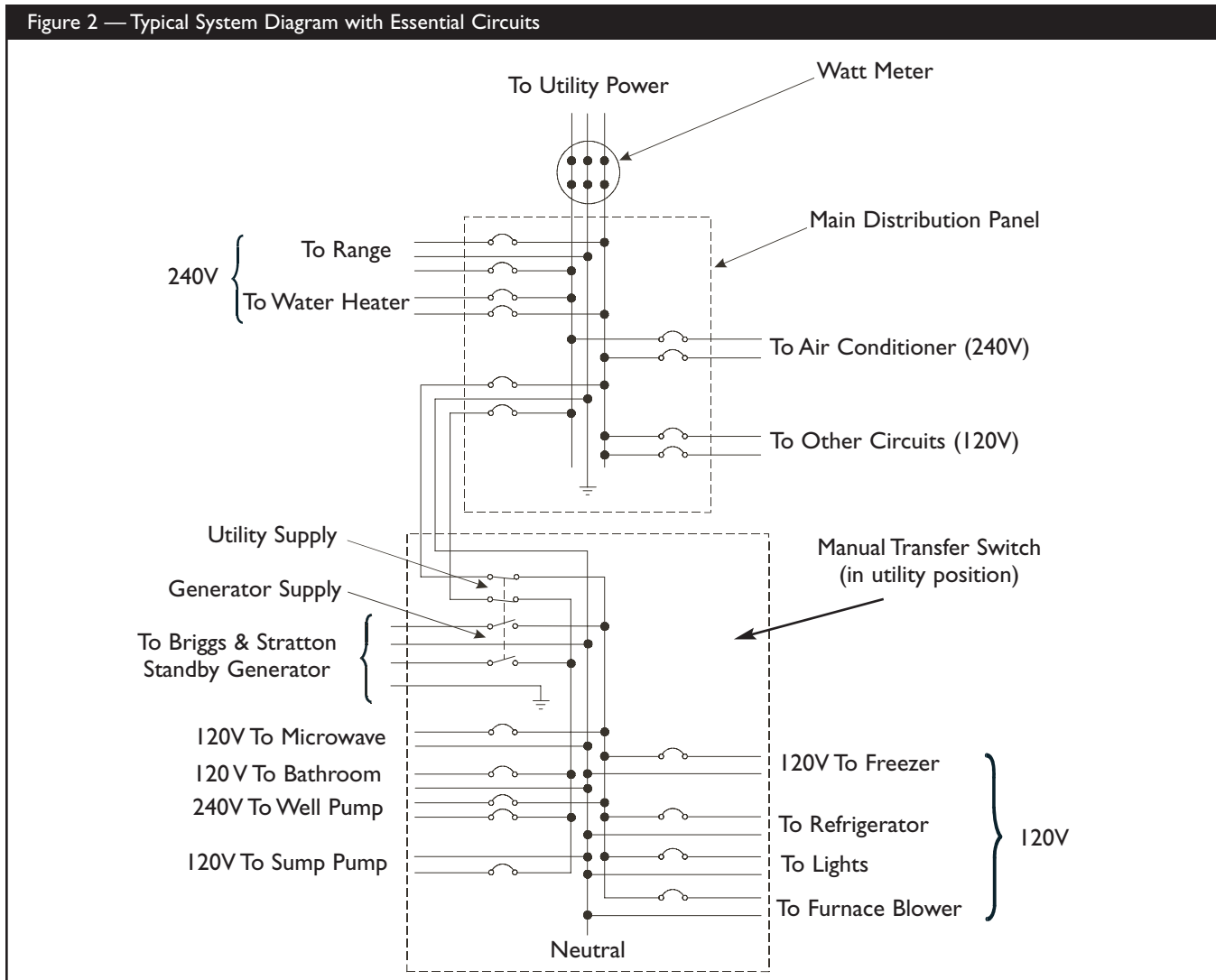
Ensure that the total of the selected load circuits fed by this transfer switch are within the generator's rated capacity.

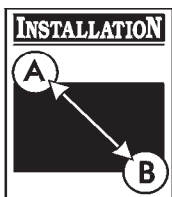
The following requirements apply to this type of isolation system:

- The Manual Transfer Switch is installed after the main distribution panel.
- The Manual Transfer Switch has a load rating of 60 Amps. This is the maximum load rating of the essential loads.

All wiring must conform to national, state and local codes.

The illustration in Figure 2 depicts the Standby Generator System and assumes the utility is supplying 120/240 Volt, single-phase electrical service.





Mounting Guidelines

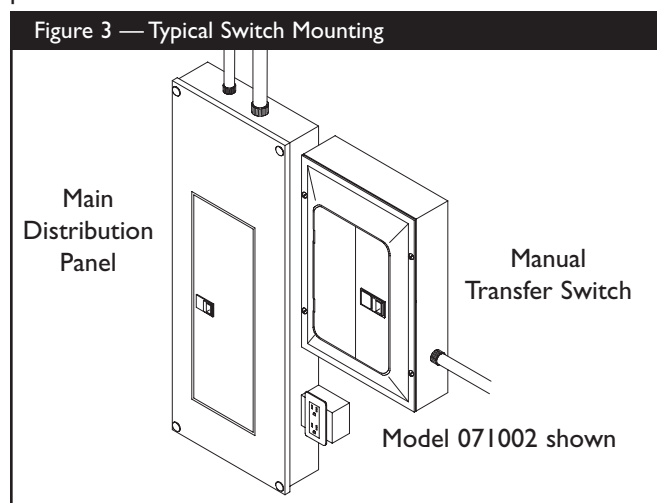
The Model 071002 Manual Transfer Switch is enclosed in a NEMA Type 1 enclosure suitable for indoor use only.

The Model 071003 Manual Transfer Switch is enclosed in a NEMA Type 3R enclosure suitable for indoor/outdoor use.

Guidelines for mounting the Manual Transfer Switch include:

- Model 071003 Manual Transfer Switch must be installed with minimum NEMA 3R hardware for conduit connections.
- Install the switch on a firm, sturdy supporting structure.
- To assure easy insertion or removal of circuit breakers, level and plumb the enclosure. This can be done by placing washers between the switch enclosure and the mounting surface.
- NEVER install the switch where any corrosive substance might drip onto the enclosure.
- Protect the switch at all times against excessive moisture, dust, dirt, lint, construction grit and corrosive vapors.

The typical installation of the Manual Power Transfer Switch is depicted in Figure 3. Discuss layout suggestions/changes with the owner before beginning the system installation process.



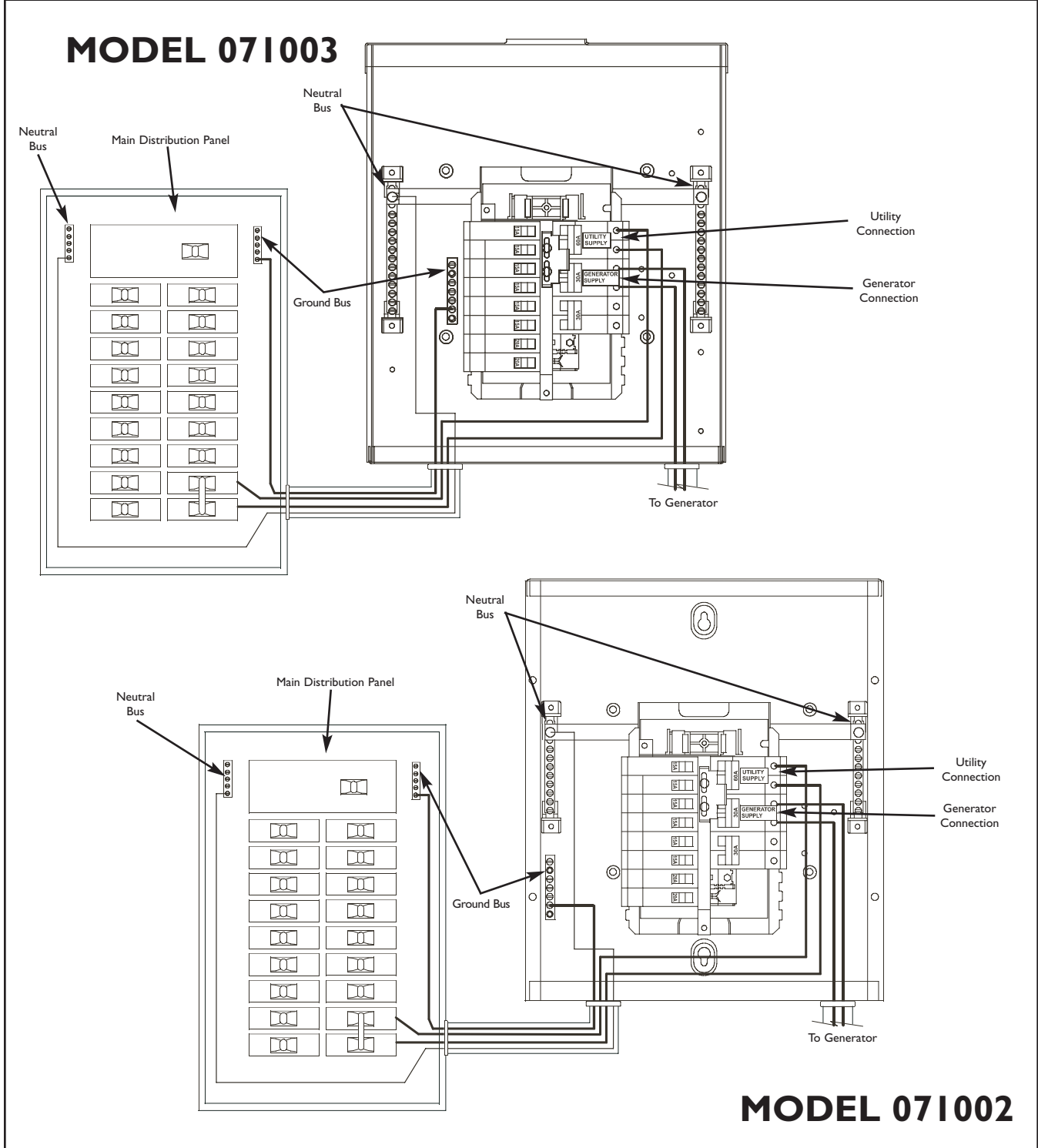
Power Wiring Interconnections

All wiring must be the proper size, properly supported, of approved insulation qualities, and protected by NEC approved conduit.

Complete the following connections between the generator, transfer switch and main distribution panel (Figure 4, on next page).

1. Connect utility power supply leads from two pole breaker installed in main distribution panel to transfer switch two pole breaker marked "UTILITY SUPPLY". A 60 Amp circuit breaker is provided. Ensure breaker is turned OFF.
2. Connect main distribution panel ground to transfer switch "GND" bus.
3. Connect main distribution panel neutral lead to transfer switch "NEUTRAL" terminal.
4. Connect generator power supply leads from generator's control panel to transfer switch two pole breaker marked "GENERATOR SUPPLY".
5. Connect generator Neutral from control panel to transfer switch "NEUTRAL" terminal.
6. Connect generator "GND" from control panel to transfer switch "GND" terminal.
7. Tighten all wire connections/fasteners to proper torque.

Figure 4 — A Typical Installation Diagram for Transfer Switch





SYSTEM OPERATION

To transfer from utility power to generator power:

1. Turn OFF main breaker labeled "UTILITY SUPPLY".
2. Turn OFF all branch circuit breakers in transfer switch.
3. Slide mechanical interlock and turn "GENERATOR SUPPLY" breaker to ON position.
4. Turn ON branch circuit breakers one at a time.

To transfer from generator power back to utility power:

1. Turn OFF main breaker labeled "GENERATOR SUPPLY".
2. Turn OFF all branch circuit breakers in transfer switch.
3. Slide mechanical interlock and turn "UTILITY SUPPLY" breaker to ON position.
4. Turn ON branch circuit breakers one at a time.

Specifications

UL® 1008 Listed Transfer Switch

Model 071002

Enclosure	NEMA 1
Maximum Load/Circuit:	
from Load Center	60 Amps
Rated AC Voltage	250 Volts
Poles	2
Fault Current Rating	10,000 RMS Symmetrical Amperes
Weight	27 lbs.

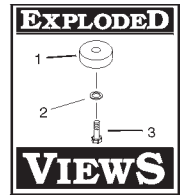
Model 071003

Enclosure	NEMA 3R
Maximum Load/Circuit:	
from Load Center	60 Amps
Rated AC Voltage	250 Volts
Poles	2
Fault Current Rating	10,000 RMS Symmetrical Amperes
Weight	34 lbs.

When Calling the Factory

Before contacting Briggs and Stratton Power Products regarding service or repair of this transfer switch, obtain the Model Number from the unit data decal located on or inside the case.

To contact Briggs and Stratton Power Products call 1-800-743-4115, between 8:00 AM and 5:00 PM CT.



TRANSFER SWITCH SERVICE PARTS

MODEL 071002 (NEMA 1)

Part #	Description
195566GS	KIT, HRDWR, NEMA 1, SRV
195568GS	KIT, DOOR, NEMA 1, SRV
194942GS	MANUAL, Owner's

MODEL 071003 (NEMA 3R)

Part #	Description
195567GS	KIT, HRDWR, NEMA3R, SRV
195569GS	DEADFRONT, NEMA3R, SRV
195570GS	DOOR, NEMA3R, SRV
194942GS	MANUAL, Owner's

NOTES



NOTES



NOTES

NOTES

BRIGGS & STRATTON POWER PRODUCTS GROUP, LLC EQUIPMENT OWNER WARRANTY POLICY

Effective September 1, 2004 replaces all undated Warranties and all Warranties dated before September 1, 2004

LIMITED WARRANTY

Briggs & Stratton Power Products Group, LLC will repair or replace, free of charge, any part(s) of the equipment that is defective in material or workmanship or both. Transportation charges on parts submitted for repair or replacement under this warranty must be borne by purchaser. This warranty is effective for the time periods and subject to the conditions stated below. For warranty service, find the nearest Authorized Service Dealer in our dealer locator map at www.briggspowerproducts.com.

THERE IS NO OTHER EXPRESS WARRANTY. IMPLIED WARRANTIES, INCLUDING THOSE OF MERCHANTABILITY AND FITNESS FOR A PARTICULAR PURPOSE, ARE LIMITED TO ONE YEAR FROM PURCHASE, OR TO THE EXTENT PERMITTED BY LAW ANY AND ALL IMPLIED WARRANTIES ARE EXCLUDED. LIABILITY FOR INCIDENTAL OR CONSEQUENTIAL DAMAGES ARE EXCLUDED TO THE EXTENT EXCLUSION IS PERMITTED BY LAW. Some states or countries do not allow limitations on how long an implied warranty lasts, and some states or countries do not allow the exclusion or limitation of incidental or consequential damages, so the above limitation and exclusion may not apply to you. This warranty gives you specific legal rights and you may also have other rights which vary from state to state or country to country.

OUR EQUIPMENT*

OUTBOARD MOTOR	PRESSURE WASHER	WATER PUMP (Not available in the USA)	PORTABLE GENERATOR WELDER	HOME STANDBY GENERATOR SYSTEM		
				Less than 10 KW	10 KW or greater	Transfer switch

WARRANTY PERIOD**

Consumer Use	2 years	1 year	1 year	2 years	2 years	3 years or 1500 hours	3 years
Commercial Use	none	90 days	90 days	1 year	none	none	none

* The engine and starting batteries are warranted solely by the manufacturers of those products.

** 2 years for all consumer products in the European Union. Parts only on 2nd year for consumer use of Portable Generator and Home Standby Generator System - Less than 10 KW, outside of European Union.

The warranty period begins on the date of purchase by the first retail consumer or commercial end user, and continues for the period of time stated in the table above. "Consumer use" means personal residential household use by a retail consumer. "Commercial use" means all other uses, including use for commercial, income producing or rental purposes. Once equipment has experienced commercial use, it shall thereafter be considered as commercial use for purposes of this warranty. **Equipment used for prime power in place of utility are not applicable to this warranty. Electric powered pressure washers used for commercial purposes are not warranted.**

NO WARRANTY REGISTRATION IS NECESSARY TO OBTAIN WARRANTY ON BRIGGS & STRATTON PRODUCTS. SAVE YOUR PROOF OF PURCHASE RECEIPT. IF YOU DO NOT PROVIDE PROOF OF THE INITIAL PURCHASE DATE AT THE TIME WARRANTY SERVICE IS REQUESTED, THE MANUFACTURING DATE OF THE PRODUCT WILL BE USED TO DETERMINE THE WARRANTY PERIOD.

ABOUT YOUR WARRANTY

We welcome warranty repair and apologize to you for being inconvenienced. Any Authorized Service Dealer may perform warranty repairs. Most warranty repairs are handled routinely, but sometimes requests for warranty service may not be appropriate. For example, warranty service would not apply if equipment damage occurred because of misuse, lack of routine maintenance, shipping, handling, warehousing or improper installation. Similarly, the warranty is void if the manufacturing date or the serial number on the equipment has been removed or the equipment has been altered or modified. During the warranty period, the Authorized Service Dealer, at its option, will repair or replace any part that, upon examination, is found to be defective under normal use and service. This warranty will not cover the following repairs and equipment:

- **Normal Wear:** Outdoor Power Equipment, like all mechanical devices, needs periodic parts and service to perform well. This warranty does not cover repair when normal use has exhausted the life of a part or the equipment.
- **Installation and Maintenance:** This warranty does not apply to equipment or parts that have been subjected to improper or unauthorized installation or alteration and modification, misuse, negligence, accident, overloading, overspeeding, improper maintenance, repair or storage so as, in our judgment, to adversely affect its performance and reliability. This warranty also does not cover normal maintenance such as adjustments, fuel system cleaning and obstruction (due to chemical, dirt, carbon, lime, etc.).
- **Other Exclusions:** This warranty excludes wear items such as quick couplers, oil gauges, belts, o-rings, filters, pump packing, etc., pumps that have been run without water supplied or damage or malfunctions resulting from accidents, abuse, modifications, alterations, or improper servicing or freezing or chemical deterioration. Accessory parts such as guns, hoses, wands and nozzles are excluded from the product warranty. This warranty excludes failures due to acts of God and other force majeure events beyond the manufacturers control. Also excluded is used, reconditioned, and demonstration equipment; equipment used for prime power in place of utility power and equipment used in life support applications.

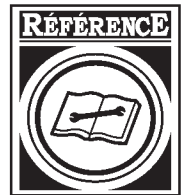


TABLE DES MATIÈRES

TABLE DES MATIÈRES.....	14	ISOLATION DES CIRCUITS ESSENTIELS	18
RÈGLES DE SÉCURITÉ	15	Instructions d'Installation	19
INTRODUCTION	16	Interconnexions du Câblage d'Alimentation	19-20
Au Propriétaire Résidentiel ou Commercial.....	16	FONCTIONNEMENT DU SYSTÈME.....	21
Au Détaillant/à l'Entrepreneur Procédant à		Caractéristiques	21
l'Installation.....	16	Modèle 071002.....	21
Conseils au Propriétaire.....	16	Modèle 071003.....	21
Responsabilités de l'Installateur.....	16	Si vous Devez Communiquer avec l'Usine	21
Description de l'Équipement	17	REMARQUES.....	22
INSTALLATION.....	17	LISTES DES PIÈCES	10
Déballage	17	GARANTIE.....	23
Vérification de la Livraison.....	17		
Contenu de la Boîte.....	17		
Dimensions d'Installation	17		



RÈGLES DE SÉCURITÉ



Ceci est la sûreté le symbole vif. Il est utilisé pour vous alerter aux dangers de blessure personnels potentiels. Obéir tous messages de sûreté qui suivent ce symbole éviter la blessure ou la mort possibles.

Le symbole indiquant un message de sécurité est accompagné d'un mot indicateur (DANGER, ATTENTION, AVERTISSEMENT), d'un message illustré et/ou d'un message de sécurité visant à vous avertir des dangers. **DANGER** indique un danger qui, s'il n'est pas évité, *provoquera* des blessures graves, voire fatales.

AVERTISSEMENT indique un danger qui, s'il n'est pas évité, *peut* provoquer des blessures graves, voire fatales. **ATTENTION** indique un danger qui, s'il n'est pas évité, *peut* provoquer des blessures mineures ou légères. Le mot **ATTENTION**, lorsqu'il est utilisé **sans** le symbole d'alerte, indique une situation pouvant endommager l'équipement. Suivez les messages de sécurité pour éviter ou réduire les risques de blessures ou de mort.

Le fabricant ne peut anticiper toutes les circonstances potentielles pouvant comporter un danger. Par conséquent, les avertissements contenus dans le présent manuel, ainsi que les plaques et les décalques apposés sur l'unité n'englobent pas toutes les possibilités. Si vous utilisez une procédure, une méthode de travail ou une technique d'opération non spécifiquement recommandée par le fabricant, vous devez vous assurer qu'elle ne compromet pas votre sécurité ni celle des autres. Vous devez également vous assurer que la procédure, la méthode de travail ou la technique d'opération que vous choisissez ne rende pas la commutateur de transfert dangereuse.



AVERTISSEMENT

Seuls les électriciens qualifiés peuvent procéder à l'installation de ce système, laquelle doit se conformer strictement aux codes, aux normes et aux réglementations applicables.



AVERTISSEMENT



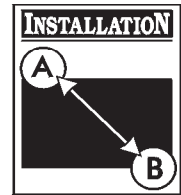
Ne pas relier le commutateur de transfert à la terre risque de provoquer des électrocutions.

- NE touchez PAS les fils dénudés ou les boîtiers.
- N'utilisez PAS le commutateur de transfert avec des cordons électriques usés, effilochés ou dénudés, ou abîmés de quelque sorte que ce soit.
- NE manipulez PAS les cordons d'alimentation lorsque vous êtes debout dans l'eau, pieds nus ou avec les mains ou les pieds humides.
- Si vous devez travailler autour d'une unité alors qu'elle est en marche, placez-vous sur une surface sèche isolée afin de réduire les risques de choc électrique.
- NE laissez PAS des personnes non qualifiées ou des enfants se servir ou réparer le commutateur de transfert.
- En cas d'accident causé par un choc électrique, procédez immédiatement à la mise hors tension de l'alimentation électrique et contacter des autorités locales. **Évitez tout contact direct avec la victime.**

ATTENTION

Un traitement inapproprié du commutateur de transfert risque de l'endommager et de raccourcir sa durée d'utilisation.

- Ne vous servez du commutateur de transfert que pour les utilisations prévues.
- Si vous avez des questions concernant les utilisations prévues, demandez à votre distributeur ou contactez Briggs and Stratton Power Products.
- N'exposez PAS le commutateur de transfert à une humidité excessive, à de la poussière, à de la saleté ou à des vapeurs corrosives.
- En dépit de la conception sécuritaire du commutateur de transfert, le fait d'opérer l'équipement de façon imprudente, de ne pas l'entretenir ou d'être négligent peut causer des blessures et la mort.
- Demeurez alerte en tout temps lorsque vous travaillez sur cet équipement. NE travaillez JAMAIS sur l'équipement si vous êtes fatigué physiquement ou mentalement.
- Si les appareils branchés surchauffent, éteignez-les et mettez leur disjoncteur ou fusible hors tension.



INTRODUCTION

Nous vous remercions d'avoir acheté ce commutateur de transfert manuel de Briggs & Stratton Power Products (BSPP). Ce commutateur de transfert convient UNIQUEMENT aux génératrices de secours résidentielles Briggs & Stratton. Ce produit est conçu pour être utilisé comme groupe électrogène optionnel fournissant une source d'électricité alternative et pour desservir des charges comme le chauffage, les systèmes de réfrigération et les systèmes de communication qui, lorsqu'ils sont arrêtés durant une panne d'électricité, peuvent causer des inconforts ou autre. Ce produit ne se qualifie pas comme groupe électrogène d'urgence tel que défini par la NFPA 70 (NEC).

La société Briggs & Stratton Power Products (BSPP) a tout fait pour fournir un commutateur de transfert dont l'installation soit sécuritaire, facile et économique. Comme chaque installation est unique, il est impossible de connaître et de recommander une marche à suivre présentant toutes les méthodes et consignes d'installation possibles. Briggs et Stratton ignore également les dangers et/ou les résultats potentiels de chaque méthode ou procédure. C'est pourquoi,

Seuls des entrepreneurs en électricité qualifiés devraient procéder à l'installation des commutateur de transfert.

Toute installation doit être conforme à tous codes de sécurité applicables, ainsi qu'aux normes et à la réglementation de l'industrie.

Votre commutateur de transfert BSPP est livré avec le présent "Guide d'installation et d'utilisation". Ce guide est un document important; conservez-le après avoir complété l'installation.

Tout a été fait pour s'assurer que les renseignements contenus dans le présent guide soient exacts et à jour. Toutefois, le fabricant se réserve le droit de changer, de modifier ou encore d'améliorer le système en tout temps, et ce, sans préavis.

Au Propriétaire Résidentiel ou Commercial

Afin de vous aider à faire des choix avisés et à communiquer efficacement avec l'entrepreneur qui procédera à l'installation,

Veillez lire avec soin la section Conseils au propriétaire dans le présent guide avant de contracter un entrepreneur ou de commencer l'installation de votre commutateur de transfert.

Pour assurer une installation adéquate, veuillez contacter le magasin qui vous a vendu votre commutateur de transfert Briggs & Stratton Power Products, votre détaillant ou votre fournisseur de services d'électricité.

Si l'installation du commutateur de transfert n'est pas effectuée par des professionnels certifiés en électricité, la garantie sera ANNULÉE.

Au Détaillant ou à l'Entrepreneur Procédant à l'Installation

Le présent guide contient tous les renseignements nécessaires à l'installation adéquate du commutateur de transfert pour la plupart des usages.

Si vous avez besoin de renseignements supplémentaires, veuillez appeler au (800) 743-4115 de 8 h à 17 h HNC.

Conseils au Propriétaire

Les illustrations se rapportent à des cas typiques et ont pour but de vous familiariser avec les différentes options d'installation de votre commutateur de transfert dont vous disposez.

Au moment de négocier avec un installateur professionnel, il faudra tenir compte des facteurs suivants : les codes de sécurité locaux, l'apparence, le niveau de bruits, et les distances. Souvenez-vous que plus grandes sont les distances entre le groupe électrogène et le service électrique existant ainsi que l'alimentation, plus il faudra faire des compensations dans les matériaux et le câblage. Ces modifications sont nécessaires pour vous conformer aux codes de sécurité locaux et pour surmonter les chutes de tension.

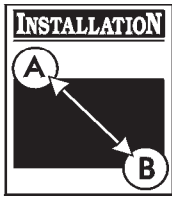
Les facteurs mentionnés ci-dessus auront une incidence directe sur le prix total de l'installation de votre commutateur de transfert.

REMARQUE: Votre installateur est tenu de vérifier les codes locaux ET d'obtenir les permis requis avant de procéder à l'installation du système.

- Vous devez lire et suivre les instructions indiquées dans le manuel.
- Établissez un programme d'entretien, de soins et d'utilisation régulier de votre commutateur de transfert, tel qu'indiqué dans le manuel.

Responsabilités de l'Installateur

- Vous devez lire et respecter les règles de sécurité décrites dans le manuel.
- Vous devez lire et suivre les instructions indiquées dans le présent le manuel.
- Vérifiez tous les codes fédéraux, provinciaux et locaux.



Description de l'Équipement

Ces commutateurs de transfert ont été conçus pour des charges électriques compatibles d'équipements résidentiels courants. La charge est branchée soit à l'alimentation de service (normal), soit à la génératrice de secours résidentielle (urgence).

Ces commutateurs de transfert manuels sont équipés de deux disjoncteurs ("GENERATOR SUPPLY" [alimentation de la génératrice] et "UTILITY SUPPLY" [alimentation de service]) ainsi que d'un contacteur d'interdiction mécanique. Le disjoncteur "GENERATOR SUPPLY" fournit l'alimentation de la génératrice aux appareils de charge reliés au commutateur de transfert manuel. Le disjoncteur "UTILITY SUPPLY" fournit l'alimentation de service du panneau de distribution aux appareils de charge reliés au commutateur de transfert manuel.

Le contacteur d'interdiction mécanique permet au disjoncteur soit de l'alimentation de la génératrice, "GENERATOR SUPPLY", soit de l'alimentation de service, "UTILITY SUPPLY", d'alimenter les charges résidentielles sélectionnées. Ces commutateurs de transfert manuels ne permettent pas à l'alimentation de service et à l'alimentation de la génératrice d'être simultanément branchés à un appareil de la charge.

L'établissement de l'alimentation de service alors que l'alimentation de la génératrice est utilisée n'aura aucune incidence sur la génératrice. Lorsque l'alimentation de service est rétablie, suivez les instructions de la section "Fonctionnement du système".

INSTALLATION

Déballage

Vérification de la Livraison

Après avoir enlevé le carton, examinez avec soin les éléments du commutateur de transfert manuel pour tout dommage subi durant l'expédition.

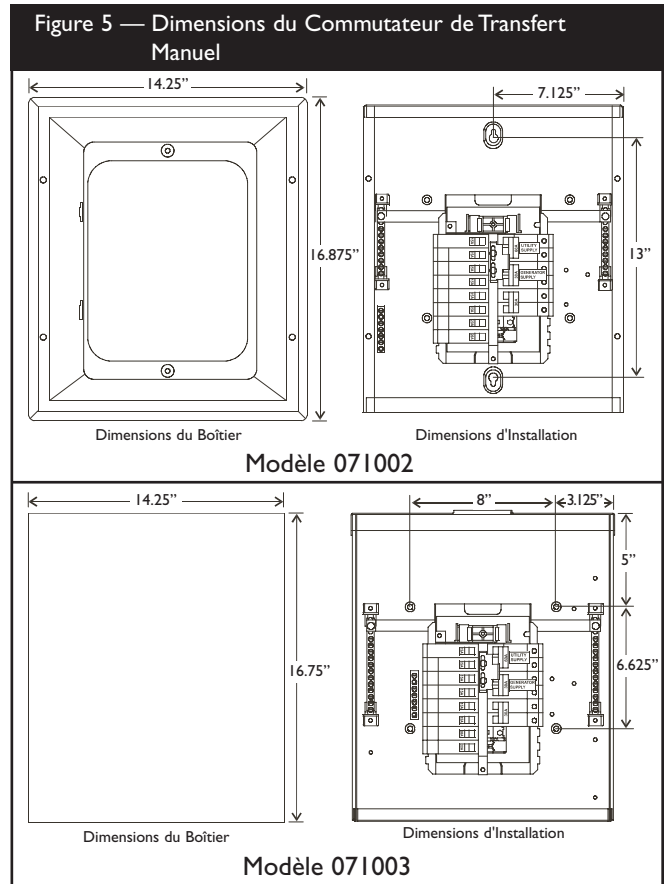
IMPORTANT: Au moment de la livraison, si vous remarquez des dommages ou des pièces manquantes, demandez au livreur de noter tous les dommages sur la facture de fret et d'apposer sa signature dans l'espace réservé à cet effet. Après la livraison, si vous remarquez des pièces manquantes ou des dommages, mettez les pièces endommagées de côté et communiquez avec le transporteur pour connaître les procédures de réclamation. Les pièces manquantes ou endommagées ne sont pas garanties.

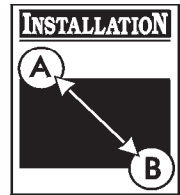
Contenu de la Boîte

- Commutateur de Transfert Manuel
- Manuel de l'Installation et l'Utilisateur

Dimensions pour l'installation

La Figure 5 illustre les dimensions physiques ainsi que l'emplacement des trous de fixation du boîtier du commutateur de transfert manuel. Tel qu'illustré, le boîtier du commutateur de transfert est généralement fixé à l'aide des trous préforés.





ISOLATION DES CIRCUITS ESSENTIELS

Les charges électriques essentielles sont les charges qui seront alimentées par le groupe électrogène. Les charges essentielles sont regroupées et branchées au boîtier du commutateur de transfert manuel.



À L'INSTALLATEUR: Consultez le propriétaire du groupe électrogène afin d'établir sa "Sélection des Circuits Essentiels", telle que décrite dans le manuel d'utilisation.

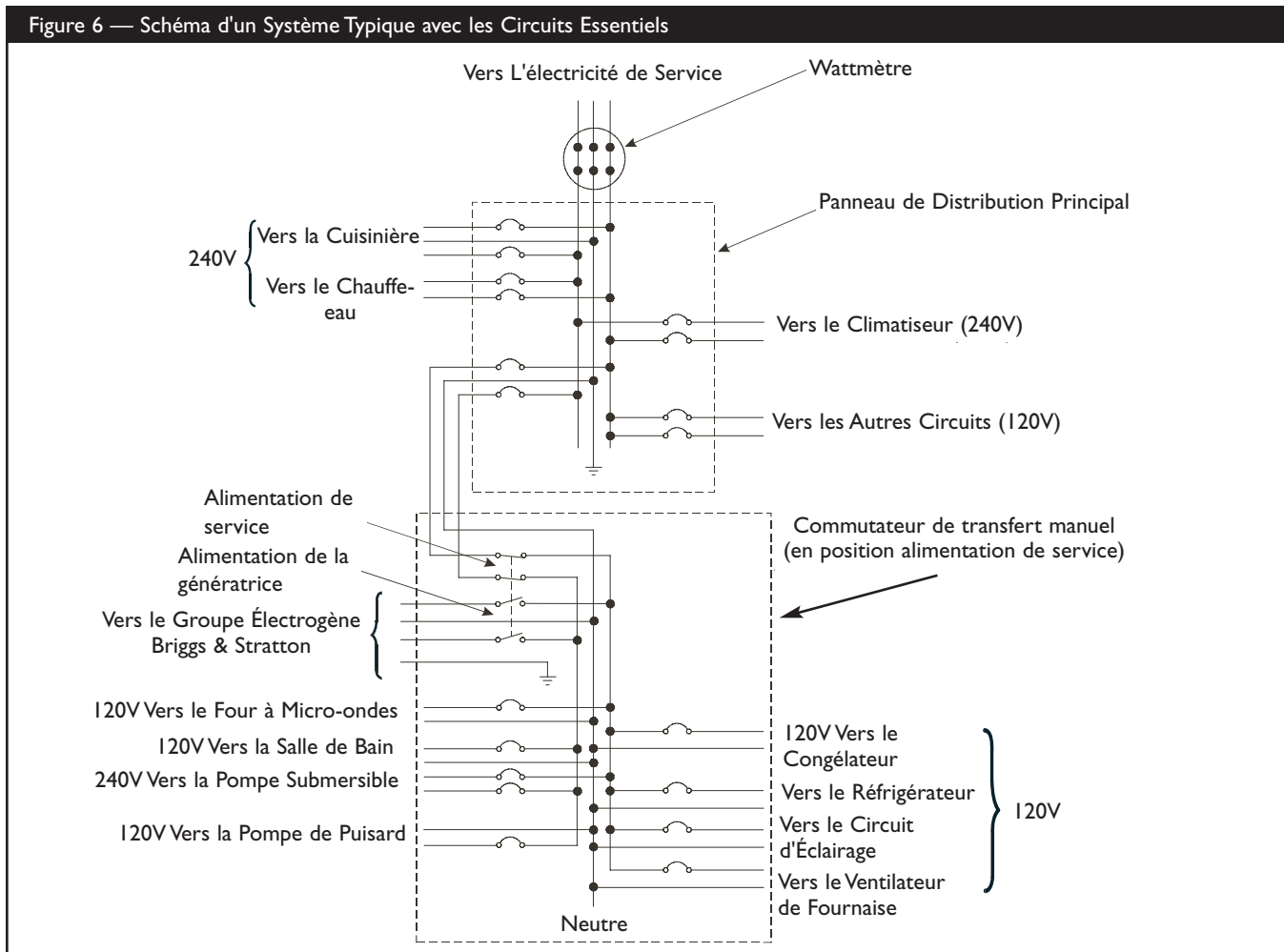
Assurez-vous que la charge totale des circuits sélectionnés qu'alimentera le commutateur de transfert est inférieure à la capacité nominale de la génératrice.

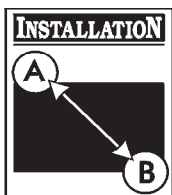
Les exigences suivantes s'appliquent à ce type de système d'isolation:

- Le commutateur de transfert manuel est installé après le panneau de distribution principal.
- La charge nominale du commutateur de transfert manuel est de 60 Ampères. Il s'agit de la limite de charge pour les charges essentielles.

Tout le câblage doit être conforme au national de l'électricité, ainsi qu'aux codes provinciaux ou locaux.

L'illustration à la Figure 6 montre le groupe électrogène et assume que l'édifice est alimenté en courant monophasé de 120/240 volts.





Instructions d'installation

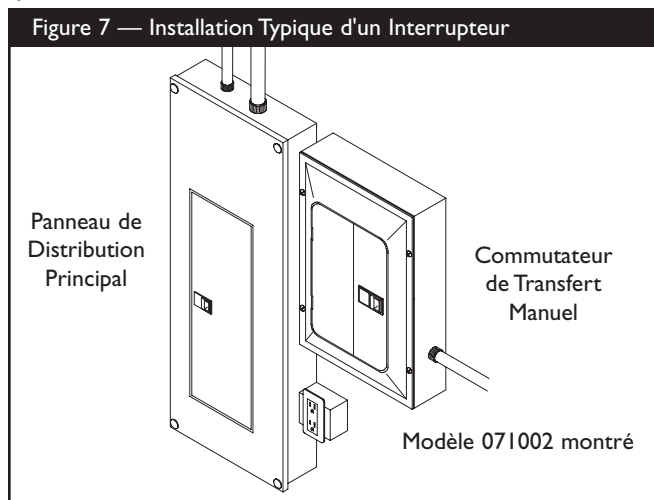
Le modèle 071002 du commutateur de transfert manuel est contenu dans un boîtier de type NEMA 1, conçu pour une utilisation à l'intérieur seulement.

Le modèle 071003 du commutateur de transfert manuel est contenu dans un boîtier de type NEMA 3R pouvant être utilisé tant à l'intérieur qu'à l'extérieur.

Consignes d'installation du commutateur de transfert manuel:

- Il faut installer le modèle 071003 du commutateur de transfert manuel avec de la quincaillerie de raccordement de conduit cotée NEMA 3R ou plus.
- Installation du commutateur sur une structure portante ferme et robuste.
- Au besoin, nivelez le commutateur pour éviter les distorsions. Ceci peut être accompli en insérant des rondelles entre le boîtier du commutateur et la surface de fixation.
- NE JAMAIS installer le commutateur dans un endroit une substance corrosive pourrait s'y infiltrer.
- Protégez le commutateur en tout temps contre l'humidité, les poussières, les saletés, les peluches, le gravier et les vapeurs corrosives.

La Figure 7 illustre un commutateur de transfert manuel typique. Discutez des suggestions/changements de disposition avec le propriétaire avant d'entamer le processus d'installation du système.



Interconnexions du Câblage d'Alimentation

Tout le câblage doit être d'un gabarit approprié, bien fixé et protégé par des conduits.



CAUTION

Les fils de basse tension ne peuvent être installés dans le même conduit que les fils d'alimentation.

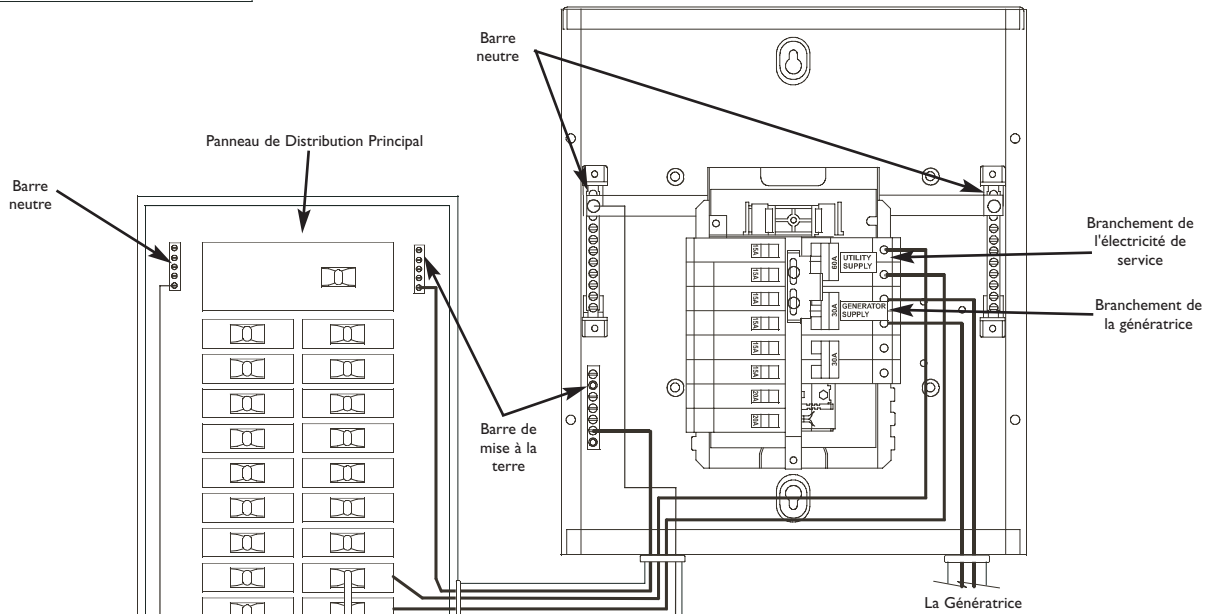
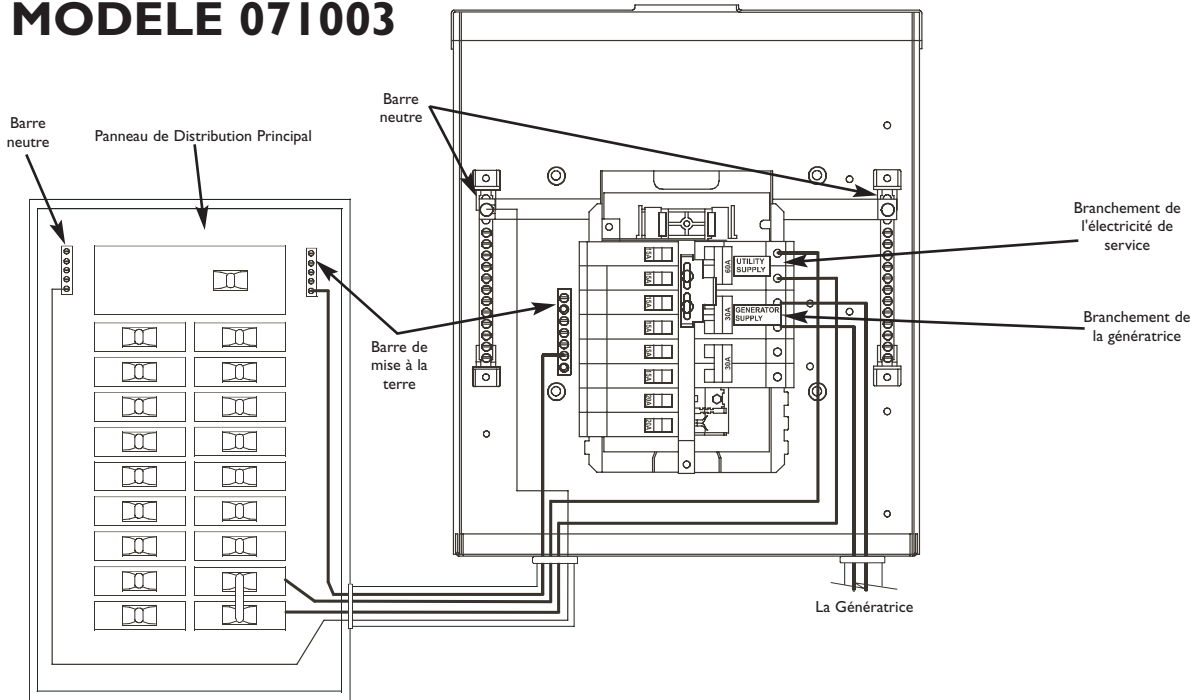
- L'omission de suivre cet avertissement pourrait entraîner des dommages à l'équipement et/ou son mauvais fonctionnement.

Effectuez les raccords suivants entre le commutateur de transfert, le panneau de distribution principal et la génératrice (Figure 8, sur la page prochaine).

1. Raccordez les fils du service électrique d'un disjoncteur à deux bornes installé dans le panneau de distribution principal au disjoncteur à deux bornes du commutateur de transfert identifié "UTILITY SUPPLY". Un disjoncteur de 60 ampères est fourni. Assurez-vous que le disjoncteur est HORS TENSION.
2. Raccordez la mise à la masse du service au port "GND" du commutateur de transfert.
3. Raccordez le fil neutre du panneau de distribution principal à la borne "NEUTRAL" du commutateur de transfert.
4. Raccordez les fils d'alimentation du panneau de commande de la génératrice au disjoncteur à deux bornes identifié "GENERATOR SUPPLY" du commutateur de transfert.
5. Raccordez le neutre du panneau de commande de la génératrice à la borne "NEUTRAL" du commutateur de transfert.
6. Raccordez le "GND" du panneau de commande de la génératrice à la borne "GND" du commutateur de transfert.
7. Serrez au couple approprié tous les raccords de fils et attaches.

Figure 8 — Schéma d'Installation Typique du Commutateur de Transfert Manuel

MODÈLE 071003



MODÈLE 071002



FONCTIONNEMENT DU SYSTÈME

Pour passer de l'alimentation de service à l'alimentation de la génératrice:

1. Mettez HORS TENSION le disjoncteur principal identifié "Utility Supply".
2. Mettez HORS TENSION tous les disjoncteurs de circuit de branchement dans le panneau d'urgence.
3. Faites glisser le contacteur d'interdiction mécanique et réglez le disjoncteur "Generator Supply" à la position ON.
4. Mettez SOUS TENSION, un à la fois, les disjoncteurs de circuit de branchement.

Pour passer de l'alimentation de la génératrice à l'alimentation de service:

1. Mettez HORS TENSION le disjoncteur principal identifié "Generator Supply".
2. Mettez HORS TENSION tous les disjoncteurs de circuit de branchement dans le panneau d'urgence.
3. Faites glisser le contacteur d'interdiction mécanique et réglez le disjoncteur " Utility Supply " à la position ON.
4. Mettez SOUS TENSION, un à la fois, les disjoncteurs de circuit de branchement.

Caractéristiques

Commutateur de transfert homologué UL® 1008

Modèle 071002

Boîtier NEMA 1
Charge maximum/circuit:
du point d'alimentation des charges .. 60 Ampères
Tension nominale C.A. 250 Volts
Pôles..... 2
Intensité de défaillance nominale 10,000 Ampères
Symétriques RMS
Poids..... 12,2 kg (27 lb)

Modèle 071003

Boîtier NEMA 3R
Charge maximum/circuit:
du point d'alimentation des charges .. 60 Ampères
Tension nominale C.A. 250 Volts
Pôles..... 2
Intensité de défaillance nominale 10,000 Ampères
Symétriques RMS
Poids..... 15,4 kg (34 lb)

Si vous Devez Communiquer avec l'Usine

Avant de contacter Briggs and Stratton Power Products au sujet de l'entretien ou de la réparation de ce commutateur de transfert, veuillez noter les numéros de modèle indiqués sur le décalque apposé sur l'unité ou à l'intérieur de celle-ci.

Pour contacter Briggs and Stratton Power Products, veuillez appeler au (800) 743-4115 de 8 h à 17 h HNC.



REMARQUES

REMARQUES

GARANTIE DU PROPRIÉTAIRE D'UN PRODUIT BRIGGS & STRATTON POWER PRODUCTS GROUP, LLC

Prise d'effet au 1^{er} Septembre 2004, annule et remplace toutes les garanties précédentes et les garanties antérieures au 1^{er} Septembre 2004

GARANTIE LIMITÉE

Briggs & Stratton Power Products Group, LLC réparera ou remplacera, sans frais, toutes pièces d'équipement défectueuses comportant un vice de matériau ou un défaut de fabrication ou les deux. En vertu de la présente garantie, les frais de transport des pièces soumises pour réparation ou remplacement sont à la charge de l'acheteur. La présente garantie sera en vigueur durant les périodes stipulées ci-dessous et est assujettie aux conditions stipulées ci-dessous. Pour obtenir des services en vertu de la garantie, veuillez consulter notre Outil de recherche d'un Service après-vente agréé au <http://www.briggspowerproducts.com> afin de trouver un distributeur de service après-vente agréé dans votre région.

IL N'EXISTE AUCUNE AUTRE GARANTIE EXPRESSE. LES GARANTIES IMPLICITES, INCLUANT CELLES DE QUALITÉ MARCHANDE ET D'ADAPTATION À UN USAGE PARTICULIER, SONT LIMITÉES À UNE PÉRIODE D'UN AN À PARTIR DE LA DATE D'ACHAT OU JUSQU'À LA LIMITE PERMISE PAR LA LOI, TOUTE GARANTIE IMPLICITE EST EXCLUE. LA RESPONSABILITÉ POUR DOMMAGES ACCESSOIRES OU INDIRECTS EST EXCLUE DANS LA MESURE OÙ UNE TELLE EXCLUSION EST PERMISE PAR LA LOI. Certains États/provinces ou pays n'autorisent aucune restriction sur la durée d'une garantie implicite, et certains États/provinces ou pays n'autorisent pas l'exclusion ou la limitation des dommages consécutifs ou indirects. Par conséquent, les restrictions et exclusions décrites ci-dessus pourraient ne pas s'appliquer dans votre cas. La présente garantie vous accorde certains droits légaux spécifiques et vous pourriez également en avoir d'autres, qui peuvent varier d'un État ou d'une province à l'autre et d'un pays à l'autre.

NOTRE ÉQUIPEMENT*

MOTEUR HORS-BORD	NETTOYEUR À HAUTE PRESSION	POMPE À EAU (Pas disponible aux États-Unis)	GÉNÉRATRICE PORTATIVE SOUDEUR	SYSTÈME DE GÉNÉRATRICE RÉSIDENIELLE		
				Moins de 10 kW	10 kW ou plus	Commutateur de Transfert

PÉRIODE DE GARANTIE**

Usage par un consommateur	2 ans	1 an	1 an	2 ans	2 ans	3 ans ou 1500 heures	3 ans
Usage à des fins commerciales	aucune	90 jours	90 jours	1 an	aucune	aucune	aucune

* Le moteur et les batteries de démarrage sont garantis uniquement par les fabricants de ces produits.

** 2 ans pour tous les produits grand public de l'Union européenne. Les pièces seulement à la deuxième année pour l'usage par un consommateur de la Génératrice portative et du Groupe électrogène - moins de 10 kW, à l'extérieur de l'Union européenne.

La période de garantie débute à la date d'achat par le premier acheteur au détail ou par le premier utilisateur commercial final, et se prolonge pour la durée stipulée dans le tableau ci-dessus. "Usage par un consommateur" signifie utilisation domestique personnelle dans une résidence, par l'acheteur au détail. "Usage à des fins commerciales" signifie toute autre utilisation, y compris à des fins commerciales, générant de revenus ou de location. Aux fins de la présente garantie, dès qu'un équipement a été utilisé commercialement une fois, il est par la suite considéré comme étant d'usage à des fins commerciales. **L'équipement utilisé pour l'alimentation principale n'est pas couvert par la présente garantie. Les nettoyeurs à haute pression électriques utilisés à des fins commerciales ne sont pas couverts par la présente garantie.**

POUR EXERCER LA GARANTIE SUR TOUT PRODUIT FABRIQUÉ PAR BRIGGS & STRATTON, IL N'EST PAS NÉCESSAIRE DE L'ENREGISTRER. CONSERVEZ LE REÇU COMME PREUVE D'ACHAT. SI, LORS D'UNE RÉCLAMATION DE GARANTIE, VOUS NE POUVEZ PROUVER LA DATE INITIALE DE L'ACHAT, NOUS UTILISERONS LA DATE DE FABRICATION DU PRODUIT COMME DATE DE RÉFÉRENCE POUR DÉTERMINER LA PÉRIODE DE GARANTIE.

À PROPOS DE LA ÉQUIPEMENT GARANTIE

Nous acceptons de faire effectuer les réparations couvertes par la garantie et tenons à nous excuser pour tout inconvénient subi. Tout agent d'un service après-vente agréé peut exécuter les réparations couvertes par la garantie. La plupart des réparations couvertes par la garantie sont traitées automatiquement; cependant, il arrive parfois que les demandes de service en vertu de la garantie soient non fondées. Par exemple, la garantie ne couvre pas les dommages causés à l'équipement par une utilisation abusive, par un manque d'entretien périodique, durant l'expédition, la manutention ou l'entreposage, ou en raison d'une installation inadéquate. De même, la garantie sera annulée si la date de fabrication ou le numéro de série apposé à l'équipement a été enlevé ou si l'équipement a été changé ou modifié. Durant la période de garantie, le distributeur de service après-vente agréé réparera ou remplacera, à son gré, toute pièce qui, après examen, est trouvée défectueuse à la suite d'une utilisation et d'un entretien normal. La présente garantie ne couvre pas les réparations et les équipements suivants:

- **Usure normale:** Comme tout autre dispositif mécanique, les groupes électrogènes d'extérieur nécessitent l'entretien périodiques de certaines pièces pour fonctionner adéquatement. La présente garantie ne couvre pas les frais de réparation des pièces ou des équipements dont la durée de vie utile a été dépassée à la suite d'une utilisation normale.
- **Installation et entretien:** La présente garantie ne couvre pas les équipements ou les pièces qui ont fait l'objet d'une installation ou de modifications et de changements inadéquats ou non autorisés, d'une mauvaise utilisation, de négligence, d'un accident, d'une surcharge, d'emballement, d'entretien inadéquat, de réparation ou d'entreposage qui, selon nous, auraient nui à la performance et à la fiabilité du produit. De plus, la garantie ne couvre pas l'entretien normal tel que le réglage, le nettoyage du circuit d'alimentation et son obstruction (causée par l'accumulation de produits chimiques, de saletés, de calamine, de calcaire, etc.).
- **Exclusions supplémentaires:** La présente garantie exclut les pièces qui s'usent telles que les raccords rapides, les jauges d'huile, les courroies, les joints toriques, les filtres, les garnitures de pompes, etc., les pompes ayant fonctionné sans alimentation en eau ou tout dommage ou tout mauvais fonctionnement résultant d'un accident, d'une utilisation abusive, de modifications, de changements ou d'un entretien inadéquat du système, du gel ou d'une détérioration chimique. La garantie du produit ne couvre pas les pièces accessoires telles que les pistolets, les boyaux, les lances et les buses. Cette garantie exclut toute défaillance due à une catastrophe naturelle ou à toute autre force majeure hors du contrôle du fabricant. Est aussi exclu tout équipement usé, remis à neuf ou de démonstration, tout équipement utilisé pour l'alimentation principale en remplacement de l'alimentation de service et tout équipement utilisé pour l'alimentation d'appareils de maintien des fonctions vitales.

BRIGGS & STRATTON POWER PRODUCTS GROUP, LLC
JEFFERSON, WI, USA



TABLA DE CONTENIDO


TABLA DE CONTENIDO	24	AISLAMIENTO DE LOS CIRCUITOS FUNDAMENTALES	28
REGLAS DE SEGURIDAD	25	Instrucciones de Montaje	29
INTRODUCCIÓN	26	Interconexiones de Cableado de Energía.	29-30
Para el Propietario Comercial o Doméstico.	26	FUNCIONAMIENTO DEL SISTEMA	31
Para el Agente de Ventas/Contratista.	26	Especificaciones	31
Orientación para el Propietario.	26	Modelo 071002.	31
Responsabilidades del Instalador	26	Modelo 071003.	31
Descripción del Equipo	27	Si Llama a la Fábrica	31
INSTALACIÓN	27	LISTAS DE PIEZAS	10
Desempaque	27	GARANTIA	32
Inspección al Momento de la Entrega	27		
Contenido de la Caja	27		
Dimensiones de Montaje	27		



INSTRUCCIONES DE SEGURIDAD



Éste es el símbolo de alerta de seguridad. Sirve para advertir al usuario de un posible riesgo para su integridad física. Siga todos los mensajes de seguridad que figuren después de este símbolo para evitar lesiones o incluso la muerte.

El símbolo de alerta de seguridad () es usado con una palabra (PELIGRO, ADVERTENCIA, PRECAUCIÓN), un mensaje por escrito o una ilustración, para alertarlo acerca de cualquier situación de peligro que pueda existir. **PELIGRO** indica un riesgo el cual, si no se evita, *causará* la muerte o una herida grave. **ADVERTENCIA** indica un riesgo el cual, si no se evita, *puede* causar la muerte o una herida grave. **PRECAUCIÓN** indica un riesgo, el cual, si no se evita, *puede* causar heridas menores o moderadas. **PRECAUCIÓN**, cuando se usa *sin* el símbolo de alerta, indica una situación que podría resultar en el daño del equipo. Siga los mensajes de seguridad para evitar o reducir los riesgos de heridas e inclusive la muerte.

El fabricante no puede prever todas las posibles circunstancias que pueden implicar riesgos. Por lo tanto, las advertencias que aparecen en este manual y las etiquetas y calcomanías adheridas a la unidad no incluyen todas las posibilidades. Si aplica un procedimiento, método de trabajo o técnica de operación no recomendada específicamente por el fabricante, debe estar seguro de que se trata de una práctica segura para usted y para otras personas. También debe asegurarse de que el procedimiento, método de trabajo o técnica de operación que elija, no haga que el interruptor de transferencia se torne inseguro.



ADVERTENCIA

Únicamente los electricistas capacitados pueden intentar instalar este sistema. Dicha instalación debe cumplir estrictamente con los códigos, las regulaciones y las normas correspondientes.



ADVERTENCIA



Si no hace tierra apropiadamente con un conmutador de transferencia, puede hacer que ocurra un electrocución.

- NO toque los alambres pelados o receptáculos.
- NO use un interruptor de transferencia con cables eléctricos que estén malgastados, rotos, pelados o dañados de cualquier forma.
- NO maneje el cables eléctricos mientras esté parado en agua, descalzo o cuando las manos y los pies estén mojados.
- Si fuera necesario realizar trabajos en cercanías de la unidad mientras está en funcionamiento, párese sobre una superficie seca y aislada para reducir los riesgos de una descarga.
- NO permita que personas descalificadas o niños operen o sirvan al conmutador de transferencia.
- En caso de que se produzca un accidente causado por una descarga eléctrica, cierre inmediatamente la fuente de energía eléctrica y contacta administración local. **Evite el contacto directo con la víctima.**

PRECAUCIÓN

El tratamiento inadecuado del interruptor de transferencia puede dañarlo y acortar su vida productiva.

- Use el interruptor de transferencia solamente con la finalidad para el cual fue diseñado.
- Si usted tiene alguna pregunta acerca de las finalidades de uso del generador, pregúntele a su concesionario o contacte a Briggs and Stratton Power Products.
- NO exponga al interruptor de transferencia a una humedad excesiva, polvo, suciedad o vapores corrosivos.
- A pesar del diseño seguro del conmutador de transferencia, si se opera este equipo en forma imprudente, si no se cumple con el mantenimiento o si se actúa con descuido, se pueden producir lesiones o la muerte.
- Permanezca siempre alerta cuando trabaje con este equipo. NUNCA trabaje con este equipo si se siente cansado física o mentalmente.
- Si se calientan excesivamente los dispositivos conectados, apáguelos y abra sus interruptores o quite sus fusibles.



INTRODUCCIÓN

Muchas gracias por comprar un Interruptor de transferencia manual de Briggs & Stratton. Este producto está pensado para utilizarlo como un sistema de reserva doméstico opcional que proporciona una fuente alternativa de energía eléctrica con capacidad para alimentar cargas tales como sistemas de calefacción y refrigeración y sistemas de comunicaciones, que cuando dejan de funcionar a causa de una interrupción de la alimentación eléctrica de la red pueden producir incomodidades o problemas. Este producto no pertenece a la categoría de reserva de emergencia según lo definido por la norma NFPA 70 (NEC).

Briggs and Stratton Power Products (BSPP) ha hecho todo lo posible para lograr una instalación segura, eficiente y rentable. Como cada instalación es única, es imposible conocer e informar acerca de todos los procedimientos y métodos mediante los cuales se puede realizar la instalación. Tampoco es posible conocer los riesgos o resultados potenciales de cada método o procedimiento. Por todo lo expuesto,

La instalación de los interruptor de transferencia debe estar a cargo de contratistas especializados en electricidad, sin excepciones. Las instalaciones deben cumplir estrictamente con todos los códigos, regulaciones y normas industriales aplicables.

Su conector BSPP se suministra con este "Manual de Instalación y del Propietario" combinado. Se trata de un documento importante que debe ser conservado por el propietario después de haber terminado la instalación.

Se han tomado todos los recaudos posibles para asegurar que la información incluida en este manual sea correcta y esté actualizada. Sin embargo, los fabricantes se reservan el derecho de cambiar, alterar o mejorar el sistema de cualquier otra manera y en cualquier momento, sin previo aviso.

Para el Propietario Comercial o Doméstico

Para que pueda tomar decisiones fundamentadas y lograr una comunicación efectiva con el o los contratistas de instalación,

Lea y comprenda la sección de este manual denominada Orientación para el Propietario ANTES de contratar o iniciar la instalación de su conmutador de transferencia.

Para coordinar y organizar una instalación adecuada, consulte al comercio en el cual adquirió su interruptor de transferencia Briggs & Stratton Power Products, a su agente de ventas o a la compañía proveedora de electricidad.

La garantía del interruptor de transferencia se ANULA si la instalación del sistema no está a cargo de profesionales especializados en electricidad certificados.

Para el Agente de Ventas/Contratista que Realiza la instalación

Consulte los aspectos de la instalación con un inspector.

Si necesita más información en conector, llame al 1-800-743-4115, entre las 8:00 AM y las 5:00 PM hora del centro.

Orientación para el Propietario

Las ilustraciones se aplican a circunstancias típicas y están destinadas a que usted se familiarice con las opciones de instalación disponibles con su conmutador de transferencia. El entendimiento completo de dichas opciones permite tener un control fundamental sobre el costo de la instalación y garantiza su seguridad y satisfacción final.

Los códigos locales, la apariencia, los niveles de ruido y las distancias son los factores fundamentales a tener en cuenta cuando se realiza la negociación con el profesional que tendrá a su cargo la instalación. Recuerde que a medida que la distancia del servicio de electricidad existente aumenta, se debe tener en cuenta una compensación igual en los materiales de cableado. Esto es necesario para cumplir con los códigos locales y solucionar caídas en la tensión eléctrica.

Los factores antes mencionados tendrán un efecto directo sobre el precio general de la instalación del conmutador de transferencia.

NOTA: En algunas áreas, es posible que deba obtener permisos especiales para las instalaciones eléctricas del interruptor de transferencia y permisos para niveles de ruido admisibles. El instalador debe verificar los códigos locales y obtener los permisos correspondientes antes de instalar el sistema.

- Lea y cumpla las instrucciones incluidas en el manual.
- Siga un programa regular para mantener, cuidar y utilizar el conmutador de transferencia, según se especifica en el manual.

Responsabilidades del Instalador

- Lea y observe las reglas de seguridad que se encuentran en el manual.
- Lea y siga las instrucciones que se encuentran en este manual.
- Consulte toda la normativa nacional y local.



Descripción del Equipo

Estos interruptores de transferencia están destinados a operar cargas eléctricas compatibles de instalaciones residenciales normales. La carga se conecta al suministro de servicio general (normal) o al suministro doméstico de reserva (emergencia).

Estos interruptores de transferencia manuales vienen equipados con dos disyuntores ("GENERATOR SUPPLY" [suministro del generador] y "UTILITY SUPPLY" [Suministro de servicio general]) y un dispositivo cortacorriente mecánico. El disyuntor correspondiente al "GENERATOR SUPPLY" suministra energía desde el generador hacia los dispositivos de carga conectados al interruptor manual. El disyuntor correspondiente al "UTILITY SUPPLY" suministra energía desde el panel de distribución hacia los dispositivos de carga conectados al interruptor manual.

El dispositivo cortacorriente mecánico permite que los disyuntores tanto del "GENERATOR SUPPLY" como del "UTILITY SUPPLY" se activen para así suministrar energía las cargas domésticas seleccionadas. Estos interruptores de transferencia manuales no permitirán que las líneas de suministro tanto del generador como de servicio se conecten a un dispositivo de carga al mismo tiempo.

Si la línea de suministro de servicio se reestablece mientras la línea de suministro del generador se está utilizando, el generador no se verá afectado. Cuando se establezca el suministro de servicio general, siga las instrucciones especificadas en "Funcionamiento del sistema".

INSTALACIÓN

Desempaque

Inspección al Momento de la Entrega

Luego de retirar la caja, inspeccione cuidadosamente el los componentes del Interruptor de transferencia manual para detectar cualquier daño que pudiera haber ocurrido durante el traslado.

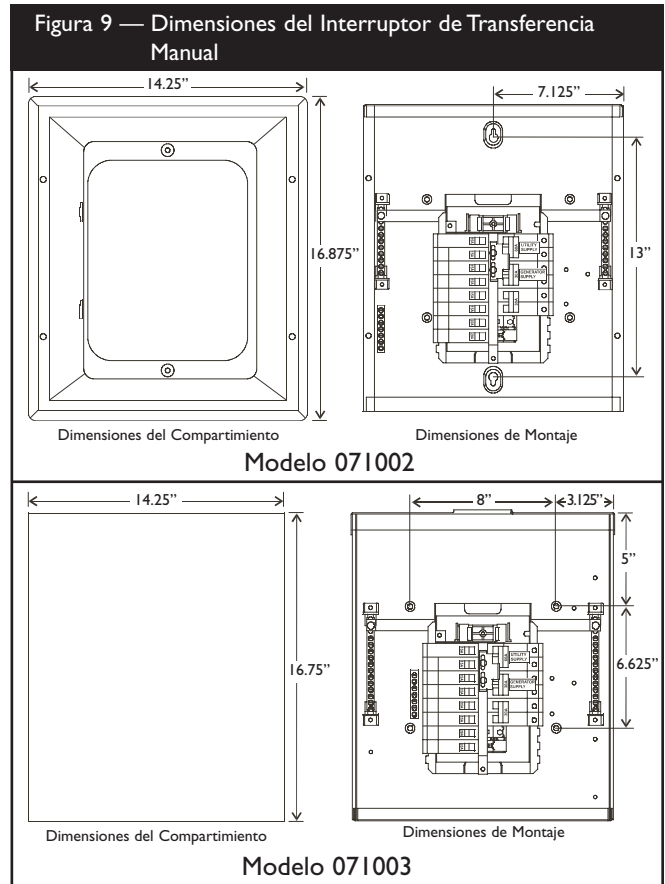
IMPORTANTE: Si en el momento de la entrega se detecta alguna pérdida o daño, solicite a la persona o personas encargadas de la entrega que dejen debida constancia en la nota de entrega y que firmen debajo de la nota del consignador donde se informa acerca de la pérdida o daño. Si la pérdida o el daño se detecta después de la entrega, separe los materiales dañados y póngase en contacto con el transportista para llevar a cabo los procedimientos de reclamo. Las piezas perdidas o dañadas no están garantizadas.

Contenido de la Caja

- Interruptor de transferencia manual
- Manual de instalación y propietario

Dimensiones de Montaje

La Figura 9 muestra el tamaño físico y la situación de los orificios de montaje de la caja del conector automático. El compartimiento del interruptor de transferencia se asegura usualmente mediante orificios ya perforados, tal como se muestra.





AISLAMIENTO DE LOS CIRCUITOS FUNDAMENTALES

Las cargas eléctricas fundamentales son aquellas que serán alimentadas mediante el Sistema de Generador Doméstico. Las cargas fundamentales se agrupan y se conectan dentro del compartimiento del interruptor de transferencia manual.

AL INSTALADOR: Consulte con el propietario del Sistema de Generador Doméstico para analizar la "Selección de los Circuitos Fundamentales", descrita en el manual del propietario.

Asegúrese de que el total de los circuitos de carga seleccionados para ser alimentados por este interruptor de transferencia se encuentre dentro de la capacidad nominal del generador.

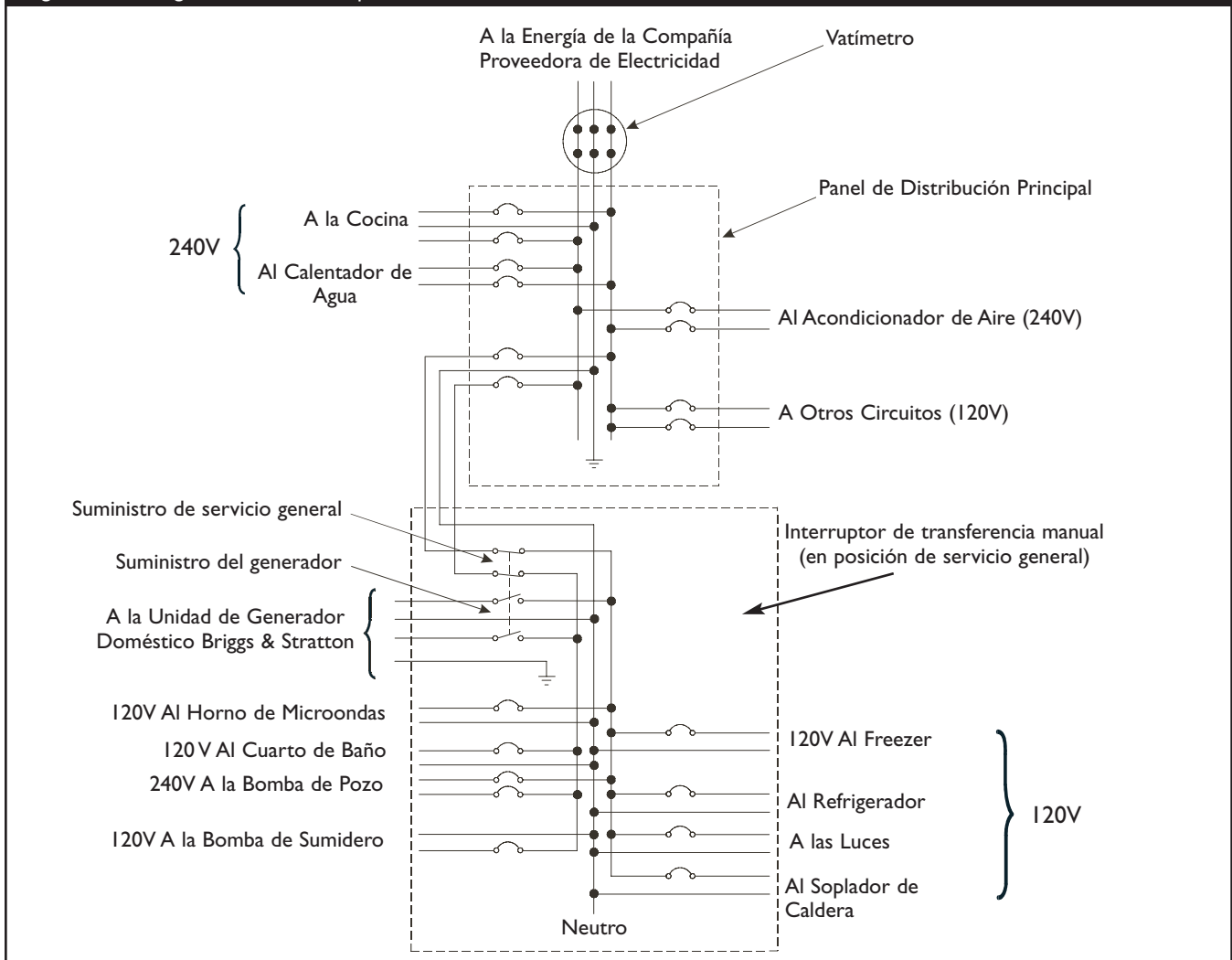
Los siguientes requisitos se aplican a este tipo de sistema de aislamiento:

- El interruptor de transferencia manual se instala después de instalar el panel de distribución principal.
- El interruptor de transferencia manual tiene un valor nominal de carga de 60 Amperios. Este es el valor nominal máximo para las cargas fundamentales.

Todas las conexiones de cableado deben cumplir con lo establecido en el nacional, todos los códigos locales y estatales.

La ilustración de la Figura 10 muestra el Sistema de Generador Doméstico y supone que la compañía proveedora de electricidad entrega 120/240 Voltios, con corriente monofásica.

Figura 10 — Diagrama del Sistema Típico con los Circuitos Fundamentales



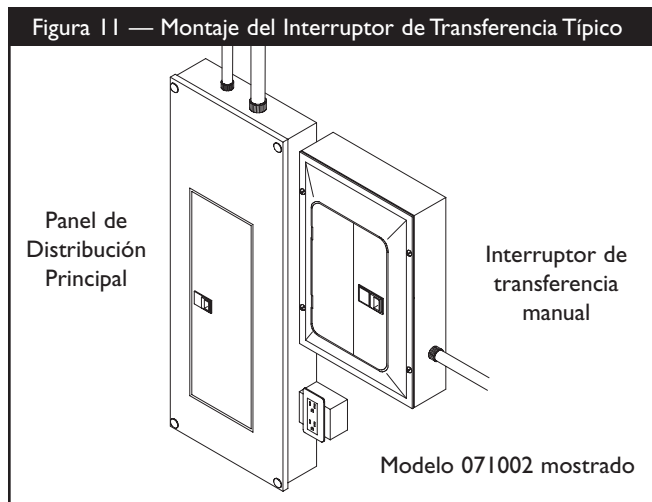


Instrucciones de Montaje

El interruptor de transferencia manual modelo 01917 está encerrado en una caja tipo I NEMA, que es adecuada para uso en interiores y a la intemperie. El interruptor de transferencia manual está encerrado en una caja tipo 3R según NEMA, que es adecuada para uso en interiores y a la intemperie. Las directrices para el montaje de interruptor de transferencia manual incluyen:

- El interruptor de transferencia manual modelo 071003 se debe instalar con elementos de fijación de tipo 3R NEMA, como mínimo, para conexiones de conducción.
- Instale el conmutador sobre una estructura de soporte firme y resistente.
- Para evitar distorsiones en el conmutador, nivele la unidad si es necesario. Puede hacerlo colocando arandelas entre el compartimiento del conmutador y la superficie de montaje.
- NUNCA instale el conmutador en un lugar en el cual pueda producirse el goteo de alguna sustancia corrosiva en el compartimiento.
- Proteja permanentemente al conmutador contra humedad excesiva, polvo, suciedad, pelusas, arenilla para construcción y vapores corrosivos.

En la Figura 11, se ilustra un Interruptor de transferencia manual típico. Antes de iniciar el proceso de instalación del sistema, analice los cambios y sugerencias de diagramación con el propietario de la unidad.



Interconexiones de Cableado de Energía

Todo el cableado debe tener el tamaño adecuado, debe estar correctamente soportado y debe tener aislamientos de calidad aprobada. También debe estar protegido mediante un conducto aprobado por el NEC.

Realice las conexiones siguientes entre el conector, el panel principal de distribución y el generador (Figura 12 de la página siguiente).



PRECAUCIÓN

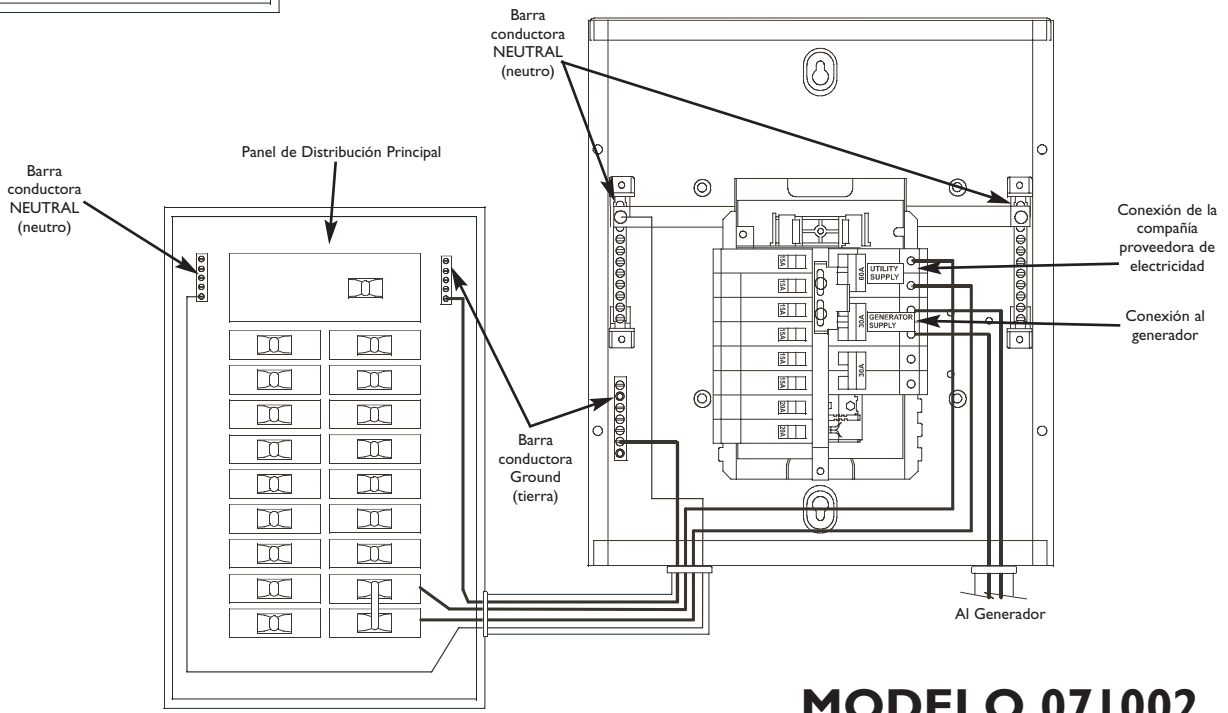
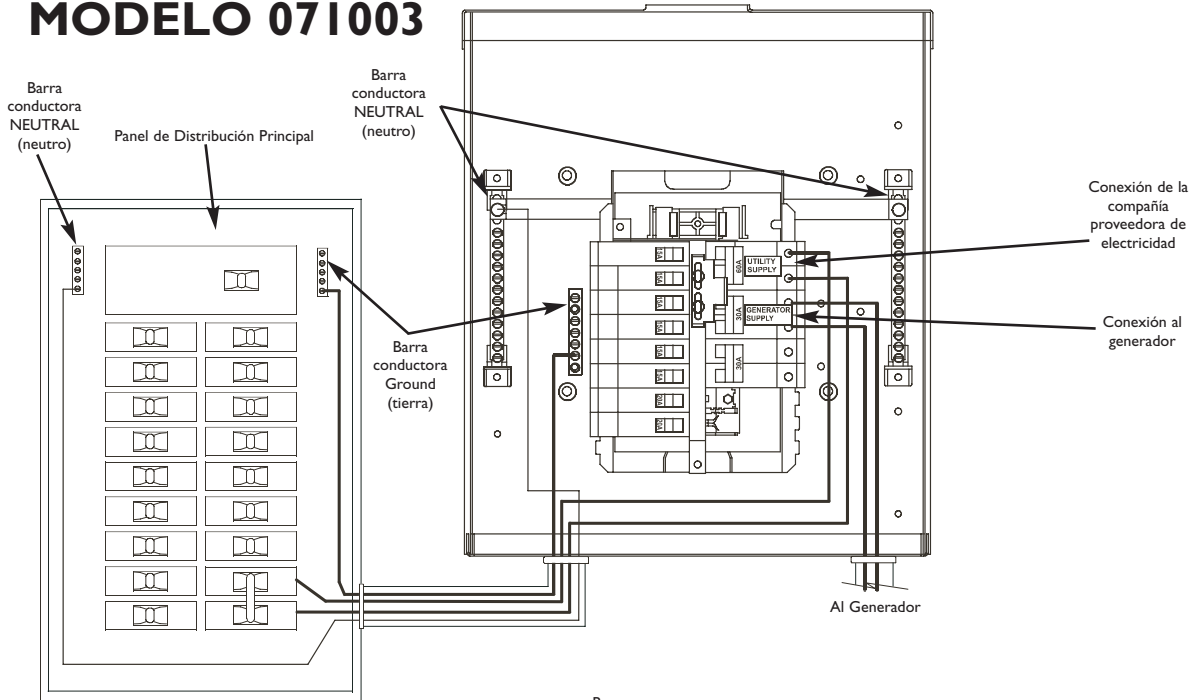
Los cables de baja tensión no se pueden instalar en el mismo conducto que los cables de suministro de energía.

- Si no se respeta esta indicación pueden producirse daños y/o el equipo puede funcionar incorrectamente.

1. Conecte los terminales de alimentación de servicio desde un disyuntor bipolar instalado en el panel de distribución principal al disyuntor bipolar del conector con la marca "UTILITY SUPPLY". Se proporciona un disyuntor de 60 Amp. Asegúrese de que el disyuntor esté DESACTIVADO.
2. Conecte la puesta a tierra de la compañía proveedora de electricidad a la barra conductora "GND" (tierra) del conmutador de transferencia.
3. Conecte el neutro del panel de distribución principal al terminal del conector con la marca "NEUTRAL" (neutro).
4. Conecte los terminales de alimentación del generador desde el panel de control del generador al disyuntor bipolar del interruptor de transferencia con la marca "GENERATOR SUPPLY".
5. Conecte el neutro del generador desde el panel de control hasta el terminal del conector con la marca "NEUTRAL".
6. Conecte el terminal "GND" (tierra) desde el panel de control hasta el terminal del conector con la marca "GND" (tierra).
7. Conecte los terminales de detección de tensión de la red pública del generador a los terminales de detección de tensión de la red pública del conector.
8. Apriete de todas las conexiones de los cables y elementos de fijación al par adecuado.

Figura 12 — Diagrama de Instalación Típico para un Interrupor de Transferencia Manual

MODELO 071003



MODELO 071002



FUNCIONAMIENTO DEL SISTEMA

Para transferir desde el suministro de servicio general hacia el suministro del generador:

1. DESACTIVE el disyuntor principal marcado como "UTILITY SUPPLY".
2. DESACTIVE todos los disyuntores derivados del panel de emergencia.
3. Deslice el dispositivo cortacorriente mecánico del interruptor marcado como "GENERATOR SUPPLY" hacia la posición de ACTIVADO.
4. ACTIVE los disyuntores derivados de a uno por vez.

Para transferir desde el suministro del generador de vuelta hacia el suministro de servicio general:

1. DESACTIVE el interruptor principal marcado como "GENERATOR SUPPLY".
2. DESACTIVE todos los disyuntores derivados del panel de emergencia.
3. Deslice el dispositivo cortacorriente mecánico del interruptor marcado como "UTILITY SUPPLY" hacia la posición de ACTIVADO.
4. ACTIVE los disyuntores derivados de a uno por vez.

Especificaciones

Interrupción de transferencia UL® 1008

Modelo 071002

Revestimiento.....	NEMA 1
Carga máxima/circuito:	
desde el centro de carga	60 A
Tensión nominal c.a.....	250 V
Polos.....	2
Frecuencia	50/60 Hz
Valor nominal de la corriente	
conexión a tierra	10,000 Amperios Eficaces, Simétrica
Peso	27 lbs.

Model 071003

Revestimiento.....	NEMA 3R
Carga máxima/circuito:	
desde el centro de carga	60 A
Tensión nominal c.a.....	250 V
Polos.....	2
Frecuencia	50/60 Hz
Valor nominal de la corriente	
conexión a tierra	10,000 Amperios Eficaces, Simétrica
Peso	34 lbs.

Si Necesita Llamar a Fábrica

Antes de ponerse en contacto con Briggs and Stratton Power Products en relación con el servicio o reparación de este conector, tome nota del número de modelo que figuran en la etiqueta adhesiva de datos de la unidad situada en el interior de la caja.

A contacto Briggs and Stratton Power Products, llame al 1-800-743-4115, entre las 8:00 AM y las 5:00 PM hora del centro.

POLÍTICA DE GARANTÍA PARA EL PROPIETARIO DE EQUIPOS BRIGGS & STRATTON POWER PRODUCTS GROUP, LLC

Fecha de entrada en vigor: 1 de Septiembre de 2004. Sustituye a todas las garantías sin fecha y a las de fecha anterior al 1 de Septiembre de 2004

GARANTÍA LIMITADA

Briggs & Stratton Power Products Group, LLC reparará o sustituirá sin cargo alguno cualquier componente del equipo que presente defectos de materiales y/o mano de obra. Los gastos de transporte de las piezas enviadas para reparar o sustituir conforme a los términos de esta garantía correrán a cargo del comprador. El periodo de vigencia y las condiciones de esta garantía son los que se estipulan a continuación. Para obtener servicio en garantía, localice el distribuidor de servicio autorizado más próximo en nuestro mapa de distribuidores, en www.briggspowerproducts.com.

NO EXISTE NINGUNA OTRA GARANTÍA EXPLÍCITA. LAS GARANTÍAS IMPLÍCITAS, INCLUIDAS LAS DE COMERCIABILIDAD O IDONEIDAD PARA UN FIN CONCRETO, SE LIMITAN A UN AÑO DESDE LA FECHA DE COMPRA O AL LÍMITE DE TIEMPO PERMITIDO POR LA LEY. QUEDAN EXCLUIDAS TODAS LAS GARANTÍAS IMPLÍCITAS QUEDA EXCLUIDA LA RESPONSABILIDAD POR DAÑOS SECUNDARIOS Y DERIVADOS HASTA EL LÍMITE PERMITIDO POR LA LEY. Algunos países o estados no permiten limitar la duración de una garantía implícita ni excluir o limitar los daños secundarios y derivados. Por tanto, es posible que las limitaciones y exclusiones mencionadas no sean aplicables en su caso. Esta garantía le otorga determinados derechos legales y es posible que tenga otros derechos que pueden variar de un país o estado a otro.

NUESTRO EQUIPO*

MOTOR FUERABORDA	LIMPIADORA A PRESIÓN	BOMBA DE AGUA (No disponible en EE.UU.)	GENERADOR PORTÁTIL SOLDADORA	SISTEMA DE GENERADOR DE RESERVA DOMÉSTICO		
				Menos de 10 kW	10 kW ó más	Conector

PERÍODO DE GARANTÍA**

Uso del consumidor	2 años	1 año	1 año	2 años	2 años	3 años ó 1.500 horas	3 años
Uso comercial	ninguno	90 días	90 días	1 año	ninguno	ninguno	ninguno

* El motor y las baterías de arranque sólo están cubiertos por la garantía de su fabricante.

** 2 años para todos los productos de consumo en la Unión Europea. Componentes sólo durante el segundo año para uso del consumidor del generador portátil y del sistema generador doméstico - Menos de 10 kW fuera de la Unión Europea.

El período de garantía comienza en la fecha de compra del primer consumidor o usuario comercial final y se prolonga durante el tiempo especificado en la siguiente tabla. "Uso del consumidor" significa uso doméstico personal por parte de un consumidor final. "Uso comercial" significa cualquier otro uso, incluidos los usos con fines comerciales, de generación de ingresos o alquiler. Una vez que el equipo se haya usado con fines comerciales, se considerará como equipo de uso comercial a efectos de esta garantía. **Los equipos utilizados para suministrar energía en sustitución de un servicio público no pueden acogerse a esta garantía. Las limpiadoras a presión con alimentación eléctrica para fines comerciales no están cubiertas por la garantía.**

NO ES NECESARIO REGISTRAR LA GARANTÍA PARA OBTENER SERVICIO DE BRIGGS & STRATTON PRODUCTS. GUARDE SU RECIBO DE COMPRA. SI NO APORTA LA PRUEBA DE LA FECHA DE COMPRA INICIAL, SE UTILIZARÁ LA FECHA DE FABRICACIÓN DEL PRODUCTO PARA DETERMINAR EL PERÍODO DE GARANTÍA.

ACERCA DE LA EQUIPO GARANTÍA

Esperamos que disfrute de nuestra garantía y le pedimos disculpas por las molestias causadas. Cualquier distribuidor de servicio autorizado puede llevar a cabo reparaciones en garantía. La mayoría de las reparaciones en garantía se gestionan normalmente, pero algunas veces la solicitud de servicio en garantía puede no ser procedente. Por ejemplo, la garantía no será válida si el equipo presenta daños debidos al mal uso, la falta de mantenimiento, el transporte, la manipulación, el almacenamiento o la instalación inadecuados. De manera similar, la garantía quedará anulada si se ha borrado la fecha de fabricación o el número de serie del equipo, o si el equipo ha sido alterado o modificado. Durante el período de garantía, el distribuidor de servicio autorizado podrá reparar o sustituir, a su libre elección, cualquier pieza que, previa inspección, sea defectuosa en condiciones normales de uso y servicio. Esta garantía no cubre las reparaciones y equipos que se detallan a continuación:

- **Desgaste normal:** Al igual que cualquier otro aparato mecánico, los equipos de uso en exteriores necesitan piezas y mantenimiento periódicos para funcionar correctamente. Esta garantía no cubre las reparaciones cuando el uso normal haya agotado la vida útil de una pieza concreta del equipo.
- **Instalación y mantenimiento:** Esta garantía no cubre los equipos ni las piezas cuya instalación sea incorrecta o no haya sido autorizada, ni aquellos que hayan sido objeto de cualquier tipo de alteración, mal uso, negligencia, accidente, sobrecarga, exceso de velocidad o mantenimiento, reparación o almacenamiento inadecuados que, a nuestro juicio, haya afectado negativamente a su funcionamiento y su fiabilidad. La garantía tampoco cubre el mantenimiento normal, como los ajustes y la limpieza, o la obstrucción del sistema de combustión (debido a materias químicas, suciedad, carbón, cal, etc.).
- **Otras exclusiones:** También quedan excluidos de esta garantía el desgaste de los artículos tales como conectores, medidores de aceite, correas, juntas tóricas, filtros, juntas de bombas, etc., las bombas que se hayan hecho funcionar sin agua y los daños derivados de accidentes, uso indebido, modificaciones, alteraciones, servicio inadecuado, congelación o deterioro químico. Los accesorios tales como pistolas, mangueras, varillas y boquillas quedan excluidos de la garantía del producto. Esta garantía excluye los fallos debidos a hechos fortuitos y a otros acontecimientos de fuerza mayor que escapan al control del fabricante. También se excluyen los equipos usados o reacondicionados y los destinados a demostraciones; los equipos utilizados como fuente principal de energía en lugar de un servicio público y los equipos sanitarios destinados al mantenimiento de las constantes vitales.

BRIGGS & STRATTON POWER PRODUCTS GROUP, LLC
JEFFERSON, WI, EE.UU



0 24847 10030 3