

KEYBOARD ASSEMBLY

73key

88key

Owner's manual
Manuel d'utilisation
Bedienungsanleitung



KORG

Precautions

Location

Using the unit in the following locations can result in a malfunction.

- In direct sunlight
- Locations of extreme temperature or humidity
- Excessively dusty or dirty locations
- Locations of excessive vibration
- Close to magnetic fields

Interference with other electrical devices

Radios and televisions placed nearby may experience reception interference. Operate this unit at a suitable distance from radios and televisions.

Handling

To avoid breakage, do not apply excessive force to the switches or controls.

Care

If the exterior becomes dirty, wipe it with a clean, dry cloth. Do not use liquid cleaners such as benzene or thinner, or cleaning compounds or flammable polishes.

Keep this manual

After reading this manual, please keep it for later reference.

Keeping foreign matter out of your equipment

Never set any container with liquid in it near this equipment. If liquid gets into the equipment, it could cause a breakdown, fire, or electrical shock. Be careful not to let metal objects get into the equipment.

THE FCC REGULATION WARNING (for USA)

This equipment has been tested and found to comply with the limits for a Class B digital device, pursuant to Part 15 of the FCC Rules. These limits are designed to provide reasonable protection against harmful interference in a residential installation. This equipment generates, uses, and can radiate radio frequency energy and, if not installed and used in accordance with the instructions, may cause harmful interference to radio communications. However, there is no guarantee that interference will not occur in a particular installation. If this equipment does cause harmful interference to radio or television reception, which can be determined by turning the equipment off and on, the user is encouraged to try to correct the interference by one or more of the following measures:

- Reorient or relocate the receiving antenna.
- Increase the separation between the equipment and receiver.
- Connect the equipment into an outlet on a circuit different from that to which the receiver is connected.
- Consult the dealer or an experienced radio/TV technician for help.

Unauthorized changes or modification to this system can void the user's authority to operate this equipment.

Notice regarding disposal (for EU)



If this "crossed-out wheeled bin" symbol is shown on the product or in the operating manual, you must dispose of the product in an appropriate way. Do not dispose of this product along with your household trash. By disposing of this product correctly, you can avoid environmental harm or health risk. The correct method of disposal will depend on your locality, so please contact the appropriate local authorities for details.

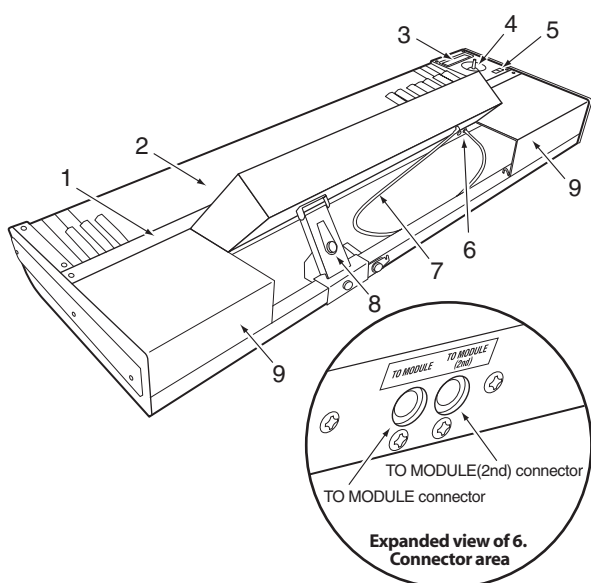
* Company names, product names, and names of formats etc. are the trademarks or registered trademarks of their respective owners.

KKS (KORG Komponent System)

This instrument is part of the KORG Komponent System. This versatile system keeps all of the sound generating circuitry, all of the external connectors and even the power supply together inside of the sound module (subsequently referred to as the modsö). In this way, the instrument may be played with the module section tilted up or lying flat. In addition, the module section may be completely removed and operated as an independent tone module, or used with other KKS products for further convenience.

Parts and their functions

Keyboard Assembly



1. Retaining bar

This part keeps the sound module and the cover panels attached to the keyboard assembly. Four screws (M3 x 8) with it locks.

2. Keyboard

73-key: semi-weighted

88-key: RH-3 (Real Weighted Hammer Action 3)

3. Ribbon controller

By touching or rubbing your finger on this ribbon you can control various program and effect parameters on the connected module.

4. Joystick

By moving the joystick up/down/left/right you can control various program and effect parameters on the connected module.

5. SW1/SW2

You can use these switches to control various program or effect parameters on the connected module, or to turn the joystick or ribbon controller's Lock function on/off.

6. TO MODULE connector/TO MODULE(2nd) connector

One end of the connecting cable (8) will plug into this jack, and the other end will plug into the module's TO KYBD port. When connected, you'll be able to use the keyboard assembly's keyboard, joystick, ribbon controller and switches to control the module. If you're using only one module, connect it to the TO MODULE connector.

⚠ Certain modules may not support all of the controllers found on the keyboard assembly.

7. Connecting cable

This cable connects the keyboard assembly to the module.

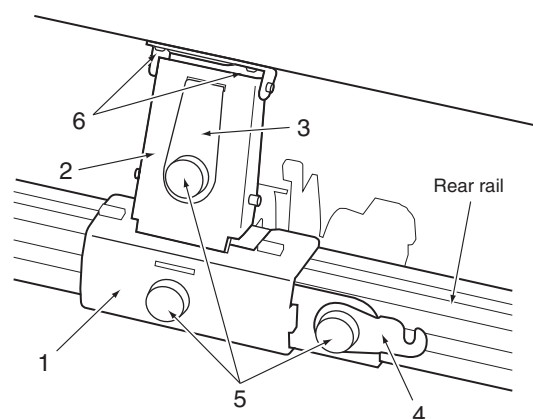
8. Locking support

This part fastens the module to the keyboard assembly. The support arm allows the rear of the module to be raised, providing easy access to the panel controls, or lowered to lie flat. In addition, the entire locking support can be moved to any location along the rear rail, allowing the module to be freely positioned.

9. Cover panels

When using a single module, these covers can be attached to the keyboard assembly to provide a more finished look.

Locking support



1. Bracket

This part is attached to the rear rail of the keyboard assembly. It can be moved horizontally so that you can re-position the module.

2. Support arm

This part supports the module when it's in the raised position.

3. Lock plate

This secures the arm when you're using the module in the raised position.

4. Latch

This secures the module when it's in the lowered/stored position, lying flat on the keyboard assembly.

5. Screws A





These fasten their respective parts.

6. Screws B

These are two screws (M4 x 6) that attach the support arm to the module.

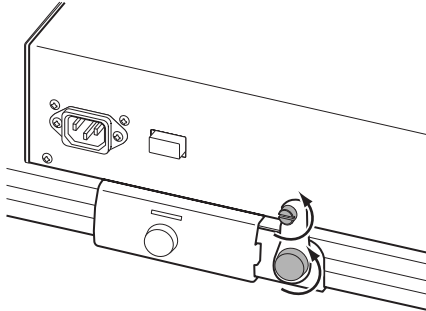
Caution when adjusting the module

Please observe the following cautions in order to ensure safe and correct assembly and disassembly.

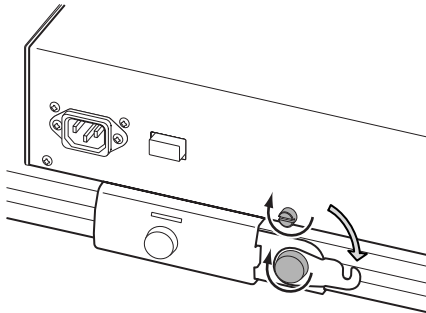
-  Please observe the following cautions in order to ensure safe and correct use, assembly and disassembly.
-  Be careful not to pinch your hands or fingers while raising or lowering the module.
-  Be sure that the module is powered-off when you connect or disconnect the cable between the keyboard assembly and the module. If you connect or disconnect this cable while the power is on, the module may stop operating correctly.
-  Before you proceed, be sure to read and follow the "Safety precautions" found earlier in this manual.

Raising the module

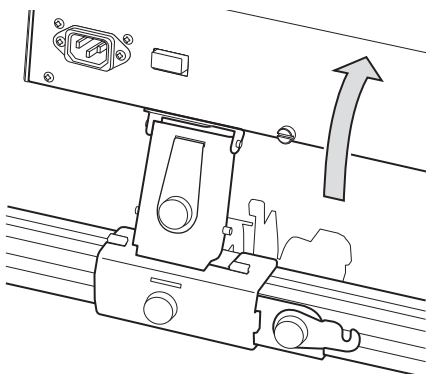
1. Loosen both of the latch screws; the one securing the latch to the module, and the one connected to the bracket.



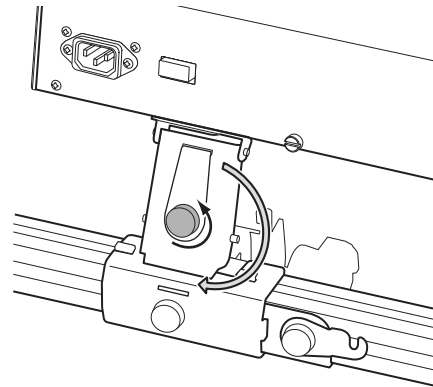
2. Rotate the latch to the side as shown in the illustration, and tighten the screw A to fasten it in place. Also tighten the screw on the module so that it does not fall out.




3. Using the handle located on the rear panel, lift the module until it stops; and release the handle.

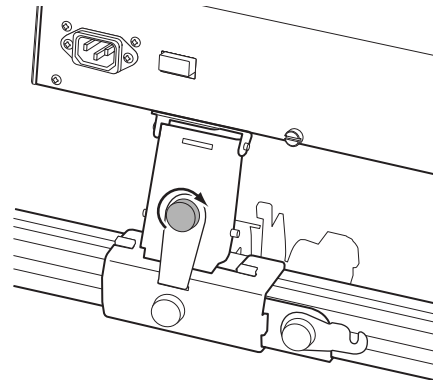


4. Loosen the screw A that holds the lock plate, turn the lock plate 180 degrees as shown, and fit it into the slot in the bracket.



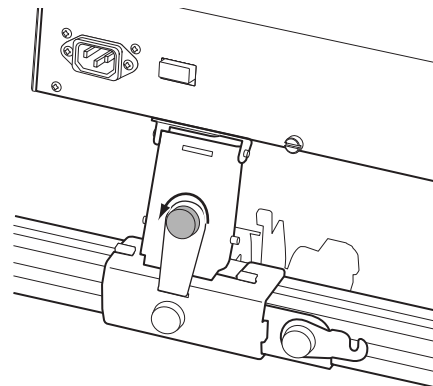
5. Tighten the lock plate screw A to secure it in place.

-  This step is very important. If you move the keyboard assembly or apply excessive force to the module without fastening the lock plate to the bracket, the module may fall down resulting in damage or injury. For safety, fit the lock plate into the bracket and fasten it with the screw A.

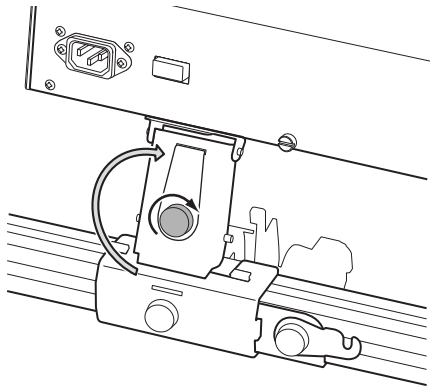


Lowering the module


1. Loosen the screw A securing the lock plate.

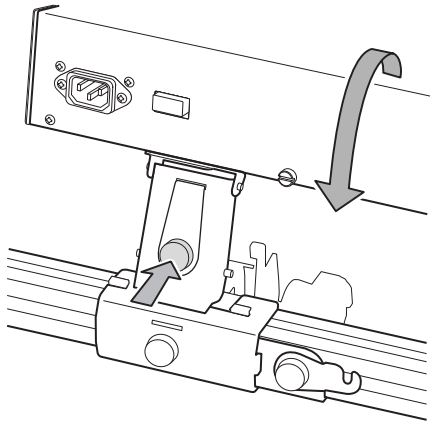


2. Rotate the lock plate 180 degrees, fit it into the slot of the support arm, and tighten the screw to fasten it.

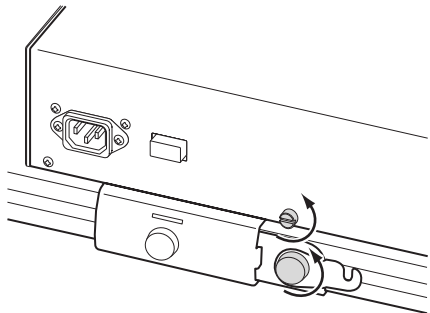


3. As shown in the illustration, lightly press in on the screw A securing the lock plate to the arm, then gently lift the module using the handle located on the rear panel and release it. The module will slowly pivot down.

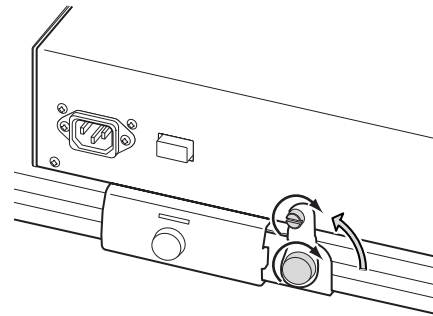
 Be careful not to pinch your hand between the module and the keyboard assembly.



4. Loosen the screw on the module and the screw A that secures the latch.

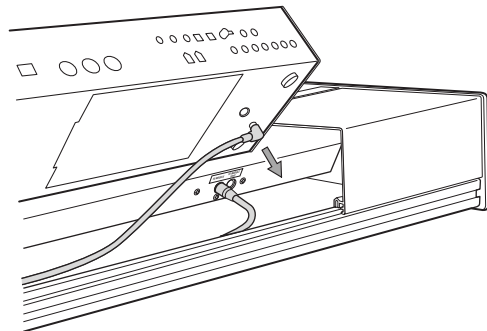


5. As shown in the illustration, rotate the latch to the vertical position and slide it under the screw on the module. Then tighten both screws.




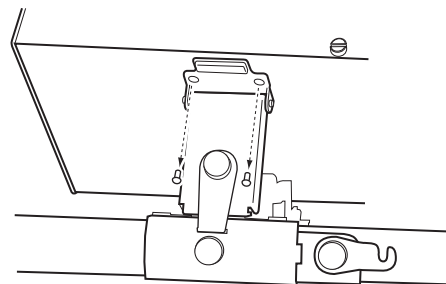
Module removal

1. If the module is lying flat in the storage position, raise it as described in steps 1-5 of "Raising the module."
2. Disconnect the cable plug (L-shaped plug) connected to the TO KYBD connector located on the bottom of the module.




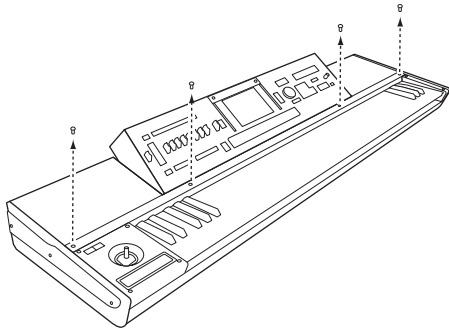
3. As shown in the illustration, use your Phillips (+) screwdriver to remove the two screws B that attach the support arm to the module.

 Be careful not to lose the screws you remove.




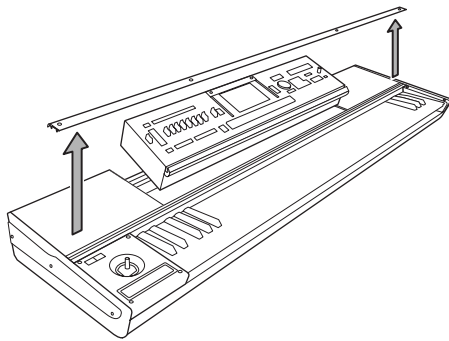
- Use your Phillips (+) screwdriver to remove the four screws that hold the retaining bar to the keyboard assembly.

 Be careful not to lose the screws you remove.




- Remove the retaining bar, and then lift the module using both hands and remove it from the keyboard assembly.

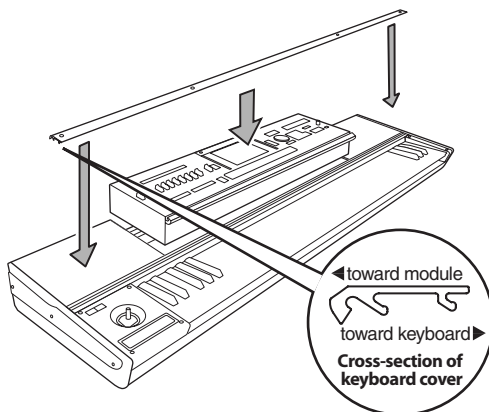
 Be careful not to pinch your hand between the module and keyboard assembly.



Module installation


- Make sure that the support arm is folded down. Hold the module in both hands and carefully place it on the keyboard assembly.

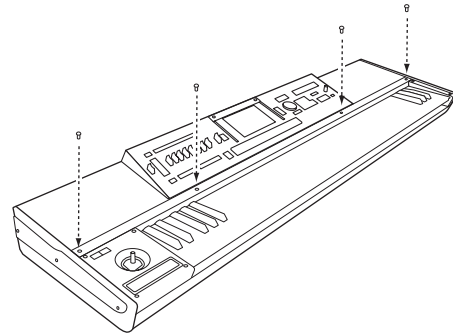
 Be careful not to pinch your hand between the module and keyboard assembly.



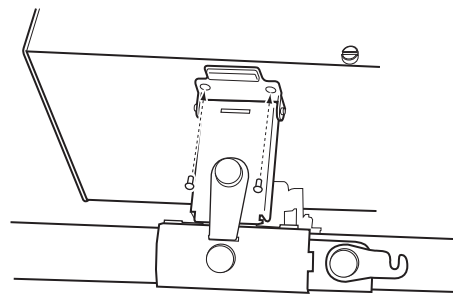
- Orient the retaining bar correctly as shown in the illustration, and place it on top of the module.

Align the screw holes in the retaining bar with the screw holes in the keyboard assembly, and finger-tighten the four screws. Finally, use your Phillips (+) screwdriver to firmly tighten the four screws.

 Don't attempt to forcibly tighten the screws if the screw holes are not aligned. Doing so may cause damage to the unit.





- Using the handle located on the rear panel, lift the module up, align the screw holes in the module with the screw holes in the support arm, and use your Phillips (+) screwdriver to install the two screws B that you removed when detaching the module.

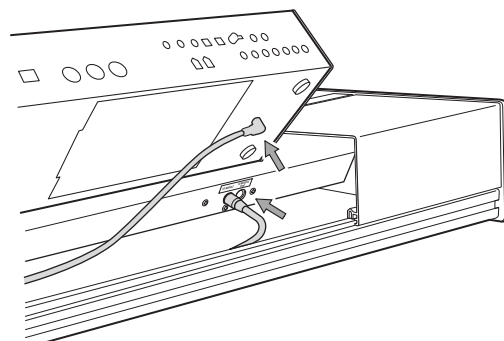


- Connect the included cable.

Connect the L-shaped plug of the cable to the TO KYBD connector on the module, and connect the straight plug to the TO MODULE connector on the keyboard assembly. If the TO MODULE connector is already being used to connect another module, then use the TO MODULE (2nd) connector.

 The included cable is only for connecting the TO KYBD connector to the TO MODULE or TO MODULE (2nd) connector. Do not connect it to any other connector.

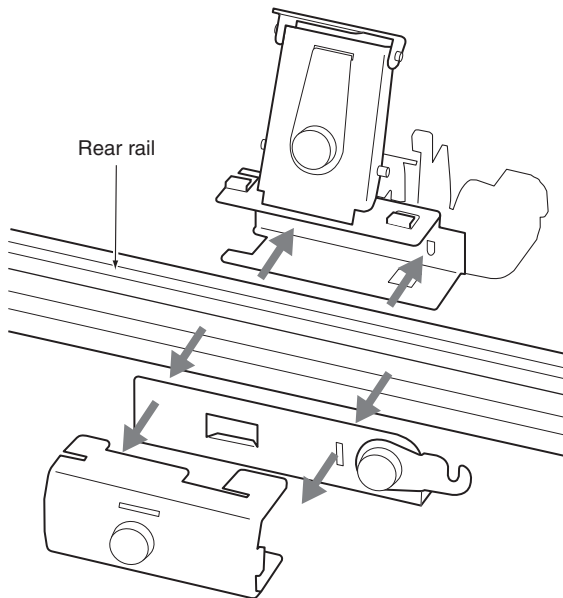
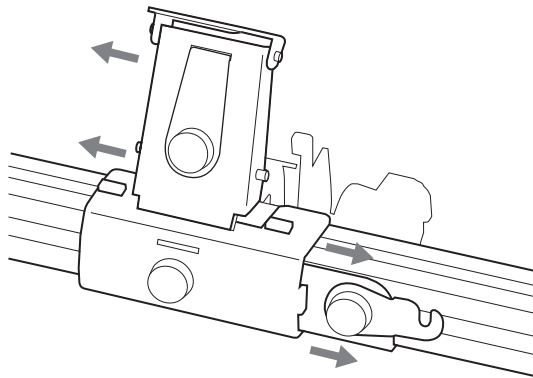
 If you're using only one module, connect it to the TO MODULE connector.



Locking support assembly

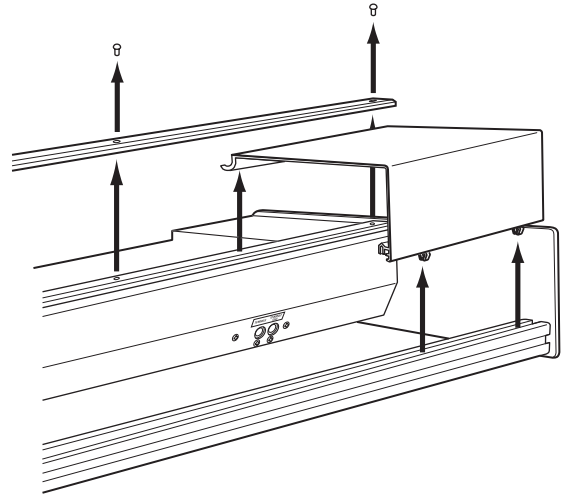
As shown in the illustration, the support arm, bracket and latch parts fit together around the rear rail to form the locking support assembly. The raised tabs on the support arm slide into the slots on the top of the bracket to hold everything together. To attach the locking support assembly, fasten the bracket to the support arm by sliding it horizontally (to the left) and tightening the screw on the bracket. To remove the locking support assembly, loosen the screw and slide the bracket to the right to release the two pieces.

- ⚠ Make sure that the bracket is oriented correctly.
- ⚠ When performing this step, be careful not to cut your hand on the metal parts.



Cover panels

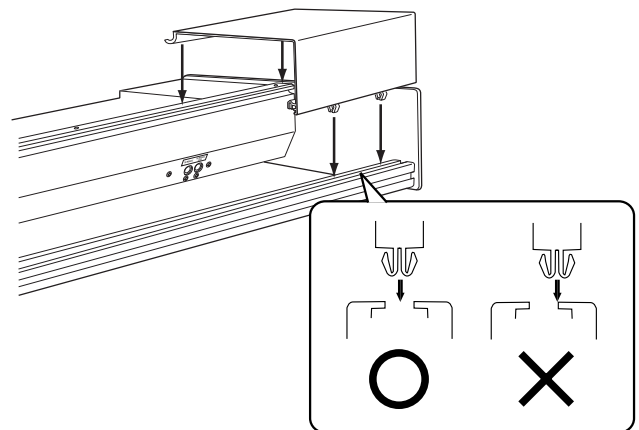
The keyboard assembly can be used with or without these decorative “filler” panels. The cover panels will need to be removed when using two modules. As shown in the illustration, the front edge of the cover panels are held in place by the retaining bar. The back edge of the cover panels fit into the channel on the top of the keyboard assembly’s rear rail. To remove the cover panels, remove the retaining bar as shown in step 4 of “Module removal” and lift off the cover panels. Replace the retaining bar as described in step 2 of “Module installation.” To replace the cover panels, remove the retaining bar, place the back edge of the cover panels on the top of the rear rail, and replace the retaining bar.



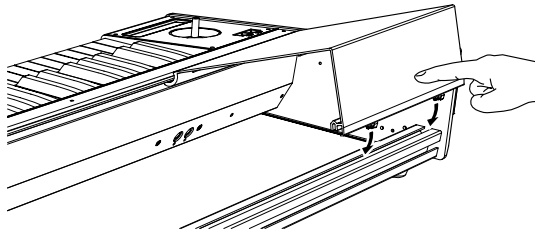
Caution when attaching the cover panel

Align the projections of the cover panel with the slot of the rear rail, and press the cover panel into place.

- ⚠ If you press the cover panel when the projections are not aligned with the slot, you may damage the projections.



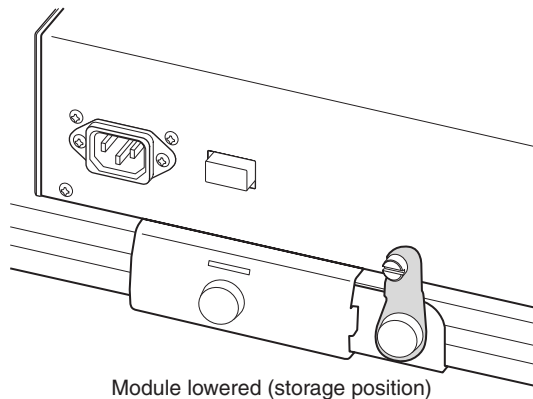
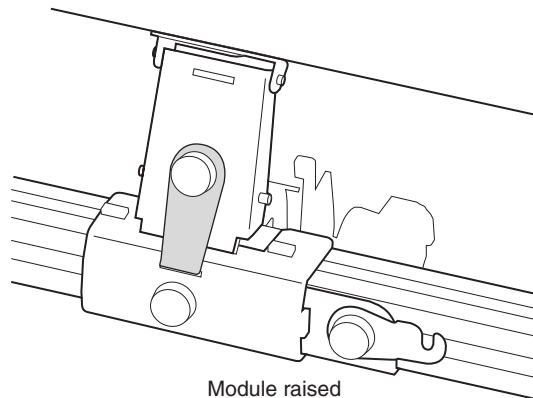
If the cover panel comes open as shown below after you've attached it, apply gentle pressure to the rear side and fit the projections of the cover panel into the slot of the rear rail.



Moving precautions

If you transport the keyboard assembly with the module in the raised position, the lock plate must be fitted into the slot on the bracket and secured in place by tightening the lockplate screw. If you transport the keyboard assembly with the module in the lowered (storage) position, the latch must be connected to the module, with both the module and bracket screws securely fastened.

⚠ If you transport the system without fastening these screws, the module may move abruptly, causing damage or injury.



Caution when using multiple modules

- When using more than one module, be sure both modules are turned off before connecting or disconnecting either of the cables connected to the TO MODULE and TO MODULE (2nd) connectors.
- When using more than one module, the module connected to the TO MODULE connector must be turned on in order for the module connected to the TO MODULE (2nd) connector to be detected by the keyboard assembly and to function properly.
- The lit/dark status of SW1/SW2 will reflect the state of the module connected to the TO MODULE connector. The SW1/SW2 lit/dark status of the module connected to the TO MODULE (2nd) connector will not be reflected. Be aware that the state of the TO MODULE (2nd) unit may not necessarily match the SW1/SW2 status. If you want the lit/dark indication to match the state of the TO MODULE (2nd) unit, you would need to set the On/Off and Toggle/Momentary setting of each Program, Combination, or Song of the module connected to the TO MODULE (2nd) connector to be identical to the settings of the module connected to the TO MODULE connector.
- The Global mode menu command "After Touch Calibration" cannot be selected from an M3-M connected to the TO MODULE (2nd) connector. In order to execute this command, the M3-M must be connected to the TO MODULE connector.

Specifications

Keyboard	73-key: semi-weighted 88-key: RH-3 (Real Weighted Hammer Action 3)
Controllers	Joystick Ribbon controller SW1/SW2
Control connector	TO MODULE connector TO MODULE(2nd) connector
Dimensions (W x D x H)	73-key: 1189 x 371 x 128 mm 46.8 x 14.6 x 5.0 inches 88-key: 1425 x 442 x 128 mm 56.1 x 17.4 x 5.0 inches
Weight	73-key: 12.5 kg / 27.6 lbs. (including cover panels and locking support) 88-key: 21.7 kg / 47.8 lbs. (including cover panels and locking support)
Included items	Connection cable x 1

* Appearance and specifications of this product are subject to change without notice.

Précautions

Emplacement

L'utilisation de cet instrument dans les endroits suivants peut entraîner le mauvais fonctionnement.

- En plein soleil
- Endroits très chauds ou très humides
- Endroits sales ou fort poussiéreux
- Endroits soumis à de fortes vibrations
- A proximité de champs magnétiques

Interférences avec d'autres appareils électriques

Les postes de radio et de télévision situés à proximité peuvent par conséquent souffrir d'interférences à la réception. Veuillez dès lors faire fonctionner cet appareil à une distance raisonnable de postes de radio et de télévision.

Maniement

Pour éviter de les endommager, manipulez les commandes et les boutons de cet instrument avec soin.

Entretien

Lorsque l'instrument se salit, nettoyez-le avec un chiffon propre et sec. Ne vous servez pas d'agents de nettoyage liquides tels que du benzène ou du diluant, voire des produits inflammables.

Conservez ce manuel

Après avoir lu ce manuel, veuillez le conserver soigneusement pour toute référence ultérieure.

Évitez toute intrusion d'objets ou de liquide

Ne placez jamais de récipient contenant du liquide près de l'instrument. Si le liquide se renverse ou coule, il risque de provoquer des dommages, un court-circuit ou une électrocution. Veillez à ne pas laisser tomber des objets métalliques dans le boîtier (trombones, par ex.).

* Les noms de sociétés, noms de produits et noms de formats, etc. dans ce manuel sont des marques de fabrique ou des marques déposées de leurs propriétaires respectifs.

Notice concernant l'élimination du produit (UE seulement)



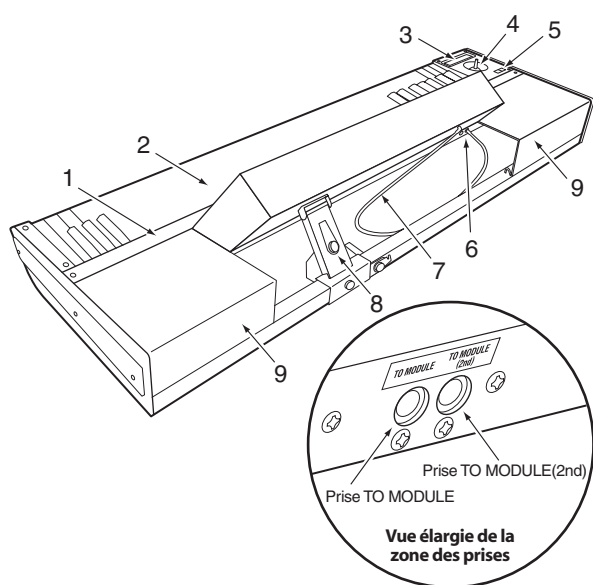
Si ce symbole "Poubelle barrée" est imprimé sur le produit ou dans le manuel de l'utilisateur, vous devez vous débarrasser du produit de la manière appropriée. Ne jetez pas ce produit avec vos ordures ménagères. En vous débarrassant correctement du produit, vous préviendrez les dommages environnementaux et les risques sanitaires. La méthode correcte d'élimination dépendra de votre lieu d'habitation, aussi veuillez contacter les autorités locales concernées pour les détails.

KKS (KORG Komponent System)

Cet instrument fait partie du KORG Komponent System. Ce système extrêmement flexible loge tous les circuits de génération de sons, tous les connecteurs externes et même l'alimentation dans le module générateur de sons (dit le "module"). Ce système vous permet de jouer avec le module horizontal ou incliné. De plus, le module peut être extrait de l'instrument et utilisé comme module indépendant ou installé dans d'autres produits KKS.

Description et fonction des éléments

Ensemble clavier



1. Barre de retenue

Cette barre maintient le module et les caches à l'ensemble clavier. Quatre vis (M3 x 8) de fixation sont fournies.

2. Clavier

73 touches: semi-pondéré

88 touches: RH-3 (touches à mécaniques lestées de type marteau)

3. Ruban

En touchant ou en frottant le ruban du doigt, vous pouvez piloter divers paramètres de Programs et d'effets du module branché.

4. Joystick

En actionnant le joystick vers le haut, le bas, la gauche ou la droite, vous pouvez piloter divers paramètres de Programs et d'effets du module branché.

5. SW1/SW2

Ces commutateurs vous permettent de piloter divers paramètres de Programs et d'effets du module branché ou d'activer et de couper la fonction "Lock" du joystick ou du ruban.

6. Prise TO MODULE/prise TO MODULE(2nd)

Une extrémité du câble de connexion (8) est branchée à cette prise et l'autre extrémité à la prise TO KYBD du module. Cette connexion vous permet d'utiliser le clavier, le joystick, le ruban et les commutateurs pour piloter le module. Si vous n'utilisez qu'un seul module, branchez-le à la prise TO MODULE.

⚠ Certains modules ne sont pas compatibles avec certains contrôleurs de l'ensemble clavier.

7. Câble de connexion

Ce câble relie le clavier au module.

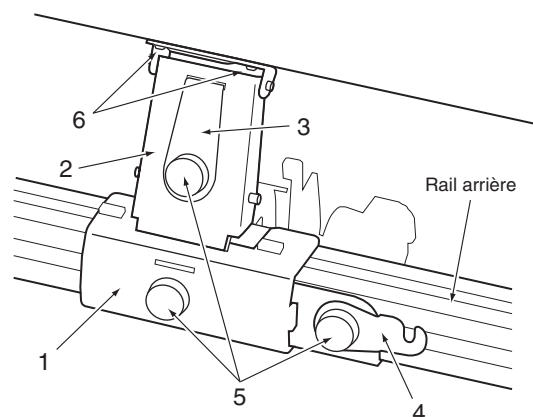
8. Fixation

Cette fixation attache le module à l'ensemble clavier. Le bras permet de soulever l'arrière du module pour l'incliner et faciliter l'accès aux commandes ou d'abaisser le module. L'ensemble de fixation peut être placé à n'importe quel endroit sur le rail arrière, ce qui vous permet d'installer le module où bon vous semble.

9. Caches

Si vous n'utilisez qu'un seul module, ces caches peuvent être fixés à l'ensemble clavier pour offrir une finition plus élégante.

Fixation



1. Support

Cet élément est fixé au rail arrière de l'ensemble clavier. Il peut être déplacé le long du rail pour changer la position du module.

2. Bras de fixation

Cet élément soutient le module lorsque ce dernier est incliné.

3. Dispositif de blocage

Cet élément bloque le bras lorsque le module est incliné.

4. Crochet

Ce crochet bloque le module lorsqu'il est abaissé (en position de rangement) sur l'ensemble clavier.

5. Vis A





Ces vis maintiennent divers éléments.

6. Vis B

Ces deux vis (M4 x 6) attachent le bras de fixation au module.

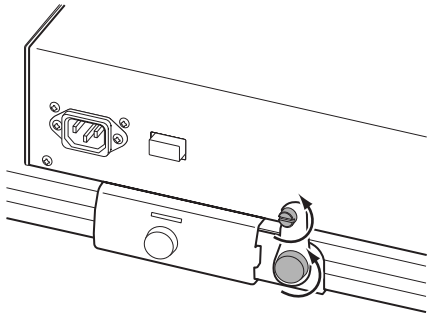
Précautions pour le réglage du module

Pour votre sécurité, veuillez prendre les précautions suivantes lors du montage et du démontage.

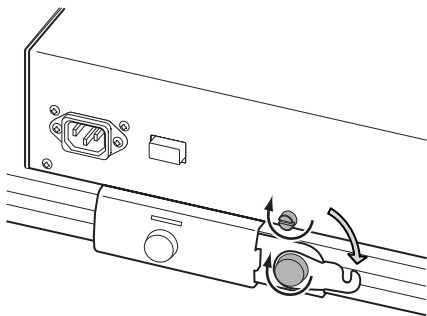
-  Pour votre sécurité, veuillez prendre les précautions suivantes lors de l'utilisation, du montage et du démontage.
-  Veillez à ne pas vous coincer la main ou les doigts en soulevant ou en abaissant le module.
-  Veillez à mettre le module hors tension avant de connecter ou de déconnecter le câble reliant le clavier au module. Si vous établissez ou rompez la connexion alors que le module est sous tension, vous risquez d'endommager ce dernier.
-  Avant de commencer, lisez et suivez les consignes données dans la section "Précautions" au début de ce manuel.

Relever le module

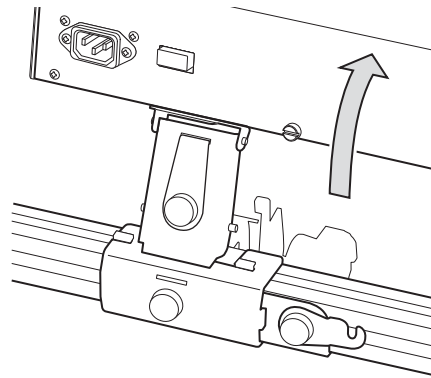
1. Desserrez les deux vis du crochet: celle fixant le crochet au module et celle attachée au support.



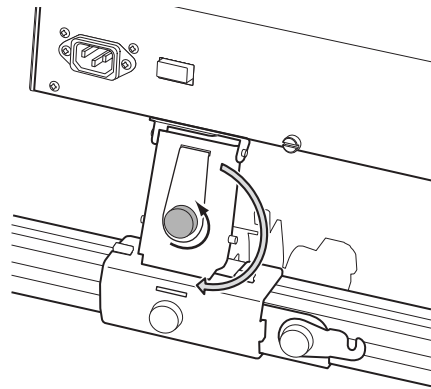
2. Basculez le crochet sur le côté comme indiqué dans l'illustration puis serrez la vis A pour la maintenir en place. Resserrez également la vis du module pour qu'elle ne tombe pas.




3. En vous servant de la poignée en face arrière, soulevez le module jusqu'à ce qu'il s'arrête et relâchez la poignée.

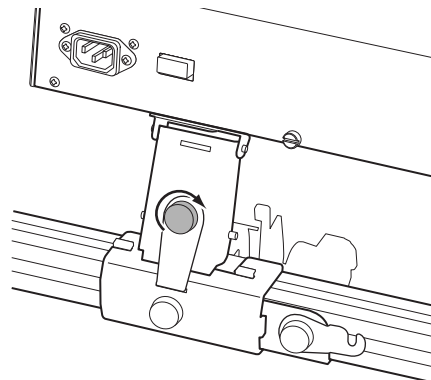


4. Dévissez la vis A qui maintient le dispositif de blocage, tournez ce dernier de 180 degrés comme illustré et insérez-le dans la fente du support.



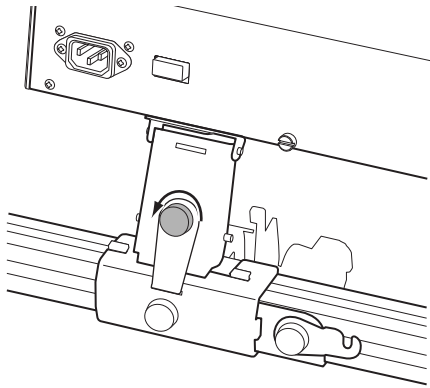
5. Serrez la vis A du dispositif de blocage pour le maintenir en place.

-  Cette opération est très importante. Si vous déplacez l'ensemble clavier ou exercez une pression excessive sur le module sans avoir fixé préalablement le dispositif de blocage au support, le module risque de tomber et de blesser quelqu'un. Par mesure de sécurité, insérez donc le dispositif de blocage dans le support et fixez-le avec la vis A.

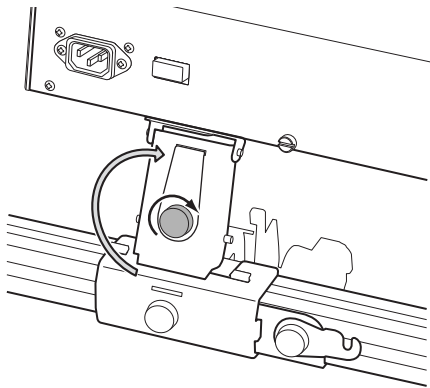


Abaissier le module


1. Desserrez la vis A fixant le dispositif de blocage.

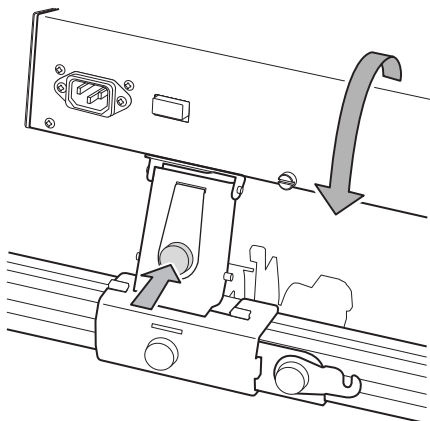


2. Faites tourner le dispositif de blocage de 180 degrés, insérez-le dans la fente du bras de fixation et serrez la vis pour l'y maintenir.

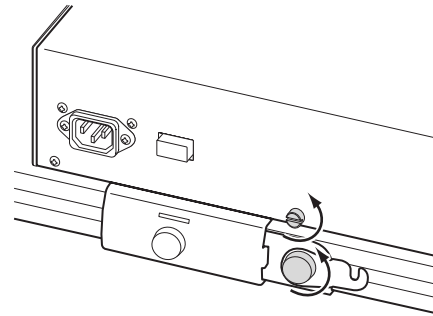


3. Comme indiqué dans l'illustration, appuyez légèrement sur la vis A fixant le dispositif de blocage au bras et soulevez doucement le module en vous servant de la poignée en face arrière puis abaissez-le. Le module s'abaisse lentement.

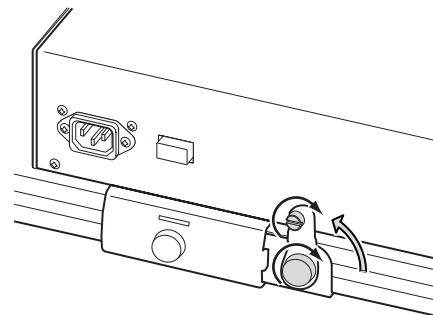
 Veillez à ne pas vous coincer la main entre le module et l'ensemble clavier.



4. Desserrez la vis A du module et la vis maintenant le crochet.

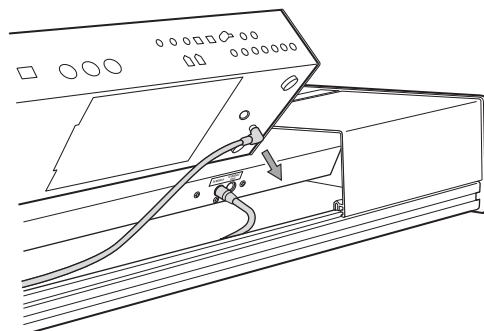


5. Comme illustré, ramenez le crochet en position verticale et glissez-le sous la vis du module. Serrez ensuite les deux vis.




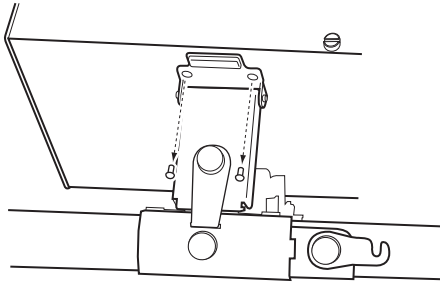
Extraction du module

1. Si le module est horizontal, inclinez-le en effectuant les opérations décrites aux étapes 1-5 de la procédure "Relever le module".
2. Débranchez la fiche du câble (fiche en L) branchée à la prise TO KYBD située sous le module.




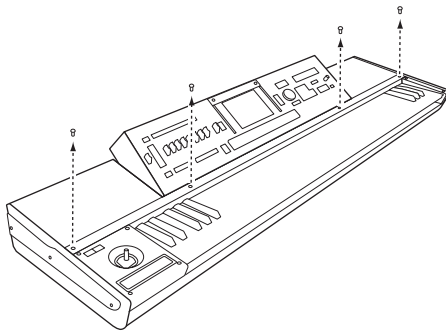
3. Comme indiqué dans l'illustration, utilisez un tournevis en croix (+) pour retirer les deux vis B fixant le bras au module.

 Ne perdez pas les vis que vous retirez.




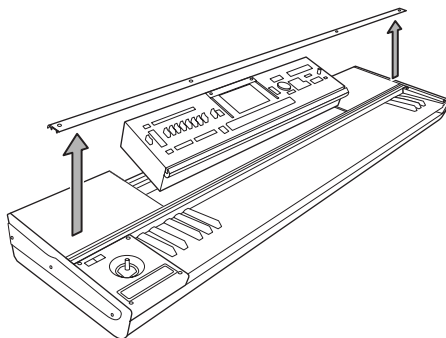
4. Utilisez un tournevis en croix (+) pour retirer les quatre vis de la barre de retenue maintenant le module à l'ensemble clavier.

 Ne perdez pas les vis que vous retirez.




5. Retirez la barre de retenue puis soulevez le module des deux mains et extrayez-le de l'ensemble clavier.

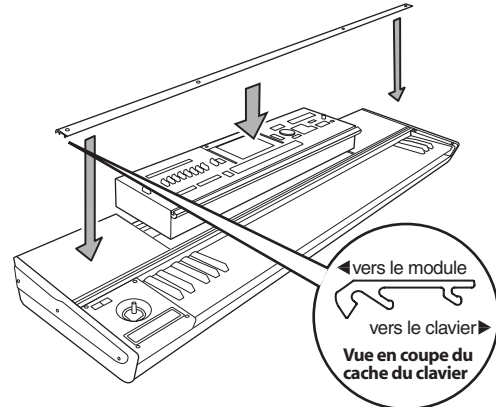
 Veillez à ne pas vous coincer la main entre le module et l'ensemble clavier.



Installation du module


1. Vérifiez que le bras de fixation est replié. Tenez le module des deux mains et placez-le avec précaution sur l'ensemble clavier.

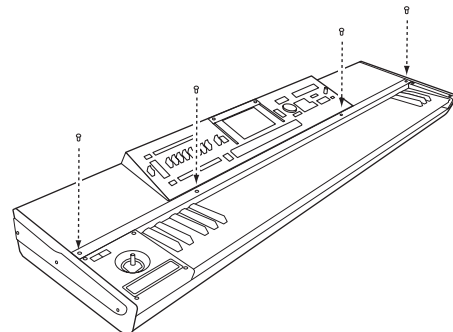
 Veillez à ne pas vous coincer la main entre le module et l'ensemble clavier.



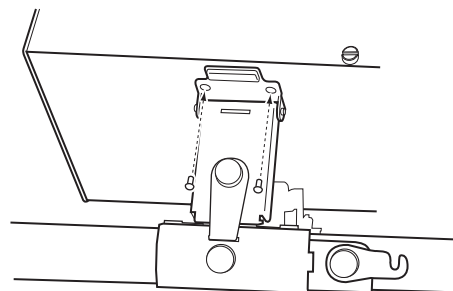
2. Orientez correctement la barre de retenue (voyez l'illustration) et placez-la au-dessus du module.

Alignez les orifices pour vis de l'ensemble clavier avec les orifices de la barre de retenue et serrez doucement les quatre vis avec les doigts. Utilisez ensuite le tournevis en croix (+) pour visser convenablement les quatre vis.

 Ne serrez pas les vis avec force si les orifices ne sont pas alignés. Cela risque d'endommager le produit.



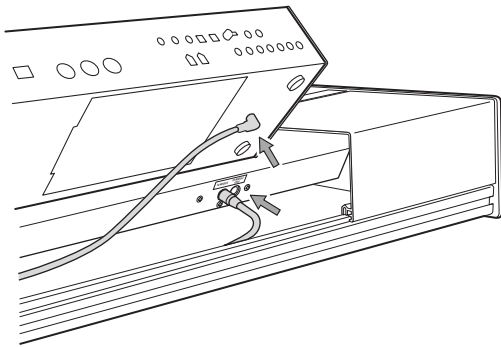
3. En vous servant de la poignée en face arrière, soulevez le module, alignez les orifices pour vis du module avec ceux du bras de fixation et utilisez un tournevis en croix (+) pour visser les deux vis B que vous avez retirées lorsque vous avez détaché le module.



4. Branchez le câble fourni.

Branchez la fiche en "L" du câble à la prise TO KYBD du module et la fiche droite à la prise TO MODULE de l'ensemble clavier. Si la prise TO MODULE est déjà branchée à un autre module, servez-vous de la prise TO MODULE (2nd).

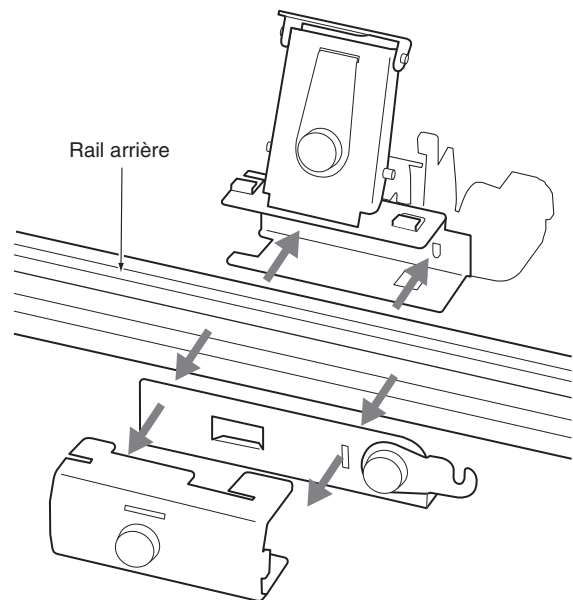
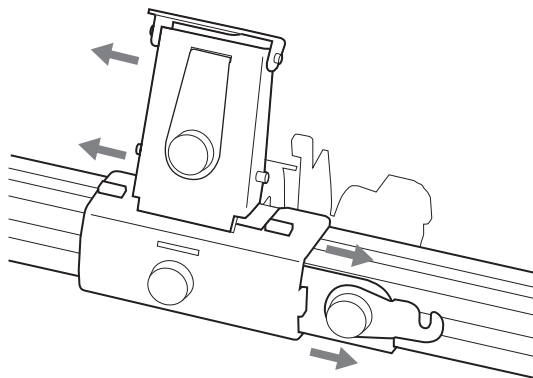
- ⚠ Le câble fourni ne sert qu'à relier la prise TO KYBD à la prise TO MODULE ou TO MODULE (2nd). Ne le branchez à aucune autre prise.
- ⚠ Si vous n'utilisez qu'un seul module, branchez-le à la prise TO MODULE.



Ensemble de fixation

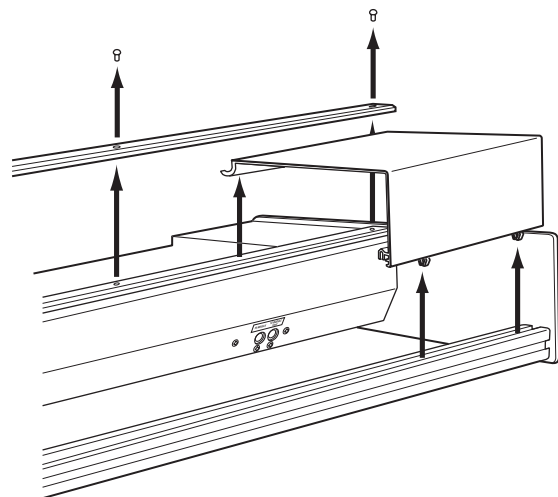
Comme vous le voyez dans l'illustration, le bras de fixation, le support et l'élément du crochet sont assemblés autour du rail pour constituer l'ensemble de fixation. Les onglets verticaux du bras de fixation se glissent dans les fentes pratiquées sur le dessus du support pour maintenir le tout. Pour attacher l'ensemble de fixation, attachez le support au bras de fixation en le faisant glisser horizontalement (vers la gauche) et en serrant la vis sur le support. Pour retirer l'ensemble de fixation, desserrez la vis et faites glisser le support vers la droite pour libérer les deux éléments.

- ⚠ Vérifiez que le support est correctement orienté.
- ⚠ En effectuant cette opération, veillez à ne pas vous couper la main avec les parties métalliques.



Caches

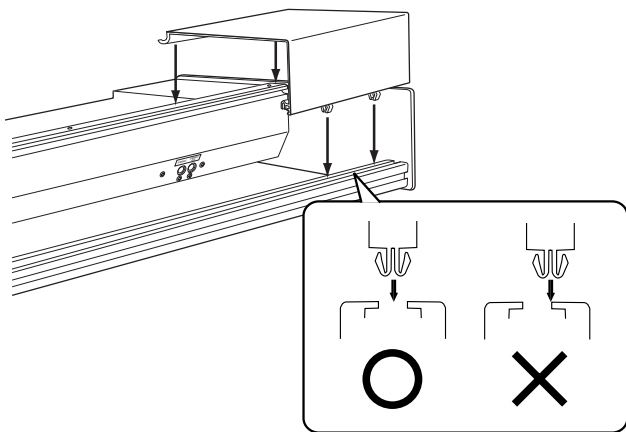
L'ensemble clavier peut être pourvu de caches de finition. Si vous utilisez deux modules, il faut retirer les caches. Comme vous le voyez dans l'illustration, le bord avant des caches est maintenu par la barre de retenue. Le bord arrière des caches s'adapte dans la rainure pratiquée sur le haut du rail arrière de l'ensemble clavier. Pour retirer les caches, retirez la barre de retenue comme expliqué à l'étape 4 de la section "Extraction du module" et soulevez les caches pour les extraire. Rattachez ensuite la barre de retenue conformément aux consignes de l'étape 2 de la section "Installation du module". Pour installer les caches, retirez la barre de retenue, placez le bord arrière des caches sur le dessus du rail arrière et rattachez la barre de retenue.



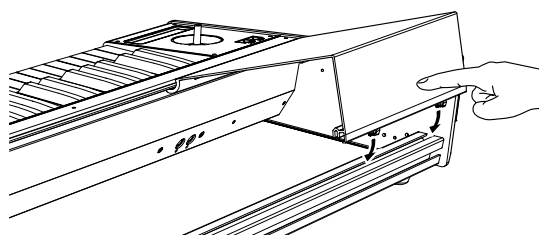
Prudence lors de la fixation du cache

Alignez les saillies du cache avec la rainure du rail arrière et appuyez sur le cache pour le fixer.

- ⚠ Si vous appuyez sur le cache alors que les saillies ne sont pas alignées avec la rainure, vous risquez d'endommager les saillies.



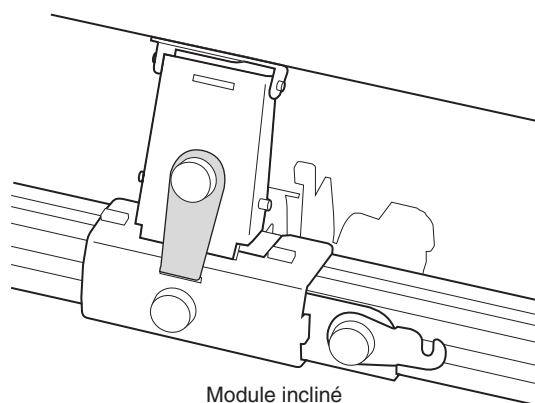
Si, après son installation, le cache s'ouvre comme indiqué plus bas, appuyez doucement sur l'arrière et insérez les saillies du cache dans la rainure du rail arrière.



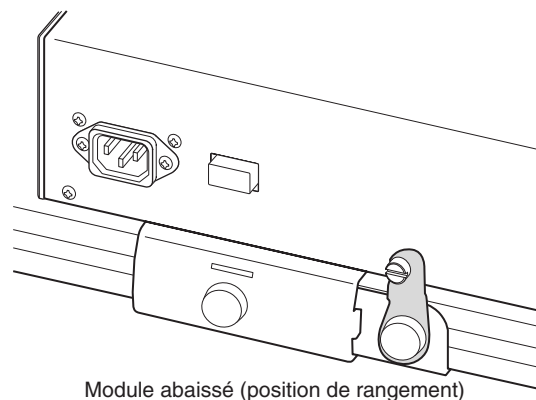
Précautions pour le transport

Si vous transportez l'ensemble clavier alors que le module est incliné, le dispositif de blocage doit être inséré dans la fente du support et maintenu en place par le serrage de la vis du dispositif. Si vous transportez l'ensemble clavier avec le module abaissé, le crochet doit être fixé au module. Les vis du module et du support doivent être bien serrées.

⚠ Si vous transportez l'instrument sans serrer ces vis, le module risque de bouger brutalement et d'entraîner des blessures ou des dommages matériels.



Module incliné



Module abaissé (position de rangement)

Précautions pour l'utilisation de plusieurs modules

- Quand vous utilisez plus d'un module, veillez à éteindre les deux modules avant de brancher ou de débrancher un des deux câbles branchés aux prises TO MODULE et TO MODULE (2nd).
- Quand vous utilisez plus d'un module, le module branché à la prise TO MODULE doit être sous tension pour que le module branché à la prise TO MODULE (2nd) soit détecté par l'ensemble clavier et puisse fonctionner normalement.
- L'état allumé/éteint de SW1/SW2 indique l'état du module branché à la prise TO MODULE. L'état allumé/éteint de SW1/SW2 ne reflète pas l'état du module branché à la prise TO MODULE (2nd). L'état du module branché à la prise TO MODULE (2nd) ne correspond donc pas nécessairement à l'état allumé/éteint de SW1/SW2. Si vous voulez que l'état allumé/éteint reflète l'état du module branché à la prise TO MODULE (2nd), il faut que les réglages activé/coupé et "Toggle/Momentary" de chaque Program, Combinaison ou morceau du module branché à la prise TO MODULE (2nd) soient identiques aux réglages du module branché à la prise TO MODULE.
- La commande de menu du mode Global "After Touch Calibration" ne peut pas être sélectionnée à partir d'un M3-M branché à la prise TO MODULE (2nd). Pour exécuter cette commande, le M3-M doit être branché à la prise TO MODULE.

Fiche technique

Clavier	73 touches: semi-pondéré 88 touches: RH-3 (touches à mécaniques lestées de type marteau)
Contrôleurs	Joystick Ruban SW1/SW2
Prise de connexion	Prise TO MODULE Prise TO MODULE(2nd)
Dimensions (L x P x H)	73 touches: 1189 x 371 x 128 mm 88 touches: 1425 x 442 x 128 mm
Poids	73 touches: 12,5 kg (fixation et caches compris) 88 touches: 21,7 kg (fixation et caches compris)
Accessoires fournis	Câble de connexion x 1

* Ces caractéristiques et l'apparence du produit sont susceptibles d'être modifiées sans avis préalable.

Vorsichtsmaßnahmen

Aufstellungsort

Vermeiden Sie das Aufstellen des Geräts an Orten, an denen

- es direkter Sonneneinstrahlung ausgesetzt ist;
- hohe Feuchtigkeit oder Extremtemperaturen auftreten können;
- Staub oder Schmutz in großen Mengen vorhanden sind;
- das Gerät Erschütterungen ausgesetzt sein kann.
- in der Nähe eines Magnetfeldes.

Störeinflüsse auf andere Elektrogeräte

Dieser kann bei in der Nähe aufgestellten Rundfunkempfängern oder Fernsehgeräten Empfangsstörungen hervorrufen. Betreiben Sie solche Geräte nur in einem geeigneten Abstand von diesem Erzeugnis.

Bedienung

Vermeiden Sie bei der Bedienung von Schaltern und Reglern unangemessenen Kraftaufwand.

Reinigung

Bei auftretender Verschmutzung können Sie das Gehäuse mit einem trockenen, sauberen Tuch abwischen. Verwenden Sie keinerlei Flüssigreiniger wie beispielsweise Reinigungsbenzin, Verdünnungs- oder Spülmittel. Verwenden Sie niemals brennbare Reiniger.

Bedienungsanleitung

Bewahren Sie diese Bedienungsanleitung gut auf, falls Sie sie später noch einmal benötigen.

Flüssigkeiten und Fremdkörper

Stellen Sie niemals Behältnisse mit Flüssigkeiten in der Nähe des Geräts auf. Wenn Flüssigkeit in das Gerät gelangt, können Beschädigung des Geräts, Feuer oder ein elektrischer Schlag die Folge sein. Beachten Sie, daß keinerlei Fremdkörper in das Gerät gelangen.

* Die übrigen in dieser Bedienungsanleitung erwähnten Firmen-, Produkt-, Formatnamen usw. sind Warenzeichen oder eingetragene Warenzeichen der rechtlichen Eigentümer und werden ausdrücklich anerkannt.

Hinweis zur Entsorgung (nur EU)



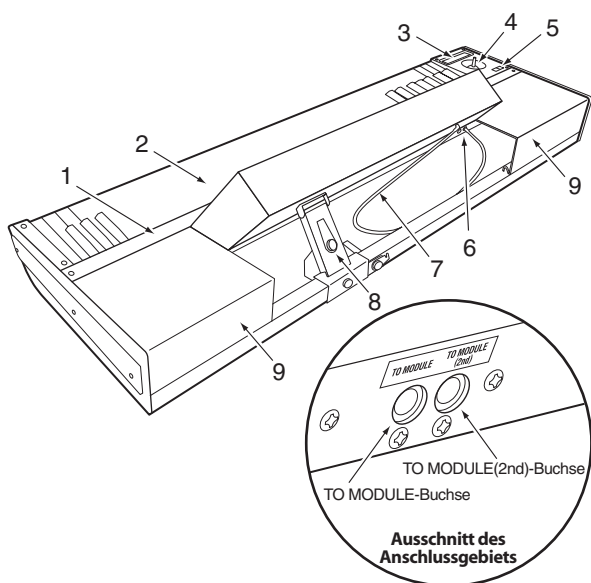
Wenn dieses „durch gestrichener Müllkübel“ Symbol auf dem Produkt oder in der Bedienungsanleitung erscheint, müssen Sie dieses Produkt sachgemäß als Sondermüll entsorgen. Entsorgen Sie dieses Produkt nicht im Haushaltsmüll. Durch richtige Entsorgung verhindern Sie Umwelt- oder Gesundheitsgefahren. Die geltenden Vorschriften für richtige Entsorgung sind je nach Bestimmungsland unterschiedlich. Bitte informieren Sie sich bei der zuständigen Behörde über die bei Ihnen geltenden Vorschriften zur Entsorgung.

KKS (KORG Komponent System)

Dieses Instrument ist Bestandteil des „KORG Komponent Systems“. Dieses flexible System beruht auf einer Einheit (im folgenden kurz das „Modul“ genannt), die außer der Klangerzeugung auch alle externen Anschlüsse und die Stromversorgung enthält. Bei Bedarf kann das Modul zum Spielen hochgeklappt werden. Das Modul lässt sich übrigens komplett entfernen und als herkömmlicher Klangerzeuger bzw. gemeinsam mit anderen KKS-Produkten nutzen.

Komponenten und Funktionen

Tastatureinheit



1. Halterungsleiste

Hiermit können das Modul und die Blenden an der Tastatureinheit befestigt werden. Vier Schrauben (M3 x 8) für die Befestigung.

2. Tastatur

73er: leicht gewichtet

88er: RH-3 („Real Weighted Hammer Action 3“)

3. Ribbon Controller

Mit Fingerbewegungen auf diesem Streifen können mehrere Program- und Effektparameter des angeschlossenen Moduls in Echtzeit beeinflusst werden.

4. Joystick

Der Joystick lässt sich in alle Richtungen bewegen (auf/ab/links/rechts). Damit können Program- und Effektparameter des angeschlossenen Moduls in Echtzeit beeinflusst werden.

5. SW1/SW2

Mit diesen Tastern können verschiedene Program- und Effektparameter des angeschlossenen Moduls in Echtzeit beeinflusst werden. Außerdem kann man hiermit die „Lock“-Funktion des Joysticks oder Ribbons aktivieren bzw. ausschalten.

6. TO MODULE-Buchse/TO MODULE(2nd)-Buchse

Hier muss das eine Ende des Verbindungskabels (8) angeschlossen werden. Das andere Ende dieses Kabels muss mit dem TO KYBD-Port des Moduls verbunden werden. Nach Herstellen der Verbindung können Sie die Tastatur, den Joystick, den Ribbon Controller und die Taster zum Ansteuern des Moduls verwenden. Wenn Sie nur ein Modul verwenden, müssen Sie es an die TO MODULE-Buchse anschließen.

⚠ Nicht alle Module unterstützen alle Spielhilfen der Tastatureinheit.

7. Anschlusskabel

Über dieses Kabel wird die Tastatur mit dem Modul verbunden.

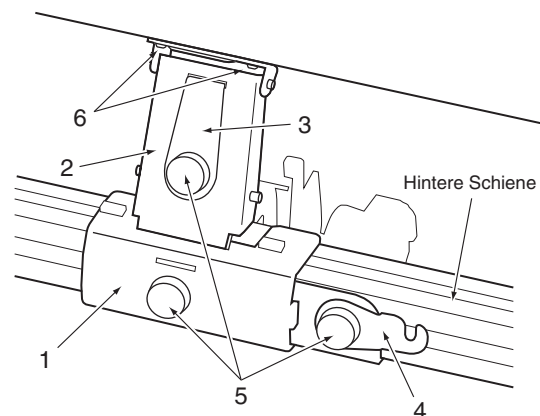
8. Riegelstütze

Hiermit kann das Modul an der Tastatureinheit befestigt werden. Der Trägerarm erlaubt das Hochklappen der Modulrückseite für einen schnelleren Zugriff auf die Rückplatte. Man kann das Modul aber auch flach legen. Die Riegelstütze kann entlang der Schiene nach links oder rechts geschoben werden, so dass sich das Modul an der für Sie optimalen Position befindet.

9. Blenden

Bei Verwendung nur eines Moduls können Sie die Blenden auf der Tastatureinheit anbringen, um einen ansprechenderen Look zu erzielen.

Riegelstütze



1. Halterung

Diese Partie muss an der hinteren Schiene angebracht werden. Bei Bedarf können Sie sie entlang der horizontalen Achse verschieben, um das Modul woanders anzuordnen.

2. Trägerarm

Hiermit wird das Modul abgestützt, wenn es hochgeklappt wurde.

3. Klemme

Stützt den Arm ab, wenn das Modul in der angehobenen Position verwendet wird.

4. Arretierhalterung

Arretiert das Modul, wenn Sie es hinunterklappen (d.h. wenn es flach auf der Tastatureinheit liegt).

5. Schrauben A




Hiermit werden die verschiedenen Parteien arretiert.

6. Schrauben B

Mit diesen beiden M4 x 6-Schrauben wird der Trägerarm am Modul befestigt.

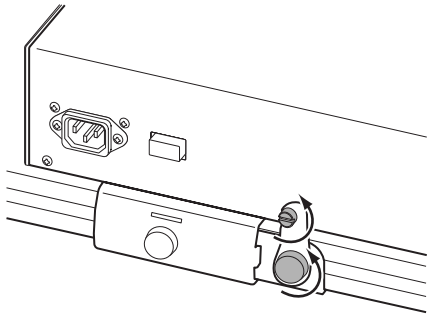
Vorsicht beim Einstellen des Moduls

Im Sinne einer sicheren und richtigen Montage oder Demontage beachten Sie bitte folgende Punkte.

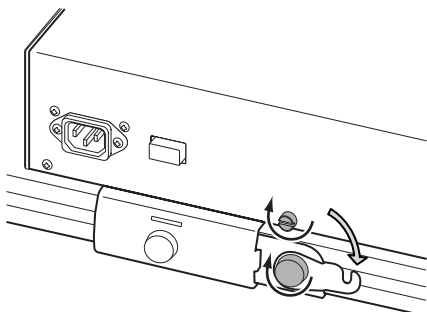
-  Bitte beachten Sie folgende Dinge, um eine sichere und richtige Montage oder Demontage zu gewährleisten. Seien Sie vorsichtig, um sich beim Anheben bzw. Absenken des Moduls nicht die Finger zu klemmen.
-  Schalten Sie das Modul aus, bevor Sie das Verbindungskabel zwischen der Tastatureinheit und dem Modul anschließen bzw. lösen. Wenn Sie die Verbindung nämlich bei eingeschaltetem Modul herstellen bzw. lösen, verhält sich das Modul nicht mehr erwartungsgemäß.
-  Lesen Sie sich zunächst die „Sicherheitsvorkehrungen“ durch.

Anheben des Moduls

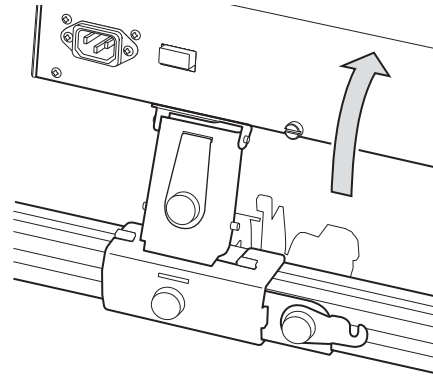
1. Lösen Sie beide Arretierschrauben. Mit der einen wird die Arretierhalterung am Modul und mit der anderen die Halterung befestigt.



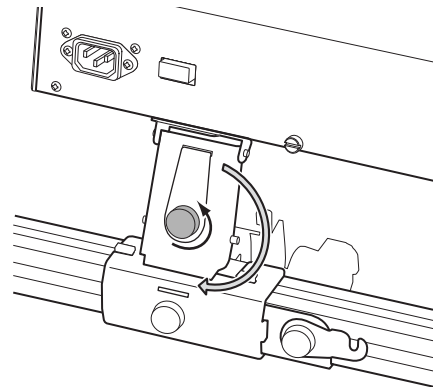
2. Schieben Sie die Arretierhalterung zur Seite (siehe die Abbildung) und drehen Sie Schraube die A fest. Drehen Sie außerdem die Schraube am Modul fest, damit sie nicht herausfallen kann.




3. Verwenden Sie den Griff auf der Rückseite zum Anheben des Moduls, bis es sich nicht mehr bewegt. Geben Sie den Griff anschließend wieder frei.

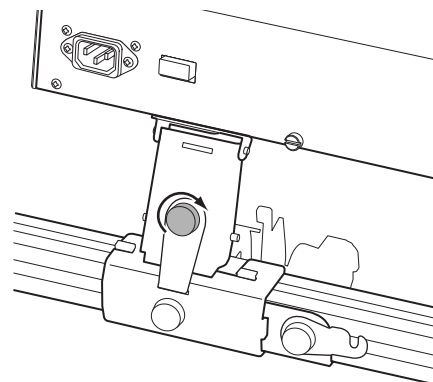


4. Lösen Sie Schraube A, mit der die Klemme arretiert wird. Drehen Sie die Klemme um 180° (siehe Abbildung) und schieben Sie sie in die Aussparung der Halterung.



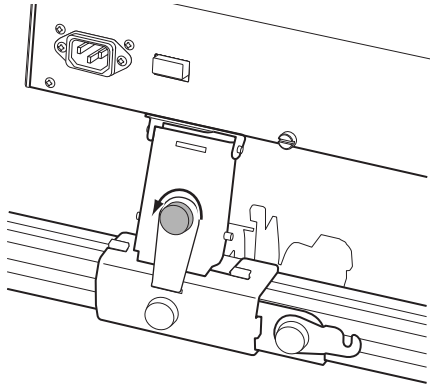
5. Drehen Sie die Schraube A fest, um sie zu arretieren.

-  Dieser Schritt muss unbedingt ausgeführt werden. Wenn Sie die Tastatureinheit verschieben bzw. stark auf das Modul drücken, bevor Sie die Halterung arretieren, kann das Modul fallen und Verletzungen verursachen bzw. beschädigt werden. Zu Ihrer eigenen Sicherheit müssen Sie die Arretierung daher in die Aussparung schieben und mit Schraube der A arretieren.

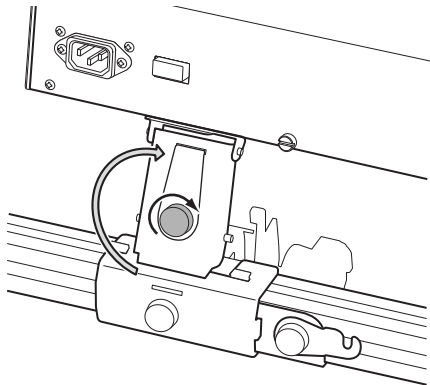


Absenken des Moduls

1. Lösen Sie die Schraube A, mit der die Arretierung gehalten wird.

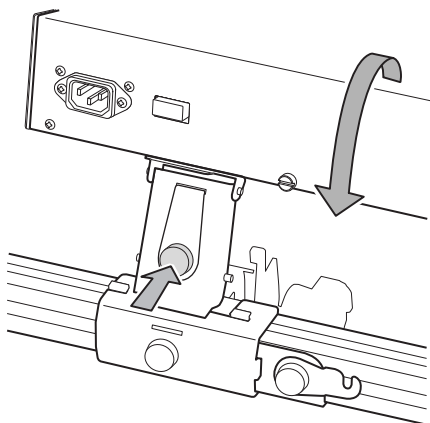


2. Drehen Sie die Arretierung um 180°, schieben Sie sie in die Aussparung des Trägerarms und drehen Sie die Schraube wieder fest.

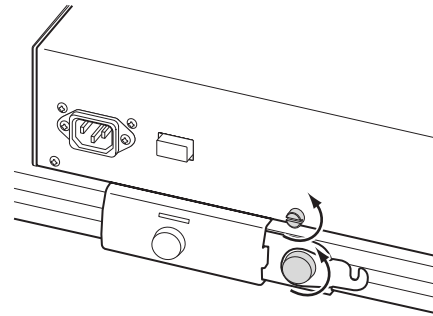


3. Drücken Sie leicht gegen die Schraube A, mit der die Arretierung am Arm befestigt ist (siehe Abbildung). Heben Sie das Modul anschließend behutsam mit dem Griff an seiner Rückseite an und geben Sie den Griff frei. Das Modul neigt sich jetzt langsam.

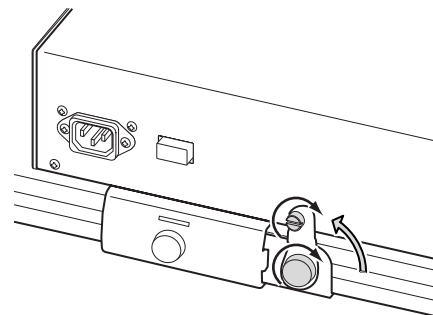
- ⚠ Gehen Sie behutsam vor, um sich nicht die Finger zwischen dem Modul und der Tastatureinheit zu klemmen.



4. Lösen Sie die Schraube A des Moduls und die Schraube, mit der die Arretierung befestigt ist.

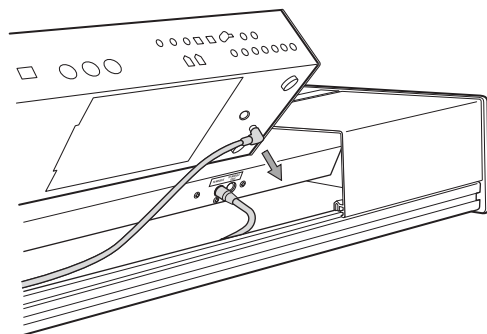


5. Drehen Sie die Arretierung wie in der Abbildung gezeigt in die vertikale Position und schieben Sie sie unter die Schraube am Modul. Drehen Sie beide Schrauben anschließend wieder fest.



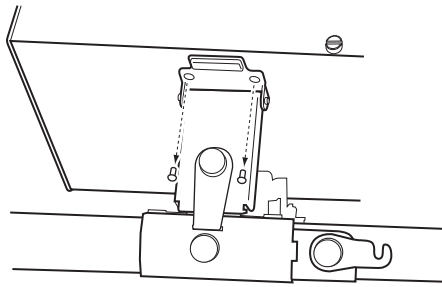
Ausbau des Moduls

1. Wenn das Modul momentan flach auf der Tastatureinheit liegt, müssen Sie es anheben (siehe die Schritte 1–5 unter „Anheben des Moduls“).
2. Ziehen Sie den „L“-förmigen Stecker aus der TO KYBD-Buchse an der Modulunterseite.



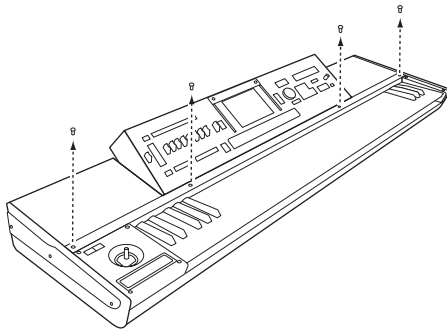
3. Verwenden Sie einen Kreuzschlitzschraubenzieher (+) zum Entfernen der beiden Schrauben B, mit denen der Trägerarm am Modul befestigt ist.

- ⚠ Die Schrauben werden später wieder benötigt. Verlegen Sie sie also nicht.



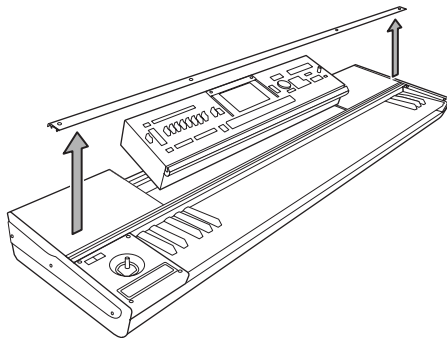
4. Lösen Sie die vier Schrauben, mit denen die Halterungsleiste an der Tastatureinheit befestigt ist, mit Hilfe eines Kreuzschlitzschraubenziehers (+).

⚠ Die Schrauben werden später wieder benötigt. Verlegen Sie sie also nicht.



5. Entnehmen Sie die Halterungsleiste, heben Sie das Modul mit beiden Händen an und holen Sie es aus der Tastatureinheit.

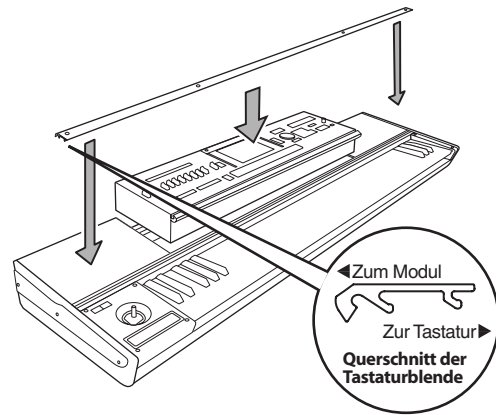
⚠ Gehen Sie behutsam vor, um sich nicht die Finger zwischen dem Modul und der Tastatureinheit zu klemmen.



Einbau des Moduls

1. Klappen Sie den Trägerarm bei Bedarf hinunter. Halten Sie das Modul mit beiden Händen fest und legen Sie es in die Tastatureinheit.

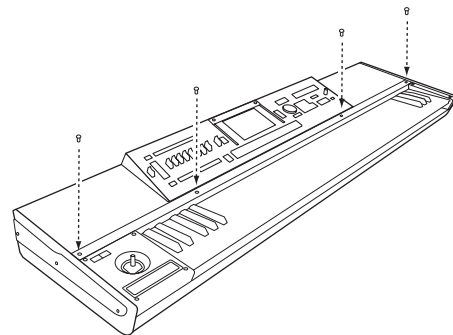
⚠ Gehen Sie behutsam vor, um sich nicht die Finger zwischen dem Modul und der Tastatureinheit zu klemmen.



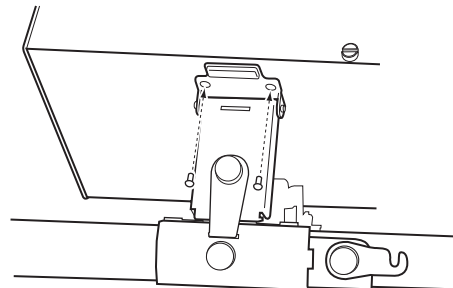
2. Drehen Sie die Halterungsleiste wie in der Abbildung gezeigt und legen Sie sie auf das Modul.

Ordnen Sie die Halterungsleiste so an, dass sich ihre Bohrungen über jenen der Tastatureinheit befinden und drehen Sie die Schrauben leicht mit den Fingern fest. Verwenden Sie anschließend einen Kreuzschlitzschraubenzieher (+), um die vier Schrauben komplett festzudrehen.

⚠ Versuchen Sie niemals, die Schrauben mit Gewalt festzudrehen, wenn sie sich genau in den Bohrungen befinden. Sonst könnten Sie die Einheit nämlich beschädigen.



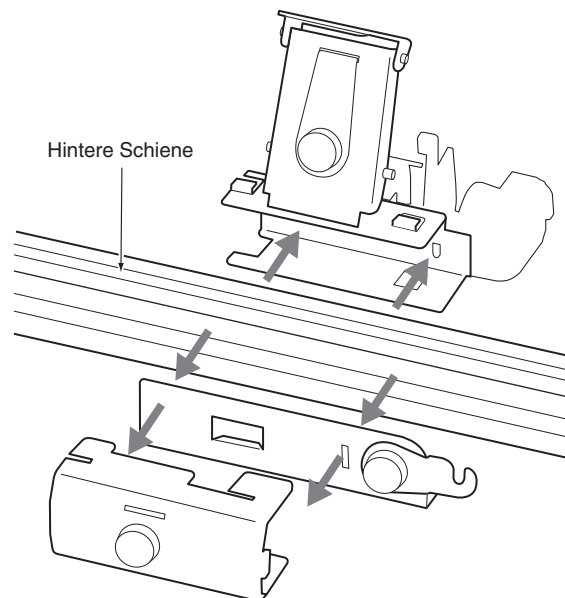
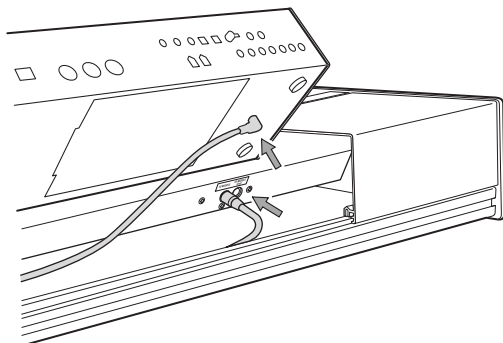
3. Heben Sie das Modul mit Hilfe seines Griffs an der Rückseite an, sorgen Sie dafür, dass sich die Bohrungen des Moduls auf gleicher Höhe mit den Aussparungen des Trägerarms befinden und drehen Sie die beiden Schrauben B, die Sie bei der Entnahme des Moduls entfernt hatten, mit einem Kreuzschlitzschraubenzieher (+) fest.



4. Schließen Sie das beiliegende Kabel an. Verbinden Sie den „L“-förmigen Stecker des Anschlusskabels mit der TO KYBD-Buchse des Moduls. Der gerade Stecker muss an die TO MODULE-Buchse der Tastatureinheit angeschlossen werden. Wenn an die TO MODULE-Buchse bereits ein anderes Modul angeschlossen ist, müssen Sie die TO MODULE (2nd)-Buchse verwenden.

⚠ Das beiliegende Kabel eignet sich nur für die Verbindung der TO KYBD- mit der TO MODULE- bzw. TO MODULE (2nd)-Buchse. Schließen Sie es nie an eine andere Buchse an.

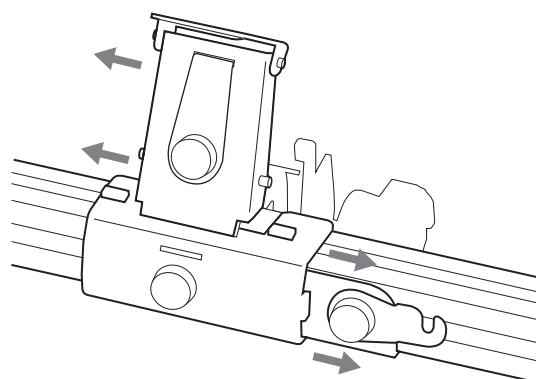
⚠ Wenn Sie nur ein Modul verwenden, müssen Sie es an die TO MODULE-Buchse anschließen.



Riegelstützeinheit

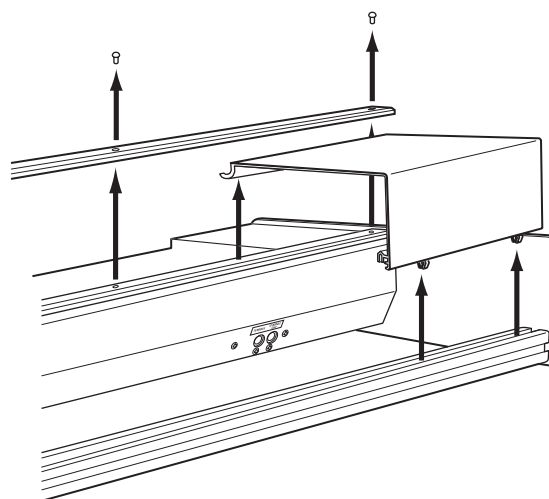
Wie aus der Abbildung hervorgeht, müssen der Trägerarm, die Halterung und die Laschen an der hinteren Schiene befestigt werden. Diese Teile bilden gemeinsam die „Riegelstützeinheit“. Die angehobenen Partien des Trägerarms müssen in die Aussparungen an der Oberseite der Halterung geschoben werden, um einen sicheren Halt zu gewährleisten. Zum Arretieren der Riegelstützeinheit müssen Sie die Halterung am Trägerarm befestigen, indem Sie sie horizontal nach links schieben und die Schraube der Halterung festdrehen. Um die Riegelstützeinheit zu entfernen, müssen Sie die Schraube lösen und die Halterung nach rechts schieben, um beide Parteien voneinander zu trennen.

- ⚠ Die Halterung richtig herum drehen.
- ⚠ Gehen Sie mit äußerster Vorsicht vor, um sich nicht an den Metallpartien zu schneiden.



Blenden

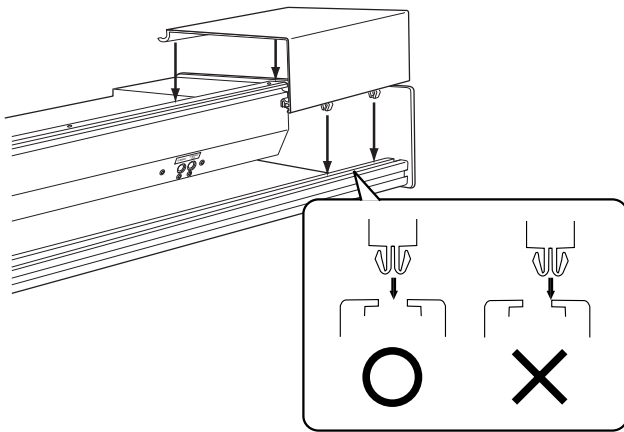
Die Blenden haben lediglich eine optische Funktion und brauchen daher nicht zwingend angebracht zu werden. Vor dem Einbau eines zweiten Moduls müssen sie allerdings entfernt werden. Wie aus der Abbildung hervorgeht, wird die Vorderseite der Blenden von der Halterungsleiste arretiert. Die Rückseite der Blenden muss in den Kanal über der hinteren Schiene der Tastatureinheit geschoben werden. Um die Blenden zu entnehmen, müssen Sie die Halterungsleiste entfernen. Siehe Schritt 4 unter „Ausbau des Moduls“. Bringen Sie die Halterungsleiste anschließend wieder an. Siehe Schritt 2 unter „Einbau des Moduls“. Wenn Sie die Blenden später wieder installieren möchten, müssen Sie ihre Rückseite auf die hintere Schiene legen und danach die Halterungsleiste installieren.



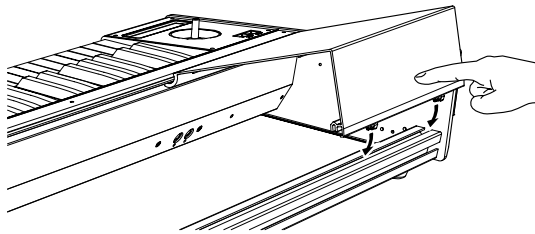
Vorsicht beim Anbringen der Blende

Sorgen Sie dafür, dass sich die Laschen über den Aussparungen der hinteren Schiene befinden und drücken Sie die Blende hinunter.

- ⚠ Wenn Sie die Blende hinunterdrücken, während sich die Laschen nicht über den Aussparungen befinden, werden die Laschen eventuell beschädigt.



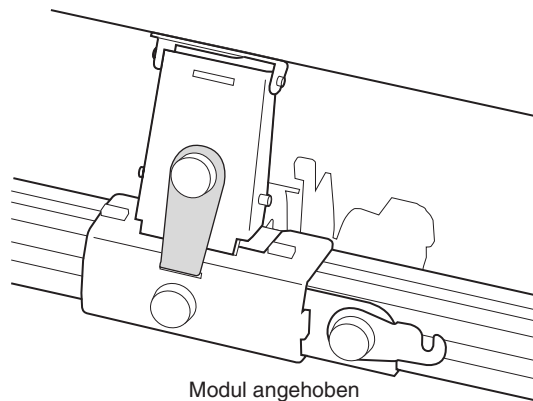
Wenn sich die Blende nach dem Anbringen wieder wie unten gezeigt öffnet, müssen Sie ihre Rückseite behutsam hinunterdrücken. Achten Sie dabei darauf, dass die Laschen in die Aussparungen der hinteren Schiene gleiten.



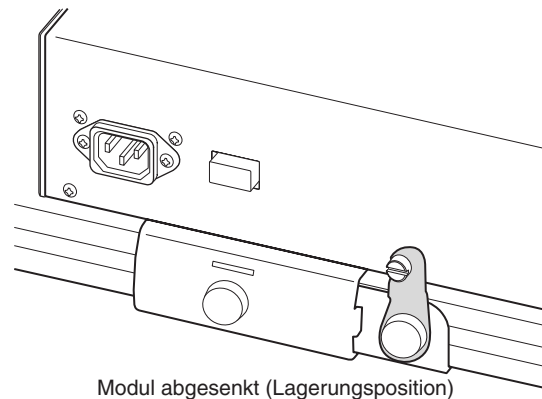
Vorsichtsmaßnahmen für den Transport

Wenn Sie die Tastatureinheit bei angehobenem Modul transportieren möchten, müssen Sie die Arretierung unbedingt in die Aussparung der Halterung schieben und mit der Schraube arretieren. Wenn Sie die Tastatureinheit bei abgesenktem Modul transportieren (Lagerungsposition) möchten, muss die Arretierung am Modul befestigt werden. Außerdem müssen Sie sowohl die Modul- als auch die Arretierschraube komplett festdrehen.

⚠ Wenn Sie die Einheit transportieren, während diese Schrauben noch locker sind, kann das Modul fallen und beschädigt werden bzw. Verletzungen verursachen.



Modul angehoben



Modul abgesenkt (Lagerungsposition)

Vorsicht bei Verwendung mehrerer Module

- Wenn Sie mehr als ein Modul verwenden, müssen Sie beide ausschalten, bevor Sie eines von beiden mit der TO MODULE- oder TO MODULE (2nd)-Buchse verbinden.
- Wenn Sie mehr als ein Modul verwenden, müssen Sie immer zuerst das an die TO MODULE-Buchse angeschlossene einschalten. Sonst wird das mit der TO MODULE (2nd)-Buchse verbundene Modul nicht erkannt.
- Der Status von SW1/SW2 (an oder aus) bezieht sich immer auf das mit der TO MODULE-Buchse verbundene Modul. Der SW1/SW2-Status des mit der TO MODULE (2nd)-Buchse verbundenen Moduls kann nicht angezeigt werden. Beachten Sie, dass man den Status des an TO MODULE (2nd) angeschlossenen Moduls nicht an SW1/SW2 ablesen kann. Um dafür zu sorgen, dass der Leuchtstatus auch den Einstellungen des an TO MODULE (2nd) angeschlossenen Moduls entspricht, müssen Sie die „On/Off“- und „Toggle/Momentary“-Parameter jedes Programs, jeder Combination und jedes Songs des TO MODULE (2nd)-Moduls exakt den Einstellungen ihrer Pendants auf dem TO MODULE-Gerät entsprechend einstellen.
- Der Menübefehl „After Touch Calibration“ (Global-Modus) eines an TO MODULE (2nd) angeschlossenen M3-M kann nicht gewählt werden. Dieser Befehl ist nur belegt, wenn Sie den M3-M mit der TO MODULE-Buchse verbinden.

Technische Daten

Tastatur	73er: leicht gewichtet 88er: RH-3 („Real Weighted Hammer Action 3“)
Spielhilfen	Joystick Ribbon Controller SW1/SW2
Steueranschluss	TO MODULE-Buchse TO MODULE(2nd)-Buchse
Abmessungen (B x T x H)	73er: 1189 x 371 x 128 mm 88er: 1425 x 442 x 128 mm
Gewicht	73er: 12,5 kg (inklusive Blenden und Riegelstütze) 88er: 21,7 kg (inklusive Blenden und Riegelstütze)
Lieferumfang	Anschlusskabel x 1

* Änderungen der technischen Daten und Funktionen ohne vorherige Ankündigung vorbehalten.

IMPORTANT NOTICE TO CONSUMERS

This product has been manufactured according to strict specifications and voltage requirements that are applicable in the country in which it is intended that this product should be used. If you have purchased this product via the internet, through mail order, and/or via a telephone sale, you must verify that this product is intended to be used in the country in which you reside.

WARNING: Use of this product in any country other than that for which it is intended could be dangerous and could invalidate the manufacturer's or distributor's warranty.

Please also retain your receipt as proof of purchase otherwise your product may be disqualified from the manufacturer's or distributor's warranty.

REMARQUE IMPORTANTE POUR LES CLIENTS

Ce produit a été fabriqué suivant des spécifications sévères et des besoins en tension applicables dans le pays où ce produit doit être utilisé. Si vous avez acheté ce produit via l'internet, par vente par correspondance ou/et vente par téléphone, vous devez vérifier que ce produit est bien utilisable dans le pays où vous résidez.

ATTENTION: L'utilisation de ce produit dans un pays autre que celui pour lequel il a été conçu peut être dangereuse et annulera la garantie du fabricant ou du distributeur. Conservez bien votre récépissé qui est la preuve de votre achat, faute de quoi votre produit ne risque de ne plus être couvert par la garantie du fabricant ou du distributeur.

WICHTIGER HINWEIS FÜR KUNDEN

Dieses Produkt wurde unter strenger Beachtung von Spezifikationen und Spannungsanforderungen hergestellt, die im Bestimmungsland gelten. Wenn Sie dieses Produkt über das Internet, per Postversand und/oder mit telefonischer Bestellung gekauft haben, müssen Sie bestätigen, dass dieses Produkt für Ihr Wohngebiet ausgelegt ist.

WARNUNG: Verwendung dieses Produkts in einem anderen Land als dem, für das es bestimmt ist, verwendet wird, kann gefährlich sein und die Garantie des Herstellers oder Importeurs hinfällig lassen werden. Bitte bewahren Sie diese Quittung als Kaufbeleg auf, da andernfalls das Produkt von der Garantie des Herstellers oder Importeurs ausgeschlossen werden kann.