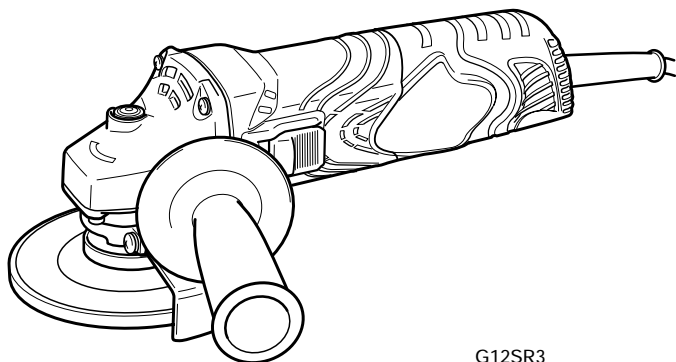


HITACHI

Disc Grinder
Winkelschleifer
Meuleuse
Smerigliatrice angolare
Haakse slijpmachine
Amoladora angular
Rebarbadora

G 10SR3 · G 12SR3 · G 13SR3



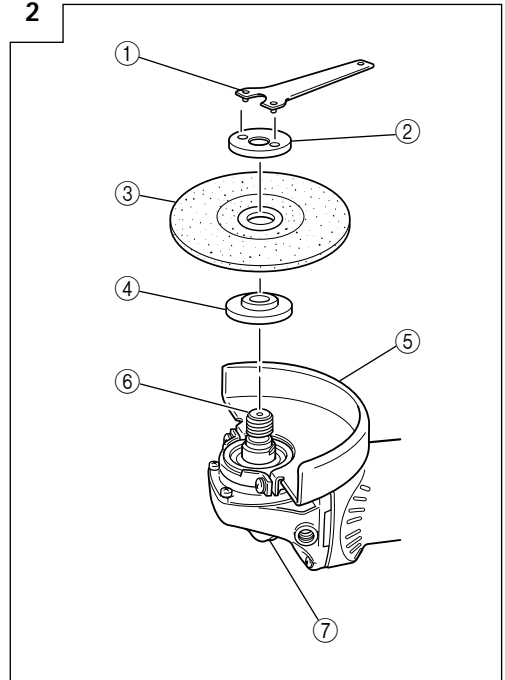
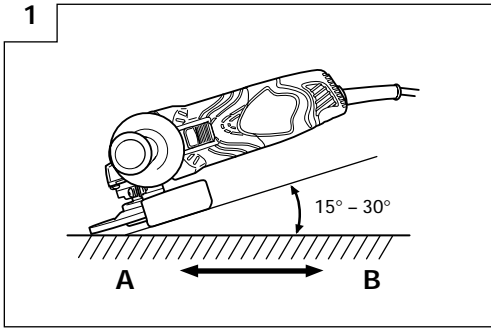
G12SR3

Read through carefully and understand these instructions before use.
Diese Anleitung vor Benutzung des Werkzeugs sorgfältig durchlesen und verstehen.
Lire soigneusement et bien assimiler ces instructions avant usage.
Prima dell'uso leggere attentamente e comprendere queste istruzioni.
Deze gebruiksaanwijzing s.v.p. voor gebruik zorgvuldig doorlezen.
Leer cuidadosamente y comprender estas instrucciones antes del uso.
Antes de usar, leia com cuidado para assimilar estas instruções.









Handling instructions
Bedienungsanleitung
Mode d'emploi
Istruzioni per l'uso
Gebruiksaanwijzing
Instrucciones de manejo
Instruções de uso

Hitachi Koki



	English	Deutsch	Français	Italiano
①	Wrench	Schlüssel	Clef	Chiave
②	Wheel nut	Mutter für die Schleifscheibe	Ecrou de la meule	Dado ad anello
③	Depressed center wheel	Schleifscheibe	Meule	Mola
④	Wheel washer	Unterlegscheibe	Rondelle de la meule	Rondella "grover"
⑤	Wheel guard	Schutzhaube	Couvre-meule	Carter della mola
⑥	Spindle	Spindel	Arbre	Asse
⑦	Push button	Druckknopf	Bouton-poussoir	Tasto di blocco dell'asse

	Nederlands	Español	Português
①	Sleutel	Llave para tuercas	Chave inglesa
②	Moer voor de schuurschijf	Contratuercas molar	Arruela de roda
③	Schuurschijf	Muela de alisado	Esmeril
④	Onderlegschijf	Arandela molar	Porca de roda
⑤	Beschermkap	Cubierta protectora de muela	Proteção de roda
⑥	As	Eje	Eixo
⑦	Drukknop	Botón pulsador	Botão de pressão

	Symbols The following show symbols used for the machine. Be sure that you understand their meaning before use.	Symbole Die folgenden Symbole werden für diese Maschine verwendet. Achten Sie darauf, diese vor der Verwendung zu verstehen.	Symboles Les symboles suivants sont utilisés pour l'outil. Bien se familiariser avec leur signification avant d'utiliser l'outil.	Simboli Di seguito mostriamo i simboli usati per la macchina. Assicurarsi di comprenderne il significato prima dell'uso.
	Read instruction manual.	Bedienungsanleitung lesen.	Lire le mode d'emploi.	Leggere il manuale di istruzioni.
	Wear safety glasses.	Eine Schutzbrille tragen.	Porter des lunettes de sécurité.	Indossare occhiali di sicurezza.
	Only for EU countries Do not dispose of electric tools together with household waste material! In observance of European Directive 2002/96/EC on waste electrical and electronic equipment and its implementation in accordance with national law, electric tools that have reached the end of their life must be collected separately and returned to an environmentally compatible recycling facility.	Nur für EU-Länder Werfen Sie Elektrowerkzeuge nicht in den Hausmüll! Gemäss Europäischer Richtlinie 2002/96/EG über Elektro- und Elektronik-Altgeräte und Umsetzung in nationales Recht müssen verbrauchte Elektrowerkzeuge getrennt gesammelt und einer umweltgerechten Wiederverwertung zugeführt werden.	Pour les pays européens uniquement Ne pas jeter les appareils électriques dans les ordures ménagères! Conformément à la directive européenne 2002/96/EG relative aux déchets d'équipements électriques ou électroniques (DEEE), et à sa transposition dans la législation nationale, les appareils électriques doivent être collectés à part et être soumis à un recyclage respectueux de l'environnement.	Solo per Paesi UE Non gettare le apparecchiature elettriche tra i rifiuti domestici. Secondo la Direttiva Europea 2002/96/CE sui rifiuti di apparecchiature elettriche ed elettroniche e la sua attuazione in conformità alle norme nazionali, le apparecchiature elettriche esauste devono essere raccolte separatamente, al fine di essere reimpiegate in modo eco-compatibile.
	Symolen Hieronder staan symbolen afgebeeld die van toepassing zijn op deze machine. U moet de betekenis hiervan begrijpen voor gebruik.	Simbolos A continuación se muestran los símbolos usados para la máquina. Asegúrese de comprender su significado antes del uso.	Simbolos A seguir aparecem os símbolos utilizados pela máquina. Assimile bem seus significados antes do uso.	
	Lees de handleiding.	Lea el manual de instrucciones.	Leia o manual de instruções	
	Draag een veiligheidsbril.	Use gafas de seguridad.	Utilize óculos de segurança	
	Alleen voor EU-landen Geef elektrisch gereedschap niet met het huisvuil mee! Volgens de Europese richtlijn 2002/96/EG inzake oude elektrische en elektronische apparaten en de toepassing daarvan binnen de nationale afvalgeving, dient gebruikt elektrisch gereedschap gescheiden te worden ingezameld en te worden afgevoerd naar een recycle bedrijf dat voldoet aan de geldende milieu-eisen.	Sólo para países de la Unión Europea ¡No deseche los aparatos eléctricos junto con los residuos domésticos! De conformidad con la Directiva Europea 2002/96/CE sobre residuos de aparatos eléctricos y electrónicos y su aplicación de acuerdo con la legislación nacional, las herramientas eléctricas cuya vida útil haya llegado a su fin se deberán recoger por separado y trasladar a una planta de reciclaje que cumpla con las exigencias ecológicas.	Apenas para países da UE Não deite ferramentas elétricas no lixo doméstico! De acordo com a diretiva europeia 2002/96/CE sobre ferramentas elétricas e eletrônicas usadas e a transposição para as leis nacionais, as ferramentas elétricas usadas devem ser recolhidas em separado e encaminhadas a uma instalação de reciclagem dos materiais ecológica.	

GENERAL SAFETY RULES

WARNING!**Read all instructions**

Failure to follow all instructions listed below may result in electric shock, fire and/or serious injury.

The term "power tool" in all of the warnings listed below refers to your mains operated (corded) power tool or battery operated (cordless) power tool.

SAVE THESE INSTRUCTIONS**1) Work area**

- a) **Keep work area clean and well lit.**
Cluttered and dark areas invite accidents.
- b) **Do not operate power tools in explosive atmospheres, such as in the presence of flammable liquids, gases or dust.**
Power tools create sparks which may ignite the dust of fumes.
- c) **Keep children and bystanders away while operating a power tool.**
Distractions can cause you to lose control.

2) Electrical safety

- a) **Power tool plugs must match the outlet. Never modify the plug in any way.**
Do not use any adapter plugs with earthed (grounded) power tools.
Unmodified plugs and matching outlets will reduce risk of electric shock.
- b) **Avoid body contact with earthed or grounded surfaces such as pipes, radiators, ranges and refrigerators.**
There is an increased risk of electric shock if your body is earthed or grounded.
- c) **Do not expose power tools to rain or wet conditions.**
Water entering a power tool will increase the risk of electric shock.
- d) **Do not abuse the cord. Never use the cord for carrying, pulling or unplugging the power tool. Keep cord away from heat, oil, sharp edges or moving parts.**
Damaged or entangled cords increase the risk of electric shock.
- e) **When operating a power tool outdoors, use an extension cord suitable for outdoor use.**
Use of a cord suitable for outdoor use reduces the risk of electric shock

3) Personal safety

- a) **Stay alert, watch what you are doing and use common sense when operating a power tool. Do not use a power tool while you are tired or under the influence of drugs, alcohol or medication.**
A moment of inattention while operating power tools may result in serious personal injury.
- b) **Use safety equipment. Always wear eye protection.**
Safety equipment such as dust mask, non-skid safety shoes, hard hat, or hearing protection used for appropriate conditions will reduce personal injuries.
- c) **Avoid accidental starting. Ensure the switch is in the off position before plugging in.**
Carrying power tools with your finger on the switch or plugging in power tools that have the switch on invites accidents.
- d) **Remove any adjusting key or wrench before turning the power tool on.**
A wrench or a key left attached to a rotating part of the power tool may result in personal injury.

- e) **Do not overreach. Keep proper footing and balance at all times.**
This enables better control of the power tool in unexpected situations.

- f) **Dress properly. Do not wear loose clothing or jewellery. Keep your hair, clothing and gloves away from moving parts.**
Loose clothes, jewellery or long hair can be caught in moving parts.

- g) **If devices are provided for the connection of dust extraction and collection facilities, ensure these are connected and properly used.**
Use of these devices can reduce dust related hazards.

4) Power tool use and care

- a) **Do not force the power tool. Use the correct power tool for your application.**
The correct power tool will do the job better and safer at the rate for which it was designed.
- b) **Do not use the power tool if the switch does not turn it on and off.**
Any power tool that cannot be controlled with the switch is dangerous and must be repaired.
- c) **Disconnect the plug from the power source before making any adjustments, changing accessories, or storing power tools.**
Such preventive safety measures reduce the risk of starting the power tool accidentally.
- d) **Store idle power tools out of the reach of children and do not allow persons unfamiliar with the power tool or these instructions to operate the power tool.**
Power tools are dangerous in the hands of untrained users.
- e) **Maintain power tools. Check for misalignment or binding of moving parts, breakage of parts and any other condition that may affect the power tools operation.**
If damaged, have the power tool repaired before use.
Many accidents are caused by poorly maintained power tools.
- f) **Keep cutting tools sharp and clean.**
Properly maintained cutting tools with sharp cutting edges are less likely to bind and are easier to control.
- g) **Use the power tool, accessories and tool bits etc., in accordance with these instructions and in the manner intended for the particular type of power tool, taking into account the working conditions and the work to be performed.**
Use of the power tool for operations different from intended could result in a hazardous situation.

5) Service

- a) **Have your power tool serviced by a qualified repair person using only identical replacement parts.**
This will ensure that the safety of the power tool is maintained.

PRECAUTION

Keep children and infirm persons away.
When not in use, tools should be stored out of reach of children and infirm persons.

GENERAL SAFETY INSTRUCTIONS FOR GRINDERS

- Check that speed marked on the wheel is equal to or greater than the rated speed of the grinder;
- Ensure that the wheel dimensions are compatible with the grinder;
- Abrasive wheels shall be stored and handled with care in accordance with manufacturer's instructions;
- Inspect the grinding wheel before use, do not use chipped, cracked or otherwise defective products;
- Ensure that mounted wheels and points are fitted in accordance with the manufacturer's instructions;
- Ensure that blotters are used when they are provided with the bonded abrasive product and when they are required;
- Ensure that the abrasive product is correctly mounted and tightened before use and run the tool at no-load for 30 s in a safe position, stop immediately if there is considerable vibration or if other defects are detected. If this condition occurs, check the machine to determine the cause;

- If a guard is equipped with the tool never use the tool without such a guard;
- Do not use separate reducing bushings or adapters to adapt large hole abrasive wheels;
- For tools intended to be fitted with threaded hole wheel, ensure that the thread in the wheel is long enough to accept the spindle length;
- Check that the work piece is properly supported;
- Do not use cutting off wheel for side grinding;
- Ensure that sparks resulting from use do not create a hazard e.g. do not hit persons, or ignite flammable substances;
- Ensure that ventilation openings are kept clear when working in dusty conditions, if it should become necessary to clear dust, first disconnect the tool from the mains supply (use non metallic objects) and avoid damaging internal parts;
- Always use eye and ear protection. Other personal protective equipment such as dust mask, gloves, helmet and apron should be worn;
- Pay attention to the wheel that continues to rotate after the tool is switched off.

SPECIFICATIONS

Model	G10SR3		G12SR3	G13SR3
Voltage (by areas)*	(110V, 120V, 220V, 230V, 240V) \cup			
Power Input*	730 W			
No-load speed	10000 min ⁻¹			
Wheel	Outer dia. x hole dia.	100 x 16 mm	115 x 22 mm	125 x 22 mm
	Peripheral speed	72 m/s	80 m/s	
Weight (Only main body)	1.4 kg			

*Be sure to check the nameplate on product as it is subject to change by areas.

STANDARD ACCESSORIES

- (1) Wrench 1
 (2) Side handle 1
 Standard accessories are subject to change without notice.

APPLICATIONS

- Removal of casting fin and finishing of various types of steel, bronze and aluminum materials and castings.
- Grinding of welded sections or sections cut by means of a cutting torch.
- Grinding of synthetic resins, slate, brick, marble, etc.

PRIOR TO OPERATION

1. **Power source**
 Ensure that the power source to be utilized conforms to the power requirements specified on the product nameplate.
2. **Power switch**
 Ensure that the power switch is in the OFF position. If the plug is connected to a receptacle while the power switch is in the ON position, the power tool will start operating immediately, which could cause a serious accident.

3. Extension cord

When the work area is removed from the power source, use an extension cord of sufficient thickness and rated capacity. The extension cord should be kept as short as practicable.

4. Fitting and adjusting the wheel guard

The wheel guard is a protective device to prevent injury should the depressed center wheel shatter during operation. Ensure that the guard is properly fitted and fastened before commencing grinding operation.

By slightly loosening the setting screw, the wheel guard can be turned and set at any desired angle for maximum operational effectiveness. Ensure that the setting screw is thoroughly tightened after adjusting the wheel guard.

5. Ensure that mounted wheels and points are fitted in accordance with the manufacturer's instructions.

Ensure that the depressed center wheel to be utilized is the correct type and free of cracks or surface defects. Also ensure that the depressed center wheel is properly mounted and the wheel nut is securely tightened, Refer to the section on "ASSEMBLING AND DISASSEMBLING THE DEPRESSED CENTER WHEEL".

Ensure that blotters are used when they are provided with the bonded abrasive product and when they are required.

Do not use separate reducing bushings or adaptors to adapt large hole abrasive wheels.

For tools intended to be fitted with threaded hole wheel, ensure that the thread in the wheel is long enough to accept the spindle length.

Do not use cutting off wheel for side grinding.

6. Conducting a trial run

Ensure that the abrasive products is correctly mounted and tightened before use and run the tool at no-load for 30 seconds in a safe position, stop immediately if there is considerable vibration or if other defects are detected.

If this condition occurs, check the machine to determine the cause.

7. Confirm the push button.

Confirm that the push button is disengaged by pushing push button two or three times before switching the power tool on (See Fig. 2).

8. Fixing the side handle

Screw the side handle into the gear cover.

- Always use eye and ear protection. Other personal protective equipment such as dust mask, gloves, helmet and apron should be worn when necessary. If in doubt, wear the protective equipment.
- When the machine is not use, the power source should be disconnected.

ASSEMBLING AND DISASSEMBLING THE DEPRESSED CENTER WHEEL (Fig. 2)

CAUTION Be sure to switch OFF and disconnect the attachment plug from the receptacle to avoid a serious accident.

1. Assembling (Fig. 2)

- (1) Turn the disc grinder upsidedown so that the spindle is facing upward.
- (2) Align the across flats of the wheel washer with the notched part of the spindle, then attach them.
- (3) Fit the protuberance of the depressed center wheel onto the wheel washer.
- (4) Screw the wheel nut onto the spindle.
- (5) While pushing the push button with one hand, lock the spindle by turning the depressed center wheel slowly with the other hand. Tighten the wheel nut by using the supplied wrench as shown in Fig. 2.

2. Disassembling

Follow the above procedures in reverse.

CAUTIONS

- Confirm that the depressed center wheel is mounted firmly.
- Confirm that the push button is disengaged by pushing push button two or three times before switching the power tool on.

PRACTICAL GRINDER APPLICATION

1. Pressure

To prolong the life of the machine and ensure a first class finish, it is important that the machine should not be overloaded by applying too much pressure. In most applications, the weight of the machine alone is sufficient for effective grinding. Too much pressure will result in reduced rotational speed, inferior surface finish, and overloading which could reduce the life of the machine.

2. Grinding angle

Do not apply the entire surface of the depressed center wheel to the material to be ground. As shown in Fig. 1, the machine should be held at an angle of 15° - 30° so that the external edge of the depressed center wheel contacts the material at an optimum angle.

3. To prevent a new depressed center wheel from digging into the workpiece, initial grinding should be performed by drawing the grinder across the workpiece toward the operator (Fig. 1 direction B). Once the leading edge of the depressed center wheel is properly abraded, grinding may be conducted in either direction.

4. Precautions immediately after finishing operation

The wheel continues to rotate after the tool is switched off.

After switching off the machine, do not put it down until the depressed center wheel has come to a complete stop. Apart from avoiding serious accidents, this precaution will reduce the amount of dust and swarf sucked into the machine.

CAUTIONS

- Check that the work piece is properly supported.
- Ensure that ventilation openings are kept clear when working in dusty conditions. If it should become necessary to clear dust, first disconnect the tool from the mains supply (use non-metallic objects) and avoid damaging internal parts.
- Ensure that sparks resulting from use do not create a hazard e.g. do not hit persons, or ignite flammable substances.

MAINTENANCE AND INSPECTION

1. Inspecting the depressed center wheel

Ensure that the depressed center wheel is free of cracks and surface defects.

2. Inspecting the mounting screws

Regularly inspect all mounting screws and ensure that they are properly tightened. Should any of the screws be loose, retighten them immediately. Failure to do so could result in serious hazard.

3. Inspecting the carbon brushes

For your continued safety and electrical shock protection, carbon brush inspection and replacement on this tool should ONLY be performed by a HITACHI AUTHORIZED SERVICE CENTER.

4. Replacing supply cord

If the supply cord of Tool is damaged, the Tool must be returned to Hitachi Authorized Service Center for the cord to be replaced.

5. Maintenance of the motor

The motor unit winding is the very "heart" of the power tool. Exercise due care to ensure the winding does not become damaged and/or wet with oil or water.

6. Service parts list

- A: Item No.
- B: Code No.
- C: No. Used
- D: Remarks

CAUTION

Repair, modification and inspection of Hitachi Power Tools must be carried out by an Hitachi Authorized Service Center.

This Parts List will be helpful if presented with the tool to the Hitachi Authorized Service Center when requesting repair or other maintenance.

In the operation and maintenance of power tools, the safety regulations and standards prescribed in each country must be observed.

MODIFICATIONS

Hitachi Power Tools are constantly being improved and modified to incorporate the latest technological advancements.

Accordingly, some parts (i.e. code numbers and/or design) may be changed without prior notice.

GUARANTEE

We guarantee Hitachi Power Tools in accordance with statutory/country specific regulation. This guarantee does not cover defects or damage due to misuse, abuse, or normal wear and tear. In case of complaint, please send the Power Tool, undismantled, with the GUARANTEE CERTIFICATE found at the end of this Handling instruction, to a Hitachi Authorized Service Center.

NOTE

Due to HITACHI's continuing program of research and development, the specifications herein are subject to change without prior notice.

IMPORTANT

Correct connection of the plug

The wires of the main lead are coloured in accordance with the following code:

Blue: -Neutral

Brown: -Live

As the colours of the wires in the main lead of this tool may not correspond with the coloured markings identifying the terminals in your plug proceed as follows: The wire coloured blue must be connected to the terminal marked with the letter N or coloured black. The wire coloured brown must be connected to the terminal marked with the letter L or coloured red. Neither core must be connected to the earth terminal.

NOTE

This requirement is provided according to BRITISH STANDARD 2769: 1984.

Therefore, the letter code and colour code may not be applicable to other markets except The United Kingdom.

Information concerning airborne noise and vibration

The measured values were determined according to EN60745 and declared in accordance with ISO 4871.

Measured A-weighted sound power level: 95 dB (A)

Measured A-weighted sound pressure level: 84 dB (A)

Uncertainty KpA: 3 dB (A).

Wear ear protection.

The typical weighted root mean square acceleration value: 4.9 m/s².

ALLGEMEINE SICHERHEITSMASSNAHMEN

WARNUNG!

Lesen Sie sämtliche Hinweise durch

Wenn nicht sämtliche nachstehenden Anweisungen befolgt werden, kann es zu Stromschlag, Brand und/oder ernsthaften Verletzungen kommen.

Der Begriff „Elektrowerkzeug“ bezieht sich in den folgenden Warnhinweisen auf Elektrowerkzeuge mit Netz- (schnurgebunden) oder Akkubetrieb (schnurlos).

BEWAHREN SIE DIESE ANWEISUNGEN AUF

1) Arbeitsbereich

- a) Sorgen Sie für einen sauberen und gut ausgeleuchteten Arbeitsbereich.

Zugestellte und dunkle Bereiche ziehen Unfälle förmlich an.

- b) Verwenden Sie Elektrowerkzeuge niemals an Orten, an denen Explosionsgefahr besteht – zum Beispiel in der Nähe von leicht entflammaren Flüssigkeiten, Gasen oder Stäuben.

Bei der Arbeit mit Elektrowerkzeugen kann es zu Funkenbildung kommen, wodurch sich Stäube oder Dämpfe entzünden können.

- c) Sorgen Sie bei der Arbeit mit Elektrowerkzeugen dafür, dass sich keine Zuschauer (insbesondere Kinder) in der Nähe befinden.

Wenn Sie abgelenkt werden, können Sie die Kontrolle über das Werkzeug verlieren.

2) Elektrische Sicherheit

- a) Elektrowerkzeuge müssen mit passender Stromversorgung betrieben werden.

Nehmen Sie niemals irgendwelche Änderungen am Anschlussstecker vor.

Verwenden Sie bei Elektrowerkzeugen mit Schutzkontakt (geerdet) niemals Adapterstecker. Stecker im Originalzustand und passende Steckdosen reduzieren das Stromschlagrisiko.

- b) Vermeiden Sie Körperkontakt mit geerdeten Gegenständen wie Rohrleitungen, Heizungen, Herden oder Kühlschränken.

Bei Körperkontakt mit geerdeten Gegenständen besteht ein erhöhtes Stromschlagrisiko.

- c) Setzen Sie Elektrowerkzeuge niemals Regen oder sonstiger Feuchtigkeit aus.

Wenn Flüssigkeiten in ein Elektrowerkzeug eindringen, erhöht sich das Stromschlagrisiko.

- d) Verwenden Sie die Anschlusschnur nicht missbräuchlich. Tragen Sie das Elektrowerkzeug niemals an der Anschlusschnur, ziehen Sie es nicht damit heran und ziehen Sie den Stecker nicht an der Anschlusschnur aus der Steckdose. Halten Sie die Anschlusschnur von Hitzequellen, Öl, scharfen Kanten und beweglichen Teilen fern. Beschädigte oder verdrehte Anschlusschnüre erhöhen das Stromschlagrisiko.

- e) Wenn Sie ein Elektrowerkzeug im Freien benutzen, verwenden Sie ein für den Außeneinsatz geeignetes Verlängerungskabel. Ein für den Außeneinsatz geeignetes Kabel vermindert das Stromschlagrisiko.

3) Persönliche Sicherheit

- a) Bleiben Sie wachsam, achten Sie auf das, was Sie tun, und setzen Sie Ihren Verstand ein, wenn Sie mit Elektrowerkzeugen arbeiten.

Benutzen Sie keine Elektrowerkzeuge, wenn Sie müde sind oder unter Einfluss von Drogen, Alkohol oder Medikamenten stehen.

Bei der Arbeit mit Elektrowerkzeugen können bereits kurze Phasen der Unaufmerksamkeit zu schweren Verletzungen führen.

- b) Benutzen Sie Schutzausrüstung. Tragen Sie immer einen Augenschutz.

Schutzausrüstung wie Staubmaske, rutschsichere Sicherheitsschuhe, Schutzhelm und Gehörschutz senken das Verletzungsrisiko bei angemessenem Einsatz.

- c) Vermeiden Sie unbeabsichtigten Anlauf. Achten Sie darauf, dass sich der Schalter in der Aus-(Off-) Position befindet, ehe Sie den Stecker einstecken.

Das Herumtragen von Elektrowerkzeugen mit dem Finger am Schalter und das Einstecken des Steckers bei betätigtem Schalter zieht Unfälle regelrecht an.

- d) Entfernen Sie sämtliche Einstellwerkzeuge (Einstellschlüssel), ehe Sie das Elektrowerkzeug einschalten.

Ein an einem beweglichen Teil des Elektrowerkzeugs angebrachter Schlüssel kann zu Verletzungen führen.

- e) Sorgen Sie für einen festen Stand. Achten Sie jederzeit darauf, sicher zu stehen und das Gleichgewicht zu bewahren.

Dadurch haben Sie das Elektrowerkzeug in unerwarteten Situationen besser im Griff.

- f) Kleiden Sie sich richtig. Tragen Sie keine lose Kleidung oder Schmuck. Halten Sie Haar, Kleidung und Handschuhe von beweglichen Teilen fern.

Lose Kleidung, Schmuck oder langes Haar kann von beweglichen Teilen erfasst werden.

- g) Wenn Anschlüsse für Staubabsaug- und -sammelvorrichtungen vorhanden sind, sorgen Sie dafür, dass diese richtig angeschlossen und eingesetzt werden.

Die Verwendung solcher Vorrichtungen kann Staub-bezogene Gefahren mindern.

4) Einsatz und Pflege von Elektrowerkzeugen

- a) Überansprechen Sie Elektrowerkzeuge nicht. Benutzen Sie das richtige Elektrowerkzeug für Ihren Einsatzzweck.

Das richtige Elektrowerkzeug erledigt seine Arbeit bei bestimmungsgemäßem Einsatz besser und sicherer.

- b) Benutzen Sie das Elektrowerkzeug nicht, wenn es sich nicht am Schalter ein- und ausschalten lässt.

Jedes Elektrowerkzeug, das nicht mit dem Schalter betätigt werden kann, stellt eine Gefahr dar und muss repariert werden.

- c) Ziehen Sie den Netzstecker, ehe Sie Einstellarbeiten vornehmen, Zubehörteile tauschen oder das Elektrowerkzeug verstanen. Solche präventiven Sicherheitsmaßnahmen verhindern den unbeabsichtigten Anlauf des Elektrowerkzeugs und die damit verbundenen Gefahren.

- d) Lagern Sie nicht benutzte Elektrowerkzeuge außerhalb der Reichweite von Kindern, lassen Sie nicht zu, dass Personen das Elektrowerkzeug bedienen, die nicht mit dem Werkzeug selbst und/oder diesen Anweisungen vertraut sind.
Elektrowerkzeuge in ungeschulten Händen sind gefährlich.
- e) Halten Sie Elektrowerkzeuge in Stand. Prüfen Sie auf Fehlausrichtungen, sicheren Halt und Leichtgängigkeit beweglicher Teile, Beschädigungen von Teilen und auf jegliche andere Zustände, die sich auf den Betrieb des Elektrowerkzeugs auswirken können. Bei Beschädigungen lassen Sie das Elektrowerkzeug reparieren, ehe Sie es benutzen. *Viele Unfälle mit Elektrowerkzeugen sind auf schlechte Wartung zurückzuführen.*
- f) Halten Sie Schneidwerkzeuge scharf und sauber. *Richtig gewartete Schneidwerkzeuge mit scharfen Schneidkanten bleiben weniger häufig hängen und sind einfacher zu beherrschen.*
- g) Benutzen Sie Elektrowerkzeuge, Zubehör, Werkzeugspitzen und Ähnliches in Übereinstimmung mit diesen Anweisungen und auf die für das jeweilige Elektrowerkzeug bestimmungsgemäße Weise - beachten Sie dabei die jeweiligen Arbeitsbedingungen und die Art und Weise der auszuführenden Arbeiten. *Der bestimmungswidrige Einsatz von Elektrowerkzeugen kann zu gefährlichen Situationen führen.*

5) Service

- a) Lassen Sie Elektrowerkzeuge durch qualifizierte Fachkräfte und unter Einsatz passender, zugelassener Originalteile warten. *Dies sorgt dafür, dass die Sicherheit des Elektrowerkzeugs nicht beeinträchtigt wird.*

VORSICHT

Von Kindern und gebrechlichen Personen fernhalten. Werkzeuge sollten bei Nichtgebrauch außerhalb der Reichweite von Kindern und gebrechlichen Personen aufbewahrt werden.

ALLGEMEINE SICHERHEITSHINWEISE FÜR SCHLEIFGERÄTE

- Vergewissern Sie sich, dass die auf der Scheibe angegebene Geschwindigkeit mit der Sollgeschwindigkeit des Schleifers übereinstimmt oder diese übertrifft;

TECHNISCHE DATEN

Modell		G10SR3	G12SR3	G13SR3
Spannung (je nach Gebiet)*		(110V, 120V, 220V, 230V, 240V) \sim		
Leistungsaufnahme*		730 W		
Leerlaufdrehzahl		10000 min ⁻¹		
Schleif- scheibe	Außendurchmesser × Lochdurchmesser	100 × 16 mm	115 × 22 mm	125 × 22 mm
	Umlaufgeschwindigkeit	72 m/s	80 m/s	
Gewicht (Gerät selbst.)		1,4 kg		

*Vergessen Sie nicht, die Produktangaben auf dem Typenschild zu überprüfen, da sich diese je nach Verkaufsgebiet ändern.

- Achten Sie darauf, dass die Abmessungen der Scheibe mit dem Schleifer kompatibel sind;
- Schleifscheiben müssen sorgfältig und in Übereinstimmung mit den Anweisungen des Herstellers gelagert und verwendet werden;
- Überprüfen Sie die Schleifscheibe vor dem Einsatz, verwenden Sie keine angeschlagenen, gebrochenen oder sonstwie defekte Produkte;
- Achten Sie darauf, dass Scheiben und Gegenstücke gemäß den Anweisungen des Herstellers angebracht werden;
- Denken Sie daran, mit dem Verbundprodukt gelieferte Papierflansche zu verwenden, wenn diese benötigt werden;
- Achten Sie darauf, dass das Schleifmittel vor dem Einsatz richtig montiert und angezogen wird, lassen Sie das Werkzeug 30 Sekunden lang unbelastet in einer sicheren Position laufen, stoppen Sie das Gerät sofort, falls Sie deutliche Vibrationen oder andere Defekte bemerken sollten. Falls dies eintritt, überprüfen Sie das Gerät und versuchen Sie, die Ursache herauszufinden;
- Falls das Werkzeug mit einer Schutzeinrichtung ausgerüstet ist, benutzen Sie das Werkzeug niemals ohne diese Schutzeinrichtung;
- Verwenden Sie keine separaten Reduzierhülsen oder Adapter, um Schleifscheiben mit großem Lochdurchmesser zu montieren;
- Bei Werkzeugen, die zum Einsatz mit Gewinde-Schleifscheiben vorgesehen sind, vergewissern Sie sich, dass das Gewinde in der Scheibe lang genug ist, um die Welle in ganzer Länge aufzunehmen;
- Vergewissern Sie sich, dass das Werkstück richtig gestützt wird;
- Verwenden Sie keine Trennscheiben für seitliche Schleifarbeiten;
- Achten Sie darauf, dass bei der Arbeit entstehende Funken keine Unfälle verursachen – keine Personen treffen oder entflammbare Materialien entzünden;
- Sorgen Sie dafür, dass Belüftungsöffnungen jederzeit frei bleiben, wenn Sie unter staubigen Bedingungen arbeiten. Falls Staub beseitigt werden muss, ziehen Sie zuerst den Netzstecker (verwenden Sie dafür keine Metallgegenstände) und vermeiden Sie Beschädigungen von innen liegenden Teilen;
- Tragen Sie grundsätzlich eine Schutzbrille und einen Gehörschutz. Darüber hinaus sollten Sie in eine persönliche Schutzausrüstung wie Staubmaske, Handschuhe, Helm und Schürze tragen;
- Geben Sie gut auf die Scheibe acht; nach dem Ausschalten des Werkzeuges dreht sich diese noch eine Zeit lang weiter.

STANDARDZUBEHÖR

- (1) Schlüssel 1
 (2) Handgriff 1
 Das Standardzubehör kann ohne vorherige Bekanntmachung jederzeit geändert werden.

ANWENDUNGSGEBIETE

- Entfernung von Gußgrat und Endbearbeitung verschiedener Stahlqualitäten, Bronze- und Aluminiummaterialien und Gußteile.
- Schleifen von geschweißten Stücken oder von durch Brennschneiden hergestellten Abschnitten.
- Schleifen von Kunstharz, Schiefer, Ziegelstein, Marmor, usw.

VOR INBETRIEBNAHME

1. **Netzspannung**
Prüfen, daß die zu verwendende Netzspannung der Angabe auf dem Typenschild entspricht.
2. **Netzschalter**
Prüfen, daß der Netzschalter auf "AUS" steht. Wenn der Stecker an das Netz angeschlossen wird, während der Schalter auf "EIN" steht, beginnt das Werkzeug sofort zu laufen, was gefährlich ist.
3. **Verlängerungskabel**
Wenn der Arbeitsbereich nicht in der Nähe des Netzanschlusses liegt, ist ein Verlängerungskabel ausreichenden Querschnitts und ausreichender Nennleistung zu verwenden. Das Verlängerungskabel sollte so kurz wie möglich gehalten werden.
4. **Anbringen und Einstellen der Schutzhaube**
Die Schutzhaube ist eine Schutzvorrichtung, durch die Schaden verhindert werden soll, wenn die Schleifscheibe während des Betriebs zerbrechen sollte. Es ist darauf zu achten, daß die Haube ordnungsgemäß angebracht und befestigt ist, ehe mit der Schleifarbeit begonnen wird.
Durch geringfügiges Lockern der Arretierschraube kann die Schutzhaube gedreht und in jedem gewünschten Winkel zur Erzielung maximaler Leistung eingestellt werden. Es ist sicherzustellen, daß die Arretierschraube nach dem Einstellen der Schutzhaube ordnungsgemäß angezogen wird.
5. Stellen Sie sicher, daß die angebrachte Schleifscheibe und die anderen Teile entsprechend den Anweisungen des Herstellers angebracht sind. Es ist weiter darauf zu achten, daß die zu verwendende Schleifscheibe die richtige Ausführung und ohne Risse und Oberflächenfehler ist. Es ist auch darauf zu achten, daß die Schleifscheibe richtig montiert und die Mutter der Schleifscheibe fest angezogen ist. Siehe Abschnitt "ANBRINGEN UND ABNEHMEN DER SCHLEIFSCHEIBE".
Stellen Sie sicher, daß Beilegscheiben verwendet werden, wenn diese mit Schleifscheiben aus gebundenem Schleifmittel mitgeliefert werden und erforderlich sind.
Verwenden Sie keine separaten Reduzierbuchsen oder Adapter zum Anpassen von Schleifscheiben mit einem großen Loch.
Stellen Sie für Werkzeuge für Verwendung mit einer Schleifscheibe mit Gewindeloch sicher, daß das

Gewinde in der Schleifscheibe lang genug ist, um die Spindellänge aufzunehmen.

Verwenden Sie eine Trennscheibe nicht zum Seitenschleifen.

6. Durchführung eines Probelaufs

Stellen Sie vor der Verwendung sicher, daß das Schleiferzeugnis korrekt angebracht und fest angezogen ist, und lassen Sie das Werkzeug ohne Last 30 Sekunden an einer sicheren Position laufen. Halten Sie das Werkzeug sofort an, wenn beträchtliche Vibrationen auftreten oder Defekte festgestellt werden. Wenn ein solcher Zustand eintritt, so überprüfen Sie die Maschine, um die Ursache zu finden.

7. Überprüfen der Druckknopf:

Es ist zu überprüfen, ob die Druckknopf freigegeben ist, indem zwei- oder dreimal vor Einschalten des Gerätes auf die Druckknopf gedrückt wird (siehe Abb. 2).

8. Anbringen des Handgriffs

Den Handgriff in den Getriebedeckel einschrauben.

PRAKTISCHE SCHLEIFARBEIT

1. Druck

Zur Verlängerung der Lebensdauer Maschine und für erstklassige Arbeit ist es wichtig, daß die Maschine nicht durch zu starken Druck überbelastet wird. Bei den meisten Anwendungen reicht das Gewicht der Maschine für effektives Schleifen aus. Zu starker Druck führt zu verminderter Drehzahl, unbefriedigendem Oberflächenaussehen und einer Überbelastung, die die Lebensdauer der Maschine vermindern könnte.

2. Schleifwinkel

Nicht die gesamte Fläche der Schleifscheibe auf das zu schleifende Material auflegen. Die Maschine sollte, wie in **Abb. 1** dargestellt ist, in einem Winkel von 15° - 30° gehalten werden, so daß die Außenkante der Schleifscheibe das Werkstück in einem optimalen Winkel berührt.

3. Damit sich eine neue Schleifscheibe nicht in das Werkstück hineingräbt, sollte zu Anfang die Schleifarbeit so durchgeführt werden, daß der Winkelschleifer über das Werkstück zum Bedienungsmanng gezogen wird (**Abb. 1 Richtung B**). Wenn die Vorderkante der Schleifscheibe entsprechend abgeschliffen ist, kann das Schleifen in beiden Richtungen durchgeführt werden.

4. Vorsichtsmaßnahmen unmittelbar nach Beendigung der Arbeit

Die Schleifscheibe dreht sich auch nach dem Ausschalten des Werkzeugs noch weiter.

Nach dem Ausschalten darf die Maschine erst abgelegt werden, wenn die Schleifscheibe völlig zum Stillstand gekommen ist. Abgesehen vom Vermeiden ernsthafter Unfälle wird durch diese Vorsichtsmaßnahmen vermieden, daß Staub und Späne in die Maschine gesaugt werden.

ACHTUNG

- Überprüfen Sie, daß das Werkstück richtig unterstützt ist.
- Überprüfen Sie bei Arbeit an einem staubigen Ort, daß die Ventilationsöffnungen freigehalten werden. Wenn Beseitigung von Staub erforderlich werden

sollte, so ziehen Sie zuerst den Stecker des Netzkabels aus der Steckdose (verwenden Sie nichtmetallische Gegenstände) und vermeiden Sie Beschädigung innerer Teile.

- Stellen Sie sicher, daß bei der Verwendung auftretende Funken keine Gefährdung darstellen, d.h. daß sie keine Personen treffen und keine entflammaren Substanzen entzünden.
- Verwenden Sie immer Augen- und Ohrenschutz. Sonstige persönliche Schutzausrüstung wie eine Staubmaske, Handschuhe, ein Helm und eine Schürze sollte getragen werden, wenn sie erforderlich ist. Tragen Sie im Zweifelsfall Schutzausrüstung.
- Wenn die Maschine nicht benutzt wird, sollte der Netzstecker gezogen werden.

ANBRINGEN UND ABNEHMEN DER SCHLEIFSCHLEIBE (Abb. 2)

VORSICHT Immer den Betriebsschalter auf "Aus" stellen und den Netzstecker aus der Steckdose ziehen, um Unfälle zu vermeiden.

1. Anbringen (Abb. 2)

- (1) Legen Sie den Winkelschleifer mit der Oberseite nach unten hin, so dass die Spindel nach oben zeigt.
- (2) Die Beileigscheibe mit den Flachseiten auf die Einkerbungen der Spindel ausgerichtet anbringen.
- (3) Den Vorsprung der Schleifscheibe in die Beileigscheibe einpassen.
- (4) Die Schleifscheibenmutter auf die Spindel schrauben.
- (5) Den Druckknopf mit einer Hand drücken und die Spindel durch langsames Drehen der Schleifscheibe mit der anderen Hand verriegeln.
Die Schleifscheibenmutter mit dem mitgelieferten Schlüssel wie in **Abb. 2** gezogen anziehen.

2. Abnehmen

Beim Abnehmen wird in umgekehrter Reihenfolge vorgegangen.

VORSICHT

- Prüfen, ob die Schleifscheibe fest angezogen ist.
- Es ist zu überprüfen, ob die Druckknopf freigegeben ist, indem zwei- oder dreimal vor Einschalten des Gerätes auf die Druckknopf gedrückt wird.

WARTUNG UND INSPEKTION

1. Überprüfung der Schleifscheibe

Es ist darauf zu achten, daß die Schleifscheibe ohne Risse und Fehler an der Oberfläche ist.

2. Inspektion der Befestigungsschrauben

Alle Befestigungsschrauben werden regelmäßig inspiziert und geprüft, ob sie gut angezogen sind. Wenn sich eine der Schrauben lockert, muß sie sofort wieder angezogen werden. Geschieht das nicht, kann das zu erheblichen Gefahren führen.

3. Inspektion der Kohlebürsten

Zur Erhaltung Ihrer Sicherheit und des Schutzes gegen elektrischen Schlag sollten Inspektion und Auswechseln der Kohlebürsten NUR DURCH EIN AUTORISIERTES HITACHI-WARTUNGSZENTRUM durchgeführt werden.

4. Auswechseln des Netzkabels

Wenn das Netzkabel des Werkzeugs beschädigt wird, muss das Werkzeug zum Auswechseln des Netzkabels an ein von Hitachi autorisiertes Wartungszentrum zurückgegeben werden.

5. Wartung des Motors

Die Motorwicklung ist das "Herz" des Elektrowerkzeugs. Daher ist besonders sorgfältig darauf zu achten, daß die Wicklung nicht beschädigt wird und/oder mit Öl oder Wasser in Berührung kommt.

6. Liste der Wartungsteile

- A: Punkt Nr.
- B: Code Nr.
- C: Verwendete Anzahl
- D: Bemerkungen

ACHTUNG

Reparatur, Modifikation und Inspektion von Hitachi-Elektrowerkzeugen müssen durch ein autorisiertes Hitachi-Kundendienstzentrum durchgeführt werden. Diese Teileliste ist hilfreich, wenn sie dem autorisierten Hitachi-Kundendienstzentrum zusammen mit dem Werkzeug für Reparatur oder Wartung ausgehändigt wird.

Bei Betrieb und Wartung von Elektrowerkzeugen müssen die Sicherheitsvorschriften und Normen beachtet werden.

MODIFIKATIONEN

Hitachi-Elektrowerkzeuge werden fortwährend verbessert und modifiziert, um die neuesten technischen Fortschritte einzubauen. Dementsprechend ist es möglich, daß einige Teile (z.B. Codenummern bzw. Entwurf) ohne vorherige Benachrichtigung geändert werden.

GARANTIE

Auf Hitachi-Elektrowerkzeuge gewähren wir eine Garantie unter Zugrundelegung der jeweils geltenden gesetzlichen und landesspezifischen Bedingungen. Dieses Garantie erstreckt sich nicht auf Gehäusedefekte und nicht auf Schäden, die auf Missbrauch, bestimmungswidrigen Einsatz oder normalen Verschleiß zurückzuführen sind. Im Schadensfall senden Sie das nicht zerlegte Elektrowerkzeug zusammen mit dem GARANTIESCHEIN, den Sie am Ende der Bedienungsanleitung finden, an ein von Hitachi autorisiertes Servicecenter.

ANMERKUNG

Aufgrund des ständigen Forschungs- und Entwicklungsprogramms von HITACHI sind Änderungen der hierin gemachten technischen Angaben nicht ausgeschlossen.

Information über Betriebslärm und Vibration

Die gemessenen Werte wurden entsprechend EN60745 bestimmt und in Übereinstimmung mit ISO 4871 ausgewiesen.

Gemessener A-gewichteter Schallpegel: 95 dB (A)

Gemessener A-gewichteter Schalldruck: 84 dB (A)

Messunsicherheit Kpa: 3 dB (A)

Bei der Arbeit immer einen Ohrenschutz tragen.

Der typische gewogene quadratische Mittelwert für die Beschleunigung ist 4,9 m/s².

CONSIGNES DE SÉCURITÉ GÉNÉRALES

AVERTISSEMENT!

Lire toutes les instructions

Tout manquement à observer ces instructions peut engendrer des chocs électriques, des incendies et/ou des blessures graves.

Le terme "outil électrique" qui figure dans l'ensemble des avertissements ci-dessous se réfère aux outils électriques (câblé) ou aux outils à piles (sans fil).

CONSERVER CES INSTRUCTIONS

1) Aire de travail

- a) **Maintenir l'aire de travail propre et bien éclairée.**
Les endroits encombrés et sombres sont propices aux accidents.
- b) **Ne pas utiliser d'outils électriques en présence de liquides, gaz ou poussière inflammables, au risque de provoquer une explosion.**
Les outils électriques créent des étincelles susceptibles d'enflammer la poussière.
- c) **Ne pas laisser les enfants et les visiteurs s'approcher de vous lorsque vous utiliser un outil électrique.**
Les distractions peuvent faire perdre le contrôle.

2) Sécurité électrique

- a) **Les prises de l'outil électrique doivent correspondre à la prise secteur.**
Ne jamais modifier la prise.
Ne pas utiliser d'adaptateurs avec les outils électriques mis à la masse.
Les prises non modifiées et les prises secteur correspondantes réduisent les risques de choc électrique.
- b) **Éviter tout contact avec les surfaces mises à la masse telles que les tuyaux, radiateurs, bandes et réfrigérateurs.**
Le risque de choc électrique est accru en cas de mise à la masse du corps.
- c) **Ne pas exposer les outils électriques à la pluie ou à des conditions humides.**
Si l'eau pénètre dans l'outil, cela augmente les risques de choc électrique.
- d) **Ne pas utiliser le cordon à tort. Ne jamais utiliser le cordon pour transporter ou débrancher l'outil électrique.**
Maintenir le cordon loin de la chaleur, de l'huile, des bords pointus ou des pièces mobiles.
Les cordons endommagés ou usés augmentent les risques de choc électrique.
- e) **En cas d'utilisation d'un outil électrique à l'extérieur, utiliser un cordon de rallonge adapté à un usage extérieur.**
L'utilisation d'un cordon adapté à l'usage extérieur réduit les risques de choc électrique.

3) Sécurité personnelle

- a) **Restez alerte, regarder ce que vous faites et usez de votre bon sens en utilisant un outil électrique.**
Ne pas utiliser d'outil électrique si vous êtes sous l'influence de drogues, d'alcool ou de médicaments.
Pendant l'utilisation d'outils électrique, un instant d'inattention peut entraîner des blessures graves.

- b) **Utiliser des équipements de sécurité. Toujours porter des verres de protection.**
L'utilisation d'équipements de sécurité tels que les masques anti-poussière, les chaussures de sécurité anti-dérapantes, les casques ou les protections auditives dans des conditions appropriées réduisent les risques de blessures.
 - c) **Éviter les démarrages accidentels. Veiller à ce que l'interrupteur soit en position d'arrêt avant de brancher l'outil.**
Transporter les outils électriques avec le doigt sur l'interrupteur ou brancher les outils électriques avec l'interrupteur en position de marche peut entraîner des accidents.
 - d) **Retirer toute clé de sécurité ou clé avant de mettre l'outil électrique en marche.**
Laisser une clé ou une clé de sécurité sur une partie mobile de l'outil électrique peut engendrer des blessures.
 - e) **Ne pas trop se pencher. Toujours garder une bonne assise et un bon équilibre pendant le travail.**
Cela permet un meilleur contrôle de l'outil électrique dans des situations imprévisibles.
 - f) **Porter des vêtements adéquats. Ne pas porter de vêtements amples ni de bijoux. Maintenir les cheveux, les vêtements et les gants loin des pièces mobiles.**
Les vêtements amples ou les cheveux longs peuvent se prendre dans les pièces mobiles.
 - g) **En cas de dispositifs destinés au raccordement d'installations d'extraction et de recueil de la poussière, veiller à ce qu'ils soient correctement raccordés et utilisés.**
L'utilisation de ces dispositifs peut réduire les dangers associés à la poussière.
- #### 4) Utilisation et entretien d'un outil électrique
- a) **Ne pas forcer sur l'outil électrique. Utiliser l'outil électrique adapté à vos travaux.**
Le bon outil électrique fera le travail mieux et en toute sécurité au régime pour lequel il a été conçu.
 - b) **Ne pas utiliser l'outil électrique si l'interrupteur ne le met pas en position de marche et d'arrêt.**
Tout outil ne pouvant être contrôlé par l'interrupteur est dangereux et doit être réparé.
 - c) **Débrancher la prise avant de procéder à des réglages, au remplacement des accessoires ou au stockage des outils électriques.**
Ces mesures préventives de sécurité réduisent les risques de démarrage accidentel de l'outil électrique.
 - d) **Stockez les outils électriques inutilisés hors de la portée des enfants et ne pas laisser des personnes non familiarisées avec l'outil ou ces instructions utiliser l'outil électrique.**
Les outils électriques sont dangereux entre les mains d'utilisateurs non habilités.
 - e) **Entretien les outils électriques. Vérifier l'absence de mauvais alignement ou d'arrêt, d'endommagement de pièces ou toute autre condition susceptible d'affecter l'opération de l'outil.**
Si l'outil est endommagé, le faire réparer avant utilisation.
De nombreux accidents sont dus à des outils mal entretenus.

- f) **Maintenir les outils coupants aiguisés et propres.**
Des outils coupants bien entretenus avec des bords aiguisés sont moins susceptibles de se coincer et plus simples à contrôler.
- g) **Utiliser l'outil électrique, les accessoires et les mèches de l'outil, etc. conformément à ces instructions et de la manière destinée pour le type précis d'outil électrique, en tenant compte des conditions d'utilisation et du travail à réaliser.**
L'utilisation de l'outil électrique pour des opérations différentes de celles pour lesquelles il a été conçu est dangereuse.

5) Service

- a) **Faire entretenir l'outil électrique par un technicien habilité à l'aide de pièces de rechange identiques exclusivement.**
Cela garantira le maintien de la sécurité de l'outil électrique.

PRECAUTIONS

Maintenir les enfants et les personnes infirmes éloignés.

Lorsque les outils ne sont pas utilisés, ils doivent être rangés hors de portée des enfants et des personnes infirmes.

CONSIGNES DE SECURITE GENERALES RELATIVES AUX MEULEUSES DROITES

- Vérifiez que la vitesse indiquée sur la meule est égale ou supérieure à la vitesse nominale de la meuleuse.
- Vérifiez que les dimensions des meules sont compatibles avec la meuleuse.
- Les meules abrasives doivent être stockées et manipulées conformément aux instructions du fabricant.
- Inspectez la meule de la meuleuse avant utilisation, n'utilisez pas de produits ébréchés, craquelés ou défectueux.

- Vérifiez que les meules et les points montés sont installés conformément aux instructions du fabricant.
- Vérifiez que les buvards sont utilisés lorsqu'ils sont équipés du produit abrasif stratifié et lorsqu'ils sont nécessaires.
- Vérifiez que le produit abrasif est correctement monté et serré avant d'utiliser et de démarrer l'outil sans charge pendant 30 secondes en position sûre ; en cas de vibrations excessives ou autres défauts, arrêtez immédiatement l'outil. Si tel est le cas, vérifiez la machine pour en déterminer la cause.
- Si l'outil est équipé d'un protecteur, ne jamais utiliser cet outil sans ce protecteur.
- N'utilisez pas de douilles de réductions ou d'adaptateurs pour adapter des meules abrasives à grand orifice.
- Pour les outils destinés à être équipés d'une meule à orifice fileté, vérifiez que le fil dans la meule est suffisamment long pour accueillir la longueur de la broche.
- Vérifiez que la pièce de travail est correctement supportée.
- Ne pas utiliser de meule de coupe pour l'affûtage latéral.
- Vérifiez que les étincelles dues à l'utilisation ne représentent pas un danger, par ex. ne touchent pas des personnes ou enflamment des substances inflammables.
- Vérifiez que les bouches d'aération ne sont pas obstruées en travaillant dans un environnement poussiéreux ; s'il est nécessaire de nettoyer la poussière, débranchez d'abord l'outil de la prise d'alimentation (utilisez des objets non métalliques) et évitez d'endommager les pièces internes ;
- Utilisez toujours des lunettes et des protections auriculaires. Il est recommandé de porter des équipements de protection personnelle tels qu'un masque, des gants, un casque et un tablier.
- Prenez garde à la meule qui continue de tourner une fois l'outil éteint.

SPECIFICATIONS

Modèle		G10SR3	G12SR3	G13SR3
Tension (par zone)*		(110V, 120V, 220V, 230V, 240V) ~		
Puissance*		730 W		
Vitesse hors charge		10000 min ⁻¹		
Meule	Diamètre extérieur x diamètre d'orifice	100 x 16 mm	115 x 22 mm	125 x 22 mm
	Vitesse périphérique	72 m/s	80 m/s	
Poids (Unité principale uniquement)		1,4 kg		

*Assurez-vous de vérifier la plaque signalétique sur le produit, car elle peut changer suivant les zones.

ACCESSOIRES STANDARD

- (1) Clef 1
 (2) Poignée latérale 1
 Les accessoires standard sont sujets à changement sans préavis.

APPLICATIONS

- Enlèvement des bavures de moulage et finition de différentes sortes de matériaux en acier, bronze ou aluminium et de moulages.
- Meulage de sections soudées ou de sections coupées par soudage.
- Meulage de résines synthétiques, d'ardoises, de briques, de marbre, etc.

AVANT LA MISE EN MARCHÉ

1. **Source de puissance**
S'assurer que la source de puissance à utiliser correspond à la puissance indiquée sur la plaque signalétique du produit.
2. **Interrupteur de puissance**
S'assurer que l'interrupteur de puissance est en position ARRÊT. Si la fiche est branchée alors que l'interrupteur est sur MARCHÉ, l'outil démarre immédiatement et peut provoquer un grave accident.
3. **Fil de rallonge**
Lorsque la zone de travail est éloignée de la source de puissance, utiliser un fil de rallonge d'une épaisseur suffisante et d'une capacité nominale suffisante. Le fil de rallonge doit être aussi court que possible.
4. **Fixation et réglage du couvre-meule**
Le couvre-meule est un dispositif de protection pour éviter les blessures au cas où le disque à moyeu déporté se briserait lors du fonctionnement. S'assurer qu'il est correctement placé et fixé avant de commencer à meuler et régler l'angle souhaité du modèle. S'assurer que l'écrou de réglage est resserré à fond après le réglage du couvre-meule.
5. **Vérifier que les meules montées et les pointes sont installées conformément aux instructions du fabricant.**
S'assurer que la meule utilisée est le bon modèle, et qu'elle est dépourvue de fêlures et de défauts de surface. Vérifier aussi que la meule est correctement montée et que l'écrou de la meule est bloqué. Consulter la section "MONTAGE ET DEMONTAGE DE LA MEULE".
Bien utiliser des patins s'ils sont fournis avec le produit abrasif et qu'ils sont nécessaires.
Ne pas utiliser de coussinets d'adaptateur de réduction séparés pour adapter des meules abrasives à orifice large.
Avec les outils conçus pour un montage sur meule à orifice fileté, vérifier que le filetage de la meule est suffisamment long pour la longueur de la broche. Ne pas utiliser de meule à tronçonner pour un meulage latéral.
6. **Effectuer un essai**
Vérifier que le produit abrasif est correctement monté et solidement fixé avant l'utilisation et faire tourner l'outil à vide pendant 30 secondes dans une position sûre, et arrêter immédiatement l'outil s'il y a trop de vibrations ou si l'on constate d'autres anomalies. Si ce genre d'anomalies se produit, vérifier l'outil pour en déterminer la cause.
7. **Confirmer la position du bouton poussoir.**
Vérifier que le bouton poussoir est libéré en appuyant deux ou trois sur le bouton poussoir avant de mettre l'outil en marche (voir la Fig. 2).
8. **Mise en place de la poignée latérale**
Visser la poignée latérale dans le couvercle d'engrenage.

FONCTIONNEMENT

1. **Pression**
Pour prolonger la vie de la machine et réaliser un fini de première qualité, il est important de ne pas surcharger la machine en exerçant une pression trop grande. Dans la plupart des applications, le poids de la machine seule suffit pour un bon meulage. Une trop grande pression peut entraîner une réduction de la vitesse de rotation, un moins bon fini de surface et une surcharge qui réduirait la durée de vie de la machine.
2. **Angle de meulage**
Ne pas appliquer la surface totale de la meule au matériau à meuler. Suivant la Fig. 1, la machine doit être tenue à un angle de 15° - 30° de manière à ce que le bord extérieur de la meule soit en contact avec la pièce à meuler à un angle optimal.
3. **Pour éviter qu'une nouvelle meule ne creuse la pièce à meuler, le meulage initial doit se faire en tirant la machine vers l'opérateur sur la pièce (Fig. 1 direction B).** Une fois que le bord d'attaque de la meule est correctement abrasé, on peut meuler dans l'une ou l'autre direction.
4. **Précautions à prendre aussitôt le meulage terminé**
La roue continue à tourner pendant quelques instants quand on éteint l'outil.
Après avoir arrêté la machine, ne pas la poser avant l'arrêt complet de la meule. Cette précaution évitera non seulement tout accident grave, mais réduira aussi la quantité de poussière et de copeaux de métal aspirée par la machine.

ATTENTION

- Vérifier que la pièce est correctement soutenue.
- S'assurer que les événements d'aération sont bien dégagés lors d'un travail entraînant de la poussière. S'il devient nécessaire d'enlever la poussière, commencer par débrancher l'outil de la prise secteur (utiliser des objets non métalliques) et veiller à ne pas endommager les pièces internes.
- S'assurer que les étincelles provoquées lors du travail ne posent pas de danger, par exemple qu'elles ne touchent pas des personnes, et qu'elles n'enflamment pas de substances inflammables.
- Toujours porter des protections pour les yeux et les oreilles.
Il faudra également porter par exemple un masque anti-poussière, des gants, un casque et un tablier lorsque cela est nécessaire.
- En cas de doute, porter un équipement de protection.
- Lorsque la machine n'est pas utilisée, elle doit être débranchée.

MONTAGE ET DEMONTAGE DE LA MEULE (Fig. 2)

ATTENTION S'assurer de mettre l'appareil hors tension et de déconnecter la prise du secteur pour éviter des problèmes.

1. **Montage (Fig. 2)**
 - (1) Retourner la meuleuse à l'envers de façon que l'arbre soit dirigé vers le haut.
 - (2) Aligner les aplats en couronne de la rondelle de la meule sur la section à encoche de l'arbre, puis les fixer.

- (3) Faire correspondre la protubérance de la meule à moyeu décentré à la rondelle de la meule.
 - (4) Visser l'écrou de la meule sur l'arbre.
 - (5) Tout en appuyant d'une main sur le bouton poussoir, verrouiller l'arbre en tournant lentement la meule à moyeu décentré de l'autre main. Serrer l'écrou de la meule à l'aide de la clé fournie, comme indiqué sur la **Fig. 2**.
- 2. Démontage**
Même opération en sens inverse.

ATTENTION

- Vous assurer que la meule est fermement montée.
- Vérifier que la bouton poussoir est libéré en appuyant deux ou trois sur le bouton poussoir avant de mettre l'outil en marche.

ENTRETIEN ET CONTROLE

1. Contrôle de la meule

Vérifier que la meule est dépourvue de fêlures et de défauts de surface. Balai en carbone peut se retirer facilement.

2. Contrôle des vis de montage

Vérifier régulièrement les vis de montage et s'assurer qu'elles sont correctement serrées. Resserrer immédiatement toute vis desserrée. Sinon, il y a danger sérieux.

3. Inspection des balais en carbone

Pour assurer à tout moment la sécurité et la protection contre les chocs électrique, confier l'inspection et le remplacement des balais en carbone de l'outil **EXCLUSIVEMENT** à un centre de service après-vente agréé par HITACHI.

4. Remplacement du cordon d'alimentation

Si le cordon d'alimentation de l'outil est endommagé, rapporter l'outil à un service après-vente HITACHI agréé pour faire remplacer le cordon.

5. Entretien du moteur

Le bobinage de l'ensemble moteur est le "coeur" même de l'outil électro-portatif. Veiller soigneusement à ce que ce bobinage ne soit pas endommagé et/ou mouillé par de l'huile ou de l'eau.

6. Liste des pièces de rechange

- A: No. élément
- B: No. code
- C: No. utilisé
- D: Remarques

ATTENTION

Les réparations, modifications et inspections des outils électriques Hitachi doivent être confiées à un service après-vente Hitachi agréé.

Il sera utile de présenter cette liste de pièces au service après-vente Hitachi agréé lorsqu'on apporte un outil nécessitant des réparations ou tout autre entretien.

Lors de l'utilisation et de l'entretien d'un outil électrique, respecter les règlements et les normes de sécurité en vigueur dans le pays en question.

MODIFICATIONS

Les outils électriques Hitachi sont constamment améliorés et modifiés afin d'incorporer les tous derniers progrès technologiques.

En conséquence, il est possible que certaines pièces (c.-à-d. no. de code et/ou dessin) soient modifiées sans avis préalable.

GARANTIE

Nous garantissons que l'ensemble des Outils électriques Hitachi sont conformes aux réglementations spécifiques statutaires/nationales. Cette garantie ne couvre pas les défauts ni les dommages inhérents à une mauvaise utilisation, une utilisation abusive ou l'usure et les dommages normaux. En cas de réclamation, veuillez envoyer l'Outil électrique, en l'état, accompagné du CERTIFICAT DE GARANTIE qui se trouve à la fin du Mode d'emploi, dans un service d'entretien autorisé.

NOTE

Par suite du programme permanent de recherche et de développement HITACHI, ces spécifications peuvent faire l'objet de modifications sans avis préalable.

Au sujet du bruit et des vibrations

Les valeurs mesurées ont été déterminées en fonction de la norme EN60745 et déclarées conforme à ISO 4871.

Niveau de puissance sonore pondérée A: 95 dB (A)

Niveau de pression acoustique pondérée A: 84 dB (A)

Incertitude KpA: 3 dB (A)

Porter un casque de protection.

Valeur d'accélération moyenne quadratique pondérée type: 4,9 m/s².

NORME DI SICUREZZA GENERALI

AVVERTENZA!

Leggere tutte le istruzioni

La mancata osservanza di tutte le istruzioni di seguito riportate potrebbe essere causa di scosse elettriche, incendi e/o gravi lesioni.

Il termine "elettroutensili" riportato in tutte le avvertenze di seguito elencate si riferisce agli elettroutensili azionati con alimentazione di rete (via cavi) o a batterie (senza cavi).

CONSERVARE QUESTE ISTRUZIONI

1) Area operativa

- a) **Mantenere l'area operativa pulita e ordinata.**
Aree operative sporche e disordinate possono favorire gli infortuni.
- b) **Non utilizzare gli elettroutensili in atmosfere esplosive, ad es. in presenza di liquidi, gas o polveri infiammabili.**
Gli elettroutensili generano delle scintille che potrebbero accendere la polvere dei fumi.
- c) **Tenere lontani bambini e astanti durante l'utilizzo degli elettroutensili.**
Qualsiasi distrazione può essere causa di perdita di controllo.

2) Sicurezza elettrica

- a) **Le spine degli elettroutensili devono essere idonee alle prese disponibili.**
Non modificare mai le prese.
Con gli elettroutensili a massa (messi a terra), non utilizzare alcun adattatore.
L'utilizzo di spine intatte e corrispondenti alle prese disponibili ridurrà il rischio di scosse elettriche.
- b) **Evitare qualsiasi contatto con le superfici a massa o a terra, quali tubi, radiatori, fornelli e frigoriferi.**
In caso di messa a terra o massa del corpo, sussiste un maggior rischio di scosse elettriche.
- c) **Non esporre gli elettroutensili alla pioggia o all'umidità.**
La penetrazione di acqua negli elettroutensili aumenterà il rischio di scosse elettriche.
- d) **Non tirare il cavo. Non utilizzarlo per il trasporto, o per tirare o scollegare l'elettroutensile.**
Tenere il cavo lontano da fonti di calore, oli, bordi appuntiti o parti in movimento.
Cavi danneggiati o attorcigliati possono aumentare il rischio di scosse elettriche.
- e) **Durante l'uso degli elettroutensili all'esterno, utilizzare una prolunga idonea per usi esterni.**
L'utilizzo di cavi per esterno riduce il rischio di scosse elettriche.

3) Sicurezza personale

- a) **Durante l'uso degli elettroutensili, state all'erta, verificate ciò che state eseguendo e adottate sempre il buon senso.**
Non utilizzate gli elettroutensili qualora siate stanchi, sotto l'influenza di farmaci, alcol o cure mediche.
Anche un attimo di disattenzione durante l'uso degli elettroutensili potrebbe essere causa di gravi lesioni personali.

- b) **Indossate l'attrezzatura di sicurezza. Indossate sempre le protezioni oculari.**
L'attrezzatura di sicurezza, quali maschera facciale, calzature antiscivolo, caschi o protezioni oculari ridurrà il rischio di lesioni personali.
 - c) **Ponete attenzione alle accensioni involontarie.**
Prima dell'attivazione dell'alimentazione, verificate che l'interruttore sia posizionato su OFF.
Il trasporto degli elettroutensili tenendo le dita sull'interruttore o con alimentazione elettrica attivata dall'interruttore su ON, implica il rischio di incidenti.
 - d) **Prima di attivare l'elettroutensile, rimuovete qualsiasi chiave di regolazione.**
Lasciando la chiave in un componente in rotazione dell'elettroutensile, sussiste il rischio di lesioni personali.
 - e) **Mantenersi in equilibrio. Mantenersi sempre su due piedi, in equilibrio stabile.**
Ciò consente di controllare al meglio l'elettroutensile in caso di situazioni impreviste.
 - f) **Vestirsi in modo adeguato. Non indossare abiti larghi o gioielli. Tenere i capelli, gli abiti e i guanti lontano dalle parti in movimento.**
Abiti allentati, gioielli e capelli lunghi potrebbero impigliarsi nelle parti in movimento.
 - g) **In caso di dispositivi provvisti di collegamento ad apparecchiature di rimozione e raccolta polveri, verificare che queste siano collegate e utilizzate in modo adeguato.**
L'utilizzo di questi dispositivi può ridurre i rischi connessi alle polveri.
- #### 4) Utilizzo e manutenzione degli elettroutensili
- a) **Non utilizzare elettroutensili non idonei. Utilizzare l'elettroutensile idoneo alla propria applicazione.**
Utilizzando l'elettroutensile corretto, si garantirà un'esecuzione migliore e più sicura del lavoro, alla velocità di progetto.
 - b) **Non utilizzare l'elettroutensile qualora non sia possibile accenderlo/spengerlo tramite l'interruttore.**
È pericoloso utilizzare elettroutensili che non possano essere azionati dall'interruttore. Provvedere alla relativa riparazione.
 - c) **Prima di effettuare qualsiasi regolazione, sostituire gli accessori o depositare gli elettroutensili, scollegare la spina dalla presa elettrica.**
Queste misure di sicurezza preventive riducono il rischio di avvio involontario dell'elettroutensile.
 - d) **Depositare gli elettroutensili non utilizzati lontano dalla portata dei bambini ed evitare che persone non esperte di elettroutensili o non a conoscenza di quanto riportato sulle presenti istruzioni azionino l'elettroutensile.**
È pericoloso consentire che utenti non esperti utilizzino gli elettroutensili.
 - e) **Manutenzione degli elettroutensili. Verificare che non vi siano componenti in movimento disallineati o bloccati, componenti rotti o altre condizioni che potrebbero influenzare negativamente il funzionamento dell'elettroutensile.**
In caso di guasti, provvedere alla riparazione dell'elettroutensile prima di riutilizzarlo.
Molti incidenti sono causati da una scarsa manutenzione.

- f) **Mantenere gli strumenti di taglio affilati e puliti.**
Gli strumenti di taglio in condizioni di manutenzione adeguata, con bordi affilati, sono meno soggetti al bloccaggio e sono più facilmente controllabili.
- g) **Utilizzare l'elettrotensile, gli accessori, le barrette, ecc. in conformità a quanto riportato nelle presenti istruzioni e secondo l'uso preposto, tenendo in debita considerazione le condizioni operative e il tipo di lavoro da eseguire.**
L'utilizzo di elettrotensili per operazioni diverse da quanto previsto, può essere causa di situazioni pericolose.

5) Assistenza

- a) **Affidate le riparazioni dell'elettrotensile a persone qualificate che utilizzino solamente parti di ricambio identiche.**
Ciò garantirà il mantenimento della sicurezza dell'elettrotensile.

PRECAUZIONI

Tenere lontano dalla portata di bambini e invalidi. Quando non utilizzati, gli strumenti dovranno essere depositi lontano dalla portata di bambini e invalidi.

ISTRUZIONI DI SICUREZZA GENERALI PER SMERIGLIATRICI

- Verificare che la velocità riportata sulla mola sia pari o superiore alla velocità nominale della smerigliatrice.
- Verificare che le dimensioni della mola siano compatibili con la smerigliatrice;
- Le mole devono essere immagazzinate e maneggiate con attenzione, secondo le istruzioni del produttore.
- Ispezionare la mola prima dell'utilizzo; evitare l'utilizzo di prodotti scheggiati, rotti o comunque danneggiati.

- Verificare che le mole e le punte montate siano installate secondo le istruzioni del produttore.
- Utilizzare i tamponi se questi vengono forniti con il prodotto abrasivo incollato, e quando sono richiesti.
- Verificare che il prodotto abrasivo sia montato e fissato correttamente prima dell'uso; far funzionare l'attrezzo a vuoto per 30 sec. In posizione sicura, arrestandolo immediatamente in caso di forti vibrazioni o altre anomalie. Se si verifica tale condizione, controllare la macchina per determinarne la causa.
- Se l'attrezzo viene fornito con una protezione, evitare di utilizzarlo senza tale protezione;
- Evitare l'utilizzo di boccole di riduzione o adattatori separati per adattare mole con fori più grandi;
- Nel caso di attrezzi da utilizzare con mole a foro filettato, verificare che la filettatura della mola sia lunga a sufficienza da accettare la lunghezza dell'albero;
- Verificare che il pezzo di lavoro sia adeguatamente sostenuto;
- Non utilizzare mole da taglio per smerigliare lateralmente;
- Evitare che le scintille create dalla lavorazione causino rischi, vale a dire che colpiscano persone o possano accendere sostanze infiammabili.
- Verificare che le aperture di ventilazione siano mantenute libere, quando si lavora in ambienti polverosi; se fosse necessario eliminare la polvere, scollegare prima l'attrezzo dall'alimentazione elettrica (utilizzare oggetti non metallici), evitando di danneggiare l'interno dell'attrezzo.
- Indossare sempre protezioni per occhi e orecchie. Indossare altri dispositivi di protezione personale, quali maschera antipolvere, guanti, casco e grembiule.
- Prestare attenzione alla mola, che continua a ruotare dopo lo spegnimento dell'attrezzo.

CARATTERISTICHE

Modello	G10SR3	G12SR3	G13SR3
Voltaggio (per zone)*	(110V, 120V, 220V, 230V, 240V) ~		
Potenza assorbita*	730 W		
Velocità senza carico	10000 min ⁻¹		
Mola	Diametro esterno x diametro del foro	100 x 16 mm	115 x 22 mm 125 x 22 mm
	Velocità periferica	72 m/s	80 m/s
Peso (Solamente l'apparecchio principale.)		1,4 kg	

*Accertatevi de aver controllato bene la piastrina perché essa varia zona a zona.

ACCESSORI STANDARD

- (1) Chiave 1
 - (2) Inpugnatura laterale 1
- Gli accessori standard possono essere cambiati senza preavviso.

IMPIEGHI

- Asportazione di bavature di getti e rifinitura di vari tipi di materiali d'acciaio, bronzo e alluminio e oggetti di ghisa.
- Molatura di sezioni saldate o sezioni tagliate a mezzo saldatore.
- Molatura di resine sintetiche, ardesia, mattoni, marmo, ecc.

PRIMA DELL'USO

1. Alimentazione

Assicurarsi che la rete di alimentazione che si vuole usare sia compatibile con le caratteristiche relative all'alimentazione di corrente specificate nella piastrina dell'apparecchio.

2. Interruttore di corrente

Mettere l'interruttore in posizione SPENTO. Se la spina è infilata in una presa mentre l'interruttore è acceso, l'utensile elettrico si mette immediatamente in moto, facilitando il verificarsi di incidenti gravi.

3. Prolunga del cavo

Quando l'ambiente di lavoro è lontano da una presa di corrente, usare una prolunga del cavo di sufficiente spessore e di prestazione adeguata. La prolunga deve essere più corta possibile.

4. Fissaggio e regolazione del carter della mola

Il carter della mola è un dispositivo per evitare lesioni nel caso che la mola dovesse frantumarsi durante il funzionamento. Assicurarsi che il carter sia ben messo e fissato, prima di iniziare operazioni di molatura.

Allentando un poco la vite di regolazione, il carter può essere ruotato e posto a qualsiasi angolo che si desidera, per ottenere la massima efficacia. Assicurarsi che la vite di regolazione sia serrata a fondo, dopo aver regolato il carter della mola.

5. Assicurarsi che le mole e le punte montate siano applicate secondo le istruzioni del fabbricante.

Assicurarsi chi la mola da usare sia del tipo giusto e non abbia incrinature o difetti sulla superficie. Assicurarsi anche che la mola sia ben montata e che il dado della mola sia ben stretto. Vedere il capitolo relativo al "MONTAGGIO E RIMOZIONE DELLA MOLA".

Assicurarsi di usare gli asciugatori se sono forniti insieme al prodotto abrasivo incollato e quando sono necessari.

Non usare boccole di riduzione separate o adattatori per adattare mole abrasive a foro largo.

Per utensili cui devono essere applicate mole a foro filettato, assicurarsi che la filettatura della mola sia di lunghezza sufficiente ad accettare la lunghezza del perno.

Non usare una mola di taglio per molature laterali.

6. Esecuzione di una corsa di prova

Assicurarsi che i prodotti abrasivi siano montati e serrati correttamente prima dell'uso e far funzionare l'utensile senza carico per 30 secondi in una posizione sicura, fermandolo immediatamente se si notano vibrazioni considerevoli o altri difetti. Se si verificano tali condizioni, controllare la macchina per determinare la causa.

7. Controllare il pulsante di bloccaggio.

Esso deve venire sollevato premendolo due o tre volte prima di accendere l'utensile a motore (Vds. Fig. 2).

8. Fissaggio dell'impugnatura laterale

Avvitare l'impugnatura laterale sul coperchio degli ingranaggi.

APPLICAZIONE PRATICHE DELLA MOLATRICE

1. Pressione da esercitare

Per prolungare la vita dell'utensile e assicurare un lavoro di rifinitura di prima qualità, è importante che la macchina non sia sovraccaricata esercitando troppa pressione. In moltissimi casi il solo peso della macchina è sufficiente per una efficace molatura. Una pressione troppo forte porta ad una riduzione della velocità di rotazione, ad una minore rifinitura di superfici ad un sovraccarico che potrebbe ridurre la vita della macchina.

2. Angolo di molatura

Non appoggiare l'intera superficie della mola al materiale da molare. (Vedere Fig. 1), la macchina deve essere tenuta ad un angolo di 15° - 30°, in modo che il bordo esterno della mola venga a contatto dell'oggetto da lavorare con un angolo ottimale.

3. Per evitare che una mola nuova scavi nell'oggetto da lavorare, all'inizio la molatura deve essere eseguita tirando la smerigliatrice, attraverso l'oggetto da lavorare, nella direzione dell'operatore (Fig. 1 direzione B). Una volta smussato a punto lo spigolo della mola, la molatura puessere eseguita nell'uno o nell'altro senso.**4. Precauzioni da prendere immediatamente dopo aver eseguito il lavoro di rifinitura**

La mola continua a ruotare dopo che l'utensile è stato spento.

Dopo aver spento la macchina, non posarla fino a che la mola non sia completamente arrestata.

Oltre ad evitare gravi incidenti, questa precauzione riduce la quantità di polvere e di detriti succhiati all'interno della macchina.

ATTENZIONE

- Controllare che il pezzo da lavorare sia sostenuto bene.
- Assicurarsi che le aperture di ventilazione siano libere quando si lavora in condizioni polverose. Se fosse necessario eliminare la polvere, prima scollegare l'utensile dalla presa di corrente (usare oggetti non metallici) ed evitare di danneggiare le parti interne.
- Assicurarsi che le scintille prodotte dall'uso non creino pericoli, come colpire persone o dare fuoco a sostanze infiammabili.
- Usare sempre protezione per gli occhi e le orecchie. Altro abbigliamento di protezione come maschera antipolvere, guanti, casco e grembiule deve essere indossato quando necessario. In caso di dubbi, indossare l'abbigliamento protettivo.
- Quando la macchina non è usata è necessario staccare la spina dalla presa.

MONTAGGIO E RIMOZIONE DELLA MOLA
(Fig. 2)

ATTENZIONE Assicurarsi di spegnere (OFF) e di scollegare la spina del cavo dalla presa di corrente per evitare rischi.

1. Montaggio (Fig. 2)

- (1) Capovolgere la smerigliatrice angolare in modo che l'asse sia rivolto in alto.

- (2) Allineare la parte piatta trasversale della rondella ruota con la parte intaccata dell'asse e unire le due parti.
- (3) Inserire la sporgenza della ruota centrale incassata nella rondella ruota.
- (4) Avvitare il dado ruota sull'asse.
- (5) Premendo il pulsante con una mano, bloccare l'asse facendo girare la ruota centrale incassata lentamente con l'altra mano.
Serrare il dado ruota usando la chiave in dotazione come mostrato in Fig. 2.

2. Rimozione

Seguire all'inverso il procedimento suddetto.

ATTENZIONE

- Controllare che la mola sia montata saldamente.
- Controllare che la tast di blocco sia libera, spingendola due o tre volte prima di accendere l'utensile a motore.

MANUTENZIONE E CONTROLLI

1. Controllo della mola

Assicurarsi che la mola sia priva di incrinature e di difetti di superficie.

2. Controllo delle viti di tenuta

Controllare regolarmente tutte le viti di tenuta e assicurarsi che siano esclusivamente serrate. Nel caso che una di queste viti dovesse allentarsi riserrarla immediatamente. Se si non ottiene di farlo, si può causare un grave incidente.

3. Ispezione delle spazzole di carbone

Per mantenere la vostra sicurezza e la protezione da scosse elettriche, l'ispezione delle spazzole di carbone e la loro sostituzione su questo utensile deve essere eseguita SOLO da un CENTRO ASSISTENZA AUTORIZZATO HITACHI.

4. Sostituzione del cavo di alimentazione

Se il cavo di alimentazione dell'attrezzo è danneggiato, l'attrezzo deve essere rinvio ad un centro assistenza autorizzato Hitachi per la sostituzione del cavo.

5. Manutenzione del motore

L'avvolgimento del motore il vero e proprio "cuore" degli attezzi elettrici. Fare attenzione a non danneggiare l'avvolgimento e/o non bagnarlo con olio o acqua.

6. Lista dei pezzi di ricambio

- A: N. voce
- B: N. codice
- C: N. uso
- D: Note

CAUTELA

Riparazioni, modifiche e ispezioni di utensili elettrici Hitachi devono essere eseguite da un centro assistenza Hitachi autorizzato.

Questa lista dei pezzi torna utile se viene presentata con l'utensile al centro assistenza Hitachi autorizzato quando si richiedono riparazioni o altri interventi di manutenzione.

Nell'uso e nella manutenzione degli utensili elettrici devono essere osservate le normative di sicurezza e i criteri prescritti in ciascun paese.

MODIFICHE

Gli utensili elettrici Hitachi vengono continuamente migliorati e modificati per includere le più recenti innovazioni tecnologiche.

Di conseguenza, alcuni pezzi (p.es. numero di codice e/o design) possono essere modificati senza preavviso.

GARANZIA

Garantiamo gli Utensili Elettrici Hitachi in conformità alle specifiche normative imposte dalla legge e dai paesi. Questa garanzia non copre difetti o danni dovuti a uso erraneo, abuso o normale usura. In caso di lamentele, si prega di inviare l'Utensile Elettrico, non smontato, insieme al CERTIFICATO DI GARANZIA che si trova al termine di queste Istruzioni per l'uso, ad un Centro di Assistenza Autorizzato Hitachi.

NOTA

A causa del continuo programma di ricerca e sviluppo della HITACHI, le caratteristiche riportate in questo foglio sono soggette a cambiamenti senza preventiva comunicazione.

Informazioni riguardanti i rumori trasmessi dall'aria e le vibrazioni

I valori misurati sono stati determinati in conformità a EN60745 e descritti in conformità alla normativa ISO 4871.

Livello misurato di potenza sonora pesato A: 95 dB (A)

Livello misurato di pressione sonora pesato A: 84 dB (A)
KpA incertezza: 3 dB (A)

Indossare protezioni per le orecchie.

Il valore efficace pesato tipico dell'accelerazione è di 4,9 m/s².

ALGEMENE VEILIGHEIDSVORSCHRIFTEN

WAARSCHUWING!

Lees alle instructies aandachtig door

Nalating om de hieronderstaande voorschriften op te volgen kan in elektrische schok, brand en/of ernstig letsel resulteren.

De term "elektrisch gereedschap" heeft zowel betrekking op elektrisch gereedschap dat via de netvoeding van stroom wordt voorzien als gereedschap dat via een accu (snoerloos) van stroom wordt voorzien.

BEWAAR DEZE INSTRUCTIES

1) Werkplek

- a) **Zorg voor een schone en goed verlichte werkplek.**

Een rommelige en donkere werkplek verhoogt de kans op ongelukken.

- b) **Gebruik het elektrisch gereedschap niet in een omgeving met ontplofbare vloeistoffen, gassen of stof.**

Elektrisch gereedschap kan vonken afgeven. Deze vonkjes kunnen stofdeeltjes of gassen doen ontbranden.

- c) **Houd kinderen en andere toeschouwers tijdens het gebruik van elektrische gereedschap uit de buurt.**

Afleidingen kunnen gevaarlijk zijn.

2) Elektrische veiligheid

- a) **De stekker op het elektrische gereedschap moet geschikt zijn voor aansluiting op de wandcontactdoos.**

De stekker mag op geen enkele manier gemodificeerd worden. Gebruik geen verloopstekker met geaard elektrisch gereedschap.

Deugdelijke stekkers en geschikte wandcontactdozen verminderen het risico op een elektrische schok.

- b) **Vermijd lichamen contact met geaarde oppervlakken zoals leidingen, radiatoren, fornuizen en koelkasten.**

Wanneer uw lichaam in contact staat met geaarde oppervlakken loopt u een groter risico op een elektrische schok.

- c) **Stel het elektrisch gereedschap niet bloot aan regen of vochtige omstandigheden.**

Het risico op een elektrische schok wordt vergroot wanneer er water in het elektrisch gereedschap terecht komt.

- d) **Behandel het snoer voorzichtig. Draag het gereedschap nooit door dit bij het snoer vast te houden. Trek niet aan het snoer wanneer u de stekker uit het stopcontact wilt halen.**

Houd het snoer uit de buurt van warmtebronnen, olie, scherpe randen of bewegende onderdelen. Een beschadigd of verward snoer verhoogt het risico op een elektrische schok.

- e) **Gebruik buitenshuis een verlengsnoer dat specifiek geschikt is voor het gebruik buiten.**

Het gebruik van een snoer dat specifiek geschikt is voor gebruik buitenshuis vermindert het risico op een elektrische schok.

3) Persoonlijke veiligheid

- a) **Blijf waakzaam, let voortdurend op uw werk en gebruik uw gezond verstand wanneer u elektrisch gereedschap gebruikt.**

Gebruik geen elektrisch gereedschap wanneer u moe bent of onder invloed van drugs, alcohol of medicijnen.

Eén moment van onoplettendheid kan in ernstig lichamen letsel resulteren.

- b) **Gebruik persoonlijke beschermingsmiddelen. Draag altijd oogbescherming.**

Persoonlijke beschermingsmiddelen, zoals stofmaskers, niet-glijdende veiligheidsschoenen, helm of oorbescherming vermindert het risico op lichamen letsel.

- c) **Voorkom dat het gereedschap per ongeluk op kan starten. Controleer of de schakelaar op de uit stand staat voordat u de stekker in het stopcontact steekt.**

Zorg ervoor dat u tijdens het verplaatsen van het elektrisch gereedschap uw vingers uit de buurt van de schakelaar houdt en steek de stekker van het gereedschap niet in het stopcontact terwijl de schakelaar op aan staat om ongelukken te vermijden.

- d) **Verwijder sleutels en moersleutels uit het gereedschap voordat u het elektrisch gereedschap aanzet.**

Een (moer-)sleutel die op een bewegend onderdeel van het elektrisch gereedschap bevestigd is kan in lichamen letsel resulteren.

- e) **Reik niet te ver. Zorg ervoor dat u te allen tijde stevig staat en uw evenwicht behoudt.**

Op deze manier heeft u tijdens een onverwachte situatie meer controle over het elektrisch gereedschap.

- f) **Draag geen loszittende kleding of sieraden. Houd uw haar, kleding en handschoenen uit de buurt van bewegende onderdelen.**

Loszittende kleding, sieraden en lang haar kunnen in de bewegende onderdelen verstrikt raken.

- g) **Indien het elektrisch gereedschap van een aansluiting voor stofafzuiging is voorzien dan dient u ervoor te zorgen dat de stofafzuiging aangesloten en op de juiste manier gebruikt wordt.**

Het gebruik van stofafzuiging vermindert eventuele stofgerelateerde risico's.

4) Bediening en onderhoud van elektrisch gereedschap

- a) **Het elektrisch gereedschap mag niet geforceerd worden. Gebruik het juiste gereedschap voor het karwei.**

U kunt de klus beter en veiliger uitvoeren wanneer u het juiste elektrische gereedschap gebruikt.

- b) **Gebruik het elektrisch gereedschap niet als de schakelaar niet goed werkt.**

Elektrisch gereedschap dat niet via de schakelaar bediend kan worden is gevaarlijk en moet onmiddellijk gerepareerd worden.

- c) **Haal de stekker uit het stopcontact voordat u afstellingen verricht, accessoires verwisselt of voordat u het elektrisch gereedschap opbergt.**

Dergelijke preventieve veiligheidsmaatregelen verminderen het risico dat het elektrisch gereedschap per ongeluk opstart.

- d) **Berg elektrisch gereedschap buiten het bereik van kinderen op en sta niet toe dat personen die niet bekend zijn met het juiste gebruik van het gereedschap of deze voorschriften dit elektrisch gereedschap gebruiken.**

Elektrisch gereedschap is gevaarlijk in onbevoegde handen.

- e) **Het elektrisch gereedschap moet regelmatig onderhouden worden. Controleer het gereedschap op een foutieve uitlijning, vastgelopen of defecte bewegende onderdelen en andere problemen die van invloed zijn op de juiste werking van het gereedschap. Indien het gereedschap defect of beschadigd is moet het gerepareerd worden voordat u het gereedschap opnieuw gebruikt.**

Slecht onderhouden elektrisch gereedschap is verantwoordelijk voor een groot aantal doe-het-zelf ongelukken.

- f) **Houd slijpwerktuigen scherp en schoon.**

Goed onderhouden slijpwerktuigen met scherpe snijranden lopen minder snel vast en zijn gemakkelijker in het gebruik.

- g) **Elektrisch gereedschap, toebehoren, bits enz. moeten in overeenstemming met deze instructies en het bestemde doel worden gebruikt waarbij de werkomstandigheden en het werk in overweging moeten worden genomen.**

Gebruik van elektrisch gereedschap voor andere doeleinden dan het bestemde doel kan tot gevaarlijke situaties leiden.

5) Onderhoudsbeurt

- a) **Het gereedschap mag uitsluitend door bevoegd onderhoudspersoneel worden onderhouden die authenticiteit onderdelen gebruikt.**

Hierdoor kunt u erop aan dat de veiligheid van het elektrisch gereedschap behouden blijft.

VOORZORGMATREGELEN

Houd kinderen en kwetsbare personen op een afstand. Het gereedschap moet na gebruik buiten het bereik van kinderen en andere kwetsbare personen worden opgeborgen.

ALGEMENE VEILIGHEIDSINSTRUCTIES VOOR DE SLIJPMACHINE

- Controleer dat de op het wiel aangegeven snelheid gelijk aan of groter dan de nominale snelheid van de slijpmachine is;
- Controleer dat de afmetingen van het wiel compatibel zijn met de slijpmachine;
- Schuurwielen dienen, overeenkomstig met de instructies van de fabrikant, voorzichtig te worden gebruikt en opgeslagen;
- Controleer een slijpwiel vóór gebruik – gebruik geen afgesplinterde, gebroken of anderszins defecte producten;
- Controleer dat aangehaakte wielen en punten in overeenstemming met de instructies van de fabrikant worden gemonteerd;
- Zorg dat u, indien meegeleverd en nodig, vloeiblokken gebruikt met het aangehechte schuurproduct;
- Controleer vóór gebruik dat het schuurproduct correct is aangehaakt en vastgemaakt en zet het apparaat zonder last en in veilige positie aan voor een periode van 30 seconden. Zet het apparaat onmiddellijk uit bij heftige vibraties of andere defecten. Controleer het apparaat in het geval van defecten en zoek naar de oorzaak;
- Indien het apparaat wordt geleverd met een afscherming dient u deze te allen tijde te gebruiken;
- Gebruik geen losse adapters of hulzen om schuurwielen met te grote gaten te kunnen plaatsen;
- Controleer bij het gebruik van een van binnen bedraad wiel dat het draad lang genoeg is voor de spilengte;
- Zorg dat het werkstuk goed wordt ondersteund;
- Gebruik geen afgezaagde wielen voor zijslippen;
- Zorg dat eventuele vonken niet voor schade kunnen zorgen, bijvoorbeeld door tegen mensen op te spatten, of door ontvlambare substanties te onsteken;
- Zorg dat de ventilatiegaten niet worden geblokkeerd bij gebruik onder stoffige omstandigheden. Indien het noodzakelijk is om het gereedschap schoon te maken, haal dan eerst de stekker uit het stopcontact (gebruik geen objecten van metaal) en voorkom beschadiging van interne onderdelen;
- Draag altijd oog- en oorbescherming. Ook andere beschermende uitrusting zoals stofmasker, handschoenen, helm en schort dient te worden gedragen;
- Houd het wiel, dat ook na uitschakeling nog even blijft draaien, goed in de gaten.

TECHNISCHE GEGEVENS

Model	G10SR3	G12SR3	G13SR3
Voltage (verschillend van gebied tot gebied)*	(110V, 120V, 220V, 230V, 240V) ~		
Opgenomen vermogen*	730 W		
Toerental onbelast	10000 min ⁻¹		
Schuur schijf	Buitendiameter × diameter gat	100 × 16 mm	115 × 22 mm
	Omtreksnelheid	72 m/s	80 m/s
Gewicht (Alleen hoofdeenheid)		1,4 kg	

*Controleer het naamplaatje op het apparaat daar het apparaat afhankelijk van het gebied waar het verkocht wordt kan verschillen.

STANDAARD TOEBEHOREN

- (1) Sleutel 1
 (2) Handgreep 1
 De standaard toebehoren kunnen zonder aankondiging op ieder moment worden veranderd.

TOEPASSINGEN

- Verwijdering van gietresten en eindafwerking van verschillende staalkwaliteiten, brons- en aluminiummaterialen en gietdelen.
- Het schuren van gelaste stukken of van door brandsnijden vervaardigde stukken.
- Het schuren van kunsthars, lei, baksteen, marmer, etc.

VOOR BEGIN VAN WERK

1. **Netspanning**
 Controleren of de netspanning overeenkomt met de opgave op het naamplaatje.
2. **Netschakelaar**
 Controleren of de netschakelaar op "UIT" staat. Wanneer de stekker op het net aangesloten is, terwijl de schakelaar op "AAN" staat, begint het gereedschap onmiddellijk te draaien, hetwelk ernstig gevaar betekent.
3. **Verlengsnoer**
 Wanneer het werkerrein niet in de buurt van een stopcontact ligt, dan moet men gebruik maken van een verlengsnoer, dat voldoende dwarsprofiel en voldoende nominaal vermogen heeft. Het verlengsnoer moet zo kort mogelijk gehouden worden.
4. **Het aanbrengen en instellen van de beschermkap**
 De beschermkap is een beveiligingsinrichting, waardoor schade verhinderd moet worden, wanneer de schuurschijf tijdens het bedrijf zou breken. Er moet op gelet worden, dat de kap juist aangebracht en bevestigd is, voordat men met het schuren begint. Door het licht losdraaien van de vergrendelingsschroef kan de beschermkap gedraaid en in elke gewenste hoek ingesteld worden om een maximaal prestatievermogen te bereiken. Zekergesteld moet worden, dat de vergrendelingsschroef na het instellen van de beschermkap juist vastgedraaid wordt.
5. **Controleer of gemonteerde schijven en andere onderdelen in overeenstemming met de aanwijzingen van de fabrikant zijn bevestigd.**
 Verder moet er op gelet worden, dat de te gebruiken schuurschijf de juiste uitvoering is en zonder scheurtjes en oppervlaktefoutjes is. Tevens moet er op gelet worden, dat de schuurschijf juist gemonteerd en de moer van de schuurschijf vast aangedraaid is. Zie het punt "MONTEREN EN DEMONTEREN VAN DE SCHUURSCHIJF".
 Zorg ervoor dat er een vloeiblok gebruikt wordt als dit wordt meegeleverd met verlijmd schuurproducten en gebruik daarvan vereist is. Gebruik geen losse vulringen of adapters om slijpschijven met te grote middengaten te gebruiken. Voor gereedschap dat bedoeld is voor montage van schijven met schroefdraad dient u ervoor te zorgen

dat de schroefdraad in de schijf lang genoeg is voor de lengte van de as.

Gebruik de oppervlakte van een slijpschijf niet om te schuren.

6. **Het uitvoeren van een proefdraaiing**
 Zorg ervoor dat het schuurproduct op de juiste manier gemonteerd en vastgezet is voor gebruik, laat het gereedschap zonder belasting 30 seconden lang op een veilige plek proefdraaien en stop onmiddellijk als u trillingen voelt of andere problemen bemerkt. In een dergelijk geval dient u de machine te inspecteren om de oorzaak op te sporen.
7. **Controleer de blokkeerstift.**
 Controleer of de blokkeerstift los is door er een paar keer op te drukken voor u het elektrisch gereedschap aan zet. (Zie **Afb. 2**)
8. **Bevestigen van de handgreep**
 Schroef de handgreep in de behuizing vast.

PRAKTISCH SCHUURWERK

1. **Druk**
 Voor de levensduur van de machine en voor prima werk is het belangrijk, dat de machine niet door te sterke druk overbelast wordt. Bij het meeste gebruik is het gewicht van de machine voor doeltreffend schuren voldoende. Te sterke druk leidt tot een verminderd toerental, slecht afgewerkt oppervlak en een overbelasting die de levensduur van de machine zou kunnen verminderen.
2. **Schuurhoek**
 Niet de totale oppervlakte van de schuurschijf op het te schuren materiaal leggen. De machine moet in een hoek van 15° – 30° gehouden worden, zoals afgebeeld in **Afb. 1**, zodat de buitenkant van de schuurschijf het werkstuk in een optimale hoek aanraakt.
3. **Opdat een nieuwe schuurschijf zich niet in het werkstuk graaft, moet met het begin van het schuurwerk zo uitgevoerd worden, dat de schuurmachine over het werkstuk naar degene, die de machine bedient, getrokken wordt (**Afb. 1 richting B**).** Wanneer de voorkant van de schuurschijf desbetreffend afgeschuurd is, kan het schuren in beide richtingen uitgevoerd worden.
4. **Veiligheidsmaatregelen onmiddellijk na beëindiging van het werk**
 De schijf blijft draaien nadat het gereedschap is uitgeschakeld.
 Na het uitschakelen mag de machine pas neergelegd worden, wanneer de schuurschijf volledig tot stilstand gekomen is. Afgezien van dat u hiermee ongelukken vermijdt, wordt door deze veiligheidsmaatregel tevens vermeden, dat stof en spaanders in de machinegezogen worden.

LET OP

- Controleer of het werkstuk goed ondersteund wordt.
- Zorg ervoor dat de ventilatie-openingen vrij blijven, vooral wanneer u onder stoffige omstandigheden moet werken. Als u stof moet verwijderen, dient u eerst de stekker van het gereedschap uit het stopcontact te halen (gebruik in geen geval metalen voorwerpen) en zorg ervoor dat u de onderdelen in het binnenwerk niet beschadigt.

- Zorg ervoor dat eventuele vonken geen gevaar kunnen opleveren, dus bijv. geen personen kunnen raken of brandbare materialen kunnen ontsteken.
- Draag altijd oog- en gehoorbescherming. Andere beschermingsmiddelen, zoals een stofmasker, handschoenen, helm en schort moeten worden gebruikt indien nodig. Bij twijfel kunt u deze beschermingsmiddelen het beste gebruiken.
- Wanneer de machine niet gebruikt wordt, moet de stekker uit het stopcontact getrokken worden.

MONTEREN EN DEMONTEREN VAN DE SCHUURSCHIJF (Afb. 2)

VOORZICHTIG Zorg ervoor dat de stroom is uitgeschakeld (OFF) en dat de stekker uit de stroom-aansluiting is getrokken. Dit om ernstige problemen te voorkomen.

1. Monteren (Afb. 2)

- (1) Keer de haakse slijpmachine ondersteboven zodat de as naar boven wijst.
- (2) Pas de onderlegging op de inkeping van de as en maak deze vast.
- (3) Pas het uitsteeksel van de schijf met het verlaagde midden op de onderlegging.
- (4) Schroef de schijfmoer op de as.
- (5) Druk met één hand de borgknop in en vergrendel de as door de schijf met het verlaagde midden langzaam met uw andere hand rond te draaien. Zet de schijfmoer vast met de meegeleverde sleutel, zoals u kunt zien op **Afb. 2**.

2. Demonteren

Het demonteren geschiedt in omgekeerde volgorde.

VOORZICHTIG

- Controleer of de schuurschijf stevig vastzit.
- Gekontroleerd moet worden of de drukknop losgemaakt is, door twee of drie keer voor het aanschakelen van het apparaat op de drukknop te drukken.

ONDERHOUD EN INSPECTIE

1. Controle van de schuurschijf

Er moet op gelet worden, dat de schuurschijf zonder scheurtjes en foutjes aan de oppervlakte is.

2. Inspectie van de bevestigingsschroef

Alle bevestigingsschroeven worden regelmatig geïnspecteerd en gecontroleerd of zij juist aangedraaid zijn. Wanneer één van de schroeven losraakt, dan moet deze onmiddellijk opnieuw aangedraaid worden. Gebeurt dat niet, dan kan dat tot aanzienlijke gevaren leiden.

3. Inspecteren van de koolborstels

Met het oog op uw veiligheid en om elektrische schokken te voorkomen, mag inspectie en vervanging van de koolborstels ALLEEN uitgevoerd worden door een ERKEND HITACHI SERVICE-CENTRUM.

4. Vervangen van het stroomsnoer

Als het stroomsnoer van het gereedschap beschadigd raakt, moet het gereedschap aan een erkend Hitachi Service-centrum worden geretourneerd om het stroomsnoer te laten vervangen.

5. Onderhoud van de motor

De motorwikkeling is het "hart" van het elektrische gereedschap. Er moet daarom bijzonder zorgvuldig op gelet worden, dat de wikkeling niet beschadigd en/of met olie of water bevochtigd wordt.

6. Lijst vervangingsonderdelen

- A: Ond.nr.
- B: Codenr.
- C: Gebr.nr.
- D: Opm.

LET OP

Reparatie, modificatie en inspectie van Hitachi elektrisch gereedschap dient te worden uitgevoerd door een erkend Hitachi Service-centrum.

Deze Onderdelenlijst komt van pas wanneer u deze samen met het gereedschap aanbiedt bij het erkende Hitachi Service-centrum wanneer u om reparatie of ander onderhoud verzoekt.

Bij gebruik en onderhoud van elektrisch gereedschap dienen de in het land waar u zich bevindt geldende veiligheidsregelgeving en veiligheidsstandaarden strikt te worden opgevolgd.

MODIFICATIES

Hitachi elektrisch gereedschap wordt voortdurend verbeterd en gewijzigd teneinde gebruik te kunnen maken van de nieuwste technische ontwikkelingen. Daarom is mogelijk dat sommige onderdelen (zoals codenummers en/of ontwerp) zonder voorafgaande kennisgeving gewijzigd worden.

GARANTIE

De garantie op het elektrisch gereedschap van Hitachi is in overeenstemming met de wettelijke/landspecifieke richtlijnen. Deze garantie dekt geen defecten of schade als gevolg van foutief gebruik, misbruik of normale slijtage. In geval van klachten verzoeken wij u het elektrisch gereedschap samen met het GARANTIECERTIFICAAT dat u achterin deze handleiding aantreft naar een erkend servicecentrum van Hitachi te sturen. Indien door de gebruiker de machine wordt gedemonteerd vervalt de aanspraak op garantie.

AANTEKENING

Op grond van het voortdurende research- en ontwikkelingsprogramma van HITACHI zijn veranderingen van de hierin genoemde technische opgaven voorbehouden.

Informatie betreffende luchtgeluid en trillingen

De gemeten waarden zijn verkregen overeenkomstig EN60745 en voldoen aan de eisen van ISO 4871.

Gemeten A-gewogen geluidsniveau: 95 dB (A)
Gemeten A-gewogen geluidsdruk niveau: 84 dB (A)
Onzekerheid KpA: 3 dB (A)

Draag gehoorbescherming.

Typische gewogen effectieve versnellingswaarde:
4,9 m/s².

NORMAS GENERALES DE SEGURIDAD

¡ADVERTENCIA!

Lea todas las instrucciones

Si no se siguen las instrucciones de abajo podría producirse una descarga eléctrica, un incendio y/o daños graves.

El término "herramienta eléctrica" en todas las advertencias indicadas a continuación hace referencia a la herramienta eléctrica que funciona con la red de suministro (con cable) o a la herramienta eléctrica que funciona con pilas (sin cable).

CONSERVE ESTAS INSTRUCCIONES

1) Área de trabajo

- a) Mantenga la zona de trabajo limpia y bien iluminada.

Las zonas desordenadas y oscuras pueden provocar accidentes.

- b) No utilice las herramientas eléctricas en entornos explosivos como, por ejemplo, en presencia de líquidos inflamables, gases o polvo.

Las herramientas eléctricas crean chispas que pueden hacer que el polvo desprenda humo.

- c) Mantenga a los niños y transeúntes alejados cuando utilice una herramienta eléctrica.

Las distracciones pueden hacer que pierda el control.

2) Seguridad eléctrica

- a) Los enchufes de las herramientas eléctricas tienen que ser adecuados a la toma de corriente. No modifique el enchufe.

No utilice enchufes adaptadores con herramientas eléctricas conectadas a tierra.

Si no se modifican los enchufes y se utilizan tomas de corriente adecuadas se reducirá el riesgo de descarga eléctrica.

- b) Evite el contacto corporal con superficies conectadas a tierra como tuberías, radiadores y frigoríficos.

Hay mayor riesgo de descarga eléctrica si su cuerpo está en contacto con el suelo.

- c) No exponga las herramientas eléctricas a la lluvia o a la humedad.

La entrada de agua en una herramienta eléctrica aumentará el riesgo de descarga eléctrica.

- d) No utilice el cable incorrectamente. No utilice el cable para transportar, tirar de la herramienta eléctrica o desenchufarla.

Mantenga el cable alejado del calor, del aceite, de bordes afilados o piezas móviles.

Los cables dañados o enredados aumentan el riesgo de descarga eléctrica.

- e) Cuando utilice una herramienta eléctrica al aire libre, utilice un cable prolongador adecuado para utilizarse al aire libre.

La utilización de un cable adecuado para usarse al aire libre reduce el riesgo de descarga eléctrica.

3) Seguridad personal

- a) Esté atento, preste atención a lo que hace y utilice el sentido común cuando utilice una herramienta eléctrica.

No utilice una herramienta eléctrica cuando esté cansado o esté bajo la influencia de drogas, alcohol o medicación.

La distracción momentánea cuando utiliza herramientas eléctricas puede dar lugar a importantes daños personales.

- b) Utilice equipo de seguridad. Utilice siempre una protección ocular.

El equipo de seguridad como máscara para el polvo, zapatos de seguridad antideslizantes, casco o protección para oídos utilizado para condiciones adecuadas reducirá los daños personales.

- c) Evite un inicio accidental. Asegúrese de que el interruptor está en "off" antes de enchufarlo.

El transporte de herramientas eléctricas con el dedo en el interruptor o el enchufe de herramientas eléctricas con el interruptor encendido puede provocar accidentes.

- d) Retire las llaves de ajuste antes de encender la herramienta eléctrica.

Si se deja una llave en una pieza giratoria de la herramienta eléctrica podrían producirse daños personales.

- e) No se extralimite. Mantenga un equilibrio adecuado en todo momento.

Esto permite un mayor control de la herramienta eléctrica en situaciones inesperadas.

- f) Vístase adecuadamente. No lleve prendas sueltas o joyas. Mantenga el pelo, la ropa y los guantes alejados de las piezas móviles.

La ropa suelta, las joyas y el pelo largo pueden pillarse en las piezas móviles.

- g) Si se proporcionan dispositivos para la conexión de extracción de polvo e instalaciones de recogida, asegúrese de que están conectados y se utilizan adecuadamente.

La utilización de estos dispositivos puede reducir los riesgos relacionados con el polvo.

4) Utilización y mantenimiento de las herramientas eléctricas

- a) No fuerce la herramienta eléctrica. Utilice la herramienta eléctrica correcta para su aplicación.

La herramienta eléctrica correcta trabajará mejor y de forma más segura si se utiliza a la velocidad para la que fue diseñada.

- b) No utilice la herramienta eléctrica si el interruptor no la enciende y apaga.

Las herramientas eléctricas que no pueden controlarse con el interruptor son peligrosas y deben repararse.

- c) Desconecte el enchufe de la fuente eléctrica antes de hacer ajustes, cambiar accesorios o almacenar herramientas eléctricas.

Estas medidas de seguridad preventivas reducen el riesgo de que la herramienta eléctrica se ponga en marcha accidentalmente.

- d) Guarde las herramientas eléctricas que no se utilicen para que no las cojan los niños y no permita que utilicen las herramientas eléctricas personas no familiarizadas con las mismas o con estas instrucciones.

Las herramientas eléctricas son peligrosas si son utilizadas por usuarios sin formación.

- e) Mantenimiento de las herramientas eléctricas. Compruebe si las piezas móviles están mal alineadas o unidas, si hay alguna pieza rota u otra condición que pudiera afectar al funcionamiento de las herramientas eléctricas.

Si la herramienta eléctrica está dañada, llévela a reparar antes de utilizarla.

Se producen muchos accidentes por no realizar un mantenimiento correcto de las herramientas eléctricas.

f) Mantenga las herramientas de corte afiladas y limpias.

Las herramientas de corte correctamente mantenidas con los bordes de corte afilados son más fáciles de controlar.

g) Utilice la herramienta eléctrica, los accesorios y las brocas de la herramienta, etc., de acuerdo con estas instrucciones y de la manera adecuada para el tipo de herramienta eléctrica, teniendo en cuenta las condiciones laborales y el trabajo que se va a realizar.

La utilización de la herramienta eléctrica para operaciones diferentes a pretendidas podría dar lugar a una situación peligrosa.

5) Revisión

a) Lleve su herramienta a que la revise un experto cualificado que utilice sólo piezas de repuesto idénticas.

Esto garantizará el mantenimiento de la seguridad de la herramienta eléctrica.

PRECAUCIÓN

Mantenga a los niños y a las personas enfermas alejadas.

Cuando no se utilicen, las herramientas deben almacenarse fuera del alcance de los niños y de las personas enfermas.

INSTRUCCIONES GENERALES DE SEGURIDAD PARA AMOLADORAS

- Compruebe que la velocidad marcada en la rueda es igual o superior a la velocidad media de la amoladora;
- Asegure que las dimensiones de la rueda son compatibles con la amoladora;

- Las ruedas abrasivas deben almacenarse y manipularse con cuidado de acuerdo con las instrucciones del fabricante;
- Inspeccione la rueda amoladora antes de utilizarla. No utilice productos descascarillados, agrietados o defectuosos;
- Asegure que las ruedas y puntos montados se ajustan a las instrucciones del fabricante;
- Asegure que se utilizan secantes cuando se proporcionan con el producto abrasivo y cuando se requiera;
- Asegure que le producto abrasivo está correctamente montado y ajustado antes de la utilización y ponga en marcha la herramienta sin carga durante 30 segundos en una posición segura; pare inmediatamente si hay vibración considerable o si se detectan otros defectos. Si ocurre esto, compruebe la máquina para determinar la causa;
- Si la herramienta se proporciona con una tapa, no utilice nunca la herramienta sin dicha tapa;
- No utilice cojinetes reductores o adaptadores diferentes para adaptar ruedas abrasivas de orificio grande;
- Para herramientas que se utilicen con rueda de orificio roscado, asegúrese de que la rosca de la rueda es lo suficientemente larga para aceptar la longitud del eje;
- Compruebe que la pieza de trabajo está bien sujeta;
- No utilice una rueda de recorte para el amole lateral;
- Asegúrese de que las chispas emitidas al utilizar la herramienta no crean ningún riesgo, es decir, no alcanzan a ninguna persona ni sustancia inflamable;
- Asegúrese de que las aperturas de ventilación están despejadas cuando trabaje en condiciones con polvo. Si es necesario limpiar el polvo, desconecte primero la herramienta de la toma de corriente (utilice objetos no metálicos) y evite dañar las piezas internas;
- Utilice siempre protección de ojos y de oídos, así como otro equipo protector personal como máscara de polvo, guantes, casco y mono;
- Preste atención a la rueda que sigue girando tras apagar la herramienta.

ESPECIFICACIONES

Modelos		G10SR3	G12SR3	G13SR3
Voltaje (por áreas)*		(110V, 120V, 220V, 230V, 240V) ~		
Acometida*		730 W		
Velocidad marcha en vacío		10000 min ⁻¹		
Muela	Diámetro exterior x diámetro del orificio	100 x 16 mm	115 x 22 mm	125 x 22 mm
	Velocidad periférica	72 m/s	80 m/s	
Peso (Cuerpo principal solamente)		1,4 kg		

*Verificar indefectiblemente los datos de la placa de características de la máquina, pues varían de acuerdo al país de destino.

ACCESORIOS ESTANDAR

- (1) Llave para tuercas 1
 (2) Asidero lateral 1
 Los accesorios estándar están sujetos a cambio sin previo aviso.

APLICACIONES

- Eliminación de rebabas de juntas y acabado de diversos tipos de acero, bronce y aluminio, materiales y fundiciones.
- Alisado de secciones soldadas o secciones cortadas por medio de soldadura.
- Alisado de resina sintética, pizarra, ladrillo, mármol, etc.

ANTES DE LA PUESTA EN MARCHA

1. Alimentación

Asegurarse de que la alimentación de red que ha de ser utilizada responda a las exigencias de corriente especificadas en la placa de características del producto.

2. Conmutador de alimentación

Asegurarse de que el conmutador de alimentación esté en la posición OFF (desconectado). Si la clavija está conectada en la caja del enchufe mientras el conmutador de alimentación está en posición ON (conectado) las herramientas eléctricas empezarán a trabajar inmediatamente, provocando un serio accidente.

3. Cable de prolongación

Cuando está alejada el área de trabajo de la red de alimentación, usar un cable de prolongación de un grosor y potencia nominal suficiente. El cable de prolongación debe ser mantenido lo más corto posible.

4. Montar y ajustar la cubierta protectora de muela

La cubierta protectora de muela es un dispositivo protector para evitar heridas, en caso de que la muela de alisado se quiebre durante la operación. Asegurarse de que la cubierta protectora esté bien montada y apretada antes de comenzar con la operación de alisado.

Al soltar un poco el tornillo de ajuste, deja de girar la cubierta protectora de muela, por lo que se podrá poner en cualquier ángulo deseado para una efectividad máxima operacional. Asegurarse de que el tornillo de ajuste esté apretado firmemente después de ajustar la cubierta protectora.

5. Asegúrese de que las muelas y las puntas montadas se encuentren instaladas de acuerdo con las instrucciones del fabricante.

Asegurarse de que la muela de alisado a utilizar sea de tipo correcto y libre de rajadas o defectos de superficie. También asegurarse de que la muela de alisado esté montada debidamente y que la contratuerca de muela esté apretada firmemente. Dirigirse a la sección de "MONTAJE Y DESMONTAJE DE LA MUELA ALISADO".

Asegúrese de que se utilicen discos de papel secante cuando estén provistos con el producto abrasivo ligado, y cuando sean requeridos.

No utilice casquillos reductores ni adaptadores para adaptar las muelas abrasivas de gran orificio.

Para las herramientas que se han de montar con muelas de orificio roscado, asegúrese de que la rosca de la muela sea lo suficientemente larga para poder aceptar el largo del husillo.

No utilice la muela de corte para el rectificado lateral.

6. Realizar una prueba

Asegúrese de que los productos abrasivos estén correctamente montados y apretados antes del uso, y haga funcionar la herramienta sin carga durante 30 segundos en una posición segura. Apáguela inmediatamente si nota una vibración considerable u otros defectos. Si se produce esta condición, inspeccione la herramienta para determinar la causa.

7. Confirme el botón

Confirme que el botón pulsador esté desactivado presionando el botón pulsador dos o tres veces antes de conectar la alimentación de la herramienta eléctrica (vea la Fig. 2).

8. Instalación del asidero lateral

Atornille el asidero lateral en la cubierta de engranaje.

APLICACION PRACTICA DEL ALISADOR

1. Presión

Para prolongar la vida de la máquina y asegurar un acabado de primera clase, es importante que la máquina no sea recalentada aplicando demasiada presión. En la mayoría de las aplicaciones el sólo peso de la máquina, es suficiente para un alisado efectivo. Demasiada presión ocasionaría una reducida velocidad rotacional, inferior acabado de superficie y recalentamiento que reduciría la vida de la máquina.

2. Angulo de alisado

No aplicar toda la superficie de la muela de alisado al material a alisar. Como muestra en Fig. 1, la máquina deberá ser mantenida en un ángulo de 15° - 30° de tal manera que el canto externo de la muela de alisado contacte la pieza de trabajo en un ángulo óptimo.

3. Para prevenir que una nueva muela de alisado cave

la pieza de trabajo, el alisado inicial debe ser llevado a cabo tirando de la amoladora por encima de la pieza de trabajo hacia el operario (Fig. 1 dirección B). Una vez que el canto directriz de la muela de alisado esté bien raspado, el alisado puede ser realizado en cualquier dirección.

4. Precauciones inmediatamente después de haber acabado la operación.

La muela continuará girando después de apagar la herramienta.

Después de desconectar la máquina no posarla antes de que la muela de alisado se haya parado completamente. Aparte de evitar serios accidentes, esta precaución reduciría la cantidad de polvo y limaduras absorbidos por la máquina.

PRECAUCIONES

- Compruebe que la pieza de trabajo esté correctamente soportada.
- Cuando trabaje en ambientes polvorientos, asegúrese de que las aberturas de ventilación se mantengan libres de obstrucciones. Si llegara a ser necesario eliminar el polvo, primero desconecte la herramienta del tomacorriente de la red (use objetos no metálicos) y evite que se dañen las piezas internas.
- Asegúrese de que las chispas resultantes del uso no representen peligro alguno, por ejemplo, que no alcancen a las personas, ni que incendien sustancias inflamables.
- Utilice siempre protectores oculares y auriculares. Otros equipos de protección personal, como máscara contra el polvo, guantes, casco y delantal se deben usar según se requiera. En caso de dudas, utilice el equipo de protección.
- Cuando no se usa la máquina, debe estar desconectada a la acometida de red.

MONTAJE Y DESMONTAJE DE LA MUELA ALISADO (Fig. 2)

PRECAUCION Cerciórese de desconectar la alimentación y desenchufe el enchufe de la toma de alimentación de la red para evitar averías serias.

1. Montaje (Fig. 2)

- (1) Coloque la amoladora angular boca abajo de manera que el eje quede hacia arriba.
- (2) Alinee la distancia entre caras de la arandela de rueda con la parte muescada del eje, y luego fíjelas.
- (3) Encaje la protuberancia de la muela de alisado en la arandela molar.
- (4) Enrosque la tuerca de rueda en el eje.
- (5) Mientras empuja el botón pulsador con una mano, bloquee el eje haciendo girar lentamente la rueda de disco abombado con una mano.

Apriete la tuerca de rueda utilizando la llave suministrada, de la manera mostrada en la **Fig. 2**.

2. Desmontaje

Seguir los procedimientos antedichos a la inversa.

PRECAUCIONES

- Confirme que la muela de alisado esté firmemente montada.
- Confirmar que el botón esté desactivado presionando el botón dos o tres veces antes de conectar la alimentación de la herramienta eléctrica.

MANTENIMIENTO E INSPECCION

1. Inspeccionar la muela de alisado

Asegurarse de que la muela de alisado esté libre de rajaduras y defectos en la superficie.

2. Inspeccionar los tornillos de montaje:

Regularmente inspeccionar todos los tornillos de montaje y asegurarse de que estén apretados firmemente. Si cualquier tornillo estuviera suelto, volver a apretarlo inmediatamente. El no hacer esto provocaría un riesgo serio.

3. Inspección de las escobillas

Por motivos de seguridad contra descargas eléctricas, la inspección y el reemplazo de las escobillas deberán realizarse **SÓLAMENTE** en un CENTRO DE SERVICIO AUTORIZADO POR HITACHI.

4. Reemplazo del cable de alimentación

Si el cable de alimentación de la herramienta está dañado, envíe la herramienta al Centro de Servicio Autorizado de Hitachi para que le cambien el cable de alimentación.

5. Mantenimiento de motor

La unidad de bobinado del motor es el verdadero "corazón" de las herramientas eléctricas. Prestar el mayor cuidado a asegurarse de que el bobinado no se dañe y/o se humedezca con aceite o agua.

6. Lista de repuestos

- A: N°. ítem
- B: N°. código
- C: N°. usado
- D: Observaciones

PRECAUCIÓN

La reparación, modificación e inspección de las herramientas eléctricas Hitachi deben ser realizadas por un Centro de Servicio Autorizado de Hitachi. Esta lista de repuestos será de utilidad si es presentada junto con la herramienta al Centro de Servicio Autorizado de Hitachi, para solicitar la reparación o cualquier otro tipo de mantenimiento. En el manejo y el mantenimiento de las herramientas eléctricas, se deberán observar las normas y reglamentos vigentes en cada país.

MODIFICACIONES

Hitachi Power Tools introduce constantemente mejoras y modificaciones para incorporar los últimos avances tecnológicos.

Por consiguiente, algunas partes (por ejemplo, números de códigos y/o diseño) pueden ser modificadas sin previo aviso.

GARANTÍA

Las herramientas motorizadas de Hitachi incluye una garantía conforme al reglamento específico legal/nacional. Esta garantía no cubre los defectos o daños debidos al uso incorrecto, el abuso o el desgaste normal. En caso de reclamación, envíe la herramienta motorizada, sin desmontar y con el CERTIFICADO DE GARANTÍA que aparece al final de estas instrucciones de uso, al Centro de Servicio Autorizado de Hitachi.

OBSERVACION

Debido al programa continuo de investigación y desarrollo de HITACHI éstas especificaciones están sujetas a cambio sin previo aviso.

Información sobre el ruido propagado por el aire y vibración

Los valores medidos se determinaron de acuerdo con EN60745 declararon de conformidad con ISO 4871.

Nivel de potencia auditiva ponderada A: 95 dB (A)

Nivel de presión auditiva ponderada A: 84 dB (A)

Duda KpA: 3 dB (A)

Utilice protectores para los oídos.

Valor medio cuadrático ponderado típico de aceleración: 4,9 m/s².

REGRAS DE SEGURANÇA GERAL

AVISO!

Leia todas as instruções

Se não seguir todas as instruções apresentadas em baixo, pode provocar um choque eléctrico, incêndio e/ou ferimentos graves.

O termo "ferramenta eléctrica" em todos os avisos indicados em baixo refere-se à sua ferramenta ligada à corrente (com fios) ou à ferramenta eléctrica a baterias (sem fios).

GUARDE ESTAS INSTRUÇÕES

1) Área de trabalho

- a) Mantenha a área de trabalho limpa e bem iluminada.

As áreas escuras e cheias de material são propícias aos acidentes.

- b) Não trabalhe com ferramentas eléctricas em ambientes explosivos, tais como na presença de líquidos inflamáveis, gases ou pó.

As ferramentas eléctricas criam faíscas que podem inflamar o pó dos fumos.

- c) Mantenha as crianças e outras pessoas afastadas quando trabalhar com uma ferramenta eléctrica. As distrações podem fazer com que perca controlo.

2) Segurança eléctrica

- a) As fichas da ferramenta eléctrica devem corresponder às tomadas.

Nunca modifique a ficha.

Não utilize fichas adaptadoras com ferramentas eléctricas ligadas à terra.

As fichas não modificadas e tomadas correspondentes reduzirão o risco de choques eléctricos.

- b) Evite contacto corporal com superfícies ligadas à terra, tais como tubos, radiadores, máquinas e frigoríficos.

Existe um risco acrescido de choque eléctrico se o seu corpo estiver ligado à terra.

- c) Não exponha ferramentas eléctricas à chuva ou condições de humidade.

A entrada de água numa ferramenta eléctrica aumentará o risco de choques eléctricos.

- d) Não abuse do fio. Nunca utilize o fio para transportar, puxar ou desligar a ferramenta eléctrica.

Mantenha o fio afastado do calor, óleo, margens afiadas ou peças em movimento.

Os fios danificados ou entrelaçados podem aumentar o risco de choques eléctricos.

- e) Quando trabalhar com uma ferramenta eléctrica no exterior, utilize uma extensão adequada para utilização exterior.

A utilização de um fio adequado para utilização no exterior reduz o risco de choques eléctricos.

3) Segurança pessoal

- a) Mantenha-se alerta, esteja atento ao que está a fazer e utilize senso comum quando trabalhar com uma ferramenta eléctrica.

Não utilize uma ferramenta eléctrica quando estiver cansado ou sob a influência de drogas, álcool ou medicamentos.

Um momento de desatenção enquanto trabalha com ferramentas eléctricas pode resultar em ferimentos pessoais graves.

- b) Utilize equipamento de segurança. Utilize sempre protecção para os olhos.

O equipamento de segurança, tal como uma máscara de pó, sapatos de segurança antiderrapantes, chapéu rígido ou protecção auricular utilizados para condições adequadas reduzirá os ferimentos pessoais.

- c) Evite ligar por acidente. Certifique-se de que o interruptor está na posição de desligado antes de ligar a ferramenta.

Transportar ferramentas eléctricas com o dedo no interruptor ou ligar ferramentas que estão com o interruptor ligado é propício a acidentes.

- d) Remova qualquer chave de parafusos ou chave-inglesa de regulação antes de ligar a ferramenta. Uma chave-inglesa ou de parafusos ligada à parte rotativa da ferramenta pode provocar ferimentos pessoais.

- e) Não se estique. Mantenha sempre o controlo e equilíbrio adequados.

Isto permite obter um melhor controlo da ferramenta em situações inesperadas.

- f) Use vestuário adequado. Não use roupas largas ou jóias. Mantenha o cabelo, roupas e luvas afastados das peças móveis.

As roupas largas, jóias ou cabelo comprido podem ser apanhados em peças móveis.

- g) Se forem fornecidos dispositivos para a ligação de extractores de pó e dispositivos de recolha, certifique-se de que estes estão ligados e são utilizados adequadamente.

A utilização destes dispositivos podem reduzir os perigos relacionados com o pó.

4) Utilização da ferramenta e manutenção

- a) Não force a ferramenta eléctrica. Utilize a ferramenta correcta para a sua aplicação.

A ferramenta correcta fará o trabalho melhor e com mais segurança à velocidade para a qual foi concebida.

- b) Não utilize a ferramenta eléctrica se o interruptor não a ligar ou desligar.

Qualquer ferramenta que não possa ser controlada com o interruptor é perigosa e deve ser reparada.

- c) Desligue a ficha da rede antes de efectuar quaisquer regulações, mudar os acessórios ou guardar ferramentas eléctricas.

Tais medidas de segurança de prevenção reduzem o risco de ligar a ferramenta eléctrica acidentalmente.

- d) Guarde as ferramentas eléctricas fora do alcance de crianças e não permita que pessoas não habituadas à ferramenta eléctrica ou estas instruções trabalhem com a ferramenta.

As ferramentas eléctricas são perigosas nas mãos de utilizadores inexperientes.

- e) Efectue a manutenção de ferramentas eléctricas. Verifique a existência de desalinhamentos ou dobragens das peças móveis, quebras de peças e quaisquer outras condições que possam afectar o funcionamento das ferramentas eléctricas. Se danificada, mande reparar a ferramenta antes de utilizar.

Muitos acidentes são causados por ferramentas com má manutenção.

- f) Mantenha as ferramentas de corte afiadas e limpas.

As ferramentas de corte com uma manutenção adequada e extremidades afiadas são menos propensas a dobrar e mais fáceis de controlar.

- g) Utilize a ferramenta eléctrica, acessórios e pontas de ferramentas, etc., de acordo com estas instruções e da forma pretendida para o determinado tipo de ferramenta eléctrica, tomando em consideração as condições de trabalho e o trabalho a ser efectuado.

A utilização de uma ferramenta eléctrica para operações diferentes das concebidas pode resultar num mau funcionamento.

5) Manutenção

- a) Faça a manutenção da sua ferramenta eléctrica por um pessoal de reparação qualificado e utilize apenas peças de substituição idênticas.

Isto garantirá que a segurança da ferramenta eléctrica é mantida.

AVISO

Mantenha afastadas das crianças e pessoas doentes. Quando não estiverem a ser utilizadas, as ferramentas devem ser guardadas fora do alcance de crianças e pessoas doentes.

INSTRUÇÕES DE SEGURANÇA GERAIS PARA RECTIFICADORAS

- Verifique se a velocidade marcada no disco é igual ou superior à velocidade nominal da rectificadora;
- Certifique-se de que as dimensões do disco são compatíveis com a rectificadora;
- Os discos abrasivos devem ser guardadas e manuseadas com cuidado, de acordo com as instruções do fabricante;
- Inspeccione o disco rectificador antes de utilizar, não utilize produtos lascados, rachados ou defeituosos;
- Certifique-se de que os discos e pontos são instalados de acordo com as instruções do fabricante;
- Certifique-se de que são utilizados mata-borrões quando forem fornecidos com o produto soldado abrasivo e quando forem necessários;
- Certifique-se de o produto abrasivo está correctamente instalado e apertado antes de utilizar e coloque a ferramenta a funcionar sem carga durante 30s numa posição segura e pare imediatamente se existirem vibrações consideráveis ou se forem detectados outros detectores. Se esta condição ocorrer, verifique a máquina para determinar a causa;
- Se a ferramenta for instalada com uma protecção, nunca utilize a ferramenta sem uma protecção;
- Não utilize casquilhos ou adaptadores de redução para adaptar a discos abrasivos com orifícios de grandes dimensões;
- Para as ferramentas que se destinem a serem utilizadas com um orifício roscado, certifique-se de que a rosca no disco é suficientemente comprida para aceitar o comprimento do veio;
- Verifique se a peça de trabalho está correctamente apoiada;
- Não utilize uma roda de corte para rectificação lateral;
- Certifique-se de que as faíscas resultantes da utilização não constituem um perigo, por exemplo, não atingem pessoas ou inflamam substâncias inflamáveis.
- Certifique-se de que as aberturas de ventilação estão desobstruídas em situações de muito pó, caso seja necessário limpar o pó, desligue primeiro a ferramenta da fonte de alimentação (utilize objectos não metálicos) e evite danificar as peças internas;
- Utilize sempre protecção para os olhos e ouvidos. Deve ser usado outros equipamentos de protecção, tais como máscaras para pó, luvas, capacetes e aventais;
- Tome atenção ao disco que continua a rodar após a ferramenta ter sido desligada.

ESPECIFICAÇÕES

Modelo	G10SR3	G12SR3	G13SR3	
Voltagem (por áreas)*	(110V, 120V, 220V, 230V, 240V) ~			
Potência de entrada*	730 W			
Rotação sem carga	10000 min ⁻¹			
Esmeril	Diâmetro externo x diâmetro do furo	100 x 16 mm	115 x 22 mm	125 x 22 mm
	Velocidade periférica	72 m/s	80 m/s	
Peso (Somente do corpo principal)	1,4 kg			

*Não deixe de verificar a voltagem na placa identificadora constante do produto, pois ela está sujeita a mudanças conforme a área.

ACESSÓRIOS-PADRÃO

- (1) Chave inglesa 1
 (2) Empunhadreira lateral 1
 Os acessórios-padrão estão sujeitos a mudanças sem aviso prévio.

APLICAÇÕES

- Tira rebarbas de fundição e faz acabamento de vários tipos de aço, bronze e alumínio e obras de fundição.
- Retifica partes soldadas ou seções cortadas por meio de um maçarico de recorte.
- Retifica resinas sintéticas, ardósia, tijolo, mármore, etc.

ANTES DA OPERAÇÃO

1. **Fonte de energia**
Certifique-se de que a fonte de energia a ser utilizada está conforme às exigências especificadas na placa identificadora do produto.
2. **Interruptor**
Certifique-se de que o interruptor está na posição desligada. Se o plugue estiver conectado a um receptáculo quando o interruptor estiver ligado, a ferramenta elétrica vai começar a operar imediatamente, podendo provocar um grave acidente.
3. **Cabo de extensão**
Quando o local de trabalho não possuir uma fonte de energia, utilize um cabo de extensão de espessura e de potência nominal suficientes. A extensão deve ser mantida tão curta quanto possível.
4. **Colocação e ajuste da proteção de roda**
A proteção de roda é um dispositivo para evitar ferimentos caso o esmeril quebre durante a operação. Certifique-se de que o protetor está colocado e preso corretamente antes de começar a operação de esmerilhamento.
Ao despertar ligeiramente o parafuso de ajuste, a proteção de roda pode ser girada e posta em qualquer ângulo desejado para uma máxima eficácia operacional. Não deixe de verificar se o parafuso de ajuste está firmemente apertado depois de ajustar a proteção de roda.
5. **Assegure-se de que os discos montados e os pontos estão ajustados de acordo com as instruções do fabricante.**
Certifique-se de que o esmeril a ser utilizado é do tipo certo, livre de fissuras ou defeitos na superfície. Não esqueça também de verificar se o esmeril está montado corretamente e se a arruela de roda está bem apertada. Consulte a seção “MONTAGEM E DESMONTAGEM DO ESMERIL CENTRAL”.
Quando forem fornecidas costaneiras junto com o produto abrasivo — e se forem necessárias — assegure-se de que estão sendo usadas.
Não utilize adaptadores ou bocais redutores separados para diminuir um orifício grande do esmeril.
Em caso de ferramentas que devem ser ajustadas a discos que possuem orifícios rosqueados, certifique-se de que a rosca do disco é comprida o suficiente em relação ao comprimento do eixo. Não utilize discos de corte para esmerilhamento lateral.
6. **Teste de funcionamento**
Certifique-se de que o produto abrasivo está montado de maneira correta e apertado antes de ser utilizado. Coloque em funcionamento a ferramenta sem carga por 30 segundos numa posição segura e, se houver vibração considerável ou se forem detectados outros defeitos, desligue-a imediatamente.
Caso isto ocorra, cheque a máquina para determinar a causa do defeito.
7. **Verifique o botão de pressão**
Confirme que o botão de pressão está desengatado apertando-o duas ou três vezes antes de ligar a ferramenta (veja Fig. 2).

8. **Para prender a empunhadora lateral**
Aparafuse a empunhadora lateral na tampa do equipamento.

APLICAÇÃO PRÁTICA DA REBARBADORA

1. **Pressão**
Para prolongar a vida útil da máquina e garantir um acabamento de primeira, é importante que ela não seja sobrecarregada pela aplicação de demasiada pressão. Na maior parte das aplicações, apenas o peso da máquina é suficiente para um esmerilhamento eficaz. Uma pressão demasiada pode resultar numa velocidade de rotação reduzida, um acabamento inferior da superfície e a sobrecarga que pode reduzir a vida útil da máquina.
 2. **Ângulo do esmerilhamento**
Não aplique a superfície inteira do esmeril no material a ser esmerilhado. Conforme mostra a Fig. 1, a máquina deve ser mantida num ângulo de 15°–30° de maneira que a borda externa do esmeril entre em contato com o material num ângulo ideal.
 3. **Para evitar que um novo esmeril abra um buraco na peça que está sendo trabalhada, o esmerilhamento inicial deve ser feito puxando a rebarbadora por sobre a peça em direção ao operador. (Fig. 1, direção B). Uma vez que a borda de entrada do esmeril estiver limada corretamente, o esmerilhamento pode ser feito numa ou noutra direção.**
 4. **Precauções a serem tomadas imediatamente depois de terminar a operação**
O disco continua a girar depois que a ferramenta é desligada.
Logo após desligar a máquina, continue segurando-a, sem apoiá-la, até que o esmeril pare completamente de funcionar. Além de evitar graves acidentes, esta precaução reduzirá a quantidade de poeira e de limalhas de ferro aspiradas pela máquina.
- CUIDADOS**
- Verifique se a peça a ser trabalhada está apoiada corretamente.
 - Assegure-se de que as aberturas de ventilação são mantidas limpas ao trabalhar em condições de poeira. Caso seja necessário limpar a poeira, desconecte primeiro a ferramenta da rede elétrica (use objetos não metálicos) e evite danificar as peças internas.
 - Certifique-se de que as faíscas resultantes do uso não provoquem perigo, não atingindo, por exemplo, pessoas ou substâncias inflamáveis.
 - Utilize sempre óculos de proteção e tampões de ouvido.
Outros equipamentos pessoais de proteção como máscara contra poeira, luvas, capacete e avental devem ser usados quando necessário.
Em caso de dúvida, use equipamento de proteção.
 - Quando a máquina não estiver sendo usada, deve ficar desligada da rede de eletricidade.

MONTAGEM E DESMONTAGEM DO ESMERIL CENTRAL (Fig. 2)

- CUIDADO** Certifique-se de desligar e desconectar o plugue da tomada evitando assim a ocorrência de graves acidentes.

1. Montagem (Fig. 2)

- (1) Gire a rebarbadora de cabeça para baixo de maneira que o eixo fique virado para cima.
- (2) Alinhe as reentrâncias transversais da porca de roda com a parte dentada do eixo, prendendo-os depois.
- (3) Ajuste a protuberância do esmeril na porca de roda.
- (4) Aparafuse a arruela de roda no eixo.
- (5) Ao mesmo tempo em que aperta o botão de pressão com uma mão, com a outra, gire lentamente o esmeril para fixar o eixo.
Aperte bem a arruela de roda usando a chave fornecida, como mostra a Fig. 2.

2. Desmontagem

Siga os procedimentos acima fazendo as operações ao contrário.

CUIDADOS

- Verifique se o esmeril está montado firmemente.
- Verifique se o botão de pressão está desengatado apertando o botão de pressão duas ou três vezes antes de ligar a ferramenta elétrica.

MANUTENÇÃO E INSPEÇÃO

1. Inspeção do esmeril

Certifique-se de que o esmeril está livre de fissuras e defeitos na superfície.

2. Inspeção dos parafusos de montagem

Inspeccione regularmente todos os parafusos de montagem e se certifique de que estão corretamente apertados. Se algum deles estiver frouxo, reaperte-o imediatamente. Caso isso não seja feito, pode resultar em perigo grave.

3. Inspeção das escovas de carvão

Para sua segurança duradoura e proteção contra choques elétricos, a inspeção das escovas de carvão e a substituição delas nesta ferramenta deve ser feita APENAS numa OFICINA AUTORIZADA DA HITACHI.

4. Substituição do cabo de alimentação

Se o cabo de alimentação estiver danificado, a Ferramenta deve ser levada à Oficina Autorizada da Hitachi para substituição do mesmo.

5. Manutenção do motor

A unidade de enrolamento do motor é o verdadeiro "coração" da ferramenta elétrica. Cuide bem para assegurar que o enrolamento não se danifique e/ou se molhe com óleo ou água.

6. Lista de peças para conserto

- A: Item N°
- B: Código N°
- C: N° Usado
- D: Observações

CUIDADO

Consertos, modificações e inspeção de Ferramentas Elétricas da Hitachi devem ser realizados por uma Oficina Autorizada da Hitachi.

Esta lista de peças pode ser útil se apresentada com a ferramenta na Oficina Autorizada da Hitachi ao solicitar conserto ou manutenção.

Na operação e na manutenção das ferramentas elétricas, devem-se observar as normas de segurança e os padrões prescritos por cada país.

MODIFICAÇÃO

As Ferramentas Elétricas da Hitachi estão sempre sendo aperfeiçoadas e modificadas para incorporar os mais recentes avanços tecnológicos.

Dessa forma, algumas peças (isto é, números de código e/ou design) podem mudar sem aviso prévio.

GARANTIA

Garantimos que a Hitachi Power Tools obedece às respectivas normas específicas estatutárias/de país. Esta garantia não cobre avarias ou danos derivados de má utilização, abuso ou desgaste normal. Em caso de queixa, envie a Ferramenta, não desmontada, juntamente com o CERTIFICADO DE GARANTIA que se encontra no fundo destas instruções de utilização, para um Centro de Serviço Autorizado Hitachi.

NOTA

Devido ao contínuo programa de pesquisa e desenvolvimento da HITACHI, as especificações aqui contidas estão sujeitas a mudanças sem aviso prévio.

Informação a respeito de ruídos e vibração do ar

Os valores medidos foram determinados de acordo com a EN60745 e declarados em conformidade com a ISO 4871.

Nível de potência sonora ponderada A medida: 95 dB (A)

Nível de pressão sonora ponderada A medida: 84 dB (A)

Imprecisão KpA: 3 dB (A)

Use protetores de ouvido.

Valor típico da aceleração média ponderada da raiz quadrada: 4,9 m/s².

<p>English</p> <p style="text-align: center;"><u>GARANTEE CERTIFICATE</u></p> <p>① Model No. ② Serial No. ③ Date of Purchase ④ Customer Name and Address ⑤ Dealer Name and Address (Please stamp dealer name and address)</p>	<p>Nederlands</p> <p style="text-align: center;"><u>GARANTIEBEWIJS</u></p> <p>① Modelnummer ② Serienummer ③ Datum van aankoop ④ Naam en adres van de gebruiker ⑤ Naam en adres van de handelaar (Stempel a.u.b. naam en adres vande de handelaar)</p>
<p>Deutsch</p> <p style="text-align: center;"><u>GARANTIESCHEIN</u></p> <p>① Modell-Nr. ② Serien-Nr. ③ Kaufdatum ④ Name und Anschrift des Kunden ⑤ Name und Anschrift des Händlers (Bitte mit Namen und Anschrift des Handlers abstempeln)</p>	<p>Español</p> <p style="text-align: center;"><u>CERTIFICADO DE GARANTIA</u></p> <p>① Número de modelo ② Número de serie ③ Fecha de adquisición ④ Nombre y dirección del cliente ⑤ Nombre y dirección del distribuidor (Se ruega poner el sellú del distribuidor con su nombre y dirección)</p>
<p>Français</p> <p style="text-align: center;"><u>CERTIFICAT DE GARANTIE</u></p> <p>① No. de modèle ② No. de série ③ Date d'achat ④ Nom et adresse du client ⑤ Nom et adresse du revendeur (Cachet portant le nom et l'adresse du revendeur)</p>	<p>Português</p> <p style="text-align: center;"><u>CERTIFICADO DE GARANTIA</u></p> <p>① Número do modelo ② Número do série ③ Data de compra ④ Nome e morada do cliente ⑤ Nome e morada do distribuidor (Por favor, carimbe o nome e morada do distribuidor)</p>
<p>Italiano</p> <p style="text-align: center;"><u>CERTIFICATO DI GARANZIA</u></p> <p>① Modello ② N° di serie ③ Data di acquisto ④ Nome e indirizzo dell'acquirente ⑤ Nome e indirizzo del rivenditore (Si prega di apporre il timbro con questi dati)</p>	

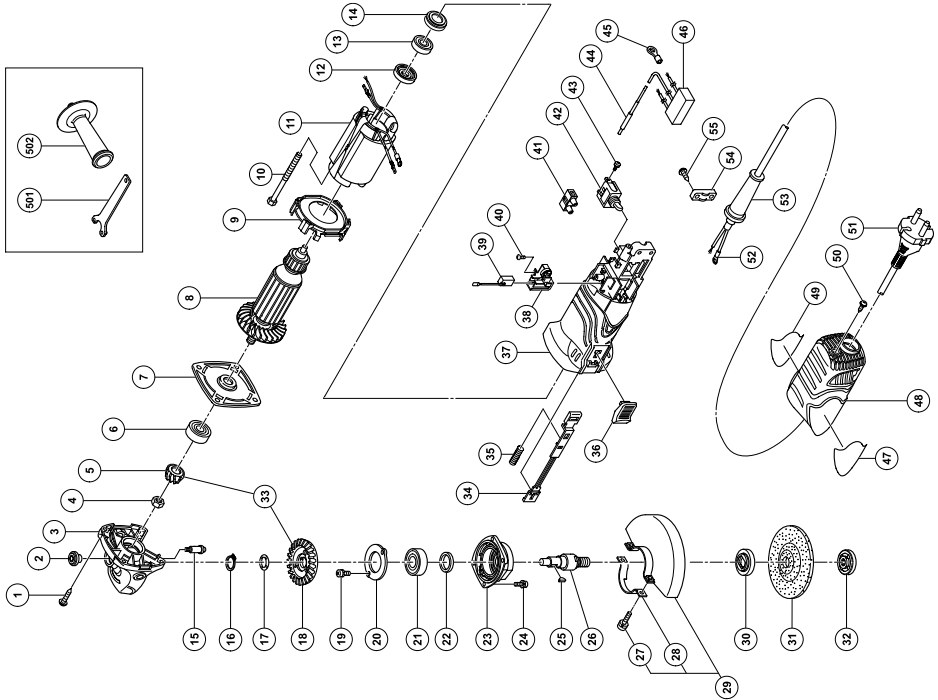
HITACHI

①	
②	
③	
④	
⑤	

Hitachi Koki

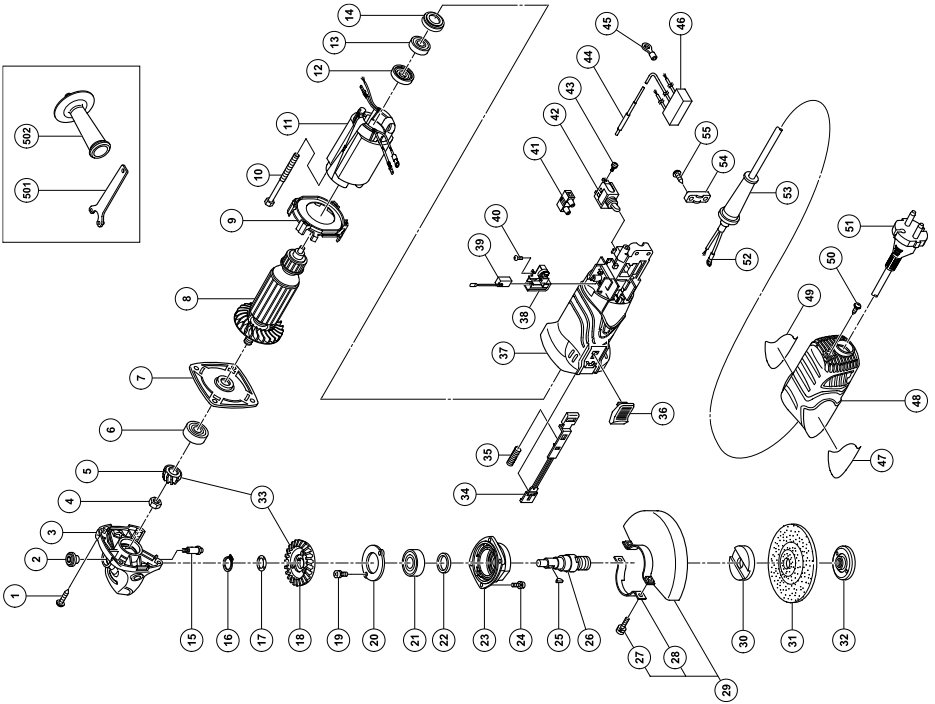


G10SR3



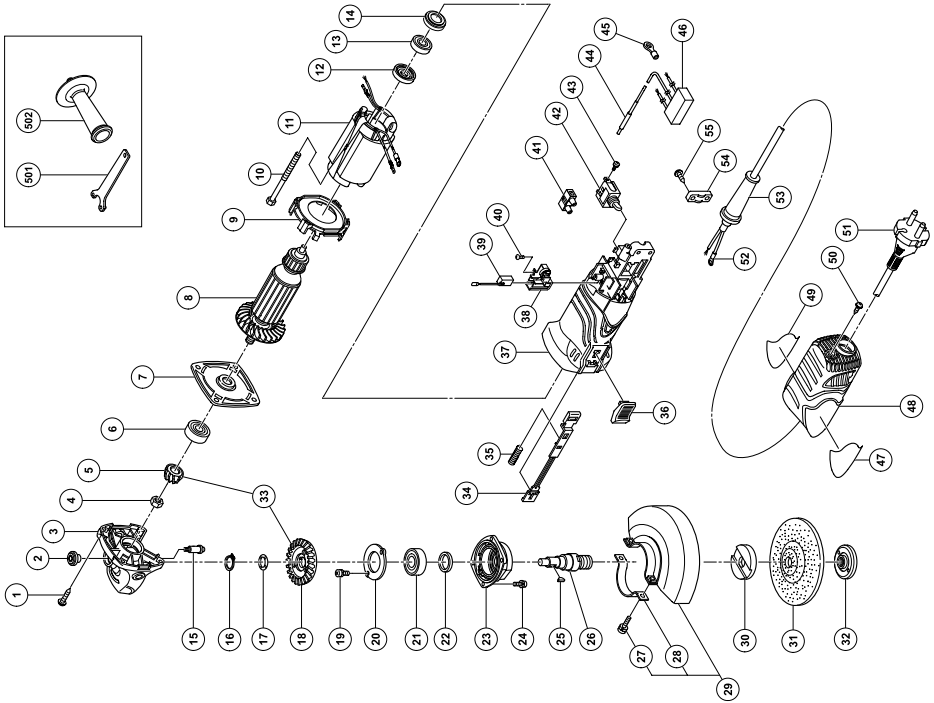
A	B	C	D	A	B	C	D
1	307-028	4	D4x25	35	314-429	1	
2	301-944	1	"2, 15"	36	314-428	1	"14"
3	327-891	1	M6	37	327-885	1	
4	309-191	1	628VVC2PS2-L	38	327-895	2	
5	327-889	1		39	999-091	2	D3x8
6	628-VVC	1		40	_____	4	
7	327-887	1		41	938-307	1	
8-1	360-799C	1	110V	42	314-603	1	
8-2	360-799U	1	120V	43	305-499	2	M3.5x6
8-3	360-799E	1	220V-240V	44	314-854	1	
9	327-886	1		45	980-063	1	
10	963-712	2	D4x65	46-1	317-491	1	
11-1	340-702C	1	110V "TPE"	46-2	994-273	1	"TPE"
11-2	340-702C	1	110V "TPE"	47	_____	1	
11-3	340-702D	1	120V	48	327-894	1	
11-4	340-702E	1	220V-230V	49	_____	1	
11-5	340-702F	1	240V	50	307-811	1	D4x16
12	321-722	1		51	_____	1	
13	626-VVM	1	626VVC2PS2L	52	980-063	1	
14	309-929	1		53	953-327	1	
15	301-943	1		54	937-631	1	
16	316-487	1		55	984-750	2	D4x16
17	316-486	1		501	313-933	1	
18	327-890	1		502	318-312	1	
19	987-201	2	M4x10				
20	327-892	1					
21	620-1VV	1	6201VVCMP2SL				
22	301-946	1					
23	316-489	1					
24	987-203	4	M4x12				
25	302-047	1					
26	327-903	1					
27	308-386	2	M5x16				
28	301-949	1	"27, 28"				
29	301-948	1					
30	320-497	1					
31	_____	1	100MM A36Q				
32	321-795	1	M14				
33	327-888	1	"5, 18"				
34	327-893	1					

G12SR3



A	B	C	D	A	B	C	D
1	307-028	4	D4x25	37	327-885	1	"14"
2	301-944	1		38	327-895	2	
3	327-891	1	"2, 15"	39	999-091	2	D3x8
4	309-191	1	M6	40	-----	4	
5	327-889	1		41	938-307	1	
6	628-VVC	1	628VVC2PS2-L	42	314-603	1	M3.5x6
7	327-887	1		43	305-499	2	
8-1	360-799C	1	110V	44	314-854	1	
8-2	360-799U	1	120V	45	980-063	1	
8-3	360-799E	1	220V-240V	46	317-491	1	
9	327-886	1		47	-----	1	
10	963-712	2	D4x65	48	327-894	1	
11-1	340-702C	1	110V	49	-----	1	
11-2	340-702D	1	120V	50	307-811	1	D4x16
11-3	340-702E	1	220V-230V	51	-----	1	
11-4	340-702F	1	240V	52	980-063	1	
12	321-722	1		53	953-327	1	
13	626-VVM	1	626VVC2PS	54	937-631	1	
14	309-929	1		55	984-750	2	D4x16
15	301-943	1		501	938-332Z	1	
16	316-487	1		502	318-312	1	
17	316-486	1					
18	327-890	1					
19	987-201	2	M4x10				
20	327-892	1					
21	620-1DD	1	6201DDCMPS2L				
22	301-946	1					
23	316-489	1					
24	987-203	4	M4x12				
25	302-047	1					
26	327-896	1					
27	308-386	2	M5x16				
28	301-949	1					
29	315-492	1	"27, 28"				
30	937-817Z	1					
31	-----	1	115MM A36Q				
32	994-324	1	M14				
33	327-888	1	"5, 18"				
34	327-893	1					
35	314-429	1					
36	314-428	1					

G13SR3



A	B	C	D	E	F
1	307-028	4	D4×25	2	M3.5×6
2	301-944	1	"2, 15"	1	
3	327-891	1	M6	1	
4	309-191	1	628VVC2PS2-L	1	D4×16
5	327-889	1	220V-240V	1	
6	628-VVC	1	D4×65	1	D4×16
7	327-887	1	626VVC2PS2L	1	220V-230V
8	360-799E	1		1	240V
9	327-886	1		1	
10	963-712	2		2	
12	321-722	1		1	
13	626-VVM	1		1	
14	309-929	1		1	
15	301-943	1		1	
16	316-487	1		1	
17	316-486	1		1	
18	327-890	1		1	
19	987-201	2	M4×10	2	
20	327-892	1	6201VVCMP2L	1	
21	620-1VV	1		1	
22	301-946	1		1	
23	316-489	1		1	
24	987-203	4	M4×12	4	
25	302-047	1		1	
26	327-896	2		2	
27	308-386	2	M5×16	2	
28	301-949	1	"27, 28"	1	
29	319-116	1		1	
30	937-817Z	1	125MM A24Q	1	
31	994-324	1	M14	1	
32	327-888	1	"5, 18"	1	
33	327-893	1		1	
34	314-329	1		1	
35	314-428	1		1	
36	314-428	1		1	
37	327-885	2	"14"	2	
38	327-895	2		2	
39	999-091	2		2	
40	938-307	1	D3×8	1	
41	314-603	1		1	
42	314-603	1		1	

<p>English</p> <p><u>EC DECLARATION OF CONFORMITY</u></p> <p>We declare under our sole responsibility that this product is in conformity with standards or standardized documents EN60745, EN50144, EN55014 and EN61000-3 in accordance with Council Directives 73/23/EEC, 89/336/EEC and 98/37/EC.</p> <p>This declaration is applicable to the product affixed CE marking.</p>	<p>Nederlands</p> <p><u>EC VERKLARING VAN CONFORMITEIT</u></p> <p>Wij verklaren onder eigen verantwoordelijkheid dat dit produkt conform de richtlijnen of gestandaardiseerde documenten EN60745, EN50144, EN55014 en EN61000-3 voldoet aan de eisen van EEG Bepalingen 73/23/EEG, 89/336/EEG en 98/37/EC.</p> <p>Deze verklaring is van toepassing op produkten voorzien van de CE-markeringen.</p>						
<p>Deutsch</p> <p><u>ERKLÄRUNG ZUR KONFORMITÄT MIT CE-REGELN</u></p> <p>Wir erklären mit alleiniger Verantwortung, daß dieses Produkt den Standards oder standardisierten Dokumenten EN60745, EN50144, EN55014 und EN61000-3 in Übereinstimmung mit den Direktiven des Europarats 73/23/EWG, 89/336/EWG und 98/37/CE entspricht.</p> <p>Diese Erklärung gilt für Produkte, die die CE-Markierung tragen.</p>	<p>Español</p> <p><u>DECLARACIÓN DE CONFORMIDAD DE LA CE</u></p> <p>Declaramos bajo nuestra única responsabilidad que este producto está de acuerdo con las normas o con los documentos de normalización EN60745, EN50144, EN55014 y EN61000-3, según indican las Directrices del Consejo 73/23/CEE, 89/336/CEE y 98/37/CE.</p> <p>Esta declaración se aplica a los productos con marcas de la CE.</p>						
<p>Français</p> <p><u>DECLARATION DE CONFORMITE CE</u></p> <p>Nous déclarons sous notre seule et entière responsabilité que ce produit est conforme aux normes ou documents normalisés EN60745, EN50144, EN55014 et EN61000-3 en accord avec les Directives 73/23/CEE, 89/336/CEE et 98/37/CE du Conseil.</p> <p>Cette déclaration s'applique aux produits désignés CE.</p>	<p>Português</p> <p><u>DECLARAÇÃO DE CONFORMIDADE CE</u></p> <p>Declaramos, sob nossa única e inteira responsabilidade, que este produto está de acordo com as normas ou documentos normativos EN60745, EN50144, EN55014 e EN61000-3, em conformidade com as Diretrizes 73/23/CEE, 89/336/CEE e 98/37/CE do Conselho.</p> <p>Esta declaração se aplica aos produtos designados CE.</p>						
<p>Italiano</p> <p><u>DICHIARAZIONE DI CONFORMITÀ CE</u></p> <p>Si dichiara sotto nostra responsabilità che questo prodotto è conforme agli standard o ai documenti standardizzati EN60745, EN50144, EN55014 e EN61000-3 conforme alle direttive 73/23/CEE, 89/336/CEE e 98/37/CE del concilio.</p> <p>Questa dichiarazione è applicabile ai prodotti cui sono applicati i marchi CE.</p>							
<table border="0"> <tr> <td data-bbox="72 1082 552 1165"> <p>Representative office in Europe Hitachi Power Tools Europe GmbH Siemensring 34, 47877 Willich 1, F. R. Germany</p> </td> <td data-bbox="680 1082 752 1136" style="text-align: center;">  </td> <td data-bbox="842 1120 949 1142"> <p>31. 1. 2007</p> </td> </tr> <tr> <td data-bbox="72 1187 596 1295"> <p>Head office in Japan Hitachi Koki Co., Ltd. Shinagawa Intercity Tower A, 15-1, Konan 2-chome, Minato-ku, Tokyo, Japan</p> </td> <td colspan="2" data-bbox="842 1168 1050 1289" style="text-align: right;">  <hr/> K. Kato Board Director </td> </tr> </table>		<p>Representative office in Europe Hitachi Power Tools Europe GmbH Siemensring 34, 47877 Willich 1, F. R. Germany</p>		<p>31. 1. 2007</p>	<p>Head office in Japan Hitachi Koki Co., Ltd. Shinagawa Intercity Tower A, 15-1, Konan 2-chome, Minato-ku, Tokyo, Japan</p>	 <hr/> K. Kato Board Director	
<p>Representative office in Europe Hitachi Power Tools Europe GmbH Siemensring 34, 47877 Willich 1, F. R. Germany</p>		<p>31. 1. 2007</p>					
<p>Head office in Japan Hitachi Koki Co., Ltd. Shinagawa Intercity Tower A, 15-1, Konan 2-chome, Minato-ku, Tokyo, Japan</p>	 <hr/> K. Kato Board Director						

 **Hitachi Koki Co., Ltd.**

701
Code No. C99159871
Printed in China