

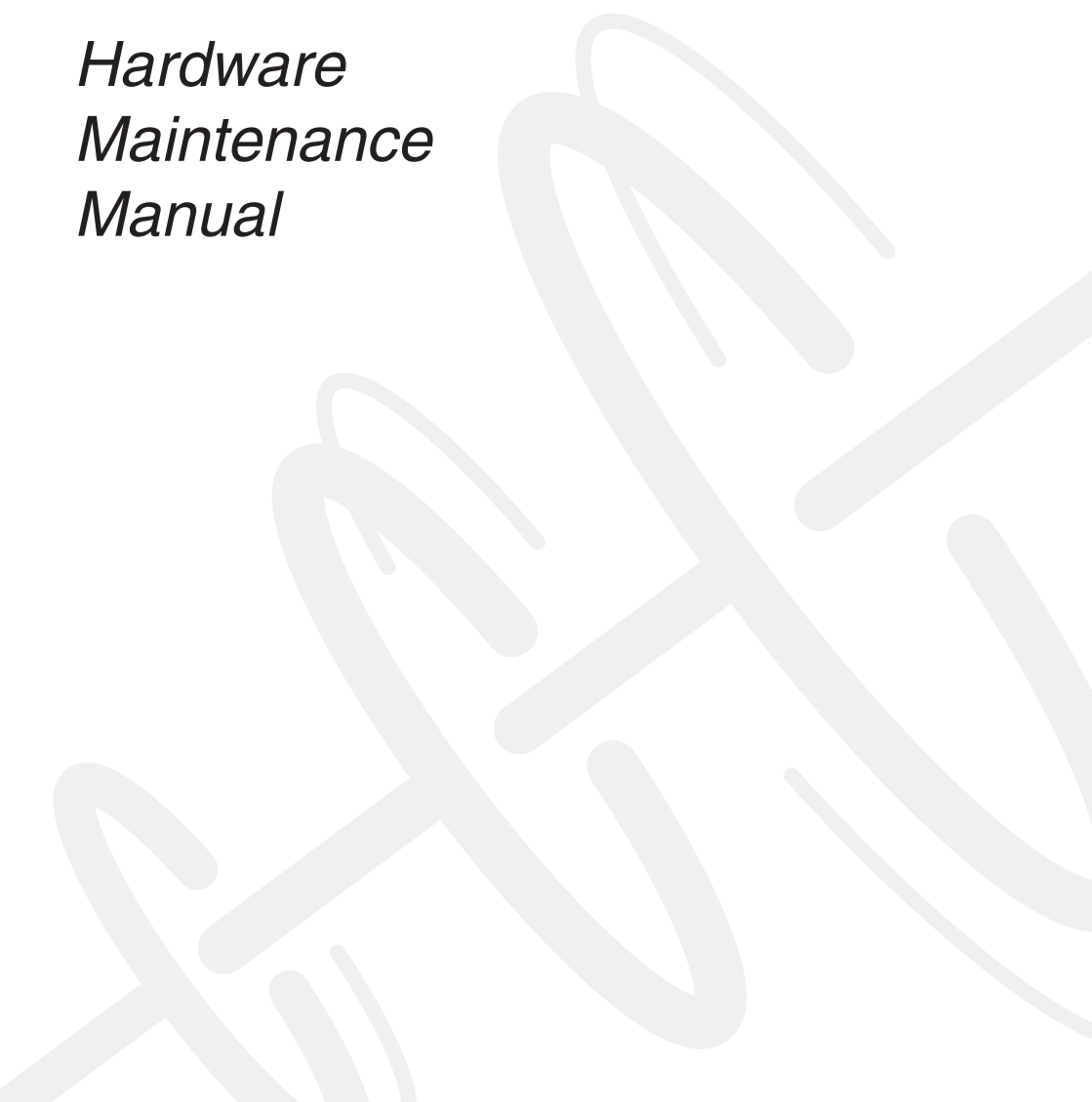
lenovo

Lenovo IdeaPad U310/410

Hardware

Maintenance

Manual



Note:

Before using this information and the product it supports, be sure to read the general information under “Notices” on page 96.

First Edition (March 2012)

© Copyright Lenovo 2012. All rights reserved.

LENOVO products, data, computer software, and services have been developed exclusively at private expense and are sold to governmental entities as commercial items as defined by 48 C.F.R. 2.101 with limited and restricted rights to use, reproduction and disclosure.

LIMITED AND RESTRICTED RIGHTS NOTICE: If products, data, computer software, or services are delivered pursuant a General Services Administration “GSA” contract, use, reproduction, or disclosure is subject to restrictions set forth in Contract No. GS-35F-05925.

© 2012 Lenovo

Contents

About this manual	iv	FRU replacement notices	32
Safety information	1	Screw notices	32
General safety	2	Removing and replacing an FRU	33
Electrical safety	3	1010 Battery pack	34
Safety inspection guide	5	1020 Dummy card.....	37
Handling devices that are sensitive to electrostatic discharge.....	6	1030 Hard disk drive	38
Grounding requirements	6	1040 DIMM	41
Safety notices: multilingual translations	7	1050 PCI Express Mini Card for wireless LAN/WAN	43
Laser compliance statement.....	14	1060 Fan assembly and Heat Sink assembly.....	45
Important service information	16	1070 Keyboard.....	48
Strategy for replacing FRUs.....	16	1080 System board	51
Strategy for replacing a hard disk drive	17	1090 LCD unit.....	55
Important notice for replacing a system board	17	1100 Base cover, bluetooth card, USB board, power assembly and power board.....	57
Important information about replacing RoHS compliant FRUs	18	1110 LCD front bezel.....	61
General checkout	19	1120 LCD panel, LCD cable, hinges and speakers.....	62
What to do first	20	1130 Integrated camera	66
Power system checkout	21	Locations	67
Checking the AC adapter.....	21	Front view	67
Checking operational charging	21	Right-side view	68
Checking the battery pack	22	Bottom and Left-side view	69
Related service information	23	Parts list.....	70
Restoring the factory contents by using Recovery Disc Set	23	Overall.....	71
Start Recovery Disc (one disc).....	23	LCD FRUs	76
Operating System Recovery Disc (one or more discs)	23	Keyboard.....	79
Applications and Drivers Recovery Disc (one or more discs).....	23	AC adapters.....	92
Supplemental Recovery Disc	23	Power cords	93
Passwords.....	24	Notices	96
Power-on password	24	Trademarks	97
Hard-disk password	24		
Supervisor password	24		
Power management	25		
Screen blank state	25		
Sleep (standby) state	25		
Hibernation state.....	26		
Lenovo IdeaPad U310/U410	27		
Specifications	27		
Status indicators	29		
Fn key combinations.....	31		
Hotkeys.....	31		

About this manual

This manual contains service and reference information for the following Lenovo product:

Lenovo IdeaPad U310/U410

Use this manual to troubleshoot problems.

The manual is divided into the following sections:

- The common sections provide general information, guidelines, and safety information required for servicing computers.
- The product-specific section includes service, reference, and product-specific parts information.

Important:

This manual is intended only for trained servicers who are familiar with Lenovo products. Use this manual to troubleshoot problems effectively. Before servicing a Lenovo product, make sure to read all the information under “Safety information” on page 1 and “Important service information” on page 16.

Safety information

This chapter presents the following safety information that you need to get familiar with before you service a Lenovo computer:

- “General safety” on page 2
- “Electrical safety” on page 3
- “Safety inspection guide” on page 5
- “Handling devices that are sensitive to electrostatic discharge” on page 6
- “Grounding requirements” on page 6
- “Safety notices: multilingual translations” on page 7
- “Laser compliance statement” on page 14

General safety

Follow these rules below to ensure general safety:

- Observe a good housekeeping in the area where the machines are put during and after the maintenance.
- When lifting any heavy object:
 1. Make sure that you can stand safely without slipping.
 2. Distribute the weight of the object equally between your feet.
 3. Use a slow lifting force. Never move suddenly or twist when you attempt to lift it.
 4. Lift it by standing or pushing up with your leg muscles; this action could avoid the strain from the muscles in your back. Do not attempt to lift any object that weighs more than 16 kg (35 lb) or that you think is too heavy for you.
- Do not perform any action that causes hazards to the customer, or that makes the machine unsafe.
- Before you start the machine, make sure that other service representatives and the customer are not in a hazardous position.
- Please remove covers and other parts in a safe place, away from all personnel, while you are servicing the machine.
- Keep your toolcase away from walk areas so that other people will not trip it over.
- Do not wear loose clothing that can be trapped in the moving parts of the machine. Make sure that your sleeves are fastened or rolled up above your elbows. If your hair is long, fasten it.
- Insert the ends of your necktie or scarf inside clothing or fasten it with the nonconductive clip, about 8 centimeters (3 inches) from the end.
- Do not wear jewelry, chains, metal-frame eyeglasses, or metal fasteners for your clothing.

Attention: Metal objects are good electrical conductors.
- Wear safety glasses when you are hammering, drilling, soldering, cutting wire, attaching springs, using solvents, or working in any other conditions that may be hazardous to your eyes.
- After service, reinstall all safety shields, guards, labels, and ground wires. Replace any safety device that is worn or defective.
- Reinstall all covers correctly before returning the machine to the customer.
- Fan louvers on the machine help to prevent the overheating of internal components. Do not obstruct fan louvers or cover them with labels or stickers.

Electrical safety

Observe the following rules when working on electrical equipments.

Important:

Use only approved tools and test equipments. Some hand tools have handles covered with a soft material that does not insulate you when working with live electrical currents.

Many customers have rubber floor mats near their machines that contain small conductive fibers to decrease electrostatic discharges. Do not use such kind of mat to protect yourself from electrical shock.

- Find the room emergency power-off (EPO) switch, disconnecting switch, or electrical outlet. If an electrical accident occurs, you can then operate the switch or unplug the power cord quickly.
- Do not work alone under hazardous conditions or near the equipment that has hazardous voltages.
- Disconnect all power before:
 - Performing a mechanical inspection
 - Working near power supplies
 - Removing or installing main units
- Before you start to work on the machine, unplug the power cord. If you cannot unplug it, ask the customer to power-off the wall box that supplies power to the machine, and to lock the wall box in the off position.
- If you need to work on a machine that has exposed electrical circuits, observe the following precautions:
 - Ensure that another person, familiar with the power-off controls, is near you.

Attention: Another person must be there to switch off the power, if necessary.
 - Use only one hand when working with powered-on electrical equipment; keep the other hand in your pocket or behind your back.

Attention: An electrical shock can occur only when there is a complete circuit. By observing the above rule, you may prevent a current from passing through your body.
 - When using testers, set the controls correctly and use the approved probe leads and accessories for that tester.
 - Stand on suitable rubber mats (obtained locally, if necessary) to insulate you from grounds such as metal floor strips and machine frames.

Observe the special safety precautions when you work with very high voltages; instructions for these precautions are in the safety sections of maintenance information. Be extremely careful when you measure the high voltages.

- Regularly inspect and maintain your electrical hand tools for safe operational condition.
- Do not use worn or broken tools and testers.
- Never assume that power has been disconnected from a circuit. First, check it to make sure that it has been powered off.

- Always look carefully for possible hazards in your work area. Examples of these hazards are moist floors, nongrounded power extension cables, power surges, and missing safety grounds.
- Do not touch live electrical circuits with the reflective surface of a plastic dental mirror. The surface is conductive; such touching can cause personal injury and machine damage.
- Do not service the following parts with the power on when they are removed from their normal operating places in a machine:
 - Power supply units
 - Pumps
 - Blowers and fans
 - Motor generatorsand similar units. (This practice ensures correct grounding of the units.)
- If an electrical accident occurs:
 - Use caution: do not become a victim yourself.
 - Switch off the power.
 - Send the victim to get medical aid.

Safety inspection guide

The purpose of this inspection guide is to assist you in identifying potential unsafe conditions. As each machine was designed and built, required safety items were installed to protect users and service personnel from injury. This guide addresses only those items. You should use good judgment to identify potential safety hazards due to attachment of non-Lenovo features or options not covered by this inspection guide.

If any unsafe conditions are present, you must determine how serious the apparent hazard could be and whether you can continue without first correcting the problem.

Consider these conditions and the safety hazards they present:

- Electrical hazards, especially primary power (primary voltage on the frame can cause serious or fatal electrical shock)
- Explosive hazards, such as a damaged CRT face or a bulging capacitor
- Mechanical hazards, such as loose or missing hardware

To determine whether there are any potential unsafe conditions, use the following checklist at the beginning of every service task. Begin the checks with the power off, and the power cord disconnected.

Checklist:

1. Check exterior covers for damage (loose, broken, or sharp edges).
2. Turn off the computer. Disconnect the power cord.
3. Check the power cord for:
 - a. A third-wire ground connector in good condition. Use a meter to measure third-wire ground continuity for 0.1 ohm or less between the external ground pin and the frame ground.
 - b. The power cord should be the type specified in the parts list.
 - c. Insulation must not be frayed or worn.
4. Check for cracked or bulging batteries.
5. Remove the cover.
6. Check for any obvious non-Lenovo alterations. Use good judgment as to the safety of any non-Lenovo alterations.
7. Check inside the unit for any obvious unsafe conditions, such as metal filings, contamination, water or other liquids, or signs of fire or smoke damage.
8. Check for worn, frayed, or pinched cables.
9. Check that the power-supply cover fasteners (screws or rivets) have not been removed or tampered with.

Handling devices that are sensitive to electrostatic discharge

Any computer part containing transistors or integrated circuits (ICs) should be considered sensitive to electrostatic discharge (ESD). ESD damage can occur when there is a difference in charge between objects. Protect against ESD damage by equalizing the charge so that the machine, the part, the work mat, and the person handling the part are all at the same charge.

Notes:

1. Use product-specific ESD procedures when they exceed the requirements noted here.
2. Make sure that the ESD protective devices you use have been certified (ISO 9000) as fully effective.

When handling ESD-sensitive parts:

- Keep the parts in protective packages until they are inserted into the product.
- Avoid contact with other people.
- Wear a grounded wrist strap against your skin to eliminate static on your body.
- Prevent the part from touching your clothing. Most clothing is insulative and retains a charge even when you are wearing a wrist strap.
- Use the black side of a grounded work mat to provide a static-free work surface. The mat is especially useful when handling ESD-sensitive devices.
- Select a grounding system, such as those listed below, to provide protection that meets the specific service requirement.

Notes:

The use of a grounding system to guard against ESD damage is desirable but not necessary.

- Attach the ESD ground clip to any frame ground, ground braid, or green-wire ground.
- When working on a double-insulated or battery-operated system, use an ESD common ground or reference point. You can use coax or connector-outside shells on these systems.
- Use the round ground prong of the ac plug on ac-operated computers.

Grounding requirements

Electrical grounding of the computer is required for operator safety and correct system function. Proper grounding of the electrical outlet can be verified by a certified electrician.

Safety notices: multilingual translations

The safety notices in this section are provided in English, French, German, Hebrew, Italian, Japanese, and Spanish.

Safety notice 1

Before the computer is powered on after FRU replacement, make sure all screws, springs, and other small parts are in place and are not left loose inside the computer. Verify this by shaking the computer and listening for rattling sounds. Metallic parts or metal flakes can cause electrical shorts.

Avant de remettre l'ordinateur sous tension après remplacement d'une unité en clientèle, vérifiez que tous les ressorts, vis et autres pièces sont bien en place et bien fixées. Pour ce faire, secouez l'unité et assurez-vous qu'aucun bruit suspect ne se produit. Des pièces métalliques ou des copeaux de métal pourraient causer un court-circuit.

Bevor nach einem FRU-Austausch der Computer wieder angeschlossen wird, muß sichergestellt werden, daß keine Schrauben, Federn oder andere Kleinteile fehlen oder im Gehäuse vergessen wurden. Der Computer muß geschüttelt und auf Klappergeräusche geprüft werden. Metallteile oder-splitter können Kurzschlüsse erzeugen.

לפני הפעלת המחשב לאחר החלפת FRU יש לוודא שכל הברגים, הקפיצים, וחלקים קטנים אחרים נמצאים במקומם ואינם חופשיים לזוז בתוך המחשב. כדי לוודא זאת, יש ללטלט את המחשב ולהקשיב לגילוי קולות שקשוק. חלקי או שבבי מתכת עלולים לגרום לקצרים חשמליים.

Prima di accendere l'elaboratore dopo che é stata effettuata la sostituzione di una FRU, accertarsi che tutte le viti, le molle e tutte le altre parti di piccole dimensioni siano nella corretta posizione e non siano sparse all'interno dell'elaboratore. Verificare ciò scuotendo l'elaboratore e prestando attenzione ad eventuali rumori; eventuali parti o pezzetti metallici possono provocare cortocircuiti pericolosi.

FRUの交換後、コンピュータの電源を入れる前に、ねじ、バネ、その他の小さな部品がすべて正しい位置にあり、またコンピュータの内部で緩んでいないことを確認してください。これを確認するには、コンピュータを振って、カチャカチャと音がしないか確かめませう。金属部品や金属破片はショートの原因になることがあります。

Antes de encender el sistema despues de sustituir una FRU, compruebe que todos los tornillos, muelles y demás piezas pequeñas se encuentran en su sitio y no se encuentran sueltas dentro del sistema. Compruébelo agitando el sistema y escuchando los posibles ruidos que provocarían. Las piezas metálicas pueden causar cortocircuitos eléctricos.

Safety notice 2

DANGER

Some standby batteries contain a small amount of nickel and cadmium. Do not disassemble a standby battery, recharge it, throw it into fire or water, or short-circuit it. Dispose of the battery as required by local ordinances or regulations. Use only the battery in the appropriate parts listing. Use of an incorrect battery can result in ignition or explosion of the battery.

Certaines batteries de secours contiennent du nickel et du cadmium. Ne les démontez pas, ne les rechargez pas, ne les exposez ni au feu ni à l'eau. Ne les mettez pas en court-circuit. Pour les mettre au rebut, conformez-vous à la réglementation en vigueur. Lorsque vous remplacez la pile de sauvegarde ou celle de l'horloge temps réel, veillez à n'utiliser que les modèles cités dans la liste de pièces détachées adéquate. Une batterie ou une pile inappropriée risque de prendre feu ou d'exploser.

Die Bereitschaftsbatterie, die sich unter dem Diskettenlaufwerk befindet, kann geringe Mengen Nickel und Cadmium enthalten. Sie darf nicht zerlegt, wiederaufgeladen, kurzgeschlossen, oder Feuer oder Wasser ausgesetzt werden. Bei der Entsorgung die örtlichen Bestimmungen für Sondermüll beachten. Beim Ersetzen der Bereitschafts- oder Systematterie nur Batterien des Typs verwenden, der in der Ersatzteilliste aufgeführt ist. Der Einsatz falscher Batterien kann zu Entzündung oder Explosion führen.

סוללות המתנה מסוימות מכילות כמות קטנה של ניקל וקדמיום. אין למרק סוללת המתנה, לטעון אותה מחדש, להשליך אותה לאש או למים או לקצר אותה. יש לטפל את הסוללה כדורש על ידי התקנות והחוקים המקומיים. יש להשתמש רק בסוללה המופיעה ברשימת החלקים המתאימה. שימוש בסוללה לא מתאימה עלול לגרום להצתה או התפוצצות של הסוללה.

Alcune batterie di riserva contengono una piccola quantità di nichel e cadmio. Non smontarle, ricaricarle, gettarle nel fuoco o nell'acqua né cortocircuitarle. Smaltirle secondo la normativa in vigore (DPR 915/82, successive disposizioni e disposizioni locali). Quando si sostituisce la batteria dell'RTC (real time clock) o la batteria di supporto, utilizzare soltanto i tipi inseriti nell'appropriato Catalogo parti. L'impiego di una batteria non adatta potrebbe determinare l'incendio o l'esplosione della batteria stessa.

予備バッテリーの中には少量のニッケルとカドミウムが含まれているものがあります。したがって、予備バッテリーの分解、再充電、火または水の中への投棄、またはショートさせることは決して行わないでください。バッテリーを廃棄する場合は地方自治体の条例に従ってください。適切なパーツ・リストにあるバッテリーだけを使用してください。誤ったバッテリーを使用すると、バッテリーが発火したり、爆発したりすることがあります。

Algunas baterías de reserva contienen una pequeña cantidad de níquel y cadmio. No las desmonte, ni recargue, ni las eche al fuego o al agua ni las cortocircuite. Deséchelas tal como dispone la normativa local. Utilice sólo baterías que se encuentren en la lista de piezas. La utilización de una batería no apropiada puede provocar la ignición o explosión de la misma.

Safety notice 3

⚠ DANGER

The battery pack contains small amounts of nickel. Do not disassemble it, throw it into fire or water, or short-circuit it. Dispose of the battery pack as required by local ordinances or regulations. Use only the battery in the appropriate parts listing when replacing the battery pack. Use of an incorrect battery can result in ignition or explosion of the battery.

La batterie contient du nickel. Ne la démontez pas, ne l'exposez ni au feu ni à l'eau. Ne la mettez pas en court-circuit. Pour la mettre au rebut, conformez-vous à la réglementation en vigueur. Lorsque vous remplacez la batterie, veillez à n'utiliser que les modèles cités dans la liste de pièces détachées adéquate. En effet, une batterie inappropriée risque de prendre feu ou d'exploser.

Akkus enthalten geringe Mengen von Nickel. Sie dürfen nicht zerlegt, wiederaufgeladen, kurzgeschlossen, oder Feuer oder Wasser ausgesetzt werden. Bei der Entsorgung die örtlichen Bestimmungen für Sondermüll beachten. Beim Ersetzen der Batterie nur Batterien des Typs verwenden, der in der Ersatzteilliste aufgeführt ist. Der Einsatz falscher Batterien kann zu Entzündung oder Explosion führen.

מארו הסוללה מכיל כמות קטנה של ניקל וקדמיום. אין לפרק את מארו הסוללה, להשליך אותו לאש או למים או לקצר אותו. יש לשלק את מארו הסוללה הסוללה כנדרש על ידי התקנות והחוקים המקומיים. יש להשתמש רק בסוללה המופיעה ברשימת החלקים המתאימה בזמן החלפת מארו הסוללה. שימוש בסוללה לא מתאימה עלול לגרום לנזקה או התפוצצות של הסוללה.

La batteria contiene piccole quantità di nichel. Non smontarla, gettarla nel fuoco o nell'acqua né cortocircuitarla. Smaltirla secondo la normativa in vigore (DPR 915/82, successive disposizioni e disposizioni locali). Quando si sostituisce la batteria, utilizzare soltanto i tipi inseriti nell'appropriato Catalogo parti. L'impiego di una batteria non adatta potrebbe determinare l'incendio o l'esplosione della batteria stessa.

バッテリー・パックには少量のニッケルが含まれています。バッテリー・パックを分解したり、火または水の中に投げ込んだり、ショートさせないでください。バッテリー・パックの廃棄にあたっては、地方自治体の条例または規則に従ってください。バッテリー・パックを交換するときは、適切なパーツ・リストにあるバッテリーだけを使用してください。誤ったバッテリーを使用すると、バッテリーが発火したり、爆発したりすることがあります。

Las baterías contienen pequeñas cantidades de níquel. No las desmonte, ni recargue, ni las eche al fuego o al agua ni las cortocircuite. Deséchelas tal como dispone la normativa local. Utilice sólo baterías que se encuentren en la lista de piezas al sustituir la batería. La utilización de una batería no apropiada puede provocar la ignición o explosión de la misma.

Safety notice 4

DANGER

The lithium battery can cause a fire, an explosion, or a severe burn. Do not recharge it, remove its polarized connector, disassemble it, heat it above 100°C (212°F), incinerate it, or expose its cell contents to water. Dispose of the battery as required by local ordinances or regulations. Use only the battery in the appropriate parts listing. Use of an incorrect battery can result in ignition or explosion of the battery.

La pile de sauvegarde contient du lithium. Elle présente des risques d'incendie, d'explosion ou de brûlures graves. Ne la rechargez pas, ne retirez pas son connecteur polarisé et ne la démontez pas. Ne l'exposez pas à une température supérieure à 100°C, ne la faites pas brûler et n'en exposez pas le contenu à l'eau. Mettez la pile au rebut conformément à la réglementation en vigueur. Une pile inappropriée risque de prendre feu ou d'exploser.

Die Systematterie ist eine Lithiumatterie. Sie kann sich entzünden, explodieren oder schwere Verbrennungen hervorrufen. Batterien dieses Typs dürfen nicht aufgeladen, zerlegt, über 100 C erhitzt oder verbrannt werden. Auch darf ihr Inhalt nicht mit Wasser in Verbindung gebracht oder der zur richtigen Polung angebrachte Verbindungsstecker entfernt werden. Bei der Entsorgung die örtlichen Bestimmungen für Sondermüll beachten. Beim Ersetzen der Batterie nur Batterien des Typs verwenden, der in der Ersatzteilliste aufgeführt ist. Der Einsatz falscher Batterien kann zu Entzündung oder Explosion führen.

סוללת הליתיום עלולה לגרום לשריפה, להתפוצצות או לכוויות קשות. אין לטעון אותה מחדש, לטלוק את המחבר המקוטב שלה, לפרק אותה או לחמם אותה לטמפרטורה העולה על 100 מעלות צלזיוס. אין לשרוף את הסוללה ואין לחשוף את תוכן התא למים. יש לטלוק את הסוללה כנדרש בתקנות ובחוקים המקומיים. יש להשתמש רק בסוללה המופיעה ברשימת החלקים המתאימים. שימוש בסוללה אחרת עלול לגרום לסכנת שריפה או התפוצצות.

La batteria di supporto e una batteria al litio e puo incendiarsi, esplodere o procurare gravi ustioni. Evitare di ricaricarla, smontarne il connettore polarizzato, smontarla, riscaldarla ad una temperatura superiore ai 100 gradi centigradi, incendarla o gettarla in acqua. Smaltirla secondo la normativa in vigore (DPR 915/82, successive disposizioni e disposizioni locali). L'impiego di una batteria non adatta potrebbe determinare l'incendio o l'esplosione della batteria stessa.

リチウム・バッテリーは、火災、爆発、または重症のやけどを引き起こすことがあります。バックアップ・バッテリーの充電、その極性コネクタの取り外し、バッテリー本体の分解、100°C (212°F) 以上への加熱、焼却、電池の中身を水に浸すことはしないでください。バッテリーを廃棄する場合は地方自治体の条例に従ってください。適切なパーツ・リストにあるバッテリーだけを使用してください。誤ったバッテリーを使用すると、バッテリーが発火したり、爆発したりすることがあります。

La batería de respaldo es una batería de litio y puede provocar incendios, explosiones o quemaduras graves. No la recargue, ni quite el conector polarizado, ni la desmonte, ni caliente por encima de los 100°C (212°F), ni la incinere ni exponga el contenido de sus celdas al agua. Deséchela tal como dispone la normativa local.

Safety notice 5

If the LCD breaks and the fluid from inside the LCD gets into your eyes or on your hands, immediately wash the affected areas with water at least for 15 minutes. Seek medical care if any symptoms caused by the fluid are present after washing.

Si le panneau d'affichage à cristaux liquides se brise et que vous recevez dans les yeux ou sur les mains une partie du fluide, rincez-les abondamment pendant au moins quinze minutes. Consultez un médecin si des symptômes persistent après le lavage.

Die Leuchtstoffröhre im LCD-Bildschirm enthält Quecksilber. Bei der Entsorgung die örtlichen Bestimmungen für Sondermüll beachten. Der LCD-Bildschirm besteht aus Glas und kann zerbrechen, wenn er unsachgemäß behandelt wird oder der Computer auf den Boden fällt. Wenn der Bildschirm beschädigt ist und die darin befindliche Flüssigkeit in Kontakt mit Haut und Augen gerät, sollten die betroffenen Stellen mindestens 15 Minuten mit Wasser abgespült und bei Beschwerden anschließend ein Arzt aufgesucht werden.

אם מסך הניבש הנוזלי (LCD) נשבר והנוזל מתוך המסך בא במגע עם עיניים או ידיים, שטפו את האזורים הנוגעים מיד במים במשך 15 דקות לפחות. מנו לקבלת עזרה רפואית אם תסמינים הנובעים מהמגע עם הנוזל נמשכים לאחר השטיפה.

Nel caso che caso l'LCD si dovesse rompere ed il liquido in esso contenuto entrasse in contatto con gli occhi o le mani, lavare immediatamente le parti interessate con acqua corrente per almeno 15 minuti; poi consultare un medico se i sintomi dovessero permanere.

LCD が破損し、LCD 中の液体が目に入ったり、手に触れたりした場合は、液体が触れた部分を少なくとも 15 分間洗い流してください。洗い流した後に、液体によって何らかの症状が現れた場合は、医師の治療を受けてください。

Si la LCD se rompe y el fluido de su interior entra en contacto con sus ojos o sus manos, lave inmediatamente las áreas afectadas con agua durante 15 minutos como mínimo. Obtenga atención médica si se presenta algún

Safety notice 6

⚠ DANGER

To avoid shock, do not remove the plastic cover that protects the lower part of the inverter card.

Afin d'éviter tout risque de choc électrique, ne retirez pas le cache en plastique protégeant la partie inférieure de la carte d'alimentation.

Aus Sicherheitsgründen die Kunststoffabdeckung, die den unteren Teil der Spannungswandlerplatine umgibt, nicht entfernen.

כדי למנוע התחשמלות, אין להסיר את מכסה הפלסטיק המגן על חלקו התחתון של הכרטיס ההפוך.

Per evitare scosse elettriche, non rimuovere la copertura in plastica che avvolge la parte inferiore della scheda invertitore.

感電を防ぐため、インバーター・カードの下部を保護しているプラスチック・カバーを外さないでください。

Para evitar descargas, no quite la cubierta de plástico que rodea la parte baja de la tarjeta invertida.

Safety notice 7

⚠ DANGER

Though the main batteries have low voltage, a shorted or grounded battery can produce enough current to burn personnel or combustible materials.

Bien que le voltage des batteries principales soit peu élevé, le court-circuit ou la mise à la masse d'une batterie peut produire suffisamment de courant pour brûler des matériaux combustibles ou causer des brûlures corporelles graves.

Obwohl Hauptbatterien eine niedrige Spannung haben, können sie doch bei Kurzschluß oder Erdung genug Strom abgeben, um brennbare Materialien zu entzünden oder Verletzungen bei Personen hervorzurufen.

אף שהסוללות הראשיות הן בעלות מתח נמוך, סוללה מקוצרת או מוארקת עלולה להפיק זרם מספיק לגרימת כוויות או להצתת חומרים דליקים.

Sebbene le batterie di alimentazione siano a basso voltaggio, una batteria in corto circuito o a massa può fornire corrente sufficiente da bruciare materiali combustibili o provocare ustioni ai tecnici di manutenzione.

メイン・バッテリーの電圧は低くても、ショートしたり、接地したバッテリーが、作業者にやけどを負わせたり、可燃物を燃やすだけの電流を発生させる場合があります。

Aunque las baterías principales tienen un voltaje bajo, una batería cortocircuitada o con contacto a tierra puede producir la corriente suficiente como para quemar material combustible o provocar quemaduras en el personal.

Safety notice 8

⚠ DANGER

Before removing any FRU, turn off the computer, unplug all power cords from electrical outlets, remove the battery pack, and then disconnect any interconnecting cables.

Avant de retirer une unité remplaçable en clientèle, mettez le système hors tension, débranchez tous les cordons d'alimentation des socles de prise de courant, retirez la batterie et déconnectez tous les cordons d'interface.

Die Stromzufuhr muß abgeschaltet, alle Stromkabel aus der Steckdose gezogen, der Akku entfernt und alle Verbindungskabel abgenommen sein, bevor eine FRU entfernt wird.

לפני סילוק FRU כלשהו, יש לכבות את המחשב,
לנתק את כל כבלי החשמל משקעי החשמל, להוציא
את מארז הסוללה, ואז לנתק כבלי חיבור אחרים
אם יש כאלה.

Prima di rimuovere qualsiasi FRU, spegnere il sistema, scollegare dalle prese elettriche tutti i cavi di alimentazione, rimuovere la batteria e poi scollegare i cavi di interconnessione.

FRUを取り外す前に、ThinkPadの電源を切って、すべての電源コードをコンセントから外してください。次に、バッテリー・パックを外し、相互接続ケーブルを外してください。

Antes de quitar una FRU, apague el sistema, desenchufe todos los cables de las tomas de corriente eléctrica, quite la batería y, a continuación, desconecte cualquier cable de conexión entre dispositivos.

Laser compliance statement

Some models of Lenovo computer are equipped from the factory with an optical storage device such as a CD-ROM drive or a DVD-ROM drive. Such devices are also sold separately as options. If one of these drives is installed, it is certified in the U.S. to conform to the requirements of the Department of Health and Human Services 21 Code of Federal Regulations (DHHS 21 CFR) Subchapter J for Class 1 laser products. Elsewhere, the drive is certified to conform to the requirements of the International Electrotechnical Commission (IEC) 825 and CENELEC EN 60 825 for Class 1 laser products.

If a CD-ROM drive, a DVD-ROM drive, or another laser device is installed, note the following:

⚠ CAUTION

Use of controls or adjustments or performance of procedures other than those specified herein might result in hazardous radiation exposure.

O uso de controles, ajustes ou desempenho de procedimentos diferentes daqueles aqui especificados pode resultar em perigosa exposição à radiação.

凡未在这里指明的任何控制用法、调整、行为，都会导致严重后果。

Pour éviter tout risque d'exposition au rayon laser, respectez les consignes de réglage et d'utilisation des commandes, ainsi que les procédures décrites.

Werden Steuer- und Einstellelemente anders als hier festgesetzt verwendet, kann gefährliche Laserstrahlung auftreten.

Az itt előírt eljárásoktól, beállításoktól és vezérlésektől eltérni a lézersugárzás veszélye miatt kockázatos!

L'utilizzo di controlli, regolazioni o l'esecuzione di procedure diverse da quelle specificate possono provocare l'esposizione a.

Использование элементов настройки и выполнение процедур иных, чем указано здесь, может привести к опасному радиационному облучению.

Použitie kontrol, úprav alebo iných vykonaní od iných výrobcov, ako je v tomto špecifikované, mohlo by mať za následok nebezpečenstvo vystavenia sa vyžiarovaniu.

本書で指定された内容以外のお客様による整備、調整、または手順を行った場合、レーザー光の放射の危険があります。

El uso de controles o ajustes o la ejecución de procedimientos distintos de los aquí especificados puede provocar la exposición a radiaciones peligrosas.

Opening the CD-ROM drive, the DVD-ROM drive, or any other optical storage device could result in exposure to hazardous laser radiation. There are no serviceable parts inside those drives. **Do not open.**

A CD-ROM drive, a DVD-ROM drive, or any other storage device installed may contain an embedded Class 3A or Class 3B laser diode. Note the following:

 **DANGER**

Emits visible and invisible laser radiation when open. Do not stare into the beam, do not view directly with optical instruments, and avoid direct exposure to the beam.

Radiação por raio laser ao abrir. Não olhe fixo no feixe de luz, não olhe diretamente por meio de instrumentos óticos e evite exposição direta com o feixe de luz.

开启时会有激光发射时，请勿直视激光光束，请勿直接查看视觉仪器，并且避免直接接触在激光光束之中。

Rayonnement laser si carter ouvert. Évitez de fixer le faisceau, de le regarder directement avec des instruments optiques, ou de vous exposer au rayon.

Laserstrahlung bei geöffnetem Gerät. Nicht direkt oder über optische Instrumente in den Laserstrahl sehen und den Strahlungsbereich meiden.

Kinyitáskor lézersugár! Ne nézzen bele se szabad szemmel, se optikai eszközökkel. Kerülje a sugárnyalábbal való érintkezést!

Aprendo l'unità vengono emesse radiazioni laser. Non fissare il fascio, non guardarlo direttamente con strumenti ottici e evitare l'esposizione diretta al fascio.

Открывая, берегитесь лазерного излучения. Не смотрите на луч, не разглядывайте его с помощью оптических инструментов, а также избегайте прямого воздействия лазерного луча.

Keď je laserová jednotka otvorená. Vyhňte sa priamemu pohľadu a nehládte priamo s optickými nástrojmi do lúča a vyhňte sa priamemu vystaveniu lúčov.

開けるとレーザー光が放射されます。光線を見つめたり、光学機械を使って直接見たりしないでください。

Radiación láser al abrir. No mire fijamente ni examine con instrumental óptico el haz de luz. Evite la exposición directa al haz.

Important service information

This chapter presents the following important service information:

- “Strategy for replacing FRUs” on page 16
 - “Strategy for replacing a hard disk drive” on page 17
 - “Important notice for replacing a system board” on page 17
- “Important information about replacing RoHS compliant FRUs” on page 18

Important:

BIOS and device driver fixes are customer-installable. The BIOS and device drivers are posted on the customer support site:
<http://consumersupport.lenovo.com/>.

Strategy for replacing FRUs

Before replacing parts:

Make sure that all software fixes, drivers, and BIOS downloads are installed before replacing any FRUs listed in this manual.

After a system board is replaced, ensure that the latest BIOS is loaded to the system board before completing the service action.

To download software fixes, drivers, and BIOS, follow the steps below:

1. Go to <http://consumersupport.lenovo.com/>.
2. Enter the serial number or select a product or use Lenovo smart downloading.
3. Select the BIOS/Driver/Applications and download.
4. Follow the directions on the screen and install the necessary software.

Use the following strategy to prevent unnecessary expense for replacing and servicing FRUs:

- If you are instructed to replace an FRU, but the replacement does not solve the problem, reinstall the original FRU before you continue.
- Some computers have both a processor board and a system board. If you are instructed to replace either of them, and replacing one of them does not solve the problem, reinstall that board, and then replace the other one.
- If an adapter or a device consists of more than one FRU, any of the FRUs may be the cause of the error. Before replacing the adapter or device, remove the FRUs one by one to see if the symptoms change. Replace only the FRU that changed the symptoms.

Attention: The setup configuration on the computer you are servicing may have been customized. Running Automatic Configuration may alter the settings. Note the current configuration settings (using the View Configuration option); then, when service has been completed, verify that those settings remain in effect.

Strategy for replacing a hard disk drive

Always try to run a low-level format before replacing a hard disk drive. This will cause all customer data on the hard disk to be lost. Make sure that the customer has a current backup of the data before performing this action.

Attention: The drive startup sequence in the computer you are servicing may have been changed. Be extremely careful during write operations such as copying, saving, or formatting. If you select an incorrect drive, data or programs can be overwritten.

Important notice for replacing a system board

Some components mounted on a system board are very sensitive. Improper handling can cause damage to those components, and may cause a system malfunction.

Attention: When handling a system board:

- Do not drop the system board or apply any excessive force to it.
- Avoid rough handling of any kind.
- Avoid bending the system board and hard pushing to prevent cracking at each BGA (Ball Grid Array) chipset.

Important information about replacing RoHS compliant FRUs

RoHS, The Restriction of Hazardous Substances in Electrical and Electronic Equipment Directive (2002/95/EC) is a European Union legal requirement affecting the global electronics industry. RoHS requirements must be implemented on Lenovo products placed on the market after June 2006. Products on the market before June 2006 are not required to have RoHS compliant parts. If the original FRU parts are non-compliant, replacement parts can also be non-compliant. In all cases if the original FRU parts are RoHS compliant, the replacement part must also be RoHS compliant.

Note: RoHS and non-RoHS FRU part numbers with the same fit and function are identified with unique FRU part numbers.

Lenovo plans to transit to RoHS compliance well before the implementation date and expects its suppliers to be ready to support Lenovo’s requirements and schedule in the EU. Products sold in 2005 and 2006 will contain some RoHS compliant FRUs. The following statement pertains to these products and any product Lenovo produces containing RoHS compliant FRUs.

RoHS compliant FRUs have unique FRU part numbers. Before or after the RoHS implementation date, failed RoHS compliant parts must always be replaced with RoHS compliant ones, so only the FRUs identified as compliant in the system HMM or direct substitutions for those FRUs may be used.

Products marketed before June 2006		Products marketed after June 2006	
Current or original part	Replacement FRU	Current or original part	Replacement FRU
Non-RoHS	Can be Non-RoHS	Must be RoHS	Must be RoHS
Non-RoHS	Can be RoHS		
Non-RoHS	Can sub to RoHS		
RoHS	Must be RoHS		

Note: A direct substitution is a part with a different FRU part number that is automatically shipped by the distribution center at the time of the order.

General checkout

This chapter presents the following information:

- “What to do first” on page 20
- “Power system checkout” on page 21

Before you go to the checkout, make sure to read the following important notes:

Important notes:

- **Only certified trained personnel can service the computer.**
- **Before replacing any FRU, read the entire page on removing and replacing FRUs.**
- **When you replace FRUs, use new nylon-coated screws.**
- **Be extremely careful during such write operations as copying, saving, or formatting.** Drives in the computer that you are servicing sequence might have been altered. If you select an incorrect drive, data or programs might be overwritten.
- **Replace an FRU only with another FRU of the correct model.** When you replace an FRU, make sure that the machine model and the FRU part number are correct by referring to the FRU parts list.
- **An FRU should not be replaced just because of a single, unreproducible failure.** Single failures can occur for a variety of reasons that have nothing to do with a hardware defect, such as cosmic radiation, electrostatic discharge, or software errors. Consider replacing an FRU only when a problem recurs. If you suspect that an FRU is defective, clear the error logs and run the test again. If the error does not recur, do not replace the FRU.
- **Be careful not to replace a nondefective FRU.**

What to do first

When you do return an FRU, you must include the following information in the parts exchange form or parts return form that you attach to it:

1. Name and phone number of servicer
2. Date of service
3. Date on which the machine failed
4. Date of purchase
5. Procedure index and page number in which the failing FRU was detected
6. Failing FRU name and part number
7. Machine type, model number, and serial number
8. Customer's name and address

Note for warranty: During the warranty period, the customer may be responsible for repair costs if the computer damage was caused by misuse, accident, modification, unsuitable physical or operating environment, or improper maintenance by the customer.

The following is a list of some common items that are not covered under warranty and some symptoms that might indicate that the system was subjected to stress beyond normal use.

Before checking problems with the computer, determine whether the damage is covered under the warranty by referring to the following list:

The following are not covered under warranty:

- LCD panel cracked from the application of excessive force or from being dropped
- Scratched (cosmetic) parts
- Distortion, deformation, or discoloration of the cosmetic parts
- Plastic parts, latches, pins, or connectors that have been cracked or broken by excessive force
- Damage caused by liquid spilled into the system
- Damage caused by the improper insertion of a PC Card or the installation of an incompatible card
- Improper disk insertion or use of an optical drive
- Diskette drive damage caused by pressure on the diskette drive cover, foreign material in the drive, or the insertion of a diskette with multiple labels
- Damaged or bent diskette eject button
- Fuses blown by attachment of a nonsupported device
- Forgotten computer password (making the computer unusable)
- Sticky keys caused by spilling a liquid onto the keyboard
- Use of an incorrect AC adapter on laptop products

The following symptoms might indicate damage caused by nonwarranted activities:

- Missing parts might be a symptom of unauthorized service or modification.
- If the spindle of a hard disk drive becomes noisy, it may have been subjected to excessive force, or dropped.

Power system checkout

To verify a symptom, follow the steps below:

1. Turn off the computer.
2. Remove the battery pack.
3. Connect the AC adapter.
4. Make sure that power is supplied when you turn on the computer.
5. Turn off the computer.
6. Disconnect the AC adapter and install the charged battery pack.
7. Make sure that the battery pack supplies power when you turn on the computer.

If you suspect a power problem, see the appropriate one of the following power supply checkouts:

- “Checking the AC adapter” on page 21
- “Checking operational charging” on page 21
- “Checking the battery pack” on page 22

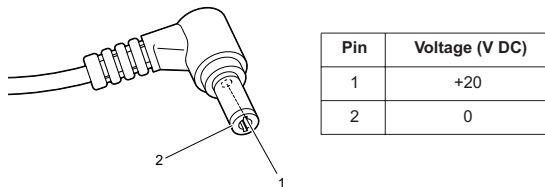
Checking the AC adapter

You are here because the computer fails only when the AC adapter is used.

- If the power-on indicator does not turn on, check the power cord of the AC adapter for correct continuity and installation.
- If the computer does not charge during operation, go to “Checking operational charging”.

To check the AC adapter, follow the steps below:

1. Unplug the AC adapter cable from the computer.
2. Measure the output voltage at the plug of the AC adapter cable. See the following figure:



Note: Output voltage for the AC adapter pin No. 2 may differ from the one you are servicing.

3. If the voltage is not correct, replace the AC adapter.
4. If the voltage is acceptable, do the following:
 - Replace the system board.
 - If the problem persists, go to “Lenovo IdeaPad U310/U410” on page 27.

Note: Noise from the AC adapter does not always indicate a defect.

Checking operational charging

To check whether the battery charges properly during operation, use a discharged battery pack or a battery pack that has less than 50% of the total power remaining when installed in the computer.

Perform operational charging. If the battery status indicator or icon does not light on, remove the battery pack and let it return to room temperature. Reinstall the battery pack. If the charge indicator or icon is still off, replace the battery pack.

If the charge indicator still does not light on, replace the system board. Then reinstall the battery pack. If it is still not charged, go to the next section.

Checking the battery pack

Battery charging does not start until the Power Meter shows that less than 95% of the total power remains; under this condition the battery pack can charge to 100% of its capacity. This protects the battery pack from being overcharged or from having a shortened life.

To check your battery, move your cursor to the Power Meter icon in the icon tray of the Windows® taskbar and wait for a moment (but do not click it), and the percentage of battery power remaining is displayed. To get detailed information about the battery, double-click the Power Meter icon.

Note: If the battery pack becomes hot, it may not be able to be charged. Remove it from the computer and leave it at room temperature for a while. After it cools down, reinstall and recharge it.

Related service information

This chapter presents the following information:

- “Restoring the factory contents by using Recovery Disc Set” on page 23
- “Passwords” on page 24
- “Power management” on page 25

Restoring the factory contents by using Recovery Disc Set

When the hard disk drive or solid state drive is replaced because of a failure, no product recovery program is on the new drive. In this case, you must use the *Recovery Disc Set* for the computer. Order the *Recovery Disc Set* and the drive at the same time so that you can recover the new drive with the pre-installed software when they arrive.

The *Recovery Disc Set* consists of the following set of DVDs to restore the computer to the original factory configuration.

Start Recovery Disc (one disc)

This disc is used to format the hard disk drive and initiate the recovery process.

Operating System Recovery Disc (one or more discs)

This disc restores the Microsoft Windows operating system.

Applications and Drivers Recovery Disc (one or more discs)

This disc restores the pre-installed applications and drivers on the computer.

Supplemental Recovery Disc

This disc contains additional content, such as software for specific models and updates to the software that was preloaded on the computer. Not all recovery disc sets come with a *Supplemental Recovery Disc*.

To restore the computer to the original factory configuration using the recovery disc set, do the following:

1. Insert the bootable *Start Recovery Disc* into the optical drive.
2. Start the computer. When the Lenovo logo comes up, immediately press F12; on the boot sequence menu, select the optical drive as the first boot-up device. The computer will boot from the *Start Recovery Disc*. Follow the on-screen instructions to begin the recovery process.
3. Read the license. If you agree with the terms, select **I accept these terms and conditions** and then click **Next**.
4. Insert the **Operating System Recovery Disc** when prompted and click **Yes** to begin the operating system recovery process.
5. Insert the *Applications and Drivers Recovery Disc* when prompted and then click **OK** to begin the applications and drivers recovery process.
6. If you have a *Supplemental Recovery Disc*, insert it when prompted and click **Yes**. If you do not have a *Supplemental Recovery Disc*, click **No**.

7. When all of the data has been copied from the last disc in the set, remove the disc and restart the computer.

Note: The remainder of the recovery process is fully automated and no action is required by you. The computer will restart into the Windows desktop several times and you might experience periods when no activity is apparent on the screen for several minutes at a time. This is normal.

8. When the recovery process is complete, the Welcome to the Microsoft Windows screen is displayed. Follow the instructions on the screen to complete the Windows setup.

Passwords

As many as three passwords may be needed for any Lenovo computer: the power-on password (POP), the hard disk password (HDP), and the supervisor password (SVP).

If any of these passwords has been set, a prompt for it appears on the screen whenever the computer is turned on. The computer does not start until the password is entered.

Exception: If only an SVP is installed, the password prompt does not appear when the operating system is booted.

Power-on password

A power-on password (POP) protects the system from being powered on by an unauthorized person. The password must be entered before an operating system can be booted.

Hard-disk password

There are two hard-disk passwords (HDPs):

+ User HDP - for the user

+ Master HDP - for the system administrator, who can use it to get access to the hard disk drive even if the user has changed the user HDP

Attention: If the user HDP has been forgotten, check whether a master HDP has been set. If it has, it can be used for access to the hard disk drive. If no master HDP is available, neither Lenovo nor Lenovo authorized service technicians provide any services to reset either the user or the master HDP, or to recover data from the hard disk drive. The hard disk drive can be replaced for a scheduled fee.

Supervisor password

A supervisor password (SVP) protects the system information stored in the BIOS Setup Utility. The user must enter the SVP in order to get access to the BIOS Setup Utility and change the system configuration.


Attention: If the SVP has been forgotten and cannot be made available to the servicer, there is no service procedure to reset the password. The system board must be replaced for a scheduled fee.


Power management

Note: Power management modes are not supported for APM operating system.

To reduce power consumption, the computer has three power management modes: screen blank, sleep (standby), and hibernation.

Screen blank state

If the time set on the “Turn off monitor” timer in the operating system expires, the LCD backlight turns off. You can also turn off the LCD backlight by pressing .

To end screen blank state and resume normal operation, press .

Sleep (standby) state


When the computer enters sleep (standby) state, the following events occur in addition to what occurs in screen blank state:

- The LCD is powered off.
- The hard disk drive is powered off.
- The CPU stops.

Putting your computer into sleep state

If you will be away from your computer for only a short time, put the computer into sleep state.

When the computer is in sleep state, you can quickly wake it to resume use, and bypass the startup process.

To put the computer into sleep state, click  and select **Sleep** from the Start menu.

To wake the computer, do one of the following.

- Press the power button.
- Press any key on the keyboard.

Also, in the following event, the computer automatically returns from sleep (standby) state and resumes the operation:

- The time set on the resume timer elapses.

Note: The computer does not accept any input immediately after it enters sleep (standby) state. Wait a few seconds before taking any action to reenter operation mode.

Hibernation state

In hibernation state, the following occurs:

- The system status, RAM, VRAM, and setup data are stored on the hard disk.
- The system is powered off.

To cause the computer to enter hibernation state, follow the steps below:

- If you are using the ACPI operating system and have defined one of the following actions as the event that causes the system to go into hibernation state, perform that action:
 - Closing the lid.
 - Pressing the power button.

Also, the computer goes into hibernation state automatically in either of the following conditions:

- If a “hibernation time” has been set on the timer, and if the user does not do any operation with the keyboard, the hard disk drive, the parallel connector, or the diskette drive within that time.
- If the timer conditions are satisfied in suspend mode.

When the power is turned on, the computer returns from hibernation state and resumes operation. The hibernation file in the boot record on the hard disk drive is read, and system status is restored from the hard disk drive.

Note: When the SSD and HDD are being configured, the computer will enter hibernation state automatically.

Lenovo IdeaPad U310/U410

This chapter presents the following product-specific service references and product-specific parts information:

- “Specifications” on page 27
- “Status indicators” on page 29
- “FRU tests” on page 31
- “Fn key combinations” on page 31
- “FRU replacement notices” on page 32
- “Removing and replacing an FRU” on page 33
- “Locations” on page 67
- “Parts list” on page 70

Specifications

The following table lists the specifications of the Lenovo IdeaPad U310/U410:

Table 1. Specifications

	Lenovo IdeaPad U310	Lenovo IdeaPad U410
Feature	Description	
Processor	See the system properties of your computer. You can do this as follows: Click Start , right-click Computer ; then from the pull down menu select Properties .	
Core Chipset	Intel Panther point HM77	
Bus architecture	FSB: 1333 (Sandy Bridge) & 1600 (IVY bridge) SDRAM: 1333 (Sandy Bridge) & 1600 (IVY bridge) PCI bus PCI express bus DMI	
Graphic Chipset	Intel Integrated	N13M-GE1, 15W
Display	16:9 (1,366 × 768 pixels)	
Standard memory	DDR3-1333 or DDR3-1600 4 GB SODIMM × 1	DDR3-1333 or DDR3-1600 8 GB SODIMM × 2
CMOS RAM	256 bytes	
Hard disk drive	2.5-inch, 7.0 mm	2.5-inch, 9.5 mm or 2.5-inch, 7.0 mm
Optical drive	NA	
SSD	16G, 32G mSATA	

Table 1. Specifications (continued)

	Lenovo IdeaPad U310	Lenovo IdeaPad U410
Feature	Description	
I/O ports	HDMI port × 1	
	USB 2.0 × 1, USB 3.0 × 2	USB 2.0 × 2, USB 3.0 × 2
	2 in 1 slot × 1 (MMC, SD)	
Audio	Combo audio jack × 1 Speaker × 2 Built-in microphone	
Video	HDMI port × 1	
WLAN	Intel Wifi 2 × 2 GN	
WWAN	Intel WiMAX/Wifi 1 × 2 BGN	
Bluetooth	option	
Keyboard	New Key Board	
Touch pad	One piece TouchPad	
Integrated camera	0.3 or 1.0 mega pixels	
Battery	Li-Polymer	
AC adapter	40 W or 65 W	65 W or 90 W
Pre-installed operating system	Win7, Win8	

Status indicators

The system status indicators below show the computer status:

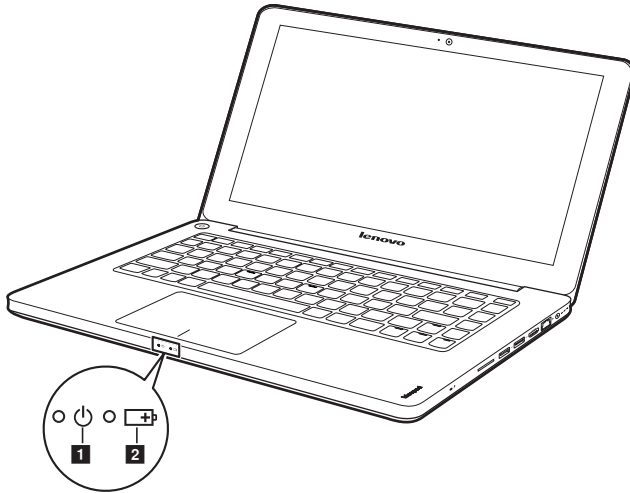




Table 2. Status indicators

Indicator	Meaning
<p>1 Power on </p>	<p>On (solid white): The computer is powered on.</p> <p>Blinking: The computer is in sleep mode.</p> <p>off: The computer is powered off.</p>
<p>2 Battery </p>	<p>On (solid white): The battery has more than 20% charge.</p> <p>Solid amber: The battery has between 5% and 20% charge.</p> <p>Fast blinking amber: The battery has less than 5% charge.</p> <p>Slow blinking amber: The battery is being charged. When battery charge reaches 20%, the blinking color changes to white.</p> <p>Slow blinking white: The battery has between 20% and 80% charge and is still charging. When the battery reaches 80% charge the light will stop blinking, but charging will continue until the battery is fully charged.</p> <p>Off: The battery is detached.</p>

Fn key combinations

The following table shows the function of each combination of Fn with a function key.

Table 3. Fn key combinations













Key combination	Description
Fn + Home:	Activate the pause function.
Fn + End:	Activate the break function.
Fn + PgUp:	Enable/Disable the scroll lock.
Fn + PgDn:	Activate the insert function.

Hotkeys

The hotkeys are located in the function key row of the keyboard. By pressing the appropriate hotkey, you can change system settings instantly.

The following describes the function of each hotkey.

Table 4. Hotkeys

Hotkeys	Description
 F1	Mute/Unmute.
 F2	Decrease sound volume.
 F3	Increase sound volume.
 F4	Close active window or program.
 F5	Refresh desktop or Web pages.
 F6	Enable/Disable the touchpad.
 F7	Open the interface for integrated wireless devices settings (on/off).
 F8	Enable/Disable the built-in microphone.
 F9	Turn on/off the integrated camera.
 F10	Open the interface for changing display devices.
 F11	Decrease display brightness.
 F12	Increase display brightness.

FRU replacement notices

This section presents notices related to removing and replacing parts. Read this section carefully before replacing any FRU.

Screw notices

Loose screws can cause a reliability problem. In the Lenovo computer, this problem is addressed with special nylon-coated screws that have the following characteristics:

- They maintain tight connections.
- They do not easily come loose, even with shock or vibration.
- They are harder to tighten.
- Each one should be used only once.

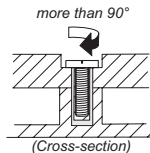
Do the following when you service this machine:

- Keep the screw kit in your tool bag.
- Always use new screws.
- Use a torque screwdriver if you have one.

Tighten screws as follows:

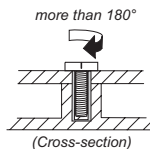
- **Plastic to plastic**

Turn an additional 90° after the screw head touches the surface of the plastic part:



- **Logic card to plastic**

Turn an additional 180° after the screw head touches the surface of the logic card:



- **Torque driver**

If you have a torque screwdriver, refer to the "Torque" column for each step.

- Make sure that you use the correct screws. If you have a torque screwdriver, tighten all screws firmly to the torque shown in the table. **Never use a screw that you removed. Use a new one. Make sure that all screws are tightened firmly.**
- Ensure torque screwdrivers are calibrated correctly following country specifications.

Removing and replacing an FRU

This section presents exploded figures with the instructions to indicate how to remove and replace the FRU. Make sure to observe the following general rules:

1. Do not attempt to service any computer unless you have been trained and certified. An untrained person runs the risk of damaging parts.
2. Before replacing any FRU, review “FRU replacement notices” on page 32.
3. Begin by removing any FRUs that have to be removed before the failing FRU. Any of such FRUs are listed at the top of the page. Remove them in the order in which they are listed.
4. Follow the correct sequence in the steps to remove the FRU, as given in the figures by the numbers in square callouts.
5. When turning a screw to replace an FRU, turn it in the direction as given by the arrow in the figure.
6. When removing the FRU, move it in the direction as given by the arrow in the figure.
7. To put the new FRU in place, reverse the removal procedures and follow any of the notes that pertain to replacement. For information about connecting and arranging internal cables, see “Locations” on page 67.
8. When replacing an FRU, use the correct screw as shown in the procedures.

 **DANGER**

Before removing any FRU, turn off the computer, unplug all power cords from electrical outlets, remove the battery pack, and then disconnect any of the interconnecting cables.

Attention: After replacing an FRU, do not turn on the computer until you have made sure that all screws, springs, and other small parts are in place and none are loose inside the computer. Verify this by shaking the computer gently and listening for rattling sounds. Metallic parts or metal flakes can cause electrical short circuits.

Attention: The system board is sensitive to, and can be damaged by, electrostatic discharge. Before touching it, establish personal grounding by touching a ground point with one hand or using an electrostatic discharge (ESD) strap (P/N 6405959) to remove potential shock reasons.

Note: The illustrations used in this section are of the Lenovo U410, unless otherwise stated.

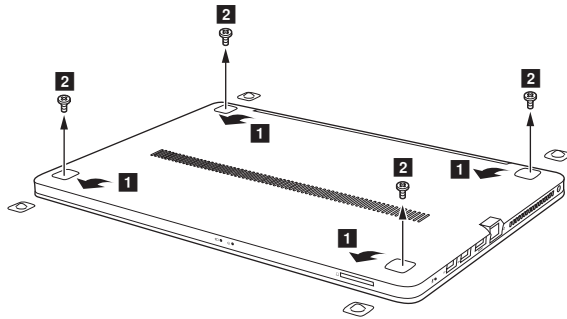
1010 Battery pack

⚠ DANGER

- Only use the battery specified in the parts list for your computer. Any other battery could ignite or explode.
- Make sure the battery has been disconnected already before replacing any devices.

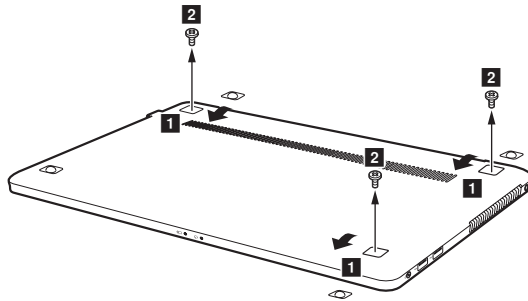
Figure 1. Removal steps of battery pack

U310: Open four rubber foot pads with a screw driver in the direction shown by arrows **1**, then remove four screws **2**.



Step	Screw (quantity)	Color	Torque
1	2.5 × 6.8 mm, flat-head, nylok-coated (4)	Black	3.0 kgfcm

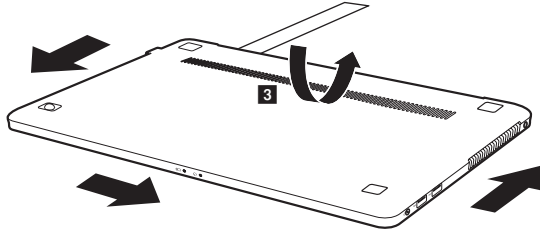
U410: Open three rubber foot pads with a screw driver in the direction shown by arrows **1**, then remove three screws **2**.



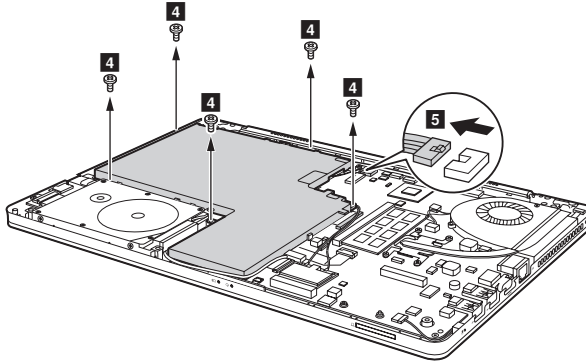
Step	Screw (quantity)	Color	Torque
1	M2.5 × 8.0 mm, flat-head, nylok-coated (3)	Black	3.0 kgfcm

Figure 1. Removal steps of battery pack (continued)

Open the back cover along the device frame with a flat blade in the direction shown by arrows and then lift the back cover in the direction shown by arrow **3**.



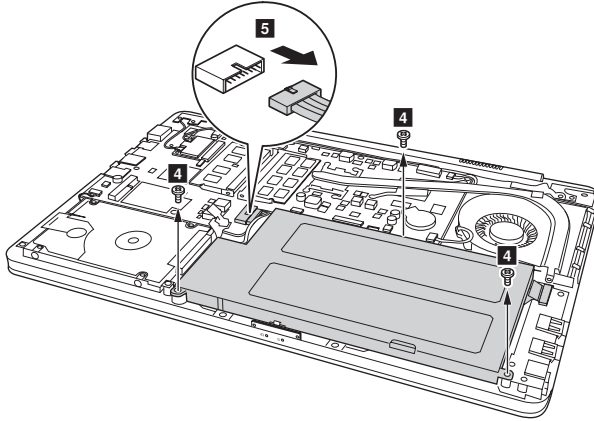
U310: Unplug the battery connector in the direction shown by arrow **5** first, then remove five screws **4**.



Step	Screw (quantity)	Color	Torque
3	M2.5 × 3.5 mm, flat-head, nylok-coated (5)	Silver	2.0 kgfcm

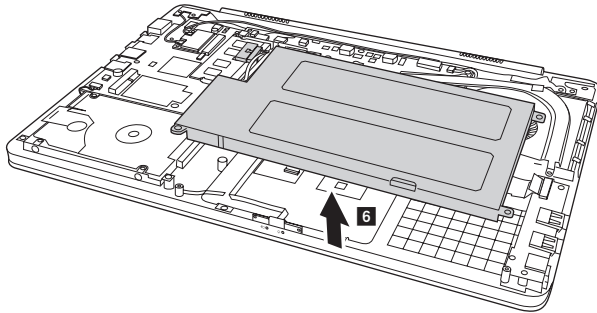
Figure 1. Removal steps of battery pack (continued)

U410: Unplug the battery connector in the direction shown by arrow **5** first, then remove three screws **4**.



Step	Screw (quantity)	Color	Torque
3	M2.0 × 3.0 mm, flat-head, nylokcoated (3)	Black	2.0 kgfcm

Remove the battery in the direction shown by arrow **6**.



When installing:

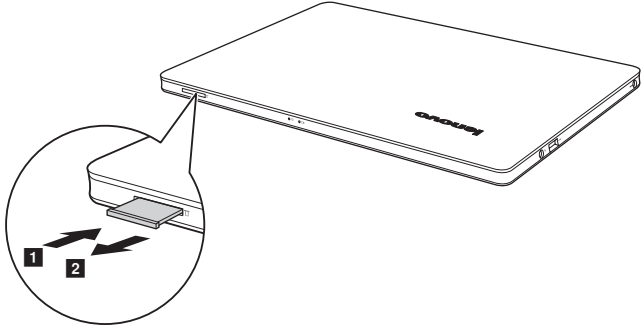
- Separate the antenna from other cables. Put them in different tracks to improve signal reception.
- Make sure to affix the adhesive tape on the battery.
- Connect the battery last.

1020 Dummy card

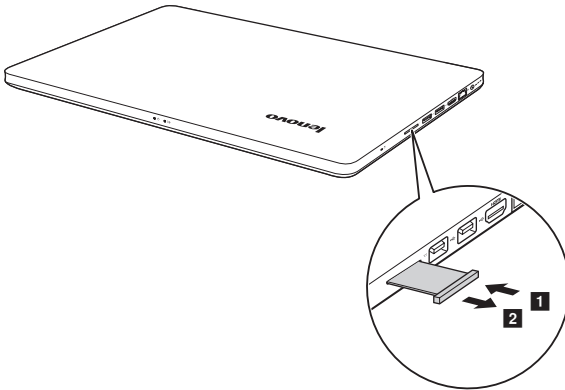
Figure 2. Removal steps of dummy cards

Remove the dummy card in the direction shown by arrows **1** **2**.

U310:



U410:



1030 Hard disk drive

For access, remove these FRUs in order:

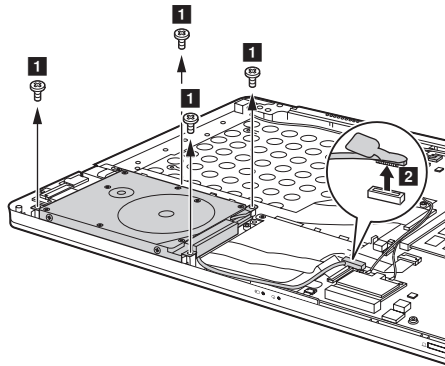
- “1010 Battery pack” on page 34

Attention:

- **Do not drop the hard disk drive or apply any physical shock to it.**
The hard disk drive is sensitive to physical shock. Improper handling can cause damages and permanent loss of data.
- Before removing the drive, suggest the customer to backup all the information on it if possible.
- Never remove the drive while the system is operating or is in suspend mode.

Figure 3. Removal steps of hard disk drive

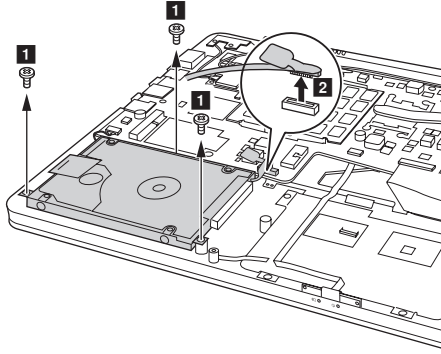
U310: Remove the frame fixing screws **1**. Pull the tab in the direction shown by arrow **2**.



Step	Screw (quantity)	Color	Torque
1	M2.5 × 3.5 mm, flat-head, nylok-coated (4)	Silver	2.5 kgfcm

Figure 3. Removal steps of hard disk drive (continued)

U410: Remove the frame fixing screws **1**. Pull the tab to disconnect the connector **2**.



Step	Screw (quantity)	Color	Torque
1	M2.5 × 4.0 mm, flat-head, nylok-coated (3)	Silver	2.5 kgfcm

U310: Hold the SATA receptacle connector with one hand and pull the hard disk drive (secured in the metal frame) in the direction shown below to detach the connectors .

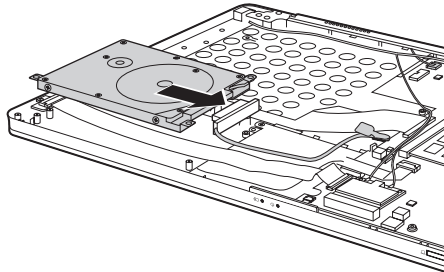
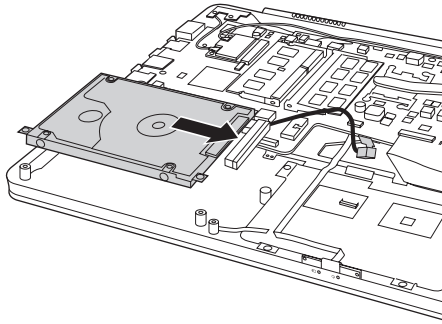
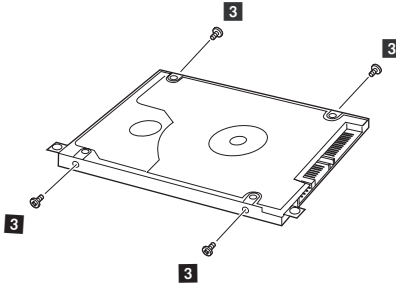


Figure 3. Removal steps of hard disk drive (continued)

U410: Hold the SATA receptacle connector with one hand and pull the hard disk drive (secured in the metal frame) in the direction shown below to detach the connectors .



Remove four screws **3** and detach the metal frame from the hard disk drive.



Step	Screw (quantity)	Color	Torque
3	M3.0 × 3.0 mm, flat-head, nylok-coated (4)	Silver	3.0 kgfcm

When installing: Make sure that the HDD connector is attached firmly.

1040 DIMM

For access, remove these FRUs in order:

- “1010 Battery pack” on page 34

Figure 4. Removal steps of DIMM

Release the two latches on both edges of the socket at the same time in the direction shown by arrows **1**, and then unplug the DIMM in the direction shown by arrow **2**.

U310:

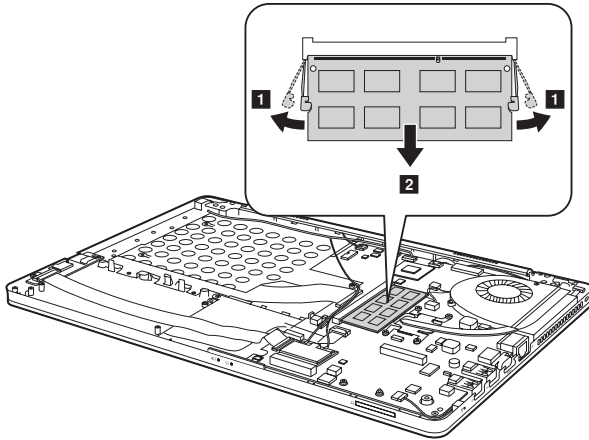
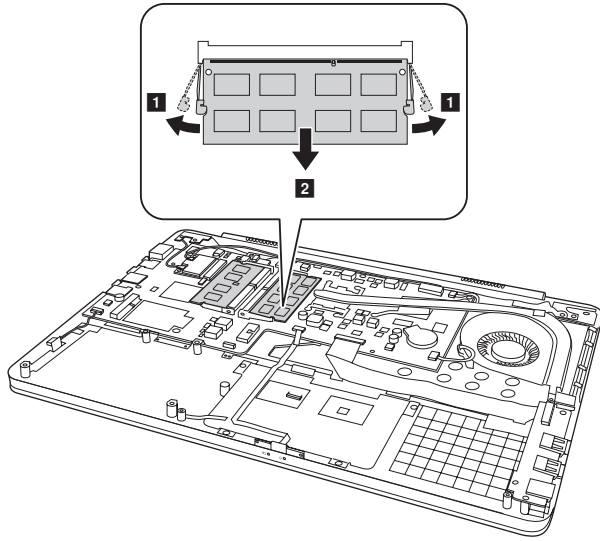


Figure 4. Removal steps of DIMM (continued)

U410:



When installing: Insert the notched end of the DIMM into the socket. Push the DIMM firmly, and pivot it until it snaps into the place. Make sure that it is firmly fixed in the slot and difficult to be moved.

1050 PCI Express Mini Card for wireless LAN/WAN

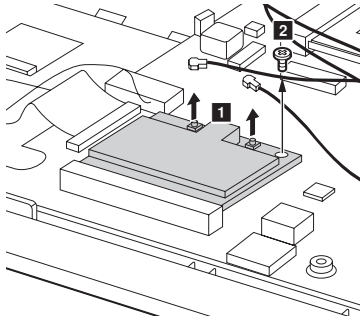
For access, remove these FRUs in order:

- “1010 Battery pack” on page 34

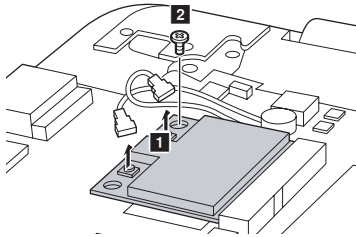
Figure 5. Removal steps of PCI Express Mini Card for wireless LAN/WAN

Disconnect the two wireless LAN cables (black,white) **1**, and then remove the screw **2**.

U310:



U410:



In step **1**, unplug the jacks by using the removal tool antenna RF connector (P/N: 08K7159), or pick up the connectors with your fingers and gently unplug them in the direction shown by arrows.

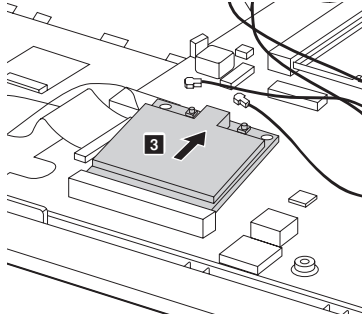
Notes: wireless LAN card has 2 cables in step **1**.
wireless LAN card in some models may have 3 cables in step **1**.

Step	Screw (quantity)	Color	Torque
1	M2.0 × 3.0 mm, flat-head, nylok-coated (1) (U310)	Black	2.0 kgfcm
	M2.0 × 3.0 mm, flat-head, nylok-coated (1) (U410)	Black	2.0 kgfcm

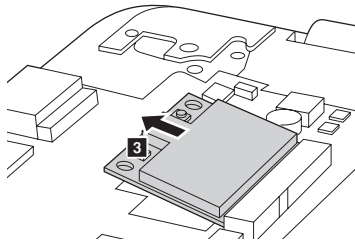
Figure 5. Removal steps of PCI Express Mini Card for wireless LAN/WAN (continued)

Remove the card in the direction shown by arrow **3**.

U310:



U410:



When installing:

- In models with a wireless LAN card that has two antenna connectors, plug the black cable (1st) (MAIN) into the jack labeled **1**, and the white cable (2nd) (AUX) into jack labeled **2** on the card.
- In models with a wireless LAN card that has three antenna connectors, plug the black cable (1st) (MAIN) into the jack labeled **1**, the grey cable (3rd) into jack labeled **3**, and the white cable (2nd) (AUX) into jack labeled **2** on the card.

1060 Fan assembly and Heat Sink assembly

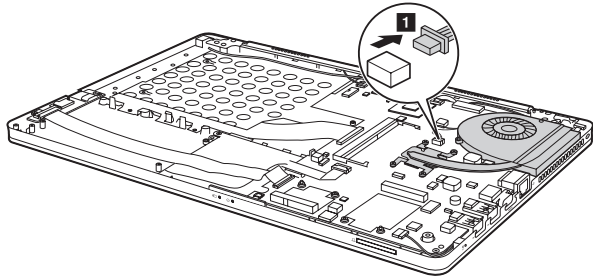
For access, remove these FRUs in order:

- “1010 Battery pack” on page 34
- “1030 Hard disk drive” on page 38
- “1040 DIMM” on page 41
- “1050 PCI Express Mini Card for wireless LAN/WAN” on page 43

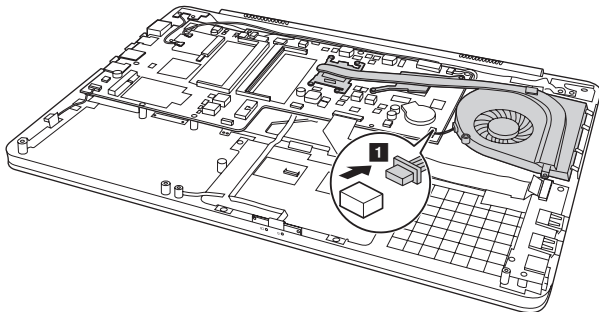
Figure 6. Removal steps of fan assembly and heat sink assembly

Detach the fan connector in the direction shown by arrow **1**.

U310:



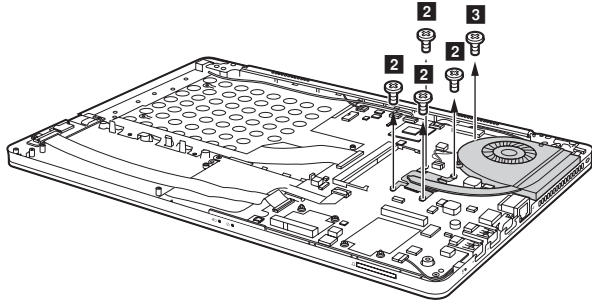
U410:



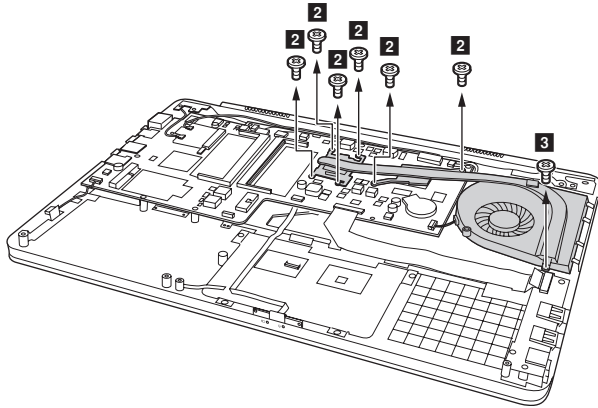
When installing: Make sure that the fan connector is attached firmly to the system board.

Figure 6. Removal steps of fan assembly and heat sink assembly (continued)

U310: Remove four screws **2** and screw **3**.



U410: Remove six screws **2** and screw **3**.



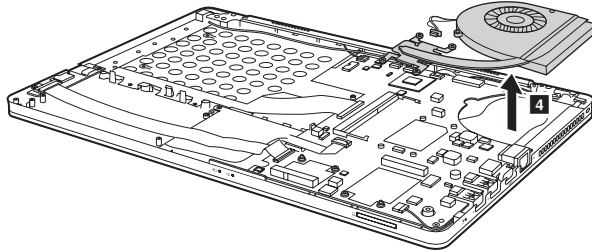
Step	Screw (quantity)	Color	Torque
2	M2.5 × 3.5 mm, flat-head, nylok-coated (1)	Silver	2.5 kgfcm
2	M2.5 × 4.0 mm, flat-head, nylok-coated (1)	Silver	2.5 kgfcm

Figure 6. Removal steps of fan assembly and heat sink assembly (continued)

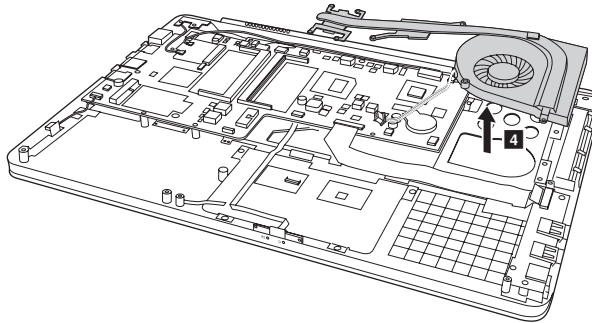
Lift the fan assembly and heat sink assembly in the direction shown by arrow

4. Be careful not to damage the connector.

U310:



U410:



1070 Keyboard

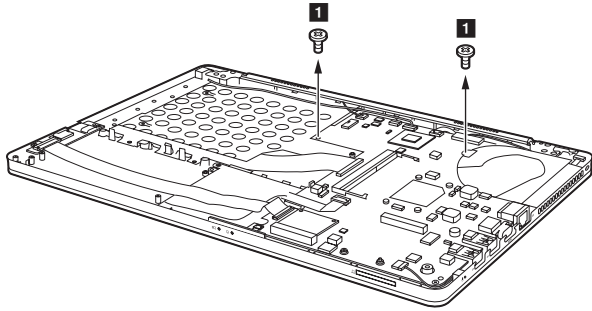
For access, remove this FRU:

- “1010 Battery pack” on page 34
- “1030 Hard disk drive” on page 38
- “1040 DIMM” on page 41
- “1050 PCI Express Mini Card for wireless LAN/WAN” on page 43
- “1060 Fan assembly and Heat Sink assembly” on page 45

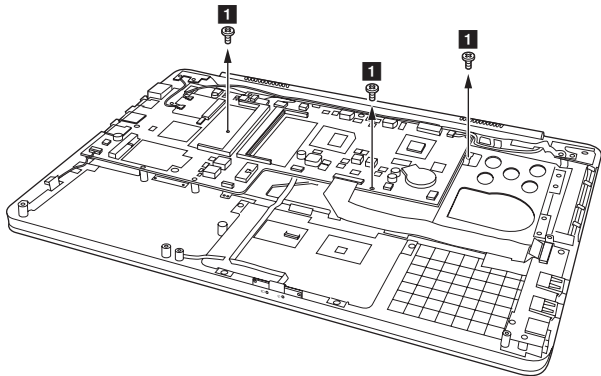
Figure 7. Removal steps of keyboard

Remove the screws **1**.

U310:



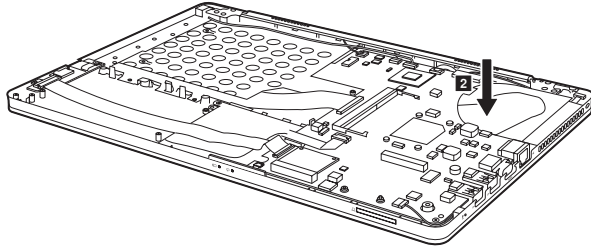
U410:



Step	Screw (quantity)	Color	Torque
1	M2.0 × 2.5 mm, flat-head, nylok-coated (2) (U310)	Silver	2.0 kgfcm
	M2.0 × 3.0 mm, flat-head, nylok-coated (3) (U410)	Silver	2.0 kgfcm

Figure 7. Removal steps of keyboard (continued)

Push the back of the keyboard in the direction shown by arrow **2**.



Lift the keyboard a little **3**, and then detach the connector in the direction shown by arrow **4**.

U310:

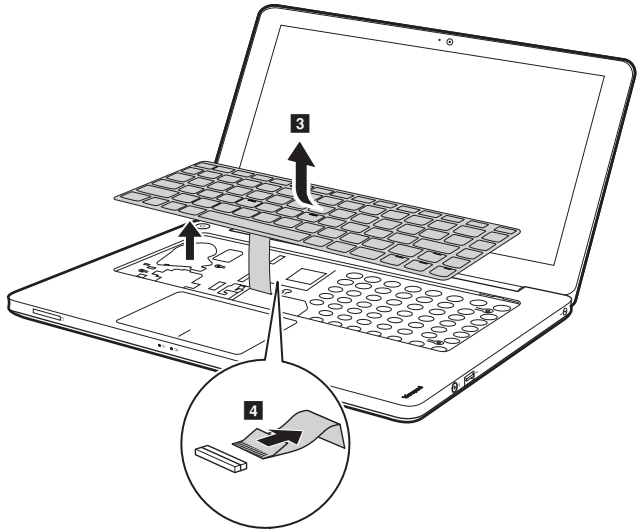
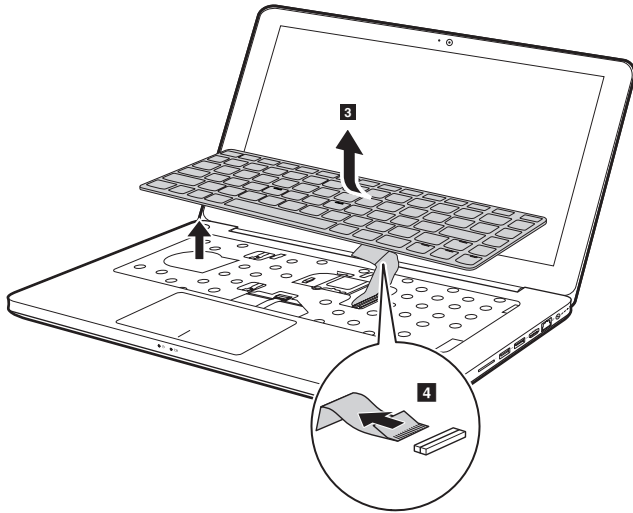


Figure 7. Removal steps of keyboard (continued)

U410:



When installing: Make sure that the FPC connector is attached firmly.

1080 System board

Important notices for handling the system board:

When handling the system board, bear the following in mind.

- Be careful not to drop the system board on a bench top that has a hard surface, such as metal, wood, or composite.
- Avoid rough handling of any kind.
- In the whole process, make sure not to drop or stack the system board.
- If you put a system board down, make sure to put it only on a padded surface such as an ESD mat or conductive corrugated material.

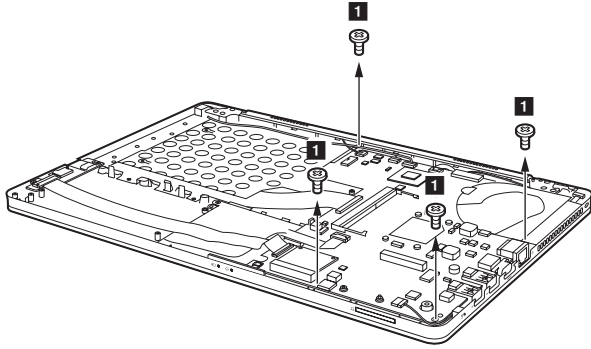
For access, remove these FRUs in order:

- “1010 Battery pack” on page 34
- “1020 Dummy card” on page 37
- “1030 Hard disk drive” on page 38
- “1040 DIMM” on page 41
- “1050 PCI Express Mini Card for wireless LAN/WAN” on page 43
- “1060 Fan assembly and Heat Sink assembly” on page 45
- “1070 Keyboard” on page 48

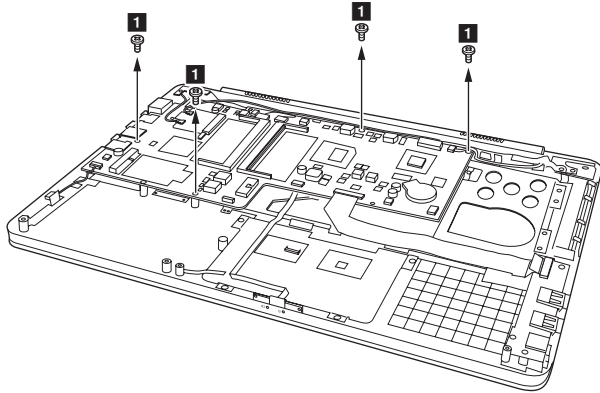
Figure 8. Removal steps of system board (continued)

Remove four screws **1**.

U310:



U410:

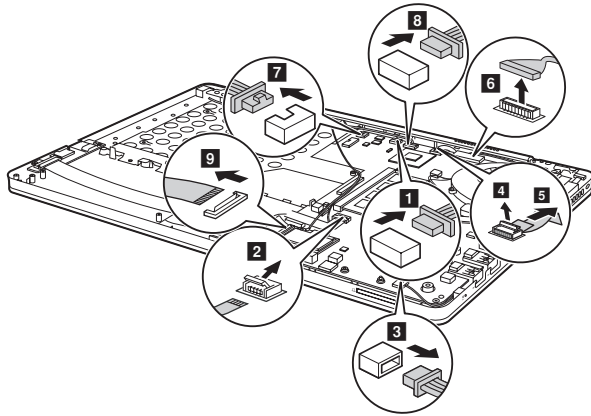


Step	Screw (quantity)	Color	Torque
1	M2.5 × 3.5 mm, flat-head, nylok-coated (4) (U310)	Silver	2.5 kgfcm
1	M2.5 × 4 mm, flat-head, nylok-coated (4) (U410)	Silver	2.5 kgfcm

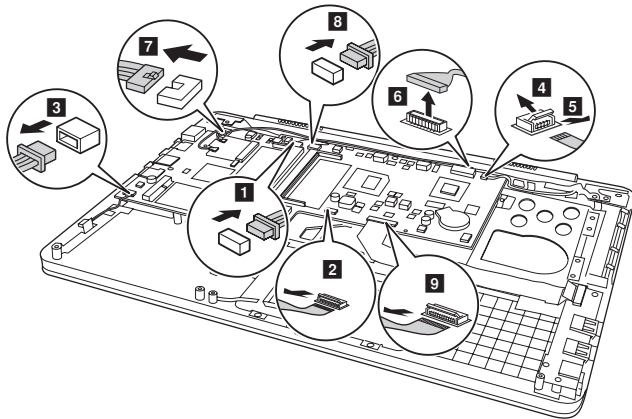
Figure 8. Removal steps of system board (continued)

Unplug the microphone connector in the direction **3**, DC-IN cable connector in the direction **7**, speaker connector **1**, camera connector **8**, pull the tab to disconnect the LCD connector in the direction **6**, disconnect power board connector in the direction **4 5**, TP connector in the direction **2**, IO board connector in the direction **9**.

U310:



U410:

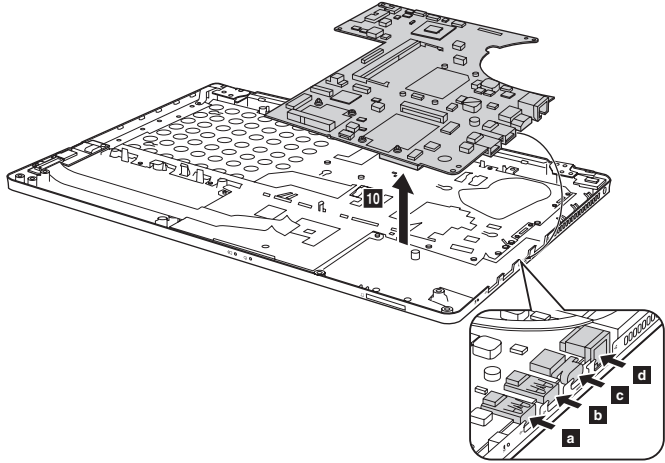


When installing: Make sure that all the connectors are attached firmly.

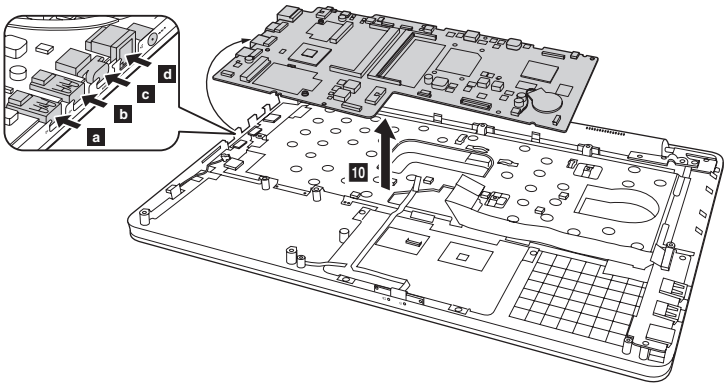
Figure 8. Removal steps of system board (continued)

Remove the system board in the direction shown by arrow **10**.

U310:



U410:



When installing: When attaching the system board to the base cover, adjust the placement of the USB, HDMI, RJ-45 port as shown in **a b c d**, and make sure that they are attached to the holes on the base cover as shown. Improper placement of those jacks might cause a damage.

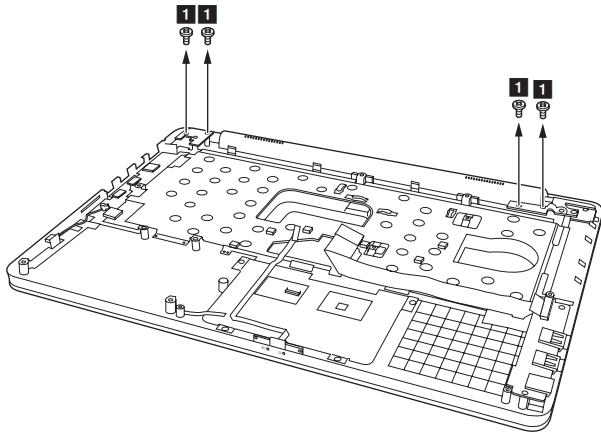
1090 LCD unit

For access, remove these FRUs in order:

- “1010 Battery pack” on page 34
- “1030 Hard disk drive” on page 38
- “1040 DIMM” on page 41
- “1050 PCI Express Mini Card for wireless LAN/WAN” on page 43
- “1060 Fan assembly and Heat Sink assembly” on page 45
- “1070 Keyboard” on page 48
- “1080 System board” on page 51

Figure 9. Removal steps of LCD unit

Remove four screws **1**.



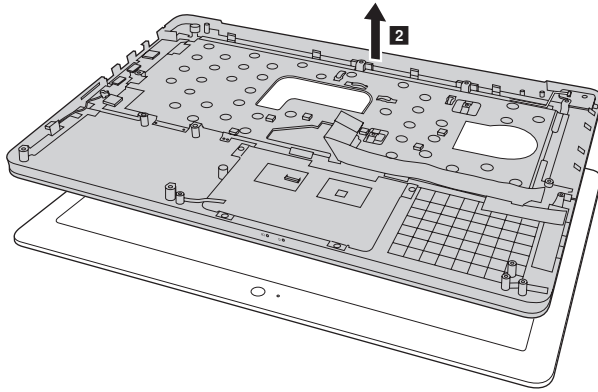
Step	Screw (quantity)	Color	Torque
1	M2.5 × 3.5 mm, flat-head, nylok-coated (4) (U310)	Silver	2.5 kgfcm
	M2.5 × 4.0 mm, flat-head, nylok-coated (4) (U410)	Silver	2.5 kgfcm

When installing:

- Route the antenna cables along the cable guides. As you route the cables, make sure that they are not subjected to any tension. Tension could cause the cables to be damaged by the cable guides, or a wire to be broken.
- Make sure that the LCD connector is attached firmly and make sure that you do not pinch the antenna cables when you attach the LCD assembly. Route the LCD cable along the cable guides.

Figure 9. Removal steps of LCD unit (continued)

Remove the LCD unit in the direction shown by arrow **2**.



1100 Base cover, bluetooth card, USB board, power assembly and power board

For access, remove these FRUs in order:

- “1010 Battery pack” on page 34
- “1030 Hard disk drive” on page 38
- “1040 DIMM” on page 41
- “1050 PCI Express Mini Card for wireless LAN/WAN” on page 43
- “1060 Fan assembly and Heat Sink assembly” on page 45
- “1070 Keyboard” on page 48
- “1080 System board” on page 51
- “1090 LCD unit” on page 55

Figure 10. Base cover, bluetooth card, USB board, power assembly and power board

Lift the power assembly in the direction shown by arrow **1**.

U310:

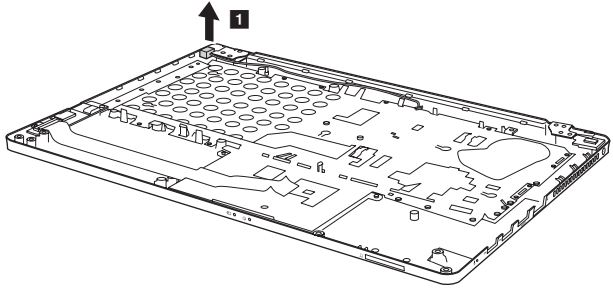
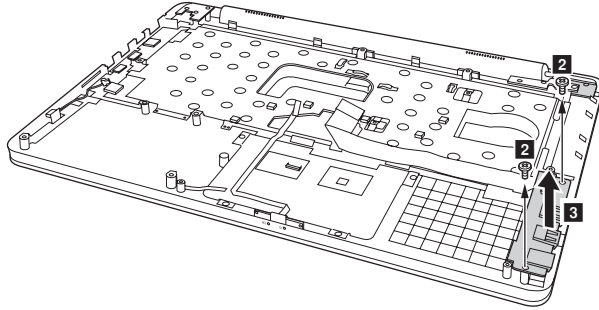


Figure 10. Base cover, bluetooth card, USB board, power assembly and power board (continued)

Remove two screws **2**, and then remove the USB board in the direction shown by arrow **3**.



Step	Screw (quantity)	Color	Torque
2	M2.5 × 3.5 mm, flat-head, nylok-coated (2) (U310)	Silver	2.5 kgfcm
	M2.5 × 4.0 mm, flat-head, nylok-coated (2) (U410)	Silver	2.5 kgfcm

When installing: When attaching the USB board to the base cover, adjust the placement of the USB and headphone jack as shown in , and make sure that both of the USB and the headphone jack are attached to the holes on the base cover as shown in . Improper placement of the jacks might cause a damage.

Remove the bluetooth card in the direction shown by arrow **4**.

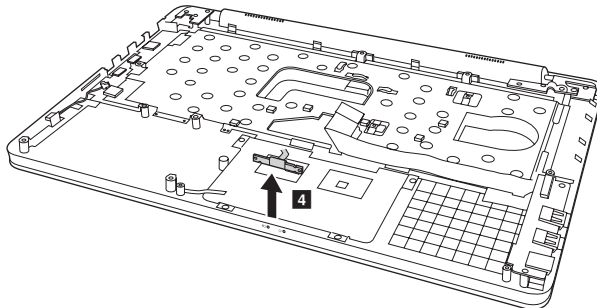
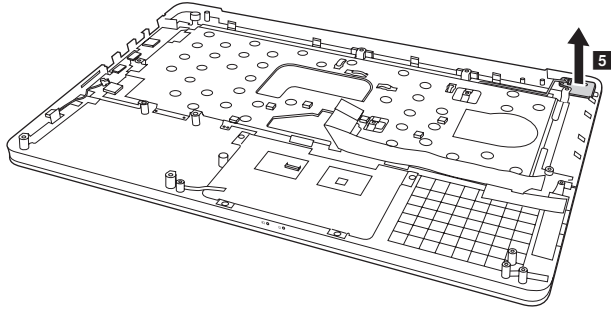


Figure 10. Base cover, bluetooth card, USB board, power assembly and power board (continued)

Remove the screw to lift the power board in the direction shown by arrow **5**.



Step	Screw (quantity)	Color	Torque
1	M2.5 × 3.5 mm, flat-head, nylok-coated (1) (U310)	Silver	2.5 kgfcm
	M2.5 × 4.0 mm, flat-head, nylok-coated (1) (U410)	Silver	2.5 kgfcm

Note: Applying labels to the base cover

The new base cover FRU is shipped with a kit containing labels of several kinds. When you replace the base cover, you need to apply the following label:

The following labels need to be peeled off from the old base cover, and need to be put on the new base cover.

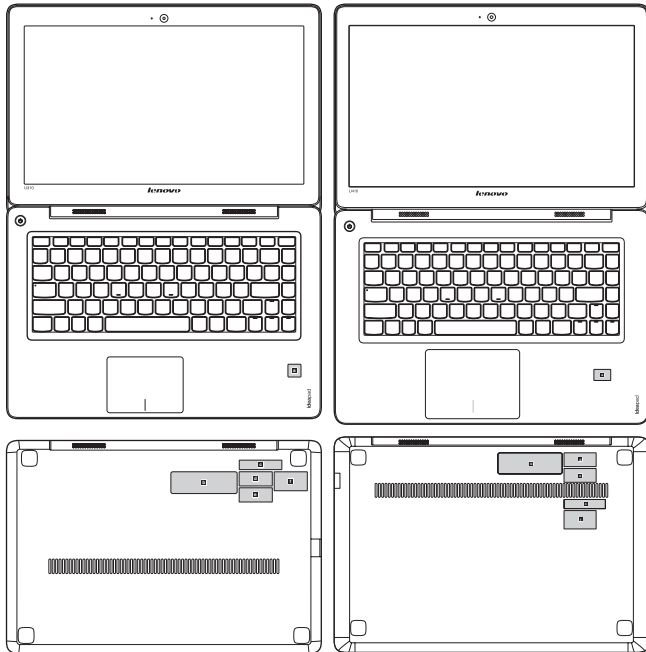
- a** e-Standby Label (KOR)
- b** COA Label
- c** Israel WLAN Label
- d** WL Label
- e** BT Label
- f** KCC Label or WLAN Label for Malaysia/Indonesia

For some models, you also need to apply one or two FCC labels. Check the old base cover; if it has one or two FCC labels, find duplicates of them in the label kit and apply them to the new base cover.

For the location of each label, refer to the following figure:

U310:

U410:



1110 LCD front bezel

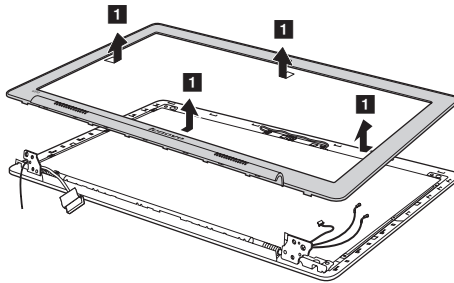
For access, remove these FRUs in order:

- “1010 Battery pack” on page 34
- “1030 Hard disk drive” on page 38
- “1040 DIMM” on page 41
- “1050 PCI Express Mini Card for wireless LAN/WAN” on page 43
- “1060 Fan assembly and Heat Sink assembly” on page 45
- “1070 Keyboard” on page 48
- “1080 System board” on page 51
- “1090 LCD unit” on page 55
- “1100 Base cover, bluetooth card, USB board, power assembly and power board” on page 57

Figure 11. Removal steps of LCD front bezel

Remove the LCD front bezel in the direction shown by arrows **1**.

U310:



1120 LCD panel, LCD cable, hinges and speakers

For access, remove these FRUs in order:

- “1010 Battery pack” on page 34
- “1030 Hard disk drive” on page 38
- “1040 DIMM” on page 41
- “1050 PCI Express Mini Card for wireless LAN/WAN” on page 43
- “1060 Fan assembly and Heat Sink assembly” on page 45
- “1070 Keyboard” on page 48
- “1080 System board” on page 51
- “1090 LCD unit” on page 55
- “1100 Base cover, bluetooth card, USB board, power assembly and power board” on page 57
- “1110 LCD front bezel” on page 61

Figure 12. LCD panel, LCD cable, hinges and speakers

Remove screws **1**.

U310:

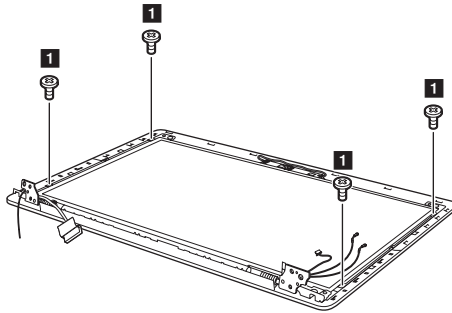
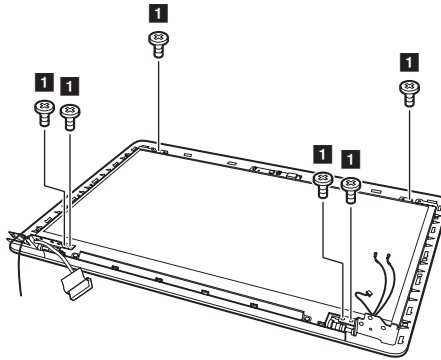


Figure 12. LCD panel, LCD cable, hinges and speakers (continued)

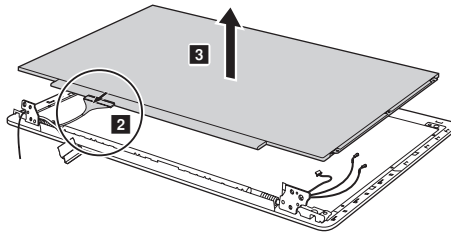
U410:



Step	Screw (quantity)	Color	Torque
1	M1.7 × 1.5 mm, flat-head, nylok-coated (4) (U310)	Silver	2.0 kgfcm
	M2.0 × 2.5 mm, flat-head, nylok-coated (6) (U410)	Silver	2.0 kgfcm

Disconnect the connector **2**, lift the LCD panel in the direction shown by arrow **3**.

U310:

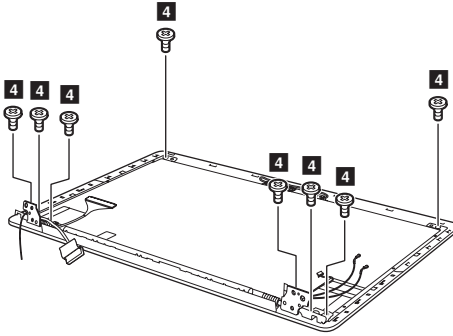


When installing: Make sure that the connector is attached firmly.

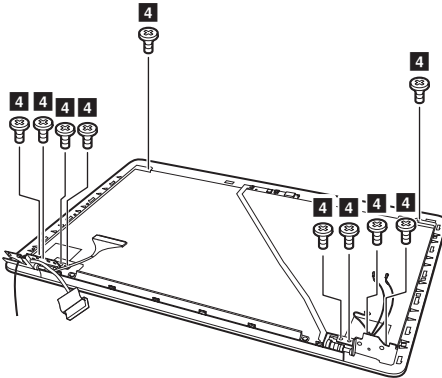
Figure 12. LCD panel, LCD cable, hinges and speakers (continued)

Remove screws **4** and the hinges.

U310:



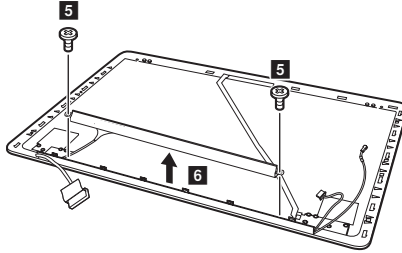
U410:



Step	Screw (quantity)	Color	Torque
3	M2.0 × 6.8 mm, flat-head, nylok-coated (8) (U310) M2.5 × 3.0 mm, flat-head, nylok-coated (10) (U410)	Silver	2.5 kgfcm
		Silver	2.5 kgfcm

Figure 12. LCD panel, LCD cable, hinges and speakers (continued)

Remove two screws **5**, and then remove the speakers in the direction shown by arrow **6**.



1130 Integrated camera

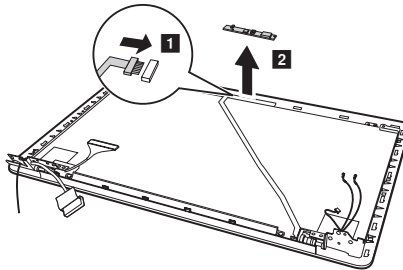
For access, remove these FRUs in order:

- “1010 Battery pack” on page 34
- “1030 Hard disk drive” on page 38
- “1040 DIMM” on page 41
- “1050 PCI Express Mini Card for wireless LAN/WAN” on page 43
- “1060 Fan assembly and Heat Sink assembly” on page 45
- “1070 Keyboard” on page 48
- “1080 System board” on page 51
- “1090 LCD unit” on page 55
- “1100 Base cover, bluetooth card, USB board, power assembly and power board” on page 57
- “1110 LCD front bezel” on page 61
- “1120 LCD panel, LCD cable, hinges and speakers” on page 62

Figure 13. Removal steps of integrated camera

Note: The integrated camera is stuck on the top center of the LCD cover.

Unplug the connector in the direction **1**, Remove the integrated camera from the LCD cover in the direction **2**.



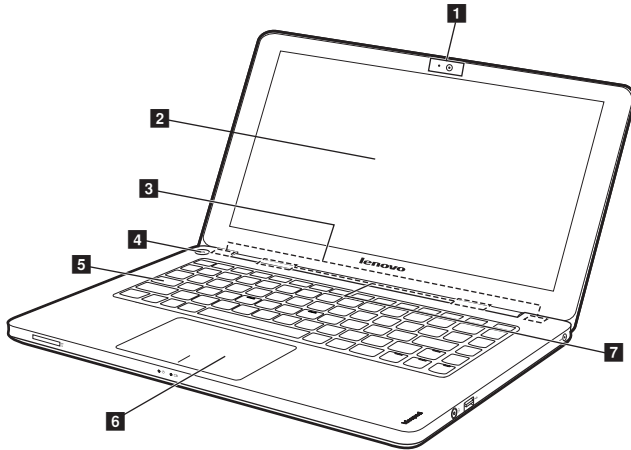
When installing: Stick the integrated camera to the top center of the LCD cover and adjust the placement of it to make sure the connector is attached firmly.

Locations

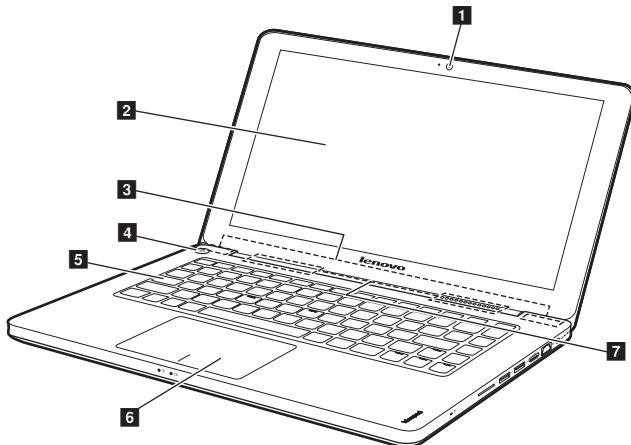
Front view

- 1 Integrated camera
- 2 Computer display
- 3 Wireless module antennas
- 4 Power button
- 5 System status indicators
- 6 Touchpad
- 7 Speakers

U310:



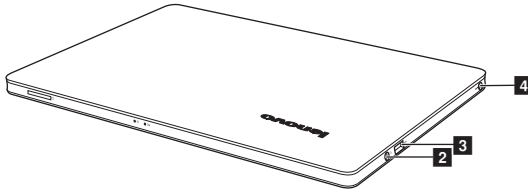
U410:



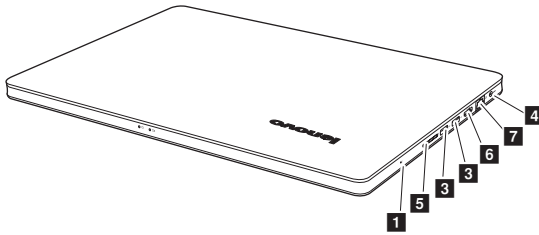
Right-side view

- 1** Built-in microphone
- 2** Combo audio jack
- 3** USB port
- 4** AC power adapter jack
- 5** Memory card slot
- 6** HDMI port
- 7** RJ-45 port

U310:



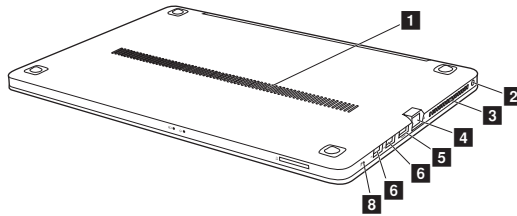
U410:



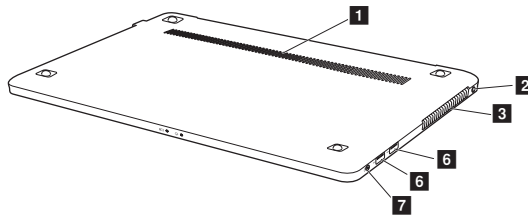
Bottom and Left-side view

- 1** Louvers
- 2** OneKey Rescue system button
- 3** Fan louvers
- 4** RJ-45 port
- 5** HDMI port
- 6** USB port
- 7** Combo audio jack
- 8** Built-in microphone

U310:



U410:



Parts list

This section presents the following service parts:

- “Overall” on page 71
- “LCD FRUs” on page 76
- “Keyboard” on page 79
- “Miscellaneous parts” on page 91
- “AC adapters” on page 92
- “Power cords” on page 93

Notes:

- Each FRU is available for all types or models, unless specific types or models are specified.

Overall

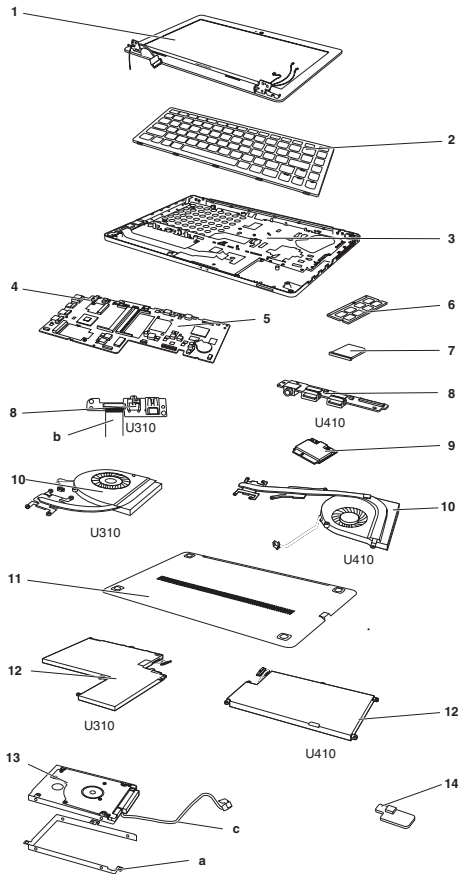


Table 4. Parts list—Overall

No.	FRU	FRU no.	CRU ID
1	LCD unit (see “LCD FRUs” on page 76.)		
2	Keyboard (see “Keyboard” on page 79.)		
3	LZ7 Upper Case Grey (U310)	90200788	N
3	LZ7 Upper Case White (U310)	90200789	N
3	LZ8 Upper Case Grey (U410)	90200802	**
4	LZ7 MB UMA I5-2467 1.6G (U310)	90000205	N
4	LZ7 MB UMA I3-2367 1.4G (U310)	90000204	N
4	LZ8 MB DIS I5-2467 1.6G (U410)	90000210	*
4	LZ8 MB DIS I3-2367 1.4G (U410)	90000209	*
4	LZ7 MB UMA I5-3317 1.7G	90000280	*
5	Processor, Ivy Bridge Dual Core ULV, Intel I3-3217U 1.8G L1 3M 2cBGA	102500313	N
5	Processor, Ivy Bridge Dual Core ULV, Intel I5-3317U 1.7G L1 3M 2cBGA	102500314	N
5	Processor, Ivy Bridge Dual Core ULV, Intel I5-3427U 1.8G L1 3M 2cBGA	102500315	N
5	Processor, Sandy Bridge Dual Core ULV, Intel 977 1.4G J1 2M 2cBGA	102500246	N
5	Processor, Sandy Bridge Dual Core ULV, Intel SNB I5-2467M 1.6G 3M J1 BGA	102500068	N
5	Processor, Sandy Bridge Dual Core ULV, Intel I3-2367M 1.4G J1 3M 2cBGA	102500152	N
6	DDR3 1600 2GB, Samsung, M471B5773DH0-CK0 DDR3 1600 2GB	11200340	N
6	DDR3 1600 2GB, Hynix, HMT325S6CFR8C-PB DDR3 1600 2GB	11200343	N
6	DDR3 1600 2GB, Micron, MT8KTF52664HZ-1G6M1 DDR3 1600 2GB	11200346	N
6	DDR3 1600 2GB, Ramaxel, RMT3150ED58E8W-1600 DDR3 1600 2GB	11200392	N
6	DDR3 1600 2GB, Sharetronic(Micron), SM321NH08IAF DDR3 1600 2GB	11200396	N
6	DDR3 1600 4GB, Samsung, M471B5273DH0-CK0 DDR3 1600 4GB	11200341	N
6	DDR3 1600 4GB, Micron, MT16KTF51264HZ-1G6M1 DDR3 1600 4GB	11200347	N
6	DDR3 1600 4GB, Hynix, HMT351S6CFR8C-PB DDR3 1600 4GB	11200344	N
6	DDR3 1600 4GB, Ramaxel, RMT3160ED58E9W-1600 DDR3 1600 4GB	11200393	N
6	DDR3 1600 4GB, Sharetronic(Micron), SM322NQ08IAF DDR3 1600 4GB	11200397	N
7	LZ7 SD Dummy Card (U310)	90000230	N
7	LZ7 SD Dummy Card Grey (U310)	90000231	N
7	LZ8 SD Dummy Card Grey (U410)	90000232	**
8	LZ7 USB2.0 Board (U310)	90000208	N

Table 4. Parts list—Overall (continued)

No.	FRU	FRU no.	CRU ID
8	LZ8 USB2.0 Board (U410)	90000213	**
9	WLAN, WiFi 1x2 BGN + WiMAX, Intel 6150NX MOW M PCIE NB HMC (LI) (U410)	20002484	**
9	WLAN, WiFi 1x2 BGN + WiMAX, Intel 6150NX BSB M PCIE NB HMC (LI) (U410)	20002543	**
9	WLAN, WiFi 2x2 BGN, Intel 2200N MOW M PCIE NB HMC (U410)	20200048	**
9	WLAN, WiFi 1x1 BGN, CyberTan, Cbt BCM4313 MOW M PCIE NB HMC (U410)	20002505	**
9	WLAN, WiFi 1x1 BGN, Liteon, Liteon AR9285 HB95 BGN MOW NB (U410)	20002357	**
9	WLAN, WiFi 1x1 BGN+BT4.0, CyberTan, Cbt BCM4313HMGB BGN+BT HMC (U410)	20002501	**
9	WLAN, WiFi 1x1 BGN+BT3.0, Liteon, Liteon WB195 BGN+BT HMC (U410)	20002524	**
9	WLAN, WiFi 2x2 BGN, Intel 2200N MOW M PCIE NB HMC (U310)	20200048	*
9	WLAN, WiFi 1x1 BGN, CyberTan, Cbt BCM4313 MOW M PCIE NB HMC (U310)	20002505	*
9	WLAN, WiFi 1x1 BGN, Liteon, Liteon AR9285 HB95 BGN MOW NB (U310)	20002357	*
9	WLAN, WiFi 1x1 BGN+BT4.0, CyberTan, Cbt BCM4313HMGB BGN+BT HMC (U310)	20002501	*
9	WLAN, WiFi 1x1 BGN+BT3.0, Liteon, Liteon WB195 BGN+BT HMC (U310)	20002524	*
10	LZ8 Thermal Module DIS 17W (U410)	90200806	**
10	LZ7 Thermal Module UMA 17W (U310)	90200793	N
11	LZ7 Lower Case Grey (U310)	90200790	N
11	LZ7 Lower Case Pink (U310)	90200791	N
11	LZ7 Lower Case Blue (U310)	90200792	N
11	LZ8 Lower Case Grey (U410)	90200803	**
11	LZ8 Lower Case Red (U410)	90200804	**
11	LZ8 Lower Case Blue (U410)	90200805	**
12	Battery, 3S1P 3cells 4160mAh 46Wh, SMP, Z380+ SMP/ATL L11M3P01 3S1P 46Wh bty (U310)	121500058	*
12	Battery, 2S2P 4cells 8060mAh 59Wh, SMP Z480+ SMP/ATL L10M4P11 2S2P 59Wh bty (U410)	121500059	*
13	HDD,500G 5400rpm, WD (ML500M) WD WD5000BPVT-24A1YT0 5400PRM 9.5mm 500 HDD	16200089	**
13	HDD,500G 5400rpm, WD (ML375M) WD5000BPVT-24HXZT1/WD5000BPVT-24HXZ	16004846	**
13	HDD,500G 5400rpm, Toshiba Capricorn BS Toshiba MK5065GSX 5400RPM 500G	16004643	**
13	HDD,500G 5400rpm, HGST (Jaquar B7) HGST HTS545050A7E380 5400PRM7mm 500G HDD	16200067	**

Table 4. Parts list—Overall (continued)

No.	FRU	FRU no.	CRU ID
13	HDD,500G 5400rpm, Seagate Waytt Seagate ST9500325AS 500G 9NB	16004189	**
13	HDD,500G 5400rpm, Seagate M8 ST500LM012 5.4K 9.5 500G HDD	16200210	**
13	HDD,500G 5400rpm, WD(MN500S) WD MN500S	TBD	**
13	HDD,500G 7200rpm, HGST Jaguar C7, HTS725050A7E630 7 7.2K 500G HDD (U410)	16200195	*
13	HDD,500G 7200rpm, WD MX375M, WD WD5000BPKT 7200RPM 500G (U410)	16200004	*
13	HDD,500G 7200rpm, Toshiba Capricorn CS, TSB MK5061GSY 7200PRM 9.5mm 500G HDD (U410)	16200086	*
13	HDD,750G 5400rpm, Toshiba Capricorn CS, Toshiba MK7575GSX 5400RPM 750G HDD (U410)	16005334	*
13	HDD,750G 5400rpm, WD (ML500M), WD WD7500BPVT-24A1YT0 5400PRM 9.5mm 750 HDD (U410)	16200088	*
13	HDD,750G 5400rpm, WD (ML375M) WD7500BPVT-24HXZT1 /WD7500BPVT-24HXZ (U410)	16004848	*
13	HDD,750G 5400rpm, HGSTJaguar B, HTS541075A9E680 9.5 5.4K 750G HDD (U410)	16200192	*
13	HDD,750G 5400rpm, Seagate M8, ST750LM022 5.4K 9.5 750G HDD (U410)	16200209	**
13	HDD,1TB 5400rpm, HGST Jaguar B, HTS541010A9E680 9.5 5.4K 1T HDD (U410)	16200193	**
13	HDD,1TB 5400rpm, WD ML500M, WD WD10JPVT-24A1YT0 5400PRM 9.5mm (U410) 1T HDD	16200071	**
13	HDD,1TB 5400rpm, Seagate M8, ST1000LM024 5.4K 9.5 1T HDD (U410)	16200208	**
13	SSD, 16G SSD, Sandisk, Sandisk U100 16G mSATA SSD (U410)	16200215	**
13	SSD, 16G SSD, Lite-on, Lite-on LMT-16M3M 16G mSATA SSD (U410)	16200241	**
13	SSD, 32G SSD, Samsung, Samsung PM830 32G mSATA SSD (U410)	16200108	**
13	SSD, 32G SSD, Sandisk, Sandisk X100 32G mSATA SSD(U410)	16200162	**
13	SSD, 32G SSD, Micron, Micron C400v 32G mSATA SSD (U410)	16200163	**
13	HDD 320G 5400rpm, HGST (Jaquar B7), HGST HTS545032A7E380 5400PRM7mm 320G HDD (U310)	16200068	**
13	HDD 320G 5400rpm, Seagate (Sapta 15), Seagate ST320LT020 5400RPM 7MM 320G (U310)	16005211	**
13	HDD 320G 5400rpm, WD (MN500S), WD MN500S (U310)	TBD	*
13	HDD 500G 5400rpm, HGST (Jaquar B7), HGST HTS545050A7E380 5400PRM7mm 500G HDD (U310)	16200067	*
13	HDD 500G 5400rpm, WD (MN500S), WD MN500S (U310)	TBD	*

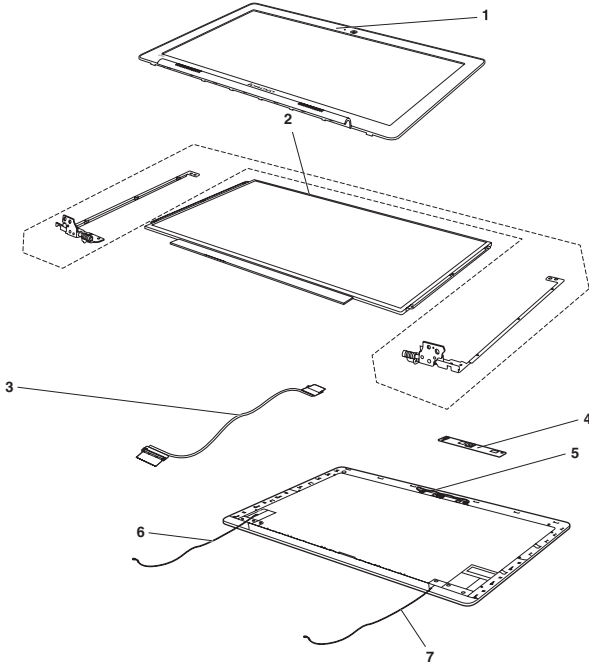
Table 4. Parts list—Overall (continued)

No.	FRU	FRU no.	CRU ID
13	SSD 16G SSD, Sandisk, Sandisk U100 16G mSATA SSD (U310)	16200215	*
13	SSD 16G SSD, Lite-on, Lite-on LMT-16M3M 16G mSATA SSD (U310)	16200241	*
13	SSD 32G SSD, Samsung, Samsung PM830 32G mSATA SSD (U310)	16200108	*
13	SSD 32G SSD, Sandisk, Sandisk X100 32G mSATA SSD (U310)	16200162	*
13	SSD 32G SSD, Micron, Micron C400v 32G mSATA SSD (U310)	16200163	*
14	LZ7 Power Board WO/Cable (U310)	90000207	N
14	LZ8 Power Board WO/Cable (U410)	90000212	**

LCD FRUs

In Lenovo IdeaPad U310/U410, there are following types of LCDs.

- “17.3 -in. HD TFT”



17.3-in. HD TFT

Table 5. Parts list—17.3-in. HD TFT

No.	FRU	FRU no.	CRU ID
1	LZ7 LCD Bezel Black (U310)	90200786	N
1	LZ7 LCD Bezel White (U310)	90200787	N
1	LZ8 LCD Bezel Black (U410)	90200801	N
2	Panel 13.3" 16:9 Flat, AUO, AUO B133XTN01.0 HD G F LED1 NB LCD (U310)	18200262	N
2	Panel 13.3" 16:9 Flat, CMI, TBD (310)	TBD	N
2	LZ7 LED Board WO/Cable (U310)	90000206	N
2	Panel 14.0" 16:9 Flat, AUO, AUO B140XTN02.0 HD G F LED1 NB LCD (U410)	18200263	N
2	Panel 14.0" 16:9 Flat, CMI, CMI N140BGE-LB2 HD G F LED1 NB LCD (U410)	18200439	N
2	LZ8 LED Board WO/Cable (U410)	90000211	N
3	LZ7 LED Board Cable (U310)	90200795	N
3	LZ8 LCD Cable	90201041	
3	LZ7 LCD Cable	90201042	
4	LZ7 Camera Board 0.3M	90000322	
4	LZ7 Camera Board 1.0M	90000323	
5	LZ7 LCD Cover Grey(U310)	90200783	N
5	LZ7 LCD Cover Pink(U310)	90200784	N
5	LZ7 LCD Cover Blue(U310)	90200785	N
5	LZ8 LCD Cover Grey(U410)	90200798	N
5	LZ8 LCD Cover Blue(U410)	90200799	N
5	LZ8 LCD Cover Red (U410)	90200800	N
6	Hinge Antenna, 2.3/2.7 Chengjun, Acon Chengjun U310 2.3/2.7 Hinge ANT Left	20200151	N
6	Hinge Antenna, 2.3/2.7 Sinher, Acon Sinher U310 2.3/2.7 Hinge ANT Left	20200153	N
6	Hinge Antenna, 2.3/2.7 SZS, Acon SZS U310 2.3/2.7 Hinge ANT Left	20200155	N
6	Hinge Antenna, 2.3/2.7 Chengjun, Acon Chengjun U410 2.3/2.7 Hinge ANT Left	20200157	N
6	Hinge Antenna, 2.3/2.7 Sinher, Acon Sinher U410 2.3/2.7 Hinge ANT Left	20200159	N
6	Hinge Antenna, 2.3/2.7 SZS, Acon SZS U410 2.3/2.7 Hinge ANT Left	20200161	N

Table 5. Parts list—17.3-in. HD TFT (continued)

No.	FRU	FRU no.	CRU ID
7	Hinge Antenna, 2.3/2.7 Chengjun, Acon Chengjun U310 2.3/2.7 Hinge ANT Right	20200152	N
7	Hinge Antenna, 2.3/2.7 Sinher, Acon Sinher U310 2.3/2.7 Hinge ANT Right	20200154	N
7	Hinge Antenna, 2.3/2.7 SZS, Acon SZS U310 2.3/2.7 Hinge ANT Right	20200156	N
7	Hinge Antenna, 2.3/2.7 Chengjun, Acon Chengjun U410 2.3/2.7 Hinge ANT Right	20200158	N
7	Hinge Antenna, 2.3/2.7 Sinher, Acon Sinher U410 2.3/2.7 Hinge ANT Right	20200160	N
7	Hinge Antenna, 2.3/2.7 SZS, Acon SZS U410 2.3/2.7 Hinge ANT Right	20200162	N

Keyboard

Table 6. Parts list—Keyboard

Language		P/N	CRU ID
U310	Chicony	Indian	25204798
		Czechoslovakian	25204797
		Bulgarian	25204796
		International English	25204795
		Swiss	25204794
		Slovenian	25204793
		Icelandic	25204792
		Belgian	25204791
		Four Nordic countries	25204790
		Hungarian	25204789
		Hebrew	25204788
		Greek	25204787
		Dutch	25204786
		Japanese	25204785
		Brazilian	25204784
		Arabic	25204783
		German	25204782
		French	25204781
		Russian	25204780
		Traditional Chinese	25204779
		Korean	25204778
		Canadian English&French	25204777
		Latin	25204776
		Portuguese	25204775
		Thai	25204774
		Turkish	25204773
		Spanish	25204772
		Italian	25204771
	U.K. English	25204770	
	English	25204769	
	Sunrex (white)	Indian	25204888
		Czechoslovakian	25204887
		Bulgarian	25204886
		International English	25204885
Swiss		25204884	
Slovenian		25204883	
Icelandic		25204882	
Belgian		25204881	
Four Nordic countries		25204880	
Hungarian		25204879	
Hebrew		25204878	
Greek		25204877	
Dutch		25204876	
Japanese		25204875	
Brazilian		25204874	

Table 6. Parts list—Keyboard (continued)

Language		P/N	CRU ID	
U310 (continued)	Sunrex (white) (continued)	Arabic	25204873	**
		German	25204872	
		French	25204871	
		Russian	25204870	
		Traditional Chinese	25204869	
		Korean	25204868	
		Canadian English&French	25204867	
		Latin	25204866	
		Portuguese	25204865	
		Thai	25204864	
		Turkish	25204863	
		Spanish	25204862	
		Italian	25204861	
		U.K. English	25204860	
	English	25204859		
	Darfon	Indian	25204978	
		Czechoslovakian	25204977	
		Bulgarian	25204976	
		International English	25204975	
		Swiss	25204974	
		Slovenian	25204973	
		Icelandic	25204972	
		Belgian	25204971	
		Four Nordic countries	25204970	
		Hungarian	25204969	
		Hebrew	25204968	
		Greek	25204967	
		Dutch	25204966	
		Japanese	25204965	
		Brazilian	25204964	
		Arabic	25204963	
		German	25204962	
		French	25204961	
		Russian	25204960	
		Traditional Chinese	25204959	
		Korean	25204958	
		Canadian English&French	25204957	
		Latin	25204956	
		Portuguese	25204955	
		Thai	25204954	
		Turkish	25204953	
		Spanish	25204952	
Italian		25204951		
U.K. English	25204950			
English	25204949			

Table 6. Parts list—Keyboard (continued)

Language		P/N	CRU ID	
U310 (continued)	Chicony	Indian	25204828	**
		Czechoslovakian	25204827	
		Bulgarian	25204826	
		International English	25204825	
		Swiss	25204824	
		Slovenian	25204823	
		Icelandic	25204822	
		Belgian	25204821	
		Four Nordic countries	25204820	
		Hungarian	25204819	
		Hebrew	25204818	
		Greek	25204817	
		Dutch	25204816	
		Japanese	25204815	
		Brazilian	25204814	
		Arabic	25204813	
		German	25204812	
		French	25204811	
		Russian	25204810	
		Traditional Chinese	25204809	
		Korean	25204808	
		Canadian English&French	25204807	
		Latin	25204806	
		Portuguese	25204805	
		Thai	25204804	
		Turkish	25204803	
	Spanish	25204802		
	Italian	25204801		
	U.K. English	25204800		
	English	25204799		
	Sunrex	Indian	25204918	
		Czechoslovakian	25204917	
		Bulgarian	25204916	
		International English	25204915	
Swiss		25204914		
Slovenian		25204913		
Icelandic		25204912		
Belgian		25204911		
Four Nordic countries		25204910		
Hungarian		25204909		
Hebrew		25204908		
Greek		25204907		
Dutch		25204906		
Japanese		25204905		
Brazilian		25204904		

Table 6. Parts list—Keyboard (continued)

Language		P/N	CRU ID	
U310 (continued)	Sunrex (continued)	Arabic	25204903	**
		German	25204902	
		French	25204901	
		Russian	25204900	
		Traditional Chinese	25204899	
		Korean	25204898	
		Canadian English&French	25204897	
		Latin	25204896	
		Portuguese	25204895	
		Thai	25204894	
		Turkish	25204893	
		Spanish	25204892	
		Italian	25204891	
		U.K. English	25204890	
	English	25204889		
	Darfon	Indian	25205008	
		Czechoslovakian	25205007	
		Bulgarian	25205006	
		International English	25205005	
		Swiss	25205004	
		Slovenian	25205003	
		Icelandic	25205002	
		Belgian	25205001	
		Four Nordic countries	25205000	
		Hungarian	25204999	
		Hebrew	25204998	
		Greek	25204997	
		Dutch	25204996	
		Japanese	25204995	
		Brazilian	25204994	
		Arabic	25204993	
		German	25204992	
		French	25204991	
		Russian	25204990	
		Traditional Chinese	25204989	
		Korean	25204988	
		Canadian English&French	25204987	
		Latin	25204986	
		Portuguese	25204985	
		Thai	25204984	
		Turkish	25204983	
		Spanish	25204982	
Italian		25204981		
U.K. English	25204980			
English	25204979			

Table 6. Parts list—Keyboard (continued)

Language		P/N	CRU ID	
U310 (continued)	Chicony	Indian	25204858	**
		Czechoslovakian	25204857	
		Bulgarian	25204856	
		International English	25204855	
		Swiss	25204854	
		Slovenian	25204853	
		Icelandic	25204852	
		Belgian	25204851	
		Four Nordic countries	25204850	
		Hungarian	25204849	
		Hebrew	25204848	
		Greek	25204847	
		Dutch	25204846	
		Japanese	25204845	
		Brazilian	25204844	
		Arabic	25204843	
		German	25204842	
		French	25204841	
		Russian	25204840	
		Traditional Chinese	25204839	
		Korean	25204838	
		Canadian English&French	25204837	
		Latin	25204836	
		Portuguese	25204835	
		Thai	25204834	
		Turkish	25204833	
	Spanish	25204832		
	Italian	25204831		
	U.K. English	25204830		
	English	25204829		
	Sunrex	Indian	25204948	
		Czechoslovakian	25204947	
		Bulgarian	25204946	
		International English	25204945	
Swiss		25204944		
Slovenian		25204943		
Icelandic		25204942		
Belgian		25204941		
Four Nordic countries		25204940		
Hungarian		25204939		
Hebrew		25204938		
Greek		25204937		
Dutch		25204936		
Japanese		25204935		
Brazilian		25204934		

Table 6. Parts list—Keyboard (continued)

Language		P/N	CRU ID	
U310 (continued)	Sunrex (continued)	Arabic	25204933	**
		German	25204932	
		French	25204931	
		Russian	25204930	
		Traditional Chinese	25204929	
		Korean	25204928	
		Canadian English&French	25204927	
		Latin	25204926	
		Portuguese	25204925	
		Thai	25204924	
		Turkish	25204923	
		Spanish	25204922	
		Italian	25204921	
		U.K. English	25204920	
	English	25204919		
	Darfon	Indian	25205038	
		Czechoslovakian	25205037	
		Bulgarian	25205036	
		International English	25205035	
		Swiss	25205034	
		Slovenian	25205033	
		Icelandic	25205032	
		Belgian	25205031	
		Four Nordic countries	25205030	
		Hungarian	25205029	
		Hebrew	25205028	
		Greek	25205027	
		Dutch	25205026	
		Japanese	25205025	
		Brazilian	25205024	
		Arabic	25205023	
		German	25205022	
		French	25205021	
		Russian	25205020	
		Traditional Chinese	25205019	
		Korean	25205018	
		Canadian English&French	25205017	
		Latin	25205016	
		Portuguese	25205015	
		Thai	25205014	
		Turkish	25205013	
		Spanish	25205012	
Italian		25205011		
U.K. English	25205010			
English	25205009			

Table 6. Parts list—Keyboard (continued)

Language		P/N	CRU ID	
U410	Chicony	Indian	25203638	**
		Czechoslovakian	25203637	
		Bulgarian	25203636	
		International English	25203635	
		Swiss	25203634	
		Slovenian	25203633	
		Icelandic	25203632	
		Belgian	25203631	
		Four Nordic countries	25203630	
		Hungarian	25203629	
		Hebrew	25203628	
		Greek	25203627	
		Dutch	25203626	
		Japanese	25203625	
		Brazilian	25203624	
		Arabic	25203623	
		German	25203622	
		French	25203621	
		Russian	25203620	
		Traditional Chinese	25203619	
		Korean	25203618	
		Canadian English&French	25203617	
		Latin	25203616	
		Portuguese	25203615	
		Thai	25203614	
		Turkish	25203613	
		Spanish	25203612	
	Italian	25203611		
	U.K. English	25203610		
	English	25203609		
	Chicony	Indian	25203668	
		Czechoslovakian	25203667	
		Bulgarian	25203666	
		International English	25203665	
Swiss		25203664		
Slovenian		25203663		
Icelandic		25203662		
Belgian		25203661		
Four Nordic countries		25203660		
Hungarian		25203659		
Hebrew		25203658		
Greek		25203657		
Dutch		25203656		
Japanese		25203655		
Brazilian		25203654		

Table 6. Parts list—Keyboard (continued)

Language		P/N	CRU ID	
U410 (continued)	Chicony (continued)	Arabic	25203653	**
		German	25203652	
		French	25203651	
		Russian	25203650	
		Traditional Chinese	25203649	
		Korean	25203648	
		Canadian English&French	25203647	
		Latin	25203646	
		Portuguese	25203645	
		Thai	25203644	
		Turkish	25203643	
		Spanish	25203642	
		Italian	25203641	
		U.K. English	25203640	
	English	25203639		
	Chicony	Indian	25203818	
		Czechoslovakian	25203817	
		Bulgarian	25203816	
		International English	25203815	
		Swiss	25203814	
		Slovenian	25203813	
		Icelandic	25203812	
		Belgian	25203811	
		Four Nordic countries	25203810	
		Hungarian	25203809	
		Hebrew	25203808	
		Greek	25203807	
		Dutch	25203806	
		Japanese	25203805	
		Brazilian	25203804	
		Arabic	25203803	
		German	25203802	
		French	25203801	
		Russian	25203800	
		Traditional Chinese	25203799	
		Korean	25203798	
		Canadian English&French	25203797	
		Latin	25203796	
		Portuguese	25203795	
		Thai	25203794	
		Turkish	25203793	
		Spanish	25203792	
Italian		25203791		
U.K. English	25203790			
English	25203789			

Table 6. Parts list—Keyboard (continued)

Language		P/N	CRU ID	
U410 (continued)	Sunrex	Indian	25203698	**
		Czechoslovakian	25203697	
		Bulgarian	25203696	
		International English	25203695	
		Swiss	25203694	
		Slovenian	25203693	
		Icelandic	25203692	
		Belgian	25203691	
		Four Nordic countries	25203690	
		Hungarian	25203689	
		Hebrew	25203688	
		Greek	25203687	
		Dutch	25203686	
		Japanese	25203685	
		Brazilian	25203684	
		Arabic	25203683	
		German	25203682	
		French	25203681	
		Russian	25203680	
		Traditional Chinese	25203679	
		Korean	25203678	
		Canadian English&French	25203677	
		Latin	25203676	
		Portuguese	25203675	
		Thai	25203674	
		Turkish	25203673	
	Spanish	25203672		
	Italian	25203671		
	U.K. English	25203670		
	English	25203669		
	Sunrex	Indian	25203728	
		Czechoslovakian	25203727	
		Bulgarian	25203726	
		International English	25203725	
Swiss		25203724		
Slovenian		25203723		
Icelandic		25203722		
Belgian		25203721		
Four Nordic countries		25203720		
Hungarian		25203719		
Hebrew		25203718		
Greek		25203717		
Dutch		25203716		
Japanese		25203715		
Brazilian	25203714			

Table 6. Parts list—Keyboard (continued)

Language		P/N	CRU ID	
U410 (continued)	Sunrex (continued)	Arabic	25203713	**
		German	25203712	
		French	25203711	
		Russian	25203710	
		Traditional Chinese	25203709	
		Korean	25203708	
		Canadian English&French	25203707	
		Latin	25203706	
		Portuguese	25203705	
		Thai	25203704	
		Turkish	25203703	
		Spanish	25203702	
		Italian	25203701	
		U.K. English	25203700	
	English	25203699		
	Sunrex	Indian	25203848	
		Czechoslovakian	25203847	
		Bulgarian	25203846	
		International English	25203845	
		Swiss	25203844	
		Slovenian	25203843	
		Icelandic	25203842	
		Belgian	25203841	
		Four Nordic countries	25203840	
		Hungarian	25203839	
		Hebrew	25203838	
		Greek	25203837	
		Dutch	25203836	
		Japanese	25203835	
		Brazilian	25203834	
		Arabic	25203833	
		German	25203832	
		French	25203831	
		Russian	25203830	
		Traditional Chinese	25203829	
		Korean	25203828	
		Canadian English&French	25203827	
		Latin	25203826	
		Portuguese	25203825	
		Thai	25203824	
		Turkish	25203823	
		Spanish	25203822	
Italian		25203821		
U.K. English	25203820			
English	25203819			

Table 6. Parts list—Keyboard (continued)

Language		P/N	CRU ID	
U410 (continued)	Darfon	Indian	25203758	**
		Czechoslovakian	25203757	
		Bulgarian	25203756	
		International English	25203755	
		Swiss	25203754	
		Slovenian	25203753	
		Icelandic	25203752	
		Belgian	25203751	
		Four Nordic countries	25203750	
		Hungarian	25203749	
		Hebrew	25203748	
		Greek	25203747	
		Dutch	25203746	
		Japanese	25203745	
		Brazilian	25203744	
		Arabic	25203743	
		German	25203742	
		French	25203741	
		Russian	25203740	
		Traditional Chinese	25203739	
		Korean	25203738	
		Canadian English&French	25203737	
		Latin	25203736	
		Portuguese	25203735	
		Thai	25203734	
		Turkish	25203733	
	Spanish	25203732		
	Italian	25203731		
	U.K. English	25203730		
	English	25203729		
	Darfon	Indian	25203788	
		Czechoslovakian	25203787	
		Bulgarian	25203786	
		International English	25203785	
Swiss		25203784		
Slovenian		25203783		
Icelandic		25203782		
Belgian		25203781		
Four Nordic countries		25203780		
Hungarian		25203779		
Hebrew		25203778		
Greek		25203777		
Dutch		25203776		
Japanese		25203775		
Brazilian	25203774			

Table 6. Parts list—Keyboard (continued)

Language		P/N	CRU ID	
U410 (continued)	Darfon (continued)	Arabic	25203773	**
		German	25203772	
		French	25203771	
		Russian	25203770	
		Traditional Chinese	25203769	
		Korean	25203768	
		Canadian English&French	25203767	
		Latin	25203766	
		Portuguese	25203765	
		Thai	25203764	
		Turkish	25203763	
		Spanish	25203762	
		Italian	25203761	
		U.K. English	25203760	
	English	25203759		
	Darfon	Indian	25203878	
		Czechoslovakian	25203877	
		Bulgarian	25203876	
		International English	25203875	
		Swiss	25203874	
		Slovenian	25203873	
		Icelandic	25203872	
		Belgian	25203871	
		Four Nordic countries	25203870	
		Hungarian	25203869	
		Hebrew	25203868	
		Greek	25203867	
		Dutch	25203866	
		Japanese	25203865	
		Brazilian	25203864	
		Arabic	25203863	
		German	25203862	
		French	25203861	
		Russian	25203860	
		Traditional Chinese	25203859	
		Korean	25203858	
		Canadian English&French	25203857	
		Latin	25203856	
		Portuguese	25203855	
		Thai	25203854	
		Turkish	25203853	
		Spanish	25203852	
Italian		25203851		
U.K. English	25203850			
English	25203849			

Miscellaneous parts

Table 7. Parts list—Miscellaneous parts

FRU	P/N	CRU ID
System miscellaneous parts: <ul style="list-style-type: none"> • (a) LZ7 HDD Bracket (U310) • (a) LZ8 HDD Bracket (U410) 	90200797 90200808	N
Cable miscellaneous parts: <ul style="list-style-type: none"> • (b) LZ7 Audio Board Cable (U310) • (c) LZ7 HDD Cable (U310) • (c) LZ8 HDD Cable (U410) <p>Note: Italicized letters in parentheses are references to the exploded view in “Overall” on page 71.</p>	90200796 90200794 90200807	N

AC adapters

Table 8. Parts list—3-pin AC adapters

FRU	P/N	CRU ID
40W, Delta, Delta ADP-40NH B20V2A adapter (U310)	36001648	N
40W, Liteon, Liteon PA-1400-12LC 20V2A adapter (U310)	36001653	N
40W, Chicony, HIIPRO LN-A0403A3C20V2A adapter (U310)	36001672	N
65W, Delta, Delta ADP-65KH BD 20V/3.25A Adapter (U410)	36001929	N
65W, LITEON, Liteon PA-1650-56LC Adapter (U410)	36001651	N
65W, LITEON, Brazil PA-1650-52LB Adapter (U410)	36001714	N
65W, Delta, Delta ADP-65KH B 20V, 3.25A Adapter (U410)	36002066	N
65W, Chicony, Chicony CPA-A065 20V3.25A Adapter (330PF) (U410)	36001943	N
65W Slim 2pin, Delta Slim, Delta ADP-65XB A 20V, 3.25A Adapter (U410)	36200019	N

Power cords

A Lenovo power cord for a specific country or region is usually available only in that country or region:

Table 9. Parts list—3-pin power cords

Region	P/N	CRU ID
CCC • LINETEK PC323+RVV300/300+LS15 1m	145000600	*
Argentina • LINETEK LS15+H03VV-F+LP39 1m	145000599	
Danmark • LINETEK LS15+H03VV-F+LP-38 1m	145000598	
Switzerland • LINETEK LS15+H03VV-F+LP-37 1m	145000597	
Brazil • LINETEK LS15 H03VV-F LP26A 1m	145000596	
Israel • LINETEK LS15+H03VV-F+LP-41 1m	145000595	
UL • LINETEK LP-30B + SPT-2 + LS15 1m	145000594	
UK • LINETEK LP-61L+ H03VV-F+ LS15 1m	145000593	
Indian • LINETEK PE-361+ H05VV-F+ LS15 1m	145000592	
Italy • LINETEK LS15+H03VV-F+PE-336 1m	145000591	
Korea • LINETEK LS15+H05VV-F+LP-E04A 1m	145000590	
Australia • LINETEK LS15+H03VV-F+LP-23A 1m	145000589	
Taiwan • LINETEK LS15+VCTF+LP-53 1m	145000588	
Japan • LINETEK LS15+VCTF+LP-54 1m	145000587	
Africa • LINETEK LS15+H03VV-F+PE-364 1m	145000586	
CE • LINETEK LP-34+H03VV-F + LS15 1m	145000585	
CCC • Longwell LSG-31+RVV300/300+LS-18 1m	145000568	
Argentina • Longwell LP-24+H03VV-F+LS-18 1m	145000567	
Danmark • Longwell LP-40+H03VV-F+LS-18 1m	145000566	
Switzerland • Longwell LP-37+H03VV-F+LS-18 1m	145000565	

Table 9. Parts list—3-pin power cords (continued)

Region	P/N	CRU ID
Brazil	145000564	*
• Longwell LP-46+H03VV-F+LS-18 1m		
Israel	145000563	
• Longwell LP-41+H03VV-F+LS-18 1m		
UL	145000562	
• Longwell LP-30B+SPT-2 18AWG+LS-18 1m		
UK	145000561	
• Longwell LP-61L+H03VV-F+LS-18 1m		
Indian	145000560	
• Longwell LP-67+BIS+LS-18 1m		
Italy	145000559	
• Longwell LP-22+H03VV-F+LS-18 1m		
Korea	145000558	
• Longwell LP-486+KTLH03VV-F+LS-5 1m		
Australia	145000557	
• Longwell LP-23A+LFC-3R+LS-18 1m		
Taiwan	145000556	
• Longwell LP-71+VCTF+LS-33 1m		
Japan	145000555	
• Longwell LP-54+VCTF+LS-18 1m		
Africa	145000554	
• Longwell LP-39+H03VV-F+LS-18 1m		
CE	145000553	
• Longwell LP-34A+H03VV-F+LS-18 1m		
CCC	145000538	
• VOLEX GB10S3+RVV 300/500+VAC5S 1m		
UL	145000537	
• Volex US15S3+SPT-2 +VAC5S 1m		
Indian	145000536	
• VOLEX IA6A3+IS694+VAC5S 1m		
Italy	145000535	
• VOLEX IT10S3+H03VV-F+VAC5S 1m		
Danmark	145000534	
• VOLEX MP233D+H03VV-F+VAC5S 1m		
Korea	145000533	
• VOLEX M2511+KETI IEC+VAC5S 1m		
Australia	145000532	
• VOLEX AU10S3+H03VV-F+VAC5S 1m		
Taiwan	145000531	
• VOLEX TW15CS3+VCTF+VAC5S 1m		
Japan	145000530	
• VOLEX VAC5S+VCTF+M755 1m		
Argentina	145000528	
• VOLEX VA2073+H03VV-F+VAC5S 1m		

Table 9. Parts list—3-pin power cords (continued)

Region	P/N	CRU ID
Brazil • VOLEX CH10S3+H03VV-F+VAC5S 1m	145000527	*
Israel • VOLEX SI16S3+H03VV-F+VAC5S 1m	145000526	*
CE • VOLEX M2511+H03VV-F+VAC5S 1m	145000525	
Switzerland • VOLEX MP232+H03VV-F+VAC5S 1m	145000524	
UK • VOLEX MP5004+H03VV-F+VAC5S 1m	145000605	

Notices

Lenovo may not offer the products, services, or features discussed in this document in all countries. Consult your local Lenovo representative for information on the products and services currently available in your area. Any reference to a Lenovo product, program, or service is not intended to state or imply that only that Lenovo product, program, or service may be used. Any functionally equivalent product, program, or service that does not infringe any Lenovo intellectual property right may be used instead. However, it is the user's responsibility to evaluate and verify the operation of any other product, program, or service.

Lenovo may have patents or pending patent applications covering subject matter described in this document. The furnishing of this document does not give you any license to these patents.

LENOVO GROUP LTD. PROVIDES THIS PUBLICATION "AS IS" WITHOUT WARRANTY OF ANY KIND, EITHER EXPRESS OR IMPLIED, INCLUDING, BUT NOT LIMITED TO, THE IMPLIED WARRANTIES OF NON-INFRINGEMENT, MERCHANTABILITY OR FITNESS FOR A PARTICULAR PURPOSE. Some jurisdictions do not allow disclaimer of express or implied warranties in certain transactions, therefore, this statement may not apply to you.

This information could include technical inaccuracies or typographical errors. Changes are periodically made to the information herein; these changes will be incorporated in new editions of the publication. Lenovo may make improvements and/or changes in the product(s) and/or the program(s) described in this publication at any time without notice.

The products described in this document are not intended for use in implantation or other life support applications where malfunction may result in injury or death to persons. The information contained in this document does not affect or change Lenovo product specifications or warranties. Nothing in this document shall operate as an express or implied license or indemnity under the intellectual property rights of Lenovo or third parties. All information contained in this document was obtained in specific environments and is presented as an illustration. The result obtained in other operating environments may vary.

Lenovo may use or distribute any of the information you supply in any way it believes appropriate without incurring any obligation to you.

Any references in this publication to non-Lenovo Web sites are provided for convenience only and do not in any manner serve as an endorsement of those Web sites. The materials at those Web sites are not part of the materials for this Lenovo product, and use of those Web sites is at your own risk.

Any performance data contained herein was determined in a controlled environment. Therefore, the result obtained in other operating environments may vary significantly. Some measurements may have been made on development-level systems and there is no guarantee that these measurements will be the same on generally available systems. Furthermore, some measurements may have been estimated through extrapolation. Actual results may vary. Users of this document should verify the applicable data for their specific environment.

Trademarks

The following terms are either registered trademarks or trademarks of Lenovo in the United States and/or other countries:

Lenovo®
Lenovo logo®
IdeaPad®
VeriFace®
OneKey Rescue® (OneKey Recovery, OneKey Antivirus)
APS®
Power Express®
Energy Management and ReadyComm®

The following terms are trademarks of Microsoft Corporation in the United States, other countries, or both:

Windows®
Windows® 7

The following are trademarks of Intel Corporation or its subsidiaries in the United States, other countries, or both:

Intel®
Intel® Core™ 2 Duo

The following is a trademark of Advanced Micro Devices, Inc.

AMD®

Other company, product, or service names may be the trademarks or service marks of others.