

# 700 / 710

---

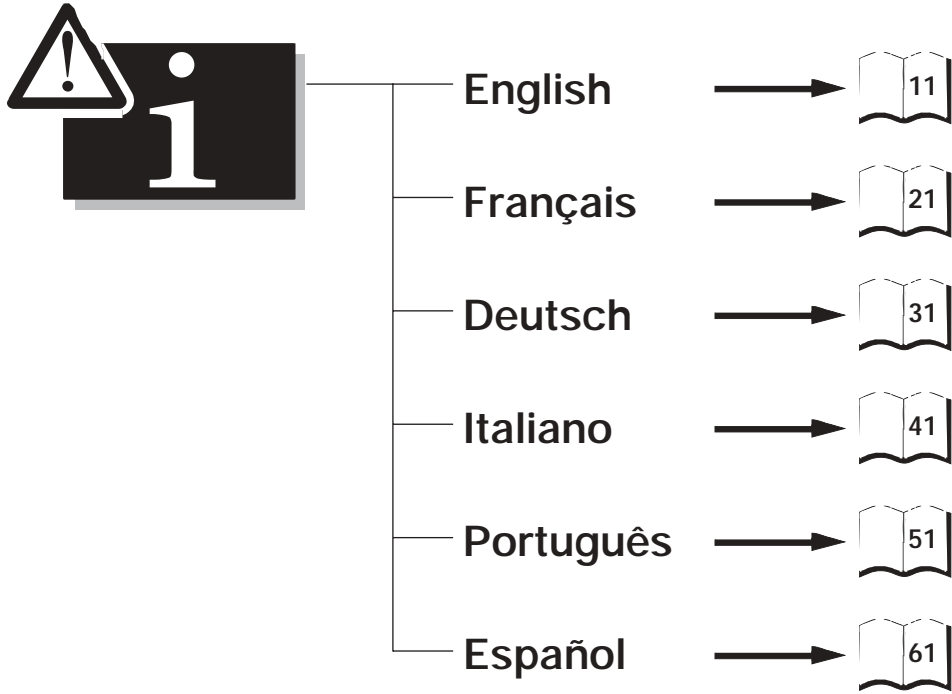


---

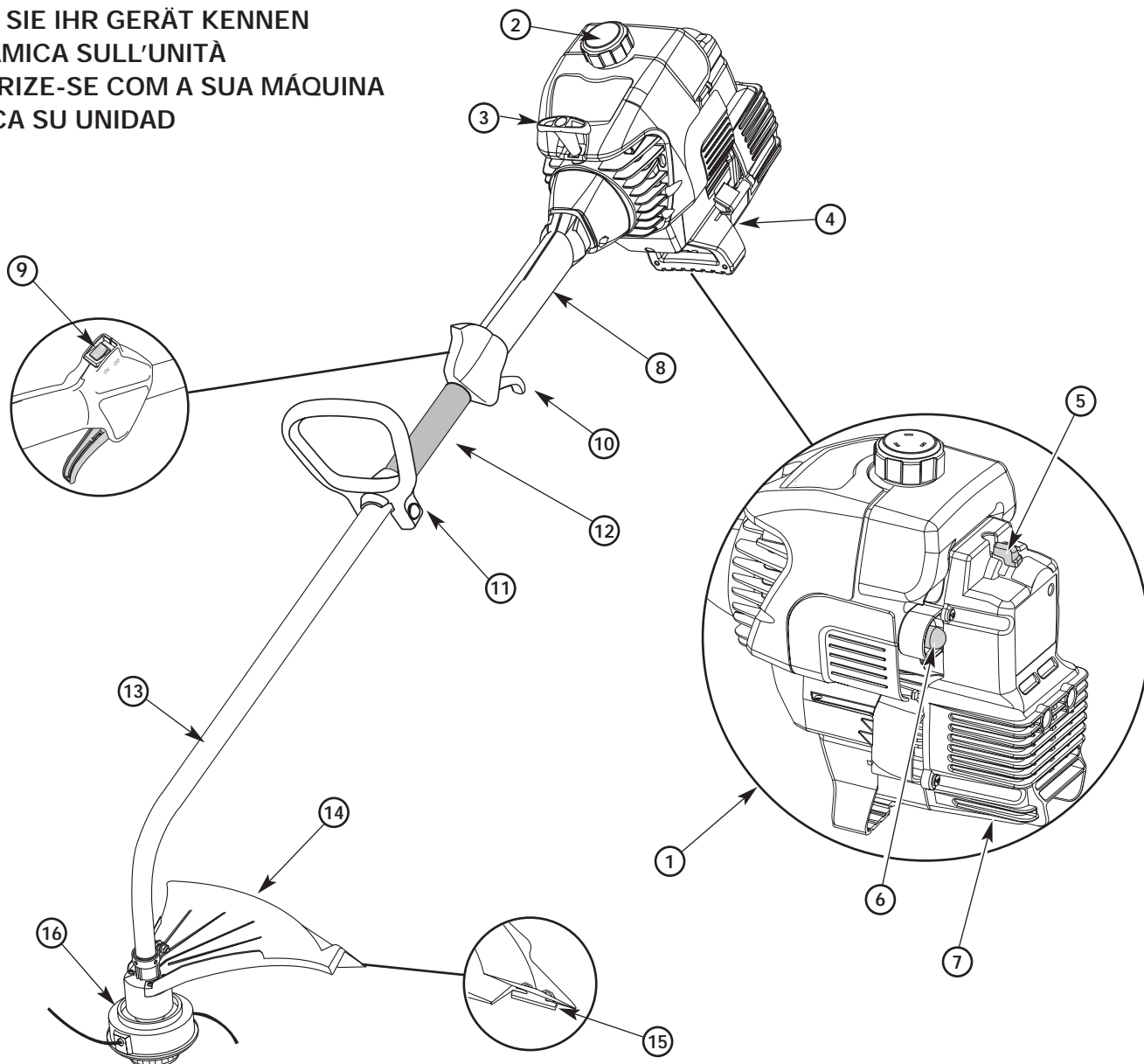
*MTD Products Aktiengesellschaft • Saarbrücken • Germany*

Part No: 769-01319 12/04





KNOW YOUR UNIT  
 FAMILIARISEZ-VOUS AVEC L'APPAREIL  
 LERNEN SIE IHR GERÄT KENNEN  
 PANORAMICA SULL'UNITÀ  
 FAMILIARIZE-SE COM A SUA MÁQUINA  
 CONOZCA SU UNIDAD



### Description of Parts

- |                             |                              |
|-----------------------------|------------------------------|
| 1. Power Head               | 9. Ignition Switch           |
| 2. Fuel Cap                 | 10. Throttle Trigger         |
| 3. Starter Rope Grip        | 11. D-Handle                 |
| 4. Spark Plug               | 12. Limiter Sleeve           |
| 5. Choke Lever              | 13. Shaft Tube               |
| 6. Primer                   | 14. Cutting Attachment Guard |
| 7. Air Filter/Muffler Cover | 15. Line Cutting Blade       |
| 8. Shaft Tube Grip          | 16. Cutting Attachment       |

### Description des pièces

- |   |                                   |
|---|-----------------------------------|
| 1. Tête d'entraînement                  | 9. Interrupteur                   |
| 2. Bouchon du carburant                 | 10. Gâchette d'accélération       |
| 3. Poignée de la corde de démarrage     | 11. Poignée en D                  |
| 4. Bougie                               | 12. Manchon du limiteur           |
| 5. Levier d'étrangleur                  | 13. Tube                          |
| 6. Amorceur                             | 14. Carter de protection de coupe |
| 7. Couvercle du filtre à air/silencieux | 15. Coupe-fil                     |
| 8. Poignée                              | 16. Bobine de fil                 |

## Beschreibung der Teile

1. Motor
2. Tankdeckel
3. Griff des Anlassers
4. Zündkerze
5. Starterhebel
6. Ansaugpumpe
7. Gehäuse des Luftfilters/Abgasrohrs
8. Griff
9. Schalter
10. Beschleunigungsdrücker
11. D-förmiger Griff
12. Begrenzermanschette
13. Rohr
14. Schutzgehäuse für den Schnitt
15. Fadenabschneider
16. Fadenspule

## Descrição das peças

1. Motore
2. Tappo del serbatoio
3. Impugnatura del cavo per l'avvio
4. Candela
5. Leva dello starter
6. Cicchetto
7. Carter del filtro dell'aria /tubo di scappamento
8. Impugnatura
9. Interruttore
10. Acceleratore
11. Impugnatura a D
12. Manicotto di limitazione
13. Tubo
14. Carter di protezione del taglio
15. Filo di taglio
16. Bobina del filo

## Descrizione dei componenti

1. Motor
2. Tampa do depósito
3. Pega do lançador
4. Vela
5. Alavanca do starter
6. Bomba de escorvamento
7. Cárter do filtro de ar/escape
8. Punho
9. Interruptor
10. Gatilho de aceleração
11. Pega em D
12. Saia limitadora
13. Tubo
14. Resguardo de protecção de corte
15. Corta-fio
16. Bobina de fio

## Componentes

1. Motor
2. Tapón del depósito de combustible
3. Asa del arrancador de cuerda
4. Bujía
5. Palanca del starter
6. Bomba de cebado
7. Cárter del filtro de aire/tubo de escape
8. Asa
9. Interruptor
10. Gatillo de aceleración
11. Asa en forma de D
12. Manguito limitador
13. Tubo
14. Cárter de protección de corte
15. Cortahilo
16. Bobina de hilo

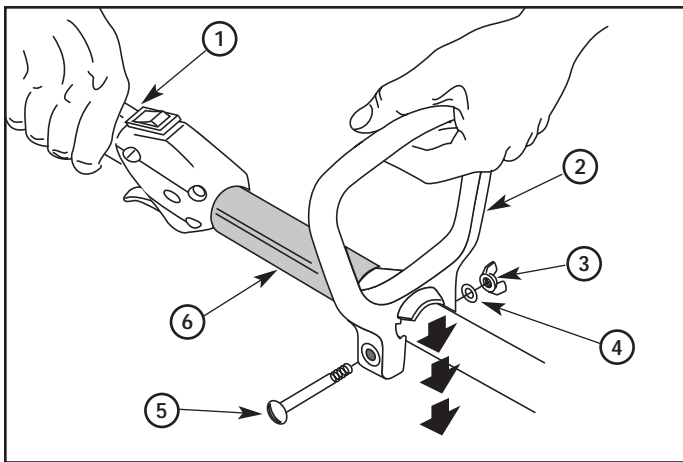


Fig. 1

### Description of Parts – Figs. 1-3

- |                    |                             |
|--------------------|-----------------------------|
| 1. Shaft Tube Grip | 6. Limiter Sleeve           |
| 2. Handle          | 7. Clamp Assembly           |
| 3. Wing Nut        | 8. Cutting Attachment Guard |
| 4. Washer          | 9. Screws (4)               |
| 5. Bolt            |                             |

### Description des pièces – Figs. 1-3

- |                 |                                  |
|-----------------|----------------------------------|
| 1. Poignée      | 6. Manchon du limiteur           |
| 2. Poignée en D | 7. Dispositif de fixation        |
| 3. Vis papillon | 8. Carter de protection de coupe |
| 4. Rondelle     | 9. 4 vis                         |
| 5. Boulon       |                                  |

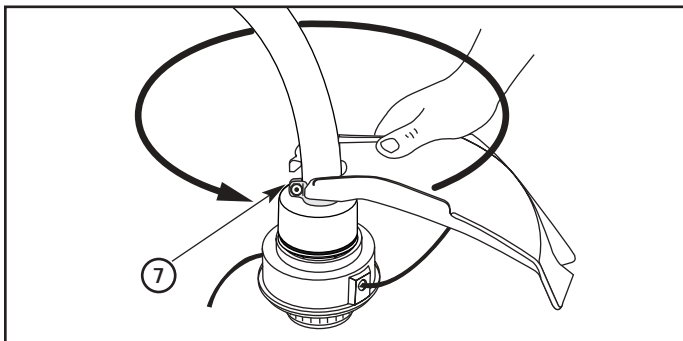


Fig. 2

### Beschreibung der Teile – Abb. 1-3

- |                     |                                     |
|---------------------|-------------------------------------|
| 1. Griff            | 6. Begrenzer-<br>manschette         |
| 2. D-förmiger Griff | 7. Befestigungs-<br>vorrichtung     |
| 3. Flügelschraube   | 8. Schutzgehäuse für<br>den Schnitt |
| 4. Unterlegscheibe  | 9. 4 Schrauben                      |
| 5. Bolzen           |                                     |

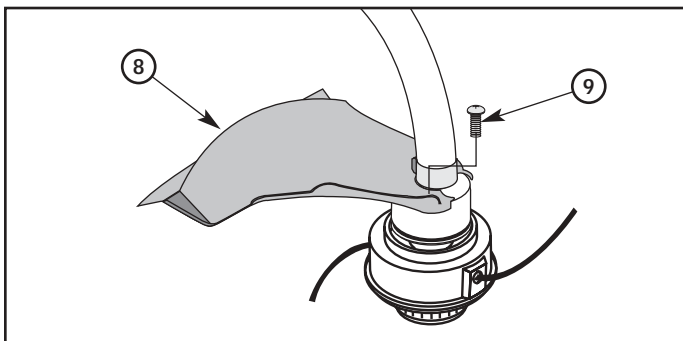


Fig. 3

### Descrizione dei componenti – figg. 1-3

- |                    |                                |
|--------------------|--------------------------------|
| 1. Impugnatura     | 6. Manicotto di<br>limitazione |
| 2. Impugnatura a D | 7. Dispositivo di<br>fissaggio |
| 3. Vite a farfalla | 8. Carter di protezione        |
| 4. Rondella        | 9. 4 viti                      |
| 5. Bullone         |                                |

### Descrição das peças – Figuras 1-3

- |                    |                                       |
|--------------------|---------------------------------------|
| 1. Punho           | 6. Saia limitadora                    |
| 2. Pega em D       | 7. Dispositivo de<br>fixação          |
| 3. Porca borboleta | 8. Resguardo de<br>protecção de corte |
| 4. Anilha          | 9. 4 parafusos                        |
| 5. Parafuso        |                                       |

### Descripción de las piezas – Fig. 1-3

- |                         |                                    |
|-------------------------|------------------------------------|
| 1. Asa                  | 6. Manguito limitador              |
| 2. Asa en forma de D    | 7. Dispositivo de<br>fijación      |
| 3. Tornillo de mariposa | 8. Cáster de<br>proteción de corte |
| 4. Arandela             | 9. 4 tornillos                     |
| 5. Perno                |                                    |

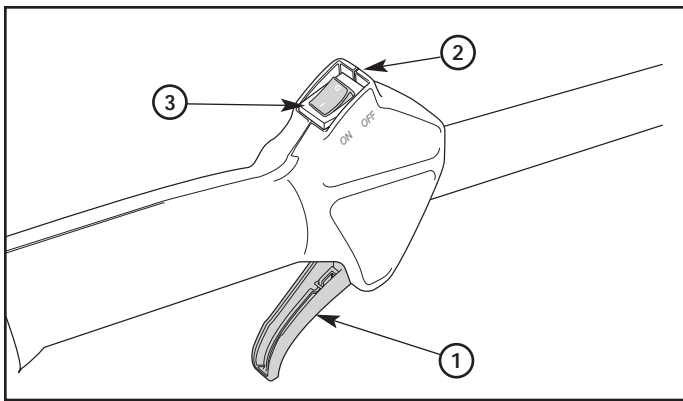


Fig. 4

**Description des pièces – Figs. 4-7**

- |  |                        |
|--|------------------------|
| 1. Manette des gaz                       | 6. Position Marche (3) |
| 2. Arrêt (O)                             | 7. Levier d'étrangleur |
| 3. Marche (I)                            | 8. Amorceur            |
| 4. Étranglement maximum Position (1)     | 9. Corde de démarrage  |
| 5. Position d'étranglement partielle (2) |                        |

**Beschreibung der Teile – Abb. 4-7**

- |                                     |                         |
|-------------------------------------|-------------------------|
| 1. Gashebel                         | 6. Betriebsposition (3) |
| 2. Aus (O)                          | 7. Chokehebel           |
| 3. Ein (I)                          | 8. Einspritzvorrichtung |
| 4. volle Chokeposition (1)          | 9. Starterleine         |
| 5. halbe Choke Zwischenposition (2) |                         |

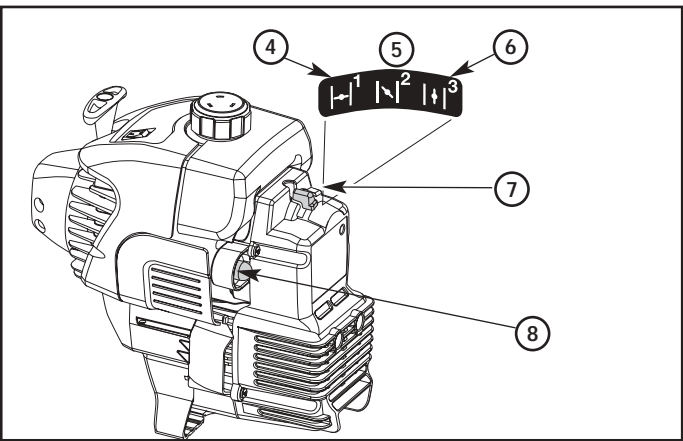


Fig. 5

**Descrizione dei componenti - figg. 4-7**

- |                          |                           |
|--------------------------|---------------------------|
| 1. Leva acceleratore     | 5. Posizione 2 (parziale) |
| 2. Arresto (O)           | 6. Posiz. 3 (normale)     |
| 3. Avvio (I)             | 7. Leva starter           |
| 4. Posizione 1 (massimo) | 8. Innesco                |
|                          | 9. Avvio a strappo        |

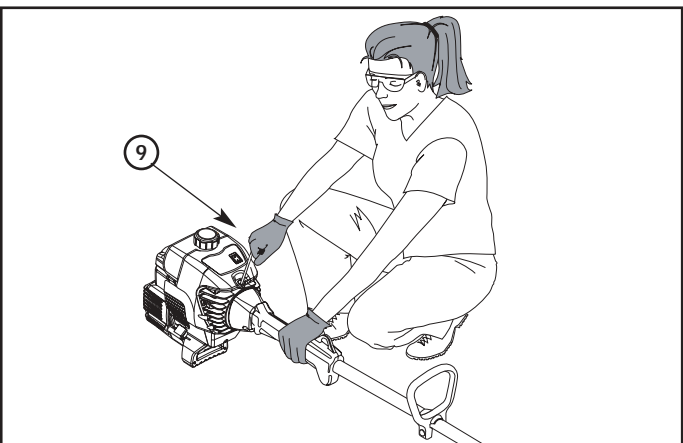


Fig. 6

**Descrição das peças – Figuras 4-7**

- |   |                        |
|---|------------------------|
| 1. Gatilho do acelerador                  | 7. Posição de operação |
| 2. Parado (O)                             | 8. Iniciador           |
| 3. Funcionamento (I)                      | 9. Corda de arranque   |
| 4. Posição de estrangulamento total (1)   | 10. Apoio para o pé    |
| 5. Posição de estrangulamento parcial (2) |                        |
| 6. Posição de operação (3)                |                        |

**Descripción de piezas – Fig. 4-7**

- |  |                           |
|--|---------------------------|
| 1. Gatillo del regulador               | 6. Posición de marcha (3) |
| 2. Apagado (O)                         | 7. Palanca del obturador  |
| 3. Encendido (I)                       | 8. Cebador                |
| 4. Posición de obturación completa (1) | 9. Cuerda de arranque     |
| 5. Posición de obturación parcial (2)  | 10. Estribo               |

**Description of Parts – Figs. 4-7**

- |                               |                     |
|-------------------------------|---------------------|
| 1. Throttle Trigger           | 6. Run Position (3) |
| 2. OFF (O)                    | 7. Choke Lever      |
| 3. ON (I)                     | 8. Primer           |
| 4. Full Choke Position (1)    | 9. Starter Rope     |
| 5. Partial Choke Position (2) |                     |



Fig. 7

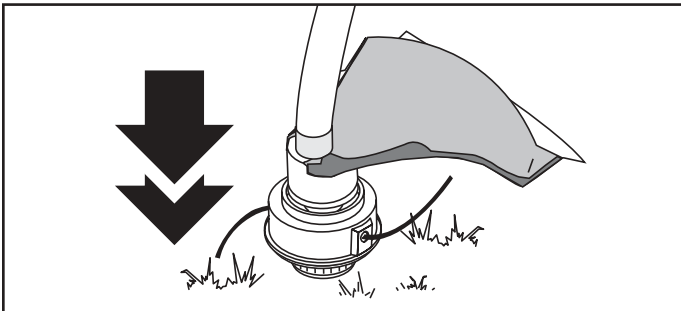


Fig. 8

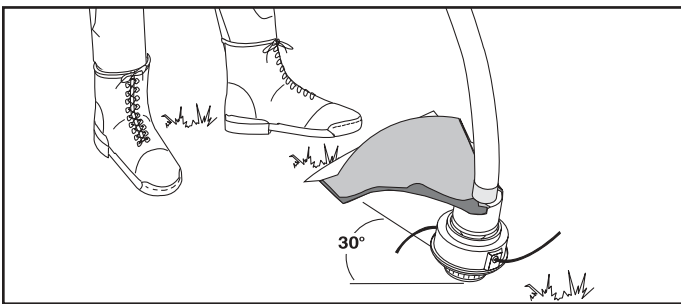


Fig. 9

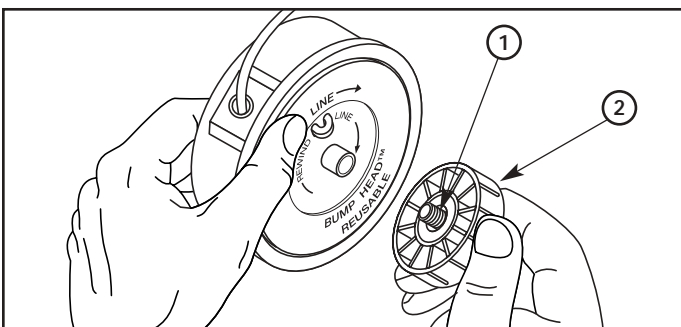


Fig. 10

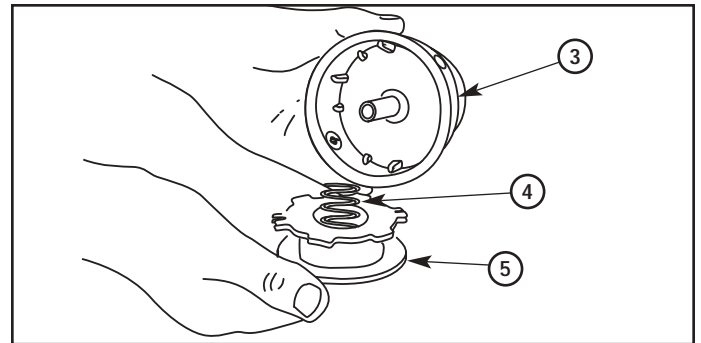


Fig. 11

**Description of Parts – Figs. 10-11**

- |                |               |
|----------------|---------------|
| 1. Bolt        | 4. Spring     |
| 2. Bump Knob   | 5. Inner Reel |
| 3. Outer Spool |               |

**Description des pièces – Figs. 10-11**

- |                       |                      |
|-----------------------|----------------------|
| 1. Bouton             | 3. Bobine extérieure |
| 2. Bouton de butée    | 4. Ressort           |
| 5. Moulinet intérieur |                      |

**Beschreibung der Teile – Abb. 10-11**

- |                 |                  |
|-----------------|------------------|
| 1. Bolzen       | 3. Spulengehäuse |
| 2. Auftippknopf | 4. Feder         |
| 5. Spule        |                  |

**Descrizione dei componenti – figg. 10-11**

- |                   |              |
|-------------------|--------------|
| 1. Bullone        | 4. Molla     |
| 2. Bump Knob      | 5. Rocchetto |
| 3. Bobina esterna |              |

**Descrição das peças – Figuras 10-11**

- |                    |                     |
|--------------------|---------------------|
| 1. Perno           | 4. Mola             |
| 2. Batente         | 5. Carrete interior |
| 3. Bobina exterior |                     |

**Descripción de piezas – Fig. 10-11**

- |                      |                     |
|----------------------|---------------------|
| 1. Perno             | 4. Resorte          |
| 2. Perilla percusiva | 5. Carrete interior |
| 3. Bobina exterior   |                     |

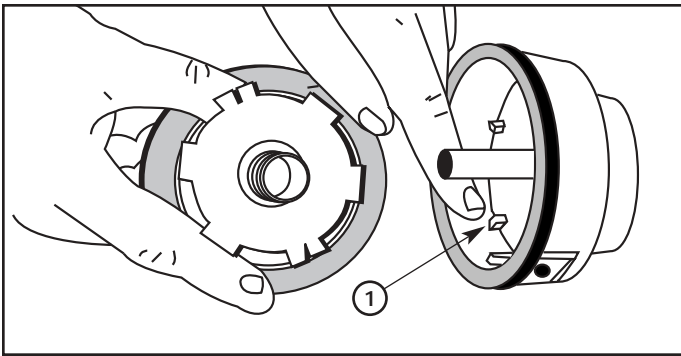


Fig. 12

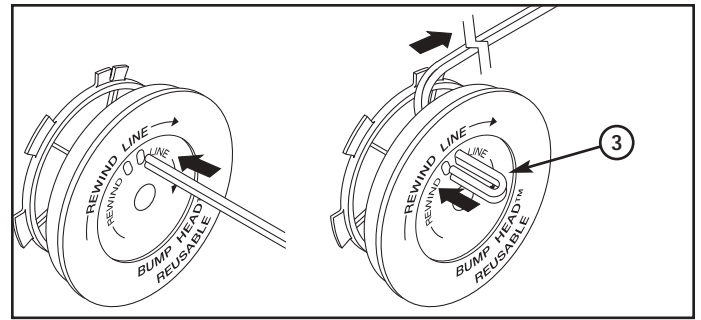


Fig. 16

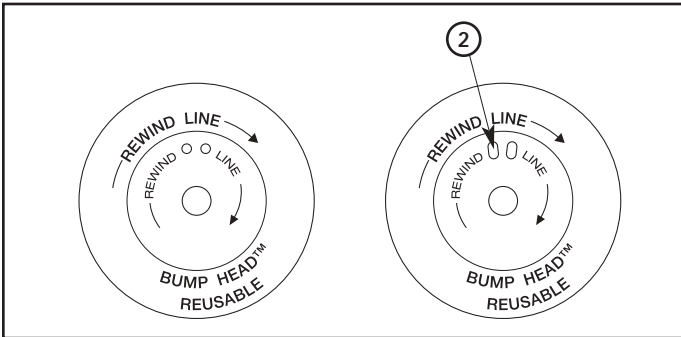


Fig. 13

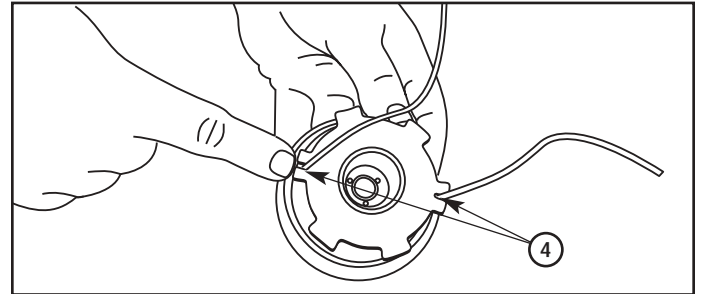


Fig. 17

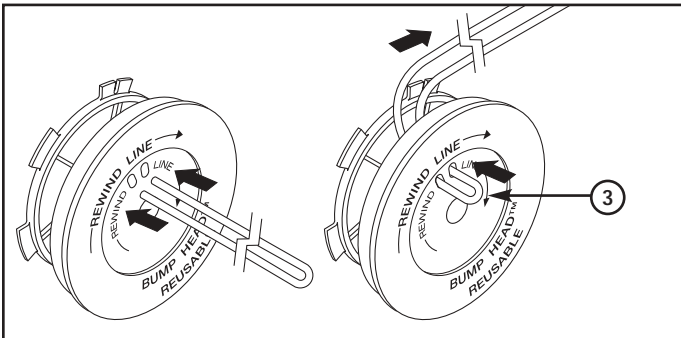


Fig. 14

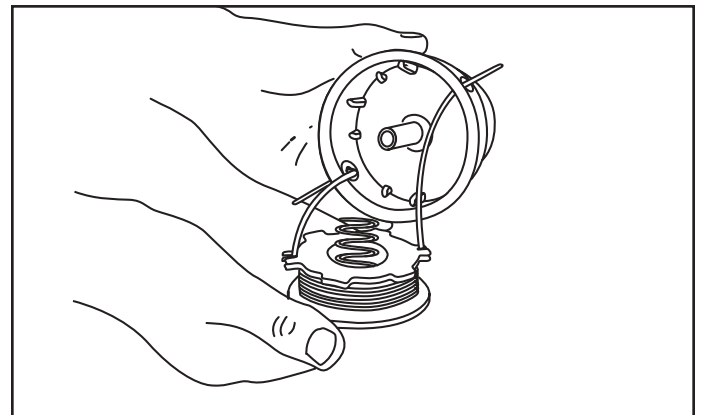


Fig. 18

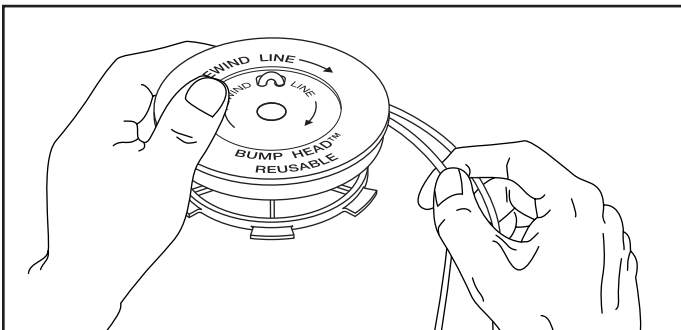


Fig. 15

**Description of Parts – Figs. 12-18**

- |                   |                  |
|-------------------|------------------|
| 1. Indexing Teeth | 3. Loop          |
| 2. Slotted Holes  | 4. Holding Slots |

**Description des pièces – Figs. 12-18**

- |                            |                      |
|----------------------------|----------------------|
| 1. Dents de positionnement | 3. Boucle            |
| 2. Trous allongés          | 4. Fentes de retenue |



**Beschreibung der Teile – Abb. 12-18**

- |                          |                 |
|--------------------------|-----------------|
| 1. Schaltzähne           | 3. Schlaufe     |
| 2. Schlitzförmige Löcher | 4. Halteschlitz |

**Descrizione dei componenti – figg. 12-18**

- |          |                          |
|----------|--------------------------|
| 1. Dente | 3. Occhiello             |
| 2. Asole | 4. Fessure di bloccaggio |

**Descrição das peças – Figuras 12-18**

- |                      |                       |
|----------------------|-----------------------|
| 1. Dentes de encaixe | 3. Laço               |
| 2. Fendas            | 4. Fendas de retenção |

**Descripción de piezas – Fig. 12-18**

- |                        |                         |
|------------------------|-------------------------|
| 1. Dientes de posición | 3. Bucle                |
| 2. Orificios ranurados | 4. Ranuras de retención |

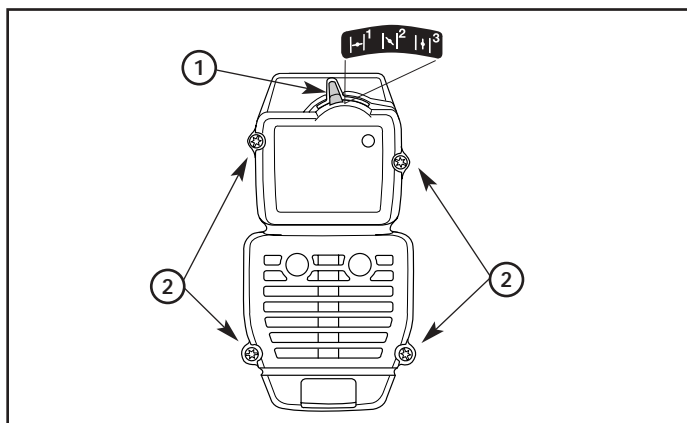


Fig. 19

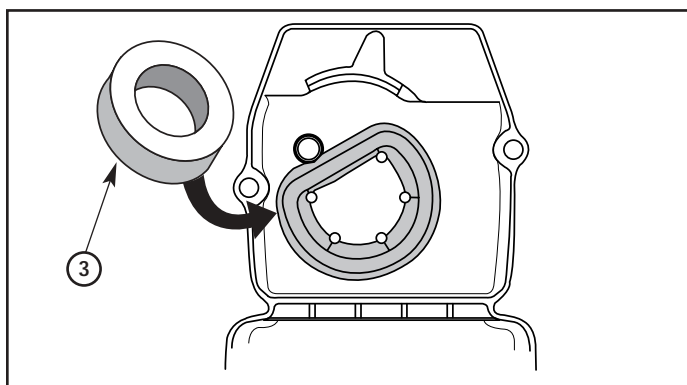


Fig. 20

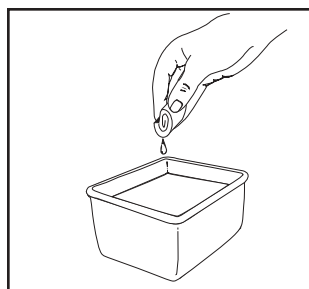


Fig. 21

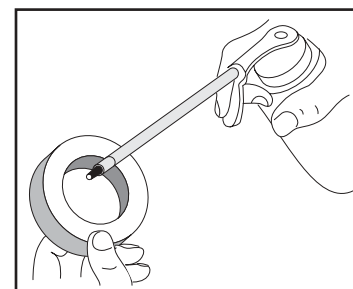


Fig. 22

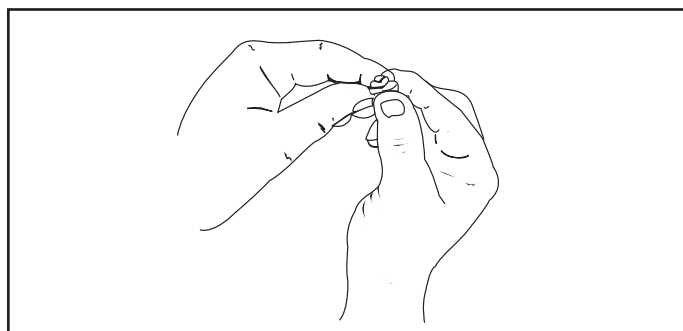


Fig. 23

**Description of Parts – Figs. 19-23**

- |                |               |
|----------------|---------------|
| 1. Choke Lever | 3. Air Filter |
| 2. Screw       |               |

**Description des pièces – Figs. 19-23**

- |                        |                 |
|------------------------|-----------------|
| 1. Levier d'étrangleur | 3. Filtre à air |
| 2. Vis                 |                 |

**Beschreibung der Teile – Abb. 19-23**

- |               |               |
|---------------|---------------|
| 1. Chokehebel | 3. Luftfilter |
| 2. Schraube   |               |

**Descrizione dei componenti – figg. 19-23**

- |                 |                     |
|-----------------|---------------------|
| 1. Leva starter | 3. Filtro dell'aria |
| 2. Vite         |                     |

**Descrição das peças – Figuras 19-23**

- |                              |                 |
|------------------------------|-----------------|
| 1. Alavanca do estrangulador | 3. Filtro de ar |
| 2. Parafuso                  |                 |

**Descripción de piezas – Fig. 19-23**

- |                          |                   |
|--------------------------|-------------------|
| 1. Palanca del obturador | 3. Filtro de aire |
| 2. Tornillo              |                   |

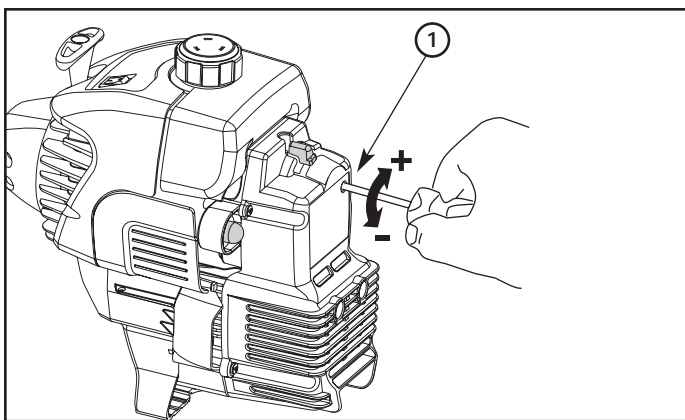


Fig. 24

**Description of Parts – Figs. 24-25**

1. Idle Speed Adjuster      2. Spark Plug

**Description des pièces – Figs. 24-25**

1. Vis de réglage du ralenti      2. Bougie

**Beschreibung der Teile – Abb. 24-25**

1. Lehl Laufdrehzahl-regler      2. Zündkerze

**Descrizione dei componenti – figg. 24-25**

1. Vite regime minimo      2. Candela

**Descrição das peças – Figuras 24-25**

1. Regulador da velocidade lenta      2. Vela

**Descripción de piezas – Fig. 24-25**

1. Ajuste de marcha lenta      2. Bujía de encendido

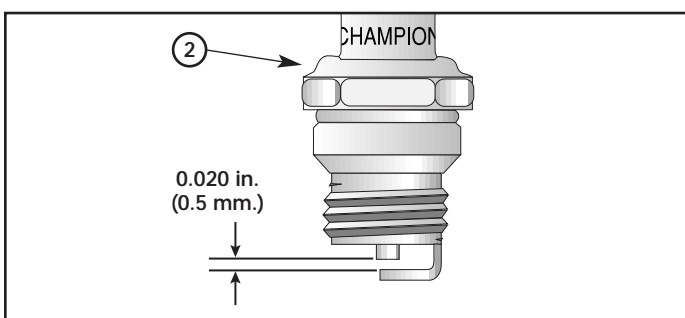
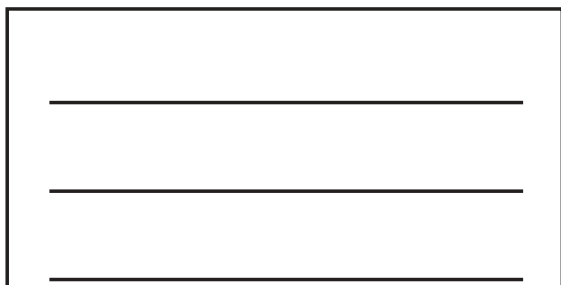


Fig. 25

Enter all the information shown on the identification plate of your lawn scarifier into the box below.

The identification plate is located on the engine.

This information is very important for identifying any spare parts that are to be ordered at a later date, and for customer service.



## SAFE OPERATING PRACTICES

---

### USE THE UNIT CORRECTLY

This unit is intended exclusively:

- for use in accordance with the descriptions and safety instructions specified in this operating manual,
- for use in the garden,
- for trimming lawn edges and small or inaccessible grassy areas, e.g. under bushes),
- as well as for cutting rank weeds, shrubs and undergrowth.

This unit is not permitted for any other use. The user is liable for any injury to third parties or damage to their property.

Operate the unit only in the delivered technical condition as stipulated by the manufacturer.

Any unauthorized changes to the unit will exempt the manufacturer from liability for any resulting damage or injuries.

## SAFETY WARNINGS

### READ ALL INSTRUCTIONS BEFORE OPERATING

- Read the operator's manual carefully. Be thoroughly familiar with the controls and proper use of the unit. Know how to stop the unit.
- Never allow children to operate the unit. Never allow adults to operate the unit without proper instruction.
- Inspect the unit before use. Check for fuel leaks. Replace damaged parts. Make sure the cutting attachment is properly installed and securely fastened. Be sure the cutting attachment shield is properly attached, and positioned as recommended. Failure to do so can result in personal injury to the operator and bystanders, as well as damage to the unit.
- Use only 2.00 mm (0.080 inch) diameter genuine replacement line. Never use metal-reinforced line, wire, chain, or rope, etc. These can break off and become a dangerous projectile.
- Do not operate this unit when tired, ill, or under the influence of alcohol, drugs, or medication.
- Be aware of the risk of injury to the head, hands and feet.

- Clear the area to be cut before each use. Remove all objects such as rocks, broken glass, nails, wire, or string which can be thrown or become entangled in the cutting attachment.
- Clear the area of children, bystanders, and pets. At a minimum, keep all children, bystanders and pets outside a 15 m (50 ft.) radius; there still may be a risk to bystanders from thrown objects. Bystanders should wear eye protection. If you are approached, stop the engine and cutting attachment immediately.

### SAFETY WARNINGS FOR PETROL TRIMMERS

**WARNING:** Petrol (Gasoline) is highly flammable, and its vapors can explode if ignited. Take the following precautions:

- Store fuel only in containers specifically designed and approved for the storage of such materials.
- Always stop the engine and allow it to cool before filling the fuel tank. Never remove the cap of the fuel tank, or add fuel, when the engine is hot.
- Mix and add fuel in a clean, well-ventilated area outdoors where there are no sparks or flames. Never fill fuel tank indoors. Slowly remove the fuel cap only after stopping engine. Do not smoke whilst fueling or mixing fuel. Wipe up any spilled fuel from the unit immediately.

# SAFETY WARNINGS

## WHILE OPERATING

- Never start or run the unit inside a closed room or building. Breathing exhaust fumes can kill. Operate this unit only in a well ventilated area outdoors.
  - Wear safety glasses or goggles and ear/hearing protection when operating this unit. Wear safety glasses for all operations, i.e. preparation, operation and maintenance.
  - Wear heavy, long pants, boots, gloves and long sleeve shirt. Do not wear, short pants, sandals or go barefoot.
  - The cutting attachment guard must always be in place while operating. Do not operate unit without both trimming lines extended, and the proper line installed. Do not extend the trimming line beyond the length of the guard.
  - The unit does not have a clutch and the cutting attachment continues rotating when the engine is idling.
  - Adjust the D-handle to your size to provide the best grip.
  - Be sure the cutting attachment is not in contact with anything before starting the unit.
  - The operator and unit must be in a stable position while starting. See Fig. 6 and Starting/Stopping Instructions.
  - Use the right tool. Only use this tool for the purpose intended.
  - Do not touch the engine or muffler. These parts get extremely hot from operation. When turned off they remain hot for a short time.
  - If you strike or become entangled with a foreign object, stop the engine immediately and check for damage. Do not operate before repairing damage. Do not operate the unit with loose or damaged parts.
- If the unit should start to vibrate abnormally, stop the engine and check immediately for the cause. Vibration is generally a warning of trouble.
  - Stop and switch the engine to off for maintenance, repair, or for changing the cutting attachment or other attachments.
  - Use only accessories and replacement parts approved by the manufacturer when servicing this unit. These parts are available from your authorized service dealer.
  - Do not use parts, accessories or attachments not authorized for this unit. Doing so could lead to serious injury to the user, or damage to the unit, and void your warranty.

## OTHER SAFETY WARNINGS

- Never store the unit, with fuel in the tank, inside a building where fumes may reach an open flame or spark.
- Allow the engine to cool before storing or transporting. Be sure to secure the unit while transporting.
- Clean after each use, see Cleaning and Storage instructions.
- Keep these instructions. Refer to them often and use them to instruct other users. If you loan someone this unit, also loan them these instructions.
- Have all repairs carried out by a specialist workshop only.

## SAVE THESE INSTRUCTIONS

## SAFETY AND INTERNATIONAL SYMBOLS

This operator's manual describes safety and international symbols and pictographs that may appear on this product. Read the operator's manual for complete safety, assembly, operating and maintenance and repair information.

SYMBOL	MEANING	SYMBOL	MEANING
	<p><b>• SAFETY ALERT SYMBOL</b></p> <p>Indicates danger, warning, or caution. May be used in conjunction with other symbols or pictographs.</p>		<p><b>• IGNITION SWITCH</b></p> <p>ON / START / RUN</p>
	<p><b>• WARNING - READ OPERATOR'S MANUAL</b></p> <p>Read the Operator's Manual(s) and follow all warnings and safety instructions. Failure to do so can result in serious injury to the operator and/or bystanders.</p>		<p><b>• IGNITION SWITCH</b></p> <p>OFF or STOP</p>
	<p><b>• WEAR EYE AND HEARING PROTECTION</b></p> <p><b>WARNING:</b> Thrown objects and loud noise can cause severe eye injury and hearing loss. Wear eye protection meeting ANSI Z87.1-1989 standards and ear protection when operating this unit. Use a full face shield when needed.</p>		<p><b>• HOT SURFACE WARNING</b></p> <p>Do not touch a hot muffler or cylinder. You may get burned. These parts get extremely hot from operation. When turned off they remain hot for a short time.</p>
	<p><b>• UNLEADED PETROL</b></p> <p>Always use clean, fresh unleaded petrol.</p>		<p><b>• SHARP BLADE</b></p> <p><b>WARNING:</b> Sharp blade on cutting attachment shield. To prevent serious injury, do not touch line cutting blade.</p>
	<p><b>• OIL</b></p> <p>Refer to operator's manual for the proper type of oil.</p>		<p><b>• KEEP BYSTANDERS AWAY</b></p> <p><b>WARNING:</b> Keep all bystanders, especially children and pets, at least 15 meters (50 ft.) from the operating area.</p>
	<p><b>• MAXIMUM RPM</b></p> <p>Do not operate the unit faster than the maximum RPM.</p>		<p><b>• THROWN OBJECTS CAN CAUSE SEVERE INJURY</b></p> <p><b>WARNING:</b> Keep clear of blower outlet. Never point the blower at yourself or others. Objects can be thrown from blower. Do not operate unit without proper attachments and guards in place.</p>
			<p><b>• CHOKE CONTROL</b></p> <p>1 • <b>FULL</b> choke position. 2 • <b>PARTIAL</b> choke position. 3 • <b>RUN</b> position.</p>

# ASSEMBLY INSTRUCTIONS

## INSTALLING THE D-HANDLE

1. For your safety, the D-Handle must be assembled in front of the limiter sleeve. Push the D-Handle down over the shaft tube so that the handle slants back towards the engine (Fig. 1).

**CAUTION:** Do not force the D-handle over the limiter sleeve. Damage to the D-handle or unit may occur.

3. Install the bolt, washer, wing nut and tighten.

## ADJUSTING THE D-HANDLE

1. Loosen the wing nut. It is not necessary to remove the wing nut, washer and bolt.
2. Rotate the D-handle to place the grip above the top of the shaft housing.

3. While holding the unit in the operating position (Fig. 7), position the D-handle to the location that provides you the best grip, and tighten the wing nut (Fig. 1).

## INSTALLING THE CUTTING ATTACHMENT GUARD

1. Place the cutting attachment guard onto the shaft tube above the clamp assembly (Fig. 2).
2. Push the cutting attachment guard down to the top of the string head assembly and then rotate the cutting attachment guard until the screw holes align and the guard fits into the recessed pocket (Fig. 3).

# OIL AND FUEL RECOMMENDATIONS

## RECOMMENDED OIL TYPE

Use high quality oil formulated for use in 2-cycle, air-cooled engines. Mix the oil according to the instructions on the 2-cycle engine oil container, 40:1 (2.5 %).

## RECOMMENDED FUEL TYPE

Always use clean, fresh, unleaded petrol (gasoline).

## OIL AND FUEL MIXING INSTRUCTIONS

Old and/or improperly mixed fuel are the main reasons for the unit not running properly. Be sure to use fresh, clean unleaded fuel. Follow the instructions carefully for the proper fuel/oil mixture.

Thoroughly mix the proper ratio of 2-cycle engine oil with unleaded petrol, 40:1 (2.5 %). Do not mix them directly in the tank.

# OPERATING INSTRUCTIONS

## STARTING INSTRUCTIONS

**NOTE:** Squeeze the throttle control until the engine has started and warmed up.

1. Mix petrol (gasoline) with oil. Fill fuel tank with fuel/oil mixture. See Oil and Fuel Mixing Instructions.
2. Put the ignition switch in the ON (I) position (Fig. 4).
3. **TIP: When you are trying to start a unit that has been dormant for a while (or if it is brand new or difficult to start), be sure to press and release the primer bulb 20 times.**

Fully press and release primer bulb slowly 10 times. You should feel and see fuel in the bulb (Fig. 5). If fuel hasn't entered the bulb, press three more times, or keep pressing until it does.

4. Place the choke lever in Position 1 (Fig. 5).

**TIP: Make sure choke lever locks into (1) position.**

5. With the unit on the ground, squeeze the throttle control and hold.  
**700:** Pull starter rope briskly 3 times (Fig. 6).  
**710:** Pull the starter rope out with a **controlled and steady motion** 3 times.
6. Place the choke lever in Position 2 (Fig. 5).
7. **700:** Pull starter rope briskly 1 to 3 times to start the engine (Fig. 6).  
**710:** Pull the starter rope out with a **controlled and steady motion** 1 to 5 times to start the engine (Fig. 6).

# OPERATING INSTRUCTIONS

**NOTE:** The unit uses Advanced Starting Technology™, which significantly reduces the effort required to start the engine. You must pull the starter rope out far enough to hear the engine attempt to start. There is no need to pull the rope briskly-- there is no harsh resistance when pulling. Be aware that this starting method is vastly different from (and much easier than) what you may be used to.

8. If the engine does not start, repeat steps 3 through 7.
9. Keep throttle trigger depressed to warm up engine. After the engine warms up for 10 to 15 seconds, place the choke lever in Position 3 (Fig. 18).

**NOTE:** If the engine floods while attempting to start, place the choke lever in the Position 3, squeeze the throttle trigger, and pull the starter rope briskly. The engine should start within three (3) to eight (8) pulls.

**NOTE:** Choking is not required when starting a warm engine. Start a warm engine with the ignition switch in the **ON** position and the choke lever in Position 2.

## STOPPING INSTRUCTIONS

1. Release your finger from the throttle trigger (Fig. 4). Allow the engine to cool down by idling.
2. Put the ignition switch in the OFF (O) position (Fig. 4).

## ADJUSTING TRIMMING LINE LENGTH

The Bump Head cutting attachment allows you to release trimming line without stopping the engine. To release more line, lightly tap the cutting attachment on the ground (Fig. 8) while operating the trimmer at high speed.

**NOTE:** Always keep the trimming line fully extended. Line release becomes more difficult as cutting line becomes shorter.

A blade in the cutting attachment guard will cut the line to the proper length if excess line is released. For best results, tap the Bump Head on bare ground or hard soil. If line release is attempted in tall grass, the engine may stall. Some line breakage will occur from:

- Normal line fatigue
- Forcing the line into objects such as walls or fence posts

## TIPS FOR BEST TRIMMING RESULTS

- Keep the cutting attachment parallel to the ground.
- Do not force the cutting attachment. Allow the tip of the line to do the cutting, especially along walls. Cutting with more than the tip will reduce cutting efficiency and may overload the engine.
- Cut grass over 200 mm (8 in.) by working from top to bottom in small increments to avoid premature line wear or engine drag.
- Cut from left to right whenever possible. Cutting to the right improves the unit's cutting efficiency. Clippings are thrown away from the operator.
- Slowly move the trimmer into and out of the cutting area at the desired height. Move either in a forward-backward or side-to-side motion. Cutting shorter lengths produces the best results.

## DECORATIVE TRIMMING

Decorative trimming is accomplished by removing all vegetation around trees, posts, fences, etc.

Rotate the whole unit so that the cutting attachment is at a 30° angle to the ground (Fig. 9).

# MAINTENANCE AND REPAIR INSTRUCTIONS

## LINE INSTALLATION

This section covers both Split-Line™ and standard single line installation.

Always use 2.0 mm. (0.080 in.) replacement line. The engine may overheat or fail if you use a line size other than specified.

There are two methods to replace the trimming line.

- Wind the inner reel with new line
- Install a prewound inner reel

### Winding the Existing Inner Reel

1. Hold the outer spool with one hand and unscrew the Bump Knob counterclockwise (Fig. 10). Inspect the bolt inside the Bump Knob to make sure it moves freely. Replace the Bump Knob if damaged.

2. Remove the inner reel from the outer spool (Fig. 11).
3. Remove spring from the inner reel (Fig. 11).
4. Use a clean cloth to clean the the inner reel, spring, shaft, and inner surface of the outer spool
5. Check the indexing teeth on the inner reel and outer spool for wear (Fig. 12). If necessary, remove burrs or replace the reel and spool.

**NOTE:** Split-Line™ can only be used with the inner reel with the slotted holes. Single line can be used on either type of inner reel. Use figure 13 to identify the inner reel you have.

**NOTE:** Always use the correct line length when installing trimming line on the unit. The line may not release properly if the line is too long.

# MAINTENANCE AND REPAIR INSTRUCTIONS

## Single Line Installation

Go To Step 8 for Split-Line™ Installation

6. Take approximately 7.6 meters (25 ft.) of new trimming line, loop it into two equal lengths. Insert each end of the line through one of the two holes in the inner reel (Fig. 14). Pull the line through the inner reel so that the loop is as small as possible.
7. Wind the lines in tight even layers, onto the reel (Fig. 15). Wind the line in the direction indicated on the inner reel. Place your index finger between the two lines to stop the lines from overlapping. Do not overlap the ends of the line. Proceed to step 11.

## Split-Line™ Installation

8. Take approximately 3.65 meters (12 ft.) of new trimming line. Insert one end of the line through one of the two holes in the inner reel (Fig. 16). Pull the line through the inner reel until only about 4 inches is left out.
9. Insert the end of the line into the open hole in the inner reel and pull the line tight to make the loop as small as possible (Fig. 16).
10. Before winding, split the line back about 6 inches.
11. Wind the line in tight even layers in the direction indicated on the inner reel.

**NOTE:** Failure to wind the line in the direction indicated will cause the cutting attachment to operate incorrectly.

12. Insert the ends of the line into the two holding slots (Fig. 17).
13. Insert the ends of the line through the eyelets in the outer spool and place inner reel with spring inside the outer spool (Fig. 18). Push the inner reel and outer spool together. While holding the inner reel and outer spool, grasp the ends and pull firmly to release the line from the holding slots in the reel.

**NOTE:** The spring must be assembled on the inner reel before reassembling the cutting attachment.

14. Hold the inner reel in place and install the Bump Knob by turning clockwise. Tighten securely.

## Installing a Prewound Reel

1. Hold the outer spool with one hand and unscrew the Bump Knob counterclockwise (Fig. 10). Inspect the bolt inside the Bump Knob to make sure it moves freely. Replace the Bump Knob if damaged.
2. Remove the old inner reel from the outer spool (Fig. 11).
3. Remove the spring from the old inner reel (Fig. 11).
4. Use a clean cloth to clean the the inner reel, spring, shaft, and inner surface of the outer spool.
5. Place the spring in the new inner reel.

**NOTE:** The spring must be assembled on the inner reel before reassembling the cutting attachment.

6. Insert the ends of the line through the eyelets in the outer spool (Fig. 18).

7. Place the new inner reel inside the outer spool. Push the inner reel and outer spool together. While holding the inner reel and outer spool, grasp the ends and pull firmly to release the line from the holding slots in the spool.
8. Hold the inner reel in place and install the Bump Knob by turning clockwise. Tighten securely.

## AIR FILTER MAINTENANCE

### Removing the Air Filter/Muffler Cover

1. Place the choke lever in the position 2.

**NOTE:** The choke lever must be in position 2 (Fig. 19) to remove the air filter/muffler cover.

2. Remove the four (4) screws securing the air filter/muffler cover (Fig. 19). Use a flat blade or T-20 Torx bit screwdriver.
3. Pull the cover from the engine. Do not force.

### Cleaning the Air Filter

Clean and re-oil the air filter every 10 hours of operation. It is an important item to maintain. Failure to maintain your air filter properly can result in poor performance or can cause permanent damage to your engine.

1. Remove the air filter/muffler cover. See Removing the Air filter/Muffler Cover.
2. Remove the air filter from inside the air filter/muffler cover (Fig. 20).
3. Wash the filter in detergent and water (Fig. 21). Rinse the filter thoroughly. Squeeze out excess water. Allow it to dry completely.
4. Apply enough clean oil to lightly coat the filter (Fig. 22).
5. Squeeze the filter to spread and remove excess oil.
6. Replace the air filter inside the air filter/muffler cover (Fig. 20).

**NOTE:** Operating the unit without the air filter and air filter/muffler cover assembly, will VOID the warranty.

### Reinstalling the Air Filter/Muffler Cover

1. Place the air filter/muffler cover over the back of the carburetor and muffler.

**NOTE:** The choke lever must be in position 2 (Fig. 19) to install the air filter/muffler cover.

2. Insert the four (4) screws into the holes in the air filter/muffler cover (Fig. 19) and tighten. Use a T-20 Torx bit screwdriver. Do not over tighten. Do not force.

### Check Fuel Mixture

Old and/or improperly mixed fuel is usually the reason for the unit not running properly. Drain and refill the tank with fresh, properly mixed fuel prior to making any adjustments.



# MAINTENANCE AND REPAIR INSTRUCTIONS

## Clean Air Filter

The condition of the air filter is important to the operation of the unit. A dirty air filter will restrict air flow and change the air/fuel mixture. This is often mistaken for an out of adjustment carburetor. Check the condition of the air filter before adjusting the idle speed screw. Refer to Air Filter Maintenance.

## Adjust Idle Speed Adjuster

If after checking the fuel mixture and cleaning the air filter the engine still will not idle, adjust the idle speed adjuster as follows.

1. Start the engine and let it run about 2–3 minutes at a high speed (full throttle) to warm up.
2. Release the throttle trigger and let the engine idle. If the engine stops, insert a small phillips screwdriver into the hole in the air filter/muffler cover (Fig. 23). Turn the idle speed adjuster in, clockwise, 1/8 of a turn at a time (as needed) until the engine idles smoothly. See Specifications for idle RPM.

**NOTE:** The unit does not have a clutch and the cutting attachment continues rotating when the engine is idling.

3. To reduce the idle speed, turn the idle speed adjuster counterclockwise 1/8 of a turn at a time (as needed).

Checking the fuel mixture, cleaning the air filter, and adjusting the idle

speed screw should solve most engine problems.

If not and:

- The engine will not idle,
- The engine hesitates or stalls on acceleration,
- There is a loss of engine power,

Have the carburetor adjusted by an authorized service dealer.

## REPLACING THE SPARK PLUG

Use a Champion RDJ7Y spark plug (or equivalent). The correct air gap is 0.5 mm (0.020 in.). Remove the plug after every 50 hours of operation and check its condition.

1. Stop the engine and allow it to cool. Grasp the plug wire firmly and pull the cap from the spark plug.
2. Clean dirt from around the spark plug.

3. Replace cracked, fouled or dirty spark plug. Set the air gap at 0.5 mm (0.020 in.) using a feeler gauge (Fig. 24).
4. Install a correctly gapped spark plug in the cylinder head. Tighten by turning the 5/8 in. socket clockwise until snug.

Do not over tighten.

## CLEANING

Use a small brush to clean off the outside of the unit. Do not use strong detergents. Household cleaners that contain aromatic oils such as pine and lemon, and solvents such as kerosene, can damage plastic housing or handle. Wipe off any moisture with a soft cloth.

## STORAGE

- Never store the unit with fuel in the tank where fumes may reach an open flame or spark.
- Allow the engine to cool before storing.
- Store the unit in a dry place, locked up or up-high to prevent unauthorized use or damage. Keep out of the reach of children.

## LONG TERM STORAGE

If the unit will be stored for an extended time, use the following storage procedure.

1. Drain all fuel from the fuel tank and drain into a container with the same 2-cycle fuel mixture. Do not use fuel that has been stored for more than 60 days.
2. Start the engine and allow it to run until it stalls. This ensures that all fuel has been drained from the carburetor.
3. Allow the engine to cool. Remove the spark plug and put 30 ml (1 oz.) of any high quality motor oil or 2-cycle oil into the cylinder. Pull the starter rope slowly to distribute the oil. Reinstall the spark plug.

**NOTE:** Remove the spark plug and drain all of the oil from the cylinder before attempting to start the trimmer after storage.

4. Thoroughly clean the unit and inspect for any loose or damaged parts. Repair or replace damaged parts and tighten loose screws, nuts or bolts. The unit is ready for storage.
5. Store the unit in a dry place, locked up or up-high to prevent unauthorized use or damage. Keep out of the reach of children.

## TROUBLESHOOTING

### ENGINE WILL NOT START

#### CAUSE

Empty fuel tank  
Primer bulb wasn't pressed enough  
Engine is flooded  
  
Old or improperly mixed fuel  
Fouled spark plug

#### ACTION

Fill fuel tank with properly mixed fuel  
Press primer bulb fully and slowly 10 times  
Squeeze the trigger and pull the starter rope  
(with choke in Position 3)  
Drain fuel tank and add fresh fuel mixture  
Replace or clean the spark plug

### ENGINE WILL NOT IDLE / LOW IDLE SPEED

#### CAUSE

Air filter is plugged  
Old or improperly mixed fuel  
Improper carburetor adjustment

#### ACTION

Replace or clean the air filter  
Drain fuel tank and add fresh fuel mixture  
Adjust according to the *Carburetor Adjustments* section

### ENGINE WILL NOT ACCELERATE

#### CAUSE

Old or improperly mixed fuel  
Improper carburetor adjustment  
Cutting attachment bound with grass  
Dirty air filter

#### ACTION

Drain fuel tank and add fresh fuel mixture  
Take to an authorized service dealer for an adjustment  
Stop the engine and clean the cutting attachment  
Clean or replace the air filter

### ENGINE LACKS POWER OR STALLS WHEN CUTTING

#### CAUSE

Old or improperly mixed fuel  
Improper carburetor adjustment  
Fouled spark plug

#### ACTION

Drain fuel tank and add fresh fuel mixture  
Take to an authorized service dealer for an adjustment  
Replace or clean the spark plug

### CUTTING ATTACHMENT WILL NOT ADVANCE LINE

#### CAUSE

Cutting attachment bound with grass  
Cutting attachment out of line  
Inner reel bound up  
Cutting head dirty  
Line welded  
Line twisted when refilled  
Not enough line is exposed

#### ACTION

Stop the engine and clean cutting attachment  
Refill with new line  
Rewind /replace the inner reel  
Clean inner reel and outer spool  
Disassemble, remove the welded section and rewind  
Disassemble and rewind the line  
Push the bump knob and pull out line until 4 inches  
(102 mm) of line is outside of the cutting attachment

**If further assistance is required, contact your local authorized service dealer.**

All information, illustrations, and specifications in this manual are based on the latest product information available at the time of printing. We reserve the right to make any changes at any time without notice.

# SPECIFICATIONS

## ENGINE

Engine Type.....	Air-Cooled, 2-Cycle
Ignition Type.....	Electronic
Displacement.....	31 cm <sup>3</sup> (1.9 cu. in.)
Maximum Engine Performance in accordance with ISO 8893.....	75 kw (1 hp)
Idle RPM.....	3200 min <sup>-1</sup> (rpm)
Operating RPM.....	7700 min <sup>-1</sup> (rpm)
Fuel.....	Fuel/Oil Mixture (40:1) 2,5 %
Ignition Switch .....	Rocker On/Off
Starter .....	Auto Rewind
Fuel Tank Capacity.....	355 ml (15 oz.)

## DRIVE SHAFT & CUTTING HEAD

Drive Shaft Housing.....	Steel Tube
Throttle Control .....	Finger-Tip Trigger
Cutting Head.....	Bump Line Release
Trimming Line Diameter.....	2 mm (0.080 in.), dual line
Cutting Path Diameter .....	381 mm (15 in.)
Mass (without fuel).....	4.5 kg (10 lbs)

## ACCESSORIES on request

## GUARANTEE

---

The guarantee conditions that apply in each country are published by either our company or the importer of our products. Faults will be repaired free of charge within the framework of the guarantee, provided that they have been caused by a material defect or manufacturing error. In the case of a guarantee repair, please contact your dealer or our nearest branch office.



Reportez dans l'encadré ci-dessous toutes les indications figurant sur la plaquette signalétique qui se trouve à proximité du moteur de l'appareil.

Les indications qu'elle contient sont d'une importance capitale car elles permettront plus tard de déterminer les pièces de rechange et d'accomplir les prestations de service après-vente.



## POUR VOTRE SECURITE

### UTILISATION CONFORME DE L'APPAREIL

Cet appareil est exclusivement destiné à servir

- conformément aux descriptions et consignes de sécurité fournies dans la présente notice d'instructions
- dans le jardin domestique et le jardin d'agrément,
- pour tondre les bordures gazonnées et les surfaces herbeuses restreintes ou difficiles d'accès (par ex. sous les buissons)
- ainsi que pour couper les pousses sauvages, les buissons et les broussailles.

Toute utilisation sortant de ce cadre sera réputée non conforme. Tout dommage envers un tiers et ses biens est à la charge de l'utilisateur.

N'utilisez l'appareil que dans l'état technique où vous l'avez acheté et tel que prescrit par le fabricant.

Toute modification volontaire de l'appareil exclut toute responsabilité du fabricant envers les dommages qui pourraient en résulter.

## AVERTISSEMENTS DE SÉCURITÉ

### LISEZ TOUTES LES INSTRUCTIONS AVANT L'UTILISATION

- Veuillez lire le manuel de l'utilisateur soigneusement. Familiarisez-vous très bien avec les commandes et l'utilisation correcte de l'appareil. Sachez comment arrêter l'appareil.
- Ne laissez pas les enfants faire fonctionner l'appareil. Ne laissez jamais des adultes actionner l'appareil sans formation préalable.
- Inspectez l'appareil avant utilisation. Remplacez les pièces endommagées. Regardez s'il y a des fuites de carburant. Assurez-vous que les fixations sont solidement en place. Remplacez les pièces de l'accessoire de coupe qui sont fendillées, ébréchées ou endommagées. Assurez-vous que l'accessoire de coupe est correctement installé et solidement fixé. Assurez-vous que le protecteur d'accessoire de coupe est correctement fixé et positionné comme recommandé. Vous risquez sinon de causer des blessures à l'opérateur et aux spectateurs, et d'endommager l'appareil.
- N'utilisez que du fil de remplacement d'origine de 2,03 mm (0,080 po) de diamètre. N'utilisez jamais de fil ou de cordon à renfort métallique, etc. Car il peut se briser et se transformer en projectile dangereux.
- N'utilisez pas l'appareil si vous êtes fatigué, malade ou sous l'effet de l'alcool, de drogues ou de médicaments.

- Attention aux risques de blessure à la tête, aux mains et aux pieds.
- Dégagez la zone de coupe avant chaque usage. Enlevez tous les objets pouvant être projetés ou happés par l'accessoire : cailloux, verre brisé, clous, fil ou ficelle.
- Éloignez enfants, spectateurs et animaux de la zone. Tenez-les à au moins 15 m (50 pi) de là mais sachez que les spectateurs risquent quand même d'être atteints par des objets projetés. Les spectateurs doivent porter des protections oculaires. Arrêtez immédiatement le moteur et l'accessoire si quelqu'un s'approche de vous.

### CONSIGNES DE SECURITE

**ATTENTION** : L'essence est hautement inflammable et les vapeurs d'essence peuvent exploser en cas de contact avec une flamme. Prenez les précautions suivantes :

- Stockez toujours le carburant dans des conteneurs spécialement conçus et agréés pour le stockage de ce type de produit.
- Arrêtez toujours le moteur et laissez-le refroidir avant de remplir le réservoir. Vous ne devez jamais enlever le bouchon du réservoir ou ajouter du carburant tant que le moteur est chaud.

## AVERTISSEMENTS DE SÉCURITÉ

- Mélangez et ajoutez le carburant dans un lieu extérieur, aéré et propre, à l'abri d'étincelles ou de flammes. Ne remplissez jamais le réservoir de carburant à l'intérieur. Retirez lentement le bouchon du réservoir, seulement après avoir arrêté le moteur. Ne fumez pas pendant le remplissage ou le mélange de carburant. Essuyez immédiatement tout déversement de carburant.

### PENDANT L'UTILISATION

- Ne démarrez et n'utilisez jamais l'appareil dans une pièce ou un bâtiment fermé. L'inhalation des fumées d'échappement peut être mortelle. N'utilisez cet appareil qu'en extérieur, dans une zone bien ventilée.
- Portez des lunettes de sécurité et des protège-oreilles lorsque vous faites marcher l'appareil. Portez des lunettes de sécurité pour toutes les activités, ex. préparation, fonctionnement, entretien.
- Portez des pantalons épais et longs, des bottes, des gants et une chemise à manches longues. Ne marchez pas pieds nus et évitez les pantalons courts et les sandales.
- Le carter de protection de coupe doit toujours être en place lorsque l'appareil est utilisé. La longueur du fil de coupe ne doit pas dépasser celle du carter de protection.
- L'appareil n'est pas muni d'un accouplement et, lorsque le moteur tourne à vide, la bobine de fil continue de tourner.
- Réglez la poignée en D à votre taille afin d'assurer la meilleure prise en main possible.
- Assurez-vous que la bobine de fil n'est en contact avec aucun objet avant de mettre l'appareil en marche.
- L'utilisateur et l'appareil doivent être en position stable lors du démarrage. Reportez-vous à la Figure 6 et aux Instructions pour le démarrage/l'arrêt.
- Utilisez l'outil approprié. N'utilisez cet outil que pour l'usage auquel il est destiné.
- Ne touchez pas le moteur et le pot d'échappement. Ces éléments chauffent énormément lorsque l'appareil est en fonctionnement. Une fois qu'il est arrêté, ils restent chauds pendant un court moment.
- Ne faites pas tourner le moteur à vitesse élevée lorsque vous n'effectuez pas de coupe.

- En cas de contact avec un corps étranger, arrêtez le moteur immédiatement et vérifiez que l'appareil n'est pas endommagé. N'utilisez pas l'appareil avant de l'avoir remis en état. N'utilisez pas l'appareil si certaines pièces sont mal serrées ou endommagées.
- Si l'appareil se met à vibrer de manière anormale, arrêtez le moteur et procédez immédiatement à une vérification. Les vibrations indiquent généralement la présence d'un problème.
- Coupez le moteur et mettez-le en position Arrêt pour toute opération d'entretien ou de maintenance et lors du changement de la bobine de fil ou d'un autre accessoire.
- Utilisez uniquement des accessoires et des pièces de rechange homologués par le fabricant pour l'entretien. Elles sont disponibles auprès de votre concessionnaire agréé.
- N'utilisez pas de pièces ou accessoires non autorisés pour cet appareil. Cela pourrait causer des blessures graves ou endommager l'appareil et annuler la garantie.

### AUTRES CONSIGNES DE SECURITE

- S'il y a du carburant dans le réservoir, n'entreposez jamais l'appareil dans un bâtiment où les vapeurs pourraient entrer en contact avec une flamme nue ou une étincelle.
- Laissez le moteur refroidir avant de ranger ou de transporter l'appareil. Veillez à protéger l'appareil pour le transport.
- Nettoyez l'appareil après chaque utilisation ; reportez-vous aux instructions de la section «Nettoyage et entreposage».
- Conservez ce manuel. Reportez-vous souvent aux instructions qu'il comporte et transmettez ces instructions aux autres utilisateurs. Si vous prêtez cet appareil, prêtez également ces instructions.
- Confiez toutes les réparations exclusivement à un atelier spécialisé.

### CONSERVEZ CES INSTRUCTIONS

# AVERTISSEMENTS DE SÉCURITÉ

## SYMBOLES DE SECURITE ET SYMBOLES INTERNATIONAUX

Le présent manuel d'utilisation décrit les symboles et pictogrammes de sécurité et internationaux susceptibles d'apparaître sur cet outil. Lisez le manuel d'utilisation pour obtenir des informations complètes sur la sécurité, le montage, le fonctionnement, l'entretien et la maintenance de votre matériel.

### SYMBOLE

### SIGNIFICATION



#### • SYMBOLE D'ALERTE DE SECURITE

Ce symbole indique un danger, donne un avertissement ou invite à prendre des précautions. Il peut être combiné à d'autres symboles ou pictogrammes.



#### • ATTENTION – LIRE LE MANUEL D'UTILISATION

Lisez le manuel d'utilisation et suivez tous les avertissements et consignes de sécurité. Le non-respect de ces instructions peut entraîner de graves blessures pour l'utilisateur et/ou les personnes se trouvant à proximité.



#### • PORTER DES PROTECTIONS OCULAIRES ET AUDITIVES

**ATTENTION** : Les projections d'objets et le niveau sonore peuvent provoquer des lésions aux yeux et une perte auditive. Portez des lunettes protectrices et une protection antibruit lors de l'utilisation de l'appareil. Servez-vous d'un masque protecteur si nécessaire.



#### • TENIR TOUTE PERSONNE A DISTANCE

**ATTENTION** : Toutes les personnes se trouvant à proximité, notamment les enfants, ainsi que les animaux, doivent se trouver à une distance d'au moins 15 mètres de la zone où est utilisé l'appareil.



#### • ESSENCE SANS PLOMB

Utilisez toujours une essence sans plomb, propre et neuve.



#### • HUILE

Reportez-vous au manuel d'utilisation pour connaître le type d'huile à utiliser.



#### • LES PROJECTIONS D'OBJETS PEUVENT PROVOQUER DE GRAVES BLESSURES

**ATTENTION** : Tenez-vous à l'écart de la sortie du souffleur. Ne dirigez jamais le souffleur vers vous ou vers des tiers. Le souffleur peut provoquer des projections. N'utilisez l'appareil que si les équipements et carters appropriés sont en place.

# AVERTISSEMENTS DE SÉCURITÉ

## SYMBOLE

## SIGNIFICATION



- **INTERRUPTEUR MARCHÉ**



- **INTERRUPTEUR ARRÉT**



- **ATTENTION SURFACE CHAUDE**

Ne touchez pas un pot d'échappement ou un cylindre chaud. Vous risqueriez de vous brûler. Ces éléments chauffent énormément lorsque l'appareil est en fonctionnement. Une fois qu'il est arrêté, ils restent chauds pendant un court moment.



- **LAME AIGUISÉE**

**ATTENTION :** Lame tranchante sur le protecteur d'accessoire de coupe. Ne touchez pas la lame coupante pour éviter des blessures graves.



- **LEVIER DE STARTER**

- 1 • Position starter.
- 2 • Position intermédiaire.
- 3 • Position pleine puissance.



- **RÉGIME MAXIMUM**

Ne faites pas tourner l'appareil à un régime supérieur au régime maximum.



# INSTRUCTIONS DE MONTAGE

## INSTALLATION DE LA POIGNEE EN D

1. Pour votre sécurité, la poignée en D doit être assemblée à l'avant du manchon du limiteur. Enfoncez la poignée en D sur le tube de l'arbre afin de l'incliner vers le moteur (Fig. 1).

**MISE EN GARDE :** ne forcez pas la poignée en D sur le manchon du limiteur. Cela pourrait endommager la poignée en D ou l'appareil.

3. Posez le boulon, la rondelle et l'écrou, et serrez.

## REGLAGE DE LA POIGNEE EN D

1. Desserrez la vis papillon. Il n'est pas nécessaire d'enlever la vis, la rondelle et la vis.
2. Faites pivoter la poignée en D de manière à placer la poignée au-dessus du tube.

3. Tout en maintenant l'appareil en position de fonctionnement (Fig. 13), placez la poignée en D à l'endroit qui vous assure la meilleure prise en main et serrez la vis papillon (Fig. 1).

## INSTALLATION DU CARTER DE PROTECTION DE COUPE

1. Placez le carter de protection de coupe sur le tube, au-dessus du dispositif de fixation (Fig. 2).
2. Abaissez le carter de protection de coupe sur la partie supérieure du dispositif de coupe, puis faites-le pivoter de manière à l'ajuster par rapport aux trous destinés à recevoir les vis et à l'insérer convenablement à son emplacement (Fig. 3).

# RECOMMANDATIONS D'HUILE ET DE CARBURANT

## TYPE D'HUILE RECOMMANDÉ

Utilisez une huile de haute qualité conçue pour les moteurs à 2-temps refroidis par air. Mélangez l'huile selon les instructions du récipient d'huile 2-temps, 40:1 (2,5 %).

## TYPE DE CARBURANT RECOMMANDÉ

Utilisez toujours de l'essence sans plomb fraîche et propre.

## INSTRUCTIONS DE MÉLANGE D'HUILE ET DE CARBURANT

En général, si l'appareil ne fonctionne pas correctement, c'est que le carburant est vieux ou mal mélangé. Prenez soin d'utiliser de l'essence sans plomb fraîche et propre. Suivez à la lettre les instructions de mélange de carburant et d'huile.

Mélangez soigneusement l'huile moteur 2-temps avec de l'essence sans plomb selon un ratio de 40:1 (2,5 %). Ne les mélangez pas directement dans le réservoir.

# MODE D'EMPLOI

## INSTRUCTIONS DE MISE EN MARCHÉ

1. Mélangez l'essence (carburant pour moteur thermique) et l'huile. Remplissez le réservoir avec ce mélange deux temps. Voir les instructions relatives au mélange de l'huile et de l'essence.

2. Amenez l'interrupteur sur la position MARCHÉ [I] (Fig. 4).

3. **UN CONSEIL : lors du démarrage de l'appareil resté longtemps sans servir (ou s'il s'agit du tout premier démarrage ou encore s'il ne démarre pas facilement), appuyez 20 fois sur la pompe d'amorçage.**

Commencez par appuyer 10 fois lentement et complètement sur la pompe d'amorçage. Le carburant doit être visible dans la pompe (Fig. 5). Si ce n'est pas le cas, appuyez trois fois de plus ou autant de fois que nécessaire pour que le carburant devienne visible.

4. Amenez le levier du starter sur la position Starter (1) (Fig. 5).

**UN CONSEIL : remarque : veillez à ce que le starter ait encoché en position (1).**

5. Appareil sur le sol, actionnez la gâchette d'accélération et maintenez le levier appuyé.

**700:** Tirez énergiquement le câble du lanceur (vous devrez généralement répéter le lancement 3 fois) (Fig. 6).

**710:** Tirez sur le lanceur avec un **mouvement contrôlé et constant** de 3 fois.

6. Ramenez le levier du starter sur la position 2 (Fig. 5).

7. **700:** Pour faire démarrer le moteur, tirez 1 à 3 fois, énergiquement, le cordon du lanceur (Fig. 6).

**710:** Tirez sur le lanceur avec un **mouvement contrôlé et constant** de 1 à 5 fois pour démarrer le moteur.

**REMARQUE :** L'appareil utilise Advanced Starting Technology™ qui réduit de manière significative l'effort requis pour démarrer le moteur. Vous devez tirer le lanceur suffisamment loin pour entendre le moteur essayer de démarrer. Il n'est pas nécessaire de tirer le lanceur de façon brusque – il n'y a pas de forte résistance lorsqu'on le tire. Soyez conscient que cette méthode de démarrage est fortement différente (et beaucoup plus facile que) de celle à laquelle vous êtes accoutumé.

8. Répétez les opérations 3 à 7 si le moteur refuse de démarrer.

9. Appuyez sur la gâchette d'accélération afin que le moteur chauffe pendant 10 à 15 secondes. Amenez le levier de starter sur la position 3 (Fig. 5).

**REMARQUE :** si le moteur est déjà chaud lorsque vous voulez le faire démarrer, inutile d'employer le starter. Amenez l'interrupteur sur la position **MARCHÉ [I]** puis faites démarrer le moteur en position 2.

**REMARQUE :** si le moteur se noie pendant l'essai de démarrage, amenez le levier du starter sur la position 3. Appuyez sur la gâchette d'accélération. Tirez énergiquement le cordon du lanceur. Le moteur doit démarrer au bout de 3 (trois) à 8 (huit) essais.

## INSTRUCTIONS DE MISE À L'ARRÊT

1. Relâchez la gâchette d'accélération (Fig. 4). Laissez tourner le moteur à vide pour qu'il refroidisse.

2. Amenez l'interrupteur sur la position ARRÊT [O] (Fig. 4).

## PRISE EN MAIN DU COUPE-BORDURE

Avant d'utiliser l'appareil, tenez-vous dans la position adéquate (Fig. 7).

## REGLAGE DE LA LONGUEUR DU FIL DE COUPE

La bobine de fil permet de libérer du fil de coupe sans arrêter le moteur. Pour ce faire, donnez un petit coup sec sur le sol avec la bobine (Fig. 8) tout en faisant fonctionner le coupe-bordure à vitesse élevée.

**REMARQUE :** Le fil de coupe doit toujours être bien tendu. Il est plus difficile de libérer du fil lorsque le fil de coupe se raccourcit.

Si une longueur de fil excessive est libérée, une lame, située dans le carter de protection de coupe, coupe le fil à la longueur convenable. Pour de meilleurs résultats, donnez des coups secs de bobine sur un sol nu ou dur. Si vous tentez de libérer du fil en tapant dans l'herbe haute, le moteur risque de caler.

Le fil de coupe peut se rompre dans les cas suivants :

- Usure normale du fil
- Fil approché d'un corps comme un mur ou un pieu de clôture

## ASTUCES POUR DE MEILLEURS RESULTATS DE COUPE

- Maintenez la bobine de fil parallèle au sol.
- Ne forcez pas sur la bobine. Réalisez le travail avec la pointe du fil, en particulier le long des murs. Si vous utilisez plus que la pointe du fil pour effectuer la coupe, l'efficacité de la coupe s'en trouve réduite et le moteur risque d'être surchargé.
- Coupez l'herbe sur 20 cm en travaillant de haut en bas par petites progressions pour éviter une usure prématurée du fil ou une résistance du moteur.
- Effectuez la coupe de gauche à droite lorsque c'est possible. L'appareil offre une meilleure efficacité de coupe lorsque le mouvement est effectué vers la droite. Les débris sont rejetés à distance de l'utilisateur.
- Déplacez le coupe-bordure lentement à l'intérieur et à l'extérieur de la zone à couper à la hauteur souhaitée. Effectuez un mouvement d'avant en arrière ou d'un côté à l'autre. La coupe de petites longueurs donne les meilleurs résultats.

## COUPE D'ORNEMENT

La coupe d'ornement est réalisée en enlevant toute la végétation autour des arbres, des poteaux, des clôtures, etc.

Faites pivoter l'appareil tout entier de telle sorte que la bobine de fil se trouve à un angle de 30° par rapport au sol (Fig. 9).

# ENTRETIEN ET RÉPARATIONS

## INSTALLATION DU FIL DE COUPE

Cette section couvre l'installation de fil Split-Line<sup>MC</sup> et l'installation de fil simple standard.

Utilisez toujours un fil de rechange de 2 mm. Le moteur peut chauffer ou tomber en panne en cas d'utilisation d'un fil de taille différente à la taille indiquée.

Deux méthodes permettent de remplacer le fil de coupe:

- Enroulement du nouveau fil sur la bobine interne
- Installation d'une bobine interne de fil pré-enroulé

### Enroulement du fil sur la bobine interne existante

1. Maintenez la bobine externe d'une main et dévissez le bouton de butée de l'autre en le tournant dans le sens inverse des aiguilles d'une montre (Fig. 10). Vérifiez que la vis située à l'intérieur du bouton de butée bouge librement. Remplacez le bouton de butée s'il est endommagé.
2. Retirez la bobine interne de la bobine externe (Fig. 11).
3. Enlevez le ressort de la bobine interne (Fig. 11).
4. Utilisez un chiffon propre pour nettoyer la bobine interne, le ressort, l'arbre et la surface intérieure de la bobine externe (Fig. 12).
5. Vérifiez l'usure des dents d'arrêt sur les bobines interne et externe (Fig. 13). Si nécessaire, enlevez les débris ou remplacez les bobines.

**REMARQUE :** Le Split-Line<sup>MC</sup> peut être utilisé seulement avec le moulinet intérieur à trous allongés. Le fil simple peut être utilisé avec les deux sortes de moulinet intérieur. Identifiez votre type de moulinet en vous référant à la figure 13.

**REMARQUE :** Utilisez toujours la bonne longueur de fil lorsque vous posez le fil sur l'appareil. Le fil risque de ne pas se dérouler correctement s'il est trop long.

### Installation du fil simple

Pour l'installation du Split-Line<sup>MC</sup>, passez à l'étape 8.

6. Découpez environ 7,6 m (25 pi) de fil neuf et faites-en deux boucles de longueurs égales. Insérez chaque extrémité de fil dans l'un des deux trous du moulinet (Fig. 14). Tirez le fil à travers le moulinet pour que la boucle soit le plus petit possible.
7. Enroulez les fils en couches uniformes serrées sur le moulinet (Fig. 15). Enroulez le fil dans le sens indiqué sur le moulinet intérieur. Placez votre index entre les deux fils pour les empêcher de se superposer. Ne superposez pas les extrémités du fil. Passez à l'étape 11.

### Installation du Split-Line<sup>MC</sup>

8. Découpez environ 3,65 m (12 pi) de fil neuf. Insérez une extrémité de fil dans l'un des deux trous du moulinet intérieur (Fig. 16). Tirez le fil jusqu'à ne laisser que 10 cm (4 po) environ.
9. Insérez l'extrémité du fil dans le trou ouvert du moulinet et tirez sur le fil pour que la boucle soit le plus petit possible (Fig. 16).
10. Avant de rembobiner le fil, séparez-le en deux sur une longueur d'environ 15 cm (6 po).
11. Enroulez le fil en couches uniformes serrées dans le sens indiqué sur le moulinet intérieur.

**REMARQUE :** ne pas enrouler le fil dans le sens indiqué entraînera un mauvais fonctionnement de l'accessoire de coupe.

12. Insérez les extrémités du fil dans les deux fentes de retenue (Fig. 17).

13. Insérez les extrémités du fil dans les œillets de la bobine extérieure et placez le moulinet et le ressort dans la bobine (Fig. 18). Enfoncez le moulinet et la bobine ensemble. Tout en tenant le moulinet et la bobine, saisissez les extrémités et tirez fermement pour dégager le fil des fentes de retenue du moulinet.

**REMARQUE :** le ressort doit être installé dans le moulinet intérieur avant de remonter l'accessoire de coupe.

14. Maintenez le moulinet en place et installez le bouton de butée en le tournant à droite. Vissez bien.

### Installation d'une bobine de fil préenroulé

1. Maintenez la bobine externe d'une main et dévissez le bouton de butée de l'autre en le tournant dans le sens inverse des aiguilles d'une montre (Fig. 10). Vérifiez que la vis située à l'intérieur du bouton de butée bouge librement. Remplacez le bouton de butée s'il est endommagé.
2. Retirez l'ancienne bobine interne de la bobine externe (Fig. 11).
3. Enlevez le ressort de l'ancienne bobine interne (Fig. 11).
4. Utilisez un chiffon propre pour nettoyer la bobine interne, le ressort, l'arbre et la surface intérieure de la bobine externe.
5. Placez le ressort dans la nouvelle bobine interne.

**REMARQUE :** Le ressort doit être installé sur la bobine interne avant le remontage de la bobine de fil.

6. Insérez les extrémités du fil dans les œillets de la bobine externe (Fig. 18).
7. Placez la nouvelle bobine interne dans la bobine externe (Fig. 18). Appuyez afin d'assembler les deux bobines. Tout en maintenant la bobine interne et la bobine externe, saisissez les extrémités du fil et tirez fermement afin de libérer le fil des deux fentes de retenue de la bobine.
8. Maintenez la bobine interne en place et remettez le bouton de butée en le tournant dans le sens des aiguilles d'une montre. Serrez bien.

## ENTRETIEN DU FILTRE À AIR

Démontage du carter du filtre à air/pot d'échappement

1. Placez le levier du starter en position intermédiaire (2).

**REMARQUE :** Le levier du starter doit être en position intermédiaire (2) (Fig. 19) pour que le carter du filtre à air/pot d'échappement puisse être enlevé.

2. Enlevez les quatre (4) vis retenant le carter du filtre à air/pot d'échappement (Fig. 19). Utilisez un tournevis à lame plate ou à embout Torx n°T20.
3. Enlevez le carter du moteur. Ne forcez pas.

### Nettoyage du filtre à air

Nettoyez et lubrifiez le filtre à air après dix heures de fonctionnement. Il est important de bien entretenir ce composant. Si vous n'assurez pas l'entretien du filtre à air, la garantie sera ANNULÉE.

1. Enlevez le carter du filtre à air/pot d'échappement. Reportez-vous à la section «Démontage du carter du filtre à air/pot d'échappement».
2. Retirez le filtre à air de l'intérieur du couvercle du filtre à air/silencieux (Fig. 20).
3. Lavez le filtre avec un détergent et de l'eau (Fig. 21). Rincez-le consciencieusement. Egouttez-le. Laissez-le sécher complètement.

## ENTRETIEN ET RÉPARATIONS

4. Appliquez suffisamment d'huile propre pour enduire légèrement le filtre (Fig. 22).
5. Pressez le filtre afin d'étaler l'huile et d'éliminer l'excès d'huile.
6. Remplacez le filtre à air à l'intérieur du couvercle du filtre à air/silencieux (Fig. 20).

**REMARQUE :** L'utilisation de l'appareil sans filtre à air et carter de filtre à air/pot d'échappement entraînera l'ANNULATION de la garantie.

### Remise en place du carter du filtre à air/pot d'échappement

1. Placez le carter du filtre à air/pot d'échappement sur l'arrière du carburateur et du pot d'échappement.

**REMARQUE :** Le levier du starter doit être en position intermédiaire (2) (Fig. 19) pour que le carter du filtre à air/pot d'échappement puisse être remis en place.

2. Insérez les quatre (4) vis dans les orifices du carter du filtre à air/pot d'échappement (Fig. 19) et serrez-les. Utilisez un tournevis à lame plate ou à embout Torx n°T20. Ne serrez pas trop. Ne forcez pas.

### Vérification du mélange de carburant

L'utilisation d'un carburant vieux ou incorrectement mélangé est la principale cause d'un mauvais fonctionnement de l'appareil. Vidangez le réservoir et remplissez-le de carburant neuf convenablement mélangé avant de procéder à un quelconque réglage.

### Nettoyage du filtre à air

L'état du filtre à air joue un rôle essentiel sur le fonctionnement de l'appareil. Un filtre à air encrassé entrave la circulation de l'air et modifie le mélange air/carburant. Les effets produits sont souvent attribués par erreur à un mauvais réglage du carburateur. Vérifiez l'état du filtre à air avant de régler le ralenti. Reportez-vous à la section «Entretien du filtre à air».

### Réglage du ralenti

Si, après vérification du mélange de carburant et nettoyage du filtre à air, le ralenti n'est toujours pas convenable, réglez-le de la manière suivante :

1. Démarrez le moteur et laissez-le tourner à haut régime (à pleins gaz) pendant 2 à 3 minutes pour se réchauffer.
2. Relâchez la gâchette d'accélération et laissez le moteur au ralenti. S'il s'arrête, insérez un petit tournevis cruciforme ou à lame plate dans l'orifice du carter du filtre à air/pot d'échappement (Fig. 23). Tournez la vis de réglage du ralenti d'un huitième de tour à la fois (selon les besoins), dans le sens des aiguilles d'une montre, jusqu'à ce que le moteur tienne le ralenti. Reportez-vous aux indications concernant le nombre de tours/minutes au ralenti.

**REMARQUE :** L'appareil n'est pas muni d'un accouplement et, lorsque le moteur tourne à vide, la bobine de fil continue de tourner.

3. Pour réduire la vitesse de ralenti, tournez la vis de réglage du ralenti d'un huitième de tour à la fois (selon les besoins), dans le sens inverse des aiguilles d'une montre.

La vérification du mélange de carburant, le nettoyage du filtre à air et le réglage du ralenti devraient résoudre la plupart des problèmes liés au moteur.

Si ce n'est pas le cas et que :

- le ralenti ne fonctionne pas,
- le moteur hésite ou cale à l'accélération,

- le moteur perd de sa puissance, faites régler le carburateur par un distributeur agréé.

### REPLACEMENT DE LA BOUGIE

Utilisez une bougie Champion RDJ7Y (ou une bougie équivalente). L'écartement correct est de 0,5 mm. Vérifiez la bougie après 50 heures de fonctionnement.

1. Arrêtez le moteur et laissez-le refroidir. Retirez le capuchon de la bougie.
2. Désencrassez la bougie.
3. Remplacez la bougie si elle est fissurée ou encrassée. Établissez l'écartement à 0,5 mm.
4. Installez la bougie dans le cylindre. Serrez en tournant la douille dans le sens des aiguilles d'une montre. Ne serrez pas trop.

### NETTOYAGE

Utilisez une petite brosse pour essuyer l'extérieur de l'appareil. N'utilisez pas de détergents forts. Les produits ménagers contenant des huiles aromatiques comme le pin ou le citron et les solvants comme le kérosène pourraient endommager la poignée ou le carter en plastique. Essuyez toute trace d'humidité à l'aide d'un chiffon sec.

### ENTREPOSAGE

- Ne rangez jamais l'appareil avec de l'essence dans le réservoir dans un endroit où les vapeurs pourraient entrer en contact avec une étincelle ou une flamme nue.
- Laissez le moteur refroidir avant de ranger l'appareil.
- Rangez l'appareil dans un endroit sec, fermé à clé ou en hauteur afin d'empêcher une utilisation non autorisée ou un endommagement. Tenez-le hors de portée des enfants.

### ENTREPOSAGE LONGUE DUREE

Si l'appareil est entreposé pendant une longue période, procédez de la manière suivante :

1. Vidangez tout le carburant du réservoir dans un conteneur comportant un mélange identique de carburant pour moteur à deux temps. N'utilisez pas un carburant qui a été entreposé pendant plus de 60 jours.
2. Démarrez le moteur et laissez-le fonctionner jusqu'à ce qu'il cale. Cela permet de s'assurer que tout le carburant a été vidé du carburateur.
3. Laissez le moteur refroidir. Enlevez la bougie et mettez 30 ml d'huile à moteur haute qualité ou d'huile pour moteur à deux temps dans le cylindre. Tirez lentement sur le câble du lanceur afin de répartir l'huile. Réinstallez la bougie.

**REMARQUE :** Enlevez la bougie et vidangez toute l'huile du cylindre avant de redémarrer le coupe-bordure après la période d'entreposage.

4. Nettoyez bien l'appareil et vérifiez qu'il n'y a pas d'élément mal serré ou endommagé. Remettez en état ou remplacez les pièces endommagées et resserrez les vis, écrous ou boulons si nécessaire. L'appareil est prêt à être entreposé.
5. Rangez l'appareil dans un endroit sec, fermé à clé ou en hauteur afin d'empêcher une utilisation non autorisée ou un endommagement. Tenez-le hors de portée des enfants.

## DÉPANNAGE

### LE MOTEUR REFUSE DE DÉMARRER

#### CAUSE

Contact sur ARRÊT  
Réservoir de carburant vide  
La poire d'amorçage n'a pas été pressée assez fort  
Moteur noyé  
  
Carburant vieux ou mal mélangé  
Bougie encrassée

#### SOLUTION

Mettez le contact sur CONTACT  
Remplissez le réservoir  
Pressez-la complètement et lentement de 10 fois  
Suivez la procédure de démarrage, levier d'étrangleur sur MARCHÉ  
Drainez le réservoir / Ajoutez un mélange de carburant frais  
Remplacez ou nettoyez-la

### LE MOTEUR NE SE MET PAS AU RALENTI

#### CAUSE

Filtre à air bouché  
Carburant vieux ou mal mélangé  
Mauvais réglage du carburateur

#### SOLUTION

Remplacez ou nettoyez-le  
Drainez le réservoir / Ajoutez un mélange de carburant frais  
Ajustez

### RÉGIME RALENTI FAIBLE

#### CAUSE

Carburant vieux ou mal mélangé  
Mauvais réglage du carburateur

#### SOLUTION

Drainez le réservoir / Ajoutez un mélange de carburant frais  
Faites-le régler par un concessionnaire agréé

### LE MOTEUR MANQUE DE PUISSANCE OU SE CALE DURANT LA COUPE

#### CAUSE

Tête de coupe engorgée d'herbes  
Filtre à air sale  
Carburant vieux ou mal mélangé  
Mauvais réglage du carburateur

#### SOLUTION

Arrêtez le moteur et nettoyez l'accessoire de coupe  
Remplacez ou nettoyez-le  
Drainez le réservoir / Ajoutez un mélange de carburant frais  
Faites-le régler par un concessionnaire agréé

### LA TÊTE DE COUPE NE FAIT PAS AVANCER LE FIL

#### CAUSE

Tête de coupe engorgée d'herbes  
Filtre à air sale  
Carburant vieux ou mal mélangé  
Mauvais réglage du carburateur

#### SOLUTION

Arrêtez le moteur et nettoyez l'accessoire de coupe  
Remplacez ou nettoyez-le  
Drainez le réservoir / Ajoutez un mélange de carburant frais  
Faites-le régler par un concessionnaire agréé

**Si vous avez besoin d'aide, contactez votre concessionnaire agréé.**

Toutes les informations, illustrations et spécifications contenues dans ce manuel tiennent compte des dernières informations techniques disponibles au moment de mettre sous presse. Nous nous réservons le droit de les modifier à tout moment, sans préavis.

# CARACTÉRISTIQUES

## MOTEUR

Type de moteur .....	Deux temps Refroidi par air
Type d'allumage.....	Electronique
Cylindrée .....	31 cc (1,9 po3)
Puissance maximale du moteur conforme à la norme ISO 8893.....	0,75 kW (1 HP)
Régime ralenti .....	3200 min <sup>-1</sup> (tr/min)
Régime de fonctionnement .....	7700 min <sup>-1</sup> (tr/min)
Carburant .....	Mélange essence/huile (40:1) 2,5 %
Interrupteur .....	Commutateur à bascule
Starter .....	Retour automatique
Capacité du réservoir de carburant .....	355 ml

## ARBRE D'ENTRAÎNEMENT ET TÊTE DE COUPE

Carter de l'arbre d'entraînement .....	Tube en acier
Contrôle de l'accélérateur.....	Gâchette manuelle
Tête de coupe.....	Libération du fil par pression au sol
Diamètre du fil de coupe .....	2 mm, fil double
Diamètre de la trajectoire de coupe.....	38 cm
Masse (sans carburant) .....	4,5 kg (10 lb)

## Accessoires sur demande

## GARANTIE

---

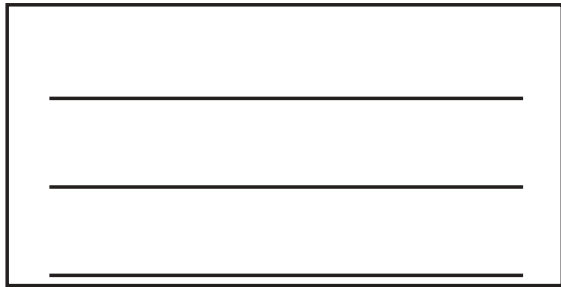
Dans chaque pays, les conditions de garantie en vigueur sont celles publiées par notre société ou par notre importateur. Si pendant la durée de la garantie votre appareil présente des vices de matière ou de fabrication, la réparation est gratuite.

En cas de garantie, veuillez vous adresser à votre revendeur ou à notre succursale la plus proche.

Tragen Sie alle Angaben auf dem Typenschild Ihres Gerätes in das nachfolgende Feld ein.

Sie finden das Typenschild in der Nähe des Motors.

Diese Angaben sind sehr wichtig für die spätere Identifikation zur Bestellung von Geräte-Ersatzteilen und für den Kundendienst.



## ZU IHRER SICHERHEIT

---

### DAS GERÄT RICHTIG VERWENDEN

Dieses Gerät ist ausschließlich bestimmt

- zur Verwendung entsprechend den in dieser Bedienungsanleitung gegebenen Beschreibungen und Sicherheitshinweisen,
- zur Verwendung im Bereich des Haus- und Freizeitgartens,
- zum Mähen von Rasenkanten und kleinen oder schwer zugänglichen Grasflächen (z. B. unter Büschen)
- sowie zum Schneiden von Wildwuchs, Sträuchern und Gestrüpp.

Dieses Gerät ist für einen darüber hinausgehenden Gebrauch nicht zugelassen. Der Benutzer haftet für alle Schäden an Dritten und deren Eigentum.

Betreiben Sie das Gerät nur in dem vom Hersteller vorgeschriebenen und ausgelieferten technischen Zustand.

Eigenmächtige Veränderungen an dem Gerät schließen eine Haftung des Herstellers für daraus resultierende Schäden aus.

## SICHERHEITSHINWEISE

### LESEN SIE ALLE ANWEISUNGEN VOR DER BENUTZUNG

- Lesen Sie die Betriebsanleitung sorgfältig. Machen Sie sich mit der Bedienung und ordnungsgemäßen Verwendung, besonders jedoch mit dem Abstellen des Geräts vertraut.
- Erlauben Sie Kindern nie, das Gerät zu benutzen. Erlauben Sie Erwachsenen erst nach ordnungsgemäßer Einweisung, das Gerät zu bedienen.
- Sehen Sie das Gerät nach, bevor Sie es benutzen. Ersetzen Sie beschädigte Teile. Sehen Sie nach, ob Kraftstoff ausläuft. Versichern Sie sich, daß alle Verbindungselemente angebracht und befestigt sind. Ersetzen Sie Schneidaufsatzteile, die rissig, gesprungen oder sonstwie beschädigt sind. Versichern Sie sich, daß der Schneidaufsatz ordnungsgemäß eingebaut und gut befestigt ist. Versichern Sie sich, daß die Schutzabdeckung für den Schneidezusatz ordnungsgemäß angebracht ist und sich in der empfohlenen Stellung befindet. Nichtbeachtung dieser Hinweise kann zu Verletzungen von Benutzer und Zuschauern führen und das Gerät beschädigen.
- Benutzen Sie nur Originalersatzschnur mit einem Durchmesser von 2,03 mm. Niemals metallverstärkte Schnur, Draht, Kette, Seil oder Ähnliches verwenden. Diese können abbrechen und zu gefährlichen Projektilen werden.

- Benutzen Sie dieses Gerät nicht, wenn Sie müde oder krank sind oder unter dem Einfluß von Alkohol, Drogen oder Medikamenten stehen.
- Vorsicht vor Verletzungsrisiken an Kopf, Händen und Füßen.
- Säubern Sie den Bereich, in dem Sie schneiden wollen, vor jeder Benutzung. Entfernen Sie alle Gegenstände wie Steine, Glasscherben, Nägel, Draht oder Schnur, die geschleudert werden oder sich im Schneidaufsatz verheddern können.
- Entfernen Sie Kinder, Zuschauer und Tiere aus dem Bereich. Halten Sie Kinder, Zuschauer und Tiere aus einem Umkreis von mindestens 15 m entfernt; es besteht für Zuschauer immer noch ein Risiko, von weggeschleuderten Objekten getroffen zu werden. Zuschauer sollten einen Augenschutz tragen. Wenn man sich Ihnen nähert, schalten Sie sofort den Motor und Schneidaufsatz ab.

### SICHERHEITSHINWEISE

- VORSICHT:** Benzin ist hoch entflammbar und bei Kontakt mit einer Flamme können die Benzindämpfe zur Explosion führen. Halten Sie folgende Vorsichtsmaßnahmen ein:
- Bewahren Sie den Kraftstoff immer in speziell für diese Art Produkt hergestellten und zugelassenen Containern auf.

# SICHERHEITSHINWEISE

- Vor dem Auffüllen des Tanks den Motor abstellen und ihn abkühlen lassen. Solange der Motor noch heiß ist, niemals den Tankdeckel abnehmen oder Kraftstoff nachfüllen.
- Treibstoff in einem sauberen, gut belüfteten Bereich im Freien ohne Funken oder Flammen mischen und einfüllen. Den Tank nie in einem Gebäude füllen. Den Treibstoffverschluss erst langsam entfernen, nachdem der Motor abgestellt ist. Während des Mischens oder Einfüllens von Treibstoff nicht rauchen. Jegliche Treibstoffspritzer sofort vom Gerät abwischen.

## WÄHREND DER BENUTZUNG

- Das Gerät niemals in einem geschlossenen Raum oder Gebäude benutzen oder anlassen. Das Einatmen der Abgase kann tödlich sein. Dieses Gerät nur im Freien oder in einem gut gelüfteten Bereich benutzen.
- Während des Betriebs dieses Geräts eine Schutzbrille und Gehörschutz tragen. Die Schutzbrille ständig, d.h. bei Vorbereitung, Betrieb und Wartung tragen.
- Dicke, lange Hosen, Stiefel, Handschuhe und ein langärmeliges Hemd tragen. Keine Shorts oder Sandalen tragen oder barfuß gehen.
- Das Schutzgehäuse für den Schnitt muß immer installiert sein, wenn das Gerät benutzt wird. Die Länge des Schneidfadens darf die Länge des Schutzgehäuses nicht überschreiten.
- Das Gerät ist nicht mit einer Kupplung ausgestattet und die Fadenspule dreht sich weiter, wenn der Motor im Leerlauf ist.
- Den D-förmigen Griff von der Körpergröße abhängig einstellen, um eine bestmögliche Handhabung des Geräts zu gewährleisten.
- Vor dem Einschalten des Geräts sicherstellen, daß die Fadenspule mit keinem Objekt in Kontakt kommt.
- Der Benutzer und das Gerät müssen sich während des Anlassens in einer stabilen Position befinden. Siehe Abbildung 6 und Anweisungen zum Einschalten/Ausschalten des Geräts.
- Das Gerät richtig und nur für die vorgesehenen Zwecke benutzen.
- Den Motor und das Abgasrohr nicht berühren, da sich diese Elemente während der Benutzung stark erhitzen. Bei Stillstand des Geräts bleiben diese Bestandteile für einen kurzen Moment noch heiß.

- Den Motor nicht mit einer erhöhten Drehzahl laufen lassen, wenn kein Schnittvorgang durchgeführt wird.
- Bei Berührung mit einem Fremdkörper sofort den Motor abstellen und das Gerät auf Beschädigungen überprüfen. Das Gerät niemals benutzen, bevor es nicht in den Ursprungszustand gebracht wurde. Das Gerät nicht benutzen, wenn einige Bestandteile schlecht befestigt oder beschädigt sind.
- Falls das Gerät beginnt, unnormal zu vibrieren, den Motor abstellen und sofort nach der Ursache suchen. Vibration ist im Allgemeinen ein Warnzeichen.
- Bei jedem Pflege- oder Wartungsvorgang und beim Auswechseln der Fadenspule oder anderem Zubehör den Motor abschalten und in der AUS-Stellung positionieren.
- Zur Wartung des Geräts nur Zubehör und Ersatzteile verwenden, die vom Hersteller genehmigt sind. Diese Teile sind bei Ihrem Vertragshändler erhältlich.
- Verwenden Sie keine Teile, Zubehör oder Aufsätze, die nicht für dieses Gerät zugelassen sind. Dies kann zu ersten Verletzungen beim Benutzer, Schaden am Gerät und Verlust der Garantie führen.

## WEITERE SICHERHEITSHINWEISE

- Sollte sich noch Kraftstoff im Tank befinden, das Gerät niemals in einem Gebäude lagern, in dem die Dämpfe in Kontakt mit einer Flamme oder einem Funken geraten könnten.
- Vor dem Wegräumen oder dem Transport des Geräts den Motor abkühlen lassen. Das Gerät während des Transports schützen.
- Das Gerät nach jeder Benutzung reinigen. Siehe Anweisungen im Abschnitt „Reinigung und Lagerung“.
- Dieses Handbuch aufbewahren und regelmäßig die Anweisungen nachlesen und zur Einweisung anderer Benutzer verwenden. Sollte das Gerät einer Person geliehen werden, die Anweisungen immer mit dem Gerät verleihen.
- Lassen Sie alle Reparaturen ausschließlich von einer Fachwerkstatt ausführen.

## DIESE ANWEISUNGEN AUFBEWAHREN



# SICHERHEITSHINWEISE

## SICHERHEITS- UND INTERNATIONALE SYMBOLE

Diese Bedienungsanleitung beschreibt Sicherheits- und internationale Symbole und Piktogramme, die auf diesem Gerät abgebildet sein können. Lesen Sie das Benutzerhandbuch, um sich mit allen Sicherheits-, Montage-, Betriebs- und Reparaturanweisungen vertraut zu machen.

### SYMBOL

### BEDEUTUNG



#### • SICHERHEITS- UND WARNUNGSSYMBOL

Zeigt Gefahr, Warnung oder Grund zur Vorsicht an. Kann zusammen mit anderen Symbolen oder Piktogrammen benutzt werden.



#### • BEDIENUNGSANLEITUNG LESEN

Nichtbefolgen der Betriebsvorschriften und Vorsichtsmaßnahmen können ernsthafte Verletzungen zur Folge haben. Lesen Sie die Bedienungsanleitung vor Start oder Betrieb des Gerätes.



#### • AUGEN- UND GEHÖRSCHUTZ TRAGEN

**ACHTUNG:** Geschleuderte Objekte können schwere Augenverletzungen und übermäßiger Lärm kann Hörverlust verursachen. Tragen Sie Augen- und Gehörschutz bei Betrieb des Geräts.



#### • ZUSCHAUER WEGSCHICKEN

**ACHTUNG:** Alle Zuschauer, besonders Kinder und Haustiere, müssen sich mindestens 15 m vom Arbeitsbereich entfernt aufhalten.



#### • BENZIN

Utilisez toujours une essence sans plomb, propre et neuve.



#### • OL

Reportez-vous au manuel d'utilisation pour connaître le type d'huile à utiliser.



#### • GESCHLEUDERTE OBJEKTE UND ROTIERENDE MESSER KÖNNEN SCHWERE VERLETZUNGEN VERURSACHEN

**ACHTUNG:** Nicht ohne Schutzabdeckung für Schneidaufsatz benutzen. Halten Sie sich von der rotierenden Schneidklinge fern.

# SICHERHEITSHINWEISE

## SYMBOL

## BEDEUTUNG



- ZÜNDSCHALTER  
AN / START / BETRIEB



- ZÜNDSCHALTER  
AUS oder STOP



- WARNUNG VOR HEISSEN OBERFLÄCHEN

Berühren Sie keinen heißen Schalldämpfer, Getriebe oder Zylinder. Sie können sich verbrennen. Diese Teile werden durch Betrieb außerordentlich heiß und bleiben auch noch für kurze Zeit nach Abschalten des Geräts heiß.



- SCHARFE KLINGE

**ACHTUNG:** Scharfe Klinge unter Schneidaufsatzschutz-abdeckung. Um ernsthafte Verletzungen zu vermeiden, berühren Sie die Klinge nicht.



- CHOKE EINSTELLUNGEN

- 1 • VOLLE CHOKE Anlaßposition.
- 2 • HALBE CHOKE Zwischenposition.
- 3 • Betriebsposition.



- MAXIMALE UMDREHUNGSZAHL

Lassen Sie das Gerät nicht schneller als mit maximaler Umdrehungszahl laufen.

# MONTAGEANLEITUNG

## EINBAU DES D-FÖRMIGEN GRIFFS

1. Zu ihrer Sicherheit muss die D-förmige Griffstange vor der Begrenzermanschette montiert sein. Die Griffstange nach unten über das Achsenrohr schieben, so dass der Griff sich schräg zum Motor hin befindet (Abb. 1).

**WARNHINWEIS:** Die D-förmige Griffstange nicht über die Begrenzermanschette forcieren. Dies kann zur Beschädigung der Griffstange oder des Geräts führen.

3. Bolzen, Unterlegscheibe und Flügelmutter anbringen und festziehen.

## EINSTELLUNG DES D-FÖRMIGEN GRIFFS

1. Die Flügelschraube lösen. Es ist nicht notwendig, die Schrauben und die Unterlegscheibe zu entfernen.
2. Den D-förmigen Griff drehen, damit der Griff über dem Rohr positioniert ist.

3. Indem das Gerät in der Betriebsstellung gehalten wird (Abb. 13), den D-förmigen Griff an die Stelle bringen, die eine bestmögliche Handhabung des Geräts gewährleistet und die Flügelschraube festschrauben (Abb. 1).

## INSTALLATION DES SCHUTZGEHÄUSES FÜR DEN SCHNITT

1. Das Schutzgehäuse für den Schnitt auf dem Rohr über der Befestigungsvorrichtung positionieren (Abb. 2).
2. Das Schutzgehäuse für den Schnitt auf den oberen Teil der Schnittvorrichtung kippen, dann das Gehäuse drehen, damit dieses im Verhältnis zu den Öffnungen ausgerichtet ist, um die Schrauben einzusetzen und an die vorgesehene Stelle einfügen zu können. (Abb.3).

## ÖL- UND TREIBSTOFFEMPFEHLUNGEN

### EMPFEHLUNG ZUR ÖLSORTE

Benutzen Sie Qualitätsöl, das für luftgekühlte Zweitakt-Motoren angeboten wird. Mischen Sie das Öl für Zweitakt-Motoren laut Anweisungen auf dem Behälter, 40:1 (2,5 %).

### EMPFEHLUNG ZUR BENZINSORTE

Benutzen Sie immer sauberes, frisches bleifreies Benzin.

### ANWEISUNGEN ZUR MISCHUNG VON ÖL UND BENZIN

Alter und/oder falsch gemischter Treibstoff sind die Hauptgründe, wenn das Gerät nicht ordnungsgemäß läuft. Benutzen Sie nur frisches, sauberes bleifreies Benzin. Befolgen Sie die Anweisungen für das richtige Benzin/Öl-Gemisch genau.

Eine ordnungsgemäße Mischung aus Zweitakt-Motoröl und bleifreiem Benzin, 40:1 (2,5 %) herstellen. Nicht direkt im Tank mischen.

## BETRIEBSANLEITUNG

### ANWEISUNGEN ZUM EINSCHALTEN

1. Benzin (Ottokraftstoff) mit Öl mischen. Den Tank mit der Mischung füllen. Siehe Anweisungen zur Mischung von Öl und Benzin.
2. Den Schalter in die Position EIN bringen [I] (Abb. 4).
3. **TIPP: Beim Starten eines Gerätes, das längere Zeit nicht benutzt wurde (oder brandneu ist oder sich schwer starten lässt), die Ansaugpumpe 20 Mal drücken.**

Die Ansaugpumpe langsam und vollständig 10 Mal drücken. Der Kraftstoff muss in der Pumpe sichtbar sein (Abb. 5). Ist dies nicht der Fall, drei weitere Male oder solange drücken, bis der Kraftstoff zu sehen ist.

4. Den Starterhebel in die Position 1 (Abb. 5).

**TIPP: Anmerkung: Darauf achten, dass der Starter in Position (1) eingerastet ist.**

5. Das Gerät am Boden, den Drücker des Beschleunigers betätigen und den Hebel gedrückt halten.

**700:** Kräftig am Kabel des Anlassers ziehen (im Allgemeinen nach 3 Versuchen) (Abb. 6).

**710:** Ziehen Sie die Schnur des Anlassers in einer **kontrollierten und stetigen Bewegung** 3 viermal.

6. Den Starterhebel in die Position 2 (Abb. 5).

7. **700:** Zum Anlassen des Motors 1 bis 3 Mal kräftig am Anlasskabel ziehen (Abb. 6).

**710:** Ziehen Sie die Schnur des Anlassers in einer **kontrollierten und stetigen Bewegung** 1-5 viermal, um den Motor anzuwerfen (Abb. 5).

# BETRIEBSANLEITUNG

**ANMERKUNG** : Der Motor verwendet Advanced Starting Technology™, wobei der Kraftaufwand beim Anlassen wesentlich vermindert wird. Sie müssen die Schnur des Anlassers weit genug herausziehen, um den Motor anlassen zu hören. Es besteht keine Notwendigkeit, heftig an der Schnur zu ziehen – es gibt keinen starken Widerstand auf Zug. Beachten Sie bitte, dass diese Methode des Anlassens ganz anders (und viel leichter) ist als Sie es gewohnt sind.

- Die Schritte 3 bis 7 wiederholen, wenn der Motor nicht anspringt.
- Auf den Drücker des Beschleunigers drücken, damit sich der Motor während 10 bis 15 Sekunden erhitzt. Den Starterhebel in die Position volle Leistung (3) bringen. (Abb. 5).

**ANMERKUNG**: Es ist nicht notwendig, den Starter zu benutzen, um einen heißen Motor anzulassen. Den Schalter in die Position **EIN [I]** bringen und in der Position **2**.

**ANMERKUNG**: Den Starterhebel in die Position **3** bringen, wenn der Motor beim Anlassversuch absäuft. Den Drücker des Beschleunigers drücken. Kräftig am Anlasskabel ziehen. Der Motor muss nach 3 (drei) bis 8 (acht) Versuchen anspringen..

## ANWEISUNGEN ZUM AUSSCHALTEN

- Den Drücker des Beschleunigers loslassen (Abb. 4). Den Motor im Leerlauf abkühlen lassen.
- Den Schalter in die Position **AUS [O]** bringen (Abb. 4).

## HALTEN DER MOTORSENSE

Vor der Benutzung des Geräts, eine für diese Benutzung des Geräts angepaßte Position einnehmen (Abb. 7).

## EINSTELLUNG DER LÄNGE DES SCHNEIDFADENS

Die Fadenspule ermöglicht den Faden freizulegen, ohne den Motor abzustellen. Hierzu die Spule kurz auf den Boden stoßen (Abb. 8), wobei die Motorsense in erhöhter Geschwindigkeit funktioniert.

**ANMERKUNG**: Der Schneidfaden muß immer gespannt sein. Es ist schwerer den Faden freizulegen, wenn der Schneidfaden sich verkürzt.

Wird eine zu lange Fadenlänge freigelegt, wird durch eine Klinge im Schutzgehäuse der Schneidfaden auf eine angemessene Länge gekürzt. Um bessere Ergebnisse zu erhalten, die Spule auf einen glatten oder harten Boden stoßen. Bei einem Versuch den Faden freizulegen, indem auf hohes Gras gestoßen wird, kann der Motor ausgehen.

## Der Schneidfaden kann in den folgenden Fällen reißen:

- Normale Abnutzung des Fadens.
- Annäherung des Fadens an einen Körper, wie eine Mauer oder einen Zaunpfahl.

## TRICKS FÜR BESSERE SCHNITTEERGEBNISSE

- Die Fadenspule parallel zum Boden halten.
- Nicht auf die Spule drücken. Die Arbeit mit der Fadenspitze durchführen, besonders entlang der Mauern. Wird mehr als nur die Fadenspitze für den Schnitt verwendet, wird die Wirksamkeit des Schnitts reduziert und der Motor kann überlastet werden.
- Den Rasen auf einer Schnittlänge von 20 cm schneiden, indem von oben nach unten vorgearbeitet wird, um eine vorzeitige Abnutzung des Fadens oder einen Widerstand des Motors zu vermeiden.
- Den Schneidvorgang, wenn möglich von links nach rechts durchführen. Das Gerät liefert eine bessere Wirksamkeit des Schnitts, wenn die Bewegungen nach rechts durchgeführt werden. Abfälle werden in ausreichender Entfernung vom Benutzer ausgestoßen.
- Die Motorsense langsam innerhalb und außerhalb vom zu schneidenden Bereich in der gewünschten Höhe bewegen. Eine Bewegung von vorne nach hinten oder von einer zur anderen Seite durchführen. Das Schneiden von kleinen Schnittlängen liefert ein besseres Ergebnis.

## VERZIERUNGSSCHNITT

Der Verzierungsschnitt wird erreicht, indem jede Vegetation um Bäume, Pfähle, Zäune, usw. herum entfernt wird.

Das Gerät drehen, damit die Fadenspule sich in einem Winkel von 30° zum Boden befindet (Abb. 9).

# WARTUNG UND REPARATUR

## EINBAU DES SCHNEIDFADENS

Dieser Abschnitt behandelt sowohl die Installation der Split-Line™ als auch der einfachen Standardschnur.

Immer ein Ersatzschneidfaden von 2 mm verwenden. Bei Benutzung eines Schneidfadens unterschiedlicher Länge, als angegeben, kann sich der Motor erhitzen oder versagen.

Es gibt zwei Möglichkeiten den Schneidfaden auszuwechseln:

- Aufwickeln des neuen Fadens auf die innere Spule
- Einbau einer inneren Spule mit einem voraufgerollten Faden

## Aufwickeln des Fadens auf die bestehende innere Spule

- Die äußere Spule mit einer Hand halten und den Anschlagknopf gegen den Uhrzeigersinn drehend mit der anderen Hand lösen (Abb. 10). Überprüfen, daß die Schraube innerhalb des Anschlagknopfs frei beweglich ist. Den Anschlagknopf auswechseln, falls dieser beschädigt ist.
- Die innere Spule von der äußeren Spule abziehen. (Abb. 11).
- Die Feder der inneren Spule herausnehmen (Abb. 11).
- Zur Reinigung der inneren Spule, der Feder, der Welle und der inneren Oberfläche der äußeren Spule ein sauberes Tuch verwenden (Abb. 12).

# WARTUNG UND REPARATUR

- Die Abnutzung der Verzahnung an der inneren und äußeren Spule überprüfen (Abb. 13). Falls notwendig den Abfall entfernen oder die Spulen austauschen.

**HINWEIS:** Die Split-Line™ kann nur auf einer Spule mit schlitzförmigen Löchern verwendet werden. Einfache Schnur kann auf beiden Spulentypen verwendet werden. Abbildung 13 zur Identifizierung Ihres Spulentyps benutzen.

**HINWEIS:** Verwenden Sie bei Installation der Trimmschnur auf dem Gerät immer die korrekte Länge. Falls die Schnur zu lang ist, wird sie unter Umständen nicht ordnungsgemäß freigegeben. Installation der einfachen Schnur

## Zur Installation der Split-Line™ bitte bei Punkt 8 weiterlesen

- Etwa 7,6 Meter neue Trimmschnur nehmen und auf halbe Länge falten. Je ein Schnurende durch jeweils eins der beiden Löcher in der Spule führen (Abb. 14). Die Schnur so durch die Spule ziehen, dass die Schlaufe so klein wie möglich ist.
- Die Schnüre in engen, gleichmäßigen Lagen auf die Spule wickeln (Abb. 15). Die Schnur in der auf der Spule angegebenen Richtung wickeln. Platzieren Sie Ihren Zeigefinger zwischen den beiden Schnüren, um zu verhindern, dass sie sich überlappen. Die Enden der Schnur nicht überlappen. Weiter bei Schritt 11.

## Split-Line™

- Nehmen Sie ungefähr 3,65 Meter neue Trimmschnur. Führen Sie ein Ende der Schnur durch eines der beiden Löcher in der Spule (Abb. 16). Ziehen Sie die Schnur durch die Spule, bis nur noch etwa 10 cm übrig sind.
- Führen Sie das Ende der Schnur in das offene Loch der Spule und ziehen Sie die Schnur stramm, damit die Schlaufe so klein wie möglich ist (Abb. 16).
- Vor dem Wickeln teilen Sie die Schnur auf einer Länge von etwa 15 cm.
- Die Schnur in engen, gleichmäßigen Lagen in der auf der Spule angegebenen Richtung wickeln.

**HINWEIS:** Wird die Schnur nicht in der auf der Spule angegebenen Richtung gewickelt, läuft der Schneidaufsatz infolgedessen nicht korrekt.

- Die Enden der Schnur in die zwei Halteschlitze führen (Abb. 17).
- Die Enden der Schnur durch die Lageraugen im Spulengehäuse führen und die Spule mit der Feder im Spulengehäuse platzieren (Abb. 18). Spule und Spulengehäuse zusammendrücken. Spule und Spulengehäuse halten und gleichzeitig die Enden der Schnur fassen und kräftig ziehen, um die Schnur aus den Halteschlitzen in der Spule zu lösen.

**HINWEIS:** Die Feder muss auf der Spule befestigt sein, bevor der Schneidaufsatz wieder montiert wird.

- Die Spule an ihrem Platz halten und den Auftippknopf durch Rechtsdrehen installieren. Fest anziehen.

## Einbau einer Spule mit voraufgerolltem Faden

- Die äußere Spule mit einer Hand halten und den Anschlagknopf gegen den Uhrzeigersinn drehend mit der anderen Hand lösen (Abb. 10). Überprüfen, daß die Schraube innerhalb des Anschlagknopfs frei beweglich ist. Den Anschlagknopf austauschen, falls dieser beschädigt ist.

- Die alte innere Spule von der äußeren Spule abziehen (Abb. 11).
  - Die Feder der alten inneren Spule herausnehmen (Abb. 11).
  - Zur Reinigung der inneren Spule, der Feder, der Welle und der inneren Oberfläche der äußeren Spule ein sauberes Tuch verwenden.
  - Die Feder in der neuen inneren Spule einsetzen.
- ANMERKUNG:** Die Feder muß auf der inneren Spule eingebaut sein, bevor die Fadenspule wieder eingesetzt wird.
- Die Fadenenden in die Ösen der äußeren Spule einführen (Abb. 18).
  - Die neue innere Spule in die äußere Spule einsetzen (Abb. 18). Dann drücken, um beide Spule miteinander zu verbinden. Indem die innere und äußere Spule gehalten werden, die Fadenenden anfassen und kräftig daran ziehen, um den Faden beider Halteschlitze der Spule freizulegen.
  - Die innere Spule festhalten und den Anschlagknopf im Uhrzeigersinn drehend wieder gut festziehen.

## PFLEGE DES LUFTFILTERS

### Ausbau des Gehäuses des Luftfilters/Abgasrohrs

- Den Starterhebel in die Zwischenposition (2) schieben.

**ANMERKUNG:** Der Starterhebel muß in der Zwischenposition (2) stehen, damit das Gehäuse des Luftfilters/Abgasrohrs entfernt werden kann.

- Die vier (4) Schrauben, die das Gehäuse des Luftfilters/Abgasrohrs halten, entfernen (Abb. 19). Hierzu einen flachen Schraubenzieher oder einen Schraubenzieher mit einem Torx Endstück Nr. T20 verwenden.
- Das Gehäuse des Motors ohne Gewalt entfernen.

### Reinigung des Luftfilters

Nach zehn Betriebsstunden den Luftfilter reinigen und schmieren. Es ist wichtig diese Bestandteile gut zu warten. Wird der Luftfilter nicht gereinigt und gewartet, wird die Garantie STORNIERT.

- Das Gehäuse des Luftfilters/Abgasrohrs entfernen. Siehe Abschnitt „Ausbau des Luftfilters/Abgasrohrs“.
- Den Luftfilter unter der Luftfilter-/Auspuffabdeckung entfernen (Abb. 20).
- Den Filter mit Waschmittel und Wasser waschen (Abb. 21). Den Filter sorgfältig ausspülen, abtropfen und vollständig trocknen lassen.
- Ausreichend sauberes Öl verwenden, um den Filter leicht einzuschmieren (Abb. 22).
- Auf den Filter drücken, damit das Öl verteilt und der Überschuss ausgestoßen wird.
- Den Luftfilter unter der Luftfilter-/Auspuffabdeckung ersetzen (Abb. 20).

**ANMERKUNG:** Die Benutzung des Geräts ohne Filter und Gehäuse des Luftfilters/Abgasrohrs führt zur STORNIERUNG der Garantie.

### Einsetzen des Gehäuses des Luftfilters/Abgasrohrs

- Das Gehäuse des Luftfilters/Abgasrohrs auf der hinteren Seite des Vergasers und des Abgasrohrs positionieren.

# WARTUNG UND REPARATUR

- ANMERKUNG:** Der Starterhebel muß in der Zwischenposition (2) stehen (Abb. 19), damit das Gehäuse des Luftfilters/Abgasrohrs wieder eingesetzt werden kann.
- Die vier (4) Schrauben in die Öffnungen des Gehäuses des Luftfilters/Abgasrohrs einführen (Abb. 19) und festziehen. Hierzu einen flachen Schraubenzieher oder einen Schraubenzieher mit einem Torx Endstück Nr. T20 verwenden. Die Schrauben nicht zu fest und nicht mit Gewalt anziehen.

## Überprüfung der Kraftstoffmischung

Die Benutzung von altem oder schlecht gemischtem Kraftstoff ist die Hauptursache für einen Fehlbetrieb des Geräts. Vor jeder Einstellung den Tank leeren und diesen mit neuem und richtig gemischtem Kraftstoff füllen.

## Reinigung des Luftfilters

Der Zustand des Luftfilters spielt eine wesentliche Rolle für den Betrieb des Geräts. Ein verdreckter Luftfilter beeinträchtigt die Luftzirkulation und verändert die Mischung Luft/Kraftstoff. Die daraus entstehenden Wirkungen werden oft zu unrecht einer schlechten Einstellung des Vergasers zugeschrieben. Vor Einstellung des Leerlaufs den Zustand des Filters überprüfen. Siehe Abschnitt „Pflege des Luftfilters“.

## Einstellung des Leerlaufs

Sollte der Leerlauf nach einer Überprüfung der Kraftstoffmischung und Reinigung des Luftfilters nicht einwandfrei sein, die folgende Einstellung durchführen:

- Den Motor anlassen und ihn etwa 2–3 Minuten auf hoher Geschwindigkeit (Vollgas) warmlaufen lassen.
- Den Drücker des Beschleunigers loslassen und den Motor im Leerlauf laufen lassen. Sollte der Motor ausgehen, einen kleinen Kreuzschraubenzieher oder einen flachen Schraubenzieher in die Öffnung des Gehäuses des Luftfilters/Abgasrohrs einführen (Abb. 23). Die Einstellschraube des Leerlaufs jeweils um ein achtel im Uhrzeigersinn drehen (je nach Bedarf), bis der Motor den Leerlauf hält. Siehe Anweisungen für die Drehzahl/Minute im Leerlauf.

**ANMERKUNG:** Das Gerät ist nicht mit einer Kupplung ausgestattet und die Fadenspule dreht sich weiter, wenn der Motor im Leerlauf ist.

- Zur Verringerung der Leerlaufgeschwindigkeit, die Einstellschraube jeweils um ein achtel gegen den Uhrzeigersinn drehen (je nach Bedarf).

Die meisten Probleme, die den Motor betreffen, lassen sich durch die Überprüfung der Kraftstoffmischung, die Reinigung des Luftfilters und die Einstellung des Leerlaufs lösen.

Sollten die Probleme weiterbestehen, den Vergaser durch einen zugelassenen Vertreter einstellen lassen, wenn folgendes auftritt:

- Der Leerlauf funktioniert nicht,
- Bei der Beschleunigung verzögert sich der Motor oder geht aus.
- Der Motor verliert an Leistung.

## AUSWECHSELN DER ZÜNDKERZE

Eine Zündkerze Champion RDJ7Y (oder eine gleichwertige Zündkerze) verwenden. Der richtige Abstand beträgt 0,5 mm. Die Zündkerze nach 50 Betriebsstunden überprüfen.

- Den Motor abstellen und abkühlen lassen. Den Deckel der Zündkerze abnehmen.
- Die Zündkerze reinigen.
- Die Zündkerze auswechseln, wenn sie gerissen oder verdreht ist. Einen Abstand von 0,5 mm herstellen.
- Die Zündkerze im Zylinder einsetzen. Festschrauben, indem die Hülse im Uhrzeigersinn gedreht wird.

Nicht zu fest anziehen.

## REINIGUNG

Zur Reinigung der äußeren Bestandteile des Geräts eine kleine Bürste verwenden. Keine starken Waschmittel verwenden. Die für den Haushalt bestimmten Reinigungsprodukte beinhalten aromatische Öle, wie Kiefer oder Zitrone und Lösungsmittel wie Kerosin können den Griff oder das Gehäuse aus Plastik beschädigen. Mit Hilfe eines trockenen Tuchs jede Spur von Feuchtigkeit entfernen.

## LAGERUNG

- Das mit Gerät niemals an Orten lagern, in denen die Dämpfe in Kontakt mit einem Funken oder einer Flamme treten können, wenn Benzin im Tank vorhanden ist.
- Den Motor abkühlen lassen, bevor das Gerät verstaut wird.
- Das Gerät an einem trockenen und verschleißbaren Ort oder in ausreichender Höhe lagern, um jede versehentliche Benutzung oder Beschädigung zu vermeiden. Außer Reichweite von Kindern aufbewahren.

## LANGFRISTIGE LAGERUNG

Bei Aufbewahrung des Geräts über einen längeren Zeitraum, folgende Anweisungen beachten:

- Den gesamten Kraftstoff des Tanks in einen Container mit einem identischen Kraftstoff für 2-Taktmotoren entleeren. Keinen Kraftstoff, der mehr als 60 Tage gelagert wurde verwenden.
- Den Motor anlassen und laufen lassen, bis er abgewürgt ist. Dadurch kann sichergestellt werden, daß der gesamte Kraftstoff aus dem Vergaser geleert wurde.
- Den Motor abkühlen lassen. Die Zündkerze entfernen und 30 ml hoch qualitatives Motoröl für 2-Taktmotoren in den Zylinder füllen. Langsam das Anlaßkabel ziehen, um das Öl zu verteilen. Die Zündkerze wieder einsetzen.

**ANMERKUNG:** Nach der Aufbewahrungszeit und vor einer erneuten Benutzung der Motorsense, die Zündkerze entfernen und das gesamte Öl aus dem Zylinder entfernen.

- Das Gerät gut reinigen und auf beschädigte oder schlecht angezogene Bestandteile überprüfen. Die beschädigten Bestandteile wieder in den Zustand bringen oder auswechseln und falls notwendig die Schrauben, Muttern und Bolzen neu anziehen. Das Gerät ist jetzt für eine Lagerung bereit.
- Das Gerät an einem trockenen und verschleißbaren Ort oder in ausreichender Höhe lagern, um jede versehentliche Benutzung oder Beschädigung zu vermeiden. Außer Reichweite von Kindern aufbewahren.

# FEHLERBEHEBUNG

## MOTOR SPRINGT NICHT AN

### URSACHE

Zündschalter steht auf AUS  
Benzintank leer  
Anlasserknopf nicht genügend heruntergedrückt  
Motor abgeseifen  
Alter oder falsch gemischter Treibstoff  
Schmutzige Zündkerze

### MASSNAHME

Schalter auf AN stellen  
Benzintank füllen  
Anlasserknopf 10 mal langsam und vollständig herunterdrücken  
Anlaßvorgang mit Chokehebel in Betriebsposition benutzen  
Tank leeren / mit frischem Treibstoffgemisch füllen  
Zündkerze ersetzen oder reinigen

## MOTOR LÄUFT IM LEERLAUF NICHT GLEICHMÄßIG

### URSACHE

Luftfilter verstopft  
Alter oder falsch gemischter Treibstoff  
Vergaser falsch eingestellt

### MASSNAHME

Luftfilter reinigen oder auswechseln  
Tank leeren / mit frischem Treibstoffgemisch füllen  
Nach Anweisung einstellen

## MOTOR BESCHLEUNIGT NICHT

### URSACHE

Alter oder falsch gemischter Treibstoff  
Vergaser falsch eingestellt

### MASSNAHME

Tank leeren / mit frischem Treibstoffgemisch füllen  
Vergaser von Kundendienst-personal einstellen lassen

## MOTOR BRINGT KEINE LEISTUNG ODER WÜRGT WÄHREND DES SCHNEIDENS AB

### URSACHE

Schneidkopf mit Gras verwickelt  
Schmutziger Luftfilter  
Alter oder falsch gemischter Treibstoff  
Vergaser falsch eingestellt

### MASSNAHME

Den Motor stoppen und den Schneidaufsatz reinigen  
Luftfilter reinigen oder auswechseln  
Tank leeren / mit frischem Treibstoffgemisch füllen  
Vergaser von Kundendienst-personal einstellen lassen

## SCHNEIDKOPF GIBT SCHNUR NICHT FREI

### URSACHE

Schneidkopf mit Gras verwickelt  
Keine Schnur im Schneidkopf  
Spule verklemmt  
Schneidkopf verschmutzt  
Schnur verschmolzen  
  
Schnur beim Auffüllen verdreht  
Nicht genügend Schnur ist freigelegt

### MASSNAHME

Den Motor stoppen und den Schneidaufsatz reinigen  
Mit neuer Schnur auffüllen  
Spule ersetzen  
Spule und Spulengehäuse reinigen  
Auseinandernehmen, das verschmolzene Teil herausnehmen und die Schnur neu aufwickeln  
Auseinandernehmen und die Schnur neu aufwickeln  
Den Auftippknopf aufstoßen und Schnur herausziehen, bis 10 cm Schnur außerhalb des Schneid-aufsatzes sind

### Bei weiteren Fragen wenden Sie sich an Ihren Vertragshändler vor Ort

Alle Informationen, Abbildungen und Spezifikationen in dieser Betriebsanleitung beruhen auf den neusten Produktinformationen zum Zeitpunkt der Drucklegung. Wir behalten uns das Recht vor, Änderungen jederzeit ohne vorherige Ankündigung vorzunehmen.

# TECHNISCHE DATEN

## MOTOR

Motortyp .....	2-Taktmotor durch Luft gekühlt
Zündung .....	Elektronisch
Verdrängung.....	31 cm <sup>3</sup>
Maximale Motorleistung gemäß ISO 8893 .....	75 kW
Leerlaufdrehzahl .....	3200 min <sup>-1</sup>
Betriebsdrehzahl.....	7700 min <sup>-1</sup>
Kraftstoff.....	Benzin/Öl Mischung (40:1) 2,5 %
Schalter .....	Kippschalter
Starter .....	Automatischer Rücklauf
Fassvermögen des Treibstofftanks .....	355 ml

## ANTRIEBSWELLE UND SCHNEIDKOPF

Gehäuse der Antriebswelle .....	Stahlrohr
Überwachung des Beschleunigers .....	Manueller Drücker
Schneidkopf .....	Befreiung des Fadens durch Druck auf den Boden
Durchmesser des Schneidfadens .....	2 mm, doppelter Faden
Durchmesser des Schneidwegs .....	38 cm
Gewicht (ohne Treibstoff) .....	4,5 kg

## ZUBEHÖR auf Anfrage

## GARANTIE

---

In jedem Land gelten die von unserer Gesellschaft oder Importeur herausgegebenen Garantiebestimmungen. Störungen beseitigen wir an Ihrem Gerät im Rahmen der Gewährleistung kostenlos, sofern ein Material- oder Herstellungsfehler die Ursache sein sollte. Im Garantiefall wenden Sie sich bitte an Ihren Verkäufer oder die nächstgelegene Niederlassung.



Riportate tutti i dati della targhetta delle caratteristiche del Vostro apparecchio nello specchietto sottostante.

La targhetta delle caratteristiche si trova vicino al motore.

Questi dati sono importantissimi per la successiva identificazione, per l'ordinazione di ricambi della macchina e per il servizio assistenza.



## PER LA VOSTRA SICUREZZA

### USO CORRETTO DELL'APPARECCHIO

Questo apparecchio è destinato esclusivamente

- all'impiego secondo le descrizioni e le istruzioni di sicurezza fornite in queste istruzioni per l'uso,
- per l'uso nel giardinaggio domestico e ricreativo,
- per rasare i bordi di prati e superfici erbose piccole o difficilmente accessibili (per es. sotto le siepi),
- e per tagliare vegetazione spontanea, arbusti e sterpaglia.

Non è autorizzato un uso diverso di questo apparecchio. L'utilizzatore risponde dei danni arrecati ai terzi ed alle loro proprietà.

Usate l'apparecchio solo nello stato tecnico prescritto e fornito dal produttore.

Le modifiche non autorizzate all'apparecchio escludono una responsabilità del produttore per i danni da ciò derivanti.

## ISTRUZIONI PER UN USO SICURO

### LEGGERE ATTENTAMENTE LE ISTRUZIONI PRIMA DELL'UTILIZZO

- Leggere attentamente il manuale dell'operatore. Familiarizzarsi con l'uso dei comandi e dell'apparecchio. È necessario sapere come arrestare l'unità.
- Non consentire ai bambini di usare l'unità. Non consentire a nessuno di usare l'unità senza un'adeguata istruzione preventiva.
- Prima di iniziare l'uso, controllare l'unità. Sostituire eventuali parti danneggiate. Controllare che non vi siano perdite di carburante. Assicurarsi che tutte le chiusure e i dispositivi di fissaggio siano chiusi. Sostituire le eventuali parti del pezzo di taglio che dovessero risultare incrinati, scheggiati o danneggiati. Assicurarsi che il pezzo di taglio sia installato e fissato in modo appropriato. Verificare che la protezione del pezzo di taglio sia fissata accuratamente e che sia posizionata come indicato nelle istruzioni. In caso contrario si potrebbe avere il ferimento dell'operatore e dei presenti nonché danni all'unità.
- Utilizzare solo un filo di taglio originale da 2,03 mm di diametro. Non utilizzare mai fili con rinforzo in metallo, fili metallici, catene o corde. Essi potrebbero infatti spezzarsi e costituire un vero e proprio proiettile.

- Non mettere in funzione l'unità in caso di non perfette condizioni fisiche (stanchezza, malattia, influenza di alcolici, droghe o medicinali).
- Pulire l'area da tagliare prima di ogni uso. Rimuovere oggetti quali sassi, frammenti di vetro, chiodi, filo di ferro o lacci che potrebbero essere lanciati distante o impigliarsi nel pezzo di taglio.
- Assicurarsi inoltre che non vi siano bambini, persone che guardano o animali domestici. Come precauzione minima, tenere bambini, presenti e animali domestici a non meno di 15 metri. Anche a questa distanza potrebbero comunque essere colpiti da oggetti lanciati a distanza. I presenti devono indossare una protezione per gli occhi. Se qualcuno si avvicina, fermare immediatamente il motore e il pezzo di taglio.

### NORME DI SICUREZZA

**ATTENZIONE:** La benzina è un liquido altamente infiammabile ed i vapori possono esplodere se vengono a contatto con una fiamma. Prendere le seguenti precauzioni:

- Conservare sempre il carburante in contenitori appositamente concepiti ed adatti allo staccaggio di questo tipo di prodotto.

## ISTRUZIONI PER UN USO SICURO

- Prima di procedere al riempimento del serbatoio, spegnere sempre il motore e lasciare che si raffreddi. Non togliere mai il tappo del serbatoio o aggiungere del carburante mentre il motore è caldo
- Effettuare la miscelazione e il rifornimento all'aperto in un'area ben ventilata dove non vi possano essere fiamme o scintille. Il rifornimento del serbatoio non va mai fatto al chiuso. Dopo aver spento il motore togliere lentamente il tappo del serbatoio. Non fumare durante il rifornimento o la miscelazione. Asciugare immediatamente eventuale combustibile spanto sull'unità.

### DURANTE L'UTILIZZAZIONE

- Non procedere mai all'avviamento del motore in una stanza o in un edificio in cui le finestre sono chiuse. L'inalazione dei fumi di scarico può essere mortale. Utilizzare l'apparecchio solo all'esterno ed in zone ben ventilate.
- Durante l'uso dell'unità indossare occhiali o visiere di protezione nonché dispositivi di protezione acustica. Indossare occhiali protettivi durante tutte le operazioni (preparazione, funzionamento e manutenzione).
- Utilizzare pantaloni lunghi e pesanti, guanti, stivali e maglie con maniche lunghe. Non portare pantaloncini, sandali; indossare sempre delle scarpe.
- Durante l'utilizzo dell'apparecchio verificare che il carter di protezione sia sempre installato. La lunghezza del filo di taglio non deve essere superiore alla lunghezza del carter.
- L'apparecchio non è dotato di frizione ed il rocchetto del filo continua a girare quando il motore è a folle.
- Regolare l'impugnatura a D in base alla propria statura in modo da impugnare correttamente l'apparecchio.
- Prima di avviare l'apparecchio, accertarsi che la bobina del filo non sia a contatto con qualche oggetto.
- Al momento dell'avvio, l'utente e l'apparecchio devono essere in posizione stabile. Per le operazioni di avvio/arresto, vedere la Figura 6 e leggere le relative istruzioni.
- Utilizzare l'utensile appropriato, vale a dire utilizzare questo utensile solo per effettuare le operazioni per le quali è stato concepito.

- Non toccare mai il tubo di scarico ed il motore. Durante il funzionamento, questi elementi si scaldano notevolmente e rimangono caldi per un certo periodo di tempo anche dopo che l'utensile è stato spento.
- Non far girare il motore a velocità elevata quando non si sta effettuando un taglio.
- Nel caso in cui si venga a contatto con un corpo estraneo, arrestare immediatamente il motore e verificare che l'apparecchio non abbia subito dei danni. Non utilizzare mai l'apparecchio se non è stato riparato né se alcune sue parti componenti sono state assemblate in maniera errata o sono danneggiate.
- Se l'unità inizia a vibrare in modo anomalo, fermare il motore e controllare subito la causa. Le vibrazioni indicano in genere che qualcosa non è a posto.
- Durante le fasi di manutenzione o durante la sostituzione della bobina del filo o di un altro accessorio, spegnere il motore e metterlo in posizione Arresto.
- Per la manutenzione, usare esclusivamente accessori e ricambi autorizzati dal produttore, disponibili presso i centri di assistenza autorizzati.
- Non utilizzare parti, accessori o pezzi non approvati per questa unità. Ciò potrebbe infatti causare serie ferite all'operatore e/o danneggiare l'unità, oltre a invalidare la garanzia.

### ALTRE NORME DI SICUREZZA

- Non riporre mai l'apparecchio se vi è del carburante nel serbatoio. I vapori potrebbero venire a contatto con una fiamma o una scintilla.
- Prima di riporre o trasportare l'apparecchio, lasciare che il motore si raffreddi. Proteggere l'apparecchio durante le fasi di trasporto.
- Procedere alla pulizia dell'apparecchio dopo ogni utilizzazione; leggere le istruzioni fornite nel paragrafo «Pulire e riporre l'apparecchio».
- Conservare questo manuale. Consultare spesso le istruzioni e comunicarle ad altri utenti. Nel caso in cui si presti l'apparecchio, fornire altresì il manuale operativo.
- Fate eseguire tutte le riparazioni esclusivamente da un'officina specializzata.

### CONSERVARE QUESTE ISTRUZIONI

# ISTRUZIONI PER UN USO SICURO

## SIMBOLI INTERNAZIONALI PER LA SICUREZZA

Il presente manuale per l'operatore descrive i simboli e i pittogrammi internazionali relativi alla sicurezza che possono apparire sul prodotto. Fare riferimento al manuale dell'operatore per ottenere informazioni esaurienti su sicurezza, montaggio, funzionamento, manutenzione e riparazione.

### SYMBOLE

### SIGNIFICATION



#### • ATTENZIONE

Indica pericolo, un'avvertenza o un avviso. Può essere utilizzato unitamente ad altri simboli o pittogrammi.



#### • LEGGERE IL MANUALE DELL'OPERATORE

La mancata osservanza delle istruzioni per il funzionamento e degli avvisi sulla sicurezza del manuale dell'operatore possono causare ferite gravi. Leggere il manuale dell'operatore prima di avviare e utilizzare l'unità.



#### • PORTARE PROTEZIONI AGLI OCCHI E ALL'UDITO

**AVVERTENZA:** oggetti scagliati a distanza e rumori molto forti possono causare ferite gravi agli occhi e perdita dell'udito. Durante l'uso portare sempre una protezione per la vista e per l'udito.



#### • TENERE LONTANI EVENTUALI PRESENTI

**AVVERTENZA:** tenere gli eventuali presenti, specialmente bambini e animali domestici, ad almeno 15 metri.



#### BENZINA SENZA PIOMBO

Utilizzare sempre benzina senza piombo, pulita e nuova.



#### • OLIO

Leggere il manuale di utilizzazione per verificare il tipo di olio da utilizzare.



#### • OGGETTI E LA LAMA ROTANTE, SE SCAGLIATI, POSSONO PROVOCARE FERITE GRAVI

**AVVERTENZA:** non mettere in funzione senza la protezione del pezzo di taglio. Tenersi a distanza dal pezzo di taglio rotante.

## ISTRUZIONI PER UN USO SICURO

### SYMBOLE

### SIGNIFICATION



- **INTERRUTTORE**  
AVVIO



- **INTERRUTTORE**  
ARRESTO



- **ATTENZIONE SUPERFICIE CALDA**

Non toccare mai il tubo di scappamento o un cilindro quando sono caldi poiché vi è il rischio di bruciarsi. Quando l'apparecchio è in funzione questi elementi subiscono un grande innalzamento della temperatura e rimangono caldi per un certo periodo di tempo dopo lo spegnimento del motore.



- **LAMA TAGLIENTE**

**AVVERTENZA:** la lama del pezzo di taglio è affilata. Per evitare di ferirsi, non toccare la lama di taglio a filo.



- **LEVA DI STARTER**

- 1 • Posizione starter.
- 2 • Posizione intermedia.
- 3 • Posizione a pieno regime.



- **RPM MASSIMO**

Non far funzionare l'unità a regimi superiori al valore RPM massimo.

## ISTRUZIONI PER IL MONTAGGIO

### INSTALLAZIONE DELL'IMPUGNATURA A D

1. Per la propria sicurezza, il manico a D va montato davanti al manicotto di limitazione. Premere il manico a D verso il basso, sopra il tubo dell'albero, in modo che il manico sia inclinato verso il motore (fig. 1).

**AVVERTENZA:** non forzare il manico a D sopra il manicotto di limitazione. Potrebbe danneggiarsi il manico o l'unità.

3. Montare il bullone, la rondella, il galletto e stringere.

### REGOLAZIONE DELL'IMPUGNATURA A D

1. Allentare la vite a farfalla. Non è necessario togliere la vite a farfalla, la rondella e il bullone.
2. Ruotare l'impugnatura a D in modo tale da venga a trovarsi al di sopra del tubo.

3. Mantenendo l'apparecchio in funzione (Fig.13), fissare l'impugnatura a D in modo tale da avere una corretta presa dell'apparecchio, quindi bloccare la vite a farfalla (Fig.1).

### INSTALLAZIONE DEL CARTER DI PROTEZIONE DEL TAGLIO

1. Porre il carter di protezione sul tubo, sopra il dispositivo di fissaggio (Fig.2).
2. Abbassare il carter di protezione sulla parte superiore del dispositivo di taglio e ruotarlo. Regolarlo in base ai fori predisposti per le viti ed inserirlo correttamente nella sua sede (Fig.3).

## OLIO E BENZINA RACCOMANDATI

### TIPO D'OLIO

Impiegare oli di alta qualità, per motori a due tempi raffreddati ad aria. La miscela carburante dovrà essere ottenuta seguendo le istruzioni riportate sul bidone dell'olio: 40:1 (2,5 %).

### TIPO DI CARBURANTE

Usare sempre benzina pulita, fresca e senza piombo.

### ISTRUZIONI PER LA MISCELAZIONE DI OLIO E CARBURANTE

Miscele vecchie o miscelate in modo non appropriato costituiscono quasi sempre la causa di un malfunzionamento dell'unità. Assicurarsi che la benzina utilizzata sia fresca, pulita e senza piombo. Attenersi scrupolosamente alle istruzioni per la miscelazione di carburante e olio.

Miscelare a fondo dell'olio per motori a due tempi con benzina senza piombo nella proporzione del 40:1 (2,5 %). Non preparare la miscela direttamente nel serbatoio.

## ISTRUZIONI PER L'USO

### ISTRUZIONI PER L'AVVIO

1. Miscelare benzina (carburante per motore a scoppio) con olio. Riempire il serbatoio di miscela di olio e benzina. Leggere le istruzioni per la miscelazione di olio e benzina.
2. Mettere l'interruttore nella posizione Avvio [I] (fig. 4).
3. **CONSIGLIO: all'avviamento di un apparecchio, che non è stato usato per lungo tempo (che è nuovo di fabbrica o si avvia con difficoltà), premere il cicchetto 20 volte.**

Premere il cicchetto lentamente e completamente 10 volte. Il carburante deve apparire nel cicchetto (Fig. 5). In caso contrario, premere altre tre volte oppure finché il carburante non appare.

4. Mettere la leva dello starter nella posizione 1 (Fig. 5).

**CONSIGLIO: controllare che lo starter sia arrestato nella posizione (1).**

5. Adagiare l'apparecchio a terra, premere l'acceleratore e tenerlo premuto.

**700:** Tirare energicamente il cavo d'avviamento (in generale dopo 3 tentativi) (Fig. 6).

**710:** Tirare la corda d'accensione con un **movimento costante e controllato** da 3 volte.

6. Mettere la leva dello starter nella posizione 2 (Fig.5).
7. **700:** Per avviare il motore, tirare energicamente il cavo d'avviamento da 1 a 3 volte (Fig. 6).

## ISTRUZIONI PER L'USO

**710:** Tirare la corda d'accensione con un **movimento costante e controllato** da 1 a 5 volte per avviare il motore (Fig. 19).

**NOTA :** L'unità utilizza Advanced Starting Technology™ che riduce significativamente lo sforzo richiesto per avviare il motore. È necessario tirare la corda fino al punto in cui il motore tenta l'accensione. Non c'è motivo di tirare la corda bruscamente – il motore non oppone particolare resistenza quando si tira la corda d'accensione. Questo metodo d'accensione è molto diverso (e molto più facile) da quelli ai quali siete abituati.

8. Se il motore non si avvia, ripetere le operazioni da 3 a 7.
9. Premere l'acceleratore in modo che il motore si riscaldi per 10-15 secondi. Mettere la leva dello starter in posizione **3** (Fig. 5).

**NOTA:** Non è necessario utilizzare lo starter per avviare un motore già caldo. Mettere l'interruttore in posizione **Avvio [I]** ed avviare nella posizione **2**.

**NOTA:** Se il motore s'ingolfa durante i tentativi d'avvio, mettere la leva dello starter nella posizione **3**. Premere l'acceleratore. Tirare energicamente il cavo d'avviamento. Il motore deve avviarsi dopo 3 (tre) – 8 (otto) tentativi.

### ISTRUZIONI PER L'ARRESTO

1. Lasciare l'acceleratore (Fig. 4). Attendere che il motore si raffreddi.
2. Mettere l'interruttore nella posizione Arresto [O] (Fig. 4).

### COME IMPUGNARE IL TAGLIA BORDI

Prima di iniziare ad utilizzare l'apparecchio, mettersi in posizione adeguata (Fig. 7).

### REGOLAZIONE DELLA LUNGHEZZA DEL FILO DI TAGLIO

La bobina del filo permette di allungare il filo di taglio senza spegnere il motore. Battere leggermente la bobina a terra (Fig. 8) facendo contemporaneamente funzionare il taglia bordi a velocità elevata.

**NOTA:** Il filo di taglio deve essere sempre ben teso. E' più difficile fare uscire del filo dalla bobina quando il filo che sporge è troppo corto.

Nel caso in cui si allunghi il filo in maniera eccessiva, una lama posta nel carter di protezione taglia il filo alla lunghezza appropriata. Per ottenere dei risultati migliori, battere leggermente la bobina a terra. Se si cerca di allungare il filo battendo la bobina nell'erba alta, vi è il rischio che il motore si rallenti.

### Il filo di taglio può rompersi nei seguenti casi:

- Per normale usura del filo
- Il filo viene a contatto con corpi duri come un muro o un recinto

### ASTUZIE PER OTTENERE DEI RISULTATI MIGLIORI

- Mantenere la bobina del filo parallela al terreno.
- Non esercitare pressione sulla bobina. Realizzare il lavoro con la punta del filo, in modo particolare lungo i muri. Nel caso in cui si utilizzi una lunghezza di filo superiore per effettuare il taglio, l'efficacia del taglio viene ridotta e si rischia di fare lavorare troppo il motore.
- Tagliare l'erba a 20 cm lavorando dall'alto in basso, a piccole fasi, onde evitare un'usura prematura del filo oppure una resistenza del motore.
- Quando è possibile, effettuare il taglio da sinistra a destra. L'apparecchio ha una resa superiore quando il movimento viene effettuato verso destra. I detriti vengono scagliati lontano dall'utente.
- Muovere lentamente il taglia bordi all'interno ed all'esterno della zona di taglio, all'altezza desiderata. Effettuare il movimento dalla parte anteriore alla parte posteriore e da un lato all'altro. Il taglio di piccole lunghezze dà dei risultati migliori.

### TAGLIO DECORATIVO

Il taglio decorativo viene realizzato togliendo tutti gli arbusti attorno agli alberi, ai pali, ai recinti, ecc.

Fare ruotare completamente l'apparecchio in modo tale che la bobina del filo abbia un'angolazione di 30° rispetto al terreno (Fig. 9).

## ISTRUZIONI PER MANUTENZIONE E RIPARAZIONE

### INSTALLAZIONE DEL FILO DI TAGLIO

Questa sezione riguarda l'installazione con Split-Line™ e con filo singolo standard.

Utilizzare unicamente filo di ricambio di 2 mm. Nel caso in cui si utilizzi del filo di dimensione diversa da quella consiglia, il motore può surriscaldarsi o danneggiarsi.

Per sostituire il filo di taglio seguire uno dei due seguenti metodi:

- Avvolgimento del nuovo filo sulla bobina interna
- Installazione di una bobina interna con filo pre-avvolto

### Avvolgimento del nuovo filo sulla bobina esistente

1. Afferrare la bobina esterna con una mano e con l'altra svitare la manopola di bloccaggio in senso antiorario (Fig.10). Verificare che la vite posta all'interno della manopola si muova liberamente. Sostituire la manopola se danneggiata.
2. Togliere bobina interna dalla bobina esterna (Fig. 11).
3. Togliere la molla dalla bobina interna (Fig. 11).
4. Con uno straccio, pulire la bobina interna, la molla, l'albero e la superficie interna della bobina esterna (Fig. 12).

## ISTRUZIONI PER MANUTENZIONE E RIPARAZIONE

5. Verificare lo stato di usura dei denti delle bobine interne ed esterne (Fig. 13). Se necessario, togliere i detriti e sostituire le bobine.

**NOTA:** Split-Line™ può essere usato solo con il rocchetto fornito di asole. Il filo singolo può essere usato con entrambi i tipi di rocchetto. Fare riferimento alla figura 13 per determinare il tipo di rocchetto di cui si dispone.

**NOTA:** Utilizzare sempre filo di lunghezza appropriata; se è troppo lungo potrebbe non venire rilasciato correttamente.

### Installazione di filo singolo

Per l'installazione di Split-Line™, andare al punto 8

6. Prendere circa 7,6 m di filo da taglio nuovo e formare un cappio con due lati uguali. Inserire ciascuna estremità del filo attraverso i due fori del rocchetto (fig. 14). Tirare il filo attraverso il rocchetto in modo che il cappio sia il più piccolo possibile.
7. Avvolgere i fili sul rocchetto per strati stretti e in modo uniforme (fig. 15). Avvolgere il filo nella direzione indicata sul rocchetto. Mettere l'indice tra i due fili per impedire che si sovrappongano; non sovrapporre le estremità del filo. Andare al punto 11.

### Installazione di Split-Line™

8. Prendere circa 3,65 metri di filo da taglio nuovo. Inserire un'estremità del filo attraverso i due fori del rocchetto (fig. 16). Tirare il filo attraverso il rocchetto fino a farne rimanere fuori circa 10 cm.
9. Inserire l'estremità del filo nel foro aperto del rocchetto e tendere il filo per ridurre al minimo l'occhiello (fig. 16).
10. Prima di avvolgere, separare il filo tirandolo indietro di circa 15,2 cm.
11. Avvolgere il filo per strati uniformi ma serrati nella direzione indicata sul rocchetto.

**NOTA:** Se il filo non viene avvolto nella direzione indicata, il pezzo da taglio non funzionerà correttamente.

12. Inserire le estremità del filo negli intagli di bloccaggio (fig. 17).
13. Inserire le estremità del filo attraverso gli occhielli della bobina esterna e collocare il rocchetto con la molla all'interno della bobina (fig. 18). Unire assieme rocchetto e bobina. Tenendo il rocchetto e la bobina, afferrare le estremità e tirare con forza per sganciare il filo dagli intagli del rocchetto.

**NOTA:** La molla va montata nel rocchetto prima di rimontare il pezzo di taglio.

14. Tenere in posizione il rocchetto e montare il Bump Knob girandolo in senso orario e stringere.

### Installazione di una bobina interna con filo pre-avvolto

1. Tenere ferma la bobina esterna con una mano e svitare la manopola di bloccaggio ruotandola in senso antiorario (Fig. 10). Verificare che la vite posta all'interno della manopola si muova liberamente. Eventualmente sostituire la manopola danneggiata.
2. Togliere la bobina interna vecchia dalla bobina esterna (Fig. 11).
3. Togliere la molla vecchia dalla bobina interna (Fig. 11).
4. Con uno straccio, pulire la bobina interna, la molla, l'albero e la superficie interna della bobina esterna.

5. Porre la molla nella nuova bobina interna.

**NOTA:** E' necessario installare la molla sulla bobina interna prima di procedere all'assemblaggio della bobina.

6. Inserire le estremità del filo negli occhielli della bobina esterna (Fig. 18).
7. Porre la nuova bobina interna nella bobina esterna. (18). Esercitare una pressione per assemblare le due bobine. Tenendo con una mano la bobina interna e la bobina esterna, afferrare le estremità del filo e tirarlo con energia attraverso le due fessure della bobina.
8. Tenendo ferma la bobina interna procedere all'installazione della manopola di bloccaggio ruotandola in senso orario. Serrare con forza.

## MANUTENZIONE DEL FILTRO DELL'ARIA

### Smontaggio del carter del filtro dell'aria /tubo di scappamento

1. Porre la leva dello starter in posizione intermedia (2).

**NOTA:** La leva dello starter deve essere in posizione intermedia (2) (Fig. 19) per consentire l'estrazione del carter del filtro dell'aria/tubo di scappamento.

2. Togliere le quattro (4) viti tenendo fermo il filtro dell'aria/tubo di scappamento (Fig. 19). Utilizzare un cacciavite a lama piatta o a punta Torx n°T20.
3. Togliere il carter dal motore senza esercitare alcuna pressione.

### Pulizia del filtro dell'aria

Pulire e lubrificare il filtro dell'aria dopo dieci ore di funzionamento. E' importante effettuare una regolare manutenzione delle parti componenti. Se il filtro dell'aria non è pulito la garanzia NON E' VALIDA.

1. Togliere il carter del filtro dell'aria/tubo di scappamento. Consultare il paragrafo " Smontaggio del carter del filtro dell'aria/tubo di scappamento ".
2. Togliere il filtro dell'aria dall'interno del coperchio (fig. 20).
3. Lavare il filtro con del detergente e dell'acqua (Fig. 21). Sciacquarlo delicatamente e sgocciolarlo. Lasciarlo asciugare completamente.
4. Applicare una quantità di olio sufficiente a rivestire leggermente il filtro (Fig. 22).
5. Spremere il filtro in modo tale da stendere l'olio ed eliminarne l'eccesso.
6. Rimettere il filtro dell'aria nel coperchio del blocco filtro aria/marmitta (fig. 20).

**NOTA:** L'impiego dell'apparecchio senza filtro dell'aria e carter del filtro dell'aria/tubo di scappamento comporta l'ANNULLAMENTO della garanzia.

### Riposizionamento del carter del filtro dell'aria/tubo di scappamento

1. Porre il carter del filtro dell'aria/tubo di scappamento nella parte posteriore del carburatore e del tubo di scappamento.

**NOTA:** La leva dello starter deve trovarsi in posizione intermedia (2) (Fig. 19) per consentire il riposizionamento del carter del filtro dell'aria/tubo di scappamento.

## ISTRUZIONI PER MANUTENZIONE E RIPARAZIONE

2. Inserire le quattro (4) viti nei fori del carter del filtro dell'aria/tubo di scappamento (Fig. 19) e chiuderle mediante un cacciavite a lama piatta o a punta Torx n°T20. Non serrare troppo o esercitare pressione.

### Verifica della miscela di carburante

L'utilizzo di carburante vecchio o miscelato in modo errato è la causa principale di un cattivo funzionamento dell'apparecchio. Prima di effettuare delle regolazioni svuotare completamente il serbatoio e riempirlo con del carburante nuovo miscelato in modo corretto.

### Pulizia del filtro dell'aria

Lo stato di pulizia del filtro dell'aria ha un ruolo fondamentale nel funzionamento dell'apparecchio. Un filtro dell'aria sporco impedisce la circolazione dell'aria e modifica la miscela aria/carburante. Gli effetti prodotti vengono spesso attribuiti per errore ad una errata regolazione del carburatore. Prima di regolare il minimo verificare lo stato del filtro dell'aria. Consultare il paragrafo «Manutenzione del filtro dell'aria».

### Regolazione del minimo

Nel caso in cui, dopo la verifica della miscela di carburante e pulizia del filtro dell'aria, il minimo non sia ancora regolato in maniera appropriata, effettuare la procedura qui di seguito descritta:

1. Avviare il motore e farlo funzionare ad alta velocità (acceleratore al massimo) per 2-3 minuti per farlo scaldare.
2. Rilasciare l'acceleratore e lasciare il motore al minimo. Se il motore si arresta, inserire un piccolo cacciavite a croce o a lama piatta nel foro del carter del filtro dell'aria/tubo di scappamento (Fig. 23). Ruotare la vite di regolazione del minimo, in senso orario, di un ottavo di giro alla volta (in base alle necessità) fino a quando il motore non rimane al minimo. Leggere le istruzioni riguardanti il numero di giri al minuto al minimo.

**NOTA:** L'apparecchio non è dotato di frizione ed il rocchetto del filo continua a girare quando il motore è a folle.

3. Onde ridurre la velocità al minimo, ruotare la vite di regolazione del minimo, in senso antiorario, di un ottavo di giro alla volta (in base alle necessità).

La verifica della miscela di carburante, la pulizia del filtro dell'aria e la regolazione del minimo dovrebbero risolvere la maggior parte dei problemi connessi al motore.

Nel caso in cui i problemi non siano completamente risolti e che:

- il minimo non funzioni,
- il motore perda colpi o stalli all'accelerazione,
- il motore perda potenza,

fare regolare il carburatore da un rivenditore autorizzato.

### SOSTITUZIONE DELLA CANDELA

Utilizzare una candela Champion RDJ7Y (oppure una candela equivalente). Lo scarto corretto è di 0,5 mm. Verificare la candela dopo 50 ore di funzionamento.

1. Spegnerne il motore e lasciarlo raffreddare. Togliere il cappuccio della candela.
2. Disincrostare la candela.

3. Procedere alla sostituzione della candela se è rotta o sporca. Impostare lo scarto a 0,5 mm.
4. Installare la candela nel cilindro. Bloccarla avvitando la base in senso orario.

Non serrare troppo.

### PULIZIA

Utilizzare una spazzola di piccole dimensioni per pulire l'esterno dell'apparecchio. Non utilizzare detergenti forti. I prodotti per la pulizia domestica che contengono olii aromatici quali pino o limone nonché solventi quali il kerosene potrebbero danneggiare l'impugnatura o il carter in plastica. Utilizzare uno straccio asciutto per togliere eventuali tracce di umidità.

### RIPORRE L'APPARECCHIO

- Non riporre mai l'apparecchio con benzina nel serbatoio in un luogo in cui i vapori potrebbero venire a contatto con una scintilla o una fiamma.
- Prima di riporre l'apparecchio, lasciare che il motore si raffreddi.
- Riporre l'apparecchio in un luogo asciutto, chiuso a chiave o in posizione elevata onde impedire un impiego non autorizzato o un eventuale danneggiamento. Tenerlo sempre lontano dalla portata dei bambini.

### RIPORRE L'APPARECCHIO PER UN PERIODO DI TEMPO LUNGO

Nel caso in cui l'apparecchio venga riposto per un periodo di tempo lungo:

1. Togliere tutto il carburante dal serbatoio e versarlo in un contenitore in cui vi sia già del carburante identico per motore a due tempi. Non utilizzare del carburante che sia rimasto nel contenitore per più di 60 giorni.
2. Avviare il motore e lasciarlo funzionare fino a quando non si spegne da solo. In questo modo si ha la certezza che nel carburatore non vi è più traccia di carburante.
3. Lasciare che il motore si raffreddi. Togliere la candela e versare nel cilindro 30 ml di olio ad elevata qualità o olio per motori a due tempi. Tirare lentamente il cavo per l'avvio in modo tale che l'olio si distribuisca in maniera uniforme. Reinstallare la candela.

**NOTA:** Prima di riavviare il taglia bordi che è rimasto inutilizzato dopo un lungo periodo di tempo, smontare la candela e togliere completamente l'olio del cilindro.

4. Pulire l'apparecchio in modo appropriato e verificare che non sia stato danneggiato né che vi siano degli elementi fissati in modo errato. Effettuare un controllo generale, procedere alla sostituzione dei pezzi danneggiati e, se necessario, serrare le viti i dadi ed i bulloni. Ora l'apparecchio è pronto per essere riposto.
5. Riporre l'apparecchio in un luogo asciutto, chiuso a chiave o in posizione elevata onde impedire un impiego non autorizzato o un eventuale danneggiamento. Tenerlo sempre lontano dalla portata dei bambini.



## RISOLUZIONE DEI PROBLEMI

### IL MOTORE NON PARTE

#### CAUSA

Interruttore spento (OFF)  
Svuotare il serbatoio  
La pompa di innesco non è stata premuta abbastanza  
Motore ingolfato  
  
Miscela vecchia o miscelata non correttamente  
Candela sporca

#### COSA FARE

Accendere l'interruttore (ON)  
Riempire il serbatoio  
Premere la pompa di innesco a fondo e lentamente per 10 volte  
Usare la procedura di avviamento con la leva dello starter in posizione 3 (normale)  
Svuotare il serbatoio - Aggiungere miscela fresca  
Sostituire o pulire la candela

### IL MOTORE VA AL MINIMO

#### CAUSA

Filtro dell'aria ostruito  
Miscela vecchia o miscelata non correttamente  
Regolazione non corretta del carburatore

#### COSA FARE

Sostituire o pulire il filtro dell'aria  
Svuotare il serbatoio - Aggiungere miscela fresca  
Regolare come descritto

### IL MOTORE NON ACCELERA

#### CAUSA

Miscela vecchia o miscelata non correttamente  
Regolazione non corretta del carburatore

#### COSA FARE

Svuotare il serbatoio - Aggiungere miscela fresca  
Far regolare il carburatore da un centro di assistenza autorizzato

### DURANTE IL TAGLIO IL MOTORE NON HA POTENZA O SI BLOCCA

#### CAUSA

Testa di taglio impigliata nell'erba  
Filtro dell'aria sporco  
Miscela vecchia o miscelata non correttamente  
Regolazione non corretta del carburatore

#### COSA FARE

Fermare il motore e pulire il pezzo di taglio  
Pulire o sostituire il filtro dell'aria  
Svuotare il serbatoio - Aggiungere miscela fresca  
Far regolare il carburatore da un centro di assistenza autorizzato

### LA TESTA DI TAGLIO NON FA AVANZARE IL FILO

#### CAUSA

Testa di taglio impigliata nell'erba  
Testa di taglio senza filo  
Rocchetto riavvolto  
Testa di taglio sporca  
Filo cementato  
Filo attorcigliato durante il riavvolgimento  
Filo estratto insufficiente

#### COSA FARE

Fermare il motore e pulire il pezzo di taglio  
Inserire un filo nuovo  
Sostituire il rocchetto  
Pulire il rocchetto (interno) e la bobina (esterna)  
Smontare, togliere la sezione cementata e riavvolgere il filo  
Smontare e riavvolgere il filo  
Premere il Bump Knob ed estrarre il filo facendo uscire 102 mm di filo dal pezzo di taglio

#### Per altri tipi di problema rivolgersi ad un centro di assistenza autorizzato

Tutte le informazioni, le illustrazioni e i dati tecnici riportati nel presente manuale si basano sulle informazioni disponibili sul prodotto alla data stampa. Il produttore si riserva il diritto di apportare in qualsiasi momento qualsiasi modifica senza obbligo di preavviso.

## DATI TECNICI

### MOTORE

Tipo di motore.....	Due tempi raffreddato ad aria
Tipo di accensione.....	Elettronica
Cilindrata.....	31 cm <sup>3</sup>
Potenza massima erogata conforme ISO 8893.....	75 kW (1 hp)
Regime minimo.....	3200 min <sup>-1</sup> (rpm)
Regime operativo.....	7700 min <sup>-1</sup> (rpm)
Carburante.....	Miscela benzina/olio (40:1) 2,5 %
Interruttore.....	Commutatore a bilanciere
Starter.....	Ritorno automatico
Capacità massima serbatoio.....	355 ml

### ALBERO MOTORE E TESTA DI TAGLIO

Carter dell'albero motore.....	Tubo in acciaio
Controllo dell'acceleratore.....	Acceleratore
Testa di taglio.....	Fuoriuscita del filo con colpo a terra
Diametro del filo di taglio.....	2 mm, fil doppio
Diametro della traiettoria di taglio.....	38 cm
Massa (senza carburante).....	4,5 kg

### ACCESSORI a richiesta

### GARANZIA

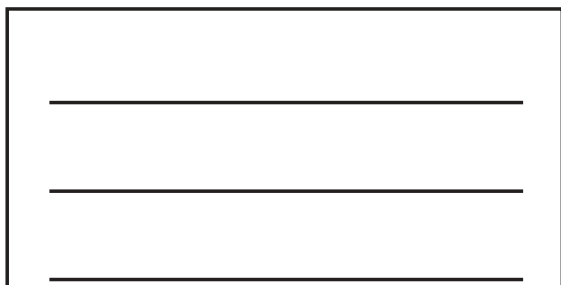
---

In ogni paese sono valide le condizioni di garanzia pubblicate dalla nostra società, o dall'importatore. Nei limiti della garanzia, eliminiamo gratuitamente guasti alla Vostra macchina, se originati da difetti di materiale o di fabbricazione. Nei casi previsti dalla garanzia rivolgetevi al Vostro rivenditore, oppure alla più vicina filiale.

Registe todos os dados indicados na placa de característica do seu aparelho no quadro seguinte.

A placa de características encontra-se perto do motor.

Estes dados são muito importantes para a identificação posterior das peças de reposição ao fazer encomendas e para os serviços de assistência técnica.



## PARA SUA SEGURANÇA

### USAR CORRECTAMENTE A MÁQUINA

Esta máquina é indicada exclusivamente

- para ser utilizada de acordo com as descrições e indicações de segurança dadas nas presentes instruções de serviço,
- para ser utilizada na área de jardim doméstico e de ócio,
- para cortar relvas nos cantos de gramado e em áreas de gramado pequenas e de difícil acesso (p. ex. debaixo de arbustos),
- bem como para cortar plantas bravas, arbustos e matagal.

Esta máquina não foi homologada para o emprego além dos aqui descritos. O utente é responsável pelos danos a terceiros e a sua propriedade que resultam da utilização da máquina.

Utilize a máquina só no estado técnico prescrito e fornecido pelo fabricante.

Alterações arbitrárias na máquina excluem quaisquer responsabilidades do fabricante pelos danos dali resultante.

## AVISOS DE SEGURANÇA

### LEIA TODAS AS INSTRUÇÕES ANTES DA UTILIZAÇÃO

- Leia com atenção o manual do operador. Familiarize-se bem com os controles e com o uso adequado da unidade. Saiba como parar a unidade.
- Nunca permita que crianças operem a unidade. Nunca permita que adultos operem a unidade sem que tenham recebido as instruções adequadas..
- Inspeccione a máquina antes de usá-la. Substitua peças danificadas. Veja se há fugas de combustível. Assegure-se de que todos os dispositivos de fixação estão no lugar e estão bem seguros. Substitua peças do dispositivo de corte que estejam rachadas, quebradas, ou danificadas de alguma forma. Assegure-se de que o escudo do dispositivo de corte está devidamente fixado e disposto na posição recomendada. Caso contrário, isso pode provocar lesões pessoais ao operador e às pessoas presentes e danificar a máquina.
- Use apenas fio genuíno do fabricante, próprio para substituição, de 2,03 mm (0,080 pol.) de diâmetro. Nunca utilize linhas, fios, correntes ou cordas, etc., reforçados com metal. Eles podem quebrar-se e transformar-se em projecteis perigosos.
- Não opere esta máquina quando estiver cansado ou sob a influência de álcool, drogas ou medicamentos.
- Atenção aos riscos de ferimentos na cabeça, nas mãos e nos pés.
- Desobstrua a área a ser cortada antes de cada uso. Remova todos os objectos, tais como pedras, vidros partidos, pregos, arame ou cordel, que possam ser arremessados ou ficar presos no dispositivo de corte.
- Mantenha afastadas as crianças, outras pessoas e animais domésticos. Pelo menos, conserve todas as crianças, as pessoas presentes e os animais domésticos fora de um raio de 15 m; mesmo assim, as pessoas próximas correm o risco de ser atingidas por objectos arremessados. As pessoas que se encontrarem na área de trabalho devem utilizar protecção ocular. Se alguém se aproximar de si, pare imediatamente o motor e o dispositivo de corte.

### RECOMENDAÇÕES DE SEGURANÇA

**ATENÇÃO:** A gasolina é altamente inflamável e os vapores de gasolina podem explodir no caso de contacto com uma chama. Tome as seguintes precauções:

## AVISOS DE SEGURANÇA

- Armazene sempre o combustível em recipientes especialmente concebidos e aprovados para armazenar esse tipo de produto.
- Pare sempre o motor e deixe-o arrefecer antes de encher o depósito. Nunca deve retirar a tampa do depósito ou acrescentar combustível enquanto o motor estiver quente.
- Misture o combustível e abasteça a unidade em uma área externa limpa e bem ventilada onde não haja faíscas ou chamas. Nunca encha o tanque de combustível em uma área interna. Retire bem devagar a tampa de combustível, mas apenas depois de desligar o motor. Não fume enquanto estiver abastecendo ou misturando o combustível. Limpe imediatamente todo combustível que houver sido derramado na unidade.

### DURANTE A UTILIZAÇÃO

- Nunca ponha o aparelho a trabalhar e não o utilize numa sala ou num edifício fechado. A inalação dos fumos de escape pode ser mortal. Utilize este aparelho apenas no exterior, numa zona bem ventilada.
- Use óculos de segurança e proteção para o ouvido/auditiva ao operar a unidade. Use óculos de segurança em todo tipo de operação, por exemplo: preparação, funcionamento e manutenção.
- Use calças longas e grossas, botas, luvas e camisa de mangas compridas. Não use calças curtas, sandálias, nem fique descalço.
- O resguardo de protecção de corte deve estar sempre no sítio quando o aparelho é utilizado. O comprimento do fio de corte não deve ultrapassar o do resguardo de protecção.
- A máquina não está equipada com uma embraiagem e a bobina do fio continua a girar quando o motor está a funcionar a baixa rotação.
- Regule a pega em D ao seu tamanho para assegurar o melhor porte possível na mão.
- Certifique-se de que a bobina de fio não estão em contacto com nenhum objecto antes de pôr o motor a funcionar.
- O utilizador e o aparelho devem estar em posição estável ao pôr a trabalhar. Ver a Figura 6 e as Instruções para o arranque/paragem.
- Utilize a ferramenta apropriada. Utilize esta ferramenta somente para o uso a que se destina.

- Não toque no motor nem no escape. Estes elementos aquecem imenso quando o aparelho está em funcionamento. Depois de parado, permanecem quentes durante pouco tempo.
- Não faça funcionar o motor a alta velocidade quando não efectua cortes.
- No caso de contacto com um corpo estranho, pare imediatamente o motor e verifique se o aparelho não tem danos. Não utilize o aparelho antes de o ter posto em bom estado. Não utilize o aparelho se certas peças estiverem mal apertadas ou danificadas.
- Caso a unidade comece a vibrar de forma fora do normal, desligue o motor e tente descobrir a causa imediatamente. Vibração, geralmente, é sinal de problemas.
- Pare o motor e ponha-o na posição Parado para qualquer operação de limpeza ou de manutenção e ao substituir a bobina de fio ou outro acessório.
- Utilize apenas acessórios e peças de reposição aprovados pelo fabricante quando algum tipo de serviço for prestado a esta unidade. Estas peças podem ser adquiridas de um revendedor/prestador de serviços autorizado.
- Não utilize peças, acessórios ou suplementos não autorizados para esta unidade. Fazer isto pode causar lesões sérias ao usuário ou pode danificar a unidade, o que anula sua garantia.

### OUTRAS RECOMENDAÇÕES DE SEGURANÇA

- Se houver combustível no depósito, nunca arrume o aparelho num local onde os vapores possam entrar em contacto com uma chama ou uma fagulha.
- Deixe arrefecer o motor antes de arrumar ou transportar o aparelho. Proteja o aparelho para o transporte.
- Limpe o aparelho depois de cada utilização; consulte as instruções da secção «Limpeza e armazenagem».
- Conserve este manual. Consulte regularmente as instruções aqui presentes e transmita estas instruções aos outros utilizadores. Se emprestar este aparelho, empreste também estas instruções.
- Mandar uma oficina especializada executar todas as reparações.

### CONSERVE ESTAS INSTRUÇÕES

# AVISOS DE SEGURANÇA

## SÍMBOLOS DE SEGURANÇA E SÍMBOLOS INTERNACIONAIS

O presente manual de utilização descreve os símbolos e pictogramas de segurança e internacionais susceptíveis de aparecer neste aparelho. Leia o manual de utilização para obter informações completas sobre a segurança, a montagem, o funcionamento, a conservação e a manutenção do seu material.

### SÍMBOLO

### SIGNIFICADO



#### • SÍMBOLO DE ALERTA DE SEGURANÇA

Este símbolo indica um perigo, é uma advertência ou requer precauções. Pode estar associado a outros símbolos ou pictogramas.



#### • ATENÇÃO - LER O MANUAL DE UTILIZAÇÃO

Leia o manual de utilização e respeite todas as instruções e recomendações de segurança. O não cumprimento destas instruções pode provocar ferimentos graves para utilizador e/ou as pessoas que estão próximas.



#### • USAR PROTECÇÕES OCULARES E AUDITIVAS

**ATENÇÃO:** As projecções de objectos e o nível sonoro podem provocar lesões nos olhos e uma perda auditiva. Use óculos de protecção e uma protecção auditiva ao utilizar o aparelho. Recomendamos o uso de uma máscara protetora, quando necessário.



#### • MANTER QUALQUER PESSOA AFASTADA

**ATENÇÃO:** Todas as pessoas que estão próximas, especialmente as crianças, assim como os animais, devem estar a uma distância de pelo menos 15 metros da zona onde o aparelho é utilizado.



#### • GASOLINA SEM CHUMBO

Utilize sempre gasolina sem chumbo, limpa e nova.



#### • ÓLEO

Consulte o manual de utilização para conhecer o tipo de óleo a utilizar.



#### • AS PROJECCÕES DE OBJECTOS PODEM PROVOCAR FERIMENTOS GRAVES

**ATENÇÃO:** Mantenha-se afastado da saída do soprador. Nunca oriente o soprador para si nem para terceiros. O soprador pode provocar projecções. Não utilize o aparelho se os equipamentos e protectores adequados não estiverem instalados.

## AVISOS DE SEGURANÇA

### SÍMBOLO

### SIGNIFICADO



- INTERRUPTOR  
LIGAR



- INTERRUPTOR  
DESLIGAR



- ATENÇÃO SUPERFÍCIE QUENTE

Não toque no escape nem no cilindro quente. Pode queimar-se. Estes elementos aquecem bastante quando o aparelho está em funcionamento. Depois de parado, permanecem quentes durante um curto momento.



- LÂMINA AFIADA

**ATENÇÃO:** Há uma lâmina afiada no resguardo do dispositivo de corte. Para evitar ferimentos graves, não toque na lâmina de corte do fio.



- ALAVANCA DE STARTER

- 1 • Posição starter.
- 2 • Posição intermédia.
- 3 • Posição plena potência.



- VELOCIDADE MÁXIMA DE ROTAÇÃO

Não opere a unidade a uma velocidade que exceda a velocidade máxima de rotação.

# INSTRUÇÕES DE MONTAGEM

## INSTALAÇÃO DA PEGA EM D

1. Para sua segurança, o cabo em forma de D deve ser montado à frente da saia limitadora. Deslize o cabo em forma de D pela carcaça do eixo de forma que o cabo fique inclinado na direção do motor (Fig. 1).

**CUIDADO:** não force o cabo em forma de D por cima da saia limitadora. Pode ocorrer dano ao cabo em forma de D ou à unidade.

3. Instale o parafuso, a arruela e a porca-borboleta e, em seguida, aperte.

## AJUSTE DA PEGA EM D

1. Desaperte a porca borboleta. Não é necessário retirar a porca, a anilha e o parafuso.
2. Faça rodar a pega em D de modo a colocar o punho por cima do tubo.

3. Mantendo o aparelho em posição de funcionamento (Fig. 13), coloque a pega em D no ponto que lhe assegura o melhor porte e aperte a porca borboleta. (Fig. 1).

## INSTALAÇÃO DO RESGUARDO DE PROTECÇÃO DE CORTE

1. Coloque o resguardo de protecção de corte no tubo, por cima do dispositivo de fixação (Fig. 2).
2. Baixe o resguardo de protecção de corte até à parte superior do dispositivo de corte, faça-o rodar de modo a o ajustar em relação aos furos destinados a receber os parafusos e a encaixá-lo no seu lugar (Fig. 3).

## RECOMENDAÇÕES SOBRE O ÓLEO E O COMBUSTÍVEL

### TIPO DE ÓLEO RECOMENDADO

Use um óleo de alta qualidade formulado para uso em motores de 2 tempos arrefecidos a ar. Misture o óleo de acordo com as instruções constantes do recipiente de óleo para motores de 2 tempos, na proporção de 1 medida de óleo para 40 medidas de combustível (2,5 %).

### TIPO DE COMBUSTÍVEL RECOMENDADO

Use sempre gasolina sem chumbo fresca e limpa.

### INSTRUÇÕES PARA A MISTURA DO ÓLEO COM A GASOLINA

O uso de combustível velho e/ou misturado incorrectamente constitui a principal razão pela qual a máquina pode funcionar deficientemente. Assegure-se de usar gasolina sem chumbo fresca e limpa. Siga cuidadosamente as instruções quanto à mistura correcta da gasolina e do óleo.

Misture bem a proporção adequada de óleo de motor de 2 tempos com gasolina sem chumbo, 40:1 (2,5 %). Não misture-os directamente no tanque.

# INSTRUÇÕES DE OPERAÇÃO

## INSTRUÇÕES SOBRE O ARRANQUE

1. Misturar a gasolina (combustível para motores OTTO) com o óleo. Atestar o depósito com a mistura. Ver as instruções sobre a mistura de óleo e gasolina.
2. Colocar o interruptor na posição FUNCIONAMENTO [I] (Fig. 4).

3. **SUGESTÃO: No arranque dum aparelho, que não foi utilizado durante muito tempo (ou que seja completamente novo, ou cujo arranque seja difícil), accionar 20 vezes a bomba de aspiração.**

Premir a bomba de aspiração 10 vezes lenta e completamente. O combustível tem que ser visível na bomba. (Fig. 5). Se tal não acontecer, premir a bomba mais três vezes ou tantas vezes, até que o combustível seja visível.

4. Colocar a alavanca de «Starter» na posição 1 (Fig. 5).

**SUGESTÃO: Observação: Ter em atenção que o «Starter» na posição (1) está engatado.**

5. Com o aparelho assente no chão, apertar o gatilho do acelerador mantendo a alavanca premida.

**700:** Puxar energicamente o cabo de lançamento (em geral, após 3 tentativas) (Fig. 6).

**710:** Puxe a corda de arranque uma a 3 vezes com um **movimento controlado e firme**

6. Colocar a alavanca de „Starter“ na posição intermédia (2) (Fig. 5).
7. **700:** Para o motor pegar, puxar, energicamente, 1 a 3 vezes o cabo de lançamento (Fig. 6).  
**710:** Puxe a corda de arranque 1 a 5 vezes com um **movimento controlado e firme** para fazer arrancar o motor (Fig. 19).

**OBSERVAÇÃO :** A unidade utiliza Advanced Starting Technology™, que reduz significativamente o esforço necessário para o arranque do motor. Tem que puxar a corda de arranque suficientemente para fora de modo a ouvir o motor a tentar arrancar. Não é necessário puxar a corda energicamente, dado que não existe uma resistência rígida ao puxar. Tenha em conta que este método de arranque é extremamente diferente (e muito mais fácil) daquilo a que poderá estar habituado.

8. Repetir as operações 3 a 7 se o motor não pegar.
9. Premir o gatilho do acelerador, para que o motor aqueça durante 10 a 15 segundos. Colocar a alavanca de «Starter» na posição 3 (Fig. 5).

**OBSERVAÇÃO:** Não é necessário utilizar o «Starter» para pôr um motor quente a funcionar. Ponha o interruptor na posição **FUNCIONAMENTO [I]** e arranque na posição 2.

**OBSERVAÇÃO:** Colocar a alavanca de «Starter» na posição 3 se o motor afogar na tentativa de arranque. Premir o gatilho do acelerador. Puxar energicamente o cabo de lançamento. O motor tem que pegar depois de 3 (três) a 8 (oito) tentativas.

## INSTRUÇÕES PARA PARAR

1. Solte o gatilho do acelerador (Fig. 4). Deixar o motor arrefecer no funcionamento em ralenti (= ponto morto)
2. Ponha o interruptor na posição DESLIGADO [O] (Fig. 4).

## SEGURAR O APARADOR DE RELVA

Antes de utilizar o aparelho, adopte a posição adequada (Fig. 7).

## AJUSTE DO COMPRIMENTO DO FIO DE CORTE

A bobina de fio permite libertar fio de corte sem parar o motor. Para tal, bater bruscamente no chão com a bobina (Fig. 8) mantendo o aparador de relva em funcionamento a velocidade elevada.

**OBSERVAÇÃO:** O fio de corte deve estar sempre bem tenso. É mais difícil libertar fio quando o fio de corte fica curto.

Se for libertado um comprimento excessivo de fio, uma lâmina, situada no resguardo de protecção de corte, corta o fio ao comprimento correcto. Para melhores resultados, faça pancadas bruscas com a bobina em chão nu ou duro. Se tentar libertar fio batendo em relva alta, o motor pode ir abaixo.

## O fio de corte pode quebrar nos seguintes casos

- Desgaste normal do fio
- Fio aproximado de um corpo como um muro ou um poste de vedação

## ASTÚCIAS PARA MELHORES RESULTADOS DE CORTE

- Mantenha a bobina de fio paralela ao chão.
- Não force sobre a bobina. Realize o trabalho com a ponta do fio, em particular ao longo dos muros. Se utilizar mais que a ponta do fio para efectuar o corte, a eficácia do corte ficará reduzida e o motor pode ficar em sobrecarga.
- Corte a relva em 20 cm, trabalhando de cima para baixo em pequenas progressões para evitar um desgaste prematuro do fio ou uma resistência do motor.
- Efectue o corte da esquerda para a direita quando for possível. O aparelho oferece melhor eficácia de corte quando o movimento é efectuado para a direita. O detritos são evacuados longe do utilizador.
- Desloque o aparador de relva lentamente no interior e no exterior da zona a cortar à altura desejada. Efectue um movimento da frente para trás ou de um lado para outro. O corte de pequenas extensões dá os melhores resultados.

## CORTE DE ORNAMENTO

O corte de ornamento realiza-se retirando toda a vegetação em torno das árvores, dos postes, das vedações, etc.

Faça rodar todo o aparelho de modo que a bobina de fio fique a um ângulo de 30° em relação ao chão (Fig. 9).



# INSTRUÇÕES DE CONSERVAÇÃO E REPARAÇÃO

## INSTALAÇÃO DO FIO DE CORTE

Esta seção cobre tanto a instalação da Split-Line™ quanto da unidade de cordão único.

Utilize sempre um fio sobresselente de 2 mm. O motor pode aquecer ou avariar no caso de utilização de um fio de tamanho diferente do tamanho indicado.

Existem dois métodos para substituir o fio de corte:

- Enrolamento do novo fio na bobina interna
- Instalação de uma bobina interna de fio pré-enrolado

### Enrolamento do fio na bobina interna existente

1. Mantenha a bobina externa com uma mão e desaperte o botão de batente com a outra, rodando no sentido inverso dos ponteiros de um relógio (Fig. 10). Verifique se o parafuso situado no interior do botão de batente mexe livremente. Substitua o botão de batente se estiver danificado.
2. Retire a bobina interna da bobina externa (Fig. 11).
3. Retire a mola da bobina interna (Fig. 11).
4. Utilize um pano limpo para limpar a bobina interna, a mola, o veio e a superfície interior da bobina externa (Fig. 12).
5. Verifique o desgaste dos dentes de encaixe nas bobinas interna e externa (Fig. 13). Se necessário, retire os restos ou substitua as bobinas.

**OBSERVAÇÃO:** o Split-Line(tm) só pode ser usado com a bobina interna que tenha fendas. A unidade de cordão único pode ser usada com qualquer tipo de bobina interna. Use a figura 13 para identificar qual é a sua bobina interna.

**OBSERVAÇÃO:** Sempre use o comprimento de cordão correto ao instalar o cordão aparador na unidade. O cordão pode não se soltar da forma adequada se estiver longo demais.

### Instalação da unidade de cordão único

Para a instalação da Split-Line™, vá para a etapa 8

6. Pegue aproximadamente 7,6 metros (25 pés) de cordão aparador novo e faça dois laços de igual comprimento. Insira cada uma das extremidades do cordão através de um dos dois orifícios na bobina interna (Fig. 14). Puxe o cordão pela bobina interna de forma que o laço seja o menor possível.
7. Enrole os cordões na bobina em camadas apertadas e uniformes (Fig. 15). Enrole o cordão na direção indicada na bobina interna. Coloque o dedo indicador entre os dois cordões para evitar que se sobreponham. Não sobreponha as extremidades do cordão. Passe para a etapa 11.

### Instalação da Split-Line™

8. Pegue aproximadamente 3,65 metros (12 pés) de cordão aparador novo. Insira uma das extremidades do cordão através de um dos dois orifícios na bobina interna (Fig. 16). Puxe o cordão pela bobina interna até que apenas 4 polegadas (10,16 cm) fiquem de fora.
9. Insira a extremidade do cordão no orifício aberto na bobina interna e aperte o cordão de forma que o laço seja o menor possível (Fig. 16).
10. Antes de enrolar, separe o cordão num comprimento de cerca de 6 polegadas (15,24 cm).
11. Enrole os cordões na bobina em camadas apertadas e uniformes na direção indicada na bobina interna.

**OBSERVAÇÃO:** não enrolar o cordão na direção indicada fará com que o suplemento de corte funcione de forma incorreta.

12. Insira as extremidades do cordão nas duas aberturas de retenção (Fig. 17).
13. Insira as extremidades do cordão através das frestas no carretel externo e coloque a bobina interna com a mola dentro do carretel externo (Fig. 18). Encaixe a bobina interna e o carretel externo. Enquanto segura a bobina interna e o carretel externo, pegue as extremidades e puxe com firmeza para soltar o cordão das aberturas de retenção na bobina.

**OBSERVAÇÃO:** a mola deve ser montada na bobina interna antes que o suplemento de corte seja remontado.

14. Mantenha a bobina interna no lugar e instale o Botão Bump ao girar no sentido horário. Aperte bem.

### Instalação de uma bobina de fio pré-enrolado

1. Mantenha a bobina externa com uma mão e desaperte o botão de batente com a outra, rodando no sentido contrário dos ponteiros de um relógio. (Fig. 10). Verifique se o parafuso situado no interior do botão de batente mexe livremente. Substitua o botão de batente se estiver danificado.
2. Retire a antiga bobina interna da bobina externa (Fig. 11).
3. Retire a mola da antiga bobina interna (Fig. 11).
4. Utilize um pano limpo para limpar a bobina interna, a mola, o veio e a superfície interior da bobina externa.
5. Coloque a mola na nova bobina interna.

**OBSERVAÇÃO:** A mola deve ser instalada na bobina interna antes de montar a bobina de fio.

6. Introduza as pontas do fio nos olhais da bobina externa (Fig. 18).
7. Coloque a nova bobina interna na bobina externa (Fig. 18). Aperte para montar as duas bobinas. Mantendo a bobina interna e a bobina externa, pegue as pontas do fio e puxe firme para libertar o fio das duas fendas de retenção da bobina
8. Mantenha a bobina interna no sítio e instale o botão de batente rodando-o no sentido dos ponteiros de um relógio. Aperte bem.

## MANUTENÇÃO DO FILTRO DE AR

### Desmontagem do cárter do filtro de ar/escape

1. Coloque a alavanca do starter na posição 2.

**OBSERVAÇÃO:** A alavanca do starter deve estar na posição intermédia (2) (Fig. 19) para que o cárter do filtro de ar/escape possa ser retirado.

2. Retire os quatro (4) parafusos de retenção do cárter do filtro de ar/escape (Fig. 19). Utilize uma chave de fenda de lâmina plana ou com uma ponteira Torx n°T20.
3. Retire o cárter do motor. Sem forçar.

### Limpeza do filtro de ar

Limpe e lubrifique o filtro de ar após dez horas de funcionamento. É um ponto de manutenção importante. Se não assegurar a limpeza do filtro de ar, a garantia ficará ANULADA.

1. Retire o cárter do filtro de ar/escape. Consulte a secção «Desmontagem do cárter do filtro de ar/escape».

# INSTRUÇÕES DE CONSERVAÇÃO E REPARAÇÃO

2. Retire o filtro de ar do interior da cobertura do filtro/silencioso (Fig. 20).
3. Lave o filtro com detergente e água (Fig. 21). Passe cuidadosamente por água. Escorra-o e deixe-o secar totalmente.
4. Aplique óleo limpo suficiente para lubrificar ligeiramente o filtro (Fig. 22).
5. Aperte o filtro para espalhar e eliminar o excesso de óleo.
6. Substitua o filtro de ar no interior da cobertura do filtro/silencioso (Fig. 20).

**OBSERVAÇÃO:** A utilização do aparelho sem filtro de ar e cárter de filtro de ar/escape implica a ANULAÇÃO da garantia.

## Instalação do cárter do filtro de ar/escape

1. Coloque o cárter do filtro de ar/escape na traseira do carburador e do escape.

**OBSERVAÇÃO:** A alavanca do starter deve estar na posição intermédia (2) (Fig. 19) para que o cárter do filtro de ar/escape possa ser instalado.

2. Introduza os quatro (4) parafusos nos orifícios do cárter do filtro de ar/escape (Fig. 19) e aperte-os. Utilize uma chave de fenda de lâmina plana ou com uma ponteira Torx n°T20. Não aperte demais e sem forçar.

## Verificação da mistura de combustível

A utilização de um combustível velho ou mal misturado é a principal causa de mau funcionamento do aparelho. Despeje o depósito e encha-o com combustível novo misturado correctamente antes de efectuar qualquer ajuste. Consulte a secção «Recomendações relativas ao óleo e ao combustível», página 45.

## Limpeza do filtro de ar

O estado do filtro de ar desempenha um papel essencial no funcionamento do aparelho. Um filtro de ar sujo impede a circulação do ar e modifica a mistura ar/combustível. Os efeitos produzidos são frequentemente atribuídos por erro a uma má afinação do carburador. Verifique o estado do filtro de ar antes de afinar o ralenti. Consulte a secção «Limpeza do filtro de ar».

## Ajuste do ralenti

Depois de verificar a mistura de combustível e a limpeza do filtro de ar, se o ralenti ainda não estiver correcto, ajuste-o do seguinte modo:

1. Dê partida no motor e deixe que funcione de 2 a 3 minutos a alta velocidade (com aceleração máxima) para esquentar.
2. Solte o gatilho de aceleração e deixe o motor ao ralenti. Se parar, introduza uma pequena chave de fenda de cruz ou plana no orifício do cárter do filtro de ar/escape (Fig. 23). Rode o parafuso de afinação de um oitavo de volta de cada vez (consoante as necessidades), no sentido dos ponteiros de um relógio, até que o motor funcione no ralenti. Consulte as indicações relativas ao número de rotações por minuto ao ralenti.

**OBSERVAÇÃO:** A máquina não está equipada com uma embraiagem e a bobina do fio continua a girar quando o motor está a funcionar a baixa rotação.

3. Para reduzir a velocidade de ralenti, rode o parafuso de ajuste do ralenti de um oitavo de volta de cada vez (consoante as necessidades), no sentido inverso dos ponteiros de um relógio.

A verificação da mistura de combustível, a limpeza do filtro de ar e a afinação do ralenti devem resolver a maioria dos problemas ligados ao motor.

Se não for o caso e que:

- o ralenti não funciona,
- o motor hesita ou vai abaixo ao acelerar,
- o motor perde potência,

mande afinar o carburador por um distribuidor autorizado.

## SUBSTITUIÇÃO DA VELA

Utilize uma vela Champion RDJ7Y (ou uma vela equivalente). A distância correcta é de 0,5 mm. Verifique a vela após 50 horas de funcionamento.

1. Pare o motor e deixe-o arrefecer. Retire a tampa da vela.
2. Limpe a vela.
3. Substitua a vela se estiver fissurada ou suja. Regule a distância a 0,5 mm.
4. Instale a vela no cilindro. Aperte rodando o casquilho no sentido dos ponteiros de um relógio. Não aperte demais.

## LIMPEZA

Utilize uma escova pequena para limpar o exterior do aparelho. Não utilize detergentes fortes. Os produtos domésticos que contêm óleos aromáticos como pinheiro ou limão e os solventes como querosene poderiam danificar a pega ou o cárter em plástico. Limpe qualquer resto de humidade com um pano seco.

## ARMAZENAGEM

- Não arrume nunca o aparelho com gasolina no depósito num local onde os vapores possam entrar em contacto com uma fagulha ou uma chama nua.
- Deixe o motor arrefecer antes de arrumar o aparelho.
- Arrume o aparelho em local seco, fechado à chave ou em altura, para impedir uma utilização não autorizada ou danos. Mantenha-o fora do alcance das crianças.

## ARMAZENAGEM LONGA DURAÇÃO

Se o aparelho fica arrumado durante um período prolongado, proceda do seguinte modo:

1. Despeje todo o combustível do depósito para um recipiente que contenha uma mistura idêntica de combustível para motor a dois tempos. Não utilize um combustível que ficou armazenado mais de 60 dias.
2. Ponha o motor a trabalhar e deixe-o funcionar até ir abaixo. Isso permite certificar-se de que o combustível saiu todo do carburador.
3. Deixe o motor arrefecer. Retire a vela e ponha 30 ml de óleo de motor alta qualidade ou óleo para motor a dois tempos no cilindro. Puxe lentamente o cabo de lançamento para repartir o óleo. Instale a vela.

**OBSERVAÇÃO:** Retire a vela e despeje todo o óleo do cilindro antes de fazer arrancar de novo o aparelho de relva após o período de armazenagem.

4. Limpe bem o aparelho e verifique se não há elementos mal apertados ou danificados. Repare ou substitua as peças danificadas e aperte os parafusos, porcas ou Pernos se necessário. O aparelho está pronto a ser arrumado.
5. Arrume o aparelho em local seco, fechado à chave ou em altura, para impedir uma utilização não autorizada ou danos. Mantenha-o fora do alcance das crianças.

## IDENTIFICAÇÃO DE AVARIAS

### O MOTOR NÃO PEGA

#### CAUSA

O interruptor da ignição está DESLIGADO  
O depósito de combustível está vazio  
O bolbo do iniciador não foi premido suficientemente  
O motor está afogado  
  
Combustível velho ou misturado incorrectamente  
  
A vela está suja

#### SOLUÇÃO

Coloque o interruptor na posição de LIGADO  
Encha o depósito  
Prima o bolbo do iniciador completa e lentamente 10 vezes  
Use o procedimento de arranque com a alavanca do estrangulador na posição de OPERAÇÃO  
Esvazie o depósito do combustível. Encha-o com uma mistura de combustível fresca  
Substitua ou limpe a vela

### O MOTOR NÃO FUNCIONA A MARCHA LENTA

#### CAUSA

O filtro de ar está obstruído  
Combustível velho ou misturado incorrectamente  
  
Regulação incorrecta do carburador

#### SOLUÇÃO

Substitua ou limpe o filtro de ar  
Esvazie o depósito do combustível. Encha-o com uma mistura de combustível fresca  
Ajuste a marcha lenta seguindo as instruções apresentadas

### O MOTOR NÃO ACELERA

#### CAUSA

Combustível velho ou misturado incorrectamente  
  
Regulação incorrecta do carburado

#### SOLUÇÃO

Esvazie o depósito do combustível. Encha-o com uma mistura de combustível fresca.  
Leve a máquina a um concessionário de assistência autorizada para a regulação do carburado

### O MOTOR NÃO TEM FORÇA OU VAI-SE ABAIXO DURANTE O CORTE

#### CAUSA

A cabeça de corte está presa com ervas  
O filtro de ar está sujo  
  
Combustível velho ou misturado incorrectamente

#### SOLUÇÃO

Pare o motor e limpe o dispositivo de corte.  
Limpe ou substitua o filtro de ar. Esvazie o depósito do combustível  
Encha-o com uma mistura de combustível fresca

### A CABEÇA DE CORTE NÃO SOLTA O FIO

#### CAUSA

A cabeça de corte está presa com ervas  
A cabeça de corte está sem fio  
O carreto interior está preso  
A cabeça de corte está sujo  
O fio está soldado  
O fio ficou torto ao ser reabastecido  
Não há suficiente fio exposto

#### SOLUÇÃO

Pare o motor e limpe o dispositivo de corte  
Reabasteça-a com fio novo  
Substitua o carreto interior  
Limpe o carreto interior e a bobina exterior  
Desmonte, retire a secção soldada e reenrole o fio  
Desmonte e reenrole o fio  
Empurre o batente e puxe para fora o fio até que 102 mm de fio esteja de fora do dispositivo de corte

**Se for necessária mais assistência, contacte o seu concessionário de assistência autorizada local**

Todas as informações, as ilustrações e as especificações apresentadas neste manual baseiam-se nas informações mais recentes disponíveis sobre o produto na altura da impressão. Reservamo-nos o direito de efectuar quaisquer alterações em qualquer momento sem aviso.

# ESPECIFICAÇÕES

## MOTOR

Tipo de motor .....	Dois tempos Arrefecido por ar
Tipo de ignição.....	Electrónica
Deslocamento .....	31 cm <sup>3</sup> (1,9 pol3)
Desempenho máximo do motor de acordo com o ISO 8893.....	75 kW (1 hp)
RPM em descanso .....	3200 min <sup>-1</sup> (rpm)
RPM em funcionamento .....	7700 min <sup>-1</sup> (rpm)
Combustível .....	Mistura gasolina/óleo (40:1) 2,5 %
Interruptor.....	Comutador 2 posições
Starter .....	Retorno automático
Capacidade do tanque de combustível .....	355 ml

## VEIO DE ACCIONAMENTO E CABEÇA DE CORTE

Cárter do veio de accionamento .....	Tubo em aço
Controlo do acelerador .....	Gatilho manual
Cabeça de corte .....	Liberação do fio por pressão no chão
Diâmetro do fio de corte .....	2 mm, fio duplo
Diâmetro da trajectória de corte .....	38 cm
Massa (sem combustível) .....	4,5 kg (10 lbs)

## ACESSÓRIOS com referência ao seu pedido

## GARANTIA

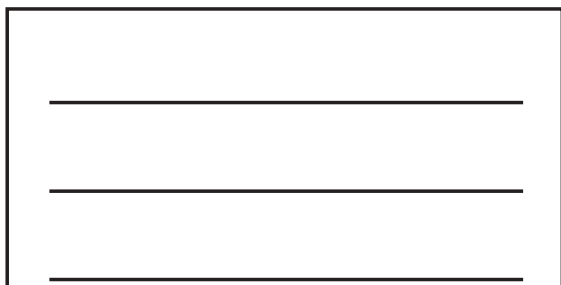
---

Em cada país regem as condições de garantia dadas pela nossa companhia distribuidora ou importador competente. Eliminamos gratuitamente quaisquer avarias no seu aparelho nos limites de garantia, contanto que a causa seja devido a defeitos de material ou de fabricação. No caso de garantia dirija-se por favor ao seu revendedor ou à próxima sucursal.

Apunte en el cuadro siguiente todos los datos contenidos en la placa de características de su aparato.

La placa de características se encuentra en las cercanías del motor.

Estos datos son muy importantes para la posterior identificación en el pedido de piezas de repuestos del aparato y para el Servicio de Postventa.



## PARA SU SEGURIDAD

### EMPLEO CORRECTO DE LA UNIDAD

Esta unidad está destinada exclusivamente para

- su empleo según las indicaciones y prescripciones de seguridad descritas en estas instrucciones de operación,
- ser utilizada en el ambiente de jardines domiciliarios o de esparcimiento,
- para cortar el césped en los bordes del mismo y en superficies pequeñas o de difícil acceso (p. ej. debajo de los arbustos),
- y para cortar crecimiento silvestre, arbustos y maleza.

Esta unidad no está autorizada para su utilización en tareas que excedan las descritas. El propietario es responsable por todos los daños ocasionados a terceros o a la propiedad de éstos.

Utilice esta unidad únicamente en el estado técnico prescrito por el fabricante, que es aquél del momento de entrega.

Las modificaciones no autorizadas que se practiquen en la unidad, excluyen la responsabilidad del fabricante por daños que de ellas resulten

## ADVERTENCIAS DE SEGURIDAD

### LEA TODAS LAS INSTRUCCIONES ANTES DEL USO

- Lea el manual del operador en detalle. Conozca bien los controles y el uso adecuado de la unidad. Conozca el modo de parar la unidad.
- No permita nunca que los niños operen la unidad. No permita nunca que los adultos operen la unidad sin la instrucción adecuada.
- Inspeccione la unidad antes de usarla. Cambie las piezas dañadas. Verifique si existen pérdidas de combustible. Compruebe que todos los suspensores estén seguros en su lugar. Cambie las piezas del accesorio de corte que estén quebradas, cascadas o dañadas de cualquier modo. Verifique que el accesorio de corte esté bien instalado y ajustado en forma correcta. Compruebe que el protector accesorio de corte esté bien conectado y colocado según se recomienda. De no hacerlo, puede causar una lesión personal al operador y a los espectadores, y daño a su unidad.
- Use sólo línea de repuesto genuina de 2.03 mm (0.080 in.) de diámetro. No use nunca línea con refuerzo de metal, alambre, cadena ni sogas, etc. Estos elementos pueden desprenderse y convertirse en un proyectil peligroso.

- No opere esta unidad cuando esté cansado, enfermo, o bajo los efectos del alcohol, drogas o medicamentos.
- Tenga especial cuidado con los riesgos de heridas en la cabeza, las manos y los pies.
- Limpie el área de corte antes de cada uso. Retire todos los objetos como rocas, vidrios rotos, clavos, cable o cuerda, los cuales pueden ser despedidos o enredarse en el accesorio de corte.
- Aleje a los niños, espectadores y animales domésticos del área. Mantenga a todos los niños, espectadores y animales domésticos a un radio no menor de 15 m (50 ft.); aún puede existir un riesgo por los objetos despedidos. Los espectadores deben usar protección para sus ojos. Si se le acercan, pare el motor y el accesorio de corte de inmediato.

### CONSIGNAS DE SEGURIDAD

**CUIDADO:** La gasolina (nafta) es sumamente inflamable y los vapores de gasolina pueden explotar en contacto con una llama. Tome las siguientes precauciones:

- Almacene siempre el carburante en contenedores especialmente diseñados y homologados para el almacenamiento de este tipo de productos.

## ADVERTENCIAS DE SEGURIDAD

- Pare siempre el motor y deje que se enfríe antes de llenar el depósito de combustible. No debe nunca retirar el tapón del depósito ni añadir carburante mientras el motor esté caliente.
- Mezcle y cargue el combustible en un área exterior limpia y bien ventilada donde no haya chispas ni llamas. No cargue nunca el tanque en áreas interiores. Saque la tapa del combustible despacio después de apagar el motor. No fume mientras cargue o mezcle el combustible. Seque de inmediato todo el combustible que se derrame de la unidad.

### DURANTE EL USO

- Nunca arranque ni utilice el aparato en una pieza o un edificio cerrado. La inhalación de los gases de escape puede ser mortal. Sólo emplee el aparato al aire libre, en una zona bien ventilada.
- Use protección para sus oídos y audición y lentes o gafas de protección cuando opere esta unidad. Use gafas de protección para todas las operaciones, es decir, preparación, operación y mantenimiento.
- Use pantalones gruesos y largos, botas, guantes y camisa de manga larga. No use pantalones cortos, sandalias ni ande descalzo.
- El cárter de protección de corte debe estar siempre colocado en su lugar cuando se utiliza el aparato. El largo del hilo de corte no debe superar el largo del cárter de protección.
- El aparato no está equipado con un acoplamiento y la bobina de hilo sigue girando cuando el motor se encuentra en marcha neutra.
- Ajuste el asa en forma de D a su medida para poder sujetar el aparato de forma óptima.
- Asegúrese de que la bobina de hilo no esté en contacto con ningún otro objeto antes de poner en marcha el aparato.
- Tanto el usuario como el aparato deben estar en una posición estable en el momento de arrancar el motor. Consulte la Figura 6 y las Instrucciones para Arrancar y Parar el Motor.
- Emplee la herramienta adecuada. Sólo utilice esta herramienta para el uso al que está destinada.
- No toque el motor ni el tubo de escape, ya que estos elementos se recalientan muchísimo cuando el aparato está en funcionamiento. Una vez que éste se ha detenido, permanecen calientes durante un breve período.

- No haga funcionar el motor a velocidad elevada cuando no está efectuando ningún corte.
- En caso de contacto con un cuerpo extraño, pare el motor de inmediato y verifique que el aparato no esté deteriorado. Sólo use el aparato una vez que lo haya reparado. No utilice el aparato si algunas piezas están mal ajustadas o deterioradas.
- Si la unidad comienza a vibrar en forma anormal, apague el motor y busque la causa de inmediato. En general la vibración es una advertencia de que hay problemas.
- Corte el motor y colóquelo en posición de Apagado para efectuar cualquier operación de mantenimiento, de reparación y al cambiar la bobina de hilo u otro accesorio.
- Use única mente los accesorios y piezas de repuesto aprobados por el fabricante cuando haga el servicio de la unidad. Puede adquirir estas piezas en su proveedor autorizado de servicio.
- No use piezas ni accesorios que no hayan sido autorizados para esta unidad. De lo contrario, podría causar graves lesiones al usuario y a la unidad y anular su garantía.

### OTRAS CONSIGNAS DE SEGURIDAD

- Si hay combustible en el depósito, no almacene el aparato en un edificio o pieza donde los vapores podrían entrar en contacto con una llama o una chispa.
- Deje que se enfríe el motor antes de transportar o guardar el aparato. Asegúrese de proteger bien el aparato durante el transporte.
- Limpie el aparato después de cada utilización; para ello, consulte las instrucciones de la sección «Limpieza y Almacenamiento».
- Conserve este manual. Consulte frecuentemente las instrucciones que contiene y transmítalas a los demás usuarios. Si presta el aparato, no olvide entregar también las instrucciones a la persona.
- Haga realizar todas las reparaciones por un taller especializado.

### CONSERVE ESTAS INSTRUCCIONES

# ADVERTENCIAS DE SEGURIDAD

## SÍMBOLOS DE SEGURIDAD E INTERNACIONALES

Este manual del operador describe los símbolos y figuras de seguridad e internacionales que pueden aparecer en este producto. Lea el manual del operador para obtener información completa acerca de la seguridad, ensamble, operación y mantenimiento y reparación.

### SÍMBOLO

### SIGNIFICADO



#### • SIMBOLO DE ALERTA DE SEGURIDAD

Indica peligro, advertencia o precaución. Puede ser utilizado junto con otros símbolos o figuras.



#### • ADVERTENCIA - LEA EL MANUAL DEL OPERADOR

Lea el manual del operador y siga todas las advertencias e instrucciones de seguridad. De no hacerlo, el operador y/o los espectadores pueden sufrir graves lesiones.



#### • USE PROTECCION OCULAR Y AUDITIVA

**ADVERTENCIA :** Los objetos arrojados por la unidad y el ruido fuerte pueden causar graves lesiones oculares y pérdida auditiva. Utilice protección ocular que cumpla con las normas ANSI Z87.1 y protección auditiva cuando opere esta unidad. Use una careta completa cuando la necesite.



#### • MANTENGA ALEJADOS A LOS ESPECTADORES

**ADVERTENCIA :** Mantenga a todos los espectadores, en especial a niños y animales domésticos a por lo menos 50 pies (15 m) del área de corte.



#### • COMBUSTIBLE SIN PLOMO

Use siempre combustible limpio, nuevo y sin plomo.



#### • INDICADOR DE ACEITE

Consulte el manual del operador para obtener información acerca del tipo correcto de aceite.



#### • LOS OBJETOS DESPEDIDOS Y LA CUCHILLA ROTATIVA PUEDEN CAUSAR GRAVES LESIONES

**ADVERTENCIA:** Manténgase alejado de la salida del soplador. Nunca dirija el soplador hacia usted mismo ni hacia los demás. Los objetos pueden salir despedidos del soplador. No opere esta unidad sin los accesorios y protecciones adecuados en su lugar.

## ADVERTENCIAS DE SEGURIDAD

### SÍMBOLO

### SIGNIFICADO



- **CONTROL DE ENCENDIDO Y APAGADO**  
ENCENDIDO /ARRANQUE /MARCHA



- **CONTROL DE ENCENDIDO Y APAGADO**  
APAGADO o PARADO



- **ADVERTENCIA DE SUPERFICIE CALIENTE**

No toque un silenciador ni un cilindro caliente. Puede quemarse. Estas partes se calientan mucho con el uso. Luego de apagarse permanecen calientes durante un corto tiempo.



- **ADVERTENCIA DE SUPERFICIE CALIENTE**

No toque el silenciador, caja de engranajes ni cilindro cuando estén calientes. Puede quemarse. Estas piezas se calientan demasiado durante su uso y permanecen calientes durante un rato luego de apagar la unidad.



- **CONTROL DEL OBTURADOR**

- 1• Posición de obturación **COMPLETA**
- 2• Posición de obturación **PARCIAL**
- 3• Posición de **MARCHA**



- **MAXIMO DE R.P.M.**

No opere esta unidad más rápido que el máximo de R.P.M.



## INSTRUCCIONES DE ENSAMBLE

### INSTALACIÓN DEL ASA EN FORMA DE D

1. Por su seguridad, la manija en D debe ser ensamblada al frente del manguito limitador. Empuje la manija en D hacia abajo sobre el tubo del eje de modo que la manija se incline hacia atrás en dirección al motor (Fig. 1).

**PRECAUCIÓN:** No fuerce la manija en D sobre el manguito limitador. Puede dañarse la manija en D o la unidad.

3. Instale el perno, la arandela, la tuerca de mariposa y ajuste.

### AJUSTE DEL ASA EN FORMA DE D

1. Desajuste el tornillo de mariposa. No es necesario retirar el tornillo, la arandela y el tornillo.

2. Haga girar el asa en forma de D de forma tal de colocar el asa por encima del tubo.
3. Manteniendo el aparato en posición de funcionamiento (Fig. 13), coloque el asa en forma de D en la posición que le permita asir mejor el aparato y ajuste el tornillo de mariposa (Fig. 1).

### INSTALACIÓN DEL CÁRTER DE PROTECCIÓN DE CORTE

1. Coloque el cárter de protección de corte sobre el tubo, por encima del dispositivo de fijación (Fig. 2).
2. Incline el cárter de protección de corte sobre la parte superior del dispositivo de corte. Luego hágalo girar para ajustarlo respecto a los orificios donde se han de colocar los tornillos e insertarlo correctamente en su lugar (Fig. 3).

## RECOMENDACIONES DE ACEITE Y COMBUSTIBLE

### TIPO DE ACEITE RECOMENDADO

Use aceite de alta calidad formulado para uso en motores de 2 ciclos enfriados por aire. Mezcle el aceite de acuerdo a las instrucciones del envase de aceite de motor de 2 ciclos, 40:1 (2,5 %).

### TIPO DE COMBUSTIBLE RECOMENDADO

Use siempre gasolina (nafta) limpia, nueva y sin plomo.

### INSTRUCCIONES PARA MEZCLAR EL ACEITE Y EL COMBUSTIBLE

El combustible viejo y/o mal mezclado son los motivos principales del funcionamiento incorrecto de la unidad. Verifique que el combustible que usa es nuevo, limpio y sin plomo. Siga las instrucciones con cuidado para realizar una mezcla correcta de combustible y aceite.

Mezcle bien la proporción correcta de aceite para motor de 2 ciclos con nafta sin plomo (gasolina), 40:1 (2,5 %). No haga la mezcla directamente en el tanque.

## INSTRUCCIONES DE OPERACION

### INSTRUCCIONES PARA ARRANCAR EL MOTOR

1. Mezcle el combustible (gasolina) con el aceite. Llene el tanque con la mezcla. Consulte las instrucciones para producir la mezcla de la gasolina con el aceite.
2. Colocar el conmutador en la posición Encendido (I) (fig. 4)
3. **SUGERENCIA: si desea arrancar un equipo que no ha funcionado por un tiempo prolongado (es completamente nuevo o presenta dificultades para el arranque), presione 20 veces la bomba de cebado.**

Presione la bomba de cebado 10 veces lentamente y a fondo. El combustible debe ser visible en el interior de la bomba (fig. 5). Si así no fuere, presione tres veces más, o bien hasta que pueda ver el combustible.

4. Coloque la palanca del starter en la posición 1 (fig. 5).

**SUGERENCIA: Observación: cuidar que la palanca del starter esté trabada en la posición (1).**

5. Con el equipo en suelo, accione el gatillo de aceleración, manteniéndolo presionado.  
**700:** Tire enérgicamente del cable del arrancador de cuerda (en general, entre 3 intentos) (fig. 6).  
**710:** Hale el cordón de arranque de 3 veces con un **movimiento controlado y parejo.**
6. Coloque la palanca del starter en una posición 2 (fig. 5).
7. **700:** Tire enérgicamente del cable del arrancador de cuerda de 1 a 3 veces para arrancar el motor (Fig. 6).  
**710:** Para arrancar el motor, hale el cordón de arranque de 1 a 5 veces con un **movimiento controlado y parejo** (Fig. 19).

# INSTRUCCIONES DE OPERACION

**NOTA :** La unidad usa la tecnología avanzada de arranque Advanced Starting Technology™, que reduce considerablemente el esfuerzo requerido para arrancar el motor. Debe halar el cordón de arranque una distancia suficiente para oír al motor tratando de arrancar. No hay necesidad de halar el cordón enérgicamente: no hay resistencia fuerte al halar. Sepa que este método de arranque es muy diferente (y mucho más fácil) del que usted pudiera estar acostumbrado a utilizar.

8. Si el motor no arranca, repita los pasos 3 a 7.
9. Presione el gatillo de aceleración para calentar el motor durante 10 a 15 segundos. Coloque la palanca del starter en la posición **3** (fig. 5).

**NOTA :** No es necesario usar el starter para arrancar un motor ya caliente. Coloque el interruptor en posición de encendido (**1**) y arranque en posición **2**.

**NOTA :** Si el motor se ahoga cuando intenta arrancarlo, coloque la palanca del starter en posición **3**. Presione el gatillo de aceleración. Tire enérgicamente del cable del arrancador de cuerda. El motor debe arrancar después de 3 (tres) a 8 (ocho) intentos.

## INSTRUCCIONES PARA PARAR EL MOTOR

1. Suelte el gatillo de aceleración (fig. 4). Deje que el motor se enfríe funcionando en ralentí.
2. Coloque el interruptor en posición de apagado (**0**) (fig. 4).

## SUJECIÓN DEL RECORTABORDES

Antes de emplear el aparato, colóquese en la posición adecuada (Fig. 7).

## AJUSTE DEL LARGO DEL HILO DE CORTE

La bobina de hilo permite liberar el hilo de corte sin parar el motor. Para ello, dé un golpe seco en el suelo con la bobina (Fig. 8) mientras hace funcionar el recortabordes a velocidad elevada.

**OBSERVACION:** El hilo de corte debe estar siempre bien tirante. Resulta más difícil soltar el hilo cuando el hilo de corte se acorta.

Si se libera demasiado hilo, una hoja, situada en el cárter de protección de corte, corta el largo de hilo adecuado. Para mejores resultados, dé golpes secos con la bobina en suelo duro o resistente. Si intenta liberar el hilo golpeando en hierba alta, el motor puede llegar a pararse.

## El hilo de corte puede romperse en los siguientes casos:

- Desgaste normal del hilo
- Hilo cerca de un cuerpo como una pared o un poste.

## CONSEJOS PARA OBTENER MEJORES RESULTADOS DE CORTE

- Mantenga la bobina de hilo paralela al suelo.
- No fuerce la bobina. Realice el trabajo con la punta del hilo, especialmente a lo largo de las paredes. Si utiliza más que la punta del hilo para efectuar el corte, la eficacia del corte se reducirá y el motor puede llegar a sobrecargarse.
- Corte el césped 20 cm, procediendo de arriba hacia abajo por pequeños tramos para evitar el desgaste prematuro del hilo o la resistencia del motor.
- Cuando sea posible, efectúe el corte de izquierda a derecha. El aparato resulta más eficaz cuando el movimiento de corte se realiza hacia la derecha. Los residuos son arrojados a cierta distancia del usuario.
- El recortabordes debe acercarse y alejarse lentamente de la zona por recortar, a la altura deseada. Efectúe un movimiento de adelante hacia atrás o de un lado hacia el otro. Se obtienen mejores resultados cortando largos pequeños.

## CORTE ORNAMENTAL

El corte ornamental se realiza retirando toda la vegetación alrededor de los árboles, postes, cercas, etc. Haga girar todo el aparato, de modo tal que la bobina de hilo se encuentre a un ángulo de 30° respecto al suelo (Fig. 9).

# INSTRUCCIONES DE MANTENIMIENTO Y REPARACION

## INSTALACIÓN DEL HILO DE CORTE

Esta sección cubre la instalación de línea simple normal y Split-Line™.

Emplee siempre un hilo de repuesto de 2 mm. El motor puede recalentarse o averiarse si se utiliza un hilo de un grosor distinto al indicado.

Existen dos métodos para reemplazar el hilo de corte:

- Enrollar el nuevo hilo en la bobina interna
- Instalar una bobina interna de hilo preenrollado

## Enrollamiento del hilo en la bobina interna preexistente

1. Sujete la bobina externa con una mano y destornille el botón de tope con la otra, haciéndolo girar en sentido inverso al de las agujas del reloj (Fig. 10). Verifique que el tornillo situado dentro del botón de tope se mueva libremente. Reemplace el botón de tope si está dañado.
2. Retire la bobina interna de la bobina externa (Fig. 11).
3. Retire el resorte de la bobina interna (Fig. 11).
4. Sírvese de un trapo limpio para limpiar la bobina interna, el resorte, el árbol y la superficie interior de la bobina externa (Fig. 12).

## INSTRUCCIONES DE MANTENIMIENTO Y REPARACION

5. Verifique el estado de desgaste de los dientes de retención en las bobinas interna y externa (Fig. 13). De ser necesario, retire los residuos o reemplace las bobinas.

**NOTA:** Split-Line™ sólo puede usarse con el carrete interior que tiene los orificios ranurados. La línea simple puede utilizarse en cualquier tipo de carrete interior. Use la Fig. 13 para identificar el carrete interior que usted tiene.

**NOTA** Use siempre la longitud de línea correcta cuando instale línea de corte en la unidad. La línea puede no soltarse en forma correcta si es demasiado larga.

### Instalación de línea simple

Proceda al paso 8 para instalar Split-Line™.

6. Tome aproximadamente 7.6 metros (25 pies) de línea nueva de corte, enlácela en dos longitudes iguales. Inserte cada extremo de la línea a través de uno de los dos orificios del carrete interior (Fig. 14). Tire de la línea a través del carrete interior de modo que el bucle sea lo más chico posible.
7. Bobine las líneas en capas parejas ajustadas sobre el riel (Fig. 15). Bobine la línea en la dirección indicada en el carrete interior. Coloque su dedo índice entre las dos líneas para evitar que las mismas se superpongan. No superponga los extremos de la línea. Proceda al paso 11.

### Instalación de Split-Line™

8. Tome aproximadamente 3.65 metros (12 pies) de línea nueva de corte. Inserte un extremo de la línea a través de uno de los dos orificios del carrete interior (Fig. 16). Tire de la línea a través del carrete interior hasta que queden sólo aproximadamente 4 pulgadas.
  9. Inserte el extremo de la línea en el orificio abierto del carrete interior y tire de la línea para que el bucle sea lo más chico posible (Fig. 16).
  10. Antes de bobinar, separe alrededor de 6 pulgadas de línea hacia atrás.
  11. Bobine la línea en capas parejas ajustadas en la dirección que se indica en el carrete.
- NOTA:** Si no bobina la línea en la dirección que se indica, el accesorio de corte funcionará en forma incorrecta.
12. Inserte los extremos de la línea en las dos ranuras de sujeción (Fig. 17).
  13. Inserte los extremos de la línea a través de los ojillos de la bobina exterior y coloque el carrete interior con el resorte dentro de la bobina exterior (Fig. 18). Empuje el carrete interior y la bobina exterior entre sí. Mientras sostiene el carrete interior y la bobina exterior, tome los extremos y tire con firmeza para soltar la línea de las ranuras de sujeción del carrete.

**NOTA:** El resorte debe ensamblarse en el carrete interior antes de volver a ensamblar el accesorio de corte.

14. Sostenga el carrete interior en su lugar e instale la Perilla Percusiva girando en sentido horario. Ajuste bien.

### Instalación de una bobina de hilo pre enrollada

1. Sujete la bobina externa con una mano y destornille el botón de tope con la otra, haciéndolo girar en el sentido contrario a las agujas del reloj (Fig. 10). Verifique que el tornillo situado adentro del botón de tope se mueva libremente. Sustituya el botón de tope si está dañado.

2. Retire la bobina interna vieja de la bobina externa (Fig. 11).
3. Retire el resorte de la bobina interna vieja (Fig. 11).
4. Sírvese de un trapo limpio para limpiar la bobina interna, el resorte, el árbol y la superficie interior de la bobina externa.

5. Coloque el resorte en la nueva bobina interna.

**NOTA:** El resorte debe estar instalado en la bobina interna antes de volver a montar la bobina de hilo.

6. Inserte los extremos del hilo en los ojotes de la bobina externa (Fig. 18).
7. Coloque la nueva bobina interna en la bobina externa (Fig. 18). Presione ambas bobinas para ensamblarlas. Al mismo tiempo que sujeta la bobina interna y la bobina externa, tome los extremos del hilo y tire con fuerza para liberar el hilo de las ranuras de retención de la bobina.
8. Mantenga la bobina interna en su lugar y vuelva a colocar el botón de tope, haciéndolo girar en el sentido de las agujas del reloj. Ajústelo bien.

## MANTENIMIENTO DEL FILTRO DE AIRE

### Desmontaje del cárter del filtro de aire/tubo de escape

1. Coloque la palanca del starter en posición intermedia (2).

**NOTA:** La palanca del starter debe estar en posición intermedia (2) (Fig. 19) para que se pueda retirar el cárter del filtro de aire/tubo de escape.

2. Retire los cuatro tornillos que sujetan el cárter del filtro de aire/tubo de escape (Fig. 19). Para ello, utilice un destornillador de hoja plana o con cabeza Torx N° T20.
3. Retire el cárter del motor sin forzarlo.

### Limpieza del filtro de aire

Limpie y lubrifique el filtro de aire después de diez horas de funcionamiento. Es importante mantener este componente en buen estado. Si no realiza el mantenimiento del filtro de aire, se ANULARÁ la garantía.

1. Retire el cárter del filtro de aire/tubo de escape. Consulte la sección «Desmontaje del cárter del filtro de aire/tubo de escape».
2. Saque el filtro de aire del interior de la cubierta del filtro de aire / silenciador (Fig. 20).
3. Lave el filtro con agua y detergente (Fig. 21). Enjuáguelo cuidadosamente y escurra el agua. Déjelo secar por completo.
4. Aplique una cantidad suficiente de aceite limpio como para cubrir ligeramente el filtro (Fig. 22).
5. Presione el filtro para esparcir el aceite y eliminar el exceso de aceite.
6. Vuelva a colocar el filtro de aire dentro de la cubierta del filtro de aire / silenciador (Fig. 20).

**NOTA:** Si usa el aparato sin filtro de aire y cárter de filtro de aire/tubo de escape, se ANULARÁ la garantía.

## INSTRUCCIONES DE MANTENIMIENTO Y REPARACION

### Reinstalación del cárter del filtro de aire/tubo de escape

1. Coloque el cárter del filtro de aire/tubo de escape en la parte trasera del carburador y del tubo de escape.

**NOTA:** La palanca del starter debe estar en posición intermedia (2) (Fig. 19) para que se pueda reinstalar el cárter del filtro de aire/tubo de escape.

2. Inserte los cuatro tornillos en los orificios del cárter del filtro de aire/tubo de escape (Fig. 19) y ajústelos. Para ello, utilice un destornillador de hoja plana o con cabeza Torx N° T20. No los ajuste demasiado ni los fuerce.

### Verificación de la mezcla de combustible

El uso de un combustible viejo y/o mal mezclado es la principal causa del mal funcionamiento del aparato. Cambie la mezcla que haya quedado en el depósito y vuelva a llenarlo con combustible nuevo y correctamente mezclado antes de proceder a cualquier regulación.

### Limpieza del filtro de aire

El estado del filtro de aire es crucial en el funcionamiento del aparato. Un filtro de aire sucio obstaculiza la circulación del aire y modifica la mezcla aire/combustible. Con frecuencia, los efectos que ello produce se atribuyen erróneamente a una mala regulación del carburador. Verifique el estado del filtro de aire antes de regular el ralentí. Consulte la sección «Mantenimiento del Filtro de Aire».

### Regulación del ralentí

Si, tras haber verificado la mezcla de combustible y haber limpiado el filtro de aire, el ralentí sigue mal regulado, proceda de la siguiente manera:

1. Arranque el motor y déjelo funcionar alrededor de 2 a 3 minutos a alta velocidad (regulación plena) para que se caliente.
2. Suelte el gatillo de aceleración y deje el motor en ralentí. Si se para, inserte un pequeño destornillador cruciforme o de hoja plana en el orificio del cárter del filtro de aire/tubo de escape (Fig. 23). Haga girar el tornillo de ajuste del ralentí un octavo de vuelta por vez (según lo que se necesite), en el sentido de las agujas del reloj, hasta que el motor mantenga el ralentí. Consulte las indicaciones relativas al número de vueltas por minuto en ralentí.

**NOTA:** El aparato no está equipado con un acoplamiento y la bobina de hilo sigue girando cuando el motor se encuentra en marcha neutra.

3. Para reducir la velocidad de ralentí, haga girar el tornillo de ajuste del ralentí un octavo de vuelta por vez (según lo que se necesite), en el sentido contrario al de las agujas del reloj.

La verificación de la mezcla de combustible, la limpieza del filtro de aire y la regulación del ralentí deberían resolver la mayoría de los problemas vinculados al motor.

De no ser así, y si:

- el ralentí no funciona,
- el motor vacila o se para al acelerar,
- el motor pierde potencia,

haga regular el carburador por un técnico homologado.

### SUSTITUCIÓN DE LA BUJÍA

Utilice una bujía Champion RDJ7Y (o equivalente). La distancia correcta es de 0,5 mm. Verifique la bujía al cabo de 50 horas de funcionamiento.

1. Pare el motor y deje que se enfríe. Retire la tapa de la bujía.
2. Limpie la suciedad acumulada alrededor de la bujía.
3. Reemplace la bujía si está dañada o sucia. Establezca una distancia de 0,5 mm.
4. Instale la bujía en el cilindro. Ajústela haciendo girar el casquillo en el sentido de las agujas del reloj.

No la ajuste demasiado.

### LIMPIEZA

Sírvase de un cepillo para limpiar la parte exterior del aparato. No utilice detergentes fuertes. Los productos de limpieza doméstica contienen aceites aromáticos como el pino o el limón, y los solventes como el queroseno podrían dañar el asa o el cárter de plástico. Limpie todo rastro de humedad con un trapo seco.

### GUARDADO

- No guarde nunca el aparato con gasolina en el depósito de combustible en un lugar donde los vapores podrían entrar en contacto con una chispa o una llama.
- Deje que el motor se enfríe antes de guardar el aparato.
- Guarde el aparato en un lugar seco, cerrado con llave o a cierta altura, para evitar que lo utilicen personas no autorizadas o que se estropee. Manténgalo fuera del alcance de los niños.

### GUARDADO DEL APARATO POR PERÍODOS PROLONGADOS

Si el aparato se guarda por un periodo prolongado, proceda de la siguiente forma:

1. Vacíe todo el combustible del depósito en un recipiente que contenga una mezcla idéntica de combustible para motor de dos tiempos. No utilice un combustible que haya estado almacenado durante más de 60 días.
2. Arranque el motor y déjelo funcionando hasta que se pare. Esto permitirá garantizar que no quede nada de combustible en el carburador.
3. Deje que el motor se enfríe. Retire la bujía y añada 30 ml de aceite para motor de alta calidad o aceite para motor de dos tiempos en el cilindro. Tire lentamente del cable del arrancador de cuerda para distribuir el aceite. Vuelva a instalar la bujía.

**NOTA:** Retire la bujía y vacíe todo el aceite del cilindro antes de volver a arrancar el recortabordes tras haber estado guardado.

4. Limpie bien el aparato y verifique que no haya elementos mal ajustados o dañados. De ser necesario, repare o sustituya las piezas dañadas y ajuste los tornillos, tuercas o pernos. El aparato está listo para ser guardado.
5. Guarde el aparato en un lugar seco, cerrado con llave o a una cierta altura, para evitar que lo utilicen personas no autorizadas o que se estropee. Manténgalo fuera del alcance de los niños.

## RESOLUCION DE PROBLEMAS

### EL MOTOR NO ARRANCA

#### CAUSA

El tanque de combustible está vacío  
La bombilla de cebado no fue oprimida lo suficiente  
El motor está inundado  
El combustible es viejo o está mal mezclado  
La bujía de encendido está arruinada

#### ACCIÓN

Llene el tanque con combustible bien mezclado  
Oprima la bombilla de cebado total de 10 veces  
Use el procedimiento de arranque  
Drene el tanque de gasolina / Agregue mezcla de combustible nueva  
Cambie o limpie la bujía de encendido

### EL MOTOR NO FUNCIONA EN MINIMA

#### CAUSA

El filtro de aire está obstruido  
El combustible es viejo o está mal mezclado  
El carburador no está ajustado en forma correcta

#### ACCIÓN

Cambie o limpie el filtro de aire  
Drene el tanque de gasolina / Agregue mezcla de combustible nueva  
Ajuste según las instrucciones

### EL MOTOR NO ACELERA

#### CAUSA

El combustible es viejo o está mal mezclado  
El carburador no está ajustado en forma correcta  
El accesorio de corte está atascado de hierba  
El filtro de aire está sucio

#### ACCIÓN

Drene el tanque de gasolina / Agregue mezcla de combustible nueva  
Lleve la unidad a un proveedor de servicio autorizado para hacer un ajuste de carburador  
Pare el motor y limpie el accesorio de corte  
Limpie o cambie el filtro de aire

### EL MOTOR NO TIENE SUFICIENTE POTENCIA O SE AHOGA AL CORTAR

#### CAUSA

El combustible es viejo o está mal mezclado  
El carburador no está ajustado en forma correcta  
La bujía de encendido está arruinada

#### ACCIÓN

Drene el tanque de gasolina / Agregue mezcla de combustible nueva  
Lleve la unidad a un proveedor de servicio autorizado para hacer un ajuste de carburador  
Cambie o limpie la bujía de encendido

### LA CABEZA DE CORTE NO HACE AVANZAR LINEA

#### CAUSA

El accesorio de corte está atascado de hierba  
El accesorio de corte no tiene línea  
El carrete interior está trabado  
La cabeza de corte está sucia  
La línea se ha soldado  
La línea se retorció al reponerla  
No hay suficiente línea expuesta

#### ACCIÓN

Pare el motor y limpie el accesorio de corte  
Coloque una línea nueva  
Cambie el carrete interior  
Limpie el carrete interior y la bobina exterior  
Desarme, saque la sección soldada y rebobine la línea  
Desarme y rebobine la línea  
Oprima el botón de tope y tire de la línea hasta sacar 4 pulgadas (102 mm) de línea fuera del accesorio de corte

**Si necesita más asistencia, comuníquese con su proveedor de servicio local autorizado.**

Toda la información, ilustraciones y especificaciones contenidas en este manual se basan en la última información del producto disponible en el momento de impresión. Nos reservamos el derecho de hacer modificaciones en cualquier momento sin aviso previo.

# ESPECIFICACIONES

## MOTOR

Tipo de motor .....	De dos tiempos, enfriado por aire
Tipo de encendido .....	Electrónico
Desplazamiento .....	31 cm <sup>3</sup> (1,9 pulgadas cúbicas)
Rendimiento máximo del motor conforme a ISO 8893 .....	75 kW (1 hp)
R.P.M. en mínima .....	3200 min <sup>-1</sup> (r.p.m.)
R.P.M. de operación .....	7700 min <sup>-1</sup> (r.p.m.)
Combustible.....	Mezcla gasolina/aceite (40:1) 2,5 %
Interruptor.....	Interruptor de palanca
Starter .....	Enrollado automático
Capacidad del tanque de combustible .....	355 ml

## ÁRBOL DE TRANSMISIÓN Y CABEZA DE CORTE

Cárter del árbol de transmisión .....	Tubo de acero
Control del acelerador .....	Gatillo manual
Cabeza de corte.....	Liberación del hilo por presión en el suelo
Diámetro del hilo de corte .....	2 mm, hilo doble
Diámetro de la trayectoria de corte .....	38 cm
Masa (sin combustible).....	4,5 kg (10 libras)










## ACCESORIOS a pedido

## GARANTÍA

---

En cada país tienen validez las disposiciones de garantía emitidas por nuestra firma o por el importador. Los fallos en el funcionamiento de su aparato los reparamos de forma gratuita, siempre que hayan sido ocasionados por fallos en el material o en la producción. En caso de hacer uso de la garantía, dirijase a su vendedor o a nuestro representante más próximo a su domicilio.

# NOTAS

	<b>EU Conformity Declaration</b>		FB Seite # Stand
	D eclaration de conformit CE EG Konformit tserkl rung		
Dichiarazione di conformit CEE EG conformiteitsverklaring Certificado de conformidad comunitaria CE Megfelel s gi Nyilatkozat	Declara o de conformidade — C.E. ΟΩ-Ω†Ω†←μμ ↔Ω†Ω=ΕΟΚ EF-konformitetserkl ring	EG-Konformitetserkl ring EG konformitetsf rklaring ETA-Vaatimuksenmukaisuus	
<b>a) 41xD7x0Gxxx</b> <b>b) 41xD790Cxxx</b> <b>c) 41xD79MCxxx</b>			
 a) 12,500 min <sup>-1</sup> b)&c) 10,000 min <sup>-1</sup>	 2 T	 a <sub>w</sub> = 9.77 m/ sec <sup>2</sup>	
 87 Octan	 45 cm	 L <sub>wA</sub> = 113 dB (A)	
	 20 cm	 L <sub>pA</sub> = 78 dB (A)	
<b>GB</b> -The demands of EU standards and rules listed below are fulfilled: <b>F</b> -Les revendications des normes suivantes et les directives par l Union Europeenne sont execut es: <b>D</b> -Die Forderungen folgender Normen und Richtlinien der EWG sind erf llt: <b>I</b> -Tutte le Normative CEE qui di seguito elencate saranno rispettate: <b>NL</b> -De machine beantwoordt volledig aan de Europese normen: <b>E</b> -Las exigencias de las Normas y Reglas CEE siguientes ser n cumplidas:		<b>P</b> -As Exig ncias das Normas e Directivas Seguintes do C. E. s o realizados: <b>GR</b> -οΩ-Ω†Ω†←μμ ↔Ω†Ω=ΕΟΚ <b>DK</b> -De ovenst ende Normer og Standarder for EU er opfyldt: <b>N</b> -Alle Krav i Henhold til EU Direktivet listet nedenfor er oppfylt: <b>S</b> -Denna Maskin uppfyller nedan angivna EU Regler: <b>FIN</b> -Alla luetellut EY:n standardit ja vaatimukset tytet n: <b>H</b> — Az al bbi el irasoknak s szabv nyoknak megfelel	
<b>89/ 336EWG — 92/ 31EWG</b>		<b>98/ 37EG</b>	
<b>EN ISO 14982</b>		<b>2000/ 14 EC</b>	

**MTD Products Aktiengesellschaft**  
Industriestraße 23  
D-66129 Saarbr cken  
Tel.: ++49 6805 79-0 / Fax: ++49 6805 79 442

Saarbr cken 12.03.04

i.A.   
Product Standard Compliance