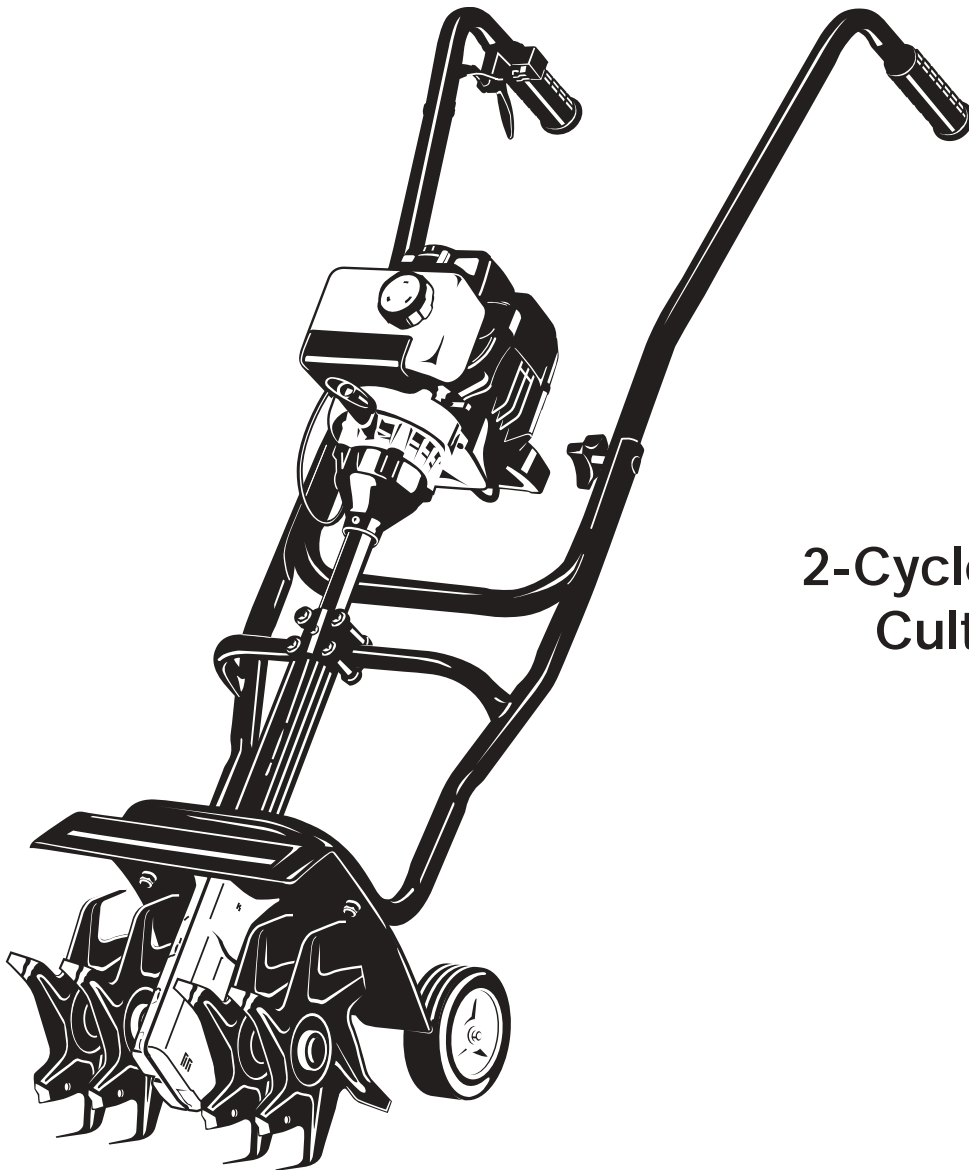


# **YARD MACHINES**

by **MTD**®

## **Operator's Manual**



**2-Cycle Garden  
Cultivator**

**SAVE THESE INSTRUCTIONS**

**DO NOT THROW AWAY**

# INTRODUCTION

## THANK YOU

Thank you for buying this quality product. This modern outdoor power tool will provide many hours of useful service. You will find it to be a great labor-saving device. This operator's manual provides you with easy-to-understand operating instructions. Read the whole manual and follow all the instructions to keep your new outdoor power tool in top operating condition.

## PRODUCT REFERENCES, ILLUSTRATIONS AND SPECIFICATIONS

All information, illustrations, and specifications in this manual are based on the latest product information available at the time of printing. We reserve the right to make changes at any time without notice.

Copyright© 2005 MTD SOUTHWEST INC, All Rights Reserved.

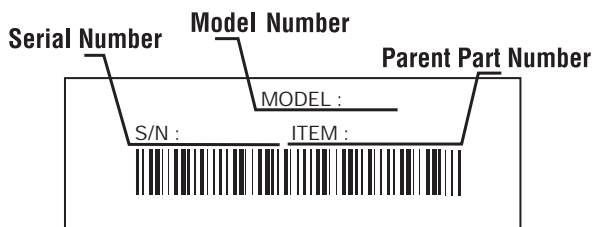
## SERVICE INFORMATION

Service on this unit both within and after the warranty period should be performed only by an authorized and approved service dealer.

For service call **1-800-345-8746** in the United States, or **1-800-668-1238** in Canada to obtain a list of authorized service dealers near you. For more details about your unit, visit our website at [www.yardmachines.com](http://www.yardmachines.com).

## DO NOT RETURN THE UNIT TO THE RETAILER. PROOF OF PURCHASE WILL BE REQUIRED FOR WARRANTY SERVICE.

Before beginning, locate the unit's model plate. It lists the model and serial numbers of your unit. Refer to the sample plate below and copy the information for future reference.



Copy the model and parent part number here: \_\_\_\_\_

Copy the serial number here: \_\_\_\_\_

*Make sure you carefully read and understand this manual before starting or operating this equipment.*

THIS PRODUCT IS COVERED BY ONE OR MORE U.S. PATENTS. OTHER PATENTS PENDING.


## TABLE OF CONTENTS

Service Information	2
Rules for Safe Operation	3
Know Your Unit	6
Assembly Instructions	7
Oil and Fuel Information	8
Starting/Stopping Instructions	9
Operating Instructions	10
Maintenance and Repair Instructions	11
Cleaning and Storage	14
Accessories and Replacement Parts	14
Troubleshooting Chart	15
Specifications	16
Warranty Information	20
Parts List	Inside Back Cover


## SPARK ARRESTOR NOTE

**NOTE:** For users on U.S. Forest Land and in the states of California, Maine, Oregon and Washington. All U.S. Forest Land and the state of California (Public Resources Codes 4442 and 4443), Oregon and Washington require, by law that certain internal combustion engines operated on forest brush and/or grass-covered areas be equipped with a spark arrestor, maintained in effective working order, or the engine be constructed, equipped and maintained for the prevention of fire. Check with your state or local authorities for regulations pertaining to these requirements. Failure to follow these requirements could subject you to liability or a fine. **This unit is factory equipped with a spark arrestor.** If it requires replacement, ask your LOCAL SERVICE DEALER to install the **Accessory Part #753-04925 Spark Arrestor Kit.**

## CALIFORNIA PROPOSITION 65 WARNING



# WARNING



**THE ENGINE EXHAUST FROM THIS PRODUCT CONTAINS CHEMICALS KNOWN TO THE STATE OF CALIFORNIA TO CAUSE CANCER, BIRTH DEFECTS OR OTHER REPRODUCTIVE HARM.**

# RULES FOR SAFE OPERATION

The purpose of safety symbols is to attract your attention to possible dangers. The safety symbols, and their explanations, deserve your careful attention and understanding. The safety warnings do not by themselves eliminate any danger. The instructions or warnings they give are not substitutes for proper accident prevention measures.

SYMBOL	MEANING
--------	---------



**SAFETY ALERT:** Indicates danger, warning or caution. Attention is required in order to avoid serious personal injury. May be used in conjunction with other symbols or pictographs.

**NOTE:** Advises you of information or instructions vital to the operation or maintenance of the equipment.

**Read the Operator's Manual(s) and follow all warnings and safety instructions.**

**Failure to do so can result in serious injury to the operator and/or bystanders.**

**FOR QUESTIONS, CALL 1-800-345-8746 in the United States, or 1-800-668-1238 in Canada**

SYMBOL	MEANING
--------	---------



**DANGER:** Failure to obey a safety warning will result in serious injury to yourself or to others. Always follow the safety precautions to reduce the risk of fire, electric shock and personal injury.



**WARNING:** Failure to obey a safety warning can result in injury to yourself and others. Always follow the safety precautions to reduce the risk of fire, electric shock and personal injury.



**CAUTION:** Failure to obey a safety warning may result in property damage or personal injury to yourself or to others. Always follow the safety precautions to reduce the risk of fire, electric shock and personal injury.

## • IMPORTANT SAFETY INSTRUCTIONS •

### READ ALL INSTRUCTIONS BEFORE OPERATING



**WARNING:** When using the unit, you must follow the safety rules. Please read these instructions before operating the unit in order to ensure the safety of the operator and any bystanders. Please keep these instructions for later use.

- Read the instructions carefully. Be familiar with the controls and proper use of the unit.
- Do not operate this unit when tired, ill, or under the influence of alcohol, drugs, or medication.
- Children and teens under the age of 15 must not use the unit, except for teens guided by an adult.
- All guards and safety attachments must be installed properly before operating the unit.
- Inspect the unit before use. Replace damaged parts. Check for fuel leaks. Make sure all fasteners are in place and secure. Replace parts that are cracked, chipped, or damaged in any way. Do not operate the unit with loose or damaged parts.

- Carefully inspect the area before starting the unit. Remove all debris and hard or sharp objects such as glass, wire, etc.
- Be aware of the risk of injury to the head, hands and feet.
- Clear the area of children, bystanders, and pets. At a minimum, keep all children, bystanders, and pets outside a 50 feet (15 m.) radius; there still may be a risk to bystanders from thrown objects. Bystanders should be encouraged to wear eye protection. If you are approached, stop the unit immediately.
- Squeeze the throttle control and check that it returns automatically to the idle position. Make all adjustments or repairs before using unit.

### SAFETY WARNINGS FOR GAS UNITS



**WARNING:** Gasoline is highly flammable, and its vapors can explode if ignited. Take the following precautions:

- Store fuel only in containers specifically designed and approved for the storage of such materials.
- Avoid creating a source of ignition for spilled fuel. Do not start the engine until fuel vapors dissipate.

# RULES FOR SAFE OPERATION

- Always stop the engine and allow it to cool before filling the fuel tank. Never remove the cap of the fuel tank, or add fuel, when the engine is hot. Never operate the unit without the fuel cap securely in place. Loosen the fuel tank cap slowly to relieve any pressure in the tank.
- Mix and add fuel in a clean, well-ventilated outdoor area where there are no sparks or flames. Slowly remove the fuel cap only after stopping engine. Do not smoke while fueling or mixing fuel. Wipe up any spilled fuel from the unit immediately. Always wipe unit dry before using.
- Move the unit at least 30 feet (9.1 m) from the fueling source and site before starting the engine. Do not smoke or allow sparks and open flames near the area while adding fuel or operating the unit.

## WHILE OPERATING

- Never start or run the unit inside a closed room or building. Breathing exhaust fumes can kill. Operate this unit only in a well ventilated outdoor area.
- Wear safety glasses or goggles that are marked as meeting ANSI Z87.1-1989 standards. Also wear ear/hearing protection when operating this unit. Wear a face or dust mask if the operation is dusty. Long sleeve shirts are recommended.
- Wear heavy, long pants, boots and gloves. Do not wear loose clothing, jewelry, short pants, sandals or go barefoot. Secure hair above shoulder level.
- This unit has a clutch. The tines remains stationary when the engine is idling. If it does not, have the unit adjusted by an authorized service technician.
- Be sure the tines are not in contact with anything before starting the unit.
- Use the unit only in daylight or good artificial light.
- Avoid accidental starting. The operator and unit must be in a stable position while starting. See *Starting/Stopping Instructions*.
- Use the right tool. Only use this tool for the purpose intended.
- Use extreme caution when reversing or pulling the unit towards you.
- Do not overreach. Always keep proper footing and balance. Take extra care when working on steep slopes or inclines.
- Always hold the unit with both hands when operating. Keep a firm grip on the grips.
- Keep hands, face, and feet at a distance from all moving parts. Do not touch or try to stop the tines when they are rotating.

- Do not touch the engine or muffler. These parts get extremely hot from operation. They remain hot for a short time after you turn off the unit.
- Do not operate the engine faster than the speed needed to cultivate. Do not run the engine at high speed when you are not cultivating.
- Always stop the engine when cultivating is delayed or when walking from one location to another.
- If you strike or become entangled with a foreign object, stop the engine immediately and check for damage. Do not operate before repairing damage. Do not operate the unit with loose or damaged parts.
- Stop and switch the engine to off for maintenance, repair, or to install or remove the tines.

Use only original equipment manufacturer replacement parts and accessories for this unit. These are available from your authorized service dealer. Use of any unauthorized parts or accessories could lead to serious injury to the user, or damage to the unit, and void your warranty.

- Keep unit clean of vegetation and other materials. They may become lodged between the tines.
- To reduce fire hazard, replace faulty muffler and spark arrestor, keep the engine and muffler free from grass, leaves, excessive grease or carbon build up.

## OTHER SAFETY WARNINGS

- Never store the unit, with fuel in the tank, inside a building where fumes may reach an open flame or spark.
- Allow the engine to cool before storing or transporting. Be sure to secure the unit while transporting.
- Store the unit in a dry area, locked up or up high to prevent unauthorized use or damage, out of the reach of children.
- Never douse or squirt the unit with water or any other liquid. Keep handles dry, clean and free from debris. Clean after each use. See the *Cleaning and Storage Instructions*.
- Keep these instructions. Refer to them often and use them to instruct other users. If you loan someone this unit, also loan them these instructions.

# SAVE THESE INSTRUCTIONS

# RULES FOR SAFE OPERATION

## SAFETY AND INTERNATIONAL SYMBOLS

This operator's manual describes safety and international symbols and pictographs that may appear on this product. Read the operator's manual for complete safety, assembly, operating and maintenance and repair information.

### SYMBOL

### MEANING



- **SAFETY ALERT SYMBOL**  
Indicates danger, warning or caution. May be used in conjunction with other symbols or pictographs.



- **WARNING - READ OPERATOR'S MANUAL**  
Read the operator's manual(s) and follow all warnings and safety instructions. Failure to do so can result in serious injury to the operator and/or bystanders.



- **WEAR EYE AND HEARING PROTECTION**  
**WARNING:** Thrown objects and loud noise can cause severe eye injury and hearing loss. Wear eye protection meeting ANSI Z87.1 standards and ear protection when operating this unit. Use a full face shield when needed.



- **KEEP BYSTANDERS AWAY**  
**WARNING:** Keep all bystanders, especially children and pets, at least 50 feet (15 m) from the operating area.



- **UNLEADED FUEL**  
Always use clean, fresh unleaded fuel.



- **OIL**  
Refer to operator's manual for the proper type of oil.



- **THROWN OBJECTS AND ROTATING CUTTER CAN CAUSE SEVERE INJURY**  
**WARNING:** Do not operate without the proper attachments and guards in place. Keep away from the rotating tines.

### SYMBOL

### MEANING



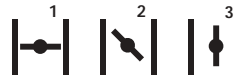
- **ON/OFF STOP CONTROL**  
ON / START / RUN



- **ON/OFF STOP CONTROL**  
OFF or STOP



- **HOT SURFACE WARNING**  
Do not touch a hot muffler, gear housing or cylinder. You may get burned. These parts get extremely hot from operation. They remain hot for a short time after the unit is turned off.



- **CHOKE CONTROL**  
1 • **FULL** choke position.  
2 • **PARTIAL** choke position.  
3 • **RUN** position.



- **GARDEN CULTIVATORS - ROTATING TINES CAN CAUSE SEVERE INJURY**  
**WARNING:** Stop the engine and allow the tines to stop before installing or removing tines, or before cleaning or performing any maintenance. Keep hands and feet away from rotating tines.



- **NO STEP**  
Always keep proper footing and balance. Do not overreach, take extra care when working on steep slopes or inclines.



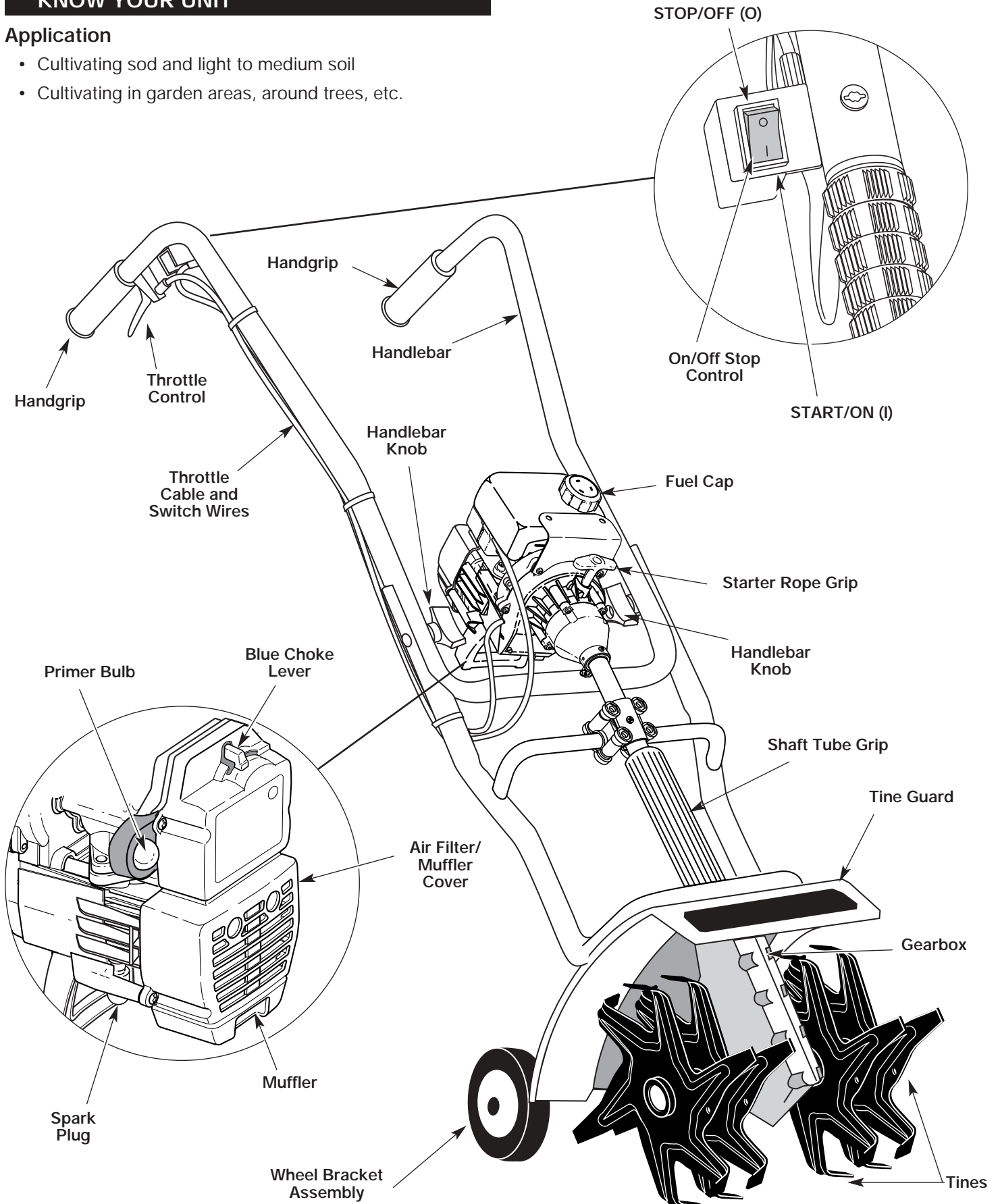
- **PLACE LEFT FOOT HERE**  
Avoid accidental starting. Stand in the starting position whenever pulling the starter rope. The operator and unit must be in a stable position while starting.

# RULES FOR SAFE OPERATION

## KNOW YOUR UNIT

### Application

- Cultivating sod and light to medium soil
- Cultivating in garden areas, around trees, etc.



# ASSEMBLY INSTRUCTIONS

## ASSEMBLING THE UNIT

Before operating, position the unit's handlebars.

**NOTE:** You may also need to reposition the wheel height before using the cultivator. Refer to the *Adjusting Tine Depth* section.

Begin by carefully unpacking the contents and making sure that nothing is damaged.

## POSITIONING THE HANDLEBARS

1. Loosen the two knobs on the inside of the handlebars (Fig. 1).
2. With the unit upright, swing the handlebars up into the operating position (Fig. 1).

**NOTE:** Take care not to pinch the throttle cable or switch wires when positioning the handlebar.

3. Tighten the knobs to secure the handlebars in place.

**NOTE:** Do not over-tighten the knobs.

4. Readjust the throttle cable and switch the wires so they are smooth and tight against the handlebar assembly. This will help prevent them from catching or snagging during normal operation.

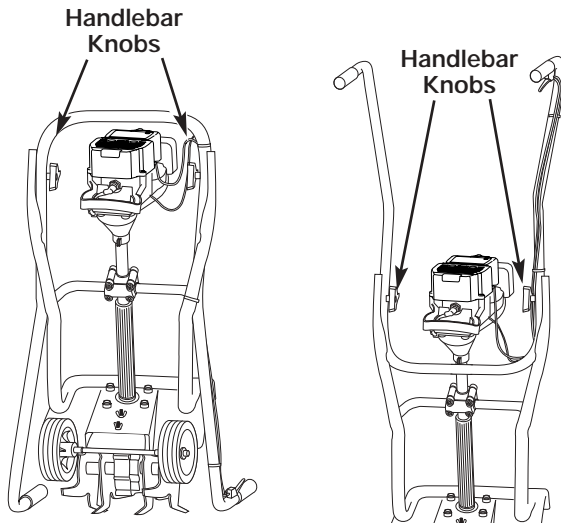


Fig. 1

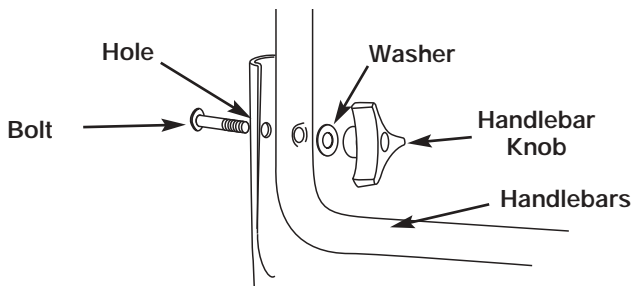


Fig. 2

## INSTALLING THE WHEEL BRACKET ASSEMBLY

If the wheel bracket assembly is not installed, or if you ever need to remove or reinstall it, follow the ensuing instructions.



**WARNING:** To avoid injury from the tines, wear heavy gloves and a long sleeve shirt when installing the wheel bracket assembly.



**WARNING:** To prevent serious personal injury, the wheel bracket assembly must be installed when operating the unit.

1. With the unit on its side, place the wheel bracket assembly on the underside of the tine guard (Fig. 3).
2. Install a carriage bolt through each of the slotted holes in the wheel bracket and into the tine guard.
3. On the **TOP** side of the tine guard, install a lock washer and a wing nut onto each of the bolts (Fig. 3).
4. Make sure the square shoulder of the bolts is pushed through the slotted holes in the wheel bracket. Tighten the wing nuts (Fig. 4).

**NOTE:** Do not over-tighten the wing nuts. Loosen the wing nuts to adjust wheel height.

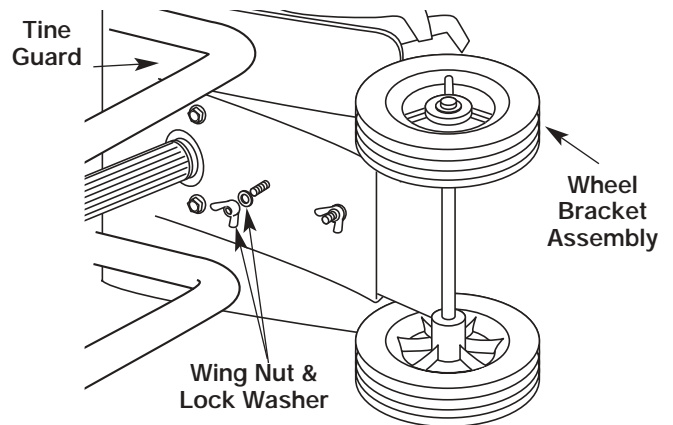


Fig. 3

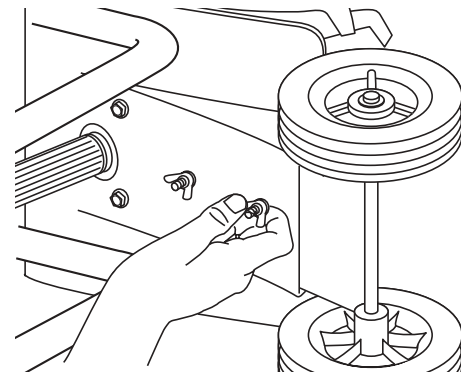


Fig. 4

# OIL AND FUEL INFORMATION

## OIL AND FUEL MIXING INSTRUCTIONS

Old and/or improperly mixed fuel are the main reasons for the unit not running properly. Be sure to use fresh, clean unleaded fuel. Follow the instructions carefully for the proper fuel/oil mixture.

### Definition of Blended Fuels

Today's fuels are often a blend of gasoline and oxygenates such as ethanol, methanol, or MTBE (ether). Alcohol-blended fuel absorbs water. As little as 1% water in the fuel can make fuel and oil separate. It forms acids when stored. When using alcohol-blended fuel, use fresh fuel (less than 60 days old).

### Using Blended Fuels


If you choose to use a blended fuel, or its use is unavoidable, follow recommended precautions:

- Always use the fresh fuel mix explained in your operator's manual
- Always agitate the fuel mix before fueling the unit
- Drain the tank and run the engine dry before storing the unit

### Using Fuel Additives



The bottle of 2-cycle oil that came with your unit contains a fuel additive which will help inhibit corrosion and minimize the formation of gum deposits. It is recommended that you use our 2-cycle oil with this unit.

If unavailable, use a good 2-cycle oil designed for air-cooled engines along with a fuel additive, such as STA-BIL® Gas Stabilizer or an equivalent. Add 0.8 oz. (23 ml.) of fuel additive per gallon of fuel according to the instructions on the container. NEVER add fuel additives directly to the unit's fuel tank.


	<b>CAUTION:</b> For proper engine operation and maximum reliability, pay strict attention to the oil and fuel mixing instructions on the 2-cycle oil container. Using improperly mixed fuel can severely damage the engine.
---	---

Thoroughly mix the proper ratio of 2-cycle engine oil with unleaded gasoline in a separate fuel can. Use a 40:1 fuel/oil ratio. Do not mix them directly in the engine fuel tank. See the table below for specific gas and oil mixing ratios.


**NOTE:** One gallon (3.8 liters) of unleaded gasoline mixed with one 3.2 oz. (95 ml.) bottle of 2-cycle oil makes a 40:1 fuel/oil ratio.

	+	
<b>UNLEADED GAS</b>		<b>2 CYCLE OIL</b>
<b>1 GALLON US (3.8 LITERS)</b>		<b>3.2 FL. OZ. (95 ml)</b>
<b>1 LITER</b>		<b>25 ml</b>

**MIXING RATIO - 40:1**

	<b>WARNING:</b> Gasoline is extremely flammable. Ignited Vapors may explode. Always stop the engine and allow it to cool before filling the fuel tank. Do not smoke while filling the tank. Keep sparks and open flames at a distance from the area.
---	--

	<b>WARNING:</b> Remove fuel cap slowly to avoid injury from fuel spray. Never operate the unit without the fuel cap securely in place.
--	--

	<b>WARNING:</b> Add fuel in a clean, well ventilated outdoor area. Wipe up any spilled fuel immediately. Avoid creating a source of ignition for spilt fuel. Do not start the engine until fuel vapors dissipate.
---	---

**NOTE:** Dispose of the old fuel/oil mix in accordance to Federal, State and Local regulations.

### FILLING THE FUEL TANK

Make sure the cultivator is in a horizontal position when filling or adding fuel to the tank.

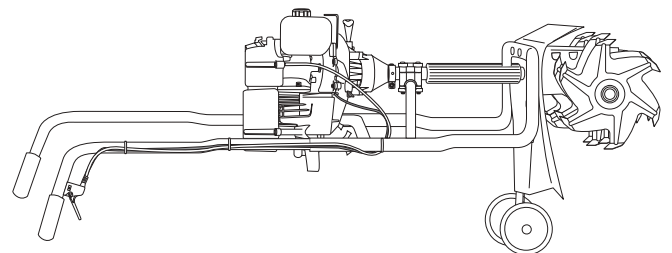


Fig. 5



# STARTING/STOPPING INSTRUCTIONS



**WARNING:** Operate this unit only in a well-ventilated outdoor area. Carbon monoxide exhaust fumes can be lethal in a confined area.



**WARNING:** Avoid accidental starting. Make sure you are in the starting position when pulling the starter rope (Fig. 8). To avoid serious injury, the operator and unit must be in a stable position while starting.

## STARTING INSTRUCTIONS

1. Mix gas with oil. Fill fuel tank with fuel/oil mixture. Refer to *Oil and Fuel Mixing Instructions*.
2. Make sure the On/Off Stop Control is in the **ON [I]** position (Fig. 6).
3. Place the blue choke lever in Position 1 (Fig. 7).
4. Fully press and release the primer bulb 10 times, slowly. Some amount of **fuel should be visible in the primer bulb** and fuel lines (Fig. 7). If you can't see fuel in the bulb, press and release the bulb as many times as it takes before you can see fuel in it.
5. Stand between the handlebars and support the unit by placing your left foot on the wheel bracket assembly and gripping the handlebar grip with your right hand (Fig. 8).

**NOTE:** Tilt the unit back slightly to bring the tines off the ground when starting.

6. While squeezing the throttle control to the wide open (full throttle) position, grasp the starter rope grip with your left hand. Pull the starter rope out a short distance, until you feel some resistance. This is usually around 2-4 inches. Then pull the rope smoothly and briskly. Repeat this 5 times.
7. Move the blue choke lever to Position 2.
8. While squeezing the throttle control, pull the starter rope in the same manner as explained in Step 6. Pull 1 to 3 times to start the engine.
9. Keep the throttle squeezed and allow the engine to warm up for 15 to 30 seconds.
10. Place the blue choke lever in Position 3. Release the throttle control to the idle position and begin operation.

**IF...** The engine does not start, go back to step 3.

**IF...** The engine fails to start after a few attempts, place the blue choke lever in Position 3 and squeeze the throttle control. Pull the starter rope briskly 3 to 8 times. The engine should start. If not, repeat.

**IF WARM...** If the engine is already warm, make sure the On/Off Stop control is in the ON position and start the unit with the blue choke lever in Position 2. After the unit starts, move the blue choke lever to Position 3.

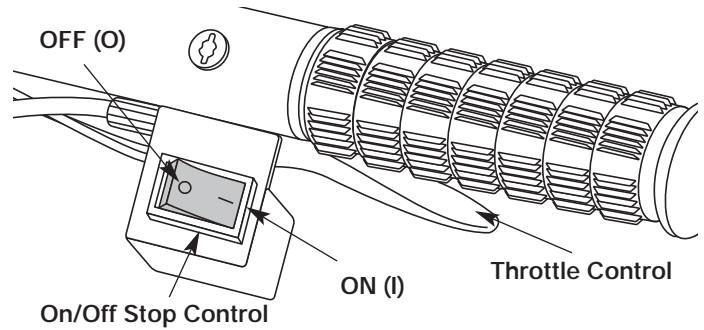


Fig. 6

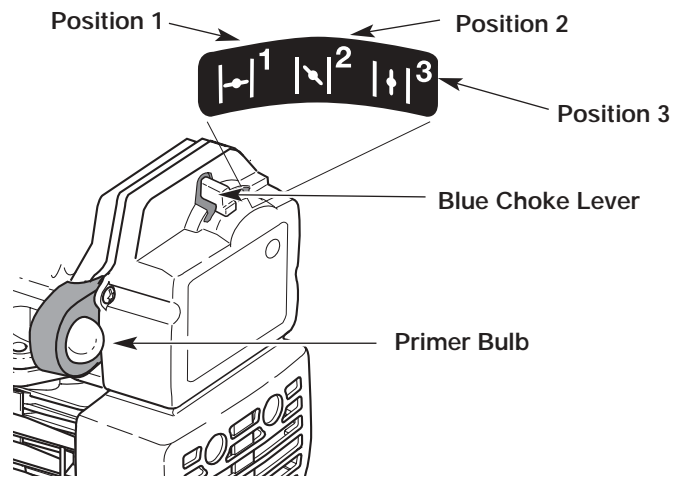


Fig. 7

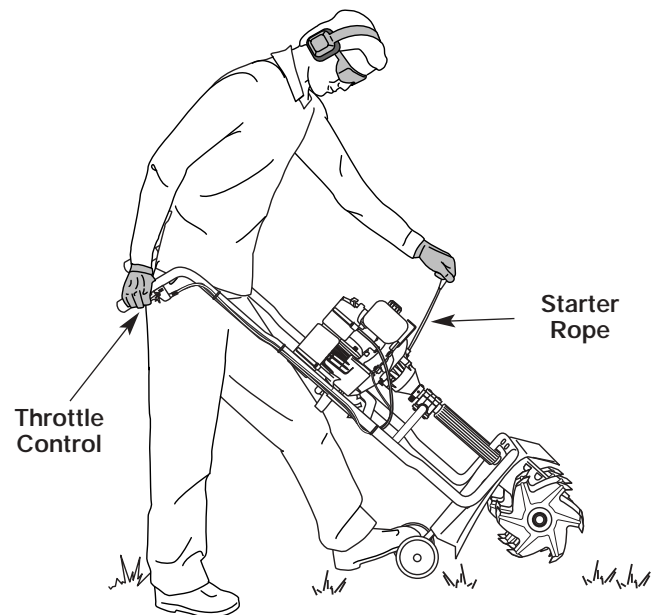


Fig. 8

## STOPPING INSTRUCTIONS

1. Release your hand from the throttle control. Allow the engine to cool down by idling.
2. Put the On/Off Stop Control in the **STOP (O)** position.

# OPERATING INSTRUCTIONS

## OPERATING TIPS



**WARNING:** Dress properly to reduce the risk of injury when operating this unit. Do not wear loose clothing or jewelry. Wear eye and ear/hearing protection. Wear heavy long pants, boots and gloves. Do not wear short pants, sandals or operate barefoot.

1. Move the cultivator to the work area prior to starting the engine. Transport the cultivator by pushing it on its wheels.



**WARNING:** To prevent serious personal injury, never pick-up or carry the unit while the engine is running.

2. Start the unit as described in the *Starting Instructions*.
3. With the engine running and the tines off the ground, depress the throttle control to increase the engine speed.
4. Holding both of the handlebar grips firmly, slowly lower the cultivator until the tines make contact with the ground (Fig. 9).
5. As cultivating action begins, pull back on the cultivator so that the tines can penetrate the ground.
6. Once the ground has been broken, continue at a moderate pace until you are familiar with the controls and the handling of the cultivator.



**WARNING:** To prevent serious personal injury, use extreme caution when reversing or pulling the unit towards you.

7. Pull the cultivator backwards to improve the depth of cultivation and reduce your effort.
8. If the tines are digging too deep or not deep enough, adjust them according to *Adjusting Tine Depth*.



Fig. 9

## ADJUSTING TINE DEPTH

Tine adjustment will vary depending on the type of soil being cultivated and how it will be used. Generally, adjusting the tines to break the soil 4 to 6 inches is recommended for most gardens. Adjust the tines as follows:

1. Stop the engine and disconnect the spark plug wire.
2. Loosen (do not remove) the two wing nuts on the tine guard (Fig. 10).
3. Slide the wheel bracket assembly down for shallower penetration, and up for deeper tine penetration.
4. Once the tines are in the desired position, tighten the wing nuts, making sure that the carriage bolts are seated properly through the bracket.
5. If the tine depth is incorrect, repeat steps 2 to 4.
6. Reconnect the spark plug wire and continue use.

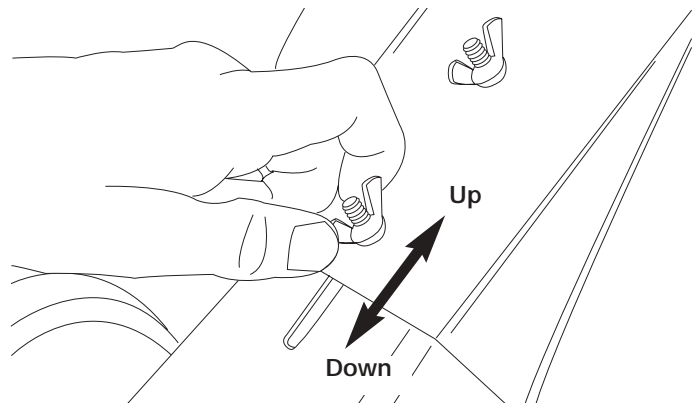


Fig. 10

## TRANSPORTING THE UNIT



**WARNING:** To prevent serious personal injury, always stop the engine when operation is delayed or when transporting the unit from one location to another

1. Stop the engine.
2. Slide the wheel bracket assembly all the way down.
3. Tilt the unit back until the tines clear the ground.
4. Push or pull the unit to the next location.

# MAINTENANCE AND REPAIR INSTRUCTIONS

## MAINTENANCE SCHEDULE

Perform these required maintenance procedures at the frequency stated in the table. These procedures should also be a part of any seasonal tune-up.

**NOTE:** Some maintenance procedures may require special tools or skills. If you are unsure about these procedures take your unit to any non-road engine repair establishment, individual or authorized service dealer.

	<b>WARNING:</b> To prevent serious injury, never perform maintenance or repairs with unit running. Always service and repair a cool unit. Disconnect the spark plug wire to ensure that the unit cannot start.
--	--

**NOTE:** Maintenance, replacement, or repair of the emission control devices and system may be performed by any non-road engine repair establishment, individual or authorized service dealer.

In order to assure peak performance of your engine, inspection of the engine exhaust port may be necessary after 50 hours of operation. If you notice lost RPM, poor performance or general lack of acceleration, this service may be required. If you feel your engine is in need of this inspection, refer service to any non-road engine repair establishment, individual or authorized service dealer for repair. **DO NOT** attempt to perform this process yourself as engine damage may result from contaminants involved in the cleaning process for the port.

FREQUENCY	MAINTENANCE REQUIRED	REFER TO
Before starting engine	Fill fuel tank with fresh fuel mix	Page 8
Every 10 hours	Clean and re-oil air filter	Page 12
Every 25 hours	Check and clean spark arrestor Check spark plug condition and gap	Page 12 Page 13
Every 50 hours	Inspect exhaust port and spark arrestor screen for clogging or obstruction to assure maximum performance levels	Page 12

## TINE REMOVAL AND REPLACEMENT

Replace all four (4) tines at the same time, because they will wear evenly through normal use. Work on one side at a time.

	<b>WARNING:</b> To prevent serious personal injury, always wear heavy gloves when handling the tines.
--	---

- Put the On/Off Stop Control in the **STOP (O)** position and disconnect the spark plug wire.
- Remove the clevis pin clips and clevis pins (Fig. 11).
- Remove the tines and felt washers from the shaft.
- Clean and oil the shaft.
- The tines are stamped with the letter "R" or "L" to identified their position on each side of the gearbox when facing the front of the unit.
- Replace the tines and felt washers onto the shaft with the hubs on the tines facing each other.

- Before you reinstall the clevis pins and pin clips, ensure that the tips on the tines are staggered when compared to each other (Fig. 12).
- Repeat this procedure on the opposite side.

**NOTE:** When installed correctly, there will be an "R" and "L" tine on both the sides of the gearbox and the tips of the tines. These letters will line up in the same direction for each side. It is important that the tines are installed correctly.

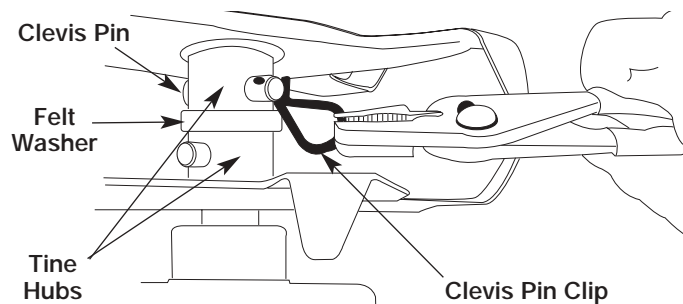


Fig. 11

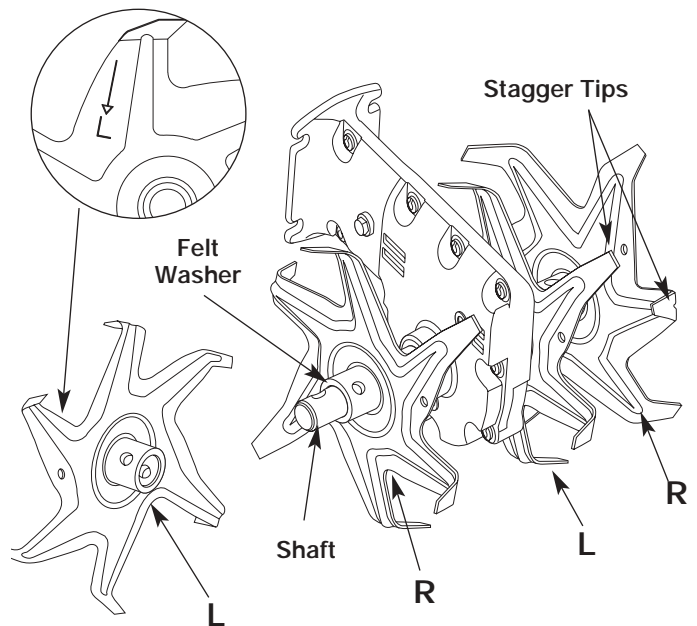


Fig. 12

# MAINTENANCE AND REPAIR INSTRUCTIONS

## AIR FILTER MAINTENANCE

### Removing the Air Filter/Muffler Cover



**WARNING:** To avoid serious personal injury, always turn the unit off and allow it to cool before you clean or service it.

1. Place the blue choke lever in Position 2.

**NOTE:** The blue choke lever must be in Position 2 (Fig. 13) to remove the air filter/ muffler cover.

2. Remove the four (4) screws securing the air filter/muffler cover (Fig. 13). Use a # T20 Torx bit screwdriver.
3. Pull the cover from the engine. Do not force.

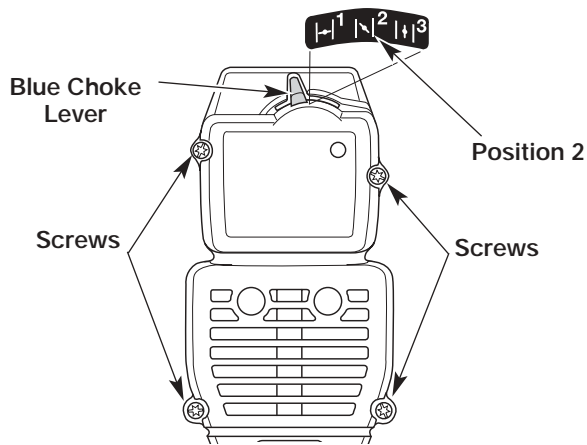


Fig. 13

### Cleaning the Air Filter

Clean and re-oil the air filter every 10 hours of operation. It is an important item to maintain. Failure to maintain your air filter properly can result in poor performance or can cause permanent damage to your engine.

1. Remove the air filter/muffler cover. Refer to the *Removing the Air filter/Muffler Cover* section.
2. Remove the air filter from inside the air filter/muffler cover (Fig. 14).
3. Wash the filter in detergent and water (Fig. 14). Rinse the filter thoroughly. Squeeze out excess water. Allow it to dry completely.
4. Apply enough SAE 30 oil to lightly coat the filter (Fig. 15).
5. Squeeze the filter to spread and remove extra oil (Fig. 15).
6. Replace the air filter inside the muffler cover (Fig. 14).

**NOTE:** Operating the unit without the air filter and cover assembly will **VOID** the warranty.

### Reinstalling the Air filter/Muffler Cover

1. Place the air filter/muffler cover over the back of the carburetor and muffler.

**NOTE:** The blue choke lever must be in Position 2 (Fig. 13) to remove the air filter/ muffler cover.

2. Insert the four (4) screws into the holes in the air filter/muffler cover (Fig. 13) and tighten. Use a # T20 Torx bit screwdriver. Do not over tighten. Do not force.

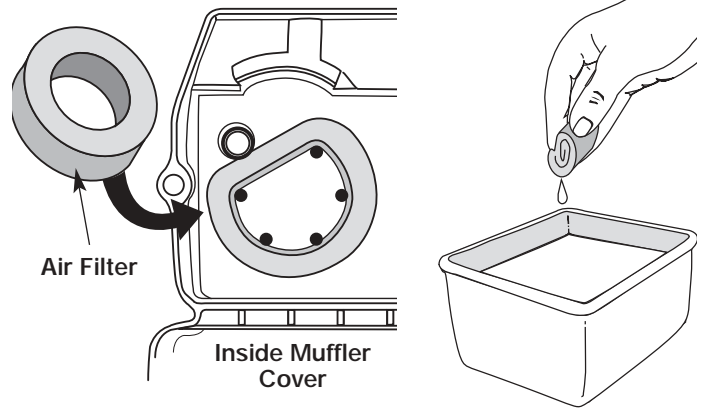


Fig. 14

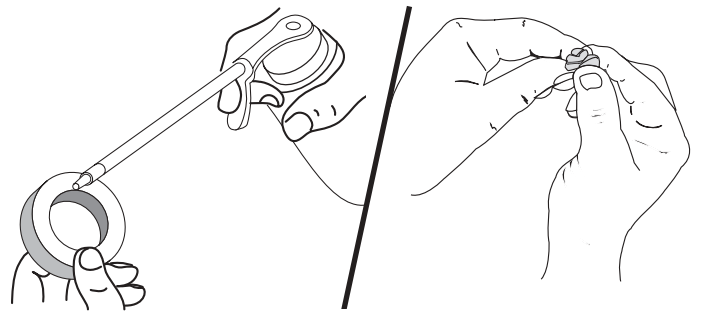


Fig. 15

## SPARK ARRESTOR MAINTENANCE

1. Remove air filter/muffler cover. Refer to *Removing the Air Filter/Muffler Cover*.
2. Locate the muffler, but do not remove it. Find the screw on the bottom of the muffler (Fig. 16). Remove the screw using either a torx #20 or flat blade screwdriver.
3. Carefully pry up the left side spark arrestor hood. Two tabs act as hinges on the right side of the hood. Flip open the spark arrestor hood like a door and then pull its tabs out of the muffler slots.
4. Using a small flat blade screwdriver, carefully pry the spark arrestor screen out from the inside of the spark arrestor hood.
5. Clean the spark arrestor screen with a wire brush. Replace it if it is damaged, or if you are unable to clean it thoroughly.
6. Reinstall the spark arrestor screen snugly back into the spark arrestor hood.
7. Reinstall the two hood tabs into the two muffler slots and flip the spark arrestor hood closed.
8. Replace the screw you removed in Step 2 and tighten it securely.
9. Reinstall the air filter/muffler cover.

# MAINTENANCE AND REPAIR INSTRUCTIONS



**WARNING:** If the exhaust deflector assembly is not tightened securely, it could fall off causing damage to the unit and possible serious personal injury.

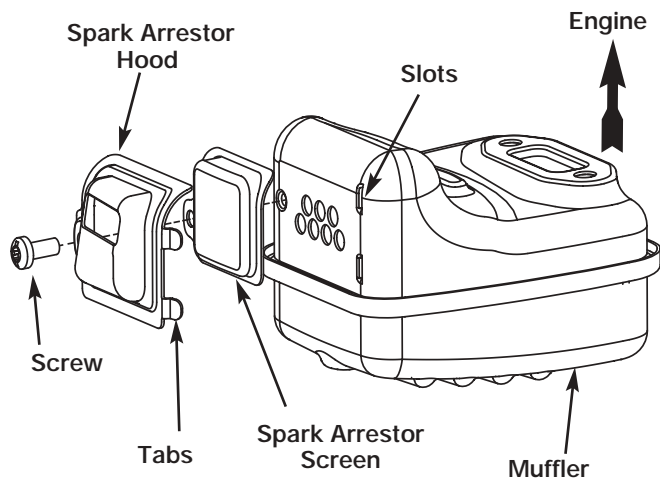


Fig. 16

## CARBURETOR ADJUSTMENTS

The engine's idle speed adjuster is adjustable through the air filter/muffler cover (Fig 17).

**NOTE:** Careless adjustments can seriously damage your unit. An authorized service dealer should make carburetor adjustments.

### Check Fuel Mixture

Old and/or improperly mixed fuel is usually the reason for the unit not running properly. Drain and refill the tank with fresh, properly mixed fuel prior to making any adjustments. Refer to *Oil and Fuel Information*.

### Clean Air Filter

The condition of the air filter is important to the operation of the unit. A dirty air filter will restrict air flow and change the air/fuel mixture. This is often mistaken for an out of adjustment carburetor. Check the condition of the air filter before adjusting the idle speed adjuster. Refer to *Air Filter Maintenance*.



**WARNING:** The unit will still run during idle speed adjustments. Wear protective clothing and observe all safety instructions to prevent serious personal injury.

## Adjust Idle Speed Adjuster

If after checking the fuel mixture and cleaning the air filter the engine still will not idle, adjust the idle speed screw as follows:

1. Start the engine and let it run for about 2-3 minutes at a high speed (full throttle) to warm up. Refer to the *Starting/Stopping Instructions*.

**NOTE:** Ensure the tines are not in contact with the ground when adjusting the idle.

2. Release the throttle control and let the engine idle. If the engine stops, insert a small phillips screwdriver into the hole in the muffler cover (Fig. 17). Turn the idle speed screw **clockwise** 1/8 of a turn at a time (as needed) until the engine idles smoothly.

**NOTE:** The tines should not rotate during engine idle.

3. If the tines rotate when the engine idles, turn the idle speed screw **counterclockwise** 1/8 of a turn at a time (as needed), to reduce idle speed.

Checking the fuel mixture, cleaning the air filter, and adjusting the idle speed screw should solve most engine problems. If not and all the following are true:

- The engine will not idle
- The engine hesitates or stalls on acceleration
- There is a loss of engine power

Have the carburetor adjusted by an authorized service dealer.

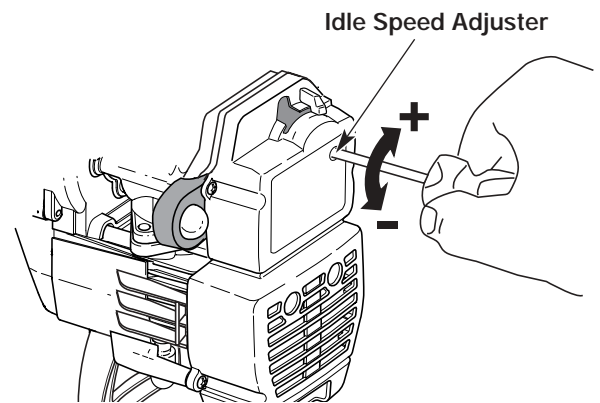


Fig. 17

## REPLACING THE SPARK PLUG

Use a Champion RDJ7Y spark plug (or equivalent). The correct air gap is 0.020 in. (0.5 mm). Remove the plug after every 25 hours of operation to check its condition.

1. Stop the engine and allow it to cool. Grasp the plug wire firmly and pull the cap from the spark plug.
2. Clean dirt from around the spark plug. Remove the spark plug from the cylinder head by turning a 5/8 in. socket counterclockwise.

**NOTE:** Replace a cracked, fouled or dirty spark plug.

3. Set the air gap at 0.020 in. (0.5 mm) using a feeler gauge (Fig. 18).



**CAUTION:** Do not sand blast, scrape or clean electrodes. Grit in the engine could damage the cylinder.

# MAINTENANCE AND REPAIR INSTRUCTIONS

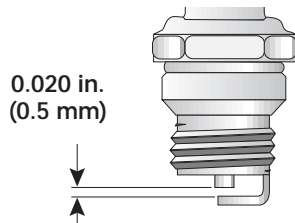


Fig. 18

4. Install a correctly gapped spark plug in the cylinder head. Tighten by turning the 5/8 in. socket clockwise until snug.

If using a torque wrench torque to:

**110-120 in.·lb. (12.3-13.5 N·m)**

Do not over tighten.

## CLEANING THE UNIT



**WARNING:** To avoid serious personal injury, always turn your unit off and allow it to cool before you clean or service it.

- Use a small brush to clean off the outside of the unit and to keep the air vents free of obstructions.
- Do not use strong detergents or petroleum based cleaners, like kerosene. Some household cleaners contain aromatic oils such as pine and lemon that can damage the plastic housings or handles. Wipe off any moisture with a soft cloth.

## STORAGE

- Never store a fueled unit where fumes may reach an open flame or spark.
- Allow the engine to cool before storing.
- Store the unit in a locked up area to prevent unauthorized use or damage.
- Store the unit in a dry, well-ventilated area.
- Store the unit out of the reach of children.

## LONG TERM STORAGE

If you plan to store the unit for an extended time:

1. Drain all fuel from the fuel tank into a container. Do not use fuel that has been stored for more than 60 days. Dispose of the old fuel in accordance to local regulations.
2. Start the engine and allow it to run until it stalls. This ensures that all fuel has been drained from the carburetor.
3. Allow the engine to cool. Remove the spark plug and put 1 oz. (30 ml) of high quality motor oil into the cylinder. Pull the starter rope slowly to distribute the oil. Reinstall the spark plug.

**NOTE:** Remove the spark plug and drain all of the oil from the cylinder before attempting to start the unit after storage.

4. Thoroughly clean the unit and inspect for any loose or damaged parts. Repair or replace damaged parts and tighten loose screws, nuts or bolts. The unit is ready for storage.

## TRANSPORTING

- Allow the engine to cool before transporting.
- Secure the unit while transporting.
- Drain the fuel tank before transporting.
- Tighten fuel cap before transporting.

## MOVING THE UNIT

1. Allow the unit to cool before moving.
2. Loosen the knobs on the handlebar.
3. Fold the handlebars down as shown (Fig. 19).

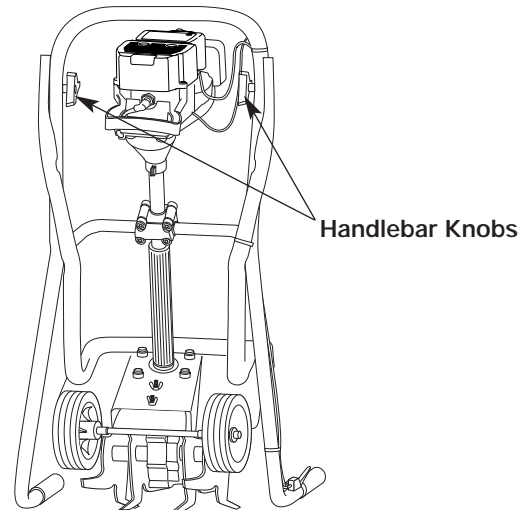


Fig. 19

4. Either carry the unit by the shaft tube grip or grasp the center of the handlebar to use it as a carrying handle (Fig. 20).
5. After the unit has been moved, reposition the handlebars and continue operation.

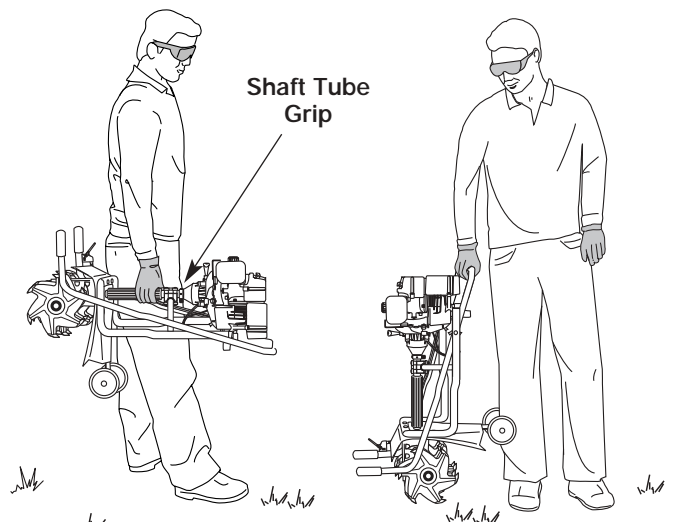


Fig. 20

# TROUBLESHOOTING

## ENGINE WILL NOT START

### CAUSE

Empty fuel tank  
Primer bulb wasn't pressed enough  
Engine is flooded  
Old or improperly mixed fuel  
Fouled spark plug  
Plugged spark arrestor

### ACTION

Fill fuel tank with properly mixed fuel  
Press primer bulb fully and slowly 10 times  
Squeeze the trigger and pull the starter rope  
Drain gas tank and add fresh fuel mixture  
Replace or clean the spark plug  
Clean or replace spark arrestor

## ENGINE WILL NOT IDLE

### CAUSE

Air filter is plugged  
Old or improperly mixed fuel  
Improper carburetor adjustment

### ACTION

Replace or clean the air filter  
Drain gas tank and add fresh fuel mixture  
Adjust according to the *Carburetor Adjustments* section

## ENGINE WILL NOT ACCELERATE

### CAUSE

Old or improperly mixed fuel  
Improper carburetor adjustment  
Tines bound with grass  
Dirty air filter  
Plugged spark arrestor

### ACTION

Drain gas tank and add fresh fuel mixture  
Take to an authorized service dealer for an adjustment  
Stop the engine and clean the tines  
Clean or replace the air filter  
Clean or replace spark arrestor

## ENGINE LACKS POWER OR STALLS WHEN CULTIVATING

### CAUSE

Old or improperly mixed fuel  
Improper carburetor adjustment  
Fouled spark plug  
Plugged spark arrestor

### ACTION

Drain gas tank and add fresh fuel mixture  
Take to an authorized service dealer for an adjustment  
Replace or clean the spark plug  
Clean or replace spark arrestor

If further assistance is required, contact your authorized service dealer.

# SPECIFICATIONS

## ENGINE\*

Engine Type.....	Air-Cooled, 2-Cycle
Displacement .....	31 cc
Idle Speed RPM .....	2,600-3,600 rpm
Operating RPM.....	7,800+ rpm
Clutch Type .....	Centrifugal
Ignition Type.....	Electronic
On/Off Stop Control.....	Rocker Switch
Spark Plug Gap .....	0.020 inch (0.5 mm)
Lubrication .....	Fuel/Oil Mixture
Fuel/Oil Ratio.....	40:1
Carburetor .....	Diaphragm, All-Position
Starter .....	Auto Rewind
Muffler .....	Baffled with Guard
Throttle.....	Spring Return
Fuel Tank Capacity.....	14 ounces (415 ml)

## DRIVE SHAFT and CULTIVATOR\*

Drive Shaft Tube .....	Steel Tube
Throttle Control .....	Finger-Tip Trigger
Cultivating Path Width (Maximum) .....	9 inches (22.86 cm)
Cultivating Depth (Maximum) .....	6 inches (15.24 cm)
Approximate Weight (no fuel) .....	26 lb. (12 kg)

\*All specifications are based on the latest product information available at the time of printing. We reserve the right to make changes at any time without notice.



# NOTES

# NOTES

## California / EPA Emission Control Warranty Statement

### Your Warranty Rights and Obligations

The California Air Resources Board, the Environmental Protection Agency and MTD LLC (MTD) are pleased to explain the emission control system warranty on your 2000 and later small off-road engine. New small off-road engines must be designed, built and equipped to meet stringent anti-smog standards. MTD must warrant the emission control system on your small off-road engine for the periods of time listed below provided there has been no abuse, neglect or improper maintenance of your small off-road engine.

Your emission control system may include parts such as the carburetor or fuel-injected system, the ignition system, and catalytic converter. Also included may be hoses, belts, connectors and other emission-related assemblies.

Where a warrantable condition exists, MTD will repair your small off-road engine at no cost to you including diagnosis, parts and labor.

The 2000 and later small off-road engines are warranted for two years. If any emission-related part on your engine is defective, the part will be repaired or replaced by MTD.

### Owners Warranty Responsibilities

- As the small off-road engine owner, you are responsible for the performance of the required maintenance listed in your operator's manual. MTD recommends that you retain all receipts covering maintenance on your small off-road engine, but MTD cannot deny warranty solely for the lack of receipts or for your failure to ensure the performance of all scheduled maintenance.
- As the small off-road engine owner, you however should be aware that MTD may deny you warranty coverage if your small off-road engine or a part has failed due to abuse, neglect, improper maintenance or unapproved modifications.
- You are responsible for presenting your small off-road engine to a MTD Authorized Service Center as soon as a problem exists. The warranty repairs should be completed in a reasonable amount of time, not to exceed 30 days.

If you have any questions regarding your warranty rights and responsibilities, you should call 1-800-345-8746.

### Manufacturer's Warranty Coverage

- The warranty period begins on the date the engine or equipment is delivered to the retail purchaser.
- The manufacturer warrants to the initial owner and each subsequent purchaser, that the engine is free from defects in material and workmanship which cause the failure of a warranted part for a period of two years.
- Repair or replacement of warranted part will be performed at no charge to the owner at an Authorized MTD Service Center. For the nearest location please contact MTD at: 1-800-345-8746.
- Any warranted part which is not scheduled for replacement, as required maintenance or which is scheduled for only for regular inspection to the effect of "Repair or Replace as Necessary" is warranted for the warranty period. Any warranted part which is scheduled for replacement as required maintenance will be warranted for the period of time up to the first scheduled replacement point for that part.
- The owner will not be charged for diagnostic labor which leads to the determination that a warranted part is defective, if the diagnostic work is performed at an Authorized MTD Service Center.
- The manufacturer is liable for damages to other engine components caused by the failure of a warranted part still under warranty.
- Failures caused by abuse, neglect or improper maintenance are not covered under warranty.
- The use of add-on or modified parts can be grounds for disallowing a warranty claim. The manufacturer is not liable to cover failures of warranted parts caused by the use of add-on or modified parts.
- In order to file a claim, go to your nearest Authorized MTD Service Center. Warranty services or repairs will be provided at all Authorized MTD Service Centers.
- Any manufacturer approved replacement part may be used in the performance of any warranty maintenance or repair of emission related parts and will be provided without charge to the owner. Any replacement part that is equivalent in performance or durability may be used in non-warranty maintenance or repair and will not reduce the warranty obligations of the manufacturer
- The following components are included in the emission related warranty of the engine, air filter, carburetor, primer, fuel lines, fuel pick up/ fuel filter, ignition module, spark plug and muffler.

# MANUFACTURER'S LIMITED WARRANTY FOR:



The limited warranty set forth below is given by MTD LLC ("MTD") with respect to new merchandise purchased and used in the United States, its possessions and territories.

MTD warrants this product against defects in material and workmanship for a period of two (2) years commencing on the date of original purchase and will, at its option, repair or replace, free of charge, any part found to be defective in material or workmanship. This limited warranty shall only apply if this product has been operated and maintained in accordance with the Operator's Manual furnished with the product, and has not been subject to misuse, abuse, commercial use, neglect, accident, improper maintenance, alteration, vandalism, theft, fire, water or damage because of other peril or natural disaster. Damage resulting from the installation or use of any accessory or attachment not approved by MTD for use with the product(s) covered by this manual will void your warranty as to any resulting damage. This warranty is limited to ninety (90) days from the date of original retail purchase for any MTD product that is used for rental or commercial purposes, or any other income-producing purpose.

**HOW TO OBTAIN SERVICE:** Warranty service is available, WITH PROOF OF PURCHASE THROUGH YOUR LOCAL AUTHORIZED SERVICE DEALER. To locate the dealer in your area, please check for a listing in the Yellow Pages or contact the Customer Service Department of MTD LLC by calling 1-800-345-8746 or writing to P.O. Box 361131, Cleveland OH 44136-0019 or if in Canada call 1-800-668-1238. No product returned directly to the factory will be accepted unless prior written permission has been extended by the Customer Service Department of MTD LLC.

**This limited warranty does not provide coverage in the following cases:**

- A. Tune-ups - Spark Plugs, Carburetor Adjustments, Filters.
- B. Wear items - Bump Knobs, Outer Spools, Cutting Line, Inner Reels, Starter Pulley, Starter Ropes, Drive Belts.
- C. MTD does not extend any warranty for products sold or exported outside of the United States of America, its possessions and territories, except those sold through MTD's authorized channels of export distribution.

MTD reserves the right to change or improve the design of any MTD Product without assuming any obligation to modify any product previously manufactured.

**No implied warranty, including any implied warranty of merchantability or fitness for a particular purpose, applies after the applicable period of express written warranty above as to the parts as identified. No other express warranty or guaranty, whether written or oral, except as mentioned above, given by any person or entity, including a dealer or retailer, with respect to any product shall bind MTD. During the period of the Warranty, the exclusive remedy is repair or replacement of the product as set forth above.** (Some states do not allow limitations on how long an implied warranty lasts, so the above limitation may not apply to you.)

**The provisions as set forth in this Warranty provide the sole and exclusive remedy arising from the sales. MTD shall not be liable for incidental or consequential loss or damages including, without limitation, expenses incurred for substitute or replacement lawn care services, for transportation or for related expenses, or for rental expenses to temporarily replace a warranted product.** (Some states do not allow limitations on how long an implied warranty lasts, so the above limitation may not apply to you.)

In no event shall recovery of any kind be greater than the amount of the purchase price of the product sold. Alteration of the safety features of the product shall void this Warranty. You assume the risk and liability for loss, damage, or injury to you and your property and/or to others and their property arising out of the use or misuse or inability to use the product.

This limited warranty shall not extend to anyone other than the original purchaser, original lessee or the person for whom it was purchased as a gift.

**How State Law Relates to this Warranty:** This warranty gives you specific legal rights, and you may also have other rights which vary from state to state.

To locate your nearest service dealer dial 1-800-345-8746 in the United States or 1-800-668-1238 in Canada.

**MTD LLC**  
P.O. Box 361131  
Cleveland, OH 44136-0019

# **YARD MACHINES**

by **MTD**®

## Manuel de L'utilisateur



Cultivateur de  
Jardin à 2-temps

**MANUEL IMPORTANT**

**À NE PAS JETER**

# INTRODUCTION

## TOUS NOS REMERCIEMENTS

Nous vous remercions d'avoir acheté ce produit de qualité. Cet outil mécanique de plein air moderne est conçu pour vous rendre service pendant longtemps. Il vous sauvera beaucoup de temps comme vous pourrez vous en rendre compte. Ce manuel de l'utilisateur comporte un mode d'emploi facile à comprendre. Prenez soin de lire le manuel au complet et suivez toutes ses instructions à la lettre afin de conserver votre nouvel outil mécanique de plein air en excellent état de fonctionnement.

## RÉFÉRENCES, ILLUSTRATIONS ET SPÉCIFICATIONS RELATIVES AU PRODUIT

Toutes les informations, illustrations et spécifications contenues dans ce manuel tiennent compte des dernières informations techniques disponibles au moment de mettre sous presse. Nous nous réservons le droit d'y apporter des modifications à tout moment, sans préavis.

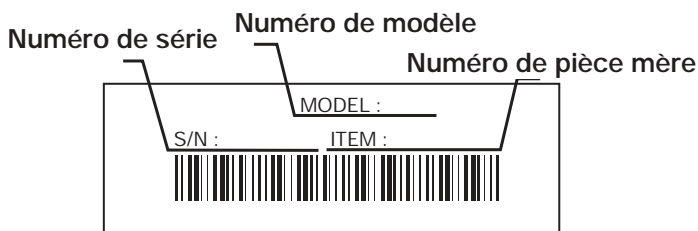
Copyright© 2005 MTD SOUTHWEST INC., Tous droits réservés.

## INFORMATIONS D'ENTRETIEN

Tout entretien effectué sur cet appareil pendant et après la période de garantie doit être fait par un concessionnaire agréé uniquement. Obtenez la liste des concessionnaires agréés appelez le **1-800-345-8746** aux États-Unis, ou le **1-800-668-1238** au Canada. Pour de plus amples informations à propos de votre appareil, visitez [www.yardmachines.com](http://www.yardmachines.com).

**NE RETOURNEZ PAS L'APPAREIL AU DÉTAILLANT CHEZ QUI VOUS L'AVEZ ACHETÉ. TOUT SERVICE SOUS GARANTIE NÉCESSITE UNE PREUVE D'ACHAT.**

Avant d'assembler votre nouvel équipement, repérez la plaque signalétique de l'appareil et copiez ses informations dans l'espace ci-dessous. Ces informations sont essentielles si vous désirez obtenir de l'aide auprès de notre service technique ou d'un distributeur agréé. Un



Copiez le numéro de modèle / pièce mère ici : \_\_\_\_\_

Copiez le numéro de série ici : \_\_\_\_\_

exemple de plaque signalétique est présenté ci-dessous.

*Prenez soin de lire et de bien comprendre ce manuel avant de démarrer ou de faire fonctionner cet équipement.*

CE PRODUIT EST COUVERT PAR UN OU PLUSIEURS BREVETS AMÉRICAINS, ET D'AUTRES SONT EN INSTANCE.

## TABLE DES MATIÈRES

Service technique . . . . .	2
Consignes de sécurité . . . . .	3
Familiarisez-vous avec votre appareil . . . . .	6
Instructions de montage . . . . .	7
Informations sur l'huile et le carburant . . . . .	8
Instructions de démarrage et d'arrêt . . . . .	9
Mode d'emploi . . . . .	10
Entretien et réparations . . . . .	11
Nettoyage et entreposage . . . . .	14
Accessoires/pièces de rechange . . . . .	15
Tableau de dépannage . . . . .	16
Caractéristiques . . . . .	17
Garantie . . . . .	20
Liste des pièces . . . . .Intérieure de la Couverture Arrière	

## PARE-ÉTINCELLES

**REMARQUE :** à l'intention des utilisateurs opérant dans les terres forestières des États-Unis et dans les états de Californie, du Maine, de l'Orégon et de Washington. Toutes les terres forestières des États-Unis et de l'état de Californie (Codes sur les ressources publiques 4442 et 4443), de l'Orégon et de Washington exigent de par la loi que certains moteurs à combustion interne utilisés dans des zones couvertes de taillis ou d'herbe soient équipés d'un pare-étincelles en parfait état de fonctionnement, ou qu'ils soient conçus, équipés et entretenus pour la prévention des incendies. Renseignez-vous auprès des autorités de votre province ou de votre municipalité concernant la réglementation en vigueur. Vous pourriez être passible d'une amende ou être tenu responsable si vous ne respectez pas cette réglementation. Cet appareil est équipé d'un pare-étincelles en usine. **Si l'écran pare-étincelles, réf. 753-04925, doit être remplacé, communiquez avec le service technique.**

## AVERTISSEMENT DE LA PROPOSITION 65 DE CALIFORNIE

**! AVERTISSEMENT !**

LES GAZ D'ÉCHAPPEMENT DU MOTEUR DE CET APPAREIL CONTIENNENT DES PRODUITS CHIMIQUES CONSIDÉRÉS PAR L'ÉTAT DE CALIFORNIE COMME POUVANT CAUSER LE CANCER, DES MALFORMATIONS CONGÉNITALES OU D'AUTRES EFFETS NOCIFS SUR L'APPAREIL DE REPRODUCTION.

# CONSIGNES DE SÉCURITÉ

Les symboles de sécurité attirent votre attention sur des dangers potentiels. Ces symboles et leurs détails explicatifs méritent que vous les lisiez et compreniez bien. Les avertissements de sécurité ne peuvent éviter les dangers de par eux-mêmes. Les consignes ou mises en garde qu'ils donnent ne remplacent pas des mesures préventives appropriées contre les accidents.

## SYMBOLE SIGNIFICATION



### ALERTE DE SÉCURITÉ:

indique un danger, un avertissement ou une mise en garde. Soyez vigilant afin d'éviter toute blessure grave. Ce symbole peut être combiné à d'autres symboles ou pictogrammes.

**REMARQUE:** donne des informations ou des instructions vitales pour le fonctionnement ou l'entretien de l'équipement.

Lisez le(s) manuel(s) de l'utilisateur et suivez tous les avertissements et consignes de sécurité. Vous pourriez à défaut entraîner des blessures graves pour vous ou d'autres personnes.

SI VOUS AVEZ DES QUESTIONS, APPELEZ LE 1-800-345-8746 AUX ÉTATS-UNIS, OU LE 1-800-668-1238 AU CANADA

## SYMBOLE SIGNIFICATION



**DANGER:** le non-respect d'un avertissement peut causer dommages matériels ou blessures graves pour tous. Respectez les consignes de sécurité afin de réduire les risques d'incendie, d'électrocution et de blessures.



**AVERTISSEMENT:** le non-respect d'un avertissement peut causer dommages matériels ou blessures graves pour tous. Respectez les consignes de sécurité afin de réduire les risques d'incendie, d'électrocution et de blessures.



**MISE EN GARDE:** le non-respect d'un avertissement peut causer dommages matériels ou blessures graves pour tous. Respectez toujours les consignes de sécurité afin de réduire les risques d'incendie, d'électrocution et de blessures.

## • IMPORTANTES CONSIGNES DE SÉCURITÉ •

### LIRE TOUTES LES INSTRUCTIONS

#### AVANT UTILISATION

- Veuillez lire les instructions avec soin. Familiarisez-vous avec les commandes et l'utilisation correcte de cet appareil.
- N'utilisez pas l'appareil si vous êtes fatigué, malade ou sous l'effet de l'alcool, de drogues ou de médicaments.
- Les enfants et adolescents de moins de 15 ans ne doivent pas utiliser l'appareil exceptés les adolescents assistés d'un adulte.
- Inspectez l'appareil avant utilisation. Remplacez les pièces endommagées. Regardez s'il y a des fuites de carburant. Assurez-vous que les fixations sont solidement en place. Remplacez les pièces qui sont fendillées, ébréchées ou endommagées. N'utilisez pas l'appareil avec des pièces desserrées ou endommagées.
- Soyez conscient des risques de blessure à la tête, aux mains et aux pieds.
- Appuyez sur la manette des gaz et assurez-vous qu'elle revient automatiquement en position de ralenti. Procédez à tous les réglages ou réparations avant d'utiliser l'appareil.

- Éloignez enfants, spectateurs et animaux de la zone. Tenez-les à au moins 15 m (50 pi) de là mais sachez que les spectateurs risquent quand même d'être atteints par des objets projetés. Conseillez-leur de porter des protecteurs oculaires. Arrêtez immédiatement l'appareil si quelqu'un s'approche de vous.

### AVERTISSEMENTS DE SÉCURITÉ CONCERNANT L'APPAREIL À GAZ



**AVERTISSEMENT:** l'essence est extrêmement inflammable et ses vapeurs peuvent exploser si on y met le feu. Veuillez prendre les précautions suivantes.

- Ne stockez le carburant que dans des contenants spécialement conçus et homologués pour le stockage de ce type de matières.
- Arrêtez toujours le moteur et laissez-le refroidir avant de remplir le réservoir de carburant. N'enlevez jamais le bouchon du réservoir et n'ajoutez jamais de carburant pendant que le moteur est chaud. Ne faites jamais fonctionner l'appareil sans que le bouchon de carburant soit bien mis. Desserrez lentement le bouchon afin de réduire la pression du réservoir.

# CONSIGNES DE SÉCURITÉ

- Évitez de créer une source d'allumage pour le carburant déversé. Ne démarrez pas le moteur avant que les vapeurs de carburant ne se soient dissipées.
- Mélangez et ajoutez le carburant dans un endroit bien aéré et propre en plein air à l'abri des étincelles ou des flammes. N'enlevez lentement le bouchon du réservoir d'essence qu'après avoir arrêté le moteur. Ne fumez pas pendant le remplissage ou le mélange de carburant. Essuyez immédiatement tout déversement de carburant de l'appareil.
- Éloignez l'appareil d'au moins 9.1 m (30 pi) de la source de ravitaillement en carburant avant de démarrer le moteur. Ne fumez pas et éloignez toute source d'étincelles ou de flammes vives du lieu de ravitaillement ou de fonctionnement de l'appareil.

## PENDANT L'UTILISATION DE L'APPAREIL

- Évitez de démarrer ou de faire marcher l'appareil à l'intérieur d'une pièce ou d'un bâtiment fermé. La respiration de fumées d'échappement peut tuer. Ne faites fonctionner cet appareil qu'à l'extérieur dans un endroit bien aéré.
- Portez des lunettes de sécurité conformes aux normes ANSI Z87.1 ainsi que des protège-oreilles durant l'utilisation de l'appareil. Portez un masque facial ou antipoussières si vous travaillez dans un lieu poussiéreux.
- Portez des pantalons épais et longs, des bottes, des gants et une chemise à manches longues. Ne marchez pas pieds nus et évitez les pantalons courts et les sandales.
- Pour réduire le risque de blessure dû à des objets happés par des pièces rotatives, évitez de porter des vêtements lâches, des bijoux ou des foulards, etc. Relevez les cheveux au-dessus des épaules.
- N'utilisez l'appareil qu'en plein jour ou avec un bon éclairage artificiel.
- Toutes les surfaces extérieures doivent être exemptes d'huile et de carburant.
- Cet appareil est muni d'un embrayage. Les dents restent immobiles lorsque le moteur est au ralenti. Si ce n'est pas le cas, faites régler l'appareil par un technicien agréé.
- Avant de démarrer l'appareil, assurez-vous que les dents ne touchent aucun objet.
- Évitez tout démarrage accidentel. Mettez-vous en position de démarrage chaque fois que vous tirez sur la corde de démarrage. L'opérateur et l'appareil doivent tous deux être en position stable à ce moment-là. Voir les Instructions de démarrage et d'arrêt.
- Ne vous étirez pas. Tenez-vous toujours bien sur vos pieds en position d'équilibre.
- Ne forcez pas l'appareil. Il posera moins de risques de blessures et fonctionnera mieux à la vitesse pour laquelle il a été conçu.
- Soyez très prudent lorsque vous faites marche arrière ou que vous tirez l'appareil vers vous.
- Ne vous étirez pas et faites très attention sur des pentes abruptes. Tenez-vous toujours en équilibre.

- Tenez toujours l'appareil des deux mains lorsqu'il est en marche. Agrippez fermement les deux poignées du guidon.
- Gardez les mains, le visage et les pieds éloignés des pièces mobiles. Ne touchez pas les dents et n'essayez pas de les arrêter lorsqu'elles tournent. Ne faites pas fonctionner l'appareil sans les protections.
- Ne touchez pas le moteur, le silencieux ou la boîte d'engrenages. Ces pièces deviennent très chaudes à l'utilisation. Elles restent chaudes brièvement après l'arrêt.
- Ne faites pas tourner le moteur à un régime supérieur à celui nécessaire pour la tâche. Ne faites pas tourner le moteur à haut régime lorsqu'il ne sert pas.
- Arrêtez toujours le moteur lorsque vous suspendez la coupe ou lorsque vous vous déplacez d'un lieu de travail vers un autre.
- Arrêtez le moteur en cas d'entretien, de réparation, d'installation ou de retrait des dents. L'appareil et les dents doivent être arrêtés pour éviter toute blessure.
- Les dents deviennent très tranchantes à l'usage. Portez toujours des gants lorsque vous manipulez, retirez, installez ou nettoyez les dents.
- N'utilisez que des pièces de équipement original rechange et accessoires d'origine pour cet appareil. Elles sont disponibles auprès de votre concessionnaire agréé. L'utilisation de pièces ou accessoires autres que ceux de équipement original peut causer des blessures graves, endommager l'appareil et annuler sa garantie.
- Gardez l'appareil exempt d'accumulation de végétation ou autres matières. Celles-ci peuvent rester logées entre les dents, la boîte d'engrenages ou le protecteur.
- Afin de diminuer les risques d'incendie, remplacez tout silencieux ou pare-étincelles défectueux et conservez le moteur et le silencieux exempts d'herbe, de feuilles et d'accumulation excessive de graisse ou de carbone.

## AUTRES AVERTISSEMENTS DE SÉCURITÉ

- N'entreposez jamais l'appareil rempli de carburant dans un édifice où les vapeurs peuvent atteindre une source de flammes vives ou d'étincelles.
- Laissez le moteur se refroidir avant de l'entreposer ou de le transporter. Attachez bien l'appareil pendant le transport.
- Rangez l'appareil dans un endroit verrouillé et sec, ou élevé et sec, hors de portée des enfants, pour éviter une utilisation indésirable ou un accident.
- Ne trempez et n'arrosez jamais l'appareil avec de l'eau ou tout autre liquide. Gardez les poignées sèches, propres et exemptes de débris. Nettoyez après chaque usage. Voir les sections *Nettoyage et Entreposage*.
- Conservez ces instructions. Consultez-les souvent et servez-vous en pour instruire d'autres usagers. Si vous prêtez l'appareil à quelqu'un, prêtez-lui également ces instructions.

**CONSERVER CES  
INSTRUCTIONS**



# CONSIGNES DE SÉCURITÉ

## SYMBOLES DE SÉCURITÉ ET INTERNATIONAUX

Ce manuel de l'utilisateur décrit les symboles et pictogrammes de sécurité et internationaux pouvant apparaître sur ce produit. Consultez le manuel de l'utilisateur pour les informations concernant la sécurité, le montage, le fonctionnement, l'entretien et les réparations.

### SYMBOLE SIGNIFICATION



- **SYMBOLE ALERTE DE SÉCURITÉ**  
Indique un danger, un avertissement ou une mise en garde. Ce symbole peut être combiné à d'autres symboles ou pictogrammes.



- **AVERTISSEMENT - LISEZ LE MANUEL DE L'UTILISATEUR**  
Lisez le manuel de l'utilisateur et suivez tous les avertissements et consignes de sécurité. Vous pourriez à défaut entraîner des blessures graves pour vous ou d'autres personnes.



- **PORTEZ DES PROTECTIONS (YEUX ET OREILLES)**  
**AVERTISSEMENT** : les objets projetés et les bruits forts peuvent endommager la vue et l'ouïe. Portez une visière de norme ANSI Z87.1-1989 et des protège-oreilles pendant l'utilisation.



- **ÉLOIGNEZ LES SPECTATEURS**  
**AVERTISSEMENT** : éloignez tout spectateur, les enfants et les animaux domestiques en particulier, d'au moins 15 m (50 pi) de la zone de coupe.



- **CARBURANT SANS PLOMB**  
Utilisez toujours du carburant sans plomb frais et propre.



- **NIVEAU D'HUILE**  
Voir le manuel de l'utilisateur pour le type d'huile approprié.



- **LES OBJETS PROJETÉS ET LA TÊTE ROTATIVE PEUVENT CAUSER DES BLESSURES GRAVES**  
**AVERTISSEMENT** : ne faites pas fonctionner sans protecteur de sécurité en plastique. Tenez-vous à l'écart de l'accessoire de coupe rotatif.

### SYMBOLE SIGNIFICATION



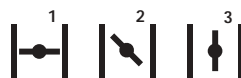
- **COMMANDE MARCHÉ/ARRÊT STOP**  
ALLUMAGE / DÉMARRAGE / MARCHÉ



- **COMMANDE MARCHÉ/ARRÊT STOP**  
ARRÊT ou STOP



- **AVERTISSEMENT SURFACE CHAUDE**  
Ne touchez pas un silencieux ou un cylindre chaud. Vous pourriez vous brûler. Ces pièces deviennent très chaudes à l'utilisation. Elles restent chaudes brièvement après l'arrêt.



#### • L'ÉTRANGLEUR

- 1 • Position d'étranglement **MAXIMUM**
- 2 • Position d'étranglement **PARTIEL**
- 3 • Position de **MARCHÉ**



- **CULTIVATEURS - LES DENTS ROTATIVES PEUVENT BLESSER GRIÈVEMENT**

**AVERTISSEMENT** : Arrêtez le moteur et laissez les dents s'arrêter avant d'en installer ou en retirer, ou d'entreprendre un nettoyage ou entretien. Gardez les mains et les pieds éloignés des dents en rotation.



- **NE PAS MARCHER**

Tenez-vous toujours en équilibre. Ne vous étirez pas et faites très attention lorsque vous travaillez sur des pentes ou inclinaisons abruptes.



- **PLACEZ LE PIED GAUCHE ICI**

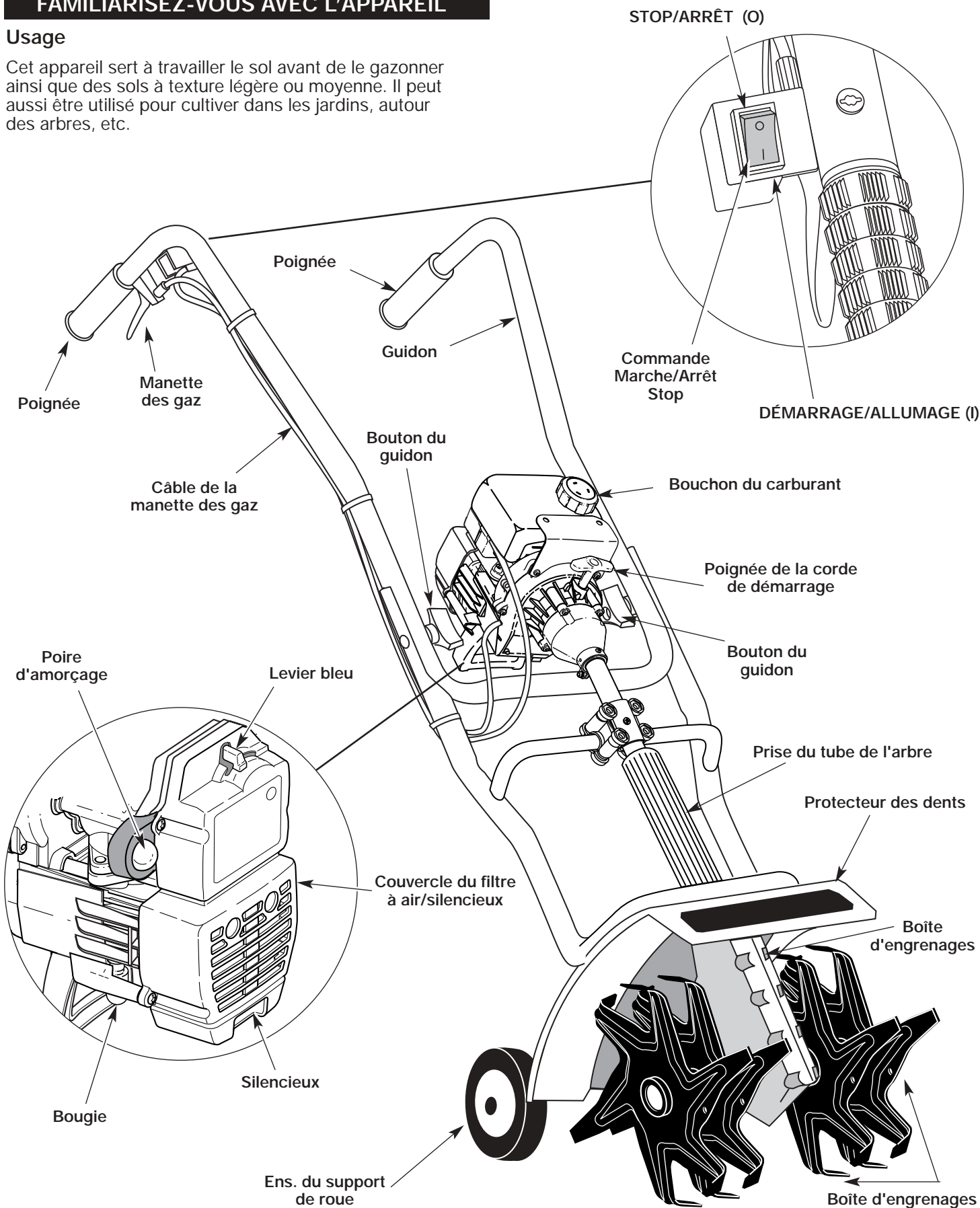
Évitez tout démarrage accidentel. Mettez-vous en position de démarrage chaque fois que vous tirez sur la corde de démarrage. L'appareil et vous devez être en position stable.

# CONSIGNES DE SÉCURITÉ

## FAMILIARISEZ-VOUS AVEC L'APPAREIL

### Usage

Cet appareil sert à travailler le sol avant de le gazonner ainsi que des sols à texture légère ou moyenne. Il peut aussi être utilisé pour cultiver dans les jardins, autour des arbres, etc.



# INSTRUCTIONS DE MONTAGE

## MONTAGE DE L'APPAREIL

Votre cultivateur de jardin est entièrement monté. Le guidon doit être positionné correctement avant d'utiliser l'appareil.

**REMARQUE :** Vous devrez ajuster la hauteur de la roue avant toute utilisation. Voir *Réglage de la profondeur des dents*.

Déballez soigneusement le contenu et assurez-vous que rien n'est endommagé.

## POSITIONNEMENT DES POIGNÉES

1. Desserrez les deux boutons à l'intérieur des poignées (Fig. 1).
2. Tenez l'appareil droit et placez les poignées en position de fonctionnement (Fig. 1).

**REMARQUE :** Prenez soin de ne pas pincer le câble de la manette ni les fils du contact d'allumage lorsque vous positionnez les poignées.

3. Vissez les boutons pour maintenir les poignées en place.

**NOTE :** Évitez de trop serrer les boutons.

4. Réajustez le câble de la manette et les fils du contact d'allumage afin qu'ils soient bien serrés contre le guidon. Cela permettra d'éviter de les accrocher par accident durant le fonctionnement normal.

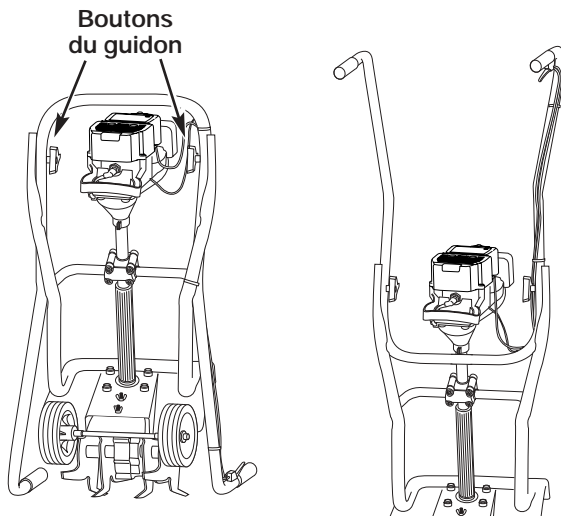


Fig. 1

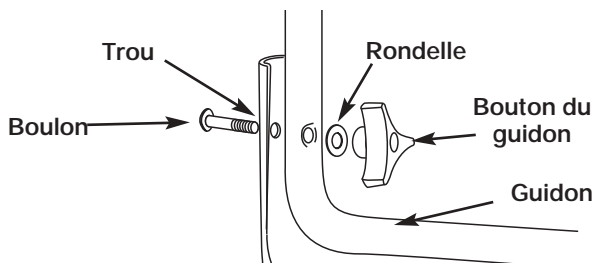


Fig. 2

## INSTALLATION DU SUPPORT DE ROUE

Si le support de roue n'est pas installé, ou si vous devez jamais l'enlever ou réinstaller, suivez les instructions suivantes.



**AVERTISSEMENT :** Pour éviter de vous blesser avec les dents, portez des gants épais et une chemise à manches longues lorsque vous installez le support de roue.



**AVERTISSEMENT :** Pour éviter de causer des blessures graves, installez le support de roue avant d'utiliser l'appareil.

1. L'appareil étant sur le côté, placez le support de roue sur le dessous du protecteur des dents (Fig. 3).
2. Introduisez un boulon de carrosserie à travers chacun des trous allongés dans le support de roue et dans le protecteur.
3. Installez, sur le dessus du protecteur, une rondelle de blocage et un écrou papillon sur chacun des boulons (Fig. 3).
4. Assurez-vous que l'épaulement droit des boulons traverse les trous allongés du support de roue. Serrez les écrous papillon (Fig. 4).

**REMARQUE :** Évitez de trop serrer les écrous papillon pour pouvoir ajuster la hauteur de la roue.

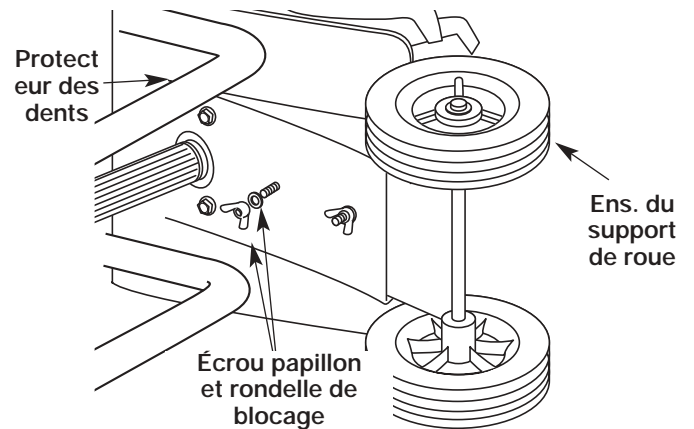


Fig. 3

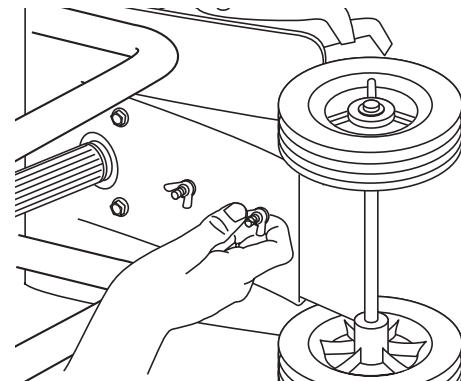


Fig. 4

# INFORMATIONS SUR L'HUILE ET LE CARBURANT

## MÉLANGE D'HUILE ET DE CARBURANT

En général, si l'appareil ne fonctionne pas correctement, c'est que le carburant est vieux ou mal mélangé. Prenez soin d'utiliser de l'essence sans plomb fraîche et propre. Suivez à la lettre les instructions de mélange de carburant et d'huile.

### Définition des carburants mélangés

Les carburants d'aujourd'hui sont souvent un mélange d'essence et d'oxygénés comme l'éthanol, le méthanol ou l'éther MTBE. Un carburant mélangé à l'alcool absorbe l'eau. Il suffit de 1 % d'eau pour séparer le carburant et l'huile. Cela forme de l'acide pendant le stockage. Si vous devez utiliser ce type de carburant, servez-vous de carburant frais (moins de 60 jours).

### Usage de carburants mélangés

Si vous choisissez d'utiliser ou ne pouvez éviter d'utiliser un carburant mélangé, suivez les conseils suivants :

- Utilisez toujours un mélange de carburant frais selon le manuel de l'utilisateur.
- Agitez toujours le mélange de carburant avant d'alimenter l'appareil.
- Videz le réservoir et faites marcher le moteur jusqu'à l'assécher avant d'entreposer l'appareil.

### Utilisation d'additifs de carburant



La bouteille d'huile 2-temps livrée avec l'appareil contient un additif permettant d'empêcher la corrosion et de minimiser la formation de résidus de gomme. Nous vous recommandons d'utiliser ce type d'huile uniquement.

Si cela n'est pas disponible, utilisez une bonne huile 2-temps conçue pour les moteurs à 2-temps refroidis par air en y ajoutant un additif, tel que le stabilisant de gaz STA-BIL ou un produit équivalent. Ajoutez 23 ml (0,8 oz) d'additif par 4 litres (1 gallon) de carburant selon les instructions du récipient. N'ajoutez JAMAIS d'additifs directement dans le réservoir de l'appareil.

	<b>MISE EN GARDE:</b> Pour assurer un bon fonctionnement et une fiabilité maximale du moteur, suivez à la lettre les instructions de mélange d'huile et de carburant du récipient d'huile 2-temps. L'emploi de carburant mal mélangé peut endommager le moteur sérieusement.
---	--

Mélangez soigneusement l'huile moteur 2-temps avec de l'essence sans plomb dans un bidon séparé. Utilisez un rapport 40:1 d'essence/huile. Ne les mélangez pas directement dans le réservoir de carburant. Voir le tableau ci-dessous pour les rapports de mélange d'essence et d'huile.

**REMARQUE :** 3,8 litres (1 gallon) d'essence sans plomb mélangés avec une bouteille de 95 ml (3,2 oz) d'huile 2-temps donnent un rapport d'essence/huile de 40:1.

	+	
<b>ESSENCE SANS PLOMB</b>		<b>HUILE 2-TEMPS</b>
<b>3,8 LITRES (1 GALLON US)</b>		<b>95 ml (3,2 OZ)</b>
<b>1 LITRE</b>		<b>25 ml</b>

**RAPPORT DE MÉLANGE O - 40:1**

	<b>AVERTISSEMENT:</b> L'essence est extrêmement inflammable et les vapeurs qui s'en dégagent peuvent exploser si on y met le feu. Arrêtez toujours le moteur et laissez-le refroidir avant de remplir le réservoir. Ne fumez pas en remplissant le réservoir. Éloignez toute source d'étincelles ou de flammes vives de la zone.
---	--

	<b>AVERTISSEMENT:</b> Enlevez le bouchon du réservoir lentement pour ne pas être blessé par les jets d'essence. Ne faites pas marcher l'appareil sans que le bouchon soit bien mis.
--	---

	<b>AVERTISSEMENT:</b> Ajoutez du carburant dans un lieu propre et bien aéré en plein air. Essuyez immédiatement tout déversement de carburant. Évitez de mettre le feu au carburant déversé. Ne démarrez pas le moteur avant dissipation des vapeurs de carburant.
---	--

**REMARQUE :** Éliminez le vieux mélange de carburant conformément aux règlements fédéral, provincial et municipal en vigueur.

## REEMPLIR LE RÉSERVOIR DE CARBURANT

Remplissez le réservoir ou ajoutez du carburant seulement lorsque le cultivateur est à l'horizontale (Fig. 5).

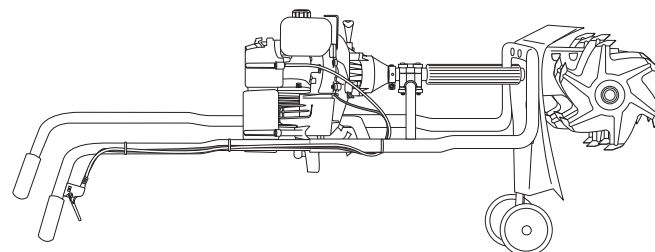


Fig. 5

# INSTRUCTIONS DE DÉMARRAGE ET ARRÊT



**AVERTISSEMENT:** n'utiliser l'outil qu'à l'extérieur, dans un endroit bien aéré. Les émanations d'oxyde de carbone dans un endroit confiné peuvent être mortelles.



**AVERTISSEMENT:** évitez tout démarrage accidentel. Tenez-vous en position de démarrage lorsque vous tirez sur la corde de démarrage (Fig. 8). L'opérateur et l'appareil doivent tous deux être en position stable pour éviter des blessures graves.

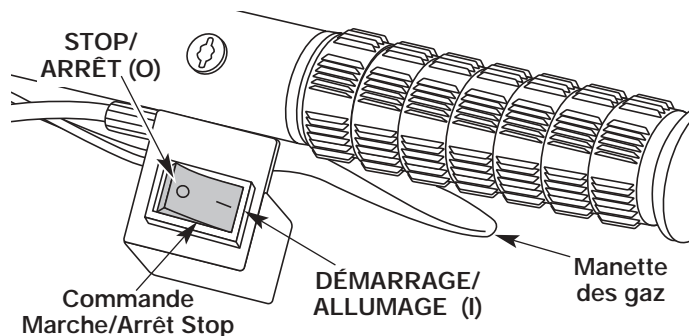


Fig. 6

## INSTRUCTIONS DE DÉMARRAGE

1. Mélangez l'essence avec l'huile et remplissez-en le réservoir. Voir les *Instructions de mélange*.
2. Mettez la commande Marche/Arrêt Stop en position de **DÉMARRAGE (I)** (Fig. 6).
3. Mettez le levier bleu en Position 1 (Fig. 7).
4. Pressez et relâchez la poire d'amorçage à 10 reprises, lentement. Une certaine quantité de **carburant devrait être visible dans la poire d'amorçage** et les conduites de carburant (Fig. 7). Si vous n'apercevez pas de carburant dans la poire, pressez et relâchez la poire autant de fois que nécessaire jusqu'à ce que vous aperceviez du carburant dans cette dernière.
5. Tenez-vous entre les poignées et soutenez l'appareil en plaçant le pied gauche sur le support de roue et en tenant le guidon de la main droite (Fig. 8).

**REMARQUE :** Au démarrage, inclinez légèrement l'appareil vers l'arrière pour décoller les dents du sol.

6. Tout en appuyant sur la manette des gaz, pour la mettre à pleins gaz, saisissez la corde de démarrage de la main gauche et tirez dessus brusquement 5 fois de suite.
7. Mettez le levier bleu en Position 2.
8. Tout en appuyant sur la manette des gaz, tirez sur la corde 1 à 3 fois jusqu'à ce que le moteur démarre.
9. Laissez-le tourner pendant 15 à 30 secondes.
10. Mettez le levier bleu en Position 3. Mettez la manette des gaz en position de ralenti et commencez le travail.

**SI...** Le moteur ne démarre pas, retournez à l'étape 3.

**SI...** Le moteur ne démarre pas après quelques tentatives, placez le levier bleu en Position 3 et appuyez sur la manette des gaz. Tirez fermement sur le cordon de démarrage entre 3 et 8 fois. Le moteur devrait démarrer. S'il ne démarre pas, recommencez.

**SI CHAUD...** Le moteur est déjà chaud, assurez-vous que l'interrupteur Marche/Arrêt Stop est en position ON et démarrez la machine avec le levier bleu en Position 2. Après que la machine ait démarré, mettez le levier bleu en Position 3.

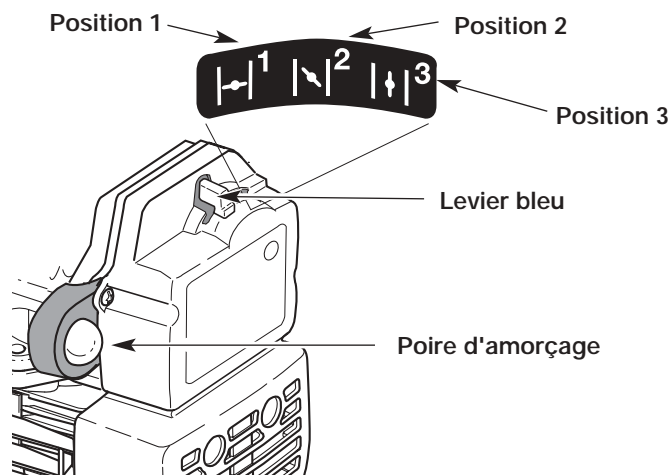


Fig. 7

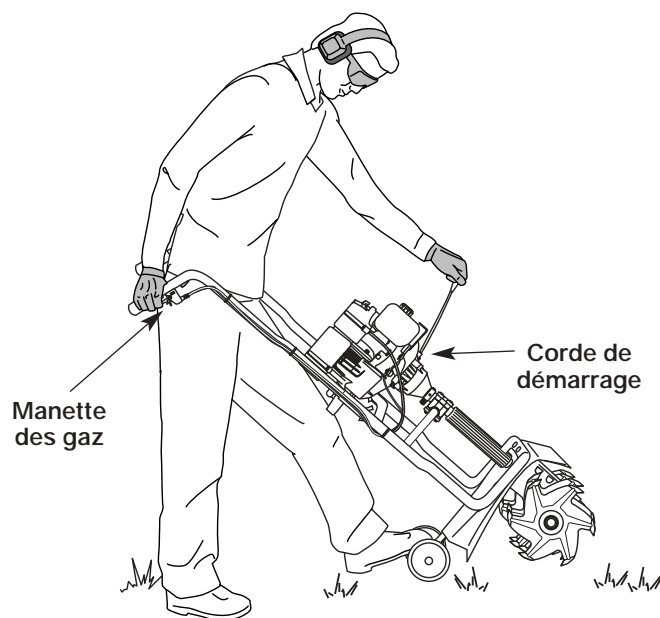


Fig. 8

## INSTRUCTIONS DE D'ARRÊT

1. Relâchez la manette des gaz. Laissez le moteur refroidir au ralenti.
2. Mettez la commande Arrêt/Marche (On/Off) en position ARRÊT (O).

# MODE D'EMPLOI

## CONSEILS D'UTILISATION



**AVERTISSEMENT:** Portez des vêtements appropriés pour diminuer les risques de blessures durant l'utilisation de l'appareil. Ne portez pas de vêtements amples ni de bijoux. Portez des lunettes de sécurité et des protège-oreilles. Portez des pantalons épais et longs, des bottes et des gants. Ne marchez pas pieds nus et évitez les pantalons courts et les sandales.

1. Déplacez le cultivateur vers le lieu de travail avant de démarrer le moteur. Vous pouvez le transporter sur ses roues.



**AVERTISSEMENT:** Pour éviter des blessures graves, ne soulevez et ne transportez jamais l'appareil lorsque le moteur est en marche.

2. Démarrez l'appareil conformément aux *instructions de démarrage*.
3. Pendant que le moteur tourne et que les dents ne touchent pas le sol, appuyez sur la manette des gaz pour augmenter le régime du moteur.
4. Tenez les poignées du guidon fermement et abaissez lentement le cultivateur jusqu'à ce que les dents touchent le sol (Fig. 9).
5. Dès que vous commencez à cultiver, tirez l'appareil vers vous pour faire pénétrer les dents dans le sol.
6. Une fois le sol entamé, continuez le travail d'un rythme modéré jusqu'à ce que vous vous sentiez à l'aise avec les commandes et la manipulation du cultivateur.



**AVERTISSEMENT:** Pour éviter des blessures graves, faites très attention lorsque vous faites marche arrière ou que vous tirez l'appareil vers vous.



Fig. 9

7. Tirez le cultivateur vers l'arrière pour améliorer la profondeur de culture et gaspiller moins d'efforts.
8. Si les dents mordent trop profondément ou pas assez, réglez selon les instructions de la section Réglage de la profondeur des dents.

## RÉGLAGE DE LA PROFONDEUR DES DENTS

Le réglage des dents varie selon le type de sol cultivé et de son utilisation. On recommande généralement, pour la plupart des jardins, de régler les dents pour une profondeur de 10 à 15 cm (4 à 6 pouces). Réglez les dents ainsi :

1. Arrêtez le moteur et débranchez le câble de bougie.
2. Desserrez (sans les retirer) les deux écrous papillon du protecteur des dents (Fig. 10).
3. Glissez le support de roue vers le bas pour réduire la pénétration, vers le haut pour l'augmenter.
4. Une fois les dents ajustées, serrez les écrous papillon en vous assurant que les boulons de carrosserie sont bien assis sur le support.
5. Si la profondeur des dents n'est pas correcte, répétez les étapes 2 à 4.
6. Rebranchez le câble de la bougie et continuez à utiliser l'appareil.

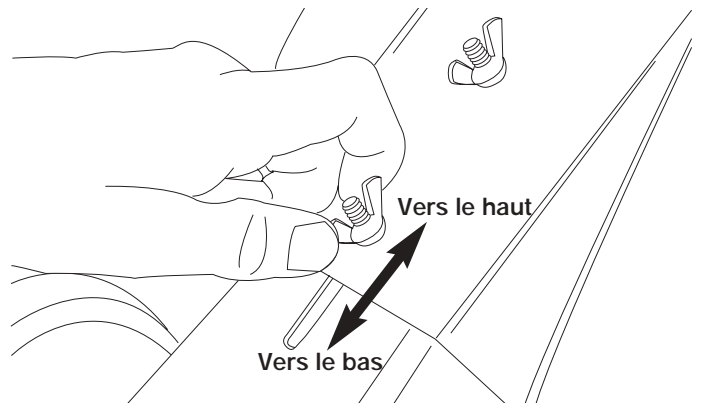


Fig. 10

## Transport de l'appareil



**AVERTISSEMENT:** Pour éviter des blessures graves, arrêtez toujours le moteur si le travail est retardé ou si vous transportez l'appareil d'un lieu à l'autre.

1. Arrêtez le moteur.
2. Glissez le support de roue complètement vers le bas.
3. Inclinez l'appareil vers l'arrière jusqu'à ce que les dents décollent du sol.
4. Poussez ou tirez l'appareil pour aller au lieu de travail suivant.

# ENTRETIEN ET RÉPARATIONS

**REMARQUE :** certaines procédures d'entretien nécessitent des compétences ou des outils particuliers. Si vous n'êtes pas sûr de pouvoir les entreprendre, emmenez votre appareil dans un atelier, chez un technicien ou un concessionnaire agréé spécialisé dans les réparations de moteurs d'outils mécaniques de plein air.

## PROGRAMME D'ENTRETIEN

L'entretien doit respecter la fréquence indiquée dans le tableau ci-dessous. Il doit également faire partie de toute mise au point saisonnière.

	<p><b>AVERTISSEMENT:</b> pour éviter tout accident, n'effectuez jamais l'entretien ou des réparations quand l'appareil fonctionne. Effectuez-les toujours lorsqu'il est froid. Débranchez le câble de la bougie pour prévenir la mise en route.</p>
--	---

FRÉQUENCE	ENTRETIEN REQUIS	RÉFÉRENCE
Avant démarrage	Remplissez le réservoir du mélange d'essence/huile approprié	Page F8
Toutes les 10 heures	Nettoyez le filtre à air et lubrifiez-le de nouveau	Page F12
Toutes les 25 heures	Vérifiez le pare-étincelles et nettoyez-le Vérifiez l'état de la bougie et l'écartement des électrodes	Page F12 Page F13
Toutes les 50 heures	Examinez l'orifice d'échappement et l'écran pare-étincelles pour détecter tout bouchage ou obstruction, afin d'assurer des niveaux de performance maximum.	Page F12

## RETRAIT ET REMPLACEMENT DES DENTS

Vous devez remplacer les 4 dents en même temps parce qu'elles s'usent de manière égale. Commencez par un côté à la fois.

	<p><b>AVERTISSEMENT:</b> Pour éviter des blessures graves, portez toujours des gants épais lorsque vous manipulez les dents.</p>
--	--

1. Mettez la commande Marche/Arrêt Stop en position ARRÊT (O). Positionnez et déconnectez le câble de la bougie.
2. Retirez les axes à épaulement et leurs fixations (Fig. 11).
3. Retirez les dents et les coussins en feutre de l'arbre.
4. Nettoyez et huilez l'arbre.
5. Les dents portent l'inscription " R " (droite) ou " L " (gauche) indiquant leur position de chaque côté de la boîte d'engrenages lorsqu'on fait face au devant de l'appareil.
6. Remplacez les dents et les coussins en feutre sur l'arbre, les yeux des dents étant face à face.

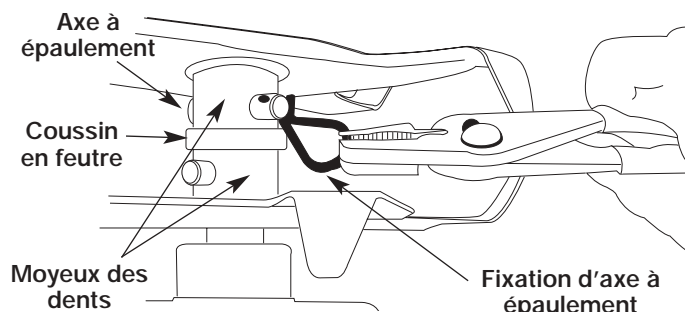


Fig. 11

**REMARQUE** l'entretien, le remplacement ou la réparation des dispositifs et systèmes antipollution peuvent être effectués par tout atelier, technicien ou concessionnaire agréé spécialisé dans les réparations de moteurs d'outils mécaniques de plein air.

Afin d'assurer une performance optimale du moteur, il est conseillé d'examiner l'orifice d'échappement du moteur après 50 heures de fonctionnement. Si vous remarquez une perte de tours par minute, une pauvre performance ou un manque général d'accélération, cet entretien peut s'avérer nécessaire. Si vous pensez que le moteur a besoin de ce type d'inspection, apportez-le pour réparation auprès d'un atelier, technicien ou concessionnaire agréé spécialisé dans les réparations de moteurs d'outils mécaniques de plein air. N'essayez PAS de le faire vous-même car un endommagement du moteur pourrait résulter de la présence d'impuretés provenant du nettoyage de l'orifice.

7. Avant de réinstaller les vis à oeillets et les goupilles beta, assurez-vous que les pointes sur les dents soient bien espacées les unes des autres (Fig. 12).
8. Répétez la même procédure de l'autre côté.

**REMARQUE :** Lorsque les dents sont bien installées, les lettres " R " et " L " apparaissent de chaque côté de la boîte d'engrenages et les extrémités des dents sont alignées dans le même sens. Il est important d'installer correctement les dents.

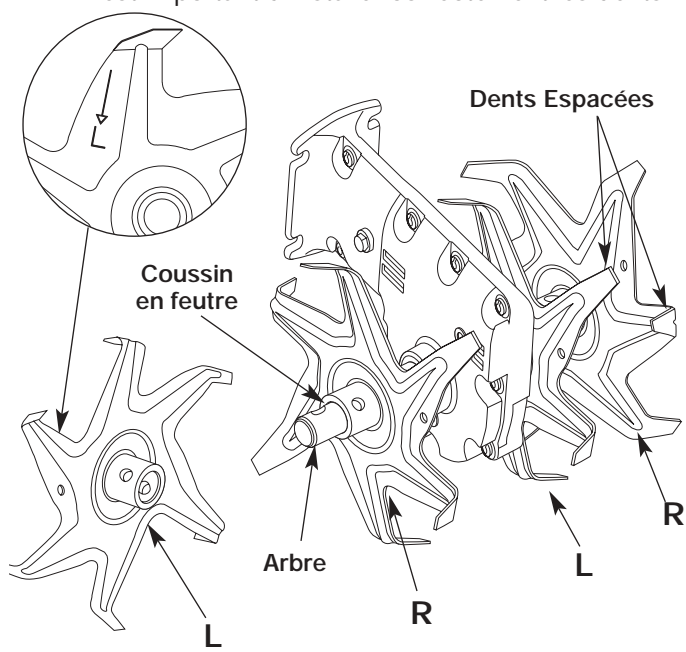


Fig. 12

# ENTRETIEN ET RÉPARATIONS

## RETRAIT ET INSTALLATION DU FILTRE À AIR/COUVERCLE DU SILENCIEUX

### Retrait du filtre à air/couvercle du silencieux



**AVERTISSEMENT:** Pour éviter des blessures graves, éteignez toujours l'appareil et laissez-le refroidir avant tout nettoyage ou entretien.

1. Mettez le levier bleu en Position 2.

**REMARQUE :** pour enlever le filtre à air/couvercle du silencieux, le levier bleu doit être en Position 2 (Fig. 13).

2. Retirez les quatre vis retenant le filtre à air/couvercle du silencieux (Fig. 13). Servez-vous d'un tournevis à mèche no. 20 Torx.
3. Retirez le couvercle du moteur. Ne forcez pas.

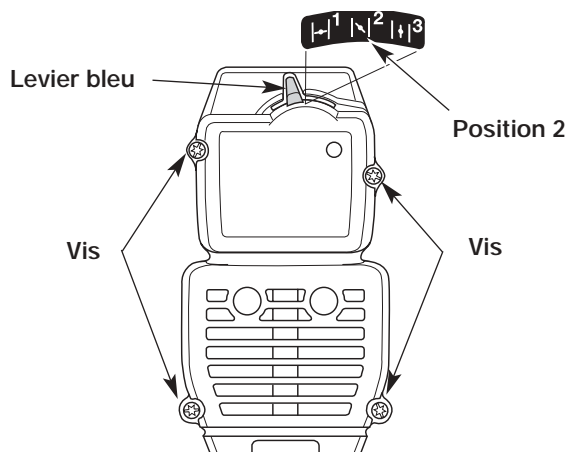


Fig. 13

### ENTRETIEN DU FILTRE À AIR

Nettoyez et relubrifiez le filtre à air à toutes les 10 heures de fonctionnement. C'est l'un des éléments les plus importants pour l'entretien. Tout manquement à l'entretien du filtre à air peut entraîner une baisse de performances ou causer des dégâts permanents à votre moteur.

1. Retirez le filtre à air/couvercle du silencieux. Voir *Retrait et installation du filtre à air/couvercle du silencieux*.
2. Retirez le filtre à air de l'intérieur du couvercle du filtre à air/silencieux (Fig. 14).
3. Lavez le filtre dans un mélange d'eau et de détergent (Fig. 14). Rincez le filtre abondamment. Essorez l'excédent d'eau. Laissez sécher complètement.
4. Appliquez assez d'huile propre SAE 30 pour enduire légèrement le filtre (Fig. 15).
5. Pressez le filtre pour répartir et drainer l'excédent d'huile (Fig. 15).
6. Remplacez le filtre à air à l'intérieur du couvercle du filtre à air/silencieux (Fig. 14).

**REMARQUE :** l'utilisation de l'appareil sans filtre à air et sans ensemble filtre à air/couvercle du silencieux ANNULERA la garantie.

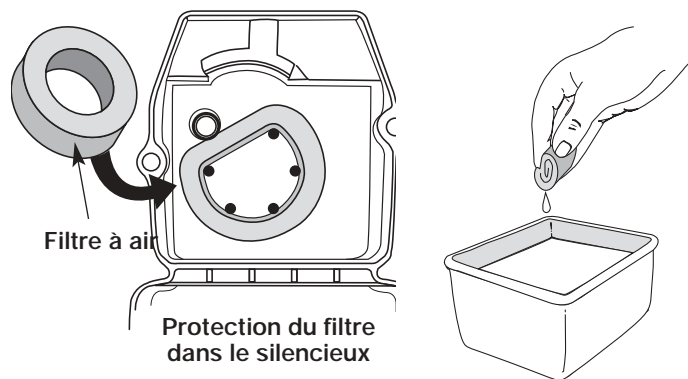


Fig. 14

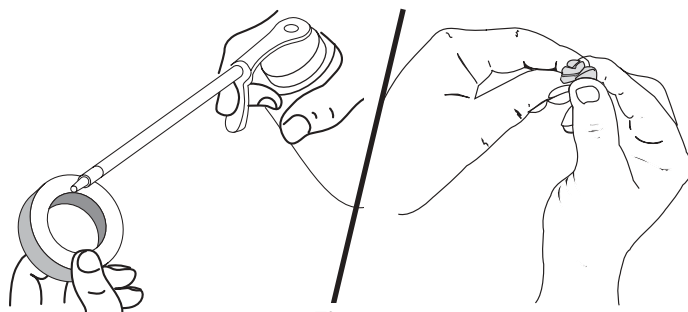


Fig. 15

### Réinstallation du filtre à air/couvercle du silencieux

1. Placez le filtre à air/couvercle du silencieux sur l'endos du carburateur et du silencieux.

**REMARQUE :** pour installer le filtre à air/couvercle du silencieux, le levier bleu doit être en Position 2 (Fig. 13).

2. Insérez les quatre vis dans les trous du filtre à air/couvercle du silencieux et vissez sans trop serrer.

### ENTRETIEN DU PARE-ÉTINCELLES

1. Retirez le couvercle du filtre à air/silencieux. Voir *Retrait du couvercle du filtre à air/silencieux*.
2. Situez le pot d'échappement sans le retirer. Trouvez le vis sur la partie inférieure du pot d'échappement (Fig. 16.) Retirez le vis en vous servant soit d'un tournevis torx #20 ou d'un tournevis plat.
3. Soulevez gentiment la couverture du pare-étincelles du côté gauche. Deux pattes servent de charnières sur le côté droit de la couverture. Ouvrez le couvercle du pare-étincelles comme une porte et faites sortir ses pattes des fentes dans le pot d'échappement.
4. En vous servant d'un petit tournevis plat, faites sortir gentiment l'écran du pare-étincelle de l'intérieur de la couverture du pare-étincelles.
5. Nettoyez l'écran du pare-étincelles à l'aide d'une brosse métallique. Remplacez-le s'il est endommagé ou si vous n'arrivez pas à le nettoyer complètement.
5. Réinstallez l'écran du pare-étincelles dans la couverture du pare-étincelles de façon à ce qu'il soit bien encastré.



# ENTRETIEN ET RÉPARATIONS

6. Réinstallez les deux pattes de la couverture dans les fentes du pot d'échappement et fermez la couverture du pare-étincelles
8. Revissez le vis que vous avez retirées à l'étape 2 et serrez-le bien.
9. Remplacez le couvercle du filtre à air/silencieux.

	<b>AVERTISSEMENT:</b> si l'ensemble déflecteur d'échappement n'est pas solidement assujéti, il risque de tomber et d'endommager l'outil et de causer des blessures graves.
---	--

	<b>AVERTISSEMENT:</b> L'appareil fonctionnera pendant le réglage de la vitesse de ralenti. Portez des vêtements protecteurs et respectez toutes les consignes de sécurité pour éviter des blessures graves.
---	---

## Réglage de la vis de ralenti

Si le moteur ne se met toujours pas au ralenti après vérification du mélange de carburant et du nettoyage du filtre à air, réglez la vis de ralenti comme suit:

1. Démarrez le moteur et laissez-le tourner à haut régime (à pleins gaz) pendant 2 à 3 minutes pour se réchauffer. Voir *Instructions de démarrage et d'arrêt*.

**REMARQUE :** Assurez-vous que les dents ne touchent aucun objet lors du réglage du ralenti.

2. Relâchez le levier d'accélérateur et laissez le moteur au ralenti. Si le moteur s'arrête, insérez un petit tournevis à embout cruciforme dans le trou du filtre à air/couvercle du silencieux (Fig. 17). Vissez la vis de ralenti de 1/8 de tour à la fois (selon le besoin) jusqu'à ce que le moteur se mette bien au ralenti.

**REMARQUE :** Les dents ne doivent pas tourner lorsque le moteur est au ralenti.

3. Si les dents tournent lorsque le moteur est au ralenti, dévissez la vis de ralenti de 1/8 de tour à la fois (selon le besoin) pour réduire la vitesse de ralenti.

La vérification du mélange de carburant, le nettoyage du filtre à air et le réglage de la vis de ralenti devraient résoudre la plupart des problèmes de moteur. Dans le cas contraire et si:

- Le moteur ne se met pas au ralenti
- Le moteur hésite ou se cale lors d'une accélération
- Le moteur perd de la puissance

Faites régler le carburateur par un concessionnaire agréé.

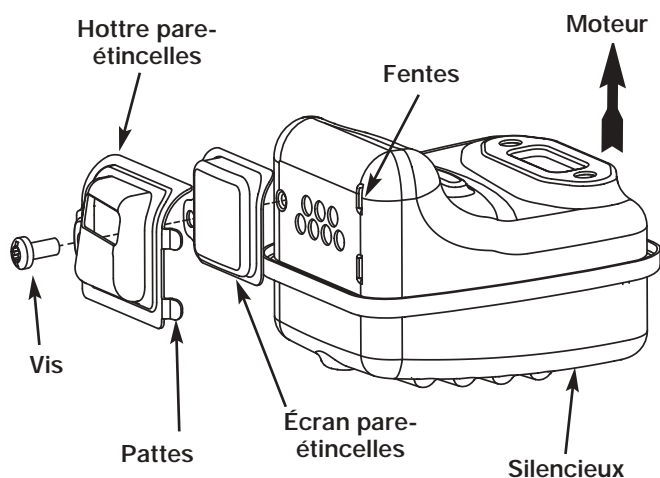


Fig. 16

## RÉGLAGE DU CARBURATEUR

Le régime ralenti du moteur est réglable par le couvercle du filtre à air/silencieux (Fig. 17).

**REMARQUE :** des réglages non soigneux peuvent endommager sérieusement l'appareil. Les réglages de carburateur doivent être faits par un concessionnaire agréé.

## Vérification du mélange de carburant

En général, si l'appareil ne fonctionne pas correctement, c'est que le carburant est vieux ou mal mélangé. Videz puis remplissez le réservoir de carburant frais et bien mélangé avant d'effectuer des réglages. Voir la section *Informations sur l'huile et le carburant*.

# ENTRETIEN ET RÉPARATIONS

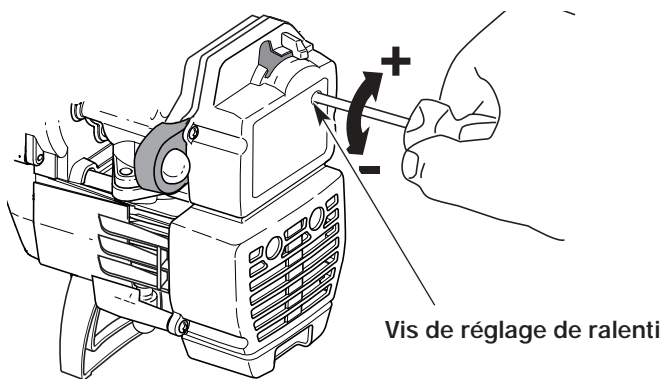


Fig. 17

## REPLACEMENT DE LA BOUGIE

Utilisez une bougie Champion RDJ7Y (ou modèle équivalent). L'écartement correct est de 0,5 mm (0,020 po). Retirez la bougie après 50 heures de fonctionnement et vérifiez son état.

1. Arrêtez le moteur et laissez-le refroidir. Saisissez fermement le câble de bougie et retirez le capuchon de celle-ci.
2. Nettoyez le pourtour de la bougie. Retirez la bougie de la culasse en tournant la douille de 5/8 po à gauche.

**REMARQUE :** Remplacez toute bougie fendillée, encrassée ou sale.

3. Réglez l'écartement à 0,5 mm (0,020 po) à l'aide d'une jauge d'épaisseur (Fig. 18).

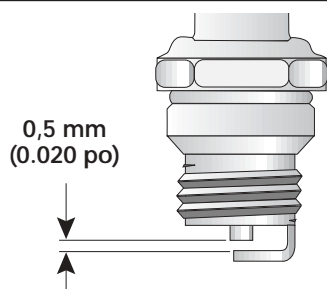


Fig. 18

4. Installez la bougie ajustée dans la culasse. Tournez la douille de 5/8 po à droite jusqu'à la bien visser.

Si vous utilisez une clé dynamométrique vissez selon les valeurs suivantes :

**12,3-13,5 N•m (110-120 po•lb).**

Évitez de trop serrer

## NETTOYAGE DE L'APPAREIL



**AVERTISSEMENT:** pour éviter des blessures graves, éteignez toujours la désherbeuse et laissez-la refroidir avant tout nettoyage ou entretien.

- Nettoyez les événements ou l'extérieur de l'appareil avec une petite brosse.
- N'employez pas de détergents concentrés ou de nettoyants à base de pétrole tel le kérosène. Certains nettoyants ménagers contenant des huiles aromatiques tel que le pin et le citron peuvent endommager les boîtiers ou poignées en plastique. Essuyez toute trace d'humidité à l'aide d'un tissu doux.

## ENTREPOSAGE

- Ne rangez jamais l'appareil plein de carburant dans un lieu où les vapeurs peuvent atteindre une flamme vive ou des étincelles.
- Laissez le moteur se refroidir avant de l'entreposer.
- Rangez l'appareil dans un lieu verrouillé pour éviter toute utilisation ou accident indésirable.
- Rangez l'appareil dans un lieu sec et bien aéré.
- Rangez l'appareil hors de la portée des enfants.

## ENTREPOSAGE DE LONGUE DURÉE

Si vous comptez entreposer l'appareil pendant une longue période:

1. Videz tout le carburant du réservoir dans un récipient. N'utilisez pas de carburant stocké pendant plus de 60 jours. Éliminez le vieux carburant conformément aux règlements en vigueur.
2. Démarrez le moteur, puis laissez-le tourner jusqu'à ce qu'il cale. Cela permet de s'assurer que le carburateur s'est vidé de son carburant.
3. Laissez le moteur refroidir. Retirez la bougie et versez environ 30 ml (1 oz) d'huile moteur de qualité dans le cylindre. Tirez lentement sur la corde de démarrage pour bien distribuer l'huile. Remplacez la bougie.

**REMARQUE :** Retirez la bougie et videz toute l'huile du cylindre avant de mettre en marche la appareil après une période d'entreposage.

4. Nettoyez soigneusement l'appareil et vérifiez qu'il ne comporte pas de pièces desserrées ou endommagées. Réparez ou remplacez les pièces endommagées, puis serrez les vis, écrous et boulons desserrés. L'appareil est alors prêt pour l'entreposage.

# ENTRETIEN ET RÉPARATIONS

## TRANSPORT

- Laissez le moteur refroidir avant le transport.
- Attachez bien l'appareil lors du transport.
- Videz tout le carburant du réservoir avant le transport.
- Serrez le bouchon du réservoir avant le transport.

## DÉPLACEMENT DE L'APPAREIL

1. Laissez l'appareil refroidir avant de le déplacer.
2. Desserrez les boutons du guidon.
3. Pliez les poignées comme indiqué (Fig. 19).
4. Transportez l'appareil en le tenant par la prise du tube de l'arbre ou bien saisissez le centre de la barre pour l'utiliser comme poignée de transport (Fig. 20).
5. Après avoir déplacé l'appareil, remplacez les poignées et recommencez à utiliser l'appareil.

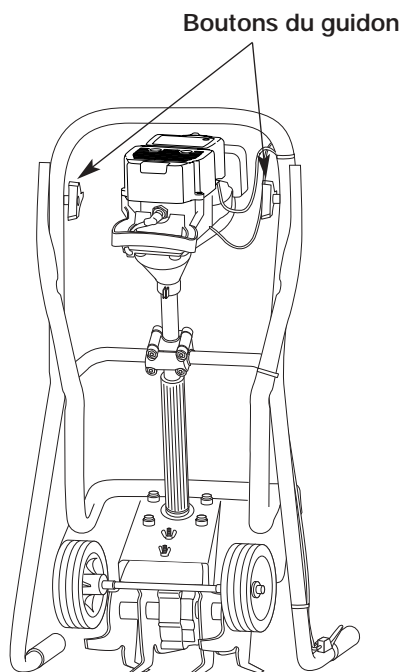


Fig. 19

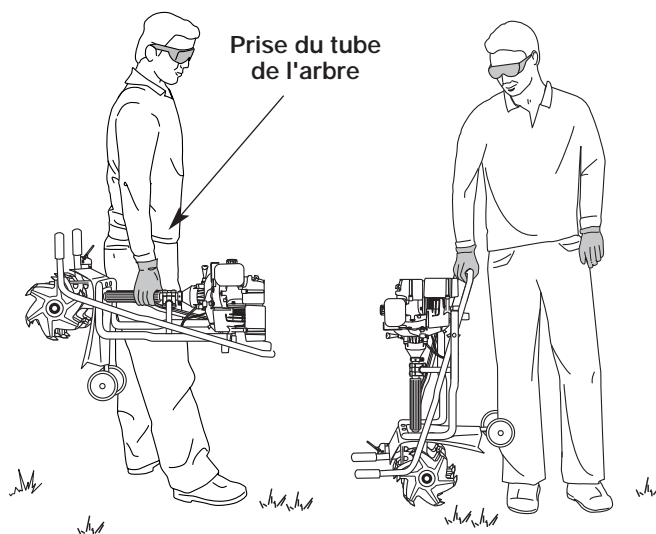


Fig. 20

# DÉPANNAGE

## LE MOTEUR REFUSE DE DÉMARRER

### CAUSE

Réservoir de carburant vide  
La poire d'amorçage n'a pas été pressée assez fort  
Moteur noyé  
Carburant vieux ou mal mélangé  
Bougie encrassée  
Pare-étincelles colmaté

### SOLUTION

Remplissez-le de carburant bien mélangé.  
Pressez-la complètement et lentement de 10 fois  
Utilisez la procédure de démarrage  
Drainez le réservoir/ajoutez du carburant frais  
Remplacez ou nettoyez-la  
Nettoyez ou remplacez le pare-étincelles

## LE MOTEUR REFUSE DE SE METTRE AU RALENTI

### CAUSE

Filtre à air bouché  
Carburant vieux ou mal mélangé  
Mauvais réglage du carburateur

### SOLUTION

Remplacez ou nettoyez-le  
Drainez le réservoir/ajoutez du carburant frais  
Ajustez selon l'instruction

## LE MOTEUR REFUSE D'ACCÉLÉRER

### CAUSE

Carburant vieux ou mal mélangé  
Mauvais réglage du carburateur  
Accessoire de coupe engorgé d'herbes  
Filtre à air sale  
Pare-étincelles colmaté

### SOLUTION

Drainez le réservoir/ajoutez du carburant frais  
Faites-le régler par un concessionnaire agréé  
Arrêtez le moteur et nettoyez l'accessoire  
Remplacez ou nettoyez-le  
Nettoyez ou remplacez le pare-étincelles

## LE MOTEUR MANQUE DE PUISSANCE OU SE CALE DURANT LA COUPE

### CAUSE

Carburant vieux ou mal mélangé  
Mauvais réglage du carburateur  
Bougie encrassée  
Pare-étincelles colmaté

### SOLUTION

Drainez le réservoir/ajoutez du carburant frais  
Faites-le régler par un concessionnaire agréé  
Remplacez ou nettoyez-la  
Nettoyez ou remplacez le pare-étincelles

**Si vous avez besoin d'aide, contactez votre concessionnaire agréé.**

# CARACTÉRISTIQUES

## MOTEUR\*

Type de moteur .....	Refroidi par air, 2-temps
Cylindrée .....	31 cc
Régime ralenti .....	2.600-3.600 tr/min
Régime de fonctionnement .....	7,800+ tr/min
Type d'embrayage .....	Centrifuge
Type d'allumage.....	Électronique
Commande Marche/Arrêt Stop .....	Interrupteur berceau
Écartement de la bougie.....	0,5 mm (0,020 po)
Lubrification .....	Mélange carburant/huile
Rapport carburant/huile .....	40:1
Carburateur .....	Membrane, toutes positions
Démarrateur.....	Rembobinage automatique
Silencieux.....	Chicane avec protection
Accélérateur .....	Rappel par ressort
Capacité du réservoir de carburant.....	415 ml (14 oz)

## ARBRE D'ENTRAÎNEMENT et CULTIVATEUR\*

Tube de l'arbre d'entraînement.....	Tube en acier
Manette des gaz .....	Détente à portée du doigt
Largeur du chemin de culture (maximum) .....	22,86 cm (9 po)
Profondeur de culture (maximum) .....	15,24 cm (6 po)
Poids (sans carburant).....	12 kg (26 lb)

\*Toutes les spécifications contenues dans ce manuel tiennent compte des dernières informations techniques disponibles au moment de mettre sous presse. Nous nous réservons le droit d'y apporter des modifications à tout moment, sans préavis.

# REMARQUES

# Garantie portant sur les normes antipollution de l'EPA et la California

## Vos droits et obligations en vertu de cette garantie

Le California Air Resource Board, la Environmental Protection Agency et MTD LLC (MTD) ont le plaisir de présenter la garantie du dispositif antipollution des petits moteurs à usage tout-terrain datant de 2000 et au-delà. Les nouveaux petits moteurs à usage tout-terrain doivent être conçus, construits et équipés pour être conformes aux strictes normes anti-smog. MTD doit garantir le système de contrôle des émissions de votre petit moteur à usage tout-terrain pendant les périodes de temps indiquées ci-dessous à condition que le moteur n'ait pas souffert d'abus, de négligence ou fait l'objet d'un mauvais entretien.

Votre dispositif antipollution peut inclure des pièces diverses tel que le carburateur ou un système d'injection, le dispositif d'allumage et un convertisseur catalytique. Il pourrait aussi inclure des tuyaux, courroies, connecteurs et autres ensembles de pièces relatives aux émissions.

Advenant une situation couverte par la garantie, MTD réparera votre petit moteur à usage tout-terrain sans frais aucun y compris le diagnostic, les pièces et la main d'œuvre.

Les moteurs à usage tout-terrain datant de 2000 et plus sont garantis pendant deux ans. Si une pièce de votre moteur relative aux émissions devenait défectueuse, MTD la réparera ou la remplacera.

## Responsabilités du propriétaire en vertu de cette garantie

- En tant que propriétaire d'un petit moteur à usage tout-terrain, vous êtes responsable des entretiens requis indiqués dans votre manuel de l'utilisateur. MTD recommande que vous conserviez tous les reçus d'entretien de votre petit moteur à usage tout-terrain. MTD ne peut toutefois réfuter votre garantie juste parce que vous n'avez pas les reçus ou si vous ne veillez pas à ce que les travaux d'entretien prévus soient effectués.
- En tant que propriétaire d'un petit moteur à usage tout-terrain, sachez que MTD peut refuser de vous couvrir sous garantie si votre moteur ou si une pièce sont défectueux pour cause d'abus, de négligence, d'entretien incorrect ou de modifications non autorisées.
- Il vous incombe de présenter votre petit moteur à usage tout-terrain à un centre de service agréé MTD dès que le problème fait son apparition. Les réparations sous garantie doivent être achevées dans une durée de temps raisonnable ne dépassant en aucun cas 30 jours.

Si vous avez des questions au sujet de vos droits et responsabilités en vertu de cette garantie, appelez le 1-800-345-8746.

## Garantie du fabricant

- La période de garantie commence à la date où le moteur ou l'équipement est livré à l'acheteur au détail.
- Le fabricant garantit au propriétaire initial et à chaque acheteur subséquent que le moteur est libre de défauts de matériaux et de vices de fabrication pouvant provoquer la défaillance d'une pièce garantie pendant une période de deux ans.
  - Toute réparation ou remplacement d'une pièce garantie devra être effectué sans aucun frais au compte du propriétaire par un centre de service MTD agréé. Pour connaître le centre le plus proche de vous, veuillez contacter MTD à : 1-800-345-8746.
  - Toute pièce garantie dont le remplacement n'est pas prévu dans le cadre des entretiens requis, ou dont uniquement une inspection normale est prévue selon le principe de "réparation ou remplacement au besoin", est garantie pendant la période de garantie. Toute pièce garantie dont le remplacement est prévu dans le cadre des entretiens requis sera garantie pendant la période de temps allant jusqu'à la date du premier remplacement prévu pour cette pièce.
- Le propriétaire ne subira pas de frais relatifs à un travail de diagnostic qui conclut que la pièce garantie est défectueuse si le travail de diagnostic a été effectué chez un centre de service MTD agréé.
- Le fabricant est responsable de tous les dommages occasionnés aux autres composants du moteur par la défaillance d'une pièce encore sous garantie.
- Les défaillances causées par l'abus, la négligence ou un mauvais entretien ne sont pas couvertes par cette garantie.
- L'utilisation d'un ajout ou de pièces modifiées peut justifier le refus d'une réclamation au titre de la garantie. Le fabricant n'est pas responsable des défaillances des pièces garanties découlant de l'utilisation d'ajouts ou de pièces modifiées.
- Pour déposer une réclamation, adressez-vous au centre de service MTD agréé le plus proche. Les services ou réparations sous garantie sont offerts par tous les centres de service MTD agréés.
- Toutes les pièces de rechange approuvées par le fabricant peuvent être utilisées dans le cadre d'un entretien ou d'une réparation sous garantie de pièces relatives au dispositif antipollution et sont fournies sans frais. Toute pièce de rechange équivalente en termes de performances ou de durabilité peut être utilisée lors d'un entretien ou d'une réparation hors garantie et ne diminue pas les obligations qui incombent au fabricant en vertu de la garantie.
- Les composants suivants sont inclus dans la garantie relative au système antipollution du moteur : filtre à air, carburateur, poire d'amorçage, conduites de carburant, alimentation d'arrivée, filtre à carburant, module d'allumage, bougie et silencieux.

## GARANTIE LIMITÉE DU FABRICANT POUR:



La garantie limitée énoncée ci-après est accordée par MTD LLC (« MTD ») et concerne les marchandises neuves achetées et utilisées aux États-Unis, ainsi que dans leurs possessions et territoires.

MTD garantit ce produit contre tout vice de matière ou de façon pendant une période de deux (2) ans à compter de la date d'achat initiale et elle se réserve le choix de réparer ou de remplacer, à titre gratuit, toute pièce présentant un vice de matière ou de façon. Cette garantie limitée ne s'appliquera que dans la mesure où le produit aura été utilisé et entretenu conformément au Guide de l'utilisateur fourni avec le produit et n'aura pas fait l'objet d'un usage inadéquat, abusif, commercial ou négligent, d'un accident, d'un entretien inadéquat, d'une modification, de vandalisme, d'un vol, d'un incendie, de dégâts d'eau ou d'un endommagement résultant d'un autre péril ou d'un désastre naturel. Les dommages résultants de l'installation ou de l'utilisation de tout accessoire ou équipement non approuvé par MTD pour une utilisation avec le(s) produit(s) couvert(s) par le présent guide annuleront la garantie et ce qui concerne les dommages qui en résulteraient éventuellement. La présente garantie est limitée à quatre-vingt-dix (90) jours à compter de la date d'achat au détail initiale pour tout produit MTD utilisé à des fins locatives ou commerciales, ou toute utilisation produisant des revenus.

**POUR L'ENTRETIEN-DÉPANNAGE :** L'Entretien-dépannage au titre de la garantie est disponible, SUR PRÉSENTATION DE PREUVE D'ACHAT, AUPRÈS DU DISTRIBUTEUR AGRÉÉ LOCAL. Pour obtenir le nom du distributeur agréé local, consulter les Pages Jaunes ou se mettre en rapport avec le Service après-vente de MTD LLC. en appelant le 1-800-345-8746 ou en écrivant au P.O. Box 361131, Cleveland OH 44136-0019 ou en appelant le 1-800-668-1238 au Canada. Aucun produit retourné à l'usine sans permission écrite préalable du service après-vente de MTD LLC ne sera accepté.

**La garantie limitée n'offre aucune couverture dans les cas suivants :**

- A. Mises au point – Bougies, réglages de carburateur, filtres.
- B. Articles d'usure – Bouton de butée, bobines extérieures, fil de coupe, bobines intérieures, poulie de démarrage, cordes de démarrage, courroies d'entraînement.
- C. MTD n'accorde aucune garantie pour les produits vendus ou exportés des États-Unis, de leurs possessions et territoires, exception faite en ce qui concerne les produits vendus par l'intermédiaire de ses canaux agréés de distribution à l'exportation.

MTD se réserve la droit de modifier ou d'améliorer la conception de tout produit MTD sans assumer l'obligation de modifier tout produit d'une fabrication plus ancienne.

Aucune garantie implicite, y compris toute garantie de valeur marchande ou d'adaptation à une fin particulière, ne s'applique après la période applicable de garantie expresse écrite ci-dessus concernant les pièces qui sont identifiées. Aucune autre garantie ou caution expresse, écrite ou orale, à l'exception de celle mentionnée ci-dessus, accordée par toute personne ou entité, y compris tout distributeur ou détaillant, concernant tout produit n'engagera la responsabilité de MTD. Pendant la période de la présente garantie, le remède exclusif est la réparation ou le remplacement du produit dans les conditions énoncées ci-dessus. (Certains états ne permettent pas la limitation de la garantie implicite, il est donc possible que la limitation ci-dessus ne s'applique pas à vous.)

Les clauses énoncées dans la présente Garantie constituent le recours unique et exclusif inhérent aux ventes. MTD ne sera en aucun cas tenue pour responsable de tout dommage indirect ou consécutif ou de dommages comprenant, entre autres mais pas seulement, les dépenses encourues du fait du recours à des services de remplacement ou de substitution pour l'entretien des pelouses, le transport ou des frais connexes, ou les frais entraînés par une location destinée à remplacer provisoirement un produit sous garantie. (Certains états ne permettent pas la limitation de la garantie implicite, il est donc possible que la limitation ci-dessus ne s'applique pas à vous.)

Aucun recouvrement, quel qu'il soit, ne sera d'un montant supérieur au prix du produit vendu. Toute modification des dispositifs de sécurité du produit annulera la présente Garantie. Vous assumez tout risque et toute responsabilité résultant de la perte, de l'endommagement ou du préjudice que vous et votre propriété et/ou d'autres et leur propriété pourront encourir du fait de l'utilisation normale, de la mauvaise utilisation ou de l'empêchement d'utiliser le produit.

La présente garantie limitée n'est accordée qu'à l'acheteur initial, au preneur initial ou à la personne à laquelle le produit a été offert.

**Le Droit des États vis à vis de la présente garantie :** la présente garantie vous confère certains droits juridiques, et vous pouvez bénéficier d'autres droits, lesquels varient d'une juridiction à l'autre.

Pour obtenir l'adresse du distributeur agréé le plus proche, composer le : 1-800-345-8746 aux États-Unis ou le 1-800-668-1238 au Canada.

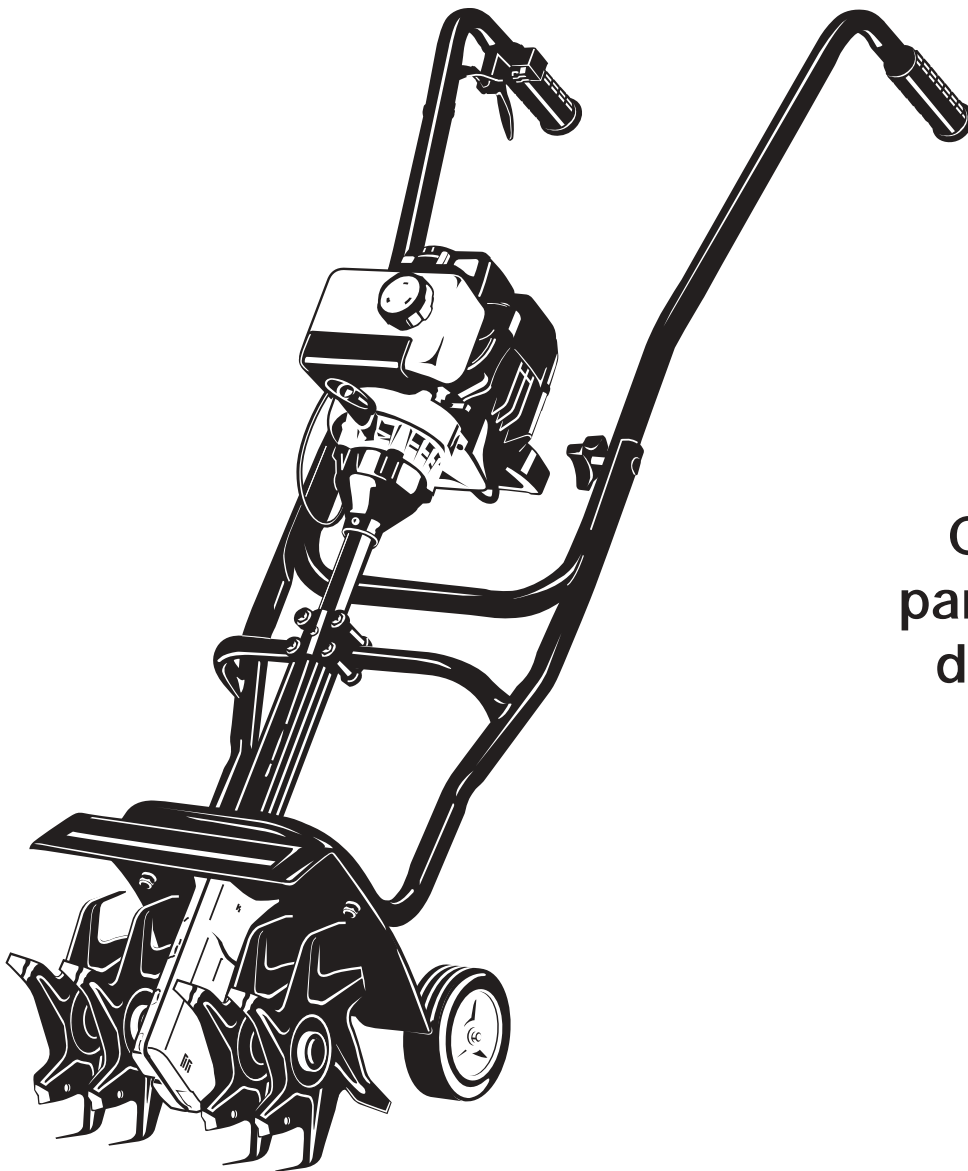
**MTD LLC**  
P.O. Box 361131  
Cleveland, OH 44136-0019



# **YARD MACHINES**

by **MTD**®

## Manuel del Dueño/Operador



Cultivador  
para Jardines  
de 2 ciclos

**ESTE MANUAL ES IMPORTANTE**

**NO LO DESECHE**

# INTRODUCCION

## MUCHAS GRACIAS

Gracias por haber adquirido este gran producto. Esta moderna herramienta motriz de exteriores está diseñada para brindarle muchas horas de servicio útil. Usted comprobará que es un artefacto que le ahorrará mucho trabajo. Este manual del operador le brinda instrucciones de operación de fácil comprensión. Lea todo el manual y siga todas las instrucciones para mantener su nueva herramienta motriz de exteriores en las mejores condiciones de funcionamiento.

## REFERENCIAS, ILUSTRACIONES Y ESPECIFICACIONES DEL PRODUCTO

Toda la información, las ilustraciones y las especificaciones contenidas en este manual se basan en la información más reciente disponible en el momento de impresión del manual. Nos reservamos el derecho de hacer cambios en cualquier momento sin aviso previo.

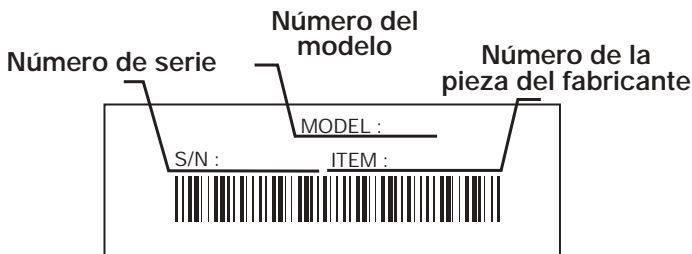
Copyright© 2005 MTD SOUTHWEST INC. Todos los derechos reservados.

## INFORMACION DEL SERVICIO

El servicio de esta unidad, ya sea durante o después del período cubierto por la garantía, debe ser realizado solamente por un proveedor de servicios autorizado y aprobado. Llame **1-800-345-8746** en EE.UU. o al **1-800-668-1238** en Canada para obtener una lista de distribuidores de servicio localizados cerca de usted. Para obtener más detalles sobre su unidad, visite nuestro sitio en [www.yardmachines.com](http://www.yardmachines.com).

**NO REGRESE SU UNIDAD AL VENDEDOR. PARA SOLICITAR SERVICIO POR LA GARANTIA, DEBERA PRESENTAR PRUEBA DE SU COMPRA.**

Antes de que empiece a ensamblar su nuevo equipo, por favor ubique la placa que contiene el modelo de la unidad y escriba esa información en el espacio en blanco aquí debajo. Aquí debajo se explica la muestra de una placa del modelo.



Copie el número del modelo/  
pieza del fabricante aquí: \_\_\_\_\_

Copie el número  
de serie aquí: \_\_\_\_\_

*Antes de arrancar u operar este equipo, asegúrese de leer y comprender bien este manual.*

ESTE PRODUCTO ESTA CUBIERTO POR UNA O MAS PATENTES DE EE.UU., OTRAS PATENTES EN TRAMITE.

## INDICE DE CONTENIDOS

Llamadas a apoyo al cliente	2
Normas para una operación segura	3
Conozca su unidad	6
Instrucciones de ensamble	7
Información del aceite y del combustible	8
Instrucciones de arranque y apagado	9
Instrucciones de operación	10
Instrucciones de mantenimiento y reparación	11
Accesorios y piezas de repuesto	15
Limpieza y almacenamiento	15
Cuadro de solución de problemas	16
Especificaciones	17
Garantía	24
Lista de Piezas	Contraportada

## PARACHISPAS

**NOTA: Para los usuarios en tierras forestales de los EE.UU. y en los estados de California, Maine, Oregon y Washington.** Todos los terrenos forestales de los EE.UU. y el estado de California (Códigos de Recursos Públicos 4442 y 4443), Oregon y Washington, requieren por decreto, que ciertos motores de combustión interna que se hagan funcionar en zonas boscosas y/o zonas cubiertas por pastizales, estén equipados con un parachispas, que sean mantenidos en buen estado de funcionamiento o que el motor sea construido, esté equipado y sea mantenido para evitar incendios. Consulte los reglamentos pertinentes a esos requisitos con las autoridades estatales o locales. El incumplimiento de esos requisitos puede responsabilizarle o someterle a la imposición de una multa. **Esta unidad fue equipada en la fábrica con un parachispas.** Si requiere sustitución, hay una **Pantalla Parachispas disponible, Pieza #753-04925** al contactar el departamento de servicio.

## PROPOSICIÓN 65 DE CALIFORNIA

**⚠ ADVERTENCIA ⚠**

LAS EMISIONES DEL MOTOR DE ESTE PRODUCTO CONTIENEN SUBSTANCIAS QUIMICAS QUE EL ESTADO DE CALIFORNIA CONOCE COMO CAUSANTES DECANCER, DEFECTOS DE NACIMIENTO U OTROS DAÑOS REPRODUCTIVOS.

# NORMAS PARA UNA OPERACION SEGURA

Los símbolos de seguridad se utilizan para llamar su atención sobre posibles peligros. Los símbolos de seguridad y sus explicaciones merecen toda su atención y comprensión. Los símbolos de seguridad no eliminan ningún peligro por sí mismos. Las instrucciones o advertencias que ofrecen no substituyen las medidas adecuadas de prevención de accidentes.

SIMBOLO	SIGNIFICADO
---------	-------------



## ALERTA DE SEGURIDAD:

Indica peligro, advertencia o precaución. Debe prestar atención para evitar sufrir graves lesiones personales. Puede ser utilizado junto con otros símbolos o figuras.

**NOTA:** Le ofrece información o instrucciones que son esenciales para la operación o mantenimiento del equipo.

Lea el manual del operador y siga todas las advertencias e instrucciones de seguridad. De no hacerlo, el operador y/o los espectadores pueden sufrir graves lesiones.

SI TIENE PREGUNTAS, LLAME AL 1-800-345-8746 EN EE.UU. O AL 1-800-668-1238 en CANADA

SIMBOLO	SIGNIFICADO
---------	-------------



**PELIGRO:** El no obedecer una advertencia de seguridad puede conducir a que usted u otras personas sufran graves lesiones. Siga siempre las precauciones de seguridad para reducir el riesgo de incendio, descarga eléctrica y lesiones personales.



**ADVERTENCIA:** El no seguir una advertencia de seguridad puede conducir a que usted u otras personas sufran lesiones. Siga siempre las precauciones de seguridad para reducir el riesgo de incendio, descarga eléctrica y lesiones personales.



**PRECAUCION:** El no seguir una advertencia de seguridad puede conducir a daño patrimonial o a que usted u otras personas sufran lesiones personales. Siga siempre las precauciones de seguridad para reducir el riesgo de incendio, descarga eléctrica y lesiones personales.

## • IMPORTANTE INFORMACION DE SEGURIDAD •

### LEA TODAS LAS INSTRUCCIONES ANTES DE LA OPERACIÓN

- Lea todas las instrucciones con cuidado. Conozca bien los controles y el uso correcto de la unidad.
- No opere esta unidad si está cansado, enfermo, o bajo los efectos del alcohol, drogas o medicamentos.
- Los niños y los adolescentes menores de 15 años no deben operar las unidades, excepto por los adolescentes guiados por un adulto.
- Inspeccione la unidad antes de utilizarla. Cambie las partes dañadas. Verifique si existen pérdidas de combustible. Asegúrese de que los sujetadores estén bien colocados y asegurados. Cambie las partes que estén quebradas, cascadas o dañadas de cualquier forma. No opere esta unidad con piezas flojas ni dañadas.
- Tenga en cuenta el riesgo de lesiones en la cabeza, manos y pies.
- Aleje a todos los niños, espectadores y animales domésticos. Mantenga a todos los niños, espectadores y animales domésticos a un radio de por lo menos 50 pies (15 m); aún así, puede existir un riesgo de objetos despedidos contra los espectadores. Debe sugerir a los espectadores que usen protección ocular. Si alguien se le acerca, pare la unidad de inmediato.

- Oprima el control del regulador y verifique que regrese automáticamente a la posición de mínima. Haga todos los ajustes o reparaciones antes de usar la unidad.

### ADVERTENCIAS DE SEGURIDAD PARA LAS UNIDADES A GASOLINA



**ADVERTENCIA:** La gasolina es muy inflamable y sus gases pueden explotar si se encienden. Tome las siguientes precauciones:

- Guarde el combustible en envases que hayan sido diseñados y aprobados para el almacenamiento de dichos materiales.
- Antes de llenar el tanque de combustible, apague siempre el motor y espere que se enfríe. No retire nunca la tapa del tanque de combustible ni cargue combustible mientras el motor esté caliente. No opere nunca la unidad sin la tapa del combustible colocada firmemente en su lugar. Afloje la tapa del combustible lentamente para disipar la presión del tanque.
- Evite crear una fuente de encendido por combustible derramado. No arranque el motor hasta que se hayan disipado los vapores del combustible.

# NORMAS PARA UNA OPERACION SEGURA

- Mezcle y cargue el combustible en un área exterior bien ventilada donde no haya chispas ni llamas. Quite lentamente la tapa del combustible sólo después de apagar el motor. No fume mientras carga o mezcla el combustible. Limpie de inmediato todo el combustible que se haya derramado.
- Aleje la unidad a por lo menos 9,1 m (30 pies) del lugar de carga de combustible antes de arrancar el motor. No fume, mantenga las chispas y las llamas abiertas lejos del área mientras carga el combustible u opera la unidad.

## DURANTE LA OPERACIÓN

- No arranque ni opere la unidad en una sala o edificio cerrado. Los gases de escape de monóxido de carbono pueden ser letales en un área cerrada. Opere esta unidad sólo en un área exterior bien ventilada.
- Use lentes o gafas de protección que cumplan con las normas ANSI Z87.1, y protección para sus oídos/audición mientras opere esta unidad. Use siempre una máscara facial o para protegerse contra el polvo si la operación levanta polvo.
- Use pantalones largos y gruesos, guantes y camisa de manga larga. No use pantalones cortos, sandalias ni trabaje descalzo.
- Para reducir el riesgo de lesiones causadas por objetos absorbidos por las partes giratorias, no use ropa holgada, alhajas, pañuelos en el cuello, etc. Recoja su cabello sobre el nivel de sus hombros.
- Use la unidad únicamente con la luz del día o con buena luz artificial.
- Mantenga las superficies externas libres de aceite y combustible.
- Esta unidad cuenta con un embrague. Las púas no se mueven mientras el motor está en mínima. Si se mueven, haga que un técnico de servicio autorizado ajuste la unidad.
- Verifique que las púas no hagan contacto con ningún objeto antes de arrancar la unidad.
- Evite arrancar la unidad accidentalmente. Colóquese en posición de inicio siempre que tire de la cuerda de arranque. El operador y la unidad deben estar en una posición estable al comenzar. Lea las *Instrucciones de Arranque y Apagado*.
- Use la herramienta adecuada. No use esta unidad para ninguna tarea para la cual no ha sido diseñada.
- No fuerce la unidad. Realizará una mejor tarea y con menor posibilidad de causar lesiones si se usa a la velocidad para la que ha sido diseñada.
- Tenga mucho cuidado cuando invierta o mueva la unidad hacia usted.
- No se extienda demasiado, tenga mucho cuidado cuando trabaje en pendientes marcadas o inclinadas. Mantenga siempre una posición y equilibrio adecuados.
- Sostenga siempre la unidad con ambas manos durante la operación. Mantenga un buen agarre en los mangos del manubrio.

- Mantenga las manos, la cara y los pies lejos de todas las partes móviles. No toque ni intente detener las púas mientras están girando. No opere la unidad sin las protecciones colocadas en su lugar.
- No toque el motor, el silenciador ni la caja de engranajes. Estas partes se calientan mucho durante la operación. Permanecen calientes durante un breve período luego de apagar la unidad.
- No opere el motor a una velocidad mayor que la necesaria para realizar la tarea. No haga funcionar el motor a alta velocidad cuando no lo use.
- Pare siempre el motor cuando la operación se demore o cuando camine entre zonas de trabajo.
- Apague el motor para realizar el mantenimiento, reparaciones, para instalar o sacar las púas. La unidad debe estar apagada y las púas deben haberse detenido para evitar lesiones.
- Con el uso, las púas se afilan demasiado. Use siempre guantes gruesos cuando maneje, retire, instale o limpie las púas.
- Use sólo piezas y accesorios de repuesto del fabricante del equipo original para esta unidad. Puede obtenerlos en su proveedor de servicio autorizado. El uso de piezas y accesorios que no son fabricante del equipo original puede causar graves lesiones al operador o el daño de su unidad, y la cancelación de su garantía.
- Mantenga la unidad libre de vegetación y otros materiales. Pueden trabarse entre las púas y la caja de engranajes o la protección.
- Para reducir el riesgo de incendio, cambie los silenciadores y amortiguadores de chispas defectuosos, mantenga el motor y el silenciador libre de pasto, hojas, grasa excesiva o acumulaciones de carbono.

## OTRAS ADVERTENCIAS DE SEGURIDAD

- No guarde nunca la unidad con combustible en el tanque en un edificio donde los gases puedan llegar a una llama abierta o a una chispa.
- Espere que el motor se enfríe antes de guardar o transportar la unidad. Asegúrese de que la unidad esté segura al transportarla.
- Guarde la unidad bajo llave en un lugar adecuado y seco para evitar que sea usada por personas no autorizadas y se dañe, fuera del alcance de los niños.
- Nunca moje ni rocíe la unidad con agua ni con ningún otro líquido. Mantenga las manijas secas, limpias y sin residuos. Limpie la unidad luego de cada uso, lea las instrucciones de *Limpieza y Almacenamiento*.
- Guarde estas instrucciones. Consúltelas con frecuencia y utilícelas para enseñar a otros usuarios. Si le presta esta unidad a alguien, préstele también estas instrucciones.

## CONSERVE ESTAS INSTRUCCIONES

# NORMAS PARA UNA OPERACION SEGURA

## SIMBOLOS DE SEGURIDAD E INTERNACIONALES

Este manual del operador describe los símbolos y figuras de seguridad e internacionales que pueden aparecer en este producto. Lea el manual del operador para obtener información completa acerca de la seguridad, ensamble, operación y mantenimiento y reparación.

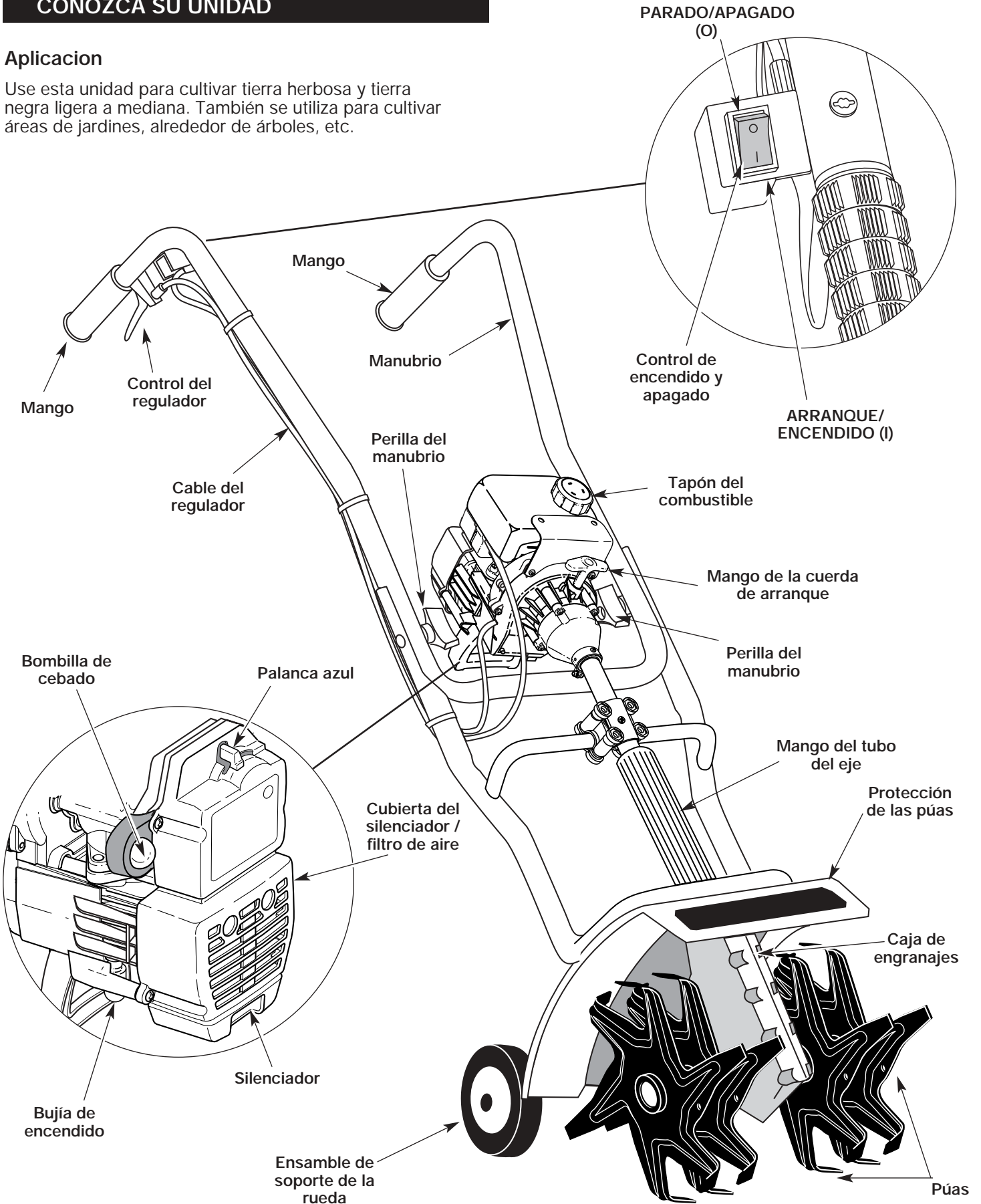
SIMBOLO	SIGNIFICADO	SIMBOLO	SIGNIFICADO
	<ul style="list-style-type: none"> <li>• <b>SIMBOLO DE ALERTA DE SEGURIDAD</b> Indica peligro, advertencia o precaución. Puede ser utilizado junto con otros símbolos o figuras.</li> </ul>		<ul style="list-style-type: none"> <li>• <b>CONTROL DE ENCENDIDO Y APAGADO</b> ENCENDIDO / ARRANQUE / MARCHA</li> </ul>
	<ul style="list-style-type: none"> <li>• <b>ADVERTENCIA - LEA EL MANUAL DEL OPERADOR</b> Lea el manual del operador y siga todas las advertencias e instrucciones de seguridad. De no hacerlo, el operador y/o los espectadores pueden sufrir graves lesiones.</li> </ul>		<ul style="list-style-type: none"> <li>• <b>CONTROL DE ENCENDIDO Y APAGADO</b> APAGADO o PARADO</li> </ul>
	<ul style="list-style-type: none"> <li>• <b>USE PROTECCION OCULAR Y AUDITIVA</b> <b>ADVERTENCIA:</b> Los objetos arrojados por la unidad y el ruido fuerte pueden causar graves lesiones oculares y pérdida auditiva. Utilice protección ocular que cumpla con las normas ANSI Z87.1 y protección auditiva cuando opere esta unidad. Use una careta completa cuando la necesite.</li> </ul>		<ul style="list-style-type: none"> <li>• <b>ADVERTENCIA DE SUPERFICIE CALIENTE</b> No toque un silenciador ni un cilindro caliente. Puede quemarse. Estas partes se calientan mucho con el uso. Luego de apagarse permanecen calientes durante un corto tiempo.</li> </ul>
	<ul style="list-style-type: none"> <li>• <b>MANTENGA ALEJADOS A LOS ESPECTADORES</b> <b>ADVERTENCIA:</b> Mantenga a todos los espectadores, en especial a niños y animales domésticos a por lo menos 50 pies (15 m.) del área de corte.</li> </ul>		<ul style="list-style-type: none"> <li>• <b>CONTROL DEL OBTURADOR</b> 1 • Posición de OBTURACION COMPLETA 2 • Posición de OBTURACION PARCIAL 3 • Posición de MARCHA</li> </ul>
	<ul style="list-style-type: none"> <li>• <b>COMBUSTIBLE SIN PLOMO</b> Use siempre combustible limpio, nuevo y sin plomo.</li> </ul>		<ul style="list-style-type: none"> <li>• <b>CULTIVADORES PARA JARDINES – LAS PUAS GIRATORIAS PUEDEN CAUSAR GRAVES LESIONES</b> <b>ADVERTENCIA:</b> Apague el motor y espere que las púas se detengan antes de instalar o sacar las púas, o antes de realizar la limpieza o todo tipo de mantenimiento. Mantenga las manos y los pies lejos de las púas giratorias.</li> </ul>
	<ul style="list-style-type: none"> <li>• <b>INDICADOR DE ACEITE</b> Consulte el manual del operador para obtener información acerca del tipo correcto de aceite.</li> </ul>		<ul style="list-style-type: none"> <li>• <b>NO SE PARE</b> Mantenga siempre una posición y equilibrio adecuados. No se estire demasiado, tenga mucho cuidado cuando trabaje en declives y pendientes empinadas.</li> </ul>
	<ul style="list-style-type: none"> <li>• <b>LOS OBJETOS DESPEDIDOS Y LA CUCHILLA ROTATIVA PUEDEN CAUSAR GRAVES LESIONES</b> <b>ADVERTENCIA:</b> No opere esta unidad si la protección plástica de línea no está colocada en su lugar. Manténgase alejado del accesorio de corte giratorio.</li> </ul>		<ul style="list-style-type: none"> <li>• <b>COLOQUE SU PIE IZQUIERDO AQUI</b> Evite los arranques accidentales. Colóquese en posición de inicio siempre que tire de la cuerda de arranque. El operador y la unidad deben estar en una posición estable al comenzar.</li> </ul>

# NORMAS PARA UNA OPERACION SEGURA

## CONOZCA SU UNIDAD

### Aplicacion

Use esta unidad para cultivar tierra herbosa y tierra negra ligera a mediana. También se utiliza para cultivar áreas de jardines, alrededor de árboles, etc.



# INSTRUCCIONES DE ENSAMBLE

## ENSAMBLE DE LA UNIDAD

Su cultivador para jardines ha sido completamente ensamblado. El manubrio deberá colocarse en la posición adecuada antes de la operación.

**NOTA:** Antes de su operación, es posible que deba cambiar la posición de la altura de la rueda. Lea *Ajuste de la Profundidad de las Púas*.

Desembale con cuidado el contenido y verifique que no haya piezas dañadas.

## COLOCACION DEL MANUBRIO

1. Afloje las dos perillas del lado interior del manubrio (Fig. 1).
2. Con la unidad en posición vertical, gire el manubrio hacia arriba hasta la posición de operación (Fig. 1).

**NOTA:** Tenga cuidado de no pellizcar el cable del regulador o los cables del interruptor cuando coloque el manubrio.

3. Ajuste las perillas para asegurar el manubrio en su lugar.

**NOTA:** No ajuste las perillas demasiado.

4. Vuelva a ajustar el cable del regulador y los cables del interruptor de modo que queden parejos y estirados contra el ensamblaje del manubrio. Esto evitará que se aprisionen o se desbarben durante la operación normal.

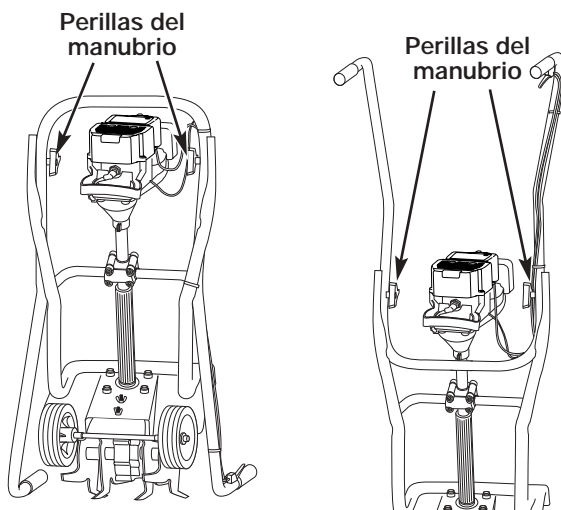


Fig. 1

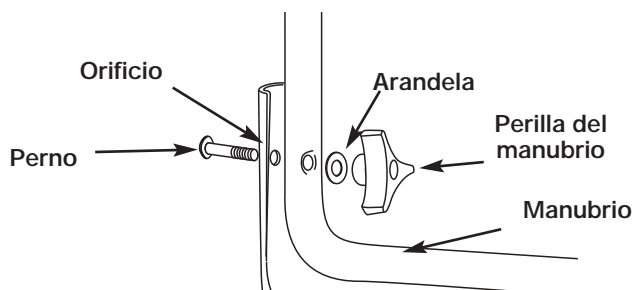


Fig. 2

## INSTALACION DEL ENSAMBLE DE SOPORTE DE LA RUEDA

Si el montaje de soporte de la rueda no está instalado, o si usted necesita siempre quitarlo o reinstalar, siga las instrucciones que sobrevienen.



**ADVERTENCIA:** Para evitar lesionarse con las púas, use guantes gruesos y una camisa de mangas largas cuando instale el ensamblaje de soporte de la rueda.



**ADVERTENCIA:** Para evitar graves lesiones personales, el ensamblaje de soporte de la rueda deberá estar instalado cuando opere la unidad.

1. Con la unidad sobre su lado, coloque el ensamblaje de soporte de la rueda en el lado inferior de la protección de las púas (Fig. 3).
2. Instale un perno de carro a través de cada uno de los orificios ranurados del soporte de la rueda y en la protección de las púas.
3. Instale una arandela de seguridad y una tuerca de mariposa en cada uno de los pernos de la parte superior de la protección de las púas (Fig. 3).
4. Verifique que el hombro cuadrado de los pernos haya atravesado los orificios ranurados del soporte de la rueda. Ajuste las tuercas de mariposa (Fig. 4).

**NOTA:** No ajuste demasiado las tuercas de mariposa. Aflojar las tuercas de mariposa permite ajustar el peso de la rueda.

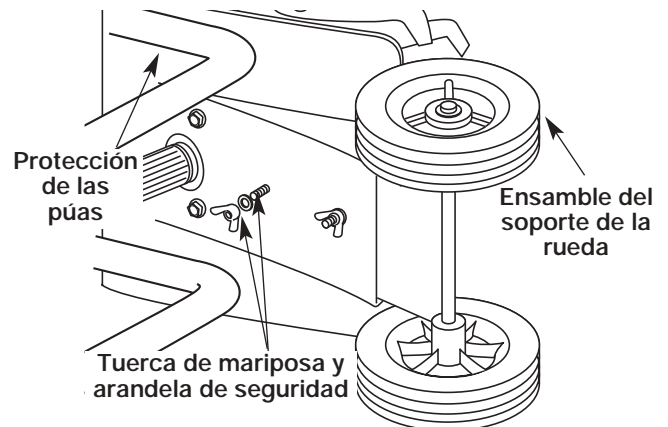
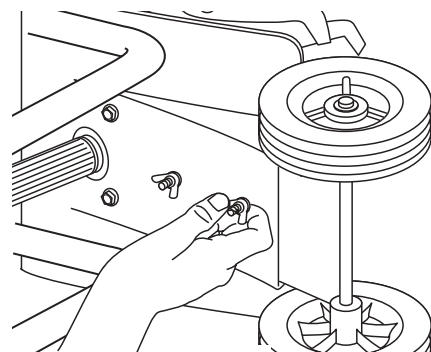


Fig. 3



# INFORMACION DEL ACEITE Y DEL COMBUSTIBLE

## INSTRUCCIONES PARA MEZCLAR EL ACEITE Y EL COMBUSTIBLE

El combustible viejo o mal mezclado son los motivos principales del mal funcionamiento de la unidad. Asegúrese de usar combustible nuevo, limpio y sin plomo. Siga las instrucciones en detalle para mezclar correctamente el aceite y el combustible.

### Definición de los combustibles de mezcla

Los combustibles actuales con frecuencia son una mezcla de gasolina y oxigenantes como por ejemplo etanol, metanol o MTBE (éter). El combustible mezclado con alcohol absorbe agua. Una cantidad tan pequeña como el 1% de agua en el combustible puede causar la separación del combustible y el aceite. Forma ácidos cuando está almacenado. Cuando use combustible mezclado con alcohol, use combustible nuevo (de menos de 60 días).

### Uso de combustibles de mezcla


Si usted opta por usar un combustible de mezcla o si su uso es inevitable, tome las precauciones recomendadas.

- Use siempre una mezcla fresca de combustible según lo indica su manual del operador.
- Agite siempre la mezcla de combustible antes de cargarlo en la unidad.
- Drene el tanque y haga funcionar el motor en seco antes de guardar la unidad.

### Uso de aditivos en el combustible



La botella de aceite de 2 ciclos que vino con su unidad contiene un aditivo en el combustible que ayudará a inhibir la corrosión y a reducir la formación de depósitos de goma. Se recomienda que use sólo el aceite de 2 ciclos con esta unidad.

Si es inevitable, use un buen aceite de 2 ciclos elaborado para motores enfriados por aire junto con un aditivo para el combustible como por ejemplo el estabilizador de gasolina STA-BIL® o similar. Agregue 23 mL (0,8 onzas) de aditivo de combustible por galón de combustible de acuerdo con las instrucciones del envase. NUNCA agregue aditivos directamente en el tanque de combustible de la unidad.

	<b>PRECAUCION:</b> Para que el motor funcione correctamente y con la mayor fiabilidad, preste mucha atención a las instrucciones de mezcla de aceite y combustible del envase de aceite de 2 ciclos. El uso de combustible mezclado en forma incorrecta puede dañar seriamente el motor.
---	--

Mezcle bien la proporción correcta de aceite para motor de 2 ciclos y gasolina sin plomo en una lata de combustible por separado. Use una proporción de 40:1 de combustible y aceite. No los mezcle directamente en el tanque de combustible de la unidad. Consulte las proporciones específicas de mezcla de gasolina y aceite en la tabla siguiente.

**NOTA:** 3,8 litros (un galón) de gasolina sin plomo mezclada con una botella de 95 mL (3,2 onzas) de aceite de 2 ciclos es una proporción de 40:1 de combustible y aceite.

	+	
<b>GASOLINA SIN PLOMO</b>		<b>ACEITE DE 2 CICLOS</b>
<b>3,8 LITROS (1 GALON de EE.UU.)</b>		<b>95 mL (3,2 ONZAS FLUIDAS)</b>
<b>1 LITRO</b>		<b>25 mL</b>

PROPORCION DE LA MEZCLA = 40 : 1

	<b>ADVERTENCIA:</b> La gasolina es muy inflamable. Los gases pueden explotar si se encienden. Apague siempre el motor y espere que se enfríe antes de cargar el tanque de combustible. No fume mientras llena el tanque. Mantenga las chispas y las llamas lejos del área.
---	--

	<b>ADVERTENCIA:</b> Saque la tapa del combustible lentamente para evitar lesionarse con el rociado del combustible. No opere nunca la unidad sin la tapa del combustible firmemente colocada en su lugar.
--	---

	<b>ADVERTENCIA:</b> Cargue el combustible en un área exterior limpia y bien ventilada. Limpie de inmediato todo combustible que se haya derramado. Evite crear una fuente de encendido con el combustible derramado. No arranque el motor hasta que se hayan evaporado los gases del combustible.
---	---

**NOTA:** Elimine la mezcla vieja de aceite y combustible de acuerdo con los reglamentos federales, estatales y locales.

### CARGA DEL TANQUE DE COMBUSTIBLE

Cargue o agregue combustible al tanque sólo cuando el cultivador está en posición horizontal (Fig. 5).

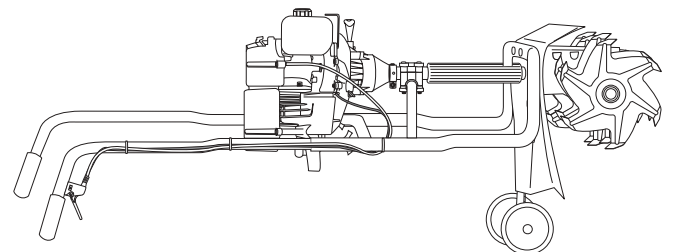


Fig. 5



# INSTRUCCIONES DE ARRANQUE Y APAGADO



**ADVERTENCIA:** Use esta unidad sólo en un área exterior bien ventilada. Los gases de escape de monóxido de carbono pueden ser letales en un área cerrada.



**ADVERTENCIA:** Evite los arranques accidentales. Colóquese en posición de inicio cuando tire de la cuerda de arranque (Fig. 8). El operador y la unidad deben estar en una posición estable al arrancar la unidad para evitar graves lesiones personales.

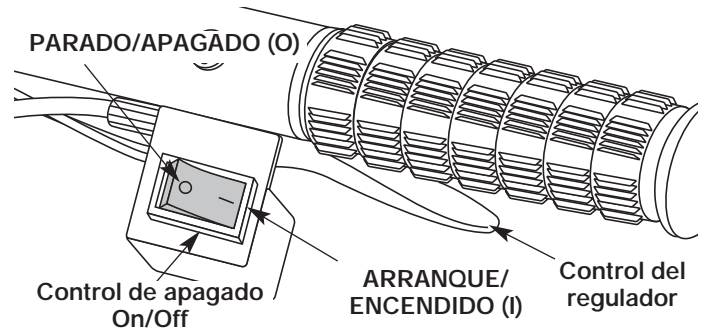


Fig. 6

## INSTRUCCIONES DE ARRANQUE

1. Mezcle la gasolina con el aceite. Llene el tanque de combustible con la mezcla de combustible y aceite. Lea las instrucciones de mezcla de aceite y combustible.
2. Coloque el control de encendido y apagado On/Off en posición de **ARRANQUE (I)** (Fig. 6).
3. Coloque la palanca azul en Posición 1.
4. Oprima completamente el cebador y suéltelo 10 veces. Hágalo lentamente. Se deberá ver un poco de **combustible en el cebador** y en las tuberías de alimentación de combustible (Fig. 7). Si no puede ver el combustible en el cebador, oprímalo y suéltelo tantas veces como sea necesario hasta que vea combustible en el mismo.
5. Párese entre las barras del manubrio y sostenga la unidad colocando su pie izquierdo en el ensamble de soporte de la rueda y sosteniendo el mango del manubrio con su mano derecha (Fig. 8).

**NOTA:** Inclíne la unidad ligeramente hacia atrás para levantar las púas del suelo al arrancar.

6. Mientras oprime el control del regulador en la posición más abierta (regulación máxima), tome el mango de la cuerda de arranque con su mano izquierda y tire de la cuerda de arranque rápidamente 5 veces.
7. Coloque la palanca azul en Posición 2.
8. Mientras oprime el control del regulador, tire de la cuerda de arranque de 1 a 3 veces hasta que el motor arranque.
9. Déjelo funcionar de 15 a 30 segundos.
10. Coloque la palanca azul en Posición 3. Suelte el control del regulador a la posición de mínima y comience la operación.

**SI...** El motor no arranca, regrese al paso 3.

**SI...** El motor no arranca después de varios intentos, coloque la palanca azul en la Posición 3 y oprima el control del regulador. Hale la cuerda del arranque con fuerza de 3 a 8 veces. El motor deberá arrancar. Si no sucede así, repita el procedimiento.

**SI SE CALIENTA...** El motor ya está caliente, cerciórese de que el control de Encendido/ Apagado [On/Off] esté en la posición de Encendido [ON] y arranque la unidad con la palanca azul en la Posición 2. Después de que la unidad arranque, mueva la palanca azul a la Posición 3.

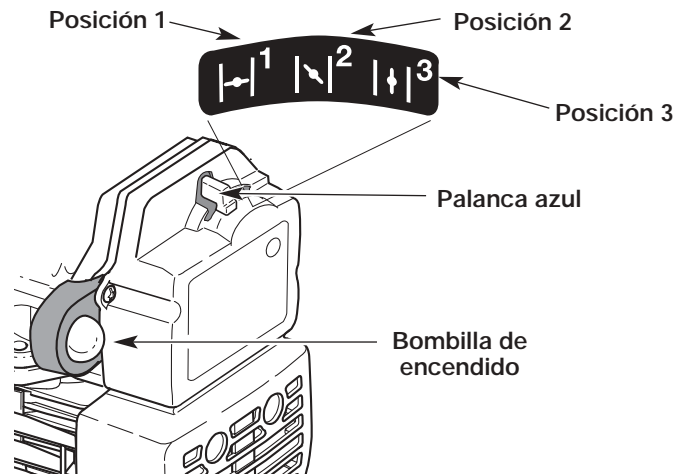


Fig. 7



Fig. 8

## INSTRUCCIONES DE APAGADO

1. Saque la mano del control del regulador. Espere que el motor se enfríe en marcha lenta.
2. Coloque el control de encendido y apagado en posición de **APAGADO (O)**.

# INSTRUCCIONES DE OPERACION

## CONSEJOS PARA LA OPERACION



**ADVERTENCIA:** Vista en forma adecuada para reducir el riesgo de lesiones cuando opere esta unidad. No use ropa holgada ni alhajas. Use protección ocular y auditiva. Use pantalones largos y gruesos, botas y guantes. No use pantalones cortos, sandalias ni trabaje descalzo.

1. Transporte el cultivador hacia el área de trabajo antes de arrancar el motor. Puede transportar el cultivador empujándolo sobre ruedas.



**ADVERTENCIA:** Para evitar graves lesiones personales, nunca levante ni transporte la unidad con el motor en marcha.

2. Arranque la unidad siguiendo las *instrucciones de arranque*.
3. Con el motor en marcha y las púas sin tocar el suelo, oprima el control del regulador para aumentar la velocidad del motor.
4. Mientras sostiene ambos mangos del manubrio, baje lentamente el cultivador hasta que las púas hacen contacto con el suelo (Fig. 9).
5. A medida que comienza la actividad de cultivo, mueva el cultivador hacia atrás de modo que las púas puedan penetrar en la tierra.
6. Una vez que se ha abierto la tierra, continúe a un ritmo moderado hasta que conozca bien los controles y el manejo del cultivador.



**ADVERTENCIA:** Para evitar graves lesiones personales, tenga mucho cuidado cuando invierta o gire la unidad hacia usted.



Fig. 9

7. Mueva el cultivador hacia atrás para mejorar la profundidad de cultivo y reducir su esfuerzo.
8. Si las púas están cavando a una profundidad excesiva o insuficiente, ajuste las púas de acuerdo a la sección *Ajuste de la profundidad de las púas*.

## AJUSTE DE LA PROFUNDIDAD

El ajuste de las púas podrá variar de acuerdo al tipo de tierra que cultiva y el modo en que será usado. En general, se recomienda ajustar las púas para abrir la tierra de 4 a 6 pulgadas para la mayoría de los jardines. Ajuste las púas de este modo:

1. Pare el motor y desconecte el cable de la bujía de encendido.
2. Afloje (no retire) las dos tuercas de mariposa de la protección de las púas (Fig. 10).
3. Deslice el ensamble del soporte de la rueda hacia abajo para lograr una penetración más superficial, y hacia arriba para lograr una penetración más profunda.
4. Una vez que las púas se encuentran en la posición deseada, ajuste las tuercas de mariposa, verificando que los pernos de carro están bien sentados a través del soporte.
5. Si la profundidad de las púas no es correcta, repita los pasos 2 a 4.
6. Vuelva a conectar el cable de la bujía de encendido y continúe su uso.

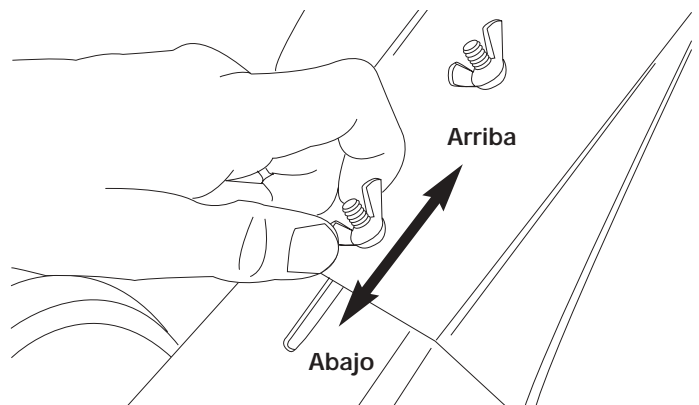


Fig. 10

## Transporte de la Unidad



**ADVERTENCIA:** Para evitar graves lesiones personales, apague siempre el motor cuando demore la operación o mientras transporta la unidad entre áreas de trabajo.

1. Apague el motor.
2. Deslice el ensamble del soporte de la rueda totalmente hacia abajo.
3. Inclíne la unidad hacia atrás hasta que las púas desmalezan la tierra.
4. Empuje o lleve la unidad hasta el próximo lugar que deba cultivar.

# INSTRUCCIONES DE MANTENIMIENTO Y REPARACION

**NOTA:** Algunos procedimientos de mantenimiento pueden requerir el uso de herramientas o habilidades especiales. Si no está seguro acerca de estos procedimientos, lleve su unidad a un establecimiento de reparación, persona o distribuidor de servicio autorizado que arregle motores para uso fuera de la carretera.

## PROGRAMA DE MANTENIMIENTO

Estos procedimientos requeridos para el mantenimiento deben ser realizados con la frecuencia indicada en la tabla. Deben ser incluidos como parte de toda puesta a punto de cada temporada.



**ADVERTENCIA:** Nunca realice mantenimiento ni reparaciones con la unidad funcionando. Realice siempre el mantenimiento y las reparaciones con la unidad fría. Desconecte el cable de la bujía de encendido para cerciorarse de que la unidad no arrancará.

**NOTA:** El mantenimiento, la sustitución o arreglo de dispositivos para el control de emisiones y sistemas pueden ser hechos por cualquier establecimiento de reparación, persona o proveedor de servicio autorizado que arregle motores para uso fuera de la carretera.

A fin de garantizar el máximo desempeño del motor, puede ser necesario inspeccionar la lumbrera de escape del motor después de 50 horas de funcionamiento. Si usted observa pérdida de RPM, funcionamiento deficiente o falta general de aceleración, es posible que sea necesario realizar este mantenimiento. Si usted considera que su motor necesita esta inspección, haga que un establecimiento de reparación, persona o proveedor de servicio autorizado que arregle motores para uso fuera de la carretera le preste el servicio. NO intente realizar este proceso usted mismo ya que puede ocasionar daños al motor producto de los contaminantes que se encuentran en el proceso de limpieza de la lumbrera.

FRECUENCIA	MANTENIMIENTO REQUERIDO	CONSULTE
Antes de arrancar el motor	Llene el tanque de combustible con la mezcla correcta de aceite y combustible	Página E8
Cada 10 horass	Limpie y vuelva a aceitar el filtro de aire	Página E12
Cada 25 horass	Examine el parachispas y límpielo Inspeccione la condición y la separación de la bujía de encendido	Página E13 Página E14
Cada 50 horas	Inspeccione si la lumbrera de escape y la rejilla del parachispas están tupidas u obstruidas para garantizar los niveles máximos de rendimiento	Página E13

## REMOCION Y REPOSICION DE LAS PUAS

Las 4 púas deben cambiarse al mismo tiempo debido a que se desgastarán en forma pareja con el uso normal. Trabaje en un lado por vez.



**ADVERTENCIA:** Para evitar graves lesiones personales, use siempre guantes gruesos cuando maneje las púas.

1. Coloque el control de encendido y apagado en la posición de **APAGADO (O)** y desconecte el cable de la bujía de encendido.
2. Saque las presillas del pasador de la horquilla y los pasadores de la horquilla (Fig. 11).
3. Saque las púas y los cojines de fieltro del eje.
4. Limpie y aceite el eje.
5. Las púas llevan la letra "R" o "L" para identificar su posición a cada lado de la caja de engranajes cuando miran hacia la parte anterior de la unidad.
6. Cambie las púas y los cojines de fieltro sobre el eje con los centros de las púas enfrentados entre sí.

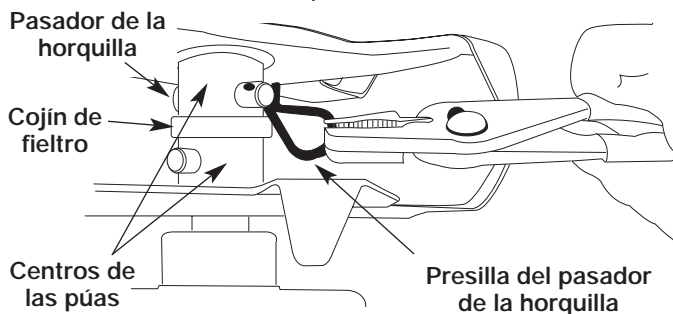


Fig. 11

7. Antes de volver a instalar los pasadores de horquilla y las presillas de los pasadores, asegúrese de que las puntas de los dientes estén escalonadas cuando se comparan entre sí (Fig. 12).

8. Repita este procedimiento en el lado opuesto.

**NOTA:** Cuando se instala en forma correcta, habrá una púa "R" y una púa "L" a cada lado de la caja de engranajes, y las puntas de las púas se alinean en la misma dirección. Es importante que las púas se instalen en forma correcta.

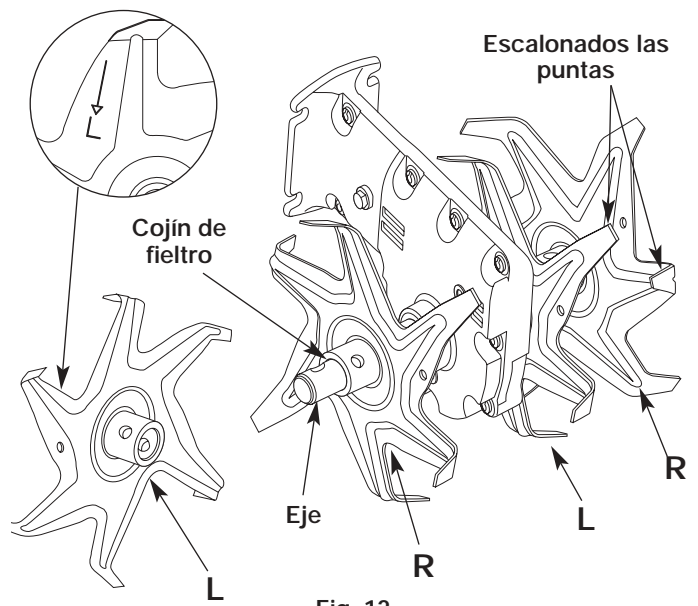


Fig. 12

# INSTRUCCIONES DE MANTENIMIENTO Y REPARACION

## MANTENIMIENTO DEL FILTRO DE AIRE



**ADVERTENCIA:** Para evitar graves lesiones personales, apague siempre su recortador y espere que se enfríe antes de limpiarlo o realizar todo tipo de mantenimiento.

### Remoción de la cubierta del silenciador / filtro de aire

1. Coloque la palanca del obturador en Posición 2.

**NOTA:** La palanca azul debe estar en Posición 2 (Fig. 13) para sacar la cubierta del silenciador / filtro de aire.

2. Saque los cuatro (4) tornillos que sostienen la cubierta del silenciador / filtro de aire (Fig. 13). Use un destornillador de broca Torx N° T20.
3. Saque la cubierta del motor. No la fuerce.

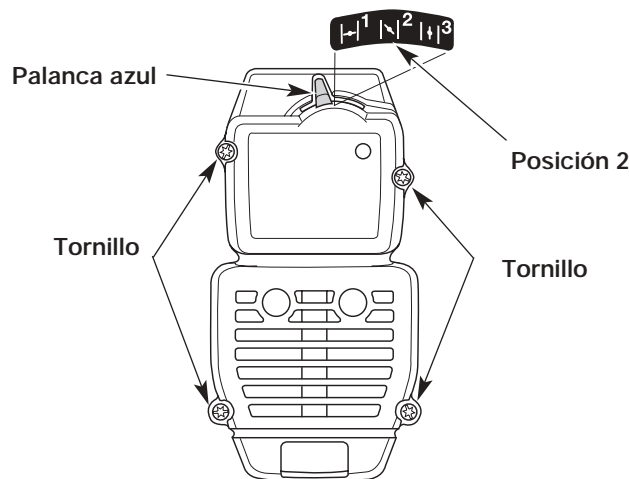


Fig. 13

### Nettoyage du Filtre a Air

Limpie y vuelva a aceitar el filtro de aire cada 10 horas de operación. Es una de las partes cuyo mantenimiento es importante. No mantener debidamente su filtro de aire puede resultar en funcionamiento inadecuado o puede causar daño permanente a su motor.

1. Saque la cubierta del silenciador / filtro de aire. Lea la sección de Remoción e Instalación de la cubierta del silenciador / filtro de aire.
2. Saque el filtro de aire del interior de la cubierta del silenciador / filtro de aire (Fig. 14).
3. Lave el filtro con agua y detergente (Fig. 14). Enjuague bien el filtro. Escurra el exceso de agua. Déjelo secar por completo.
4. Aplique suficiente aceite SAE 30 limpio como para recubrir ligeramente el filtro (Fig. 15).

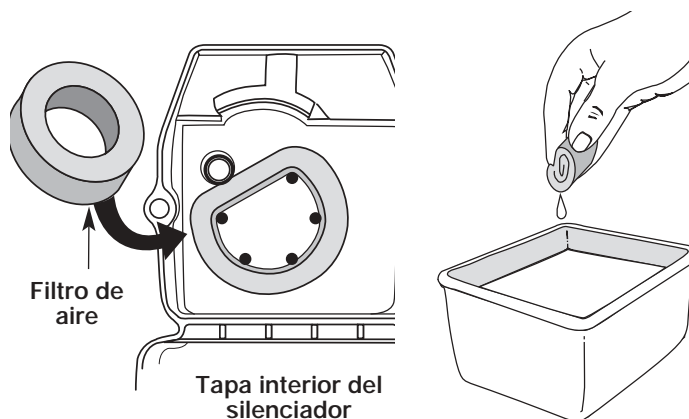


Fig. 14

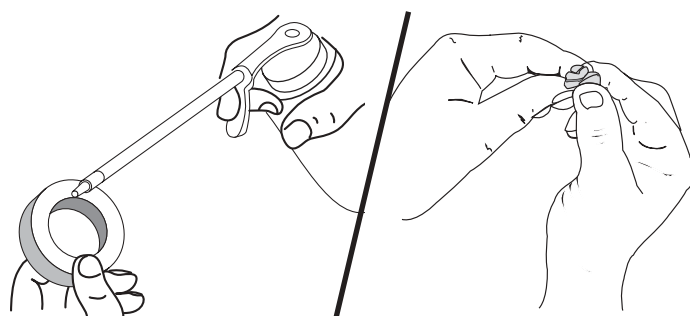


Fig. 15

5. Apriete el filtro para esparcir y retirar el exceso de aceite (Fig. 15).
6. Vuelva a colocar el filtro de aire en el interior de la cubierta del silenciador / filtro de aire (Fig. 14).

**NOTA:** Si opera la unidad sin el filtro de aire y el ensamble de la cubierta del silenciador / filtro de aire, su garantía quedará **ANULADA**.

### Reinstalación de la cubierta del silenciador / filtro de aire

1. Coloque la cubierta del silenciador / filtro de aire sobre la parte posterior del carburador y del silenciador.

**NOTA:** La palanca azul debe estar en Posición 2 (Fig. 13) para instalar la cubierta del silenciador / filtro de aire.

2. Inserte los cuatro (4) tornillos en los orificios de la cubierta del silenciador / filtro de aire y ajústelos. **No los ajuste demasiado.**

# INSTRUCCIONES DE MANTENIMIENTO Y REPARACION

## MANTENIMIENTO DEL PARACHISPAS

1. Quite el filtro de aire / tapa del silenciador. Ver *Remoción de la Tapa del Filtro / Silenciador*.
2. Localice el silenciador, pero no lo quite. Busque el tornillo en la parte inferior del silenciador (Fig. 16). Quite el tornillo usando una llave torx No. 20 o un destornillador plano.
3. Levante cuidadosamente haciendo palanca el lado izquierdo de la cubierta del parachispas. Dos lengüetas actúan como bisagras en el lado derecho de la cubierta. Abra con un golpe rápido la cubierta del parachispas, como si fuera una puerta, y después hale las lengüetas para sacarlas de las ranuras del silenciador.
4. Con un destornillador de punta plana, levante cuidadosamente haciendo palanca la rejilla del parachispas, sacándola del interior de la cubierta del parachispas.
5. Limpie la rejilla del parachispas con un cepillo de cerdas metálicas. Cámbiela si está dañada o si no la puede limpiar completamente.
6. Reinstale la rejilla del parachispas, ajustándola en forma ceñida de nuevo en la cubierta del parachispas.
7. Reinstale las dos lengüetas de la cubierta del parachispas en las dos ranuras y cierre la cubierta del parachispas con un golpe rápido.
8. Vuelva a colocar el tornillo que quitó en el Paso 2 y apriétele firmemente.
9. Reinstale la tapa del filtro de aire / silenciador.

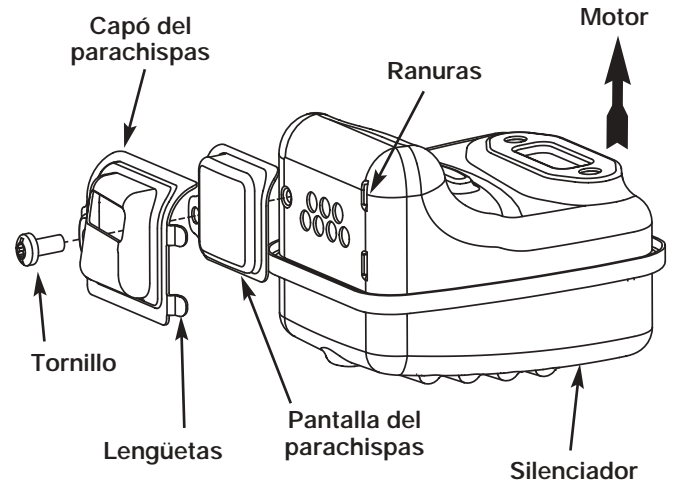


Fig. 16

# INSTRUCCIONES DE MANTENIMIENTO Y REPARACION

## AJUSTE DEL CARBURADOR

La velocidad lenta del motor puede ser ajustada por la cubierta del silenciador / filtro de aire (Fig. 17).

**NOTA:** Los ajustes realizados sin cuidado pueden dañar seriamente su unidad. Los ajustes del carburador deben ser realizados por un proveedor de servicio autorizado.

### Controle la mezcla del combustible

Una mezcla incorrecta o vieja de combustible es en general el motivo por el cual la unidad no funciona adecuadamente. Drene y vuelva a llenar el tanque con combustible nuevo y bien mezclado antes de hacer ningún ajuste. Lea la *Información del Aceite y Combustible*.

### Limpié el filtro de aire

La condición del filtro de aire es importante para la operación de la unidad. Un filtro de aire sucio limitará el flujo de aire y cambiará la mezcla de combustible y aire en el carburador. Esto con frecuencia se confunde con un carburador mal ajustado. Verifique la condición del filtro de aire antes de ajustar el tornillo de marcha lenta. Lea *Mantenimiento del filtro de aire*.



**ADVERTENCIA:** La unidad funcionará durante los ajustes del carburador. Use ropa que lo proteja y cumpla con todas las instrucciones de seguridad para prevenir graves lesiones personales.

### Ajuste del regulador de velocidad mínima

Si luego de verificar la mezcla del combustible y limpiar el filtro de aire el motor aún no funciona en mínima, ajuste el tornillo de velocidad lenta de la siguiente manera.

1. Arranque el motor y déjelo funcionar durante 2-3 minutos a alta velocidad (regulación plena) para que se caliente. Lea las *Instrucciones de Arranque y Apagado*.

**NOTA:** Verifique que las púas no estén en contacto con el suelo cuando ajuste la marcha lenta.

2. Suelte el gatillo del regulador y deje que el motor funcione en marcha lenta. Si el motor se para, inserte un pequeño destornillador Phillips en el orificio de la cubierta del silenciador / filtro de aire (Fig. 17). Gire el tornillo de marcha lenta en sentido horario, de a 1/8 de vuelta por vez (según sea necesario) hasta que el motor funciona en mínima.

**NOTA:** Las púas no deben girar cuando el motor está en mínima.

3. Si las púas giran cuando el motor está en mínima, gire el tornillo de marcha lenta en sentido antihorario 1/8 de vuelta por vez (según sea necesario) para reducir la marcha lenta.

El control de la mezcla de combustible, la limpieza del filtro de aire y el ajuste del tornillo de marcha lenta deben resolver la mayoría de los problemas del motor.

De no ser así y si:

- El motor no funciona en mínima,
- El motor fluctúa o se para al acelerar,
- Existe una pérdida de fuerza motriz,

Lleve el carburador a un proveedor de servicio autorizado para que lo ajuste.

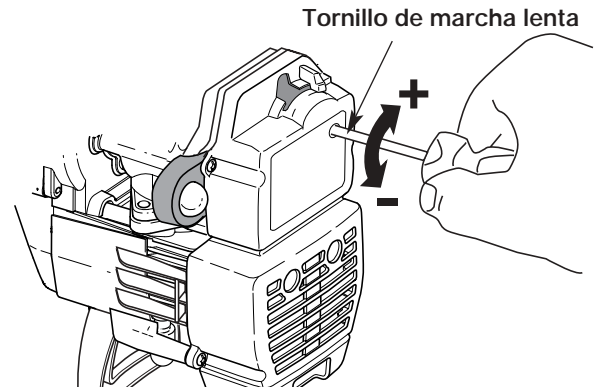


Fig. 17

## CAMBIO DE LA BUJIA DE ENCENDIDO

Use una bujía de encendido Champion RDJ7Y (o similar). La separación correcta es de 0.020 pulgadas (0.5 mm). Retire la bujía luego de cada 50 horas de operación e inspeccione su estado.

1. Apague el motor y espere que se enfríe. Tome el alambre de la bujía con firmeza y sáquelo de la bujía de encendido.
2. Limpie alrededor de la bujía de encendido. Saque la bujía de encendido de la cabeza del cilindro girando una llave de casquillo de 16 mm (5/8 de pulgada) en sentido antihorario.

**NOTA:** Cambie las bujías que estén rajadas, sucias o deterioradas

3. Fije la separación de aire a 0,5 mm (0,020 pulgadas) utilizando un calibrador (Fig. 18).



**PRECAUCION:** No limpie con chorro de arena, ni raspe ni limpie los electrodos. El motor podría dañarse si penetran pequeñas partículas en el cilindro.

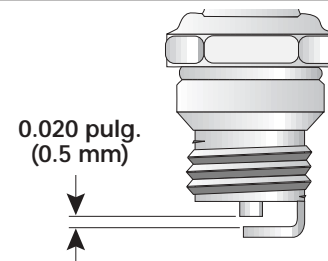


Fig. 18

4. Instale una bujía de encendido con la separación correcta en la cabeza del cilindro. Ajuste girando la llave de casquillo de 16 mm (5/8 pulgada) en sentido horario hasta que esté ajustada sin huelgo.

Si usa una llave de torsión, ajuste a:

**12,3-13,5 Nom (110-120 pulg.olibras)**

No ajuste demasiado.

# INSTRUCCIONES DE MANTENIMIENTO Y REPARACION

## LIMPIEZA DE LA UNIDAD



**ADVERTENCIA:** Para evitar graves lesiones personales, apague siempre su unidad y espere que se enfríe antes de limpiarlo o realizar cualquier tipo de mantenimiento.

- Use un cepillo pequeño para limpiar la parte exterior de la unidad y para mantener los respiraderos libres de obstrucciones.
- No use detergentes fuertes ni limpiadores derivados del petróleo como queroseno. Algunos limpiadores domésticos contienen aceites aromáticos como pino y limón que pueden dañar los bastidores de plástico y las manijas. Seque toda la humedad con un paño suave.

## ALMACENAMIENTO

- No guarde nunca la unidad con combustible en el tanque donde los vapores puedan llegar a una llama o chispa.
- Espere que el motor se enfríe antes de guardar la unidad.
- Guarde la unidad bajo llave para prevenir el uso por personas no autorizadas y su daño.
- Guarde la unidad en un área seca y bien ventilada.
- Guarde la unidad fuera del alcance de los niños.

## ALMACENAMIENTO PROLONGADO

Si planea guardar la unidad durante un largo período de tiempo,

1. Drene todo el combustible del tanque de combustible en un recipiente. No use combustible que haya permanecido guardado durante más de 60 días. Deseche el combustible viejo de acuerdo con los reglamentos locales.
2. Arranque el motor y déjelo funcionar hasta que se ahogue. Esto asegura que todo el combustible ha sido drenado del carburador.
3. Espere que el motor se enfríe. Retire la bujía de encendido y coloque alrededor de 30 ml (1 onza) de aceite para motor de buena calidad dentro del cilindro. Tire de la cuerda de arranque lentamente para esparcir el aceite. Vuelva a instalar la bujía de encendido.

**NOTA:** Saque la bujía de encendido y drene todo el aceite del cilindro antes de intentar arrancar el soplador / aspirador después de su almacenamiento.

4. Limpie bien la unidad e inspeccione para ver si existen partes flojas o dañadas. Repare o cambie las partes dañadas y ajuste los tornillos, tuercas o pernos que puedan estar flojos. La unidad está lista para ser guardada.

## TRANSPORTE

- Espere que el motor se enfríe antes de transportar la unidad.
- Asegure la unidad durante su transporte.
- Drene el tanque del combustible antes de transportar la unidad.
- Ajuste la tapa del combustible antes de transportar la unidad.

## TRANSPORTE DE LA UNIDAD

1. Deje que la unidad se enfríe antes de transportarla.
2. Afloje las perillas del manubrio.
3. Pliegue el manubrio hacia abajo según se ilustra (Fig. 19).

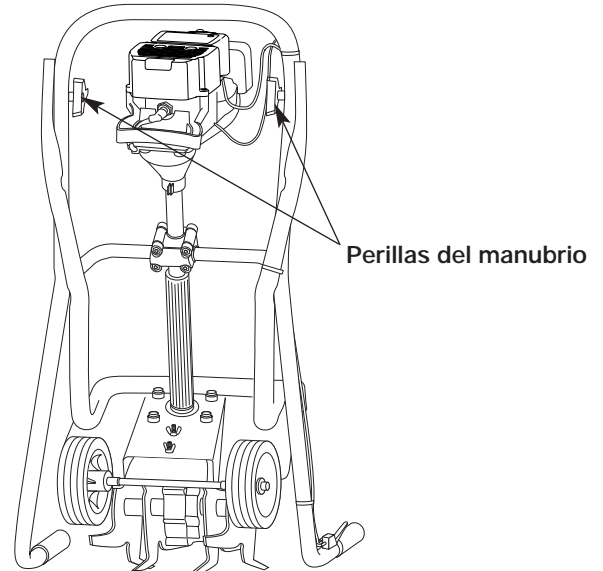


Fig. 19

4. Transporte la unidad ya sea por el mango del tubo del eje o tome el centro del manubrio para usarlo como manija de transporte (Fig. 20).
5. Luego de haber transportado la unidad, vuelva a colocar el manubrio en su lugar y continúe la operación.

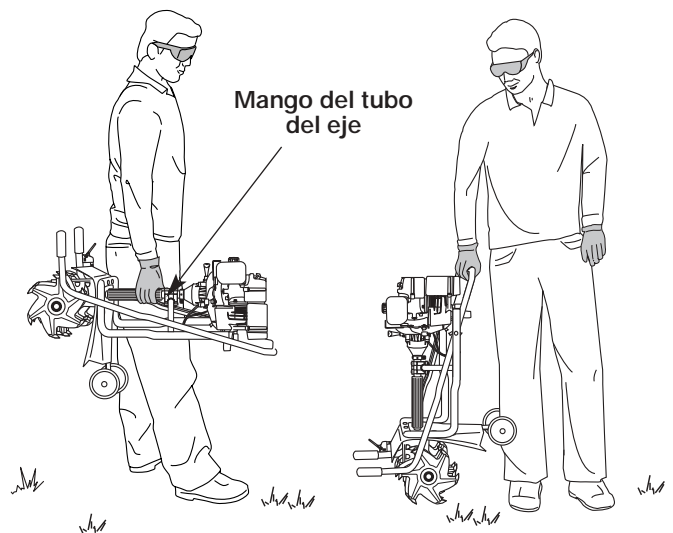


Fig. 20

# RESOLUCION DE PROBLEMAS

## EL MOTOR NO ARRANCA

### CAUSA

El tanque de combustible está vacío  
La bombilla de cebado no fue oprimida lo suficiente  
El motor está inundado  
El combustible es viejo o está mal mezclado  
  
La bujía de encendido está arruinada  
Parachispas obstruido

### ACCIÓN

Llene el tanque con combustible bien mezclado  
Oprima la bombilla de cebado total de 10 veces  
Use el procedimiento de arranque  
Drene el tanque de gasolina / Agregue mezcla de combustible nueva  
Cambie o limpie la bujía de encendido  
Limpie o cambie el parachispas

## EL MOTOR NO FUNCIONA EN MINIMA

### CAUSA

El filtro de aire está obstruido  
El combustible es viejo o está mal mezclado  
  
El carburador no está ajustado en forma correcta

### ACCIÓN

Cambie o limpie el filtro de aire  
Drene el tanque de gasolina / Agregue mezcla de combustible nueva  
Ajuste según las instrucciones

## EL MOTOR NO ACELERA

### CAUSA

El combustible es viejo o está mal mezclado  
  
El carburador no está ajustado en forma correcta  
  
El accesorio de corte está atascado de hierba  
El filtro de aire está sucio  
Parachispas obstruido

### ACCIÓN

Drene el tanque de gasolina / Agregue mezcla de combustible nueva  
Lleve la unidad a un proveedor de servicio autorizado para hacer un ajuste de carburador  
Pare el motor y limpie el accesorio de corte  
Limpie o cambie el filtro de aire  
Limpie o cambie el parachispas

## EL MOTOR NO TIENE SUFICIENTE POTENCIA O SE AHOGA AL CORTAR

### CAUSA

El combustible es viejo o está mal mezclado  
  
El carburador no está ajustado en forma correcta  
  
La bujía de encendido está arruinada  
Parachispas obstruido

### ACCIÓN

Drene el tanque de gasolina / Agregue mezcla de combustible nueva  
Lleve la unidad a un proveedor de servicio autorizado para hacer un ajuste de carburador  
Cambie o limpie la bujía de encendido  
Limpie o cambie el parachispas

Si necesita asistencia adicional, comuníquese con su proveedor de servicio autorizado.



# ESPECIFICACIONES

## MOTOR\*

Tipo de motor.....	Enfriado por aire, de 2 ciclos
Desplazamiento .....	31 cm <sup>3</sup> (1,9 pulg <sup>3</sup> )
R.P.M. de velocidad mínima .....	2.600 - 3.600 r.p.m.
R.P.M. de operación .....	7.800+ r.p.m.
Tipo de embrague .....	Centrifugo
Tipo de encendido .....	Electrónico
Control de encendido y apagado .....	Interruptor oscilante
Separación de la bujía de encendido.....	0,5 mm (0,020 pulg.)
Lubricación.....	Mezcla de combustible y aceite
Proporción de combustible y aceite .....	40:1
Carburador .....	Diafragma, multiposicional
Arranque.....	Rebobinado automático
Silenciador .....	Desviado con protección
Regulador.....	Retroceso de resorte
Capacidad del tanque de combustible.....	415 ml (14 onzas)

## EJE IMPULSOR Y CULTIVADOR\*

Tubo del eje impulsor .....	Tubo de acero
Control del regulador.....	Gatillo para el dedo
Ancho de la trayectoria de cultivo (Máximo) .....	22,86 cm (9 pulgadas)
Profundidad de cultivo (Máximo) .....	15,24 cm (6 pulgadas)
Peso (sin combustible) .....	12 kg (26 libras)

\*Toda las especificaciones contenidas en este manual se basan en la información más reciente disponible en el momento de impresión del manual. Nos reservamos el derecho de hacer cambios en cualquier momento sin aviso previo.

# NOTAS



# NOTAS

# Declaración de Garantía de Control de Emisiones de la EPA / California

## Sus Derechos y Obligaciones de la Garantía

La Junta de Recursos del Aire de California, la Agencia de Protección Ambiental y MTD LLC (MTD) se complacen en explicar la garantía del sistema de control de emisiones para su pequeño motor para uso fuera de la carretera del 2000 y posterior. Los nuevos motores pequeños para uso fuera de la carretera tienen que diseñarse, construirse y equiparse para cumplir las normas contra smog más estrictas. MTD tiene que garantizar el sistema de control de emisiones de su pequeño motor para uso fuera de la carretera durante los períodos de tiempo que aparecen a continuación siempre que no haya habido abuso, negligencia o mantenimiento indebido de su motor para uso fuera de la carretera.

Su sistema de control de emisiones puede incluir piezas como el carburador y el sistema de inyección de combustible, el sistema de encendido y el convertidor del catalizador. También se pueden incluir mangueras, correas, conectores y otros conjuntos relacionados con la emisión.

Donde existan las condiciones de garantía, MTD reparará su pequeño motor para uso fuera de la carretera sin costo alguno para usted incluyendo el diagnóstico, las piezas y la mano de obra.

Los pequeños motores para uso fuera de la carretera del 2000 y posteriores, se garantizan por dos años. Si alguna pieza de su motor relacionada con la emisión está defectuosa, la pieza será reparada o reemplazada por MTD.

### Responsabilidades de Garantía de los Propietarios

Como propietario del pequeño motor para uso fuera de la carretera, usted es responsable de realizar el mantenimiento requerido que aparece en el manual del operador. MTD recomienda que conserve todos los comprobantes que cubren el mantenimiento de su pequeño motor para uso fuera de la carretera, pero MTD no puede negar garantía exclusivamente por la falta de comprobantes o por que usted no haya realizado todos los mantenimientos programados.

Como propietario del pequeño motor para uso fuera de la carretera, usted debe conocer que MTD puede negarle cobertura de garantía si su pequeño motor para uso fuera de la carretera o una pieza ha fallado debido a abuso, negligencia, mantenimiento inadecuado o modificaciones no aprobadas.

Usted es responsable de presentar su pequeño motor para uso fuera de la carretera a un Centro de Servicio Autorizado MTD tan pronto como exista un problema. Las reparaciones de garantía deben completarse en un período de tiempo razonable, el cual no deberá ser mayor de 30 días.

Si tiene alguna pregunta relacionada con los derechos y responsabilidades de la garantía, debe llamar al 1-800-345-8746.

### Cobertura de Garantía del Fabricante

El período de garantía comienza en la fecha en que el motor o equipo se entrega al comprador minorista.

El fabricante garantiza al propietario original y a cada comprador subsiguiente, que el motor está libre de defectos en cuanto a material y mano de obra que ocasionen la falla de una pieza bajo garantía durante un período de dos años.

La reparación o reemplazo de una pieza bajo garantía se llevará a cabo sin cargo alguno para el propietario en un Centro de Servicio MTD Autorizado. Para conocer el establecimiento más cercano, comuníquese con MTD llamando al: 1-800-345-8746.

Cualquier pieza bajo garantía que no esté programada para ser reemplazada, según indica el mantenimiento requerido o que esté programada solamente para inspección regular a los efectos de "Repáre o Reemplace según sea Necesario" está garantizada durante el período de garantía. Cualquier pieza bajo garantía que esté programada para ser reemplazada según indica el mantenimiento requerido tendrá garantía durante el período de tiempo hasta el primer punto de reemplazo programado para dicha pieza.

No se le cobrará al propietario la mano de obra de diagnóstico que conlleve a la determinación de que una pieza bajo garantía está defectuosa, si dicho trabajo de diagnóstico se lleva a cabo en un Centro de Servicio MTD Autorizado.

El fabricante es responsable de los daños ocasionados a otros componentes del motor producidos por la falla de una pieza bajo garantía que todavía esté bajo garantía.

Las fallas ocasionadas por abuso, negligencia o mantenimiento inadecuado no están cubiertas por la garantía.

El uso de accesorios optativos o piezas modificadas puede ser motivo justificado para no aceptar una reclamación de garantía. El fabricante no es responsable de cubrir fallas de piezas bajo garantía ocasionadas por el uso de accesorios optativos o piezas modificadas.

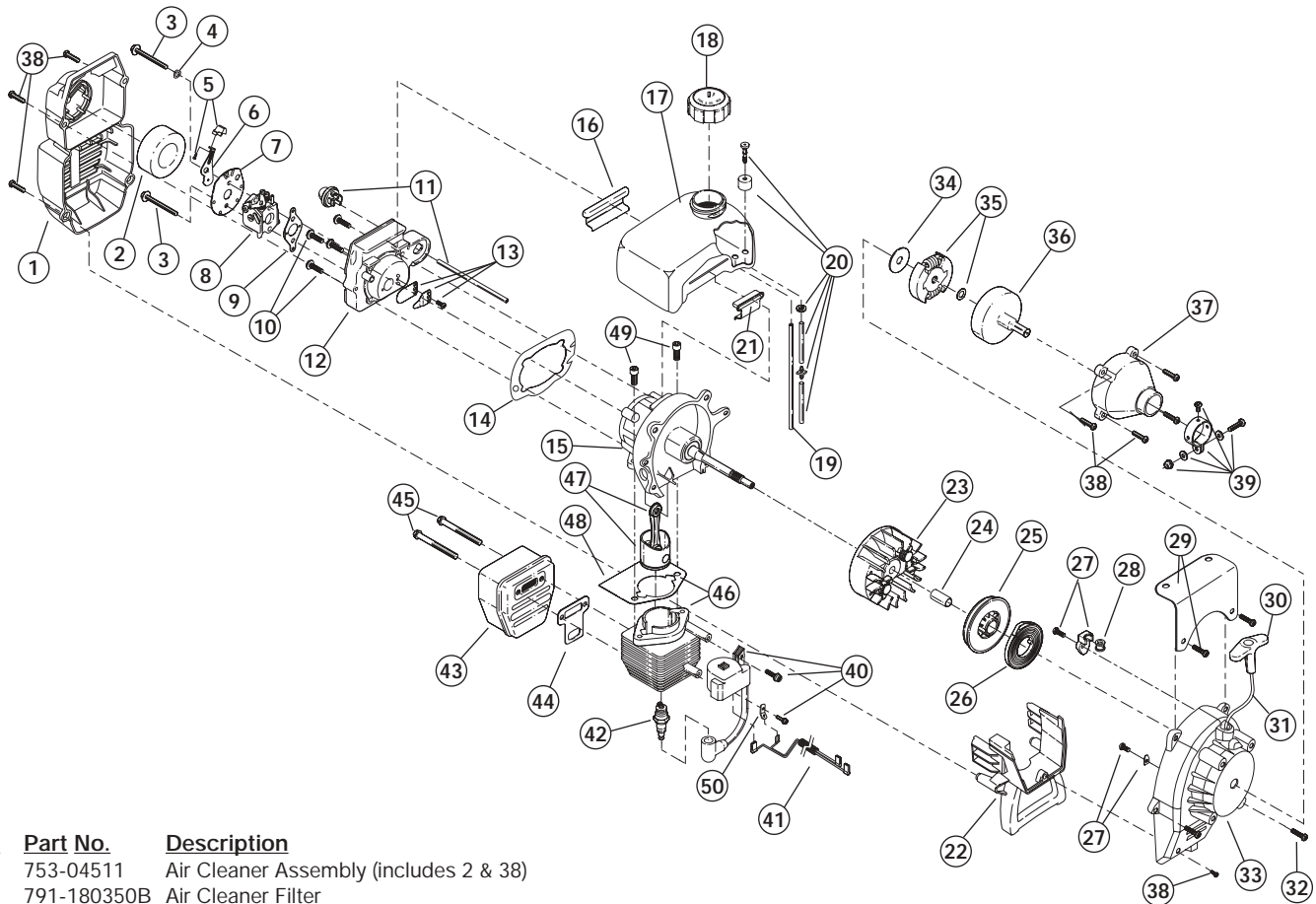
Para presentar una reclamación, vaya a su Centro de Servicio MTD Autorizado más cercano. Los servicios o reparación por motivo de garantía se realizarán en todos los Centros de Servicio MTD Autorizados.

Cualquier pieza de reemplazo aprobada por el fabricante puede ser utilizada para llevar a cabo el mantenimiento o la reparación de garantía de piezas relacionadas con la emisión y se realizará sin cargo alguno para el propietario. Cualquier pieza de reemplazo que sea equivalente en rendimiento o durabilidad puede ser utilizada en el mantenimiento o reparación sin garantía y no reducirá las obligaciones de garantía del fabricante.

Los componentes siguientes se incluyen en la garantía relacionada con emisiones del motor, filtro de aire, carburador, cebador, líneas de combustible, toma de combustible, filtro de combustible, módulo de encendido, bujía de encendido y silenciador.

# PARTS LIST

## ENGINE PARTS - 121 CULT 2-CYCLE GAS CULTIVATOR

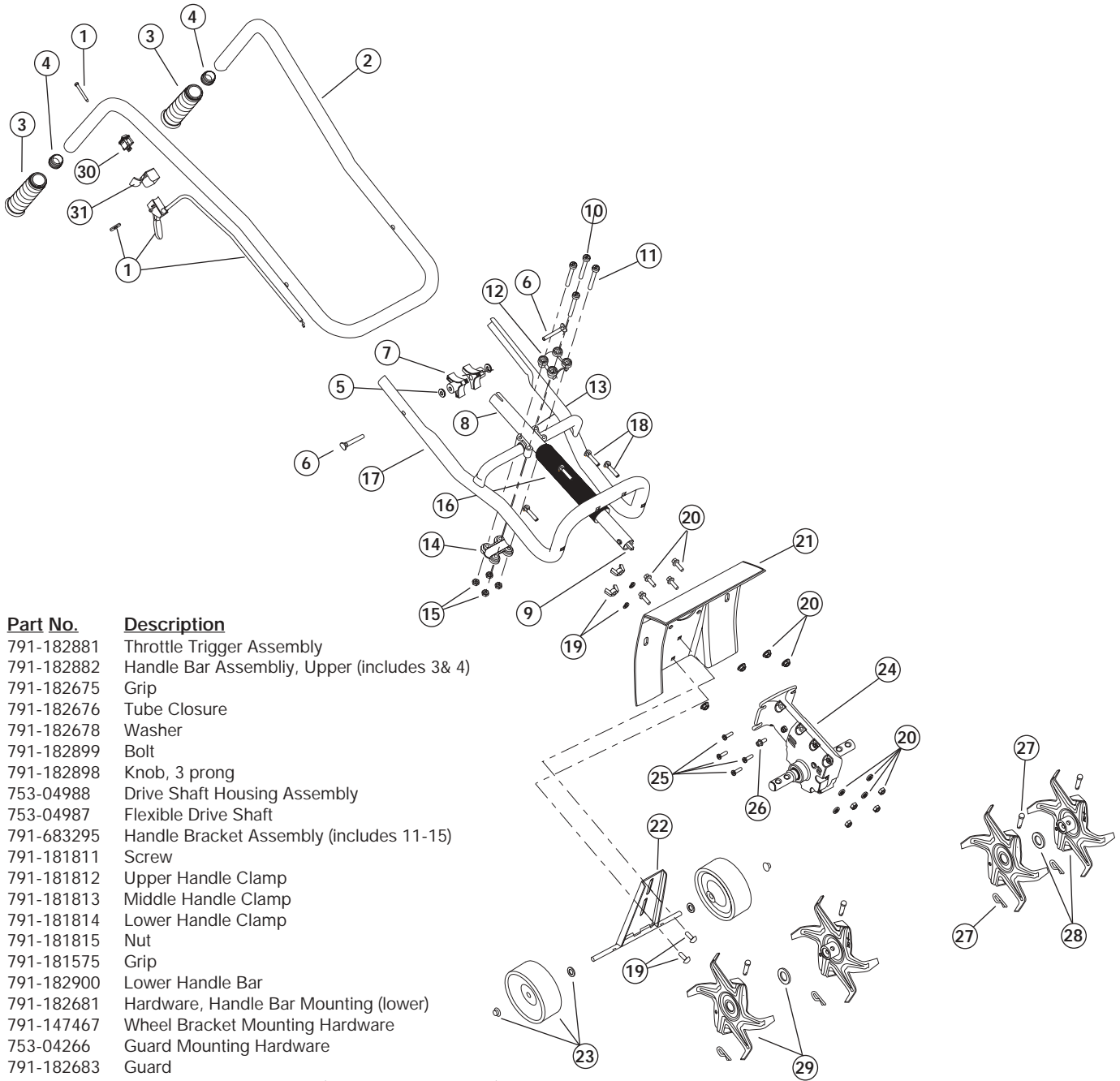


Item	Part No.	Description
1	753-04511	Air Cleaner Assembly (includes 2 & 38)
2	791-180350B	Air Cleaner Filter
3	791-180351	Carburetor Mounting Screw Assembly
4	791-180226	Wavey Washer
5	791-182202	Choke Knob & Screw
6	753-04418	Choke Lever Assembly (includes 5)
7	753-04419	Choke Lever & Plate (includes 6)
8	753-04333	Carburetor Assembly (includes 9 & 20)
9	791-610675	Carburetor Gasket
10	791-181860	Carb Mount Screw
11	791-683974B	Primer and Hose Assembly
12	753-1196	Carb Mount Assembly (includes 10, 13 & 14)
13	791-684451	Reed Assembly
14	753-1208	Carburetor Mount Gasket
15	753-04922	Crank Case Service Assembly (includes 10)
16	791-612134	Rear Mounting Pad
17	753-04306	Fuel Tank Assembly (includes 18-20)
18	791-182529	Fuel Cap Assembly
19	791-181086	Fuel Return Line
20	791-682039	Fuel Line Assembly
21	791-145308	Front Mounting Pad
22	753-04611	Shroud Extension and Stand (includes 38)
23	791-182736	Flywheel Assembly
24	791-181065	Spacer
25	753-1199	Recoil Pulley
26	791-613102	Recoil Spring
27	791-180930	Pulley Retainer Assembly
28	791-611061	Rope Guide
29	791-180317	Fuel Tank Guard Assembly
30	791-181079	Pull Handle
31	791-613103	Rope
32	791-181912	Housing Screw

Item	Part No.	Description
33	791-182776	Starter Housing Assembly (includes items 25-28, 30-32 & 38)
34	791-182396	Clutch Washer
35	791-182369	Clutch Rotor Assembly
36	791-153592	Clutch Drum Assembly
37	791-180098	Clutch Cover Assembly (includes 38)
38	791-181345	Clutch Cover Screw
39	791-153597	Upper Clamp Assembly
40	753-04337	Module Assembly (includes 50)
41	791-182880	Wire Lead
42	791-610311B	Spark Plug
43	753-04926	Muffler Assembly (includes item 44 & 45)
44	753-04619	Exhaust Gasket
45	753-04620	Muffler Mounting Bolt Assembly
46	753-04814	Cylinder Assembly (includes items 48 & 49)
47	753-04367	Piston & Rod Assembly
48	753-04182	Cylinder Gasket
49	791-182723	Cylinder Bolt
50	791-611063	Ground Tab
*	753-1209	Piston Ring
*	753-04925	Spark Arrestor
*	753-04986	Short Block Assembly (items 10, 15, 42 & 46-49)
*	791-181599	Clutch Springs (Qty. 2)
*		not shown

# PARTS LIST

## BOOM & CULTIVATOR PARTS - 121 CULT 2-CYCLE GAS CULTIVATOR



Item	Part No.	Description
1	791-182881	Throttle Trigger Assembly
2	791-182882	Handle Bar Assembly, Upper (includes 3 & 4)
3	791-182675	Grip
4	791-182676	Tube Closure
5	791-182678	Washer
6	791-182899	Bolt
7	791-182898	Knob, 3 prong
8	753-04988	Drive Shaft Housing Assembly
9	753-04987	Flexible Drive Shaft
10	791-683295	Handle Bracket Assembly (includes 11-15)
11	791-181811	Screw
12	791-181812	Upper Handle Clamp
13	791-181813	Middle Handle Clamp
14	791-181814	Lower Handle Clamp
15	791-181815	Nut
16	791-181575	Grip
17	791-182900	Lower Handle Bar
18	791-182681	Hardware, Handle Bar Mounting (lower)
19	791-147467	Wheel Bracket Mounting Hardware
20	753-04266	Guard Mounting Hardware
21	791-182683	Guard
22	791-180320	Wheel Bracket Assembly (Black & White Wheels)
22	753-05024	Wheel Bracket Assembly (Solid Black Wheels)
23	791-180944	Wheel Assembly (Black & White Wheels)
23	753-04437	Wheel Assembly (Solid Black Wheels)
24	753-04489	Gear Box Assembly
25	791-182195	Screw
26	791-180288	Sleeve Retainer Bolt
27	791-147473	Tine Fastener Assembly
28	791-182729	Tine Assembly (Left Outer or Right Inner)
29	791-182730	Tine Assembly (Left Inner or Right Outer)
30	791-182405	Switch
31	791-182672	Switch Bracket

\* not shown

## GARANTÍA LIMITADA DEL FABRICANTE PARA:



La garantía limitada establecida a continuación es dada por MTD LLC ("MTD") con respecto a mercancía nueva que sea comprada y usada en los Estados Unidos, sus posesiones y territorios.

MTD garantiza este producto contra defectos en el material y la mano de obra durante un período de dos (2) años, a partir de la fecha de compra original y a su entera opción, arreglará o substituirá, sin costo alguno, cualquier pieza cuyo material o mano de obra se considere defectuoso. Esta garantía limitada se deberá aplicar únicamente si este producto ha sido manejado y mantenido de acuerdo al Manual del Operador incluido con el producto y, si no ha sido sometido a mal uso, abuso, uso comercial, accidente, mantenimiento inapropiado, alteración, vandalismo, hurto, fuego, agua o daños debidos a otros riesgos o desastre natural. Los daños ocasionados por la instalación o el uso de cualquier accesorio o aditamento que no esté aprobado por MTD para que sea usado con el (los) producto(s) contemplados en este manual, anularán la garantía con respecto a cualquier daño resultante. Esta garantía está limitada a noventa (90) días a partir de la fecha de compra original de cualquier producto MTD que se use para alquiler o para propósitos comerciales, o cualquier otro propósito que genere ingreso.

**CÓMO OBTENER SERVICIO:** El servicio de garantía se encuentra disponible A TRAVÉS DE SU DISTRIBUIDOR LOCAL AUTORIZADO, AL PRESENTAR UN COMPROBANTE DE COMPRA. Para ubicar al distribuidor de su área, por favor consulte las Páginas Amarillas o contacte al Departamento de Servicio al Consumidor de MTD LLC llame al 1-800-345-8746 o, escriba a P.O. Box 361131, Cleveland OH 44136-0019. Si está en Canadá, llame al 1-800-668-1238. No se aceptará ningún producto que sea enviado directamente a la fábrica, a menos que haya recibido autorización previa por escrito por parte del Departamento de Servicio al Consumidor de MTD LLC.

**Esta garantía limitada no ofrece cobertura en los siguientes casos:**

- A. Sincronizaciones — Bujías, ajustes de carburadores, filtros.
- B. Artículos de desgaste — Botón de tope, carretes externos, línea de corte, carretes internos, polea de arranque, cuerdas de arranque, correas motoras.
- C. MTD no le ofrece ninguna garantía a productos que sean vendidos o exportados fuera de los Estados Unidos o Norteamérica, sus posesiones y territorios, excepto aquellos que se vendan a través de los canales de distribución para exportación autorizados por MTD.

MTD se reserva el derecho a cambiar o mejorar el diseño de cualquier producto MTD, sin asumir ninguna obligación para modificar ningún producto fabricado con anterioridad.

**Ninguna garantía implícita es aplicable, incluyendo cualquier garantía implícita de comerciabilidad o idoneidad para un propósito particular, después del período de la garantía expresa escrita con anterioridad, con respecto a las piezas identificadas. Ninguna otra garantía expresa dada por cualquier persona o entidad, incluyendo a los distribuidores o minoristas, bien sea escrita u oral, deberá comprometer a MTD con respecto a cualquier producto. Durante el período de la Garantía, la solución exclusiva es arreglar o cambiar el producto de la manera establecida anteriormente.** (Algunos estados no permiten limitaciones en cuanto al período de duración de una garantía implícita, de manera que puede que la limitación anterior no sea aplicable para usted.)

**Las estipulaciones establecidas en esta Garantía ofrecen la solución única y exclusiva que resulte de las ventas. MTD no deberá ser responsable de pérdidas o daños incidentales o consecuentes que incluyen, sin limitación, erogación de gastos debido a la sustitución de servicios de mantenimiento de prados, transporte o gastos relacionados, o gastos de alquiler para reemplazar temporalmente un producto bajo garantía.** (Algunos estados no permiten limitaciones en cuanto al período de duración de una garantía implícita, de manera que puede que la limitación anterior no sea aplicable para usted.)

La recuperación de cualquier tipo no deberá ser superior al precio de compra del producto vendido en ningún caso. La alteración de las características de seguridad del producto deberá anular la garantía. Usted asume el riesgo y la obligación de la pérdida, daño o lesión en su persona o a su propiedad y / o la de otras personas y sus propiedades, que se origine a raíz del uso o mal uso, o la falta de capacidad para usar el producto.

Esta garantía limitada no deberá cubrir a ninguna otra persona distinta al comprador original, arrendatario original, o la persona para la que se compró en calidad de regalo.

**Relación de las leyes estatales con esta Garantía:** Esta garantía le confiere derechos legales específicos, y puede que usted también tenga otros derechos, los cuales varían en cada estado.

Para ubicar a su distribuidor de servicio más cercano, llame al 1-800-345-8746 en los Estados Unidos a al 1-800-668-1238 en Canadá.

**MTD LLC**  
P.O. Box 361131  
Cleveland, OH 44136-0019