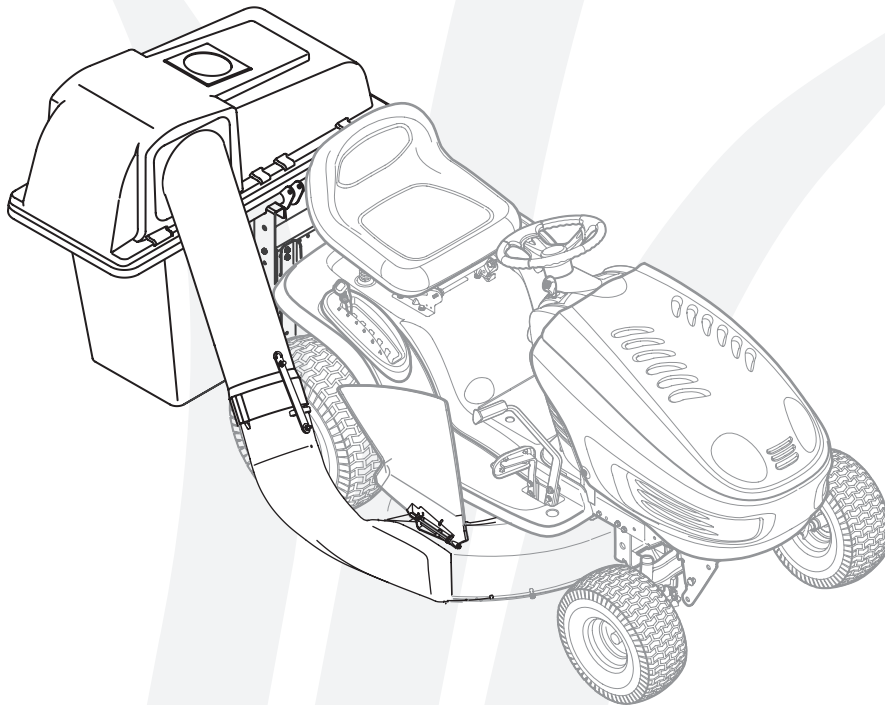

To The Owner • Carton Contents • Assembly • Parts Lists • Warranty

OPERATOR'S MANUAL

Twin Rear Bagger Kit

For Lawn Tractors
with 38" & 42" Decks



Models OHD-190-180

IMPORTANT

READ SAFETY RULES AND INSTRUCTIONS CAREFULLY BEFORE OPERATION

This Operator's Manual is an important part of your new grass collector. It will help you assemble, prepare and maintain the unit for best performance. Please read and understand what it says.

TABLE OF CONTENTS

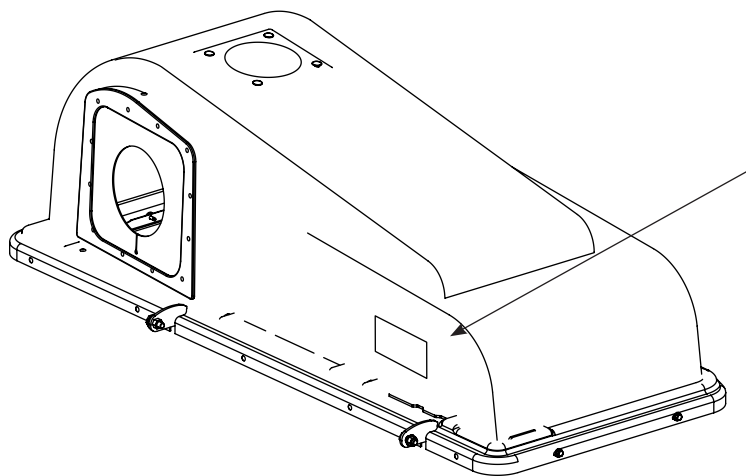
1. Rider Identification.....	Page 3	5. Attach Discharge Chute.....	Page 10
2. Carton Contents	Page 4	6. Parts List	Page 12
3. Bracket Assembly.....	Page 6	7. Notes	Page 14
4. Attach Grass Bags.....	Page 9	Warranty.....	Page 16

Finding and Recording Model Number

BEFORE YOU START ASSEMBLING YOUR NEW EQUIPMENT,

please locate the model plate and copy the information from it in this Operator's Manual for future reference. The information on the model plate is very important if you need help from our Customer Support Department or your authorized dealer.

You can locate it by looking on the front, left portion of the plastic grass catcher cover as seen below:



Model Number	Serial Number
	MTD LLC P.O. BOX 361131 CLEVELAND, OH 44136 330-220-4683 800-800-7310
www.mtdproducts.com	

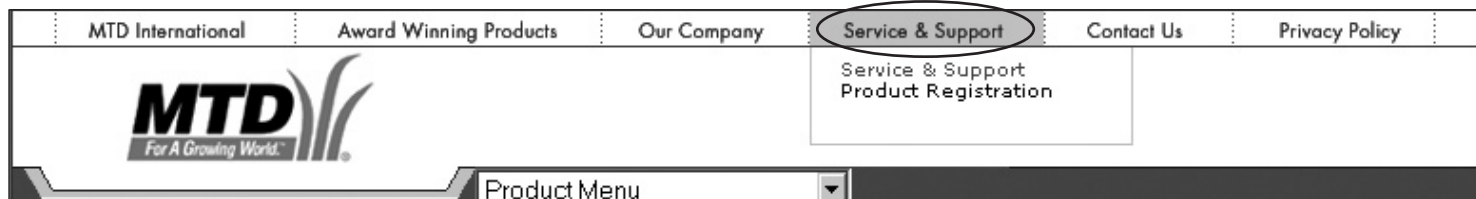
*Locate the model plate on your bagger and copy the information from it in the space provided above for future reference.

Customer Support

Please do NOT return the unit to the retailer from which it was purchased, without first contacting Customer Support.

If you have difficulty assembling this product or have any questions regarding the controls, operation, or maintenance of this unit, you can seek help from the experts. Choose from the options below:

- Visit www.mtdproducts.com. Click on the Service & Support menu option.
- Phone a **Customer Support Representative** at 1-800-800-7310.
- Please have your unit's model number and serial number ready when you call. See above to locate this information. You will be asked to enter the serial number in order to process your call.



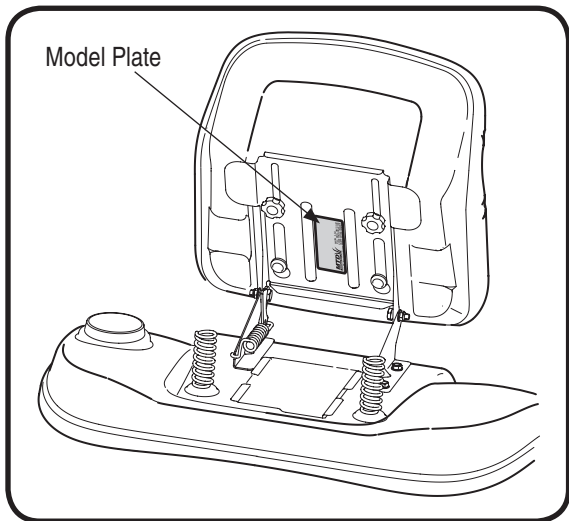


Figure 1

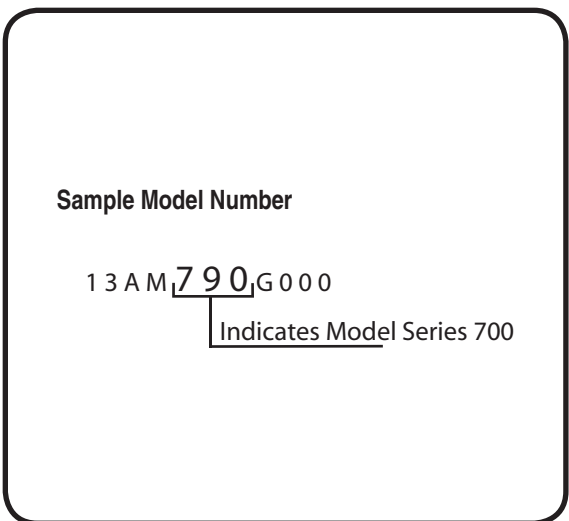


Figure 2

FastAttach™ Twin Bag Grass Collector

The Model OEM-190-180 Twin Bag Grass Collector is a grass collection system designed for use on all MTD 38" & 42" cut FastAttach™ compatible lawn tractors (except 2001 Yard-Man Revolution/White Outdoor ZTT).

The instructions in this manual are divided into sections. Carefully read all sections pertaining to your model of rider, and study the illustrations to ensure proper installation and usage of this attachment. Read and observe all WARNING, NOTES and IMPORTANT statements. They are included to provide for the protection of the equipment installer and user, and to ensure the prolonged service life of the equipment.

NOTE: References to LEFT and RIGHT indicate the left and right sides of the tractor when facing forward in the operator's position. Reference to the FRONT indicates the grille end; to the REAR, the rear end of the rider.

Determine The Model of Your Rider

Since this manual is designed for installation of your new bagger on several different rider units, it is important for you to determine which model of rider you have. Therefore you will know which set of instructions in the following pages to follow.

To determine which model of rider you have, you will need to locate the rider's model plate, located under the seat. Simply flip the seat up and locate the model plate, which will consist of an 11 digit/letter model number and a serial number. For ease in this installation and for future use, copy your rider's model number & serial number below now:

Rider Model Number: _____ _____

Rider Serial Number: _____

The 5th, 6th & 7th numbers from the left in your model number determine your rider's model series. See Figure 2.

When you fill in your model number in the space above, the actual model series number should fall into the gray shaded area.

Now that you have determined what model rider you are attaching this grass bag collection system to, follow the instructions on the following pages according to your model of rider.

1

Rider Model Identification



NOTE:

References to LEFT and RIGHT indicate the left and right sides of the tractor when facing forward in the operator's position. Reference to the FRONT indicates the grille end; to the REAR, the rear end of the rider.

2

Carton Contents



If you are missing any parts, please do not contact the retailer where you purchased this unit, call MTD directly at 1-330-220-4MTD or toll free at 1-800-800-7310.

CONTENTS OF CARTON

Before beginning installation, remove all parts from the carton to make sure everything is present. Carton contents are listed below and shown in Figure 3. Hardware part numbers are shown in parentheses.

- One Chute Tube
- One Discharge Chute Assembly
- Two Grass Bag Assemblies
- One Support Tube
- One Grass Catcher Cover Assembly
- One Mounting Bracket

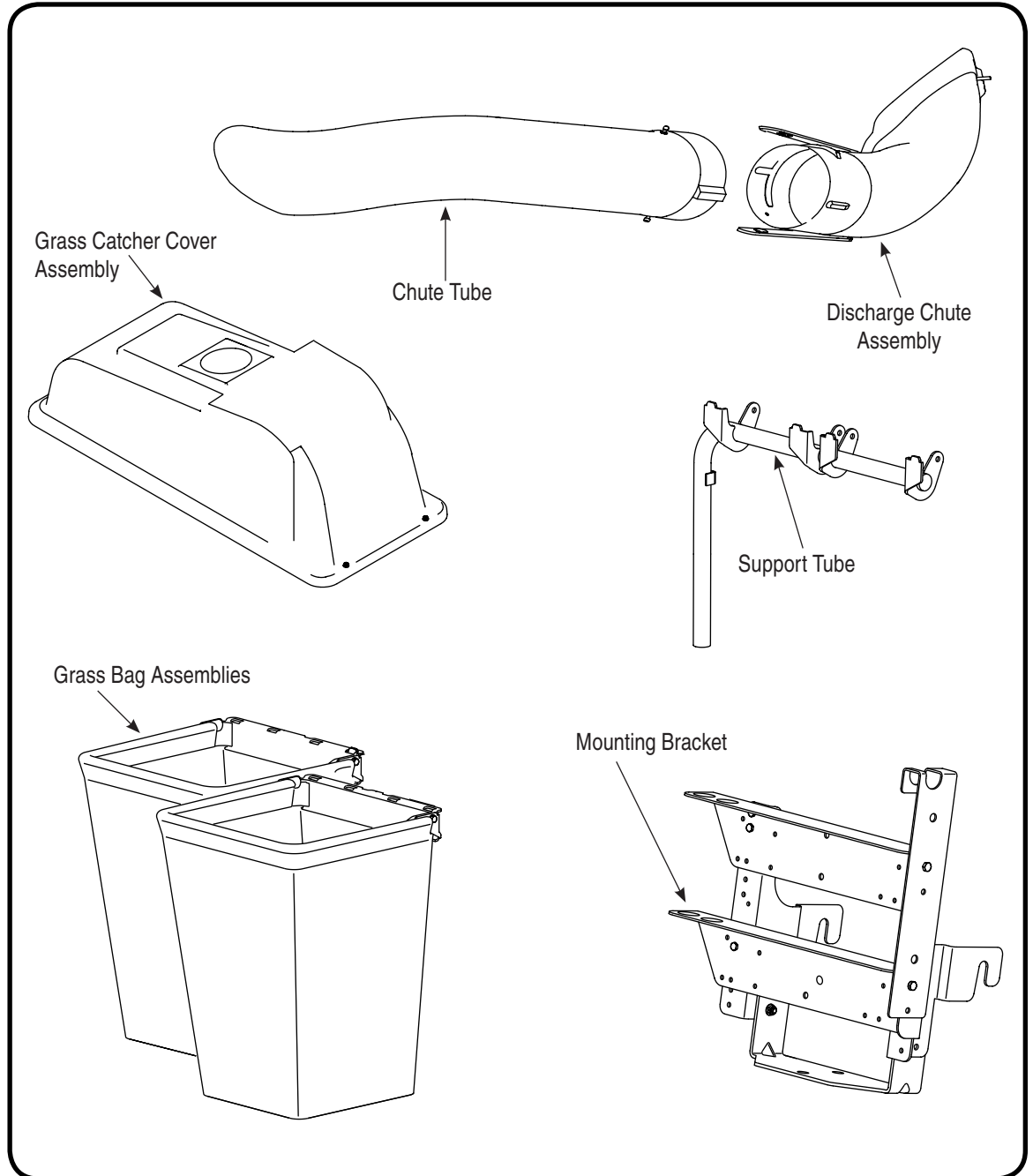


Figure 3

CONTENTS OF HARDWARE PACK

This grass collector kit is shipped with a hardware pack enclosed. This hardware pack may contain extra parts for installation on a different rider from which you have. Please check your hardware pack against the illustration below in accordance with your model of rider as determined in Section 1 of this manual.

2

Carton Contents



If you are missing any parts, please do not contact the retailer where you purchased this unit, call MTD directly at 1-330-220-4MTD or toll free at 1-800-800-7310.

NOTE: Each item has been identified in above for ease of assembly, and the letter code assigned here is maintained in assembly instructions.

*RH = Right Hand
LH = Left Hand
(#) = Quantity*

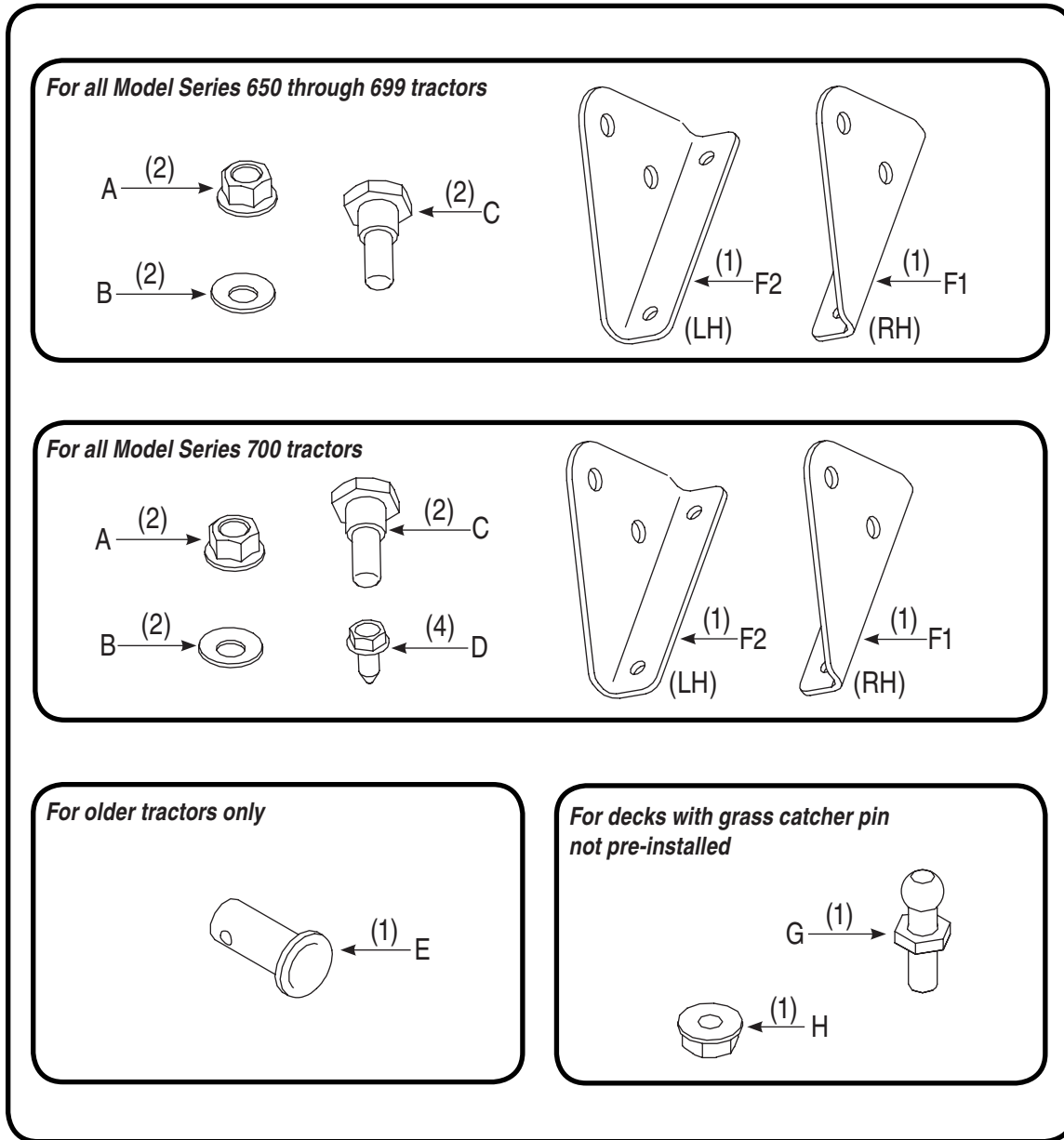


Figure 4

NOTE: Each item has been identified in above for ease of assembly, and the letter code assigned here is maintained in assembly instructions.

RH = Right Hand (#) = Quantity
LH = Left Hand

3

Attaching Bracket Assembly

Model Series 600 through 619



IMPORTANT:

Before assembly, place the tractor on a firm, level surface, disengage the PTO, stop the tractor engine and set the parking brake.

NOTE:

There are two holes in the clevis pin. Be sure to insert the hairpin clip in the upper hole to properly secure the bracket assembly to the hitch plate.

Attaching The Bracket Assembly

Model Series 600 through 619

IMPORTANT: Before assembly, place the tractor on a firm, level surface, disengage the PTO, stop the tractor engine and set the parking brake.

1. For convenience, pivot the seat forward and leave it in that position until the grass collector is fully mounted and assembled.
2. Remove the hairpin clip and clevis pin from the rear of the mounting bracket assembly. See Figure 5.
3. Position the hooked ends of the bracket assembly over the shoulder bolts (1). Swing in the bottom of the bracket assembly down and in (2) over the hitch plate and aligning with the hole on the hitch plate. See Figure 5.
4. Reinsert the clevis pin through the aligned holes in both the bracket assembly and the hitch plate and secure with the hairpin clip removed earlier. Refer to Figure 6.

NOTE: There are two holes in the clevis pin. Be sure to insert the hairpin clip in the upper hole to properly secure the bracket assembly to the hitch plate.

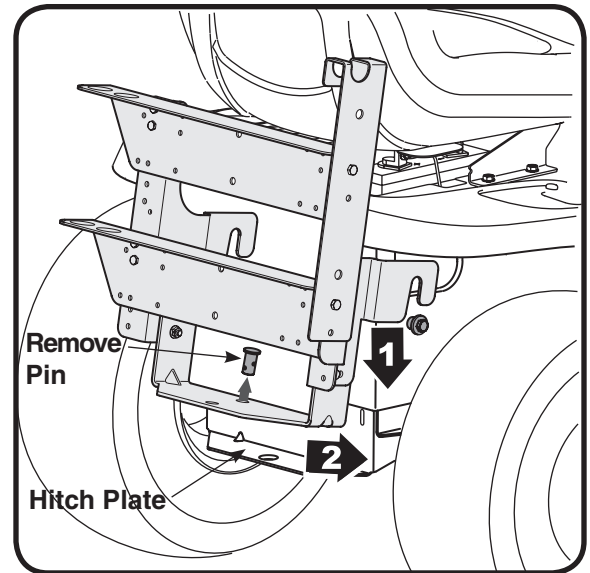


Figure 5

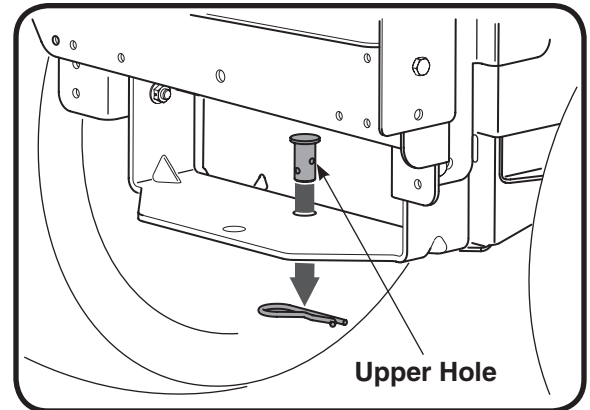


Figure 6

Model Series 650 through 699

This graphic below coordinates with the instructions for the Model Series 650 through 699, which begin on the next page.

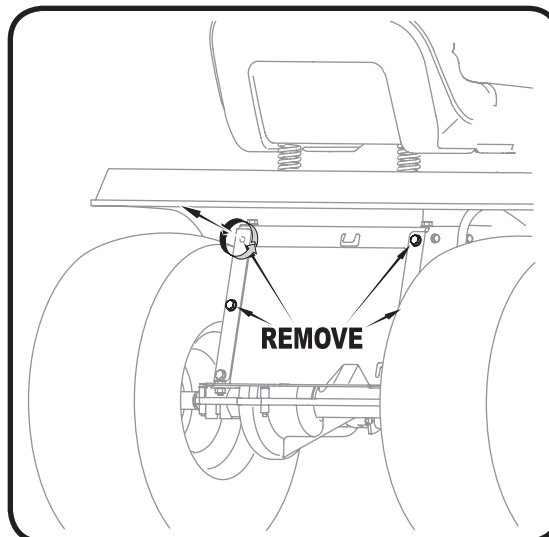


Figure 7

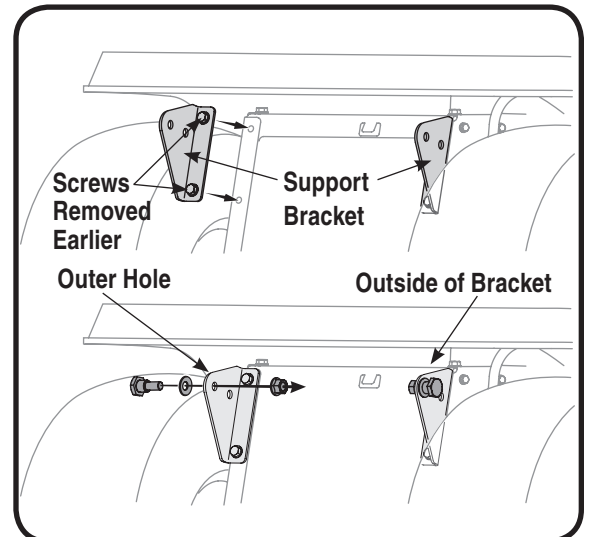


Figure 8

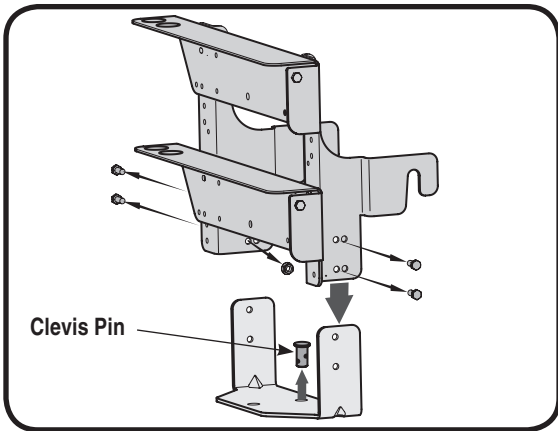


Figure 9

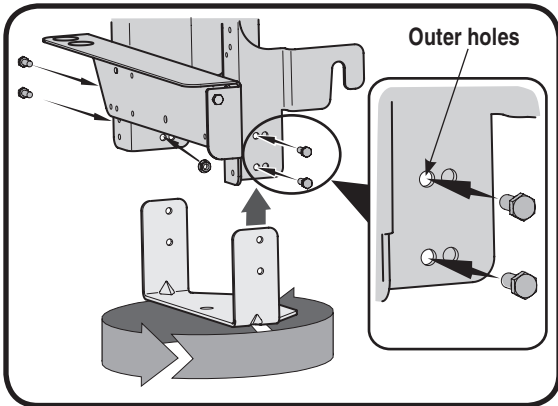


Figure 10

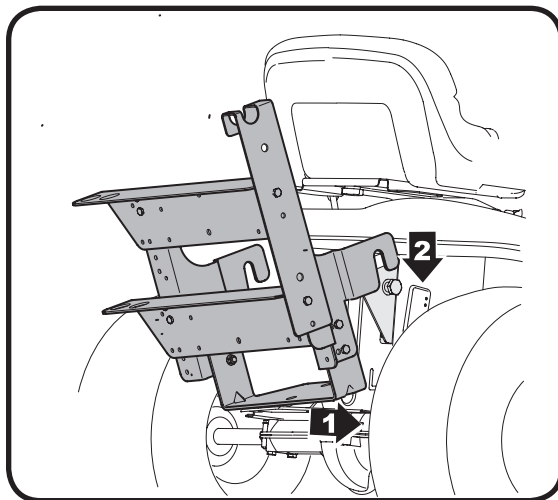


Figure 11

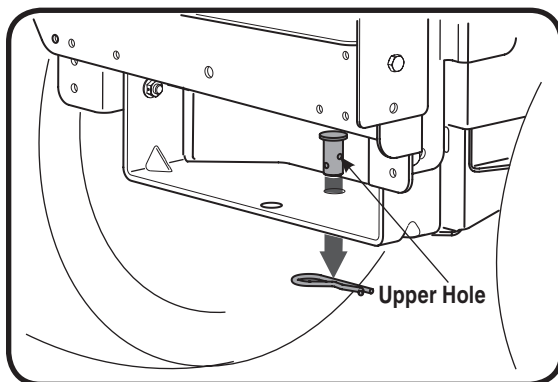


Figure 12

Assembling Support Brackets

Model Series 650 through 699

IMPORTANT: Before assembly, place the tractor on a firm, level surface, disengage the PTO, stop the tractor engine and set the parking brake.

1. Remove the top four self-tapping screws from the rear of the lawn tractor. See Figure 7 on the previous page.
2. Place the right hand grass catcher support bracket (F1 from Figure 4), in position, with the wide end on top and the narrow end pointing down as shown in Figure 8.
3. Secure the support bracket to the tractor frame with two self-tapping screws earlier removed. Refer to Figure 8. Repeat on the other side using part F2 from Figure 4.

NOTE: If the grass collection system is removed for any reason, it is not necessary to remove the support brackets from the tractor.

4. Insert a shoulder bolt (C in Figure 4) through a bell washer, (B in Figure 4) and insert the bolt from the outside of the bracket through the outer hole on the support bracket. Secure with a nut (A in Figure 4). See Figure 8 for details. Repeat on other side.

NOTE: The reference above to “the outer hole” means the hole furthest away from the frame.

Attaching Bracket Assembly

Model Series 650 through 699

1. Remove the two nuts and bolts on each side of the mounting bracket holding the hitch plate.
2. Rotate the hitch plate 180° from its original position. Re-insert the four bolts through mounting bracket and hitch plate frame and secure with nuts removed earlier. Use the outer holes (furthest from the mounting hooks) on the mounting bracket. See Figure 10.
3. For convenience, pivot the seat forward and leave it in that position until the grass collector is fully mounted and assembled.
4. Remove the hairpin clip and clevis pin from the rear of the mounting bracket assembly. See Figure 9.
5. Position the hooked ends of the mounting bracket assembly to the outside of the support brackets and over the shoulder bolts just installed on both sides of the tractor frame. See Figure 11.
6. Reinsert the clevis pin through the aligned holes in both the bracket assembly and the hitch plate and secure with the hairpin clip removed earlier. See Figure 12 for reference.

IMPORTANT: There are two holes in the clevis pin. Be sure to insert the hairpin clip in the upper hole to properly secure the bracket assembly to the hitch plate.

NOTE: For some tractor models, this clevis pin is too large. Use a smaller clevis pin (E in Figure 4) in

3

Attaching Support Bracket & Bracket Assembly

Model Series 650 through 699



IMPORTANT:

Before assembly, place the tractor on a firm, level surface, disengage the PTO, turn off tractor engine and set the parking brake.

NOTE:

If the grass collection system is removed for any reason, it is not necessary to remove the support brackets from the tractor.

IMPORTANT:

There are two holes in the clevis pin. Be sure to insert the hairpin clip in the upper hole to properly secure the bracket assembly to the hitch plate.

NOTE:

For some tractor models, this clevis pin is too large. Use a smaller clevis pin in its place with the same hairpin clip.

3

Attaching Support Bracket & Bracket Assembly

Model Series 700



NOTE:

If the grass collection system is removed for any reason, it is not necessary to remove the support brackets from the tractor.

IMPORTANT:

There are two holes in the clevis pin. Be sure to insert the hairpin clip in the upper hole to properly secure the bracket assembly to the hitch plate.

Assembling Support Brackets

Model Series 700

1. Locate the four self-tapping screws supplied in your hardware pack (D from Figure 4). Attach the right hand grass catcher support bracket (F1 from Figure 4) using two of the supplied screws in position as shown in Figure 13. Place the left hand grass catcher support bracket (F2 from Figure 4) in position and secure with the other two screws.
5. Insert a shoulder bolt (C in Figure 4) through a bell washer, (B in Figure 4) and insert the bolt through the Inner hole (closest to the frame) on the outside of the support bracket. Secure with a nut (A in Figure 4). See Figure 13 for details. Repeat on other side.

NOTE: If the grass collection system is removed for any reason, it is not necessary to remove the support brackets from the tractor.

Attaching The Bracket Assembly

1. Remove the two nuts and screws on each side of the mounting bracket holding the hitch plate. See Figure 14.
2. Rotate the hitch plate 180° from its original position. Re-insert the four bolts through mounting bracket and hitch plate frame and secure with nuts removed earlier. Use the inner holes (closest to the mounting hooks) on the mounting bracket. Refer to Figure 15.
3. Remove the hairpin clip and clevis pin from the hitch plate as seen in Figure 14. Save the hardware.
4. Position the hooked ends of the mounting bracket assembly to the outside of the support bracket and over the shoulder bolts on both sides. Refer back to Figure 11 for reference.
5. Reinsert the clevis pin through the aligned holes in both the bracket assembly and the hitch plate and secure with the hairpin clip removed earlier. See Figure 16.

IMPORTANT: There are two holes in the clevis pin. Be sure to insert the hairpin clip in the upper hole to properly secure the bracket assembly to the hitch plate.

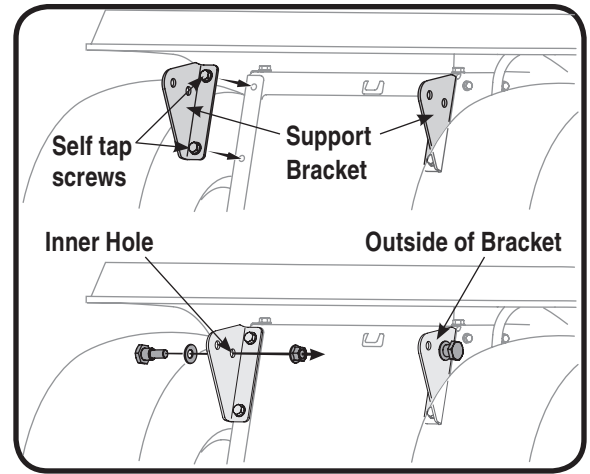


Figure 13

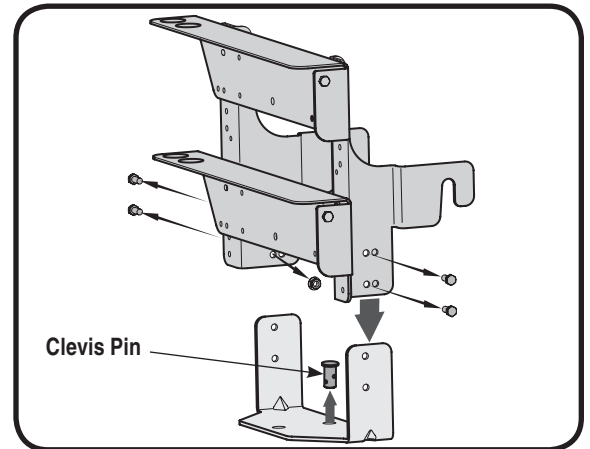


Figure 14

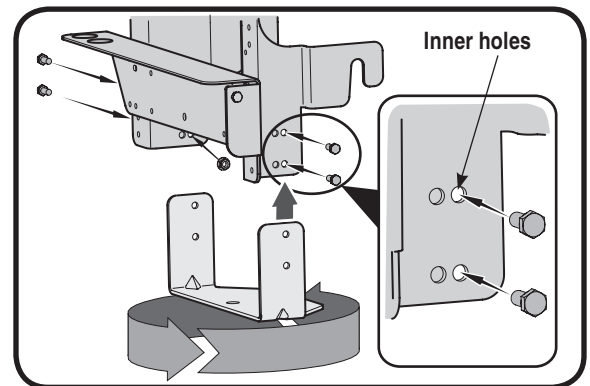


Figure 15

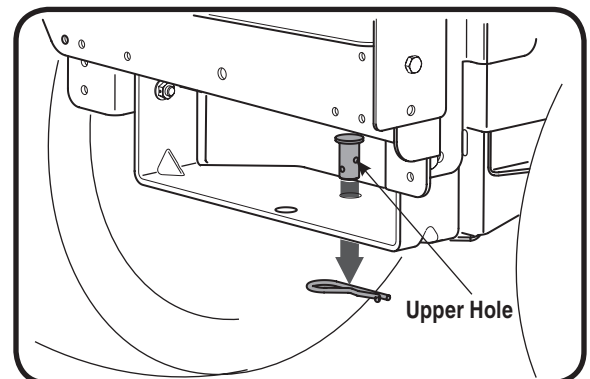


Figure 16

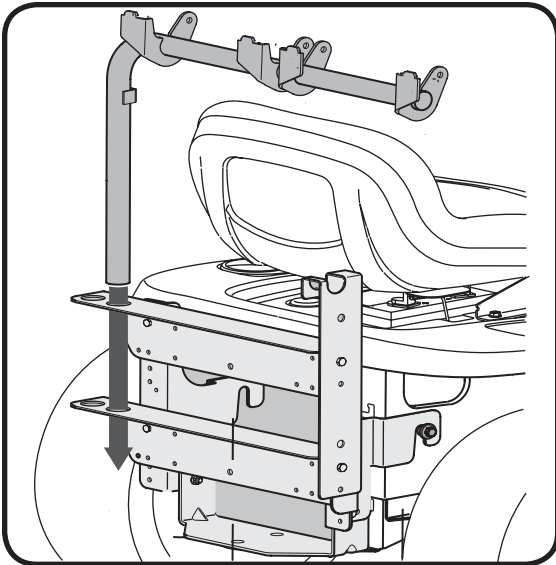


Figure 17

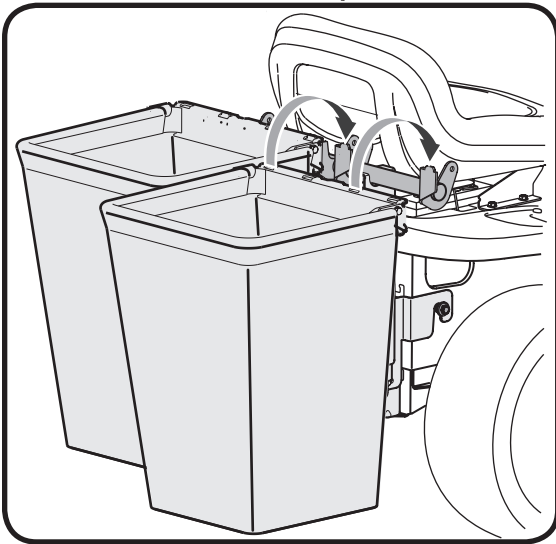


Figure 18

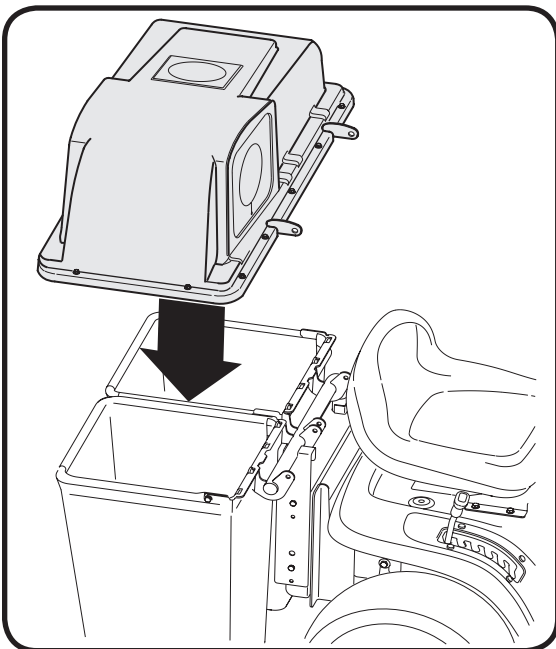


Figure 19

Attaching Grass Bags & Grass Bag Cover

1. Place the support tube in position on the rear of unit by sliding the support tube down through the holes in the left side of the bracket assembly. Use the inside hole on the bracket assembly regardless of what size deck your tractor is equipped with. Refer to Figure 17.
2. Attach the grass bags by hooking them onto the grass bag bracket using the slots in the grass bag and the tabs on the grass bag bracket as shown in Figure 18.
3. Place the grass bag cover on top of the grass bags and align the holes on the hinges of the grass bag cover with the corresponding holes on the support tube assembly. See Figure 19.
4. Insert the clevis pin through the hinge on the support tube assembly and then through the grass bag cover. See Figure 20.
5. Secure with belleville washer and hairpin clip with the crown side of the washer going against the hairpin clip. See inset images in Figure 20.
6. Repeat with the second set of hardware through the second hinge of the grass bag and the tube assembly from the opposite direction.

NOTE: Insert the clevis pins from the outside in as shown in the inset images of Figure 20.

NOTE: It is very important to maintain this order and direction while installing these hardware pieces. After installation, make sure that the grass bag cover pivots on the support tube and opens.

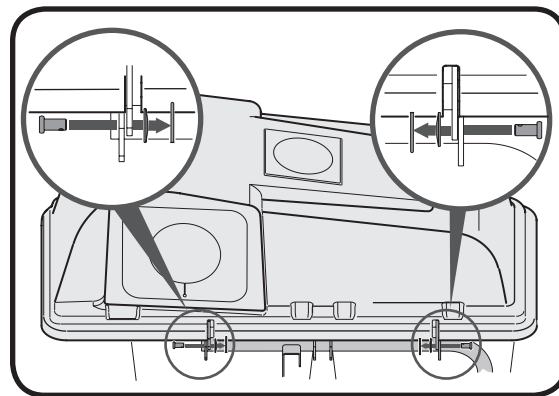


Figure 20

4

Attaching Grass Bags & Grass Bag Cover

All Model Series
600 through 700



NOTE:

Insert the clevis pins from the outside in as shown in the inset images of Figure 20.

NOTE:

It is very important to maintain this order and direction while installing these hardware pieces. After installation, make sure that the grass bag cover pivots on the support tube and opens.

5

Attaching Discharge Chute

All 600 Model Series
600 through 699



NOTE:

The retainer strap is fitted at position A on the discharge chute. However, on older models of tractors, you will have to change the position of the strap depending on the location of the grass catcher pin on the deck. Remove the retainer strap from position A on the discharge chute to position B or C corresponding to the position of the grass catcher pin at A, B or C on the deck. See Figure 23.

Attaching Discharge Chute

On Older Model Riders

1. On some older models, a clip is already installed on the cutting deck next to the discharge chute opening in position A, B, or C, as seen in Figure 21. If this is the case, the clip must be removed and a grass catcher pin installed.
2. Pin Installation: A grass catcher pin (G in Figure 4) and nut (H in Figure 4) have been supplied in the hardware pack. First remove the clip, as seen in Figure 22A, by removing the nut and bolt. Then attach the grass catcher pin as seen in Figure 22B. Make sure to secure the pin tightly.
3. Some units may not have clip, but will have an open hole for pin installation. In this case, install the grass catcher pin from the hardware pack in the available hole.
4. You will then need to position the retainer strap on the discharge chute to correspond with the hole and pin. See Figure 23 for retainer strap positioning.

NOTE: The retainer strap is fitted at position A on the discharge chute. However, on older models of tractors, you will have to change the position of the strap depending on the location of the grass catcher pin on the deck. Remove the retainer strap from position A on the discharge chute to position B or C corresponding to the position of the grass catcher pin at A, B or C on the deck. See Figure 23.

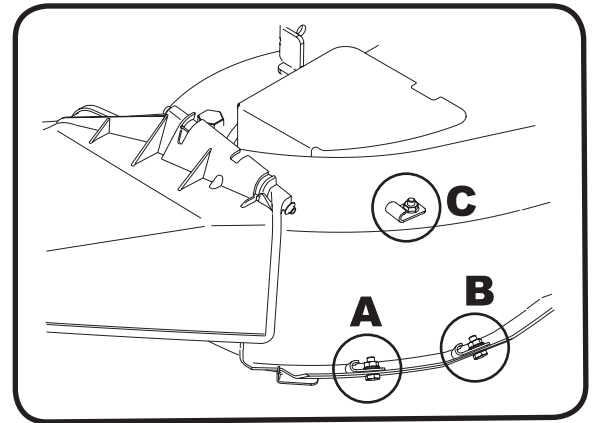


Figure 21

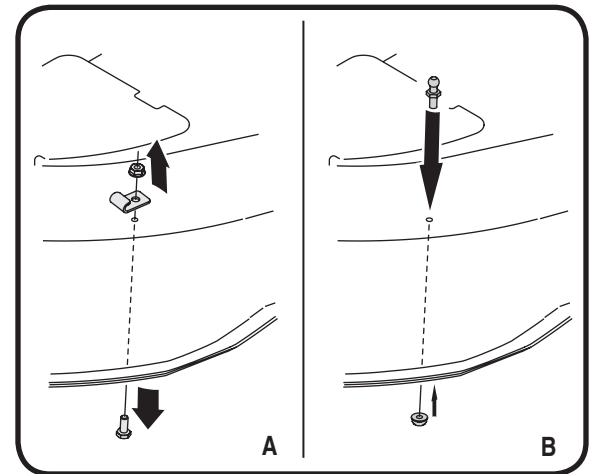


Figure 22

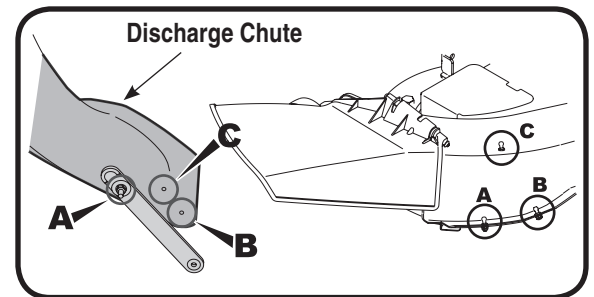


Figure 23

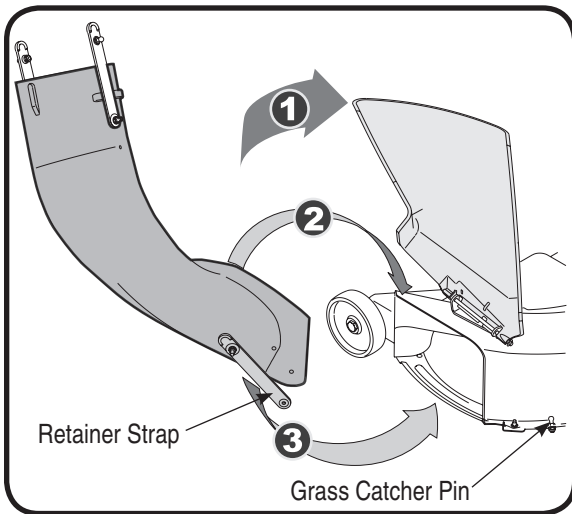


Figure 24

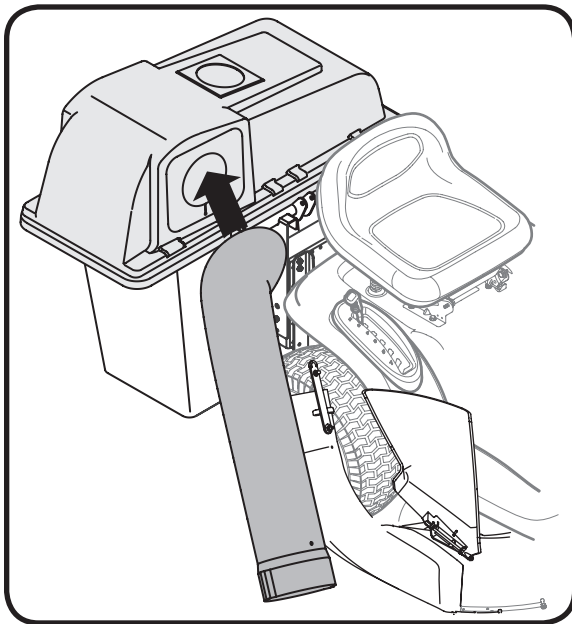


Figure 25

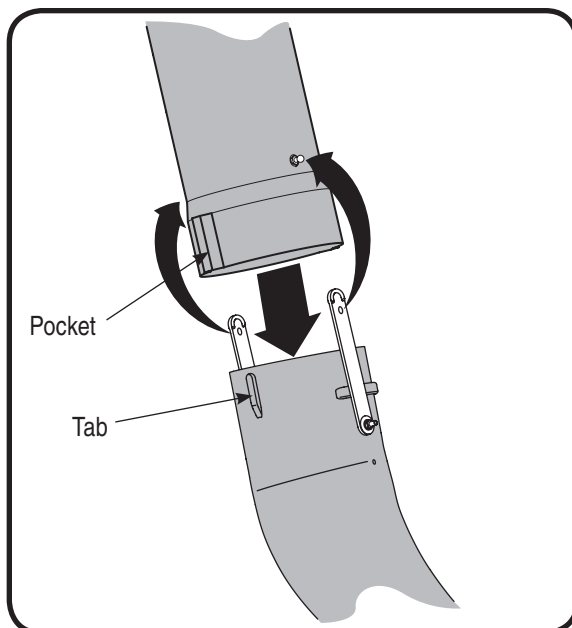


Figure 26

Attaching Discharge Chute

All Model Series

1. Raise the deck to its highest position.
2. Raise the chute deflector on the deck and hold it while you position the discharge chute over the chute opening.
3. Place the top rear edge of the discharge chute over the top rear edge of the chute opening.
4. Push down on the discharge chute so that its front bottom edge rolls around the bottom of the deck, then slide the chute forward to the stop on the deck. See Figure 24.
5. Lock the discharge chute in position by hooking the retainer strap over the grass catcher pin on the deck. See Figure 24.
6. Insert the curved end of chute tube into the hole in the grass bag cover. See Figure 25.
7. Place the lower end of the chute tube over the discharge chute so that the tabs on the discharge chute fits into the pockets on the chute tube. See Figure 26.
8. Secure by hooking the two retainer straps of the discharge chute to the pins on the chute tube. See Figure 26.

Bagger Usage

All Models - 600 through 700

NOTE: When both grass bags are full, place the tractor on a firm, level surface, disengage the PTO, turn the tractor engine off and set the parking brake.

1. Flip Seat up.
2. Lift up grass bag cover. Do not remove the chute tube assembly from the tractor.
3. Remove the grass bags by lifting these up and moving the bags away from the support tube assembly.
4. Empty the grass clippings at a proper disposal sight, use the handle at the bottom of each grass bag. Holding the bag firmly, empty the contents
5. Replace grass bags, close lid, flip down seat, restart your tractor and resume cutting your grass.

5

Attaching Discharge Chute

All Model Series



NOTE:

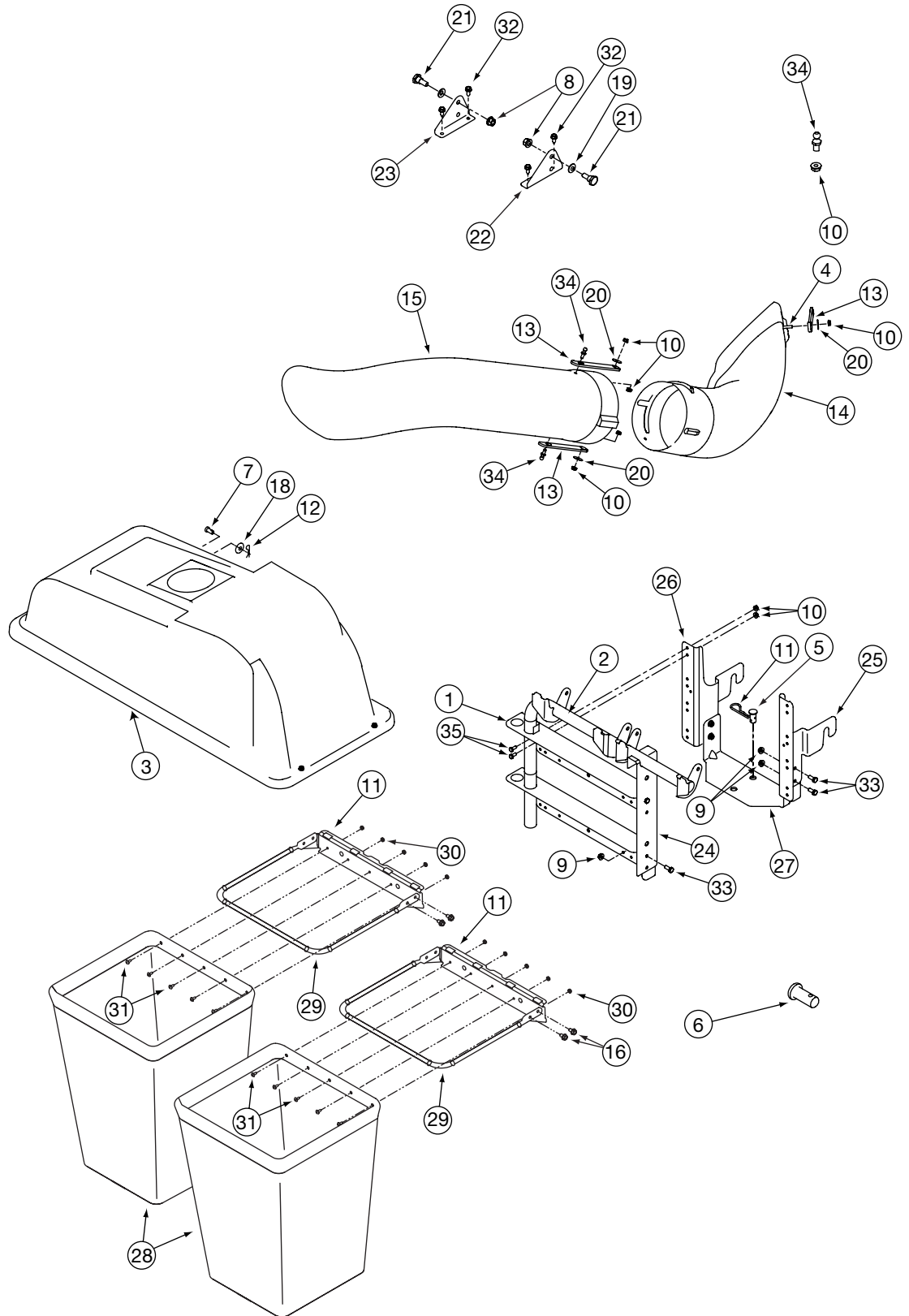
When both grass bags are full, place the tractor on a firm, level surface, disengage the PTO, turn the tractor engine off and set the parking brake.

6

Part List: Rear Twin Bagger



For parts and/or
accessories
please call
1-800-800-7310, or
1-330-220-4683.
www.mtdproducts.com



REF NO.	PART NUMBER	DESCRIPTION	Qty.
1	16587D	Support Bracket: Bagger	1
2	16592	Support Tube Assembly	1
3	664-04017	Grass catcher Cover Assembly	1
4	710-0597	Screw 1/4-20 x 1"	3
5	711-0309A	Clevis Pin	1
6	711-0310	Clevis Pin (on older model tractors)	1
7	711-1421	Clevis Pin	2
8	712-0459	Lock Nut 7/16-20	2
9	712-3004A	Lock Nut 5/16-18	6
10	712-3027	Hex Flange Lock Nut, 1/4-20	14
11	714-0117	Hairpin Clip	1
12	714-0145	Click Pin	2
13	723-04008A	Chute Strap	3
14	731-04153	Discharge Chute 38"/42" Bag	1
15	731-0899E	Chute Tube	1
16	710-0604A	Self-Tapping Screw 5/16-18	8
17	16591A	Bag Hanger Bracket	2
18	736-0331	Bell Washer	2
19	736-0407	Bell Washer	2
20	736-3092	Flat Washer	3
21	738-1020	Shoulder Screw	2
22	783-04132A	Supt. Bracket RH	1
23	783-04137A	Supt. Bracket LH	1
24	783-0601	Mounting Bracket	1
25	783-0673A	Mounting Bracket RH	1
26	783-0764A	Mounting Bracket LH	1
27	783-0765	Bracket: Cross Support	1
28	764-0221	Catcher Bag	2
29	749-0701A	Grass Bag Frame	2
30	712-0272	Hex Sems Nut, #10-24	10
31	710-0473	Machine Screw, , #10-24 x .5	10
32	710-0726	AB Screw 5/16-12	4
33	710-3008	Hex Head Screw 5/16-18 x .75	6
34	711-04069	Grass Catcher Pin 1/4-20	3
35	710-0751	Hex Head Screw 1/4-20 x .62	8

6

Part List: Rear Twin Bagger



*For parts and/or
accessories
please call
1-800-800-7310, or
1-330-220-4683.
www.mtdproducts.com*

MANUFACTURER'S LIMITED WARRANTY FOR



The limited warranty set forth below is given by MTD LLC with respect to new merchandise purchased and used in the United States, its possessions and territories.

"MTD" warrants this product against defects in material and workmanship for a period of two (2) years commencing on the date of original purchase and will, at its option, repair or replace, free of charge, any part found to be defective in materials or workmanship. This limited warranty shall only apply if this product has been operated and maintained in accordance with the Operator's Manual furnished with the product, and has not been subject to misuse, abuse, commercial use, neglect, accident, improper maintenance, alteration, vandalism, theft, fire, water, or damage because of other peril or natural disaster. Damage resulting from the installation or use of any part, accessory or attachment not approved by MTD for use with the product(s) covered by this manual will void your warranty as to any resulting damage.

Normal wear parts are warranted to be free from defects in material and workmanship for a period of thirty (30) days from the date of purchase. Normal wear parts include, but are not limited to items such as: batteries, belts, blades, blade adapters, grass bags, rider deck wheels, seats, snow thrower skid shoes, shave plates, auger spiral rubber and tires.

HOW TO OBTAIN SERVICE: Warranty service is available, WITH PROOF OF PURCHASE, through your local authorized service dealer. To locate the dealer in your area, check your Yellow Pages, or contact MTD LLC at P.O. Box 361131, Cleveland, Ohio 44136-0019, or call 1-800-800-7310 or 1-330-220-4683 or log on to our Web site at www.mtdproducts.com.

This limited warranty does **not** provide coverage in the following cases:

- a. The engine or component parts thereof. These items may carry a separate manufacturer's warranty. Refer to applicable manufacturer's warranty for terms and conditions.
- b. Log splitter pumps, valves, and cylinders have a separate one year warranty.
- c. Routine maintenance items such as lubricants, filters, blade sharpening, tune-ups, brake adjustments, clutch adjustments, deck adjustments, and normal deterioration of the exterior finish due to use or exposure.
- d. Service completed by someone other than an authorized service dealer.

e. MTD does not extend any warranty for products sold or exported outside of the United States, its possessions and territories, except those sold through MTD's authorized channels of export distribution.

f. Replacement parts that are not genuine MTD parts.

g. Transportation charges and service calls.

No implied warranty, including any implied warranty of merchantability of fitness for a particular purpose, applies after the applicable period of express written warranty above as to the parts as identified. No other express warranty, whether written or oral, except as mentioned above, given by any person or entity, including a dealer or retailer, with respect to any product, shall bind MTD. During the period of the warranty, the exclusive remedy is repair or replacement of the product as set forth above.

The provisions as set forth in this warranty provide the sole and exclusive remedy arising from the sale. MTD shall not be liable for incidental or consequential loss or damage including, without limitation, expenses incurred for substitute or replacement lawn care services or for rental expenses to temporarily replace a warranted product.

Some states do not allow the exclusion or limitation of incidental or consequential damages, or limitations on how long an implied warranty lasts, so the above exclusions or limitations may not apply to you.

In no event shall recovery of any kind be greater than the amount of the purchase price of the product sold. **Alteration of safety features of the product shall void this warranty.** You assume the risk and liability for loss, damage, or injury to you and your property and/or to others and their property arising out of the misuse or inability to use the product.

This limited warranty shall not extend to anyone other than the original purchaser or to the person for whom it was purchased as a gift.

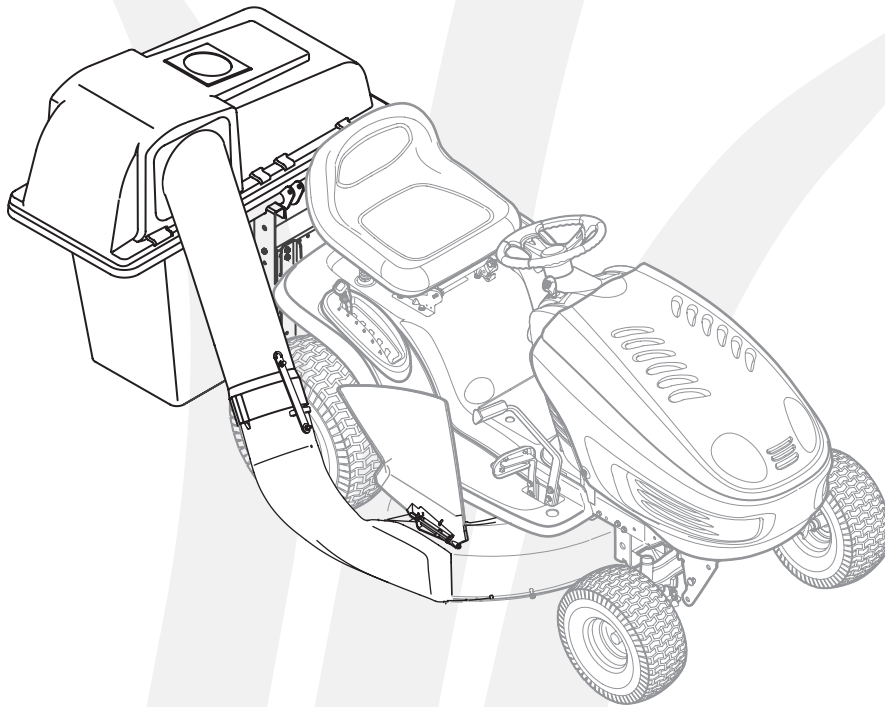
HOW STATE LAW RELATES TO THIS WARRANTY: This limited warranty gives you specific legal rights, and you may also have other rights which vary from state to state.

IMPORTANT: Owner must present Original Proof of Purchase to obtain warranty coverage.

MANUAL DEL OPERADOR

Kit de embolsado posterior doble

Para tractores cortacésped con
plataformas de 38" y 42"



Modelos OHD-190-180

IMPORTANTE

LEA CON ATENCIÓN LAS REGLAS DE SEGURIDAD E INSTRUCCIONES ANTES DE OPERAR
LA UNIDAD

Este Manual del Operador es una parte importante de su nuevo colector de césped. Le ayudará a montar, preparar y mantener la unidad para obtener los mejores resultados. Por favor, lea y comprenda el contenido del manual.

ÍNDICE

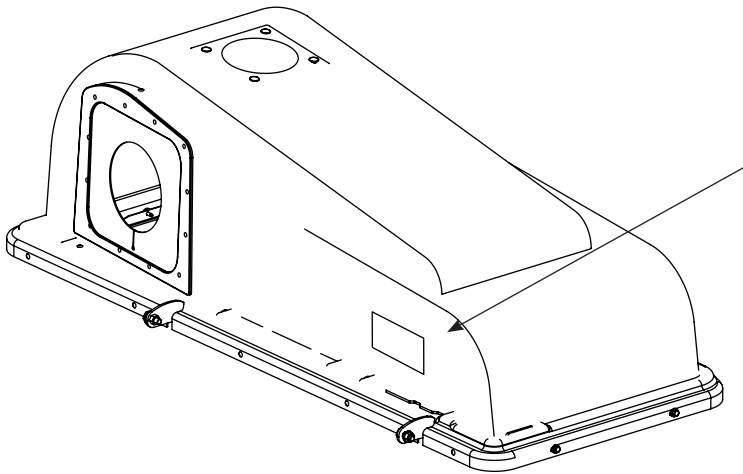
1. Identificación de la podadora tractor	Page 3	5. Instalación canal de descarga	Page 10
2. Contenido de la caja	Page 4	6. Lista de piezas.....	Page 12
3. Conjunto del soporte	Page 6	7. Notas	Page 14
4. Instalación bolsas para pasto	Page 9	Garantía.....	Page 16

Búsqueda y registro del número de modelo

ANTES DE COMENZAR A MONTAR SU NUEVO EQUIPO,

por favor ubique la placa de modelo y copie la información de la misma en el Manual de Operador para referencia futura. La información contenida en la placa del modelo es muy importante en caso de necesitar ayuda de nuestro Departamento de Asistencia al Cliente o del distribuidor autorizado.

Puede ubicar la misma mirando en la parte delantera, lado izquierdo, de la cubierta de la tolva plástica para recorte de césped, según se muestra a continuación:



Número de modelo

Número de serie



MTD LLC
P.O. BOX 361131
CLEVELAND, OH 44136
330-220-4683
800-800-7310

*Ubique la placa de modelo en su embolsadora y copie la información de la misma en el espacio provisto más arriba para referencia futura.

Asistencia al cliente

Por favor, NO devuelva la unidad al minorista a quien se la adquirió sin ponerse en contacto primero con el Departamento de Asistencia al Cliente.

En caso de tener problemas para montar este producto o de tener dudas con respecto a los controles, funcionamiento o mantenimiento del mismo, puede solicitar la ayuda de expertos. Elija entre las opciones que se presentan a continuación:

- Visite www.mtdproducts.com. Haga clic en la opción Servicio y Asistencia del menú.
- Comuníquese por teléfono con un Representante de Asistencia al Cliente al 1-800-800-7310.
- Por favor tenga a mano el número de modelo y el número de serie de su unidad cuando llame. Consulte la sección anterior para ubicar esta información. Se le solicitará que ingrese el número de serie para poder procesar su llamada



Colector de césped FastAttach™ con sistema de bolsa doble

El colector de césped con bolsa doble modelo OEM-190-180 es un sistema de recogida de césped diseñado para ser usado en todos los tractores cortacésped MTD compatibles con plataformas de 38" y 42" (excepto 2001 Yard-Man Revolution/White Outdoor ZTT).

Las instrucciones de este manual se dividen en secciones. Lea con atención todas las secciones relativas a su modelo de podadora tractor, y analice las ilustraciones para asegurar una adecuada instalación y uso de este accesorio. Lea y observe todas las ADVERTENCIAS, NOTAS y declaraciones IMPORTANTES. Se las ha incluido para proporcionar protección al instalador y al usuario del equipo, y para asegurar una prolongada vida de servicio del equipamiento.

NOTA: Las referencias relativas a los lados IZQUIERDO y DERECHO indican los lados izquierdo y derecho del tractor mirando hacia adelante desde la posición del operador. La referencia al FRENTE indica el extremo de la parrilla; la referencia al lado POSTERIOR indica el extremo trasero de la podadora tractor.

Determine el modelo de la podadora tractor

Como este manual ha sido diseñado para la instalación de la nueva embolsadora en diversas unidades de podadora tractor, es importante que determine cuál es el modelo de podadora tractor que usted posee. De ese modo usted sabrá cuál es el grupo de las siguientes instrucciones que deberá observar.

Para determinar cuál es el modelo de podadora tractor que usted posee, será necesario que ubique la placa de modelo de la podadora tractor que se encuentra debajo del asiento. Simplemente levante el asiento y ubique la placa de modelo, la cual comprende un número de modelo de 11 dígitos/letras y un número de serie. Para facilitar la instalación y para uso futuro, copie el número de modelo y el número de serie de la podadora tractor a continuación:

Podadora tractor modelo número:

Podadora tractor serie número:

Los números 5°, 6° y 7° de la izquierda en el número de modelo determinan la serie del modelo de podadora tractor. Vea la Figura 2.

Cuando complete el número de modelo en el espacio que se suministra más arriba, el número de serie concreto del modelo debe quedar en el área sombreada en gris.

Ahora que ha determinado cuál es el modelo de podadora a la cual usted va a adosar este sistema de recolección de pasto, observe las instrucciones de las siguientes páginas de acuerdo con el modelo de podadora tractor que posee.

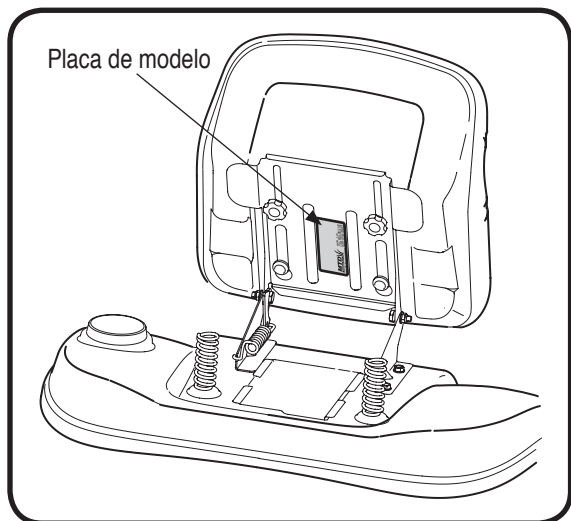


Figura 1

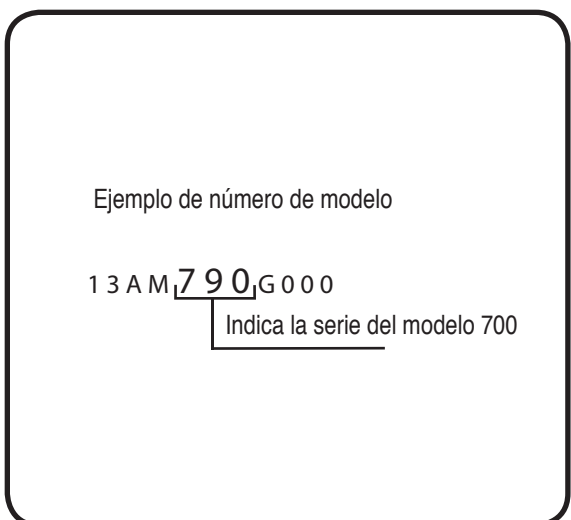


Figura 2

1

Identificación del modelo de podadora tractor



NOTA:

Las referencias relativas a los lados IZQUIERDO y DERECHO indican los lados izquierdo y derecho del tractor mirando hacia adelante desde la posición del operador. La referencia al FRENTE indica el extremo de la parrilla; la referencia al lado POSTERIOR indica el extremo trasero de la podadora tractor.

2

Contenido de la caja



Si le faltan piezas, por favor, no contacte al minorista a quien usted adquirió la unidad. Llame directamente a MTD al 1-330-220-4MTD o comuníquese de forma gratuita al 1-800-800-7310.

CONTENIDO DE LA CAJA

Antes de comenzar la instalación, retire todas las piezas de la caja para asegurarse de que esté todo. El contenido de la caja se enumera más abajo y se muestra en la Figura 3. Los números de pieza de los elementos de ferretería se muestran entre paréntesis.

- Un tubo de canal
- Un tubo de soporte
- Un conjunto de canal de descarga
- Un conjunto de cubierta de tolva para recorte de césped
- Dos conjuntos de bolsas para recorte de césped
- Un soporte de montaje

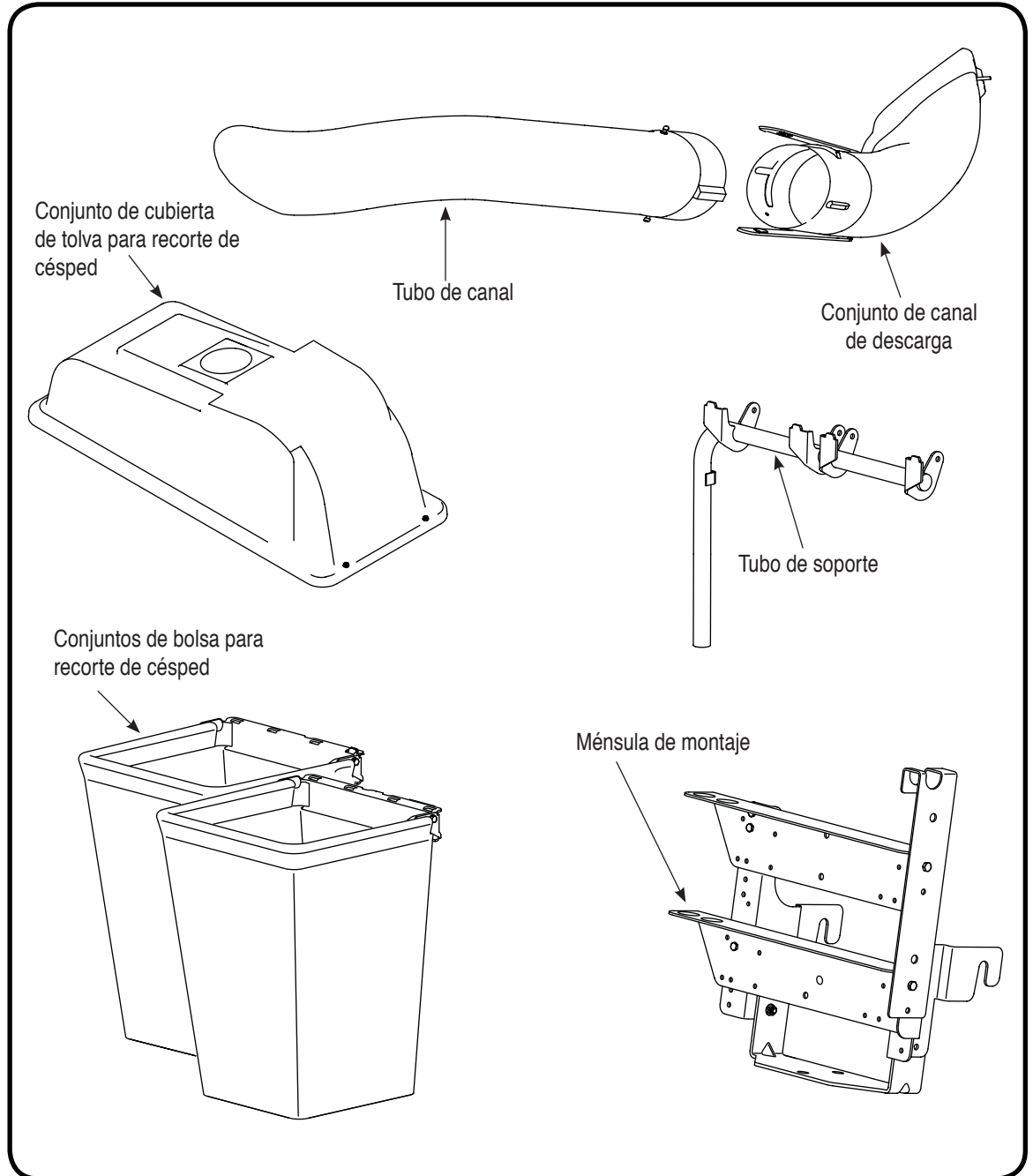


Figura 3

CONTENIDO DEL PAQUETE DE ELEMENTOS DE FERRETERÍA

Este juego colector de césped se envía con un paquete de elementos de ferretería. Este paquete de elementos de ferretería puede contener piezas adicionales para realizar la instalación en una podadora tractor diferente de la que usted posee. Por favor, controle el paquete de elementos de ferretería con la siguiente ilustración de acuerdo con su modelo de podadora tractor determinado según se indica en la sección 1 de este Manual.

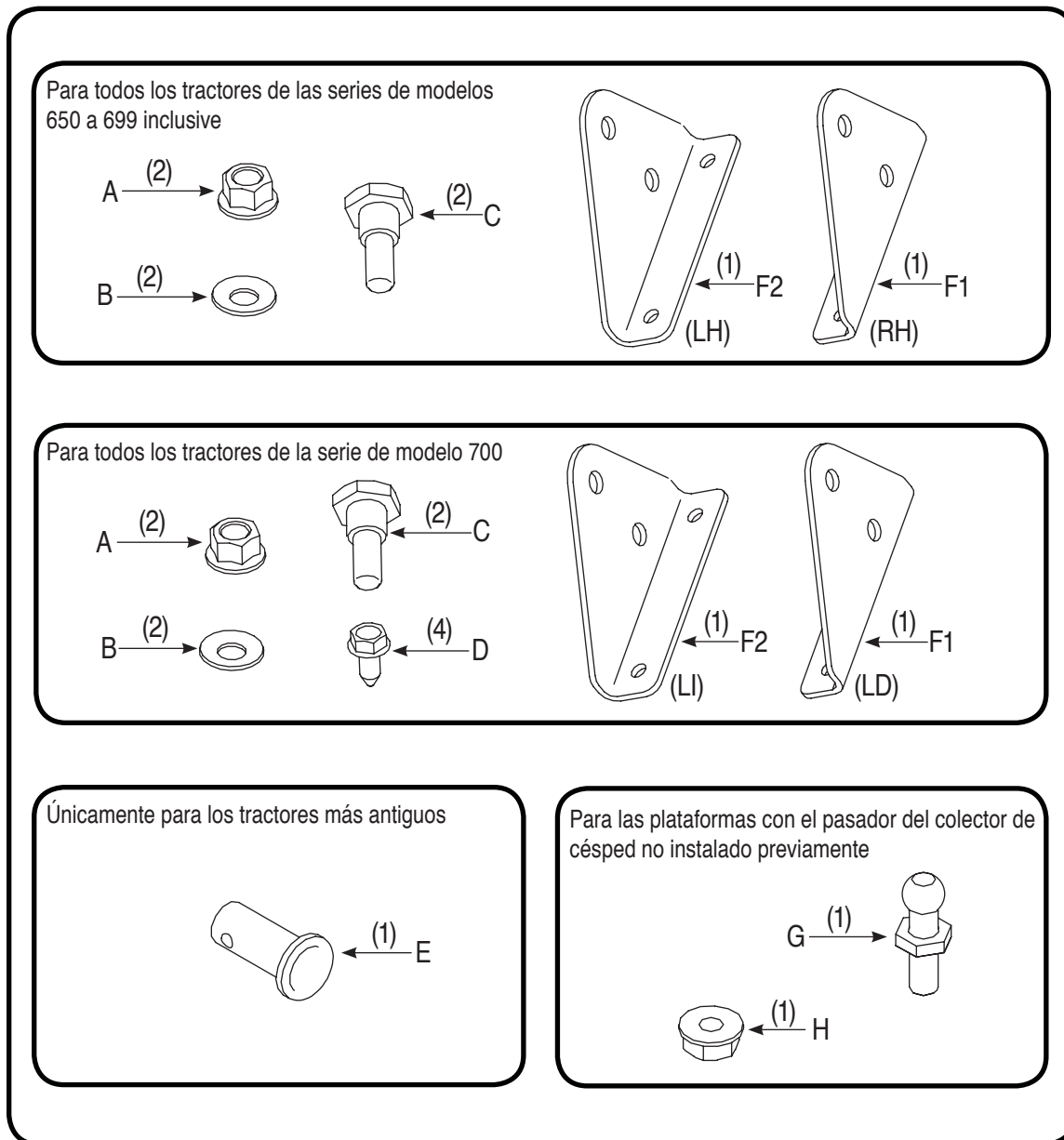


Figura 4

NOTA: Para facilitar el ensamblado se ha identificado cada uno de los elementos mencionados arriba, y el código de letra aquí asignado se mantiene en las instrucciones para el ensamblado.

LD = Lado derecho (#) = Cantidad
LI = Lado izquierdo

2

Contenido de la caja



Si le faltan piezas, por favor, no contacte al minorista a quien usted adquirió la unidad. Llame directamente a MTD al 1-330-220-4MTD o comuníquese de forma gratuita al 1-800-800-7310.

NOTA: Para facilitar el ensamblado se ha identificado cada uno de los elementos mencionados arriba, y el código de letra aquí asignado se mantiene en las instrucciones para el ensamblado.

LD = Lado derecho
LI = Lado izquierdo
(#) = Cantidad

3

Instalación Conjunto de soporte

Modelos series 600 a 619
inclusive



IMPORTANTE:

Antes del ensamblado, coloque el tractor sobre una superficie firme y nivelada, desenganche la toma de fuerza (PTO), detenga el motor del tractor y coloque el freno de estacionamiento.

NOTA:

Hay dos orificios en el pasador de horquilla. Asegúrese de insertar el broche de horquilla en el orificio superior para fijar adecuadamente el conjunto del soporte a la placa de enganche.

Instalación

Conjunto de soporte Modelos series 600 a 619 inclusive

IMPORTANTE: Antes del ensamblado, coloque el tractor sobre una superficie firme y nivelada, desenganche la toma de fuerza (PTO), detenga el motor del tractor y coloque el freno de estacionamiento.

1. Para mayor comodidad, gire el asiento hacia adelante y déjelo en esa posición hasta que el colector de pasto esté totalmente colocado y ensamblado.
2. Retire el broche de horquilla y el pasador de horquilla de la parte posterior del conjunto del soporte de montaje. Vea la Figura 5.
3. Coloque los extremos enganchados del conjunto del soporte por encima de los pernos con reborde (1). Gire hacia adentro la parte inferior del conjunto del soporte hacia abajo y hacia adentro (2) por encima de la placa de enganche y alinéela con el orificio de la placa de enganche. Vea la Figura 5.
4. Reinserte el pasador de horquilla a través de los orificios alineados en el conjunto del soporte y en la placa de enganche y ajústelo con el broche de horquilla que se retiró antes. Consulte la Figura 6.

NOTA: Hay dos orificios en el pasador de horquilla. Asegúrese de insertar el broche de horquilla en el orificio superior para fijar adecuadamente el conjunto del soporte a la placa de enganche.

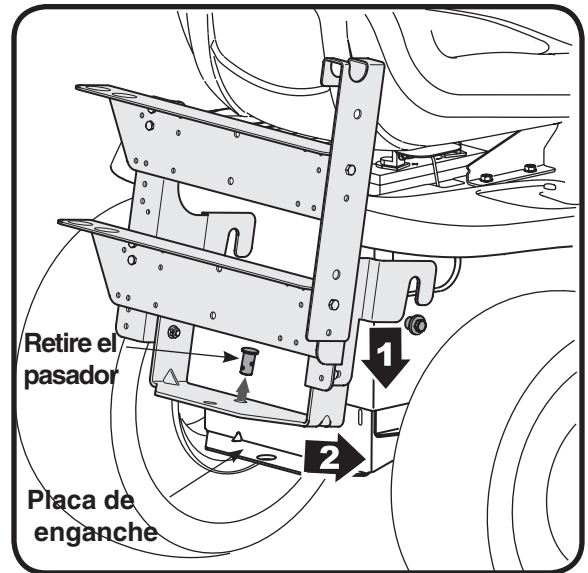


Figura 5

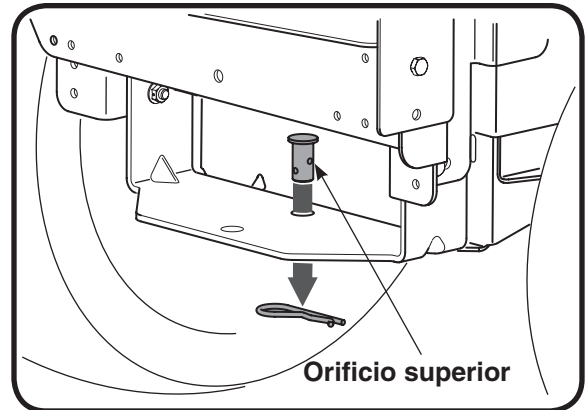


Figura 6

Modelos series 650 a 699 inclusive

El gráfico a continuación coordina con las instrucciones para los modelos series 650 a 699 inclusive, que comienzan en la página siguiente.

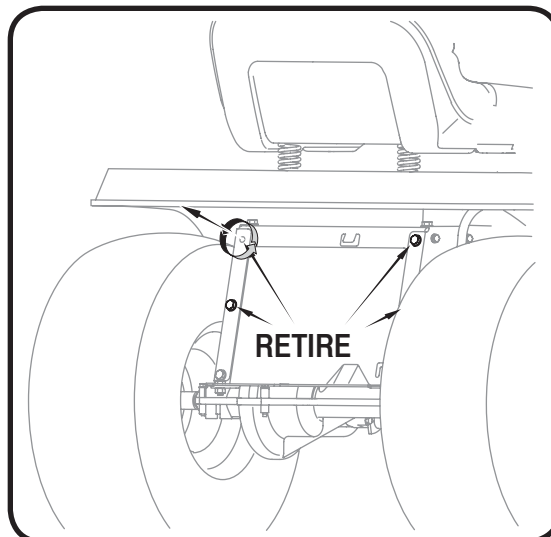


Figura 7

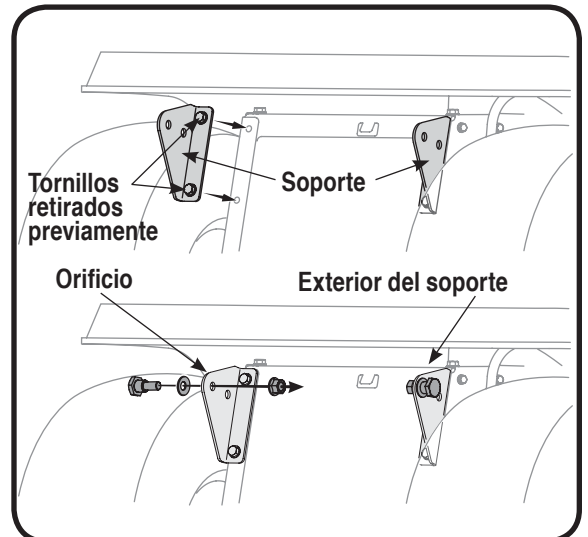


Figura 8

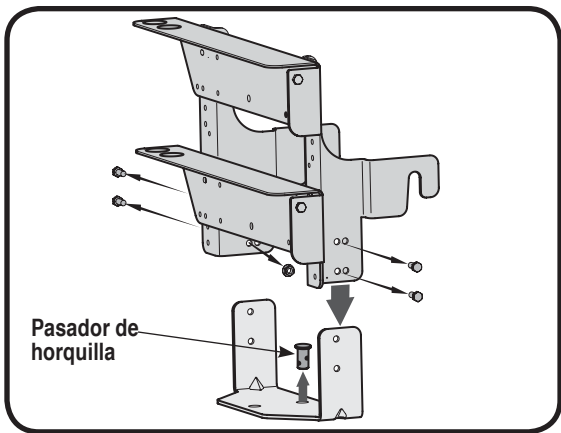


Figura 9

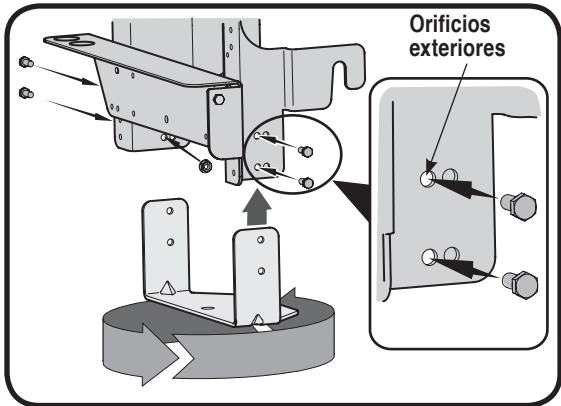


Figura 10

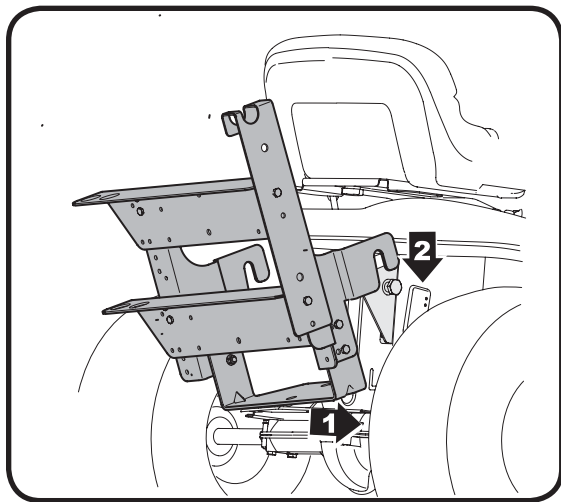


Figura 11

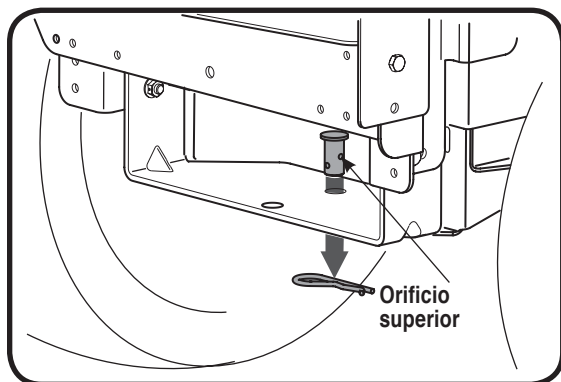


Figura 12

Ensamblado de los soportes

Modelos series 650 a 699 inclusive

IMPORTANTE: Antes del ensamblado, coloque el tractor sobre una superficie firme y nivelada, desenganche la toma de fuerza (PTO), detenga el motor del tractor y coloque el freno de estacionamiento.

1. Retire los cuatro tornillos autoroscantes de la parte posterior del tractor cortacésped. Vea la Figura 7 en la página anterior.
2. Coloque el soporte de la tolva para recorte de césped del lado derecho (F1 en la Figura 4) en posición, con el extremo ancho encima y el extremo angosto apuntando hacia abajo según se muestra en la Figura 8.
3. Fije el soporte al marco del tractor con los dos tornillos autoroscantes que se retiraron antes. Consulte la Figura 8. Repita sobre el otro lado usando la parte F2 de la Figura 4.

NOTA: Si el sistema de recogida de pasto se retira por alguna razón, no es necesario retirar los soportes del tractor.

4. Inserte un perno con reborde (C en la Figura 4) a través de una arandela de campana, (B en la Figura 4) e inserte el perno desde el exterior del soporte a través del orificio exterior del soporte. Fíjelo con una tuerca (A en la Figura 4). Consulte la Figura 8 para ver más detalles. Repita del otro lado.

NOTA: La referencia previa a "orificio exterior" significa el orificio que se encuentra más alejado del marco.

Instalación del conjunto del soporte

Modelos series 650 a 699 inclusive

1. Retire las dos tuercas y pernos que hay a cada lado del soporte de montaje que sujeta la placa de enganche.
2. Rote la placa de enganche 180° desde su posición original. Reinserte los cuatro pernos a través del soporte de montaje y el marco de la placa de enganche y fíjelos con las tuercas retiradas antes. Use los orificios exteriores (los más alejados de los ganchos de montaje) del soporte de montaje. Vea la Figura 10.
3. Para mayor comodidad, gire el asiento hacia adelante y déjelo en esa posición hasta que el colector de pasto esté totalmente colocado y ensamblado.
4. Retire el broche de horquilla y el pasador de horquilla de la parte posterior del conjunto del soporte de montaje. Vea la Figura 9.
5. Coloque los extremos enganchados del conjunto del soporte de montaje en posición hacia afuera de los soportes y por encima de los pernos con reborde recién instalados a ambos lados del marco del tractor. Vea la Figura 11.
6. Reinserte el pasador de horquilla a través de los orificios alineados en el conjunto del soporte y en la placa de enganche y ajústelo con el broche de horquilla que se retiró antes. Consulte la Figura 12 para referencia.

IMPORTANTE: Hay dos orificios en el pasador de horquilla. Asegúrese de insertar el broche de horquilla en el orificio superior para fijar adecuadamente el conjunto del soporte a la placa de enganche.

NOTA: Para algunos modelos de tractor este pasador de horquilla es demasiado grande. Use un pasador de horquilla más pequeño (E en la Figura 4) en su lugar, con el mismo broche de horquilla.

3

Instalación del soporte y del conjunto del soporte

Modelos series 650 a 699 inclusive



IMPORTANTE: Antes del ensamblado, coloque el tractor sobre una superficie firme y nivelada, desenganche la toma de fuerza (PTO), apague el motor del tractor y coloque el freno de estacionamiento.

NOTA: Si el sistema de recogida de pasto se retira por alguna razón, no es necesario retirar los soportes del tractor.

IMPORTANTE: Hay dos orificios en el pasador de horquilla. Asegúrese de insertar el broche de horquilla en el orificio superior para fijar adecuadamente el conjunto del soporte a la placa de enganche.

NOTA: Para algunos modelos de tractor este pasador de horquilla es demasiado grande. Use un pasador de horquilla más pequeño en su lugar, con el mismo broche de horquilla.

3

Instalación del soporte y del conjunto del soporte

Modelo Serie 700



NOTA:

Si el sistema de recogida de pasto se retira por alguna razón, no es necesario retirar los soportes del tractor

IMPORTANTE:

Hay dos orificios en el pasador de horquilla. Asegúrese de insertar el broche de horquilla en el orificio superior para fijar adecuadamente el conjunto del soporte a la placa de enganche.

Ensamblado de los soportes Modelo Serie 700

1. Ubique los cuatro tornillos autoroscantes provistos en su paquete de elementos de ferretería (D en la Figura 4). Instale el soporte de la tolva para recorte de césped del lado derecho (F1 en la Figura 4) usando dos de los tornillos suministrados en posición según se muestra en la Figura 13. Coloque el soporte de la tolva para recorte de césped del lado izquierdo (F2 en la Figura 4) en posición y ajústelo con los otros dos tornillos.
5. Inserte un perno con reborde (C en la Figura 4) a través de una arandela de campana, (B en la Figura 4) e inserte el perno a través del orificio interior (el que está más cerca del marco) en el exterior del soporte. Fíjelo con una tuerca (A en la Figura 4). Consulte la Figura 13 para ver más detalles. Repita del otro lado.

NOTA: Si el sistema de recogida de pasto se retira por alguna razón, no es necesario retirar los soportes del tractor

Instalación del conjunto del soporte

1. Retire las dos tuercas y tornillos que hay a cada lado del soporte de montaje que sujeta la placa de enganche.
2. Rote la placa de enganche 180° desde su posición original. Reinserte los cuatro pernos a través del soporte de montaje y el marco de la placa de enganche y fíjelos con las tuercas retiradas antes. Use los orificios interiores (los más cercanos a los ganchos de montaje) del soporte de montaje. Consulte la Figura 15.
3. Retire el broche de horquilla y el pasador de horquilla de la placa de enganche según se muestra en la Figura 14. Guarde los elementos de ferretería.
4. Coloque los extremos enganchados del conjunto del soporte de montaje en posición hacia afuera del soporte y por encima de los pernos con reborde a ambos lados. Consulte la Figura 11 para referencia.
5. Reinserte el pasador de horquilla a través de los orificios alineados en el conjunto del soporte y en la placa de enganche y ajústelo con el broche de horquilla que se retiró antes. Vea la Figura 16.

IMPORTANTE: Hay dos orificios en el pasador de horquilla. Asegúrese de insertar el broche de horquilla en el orificio superior para fijar adecuadamente el conjunto del soporte a la placa de enganche.

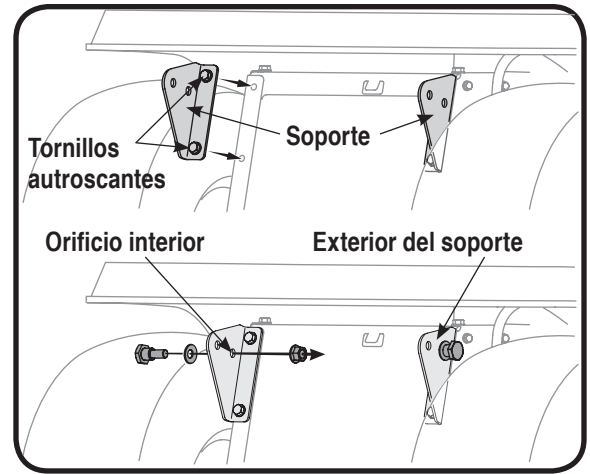


Figura 13

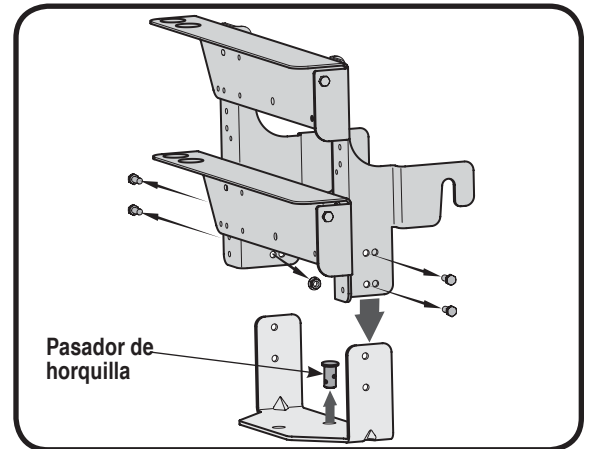


Figura 14

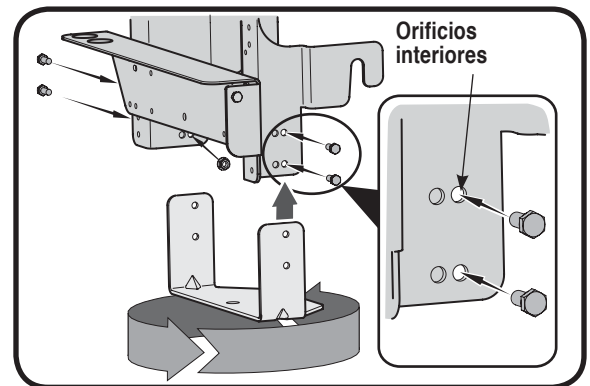


Figura 15

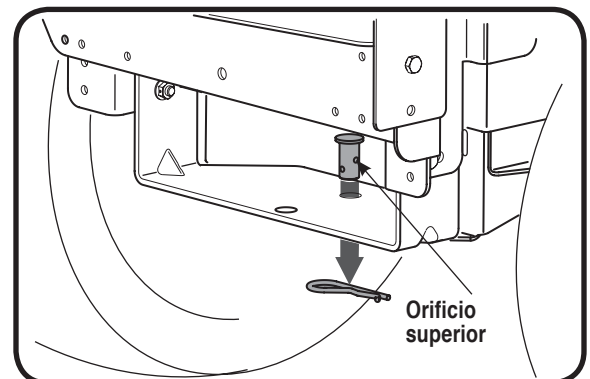


Figura 16

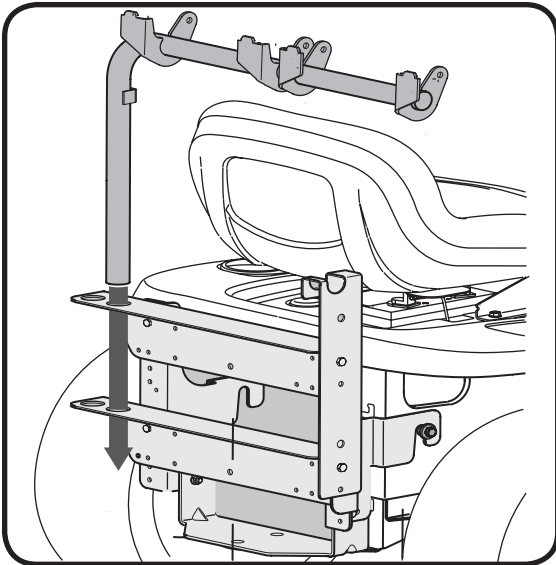


Figura 17

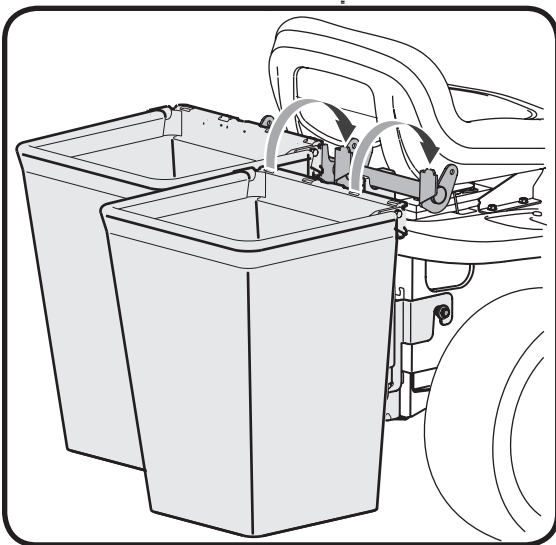


Figura 18

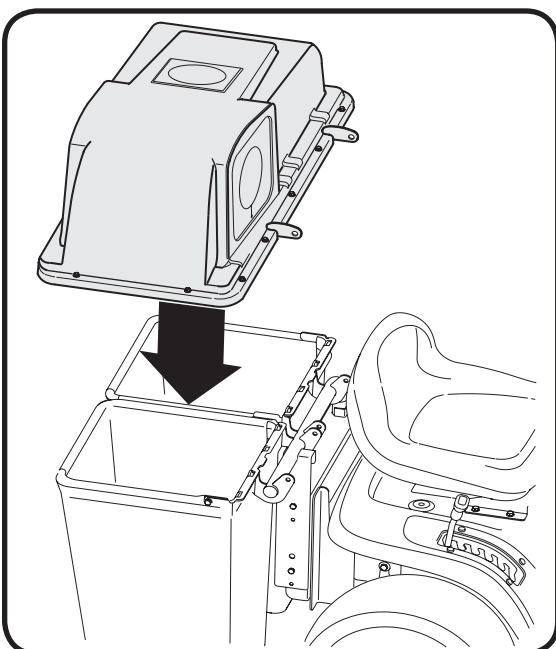


Figura 19

Instalación de las bolsas para césped y de la cubierta para las bolsas

1. Coloque el tubo del soporte en posición en la parte posterior de la unidad deslizando el tubo de soporte hacia abajo a través de los orificios del lado izquierdo del conjunto del soporte. Use el orificio interior del conjunto del soporte independientemente de la medida de plataforma con la cual esté equipado su tractor. Consulte la Figura 17.
2. Instale las bolsas para pasto enganchándolas en el soporte para las bolsas de pasto usando las ranuras de la bolsa de pasto y las lengüetas del soporte de bolsas para pasto según se muestra en la Figura 18.
3. Coloque la cubierta de las bolsas para pasto encima de las bolsas para pasto y alinee los orificios de las bisagras de la cubierta de las bolsas con los orificios correspondientes del conjunto del tubo del soporte. Vea la Figura 19.
4. Inserte el pasador de horquilla a través de la bisagra del conjunto del tubo del soporte y luego a través de la cubierta de las bolsas para pasto. Vea la Figura 20.
5. Fijelo con una arandela Belleville y con un broche de horquilla con el lado de la corona de la arandela contra el broche de horquilla. Vea las imágenes intercaladas en la Figura 20.
6. Repita el proceso con el segundo juego de elementos de ferretería a través de la segunda bisagra de la bolsa de pasto y el conjunto del tubo desde la dirección opuesta.

NOTA: Inserte los pasadores de horquilla del exterior hacia adentro según se muestra en las imágenes intercaladas de la Figura 20.

NOTA: Es muy importante mantener este orden y esta dirección al instalar las piezas de ferretería. Después de la instalación, asegúrese de que la cubierta de las bolsas de pasto gire sobre el tubo de soporte y se abra.

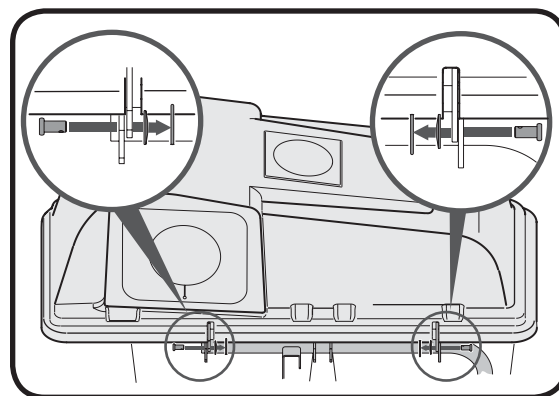


Figura 20

4

Instalación de las bolsas para césped y de la cubierta para las bolsas
 Todos los modelos series 600 a 700 inclusive



NOTA:

Inserte los pasadores de horquilla del exterior hacia adentro según se muestra en las imágenes intercaladas de la Figura 20.

NOTA:

Es muy importante mantener este orden y esta dirección al instalar las piezas de ferretería. Después de la instalación, asegúrese de que la cubierta de las bolsas de pasto gire sobre el tubo de soporte y se abra.

5

Instalación del canal de descarga

Todos los modelos series 600 a 699 inclusive



NOTA:

La tira de retención está colocada en la posición

A sobre el canal de descarga. Sin embargo, en los modelos de tractores más antiguos, tendrá que cambiar la posición de la tira de acuerdo con la ubicación del pasador de la tolva para el recorte de pasto en la plataforma.

Retire la tira de retención de la posición A en el canal de descarga a la posición B o C de acuerdo con la posición A, B o C del pasador de la tolva para recorte de césped en la plataforma. Vea la Figura 23.

Instalación del canal de descarga

En tractores de modelos más antiguos

1. En algunos modelos más antiguos, ya hay instalado un broche en la plataforma de corte, junto a la abertura del canal de descarga en la posición A, B o C, según se muestra en la Figura 21. Si éste es el caso, el broche se debe retirar y se debe instalar un pasador para la tolva de recorte de césped.
2. Instalación del pasador: Dentro del paquete de elementos de ferretería se incluyen un pasador (G en la Figura 4) y una tuerca (H en la Figura 4) para la tolva de recorte de césped. En primer lugar retire el broche, según se muestra en la Figura 22A, retirando la tuerca y el perno. Luego instale el pasador de la tolva para recorte de césped según se muestra en la Figura 22B. Asegúrese de que el pasador quede firmemente ajustado.
3. Algunas unidades pueden no tener broche, pero tienen un orificio abierto para la instalación del pasador. En este caso, instale en el orificio disponible el pasador de la tolva para recorte de césped que viene en el paquete de elementos de ferretería.
4. Necesitará colocar la tira de retención del canal de descarga en posición de modo que se corresponda con el orificio y el pasador. Vea la Figura 23 para el posicionamiento de la tira de retención.

NOTA: La tira de retención está colocada en la posición A sobre el canal de descarga. Sin embargo, en los modelos de tractores más antiguos, tendrá que cambiar la posición de la tira de acuerdo con la ubicación del pasador de la tolva para el recorte de pasto en la plataforma. Retire la tira de retención de la posición A en el canal de descarga a la posición B o C de acuerdo con la posición A, B o C del pasador de la tolva para recorte de césped en la plataforma. Vea la Figura 23.

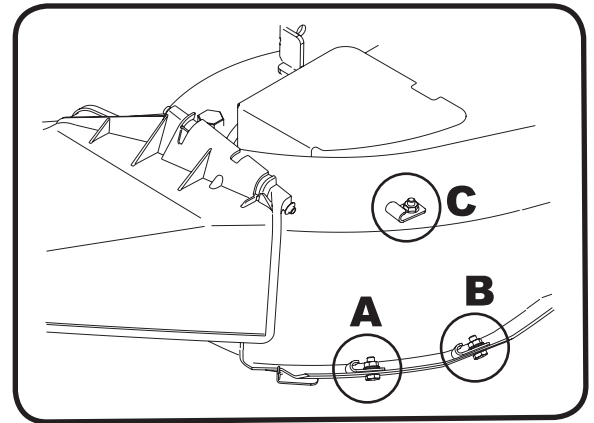


Figura 21

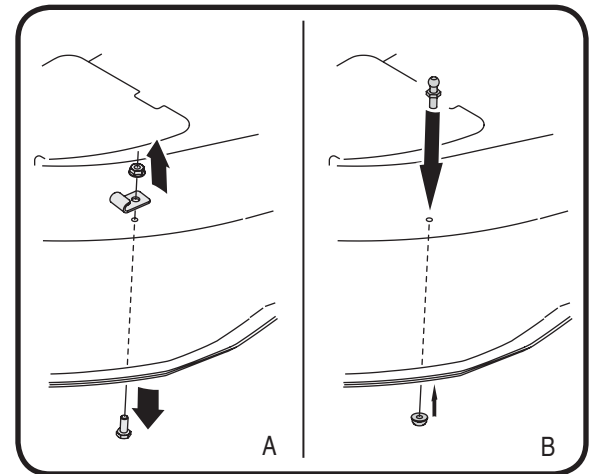


Figura 22

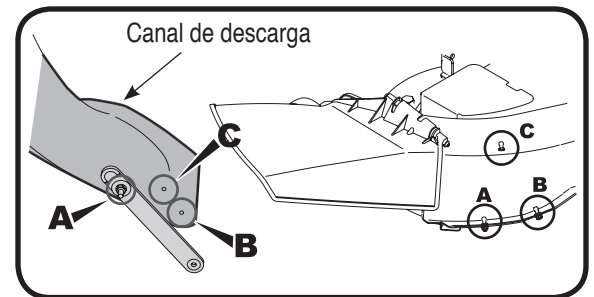


Figura 23

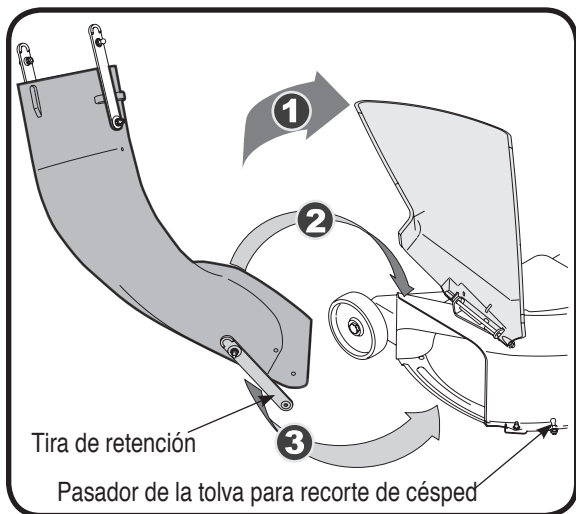


Figura 24

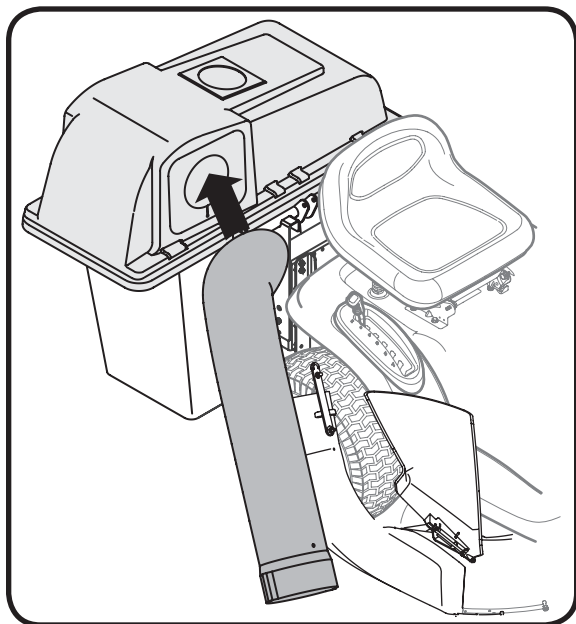


Figura 25

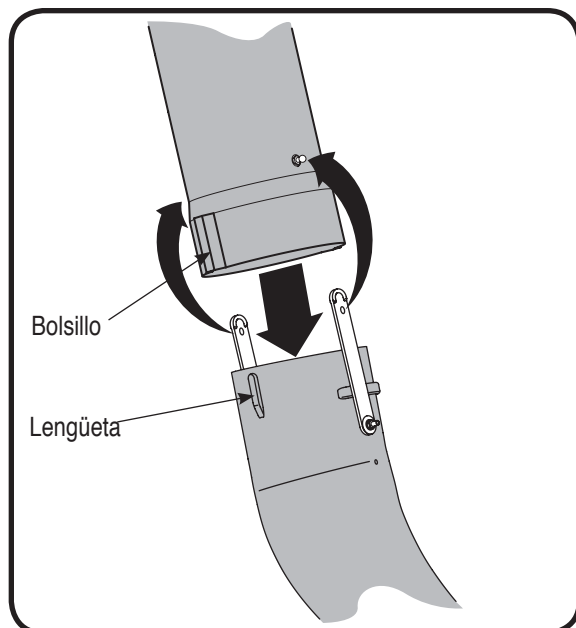


Figura 26

Instalación del canal de descarga

Todas las series de modelos

1. Eleve la plataforma a la posición más alta.
2. Levante el deflector del canal de la plataforma y sosténgalo mientras coloca en posición el canal de descarga encima de la abertura del canal.
3. Coloque el borde posterior superior del canal de descarga por encima del borde posterior superior de la abertura del canal.
4. Empuje hacia abajo sobre el canal de descarga de modo que el borde inferior delantero se enrolle alrededor de la parte inferior de la plataforma, luego deslice el canal hacia adelante hacia el tope en la plataforma. Vea la Figura 24.
5. Trabe el canal de descarga en posición engan- chando la tira de retención por encima del pasador de la tolva para recorte de césped de la plataforma. Vea la Figura 24.
6. Inserte el extremo curvo del tubo del canal en el orificio de la cubierta de la bolsa de pasto. Vea la Figura 25.
7. Coloque el extremo inferior del tubo del canal por encima del canal de descarga de modo que las lengüetas del tubo de descarga encajen en los bolsillos del tubo del canal. Vea la Figura 26.
8. Ajuste enganchando las dos tiras de retención del canal de descarga en los pasadores del tubo del canal. Vea la Figura 26.

Uso de la embolsadora

Todos los modelos – 600 a 700 inclusive

NOTA: Cuando las dos bolsas para césped estén llenas, coloque el tractor sobre una superficie firme y nivelada, desenganche la toma de fuerza (PTO), apague el motor del tractor y coloque el freno de estacionamiento.

1. Dé vuelta el asiento hacia arriba.
2. Levante la cubierta de las bolsas para césped. No retire el conjunto del tubo del canal del tractor.
3. Retire las bolsas de pasto, levantándolas y separán- dolas del conjunto del tubo de soporte.
4. Vacíe los recortes de pasto en un predio de dis- posición adecuado, use la manija de abajo de cada bolsa de pasto. Para vaciar el contenido sostenga firmemente la bolsa.
5. Vuelva a colocar las bolsas para pasto, cierre la tapa, dé vuelta el asiento hacia abajo, arranque el tractor y reanude el podado del césped.

5

Instalación del canal de descarga

Todas las series de modelos



NOTA:

Cuando las dos bolsas para césped estén llenas, coloque el tractor sobre una superficie firme y nivelada, desenganche la toma de fuerza (PTO), apague el motor del tractor y coloque el freno de estacionamiento.

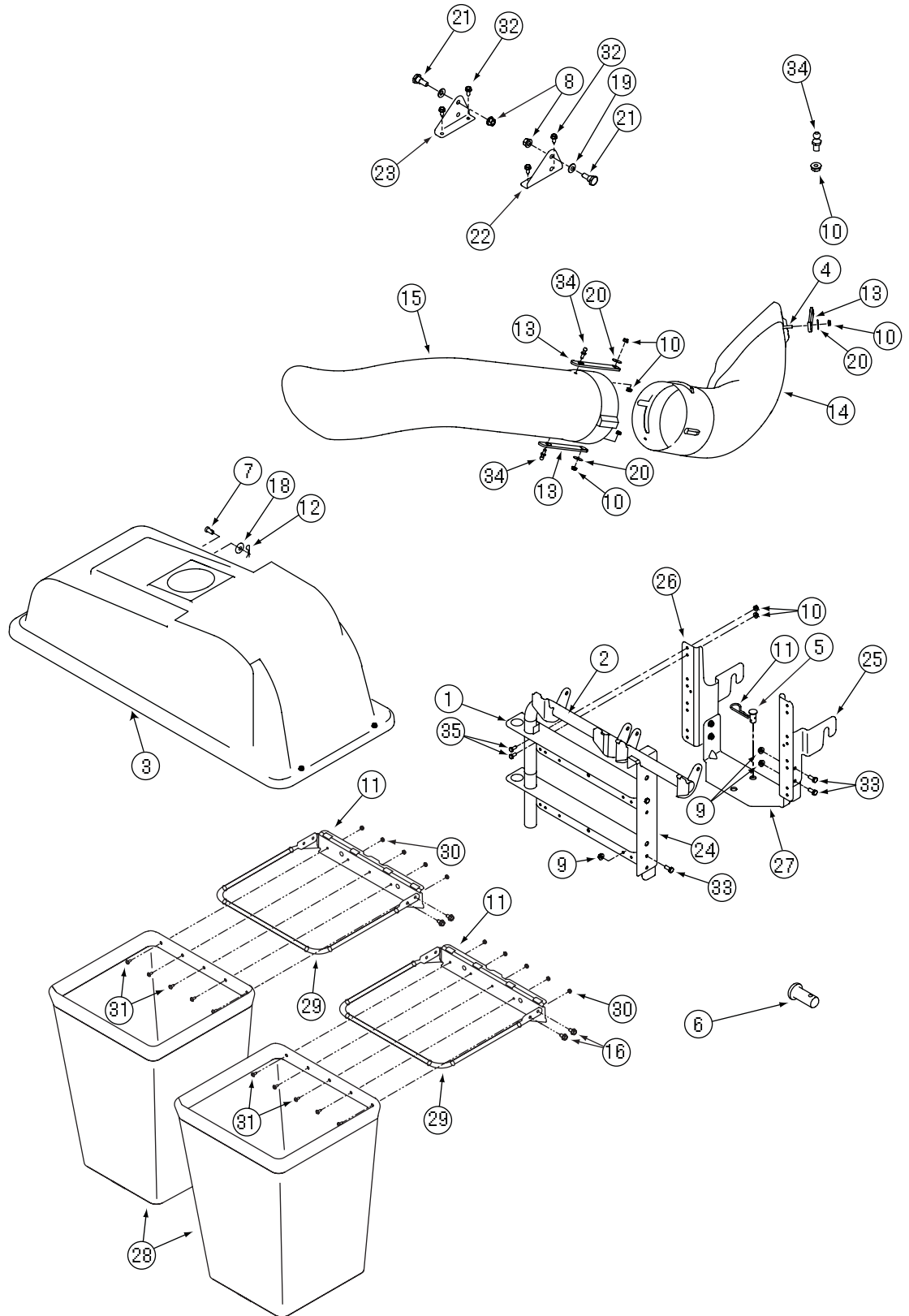
6

Lista de piezas: Embolsadora doble posterior



Para piezas
y/o accesorios por
favor llame al 1-
800-800-7310 ó al
1-330-220-4683.

www.mtdproducts.com



6

Lista de piezas: Embolsadora doble posterior



Para piezas y/o accesorios por favor llame al 1-800-800-7310-6483 ó al 1-330-220-4683.
www.mtdproducts.com

No. DE REF.	NÚMERO DE PIEZA	DESCRIPCIÓN	Cantidad
1	16587D	Soporte: Embolsadora	1
2	16592	Conjunto del tubo de soporte	1
3	664-04017	Conjunto de cubierta de tolva para recorte de	1
4	710-0597	Tornillo 1/4-20 x 1"	3
5	711-0309A	Pasador de horquilla	1
6	711-0310	Pasador de horquilla (en modelos de tractor más	1
7	711-1421	Pasador de horquilla	2
8	712-0459	Tuerca de seguridad 7/16-20	2
9	712-3004A	Tuerca de seguridad 5/16-18	6
10	712-3027	Tuerca de seguridad hexagonal de la brida, 1/4-20	14
11	714-0117	Broche de horquilla	1
12	714-0145	Chaveta de trinquete	2
13	723-04008A	Tira del canal	3
14	731-04153	Bolsa para el canal de descarga 38"/42"	1
15	731-0899E	Tubo de canal	1
16	710-0604A	Tornillo autoroscante 5/16-18	8
17	16591A	Soporte del gancho de la bolsa	2
18	736-0331	Arandela de campana	2
19	736-0407	Arandela de campana	2
20	736-3092	Arandela plana	3
21	738-1020	Tornillo con reborde	2
22	783-04132A	Soporte LD	1
23	783-04137A	Soporte LI	1
24	783-0601	Ménsula de montaje	1
25	783-0673A	Ménsula de montaje LD	1
26	783-0764A	Ménsula de montaje LI	1
27	783-0765	Soporte: Soporte transversal	1
28	764-0221	Bolsa de tolva	2
29	749-0701A	Marco de la bolsa para recorte de césped	2
30	712-0272	Tuerca Sems hexagonal, #10-24	10
31	710-0473	Tornillo mecánico, #10-24 x .5	10
32	710-0726	Tornillo AB 5/16-12	4
33	710-3008	Tornillo de cabeza hexagonal 5/16-18 x .75	6
34	711-04069	Pasador de tolva de pasto -20	3
35	710-0751	Tornillo de cabeza hexagonal 1/4-20 x .62	8

GARANTÍA LIMITADA DEL FABRICANTE PARA



La garantía limitada que se extiende a continuación es otorgada por la empresa MTD LLC y cubre mercaderías nuevas compradas y utilizadas en los Estados Unidos, sus posesiones y territorios.

“MTD” garantiza este producto por defectos de materiales y de fabricación por un período de dos (2) años a partir de la fecha de la compra original y reparará o cambiará sin cargo cuando lo considere pertinente todas las piezas con defectos de materiales o de fabricación. Esta garantía limitada sólo se aplicará si el producto ha sido operado y mantenido de acuerdo con las instrucciones del Manual del Operador que se proporciona con el producto y no ha sido sujeto a uso inapropiado, abuso, uso comercial, abandono, accidente, mantenimiento incorrecto, alteración, vandalismo, robo, incendio, inundación o algún daño debido a otro peligro o desastre natural. El daño resultante por la instalación o el uso de piezas, accesorios o uniones no aprobados por MTD para su uso con el(los) producto(s) incluido(s) en este manual anulará la garantía en lo que respecta a esos daños.

Se garantiza que las piezas con desgaste normal están libres de defectos en los materiales o de fabricación por un período de treinta (30) días a partir de la fecha de compra. Las piezas o componentes sujetos a desgaste normal incluyen pero no se limitan a: baterías, correas, cuchillas, adaptadores para cuchillas, bolsas para pasto, ruedas para la plataforma de la podadora tractor, asientos, zapatas antideslizantes, placas, gomas de corte y neumáticos.

CÓMO SOLICITAR Y OBTENER SERVICIO TÉCNICO: El servicio de la garantía está disponible, **CON PRUEBA DE COMPRA**, a través del distribuidor local autorizado para el mantenimiento. Para localizar al distribuidor en su área, busque en las páginas amarillas de su localidad o contacte a MTD LLC al Apartado Postal 361131, Cleveland, Ohio 44136-0019, o llame al 1-800-800-7310 ó 1-330-220-4683 o entre a la página Web en www.mtdproducts.com.

Esta garantía limitada no lo cubrirá en los siguientes casos:

- a. El motor y las piezas componentes del mismo. Estos productos pueden tener garantía del fabricante por separado. Consulte los términos y condiciones de la garantía aplicable del fabricante.
- b. Las bombas para el corte de madera, las válvulas y los cilindros tienen una garantía independiente de un año.
- c. Los artículos necesarios para el mantenimiento de rutina como por ejemplo lubricantes, filtros, afiladores de cuchillas, los ajustes de los frenos, del embrague o de la plataforma y el deterioro normal del acabado exterior debido al uso o exposición.
- d. Servicio no realizado por el distribuidor autorizado para el mantenimiento.
- e. MTD no proporciona ninguna garantía por productos vendidos o exportados fuera de los Estados Unidos de América, sus posesiones y territorios, excepto aquellos que fueren vendidos a través de los canales autorizados por MTD para la distribución de exportaciones.

f. Piezas de reemplazo que no son piezas genuinas de MTD.

g. Gastos de transporte y llamadas por servicios técnicos.

No se aplican garantías implícitas, incluidas las garantías implícitas de comerciabilidad o de adecuación para un propósito determinado, después del período de aplicación de la garantía escrita expresa extendida más arriba para las piezas de acuerdo con su identificación. Ninguna otra garantía expresa, oral o escrita, excepto la mencionada anteriormente, extendida por personas o personas jurídicas, incluidos los distribuidores o los minoristas con respecto a los productos, obligará a MTD. Durante el plazo de la garantía el único recurso es la reparación o reemplazo del producto como se indicó anteriormente.

Las disposiciones incluidas en esta garantía proveen el recurso único y exclusivo que surge de las ventas. MTD no será responsable por pérdidas o daños incidentales o directos, incluyendo sin límites, los gastos incurridos para los servicios de cuidado del pasto de reemplazo o cambio, o los gastos de alquiler para reemplazar de manera transitoria un producto bajo garantía.

The provisions as set forth in this warranty provide the sole and exclusive remedy arising from the sale. MTD shall not be liable for incidental or consequential loss or damage including, without limitation, expenses incurred for substitute or replacement lawn care services or for rental expenses to temporarily replace a warranted product.

Algunos estados no permiten la exclusión o limitación de los daños y perjuicios incidentales o directos, o las limitaciones sobre la duración de las garantías implícitas, por lo que las exclusiones o limitaciones mencionadas anteriormente pueden no ser de aplicación.

En ningún caso se obtendrá una compensación mayor al monto del precio de compra del producto vendido. La alteración de las características de seguridad del producto anulará esta garantía. Usted asume el riesgo y la responsabilidad por las pérdidas, daños o lesiones que sufran Usted y sus bienes y / o otras personas y sus bienes como consecuencia del uso, del uso incorrecto o de la imposibilidad de uso de este producto.

Esta garantía limitada alcanza solamente al comprador original, o a la persona que recibió el producto de regalo.

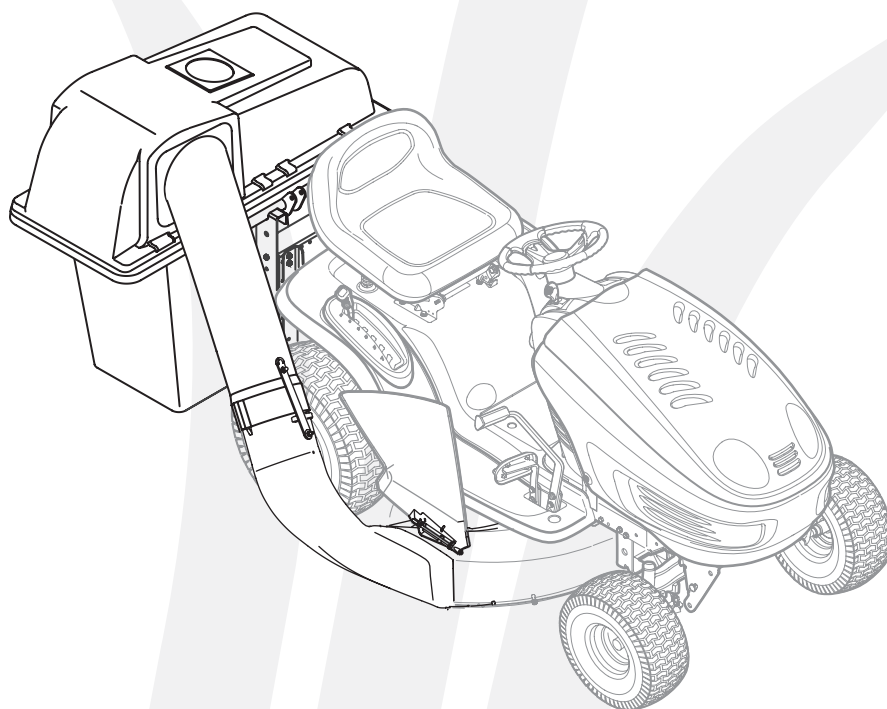
CÓMO SE RELACIONA LA LEGISLACIÓN ESTATAL CON ESTA GARANTÍA: Esta garantía limitada le otorga derechos legales específicos y usted también puede contar con otros derechos que varían de un estado a otro.

IMPORTANTE: El propietario debe presentar prueba de compra original para obtener la cobertura de la garantía.

MANUEL DE L'OPÉRATEUR

Collecteur arrière à deux sacs

Pour les tracteurs de pelouse
avec un plateau de coupe de 97 cm et 106 cm



Modèles OHD-190-180

IMPORTANT

LISEZ AVEC ATTENTION LES CONSIGNES ET INSTRUCTIONS DE SÉCURITÉ AVANT TOUTE
UTILISATION

Ce manuel de l'opérateur constitue un élément essentiel de votre nouveau collecteur d'herbe. Il vous fournit les renseignements nécessaires à l'assemblage, à la préparation et à l'entretien de l'unité. Veuillez donc lire et comprendre ce document.

TABLE DES MATIERES

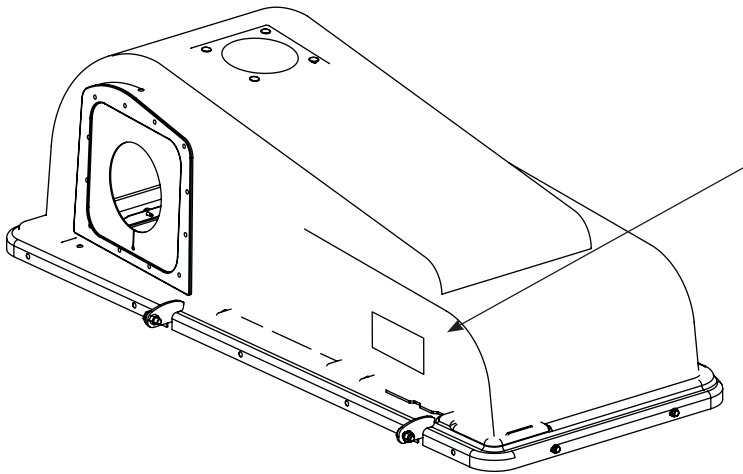
1. Identification du tracteur.....	Page 3	5. Montage de la goulotte d'éjection	Page 10
2. Contenu du carton	Page 4	6. Liste des pièces.....	Page 12
3. Support de fixation.....	Page 6	7. Notes.....	Page 14
4. Montage des sacs à herbe	Page 9	Garantie.....	

Pour trouver et enregistrer le numéro de modèle

AVANT D'ASSEMBLER VOTRE NOUVEL ÉQUIPEMENT,

veuillez repérer la plaque-modèle et recopier les informations qui s'y trouvent dans le manuel de l'opérateur pour référence future. Les informations inscrites sur la plaque-modèle sont très importantes si vous contactez le Service de Support Client ou votre revendeur autorisé.

Vous pouvez la localiser en regardant à l'avant, sur la partie gauche du couvercle en plastique des bacs de ramassage, comme illustré ci-dessous :



Numéro de modèle

Numéro de série



MTD LLC
P.O. BOX 361131
CLEVELAND, OH 44136
330-220-4683
800-800-7310

*Repérez la plaque-modèle de votre collecteur et recopier les informations dans l'espace prévu à cet effet pour référence future

Support client

Veillez NE PAS renvoyer l'unité à votre revendeur sans avoir contacté au préalable le Support Client.

Si l'assemblage de ce produit vous pose des problèmes ou pour toute question relative aux commandes, au fonctionnement ou à la maintenance de cette unité, contactez des experts. Choisissez une des options ci-dessous :

- Visitez www.mtdproducts.com. Cliquez sur l'option de menu Service & Support.
- Contactez par téléphone un **Représentant du Support Client** au 1-800-800-7310.
- Vous devez avoir sous la main les numéros de modèle et de série de l'unité quand vous téléphonez. Consultez les instructions précédentes pour repérer ces informations. Il vous sera demandé d'entrer le numéro de série afin de traiter votre appel



Collecteur d'herbe à deux sacs FastAttach™

Le collecteur d'herbe à deux sacs, modèle OEM-190-180, est un système de collecte d'herbe conçu pour tous les tracteurs de pelouse MTD de 97 et 106 cm, compatibles avec le système FastAttach™ (à l'exception du modèle 2001 Yard-Man Revolution/White Outdoor ZTT).

Les instructions de ce manuel sont divisées en sections. Veuillez lire avec attention toutes les sections et étudier les illustrations relatives à votre modèle de tracteur afin d'assurer une installation et une utilisation correctes de cet accessoire. Lisez et respectez tous les instructions dénommées AVERTISSEMENTS, NOTES et IMPORTANT. Elles sont destinées à protéger l'installateur et l'utilisateur de l'équipement, et à prolonger la durée de vie de l'unité.

REMARQUE : Les références GAUCHE et DROITE indiquent les côtés gauche et droit du tracteur en étant assis sur le siège de l'opérateur. L'AVANT indique l'extrémité de la grille et l'ARRIÈRE, l'extrémité arrière du tracteur.

Déterminer le modèle de votre tracteur

Dans la mesure où ce manuel est destiné à l'installation du collecteur sur différents types de tracteurs, il est important de déterminer le modèle de votre tracteur. Vous saurez ainsi quelles instructions vous devez suivre.

Pour déterminer le modèle de votre tracteur, vous devez lire la plaque modèle du tracteur située sous le siège. Basculez simplement le siège pour voir la plaque modèle qui comprend un numéro de modèle à 11 chiffres/lettres et un numéro de série. Pour simplifier l'installation et pour une utilisation ultérieure, recopiez les numéros de modèle et de série de votre tracteur dans les emplacements ci-dessous:

Numéro de modèle du tracteur :

Numéro de série du tracteur :

Les 5e, 6e et 7e chiffres du numéro de modèle, en partant de la gauche, indiquent la série du modèle de votre tracteur. Voir la Figure 2.

Quand vous recopiez le numéro de modèle dans l'espace ci-dessus, les numéros indiquant la série du modèle doivent être inscrits dans les cases grisées.

Puisque vous connaissez désormais le modèle du tracteur auquel vous allez fixer ce collecteur, suivez les instructions des pages suivantes.

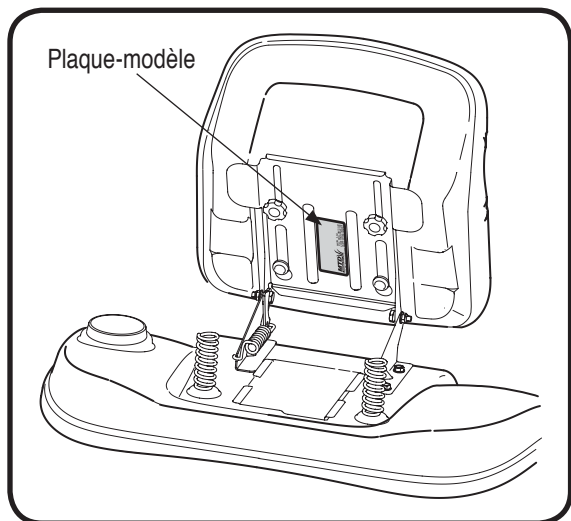


Figure 1

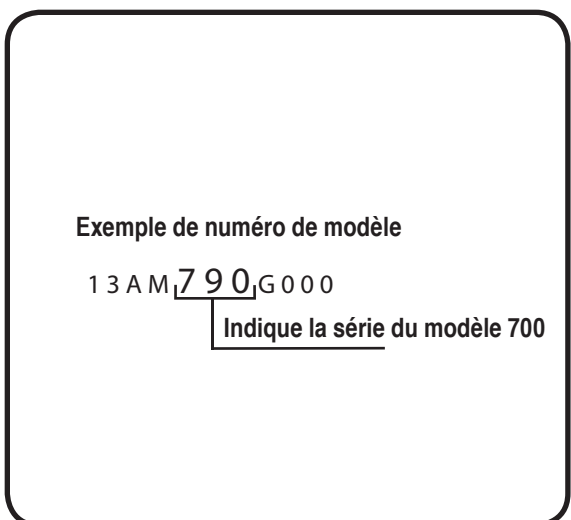


Figure 2

1

Identification du modèle du tracteur



REMARQUE:

Les références GAUCHE et DROITE indiquent les côtés gauche et droit du tracteur en étant assis sur le siège de l'opérateur. L'AVANT indique l'extrémité de la grille et l'ARRIÈRE, l'extrémité arrière du tracteur.

2

Contenu du carton



Si des pièces sont manquantes, ne contactez pas votre revendeur, mais appelez directement MTD au 1-330-220-4MTD ou au numéro gratuit 1-800-800-7310.

CONTENU DU CARTON

Avant de commencer l'installation, retirez tous les éléments du carton pour vérifier qu'aucun composant n'est absent. Le contenu du carton est indiqué ci-dessous et illustré à la Figure 3. Le nombre de pièces de quincaillerie est indiqué entre parenthèses.

Un tube de goulotte

Un tube support

Une goulotte d'éjection

Un couvercle de collecteur d'herbe

Deux sacs à herbe

Un support de fixation

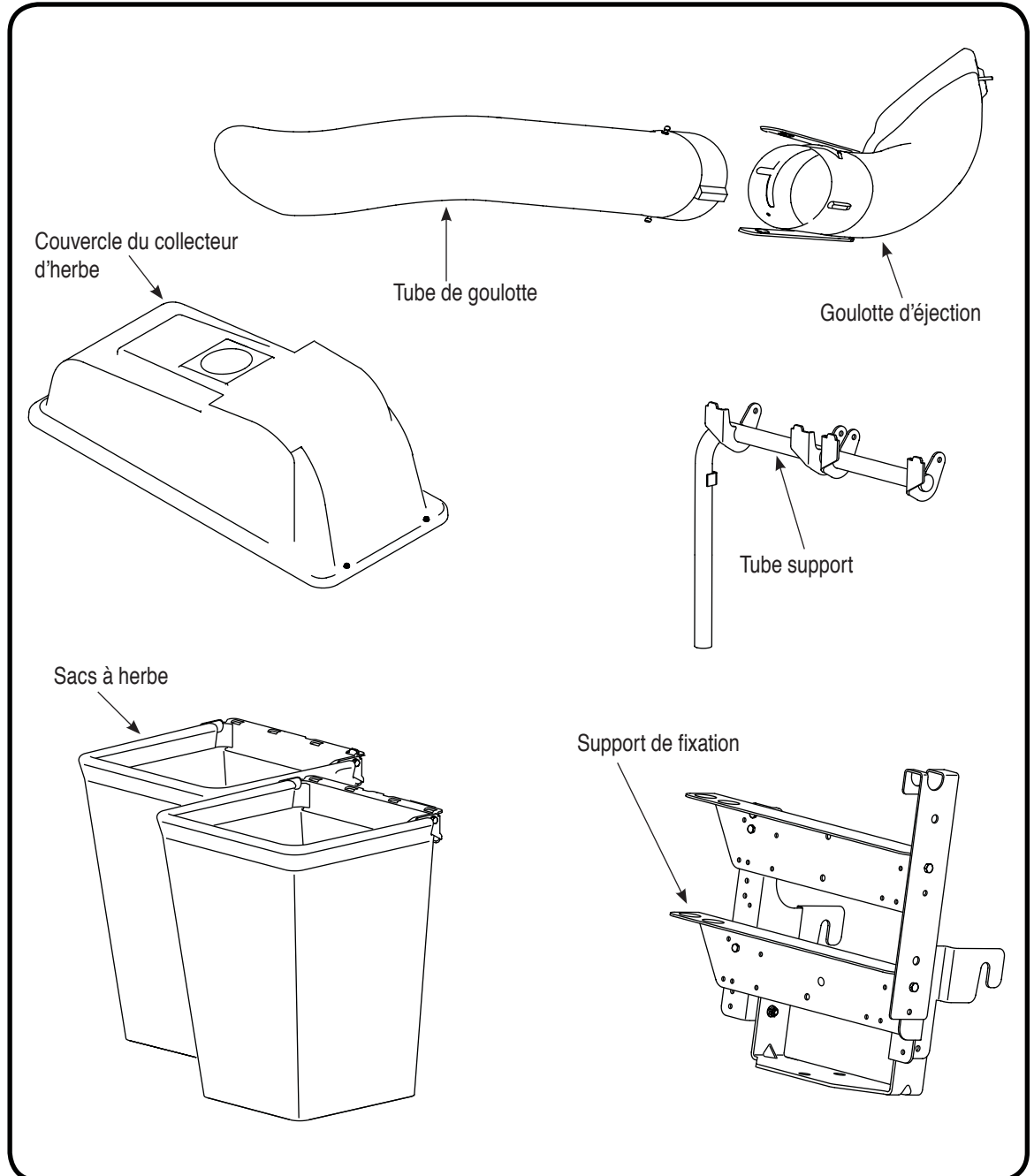


Figure 3

PIÈCES DE QUINCAILLERIE

Ce kit de collecte d'herbe est envoyé avec une quincaillerie. Cette quincaillerie peut contenir des pièces supplémentaires pour l'installation sur différents modèles de tracteurs. Veuillez comparer la quincaillerie à l'illustration ci-dessous selon le modèle du tracteur que vous avez déterminé à la Section 1 de ce manuel.

2

Contenu du carton

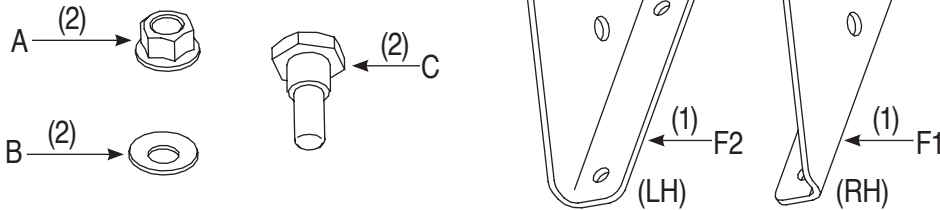


Si des pièces sont manquantes, ne contactez pas votre revendeur, mais appelez directement MTD au 1-330-220-4MTD ou au numéro gratuit 1-800-800-7310.

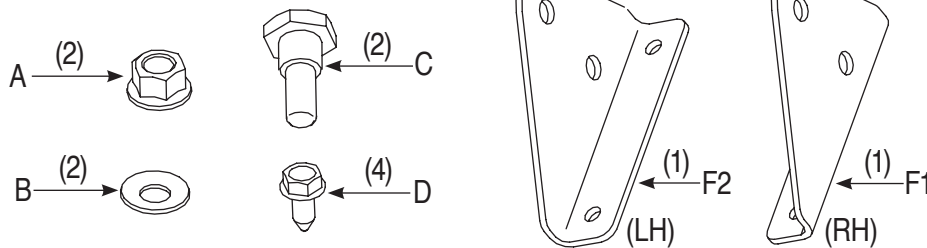
REMARQUE: Chaque composant a été identifié ci-dessus pour simplifier le montage, et le code lettre assigné est utilisé dans les instructions d'assemblage.

RH = Droit
LH = Gauche
(#) = Quantité

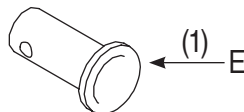
Pour tous les tracteurs de série 650 à 699



Pour tous les tracteurs de la série 700



Pour les anciens tracteurs uniquement



Pour les plateaux de coupe sans goupille de collecteur d'herbe pré-installée

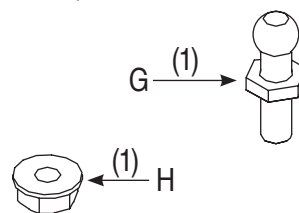


Figure 4

REMARQUE: Chaque composant a été identifié ci-dessus pour simplifier le montage, et le code lettre assigné est utilisé dans les instructions d'assemblage.

RH = Droit
LH = Gauche
(#) = Quantité

3

Montage du support de fixation

Modèles de série 600 à 619



IMPORTANT:
Avant l'assemblage, placez le tracteur sur une surface plane et ferme, désengagez la prise de force, arrêtez le moteur du tracteur et activez le frein de parage.

REMARQUE:
Deux orifices sont présents sur la broche d'articulation. Assurez-vous d'insérer l'anneau de retenue dans l'orifice supérieur pour fixer correctement le support à la plaque d'attache.

Montage du support de fixation

Modèles de série 600 à 619

IMPORTANT: Avant l'assemblage, placez le tracteur sur une surface plane et ferme, désengagez la prise de force, arrêtez le moteur du tracteur et activez le frein de parage.

1. Pivotez le siège vers l'avant et laissez-le dans cette position pour simplifier votre travail jusqu'à ce que le collecteur soit totalement monté et assemblé.
2. Enlevez l'anneau de retenue et la broche d'articulation de l'arrière du support de fixation. Voir la Figure 5.
3. Placez les extrémités en crochet du support sur les boulons à épaulement (1). Basculez la base du support vers le bas et (2) sur la plaque d'attache en l'alignant avec l'orifice de la plaque d'attache. Voir la Figure 5.
4. Réinsérez la broche d'articulation dans les orifices alignés du support de fixation et de la plaque d'attache, et fixez avec l'anneau de retenue retiré précédemment. Consultez la Figure 6.

REMARQUE: Deux orifices sont présents sur la broche d'articulation. Assurez-vous d'insérer l'anneau de retenue dans l'orifice supérieur pour fixer correctement le support à la plaque d'attache.

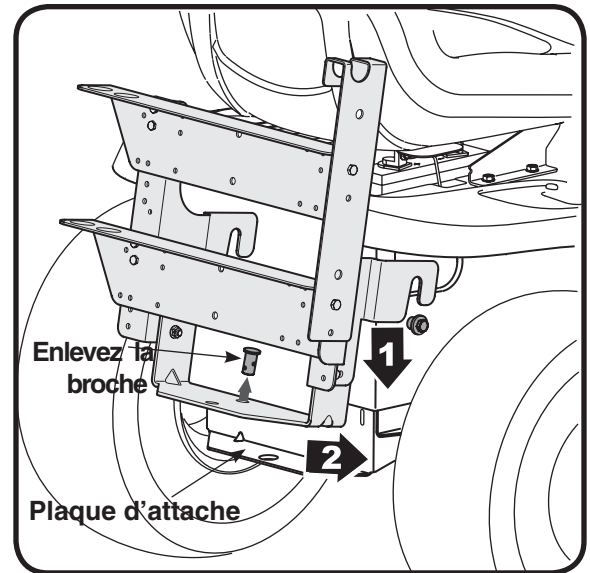


Figure 5

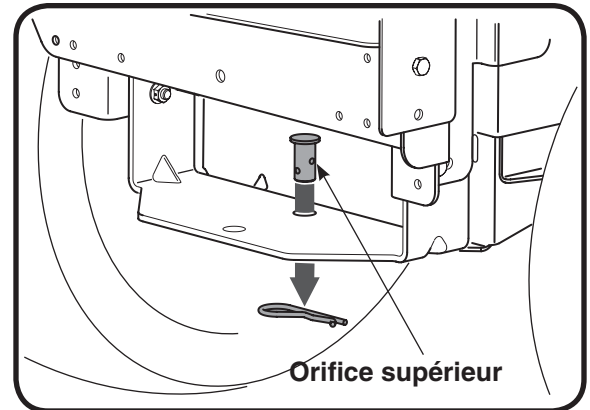


Figure 6

Modèles de série 650 à 699

Le schéma ci-dessous correspond aux instructions pour les modèles de la série 650 à 699, présentées à la page suivante.

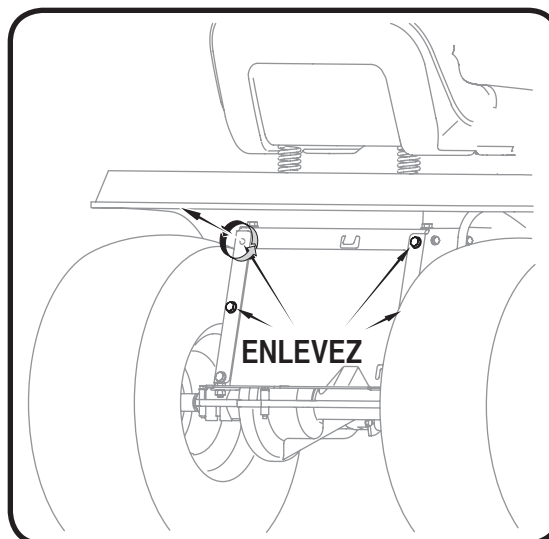


Figure 7

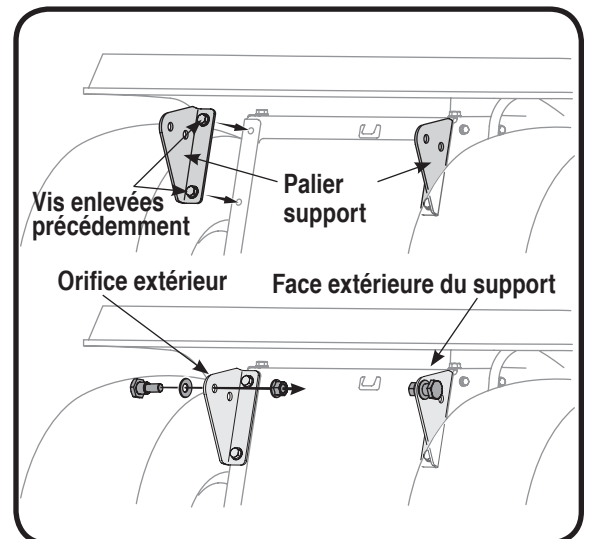


Figure 8

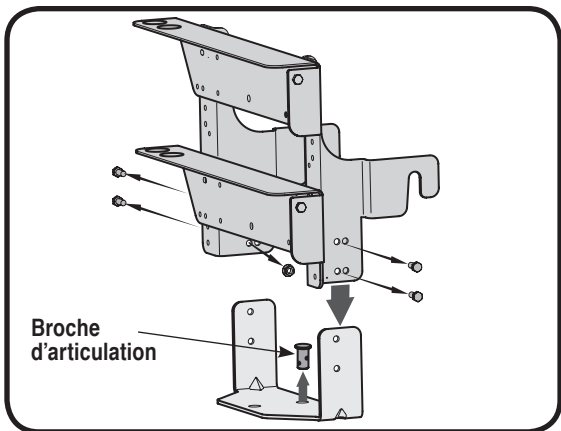


Figure 9

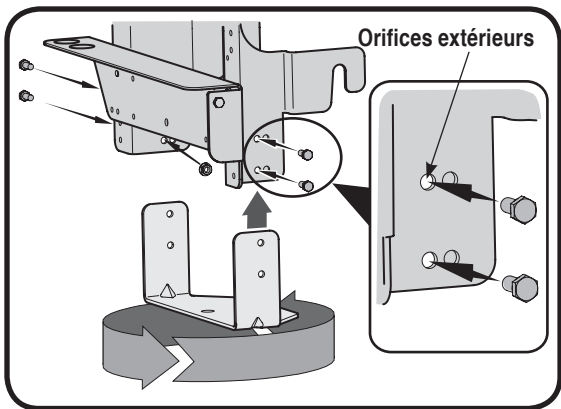


Figure 10

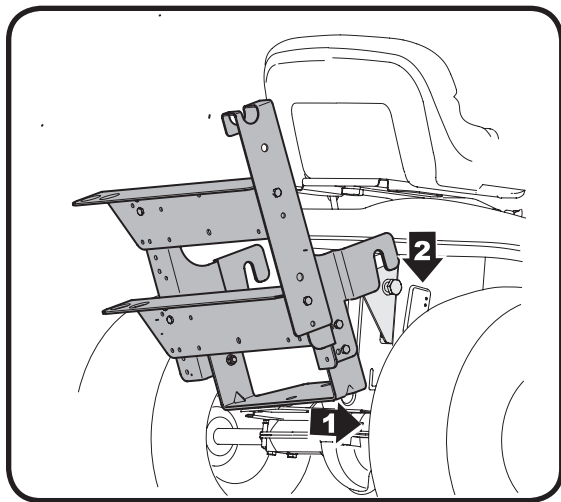


Figure 11

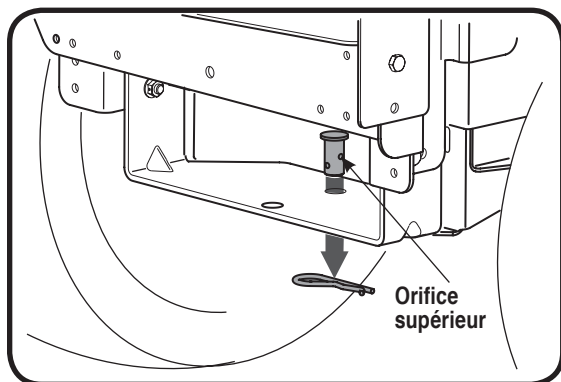


Figure 12

Montage des paliers supports

Modèles de série 650 à 699

IMPORTANT: Avant l'assemblage, placez le tracteur sur une surface plane et ferme, désengagez la prise de force, arrêtez le moteur du tracteur et activez le frein de parage.

1. Retirez les quatre vis autotaraudeuses supérieures de l'arrière du tracteur de pelouse. Voir la Figure 7 de la page précédente.
2. Placez le palier support droit du collecteur d'herbe (F1 de la Figure 4) en position, l'extrémité large étant au sommet et la pointe étant tournée vers le bas comme illustré à la Figure 8.
3. Fixez le palier support au châssis du tracteur avec les deux vis autotaraudeuses retirées précédemment. Consultez la Figure 8. Répétez sur l'autre côté en utilisant la pièce F2 de la Figure 4.

REMARQUE: Si le système de collecte d'herbe est retiré pour une raison quelconque, il est inutile d'enlever les paliers du tracteur.

4. Insérez un boulon à épaulement (C de la Figure 4) à travers une rondelle (B de la Figure 4) et insérez le boulon sur la face extérieure du support dans l'orifice extérieur du palier support. Fixez avec un écrou (A de la Figure 4). Voir la Figure 8 pour de plus amples informations. Répétez de l'autre côté.

REMARQUE: La référence ci-dessus à « orifice extérieur » signifie l'orifice le plus éloigné du châssis.

Montage du support de fixation

Modèle de série 650 à 699

1. Retirez les deux écrous et boulons situés de chaque côté du support de fixation, qui maintiennent la plaque d'attache.
2. Tournez la plaque d'attache à 180° par rapport à sa position d'origine. Revissez les quatre boulons dans le support de fixation et le châssis de la plaque d'attache, en les fixant avec les écrous enlevés précédemment. Utilisez les orifices extérieurs (les plus éloignés des crochets de montage) du support de fixation. Voir la Figure 10.
3. Pivotez le siège vers l'avant et laissez-le dans cette position pour simplifier votre travail jusqu'à ce que le collecteur soit totalement monté et assemblé.
4. Enlevez l'anneau de retenue et la broche d'articulation de l'arrière du support de fixation. Voir la Figure 9.
5. Placez les extrémités en crochet du support de fixation sur la face extérieure des paliers supports et sur les boulons à épaulement installés de chaque côté du châssis du tracteur. Voir la Figure 11.
6. Réinsérez la broche d'articulation dans les orifices alignés du support de fixation et de la plaque d'attache, et fixez avec l'anneau de retenue retiré précédemment. Utilisez la Figure 12 comme référence.

IMPORTANT: Deux orifices sont présents sur la broche d'articulation. Assurez-vous d'insérer l'anneau de retenue dans l'orifice supérieur pour fixer correctement le support à la plaque d'attache.

REMARQUE: Sur certains modèles de tracteurs, la broche d'articulation est trop grande. Utilisez une broche plus petite (E de la Figure 4) avec le même anneau de retenue.

3

Montage du palier support et du support de fixation

Modèles de série 650 à 699



IMPORTANT:

Avant l'assemblage, placez le tracteur sur une surface plane et ferme, désengagez la prise de force, arrêtez le moteur du tracteur et activez le frein de parage.

REMARQUE:

Si le système de collecte d'herbe est retiré pour une raison quelconque, il est inutile d'enlever les paliers du tracteur.

IMPORTANT:

Deux orifices sont présents sur la broche d'articulation. Assurez-vous d'insérer l'anneau de retenue dans l'orifice supérieur pour fixer correctement le support à la plaque d'attache.

REMARQUE:

Sur certains modèles de tracteurs, la broche d'articulation est trop grande. Utilisez une broche plus petite avec le même anneau de retenue.

3

Montage du palier support et du support de fixation

Modèle de la série 700



REMARQUE:

Si le système de collecte d'herbe est retiré pour une raison quelconque, il est inutile d'enlever les paliers du tracteur.

IMPORTANT:

Deux orifices sont présents sur la broche d'articulation. Assurez-vous d'insérer l'anneau de retenue dans l'orifice supérieur pour fixer correctement le support à la plaque d'attache.

Montage des paliers supports

Modèle de la série 700

1. Repérez les quatre vis autotaraudeuses présentes dans la quincaillerie (D de la Figure 4). Fixez le palier support droit du collecteur d'herbe (F1 de la Figure 4) en utilisant deux des vis fournies à la position illustrée à la Figure 13. Placez le palier support gauche (F2 de la Figure 4) en position et fixez-le avec les deux autres vis.
5. Insérez un boulon à épaulement (C de la Figure 4) à travers une rondelle Belleville (B de la Figure 4) et insérez le boulon dans l'orifice intérieur (le plus proche du châssis) de la face extérieure du palier support. Fixez avec un écrou (A de la Figure 4). Voir la Figure 13 pour de plus amples informations. Répétez de l'autre côté.

REMARQUE: Si le système de collecte d'herbe est retiré pour une raison quelconque, il est inutile d'enlever les paliers du tracteur.

Montage du support de fixation

1. Retirez les deux écrous et vis situés de chaque côté du support de fixation, qui maintiennent la plaque d'attache.
- Voir la Figure 14.
2. Tournez la plaque d'attache à 180° par rapport à sa position d'origine. Revissez les quatre boulons dans le support de fixation et le châssis de la plaque d'attache, en les fixant avec les écrous enlevés précédemment. Utilisez les orifices intérieurs (les plus proches des crochets de montage) du support de fixation. Consultez la Figure 15.
 3. Retirez l'anneau de retenue et la broche d'articulation de la plaque d'attache comme illustré à la Figure 14. Conservez ce matériel.
 4. Placez les extrémités en crochet du support de fixation sur la face extérieure du palier support et sur les boulons à épaulement installés de chaque côté. Utilisez la Figure 11 comme référence.
 5. Réinsérez la broche d'articulation dans les orifices alignés du support de fixation et de la plaque d'attache, et fixez avec l'anneau de retenue retiré précédemment. Voir la Figure 16.

IMPORTANT: Deux orifices sont présents sur la broche d'articulation. Assurez-vous d'insérer l'anneau de retenue dans l'orifice supérieur pour fixer correctement le support à la plaque d'attache.

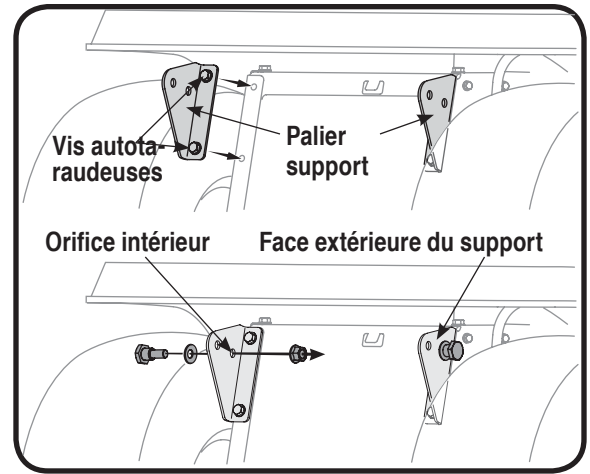


Figure 13

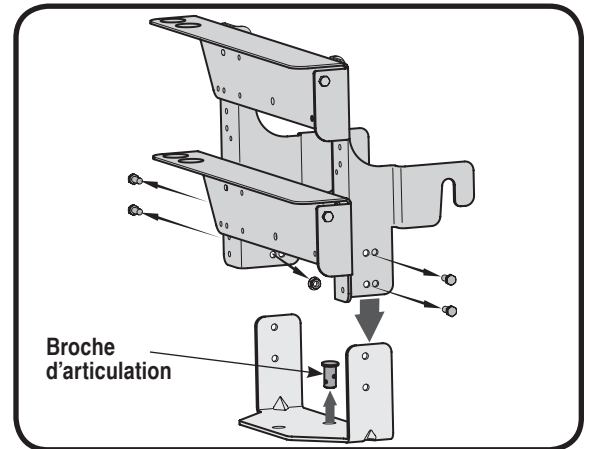


Figure 14

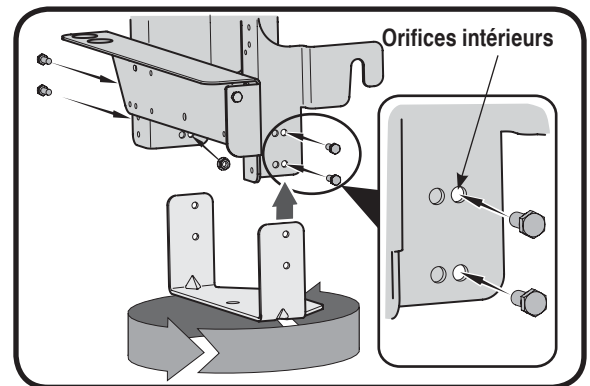


Figure 15

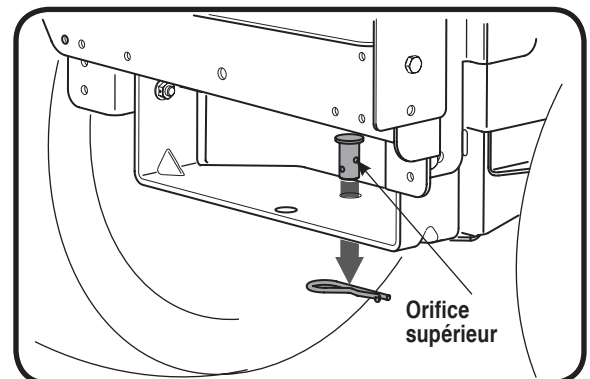


Figure 16

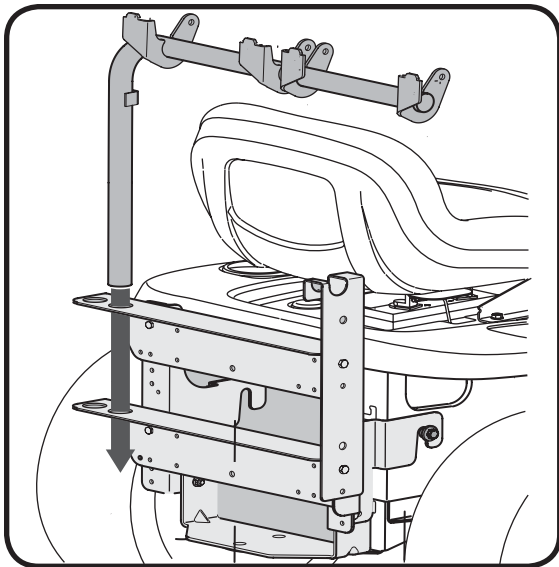


Figure 17

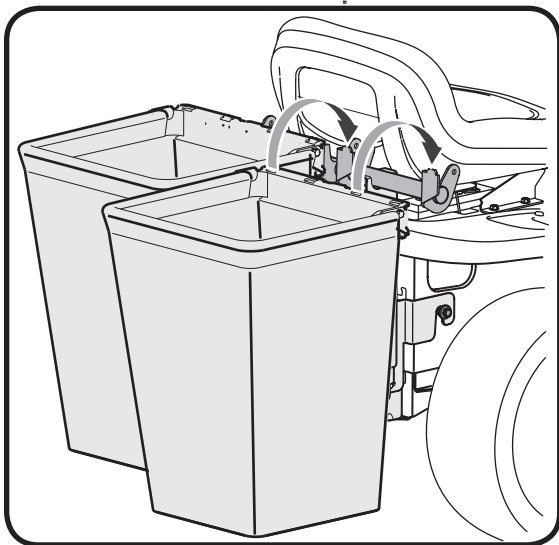


Figure 18

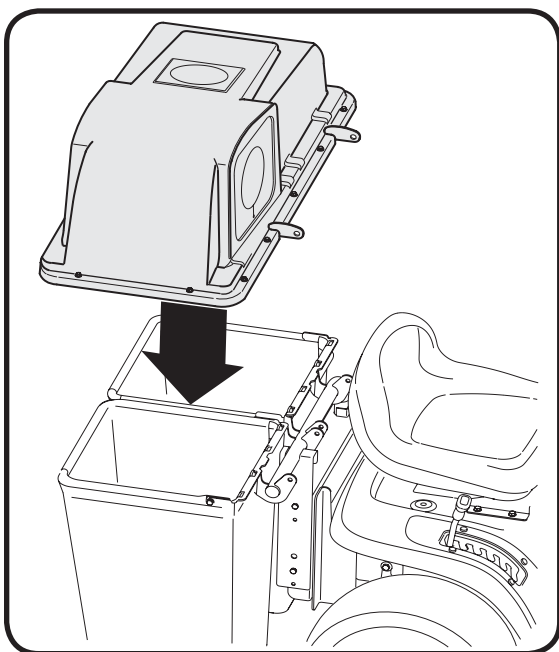


Figure 19

Montage des sacs à herbe et du couvercle

1. Placez le tube support en position à l'arrière de l'unité en glissant le tube dans les orifices situés à gauche du support de fixation. Utilisez l'orifice intérieur du support de fixation, quelle que soit la taille du plateau de coupe dont votre tracteur est équipé. Consultez la Figure 17.
2. Fixez les sacs à herbe en les accrochant sur le support à l'aide des encoches des sacs et des pattes du support des sacs à herbe comme illustré à la Figure 18.
3. Placez le couvercle sur les sacs à herbe et alignez les orifices des charnières du couvercle avec les orifices correspondants du tube support. Voir la Figure 19.
4. Insérez la broche d'articulation dans la charnière du tube support, puis dans le couvercle des sacs à herbe. Voir la Figure 20.
5. Fixez avec une rondelle Belleville et un anneau de retenue, le côté bombé de la rondelle reposant contre l'anneau de retenue. Consultez les inserts de la Figure 20.
6. Répétez la procédure avec la deuxième charnière du sac à herbe et du tube, mais dans le sens opposé.

REMARQUE: Insérez les broches d'articulation sur la partie extérieure comme illustré dans les inserts de la Figure 20.

REMARQUE: Il est très important de suivre cet ordre et ce sens lors de l'installation de la quincaillerie. Après l'installation, vérifiez que le couvercle des sacs à herbe pivote sur le tube support et s'ouvre.

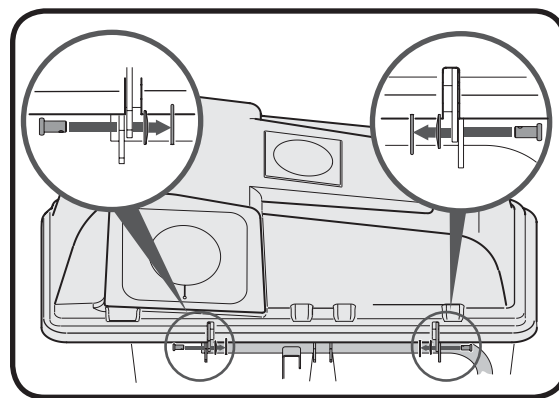


Figure 20

4

Montage des sacs à herbe et du couvercle Modèles de série 600 à 700



REMARQUE:
Insérez les broches d'articulation sur la partie extérieure comme illustré dans les inserts de la Figure 20.

REMARQUE:
Il est très important de suivre cet ordre et ce sens lors de l'installation de la quincaillerie. Après l'installation, vérifiez que le couvercle des sacs à herbe pivote sur le tube support et s'ouvre.

5

Montage de la goulotte d'éjection

Tous les modèles des séries 600 à 699



REMARQUE:

La patte de fixation est placée en position A sur la goulotte d'éjection. Cependant, sur les anciens tracteurs, vous devez changer la position de la patte selon l'emplacement de la goupille du collecteur d'herbe sur le plateau de coupe. Déplacez la patte de fixation sur la goulotte d'éjection de la position A à la position B ou C selon la position de la goupille du collecteur d'herbe sur le plateau de coupe en A, B et C. Voir la Figure 23.

Montage de la goulotte d'éjection

Sur les anciens modèles de tracteurs

1. Sur certains modèles anciens, une attache est déjà installée sur le plateau de coupe, près de l'ouverture de la goulotte d'éjection, en position A, B ou C, comme illustré à la Figure 21. Dans ce cas, l'attache doit être enlevée et une goupille de collecteur d'herbe doit être installée.
2. Installation de la goupille : Une goupille de collecteur d'herbe (G de la Figure 4) et un écrou (H de la Figure 4) sont fournis dans la quincaillerie. Enlevez tout d'abord l'attache, comme illustré à la Figure 22A, en dévissant l'écrou et le boulon. Puis, fixez la goupille du collecteur d'herbe comme illustré à la Figure 22B. La goupille doit être serrée fermement.
3. Certaines unités ne sont pas équipées d'une attache et présentent donc un orifice pour l'installation de la goupille. Dans ce cas, installez la goupille du collecteur d'herbe de la quincaillerie dans l'orifice disponible.
4. Vous devrez ensuite positionner la patte de fixation sur la goulotte d'éjection afin qu'elle corresponde avec l'orifice et la goupille. Voir la Figure 23 pour le positionnement de la patte de fixation.

REMARQUE : La patte de fixation est placée en position A sur la goulotte d'éjection. Cependant, sur les anciens tracteurs, vous devez changer la position de la patte selon l'emplacement de la goupille du collecteur d'herbe sur le plateau de coupe. Déplacez la patte de fixation sur la goulotte d'éjection de la position A à la position B ou C selon la position de la goupille du collecteur d'herbe sur le plateau de coupe en A, B et C. Voir la Figure 23.

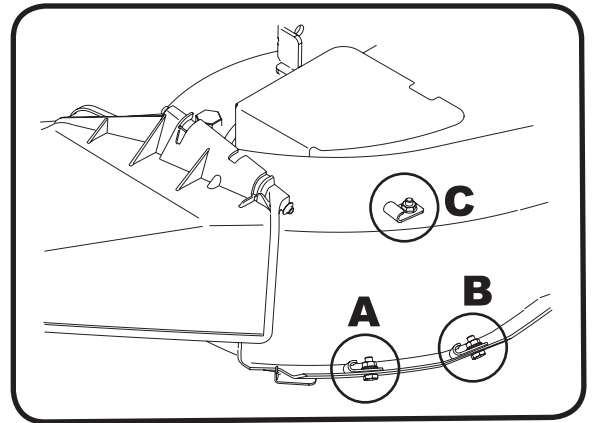


Figure 21

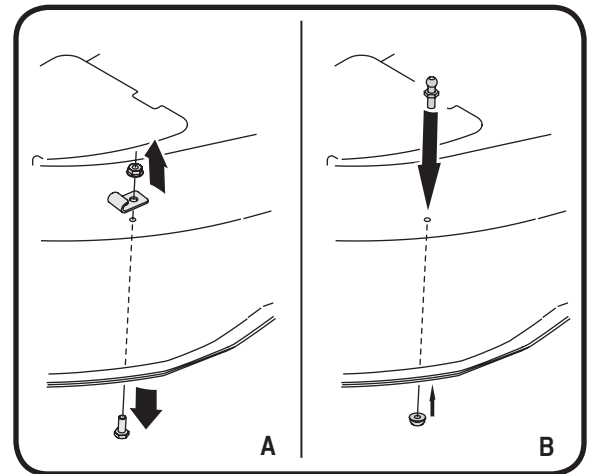


Figure 22

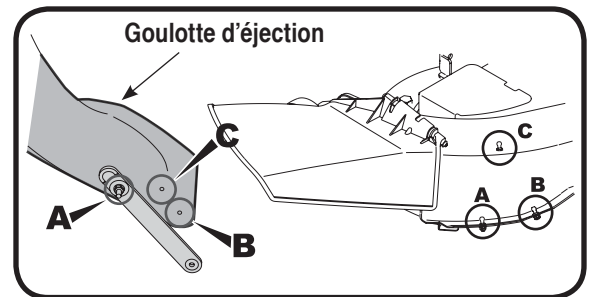


Figure 23

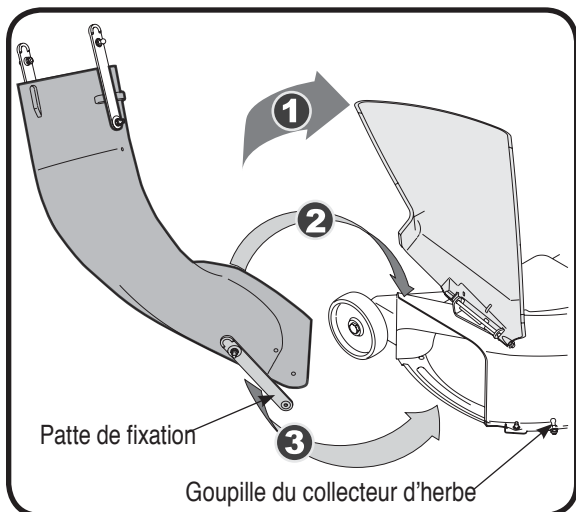


Figure 24

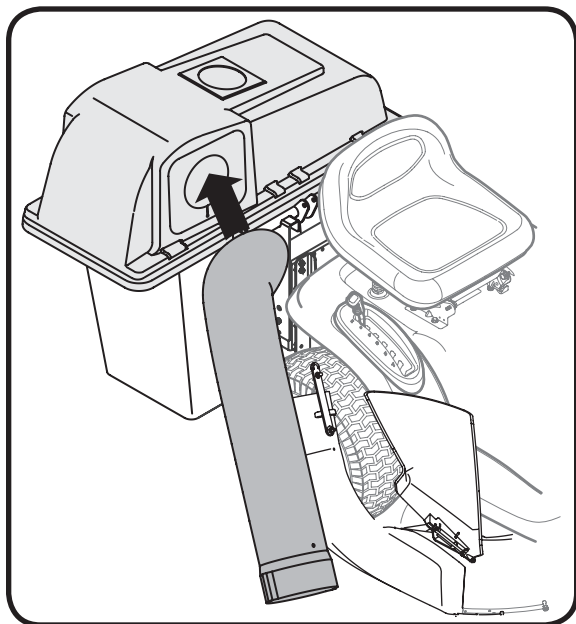


Figure 25

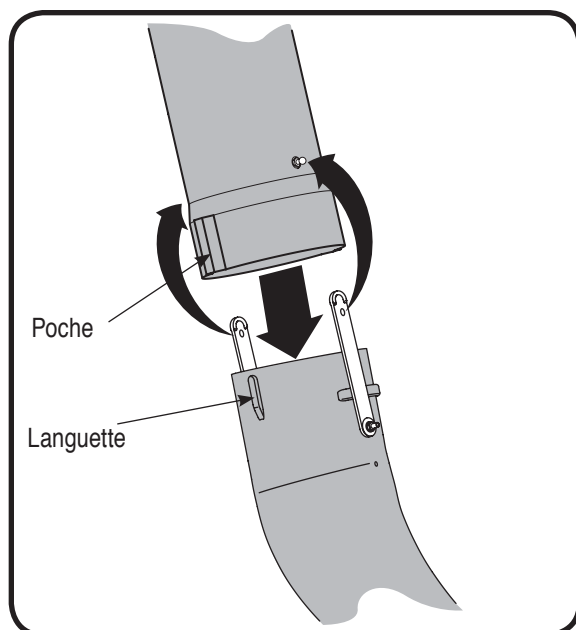


Figure 26

Montage de la goulotte d'éjection

Tous les modèles

1. Soulevez le plateau à sa position la plus haute.
2. Soulevez la goulotte d'éjection sur le plateau et maintenez-la tout en plaçant la goulotte sur l'ouverture de la goulotte.
3. Placez le bord arrière supérieur de la goulotte sur le bord arrière supérieur de l'ouverture de la goulotte.
4. Poussez la goulotte afin que son bord inférieur avant s'enroule autour de la base du plateau. Puis, glissez la goulotte vers l'avant jusqu'à la butée du plateau. Voir la Figure 24.
5. Bloquez la goulotte en position en accrochant la patte de fixation sur la goupille du collecteur d'herbe du plateau. Voir la Figure 24.
6. Insérez l'extrémité courbée du tube de la goulotte dans l'orifice du couvercle des sacs à herbe. Voir la Figure 25.
7. Placez l'extrémité inférieure du tube de la goulotte sur la goulotte d'éjection afin que les languettes de la goulotte correspondent aux poches du tube. Voir la Figure 26.
8. Fixez en accrochant les deux pattes de fixation de la goulotte aux broches du tube de la goulotte. Voir la Figure 26.

Utilisation du collecteur

Tous les modèles – Série 600 à 700

REMARQUE : Quand les deux sacs sont pleins, placez le tracteur sur une surface plane et ferme, désengagez la prise de force, arrêtez le moteur du tracteur et activez le frein de parcage.

1. Basculez le siège.
2. Soulevez le couvercle des sacs. N'enlevez pas le tube de la goulotte du tracteur.
3. Enlevez les sacs à herbe en les soulevant et en les retirant du tube support.
4. Videz les sacs dans un emplacement correct. Utilisez la poignée située à la base de chaque sac. En tenant fermement le sac, videz son contenu.
5. Remplacez les sacs, fermez le couvercle, basculez le siège, redémarrez votre tracteur et reprenez le travail de découpe.

5

Montage de la goulotte d'éjection

Tous les modèles



REMARQUE:

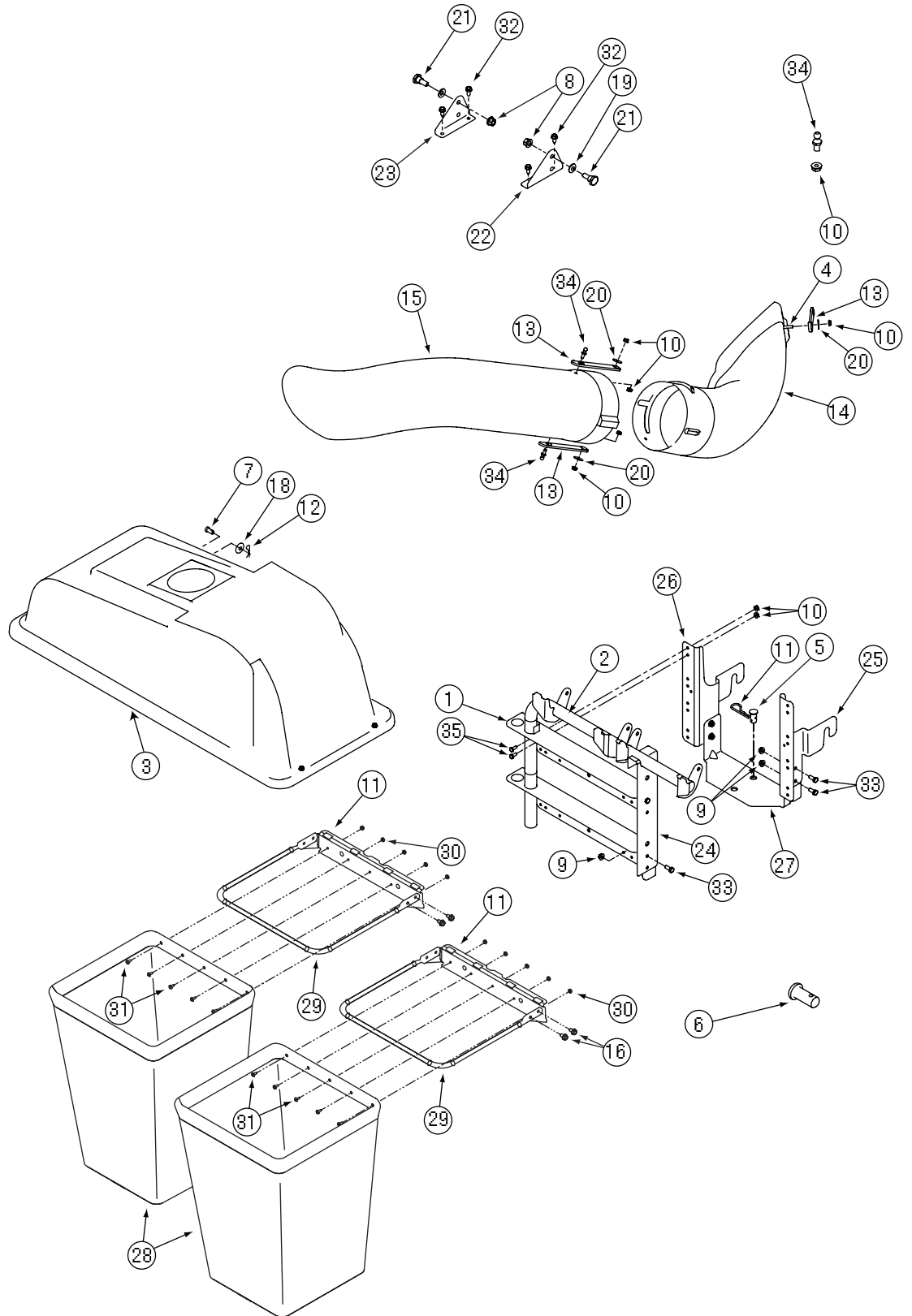
Quand les deux sacs sont pleins, placez le tracteur sur une surface plane et ferme, désengagez la prise de force, arrêtez le moteur du tracteur et activez le frein de parcage.

6

Liste des pièces : Collecteur à deux sacs



Pour les pièces et/
ou les accessoires,
veuillez appeler au
1-800-800-7310 ou
1-330-220-4683.
www.mtdproducts.com



REF.	NUMÉRO DE PIÈCE	DESCRIPTION	Qté
1	16587D	Palier support : Collecteur	1
2	16592	Tube support	1
3	664-04017	Couvercle du collecteur d'herbe	1
4	710-0597	Vis 1/4-20 x 1"	3
5	711-0309A	Broche d'articulation	1
6	711-0310	Broche d'articulation (sur les anciens modèles)	1
7	711-1421	Broche d'articulation	2
8	712-0459	Contre-écrou 7/16-20	2
9	712-3004A	Contre-écrou 5/16-18	6
10	712-3027	Contre-écrou à bride à six pans 1/4-20	14
11	714-0117	Anneau de retenue	1
12	714-0145	Cliquet	2
13	723-04008A	Patte de fixation	3
14	731-04153	Goulotte d'éjection 97/106 cm Sac	1
15	731-0899E	Tube de goulotte	1
16	710-0604A	Vis autotaraudeuse 5/16-18	8
17	16591A	Support de suspension des sacs	2
18	736-0331	Rondelle Belleville	2
19	736-0407	Rondelle Belleville	2
20	736-3092	Rondelle plate	3
21	738-1020	Vis à épaulement	2
22	783-04132A	Palier support droit	1
23	783-04137A	Palier support gauche	1
24	783-0601	Support de fixation	1
25	783-0673A	Support de fixation droit	1
26	783-0764A	Support de fixation gauche	1
27	783-0765	Support : Transversal	1
28	764-0221	Sac à herbe	2
29	749-0701A	Cadre du sac à herbe	2
30	712-0272	Ecrou Sems hexagonal #10-24	10
31	710-0473	Vis de mécanique #10-24 x 0,5	10
32	710-0726	Vis AB 5/16-12	4
33	710-3008	Vis à tête hexagonale 5/16-18 x 0,75	6
34	711-04069	Goupille du collecteur d'herbe 1/4-20	3
35	710-0751	Vis à tête hexagonale 1/4-20 x 0,62	8

6

Liste des pièces : Collecteur à deux sacs



Pour les pièces et/ou les accessoires, veuillez appeler au 1-800-800-7310 ou 1-330-220-4683.
www.mtdproducts.com

NOTES:

Utilisez cette page
pour noter les informa-
tions importantes.



NOTES:

Utilisez cette page
pour noter les informa-
tions importantes.



GARANTIE LIMITÉE DU FABRICANT



La garantie limitée définie ci-après est fournie par MTD LLC et s'applique aux nouvelles marchandises achetées et utilisées aux Etats-Unis, sur ses possessions et ses territoires.

« MTD » garantit ce produit contre tout défaut de pièce et main d'œuvre pendant une période de deux (2) ans à partir de la date d'achat d'origine et s'engage, à sa discrétion, à réparer ou à remplacer gratuitement toute pièce présentant un défaut de pièce ou main d'œuvre. Cette garantie limitée s'applique uniquement si ce produit a été utilisé et entretenu en respectant les instructions du manuel de l'opérateur livré avec le produit, et qu'il n'a pas été soumis à une utilisation erronée, abusive ou commerciale, à une négligence, un accident, une maintenance inappropriée, une modification, un vandalisme, un vol, un incendie, une inondation ou un dommage découlant d'une catastrophe naturelle ou autre. Tout dommage résultant d'une installation ou d'une utilisation d'une pièce ou d'un accessoire non approuvé par MTD avec le(s) produit(s) mentionné(s) dans ce manuel entraînera l'annulation de la garantie quant aux dommages en résultant.

Les pièces d'usure normales sont garanties contre tout défaut de pièce et main d'œuvre pour une période de trente (30) jours à partir de la date d'achat. Les pièces d'usure normales comprennent, sans limitation, les composants comme : batteries, courroies, lames, adaptateurs de lame, sacs à herbe, roues du plateau de coupe, sièges, plaque d'usure de souffleuse à neige, racloirs, caoutchouc en spirale de la vis sans fin et pneus.

COMMENT OBTENIR UN SERVICE : Le service de garantie est disponible, SANS PREUVE D'ACHAT, auprès de votre revendeur local autorisé. Pour localiser le revendeur de votre région, consultez les Pages Jaunes ou contactez MTD LLC à P.O. Box 361131, Cleveland, Ohio 44136-0019 ou appelez le 1-800-800-7310 ou 1-330-220-4683 ou connectez-vous à notre site Web www.mtdproducts.com.

Cette garantie limitée **ne** s'applique **pas** dans les cas suivants :

- Le moteur ou ses composants. Ces éléments peuvent faire l'objet d'une garantie séparée. Consultez la garantie du fabricant concerné pour connaître les conditions.
- Les pompes à fendre les troncs, valves et cylindres sont couverts par une garantie séparée d'un an.
- Les composants de maintenance routinière comme les lubrifiants, les filtres, l'aiguisage des lames, les éléments de mise au point, les ajustements des freins, des embrayages et du plateau de coupe, et la détérioration normale de la finition extérieure due à l'utilisation ou l'exposition.

- L'entretien est réalisé par une personne autre qu'un revendeur autorisé.
- MTD n'accorde aucune garantie pour les produits vendus ou exportés en dehors des Etats-Unis, ses possessions et territoires, à l'exception des produits vendus par l'intermédiaire du réseau autorisé de distribution des produits exportés de MTD.
- Les pièces de rechange qui ne sont pas fabriquées par MTD.
- Les frais de transport et les appels de maintenance.

Aucune garantie implicite, y compris de qualité marchande ou d'adéquation à un usage particulier, n'est valable après la période applicable de garantie expresse écrite ci-dessus pour les pièces identifiées comme telles. Aucune autre garantie expresse, écrite ou orale, sauf telle que définie ci-dessus, accordée par toute personne ou entité, y compris un revendeur ou un distributeur, concernant tout produit, ne peut engager MTD. Au cours de la période de garantie, votre seul recours est la réparation ou le remplacement du produit défini ci avant. Les dispositions de cette garantie représentent l'unique recours exclusif émanant de la vente. MTD ne peut être tenu responsable des pertes ou dommages accessoires ou indirects, y compris sans limitation, les dépenses découlant de l'utilisation de services de remplacement ou de substitution pour l'entretien de votre pelouse ou de la location permettant le remplacement temporaire d'un produit garanti. Certains états n'autorisent pas l'exclusion ou la limitation des dommages accessoires ou indirects, ou la limitation quant à la durée de la garantie implicite. Les exclusions ou limitations précédentes peuvent donc ne pas s'appliquer.

Tout recours ne doit en aucun cas dépasser le montant du prix d'achat de ce produit. **Toute modification des dispositifs de sécurité du produit annule cette garantie.** Vous acceptez le risque et la responsabilité des pertes, dommages ou accidents sur votre personne ou vos biens et /ou sur d'autres individus et leurs biens, résultant de l'utilisation erronée ou de l'incapacité à utiliser ce produit.

Cette garantie limitée ne doit en aucun cas inclure toute autre personne autre que l'acheteur d'origine ou la personne à laquelle le produit a été offert.

RAPPORT DE CETTE GARANTIE AVEC LES LOIS DES DIFFÉRENTS ÉTATS : Cette garantie limitée vous accorde des droits spécifiques reconnus par la loi, et vous pouvez éventuellement disposer d'autres droits selon les états.

IMPORTANT : Le propriétaire doit présenter la Preuve d'Achat d'Origine pour bénéficier de la garantie.