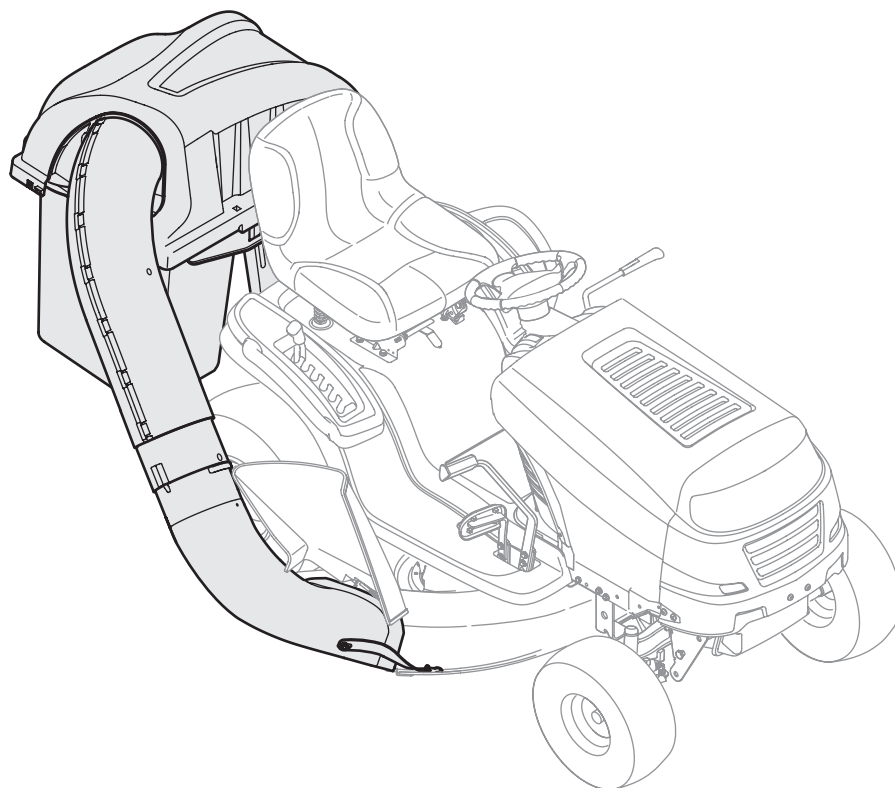

OPERATOR'S MANUAL



Twin Rear Bagger - Model No. OEM-190-182A & 19A30004000

⚠ WARNING

**READ AND FOLLOW ALL SAFETY RULES AND INSTRUCTIONS IN THIS MANUAL
BEFORE ATTEMPTING TO OPERATE THIS MACHINE.
FAILURE TO COMPLY WITH THESE INSTRUCTIONS MAY RESULT IN PERSONAL INJURY.**

MTD LLC, P.O. BOX 361131 CLEVELAND, OHIO 44136-0019

Thank You

Thank you for purchasing a double bagging attachment manufactured by MTD LLC. It was carefully engineered to provide excellent performance when properly operated and maintained.

Please read this entire manual prior to operating the equipment. It instructs you how to safely and easily set up, operate and maintain this attachment. Please be sure that you, and any other persons who will operate the machine, carefully follow the recommended safety practices at all times. Failure to do so could result in personal injury or property damage.

All information in this manual is relative to the most recent product information available at the time of printing. Review this manual frequently to familiarize yourself with the attachment, its features and operation. Please be aware that this Operator's Manual may cover a range of product specifications for various models. Characteristics and features discussed and/or illustrated in this manual may not be applicable to all models. MTD LLC reserves the right to change product specifications, designs and equipment without notice and without incurring obligation.

If you have any problems or questions concerning this attachment, phone your local authorized MTD service dealer or contact us directly. MTD's Customer Support telephone numbers, website address and mailing address can be found on this page. We want to ensure your complete satisfaction at all times.

Throughout this manual, all references to *right* and *left* side of the machine are observed from the operating position

Table of Contents

Identify The Model of Tractor.....	3	Parts List.....	18
Safe Operation Practices	4	Warranty.....	20
Carton Contents & Hardware Packs.....	7	Spanish.....	21
Assembly & Installation	9	French.....	41
Operation.....	16		

Record Product Information

Before setting up and operating your new equipment, please locate the model plate on the equipment and record the information in the provided area to the right. You can locate the model plate by looking at the topside of the bagger cover. This information will be necessary, should you seek technical support via our web site, Customer Support Department, or with a local authorized service dealer.

MODEL NUMBER

--	--	--	--	--	--	--	--	--	--	--	--

SERIAL NUMBER

--	--	--	--	--	--	--	--	--	--	--	--

Customer Support

Please do NOT return the machine to the retailer or dealer without first contacting our Customer Support Department.

If you have difficulty assembling this product or have any questions regarding the controls, operation, or maintenance of this machine, you can seek help from the experts. Choose from the options below:

- ◇ Visit us on the web at www.mtdproducts.com
- ◇ Call a Customer Support Representative at (800) 800-7310 or (330) 220-4683
- ◇ Write us at MTD LLC • P.O. Box 361131 • Cleveland, OH • 44136-0019

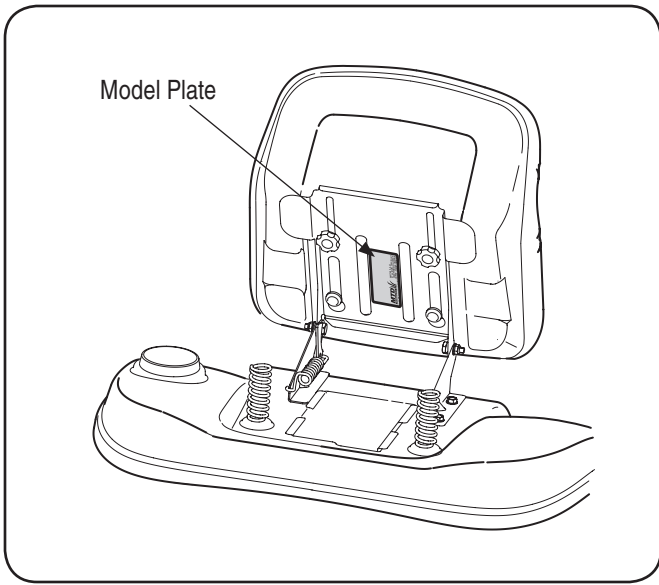


Figure 1-1

Identify The Model of Tractor

This manual is designed for installation of this new bagging unit on several different models of tractors. It is important for you to determine which model of tractor that you have. Once this is known, follow the pertinent set of instructions on the following pages.

Note: Read and observe all WARNING, NOTES and IMPORTANT statements. They are included to provide for the protection of the equipment installer and user, and to ensure the prolonged service life of the equipment.

Note: References to LEFT and RIGHT indicate the left and right sides of the tractor when facing forward in the operator's position. Reference to the FRONT indicates the grille end; to the REAR, the rear end of the rider.

To determine which model of rider you have, you will need to locate the rider's model plate, located under the seat. Simply flip the seat up and locate the model plate, which will consist of an 11 digit/letter model number and a serial number. See Fig. 1-1. For ease in this installation and for future use, copy your rider's model number & serial number below now:

Rider Model Number: _____ _____

Rider Serial Number: _____

The 5th, 6th & 7th numbers from the left in your model number determine your rider's model series. See Fig. 1-2.

When you fill in your model number in the space above, the actual model series number should fall into the gray shaded area.

Now that you have determined what model rider you are attaching this grass bag collection system to, follow the instructions on the following pages according to your model of rider.

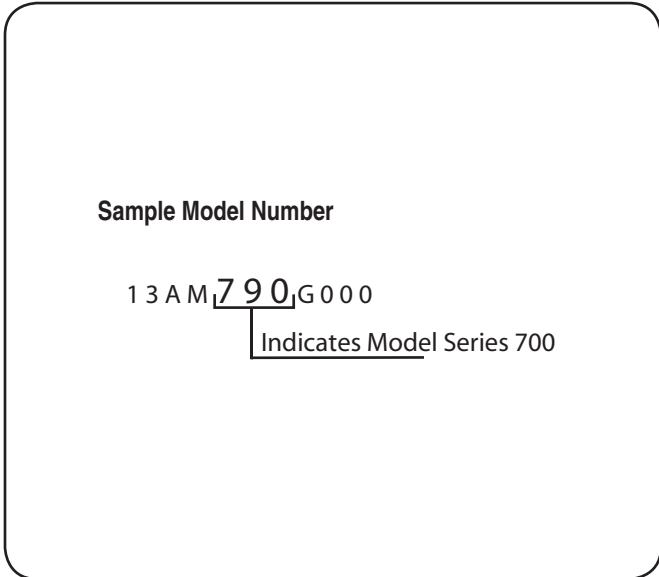


Figure 1-2



WARNING! This symbol points out important safety instructions which, if not followed, could endanger the personal safety and/or property of yourself and others. Read and follow all instructions in this manual before attempting to operate this machine. Failure to comply with these instructions may result in personal injury.

When you see this symbol. **HEED ITS WARNING!**



DANGER! This attachment was built to be used according to the safe operation practices in this manual. Carelessness or error on the part of the operator can result in serious injury. Mowers are capable of amputating hands and feet and throwing objects. Failure to observe the following safety instructions as well as the instructions provided with your mower, could result in serious injury or death.

General Operation

1. Read, understand, and follow all instructions on your equipment and in their manuals before attempting to assemble and operate. Keep this manual in a safe place for future and regular reference and for ordering replacement parts.
2. To help avoid blade contact or a thrown object injury, keep bystanders, helpers, children and pets at least 75 feet from the mower while it is in operation. Stop machine if anyone enters the area.
3. Thoroughly inspect the area where the equipment is to be used. Remove all stones, sticks, wire, bones, toys, and other foreign objects which could be picked up and thrown by the blade(s). Thrown objects can cause serious personal injury.
4. Always wear safety glasses or safety goggles during operation and while performing an adjustment or repair to protect your eyes. Thrown objects which ricochet can cause serious injury to the eyes.
5. Do not operate the mower without the discharge cover or entire grass catcher in its proper place. A missing or damaged discharge cover or grass bag attachment component may result in thrown objects or blade contact injuries.
6. Do not put hands or feet near rotating parts or under the cutting deck. Contact with the blade(s) can amputate hands and feet.
7. Shut off mower's engine and wait for blades to come to a complete stop before unclogging mower's discharge opening or bagger parts.
8. Slow down before turning. Operate the machine smoothly. Avoid erratic operation and excessive speed. Be aware that a grass catcher attachment can affect the handling characteristics of your mower.
9. Disengage blade(s), set parking brake, stop engine and wait until the blade(s) come to a complete stop before opening bagger attachment's top cover, removing grass catcher, emptying grass, unclogging chute, removing any grass or debris, or making any adjustments.
10. Never leave a running machine unattended. Always turn off blade(s), place transmission in neutral, set parking brake, stop engine and remove key before dismounting.
11. Your machine is designed to cut normal residential grass of a height no more than 10". Do not attempt to mow through unusually tall, dry grass (e.g., pasture) or piles of dry leaves. Dry grass or leaves may contact the engine exhaust and/or build up on the mower deck presenting a potential fire hazard.
12. If situations occur which are not covered in this manual, use care and good judgment. Contact your customer service representative for assistance.

Slope Operation

Slopes are a major factor related to loss of control and tip-over accidents which can result in severe injury or death. Attachments can also affect the stability of the machine. All slopes require extra caution.

For your safety, use the slope gauge included as part of this manual to estimate the angle of slopes before operating this machine on a sloped or hilly area. If the slope is greater than 10 degrees as shown on the slope gauge, do not operate the mower with the grass bag attachment installed on that area or serious injury could result.

Do:

1. Mow up and down slopes, not across. Exercise extreme caution when changing direction on slopes.
2. Watch for holes, ruts, bumps, rocks, or other hidden objects. Uneven terrain could overturn the machine. Tall grass can hide obstacles.

3. Use slow speed. Choose a low enough speed setting so that you will not have to stop or shift while on the slope. Tires may lose traction on slopes even though the brakes are functioning properly. Always keep machine in gear when going down slopes to take advantage of engine braking action.
4. Follow the manufacturer's recommendations for wheel weights or counterweights to improve stability.
5. Keep all movement on the slopes slow and gradual. Do not make sudden changes in speed or direction. Rapid engagement or braking could cause the front of the machine to lift and rapidly flip over backwards which could cause serious injury.
6. Avoid starting or stopping on a slope. If tires lose traction, disengage the blade(s) and proceed slowly straight down the slope.

Do Not:

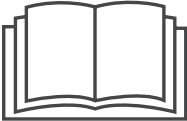

1. Do not turn on slopes unless necessary; then, turn slowly and gradually downhill, if possible.
2. Do not mow near drop-offs, ditches or embankments. The mower could suddenly turn over if a wheel is over the edge of a cliff, ditch, or if an edge caves in.
3. Do not try to stabilize the machine by putting your foot on the ground.
4. Do not use a grass catcher on steep slopes.
5. Do not mow on wet grass. Reduced traction could cause sliding.

General Service

1. Before cleaning, repairing, or inspecting, make certain the blade(s) and all moving parts have stopped. Disconnect the spark plug wire and ground against the engine to prevent unintended starting.
2. Keep all nuts, bolts, and screws tight to be sure the equipment is in safe working condition.
3. Never tamper with your mower's safety interlock system or other safety devices. Check their proper operation regularly.
4. Never attempt to make adjustments or repairs while the mower's engine is running.
5. Grass catcher components and the discharge cover are subject to wear and damage which could expose moving parts or allow objects to be thrown. For safety protection, frequently check components and replace immediately with original equipment manufacturer's (O.E.M.) parts only, listed in this manual. Use of parts which do not meet the original equipment specifications may lead to improper performance and compromise safety!
6. Maintain or replace safety and instruction labels, as necessary.

Safety Symbols

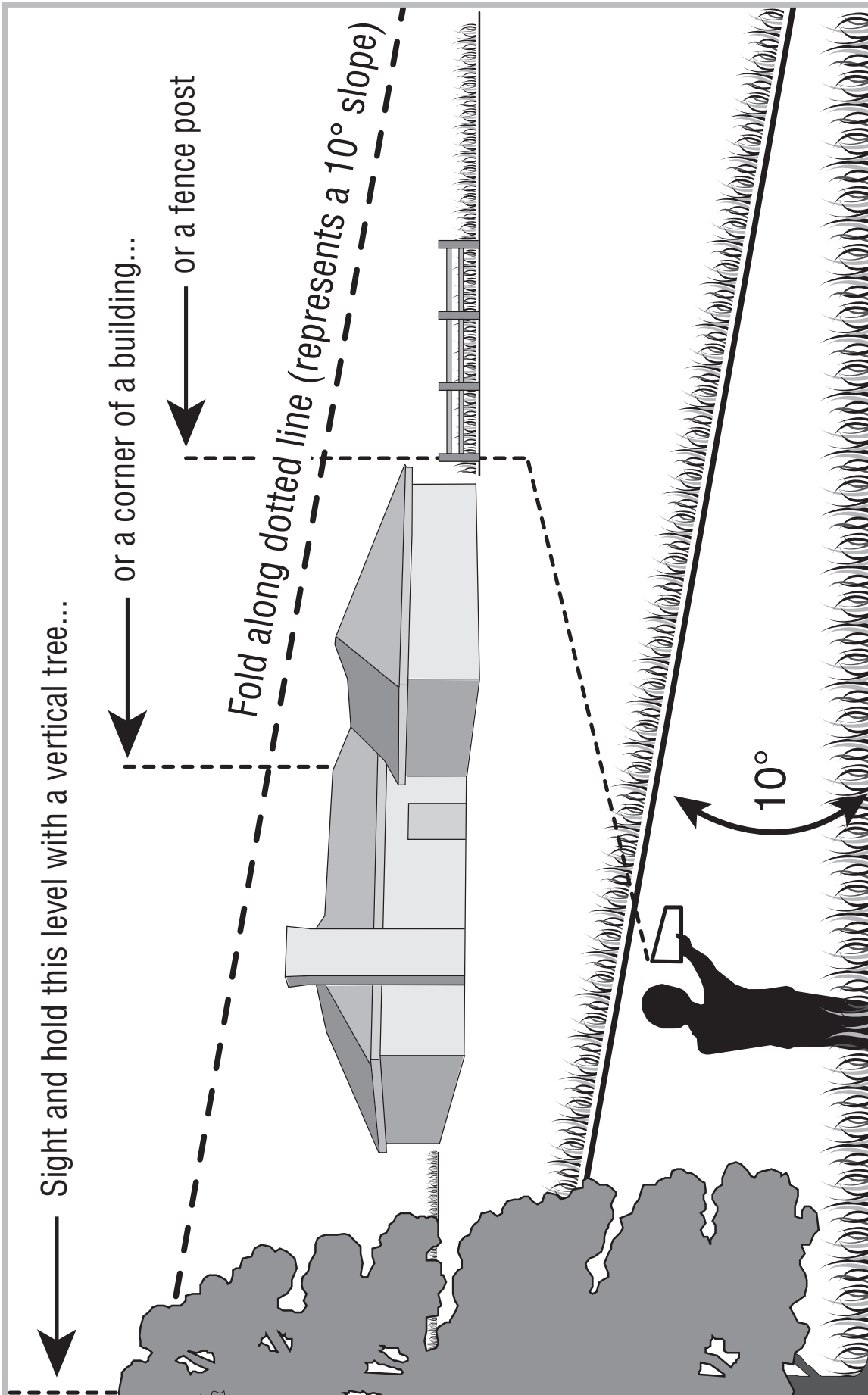
This table depicts and describes safety symbols that may appear on this product. Read, understand, and follow all instructions on the machine before attempting to assemble and operate.

Symbol	Description
	READ THE OPERATOR'S MANUAL(S) Read, understand, and follow all instructions in the manual(s) before attempting to assemble and operate
	STOP Turn off the engine before opening the bagger cover.



WARNING! Your Responsibility—Restrict the use of this power machine to persons who read, understand and follow the warnings and instructions in this manual and on the machine.

SAVE THESE INSTRUCTIONS!



Use this page as a guide to determine slopes where you may not operate safely.



WARNING! Do not operate your lawn mower with a bagger attachment on such slopes. Do not mow on inclines with a slope in excess of 10 degrees (a rise of approximately six inches every 10 feet). A riding mower with a bagger attachment could overturn and cause serious injury. Operate riding mowers up and down slopes, never across the face of slopes.

Contents of Carton

3

Before beginning installation, remove all parts from the carton to make sure everything is present. Carton contents are listed below and shown in Fig. 3-1. Hardware part numbers are shown in parentheses.

- Hitch Bracket Kit (3 Pcs. & Hardware Pack)
- 700 Series Mount Kit (2 brackets & hardware)
- Chute Tube Extension
- Discharge Chute Elbow
- Hitch Support
- Grass Catcher Cover Screen
- Grass Catcher Cover
- Two Grass Bag Assemblies
- Upper Chute Tube
- Upper Chute Support
- Hinge Cover Pin
- Bagging Blades
- Upright Support
- Bag Support Assembly
- Three Hardware Packs (Detailed & Pictured on next page)

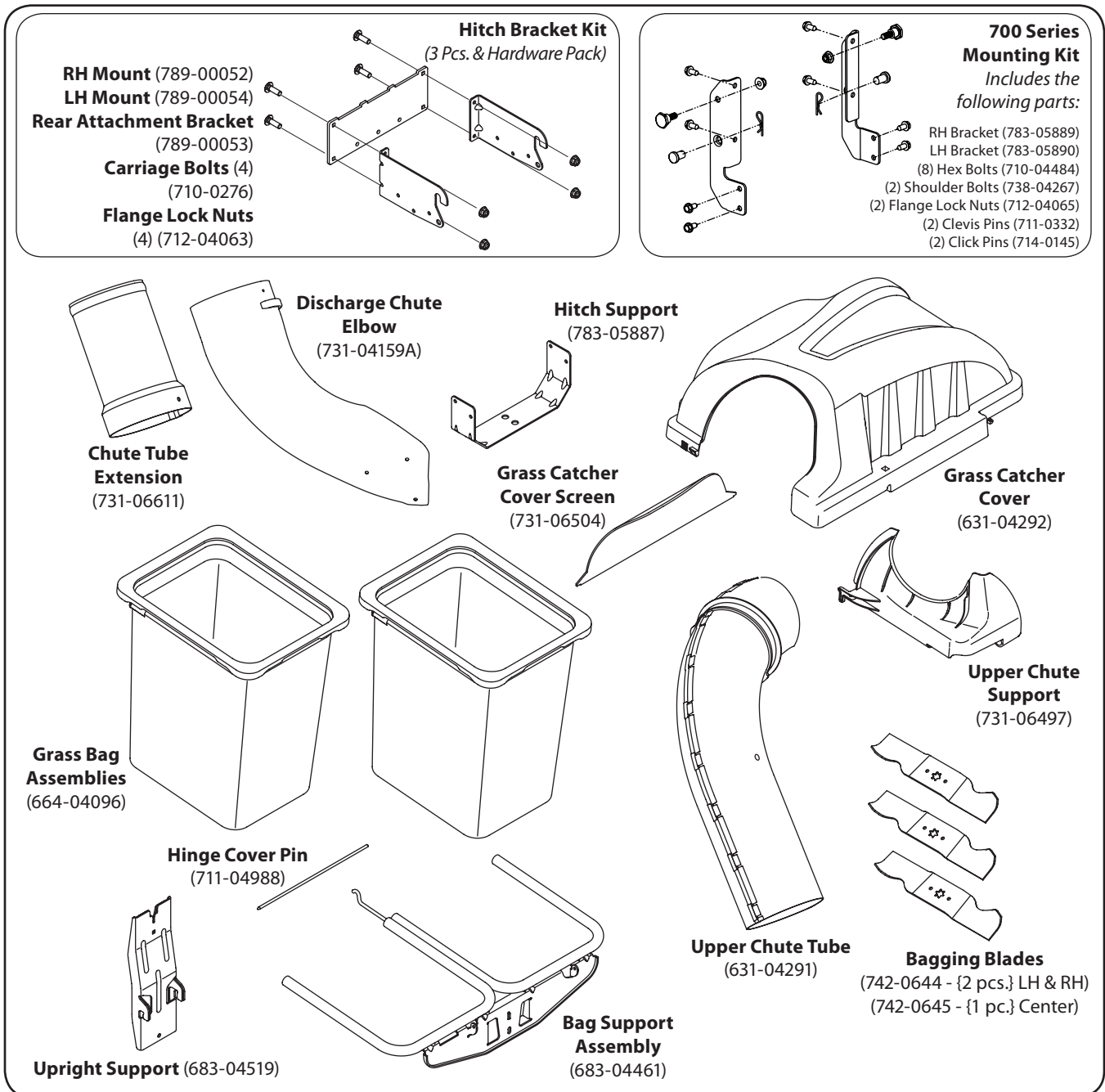
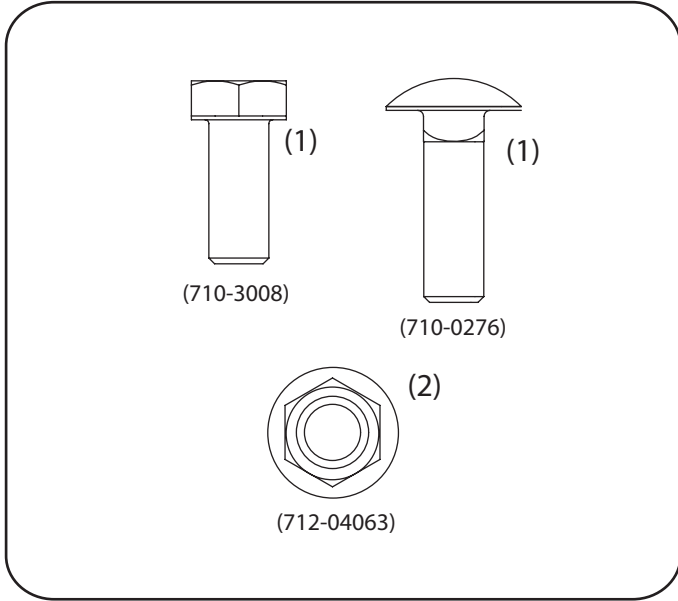


Figure 3-1

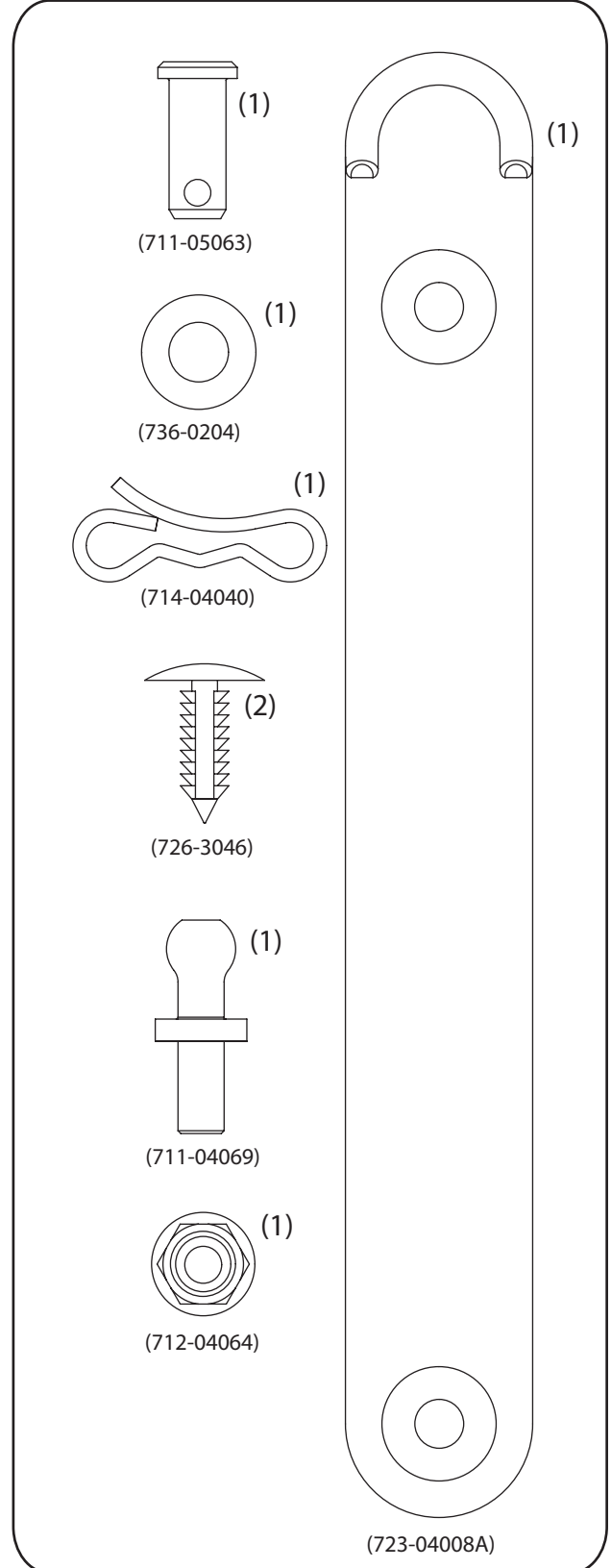
CONTENTS OF HARDWARE PACK

This grass collector kit is shipped with three loose hardware packs enclosed and one hardware pack included in the mounting bracket kit. Please check your hardware packs against the illustrations below. The quantities for each item is listed in parenthesis.

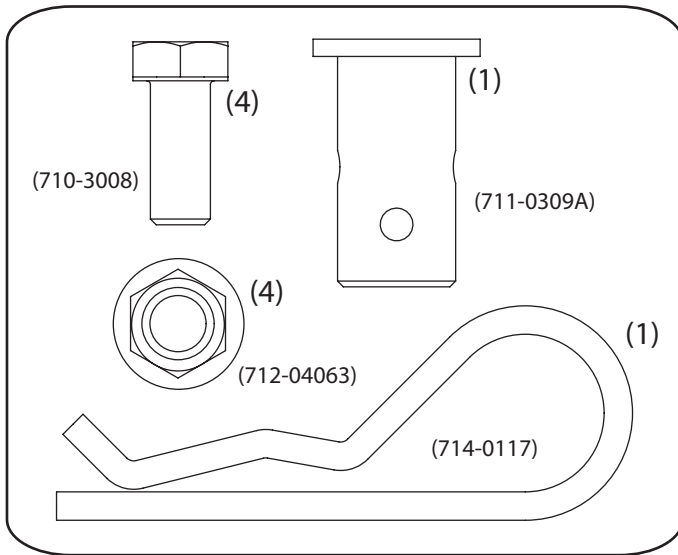
Hardware Pack included with 689-00080



Hardware Pack 689-00091



Hardware Pack 689-00087



700 Series Tractors Only

If you are assembling this bagger unit for use on any model 700 series tractor you will need to install the two tractor mounting brackets packed in your bagger kit. If you are installing this bagger unit on any other tractor, disregard these steps and move to Assemble Mounting Brackets on the next page.

To install these brackets on a model 700 series tractor, follow these steps:

1. Install a shoulder bolt from your hardware pack on each bracket, securing them with flange lock nuts also included in the hardware pack. Refer to Fig. 4-1.
2. Remove and discard the two screws in the lower frame as seen in Fig. 4-2.
3. Mount the 700 series tractor mounting brackets to your tractor using eight self-tapping hex screws included with your kit by using the pre-drilled holes in your tractor's frame for the two top mounting bolts and the holes on the lower frame where you previously removed and discarded the screws. See Fig. 4-2.
4. When attaching the hitch bracket assembly to the tractor, secure with the clevis pin and clip pins called out in Fig. 4-2, in addition to the clevis pin used in the hitch plate on the following page.

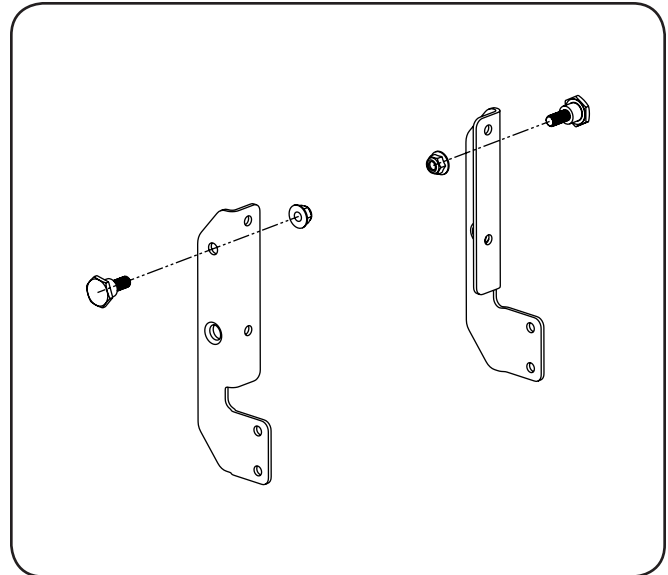


Figure 4-1

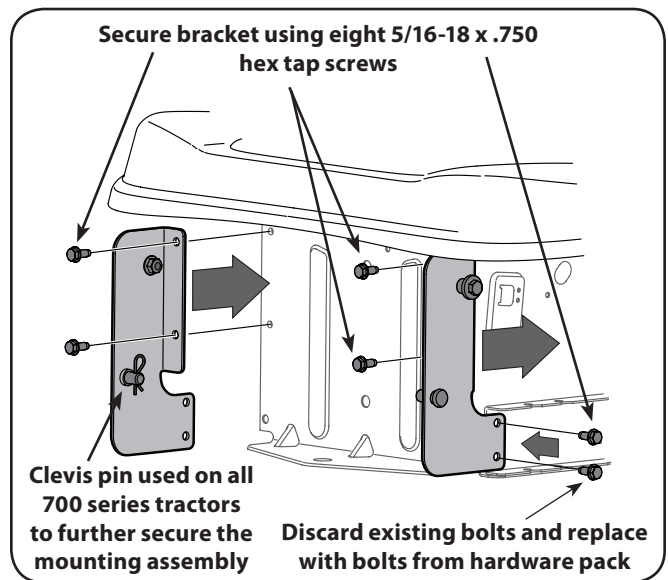


Figure 4-2

Attaching Blades



WARNING: Always protect your hands while servicing blades by wearing heavy work gloves or using heavy rags.

NOTE: Three high-lift bagging blades are included in the grass-catcher kit. Replace the blades with these new blades and save the existing blades as replacements or to reinstall on the blade spindles when not using the bagger kit.

1. Remove cutting deck from beneath the tractor following instructions for Deck Removal in operator's manual of the tractor. Gently flip the deck over to expose its underside.
2. Place a block of wood between the center deck housing baffle and the cutting blade to act as a stabilizer. See Fig. 4-3.

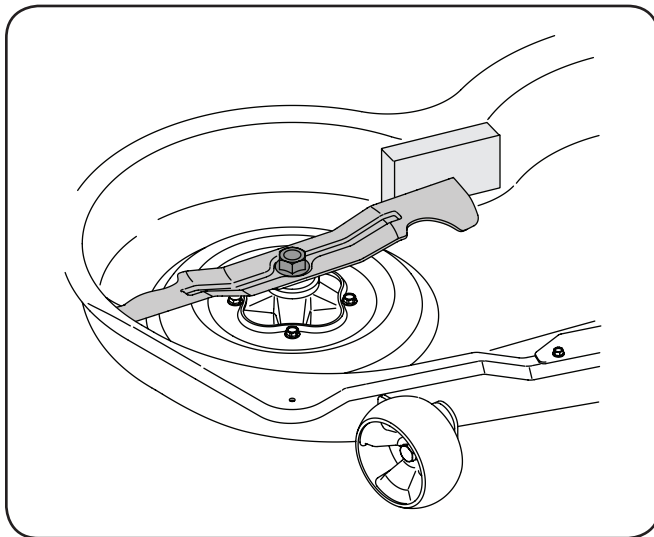


Figure 4-3

3. Use a 15/16" wrench to remove the hex flange nut that secures the blades to the blade spindle assemblies. See Fig. 4-3.



WARNING: The hex flange nut has a right-handed thread pattern. Do not attempt to force the nut in wrong direction; it may damage the nut and create a safety hazard.

4. Place a new blade on each spindle so that side of the blade with part number faces the ground when the mower is in the operating position.
5. Secure with the hex flange nut removed earlier. Use a torque wrench to tighten the hex flange nut between 70 to 90 foot-pounds.
6. Move the wood block to either the left or right blade for stabilization and remove and replace the center blade so that side of the blade with part number faces the ground when the mower is in the operating position.

NOTE: Save the three blades you just removed to use as replacements or to reinstall on the blade spindles when not using the bagger kit.

Assemble Mounting Brackets

To assemble the bagger mounting assembly, locate the mounting assembly pack and follow these steps:

1. Attach the two hitch side brackets to the universal rear attachment bracket using four hex bolts and flange lock nuts. With the hooks on the hitch side brackets pointing down, the tabs on the hitch plates should be pointing upwards. See Fig. 4-4.

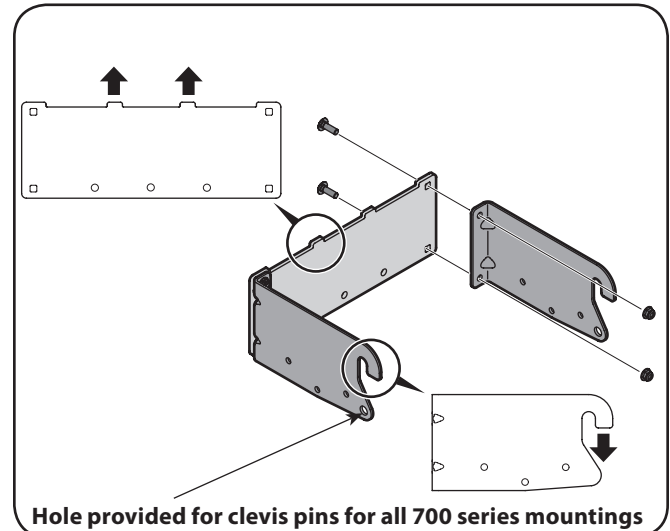


Figure 4-4

2. Flip over assembly and mount the hitch support bracket to the mounting assembly as seen in Fig. 4-5.

Note: It might be easier during the mounting stage to leave this hardware only finger tight to facilitate lining up the hitch hole for the clevis pin. You will be instructed to tighten this hardware later in this manual.

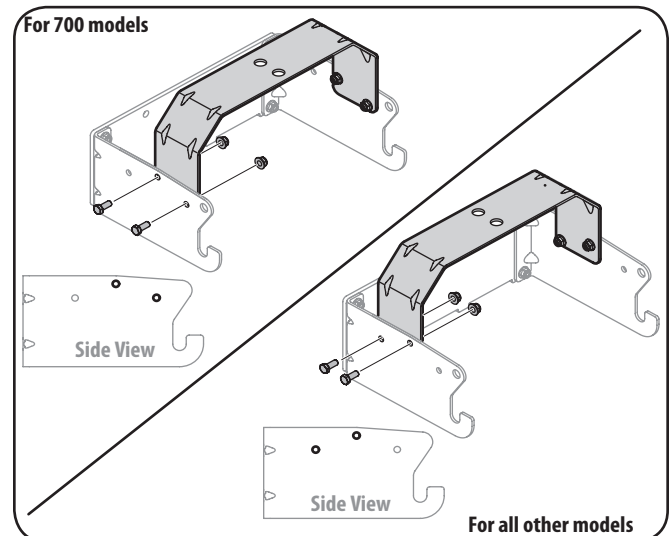


Figure 4-5

Note: The holes closest to the mounting hooks are to be used for all 700 model series machines, while the two holes closest to the cross mount are for all other models. The hitch support bracket will need to be flipped to enable alignment of the proper holes depending on the model of machine this bagger is being installed on. See Fig. 4-5.

Assembling The Support Assembly

Locate the upright support bracket and the bag support assembly. Assemble it by following these steps:

1. Lay the bag support assembly topside down with the mounting bracket portion facing upwards.
2. Insert the notched end of the vertical support bracket into the bag support assembly, as in Fig. 4-6, and secure with a 5/16-18 carriage bolt and 5/16-18 flange lock nut. See Fig. 4-7.

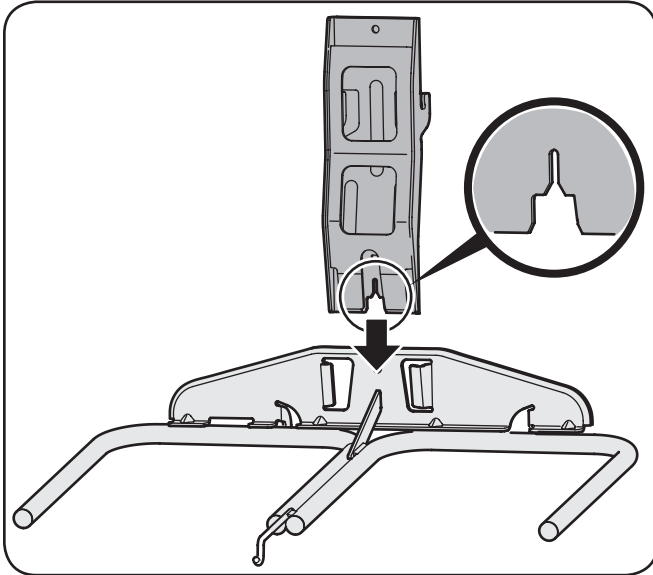


Figure 4-6

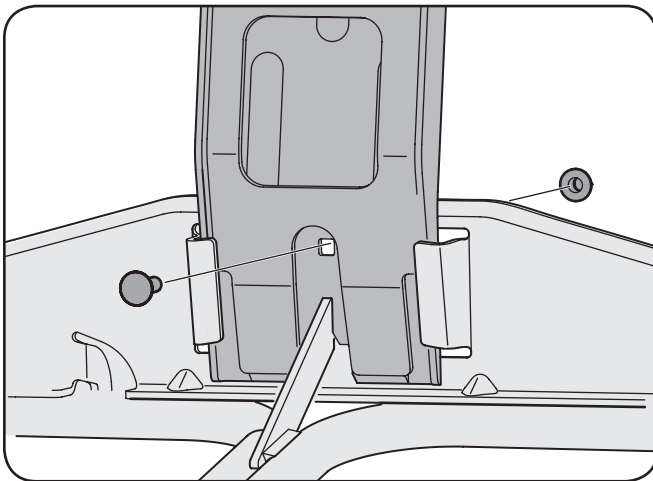


Figure 4-7

Mount Assembly on Tractor

Install mounting assembly on tractor as follows:

1. Place the hooked ends of the mounting assembly over the shoulder bolts, as in Fig. 4-8, on the tractor and line up the hitch support bracket center hole with the hole on the tractor's hitch.

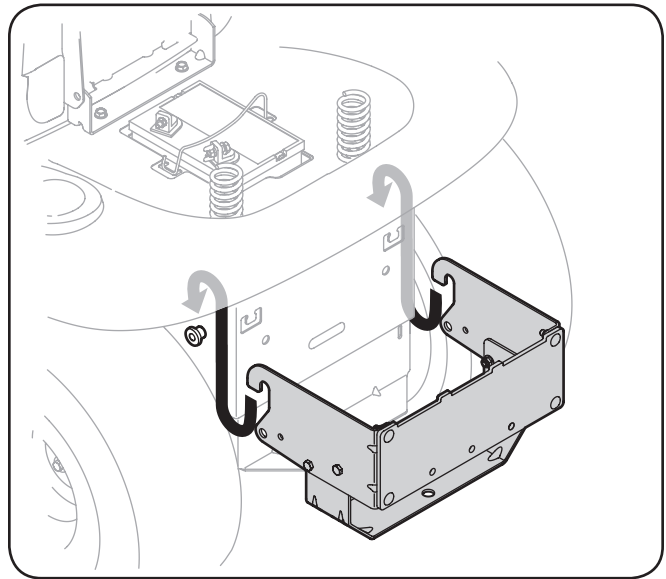


Figure 4-8

2. Install the clevis pin from hardware pack 689-00087 into the tractor's hitch and secure with a hairpin clip. See Fig. 4-9.

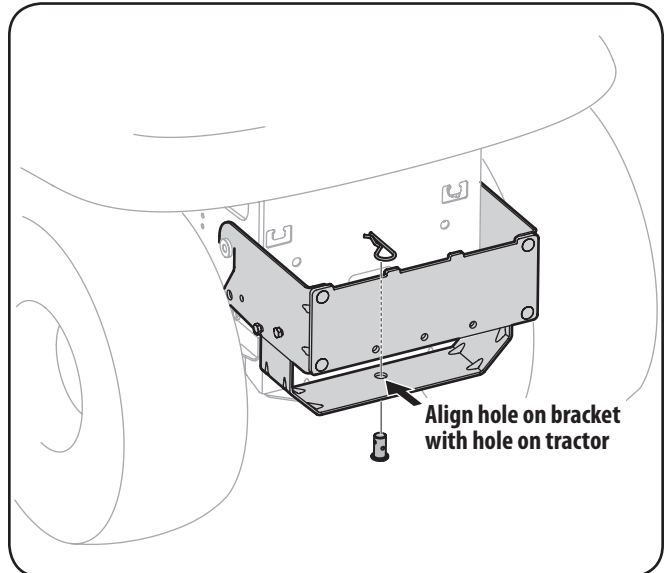


Figure 4-9

Note: The clevis pin can be fed down through the hitch plate and secured underneath with the hairpin clip, or it may be easier to feed the clevis pin up through the hitch plate hole and secure with the hairpin clip on the topside. The latter method may be preferred since it can be easier to insert the hairpin clip. Either way will work, the decision should be based on operator preference.

Note: If you decided to leave the hitch support only finger tight during the assembly process, tighten all of the hardware securely at this time.

If Mounting Assembly onto 700 Series Tractors

Note: Install two clevis pins through the mounting assembly and secure to the 700 series mounting brackets installed earlier with click pins provided in the hardware pack. Refer back to Fig. 4-4.

3. Install the bagger hanger assembly onto the mounting assembly on the tractor by hooking it over the hitch plate between the two tabs. See Fig. 4-10.

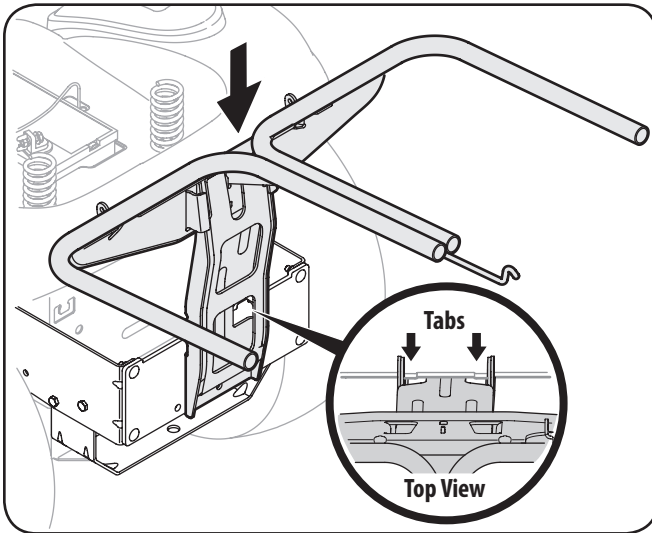


Figure 4-10

4. Secure the hanger assembly to the mounting assembly using a 5/16" bolt and flange nut provided. See Fig. 4-11.

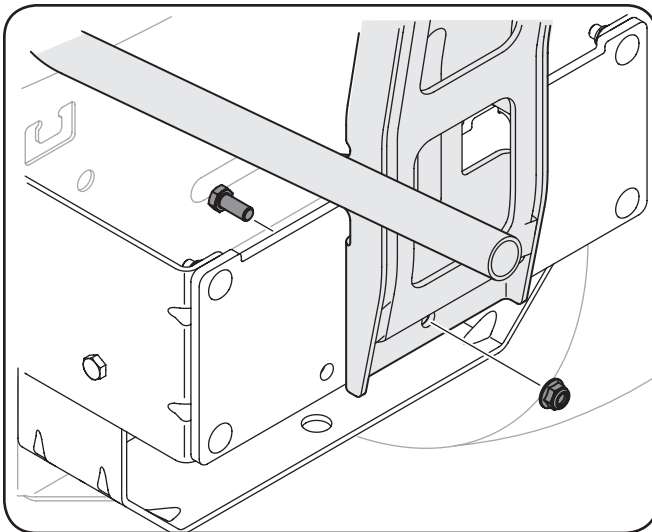


Figure 4-11

Assembling Remaining Bagger Components

Now that the mounting brackets are assembled and are in place on the tractor, follow these steps to assemble the remaining bagger components.

1. Snap the plastic upper chute support in place by first clipping the side portion onto the bagger support rail with the edge of the snap feature aligned with the red line, as seen in Fig. 4-12.

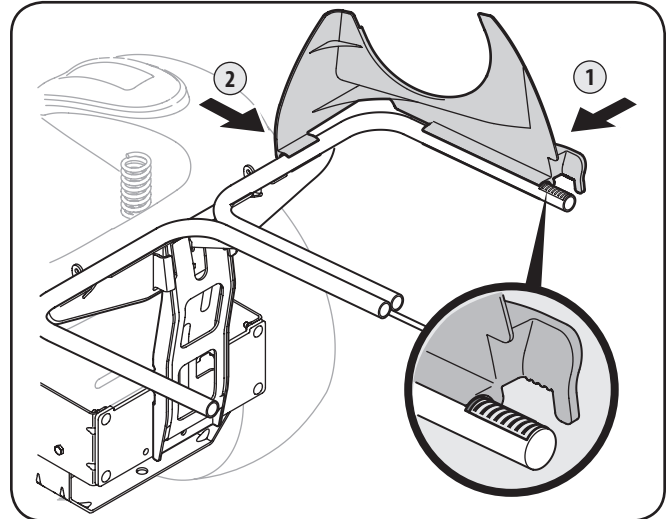


Figure 4-12

2. Snap the front side of the chute support to the rail, as shown in the inset of Fig. 4-12.

3. Install the bagger screen into the bagger cover by first inserting the end closest to the side with the cutout into the mounting hole, as in Fig. 4-13. Make sure to feed the screen under the lip, as in Fig. 4-14.

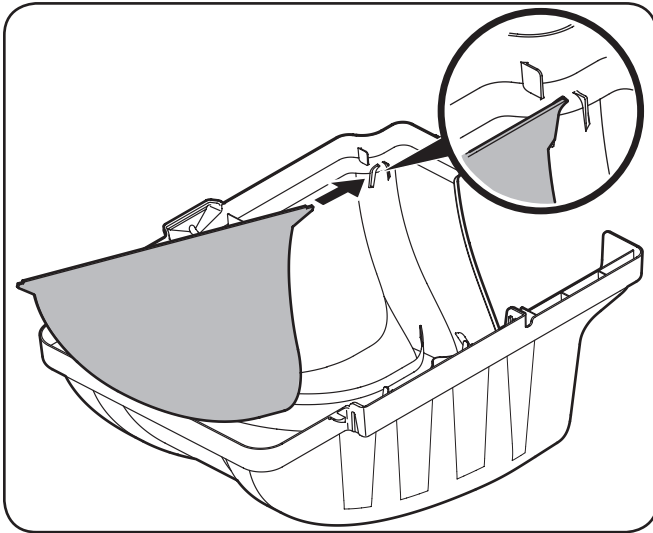


Figure 4-13

4. Clip in the other side by pushing the screen into the provided cutout. See Fig. 4-14.

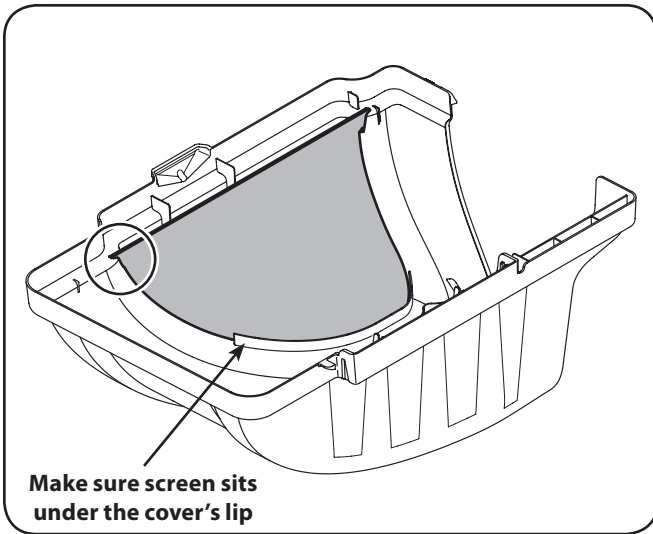


Figure 4-14

5. Install the bagger cover onto the bag support assembly, as seen in Fig. 4-15. The plastic cover goes inside of the two mounting tabs.
6. Slide the hinge pin into the hole located on the mounting tab, as in Fig. 4-16. Use the cut-out window (See inset in Fig. 4-16) to line up the hinge pin on the other side and push pin all the way in until it reaches the end-stop. At this point the pin clips into place and is secured by a tab in the bagger cover. See Fig. 4-17.

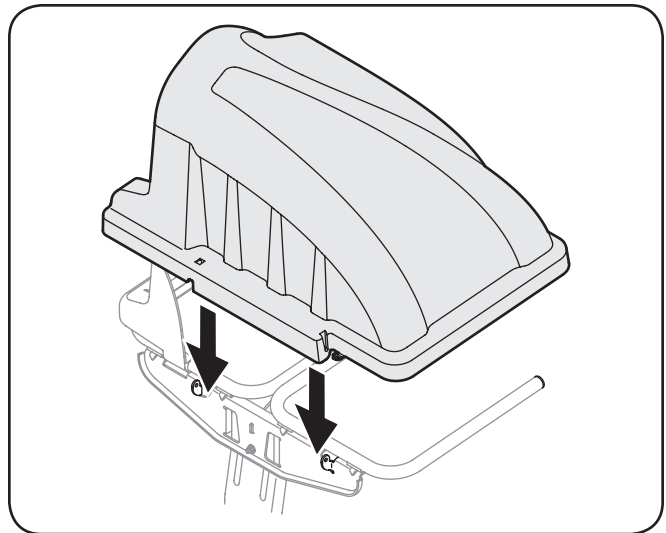


Figure 4-15

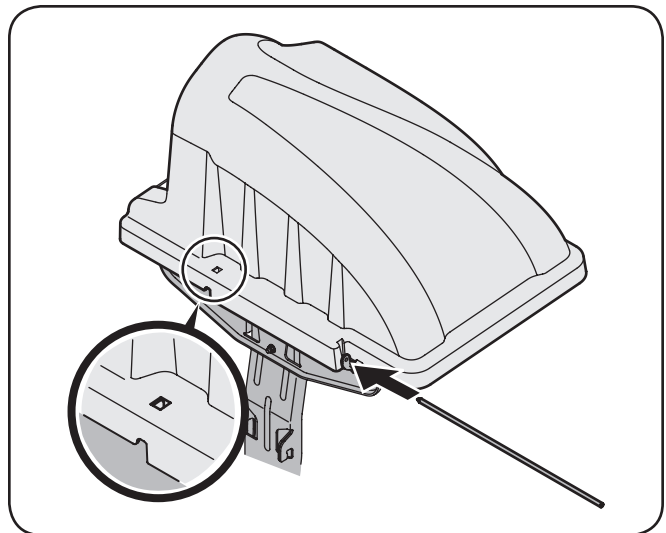


Figure 4-16

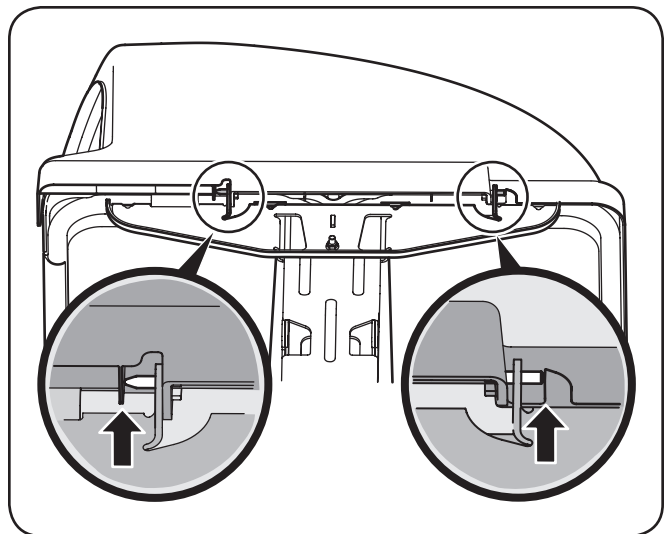


Figure 4-17

- Open Hood by pushing in on the rear, right-side tab with your right hand, as seen in 1 of Fig. 4-18, and lifting the cover with your left hand in the center rear of the bagger cover, 2.

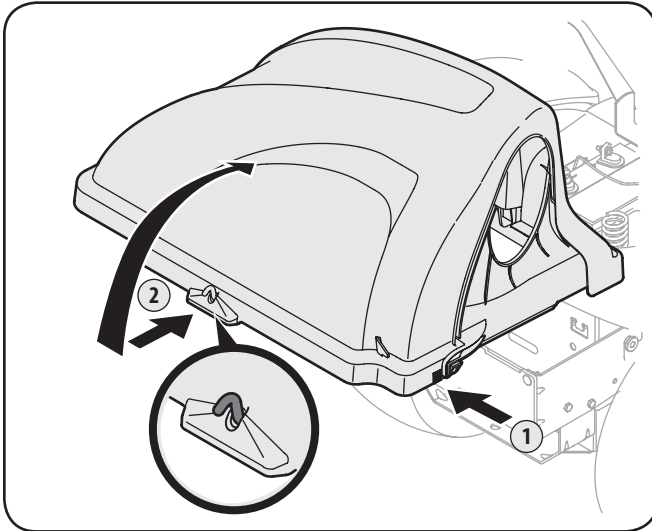


Figure 4-18

- Install both bag assemblies with the tight mesh sides facing forward, onto the bag support brackets by inserting the front edge in first, as seen in Fig. 4-19, and setting the back edge down until it fits into the assembly.

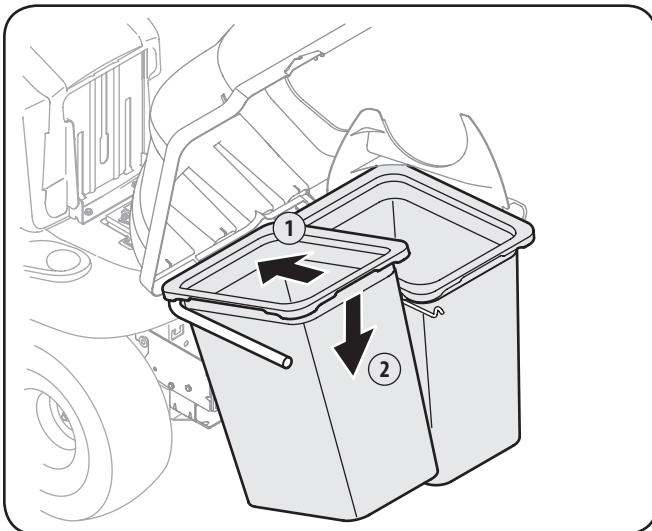


Figure 4-19

- Install the rubber chute strap on the chute elbow using the supplied clevis pin, washer and Bow-tie cotter pin. See Fig. 4-20.
- Install the ball pin from your hardware pack into the hole in the front of the mower deck as seen in Fig. 4-21, and secure with the supplied flange lock nut.
- With the tractor's discharge chute raised up and held open, install the chute elbow over the chute opening by placing the top, rear edge of the chute elbow over the rear of the deck opening, then pivoting the chute elbow down and over the chute opening. See Fig. 4-22.

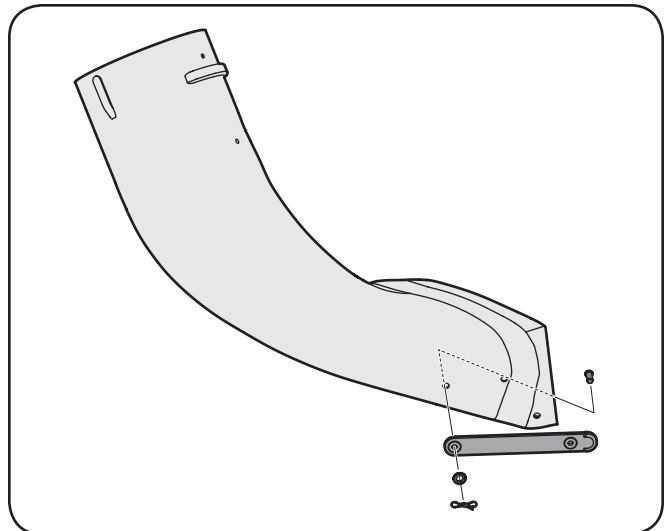


Figure 4-20

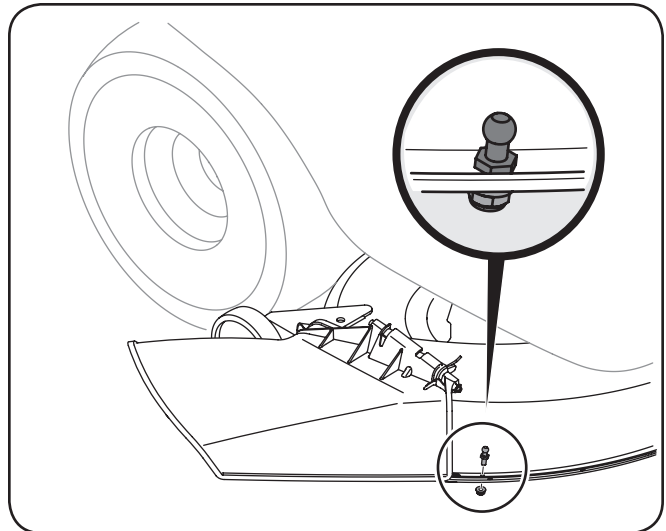


Figure 4-21

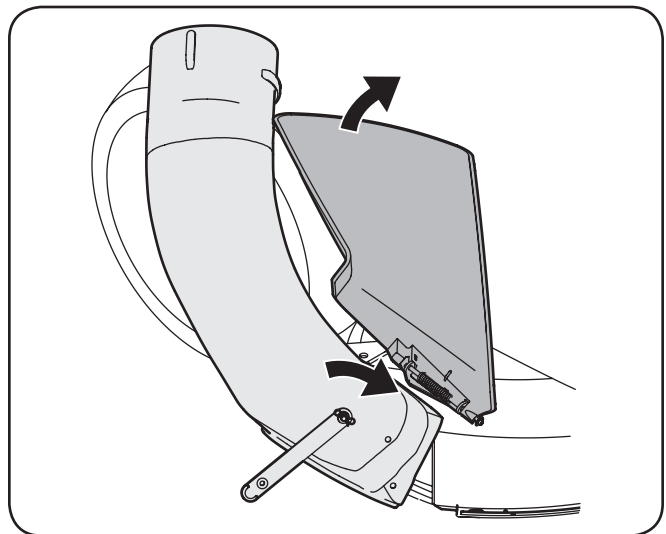


Figure 4-22

Note: For the chute elbow to be properly installed, the bottom edge must fall **over** the bottom of the deck opening. See Fig. 4-23.

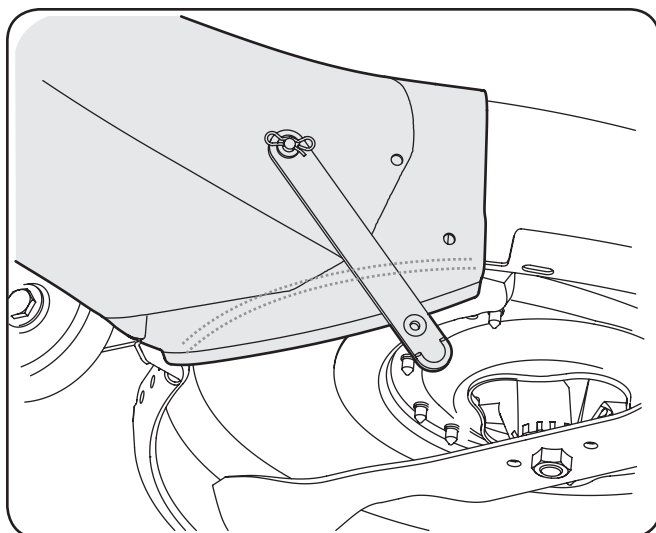


Figure 4-23

12. Secure the chute elbow to the tractor's deck by hooking the chute strap onto the ball pin installed earlier on the deck. See Fig. 4-24.

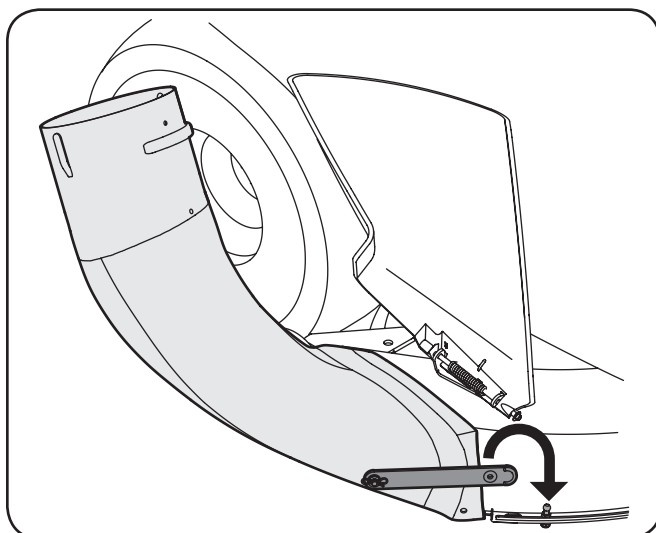


Figure 4-24

13. Install the chute adapter onto the chute elbow by lining up the tabs and sliding the adapter over the chute elbow, as in Fig. 4-25. Secure the chute adapter by installing the two ratchet clips included in the hardware pack in the holes provided.

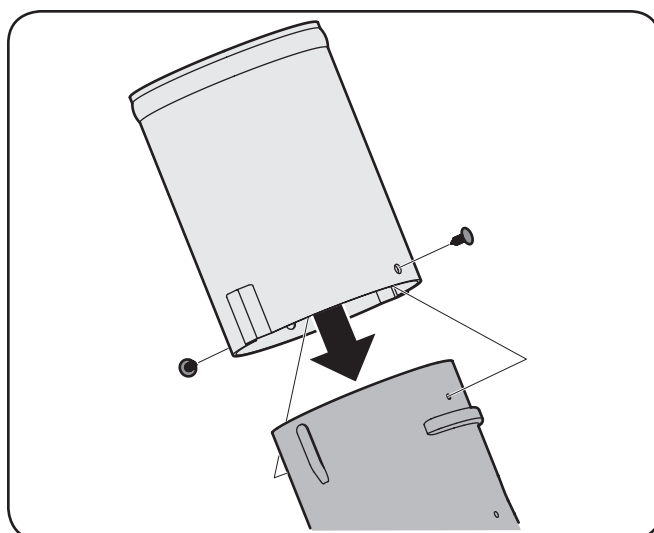


Figure 4-25

14. With the bagger cover open, install the upper chute over the chute adapter, and rest the top so that the chute support sits in the upper chute groove. See Fig. 4-26.

Note: Make sure to align the upper chute with the ridges on the bagger support bracket.

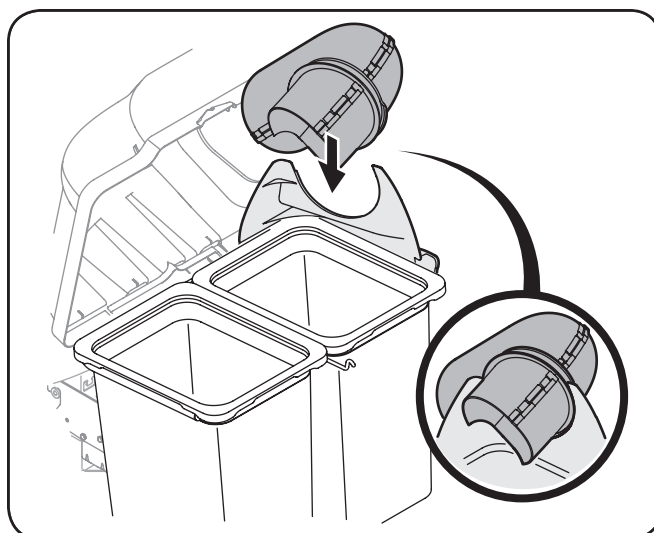
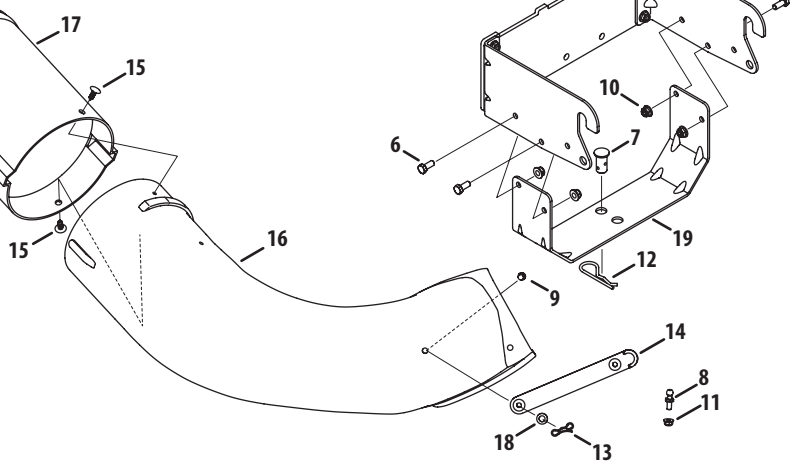
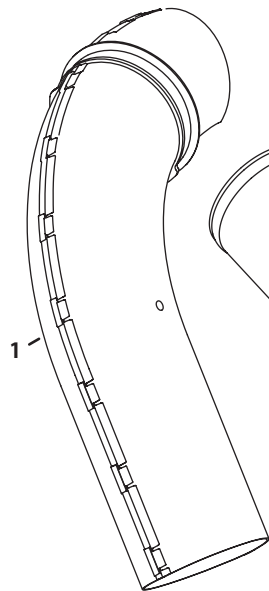
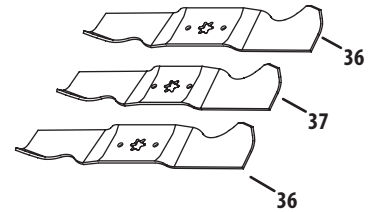
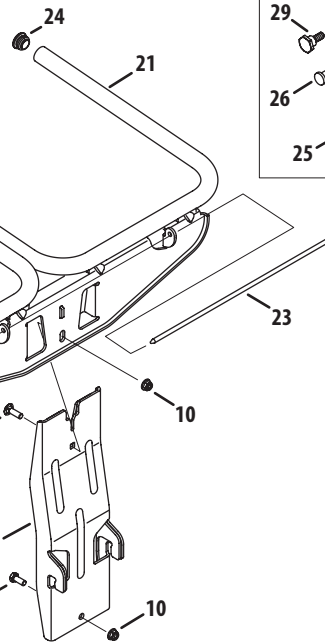
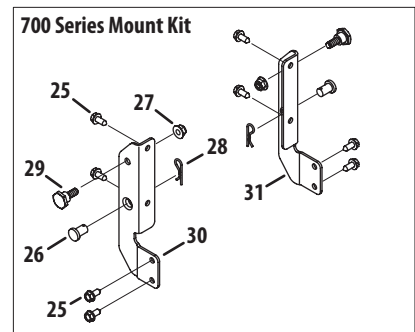
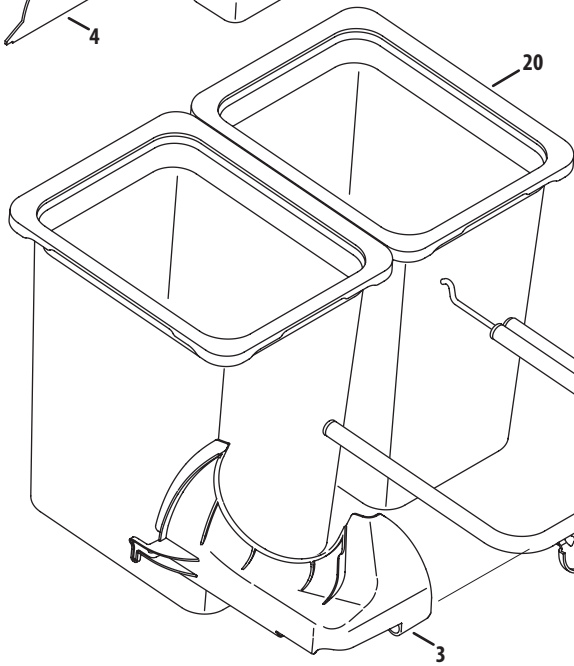
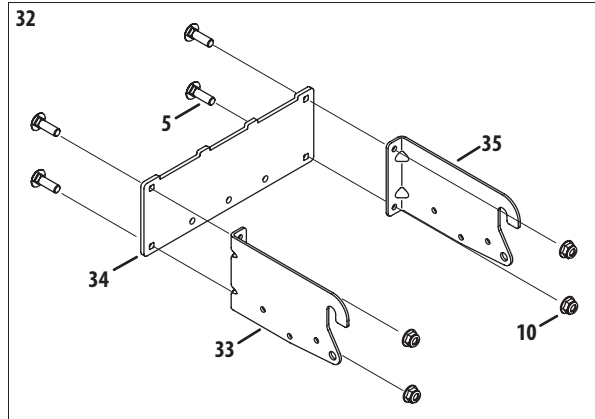
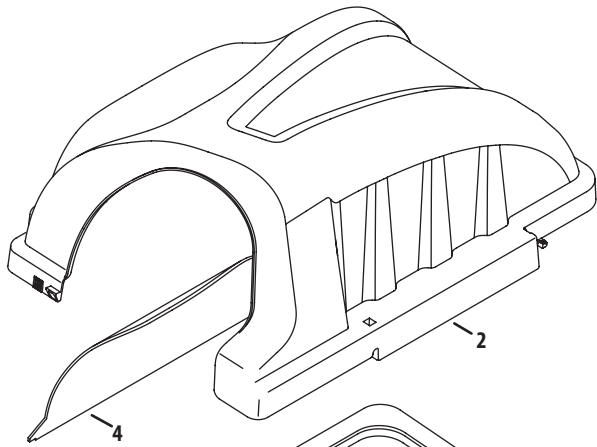


Figure 4-26

Bagger Usage

NOTE: When both grass bags are full, place the tractor on a firm, level surface, disengage the PTO, turn the tractor engine off and set the parking brake.

1. Flip Seat up.
2. Lift up grass bag cover as instructed on Page 14 in Step 7. Do not remove the chute tube assembly from the tractor.
3. Remove the grass bags by lifting these up and moving the bags away from the bag support assembly.
4. Empty the grass clippings at a proper disposal sight, use the handle at the bottom of each grass bag. Holding the bag firmly, empty the contents
5. Replace grass bags, close lid, flip down seat, restart your tractor and resume cutting your grass.



Ref.	Part Number	Description
1.	631-04291	Upper Chute Assembly
2.	631-04292	Double Bagger Cover Assembly
3.	731-06497	Upper Chute Support
4.	731-06504	Bagger Cover Screen
5.	710-0276	Carriage Screw, 5/16-18 x 1.00"
6.	710-3008	Hex Head Screw, 5/16-18 x .75"
7.	711-0309A	Clevis Pin, .62" Dia.
8.	711-04069	Grass-catcher Pin, 1/4-20
9.	711-05063	Clevis Pin, 5/16 x .75 Lg.
10.	712-04063	Flange Lock Nut, 5/16-18
11.	712-04064	Flange Lock Nut, 1/4-20
12.	714-0117	Internal Cotter Pin, .148 x 3.00
13.	714-04040	Bow-Tie Cotter Pin, 72
14.	723-04008A	Chute Strap, 6.00 Lg.
15.	726-3046	Ratchet Clip, .250
16.	731-04159A	Discharge Chute Elbow, 46" Deck
17.	731-06611	Bagger Chute Adapter, 7 In.
18.	736-0204	Flat Washer, .344 x .62 x .033
19.	783-05887	Universal Bracket Support, RT-99/LT-5
20.	664-04096	Grass-bag Assembly
21.	683-04461	Double Bag Support Assembly
22.	683-04519	Vertical Support Bracket
23.	711-04988	Cover Hinge Pin
24.	735-0246A	End Plug
25.	710-04484	Tap Screw, 5/16-18 x .750
26.	710-0332	Clevis Pin, .50 x .78 Lg.
27.	712-04065	Flange Lock Nut, 3/8-16
28.	714-0145	Click Pin, .092 x 1.64 Lg.
29.	738-04267	Shoulder Screw, .625 x .412
30.	783-05889	Mounting Bracket, RH
31.	783-05890	Mounting Bracket, LH
32.	689-00101	Hitch Bracket Assembly
33.	789-00052	Hitch Bracket, RH
34.	789-00053	Universal Rear Attachment Bracket
35.	789-00054	Hitch Bracket, LH
36.	742-0644	Blade, 16.28 Lg., Star 2-in-1
37.	742-0645	Blade, 14.88 Lg., Star 2-in-1

MANUFACTURER'S LIMITED WARRANTY FOR



The limited warranty set forth below is given by MTD LLC with respect to new merchandise purchased and used in the United States and/or its territories and possessions, and by MTD Products Limited with respect to new merchandise purchased and used in Canada and/or its territories and possessions (either entity respectively, "MTD").

"MTD" warrants this product (excluding its *Normal Wear Parts and Attachments* as described below) against defects in material and workmanship for a period of one (1) year commencing on the date of original purchase and will, at its option, repair or replace, free of charge, any part found to be defective in materials or workmanship. This limited warranty shall only apply if this product has been operated and maintained in accordance with the Operator's Manual furnished with the product, and has not been subject to misuse, abuse, commercial use, neglect, accident, improper maintenance, alteration, vandalism, theft, fire, water, or damage because of other peril or natural disaster. Damage resulting from the installation or use of any part, accessory or attachment not approved by MTD for use with the product(s) covered by this manual will void your warranty as to any resulting damage.

Normal Wear Parts are warranted to be free from defects in material and workmanship for a period of thirty (30) days from the date of purchase. Normal wear parts include, but are not limited to items such as: batteries, belts, blades, blade adapters, tines, grass bags, wheels, rider deck wheels, seats, snow thrower skid shoes, friction wheels, shave plates, auger spiral rubber and tires.

Attachments — MTD warrants attachments for this product against defects in material and workmanship for a period of one (1) year, commencing on the date of the attachment's original purchase or lease. Attachments include, but are not limited to items such as: grass collectors and mulch kits.

HOW TO OBTAIN SERVICE: Warranty service is available, WITH PROOF OF PURCHASE, through your local authorized service dealer. To locate the dealer in your area:

In the U.S.A.

Check your Yellow Pages, or contact MTD LLC at P.O. Box 361131, Cleveland, Ohio 44136-0019, or call 1-800-800-7310, 1-330-220-4683 or log on to our Web site at www.mtdproducts.com.

In Canada

Contact MTD Products Limited, Kitchener, ON N2G 4J1, or call 1-800-668-1238 or log on to our Web site at www.mtdcanada.com.

This limited warranty does **not** provide coverage in the following cases:

- a. Log splitter pumps, valves, and cylinders have a separate one-year warranty.

- b. Routine maintenance items such as lubricants, filters, blade sharpening, tune-ups, brake adjustments, clutch adjustments, deck adjustments, and normal deterioration of the exterior finish due to use or exposure.
- c. Service completed by someone other than an authorized service dealer.
- d. MTD does not extend any warranty for products sold or exported outside of the United States and/or Canada, and their respective possessions and territories, except those sold through MTD's authorized channels of export distribution.
- e. Replacement parts that are not genuine MTD parts.
- f. Transportation charges and service calls.
- g. MTD does not warrant this product for commercial use.

No implied warranty, including any implied warranty of merchantability of fitness for a particular purpose, applies after the applicable period of express written warranty above as to the parts as identified. No other express warranty, whether written or oral, except as mentioned above, given by any person or entity, including a dealer or retailer, with respect to any product, shall bind MTD. During the period of the warranty, the exclusive remedy is repair or replacement of the product as set forth above.

The provisions as set forth in this warranty provide the sole and exclusive remedy arising from the sale. MTD shall not be liable for incidental or consequential loss or damage including, without limitation, expenses incurred for substitute or replacement lawn care services or for rental expenses to temporarily replace a warranted product.

Some states do not allow the exclusion or limitation of incidental or consequential damages, or limitations on how long an implied warranty lasts, so the above exclusions or limitations may not apply to you.

In no event shall recovery of any kind be greater than the amount of the purchase price of the product sold. **Alteration of safety features of the product shall void this warranty.** You assume the risk and liability for loss, damage, or injury to you and your property and/or to others and their property arising out of the misuse or inability to use the product.

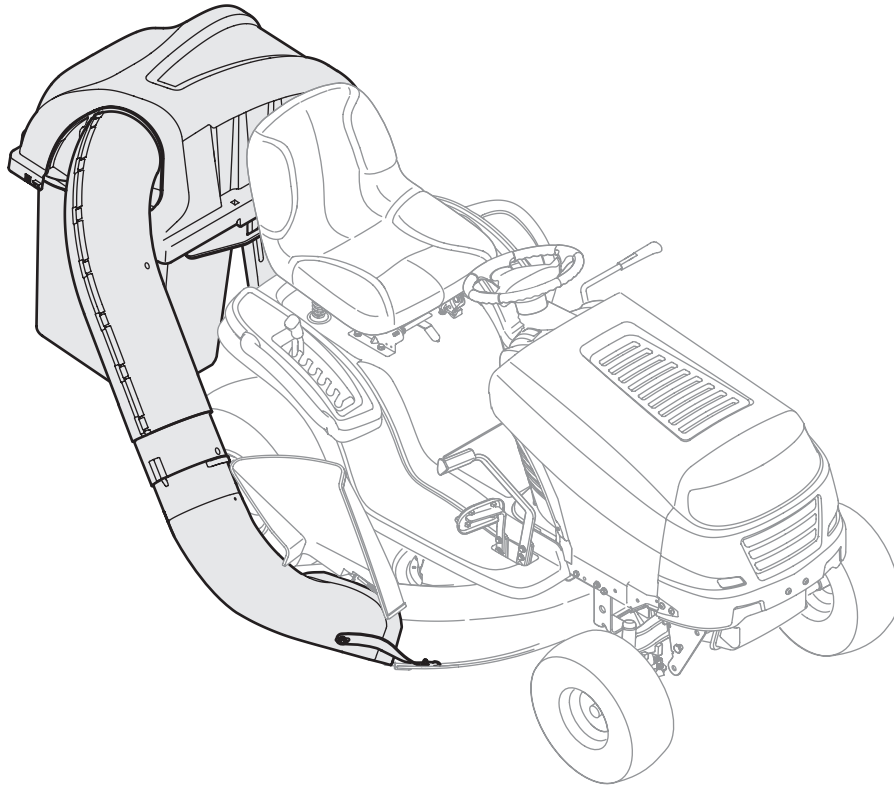
This limited warranty shall not extend to anyone other than the original purchaser or to the person for whom it was purchased as a gift.

HOW STATE LAW RELATES TO THIS WARRANTY: This limited warranty gives you specific legal rights, and you may also have other rights which vary from state to state.

IMPORTANT: Owner may be required to present proof of purchase to obtain warranty coverage.

**MTD LLC, P.O. BOX 361131 CLEVELAND, OHIO 44136-0019; Phone: 1-800-800-7310, 1-330-220-4683
MTD Canada Limited - KITCHENER, ON N2G 4J1; Phone 1-800-668-1238**

MANUAL DEL OPERADOR



Embolsadora trasera doble - Modelo N° OEM-190-182A

⚠ ADVERTENCIA

**LEA Y SIGA TODAS LAS INSTRUCCIONES DE ESTE MANUAL ANTES DE PONER EN FUNCIONAMIENTO ESTA MÁQUINA.
SI NO RESPETA ESTAS INSTRUCCIONES PUEDE PROVOCAR LESIONES PERSONALES.**

MTD LLC. APARTADO POSTAL 361131 CLEVELAND, OHIO 44136-0019

Gracias

Gracias por comprar un accesorio embolsador doble fabricado por MTD LLC. El mismo ha sido diseñado cuidadosamente para brindar excelente rendimiento si se lo opera y mantiene correctamente.

Por favor lea todo este manual antes de hacer funcionar el equipo. Le indica cómo configurar, operar y mantener el accesorio de manera fácil y segura. Por favor cerciórese de que usted o cualquier otra persona que opere la máquina siga cuidadosamente y en todo momento las prácticas de seguridad recomendadas. En caso de no hacerlo podrían producirse lesiones personales o daños materiales.

Toda la información contenida en este manual hace referencia a la más reciente información de producto disponible en el momento de la impresión. Revise el manual frecuentemente para familiarizarse con el accesorio, sus características y funcionamiento. Por favor tenga en cuenta que este Manual del Operador puede cubrir una gama de especificaciones de producto para diferentes modelos. Es posible que las características y funciones incluidas y/o ilustradas en este manual

no se apliquen a todos los modelos. MTD LLC se reserva el derecho de modificar las especificaciones de los productos, los diseños y el equipo sin previo aviso y sin generar responsabilidad por obligaciones de ningún tipo.

Si tiene algún problema o duda respecto a este accesorio, llame a su distribuidor de servicio MTD local autorizado o póngase en contacto directamente con nosotros. Los números de teléfono, dirección del sitio Web y dirección postal de la Asistencia al Cliente de MTD se encuentran en esta página. Queremos garantizar su entera satisfacción en todo momento.

En este manual, las referencias al lado *derecho* o *izquierdo* de la máquina se observan desde la posición del operador.

Índice

Identifique el modelo de tractor	23	Armado e instalación.....	29
Medidas importantes de seguridad	24	Funcionamiento	36
Contenido de la caja y paquetes de elementos de ferretería.....	27	Lista de piezas	38
		Garantía	40

Registro de información de producto

Antes de configurar y hacer funcionar su equipo nuevo, por favor localice la placa de modelo en el equipo y registre la información en el espacio de la derecha. Podrá localizar la placa de modelo en la parte superior de la cubierta de la embolsadora. Si tiene que solicitar soporte técnico a través de nuestro sitio web, el Departamento de Asistencia al Cliente, o de un distribuidor de servicio autorizado local, necesitará esta información.

NÚMERO DE MODELO

--	--	--	--	--	--	--	--	--	--	--

NÚMERO DE SERIE

--	--	--	--	--	--	--	--	--	--	--

Asistencia al Cliente

Por favor, NO devuelva la máquina al minorista o distribuidor sin ponerse en contacto primero con el Departamento de Asistencia al Cliente.

En caso de tener problemas para montar este producto o de tener dudas con respecto a los controles, funcionamiento o mantenimiento de esta máquina, puede solicitar la ayuda de los expertos. Elija entre las opciones que se presentan a continuación:

- ◇ Visite nuestro sitio web en www.mtdproducts.com
- ◇ Llame a un representante de Asistencia al Cliente al (800) 800-7310 ó (330) 220-4683
- ◇ Escríbanos a MTD LLC • P.O. Box 361131 • Cleveland, OH • 44136-0019

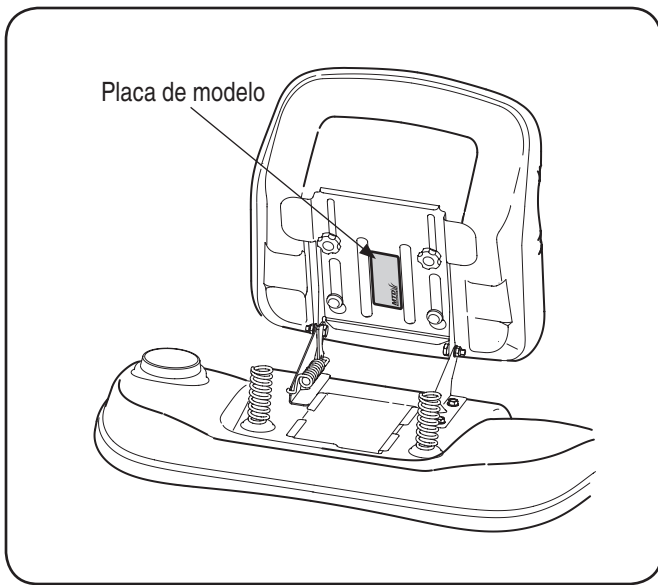


Figura 1-1

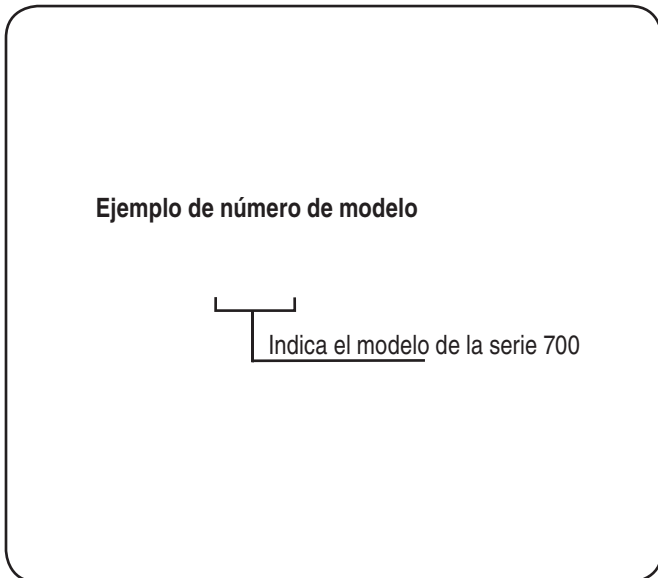


Figura 1-2

Identifique el modelo de tractor

Este manual está destinado a la instalación de la nueva unidad embolsadora en varios modelos distintos de tractor. Es importante que usted determine el modelo de tractor que tiene. Una vez identificado, siga el conjunto de instrucciones pertinentes en las páginas siguientes.

Nota: Lea y observe todas las ADVERTENCIAS, NOTAS y declaraciones IMPORTANTES. Se las ha incluido para proporcionar protección al instalador y al usuario del equipo, y para asegurar una prolongada vida útil para el equipo.

Nota: Las referencias relativas a los lados IZQUIERDO y DERECHO indican los lados izquierdo y derecho del tractor mirando hacia adelante desde la posición del operador. La referencia al FRENTE indica el extremo de la parrilla; la referencia a la parte POSTERIOR indica el extremo trasero de la podadora.

Para determinar cuál es el modelo de su podadora, será necesario que ubique la placa de modelo que se encuentra debajo del asiento. Simplemente levante el asiento y ubique la placa de modelo, la cual comprende un número de modelo de 11 dígitos/ letras y un número de serie. Vea la Fig. 1-1. Para facilitar la instalación y para uso futuro, copie el número de modelo y el número de serie de la podadora tractor a continuación:

Podadora tractor modelo N°: _____

Podadora tractor serie N°: _____

Los números de modelo ubicados en 5°, 6° y 7° lugar a partir de la izquierda, determinan la serie del modelo de podadora tractor. Vea la Fig. 1-2.

Cuando complete el número de modelo en el espacio anterior, el número de serie correspondiente se encontrará en el área sombreada en gris.

Ahora que ha determinado cuál es el modelo de podadora a la cual usted va a adosar este sistema de recolección de césped, observe las instrucciones de las páginas siguientes correspondientes a su modelo de podadora.

Medidas importantes de seguridad

2



¡ADVERTENCIA! La presencia de este símbolo indica que se trata de instrucciones importantes de seguridad que se deben respetar para evitar poner en peligro su seguridad personal y/o material y la de otras personas. Lea y cumpla todas las instrucciones de este manual antes de intentar operar esta máquina. Si no respeta estas instrucciones puede causar lesiones personales.

CUANDO vea este símbolo. **¡TENGA EN CUENTA LAS ADVERTENCIAS!**



¡PELIGRO! Este accesorio está diseñado para ser usado respetando las normas de seguridad contenidas en este manual. Un descuido o error por parte del operador puede ocasionar lesiones graves. Una cortadora es capaz de amputar manos y pies y de arrojar objetos con gran fuerza. Si no se observan las siguientes instrucciones de seguridad junto con las instrucciones suministradas con la cortadora, se puede ocasionar lesiones graves e incluso la muerte.

Funcionamiento general

1. Lea, comprenda y respete todas las instrucciones que figuran en el equipo y en los manuales antes de intentar armarlo y hacerlo funcionar. Guarde este manual en un lugar seguro para consultas futuras y periódicas, así como para solicitar repuestos.
2. Para ayudar a evitar una lesión por contacto con las cuchillas o con un objeto que sea arrojado, mantenga a las personas que observan, a los ayudantes, niños y mascotas alejados a no menos de 25 metros de la máquina mientras está funcionando. Detenga la máquina si alguien entra en la zona.
3. Revise minuciosamente el área donde se va a usar el equipo. Retire todas las piedras, palos, cables, huesos, juguetes y otros objetos extraños que podrían ser recogidos y arrojados por la acción de las cuchillas. Los objetos arrojados por la máquina pueden causar lesiones graves.
4. Para protegerse los ojos, utilice siempre gafas o lentes de seguridad mientras opera la máquina o mientras la ajusta o repara. Los objetos arrojados que rebotan pueden causar lesiones oculares graves.
5. Nunca opere la cortadora de césped sin tener bien colocada la cubierta de descarga o el colector de césped. Si falta o está dañada la cubierta de descarga o un componente del accesorio embolsador puede resultar en lesiones por contacto con la cuchilla o con objetos arrojados.
6. No ponga las manos ni los pies cerca de las piezas rotatorias ni debajo de la plataforma de corte. El contacto con las cuchillas puede resultar en la amputación de una mano o pie.
7. Apague el motor de la cortadora de césped y espere que las cuchillas se detengan totalmente antes de desbloquear la abertura de descarga de la cortadora o las piezas de la embolsadora.
8. Reduzca la velocidad antes de girar. Opere la máquina de forma pareja. Evite el funcionamiento errático y la velocidad excesiva. Tenga en cuenta que el accesorio colector de césped puede afectar las características de manejo de su cortadora.
9. Desenganche las cuchillas, coloque el freno de mano, detenga el motor y espere hasta que las cuchillas se detengan totalmente antes de abrir la cubierta superior del accesorio embolsador, sacar el colector de césped, vaciar los recortes, desbloquear el canal, retirar cualquier residuo o desecho, o realizar cualquier ajuste.
10. Nunca deje la máquina en funcionamiento sin vigilancia. Apague siempre las cuchillas, coloque la transmisión en neutral, coloque el freno de mano, detenga el motor y retire la llave antes de bajarse del vehículo.
11. Su máquina fue diseñada para cortar césped residencial normal, con una altura no mayor a 10". No intente cortar pasto demasiado crecido y seco (por ej., pastura) ni pilas de hojas secas. El pasto y las hojas secas pueden entrar en contacto con el escape del motor y/o acumularse en la plataforma de la cortadora de césped, convirtiéndose en un peligro de incendio.
12. Si se presentan situaciones que no están previstas en este manual, sea cuidadoso y use el sentido común. Póngase en contacto con su representante de atención al cliente para solicitar asistencia.

Funcionamiento en pendientes

Las pendientes son un factor importante en los accidentes ocasionados por pérdida de control y vuelcos que pueden causar lesiones graves e incluso la muerte. Los accesorios también pueden afectar la estabilidad de la máquina. La operación en pendiente requiere mayor precaución.

Para seguridad, use el medidor de pendientes que se incluye como parte de este manual para estimar el ángulo de la pendiente antes de hacer funcionar la máquina en una zona inclinada. Si la pendiente es mayor a 10 grados en el medidor, no opere la cortadora con el accesorio embolsador en ese sector, pues podría causar lesiones graves.

Haga lo siguiente:

1. Corte hacia arriba y abajo de las pendientes, no en forma transversal. Tenga sumo cuidado al cambiar de dirección en una pendiente.
2. Esté atento a los hoyos, surcos, baches, rocas, u otros objetos ocultos. El terreno desnivelado puede voltear la máquina. El pasto alto puede ocultar obstáculos.

3. Conduzca a baja velocidad. Elija una velocidad lo suficientemente baja como para no tener que detenerse o cambiar de marcha mientras está en la pendiente. Los neumáticos pueden perder tracción en las pendientes aún cuando los frenos funcionen correctamente. Mantenga la máquina siempre en velocidad cuando desciende una pendiente, para poder frenar con el motor.
4. Siga las recomendaciones del fabricante sobre pesos y contrapesos de las ruedas, para mejorar la estabilidad.
5. Haga que todos los movimientos en las pendientes sean lentos y graduales. No cambie repentinamente la velocidad ni la dirección. Un frenado o cambio de velocidad repentinos pueden causar que el frente de la máquina se levante y dé una voltereta hacia atrás, lo que podría causar lesiones graves.
6. Evite arrancar o detenerse en una pendiente. Si los neumáticos pierden tracción, desenganche las cuchillas y descienda lentamente la pendiente.

No haga lo siguiente:

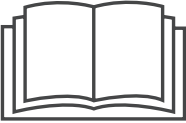

1. No gire en una pendiente a menos que sea imprescindible. De ser posible, gire lenta y gradualmente cuesta abajo.
2. No corte el césped cerca de barrancos, zanjas o terraplenes. La cortadora de césped podría volcarse repentinamente si una de las ruedas estuviera sobre el borde de un acantilado o zanja, o si un borde se desmoronara.
3. No intente estabilizar la máquina poniendo el pie en el suelo.
4. No utilice un colector de césped en pendientes empinadas.
5. No corte el césped húmedo. Una reducción en tracción puede causar derrapes.

Servicio general

1. Antes de limpiar, reparar o inspeccionar la máquina, compruebe que las cuchillas y todas las piezas móviles se hayan detenido. Desconecte el cable de la bujía y póngalo haciendo masa contra el motor para evitar que arranque accidentalmente.
2. Mantenga todas las tuercas, pernos y tornillos bien ajustados para asegurarse de que el equipo está en condiciones seguras de operación.
3. Nunca intente violar el sistema de bloqueo de seguridad u otros mecanismos de seguridad de la cortadora. Controle periódicamente que funcionan correctamente.
4. No intente nunca hacer ajustes o reparaciones a la cortadora mientras el motor está en marcha.
5. Los componentes del colector de césped y la cubierta de descarga están sujetos a desgaste y daños que podrían dejar expuestas piezas que se mueven o permitir que se arrojen objetos. Para proteger su seguridad, verifique frecuentemente todos los componentes y reemplácelos inmediatamente únicamente con piezas de los fabricantes del equipo original (O.E.M.) indicados en este manual. El uso de piezas que no cumplen con las especificaciones del equipo original puede resultar en rendimiento inadecuado y puede poner en peligro la seguridad.
6. Mantenga o reemplace las etiquetas de seguridad y de instrucciones según sea necesario.

Símbolos de seguridad

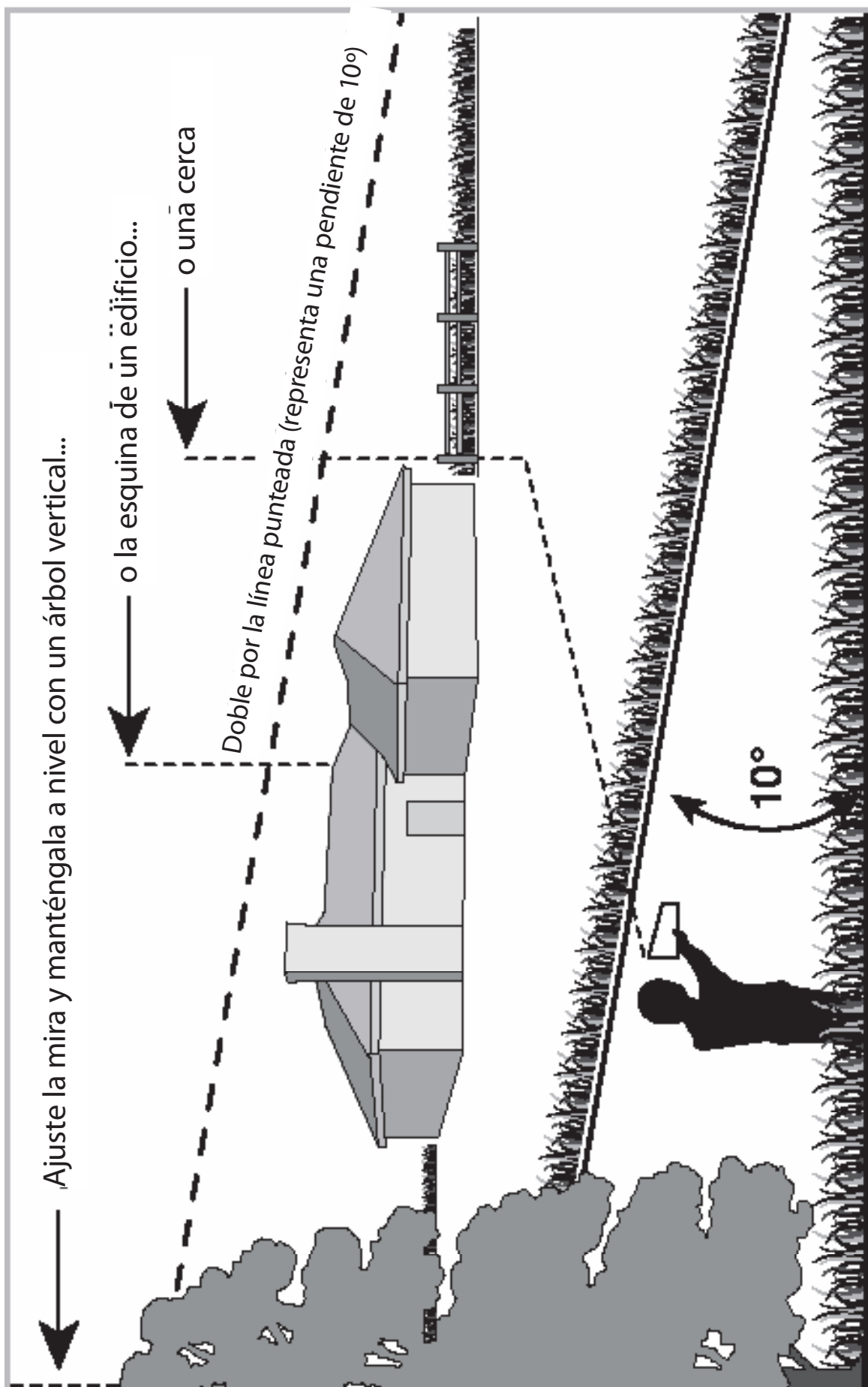
En esta página se presentan y describen los símbolos de seguridad que pueden aparecer en este producto. Lea, entienda y cumpla todas las instrucciones incluidas en la máquina antes de intentar armarla y utilizarla.

Símbolo	Descripción
	LEA LOS MANUALES DEL OPERADOR Lea, entienda y cumpla todas las instrucciones incluidas en los manuales antes de intentar armar la unidad y utilizarla.
	DETENCIÓN Apague el motor antes de abrir la cubierta de la embolsadora.



¡ADVERTENCIA! Su responsabilidad—Limite el uso de esta máquina motorizada a las personas que lean, comprendan y cumplan las advertencias e instrucciones que aparecen en este manual y en la máquina.

¡GUARDE ESTAS INSTRUCCIONES!



Use esta página como guía para determinar las pendientes en las cuales no puede operar con seguridad.



¡ADVERTENCIA No opere la cortadora de césped con un accesorio embolsador en dichas pendientes. No corte en pendientes con una inclinación mayor a 10 grados (elevación aproximada de seis pulgadas por cada 10 pies). Un tractor cortacésped con un accesorio embolsador puede voltearse y causar lesiones graves. En las pendientes opere los tractores cortacésped hacia arriba y abajo, nunca en forma transversal.

Contenido de la caja

3

Antes de comenzar la instalación, retire todas las piezas de la caja para asegurarse de que tiene todo. El contenido de la caja se indica a continuación y se ilustra en la Figura 3. Los números de pieza de los elementos de ferretería se muestran entre paréntesis.

- Conjunto de la ménsula de enganche (3 piezas y paquete de elementos)
- Conjunto de montaje serie 700 (2 soportes y elementos)
- Extensión de tubo de canal
- Codo de canal de descarga
- Soporte de enganche
- Pantalla de la cubierta del colector de césped
- Cubierta del colector de césped
- Dos unidades para bolsas de césped
- Tubo de canal superior
- Soporte de canal superior
- Pasador de cubierta de bisagra
- Cuchillas embolsadoras
- Soporte vertical
- Unidad de soporte de bolsas
- Tres paquetes de elementos (Detallados e ilustrados en la página siguiente)

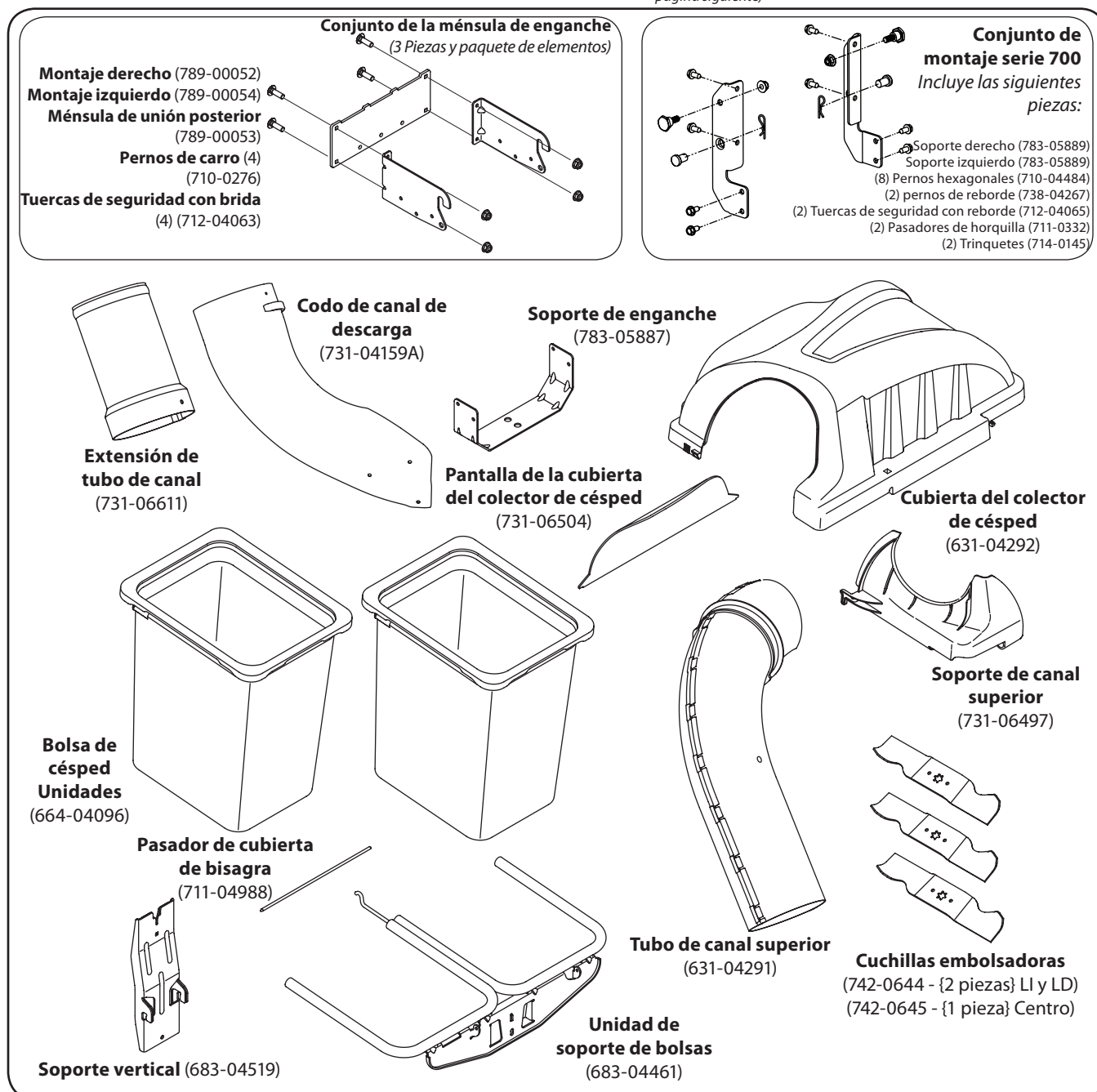
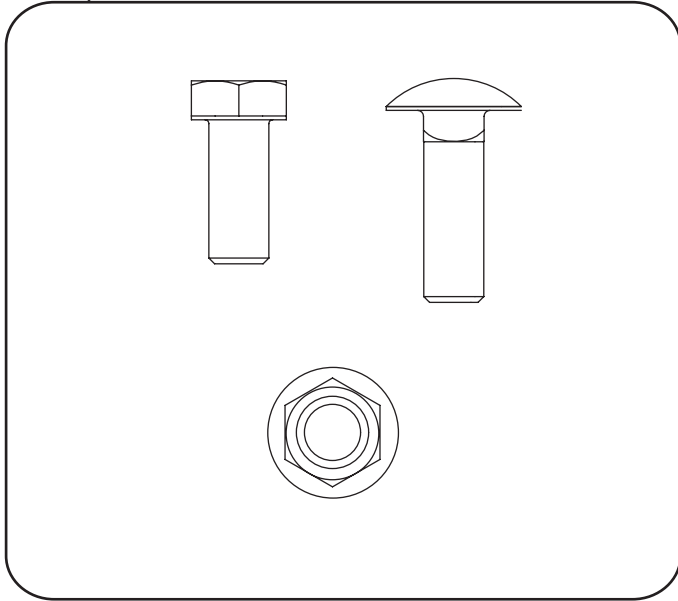


Figura 3-1

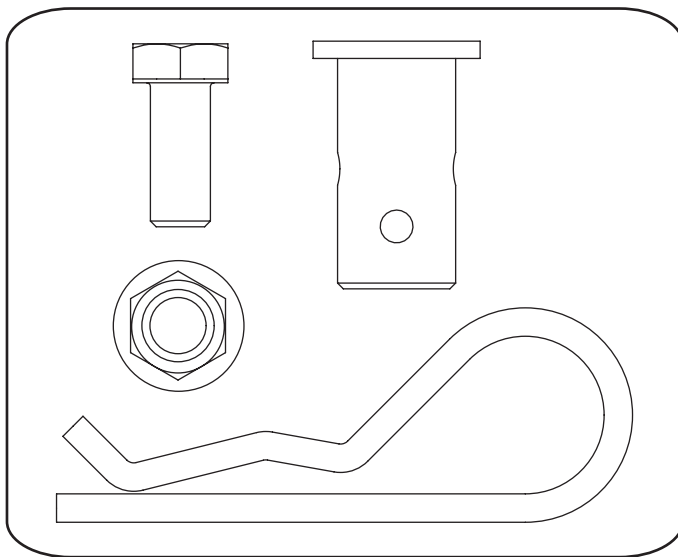
CONTENIDO DEL PAQUETE DE ELEMENTOS DE FERRETERÍA

Este equipo para recolectar el césped se entrega con tres paquetes de elementos de ferretería sueltos y un paquete de elementos de ferretería como parte del conjunto de la ménsula de montaje. Por favor controle los paquetes de elementos con las ilustraciones siguientes. Las cantidades de cada elemento aparecen en paréntesis.

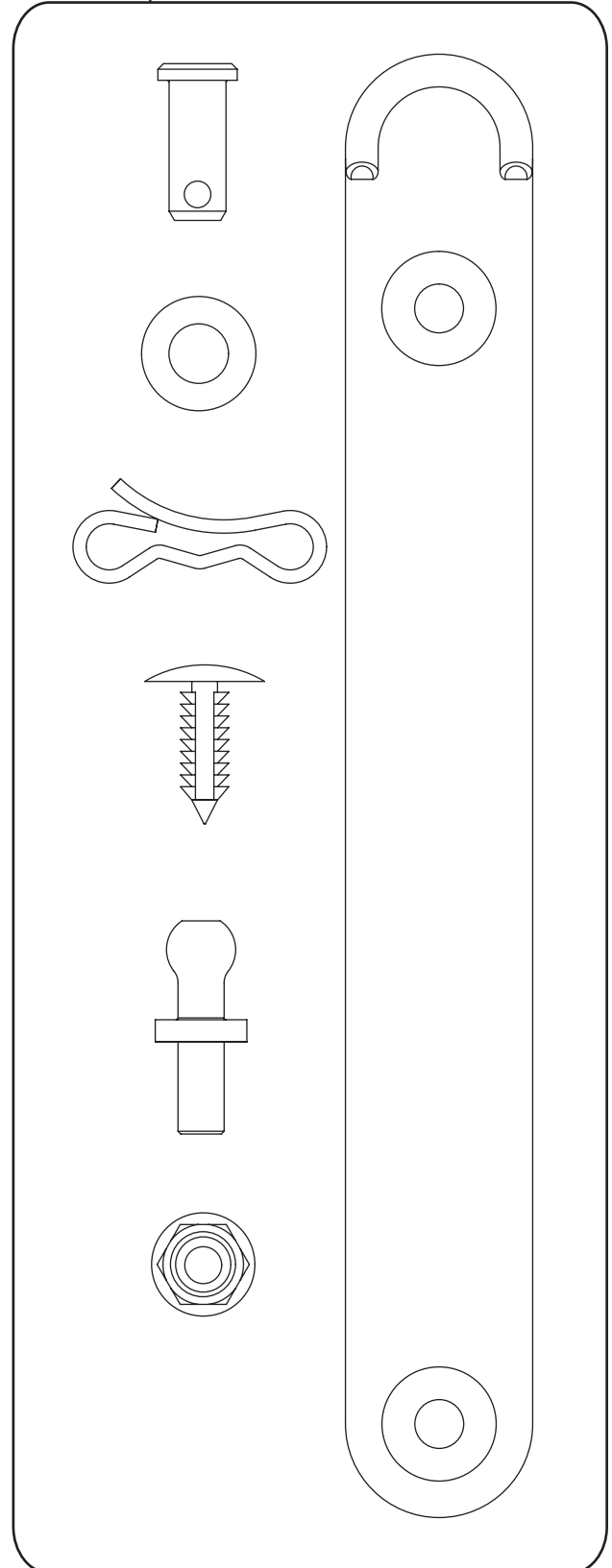
Paquete de elementos incluido con 689-00080



Paquete de elementos 689-00087



Paquete de elementos 689-00091



Tractores serie 700 únicamente

Si está armando esta embolsadora para usar en cualquier tractor de la serie 700, deberá instalar las dos ménsulas de montaje para tractor embaladas en el kit de la embolsadora. Si está instalando la embolsadora para usar en cualquier otro tractor, omita estos pasos y continúe con el Armado de las ménsulas de montaje en la página siguiente.

Para instalar estas ménsulas en un tractor de la serie 700, siga estos pasos:

1. Instale un perno con reborde del paquete de elementos en cada ménsula, ajustándolos con las tuercas de seguridad con brida que también se encuentran en el paquete. Consulte la Fig. 4-1.
2. Saque y descarte los dos tornillos del chasis inferior como se muestra en la Fig. 4-2.
3. Monte las ménsulas de montaje para tractores de la serie 700 a su tractor poniendo los ocho tornillos hexagonales autorroscantes incluidos en el kit usando los orificios ya perforados en el chasis del tractor para los dos pernos de montaje superior y los orificios en el chasis inferior de donde anteriormente sacó y descartó los tornillos. Vea la Fig. 4-2.
4. Al acoplar la unidad de la ménsula de enganche al tractor, asegure con el pasador de horquilla y los trinquetes que se ven en la Fig. 4-2, además del pasador de horquilla de la placa de enganche de la página siguiente.

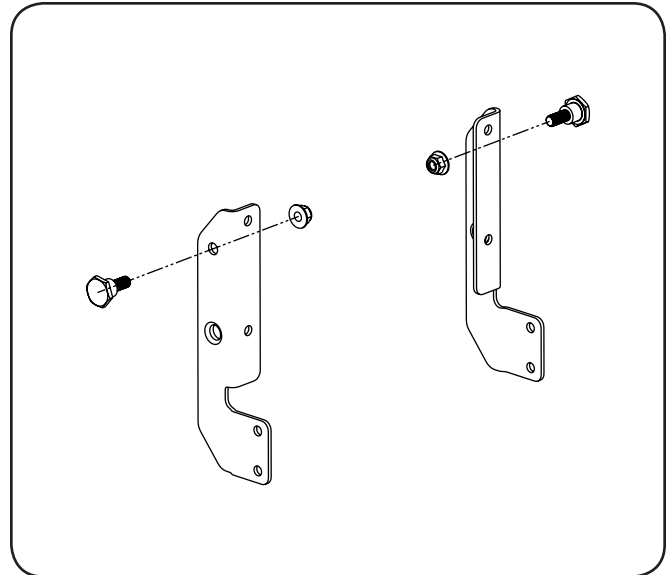


Figura 4-1

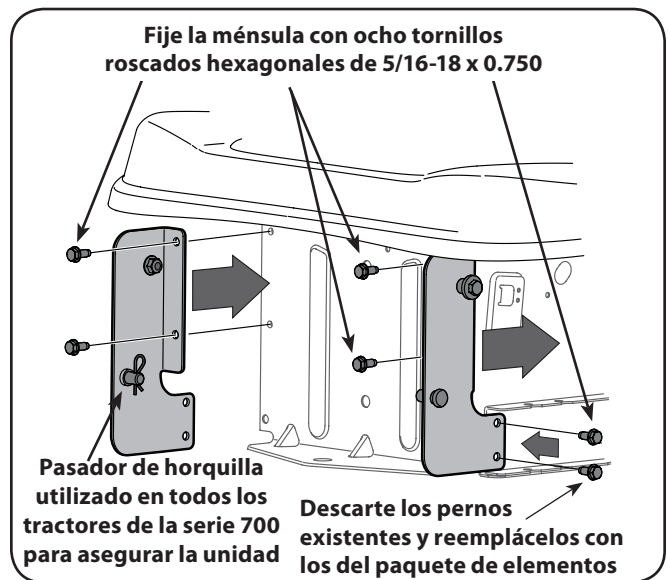


Figura 4-2

Colocación de cuchillas



ADVERTENCIA: Siempre que deba tocar las cuchillas protéjase las manos usando guantes industriales o trapos gruesos.

NOTA: Se incluyen tres cuchillas embolsadoras high-lift con el kit de recolección de césped. Reemplace las cuchillas con estas cuchillas nuevas y guarde las otras como repuesto o para reinstalar en los husillos de las cuchillas cuando no se usa el kit de recolección.

1. Retire la plataforma de corte de abajo del tractor siguiendo las instrucciones del manual del operador del tractor para la extracción de la plataforma. Voltee la plataforma con delicadeza para dejar al descubierto la parte inferior.
2. Coloque un bloque de madera entre el deflector del alojamiento central de la plataforma y la cuchilla de corte, para que actúe como estabilizador. Vea la Fig. 4-3.

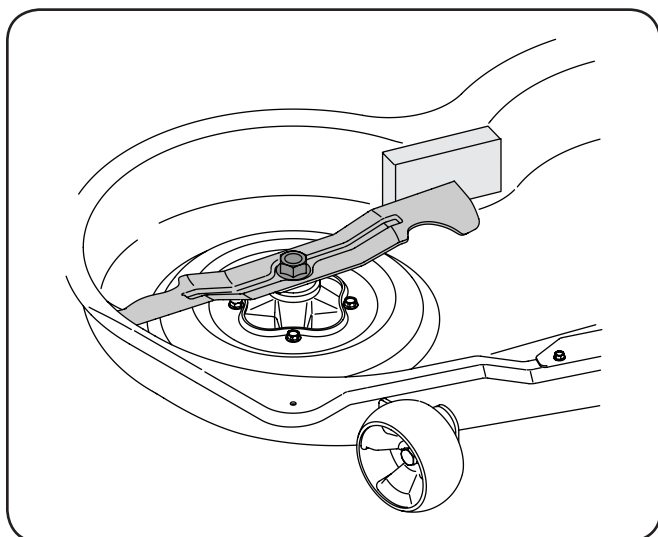


Figura 4-3

3. Utilice una llave de 15/16" para extraer la tuerca de brida hexagonal que sujeta las cuchillas de derecha e izquierda a las unidades de los husillos. Vea la Fig. 4-3.



ADVERTENCIA: La rosca de la tuerca hexagonal con brida gira hacia la derecha. No intente forzar la tuerca en la dirección opuesta; puede dañarla y crear un riesgo de seguridad.

4. Coloque una cuchilla nueva en cada husillo de forma que el lado con el número de pieza mira al suelo cuando la cortadora está en posición de funcionamiento.
5. Ajústela con la tuerca de brida hexagonal que extrajo anteriormente. Utilice una llave de torsión para ajustar la tuerca de brida hexagonal hasta entre 70 y 90 pies-libras.
6. Corra el bloque de madera a la cuchilla de la izquierda o la derecha para estabilizar y extraiga y reemplace la cuchilla central de forma que el lado con el número de pieza mire al suelo cuando la cortadora está en posición de funcionamiento.

NOTA: Guarde las tres cuchillas que acaba de quitar para usar como repuestos o para reinstalar en los husillos cuando no se utiliza la embolsadora.

Armado de las ménsulas de montaje

Para armar la unidad de montaje de la embolsadora, localice el paquete de la unidad de montaje y siga estos pasos:

1. Una las dos ménsulas laterales de enganche a la ménsula de unión trasera universal con cuatro pernos hexagonales y tuercas de seguridad con brida. Con los ganchos de las ménsulas apuntando hacia abajo, las lengüetas de las placas de enganche deben apuntar hacia arriba. Vea la Fig. 4-4.

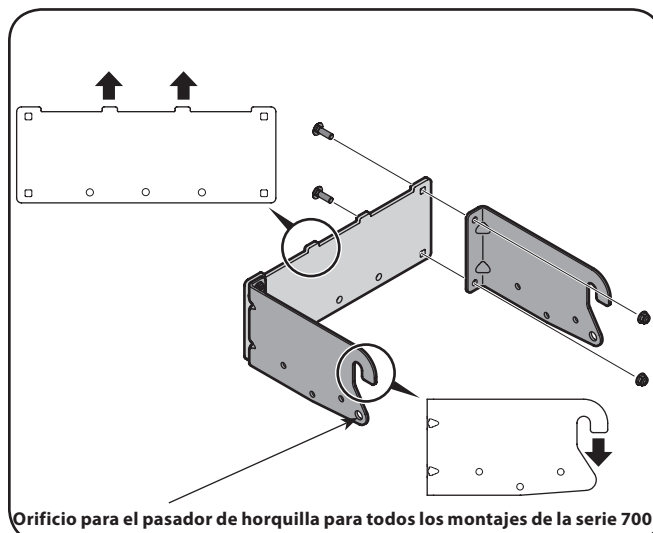


Figura 4-4

2. Voltée la unidad y una la ménsula de soporte de enganche a la unidad de montaje como se ilustra en la Fig. 4-5.

Nota: Puede ser útil en esta etapa dejar este elemento ajustado sólo a mano para facilitar la alineación del orificio de enganche con el pasador de horquilla. Más adelante en el manual se le indicará cuándo debe ajustar este elemento.

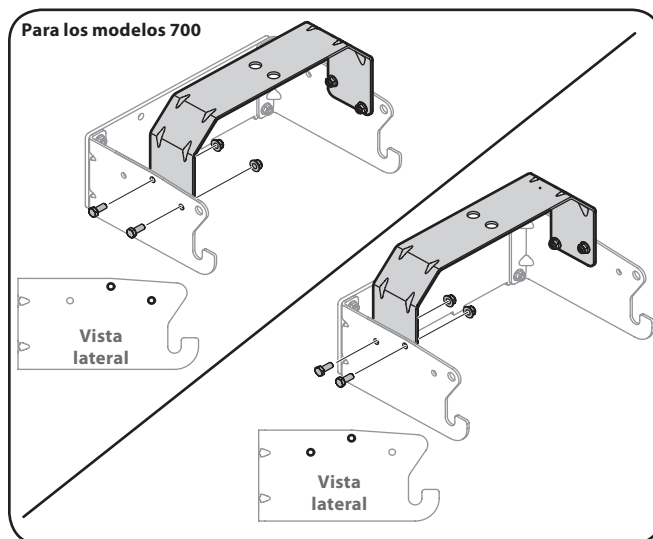


Figura 4-5

Nota: Los orificios más cercanos a los ganchos de montaje se usan con todas las máquinas de los modelos serie 700, en tanto que los dos orificios próximos a la barra son para todos los otros modelos. La ménsula de soporte de enganche se debe voltear para poder alinear los orificios pertinentes de acuerdo con el modelo de la máquina en que se instale esta embolsadora. Vea la Fig. 4-5.

Armado del montaje de soporte

Ubique la ménsula de soporte vertical y la unidad de soporte de la bolsa. Siga estos pasos para el armado:

1. Apoye la parte superior de la unidad de soporte de la bolsa para abajo con la porción de la ménsula de montaje hacia arriba.
2. Inserte el extremo dentado de la ménsula de soporte vertical en la unidad de soporte de la bolsa, vea la Fig. 4-6, y ajuste con un perno de carro de 5/16-18 y una tuerca de seguridad con brida de 5/16-18. Vea la Fig. 4-7.

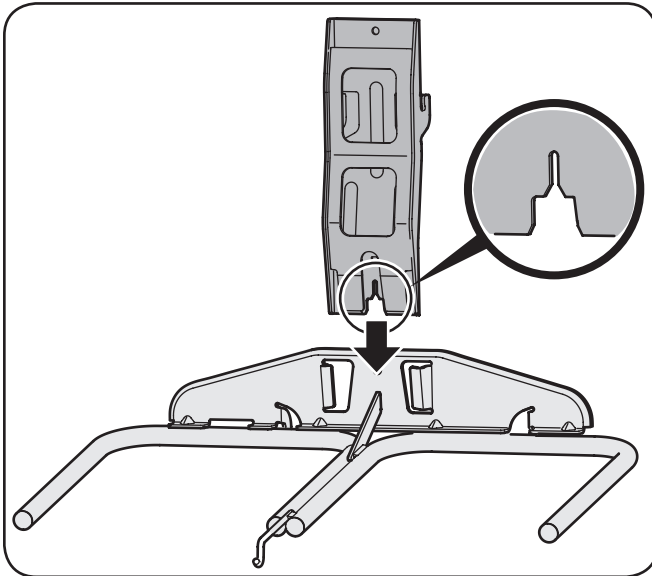


Figura 4-6

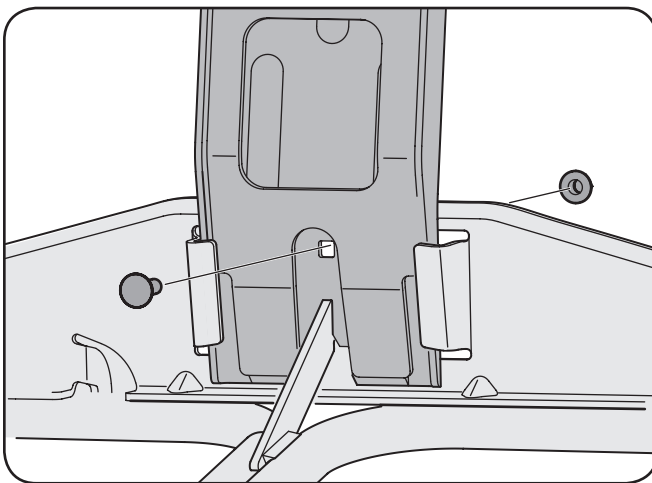


Figura 4-7

Monte la unidad en el tractor

Instale la unidad de montaje en el tractor de la siguiente manera:

1. Coloque los extremos con gancho de la unidad de montaje sobre los pernos con reborde, como en la Fig. 4-8, en el tractor y alinee el orificio central de la ménsula de soporte de enganche con el orificio del enganche del tractor.

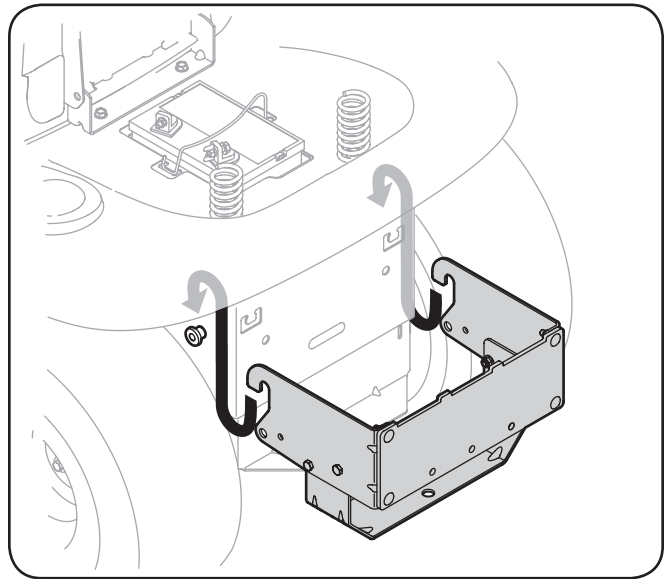


Figura 4-8

2. Instale el pasador de horquilla del paquete de elementos 689-00087 dentro del enganche del tractor y ajuste con un broche de horquilla. Vea la Fig. 4-9.

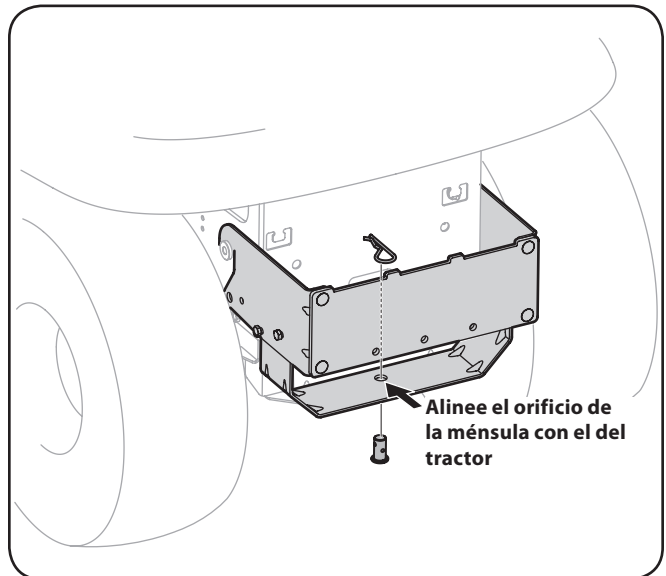


Figura 4-9

Nota: El pasador de horquilla se puede pasar hacia abajo por la placa de enganche y asegurarlo por abajo con el broche de horquilla; o puede resultar más fácil pasarlo hacia arriba y asegurarlo en la parte superior. Este último método suele ser el preferido ya que puede ser más fácil insertar el broche de horquilla. Cualquiera de los dos es correcto, la decisión depende de la preferencia del operador.

Nota: Si decidió dejar el soporte de enganche ajustado sólo a mano durante el armado, en este momento debe ajustar bien todos los elementos de ferretería.

Para montar la unidad en los tractores de la serie 700

Nota: Instale dos pasadores de horquilla a través de la unidad de montaje y asegure a las ménsulas de montaje de la serie 700 instaladas anteriormente con los broches de horquilla provistos en el paquete de elementos. Consulte la Fig. 4-4.

1. Instale la unidad de suspensión del recolector en la unidad de montaje del tractor enganchándolo sobre la placa de enganche entre las dos lengüetas. Vea la Fig. 4-10.

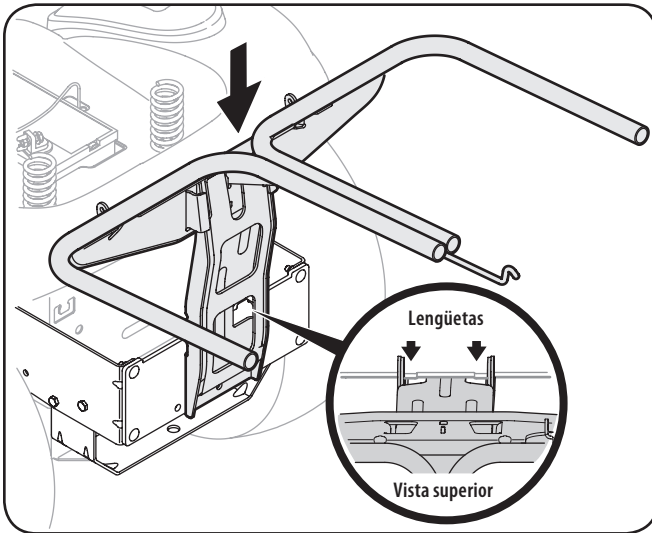


Figura 4-10

2. Asegure la unidad de suspensión a la unidad de montaje con un perno de 5/16" y una tuerca de brida provistos. Vea la Fig. 4-11.

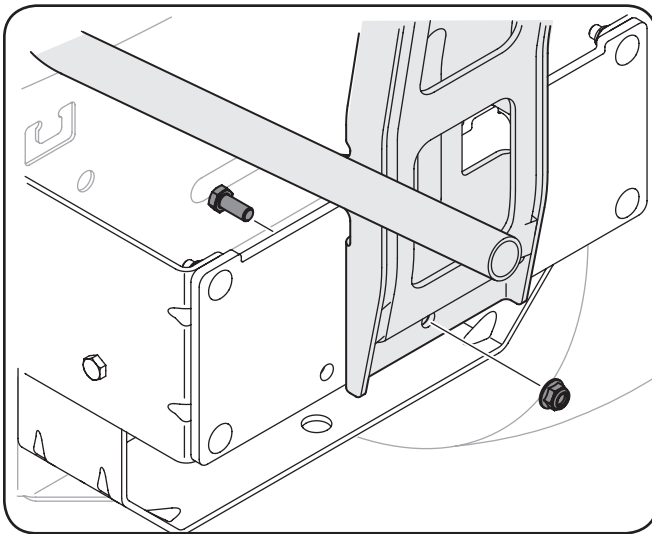


Figura 4-11

Armado del resto de los componentes del recolector

Una vez que las ménsulas de montaje están armadas y colocadas en el tractor, siga estos pasos para armar el resto de los componentes de la embolsadora.

1. Calce a presión el soporte plástico del canal superior colocando primero el lateral sobre el riel de soporte de la embolsadora con el borde que calza a presión alineado con la línea roja, como se ve en la Fig. 4-12.

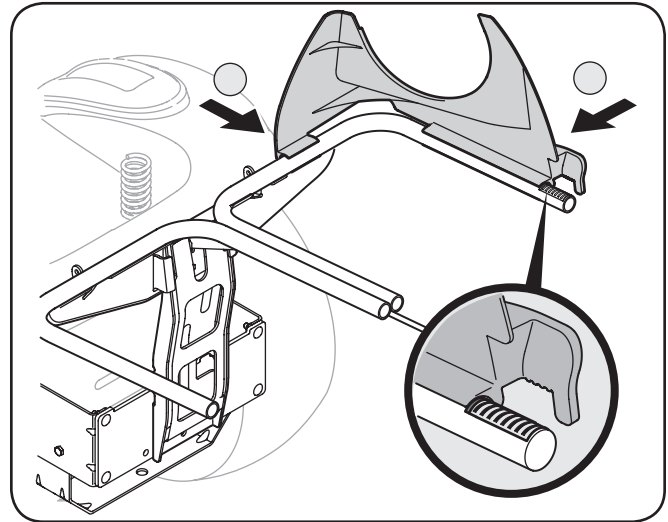


Figura 4-12

2. Calce el frente del soporte del canal al riel, como se muestra en el recuadro de la Fig. 4-12.

3. Instale la pantalla de la embolsadora en la cubierta de la misma insertando primero el extremo más próximo en el lado con el recorte en el orificio de montaje, como en la Fig. 4-13. Asegúrese de pasar la pantalla por debajo del reborde, como en la Fig. 4-14.

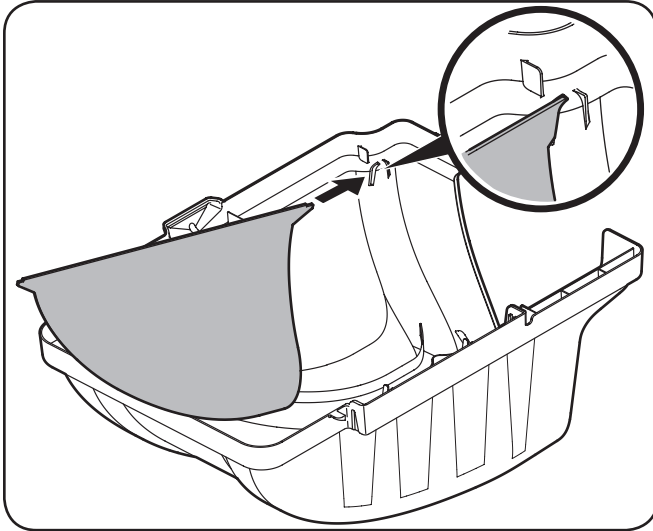
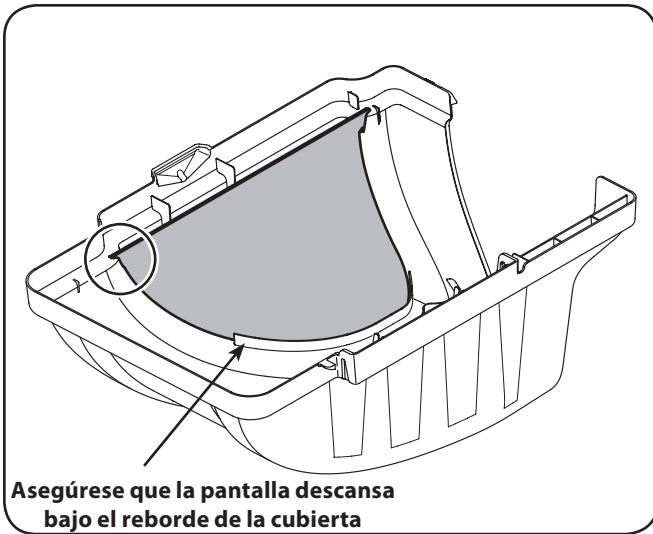


Figura 4-13



Asegúrese que la pantalla descansa bajo el reborde de la cubierta

Figura 4-14

4. Calce el otro lado empujando la pantalla dentro del recorte provisto. Vea la Fig. 4-14.
5. Instale la cubierta de la embolsadora en la unidad de soporte de la bolsa, como se muestra en la Fig. 4-15. La cubierta plástica va dentro de las dos lengüetas de montaje.
6. Deslice el pasador de horquilla en el orificio ubicado en la lengüeta de montaje, como en la Fig. 4-16. Use la ventana recortada (Vea el recuadro de la Fig. 4-16) para alinear el pasador de horquilla del otro lado y empújelo hasta que llegue al tope. En este punto el pasador calza en su posición y queda asegurado por una lengüeta de la cubierta de la embolsadora. Vea la Fig. 4-17.

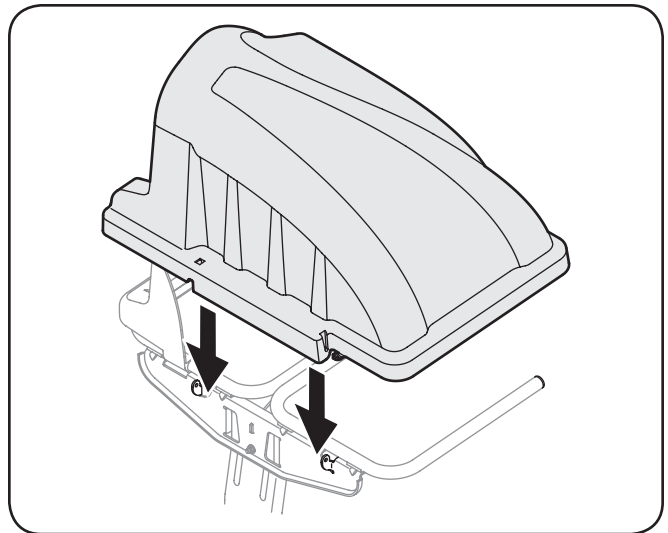


Figura 4-15

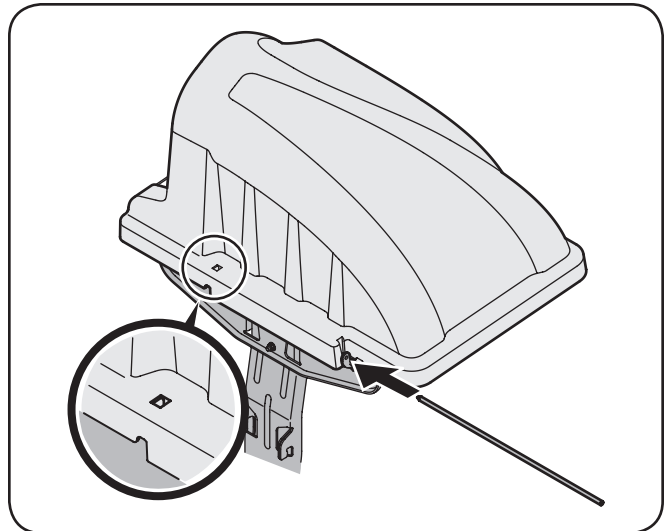


Figura 4-16

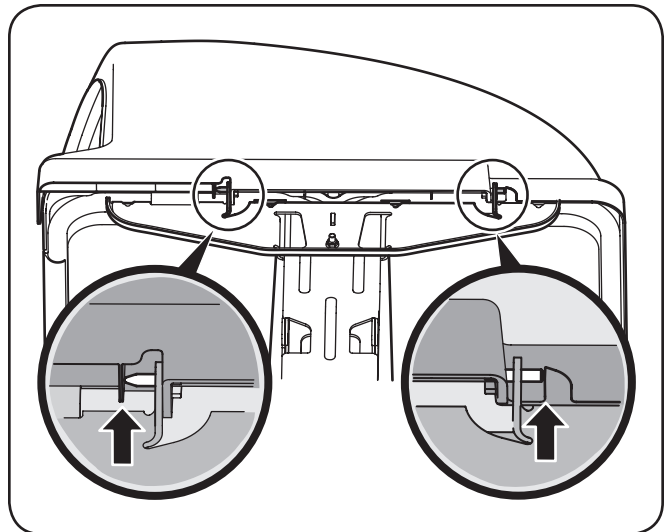


Figura 4-17

- Abra el capó empujando hacia adentro la lengüeta posterior derecha con la mano derecha, como se ve en 1 de la Fig. 4-18, y levantando la cubierta con la mano izquierda en el centro de la parte posterior de la cubierta de la embolsadora, 2.

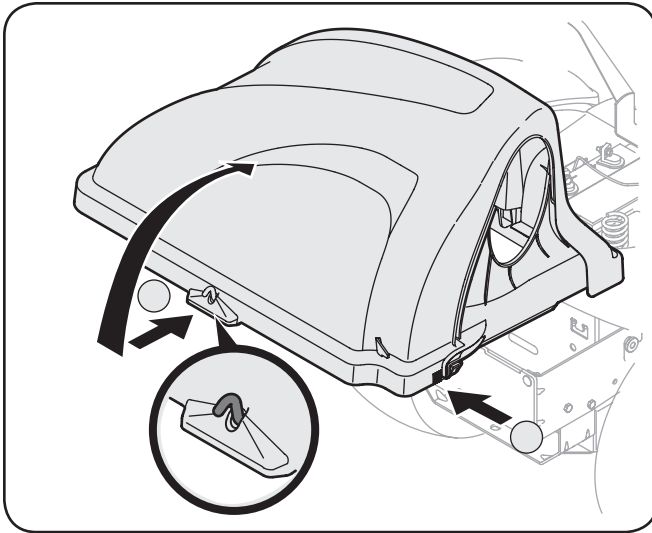


Figura 4-18

- Instale ambas unidades con el lado de red apretada hacia adelante, en las ménsulas de soporte de las bolsas insertando primero el frente, como se ve en la Fig. 4-19, y bajando el borde posterior hasta que calce en la unidad.

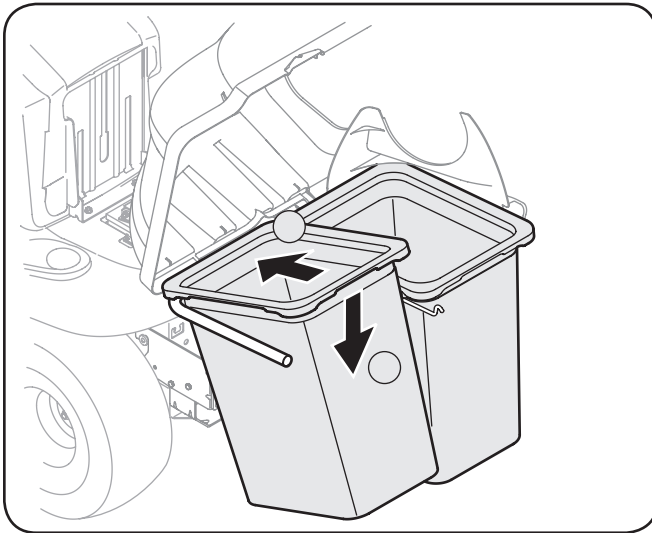


Figura 4-19

- Instale la tira del canal de caucho en el codo del canal usando el pasador de horquilla, arandela y pasador de chaveta con unión curva provistos. Vea la Fig. 4-20.
- Instale el pasador esférico del paquete de elementos en el orificio del frente de la plataforma de corte como se ve en la Fig. 4-21, y ajuste con la tuerca de seguridad con brida provista.
- Con el canal de descarga del tractor levantado y mantenido abierto, instale el codo del canal sobre la abertura del canal colocando el borde posterior superior del codo sobre la parte posterior de la abertura de la plataforma, girando luego el codo hacia abajo y sobre la abertura del canal. Vea la Fig. 4-22.

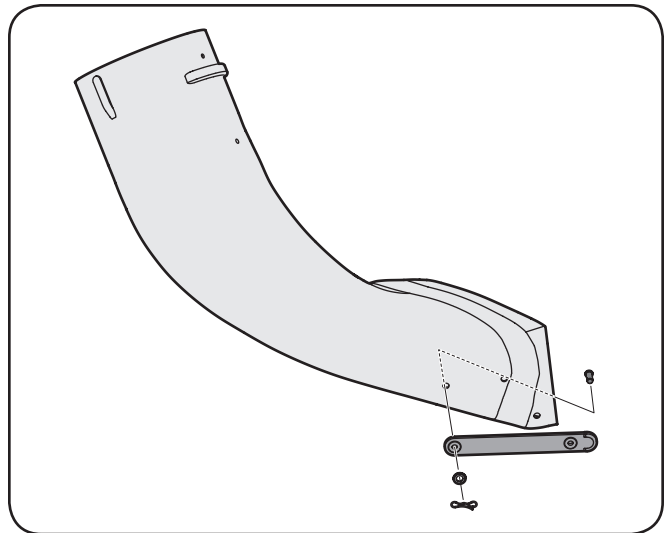


Figura 4-20

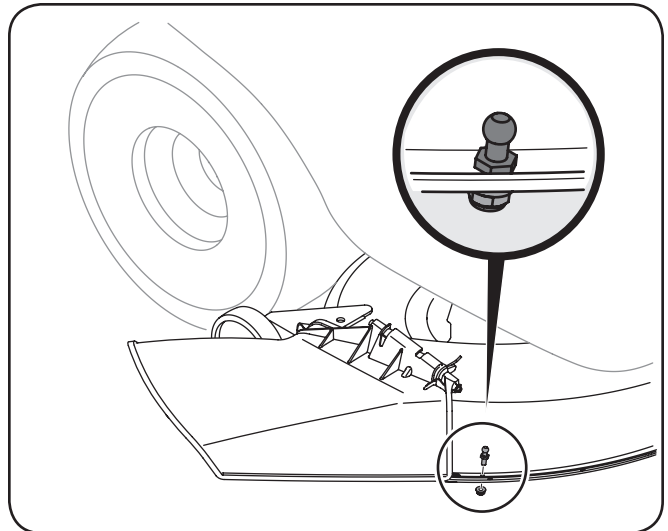


Figura 4-21

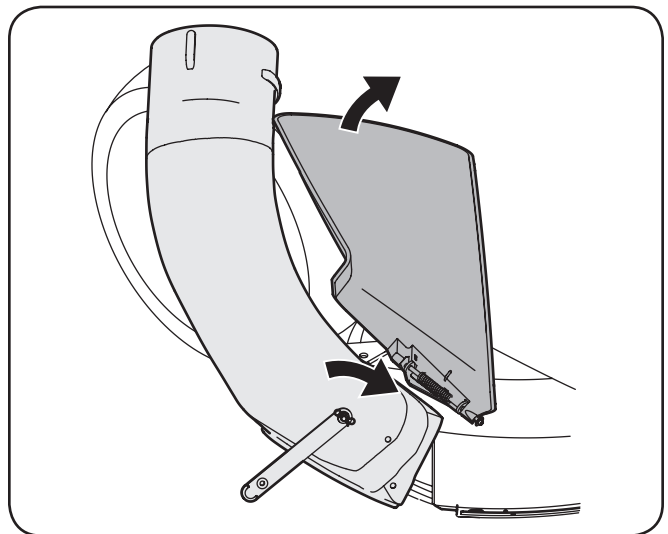


Figura 4-22

Nota: Para instalar correctamente el codo del canal, el borde inferior debe caer **sobre** la parte inferior de la abertura de la plataforma. Vea la Fig. 4-23.

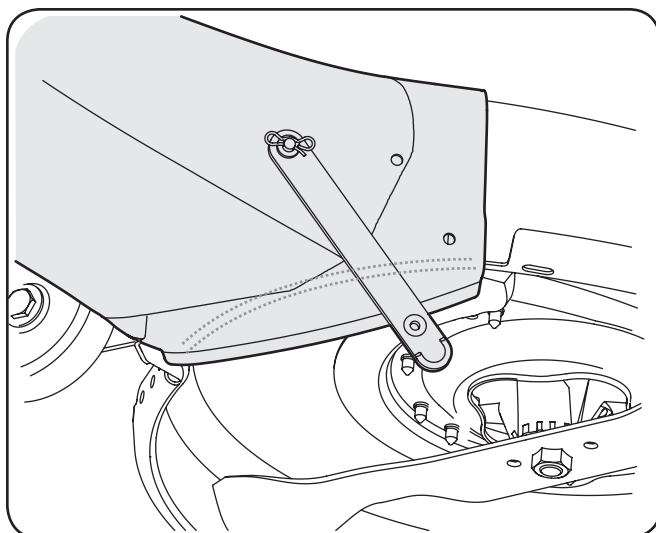


Figura 4-23

12. Asegure el codo del canal a la plataforma del tractor enganchando la tira del canal en el pasador esférico instalado anteriormente en la plataforma. Vea la Fig. 4-24.

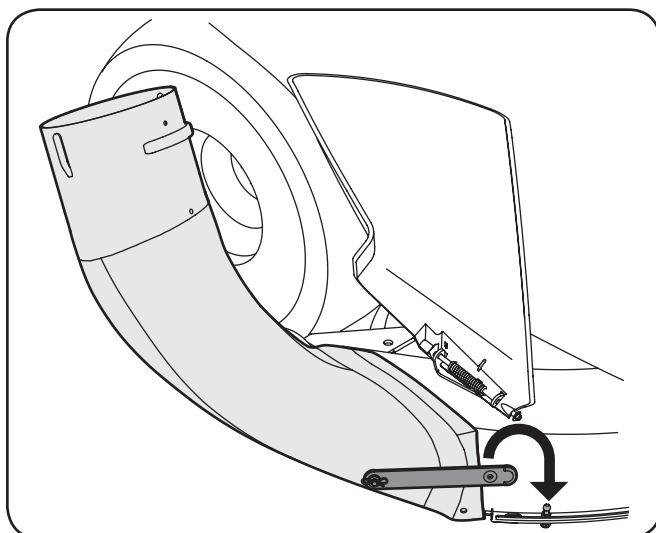


Figura 4-24

13. Instale el adaptador del canal sobre el codo alineando las lengüetas y deslizando el adaptador sobre el codo, como en la Fig. 4-25. Asegure el adaptador instalando las dos pinzas de trinquete incluidas en el paquete de elementos en los orificios provistos.

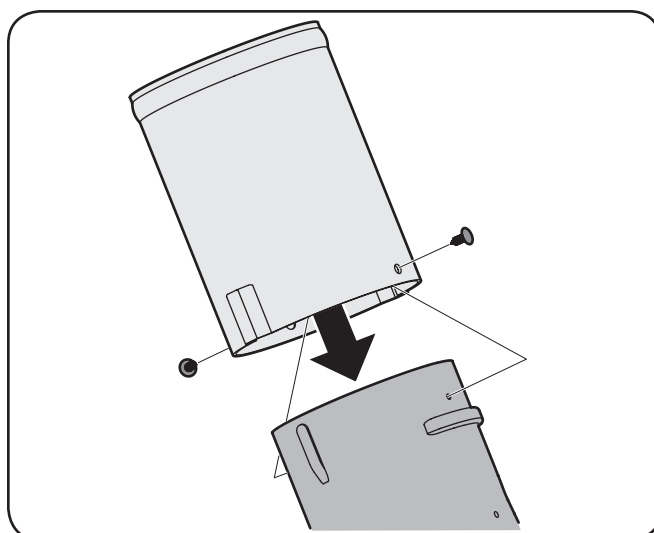


Figura 4-25

14. Con la cubierta de la embolsadora abierta, instale el canal superior sobre el adaptador, y apoye la parte superior para que el soporte del canal descansa en la ranura del canal superior. Vea la Fig. 4-26.

Nota: Asegúrese de alinear el canal superior con las salientes de la ménsula de soporte del recolector.

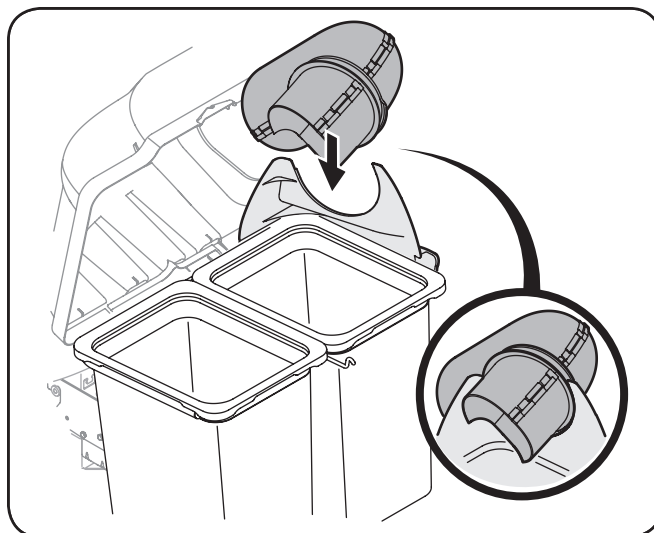
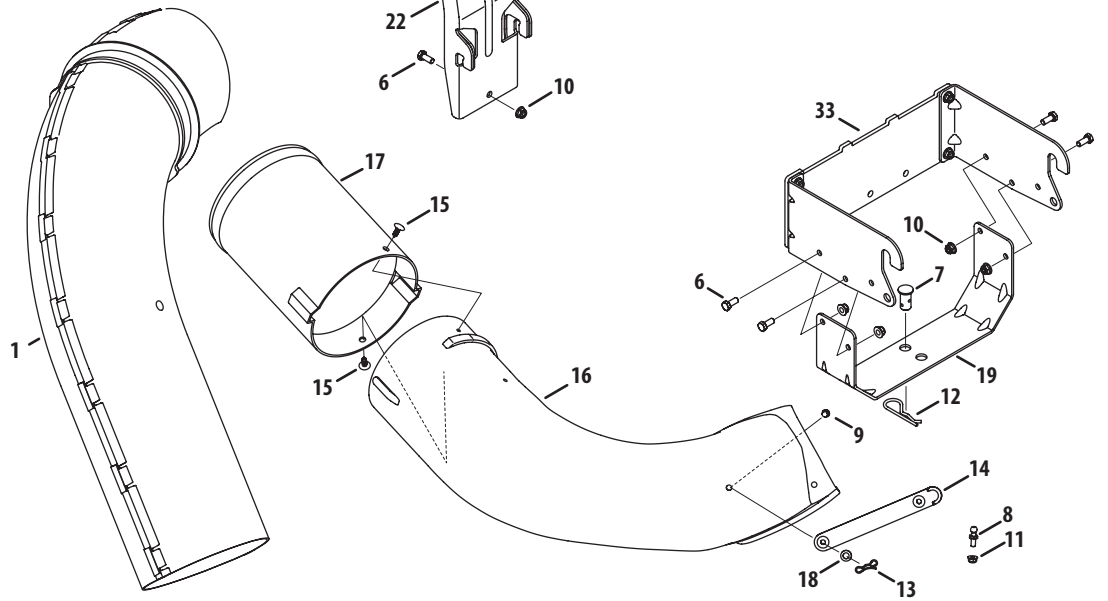
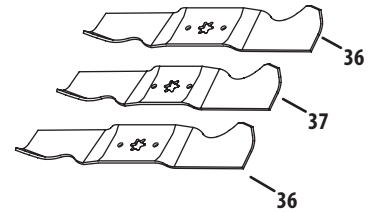
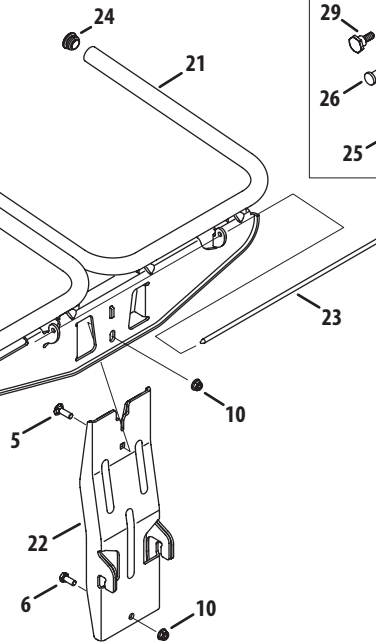
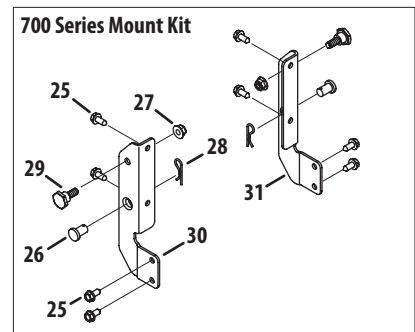
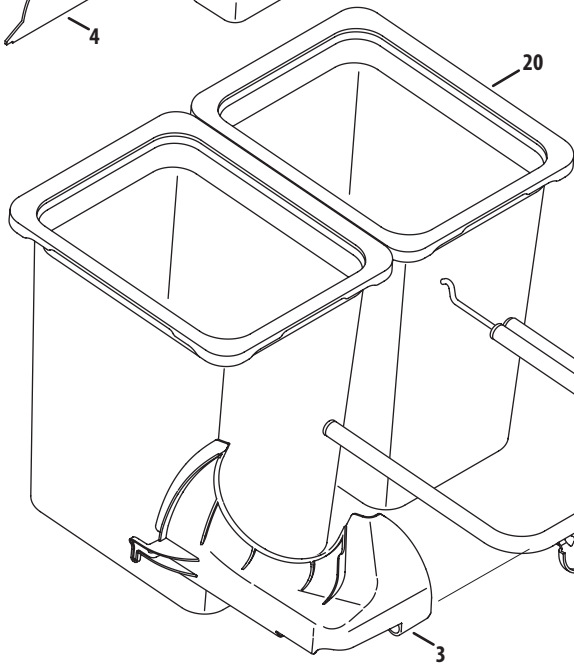
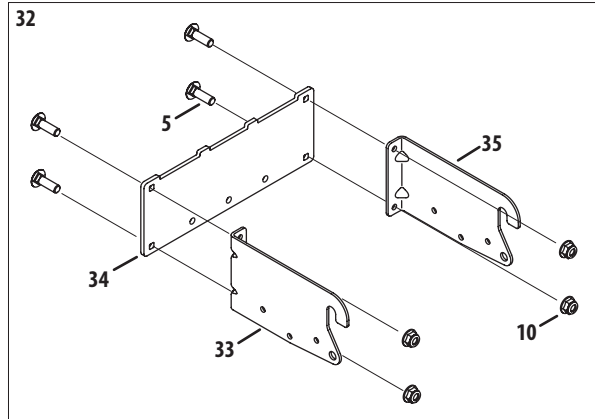
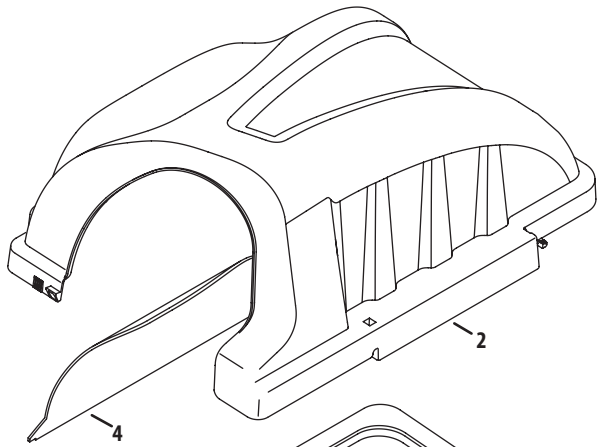


Figura 4-26

Uso de la embolsadora

NOTA: Cuando las dos bolsas para césped estén llenas, coloque el tractor sobre una superficie firme y nivelada, desenganche la toma de fuerza (PTO), apague el motor del tractor y coloque el freno de mano.

1. Voltée el asiento hacia arriba.
2. Levante la cubierta de la bolsa de césped, como se indica en el Paso 7 de la Página 14. No retire el conjunto del tubo del canal del tractor.
3. Retire las bolsas de césped, levantándolas y separándolas de la unidad de soporte de las bolsas.
4. Vacíe los recortes de pasto en un predio de eliminación adecuado, use la manija del fondo de cada bolsa de césped. Para vaciar el contenido sostenga firmemente la bolsa.
5. Vuelva a colocar las bolsas, cierre la tapa, voltée el asiento hacia abajo, arranque el tractor y continúe cortando el césped.



Ref.	Número de pieza	Descripción
1.	631-04291	Unidad del canal superior
2.	631-04292	Unidad de cubierta de embolsadora doble
3.	731-06497	Soporte de canal superior
4.	731-06504	Pantalla de cubierta de embolsadora
5.	710-0276	Tornillo de carro, 5/16-18 x 1.00"
6.	710-3008	Tornillo de cabeza hexagonal 5/16-18 x 0.75"
7.	711-0309A	Pasador de horquilla, 0.62" Dia.
8.	711-04069	Pasador del colector de césped, 1/4-20
9.	711-05063	Pasador de horquilla 5/16 x 0.75
10.	712-04063	Tuerca de seguridad con brida, 5/16-18
11.	712-04064	Tuerca de seguridad con brida, 1/4-20
12.	714-0117	Pasador de chaveta interno, 0.148 x 3.00
13.	714-04040	Pasador de chaveta con unión curva, 72
14.	723-04008A	Tira del canal, 6.00 Lg.
15.	726-3046	Pinza de trinquete, 0.250
16.	731-04159A	Codo del canal de descarga, <i>Plataforma de 46"</i>
17.	731-06611	Adaptador del canal de embolsadora, 7 pulg.
18.	736-0204	Arandela plana, 0.344 x 0.62 x 0.033
19.	783-05887	Soporte de ménsula universal, RT-99/LT-5
20.	664-04096	Unidad de la bolsa para césped
21.	683-04461	Unidad de soporte de bolsas doble
22.	683-04519	Ménsula de soporte vertical
23.	711-04988	Pasador de cubierta de bisagra
24.	735-0246A	Tope final
25.	710-04484	Tornillo roscado, 5/16-18 x 0.750
26.	710-0332	Pasador de horquilla, 0.50 x 0.78
27.	712-04065	Tuerca de seguridad con brida, 3/8-16
28.	714-0145	Trinquete, 0.092 x 1.64 Lg.
29.	738-04267	Tornillo con reborde, 0.625 x 0.412
30.	783-05889	Ménsula de montaje, LD
31.	783-05890	Ménsula de montaje, LI
32.	689-00101	Unidad de la ménsula de enganche
33.	789-00052	Ménsula de enganche, LD
34.	789-00053	Ménsula de unión trasera universal
35.	789-00054	Ménsula de enganche, LI
36.	742-0644	Cuchilla, 16.28 Lg., estrella 2 en 1
37.	742-0645	Cuchilla, 14.88 Lg., estrella 2 en 1

GARANTÍA LIMITADA DEL FABRICANTE PARA



La siguiente garantía limitada es otorgada por MTD LLC con respecto a nuevos productos adquiridos y utilizados en Estados Unidos y/o sus territorios y posesiones, y por MTD Products Limited con respecto a nuevos productos adquiridos y utilizados en Canadá y/o sus territorios y posesiones (cualquiera de las dos entidades, respectivamente, "MTD").

"MTD" garantiza este producto (excluidas las *Piezas y Accesorios con Desgaste Normal* según se describe más abajo) contra defectos en los materiales y mano de obra por un período de dos (2) años a partir de la fecha de compra original y, a su opción, reparará o reemplazará, sin costo alguno, cualquier pieza que presente defectos en los materiales o de mano de obra. Esta garantía limitada sólo se aplicará si el producto ha sido operado y mantenido de acuerdo con las instrucciones del Manual del Operador que se proporciona con el producto y no ha sido sujeto a uso inapropiado, abuso, uso comercial, abandono, accidente, mantenimiento incorrecto, alteración, vandalismo, robo, incendio, inundación o algún daño debido a otro peligro o desastre natural. El daño resultante por la instalación o el uso de piezas, accesorios o uniones no aprobados por MTD para su uso con el(los) producto(s) incluido(s) en este manual anulará la garantía en lo que respecta a esos daños.

Se garantiza que las Piezas con Desgaste Normal están libres de defectos en los materiales y mano de obra por un período de treinta (30) días a partir de la fecha de compra. Las piezas sujetas a desgaste normal incluyen pero no se limitan a: baterías, correas, cuchillas, adaptadores para cuchillas, dientes, bolsas para césped, ruedas, ruedas para la plataforma de la podadora tractor, asientos, zapatas antideslizantes, ruedas de fricción, placas de raspado, gomas helicoidales y neumáticos.

Accesorios — MTD garantiza que los accesorios de este producto están libres de defectos de material y mano de obra durante un período de un (1) año a partir de la fecha de compra o arrendamiento original del accesorio. Los accesorios incluyen, pero no se limitan a elementos tales como: colectores de césped y kits para abono.

CÓMO SOLICITAR Y OBTENER SERVICIO TÉCNICO: El servicio de la garantía está disponible, CON COMPROBANTE DE COMPRA, a través de su distribuidor local de servicio autorizado. Para localizar al distribuidor de su zona:

En Estados Unidos de América

Consulte las páginas amarillas, o póngase en contacto con MTD LLC at P.O. Box 361131, Cleveland, Ohio 44136-0019, ó llame al 1-800-800-7310, 1-330-220-4683 ó visite nuestro sitio web en www.mtdproducts.com.

En Canadá

Contacte MTD Products Limited, Kitchener, ON N2G 4J1, llame al 1-800-668-1238 o visite nuestro sitio web en www.mtdcanada.com.

Esta garantía limitada **no** ofrece cobertura en los siguientes casos:

a. Las bombas, válvulas y cilindros del rompetroncos tienen una garantía separada de un año.

- b. Los elementos del mantenimiento de rutina como por ejemplo lubricantes, filtros, afiladores de cuchillas, puesta a punto del motor, ajustes de frenos, del embrague o de la plataforma y el deterioro normal del acabado exterior debido al uso o exposición.
- c. Mantenimiento no realizado por el distribuidor de servicio autorizado.
- d. MTD no extiende ninguna garantía para los productos vendidos o exportados fuera de los Estados Unidos de América y/o Canadá, y sus respectivas posesiones y territorios, excepto para aquellos vendidos a través de los canales autorizados de distribución de exportaciones de MTD.
- e. Piezas de reemplazo que no son piezas genuinas de MTD.
- f. Gastos de transporte y visitas técnicas.
- g. MTD no garantiza este producto para uso comercial.

No se aplican garantías implícitas, incluidas las garantías implícitas de comerciabilidad o de adecuación para un propósito determinado, después del período de aplicación de la garantía escrita expresa extendida más arriba para las piezas de acuerdo con su identificación. Ninguna otra garantía expresa, sea oral o escrita, excepto la mencionada anteriormente, extendida por personas o entidades, incluidos los distribuidores y minoristas, con respecto a cualquier producto, obligará a MTD. Durante el plazo de la garantía el único recurso es la reparación o reemplazo del producto como se indicó anteriormente.

Las disposiciones incluidas en esta garantía proveen el recurso único y exclusivo que surge de las ventas. MTD no será responsable por pérdidas o daños incidentales o directos, incluyendo sin límites, los gastos incurridos para los servicios de cuidado del pasto de reemplazo o cambio, o los gastos de alquiler para reemplazar de manera transitoria un producto bajo garantía.

Algunos estados no permiten la exclusión o limitación de los daños y perjuicios incidentales o indirectos, o las limitaciones sobre la duración de las garantías implícitas, por lo que las exclusiones o limitaciones mencionadas anteriormente pueden no aplicarse en su caso.

En ningún caso se obtendrá una compensación mayor al monto del precio de compra del producto adquirido. **La alteración de las características de seguridad del producto anulará esta garantía.** Usted asume el riesgo y la responsabilidad por las pérdidas, daños o lesiones personales o materiales propias o de terceros que surjan del uso incorrecto o de la falta de capacidad para usar este producto.

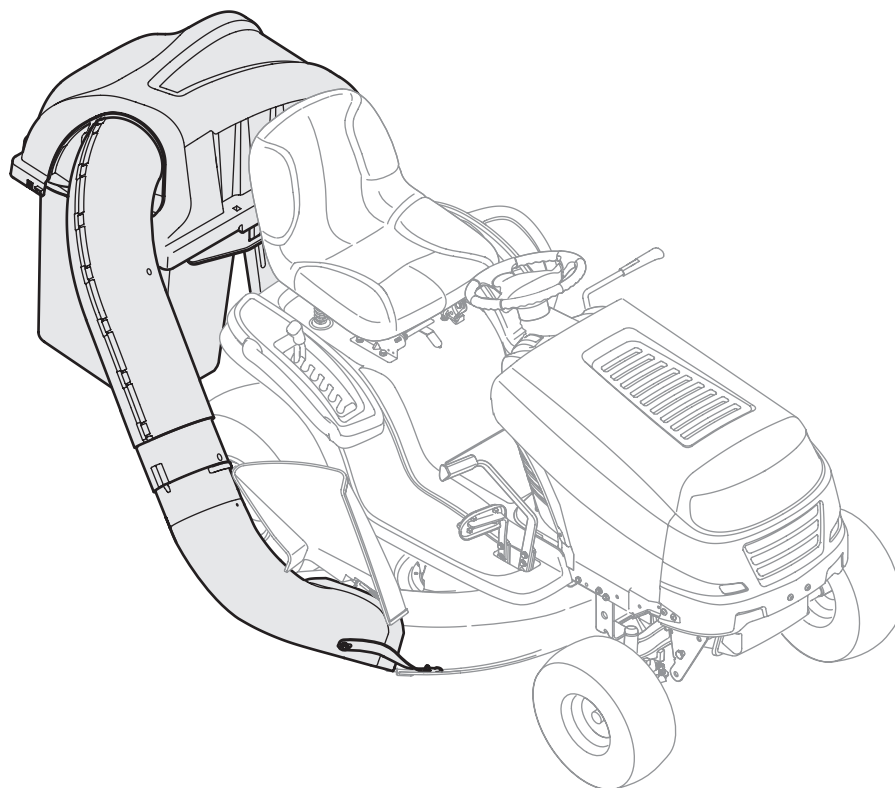
Esta garantía limitada cubre solamente al comprador original, o a la persona que recibió el producto de regalo.

CÓMO SE RELACIONA LA LEGISLACIÓN DEL ESTADO CON ESTA GARANTÍA: Esta garantía limitada le otorga derechos legales específicos y usted también puede tener otros derechos que varían de un estado a otro.

IMPORTANTE: Se podrá requerir al propietario que presente comprobante de compra para obtener la cobertura de garantía.

MTD LLC, P.O. BOX 361131 CLEVELAND, OHIO 44136-0019; teléfono: 1-800-800-7310, 1-330-220-4683
MTD Canada Limited - KITCHENER, ON N2G 4J1; teléfono 1-800-668-1238

MANUEL DE L'OPÉRATEUR



Dispositif d'ensachage arrière double - No. de modèle OEM-190-182A

⚠ AVERTISSEMENT

LISEZ ET SUIVEZ TOUTES LES RÈGLES ET LES DIRECTIVES DE SÉCURITÉ OFFERTES DANS CE
MANUEL AVANT DE FAIRE FONCTIONNER CETTE MACHINE.
LE NON-RESPECT DE CES DIRECTIVES POURRAIT ENTRAÎNER DES BLESSURES CORPORELLES.

MTD LLC, C.P. 361131 CLEVELAND, OHIO 44136-0019 É.-U.

Merci!

Nous vous remercions d'avoir acheté un dispositif d'ensachage double fabriqué par MTD LLC. Ce dispositif a été conçu soigneusement afin de fournir un rendement exceptionnel lorsqu'opéré et entretenu correctement.

Veillez lire ce manuel en entier avant de mettre le dispositif en marche. Ce manuel vous indique comment installer, opérer et entretenir ce dispositif facilement et sans risque. Assurez-vous que vous, et toutes les autres personnes qui utiliseront la machine, suivez attentivement les consignes en matière de sécurité recommandées et ce, en tout temps. Le non-respect de ces consignes peut entraîner des blessures corporelles ou causer des dégâts matériels.

Toutes les informations contenues dans ce manuel sont pertinentes aux données les plus récentes offertes au moment de l'impression. Consultez ce manuel fréquemment afin de vous familiariser avec le dispositif, ses fonctions et son fonctionnement. Nous tenons à vous aviser que ce manuel de l'opérateur peut couvrir un éventail de spécifications de produits pour différents modèles. Les caractéristiques et les

fonctions décrites et/ou illustrées dans ce manuel peuvent ne pas s'appliquer à tous les modèles. MTD LLC se réserve le droit de modifier les caractéristiques, les concepts du produit et le matériel sans préavis et sans obligations de sa part.

Si vous avez des problèmes ou des questions au sujet de ce dispositif, communiquez avec votre concessionnaire de service agréé de MTD par téléphone ou communiquez avec nous directement. Vous retrouverez les numéros de téléphone du soutien à la clientèle de MTD, l'adresse du site Web et l'adresse d'expédition au bas de cette page. Nous tenons à assurer votre entière satisfaction en tout temps.

Toutes les références que vous retrouverez dans ce manuel au sujet du côté droit et du côté gauche de la machine sont observés depuis la position d'opération.

Tables des matières

<i>Identification du modèle de tracteur</i>	43	<i>Fonctionnement</i>	56
<i>Pratiques pour une utilisation sécuritaire</i>	44	<i>Liste des pièces</i>	58
<i>Contenu de la boîte et jeux de montage</i>	47	<i>Garantie</i>	60
<i>Assemblage et installation</i>	49		

Renseignements d'enregistrement du produit

Avant d'installer et de mettre en marche votre nouveau dispositif, veuillez chercher la plaque du modèle sur le dispositif et indiquer l'information dans la section offerte à cet effet (à droite). Vous trouverez la plaque du modèle près du côté supérieur du couvercle du dispositif d'ensachage. Ces renseignements seront indispensables pour faire la demande de soutien technique par l'intermédiaire de notre site Web, pour obtenir de l'aide du Service de soutien à la clientèle ou pour communiquer avec un concessionnaire de service agréé local.

NUMÉRO DE MODÈLE

--	--	--	--	--	--	--	--	--	--	--

NUMÉRO DE SÉRIE

--	--	--	--	--	--	--	--	--	--	--

Soutien à la clientèle

Nous vous prions de NE PAS retourner le dispositif au détaillant ou au concessionnaire sans communiquer d'abord avec le Service de soutien à la clientèle.

Si vous éprouvez de la difficulté à assembler ce produit ou pour toutes questions au sujet des commandes, du fonctionnement ou de l'entretien de ce dispositif, il est possible de recevoir les conseils d'experts. Choisissez l'une des options ci-dessous :

- ◇ Visitez notre site Web au www.mtdproducts.com
- ◇ Communiquez avec un représentant du soutien à la clientèle en composant le (800) 800-7310 ou (330) 220-4683
- ◇ Écrivez-nous à l'adresse suivante : MTD LLC • P.O. Box 361131 • Cleveland, OH • 44136-0019 • États-Unis

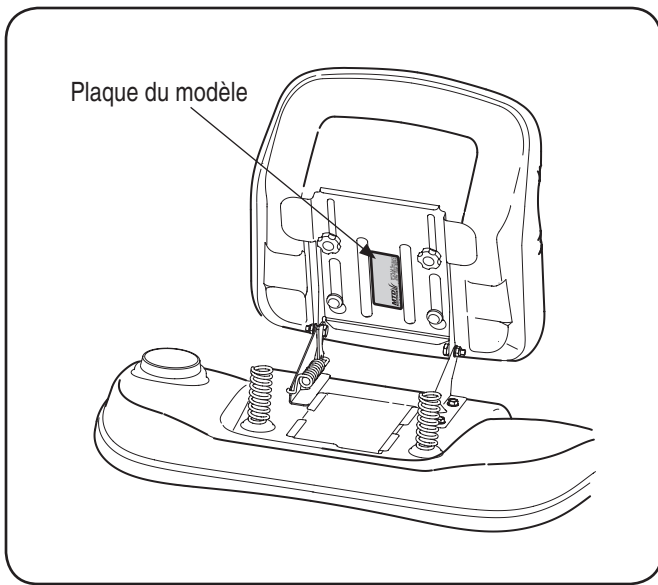


Figure 1-1

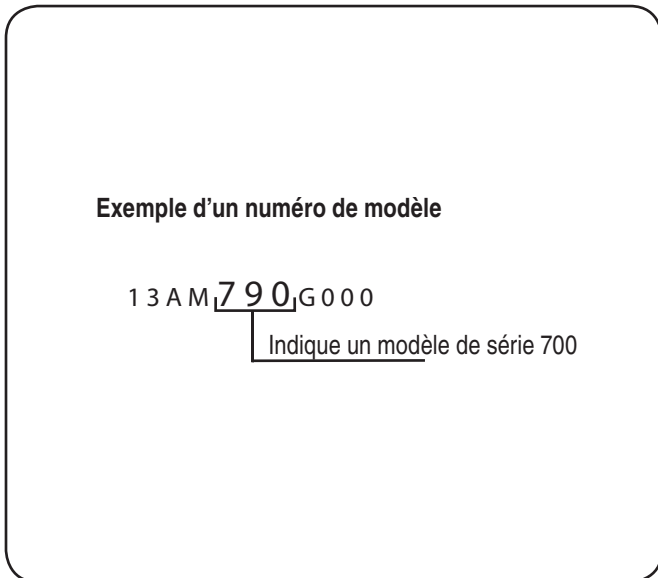


Figure 1-2

Identification du modèle de tracteur

Ce manuel est conçu pour l'installation de ce nouveau dispositif d'ensachage sur plusieurs modèles de tracteurs différents. Il est important que vous déterminiez le modèle de tracteur que vous avez. Une fois que vous connaissez cette information, suivez l'ensemble des instructions appropriées dans les pages suivantes.

Remarque : Lisez et observez tous les AVERTISSEMENTS, les REMARQUES et les énoncés IMPORTANTS. Ils sont offerts pour assurer la protection de l'installateur et l'utilisateur du dispositif, et pour assurer une durée de vie prolongée du dispositif.

Remarque : Toutes les références à la GAUCHE et à la DROITE que vous retrouverez dans ce manuel indiquent le côté GAUCHE et le côté DROIT du tracteur lorsqu'en position de l'opérateur et faisant face vers l'avant. La référence à l'AVANT indique l'extrémité de la grille; à l'ARRIÈRE, indique l'extrémité arrière de la selle.

Afin de déterminer le modèle de selle que vous avez, vous devez retrouver la plaque du modèle de la selle, situé sous le siège. Renversez simplement le siège et cherchez la plaque du modèle, qui se composera d'un numéro de 11 caractères (chiffres/lettres) et d'un numéro de série. Consultez la figure 1-1. Pour une facilité d'installation et pour un usage futur, inscrivez le numéro de modèle et le numéro de série de votre selle dans l'espace ci-dessous :

No. de modèle de la selle : _____

No. de série de la selle : _____

Les 5e, 6e et 7e chiffres à partir de la gauche de votre numéro de modèle indique la série du modèle de votre selle. Consultez la figure 1-2.

Lorsque vous inscrivez votre numéro de modèle dans l'espace ci-dessus, le numéro de série du modèle actuel devrait se retrouver dans la zone ombragée grise.

Maintenant que vous avez déterminé à quel modèle de selle vous attachez ce dispositif d'ensachage, suivez les instructions des pages suivantes selon le modèle de votre selle.

Pratiques importantes pour une utilisation sécuritaire

2



AVERTISSEMENT! Ce symbole indique d'importantes consignes de sécurité qui, si elles ne sont pas respectées, peuvent mettre en danger votre propre sécurité et celle d'autrui et/ou de provoquer des dommages matériels. Veuillez lire et respecter toutes les instructions du présent manuel avant de faire fonctionner le dispositif. Le non-respect de ces directives pourrait entraîner des blessures corporelles.

LORSQUE vous vous voyez ce symbole. **RESPECTEZ L'AVERTISSEMENT!**



DANGER! Ce dispositif a été conçu pour être utilisé selon les pratiques d'utilisation sécuritaires décrites dans ce manuel. Une imprudence ou une erreur de jugement de la part de l'opérateur peut entraîner des blessures graves. Les tondeuses peuvent amputer des mains et des pieds, ainsi que projeter des objets. Le non-respect des consignes de sécurité et des instructions fournies avec votre tondeuse pourrait entraîner des blessures graves et même causer la mort.

Utilisation en général

1. Veuillez lire, assimiler et respecter les avertissements et les instructions qui sont apposés sur le dispositif et dans leurs manuels respectifs avant de monter et de mettre en marche l'équipement. Conservez le présent manuel dans un endroit sécuritaire pour toutes consultations régulières et futures, de même que pour commander des pièces de rechange.
2. Pour éviter tout contact avec la lame ou d'être blessé par un projectile, éloignez les enfants, les passants, les assistants et les animaux à au moins 75 pieds de la tondeuse en cours de fonctionnement. Arrêtez l'appareil si quelqu'un pénètre dans la zone de travail.
3. Examinez soigneusement la zone où la tondeuse sera utilisée. Retirez toutes les pierres, tous les bâtons, les fils, les os, les jouets et les autres objets qui pourraient être avalés et projetés par la/les lame(s). Les objets projetés peuvent provoquer des blessures corporelles graves.
4. Pour protéger vos yeux, portez toujours des lunettes de sécurité munies ou non de coques en utilisant l'appareil, lors de réglages ou de réparations. Les objets projetés, qui ricochent, risquent de blesser grièvement les yeux.
5. Ne faites pas fonctionner la tondeuse sans son clapet d'éjection ou son bac de ramassage installé dans son emplacement approprié. Un clapet d'éjection ou un composant du dispositif d'ensachage manquant ou endommagé peut entraîner des blessures causées par la projection d'objets ou par le contact avec la lame.
6. Éloignez vos mains et pieds des pièces mobiles et ne les passez jamais sous le plateau de coupe. Un contact avec la/les lame(s) risque d'amputer les mains et pieds.
7. Coupez le moteur de la tondeuse et attendez que les lames s'immobilisent complètement avant de déboucher l'ouverture d'éjection ou les pièces du dispositif d'ensachage de la tondeuse.
8. Ralentissez avant de tourner. Manoeuvrez la machine en douceur. Évitez le fonctionnement erratique et une vitesse excessive. Tenez compte du fait que les accessoires d'ensachage peuvent influencer les caractéristiques de manipulation de votre tondeuse.
9. Désengorgez la/les lame(s), placez le frein à main, coupez le moteur et attendez l'immobilisation complète de la/des lame(s) avant d'ouvrir le couvercle du bac de ramassage, de retirer celui-ci, de vider l'herbe, de déboucher la goulotte, de retirer les débris, ou en effectuant tout autre ajustement.
10. Ne laissez jamais la machine en marche sans surveillance. Attendez toujours que la/les lame(s) s'immobilisent, placez la transmission au neutre, mettez le frein à main, coupez le moteur et retirez la clé avant le démontage.
11. Votre machine est conçue pour couper la pelouse résidentielle normale n'excédant pas plus de 10 po. Ne tentez pas de couper la pelouse exceptionnellement longue et sèche (par exemple, des pâturages) ou des amas de feuilles mortes. De la pelouse sèche ou des feuilles mortes peuvent entrer en contact avec l'échappement du moteur et/ou s'accumuler sur la plate-forme de la tondeuse offrant un risque d'incendie potentiel.
12. En cas de situations qui ne sont pas mentionnées dans le présent manuel, soyez prudent et faites preuve de bon sens. Pour de l'aide, communiquez avec un représentant du service à la clientèle.

Utilisation sur une pente

Les pentes sont l'un des principaux facteurs qui contribuent à la perte de contrôle et aux accidents liés aux renversements qui peuvent entraîner des blessures graves et même causer la mort. Les accessoires de tonte peuvent également affecter la stabilité de la machine. Tout travail sur des pentes exige des précautions supplémentaires.

Par mesure de sécurité, utilisez l'inclinomètre fourni dans le présent manuel pour mesurer l'inclinaison du terrain avant d'utiliser cet appareil dans une zone en pente ou montagneuse. Si la pente est supérieure à 10 degrés comme indiqué sur l'inclinomètre, retirez les accessoires de tonte (c.-à-d. le sac de ramassage, etc.) avant de commencer le travail dans ce secteur, car des blessures graves pourraient s'en suivre.

À faire :

1. Tondez parallèlement à la pente, jamais en travers. Faites preuve d'une extrême prudence lors des changements de direction sur une pente.

- Faites attention aux trous, aux ornières, aux pierres ou aux objets dissimulés dans l'herbe. Un terrain inégal peut faire retourner la machine. Des herbes hautes peuvent dissimuler des obstacles.
- Roulez à basse vitesse. Choisissez un réglage de vitesse suffisamment bas pour que vous n'ayez pas à arrêter ou à changer de vitesse lorsque vous vous trouvez sur une pente. Quoique les freins fonctionnent correctement, les pneus peuvent perdre une certaine traction sur les pentes. Maintenez toujours la machine embrayée lorsque vous descendez les pentes afin de tirer avantage de l'action de freinage du moteur.
- Respectez les recommandations du fabricant pour les poids ou les contrepoids des roues afin d'améliorer la stabilité.
- Gardez tous les mouvements lents et progressifs lorsque vous vous trouvez sur les pentes. N'apportez pas de modifications soudaines à la vitesse ou à la direction. Un embrayage ou un freinage brusque pourrait faire basculer la machine et causer un renversement arrière, causant ainsi des blessures graves.
- Évitez de mettre en marche la machine ou de vous arrêter sur une pente. Si les pneus perdent de la traction, désembrayez la/les lame(s) et dirigez-vous lentement vers le bas de la pente.

À ne pas faire :

- Si possible, évitez de changer de direction sur les pentes à moins que ce ne soit absolument nécessaire.
- Ne tondez pas près des descentes, des fossés ou des remblais. La tondeuse pourrait basculer soudainement si une roue se trouve au-dessus d'une falaise, d'un fossé ou si un rebord s'enfonce.

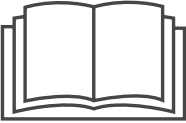

- N'essayez pas de stabiliser la machine en mettant votre pied au sol.
- Ne vous servez pas d'un bac de ramassage sur les pentes raides.
- Ne tondez pas de l'herbe mouillée. Une traction réduite pourrait causer un glissement.

Entretien général

- Avant de nettoyer, de réparer ou d'examiner la tondeuse, assurez-vous que la/les lame(s) et toutes les pièces mobiles sont immobiles. Débranchez le fil de la bougie d'allumage et mettez-le à la terre contre le moteur pour empêcher tout démarrage intempestif.
- Afin de vous assurer que l'équipement conserve une condition de travail sécuritaire, maintenez tous les écrous, boulons et vis bien serrés.
- N'altérez jamais le système de verrouillage de sécurité de votre tondeuse ni d'autres dispositifs de sécurité. Vérifiez régulièrement leur bon fonctionnement.
- Ne tentez jamais de faire des ajustements ou des réparations lorsque le moteur de la tondeuse tourne.
- Les composants du sac à herbe et du clapet d'éjection peuvent s'user et s'endommager; par conséquent, ils peuvent exposer les pièces mobiles ou provoquer la projection d'objets. Par mesure de sécurité, vérifiez régulièrement les composants et remplacez-les immédiatement, avec des pièces de rechange authentiques du fabricant uniquement. Consultez la liste des pièces du présent manuel. L'emploi de pièces non conformes aux caractéristiques du matériel d'origine pourrait entraîner une performance inférieure et compromettre la sécurité!
- Prenez soin des étiquettes de sécurité et remplacez-les au besoin.

Symboles de sécurité

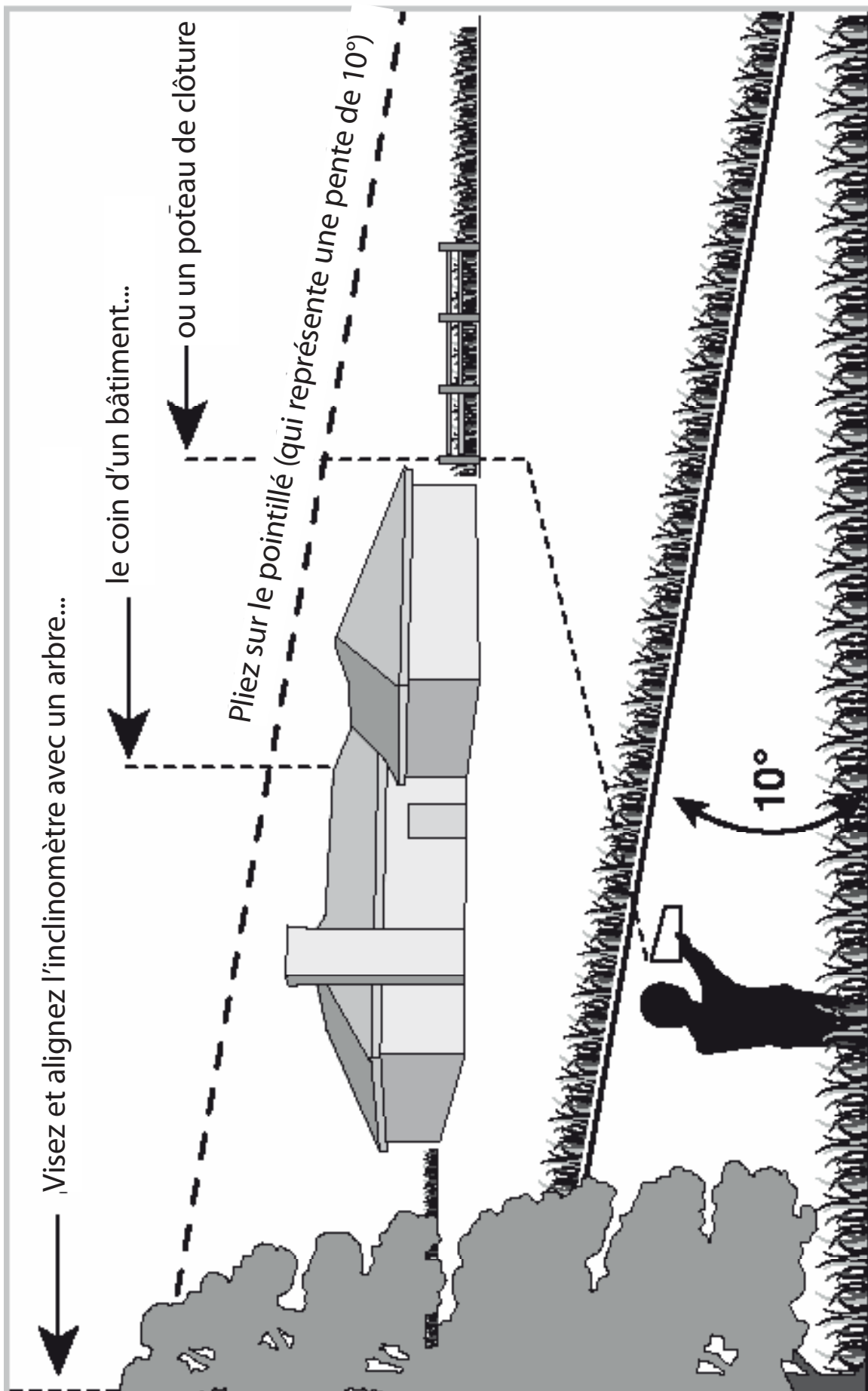
Ce tableau illustre et décrit les symboles de sécurité qui peuvent apparaître sur ce produit. Avant son utilisation, lisez, assimilez et respectez toutes les instructions apposées sur l'appareil.

Symbole	Description
	LIRE LE(S) MANUEL(S) DE L'OPÉRATEUR Avant son utilisation, lisez, assimilez et respectez toutes les instructions décrites dans ce(s) manuel(s).
	ARRÊT Coupez le moteur avant d'ouvrir le couvercle du bac de ramassage.



AVERTISSEMENT! C'est votre responsabilité—Limitez l'utilisation de cet appareil motorisé à des personnes qui peuvent lire, assimiler et respecter les avertissements et les instructions qui figurent dans le présent manuel et qui sont apposés sur l'appareil.

CONSERVEZ CES INSTRUCTIONS!



Servez-vous de cet inclinomètre pour déterminer les pentes sur lesquelles il serait dangereux de travailler.



AVERTISSEMENT! N'utilisez pas votre tondeuse avec un dispositif d'ensilage sur de telles pentes. Ne vous servez pas de la tondeuse sur des pentes dont la déclivité est supérieure à 10 degrés (soit une élévation d'environ 6 pouces tous les 10 pieds). Une tondeuse à siège avec un dispositif d'ensilage risque de se retourner et de causer des blessures graves. Opérez toujours les tondeuses à siège parallèlement à la pente, jamais en travers.

Contenu de la boîte

3

Avant de commencer l'installation, retirez toutes les pièces de la boîte afin de vous assurer qu'il ne manque rien. Le contenu de la boîte est énuméré ci-dessous et illustré à la figure 3-1. Les numéros des pièces de montage sont indiqués entre parenthèses.

- Jeu pour le support de fixation (*quincaillerie et 3 pièces*)
- Jeu de montage de la série 700 (*quincaillerie et 2 supports*)
- Prolongation du tube de la goulotte
- Coude de la goulotte de descente
- Support de fixation
- Écran de protection du couvercle du bac de ramassage
- Couvercle du bac de ramassage
- Assemblage pour deux sac à herbe
- Tube de la goulotte supérieure
- Support de la goulotte supérieure
- Goupille pour les charnières du couvercle
- Lames du dispositif d'ensachage
- Support de fixation droit
- Assemblage du support du sac
- Trois jeux de montage (*détaillés et illustrés sur la page suivante*)

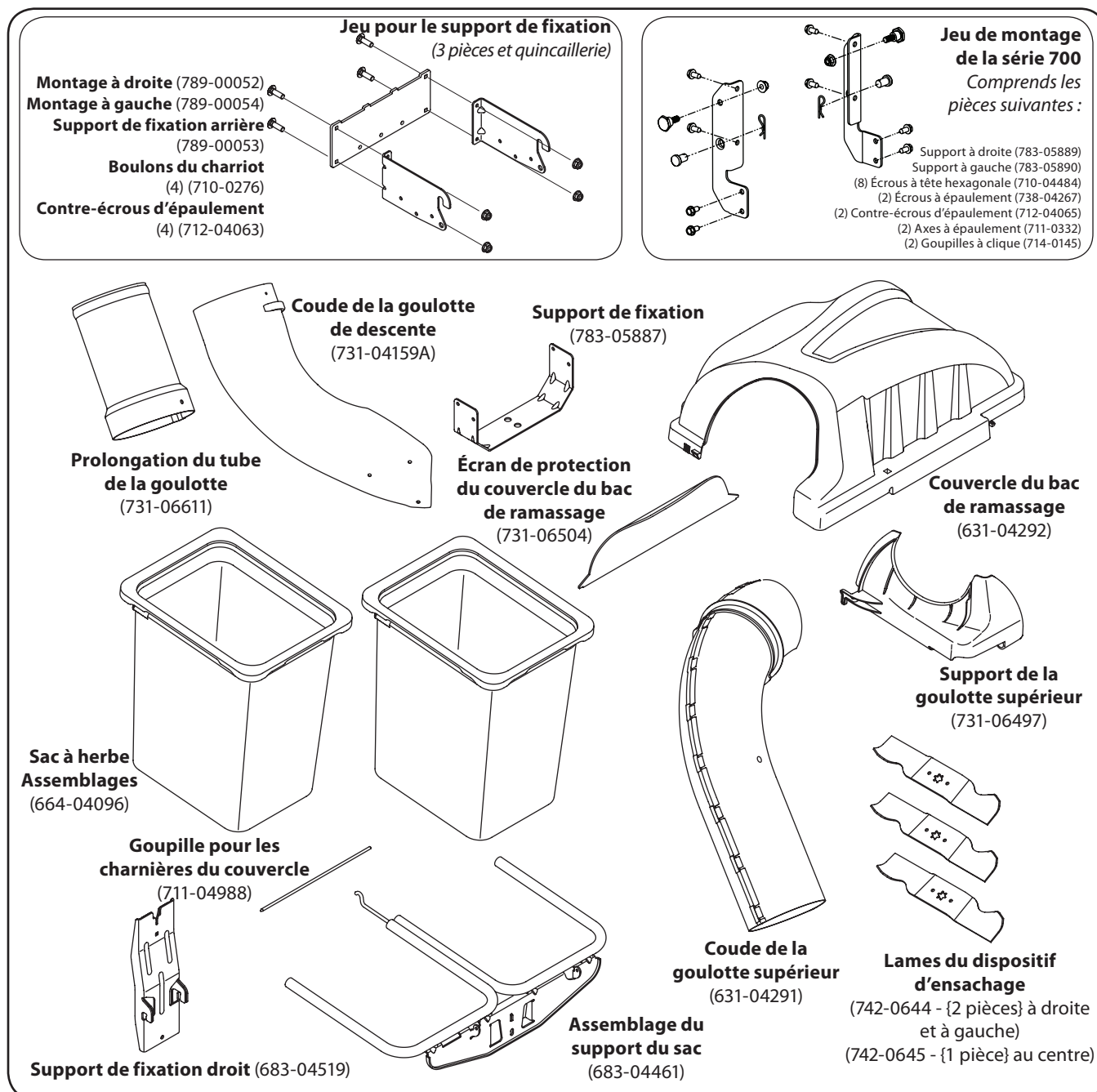
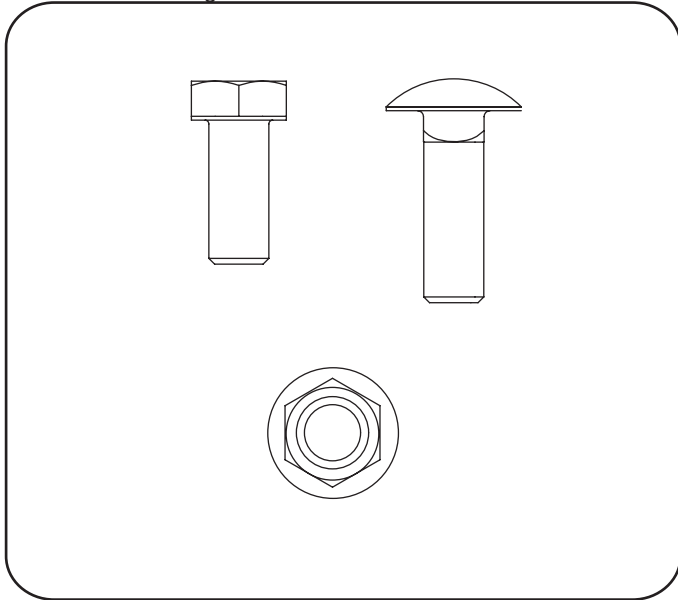


Figure 3-1

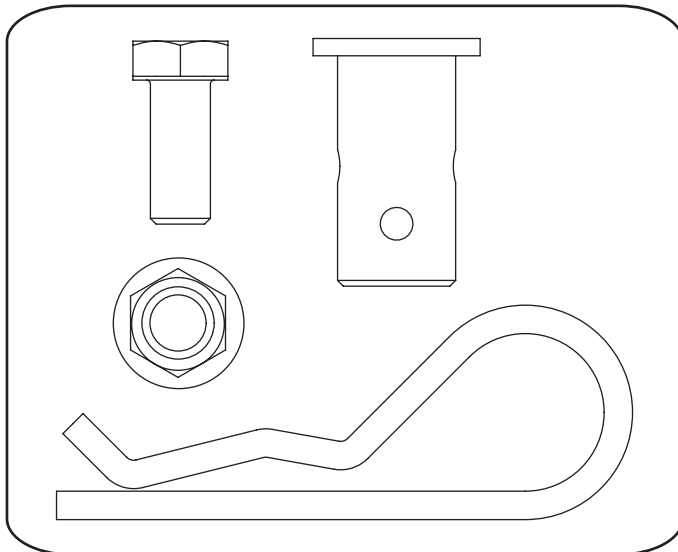
CONTENU DU JEU DE MONTAGE

Cette trousse pour le ramasse-herbe est expédiée avec trois jeux de montage individuels inclus et un jeu de montage inclus dans la trousse du support de fixation. Veuillez comparer le matériel fourni avec les illustrations ci-dessous. La quantité de chaque article est indiquée dans les parenthèses.

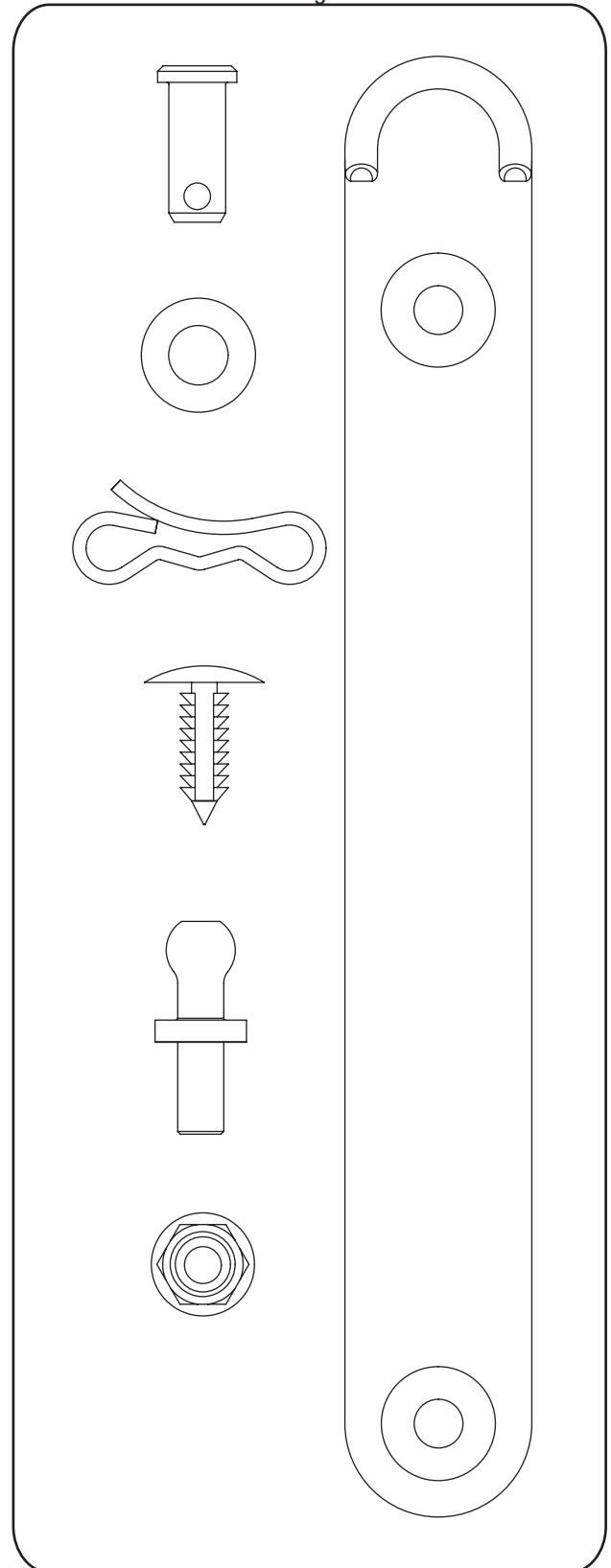
Jeu de montage inclus avec le modèle 689-00080



Jeu de montage 689-00087



Jeu de montage 689-00091



Tracteurs de la série 700 seulement

Si vous assemblez ce dispositif d'ensachage pour l'utilisation sur n'importe quel modèle de tracteur de série 700, vous devrez installer les deux supports de fixation du tracteur fournis dans votre trousse d'installation du dispositif d'ensachage. Si vous installez ce dispositif d'ensachage sur tout autre tracteur, passez outre ces étapes et rendez-vous à la section Montage des supports de fixation à la prochaine page.

Pour installer ces supports sur un modèle de tracteur de série 700, suivez ces étapes :

1. Installez un boulon à épaulement fourni dans le jeu de montage, sur chaque support et fixez-les avec les contre-écrous à épaulement également inclus dans le jeu de montage. Consultez la figure 4-1.
2. Retirez et jetez les deux vis dans l'armature inférieure, comme illustré à la figure 4-2.
3. Montez les supports de fixation du tracteur de série 700 à votre tracteur à l'aide des huit vis à tête hexagonales autotaraudeuses incluses avec votre trousse en vous servant des trous perforés dans l'armature de votre tracteur pour les deux boulons de fixation supérieurs et les trous sur l'armature inférieure où vous avez précédemment retiré les vis et les avez jetées. Consultez la figure 4-2.
4. En attachant l'assemblage du support de fixation d'attelage au tracteur, fixez avec l'axe à épaulement et les agrafes illustrées à la figure 4-2, en plus de l'axe à épaulement utilisée dans la plaque d'attache à la page suivante.

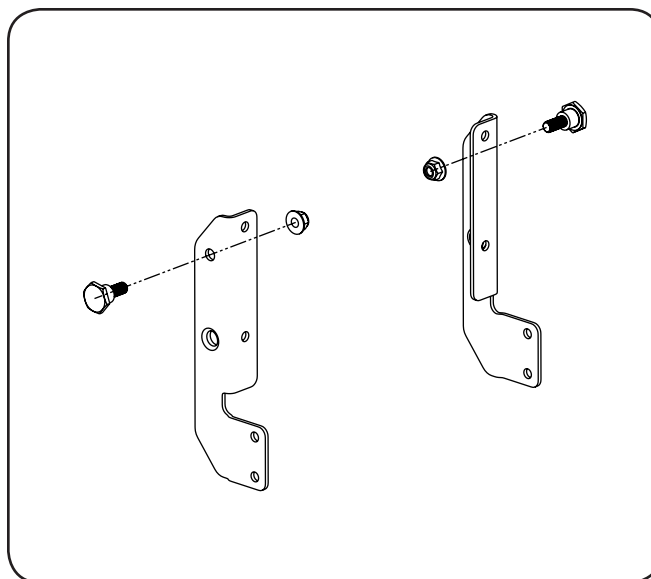


Figure 4-1

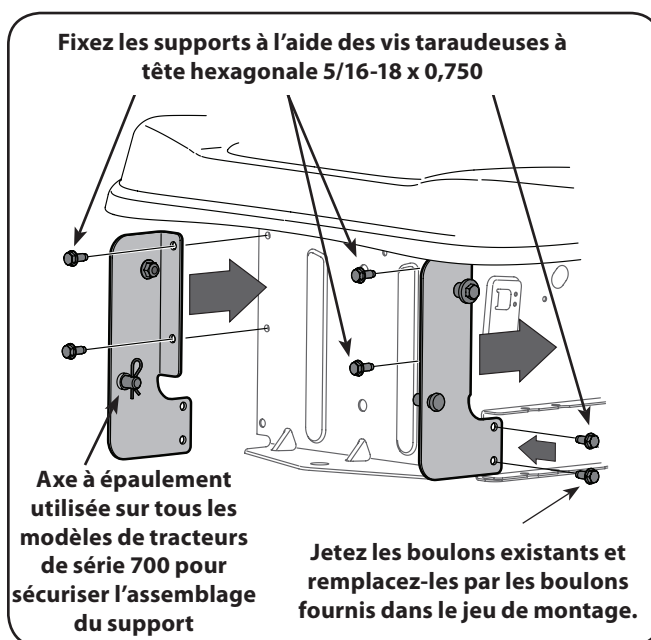


Figure 4-2

Fixation des lames



AVERTISSEMENT : Protégez toujours vos mains lors de l'entretien des lames en portant des gants pour les gros travaux ou en utilisant des chiffons très résistants.

REMARQUE : Trois lames hypersustentatrices pour l'ensachage sont incluses dans la trousse de la tondeuse. Remplacez les lames par ces nouvelles lames et conservez les lames existantes comme pièces de rechange ou pour réinstaller sur les manchons des lames lorsque vous n'utilisez pas le dispositif d'ensachage.

1. Retirez la plate-forme de découpage de sous le tracteur en suivant les instructions pour le retrait de la plate-forme dans le manuel de l'opérateur du tracteur. Renversez doucement la plate-forme pour en exposer son dessous.

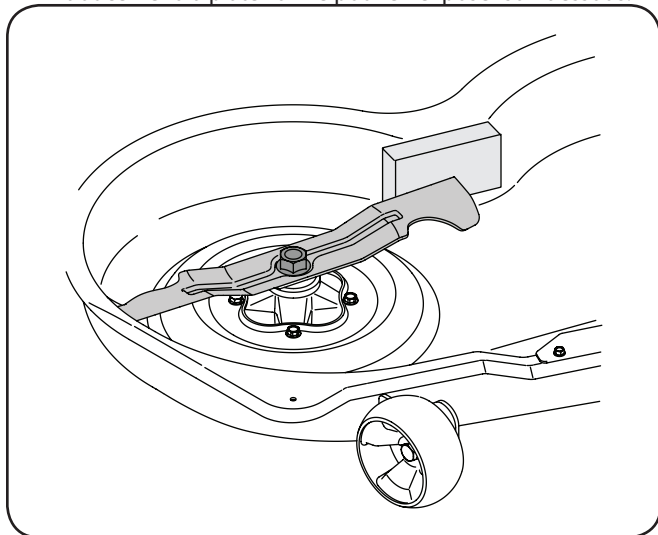


Figure 4-3

2. Placez un bloc de bois entre la paroi centrale du logement de la plate-forme et la lame de découpage pour agir en tant que stabilisateur. Consultez la figure 4-3.
3. Utilisez une clé 15/16" pour enlever l'écrou à épaulement à tête hexagonale qui maintient les lames gauche et droite aux manchons des lames. Consultez la figure 4-3.



AVERTISSEMENT : L'écrou à épaulement à tête hexagonale possède un modèle de filet droitier. N'essayez pas de forcer l'écrou dans la mauvaise direction; cela pourrait endommager l'écrou et créer un risque en matière de sécurité.

1. Placez une nouvelle lame sur chaque manchon afin que le côté de la lame avec le numéro de la pièce fasse face au sol lorsque la tondeuse est en position prête à fonctionner.
2. Fixez avec l'écrou à épaulement à tête hexagonale retirée plus tôt. Utilisez une clé dynamométrique pour serrer l'écrou à épaulement à tête hexagonale entre 70 à 90 livres-pied.
3. Déplacez le bloc en bois vers la lame gauche ou droite pour la stabilisation, puis retirez et remplacez la lame centrale afin que le côté de la lame avec le numéro de la pièce fasse face au sol lorsque la tondeuse est en position prête à fonctionner.

REMARQUE : Conservez les trois lames que vous venez tout juste de retirer pour les utiliser comme pièces de rechange ou pour les réinstaller sur les manchons des lames lorsque vous n'utilisez pas le dispositif d'ensachage.

Montage des supports de fixation

Pour assembler le support du dispositif d'ensachage, servez-vous du jeu de montage et suivez les étapes suivantes :

1. Attachez les deux supports de fixation d'attelage latéraux au support de fixation universel arrière à l'aide des quatre boulons à tête hexagonale et contre-écrous d'épaulement. Avec les crochets sur les supports de fixation d'attelage latéraux pointant vers le bas, les étiquettes des plateaux d'attelage devraient pointer vers le haut. Consultez la figure 4-4.

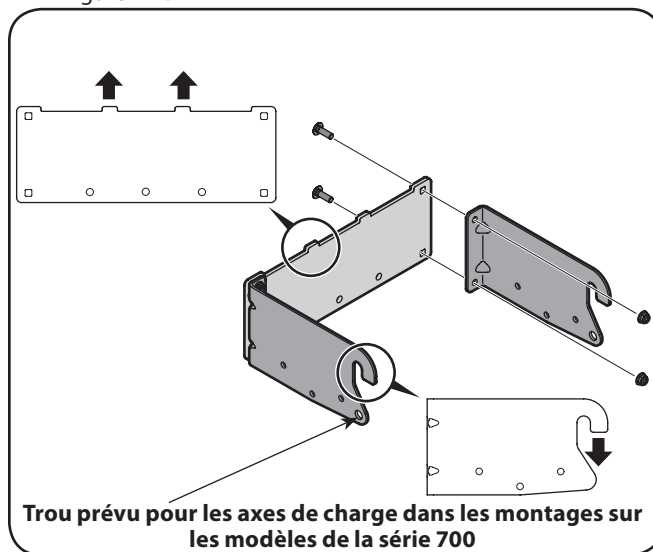


Figure 4-4

2. Renversez l'assemblage et montez le support de fixation d'attelage comme illustré à la fig. 4-5.

Remarque : Pendant l'étape de montage, il pourrait être plus facile de serrer ce matériel à la main afin de faciliter l'alignement avec le trou d'attelage pour l'axe à épaulement. Nous vous demanderons de serrer ce matériel plus tard dans ce manuel.

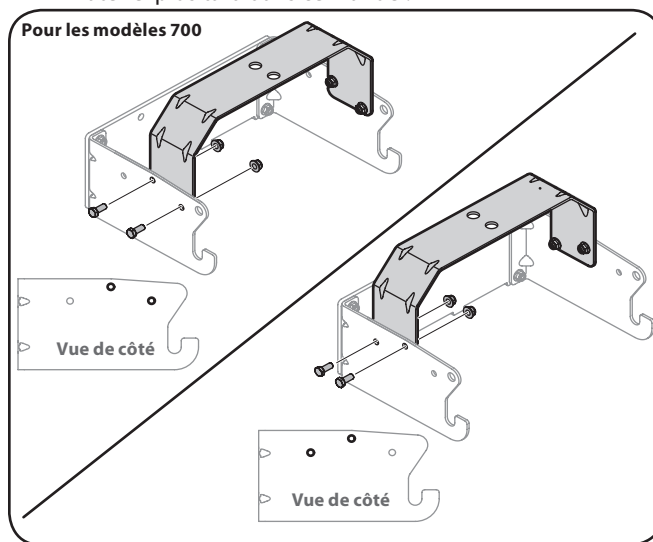


Figure 4-5

Remarque : Les trous les plus proches des crochets de support doivent être utilisés pour toutes les modèles de machine de la série 700, alors que les deux trous les plus proches du bâti sont pour tous autres modèles. Le support de fixation d'attelage devra être renversé pour permettre l'alignement des trous appropriés selon le modèle de la machine sur lequel ce dispositif d'ensachage doit être installé. Consultez la figure 4-5.

Montage de l'assemblage du support

Trouvez le support de fixation droit et l'assemblage du support de sac. Montez-les en suivant les étapes suivantes :

1. Étendez l'assemblage du support de sac avec le côté supérieur faisant face vers le bas et la partie du support de fixation faisant face vers le haut.
2. Insérez l'extrémité entaillée du support de fixation vertical dans l'assemblage du support de sac, comme à la figure 4-6, et la fixez avec un boulon de carrosserie 5/16-18 et un contre-écrou d'épaulement 5/16-18. Consultez la figure 4-7.

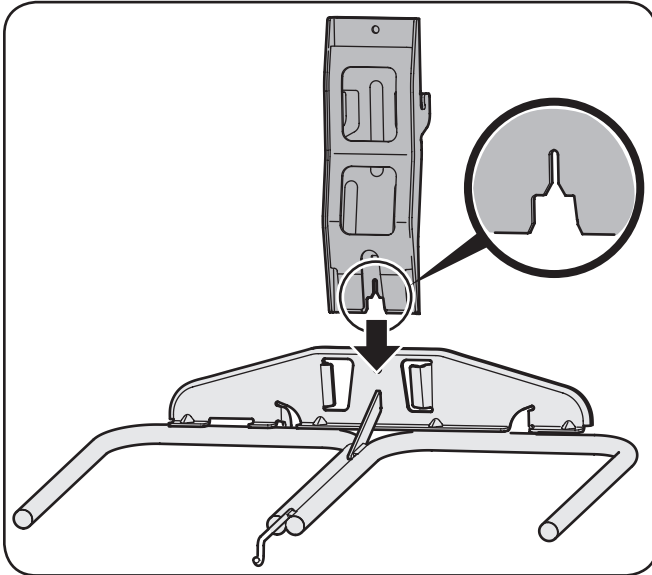


Figure 4-6

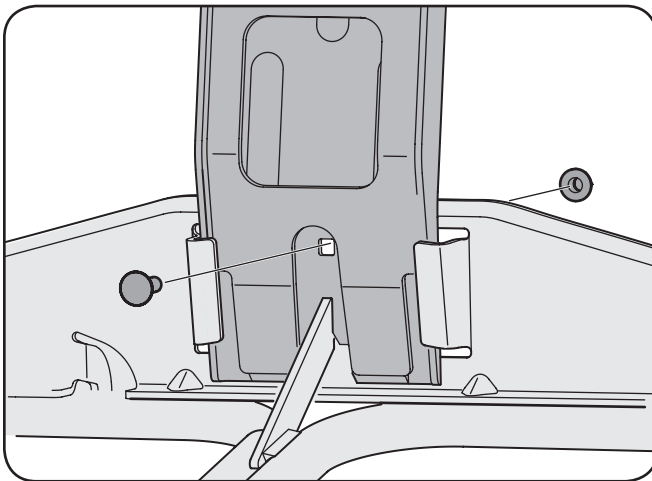


Figure 4-7

Montage de l'assemblage sur le tracteur

Pour installer le montage de l'assemblage sur le tracteur, veuillez suivre les étapes suivantes :

1. Placez les extrémités accrochées du montage sur les boulons d'épaulement, comme dans la figure 4-8, sur le tracteur et alignez le trou central du support de fixation d'attelage avec le trou sur l'attelage du tracteur.

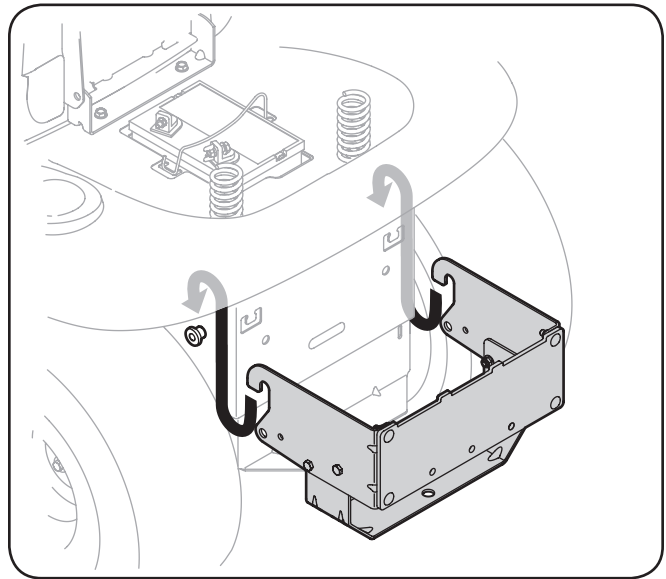
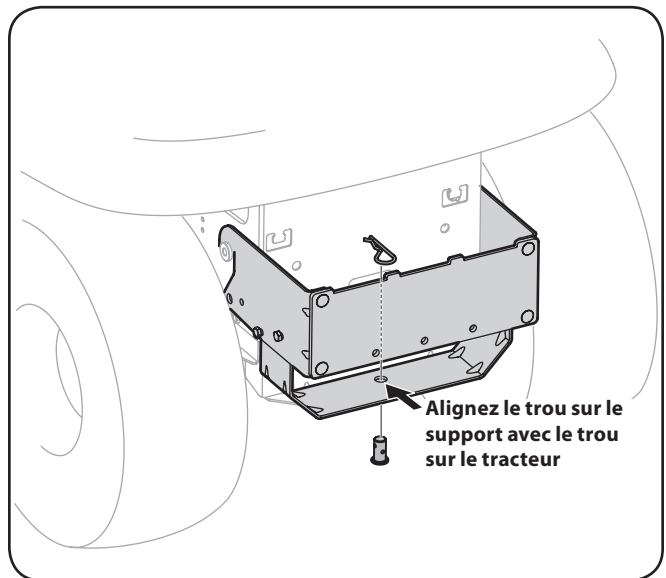


Figure 4-8

2. Installez l'axe à épaulement du jeu de montage 689-00087 dans l'attelage du tracteur et fixez-la avec une bague de retenue en fil métallique. Consultez la figure 4-9.

Remarque : L'axe à épaulement peut être insérée vers le bas à travers le plateau de l'attelage et fixée dessous à l'aide de la bague de retenue en fil métallique, ou il peut être plus facile d'insérer l'axe à épaulement par le trou du plateau d'attelage et de la fixer avec la bague de retenue en fil métallique du côté supérieur. La dernière méthode est probablement celle la plus privilégiée puisque l'insertion de la bague de retenue en fil métallique est plus facile. L'une ou l'autre des façons fonctionnera, la décision devrait être basée sur la préférence de l'opérateur.



Alignez le trou sur le support avec le trou sur le tracteur

Figure 4-9

Remarque : Si vous aviez décidé de serrer le support de fixation à la main pendant le montage, il est maintenant temps de serrer les vis solidement.

Pour le montage sur les modèles de tracteur de la série 700

Remarque : Installez deux axes à épaulement à travers l'assemblage et fixez-les aux supports de fixation de série 700 installés plus tôt avec des goupilles à cliquer fournies dans le jeu de montage. Consultez à nouveau la figure 4-4.

1. Installez l'assemblage des battants du dispositif d'ensachage sur l'assemblage de montage du tracteur en l'accrochant sur le plateau d'attelage entre les deux languettes. Consultez la figure 4-10.

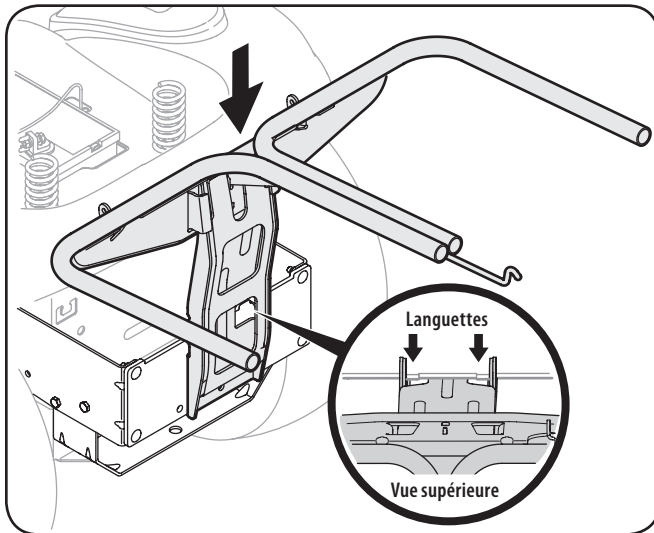


Figure 4-10

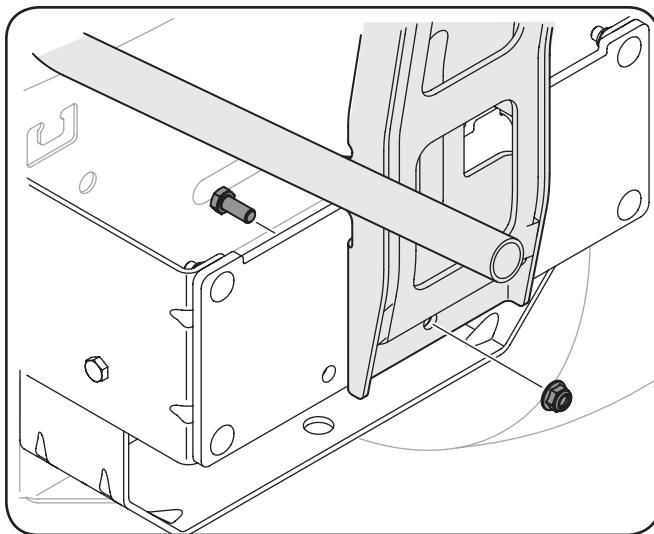


Figure 4-11

2. Fixez l'assemblage des battants au support de montage à l'aide d'un boulon 5/16" et d'un écrou à épaulement fournis. Consultez la figure 4-11.

Assemblage des composants du dispositif d'ensachage restants

Maintenant que les supports sont assemblés et sont en place sur le tracteur, suivez les prochaines étapes pour assembler les composants du dispositif d'ensachage restants.

1. Insérez la goulotte de descente supérieure de plastique en place en enclenchant d'abord la partie latérale sur le rail de support du dispositif d'ensachage avec le bord du dispositif d'enclenchement aligné avec la ligne rouge, comme illustré à la figure 4-12.

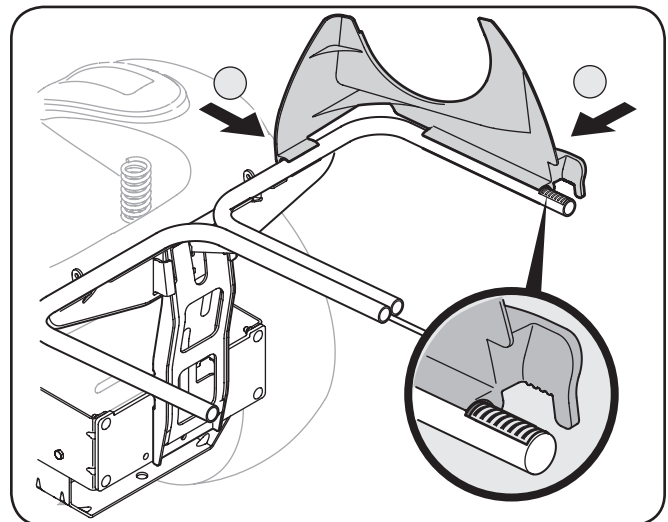


Figure 4-12

2. Insérez la partie avant de la goulotte de descente au rail, comme illustré à la figure 4-12.

3. Installez l'écran de protection du dispositif d'ensachage sur le couvercle du dispositif d'ensachage en insérant d'abord l'extrémité la plus proche du côté avec la découpe dans le trou de montage, comme illustré à la figure 4-13. Assurez-vous de placer l'écran de protection sous la lèvre, comme illustré à la figure 4-14.

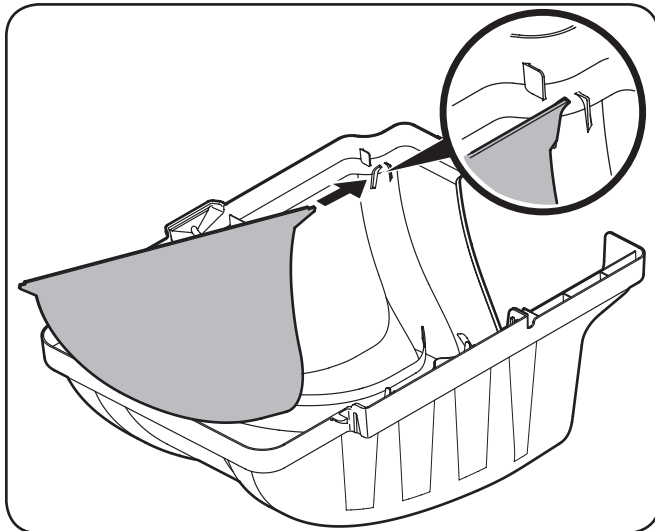


Figure 4-13

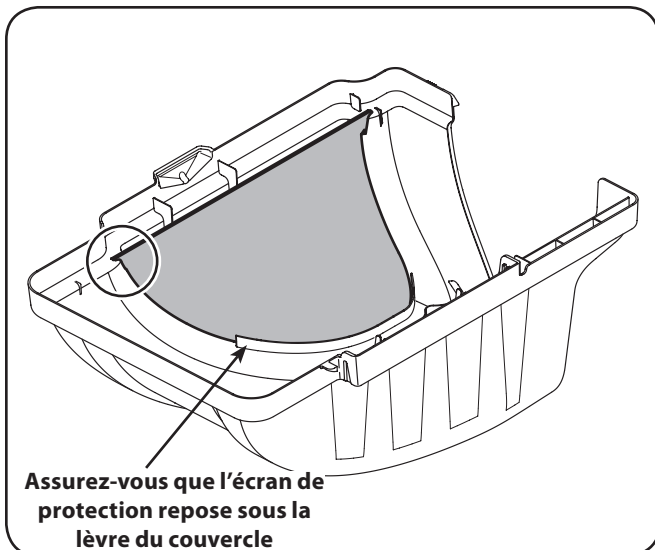


Figure 4-14

4. Insérez dans l'autre côté en poussant l'écran de protection dans la découpe fournie. Consultez la figure 4-14.
5. Installez le couvercle du dispositif d'ensachage sur l'assemblage du support de sac, comme illustré à la figure 4-15. Le couvercle de plastique doit être installé à l'intérieur des deux languettes de montage.
6. Glissez la goupille de charnière dans le trou situé sur la languette de montage, comme illustrée à la figure 4-16. Servez-vous de la fenêtre de découpe (consultez le médaillon de la figure 4-16) pour aligner la goupille de charnière de l'autre côté et pousser la goupille jusqu'au fond jusqu'à ce qu'elle atteigne la butée d'extrémité. En ce moment la goupille s'enclenche bien en place et est sécurisée à l'aide de la languette qui se trouve dans le couvercle du dispositif d'ensachage. Consultez la figure 4-17.

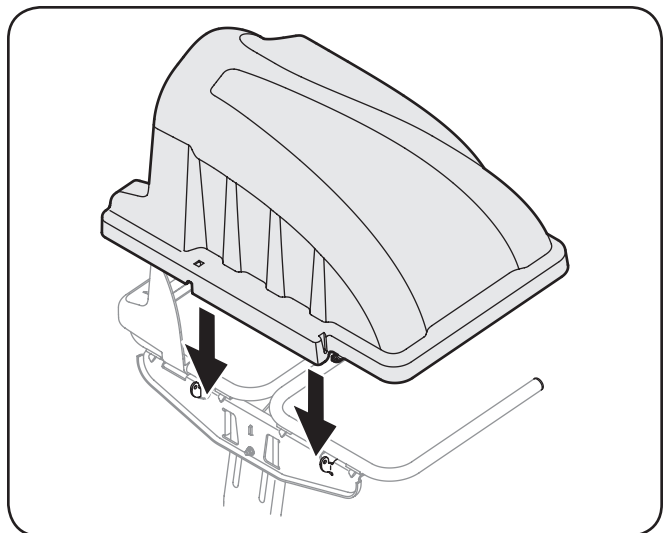


Figure 4-15

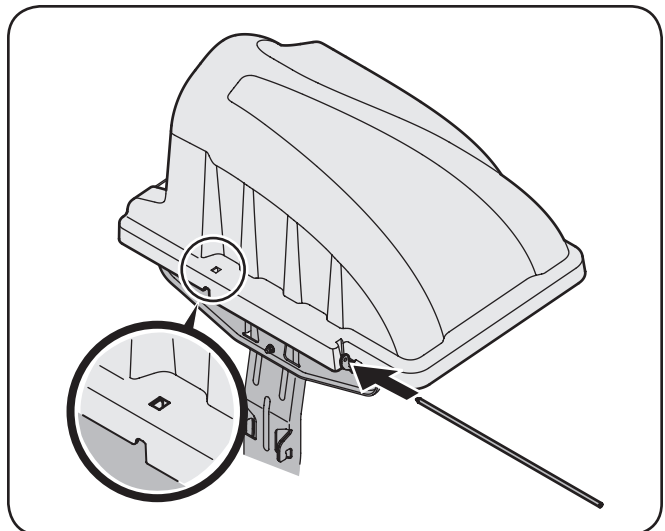


Figure 4-16

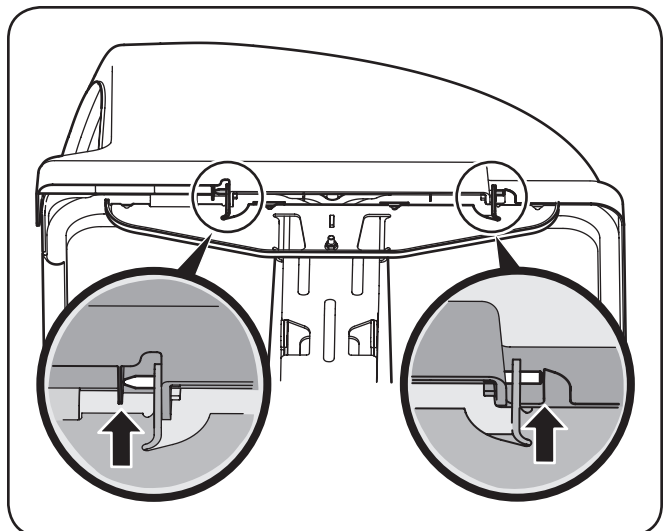


Figure 4-17

- Ouvrez le capot en appuyant sur l'arrière, la languette du côté droit avec votre main droite, comme illustré au point 1 de la figure 4-18, et levez le couvercle avec votre main gauche placée sur à l'arrière du centre du couvercle du dispositif d'ensachage, point 2.

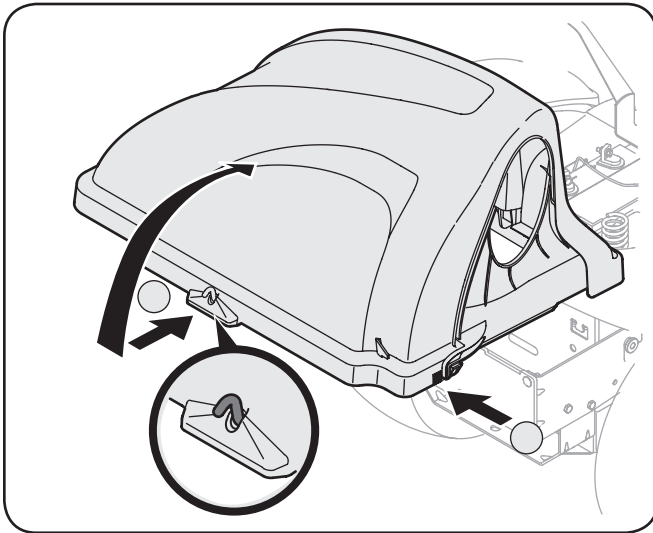


Figure 4-18

- Installez les deux assemblages de sacs avec les côtés du grillage serrés faisant face vers l'avant, sur les supports de fixation des sacs en insérant d'abord le bord avant, comme illustré à la figure 4-19 et en déposant le bord arrière jusqu'à ce qu'il s'insère dans l'assemblage.

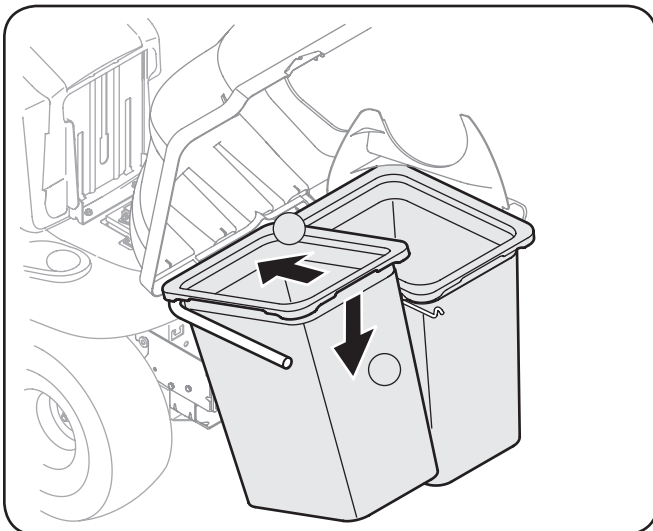


Figure 4-19

- Installez la courroie de la goulotte de descente en caoutchouc sur le coude de la goulotte de descente à l'aide de l'axe à épaulement, de la rondelle et la goupille fendue de style papillon.
- Installez la queue à rotule provenant de votre jeu de montage dans le trou à l'avant de la plate-forme de la tondeuse, comme illustré à la figure 4-21, et fixez-la avec le contre-écrou d'épaulement fourni.
- Avec la goulotte d'éjection du tracteur soulevée et maintenue ouverte, installez le coude de la goulotte sur l'ouverture de la goulotte en plaçant le dessus, le bord

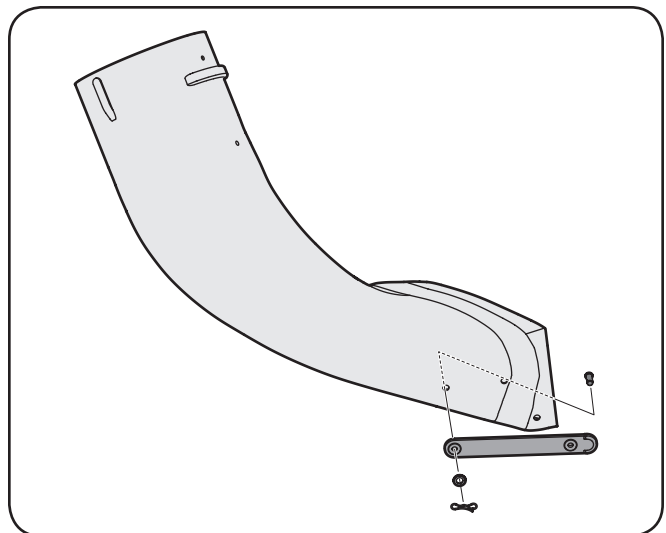


Figure 4-20

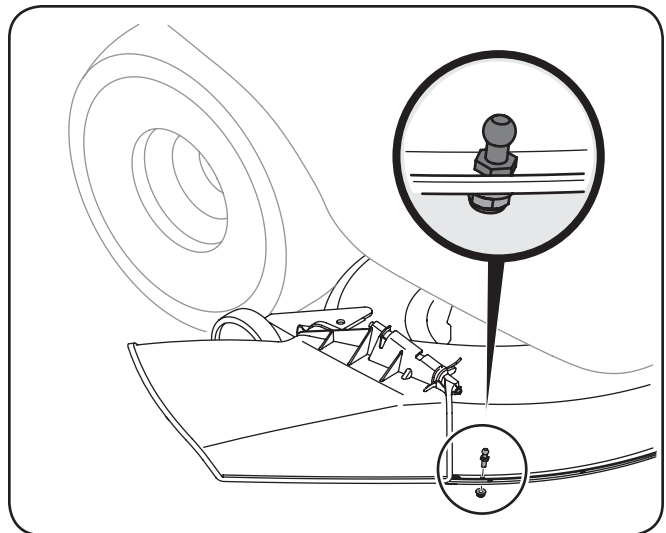


Figure 4-21

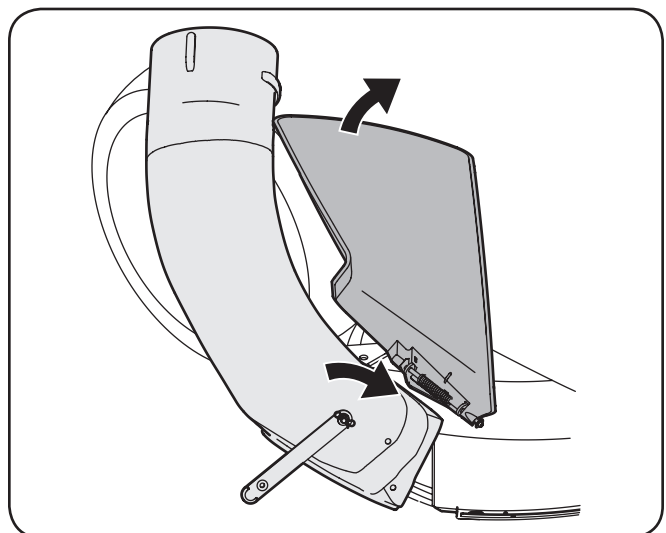


Figure 4-22

arrière du coude de la goulotte sur l'arrière de l'ouverture de la plate-forme, pivotant ensuite le coude de la goulotte vers le bas et au-dessus de l'ouverture de la goulotte. Consultez la figure 4-22.

Remarque : Afin que le coude de la goulotte soit installé correctement, le rebord inférieur doit tomber **sur** le fond de l'ouverture de la plate-forme. Consultez la figure 4-23.

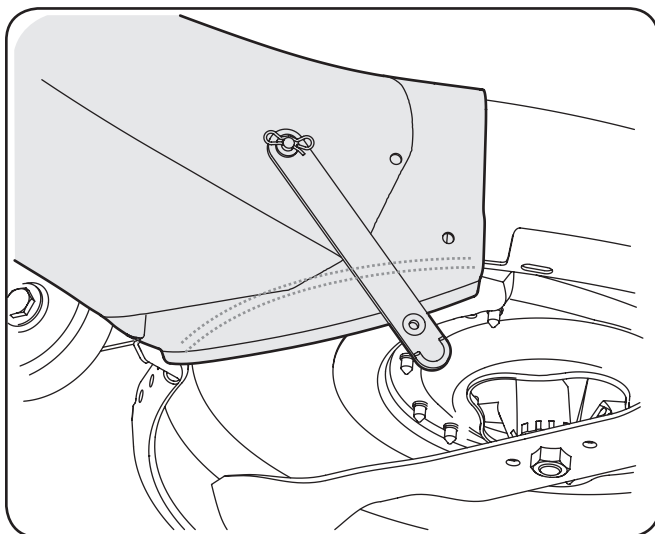


Figure 4-23

- Fixez le coude de la goulotte de descente à la plate-forme du tracteur en accrochant la courroie de la goulotte de descente sur la goupille de queue à rotule installée plus tôt sur la plate-forme. Consultez la figure 4-24.

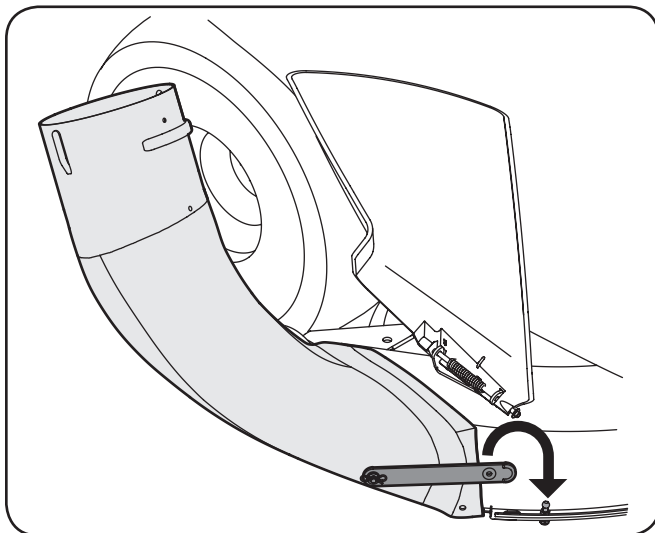


Figure 4-24

- Installez l'adaptateur de la goulotte de descente sur le coude de la goulotte de descente en alignant les languettes et en glissant l'adaptateur sur le coude de la

goulotte de descente, comme illustrée à la figure 4-25. Fixez l'adaptateur de la goulotte de descente en installant les deux agrafes de cliquet incluses dans le jeu de montage dans les trous fournis.

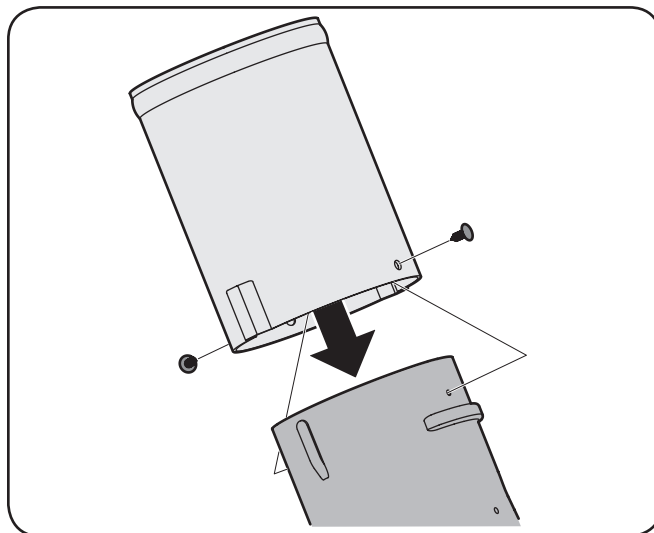


Figure 4-25

- Avec le couvercle de la goulotte de descente ouverte, installez la goulotte supérieure sur l'adaptateur de goulotte de descente, et déposez-le dessus afin que le support de la goulotte de descente repose dans la gorge de la goulotte supérieure. Consultez la figure 4-26.

Remarque : Assurez-vous de bien aligner la goulotte supérieure avec les saillies sur le support du dispositif d'ensilage.

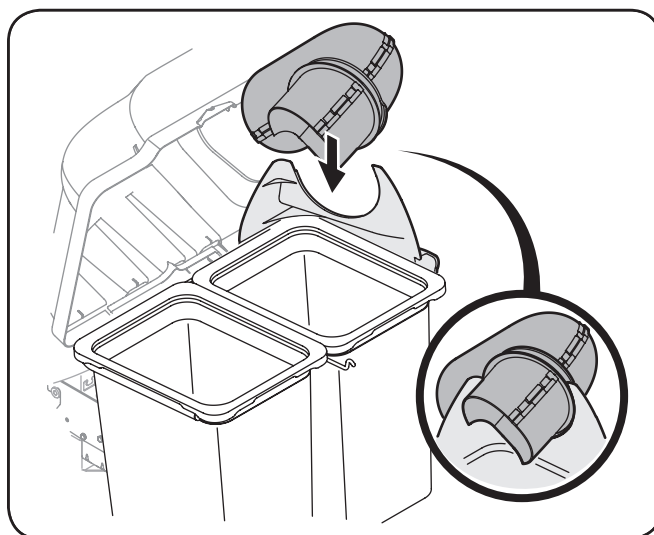


Figure 4-26

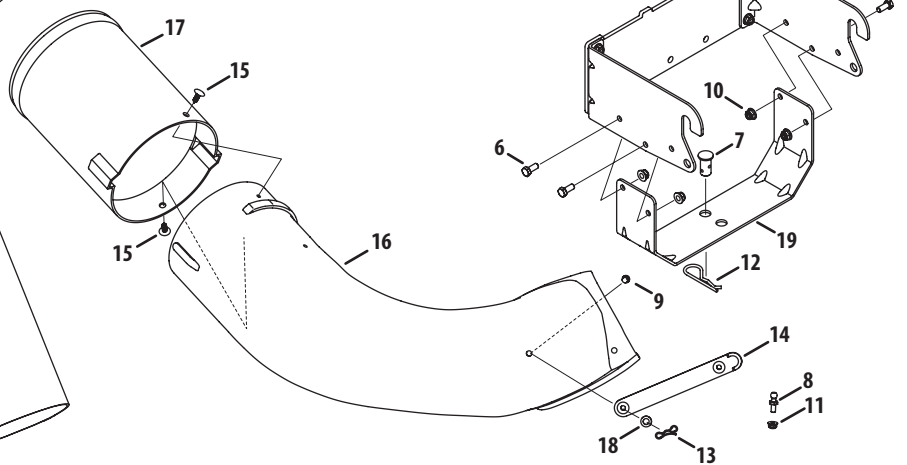
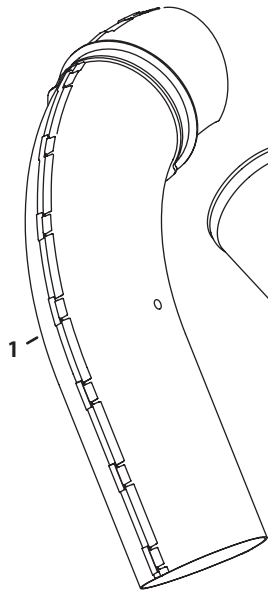
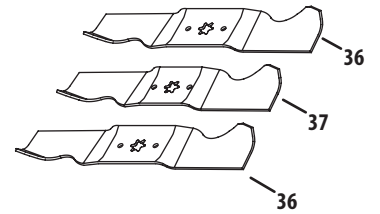
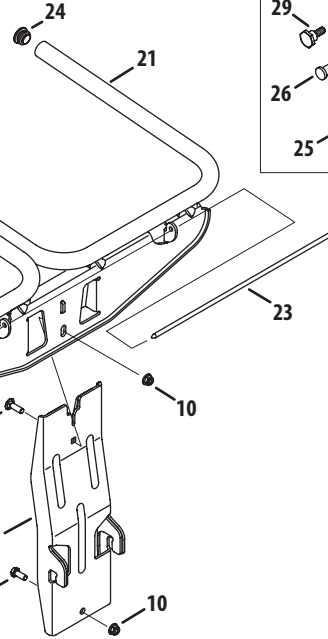
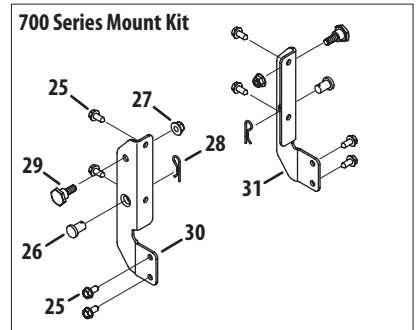
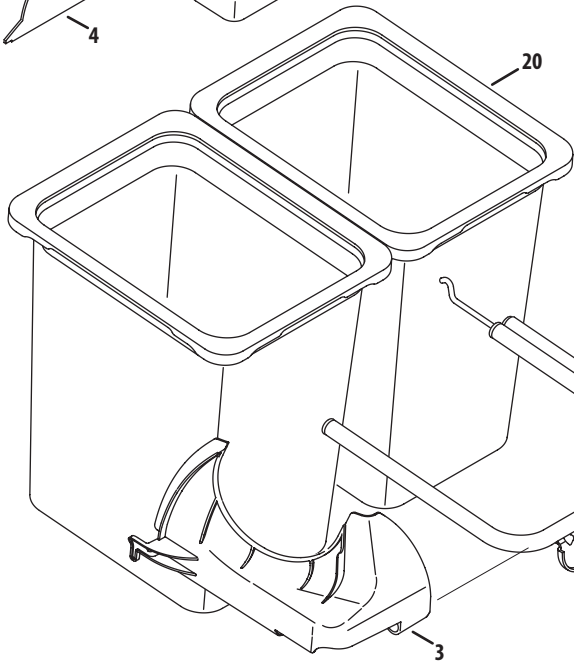
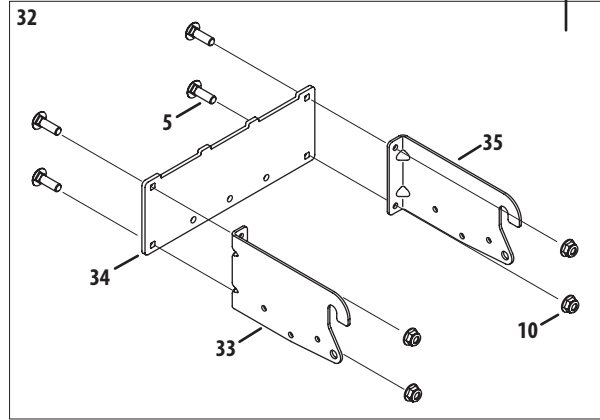
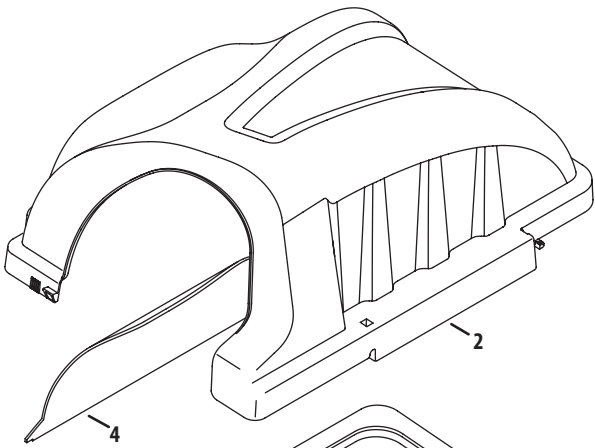
Utilisation du dispositif d'ensachage

REMARQUE : Lorsque les deux sacs à herbe sont pleins, immobilisez le tracteur sur une surface dure et de niveau, désembrayez la prise de force, coupez le moteur du tracteur et engagez le frein à main.

1. Renversez le siège.
2. Soulevez le couvercle du sac à herbe comme indiqué à la page 14 dans l'étape 7. Ne retirez pas l'assemblage du tube de la goulotte de descente du tracteur.
3. Retirez les sacs à herbe en les soulevant et en déplaçant les sacs loin de l'assemblage du support de sac.
4. Videz les déchets de coupe dans un site d'élimination des déchets approprié, servez-vous de la poignée au fond de chaque sac à herbe. En maintenant fermement le sac, videz son contenu.
5. Remplacez les sacs à herbe, fermez le couvercle, remplacez le siège, redémarrez votre tracteur et continuez à tondre la pelouse.

OEM-190-182A Liste des pièces

7



Réf.	No. pièce	Description
1.	631-04291	Assemblage de la goulotte supérieure
2.	631-04292	Assemblage du couvercle du dispositif d'ensachage double
3.	731-06497	Support de la goulotte supérieur
4.	731-06504	Écran de protection du dispositif d'ensachage
5.	710-0276	Vis de carrosserie : 5/16-18 x 1,00"
6.	710-3008	Vis à tête hexagonale : 5/16-18 x 0,75"
7.	711-0309A	Axe à épaulement : 0,62" dia.
8.	711-04069	Goupille de bac de ramassage : 1/4-20
9.	711-05063	Axe à épaulement : 5/16 x 0,75 de long.
10.	712-04063	contre-écrou d'épaulement : 5/16-18
11.	712-04064	Contre-écrou d'épaulement : 1/4-20
12.	714-0117	Goupille fendue interne : 0,148 x 3,00
13.	714-04040	Goupille fendue de style papillon : 72
14.	723-04008A	Courroie de la goulotte : 6,00 de long.
15.	726-3046	Étrier à cliquet : 0,250
16.	731-04159A	Coude de la goulotte de descente de décharge : <i>pallier 46"</i>
17.	731-06611	Adaptateur de la goulotte du dispositif d'ensachage : 7 po
18.	736-0204	Rondelle plate, 0,344 x 0,62 x 0,033
19.	783-05887	Support de fixation universel : RT-99/LT-5
20.	664-04096	Assemblage de sac à herbe
21.	683-04461	Assemblage du support de sac double
22.	683-04519	Support de fixation vertical
23.	711-04988	Goupille pour les charnières du couvercle
24.	735-0246A	Bouchon terminal
25.	710-04484	Vis taraudée : 5/16-18 x 0,750
26.	710-0332	Axe à épaulement: 0,50 X 0,78 de long.
27.	712-04065	Contre-écrou d'épaulement : 3/8-16
28.	714-0145	Goupilles à clique : 0,092 X 1,64 de long.
29.	738-04267	Vis à épaulement : 0,625 x 0,412
30.	783-05889	Support de fixation, à droite
31.	783-05890	Support de fixation, à gauche
32.	689-00101	Assemblage du support de fixation d'attelage
33.	789-00052	Support de fixation d'attelage, à droite
34.	789-00053	Support de fixation arrière universel
35.	789-00054	Support de fixation d'attelage, à gauche
36.	742-0644	Lame : 16,28 de long, Star 2-en-1
37.	742-0645	Lame : 14,88 de long, Star 2-en-1

GARANTIE LIMITÉE DU FABRICANT POUR



La garantie limitée décrite ci-dessous est offerte par MTD LLC pour des nouveaux produits achetés et utilisés aux États-Unis, et/ou ses possessions et ses territoires, et par MTL Products Limited pour des nouveaux produits achetés et utilisés au Canada et/ou ses territoires et ses possessions (l'une ou l'autre des entités respectivement, « MTD »).

« MTD » garantie ce produit (à l'exception de ses *pièces à usure normale et ses accessoires* tel que décrit ci-dessous) contre les défauts de matériel ou de fabrication pour une période d'un (1) an à partir de la date d'achat initiale du produit et s'engage à réparer ou à remplacer gratuitement, à son choix, toute pièce qui s'avère défectueuse en raison d'un vice de matière ou de fabrication. La présente garantie limitée est en vigueur uniquement si le produit a été utilisé et entretenu conformément aux directives du manuel du propriétaire fourni avec le produit et que ce dernier n'ait pas été soumis à un emploi incorrect ou abusif, une utilisation commerciale, une négligence, un accident, un entretien incorrect, une modification ou a été l'objet de vandalisme, d'un vol, d'un incendie ou encore, endommagé par de l'eau, une catastrophe naturelle ou autres. Les dommages provoqués par l'installation ou l'utilisation de pièce ou accessoire, dont l'utilisation avec le ou les produits décrits dans le présent manuel n'est pas homologuée par MTD, annulera la présente garantie qui couvrirait autrement ces dommages.

Les pièces à usure normale sont garanties contre tous vices de matière et de fabrication pour une période de trente (30) jours à partir de la date d'achat du produit au détail. Ces pièces comprennent, sans toutefois s'y limiter, des articles comme : les batteries, les courroies, les lames, les adaptateurs de lame, les sacs à herbe, les roues du plateau de coupe, les sièges, les patins de souffleuse, les lames de raclage, le caoutchouc de la tarière et les pneus.

Accessoires — MTD garantie les accessoires pour ce produit contre les défauts de matériel ou de fabrication pour une période d'un (1) an à partir de la date d'achat initiale du produit ou de sa location. Ces pièces comprennent, sans toutefois s'y limiter, des articles comme : les bacs de ramassage et les trousseaux de mulch.

MODALITÉS POUR RÉPARATIONS SOUS GARANTIE : L'atelier de réparations agréé de votre région vous offre le service de réparations sous garantie sur présentation DE LA PREUVE D'ACHAT. Pour trouver un concessionnaire dans votre région :

Aux États-Unis

Consultez les Pages jaunes ou communiquez par la poste avec MTD LLC à la C.P. 3611231, Cleveland, Ohio, 44136-0019 É.-U., par téléphone en composant le 1-800-7310, 1-330-220-4683 ou accédez à notre site Web à l'adresse www.mtdproducts.com.

Au Canada

Communiquez par la poste avec MTD Products Limited, Kitchener, ON N2G 4J1, ou par téléphone en composant le 1-800-668-1238 accédez à notre site Web à l'adresse www.mtdproducts.com.

La présente garantie limitée **ne couvre pas** les cas suivants :

- Les pompes, les soupapes et les cylindres des fendeuses à bois comportent une garantie distincte d'un (1) an.

- Les articles d'entretien courant tel que les lubrifiants, les filtres, l'aiguisage de lames, les révisions, les réglages des freins, de l'embrayage ou du plateau de coupe ainsi que la détérioration normale de la finition extérieure en raison de l'utilisation du produit ou de son exposition aux intempéries.
- Une réparation exécutée par une personne autre qu'à un atelier de réparations agréé.
- MTD ne prolonge aucune garantie pour des produits vendus ou exportés à l'extérieur des États-Unis et/ou au Canada, et leurs possessions et territoires sauf aux produits vendus par l'intermédiaire des canaux agréés de distribution à l'exportation de MTD.
- Les pièces de rechange qui ne sont pas des pièces authentiques de MTD.
- Les frais de transport et les visites de réparateurs.
- MTD ne garantit pas ce produit pour l'usage commercial.

Aucune garantie implicite, y compris toute garantie implicite de qualité marchande ou de convenance précise, ne s'applique après les délais de la garantie expresse écrite ci-dessus quant aux pièces comme identifiées. Aucune autre garantie expresse, écrite ou verbale, à l'exception de la garantie stipulée ci-dessus, offerte par un tiers ou un autre organisme notamment un concessionnaire ou un détaillant, concernant n'importe quel produit, ne saurait astreindre MTD. Au cours de la période de garantie, le recours unique offert est la réparation ou le remplacement du produit comme stipulé(e) ci-dessus.

Les conditions stipulés dans la présente garantie constituent le recours unique et exclusif découlant de la vente de ses produits. MTD ne peut être tenue responsable pour toute perte ou dommage accidentel ou indirect y compris, sans toutefois s'y limiter, aux dépenses afférentes aux services substitués de soins de pelouse ou à la location pour remplacer temporairement un produit garanti.

Certains états n'autorisent pas l'exclusion ou la limitation des dommages accidentels ou indirects ou la limitation de la durée d'une garantie implicite. Il se pourrait alors que les exclusions ou limitations stipulés ne s'appliquent pas dans votre cas.

En aucune éventualité, la valeur du recouvrement ne saurait être supérieure à celle du prix d'achat du produit vendu. **Toute modification des fonctionnalités de sécurité du produit annulera la présente garantie.** Vous êtes personnellement responsable pour toute perte, dommages ou blessures personnelles, à votre propriété et envers autrui et leur propriété, qui découlent d'une utilisation incorrecte ou d'une incapacité d'utiliser le produit.

La présente garantie limitée n'est valable que pour l'acheteur original, ou la personne ayant reçu le produit en cadeau, et ne peut être transférée.

LES LOIS NATIONALES EN LIEN AVEC LA PRÉSENTE GARANTIE : La présente garantie limitée vous donne des droits spécifiques. Il se pourrait que vous ayez d'autres droits qui varient d'un état à l'autre.

IMPORTANT : Le propriétaire peut être tenu de présenter une preuve d'achat pour obtenir la garantie.

MTD LLC, C.P. 361131, CLEVELAND, OHIO 44136-0019 É.-U.; Téléphone : 1-800-800-7310, 1-330-220-4683
MTD Canada Limited - KITCHENER, ON N2G 4J1; Téléphone 1-800-668-1238