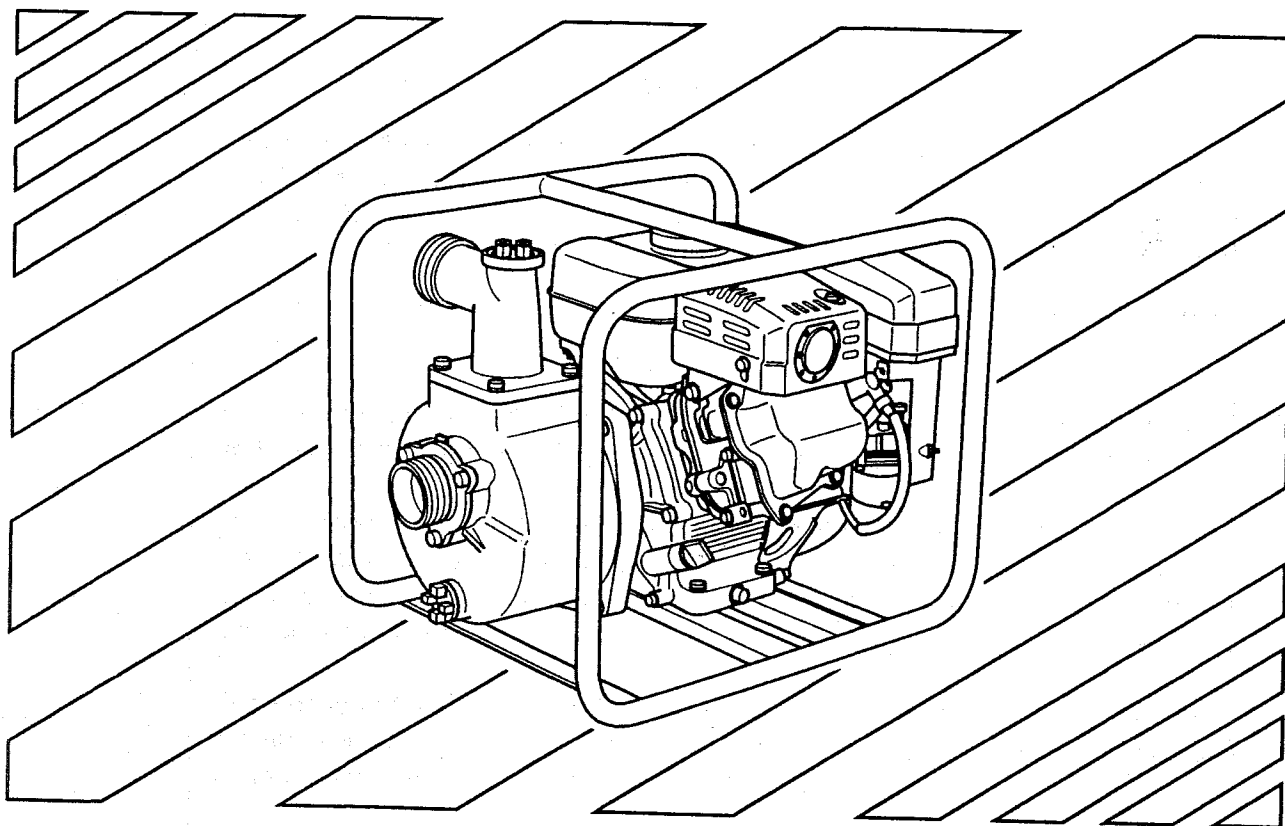


Makita

PUMP

EW series

EW120R
EW220R
EW320TR



INSTRUCTIONS FOR USE

9ZZ9990030

アメリカ&カナダ

⚠ WARNING: ⚠
 The engine exhaust from this product contains chemicals known to the State of California to cause cancer, birth defects or other reproductive harm.

NOTICE
 FEDERAL EMISSION COMPONENT DEFECT WARRANTY and CALIFORNIA EMISSION CONTROL WARRANTY are applicable to only those engines/generators complied with EPA (Environmental Protection Agency) and CARB (California Air Resources Board) emission regulations in the U.S.A.

NOTICE
 To the engines/generators exported to and used in the countries other than the U.S.A., warranty service shall be performed by the distributor in each country in accordance with the standard engine/generator warranty policy as applicable.

AIR INDEX

To show compliance with California emission regulations, a hangtag has been provided displaying the Air Index level and durability period of this engine.

The Air Index level defines how clean an engine's exhaust is over a period of time. A bar graph scaled from "0" (most clean) to "10" (least clean) is used to show an engine's Air Index level. A lower Air Index level represents cleaner exhaust from an engine.

The period of time (in hours) that the Air Index level is measured is known as the durability period. Depending on the size of the engine, a selection of time periods can be used to measure the Air Index level (see below).

<u>Descriptive Term</u>	<u>Applicable to Emissions Durability Period</u>
Moderate	- 50 hours (engine from 0 to 80 cc) 125 hours (engine greater than 80 cc)
Intermediate	- 125 hours (engine from 0 to 80 cc) 250 hours (engine greater than 80 cc)
Extended	- 300 hours (engine from 0 to 80 cc) 500 hours (engine greater than 80 cc)

Notice : This hangtag must remain on this engine or piece of equipment, and only be removed by the ultimate purchaser before operation.

FEDERAL EMISSIONS COMPONENT DEFECT WARRANTY

EMISSIONS COMPONENT DEFECT WARRANTY COVERAGE - This emission warranty is applicable in all States, except the State of California

Makita U.S.A. Inc., La Mirada, California, (herein "MAKITA") warrant(s) to the initial retail purchaser and each subsequent owner, that this Nonroad engine (herein "engine") has been designed, built, and equipped to conform at the time of initial sale to all applicable regulations of the U.S. Environmental Protection Agency (EPA), and that the engine is free of defects in materials and workmanship which would cause this engine to fail to conform with EPA regulations during its warranty period.

For the components listed under PARTS COVERED, the Makita Factory Service Center or Service Center authorized by MAKITA will, at no cost to you, make the necessary diagnosis, repair, or replacement necessary to ensure that the engine complies with applicable U.S. EPA regulations.

EMISSION COMPONENT DEFECT WARRANTY PERIOD

The warranty period for this engine begins on the date of sale to the initial purchaser and continues for a period of 2 years.

PARTS COVERED

Listed below are the parts covered by the Emission Components Defect Warranty. Some of the parts listed below may require scheduled maintenance and are warranted up to the first scheduled replacement point for that part.

- (1) Fuel Metering System
 - (i) Carburetor and internal parts (and/or pressure regulator or fuel injection system).
 - (ii) Air/fuel ratio feedback and control system, if applicable.
 - (iii) Cold start enrichment system, if applicable.
 - (iv) Regulator assy (gaseous fuel, if applicable)
- (2) Air Induction System
 - (i) Intake manifold, if applicable
 - (ii) Air filter.
- (3) Ignition System
 - (i) Spark plugs.
 - (ii) Magneto or electronic ignition system.
 - (iii) Spark advance/retard system, if applicable.
- (4) Exhaust manifold, if applicable
- (5) Miscellaneous Items Used in Above Systems
 - (i) Electronic controls, if applicable
 - (ii) Hoses, belts, connectors, and assemblies.
 - (iii) Filter lock assy (gaseous fuel, if applicable)

OBTAINING WARRANTY SERVICE

To obtain warranty service, take your engine to the nearest Makita Factory Service Center or Service Center authorized by MAKITA. Bring your sales receipts indicating date of purchase for this engine. The Makita Factory Service Center or Service Center authorized by MAKITA will perform the necessary repairs or adjustments within a reasonable amount of time and furnish you with a copy of the repair order. All parts and accessories replaced under this warranty become the property of MAKITA. EPA - MAKITA FEDERAL EMISSIONS COMPONENT DEFECT WARRANTY-continued

WHAT IS NOT COVERED

*Conditions resulting from tampering, misuse, improper adjustment (unless they were made by the Makita Factory Service Center or Service Center authorized by MAKITA during a warranty repair), alteration, accident, failure to use the recommended fuel and oil, or not performing required maintenance services.

- *The replacement parts used for required maintenance services.
- *Consequential damages such as loss of time, inconvenience, loss of use of the engine or equipment, etc.
- *Diagnosis and inspection charges that do not result in warranty-eligible service being performed.
- *Any non-authorized replacement part, or malfunction of authorized parts due to use of non-authorized parts.

OWNER'S WARRANTY RESPONSIBILITIES

As the engine owner, you are responsible for the performance of the required maintenance listed in your owner's manual. MAKITA recommends that you retain all receipts covering maintenance on your engine, but MAKITA cannot deny warranty solely for the lack of receipts or for your failure to ensure the performance of all scheduled maintenance.

As the engine owner, you should however be aware that MAKITA may deny warranty coverage if your engine or a part has failed due to abuse, neglect, improper maintenance or unapproved modifications.

You are responsible for presenting your engine to the nearest Makita Factory Service Center or Service Center authorized by MAKITA when a problem exists.

If you have any questions regarding your warranty rights and responsibilities, you should contact the Makita Warranty Department at 1-800-4-MAKITA for the information.

THINGS YOU SHOULD KNOW ABOUT THE EMISSION CONTROL SYSTEM WARRANTY MAINTENANCE AND REPAIRS

You are responsible for the proper maintenance of the engine. You should keep all receipts and maintenance records covering the performance of regular maintenance in the event questions arise. These receipts and maintenance records should be transferred to each subsequent owner of the engine. MAKITA reserves the right to deny warranty coverage if the engine has not been properly maintained. Warranty claims will not be denied, however, solely because of the lack of required maintenance or failure to keep maintenance records.

MAINTENANCE, REPLACEMENT OR REPAIR OF EMISSION CONTROL DEVICES AND SYSTEMS MAY BE PERFORMED BY ANY REPAIR ESTABLISHMENT OR INDIVIDUAL ; HOWEVER, WARRANTY REPAIRS MUST BE PERFORMED BY THE MAKITA FACTORY SERVICE CENTER OR SERVICE CENTER AUTHORIZED BY MAKITA. THE USE OF PARTS THAT ARE NOT EQUIVALENT IN PERFORMANCE AND DURABILITY TO AUTHORIZED PARTS MAY IMPAIR THE EFFECTIVENESS OF THE EMISSION CONTROL SYSTEM AND MAY HAVE A BEARING ON THE OUTCOME OF A WARRANTY CLAIM.

If other than the parts authorized by MAKITA are used for maintenance replacements or for the repair of components affecting emission control, you should assure yourself that such parts are warranted by their manufacturer to be equivalent to the parts authorized by MAKITA in their performance and durability.

HOW TO MAKE A CLAIM

All repair qualifying under this limited warranty must be performed by a Makita Factory Service Center or Service Center authorized by MAKITA. In the event that any emission-related part is found to be defective during the warranty period, you shall notify Makita Warranty Department at 1-800-4-MAKITA and you will be advised of the appropriate warranty service dealer or service providers where the warranty repair can be performed. A list of the Factory Service Center locations and phone numbers is provided below for your convenience.

ARIZONA

3707 E. Broadway Rd., Ste. 6
Phoenix, AZ 85040
(602) 437-2850

CALIFORNIA

41850 Christy St.
Fremont, CA 94538-5107
(510) 657-9881

14930 Northam St.
La Mirada, CA 90638-5753
(714) 522-8088

4191A Power Inn Rd.
Sacramento, CA 95826
(916) 454-4768

7674 Clairemont Mesa Blvd.
San Diego, CA 92111
(858) 278-4471

16735 Saticoy St., Ste. 105
Van Nuys, CA 91406
(818) 782-2440

COLORADO

11809 E. 51st Ave.
Denver, CO 80239-2709
(303) 371-2850

FLORIDA

750 East Sample Rd.
Pompano Beach, FL 33064
(954) 781-6333

GEORGIA

4680 River Green Parkway NW
Duluth, GA 30096
(770) 476-8911

ILLINOIS

1450 Feehanville Dr.
Mt. Prospect, IL 60056-6011
(847) 297-3100

MARYLAND

7397 Washington Blvd Ste 104
Elkridge, MD 21075
(410) 796-4401

MASSACHUSETTS

232 Providence Highway
Westwood, MA 02090
(781) 461-9754

MINNESOTA

6427 Penn Ave. South
Richfield, MN 55423
(612) 869-5199

MISSOURI

9876 Watson Rd.
St. Louis, MO 63126-2221
(314) 909-9889

NEBRASKA

4129 S. 84th St.
Omaha, NE 68127
(402) 597-2925

NEVADA

3375 S. Decatur Blvd., Suites 22-24
Las Vegas, NV 89102
(702) 368-4277

NEW JERSEY

251 Herrod Blvd.
Dayton, NJ 08810-1539
(609) 655-1212

NEW YORK

4917 Genessee St.
Cheektowaga, NY 14225
(716) 685-9503

OREGON

828 19th Ave., N. W.
Portland, OR 97209
(503) 222-1823

PENNSYLVANIA

1904 Babcock Blvd.
Pittsburgh, PA 15209
(412) 822-7370

PUERTO RICO

200 Guayama St.
Hato Rey, PR 00917
(787) 250-8776

TENNESSEE

1120 Elm Hill Pike Suite 170
Nashville, TN 37210
(615) 248-3321

TEXAS

12801 Stemmons Fwy Ste. 809
Farmers Branch, TX 75234
(972) 243-1150

4321 W. Sam Houston Pkwy
Suite 130
Houston, TX 77043
(713) 983-8034

3453 IH-35 North, Ste. 101
San Antonio, TX 78219
(210) 228-0676

WISCONSIN

Lincoln Plaza Shopping Ctr.
2245 S. 108th St.
West Allis, WI 53227
(414) 541-4776

CALIFORNIA EMISSION CONTROL WARRANTY STATEMENT

(This warranty does not apply in any other state.)

YOUR WARRANTY RIGHTS AND OBLIGATIONS

The California Air Resources Board and Makita U.S.A., Inc. (herein "MAKITA") are pleased to explain the emission control warranty on your 2005 and later small off-road engine (herein "engine"). In California, new engine must be designed, built and equipped to meet the State's stringent anti-smog standards. MAKITA must warrant the emission control system on your engine for the periods of time listed below provided there has been no abuse, neglect or improper maintenance of your engine.

Your emission control system includes parts such as the carburetor or fuel injection systems, the ignition system and the catalytic converter. Also included are the hoses, belts, connectors and other emission-related assemblies.

Where a warrantable condition exists, MAKITA will repair your engine at no cost to you including diagnosis, parts and labor.

MANUFACTURER'S WARRANTY COVERAGE :

The 2005 and later engines are warranted for two years. If any emission-related part on your engine is defective, the part will be repaired or replaced by MAKITA.

OWNER'S WARRANTY RESPONSIBILITIES :

- As the engine owner, you are responsible for the performance of the required maintenance listed in your Owner's Manual. MAKITA recommends that you retain all receipts covering maintenance on your engine, but MAKITA cannot deny warranty solely for the lack of receipts or for your failure to ensure the performance of all scheduled maintenance.
- As the engine owner, you should be aware, however, that MAKITA may deny you warranty coverage if your engine or a part has failed due to abuse, neglect, improper maintenance or unapproved modifications.
- You are responsible for presenting your engine to a MAKITA service center as a problem exists.

The warranty repairs should be completed in a reasonable time, not to exceed 30 days.

If you have any questions regarding your warranty rights and responsibilities, you should contact a Makita Factory Service Center Manager nearest you. A list of the Factory Service Center locations and phone numbers is provided below for your convenience.

LIMITED WARRANTY

on Emission Control Systems

- California Only -

MAKITA, a distributor of small off-road equipment in the U.S., warrants to the owner of 2005 and later engines that the engine (1) has been designed, built, and equipped at the time of manufacture so as to conform with the applicable regulations of the California Air Resources Board and, (2) is free from defects in materials and workmanship which may cause it to fail to conform with those regulations as applicable according to the terms and conditions stated below.

WARRANTY PERIOD

This warranty period begins on the date which the engine is delivered to the original retail purchaser and ends two years after that date. During this two year period MAKITA warrants to the original retail purchaser and each subsequent purchaser that the engine is free from defect in material and workmanship that can cause the failure of a warranted emission-related part.

WHAT IS COVERED UNDER THIS WARRANTY

Repair and/or replacement of any warranted emission-related part will be performed at no charge provided the work is performed at an authorized warranty station. There will also be no charge for any diagnostic labor performed at an authorized warranty station which leads to the determination that a warranted emission-related part is defective.

Any warranted part which is not scheduled for replacement as required maintenance, or which is scheduled only for regular inspection to the effect of "repair or replace as necessary" shall be warranted for the warranty period. Any warranted part which is scheduled for replacement as required maintenance shall be warranted for the period of time up to the first scheduled replacement of that part. This warranty shall apply only towards the repair, replacement, and/or adjustment of the component parts listed below.

EMISSION-RELATED PARTS COVERED UNDER THIS WARRANTY

(1) Fuel Metering System

- (i) Carburetor and internal parts (and/or pressure regulator or fuel injection system).
- (ii) Air/fuel ratio feedback and control system, if applicable.
- (iii) Cold start enrichment system, if applicable.
- (iv) Regulator assy (gaseous fuel, if applicable)

(2) Air Induction System

- (i) Intake manifold, if applicable
- (ii) Air filter.

(3) Ignition System

- (i) Spark plugs.
- (ii) Magneto or electronic ignition system.
- (iii) Spark advance/retard system, if applicable.

(4) Exhaust manifold, if applicable

(5) Miscellaneous Items Used in Above Systems

- (i) Electronic controls, if applicable
- (ii) Hoses, belts, connectors, and assemblies.
- (iii) Filter lock assy (gaseous fuel, if applicable)

If it is determined by an authorized warranty station that other engine components have been damaged due to the failure of a warranted emission-related part during the warranty period, MAKITA will repair and/or replace the necessary components.

WHAT IS NOT COVERED UNDER THIS WARRANTY

This warranty does not cover any emission-related part which malfunctions, fails, or is damaged due to alterations and/or modifications such as changing, adding, or removing parts.

When an engine is being serviced under warranty, MAKITA and any of its authorized dealers, distributors, or warranty stations shall not be liable for any loss of use of the engine, for any damage to goods, or loss of time or inconvenience. This limited warranty also does not apply to any emission-related part which malfunctions, fails, or is damaged due to failure to follow the maintenance and operating instructions specified in the 2005 and later Owner's Manual including.

- (a) Improper or inadequate maintenance of any warranted emission-related part.
- (b) Improper installation, adjustment, or repair of the engine or any warranted emission-related part unless performed by a factory authorized warranty station.
- (c) Failure to use recommended fuel as specified in the 2005 and later Owner's Manual.
- (d) Repairs and diagnosis performed outside of an authorized warranty station.
- (e) Use of parts which are not authorized by MAKITA.

MAINTENANCE SCHEDULE

The engine owner is responsible for having all scheduled inspection and maintenance services performed at the intervals specified in the 2005 and later Owner's Manual and to retain records of these services as having been performed. These records should be transferred to each subsequent owner of the engine. MAKITA cannot deny a claim solely because there are no records of scheduled maintenance, however, a warranty claim may be denied if the failure to perform the scheduled maintenance and inspection resulted in the failure of a warranted emission-related part.

As a minimum, the engine owner is responsible for the scheduled inspection and maintenance described below which are based on the procedures described in the Owner's Manual.

PROCEDURE	INTERVAL
1) Change engine oil	: Initial 20 hours and every 100 hours afterward
2) Clean air cleaner (element)	: Every 50 hours
3) Replace air cleaner element	: Every 200 hours
4) Clean and adjust spark plug and electrodes	: Every 200 hours

Note: More frequent maintenance may be necessary under dusty, dirty or severe conditions.

REPAIR AND REPLACEMENT OF EMISSION-RELATED PARTS

It is recommended that only engine replacement parts which have been authorized and approved by MAKITA should be used in the performance of any warranty maintenance or repairs of emission-related parts. These replacement parts will be provided at no charge if the part is still under warranty.

HOW TO FILE A WARRANTY CLAIM AND WHERE TO GET WARRANTY SERVICES

Contact the nearest Makita Factory Service Center Manager to determine the appropriate location where the required warranty services are to be performed. A list of the Factory Service Center locations and phone numbers are provided below for your convenience.

41850 Christy Street
Fremont, CA 94538-5107
(510)657-9881

7674 Clairemont Mesa Blvd.
San Diego, CA 92111
(619)278-4471

1421 N. Clovis Ave., Ste. 112
Fresno, CA 93727
(209)252-5166

1714 E. McFadden Ave., Unit M
Santa Ana, CA 92705
(714)667-5066

14930 Northam Street
La Mirada, CA 90638-5753
(714)522-8088

333 Littlefield Ave.
South San Francisco, CA 94080
(415)875-1002

1970 Fulton Avenue
Sacramento, CA 95825
(916)482-5197

16735 Saticoy St., Ste. 105
Van Nuys, CA 91406
(818) 782-2440

1440 South "E" Street
San Bernardino, CA 92408
(909)885-1289

FACTORY SERVICE CENTERS IN CANADA

BRITISH COLUMBIA

RICHMOND

(Vancouver Regional Office)
11771 Hammersmith Way, Richmond, V7A.5H6
Tel. 1.800.663.0909 or 604.272.3104
Fax.604.272.5416

COQUITLAM

Unit 103, 2131 Hartley Avenue, Coquitlam, V3K.2Z3
Tel. 604.525.7434 or 1.800.266.7738
Fax.604.525.7435

ALBERTA

CALGARY

#8-6115 Fourth Street S.E., Calgary, T2H.2H9
Tel. 1.800.267.0445 or 403.243.3995
Fax.403.287.3044

EDMONTON

11614-149 Street, Edmonton, T5M.3R3
Tel. 1.888.455.6644 or 780.455.6544
Fax.780.451.4877

SASKATCHEWAN

SASKATOON

206A-2750 Faithful Avenue, Saskatoon, S7K.6M6
Tel. 1.888.931.0111 or 306.931.0111
Fax.306.931.4574

MANITOBA

WINNIPEG

1670 St. James Street, Winnipeg, R3H.0L3
Tel. 1.800.550.5073 or 204.694.0402
Fax.204.694.5782

ONTARIO

LONDON

317 Adelaide Street S., Unit 117, London, N5Z.3L3
Tel. 1.800.571.0899 or 519.686.3115
Fax.519.686.4347

MISSISSAUGA

6350 Tomken Road, Unit 8 Mississauga, L5T.1Y3
Tel. 1.888.221.9811 or 905.670.7255
Fax.905.670.0120

OTTAWA (Nepean)

210 Colonnade Road S, Unit #10, Ottawa (Nepean),
K2E.7L5
Tel. 1.888.560.2214 or 613.224.5022/5088
Fax.613.224.2360

WHITBY

(Toronto Head Office)
1950 Forbes Street, Whitby, L1N.7B7
Tel. 1.800.263.3734 or 905.571.2200
Fax.905.433.4779

QUÉBEC

ST. LEONARD

(Montréal Bureau Régional)
6389 Boul, Couture, St. Leonard, H1P.3J5
Tél. 1.800.361.7049 or 514.323.1223
Fax.514.323.7708

VILLE ST. LAURENT

1140 Rue Bégin, Ville St. Laurent, H4R 1X1
Tél. 1.888.745.5025 or 514.745.5025
Fax.514.745.6141

LES SAULES

1200 St. Jean Baptiste, Unit 106, Québec (Les Saules),
G2E.5E8
Tél. 1.800.663.5757 or 418.871.5720
Fax.418.871.6684

NOVA SCOTIA

DARTMOUTH

202 Brownlow Avenue, Dartmouth, B3B.1T5
Tel. 1.888.625.4821 or 902.468.7064
Fax.902.468.3551

FOREWORD

Thank you very much for purchasing a **MAKITA PUMP**.

This manual covers operation and maintenance of **MAKITA PUMP**.

All information in this publication is based on the latest product information available at the time of approval for printing. Please read this manual carefully before operating.

Please take a moment to familiarize yourself with the proper operation and maintenance procedures in order to maximize the safe and efficient use of this product.

Keep this owner's manual at hand, so that you can refer to it at any time.

Due to constant efforts to improve our products, certain procedures and specifications are subjected to change without notice.

CONTENTS

	Page
1. SAFETY PRECAUTIONS	1
2. COMPONENTS	3
3. PREPARATIONS FOR STARTING	6
4. OPERATION	10
5. MAINTENANCE SCHEDULE	15
6. "HOW-TO" MAINTENANCE	17
7. PREPARATIONS FOR STORAGE	23
8. OIL SENSOR (OPTIONAL)	25
9. SPARK ARRESTER (OPTIONAL)	26
10. TROUBLESHOOTING	27
11. SPECIFICATIONS	29

1. SAFETY PRECAUTIONS

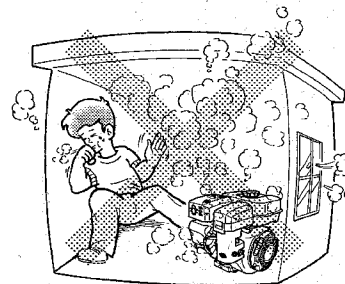
Please make sure you review each precaution carefully.
Pay special attention to statement preceded by the following words.

▲ WARNING “WARNING” indicates a strong possibility of severe personal injury or loss of life if instructions are not followed.

▲ CAUTION “CAUTION” indicates a possibility of personal injury or equipment damage if instructions are not followed.

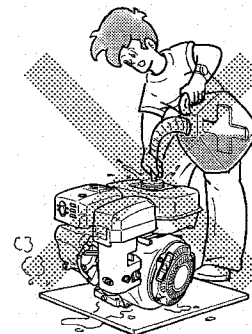
▲ WARNING : EXHAUST PRECAUTIONS

- Never inhale exhaust gasses.
They contain carbon monoxide, a colorless, odorless and extremely dangerous gas which can cause unconsciousness or death.
- Never operate the pump indoors or in a poorly ventilated area, such as tunnel, cave, etc.
- Exercise extreme care when operating the engine near people or animals.
- Keep the exhaust pipe free of foreign objects.



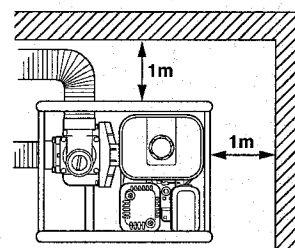
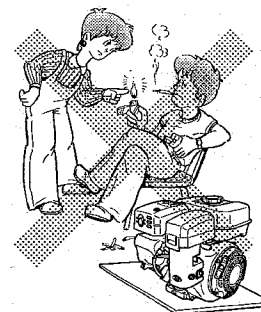
▲ WARNING : REFUELING PRECAUTIONS

- Gasoline is extremely flammable and its vapors can explode if ignited.
- Do not refuel indoors or in a poorly ventilated area.
- Be sure to stop the pump prior to refueling.
- Do not remove fuel tank cap nor fill fuel tank while engine is hot or running.
Allow engine to cool at least 2 minutes before refueling.
- Do not overfill the fuel tank.
- If fuel is spilt, wipe it away carefully and wait until the fuel has dried before starting the engine.
- After refueling, make sure that the fuel cap is secured to prevent spillage.



▲ WARNING : FIRE PREVENTION

- Do not operate the pump while smoking or near an open flame.
- Do not use around dry brush, twigs, cloth rags, or other flammable materials.
- Keep cooling air intake (recoil starter area) and muffler side of the engine at least 1 meter (3 feet) away from buildings, obstructions and other burnable objects.
- Keep the pump away from flammables and other hazardous materials (trash, rags, lubricants, explosives).

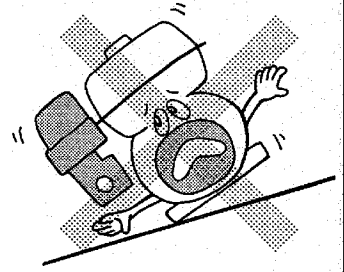


⚠ WARNING : OTHER SAFETY PRECAUTIONS

- **Be careful of hot parts.**

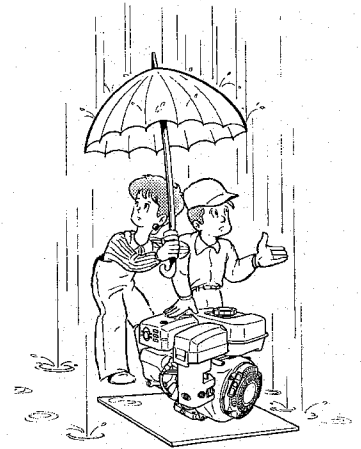
The muffler and other engine parts become very hot while the pump is running or just after it has stopped. Operate the pump in a safe area and keep children away from the running pump.

- Do not use diaphragm pump for the mixture of water and oil.
- Do not touch the spark plug and ignition cable when starting and operating the engine.
- Operate the pump on a stable, level surface.
If the engine is tilted, fuel spillage may result.

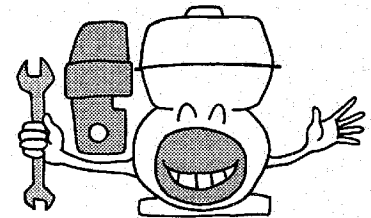
**NOTE**

Operating the engine at a steep incline may cause seizure due to improper lubrication even with a maximum oil level.

- Do not transport the pump with fuel in tank or with fuel strainer cock open.
- Keep the unit dry (do not operate it in rainy conditions).

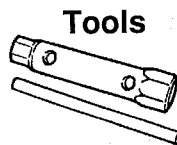
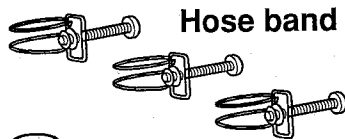
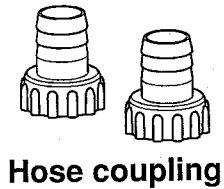
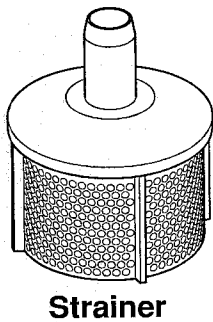
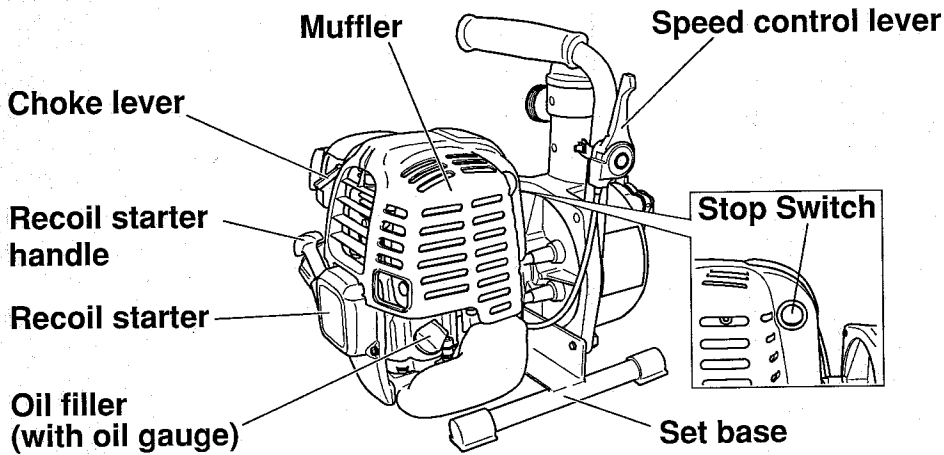
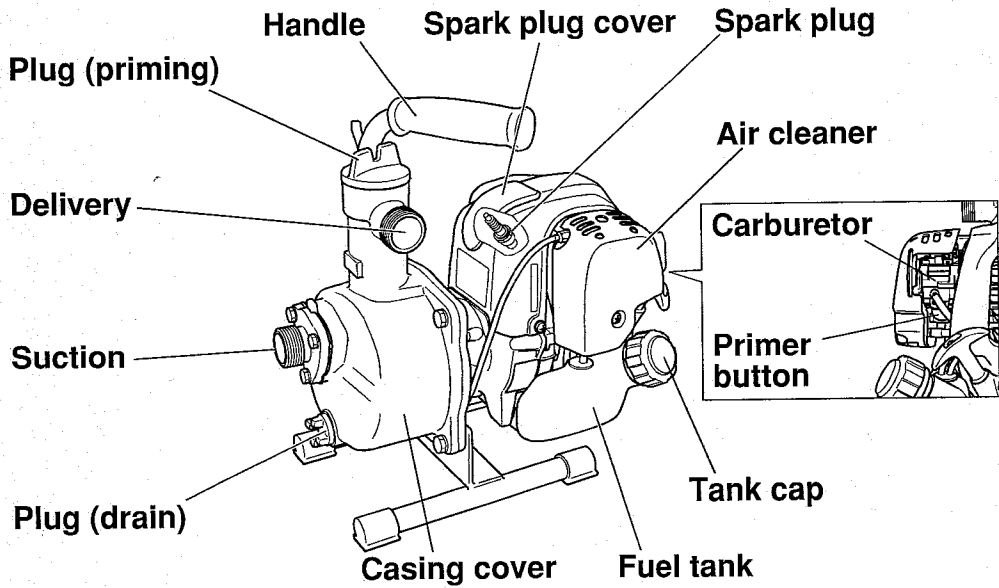
**⚠ CAUTION : PRE-OPERATION CHECKS**

- Carefully check fuel hoses and joints for looseness and fuel leakage. Leaked fuel creates a potentially dangerous situation.
- Check bolts and nuts for looseness. A loose bolt or nut may cause serious engine trouble.
- Check the engine oil and refill if necessary.
- Check the fuel level and refill if necessary.
Take care not to overfill the tank.
- Keep cylinder fins and recoil starter free of dirt, grass and other debris.
- Wear snug fitting working clothes when operating the engine.
Loose aprons, towels, belt, etc., may be caught in the engine or drive train, causing a dangerous situation.



2. COMPONENTS

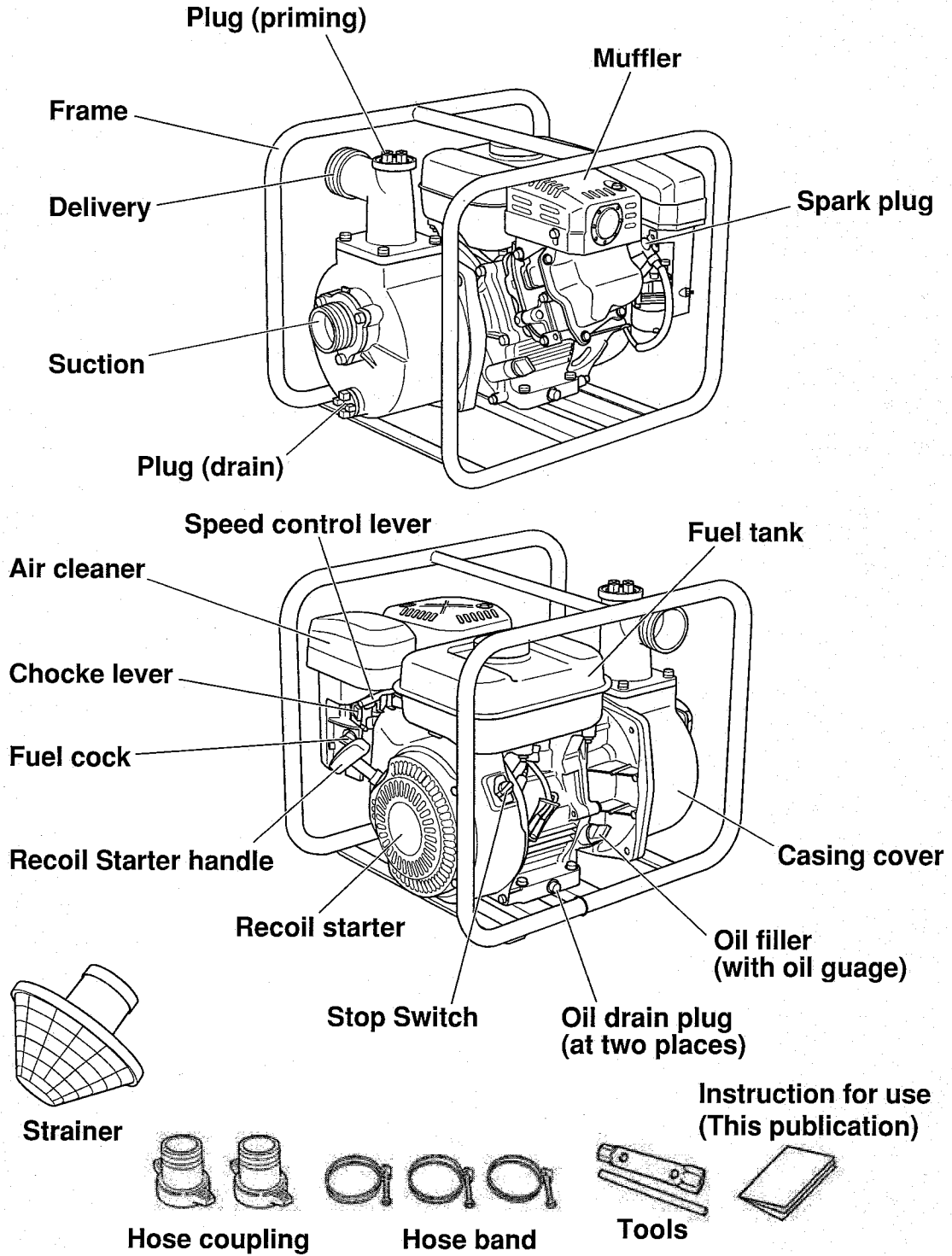
EW120R



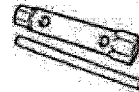
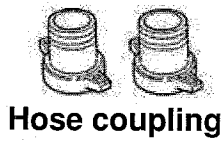
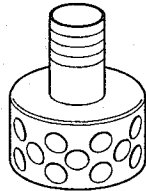
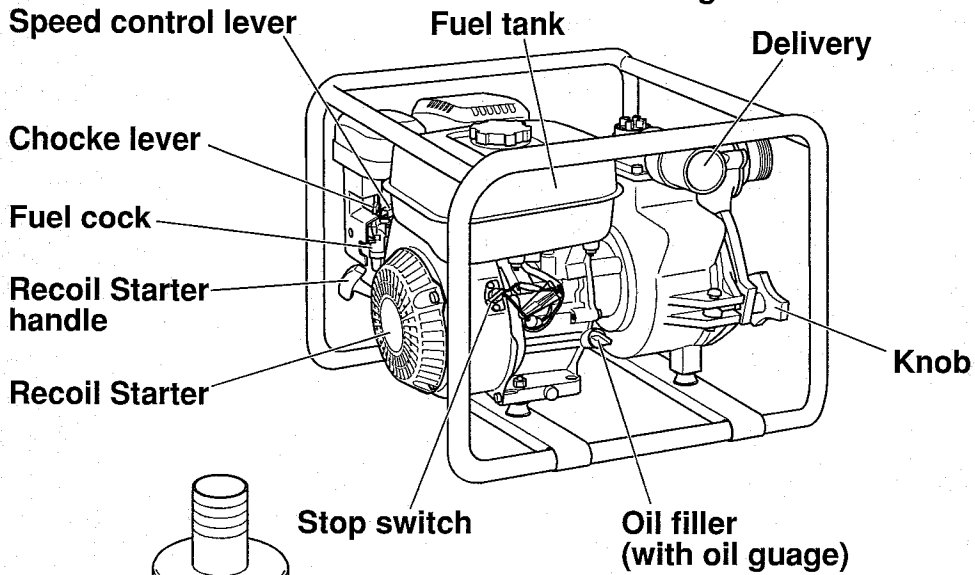
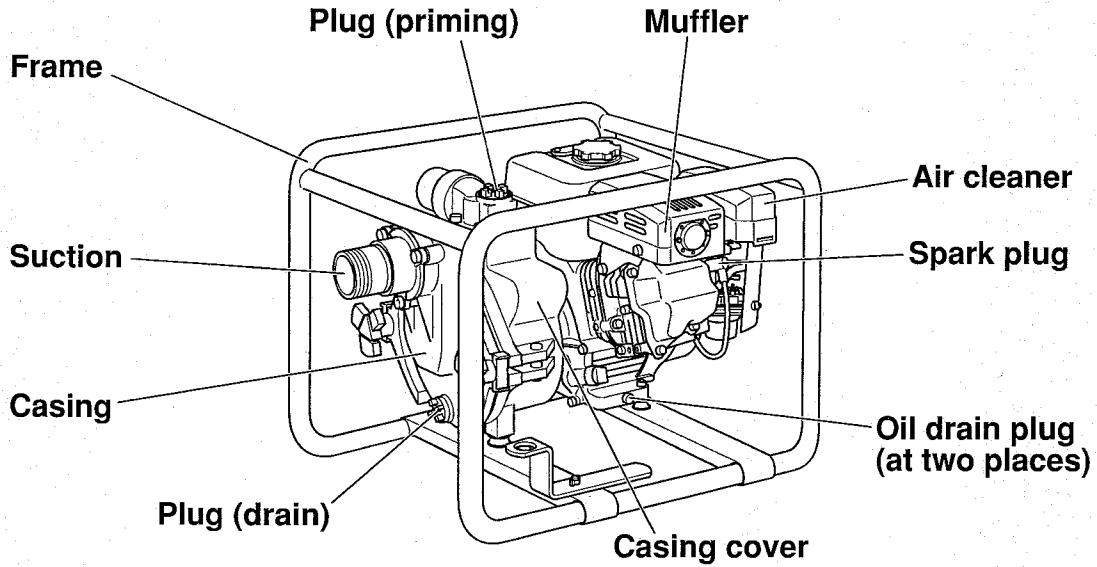
Instruction for use
(This publication)



EW220R



EW320TR



Instruction for use
(This publication)

3. PREPARATIONS FOR STARTING

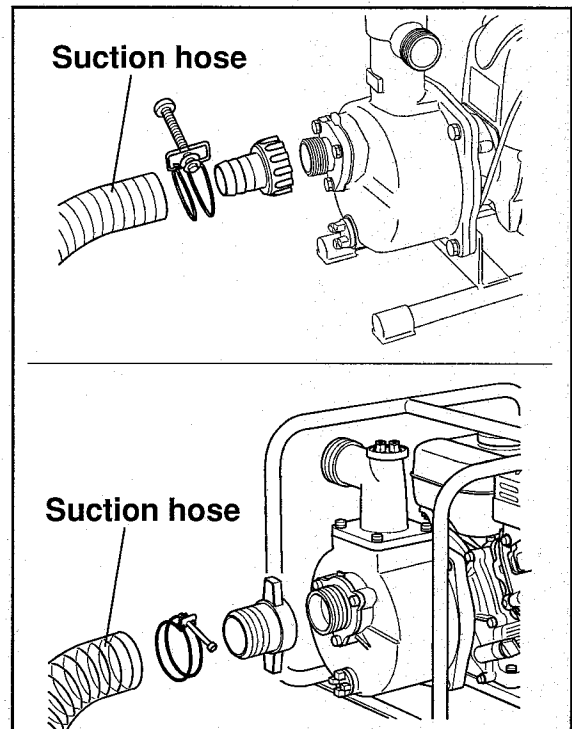
CONNECT SUCTION HOSE

Use a reinforced-wall or wire braided hose to prevent suction collapse.

Since the pump's self-priming time is directly proportional to hose length, a short hose is recommended.

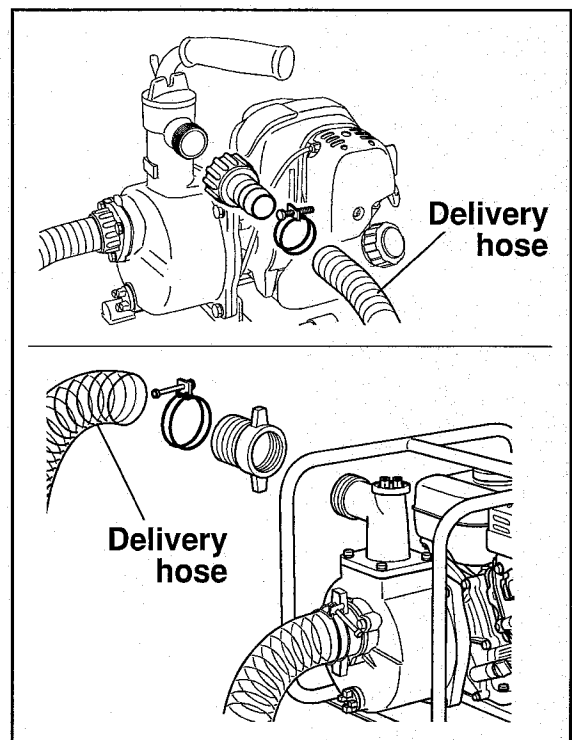
⚠ CAUTION

Always use a strainer with the suction hose. Gravel or debris sucked into the pump will cause serious damage to the impeller and the pump casting.



CONNECT DELIVERY HOSE

When using a fabric hose, always use a hose band to prevent the hose from disconnecting under high pressure.



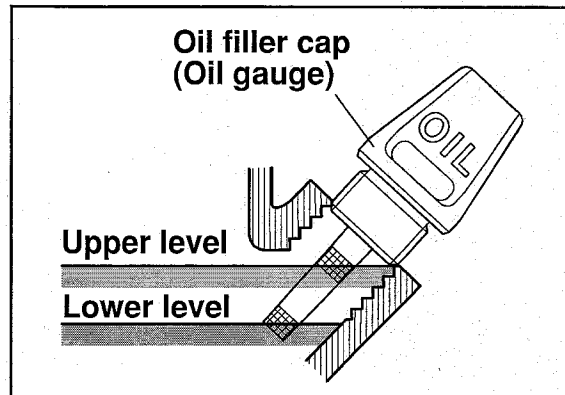
CHECK ENGINE OIL

Before checking or refilling engine oil, be sure the engine is located on stable, level surface and stopped.

- Do not screw the oil gauge into the oil filler neck to check oil level. If the oil level is low, refill to the upper level with the following recommended oil.
- Use 4-stroke automotive detergent oil of API service class SE or higher grade (SG, SH or SJ is recommended).
- Select the viscosity based on the air temperature at the time of operation as shown in the table.

Oil capacity	
EW120R	2.7 oz (0.08 L)
EW220R	20.3 oz (0.6 L)
EW320TR	33.8 oz (1.0 L)

Single grade	5W						
	10W						
	20W						
	#20						
	#30						
Multi grade	10W-30						
	10W-40						
Ambient temperature	-20	-10	0	10	20	30	40°C
	-4	14	32	50	68	86	104°F



CHECK FUEL

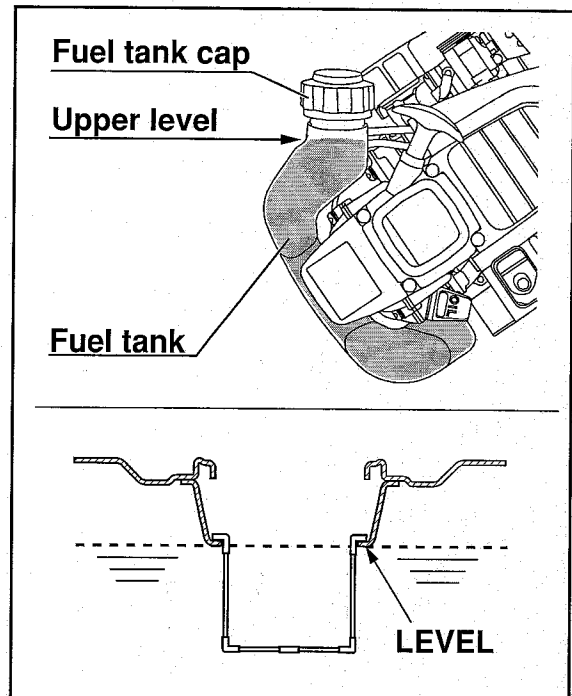
⚠ WARNING

Do not refuel while smoking or near open flame or other such potential fire hazards. Otherwise fire accident may occur.

- Stop the engine and open the cap.
- Use automotive unleaded gasoline only. This engine is certified to operate on automotive unleaded gasoline.

Fuel Tank Capacity	
EW120R	0.13 U.S.gal (0.5L)
EW220R	0.7 U.S.gal (2.7L)
EW320TR	1.6 U.S.gal (6.1L)

- Incline the engine as fuel inlet upward, then refill fuel to the upper level. Do not fill fuel too much. (EW120R)
- Close the fuel cock before filling the fuel tank. (EW220R,EW320TR)
- Do not fill above the top of the fuel filter screen (marked LEVEL), or the fuel may overflow when it heats up later and expands. (EW220R,EW320TR)
- When filling the fuel tank, always use the fuel filter screen.
- Wipe off any spilled fuel before starting the engine.

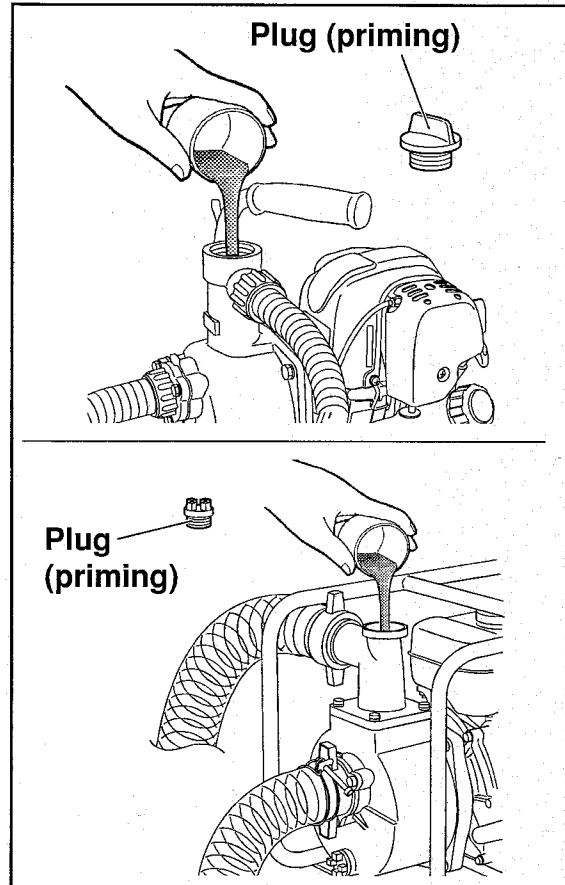


CHECK PRIMING WATER

It is recommended that the water chamber of pump casing should be primed with full of water before operating.

⚠ WARNING

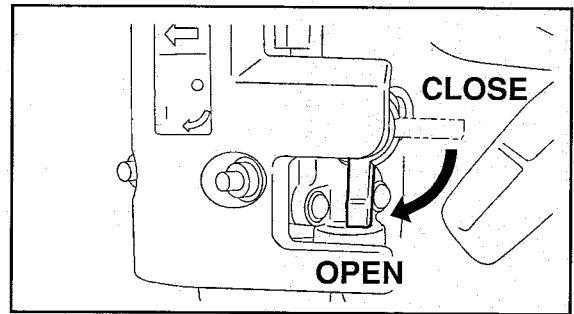
Never attempt to operate the pump without priming water or the pump will overheat. Extended dry operation will destroy the mechanical seal. If the unit has been operated dry, stop the engine immediately and allow the pump to cool before adding priming water.



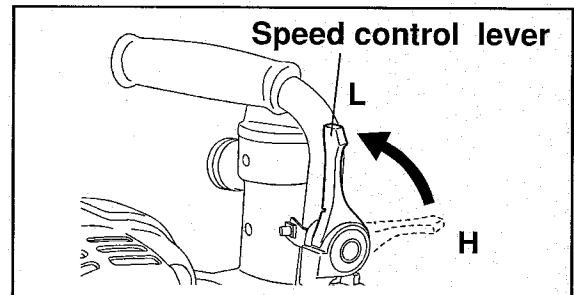
4. OPERATION

1. STARTING

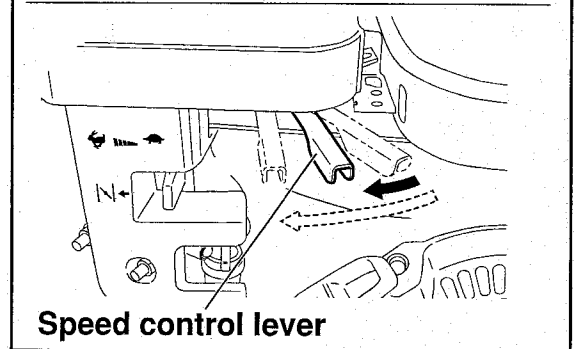
- (a) Open the fuel cock.
(EW220R,EW320TR)



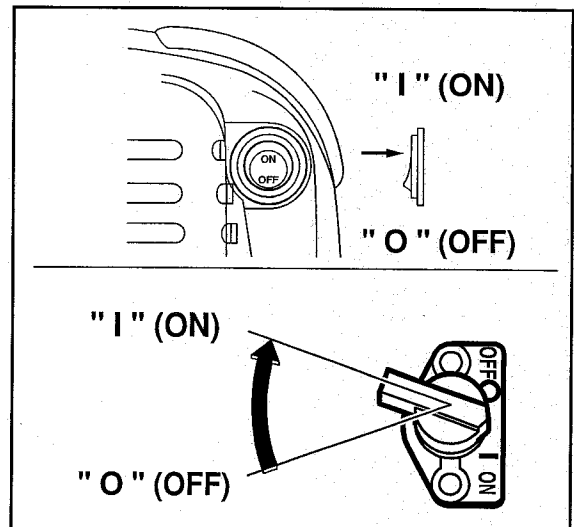
- (b) Set the speed control lever to the idling position (L). (EW120R)



Set the speed control lever 1/3 of the way towards the high speed position. (EW220R,EW320TR)

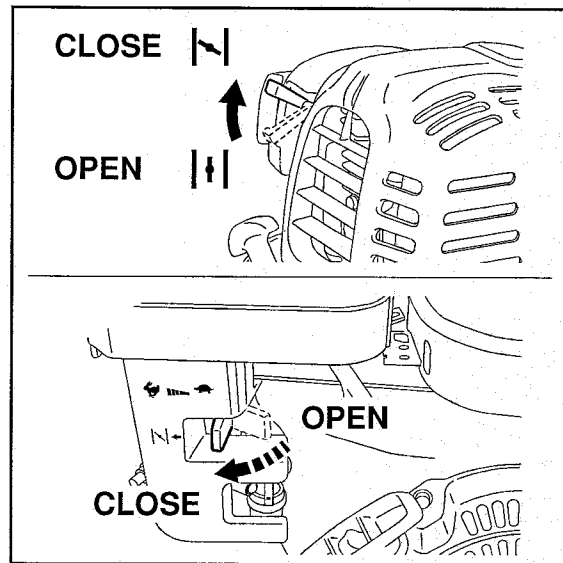


- (c) Turn the STOP SWITCH to the position "I" (ON).

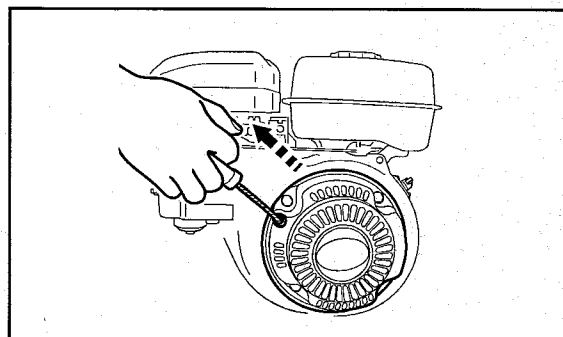
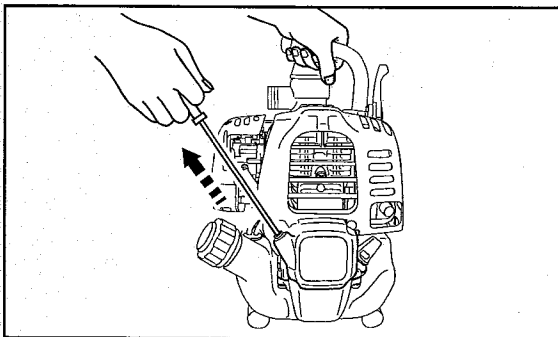


(d) Close the choke lever.

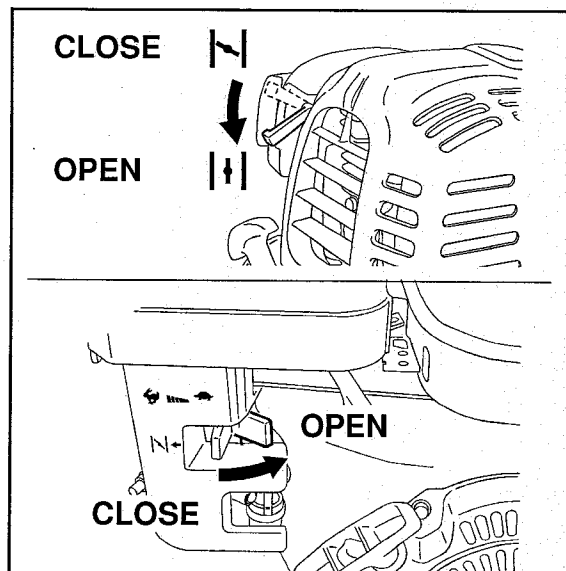
- If the engine is cold, or the ambient temperature is low, close the choke lever fully.
- If the engine is warm or the ambient temperature is high, close the choke lever half-way, or keep it fully open.



(e) Pull the starter handle slowly until resistance is felt. This is the “compression” point. Return the handle to its original position and pull swiftly. Do not pull out the rope all the way. After starting the engine, allow the starter handle to return to its original position while still holding the handle.

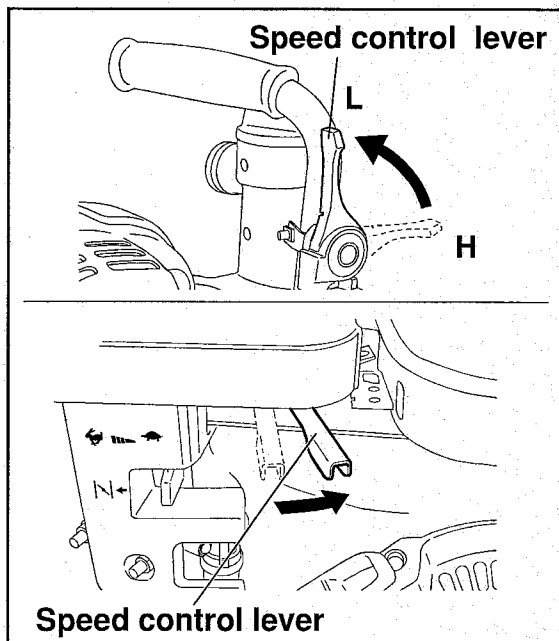


(f) After starting the engine, gradually open choke by turning the choke lever and finally keep it fully opened. Do not fully open the choke lever immediately when the engine is cold or the ambient temperature is low, because the engine may stop.

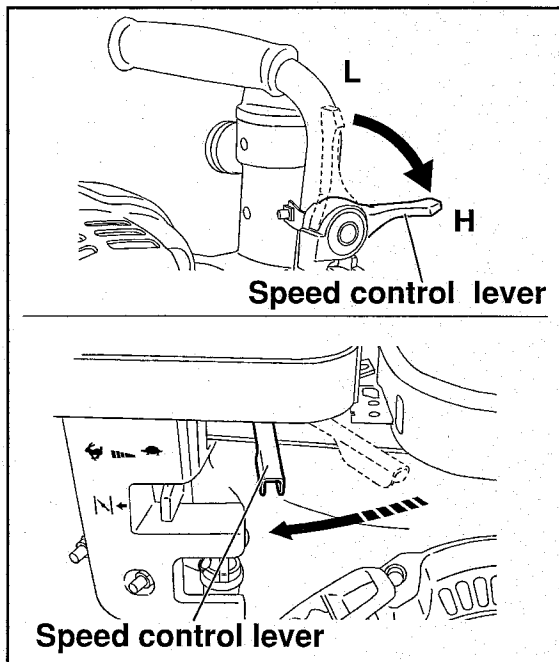


2. RUNNING

- (a) After the engine starts, set the speed control lever at the low speed position (L) and warm it up without load for a few minutes.



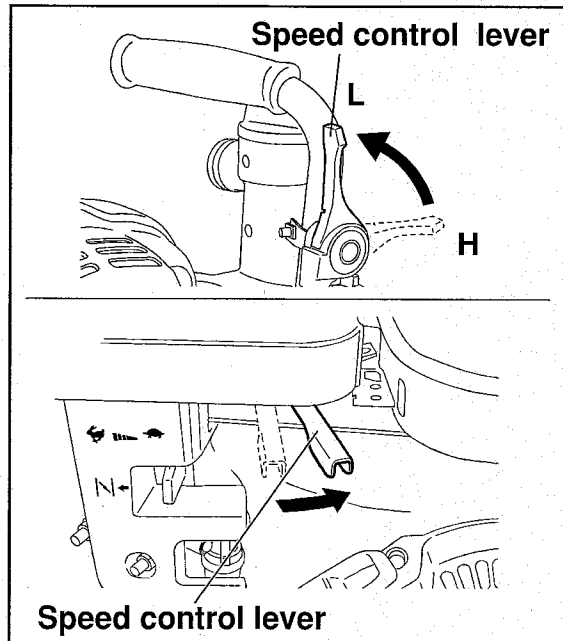
- (b) Gradually move the speed control lever toward the high speed position (H) and set it at the required engine speed.
- Whenever high speed operation is not required, slow the engine down (idle) by moving the speed control lever to save fuel and extend engine life.



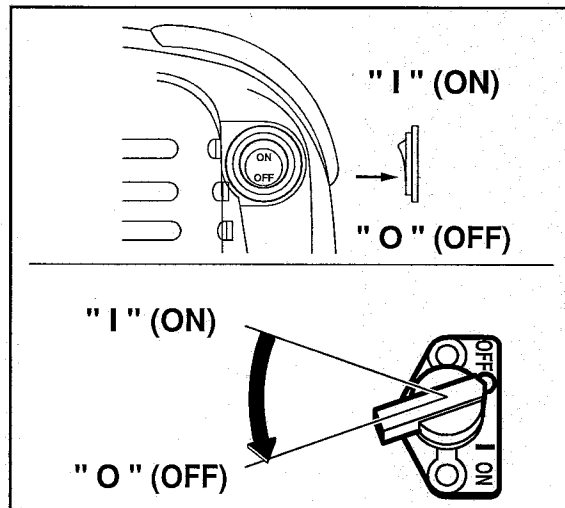
3. STOPPING

- (a) Set the speed control lever at the low speed position and allow the engine to run at low speed for 2 or 3 minutes before stopping. (EW120R)

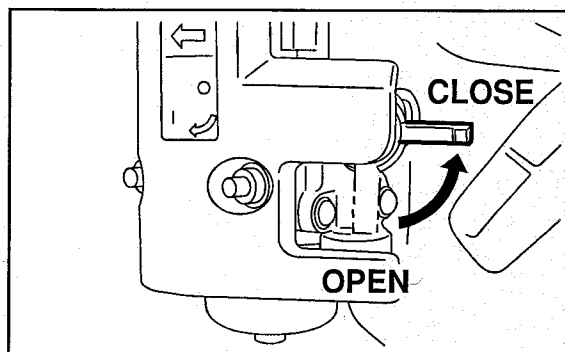
Set the speed control lever at the low speed position and allow the engine to run at low speed for 1 or 2 minutes before stopping. (EW220R,EW320TR)



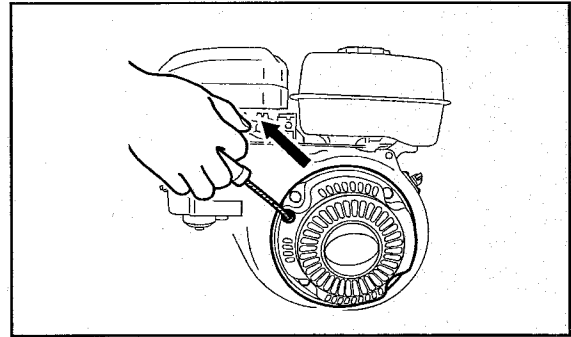
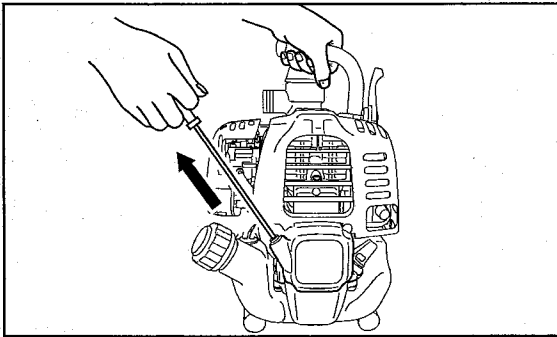
- (b) Turn the STOP SWITCH to the position "O" (OFF).
- Do not stop the engine suddenly when it is running at high speed.



- (c) Close the fuel cock. (EW220R,EW320TR)



- (d) Pull the starter handle slowly and return the handle to its original position when resistance is felt. This operation is necessary to prevent outside moist air from intruding into the combustion chamber.



※ **STOPPING ENGINE WITH THE FUEL COCK (EW220R,EW320TR)**

Close the fuel cock and wait for a while until the engine stops.

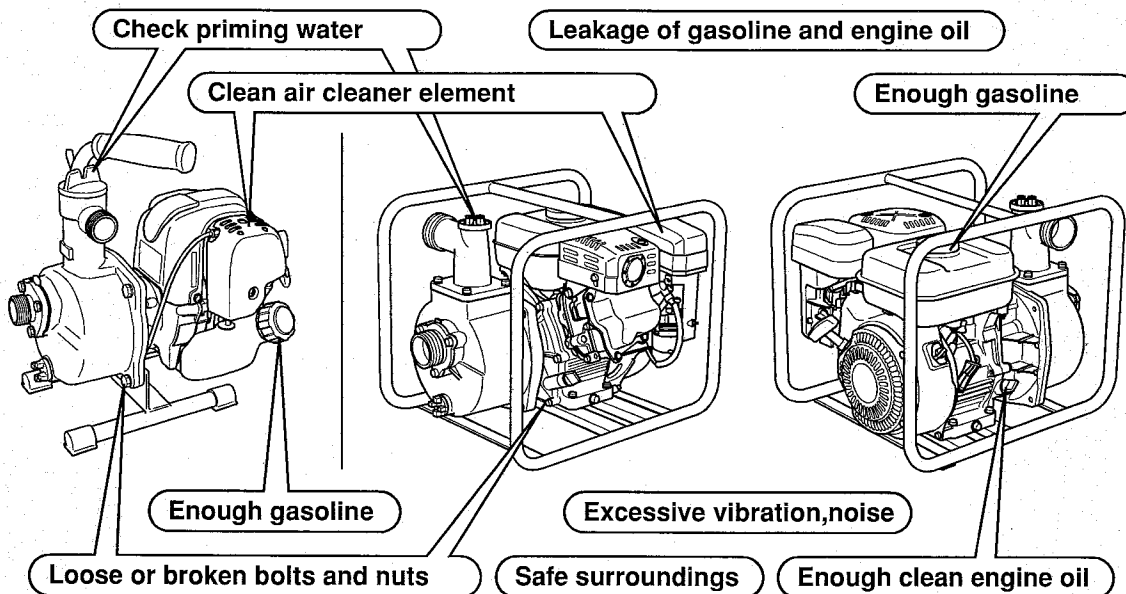
Avoid to let the fuel remain in the carburetor over long periods, or the passages of the carburetor may become clogged with impurities, and malfunctions may result.

5. MAINTENANCE SCHEDULE

MAINTENANCE, REPLACEMENT OR REPAIR OF THE EMISSION CONTROL DEVICES AND SYSTEMS MAY BE PERFORMED BY ANY NONROAD ENGINE REPAIR ESTABLISHMENT OR INDIVIDUAL.

DAILY INSPECTION

Before running the engine pump, check the following service items:



PERIODIC MAINTENANCE

Periodic maintenance is vital to safe and efficient operation of your engine pump. Check the table below for periodic maintenance intervals.

IT IS ALSO NECESSARY FOR THE USER OF THIS ENGINE PUMP TO CONDUCT THE MAINTENANCE AND ADJUSTMENTS ON THE EMISSION-RELATED PARTS LISTED BELOW TO KEEP THE EMISSION CONTROL SYSTEM EFFECTIVE.

The emission control system consists of the following parts:

- | | | |
|---|--|--|
| (1) Carburetor and internal parts | (4) Air cleaner elements | (8) Exhaust manifold, if applicable |
| (2) Cold start enrichment system, if applicable | (5) Spark plug | (9) Hoses, belts, connectors, and assemblies |
| (3) Intake manifold, if applicable | (6) Magneto or electronic ignition system | |
| | (7) Spark advance/retard system, if applicable | |

The maintenance schedule indicated in the following table is based on the normal engine operation. Should the engine be operated in extremely dusty condition or in heavier loading condition, the maintenance intervals must be shortened depending on the contamination of oil, clogging of filter elements, wear of parts, and so on.

Periodic Maintenance Schedule table

Maintenance Items	Every 8 hours (Daily)	Every 20 hours	Every 50 hours (Weekly)	Every 200 hours (Monthly)	Every 500 hours	Every 1000 hours
CLEAN PUMP SET AND CHECK BOLT AND NUTS	● (Daily)					
CHECK AND REFILL ENGINE OIL	● (Refill daily up to upper level)					
CHANGE ENGINE OIL (*Note1)		● (Initial)	● (Every 100 hours)			
CLEAN SPARK PLUG			●			
CLEAN AIR CLEANER			●			
REPLACE AIR CLEANER ELEMENT				●		
CLEAN FUEL STRAINER				●		
CLEAN AND ADJUST SPARK PLUG AND ELECTRODES				●		
REPLACE SPARK PLUG					●	
SPARK ARRESTER (OPTIONAL PART)			● (Every 100 hours)			
REMOVE CARBON FROM CYLINDER HEAD (*Note 2)					●	
CHECK AND ADJUST VALVE CLEARANCE, (*Note 2)					●	
CLEAN AND ADJUST CARBURETOR (*Note 2)					●	
REPLACE FUEL LINES						● (Yearly)
OVERHAUL ENGINE (*Note 2)						●

*NOTE: 1. Initial oil change should be performed after first twenty (20) hours of operation. Thereafter change oil every hundred (100) hours. Before changing oil, check for a suitable way to dispose of old oil. Do not pour it down into sewage drains, onto garden soil or into open streams. Your local zoning or environmental regulations will give you more detailed instructions on proper disposal.

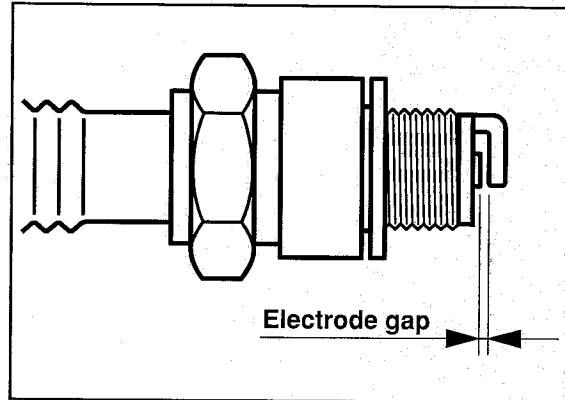
*NOTE: 2. As to the procedures for these items, please refer to the SERVICE MANUAL or consult your nearest Makita service dealer.

6. "HOW-TO" MAINTENANCE

INSPECTING THE SPARK PLUG

- Clean off carbon deposits on the plug electrode using a plug cleaner or wire brush.
- Check electrode gap.
Adjust the gap, if necessary, by carefully bending the side electrode.
- Use a proper spark plug

Model	Type	Electrode gap
EW120R	NGK CMR6A	0.03 in. (0.7 to 0.8 mm)
EW220R EW320TR	NGK BR-6HS (CHAMPION RL86C)	0.02 to 0.03 in. (0.6 to 0.7 mm)



ENGINE OIL CHANGE

Initial oil change : After 20 hours of operation

Thereafter : Every 100 hours of operation

- (a) When changing oil, stop the engine and loosen the drain plug.
Drain the used oil while the engine is warm. Warm oil drains quickly and completely.

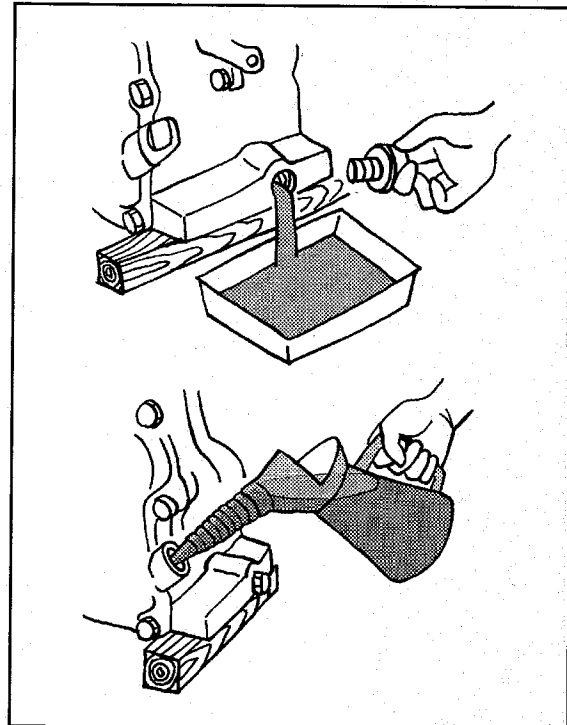
⚠ CAUTION

To prevent injury, pay attention to the hot oil.

Make sure the fuel cap is tightly secured to avoid spillage.

- (b) Re-install the drain plug before refilling oil.

Oil capacity	
EW120R	2.7 oz (0.08 L)
EW220R	20.3 oz (0.6 L)
EW320TR	33.8 oz (1.0 L)

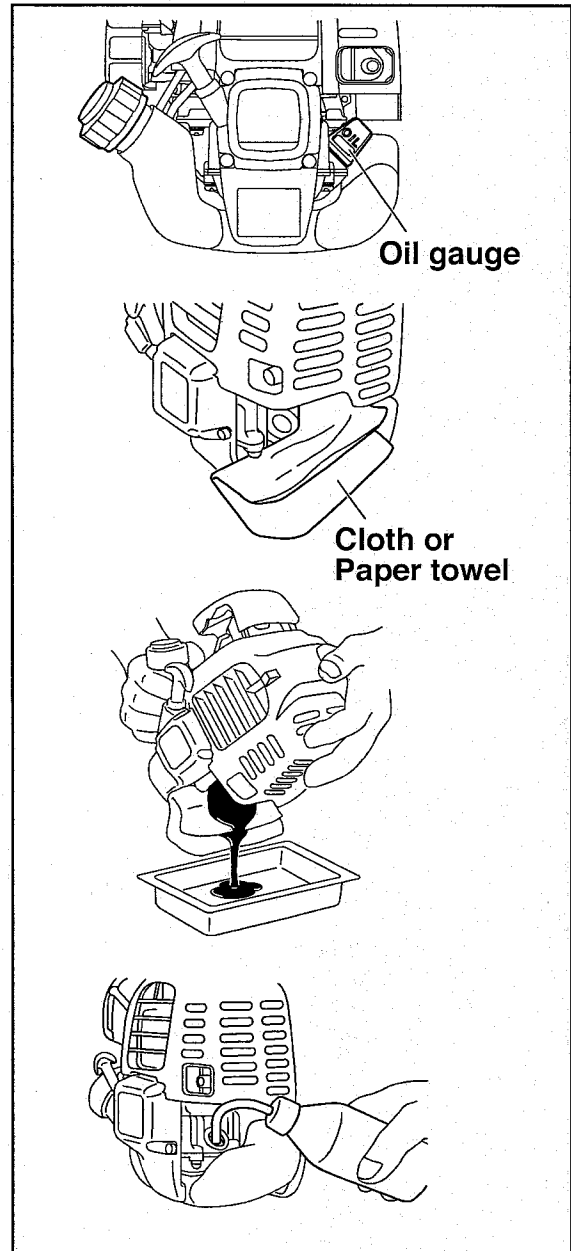


- (c) Refer to page 7 for the recommended oil.

- Always use the best grade and clean oil. Contaminated oil, poor quality oil and shortage of oil cause damage to engine or shorten the engine life.

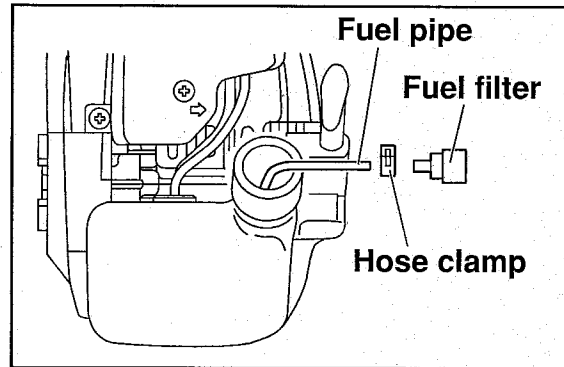
(d) Procedures for EW120R

- 1) Remove the oil gauge. Be cautious to place the oil gauge in a place where it will not gather dirt, dust or other foreign matter.
- 2) Place a cloth or paper towel to the area around the oil filler hole.
- 3) Remove the oil gauge, then tilt the engine and drain the oil into a pan or other receptacle.
- 4) Put the engine on a level surface, then fill with the oil up to the point of overflowing the filler neck. Pour the oil in from a squeeze bottle or other appropriate.
- 5) After filling the engine with oil, reinsert the oil gauge.
Ensure that the oil gauge is tight, as if it loosens later oil will leak out.



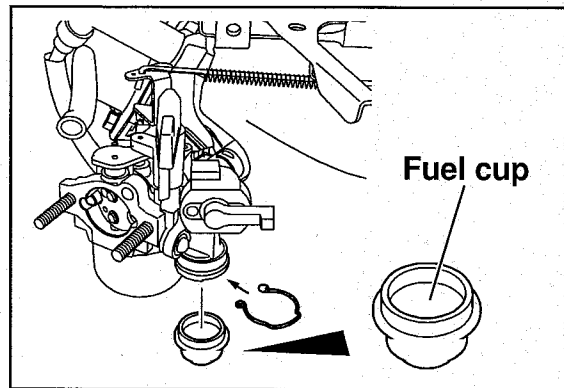
CLEANING FUEL FILTER (EW120R)

- (a) Remove the hose clamp and pull out the fuel filter from fuel pipe.
- (b) Wash the fuel filter with kerosene.
- (c) After washing, reassemble it.
If the fuel filter is heavy dirty, replace it with new one.



CLEANING FUEL CUP (EW220R,EW320TR)

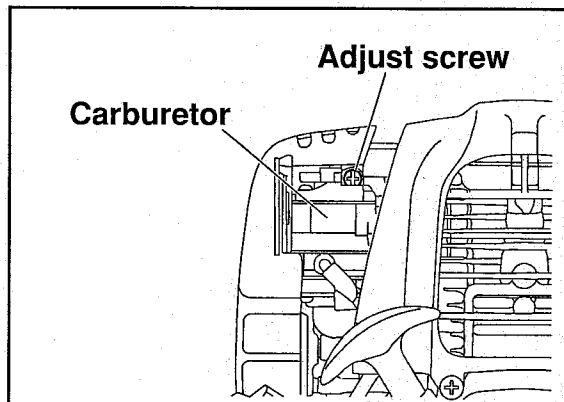
- (a) Inspect fuel cup for water and dirt.
- (b) To remove water and dirt, close the fuel cock and remove the fuel cup.
- (c) After removing dirt and water, wash the fuel cup with kerosene or gasoline.
Reinstall securely to prevent leakage.



ADJUSTING IDLING RPM (CARBURETOR) (EW120R)

When adjust screw is turned right, engine rpm increases, and when it is turned left, rpm decreases.

Normal idling rpm	3000 ± 100rpm
-------------------	---------------



NOTE:

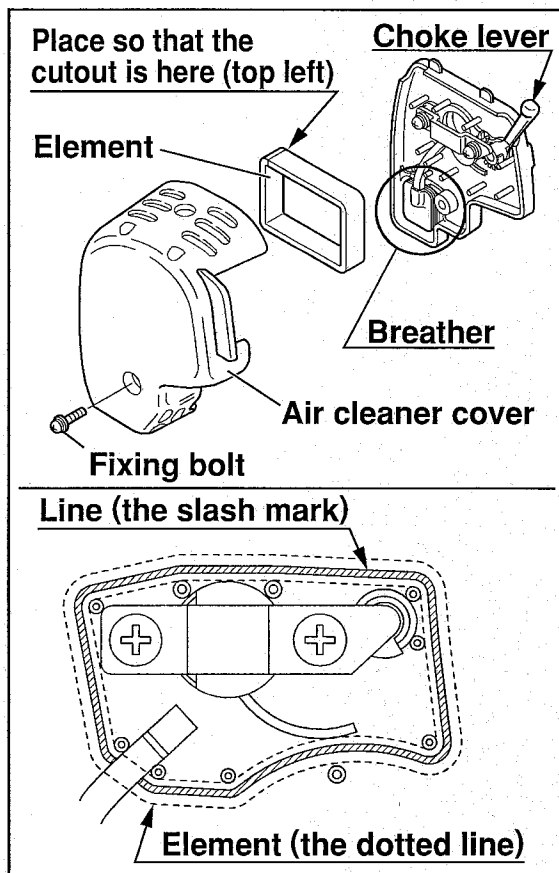
The carburetor greatly affects the performance of the engine. Since it has been adjusted carefully at our factory before shipment, avoid adjusting unless absolutely necessary. If adjustments are needed, contact your nearest dealer.

CLEANING AIR CLEANER

A dirty air cleaner element will cause starting difficulty, power loss, engine malfunctions, and shorten engine life extremely. Always keep the air cleaner element clean.

EW120R

- Remove the fixing bolt of air cleaner cover.
- Pull out the lower edge of the cover to remove the air cleaner cover.
- Place the choke lever to the fully closed position, taking care to ensure that dust and dirt are not allowed to enter the carburetor.
- Remove the element, then clean it with a solution of warm water and a mild detergent, thoroughly drying it afterward. Install it in alignment with the lines as shown in illustration.
- Wipe off any oil adhering to the area around the air cleaner cover and breather with a cloth.
- After cleaning, reassemble the cleaner cover (insert the tab at the top first, then insert the bottom tab) and tighten the fixing bolt.



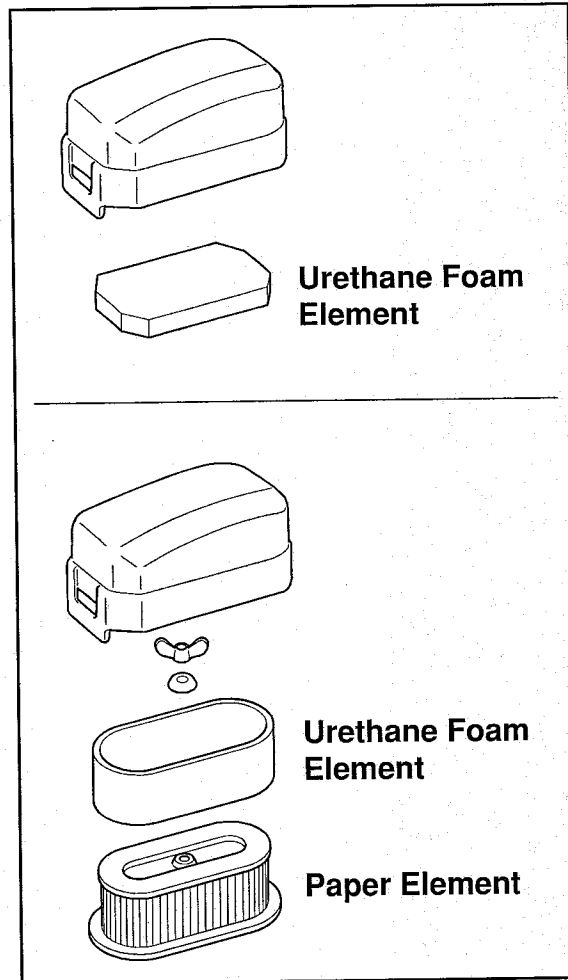
EW220R, EW320TR

(a) Urethane Foam Element Type

- Remove the element and wash it in kerosene or diesel fuel. Then saturate it in a mixture of 3 parts kerosene or diesel fuel and 1 part engine oil. Squeeze the element to remove the mixture and install it in the air cleaner.

(b) Urethane Foam Dual Element Type

- Urethane Foam cleaning
Wash and clean the urethane foam with detergent. After cleaning, dry it. Clean the urethane foam element every 50 hours.
- Second element
Clean by tapping gently to remove dirt and blow off dust. Never use oil. Clean the paper element every 50 hours of operation, and replace element set every 200 hours.



NOTE:

Clean and replace air cleaner elements more often when operating in dusty environments.

Replace the element in case that dirt or dust can not be removed and/or that the element is deformed or deteriorated.

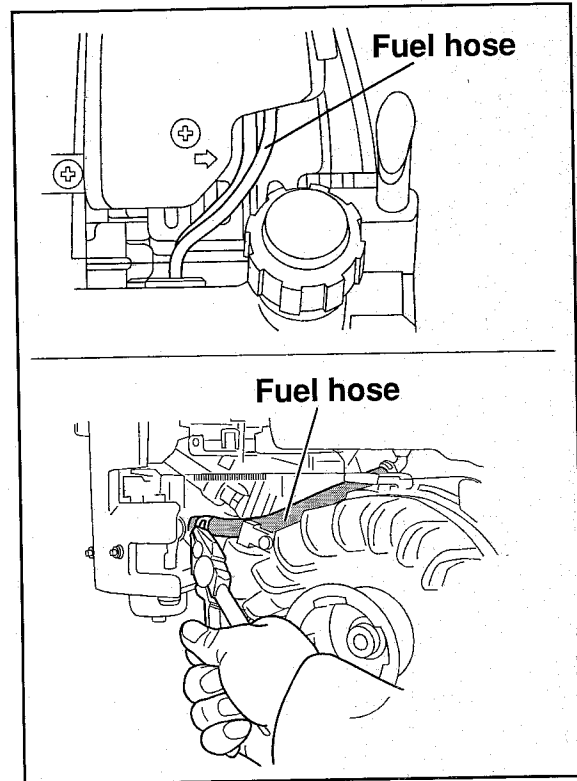
FUEL HOSE REPLACEMENT

⚠ WARNING

Take extreme caution when replacing fuel hose ; gasoline is flammable.

Replace the fuel hose every 1,000 hours or every year.

If the fuel hose leak is found, replace the fuel hose immediately.



CHECKING BOLTS, NUTS AND SCREWS

Retighten loose bolts and nuts.

Check for fuel and oil leaks.

Replace damaged parts with new ones.

CLEANING PUMP INSIDE

Turn the knob counterclockwise and open the casing cover holder.

Pull the casing toward you, and then remove the casing and the inner casing.

Clean the inside of pump casing and casing cover with clean water.

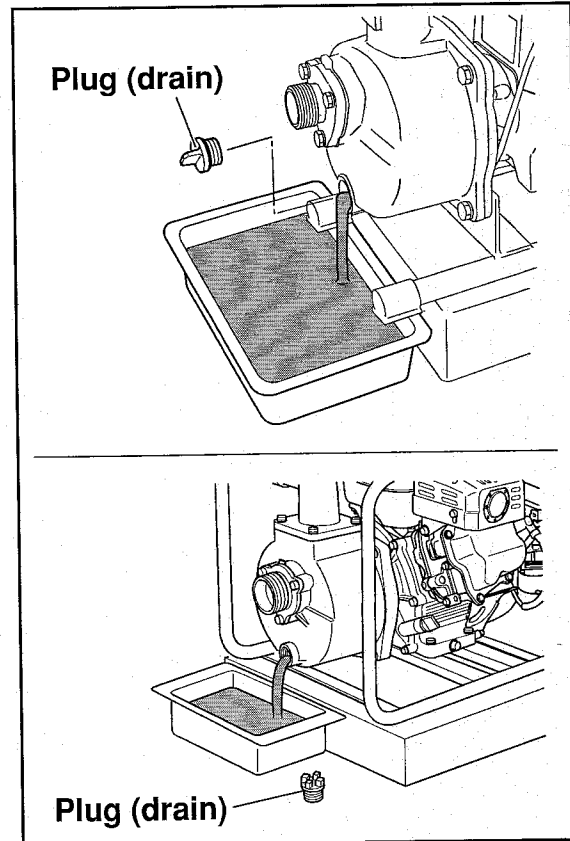
7. PREPARATIONS FOR STORAGE

1. WATER

Drain all water from the drain plug.

⚠ CAUTION

When retightening drain plug, be sure to clean the drain plug and the thread of casing. Otherwise, the thread may be damaged.



2. DISCONNECT THE DELIVERY HOSE

Tilt the pump and drain all water from delivery hole. Severe damage to pump may result if water freezes in the pumping chamber.

3. DISCHARGE FUEL

⚠ WARNING : Flame Prohibited

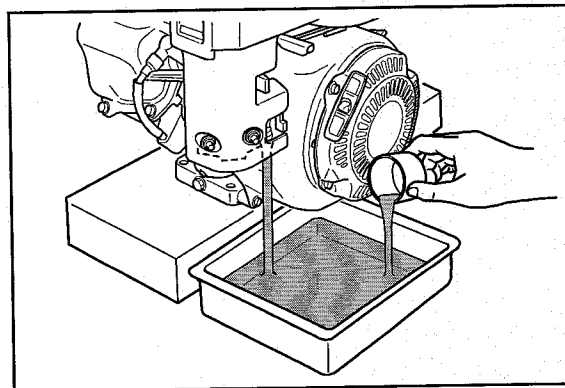
If you do not use the engine more than 1 month, discharge fuel to prevent gum in the fuel system and carburetor parts.

EW120R

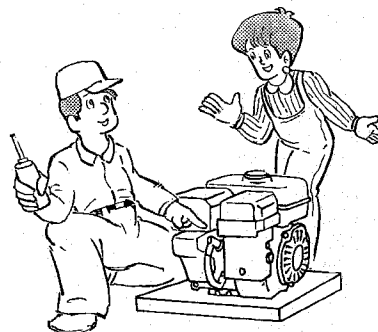
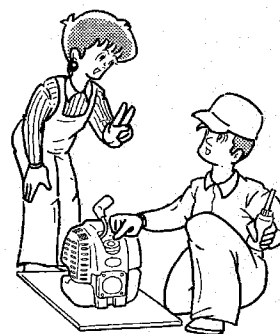
- Pour out the fuel in the tank from its filler neck.
- Push the primer pump of the carburetor until the fuel in it is thoroughly discharged.

EW220R,EW320TR

- Remove the strainer cup, place the strainer over a container and open the strainer cock to discharge fuel from the fuel tank.
- Remove the drain screw of the carburetor float chamber and discharge fuel.

**4. ENGINE OIL**

- Change the engine oil with fresh oil.
- Remove the spark plug, pour about 5 cc of engine oil into the cylinder, slowly pull the starter handle of the recoil starter 2 or 3 times, and reinstall the spark plug.

**5. CLEAN AND STORE**

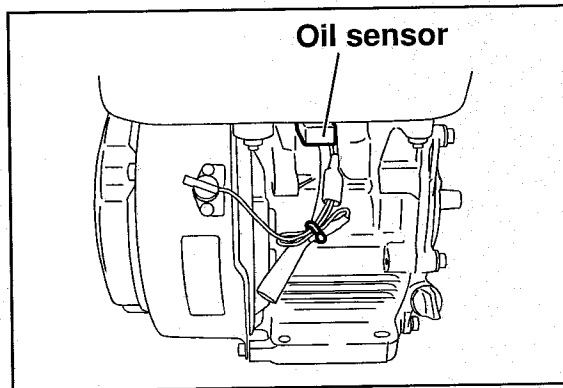
- Slowly pull the recoil starter handle until resistance is felt and leave it in that position.
- Clean the pump thoroughly with an oiled cloth, put the cover on, and store the pump indoors in a well ventilated, low humidity area.

8. OIL SENSOR (OPTIONAL)

1. FUNCTION OF OIL SENSOR (EW220R,EW320TR)

The engine will stop automatically when the oil level falls below the safety limit.

The engine cannot be started unless the level is raised above the prescribed limit.



2. RESTARTING

- (a) Fill the crankcase with oil up to the proper level.

- (b) As for restarting and operating the engine, refer to section "4. OPERATION" on page 10.
 - Check the wire connector from the engine. It must be connected securely to the wire from oil sensor.
 - When selecting the engine oil, refer to page 7 for the recommended oil.

9. SPARK ARRESTER (OPTIONAL)

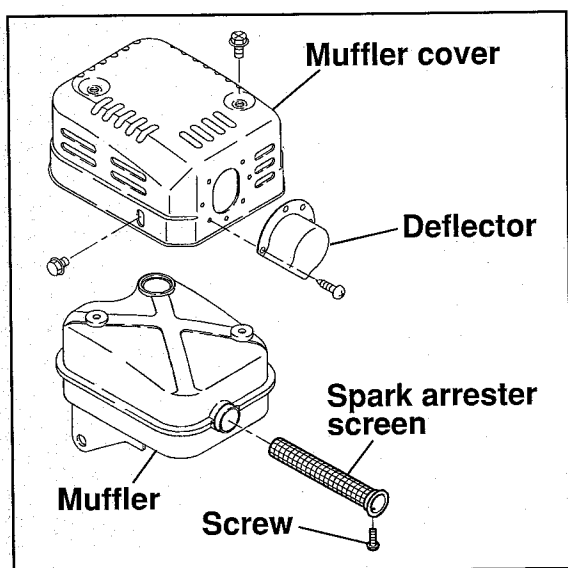
SPARK ARRESTER

In a dry or wooded area, it is recommendable to use the product with a spark arrester. Some areas require the use of a spark arrester. Please check your local laws and regulations before operating your product.

The spark arrester must be cleaned regularly to keep it functioning as designed. A clogged spark arrester :

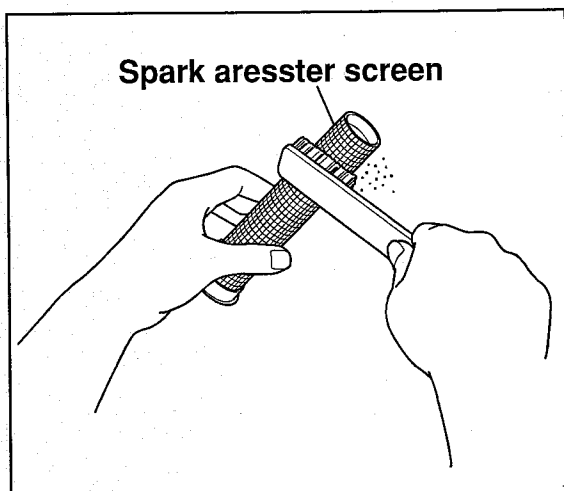
- Prevents the flow of exhaust gas
- Reduces engine output
- Increases fuel consumption
- Makes starting difficult

If the engine has been running, the muffler and the spark arrester will be very hot. Allow the muffler to cool before cleaning the spark arrester.



How to remove the spark arrester

1. Remove the flange bolts from the muffler cover and remove the muffler cover.
2. Remove the special screw from the spark arrester and remove the spark arrester from the muffler.



Clean the spark arrester screen

Use a brush to remove carbon deposits from the spark arrester screen. Be careful to avoid damaging the screen.

The spark arrester must be free of breaks and holes. Replace the spark arrester if it is damaged.

Install the spark arrester, and muffler protector in the reverse order of disassembly.

10. TROUBLESHOOTING

Pump dose not run.

Engine dose not start. (See page 28)

Sticking of impeller
(Disassemble and clean.)

Pumping volume is small

Sucking air at suction side.
(Check piping at suction side.)

Drop in engine output
(Consult your nearest dealer.)

Breakage of mechanical seal.
(Consult your nearest dealer.)

High suction lift (Lower.)

Suction hose is too long or thin.
(Use a thick hose in minimum length.)

Leak of water from water passage.
(Stop leaking.)

Clogging of foreign substance in impeller.
(Disassemble and clean.)

Wear of impeller.

Strainer is clogged. (Clean.)

Engine speed is too low.
(Consult your nearest dealer.)

Pump dose not self-prime

Suction of air at suction side.
(Check piping at suction side.)

Insufficient priming water inside pump casing (Prime fully.)

Imperfect tightening of drain plug.
(Tighten the plugs completely.)

Engine speed is too low.
(Consult your nearest dealer.)

Sucking air from mechanical seal.
(Consult your nearest dealer.)

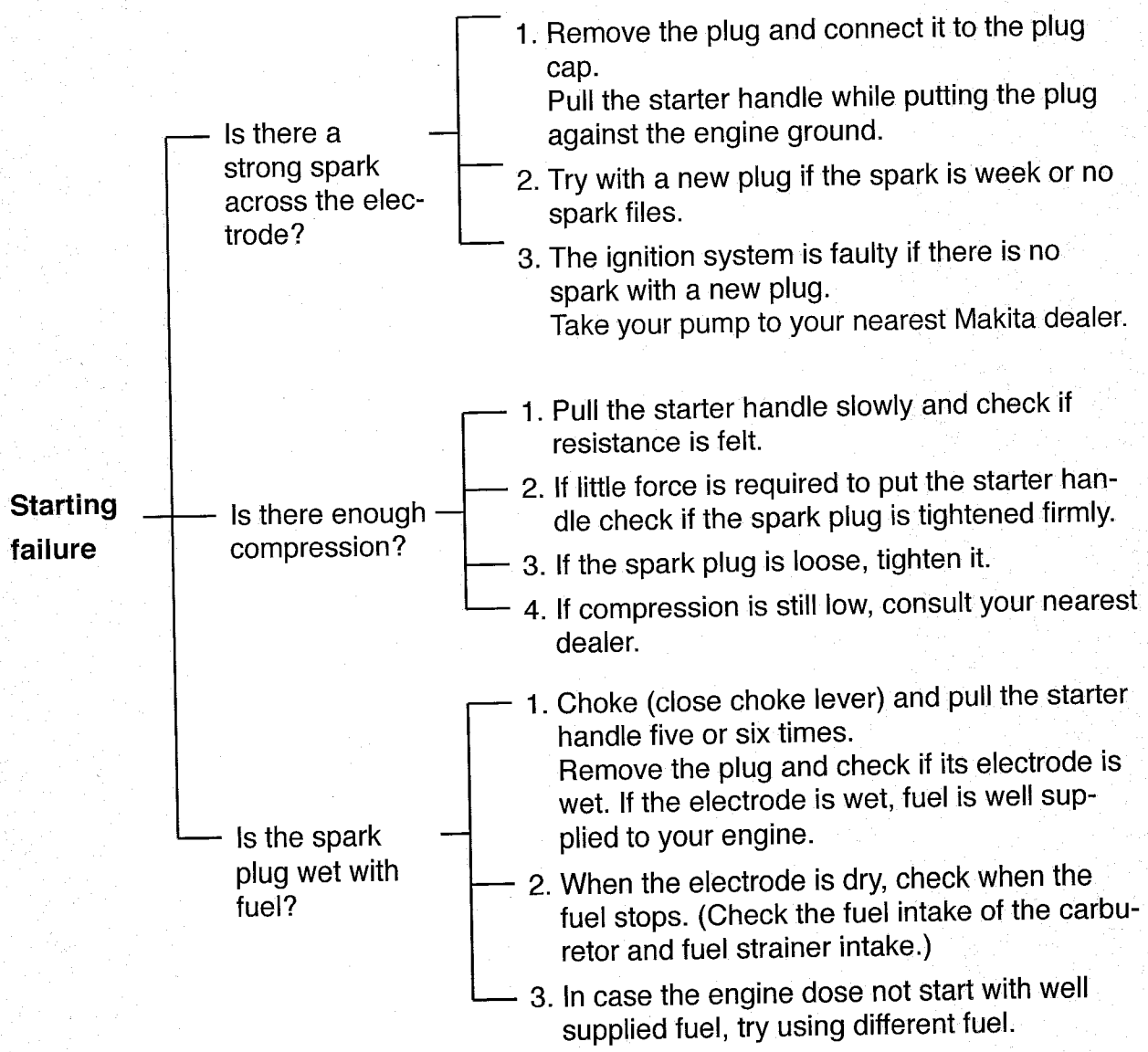
WHEN ENGINE DOES NOT START :

- Perform the following checks before you take the pump to your Makita dealer.
- If you still have trouble after completing the checks, take the pump to your nearest Makita dealer.

⚠ WARNING

Before testing, carefully wipe off spilled fuel.

Put the plug as far away from the spark plug hole as possible. Ground the side of the electrode to any engine ground.



11. SPECIFICATIONS

Model		EW120R	EW220R	EW320TR
PUMP	Type	Self-Priming, Centrifugal pump		Self-Priming, Trash pump
	Suction x Delivery Diameters	1 x 1 in. (25.4 x 25.4 mm)	2 x 2 in. (50.8 x 50.8 mm)	3 x 3 in. (76.2 x 76.2 mm)
	Total Head	115 (35)	105 (32)	92 (28)
	Maximum Delivery Volume	34 (130)	137 (520)	343 (1300)
	Suction Head	26 (8)		
	Axle Seal Material (Mechanical Seal)	Ceramic-carbon		Silicon-carbide
ENGINE	Model	EH025	EX13	EX27
	Type	Air-Cooled, 4-Stroke, OHV, Gasoline Engine	Air-Cooled, 4-Stroke, OHC, Gasoline Engine	
	Lubricant	Automotive detergent oil (API / SE or higher grade, SG, SH or SJ is recommended. SEA / 10W-30 etc.)		
	Oil Capacity	2.7 (0.08)	20.3 (0.6)	33.8 (1.0)
	Fuel	Automotive unleaded gasoline		
	Fuel Tank Capacity	0.13 (0.5)	0.7 (2.7)	1.6 (6.1)
	Spark Plug	NGK CMR6A	NGK BR-6HS (CHAMPION RL86C)	
	Starting System	Recoil starter		
Dimensions	Length	13.0 (331)	18.5 (470)	26.5 (672)
	Width	8.4 (213)	13.5 (344)	19.1 (484)
	Hight	13.6 (345)	16.3 (414)	24.0 (610)
Dry Weight	12.8 (5.8)	54.9 (24.9)	106.9 (48.5)	
Standard Accessories	Engine tool kit (1 set), Strainer (1 pc), Hose coupling (2 pcs.), Hose band (3 pcs.)			
Valve Clearance (Intake and Exhaust)	0.0039±0.0008 in. (0.1±0.03 mm) Note : Adjust the valve clearance while the engine is cold.			
Emissions Durability Period (California only)	hours	125	500	

ISSUE EMD-PU2034

Makita Corporation

3-11-8, Sumiyoshi-cho
Anjo, Aichi 446-8502 Japan

PRINTED IN JAPAN
December 2004

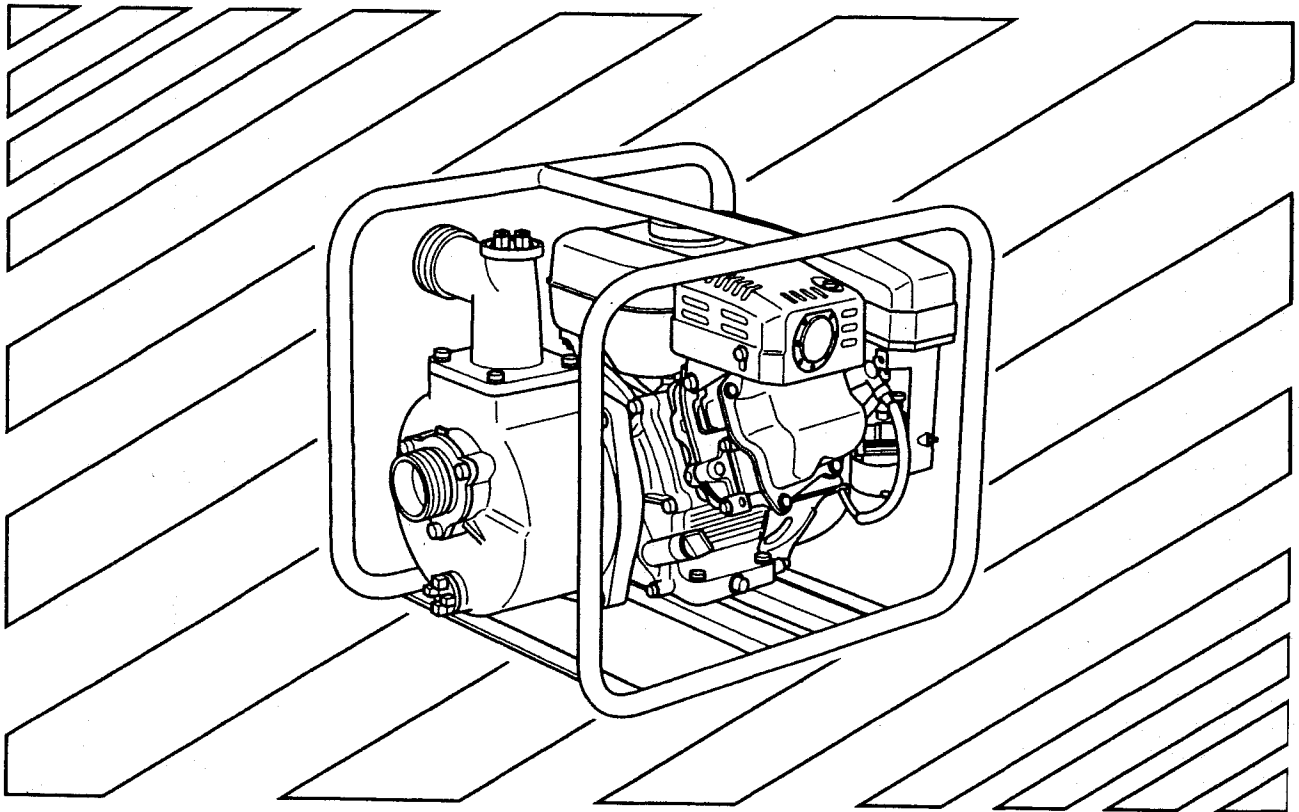
CE

Makita

POMPE

séries **EW**

EW120R
EW220R
EW320TR



MANUEL D'UTILISATION

⚠ AVERTISSEMENT: ⚠

L'échappement du moteur de ce produit contient des produits chimiques connus par l'État de la Californie comme étant capables de causer le cancer, des défauts de naissance ou tout autre défaut de reproduction.

NOTIFICATION

LA GARANTIE FÉDÉRALE CONTRE DÉFAUTS DE COMPOSANTS D'ÉMISSION et la GARANTIE DE CONTRÔLE D'ÉMISSION DE LA CALIFORNIE sont applicables seulement aux moteurs/générateurs qui sont conformes aux règlements d'émission des États-Unis de l'EPA (Agence de Protection de l'Environnement, Environmental Protection Agency) et de la CARB (Comité des Ressources de l'Air de la Californie, California Air Resources Board).

NOTIFICATION

Le service de garantie sera assuré aux moteurs/générateurs exportés vers et utilisés dans les pays autres que les États-Unis par le distributeur dans chaque pays selon la police d'assurance applicable du moteur/générateur standard Makita.

INDICE D'AIR

Pour indiquer la conformité aux règlements d'émission de la Californie, une étiquette du fabricant a été fournie indiquant le niveau d'indice d'air et la période de durabilité du moteur.

Le niveau d'indice d'air définit la propreté de l'échappement d'un moteur sur une certaine période de temps. Une barre analogique mesurée de "0" (l'air le plus propre) à "10" (l'air le moins propre) est utilisée pour indiquer le niveau d'indice de l'air du moteur. Un niveau plus bas d'indice d'air représente un échappement plus propre d'un moteur.

La période (en heures) pour laquelle le niveau d'indice d'air est mesuré est connue comme période de durabilité. Selon la taille du moteur, un choix des périodes de temps peut être utilisé pour mesurer le niveau d'indice d'air (voir ci-dessous).

<u>Limite descriptive</u>	<u>Applicable aux émissions</u>	<u>Période de durabilité</u>
Modéré	-	50 heures (moteur de 0 à 80 cm ³)
	-	125 heures (moteur supérieur à 80 cm ³)
Intermédiaire	-	125 heures (moteur de 0 à 80 cm ³)
	-	250 heures (moteur supérieur à 80 cm ³)
Prolongé	-	300 heures (moteur de 0 à 80 cm ³)
	-	500 heures (moteur supérieur à 80 cm ³)

Notification : Cette étiquette du fabricant doit rester sur le moteur ou la pièce d'équipement, et sera enlevée seulement par l'acheteur final avant son fonctionnement.

GARANTIE FÉDÉRALE CONTRE DÉFAUTS DE COMPOSANTS D'ÉMISSION

COUVERTURE D'ASSURANCE CONTRE DÉFAUTS DE COMPOSANTS D'ÉMISSIONS - Cette garantie d'émission est applicable dans tous les États, sauf dans l'État de la Californie.

Makita U.S.A. Inc., La Mirada, California (désigné ci-après par "MAKITA") garantit à l'acheteur au détail initial et chaque propriétaire subséquent, que ce moteur "Nonroad" (désigné ci-après par "Moteur") a été conçu, construit et équipé pour se conformer au moment de la vente initiale à tous les règlements applicables de l'Agence de Protection de l'Environnement, États-Unis (EPA, Environmental Protection Agency), et que ce moteur est exempt de défauts de matériaux et de fabrication qui feraient que ce moteur ne se conforme pas aux règlements de l'EP pendant sa période de garantie.

Pour les composants énumérés dans le paragraphe **PIÈCES COUVERTES PAR L'ASSURANCE**, le Centre de Service d'Usine Makita ou le Centre de Service autorisé par MAKITA effectuera gratis le diagnostic, la réparation ou le remplacement nécessaire pour s'assurer que le moteur est bien conforme aux règlements applicables de l'EPAP, États-Unis.

PÉRIODE DE GARANTIE CONTRE DÉFAUTS DE COMPOSANTS D'ÉMISSIONS

La période de garantie pour ce moteur commence à la date de vente à l'acheteur initial et continue pendant une période de deux ans.

PIÈCES COUVERTES PAR L'ASSURANCE

Les pièces couvertes par la garantie contre défauts de composants d'émission sont énumérées ci-dessous. Certaines pièces indiquées peuvent exiger un entretien programmé et sont couvertes par la garantie jusqu'au premier point de rechange programmé pour cette pièce même.

- (1) Système de mesure de combustible
 - (i) Carburateur et pièces internes (et/ou régulateur de pression ou système d'injection de combustible).
 - (ii) Système de commande et rétroaction de rapport air/combustible, si applicable.
 - (iii) Système d'enrichissement en démarrage à froid, si applicable.
 - (iv) Ensemble de régulateur (combustible gazeux, si applicable)
- (2) Système d'induction d'air
 - (i) Tubulure de prise, si applicable
 - (ii) Filtre à air.
- (3) Circuit d'allumage
 - (i) Bougies d'allumage.
 - (ii) Magnéto ou circuit d'allumage électronique.
 - (iii) Système d'avance/retard d'étincelle, if applicable.
- (4) Tubulure d'échappement, si applicable
- (5) Articles divers utilisés dans les systèmes mentionnés ci-dessus
 - (i) Commandes électroniques, si applicable
 - (ii) Tuyaux, ceintures, connecteurs et ensembles.
 - (iii) Ensemble de blocage de filtre (combustible gazeux, si applicable)

COMMENT OBTENIR LE SERVICE DE GARANTIE

Pour obtenir le service de garantie, emmenez votre moteur chez le Centre de Service d'Usine Makita le plus proche ou le Centre de Service autorisé par MAKITA. Présentez vos reçus d'achat indiquant la date de l'achat du moteur. Le Centre de Service d'Usine Makita ou le Centre de Service autorisé par MAKITA effectuera les réparations ou réglages nécessaires dans les limites de temps suffisantes et vous fournira une copie de commande de réparation. Toutes les pièces et tous les accessoires remplacés par cette garantie deviennent propriété de MAKITA.

CE QUI N'EST PAS COUVERT PAR LA GARANTIE

*Conditions résultant de trifouillage, d'abus dans l'usage, de réglage incorrect (à moins qu'ils n'aient été effectués par le Centre de Service d'Usine Makita ou le Centre de Service autorisé par MAKITA pendant la réparation de garantie), de modification, d'accident, de défaut dans l'utilisation du combustible et de l'huile recommandée ou de la non-exécution des services d'entretien requis.

- *Pièces de rechange utilisées pour des services d'entretien requis.
- *Dommages consécutifs tels que perte de temps, dérangement, perte d'usage du moteur ou de l'équipement, etc...
- *Frais de diagnostic et d'inspection qui ne résultent pas en l'exécution du service garantie éligible.
- *Toute pièce de rechange non autorisée, ou défaut de fonctionnement des pièces autorisées dues à l'usage de pièces non autorisées.

RESPONSABILITÉS DE GARANTIE DU PROPRIÉTAIRE

En tant que propriétaire du moteur, vous êtes responsable de l'exécution de l'entretien requis indiqué dans votre Manuel du Propriétaire. MAKITA recommande de conserver tous les reçus couvrant l'entretien de votre moteur, mais ne pourra pas refuser la garantie seulement pour manque de reçus ou pour la non-exécution de tout entretien programmé.

En tant que propriétaire de ce moteur, vous devriez cependant prendre note que MAKITA pourrait refuser l'assurance de garantie si votre moteur ou une pièce a fait défaut en raison d'abus, de négligence, d'un entretien incorrect ou de modifications non approuvées.

Vous êtes responsable de présenter votre moteur au Centre de Service d'Usine Makita ou au Centre de Service autorisé par MAKITA quand un problème se présente.

Si vous avez une question quelconque à nous poser concernant vos droits et responsabilités de garantie, nous vous prions d'entrer en contact avec le Département du Service de Garantie MAKITA au numéro 1-800-4-MAKITA pour obtenir les informations nécessaires.

FAITS QUE VOUS DEVRIEZ SAVOIR CONCERNANT L'ENTRETIEN ET LES RÉPARATIONS DE GARANTIE DU SYSTÈME DE COMMANDE D'ÉMISSION

Vous êtes responsable de l'entretien approprié de votre moteur. Vous devriez conserver tous les reçus et données d'entretien couvrant l'exécution de l'entretien régulier au cas où des questions se présentent. Ces reçus et données d'entretien devraient être transférés à chaque propriétaire de moteur subséquent. MAKITA se réserve le droit de refuser l'assurance de garantie si le moteur n'a pas été entretenu correctement. Cependant, les réclamations de garantie ne seront pas refusées, seulement pour les raisons de manque d'entretien ou de négligence dans la conservation des données d'entretien.

L'ENTRETIEN, LE REMPLACEMENT OU LA RÉPARATION DES DISPOSITIFS ET SYSTÈMES DE COMMANDE D'ÉMISSION PEUVENT ÊTRE EXÉCUTÉS PAR N'IMPORTE QUEL ÉTABLISSEMENT DE RÉPARATION OU PERSONNEL QUALIFIÉ; CEPENDANT, LES RÉPARATIONS DE GARANTIE DOIVENT ÊTRE EXÉCUTÉES PAR UN CENTRE DE SERVICE D'USINE MAKITA OU UN CENTRE DE SERVICE AUTORISÉ PAR MAKITA. L'UTILISATION DE PIÈCES QUI NE SONT PAS ÉQUIVALENTES AUX PIÈCES AUTORISÉES QUANT À LA PERFORMANCE ET DURÉE DE SERVICE PEUT ALTÉRER L'EFFICACITÉ DU SYSTÈME DE COMMANDE D'ÉMISSION ET INFLUENCER LES RÉSULTATS D'UNE RÉCLAMATION DE GARANTIE.

Si d'autres pièces autorisées par MAKITA sont utilisées pour des remplacements d'entretien ou pour la réparation des composants affectant la commande d'émission, vous devriez vous assurer que de telles pièces sont garanties par leur fabricant pour être équivalentes aux pièces autorisées par MAKITA quant à leur performance et durée de service.

COMMENT EFFECTUER UNE RÉCLAMATION

Toute réparation pouvant se qualifier sous cette garantie limitée doit être exécutée par un Centre de Service ou un Centre de Service autorisé par MAKITA. Au cas où une pièce quelconque relative à l'émission s'a pendant la période de garantie, nous vous prions de signaler ce fait au Département de Garantie de Mak 800-4-MAKITA et vous serez informé au sujet du centre de service de garantie ou des fournisseurs de la réparation de garantie pourra être exécutée. Une liste des emplacements de centres de service d'usin de téléphone seront fournis comme ci-après pour votre commodité.

ARIZONA

3707 E. Broadway Rd., Ste. 6
Phoenix, AZ 85040
(602) 437-2850

CALIFORNIA

41850 Christy St.
Fremont, CA 94538-5107
(510) 657-9881

14930 Northam St.
La Mirada, CA 90638-5753
(714) 522-8088

4191A Power Inn Rd.
Sacramento, CA 95826
(916) 454-4768

7674 Clairemont Mesa Blvd.
San Diego, CA 92111
(858) 278-4471

16735 Saticoy St., Ste. 105
Van Nuys, CA 91406
(818) 782-2440

COLORADO

11809 E. 51st Ave.
Denver, CO 80239-2709
(303) 371-2850

FLORIDA

750 East Sample Rd.
Pompano Beach, FL 33064
(954) 781-6333

GEORGIA

4680 River Green Parkway NW
Duluth, GA 30096
(770) 476-8911

ILLINOIS

1450 Feehanville Dr.
Mt. Prospect, IL 60056-6011
(847) 297-3100

MARYLAND

7397 Washington Blvd Ste 104
Elkridge, MD 21075
(410) 796-4401

MASSACHUSETTS

232 Providence Highway
Westwood, MA 02090
(781) 461-9754

MINNESOTA

6427 Penn Ave. South
Richfield, MN 55423
(612) 869-5199

MISSOURI

9876 Watson Rd.
St. Louis, MO 63126-2221
(314) 909-9889

NEBRASKA

4129 S. 84th St.
Omaha, NE 68127
(402) 597-2925

NEVADA

3375 S. Decatur Blvd., Suites 22-24
Las Vegas, NV 89102
(702) 368-4277

NEW JERSEY

251 Herrod Blvd.
Dayton, NJ 08810-1539
(609) 655-1212

NEW YORK

4917 Genessee St.
Cheektowaga, NY 14225
(716) 685-9503

OREGON

828 19th Ave., N. W.
Portland, OR 97209
(503) 222-1823

PENNSYLVANIA

1904 Babcock Blvc
Pittsburgh, PA 152
(412) 822-7370

PUERTO RICO

200 Guayama St.
Hato Rey, PR 0091
(787) 250-8776

TENNESSEE

1120 Elm Hill Pike
Nashville, TN 3721
(615) 248-3321

TEXAS

12801 Stemmons
Farmers Branch, T.
(972) 243-1150

4321 W. Sam Hou:
Suite 130
Houston, TX 7704:
(713) 983-8034

3453 IH-35 North,
San Antonio, TX 71
(210) 228-0676

WISCONSIN

Lincoln Plaza Shor
2245 S. 108th St.
West Allis, WI 532
(414) 541-4776

RAPPORT DE GARANTIE DE CONTRÔLE D'ÉMISSION DE LA CALIFORNIE (Cette garantie ne s'applique dans aucun autre état.) VOS DROITS ET ENGAGEMENTS DE GARANTIE

Le Comité des Ressources de l'Air de la Californie (California Air Resources Board) et Makita U.S.A., Inc. (désigné ci-après par "MAKITA") ont le plaisir de vous présenter une explication concernant la garantie de système de contrôle d'émission sur votre moteur Off-Road de petite taille de 2005 et de date postérieure (désigné ci-après par "Moteur"). En Californie, les nouveaux moteurs doivent être conçus, construits et équipés pour répondre aux normes rigoureuses anti-brouillard de l'État. MAKITA doit garantir le système de contrôle d'émission de votre moteur pour les périodes décrites ci-dessous, à condition qu'il n'y ait pas eu d'abus, de négligence ou d'entretien incorrect de votre moteur.

Votre système de contrôle d'émission peut comprendre des pièces telles que systèmes d'injection de carburateur ou de carburant, circuit d'allumage et convertisseur catalytique. Les tuyaux, ceintures, connecteurs et autres ensembles ayant rapport à l'émission peuvent être également inclus. Au cas où une condition de possibilité de garantie existe, MAKITA réparera votre moteur gratis, y compris diagnostic, pièce et main d'oeuvre.

ASSURANCE DE LA GARANTIE DU FABRICANT :

Les moteurs de 2005 et d'une date postérieure sont garantis pour deux (2) ans. Si une pièce quelconque de votre moteur ayant rapport avec l'émission est défectueuse, elle sera réparée ou remplacée par MAKITA.

RESPONSABILITÉS DE GARANTIE DU PROPRIÉTAIRE :

-En tant que propriétaire du moteur, vous êtes responsable de l'exécution de l'entretien requis indiqué dans votre Manuel du Propriétaire. MAKITA recommande de conserver tous les reçus couvrant l'entretien de votre moteur, mais ne pourra pas refuser la garantie seulement pour manque de reçus ou pour la non-exécution de tout entretien programmé.

-En tant que propriétaire de ce moteur, vous devriez cependant prendre note que MAKITA pourrait refuser l'assurance de garantie si votre moteur ou une pièce a fait défaut en raison d'abus, de négligence, d'un entretien incorrect ou de modifications non approuvées.

-Vous êtes responsable de présenter votre moteur au centre de service le plus proche autorisé par MAKITA quand un problème se présente.

Les réparations de garantie devraient être accomplies dans un temps raisonnable, sans dépasser 30 jours.

Si vous avez une question quelconque à nous poser concernant vos droits et responsabilités de garantie, nous vous prions d'entrer en contact avec le directeur du Centre de Service d'Usine Makita le plus proche. Une liste des emplacements de centres de service d'usine et des numéros de téléphone est donnée ci-dessous pour votre commodité.

GARANTIE LIMITÉE

sur les systèmes de contrôle d'émission

- Seulement pour la Californie -

MAKITA, un distributeur de petit équipement "Off-road" aux États-Unis, garantit au propriétaire d'un véhicule de 2005 et de date postérieure que le moteur (1) a été conçu, construit et équipé afin de se conformer au moment de sa fabrication aux règlements applicables de la California Air Resources Board et, (2) est exempt de défauts de matériau et fabrication qui pourraient ne pas le rendre conforme à ces règlements décrits dans les modalités et conditions ci-dessous.

PÉRIODE DE GARANTIE

La période de garantie commence à la date où le moteur est livré à son premier acheteur au détail et dure deux ans après une période de deux ans à partir de cette date. Durant cette période de deux ans, MAKITA garantit au propriétaire initial et à chaque propriétaire subséquent, que ce moteur est exempt de défauts de matériaux et de fabrication qui causeraient un défaut de la pièce garantie et relative à l'émission.

CE QUI EST COUVERT PAR L'ASSURANCE

Les réparations et le remplacement de n'importe quelle pièce garantie seront exécutés gratis par un technicien de garantie autorisé. Également aucune dépense ne sera requise pour tout travail de diagnostic dans un centre de garantie autorisé qui déterminerait qu'une pièce garantie relative à l'émission est défectueuse.

Toute pièce garantie qui n'est pas prévue pour le remplacement comme entretien requis, ou qui est prévue seulement pour l'inspection régulière à l'effet de la "réparation ou du remplacement selon les besoins" n'est pas garantie pour la période de garantie. Toute pièce garantie qui est prévue pour le remplacement comme entretien requis est garantie pour la période allant jusqu'au premier remplacement programmé pour cette pièce. Cette garantie ne s'appliquera qu'à la réparation, au remplacement et/ou au réglage des éléments mentionnés ci-dessous.

PIÈCES COUVERTES SOUS CETTE GARANTIE RELATIVE À L'ÉMISSION

- (1) Système de mesure de combustible
 - (i) Carburateur et pièces internes (et/ou régulateur de pression ou système d'injection de combustible)
 - (ii) Système de commande et rétroaction de rapport air/combustible, si applicable.
 - (iii) Système d'enrichissement en démarrage à froid, si applicable.
 - (iv) Ensemble de régulateur (combustible gazeux, si applicable)
- (2) Système d'induction d'air
 - (i) Tubulure de prise, si applicable
 - (ii) Filtre à air.
- (3) Circuit d'allumage
 - (i) Bougies d'allumage.
 - (ii) Magnéto ou circuit d'allumage électronique.
 - (iii) Système d'avance/retard d'étincelle, if applicable.
- (4) Tubulure d'échappement, si applicable
- (5) Articles divers utilisés dans les systèmes mentionnés ci-dessus
 - (i) Commandes électroniques, si applicable
 - (ii) Tuyaux, ceintures, connecteurs et ensembles.
 - (iii) Ensemble de blocage de filtre (combustible gazeux, si applicable)

Si le centre de garantie autorisé détermine que d'autres éléments du moteur ont été endommagés en raison d'un défaut d'une pièce garantie relative à l'émission pendant la période de garantie, MAKITA réparera et/ou remplacera les composants nécessaires.

CE QUI N'EST PAS COUVERT PAR CETTE GARANTIE

Cette garantie ne couvre pas toute pièce relative à l'émission qui fonctionnerait mal, est défectueuse, ou endommagée à la suite de changements et/ou modifications lorsque l'on remplace, ajoute ou enlève des pièces.

Quand l'entretien d'un moteur est exécuté sous cette garantie, MAKITA et tous fournisseurs, distributeurs ou toutes stations de garantie autorisées ne seront pas responsables d'aucune perte d'usage du moteur, d'aucun dommage aux marchandises, ou de perte de temps ou de dérangement. Également cette garantie limitée ne s'applique pas à toute pièce relative à l'émission qui fonctionnerait mal, est défectueuse, ou endommagée en raison d'une négligence dans l'observation des instructions d'entretien et des consignes d'utilisation indiquées dans le Manuel du Propriétaire 2005 et ceux plus récents, y compris:

- (a) Entretien incorrect ou négligé de toute pièce relative à l'émission.
- (b) Installation et réglage incorrect ou réparation mal effectuée du moteur ou de toute pièce garantie relative à l'émission à moins d'être effectués par un centre de garantie d'usine autorisé.
- (c) Non utilisation de carburant recommandé comme indiqué dans le Manuel du Propriétaire 2005 et dans ceux plus récents.
- (d) Réparations et diagnostic exécutés en dehors d'un centre de garantie autorisé.
- (e) Utilisation de pièces qui ne sont pas autorisées par MAKITA.

PROGRAMME D'ENTRETIEN

Le propriétaire du moteur est responsable de faire en sorte que tous les services programmés d'inspection et d'entretien soient assurés aux intervalles recommandés dans le Manuel du Propriétaire des moteurs de 2005 et date postérieure, ainsi que de conserver les données prouvant que ces services d'inspection et d'entretien ont été exécutés.

Les données conservées devraient être remises à chaque propriétaire de moteur subséquent. MAKITA ne peut pas refuser une réclamation seulement parce qu'il n'y a aucune donnée d'entretien programmé. Cependant, une réclamation de garantie peut être rejetée si l'entretien et l'inspection programmés n'ont pas été effectués avec comme conséquence un défaut d'une pièce garantie relative à l'émission.

Comme minimum, le propriétaire du moteur est responsable de l'inspection et de l'entretien programmés décrits ci-dessous qui sont basés sur les procédures décrites dans le manuel du propriétaire.

PROCÉDÉS

- 1) Changer l'huile à moteur
- 2) Nettoyer le filtre à air (élément)
- 3) Remplacer l'élément du filtre à air
- 4) Nettoyer et régler la bougie d'allumage et les électrodes

INTERVALLE

- : Toutes les 20 heures initiales et toutes les 100 heures par la suite
- : Toutes les 50 heures
- : Toutes les 200 heures
- : Toutes les 200 heures

Note: Un entretien plus fréquent peut être nécessaire en conditions d'emplacements poussiéreux, sales ou en conditions sévères.

RÉPARATION ET REMPLACEMENT DE PIÈCES RELATIVES À L'ÉMISSION

Il est recommandé d'utiliser seulement des pièces de rechange de moteur qui ont été autorisées et approuvées par MAKITA pour n'importe quel entretien de garantie ou pour les réparations des pièces relatives à l'émission. Ces pièces de rechange seront fournies gratis si la pièce concernée est encore sous garantie.

COMMENT REMPLIR UNE DEMANDE DE GARANTIE ET EMPLACEMENTS DES SERVICES DE GARANTIE

Contactez le directeur du centre de service d'usine Makita le plus proche pour déterminer l'emplacement approprié où les services de garantie requis doivent être exécutés. Une liste des emplacements de centres de service d'usine et des numéros de téléphone sont donnés ci-dessous pour votre commodité.

41850 Christy Street
Fremont, CA 94538-5107
(510)657-9881

7674 Clairemont Mesa Blvd.
San Diego, CA 92111
(619)278-4471

1421 N. Clovis Ave., Ste. 112
Fresno, CA 93727
(209)252-5166

1714 E. McFadden Ave., Unit M
Santa Ana, CA 92705
(714)667-5066

14930 Northam Street
La Mirada, CA 90638-5753
(714)522-8088

333 Littlefield Ave.
South San Francisco, CA 94080
(415)875-1002

1970 Fulton Avenue
Sacramento, CA 95825
(916)482-5197

16735 Saticoy St., Ste. 105
Van Nuys, CA 91406
(818) 782-2440

1440 South "E" Street
San Bernardino, CA 92408
(909)885-1289

CENTRES DE SERVICE D'USINE AU CANADA

BRITISH COLUMBIA

RICHMOND

(Vancouver Regional Office)
11771 Hammersmith Way, Richmond, V7A.5H6
Tel. 1.800.663.0909 or 604.272.3104
Fax.604.272.5416

COQUITLAM

Unit 103, 2131 Hartley Avenue, Coquitlam, V3K.2Z3
Tel. 604.525.7434 or 1.800.266.7738
Fax.604.525.7435

ALBERTA

CALGARY

#8-6115 Fourth Street S.E., Calgary, T2H.2H9
Tel. 1.800.267.0445 or 403.243.3995
Fax.403.287.3044

EDMONTON

11614-149 Street, Edmonton, T5M.3R3
Tel. 1.888.455.6644 or 780.455.6544
Fax.780.451.4877

SASKATCHEWAN

SASKATOON

206A-2750 Faithful Avenue, Saskatoon, S7K.6M6
Tel. 1.888.931.0111 or 306.931.0111
Fax.306.931.4574

MANITOBA

WINNIPEG

1670 St. James Street, Winnipeg, R3H.0L3
Tel. 1.800.550.5073 or 204.694.0402
Fax.204.694.5782

ONTARIO

LONDON

317 Adelaide Street S., Unit 117, London, N5Z.3L3
Tel. 1.800.571.0899 or 519.686.3115
Fax.519.686.4347

MISSISSAUGA

6350 Tomken Road, Unit 8 Mississauga, L5T.1Y3
Tel. 1.888.221.9811 or 905.670.7255
Fax.905.670.0120

OTTAWA (Nepean)

210 Colonnade Road S, Unit #10, Ottawa (Nepean),
K2E.7L5
Tel. 1.888.560.2214 or 613.224.5022/5088
Fax.613.224.2360

WHITBY

(Toronto Head Office)
1950 Forbes Street, Whitby, L1N.7B7
Tel. 1.800.263.3734 or 905.571.2200
Fax.905.433.4779

QUÉBEC

ST. LEONARD

(Montréal Bureau Régional)
6389 Boul. Couture, St. Leonard, H1P.3J5
Tél. 1.800.361.7049 or 514.323.1223
Fax.514.323.7708

VILLE ST. LAURENT

1140 Rue Bégin, Ville St. Laurent, H4R 1X1
Tél. 1.888.745.5025 or 514.745.5025
Fax.514.745.6141

LES SAULES

1200 St. Jean Baptiste, Unit 106, Québec (Les Saules),
G2E.5E8
Tél. 1.800.663.5757 or 418.871.5720
Fax.418.871.6684

NOVA SCOTIA

DARTMOUTH

202 Brownlow Avenue, Dartmouth, B3B.1T5
Tel. 1.888.625.4821 or 902.468.7064
Fax.902.468.3551

AVANT-PROPOS

Nous vous remercions d'avoir fait le choix d'une **POMPE MAKITA**.
Ce manuel décrit le fonctionnement et l'entretien de la **POMPE MAKITA**.

Toutes les informations comprises dans cette publication sont basées sur les données du produit les plus récentes, disponibles au moment de l'approbation d'impression de ce manuel. Nous vous prions de lire ce manuel attentivement avant d'utiliser la pompe.

Prenez quelques instants pour vous familiariser avec les procédures de fonctionnement et d'entretien afin d'utiliser ce produit dans les meilleures conditions possibles de sécurité et de performance.

Conservez ce manuel à portée de main pour vous y reporter lorsque nécessaire.
Dans le souci d'une amélioration constante de la qualité de nos produits, nous nous réservons le droit de procéder sans préavis à la modification de certains processus et de certaines caractéristiques.

SOMMAIRE

	Page
1. PRECAUTIONS DE SECURITE	1
2. COMPOSANTS	3
3. CONTROLES PRE-OPERATOIRES	6
4. FONCTIONNEMENT	10
5. PROGRAMME D'ENTRETIEN	15
6. ENTRETIEN "COMMENT PROCÉDER"	17
7. PREPARATION AU MAGASINAGE	23
8. CAPTEUR D'HUILE (OPTION)	25
9. INTERCEPTEUR D'ÉTINCELLE (OPTION)	26
10. DÉPANNAGE	27
11. FICHE TECHNIQUE	29

1. PRECAUTIONS DE SECURITE

Bien respecter toutes les précautions d'emploi.

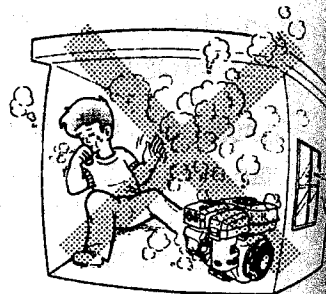
Faire particulièrement attention aux informations précédées des mises en garde suivantes.

⚠ AVERTISSEMENT Un "AVERTISSEMENT" met en garde contre la forte probabilité d'un accident corporel grave ou mortel si les instructions ne sont pas respectées.

⚠ ATTENTION "ATTENTION" met en garde contre la probabilité d'un accident corporel ou la détérioration de l'équipement si les instructions ne sont pas respectées.

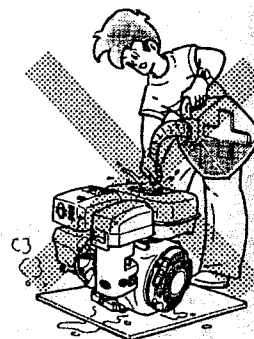
⚠ AVERTISSEMENT : PRECAUTIONS AVEC LES GAZ D'ECHAPPEMENT

- Ne jamais respirer les gaz d'échappement.
Ces gaz contiennent de l'oxyde de carbone, un produit incolore, inodore et particulièrement dangereux pouvant entraîner la perte de connaissance et la mort.
- Ne jamais utiliser le pompe à l'intérieur d'un bâtiment ou dans un endroit mal aéré comme un tunnel, une cave etc...
- Prendre toutes les précautions nécessaires quand le pompe est utilisé dans le voisinage de personnes ou d'animaux.
- Ne jamais obstruer le tuyau d'échappement.



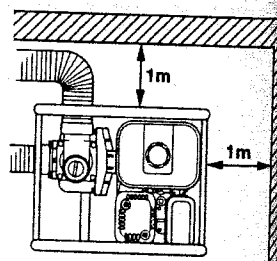
⚠ AVERTISSEMENT : PRECAUTIONS POUR LE PLEIN DE CARBURANT

- L'essence est un produit particulièrement inflammable et explosif après vaporisation sous l'effet du feu.
- Ne pas procéder au plein de carburant à l'intérieur ou dans un endroit mal aéré.
- Couper le pompe avant de procéder au plein de carburant.
- Ne pas déposer le bouchon du réservoir de carburant et ne pas procéder au plein de carburant quand le moteur est chaud ou en marche.
Laisser le moteur refroidir pendant environ 2 minutes avant de procéder au plein de carburant.
- Ne pas faire déborder de carburant du réservoir.
- En cas de débordement, essuyer soigneusement toute trace de carburant et attendre que le carburant se soit entièrement évaporé avant de démarrer le moteur.
- Après avoir refait le plein, vérifier que le bouchon est parfaitement fermé pour éviter toute fuite.



⚠ AVERTISSEMENT : PRECAUTIONS CONTRE LES INCENDIES

- Ne pas fumer à proximité d'un pompe en marche et ne pas approcher de flamme vive.
- Ne pas utiliser le moteur à proximité de buissons ou brindilles séchés, de chiffons ou de tout matériau inflammable.
- La prise d'air de refroidissement (partie du lanceur à retour automatique) et la partie échappement du moteur doivent se trouver à une distance d'au moins 1 mètre des murs, séparations et autres objets inflammables.
- Tenir le pompe à l'écart de tout matériau inflammable ou dangereux (ordures, chiffons, lubrifiants, explosifs).

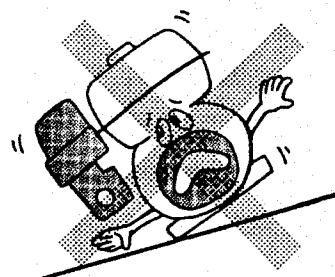


⚠ AVERTISSEMENT : AUTRES PRECAUTIONS DE SECURITE

■ Attention aux pièces chaudes.

Le silencieux et d'autres parties du moteur peuvent être extrêmement chauds quand la pompe est en marche ou vient juste d'être arrêté. Mettre la pompe en opération en lieu sûr et ne pas laisser les enfants s'approcher d'un moteur en marche.

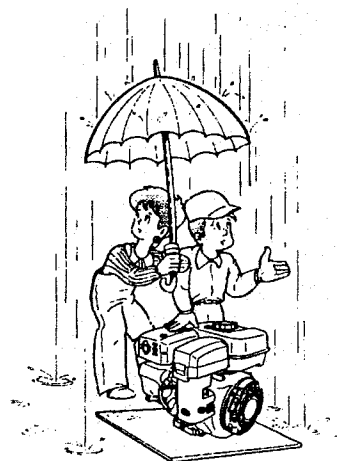
- Ne pas utiliser la pompe à membrane pour un mélange d'eau et d'huile.
- Ne pas toucher à la bougie et au câble de l'allumage au démarrage du moteur et pendant la marche de celui-ci.
- Mettre la pompe en fonction sur une surface stable et plane.
Si le moteur est penché, de l'essence risque de s'écouler.



REMARQUE

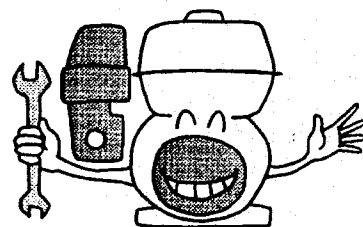
Si la pompe est utilisée sur une pente prononcée, il risque de gripper en raison d'une lubrification insuffisante, même si l'huile est à son niveau maxi.

- Ne pas transporter la pompe quand le réservoir contient de l'essence ou si le robinet du filtre à carburant est encore ouvert.
- Garder la pompe au sec (ne pas l'utiliser sous la pluie).



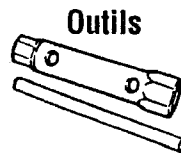
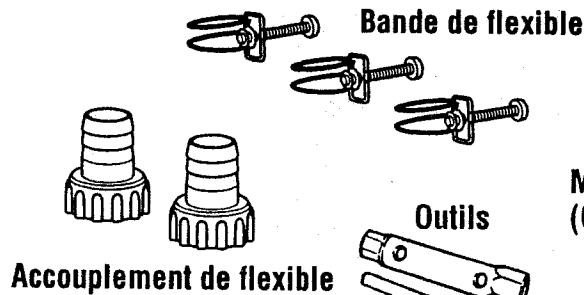
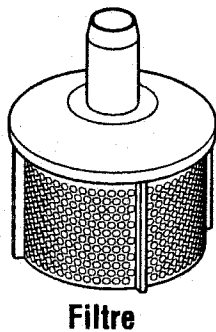
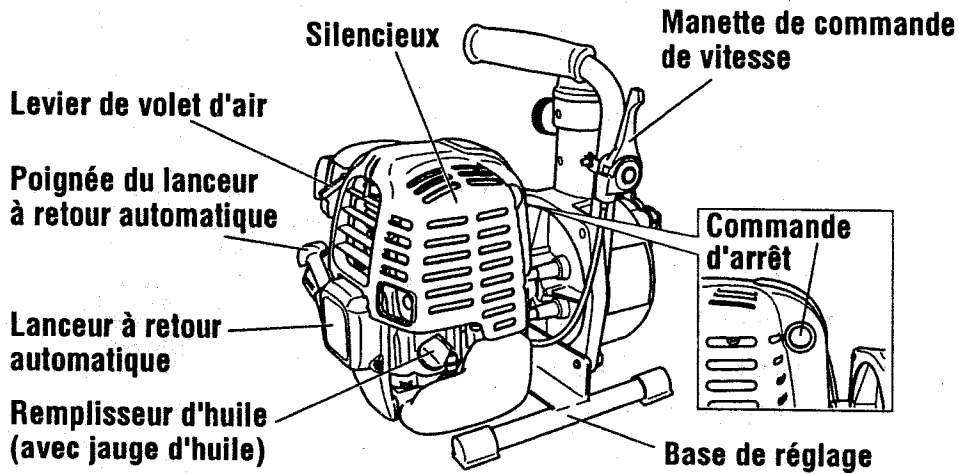
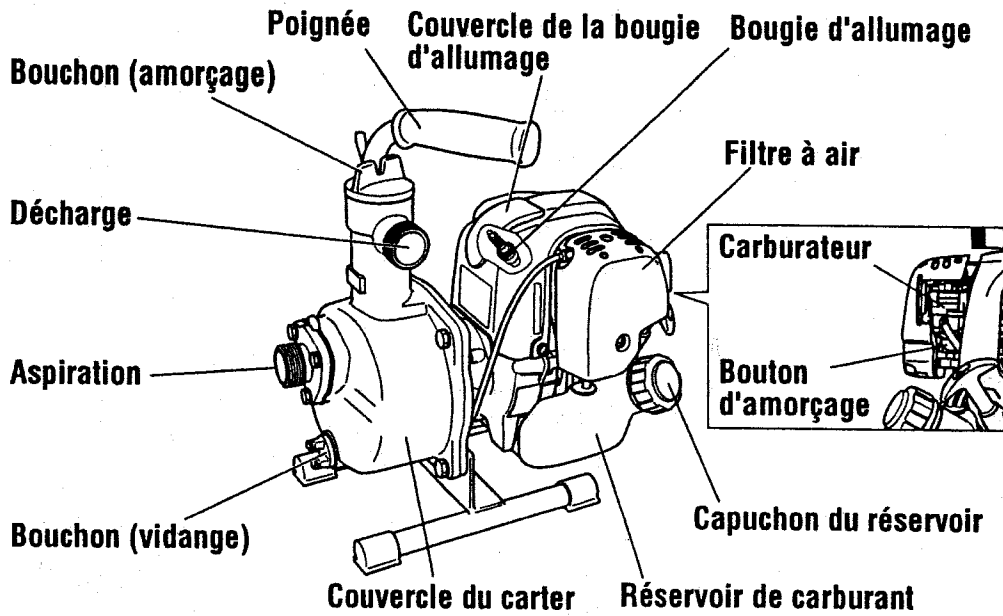
⚠ ATTENTION : CONTROLES PRE-OPERATOIRES

- Vérifier soigneusement le bon serrage et l'absence de fuites des flexibles de carburant et de leur raccordements.
Toute fuite de carburant constitue une situation potentiellement dangereuse.
- Vérifier le bon serrage des boulons et des écrous. Tout boulon ou écrou desserré peut entraîner un problème grave du moteur.
- Vérifier le niveau d'huile moteur et faire l'appoint si nécessaire.
- Vérifier le niveau du carburant et faire l'appoint si nécessaire.
Attention à ne pas trop remplir le réservoir.
- Nettoyer les ailettes du cylindre et le lanceur à retour automatique et les maintenir propres de toute saleté, herbe et autres débris.
- Revêtir des vêtements de travail appropriés pour opérer le moteur.
Eviter les tabliers, serviettes, ceintures et autres vêtements lâches qui risquent de se prendre dans le moteur ou dans le train moteur et de présenter un risque d'accident.



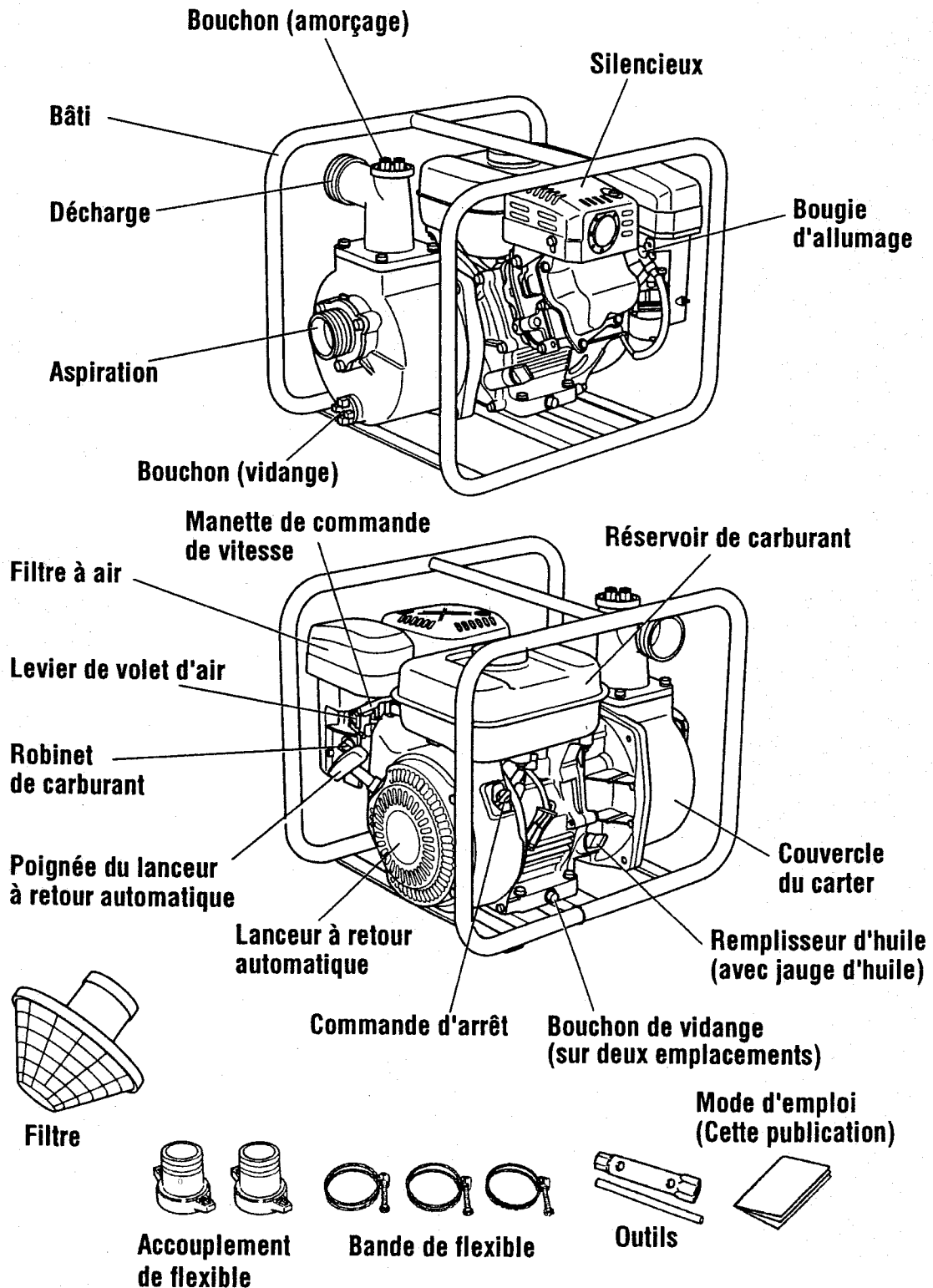
2. COMPOSANTS

EW120R

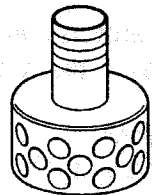
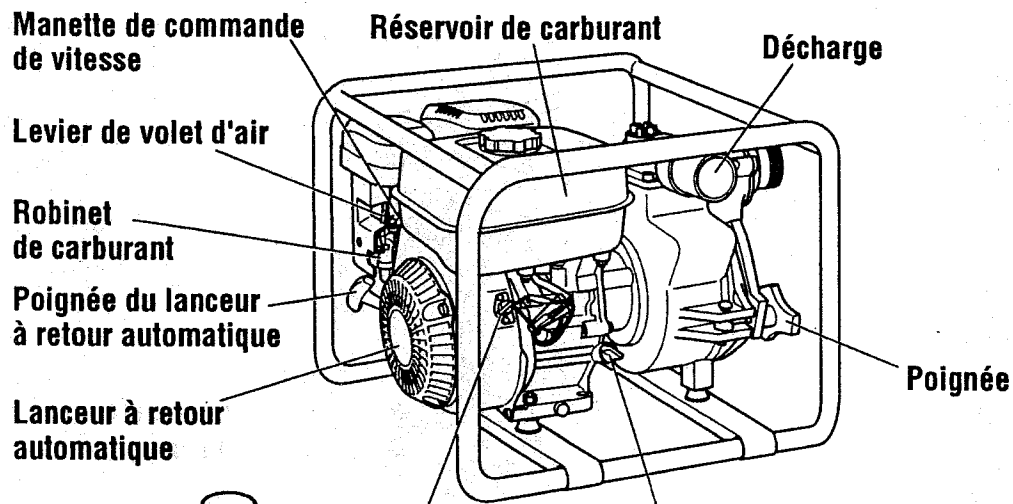
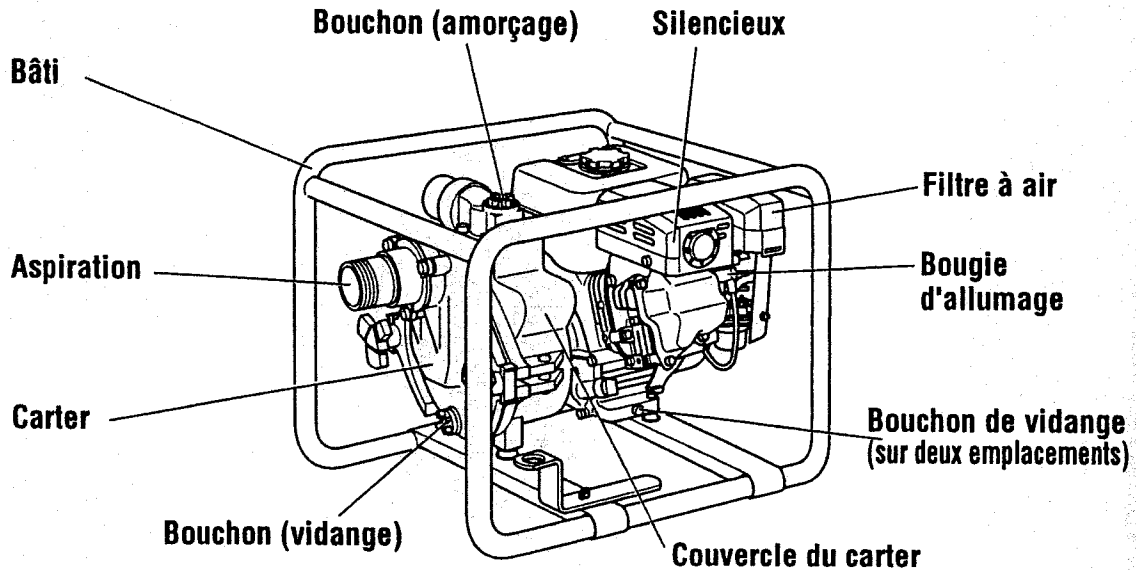


Mode d'emploi
(Cette publication)





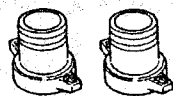
EW320TR



Filtre

Commande d'arrêt

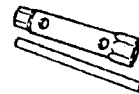
Remplisseur d'huile (avec jauge d'huile)



Accouplement de flexible



Bande de flexible



Outils

Mode d'emploi (Cette publication)



3. CONTROLES PRE-OPERATOIRES

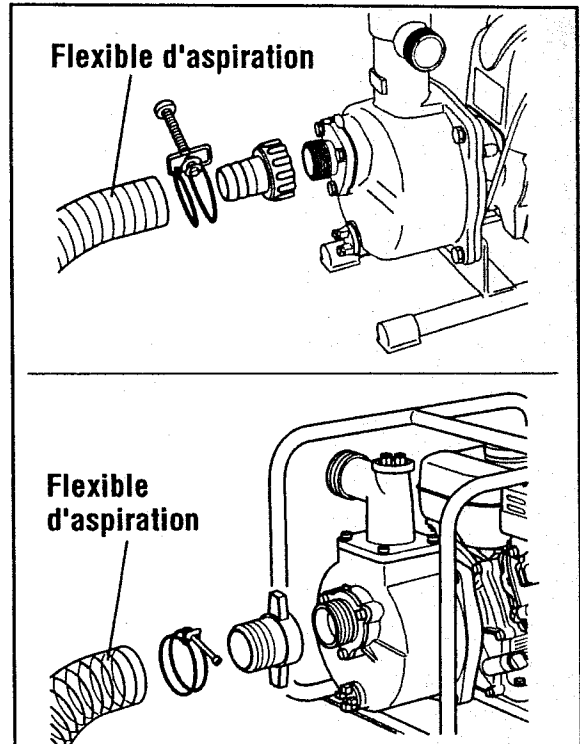
FRANÇAISE

BRANCHER LE FLEXIBLE D'ASPIRATION

Utiliser un mur renforcé ou un flexible à câble tressé pour éviter toute chute d'aspiration. Comme le temps d'auto-amorçage de la pompe est directement proportionnel à la longueur du flexible, il est recommandé d'utiliser un flexible court.

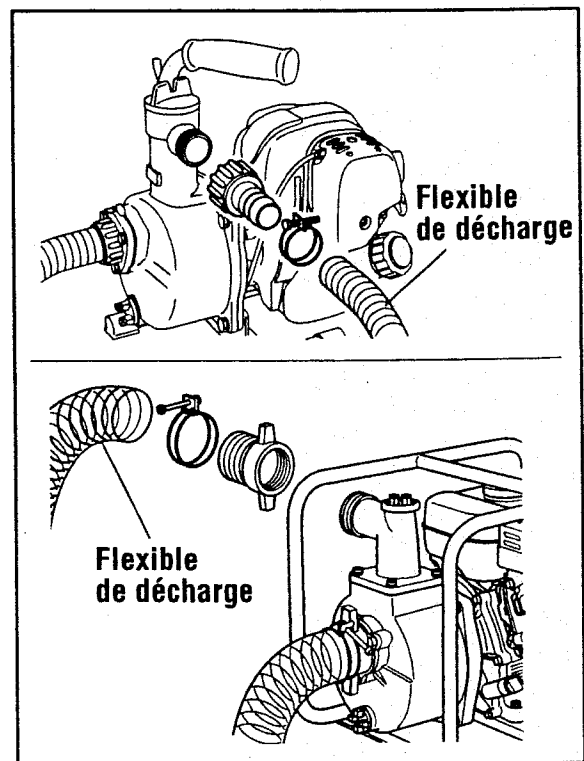
⚠ ATTENTION

Toujours utiliser un filtre avec le flexible d'aspiration. Le gravier ou les débris aspirés dans la pompe endommageront sérieusement la roue à aubes et le bâti de la pompe.



CONNECTER LE FLEXIBLE DE DÉCHARGE

Quand on utilise un flexible en tissu, utiliser toujours une bande pour flexible pour empêcher le flexible de se débrancher sous haute pression.



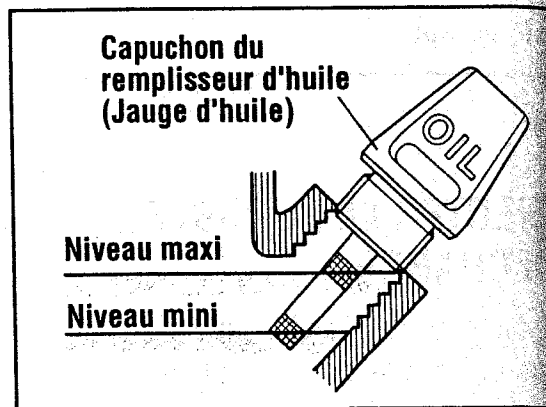
CONTROLE DU NIVEAU DE L'HUILE

Avant de procéder au contrôle ou au plein d'huile moteur, vérifier que le moteur est placé sur une surface stable et plane et qu'il est à l'arrêt.

- Pour procéder au contrôle du niveau, ne pas visser la pige de niveau d'huile dans l'orifice de remplissage. Si le niveau de l'huile est bas, refaire le plein jusqu'au repère de niveau maxi à l'aide de l'huile de qualité conseillée suivante.
- Utiliser une huile détergente automobile 4 temps de classe de service API nuance SE ou plus (SG, SH oder SJ wird empfohlen).
- Choisir une viscosité basée sur la température de l'air ambiant dans les conditions d'utilisation normale comme indiqué dans le tableau.

Contenance d'huile	
EW120R	2,7 onces (0,08 L)
EW220R	20,3 onces (0,6 L)
EW320TR	33,8 onces (1,0 L)

Monograde	5W						
	10W						
	20W						
	#20						
	#30						
Multigrade	10W-30						
	10W-40						
Température ambiante	-20	-10	0	10	20	30	40°C
	-4	14	32	50	68	86	104°F



CONTROLE DU NIVEAU DU CARBURANT

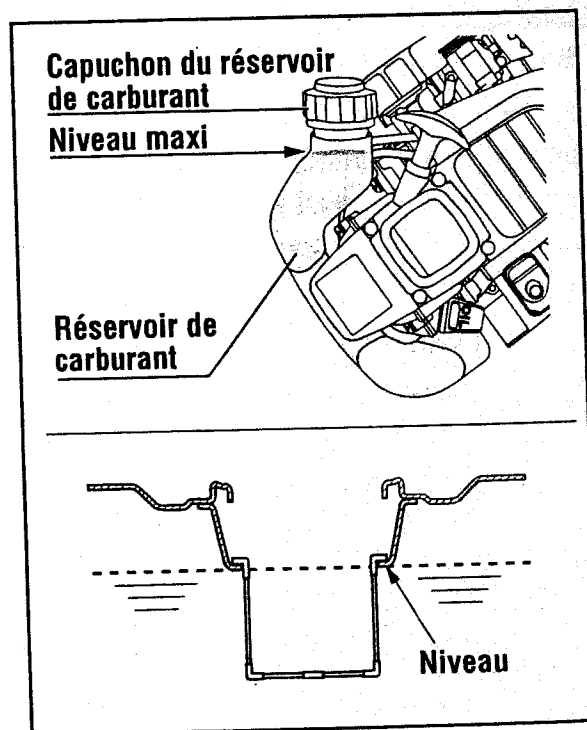
⚠ AVERTISSEMENT

Toujours utiliser un filtre avec le flexible d'aspiration. Le gravier ou les débris aspirés dans la pompe endommageront sérieusement la roue à aubes et le bâti de la pompe.

- Arrêter le moteur et ouvrir le capuchon.
- Utiliser seulement de l'essence sans plomb pour automobiles.
Ce moteur est certifié capable de fonctionner avec de l'essence sans plomb pour automobile.

Contenance du réservoir de carburant	
EW120R	0.13 U.S.gal (0,5L)
EW220R	0.7 U.S.gal (2,7L)
EW320TR	1.6 U.S.gal (6,1L)

- Incliner le moteur avec l'orifice de carburant vers le haut, et remplir de carburant au niveau supérieur.
Ne pas remplir de carburant excessivement.
(EW120R)
- Fermer le robinet d'essence avant de faire le plein du réservoir de carburant.
(EW220R,EW320TR)
- Ne pas remplir le réservoir au-delà du niveau du tamis-filtre (marqué du niveau), sinon le carburant risque de déborder quand il est chaud et qu'il se dilate.
(EW220R,EW320TR)
- Pour faire le plein de carburant, toujours utiliser le filtre-tamis du réservoir.
- Essuyer toute trace d'essence sur le moteur avant de mettre ce dernier en marche.



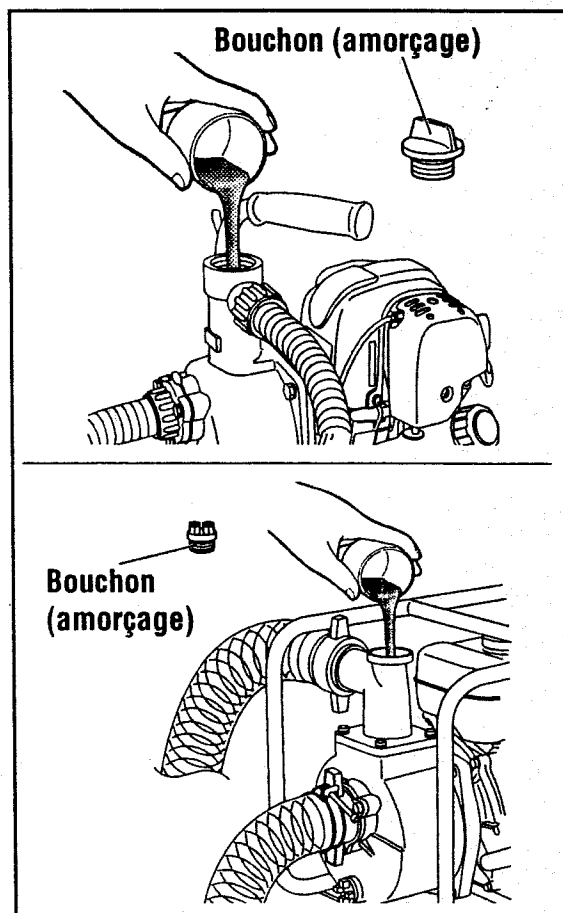
VÉRIFIER L'EAU D'AMORÇAGE

Il est recommandé d'amorcer la chambre d'eau du carter de la pompe en faisant le plein d'eau avant d'opérer la pompe.

⚠ AVERTISSEMENT

Ne jamais tenter d'actionner la pompe sans eau d'amorçage, sinon la pompe se surchauffera. Une opération à sec prolongée endommagera le joint mécanique.

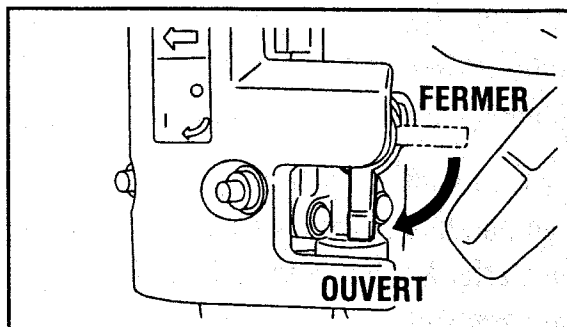
Si la pompe a été opérée à sec, arrêter le moteur immédiatement et laisser la pompe se refroidir avant d'ajouter de l'eau d'amorçage.



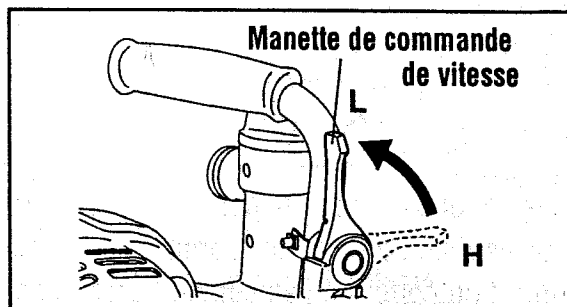
4. FONCTIONNEMENT

1. MISE EN MARCHÉ

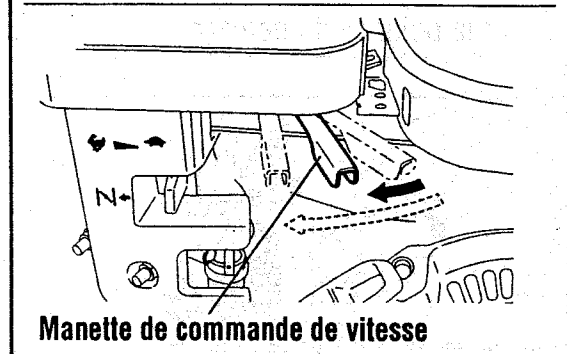
- (a) Ouvrir le robinet d'essence.
(EW220R,EW320TR)



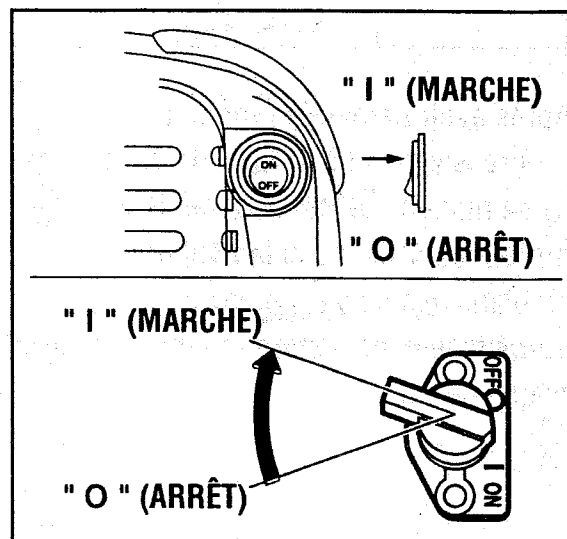
- (b) Placer la manette de commande de vitesse en position de ralenti (L). (EW120R)



Placer la manette de commande de vitesse au 1/3 de sa course en direction de la vitesse maxi. (EW220R,EW320TR)

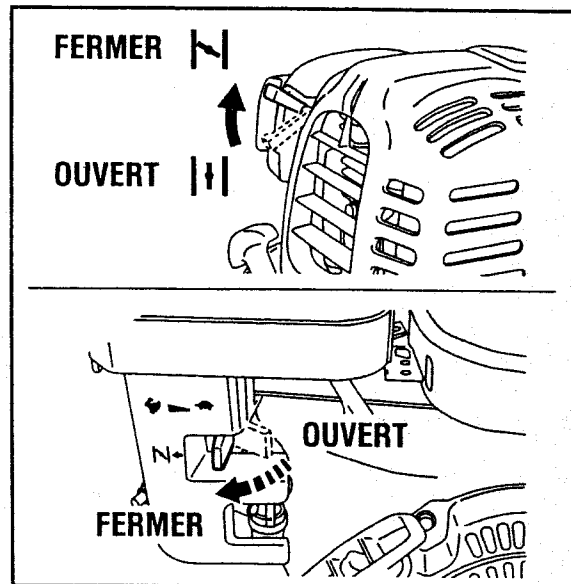


- (c) Mettre la COMMANDE D'ARRÉT en position "I" (MARCHE).

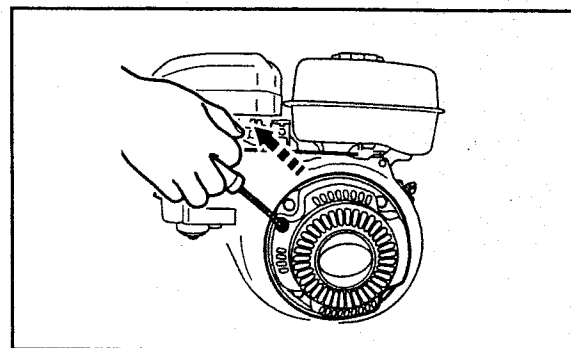
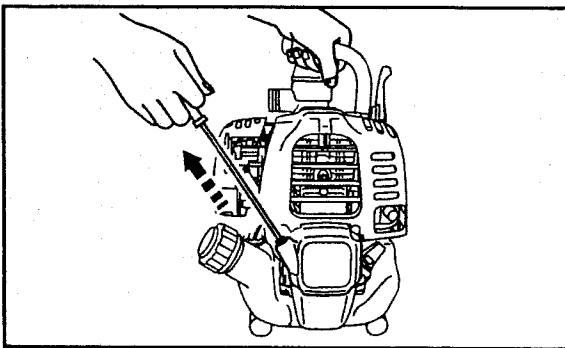


(d) Fermer la manette de starter.

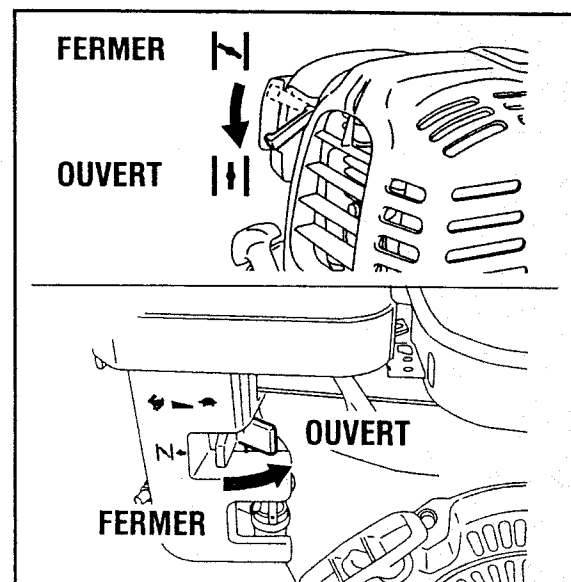
- Si le moteur est froid ou si la température ambiante est basse, fermer entièrement le starter.
- Si le moteur est chaud ou si la température ambiante est élevée, ouvrir le starter à mi-chemin ou l'ouvrir entièrement.



(e) Tirer doucement sur la poignée du démarreur jusqu'à sentir une résistance. Cette résistance correspond au point de "compression". Ramener la poignée dans sa position d'origine et tirer d'un coup. Ne pas faire entièrement sortir la corde. Une fois que le moteur a démarré, laisser la poignée du démarreur revenir dans sa position d'origine tout en la retenant.

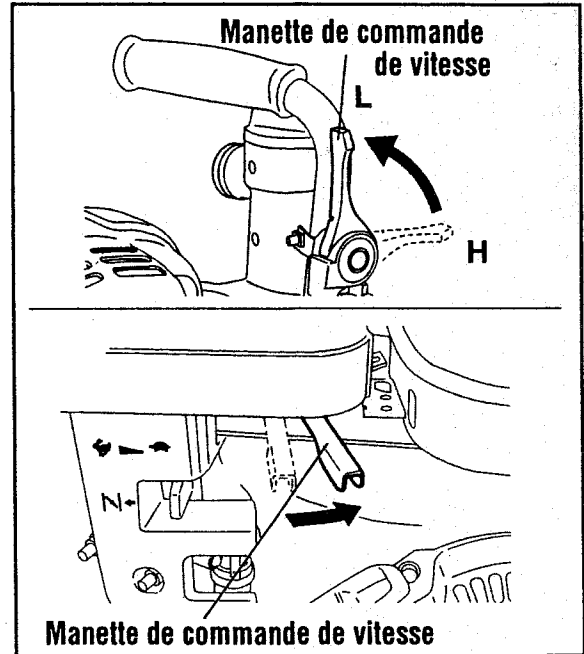


(f) Après avoir démarré le moteur, ouvrir progressivement à fond le starter à l'aide de sa manette de commande. Si le moteur est froid ou si la température ambiante est basse, ne pas ouvrir immédiatement le starter sinon le moteur risque de caler.

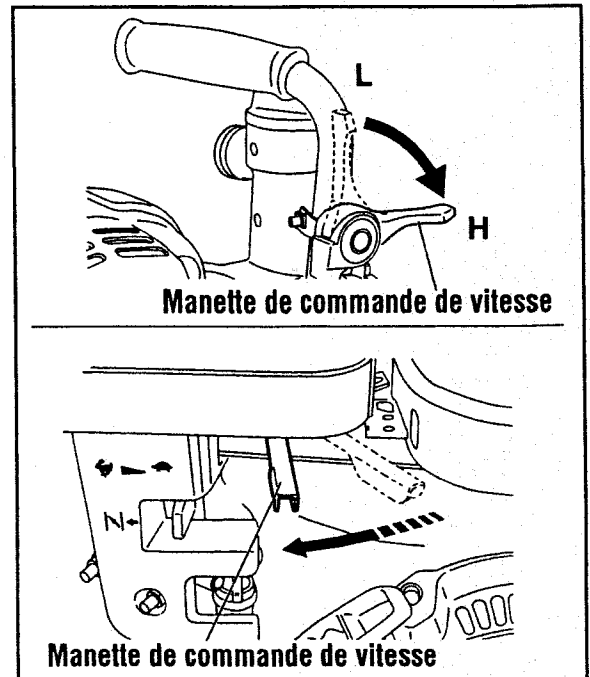


2. MARCHE

- (a) Une fois le moteur en route, régler la manette de commande de vitesse en position de petite vitesse (L) et laisser le moteur chauffer à vide pendant quelques minutes.



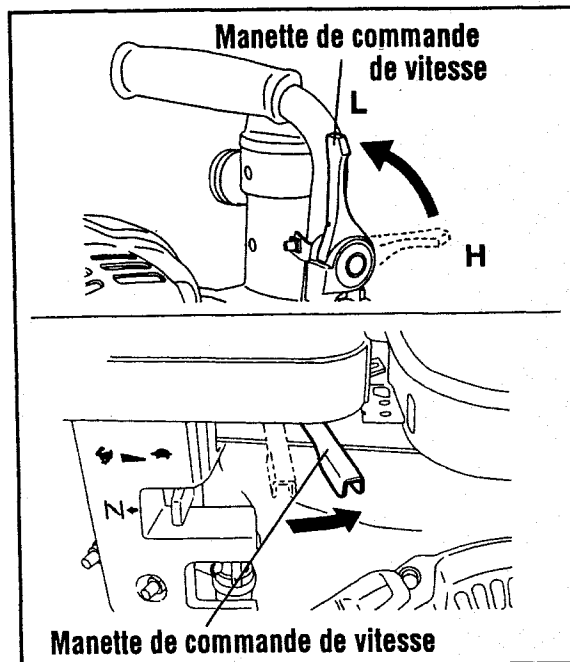
- (b) Amener progressivement la manette de commande de la vitesse vers la position vitesse maxi (H) et la régler sur la vitesse souhaitée.
- Quand un régime maxi n'est pas nécessaire, réduire la vitesse du moteur (ralenti) par réglage de la manette de commande pour économiser le carburant et garantir une plus longue durée de vie du moteur.



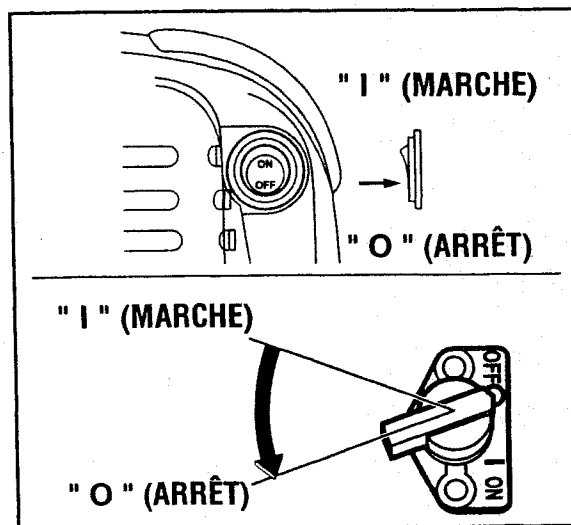
3. MISE A L'ARRET

- (a) Régler la manette de commande de vitesse en position de petite vitesse (L) et laisser le moteur tourner à petite vitesse pendant 2 ou 3 minutes avant de l'arrêter.
(EW120R)

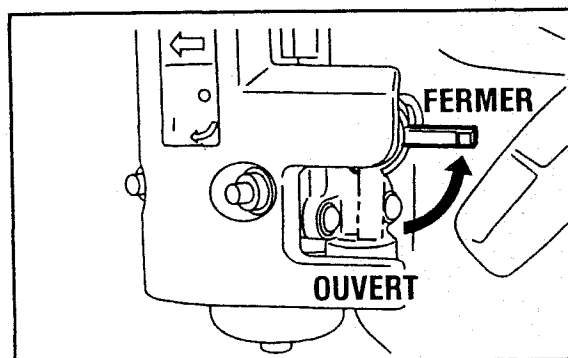
Régler la manette de commande de vitesse en position de petite vitesse (L) et laisser le moteur tourner à petite vitesse pendant 1 ou 2 minutes avant de l'arrêter.
(EW220R,EW320TR)



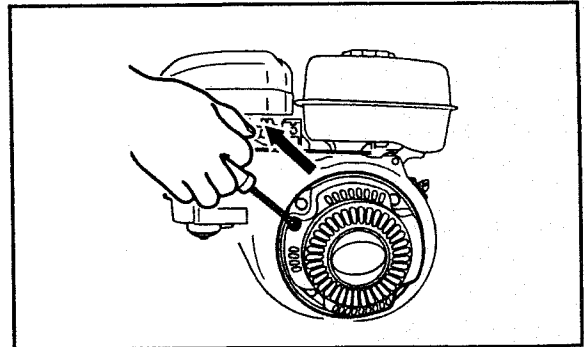
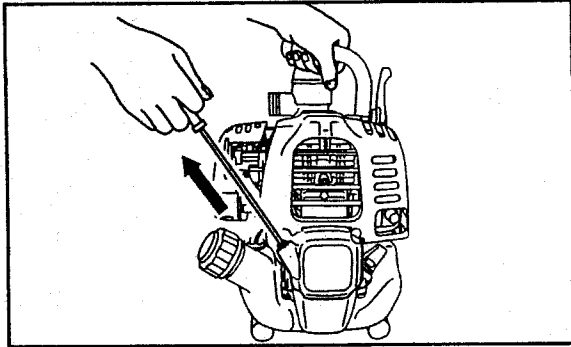
- (b) Mettre la COMMANDE D'ARRET en position "O" (ARRÊT).
- Ne pas arrêter le moteur brusquement quand il fonctionne à grande vitesse.



- (c) Fermer le robinet d'essence.
(EW220R,EW320TR)



- (d) Tirer doucement sur la poignée du démarreur et la laisser revenir en position d'origine dès qu'une résistance se fait sentir. Cette opération est nécessaire pour éviter l'entrée d'air humide dans la chambre de combustion.



※ **MISE A L'ARRET DU MOTEUR PAR LE ROBINET D'ESSENCE (EW220R,EW320TR)**

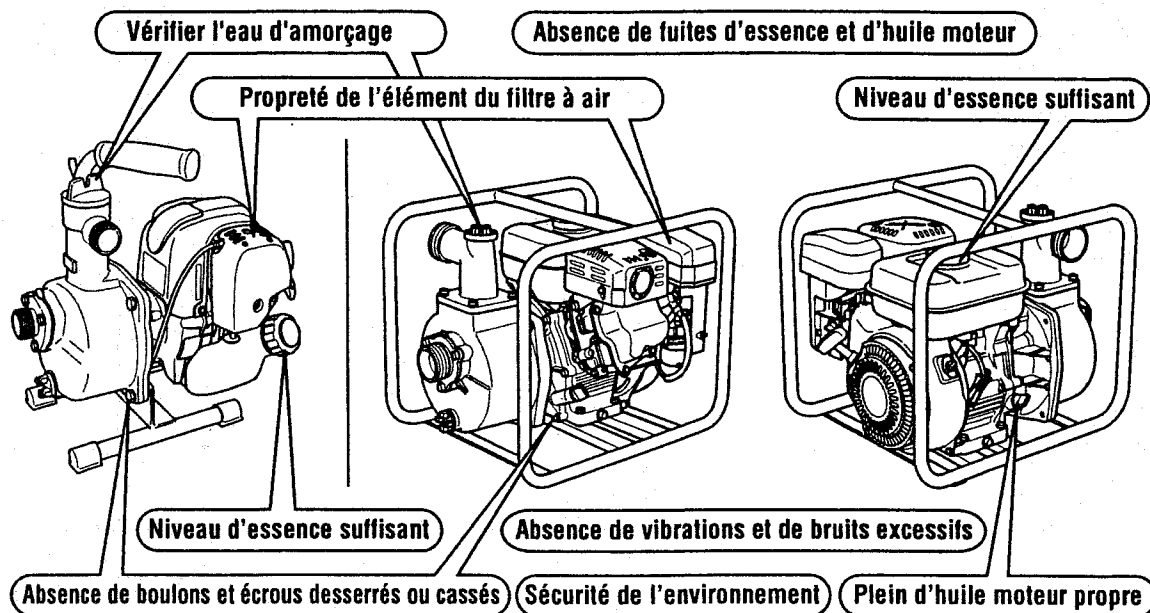
Fermer le robinet d'essence et attendre quelques instants que le moteur s'arrête. Eviter de laisser du carburant dans le carburateur pendant une longue période de temps sinon les lumières de carburant risquent d'être bouchées par des impuretés et de résulter en malfonction.

5. PROGRAMME D'ENTRETIEN

L'ENTRETIEN, LE REMPLACEMENT OU LA RÉPARATION DES DIPOSITIFS ET SYSTÈMES ANTIPOLLUTION PEUVENT ÊTRE EXÉCUTÉS PAR TOUT ÉTABLISSEMENT OU PROFESSIONNEL DE LA RÉPARATION DES MOTEURS NON ROUTIERS.

VERIFICATION QUOTIDIENNE

Avant d'utiliser la pompe à moteur vérifier les points suivants:



INSPECTION PERIODIQUE

Une inspection périodique est essentielle pour la durée de service et la performance de votre pompe à moteur. Veuillez vous référer au tableau ci-dessous pour les périodes d'entretien.

IL EST AUSSI NÉCESSAIRE QUE L'UTILISATEUR DE CETTE POMPE À MOTEUR EFFECTUE LES TRAVAUX D'ENTRETIEN ET DE RÉGLAGE SUR LES PIÈCES ASSOCIÉES AU CONTRÔLE DES ÉMISSIONS POLLUANTES INDIQUÉES CI-APRÈS POUR PRÉSERVER L'EFFICACITÉ DU SYSTÈME ANTIPOLLUANT.

Le système anti-polluant est constitué des pièces suivantes :

- | | | |
|---|--|---|
| (1) Carburateur et pièces internes | (4) Éléments de l'épurateur d'air | (8) Collecteur d'échappement, le cas échéant |
| (2) Système d'enrichissement de démarrage à froid, le cas échéant | (5) Bougie d'allumage | (9) Tuyaux, courroies, connecteurs et assemblages |
| (3) Collecteur d'admission, le cas échéant | (6) Dispositif d'allumage Magnétique ou électronique | |
| | (7) Système d'avancement / retard, le cas échéant | |

Le programme d'entretien du tableau suivant a été établi pour des conditions de marche normales du générateur.

Les intervalles d'entretien doivent être rapprochés si l'engin est utilisé dans des conditions de charge importantes ou en milieu particulièrement poussiéreux, lesquels accélèrent la contamination de l'huile, le colmatage des éléments de filtre ou l'usure des entre autres.

Tableau du Programme d'Entretien Périodique

Points d'entretien	Toutes les 8 heures (tous les jours)	Toutes les 20 heures	Toutes les 50 heures (tous les semaines)	Toutes les 200 heures (tous les mois)	Toutes les 500 heures	Toutes les 1000 heures
NETTOYER LA POMPE ET VÉRIFIER LES BOULONS ET ÉCROUS	● (Chaque jour)					
VÉRIFIER ET REFAIRE LE PLEIN D'HUILE	● (Remplissage quotidien jusqu'au niveau supérieur)					
VIDANGE HUILE MOTEUR (*Note1)		● (Initiales)	● (Toutes les 100 heures)			
NETTOYER LA BOUGIE			●			
NETTOYER LE FILTRE A AIR			●			
REPLACER L'ÉLÉMENT DE FILTRE À AIR				●		
NETTOYER DU FILTRE A CARBURANT				●		
NETTOYER ET AJUSTER LA BOUGIE ET LES ÉLECTRODES D'ALLUMAGE				●		
REPLACER LA BOUGIE D'ALLUMAGE					●	
NETTOYER L'INTERCEPTEUR D'ÉTINGELLE (PIÈCE EN OPTION)			● (Toutes les 100 heures)			
ENLEVER LE CARBONE DE LA CULASSE (*Note 2)					●	
VÉRIFIER ET AJUSTER LE JEU DE LA SOUPEPE (*Note 2)					●	
NETTOYER ET AJUSTER LE CARBURATEUR (*Note 2)					●	
REPLACER LES DURITES DE CARBURANT						● (Chaque année)
RÉVISER LE MOTEUR (*Note 2)						●

*Note: 1. Au départ, le changement d'huile et le remplacement du filtre à huile doivent être effectués après 20 heures de fonctionnement. Après quoi, changer l'huile toutes les cent (100) heures.

Avant de changer l'huile, disposer comme il convient de l'huile usée. Ne pas l'écouler dans les égouts ou dans les cours d'eau. Les règlements en vigueur localement pour les diverses zones et environnements vous donneront des instructions plus détaillées sur les modes appropriés d'élimination des déchets.

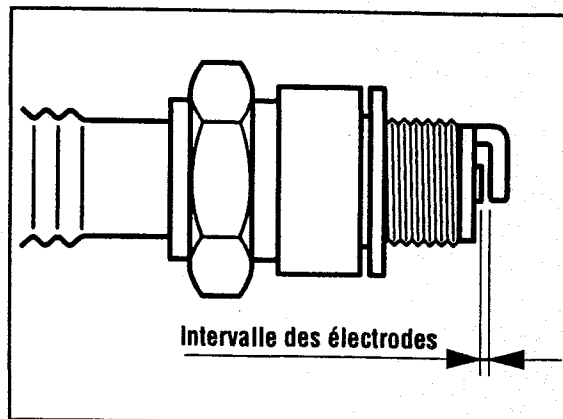
*Note: 2. En ce qui concerne les procédures, voir le Manuel d'Entretien et de Réparation ou consulter votre centre MAKITA de service le plus proche.

6. ENTRETIEN "COMMENT PROCÉDER"

CONTROLE DE LA BOUGIE

- Nettoyer tout dépôt de calamine à la surface de l'électrode de la bougie à l'aide d'un nettoyant pour bougies ou d'une brosse métallique.
- Vérifier l'écartement de l'électrode.
Si nécessaire, le régler tout en prenant garde à ne pas tordre l'électrode latérale.
- Utiliser une bougie d'allumage appropriée.

Modèle	Type	Intervalle des électrodes
EW120R	NGK CMR6A	0.03 in. (0,7 à 0,8 mm)
EW220R EW320TR	NGK BR-6HS (CHAMPION RL86C)	0.02 à 0.03 in. (0,6 à 0,7 mm)



VIDANGE DE L'HUILE MOTEUR

Vidange initiale : au bout de 20 heures de fonctionnement

Ensuite : toutes les 100 heures de fonctionnement

- (a) Pour procéder à la vidange de l'huile, couper le moteur et desserrer le bouchon de vidange. Vidanger l'huile pendant que le moteur est chaud. Procéder rapidement et vidanger entièrement l'huile moteur.

⚠ ATTENTION

Prendre toutes les précautions nécessaires pour éviter les accidents.

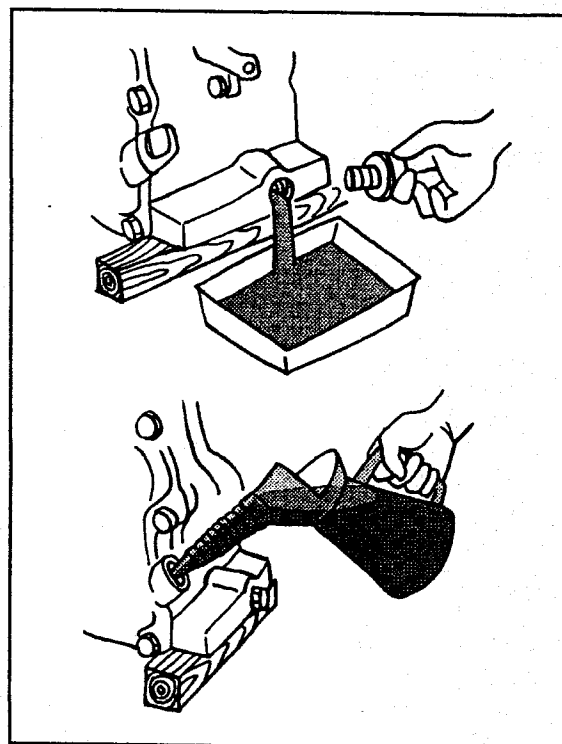
S'assurer que le bouchon du réservoir de carburant est bien serré pour éviter tout débordement de carburant.

- (b) Reposer le bouchon de vidange avant de refaire le plein d'huile.

Contenance d'huile	
EW120R	2,7 onces (0,08 L)
EW220R	20,3 onces (0,6 L)
EW320TR	33,8 onces (1,0 L)

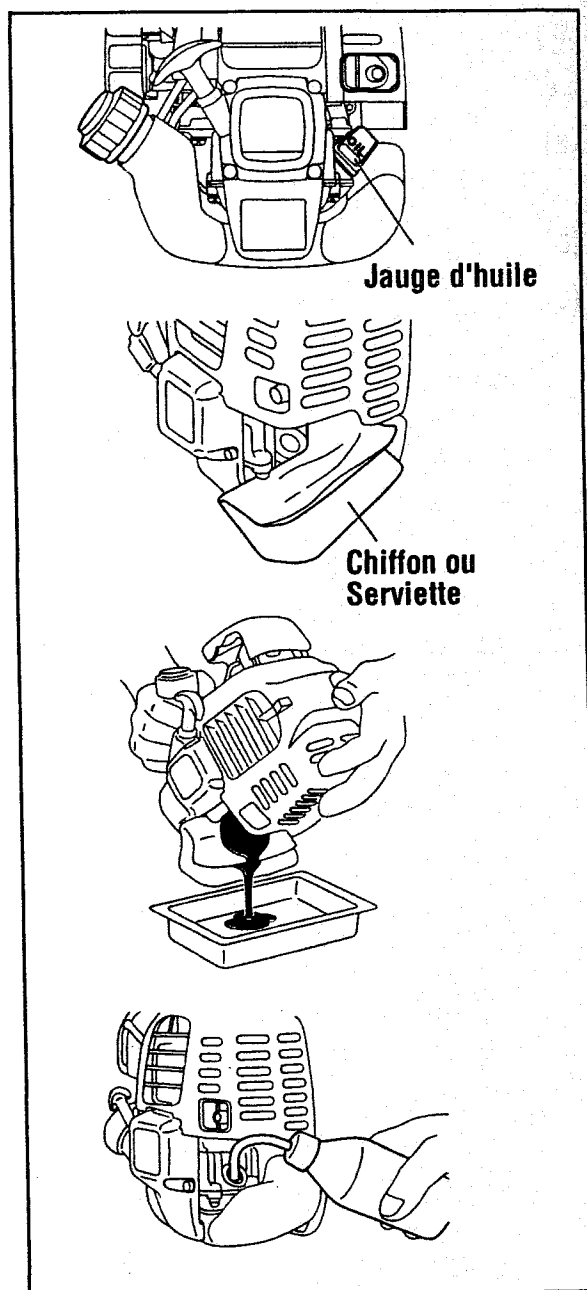
- (c) Voir en page 7 pour le type d'huile conseillé.

- Toujours utiliser une huile propre et de la meilleure qualité. Une huile contaminée ou de mauvaise qualité et le manque d'huile vont se traduire par une détérioration du moteur ou une usure prématurée de ce dernier.



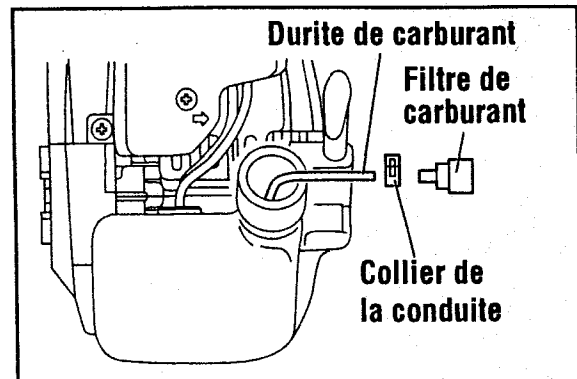
(d) Procédures pour EW120R

- 1) Enlever la jauge d'huile. S'assurer de bien placer la jauge d'huile dans un endroit où elle ne recueillera pas de saleté, de la poussière ou d'autres corps étrangers.
- 2) Placer un chiffon ou une serviette en papier autour du trou de remplissage d'huile.
- 3) Enlever la jauge d'huile, puis incliner le moteur et vidanger l'huile dans une casserole ou tout autre conteneur.
- 4) Placer le moteur sur une surface à niveau, puis remplir d'huile jusqu'au point du débordement de la goulotte. Verser l'huile dedans à partir d'une bouteille de compression ou autre conteneur approprié.
- 5) Après avoir rempli le moteur d'huile, insérer de nouveau la jauge d'huile. S'assurer que la jauge d'huile est bien serré, car l'huile risque de s'échapper s'il est détaché.



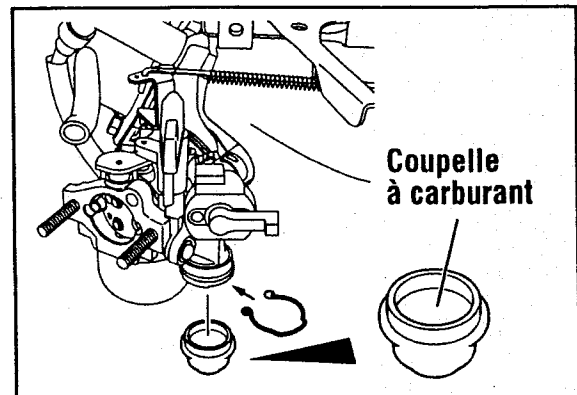
NETTOYAGE DU FILTRE DE CARBURANT (EW120R)

- Enlever le collier de la conduite et retirer le filtre de carburant de la durite de carburant.
- Laver le filtre de carburant avec du kérosène.
- Après le lavage, le remonter.
Si le filtre de carburant est sale, le remplacer par un filtre nouveau.



NETTOYAGE DE LA COUPELLE À CARBURANT (EW220R, EW320TR)

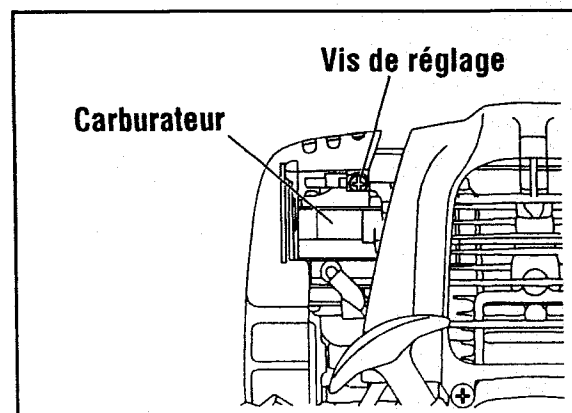
- Vérifier l'absence d'eau et de saleté dans la coupelle à carburant.
- Pour nettoyer toute trace d'eau et de saleté, fermer le robinet de carburant et déposer la coupelle.
- Après avoir nettoyé l'eau et la saleté, laver la coupelle au kérosène ou à l'essence.
Reposer en serrant soigneusement pour éviter les fuites.



RÉGLAGE DU RÉGIME AU RALENTI (CARBURATEUR) (EW120R)

Quand la vis de réglage est tournée à droite, les tours/minute du moteur augmenteront, tandis que si elle est tournée à gauche, ils diminueront.

Régime ralenti normal	3000 ± 100 tours/minute
-----------------------	-------------------------



REMARQUE:

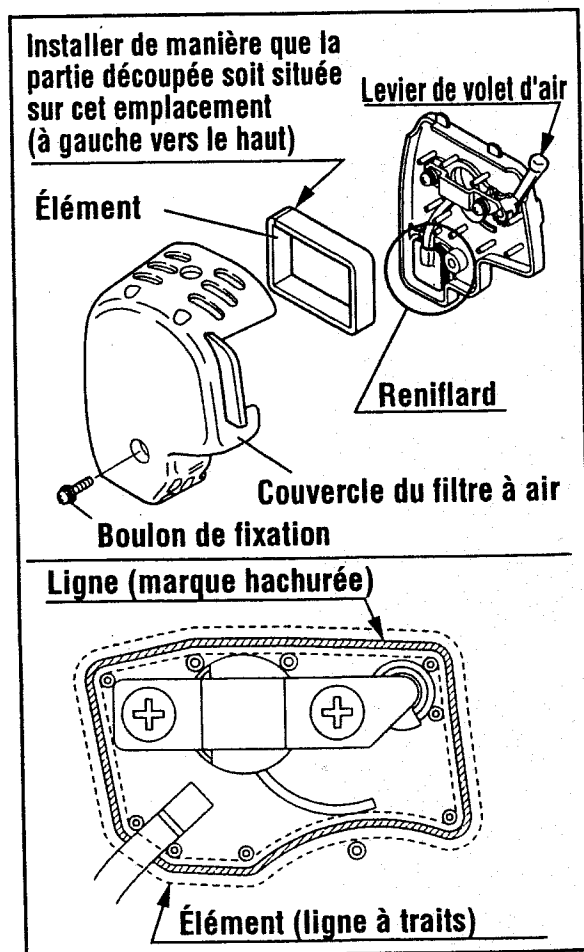
Le carburateur influence considérablement le rendement du moteur. Comme il a été réglé avec soin dans notre usine avant d'être expédié, éviter d'effectuer tout réglage à moins que cela ne soit absolument nécessaire. Si des réglages sont nécessaires, contactez le revendeur Robin le plus proche.

NETTOYAGE DU FILTRE À AIR

Un élément de filtre à air encrassé peut être la cause d'un démarrage difficile, d'une perte de puissance, d'un mauvais fonctionnement du moteur et d'une usure particulièrement prématurée du moteur. Toujours garantir la propreté de l'élément du filtre à air.

EW120R

- Enlever le boulon de fixation du couvercle du filtre à air.
- Retirer le bord inférieur du couvercle pour enlever le couvercle du filtre à air.
- Placer le levier d'étranglement dans la position entièrement fermée, en prenant soin que de la poussière et de la saleté ne pénètrent dans le carburateur.
- Enlever l'élément, puis le nettoyer avec une solution d'eau chaude et d'un détergent doux, en le séchant complètement ensuite. L'installer en l'alignant avec les lignes comme indiqué dans la figure.
- Nettoyer toute trace d'huile s'adhérant à l'emplacement autour du couvercle et du reniflard du filtre à air avec un chiffon.
- Après le nettoyage, remonter le couvercle nettoyé (insérer d'abord la languette supérieure, puis insérer la languette inférieure) et serrer le boulon de fixation.



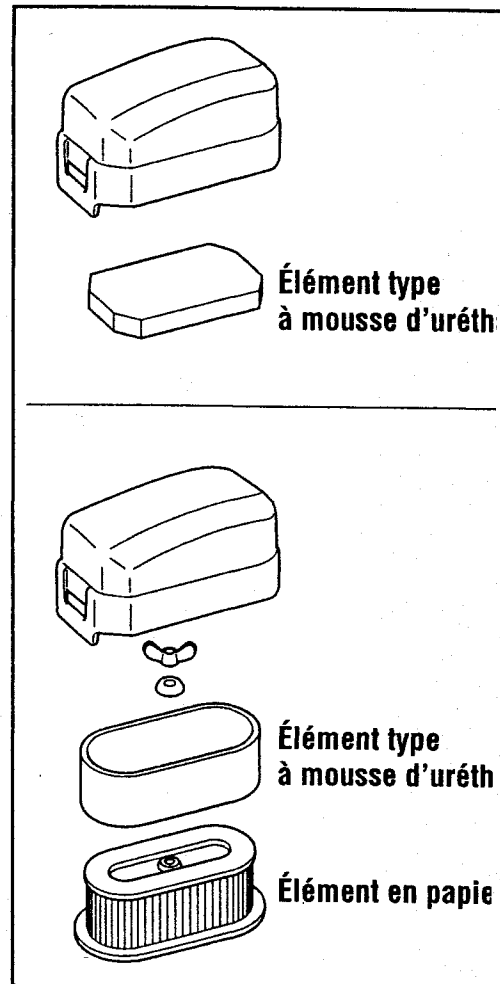
EW220R, EW320TR

(a) Élément type à mousse d'uréthane

- Déposer l'élément et le laver dans du kérosène ou du gazole. Le saturer ensuite dans une solution comprenant 3 de kérosène et 1 d'huile moteur. Essorer l'élément pour le débarrasser de cette solution et le reposer dans le filtre à air.

(b) Élément type double à mousse d'uréthane

- Nettoyage de la mousse d'uréthane
Laver et nettoyer la mousse d'uréthane en procédant à l'aide d'un détergent. Après le nettoyage, sécher. Nettoyer les éléments en mousse d'uréthane toutes les 50 heures d'utilisation.
- Deuxième élément
Nettoyer en tapotant doucement pour éliminer saletés et poussières. Il est également possible de laver l'élément à l'eau et de le sécher. Ne jamais utiliser d'huile. Nettoyer l'élément en papier toutes les 50 heures de fonctionnement et le changer toutes les 200 heures.



NOTE:

Nettoyer et changer plus souvent les éléments du filtre à air si le moteur est utilisé en environnement poussiéreux.

Remplacer l'élément au cas où de la saleté ou de la poussière ne peut pas être enlevée et/ou l'élément est déformé ou endommagé.

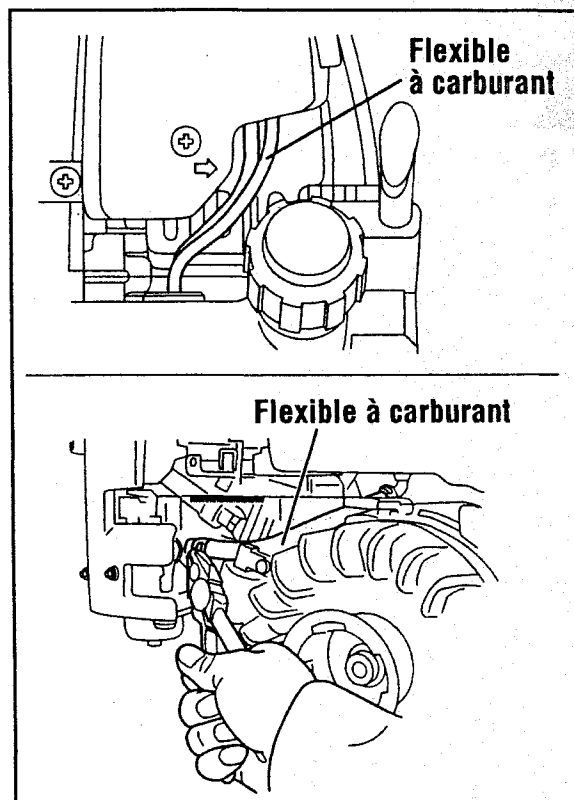
CHANGEMENT DU FLEXIBLE A CARBURANT

⚠ AVERTISSEMENT

Prendre toutes les précautions nécessaires au changement du flexible à carburant, l'essence est un produit particulièrement inflammable.

Changer le flexible à carburant tous les 1000 heures ou tous les année.

En cas de fuite de carburant au flexible, le changer immédiatement.



CONTROLE DES BOULONS, DES ECROUS ET DES VIS

Resserrer tout boulon ou écrou desserré.

Vérifier l'absence de fuites de carburant ou d'huile.

Changer toute pièce détériorée par une pièce neuve.

NETTOYAGE DE L'INTÉRIEUR DE LA POMPE

Tourner le bouton dans le sens contraire au sens horloger et ouvrir le support du couvercle du bâti.

Tirer le bâti vers soi, puis déposer le bâti et le carter interne.

Nettoyer l'intérieur du bâti de la pompe et le couvercle du bâti avec de l'eau propre.

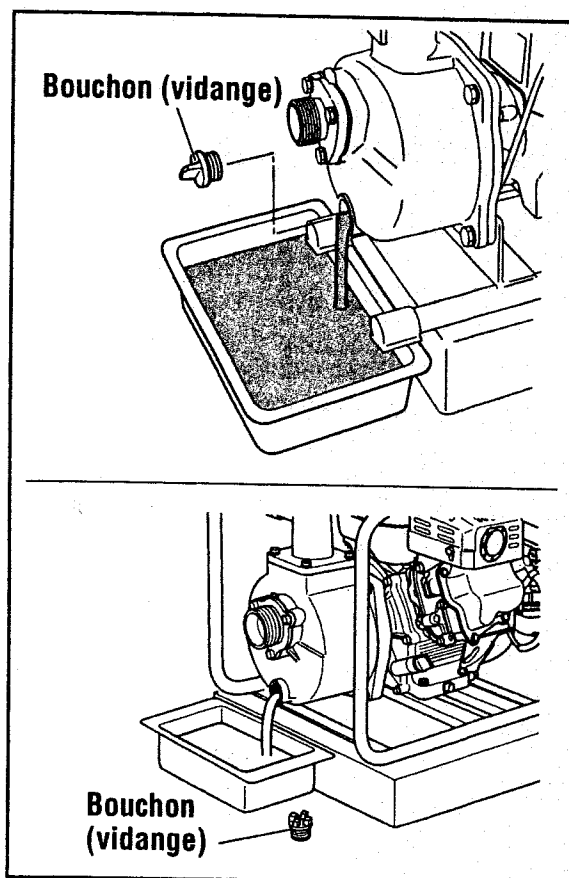
7. PREPARATION AU MAGASINAGE

1. EAU

Évacuer toute l'eau à partir du bouchon de vidange.

⚠ ATTENTION

Quand on resserre le bouchon de vidange, s'assurer de bien nettoyer le bouchon de vidange et le filetage du carter. Autrement, le filetage risque d'être endommagé.



2. DÉBRANCHER LE FLEXIBLE DE DÉCHARGE

Incliner la pompe et évacuer toute l'eau à travers le trou de décharge. La pompe risque de s'endommager sérieusement si l'eau gèle dans la chambre de pompage.

3. DÉCHARGER LE CARBURANT

⚠ **AVERTISSEMENT** : Interdit de faire du feu

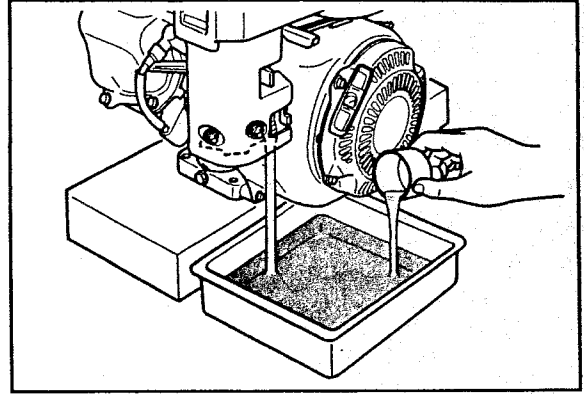
Si le moteur ne doit pas être utilisé pendant plus d'un mois, vidanger le carburant pour éviter la formation de gomme dans le circuit d'essence et les pièces du carburateur.

EW120R

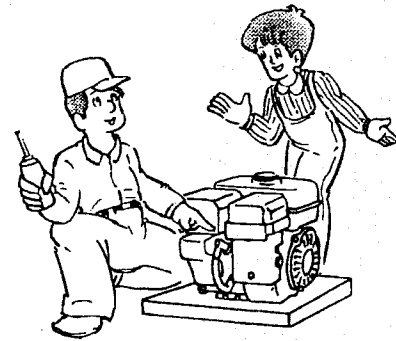
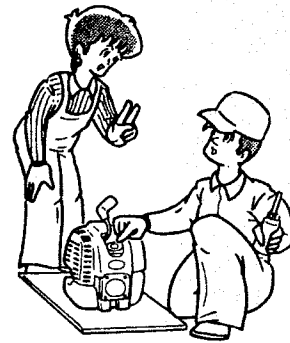
- Verser en dehors le carburant dans le réservoir à partir de sa goulotte.
- Actionner la pompe d'amorçage du carburateur jusqu'à ce que le carburant à l'intérieur soit complètement déchargé.

EW220R,EW320TR

- Déposer la coupelle du filtre, placer le filtre sur un récipient et ouvrir le robinet d'essence pour vidanger le carburant du réservoir dans ce récipient.
- Déposer la vis de vidange de la cuve à niveau constant du carburateur et vidanger le carburant.

**4. HUILE MOTEUR**

- Vidanger l'huile moteur et faire le plein d'huile neuve.
- Déposer la bougie, verser environ 5 d'huile moteur dans le cylindre, tirer lentement 2 ou 3 fois de suite sur la poignée du démarreur et reposer la bougie.

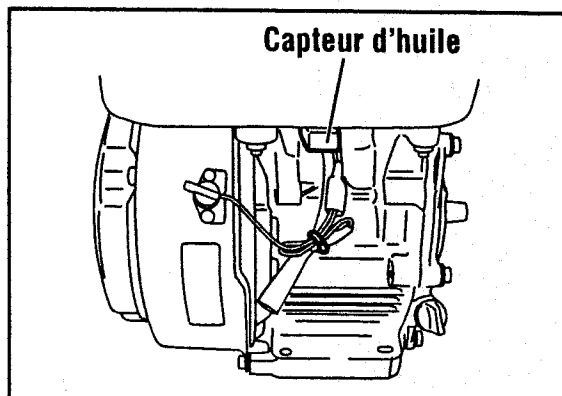
**5. NETTOYAGE ET MAGASINAGE**

- Tirer lentement sur la poignée du lanceur à retour automatique jusqu'à sentir une résistance et la laisser dans cette position.
- Nettoyer soigneusement le moteur à l'aide d'un chiffon imbibé d'huile, le recouvrir de son carter et le ranger à l'intérieur, dans un endroit bien aéré, à l'abri de l'humidité.

8. CAPTEUR D'HUILE (OPTION)

1. FONCTION DU CAPTEUR D'HUILE (EW220R, EW320TR)

Le moteur s'arrête automatiquement si le niveau d'huile est inférieur à la limite inférieure de sécurité. Il est ensuite impossible de remettre le moteur en route tant que le niveau d'huile n'est pas normal.



2. REMISE EN MARCHÉ

- (a) Faire le plein d'huile du carter moteur.
- (b) Pour la remise en route et l'utilisation du moteur, voir en section "**4. OPÉRATION**" en page 10.
 - Vérifier le connecteur électrique du moteur. Il doit être soigneusement raccordé au câble provenant du capteur d'huile.
 - Pour le plein d'huile, voir le type conseillé en page 7.

9. INTERCEPTEUR D'ÉTINCELLE (OPTION)

INTERCEPTEUR D'ÉTINCELLE

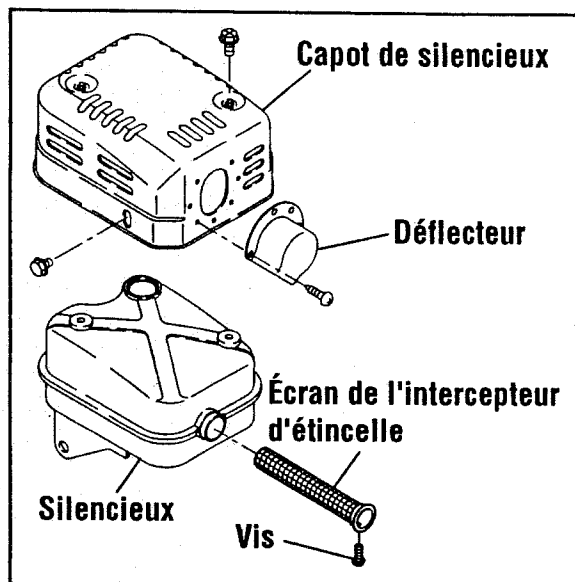
Dans une localité sèche ou boisée, il est recommandé d'utiliser le produit avec un intercepteur d'étincelle. Quelques localités exigent l'utilisation d'un intercepteur d'étincelle. Veuillez vérifier vos lois et règlements locaux avant de faire fonctionner votre produit.

L'intercepteur d'étincelle doit être nettoyé régulièrement pour qu'il puisse continuer à fonctionner comme conçu.

Un intercepteur d'étincelle obstrué :

- Empêche le passage du gaz d'échappement
- Réduit le rendement du moteur
- Augmente la consommation de carburant
- Rend difficile tout démarrage

Si le moteur est en marche, le silencieux et l'intercepteur d'étincelle seront très chauds. Laisser le silencieux se refroidir avant de nettoyer l'intercepteur d'étincelle.



Comment enlever l'intercepteur d'étincelle

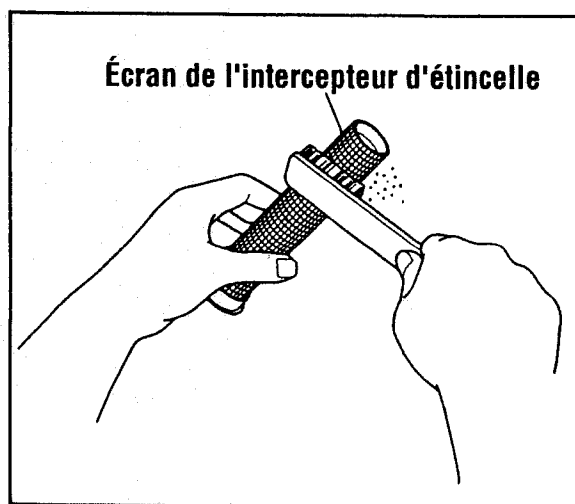
1. Enlever les boulons de bride du couvercle du silencieux et détacher le couvercle du silencieux.
2. Enlever la vis spéciale de l'intercepteur d'étincelle et détacher l'intercepteur d'étincelle du silencieux.

Pour nettoyer l'écran d'intercepteur d'étincelle

Utiliser une brosse pour enlever les dépôts de carbone de l'écran de l'intercepteur d'étincelle. Faire attention à ne pas endommager l'écran.

L'intercepteur d'étincelle doit être exempt de rupture et de trous. Remplacer l'intercepteur d'étincelle s'il est endommagé.

Installer l'intercepteur d'étincelle, et le protecteur de silencieux dans l'ordre d'inversion du démontage.



10. DÉPANNAGE

**LA POMPE NE
FONCTIONNE PAS.**

Le moteur ne démarre pas. (Voir page 28)

Grippage de la roue à aubes
(Démonter et nettoyer.)

**LE VOLUME DE
POMPAGE EST
INFÉRIEUR**

Pénétration de l'air du côté de l'aspiration.
(Vérifier la tuyauterie du côté de l'aspiration.)

Chute du rendement du moteur.
(Consulter le centre de service le plus proche.)

Rupture du joint mécanique.
(Consulter le centre de service le plus proche.)

Hauteur d'aspiration élevée (inférieure.)

Le flexible d'aspiration est trop long ou mince.
(Utiliser un flexible épais de longueur minimum.)

Fuite d'eau à partir du passage d'eau.
(Éliminer la fuite.)

Obstruction par un corps étranger dans
la roue à aubes.
(Démonter et nettoyer.)

Usure de la roue à aubes.

Le filtre est obstrué. (Nettoyer.)

La vitesse du moteur est trop basse.
(Consulter le centre de service le plus proche.)

**LA POMPE NE
S'AMORCE PAS
AUTOMATIQUEMENT**

Aspiration d'air du côté de l'aspiration.
(Vérifier la tuyauterie du côté de l'aspiration.)

Eau d'amorçage insuffisante à l'intérieur du
carter de la pompe. (Amorcer à fond.)

Serrage insuffisant du bouchon de vidange.
(Serrer le bouchon à fond.)

La vitesse du moteur est trop basse.
(Consulter le centre de service le plus proche.)

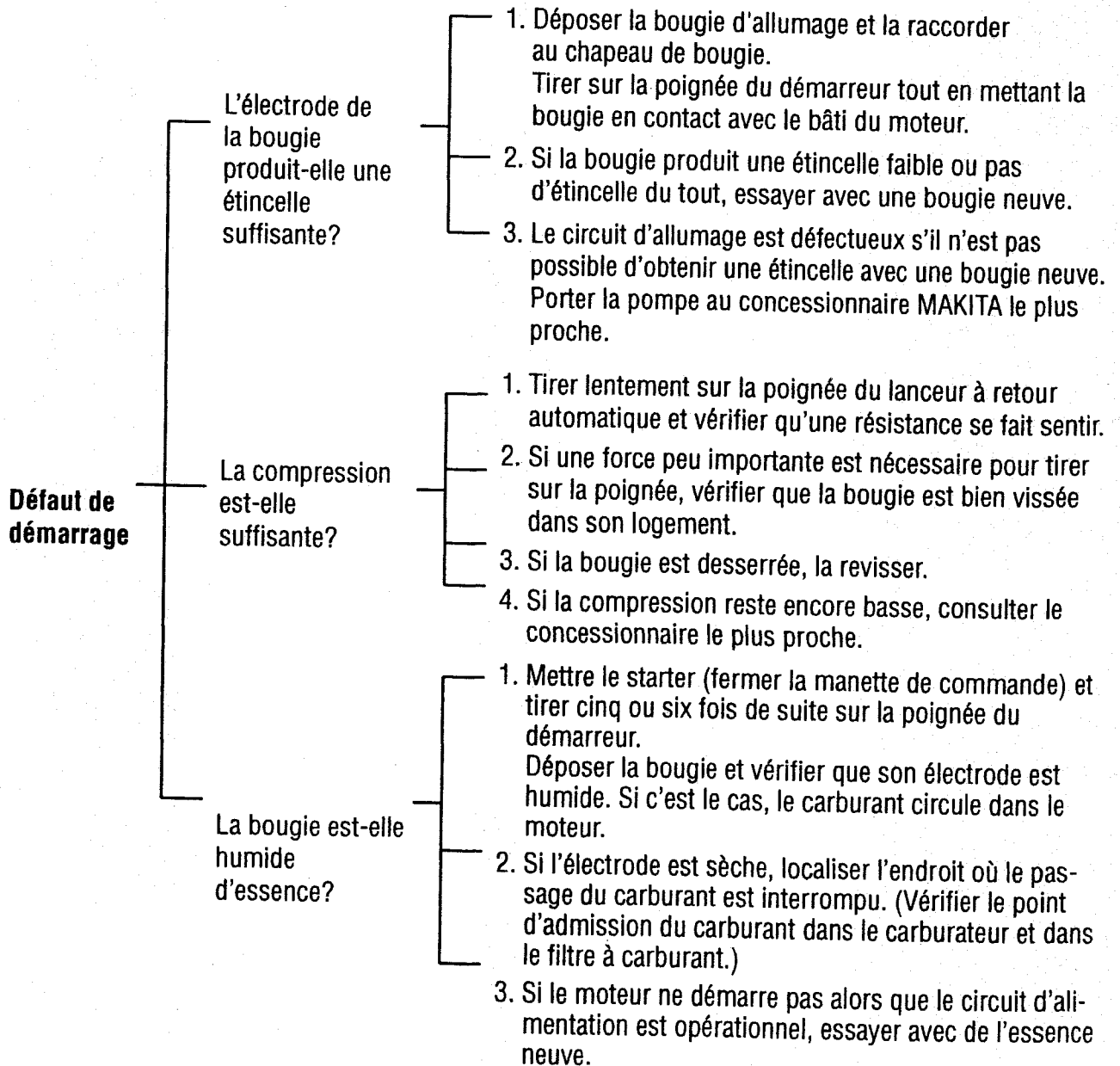
Pénétration d'air à partir du joint mécanique.
(Consulter le centre de service le plus proche.)

QUAND LE MOTEUR NE DÉMARRE PAS :

- Effectuer les contrôles suivants avant de porter la pompe au concessionnaire MAKITA.
- Si le problème n'est pas éliminé après avoir effectué les contrôles, porter la pompe au concessionnaire MAKITA le plus proche.

⚠ AVERTISSEMENT

Avant d'effectuer un essai, nettoyer soigneusement le carburant renversé. Éloigner la bouchon autant que possible du trou de la bougie d'allumage. Mettre à la masse le côté de l'électrode à toute partie métallique de masse du moteur.



11. FICHE TECHNIQUE

Modèle		EW120R	EW220R	EW320TR
POMPE	Type	Pompe centrifuge, à auto-amorçage		Pompe d'eaux résiduelles, à auto-amorçage
	Diamètres décharge x aspiration in. (mm)	1 x 1 in. (25,4 x 25,4 mm)	2 x 2 in. (50,8 x 50,8 mm)	3 x 3 in. (76,2 x 76,2 mm)
	Hauteur d'aspiration ft (m)	115 (35)	105 (32)	92 (28)
	Volume de décharge maximum U.S.gal/min (L / min)	34 (130)	137 (520)	343 (1300)
	Tête d'aspiration ft (m)	26 (8)		
	Matériel du joint d'axe (Joint mécanique)	Carbone en céramique		Carbure de silicium
MOTEUR	Modèle	EH025	EX13	EX27
	Type	Moteur à essence à refroidissement par air, 4 temps, Soupapes En Tête (OHV)	Moteur à essence à refroidissement par air, 4 temps, Cylindre En Tête (OHC)	
	Lubrifiant	Huile détergente automobile (API/nuance SE ou plus, SG, SH oder SG wird empfohlen. SAE/10W-30, etc.)		
	Contenance d'huile oz. (litres)	2,7 (0.08)	20,3 (0.6)	33,8 (1.0)
	Carburant	Essence sans plomb pour automobiles		
	Contenance du réservoir de carburant U.S.gal (litres)	0,13 (0.5)	0,7 (2.7)	1,6 (6.1)
	Bougie d'allumage	NGK CMR6A	NGK BR-6HS (CHAMPION RL86C)	
	Système de démarrage	Démarreur par rembobinage		
Dimensions	Longueur in. (mm)	13,0 (331)	18,5 (470)	26,5 (672)
	Largeur in. (mm)	8,4 (213)	13,5 (344)	19,1 (484)
	Hauteur in. (mm)	13,6 (345)	16,3 (414)	24,0 (610)
Poids net lb. (kg)	12,8 (5.8)	54,9 (24.9)	106,9 (48.5)	
Accessoires standard	Trousse à outils pour moteur (1 jeu), filtre (1 pièce), accouplement de flexible (2 pièces), bande pour flexible (3 pièces)			
Jeu de soupape (admission et échappement)	0.0039±0.0008 in. (0.1±0.03 mm) Note: Ajuster le jeu de soupape pendant que le moteur est froid.			
Période de durabilité d'émissions (pour la Californie seulement) heures	125	500		

ISSUE EMD-PU2034

Makita Corporation

3-11-8, Sumiyoshi-cho

Anjo, Aichi 446-8502 Japan

IMPRIMÉ AU JAPON
Mars 2005 CE-SK