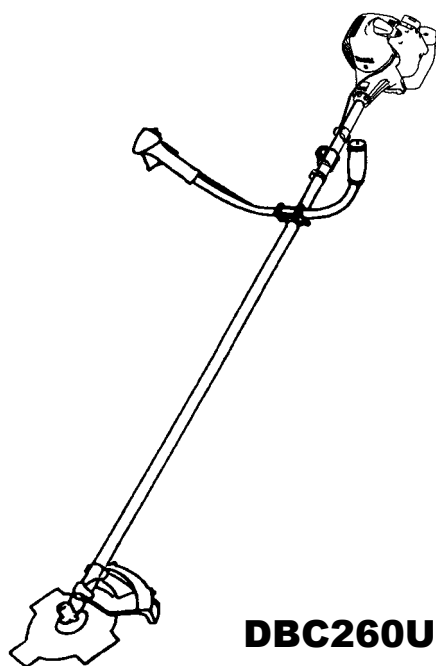
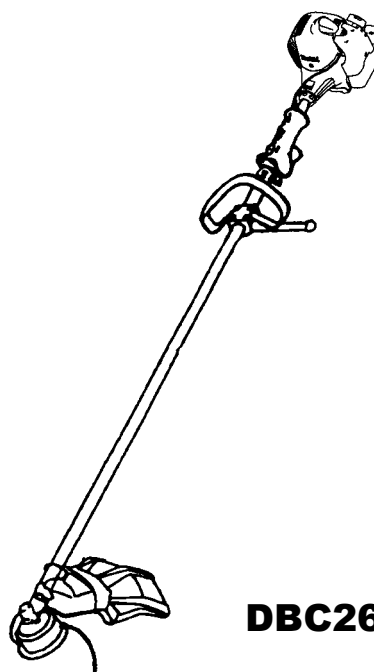


	<b>DBC260U</b>	<b>DBC260L</b>
<b>GB</b>	<b>Brush Cutter</b>	<b>String Trimmer</b>
<b>F</b>	<b>Débroussailleuse</b>	<b>Taille-bordure</b>
<b>D</b>	<b>Motorsense</b>	<b>Rasentrimmer</b>
<b>I</b>	<b>Decespugliatore</b>	<b>Tagliabordi</b>
<b>NL</b>	<b>Bosmaaier</b>	<b>Graskantmaaier</b>
<b>E</b>	<b>Desbrozadora</b>	<b>Cortabordes</b>
<b>P</b>	<b>Roçadeira</b>	<b>Máquina de cortar relva</b>
<b>DK</b>	<b>Buskrydder</b>	<b>Trådtrimmer</b>
<b>GR</b>	<b>Θάμνοκοπτικό</b>	<b>Χλοοκοπτικό</b>

Instruction manual  
Manuel d'instructions  
Betriebsanleitung  
Istruzioni per l'uso  
Gebruiksaanwijzing  
Manual de instrucciones  
Manual de instruções  
Brugsanvisning  
Οδηγίες χρήσης



**DBC260U**



**DBC260L**

**Important:**

Read this instruction manual carefully before putting the Brush Cutter/String Trimmer and strictly observe the safety regulations! Store this instruction manual in a safe place for future reference.

**Important:**

Lire soigneusement ce manuel d'instructions avant d'utiliser la débroussailleuse/taille-bordure et observer strictement les consignes de sécurité ! Conserver ce manuel dans un endroit sûr pour toute référence future.

**Wichtig:**

Lesen Sie vor Verwendung der Motorsense bzw. des Rasentrimmers diese Bedienungsanleitung aufmerksam durch und halten Sie die Sicherheitsregeln strikt ein! Bewahren Sie diese Bedienungsanleitung zum späteren Nachschlagen an einem sicheren Ort auf.

**Importante:**

Leggere attentamente il presente manuale d'istruzioni prima di sistemare il decespugliatore/tagliabordi e osservare rigorosamente le norme di sicurezza! Conservare questo manuale d'istruzioni in un posto sicuro per riferimenti futuri.

**Belangrijk:**

Lees deze gebruiksaanwijzing aandachtig voordat u de bosmaaier/graskantmaaier gebruikt en leef strikt de veiligheidsvoorschriften na. Bewaar deze gebruiksaanwijzing op een veilige plaats zodat u deze later opnieuw kunt raadplegen.

**Importante:**

Lea este manual de instrucciones con atención antes de utilizar la desbrozadora / cortabordes y cumpla estrictamente la normativa de seguridad. Guarde este manual de instrucciones en un lugar seguro para futuras consultas.

**Importante:**

Leia cuidadosamente este manual de instruções antes de utilizar a Roçadeira/Máquina de cortar relva e cumpra todas as normas de segurança! Guarde este manual de instruções num local seguro para consultas futuras.

**Vigtigt:**

Læs denne brugsanvisning omhyggeligt igennem inden brug af buskrydderen/trådtrimmeren og overhold sikkerhedsbestemmelserne til punkt og prikke. Opbevar denne brugsanvisning på et sikkert sted, så du har den til fremtidig brug.

**Σημαντικό:**

Διαβάστε αυτό το εγχειρίδιο οδηγιών πριν τοποθετήσετε το Θαμνοκοπτικό/Χλοοκοπτικό και τηρήστε με ακρίβεια τους κανονισμούς ασφαλείας! Φυλάξτε αυτό το εγχειρίδιο σε ένα ασφαλές μέρος για μελλοντική αναφορά.

Thank you for purchasing this MAKITA Brush Cutter/String Trimmer. MAKITA Brush Cutters/String Trimmers are developed as a product of our many years of knowledge, experience, and a detailed development programme. Please read this booklet thoroughly to ensure you gain the best possible performance and outstanding results that your MAKITA Brush Cutter/String Trimmer can provide.



<b>Table of Contents</b>	<b>Page</b>
Symbols .....	3
Safety instructions.....	4
Technical data DBC260U, DBC260L.....	8
Names of parts.....	9
Mounting the handle .....	10
Mounting the protector .....	11
Mounting the cutter blade/nylon cutting head .....	12
Fuel/Refuelling .....	13
Correct handling.....	14
Important operating points/stopping the cutter/trimmer .....	14
Resharpener the cutting tool .....	16
Servicing instructions .....	17
Storage .....	19

**Symbols**

You need to note the following symbols when reading the instructions manual.

	Read instruction Manual		Wear eye and ear protection (for String Trimmer only)
	Take Particular care and Attention		Wear protective helmet, eye and ear protection (for Brush Cutter only)
	Forbidden		Do not use metal blades (for String Trimmer only)
	Keep your distance		Maximum permissible tool speed
	Flying object hazard		Hot surfaces - Burns to fingers or hands
	No Smoking		Fuel and oil mixture
	No open flames		Engine-Manual start
	Protective gloves must be worn		Emergency stop
	Kickback		First Aid
	Keep the area of operation clear of all persons and animals		Recycling
	Wear sturdy boots with nonslip soles. Steel-toed safety boots are recommended.		ON/START
			OFF/STOP

## Safety instructions

### General Instructions

- To ensure correct operation, make sure that you read and fully understand this instruction manual to familiarise yourself with how to use the Brush Cutter/String Trimmer. Using this equipment without understanding how to operate it correctly may result in serious injury to yourself or others.
- Only lend the Brush Cutter/String Trimmer to people who have proved experienced with Brush Cutter/String Trimmers. Always lend them this instruction manual at the same time.
- If this is your first time using an engine powered cutter, consult your dealer for basic instructions.
- Children and young persons aged under 18 years must not be allowed to operate the Brush Cutter/String Trimmer. Persons over the age of 16 years may use the device for training purposes, only whilst under supervision of a qualified trainer.
- Use Brush Cutter/String Trimmers with the utmost care and attention.
- Only operate the Brush Cutter/String Trimmer if you are in good physical condition. Perform all work calmly and carefully. Users must accept responsibility for those around them.
- Never use the Brush Cutter/String Trimmer after consumption of alcohol or medicines, or if you are feeling tired or ill.

### Intended use of the equipment

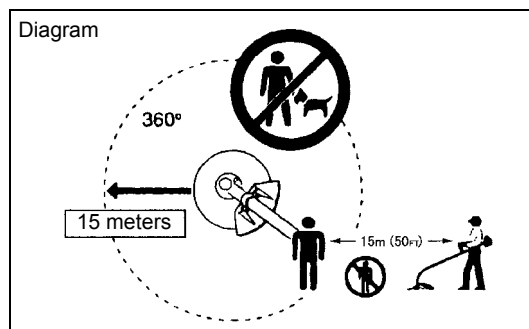
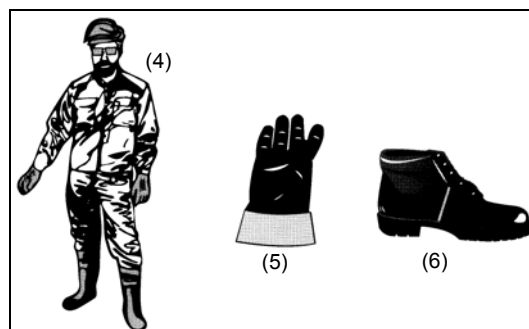
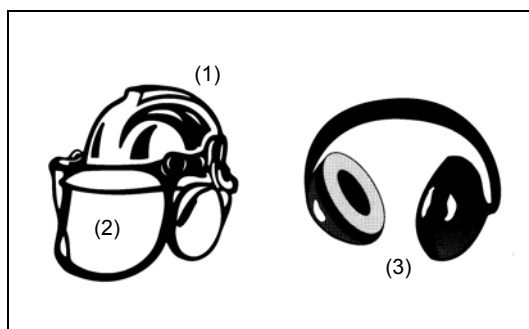
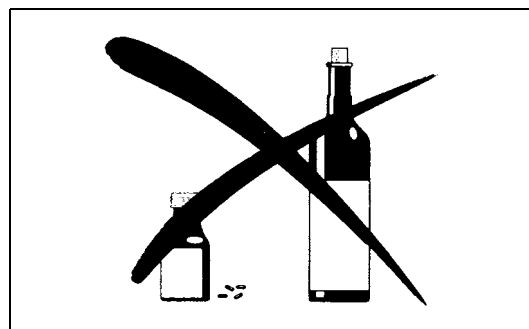
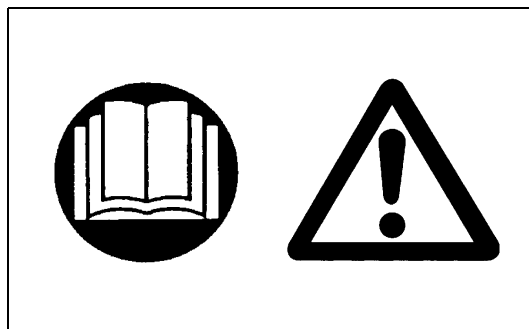
- The Brush Cutter/String Trimmer is only intended for cutting grass, weeds, bush and other such undergrowth, and should not be used for any other purpose such as edging or hedge cutting as this may cause injury.

### Personal protective equipment

- Always wear clothing that is both functional and appropriate to your work, i.e. tight-fitting, but not so tight as to cause uncomfortable movement. Do not wear either jewelry or clothing which could become entangled with bushes or shrubs.
- In order to avoid head, eye, hand, or foot injuries, as well as to protect your hearing during operation, the following protective equipment and protective clothing must be used while using the Brush Cutter/String Trimmer.
- Always wear a helmet where there is a risk of falling objects. The protective helmet (1) is to be checked at regular intervals for damage and is to be replaced at the latest after 5 years. Use only approved protective helmets.
- The visor (2) of the helmet (or alternatively goggles) protects the face from flying debris and stones. During operation of the Brush Cutter/String Trimmer, always wear goggles or a visor to prevent eye injuries.
- Wear adequate noise protection equipment to avoid hearing impairment (ear muffs (3), ear plugs etc.).
- Work overalls (4) protect against flying stones and debris. We strongly recommend that you wear work overalls.
- Special gloves (5) made of thick leather are part of the prescribed equipment and must always be worn during operation of the Brush Cutter/String Trimmer.
- When using the Brush Cutter/String Trimmer, always wear sturdy shoes (6) with a non-slip sole. Such shoes protect against injuries and ensure good footing.

### Starting the brush cutter

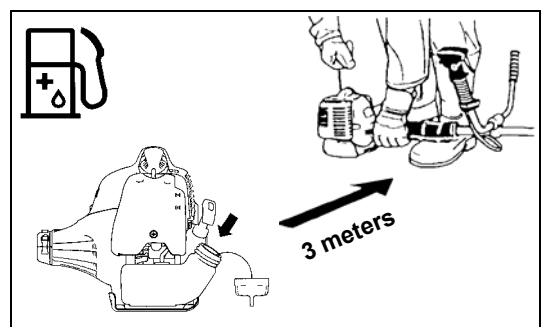
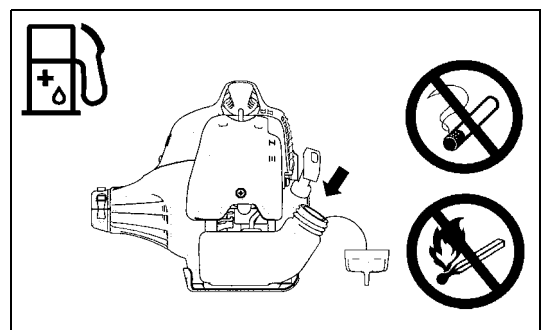
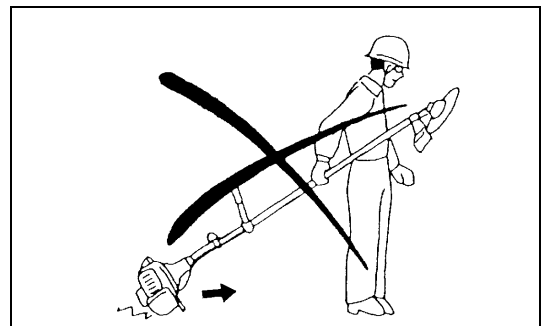
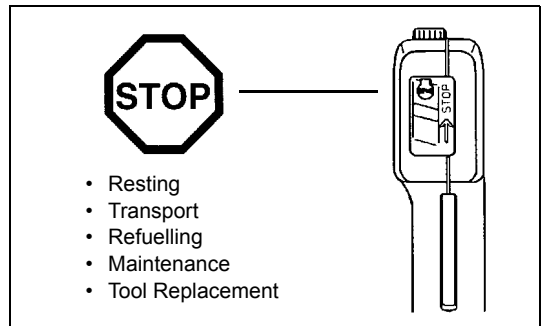
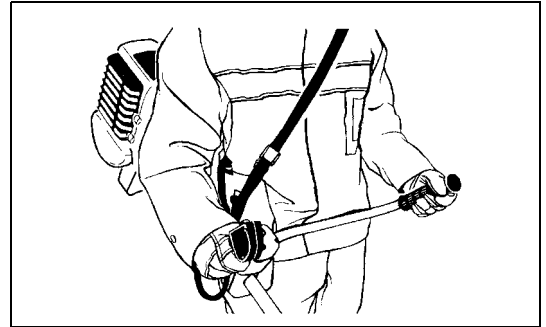
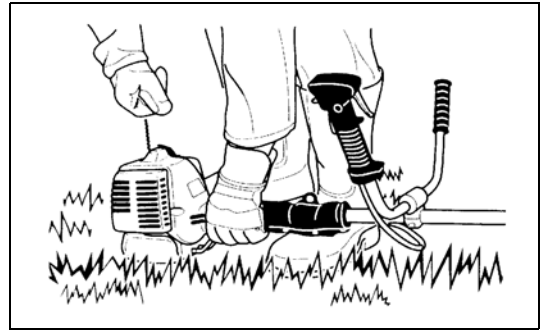
- Make sure that there are no children or other people within a working range of 15 meters (50ft), also pay attention to any animals in the working vicinity.
- Before use, always check that the Brush Cutter/String trimmer is safe for operation:  
Check that the cutting tool is secure, that the control lever can be operated easily, and that the control lever lock is functioning correctly.
- Rotation of the cutting tool during idling is prohibited. Check with your dealer if you think the equipment may need adjusting. Check to make sure that the handles are clean and dry, and that the start/stop switch is functioning correctly.



- Start the Brush Cutter/String Trimmer only in accordance with the instructions. Do not use any other methods to start the engine!
- Only use the Brush Cutter/String Trimmer and tools for the specified purposes.
- Only start the Brush Cutter/String Trimmer engine after the equipment is fully assembled. Do not operate the equipment until all of the appropriate accessories are attached!
- Before starting, make sure that the cutting tool is not in contact with hard objects such as branches, stones etc. as the cutting tool will rotate when starting.
- Switch off the engine immediately if any type of engine problem occurs.
- Should the cutting tool hit stones or other hard objects, immediately switch off the engine and inspect the cutting tool.
- Inspect the cutting tool at short regular intervals for damage (inspect for hairline cracks using the tapping test).
- Only operate the Brush Cutter/String Trimmer after attaching and adjusting the shoulder strap to the correct length. The shoulder strap must be adjusted to the user's size and fastened to prevent fatigue during operation of the equipment. Never hold the cutter with one hand during operation.
- During operation, always hold the Brush Cutter/String Trimmer with both hands. Always ensure you are on safe footing.
- Operate the Brush Cutter/String Trimmer in such a manner as to avoid inhalation of the exhaust gases. Never run the engine in an enclosed space such as inside a room (risk of gas poisoning). Carbon monoxide is an odorless gas.
- Always switch off the engine when resting, or if you intend to leave the Brush Cutter/String Trimmer unattended, and place it in a safe location to prevent injury to other people and damage to the equipment.
- Never put the hot Brush Cutter/String Trimmer onto dry grass or onto any other combustible materials.
- The cutting tool must always be equipped with the appropriate guard. Never run the cutter without this guard!
- All protective installations and guards supplied with the equipment must be used during operation.
- Never operate the engine if the exhaust muffler is faulty.
- Shut off the engine during transport.
- During transport over long distances, always use the tool protection equipment included.
- Ensure the Brush Cutter/String Trimmer is positioned safely during transport to avoid fuel leakage.
- When transporting the Brush Cutter/String Trimmer, ensure the fuel tank is completely empty.
- When unloading the Brush Cutter/String Trimmer from a truck or other such vehicle, never drop the engine to the ground, as doing so may severely damage the fuel tank.
- Unless in an emergency, never drop or cast the Brush Cutter/String Trimmer to the ground as doing so may severely damage the Brush Cutter/String Trimmer.
- Always lift the entire equipment from the ground when moving it. Dragging the equipment on its fuel tank is extremely dangerous and may cause fuel to leak, which may cause fire.

## Refuelling

- Shut off the engine during refuelling, keep away from open flames and do not smoke during refuelling.
- Ensure mineral oil products do not come into contact with skin. Do not inhale the fuel vapor. Always wear protective gloves during refuelling. Change and clean protective clothing at regular intervals.
- To prevent soil contamination (environmental protection), make sure you do not spill fuel or oil on the ground. If you do spill fuel, clean the Brush Cutter/String Trimmer immediately.
- Make sure fuel does not come into contact with your clothing. If fuel does come into contact with your clothing, change your clothing immediately to prevent fire.
- Inspect the fuel cap at regular intervals to make sure that it can be securely fastened and does not leak.
- Carefully tighten the fuel tank cap. Once refuelling is complete, move to a location at least 3 meters away from where you refuelled before starting the engine.
- Never refuel in an enclosed space such as inside a room. Doing so may cause an explosion due to the accumulation of fuel vapor at ground level.
- Only transport and store fuel in approved containers. Make sure stored fuel is not accessible to children.



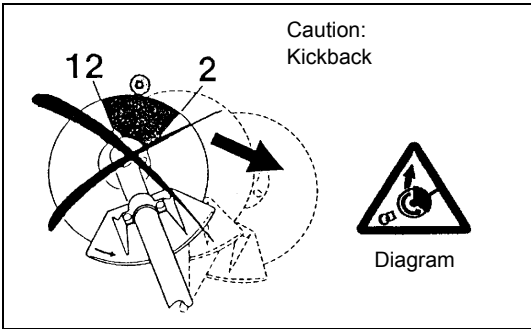
### Method of operation

- Only use the Brush Cutter/String Trimmer in good light and visibility. During the winter season, beware of slippery or wet areas such as icy or snow-covered areas (risk of slipping). Always ensure you are on safe footing.
- Never cut above waist height.
- Never stand on a ladder while using the Brush Cutter/String Trimmer.
- Never climb up into trees to use with the Brush Cutter/String Trimmer.
- Never work on unstable surfaces.
- Remove sand, stones, nails etc. found within the working range. Foreign objects may damage the cutting tool and can cause dangerous kickbacks.
- Before starting to cut, make sure the cutting tool has reached full working speed.



### Kickback

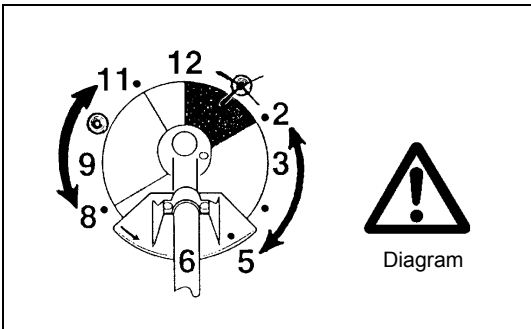
- When operating the brush cutter, uncontrolled kickbacks may occur.
- Kickbacks occur frequently when attempting to cut with the 12 to 2 o'clock section of the blade.
- Never apply the 12 to 2 o'clock section of the brush cutter blade.
- Never apply this section of the brush cutter blade to solid objects, such as bushes or trees etc. that have a diameter greater than 3cm. Doing so will cause the brush cutter to deflect with a large amount of force, which is extremely dangerous and may cause injury.



### Kickback prevention

To avoid kickbacks, remember the following:

- Using the 12 to 2 o'clock section of the blade is extremely hazardous, especially when using metal cutting tools.
  - Cutting operations using the 11 to 12 o'clock section and 2 to 5 o'clock section of the blade must only be performed by trained and experienced operators, and then only at their own risk.
- The optimum cutting section for easy cutting with almost no kickback is between the 8 to 11 o'clock section of the blade.

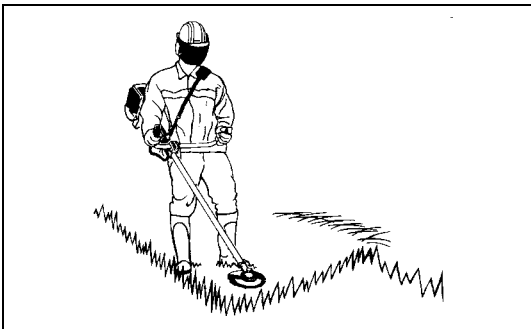


### Cutting Tools

Ensure you use the correct cutting tool for each particular job.

DBC260U with cutter blade (Star Blade (4 teeth), Eddy Blade (8 teeth)),  
DBC260L with Nylon cutting head.

For cutting thick materials such as weed, high grass, bushes, shrubs, underwood, thicket etc. (max. 2 cm dia. thickness). Perform this cutting work by swinging the brush cutter evenly in half-circles from right to left (in a similar way to using a scythe).



### Maintenance instructions

- Always check the condition of the cutter, in particular the cutter protective devices and shoulder strap, before commencing work. Particular attention should also be paid to the cutting blades, which must be correctly sharpened.
- Turn off the engine and remove the spark plug connector when replacing or sharpening cutting tools, and also when cleaning the cutter or cutting tool.

**Never straighten or weld damaged cutting tools.**

- Operate the Brush Cutter/String Trimmer with as little noise and contamination as possible. In particular, check that the carburetor is set correctly.
- Clean the Brush Cutter/String Trimmer at regular intervals and check that all screws and nuts are well tightened.
- Never service or store the Brush Cutter/String Trimmer in the vicinity of naked flames.
- Always store the Brush Cutter/String Trimmer in locked rooms and with an emptied fuel tank.

Observe the relevant accident prevention instructions issued by the relevant trade associations and insurance companies.

Do not perform any modifications on the Brush Cutter/String Trimmer, as doing so will endanger your safety.



The performance of maintenance or repair work by the user is limited to those activities described in the instruction manual. All other work is to be done by an Authorized Service Agent. Use only genuine spare parts and accessories released and supplied by MAKITA.

Using non-approved accessories and tools will cause an increased risk of accidents.

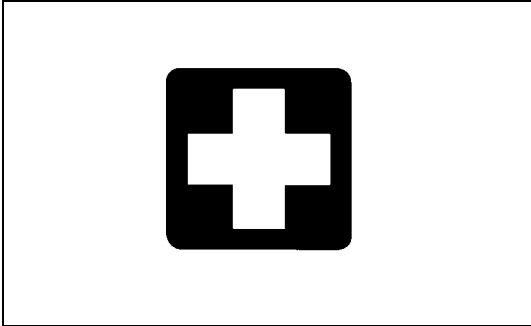
MAKITA will not accept any liability for accidents or damage caused by the use of non-approved cutting tools, fixing devices of cutting tools, or accessories.

**First Aid**

In case of accident, make sure that a first-aid box is available in the vicinity of the cutting operations. Immediately replace any item taken from the first aid box.

**When asking for help, please give the following information:**

- Place of the accident
- What happened
- Number of injured persons
- Kind of injuries
- Your name



**Packaging**

The MAKITA Brush Cutter/String Trimmer is delivered in two protective cardboard boxes to prevent transport damage. Cardboard is a basic raw material and is therefore reusable or suitable for recycling (waste paper recycling).



**EC-DECLARATION OF CONFORMITY**

**Model; DBC260U, DBC260L**

We declare under our sole responsibility that this product is in compliance with the following standards of standardized documents, ISO11806, EN55012 in accordance with Council Directives, 89/392/EEC, amended 98/37/EEC, 93/68/EEC, 89/336/EEC, amended 92/31/EEC.

Measured Sound Power: 111.7 dB

Guarantee Sound Power: 114 dB

These sound power levels were measured in accordance with Council Directive, 2000/14/EC.

Conformity assessment procedure: Annex V.

CE2008

Tomoyasu Kato  
Director

Responsible Manufacturer:

**Makita Corporation.**

3-11-8, Sumiyoshi-cho, Anjo, Aichi, JAPAN

Authorized Representative in Europe:

**Makita International Europe Ltd.**

Michigan Drive, Tongwell, Milton kyenes, Bucks MK15 8JD, ENGLAND

## Technical data DBC260U, DBC260L

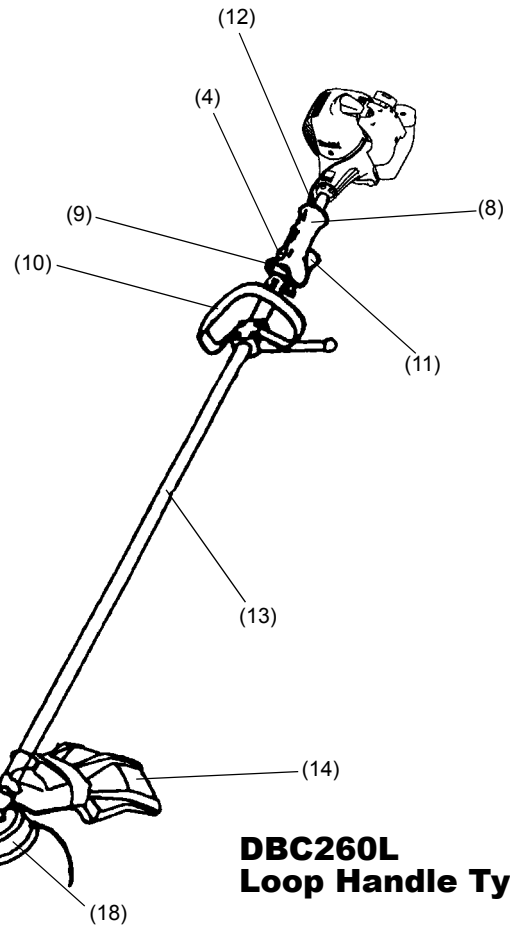
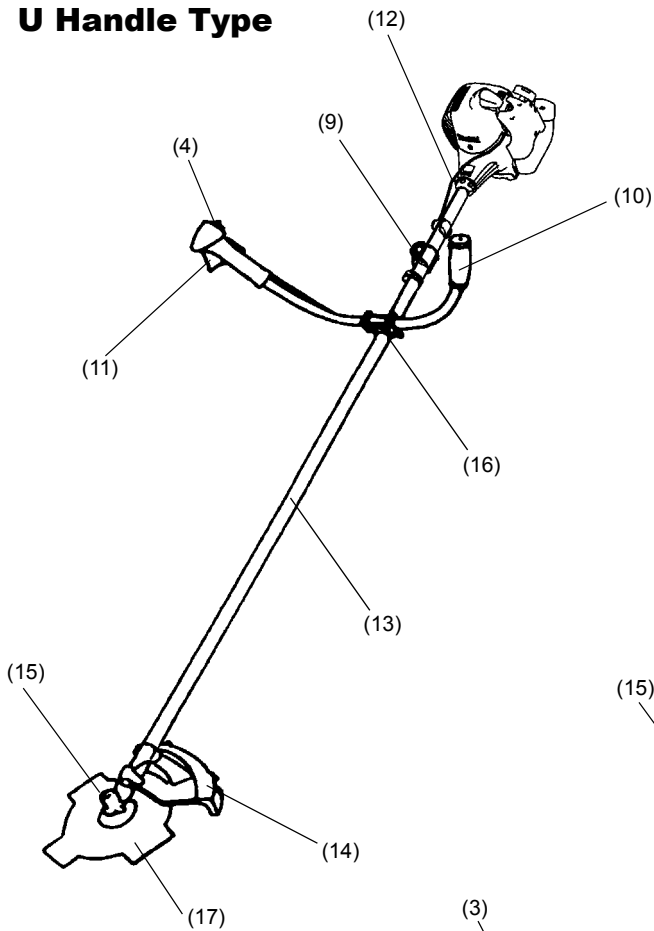
Model		DBC260U	DBC260L	
		U handle	Loop handle	
Dimensions: length x width x height (without cutting blade)	mm	1,770 x 630 x 410	1,770 x 315 x 235	
Mass (without plastic guard and cutting blade)	kg	5.0	4.8	
Volume (fuel tank)	L	0.6		
Engine displacement	cm <sup>3</sup>	25.7		
Maximum engine performance	kw	0.83 at 8,000 min <sup>-1</sup>		
Engine speed at recommended max. spindle speed	min <sup>-1</sup>	10,000		
Maximum spindle speed (corresponding)	min <sup>-1</sup>	7,400		
Maximum fuel consumption	kg/h	0.431		
Maximum specific fuel consumption	g/kwh	487		
Idling speed	min <sup>-1</sup>	3,000		
Clutch engagement speed	min <sup>-1</sup>	4,000		
Carburetor	type	WALBRO WYC		
Ignition system	type	Solid state ignition		
Spark plug	type	NGK BPMR7A		
Electrode gap	mm	0.6 - 0.7		
Vibration per ISO 22867 <sup>1)</sup>	Right handle (Rear grip)	m/s <sup>2</sup>	3.8	5.3
	Left handle (Front grip)	m/s <sup>2</sup>	3.9	4.3
Sound pressure level average to ISO 22868 <sup>1)</sup>	db	98.2		
Sound power level average to ISO 22868 <sup>1)</sup>	db	108.5		
Fuel		Mixed gas (gasoline: Makita Genuine Two-stroke Engine Oil =50:1)		
Gear ratio		14/19		

1) The data takes equally into account the idling and racing or wide open throttle speed operating modes.

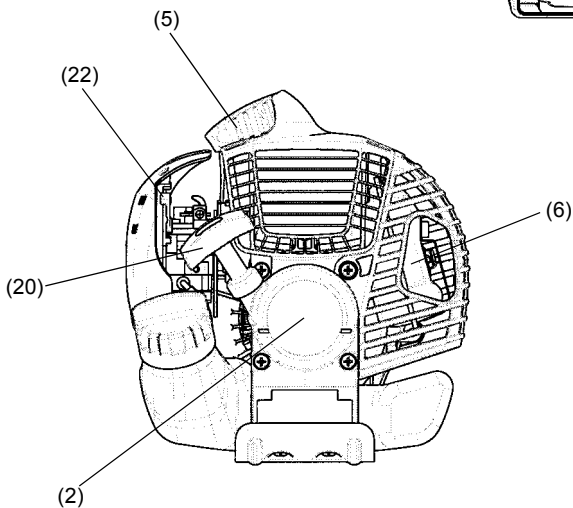
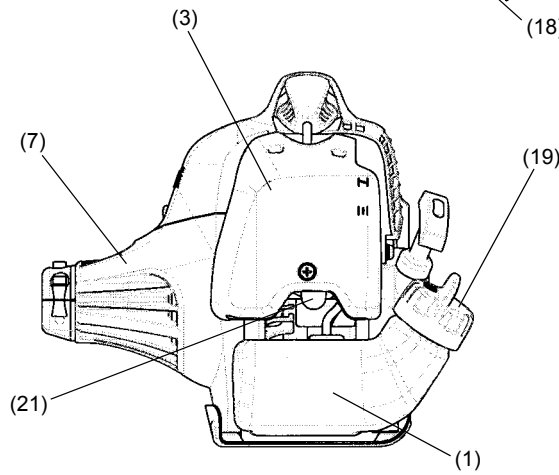


## Names of parts

### DBC260U U Handle Type



### DBC260L Loop Handle Type



Names of parts	
1	Fuel Tank
2	Rewind Starter
3	Air Cleaner
4	I-O Switch (on/off)
5	Spark Plug
6	Exhaust Muffler
7	Clutch Case
8	Rear Grip
9	Hanger
10	Handle
11	Control Lever
12	Control Cable
13	Shaft
14	Protector
15	Gear Case
16	Handle Holder
17	Cutter Blade
18	Nylon Cutting Head
19	Fuel Filler Cap
20	Starter Knob
21	Primer Pump
22	Choke Lever

## Mounting the handle

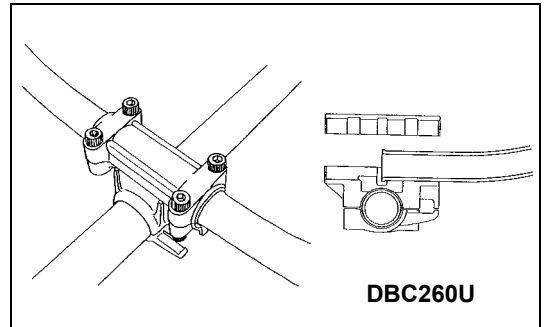
**CAUTION:** Before doing any work on the brush cutter, always stop the engine and disconnect the spark plug connector from the spark plug.  
Always wear protective gloves!

**CAUTION:** Ensure you have reassembled the brush cutter completely before starting it.

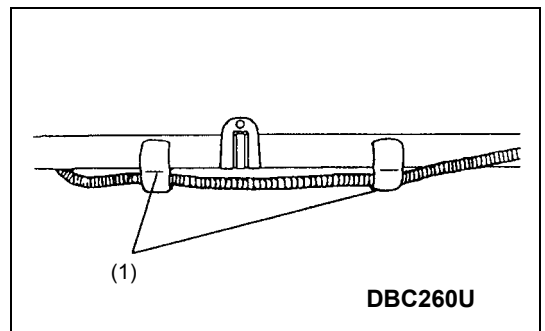


### For U Handle models

- Place the handle-fixing metal so that the handle with the control lever is positioned on the right (the right-hand grip side) when viewed from the engine side.
- Fit the groove of the handle-fixing material to the handle end. Temporarily fix the attached metal using the hexagon socket bolt provided.
- Adjust the handle to an easy-to-operate position, and securely tighten the four hexagon socket bolts uniformly on the right and left using an Allen key.

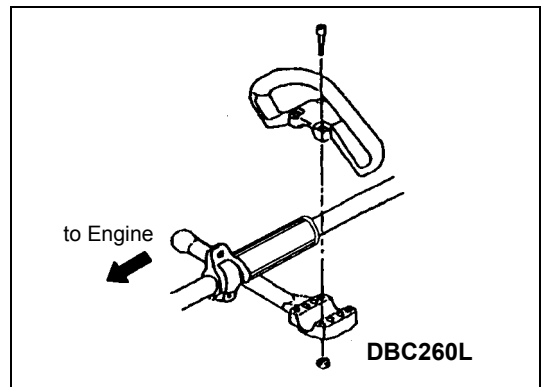


- Fit the control cable (together with the earth cord) to the handle with two clips (1).
- Make sure the control cable does not loop at the handle bar section.



### For Loop Handle models

- Fix the barrier to the left side of the equipment together with the handle to protect the operator.
- Do not adjust position of the loop handle too close to the control grip.
- Keep a distance of at least 250mm between the handle and the grip. (a distance collar is provided for this purpose.)



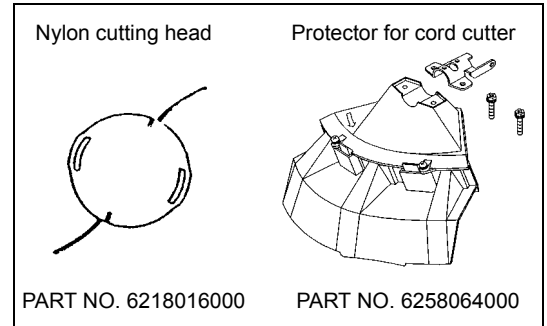
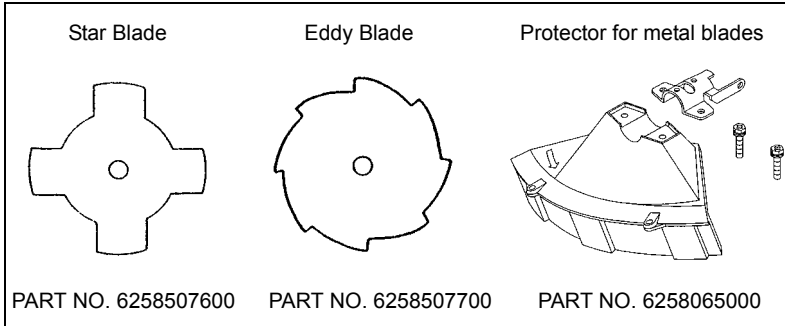
## Mounting the protector

To meet the applicable safety standards, you must only use the tool/protector combinations indicated in the table.



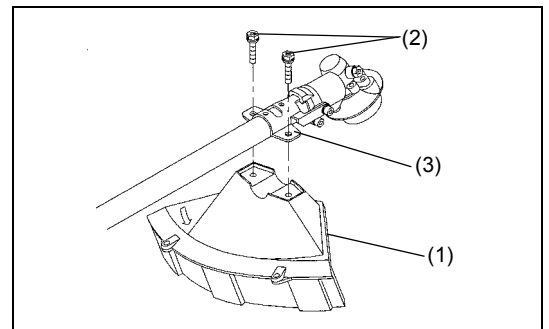
### Always use genuine MAKITA cutter blades/nylon cutting head.

- The cutter blade must be well polished, and free of cracks or breakages. If the cutter blade hits against a stone during operation, stop the engine and check the blade immediately.
- Polish or replace the cutter blade every three hours of operation.
- If the nylon cutting head hits against a stone during operation, stop the engine and check the nylon cutting head immediately.

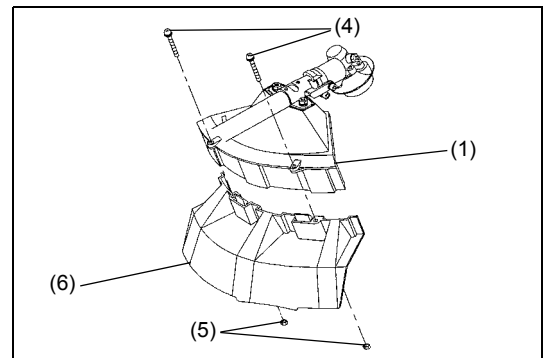


**CAUTION:** The appropriate protectors must always be installed for your own safety and in order to comply with accident-prevention regulations. Operation of the equipment without the guard installed is prohibited.

- Fix the protector (1) to the clamp (3) with two M6 x 30 bolts (2).



- When using the string head, fit the protector (6) into the protector (1), and tighten them with two nuts (5) and two screws (4).

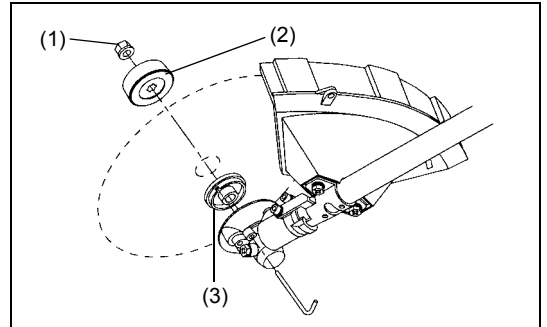


## Mounting the cutter blade/nylon cutting head

The cutter blade or nylon cutting head can be replaced easily by first turning the equipment upside down.



- Insert the Allen key through the hole in the gear case and rotate the receiver washer (3) until it is locked with the Allen key.
- Loosen the nut (1) (left-hand thread) with the socket wrench, and remove the nut (1) and clamp washer (2).

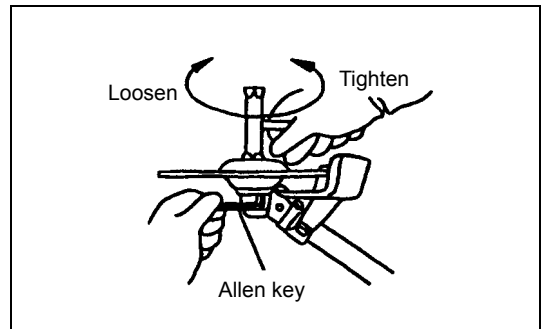


### With the Allen key still in place

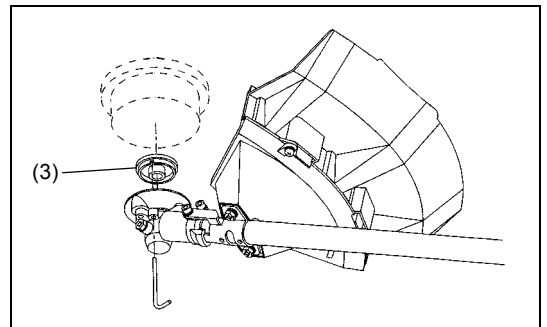
- Mount the cutter blade onto the shaft so that the guide of the receiver washer (3) fits in the arbor hole in the cutter blade. Install the clamp washer (2) and secure the cutter blade with the nut (1).  
[Tightening torque: 13 - 23 N-m]

NOTE: Always wear gloves when handling the cutter blade.

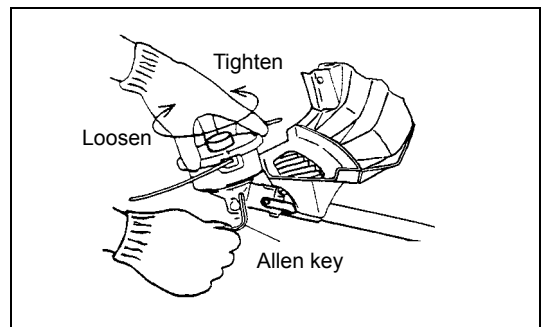
NOTE: The cutter blade-fastening nut (with spring washer) is a consumable part. If there appears any wear or deformation on the spring washer, replace the nut.



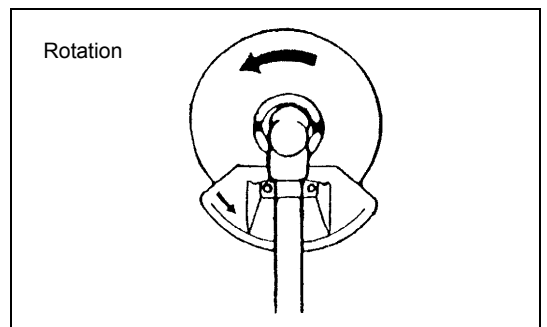
NOTE: The clamp washer (2), and nut (1) are not necessary for mounting the nylon cutting head. The nylon head should go on top of the receiver washer (3).



- Screw the nylon cutting head onto the shaft.



- Make sure that the blade rotates counterclockwise.



## Handling fuel

Utmost care is required when handling fuel. Fuel may contain substances similar to solvents. Refuel either in a well ventilated room or outdoors. Do not inhale fuel vapors, and avoid any contact of fuel or oil with your skin. Mineral oil products degrease your skin. Prolonged skin contact with these products will cause your skin to become extremely dry, which may result in various kinds of skin disease. In addition, allergic reactions may occur. Eyes can be irritated by contact with oil. If oil comes into your eyes, immediately wash them with clear water. If your eyes are still irritated, see a doctor immediately.

## Fuel and oil mixture

The brush cutter engine is a high-efficiency two-stroke engine. It runs on a mixture of fuel and two-stroke engine oil. The engine is designed for unleaded regular fuel with a min. octane value of 91 RON. If for any reason no such fuel is available, you can use fuel with a higher octane value. This will not affect the engine, but it may cause poor operating behaviour. Similar problems will arise from the use of leaded fuel. To obtain optimum engine operation and to protect your health and the environment, use only unleaded fuel!

To lubricate the engine, add two-stroke engine oil (quality grade: JASO FC or ISO EGD) to the fuel. The engine has been designed to use the specified two-stroke engine oil at mixture ratio of 50:1 to protect the environment. Additionally, long service life accompanied by reliable operation and minimum emissions are guaranteed through the use of this mixture ratio. Reliable functioning of the brush cutter cannot be guaranteed unless this mixture ratio of 50:1 (specified 2-stroke engine oil) is strictly observed.

### Correct mixture ratio:

Gasoline: Specified two-stroke engine oil = 50 : 1 or  
 Gasoline: Other manufacturer's two-stroke engine oil = 25 : 1 recommended

NOTE: To prepare the fuel-oil mixture, first mix the entire oil quantity with half of the fuel required, then add the remaining fuel. Thoroughly shake the mixture before pouring it into the brush cutter tank. To ensure safe operation, do not add more engine oil than the specified amount. Doing so will only result in a higher production of combustion residues which pollute the environment and clog the exhaust channel in the cylinder as well as the muffler. In addition, the fuel consumption will rise and the performance will decrease.

## Refuelling


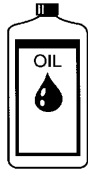
### The engine must be switched off.

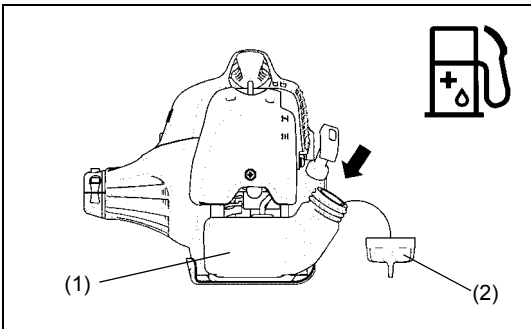
- Thoroughly clean the area around the fuel filler cap (2) to prevent dirt from getting into the fuel tank (1).
- Unscrew the fuel filler cap (2) and fill the tank with fuel.
- Tightly screw on the fuel filler cap (2).
- Clean the screw fuel filler cap (2) and tank after refueling.

## Storage of Fuel

Fuel cannot be stored for an unlimited period of time. Purchase only the quantity required for a 4-week operating period. Only use approved fuel storage containers.



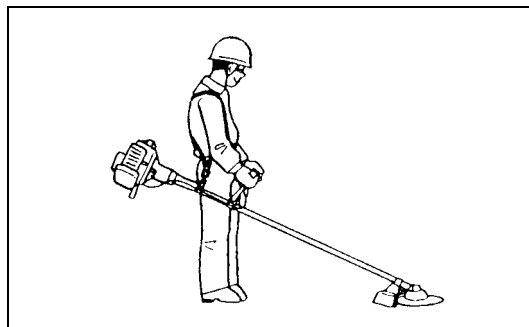
Gasoline	50:1	25:1
	+	
1,000 cm <sup>3</sup> (1 liter)	20 cm <sup>3</sup>	40 cm <sup>3</sup>
5,000 cm <sup>3</sup> (5 liter)	100 cm <sup>3</sup>	200 cm <sup>3</sup>
10,000 cm <sup>3</sup> (10 liter)	200 cm <sup>3</sup>	400 cm <sup>3</sup>



## Correct handling

### Attachment of shoulder strap

- Adjust the strap length so that the cutter blade is kept parallel with the ground.

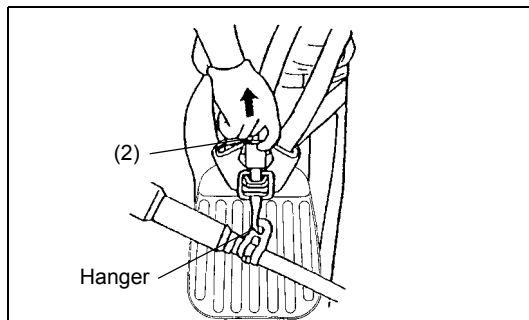


### Detachment

#### For DBC260U

- In case of emergency, to detach the equipment from your body, strongly pull the emergency detachment lever (2) with your finger. This will detach the equipment sill from the body.
- Be extremely careful to maintain control of the equipment at this time. Do not allow the equipment to be deflected toward you or anyone in your vicinity.

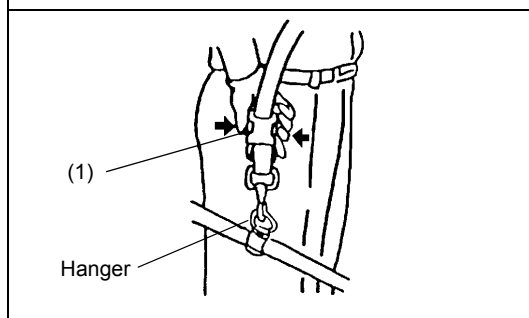
**WARNING:** Failure to maintain complete control of the equipment could result in serious injury or DEATH.



#### For DBC260L

- In case of emergency, push the notches (1) at both sides, and detach the equipment.
- Be extremely careful to maintain control of the equipment at this time. Do not allow the equipment to be deflected toward you or anyone in your vicinity.

**WARNING:** Failure to maintain complete control of the machine at all could result in serious injury or DEATH.



## Important operating points/stopping the cutter/trimmer

Observe the applicable accident prevention regulations.

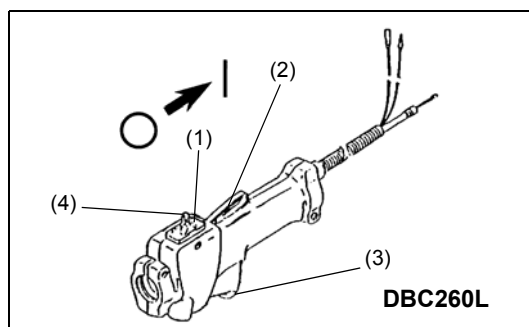
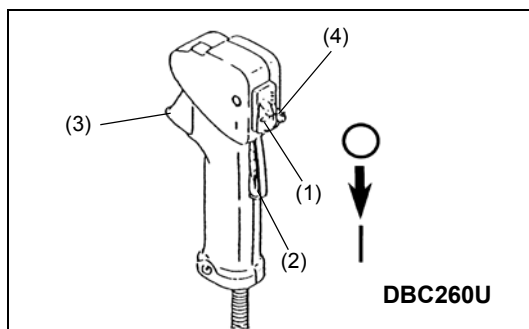


### Starting

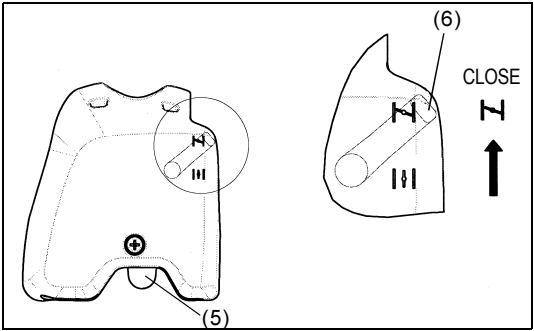
Move at least 3 m away from the area where you refuelled the equipment. Place the brush cutter on a clean piece of ground taking care that the cutting tool does not come into contact with the ground or any other objects.

### Cold start

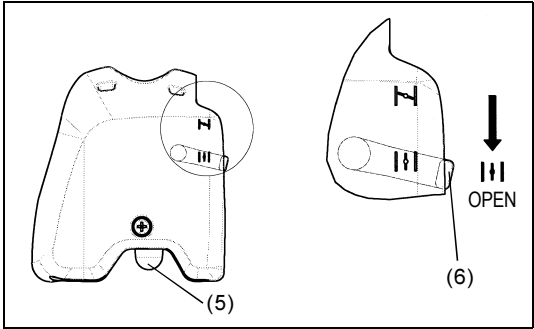
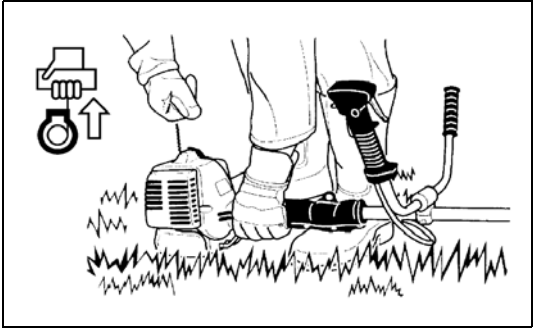
- Push the I-O switch (1) in the direction shown by the arrow.
- Grasp the handle (hand pressure activates the safety lock-off lever (2)).
- Press the throttle lever (3) and hold it down.
- Press the lock button (4) and release the control lever, and then release the lock button (the lock button holds the throttle lever in the start-up position).



- First, place the equipment on the ground.
- Gently press the primer pump (5) repeatedly (7-10 times) until fuel comes into the primer pump.
- Close the choke lever (6).
  - Fully closed in cold temperatures or when the engine is cold
  - Fully or half open for restart while the engine is still warm



- Firmly hold the clutch case with your left hand, as illustrated.
- Slowly pull the starter grip until you feel resistance, and then continue to pull sharply.
- Do not pull out the starter rope to its full extent, and do not allow the starter handle to retract by itself. Maintain control of the starter rope and ensure it retracts slowly.
- Repeat the starting operation until you hear the engine's initial ignitions.
- Depress the choke lever (6) (↓) and pull the starter rope again until the engine starts.
- As soon as the engine starts, immediately tap and release the throttle, to release the half-throttle lock and allow the engine to idle.
- Run the engine for approximately one minute at a moderate speed before applying full throttle.



NOTE: - If you pull the starter handle repeatedly when the choke lever is in the at "↕" position, the engine will not start easily due to excessive fuel intake.  
 - If excessive fuel intake occurs, remove the spark plug and pull the starter handle slowly to remove excess fuel. Also, dry the electrode section of the spark plug.

**Caution during operation:**

If the throttle lever is opened fully during a no-load operation, the engine revolutions increase over 10,000 min<sup>-1</sup>. Never operate the engine at a higher speed than required, and keep the revolutions at an approximate speed of 6,000 - 8,000 min<sup>-1</sup>.

CAUTION: Always reduce the engine revolutions when the equipment is not being used for work.

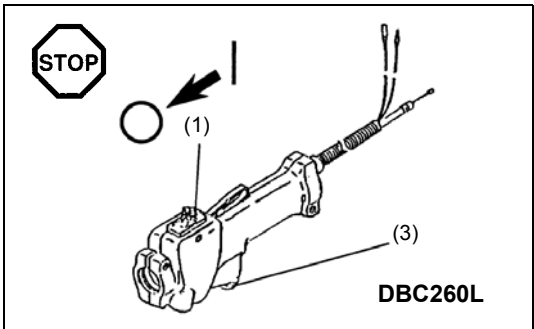
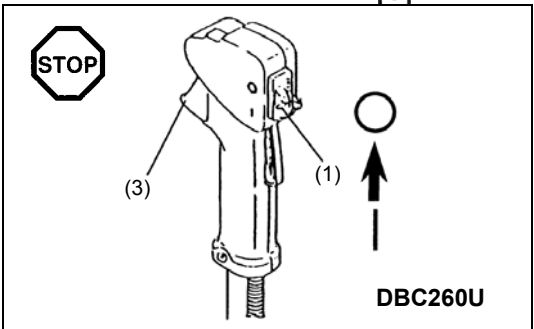
Operating the equipment at high revolutions when not being used for work will shorten the lifespan of the equipment.

**Warm start**

- Follow the instructions for cold start above, except without moving the choke lever (choke lever remains in the down position (↓)).

**Stopping**

- Release the throttle lever (3) fully, and when the engine rpm has lowered, push the I-O switch (1) to "O" position to stop the engine.
- Be aware that the cutting head may not stop immediately, and always allow it to slow down and stop fully by itself.

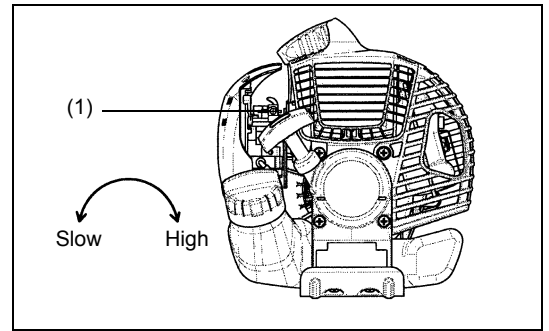


## ADJUSTMENT OF LOW-SPEED REVOLUTIONS (IDLING)

The cutter blade or the nylon cutting head should not rotate when the control lever is fully released. If necessary, adjust the idling rpm using the idling adjustment screw.

### Checking the Idling speed

- The idling speed should be set to 3,000 min<sup>-1</sup>.  
If necessary, adjust the idling speed using the idling screw (the blade or the nylon cutting head must not turn when the engine is idling).  
Tightening the idling screw (1) increases the engine revolutions, whereas loosening the idling screw reduces the engine revolutions.



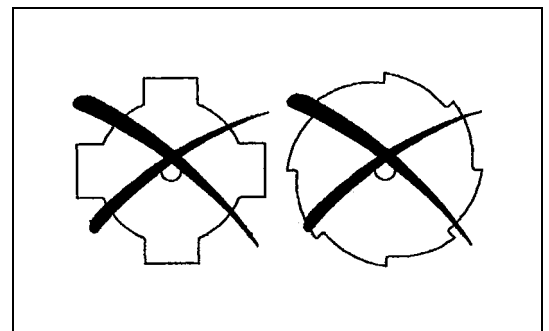
## Resharpener the cutting tool

**CAUTION:** The cutting tools listed below must only be resharpened by an authorized facility. Manual resharpening will result in imbalances of the cutting tool, which will cause vibrations and damage to the equipment.

- cutter blade (star blade (4 teeth), eddy blade (8 teeth))

A professional resharpening and balancing service is provided by Authorized Service Agents.

**NOTE:** To increase the service life of the cutter blade (star blade, eddy blade) the blade may be turned over to allow both cutting edges to wear.

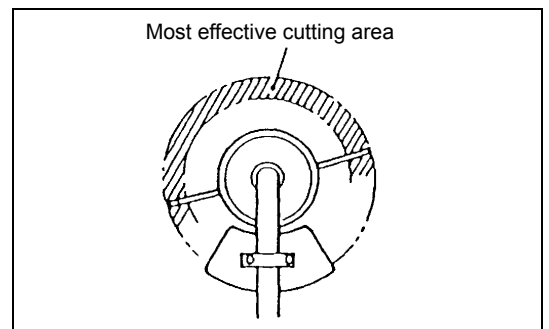


## NYLON CUTTING HEAD

The nylon cutting head is a dual string trimmer head capable of both automatic and bump & feed mechanisms. The nylon cutting head will automatically feed out the proper length of nylon cord by the changes in centrifugal force caused by increasing or decreasing rpms. However, to cut soft grass more efficiently, bump the nylon cutting head against the ground to feed out extra cord as shown in operation section.

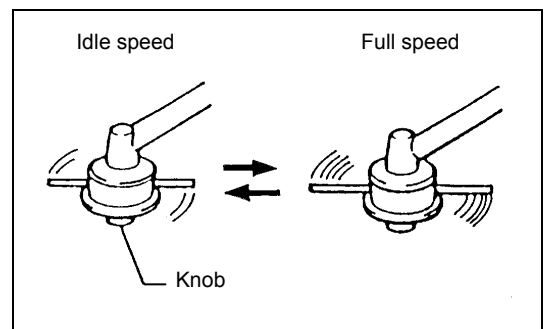
### Operation

- Increase the nylon cutting head speed to approx. 6,000 min<sup>-1</sup>.  
Nylon cord will not feed out correctly at lower speeds (under 4,800 min<sup>-1</sup>).
- The most effective cutting area is shown by the shaded area in the diagram to the right.



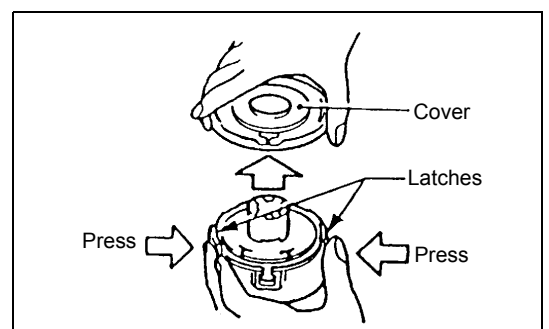
If the nylon cord does not feed out automatically, follow the instructions below:

1. Release the throttle lever so that the engine idles, and then squeeze the throttle lever fully. Repeat this procedure until the nylon cord feeds out to the proper length.
2. If the nylon cord is too short to feed out automatically using the procedure above, bump the knob of the nylon cutting head against the ground to feed out the nylon cord.
3. If the nylon cord does not feed out using procedure 2, rewind/replace the nylon cord by following the procedures described under "Replacing the nylon cord".



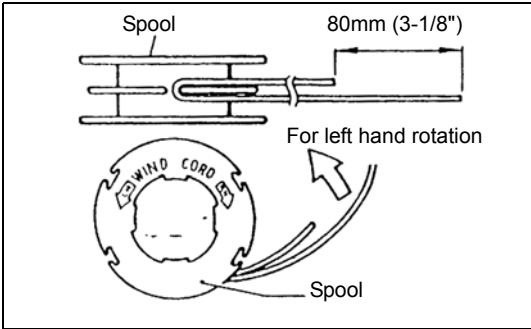
### Replacing the nylon cord

- Stop the engine.
- Press the housing latches inward to lift off the cover, then remove the spool.

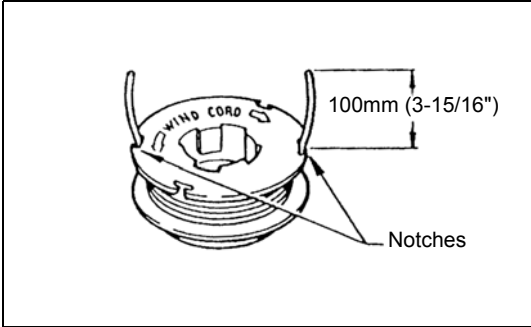




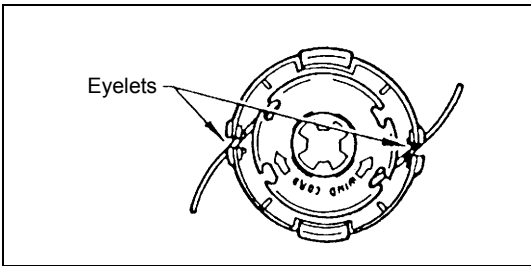
– Hook the center of new nylon cord into the notch in the center of the spool, with one end of the cord extending about 80mm (3-1/8") more than the other. Then wind both ends firmly around the spool in the direction of the head rotation (left-hand direction indicated by LH and right-hand direction by RH on the side of the spool).



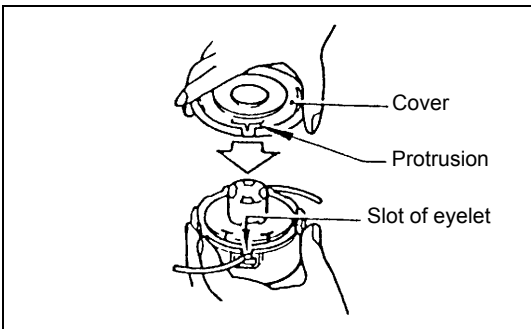
– Wind all but about 100mm (3-15/16") of the cords around the spool, leaving the ends temporarily hooked through the notch on the side of the spool.



– Mount the spool in the housing so that the grooves and protrusions on the spool match up with those in the housing. Mount the spool so that the writing on the spool is visible from above. Next, unhook the ends of the cords from their temporary position, and feed the cords through the eyelets so that they protrude from the housing.



– Align the protrusion on the underside of the cover with the slots of the eyelets. Then push cover firmly onto the housing to secure it.



**Servicing instructions**

**Servicing instructions**

**CAUTION:** Before performing any type of maintenance work on the Brush cutter, always switch off the motor and detach the plug cap from the spark plug (see "checking the spark plug"). Always wear protective gloves.

**CAUTION:** Never remove the recoil starter yourself. Doing so may cause an accident. This procedure should only be performed by an Authorized Service Agent.

To ensure a long service life and to avoid any damage to the equipment, perform the following maintenance operations regularly.

**Daily inspection and maintenance**

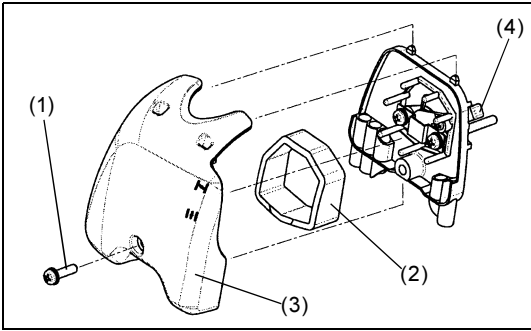
- Before operation, check the equipment for loose screws or missing parts. Pay particular attention to the tightness of the cutter blade or nylon cutting head.
- Before operation, always check to make sure that the cooling air passage and cylinder fins are not clogged. Clean them if necessary.
- Perform the following maintenance operations daily after use:
  - Clean the Brush cutter externally and inspect it for damage.
  - Clean the air filter. When working under extremely dusty conditions, clean the filter several times a day.
  - Check the blade or the nylon cutting head for damage and make sure it is firmly mounted.
  - Check that there is sufficient difference between the idling and operating speeds to ensure the cutting tool is at a standstill while the engine is idling (if necessary, reduce the idling speed).  
If the cutting tool continues to rotate during engine idling, consult your nearest Authorized Service Agent.
- Check that the I-O switch, the lock-off lever, the control lever, and the lock button are all functioning correctly.



### Cleaning the air cleaner (filter)

- Unscrew screw (1).
- Turn the choke lever (4) to the fully closed side, and keep the carburetor away from any dust or dirt.
- Remove the air cleaner cover (3).
- Remove the sponge element (2), wash it in lukewarm water and dry it completely.
- After cleaning, put back the air cleaner cover (3) and fasten it with screw (1).

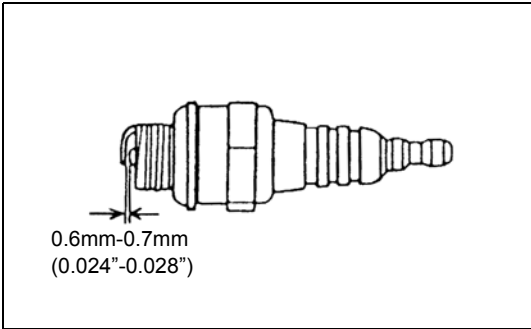
NOTE: If there is excessive dust or dirt adhering to the air cleaner, clean it every day. A clogged air cleaner may make it difficult or impossible to start the engine, or may increase the engine rotational speed.



### Checking the spark plug

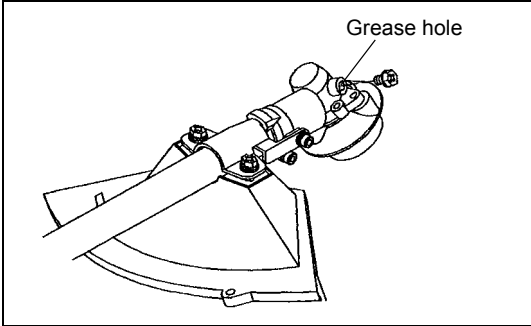
- Only use the supplied universal wrench to remove or to install the spark plug.
- The gap between the two electrodes of the spark plug should be 0.6-0.7mm (0.024"-0.028"). If the gap is too wide or too narrow, adjust it. If the spark plug is clogged with carbon or dirty, clean it thoroughly or replace it.

CAUTION: Never touch the spark plug connector while the engine is running (danger of high voltage electric shock).



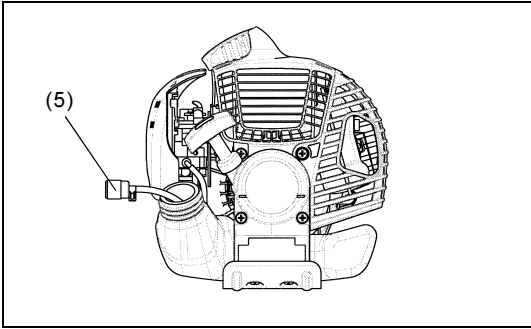
### Supply of grease to gear case

- Supply grease (Shell Alvania 3 or equivalent) to the gear case through the grease hole every 30 hours. (Genuine MAKITA grease may be purchased from your MAKITA dealer.)



### Suction head in the fuel tank

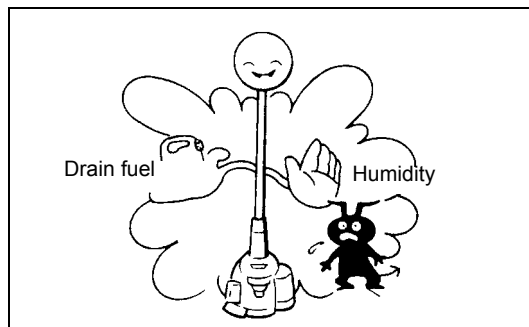
- The fuel filler (5) of the suction head is used to supply the fuel required by the carburetor.
- Visually inspect the fuel filter periodically. To inspect the filter, open the tank cap, use a wire hook and pull out the suction head through the tank opening. Replace the filter if it has hardened, become particularly dirty, or clogged.
- Insufficient fuel supply may result in the maximum permissible speed being exceeded. Therefore, the fuel filter must be replaced at least quarterly to ensure satisfactory fuel supply to the carburetor.



Any other maintenance or adjustment work that is not described in this manual must only be performed by Authorized Service Agents.

## Storage

- When storing the equipment for a long period of time, drain all the fuel from the fuel tank and carburetor. To do this, simply drain all of the fuel from the fuel tank. Dispose of the drained fuel in accordance with local applicable laws.
- Remove the spark plug and add a few drops of oil into the spark plug hole. Then, pull the starter gently so that oil coats the inside of the engine, then tighten the spark plug.
- Clean any dirt or dust from the cutter blade and outside of the engine, and wipe them with a oil-immersed cloth. Store the equipment in a dry place.



## Maintenance schedule

General	Engine assembly, screws and nuts	Visual inspection for damage and tightness Check for general condition and security
After each refuelling	Control lever I-O switch	Functional check Functional check
Daily	Air filter Cooling air duct Cutting tool Idling speed	To be cleaned To be cleaned Check for damage and sharpness Inspection (cutting tool must not move)
Weekly	Spark plug Muffler	Inspection, replace if necessary Inspect, and clean the opening if necessary
Quarterly	Suction head Fuel tank	To be replaced To be cleaned
Shutting down procedure	Fuel tank Carburetor	Empty fuel tank Operate until engine runs out of fuel

## Troubleshooting

Fault	System	Observation	Cause
Engine doesn't start, or is difficult to start	Ignition system	Ignition spark O.K.	Fault in fuel supply or compression system, mechanical defect
		No ignition spark	I-O switch operated, wiring fault or short circuit, spark plug or connector defective, ignition module faulty
	Fuel supply	Fuel tank filled	Incorrect choke position, carburetor defective, fuel supply line bent or blocked, fuel dirty.
	Compression	No compression when pulled over	Cylinder bottom gasket defective, crankshaft seals damaged, cylinder or piston rings defective or improper sealing of spark plug
Warm start problems	Mechanical fault	Starter not engaging	Broken starter spring, broken parts inside the engine
Engine starts but dies	Fuel supply	Tank filled. Ignition spark O.K.	Carburetor contaminated, must be cleaned
Insufficient performance	Several systems may simultaneously be affected	Tank filled	Incorrect idling adjustment, carburetor contaminated
		Engine idling poor	Fuel tank vent defective, fuel supply line interrupted, cable or I-O switch faulty Air filter contaminated, carburetor contaminated, muffler clogged, exhaust duct in the cylinder clogged

Merci pour votre achat de cette débroussailleuse/taille-bordure de MAKITA. Les débroussailleuses/taille-bordures MAKITA sont des produits développés après de nombreuses années d'apprentissage et d'expérience et d'un programme de développement détaillé.

Veuillez lire ce manuel complètement afin de vous assurer d'obtenir la meilleure des performances possibles et des résultats remarquables que peut vous procurer votre débroussailleuse/taille-bordure MAKITA.



<b>Table des matières</b>	<b>Page</b>
Symboles .....	20
Instructions de sécurité .....	21
Données techniques DBC260U, DBC260L.....	25
Noms des pièces.....	26
Montage de la poignée .....	27
Montage du dispositif de protection .....	28
Montage du couteau/tête à fil en nylon .....	29
Carburant/Ravitaillement.....	30
Manutention correcte .....	31
Points de fonctionnement importants /arrêt de la débroussailleuse/taille-bordure .....	31
Réaffûtage du dispositif de coupe.....	33
Instructions d'entretien .....	34
Entreposage.....	36

## Symboles

Vous avez besoin de prendre note des symboles suivants lors de la lecture du manuel d'instructions.

	Lire le manuel d'instructions		Portez des lunettes de protection et des protège-oreilles (que pour le taille-bordure)
	Usez d'attention et de soins tout particulier		Portez un casque protecteur, des lunettes de protection et des protège-oreilles (que pour la débroussailleuse)
	Interdit		N'utilisez pas de lames métalliques (que pour le taille-bordure)
	Restez à distance		Vitesse d'outil maximum autorisé
	Danger d'objets volants		Surfaces brûlantes - Brûlures aux doigts ou aux mains
	Ne fumez pas		Mélange d'huile et d'essence
	Pas de flammes nues		Démarrage manuel du moteur
	Portez des gants de protection		Arrêt d'urgence
	Rebond		Premier secours
	Eloignez les personnes et les animaux du lieu de travail		Recyclage
	Portez des bottes de sécurité avec des semelles antidérapantes. Les bottes de sécurité à doigts de pieds métalliques sont recommandées.		SOUS TENSION/DEMARRAGE
			HORS TENSION/ARRET

## Instructions de sécurité

### Instructions générales

- Il est vivement recommandé à toute personne désirant utiliser correctement l'outil de lire et de comprendre en entier le présent manuel d'instructions afin de se familiariser avec l'utilisation de la débroussailleuse/taille-bordure. L'utilisation de cet équipement sans une bonne connaissance de son fonctionnement peut entraîner des blessures graves non seulement à vous-même mais aussi aux autres.
- Ne prêtez votre débroussailleuse/taille-bordure qu'à des gens qui ont une expérience éprouvée de ces débroussailleuses/taille-bordures. Joignez toujours le présent manuel en cas de prêt
- Si c'est la première fois que vous utilisez une débroussailleuse/taille-bordure à moteur, consultez votre revendeur pour les instructions de base.
- Il est interdit aux enfants et à toute personne en dessous de 18 ans d'utiliser la débroussailleuse/taille-bordure. Les personnes de plus de 16 ans peuvent l'utiliser à des fins de formation, mais uniquement sous la supervision d'un formateur agréé.
- Utilisez les débroussailleuses/taille-bordures avec le plus grand soin et attention.
- N'utilisez la débroussailleuse/taille-bordure que si vous êtes en bonne condition physique. Effectuez tout le travail avec calme et prudence. Vous êtes responsable de ceux qui se trouvent autour de vous.
- N'utilisez jamais la débroussailleuse/taille-bordure après avoir consommé de l'alcool ou pris des médicaments, ou si vous vous sentez fatigué ou malade.

### Utilisation prévue de l'équipement

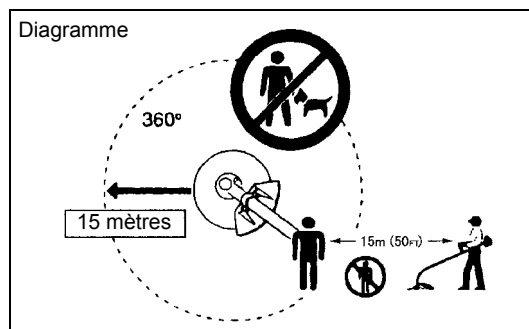
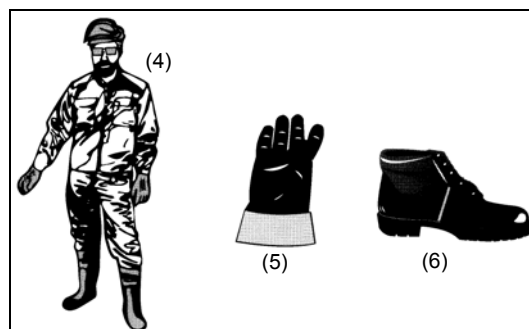
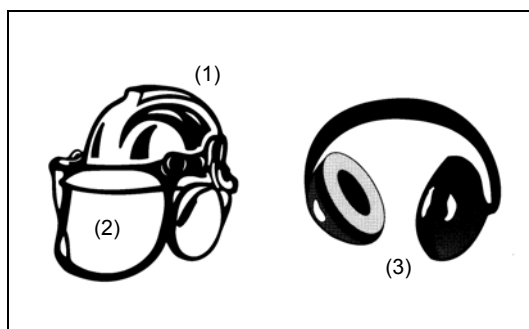
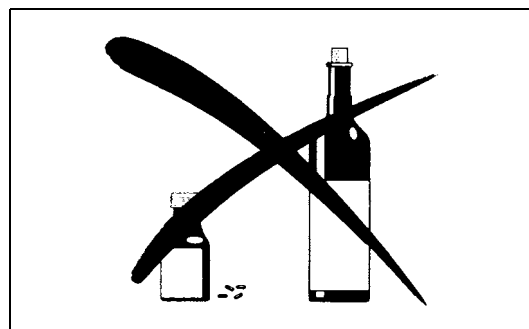
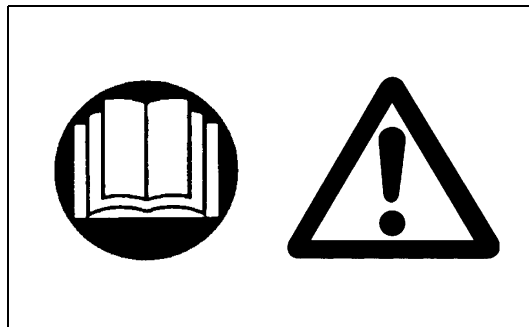
- L'usage de la débroussailleuse/taille-bordure est prévu pour couper de l'herbe; taillis et autres petits arbustes et, ne doit jamais être utilisée pour d'autres fins telles que le déblaiement ou tailler des haies car cela peut causer des blessures.

### Dispositifs de protection individuelle

- Portez toujours des vêtements qui sont à la fois fonctionnel et approprié au travail, c'est-à-dire bien ajusté mais pas trop serré afin de ne pas causer de mouvement inconfortable. Ne portez pas de bijoux ou de vêtements qui pourraient s'emmêler dans les taillis ou les petits arbustes.
- L'équipement de protection suivant ainsi que les vêtements de protection doivent être utilisés tandis que vous utilisez la débroussailleuse/taille-bordure afin d'éviter des blessures au pied, à la main, aux yeux et à la tête ainsi que pour protéger votre ouïe durant l'utilisation.
- Portez toujours un casque où il y a un risque que des objets puissent tomber. Le casque de protection (1) doit être vérifié à des intervalles réguliers pour d'éventuels dommages et doit être remplacé au plus tard d'ici les 5 ans. N'utilisez que des casques de protection agréés.
- La visière (2) du casque (ou alternativement les lunettes) protège le visage des débris et des pierres qui volent. Durant l'utilisation de la débroussailleuse/taille-bordure, portez toujours des lunettes ou une visière afin d'empêcher toute blessure aux yeux.
- Portez un équipement de protection antibruit adéquate afin d'éviter tout infirmité (coquilles antibruit (3), bouchons d'oreille etc.).
- Des vêtements de travail (4) protègent contre les débris et les pierres qui volent. Nous recommandons fortement que vous portiez vos vêtements de travail.
- Des gants spéciaux (5) en cuir épais font partie de l'équipement prescrit et doivent toujours être portés durant l'utilisation de la débroussailleuse/taille-bordure.
- Quand vous utilisez la débroussailleuse/taille-bordure, portez toujours des chaussures robustes (6) avec une semelle anti-dérapante. De telles chaussures protègent contre les blessures et assurent une bonne assise.

### Démarrage de la débroussailleuse

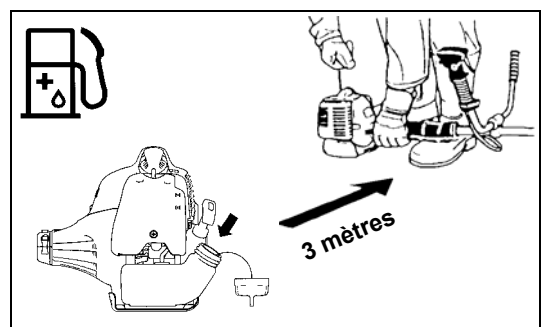
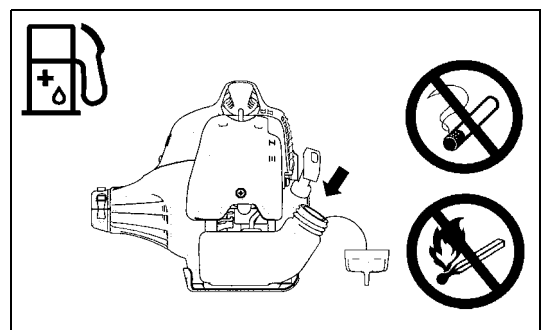
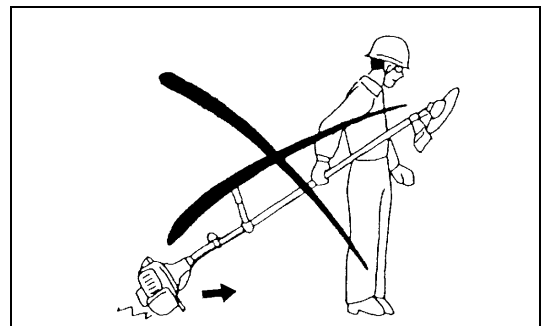
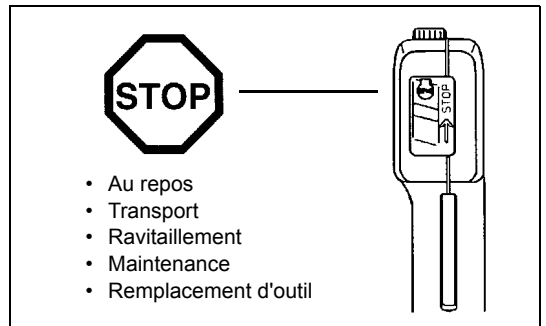
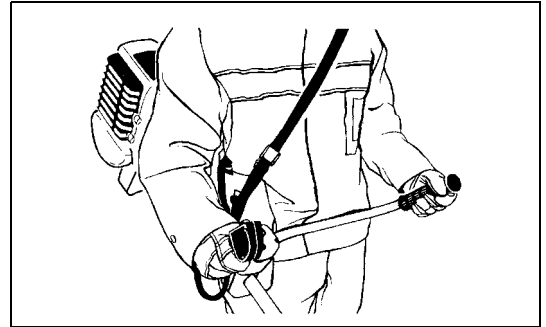
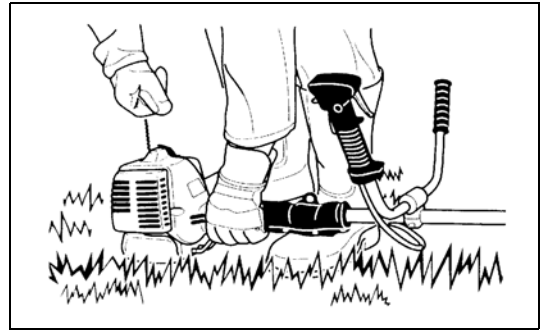
- Eloignez les personnes et les enfants du lieu de travail à une distance minimum de 15 mètres et aussi faites attention aux animaux qui pourraient se trouver à proximité.
- Avant utilisation, vérifiez toujours que la débroussailleuse/taille-bordure puisse être utilisée en toute sécurité : Vérifiez que le dispositif de coupe est sûr, que le levier de manœuvre peut être facilement utilisé, et que le verrou du levier de manœuvre fonctionne bien.
- La rotation du dispositif de coupe au repos est interdite. Vérifiez avec votre revendeur si vous pensez que l'équipement peut avoir besoin d'un réglage. Vérifiez que les poignées sont propres et sèches et que l'interrupteur de marche/arrêt fonctionne correctement.



- Ne démarrez la débroussailleuse/taille-bordure qu'en conformité avec les instructions. N'utilisez pas d'autres méthodes pour démarrer le moteur !
- N'utilisez la débroussailleuse/taille-bordure et les outils que pour des besoins spécifiés.
- Ne démarrez la débroussailleuse/taille-bordure qu'après que l'équipement ait été entièrement assemblé. N'utilisez l'équipement qu'après avoir fixé les accessoires appropriés !
- Avant de démarrer assurez-vous que l'outil de coupe n'est pas en contact avec des objets durs tels que des branches, pierres etc. et qu'il tournera au démarrage.
- Eteignez de suite le moteur s'il y a un problème de moteur qui se produit
- Si l'outil de coupe frappe des pierres ou d'autres objets durs, éteignez de suite le moteur et examinez l'outil de coupe.
- Examinez le dispositif de coupe à intervalles réguliers courts pour voir s'il n'a pas subi de dommages (Examinez pour des fissures capillaires en utilisant le test de tapping).
- N'utilisez la débroussailleuse/taille-bordure qu'après avoir mis et réglé la sangle du harnais à la longueur correcte. Il faut régler la sangle du harnais à la taille de l'utilisateur et l'attacher afin d'empêcher la fatigue durant l'utilisation de l'équipement. Ne tenez jamais la débroussailleuse d'une seule main durant l'utilisation.
- Durant l'utilisation, tenez toujours la débroussailleuse/taille-bordure avec les deux mains.  
Assurez-vous toujours que vous avez une bonne assise.
- Utilisez la débroussailleuse/taille-bordure de façon à éviter l'inhalation des gaz d'échappement. Ne faites jamais tourner le moteur dans un espace fermé tel que l'intérieur d'une pièce (risque d'empoisonnement par les gaz). Le monoxyde de carbone est un gaz sans odeur.
- Eteignez toujours le moteur au repos, ou si vous avez l'intention de laisser la débroussailleuse/taille-bordure sans surveillance, et mettez-la dans un endroit sûr afin d'empêcher de blesser d'autres personnes et d'endommager l'équipement.
- Ne mettez jamais la débroussailleuse/taille-bordure chaude sur de l'herbe sèche ou sur d'autres matériaux combustibles.
- Il faut toujours que le dispositif de coupe soit équipé de sa protection appropriée.  
N'utilisez jamais la débroussailleuse sans cette protection !
- Il faut utiliser toutes les installations protectives et les protections fournies avec l'équipement durant l'utilisation.
- Ne faites jamais fonctionner le moteur si le tuyau d'échappement est défectueux.
- Eteignez le moteur durant le transport.
- Durant le transport sur de longues distances, utilisez toujours l'équipement de protection de l'outil inclus.
- Assurez-vous que la débroussailleuse/taille-bordure est sécurisée durant le transport pour éviter des fuites de carburant.
- Quand vous transportez la débroussailleuse/taille-bordure, assurez-vous que le réservoir de carburant est complètement vide.
- Quand vous déchargez la débroussailleuse/taille-bordure d'un camion ou d'un autre véhicule analogue, ne laissez jamais tomber le moteur sur le sol, ce qui pourrait endommager gravement le réservoir de carburant.
- A moins d'une urgence, ne laissez jamais tomber ou couler la débroussailleuse/taille-bordure sur le sol ce qui pourrait l'endommager gravement.
- Soulevez toujours l'ensemble de l'équipement à partir du sol lorsque vous la déplacez. Traînez l'équipement sur son réservoir de carburant est extrêmement dangereux et peut résulter en des fuites qui peuvent causer un incendie.

### Ravitaillement

- Eteignez le moteur lors du ravitaillement, éloignez-le des flammes nues et ne fumez pas.
- Assurez-vous que les produits d'huile minérale n'entrent pas en contact avec la peau. N'inhalez pas les vapeurs de carburant. Portez toujours des gants de protection durant le ravitaillement. Changez et nettoyez les vêtements de protection à intervalles réguliers.
- Afin de prévenir toute contamination de la terre (protection environnementale), assurez-vous de ne pas renverser de carburant ou d'huile sur le sol. Si vous renversez du carburant nettoyez la débroussailleuse/taille-bordure immédiatement.
- Assurez-vous que le carburant n'entre pas en contact avec vos vêtements. Si le carburant entre en contact avec vos vêtements changez-les immédiatement afin d'empêcher tout incendie.
- Vérifiez le bouchon du réservoir à intervalles réguliers pour vous assurer qu'il est installé en toute sécurité et ne fuit pas.



- Serrez soigneusement le bouchon du réservoir de carburant. Une fois que le ravitaillement est terminé, déplacez-le à un endroit éloigné d'au moins de 3 mètres d'où vous l'avez rempli avant de démarrer le moteur.
- Ne remplissez jamais dans un espace fermé tel que l'intérieur d'une pièce. Ce faisant cela peut causer une explosion suite à l'accumulation des vapeurs de carburant au niveau du sol.
- Transportez et stockez uniquement dans des conteneurs agréés. Assurez-vous que les enfants n'accèdent pas au carburant.

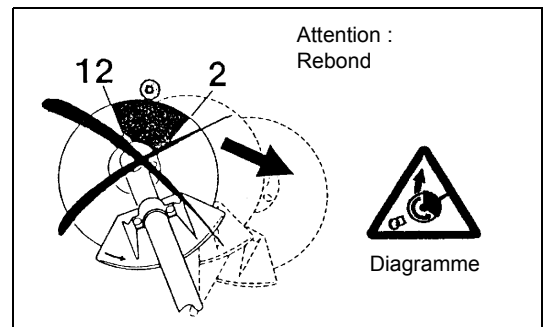
### Mode d'emploi

- N'utilisez la débroussailleuse/taille-bordure qu'avec une bonne visibilité et un bon éclairage. Durant la saison d'hiver, faites attention aux zones glissantes ou mouillées telles que des zones verglacées ou recouvertes de neige (risque de glisser). Assurez-vous toujours que vous êtes bien sur une bonne assise.
- Ne coupez jamais à une hauteur supérieure aux épaules.
- Ne vous tenez jamais sur une échelle lorsque vous utilisez la débroussailleuse/taille-bordure.
- Ne grimpez jamais dans les arbres lorsque vous utilisez la débroussailleuse/taille-bordure.
- Ne travaillez jamais sur des surfaces instables.
- Enlevez le sable, les pierres, les clous etc. trouvés à l'intérieur du périmètre de travail.  
Des objets étrangers peuvent endommager l'outil de coupe et peuvent causer des rebonds dangereux.
- Avant de commencer à couper, assurez-vous que le dispositif de coupe a atteint son régime de croisière.



### Rebond

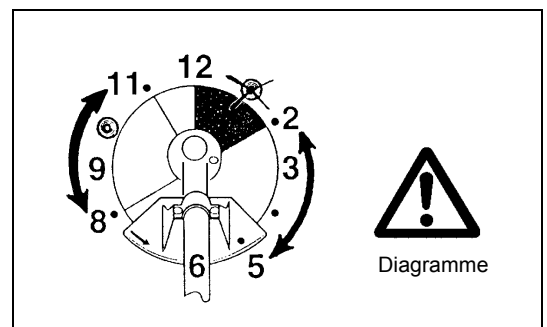
- Quand vous utilisez la débroussailleuse, des rebonds incontrôlés peuvent se produire.
- Des rebonds se produisent fréquemment quand vous essayez de couper avec la section de l'heure de 12 à 2 de la lame.
- N'appliquez jamais la section de l'heure de 12 à 2 de la lame de la débroussailleuse.
- N'appliquez jamais cette section de la lame de la débroussailleuse à des objets solides, tels que des arbustes ou des arbres etc. qui ont un diamètre de plus de 3 cm. Ce faisant cela entraînera la débroussailleuse à dévier avec une grande force, ce qui est extrêmement dangereux et peut causer des blessures.



### Prévention des rebonds

#### Pour éviter des rebonds, souvenez-vous ce qui suit :

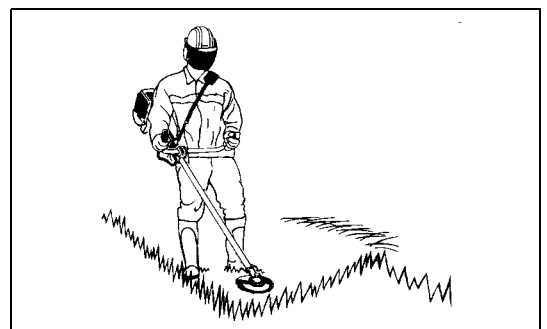
- L'utilisation de la section de l'heure de 12 à 2 de la lame est extrêmement dangereux, surtout lors de l'utilisation d'outils de coupe du métal.
- Les opérations de coupe utilisant les sections de 11 à 12 et de 2 à 5 de l'heure de la lame de la débroussailleuse ne doivent être effectués que par des opérateurs formés et expérimentés, et puis qu'à leur propre risque.  
La section de coupe optimale pour une coupe facile avec presque aucun rebond est entre la section d'horloge 8 à 11 de la lame.



### Dispositifs de coupe

Assurez-vous d'utiliser le dispositif de coupe correct pour chaque travail particulier.

DBC260U avec lame de coupe (lame en étoile (4 dents), lame en tourbillon (8 dents)), DBC260L avec la tête de coupe à fil en nylon.  
Pour couper des matériels épais tels que de mauvaises herbes, de l'herbe haute, des taillis, des petits arbustes, du sous-bois, du fourré etc. (épaisseur max. diamètre de 2 cm). Le fauchage doit être effectué avec des mouvements de droite à gauche de la débroussailleuse en demi-cercles égaux. (de la même façon que vous utilisez une faux).



### Instructions d'entretien

- Avant de commencer le travail vérifiez toujours la condition du couteau, en particulier ses dispositifs de protection et le harnais. Il faut examiner avec une attention toute particulière les couteaux, qui doivent être bien aiguisés.
- Il faut mettre sous tension le moteur et enlever le connecteur de bougies lorsque vous remplacez ou aiguisiez les dispositifs de coupe, et aussi quand vous nettoyez le couteau et le dispositif de coupe.

## Ne jamais redresser ou souder des dispositifs de coupes endommagés.

- Utilisez la débroussailleuse/taille-bordure avec aussi peu de bruit et de contamination que possible. En particulier, vérifiez que le carburateur est fixé correctement.
- Nettoyez la débroussailleuse/taille-bordure à des intervalles réguliers et vérifiez que toutes les vis ainsi que les écrous sont bien serrés.
- Ne jamais entretenir ou stocker la débroussailleuse/taille-bordure à proximité de flammes.
- Toujours rangez la débroussailleuse/taille-bordure dans des pièces fermées, avec le réservoir de carburant complètement vide.

Observez les instructions de prévention d'accident pertinentes publiées par les associations commerciales et les compagnies d'assurance .  
N'effectuez aucune modification sur la débroussailleuse/taille-bordure , car ce faisant vous risquez de compromettre votre sécurité.

L'exécution de l'entretien ou de réparations par l'utilisateur est limitée aux activités décrites dans le mode d'emploi. Tout autre travail doit être fait par un agent d'entretien agréé. N'utilisez des pièces de rechange et des accessoires d'origine fournis par MAKITA.

L'utilisation d'accessoires et d'outils non agréés peut résulter en une augmentation des risques d'accidents.

MAKITA n'acceptera aucune responsabilité pour des accidents ou des dommages causés par l'utilisation de dispositifs de coupe, d'appareils de montage de dispositifs de coupe ou d'accessoires.

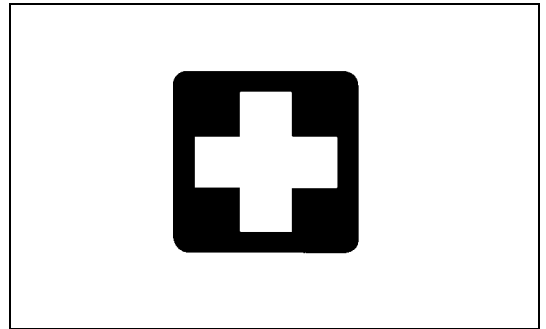


## Premier secours

En cas d'accident, assurez-vous qu'une mallette de premier secours se trouve à proximité des opérations de coupe. Remplacez immédiatement tout article pris dans la mallette de premier secours.

## Lorsque vous demandez de l'aide, veuillez donner les renseignements suivants :

- Lieu de l'accident
- Que s'est-il passé ?
- Nombre de personnes blessées
- Les sortes de blessures
- Votre nom



## Emballage

La débroussailleuse/taille-bordure MAKITA est livrée dans deux boîtes en carton de protection pour empêcher tout dommage lors du transport. La boîte en carton est un matériel brut de base et est par conséquent réutilisable ou convenable pour le recyclage (recyclage des déchets de papiers).



## DECLARATION DE CONFORMITE CE

### Modèles; DBC260U, DBC260L

Nous déclarons, sous notre entière responsabilité, que ce produit répond aux normes suivantes de documents normalisés ISO11806, EN55012 conformément aux Directives du Conseil, 89/392/EEC, amendé 98/37/EEC, 93/68/EEC, 89/336/EEC, amendé 92/31/EEC

Puissance sonore mesurée : 111,7 dB

Puissance sonore garantie : 114 dB

Ces niveaux de puissance sonore ont été mesurés conformément à la Directive du Conseil, 2000/14/EC.

Procédure d'évaluation de la conformité : Annexe V.

CE2008

A handwritten signature in black ink, appearing to read 'Tomoyasu Kato'.

Tomoyasu Kato  
Directeur

Fabricant responsable :

**Makita Corporation**

3-11-8, Sumiyoshi-cho, Anjo, Aichi, JAPON

Représentant agréé en Europe :

**Makita International Europe Ltd.**

Michigan Drive, Tongwell, Milton Keynes, Bucks MK15 8JD, ANGLETERRE



## Données techniques DBC260U, DBC260L

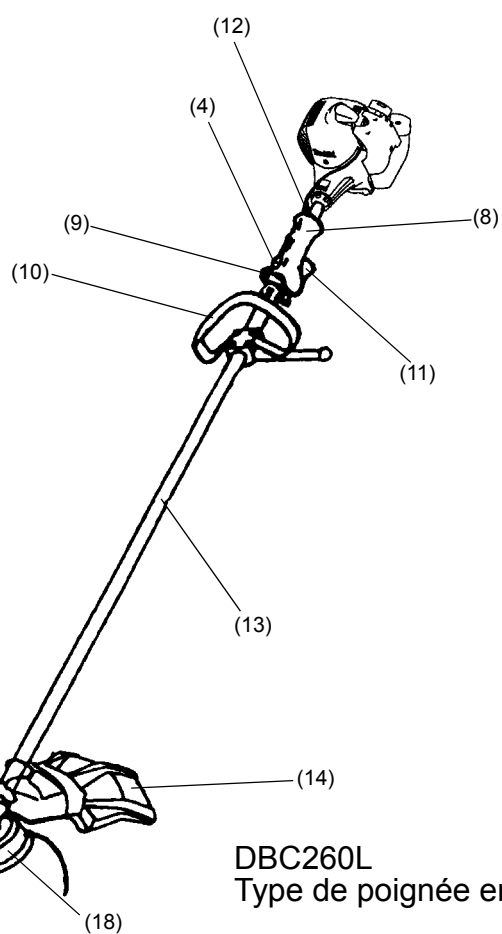
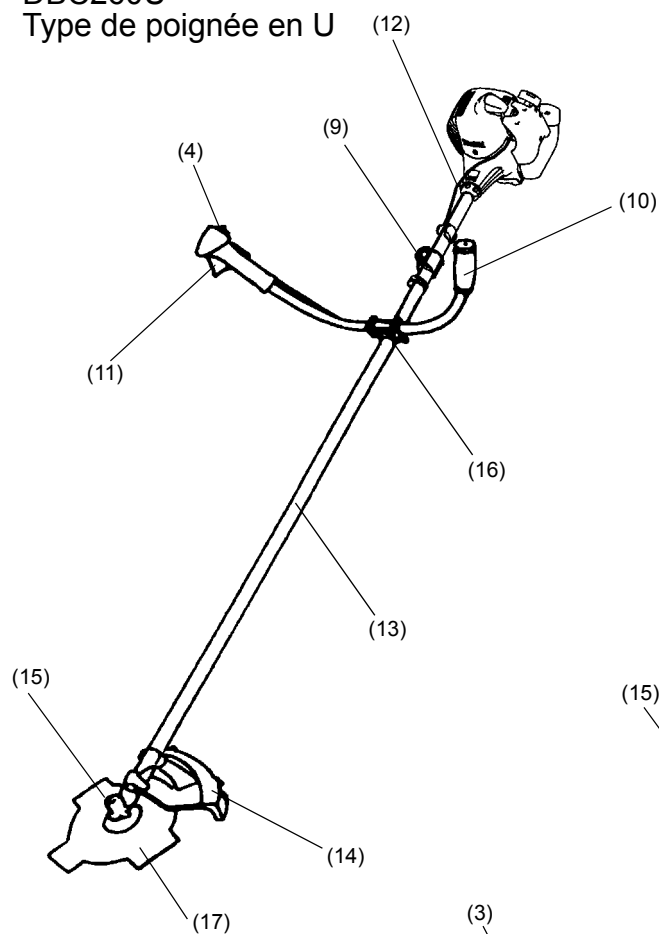
Modèle		DBC260U	DBC260L	
		Poignée en U	Poignée en boucle	
Dimensions : longueur x largeur x hauteur (sans la lame de coupe)	mm	1 770 x 630 x 410	1 770 x 315 x 235	
Masse (sans la protection plastique et la lame de coupe)	kg	5,0	4,8	
Volume (réservoir de carburant)	L	0,6		
Déplacement du moteur	cm <sup>3</sup>	25,7		
Performance du moteur maximum	kw	0,83 à 8 000 min <sup>-1</sup>		
Vitesse du moteur à la vitesse de l'axe rmax. recommandée	min <sup>-1</sup>	10 000		
Vitesse de l'axe maximum (correspondant)	min <sup>-1</sup>	7 400		
Consommation de carburant maximum	kg/h	0,431		
Consommation de carburant spécifique maximum	g/kWh	487		
Vitesse à vide	min <sup>-1</sup>	3 000		
Vitesse d'engagement de l'engrenage	min <sup>-1</sup>	4 000		
Carburateur	type	WALBRO WYC		
Système d'allumage	type	Allumage à semi-conducteur		
Bougie d'allumage	type	NGK BPMR7A		
Ecart d'électrode	mm	0,6 - 0,7		
Vibration selon la norme ISO 22867 <sup>1)</sup>	Poignée droite (Prise arrière)	m/s <sup>2</sup>	3,8	5,3
	Poignée gauche (Prise avant)	m/s <sup>2</sup>	3,9	4,3
Moyenne du niveau de pression acoustique selon la norme ISO 22868 <sup>1)</sup>	dB	98,2		
Moyenne du niveau de puissance sonore selon la norme ISO 22868 <sup>1)</sup>	dB	108,5		
Carburant	Gaz mélangé (essence : Huile moteur deux temps de marque Makita = 50:1)			
Rapport de vitesse	14/19			

1) Les données prennent également en compte le ralenti et l'accélération ou des modes de fonctionnement d'accélération des gaz très ouverts.

## Noms des pièces

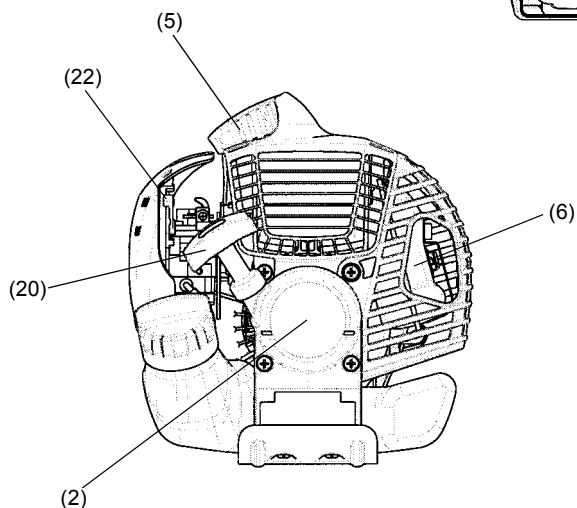
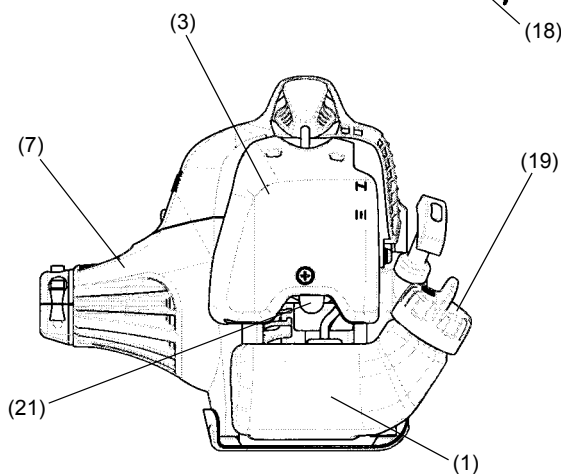
DBC260U

Type de poignée en U



DBC260L

Type de poignée en delta



Noms des pièces	
1	Réservoir de carburant
2	Démarrateur à rappel
3	Filtre à air
4	Interrupteur E-S (marche/arrêt)
5	Bougie d'allumage :
6	Silencieux d'échappement
7	Carter d'embrayage
8	Prise arrière
9	Crochet de suspension
10	Poignée
11	Levier de contrôle
12	Câble de contrôle
13	Arbre
14	Protecteur
15	boîte d'engrenage
16	Support de poignée
17	Couteau
18	Tête à fil en nylon
19	Bouchon de réservoir de carburant
20	Bouton de démarrage
21	Poire d'amorçage
22	Levier de l'étrangleur

## Montage de la poignée

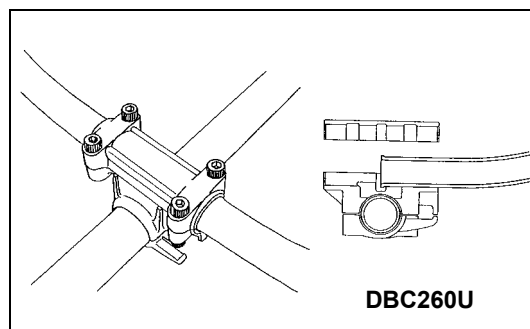
ATTENTION : Avant de faire un travail quelconque sur le taille-bordure, il faut toujours arrêter le moteur et débrancher le connecteur des bougies. Portez toujours des gants de protection !

ATTENTION : Assurez-vous que vous avez réassemblé complètement le taille-bordure avant de le démarrer.

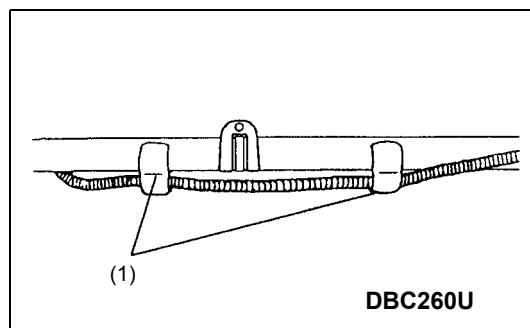


### Pour les modèles de poignée en U

- Positionnez le métal de fixation de poignée de sorte que la poignée avec le levier de manœuvre est positionné sur la droite (le côté de la prise droite) vue du côté du moteur.
- Montez la rainure du matériel de fixation de poignée au bout de la poignée. Temporairement fixez le métal attaché en utilisant le boulon à tête creuse hexagonale fourni.
- Réglez la poignée à une position facile à opérer, et serrez fermement les quatre boulons à tête creuse hexagonale de manière uniforme à droite et à gauche en utilisant la clé Allen.

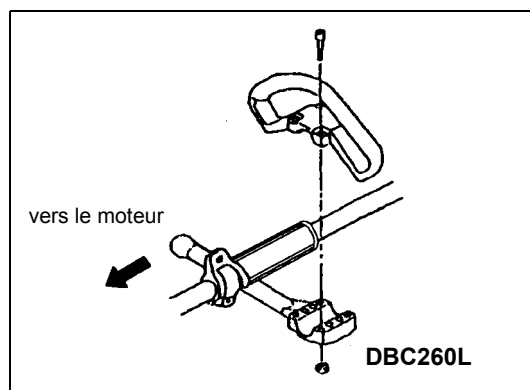


- Montez le câble de contrôle (ensemble avec le fil de mise à la terre) sur la poignée avec deux attaches (1).
- Assurez-vous que le câble de contrôle ne s'enroule pas à la section de la barre de la poignée.



### Pour les modèles de poignée en U

- Montez la barrière sur le côté gauche de l'équipement ensemble avec la poignée pour protéger l'utilisateur.
- Ne réglez pas trop près la position de la poignée à guidon de la prise de manœuvre.
- Gardez une distance d'au moins de 250 mm entre la poignée et la prise. (un collier de distance est fourni pour cette fin.)

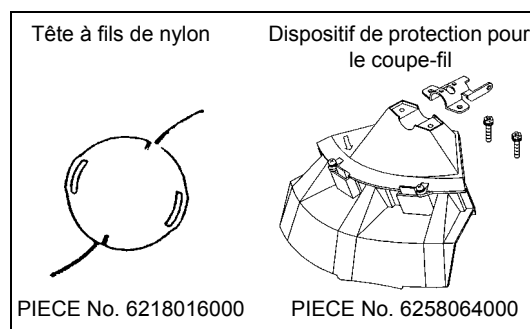
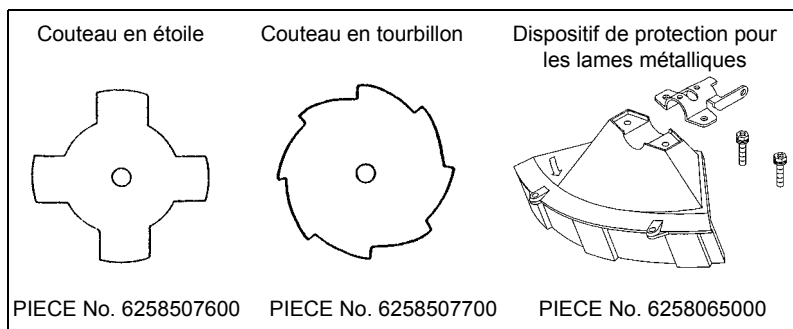


## Montage du dispositif de protection

Pour satisfaire les normes de sécurité en vigueur, vous ne devez utiliser que les combinaisons outil/dispositif de protection indiquées dans le tableau.

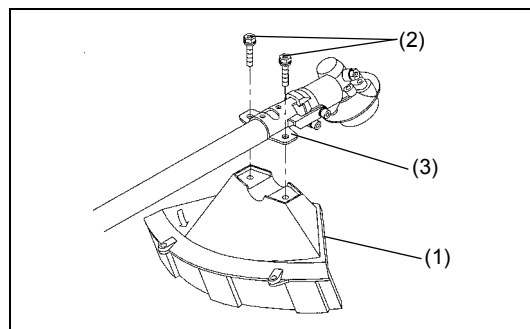
### Utilisez toujours des couteaux/têtes à fil de nylon d'origine MAKITA.

- Le couteau doit être bien aiguisé, et sans fissures ou cassures. Si le couteau heurte une pierre durant l'utilisation, arrêtez le moteur et vérifiez le couteau immédiatement.
- Aiguiser ou remplacez le couteau toutes les trois heures de fonctionnement.
- Si la tête à fil de nylon heurte une pierre durant l'utilisation, arrêtez le moteur et vérifiez la tête à fil de nylon immédiatement.

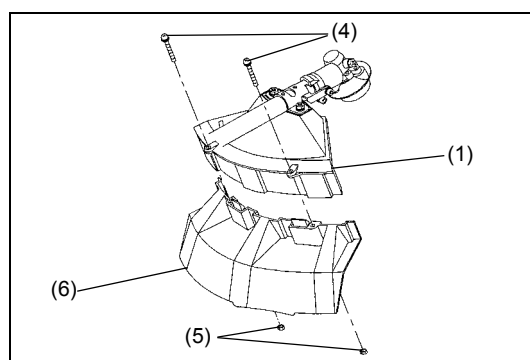


**ATTENTION :** Il faut toujours installer les dispositifs de protection appropriés pour votre propre sécurité et afin de vous conformer aux règlements relatifs aux préventions des accidents. L'utilisation de l'équipement sans que le carter ne soit installé est interdite.

- Installez le protecteur (1) à la bride (3) avec deux vis M6 x 30.



- Lorsque vous utilisez la tête à fil, montez le protecteur (6) dans le dispositif de protection (1) et serrez-les avec deux écrous (5) et deux vis (4).

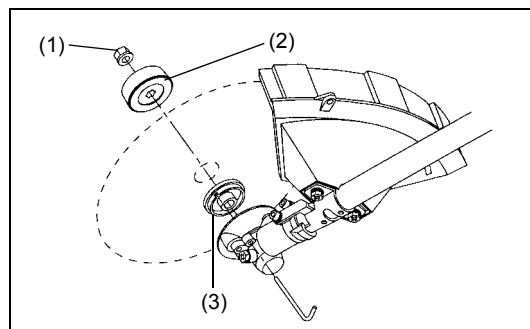


## Montage du couteau/tête à fil en nylon

Le couteau ou la tête à fil en nylon peuvent être remplacés facilement tout d'abord en tournant l'équipement à l'envers.



- Insérez la clé Allen à travers le trou dans la boîte d'engrenage et tournez la rondelle de réception (3) jusqu'à ce qu'elle soit verrouillée avec la clé Allen.
- Desserrez l'écrou (1) (filetage gauche) avec la clé à douille, et enlevez l'écrou (1) et la rondelle de serrage (2).



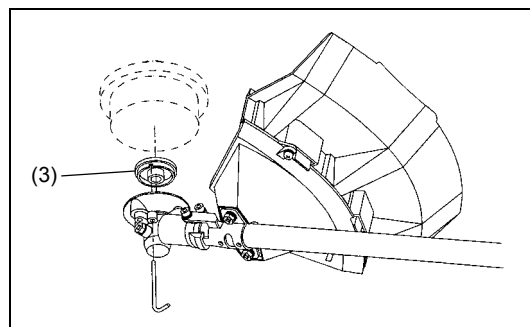
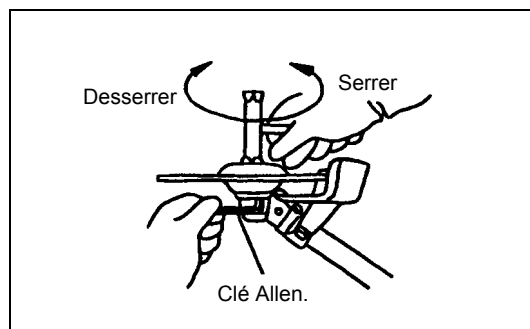
### Avec la clé Allen encore en position

- Montez le couteau sur l'arbre de sorte que le guide de la rondelle de réception (3) s'ajuste dans l'orifice de l'arbre dans le couteau. Installez la rondelle de serrage (2) et fixez le couteau avec l'écrou (1).
- [Couple de serrage : 13 - 23 N-m]

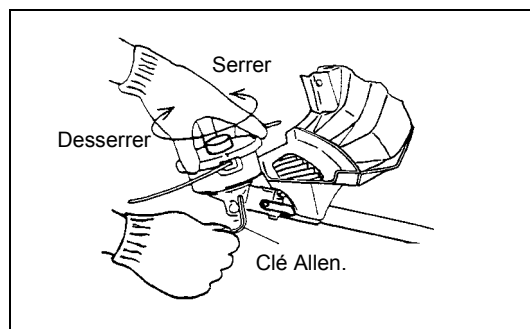
NOTE : Portez toujours des gants quand vous maniez le couteau

NOTE : L'écrou de fixation du couteau (avec la rondelle à ressort) est une pièce à changer périodiquement. S'il apparaît de l'usure ou des déformations sur la rondelle élastique (à ressort), remplacez l'écrou.

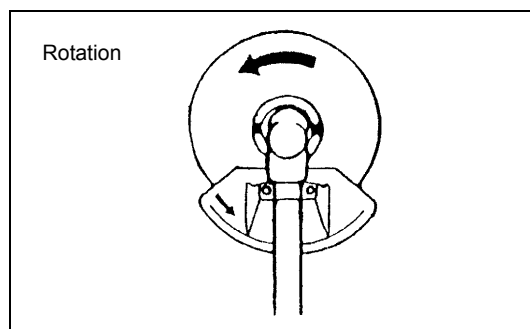
NOTE : La rondelle de serrage (2) et l'écrou (1) ne sont pas nécessaires pour le montage de la tête à fil en nylon. La tête à fil en nylon devrait aller sur le haut de la rondelle de réception (3).



- Vissez la tête à fil en nylon sur l'arbre



- Assurez-vous que le couteau tourne dans le sens contraire des aiguilles d'une montre





## Manutention du carburant

Le plus grand soin est requis lorsque vous manipulez du carburant. Le carburant peut contenir des substances similaires aux solvants. Refaites le plein soit dans une pièce bien ventilée ou à l'extérieur. Ne respirez pas les vapeurs de carburant, et évitez tout contact du carburant ou de l'huile avec votre peau. Les produits d'huile minérale dégraissent la peau. Un contact prolongé de la peau avec ces produits résultera en une peau devenant extrêmement sèche, ce qui peut entraîner différentes maladies de la peau. De plus, des réactions allergiques peuvent se produire. Les yeux peuvent être irrités par le contact avec l'huile. Si vous avez de l'huile dans les yeux, lavez-les immédiatement avec de l'eau claire. Si vos yeux sont encore irrités voyez immédiatement un docteur.



Observez les instructions de sécurité à la page 21.

## Mélange d'huile et de carburant

Le moteur de la débroussailleuse est un moteur deux temps efficace. Il fonctionne avec un mélange de carburant et d'huile moteur deux temps. Le moteur est conçu pour du carburant ordinaire sans plomb avec un indice d'octane minimum de 91 RON. Si pour une raison quelconque un tel carburant n'est pas disponible, vous pouvez utiliser du carburant avec un indice d'octane plus élevé. Cela ne pourra pas affecter le moteur mais peut résulter en un mauvais fonctionnement. Des problèmes similaires se produiront si vous utilisez du carburant à plomb. Pour obtenir un fonctionnement de moteur optimum et protéger votre santé et l'environnement, n'utilisez que du carburant sans plomb !




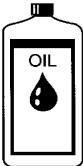
Pour lubrifier le moteur, ajoutez de l'huile moteur deux temps (teneur en qualité : JASO FC ou ISO EGD) au carburant. Le moteur a été conçu pour utiliser de l'huile moteur deux temps à un taux de mélange de 50 : 1 afin de protéger l'environnement.

En plus, une vie d'entretien longue accompagnée par un fonctionnement fiable et des émissions minimum sont garanties à travers l'utilisation de ce taux de mélange. Amoins que vous n'observiez strictement ce mélange de 50 : 1 (huile moteur deux temps spécifiée) un fonctionnement fiable de la débroussailleuse ne peut pas être garanti.

### Correct mixture ratio:

Essence Huile moteur deux temps spécifiée = 50 : 1 ou  
Essence Huile moteur deux temps des autres fabricants = 25 : 1 recommandé

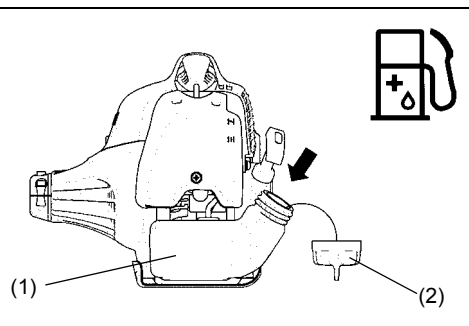
NOTE : Pour préparer le mélange d'huile-essence, d'abord mélangez la quantité d'huile avec la moitié de l'essence requise, puis ajoutez le reste de l'essence. Secouez bien le mélange avant de le verser dans le réservoir de la débroussailleuse. Afin d'assurer une utilisation en toute sécurité, n'ajoutez pas plus d'huile-essence que le montant spécifié. Ce faisant il en résultera une production plus élevée de résidus de combustion qui polluent l'environnement et bouchent le canal d'échappement dans le cylindre ainsi que dans le pot d'échappement. En plus la consommation d'essence va augmenter et la performance va diminuer.

Essence	50:1	25:1
	+	
1 000 cm <sup>3</sup> (1 litre) 5 000 cm <sup>3</sup> (5 litres) 10 000 cm <sup>3</sup> (10 litres)	20 cm <sup>3</sup> 100 cm <sup>3</sup> 200 cm <sup>3</sup>	40 cm <sup>3</sup> 200 cm <sup>3</sup> 400 cm <sup>3</sup>

## Ravitaillement

### Le moteur doit être mis hors tension

- Nettoyez avec soin autour du bouchon de remplissage du réservoir (2) afin d'éviter que des impuretés ne pénètrent dans le réservoir (1).
- Dévissez le bouchon de remplissage du réservoir (2) et remplissez le réservoir avec le mélange.
- Vissez fermement le bouchon de remplissage du réservoir (2).
- Nettoyez le bouchon de remplissage du réservoir à vis (2) et le réservoir après le ravitaillement.



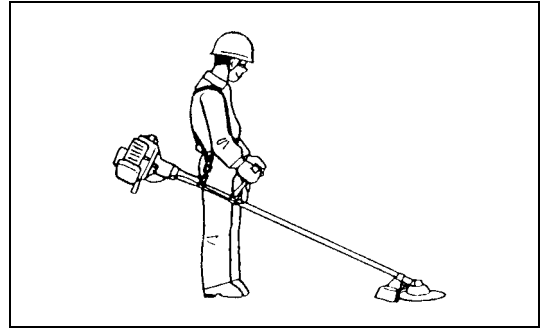
### Stockage du mélange

Le mélange ne peut pas être conservé pendant une durée illimitée. N'achetez que la quantité requise pour une période de 4 semaines d'utilisation. Ne conservez que dans des conteneurs pour le stockage de carburant homologués.

## Manutention correcte

### Attachement du harnais

- Réglez la longueur de sangle de sorte que le couteau soit gardé parallèle au sol.

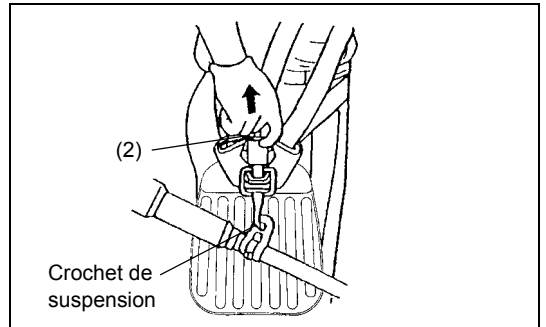


### Détachement

#### Pour la DBC260U

- En cas d'urgence, détachez l'équipement de votre corps, en tirant fortement le levier de détachement d'urgence (2) avec votre doigt. Cela détachera le support d'équipement de votre corps. Faites très attention de conserver le contrôle de l'équipement à ce moment-là. Ne laissez pas l'équipement être dévié vers vous ou vers quelqu'un qui se trouve à proximité.

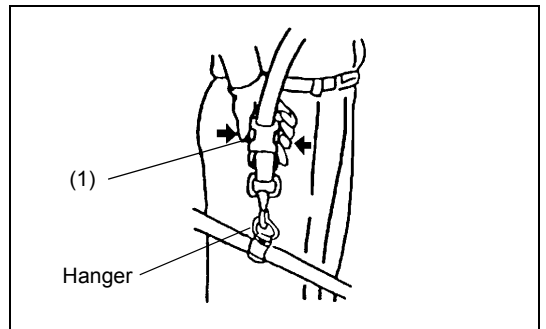
AVERTISSEMENT : Echouer à conserver le contrôle de l'équipement peut résulter en blessure grave ou MORT.



#### Pour la DBC260L

- En cas d'urgence, poussez les encoches (1) des deux côtés, et détachez l'équipement. Soyez extrêmement prudent afin de garder le contrôle de l'équipement à ce moment précis. Ne le laissez pas dévié vers vous ou vers quelqu'un d'autre qui se trouve à proximité.

AVERTISSEMENT : Ne pas réussir à garder le contrôle total de la machine pourrait entraîner de graves blessures ou la MORT.



## Points de fonctionnement importants /arrêt de la débroussailleuse/taille-bordure

Observez les règlements en vigueur concernant la prévention des accidents.

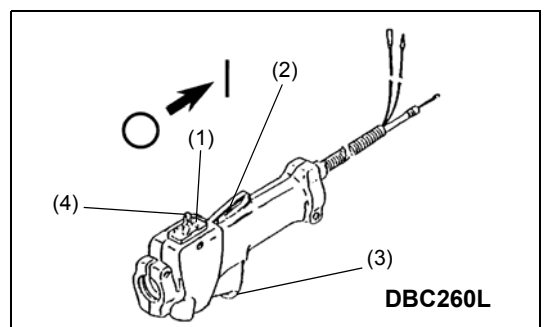
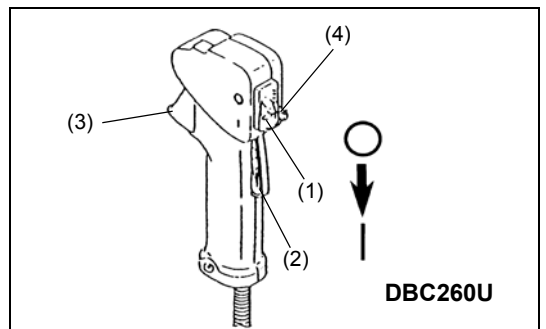


### Démarrer

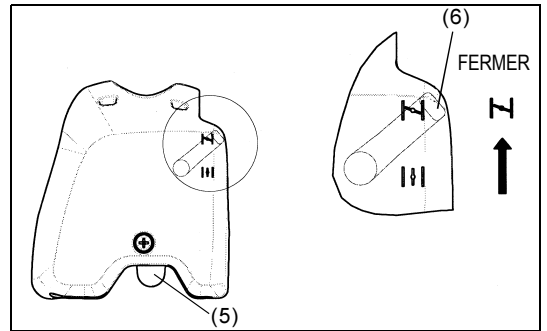
Bougez d'au moins 3 m à partir de la zone où vous avez fait le plein de l'équipement. Placez la débroussailleuse sur une portion propre du sol en prenant soin que le dispositif de coupe ne soit pas en contact avec le sol ou n'importe quel autre objet.

### Démarrage à froid

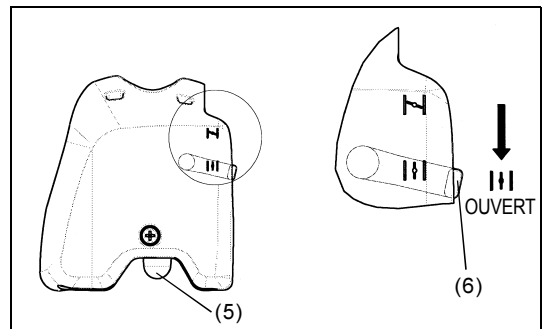
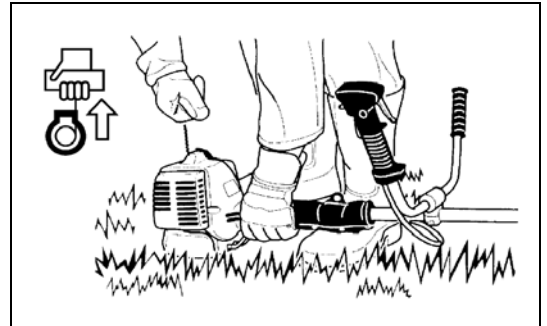
- Poussez l'interrupteur I-O (1) dans le sens indiqué par le flèche.
- Agripez la poignée (la pression de la main active le levier de verrouillage de sécurité (2)).
- Pressez sur la manette des gaz (3) et maintenez-la en bas régime.
- Pressez sur le bouton de verrouillage (4) et libérez le levier de manœuvre, et puis libérez le bouton de verrouillage (le bouton de verrouillage maintient la manette des gaz dans la position de démarrage).



- D'abord, placez l'équipement sur le sol.
- Gentiment appuyez sur la poire d'amorçage (5) de façon répétitive (7 à 10 fois) jusqu'à ce que le carburant vienne dans la poire d'amorçage.
- Fermez le levier de l'étrangleur (6).
  - Ouverture de l'étrangleur :
    - Complètement fermé quand les températures sont froides ou quand le moteur est froid
    - Complètement ou à moitié ouvert pour le redémarrage quand le moteur est encore chaud



- Maintenez fermement le boîtier d'engrenage avec votre main gauche, comme illustré.
- Lentement tirez la poignée de démarrage jusqu'à ce que vous sentiez de la compression, et puis continuez à tirer vigoureusement.
- Ne tirez pas la corde de démarrage jusqu'à sa longueur maximum, et ne laissez pas la poignée de démarrage se rétracter d'elle-même. Maintenez le contrôle de la corde de démarrage et assurez-vous qu'elle se rétracte lentement.
- Répétez l'opération de démarrage jusqu'à ce que vous entendiez l'allumage initial de la combustion du moteur.
- Baissez le levier de l'étrangleur (6) (↓) et tirez la corde de démarrage jusqu'à ce que le moteur démarre.
- Une fois que le moteur est en marche, immédiatement mettez les gaz, libérez le verrouillage à mi-accélération et laissez le moteur au ralenti.
- Faites tourner le moteur pendant environ une minute à vitesse modérée avant de le mettre plein gaz.



NOTE : -Si vous tirez la poignée de démarrage de manière répétitive quand le levier de l'étrangleur est à la "←|→" position, le moteur ne démarrera pas suite à une entrée de carburant excessive.  
 -Si une entrée de carburant excessive se produit, enlevez la bougie et tirez la poignée de démarrage lentement pour enlever l'excès de carburant. Aussi, séchez la partie de l'électrode de la bougie.

**Attention durant le fonctionnement :**

Si le levier de l'étrangleur est complètement ouvert durant un fonctionnement sans charge, les révolutions du moteur augmentent à plus de 10 000 min<sup>-1</sup>. Ne jamais faire tourner le moteur à une vitesse plus élevée que nécessaire, et conservez les révolutions à une vitesse d'environ de 6 000 à 8 000 min<sup>-1</sup>.

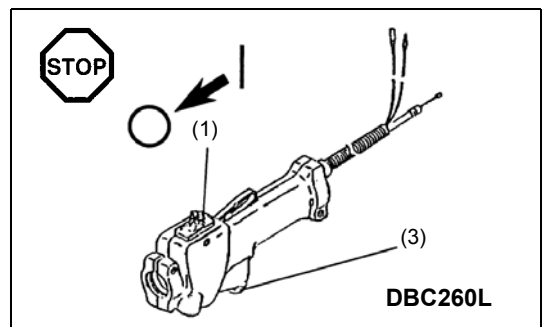
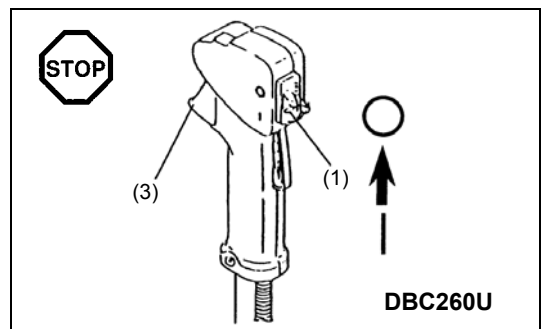
ATTENTION : Réduisez toujours les révolutions du moteur quand l'équipement n'est pas utilisé pour du travail  
 L'utilisation de l'équipement à des révolutions élevées quand il n'est pas utilisé pour du travail raccourcira la durée de l'équipement.

**Démarrage à chaud**

- Suivez les instructions pour le démarrage à froid, à l'exception de ne pas déplacer le levier de l'étrangleur (le levier de l'étrangleur reste dans la position bas (↓)).

**Arrêt**

- Relâchez complètement la manette des gaz (3) et quand le régime moteur a diminué poussez l'interrupteur I-O (1) vers la position "O" pour l'arrêter.
- Soyez conscient que le couteau ne peut pas être arrêté immédiatement, et laissez-le toujours ralentir et s'arrêter complètement.



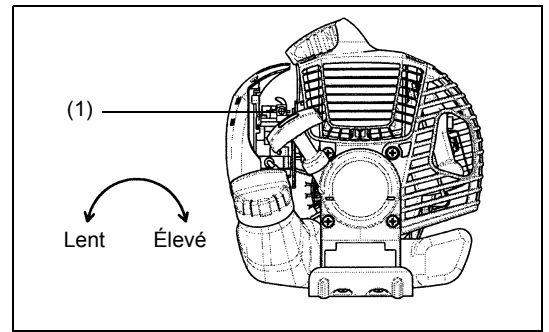


## REGLAGE DES REVOLUTIONS A BAS REGIME (RALENTI)

Le couteau ou la tête à fil en nylon ne devrait pas tourner quand le levier de manœuvre est complètement libéré. Si nécessaire, réglez les tours-minutes en utilisant la vis de réglage du ralenti.

### Vérification de la vitesse du ralenti

- La vitesse du ralenti devrait être réglée à 3 000 min<sup>-1</sup>.  
Si nécessaire, réglez la vitesse du ralenti en utilisant la vis de réglage du ralenti (le couteau ou la tête à fil en nylon ne doit pas tourner quand le moteur est au ralenti).  
Le serrage des vis du ralenti (1) augmente les révolutions du moteur, tandis que le desserrage des vis du ralenti diminue les révolutions du moteur.



## Réaffûtage du dispositif de coupe

**ATTENTION :** Les dispositifs de coupe listés ci-dessous doivent être réaffûtés par une installation agréée. Un réaffûtage manuel entraînera des déséquilibres du couteau, qui causeront des vibrations et des dommages à l'équipement.

- couteau (lame en étoile (4 dents), lame en tourbillon (8 dents))

Un réaffûtage professionnel et un service d'équilibrage est fourni par les agents de réparation agréés.

**NOTE :** Pour augmenter la durée de vie du couteau (lame en étoile, lame en tourbillon) il doit être retourné afin de permettre l'usure des deux bords de coupe.

### TETE A FIL EN NYLON

La tête à fil en nylon est une tête de taille à fil double capable de mécanismes d'alimentation à la fois automatique et manuel .  
La tête à fil en nylon alimentera en sortie automatiquement la longueur correcte de fils en nylon lors des changements dans la force centrifuge causés par le nombre de tours du moteur soit en augmentation ou en diminution. Toutefois pour couper de l'herbe douce plus efficacement, appuyez la tête à fil en nylon contre le sol pour en faire sortir du fil supplémentaire comme illustré à la section de l'utilisation.

### Utilisation

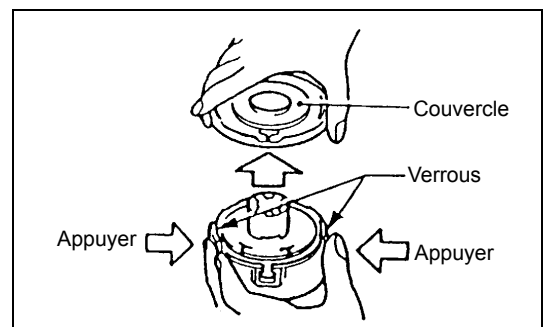
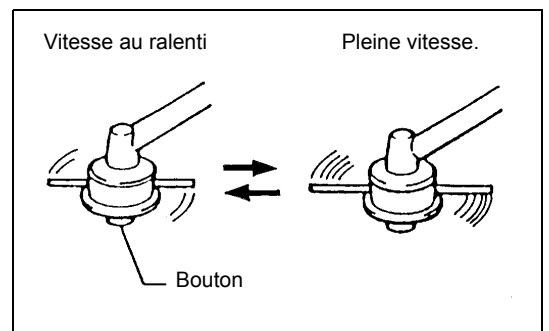
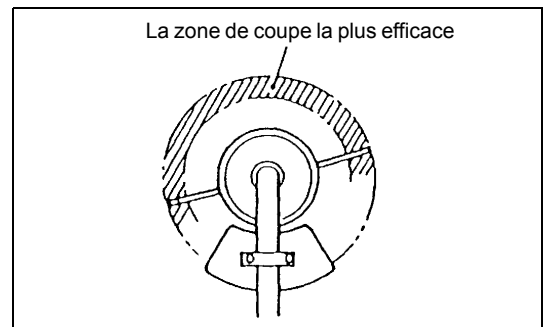
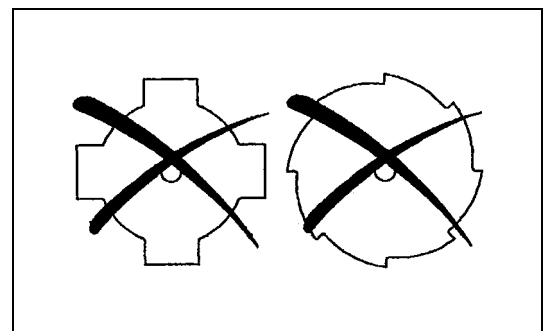
- Augmentez la vitesse de la tête à fil en nylon environ à 6 000 min<sup>-1</sup>.  
Le fil en nylon ne s'alimentera pas correctement à des vitesses plus faibles (en dessous de 4 800 min<sup>-1</sup>).
- La zone de coupe la plus efficace est illustrée par la zone ombragée sur le schéma à droite.

Si le fil en nylon ne s'alimente pas correctement suivez les instructions ci-dessous :

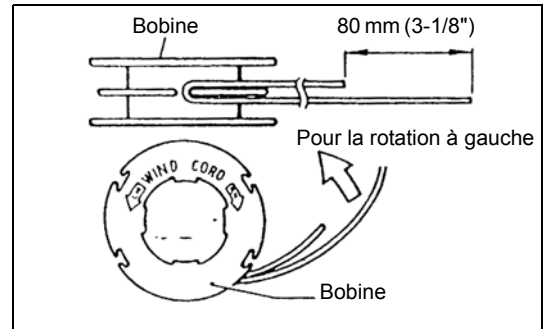
1. Relâchez le levier d'accélération de sorte que le moteur soit au ralenti, et ensuite serrez complètement le levier d'accélération. Répétez cette procédure jusqu'à ce que le fil en nylon s'alimente jusqu'à la bonne longueur.
2. Si le fil en nylon est trop court pour s'alimenter automatiquement en utilisant la procédure ci-dessus, appuyez le bouton de la tête à fil en nylon contre le sol pour alimenter en sortie le fil en nylon.
3. Si le fil en nylon ne s'alimente pas en utilisant la procédure 2, rembobinez/ remplacez le fil en nylon en suivant les procédures décrites sous "Remplacement du fil en nylon".

### Remplacement du fil en nylon

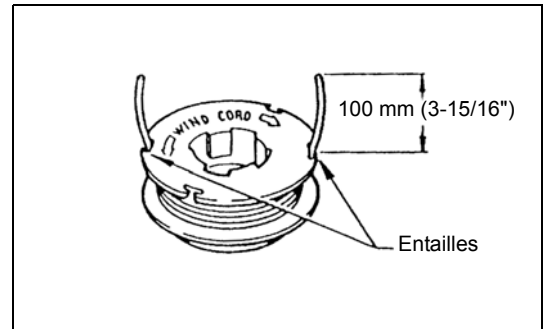
- Arrêtez le moteur.
- Pressez sur les loquets du boîtier vers l'avant pour soulever le couvercle, puis enlevez la bobine.



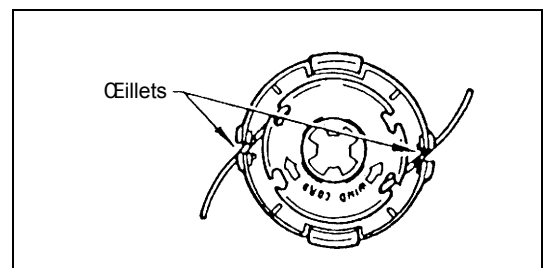
- Accrochez le centre du nouveau fil à nylon dans l'entaille au centre de la bobine, avec une extrémité s'étendant d'environ 80 mm (3-1/8") de plus que l'autre. Ensuite débobinez les deux extrémités fermement autour de la bobine dans le sens de la rotation de la tête (le sens vers la gauche est indiqué par LH et le sens vers la droite est indiqué par RH sur le côté de la bobine).



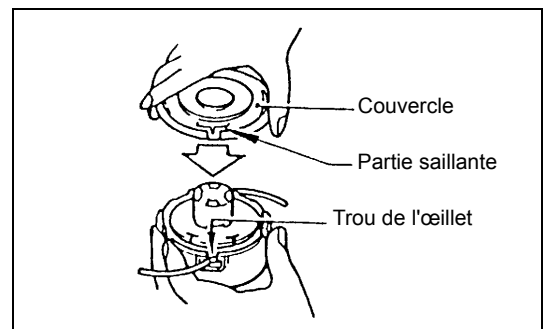
- Embobinez tout sauf environ 100 mm (3-15/16") de fil autour du tambour, laissant les extrémités temporairement accrochées à travers l'entaille sur le côté de la bobine.



- Montez la bobine dans le boîtier de sorte que les rainures et les saillies sur la bobine correspondent à celles du boîtier. Montez la bobine de sorte que l'écriture sur la bobine soit visible du dessus. Ensuite, décrochez les extrémités des fils de leur position temporaire, et passez-les à travers les œillets de sorte qu'ils dépassent du boîtier.



- Alignez la partie saillante sur le dessous du couvercle avec les trous des œillets. Puis poussez le couvercle fermement dans le boîtier et fixez-le.



## Instructions d'entretien

### Instructions d'entretien

**ATTENTION :** Avant d'effectuer un type d'entretien quelconque sur la débroussailleuse, éteignez toujours le moteur et démontez le capuchon de bougie de la bougie (voir "vérification de la bougie").

Portez toujours des gants de protection.

**ATTENTION :** N'enlevez jamais vous-même le lanceur à rappel. Le faire peut entraîner un accident. Seuls des centres de réparations agréés par Makita sont habilités à effectuer les réparations.

Afin d'assurer une longue durée de vie et d'éviter un dommage quelconque à l'équipement, effectuez régulièrement les opérations de maintenance suivantes.

#### Inspection et maintenance journalière

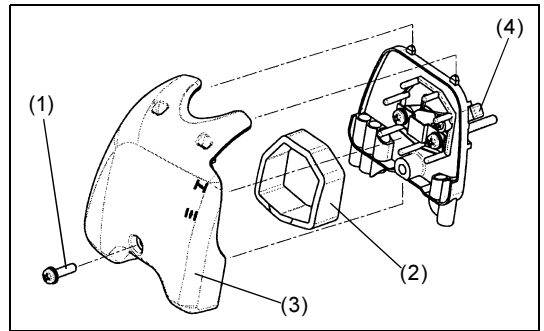
- Avant l'utilisation, vérifiez s'il ne manque pas de pièces ou que des vis sont desserrées. Faites tout particulièrement attention au serrage du couteau ou de la tête à fil en nylon.
- Avant l'utilisation, vérifiez toujours que le passage de l'air de refroidissement et les ailettes du cylindre ne sont pas colmatés. Nettoyez-les si nécessaire.
- Effectuez les opérations de maintenance suivantes après l'utilisation :
  - Nettoyez la débroussailleuse extérieurement et vérifiez qu'elle ne comporte aucun dommage.
  - Nettoyez le filtre à air. Nettoyez le filtre à air plusieurs fois par jour quand vous travaillez dans des conditions très poussiéreuses
  - Vérifiez si le couteau ou la tête à fil en nylon ont été endommagés et assurez-vous qu'ils sont bien montés.
  - Vérifiez s'il y a une différence suffisante entre les vitesses de fonctionnement et du ralenti pour s'assurer que le couteau est au repos quand le moteur est au ralenti (si nécessaire, réduisez la vitesse du ralenti). Si le couteau continue à tourner quand le moteur est au ralenti, consultez votre agent de réparations agréé le plus proche.
- Vérifiez que l'interrupteur I-O, le levier de verrouillage, le levier de manœuvre, et le bouton de verrouillage fonctionnent tous correctement.



### Nettoyage de l'épurateur d'air (filtre)

- Dévissez la vis (1).
- Tournez le levier d'étrangleur (4) vers le côté complètement fermé et gardez le carburateur éloigné de toute poussière ou saleté.
- Retirez le couvercle du filtre à air (3).
- Retirez l'élément en éponge (2), lavez-le dans de l'eau savonneuse tiède et séchez-le complètement.
- Après le nettoyage, remontez le couvercle du filtre à air (3) et attachez-le avec la vis (1).

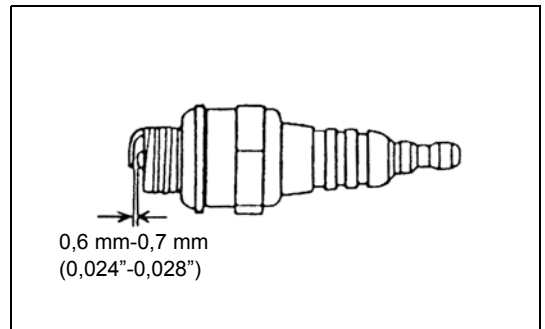
NOTE : S'il y a trop de poussière ou de saleté qui adhère à l'épurateur d'air, nettoyez-le tous les jours. Un épurateur d'air encrassé fait qu'il est plus difficile ou impossible de démarrer le moteur, ou peut en augmenter la vitesse rotationnelle du moteur.



### Vérification de la bougie

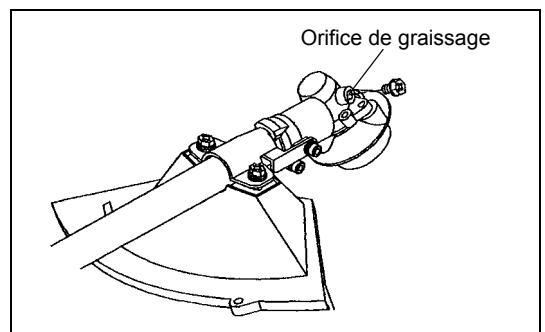
- N'utilisez que la clé universelle fournie pour enlever ou installer la bougie.
- L'écartement entre les deux électrodes de la bougie devrait être de 0,6 - 0,7 mm (0,024" - 0,028"). Réglez l'écartement s'il est trop large ou trop étroit. Si la bougie est bouchée avec du carton ou encrassée, nettoyez-la complètement ou remplacez-la.

ATTENTION : Ne touchez jamais le connecteur de la bougie quand le moteur est en marche (danger de secousse électrique de haute tension).



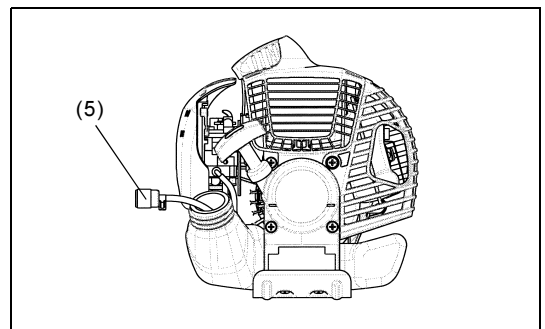
### Mettez de la graisse dans le carter d'engrenage

- Mettez de la graisse (Shell Alvania 3 ou équivalent) dans le carter d'engrenage à travers l'orifice de graissage toutes les 30 heures. (de la graisse d'origine MAKITA peut être achetée chez votre revendeur MAKITA.)



### Crépine d'aspiration dans le réservoir

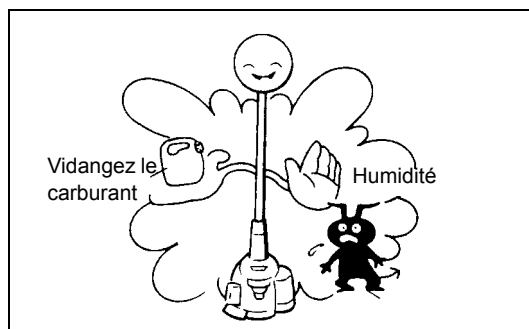
- Le remplissage de carburant (5) de la crépine d'aspiration est utilisé pour alimenter le carburant requis par le carburateur.
- Vérifiez visuellement le filtre de carburant et ce régulièrement. Pour inspecter le filtre, dévissez le bouchon du réservoir, utilisez un crochet à fil et retirez la crépine d'aspiration à travers l'orifice du réservoir. Remplacez le filtre s'il a durci, ou est devenu particulièrement sale ou encrassé.
- Une alimentation de carburant insuffisante peut entraîner une vitesse maximum permise d'être excédée. En conséquence, le filtre de carburant doit être remplacé au moins trimestriellement afin d'assurer une alimentation en carburant satisfaisante au carburateur.



Tout autre type d'entretien ou travail de réglage qui n'est pas décrit dans ce manuel peut n'être effectué que par des agents de réparations agréés.

## Entreposage

- Quand vous entreposez l'équipement pendant une longue période de temps, vidangez tout le carburant du réservoir et du carburateur. Pour ce faire, vidangez simplement tout le carburant du réservoir. L'élimination de tout le carburant vidangé doit se faire en conformité avec les lois municipales en vigueur.
- Démontez la bougie et ajoutez quelques gouttes d'huile dans l'orifice de la bougie. Ensuite, tirez gentiment le démarreur de sorte que l'huile lubrifie l'intérieur du moteur, puis serrez la bougie.
- Nettoyez toute saleté ou poussière du couteau et de l'extérieur du moteur, et essuyez avec un chiffon imbibé d'huile. Entrepochez l'équipement dans un endroit sec.



## Programme d'entretien

Généralités	Assemblage du moteur, vis et écrous	Inspection visuelle pour des dommages et l'étanchéité Vérifiez la condition générale et la sécurité
Après chaque ravitaillement	Levier de manœuvre Interrupteur I-O	Vérification du fonctionnement Vérification du fonctionnement
Journalière	Filtre à air Conduite d'air de refroidissement Dispositif de coupe Vitesse à vide	Doit être nettoyé Doit être nettoyé Vérifiez pour tout dommage et l'aiguisage Inspection (Dispositif de coupe ne doit pas bouger)
Hebdomadaire	Bougie d'allumage Silencieux	Inspection, remplacez si nécessaire Inspectez, et nettoyez l'ouverture si nécessaire
Trimestrielle	Tête d'aspiration Réservoir de carburant	Doit être remplacé Doit être nettoyé
Procédure de mise hors service	Réservoir de carburant Carburateur	Videz le réservoir de carburant Utilisez jusqu'à ce que le moteur tombe en panne de carburant

## Dépannage

Panne	Système	Observation	Cause
Si le moteur ne démarre pas ou est difficile à démarrer	Système d'allumage	Bougie d'allumage O.K.	Panne dans l'alimentation en carburant ou de la compression du système, panne mécanique
		Pas d'allumage	Interrupteur I-O commandé, panne de câblage ou de court-circuit, bougie ou connecteur défectueux, module d'allumage défectueux
	Alimentation en carburant	Réservoir rempli de carburant	Position incorrecte de l'étrangleur, carburateur défectueux, ligne d'alimentation en carburant courbée ou bloquée, carburant encrassé.
	Compression	Pas de compression lors de la mise en route	Joint statique inférieur du cylindre défectueux, joints d'étanchéité du vilebrequin endommagés, cylindre ou segments de piston défectueux ou mauvaise étanchéité des bougies
Problèmes de démarrage à chaud	Panne mécanique	Commande du démarreur ne fonctionne pas	Ressort du démarreur cassé, pièces cassées à l'intérieur du moteur
		Réservoir rempli. Bougie d'allumage O.K.	Carburateur contaminé, il faut le nettoyer
Le moteur démarre mais s'éteint	Alimentation en carburant	Réservoir rempli.	Mauvais réglage du ralenti, carburateur contaminé  Event du réservoir défectueux, ligne d'alimentation en carburant interrompue, câble ou interrupteur I-O défectueux
Performance insuffisante	Plusieurs systèmes peuvent être simultanément affectés	Mauvais ralenti du moteur	Filtre à air contaminé, carburateur contaminé, silencieux bouché, conduit d'échappement dans le cylindre bouché

Herzlichen Glückwunsch, dass Sie sich für den Kauf einer Motorsense bzw. eines Rasentrimmers von MAKITA entschieden haben. Motorsensen bzw. Rasentrimmer von MAKITA sind das Ergebnis unserer jahrelangen Erkenntnisse, Erfahrungen und eines detaillierten Entwicklungsprogramms. Lesen Sie diese Gebrauchsanweisung aufmerksam durch, damit Sie die bestmögliche Leistung und außergewöhnliche Ergebnisse erreichen, die Ihnen die Motorsensen bzw. Rasentrimmer von MAKITA bieten können.



<b>Inhaltsverzeichnis</b>	<b>Seite</b>
Symbole .....	37
Sicherheitsanweisungen .....	38
Technische Daten DBC260U, DBC260L .....	42
Bezeichnung der Bauteile .....	43
Montieren des Griffs.....	44
Montieren des Schutzes.....	45
Montieren der Schneidklinge / des Nylon-Schneidkopfes .....	46
Kraftstoff / Auftanken .....	47
Korrektur Umgang.....	48
Wichtige Betriebsschritte / Stoppen der Sense bzw. des Trimmers .....	48
Schärfen des Schneidwerkzeugs.....	50
Wartungsanweisungen.....	51
Aufbewahren.....	53

**Symbole**

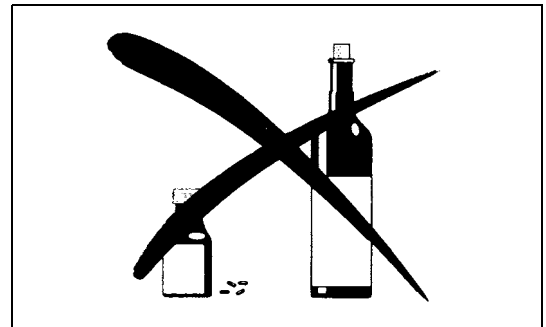
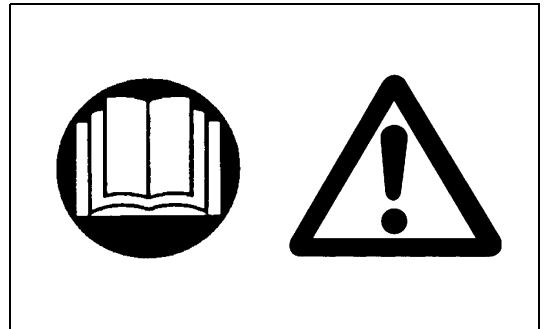
Beachten Sie beim Lesen der Gebrauchsanleitung die folgenden Symbole.

	Lesen Sie die vorliegende Betriebsanleitung.		Tragen Sie eine Schutzbrille und Gehörschutz. (nur für den Rasentrimmer)
	Besondere Aufmerksamkeit erforderlich		Tragen Sie Schutzhelm, Schutzbrille und Gehörschutz. (nur für die Motorsense)
	Verboten		Verwenden Sie keine Metallschneiden. (nur für den Rasentrimmer)
	Halten Sie einen Abstand ein.		Maximal zulässige Werkzeugdrehzahl
	Gefahr durch herumfliegende Gegenstände		Heiße Flächen - Verbrennungsgefahr für Finger oder Hände
	Rauchverbot		Kraftstoff-Öl-Gemisch
	Umgang mit offenen Flammen verboten		Manueller Motorstart
	Tragen Sie Schutzhandschuhe.		Not-Aus
	Rückschlag		Erste Hilfe
	Im Arbeitsbereich dürfen sich weder Personen noch Tiere aufhalten.		Recycling
	Tragen Sie festes Schuhwerk mit rutschfester Sohle. Empfohlen werden Arbeitsschutzschuhe mit Stahlkappen.		EIN / START
			AUS / STOPP

## Sicherheitsanweisungen

### Allgemeine Sicherheitshinweise

- Für die Sicherstellung eines ordnungsgemäßen Betriebs müssen Sie diese Gebrauchsanleitung durchlesen und vollständig verstanden haben, damit Sie mit der Verwendung der Motorsense bzw. des Rasentrimmers vertraut sind. Die Verwendung des Motorgeräts, ohne die Handhabung richtig verstanden zu haben, kann bei Ihnen und anderen Personen zu schweren Verletzungen führen.
- Verleihen Sie die Motorsense bzw. den Rasentrimmer nur an Personen, die über Erfahrungen im Umgang mit Motorsensen bzw. Rasentrimmern verfügen. Verleihen Sie das Motorgerät nur zusammen mit dieser Gebrauchsanleitung.
- Falls Sie erstmalig ein motorbetriebenes Schneidwerkzeug bedienen, wenden Sie sich an Ihren Händler, um grundlegende Anweisungen zu erhalten.
- Kindern und Jugendlichen unter 18 Jahren ist die Bedienung der Motorsense / des Rasentrimmers untersagt. Personen über 16 Jahren dürfen das Gerät für Übungszwecke verwenden, jedoch nur unter Aufsicht eines qualifizierten Anleiters.
- Verwenden Sie die Motorsense / den Rasentrimmer stets mit größtmöglicher Sorgfalt.
- Betreiben Sie die Motorsense / den Rasentrimmer nur, wenn Sie in guter physischer Verfassung sind. Führen Sie alle Arbeiten ruhig und sorgfältig durch. Der Benutzer ist dafür verantwortlich, was um ihn herum passiert.
- Betreiben Sie die Motorsense / den Rasentrimmer nie nach dem Genuss von Alkohol oder nach der Einnahme von Medikamenten, oder wenn Sie müde oder krank sind.

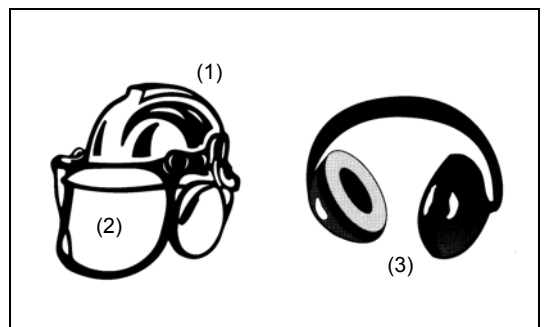


### Verwendungszweck des Geräts

- Die Motorsense / der Rasentrimmer ist nur zum Schneiden von Gras, Unkraut, Büschen und Gestrüpp bestimmt, und darf nicht für andere Zwecke verwendet werden, beispielsweise zum Abkanten oder Heckeschneiden, da dies zu Verletzungen führen kann.

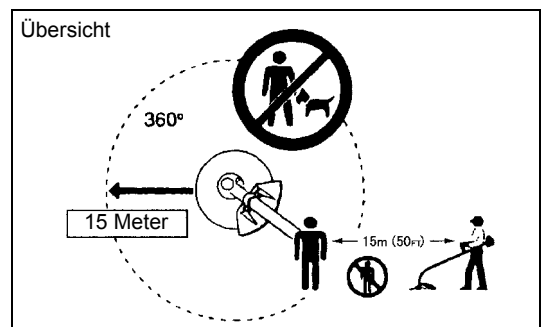
### Persönliche Schutzausrüstung

- Tragen Sie Kleidung, die sowohl praktisch als auch für Ihre Arbeit geeignet ist, d.h. eng anliegende, jedoch für die Bewegung nicht zu enge Kleidung. Tragen Sie keinen Schmuck. Tragen Sie keine Kleidung, mit der Sie sich in Büschen oder Gestrüpp verfangen können.
- Um Verletzungen des Gehörs, der Augen, Hände und Füße zu vermeiden, aber auch um Ihre Hörleistung während des Betriebs zu schützen, müssen Sie während der Bedienung der Motorsense bzw. des Rasentrimmers die folgenden Schutzausrüstungen oder Schutzkleidungen tragen.
- Tragen Sie stets einen Helm, wenn Gegenstände herabfallen können. Der Schutzhelm (1) muss regelmäßig auf Beschädigungen überprüft und spätestens alle 5 Jahre ausgetauscht werden. Verwenden Sie ausschließlich zugelassene Schutzhelme.
- Das Visier (2) des Helms (oder alternativ eine Schutzbrille) schützt das Gesicht vor herumfliegenden Fremdkörpern und Steinen. Tragen Sie während des Betriebs der Motorsense bzw. des Rasentrimmers eine Schutzbrille oder ein Visier, um Verletzungen der Augen zu vermeiden.
- Tragen Sie einen angemessenen Gehörschutz, um eine Schädigung des Gehörs zu vermeiden (Gehörschutzkapseln (3), Gehörschutzstöpsel usw.).
- Arbeitsanzüge (4) schützen gegen herumfliegende Steine und Fremdkörper. Wir empfehlen sehr, Arbeitsanzüge zu tragen.
- Spezielle Handschuhe (5) aus dickem Leder sind Bestandteil der vorgeschriebenen Ausrüstung und müssen stets bei Betrieb der Motorsense bzw. des Rasentrimmers getragen werden.
- Tragen Sie bei Betrieb der Motorsense bzw. des Rasentrimmers stets feste Schuhe (6) mit einer rutschfesten Sohle. Solche Schuhe schützen gegen Verletzungen und gewährleisten eine gute Standsicherheit.

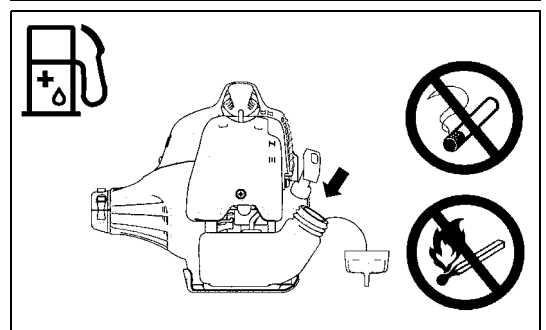
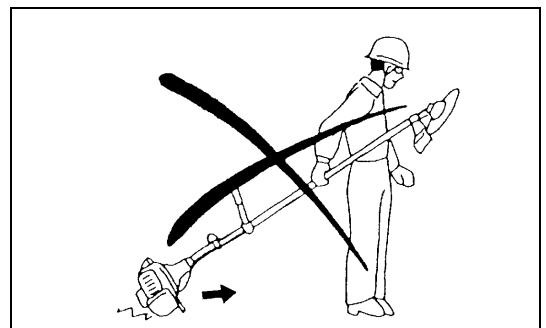
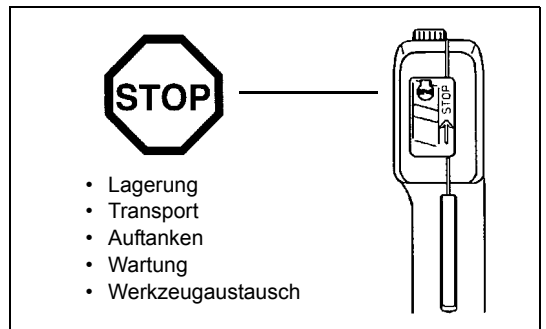
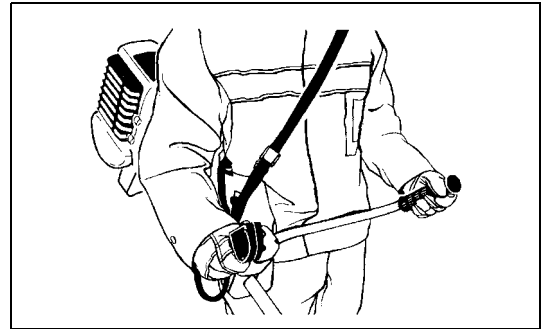
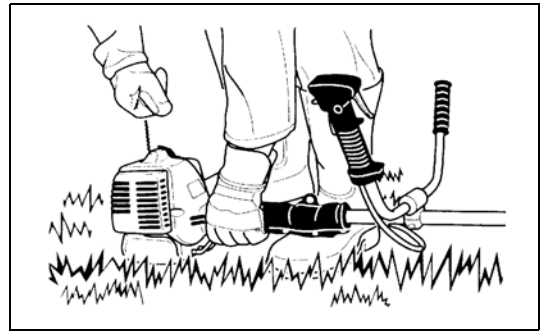


### Starten der Motorsense

- Vergewissern Sie sich, dass sich in einem Arbeitsbereich von 15 m keine Kinder oder andere Personen aufhalten, achten Sie außerdem auf Tiere im Arbeitsbereich.
- Überprüfen Sie vor der Verwendung stets den sicheren Betrieb der Motorsense bzw. des Rasentrimmers. Überprüfen Sie, dass das Schneidwerkzeug gesichert ist, dass der Regelhebel leicht bedient werden kann, und dass die Sperre des Regelhebels ordnungsgemäß funktioniert.

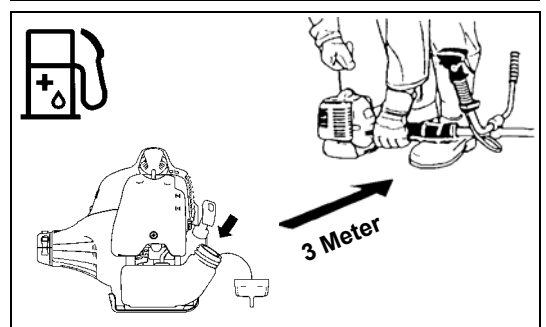


- Das Drehen des Scheidwerkzeugs im Leerlauf ist verboten. Prüfen Sie mit Ihrem Händler, ob das Werkzeug eingestellt werden muss. Stellen Sie sicher, dass die Griffe sauber und trocken sind, und dass der Start-/Stoppeschalter ordnungsgemäß funktioniert.
- Starten Sie die Motorsense bzw. den Rasentrimmer nur gemäß den Anleitungen. Starten Sie den Motor auf keine andere Weise!
- Verwenden Sie die Motorsense bzw. den Rasentrimmer und die Werkzeuge nur für die angegebenen Zwecke.
- Starten Sie den Motor der Motorsense bzw. des Rasentrimmers nur nach der vollständigen Montage des Werkzeugs. Betreiben Sie das Werkzeug nur nach der Montage des gesamten geeigneten Zubehörs!
- Überprüfen Sie vor dem Starten, dass das Schneidwerkzeug keine harten Gegenstände (Geäst, Steine usw.) berührt, da sich das Schneidwerkzeug beim Starten dreht.
- Schalten Sie den Motor sofort aus, wenn irgendwelche Motorprobleme auftreten.
- Sollte das Schneidwerkzeug Steine oder andere harte Gegenstände treffen, schalten Sie sofort den Motor aus und überprüfen Sie das Schneidwerkzeug.
- Überprüfen Sie das Schneidwerkzeug in regelmäßigen, kurzen Intervallen. Prüfen Sie mit einem Klopfest auf Haarrisse.
- Betreiben Sie die Motorsense bzw. den Rasentrimmer nur nach Anbringen und Anpassen des Schultergurtes auf die richtige Länge. Der Schultergurt muss auf die Körpergröße des Benutzers angepasst und festgezogen werden, um ein Lockern während des Betriebs des Werkzeugs zu verhindern. Halten Sie die Sense niemals während des Betriebs mit nur einer Hand.
- Halten Sie die Motorsense bzw. den Rasentrimmer während des Betriebs stets mit beiden Händen. Sorgen Sie immer für eine gute Standsicherheit.
- Betreiben Sie die Motorsense bzw. den Rasentrimmer stets so, dass Sie die Abgase nicht einatmen. Betreiben Sie den Motor niemals in einem abgeschlossenem Raum (Risiko einer Gasvergiftung). Kohlenmonoxid ist ein geruchloses Gas.
- Schalten Sie den Motor immer aus, wenn Sie das Werkzeug ablegen, oder wenn Sie die Motorsense bzw. den Rasentrimmer unbeaufsichtigt lassen, und lagern Sie es immer an einem sicheren Ort, um Verletzungen anderer Personen und Beschädigungen des Werkzeugs zu vermeiden.
- Legen Sie das heiße Werkzeug niemals in trockenes Gras oder auf andere entflammbare Materialien.
- Das Schneidwerkzeug muss immer mit dem entsprechenden Schutz versehen werden. Betreiben Sie das Werkzeug niemals ohne diesen Schutz.
- Alle mit dem Werkzeug gelieferten Schutzvorrichtungen und Abdeckungen müssen während des Betriebs verwendet werden.
- Betreiben Sie den Motor niemals mit beschädigtem Abluftschalldämpfer.
- Schalten Sie den Motor während des Transports aus.
- Verwenden Sie für den Transport über längere Strecken stets den mitgelieferten Werkzeugschutz.
- Stellen Sie sicher, dass die Motorsense bzw. der Rasentrimmer sicher gelagert wird, um ein Auslaufen des Kraftstoffs während des Transports zu vermeiden.
- Stellen Sie während des Transports der Motorsense bzw. des Rasentrimmers sicher, dass der Kraftstofftank völlig leer ist.
- Lassen Sie beim Abladen der Motorsense bzw. des Rasentrimmers von einem Transporter oder anderen Fahrzeugs niemals den Motor fallen, andernfalls kann der Tank ernstlich beschädigt werden.
- Lassen Sie die Motorsense bzw. den Rasentrimmer nur in einem Notfall fallen, andernfalls kann die Motorsense bzw. der Rasentrimmer ernstlich beschädigt werden.
- Heben Sie beim Bewegen immer das gesamte Werkzeug vom Boden an. Das Ziehen des Werkzeugs mit Kraftstofftank ist extrem gefährlich und kann zum Auslaufen des Kraftstoffs und somit zu einem Brand führen.



### Auftanken

- Schalten Sie während des Auftankens den Motor aus, halten Sie den Motor von offenen Flammen fern und rauchen Sie während des Auftankens nicht.
- Stellen Sie sicher, dass Mineralölerzeugnisse nicht in Kontakt mit Ihrer Haut kommen. Atmen Sie den Kraftstoffdampf nicht ein. Tragen Sie während des Auftankens immer Schutzhandschuhe. Wechseln und reinigen Sie Schutzkleidung regelmäßig.
- Stellen Sie zur Vermeidung einer Kontaminierung des Erdbodens (Umweltschutz) sicher, dass weder Kraftstoff noch Öl in das Erdreich eindringt. Falls etwas Kraftstoff ausläuft, reinigen Sie die Motorsense bzw. den Rasentrimmer sofort.



- Stellen Sie sicher, dass Ihre Kleidung nicht in Kontakt mit dem Kraftstoff kommt. Falls Ihre Kleidung in Kontakt mit Kraftstoff kommt, wechseln Sie die Kleidung sofort, um einen Brand zu verhindern.
- Überprüfen Sie den Tankdeckel regelmäßig, damit dieser sicher festgeschraubt werden kann, und kein Kraftstoff ausläuft.
- Schrauben Sie den Tankdeckel vorsichtig fest. Entfernen Sie sich von dem Ort des Auftankens mindestens 3 m, bevor Sie den Motor starten.
- Nehmen Sie das Auftanken niemals in einem geschlossenen Raum vor. Andernfalls kann eine Explosion aufgrund der Ansammlung von Kraftstoffdampf auf dem Boden verursacht werden.
- Transportieren und lagern Sie Kraftstoff nur in zugelassenen Behältern. Stellen Sie sicher, dass Kinder keinen Zugang zu dem gelagerten Kraftstoff haben.

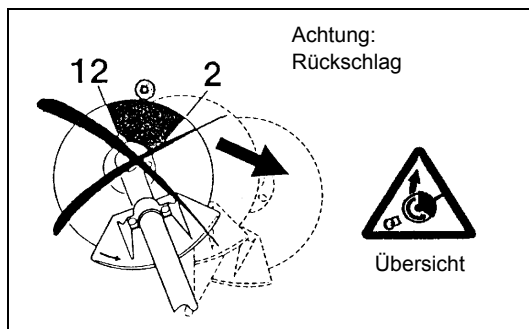
### Betriebsmethode

- Verwenden Sie die Motorsense bzw. den Rasentrimmer nur bei gutem Licht und guter Sichtweite. Achten Sie im Winter auf rutschige oder nasse Bereiche, z.B. auf vereiste oder schneebedeckte Flächen (Rutschgefahr). Sorgen Sie immer für eine gute Standsicherheit.
- Schneiden Sie niemals über Schulterhöhe.
- Betreiben Sie die Motorsense bzw. den Rasentrimmer niemals, wenn Sie auf einer Leiter stehen.
- Betreiben Sie die Motorsense bzw. den Rasentrimmer niemals, wenn Sie auf einen Baum geklettert sind.
- Arbeiten Sie niemals auf nicht stabilen Flächen.
- Entfernen Sie Sand, Steine, Nägel usw. innerhalb des Arbeitsbereiches. Fremdkörper können das Schneidwerkzeug beschädigen und so gefährliche Rückschläge verursachen.
- Vergewissern Sie sich vor Beginn des Schnitts, dass das Schneidwerkzeug die volle Arbeitsdrehzahl erreicht hat.



### Rückschlag

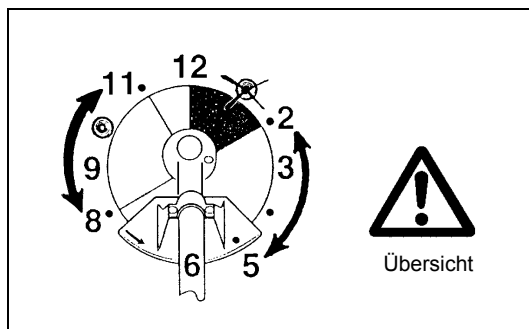
- Während des Betriebs der Motorsense können unkontrollierte Rückschläge auftreten.
- Rückschläge treten häufig auf, wenn Sie im Blattabschnitt zwischen 12 und 2 einer Uhr schneiden.
- Wenden Sie niemals den Blattabschnitt der Motorsense zwischen 12 und 2 einer Uhr an.
- Wenden Sie diesen Bereich des Motorsensenblattes niemals an festen Gegenständen (Büsche oder Bäume usw.) mit einem Durchmesser von mehr als 3 cm an. Andernfalls wird die Motorsense mit großer Kraft abgelenkt, was sehr gefährlich ist und zu Verletzungen führen kann.



### Rückschlagverhinderung

#### Beachten Sie Folgendes, um Rückschläge zu vermeiden:

- Das Arbeiten im Schneidblattbereich zwischen 12 und 2 einer Uhr ist extrem gefährlich, besonders bei Verwendung von Metallschneiden.
- Schnitтарbeiten im Schneidblattbereich zwischen 11 und 12 sowie zwischen 2 und 5 einer Uhr dürfen nur durch einen geschulten und erfahrenen Bediener, und dann nur bei eigenem Risiko durchgeführt werden. Der optimale Bereich für ein leichtes Schneiden mit fast keinen Rückschlägen ist zwischen 8 und 11 einer Uhr des Schneidblattes.



### Schneidwerkzeuge

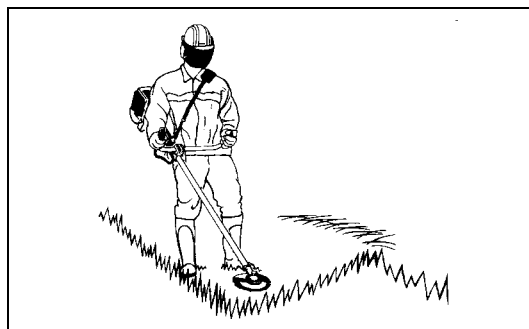
Verwenden Sie für jede Arbeit das richtige Schneidwerkzeug.

DBC260U: Schneidklinge (Sternklinge (4 Zähne), Wirbelklinge (8 Zähne));  
DBC260L: Nylon-Schnittkopf.

Zum Schneiden dickerer Materialien (z.B. Unkraut, hohes Gras, Büsche, Gestrüpp, Unterholz, Dickicht mit einer max. Dicke von 2 cm): Führen Sie diese Schnitтарbeiten durch Schwenken der Motorsense in Halbkreisen von rechts nach links durch (ähnlich wie eine Sense).

### Wartungsanweisungen

- Überprüfen Sie immer den Zustand des Schneidmessers, vor allem auch der Schutzvorrichtungen und des Schultergurtes, bevor Sie mit der Arbeit anfangen. Achten Sie besonders auf ordnungsgemäß geschärfte Schneidklingen.
- Schalten Sie den Motor aus und entfernen Sie den Zündkerzenstecker, wenn Sie das Schneidwerkzeug austauschen oder schärfen, aber auch wenn Sie die Sense oder die Sensenklinge reinigen.





## Begradigen oder schweißen Sie niemals beschädigte Schneidwerkzeuge.

- Der Betrieb der Motorsense bzw. des Rasentrimmers ist auch mit einem leichten Geräusch oder einer geringen Verschmutzung möglich. Überprüfen Sie vor allem, dass der Vergaser richtig eingestellt ist.
- Reinigen Sie die Motorsense bzw. den Rasentrimmer regelmäßig und überprüfen Sie, dass alle Schrauben und Muttern fest angezogen sind.
- Warten oder lagern Sie die Motorsense bzw. den Rasentrimmer niemals in der Nähe offener Flammen.
- Lagern Sie die Motorsense bzw. den Rasentrimmer in geschlossenen Räumen mit einem geleerten Tank.

Beachten Sie die relevanten Anweisungen zur Verhinderung von Unfällen, die von den entsprechenden Handelsorganisationen und Versicherungsunternehmen herausgebracht werden.

Führen Sie keine Veränderungen an der Motorsense bzw. an dem Rasentrimmer durch, andernfalls gefährden Sie Ihre Sicherheit.

Der Bediener darf nur die in dieser Gebrauchsanleitung beschriebenen Wartungs- und Reparaturarbeiten durchführen. Alle anderen Arbeiten müssen von autorisiertem Wartungspersonal durchgeführt werden. Verwenden Sie ausschließlich originale Ersatz- und Zubehörteile, die von MAKITA freigegeben und unterstützt werden.

Die Verwendung nicht genehmigter Zubehörteile und Werkzeuge führt zu einem erhöhten Unfallrisiko.

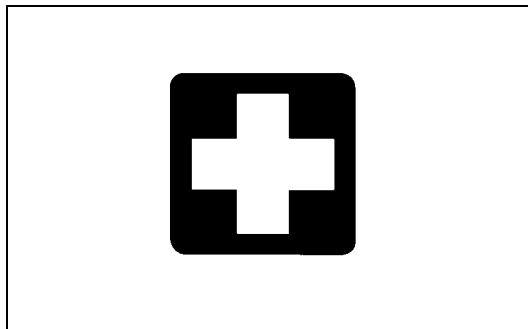
MAKITA übernimmt keine Haftung für Unfälle oder Schäden, die durch die Verwendung nicht genehmigter Schneidwerkzeuge, Befestigungen der Schneidwerkzeuge und Zubehörteile verursacht werden.

### Erste Hilfe

Stellen Sie für den Fall eines Unfalls sicher, dass ein Erste-Hilfe-Kasten in der Nähe des Schnittbetriebs verfügbar ist. Ersetzen Sie aus dem Erste-Hilfe-Kasten entnommene Artikel sofort.

### Machen Sie folgende Angaben, wenn Sie Hilfe benötigen:

- Ort des Unfalls
- Was ist passiert
- Anzahl der verletzten Personen
- Art der Verletzungen
- Ihr Name



### Verpackung

Zur Vermeidung von Transportschäden wird die Motorsense bzw. der Rasentrimmer von MAKITA in zwei Schutzkartons geliefert. Karton ist ein Grundrohstoff und wird daher wiederverwendet oder ist recycelbar (Recycling von Abfallpapier).



## EG-KONFORMITÄTSERKLÄRUNG

### Modell: DBC260U, DBC260L

Wir erklären unter unserer alleinigen Verantwortlichkeit, dass sich dieses Produkt in Übereinstimmung mit den folgenden Normen der Normdokumente ISO11806, EN55012 befindet sowie in Übereinstimmung mit den Ratsverordnungen 89/392/EEC, 98/37/EEC, 96/68/EEC, 89/336/EEC und 92/31/EEC.

Gemessene Schalleistung: 111,7 dB

Garantierte Schalleistung: 114 dB

Diese Schalleistungspegel wurden in Übereinstimmung mit den Ratsverordnungen 2000/14/EC gemessen.

Verfahren zur Konformitätsbewertung: Anhang V.

CE2008

A handwritten signature in black ink, appearing to read 'Tomoyasu Kato'.

Tomoyasu Kato  
Director

Verantwortlicher Hersteller:

**Makita Corporation.**

3-11-8, Sumiyoshi-cho, Anjo, Aichi, JAPAN

Autorisierte Vertretung in Europa:

**Makita International Europe Ltd.**

Michigan Drive, Tongwell, Milton Kyenes, Bucks MK15 8JD, ENGLAND

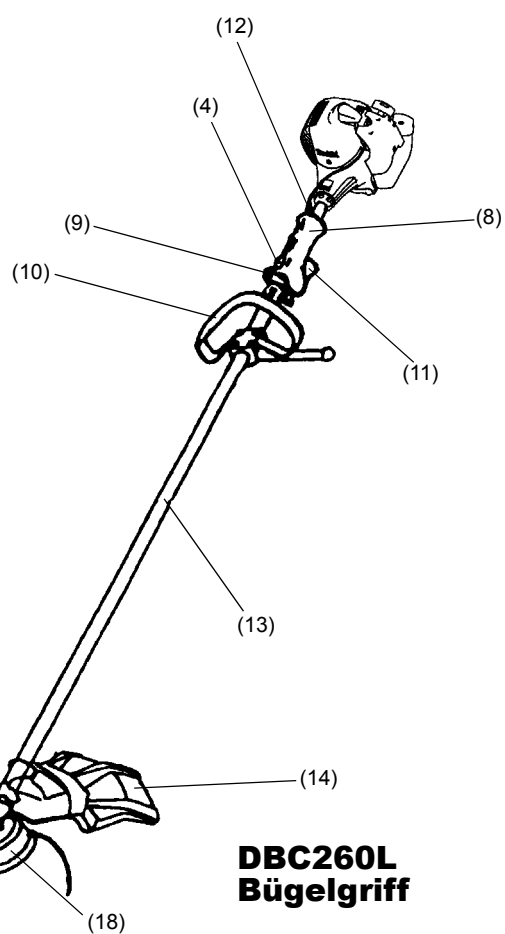
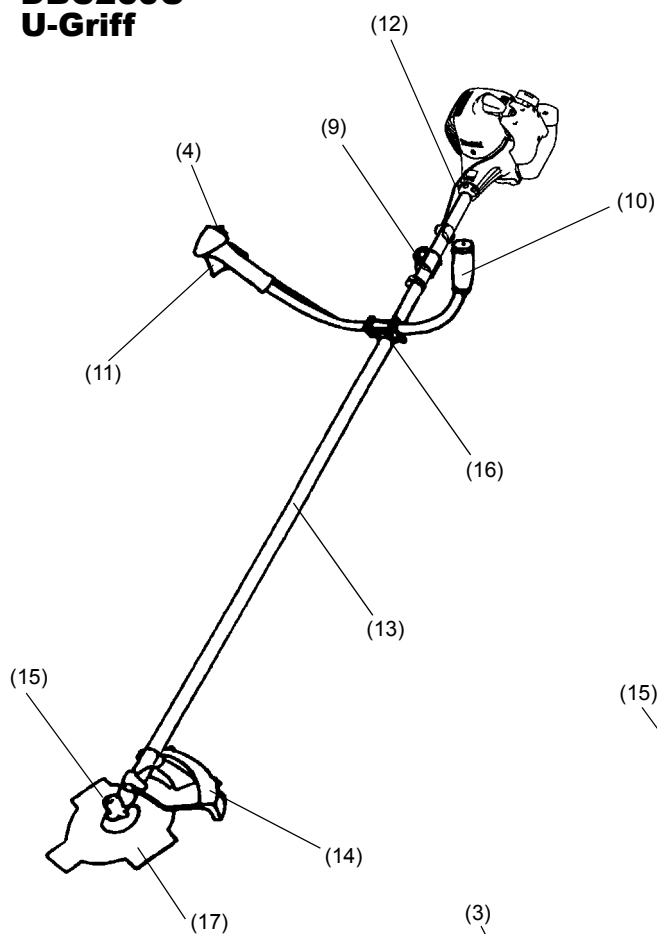
## Technische Daten DBC260U, DBC260L

Modell		DBC260U	DBC260L	
		U-Griff	Bügelgriff	
Abmessungen: Länge x Breite x Höhe (ohne Schneidblatt)	mm	1.770 x 630 x 410	1.770 x 315 x 235	
Gewicht (ohne Kunststoffschutz und Schneidblatt)	kg	5,0	4,8	
Volumen (Kraftstofftank)	l	0,6		
Motorhubraum	cm <sup>3</sup>	25,7		
Maximale Motorleistung	kW	0,83 bei 8.000 U/min		
Motordrehzahl bei empfohlener max. Spindeldrehzahl	U/min	10.000		
Maximale Spindeldrehzahl (entsprechend)	U/min	7.400		
Maximaler Kraftstoffverbrauch	kg/h	0,431		
Maximaler spezifischer Kraftstoffverbrauch	g/kWh	487		
Leerlaufdrehzahl	U/min	3.000		
Drehzahl für Kupplungseingriff	U/min	4.000		
Vergaser	Typ	WALBRO WYC		
Zündungssystem	Typ	Halbleiterzündung		
Zündkerzenstecker	Typ	NGK BPMR7A		
Elektrodenabstand	mm	0,6 - 0,7		
Schwingungen nach ISO 22867 <sup>1)</sup>	Rechter Handgriff (hinterer Griff)	m/s <sup>2</sup>	3,8	5,3
	Linker Handgriff (vorderer Griff)	m/s <sup>2</sup>	3,9	4,3
Durchschnittlicher Schalldruckpegel nach ISO 22868 <sup>1)</sup>	dB	98,2		
Durchschnittlicher Schallleistungspegel nach ISO 22868 <sup>1)</sup>	dB	108,5		
Kraftstoff		Gasgemisch (Benzin : originales Zwei-Takt-Motorenöl von Makita = 50:1)		
Getriebeübersetzung		14/19		

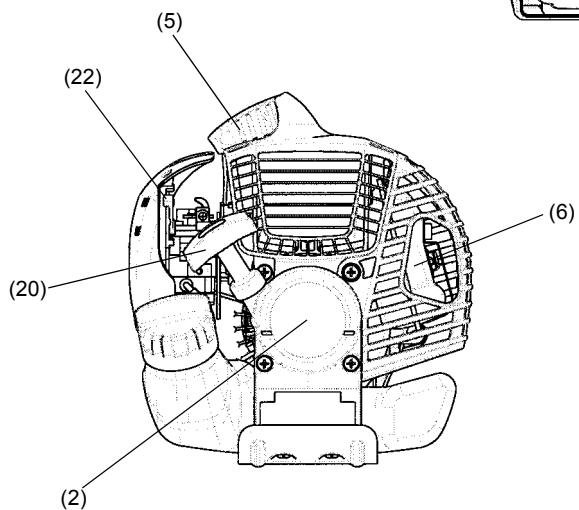
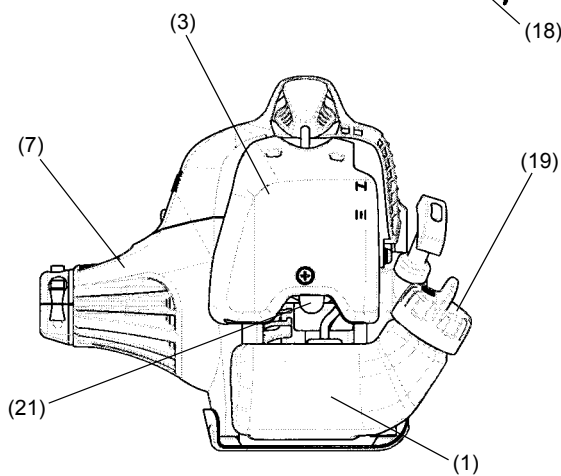
1) Die Daten berücksichtigen gleichermaßen die Leerlauf- und Hochtour- oder Vollast-Betriebsarten.

## Bezeichnung der Bauteile

### DBC260U U-Griff



### DBC260L Bügelgriff



	Bezeichnung der Bauteile
1	Kraftstofftank
2	Seilspulstarter
3	Luftreiniger
4	I/O-Schalter (EIN/AUS)
5	Zündkerzenstecker
6	Abluftschalldämpfer
7	Kupplungsgehäuse
8	Hinterer Griff
9	Aufhängung
10	Griff
11	Regelungshebel
12	Regelungskabel
13	Spindel
14	Schutz
15	Getriebegehäuse
16	Griffhalterung
17	Sensenblatt
18	Nylon-Schneidkopf
19	Tankdeckel
20	Starterknopf
21	Ansaugpumpe
22	Choke-Hebel

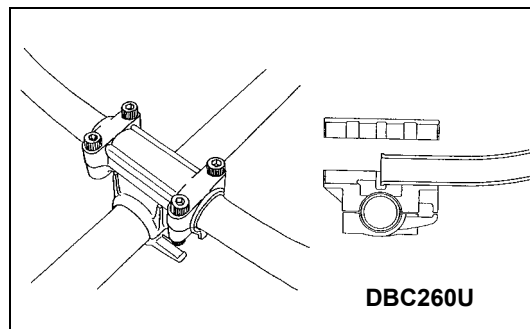
## Montieren des Griffs

- VORSICHT: Stoppen Sie vor allen Arbeiten mit der Motorsense den Motor und trennen Sie den Zündkerzenstecker von der Zündkerze. Tragen Sie immer Schutzhandschuhe!
- VORSICHT: Stellen Sie sicher, dass Sie die Motorsense vor dem Start wieder vollständig montiert haben.

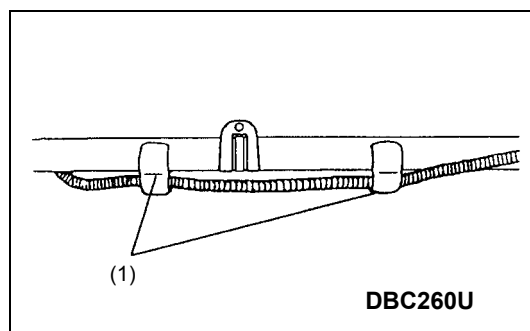


### Für Modelle mit U-Griff

- Richten Sie die Griffbefestigung so aus, dass der Griff mit dem Regelhebel rechts (rechte Griffseite) positioniert ist (bei Ansicht von der Motorseite).
- Richten Sie die Kerbe der Griffbefestigung am Griffende aus. Befestigen Sie das angefügte Metallstück temporär mit der mitgelieferten Innensechskantschraube.
- Richten Sie den Griff für eine leichte Bedienung aus, und ziehen Sie die vier Innensechskantschrauben gleichmäßig rechts und links mit einem Inbusschlüssel fest.

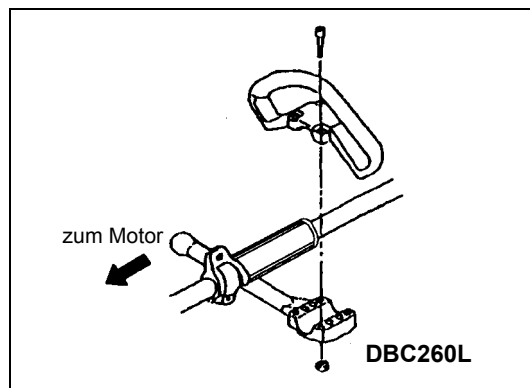


- Befestigen Sie das Regelkabel (zusammen mit dem Erdungskabel) am Griff mit zwei Clips (1).
- Stellen Sie sicher, dass das Regelkabel im Griffbereich keine Schlaufe bildet.



### Für Modelle mit Bügelgriff

- Befestigen Sie die Sperre an der linken Seite zusammen mit dem Griff, um den Bediener zu schützen.
- Richten Sie die Position des Bügelgriffs nicht zu nah am Regelgriff aus.
- Halten Sie einen Abstand von mindestens 250 mm zwischen Bügelgriff und Regelgriff ein. (Aus diesem Grund wird eine Abstandmanschette mitgeliefert.)



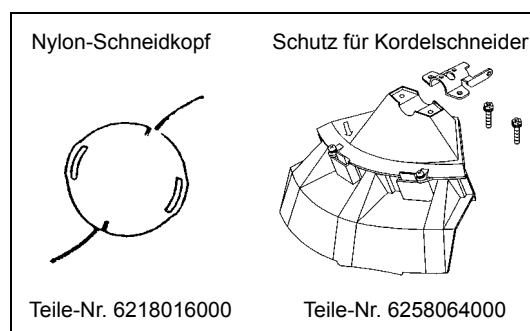
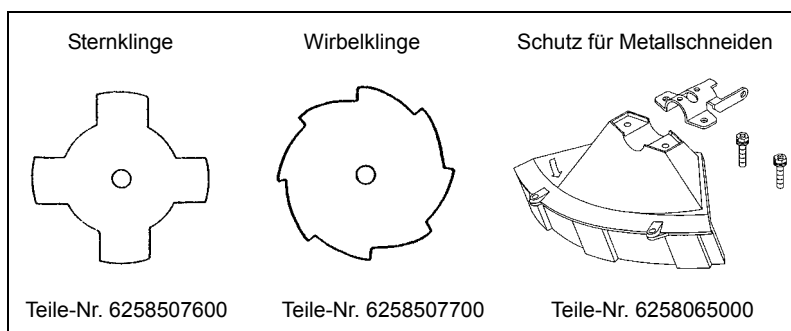
## Montieren des Schutzes

Zur Erfüllung der geltenden Sicherheitsstandards dürfen Sie nur die in dieser Übersicht aufgezeigten Werkzeug/Schutz-Kombinationen verwenden.



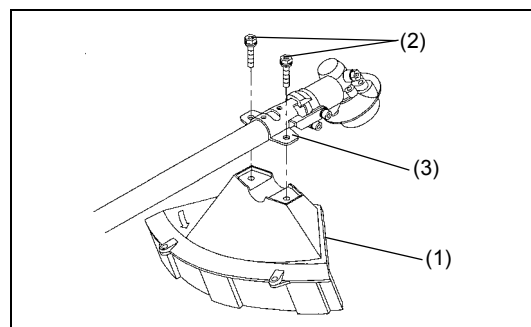
### Verwenden Sie immer originale Schneidklingen / Nylon-Schnittköpfe von MAKITA.

- Die Schneidklinge muss gut glänzen und darf keine Risse oder Brüche aufweisen. Falls die Schneidklinge während des Betriebs gegen Steine schlägt, stoppen Sie den Motor und überprüfen Sie die Klinge sofort.
- Polieren oder ersetzen Sie die Schneidblende aller drei Betriebsstunden.
- Falls der Nylon-Schneidkopf während des Betriebs gegen Steine schlägt, stoppen Sie den Motor und überprüfen Sie den Nylon-Schneidkopf sofort.

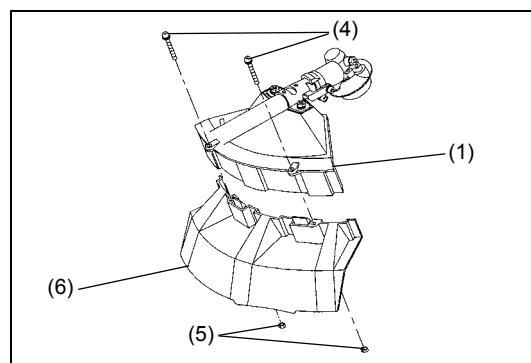


**VORSICHT:** Für Ihre eigene Sicherheit und für die Einhaltung der Bestimmungen zur Unfallverhinderung müssen Sie stets den entsprechenden Schutz anbringen. Der Betrieb des Werkzeugs ohne installiertem Schutz ist verboten.

- Befestigen Sie den Schutz (1) mit zwei Schrauben M6 x 30 (2) an der Klemme (3).



- Passen Sie bei Verwendung des Rasentrimmerkopfes den Schutz (6) in den Schutz (1) ein, und ziehen Sie diesen mit zwei Muttern (5) und zwei Schrauben (4) fest.

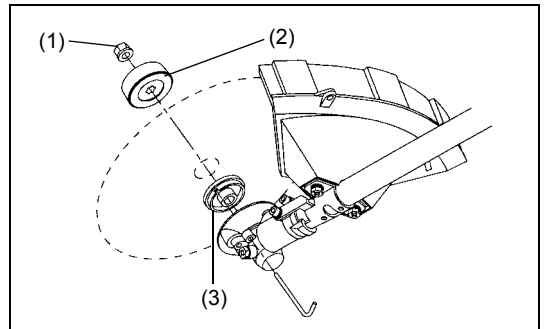


## Montieren der Schneidklinge / des Nylon-Schneidkopfes

Die Schneidklinge oder den Nylon-Schnittkopf können Sie einfach austauschen, wenn Sie zuerst das Werkzeug umdrehen.



- Stecken Sie den Inbusschlüssel durch die Öffnung im Getriebegehäuse und drehen Sie die Aufnahmescheibe (3), bis diese mit dem Inbusschlüssel einrastet.
- Lösen Sie die Mutter (1) (Linksgewinde) mit dem Steckschlüssel, und entfernen Sie die Mutter (1) und die Klemmscheibe (2).



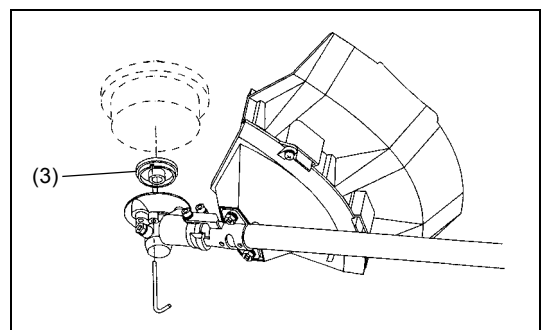
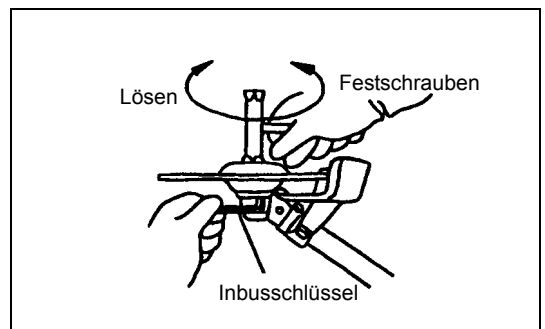
### Mit eingestecktem Inbusschlüssel

- Montieren Sie die Schneidklinge auf dem Schaft, sodass die Führung der Aufnahmescheibe (3) in das Spindeloch in der Schneidklinge passt. Befestigen Sie die Klemmscheibe (2) und sichern Sie die Schneidklinge mit der Mutter (1).  
[Anzugsmoment: 13 bis 23 Nm]

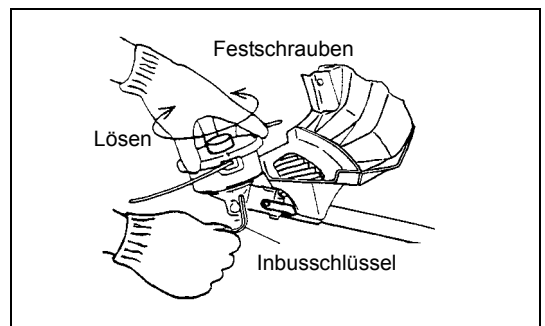
HINWEIS: Tragen Sie beim Umgang mit der Schneidklinge immer Schutzhandschuhe.

HINWEIS: Die Mutter zum Festziehen der Schneidklinge (mit Federscheibe) ist ein Verschleißteil. Wenn Sie Verschleiß oder Deformation an der Federscheibe feststellen, ersetzen Sie die Mutter.

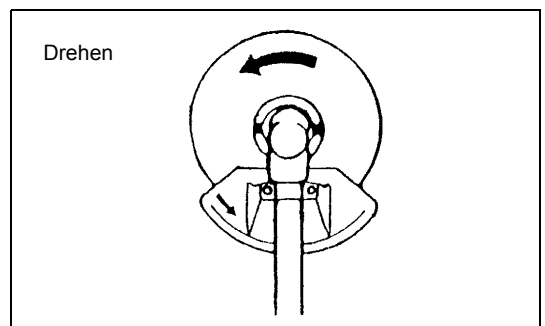
HINWEIS: Für die Montage des Nylon-Schnittkopfes werden die Klemmscheibe (2) und die Mutter (1) nicht benötigt. Der Nylonkopf muss auf die Aufnahmescheibe (3) passen.



- Schrauben Sie den Nylon-Schnittkopf auf den Schaft auf.



- Vergewissern Sie sich, dass sich die Klinge gegen den Uhrzeigersinn dreht.



## Umgang mit dem Kraftstoff

Beim Umgang mit Kraftstoff ist äußerste Vorsicht geboten. Kraftstoffe können Substanzen enthalten, die Lösungsmitteln entsprechen. Tanken Sie nur in einem gut belüfteten Raum oder im Freien auf. Atmen Sie die Kraftstoffdämpfe nicht ein, und vermeiden Sie jeglichen Kontakt des Kraftstoffs oder Öls mit Ihrer Haut.

Mineralölerzeugnisse entfetten Ihre Haut. Durch anhaltenden Hautkontakt mit diesen Erzeugnissen wird Ihre Haut extrem trocken, was zu zahlreichen Hauterkrankungen führen kann. Außerdem können allergische Reaktionen auftreten.

Durch Kontakt mit Öl können Augenirritationen auftreten. Falls Öl in Ihre Augen gelangt, spülen Sie diese sofort mit klarem Wasser. Falls die Augenirritationen anhalten, suchen Sie sofort einen Arzt auf.

## Kraftstoff-Öl-Gemisch

Der Motor der Sense ist ein Hochleistungs-Zwei-Takt-Motor. Dieser wird mit einem Gemisch aus Kraftstoff und Zwei-Takt-Motorenöl betrieben. Der Motor ist für bleifreies Normalbenzin mit einer Oktanzahl von 91 RON vorgesehen. Ist aus irgendeinem Grund solcher Kraftstoff nicht verfügbar, können Sie Kraftstoff mit einer höheren Oktanzahl verwenden. Dies hat keinen Einfluss auf den Motor, kann jedoch die Betriebsleistung schmälern.

Ähnliche Probleme treten bei der Verwendung von verbleitem Kraftstoff auf. Verwenden Sie nur bleifreies Kraftstoff, um einen optimalen Motorbetrieb zu erreichen und um Ihre Gesundheit und die Umwelt zu schützen!

Fügen Sie zum Schmieren des Motors Zwei-Takt-Motorenöl (Gütegrad: JASO FC oder ISO EGD) zum Kraftstoff hinzu. Der Motor ist für die Verwendung des speziellen Zwei-Takt-Motorenöls in einem Mischverhältnis von 50:1 ausgelegt. Außerdem werden eine lange Lebensdauer begleitet von einem zuverlässigen Betrieb und minimalen Emissionen durch die Verwendung dieses Mischungsverhältnisses garantiert. Die zuverlässige Funktionsweise der Motorsense kann nicht garantiert werden, wenn das Mischungsverhältnis 50:1 (mit dem speziellen 2-Takt-Motorenöl) nicht strengsten eingehalten wird.

## Korrektes Mischungsverhältnis

Benzin: spezifisches Zwei-Takt-Motorenöl = 50 : 1 oder  
 Benzin: Zwei-Takt-Motorenöl anderer Hersteller = 25 : 1 empfohlen

**HINWEIS:** Mischen Sie zur Vorbereitung des Kraftstoff-Öl-Gemischs zuerst die gesamte Ölmenge mit der Hälfte des erforderlichen Kraftstoffs, und fügen Sie anschließend den restlichen Kraftstoff hinzu. Mischen Sie das Gemisch gut durch, bevor Sie es in den Tank der Motorsense einfüllen. Geben Sie nicht mehr Motorenöl als angegeben hinzu, um einen sicheren Betrieb zu gewährleisten. Andernfalls werden mehr Verbrennungsrückstände produziert, die Umwelt verschmutzt und der Abluftkanal sowie der Schalldämpfer verstopft. Außerdem steigt der Kraftstoffverbrauch und die Leistung sinkt.

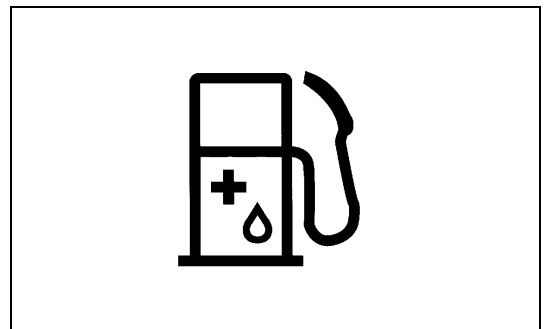
## Auftanken


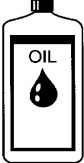
**Der Motor muss ausgeschaltet sein.**

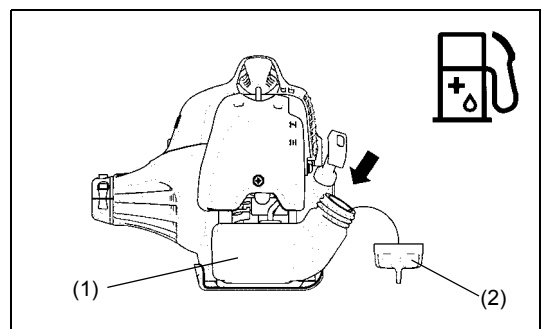
- Reinigen Sie den Bereich um den Tankdeckel (2) gründlich, damit kein Schmutz in den Kraftstofftank (1) gelangt.
- Schrauben Sie den Tankdeckel (2) ab und füllen Sie den Kraftstoff ein.
- Schrauben Sie den Tankdeckel (2) wieder fest auf.
- Reinigen Sie den Tankdeckel (2) und den Tank nach dem Auftanken.

## Aufbewahrung von Kraftstoff

Kraftstoff kann nicht unbegrenzt gelagert werden. Kaufen Sie nur die Menge, die Sie in einem Betriebszeitraum von 4 Wochen benötigen. Verwenden Sie ausschließlich zugelassene Kraftstoffbehälter.



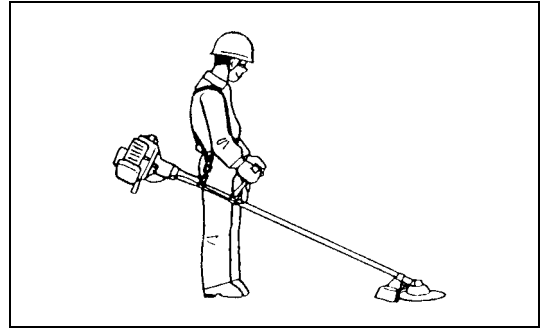
Benzin	50:1	25:1
	+	
1.000 cm <sup>3</sup> (1 Liter)	20 cm <sup>3</sup>	40 cm <sup>3</sup>
5.000 cm <sup>3</sup> (5 Liter)	100 cm <sup>3</sup>	200 cm <sup>3</sup>
10.000 cm <sup>3</sup> (10 Liter)	200 cm <sup>3</sup>	400 cm <sup>3</sup>



## Korrektter Umgang

### Befestigen des Schultergurtes

- Stellen Sie die Gurtlänge so ein, dass die Schneidklinge parallel zum Boden ist.

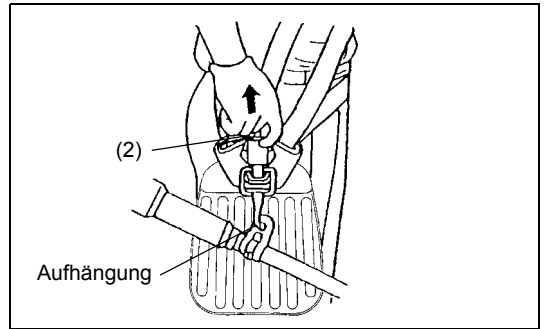


### Trennen

#### Für DBC260U

- Ziehen Sie im Notfall zum Abtrennen des Werkzeugs von Ihrem Körper stark mit Ihrem Finger an dem Notfall-Trennhebel (2). Dadurch wird der Werkzeugträger vom Körper getrennt.
- Gehen Sie äußerst vorsichtig vor, damit Sie die Kontrolle über das Werkzeug behalten. Lassen Sie nicht zu, dass das Werkzeug in Ihre Richtung oder in Richtung anderer Personen in Ihrer Nähe abprallt.

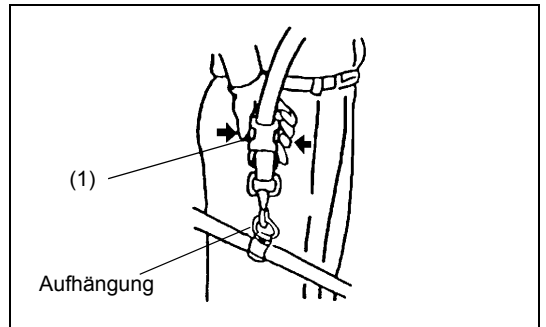
**WARNUNG:** Andernfalls können Sie die Kontrolle über das Werkzeug verlieren und schwere oder TÖDLICHE Verletzungen verursachen.



#### Für DBC260L

- Drücken Sie im Notfall die Einrastungen (1) an beiden Seiten und trennen Sie die Anlage.
- Gehen Sie äußerst vorsichtig vor, damit Sie die Kontrolle über das Werkzeug behalten. Lassen Sie nicht zu, dass das Werkzeug in Ihre Richtung oder in Richtung anderer Personen in Ihrer Nähe abprallt.

**WARNUNG:** Andernfalls können Sie die Kontrolle über das Werkzeug verlieren und schwere oder TÖDLICHE Verletzungen verursachen.



## Wichtige Betriebsschritte / Stoppen der Sense bzw. des Trimmers

Beachten Sie die geltenden Bestimmungen zur Unfallvermeidung.

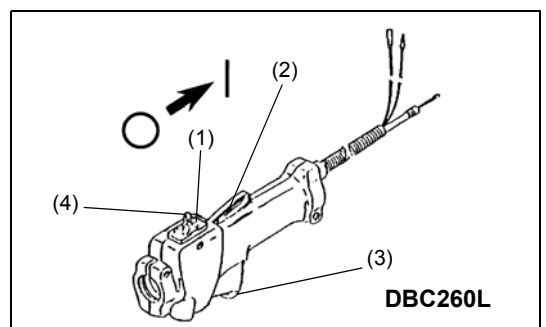
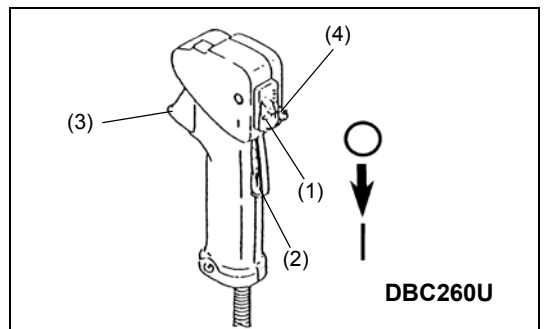


### Starten

Bewegen Sie sich mindestens 3 m von dem Bereich weg, wo Sie das Werkzeug betankt haben. Legen Sie die Motorsense auf einem sauberen Untergrund ab und achten Sie darauf, dass das Schneidwerkzeug nicht in Kontakt mit dem Erdboden oder anderen Gegenständen kommt.

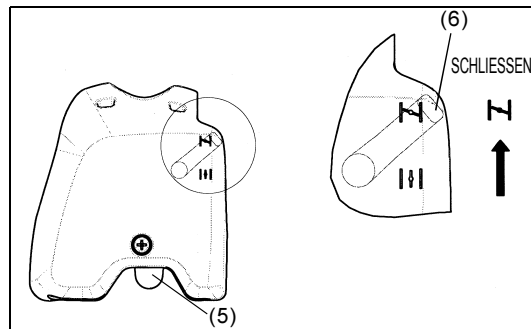
### Kaltstart

- Drücken Sie den I/O-Schalter (1) in die durch den Pfeil angegebene Richtung.
- Ergreifen Sie den Griff (der Sicherheits-Entsperrehebel (2) wird durch Handdruck aktiviert).
- Drücken Sie den Gashebel (3) und halten Sie ihn gedrückt.
- Drücken Sie die Verriegelungstaste (4) und lassen Sie den Regelungshebel los; lassen Sie anschließend die Verriegelungstaste los (die Verriegelungstaste hält den Gashebel in der Startposition).

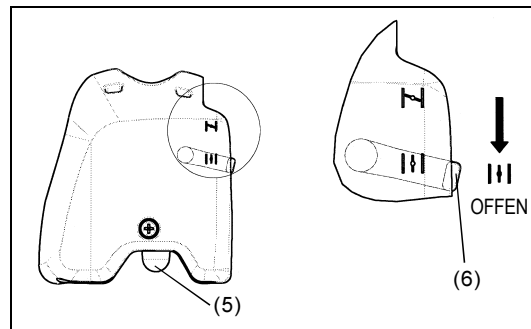
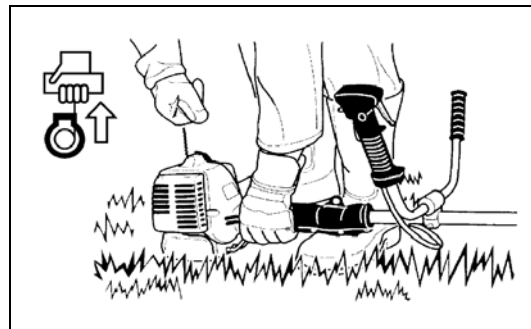




- Legen Sie zuerst das Werkzeug auf dem Boden ab.
- Drücken Sie die Ansaugpumpe (5) mehrmals (7 bis 10 Mal) leicht, bis der Kraftstoff in die Ansaugpumpe gelangt.
- Schließen Sie den Choke-Hebel (6).
- Öffnen des Chokes:
  - Bei kalten Temperaturen oder wenn der Motor kalt ist, ist der Choke völlig geschlossen.
  - Bei einem erneuten Start bei noch warmen Motor ist der Choke völlig oder halb geöffnet.



- Halten Sie das Kupplungsgehäuse sicher mit der linken Hand fest (siehe Abbildung).
- Ziehen Sie den Startergriff langsam, bis Sie einen Widerstand spüren, ziehen Sie dann stark.
- Ziehen Sie das Starterseil nicht bis zur vollen Länge heraus, und verhindern Sie, dass sich der Startergriff selbst einzieht. Halten Sie das Starterseil unter Kontrolle und gewährleisten Sie ein langsames Einziehen.
- Wiederholen Sie den Startvorgang, bis Sie die Startzündung des Motors hören.
- Lassen Sie den Choke-Hebel (6) (↓) los und ziehen Sie das Starterseil erneut, bis der Motor startet.
- Lassen Sie sofort nach dem Start des Motors den Gashebel los, lassen Sie die Halbdrossel-Verriegelung los und lassen Sie den Motor im Leerlauf.
- Lassen Sie den Motor für etwa eine Minute mit einer angemessenen Drehzahl laufen, bevor Sie den Motor voll belasten.



- HINWEIS: - Wenn Sie den Startergriff wiederholt ziehen, und der Choke-Hebel sich in der Position (↔) befindet, startet der Motor aufgrund der übermäßigen Kraftstoffaufnahme nicht leicht.
- Falls übermäßig Kraftstoff aufgenommen wird, entfernen Sie die Zündkerze und ziehen Sie den Startergriff langsam, um den übermäßigen Kraftstoff zu entfernen. Trocknen Sie außerdem den Bereich der Elektrode an der Zündkerze.

#### Vorsichtsmaßnahmen bei Betrieb:

Falls der Gashebel während des lastlosen Betriebs vollständig geöffnet ist, erreicht die Motordrehzahl über 10.000 U/min. Betreiben Sie den Motor niemals mit einer höheren Drehzahl als erforderlich, halten Sie eine Drehzahl von ca. 6.000 bis 8.000 U/min ein.

VORSICHT: Reduzieren Sie die Motordrehzahl immer, wenn Sie mit dem Werkzeug arbeiten.

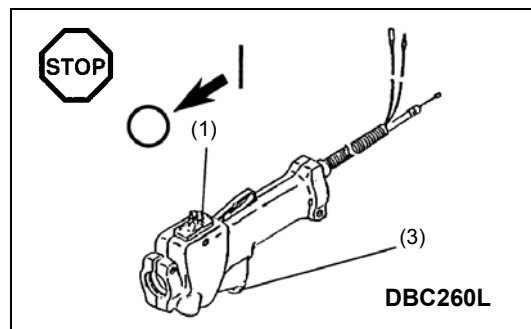
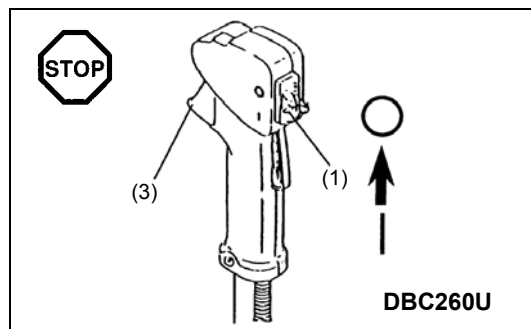
Der Betrieb des Werkzeugs bei höheren Drehzahlen ohne Belastung verkürzt die Lebenszeit des Werkzeugs.

#### Warmstart

- Befolgen Sie die obigen Anweisungen für den Kaltstart, außer dass Sie den Choke-Hebel nicht bewegen (der Choke-Hebel bleibt in der unteren Position (↓)).

#### Stoppen

- Lassen Sie den Gashebel (3) vollkommen los, und drücken Sie, wenn sich die Motordrehzahl verlangsamt hat, den I/O-Schalter (1) in die Position "O", um den Motor zu stoppen.
- Beachten Sie, dass der Schneidkopf nicht sofort stoppt, und stellen Sie sicher, dass dieser langsamer wird und von selbst stoppt.

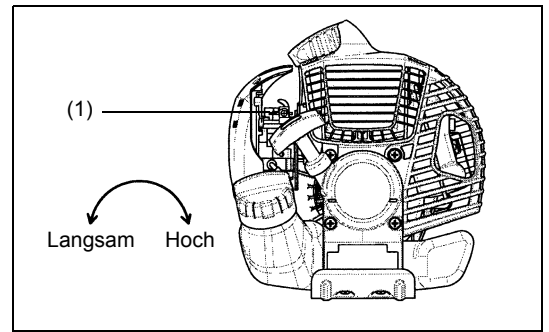


## ANPASSEN DER NIEDERDREHZAHL-UMDREHUNGEN (LEERLAUF)

Bei vollständig losgelassenem Gashebel darf sich die Schneidklinge oder der Nylon-Schneidkopf nicht drehen. Passen Sie die Leerlaufdrehzahl bei Bedarf mit Hilfe der Schraube an.

### Überprüfen der Leerlaufdrehzahl

- Die Leerlaufdrehzahl sollte auf 3.000 U/min eingestellt werden. Passen Sie die Leerlaufdrehzahl bei Bedarf mit der Schraube an (die Klinge und der Nylon-Schneidkopf dürfen sich im Leerlauf des Motors nicht drehen). Ziehen Sie die Leerlaufschraube (1) fest, um die Motordrehzahl zu erhöhen, lösen Sie die Leerlaufschraube, um die Motordrehzahl zu verringern.



## Schärfen des Schneidwerkzeugs

**VORSICHT:** Die im Folgenden aufgeführten Schneidwerkzeuge dürfen nur durch autorisierte Einrichtungen geschärft werden. Manuelles Neuschärfen führt zu Unwuchten des Schneidwerkzeugs, wodurch Vibrationen und Beschädigungen des Werkzeugs verursacht werden.

- Schneidklinge (Sternklinge (4 Zähne), Wirbelklinge (8 Zähne))

Professionelle Schärf- und Auswuchtdienste werden von autorisierten Dienstleistungsunternehmen angeboten.

**HINWEIS:** Zur Verbesserung der Lebenszeit der Schneidklinge (Sternklinge, Wirbelklinge) muss die Klinge möglicherweise umgedreht werden, damit sich beide Schneidkanten abnutzen.

### NYLON-SCHNEIDKOPF

Der Nylon-Schneidkopf ist ein zweiseitiger Rasentrimmerkopf mit automatischen und Stoß-Zufuhr-Mechanismen.

Der Nylon-Schneidkopf gibt automatisch die richtige Länge des Nylonseils heraus, dies geschieht durch Ändern der Zentrifugalkraft aufgrund der Zunahme oder Abnahme der Drehzahl. Um weiches Gras jedoch wirksamer zu schneiden, stoßen Sie den Nylon-Schneidkopf gegen den Boden, um ein Stück zusätzliches Seil herauszuführen (siehe Betriebsabschnitt).

### Betrieb

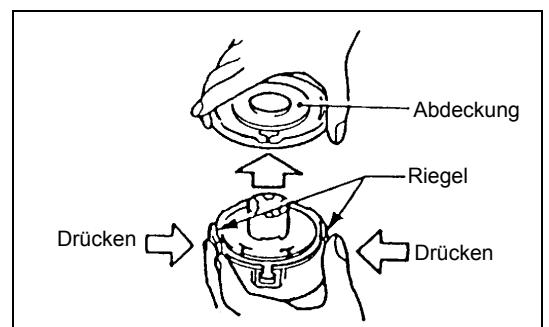
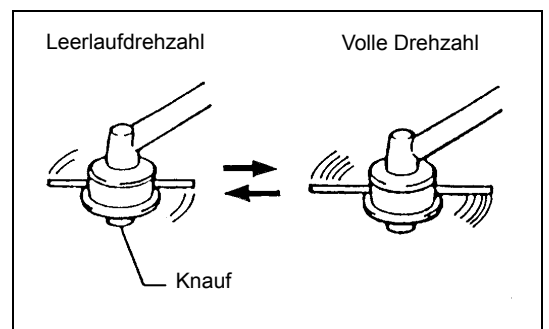
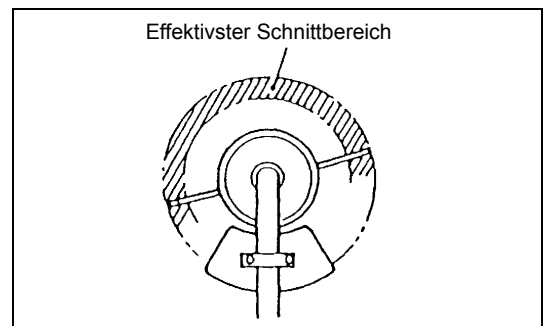
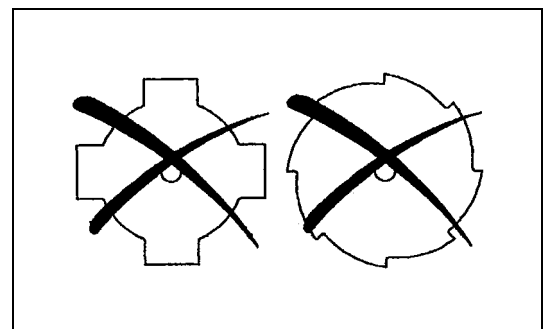
- Erhöhen Sie die Drehzahl des Nylon-Schneidkopfes auf ca. 6.000 U/min. Bei niedrigeren Drehzahlen (unter 4.800 U/min) wird das Nylonseil nicht korrekt herausgeführt.
- Der effektivste Schnittbereich ist in der Abbildung rechts schraffiert dargestellt.

Falls das Nylonseil nicht automatisch herausgeführt wird, gehen Sie wie folgt vor:

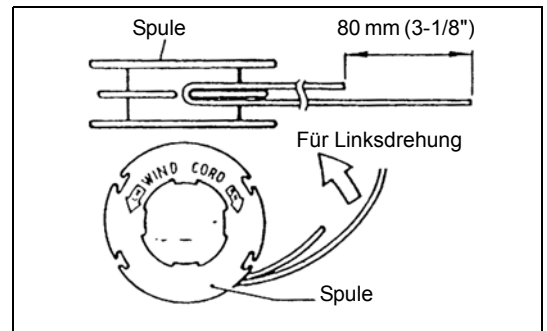
1. Lassen Sie den Gashebel los, sodass der Motor im Leerlauf ist, und drücken Sie den Gashebel dann ganz ein. Wiederholen Sie dies, bis das Nylonseil die richtige Länge hat.
2. Falls das Nylonseil zu kurz ist, um mittels dieser Methode automatisch herausgeführt zu werden, stoßen Sie den Knauf des Nylon-Schneidkopfes gegen den Boden, um das Nylonseil herauszuführen.
3. Falls das Nylonseil nicht mithilfe der Vorgehensweise 2 herausgeführt werden kann, spulen Sie das Nylonseil auf und tauschen Sie es aus (siehe Abschnitt "Ersetzen des Nylonseils").

### Ersetzen des Nylonseils

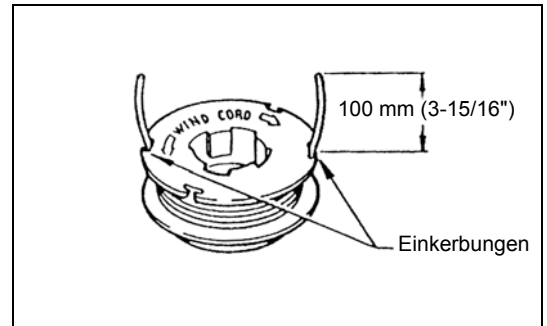
- Stoppen Sie den Motor.
- Drücken Sie die Riegel nach innen, um die Abdeckung anzuheben und die Spule zu entfernen.



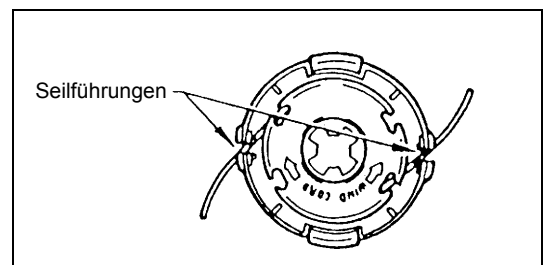
- Haken Sie die Mitte des Nylonseils in die Kerbe in der Mitte der Spule ein, das eine Ende des Seils muss etwa 80 mm länger als das andere sein. Winden Sie anschließend beide Enden fest um die Spule in Richtung der Kopfdrehung (Links-drehung wird durch "LH" und Rechtsdrehung durch "RH" an der Seite der Spule gekennzeichnet).



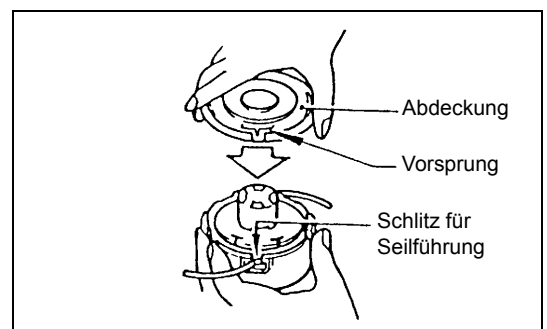
- Winden Sie etwa 100 mm des Seils um die Spule und lassen Sie die Enden vorübergehend in der Einkerbung an der Seite der Spule eingehängt.



- Montieren Sie die Spule in dem Gehäuse, sodass die Kerben und Vorsprünge an der Spule mit denen im Gehäuse übereinstimmen. Montieren Sie die Spule so, dass die Beschriftung der Spule von oben zu sehen ist. Haken Sie als nächstes die Enden des Seils aus ihrer vorübergehenden Positionen aus, und führen Sie das Seil durch die Seilführungen, sodass diese aus dem Gehäuse herausstehen.



- Richten Sie den Vorsprung an der Unterseite der Abdeckung an den Schlitten der Seilführungen aus. Drücken Sie dann die Abdeckung fest auf das Gehäuse.



## Wartungsanweisungen

### Wartungsanweisungen

- VORSICHT:** Schalten Sie vor allen Wartungsarbeiten an der Motorsense den Motor aus und trennen Sie den Zündkerzenstecker von der Zündkerze (siehe "Überprüfen der Zündkerze"). Tragen Sie immer Schutzhandschuhe!
- VORSICHT:** Bauen Sie den Rückstoßstarter niemals selbst aus. Zuwiderhandlungen können zu Unfällen führen. Diese Vorgehensweise sollte nur von autorisierten Servicezentren durchgeführt werden.



Führen Sie die folgenden Wartungsarbeiten regelmäßig durch, um eine lange Lebenszeit zu erzielen und Beschädigungen des Werkzeugs zu vermeiden.

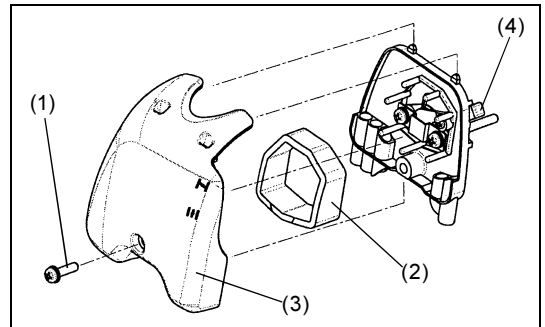
#### Tägliche Inspektionen und Wartungsarbeiten

- Überprüfen Sie vor dem Betrieb das Werkzeug auf lose Schrauben und fehlende Teile. Achten Sie besonders auf den festen Sitz der Motorsense oder des Nylon-Schneidkopfes.
- Überprüfen Sie vor jedem Betrieb, dass die Kühlluftdurchgänge und Zylinderlamellen nicht verstopft sind. Reinigen Sie diese bei Bedarf.
- Führen Sie die folgenden Wartungsarbeiten täglich nach der Arbeit durch:
  - Reinigen Sie die Motorsense im ausgebauten Zustand und überprüfen Sie diese auf Beschädigungen.
  - Reinigen Sie den Luftfilter. Wenn Sie unter sehr staubigen Bedingungen arbeiten, reinigen Sie den Filter mehrmals am Tag.
  - Prüfen Sie die Schneide oder den Nylon-Schneidkopf auf Beschädigungen und überprüfen Sie die ordnungsgemäße Montage.

- Prüfen Sie, dass der Abstand zwischen Leerlauf- und Betriebsdrehzahlen ausreichend ist, damit das Werkzeug bei Leerlauf des Motors im Stillstand ist (reduzieren Sie bei Bedarf die Leerlaufdrehzahl).  
Falls sich das Schneidwerkzeug während des Leerlaufs des Motors weiter dreht, wenden Sie sich an das nächste autorisierte Servicezentrum.
- Prüfen Sie den I/O-Schalter, den Entriegelungshebel, den Regelungshebel und die Verriegelungstaste auf ordnungsgemäße Funktionsweise.

### Reinigen des Luftreinigers (Luftfilter)

- Lösen Sie die Schraube (1).
- Drehen Sie den Choke-Hebel (4) vollständig zu, und halten Sie den Vergaser fern von Staub oder Schmutz.
- Entfernen Sie die Luftreinigerabdeckung (3).
- Entfernen Sie den Schwamm (2), waschen Sie diesen in lauwarmen Wasser und trocknen Sie diesen vollständig.
- Setzen Sie nach dem Reinigen den Luftreinigerdeckel (3) wieder auf und befestigen Sie ihn mit der Schraube (1).

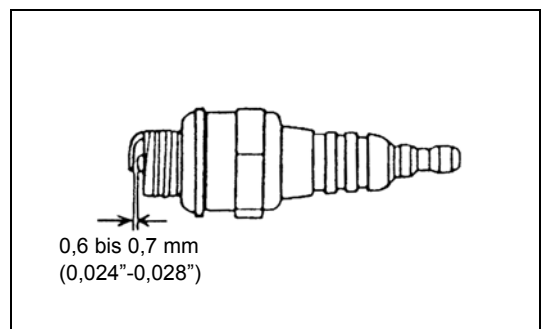


**HINWEIS:** Sollten übermäßiger Staub und Schmutz am Luftreiniger anhaften, reinigen Sie diesen täglich. Der Motor kann mit einem verstopften Luftreiniger nur schwer oder gar nicht gestartet werden, oder die Motordrehzahl nimmt zu.

### Überprüfen der Zündkerze

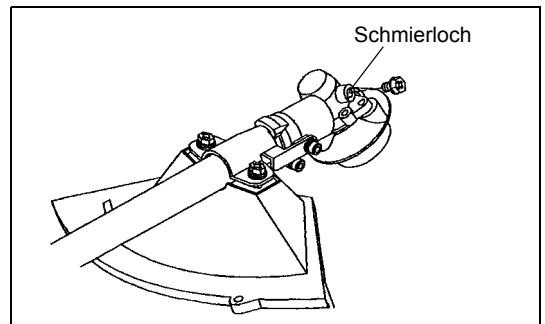
- Verwenden Sie nur den mitgelieferten Universalschraubenschlüssel, um die Zündkerze zu entfernen oder einzubauen.
- Der Abstand zwischen den Elektroden der Zündkerze sollte zwischen 0,6 und 0,7 mm liegen. Passen Sie den Abstand bei Bedarf an. Falls die Zündkerze mit einem Karton oder Schmutz verstopft ist, reinigen Sie diese gründlich oder ersetzen Sie sie.

**VORSICHT:** Berühren Sie den Zündkerzenstecker niemals, wenn der Motor läuft (Gefahr eines Hochspannungsschlags).



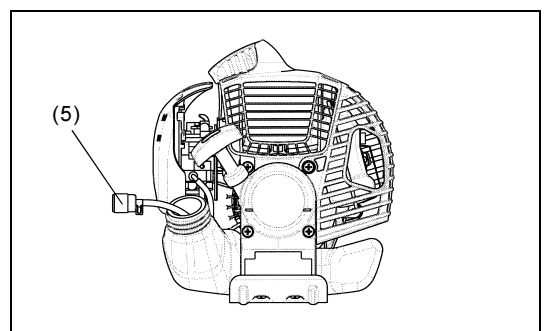
### Auftragen von Schmiere auf das Getriebegehäuse

- Tragen Sie Schmiere (Shell Alvania 3 oder eine äquivalente) durch das Schmierloch aller 30 Betriebsstunden auf das Getriebegehäuse auf. (Originale MAKITA-Schmierfett erhalten Sie bei Ihrem MAKITA-Händler.)



### Ansaugkopf im Kraftstofftank

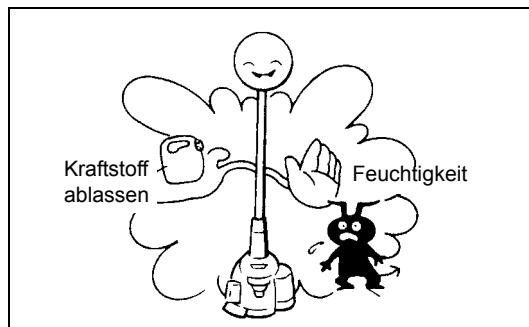
- Mit dem Tankeinfüllstutzen (5) des Ansaugkopfes wird der benötigte Kraftstoff in den Vergaser geleitet.
- Führen Sie regelmäßig eine Sichtprüfung des Kraftstofffilters durch. Für die Inspektion des Filters öffnen Sie den Tankdeckel, und ziehen Sie mit einem Drahhaken den Ansaugkopf durch die Tanköffnung. Ersetzen Sie den Filter, falls dieser verhärtet, schmutzig oder verstopft ist.
- Eine unzureichende Kraftstoffzufuhr kann dazu führen, dass die maximal zulässige Drehzahl überschritten wird. Aus diesem Grund muss der Kraftstofffilter mindestens quartalsweise ersetzt werden, um eine zufriedenstellende Kraftstoffzufuhr zum Vergaser zu gewährleisten.



Alle weiteren Wartungsarbeiten oder Einstellungen, die in diesem Handbuch nicht beschrieben wurden, müssen von autorisierten Servicezentren durchgeführt werden.

## Aufbewahren

- Wenn Sie das Werkzeug über einen längeren Zeitraum lagern, lassen Sie den gesamten Kraftstoff aus den Tank und dem Vergaser ab. Lassen Sie dazu einfach den Kraftstoff aus dem Tank ab. Entsorgen Sie den abgelassenen Kraftstoff gemäß den örtlichen Bestimmungen.
- Entfernen Sie die Zündkerze und geben Sie einige wenige Tropfen Öl in die Zündkerzenöffnung. Ziehen Sie anschließend den Starter leicht, sodass das Öl die Innenseite des Motors bedeckt und ziehen Sie dann die Zündkerze fest.
- Entfernen Sie allen Staub und Schmutz von der Schneidklinge und dem Äußeren des Motors und reiben Sie diese mit einem ölgetränktem Tuch ein. Lagern Sie das Werkzeug an einem trockenem Platz.



## Wartungsplan

Allgemein	Motorbaugruppe, Schrauben und Muttern	Sichtprüfung auf Beschädigungen und festen Sitz Prüfung auf allgemeinen Zustand und Sicherheit
Nach dem Auftanken	Regelungshebel I/O-Schalter	Funktionsprüfung Funktionsprüfung
Täglich	Luftfilter Kühlluftkanal Schneidwerkzeug Leerlaufdrehzahl	Reinigung Reinigung Prüfung auf Beschädigungen und Schärfe Inspektion (Schneidwerkzeug darf sich nicht bewegen)
Wöchentlich	Zündkerzenstecker Schalldämpfer	Inspektion, bei Bedarf Austausch Inspektion und Reinigung der Öffnung bei Bedarf
Quartalsweise	Ansaugkopf Kraftstofftank	Austausch Reinigung
Ausschaltvorgang	Kraftstofftank Vergaser	Leeren des Kraftstofftanks Betreiben des Motors bis zum Ausgehen des Kraftstoffs

## Fehlersuche

Fehler	System	Beobachtung	Grund
Motor startet nicht oder nur schwer	Zündungssystem	Zündfunken OK	Fehler der Kraftstoffversorgung oder des Verdichtungssystems, mechanischer Defekt
		Kein Zündfunken	I/O-Schalter bedient, Verdrahtung fehlerhaft oder kurzgeschlossen, Zündkerze oder Zündkerzenstecker defekt, Zündmodul fehlerhaft
	Kraftstoffversorgung	Kraftstofftank gefüllt	Falsche Choke-Position, Vergaser defekt, Kraftstoff-Zufuhrleitung verbogen oder blockiert, Kraftstoff verschmutzt.
	Verdichtung	Keine Verdichtung beim Überziehen	Zylinderkopfdichtung defektiv, Pleuellendichtungen beschädigt, Zylinder oder Pleurerringe defekt oder ungeeignete Dichtung der Zündkerze
Warmstartprobleme	Mechanischer Fehler	Starter schaltet nicht ein	Gebrochene Starterfeder, gebrochenen Teile innerhalb des Motors
		Tank gefüllt Zündfunken OK	Vergaser verschmutzt Reinigen
Motor startet, geht jedoch aus	Kraftstoffversorgung	Tank gefüllt	Fehlerhafte Leerlaufeinstellung, Vergaser verschmutzt  Kraftstoff-Tankventil defekt, Kraftstoff-Zufuhrleitung unterbrochen, Kabel oder I/O-Schalter defekt
Unzureichende Leistung	Möglicherweise werden verschiedene Systeme gleichzeitig beeinflusst	Motorleerlauf zu gering	Luftfilter verschmutzt, Vergaser verschmutzt, Schalldämpfer verstopft, Abluftkanal im Zylinder verstopft

Grazie per avere acquistato questo decespugliatore/tagliabordi MAKITA. I decespugliatori/tagliabordi Makita sono il risultato di molti anni di competenza ed esperienza e di un preciso programma di sviluppo. Leggere con attenzione questo opuscolo per essere certi di avere le migliori prestazioni e i risultati eccezionali che il decespugliatore/tagliabordi MAKITA può offrire.



<b>Sommario</b>	<b>Pagina</b>
Simboli .....	54
Istruzioni per la sicurezza.....	55
Dati tecnici DBC260U, DBC260L.....	59
Nomi delle parti .....	60
Montaggio dell'impugnatura .....	61
Montaggio della protezione .....	62
Montaggio della lama/testina di taglio in nylon.....	63
Carburante/Rifornimento.....	64
Manipolazione corretta.....	65
Avvertenze importanti/arresto del decespugliatore/rifilatore .....	65
Affilatura dell'utensile da taglio.....	67
Istruzioni di manutenzione .....	68
Conservazione .....	70

**Simboli**

Leggendo le presenti istruzioni per l'uso occorre prestare attenzione ai seguenti simboli.

	Leggere le istruzioni per l'uso.		Indossare protezioni per occhi e orecchie (solo per il tagliabordi)
	Prestare particolare cura e attenzione		Indossare l'elmetto protettivo e le protezioni per occhi e orecchie (solo per il decespugliatore)
	Proibito		Non usare lame metalliche (solo per il tagliabordi)
	Mantenere la distanza		Velocità massima ammissibile dell'utensile
	Pericolo di oggetti volanti		Superfici calde: possono causare bruciature a dita e mani
	Vietato fumare		Miscela di olio e carburante
	Non usare fiamme libere		Motore: avvio manuale
	Indossare guanti protettivi		Arresto di emergenza
	Contraccolpo		Pronto soccorso
	Allontanare persone e animali dall'area di lavoro		Riciclaggio
	Indossare calzature pesanti con suola antiscivolo. Si consigliano scarpe di sicurezza con puntale in metallo.		ON/START
			OFF/STOP

## Istruzioni per la sicurezza

### Istruzioni generali

- Per garantire un corretto funzionamento, assicurarsi di leggere e comprendere completamente queste istruzioni per l'uso, per acquisire familiarità con l'uso del decespugliatore/tagliabordi. Usare questo dispositivo senza sapere come azionarlo correttamente potrebbe portare a gravi lesioni per sé o per altri.
- Permettere di utilizzare il decespugliatore/tagliabordi solo a persone con provata esperienza con decespugliatori/tagliabordi. Concedendo in uso il dispositivo, allegare sempre il presente manuale.
- Se questa è la prima volta che si utilizza un utensile da taglio a motore, consultare il rivenditore per le istruzioni di base.
- Il decespugliatore/tagliabordi non deve essere utilizzato da bambini e persone al di sotto dei 18 anni di età. Persone al di sopra dei 16 anni possono usare il dispositivo per scopi di addestramento, solo sotto la supervisione di un istruttore qualificato.
- Usare il decespugliatore/tagliabordi con la massima cura e attenzione.
- Usare il decespugliatore/tagliabordi solo se si è in buone condizioni fisiche. Eseguire il lavoro con calma e attenzione. Gli utilizzatori devono essere responsabili dell'incolumità delle persone presenti.
- Non usare il decespugliatore/tagliabordi dopo l'assunzione di alcol o farmaci, oppure se ci si sente stanchi o indisposti.

### Uso previsto del dispositivo.

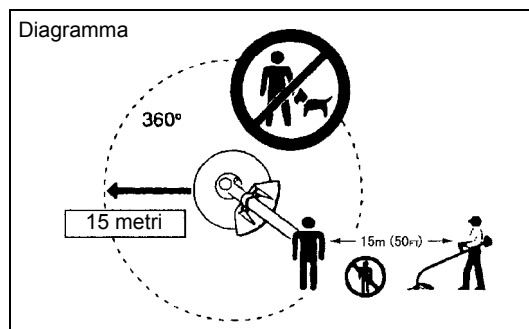
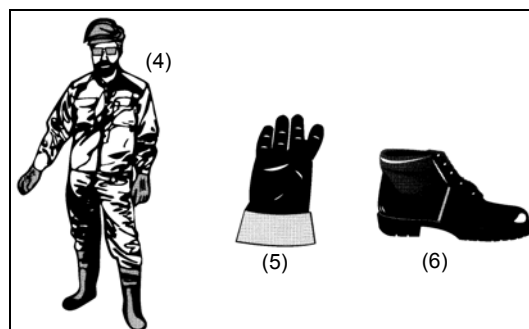
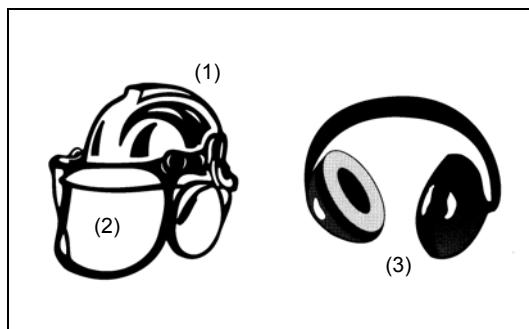
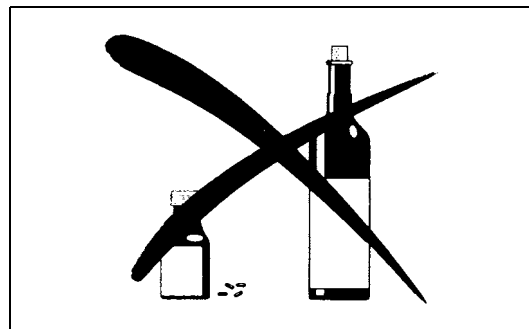
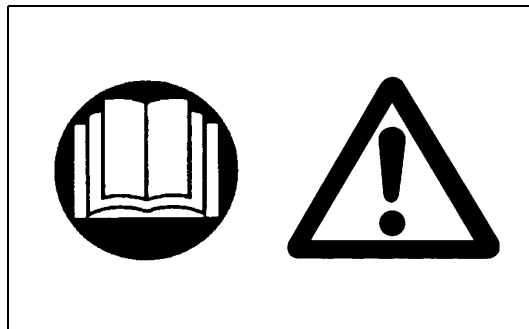
- Il decespugliatore/tagliabordi è previsto esclusivamente per il taglio di erba, arbusti, cespugli e altro sottobosco e non deve essere usato per qualunque altro scopo, come bordatura o potatura di siepi, poiché questo potrebbe essere causa di infortuni.

### Dispositivi di protezione personale

- Indossare sempre abiti che siano funzionali e appropriati per il lavoro da svolgere, cioè aderenti ma non così stretti da ostacolare i movimenti. Non indossare gioielli o abiti che potrebbero impigliarsi in cespugli o arbusti.
- Per evitare lesioni a testa, occhi, mani o piedi, oltre che per proteggere l'udito durante il lavoro, usando il decespugliatore/tagliabordi occorre indossare i seguenti dispositivi e indumenti protettivi.
- Indossare sempre un elmetto quando vi sia rischio di caduta di oggetti. L'elmetto di protezione (1) deve essere controllato periodicamente per verificare eventuali danni e deve essere sostituito almeno ogni 5 anni. Usare solo elmetti protettivi omologati.
- Il visore (2) dell'elmetto (o gli occhiali di protezione in alternativa) proteggono il volto da detriti e sassi volanti. Per prevenire danni agli occhi, indossare sempre occhiali di protezione o un visore durante l'uso del decespugliatore/tagliabordi.
- Indossare adeguate protezioni contro il rumore per evitare danni all'udito (cuffie (3), tappi per le orecchie, ecc).
- Indossare una tuta da lavoro (4) per proteggersi da sassi e detriti volanti. Si consiglia fortemente di indossare una tuta da lavoro integrale.
- Guanti speciali (5) di cuoio pesante fanno parte dell'equipaggiamento prescritto e devono sempre essere indossati durante l'uso del decespugliatore/tagliabordi.
- Durante l'uso del decespugliatore/tagliabordi indossare sempre scarpe pesanti (6) con suola antiscivolo. Tali scarpe proteggono da ferite e assicurano una buona presa a terra.

### Avvio del decespugliatore

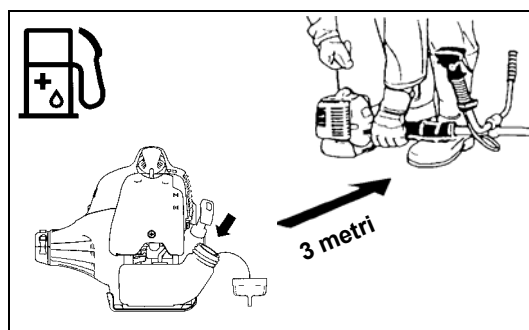
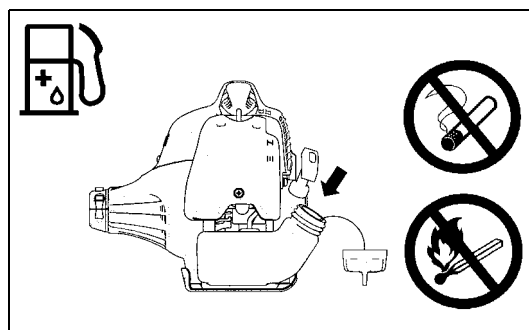
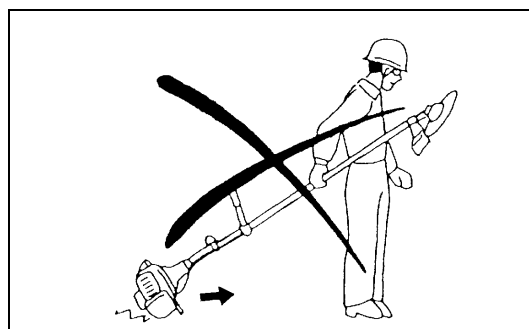
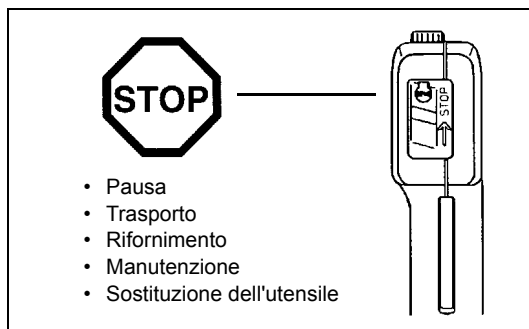
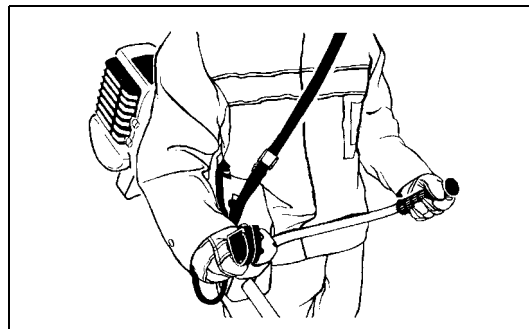
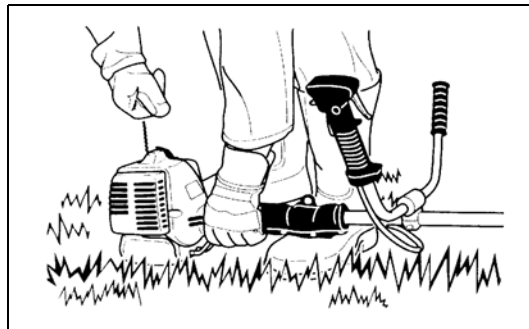
- Assicurarsi che non siano presenti bambini o altre persone in un raggio di 15 metri; fare anche attenzione alla presenza di animali nelle vicinanze dell'area di lavoro.
- Prima di utilizzarlo, assicurarsi sempre che il decespugliatore/tagliabordi sia pronto all'uso:  
Controllare che l'utensile da taglio sia fissato saldamente, che la leva di controllo possa essere azionata facilmente e che il blocco della leva di controllo funzioni correttamente.
- L'utensile da taglio non deve girare quando il motore è al minimo. Consultare il rivenditore se si ritiene che il dispositivo richieda regolazione. Verificare che le maniglie siano pulite e asciutte e che l'interruttore di accensione funzioni correttamente.



- Avviare il decespugliatore/tagliabordi solo secondo quanto riportato nelle istruzioni. Non usare alcun altro metodo per avviare il motore!
- Usare il decespugliatore/tagliabordi e gli utensili solo per gli usi previsti.
- Avviare il motore del decespugliatore/tagliabordi solo quando l'intero dispositivo è completamente montato. Non usare il dispositivo fino a che tutti gli accessori necessari siano stati installati.
- Prima dell'avvio assicurarsi che l'utensile da taglio non sia a contatto con oggetti duri, come rami, pietre, ecc. poiché all'avvio l'utensile si metterà in rotazione.
- Spegnerne immediatamente il motore in caso di problemi di qualunque tipo del motore.
- Nel caso in cui l'utensile da taglio urti pietre o altri oggetti duri, spegnere immediatamente il motore e ispezionare l'utensile da taglio.
- Controllare l'utensile da taglio frequentemente e con regolarità per verificare la presenza di danni (controllare piccole fratture picchiando leggermente).
- Azionare il decespugliatore/tagliabordi solo dopo avere collegato la cinghia a tracolla e averla regolata alla giusta lunghezza. La cinghia a tracolla deve essere regolata e stretta in base alla taglia dell'utilizzatore per prevenire l'affaticamento durante l'uso del dispositivo. Durante l'uso non tenere mai il dispositivo con una mano sola.
- Durante l'uso, tenere sempre il decespugliatore/tagliabordi con entrambe le mani. Assicurarsi sempre di avere una buona presa a terra.
- Usare il decespugliatore/tagliabordi in modo da evitare di inalare i gas di scarico. Non azionare mai il motore in un luogo chiuso, come all'interno di una stanza (rischio di avvelenamento da gas). Il monossido di carbonio è un gas inodore.
- Spegnerne sempre il dispositivo durante le soste o se si intende lasciare incustodito il decespugliatore/tagliabordi, riponendolo in una posizione sicura per impedire incidenti ad altre persone e danni al dispositivo.
- Non porre mai il decespugliatore/tagliabordi sull'erba secca o su altri materiali combustibili.
- L'utensile da taglio deve sempre essere dotato dell'apposita protezione. Non avviare mai l'utensile senza questa protezione!
- Durante l'uso devono essere utilizzate tutte le installazioni di sicurezza e le protezioni fornite con il dispositivo.
- Non azionare mai il motore se il tubo di scarico è difettoso.
- Spegnerne il motore durante il trasporto.
- Durante il trasporto su lunghe distanze utilizzare sempre il dispositivo di protezione dell'utensile, in dotazione.
- Assicurarsi che durante il trasporto il decespugliatore/tagliabordi sia posizionato in modo sicuro, per evitare perdite di carburante.
- Durante il trasporto, assicurarsi che il serbatoio del decespugliatore/tagliabordi sia completamente vuoto.
- Scaricando il decespugliatore/tagliabordi da un furgone o altri veicoli simili, non lasciare mai cadere il motore al suolo: questo potrebbe danneggiare gravemente il serbatoio del carburante.
- Tranne che in casi di emergenza, non lasciare mai cadere al suolo il decespugliatore/tagliabordi: questo potrebbe danneggiare gravemente il dispositivo.
- Per spostare il dispositivo, alzarlo sempre completamente dal suolo. Trascinare il dispositivo sul serbatoio del carburante è molto pericoloso e potrebbe causare perdita di carburante, con il conseguente pericolo di incendio.

### Rifornimento

- Durante il rifornimento spegnere il motore, tenersi lontani da fiamme libere e non fumare.
- Assicurarsi che i prodotti a base di oli minerali non vengano a contatto con la pelle. Non inalare i vapori del carburante. Durante il rifornimento indossare sempre i guanti di protezione. Sostituire e pulire gli indumenti di protezione a intervalli regolari.
- Per prevenire la contaminazione del suolo (protezione ambientale), non versare in terra olio o carburante. In caso di perdita di carburante, pulire immediatamente il decespugliatore/tagliabordi.
- Evitare che il carburante venga a contatto con gli abiti. Se il carburante viene a contatto con gli abiti, sostituirli immediatamente per prevenire incendi.
- Controllare regolarmente il tappo del serbatoio del carburante, per assicurarsi che sia stretto saldamente e che non perda.
- Stringere con cura il tappo del serbatoio del carburante. Completato il rifornimento, spostarsi di almeno 3 metri da dove è stato fatto il rifornimento prima di avviare il motore.





- Non effettuare mai il rifornimento in un luogo chiuso, come dentro una stanza. Questo potrebbe causare un'esplosione, dovuta all'accumulo di vapori di carburante a livello del suolo.
- Trasportare e riporre il carburante solo in contenitori omologati. Assicurarsi che il carburante riposto non sia accessibile ai bambini.

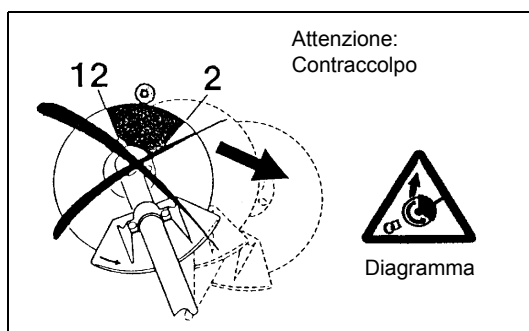
### Utilizzo

- Usare il decespugliatore/tagliabordi solo in buone condizioni di luce e di visibilità. Durante la stagione invernale fare attenzioni alle zone umide o scivolose, come quelle coperte da neve o ghiaccio (rischio di scivolamento). Assicurarsi sempre di avere una buona presa a terra.
- Non eseguire tagli a un'altezza superiore a quella della cintura.
- Non usare mai il decespugliatore/tagliabordi su una scala.
- Non arrampicarsi sugli alberi per usare il decespugliatore/tagliabordi.
- Non lavorare mai su superfici instabili.
- Rimuovere sabbia, pietre, chiodi, ecc. dall'area di lavoro. Oggetti estranei possono danneggiare l'utensile da taglio e causare pericolosi contraccolpi.
- Prima di cominciare a tagliare, assicurarsi che l'utensile da taglio abbia raggiunto la velocità di lavoro.



### Contraccolpo

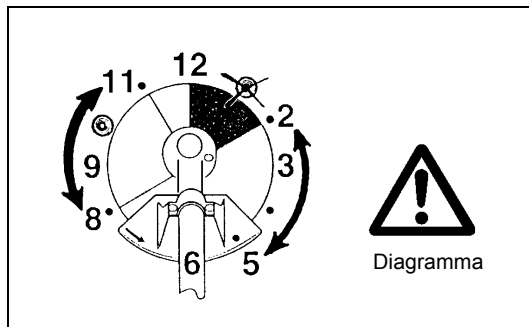
- Usando il decespugliatore possono verificarsi contraccolpi incontrollati.
- I contraccolpi si verificano frequentemente cercando di tagliare con la parte della lama che va dalle ore 12 alle ore 2.
- Non usare mai la sezione della lama che va dalle ore 12 alle ore 2.
- Non applicare mai questa parte della lama su oggetti solidi, come cespugli o alberi, che abbiano un diametro maggiore di 3 cm. In questo modo il decespugliatore potrebbe essere deviato violentemente, condizione estremamente pericolosa che può essere causa di infortuni.



### Prevenzione dei contraccolpi

#### Tenere presente i punti seguenti per evitare contraccolpi:

- L'uso della sezione della lama che va dalle ore 12 alle ore 2 è molto pericoloso, specialmente usando utensili da taglio di metallo.
- Le operazioni di taglio mediante le sezioni della lama comprese fra le ore 11 e 12 e fra le ore 2 e le 5 devono essere effettuate esclusivamente da operatori esperti, e solo a loro rischio e pericolo. La sezione di taglio ottimale per un utilizzo agevole, quasi del tutto privo di contraccolpi, è quella compresa fra le ore 8 e le 11.

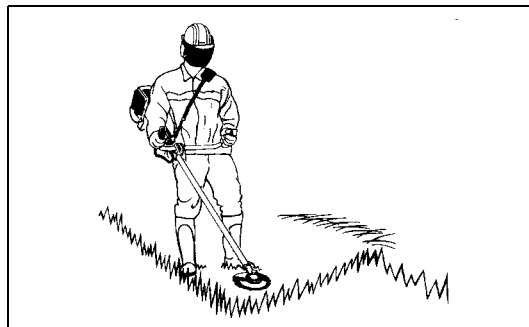


### Utensili da taglio

Assicurarsi di usare l'utensile da taglio adeguato per ogni particolare lavoro.

DBC260U con lama da taglio (Lama a croce (4 denti), Lama circolare (8 denti)), DBC260L con testina di taglio in Nylon.

Per il taglio di materiali spessi, come siepi, erba alta, cespugli, arbusti, sottobosco, piccole piante, ecc. (max. 2 cm di diametro). Eseguire il taglio facendo oscillare uniformemente il decespugliatore i semicerchi, da destra a sinistra (come se si stesse usando una falce).



### Istruzioni per la manutenzione

- Controllare sempre le condizioni dell'utensile, in particolare i dispositivi di protezione e la cinghia a tracolla, prima di iniziare il lavoro. Occorre prestare particolare attenzione alle lame, che devono essere adeguatamente affilate.
- Per pulire o affilare gli utensili di taglio o per pulire il decespugliatore spegnere il motore e rimuovere il cavo della candela.

### Non raddrizzare né saldare gli utensili da taglio danneggiati.

- Azionare il decespugliatore/tagliabordi provocando il minore rumore e contaminazione possibili. In particolare, controllare che il carburatore sia installato correttamente.
- Pulire il decespugliatore/tagliabordi a intervalli regolari e controllare che tutte le viti e i dadi siano ben stretti.
- Non mantenere o riporre il decespugliatore/tagliabordi vicino a fiamme libere.
- Riporre il decespugliatore/tagliabordi in stanze chiuse a chiave, dopo avere svuotato il serbatoio del carburante.

Osservare le istruzioni per la prevenzione degli incidenti emesse dalle associazioni di settore e dalle compagnie di assicurazione.

Non modificare il decespugliatore/tagliabordi, perché ciò metterebbe a repentaglio la propria sicurezza.



Le attività di manutenzione o di riparazione a carico dell'utilizzatore sono limitate a quelle descritte nelle presenti istruzioni per l'uso. Tutti gli altri interventi devono essere eseguiti da un Centro di assistenza autorizzato. Usare solo parti di ricambio e accessori originali, rilasciati e forniti da MAKITA.

L'uso di accessori e utensili non approvati potrebbe aumentare il rischio di incidenti.

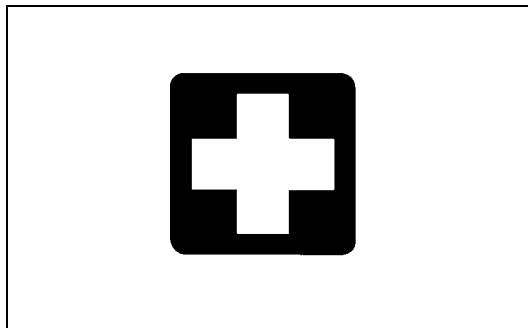
MAKITA declina ogni responsabilità per danni o incidenti causati dall'uso di utensili da taglio, dispositivi di fissaggio di utensili da taglio o accessori non approvati.

### Pronto soccorso

Assicurarsi che nelle vicinanze del luogo di lavoro sia disponibile una cassetta di pronto soccorso, in caso di infortuni. Sostituire immediatamente ogni oggetto prelevato dalla cassetta di pronto soccorso.

### Dovendo richiedere assistenza, fornire le seguenti informazioni:

- Luogo dell'incidente
- Che cosa è accaduto
- Numero delle persone ferite
- Natura delle ferite
- Il proprio nome



### Confezione

Il decespugliatore/tagliabordi MAKITA viene fornito in due scatole di cartone protettive, per prevenire i danni durante il trasporto. Il cartone è una materia prima di base, e quindi è riutilizzabile o riciclabile (riciclo della carta usata).



## DICHIARAZIONE DI CONFORMITÀ CE

### Modello; DBC260U, DBC260L

Dichiariamo sotto nostra esclusiva responsabilità che il presente prodotto è conforme alle seguenti norme o documenti normativi, ISO11806, EN55012, secondo le disposizioni della Direttiva del Consiglio 89/392/CEE, emendata dalle 98/37/CEE, 93/68/CEE, 89/336/CEE, emendate dalla 92/31/CEE.

Potenza sonora misurata: 111,7 dB

Potenza sonora garantita: 114 dB

Questi livelli di potenza sonora sono stati misurati in conformità alla Direttiva del Consiglio, 2000/14/CE.

Procedura di verifica della conformità: Allegato V.

CE2008

Tomoyasu Kato  
Direttore

Produttore responsabile:

**Makita Corporation.**

3-11-8, Sumiyoshi-cho, Anjo, Aichi, GIAPPONE

Rappresentanti autorizzati in Europa:

**Makita International Europe Ltd.**

Michigan Drive, Tongwell, Milton Keynes, Bucks MK15 8JD, INGHILTERRA

## Dati tecnici DBC260U, DBC260L

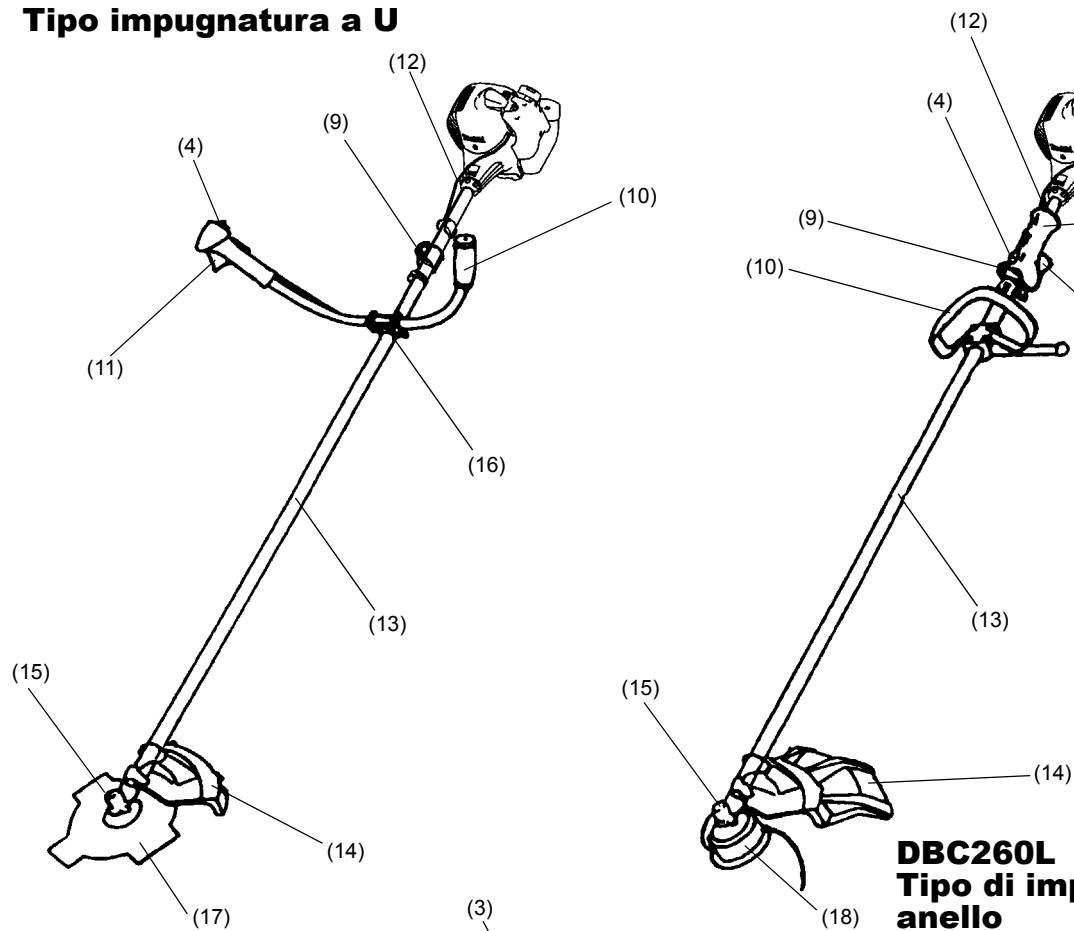
Modello		DBC260U	DBC260L	
		Impugnatura a U	Impugnatura ad anello	
Dimensioni: lunghezza x larghezza x altezza (senza lama)	mm	1.770 x 630 x 410	1.770 x 315 x 235	
Peso (senza protezione di plastica e lama da taglio)	kg	5,0	4,8	
Volume (serbatoio carburante)	Lungh	0,6		
Cilindrata	cm <sup>3</sup>	25,7		
Massima prestazione del motore	kw	0,83 a 8.000 min <sup>-1</sup>		
Velocità del motore alla massima velocità consigliata del mandrino	min <sup>-1</sup>	10.000		
Massima velocità del mandrino (corrispondente)	min <sup>-1</sup>	7.400		
Massimo consumo di carburante	kg/ora	0,431		
Massimo consumo specifico di carburante	g/kwh	487		
Velocità al minimo	min <sup>-1</sup>	3.000		
Velocità di impegno della frizione	min <sup>-1</sup>	4.000		
Carburatore	tipo	WALBRO WYC		
Sistema di accensione	tipo	Accensione a stato solido		
Candela	tipo	NGK BPMR7A		
Distanza fra gli elettrodi	mm	0,6 - 0,7		
Vibrazioni secondo ISO 22867 <sup>1)</sup>	Impugnatura destra (posteriore)	m/s <sup>2</sup>	3,8	5,3
	Impugnatura sinistra (anteriore)	m/s <sup>2</sup>	3,9	4,3
Livello medio di pressione sonora secondo ISO 22868 <sup>1)</sup>	db	98,2		
Livello medio di potenza sonora secondo ISO 22868 <sup>1)</sup>	db	108,5		
Carburante	Miscela di carburante (benzina: olio per motori a due tempi originale Makita = 50:1)			
Rapporto	14/19			

1) I dati tengono conto allo stesso modo delle modalità operative al minimo, a regime o al massimo.

## Nomi delle parti

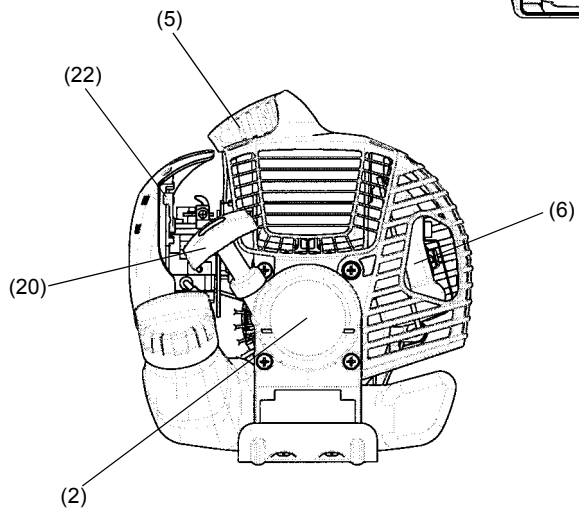
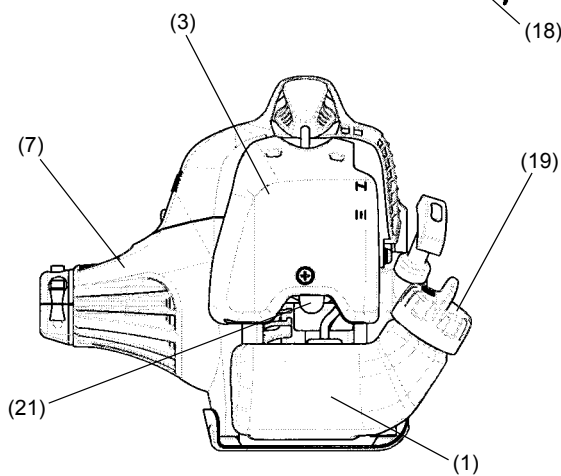
### DBC260U

#### Tipo impugnatura a U



### DBC260L

#### Tipo impugnatura ad anello



Nomi delle parti	
1	Serbatoio carburante
2	Avviamento con autoavvolgente
3	Filtro dell'aria
4	Interruttore di accensione (on/off)
5	Candela
6	Tubo di scarico
7	Scatola della frizione
8	Impugnatura posteriore
9	Staffa
10	Maniglia
11	Leva di controllo
12	Cavo di controllo
13	Albero
14	Protezione
15	Scatola degli ingranaggi
16	Supporto impugnatura
17	Lama da taglio
18	Testina di taglio in Nylon
19	Tappo serbatoio carburante
20	Manopola di avvio
21	Pompa manuale
22	Levetta dell'aria

## Montaggio dell'impugnatura

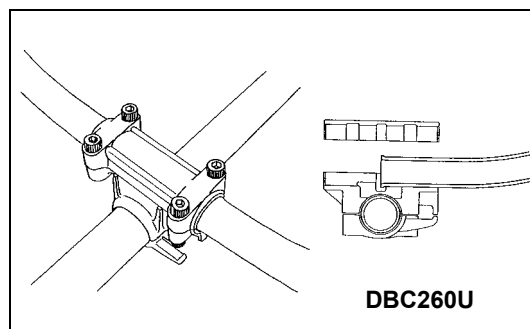
ATTENZIONE: Prima di effettuare qualunque intervento sul decespugliatore, spegnere sempre il motore e staccare il cavo di accensione dalla candela. Indossare sempre i guanti di protezione!

ATTENZIONE: Assicurarsi di avere rimontato completamente il decespugliatore prima di avviarlo.

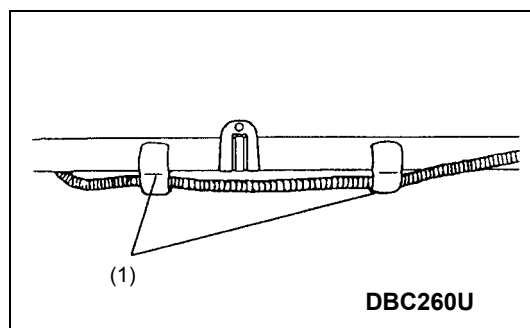


### Per i modelli con impugnatura a U

- Disporre la staffa di fissaggio dell'impugnatura in modo che la leva di controllo sia disposta a destra (sul lato destro dell'impugnatura) se vista dal lato del motore.
- Inserire la scanalatura della staffa di fissaggio dell'impugnatura sull'estremità dell'impugnatura. Fissare temporaneamente la staffa usando il bullone a esagono incassato in dotazione.
- Regolare l'impugnatura in modo da facilitare il lavoro e stringere saldamente e uniformemente i sei bulloni a esagono incassati a destra e a sinistra, usando la chiave a brugola.

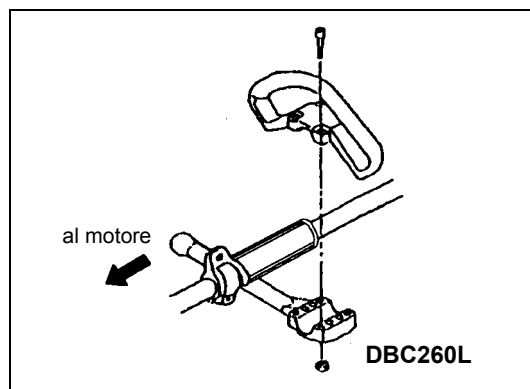


- Fissare il cavo di controllo (insieme al cavo di terra) all'impugnatura, mediante i due fermagli (1).
- Assicurarsi che il cavo di controllo non giri attorno alla barra dell'impugnatura.



### Per i modelli con impugnatura ad anello

- Fissare la barriera sul lato sinistro del dispositivo insieme all'impugnatura, per proteggere l'operatore.
- Non regolare la posizione dell'impugnatura ad anello troppo vicino all'impugnatura di controllo.
- Lasciare fra le due una distanza di almeno 250 mm. (a questo scopo è in dotazione un distanziatore a collare).

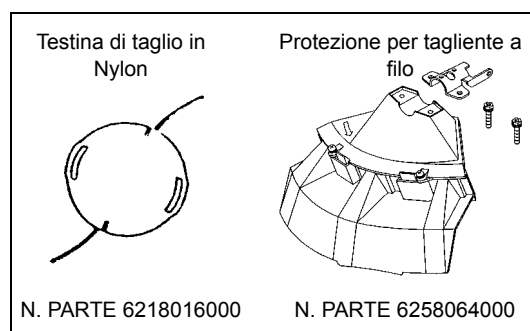
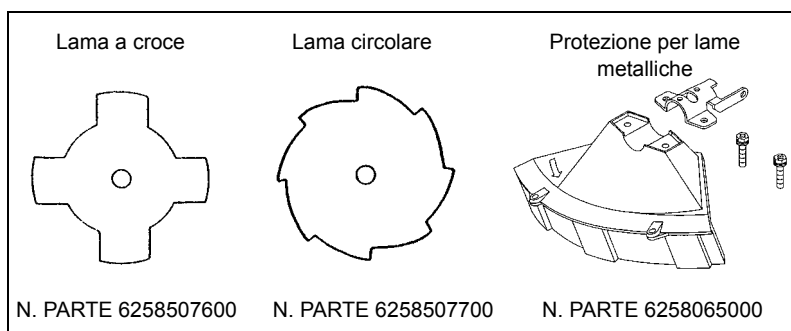


## Montaggio della protezione

Per soddisfare gli standard di sicurezza vigenti occorre usare esclusivamente le combinazioni utensile/protezione indicate nella tabella.

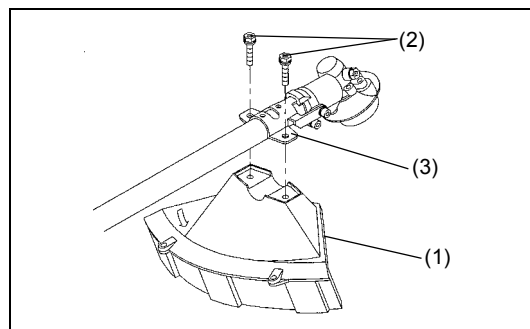
### Utilizzare sempre le lame e le testine da taglio in nylon originali MAKITA.

- La lama da taglio deve essere bene affilata e priva di incrinature o rotture. Se durante il lavoro la lama urta contro una pietra, arrestare il motore e controllare immediatamente la lama.
- Affilare o sostituire la lama dopo ogni tre ore di utilizzo.
- Se durante il lavoro la testina di taglio in nylon urta contro una pietra, arrestare il motore e controllare immediatamente la testina di taglio.

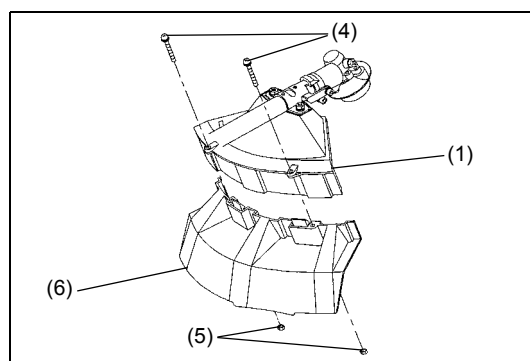


**ATTENZIONE:** Per la propria sicurezza e per adempiere alle norme sulla prevenzione degli infortuni, occorre che siano sempre installate le protezioni adeguate. È vietato azionare il dispositivo senza che sia installata la protezione.

- Fissare la protezione (1) al morsetto (3) con i due bulloni M6 x 30 (2).



- Utilizzando la testina a filo, inserire la protezione (6) nella protezione (1), fissandole con due viti (4) e due dadi (5).

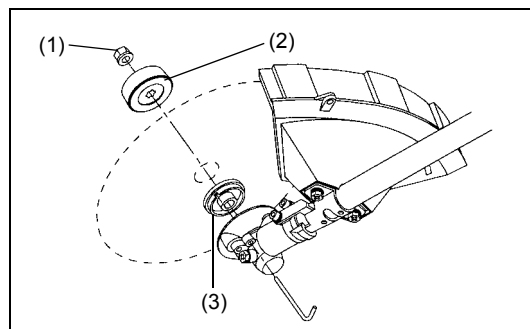


## Montaggio della lama/testina di taglio in nylon

La lama o la testina di taglio in nylon possono essere sostituite facilmente rovesciando innanzitutto l'utensile.



- Inserire la chiave a brugola attraverso il foro nella scatola degli ingranaggi e ruotare la rondella (3) fino a che è bloccata dalla chiave a brugola.
- Allentare il dado (1) (filettato a sinistra) con la chiave a bussola e rimuovere il dado (1) e rondella di fissaggio (2).

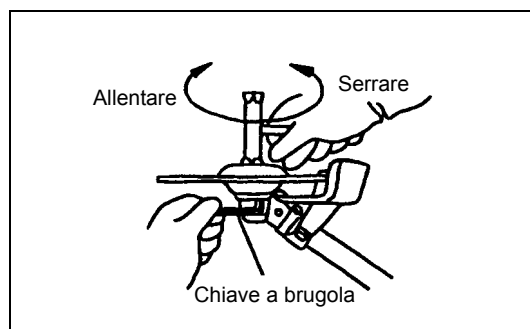


### Senza spostare la chiave a brugola

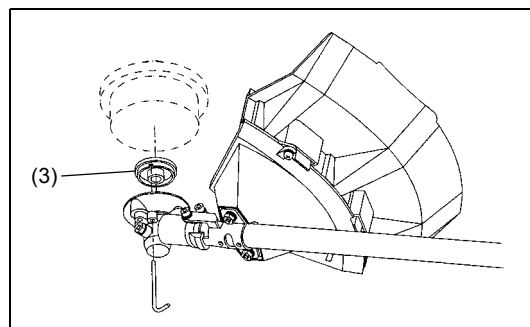
- Montare la lama sull'albero in modo che la guida della rondella ricevente (3) si inserisca nel foro dell'asta nella lama. Installare la rondella di fissaggio (2) e fissare la lama con il dado (1).
- [Coppia di serraggio: 13 - 23 N-m]

NOTA: Indossare sempre i guanti per maneggiare la lama.

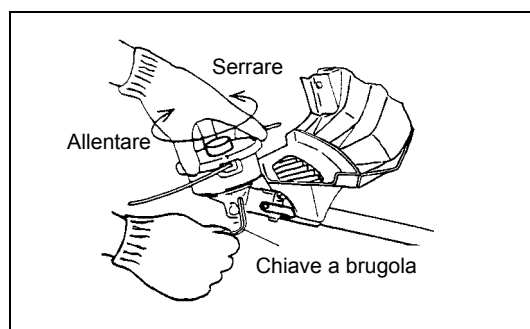
NOTA: Il dado di serraggio della lama (con la rondella a molla) è una parte usurabile. Se sulla rondella a molla compaiono segni di usura o deformazione, sostituire il dado.



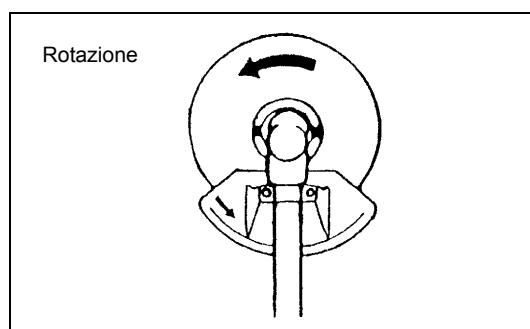
NOTA: La rondella di fissaggio (2) e il dado (1) non sono necessari per montare la testina di taglio in nylon. La testina in nylon deve andare sopra la rondella ricevente (3).



- Avvitare la testina di taglio in nylon sull'albero.



- Assicurarsi che la lama ruoti in verso antiorario.





### Manipolazione del carburante

È necessaria la più grande attenzione nella manipolazione del carburante. Il carburante può contenere sostanze simili ai solventi. Rifornire in una stanza ben ventilata o all'esterno. Non inalare i vapori del carburante ed evitare il contatto di olio o carburante con la pelle.

I prodotti a base di olio minerale sgrassano la pelle. Un contatto prolungato della pelle con questi prodotti fa sì che la pelle diventi estremamente asciutta, determinando vari tipi di malattie della pelle. Inoltre possono verificarsi reazioni allergiche.

Il contatto con l'olio può causare irritazione degli occhi. Se gli occhi entrano a contatto con l'olio occorre sciacquarli immediatamente con acqua. Nel caso in cui l'irritazione permanga, consultare immediatamente un medico.

### Miscela di olio e carburante

Il motore del decespugliatore è un motore a due tempi ad alta efficienza. Funziona con una miscela di carburante e olio per motori a due tempi. Il motore è progettato per funzionare con normale carburante senza piombo, con un valore minimo di ottani pari a 91 RON. Se per qualunque ragione non fosse disponibile questo tipo di carburante è possibile usare un carburante con un maggiore numero di ottani. Questo non ha effetti sul motore, ma potrebbe determinare un funzionamento meno efficace.

Problemi analoghi sorgono utilizzando carburante con piombo. Per ottimizzare le prestazioni del motore e proteggere la propria salute e l'ambiente, usare solo carburante senza piombo!

Per lubrificare il motore aggiungere olio per motori a due tempi (di tipo JASO FC o ISO EGD) al carburante. Per proteggere l'ambiente, il motore è progettato per usare olio per motori a due tempi in una miscela di proporzione 50:1. Questo rapporto garantisce inoltre lunga durata, funzionamento affidabile e minima quantità di emissioni. Il funzionamento affidabile del decespugliatore non è garantito qualora non venga rigidamente osservato il rapporto di miscela di 50:1 (con l'olio per motore a 2 tempi indicato).

### Rapporto di miscela corretto:

Benzina: Olio per motori a due tempi indicato = 50: 1 o

Benzina: Olio per motori a due tempi di altri produttori = 25: 1 consigliato

NOTA: Per preparare la miscela olio-carburante, miscelare prima tutta la quantità d'olio con metà della quantità di carburante richiesta, quindi aggiungere il carburante rimanente. Agitare energicamente la miscela prima di versarla nel serbatoio del decespugliatore. Per garantire un funzionamento sicuro, non aggiungere più olio di quanto indicato. Questo avrebbe il solo risultato di aumentare la produzione di residui di combustione, che inquinano l'ambiente e ostruiscono il condotto di scarico del cilindro e il tubo di scarico. Inoltre aumenta il consumo di carburante e diminuiscono le prestazioni.

### Rifornimento

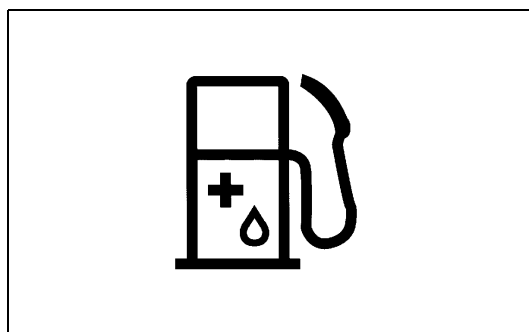
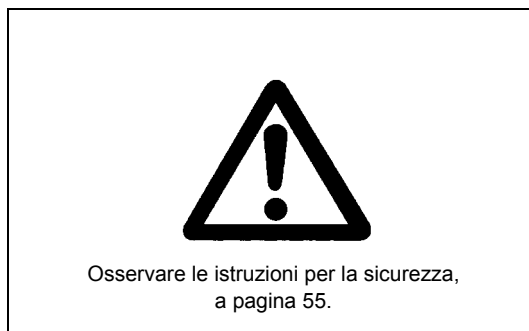
#### Il motore deve essere spento.

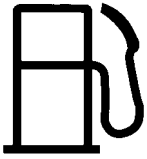
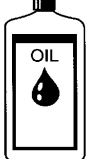
- Pulire la superficie circostante il tappo del serbatoio (2) per evitare che nel serbatoio (1) possa cadere dello sporco.
- Svitare il tappo del serbatoio (2) e riempire il serbatoio con il carburante.
- Avvitare saldamente il tappo del serbatoio (2).
- Dopo il rifornimento pulire il tappo a vite (2) e il serbatoio.

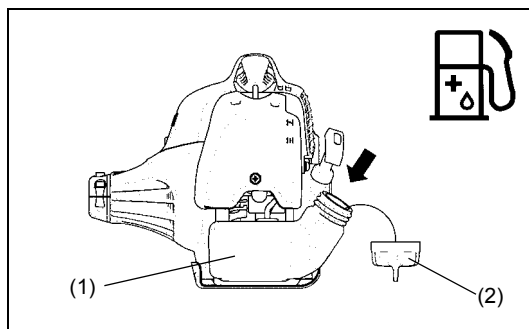
### Conservazione del carburante

Il carburante non può essere conservato per un tempo illimitato.

Acquistare solo la quantità necessaria per 4 settimane. Usare solo contenitori omologati per la conservazione di carburante.



Benzina	50:1	25:1
	+	
1.000 cm <sup>3</sup> (1 litro)	20 cm <sup>3</sup>	40 cm <sup>3</sup>
5.000 cm <sup>3</sup> (5 litri)	100 cm <sup>3</sup>	200 cm <sup>3</sup>
10.000 cm <sup>3</sup> (10 litri)	200 cm <sup>3</sup>	400 cm <sup>3</sup>

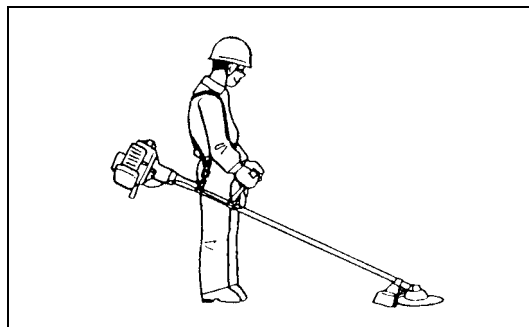




## Manipolazione corretta

### Collegamento della cinghia a tracolla

- Regolare la lunghezza della cinghia in modo che la lama sia parallela al terreno.



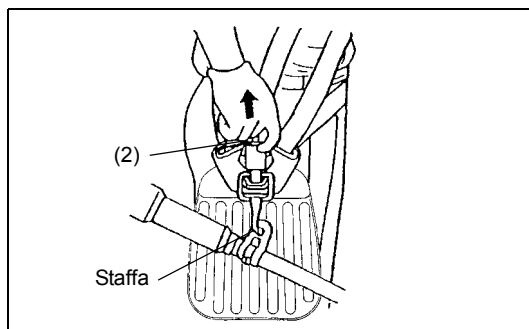
### Distacco

#### Per il DBC260U

- In caso di emergenza, per allontanare il dispositivo dal corpo tirare con forza la leva di distacco di emergenza (2) con un dito. Questo staccherà il dispositivo dal corpo.

In tale circostanza occorre essere estremamente attenti a mantenere il controllo del dispositivo. Impedire che il dispositivo venga deviato verso di sé o verso chiunque si trovi nelle vicinanze.

**AVVERTENZA:** Perdere completamente il controllo del dispositivo potrebbe essere causa di gravi lesioni o di MORTE.

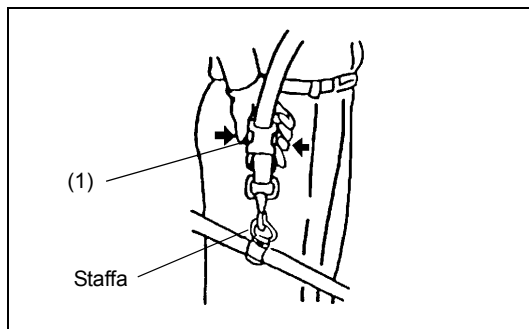


#### Per il DBC260L

- In caso di emergenza, premere le tacche (1) su entrambi i lati per staccare il dispositivo.

In tale circostanza occorre essere estremamente attenti a mantenere il controllo del dispositivo. Impedire che il dispositivo venga deviato verso di sé o verso chiunque si trovi nelle vicinanze.

**AVVERTENZA:** Perdere completamente il controllo dell'utensile potrebbe essere causa di gravi lesioni o di MORTE.



## Avvertenze importanti/arresto del decespugliatore/rifilatore

Osservare le normative vigenti per la prevenzione degli infortuni

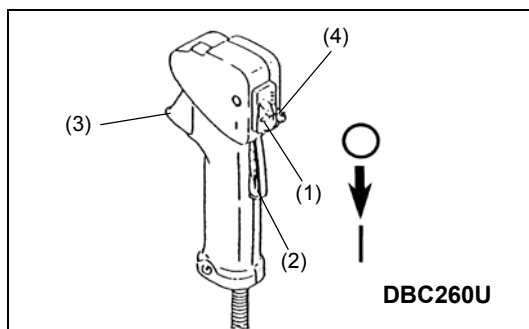


### Avvio

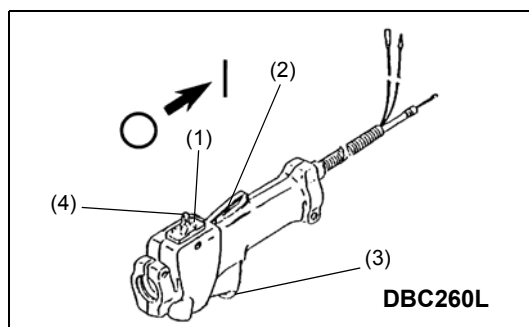
Spostarsi di almeno 3 metri dal punto in cui si è effettuato il rifornimento. Appoggiare il decespugliatore su una zona di terreno libera, avendo cura che l'utensile da taglio non sia a contatto con il terreno o con qualunque altro oggetto.

### Avvio a freddo

- Spingere l'interruttore I-O (1) nella direzione mostrata dalla freccia.
- Afferrare l'impugnatura (la pressione della mano attiva la leva di sicurezza (2)).
- Premere la leva dell'acceleratore (3), tenendola premuta.
- Premere il pulsante di blocco (4) e rilasciare la leva di controllo, quindi rilasciare il pulsante di blocco (il pulsante di blocco mantiene la leva dell'acceleratore nella posizione di avvio).



DBC260U

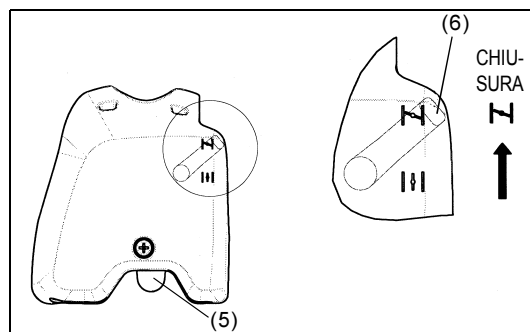


DBC260L

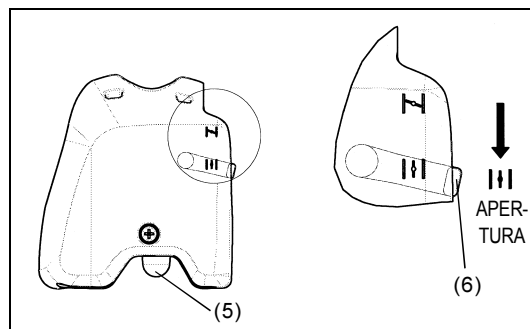
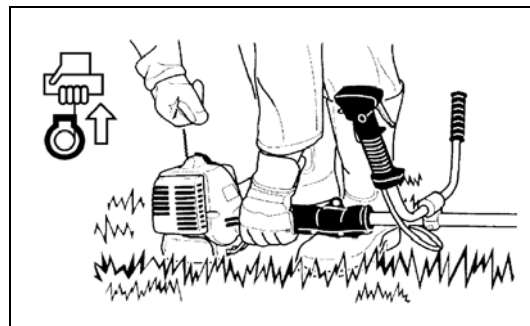
- Appoggiare prima di tutto il dispositivo a terra.
- Premere delicatamente più volte (7-10 volte) la pompa manuale (5), fino a che il carburante affluisca al suo interno.
- Chiudere la levetta dell'aria (6).

Apertura dell'aria:

- Completamente chiusa a basse temperature o quando il motore è freddo.
- Parzialmente o completamente aperta per il riavvio quando il motore è ancora tiepido.



- Tenere saldamente la scatola della frizione con la mano sinistra, come mostrato.
- Tirare lentamente la maniglia di avviamento fino ad avvertire resistenza, quindi continuare a tirare con forza.
- Non tirare completamente la corda di avviamento e non permettere che la maniglia di avviamento si ritragga da sola. Mantenere il controllo della corda di avviamento e fare in modo che si riavvolga lentamente.
- Ripetere la procedura fino alle prime accensioni del motore.
- Premere la levetta dell'aria (6) (↓↑) e tirare di nuovo la corda di avviamento fino alla partenza del motore.
- Appena il motore si avvia, colpire leggermente e rilasciare l'acceleratore, in modo da rilasciare il blocco di mezza potenza e permettere al motore di portarsi al minimo.
- Lasciare girare il motore per circa un minuto a velocità moderata prima di accelerare a fondo.



- NOTA: - Tirando ripetutamente la maniglia di avviamento mentre la levetta dell'aria è in posizione "↓↑", il motore partirà con più difficoltà, a causa di un eccessivo afflusso di carburante.
- In caso di eccessivo afflusso di carburante, rimuovere la candela e tirare lentamente la maniglia di avviamento per eliminare il carburante in eccesso. Asciugare anche l'elettrodo della candela.

**Precauzioni durante l'uso:**

Se la leva dell'acceleratore è completamente aperta durante il funzionamento senza carico, i giri del motore possono raggiungere i 10.000 al minuto. Non azionare mai il motore a una velocità superiore a quella necessaria, mantenendo il numero di giri a un valore opportuno, fra i 6.000 e gli 8.000 al minuto.

ATTENZIONE: Ridurre sempre il numero di giri quando il dispositivo è privo di carico.

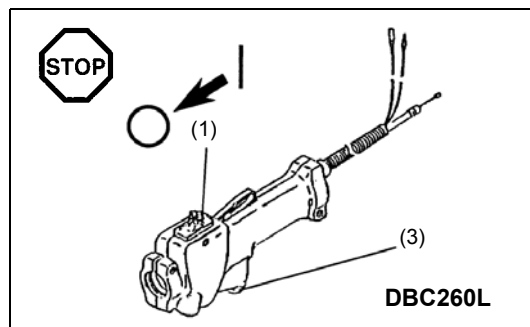
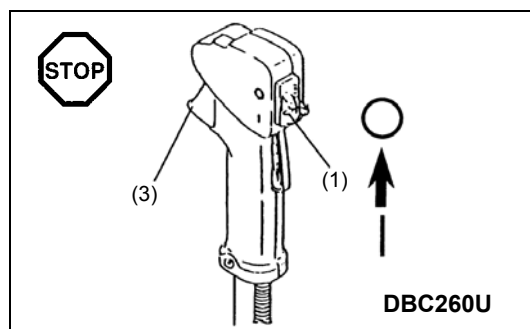
Azionare il dispositivo a un alto numero di giri in assenza di carico ne diminuirà la vita utile.

**Partenza a caldo**

- Seguire le istruzioni precedenti per la partenza a freddo, tranne l'azionamento della levetta dell'aria (che deve rimanere in posizione abbassata (↓↑)).

**Arresto**

- Per spegnere il motore, rilasciare completamente la leva dell'acceleratore (3) e quando il numero di giri al minuto si è ridotto, spingere l'interruttore I-O (1) nella posizione "O".
- Occorre prestare attenzione al fatto che la testina di taglio potrebbe non fermarsi immediatamente: occorre lasciarla rallentare e fermare da sola.

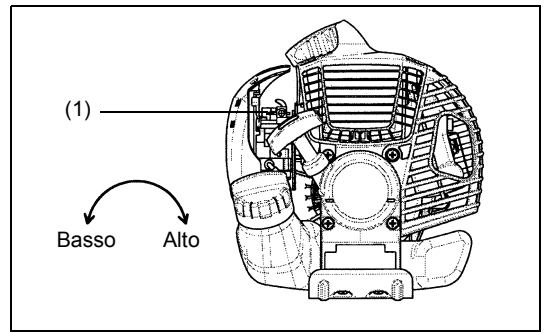


## REGOLAZIONE DEL NUMERO DI GIRI A BASSA VELOCITÀ (MINIMO)

Quando la leva di controllo è rilasciata completamente, la lama o la testina di taglio in nylon non devono ruotare. Se necessario regolare il numero di giri al minimo, utilizzando la vite di regolazione del minimo.

### Controllo della velocità al minimo.

- La velocità al minimo deve essere impostata a 3.000 giri min<sup>-1</sup>.  
Se necessario, regolare la velocità di minimo mediante la vite di regolazione del minimo (quando il motore è al minimo, la lama o la testina di taglio in nylon non devono girare).  
Stringendo la vite di regolazione del minimo (1) il numero di giri del motore aumenta, mentre allentandola il numero di giri diminuisce.



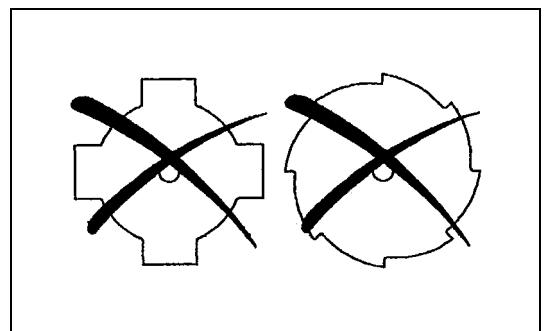
## Affilatura dell'utensile da taglio

**ATTENZIONE:** Gli utensili da taglio elencati sotto devono essere affilati solo da un centro autorizzato. L'affilatura manuale potrebbe provocare uno sbilanciamento dell'utensile, con conseguenti vibrazioni e danni al dispositivo.

- lama da taglio (lama a croce (4 denti), lama circolare (8 denti))

Un servizio di affilatura e di equilibratura professionale è fornito dai Centri di assistenza autorizzati.

**NOTA:** Per aumentare la vita utile della lama (a croce o di tipo circolare) è possibile girarla, per permettere l'usura su entrambi i taglianti.



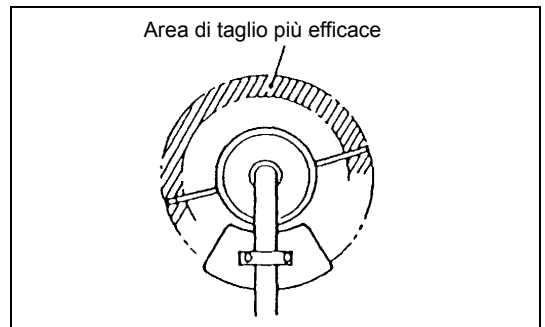
## TESTINA DI TAGLIO IN NYLON

La testina di taglio in nylon è una testina a doppio filo, con meccanismo sia automatico che "batti e vai".

La testina di taglio in nylon alimenterà automaticamente la lunghezza del filo in nylon in base alle variazioni di forza centrifuga determinate dalla variazione del numero di giri. Tuttavia, per tagliare meglio erba morbida, basterà battere la testina contro il terreno per avere più filo, come illustrato nella sezione sul funzionamento.

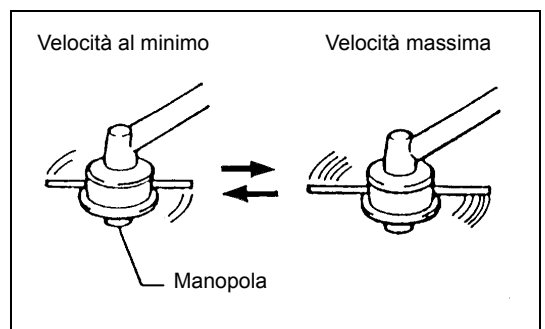
### Funzionamento

- Aumentare la velocità della testina di taglio in nylon a circa 6.000 giri al minuto.  
A velocità inferiori (meno di 4.800 giri al minuto) il filo di nylon non verrà estratto correttamente.
- L'area di taglio più efficace è mostrata tratteggiata nella figura a fianco.



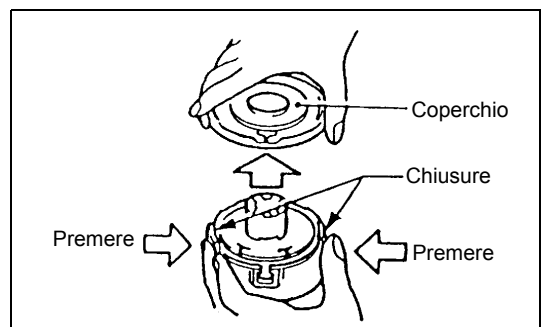
Se il filo di nylon non si estrae automaticamente, seguire le seguenti istruzioni:

1. Rilasciare la leva dell'acceleratore in modo che il motore vada al minimo, quindi premere completamente la leva. Ripetere questa procedura fino a che il filo di nylon raggiunge la lunghezza desiderata.
2. Se il filo di nylon è troppo corto per essere estratto automaticamente con la procedura precedente, battere la sporgenza della testina di taglio sul terreno per estrarre più filo.
3. Se il filo di nylon non viene estratto mediante la procedura 2, riavvolgere o sostituire il filo seguendo le procedure descritte in "Sostituzione del filo di nylon".

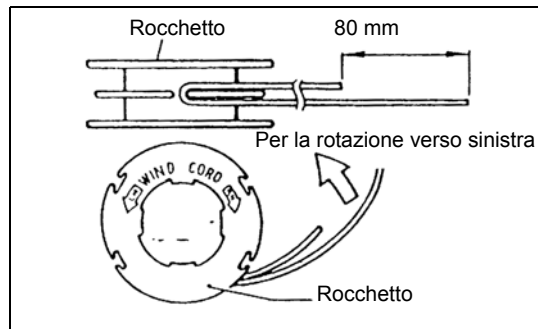


### Sostituzione del filo di nylon

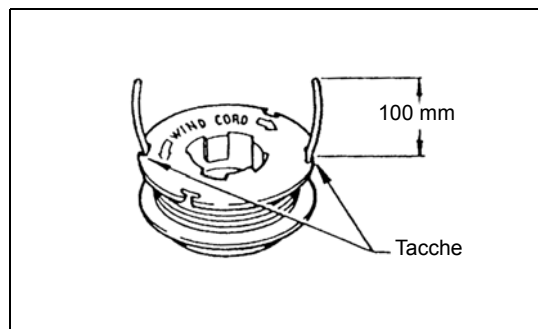
- Arrestare il motore
- Premere le chiusure dell'alloggiamento verso l'interno per sollevare il coperchio, quindi rimuovere il rocchetto.



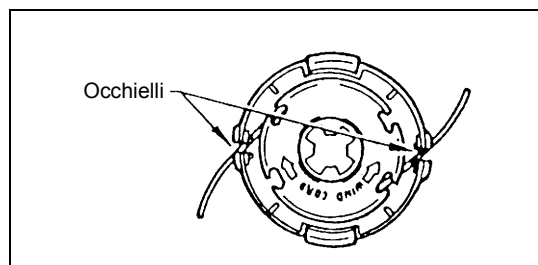
- Agganciare il centro di un nuovo filo di nylon nella tacca al centro del rocchetto, in modo che una delle estremità del filo sia più lunga dell'altra di circa 80 mm. Quindi avvolgere strettamente entrambe le estremità attorno al rocchetto, nella direzione di rotazione della testina (le indicazioni LH ed RH sul fianco del rocchetto indicano la rotazione a sinistra e, rispettivamente, a destra).



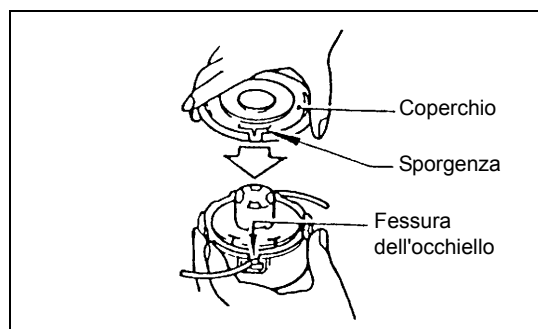
- Avvolgere circa 100 mm di filo attorno al rocchetto, lasciando temporaneamente le estremità agganciate alla tacca sul fianco del rocchetto.



- Montare il rocchetto nel suo alloggiamento, in modo che le scanalature e le sporgenze su di esso corrispondano a quelle sull'alloggiamento. Montare il rocchetto in modo che la scritta su di esso sia visibile da sopra. Quindi sganciare le estremità del filo dalla loro posizione temporanea e passarle attraverso gli occhielli, in modo che fuoriescano dall'alloggiamento.



- Allineare la sporgenza sul lato inferiore del coperchio con le fessure degli occhielli. Quindi spingere con forza il coperchio sull'alloggiamento, per fissarlo.



## Istruzioni di manutenzione

### Istruzioni di manutenzione

**ATTENZIONE:** Prima di effettuare qualunque operazione di manutenzione sul decespugliatore, spegnere sempre il motore e scollegare il cappuccio dalla candela (vedere "controllo della candela"). Indossare sempre i guanti di protezione.

**ATTENZIONE:** Non sostituire mai da soli l'avviatore. Questo potrebbe essere causa di infortuni. Questa procedura deve essere effettuata solo da un Centro di assistenza autorizzato.

Per garantire una lunga vita utile ed evitare danni al dispositivo, effettuare periodicamente le seguenti operazioni di manutenzione.

#### Controllo e manutenzione giornalieri

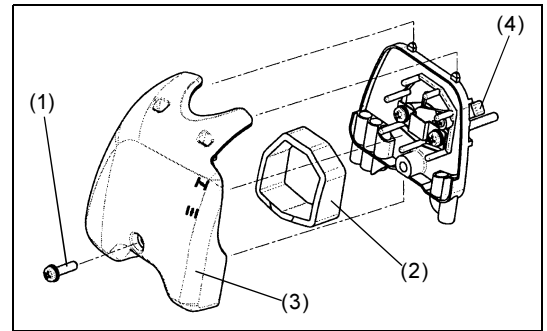
- Prima dell'uso, controllare il dispositivo alla ricerca di viti allentate o parti mancanti. Prestare particolare attenzione alla tenuta della lama o della testina di taglio in nylon.
- Prima dell'uso verificare sempre che il condotto per l'aria di raffreddamento e le alette del cilindro non siano ostruiti. Pulirli se necessario.
- Le seguenti operazioni di manutenzione devono essere effettuate giornalmente, dopo l'uso:
  - Pulire esternamente il decespugliatore e controllare la presenza di danni.
  - Pulire il filtro dell'aria. Se l'uso avviene in ambienti particolarmente polverosi, pulire il filtro più volte al giorno.
  - Controllare eventuali danni alla lama o alla testina di taglio in nylon e verificare che siano montati saldamente.
  - Controllare che vi sia una differenza sufficiente fra il minimo e la velocità di lavoro, per fare in modo che l'utensile da taglio sia fermo quando il motore è al minimo (se necessario ridurre la velocità di minimo).  
Se l'utensile di taglio continua a girare quando il motore è al minimo, consultare il più vicino Centro di assistenza autorizzato.
- Controllare che l'interruttore di accensione, la leva di sicurezza, quella di controllo e il pulsante di blocco funzionino correttamente.



### Pulizia del filtro dell'aria

- Svitare la vite (1).
- Ruotare la levetta dell'aria (4) in modo che sia completamente chiusa e tenere il carburatore lontano da polvere o sporco.
- Rimuovere il coperchio del filtro dell'aria (3).
- Rimuovere l'elemento a spugna (2), lavarlo in acqua tiepida e asciugarlo con cura.
- Dopo la pulizia, inserire di nuovo il coperchio del filtro dell'aria (3) e fissarlo con la vite (1).

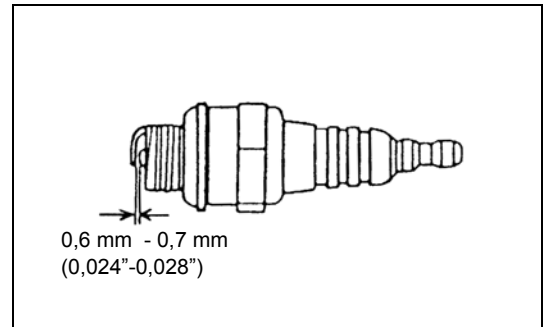
NOTA: Se sul filtro dell'aria si deposita una quantità eccessiva di polvere o di sporco, pulirlo quotidianamente. Il filtro dell'aria otturato può rendere difficile o impossibile avviare il motore, o può aumentare la velocità di rotazione del motore.



### Controllo della candela

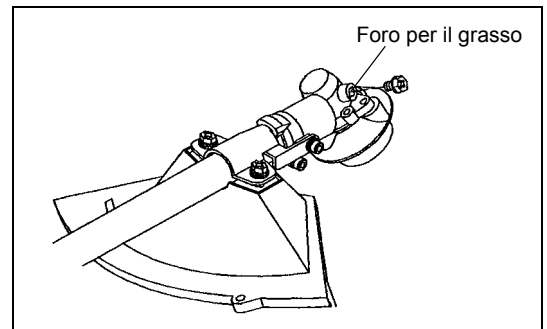
- Per rimuovere o installare la candela usare solo la chiave universale in dotazione.
- Lo spazio fra i due elettrodi della candela deve essere fra 0,6 e 0,7 mm. Regolare lo spazio se fosse troppo largo o troppo stretto. Se la candela è ostruita dallo sporco, pulirla accuratamente o sostituirla.

ATTENZIONE: Non toccare mai il cavo della candela mentre il motore è in moto (pericolo di scossa elettrica ad alta tensione).



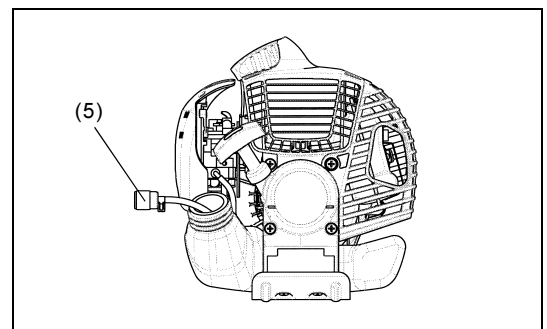
### Ingrassaggio della scatola degli ingranaggi

- Inserire del grasso (Shell Alvania 3 o equivalente) nella scatola degli ingranaggi attraverso l'apposito foro ogni 30 ore. (Il grasso originale MAKITA può essere acquistato dal rivenditore MAKITA).



### Testa aspirante nel serbatoio del carburante

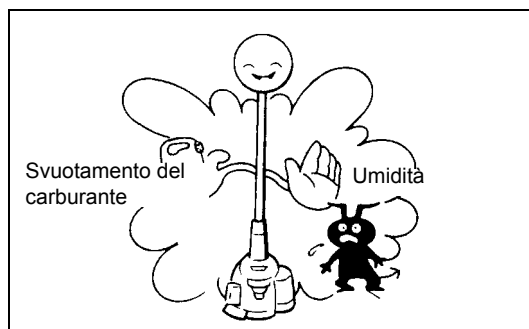
- L'alimentatore di carburante (5) della testa aspirante è utilizzato per fornire il carburante richiesto dal carburatore.
- Verificare visivamente il filtro del carburante periodicamente. Per verificare il filtro, aprire il tappo del serbatoio e, usando un gancio metallico, estrarre la testa aspirante attraverso l'apertura. Sostituire il filtro nel caso in cui si sia indurito o sia particolarmente sporco oppure otturato.
- Un afflusso insufficiente di carburante potrebbe portare al superamento della velocità massima consentita. Quindi il filtro del carburante deve essere sostituito almeno ogni trimestre per garantire un afflusso corretto di carburante al carburatore.



Ogni attività di manutenzione o di regolazione non descritta in questo manuale deve essere effettuata esclusivamente da un Centro di assistenza autorizzato.

## Conservazione

- Riponendo il dispositivo per un lungo periodo di tempo, svuotare tutto il carburante dal serbatoio e dal carburatore. Per far questo, versare semplicemente tutto il carburante contenuto nel serbatoio. Smaltire il carburante raccolto secondo le leggi locali.
- Rimuovere la candela e aggiungere alcune gocce d'olio nel foro della candela. Quindi tirare delicatamente l'avviamento in modo che l'olio ricopra l'interno del motore, e riavvitare la candela.
- Rimuovere ogni traccia di sporco o di polvere dalla lama e dall'esterno del motore, passando su di essi un panno cosparso d'olio. Riporre il dispositivo in un luogo asciutto.



## Programma di manutenzione

Generale	Montaggio del motore, viti e dadi	Verifica visiva di danneggiamenti e del fissaggio Controllo delle condizioni generali e della sicurezza
Dopo ogni rifornimento	Leva di controllo Interruttore di accensione	Controllo funzionale Controllo funzionale
Giornaliero	Filtro aria Condotto dell'aria di raffreddamento Utensile da taglio Velocità al minimo	Da pulire Da pulire Controllare danni e affilatura Ispezione (l'utensile da taglio non si deve muovere)
Settimanale	Candela Tubo di scarico	Ispezione, sostituire se necessario Ispezione, pulire l'apertura se necessario
Ogni trimestre	Testa aspirante Serbatoio carburante	Da sostituire Da pulire
Procedura di spegnimento	Serbatoio carburante Carburatore	Svuotare il serbatoio del carburante Azionare fino a che il motore esaurisce il carburante

## Risoluzione dei problemi

Problema	Sistema	Osservazione	Causa
Il motore non parte, o parte con difficoltà	Sistema di accensione	Scintilla di accensione OK	Problema nel sistema di alimentazione o di compressione, difetto meccanico
		Nessuna scintilla di accensione	Interruttore di accensione in posizione spenta, problema di cavi o corto circuito, candela o cavo della candela difettosi, modulo di accensione guasto
	Alimentazione	Il serbatoio contiene carburante	Posizione dell'aria non corretta, carburatore guasto, linea di alimentazione piegata o bloccata, carburante sporco
	Compressione	Non c'è compressione nel cilindro	Guarnizione inferiore del cilindro danneggiata, guarnizione dell'albero motore danneggiata, cilindro o segmenti del pistone danneggiati, la candela non chiude ermeticamente il foro
Problemi nella partenza a caldo	Guasto meccanico	L'avviamento non funziona	Rottura della molla dell'avviamento, parti danneggiate all'interno del motore
		Il serbatoio contiene carburante Scintilla di accensione OK	Carburatore sporco, occorre pulirlo
Il motore parte ma si spegne	Alimentazione	Il serbatoio contiene carburante	Regolazione del minimo non corretta, carburatore sporco
Prestazioni insufficienti	Possono essere interessati contemporaneamente più sistemi	Minimo insufficiente	Apertura del serbatoio di carburante danneggiata, linea di alimentazione interrotta, cavo o interruttore di accensione danneggiati
			Filtro dell'aria sporco, carburatore sporco, tubo di scarico otturato, condotto di scarico del cilindro otturato.

Hartelijk dank voor uw aankoop van deze bosmaaier/graskantmaaier van MAKITA. Bosmaaiers/graskantmaaiers van MAKITA zijn ontwikkeld als producten van onze jarenlange kennis, ervaring en een gedetailleerd ontwikkelingsprogramma.

Lees deze handleiding grondig door zodat u zeker bent dat u kunt genieten van de best mogelijke prestaties en resultaten die uw bosmaaier/graskantmaaier van MAKITA u kunnen bieden.



Inhoudsopgave	Pagina
Symbolen .....	71
Veiligheidsinstructies.....	72
Technische gegevens DBC260U, DBC260L .....	76
Namen van onderdelen.....	77
De handgreep monteren .....	78
De beschermkap monteren.....	79
Het snijblad/de nylon snijkop monteren .....	80
Brandstof/bijtanken .....	81
Correcte hantering .....	82
Belangrijke bedieningspunten/de maaier/snijder stoppen .....	82
Het snijgereedschap slijpen .....	84
Onderhoudsinstructies .....	85
Opslag.....	87

## Symbolen

Let op de volgende symbolen wanneer u de gebruiksaanwijzing leest.

	Lees de gebruiksaanwijzing		Draag oog- en oorbescherming (alleen voor graskantmaaier)
	Besteed bijzondere zorg en aandacht		Draag een veiligheidshelm, oog- en oorbescherming (alleen voor bosmaaier)
	Verboden		Gebruik geen metalen snijbladen (alleen voor graskantmaaier)
	Houd afstand		Maximale toegelaten snelheid gereedschap
	Gevaar voor rondvliegende objecten		Warme oppervlakken - veroorzaakt brandwonden aan vingers en handen
	Verboden te roken		Mengsel van brandstof en olie
	Geen open vuur		Motor handmatig starten
	Beschermende handschoenen vereist		Noodstop
	Terugslag		EHBO
	Houd mensen en dieren weg van het gebruiksgebied		Recyclen
	Draag stevige laarzen met antislipzolen. Veiligheidslaarzen met stalen toppen zijn aanbevolen.		AAN/START
			UIT/STOP

## Veiligheidsinstructies

### Algemene instructies

- Om een correcte werking te garanderen, moet u ervoor zorgen dat u deze handleiding volledig hebt gelezen en begrijpt zodat u vertrouwd raakt met het gebruik van de bosmaaier/graskantmaaier. Als u dit gereedschap gebruikt zonder te begrijpen hoe u het correct moet bedienen, kan dit ernstige letsels veroorzaken bij u of anderen.
- Leen de bosmaaier/graskantmaaier alleen uit aan mensen die bewezen ervaring hebben met bosmaaiers/graskantmaaiers. Leen hen tegelijkertijd ook deze gebruiksaanwijzing.
- Als dit de eerste keer is dat u een door een motor aangedreven maaier gebruikt, raadpleeg dan uw leverancier voor basisinstructies.
- Laat geen kinderen of jonge mensen die jonger zijn dan 18 jaar met de bosmaaier/graskantmaaier werken. Jongeren die ouder zijn dan 16 jaar mogen het gereedschap gebruiken om te oefenen, maar dan alleen onder toezicht van een gekwalificeerde begeleider.
- Gebruik bosmaaiers/graskantmaaiers met bijzondere zorg en aandacht.
- Gebruik de bosmaaier/graskantmaaier alleen als u in goede lichamelijke conditie bent. Werk altijd rustig en voorzichtig. Gebruikers zijn verantwoordelijk voor degenen rondom hen.
- Gebruik nooit de bosmaaier/graskantmaaier nadat u alcohol of geneesmiddelen hebt gebruikt of als u zich moe of ziek voelt.

### Bedoeld gebruik van het gereedschap

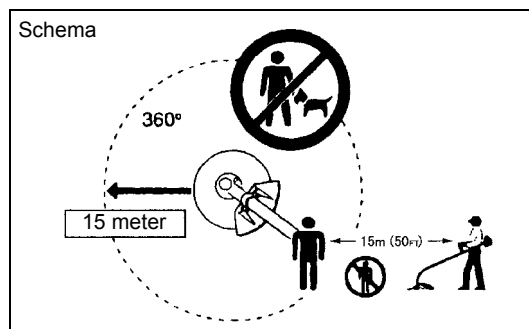
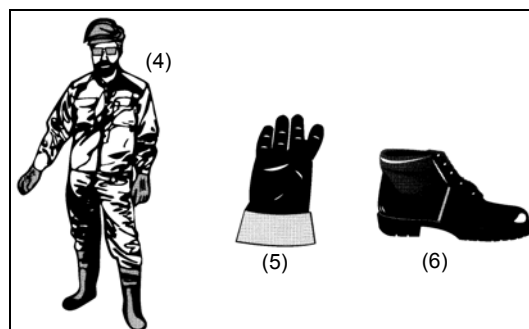
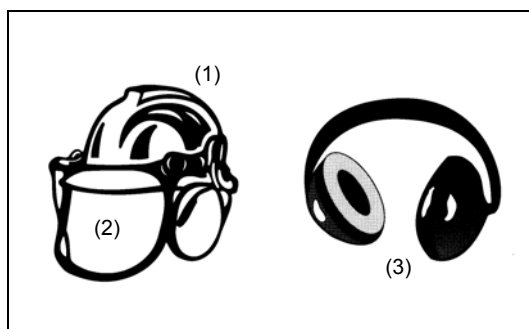
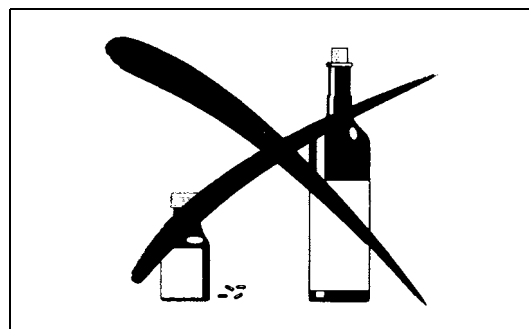
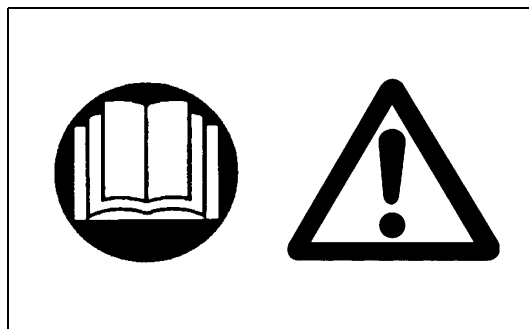
- De bosmaaier/graskantmaaier is alleen bedoeld voor het maaien van gras, onkruid, struiken en andere ondergroei. Het mag niet worden gebruikt voor andere doeleinden zoals het snoeien van heggen en hagen, anders kan dit letsels veroorzaken.

### Persoonlijke-veiligheidsmiddelen

- Draag altijd kleding die zowel functioneel als geschikt is voor uw werk, bijv. nauw aansluitende kleding die echter niet zo eng zit dat u gehinderd wordt in uw bewegingen. Draag geen juwelen of kleding die in de struiken kunnen verstrikt raken.
- Om letsels aan het hoofd, de ogen, handen of voeten te voorkomen en uw gehoor te beschermen tijdens het gebruik, moet de volgende beschermende uitrusting en kleding worden gebruikt terwijl u de bosmaaier/graskantmaaier bedient.
- Draag altijd een helm wanneer het risico bestaat op vallende objecten. U moet de veiligheidshelm (1) regelmatig controleren op schade en uiterlijk na 5 jaar worden vervangen. Gebruik alleen goedgekeurde veiligheidshelmen.
- Het vizier (2) van de helm (of de veiligheidsbril) beschermt het gezicht tegen rondvliegend afval en stenen. Draag altijd een veiligheidsbril of een vizier wanneer u de bosmaaier/graskantmaaier gebruikt om oogletsels te voorkomen.
- Draag geschikte uitrusting om u te beschermen tegen het lawaai en gehoorbeschadiging te voorkomen (oorbeschermers (3), oordopjes, enz.).
- Werkoveralls (4) beschermen tegen rondvliegend afval en opspringende stenen. Wij raden u sterk aan een werkoverall te dragen.
- Speciale handschoenen (5) in dik leer maken deel uit van de voorgeschreven uitrusting en moeten altijd worden gedragen tijdens het gebruik van de bosmaaier/graskantmaaier.
- Draag altijd stevige schoenen (6) met een antislipzool wanneer u de bosmaaier/graskantmaaier gebruikt. Dergelijke schoenen beschermen u tegen letsels en bieden een goede voetsteun.

### De bosmaaier starten

- Controleer of er geen kinderen of andere mensen aanwezig zijn binnen een werkbereik van 15 meter en let ook of er geen dieren in de werkomgeving zijn.
- Controleer vóór het gebruik altijd of de bosmaaier/graskantmaaier veilig is voor gebruik:  
Controleer of het snijgereedschap is beveiligd, of de bedieningshendel gemakkelijk kan worden gebruikt en of de vergrendeling van de bedieningshendel correct werkt.
- Het is verboden het snijgereedschap te draaien tijdens het stationair draaien. Raadpleeg uw leverancier als u denkt dat het gereedschap moet worden afgesteld. Controleer of de handgrepen schoon en droog zijn, en dat de start/stop-schakelaar correct werkt.

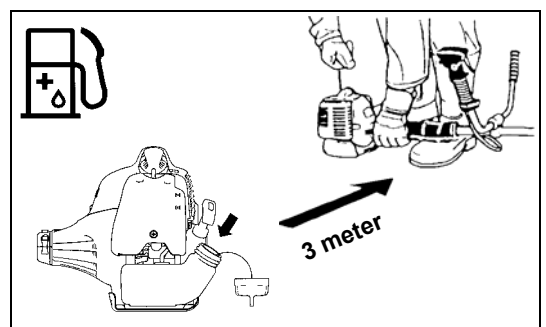
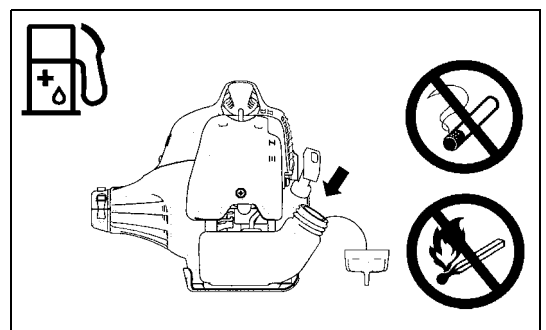
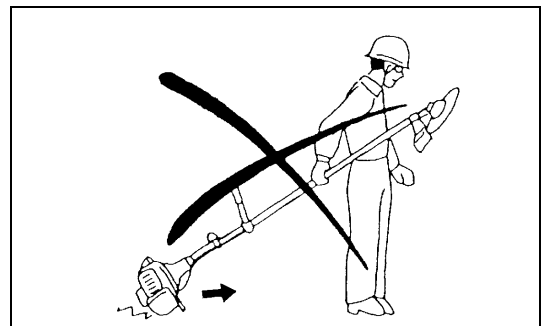
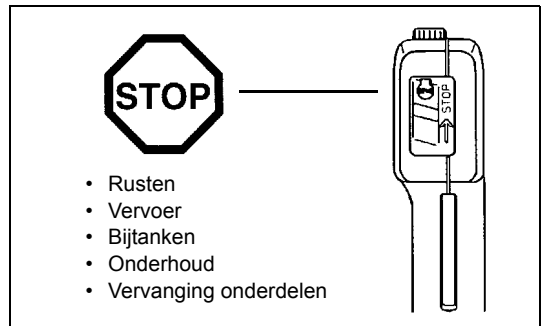
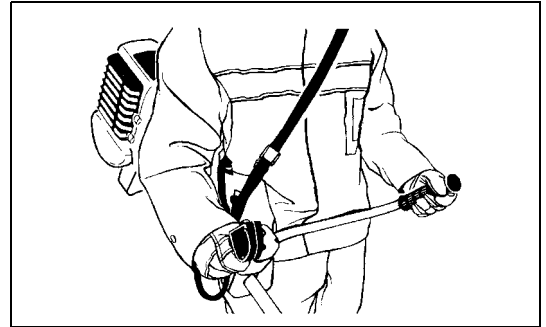
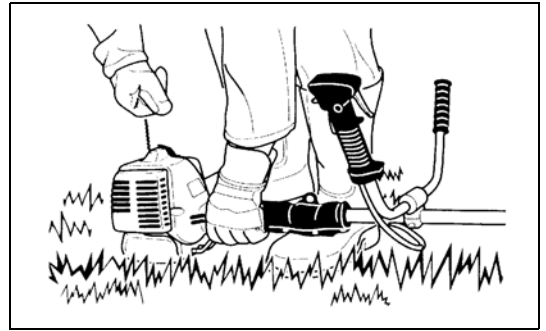




- Start de bosmaaier/graskantmaaier alleen in overeenstemming met de instructies. Gebruik een andere methode om de motor te starten.
- Gebruik de bosmaaier/graskantmaaier en de onderdelen alleen voor de opgegeven doeleinden.
- Start de motor van de bosmaaier/graskantmaaier alleen nadat het gereedschap volledig is gemonteerd. Gebruik het apparaat niet voordat alle benodigde accessoires zijn bevestigd.
- Zorg dat het snijblad voor de start geen contact heeft met harde objecten, zoals takken, stenen, enz. omdat het snijblad zal draaien bij het starten.
- Schakel de motor onmiddellijk uit als er motorproblemen optreden.
- Als het snijblad stenen of andere objecten raakt, moet u de motor onmiddellijk uitschakelen en het snijblad controleren.
- Controleer het snijblad met korte tussenpozen op schade (inspecteren op haarscheurtjes met de taptest).
- Gebruik de bosmaaier/graskantmaaier pas nadat u de schouderriem hebt bevestigd en op de juiste lengte hebt afgesteld. De schouderriem moet worden afgesteld volgens de lengte van de gebruiker en worden vastgemaakt om vermoeidheid tijdens het gebruik van het gereedschap te voorkomen. Houd de maaier nooit met slechts één hand vast tijdens het gebruik.
- Houd de bosmaaier/graskantmaaier altijd met beide handen vast tijdens het gebruik. Zorg dat u altijd een veilig steunpunt voor uw voeten hebt.
- Gebruik de bosmaaier/graskantmaaier zo, dat u geen uitlaatgassen kunt inademen. Laat de motor nooit draaien in een ingesloten ruimte, zoals in een kamer (risico op gasvergiftiging). Koolmonoxide is een geurloos gas.
- Schakel de motor altijd uit wanneer u rust of als u de bosmaaier/graskantmaaier onbewaakt wilt achterlaten. Plaats het gereedschap op een veilige locatie om lichamelijke letsels of schade aan het gereedschap te voorkomen.
- Leg nooit een warme bosmaaier/graskantmaaier op droog gras of andere ontvlambare materialen.
- Het snijblad moet altijd met de geschikte beschermkap zijn uitgerust. Gebruik de maaier nooit zonder deze beschermkap.
- Alle beschermende installaties en beschermkappen die bij het gereedschap zijn geleverd, moeten tijdens de werking worden gebruikt.
- Gebruik de motor nooit als de uitlaatdemper defect is.
- Schakel de motor uit tijdens het transport.
- Tijdens een transport over een lange afstand, moet u altijd de bijgeleverde beschermingsuitrusting van het gereedschap gebruiken.
- Zorg dat de bosmaaier/graskantmaaier veilig is vastgemaakt tijdens het transport om lekkage van de brandstof te vermijden.
- Wanneer u de bosmaaier/graskantmaaier vervoert, moet u ervoor zorgen dat de brandstoftank volledig leeg is.
- Wanneer u de bosmaaier/graskantmaaier uit een vrachtwagen of een ander voertuig haalt, moet u ervoor zorgen dat u de motor niet op de grond laat vallen omdat de brandstoftank hierdoor ernstige schade kan oplopen.
- Behalve in noodgevallen mag u de bosmaaier/graskantmaaier nooit laten vallen of op de grond gooien omdat dit ernstige schade aan de bosmaaier/graskantmaaier kan veroorzaken.
- Til altijd het volledige gereedschap van de grond wanneer u het verplaatst. Het slepen van het apparaat op zijn brandstoftank is bijzonder gevaarlijk en kan lekkage van brandstof veroorzaken waardoor brand kan ontstaan.

### Bijtanken

- Schakel de motor uit tijdens het bijtanken, houd het gereedschap uit de buurt van open vuur en rook niet.
- Zorg dat de aardolieproducten niet in contact komen met de huid. Adem de brandstofdampen niet in. Draai altijd beschermende handschoenen tijdens het bijtanken. Zorg dat u de beschermende kledij regelmatig vervangt en reinigt.
- Zorg dat u geen brandstof of olie op de grond morst om grondvervuiling (milieubescherming) te voorkomen. Als u brandstof morst, moet u de bosmaaier/graskantmaaier onmiddellijk schoonmaken.
- Zorg dat de brandstof niet in contact komt met uw kleding. Als de brandstof in contact komt met uw kleding, moet u onmiddellijk andere kleding aantrekken om brand te voorkomen.
- Inspecteer de brandstofdop regelmatig om zeker te zijn dat de dop stevig kan worden gesloten en niet lekt.
- Draai de dop van de brandstoftank stevig dicht. Wanneer u klaar bent met bijtanken, moet u zich naar een locatie gaan op minstens 3 meter afstand van de plaats waar u hebt getankt voordat u de motor start.
- Tank nooit bij in een ingesloten ruimte, zoals in een kamer. Dit kan een ontploffing veroorzaken door de accumulatie van brandstofdampen op grondniveau.



- Vervoer en bewaar brandstof alleen in goedgekeurde tanks. Zorg dat de opgeslagen brandstof niet toegankelijk is voor kinderen.

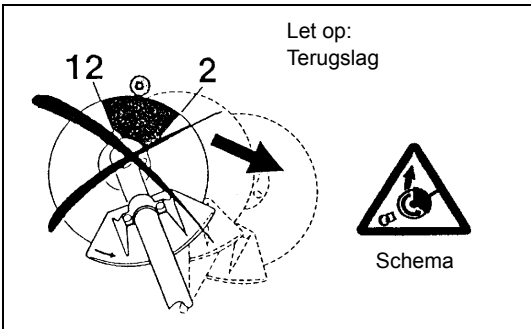
### Gebruiksmethode

- Gebruik de bosmaaier/graskantmaaier alleen bij een goede verlichting en zichtbaarheid. Let in het winterseizoen op voor gladde of natte gebieden, zoals met ijs of sneeuw bedekte gebieden (risico op uitglijden). Zorg dat u altijd een veilig steunpunt voor uw voeten hebt.
- Maai nooit boven heuphoogte.
- Sta nooit op een ladder terwijl u de bosmaaier/graskantmaaier gebruikt.
- Klim nooit in bomen terwijl u de bosmaaier/graskantmaaier gebruikt.
- Werk nooit op onstabiele oppervlakken.
- Verwijder zand, stenen, nagels, enz. die u binnen uw werkbereik vindt. Vreemde objecten kunnen het snijblad beschadigen en gevaarlijke terugslagen veroorzaken.
- Voordat u begint te maaien, moet u controleren of het snijblad zijn hoogste werksnelheid heeft bereikt.



### Terugslag

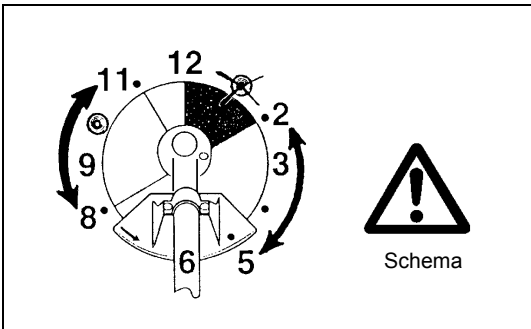
- Wanneer u de bosmaaier gebruikt, kunnen ongecontroleerde terugslagen optreden.
- Terugslagen komen vaak voor wanneer u probeert te maaien terwijl het blad in de sectie tussen 12 en 2 uur staat.
- Gebruik nooit de sectie tussen 12 en 2 uur voor het blad van de bosmaaier.
- Gebruik deze sectie van het snijblad van de bosmaaier nooit op vaste objecten, zoals struiken of bomen, enz. die een diameter hebben van meer dan 3cm. Hierdoor kan de bosmaaier met grote kracht afketsen. Dit is zeer gevaarlijk en kan letsels veroorzaken.



### Terugslag voorkomen

#### Onthoud het volgende om terugslag te voorkomen:

- het gebruik van de sectie 12 tot 2 uur van het snijblad is bijzonder gevaarlijk, vooral wanneer u metalen snijgereedschappen gebruikt.
- Maaien met de sectie 11 tot 12 uur en 2 tot 5 uur van het blad mogen alleen worden uitgevoerd door opgeleide en ervaren gebruikers, en dit alleen op eigen risico.  
De optimale maaisectie om gemakkelijk te maaien met nagenoeg geen terugslag, ligt in de sectie tussen 8 en 11 uur van het blad.

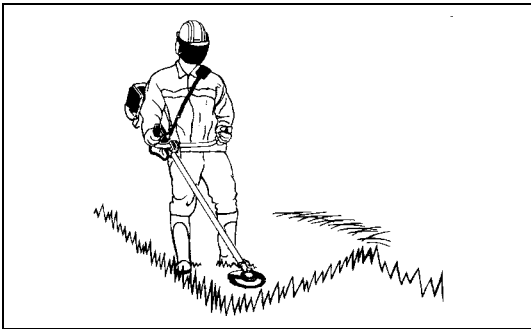


### Snijgereedschappen

Zorg dat u het juiste snijgereedschap voor elke specifieke taak gebruikt.

DBC260U met snijblad (sterrenblad (4 tanden), wervelblad (8 tanden)),  
DBC260L met nylon snijkop.

Voor het maaien van dik materiaal, zoals onkruid, hoog gras, struiken, heesters, kreupelhout, ondergroei, enz. (max. 2 cm diameter). U kunt maaien door de bosmaaier gelijkmatig in halve cirkels van rechts naar links te zwaaien (op de manier waarop u een zeis gebruikt).



### Onderhoudsinstructies

- Controleer altijd de toestand van de maaier, vooral de beschermende uitrusting en de schouderriem, voordat u begint te werken. Besteed bijzondere aandacht aan de snijbladen die correct moeten worden geslepen.
- Schakel de motor uit en verwijder de ontstekingsbougie wanneer u de snijgereedschappen vervangt of slijpt en wanneer u de maaier of het snijgereedschap schoonmaakt.

## Probeer nooit beschadigde snijgereedschappen recht te trekken of te lassen.

- Gebruik de bosmaaier/graskantmaaier met zo weinig mogelijk lawaai en vervuiling. Controleer vooral of de carburator correct is geïnstalleerd.
- Maak de bosmaaier/graskantmaaier regelmatig schoon en controleer of alle schroeven en moeren stevig zijn vastgemaakt.
- Onderhoud of bewaar de bosmaaier/graskantmaaier niet in de buurt van open vuur.
- Bewaar de bosmaaier/graskantmaaier altijd in een afgesloten ruimte en met een leeggemaakte brandstoftank.

Volg de relevante instructies voor het voorkomen van ongevallen die door de relevante handelsverenigingen en verzekeringsmaatschappijen zijn uitgevoerd. Breng geen wijzigingen aan de bosmaaier/graskantmaaier aan, omdat u op die manier uw veiligheid in gevaar brengt.

Het uitvoeren van onderhoud of reparaties door de gebruiker is beperkt tot de activiteiten die in de gebruiksaanwijzing zijn beschreven. Alle andere werkzaamheden moet worden uitgevoerd door een erkend onderhoudsagent. Gebruik alleen originele reserveonderdelen en accessoires die zijn vervaardigd en geleverd door MAKITA.

Als u niet-goedgekeurde accessoires en gereedschappen gebruikt, zal het risico op ongevallen toenemen.

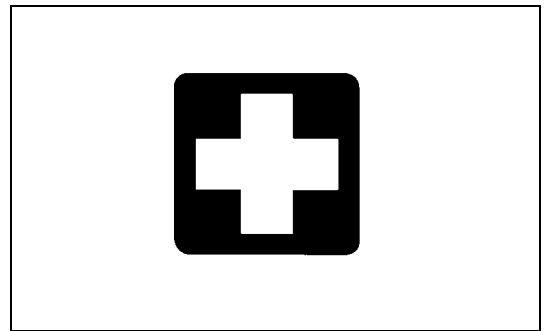
MAKITA aanvaardt geen enkele aansprakelijkheid voor ongevallen of schade, veroorzaakt door het gebruik van niet-goedgekeurde snijgereedschappen, bevestigingsmiddelen voor snijgereedschappen of accessoires.

## EHBO

Zorg dat er altijd een EHBO-does beschikbaar is in de buurt waar er wordt gemaaid om eerste hulp te bieden bij eventuele ongevallen. Vervang onmiddellijk elk item dat uit de EHBO-does is genomen.

### Geef de volgende informatie wanneer u hulp inroept:

- Plaats van het ongeval
- Beschrijving van het ongeval
- Aantal gewonden
- Soort letsels
- Uw naam



## Verpakking

De bosmaaier/graskantmaaier van MAKITA wordt geleverd in twee beschermende kartonnen dozen om schade tijdens het transport te voorkomen. Karton is een ruw basismateriaal en kan daarom opnieuw worden gebruikt en is geschikt om te recyclen (recyclen papierafval).



## EC-VERKLARING VAN CONFORMITEIT

### Model; DBC260U, DBC260L

Wij verklaren onder eigen verantwoordelijkheid dat dit product voldoet aan de normen van de volgende documenten, ISO11806, EN55012 in overeenstemming met de richtlijnen van de Raad, 89/392/ EEC, gewijzigde 98/37/EEC, 93/68/EEC, 89/336/EEC, gewijzigde 92/31/EEC.

Gemeten geluidsvermogen: 111,7 dB

Garantie geluidsvermogen: 114 dB

Deze geluidsvermogenenniveaus zijn gemeten volgens Richtlijn van de Raad, 2000/14/EC.

Procedure conformiteitsbeoordeling: Bijlage V.

CE2008

A handwritten signature in black ink, appearing to be 'Tomoyasu Kato'.

Tomoyasu Kato  
Directeur

Verantwoordelijke fabrikant:

**Makita Corporation.**

3-11-8, Sumiyoshi-cho, Anjo, Aichi, JAPAN

Erkende vertegenwoordiger in Europa:

**Makita International Europe Ltd.**

Michigan Drive, Tongwell, Milton Keynes, Bucks MK15 8JD, ENGLAND

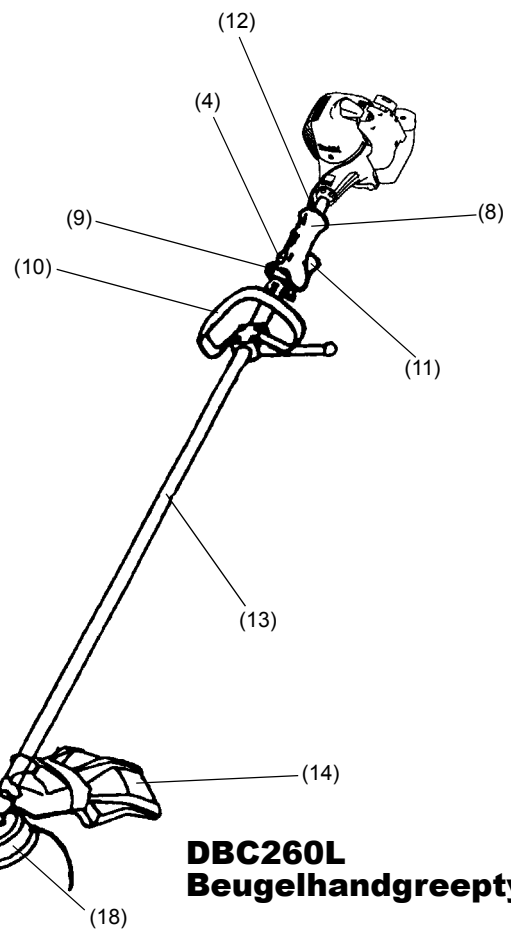
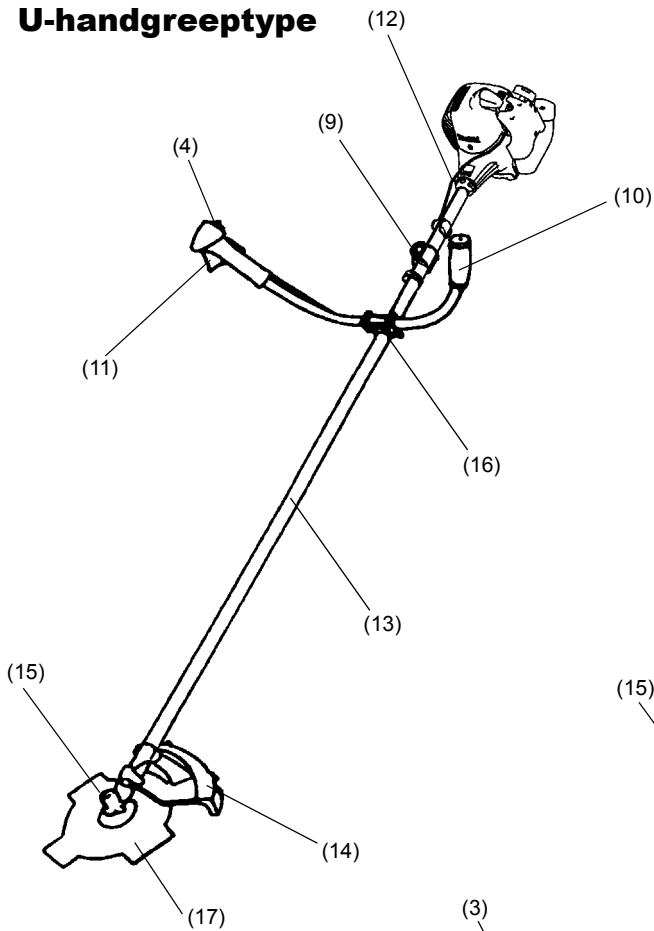
## Technische gegevens DBC260U, DBC260L

Model		DBC260U	DBC260L	
		U-handgreep	Beugelhandgreep	
Afmetingen: lengte x breedte x hoogte (zonder snijblad)	mm	1.770 x 630 x 410	1.770 x 315 x 235	
Gewicht (zonder plastic beschermkap en snijblad)	kg	5,0	4,8	
Volume (brandstoftank)	L	0,6		
Motorverschuiving	cm <sup>3</sup>	25,7		
Maximale motorprestatie	kw	0,83 bij 8.000 min <sup>-1</sup>		
Motorsnelheid aan aanbevolen max. spilsnelheid	min <sup>-1</sup>	10.000		
Maximale spilsnelheid (overeenkomend)	min <sup>-1</sup>	7.400		
Maximaal brandstofverbruik	kg/u	0,431		
Maximaal specifiek brandstofverbruik	g/kwh	487		
Stationaire snelheid	min <sup>-1</sup>	3.000		
Koppelingsnelheid	min <sup>-1</sup>	4.000		
Carburator	type	WALBRO WYC		
Ontstekingsstelsel	type	Contactloze ontsteking		
Ontstekingsbougie	type	NGK BPMR7A		
Elektrodenafstand	mm	0,6 - 0,7		
Trilling volgens ISO 22867 <sup>1)</sup>	Rechterhandgreep (achterste greep)	m/s <sup>2</sup>	3,8	5,3
	Linkerhandgreep (voorste greep)	m/s <sup>2</sup>	3,9	4,3
Gemiddeld geluidsdruk niveau volgens ISO 22868 <sup>1)</sup>	db	98,2		
Gemiddeld geluidsdruk niveau volgens ISO 22868 <sup>1)</sup>	db	108,5		
Brandstof		Menggas (benzine: originele Makita tweetaktmotorolie =50:1)		
Overbrengingsverhouding		14/19		

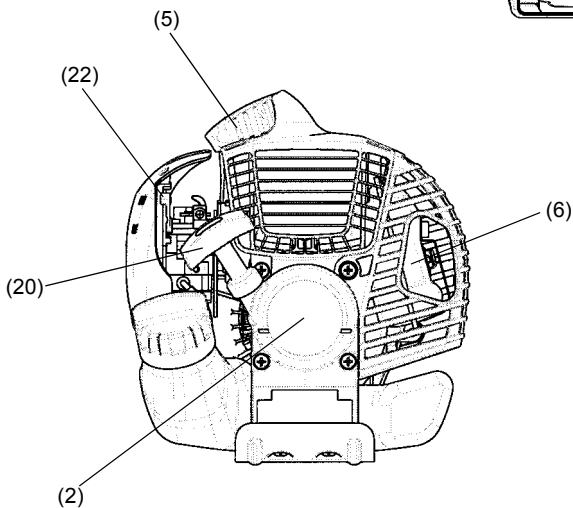
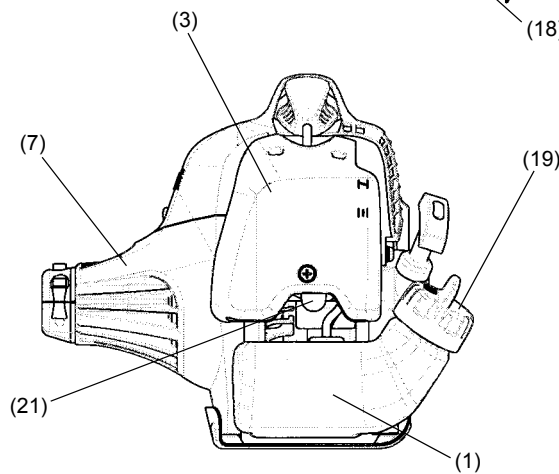
1) De gegevens houden rekening met de bedieningsmodi voor stationaire, hoge en volledig open regelklepsnelheden.

## Namen van onderdelen

### DBC260U U-handgreetype



### DBC260L Beugelhandgreetype



Namen van onderdelen	
1	Brandstoftank
2	Terugspoelstarter
3	Luchtfilter
4	I-O-schakelaar (aan/uit)
5	Ontstekingsbougie
6	Uitlaatdemper
7	Koppelingbehuizing
8	Achterste handgreep
9	Hanger
10	Handgreep
11	Bedieningshendel
12	Stuurkabel
13	Schacht
14	Beschermkap
15	Drijfwerkkast
16	Handgreethouder
17	Snijblad
18	Nylon snijkop
19	Brandstofvuldop
20	Starterknop
21	Ontstekingspomp
22	Gasklephendel

## De handgreep monteren

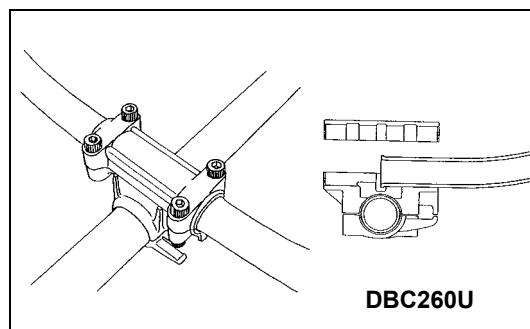
LET OP: Voordat u werkt aan de bosmaaier, moet u de motor altijd uitschakelen en de ontstekingsbougieconnector loskoppelen van de ontstekingsbougie. Draag altijd beschermende handschoenen.

LET OP: Zorg dat u de bosmaaier volledig opnieuw hebt gemonteerd voordat u deze inschakelt.

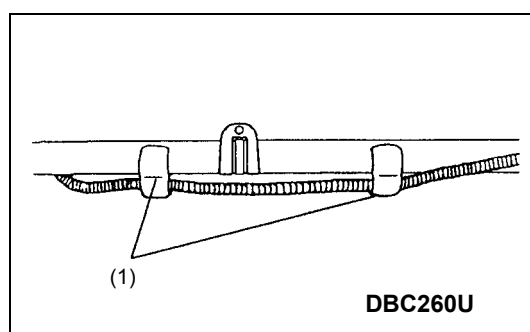


### Voor modellen met een U-handgreep

- Plaats het metaal voor de handgreepbevestiging zo, dat de handgreep met de bedieningshendel aan de rechterkant zit (rechter handgreepzijde) wanneer u naar het apparaat kijkt vanaf de kant van de motor.
- Pas de groef van het bevestigingsmateriaal voor de handgreep in het uiteinde van de handgreep. Bevestig het bijgeleverde metaal tijdelijk met behulp van de bijgeleverde zeskantbout.
- Stel de handgreep af naar een gemakkelijk te gebruiken positie en maak de vier zeskantbouten gelijkmatig rechts en links vast met een inbusleutel.

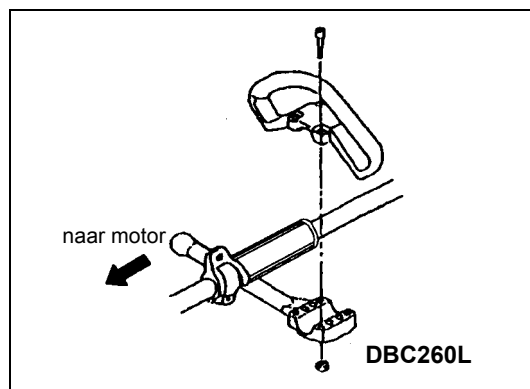


- Bevestig de stuurkabel (samen met de aardingskabel) aan de handgreep met de twee klemmen (1).
- Zorg dat de stuurkabel geen lus maakt bij het gedeelte van het handgreepgedeelte.



### Voor modellen met een beugelhandgreep

- Bevestig de boom aan de linkerzijde van het gereedschap aan de handgreep om de gebruiker te beschermen.
- Stel de positie van de beugelhandgreep niet te dicht bij de bedieningshandgreep in.
- Houd een afstand van minstens 250 mm tussen de handgreep en het handvat. (Hiervoor is een afstandsbeugel bijgeleverd.)



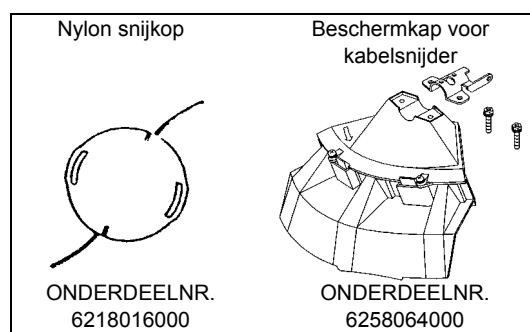
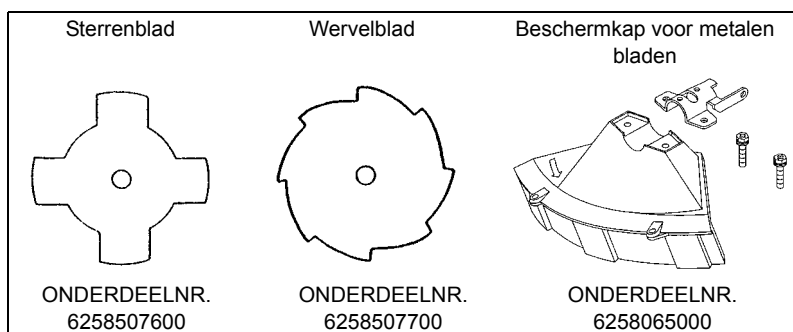
## De beschermkap monteren

Om te voldoen aan de toepasselijke veiligheidsnormen, mag u alleen de gereedschap/beschermkapcombinaties gebruiken die in de tabel zijn aangegeven.



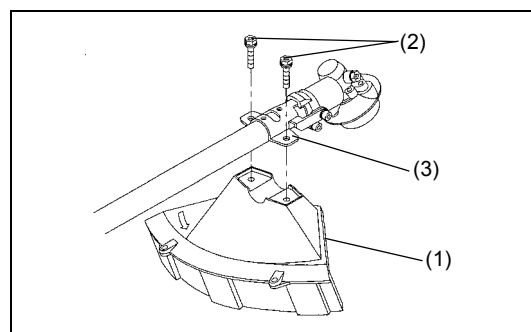
### Gebruik altijd originele snijbladen/nylon snijkoppen van MAKITA.

- Het snijblad moet goed geslepen zijn en vrij zijn van barsten of breuken. Als het snijblad een steen raakt tijdens het gebruik, moet u de motor onmiddellijk uitschakelen en het blad controleren.
- Slijp of vervang het snijblad na elke drie uur gebruik.
- Als de nylon snijkop een steen raakt tijdens het gebruik, moet u de motor onmiddellijk uitschakelen en de nylon snijkop controleren.

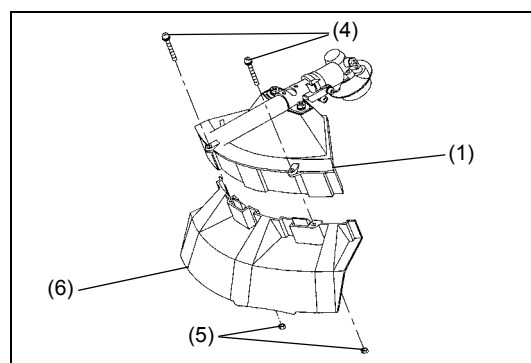


**LET OP:** Voor uw veiligheid en om te voldoen aan de voorschriften voor ongevallenpreventie, moet u altijd de geschikte beschermkappen installeren. Het gebruik van het gereedschap zonder geïnstalleerde beschermkap is verboden.

- Bevestig de beschermkap (1) aan de klem (3) met twee M6 x 30 bouten(2).



- Wanneer u de draadkop gebruikt, moet u de beschermkap (6) in de beschermkap (1) installeren en deze vastmaken met twee moeren (5) en twee schroeven (4).

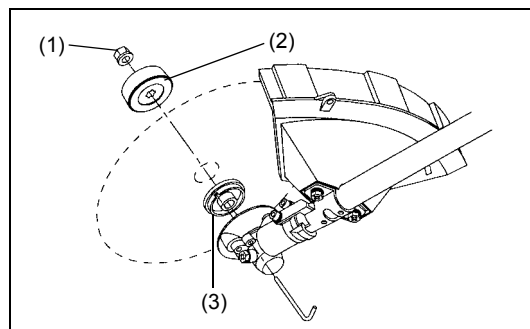


## Het snijblad/de nylon snijkop monteren

Het snijblad of de nylon snijkop kan gemakkelijk worden vervangen door het gereedschap eerst ondersteboven te draaien.



- Stop de inbussleutel in de opening van de drijfwerkkast en draai de sluitring van de ontvanger (3) met de inbussleutel tot deze vast zit.
- Maak de moer (1) (schroefdraad links) los met de dopsleutel en verwijder de moer (1) en de klemsluitring (2).



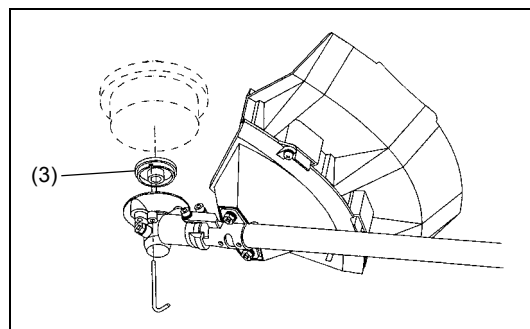
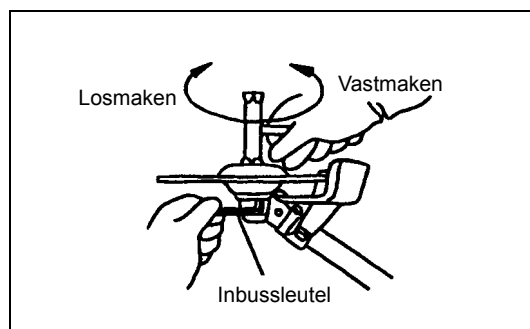
### Terwijl de inbussleutel nog op zijn plaats zit

- Monteer het snijblad op de schacht zodat de geleider van de ontvangersluitring (3) past in de opspanopening in het snijblad. Installeer de klemsluitring (2) en maak het snijblad vast met de moer (1).  
[Aanhaalkoppel: 13 - 23 N-m]

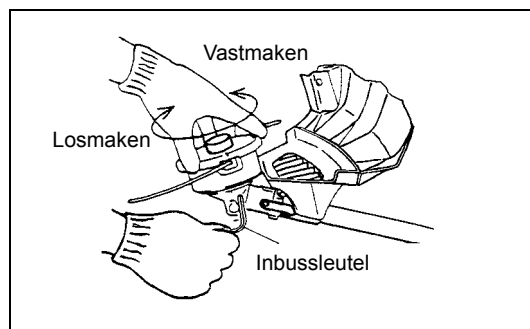
OPMERKING: Draag altijd beschermende handschoenen wanneer u het snijblad hanteert.

OPMERKING: De bevestigingsmoer van het snijblad (met veering) is een verbruiksartikel. Als u slijtage of vervorming van de veering opmerkt, moet u de moer vervangen.

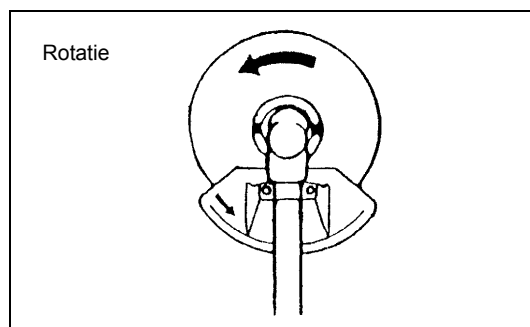
OPMERKING: De klemsluitring (2) en de moer (1) zijn niet nodig voor het monteren van de nylon snijdraad. De nylon kop moet bovenop de ontvangersluitring komen (3).



- Schroef de nylon snijkop op de schacht.



- Controleer of het blad linksom draait.







### Omgaan met brandstof

Uiterste zorg is vereist bij het omgaan met brandstof. Brandstof kan stoffen bevatten die ook in oplosmiddelen voorkomen. Tank alleen bij in een goed geventileerde ruimte of buitenshuis. Zorg dat u de brandstofdampen niet inademt en vermijd contact van de brandstof of de olie met de huid. Aardolieproducten ontvetten uw huid. Als uw huid langdurig in contact is geweest met deze producten, kan uw huid extreem droog worden. Dit kan leiden tot verschillende soorten huidandoeningen. Daarnaast kunnen er ook allergische reacties optreden. Uw ogen kunnen geïrriteerd raken door contact met olie. Als er olie in uw ogen terecht komt, moet u ze onmiddellijk spoelen met helder water. Als uw ogen dan nog steeds geïrriteerd zijn, moet u onmiddellijk een arts raadplegen.

### Mengsel van brandstof en olie

De motor van de bosmaaier is een tweetaktmotor met hoog rendement. Deze werkt op een mengsel van brandstof en tweetaktmotorolie. De motor is ontworpen voor gewone loodvrije benzine met een minimaal octaangehalte van 91 RON. Als er door de een of andere reden geen dergelijke brandstof beschikbaar is, kunt u benzine met een hoger octaangehalte gebruiken. Dit zal de motor niet beïnvloeden, maar kan een zwakke werking van het gereedschap veroorzaken.

Soortgelijke problemen zullen zich ook voordoen bij het gebruik van loodhoudende benzine. Voor een optimale werking van de motor en om uw gezondheid en het milieu te beschermen, is het dus aanbevolen alleen loodvrije brandstof te gebruiken.

Om de motor te smeren, voegt u tweetaktmotorolie (kwaliteitsnorm: JASO FC of ISO EGD) toe aan de brandstof. De motor is ontworpen voor gebruik met de opgegeven tweetaktmotorolie bij een mengverhouding van 50:1 om het milieu te beschermen.

Daarnaast garandeert het gebruik van deze mengverhouding een langere gebruiksduur, een betrouwbare werking en minimale uitstoten. Er kan geen betrouwbare werking van de bosmaaier worden gegarandeerd, tenzij de mengverhouding van 50:1 (opgegeven tweetaktmotorolie) strikt wordt nageleefd.

### Correcte mengverhouding:

Benzine: opgegeven tweetaktmotorolie = 50: 1 of

Benzine: Tweetaktmotorolie van andere fabrikant = 25: 1 aanbevolen

**OPMERKING:** Om het benzine/olie-mengsel te maken, mengt u eerst de volledige hoeveelheid olie met de helft van de vereiste benzine en voegt u daarna de resterende benzine toe. Schud het mengsel stevig voordat u het in de tank van de bosmaaier giet. Voor een veilig gebruik mag u nooit meer motorolie toevoegen dan de opgegeven hoeveelheid. Als u dat toch doet, worden meer verbrandingsresten geproduceerd waardoor het milieu wordt vervuild en het uitlaatkanaal in de cilinder en de demper verstopt kunnen raken. Daarnaast zal het brandstofverbruik verhogen en zullen de prestaties afnemen.

### Bijtanken

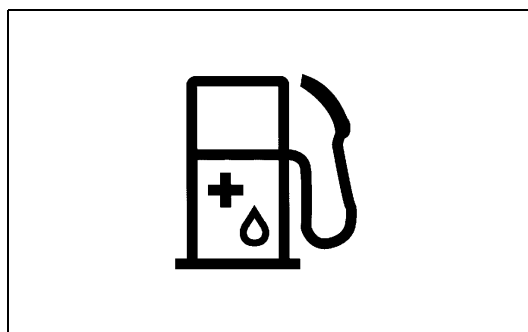
#### De motor moet worden uitgeschakeld.


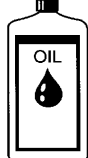
- Maak het gebied rond de brandstofvuldop (2) grondig schoon om te vermijden dat er vuil in de brandstoftank (1) terechtkomt.
- Schroef de brandstofvuldop (2) los en vul de tank met brandstof.
- Schroef de brandstofvuldop (2) stevig vast.
- Maak de brandstofvuldop (2) en de tank schoon na het bijtanken.

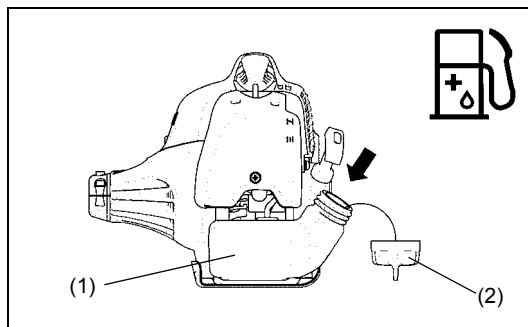
### Opslag van brandstof

Brandstof kan niet voor een onbeperkte tijd worden opgeslagen.

Koop slechts de hoeveelheid die nodig is voor een gebruiksperiode van 4 weken. Gebruik alleen goedgekeurde brandstofopslagtanks.



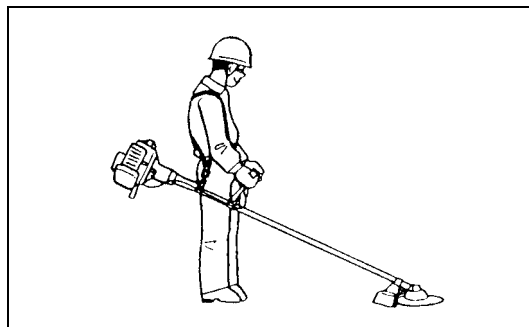
Benzine	50:1	25:1
	+	
1.000 cm <sup>3</sup> (1 liter)	20 cm <sup>3</sup>	40 cm <sup>3</sup>
5.000 cm <sup>3</sup> (5 liter)	100 cm <sup>3</sup>	200 cm <sup>3</sup>
10.000 cm <sup>3</sup> (10 liter)	200 cm <sup>3</sup>	400 cm <sup>3</sup>



## Correcte hantering

### Bevestigen van de schouderriem

- Pas de lengte van de riem zo aan, dat het snijblad parallel met de grond kan worden gehouden.

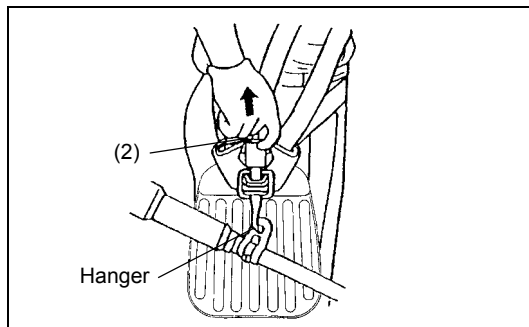


### Losmaken

#### Voor DBC260U

- Om het gereedschap los te maken van uw lichaam in geval van nood, trekt u krachtig aan de noodontgrendelingshendel (2) met uw vinger. Hiermee wordt het gereedschapsharnas van het lichaam losgemaakt. Zorg dat u op dit ogenblik de controle over het gereedschap behoudt. Zorg dat het gereedschap niet afketst in uw richting of in de richting van iemand die in de buurt staat.

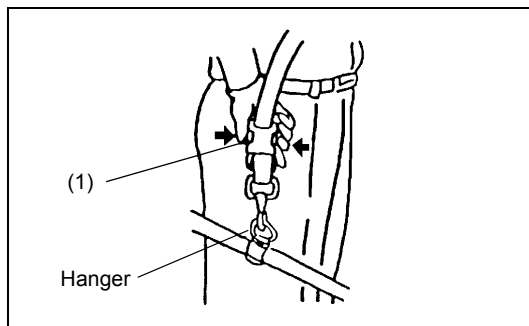
**WAARSCHUWING:** Als u geen complete controle over het gereedschap behoudt, kan dit ernstige en zelfs DODELIJKE letsels veroorzaken.



#### Voor DBC260L

- Duw in geval van nood op de inkepingen (1) aan beide zijden en maak het gereedschap los. Zorg dat u op dit ogenblik de controle over het gereedschap behoudt. Zorg dat het gereedschap niet afketst in uw richting of in de richting van iemand die in de buurt staat.

**WAARSCHUWING:** Als u geen complete controle over het gereedschap behoudt, kan dit ernstige en zelfs DODELIJKE letsels veroorzaken.



## Belangrijke bedieningspunten/de maaier/snijder stoppen

Volg de toepasselijke voorschriften voor ongevallenpreventie.

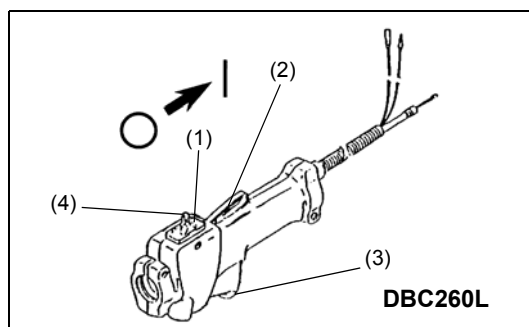
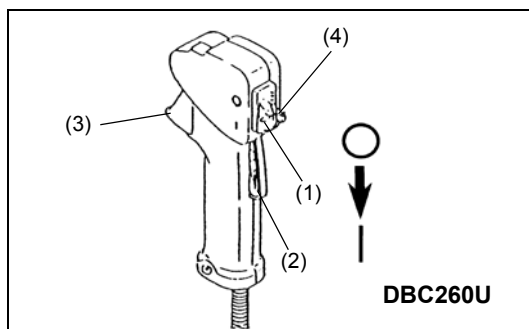


### Starten

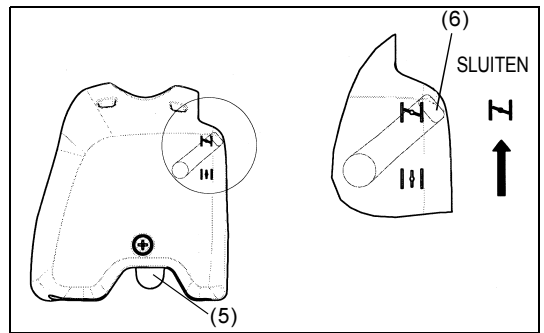
Ga op minstens 3 m afstand staan van het gebied waar u het gereedschap hebt bijgetankt. Plaats de bosmaaier op een schoon stuk grond en zorg ervoor dat het snijgereedschap niet in contact komt met de grond of andere objecten.

### Koude start

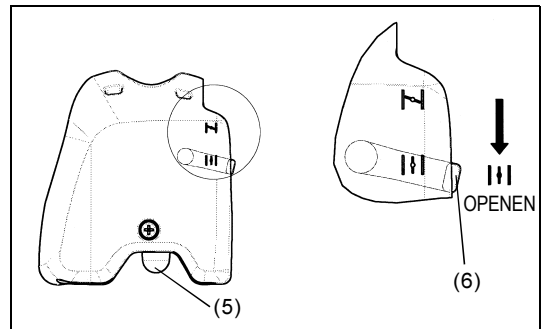
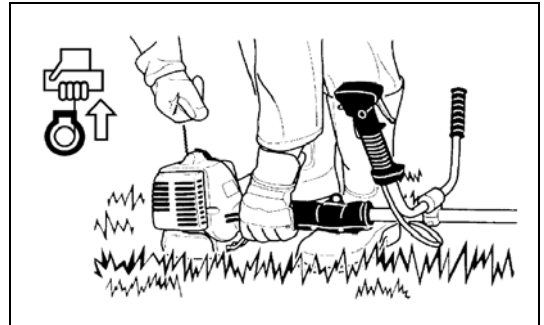
- Duw de I-O-schakelaar (1) in de richting die wordt aangegeven door de pijl.
- Neem de handgreep vast (de druk van uw hand activeert de hendel voor de veiligheidsontgrendeling (2)).
- Duw de gashendel (3) in en houd deze omlaag.
- Druk op de vergrendelingsknop (4) en laat de bedieningshendel los. Laat vervolgens de vergrendelingsknop los (de vergrendelingsknop houdt de gashendel in de opstartpositie).



- Plaats het gereedschap eerst op de grond.
- Druk herhaaldelijk (7-10 keer) op de ontstekingspomp (5) tot de brandstof in de ontstekingspomp loopt.
- Sluit de gasklephendel (6).
  - Gasklepopening:
    - volledig besloten bij koude temperaturen of wanneer de motor koud is
    - volledig of half open voor het opnieuw opstarten terwijl de motor nog warm is



- Houd de koppelingbehuizing met uw linkerhand vast, zoals weergegeven.
- Trek langzaam de starthandgreep tot u weerstand voelt en trek vervolgens met een stevige ruk.
- Trek de startkoord niet volledig uit en laat de starthandgreep niet vanzelf intrekken. Behoud de controle over de startkoord en zorg dat deze langzaam wordt ingetrokken.
- Herhaal het starten tot u de eerste ontstekingen van de motor hoort.
- Druk op de gasklephendel (6) (↓) en trek opnieuw aan de startkoord tot de motor start.
- Zodra de motor start moet u de gashendel onmiddellijk indrukken en loslaten zodat de halve-gasvergrendeling wordt ontgrendeld en de motor stationair kan draaien.
- Laat de motor ongeveer 1 minuut draaien aan een gemiddelde snelheid voordat u volle gas geeft.



- OPMERKING: - Als u herhaaldelijk aan de starthandgreep trekt terwijl de gasklephendel in de positie "↕" staat, zal de motor niet gemakkelijk starten vanwege een overmatige brandstofopname.
- Als er een overmatige brandstofopname optreedt, verwijdert u de ontstekingsbougie en trekt u langzaam aan de starthandgreep om overtollige brandstof te verwijderen. Maak ook het elektrodengedeelte van de ontstekingsbougie droog.

#### Opgelet tijdens gebruik:

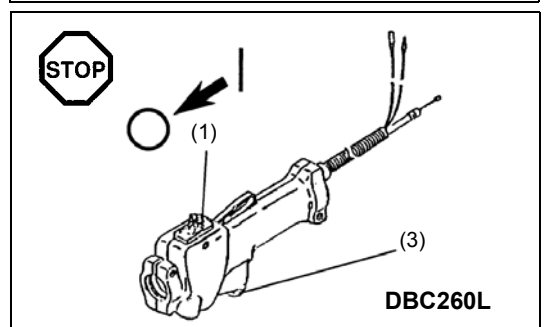
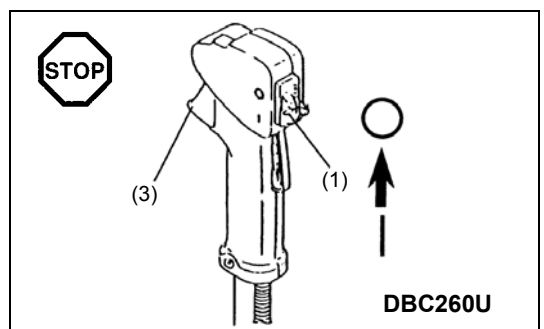
- als de gashendel volledig wordt geopend tijdens het gebruik zonder belasting, neemt de motoromwenteling toe tot meer dan 10.000 min<sup>-1</sup>. Gebruik de motor nooit aan een hogere snelheid dan vereist en houd de omwentelingen aan een gemiddelde snelheid van 6.000 - 8.000 min<sup>-1</sup>. LET OP: Verlaag het aantal motoromwentelingen altijd wanneer het gereedschap niet wordt gebruikt voor uw werk. Het gebruik van het gereedschap aan hoge omwentelingen wanneer het niet voor uw werk wordt gebruikt, zal de levensduur van het gereedschap verkorten.

#### Warme start

- Volg de bovenstaande instructies voor een koude start, maar zonder de gasklephendel te verplaatsen (de gasklephendel blijft omlaag (↓)).

#### Stoppen

- Laat de gashendel (3) volledig los en duw de I-O-schakelaar (1) naar de positie "O" wanneer de motoromwentelingen zijn verminderd om de motor uit te schakelen.
- Houd ermee rekening dat de snijkop mogelijk niet onmiddellijk stopt. Wacht dus even tot de kop vertraagt en volledig stopt.

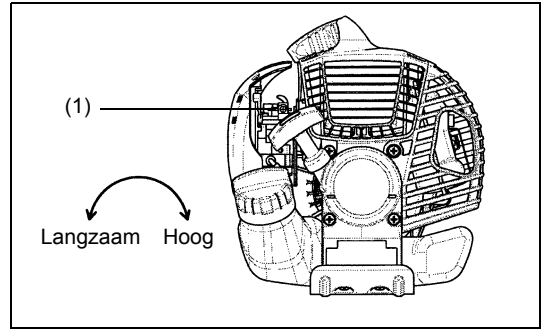


## AFSTELLING VAN OMWENTELINGEN MET LAGE SNELHEID (STATIONAIR)

Het snijblad of de nylon snijkop mag niet draaien wanneer de bedieningshendel volledig is losgelaten. Pas, indien nodig de omwentelingen voor het stationair draaien aan met behulp van de afstelschroef voor stationair draaien.

### De stationaire snelheid controleren

- De stationaire snelheid moet worden ingesteld op 3.000 min<sup>-1</sup>. Pas de stationaire snelheid, indien nodig, aan met de afstelschroef (het blad of de nylon snijkop mag niet draaien wanneer de motor stationair draait). Als u de afstelschroef voor het stationair draaien (1) vastmaakt, worden de motoromwentelingen verhoogd, terwijl het losdraaien van de schroef de motoromwentelingen verlaagt.



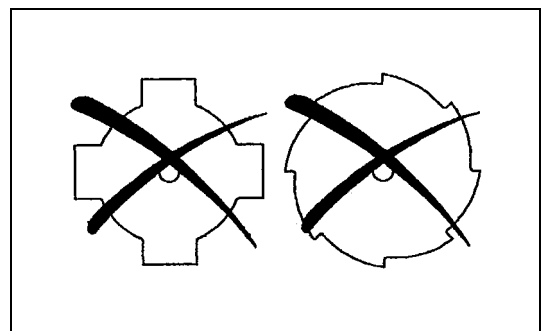
## Het snijgereedschap slijpen

LET OP: De hieronder vermelde snijgereedschappen mogen alleen worden geslepen door een bevoegde dienst. Het handmatig slijpen zal resulteren in wanverhoudingen van het snijgereedschap waardoor trillingen zullen ontstaan en het gereedschap schade kan oplopen.

- snijblad (sterrenblad (4 tanden), wervelblad (8 tanden))

Onze erkende onderhoudsagenten voorzien een professionele service voor het slijpen en uitbalanceren.

OPMERKING: Om de gebruiksduur van het snijblad (sterrenblad, wervelblad) te verlengen, kan het blad worden omgedraaid zodat beide snijranden kunnen verslijten.

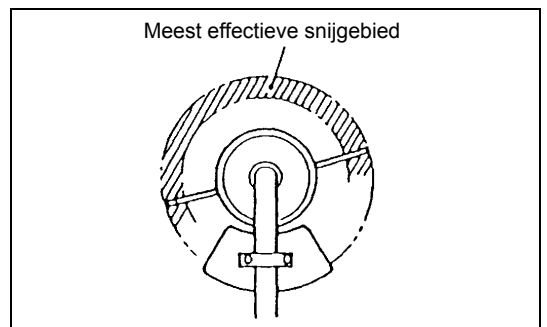


### NYLON SNIJKOP

De nylon snijkop is een dubbele kop voor de graskantmaaier die kan worden gebruikt voor automatische en stoot- en uitvoermechanismen. De nylon snijkop zal automatisch de geschikte lengte nylon draad uitvoeren door de wijzigen in de centrifugale kracht die wordt veroorzaakt door toenemende of afnemende omwentelingen. Om zacht gras efficiënt te maaien, is het echter aanbevolen de nylon snijkop tegen de grond te stoten om extra draad uit te voeren, zoals weergegeven in het werkingsgedeelte.

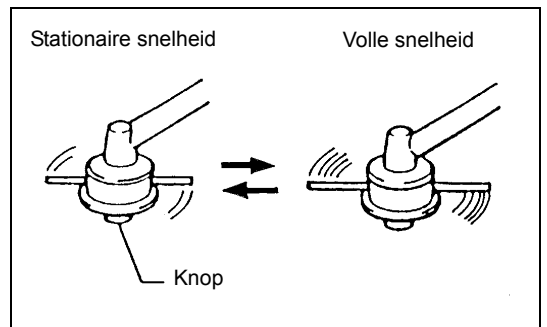
### Werking:

- verhoog de snelheid van de nylon snijkop naar ongeveer 6.000 min<sup>-1</sup>. De nylon draad zal niet correct worden uitgevoerd bij lagere snelheden (lager dan 4.800 min<sup>-1</sup>).
- Het meest effectieve maaigebied wordt weergegeven door het gearceerde deel in het schema rechts.



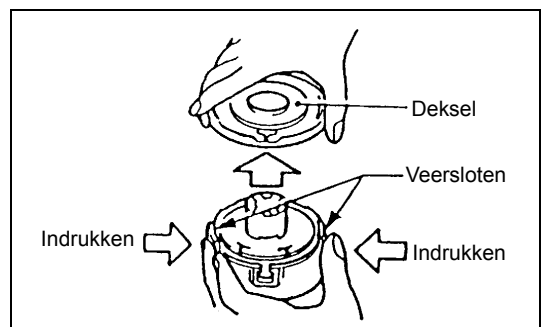
Volg de onderstaande instructies als de nylon draad niet automatisch wordt uitgevoerd:

1. Laat de gashendel los zodat de motor stationair draait en druk de gashendel vervolgens volledig in. Herhaal deze procedure tot de nylon draad tot de geschikte lengte is uitgevoerd.
2. Als de nylon draad te kort is om deze automatisch uit te voeren met de bovenstaande procedure, stoot u de knop van de nylon snijdraad tegen de grond om de nylon draad uit te voeren.
3. Als de nylon draad niet wordt uitgevoerd met procedure 2, volgt u de procedures die zijn beschreven onder "De nylon draad vervangen" om de nylon draad op te wikkelen/te vervangen.

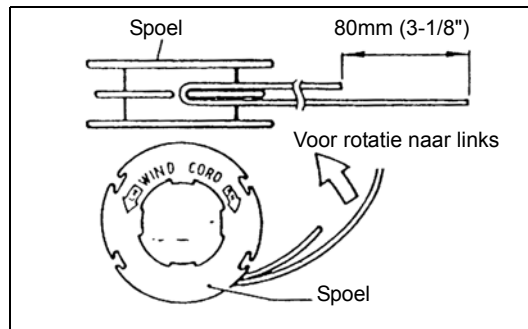


### De nylon daad vervangen

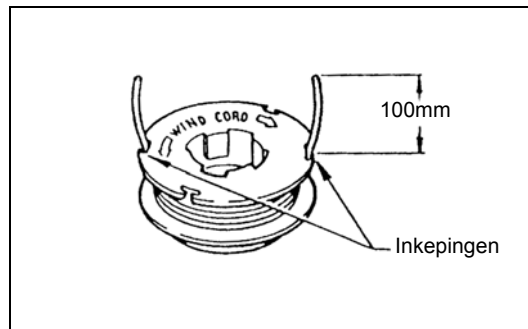
- Schakel de motor uit.
- Druk de veersloten van de behuizing naar binnen om het deksel weg te nemen en verwijder vervolgens de spoel.



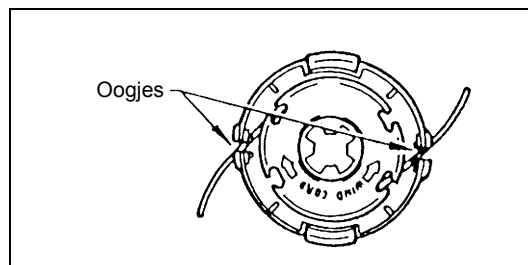
- Haak het midden van de nieuwe nylon draad in de inkeping in het midden van de spoel terwijl het ene uiteinde van de draad ongeveer 80mm meer uitsteekt dan het andere uiteinde. Wikkel vervolgens beide uiteinden stevig rond de spoel in de draairichting van de kop (linksom aangegeven door LH en rechtsom aangegeven door RH op de zijkant van de spoel).



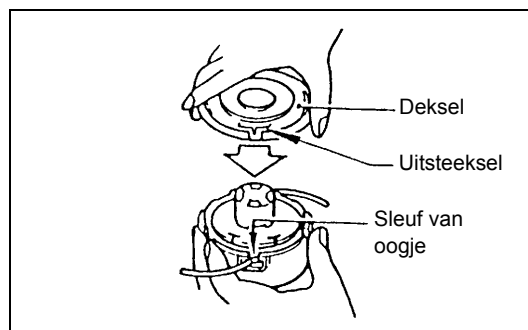
- Wikkel de volledige draad rond de spoel, maar houd 100 mm over en laat de uiteinden tijdelijk gehaakt in de inkeping op de zijkant van de spoel.



- Monteer de spoel in de behuizing zodat de groeven en uitsteeksels op de spoel overeenkomen met deze in de behuizing. Monteer de spoel zo, dat de opdruk op de spoel vanaf de bovenkant zichtbaar is. Haak vervolgens de uiteinde van de draden los van hun tijdelijke positie en stop de draden door de oogjes zodat ze uitsteken uit de behuizing.



- Lijn het uitsteeksel op de onderkant van het deksel uit op de sleuven van de oogjes. Duw vervolgens stevig op de behuizing om deze vast te maken.



## Onderhoudsinstructies

### Onderhoudsinstructies

LET OP: Voordat u onderhoudswerkzaamheden uitvoert aan de bosmaaier, moet u e motor altijd uitschakelen en maak het kapje van de ontstekingsbougie los (zie "De ontstekingsbougie controleren"). Draag altijd beschermende handschoenen.

LET OP: Verwijder nooit zelf de terugslagstarter. Dit kan een ongeval veroorzaken. Deze procedure mag alleen worden uitgevoerd door een erkende onderhoudsagent.

Voer de volgende onderhoudswerkzaamheden regelmatig uit om een lange gebruiksduur te garanderen en eventuele schade aan het gereedschap te voorkomen.

#### Dagelijkse inspectie en onderhoud

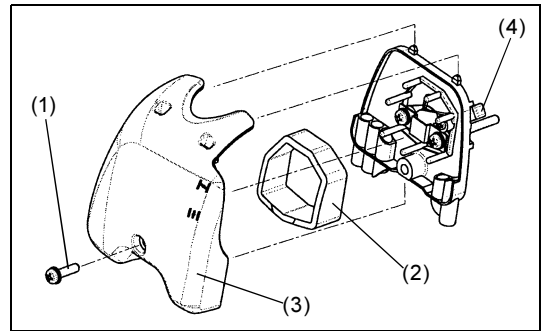
- Controleer het gereedschap voor het gebruik op losse schroeven of ontbrekende onderdelen. Let vooral op of het snijblad of de nylon snijkop stevig is bevestigd.
- Controleer voor het gebruik altijd of de doorgang voor de koellucht en de cilindervinnen niet verstopt zijn. Maak ze schoon indien dat nodig is.
- Voer de volgende onderhoudswerkzaamheden dagelijks uit na het gebruik:
  - Maak de buitenkant van de bosmaaier schoon en inspecteer het gereedschap op schade.
  - Maak de luchtfilter schoon. Maak de filter meerdere keren per dag schoon als u werkt in extreem stofrijke omstandigheden.
  - Controleer het blad of de nylon snijkop op schade en controleer of het blad of de kop stevig bevestigd is.
  - Controleer of er voldoende verschil is tussen de stationaire en gebruikssnelheden om zeker te zijn dat het snijgereedschap tot stilstand komt wanneer de motor stationair draait (verminder de stationaire snelheid indien dat nodig is). Raadpleeg een erkende onderhoudsagent in uw buurt als het snijgereedschap blijft draaien terwijl de motor stationair draait.
- Controleer of de I-O-schakelaar, de hendel voor de veiligheidsontgrendeling, de bedieningshendel en de vergrendelingsknop correct werken.



### De luchtfilter schoonmaken (filter)

- Maak de schroef (1) los.
- Draai de gasklephendel (4) naar de volledig gesloten zijde en houd de carburator uit de buurt van stof of vuil.
- Verwijder het deksel van de luchtfilter (3).
- Verwijder het sponselement (2), was het in lauw water en laat het volledig drogen.
- Plaats het deksel van de luchtfilter (3) na het reinigen terug en maak het vast met de schroef (1).

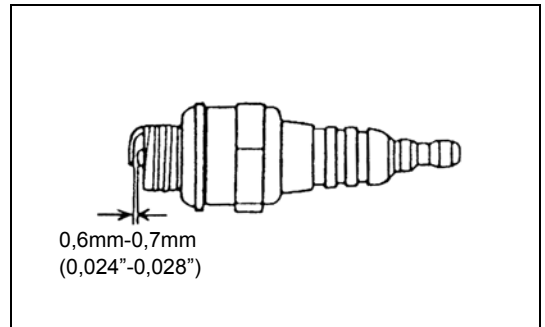
OPMERKING: Als er overmatig stof of vuil aan de luchtfilter blijft plakken, moet u deze dagelijks schoonmaken. Een verstopte luchtfilter kan het moeilijk of onmogelijk maken om de motor te starten of kan de omwentelingssnelheid van de motor toenemen.



### De ontstekingsbougie controleren

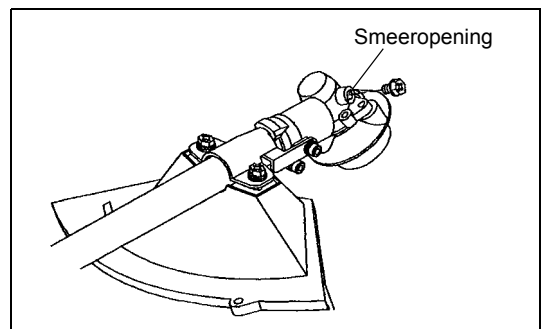
- Gebruik alleen de bijgeleverde moersleutel om de ontstekingsbougie te verwijderen of te installeren.
- De afstand tussen de twee elektroden van de ontstekingsbougie moet 0,6-0,7 mm (0,024"-0,028") bedragen. Als de afstand te groot of te klein is, moet u deze aanpassen. Als de ontstekingsbougie verstopt is door karton of vuil, moet u deze grondig schoonmaken of vervangen.

LET OP: Raak de ontstekingsbougieconnector nooit aan terwijl de motor draait (gevaar op elektrische schok door hoogspanning).



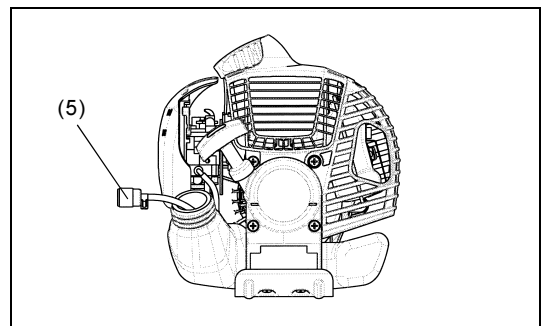
### De drijfwerkkast smeren

- Breng elke 30 uur vet (Shell Alvania 3 of gelijkwaardig) aan in de aandrijfkast via de smeeroening. (Origineel MAKITA-smeervet kan worden aangeschaft bij uw MAKITA-dealer.)



### Zuigkop in brandstoftank

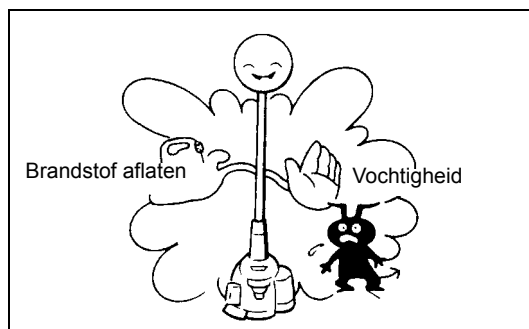
- De brandstofvuller (5) van de zuigkop wordt gebruikt om de brandstof die door de carburator wordt vereist, bij te vullen.
- Voer regelmatig een visuele inspectie uit van de brandstoffilter. Om de filter te inspecteren, opent u de tankdop en gebruikt u een draadhaak om de zuigkop uit de tankopening te trekken. Vervang de filter als deze verhard, extreem vuil of verstopt is.
- Onvoldoende brandstoftoevoer kan ervoor zorgen dat de maximale toegelaten snelheid wordt overschreden. Daarom moet de brandstoffilter minstens elke drie maanden worden vervangen om voldoende brandstoftoevoer naar de carburator te garanderen.



Alle andere onderhouds- of aanpassingswerkzaamheden die niet in deze handleiding zijn beschreven, mogen alleen worden uitgevoerd door erkende onderhoudsagenten.

## Opslag

- Wanneer u het gereedschap lange tijd opslaat, moet u alle brandstof aflaten uit de brandstoftank en de carburator. Verwijder hiervoor alle brandstof uit de brandstoftank. Gooi de afgelaten brandstof weg in overeenstemming met de lokale toepasselijke wetten.
- Verwijder de ontstekingsbougie en giet enkele druppels olie in de opening van de ontstekingsbougie. Trek vervolgens voorzichtig aan de starter zodat de olie de binnenkant van de motor afdekt en maak vervolgens de ontstekingsbougie vast.
- Verwijder al het vuil of stof van het snijblad en de buitenkant van de motor en wrijf alles in met een doek die in olie is gedompeld. Bewaar het gereedschap op een droge plaats.



## Onderhoudsplanning

Algemeen	Motormontage, schroeven en moeren	Visuele inspectie op schade en stevige bevestiging Controle van algemene toestand en veiligheid
Na elke tankbeurt	Bedieningshendel I-O-schakelaar	Functionele controle Functionele controle
Dagelijks	Luchtfilter Kanaal koellucht Snijgereedschap Stationaire snelheid	Schoon te maken Schoon te maken Controle op schade en scherpte Inspectie (snijgereedschap mag niet bewegen)
Wekelijks	Ontstekingsbougie Demper	Inspectie, vervangen indien nodig Inspecteren en de opening schoonmaken indien nodig
Driemaandelijks	Zuigkop Brandstoftank	Te vervangen Schoon te maken
Uitschakelprocedure	Brandstoftank Carburator	Brandstoftank leegmaken Gebruiken tot de brandstof in de motor op is

## Problemen oplossen

Fout	Systeem	Waarneming	Oorzaak
De motor start niet of is moeilijk te starten	Ontstekingsstelsel	Ontstekingsvonk ok	Fout in brandstoftoevoer of druksysteem, mechanisch defect
		Geen ontstekingsvonk	I-O-schakelaar ingeschakeld, bedradingsfout of kortsluiting, ontstekingsbougie of connector defect, ontstekingsmodule defect
	Brandstoftoevoer	Brandstoftank gevuld	Onjuiste positie gasklep, carburator defect, brandstoftoevoerkabel gebogen of geblokkeerd, brandstof vuil.
	Druk	Geen druk wanneer overgetrokken	Cilinderbodem afdichting defect, krukasdichtingen beschadigd, cilinder- of zuigerveren defect of slechte afdichting van ontstekingsbougie
Problemen warme start	Mechanisch defect	Starter wordt niet geactiveerd	Gebroken startveer, gebroken onderdelen in de motor
		Tank gevuld. Ontstekingsvonk ok	Carburator vervuild, moet worden gereinigd
Motor start, maar valt uit	Brandstoftoevoer	Tank gevuld	Verkeerde afstelling stationair draaien, carburator vervuild  Ontluchting brandstoftank defect, brandstoftoevoerlijn onderbroken, kabel of I-O-schakelaar defect
Onvoldoende prestaties	Er kunnen meerdere systemen tegelijk worden beïnvloed	Zwak stationair draaien motor	Luchtfilter vervuild, carburator vervuild, demper verstopt, uitlaatkanaal in cilinder verstopt

Gracias por comprar la desbrozadora / cortabordes MAKITA. La desbrozadora / cortabordes MAKITA es el resultado de nuestros muchos años de investigación, experiencia y un extenso programa de desarrollo.

Lea este manual con atención para obtener unos resultados excelentes y el mejor rendimiento posible que la desbrozadora / cortabordes MAKITA puede proporcionar.



<b>Índice</b>	<b>Página</b>
Símbolos .....	88
Instrucciones de seguridad .....	89
Datos técnicos DBC260U, DBC260L .....	93
Denominación de las piezas .....	94
Montaje del asidero .....	95
Montaje del protector .....	96
Montaje de la cuchilla de corte / cabezal de corte de nylon .....	97
Combustible / Repostaje .....	98
Manejo correcto .....	99
Aspectos importantes del manejo / parada de la desbrozadora / cortabordes .....	99
Afilado de la herramienta de corte .....	101
Instrucciones de servicio .....	102
Almacenamiento .....	104

**Símbolos**

Cuando lea el manual de instrucciones se encontrará con los siguientes símbolos.

	Lea el manual de instrucciones		Utilice protección para los ojos y los oídos (sólo para el cortabordes)
	Preste especial cuidado y atención		Utilice un casco de seguridad y protección para los ojos y oídos (sólo para la desbrozadora)
	Prohibido		No utilice cuchillas metálicas (sólo para el cortabordes)
	Mantenga la distancia		Máxima velocidad permitida de la herramienta
	Peligro de que salgan despedidos objetos		Superficies calientes: quemaduras en los dedos o en las manos
	No fume		Mezcla de combustible y aceite
	No acercar a las llamas		Encendido manual del motor
	Debe utilizarse guantes protectores		Parada de emergencia
	Contragolpe		Primeros auxilios
	Mantenga el área de operación libre de personas y animales		Reciclable
	Utilice botas robustas con suela antideslizante. Se recomienda el uso de botas de seguridad con puntera de acero.		ENCENDIDO/ARRANQUE
			APAGADO/PARADA



## Instrucciones de seguridad

### Instrucciones generales

- Para garantizar un manejo seguro, asegúrese de que lee y comprende totalmente el manual de instrucciones para familiarizarse con el uso de la desbrozadora / cortabordes. El uso de este equipo sin comprender cómo utilizarlo correctamente puede provocarle graves lesiones a usted o a otras personas.
- Sólo debe prestar la desbrozadora / cortabordes a personas que tengan experiencia demostrada en el uso de la desbrozadora / cortabordes. Entregue siempre este manual de instrucciones con la herramienta.
- Si es la primera vez que utiliza una desbrozadora con motor, consulte a su distribuidor las instrucciones básicas.
- No se debe permitir que los niños o las personas de menos de 18 años utilicen la desbrozadora / cortabordes. Las personas de más de 16 años pueden usar el dispositivo con finalidades de aprendizaje solamente bajo la supervisión de un instructor cualificado.
- Utilice la desbrozadora / cortabordes con el máximo cuidado y atención.
- Sólo debe utilizar la desbrozadora / cortabordes si está en buena condición física. Realice todo el trabajo con calma y con cuidado. Los usuarios son responsables de la seguridad de las personas que los rodean.
- Nunca utilice la desbrozadora / cortabordes tras consumir alcohol o medicamentos o si se siente cansado o enfermo.

### Uso previsto del equipo

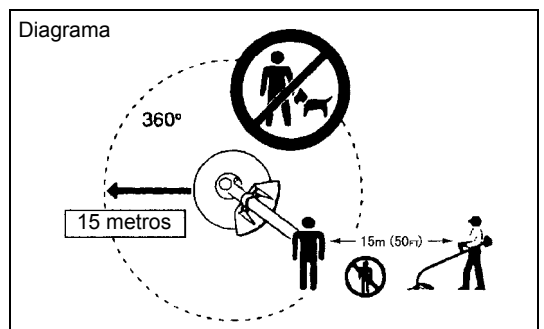
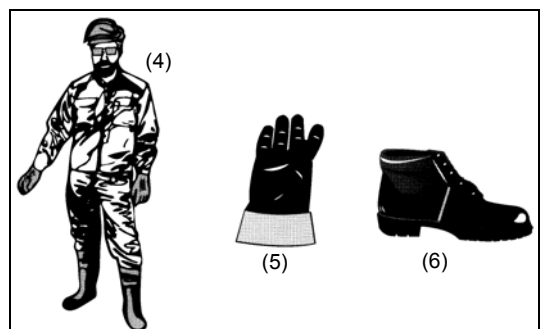
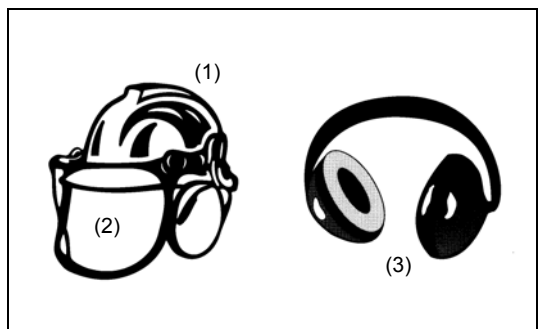
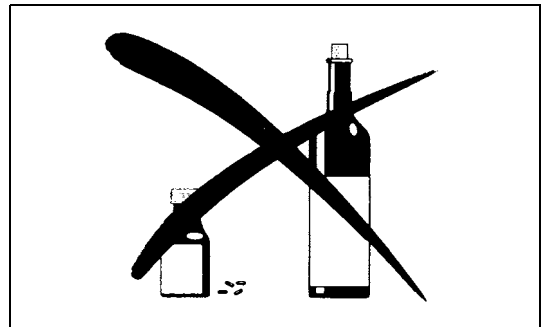
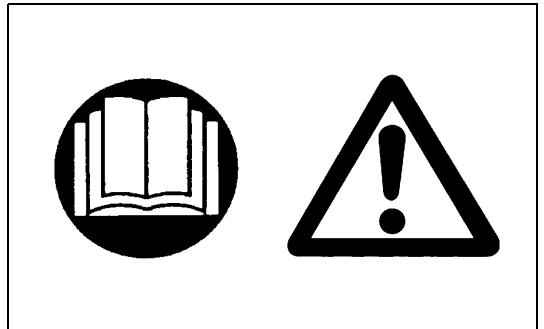
- La desbrozadora / cortabordes sólo se ha diseñado para cortar hierba, maleza, arbustos y otras plantas similares y no se debe utilizar con ninguna otra finalidad, como canteado o cortado de setos, ya que se podrían causar lesiones.

### Equipo de protección personal

- Utilice siempre ropa funcional y adecuada para su trabajo; p. ej. ajustada al cuerpo pero sin que estorbe sus movimientos. No lleve joyas ni prendas que puedan engancharse en arbustos o maleza.
- Para evitar lesiones en la cabeza, los ojos, las manos o los pies y para proteger los oídos durante el manejo, debe llevarse el siguiente equipo y la siguiente ropa de protección mientras se utiliza la desbrozadora / cortabordes.
- Utilice siempre un casco cuando haya riesgo de caída de objetos. Debe comprobarse periódicamente si el casco protector (1) tiene algún daño y se debe sustituir como máximo después de 5 años. Utilice solamente cascos protectores homologados.
- El visor (2) del casco (o, como alternativa, las gafas de seguridad) protege la cara de piedras y objetos que salen despedidos. Durante el manejo de la desbrozadora / cortadora utilice gafas de seguridad o un visor para evitar lesiones en los ojos.
- Utilice un equipo de protección acústica adecuado para evitar daños en el oído (protectores de oído (3), tapones para los oídos, etc.).
- El mono de trabajo (4) protege contra piedras y otros objetos que salen despedidos. Recomendamos utilizar un mono de trabajo.
- Los guantes especiales (5) de cuero grueso forman parte del equipo obligatorio y siempre deben utilizarse durante el manejo de la desbrozadora / cortadora.
- Cuando utilice la desbrozadora / cortabordes, utilice siempre zapatos robustos (6) con una suela que no resbale. Esos zapatos protegen contra lesiones y aseguran una posición estable de los pies.

### Puesta en funcionamiento de la desbrozadora

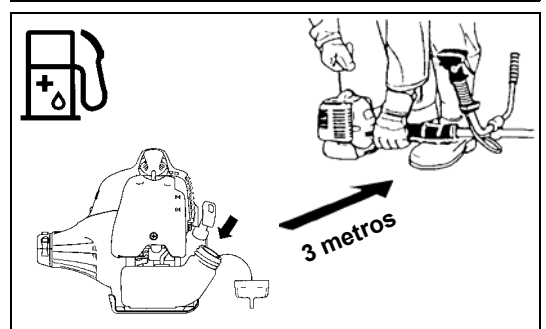
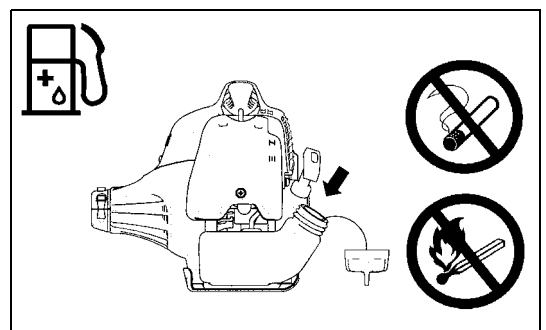
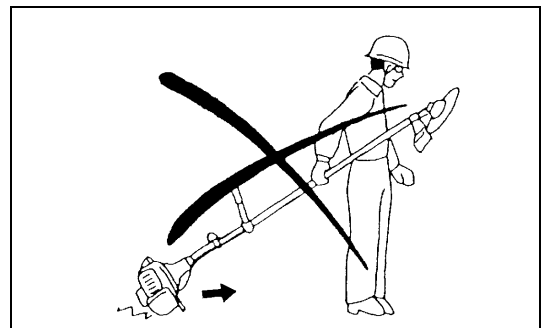
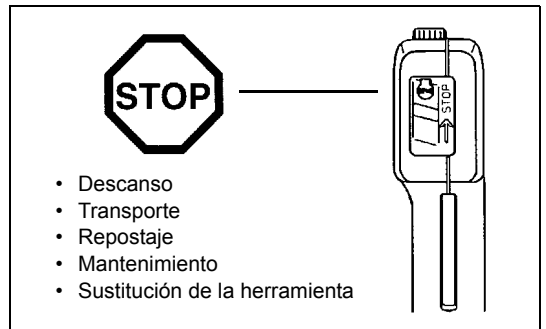
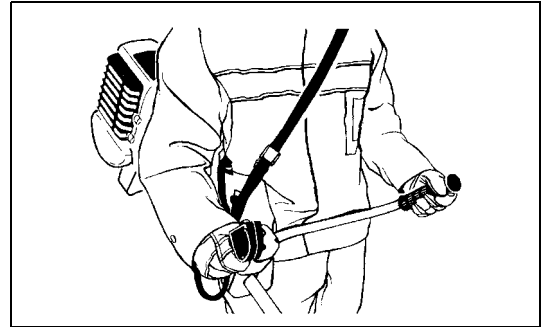
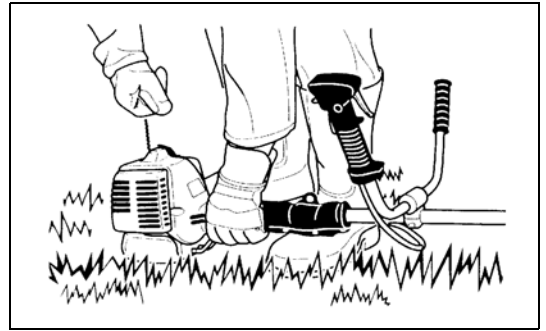
- Asegúrese de que no haya niños y otras personas en un área de trabajo de 15 metros (50 pies) y preste atención también a cualquier animal que pueda estar cerca del lugar de trabajo.
- Antes del uso, compruebe siempre que la desbrozadora / cortabordes esté preparada para un funcionamiento seguro: Compruebe la seguridad de la herramienta de corte, que la palanca de control se pueda utilizar fácilmente y que el bloqueo de la palanca de control funcione correctamente.
- La herramienta de corte no debe girar cuando el motor gire al ralentí. Consulte con su distribuidor si cree que el equipo puede necesitar un ajuste. Asegúrese de que los asideros estén limpios y secos y que el botón de puesta en marcha o parada funcione correctamente.



- Ponga en marcha la desbrozadora / cortabordes únicamente de acuerdo con las instrucciones. No utilice ningún otro método para poner en marcha el motor.
- Utilice la desbrozadora / cortabordes y las herramientas únicamente para las finalidades especificadas.
- Sólo debe poner en marcha el motor de la desbrozadora / cortabordes tras montar completamente el equipo. No utilice el equipo hasta que se hayan colocado todos los accesorios adecuados.
- Antes de la puesta en marcha, asegúrese de que la herramienta de corte no está en contacto con objetos duros tales como ramas, piedras, etc. ya que la herramienta de corte girará al poner en marcha la herramienta.
- Apague el motor inmediatamente si se produce algún problema de motor.
- Si la herramienta de corte golpea piedras u otros objetos duros, apague el motor inmediatamente e inspecciónela.
- Inspeccione periódicamente la herramienta de corte para comprobar si hay daños (compruebe si hay grietas finas mediante pruebas de sonido).
- Sólo debe utilizar la desbrozadora / cortabordes tras abrochar y ajustar la correa de hombro en la longitud correcta. La correa de hombro debe ajustarse a la talla del usuario para evitar la fatiga durante el manejo del equipo. Nunca sujete la desbrozadora con una mano durante el manejo.
- Durante el manejo, sujete siempre la desbrozadora / cortabordes con ambas manos. Asegúrese siempre de que sus pies estén en una posición segura.
- Utilice la desbrozadora / cortabordes de forma que no inhale los gases de escape. Nunca ponga en funcionamiento el motor en un espacio cerrado, por ejemplo, dentro de una habitación (riesgo de envenenamiento por gas). El monóxido de carbono es un gas inodoro.
- Apague siempre el motor cuando descanse o si piensa dejar la desbrozadora / cortabordes desatendida y colóquela en un lugar seguro para evitar lesiones a otras personas y daños en el equipo.
- Nunca ponga la desbrozadora / cortabordes caliente sobre hierba seca o cualquier otro material combustible.
- La herramienta de corte siempre debe contar con la protección adecuada. Nunca utilice la herramienta sin este protector.
- Todas las piezas de protección y las protecciones suministradas con el equipo deben utilizarse durante el funcionamiento.
- Nunca utilice el motor si el silenciador de escape está estropeado.
- Apague el motor durante el transporte.
- Durante el transporte de largas distancias, utilice siempre el equipo de protección de la herramienta suministrado.
- Asegúrese de que la desbrozadora / cortabordes esté en una posición segura durante el transporte para evitar fugas de combustible.
- Cuando transporte la desbrozadora / cortabordes, asegúrese de que el depósito de combustible esté completamente vacío.
- Cuando descargue la desbrozadora / cortabordes de un camión o de otro vehículo similar, nunca arroje el motor al suelo, ya que se puede dañar el depósito de combustible.
- A no ser en caso de emergencia, nunca arroje ni deje caer la desbrozadora / cortabordes al suelo, ya que se puede dañar gravemente.
- Siempre debe levantar todo el equipo del suelo cuando lo mueva. Arrastrar el equipo por su depósito de combustible es extremadamente peligroso y puede causar fugas de combustible, lo que a su vez puede causar un incendio.

### Repostaje

- Apague el motor durante el repostaje y manténgase alejado de las llamas y no fume.
- Asegúrese de que los productos de aceite mineral no entren en contacto con la piel. No inhale el vapor de combustible. Utilice siempre guantes de protección durante el repostaje. Cambie y limpie regularmente la ropa protectora.
- Para evitar la contaminación del suelo (protección medioambiental), asegúrese de no verter combustible o aceite en el suelo. Si se derrama combustible, limpie la desbrozadora/cortabordes inmediatamente.
- Asegúrese de que el combustible no entra en contacto con su ropa. Si el combustible entra en contacto con su ropa, cámbiela inmediatamente para evitar que se incendie.
- Inspeccione periódicamente la tapa del depósito de combustible para asegurarse de que se puede apretar firmemente y que no tiene fugas.
- Apriete con cuidado la tapa del depósito de combustible. Cuando haya completado el repostaje, desplácese hasta una ubicación que esté alejada como mínimo 3 metros de donde ha repostado antes de poner en marcha el motor.



- Nunca reposte en un espacio cerrado, como dentro de una habitación. Si lo hace, se puede provocar una explosión debido a la acumulación del vapor de combustible a nivel del suelo.
- El combustible solamente se debe transportar y almacenar en recipientes homologados. Asegúrese de que el combustible almacenado no esté al alcance de los niños.

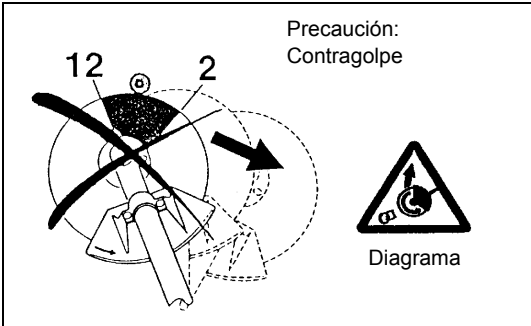
### Método de trabajo

- Utilice la desbrozadora / cortabordes y las herramientas únicamente cuando haya una buena iluminación y visibilidad. Durante el invierno, tenga cuidado con las zonas resbaladizas o mojadas, como zonas heladas o cubiertas por la nieve (riesgo de resbalar). Asegúrese siempre de que sus pies estén en una posición segura.
- No corte nunca por encima de la altura de la cintura.
- No se suba nunca a una escalera mientras utilice la desbrozadora/cortabordes.
- No se suba a árboles mientras utilice la desbrozadora/cortabordes.
- No trabaje nunca en superficies inestables.
- Elimine la arena, piedras, clavos, etc. que se encuentren en el área de trabajo.  
Los objetos extraños pueden dañar la herramienta de corte y provocar peligrosos contragolpes.
- Antes de empezar a cortar, asegúrese de que la herramienta de corte haya alcanzado la velocidad de trabajo máxima.



### Contragolpe

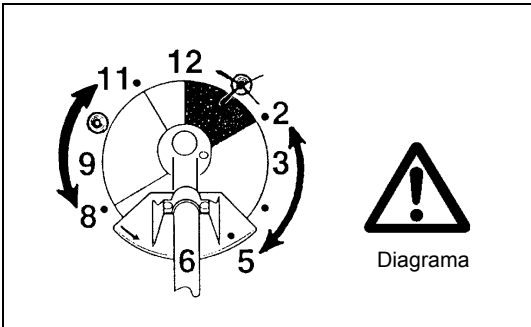
- Cuando utilice la desbrozadora pueden producirse contragolpes incontrolados.
- Los contragolpes se suelen producir cuando intenta cortar con la sección entre las posiciones de las 12 y las 2 en punto de la cuchilla.
- Nunca aplique la sección entre las posiciones de las 12 y las 2 de la cuchilla de la desbrozadora.
- Nunca aplique esta sección de la cuchilla de la desbrozadora a objetos sólidos, como arbustos o árboles, etc. que tengan un diámetro superior a 3 cm. En caso contrario, la desbrozadora se desviará con gran fuerza, lo que es extremadamente peligroso y puede provocar lesiones.



### Prevención de contragolpes

#### Para evitar contragolpes, recuerde lo siguiente:

- Utilizar la sección entre las posiciones de las 12 y las 2 en punto de la cuchilla es extremadamente peligroso, especialmente cuando utilice herramientas de corte metálicas.
- Las operaciones de corte con la sección entre las posiciones de las 11 y las 12 en punto y entre las posiciones de las 2 y las cinco en punto sólo deben realizarlas operadores con experiencia y formación y únicamente bajo su propio riesgo.  
La sección de corte óptima para lograr un corte sencillo sin casi contragolpes se encuentra entre las secciones de las 8 y las 11 en punto de la hoja.

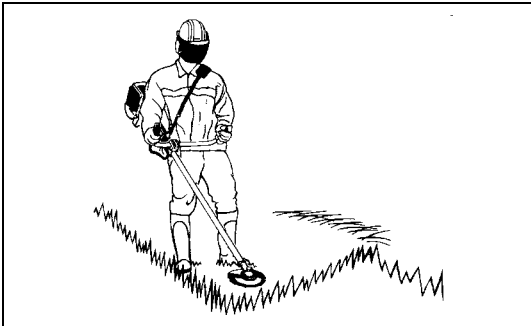


### Herramientas de corte

Asegúrese de utilizar la herramienta de corte adecuada para cada trabajo específico.

DBC260U con cuchilla (cuchilla de estrella (4 dientes), cuchilla Eddy (8 dientes)), DBC260L con cabezal de corte de nylon.

Para el corte de materiales gruesos, tales como maleza, hierba alta, matorrales, arbustos, monte bajo, etc. (grosor máximo de 2 cm de diámetro). Realice el trabajo moviendo la desbrozadora uniformemente en semicírculos de derecha a izquierda (como cuando se usa una guadaña).



### Instrucciones de mantenimiento

- Compruebe siempre el estado de la desbrozadora, especialmente los dispositivos de protección y la correa para el hombro, antes de empezar a trabajar. También debe prestarse especial atención a las cuchillas de corte, que deben estar afiladas correctamente.
- Apague el motor y quite el conector de la bujía cuando sustituya o afile las herramientas de corte y también cuando limpie la desbrozadora o la herramienta de corte.

### Nunca enderece ni suelle las herramientas de corte estropeadas.

- Utilice la desbrozadora/cortabordes de forma que haga el mínimo ruido y contaminación posibles. En concreto, compruebe si el carburador se ha ajustado correctamente.
- Limpie la desbrozadora/cortabordes periódicamente y compruebe que todos los tornillos y tuercas estén bien apretados.
- Nunca realice trabajos de mantenimiento o almacene la desbrozadora / cortabordes en la proximidad de llamas.
- Guarde siempre la desbrozadora / cortabordes en habitaciones cerradas con llave y con el depósito de combustible vacío.

Respete las instrucciones aplicables de prevención de accidentes emitidas por las compañías de seguros y las asociaciones comerciales relevantes.

No realice ninguna modificación en la desbrozadora / cortabordes, ya que esto pondría en peligro su seguridad.

Los trabajos de mantenimiento o reparación que puede realizar el usuario se limitan a las actividades descritas en este manual de instrucciones. Todos los demás trabajos los realiza un agente de servicio autorizado. Utilice únicamente accesorios y piezas de repuesto genuinos suministrados por MAKITA.

El uso de accesorios y herramientas no aprobados implicará un aumento del riesgo de accidentes.

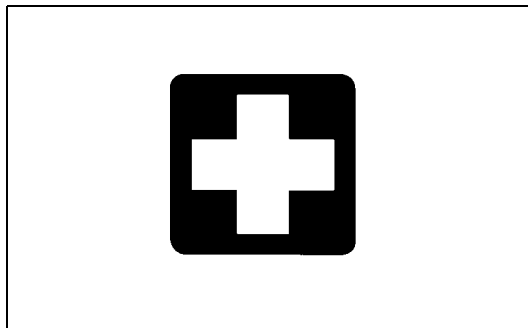
MAKITA no acepta ninguna responsabilidad por los accidentes o los daños causados por el uso de herramientas de corte no aprobadas, por la reparación de las herramientas de corte o por accesorios.

### Primeros auxilios

En caso de accidente, asegúrese de que cerca del lugar en el que se realicen las operaciones de corte esté disponible un botiquín de primeros auxilios. Reponga inmediatamente cualquier artículo que tome del botiquín de primeros auxilios.

### Cuando solicite ayuda, proporcione la siguiente información:

- Lugar del accidente
- Qué ha ocurrido
- Número de personas heridas
- Tipo de lesiones
- Su nombre



### Embalaje

La desbrozadora / cortabordes MAKITA se entrega en dos cajas de cartón de protección para evitar daños durante el transporte. El cartón es una materia prima básica y, por lo tanto, se puede reciclar (reciclado de residuos de papel).



## DECLARACIÓN DE CONFORMIDAD DE LA CE

### Modelo; DBC260U, DBC260L

Declaramos bajo nuestra exclusiva responsabilidad que este producto cumple con los siguientes estándares de documentos estandarizados, ISO11806, EN55012 de acuerdo con las directivas del Consejo, 89/392/EEC, 98/37/EEC enmendada, 93/68/EEC, 89/336/EEC y 92/31/EEC enmendada.

Potencia sonora medida: 111,7 dB

Potencia sonora garantizada: 114 dB

Estos niveles de potencia sonora han sido medidos en conformidad con la directiva del Consejo 2000/14/CE.

Método de evaluación de la conformidad: Anexo V.

CE2008

A handwritten signature in black ink, appearing to be 'Tomoyasu Kato'.

Tomoyasu Kato  
Director

Fabricante responsable:

**Makita Corporation.**

3-11-8, Sumiyoshi-cho, Anjo, Aichi, JAPÓN

Representante autorizado en Europa:

**Makita International Europe Ltd.**

Michigan Drive, Tongwell, Milton kyenes, Bucks MK15 8JD, REINO UNIDO

## Datos técnicos DBC260U, DBC260L

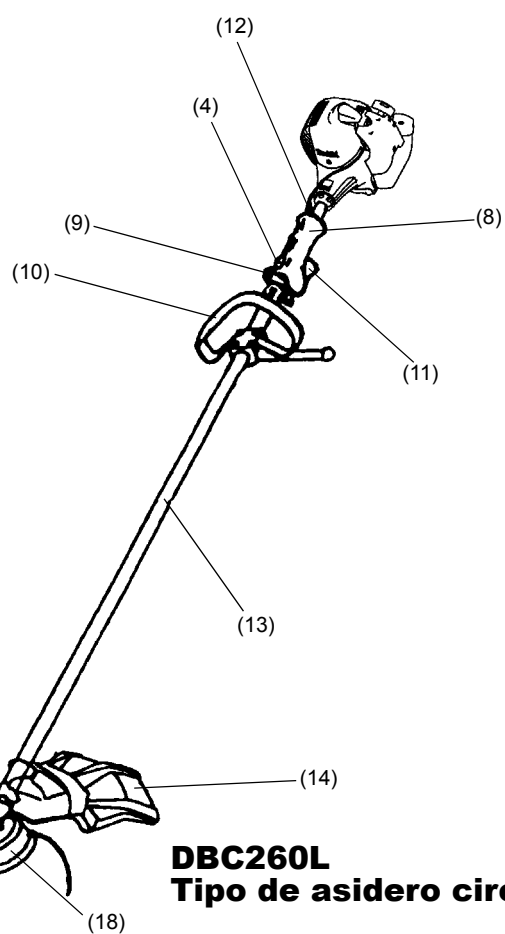
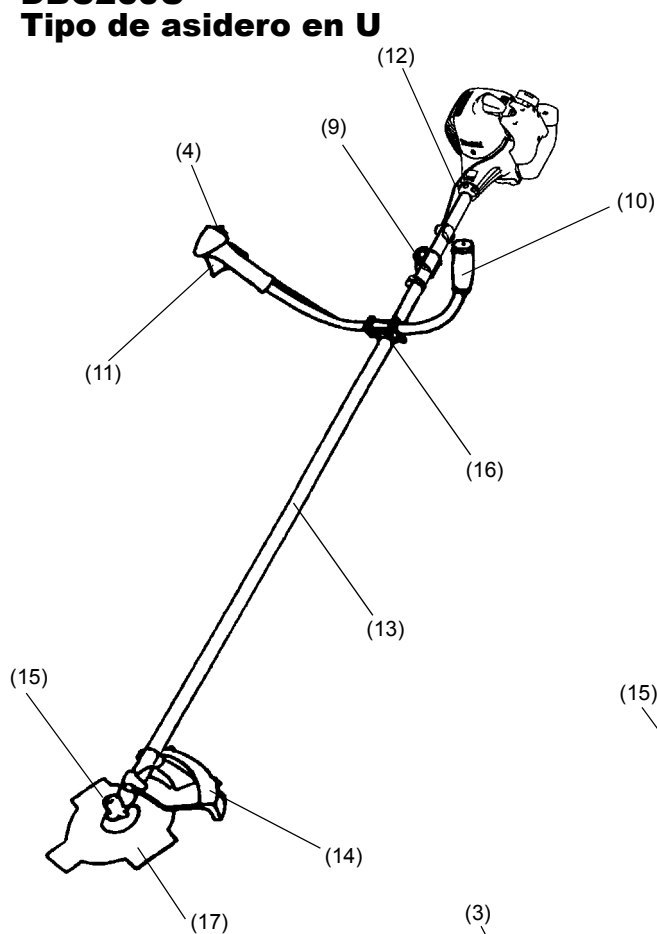
Modelo		DBC260U	DBC260L	
		Asidero en U	Asidero circular	
Dimensiones: largo x ancho x alto (sin cuchilla de corte)	mm	1.770 x 630 x 410	1.770 x 315 x 235	
Peso (sin protector de plástico ni cuchilla de corte)	kg	5,0	4,8	
Volumen (depósito de combustible)	L	0,6		
Cilindrada del motor	cm <sup>3</sup>	25,7		
Potencia máxima del motor	kw	0,83 a 8.000 min <sup>-1</sup>		
Velocidad del motor a la velocidad máxima recomendada del husillo	min <sup>-1</sup>	10.000		
Velocidad máxima del husillo (correspondiente)	min <sup>-1</sup>	7.400		
Consumo máximo de combustible	kg/h	0,431		
Consumo máximo de combustible especificado	g/kwh	487		
Velocidad de ralentí	min <sup>-1</sup>	3.000		
Velocidad de acoplamiento de embrague	min <sup>-1</sup>	4.000		
Carburador	tipo	WALBRO WYC		
Sistema de encendido	tipo	Encendido de estado sólido		
Bujía	tipo	NGK BPMR7A		
Separación entre electrodos	mm	0,6 - 0,7		
Vibración de acuerdo con ISO 22867 <sup>1)</sup>	Asidero derecho (empuñadura trasera)	m/s <sup>2</sup>	3,8	5,3
	Asidero izquierdo (empuñadura delantera)	m/s <sup>2</sup>	3,9	4,3
Promedio del nivel de presión acústica según ISO 22868 <sup>1)</sup>	db	98,2		
Promedio del nivel de potencia sonora según ISO 22868 <sup>1)</sup>	db	108,5		
Combustible	Mezcla de combustible (gasolina: Aceite para combustible, de dos tiempos, Makita = 50:1)			
Relación de engranajes	14/19			

1) Los datos tienen en cuenta por igual los modos de ralentí y máxima velocidad o el modo de velocidad con la mariposa de gases abierta del todo.

## Denominación de las piezas

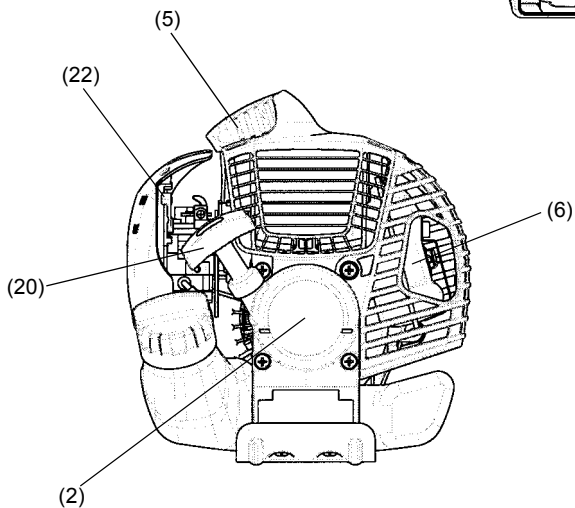
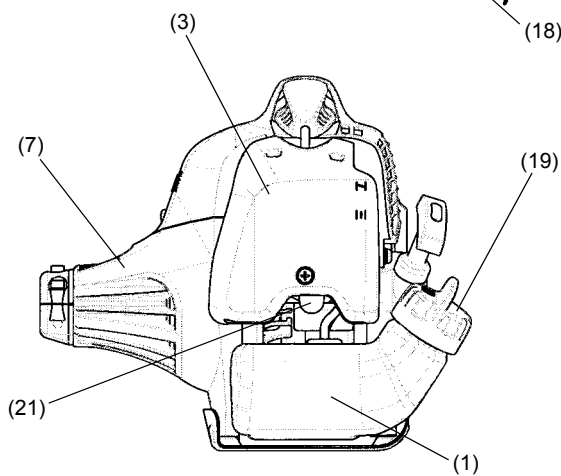
### DBC260U

#### Tipo de asidero en U



### DBC260L

#### Tipo de asidero circular



	Denominación de las piezas
1	Depósito de combustible
2	Arrancador de retroceso
3	Filtro de aire
4	Interruptor I-O (encendido/apagado)
5	Bujía
6	Silenciador de escape
7	Caja del embrague
8	Empuñadura trasera
9	Colgador
10	Asidero
11	Palanca de control
12	Cable de control
13	Eje
14	Protector
15	Caja de engranajes
16	Agarre del asidero
17	Cuchilla de corte
18	Cabezal de corte de nylon
19	Tapa para el llenado de combustible
20	Pomo de arranque
21	Bomba de cebado
22	Palanca del estrangulador

## Montaje del asidero

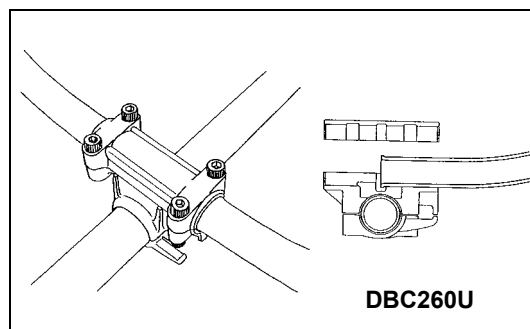
**PRECAUCIÓN:** Antes de realizar algún trabajo en la desbrozadora, detenga siempre el motor y desconecte el conector de la bujía. Utilice siempre guantes de protección.

**PRECAUCIÓN:** Asegúrese de volver a montar la desbrozadora completamente antes de ponerla en marcha.

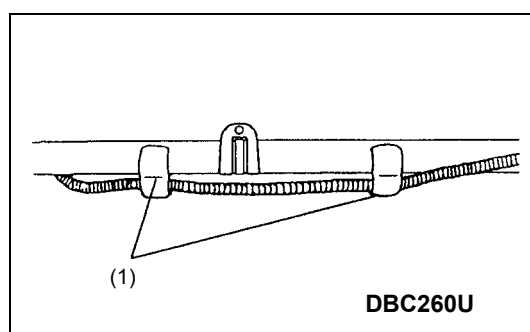


### Para modelos con el asidero en forma de U

- Coloque la pieza metálica de fijación del asidero para que el asidero con la palanca de control esté colocado a la derecha (el lado de la empuñadura derecha) visto desde el lado del motor.
- Ajuste la ranura de la pieza fijadora del asidero al extremo del asidero. Fije temporalmente la pieza de metal mediante el perno hexagonal proporcionado.
- Ajuste el asidero a una posición cómoda para el manejo y apriete firmemente los cuatro pernos hexagonales de forma uniforme a la derecha y la izquierda usando una llave Allen.

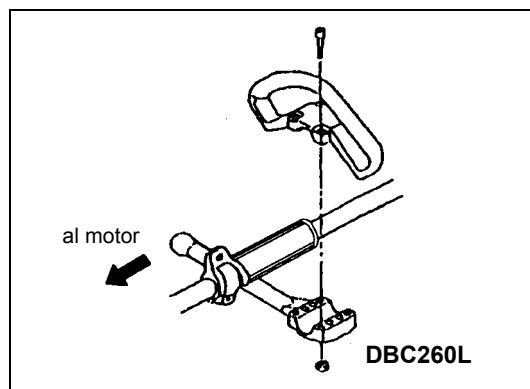


- Ajuste el cable de control (junto con el cable de conexión a tierra) en el asidero con dos sujetacables (1).
- Asegúrese de que el cable de control no dé una vuelta alrededor de la sección de la barra del asidero.



### Para modelos con el asidero circular

- Fije la barrera en el lado izquierdo del equipo junto con el asidero para proteger al operador.
- No ajuste la posición del asidero circular demasiado cerca de la empuñadura de control.
- Mantenga una distancia de 250 mm como mínimo entre el asidero y la empuñadura. Se proporciona un separador con esta finalidad.

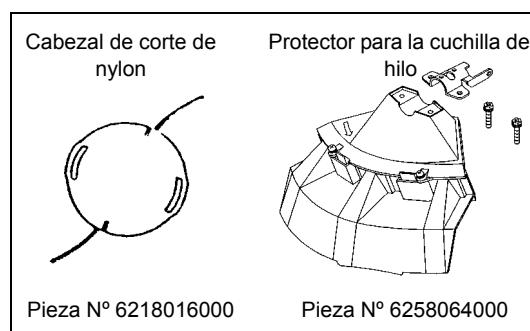
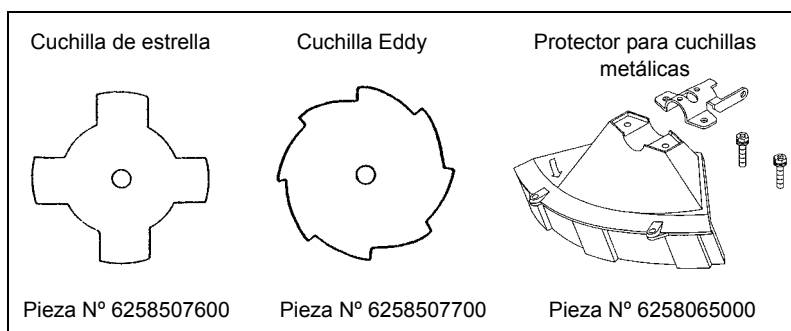


## Montaje del protector

Para cumplir con las normas de seguridad aplicables, sólo se deben usar las combinaciones de protector y herramienta especificadas en la tabla.

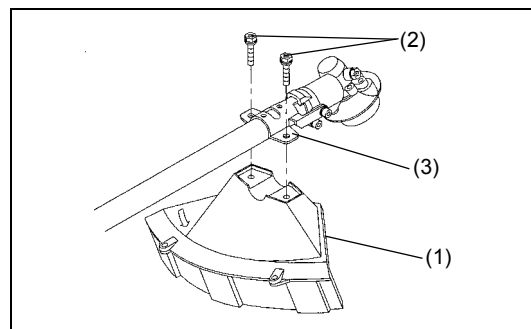
**Utilice siempre cabezales de corte de nylon y cuchillas de corte genuinas de MAKITA.**

- La cuchilla de corte deberá estar afilada, sin grietas ni roturas. Si la cuchilla golpea una piedra durante el uso, detenga la herramienta y compruebe la cuchilla inmediatamente.
- Afile o reemplace la cuchilla cada tres horas de funcionamiento.
- Si el cabezal de corte de nylon golpea una piedra durante el uso, detenga la herramienta y compruebe la cuchilla inmediatamente.

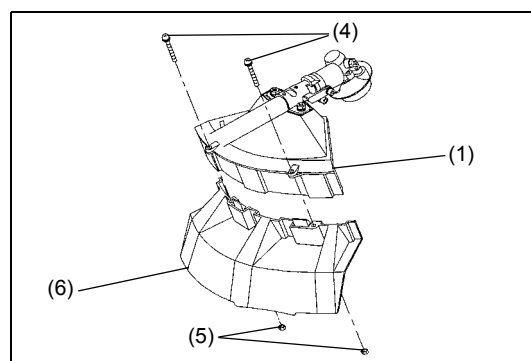


**PRECAUCIÓN:** Siempre deben estar instalados los protectores adecuados por su propia seguridad y para cumplir con las normativas de prevención de accidentes. Se prohíbe el uso del equipo sin las protecciones instaladas.

- Fije el protector (1) a la abrazadera (3) con dos pernos M6 x 30 (2).



- Cuando utilice el cabezal de hilo, fije el protector (6) en el protector (1) y apriételes con dos tuercas (5) y dos tornillos (4).



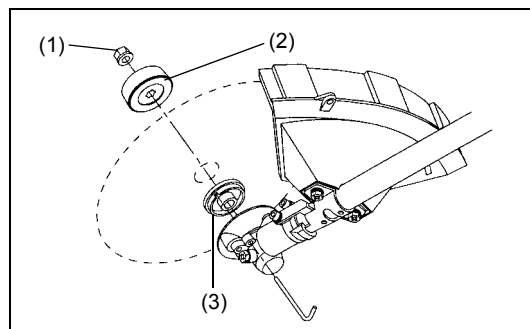


## Montaje de la cuchilla de corte / cabezal de corte de nylon

La cuchilla de corte o el cabezal de corte de nylon se pueden reemplazar fácilmente dando la vuelta al equipo.



- Inserte la llave Allen en el orificio de la caja de engranajes y gire la arandela de apoyo (3) hasta que quede bloqueada con la llave Allen.
- Afloje la tuerca (1) (rosca hacia la izquierda) con la llave de vaso y retire la tuerca (1) y la arandela de apriete (2).

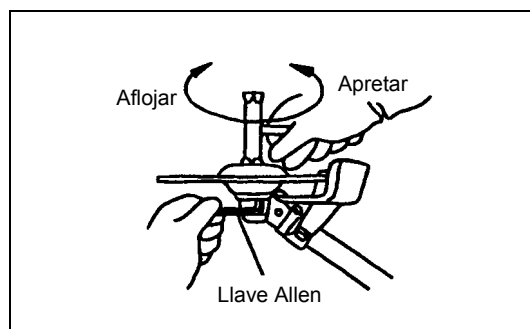


### Con la llave Allen aún colocada

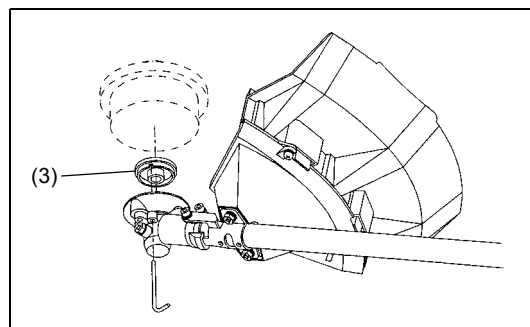
- Monte la cuchilla en el eje para que la guía de la arandela de apoyo (3) se ajuste al orificio del eje de la cuchilla. Instale la arandela de apriete (2) y fije la cuchilla con la tuerca (1).  
[Par de apriete: 13 - 23 N-m]

NOTA: Utilice siempre guantes cuando maneje la cuchilla.

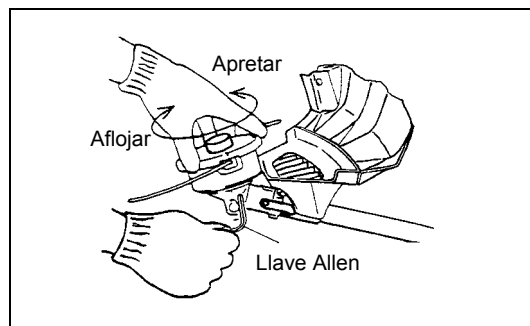
NOTA: La tuerca de apriete de la cuchilla (con una arandela con muelle) es una parte desechable. Si se aprecia algún desgaste o deformación en la arandela de muelle, reemplace la tuerca.



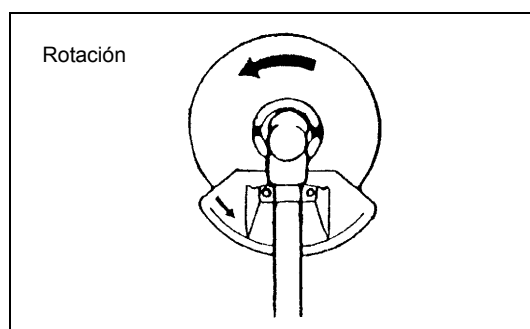
NOTA: La arandela de sujeción (2) y la tuerca (1) no son necesarias para montar el cabezal de corte de nylon. El cabezal de nylon debe colocarse encima de la arandela de apoyo (3).



- Atornille el cabezal de corte de nylon en el eje.



- Asegúrese de que la hoja gire en el sentido contrario a las agujas del reloj.





## Manejo del combustible

Tenga el máximo cuidado cuando maneje el combustible. El combustible puede contener sustancias similares a los disolventes. Reposte en una habitación bien ventilada o al aire libre. No inhale el vapor de combustible y evite cualquier contacto del combustible o del aceite con su piel.

Los productos de aceite mineral eliminan la grasa de su piel. El contacto prolongado de la piel con estos productos hará que la piel se reseque extremadamente, lo que puede provocar varios tipos de enfermedades en la piel. También pueden producirse reacciones alérgicas.

Los ojos pueden irritarse al entrar en contacto con el aceite. Si sus ojos entran en contacto con el aceite, lávelos inmediatamente con agua potable. Si sus ojos siguen irritados, acuda inmediatamente a un médico.

## Mezcla de combustible y aceite

El motor de la desbrozadora es un motor de dos tiempos muy eficaz. Funciona con una mezcla de combustible y aceite para motores de dos tiempos. El motor se ha diseñado para que funcione con combustible normal sin plomo, con un octanaje mínimo de 91 RON. En caso de no disponer de ese combustible, puede utilizar combustible con un octanaje mayor. Esto no afectará a su motor, pero puede provocar un bajo rendimiento.

Cuando se utilice combustible con plomo surgirá un problema similar. Para obtener un rendimiento óptimo del motor y para proteger su salud y el medio ambiente, utilice sólo combustible sin plomo.

Para lubricar el motor, añada un aceite para motor de dos tiempos (grado de calidad: JASO FC o ISO EGD) al combustible. El motor se ha diseñado para utilizar el aceite para motor de dos tiempos con una relación de mezcla de 50:1 para proteger el medioambiente.

Además, se asegurará una larga vida de servicio y un funcionamiento fiable con el mínimo de emisiones de gas de escape. No se puede garantizar un funcionamiento fiable de la desbrozadora a menos que se utilice esta relación de mezcla de 50:1 (aceite para motor de dos tiempos especificado) de forma estricta.

## Relación de mezcla correcta:

Gasolina: Aceite para motor de dos tiempos especificado = 50 : 1 o bien

Gasolina: Aceite para motor de dos tiempos de otro fabricante = 25 : 1 recomendado

NOTA: Para preparar la mezcla de combustible y aceite, primero mezcle todo el aceite con la mitad del combustible necesario y, a continuación, añada el combustible restante. Agite bien la mezcla antes de verterla en el depósito de la desbrozadora. Para garantizar un uso seguro, no añada más aceite para motor que la cantidad especificada. Esto solo producirá más residuos de la combustión, que contaminarán el medio ambiente y obstruirán el canal de escape del cilindro y el silenciador. Además, el consumo de combustible aumentará y el rendimiento disminuirá.

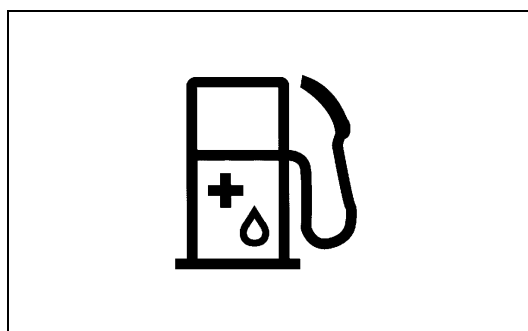
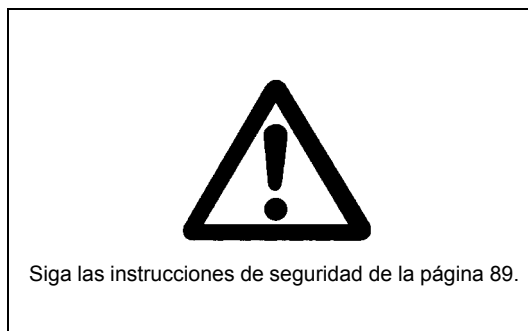
## Repostaje



### El motor debe estar apagado.

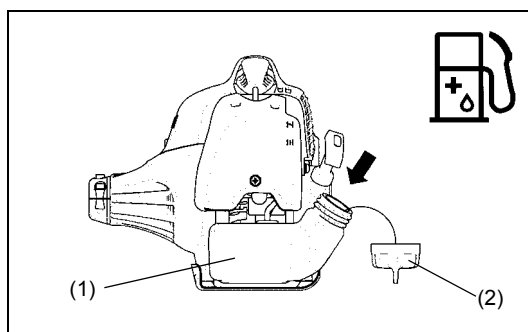
- Limpie minuciosamente el área alrededor del tapón de relleno de combustible (2) para evitar que entre suciedad en el depósito de combustible (1).
- Desenrosque la tapa de relleno de combustible (2) y rellene el depósito con combustible.
- Apriete firmemente el tapón de relleno de combustible (2).
- Limpie el tapón de relleno de combustible y el depósito tras el repostaje.

## Almacenamiento del combustible

El combustible no se puede guardar durante un período de tiempo ilimitado. Compre solamente la cantidad necesaria para 4 semanas de uso. Utilice únicamente recipientes homologados para el almacenamiento de combustible.



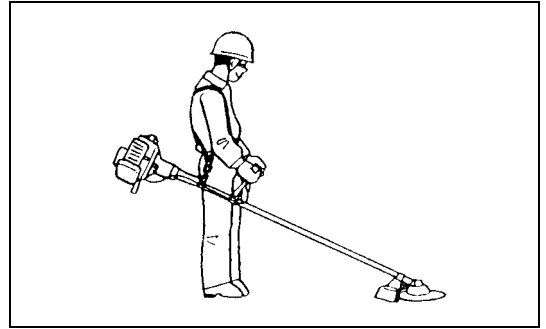
Gasolina	50:1	25:1
	+	
1.000 cm <sup>3</sup> (1 litro)	20 cm <sup>3</sup>	40 cm <sup>3</sup>
5.000 cm <sup>3</sup> (5 litros)	100 cm <sup>3</sup>	200 cm <sup>3</sup>
10.000 cm <sup>3</sup> (10 litros)	200 cm <sup>3</sup>	400 cm <sup>3</sup>



## Manejo correcto

### Instalación de la correa para el hombro

- Ajuste la longitud de la correa para el hombro de forma que la cuchilla quede paralela al suelo.

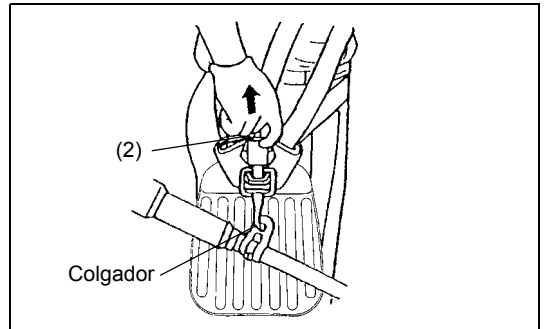


### Separación

#### Para DBC260U

- En caso de emergencia, para soltar el equipo de su cuerpo, tire con fuerza de la palanca de separación de emergencia (2) con su dedo. De esta forma el equipo se soltará del cuerpo. Tenga mucho cuidado para mantener el control del equipo en ese momento. No permita que el equipo se desvíe hacia usted o hacia cualquiera que se encuentre cerca de usted.

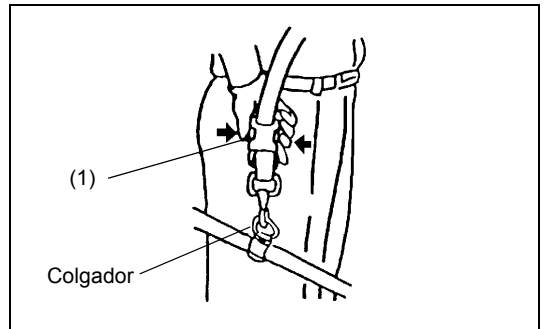
ADVERTENCIA: Si no se mantiene un control completo del equipo, se pueden causar lesiones graves o la MUERTE.



#### Para DBC260L

- En caso de emergencia, pulse las muescas (1) de ambos lados y suelte el equipo. Tenga mucho cuidado para mantener el control del equipo en ese momento. No permita que el equipo se desvíe hacia usted o hacia cualquiera que se encuentre cerca de usted.

ADVERTENCIA: Si no se mantiene un control completo de la máquina, se pueden causar lesiones graves o la MUERTE.



## Aspectos importantes del manejo / parada de la desbrozadora / cortabordes

Respete las normativas de prevención de accidentes aplicables.

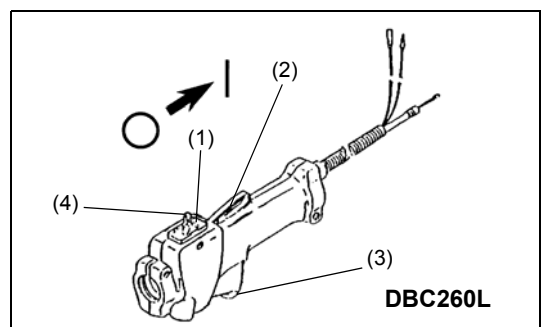
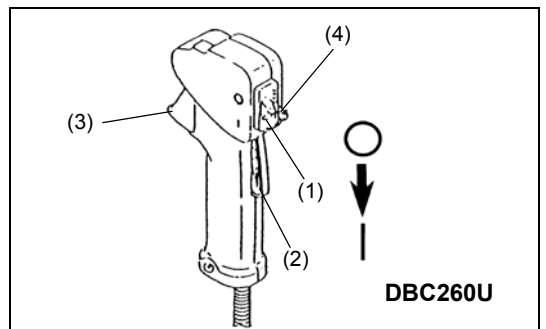


### Arranque

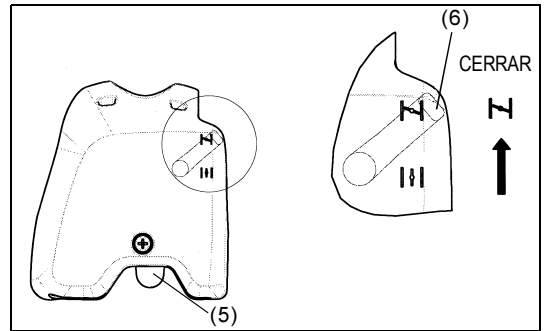
Aléjese como mínimo 3 m de la zona en la que ha repostado el equipo. Coloque la desbrozadora sobre un lugar despejado, con cuidado de que la herramienta de corte no entre en contacto con el suelo u otros objetos.

#### Arranque en frío

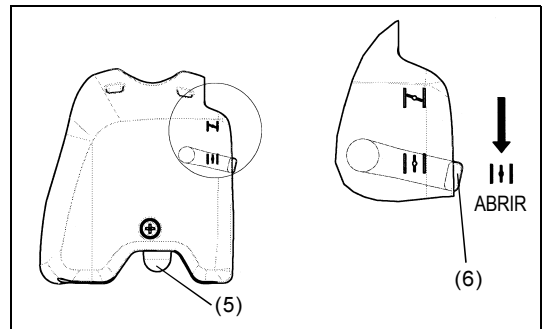
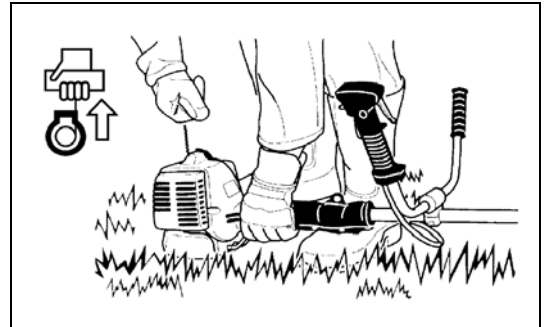
- Empuje el interruptor I-O (1) en la dirección que muestra la flecha.
- Sujete el asidero (la presión de la mano activa la palanca de desbloqueo de seguridad (2)).
- Pulse la palanca de la mariposa de gases (3) y manténgala pulsada.
- Pulse el botón de bloqueo (4) y libere la palanca de control; a continuación, suelte el botón de bloqueo (el botón de bloqueo sujeta la palanca de la mariposa de gases en la posición de arranque).



- En primer lugar, coloque la desbrozadora en el suelo.
- Pulse suavemente la bomba de cebado (5) de forma repetida (7-10 veces) hasta que el combustible entre en la bomba de cebado.
- Cierre la palanca del estrangulador (6).
  - Apertura del estrangulador:
    - Totalmente cerrado en temperaturas frías o cuando el motor está frío
    - Totalmente o medio abierto para volver a arrancar cuando el motor aún está caliente



- Sujete firmemente la caja del embrague con su mano izquierda, tal como se muestra.
- Tire lentamente de la empuñadura de arranque hasta que note cierta resistencia y, a continuación, tire con fuerza de ella.
- No tire por completo de la cuerda de arranque y no permita que la empuñadura de arranque se retraiga por sí misma. Mantenga el control sobre la cuerda de arranque y asegúrese de que se retrae lentamente.
- Repita la operación de arranque hasta que oiga el ruido de arranque del motor.
- Presione la palanca del estrangulador (6) (↓) y vuelva a tirar de la cuerda de arranque hasta que el motor se ponga en marcha.
- En cuanto arranque el motor, apriete y suelte inmediatamente el control de la mariposa de gases para soltar el bloqueo de apertura media de la mariposa y permitir que el motor funcione al ralentí.
- Deje que el motor funcione durante aproximadamente un minuto a una velocidad moderada antes de que funcione a la máxima velocidad.



- NOTA: - Si tira repetidamente de la empuñadura de arranque cuando la palanca del estrangulador se encuentra en la posición "↔", el motor no se pondrá en marcha fácilmente a causa del exceso de entrada de combustible.
- Si se produce una entrada excesiva de combustible, extraiga la bujía y tire lentamente de la empuñadura de arranque para eliminar el exceso de combustible. Asimismo, seque la sección del electrodo de la bujía.

**Precaución durante el funcionamiento:**

Si la palanca de la mariposa de gases se abre completamente durante el funcionamiento sin carga, las revoluciones del motor aumentan por encima de las 10.000 min<sup>-1</sup>. Nunca haga funcionar el motor a una velocidad superior a la necesaria y mantenga las revoluciones a una velocidad aproximada de 6.000 - 8.000 min<sup>-1</sup>.

PRECAUCIÓN: Reduzca siempre las revoluciones del motor cuando el equipo no se utilice para trabajar.

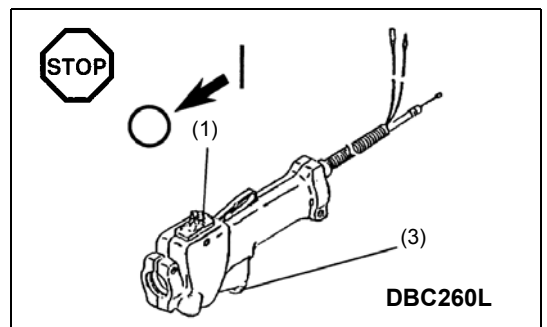
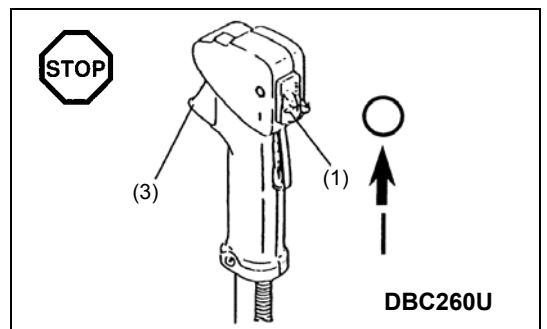
El uso del equipo a altas revoluciones cuando no se usa para trabajar acortará la vida útil del equipo.

**Arranque en caliente**

- Siga las instrucciones descritas para el arranque en frío, pero sin mover la palanca del estrangulador (la palanca del estrangulador permanece en la posición hacia abajo (↓)).

**Parada**

- Suelte la palanca de la mariposa de gases (3) completamente y, cuando se hayan reducido las rpm del motor, empuje el interruptor I-O (1) hasta la posición "O" para detener el motor.
- Tenga en cuenta que es posible que el cabezal de corte no se detenga inmediatamente y deje siempre que reduzca su velocidad y se pare completamente por sí mismo.

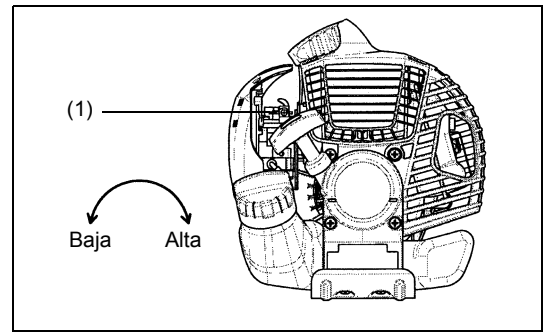


## AJUSTE DE LAS REVOLUCIONES DE BAJA VELOCIDAD (RALENTÍ)

La cuchilla o el cabezal de corte de nylon no deben girar cuando se suelta completamente la palanca de control. Si es necesario, ajuste las rpm del ralentí mediante el tornillo de ajuste de ralentí.

### Comprobación de la velocidad de ralentí

- La velocidad de ralentí debe ser de  $3.000 \text{ min}^{-1}$ . Si es necesario, ajústela mediante el tornillo de ajuste de ralentí (la cuchilla o el cabezal de corte de nylon no deben girar cuando el motor funciona al ralentí). Al apretar el tornillo de ralentí (1) aumentan las revoluciones del motor, mientras que al aflojar el tornillo de ralentí se reducen las revoluciones del motor.



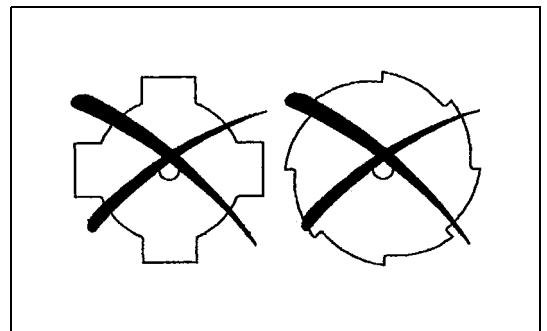
## Afilado de la herramienta de corte

**PRECAUCIÓN:** Las herramientas de corte mencionadas a continuación sólo deben afilarse en un centro autorizado. El afilado manual causará desequilibrios en la herramienta de corte que causarán vibraciones y daños en el equipo.

- cuchilla (cuchilla de estrella (4 dientes), cuchilla Eddy (8 dientes))

Los agentes de servicio autorizados proporcionan un servicio de afilado y equilibrado profesional.

**NOTA:** Para aumentar la duración de la cuchilla (cuchilla de estrella, cuchilla Eddy) dé la vuelta a la cuchilla para que se gasten ambos lados.



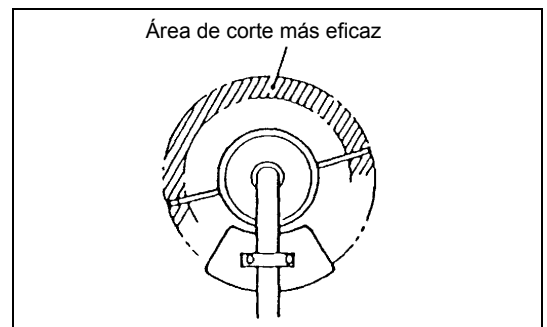
### CABEZAL DE CORTE DE NYLON

El cabezal de corte de nylon es una cabeza de corte de hilo dual con mecanismos de tope y avance, y automático.

El cabezal de corte de nylon alargará automáticamente la longitud correcta del hilo de nylon gracias a los cambios de la fuerza centrífuga provocados por el aumento o la reducción de las rpm. No obstante, para cortar hierba blanda de forma más eficiente, golpee el cabezal de corte de nylon contra el suelo para alargar los extremos del hilo como se indica en la sección de funcionamiento.

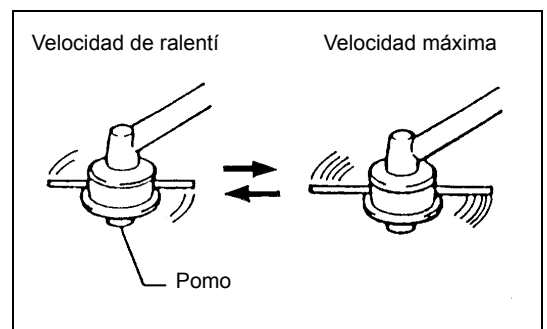
### Funcionamiento

- Aumente la velocidad del cabezal de corte de nylon a  $6.000 \text{ min}^{-1}$  aproximadamente. El hilo de nylon no se alargará correctamente a velocidades más bajas (menos de  $4.800 \text{ min}^{-1}$ ).
- El área de corte más eficaz se muestra en el diagrama de la derecha mediante el área sombreada.



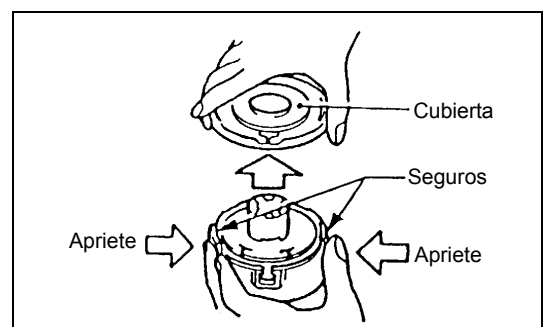
Si el hilo de nylon no se alarga automáticamente, siga estas instrucciones:

1. Suelte la palanca de la mariposa de gases para que el motor funcione al ralentí y luego apriétela completamente. Repita este procedimiento hasta que el hilo de nylon se alargue hasta la longitud correcta.
2. Si el hilo de nylon es demasiado corto para alargarse automáticamente mediante el procedimiento descrito, golpee el pomo del cabezal de corte de nylon contra el suelo para alargar el hilo de nylon.
3. Si el hilo de nylon no se alarga correctamente siguiendo el procedimiento 2, rebóbinelo o sustitúyalo siguiendo los procedimientos descritos en "Reemplazo del hilo de nylon".

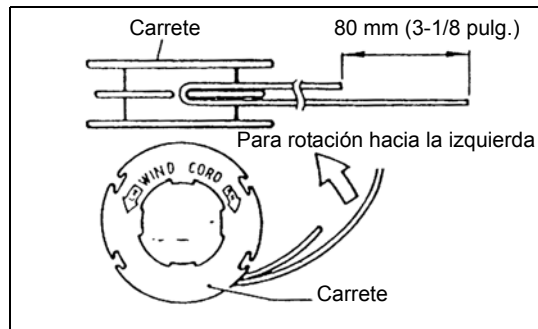


### Reemplazo del hilo de nylon

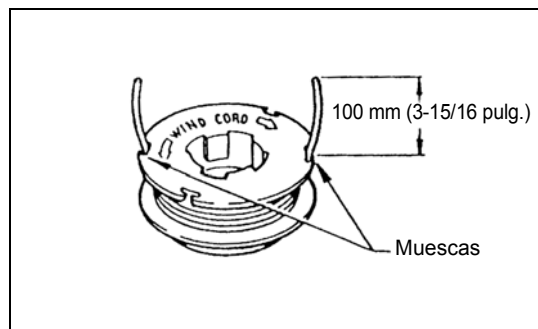
- Pare el motor.
- Pulse los seguros del alojamiento hacia dentro para levantar la cubierta y retire el carrete.



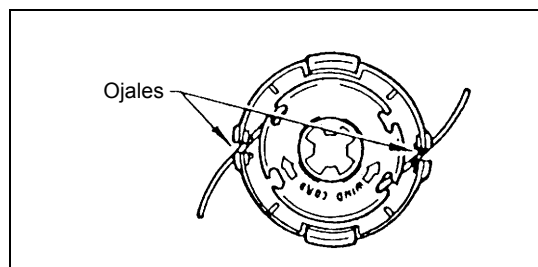
- Enganche el centro del nuevo hilo de nylon en la ranura del centro del carrete, con un extremo del hilo extendido unos 80 mm (3-1/8") más que el otro. A continuación, enrolle ambos extremos firmemente alrededor del carrete en la dirección de giro del cabezal (dirección hacia la izquierda indicada por la marca LH y dirección hacia la derecha indicada por la marca RH en el lateral del carrete).



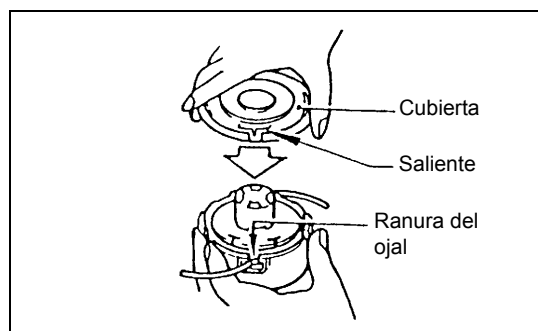
- Enrolle la totalidad del hilo, excepto unos 100 mm (3-15/16"), alrededor del carrete, dejando los extremos temporalmente enganchados alrededor del pomo del lateral del carrete.



- Monte el carrete en el chasis de forma que las ranuras y los salientes del carrete coincidan con los del chasis. Monte el carrete de forma que las leyendas del carrete sean visibles desde arriba. A continuación, desenganche los extremos de su posición temporal y haga pasar los hilos a través de los ojales para que sobresalgan del chasis.



- Alinee el saliente del lado inferior de la cubierta con las ranuras de los ojales. A continuación empuje la cubierta firmemente sobre el chasis para fijarla.



## Instrucciones de servicio

### Instrucciones de servicio

**PRECAUCIÓN:** Antes de realizar cualquier tipo de trabajo de mantenimiento en la desbrozadora, apague siempre el motor y desconecte el capuchón de la bujía (consulte "comprobación de la bujía"). Utilice siempre guantes de protección.

**PRECAUCIÓN:** Nunca extraiga usted mismo el arranque retráctil. Si lo hace, puede provocar un accidente. Este procedimiento sólo debe realizarlo un agente de servicio técnico autorizado de Makita.

Para garantizar una larga vida útil y para evitar daños en el equipo, realice las siguientes operaciones de mantenimiento periódicamente.

#### Inspección diaria y mantenimiento

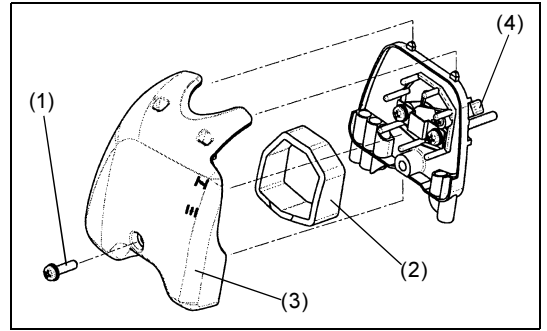
- Antes de la puesta en funcionamiento, compruebe la desbrozadora por si tiene tornillos flojos o si faltan piezas. Preste especial atención al apriete de la cuchilla o del cabezal de corte de nylon.
- Antes de la puesta en funcionamiento, compruebe siempre que el conducto de paso de aire y las aletas del cilindro no estén obstruidas. Límpielos si es necesario.
- Realice diariamente las siguientes operaciones de mantenimiento tras el uso:
  - Limpie el exterior de la desbrozadora e inspecciónela por si está estropeada.
  - Limpie el filtro de aire. Cuando trabaje en condiciones extremas de polvo, limpie el filtro varias veces al día.
  - Compruebe si la cuchilla o el cabezal de corte de nylon están estropeados y asegúrese de que se hayan montado firmemente.
  - Compruebe que haya una diferencia suficiente entre la velocidad de ralentí y la velocidad de trabajo para garantizar que la herramienta de corte esté parada mientras el motor funciona al ralentí (si es necesario, reduzca la velocidad de ralentí). Si la herramienta de corte sigue girando mientras el motor está al ralentí, consulte con su agente de servicio técnico autorizado más cercano.
- Compruebe si el interruptor I-O, la palanca de desbloqueo, la palanca de control y el botón de bloqueo funcionan correctamente.



### Limpieza del filtro de aire

- Desatornille el tornillo (1).
- Gire la palanca del estrangulador (4) hasta el lado de cierre total y mantenga el carburador alejado del polvo o de la suciedad.
- Extraiga la cubierta del filtro del aire (3).
- Quite el elemento de espuma (2), lávelo en agua templada y séquelo completamente.
- Tras la limpieza, vuelva a colocar la cubierta del filtro de aire (3) y apriétela con el tornillo (1).

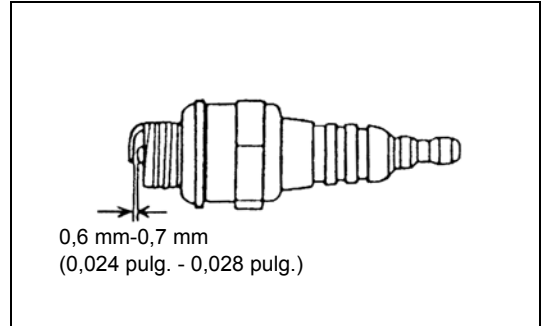
NOTA: Si el filtro de aire tiene adherido demasiado polvo o suciedad, límpielo todos los días. Un filtro obstruido puede dificultar o imposibilitar la puesta en marcha del motor o puede aumentar la velocidad de giro del motor.



### Comprobación de la bujía

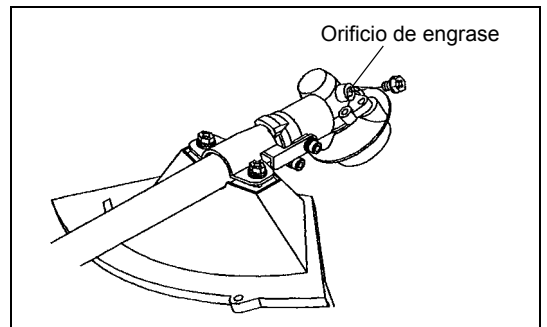
- Utilice solamente la llave de vaso suministrada para quitar o poner la bujía.
- La holgura entre los dos electrodos de la bujía debe ser de 0,6-0,7 mm (0,024 pulg.-0,028 pulg.). Si la holgura es demasiado grande o pequeña, ajústela. Si la bujía está obstruida con carbonilla o suciedad, límpiela minuciosamente o reemplácela.

PRECAUCIÓN: Nunca toque el conector de la bujía mientras el motor está funcionando (peligro de recibir una descarga eléctrica de alta tensión).



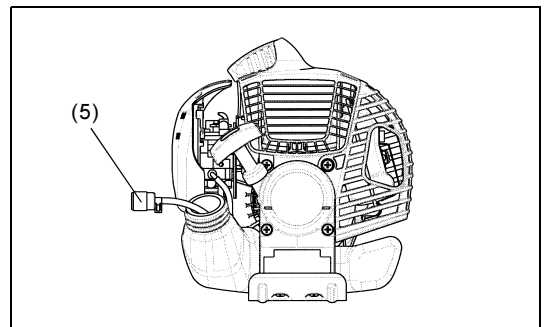
### Suministro de grasa a la caja de engranajes

- Suministre grasa (Shell Alvania 3 o equivalente) a la caja de engranajes a través del orificio de engrase cada 30 horas. (Puede comprar grasa original de MAKITA en su distribuidor MAKITA.)



### Cabezal de succión en el depósito de combustible

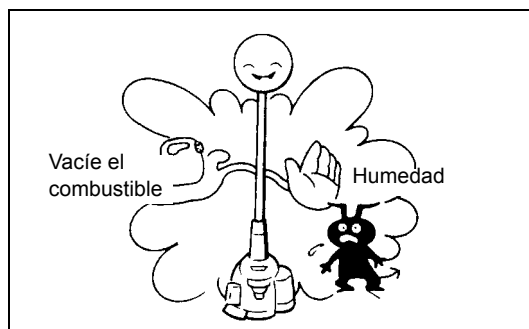
- El rellenador de combustible (5) del cabezal de succión se utiliza para proporcionar el combustible necesario para el carburador.
- Inspeccione visualmente el filtro de combustible de forma periódica. Para inspeccionar el filtro, abra la tapa del depósito y utilice un gancho de alambre para extraer el cabezal de succión a través de la apertura del depósito. Reemplace el filtro si se ha endurecido, está especialmente sucio u obstruido.
- Un suministro de combustible insuficiente puede tener como resultado que se sobrepase la velocidad máxima permitida. Por lo tanto, el filtro de combustible debe reemplazarse como mínimo cada tres meses para garantizar un suministro de combustible satisfactorio al carburador.



Cualquier otro trabajo o ajuste de mantenimiento que no se describa en este manual sólo deben realizarlo agentes de servicio técnico autorizados.

## Almacenamiento

- Cuando almacene el equipo durante un largo período de tiempo, vacíe todo el combustible del depósito de combustible y del carburador. Para ello, vacíe todo el combustible del depósito de combustible. Deseche el combustible que haya quitado de acuerdo con las leyes aplicables locales.
- Quite la bujía y añada unas gotas de aceite en el orificio de la bujía. A continuación, tire del arrancador suavemente de forma que el aceite cubra el interior del motor y, a continuación, apriete la bujía.
- Limpie el polvo o la suciedad de la cuchilla y la suciedad del exterior del motor con un trapo empapado en aceite. Almacene el equipo en un lugar seco.



## Programa de mantenimiento

General	Conjunto del motor, tornillos y tuercas	Inspección visual de daños y aprietes Comprobación del estado general y la seguridad
Después de cada repostaje	Palanca de control Interruptor I-O	Comprobación funcional Comprobación funcional
Diariamente	Filtro de aire Conducto de aire de refrigeración Herramientas de corte Velocidad de ralentí	Debe limpiarse Debe limpiarse Comprobación de daños y del afilado Inspección (la herramienta no se debe mover)
Semanalmente	Bujía Silenciador	Inspección, reemplazo si es necesario Inspección y limpieza de la apertura si es necesario
Cada tres meses	Cabezal de succión Depósito de combustible	Debe reemplazarse Debe limpiarse
Procedimiento de apagado	Depósito de combustible Carburador	Vaciado del depósito de combustible Haga funcionar el motor hasta que se agote el combustible

## Localización y solución de averías

Avería	Sistema	Observación	Causa
El motor no arranca o arranca con dificultad	Sistema de encendido	Chispa de encendido correcta	Avería en el sistema de suministro de combustible o compresión, defecto mecánico
		No hay chispa de encendido	Se ha utilizado el interruptor I-O, avería del cableado o cortocircuito, bujía o conector defectuoso, módulo de encendido defectuoso
	Suministro de combustible	Depósito de combustible lleno	Posición incorrecta del estrangulador, carburador defectuoso, línea de suministro de combustible doblada o bloqueada, combustible sucio.
	Compresión	No hay compresión	La junta inferior del cilindro es defectuosa, los retenes del cigüeñal están dañados, el cilindro o los segmentos del pistón están dañados o el sellado de la bujía es incorrecto
Problemas de arranque en caliente	Avería mecánica	El arrancador no funciona	Muelle del arrancador roto, piezas rotas dentro del motor
		Depósito lleno. Chispa de encendido correcta	Carburador sucio, debe limpiarse
El motor arranca pero se para	Suministro de combustible	Depósito lleno	Ajuste del ralentí incorrecto, carburador sucio
Rendimiento insuficiente	Varios sistemas pueden verse afectados simultáneamente	Bajo ralentí del motor	Ventilación del depósito defectuosa, línea de suministro de combustible interrumpida, cable o interruptor I-O defectuoso
			Filtro de aire sucio, carburador sucio, silenciador obstruido, conducto de escape del cilindro obstruido



Obrigado por ter adquirido esta Roçadeira/Máquina de cortar relva MAKITA. As roçadeiras/máquinas de cortar relva MAKITA foram desenvolvidas como o resultado dos nossos muitos anos de conhecimento, experiência e um programa de desenvolvimento detalhado. Leia esta brochura cuidadosamente, para se certificar de que obtém o melhor desempenho possível e os fantásticos resultados que a sua Roçadeira/Máquina de cortar relva MAKITA pode proporcionar.



<b>Índice</b>	<b>Página</b>
Símbolos .....	105
Instruções de segurança .....	106
Dados técnicos DBC260U, DBC260L .....	110
Nomes de peças .....	111
Montar a pega .....	112
Montar o protector .....	113
Montar a lâmina de corte/cabeça de corte em nylon .....	114
Combustível/Reabastecimento de combustível .....	115
Manuseamento correcto .....	116
Pontos de funcionamento importantes/parar a roçadeira/máquina de cortar .....	116
Voltar a afiar a ferramenta de corte .....	118
Instruções de serviço .....	119
Armazenamento .....	121

## Símbolos

Precisa de tomar atenção aos seguintes símbolos ao ler o manual de instruções.

	Leia o manual de instruções		Utilize protecção para os olhos e ouvidos (apenas para a Máquina de cortar relva)
	Tenha um cuidado e atenção especiais		Use um capacete e protecção para os óculos e ouvidos (apenas para a Roçadeira)
	Proibido		Não utilize lâminas de metal (apenas para a Máquina de cortar relva)
	Mantenha-se afastado		Velocidade máxima admissível da ferramenta
	Perigo de objectos voadores		Superfícies quentes - Queima dedos ou mãos
	Proibido fumar		Mistura de combustível e óleo
	Sem chamas abertas		Arranque manual do motor
	Deve utilizar luvas de protecção		Paragem de emergência
	Recuo		Primeiros-socorros
	Mantenha a área de funcionamento livre de pessoas e animais		Reciclagem
	Use botas resistentes com solas não derrapantes. Recomenda-se a utilização de botas de segurança com biqueira de aço.		LIGAR/ARRANCAR
			DESLIGAR/PARAR

## Instruções de segurança

### Instruções gerais

- Para assegurar um funcionamento correcto, certifique-se de que lê e entende este manual de instruções para saber como se utiliza a Roçadeira/Máquina de Cortar Relva. Utilizar este equipamento sem entender como operá-lo correctamente pode resultar em ferimentos graves em si ou em outros.
- Empreste a Roçadeira/Máquina de Cortar Relva apenas a pessoas que tenham experiência comprovada na utilização de Roçadeiras/Máquinas de cortar relva. Empreste-lhes sempre este manual de instruções ao mesmo tempo.
- Se é a primeira vez que utiliza uma roçadeira com motor, consulte o seu revendedor para instruções básicas.
- Crianças e pessoas novas com menos de 18 anos não devem operar a Roçadeira/Máquina de cortar relva. Pessoas com mais de 16 anos podem utilizar o dispositivo para efeitos de treino, apenas durante a supervisão de um formador qualificado.
- Utilize a Roçadeira/Máquina de cortar relva com muito cuidado e atenção.
- Opere a Roçadeira/Máquina de cortar relva apenas se estiver numa boa condição física. Efectue todos os trabalhos com calma e cuidado. Os utilizadores devem aceitar a responsabilidade pelos que estão em sua volta.
- Nunca utilize a Roçadeira/Máquina de cortar relva após o consumo de álcool ou medicamentos, ou se estiver cansado ou doente.

### Utilização pretendida do equipamento

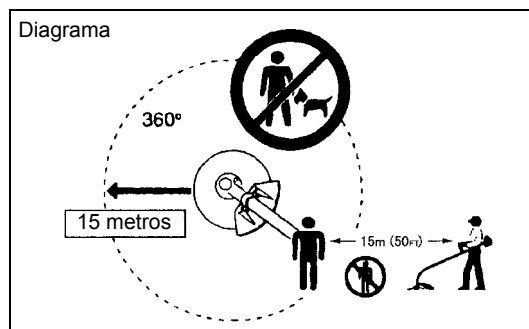
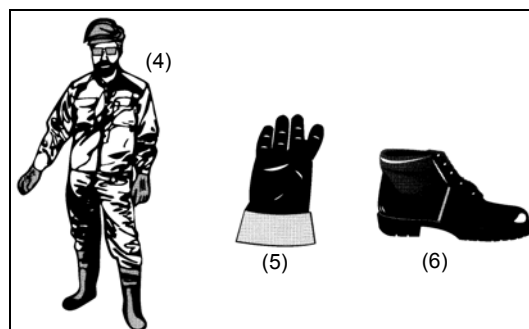
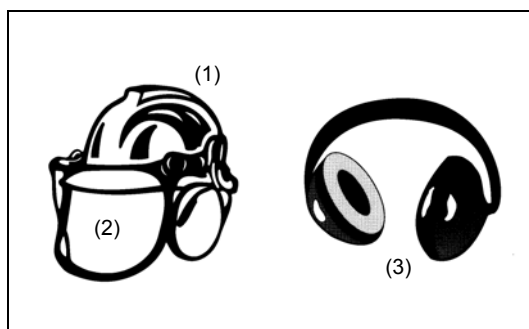
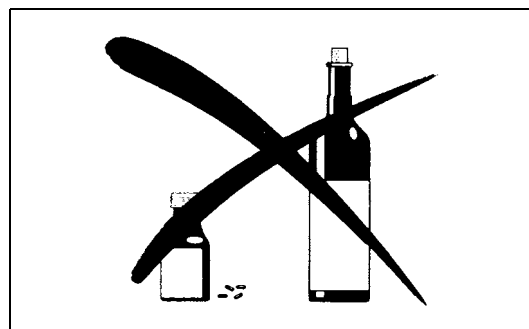
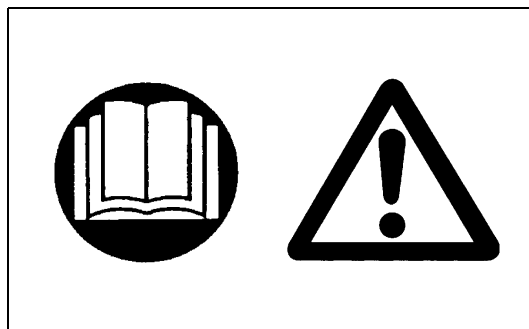
- A Roçadeira/Máquina de cortar relva é destinada apenas ao corte de relva, erva, arbustos e outros herbáceos, e não deverá ser utilizada para outro fim como aparar ou podar sebes, uma vez que pode causar ferimentos.

### Equipamento de protecção pessoal

- Utilize sempre roupas que sejam funcionais e apropriadas ao seu trabalho, isto é, que fiquem justas mas não demasiado apertadas ao ponto de causar um movimento desconfortável. Não utilize joalharia ou roupas que possam ficar presas nos arbustos.
- Para evitar ferimentos na cabeça, olhos, mão ou pés, assim como para proteger a sua audição durante o funcionamento, deve utilizar o seguinte equipamento e roupa de protecção ao operar a Roçadeira/Máquina de cortar relva.
- Utilize um capacete sempre que existir risco de queda de objectos. Deve verificar regularmente se existem danos no capacete protector (1) e deve substituí-lo, no mínimo, após 5 anos. Utilize apenas capacetes protectores aprovados.
- O visor (2) do capacete (ou óculos, em alternativa) protege a face de resíduos e pedras. Durante o funcionamento da Roçadeira/Máquina de cortar relva, utilize sempre óculos ou um visor para evitar ferimentos oculares.
- Use equipamento de protecção contra ruído adequado para evitar deficiências auditivas (protector auditivo (3), tampões para os ouvidos etc.).
- Os fatos-macaco (4) protegem contra pedras e resíduos. Recomendamos vivamente que use fatos-macaco.
- Luvas especiais (5) feitas de couro espesso fazem parte do equipamento prescrito e devem ser sempre usadas durante o funcionamento da Roçadeira/Máquina de cortar relva.
- Ao usar a Roçadeira/Máquina de cortar relva, use sempre sapatos resistentes (6) com uma sola não derrapante. Estes sapatos protegem contra ferimentos e asseguram um bom apoio.

### Iniciar a roçadeira

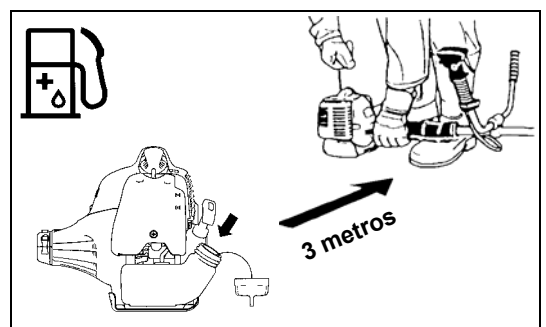
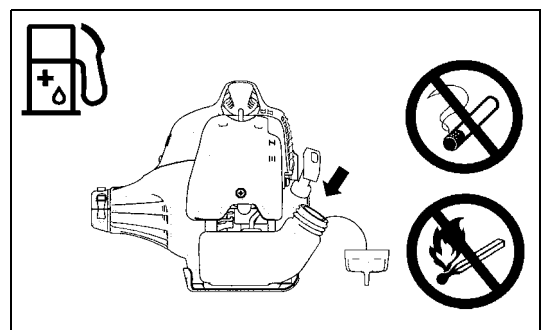
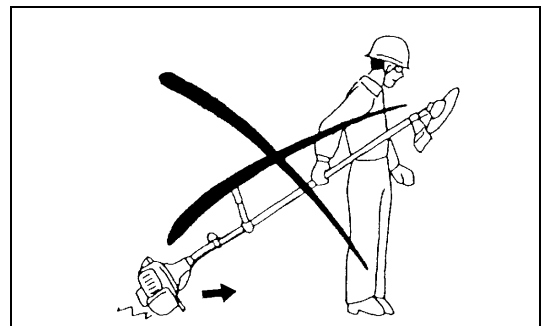
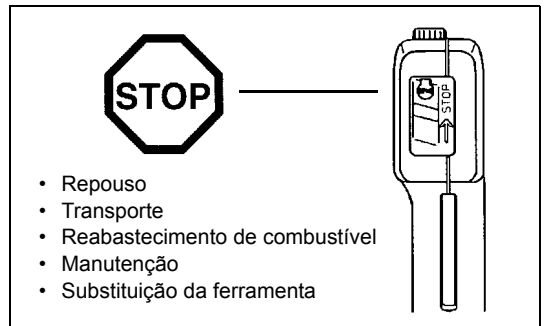
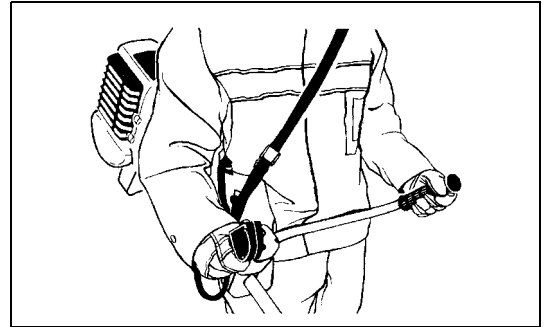
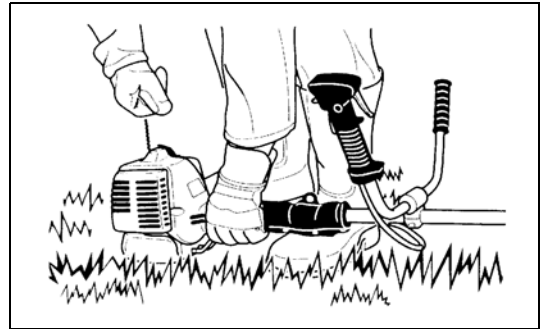
- Certifique-se de que não há crianças ou outras pessoas a trabalhar num raio de 15 metros, tome também atenção a animais nas proximidades.
- Antes de utilizar, certifique-se de que a Roçadeira/Máquina de cortar relva pode funcionar em segurança: Certifique-se de que a ferramenta de corte é segura, de que a alavanca pode ser operada facilmente e de que o bloqueio da alavanca de controlo está a funcionar correctamente.
- A rotação da ferramenta de corte durante a marcha lenta é proibida. Consulte o seu revendedor se achar que o equipamento pode precisar de ajustes. Certifique-se de que as pegas estão limpas e secas e de que o botão de arranque/paragem está a funcionar correctamente.



- Inicie a Roçadeira/Máquina de cortar relva apenas de acordo com as instruções. Não utilize outros métodos para arrancar o motor!
- Utilize apenas a Roçadeira/Máquina de cortar relva e ferramentas para os fins específicos.
- Apenas arranque o motor da Roçadeira/Máquina de cortar relva depois de o equipamento estar devidamente montado. Não opere o equipamento até que todos os acessórios apropriados estejam fixos!
- Antes de arrancar, certifique-se de que a ferramenta de corte não está em contacto com objectos duros como ramos, pedras etc., uma vez que a ferramenta de corte irá rodar ao arrancar.
- Desligue o motor imediatamente se ocorrer algum tipo de problema no motor.
- Caso a ferramenta de corte atinja pedras ou outros objectos duros, desligue imediatamente o motor e inspeccione a ferramenta de corte.
- Inspeccione a ferramenta de corte em intervalos curtos regulares para se certificar de que não está danificada (verifique se existem fissuras utilizando o teste do toque).
- Opere a Roçadeira/Máquina de cortar relva apenas depois de fixar e ajustar a alça do ombro ao comprimento correcto. A alça do ombro deve estar ajustada ao tamanho do utilizador para evitar fadiga durante o manuseamento do equipamento. Nunca segure a roçadeira com uma mão durante o funcionamento.
- Durante o funcionamento, segure sempre a Roçadeira/Máquina de cortar relva com ambas as mãos.  
Certifique-se sempre de que tem um apoio seguro.
- Opere a Roçadeira/Máquina de cortar relva de maneira a evitar a inalação dos gases de escape. Nunca arranque o motor num espaço fechado como dentro de um quarto (risco de envenenamento por gás). O monóxido de carbono é um gás sem odor.
- Desligue sempre o motor quando estiver em repouso, ou se pretende deixar a Roçadeira/Máquina de cortar relva sem vigilância, e coloque-o num local seguro para evitar ferimentos a outras pessoas e danos no equipamento.
- Nunca coloque a Roçadeira/Máquina de cortar relva quente no vidro seco ou em quaisquer outros materiais combustíveis.
- A ferramenta de corte deve estar sempre equipada com o resguardo apropriado.  
Nunca arranque a roçadeira sem este resguardo!
- Todas as instalações de protecção e resguardos fornecidos com este equipamento devem ser usados durante o funcionamento.
- Nunca opere o motor se o silenciador de escape estiver avariado.
- Desligue o motor durante o transporte.
- Durante o transporte em longas distâncias, utilize sempre o equipamento de protecção da ferramenta incluído.
- Certifique-se de que a Roçadeira/Máquina de cortar relva está posicionada de forma segura durante o transporte para evitar a fuga de combustível.
- Ao transportar a Roçadeira/Máquina de cortar relva, certifique-se de que o depósito de combustível está completamente vazio.
- Ao descarregar a Roçadeira/Máquina de cortar relva de um camião ou outros veículos, nunca deixe cair o motor para o chão porque isso pode danificar gravemente o depósito de combustível.
- A menos que seja uma emergência, nunca deixe cair a Roçadeira/Máquina de cortar relva ao chão porque isso poderá danificar gravemente a Roçadeira/Máquina de cortar relva.
- Levante sempre todo o equipamento do chão ao movê-lo. Arrastar o equipamento no seu depósito de tanque é muito perigoso e pode causar uma fuga de combustível, o que pode resultar num incêndio.

### Reabastecimento de combustível

- Desligue o motor durante o reabastecimento de combustível, mantenha-se longe das chamas abertas e não fume durante o reabastecimento.
- Certifique-se de que produtos de óleo mineral não entram em contacto com a pele. Não inale o vapor do combustível. Use sempre luvas protectoras durante o reabastecimento. Mude e limpe a roupa protectora em intervalos regulares.
- Para evitar contaminação do solo (protecção ambiental), certifique-se de que não derrama combustível ou óleo no chão. Se derramar combustível, limpe a Roçadeira/Máquina de cortar relva imediatamente.
- Certifique-se de que o combustível não entra em contacto com as roupas. Se o combustível entrar em contacto com as suas roupas, mude essas roupas imediatamente para evitar um incêndio.
- Inspeccione o tampão do depósito em intervalos regulares para se certificar de que está bem seguro e não pinga.



- Aperte, com cuidado, a tampa do depósito de combustível. Depois de reabastecer o combustível, vá para um local a, pelo menos, 3 metros de distância de onde reabasteceu antes de arrancar o motor.
- Nunca reabasteça num espaço fechado como dentro de uma sala. Isso poderá causar uma explosão devido à acumulação de vapor de combustível ao nível do chão.
- Transporte e armazene o combustível apenas em recipientes aprovados. Certifique-se de que o combustível armazenado não é acessível a crianças.

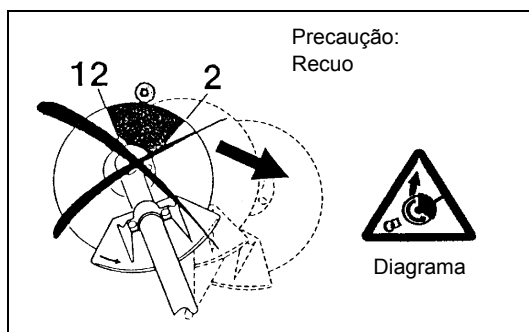
### Método de funcionamento

- Utilize apenas a Roçadeira/Máquina de cortar relva com boas condições de iluminação e visibilidade. Durante a época de Inverno, tenha cuidado com áreas escorregadias ou molhadas tais como áreas cobertas pela neve (risco de escorregar). Certifique-se sempre de que tem um apoio seguro.
- Nunca corte acima da altura dos ombros.
- Nunca esteja em cima de uma escada enquanto usa a Roçadeira/Máquina de cortar relva.
- Nunca suba a árvores para utilizar a Roçadeira/Máquina de cortar relva.
- Nunca trabalhe em superfícies instáveis.
- Remova areia, pedras, pregos etc encontrados na área de trabalho. Objectos estranhos podem danificar a ferramenta de corte e causar recuos perigosos.
- Antes de começar a cortar, certifique-se de que a ferramenta de corte atingiu a velocidade de funcionamento completa.



### Recuo

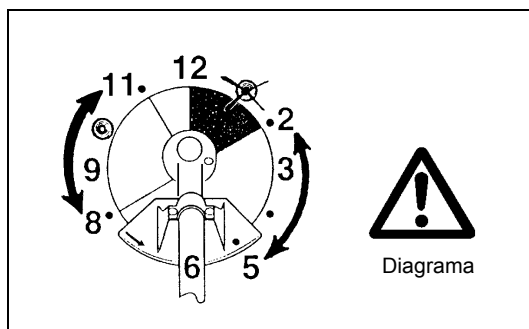
- Ao operar a roçadeira poderão ocorrer recuos não controlados.
- Os recuos ocorrem frequentemente ao tentar cortar com a secção 12 a 2 horas da lâmina.
- Nunca aplique a secção 12 a 2 horas da lâmina da roçadeira.
- Nunca aplique esta secção da lâmina da roçadeira a objectos sólidos tais como arbustos ou árvores etc que tenham um diâmetro maior do que 3 cm. Isso poderá fazer com que a roçadeira se desvie com uma grande quantidade de força, o que é extremamente perigoso e pode causar ferimentos.



### Prevenção de recuos

#### Para evitar recuos, lembre-se do seguinte:

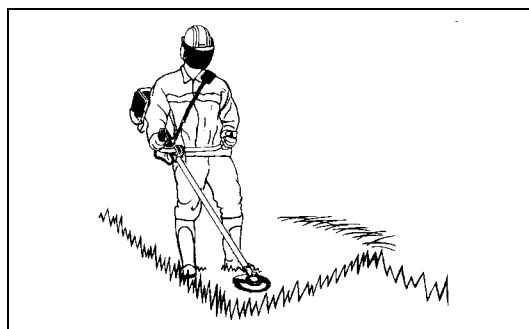
- Utilizar a secção 12 a 2 horas da lâmina é muito perigoso, especialmente ao utilizar ferramentas de corte de metal.
- As operações de corte utilizando a secção 11 a 12 horas e a secção 2 a 5 horas da lâmina devem ser efectuadas apenas por técnicos especializados e experientes e a seu próprio risco. A secção de corte óptima para corte fácil com quase nenhum recuo está na secção 8 a 11 horas da lâmina.



### Ferramentas de corte

Certifique-se de que utiliza a ferramenta de corte correcta para cada trabalho específico.

DBC260U com a lâmina de cortar (lâmina em estrela (4 dentes), lâmina em hélice (8 dentes)), DBC260L com a cabeça de corte em Nylon. Para cortar materiais como ervas, relva grossa, arbustos, herbáceos, moita etc. (máx. 2 cm de diâmetro, espessura). Efectue este trabalho de corte ao balançar a roçadeira de maneira equilibrada em semi-círculo da direita para a esquerda (de forma semelhante à utilização de uma foice).



### Instruções de manutenção

- Verifique sempre o estado da roçadeira, especialmente os dispositivos de protecção da roçadeira e alça para o ombro, antes de iniciar o trabalho. Deve também prestar especial atenção às lâminas de corte, que devem estar devidamente afiadas.
- Desligue o motor e remova o conector da vela de ignição ao substituir ou afiar as ferramentas de corte, e também ao limpar a roçadeira ou ferramenta de corte.

### Nunca alise ou solde ferramentas de corte danificadas.

- Opere a Roçadeira/Máquina de cortar relva com o mínimo de ruído e contaminação possível. Em particular, verifique se o carburador está devidamente instalado.
- Limpe a Roçadeira/Máquina de cortar relva em intervalos regulares e certifique-se de que todos os parafusos estão bem apertados.
- Nunca opere ou guarde a Roçadeira/Máquina de cortar relva nas proximidades de chamas ardentes.
- Guarde sempre a Roçadeira/Máquina de cortar relva em salas fechadas e com um depósito de combustível esvaziado.

Observe as instruções de prevenção de acidentes relevantes emitidas pelas associações comerciais relevantes e companhias de seguros.

Não efectue quaisquer modificações na Roçadeira/Máquina de cortar relva porque ao fazê-lo estará a comprometer a sua segurança.

O desempenho do trabalho de manutenção ou reparação pelo utilizador é limitado às actividades descritas no manual de instruções. O resto do trabalho deverá ser efectuado por um Agente de Serviço Autorizado. Utilize apenas partes sobresselentes genuínas e acessórios lançados e fornecidos pela MAKITA.

Utilizar acessórios e ferramentas não aprovados provocará um risco maior de acidentes.

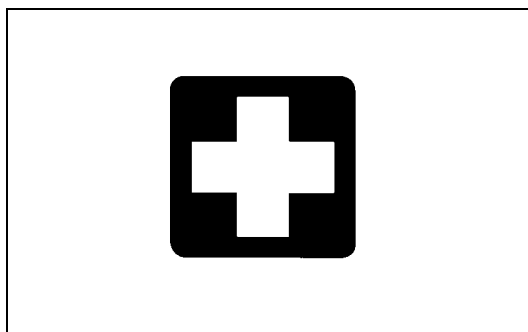
A MAKITA não aceitará qualquer responsabilização por acidentes ou danos provocados pela utilização de ferramentas de corte não aprovadas, dispositivos de fixação de ferramentas de corte ou acessórios.

### Primeiros-socorros

Em caso de acidente, certifique-se de que uma caixa de primeiros socorros está disponível nas proximidades das operações de corte. Substitua imediatamente qualquer item retirado da caixa de primeiros socorros.

#### Ao pedir ajuda, forneça a seguinte informação:

- Local do acidente
- O que aconteceu?
- Número de pessoas feridas
- Tipo de ferimentos
- O seu nome



### Embalar

A Roçadeira/Máquina de cortar relva MAKITA é fornecida em duas caixas de cartão protectoras para evitar danos durante o transporte. O cartão é uma matéria-prima básica e, logo, é reutilizável ou adequado para reciclagem (reciclagem de papel/cartão).



## DECLARAÇÃO DE CONFORMIDADE CE

### Modelo; DBC260U, DBC260L

Declaramos, sob a nossa única responsabilidade, que este produto está em conformidade com as seguintes normas de documentos normalizados, ISO11806, EN55012 em conformidade com as normas do Conselho, 89/392/EEC, a 98/37/EC modificada, 93/68/EEC, 89/336/EEC, 92/31/EEC modificada.

Potência sonora medida: 111,7 dB

Garantia da Potência sonora: 114 dB

Os níveis de potência sonora são calculados de acordo com a Directiva do Conselho, 2000/14/CE.

Procedimento de conformidade de avaliação: Anexo V.

CE2008

Tomoyasu Kato  
Administrador

Fabricante responsável:

**Makita Corporation.**

3-11-8, Sumiyoshi-cho, Anjo, Aichi, JAPÃO

Representante autorizado na Europa:

**Makita International Europe Ltd.**

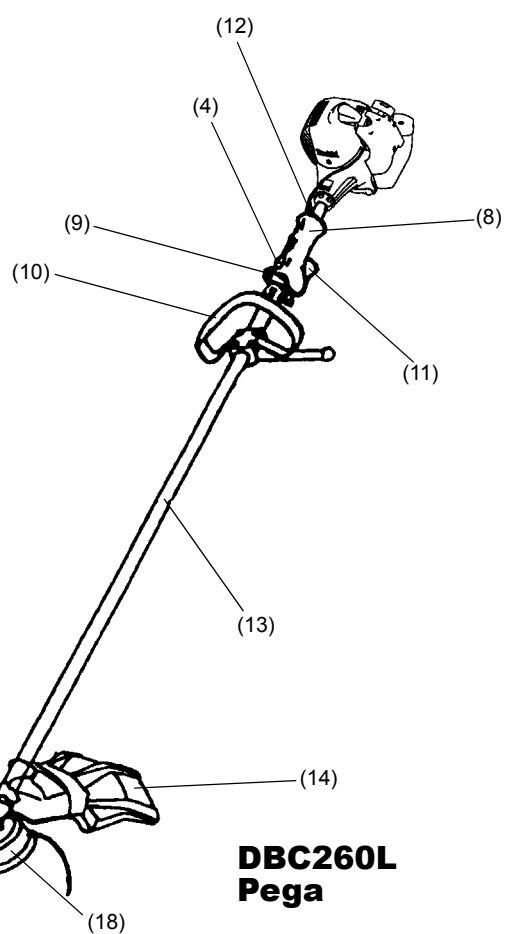
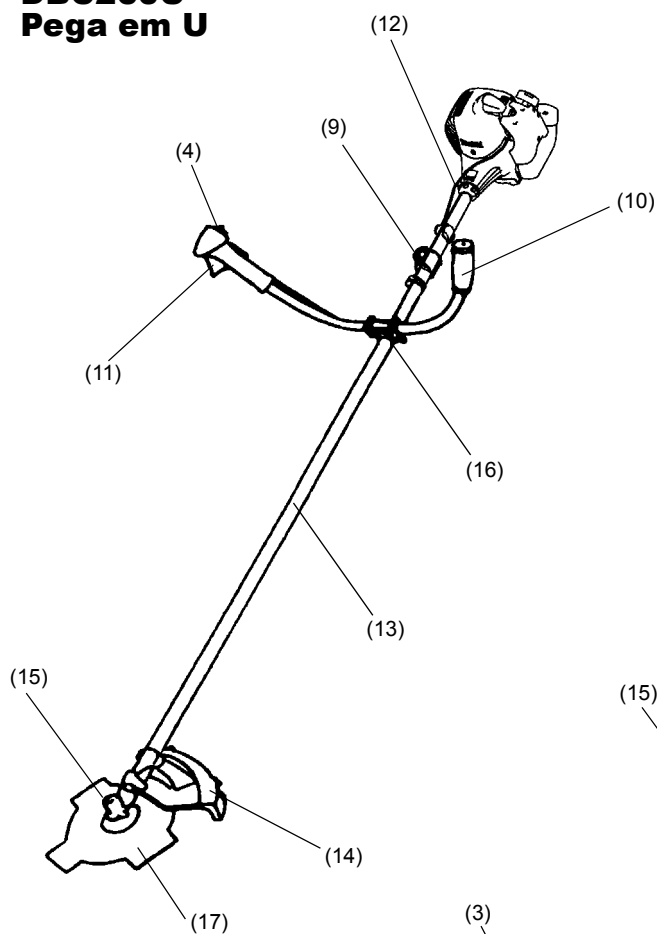
Michigan Drive, Tongwell, Milton Keynes, Bucks MK15 8JD, INGLATERRA

## Dados técnicos DBC260U, DBC260L

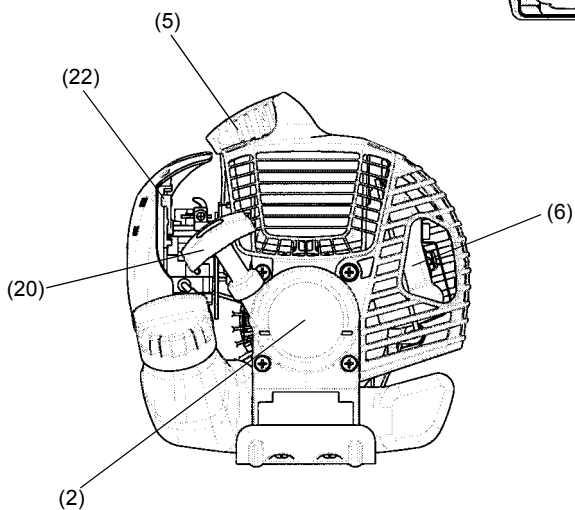
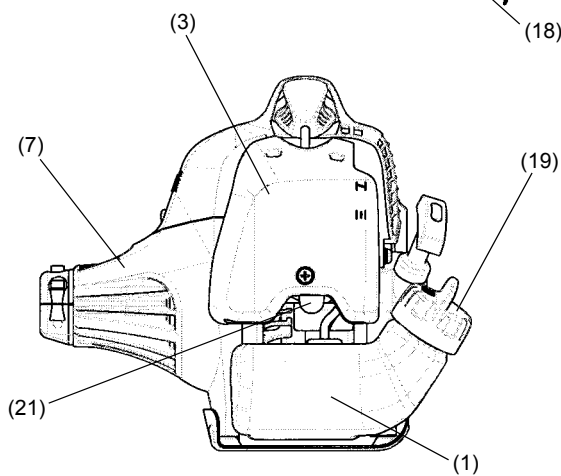
Modelo		DBC260U	DBC260L	
		Pega em U	Pega	
Dimensões: comprimento x largura x altura (sem a lâmina de corte)	mm	1.770 x 630 x 410	1.770 x 315 x 235	
Massa (sem resguardo de plástico e lâmina de corte)	kg	5,0	4,8	
Volume (depósito de combustível)	L	0,6		
Deslocamento do motor	cm <sup>3</sup>	25,7		
Desempenho máximo do motor	kw	0,83 a 8.000 min <sup>-1</sup>		
Velocidade do motor a velocidade de rotação máxima recomendada	min <sup>-1</sup>	10.000		
Velocidade de rotação máxima (correspondente)	min <sup>-1</sup>	7.400		
Máximo consumo de combustível	kg/h	0,431		
Máximo consumo de combustível específico	g/kwh	487		
Velocidade da marcha lenta	min <sup>-1</sup>	3.000		
Velocidade da embraiagem	min <sup>-1</sup>	4.000		
Carburador	tipo	WALBRO WYC		
Sistema de ignição	tipo	Ignição de estado sólido		
Vela de ignição	tipo	NGK BPMR7A		
Separação de eléctrodos	mm	0,6 - 0,7		
Vibração por ISO 22867 <sup>1)</sup>	Pega direita (cabo traseiro)	m/s <sup>2</sup>	3,8	5,3
	Pega esquerda (cabo dianteiro)	m/s <sup>2</sup>	3,9	4,3
Média do nível de pressão sonora para ISO 22868 <sup>1)</sup>	db	98,2		
Média do nível da potência sonora para ISO 22868 <sup>1)</sup>	db	108,5		
Combustível		Gás misto (gasolina: Óleo no motor a dois tempos genuíno Makita =50:1)		
Relação de transmissão		14/19		

1) Os dados consideram igualmente os modos de operação marcha lenta e sobrevelocidade ou velocidade do acelerador aberta.

**DBC260U  
Pega em U**



**DBC260L  
Pega**



Nomes de peças	
1	Depósito de combustível
2	Arrancador de rebobinamento
3	Aspirador
4	Botão I-O (ligar/desligar)
5	Vela de ignição
6	Silenciador de escape
7	Embraiagem
8	Cabo traseiro
9	Gancho
10	Pega
11	Alavanca de controlo
12	Cabo de controlo
13	Veio
14	Protector
15	Caixa de engrenagens
16	Suporte da pega
17	Lâmina de corte
18	Cabeça de corte em nylon
19	Tampa do abastecedor de combustível
20	Manípulo do dispositivo de arranque
21	Bomba de descarga
22	Alavanca do afogador

## Montar a pega

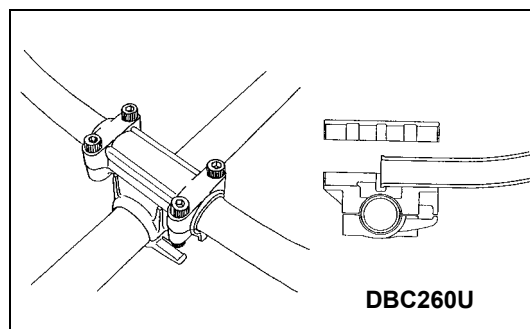
**PRECAUÇÃO:** Antes de efectuar qualquer trabalho na roçadeira, pare sempre o motor e desligue o conector da vela de ignição da vela de ignição. Use sempre luvas de protecção!

**PRECAUÇÃO:** Certifique-se de que voltou a montar a roçadeira completamente antes de a iniciar.

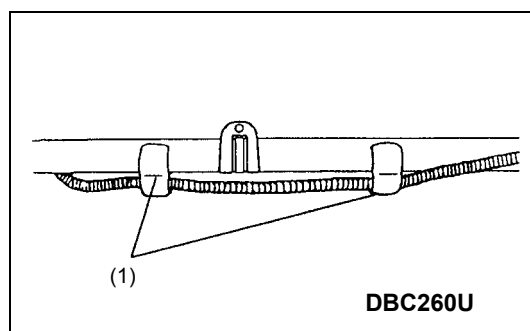


### Para modelos de pega em U

- Coloque o metal de fixação da pega para que a pega com a alavanca de controlo esteja posicionada à direita (o lado do cabo direito) quando visto do lado do motor.
- Instale a ranhura do material de fixação da pega na extremidade da pega. Fixe temporariamente o metal fixado utilizando a porca sextavada fornecida.
- Ajuste a pega a uma posição fácil de operar e aperte bem as quatro porcas sextavadas uniformemente à direita e esquerda utilizando uma chave Allen.

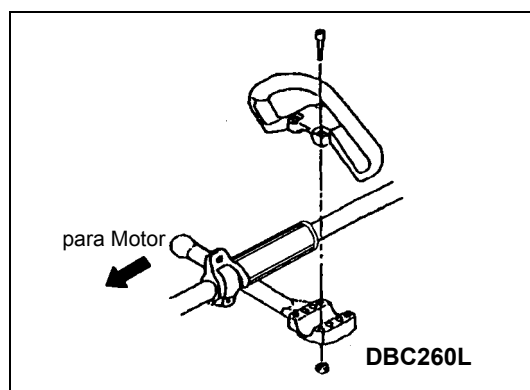


- Instale o cabo de controlo (juntamente com o cabo de terra) na pega com dois grampos (1).
- Certifique-se de que o cabo de controlo não roda na secção da barra da pega.



### Para modelos de pegas

- Fixe a barreira ao lado esquerdo do equipamento juntamente com a pega para proteger o operador.
- Não ajuste a posição da pega demasiado perto do cabo de controlo.
- Mantenha uma distância de, pelo menos, 250 mm entre a pega e o cabo. (um anel de distância é fornecido para este fim.)





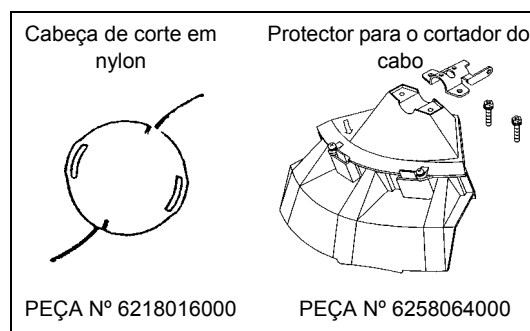
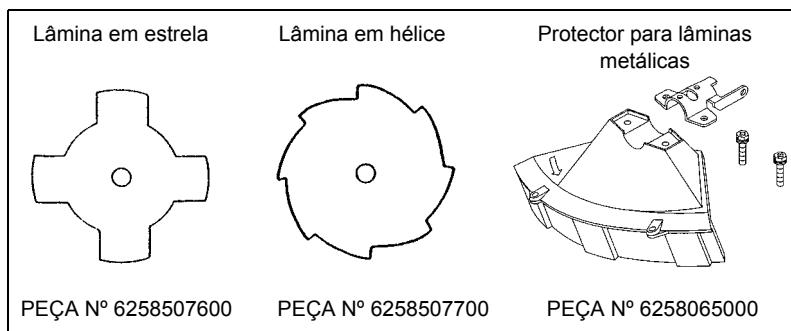
## Montar o protector

Para satisfazer as normas de segurança aplicáveis, deve apenas utilizar as combinações ferramenta/protector indicadas na tabela.



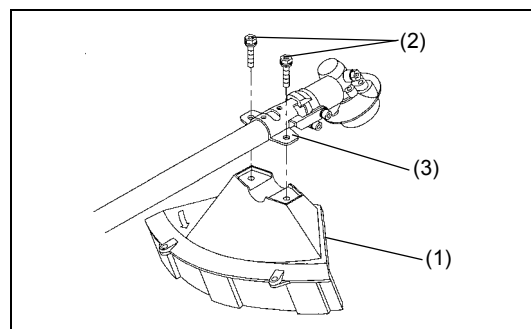
### Utilize sempre lâminas de corte/cabeça de corte em nylon MAKITA.

- A lâmina de corte deve ser bem polida e livre de fendas ou quebras. Se a lâmina de corte for de encontro a uma pedra durante a operação, pare o motor e verifique a lâmina imediatamente.
- Deve polir ou substituir a lâmina de corte a cada três horas de funcionamento.
- Se a cabeça de corte em nylon for de encontro a uma pedra durante o funcionamento, pare o motor e verifique a cabeça de corte em nylon imediatamente.

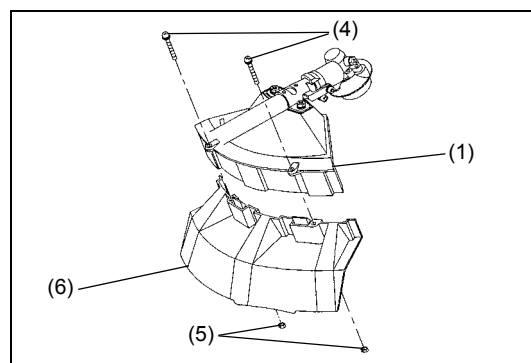


**PRECAUÇÃO:** Os protectores adequados devem ser sempre instalados para sua própria segurança e para obedecer a regulamentos de prevenção de acidentes. É proibido operar o equipamento sem o resguarda instalado.

- Fixe o protector (1) ao grampo (3) com duas porcas M6 x 30 (2).



- Ao utilizar a cabeça da máquina, instale o protector (6) no protector (1) e aperte-os com duas porcas (5) e dois parafusos (4).

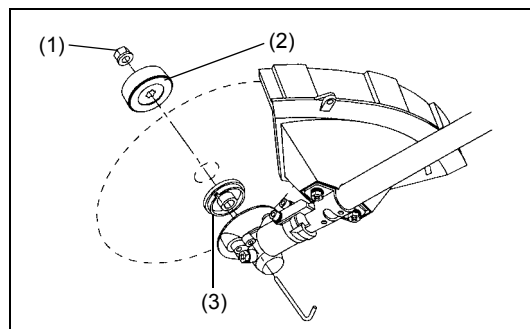


## Montar a lâmina de corte/cabeça de corte em nylon

A lâmina de corte ou cabeça de corte em nylon podem ser substituídas facilmente ao rodar o equipamento ao contrário.



- Insira a chave Allen no orifício na caixa de engrenagens e rode a anilha receptora (3) até que esteja apertada com a chave Allen.
- Desaperte a porca (1) (fio esquerdo) com a chave de encaixe e remova a porca (1) e a anilha do grampo (2).



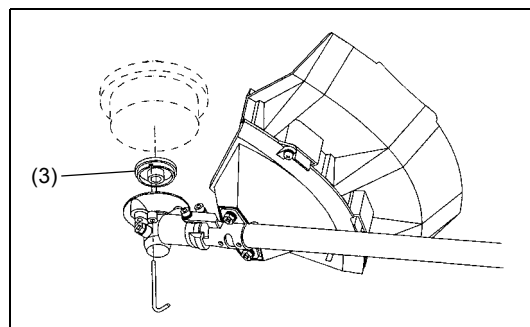
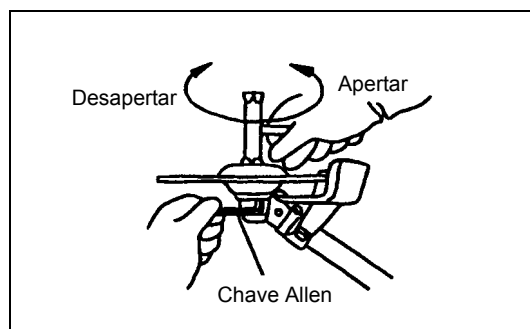
### Com a chave Allen ainda fixada

- Monte a lâmina de corte no veio para que o guia da anilha receptora (3) encaixe no orifício do mandril na lâmina de corte. Instale a anilha do grampo (2) e fixe a lâmina de corte com a porca (1).  
[Binário de aperto: 13 - 23 N-m]

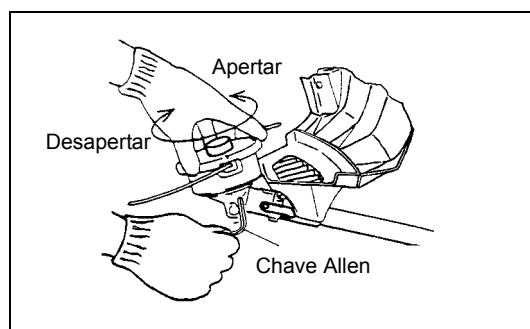
NOTA: Use sempre luvas ao manusear a lâmina de corte.

NOTA: A porca de aperto da lâmina de corte (com anilha de pressão) é uma parte consumível. Se aparecer algum desgaste ou deformação na anilha de pressão, substitua a porca.

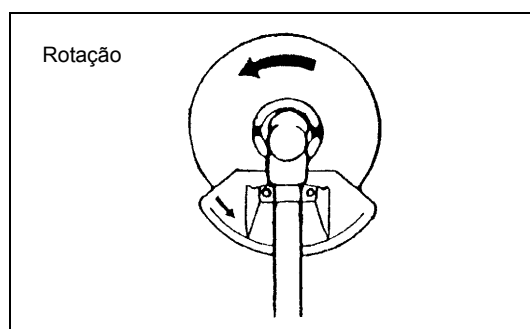
NOTA: A anilha do grampo (2) e porca (1) não são necessárias para montar a cabeça de corte em nylon. A cabeça em nylon deverá estar no topo da anilha receptora (3).



- Aperte a cabeça de corte em nylon no veio.



- Certifique-se de que a lâmina roda no sentido contrário aos ponteiros do relógio.





### Lidar com o combustível

Ué necessário muito cuidado ao lidar com o combustível. O combustível pode conter substâncias semelhantes a solventes. Reabasteça num espaço bem ventilado ou no exterior. Não inale vapores do combustível e evite qualquer contacto de combustível ou óleo com a sua pele.

Produtos de óleo mineral desengorduram a sua pele. O contacto prolongado da sua pele com estes produtos fará com que a sua pele fique extremamente seca, o que pode resultar em vários tipos de doenças de pele. Para além disso, poderão ocorrer reacções alérgicas.

Os olhos podem ser irritados através do contacto com óleo. Se entrar óleo nos seus olhos, lave-os imediatamente com água limpa. Se os seus olhos ainda estiverem irritados, consulte imediatamente um médico.



Leia as instruções de segurança na página 106.

### Mistura de combustível e óleo

O motor da roçadeira é um motor a dois tempos altamente eficiente. Funciona à base de uma mistura de combustível e óleo no motor a dois tempos. O motor foi concebido para combustível regular sem chumbo com um valor mínimo de octano de 91 RON. Se, por qualquer razão, este combustível não estiver disponível, pode utilizar combustível com um valor mais alto de octano. Isto não afectará o motor mas pode provocar um mau funcionamento.

Problemas semelhantes resultarão da utilização de combustível com chumbo. Para obter um funcionamento do motor óptimo e para proteger a sua saúde e ambiente, utilize apenas combustível sem chumbo!

Para lubrificar o motor, adicione óleo do motor a dois tempos (grau de qualidade: JASO FC ou ISO EGD) ao combustível. O motor foi concebido para utilizar óleo de motor a dois tempos a uma relação de mistura de 50:1 para proteger o ambiente.

Para além disso, esta relação de mistura garante um longo e fiável tempo de funcionamento assim como emissões mínimas. Um funcionamento fiável da roçadeira não pode ser garantido a menos que esta relação de mistura de 50:1 (óleo do motor a dois tempos especificado) seja estritamente observada.


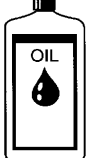


### Relação de mistura correcta:

Gasolina: Óleo do motor a dois tempos especificado = 50 : 1 ou

Gasolina: Óleo do motor a dois tempos de outro fabricante = 25 : 1 recomendado

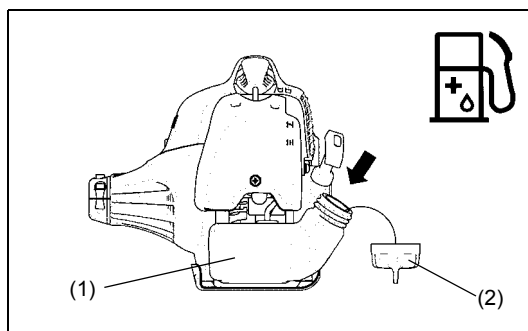
NOTA: Para preparar a mistura combustível-óleo, misture primeiro toda a quantidade de óleo com metade do combustível necessário, depois adicione o combustível restante. Abane cuidadosamente a mistura antes de a deitar no depósito da roçadeira. Para assegurar um funcionamento seguro, não adicione mais óleo do motor do que a quantidade especificada. Isso resultará numa maior produção de resíduos de combustão que poluem o ambiente e entopem o canal de escape no cilindro assim como o silenciador. Para além disso, o consumo de combustível aumentará e o desempenho diminuirá.

Gasolina	50:1	25:1
	+	
1.000 cm <sup>3</sup> (1 litro) 5.000 cm <sup>3</sup> (5 litro) 10.000 cm <sup>3</sup> (10 litro)	20 cm <sup>3</sup> 100 cm <sup>3</sup> 200 cm <sup>3</sup>	40 cm <sup>3</sup> 200 cm <sup>3</sup> 400 cm <sup>3</sup>

### Reabastecimento de combustível

#### O motor deve ser desligado.

- Limpe rigorosamente a área em torno da tampa do abastecedor de combustível (2) para evitar que entre sujidade no depósito de combustível (1).
- Desaperte a tampa do abastecedor de combustível (2) e encha o depósito com combustível.
- Aperte bem a tampa do abastecedor de combustível (2).
- Limpe o parafuso da tampa do abastecedor de combustível (2) e depósito após o reabastecimento.



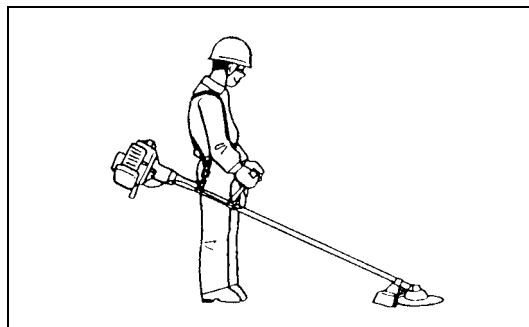
### Armazenamento de combustível

O combustível não pode ser guardado durante um período ilimitado de tempo. Adquira apenas a quantidade necessária para um período de funcionamento de 4 semanas. Utilize apenas recipientes de armazenamento de combustível aprovados.

## Manuseamento correcto

### Fixação da alça do ombro

- Ajuste o comprimento da alça para que a lâmina de corte fique paralela ao chão.



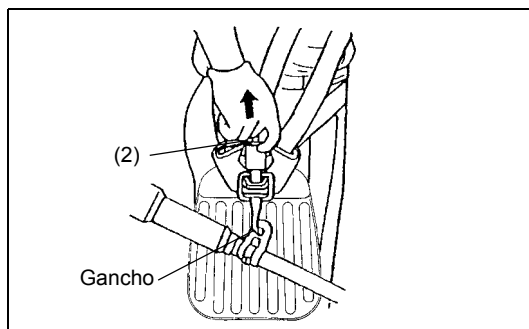
### Separação

#### Para DBC260U

- Em caso de emergência, para separar o equipamento do seu corpo, puxe a alavanca de separação de emergência (2) com o seu dedo. Isto irá separar o equipamento do corpo.

Certifique-se de que mantém o controlo do equipamento nesta altura. Não permita que o equipamento seja desviado em direcção a si ou a alguém próximo de si.

AVISO: Se não conseguir manter o controlo total do equipamento, poderá sofrer ferimentos graves ou MORRER.

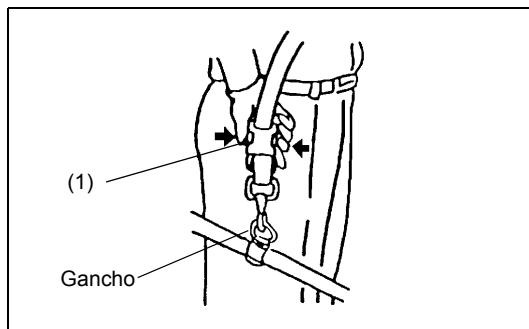


#### Para DBC260L

- Em caso de emergência, empurre os entalhes (1) em ambos os lados e separe o equipamento.

Certifique-se de que mantém o controlo do equipamento nesta altura. Não permita que o equipamento seja desviado em direcção a si ou a alguém próximo de si.

AVISO: Se não conseguir manter o controlo total do equipamento, poderá sofrer ferimentos graves ou MORRER.



## Pontos de funcionamento importantes/parar a roçadeira/máquina de cortar

Leia os regulamentos sobre prevenção de acidentes aplicáveis.

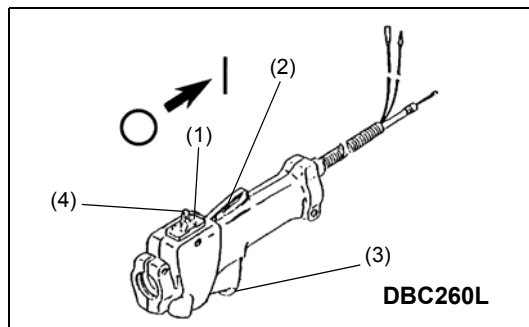
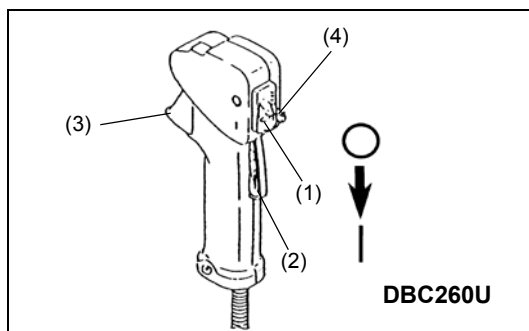


### Iniciar

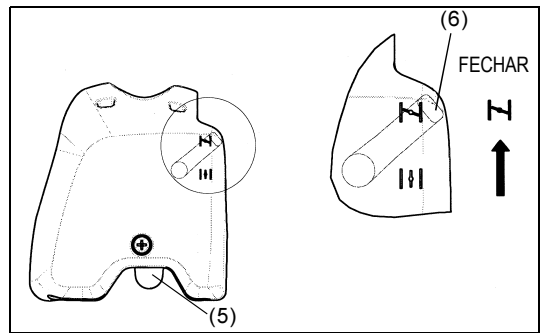
Distancie-se 3 m da área onde reabasteceu o equipamento. Coloque a roçadeira num pedaço limpo do chão certificando-se de que a ferramenta de corte não entra em contacto com o chão ou com quaisquer outros objectos.

### Arranque a frio

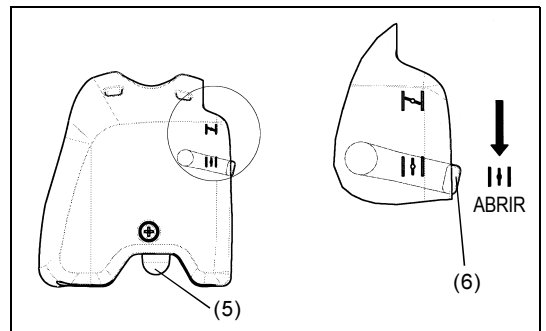
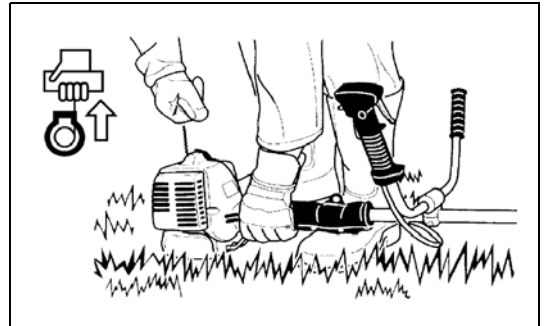
- Empurre a interruptor I-O (1) na direcção mostrada pela seta.
- Agarre a pega (a pressão manual activa a alavanca de bloqueio de segurança (2)).
- Prima a alavanca do acelerador (3) e mantenha-a premida.
- Prima o botão de bloqueio (4) e solte a alavanca de controlo e depois solte o botão de bloqueio (o botão de bloqueio mantém a alavanca do acelerador na posição de arranque).



- Primeiro, coloque o equipamento no chão.
- Prima suavemente a bomba de descarga (5) repetidamente (7 a 10 vezes) até que o combustível entre na bomba de descarga.
- Feche a alavanca do afogador (6).
  - Abertura do afogador:
    - Completamente fechada em temperaturas baixas ou quando o motor está frio
    - Completamente ou parcialmente aberta enquanto o motor ainda está quente



- Segure firmemente a embraiagem com a sua mão esquerda, tal como ilustrado.
- Puxe lentamente o cabo de arranque até sentir resistência e depois continue a puxar com força.
- Não retire completamente a corda de arranque e não permita que a pega de arranque se recolha sozinha. Mantenha controlo da corda de arranque e certifique-se de que é recolhida lentamente.
- Repita o funcionamento de arranque até ouvir as ignições iniciais do motor.
- Baixe a alavanca do afogador (6) (↓) e puxe a corda de arranque de novo até o motor arrancar.
- Assim que o motor arrancar, feche e solte imediatamente o acelerador, para soltar o bloqueio do meio acelerador e permitir ao motor funcionar em marcha lenta.
- Deixe o motor trabalhar durante aproximadamente um minuto a velocidade moderada antes de aplicar a aceleração máxima.



- NOTA: - Se puxar a pega do dispositivo de arranque repetidamente quando a alavanca do afogador estiver na posição "↔", o motor não arrancará facilmente devido a uma excessiva entrada de combustível.
- Se ocorrer uma entrada de combustível excessiva, remova a vela de ignição e puxe a pega de arranque lentamente para remover o combustível em excesso. Também deverá limpar a secção dos eléctrodos da vela de ignição.

#### Precauções durante o funcionamento:

Se a alavanca do acelerador estiver totalmente aberta durante um funcionamento em vácuo, as revoluções do motor aumentam em mais de 10.000 min<sup>-1</sup>. Nunca opere o motor a uma velocidade mais alta do que a necessária e mantenha as revoluções a uma velocidade aproximada de 6.000 - 8.000 min<sup>-1</sup>.

PRECAUÇÃO: Reduza sempre as revoluções do motor quando o equipamento não estiver a ser utilizado para trabalhar.

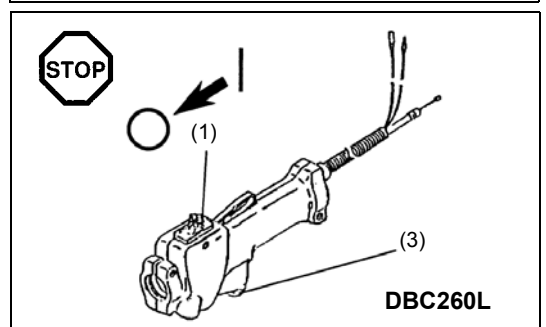
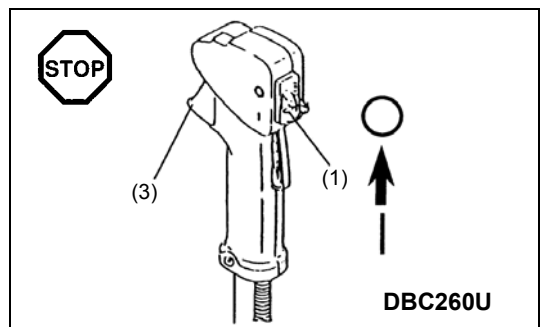
Operar o equipamento a altas revoluções quando não estiver a ser utilizado para trabalho diminuirá o tempo de funcionamento do equipamento.

#### Arranque a quente

- Siga as instruções para arranque a frio em cima, mas sem mover a alavanca do afogador (a alavanca do afogador permanece em baixo (↓)).

#### Parar

- Solte totalmente a alavanca do acelerador (3) e quando as rpm do motor tiverem baixado, prima o botão I-O (1) para a posição "O" para parar o motor.
- Note que a cabeça de corte poderá não parar imediatamente e deixe sempre que ela abraque e pare completamente por si própria.

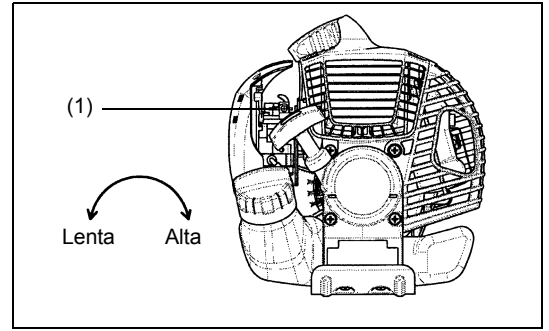


## AJUSTE DE REVOLUÇÕES DE BAIXA VELOCIDADE (MARCHA LENTA)

A lâmina de corte ou a cabeça de corte em nylon não deverá rodar quando a alavanca de controlo estiver totalmente solta. Se necessário, ajuste as rpm de marcha lenta utilizando o parafuso de ajuste de marcha lenta.

### Verificar a velocidade de marcha lenta

- A velocidade de marcha lenta deverá estar definida para 3.000 min<sup>-1</sup>. Se necessário, ajuste a marcha lenta utilizando o parafuso de marcha lenta (a lâmina da cabeça de corte em nylon não deve rodar quando o motor estiver em marcha lenta). Apertar o parafuso de marcha lenta (1) aumenta as revoluções do motor enquanto que apertar o parafuso de marcha lenta reduz as revoluções do motor.



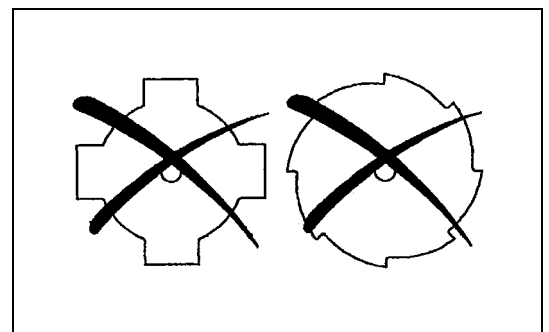
## Voltar a afiar a ferramenta de corte

**PRECAUÇÃO:** As ferramentas de corte listadas em baixo devem ser afiadas apenas por técnicos autorizados. Voltar a afiar manualmente resultará em desequilíbrios da ferramenta de corte, o que causará vibrações e danos no equipamento.

- lâmina de corte (lâmina em estrela (4 dentes), lâmina em hélice (8 dentes))

Um serviço profissional de afiamento e equilíbrio é fornecido por Agentes de Serviço Autorizados.

**NOTA:** Para aumentar o tempo de funcionamento da lâmina de corte (lâmina em estrela, lâmina em hélice), a lâmina deve estar inclinada para permitir que ambas as extremidades de corte se desgastem.

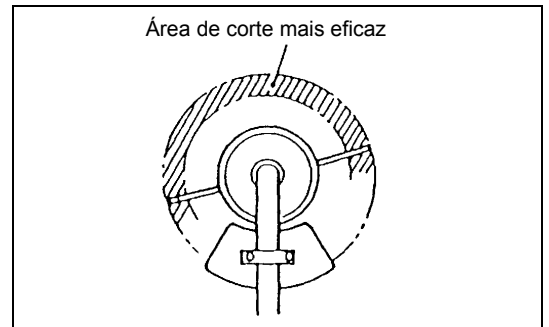


### CABEÇA DE CORTE EM NYLON

A cabeça de corte em nylon é uma cabeça dupla da máquina de cortar com capacidade para mecanismos automáticos e de "bump & feed". A cabeça de corte em nylon irá fornecer automaticamente o comprimento necessário de fio nylon através das alterações na força centrífuga causada pelas rpm's crescentes ou decrescentes. Contudo, para cortar relva suave com mais eficiência, faça chocar a cabeça de corte em nylon contra o chão para fornecer mais fio como mostrado na secção de funcionamento.

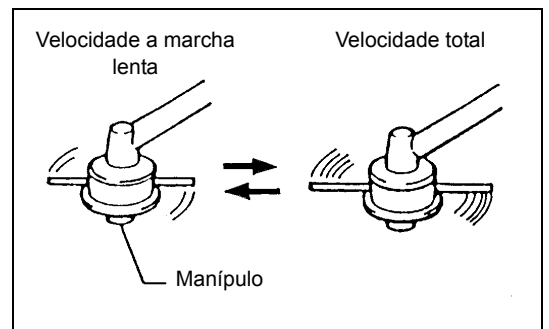
#### Funcionamento:

- Aumente a velocidade da cabeça de corte em nylon para aproximadamente 6.000 min<sup>-1</sup>. O fio de nylon não fornecerá correctamente a velocidades mais baixas (menos de 4.800 min<sup>-1</sup>).
- A área de corte mais eficaz é mostrada na área sombreada no diagrama à direita.



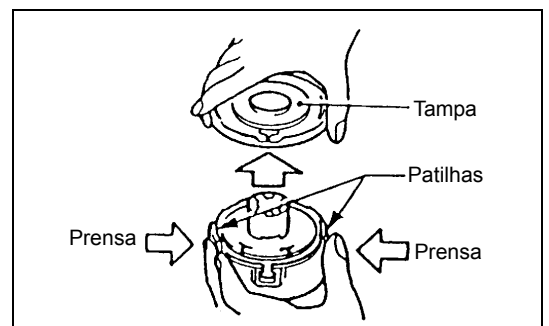
Se o fio de nylon não fornecer automaticamente, siga as instruções em baixo:

1. Solte a alavanca do acelerador para que o motor funcione em marcha lenta, e depois aperte totalmente a alavanca do acelerador. Repita este procedimento até o fio de nylon fornecer até ao comprimento necessário.
2. Se o fio de nylon for demasiado curto para fornecer automaticamente utilizando o procedimento em baixo, faça chocar o manípulo da cabeça de corte em nylon contra o chão para alimentar o fio de nylon.
3. Se o fio de nylon não fornecer utilizando o procedimento 2, rebobine/ substitua o fio de nylon seguindo os procedimentos descritos em "Substituir o fio de nylon".

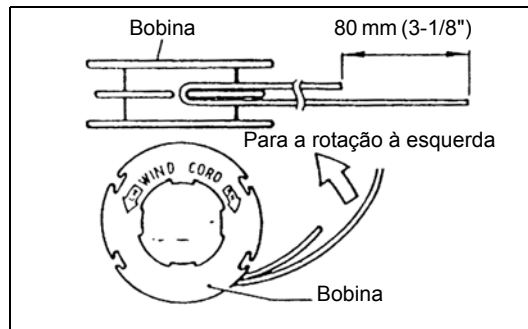


### Substituir o fio de nylon

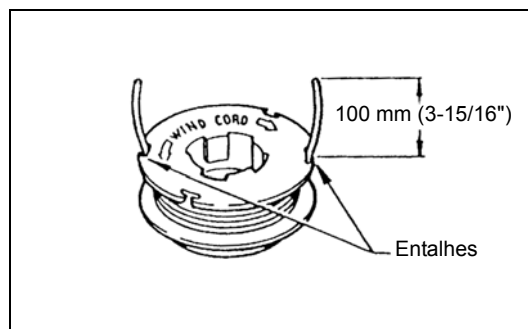
- Parar o motor.
- Prima as patilhas de alojamento para dentro para levantar a tampa, depois remove a bobina.



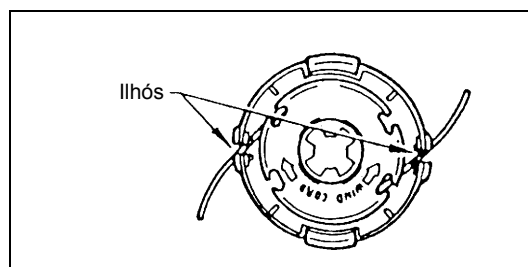
- Prenda o centro do novo fio de nylon no entalhe no centro da bobina, com uma extremidade do fio mais comprida em 80 mm (3-1/8") mais do que a outra. Depois enrole ambas as extremidades em torno da bobina na direcção da rotação da cabeça (direcção esquerda indicada por LH e direcção direita por RH no lado da bobina).



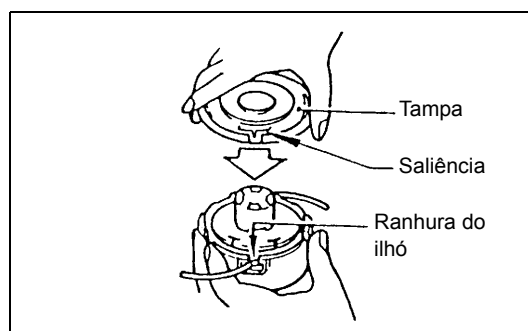
- Enrole tudo excepto cerca de 100 mm (3-15/16") dos fios em torno da bobina, deixando as extremidades temporariamente presas através do entalhe no lado da bobina.



- Monte a bobina no alojamento para que as ranhuras e saliências na bobina correspondam às do alojamento. Monte a bobina para que a escrita na bobina seja visível de cima. A seguir, desprenda as extremidades dos fios da sua posição temporária e alimente os fios através dos ilhós para que sobressaiam do alojamento.



- Alinhe a saliência no lado inferior da tampa com as ranhuras dos ilhós. Depois empurre a tampa firmemente para o alojamento para a fixar.



## Instruções de serviço

### Instruções de serviço

**PRECAUÇÃO:** Antes de efectuar qualquer tipo de trabalho de manutenção na roçadeira, desligue sempre o motor e separe a tampa da vela da vela de ignição (ver "verificar a vela de ignição"). Use sempre luvas protectoras.

**PRECAUÇÃO:** Nunca remova o dispositivo de arranque de recuo sozinho. Isto poderá causar um acidente. Este serviço deve ser realizado apenas pelos Centros de Serviço Autorizados da Makita.

Para garantir um longo tempo de funcionamento e para evitar quaisquer danos no equipamento, efectue as seguintes operações de manutenção regularmente.

#### Inspecção e manutenção diárias

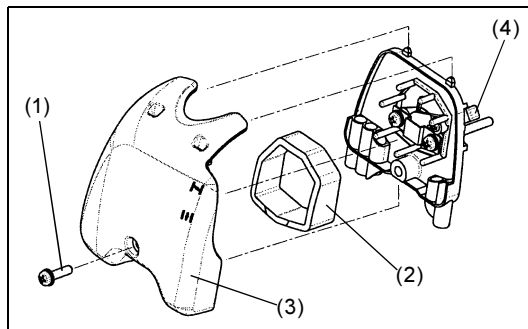
- Antes do funcionamento, verifique se existem parafusos soltos no equipamento ou se faltam peças. Preste especial atenção ao aperto da lâmina de cortar ou da cabeça de corte em nylon.
- Antes do funcionamento, certifique-se sempre de que a passagem do ar de arrefecimento e as rebarbas do cilindro não estão entupidas. Limpe-as se necessário.
- Efectue as seguintes operações de manutenção diariamente após a utilização:
  - Limpe a Roçadeira externamente e verifique se existem danos.
  - Limpe o filtro de ar. Ao trabalhar em condições de muito pó, limpe o filtro várias vezes por dia.
  - Verifique se a lâmina ou a cabeça de corte em nylon estão danificadas e certifique-se de que estão devidamente montadas.
  - Verifique se existe diferença suficiente entre as velocidades de marcha lenta e de funcionamento para se certificar de que a ferramenta de corte está num ponto de imobilização enquanto o motor está em marcha lenta (se necessário, reduza a velocidade de marcha lenta). Se a ferramenta de corte continuar a rodar durante a marcha lenta do motor, consulte o seu Agente de Serviço Autorizado mais próximo.
- Certifique-se de que o botão I-O, a alavanca de bloqueio, a alavanca de controlo e o botão de bloqueio estão a funcionar correctamente.



### Limpar o filtro de ar

- Desapertar o parafuso (1).
- Rode a alavanca do afogador (4) para o lado totalmente fechado e mantenha o carburador longe de qualquer pó ou sujidade.
- Remova a tampa do filtro (3).
- Remova o elemento da esponja (2), lave-o a água morna e seque-o completamente.
- Após ter limpado, reponha a tampa do filtro de ar (3) e aperte-a com o parafuso (1).

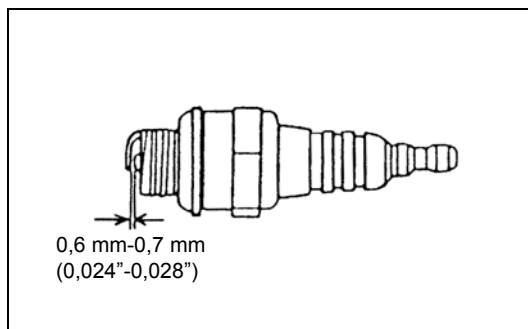
NOTA: Se existir pó ou sujidade excessivos a aderir ao filtro de ar, limpe-o todos os dias. Um filtro de ar entupido pode dificultar ou impossibilitar o arranque do motor ou pode aumentar a velocidade rotacional do motor.



### Verificar a vela de ignição.

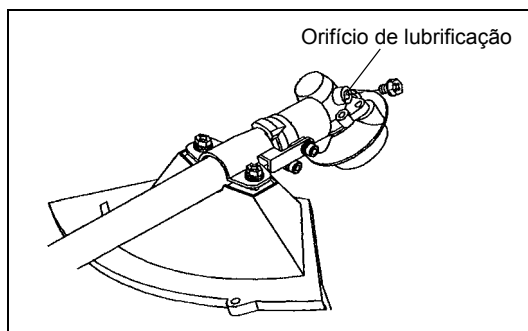
- Utilize apenas a chave universal fornecida para remover ou instalar a vela de ignição.
- O espaço entre os dois eléctrodos da vela de ignição deverá estar a 0,6-0,7 mm (0,024"-0,028"). Se o espaço for demasiado largo ou estreito, ajuste-o. Se a vela de ignição estiver entupida com cartão ou estiver suja, limpe-a rigorosamente ou substitua-a.

PRECAUÇÃO: Nunca toque no conector da vela de ignição enquanto o motor estiver a trabalhar (perigo de choque eléctrico de alta tensão).



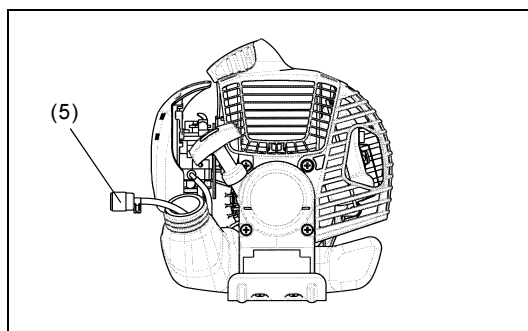
### Fornecimento de lubrificação para a caixa de engrenagens

- Forneça lubrificação (Shell Alvania 3 ou equivalente) para a caixa de engrenagens através do orifício de lubrificação a cada 30 horas. (Lubrificação MAKITA pode ser adquirida no seu revendedor MAKITA.)



### Cabeça de sucção no depósito de combustível

- O abastecedor de combustível (5) da cabeça de sucção é utilizado para fornecer o combustível requerido pelo carburador.
- Inspeccione visualmente o filtro de combustível com regularidade. Para inspeccionar o filtro, abra a tampa do depósito, utilize um gancho metálico e retire a cabeça de sucção pela abertura do depósito. Substitua o filtro se tiver endurecido, se estiver particularmente sujo ou entupido.
- Um fornecimento de combustível insuficiente poderá resultar no excesso da velocidade máxima permissível. Logo, o filtro de combustível deve ser substituído pelo menos trimestralmente para assegurar um fornecimento de combustível satisfatório para o carburador.

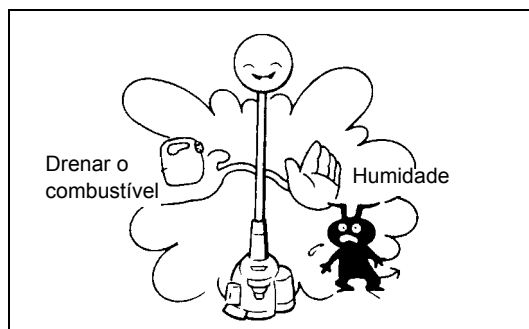


Qualquer outro trabalho de manutenção ou ajuste que não esteja descrito neste manual deve ser efectuado apenas pelos Agentes de Serviço Autorizados.



## Armazenamento

- Ao guardar o equipamento durante um longo período de tempo, drene todo o combustível do depósito de combustível e carburador. Para fazer isto, basta drenar todo o combustível do depósito de combustível. Elimine o combustível drenado de acordo com as leis aplicáveis.
- Remova a vela de ignição e adicione algumas gotas de óleo no orifício da vela de ignição. Depois, puxe o dispositivo de arranque suavemente para que o óleo revista o interior do motor, depois aperte a vela de ignição.
- Limpe qualquer sujidade ou pó da lâmina de corte e fora do motor, e limpe-os com um pano mergulhado em óleo. Guarde o equipamento num local seco.



## Agenda de manutenção

Geral	Montagem do motor, parafusos e porcas	Inspeção visual para detecção de danos e aperto Verifique a condição geral e segurança
Após cada reabastecimento	Alavanca de controlo Botão I-O	Verificação funcional Verificação funcional
Diária	Filtro de ar Conduta de ar de arrefecimento Ferramenta de corte Velocidade em marcha lenta	A limpar A limpar Verifique se existem danos e se está afiada Inspeção (a ferramenta de corte não deve mover-se)
Semanalmente	Vela de ignição Silenciador	Inspeção, substituir se necessário Inspeccione, e limpe a abertura se necessário
Trimestralmente	Cabeça de sucção Depósito de combustível	A substituir A limpar
Procedimento de encerramento	Depósito de combustível Carburador	Depósito de combustível vazio Opere até que o motor esgote o combustível

## Detecção de avarias

Avaria	Sistema	Observação	Causa
O motor não arranca ou tem dificuldade em arrancar	Sistema de ignição	Ignição por vela O.K	Avaria no fornecimento de combustível ou sistema de compressão, defeito mecânico
		Sem ignição por vela	Funcionamento através do botão I-O, avaria na cablagem ou curto-circuito, vela de ignição ou conector defeituoso, módulo de ignição avariado
	Fornecimento de combustível	Depósito de combustível enchido	Posição do afogador incorrecta, carburador defeituoso, linha de fornecimento do combustível dobrada ou bloqueada, combustível sujo.
	Compressão	Sem compressão quando parada	Junta inferior do cilindro defeituosa, vedantes da cambota danificados, anéis do pistão ou do cilindro defeituosos ou vedação imprópria da vela de ignição.
Problemas no arranque a quente	Avaria mecânica	Dispositivo de arranque não engrenado	Mola do dispositivo de arranque partida, peças partidas dentro do motor
		Depósito cheio. Ignição por vela O.K.	Carburador contaminado, deve ser limpo
O motor arranca mas morre	Fornecimento de combustível	Depósito cheio	Ajuste da marcha lenta incorrecto, carburador contaminado  Ventilação do depósito de combustível defeituosa, linha de fornecimento de combustível interrompida, cabo ou botão I-O avariado
Desempenho insuficiente	Vários sistemas podem estar afectados em simultâneo	Marcha lenta do motor fraca	Filtro de ar contaminado, carburador contaminado, silenciador entupido, conduta de escape no cilindro entupida

Tak fordi du købte denne MAKITA buskrydder/trådtrimmer. MAKITA buskryddere/trådtrimmere er udviklet som et produkt af vores mangeårige viden, erfaring og et detaljeret udviklingsprogram.







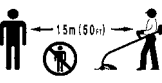















Læs dette hæfte grundigt igennem for at sikre, at du får den bedst mulige udnyttelse og fremragende resultater som din MAKITA buskrydder/trådtrimmer kan give.



<b>Indholdsfortegnelse</b>	<b>Side</b>
Symboler .....	122
Sikkerhedsregler .....	123
Tekniske data for DBC260U, DBC260L .....	127
Delenes betegnelse .....	128
Montering af håndtag .....	129
Montering af skærm .....	130
Montering af klinge/nylontrimmerhoved .....	131
Brændstof/påfyldning af brændstof .....	132
Korrekt håndtering .....	133
Vigtige punkter angående betjening/standsning af buskrydderen/trådtrimmeren .....	133
Slibning af skæreredskabet .....	135
Vedligeholdelsesinstruktioner .....	136
Opbevaring .....	138

## Symboler

Du skal være opmærksom på følgende symboler, når du læser brugsanvisningen.

	Læs brugsanvisningen		Bær beskyttelsesbriller og høreværn (gælder kun for trådtrimmer)
	Vær særlig forsigtig og opmærksom		Bær hjelm, øjen- og høreværn (gælder kun buskrydder)
	Forbudt		Brug ikke metalklinger (gælder kun for trådtrimmer)
	Hold afstand		Maksimal tilladelig hastighed for værktøj
	Risiko for flyvende genstande		Varme overflader - forbrændinger på fingre eller hænder
	Rygning forbudt		Blanding af brændstof og olie
	Brug af åben ild forbudt		Manuel start af motor
	Der skal anvendes beskytteshandsker		Nødstop
	Tilbageslag		Førstehjælp
	Hold arbejdsområdet fri for personer og dyr		Genbrug
	Anvend kraftige støvler med skridsikre såler. Sikkerhedssko med stål-næse anbefales.		TÆNDT/START
			SLUKKET/STOP

## Sikkerhedsregler

### Generelle bestemmelser

- For at sikre korrekt betjening skal du sørge for at læse og forstå denne brugsanvisning, sådan at du har kendskab til, hvordan du anvender buskrydderen/trådtrimmeren. Brug af denne maskine uden en forståelse af hvordan den betjenes korrekt, kan medføre alvorlige skader på dig selv eller andre.
- Lån kun buskrydderen/trådtrimmeren ud til personer der har erfaring med buskryddere/trådtrimmere. Giv dem samtidig denne brugsanvisning med.
- Hvis det er første gang, du anvender en benzindrevet buskrydder, skal du bede din forhandler om at give en grundlæggende vejledning.
- Børn og personer under 18 år må ikke anvende buskrydderen/trådtrimmeren. Personer over 16 år må anvende maskinen til træningsformål, men kun under vejledning af en kvalificeret underviser.
- Vær meget opmærksom og forsigtig, når du anvender buskrydderen/trådtrimmeren.
- Anvend kun buskrydderen/trådtrimmeren, hvis du er i god fysik form. Udfør alt arbejde roligt og forsigtigt. Brugere har ansvaret for de personer, der er i nærheden af dem.
- Brug aldrig buskrydderen/trådtrimmeren efter indtagelse af alkohol eller medicin, eller hvis du føler dig træt eller dårligt tilpas.

### Beregnet brug af maskinen

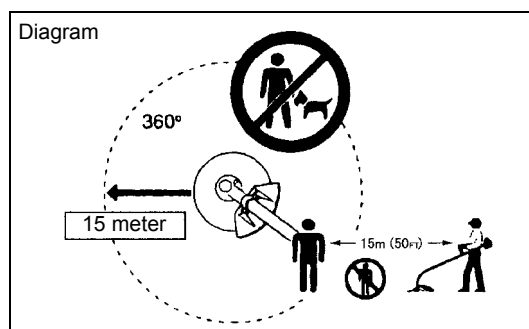
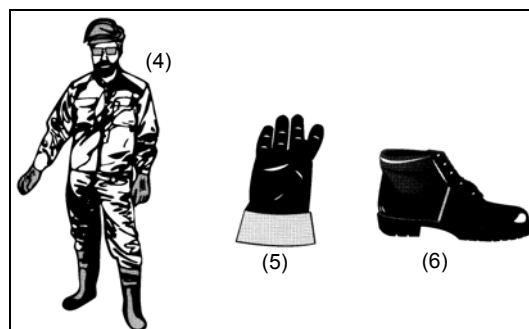
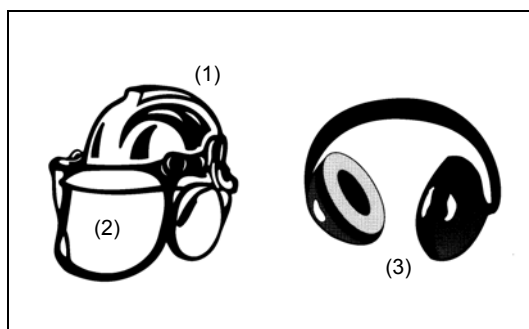
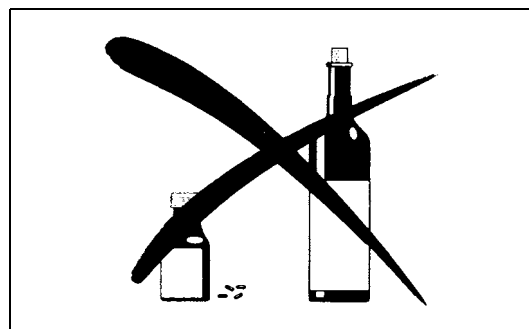
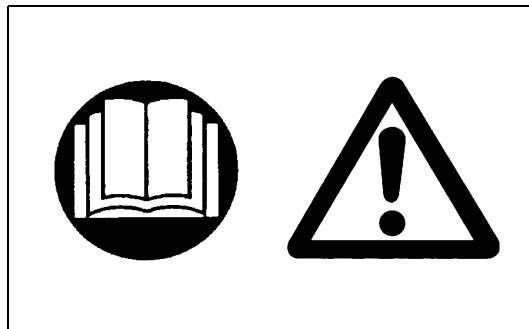
- Buskrydderen/trådtrimmeren er kun beregnet til klipning af græs, ukrudt, buskadser og anden lignende bundvegetation, og bør ikke anvendes til nogen andre formål, som fx kantafretning eller hækkeklipping, eftersom det kan medføre skader.

### Personligt sikkerhedsudstyr

- Bær altid tøj, der både er funktionelt og passende til dit arbejde, dvs. tætsiddende, men ikke så tæt at det forhindrer bevægelse. Bær ikke smykker eller tøj, der kan sidde fast i buske eller krat.
- For at undgå skader på hoved, øjne, hænder eller fødder, samt for at beskytte din hørelse under brug, skal du altid anvende følgende sikkerhedsudstyr og beskyttelsesbeklædning, når du anvender buskrydderen/trådtrimmeren.
- Bær altid en hjelm på steder hvor der er risiko for, at ting falder ned. Beskyttelseshjelm (1) skal med jævne mellemrum efterses for skader og skal udskiftes mindst hvert 5 år. Brug kun godkendte beskyttelseshjelme.
- Hjelmens visir (2) (eller alternativt beskyttelsesbriller) beskytter ansigtet mod flyvende afskårne dele og sten. Under brug af buskrydderen/trådtrimmeren skal du altid anvende beskyttelsesbriller eller et visir for at forhindre øjenskader.
- Anvend passende midler til beskyttelse mod støj for at undgå hørenedsættelse (hørevern (3) ørepropper m.v.).
- Arbejdsoveralls (4) beskytter mod flyvende sten og afskårne stykker. Vi anbefaler på det stærkeste, at du anvender arbejdsoveralls.
- Specialhandsker (5), der er lavet af tykt læder, er en del af det foreskrevne udstyr og skal altid anvendes under betjening af buskrydderen/trådtrimmeren.
- Når du anvender buskrydderen/trådtrimmeren, skal du altid have solide sko på (6) med en skridsikker sål. Sådanne sko beskytter mod skader og sikrer et godt fodfæste.

### Start af buskrydderen

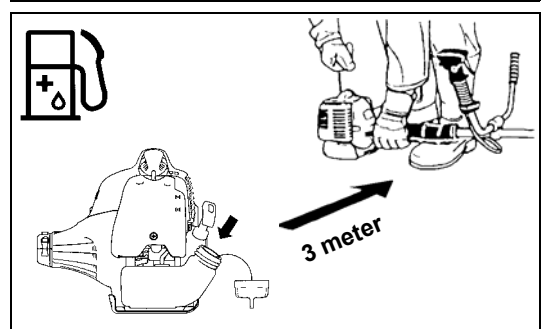
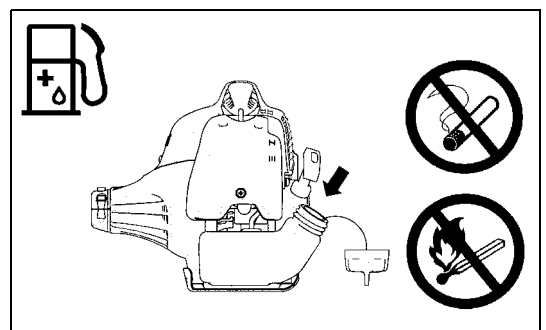
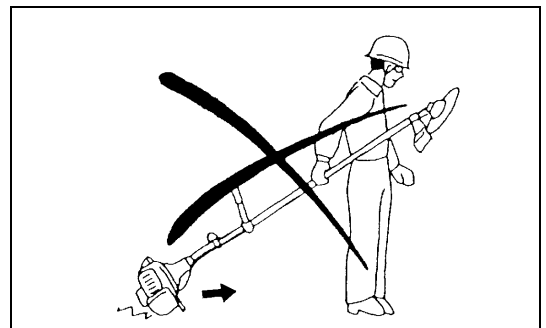
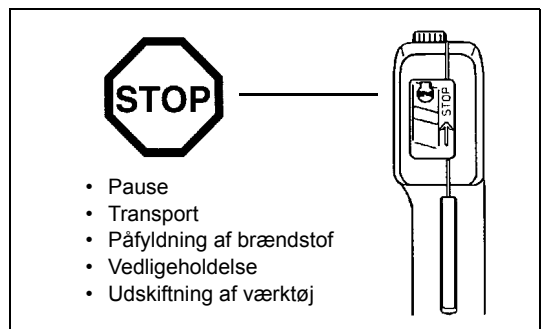
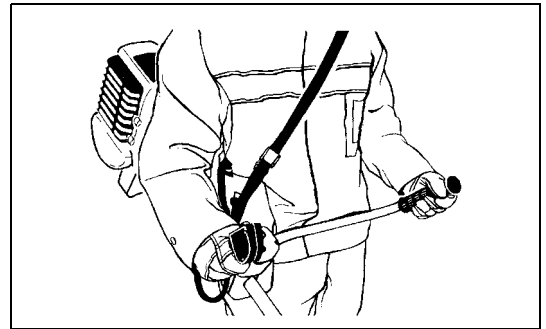
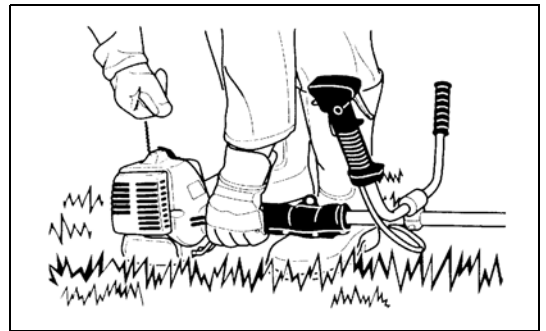
- Sørg for, at der ikke er nogen børn eller andre personer indenfor et arbejdsområde på 15 meter, samt vær opmærksom på eventuelle dyr i nærheden af arbejdsområdet.
- Du skal altid kontrollere om buskrydderen/trådtrimmeren er klar til brug, inden du starter med at anvende den:  
Kontroller om skæreværktøjet er fastgjort, om betjeningshåndtaget nemt kan betjenes, og om betjeningshåndtagets lås fungerer korrekt.
- Skæreværktøjet må ikke rotere i tomgang. Konsulter din forhandler hvis du mener, at maskinen behøver justering. Sikr dig at håndtagene er rene og tørre, samt at start/stop-afbryderen fungerer korrekt.



- Start kun buskrydderen/trådtrimmeren som beskrevet i brugsanvisningen. Benyt ikke andre metoder til at starte motoren med!
- Brug kun buskrydderen/trådtrimmeren og værktøjerne til de specificerede formål.
- Start først motoren på buskrydderen/trådtrimmeren, når maskinen er helt samlet. Betjen ikke maskinen før alt det nødvendige tilbehør er monteret.
- Inden du starter, skal du sikre dig, at skæreværktøjet ikke er i kontakt med hårde objekter som fx grene, sten eller lignende, eftersom skæreværktøjet roterer, når du starter.
- Sluk straks for motoren, hvis der opstår et eller andet problem med motoren.
- Skulle skæreværktøjet ramme sten eller andre hårde objekter, skal du straks slukke for motoren og efterse skæreværktøjet.
- Efterse skæreværktøjet for skader med korte jævne mellemrum (efterse for hårridser vha. banketesten).
- Anvend kun buskrydderen/trådtrimmeren når du har monteret og justeret skulderremmen til den rigtige længde. Skulderremmen skal justeres efter brugerens størrelse og fastgøres for at forhindre udmattelse under betjeningen af maskinen. Hold aldrig buskrydderen med kun en hånd under brug.
- Buskrydderen/trådtrimmeren skal altid holdes med begge hænder under brug. Sørg for altid at have et godt fodfæste.
- Betjen buskrydderen/trådtrimmeren på en sådan måde at du undgår at inhalere udstødningsgasserne. Start aldrig motoren på et indelukket sted som fx inde i et rum (risiko for gasforgiftning). Kulilte er en lugtfri gas.
- Sluk altid for motoren når du holder pause, eller hvis du har tænkt dig at gå fra buskrydderen/trådtrimmeren, og placer den på et sikkert sted for at forhindre, at andre mennesker kommer til skade på den, eller at maskinen beskadiges.
- Placer aldrig den varme buskrydder/trådtrimmer på tørt græs eller på andre brændbare materialer.
- Skæreværktøjet skal altid være udstyret med den tilhørende skærm. Anvend aldrig buskrydderen uden denne skærm!
- Alle sikkerhedsinstallationer og skærme, der følger med maskinen, skal anvendes under betjeningen.
- Betjen aldrig motoren hvis lydæmperen er defekt.
- Sluk for motoren under transport.
- Når maskinen transporteres over lange distancer, skal du altid anvende det sikkerhedsudstyr til værktøjet, som følger med.
- Sørg for, at buskrydderen/trådtrimmeren er placeret på korrekt vis under transport for at undgå brændstoftækkage.
- Når du transporterer buskrydderen/trådtrimmeren, skal du sørge for, at brændstoftanken er helt tom.
- Du må aldrig tænde motoren på jorden, når du tager buskrydderen/trådtrimmeren ned fra en lastbil eller et lignende køretøj, eftersom det kan forvolde stor skade på brændstoftanken.
- Medmindre det er i et nødstilfælde, må du aldrig tænde eller smide buskrydderen/trådtrimmeren ned på jorden, eftersom det kan forvolde alvorlige skader på buskrydderen/trådtrimmeren.
- Løft altid hele maskinen op fra jorden, når du flytter den. Det er meget risikabelt at trække maskinen hen over jorden på dens brændstoftank, hvilket kan forårsage, at der lækker brændstof ud og opstår brand.

### Påfyldning af brændstof

- Sluk for motoren under påfyldning af brændstof, hold maskinen væk fra åben ild samt ryg ikke under påfyldning af brændstof.
- Sørg for, at mineralske olieprodukter ikke kommer i kontakt med huden. Inhaler ikke brændstofdampe. Bær altid beskyttelseshandsker under påfyldning af brændstof. Skift og rens beskyttelsesbeklædningen med jævne mellemrum.
- Sørg for, at du ikke spilder brændstof eller olie på jorden for at undgå jordforurening (miljøbeskyttelse). Hvis du spilder brændstof, skal du straks rengøre buskrydderen/trådtrimmeren.
- Sørg for, at brændstoffet ikke kommer i kontakt med dit tøj. Hvis brændstof kommer i kontakt med dit tøj, skal du straks skifte tøj for at forhindre brand.
- Efterse brændstofdækslet med jævne mellemrum for at sikre, at det kan lukkes ordentligt, og der ikke lækker brændstof ud.
- Skru omhyggeligt brændstoftankens dæksel på. Når påfyldningen af brændstof er gennemført, skal du flytte mindst 3 meter væk fra det sted, hvor du fyldte brændstoffet på, inden du starter motoren.
- Påfyld aldrig brændstof på et indelukket sted som fx inde i et rum. Hvis du gør det, kan det forårsage en eksplosion pga. ophobningen af brændstofdampe ved jordoverfladen.
- Foretag kun transport og opbevaring af brændstof i godkendte beholdere. Sørg for, at brændstof opbevares således, at børn ikke har adgang til det.



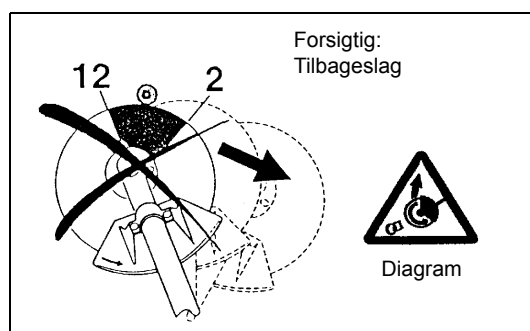
## Betjening

- Brug kun buskrydderen/trådtrimmeren på steder med god belysning og sigtbarhed. Om vinteren skal du være opmærksom på glatte eller våde steder som fx steder med islag eller sne (risiko for at du glider). Sørg for altid at have et godt fodfæste.
- Skær aldrig over hoftehøjde.
- Stå aldrig på en stige, mens du anvender buskrydderen/trådtrimmeren.
- Klatr aldrig op i træer for at anvende buskrydderen/trådtrimmeren der.
- Arbejd aldrig på ustabile overflader.
- Fjern sand, sten, søm m.v. som findes inden for arbejdsområdet. Fremmedlegemer kan beskadige skæreværktøjet og forårsage farlige tilbageslag.
- Inden du starter med at skære, skal du sikre dig, at skæreværktøjet er nået op på fuld arbejdshastighed.



## Tilbageslag

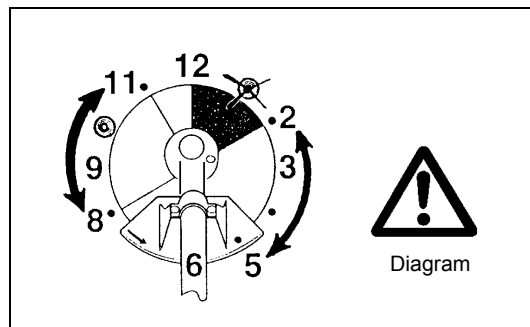
- Der kan opstå ukontrollerede tilbageslag, når du arbejder med buskrydderen.
- Tilbageslag opstår ofte, når du forsøger at skære med den del af klingens, der svarer til klokken 12 til 2.
- Anvend aldrig den del af klingens der svarer til klokken 12 til 2.
- Anvend aldrig denne del af klingens på solide genstande som fx buske eller træer m.v., der har en diameter på mere en 3 cm. Hvis du gør det, slås klingens tilbage med stor kraft, hvilket er ekstremt farligt og kan forårsage personskader.



## Forebyggelse af tilbageslag

### Husk på følgende for at undgå tilbageslag:

- Det er ekstremt farligt at anvende den del af klingens, der svarer til klokken 12 til 2, især når du anvender skæreværktøjer af metal.
- Skærearbejde med den del af klingens der svarer til klokken 11 til 12 og 2 til 5, må kun udføres af trænede og erfarne personer, og kun på egen risiko. Den optimale del for at kunne udføre nemt skærearbejde med næsten ingen tilbageslag, er den del af klingens, der svarer til klokken 8 til 11.

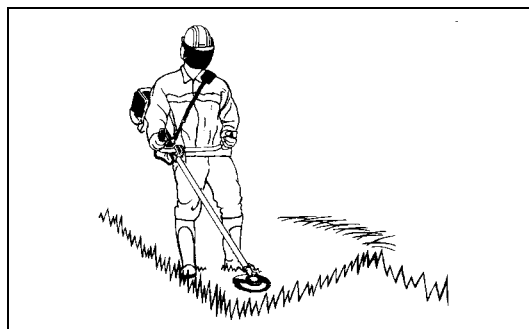


## Skæreværktøjer

Sørg for, at du anvender det rigtige skæreværktøj til hvert enkelt job.

DBC260U med klinge (stjerneformet klinge (4 tænder), hvirvelformet klinge (8 tænder)), DBC260L med nylontrimmerhoved.

Til at skære tykke materialer som fx ukrudt, højt græs, buske, krat, underskov, buskadser m.v. (maks. tykkelse på 2 cm i diameter). Udfør dette skærearbejde ved at svinge buskrydderen jævnt i halvcirkler fra højre mod venstre (på samme måde som ved anvendelse af en le).



## Vedligeholdelsesvejledning

- Kontroller altid buskrydderens tilstand, med særlig vægt på buskrydderens sikkerhedsudstyr og skulderrem, inden du udfører arbejde. Vær også ekstra opmærksom på klingerne, der skal være slebet korrekt.
- Sluk for motoren og fjern tændrørshætten, når du udskifter eller sliber skæreværktøjer, samt også når du rengør buskrydderen eller skæreværktøjet.

## Forsøg aldrig at rette beskadigede skæreværktøjer ud eller svejse dem.

- Anvend buskrydderen/trådtrimmeren således at der dannes mindst muligt støj og forurening. Det er især vigtigt at kontrollere, at karburatoren er indstillet korrekt.
- Rengør buskrydderen/trådtrimmeren med jævne mellemrum og kontroller, at alle skruer og møtrikker er strammet ordentligt til.
- Du må aldrig foretage service på buskrydderen/trådtrimmeren eller opbevare den i nærheden af åben ild.
- Opbevar altid buskrydderen/trådtrimmeren på et aflåst sted og med en tom brændstoftank.

Overhold de relevante vejledninger angående ulykkesforebyggelse som udgives af de pågældende brancheforeninger og forsikringsfirmaer.

Foretag ikke nogen ændringer på buskrydderen/trådtrimmeren, eftersom det sætter din sikkerhed i fare.



Udførslen af vedligeholdelsesarbejde eller reparationer af brugeren er begrænset til de ting, der er beskrevet i brugsanvisningen. Alt andet arbejde skal udføres af en godkendt serviceagent. Brug kun ægte reservedele og tilbehør som forhandles og leveres af MAKITA.

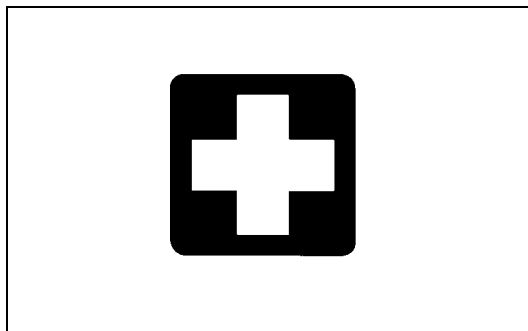
Brug af ikke-godkendt tilbehør og værktøjer giver en forøget risiko for ulykker. MAKITA påtager sig intet ansvar for ulykker eller skader, der er opstået på grund af brug af ikke-godkendte skæreværktøjer, fastgørelsesmidler til skæreværktøjer eller tilbehør.

## Førstehjælp

I tilfælde af en ulykke skal du sørge for at have en førstehjælpskasse i nærheden af det sted, hvor du udfører skærearbejde. Erstat straks de ting der benyttes fra førstehjælpskassen.

### Oplys venligst følgende hvis du tilkalder hjælp:

- Stedet hvor ulykken er sket
- Hvad der er sket
- Antallet af tilskadede personer
- Hvilke skader det drejer sig om
- Dit navn



## Indpakning

MAKITA buskrydder/trådtrimmer leveres i to beskyttende papkasser for at forhindre at maskinen går i stykker under transporten. Pap er et basalt råmateriale og kan derfor bruges igen eller afleveres til genbrug (genbrug af papiraffald).



## EU-ERKLÆRING VEDRØRENDE OVERHOLDELSE AF STANDARDER

### Model; DBC260U, DBC260L

Vi erklærer og tager det fulde ansvar for, at produktet overholder følgende standarderne i de standardiserede dokumenter ISO11806, EN55012 i overensstemmelse med Rådets direktiver 89/392/EEC, 98/37/EEC med ændringer, 93/68/EEC, 89/336/EEC, 92/31/EEC med ændringer.

Målt lydstyrke: 111,7 dB

Garanteret lydstyrke: 114 dB

Disse lydstyrkeniveauer blev målt i overensstemmelse med Rådets direktiv, 2000/14/EC.

Procedure for overensstemmelsesvurdering: Appendiks V.

CE2008

Tomoyasu Kato  
Direktør

Ansvarlig producent:

**Makita Corporation.**

3-11-8, Sumiyoshi-cho, Anjo, Aichi, JAPAN

Autoriseret repræsentant i Europa:

**Makita International Europe Ltd.**

Michigan Drive, Tongwell, Milton Keynes, Bucks MK15 8JD, ENGLAND

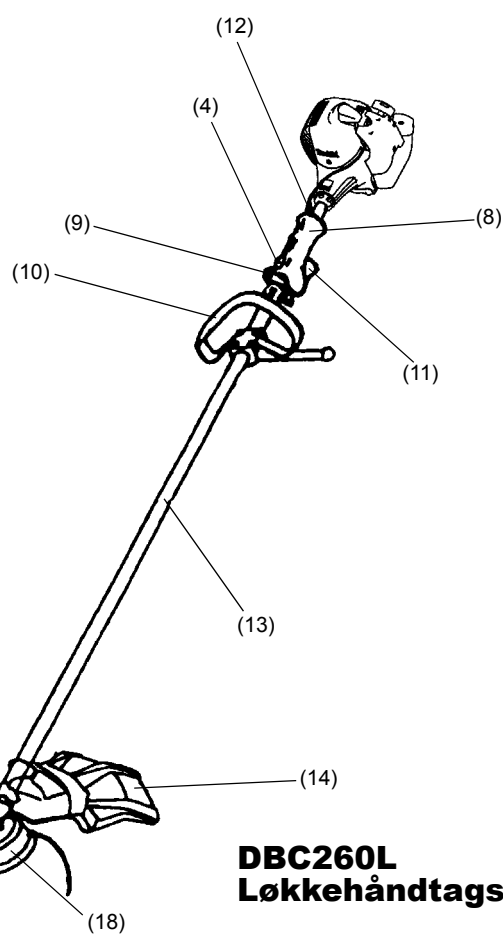
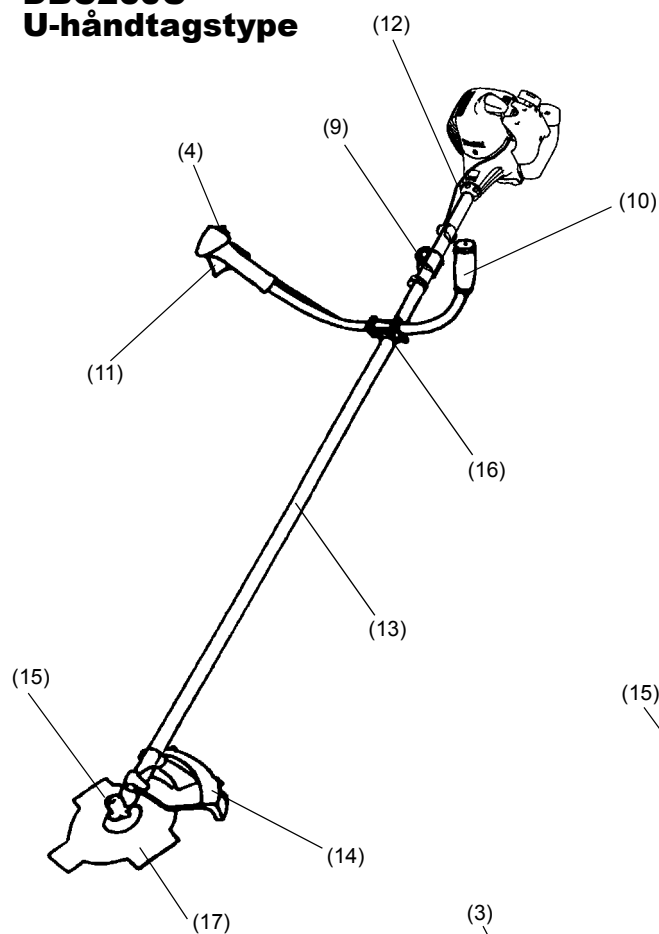
## Tekniske data for DBC260U, DBC260L

Model		DBC260U	DBC260L	
		U-håndtag	Løkkhåndtag	
Mål: længde x bredde x højde (uden klinger)	mm	1.770 x 630 x 410	1.770 x 315 x 235	
Vægt (uden plasticskærm og klinger)	kg	5,0	4,8	
Volumen (brændstoftank)	L	0,6		
Motorvolumen	cm <sup>3</sup>	25,7		
Maksimal motorydelse	kw	0,83 ved 8.000 min <sup>-1</sup>		
Motorhastighed ved anbefalet maksimal spindelhastighed	min <sup>-1</sup>	10.000		
Maksimal spindelhastighed (tilsvarende)	min <sup>-1</sup>	7.400		
Maksimalt brændstofforbrug	kg/t	0,431		
Maksimalt specifikt brændstofforbrug	g/kwh	487		
Tomgangshastighed	min <sup>-1</sup>	3.000		
Indkoblingshastighed	min <sup>-1</sup>	4.000		
Karburator	type	WALBRO WYC		
Tænding	type	Integreret tænding		
Tændrør	type	NGK BPMR7A		
Elektrodeafstand	mm	0,6 - 0,7		
Vibration pr. ISO 22867 <sup>1)</sup>	Højre håndtag (bagerste greb)	m/s <sup>2</sup>	3,8	5,3
	Venstre håndtag (forreste greb)	m/s <sup>2</sup>	3,9	4,3
Gennemsnitligt lydtrykniveau til ISO 22868 <sup>1)</sup>	db	98,2		
Gennemsnitligt lydstyrkeniveau til ISO 22868 <sup>1)</sup>	db	108,5		
Brændstof		Benzinblanding (benzin: Ægte Makita totaktsmotorolie = 50:1)		
Gearforhold		14/19		

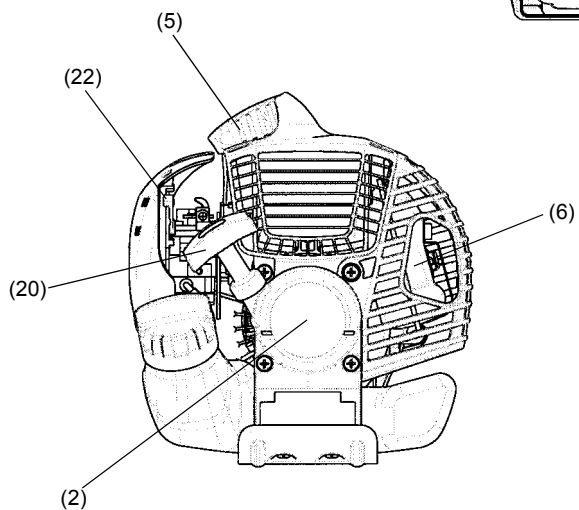
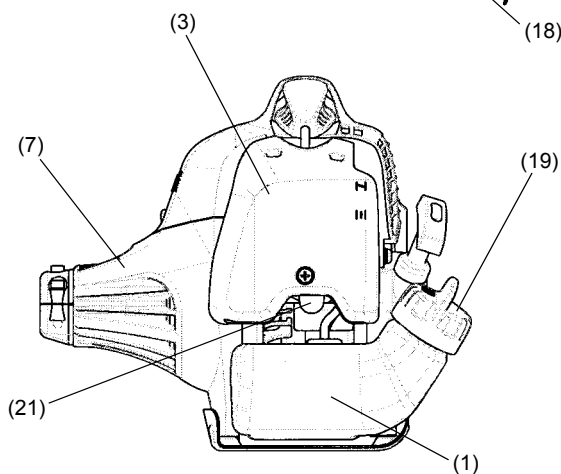
1) Der er i dataene taget lige forbehold for betjeningstilstande i tomgang og fuld fart eller gashåndtaget helt i bund.

## Delenes betegnelse

### DBC260U U-håndtagstype



### DBC260L Løkehåndtagstype



	Delenes betegnelse
1	Brændstoftank
2	Startsnor
3	Luffilter
4	I-O kontakt (tænd/sluk)
5	Tændrør
6	Lyddæmper
7	Koblingshus
8	Bagerste greb
9	Bøjle
10	Håndtag
11	Betjeningshåndtag
12	Styrekabel
13	Skaft
14	Skærm
15	Gearkasse
16	Håndtagsholder
17	Klinge
18	Nylontrimmerhoved
19	Brændstofdæksel
20	Starthåndtag
21	Tipper
22	Chokerhåndtag



## Montering af håndtag

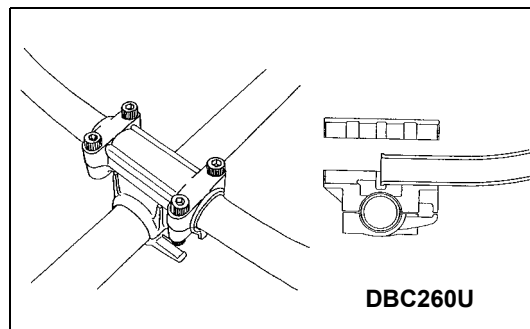
FORSIGTIG: Inden du udfører arbejde på buskrydderen, skal du altid stoppe motoren og fjerne tændørshætten fra tændrøret. Bær altid beskyttelseshandsker!

FORSIGTIG: Sørg for, at du har samlet buskrydderen helt, inden du starter den.

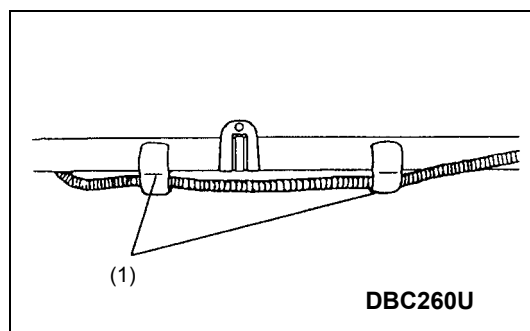


### For modeller med U-håndtag

- Placer det metalstykke, der fastgør håndtaget, sådan at håndtaget er placeret med betjeningshåndtaget til højre (den side hvor den højre hånd griber fast), når du ser fra den side, hvor motoren sidder.
- Ret rillen i det materiale der fastgør håndtaget ind med håndtagets ende. Fastgør midlertidigt det påmonterede metalstykke med den medfølgende sekskantbolt.
- Juster håndtaget så det sidder behageligt, og stram de fire sekskantbolte lige meget på højre og venstre side med en unbrakonøgle.

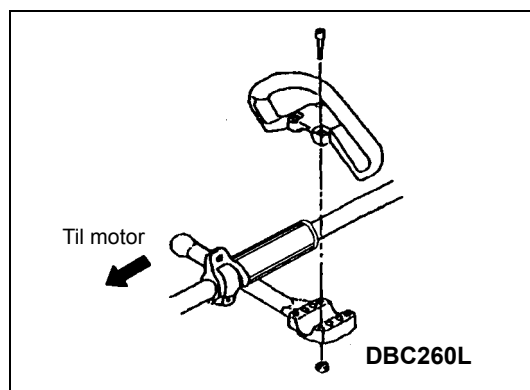


- Fastgør styrekablet (sammen med jordledningen) til håndtaget med to klemmer (1).
- Sørg for, at styrekablet ikke snos rundt om styrsektionen.



### For modeller med løkkehåndtag

- Fastgør afskærmningen på venstre side af maskinen sammen med håndtaget for at beskytte operatøren.
- Juster ikke positionen af løkkehåndtaget for tæt på styregrebet.
- Hold en afstand på mindst 250 mm mellem håndtag og greb. (der medfølger et afstandsstykke til dette formål.)



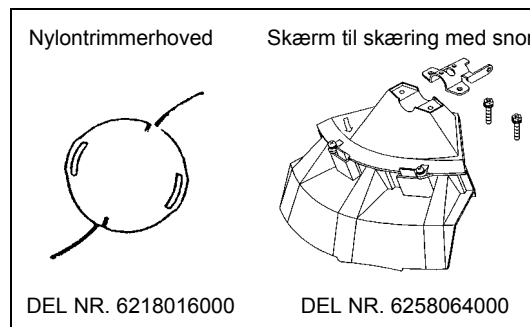
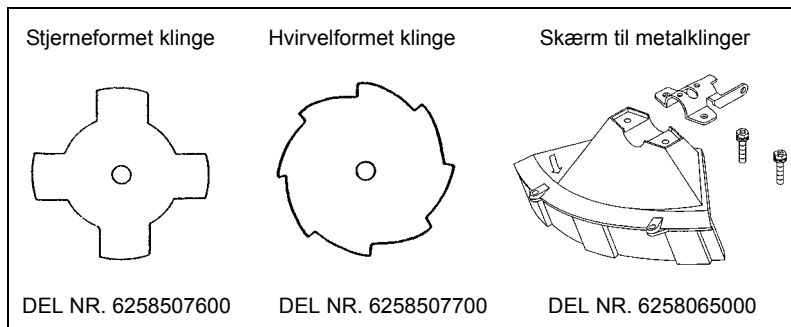
## Montering af skærm

Du må kun anvende værktøjet/de skærmskombinationer, som er angivet i skemaet, for at kunne leve op til de gældende sikkerhedsstandarder.



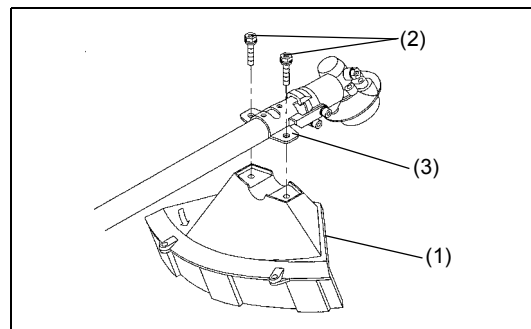
### Anvend altid ægte MAKITA-klinger/nylontrimmerhoved.

- Buskrydderens klinge skal være velpudset og fri for ridser og revner. Hvis klingens kanten rammer mod en sten under arbejdet, skal du stoppe motoren og straks undersøge klingens kanten.
- Puds eller udskift klingens kanten efter hver tre timers brug.
- Hvis nylontrimmerhovedet rammer mod en sten under arbejdet, skal du stoppe motoren og straks undersøge nylontrimmerhovedet.

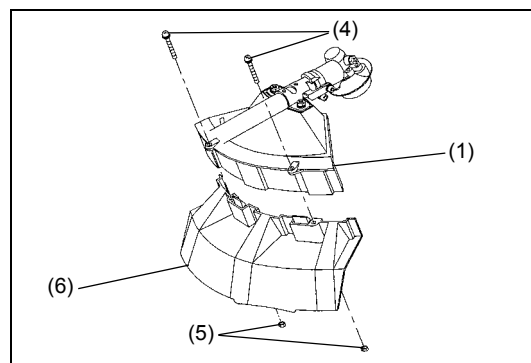


**FORSIGTIG:** Der skal altid være monteret de rigtige skærme for din egen sikkerheds skyld samt for at overholde bestemmelserne for ulykkesforebyggelse. Det er forbudt at bruge maskinen, hvis afskærmningen ikke er monteret.

- Fastgør skærmen (1) til klemmen (3) med to M6 x 30 bolte (2).



- Når du anvender et snorhoved, skal du fastgøre skærmen (6) i skærmen (1) og spænde dem med to møtrikker (5) og to skrue (4).

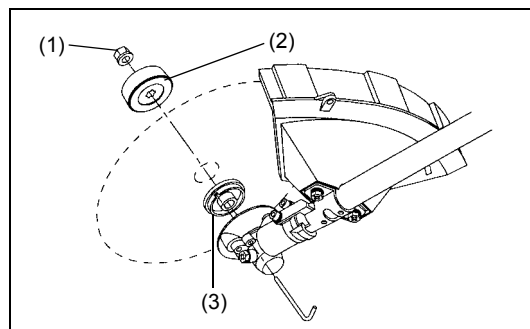


## Montering af klinge/nylontrimmerhoved

Klingen eller nylontrimmerhovedet kan nemt udskiftes ved først at vende maskinen på hovedet.



- Indsæt unbrakonøglen gennem hullet i gearkassen og drej modtageskiven (3) indtil den er låst med unbrakonøglen.
- Løsn møtrikken (1) (venstregevind) med topnøglen og fjern møtrikken (1) og klemmeskiven (2).

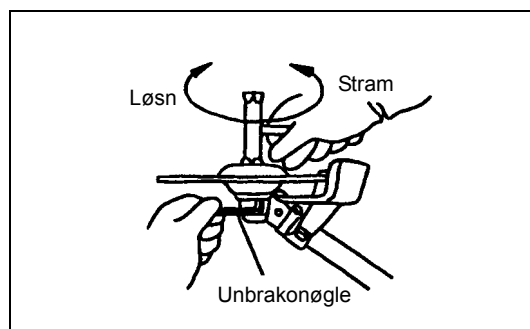


### Med unbrakonøglen stadig på plads

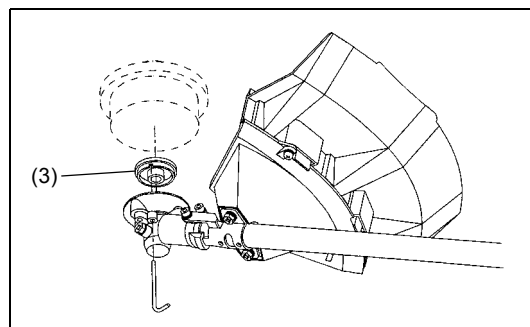
- Monter klingen på skaftet sådan at føringen på modtageskiven (3) passer ind i skaftåbningen på klingen. Monter klemmeskiven (2) og fastgør klingen med møtrikken (1).  
[Tilspændingsmoment: 13 - 23 N·m]

BEMÆRK: Bær altid handsker, når du håndterer klingen.

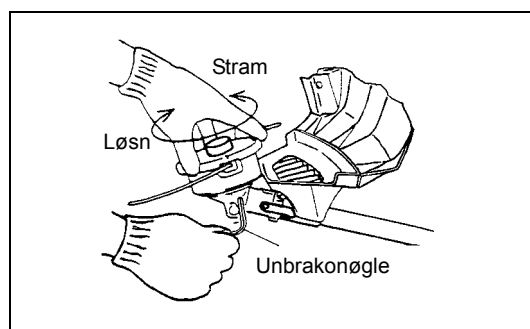
BEMÆRK: Fastspændingsmøtrikken til klingen (med fjederskive) er en forbrugsdel. Hvis der kan ses slid eller deformation på fjederskiven, skal du udskifte møtrikken.



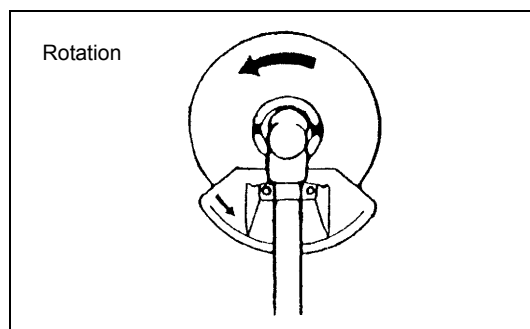
BEMÆRK: Klemmeskiven (2) og møtrikken (1) behøves ikke til montering af nylontrimmerhovedet. Nylontrimmerhovedet placeres oven på modtageskiven (3).



- Skru nylontrimmerhovedet fast på skaftet.



- Sørg for at klingen roterer mod urets retning.



### Håndtering af brændstof

UDu skal være yderst forsigtig, når du håndterer brændstof. Brændstof kan indeholde substanser svarende til opløsningsmidler. Påfyld brændstof i et godt ventileret rum eller udendørs. Inhaler ikke brændstofdampe og undgå enhver kontakt mellem brændstof eller olie og din hud.

Mineralske olieprodukter fjerner fedtet fra din hud. Længerevarende hudkontakt med disse produkter kan gøre din hud utrolig tør, hvilket kan resultere i forskellige former for hudsygdomme. Endvidere kan der opstå allergiske reaktioner.

Øjnene kan blive irriterede ved kontakt med olie. Hvis du får olie i øjnene, skal du straks vaske dem med rent vand. Hvis dine øjne stadig er irriterede, skal du straks opsøge en læge.



Overhold sikkerhedsreglerne på side 123.

### Blanding af brændstof og olie

Buskrydderens motor er en højeffektiv totaktsmotor. Den kører på en blanding af brændstof og totaktsmotorolie. Motoren er designet til almindeligt blyfrit brændstof med en minimumoktanværdi på 91 RON. Hvis sådan et brændstof ikke er til rådighed af en eller anden grund, kan du anvende brændstof med en højere oktanværdi. Dette skader ikke motoren, men det kan forringe ydeevnen. Lignende problemer opstår ved brug af blyholdigt brændstof. For at opnå optimal motorydeevne og for at beskytte dit helbred og miljøet, skal du kun anvende blyfrit brændstof!

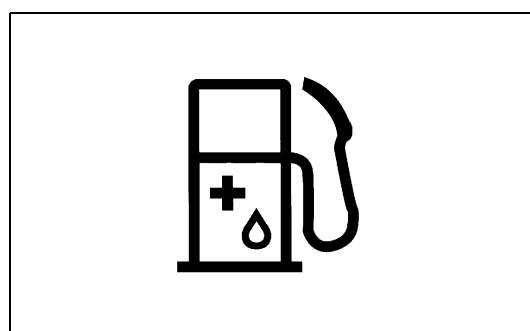
Tilsæt totaktsmotorolie for at smøre motoren (kvalitetsklasse: JASO FC eller ISO EGD) til brændstoffet. Motoren er designet til at anvende den specificerede totaktsmotorolie med et blandingsforhold på 50:1 for at beskytte miljøet. Endvidere garanteres lang brugslevetid samtidig med en pålidelig funktion og minimale emissioner ved brug af dette blandingsforhold. Der kan ikke garanteres en pålidelig funktion af buskrydderen medmindre, at dette blandingsforhold på 50:1 (specificeret 2-taktsmotorolie) strengt overholdes.


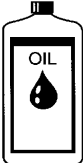
### Korrekt blandingsforhold:

Benzin: Specificeret totaktsmotorolie = 50 : 1 eller

Benzin: Anden producents totaktsmotorolie =25 : 1 anbefales

**BEMÆRK:** For at lave blandingen af brændstof-olie skal du først blande hele oliemængden med halvdelen af det nødvendige brændstof, og derefter tilføje det resterende brændstof. Ryst blandingen godt inden du hælder den ind i tanken på buskrydderen. Tilføj af sikkerhedsmæssige årsager ikke mere olie end den specificerede mængde. Hvis du gør det, resulterer det blot i en højere produktion af forbrændingsrester, der forurener miljøet og tilstopper udstødningskanalen i cylinderen såvel som lyddæmperen. Endvidere stiger brændstofforbruget og ydeevnen forringes.

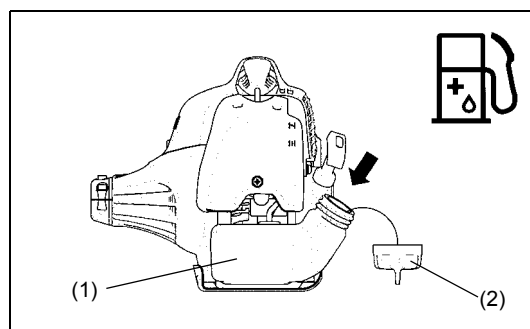


Benzin	50:1	25:1
	+	
1.000 cm <sup>3</sup> (1 liter)	20 cm <sup>3</sup>	40 cm <sup>3</sup>
5.000 cm <sup>3</sup> (5 liter)	100 cm <sup>3</sup>	200 cm <sup>3</sup>
10.000 cm <sup>3</sup> (10 liter)	200 cm <sup>3</sup>	400 cm <sup>3</sup>

### Påfyldning af brændstof

#### Motoren skal slukkes.

- Foretag grundig rensning af området omkring brændstofdækslet (2) for at forhindre at der kommer snavs i brændstoftanken (1).
- Skru brændstofdækslet (2) af og fyld tanken op med brændstof.
- Skru brændstofdækslet (2) ordentligt på.
- Rengør brændstofdækslet (2) og tanken efter påfyldning af brændstof.



### Opbevaring af brændstof

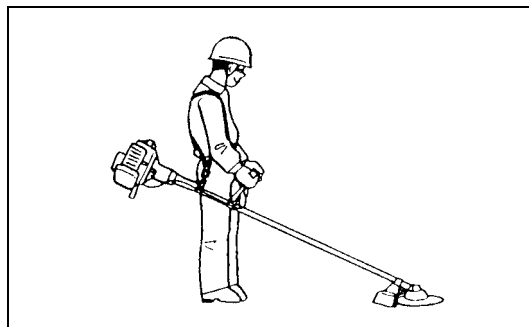
Brændstof kan ikke opbevares i en ubegrænset tidsperiode.

Køb kun den mængde som er nødvendig for 4 ugers arbejde. Anvend kun godkendte opbevaringsbeholdere.

## Korrekt håndtering

### Montering af skulderrem

- Juster længden af remmen sådan at klingens holderes parallelt med jorden.

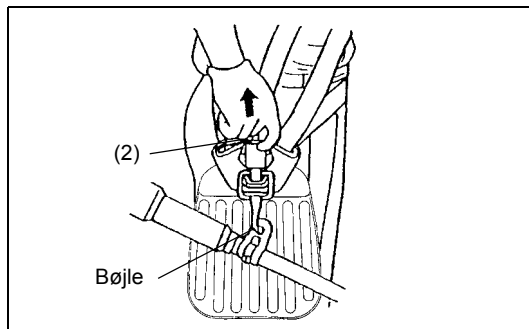


### Aftagning

#### DBC260U

- I nødstilfælde skal du tage maskinen af ved trække hårdt i nødudløseren (2) med din finger. Derved frigøres maskinen fra kroppen. Du skal være meget omhyggelig med at beholde kontrollen over maskinen på dette tidspunkt. Tillad ikke maskinen at blive slået tilbage mod dig eller andre i nærheden.

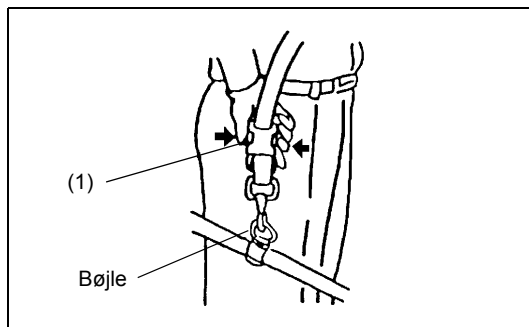
ADVARSEL: Hvis du ikke har fuld kontrol over maskinen, kan det resultere i alvorlig kvæstelse eller DØD.



#### DBC260L

- I nødstilfælde skal du trykke på indsnittene (1) på begge sider for at tage maskinen af. Du skal være meget omhyggelig med at beholde kontrollen over maskinen på dette tidspunkt. Tillad ikke maskinen at blive slået tilbage mod dig eller andre i nærheden.

ADVARSEL: Hvis du ikke har fuld kontrol over maskinen, kan det resultere i alvorlig kvæstelse eller DØD.



## Vigtige punkter angående betjening/standsning af buskrydderen/trådtrimmeren

Overhold de gældende bestemmelser for ulykkesforebyggelse.

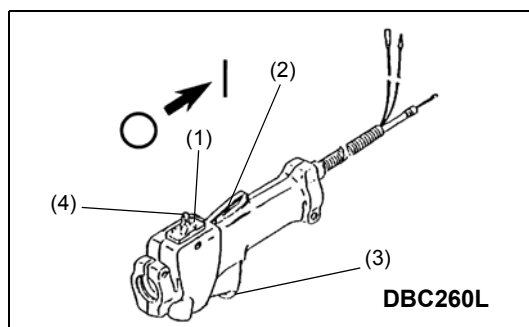
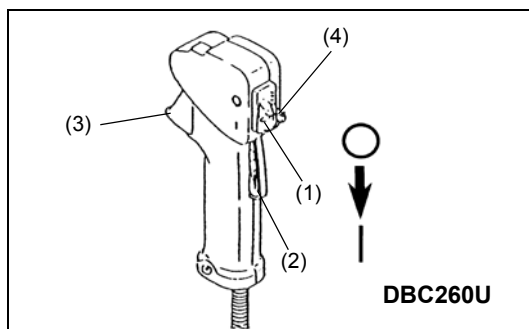


### Start af maskinen

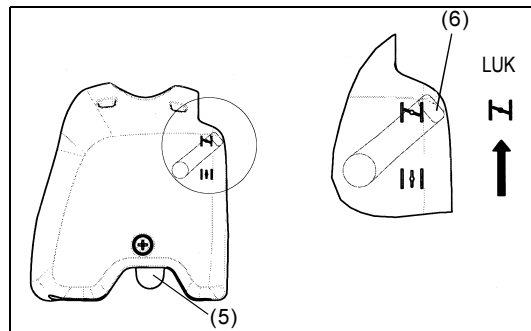
Flyt mindst 3 m væk fra det sted, hvor du fyldte olie på maskinen. Placer buskrydderen på et rent jordunderlag, mens du passer på, at skæreværktøjet ikke kommer i kontakt med jorden eller andre genstande.

### Koldstart

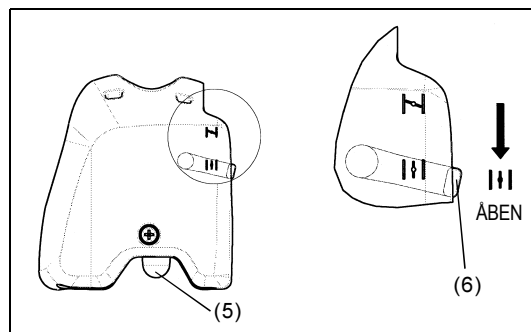
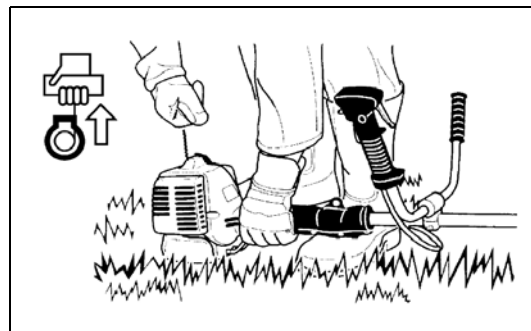
- Tryk I-O kontakten (1) i den retning som pilen viser.
- Tag fat i håndtaget (trykket fra hånden aktiverer sikkerhedslås-mekanismen (2)).
- Tryk på gashåndtaget (3) og hold det nede.
- Tryk på låseknappen (4) og slip betjeningshåndtaget, og slip derefter låseknappen (låseknappen holder gashåndtaget i startpositionen).



- Placer først maskinen på jorden.
- Tryk forsigtigt flere gange (7-10 gange) på tipperen (5) indtil der kommer brændstof ind i tipperen.
- Luk chokerhåndtaget (6).
  - Chokeråbning:
    - Helt lukket ved kolde temperaturer, eller når motoren er kold.
    - Helt eller halvt åben ved genstart, mens motoren stadig er varm.



- Hold koblingshuset med din venstre hånd som vist på tegningen.
- Træk langsomt i startsnoren indtil du føler modstand, og træk derefter hurtigt tilbage.
- Træk ikke startsnoren helt ud i dens fulde længde, og lad den ikke trække sig tilbage. Behold grebet på startsnoren og sørg for, at den trækker sig langsomt tilbage.
- Gentag startproceduren indtil du hører, at motoren begynder at tænde.
- Tryk ud på chokerhåndtaget (6) (↓) og træk igen i startsnoren indtil motoren starter.
- Så snart motoren starter, skal du straks trykke og slippe gashåndtaget, for at frigøre halv-kraft-låsen og lade motoren gå i tomgang.
- Kør motoren i cirka et minut ved moderat hastighed, inden du gasser helt op.



- BEMÆRK:**
- Hvis du trækker flere gange i startsnoren, mens chokerhåndtaget er i "↓" positionen, vil motoren have svært ved at starte på grund af for stort brændstofindtag.
  - Hvis der er opstået et for stort brændstofindtag, skal du fjerne tændrøret og trække langsomt i startsnoren for at fjerne det overskydende brændstof. Tør også tændrørets elektrodedel af.

#### Vær opmærksom på følgende under arbejdet:

Hvis gashåndtaget åbnes helt op, uden der er nogen belastning, stiger motoromdrejningerne til over 10.000 min<sup>-1</sup>. Betjen aldrig motoren ved højere hastighed end nødvendigt, og hold omdrejningerne på en omtrentlig hastighed af 6.000 - 8.000 min<sup>-1</sup>.

**FORSIGTIG:** Reducer altid motoromdrejningerne, når udstyret ikke anvendes til arbejde.

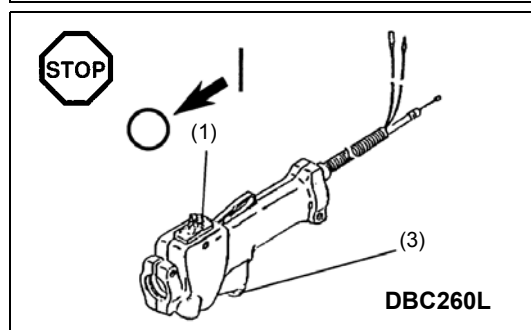
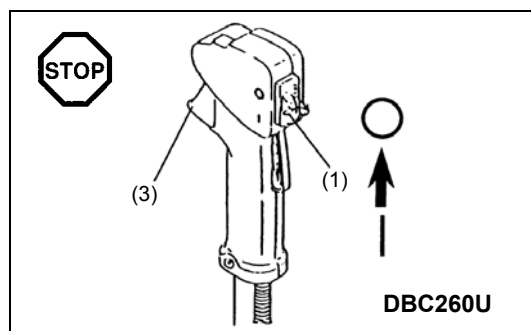
Lader du maskinen køre ved høje omdrejninger, når den ikke anvendes til arbejde, forkortes maskinens brugslevetid.

#### Varmstart

- Følg vejledningen for koldstart ovenfor, dog uden at flytte chokerhåndtaget (chokerhåndtaget forbliver i ned-positionen (↓)).

#### Standning

- Slip gashåndtaget (3) helt, og når motorens omdrejninger er faldet, skal du skubbe I-O kontakten over på "O"-positionen for at standse motoren.
- Vær opmærksom på at trimmerhovedet ikke stopper med det samme, og du bør altid lade det sænke farten og stoppe helt af sig selv.

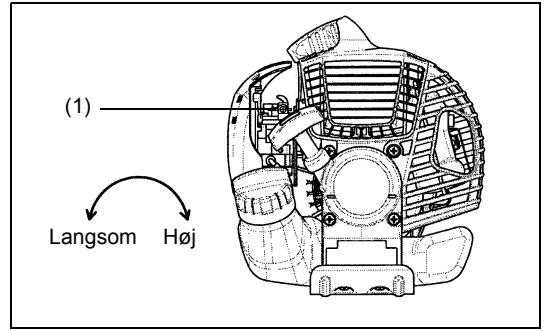


## JUSTERING AF OMDREJNINGER VED LAV HASTIGHED (TOMGANG)

Klingen eller nylontrimmerhovedet bør ikke dreje rundt, når betjeningshåndtaget er helt sluppet. Hvis det er nødvendigt, kan du justere omdrejningstallet for tomgang ved hjælp af tomgangsskruen.

### Kontrol af tomgangshastighed

- Tomgangshastigheden bør indstilles til  $3.000 \text{ min}^{-1}$ . Hvis det er nødvendigt, kan du justere tomgangshastigheden ved hjælp af tomgangsskruen (klingen eller nylontrimmerhovedet må ikke dreje rundt, når motoren er i tomgang). Stramning af tomgangsskruen (1) forøger motorens omdrejninger, hvorimod løsning af tomgangsskruen reducerer motorens omdrejninger.



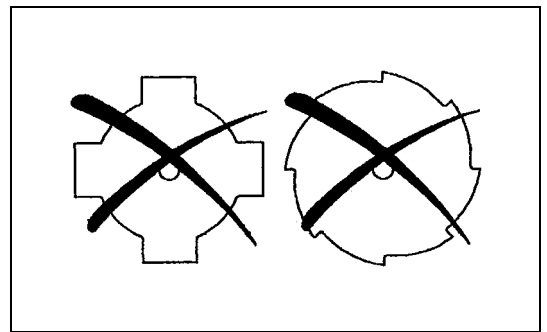
## Slibning af skærereds-kabet

**FORSIGTIG:** De skæreværktøjer, der er nævnt nedenfor, må kun slibes på et autoriseret sted. Manuel slibning resulterer i ubalance i skæreværktøjet, hvilket forårsager vibrationer og skader på maskinen.

- Klinge (stjerneformet klinge (4 tænder), hvirvelformet klinge (8 tænder))

Der ydes en professionel slibe- og balancerings-tjeneste af autoriserede serviceagenter.

**BEMÆRK:** For at forlænge brugslevetiden af klingen (stjerneformet klinge, hvirvelformet klinge) kan klingen vendes om, for at der slides lige meget på begge skærekanten.



### NYLONTRIMMERHOVED

Nylontrimmerhovedet er et dobbelt snortrimmerhoved, der både kan tilføre snor automatisk og ved hjælp af tryk.

Nylontrimmerhovedet tilfører automatisk nylon snoren i den passende længde i henhold til ændringerne i den centrifugale kraft forårsaget af forøgelsen eller mindskelsen af omdrejningstallet. Men for at kunne klippe blødt græs mere effektivt, skal du støde nylontrimmerhovedet ned mod jorden for at tilføre ekstra snor som vist i betjeningsafsnittet.

### Betjening

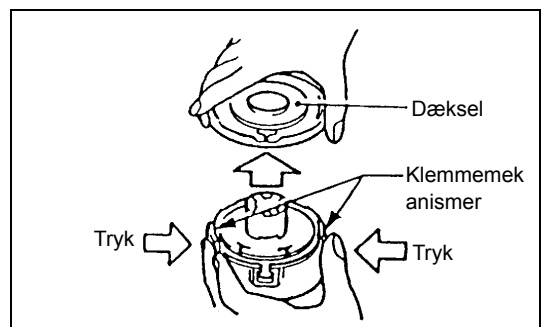
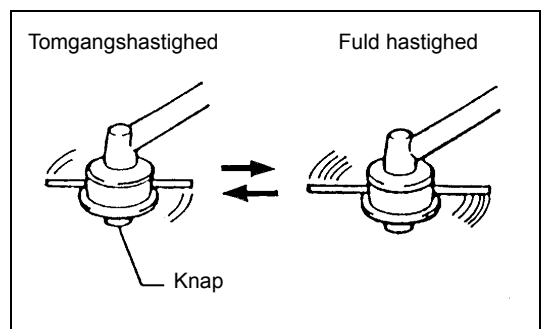
- Forøg nylontrimmerhovedets hastighed til cirka  $6.000 \text{ min}^{-1}$ . Nylon snoren føres ikke rigtigt ud ved lavere hastigheder (under  $4.800 \text{ min}^{-1}$ ).
- Det mest effektive skæreamråde er vist med det skraverede område i diagrammet til højre.

Hvis nylon snoren ikke kommer automatisk ud, skal du følge instruktionerne nedenfor:

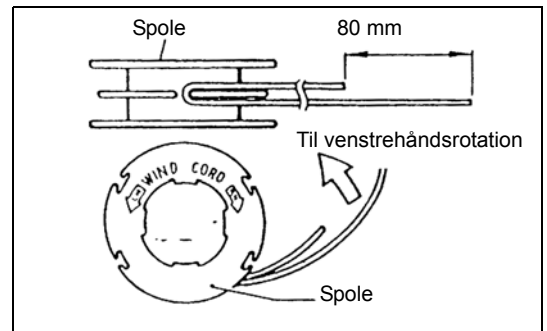
1. Slip gashåndtaget sådan at motoren går i tomgang, og tryk derefter helt ind på gashåndtaget. Gentag denne procedure indtil nylon snoren kommer ud i den rigtige længde.
2. Hvis nylon snoren er for kort til at komme længere ud automatisk ved hjælp af proceduren ovenfor, skal du støde nylontrimmerhovedet ned mod jorden for at få nylon snoren ud.
3. Hvis nylon snoren ikke kommer ud ved hjælp af procedure 2, skal du oprulle/udskifte nylon snoren ved hjælp af de følgende procedurer, som er beskrevet under "Udskiftning af nylon snor".

### Udskiftning af nylon snor

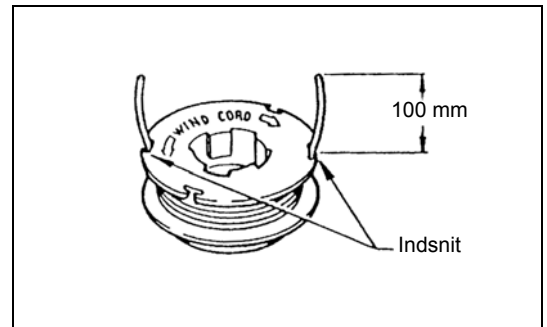
- Stands motoren.
- Tryk klemmekanismerne indad for at tage dækslet af, og fjern derefter spolen.



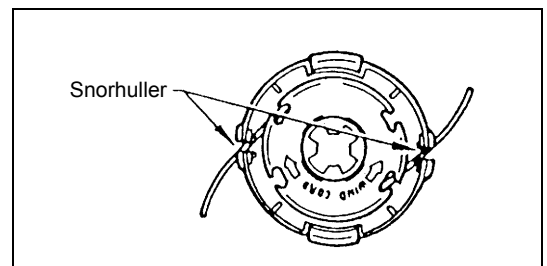
- Hægt midten af nylon snoren fast på indsnittet på midten af spolen med den ene ende af snoren cirka 80 mm længere end den anden. Rul derefter begge ender stramt op om spolen i hovedrotationsretningen (venstrehåndsretning angives med LH og højrehåndsretning med RH på siden af spolen).



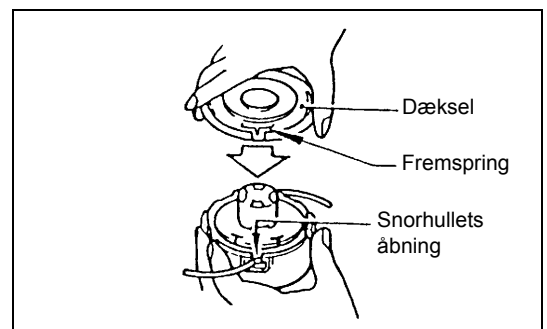
- Rul snorene helt op på spolen på nær cirka 100 mm, og lad midlertidigt enderne være hægtet gennem indsnittet på siden af spolen.



- Monter spolen i huset sådan at rillerne og fremspringene på spolen matcher med dem i huset. Monter spolen sådan at skriften på spolen kan ses ovenfra. Fjern derefter snorenderne af deres midlertidige position og før snorene gennem snorhullerne, sådan at de stikker ud fra huset.



- Ret fremspringet på undersiden af dækslet ind med snorhullernes åbninger. Tryk derefter dækslet ordentligt fast på huset.



## Vedligeholdelsesinstruktioner

### Vedligeholdelsesinstruktioner

**FORSIGTIG:** Inden du udfører nogen form for vedligeholdelsesarbejde på buskrydderen, skal du altid slukke for motoren og fjerne tændrørshætten fra tændrøret (se "Kontrol af tændrør"). Bær altid beskyttelseshandsker.

**FORSIGTIG:** Fjern aldrig selv rekylstarteren. Hvis du gør det, kan der opstå en ulykke. Denne procedure bør kun udføres af en autoriseret serviceagent.

Udfør følgende vedligeholdelsesarbejder jævnligt for at sikre en lang brugslevetid og for at undgå skader på maskinen.

#### Daglig inspektion og vedligeholdelse

- Kontroller inden brug maskinen for løse skruer eller manglende dele. Vær især opmærksom på tilspændingen af klingens eller nylontrimmerhovedet.
- Kontroller altid inden brug at luftafkølingspassagen og cylinderrubberne ikke er tilstoppede. Rengør dem om nødvendigt.
- Udfør dagligt følgende vedligeholdelsesarbejder efter brug:
  - Rengør buskrydderen udvendigt og efterse den for skader.
  - Rens luffilteret. Rens filteret flere gange om dagen, når du arbejder i ekstremt støvede omgivelser.
  - Kontroller klingens og nylontrimmerhovedet for skader og sørg for, at den/det er ordentligt monteret.
  - Kontroller om der er tilstrækkelig forskel mellem tomgang- og arbejdshastigheder til at sikre, at skæreværktøjet ikke bevæger sig, når motoren er i tomgang (hvis det er nødvendigt, skal du reducere tomgangshastigheden). Hvis skæreværktøjet fortsætter med at rotere under motortomgang, skal du konsultere din nærmeste autoriserede serviceagent.
- Kontroller at I-O kontakten, lås-fra-mekanismen, gashåndtaget og låseknappen alle fungerer korrekt.

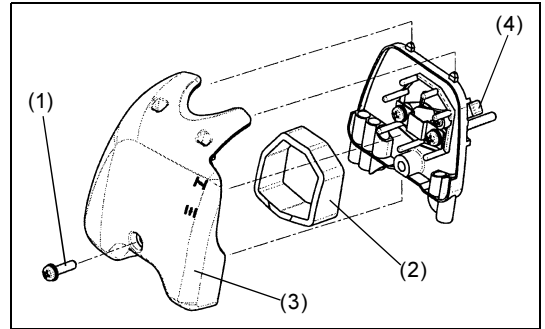




## Rensning af luftfilteret

- Skru skruen ud (1).
- Drej chokerhåndtaget (4) helt over til den lukkede side og hold karburatoren væk fra støv og snavs.
- Fjern luftfilterdækslet (3).
- Fjern svampestykket (2), vask det i lunkent vand og tør det fuldstændigt.
- Efter rensningen skal du sætte luftfilterdækslet (3) tilbage på plads og skru det fast med en skrue (1).

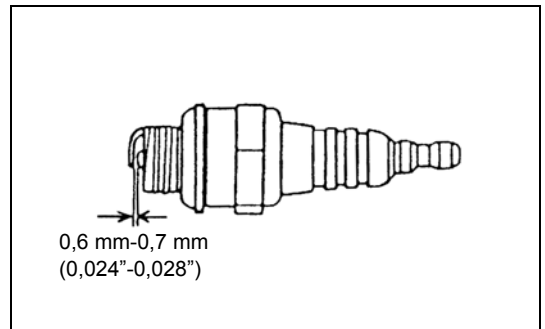
BEMÆRK: Hvis der sidder meget støv eller snavs i luftfilteret, skal du rense det hver dag. Det kan være svært eller umuligt at starte motoren hvis luftfilteret er tilstoppet, og det kan forøge motorens omdrejningshastighed.



## Kontrol af tændrøret

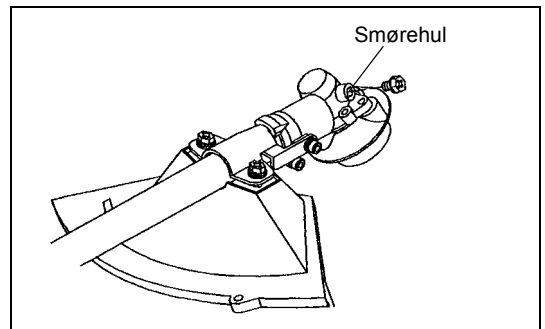
- Anvend kun den medfølgende skiftenøgle til at afmontere og montere tændrøret med.
- Afstanden mellem tændrørets to elektroder bør være på 0,6-0,7 mm (0,024"-0,028"). Hvis afstanden er for stor eller for smal, skal du justere den. Hvis tændrøret er sodet til eller beskidt, skal du rense det fuldstændigt og sætte det på plads igen.

FORSIGTIG: Rør aldrig ved tændrørshætten, mens motoren kører (der er risiko for elektrisk støv med høj spænding).



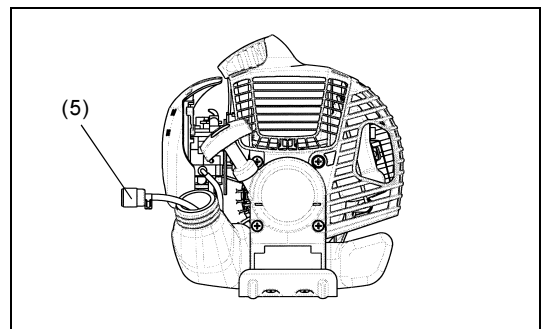
## Smøring af gearkassen

- Tilfør smøremiddel (Shell Alvania 3 eller tilsvarende) til gearkassen gennem smørehullet hver 30. time. (Ægte MAKITA-smøremiddel kan anskaffes fra din MAKITA-forhandler.)



## Sugehoved i brændstoftanken

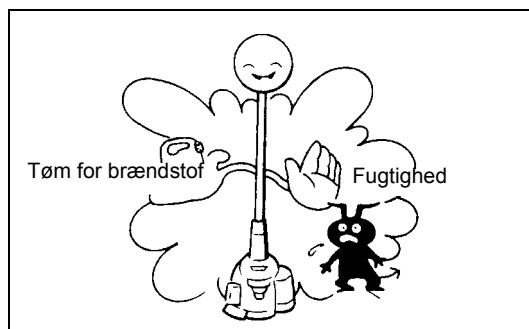
- Brændstoffilteret (5) i sugehovedet anvendes til at tilføre det nødvendige brændstof til karburatoren.
- Efterse (kig på) brændstoffilteret med mellemrum. For at efterse filteret, skal du åbne tankdækslet og bruge en trådkrog til at trække sugehovedet ud gennem tankåbningen. Udskift filteret hvis det er blevet hårdt, meget beskidt eller tilstoppet.
- Utilstrækkelig brændstofforsyning kan medføre at den maksimalt tilladte hastighed overstiges. Brændstoffilteret skal derfor udskiftes mindst en gang i kvartalet for at sikre tilfredsstillende brændstofforsyning til karburatoren.



Alt andet vedligeholdelses- eller justeringsarbejde, der ikke er beskrevet i denne brugsanvisning, må kun udføres af autoriserede serviceagenter.

## Opbevaring

- Når maskinen skal opbevares i en længere periode, skal du tømme alt brændstof fra brændstoftanken og karburatoren. For at gøre dette skal du blot tømme alt brændstof fra brændstoftanken. Afskaf det udtømte brændstof i henhold til de gældende lokal love.
- Tag tændrøret ud og dryp et par dråber olie i tændrørshullet. Træk derefter forsigtigt i startsnoren sådan at olien dækker motorens indre, og sæt derefter tændrøret på igen.
- Rengør klingen og udvendigt på motoren for støv og snavs og tør dem over med en klud med olie på. Opbevar maskinen på et tørt sted.



## Vedligeholdelsesskema

Generelt	Motorenhed, skruer og møtrikker	Efterse (visuelt) for skader og tilspænding Kontroller generel tilstand og sikkerhed
Efter påfyldning af brændstof	Betjeningshåndtag I-O kontakt	Funktionscheck Funktionscheck
Dagligt	Luftfilter Luftafkølingskanal Skæreværktøj Tomgangshastighed	Skal rengøres Skal rengøres Kontroller for skader og skarphed Inspektion (skæreværktøj må ikke bevæges sig)
Ugentligt	Tændrør Lyddæmper	Inspektion, udskift hvis nødvendigt Efterse og rens åbningen hvis nødvendigt
Kvartalsvis	Sugehoved Brændstoftank	Skal udskiftes Skal rengøres
Afslutningsprocedure	Brændstoftank Karburator	Tøm brændstoftanken Kør motoren indtil den løber tør for brændstof

## Fejlfinding

Fejl	System	Observeret	Årsag
Motoren starter ikke, eller den er svær at starte	Tænding	Tændgnist OK	Fejl i brændstofførførslen eller kompressionssystemet, mekanisk fejl
		Ingen tændgnist	Betjening af I-O kontakten, fejl i ledningsnettet eller kortslutning, tændrør eller tændrørshætte defekt, fejl i tændmodul
	Brændstofførførsel	Brændstoftank fuld	Forkert chokerposition, karburator defekt, brændstofslange bøjet eller blokeret, brændstof beskidt.
	Kompression	Ingen kompression når trukket over	Cylinderbundpakning defekt, beskadigede krumtapakselpakninger, cylinder eller stempelringe beskadigede eller tændrørspakning ikke tæt
Problemer ved varmstart	Mekanisk fejl	Starter griber ikke	Fjeder i starteren brækket, afbrækkede dele i motoren
		Brændstof i tanken. Tændgnist OK	Karburator snavset, skal renses
Motor starter, men dør	Brændstofførførsel	Brændstof i tanken	Forkert tomgangsjustering, karburator snavset  Tankudluftning defekt, brændstofslangen afbrudt, kabel eller I-O kontakt defekt,
Manglende ydeevne	Der er muligvis flere systemer berørt samtidigt	Dårlig motortomgang	Luftfilter snavset, karburator snavset, lyddæmper tilstoppet, udstødningskanal i cylinderen tilstoppet

Σας ευχαριστούμε που αγοράσατε αυτό το Θαμνοκοπτικό/Χλοοκοπτικό της MAKITA. Τα Θαμνοκοπτικά/Χλοοκοπτικά της MAKITA είναι προϊόντα πολλών ετών γνώσης, εμπειρίας και ενός λεπτομερούς προγράμματος ανάπτυξης.

Παρακαλώ διαβάστε αυτό το βιβλιário προσεκτικά για να μπορέσετε να αποκτήσετε την καλύτερη δυνατή απόδοση και τα εξαιρετικά αποτελέσματα που μπορεί να σας προσφέρει το Θαμνοκοπτικό/Χλοοκοπτικό σας της MAKITA.



**Πίνακας περιεχομένων**

**Σελίδα**

Σύμβολα ..... 139  
 Οδηγίες ασφαλείας..... 140  
 Τεχνικά δεδομένα DBC260U, DBC260L ..... 144  
 Ονόματα εξαρτημάτων..... 145  
 Στερέωση του χερουλιού..... 146  
 Στερέωση του προφυλακτήρα..... 147  
 Στερέωση της λάμας κοπής/νάιλον κεφαλής κοπής ..... 148  
 Καύσιμο/Ανεφοδιασμός..... 149  
 Σωστός χειρισμός ..... 150  
 Σημαντικά σημεία λειτουργίας/σταμάτημα του θαμνοκοπτικού/χλοοκοπτικού..... 150  
 Ακόνισμα του εργαλείου κοπής ..... 152  
 Οδηγίες σέρβις ..... 153  
 Αποθήκευση ..... 155

**Σύμβολα**

Χρειάζεται να δώσετε προσοχή στα παρακάτω σύμβολα όταν διαβάσετε το εγχειρίδιο οδηγιών.

	Διαβάστε το εγχειρίδιο οδηγιών.		Φοράτε προστατευτικά για τα μάτια και τα αφτιά (για το Χλοοκοπτικό μόνο)
	Δώστε ιδιαίτερη φροντίδα και προσοχή		Φοράτε κράνος και προστατευτικά για τα μάτια και τα αφτιά (για το Θαμνοκοπτικό μόνο)
	Απαγορεύεται		Μην χρησιμοποιείτε μεταλλικές λάμες (για το Χλοοκοπτικό μόνο)
	Κρατάτε απόσταση		Μέγιστη επιτρεπτή ταχύτητα του εργαλείου
	Κίνδυνος εκτίναξης αντικειμένων		Θερμές επιφάνειες - Εγκαύματα στα δάχτυλα και στα χέρια
	Απαγορεύεται το κάπνισμα		Μείγμα καυσίμου και λαδιού
	Όχι γυμνές φλόγες		Κινητήρας-Χειροκίνητη εκκίνηση
	Πρέπει να φοριούνται προστατευτικά γάντια		Στάση έκτακτης ανάγκης
	Οπισθολάκτισμα		Πρώτες βοήθειες
	Κρατήστε μακριά από την περιοχή εργασίας όλα τα άτομα και τα ζώα		Ανακύκλωση
	Φοράτε ανθεκτικές μπότες με αντιολισθητικές σόλες. Συνιστανται οι μπότες ασφαλείας με ενίσχυση στα άκρα των δακτύλων.		ΕΝΕΡΓΟΠΟΙΗΣΗ/ΕΚΚΙΝΗΣΗ
			ΑΠΕΝΕΡΓΟΠΟΙΗΣΗ/ΣΤΑΜΑΤΗΜΑ

## Οδηγίες ασφαλείας

### Γενικές οδηγίες

- Για την διασφάλιση της σωστής λειτουργίας, φροντίστε να διαβάσετε και να κατανοήσετε πλήρως αυτό το εγχειρίδιο οδηγιών για να εξοικειωθείτε με τη χρήση του Θαμνοκοπτικού/Χλοοκοπτικού. Η χρήση της συσκευής χωρίς την πλήρη κατανόηση της σωστής λειτουργίας της μπορεί να προκαλέσει το σοβαρό τραυματισμό σε εσάς όσο και στους άλλους.
- Να δανείζετε το Θαμνοκοπτικό/Χλοοκοπτικό μόνο σε άτομα που έχουν αποδεδειγμένη εμπειρία στα Θαμνοκοπτικά/Χλοοκοπτικά. Πάντοτε να τους δανείζετε ταυτόχρονα και αυτό το εγχειρίδιο οδηγιών.
- Εάν χειρίζεστε για πρώτη φορά ένα μηχανοκίνητο κόφτη, συμβουλευτείτε τον μεταπωλητή σας για τις βασικές οδηγίες.
- Στα παιδιά και στα νεαρά άτομα κάτω των 18 ετών δεν θα πρέπει να τους επιτρέπεται η χρήση του Θαμνοκοπτικού/Χλοοκοπτικού. Τα άτομα με ηλικία πάνω από 16 ετών θα μπορούσαν να χρησιμοποιήσουν την συσκευή για εκπαιδευτικούς σκοπούς, μόνο κάτω από την επίβλεψη ενός έμπειρου εκπαιδευτή.
- Χρησιμοποιείτε το Θαμνοκοπτικό/Χλοοκοπτικό με την μεγαλύτερη δυνατή φροντίδα και προσοχή.
- Να χειρίζεστε το Θαμνοκοπτικό/Χλοοκοπτικό μόνο όταν βρίσκεστε σε καλή φυσική κατάσταση. Να διεξάγετε όλη την εργασία με ηρεμία και προσοχή. Οι χρήστες είναι υπεύθυνοι για αυτούς που βρίσκονται γύρω τους.
- Ποτέ να μην χρησιμοποιήσετε το Θαμνοκοπτικό/Χλοοκοπτικό μετά από την κατανάλωση αλκοόλ ή φαρμάκων, ή εάν αισθανέστε κουρασμένοι ή ασθενείς.

### Προοριζόμενη χρήση της συσκευής

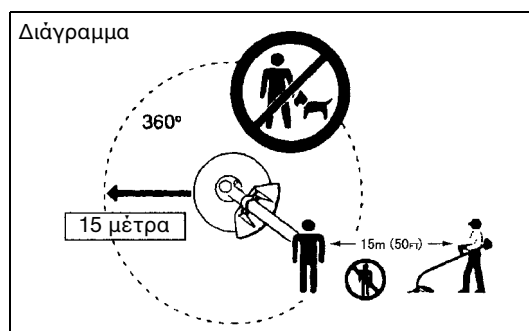
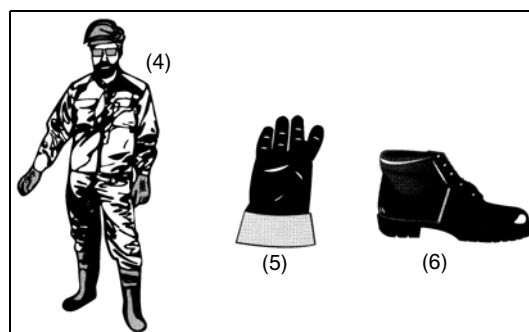
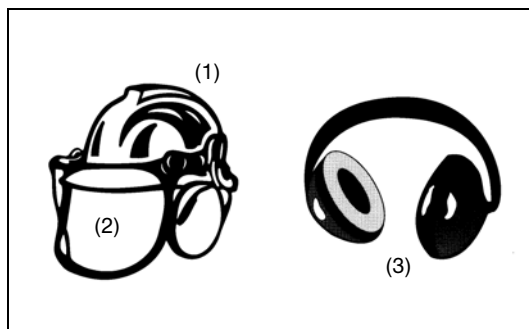
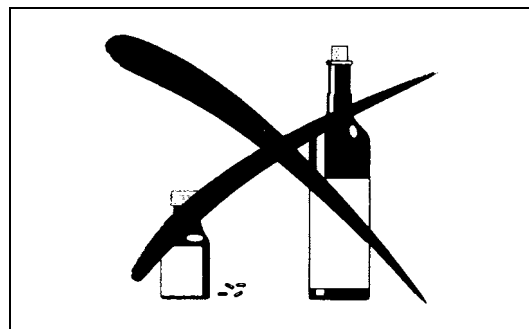
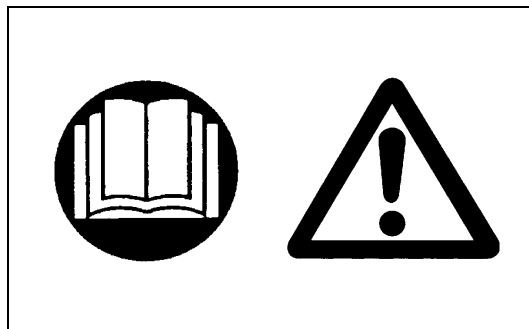
- Το Θαμνοκοπτικό/Χλοοκοπτικό προορίζεται για την κοπή γρασιδιού, χόρτων, θάμνων, και άλλης παρόμοιας χαμηλής βλάστησης, και δεν θα πρέπει να χρησιμοποιείται για οποιαδήποτε άλλους σκοπούς όπως κοπή άκρων ή φρακτών επειδή μπορεί να προκαλέσει τραυματισμό.

### Προσωπικός προστατευτικός εξοπλισμός

- Πάντοτε να φοράτε ρούχα τα οποία είναι λειτουργικά και κατάλληλα για την εργασία σας, δηλαδή, εφαρμοστά αλλά όχι τόσο στενά ώστε να δυσχεραίνουν την κίνησή σας. Μην φοράτε κοσμήματα ή ρούχα τα οποία μπορούν να μπλεχτούν μέσα στους θάμνους ή στους βάλτους.
- Για την προστασία του τραυματισμού της κεφαλής, των ματιών, ή των ποδιών καθώς επίσης και την προστασία της ακοής κατά την λειτουργία, θα πρέπει να χρησιμοποιηθεί ο παρακάτω προστατευτικός εξοπλισμός και ο προστατευτικός ρουχισμός κατά την χρήση του Θαμνοκοπτικού/Χλοοκοπτικού.
- Πάντοτε να φοράτε κράνος όπου υπάρχει ο κίνδυνος της πτώσης αντικειμένων. Το κράνος (1) θα πρέπει να ελέγχεται για την ύπαρξη ζημιάς κατά τακτικά χρονικά διαστήματα και θα πρέπει να αντικατασταθεί τουλάχιστον μετά από 5 χρόνια. Χρησιμοποιείται μόνο εγκεκριμένα κράνη.
- Η προσωπίδα (2) του κράνος (ή εναλλακτικά προστατευτικά γυαλιά) προστατεύει το πρόσωπο από τα θραύσματα και τις πέτρες που ίπτανται. Κατά την χρήση του Θαμνοκοπτικού/Χλοοκοπτικού, πάντοτε να φοράτε προστατευτικά γυαλιά ή προσωπίδα για την αποφυγή του τραυματισμού των ματιών.
- Φοράτε τον απαραίτητο εξοπλισμό προστασίας ενάντια στο θόρυβο για την αποφυγή πρόκλησης βλάβης στην ακοή (προστατευτικά επικαλύμματα αυτιών (3), ωτοασπίδες κτλ.).
- Η φόρμα εργασίας (4) προστατεύει από τις πέτρες και θραύσματα που ίπτανται. Σας συστήνουμε ανεπιφύλακτα την χρήση της φόρμας εργασίας.
- Ειδικά γάντια (5) φτιαγμένα από παχύ δέρμα αποτελούν μέρος του συνιστώμενου εξοπλισμού και θα πρέπει πάντοτε να φοριούνται κατά την χρήση του Θαμνοκοπτικού/Χλοοκοπτικού.
- Κατά την χρήση του Θαμνοκοπτικού/Χλοοκοπτικού, πάντοτε να φοράτε ανθεκτικά παπούτσια (6) με αντιολισθητικές σόλες. Τέτοια παπούτσια προστατεύουν ενάντια σε τραυματισμούς και διασφαλίζουν το καλό πάτημα.

### Εκκίνηση του θαμνοκοπτικού

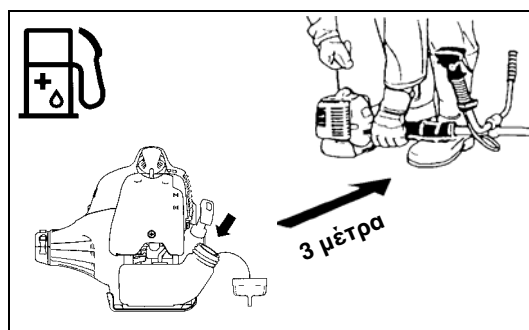
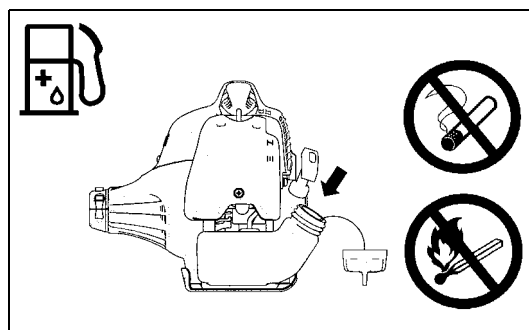
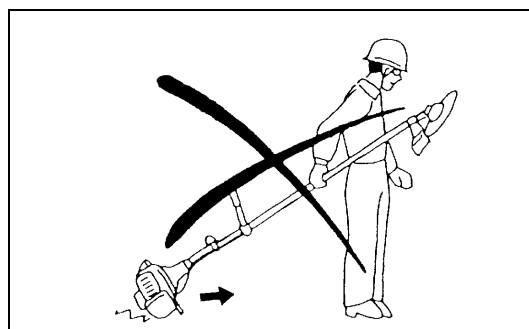
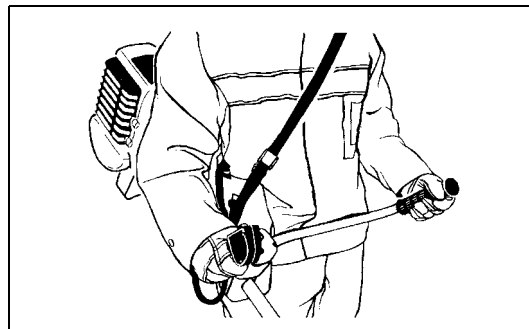
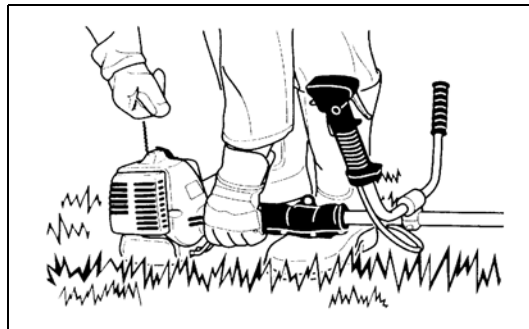
- Φροντίστε να μην υπάρχουν παιδιά ή άλλα άτομα μέσα σε μια απόσταση εργασίας 15 μέτρων (50 πόδια), επίσης δώστε προσοχή στα οποιαδήποτε ζώα μέσα στην περιοχή εργασίας.
- Πριν από τη χρήση ελέγξτε ότι το Θαμνοκοπτικό/Χλοοκοπτικό είναι ασφαλές για εργασία: Ελέγξτε ότι το εργαλείο κοπής είναι ασφαλισμένο, ότι μπορεί να γίνει εύκολα ο χειρισμός του μοχλού ελέγχου, και ότι το κλειδί του μοχλού ελέγχου λειτουργεί σωστά.
- Απαγορεύεται η περιστροφή του εργαλείου κοπής κατά το ρελαντί. Επικοινωνήστε με το μεταπωλητή σας εάν νομίζετε ότι η συσκευή χρειάζεται ρύθμιση. Ελέγξτε για να βεβαιωθείτε ότι οι λαβές είναι καθαρές και στεγνές, και ότι ο διακόπτης εκκίνησης/σταματήματος λειτουργεί σωστά.



- Ξεκινήστε το Θαμνοκοπτικό/Χλοοκοπτικό σύμφωνα μόνο με τις οδηγίες. Μην χρησιμοποιήσετε οποιαδήποτε άλλη μέθοδο για να ξεκινήσετε τον κινητήρα!
- Χρησιμοποιήστε το Θαμνοκοπτικό/Χλοοκοπτικό και τα εργαλεία μόνο για τους καθορισμένους σκοπούς.
- Ξεκινήστε τον κινητήρα του Θαμνοκοπτικού/Χλοοκοπτικού μόνο αφού η συσκευή έχει πλήρως συναρμολογηθεί. Μην λειτουργήσετε τη συσκευή έως ότου συνδεθούν όλα τα κατάλληλα εξαρτήματα!
- Πριν το ξεκίνημα, βεβαιωθείτε ότι το εργαλείο κοπής δεν βρίσκεται σε επαφή με σκληρά αντικείμενα όπως κλαδιά, πέτρες κτλ επειδή το εργαλείο κοπής θα περιστραφεί κατά την εκκίνηση.
- Σβήστε τον κινητήρα αμέσως εάν συμβεί ο οποιοσδήποτε τύπος προβλήματος στον κινητήρα.
- Εάν το εργαλείο κοπής χτυπήσει πέτρες ή άλλα σκληρά αντικείμενα, αμέσως κλείστε τον κινητήρα και επιθεωρήστε το εργαλείο κοπής.
- Επιθεωρείτε το εργαλείο κοπής για ζημιά ανά τακτά και σύντομα διαστήματα (επιθεωρήστε για λεπτές ρωγμές χρησιμοποιώντας το τεστ κρούσης).
- Χρησιμοποιήστε το Θαμνοκοπτικό/Χλοοκοπτικό μόνο αφού φορέσετε και ρυθμίσετε το λουρί του ώμου στο σωστό μήκος. Το λουρί του ώμου πρέπει να ρυθμίζεται στο μέγεθος του χρήστη και να στερεώνεται για την αποφυγή της κόπωσης κατά τη χρήση του μηχανήματος. Ποτέ να μην κρατάτε τον κόφτη με το ένα χέρι κατά την χρήση.
- Κατά την χρήση, πάντοτε να κρατάτε το Θαμνοκοπτικό/Χλοοκοπτικό και με τα δύο σας χέρια. Πάντοτε να εξασφαλίζετε ότι έχετε ένα ασφαλές πάτημα.
- Να χειρίζεστε το Θαμνοκοπτικό/Χλοοκοπτικό με τέτοιο τρόπο ώστε να αποφεύγετε την εισπνοή των καυσαερίων. Ποτέ να μην λειτουργείτε τον κινητήρα σε ένα κλειστό χώρο όπως μέσα σε ένα δωμάτιο (υπάρχει κίνδυνος δηλητηρίασης από το αέριο). Το μονοξείδιο του άνθρακα είναι ένα άοσμο αέριο.
- Πάντοτε να κλείνετε τον κινητήρα όταν ξεκουράζεστε, ή αν σκοπεύετε να αφήσετε το Θαμνοκοπτικό/Χλοοκοπτικό χωρίς επιτήρηση, και τοποθετήστε το σε μια ασφαλή θέση για την αποφυγή της πρόκλησης τραυματισμού σε άλλα άτομα και ζημιάς στη συσκευή.
- Ποτέ να μην τοποθετείτε το Θαμνοκοπτικό/Χλοοκοπτικό πάνω σε ξερά χόρτα ή πάνω σε άλλα εύφλεκτα υλικά.
- Το εργαλείο κοπής θα πρέπει πάντοτε να είναι εφοδιασμένο με τον κατάλληλο προφυλακτήρα. Ποτέ να μην λειτουργήσετε τον κοφτή χωρίς αυτόν τον προφυλακτήρα!
- Όλα τα προστατευτικά συγκροτήματα και προφυλακτήρες που παρέχονται με αυτή τη συσκευή πρέπει να χρησιμοποιούνται κατά την λειτουργία.
- Ποτέ να μην θέσετε σε λειτουργία τον κινητήρα εάν είναι ελαττωματικός ο σιγαστήρας της εξάτμισης.
- Κλείστε τον κινητήρα κατά την μεταφορά.
- Κατά την μεταφορά σε μεγάλες αποστάσεις, πάντοτε να χρησιμοποιήσετε την συμπεριλαμβανόμενη συσκευή προστασίας του εργαλείου.
- Διασφαλίστε ότι το Θαμνοκοπτικό/Χλοοκοπτικό βρίσκεται σε ασφαλή θέση κατά την μεταφορά για την αποφυγή της διαρροής καυσίμου.
- Κατά την μεταφορά του Θαμνοκοπτικού/Χλοοκοπτικού, διασφαλίστε ότι το ρεζερβουάρ καυσίμου είναι εντελώς άδειο.
- Κατά το ξεφόρτωμα του Θαμνοκοπτικού/Χλοοκοπτικού από ένα φορτηγό ή παρόμοιο όχημα, ποτέ να μην ρίξετε τον κινητήρα στο έδαφος, επειδή αν το κάνετε αυτό ενδέχεται να πάθει ζημιά το ρεζερβουάρ καυσίμου.
- Εκτός από την περίπτωση έκτακτης ανάγκης, ποτέ να μην ρίξετε ή να πετάξετε το Θαμνοκοπτικό/Χλοοκοπτικό στο έδαφος επειδή αν το κάνετε αυτό μπορεί να προκληθεί σοβαρή ζημιά στο Θαμνοκοπτικό/Χλοοκοπτικό.
- Πάντοτε να σηκώνετε ολόκληρη την συσκευή από το έδαφος όταν την μετακινείτε. Το σύρσιμο της συσκευής πάνω στο ρεζερβουάρ καυσίμου είναι εξαιρετικά επικίνδυνο και μπορεί να οδηγήσει στη διαρροή καυσίμου, η οποία μπορεί να προκαλέσει φωτιά.

### Ανεφοδιασμός καυσίμου

- Κατά τον ανεφοδιασμό καυσίμου σβήστε τον κινητήρα, να είστε μακριά από τις γυμνές φλόγες και να μην καπνίζετε.
- Διασφαλίστε ότι προϊόντα με μεταλλικό λάδι δεν έρχονται σε επαφή με το δέρμα. Μην εισπνέετε τον ατμό του καυσίμου. Πάντοτε να φοράτε προστατευτικά γάντια κατά τον ανεφοδιασμό καυσίμου. Αλλάζετε και καθαρίζετε τον προστατευτικό ρουχισμό σε τακτικά διαστήματα.
- Για την προστασία της ρύπανσης του εδάφους (προστασία του περιβάλλοντος), διασφαλίστε ότι δεν θα ρίξετε κάτω στο έδαφος το καύσιμο ή το λάδι. Εάν ρίξετε κάτω το καύσιμο, καθαρίστε αμέσως το Θαμνοκοπτικό/Χλοοκοπτικό.
- Φροντίστε να μην έρθει σε επαφή το καύσιμο με το ρουχισμό σας. Εάν όντως έρθει σε επαφή το καύσιμο με το ρουχισμό σας, αλλάξτε αμέσως τα ρούχα σας για την αποτροπή της φωτιάς.



- Επιθεωρείστε την τάπα του καυσίμου ανά τακτά διαστήματα για να διασφαλίσετε ότι μπορεί να στερεωθεί σταθερά και ότι δεν παρουσιάζει διαρροή.
- Προσεκτικά σφίξτε την τάπα του ρεζερβουάρ καυσίμου. Όταν ολοκληρωθεί ο ανεφοδιασμός καυσίμου, μετακινηθείτε σε μια θέση που βρίσκεται τουλάχιστον 3 μέτρα μακριά από το σημείο που ανεφοδιάσατε πριν θέσετε σε λειτουργία τον κινητήρα.
- Ποτέ να μην ανεφοδιάσετε σε ένα κλειστό χώρο όπως για παράδειγμα μέσα σε ένα δωμάτιο. Εάν το κάνετε αυτό μπορεί να δημιουργηθεί έκρηξη εξαιτίας της συσσώρευσης των ατμών του καυσίμου στο επίπεδο του εδάφους.
- Να μεταφέρετε και να αποθηκεύετε το καύσιμο σε κατάλληλα δοχεία. Φροντίστε το αποθηκευμένο καύσιμο να μην είναι προσβάσιμο στα παιδιά.

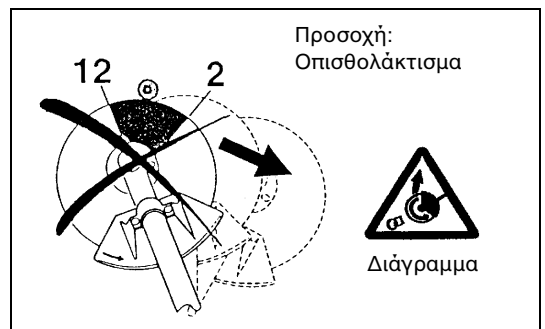
### Μέθοδος λειτουργίας

- Χρησιμοποιήστε το Θαμνοκοπτικό/Χλοοκοπτικό κάτω από καλό φωτισμό και ορατότητα. Κατά την διάρκεια της χειμερινής εποχής, προσέξτε τις γλιστερές ή βρεγμένες περιοχές όπως αυτές που είναι καλυμμένες από πάγο ή χιόνι (κίνδυνος γλιστρήματος). Πάντοτε να εξασφαλίζετε ότι έχετε ένα ασφαλές πάτημα.
- Ποτέ μην κόβετε επάνω από το ύψος της μέσης σας.
- Ποτέ να μην είστε ανεβασμένος σε μια σκάλα καθώς χρησιμοποιείτε το Θαμνοκοπτικό/Χλοοκοπτικό.
- Ποτέ να μην σκαρφώνετε πάνω σε δέντρα καθώς χρησιμοποιείτε το Θαμνοκοπτικό/Χλοοκοπτικό.
- Ποτέ να μην εργάζεστε πάνω σε ασταθείς επιφάνειες.
- Αφαιρέστε την άμμο, τις πέτρες, τα καρφιά κτλ που βρίσκονται μέσα στο εύρος της περιοχής εργασίας. Τα ξένα αντικείμενα μπορεί να προκαλέσουν ζημιά στο εργαλείο κοπής και να δημιουργήσουν επικίνδυνα οπισθολακτίσματα.
- Πριν ξεκινήσετε το κόψιμο, διασφαλίστε ότι το εργαλείο κοπής έχει αποκτήσει την πλήρη ταχύτητα εργασίας.



### Οπισθολάκτισμα

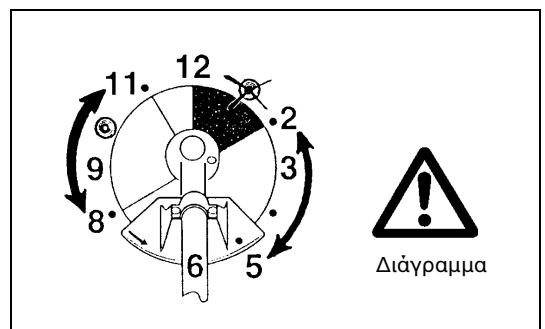
- Κατά την λειτουργία του θαμνοκοπτικού, μπορούν να συμβούν ανεξέλεγκτα οπισθολακτίσματα.
- Τα οπισθολακτίσματα συμβαίνουν συχνά όταν προσπαθείτε να κόψετε με το τμήμα της λάμας των 12 έως 2 "ωρών".
- Ποτέ να μην χρησιμοποιήσετε το τμήμα της λάμας των 12 έως 2 "ωρών" του θαμνοκοπτικού.
- Ποτέ να μην χρησιμοποιήσετε αυτό το τμήμα του θαμνοκοπτικού σε συμπαγή αντικείμενα, όπως θάμνους ή δέντρα κτλ, τα οποία έχουν μια διάμετρο μεγαλύτερη από 3 εκ. Εάν το κάνετε αυτό θα προκληθεί η εκτροπή του θαμνοκοπτικού με μεγάλη δύναμη, η οποία είναι υπερβολικά επικίνδυνη και μπορεί να προκαλέσει τραυματισμό.



### Αποτροπή οπισθολακτίσματος

#### Για την αποφυγή του οπισθολακτίσματος, θυμηθείτε τα παρακάτω:

- Η χρήση του τμήματος της λάμας των 12 έως 2 "ωρών" είναι εξαιρετικά επικίνδυνη, ειδικότερα όταν χρησιμοποιείτε μεταλλικά εργαλεία κοπής.
- Οι εργασίες κοπής με τη χρήση του τμήματος της λάμας των 11 έως 12 "ωρών" και των 2 έως 5 "ωρών", πρέπει να εκτελούνται από εκπαιδευμένους και έμπειρους χειριστές, και μόνο με δική τους ευθύνη. Το βέλτιστο τμήμα κοπής για εύκολο κόψιμο με σχεδόν κανένα οπισθολάκτισμα είναι το τμήμα της λάμας των 8 έως 11 "ωρών".



### Εργαλεία κοπής

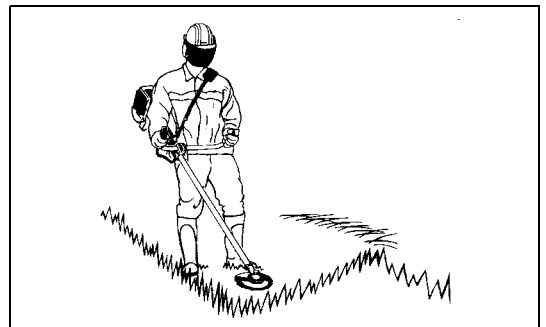
Φροντίστε να χρησιμοποιήσετε το σωστό εργαλείο κοπής για κάθε ιδιαίτερη δουλειά.

DBC260U με λάμα κόφτη (Αστεροειδής Λάμα (4 δόντια), Στροβιλοειδής Λάμα (8 δόντια)), DBC260L με Νάilon κεφαλή κοπής.

Για την κοπή χοντρών υλικών όπως χόρτα, υψηλό γρασίδι, θάμνους, βάλτους, χαμόκλαδα, συστάδες κτλ (μέγ. 2 εκ. διάμετρος πάχους). Εκτελέστε αυτή την εργασία κοπής περιστρέφοντας ομαλά το θαμνοκοπτικό σε μισούς κύκλους από τα δεξιά στα αριστερά (με τρόπο παρόμοιο με τη χρήση του δρεπανιού).

### Οδηγίες συντήρησης

- Πάντοτε να ελέγχετε την κατάσταση του κόφτη, ιδιαίτερα τις συσκευές προστασίας του κόφτη και το λουρί του ώμου, πριν από την έναρξη της εργασίας. Ιδιαίτερη προσοχή πρέπει επίσης να δίνεται στις λάμες κοπής, οι οποίες πρέπει να είναι σωστά ακονισμένες.
- Κλείστε τον κινητήρα και αφαιρέστε το σύνδεσμο του μπουζιού κατά την αντικατάσταση ή το ακόνισμα των εργαλείων κοπής, και επίσης κατά τον καθαρισμό του κόφτη ή του εργαλείου κοπής.



## Ποτέ να μην ισιώνετε ή να συγκολλάτε κατεστραμμένα εργαλεία κοπής.

- Να λειτουργείτε το Θαμνοκοπτικό/Χλοοκοπτικό με όσο το δυνατό λιγότερο θόρυβο και ρύπανση. Ιδιαίτερα, ελέγξτε εάν το καρμπρατέρ είναι ρυθμισμένο σωστά.
- Καθαρίστε το Θαμνοκοπτικό/Χλοοκοπτικό ανά τακτά διαστήματα και ελέγξτε ότι όλες οι βίδες και τα παξιμάδια είναι καλά σφιγμένα.
- Ποτέ να μην κάνετε τη συντήρηση ή την αποθήκευση του Θαμνοκοπτικού/Χλοοκοπτικού κοντά σε γυμνές φλόγες.
- Πάντοτε να αποθηκεύετε το Θαμνοκοπτικό/Χλοοκοπτικό σε κλειδωμένα δωμάτια με άδειο το ρεζερβουάρ καυσίμου.

Τηρήστε τις σχετικές οδηγίες αποτροπής ατυχήματος που εκδίδεται από τις σχετικές εμπορικές ενώσεις και από τις ασφαλιστικές εταιρίες. Ποτέ να μην εκτελέσετε οποιεσδήποτε τροποποιήσεις στο Θαμνοκοπτικό/Χλοοκοπτικό, επειδή εάν το κάνετε αυτό θέτετε σε κίνδυνο την ασφάλειά σας.

Η εκτέλεση των εργασιών συντήρησης και επισκευής από το χρήστη περιορίζεται τις δραστηριότητες που περιγράφονται στο εγχειρίδιο οδηγιών. Όλες οι άλλες εργασίες πρέπει να γίνονται από ένα Εξουσιοδοτημένο Αντιπρόσωπο του Σέρβις. Χρησιμοποιήστε μόνο τα αυθεντικά ανταλλακτικά και αξεσουάρ που διατίθενται και παρέχονται από τη MAKITA.

Η χρήση μη εγκεκριμένων αξεσουάρ και εργαλείων θα προκαλέσει τον αυξημένο κίνδυνο ατυχημάτων.

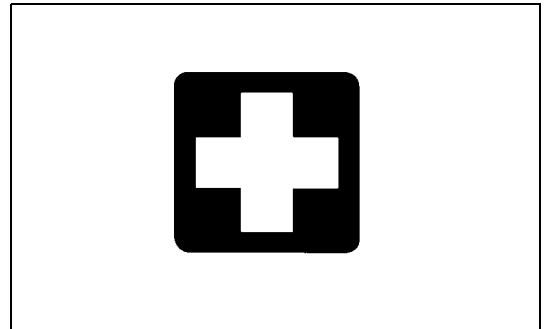
Η MAKITA δεν θα δεχθεί την οποιαδήποτε ευθύνη για ατυχήματα ή φθορά που προκλήθηκε από τη χρήση μη εγκεκριμένων εργαλείων κοπής, συσκευών στερέωσης των εργαλείων κοπής ή αξεσουάρ.

## Πρώτες βοήθειες

Για την περίπτωση ατυχήματος, φροντίστε να υπάρχει διαθέσιμο ένα κουτί πρώτων βοηθειών στην περιοχή όπου εκτελούνται οι εργασίες κοπής. Αντικαταστήστε αμέσως το οποιοδήποτε αντικείμενο που πάρθηκε από το κουτί των πρώτων βοηθειών.

## Όταν ζητάτε βοήθεια, παρακαλώ παράσχετε τις ακόλουθες πληροφορίες:

- Τόπος του ατυχήματος
- Τι συνέβη
- Αριθμός τραυματισμένων ατόμων
- Είδος των τραυμάτων
- Το όνομά σας



## Συσκευασία

Το Θαμνοκοπτικό/Χλοοκοπτικό της MAKITA παραδίδεται μέσα σε δυο προστατευτικές χαρτόκουτες για την αποφυγή πρόκλησης φθοράς κατά την μεταφορά. Η χαρτόκουτα είναι μια βασική πρώτη ύλη και επομένως μπορεί να επαναχρησιμοποιηθεί ή να ανακυκλωθεί (ανακύκλωση άχρηστου χαρτιού).



## EC - ΔΗΛΩΣΗ ΠΙΣΤΟΤΗΤΑΣ

### Μοντέλο: DBC260U, DBC260L

Δηλώνουμε με αποκλειστική ευθύνη μας ότι το προϊόν αυτό συμμορφώνεται με τα ακόλουθα πρότυπα των τυποποιημένων εντύπων, ISO11806, EN55012 σύμφωνα με τις Οδηγίες της Επιτροπής, 89/392/EOK, τροποποιημένη 98/37/EOK, 93/68/EOK, τροποποιημένη 89/336/EOK.

Μετρημένη Ισχύς Ήχου: 111,7 dB

Εγγυημένη Ισχύς Ήχου: 114 dB

Αυτά τα επίπεδα ήχου έχουν μετρηθεί σύμφωνα με την Οδηγία της Επιτροπής, 2000/14/EK.

Διαδικασία αξιολόγησης συμμόρφωσης: Παράρτημα V

CE2008

A handwritten signature in black ink, appearing to read 'Tomoyasu Kato'.

Tomoyasu Kato  
Διευθυντής

Υπεύθυνος κατασκευαστής:

**Makita Corporation.**

3-11-8, Sumiyoshi-cho, Anjo, Aichi, JAPAN

Εξουσιοδοτημένος Αντιπρόσωπος στην Ευρώπη:

**Makita International Europe Ltd.**

Michigan Drive, Tongwell, Milton Keynes, Bucks MK15 8JD, ENGLAND

## Τεχνικά δεδομένα DBC260U, DBC260L

Μοντέλο		DBC260U	DBC260L	
		Χερούλι σε σχήμα U	Χερούλι σε σχήμα βρόγχου	
Διαστάσεις: μήκος x πλάτος x ύψος (χωρίς τη λάμα κοπής)	χιλ	1.770 x 630 x 410	1.770 x 315 x 235	
Βάρος (χωρίς το πλαστικό προφυλακτήρα και τη λάμα κοπής)	κιλά	5,0	4,8	
Όγκος (ρεζερβουάρ καυσίμου)	Λίτρα	0,6		
Εκτόπισμα κινητήρα	εκ. <sup>3</sup>	25,7		
Μέγιστη απόδοση κινητήρα	kw	0,83 στις 8.000 λεπτά <sup>-1</sup>		
Ταχύτητα κινητήρα στη συνιστώμενη μέγιστη ταχύτητα του άξονα	λεπτά <sup>-1</sup>	10.000		
Μέγιστη ταχύτητα του άξονα (αντίστοιχη)	λεπτά <sup>-1</sup>	7.400		
Μέγιστη κατανάλωση καυσίμου	Κιλά/ώρα	0,431		
Μέγιστη ειδική κατανάλωση καυσίμου	g/kwh	487		
Ταχύτητα ρελαντί	λεπτά <sup>-1</sup>	3.000		
Ταχύτητα εμπλοκής συμπλέκτη	λεπτά <sup>-1</sup>	4.000		
Καρμπιρατέρ	τύπος	WALBRO WYC		
Σύστημα ανάφλεξης	τύπος	Ανάφλεξη στερεάς κατάστασης		
Μπουζί	τύπος	NGK BPMR7A		
Απόσταση των άκρων των ηλεκτροδίων	χιλ	0,6 - 0,7		
Δόνηση σύμφωνα με το ISO 22867 <sup>1)</sup>	Δεξι χερούλι (Δεξιά λαβή)	m/s <sup>2</sup>	3,8	5,3
	Αριστερό χερούλι (Μπροστινή λαβή)	m/s <sup>2</sup>	3,9	4,3
Στάθμη ηχητικής πίεσης αντιπροσωπευτική του ISO 22868 <sup>1)</sup>	db	98,2		
Στάθμη ηχητικής ισχύος αντιπροσωπευτική του ISO 22868 <sup>1)</sup>	db	108,5		
Καύσιμο		Μείγμα καυσίμου (βενζίνη: Γνήσιο Λάδι Δίχρονου Κινητήρα Makita =50:1)		
Σχέση μετάδοσης		14/19		

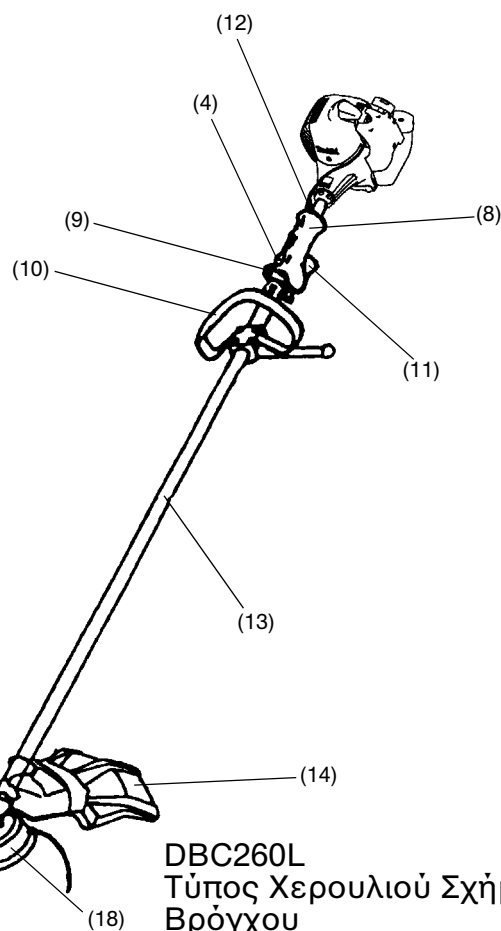
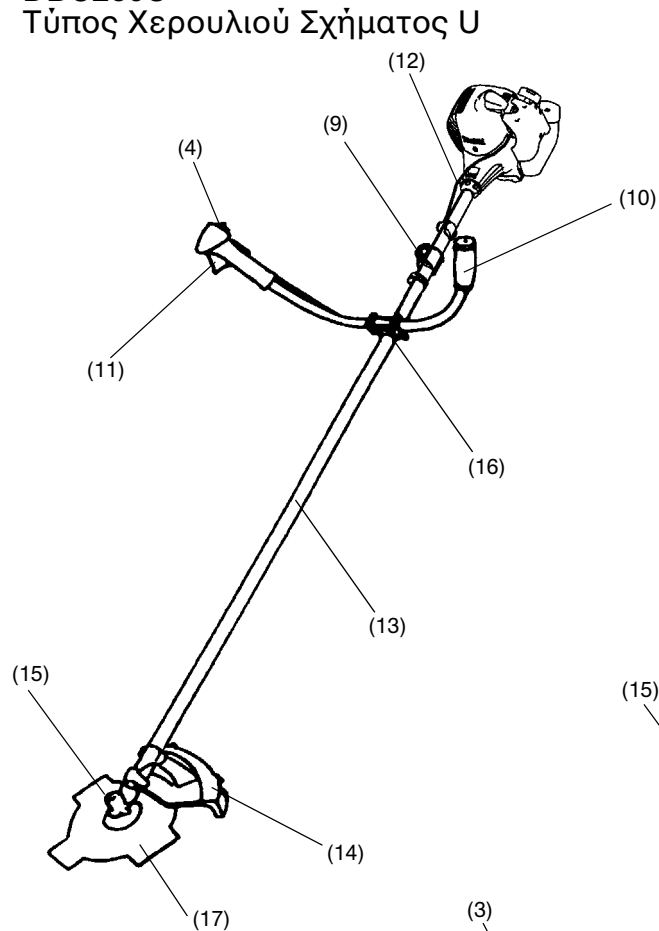
1) Τα δεδομένα λαμβάνουν ισοδύναμα υπόψη τις θέσεις λειτουργίας του ρελαντί και της υπερεπιτάχυνσης ή της ταχύτητας με πλήρες άνοιγμα της πεταλούδας.



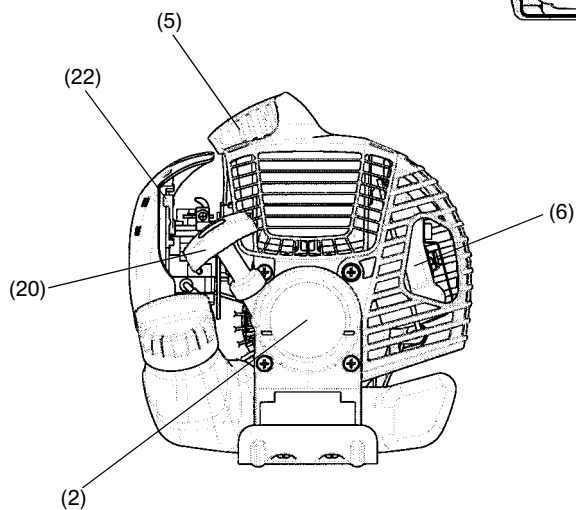
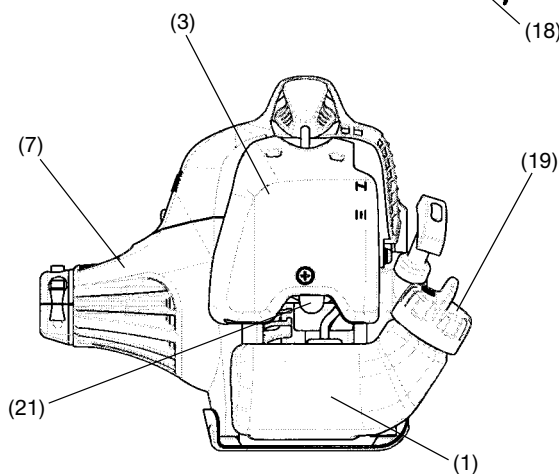
## Ονόματα εξαρτημάτων

DBC260U

Τύπος Χερουλιού Σχήματος U



DBC260L  
Τύπος Χερουλιού Σχήματος  
Βρόγχου



	Ονόματα εξαρτημάτων
1	Ρεζερβουάρ Καυσίμου
2	Εκκινητήρας Ανατύλιξης
3	Φίλτρο Αέρα
4	I-O Διακόπτης (ανοικτός/ κλειστός)
5	Μπουζί
6	Σιγαστήρας Εξάτμισης
7	Θήκη Συμπλέκτη
8	Πίσω Λαβή
9	Αναρτήρας
10	Χερούλι
11	Μοχλός Χειρισμού
12	Καλώδιο Χειρισμού
13	Άξονας
14	Προφυλακτήρας
15	Κιβώτιο Ταχυτήτων
16	Στήριγμα Χερουλιού
17	Λάμα Κοπής
18	Νάιλον Κεφαλή Κοπής
19	Τάπα Πληρωτή Καυσίμου
20	Κουπί Μίζας
21	Αντλία Προέγχυσης
22	Μοχλός Τσοκ

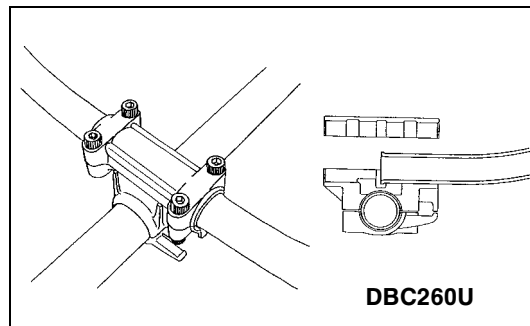
## Στερέωση του χερουλιού

- ΠΡΟΣΟΧΗ:** Πριν κάνετε την οποιαδήποτε εργασία πάνω στο θαμνοκοπτικό, πάντοτε να σταματάτε τον κινητήρα και να αποσυνδέετε το σύνδεσμο του μπουζιού από το μπουζί. Πάντοτε να φοράτε προστατευτικά γάντια!
- ΠΡΟΣΟΧΗ:** Φροντίστε να επανασυναρμολογήσετε εντελώς το θαμνοκοπτικό πριν το ξεκινήσετε.

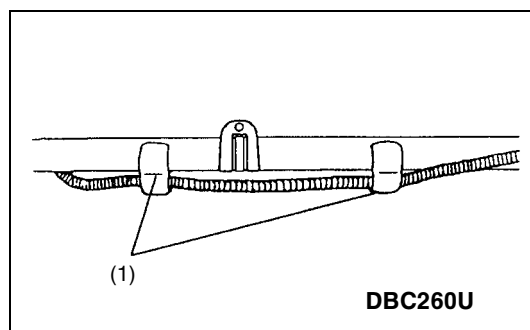


### Για τα μοντέλα με χερούλι σε σχήμα U

- Τοποθετήστε το μέταλλο στερέωσης του χερουλιού έτσι ώστε το χερούλι με το μοχλό χειρισμού να είναι τοποθετημένο στα δεξιά (η λαβή στη δεξιά πλευρά) από την όψη της μεριάς του κινητήρα.
- Προσαρμόστε την αυλάκωση του μετάλλου στερέωσης του χερουλιού στο άκρο του χερουλιού. Στερεώστε προσωρινά το συνδεδεμένο μέταλλο χρησιμοποιώντας το παρεχόμενο εξάγωνο κοίλο μπουλόνι.
- Προσαρμόστε το χερούλι σε μια εύκολη θέση λειτουργίας, και στερεώστε σφιχτά τα τέσσερα εξάγωνα κοίλα μπουλόνια ομοιόμορφα στα δεξιά και στα αριστερά χρησιμοποιώντας το κλειδί Άλεν.

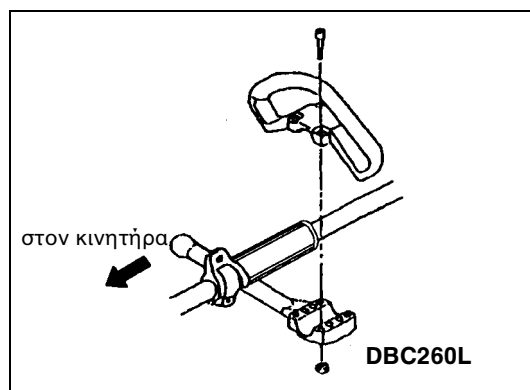


- Προσαρμόστε το καλώδιο χειρισμού (μαζί με το κορδόνι γείωσης) στο χερούλι με τα δυο κλιπς (1).
- Φροντίστε το καλώδιο χειρισμού να μην σχηματίζει βρόγχο στο τμήμα της μπάρας του χερουλιού.



### Για τα μοντέλα με χερούλι σε σχήμα βρόγχου

- Στερεώστε το φράγμα στην αριστερή πλευρά της συσκευής μαζί με το χερούλι για την προστασία του χρήστη.
- Μην προσαρμόσετε το χερούλι με σχήμα βρόγχου πολύ κοντά στη λαβή χειρισμού.
- Κρατήστε μια απόσταση τουλάχιστον 250 χιλ ανάμεσα στο χερούλι και στη λαβή. (ένα κολάρο για την απόσταση παρέχετε γιαυτό το σκοπό.)

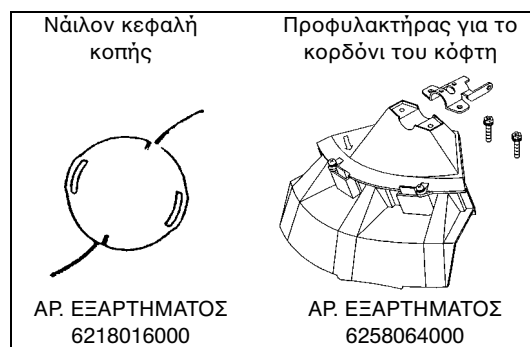
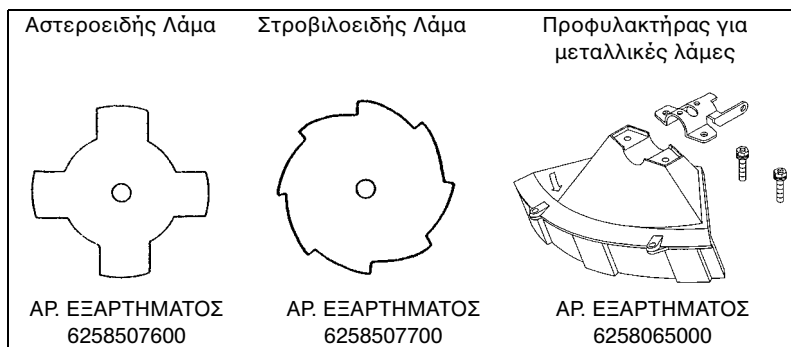


## Στερέωση του προφυλακτήρα

Για την κάλυψη των κατάλληλων μέτρων ασφαλείας, θα πρέπει να χρησιμοποιήσετε μόνο τους συνδυασμούς εργαλείου/προφυλακτήρα που δείχνονται στον πίνακα.

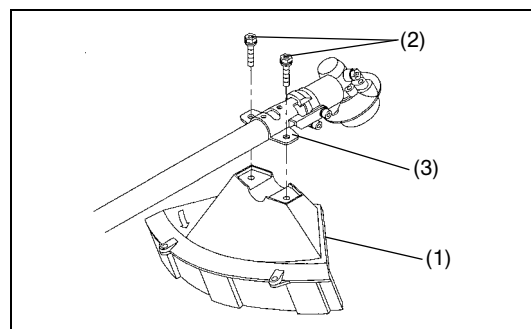
**Πάντοτε να χρησιμοποιείτε αυθεντικές λάμες κοπής/νάilon κεφαλή κοπής της ΜΑΚΙΤΑ.**

- Η λάμα κοπής πρέπει πάντοτε να είναι γυαλισμένη, και χωρίς ρωγμές ή σπασίματα. Εάν η λάμα κοπής χτυπήσει μια πέτρα κατά τη λειτουργία, σταματήστε τον κινητήρα και ελέγξτε αμέσως την λάμα.
- Γυαλίστε ή αντικαταστήστε την λάμα κοπής κάθε τρεις ώρες λειτουργίας.
- Εάν η νάιλον κεφαλή κοπής χτυπήσει μια πέτρα κατά τη λειτουργία, σταματήστε τον κινητήρα και ελέγξτε αμέσως την κεφαλή κοπής.

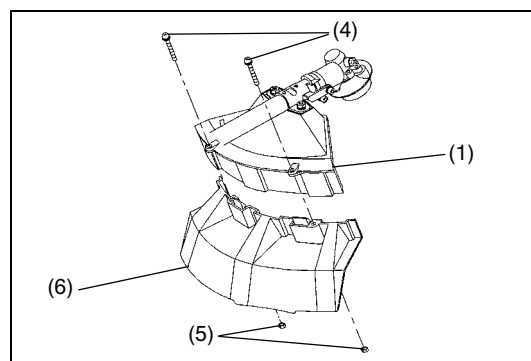


**ΠΡΟΣΟΧΗ:** Οι κατάλληλοι προφυλακτήρες πρέπει πάντοτε να εγκαθίστανται για την δική σας ασφάλεια και για την συμμόρφωση με τους κανονισμούς πρόληψης ατυχήματος. Απαγορεύεται η λειτουργία της συσκευής χωρίς να είναι τοποθετημένος ο προφυλακτήρας.

- Στερεώστε τον προφυλακτήρα (1) στο σφικτήρα (3) με τα δυο M6 x 30 μπουλόνια (2).



- Κατά την χρήση της κεφαλής του νήματος, στερεώστε τον προφυλακτήρα (6) μέσα στον προφυλακτήρα (1), και μετά σφίξτε τους με τα δυο παξιμάδια (5) και τις δυο βίδες (4).

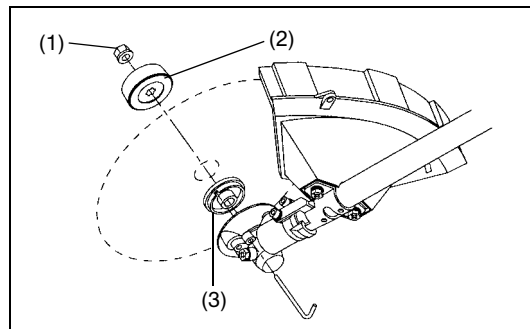


## Στερέωση της λάμας κοπής/νάιλον κεφαλής κοπής

Η λάμα κοπής ή η νάιλον κεφαλή κοπής μπορεί εύκολα να αντικατασταθεί στρέφοντας πρώτα ανάποδα τη συσκευή.



- Βάλτε το κλειδί Άλεν μέσα στην τρύπα στο κιβώτιο των ταχυτήτων και περιστρέψτε την μονάδα υποδοχής της ροδέλας (3) έως ότου κλειδώσει με το κλειδί Άλεν.
- Ξεσφίξτε το παξιμάδι (1) (αριστερό σπειρώμα) με το κλειδί Άλεν, και αφαιρέστε το παξιμάδι (1) και τη ροδέλα σύσφιξης (2).



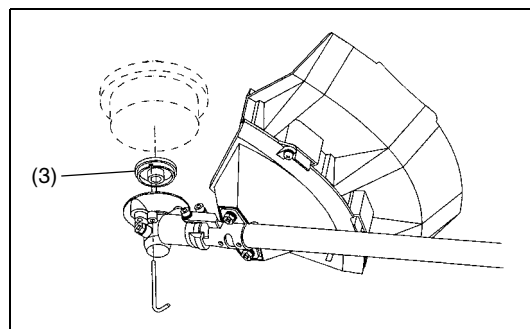
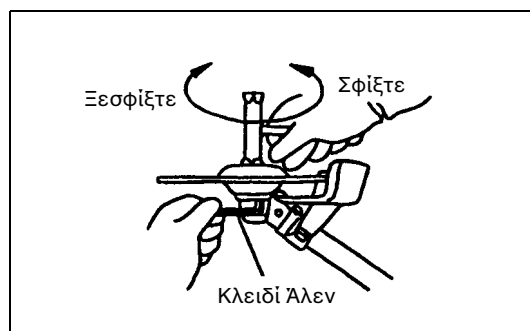
### Με το κλειδί Άλεν ακόμη στη θέση του

- Στερεώστε την λάμα κοπής πάνω στον άξονα έτσι ώστε ο οδηγός της μονάδας υποδοχής της ροδέλας (3) να ταιριάζει στην τρύπα του άξονα στην λάμα κοπής. Τοποθετήστε τη ροδέλα σύσφιξης (2) και στερεώστε τη λάμα κοπής με το παξιμάδι (1).  
[Ροπή σφίξης: 13 - 23 N-m]

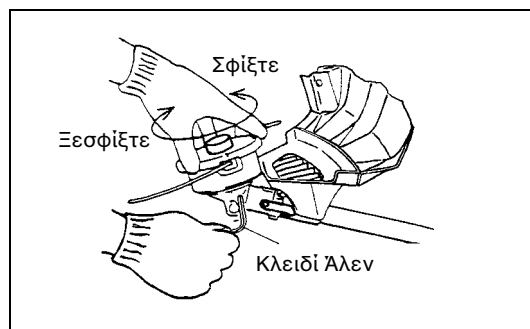
ΠΑΡΑΤΗΡΗΣΗ: Πάντοτε να φοράτε γάντια κατά τον χειρισμό της λάμας κοπής.

ΠΑΡΑΤΗΡΗΣΗ: Το παξιμάδι στερέωσης της λάμας κοπής (με ελατηριωτή ροδέλα) είναι ένα αναλώσιμο εξάρτημα. Εάν εμφανιστεί η οποιαδήποτε φθορά ή παραμόρφωση στη ελατηριωτή ροδέλα, αντικαταστήστε το παξιμάδι.

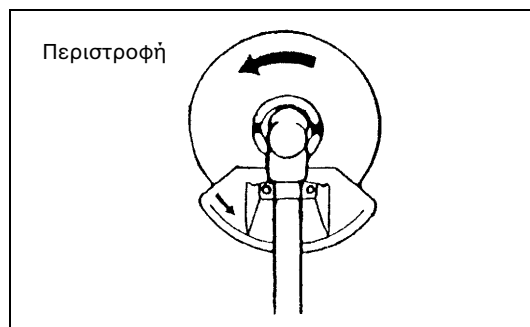
ΠΑΡΑΤΗΡΗΣΗ: Η ροδέλα σύσφιξης (2), και το παξιμάδι (1) δεν είναι απαραίτητα για την στερέωση της νάιλον κεφαλής κοπής. Η νάιλον κεφαλή πρέπει να βρίσκεται στην κορυφή της μονάδας υποδοχής της ροδέλας (3).



- Βιδώστε την νάιλον κεφαλή κοπής πάνω στον άξονα.



- Βεβαιωθείτε ότι η λάμα περιστρέφεται αριστερόστροφα.





### Χειρισμός καυσίμου

Υπαιτείται μεγάλη προσοχή κατά τον χειρισμό του καυσίμου. Το καύσιμο μπορεί να περιέχει ουσίες όμοιες με τους διαλύτες. Ανεφοδιάστε με καύσιμο σε ένα καλά αεριζόμενο δωμάτιο είτε σε ένα εξωτερικό χώρο. Μην εισπνεύσετε τους ατμούς του καυσίμου και αποφύγετε την επαφή του καυσίμου ή του λαδιού με το δέρμα σας.

Τα προϊόντα μεταλλικού λαδιού απολιπαίνουν το δέρμα σας. Η παρατεταμένη επαφή του δέρματος με αυτά τα προϊόντα θα προκαλέσει την υπερβολική ξηρότητα του δέρματος σας, η οποία μπορεί να προκαλέσει διάφορες ασθένειες του δέρματος. Επιπρόσθετα, αλλεργικές αντιδράσεις μπορούν να συμβούν.

Τα μάτια μπορούν αν ερεθιστούν ερχόμενα σε επαφή με το λάδι. Εάν το λάδι έρθει σε επαφή με τα μάτια σας, να τα πλύνετε αμέσως με καθαρό νερό. Αν τα μάτια σας παραμείνουν ερεθισμένα επισκεφτείτε ένα γιατρό αμέσως.



Τηρήστε τις Οδηγίες Ασφαλείας στην σελίδα 140.

### Μείγμα καυσίμου και λαδιού

Ο κινητήρας του θαμνοκοπτικού είναι ένας δίχρονος κινητήρας υψηλής απόδοσης. Λειτουργεί με ένα μείγμα καυσίμου και λαδιού δίχρονου κινητήρα. Ο κινητήρας είναι σχεδιασμένος να λειτουργεί με κανονικό αμόλυβδο καύσιμο με την ελάχιστη τιμή οκτανίων των 91 RON. Εάν για οποιοδήποτε λόγο δεν είναι διαθέσιμο τέτοιο καύσιμο, μπορείτε να χρησιμοποιήσετε καύσιμο με υψηλότερη τιμή οκτανίων. Αυτό δεν θα επηρεάσει τον κινητήρα, αλλά μπορεί να προκαλέσει κακή συμπεριφορά λειτουργίας.

Παρόμοια προβλήματα θα προκύψουν από τη χρήση καυσίμου με μόλυβδο. Για να αποκτήσετε την βέλτιστη λειτουργία του κινητήρα και για την προστασία της υγείας σας και του περιβάλλοντος, χρησιμοποιήστε μόνο αμόλυβδο καύσιμο!



Για την λίπανση του κινητήρα, προσθέστε λάδι για δίχρονο κινητήρα (κλάση ποιότητας: JASO FC ή ISO EGD) στο καύσιμο. Ο κινητήρας είναι σχεδιασμένος να χρησιμοποιεί το καθορισμένο λάδι δίχρονου κινητήρα στην αναλογία μείγματος 50:1 για την προστασία του περιβάλλοντος. Επιπρόσθετα, η μεγάλη διάρκεια ζωής που συνοδεύεται από αξιόπιστη λειτουργία και ελάχιστες εκπομπές εγγυώνται μέσω της χρήσης αυτής της αναλογίας του μείγματος. Η αξιόπιστη λειτουργία του θαμνοκοπτικού δεν μπορεί να είναι εγγυημένη εκτός και αν τηρηθεί επακριβώς η αναλογία του μείγματος 50:1 (καθορισμένο λάδι δίχρονου κινητήρα).

### Σωστή αναλογία μείγματος:

Βενζίνη: Καθορισμένο λάδι δίχρονου κινητήρα = 50 : 1 ή

Βενζίνη: Λάδι δίχρονου κινητήρα άλλου κατασκευαστή = 25 : 1 συνιστάται

**ΠΑΡΑΤΗΡΗΣΗ:** Για να ετοιμάσετε το μείγμα του καυσίμου-λαδιού, πρώτα ανακατέψτε την ποσότητα του λαδιού του κινητήρα με την μισή απαιτούμενη ποσότητα του καυσίμου, και μετά προσθέστε το υπόλοιπο καύσιμο. Ανακινείτε καλά το μείγμα πριν το ρίξετε μέσα στο ρεζερβουάρ του θαμνοκοπτικού. Για την διασφάλιση της ασφαλούς λειτουργίας, μην προσθέσετε περισσότερο λάδι κινητήρα από την καθορισμένη ποσότητα. Εάν το κάνετε αυτό θα έχει ως αποτέλεσμα μόνο την υψηλότερη παραγωγή κατ'απολίπων καύσης τα οποία ρυπαίνουν το περιβάλλον και βουλώνουν το κανάλι της εξάτμισης στον κύλινδρο καθώς επίσης και στο σιγαστήρα. Επιπρόσθετα, η κατανάλωση καυσίμου θα αυξηθεί και η απόδοση θα μειωθεί.


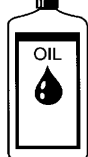
### Ανεφοδιασμός καυσίμου

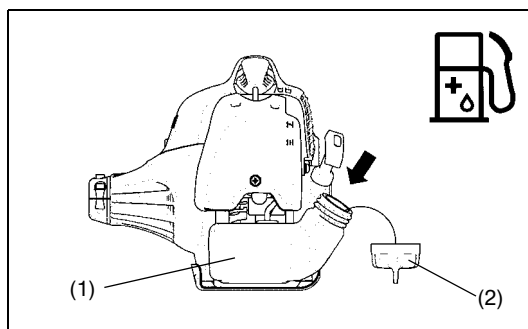
#### Ο κινητήρας πρέπει να είναι κλειστός.

- Καθαρίστε καλά την περιοχή γύρω από την τάπα του πληρωτή καυσίμου (2) για την αποφυγή της προσκόλλησης της βρωμιάς στο ρεζερβουάρ (1).
- Ξεβιδώστε τη τάπα του πληρωτή καυσίμου (2) και γεμίστε το ρεζερβουάρ με καύσιμο.
- Σφίξτε τη βίδα του πληρωτή καυσίμου (2).
- Καθαρίστε τη βίδα της τάπας του πληρωτή καυσίμου (2) και το ρεζερβουάρ μετά τον ανεφοδιασμό.

#### Αποθήκευση καυσίμου

Το καύσιμο δεν μπορεί να αποθηκευτεί για απεριόριστο χρονικό διάστημα. Αγοράστε μόνο την ποσότητα που απαιτείται για μια περίοδο λειτουργίας 4 εβδομάδων. Χρησιμοποιήστε μόνο τα εγκεκριμένα δοχεία αποθήκευσης καυσίμου.

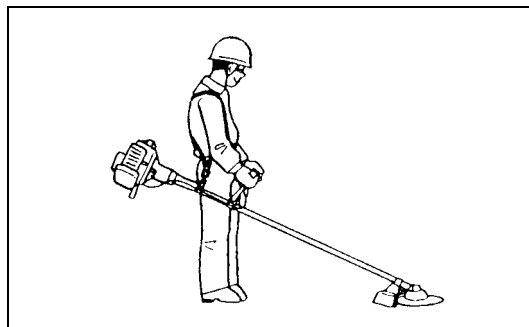
Βενζίνη	50:1	25:1
	+	
1.000 εκ <sup>3</sup> (1 λίτρο)	20 εκ <sup>3</sup>	40 εκ <sup>3</sup>
5.000 εκ <sup>3</sup> (5 λίτρα)	100 εκ <sup>3</sup>	200 εκ <sup>3</sup>
10.000 εκ <sup>3</sup> (10 λίτρα)	200 εκ <sup>3</sup>	400 εκ <sup>3</sup>



## Σωστός χειρισμός

### Τοποθέτηση του λουριού του ώμου

- Προσαρμόστε το μήκος του λουριού έτσι ώστε η λάμα κοπής να είναι παράλληλη με το έδαφος.



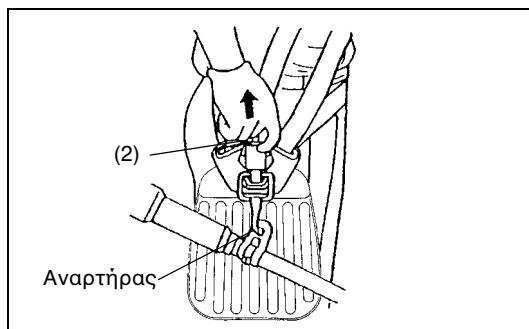
### Αποσύνδεση

#### Για το DBC260U

- Στην περίπτωση έκτακτης ανάγκης, για την αποσύνδεση της συσκευής από το σώμα σας, τραβήξτε γερά το μοχλό αποσύνδεσης έκτακτης ανάγκης (2) με το δάκτυλό σας. Αυτό θα αποσυνδέσει το στήριγμα της συσκευής από το σώμα.

Τη στιγμή αυτή δώστε μεγάλη προσοχή για να διατηρήσετε τον έλεγχο της συσκευής. Μην επιτρέψετε στη συσκευή να εκτραπεί προς τα εσάς ή προς τον οποιονδήποτε γύρω σας.

**ΠΡΟΕΙΔΟΠΟΙΗΣΗ:** Αν δεν διατηρήσετε τον πλήρη έλεγχο της συσκευής μπορεί να προκληθεί σοβαρός τραυματισμός ή ΘΑΝΑΤΟΣ.

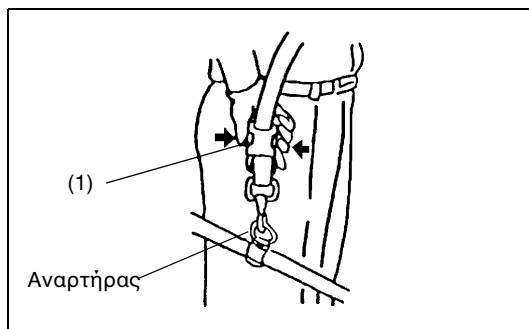


#### Για το DBC260L

- Στην περίπτωση έκτακτης ανάγκης, σπρώξτε τις εγκοπές (1) και από τις δυο πλευρές, και αποσυνδέστε τη συσκευή.

Τη στιγμή αυτή δώστε μεγάλη προσοχή για να διατηρήσετε τον έλεγχο της συσκευής. Μην επιτρέψετε στη συσκευή να εκτραπεί προς τα εσάς ή προς τον οποιονδήποτε γύρω σας.

**ΠΡΟΕΙΔΟΠΟΙΗΣΗ:** Αν δεν διατηρήσετε τον πλήρη έλεγχο του μηχανήματος μπορεί να προκληθεί σοβαρός τραυματισμός ή ΘΑΝΑΤΟΣ.



## Σημαντικά σημεία λειτουργίας/σταμάτημα του θαμνοκοπτικού/χλοοκοπτικού

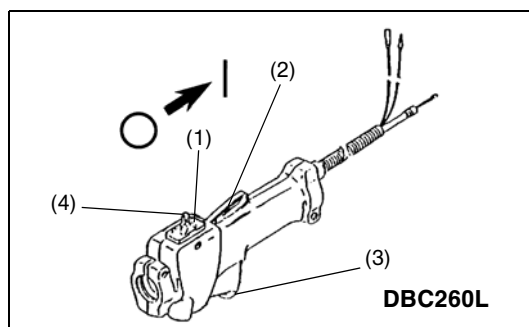
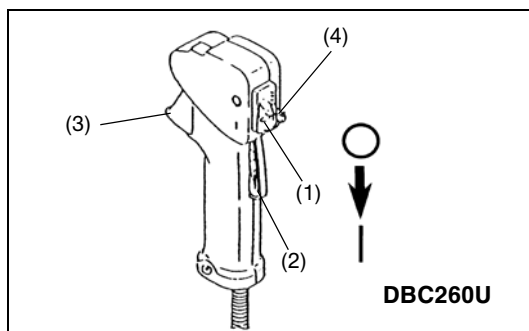
Να τηρείτε τους ισχύοντες κανονισμούς πρόληψης ατυχημάτων.

### Ξεκίνημα

Μετακινηθείτε τουλάχιστον 3 μέτρα μακριά από την περιοχή στην οποία προσθέσατε καύσιμο στη συσκευή. Τοποθετήστε το θαμνοκοπτικό σε μια καθαρή περιοχή στο έδαφος δίνοντας προσοχή ώστε το εργαλείο κοπής να μην βρίσκεται σε επαφή με το έδαφος ή με άλλα αντικείμενα.

### Εκκίνηση εν ψυχρώ

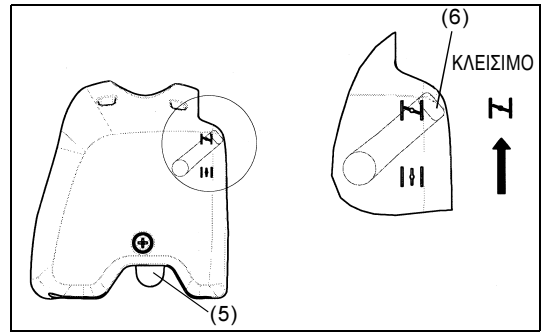
- Πιέστε τον διακόπτη I-O (1) προς την κατεύθυνση που δείχνεται με το βέλος.
- Πιάστε το χερούλι (η πίεση του χεριού ενεργοποιεί τον ασφαλιστικό μοχλό απεμπλοκής (2)).
- Πιέστε τον μοχλό του γκαζιού (3) και κρατήστε τον κάτω.
- Πιέστε το κουμπί ασφάλισης (4) και ελευθερώστε τον μοχλό χειρισμού, και μετά ελευθερώστε το κουμπί ασφάλισης (το κουμπί ασφάλισης κρατά το μοχλό του γκαζιού στη θέση εκκίνησης).



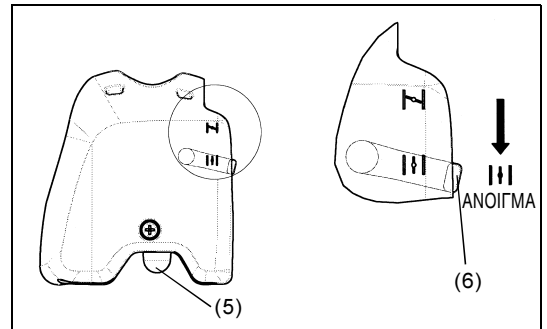
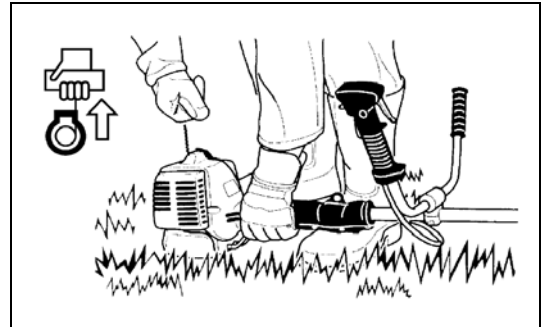
- Πρώτα, τοποθετήστε τη συσκευή στο έδαφος.
- Πιέστε με προσοχή την αντλία προέγχυσης (5) επαναλαμβανόμενα (7-10 φορές) έως ότου το καύσιμο μπει στην αντλία προέγχυσης.
- Κλείστε το μοχλό του τσοκ (6).

**Άνοιγμα του τσοκ:**

- Πλήρως κλειστό στις ψυχρές θερμοκρασίες ή όταν ο κινητήρας είναι ψυχρός
- Πλήρως ανοικτό ή μισάνοικτο για την εκκίνηση καθώς ο κινητήρας είναι ακόμη ζεστός



- Κρατήστε καλά το κιβώτιο του συμπλέκτη με το αριστερό σας χέρι, όπως δείχνεται στο διάγραμμα.
- Τραβήξτε σιγά την λαβή του εκκινητήρα έως ότου αισθανθείτε την αντίσταση, και μετά συνεχίστε να τραβάτε δυνατά.
- Μην τραβήξετε έξω μέχρι τέλους το κορδόνι του εκκινητήρα, και μην αφήσετε το χερούλι του εκκινητήρα να ανατυλιχτεί μόνο του. Διατηρήστε τον έλεγχο του κορδονιού του εκκινητήρα και διασφαλίστε ότι ανατυλιγεται αργά.
- Επαναλάβετε την διαδικασία της εκκίνησης έως ότου ακούσετε τις αρχικές αναφλέξεις του κινητήρα.
- Πιέστε τον μοχλό του τσοκ (6) (↓) και τραβήξτε το κορδόνι του εκκινητήρα ξανά έως ότου ξεκινήσει ο κινητήρας.
- Μόλις ξεκινήσει ο κινητήρας, αμέσως πιέστε και αφήστε το γκαζί, για να ελευθερώσετε το μισό κλειδώμα του γκαζιού και αφήστε τον κινητήρα να λειτουργήσει στο ρελαντί.
- Λειτουργήστε τον κινητήρα για περίπου ένα λεπτό σε μέτρια ταχύτητα πριν ανοίξετε πλήρως το γκαζί.



**ΠΑΡΑΤΗΡΗΣΗ:** -Εάν τραβήξετε το χερούλι του εκκινητήρα επαναλαμβανόμενα όταν ο μοχλός του τσοκ βρίσκεται στη θέση “|—|”, ο κινητήρας δεν θα ξεκινήσει εύκολα λόγω της υπερβολικής εισόδου καυσίμου.  
 -Εάν εισέλθει υπερβολική ποσότητα καυσίμου, αφαιρέστε το μπουζί και τραβήξτε το χερούλι του εκκινητήρα αργά για να αφαιρέσετε το καύσιμο. Επίσης, στεγνώστε το τμήμα του ηλεκτροδίου του μπουζιού.

**Προσοχή κατά τη λειτουργία:**

Εάν ο μοχλός του γκαζιού ανοίξει πλήρως κατά τη λειτουργία χωρίς φορτίο, οι περιστροφές του κινητήρα θα αυξηθούν πάνω από 10.000 λεπτό<sup>-1</sup>. Ποτέ να μην λειτουργείτε τον κινητήρα σε υψηλότερες ταχύτητες από ό,τι απαιτείται, και διατηρήστε τις περιστροφές σε μια ταχύτητα περίπου 6.000 - 8.000 λεπτό<sup>-1</sup>.

**ΠΡΟΣΟΧΗ:** Πάντοτε να ελαττώνετε τις περιστροφές του κινητήρα όταν η συσκευή δεν χρησιμοποιείται για εργασία.

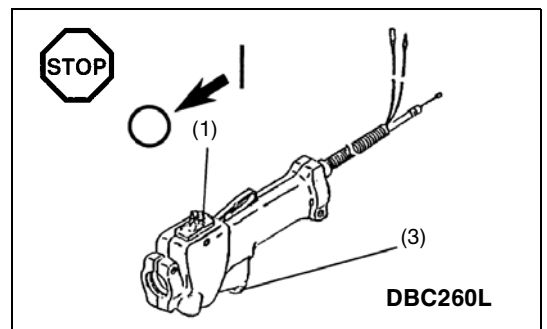
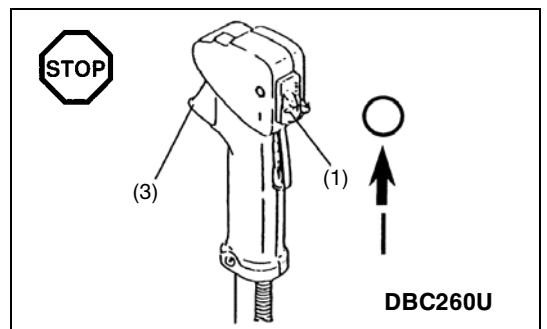
Η λειτουργία της συσκευής με υψηλές τροφές όταν δεν χρησιμοποιείται για εργασία θα ελαττώσει την διάρκεια ζωής της συσκευής.

**Θερμή εκκίνηση**

- Ακολουθήστε τις παραπάνω οδηγίες για την ψυχρή εκκίνηση, εκτός από το να μην μετακινήσετε τον μοχλό του τσοκ (ο μοχλός του τσοκ παραμένει στην κάτω θέση (↓)).

**Σταμάτημα**

- Ελευθερώστε πλήρως το μοχλό του γκαζιού (3), και μετά όταν οι στροφές του κινητήρα χαμηλώσουν, σπρώξτε το διακόπτη I-O (1) στη θέση "O" για να σταματήσει ο κινητήρας.
- Προσέχετε γιατί η κεφαλή κοπής μπορεί να μην σταματήσει αμέσως, και πάντοτε να αφήνετε να επιβραδύνει και να σταματά τελείως μόνη της.

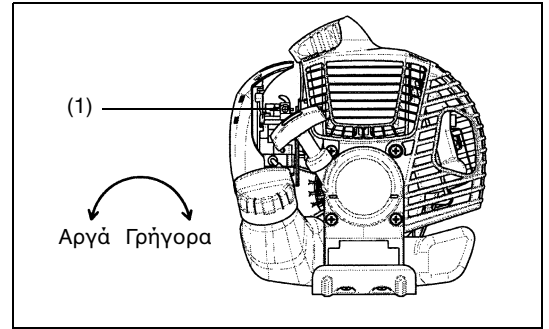


## ΡΥΘΜΙΣΗ ΤΩΝ ΠΕΡΙΣΤΡΟΦΩΝ ΧΑΜΗΛΗΣ ΤΑΧΥΤΗΤΑΣ (ΡΕΛΑΝΤΙ)

Η λάμα κοπής ή η νάιλον κεφαλή κοπής δεν θα πρέπει να περιστρέφονται όταν ο μοχλός χειρισμού είναι πλήρως ελευθερωμένος. Εάν είναι απαραίτητο, ρυθμίστε τις περιστροφές του ρελαντί χρησιμοποιώντας τη βίδα ρύθμισης του ρελαντί.

### Έλεγχος της ταχύτητας του ρελαντί

- Η ταχύτητα του ρελαντί θα πρέπει να ρυθμιστεί στις 3.000 λεπτό<sup>-1</sup>. Εάν είναι απαραίτητο, ρυθμίστε την ταχύτητα του ρελαντί χρησιμοποιώντας τη βίδα του ρελαντί (η λάμα ή η νάιλον κεφαλή κοπής δεν θα πρέπει να περιστρέφεται όταν ο κινητήρας βρίσκεται στο ρελαντί). Το σφίξιμο της βίδας του ρελαντί (1) αυξάνει τις περιστροφές του κινητήρα, ενώ το ξεσφίξιμο της βίδας του ρελαντί ελαττώνει τις τροφές του κινητήρα.



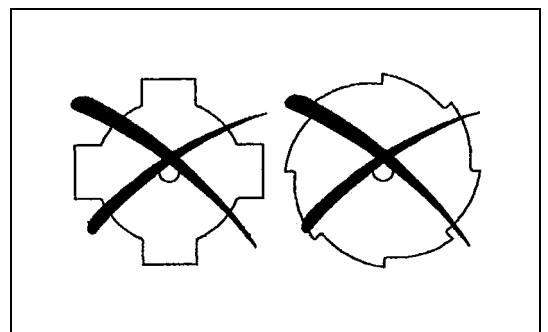
## Ακόνισμα του εργαλείου κοπής

**ΠΡΟΣΟΧΗ:** Τα εργαλεία κοπής που παρατίθενται παρακάτω πρέπει μόνο να ακονίζονται από ένα εξουσιοδοτημένο κατάστημα. Το ακόνισμα με το χέρι θα προκαλέσει ανισορροπίες στο εργαλείο κοπής, οι οποίες θα προκαλέσουν δονήσεις και ζημιά στη συσκευή.

- λάμα κοπής (αστεροειδής λάμα (4 δόντια), στροβιλοειδής λάμα (8 δόντια))

Ένα επαγγελματικό σέρβις ακονίσματος και εξισορρόπησης παρέχεται από τους Εξουσιοδοτημένους Αντιπροσώπους του Σέρβις.

**ΠΑΡΑΤΗΡΗΣΗ:** Για την επιμήκυνση της διάρκειας ζωής της λάμας κοπής (αστεροειδής λάμα, και στροβιλοειδής λάμα), η λάμα μπορεί να στραφεί ανάποδα για να φθείρονται τα άκρα κοπής και από τις δυο πλευρές.



### ΝΑΙΛΟΝ ΚΕΦΑΛΗ ΚΟΠΗΣ

Η νάιλον κεφαλή κοπής είναι μια κεφαλή διπλού νήματος κοπής συμβατή με μηχανισμούς είτε αυτόματους είτε με αντλία τροφοδοσίας.

Η νάιλον κεφαλή κοπής θα τροφοδοτήσει αυτόματα το κατάλληλο μήκος του νάιλον νήματος ανάλογα με τις αλλαγές της φυγόκεντρου δύναμης που προκαλείται από τις αυξανόμενες ή ελαττούμενες περιστροφές.

Εντούτοις για την πιο αποτελεσματική κοπή του μαλακού γρασιδιού, κτυπήστε την νάιλον κεφαλή κοπής ενάντια στο έδαφος για τα τροφοδοτήσετε επιπλέον νήμα όπως δείχνεται στο τμήμα της λειτουργίας.

### Λειτουργία

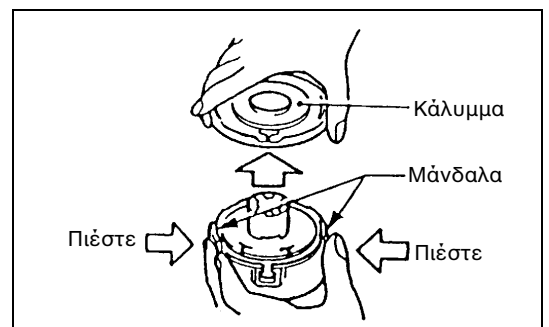
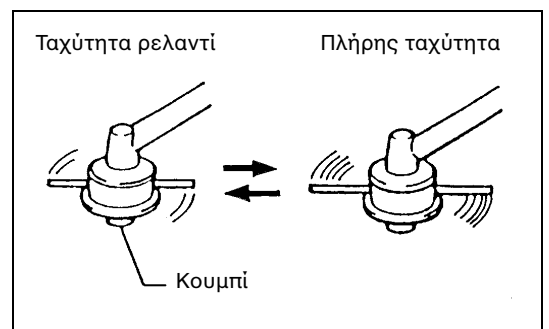
- Αυξήστε την ταχύτητα της νάιλον κεφαλής κοπής περίπου στις 6.000 λεπτό<sup>-1</sup>. Το νάιλον νήμα δεν θα τροφοδοτηθεί σωστά σε χαμηλότερες στροφές (κάτω από 4.800 λεπτό<sup>-1</sup>).
- Η πιο αποτελεσματική περιοχή κοπής δείχνεται από την σακιασμένη περιοχή στο διάγραμμα στα δεξιά.

Εάν το νάιλον νήμα δεν τροφοδοτείται αυτόματα, ακολουθήστε τις παρακάτω οδηγίες:

1. Ελευθερώστε το μοχλό του γκαζιού έτσι ώστε ο κινητήρας να λειτουργεί στο ρελαντί, και μετά πιέστε πλήρως το μοχλό του γκαζιού. Επαναλάβετε αυτή τη διαδικασία έως ότου το νάιλον νήμα τροφοδοτηθεί στο κατάλληλο μήκος.
2. Εάν το νάιλον νήμα είναι πολύ κοντό για να τροφοδοτηθεί αυτόματα χρησιμοποιώντας την παραπάνω διαδικασία, κτυπήστε το κουμπί της νάιλον κεφαλής κοπής ενάντια στο έδαφος για την τροφοδοσία του νάιλον νήματος.
3. Εάν το νάιλον νήμα δεν τροφοδοτείται χρησιμοποιώντας την διαδικασία 2, επαναυλίξτε/αντικαταστήστε το νάιλον νήμα ακολουθώντας τις διαδικασίες που περιγράφονται στην ενότητα "Αντικατάσταση του νάιλον νήματος".

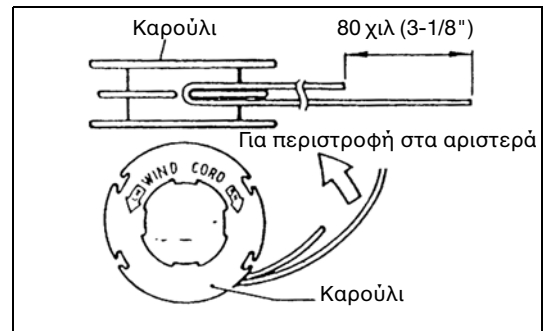
### Αντικατάσταση του νάιλον νήματος

- Σταματήστε τον κινητήρα.
- Πιέστε τα μάνδαλα του περιβλήματος προς τα μέσα για να ανυψώσετε προς τα έξω το κάλυμμα, και αφαιρέστε το καρούλι.

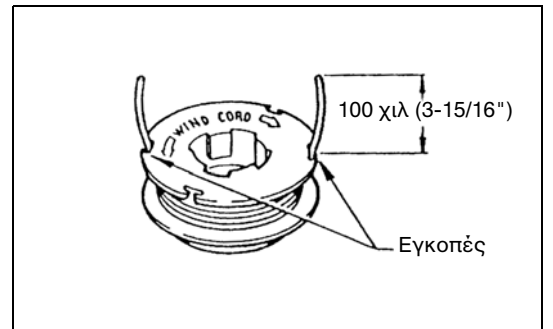




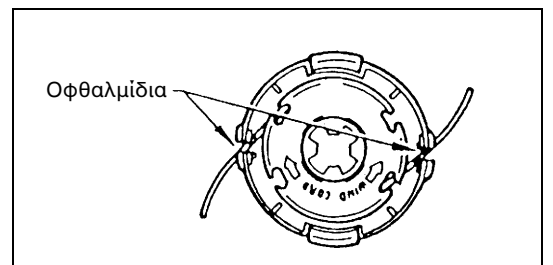
- Αγκιστρώστε το κέντρο του καινούργιου νάιλον νήματος στην εγκοπή στο κέντρο του καρουλιού, με το ένα άκρο του νήματος να εξέρχει περίπου 80 χιλ (3-1/8") περισσότερο από το άλλο. Μετά τυλίξτε και τα δυο άκρα γύρω από το καρούλι προς τη διεύθυνση της περιστροφής της κεφαλής (η περιστροφή προς τα αριστερά δείχνεται με το LH και η περιστροφή προς τα δεξιά δείχνεται με το RH στο πλάι του καρουλιού).



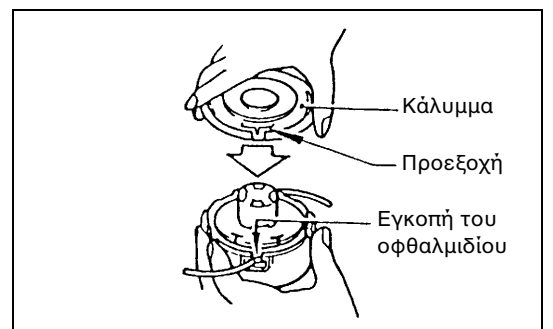
- Τυλίξτε γύρω από το καρούλι όλο το νήμα εκτός από ένα μήκος 100 χιλ (3-15/16"), αφήνοντας προσωρινά τα άκρα αγκιστρωμένα μέσα στις εγκοπές στο πλάι του καρουλιού.



- Στερεώστε το καρούλι μέσα στην υποδοχή έτσι ώστε οι αυλακώσεις και οι προεξοχές στο καρούλι να ταιριάζουν με αυτές στην υποδοχή. Στερεώστε το καρούλι έτσι ώστε τα γράμματα του καρουλιού να είναι εμφανή από πάνω. Στη συνέχεια, απαγκιστρώστε τα άκρα του νήματος από την προσωρινή τους θέση, και περάστε τα νήματα μέσα στα οφθαλμίδια έτσι ώστε να προεξέχουν από την υποδοχή.



- Ταιριάξτε την προεξοχή στην κάτω πλευρά του καλύμματος με τις εγκοπές των οφθαλμίδων. Μετά σπρώξτε το κάλυμμα καλά πάνω στην υποδοχή για το στερεώσετε.



## Οδηγίες σέρβις

### Οδηγίες σέρβις

**ΠΡΟΣΟΧΗ:** Πριν κάνετε την οποιαδήποτε τύπου εργασία συντήρησης στο Θαμνοκοπτικό, πάντοτε να κλείνετε το μοτέρ και να αποσυνδέετε την τάπα του βύσματος του μπουζιού (δείτε το "έλεγχος του μπουζιού").

Πάντοτε να φοράτε προστατευτικά γάντια.

**ΠΡΟΣΟΧΗ:** Ποτέ να μην αφαιρέσετε τον εκκινητήρα ανατύλιξης μόνοι σας. Εάν το κάνετε αυτό μπορεί να προκληθεί ατύχημα. Αυτή η διαδικασία θα πρέπει να εκτελείται μόνο από ένα Εξουσιοδοτημένο Αντιπρόσωπο του Σέρβις.

Για την διασφάλιση της μεγάλης διάρκειας ζωής και της αποφυγής της ζημιάς στη συσκευή, εκτελείτε κατά τακτά διαστήματα τις παρακάτω εργασίες συντήρησης.

### Καθημερινός έλεγχος και συντήρηση

- Πριν την λειτουργία, ελέγξτε την συσκευή για ξεσφιγμένες βίδες ή εξαρτήματα που λείπουν. Δώστε ιδιαίτερη προσοχή στο σφίξιμο της λάμας κοπής ή στην νάιλον κεφαλή κοπής.
- Πριν τη λειτουργία, ελέγξτε πάντοτε για να είστε σίγουροι ότι ο αγωγός του αέρα ψύξης και τα πτερύγια του κυλίνδρου δεν είναι βουλωμένα.  
Καθαρίστε τα εάν είναι απαραίτητο.
- Εκτελέστε τις παρακάτω εργασίες συντήρησης καθημερινά μετά την χρήση:
  - Καθαρίστε το Θαμνοκοπτικό εξωτερικά και επιθεωρήστε το για ζημιά.
  - Καθαρίστε το φίλτρο αέρα. Κατά την εργασία υπό συνθήκες με πολύ σκόνη, καθαρίστε το φίλτρο αρκετές φορές την μέρα.
  - Ελέγξτε τη λάμα ή την νάιλον κεφαλή κοπής για ζημιά και βεβαιωθείτε ότι είναι καλά στερεωμένη.

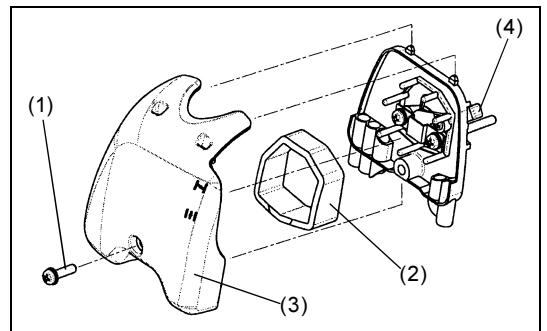


- Ελέγξτε για να διαπιστώσετε ότι υπάρχει επαρκής διαφορά μεταξύ των ταχυτήτων του ρελαντί και της λειτουργίας και να διασφαλίσετε ότι το εργαλείο κοπής είναι σταματημένο όταν ο κινητήρας βρίσκεται στο ρελαντί (εάν είναι απαραίτητο, ελαττώστε την ταχύτητα του ρελαντί).  
Εάν το εργαλείο κοπής συνεχίζει να περιστρέφεται όταν ο κινητήρας βρίσκεται στο ρελαντί, συμβουλευτείτε τον πλησιέστερο Εξουσιοδοτημένο Αντιπρόσωπο του Σέρβις.

- Ελέγξτε για να διαπιστώσετε ότι ο διακόπτης I-O, ο μοχλός απεμπλοκής, ο μοχλός χειρισμού, και το κουμπί ασφάλισης λειτουργούν σωστά.

### Καθαρισμός του φίλτρου αέρα (φίλτρο)

- Ξεβιδώστε τη βίδα (1).
- Στρέψτε το μοχλό του τσοκ (4) στην πλήρως κλειστή πλευρά και κρατήστε το καρμπυρατέρ μακριά από την οποιαδήποτε βρωμιά ή σκόνη.
- Αφαιρέστε το κάλυμμα του φίλτρου αέρα (3).
- Αφαιρέστε το στοιχείο του σπόγγου (2), πλύντε το με χλιαρό νερό και στεγνώστε το εντελώς.
- Μετά το καθαρίσμα, τοποθετήστε πίσω το κάλυμμα του φίλτρου αέρα (3) και στερεώστε το με την βίδα (1).

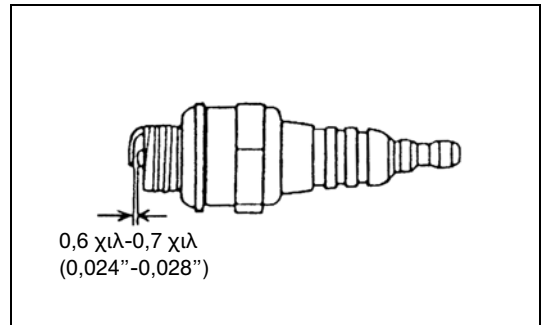


**ΠΑΡΑΤΗΡΗΣΗ:** Εάν υπάρχει υπερβολική σκόνη ή ζημιά κολυμμένη στο φίλτρο αέρα, καθαρίστε το κάθε μέρα. Ένα βουλωμένο φίλτρο αέρα μπορεί να καταστήσει δύσκολη ή ακόμη και αδύνατη την εκκίνηση του κινητήρα, ή μπορεί να αυξήσει την περιστροφική ταχύτητα του κινητήρα.

### Έλεγχος του μπουζιού

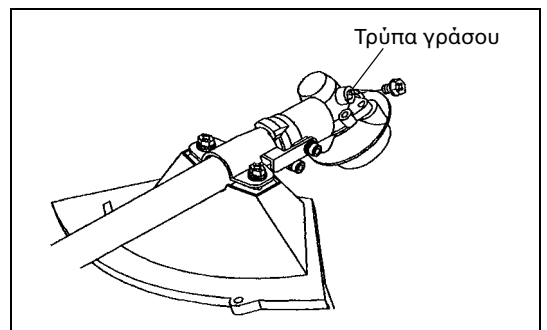
- Χρησιμοποιήστε μόνο το παρεχόμενο κλειδί γενικής χρήσης για την αφαίρεση ή την τοποθέτηση του μπουζιού.
- Το διάκενο μεταξύ των δυο ηλεκτροδίων του μπουζιού πρέπει να είναι 0,6-0,7 χιλ (0,024"-0,028"). Διορθώστε το διάκενο εάν είναι πολύ μεγάλο ή μικρό. Εάν το μπουζί είναι βουλωμένο με άνθρακα ή βρωμιά, καθαρίστε το καλά ή αντικαταστήστε το.

**ΠΡΟΣΟΧΗ:** Ποτέ να μην αγγίζετε το σύνδεσμο του μπουζιού καθώς λειτουργεί ο κινητήρας (υπάρχει κίνδυνος ηλεκτροπληξίας από την υψηλή τάση).



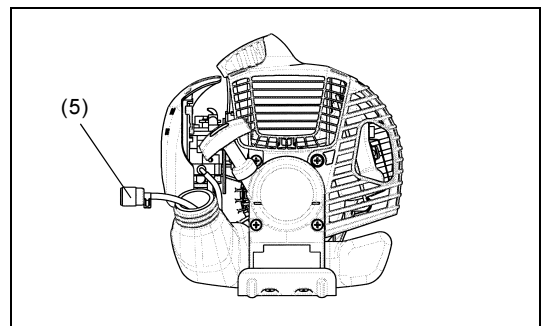
### Παροχή γράσου στο κιβώτιο ταχυτήτων

- Βάλτε γράσο (Shell Alvania 3 ή ισοδύναμο) στο κιβώτιο ταχυτήτων μέσα από την τρύπα του γράσου κάθε 30 ώρες. (Αυθεντικό γράσο MAKITA μπορεί να αγοραστεί από τον αντιπρόσωπο της MAKITA.)



### Κεφαλή αναρρόφησης στο ρεζερβουάρ

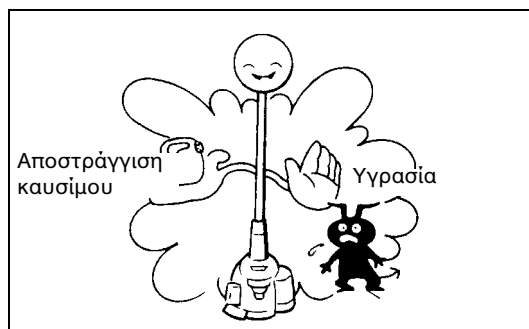
- Ο πληρωτής καυσίμου (5) της κεφαλής αναρρόφησης χρησιμοποιείται για την παροχή του απαιτούμενου καυσίμου στο καρμπυρατέρ.
- Επιθεωρείτε οπτικά το φίλτρο καυσίμου κατά περιόδους. Για την επιθεώρηση του φίλτρου, ανοίξτε την τάπα του ρεζερβουάρ, χρησιμοποιήστε ένα σφυρατόμοιο άγκιστρο και τραβήξτε έξω την κεφαλή αναρρόφησης μέσα από το άνοιγμα του ρεζερβουάρ. Αντικαταστήστε το φίλτρο εάν είναι σκληρό, εάν είναι ιδιαίτερα βρώμικο, ή βουλωμένο.
- Η ανεπαρκής κατανάλωση καυσίμου μπορεί να προκαλέσει την υπέρβαση της μέγιστης επιτρεπόμενης ταχύτητας. Επομένως, το φίλτρο καυσίμου θα πρέπει να αντικαθίσταται τουλάχιστο κάθε τρεις μήνες για την εξασφάλιση της ικανοποιητικής παροχής καυσίμου στο καρμπυρατέρ.



Η οποιαδήποτε άλλη εργασία συντήρησης ή ρύθμισης που δεν περιγράφεται σε αυτό το εγχειρίδιο θα πρέπει να εκτελείται μόνο από τους Εξουσιοδοτημένους Αντιπροσώπους του Σέρβις.

## Αποθήκευση

- Όταν πρόκειται να αποθηκεύσετε τη συσκευή για μεγάλο χρονικό διάστημα αποστραγγίστε όλο το καύσιμο από το ρεζερβουάρ και το καρμπυρατέρ. Για να το κάνετε αυτό, απλά αποστραγγίστε όλο το καύσιμο από το ρεζερβουάρ. Απορρίψτε το αποστραγγισμένο καύσιμο σύμφωνα με την τοπική ισχύουσα νομοθεσία.
- Αφαιρέστε το μπουζί και προσθέστε μερικές σταγόνες λαδιού μέσα στην τρύπα του μπουζιού. Μετά, τραβήξτε σιγά τον εκκινητήρα έτσι ώστε το λάδι να επαλείψει το εσωτερικό του κινητήρα και μετά σφίξτε το μπουζί.
- Καθαρίστε την οποιαδήποτε βρωμιά ή σκόνη από την λάμα κοπής και το εξωτερικό του κινητήρα και σκουπίστε τα με ένα ύφασμα βουτηγμένο σε λάδι. Αποθηκεύστε τη συσκευή σε ένα ξηρό χώρο.



## Πρόγραμμα συντήρησης

Γενικά	Συναρμολογία κινητήρα, βίδες και παξιμάδια	Οπτική επιθεώρηση για ζημιά και σφίξιμο Ελέγξτε την γενική κατάσταση και ασφάλεια
Μετά τον ανεφοδιασμό	Μοχλός χειρισμού Διακόπτης I-O	Λειτουργικός έλεγχος Λειτουργικός έλεγχος
Καθημερινά	Φίλτρο αέρα Ψυκτικός αεραγωγός Εργαλείο κοπής Ταχύτητα ρελαντί	Να καθαριστεί Να καθαριστεί Έλεγχος για ζημιά και αιχμηρότητα Επιθεώρηση (το εργαλείο κοπής δεν πρέπει να κινείται)
Εβδομαδιαία	Μπουζί Σιγαστήρας	Επιθεώρηση, αντικατάσταση εάν είναι απαραίτητο Επιθεώρηση, και καθαρισμός του ανοίγματος εάν είναι απαραίτητο
Τέσσερις φορές το χρόνο	Κεφαλή αναρρόφησης Ρεζερβουάρ καυσίμου	Να αντικατασταθεί Να καθαριστεί
Διαδικασία κλεισίματος	Ρεζερβουάρ καυσίμου Καρμπυρατέρ	Άδειασμα ρεζερβουάρ Λειτουργία έως ότου τελειώσουν τα καύσιμα του κινητήρα

## Επίλυση προβλημάτων

Βλάβη	Σύστημα	Παρατήρηση	Αιτία
Ο κινητήρας δεν ξεκινά ή δυσκολεύεται να ξεκινήσει	Σύστημα ανάφλεξης	Σπινθήρας ανάφλεξης ENTAΞEI  Δεν υπάρχει σπινθήρας ανάφλεξης	Σφάλμα στην παροχή καυσίμου ή στο σύστημα συμπίεσης, μηχανική βλάβη  Διακόπτης I-O υπό χειρισμό, σφάλμα καλωδίωσης ή βραχυκύκλωμα, ελαττωματικό μπουζί ή σύνδεσμος, βλάβη στο σύστημα ανάφλεξης
	Παροχή καυσίμου	Γεμάτο ρεζερβουάρ	Λανθασμένη θέση του τσοκ, ελαττωματικό καρμπυρατέρ, σωλήνας παροχής καυσίμου λυγισμένος ή μπλοκαρισμένος, βρώμικο καύσιμο.
	Συμπίεση	Καμιά συμπίεση κατά το τράβηγμα	Ελαττωματική η κάτω στεγανοποιητική φλάντζα του κυλίνδρου, φθαρμένα στεγανοποιητικά του στροφαλοφόρου, ελαττωματικοί δακτύλιοι του κυλίνδρου ή του πιστονιού ή ακατάλληλη στεγανοποίηση του μπουζιού
	Μηχανική βλάβη	Ο εκκινητήρας δεν λειτουργεί	Σπασμένο ελατήριο του εκκινητήρα, σπασμένα εξαρτήματα μέσα στον κινητήρα
Προβλήματα θερμής εκκίνησης		Ρεζερβουάρ γεμάτο. Σπινθήρας ανάφλεξης ENTAΞEI	Βρώμικο καρμπυρατέρ, πρέπει να καθαριστεί
Ο κινητήρας ξεκινά αλλά σβήνει	Παροχή καυσίμου	Ρεζερβουάρ γεμάτο	Λανθασμένη ρύθμιση του καρμπυρατέρ, βρώμικο καρμπυρατέρ  Ελαττωματικό άνοιγμα του ρεζερβουάρ, διακοπή στο σωλήνα παροχής καυσίμου, ελαττωματικό καλώδιο ή διακόπτης I-O
Ανεπαρκής απόδοση	Πολλά συστήματα μπορεί να είναι ταυτόχρονα ελαττωματικά	Ανεπαρκές ρελαντί του κινητήρα	Βρώμικο φίλτρο αέρα, βρώμικο καρμπυρατέρ, σιγαστήρας βουλωμένος, αγωγός εξάτμισης βουλωμένος

**Makita Corporation**

3-11-8, Sumiyoshi-cho,  
Anjo, Aichi 446-8502, Japan