

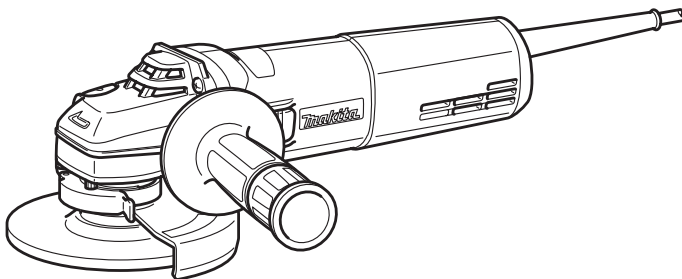


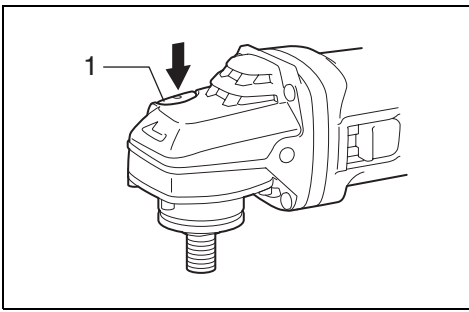
| | | |
|-----------|--------------------------------|--------------------------------|
| GB | Angle Grinder | Instruction Manual |
| F | Meuleuse d'Angle | Manuel d'instructions |
| D | Winkelschleifer | Betriebsanleitung |
| I | Smerigliatrice angolare | Istruzioni per l'uso |
| NL | Haakse slijpmachine | Gebruiksaanwijzing |
| E | Esmeriladora Angular | Manual de instrucciones |
| P | Esmerilhadeira Angular | Manual de instruções |
| DK | Vinkelsliber | Brugsanvisning |
| GR | Γωνιακός λειαντήρας | Οδηγίες χρήσεως |

9563H

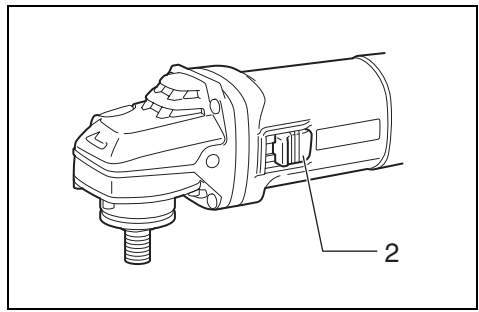
9564H

9565H

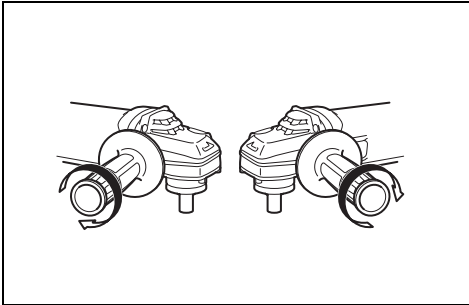




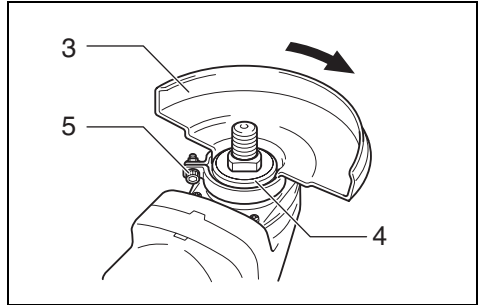
1



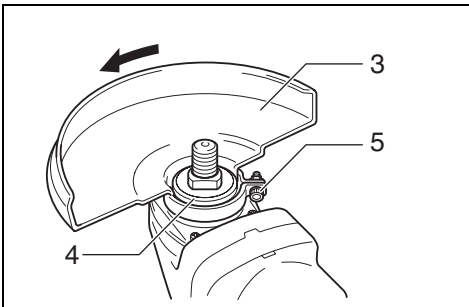
2



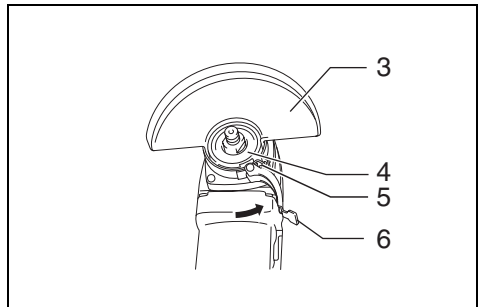
3



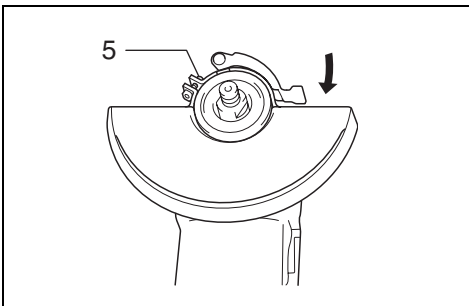
4



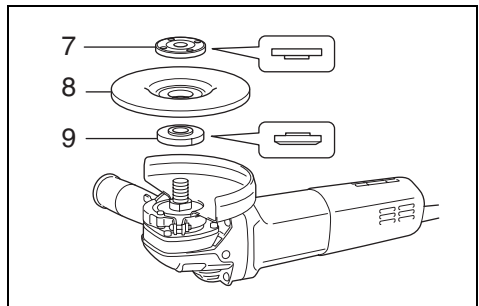
5



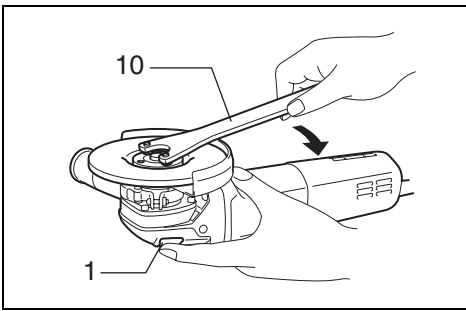
6



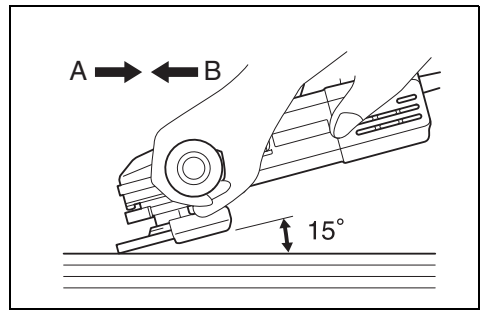
7



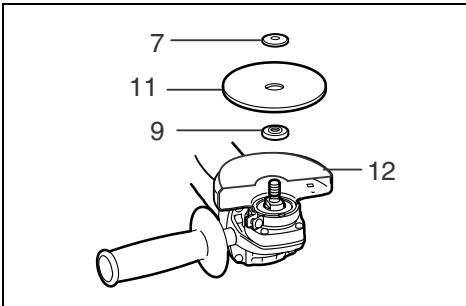
8



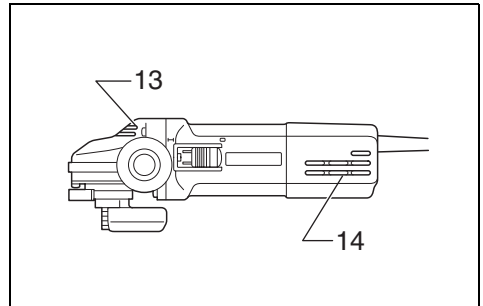
9



10



11






12

Explanation of general view

| | | |
|----------------|--|---|
| 1 Shaft lock | 7 Lock nut | 11 Abrasive cut-off wheel/diamond wheel |
| 2 Slide switch | 8 Depressed center grinding wheel/Multi-disc | 12 Wheel guard for abrasive cut-off wheel/diamond wheel |
| 3 Wheel guard | 9 Inner flange | 13 Exhaust vent |
| 4 Bearing box | 10 Lock nut wrench | 14 Inhalation vent |
| 5 Screw | | |
| 6 Lever | | |

SPECIFICATIONS

| Model | 9563H | 9564H | 9565H |
|---|---|---|---|
| Depressed center wheel diameter..... | 100 mm | 115 mm | 125 mm |
| Spindle thread | M10 | M14 | M14 |
| Rated speed (n) / No load speed (n ₀) | 11,000 min ⁻¹ | 11,000 min ⁻¹ | 11,000 min ⁻¹ |
| Overall length | 299 mm | 299 mm | 299 mm |
| Net weight | 2.1 kg | 2.3 kg | 2.3 kg |
| Safety class |  /II |  /II |  /II |

- Due to our continuing program of research and development, the specifications herein are subject to change without notice.
- Specifications may differ from country to country.
- Weight according to EPTA-Procedure 01/2003

GEB033-3

Intended use


The tool is intended for grinding, sanding and cutting of metal and stone materials without the use of water.

Power supply

The tool should be connected only to a power supply of the same voltage as indicated on the nameplate, and can only be operated on single-phase AC supply. They are double-insulated in accordance with European Standard and can, therefore, also be used from sockets without earth wire.

GEA010-1

General Power Tool Safety Warnings

 **WARNING** Read all safety warnings and all instructions. Failure to follow the warnings and instructions may result in electric shock, fire and/or serious injury.

Save all warnings and instructions for future reference.

GRINDER SAFETY WARNINGS

Safety Warnings Common for Grinding, Sanding, Wire Brushing, or Abrasive Cutting-Off Operations:

- 1. This power tool is intended to function as a grinder, sander, wire brush or cut-off tool. Read all safety warnings, instructions, illustrations and specifications provided with this power tool.** Failure to follow all instructions listed below may result in electric shock, fire and/or serious injury.
- 2. Operations such as polishing are not recommended to be performed with this power tool.** Operations for which the power tool was not designed may create a hazard and cause personal injury.
- 3. Do not use accessories which are not specifically designed and recommended by the tool manufacturer.** Just because the accessory can be attached to your power tool, it does not assure safe operation.
- 4. The rated speed of the accessory must be at least equal to the maximum speed marked on the power tool.** Accessories running faster than their rated speed can break and fly apart.
- 5. The outside diameter and the thickness of your accessory must be within the capacity rating of your power tool.** Incorrectly sized accessories cannot be adequately guarded or controlled.
- 6. The arbour size of wheels, flanges, backing pads or any other accessory must properly fit the spindle of the power tool.** Accessories with arbour holes that do not match the mounting hardware of the power tool will run out of balance, vibrate excessively and may cause loss of control.

7. **Do not use a damaged accessory. Before each use inspect the accessory such as abrasive wheels for chips and cracks, backing pad for cracks, tear or excess wear, wire brush for loose or cracked wires. If power tool or accessory is dropped, inspect for damage or install an undamaged accessory. After inspecting and installing an accessory, position yourself and bystanders away from the plane of the rotating accessory and run the power tool at maximum no-load speed for one minute.** Damaged accessories will normally break apart during this test time.
8. **Wear personal protective equipment. Depending on application, use face shield, safety goggles or safety glasses. As appropriate, wear dust mask, hearing protectors, gloves and workshop apron capable of stopping small abrasive or workpiece fragments.** The eye protection must be capable of stopping flying debris generated by various operations. The dust mask or respirator must be capable of filtering particles generated by your operation. Prolonged exposure to high intensity noise may cause hearing loss.
9. **Keep bystanders a safe distance away from work area. Anyone entering the work area must wear personal protective equipment.** Fragments of workpiece or of a broken accessory may fly away and cause injury beyond immediate area of operation.
10. **Hold power tool by insulated gripping surfaces only, when performing an operation where the cutting accessory may contact hidden wiring or its own cord.** Cutting accessory contacting a "live" wire may make exposed metal parts of the power tool "live" and shock the operator.
11. **Position the cord clear of the spinning accessory.** If you lose control, the cord may be cut or snagged and your hand or arm may be pulled into the spinning accessory.
12. **Never lay the power tool down until the accessory has come to a complete stop.** The spinning accessory may grab the surface and pull the power tool out of your control.
13. **Do not run the power tool while carrying it at your side.** Accidental contact with the spinning accessory could snag your clothing, pulling the accessory into your body.
14. **Regularly clean the power tool's air vents.** The motor's fan will draw the dust inside the housing and excessive accumulation of powdered metal may cause electrical hazards.
15. **Do not operate the power tool near flammable materials.** Sparks could ignite these materials.
16. **Do not use accessories that require liquid coolants.** Using water or other liquid coolants may result in electrocution or shock.

Kickback and Related Warnings:

Kickback is a sudden reaction to a pinched or snagged rotating wheel, backing pad, brush or any other accessory. Pinching or snagging causes rapid stalling of the rotating accessory which in turn causes the uncontrolled power tool to be forced in the direction opposite of the accessory's rotation at the point of the binding.

For example, if an abrasive wheel is snagged or pinched by the workpiece, the edge of the wheel that is entering into the pinch point can dig into the surface of the material causing the wheel to climb out or kick out. The wheel may either jump toward or away from the operator, depending on direction of the wheel's movement at the point of pinching. Abrasive wheels may also break under these conditions.

Kickback is the result of power tool misuse and/or incorrect operating procedures or conditions and can be avoided by taking proper precautions as given below.

- a) **Maintain a firm grip on the power tool and position your body and arm to allow you to resist kickback forces. Always use auxiliary handle, if provided, for maximum control over kickback or torque reaction during start-up.** The operator can control torque reactions or kickback forces, if proper precautions are taken.
- b) **Never place your hand near the rotating accessory.** Accessory may kickback over your hand.
- c) **Do not position your body in the area where power tool will move if kickback occurs.** Kickback will propel the tool in direction opposite to the wheel's movement at the point of snagging.
- d) **Use special care when working corners, sharp edges etc. Avoid bouncing and snagging the accessory.** Corners, sharp edges or bouncing have a tendency to snag the rotating accessory and cause loss of control or kickback.
- e) **Do not attach a saw chain woodcarving blade or toothed saw blade.** Such blades create frequent kickback and loss of control.

Safety Warnings Specific for Grinding and Abrasive Cutting-Off Operations:

- a) **Use only wheel types that are recommended for your power tool and the specific guard designed for the selected wheel.** Wheels for which the power tool was not designed cannot be adequately guarded and are unsafe.
- b) **The guard must be securely attached to the power tool and positioned for maximum safety, so the least amount of wheel is exposed towards the operator.** The guard helps to protect operator from broken wheel fragments and accidental contact with wheel.
- c) **Wheels must be used only for recommended applications. For example: do not grind with the side of cut-off wheel.** Abrasive cut-off wheels are intended for peripheral grinding, side forces applied to these wheels may cause them to shatter.
- d) **Always use undamaged wheel flanges that are of correct size and shape for your selected wheel.** Proper wheel flanges support the wheel thus reducing the possibility of wheel breakage. Flanges for cut-off wheels may be different from grinding wheel flanges.

- e) **Do not use worn down wheels from larger power tools.** Wheel intended for larger power tool is not suitable for the higher speed of a smaller tool and may burst.

Additional Safety Warnings Specific for Abrasive Cutting-Off Operations:

- a) **Do not “jam” the cut-off wheel or apply excessive pressure. Do not attempt to make an excessive depth of cut.** Overstressing the wheel increases the loading and susceptibility to twisting or binding of the wheel in the cut and the possibility of kickback or wheel breakage.
- b) **Do not position your body in line with and behind the rotating wheel.** When the wheel, at the point of operation, is moving away from your body, the possible kickback may propel the spinning wheel and the power tool directly at you.
- c) **When wheel is binding or when interrupting a cut for any reason, switch off the power tool and hold the power tool motionless until the wheel comes to a complete stop. Never attempt to remove the cut-off wheel from the cut while the wheel is in motion otherwise kickback may occur.** Investigate and take corrective action to eliminate the cause of wheel binding.
- d) **Do not restart the cutting operation in the workpiece. Let the wheel reach full speed and carefully reenter the cut.** The wheel may bind, walk up or kickback if the power tool is restarted in the workpiece.
- e) **Support panels or any oversized workpiece to minimize the risk of wheel pinching and kickback.** Large workpieces tend to sag under their own weight. Supports must be placed under the workpiece near the line of cut and near the edge of the workpiece on both sides of the wheel.
- f) **Use extra caution when making a “pocket cut” into existing walls or other blind areas.** The protruding wheel may cut gas or water pipes, electrical wiring or objects that can cause kickback.

Safety Warnings Specific for Sanding Operations:

- a) **Do not use excessively oversized sanding disc paper. Follow manufacturers recommendations, when selecting sanding paper.** Larger sanding paper extending beyond the sanding pad presents a laceration hazard and may cause snagging, tearing of the disc or kickback.

Safety Warnings Specific for Wire Brushing Operations:

- a) **Be aware that wire bristles are thrown by the brush even during ordinary operation. Do not overstress the wires by applying excessive load to the brush.** The wire bristles can easily penetrate light clothing and/or skin.
- b) **If the use of a guard is recommended for wire brushing, do not allow interference of the wire wheel or brush with the guard.** Wire wheel or brush may expand in diameter due to work load and centrifugal forces.

Additional Safety Warnings:

- 17. **When using depressed center grinding wheels, be sure to use only fiberglass-reinforced wheels.**
- 18. **Be careful not to damage the spindle, the flange (especially the installing surface) or the lock nut. Damage to these parts could result in wheel breakage.**
- 19. **Make sure the wheel is not contacting the workpiece before the switch is turned on.**
- 20. **Before using the tool on an actual workpiece, let it run for a while. Watch for vibration or wobbling that could indicate poor installation or a poorly balanced wheel.**
- 21. **Use the specified surface of the wheel to perform the grinding.**
- 22. **Watch out for flying sparks. Hold the tool so that sparks fly away from you and other persons or flammable materials.**
- 23. **Do not leave the tool running. Operate the tool only when hand-held.**
- 24. **Do not touch the workpiece immediately after operation; it may be extremely hot and could burn your skin.**
- 25. **Always be sure that the tool is switched off and unplugged or that the battery cartridge is removed before carrying out any work on the tool.**
- 26. **Observe the instructions of the manufacturer for correct mounting and use of wheels. Handle and store wheels with care.**
- 27. **Do not use separate reducing bushings or adaptors to adapt large hole abrasive wheels.**
- 28. **Use only flanges specified for this tool.**
- 29. **For tools intended to be fitted with threaded hole wheel, ensure that the thread in the wheel is long enough to accept the spindle length.**
- 30. **Check that the workpiece is properly supported.**
- 31. **Pay attention that the wheel continues to rotate after the tool is switched off.**
- 32. **If working place is extremely hot and humid, or badly polluted by conductive dust, use a short-circuit breaker (30 mA) to assure operator safety.**
- 33. **Do not use the tool on any materials containing asbestos.**
- 34. **Do not use water or grinding lubricant.**
- 35. **Ensure that ventilation openings are kept clear when working in dusty conditions. If it should become necessary to clear dust, first disconnect the tool from the mains supply (use non metallic objects) and avoid damaging internal parts.**
- 36. **When use cut-off wheel, always work with the dust collecting wheel guard required by domestic regulation.**
- 37. **Cutting discs must not be subjected to any lateral pressure.**

SAVE THESE INSTRUCTIONS.

WARNING:

DO NOT let comfort or familiarity with product (gained from repeated use) replace strict adherence to safety rules for the subject product. MISUSE or failure to follow the safety rules stated in this instruction manual may cause serious personal injury.

FUNCTIONAL DESCRIPTION

CAUTION:

- Always be sure that the tool is switched off and unplugged before adjusting or checking function on the tool.

Shaft lock (Fig. 1)

CAUTION:

- Never actuate the shaft lock when the spindle is moving. The tool may be damaged.

Press the shaft lock to prevent spindle rotation when installing or removing accessories.

Switch action (Fig. 2)

CAUTION:

- Before plugging in the tool, always check to see that the slide switch actuates properly and returns to the "OFF" position when the rear of the slide switch is depressed.

To start the tool, slide the slide switch toward the "I (ON)" position. For continuous operation, press the front of the slide switch to lock it.

To stop the tool, press the rear of the slide switch, then slide it toward the "O (OFF)" position.

ASSEMBLY

CAUTION:

- Always be sure that the tool is switched off and unplugged before carrying out any work on the tool.

Installing side grip (handle) (Fig. 3)

CAUTION:

- Always be sure that the side grip is installed securely before operation.

Screw the side grip securely on the position of the tool as shown in the figure.

Installing or removing wheel guard (For depressed center wheel, multi disc / abrasive cut-off wheel, diamond wheel)

For tool with locking screw type wheel guard (Fig. 4 & 5)

CAUTION:

- The wheel guard must be fitted on the tool so that the closed side of the guard always points toward the operator.

Mount the wheel guard with the protrusion on the wheel guard band aligned with the notch on the bearing box. Then rotate the wheel guard around 180 degrees. Be sure to tighten the screw securely.

To remove wheel guard, follow the installation procedure in reverse.

For tool with clamp lever type wheel guard (Fig. 6 & 7)

Pull the lever in the direction of the arrow after loosening the screw. Mount the wheel guard with the protrusion on the wheel guard band aligned with the notch on the bearing box. Then rotate the wheel guard around 180°. Fasten it with the screw after pulling lever in the direction of the arrow for the working purpose. The setting angle of the wheel guard can be adjusted with the lever.

To remove wheel guard, follow the installation procedure in reverse.

Installing or removing depressed center grinding wheel/Multi-disc (accessory)

Mount the inner flange onto the spindle. Fit the wheel/disc on the inner flange and screw the lock nut onto the spindle. (Fig. 8)

To tighten the lock nut, press the shaft lock firmly so that the spindle cannot revolve, then use the lock nut wrench and securely tighten clockwise.

To remove the wheel, follow the installation procedure in reverse. (Fig. 9)

OPERATION

WARNING:

- It should never be necessary to force the tool. The weight of the tool applies adequate pressure. Forcing and excessive pressure could cause dangerous wheel breakage.
- ALWAYS replace wheel if tool is dropped while grinding.
- NEVER bang or hit grinding disc or wheel onto work.
- Avoid bouncing and snagging the wheel, especially when working corners, sharp edges etc. This can cause loss of control and kickback.
- NEVER use tool with wood cutting blades and other sawblades. Such blades when used on a grinder frequently kick and cause loss of control leading to personal injury.

CAUTION:

- After operation, always switch off the tool and wait until the wheel has come to a complete stop before putting the tool down.

Grinding and sanding operation (Fig. 10)

ALWAYS hold the tool firmly with one hand on housing and the other on the side handle. Turn the tool on and then apply the wheel or disc to the workpiece.

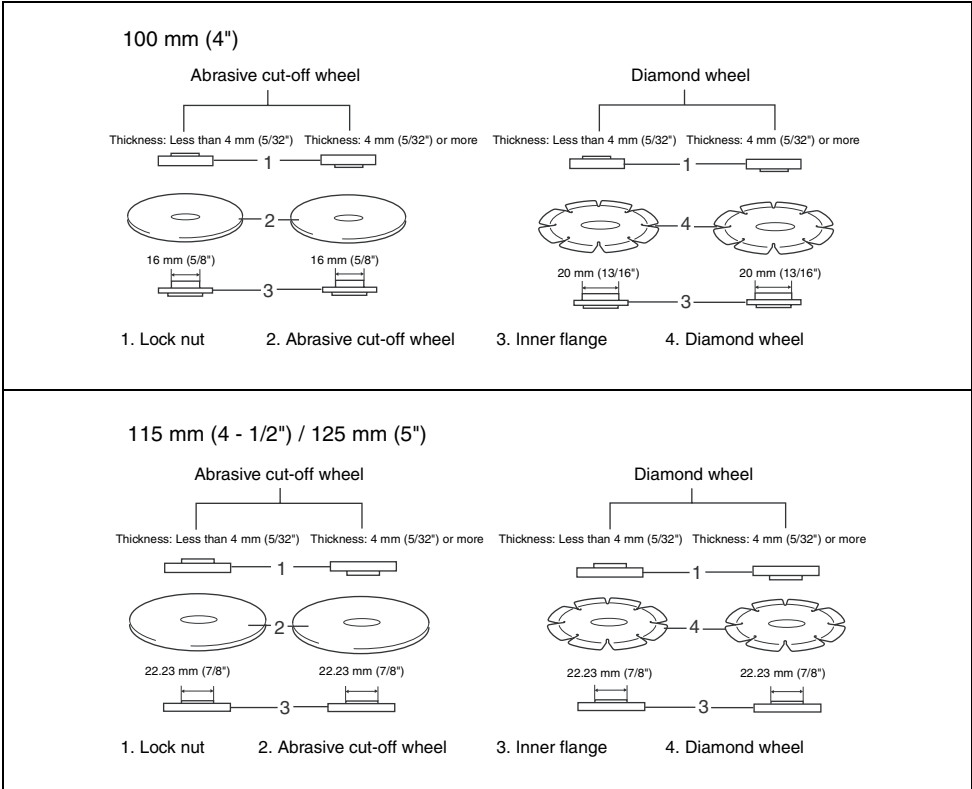
In general, keep the edge of the wheel or disc at an angle of about 15 degrees to the workpiece surface.

During the break-in period with a new wheel, do not work the grinder in the B direction or it will cut into the workpiece. Once the edge of the wheel has been rounded off by use, the wheel may be worked in both A and B direction.

Operation with abrasive cut-off / diamond wheel (optional accessory) (Fig. 11)

The direction for mounting the lock nut and the inner flange varies by wheel thickness.

Refer to the table below.



WARNING:

- When using an abrasive cut-off / diamond wheel, be sure to use only the special wheel guard designed for use with cut-off wheels.
- NEVER use cut-off wheel for side grinding.
- Do not "jam" the wheel or apply excessive pressure. Do not attempt to make an excessive depth of cut. Over-stressing the wheel increases the loading and susceptibility to twisting or binding of the wheel in the cut and the possibility of kickback, wheel breakage and overheating of the motor may occur.
- Do not start the cutting operation in the workpiece. Let the wheel reach full speed and carefully enter into the cut moving the tool forward over the workpiece surface. The wheel may bind, walk up or kickback if the power tool is started in the workpiece.
- During cutting operations, never change the angle of the wheel. Placing side pressure on the cut-off wheel (as in grinding) will cause the wheel to crack and break, causing serious personal injury.
- A diamond wheel shall be operated perpendicular to the material being cut.

MAINTENANCE

CAUTION:

- Always be sure that the tool is switched off and unplugged before attempting to perform inspection or maintenance.
- Never use gasoline, benzene, thinner, alcohol or the like. Discoloration, deformation or cracks may result.

The tool and its air vents have to be kept clean. Regularly clean the tool's air vents or whenever the vents start to become obstructed. (Fig. 12)

To maintain product SAFETY and RELIABILITY, repairs, carbon brush inspection and replacement, any other maintenance or adjustment should be performed by Makita Authorized Service Centers, always using Makita replacement parts.

ACCESSORIES

CAUTION:

- These accessories or attachments are recommended for use with your Makita tool specified in this manual. The use of any other accessories or attachments might present a risk of injury to persons. Only use accessory or attachment for its stated purpose.




If you need any assistance for more details regarding these accessories, ask your local Makita service center.

- Wheel guard (Wheel cover) For depressed center wheel / Multi disc
- Wheel guard (Wheel cover) For abrasive cut-off wheel / diamond wheel
- Depressed center wheels
- Abrasive cut-off wheels
- Multi discs
- Diamond wheels
- Wire cup brushes
- Wire bevel brush 85
- Abrasive discs
- Inner flange
- Lock nut For depressed center wheel / abrasive cut-off wheel / multi disc / diamond wheel
- Lock nut For abrasive disc
- Lock nut wrench
- Side grip

Descriptif

| | | |
|-----------------------------|--|---|
| 1 Blocage de l'arbre | 8 Meule à moyen déporté/ multidisque | 12 Carter de meule pour meule de tronçonnage abrasive/meule diamantée |
| 2 Interrupteur à glissement | 9 Flasque intérieur | 13 Sortie d'air |
| 3 Carter de meule | 10 Clé à contre-écrou | 14 Entrée d'air |
| 4 Boîtier d'engrenage | 11 Meule de tronçonnage abrasive/ meule diamantée | |
| 5 Vis | | |
| 6 Levier | | |
| 7 Contre-écrou | | |

SPÉCIFICATIONS

| Modèle | 9563H | 9564H | 9565H |
|--|---|---|---|
| Diamètre de la meule à moyen déporté | 100 mm | 115 mm | 125 mm |
| Filetage de l'arbre | M10 | M14 | M14 |
| Vitesse nominale (n) / Vitesse à vide (n ₀)..... | 11 000 min ⁻¹ | 11 000 min ⁻¹ | 11 000 min ⁻¹ |
| Longueur totale | 299 mm | 299 mm | 299 mm |
| Poids net | 2,1 kg | 2,3 kg | 2,3 kg |
| Catégorie de sécurité..... |  /II |  /II |  /II |

- Etant donné l'évolution constante de notre programme de recherche et de développement, les spécifications contenues dans ce manuel sont sujettes à modification sans préavis.
- Les spécifications peuvent varier suivant les pays.
- Poids selon la procédure EPTA 01/2003

Utilisations

L'outil est conçu pour le meulage, le ponçage et la coupe des matériaux de métal et de pierre, sans utilisation d'eau.

Alimentation

L'outil ne devra être raccordé qu'à une alimentation de la même tension que celle qui figure sur la plaque signalétique, et il ne pourra fonctionner que sur un courant secteur monophasé. Réalisé avec une double isolation, il est conforme à la réglementation européenne et peut de ce fait être alimenté sans mise à la terre.

GEA010-1

Consignes de sécurité générales pour outils électriques

⚠ MISE EN GARDE Veuillez lire toutes les mises en garde et toutes les instructions. Il y a risque de choc électrique, d'incendie et/ou de blessure grave si les mises en garde et les instructions ne sont pas respectées.

Conservez toutes les mises en garde et instructions pour référence ultérieure.

GEB033-3

CONSIGNES DE SÉCURITÉ POUR LE MEULEUSE

Consignes de sécurité communes aux travaux de meulage, ponçage, brossage métallique et tronçonnage abrasif :

1. Cet outil électrique est conçu pour être utilisé en tant que meuleuse, ponceuse, broche métallique ou outil de tronçonnage. Veuillez lire les consignes de sécurité, instructions, illustrations et spécifications qui accompagnent cet outil électrique. Il y a risque de choc électrique, d'incendie et/ou de blessure grave si les instructions ci-dessous ne sont pas toutes respectées.

2. **Il est recommandé de ne pas effectuer de travaux de polissage avec cet outil électrique.** Il y a risque de danger et de blessure si l'outil électrique est utilisé pour exécuter des travaux pour lesquels il n'a pas été conçu.
3. **N'utilisez pas d'accessoires non spécifiquement conçus et recommandés par le fabricant de l'outil.** Même s'il est possible de fixer un accessoire à l'outil électrique, cela ne garantit pas qu'il fonctionnera de manière sûre.
4. **La vitesse nominale de l'accessoire doit être au moins égale à la vitesse maximale indiquée sur l'outil électrique.** Les accessoires utilisés à une vitesse supérieure à leur vitesse nominale peuvent se casser et voler en éclats.
5. **Le diamètre extérieur et l'épaisseur de l'accessoire ne doivent pas dépasser la capacité nominale de l'outil électrique.** La maîtrise et la protection des accessoires de format incorrect ne peuvent être garantis.
6. **La taille de l'alésage des meules, flasques, semelles ou autres accessoires doit être bien adaptée à la taille de l'axe de l'outil électrique.** Un accessoire dont les alésages ne sont pas bien adaptés à la taille de la pièce où il est monté sur l'outil électrique se déséquilibrera, vibrera trop et pourra entraîner une perte de maîtrise de l'outil.
7. **N'utilisez jamais un accessoire endommagé.** Avant chaque utilisation, assurez-vous que la meule abrasive est exempte de copeaux et fissures, que la semelle n'est pas fissurée, déchirée ou trop usée, ou que la brosse métallique est exempte de fils métalliques lâches ou cassés. Si vous échappez l'outil électrique ou un accessoire, assurez-vous qu'il n'est pas endommagé et remplacez-le en cas de dommage. Après avoir vérifié et installé un accessoire, assurez-vous que personne, y compris vous-même, ne se trouve au même niveau que l'accessoire rotatif, et faites tourner l'outil électrique à vitesse maximale, sans charge, pendant une minute. Normalement l'accessoire se cassera lors de ce test s'il est endommagé.

8. **Portez des dispositifs de protection personnelle. Suivant le type de travail à effectuer, utilisez un écran facial, des lunettes étanches ou des lunettes de sécurité. Selon le cas, portez un masque antipoussières, des protecteurs d'oreilles, des gants ou un tablier de travail assurant une protection contre les petits éclats de disque abrasif ou de pièce.** La protection des yeux doit pouvoir arrêter les débris éjectés lors des divers travaux. Le masque antipoussières ou le masque filtrant doit pouvoir filtrer les particules générées lors des travaux. L'exposition prolongée à un bruit d'intensité élevée peut entraîner la surdité.
9. **Assurez-vous que les curieux demeurent à une distance sûre de la zone de travail. Toute personne pénétrant dans la zone de travail doit porter des dispositifs de protection personnelle.** Des fragments de pièce ou un accessoire cassé peuvent être éjectés et blesser les personnes présentes dans la zone de travail.
10. **Saisissez l'outil électrique uniquement par ses surfaces de poigne isolées lorsque vous effectuez des travaux au cours desquels l'accessoire tranchant peut entrer en contact avec des fils cachés ou avec le cordon d'alimentation de l'outil.** Le contact de l'accessoire tranchant avec un fil sous tension peut également mettre sous tension les parties métalliques exposées de l'outil électrique, causant ainsi un choc électrique chez l'utilisateur.
11. **Placez le cordon à l'écart de l'accessoire tournant.** Si vous perdez la maîtrise de l'outil, vous risquez de couper ou d'accrocher le cordon, et l'accessoire tournant risque de vous happer une main ou un bras.
12. **Ne déposez jamais l'outil électrique avant que l'accessoire n'ait complètement cessé de tourner.** L'accessoire tournant risquerait d'accrocher la surface et d'entraîner une perte de maîtrise de l'outil électrique.
13. **Ne laissez pas tourner l'outil électrique lorsque vous le transportez.** L'accessoire tournant risquerait d'entrer accidentellement en contact avec vos vêtements et d'être ensuite attiré vers votre corps.
14. **Nettoyez régulièrement les orifices de ventilation de l'outil électrique.** Le ventilateur du moteur attire la poussière à l'intérieur du carter et l'accumulation excessive de poudre métallique peut causer un danger électrique.
15. **N'utilisez pas l'outil électrique près des matériaux inflammables.** Les étincelles peuvent allumer ces matériaux.
16. **N'utilisez pas d'accessoires pour lesquels l'utilisation d'un liquide de refroidissement est nécessaire.** L'utilisation d'eau ou d'un liquide de refroidissement comporte un risque d'électrocution ou de choc électrique.

Mises en garde concernant les chocs en retour :

Le choc en retour est une réaction soudaine qui survient lorsque la meule, la semelle, la brosse ou un autre accessoire en rotation se coince ou accroche. Lorsque l'accessoire en rotation se coince ou accroche, il s'arrête soudainement et l'utilisateur perd alors la maîtrise de l'outil électrique projeté dans le sens contraire de sa rotation au point où il se coince dans la pièce.

Par exemple, si une meule abrasive accroche ou se coince dans la pièce, son tranchant risque d'y creuser la surface du matériau, avec pour conséquence que la meule remontera ou bondira. La meule risque alors de bondir vers l'utilisateur ou en sens opposé, suivant son sens de déplacement au point où elle se coince dans la pièce. Dans de telles situations, la meule abrasive risque aussi de casser.

Le choc en retour est le résultat d'une mauvaise utilisation de l'outil électrique et/ou de procédures ou conditions inadéquates de travail. Il peut être évité en prenant les mesures appropriées, tel qu'indiqué ci-dessous.

- a) **Maintenez une poigne ferme sur l'outil électrique, et placez corps et bras de façon à assurer une bonne résistance aux forces de choc en retour. Utilisez toujours la poignée auxiliaire lorsque cette dernière est disponible, pour assurer une maîtrise maximale de l'outil en cas de choc en retour ou de réaction de couple au moment du démarrage.** L'utilisateur peut maîtriser l'effet de la réaction de couple ou du choc en retour s'il prend les précautions nécessaires.
- b) **Ne placez jamais la main près d'un accessoire en rotation.** L'accessoire risquerait de passer sur la main en cas de choc en retour.
- c) **Ne vous placez pas dans la zone vers laquelle l'outil électrique se déplacera en cas de choc en retour.** Le choc en retour projettera l'outil dans le sens opposé au mouvement de la meule au point où elle accroche dans la pièce.
- d) **Soyez tout particulièrement prudent lorsque vous travaillez dans les coins, sur des bords tranchants, etc. Évitez de laisser l'accessoire bondir ou accrocher.** L'accessoire en rotation a tendance à accrocher, entraînant une perte de maîtrise ou un choc en retour, au contact des coins et des bords tranchants, ou lorsqu'il bondit.
- e) **Ne fixez pas une lame de tronçonneuse ou une lame dentée.** De telles lames causent fréquemment des chocs en retour et des pertes de maîtrise.

Consignes de sécurité spécifiques aux opérations de meulage et de tronçonnage abrasif :

- a) **Utilisez exclusivement les types de meule recommandés pour votre outil électrique, et le carter de meule conçu spécifiquement pour la meule sélectionnée.** L'utilisation de meules non conçues pour l'outil électrique est dangereuse car le carter de meule ne peut pas assurer une protection adéquate.
- b) **Le carter de meule doit être solidement fixé à l'outil électrique et placé de façon à assurer une sécurité maximale en ne laissant qu'une partie minimale de la meule exposée du côté de l'utilisateur.** Le carter de meule aide à protéger l'utilisateur contre les fragments d'une meule cassée et contre le contact accidentel avec la meule.

- c) **Les meules doivent être utilisées exclusivement pour les applications recommandées. Par exemple : une meule tronçonneuse ne doit pas être utilisée pour le meulage latéral.** Les meules tronçonneuses abrasives étant conçues pour le meulage périphérique, elles risquent de voler en éclats si on leur applique une force latérale.
- d) **Utilisez toujours des flasques de meule en bon état, dont la taille et la forme correspondent à la meule sélectionnée.** Des flasques de meule adéquats soutiennent la meule et réduisent ainsi les risques de rupture de la meule. Les flasques de meule tronçonneuse peuvent être différents des flasques de meule ordinaire.
- e) **N'utilisez pas les meules usées d'outils électriques plus gros.** Une meule conçue pour un outil électrique plus gros ne convient pas à l'utilisation à vitesse plus élevée sur un outil plus petit. Elle risquerait de voler en éclats.

Consignes de sécurité supplémentaires et spécifiques aux travaux de tronçonnage abrasif :

- a) **Évitez de « bloquer » la meule tronçonneuse ou de lui appliquer une pression excessive.** N'essayez pas de faire une coupe de profondeur excessive. Il y a risque de torsion ou de coincement de la meule dans la ligne de coupe si elle est soumise à une surcharge. Elle risque alors d'effectuer un choc en retour ou de casser.
- b) **Ne vous placez pas directement derrière ou devant la meule en rotation.** Lorsque la meule, au point d'opération, s'éloigne de votre corps, un choc en retour peut projeter la meule en rotation et l'outil électrique directement vers vous.
- c) **Lorsque la meule se coince ou lorsque vous interrompez la coupe pour une raison quelconque, mettez l'outil électrique hors tension et gardez-le immobile jusqu'à ce que la meule cesse complètement de tourner. Ne tentez jamais de retirer la meule tronçonneuse de la ligne de coupe alors que la meule tourne encore, car il y a risque de choc en retour.** Identifiez la cause du coincement de la meule et éliminez-la.
- d) **Ne reprenez pas la coupe en laissant la meule telle quelle dans la pièce. Attendez que la meule ait atteint sa pleine vitesse avant de la réintroduire soigneusement dans la ligne de coupe.** Si vous redémarrez l'outil électrique alors qu'il se trouve encore dans la pièce à travailler, la meule risquera de se coincer, de remonter hors de la ligne de coupe ou de provoquer un choc en retour.
- e) **Soutenez les panneaux ou pièces trop grandes pour minimiser les risques que la meule ne se coince et ne cause un choc en retour.** Les grandes pièces ont tendance à s'affaisser sous leur propre poids. Des supports doivent être installés sous la pièce près de la ligne de coupe et près des bords de la pièce, des deux côtés de la meule.
- f) **Soyez extrêmement prudent lorsque vous effectuez une coupe en cul-de-sac dans un mur ou toute autre surface derrière laquelle peuvent se trouver des objets cachés.** La meule risquerait de couper des tuyaux de gaz ou d'eau, des fils électriques ou des objets pouvant causer un choc en retour.

Consignes de sécurité spécifiques aux travaux de ponçage :

- a) **N'utilisez pas du papier de ponçage de trop grande taille. Suivez les recommandations du fabricant pour choisir le papier de ponçage.** Il y a risque de lacération si le papier de ponçage dépasse de la semelle, et le disque risque alors d'accrocher, de s'user plus vite ou de provoquer un choc en retour.

Consignes de sécurité spécifiques aux travaux de brossage métallique :

- a) **N'oubliez pas que des fils métalliques se détachent de la brosse même lors des travaux ordinaires. Ne soumettez pas les fils métalliques à une surcharge en appliquant une pression excessive sur la brosse.** Les fils métalliques pénètrent facilement dans les vêtements légers et/ou dans la peau.
- b) **Si l'utilisation d'un carter de meule est recommandée pour le brossage métallique, assurez-vous que la meule ou brosse métallique ne bloque pas le carter de meule.** Selon la charge de travail et l'intensité de la force centrifuge, le diamètre de la meule ou brosse métallique peut augmenter.

Consignes de sécurité supplémentaires :

17. **Lors de l'utilisation des meules à moyen déporté, assurez-vous d'utiliser exclusivement des meules renforcées de fibre de verre.**
18. **Prenez garde d'endommager l'axe, le flasque (tout particulièrement la surface par laquelle il s'installe) ou le contre-écrou.** La meule risque de casser si ces pièces sont endommagées.
19. **Assurez-vous que la meule n'entre pas en contact avec la pièce avant de mettre l'outil sous tension.**
20. **Avant d'utiliser l'outil sur la pièce à travailler, faites-le tourner un instant à vide.** Soyez attentif à toute vibration ou sautellement pouvant indiquer que la meule n'est pas bien posée ou qu'elle est mal équilibrée.
21. **Utilisez la face spécifiée de la meule pour meuler.**
22. **Prenez garde aux étincelles qui jaillissent.** Tenez l'outil de sorte que les étincelles ne jaillissent pas vers vous, vers une personne présente ou vers un matériau inflammable.
23. **Ne laissez pas tourner l'outil après l'utilisation. Ne faites fonctionner l'outil qu'une fois que vous l'avez bien en main.**
24. **Ne touchez pas la pièce immédiatement après avoir terminé le travail ; elle peut être très chaude et vous brûler la peau.**
25. **Assurez-vous toujours que l'outil est hors tension et débranché ou que sa batterie est retirée avant d'effectuer tout travail dessus.**
26. **Suivez les instructions du fabricant pour un montage adéquat et une utilisation appropriée des meules.** Manipulez et rangez les meules soigneusement.
27. **N'utilisez pas de bagues de réduction ou d'adaptateurs pour les meules de ponçage dont le trou central est grand.**
28. **N'utilisez que des flasques spécifiés pour cet outil.**
29. **Dans le cas des outils conçus pour les meules à trou fileté, assurez-vous que la longueur du filetage de la meule correspond à celle de l'axe.**

30. Vérifiez que la pièce à travailler est adéquatement supportée.
31. N'oubliez pas que la meule continue de tourner une fois l'outil éteint.
32. Si le lieu de travail est extrêmement chaud et humide, ou fortement pollué de poussières conductrices, utilisez un disjoncteur (30 mA) pour assurer la sécurité de l'utilisateur.
33. N'utilisez l'outil avec aucun matériau contenant de l'amiante.
34. N'utilisez pas d'eau ou de lubrifiant à meulage.
35. Vérifiez que les ouvertures de ventilation sont dégagées lorsque vous travaillez dans des conditions poussiéreuses. S'il devient nécessaire de retirer la poussière accumulée, débranchez d'abord l'outil de l'alimentation secteur (utilisez un objet non métallique pour retirer la poussière), et prenez garde d'endommager les pièces internes.
36. Lorsque vous utilisez une meule tronçonneuse, travaillez toujours avec le carter de collecte des poussières exigé par la réglementation locale.
37. Aucune pression latérale ne doit être appliquée sur le disque pendant la coupe.

CONSERVEZ CES INSTRUCTIONS.

AVERTISSEMENT :

NE vous laissez PAS tromper (au fil d'une utilisation répétée) par un sentiment d'aisance et de familiarité avec le produit, en négligeant le respect rigoureux des consignes de sécurité qui accompagnent le produit en question. La MAUVAISE UTILISATION de l'outil ou l'ignorance des consignes de sécurité indiquées dans ce manuel d'instructions peut entraîner une blessure grave.

DESCRIPTION DU FONCTIONNEMENT

ATTENTION :

- Assurez-vous toujours que l'outil est hors tension et débranché avant de l'ajuster ou de vérifier son fonctionnement.

Blocage de l'arbre (Fig. 1)

ATTENTION :

- N'activez jamais le blocage de l'arbre alors que l'axe bouge. Vous pourriez endommager l'outil.

Appuyez sur le blocage de l'arbre pour empêcher l'axe de tourner lors de l'installation ou du retrait des accessoires.

Interrupteur (Fig. 2)

ATTENTION :

- Avant de brancher l'outil, assurez-vous toujours que l'interrupteur à glissière fonctionne correctement et revient en position "OFF" (arrêt) lorsque la partie arrière de l'interrupteur à glissière est enfoncée.

Pour mettre l'outil en marche, faites glisser l'interrupteur à glissière vers la position "I" (marche). Pour une utilisation continue, appuyez sur la partie avant de l'interrupteur à glissière pour le verrouiller.

Pour arrêter l'outil, appuyez sur la partie arrière de l'interrupteur à glissière, puis faites-le glisser vers la position "O" (arrêt).

ASSEMBLAGE

ATTENTION :

- Avant d'effectuer toute intervention sur l'outil, assurez-vous toujours qu'il est hors tension et débranché.

Installation de la poignée latérale (manche)

(Fig. 3)

ATTENTION :

- Avant d'utiliser l'outil, assurez-vous toujours que la poignée latérale est installée de façon sûre.

Vissez la poignée latérale à fond sur la position prévue à cet effet sur l'outil, comme illustré sur la figure.

Installation ou retrait du carter de meule (Pour meule à moyeu déporté, multidisque, meule de tronçonnage abrasive et meule diamantée)

Pour outil avec carter de meule à vis de blocage

(Fig. 4 et 5)

ATTENTION :

- Le carter de meule doit être ajusté sur l'outil de sorte que la partie de la meule qui se trouve du côté de l'utilisateur soit toujours recouverte par le carter.

Montez le carter de meule en alignant la partie saillante de la bande du carter sur l'entaille du boîtier d'engrenage. Faites ensuite tourner le carter de meule sur 180 degrés. Assurez-vous d'avoir serré la vis fermement.

Pour retirer le carter de meule, suivez la procédure d'installation en ordre inverse.

Pour les outils à carter de meule avec levier de serrage (Fig. 6 et 7)

Tirez le levier dans le sens de la flèche après avoir desserré la vis. Montez le carter de meule en alignant la partie saillante de la bande du carter de meule sur l'entaille du boîtier d'engrenage. Tournez ensuite le carter de meule de 180°. Serrez-le avec la vis après avoir tiré le levier dans le sens de la flèche en fonction du travail à effectuer. Il est possible d'ajuster l'angle de réglage du carter de meule avec le levier.

Pour retirer le carter de meule, suivez la procédure d'installation en ordre inverse.

Installation ou retrait de la meule à moyeu déporté ou du multidisque (accessoire)

Montez le flasque intérieur sur l'axe. Ajustez la meule/le disque sur le flasque intérieur et vissez le contre-écrou sur l'axe. (Fig. 8)

Pour serrer le contre-écrou, appuyez fermement sur le blocage de l'arbre pour empêcher l'axe de tourner, puis utilisez la clé à contre-écrou pour serrer fermement dans le sens des aiguilles d'une montre.

Pour retirer la meule, suivez la procédure d'installation en ordre inverse. (Fig. 9)

UTILISATION

AVERTISSEMENT :

- Il n'est jamais nécessaire de forcer l'outil. Le poids de l'outil lui-même suffit à assurer une pression adéquate. En forçant l'outil ou en appliquant une pression excessive dessus vous courrez le risque dangereux de casser la meule.
- Remplacez TOUJOURS la meule si vous échappez l'outil pendant le meulage.
- Ne frappez JAMAIS le disque de meulage ou la meule contre la pièce à travailler.
- Évitez de laisser la meule sautiller ou accrocher, tout spécialement lorsque vous travaillez dans les coins, sur les bords tranchants, etc. Cela peut causer une perte de contrôle et un choc en retour.
- N'utilisez JAMAIS cet outil avec des lames à bois et autres lames de scie. Les lames de ce type sautent fréquemment lorsqu'elles sont utilisées sur une meuleuse et risquent d'entraîner une perte de contrôle pouvant causer des blessures.

ATTENTION :

- Après l'utilisation, mettez toujours l'outil hors tension et attendez l'arrêt complet de la meule avant de déposer l'outil.

Meulage et sablage (Fig. 10)

Tenez TOUJOURS l'outil fermement en posant une main sur le carter et l'autre main sur le manche latéral. Mettez l'outil en marche puis posez la meule ou le disque sur la pièce à travailler.

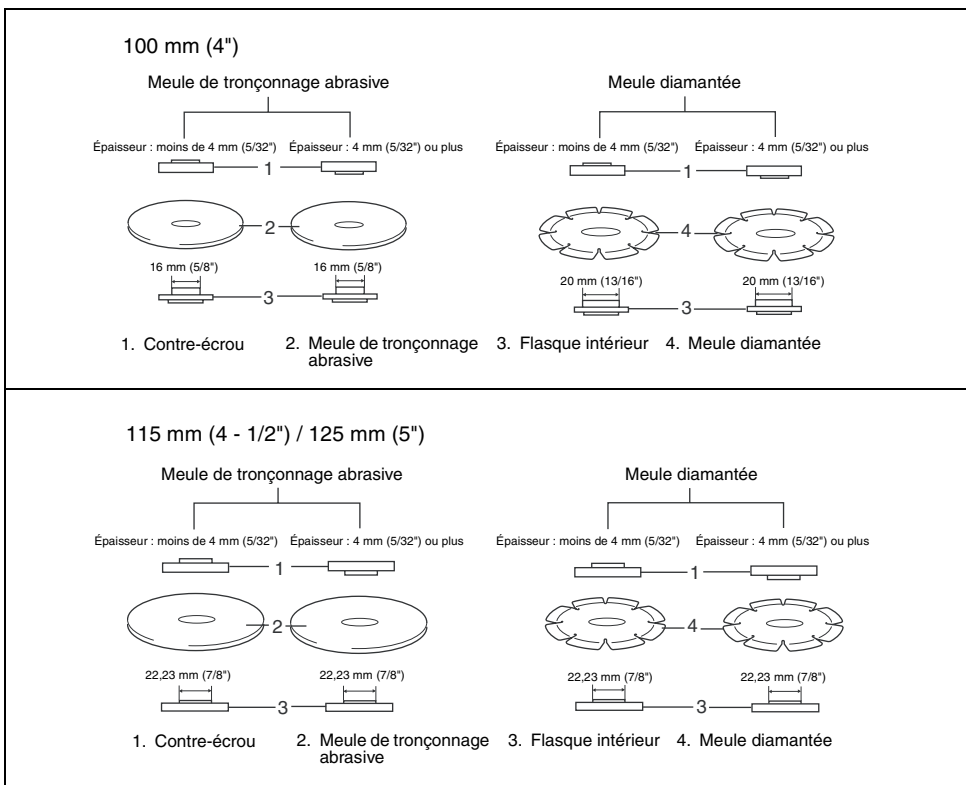
En général, vous devez maintenir le bord de la meule ou du disque sur un angle d'environ 15 degrés par rapport à la surface de la pièce à travailler.

Pendant la période de rodage d'une meule neuve, ne faites pas avancer la meuleuse dans le sens B, sinon elle risque de couper la pièce à travailler. Une fois le tranchant de la meule rodé, la meule peut être utilisée dans les sens A et B.

Utilisation avec une meule de tronçonnage abrasive / diamantée (accessoire en option) (Fig. 11)

Le sens de montage du contre-écrou et du flasque intérieur varie suivant l'épaisseur de la meule.

Reportez-vous au tableau ci-dessous.



AVERTISSEMENT :

- Lors de l'utilisation d'une meule de tronçonnage abrasive / diamantée, assurez-vous d'utiliser le carter de meule spécialement conçu pour les meules de tronçonnage.
- N'utilisez JAMAIS une meule de tronçonnage pour faire du meulage latéral.
- Évitez de "bloquer" la meule ou de lui appliquer une pression excessive. N'essayez pas de faire une coupe de profondeur excessive. Il y a risque de torsion ou de coincement de la meule dans la ligne de coupe si elle est soumise à une surcharge. Cela peut causer un choc en retour, le bris de la meule et la surchauffe du moteur.
- Ne commencez pas la coupe avec la meule dans la pièce. Attendez que la meule ait atteint sa pleine vitesse avant de l'introduire soigneusement dans la ligne de coupe en faisant avancer l'outil sur la surface de la pièce. Si vous faites démarrer l'outil électrique alors qu'il se trouve dans la pièce à travailler, la meule risquera de se coincer, de remonter hors de la ligne de coupe ou de provoquer un choc en retour.
- Ne modifiez jamais l'angle de la meule pendant l'exécution de la coupe. L'application d'une pression latérale sur la meule de tronçonnage (comme lors du meulage) causera la fissuration et le bris de la lame, ce qui comporte un risque de blessure grave.
- Une meule diamantée doit être utilisée perpendiculairement au matériau à couper.

ENTRETIEN

ATTENTION :

- Assurez-vous toujours que l'outil est hors tension et débranché avant d'y effectuer tout travail d'inspection ou d'entretien.
- N'utilisez jamais d'essence, benzine, diluant, alcool ou autre produit similaire. Cela risquerait de provoquer la décoloration, la déformation ou la fissuration de l'outil.

L'outil et ses orifices d'aération doivent être maintenus propres. Nettoyez les orifices d'aération de l'outil régulièrement ou chaque fois qu'ils se bouchent. (Fig. 12)

Pour maintenir la SÉCURITÉ et la FIABILITÉ du produit, les réparations, l'inspection et le remplacement des charbons, et tout autre travail d'entretien ou de réglage doivent être effectués dans un centre de service Makita agréé, exclusivement avec des pièces de rechange Makita.

ACCESSOIRES

ATTENTION :

- Ces accessoires ou pièces complémentaires sont recommandés pour l'utilisation avec l'outil Makita spécifié dans ce mode d'emploi. L'utilisation de tout autre accessoire ou pièce peut comporter un risque de blessure. N'utilisez les accessoires ou pièces qu'aux fins mentionnées dans le présent mode d'emploi.




Si vous désirez obtenir plus de détails concernant ces accessoires, veuillez contacter le centre de service après-vente Makita le plus près.

- Carter de meule (capot protecteur de la meule) pour meule à moyeu déporté / multidisque
- Carter de meule (capot protecteur de la meule) pour meule de tronçonnage abrasive / meule diamantée
- Meules à moyeu déporté
- Meules de tronçonnage abrasives
- Multidisques
- Meules diamantées
- Brosses métalliques
- Brosse métallique à biseau 85
- Disques abrasifs
- Flasque intérieur
- Contre-écrou pour meule à moyeu déporté / meule de tronçonnage abrasive / multidisque / meule diamantée
- Contre-écrou pour disque abrasif
- Clé à contre-écrou
- Poignée latérale

Übersicht

| | | |
|----------------------|--|--|
| 1 Spindelarretierung | 7 Sicherungsmutter | 11 Trennschleifscheibe/Diamant-scheibe |
| 2 Schiebeshalter | 8 Gekröpfte Trennschleifscheibe/ Multischeibe | 12 Schutzhaube für Trennschleif-scheibe/Diamantscheibe |
| 3 Schutzhaube | 9 Innenflansch | 13 Auslassöffnung |
| 4 Lagergehäuse | 10 Sicherungsmutterschlüssel | 14 Einlassöffnung |
| 5 Schraube | | |
| 6 Hebel | | |

TECHNISCHE DATEN

| Modell | 9563H | 9564H | 9565H |
|---|---|---|---|
| Scheibendurchmesser | 100 mm | 115 mm | 125 mm |
| Spindelgewinde | M10 | M14 | M14 |
| Neendrehzahl (n) / Leerlaufdrehzahl (n ₀) | 11 000 min ⁻¹ | 11 000 min ⁻¹ | 11 000 min ⁻¹ |
| Gesamtlänge | 299 mm | 299 mm | 299 mm |
| Nettogewicht | 2,1 kg | 2,3 kg | 2,3 kg |
| Sicherheitsklasse |  /II |  /II |  /II |

- Wir behalten uns vor, Änderungen im Zuge der Entwicklung und des technischen Fortschritts ohne vorherige Ankündigung vorzunehmen.
- Die technischen Daten können von Land zu Land abweichen.
- Gewicht nach EPTA-Verfahren 01/2003

Vorgesehene Verwendung

Die Maschine ist für das Schneiden und Schleifen von Metall- und Steinmaterial ohne Verwendung von Wasser vorgesehen.

Stromversorgung

Die Maschine darf nur an die auf dem Typenschild angegebene Spannung angeschlossen werden und arbeitet nur mit Einphasen-Wechselspannung. Sie ist entsprechend den Europäischen Richtlinien doppelt schutzisoliert und kann daher auch an Steckdosen ohne Erdungskabel angeschlossen werden.

GEA010-1

Allgemeine Sicherheitswarnungen für Elektrowerkzeuge

⚠️ WARNUNG Lesen Sie alle Sicherheitswarnungen und Anweisungen durch. Eine Missachtung der unten aufgeführten Warnungen und Anweisungen kann zu einem elektrischen Schlag, Brand und/oder schweren Verletzungen führen.

Bewahren Sie alle Warnungen und Anweisungen für spätere Bezugnahme auf.

GEB033-3

SCHLEIFER-SICHERHEITSWARNUNGEN

Allgemeine Sicherheitswarnungen für Schleif-, Schmirgel-, Drahtbürsten- oder Trennschleifbetrieb:

1. **Dieses Elektrowerkzeug ist für Schleifen, Schmirgeln, Drahtbürsten oder Trennschleifen vorgesehen. Lesen Sie alle mit diesem Elektrowerkzeug gelieferten Sicherheitswarnungen, Anweisungen, Abbildungen und technischen Daten durch.** Eine Missachtung der unten aufgeführten Anweisungen kann zu einem elektrischen Schlag, Brand und/oder schweren Verletzungen führen.
2. **Arbeiten, wie Polieren, sind mit diesem Elektrowerkzeug nicht zu empfehlen.** Benutzungsweisen, für die das Elektrowerkzeug nicht ausgelegt ist, können Gefahren erzeugen und Verletzungen verursachen.

3. **Verwenden Sie kein Zubehör, das nicht speziell vom Werkzeughersteller vorgesehen ist und empfohlen wird.** Die bloße Tatsache, dass ein Zubehörteil an Ihrem Elektrowerkzeug angebracht werden kann, gewährleistet noch keinen sicheren Betrieb.
4. **Die Neendrehzahl des Zubehörteils muss mindestens der am Elektrowerkzeug angegebenen Maximaldrehzahl entsprechen.** Zubehörteile, die schneller als ihre Neendrehzahl rotieren, können bersten und auseinander fliegen.
5. **Außendurchmesser und Dicke des Zubehörteils müssen innerhalb der Kapazitätsgrenzen Ihres Elektrowerkzeugs liegen.** Zubehörteile der falschen Größe können nicht angemessen geschützt oder kontrolliert werden.
6. **Die Wellengröße von Schleifscheiben, Flanschen, Schleiftellern oder anderen Zubehörteilen muss genau der Spindelgröße des Elektrowerkzeugs entsprechen.** Zubehörteile, deren Spindelbohrung nicht genau auf den Montageflansch des Elektrowerkzeugs passt, laufen unrund, vibrieren übermäßig und können einen Verlust der Kontrolle verursachen.
7. **Verwenden Sie keine beschädigten Zubehörteile. Überprüfen Sie die Zubehörteile vor jedem Gebrauch: z. B. Schleifscheiben auf Absplittierungen und Risse, Schleifteller auf Risse, Brüche oder übermäßigen Verschleiß, Drahtbürsten auf lose oder rissige Drähte.** Falls das Elektrowerkzeug oder das Zubehörteil herunterfällt, überprüfen Sie es auf Beschädigung, oder montieren Sie ein unbeschädigtes Zubehörteil. Achten Sie nach der Überprüfung und Installation eines Zubehörteils darauf, dass Sie selbst und Umstehende nicht in der Rotationsebene des Zubehörteils stehen, und lassen Sie das Elektrowerkzeug eine Minute lang mit maximaler Leerlaufdrehzahl laufen. Ein beschädigtes Zubehörteil bricht normalerweise während dieses Probelaufs auseinander.

8. **Tragen Sie Schutzausrüstung. Benutzen Sie je nach der Arbeit einen Gesichtsschutz bzw. eine Sicherheits- oder Schutzbrille. Tragen Sie bei Bedarf eine Staubmaske, Ohrschützer, Handschuhe und eine Arbeitsschürze, die in der Lage ist, kleine Schleifpartikel oder Werkstücksplitter abzuwehren.** Der Augenschutz muss in der Lage sein, den bei verschiedenen Arbeiten anfallenden Flugstaub abzuwehren. Die Staubmaske oder Atemschutzmaske muss in der Lage sein, durch die Arbeit erzeugte Partikel herauszufiltern. Lang anhaltende Lärmbelastung kann zu Gehörschäden führen.
9. **Halten Sie Umstehende in sicherem Abstand vom Arbeitsbereich. Jeder, der den Arbeitsbereich betritt, muss Schutzausrüstung tragen.** Bruchstücke des Werkstücks oder eines beschädigten Zubehörs können weggeschleudert werden und Verletzungen über den unmittelbaren Arbeitsbereich hinaus verursachen.
10. **Halten Sie das Elektrowerkzeug nur an den isolierten Griffflächen, wenn Sie Arbeiten ausführen, bei denen die Gefahr besteht, dass verborgene Kabel oder das eigene Kabel kontaktiert werden.** Bei Kontakt mit einem Strom führenden Kabel werden die freiliegenden Metallteile des Elektrowerkzeugs ebenfalls Strom führend, so dass der Benutzer einen elektrischen Schlag erleiden kann.
11. **Halten Sie das Kabel vom rotierenden Zubehörteil fern.** Falls Sie die Kontrolle verlieren, kann das Kabel durchtrennt oder erfasst werden, so dass Ihre Hand oder Ihr Arm in das rotierende Zubehörteil hineingezogen wird.
12. **Legen Sie das Elektrowerkzeug erst ab, nachdem das Zubehörteil zum vollständigen Stillstand gekommen ist.** Anderenfalls kann das rotierende Zubehörteil die Oberfläche erfassen und das Elektrowerkzeug aus Ihren Händen reißen.
13. **Lassen Sie das Elektrowerkzeug nicht laufen, während Sie es an Ihrer Seite tragen.** Das rotierende Zubehörteil könnte sonst bei versehentlichem Kontakt Ihre Kleidung erfassen und auf Ihren Körper zu gezogen werden.
14. **Reinigen Sie die Ventilationsöffnungen des Elektrowerkzeugs regelmäßig.** Der Lüfter des Motors saugt Staub in das Gehäuse an, und starke Ablagerungen von Metallstaub können elektrische Gefahren verursachen.
15. **Betreiben Sie das Elektrowerkzeug nicht in der Nähe von brennbaren Materialien.** Funken könnten diese Materialien entzünden.
16. **Verwenden Sie keine Zubehörteile, die Kühlflüssigkeiten erfordern.** Die Verwendung von Wasser oder anderen Kühlflüssigkeiten kann zu einem Stromschlag führen.

Warnungen vor Rückschlag und damit zusammenhängenden Gefahren:

Ein Rückschlag ist eine plötzliche Reaktion auf Klemmen oder Hängenbleiben der Schleifscheibe, des Schleifteilers, der Drahtbürste oder eines anderen Zubehörs. Klemmen oder Hängenbleiben verursacht sofortiges Stocken des rotierenden Zubehörs, was wiederum dazu führt, dass das außer Kontrolle geratene Elektrowerkzeug am Stockpunkt in die entgegengesetzte Drehrichtung des Zubehörs geschleudert wird.

Wenn beispielsweise eine Schleifscheibe vom Werkstück erfasst oder eingeklemmt wird, kann sich die in den Klemmpunkt eindringende Schleifscheibenkante in die Materialoberfläche bohren, so dass sie herauspringt oder zurückschlägt. Je nach der Drehrichtung der Schleifscheibe am Klemmpunkt kann die Schleifscheibe auf die Bedienungsperson zu oder von ihr weg springen. Schleifscheiben können unter solchen Bedingungen auch brechen.

Rückschlag ist das Resultat falscher Handhabung des Elektrowerkzeugs und/oder falscher Arbeitsverfahren oder -bedingungen und kann durch Anwendung der nachstehenden Vorsichtsmaßnahmen vermieden werden.

- a) **Halten Sie das Elektrowerkzeug mit festem Griff, und positionieren Sie Ihren Körper und Arm so, dass Sie die Rückschlagkräfte auffangen können. Benutzen Sie stets den Zusatzgriff, wenn vorhanden, um maximale Kontrolle über Rückschlag oder Drehbewegungen während des Anlaufs zu haben.** Drehbewegungen oder Rückschlagkräfte können kontrolliert werden, wenn entsprechende Vorkehrungen getroffen werden.
- b) **Halten Sie Ihre Hand niemals in die Nähe des rotierenden Zubehörs.** Bei einem Rückschlag könnte das Zubehörteil Ihre Hand verletzen.
- c) **Stellen Sie sich nicht in den Bereich, in den das Elektrowerkzeug bei Auftreten eines Rückschlags geschleudert wird.** Der Rückschlag schleudert die Maschine am Stockpunkt in die entgegengesetzte Drehrichtung der Schleifscheibe.
- d) **Lassen Sie beim Bearbeiten von Ecken und scharfen Kanten usw. besondere Vorsicht walten. Vermeiden Sie Anstoßen und Verhaken des Zubehörs.** Ecken, scharfe Kanten oder Anstoßen führen leicht zu Hängenbleiben des rotierenden Zubehörs und verursachen Verlust der Kontrolle oder Rückschlag.
- e) **Montieren Sie keine Sägeketten, Holzfräsen oder gezahnte Sägeblätter.** Solche Zubehörteile verursachen häufige Rückschläge und Verlust der Kontrolle.

Sicherheitswarnungen speziell für Schleif- und Trennschleifbetrieb:

- a) **Verwenden Sie nur Schleifscheiben, die für Ihr Elektrowerkzeug empfohlen werden, und die für die ausgewählte Schleifscheibe vorgesehene Schutzhaube.** Schleifscheiben, die nicht für das Elektrowerkzeug geeignet sind, können nicht angemessen abgeschirmt werden und sind unsicher.
- b) **Die Schutzhaube muss sicher am Elektrowerkzeug befestigt und für maximale Sicherheit positioniert werden, um den auf die Bedienungsperson gerichteten Schleifscheibenbetrag minimal zu halten.** Die Schutzhaube schützt den Bediener vor Schleifscheiben-Bruchstücken und versehentlichem Kontakt mit der Schleifscheibe.
- c) **Schleifscheiben dürfen nur für empfohlene Anwendungen eingesetzt werden. Zum Beispiel: Nicht mit der Seite einer Trennscheibe schleifen.** Trennscheiben sind für Peripherieschleifen vorgesehen. Falls seitliche Kräfte auf diese Scheiben einwirken, können sie zerbrechen.

- d) **Verwenden Sie stets unbeschädigte Scheibenflansche der korrekten Größe und Form für die ausgewählte Schleifscheibe.** Korrekte Scheibenflansche stützen die Schleifscheibe und reduzieren somit die Möglichkeit eines Scheibenbruchs. Flansche für Trennscheiben können sich von solchen für Schleifscheiben unterscheiden.
- e) **Verwenden Sie keine abgenutzten Schleifscheiben von größeren Elektrowerkzeugen.** Schleifscheiben für größere Elektrowerkzeuge eignen sich nicht für die höhere Drehzahl einer kleineren Maschine und können bersten.

Zusätzliche Sicherheitswarnungen speziell für Trennschleifbetrieb:

- a) **Vermeiden Sie "Verkanten" der Trennscheibe oder die Ausübung übermäßigen Drucks. Versuchen Sie nicht, übermäßig tiefe Schnitte zu machen.** Überbeanspruchung der Schleifscheibe erhöht die Belastung und die Empfänglichkeit für Verdrehen oder Klemmen der Schleifscheibe im Schnitt sowie die Möglichkeit von Rückschlag oder Scheibenbruch.
- b) **Stellen Sie sich nicht so, dass sich Ihr Körper in einer Linie mit der rotierenden Schleifscheibe oder hinter dieser befindet.** Wenn sich die Schleifscheibe am Arbeitspunkt von Ihrem Körper weg bewegt, kann ein möglicher Rückschlag die rotierende Schleifscheibe und das Elektrowerkzeug direkt auf Sie zu schleudern.
- c) **Falls die Schleifscheibe klemmt oder der Schnitt aus irgendeinem Grund unterbrochen wird, schalten Sie das Elektrowerkzeug aus und halten Sie es bewegungslos im Werkstück, bis die Schleifscheibe zum völligen Stillstand kommt. Versuchen Sie auf keinen Fall, die rotierende Trennscheibe aus dem Schnitt zu entfernen, weil sonst ein Rückschlag auftreten kann.** Nehmen Sie eine Überprüfung vor, und treffen Sie Abhilfemaßnahmen, um die Ursache von Schleifscheiben-Klemmen zu beseitigen.
- d) **Setzen Sie den Schnittbetrieb nicht mit im Werkstück sitzender Trennscheibe fort. Führen Sie die Trennscheibe vorsichtig in den Schnitt ein, nachdem sie die volle Drehzahl erreicht hat.** Wird das Elektrowerkzeug mit im Werkstück sitzender Trennscheibe eingeschaltet, kann die Trennscheibe klemmen, hochsteigen oder zurückschlagen.
- e) **Stützen Sie Platten oder andere übergroße Werkstücke ab, um die Gefahr von Klemmen oder Rückschlag der Trennscheibe zu minimieren.** Große Werkstücke neigen dazu, unter ihrem Eigengewicht durchzuhängen. Die Stützen müssen beidseitig der Trennscheibe nahe der Schnittlinie und in der Nähe der Werkstückkante unter das Werkstück platziert werden.
- f) **Lassen Sie besondere Vorsicht walten, wenn Sie einen "Taschenschnitt" in bestehende Wände oder andere Blindflächen durchführen.** Die vorstehende Trennscheibe kann Gas- oder Wasserleitungen, Stromkabel oder Objekte durchschneiden, die Rückschlag verursachen können.

Sicherheitswarnungen speziell für Schmirgelbetrieb:

- a) **Verwenden Sie keine übergroßen Schleifpapier-scheiben. Befolgen Sie die Herstellerempfehlungen bei der Wahl des Schleifpapiers.** Größeres Schleifpapier, das über den Schleifteller hinausragt, stellt eine Gefahr für Schnittwunden dar und kann Hängenbleiben oder Zerreißen der Schleifscheibe oder Rückschlag verursachen.

Sicherheitswarnungen speziell für Drahtbürstenbetrieb:

- a) **Beachten Sie, dass Drahtborsten auch bei normalem Betrieb von der Drahtbürste herausgeschleudert werden. Überbeanspruchen Sie die Drähte nicht durch Ausübung übermäßigen Drucks auf die Drahtbürste.** Die Drahtborsten können ohne weiteres leichte Kleidung und/oder Haut durchdringen.
- b) **Wenn der Einsatz einer Schutzhaube für Drahtbürsten empfohlen wird, achten Sie darauf, dass die Drahtscheibe oder die Bürste nicht mit der Schutzhaube in Berührung kommt.** Der Durchmesser der Drahtscheibe oder Bürste kann sich aufgrund der Arbeitslast und der Fliehkräfte vergrößern.

Zusätzliche Sicherheitswarnungen:

17. **Verwenden Sie nur glasfaserverstärkte Scheiben als gekröpfte Trennschleifscheiben.**
18. **Achten Sie sorgfältig darauf, dass Spindel, Flansch (insbesondere die Ansatzfläche) und Sicherungsmutter nicht beschädigt werden. Eine Beschädigung dieser Teile kann zu einem Scheibenbruch führen.**
19. **Vergewissern Sie sich vor dem Einschalten der Maschine, dass die Schleifscheibe nicht das Werkstück berührt.**
20. **Lassen Sie die Maschine vor der eigentlichen Bearbeitung eines Werkstücks eine Weile laufen. Achten Sie auf Vibrationen oder Taumelbewegungen, die Anzeichen für schlechte Montage oder eine schlecht ausgewuchtete Schleifscheibe sein können.**
21. **Verwenden Sie nur die vorgeschriebene Fläche der Schleifscheibe für Schleifarbeiten.**
22. **Nehmen Sie sich vor Funkenflug in Acht. Halten Sie die Maschine so, dass Sie und andere Personen oder leicht entzündliche Materialien nicht von den Funken getroffen werden.**
23. **Lassen Sie die Maschine nicht unbeaufsichtigt laufen. Benutzen Sie die Maschine nur mit Handhaltung.**
24. **Vermeiden Sie eine Berührung des Werkstücks unmittelbar nach der Bearbeitung, weil es dann noch sehr heiß ist und Hautverbrennungen verursachen kann.**
25. **Vergewissern Sie sich vor der Ausführung von Arbeiten an der Maschine stets, dass die Maschine ausgeschaltet und vom Stromnetz getrennt bzw. der Akku abgenommen ist.**
26. **Befolgen Sie die Anweisungen des Herstellers für korrekte Montage und Verwendung von Schleifscheiben. Behandeln und lagern Sie Schleifscheiben mit Sorgfalt.**
27. **Verwenden Sie keine getrennten Reduzierbuchsen oder Adapter zur Anpassung von Schleifscheiben mit großem Lochdurchmesser.**
28. **Verwenden Sie nur die für diese Maschine vorgeschriebenen Flansche.**

29. Wenn eine Trennscheibe mit Gewindebohrung an der Maschine montiert werden soll, achten Sie darauf, dass ihr Gewinde tief genug für die Spindellänge ist.
30. Vergewissern Sie sich, dass das Werkstück sicher abgestützt ist.
31. Beachten Sie, dass sich die Schleifscheibe nach dem Ausschalten der Maschine noch weiterdreht.
32. Falls der Arbeitsplatz sehr heiß, feucht oder durch leitfähigen Staub stark verschmutzt ist, verwenden Sie einen Kurzschlusschalter (30 mA) zum Schutz des Bedieners.
33. Verwenden Sie diese Maschine nicht zum Schneiden von asbesthaltigen Materialien.
34. Verwenden Sie kein Wasser oder Schleiföl.
35. Achten Sie beim Arbeiten unter staubigen Bedingungen darauf, dass die Ventilationsöffnungen frei gehalten werden. Sollte die Beseitigung von Staub notwendig sein, trennen Sie das Werkzeug zuerst vom Stromnetz (nichtmetallische Gegenstände verwenden), und vermeiden Sie eine Beschädigung der Innenteile.
36. Verwenden Sie bei Arbeiten mit der Trennscheibe immer eine gesetzlich vorgeschriebene Staubsammelhaube.
37. Trennscheiben dürfen keinem seitlichen Druck ausgesetzt werden.

BEWAHREN SIE DIESE ANLEITUNG SORGFÄLTIG AUF.

WARNUNG:

Lassen Sie sich NICHT durch Bequemlichkeit oder Vertrautheit mit dem Produkt (durch wiederholten Gebrauch erworben) von der strikten Einhaltung der Sicherheitsregeln für das vorliegende Produkt abhalten. MISSBRAUCH oder Missachtung der Sicherheitsregeln in dieser Betriebsanleitung können schwere Verletzungen verursachen.

FUNKTIONSBESCHREIBUNG

VORSICHT:

- Vergewissern Sie sich vor jeder Einstellung oder Funktionsprüfung der Maschine stets, dass sie ausgeschaltet und vom Stromnetz getrennt ist.

Spindelarretierung (Abb. 1)

VORSICHT:

- Betätigen Sie die Spindelarretierung niemals bei rotierender Spindel. Die Maschine kann sonst beschädigt werden.

Drücken Sie die Spindelarretierung, um die Spindel zum Montieren oder Demontieren von Zubehör zu blockieren.

Schalterfunktion (Abb. 2)

VORSICHT:

- Vergewissern Sie sich vor dem Anschließen der Maschine stets, dass der Schiebeschalter ordnungsgemäß funktioniert und beim Drücken der Rückseite in die Stellung "O (AUS)" zurückkehrt.

Zum Einschalten der Maschine den Schalter auf die Position "I (EIN)" schieben. Für Dauerbetrieb den Schalter durch Drücken seiner Vorderseite einrasten.

Zum Ausschalten der Maschine die Rückseite des Schiebeschalters drücken, und dann den Schalter auf die Stellung "O (AUS)" schieben.

MONTAGE

VORSICHT:

- Vergewissern Sie sich vor der Ausführung von Arbeiten an der Maschine stets, dass sie ausgeschaltet und vom Stromnetz getrennt ist.

Montieren des Seitengriffs (Zusatzgriffs) (Abb. 3)

VORSICHT:

- Vergewissern Sie sich vor dem Betrieb stets, dass der Seitengriff einwandfrei montiert ist.

Schrauben Sie den Seitengriff an der in der Abbildung gezeigten Position fest an die Maschine.

Montieren und Demontieren der Schutzhaube (Für gekröpfte Trennschleifscheibe, Multischiebe / Trennschleifscheibe, Diamantschiebe)

Für Maschine mit Schutzhaube des Sicherungsschraubentyps (Abb. 4 und 5)

VORSICHT:

- Die Schutzhaube muss so an der Maschine angebracht werden, dass ihre geschlossene Seite immer zur Bedienungsperson gerichtet ist.

Montieren Sie die Schutzhaube so, dass der Vorsprung am Schutzhaubenring auf die Nut im Lagergehäuse ausgerichtet ist. Drehen Sie dann die Schutzhaube um 180 Grad. Ziehen Sie die Schraube fest an.

Zum Demontieren der Schutzhaube ist das Montageverfahren umgekehrt anzuwenden.

Für Maschine mit Klemmhebel-Schutzhaube (Abb. 6 und 7)

Ziehen Sie den Hebel nach dem Lösen der Schraube in Pfeilrichtung. Montieren Sie die Schutzhaube so, dass der Vorsprung am Schutzhaubenring auf die Nut im Lagergehäuse ausgerichtet ist. Drehen Sie dann die Schutzhaube um 180°. Befestigen Sie die Schutzhaube zum Arbeiten mit der Schraube, nachdem Sie den Hebel in Pfeilrichtung gezogen. Der Einstellwinkel der Schutzhaube kann mit dem Hebel eingestellt werden.

Zum Demontieren der Schutzhaube ist das Montageverfahren umgekehrt anzuwenden.

Montieren und Demontieren einer gekröpfen Trennschleifscheibe/Multischiebe (Zubehör)

Befestigen Sie den Innenflansch an der Spindel. Passen Sie die Trenn-/Schleifscheibe auf den Innenflansch, und schrauben Sie die Sicherungsmutter auf die Spindel. (Abb. 8)

Zum Anziehen der Sicherungsmutter die Spindelarretierung drücken, um die Spindel zu blockieren; dann die Mutter mit dem Sicherungsmutterschlüssel im Uhrzeigersinn anziehen.

Zum Demontieren der Schleifscheibe ist das Montageverfahren umgekehrt anzuwenden. (Abb. 9)

BETRIEB

WARNUNG:

- Die Maschine darf auf keinen Fall gewaltsam ange- drückt werden. Das Eigengewicht der Maschine übt ausreichenden Druck aus. Gewaltanwendung und übermäßiger Druck können zu einem gefährlichen Schleifscheibenbruch führen.
- Wechseln Sie die Schleifscheibe IMMER aus, falls die Maschine während der Schleifarbeit fallen gelassen wurde.
- Eine Schleif- oder Trennscheibe darf NIEMALS gegen das Werkstück geschlagen oder gestoßen werden.
- Achten Sie besonders beim Bearbeiten von Ecken, scharfen Kanten usw. darauf, dass die Schleifscheibe nicht springt oder hängen bleibt. Dies könnte den Ver- lust der Kontrolle und Rückschläge verursachen.
- Verwenden Sie die Maschine NIEMALS mit Holz- und anderen Sägeblättern. Solche Sägeblätter verursachen bei Verwendung an einer Schleifmaschine häufiges Rückschlagen und Verlust der Kontrolle, was zu Verlet- zungen führen kann.

VORSICHT:

- Schalten Sie die Maschine nach der Arbeit stets aus, und warten Sie, bis die Schleifscheibe zum völligen Stillstand gekommen ist, bevor Sie die Maschine able- gen.

Schleif- und Schmirgelbetrieb (Abb. 10)

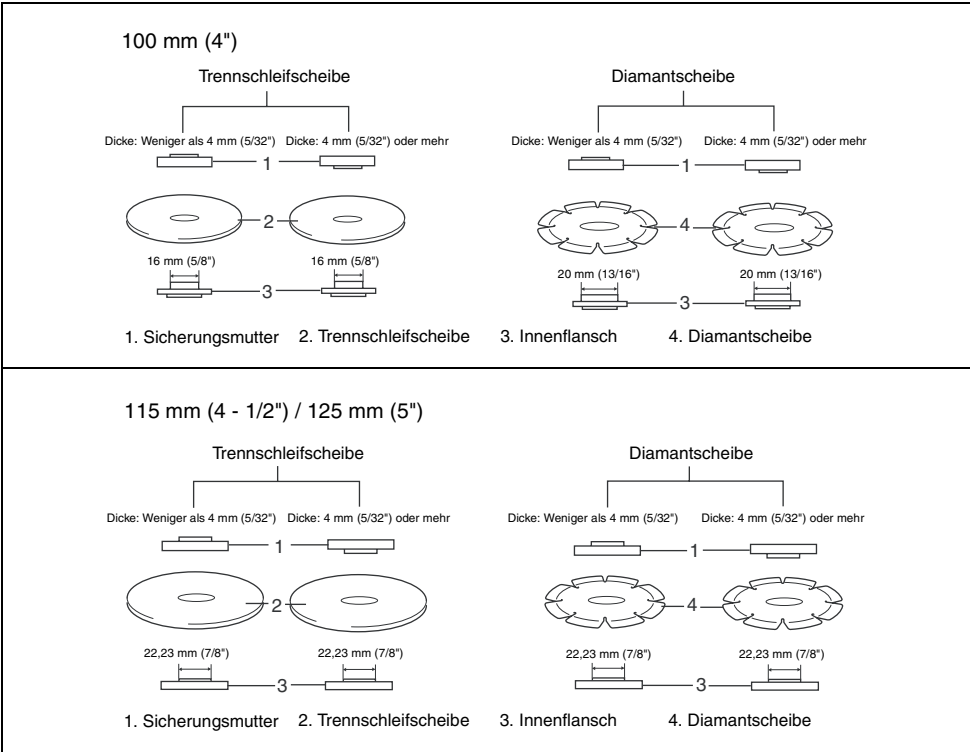
Halten Sie die Maschine IMMER mit einer Hand am Gehäuse und mit der anderen am Seitengriff. Schalten Sie die Maschine ein, und setzen Sie dann die Trenn- oder Schleifscheibe an das Werkstück an.

Halten Sie die Trenn- oder Schleifscheibe im Allge- mein in einem Winkel von etwa 15° zur Werkstückoberflä- che.

Bewegen Sie die Schleifmaschine beim Einschleifen einer neuen Schleifscheibe nicht in Richtung B, weil die Schleifscheibe sonst in das Werkstück einschneidet. Sobald die Schleifscheibenkante durch Gebrauch abge- rundet ist, kann die Schleifscheibe sowohl in Richtung A als auch in Richtung B bewegt werden.

Betrieb mit Trennschleifscheibe / Diamantscheibe (Sonderzubehör) (Abb. 11)

Die Montagerichtung der Sicherungsmutter und des Innenflansches hängt von der Scheibendicke ab. Siehe die nachstehende Tabelle.



WARNUNG:

- Benutzen Sie beim Arbeiten mit einer Trennschleifscheibe / Diamantscheibe nur die spezielle Schutzhaube, die für den Einsatz mit Trennscheiben ausgelegt ist.
- Benutzen Sie Trennscheiben NIEMALS für Flächenschleifen.
- Vermeiden Sie "Verkanten" der Trennscheibe oder die Ausübung übermäßigen Drucks. Versuchen Sie nicht, übermäßig tiefe Schnitte zu machen. Überbeanspruchung der Trennscheibe erhöht die Belastung und die Empfänglichkeit für Verdrehen oder Klemmen der Trennscheibe im Schnitt sowie die Möglichkeit von Rückschlag, Scheibenbruch und Überhitzung des Motors.
- Starten Sie den Schnittbetrieb nicht mit im Werkstück sitzender Trennscheibe. Warten Sie, bis die Trennscheibe ihre volle Drehzahl erreicht hat, bevor Sie sie vorsichtig in den Schnitt senken und die Maschine über die Werkstückoberfläche vorschieben. Wird das Elektrowerkzeug mit im Werkstück sitzender Trennscheibe eingeschaltet, kann die Trennscheibe klemmen, hochsteigen oder zurückschlagen.
- Ändern Sie während der Schneidarbeiten niemals den Winkel der Trennscheibe. Die Ausübung von Seitendruck auf die Trennscheibe (wie beim Schleifen) verursacht Reißen und Brechen der Trennscheibe, was schwere Verletzungen zur Folge haben kann.
- Eine Diamantscheibe muss senkrecht zum Werkstückmaterial angesetzt werden.

WARTUNG

VORSICHT:

- Denken Sie vor der Durchführung von Überprüfungen oder Wartungsarbeiten stets daran, die Maschine auszuschalten und vom Stromnetz zu trennen.
- Verwenden Sie auf keinen Fall Benzin, Benzol, Verdünnern, Alkohol oder dergleichen. Solche Mittel können Verfärbung, Verformung oder Rissbildung verursachen.

Halten Sie die Maschine und ihre Ventilationsöffnungen stets sauber. Reinigen Sie die Ventilationsöffnungen der Maschine regelmäßig oder im Anfangsstadium einer Verstopfung. (**Abb. 12**)

Um die SICHERHEIT und ZUVERLÄSSIGKEIT dieses Produkts aufrechtzuerhalten, sollten Reparaturen, Überprüfung und Austausch der Kohlebürsten und andere Wartungs- oder Einstellarbeiten nur von Makita-Kundendienstzentren unter ausschließlicher Verwendung von Makita-Originalersatzteilen ausgeführt werden.

ZUBEHÖR

VORSICHT:

- Die folgenden Zubehörteile oder Vorrichtungen werden für den Einsatz mit der in dieser Anleitung beschriebenen Makita-Maschine empfohlen. Die Verwendung anderer Zubehörteile oder Vorrichtungen kann eine Verletzungsgefahr darstellen. Verwenden Sie Zubehörteile oder Vorrichtungen nur für ihren vorgesehenen Zweck.




Wenn Sie weitere Einzelheiten bezüglich dieser Zubehörteile benötigen, wenden Sie sich bitte an Ihre Makita-Kundendienststelle.

- Schutzhaube (Scheibenabdeckung) für gekröpfte Trennschleifscheibe / Multisheibe
- Schutzhaube (Scheibenabdeckung) für Trennschleifscheibe / Diamantscheibe
- Gekröpfte Trennschleifscheiben
- Trennschleifscheiben
- Multisheiben
- Diamantscheiben
- Topfdrabtbürsten
- Kegeldrahtbürste 85
- Schleifscheiben
- Innenflansch
- Sicherungsmutter für gekröpfte Trennschleifscheibe / Trennschleifscheibe / Multisheibe / Diamantscheibe
- Sicherungsmutter für Schleifscheibe
- Sicherungsmutterschlüssel
- Seitengriff

Visione generale

| | | |
|---------------------------|--|---|
| 1 Blocco albero | 8 Disco/multidisco con centro depresso | 12 Protezione disco per disco abrasivo scanalato/disco diamantato |
| 2 Interruttore scorrevole | 9 Flangia interna | 13 Apertura di ventilazione |
| 3 Protezione disco | 10 Chiave controdadi | 14 Apertura di aspirazione |
| 4 Scatola cuscinetti | 11 Disco abrasivo scanalato/disco diamantato | |
| 5 Vite | | |
| 6 Leva | | |
| 7 Controdado | | |

DATI TECNICI

| Modello | 9563H | 9564H | 9565H |
|--|---|---|---|
| Diametro del disco a centro depresso | 100 mm | 115 mm | 125 mm |
| Filettatura mandrino | M10 | M14 | M14 |
| Velocità nominale (n) / Velocità a vuoto (n ₀) | 11.000 min ⁻¹ | 11.000 min ⁻¹ | 11.000 min ⁻¹ |
| Lunghezza totale | 299 mm | 299 mm | 299 mm |
| Peso netto | 2,1 kg | 2,3 kg | 2,3 kg |
| Classe di sicurezza |  /II |  /II |  /II |

- Per il nostro programma di ricerca e sviluppo continui, i dati tecnici sono soggetti a modifiche senza preavviso.
- I dati tecnici potrebbero differire a seconda del paese di destinazione del modello.
- Peso in base alla procedura EPTA 01/2003

Utilizzo previsto

L'utensile va usato per il taglio, la smerigliatura e la carteggiatura di metalli e pietre senza l'uso di acqua.

Alimentazione

L'utensile deve essere collegato ad una presa di corrente con la stessa tensione indicata sulla targhetta del nome, e può funzionare soltanto con la corrente alternata monofase. Esso ha un doppio isolamento in osservanza alle norme europee, per cui può essere usato con le prese di corrente sprovviste della messa a terra.

GEA010-1

Avvertimenti generali per la sicurezza dell'utensile elettrico

⚠ AVVERTIMENTO Leggere tutti gli avvertimenti per la sicurezza e le istruzioni. La mancata osservanza degli avvertimenti e delle istruzioni può causare scosse elettriche, incendio e/o gravi incidenti.

Conservare tutti gli avvertimenti e le istruzioni per riferimenti futuri.

GEB033-3

AVVERTIMENTI PER LA SMERIGLIATRICE

Avvertimenti per la sicurezza per le normali operazioni di smerigliatura, carteggiatura, spazzolatura metallica o taglio abrasivo:

1. **Questo utensile elettrico è progettato per la smerigliatura, la carteggiatura, la spazzolatura metallica o il taglio. Leggere tutti gli avvertimenti per la sicurezza, le istruzioni, le illustrazioni e le specifiche forniti con questo utensile elettrico.** La mancata osservanza di tutte le istruzioni seguenti potrebbe causare scosse elettriche, incendi e/o seri incidenti.
2. **Con questo utensile elettrico si sconsigliano le operazioni quali la lucidatura.** Le operazioni per le quali questo utensile elettrico non è stato progettato possono creare pericoli e causare incidenti.

3. **Non si devono usare accessori che non sono stati designati e consigliati appositamente dal produttore dell'utensile.** Anche se un accessorio può essere attaccato a questo utensile elettrico, esso non garantisce il funzionamento sicuro.
4. **La velocità nominale dell'accessorio deve essere almeno uguale alla velocità massima indicata sull'utensile elettrico.** Gli accessori che girano a una velocità maggiore di quella nominale possono rompersi e volare via.
5. **Il diametro esterno e lo spessore dell'accessorio devono essere entro la taratura nominale dell'utensile elettrico.** Gli accessori con le dimensioni sbagliate non possono essere adeguatamente protetti o controllati.
6. **Le dimensioni dell'albero dei dischi, flange, tamponi di rinforzo e di qualsiasi altro accessorio devono essere adatte al mandrino di questo utensile elettrico.** Gli accessori con fori dell'albero inadatti all'attrezzatura di montaggio dell'utensile elettrico girano sbilanciati, vibrano eccessivamente e possono causare una perdita di controllo.
7. **Non si deve usare un accessorio danneggiato.** Prima di ciascun utilizzo, ispezionare che l'accessorio, come i dischi abrasivi, non presenti scheggiature e crepe, che i tamponi di rinforzo non mostrino crepe, lacerazioni o usura eccessiva, le spazzole metalliche non abbiano fili di ferro allentati o spezzati. Se l'utensile elettrico o l'accessorio è caduto, controllare se è danneggiato o installare un accessorio non danneggiato. Dopo l'ispezione e l'installazione di un accessorio, posizionarsi e tenere gli astanti lontani dal piano dell'accessorio rotante e far girare l'utensile elettrico al massimo senza carico per un minuto. Gli accessori danneggiati si rompono generalmente durante questo periodo di prova.

8. **Indossare l'equipaggiamento di protezione. A seconda del lavoro, usare uno schermo per il viso, occhiali di protezione od occhiali di sicurezza. Secondo il necessario, indossare una mascherina antipolvere, protezioni per le orecchie, guanti e grembiule di lavoro in grado di fermare piccoli frammenti abrasivi o schegge del pezzo.** Gli occhiali di protezione devono poter fermare i frammenti volanti prodotti dalle varie operazioni. La mascherina antipolvere o respiratore devono essere capaci di filtrare le particelle generate dal lavoro. L'esposizione prolungata al rumore di alta intensità potrebbe causare la perdita dell'udito.
9. **Tenere gli astanti a una distanza di sicurezza dall'area di lavoro. Chiunque entri nell'area di lavoro deve indossare l'equipaggiamento personale di protezione.** I frammenti del pezzo o di un accessorio che si rompe potrebbero volare via causando incidenti fuori dall'area immediata del lavoro.
10. **Tenere l'utensile elettrico soltanto per le superfici di presa isolate quando si esegue una operazione in cui l'accessorio di taglio potrebbe fare contatto con fili elettrici nascosti o con il cavo di alimentazione dell'utensile.** Il contatto dell'accessorio di taglio con un filo elettrico "sotto tensione" potrebbe mettere "sotto tensione" le parti metalliche esposte dell'utensile elettrico dando una scossa all'operatore.
11. **Posizionare il cavo di alimentazione dell'utensile discosto dall'accessorio che gira.** Se si perde il controllo dell'utensile, il cavo potrebbe essere tagliato o rimanere impigliato, e la mano o il braccio potrebbero essere attirati nell'accessorio che gira.
12. **Non si deve mai posare l'utensile elettrico finché l'accessorio non si è fermato completamente.** L'accessorio che gira potrebbe fare presa sulla superficie causando la perdita di controllo dell'utensile elettrico.
13. **Non si deve far funzionare l'utensile elettrico mentre lo si trasporta sul proprio fianco.** Il contatto accidentale con l'accessorio che gira potrebbe fare presa sul vestito spingendo l'accessorio nel corpo.
14. **Pulire regolarmente le aperture di ventilazione dell'utensile elettrico.** La ventola del motore attira la polvere all'interno dell'alloggiamento, e l'accumulazione eccessiva della polvere di metallo potrebbe causare pericoli elettrici.
15. **Non si deve far funzionare l'utensile elettrico vicino a materiali infiammabili,** perché le scintille potrebbero incendiarli.
16. **Non si devono usare accessori che richiedono refrigeranti liquidi.** L'impiego di acqua o di altri refrigeranti liquidi potrebbe causare elettrocuzione o scosse elettriche.

Contraccolpi e relativi avvertimenti:

Il contraccolpo è una improvvisa reazione a un disco rotante incastrato od ostacolato, tampone di rinforzo, spazzola o a qualsiasi altro accessorio. L'incastramento o l'ostacolazione causano il rapido stallo dell'accessorio rotante, che a sua volta causa la spinta dell'utensile elettrico senza controllo nella direzione opposta della rotazione dell'accessorio sul punto dell'inceppamento.

Per esempio, se un disco abrasivo viene ostacolato o incastrato dal pezzo, il filo del disco che entra nel punto di incastramento può penetrare nella superficie del materiale causando la fuoriuscita o il contraccolpo del disco. Il disco potrebbe rimbalzare verso l'operatore o lontano da esso, a seconda della direzione del movimento del disco sul punto di inceppamento. In queste condizioni, i dischi abrasivi potrebbero anche rompersi.

Il contraccolpo è il risultato dell'uso sbagliato dell'utensile elettrico e/o delle procedure o condizioni sbagliate di funzionamento, e può essere evitato prendendo le precauzioni appropriate come indicato di seguito.

- a) **Tenere saldamente l'utensile elettrico e posizionare il corpo e le braccia in modo da poter resistere alla forza del contraccolpo. Per il massimo controllo del contraccolpo o della reazione alla coppia di avviamento, usare sempre il manico ausiliario, se fornito.** Prendendo le precauzioni appropriate, l'operatore può controllare la reazione alla coppia di avviamento e la forza del contraccolpo.
- b) **Non si devono mai mettere le mani vicino all'accessorio rotante.** Si potrebbe verificare un contraccolpo dell'accessorio sulle mani.
- c) **Non si deve posizionare il corpo nell'area di spostamento dell'utensile elettrico se si verifica un contraccolpo.** Il contraccolpo spinge l'utensile nella direzione opposta al movimento del disco sul punto dell'inceppamento.
- d) **Fare particolarmente attenzione lavorando gli angoli, i bordi affilati, ecc. Evitare di far rimbalzare o di ostacolare l'accessorio.** Gli angoli, i bordi affilati o i rimbalzi tendono a inceppare l'accessorio rotante causando una perdita di controllo o un contraccolpo.
- e) **Non si devono attaccare una lama di intaglio del legno per sega a catena o una lama dentata.** Tali lame causano frequenti contraccolpi e perdite di controllo.

Avvertimenti per la sicurezza specifici per le operazioni di smerigliatura e di taglio:

- a) **Usare soltanto tipi di dischi raccomandati per l'utensile elettrico e la protezione specifica progettata per il disco selezionato.** I dischi che non sono stati progettati per questo utensile elettrico non possono essere adeguatamente protetti e non sono sicuri.
- b) **La protezione deve essere attaccata saldamente all'utensile elettrico e posizionata per la massima sicurezza, in modo che una parte minima del disco sia esposta verso l'operatore.** La protezione aiuta a proteggere l'operatore dai frammenti causati dalla rottura del disco, e dal contatto accidentale con il disco.

- c) **I dischi devono essere usati soltanto per le applicazioni raccomandate. Per esempio: non si deve smerigliare con il lato del disco di taglio.** I dischi di taglio abrasivi sono progettati per la smerigliatura periferica, e le forze laterali applicate a questi dischi potrebbero causarne la rottura.
- d) **Usare sempre flange per dischi non danneggiati delle dimensioni e forme corrette per il disco selezionato.** Le flange corrette supportano il disco, riducendo così la possibilità di una rottura del disco. Le flange per dischi di taglio potrebbero essere diverse dalle flange per dischi smerigliatori.
- e) **Non usare dischi usurati di utensili elettrici più grandi.** I dischi progettati per gli utensili elettrici più grandi non sono adatti alla velocità più alta di un utensile più piccolo, e potrebbero scoppiare.

Avvertimenti per la sicurezza supplementari specifici per le operazioni di taglio abrasivo:

- a) **Evitare di “inceppare” il disco diamantato o di applicarvi sopra una forza eccessiva. Non si deve cercare di fare una profondità di taglio eccessiva.** Una sollecitazione eccessiva sul disco aumenta il carico e la possibilità di un contraccolpo o di una rottura del disco.
- b) **Non posizionare il corpo sulla linea e dietro il disco che ruota.** Quando il disco, sul punto di lavorazione, si allontana dal corpo dell'operatore, il possibile contraccolpo potrebbe scagliare il disco che gira e l'utensile elettrico direttamente su di lui.
- c) **Quando il disco si inceppa o se il taglio si interrompe per un qualsiasi motivo, spegnere l'utensile elettrico e tenerlo fermo finché il disco non si è completamente arrestato. Non si deve mai cercare di rimuovere il disco diamantato dal taglio mentre è in movimento, perché altrimenti si potrebbe verificare un contraccolpo.** Controllare e procedere con una azione correttiva che elimini la causa dell'inceppamento del disco.
- d) **Non riavviare l'operazione di taglio nel pezzo. Lasciare che il disco raggiunga la velocità massima e rientrare con cura nel taglio.** Il disco potrebbe incepparsi, rialzarsi o fare un contraccolpo se si riavvia l'utensile elettrico nel pezzo.
- e) **Supportare i pannelli o qualsiasi pezzo di dimensioni molto grandi per minimizzare il rischio di inceppamento o di contraccolpo.** I grandi pezzi tendono a piegarsi sotto il loro stesso peso. I supporti devono essere sistemati sotto il pezzo vicino alla linea di taglio e vicino al bordo del pezzo su entrambi i lati del disco.
- f) **Usare precauzioni speciali per praticare un “taglio cavo” nelle pareti esistenti o altre aree cieche.** Il disco sporgente potrebbe tagliare i tubi del gas o dell'acqua, fili elettrici od oggetti che possono causare un contraccolpo.

Avvertimenti per la sicurezza specifici per le operazioni di smerigliatura:

- a) **Non si deve usare carta vetrata per un disco di dimensioni superiori a quelle normali. Seguire le raccomandazioni dei produttori per la selezione della carta vetrata.** La carta vetrata più grande che si estende oltre il tampone di smerigliatura presenta un rischio di lacerazione e potrebbe causare impigliamenti, strappi del disco o contraccolpi.

Avvertimenti per la sicurezza specifici per le operazioni di spazzolatura metallica:

- a) **Tenere presente che i fili di ferro vengono scagliati dalla spazzola anche durante il normale funzionamento. Non sollecitare eccessivamente i fili esercitando un carico eccessivo sulla spazzola.** I fili di ferro possono penetrare facilmente gli abiti leggeri e/o la pelle.
- b) **Se è raccomandato l'uso di una protezione per la spazzolatura metallica, evitare l'interferenza del disco o spazzola metallici con la protezione.** Il diametro del disco o spazzola metallici potrebbe espandersi a causa del carico di lavoro e delle forze centrifughe.

Avvertimenti per la sicurezza supplementari:

17. **Usando dischi smerigliatori con centro depresso, scegliere soltanto quelli rinforzati con fibra di vetro.**
18. **Fare attenzione a non danneggiare il mandrino, la flangia (soprattutto la superficie di installazione) o il controdado. Se queste parti sono danneggiate, potrebbero causare la rottura del disco.**
19. **Accertarsi che il disco non faccia contatto con il pezzo prima dell'attivazione dell'interruttore.**
20. **Prima di usare l'utensile sul pezzo, lasciarlo girare per qualche momento. Controllare se ci sono vibrazioni od ondeggiamenti, che potrebbero indicare l'installazione scarsa del disco o un disco bilanciato male.**
21. **Usare la superficie specificata del disco per eseguire la smerigliatura.**
22. **Fare attenzione alle scintille sprigionate. L'operatore deve tenere l'utensile in modo che le scintille non finiscano addosso alla sua o ad altre persone, o su materiali infiammabili.**
23. **Non lasciare solo l'utensile mentre funziona. Farlo funzionare soltanto tenendolo in mano.**
24. **Il pezzo non va toccato immediatamente dopo una operazione. Esso potrebbe essere estremamente caldo e causare bruciature.**
25. **Accertarsi sempre che l'utensile sia spento e staccato dalla presa di corrente, o che la batteria sia stata rimossa, prima di qualsiasi intervento su di esso.**
26. **Osservare le istruzioni del produttore per il corretto montaggio e utilizzo dei dischi. Maneggiare e conservare i dischi con cura.**
27. **Non usare boccole di riduzione o adattatori separati per montare dischi abrasivi con foro largo.**
28. **Usare soltanto le flange specificate per questo utensile.**
29. **Usando gli utensili su cui montare dischi con foro filettato, accertarsi che la filettatura del disco sia sufficientemente lunga da accettare la lunghezza del mandrino.**
30. **Accertarsi che il pezzo sia supportato correttamente.**
31. **Tenere presente che il disco continua a girare dopo che si è spento l'utensile.**
32. **Se l'ambiente di lavoro è estremamente caldo o umido, oppure contaminato da polvere conduttiva, usare un salvavita (30 mA) per la sicurezza.**
33. **Non usare l'utensile su materiali che contengono amianto.**
34. **Non usare acqua o lubrificanti di smerigliatura.**

35. Accertarsi che le aperture di ventilazione rimangono libere durante il lavoro in condizioni di polvere. Quando è necessario togliere la polvere, staccare prima l'utensile dalla presa di corrente (usare oggetti non metallici) ed evitare di danneggiare le parti interne.
36. Usando i dischi diamantati, lavorare sempre con la protezione disco raccolta polvere richiesta dalle norme locali.
37. I dischi di taglio non devono essere soggetti a pressioni laterali.

CONSERVARE QUESTE ISTRUZIONI.

AVVERTIMENTO:

NON lasciare che comodità o la familiarità d'utilizzo con il prodotto (acquisita con l'uso ripetuto) sostituisca la stretta osservanza delle norme di sicurezza. L'utilizzo SBAGLIATO o la mancata osservanza delle norme di sicurezza di questo manuale di istruzioni potrebbero causare lesioni serie.

DESCRIZIONE FUNZIONALE

ATTENZIONE:

- Accertarsi sempre che l'utensile sia spento e staccato dalla presa di corrente prima di regolarlo o di controllare il suo funzionamento.

Blocco albero (Fig. 1)

ATTENZIONE:

- Il blocco albero non deve mai essere azionato mentre il mandrino è in movimento. Si potrebbe danneggiare l'utensile.

Premere il blocco albero per impedire la rotazione del mandrino quando si installano o si rimuovono gli accessori.

Funzionamento dell'interruttore (Fig. 2)

ATTENZIONE:

- Prima di collegare l'utensile alla presa di corrente, controllare sempre che l'interruttore cursore scorra correttamente e che torni sulla posizione "OFF" quando si preme la sua parte posteriore.

Per avviare l'utensile, spingere l'interruttore cursore verso la posizione "I (ON)". Per il funzionamento continuo, premere la parte anteriore dell'interruttore cursore per bloccarlo.

Per fermare l'utensile, premere la parte posteriore dell'interruttore cursore e spingerlo poi verso la posizione "O (OFF)".

MONTAGGIO

ATTENZIONE:

- Accertarsi sempre che l'utensile sia spento e staccato dalla presa di corrente prima di qualsiasi intervento su di esso.

Installazione dell'impugnatura laterale (manico) (Fig. 3)

ATTENZIONE:

- Accertarsi sempre che l'impugnatura laterale sia installata saldamente prima di cominciare a lavorare.

Avvitare saldamente l'impugnatura laterale sulla posizione dell'utensile mostrata in figura.

Installazione o rimozione della protezione disco (Per disco con centro depresso, multidisco/disco abrasivo scanalato, disco diamantato)

Per l'utensile con protezione disco tipo con vite di blocco (Fig. 4 e 5)

ATTENZIONE:

- La protezione disco deve essere montata sull'utensile in modo che il lato chiuso della protezione sia sempre rivolto verso l'operatore.

Montare la protezione disco con la sporgenza sulla fascetta protezione disco allineata con la tacca della scatola cuscinetti. Ruotare poi la protezione disco di circa 180 gradi. Stringere saldamente la vite.

Per rimuovere la protezione disco, seguire il procedimento opposto di installazione.

Per l'utensile con la protezione disco del tipo con leva di fermo (Fig. 6 e 7)

Tirare la leva nella direzione della freccia dopo aver allentato la vite. Montare la protezione disco con la sporgenza sulla banda di protezione disco allineata con la tacca sulla scatola cuscinetti. Ruotare poi la protezione disco di 180°. Fissarla poi con la vite dopo aver tirato la leva nella direzione della freccia a scopo di lavoro. L'angolo di regolazione della protezione disco può essere regolato con la leva.

Per rimuovere la protezione disco, seguire il procedimento opposto di installazione.

Installazione o rimozione disco/multidisco con centro depresso (accessorio)

Montare la flangia interna sul mandrino. Inserire il disco/multidisco nella flangia interna e avvitare il controdado sul mandrino. (Fig. 8)

Per stringere il controdado, premere saldamente il blocco albero in modo che il mandrino non possa girare e usare poi la chiave controdadi per stringere saldamente in senso orario.

Per rimuovere il disco, usare il procedimento opposto di installazione. (Fig. 9)

OPERAZIONI

AVVERTIMENTO:

- Non dovrebbe mai essere necessario forzare l'utensile. Il peso dell'utensile esercita una pressione adeguata. Se si forza l'utensile e si esercita su di esso una pressione eccessiva, si potrebbe causare una pericolosa rottura del disco.
- Sostituire SEMPRE il disco se l'utensile è caduto durante la smerigliatura.
- Non si deve MAI sbattere o urtare il disco/multidisco sulla parte che si lavora.
- Evitare di far rimbalzare o incastrare il disco, soprattutto lavorando gli angoli, bordi aguzzi, ecc. Ciò può causare la perdita di controllo dell'utensile e contraccolpi.
- Non si deve MAI usare l'utensile con lame per il taglio del legno od altre lame per usi simili. Usate con le smerigliatrici, tali lame causano frequenti contraccolpi e la perdita di controllo dell'utensile, con pericolo di lesioni personali.

ATTENZIONE:

- Dopo una operazione, spegnere sempre l'utensile e aspettare che il disco si sia fermato completamente prima di deporre l'utensile.

Operazione di smerigliatura e di levigatura

(Fig. 10)

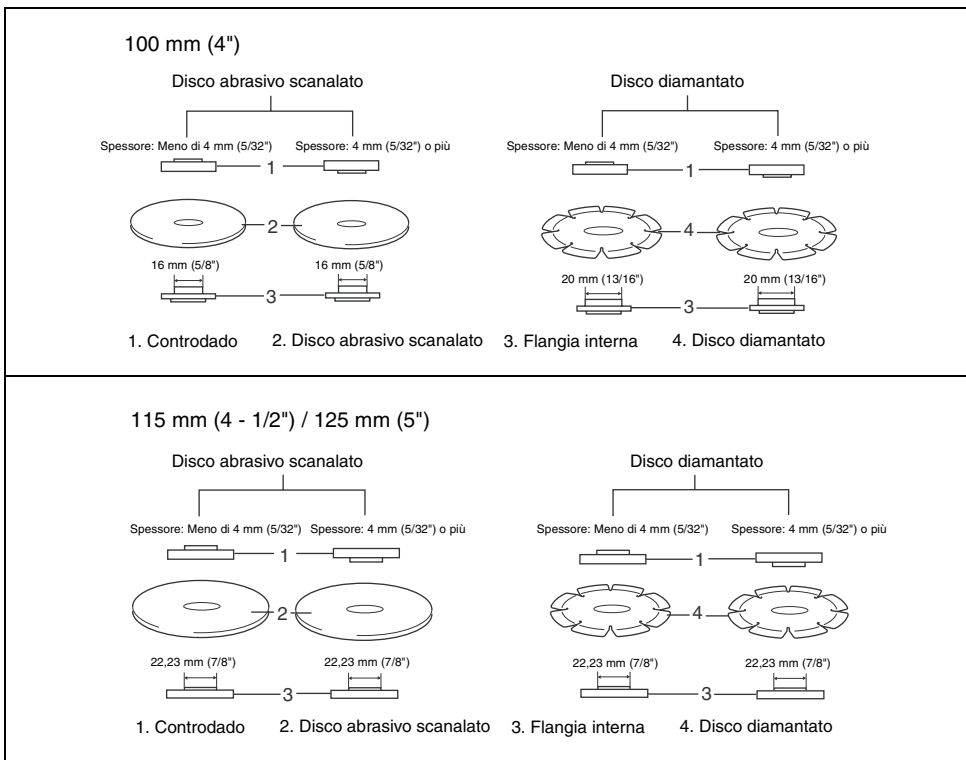
Tenere SEMPRE saldamente l'utensile con una mano sull'alloggiamento e l'altra sull'impugnatura laterale. Mettere in moto l'utensile e quindi avvicinare la mola oppure il disco alla superficie del pezzo da lavorare.

Mantenere generalmente il bordo del disco/multidisco ad un angolo di circa 15 gradi rispetto alla superficie del pezzo.

Durante il periodo di rodaggio di un nuovo disco, non lavorare la smerigliatrice nella direzione B, perché altrimenti si taglia il pezzo. Dopo che il bordo del disco si è arrotondato con l'uso, si può lavorare con il disco in entrambe le direzioni A e B.

Funzionamento con il disco abrasivo scanalato/diamantato (accessorio opzionale) (Fig. 11)

La direzione di montaggio del controdado e della flangia interna varia secondo lo spessore del disco. Vedere la tabella sotto.



AVVERTIMENTO:

- Quando si usa un disco abrasivo scanalato/diamantato, si deve usare soltanto la speciale protezione del disco progettata appositamente per l'uso con i dischi scanalati.
- MAI usare un disco scanalato per la smerigliatura laterale.
- Fare attenzione a non inceppare il disco e a non applicare una pressione eccessiva. Non cercare di fare un taglio con una profondità eccessiva. La sovrasollecitazione del disco ne aumenta il carico e potrebbe verificarsi la suscettibilità a torcersi o incepparsi nel taglio, e la possibilità di contraccolpi, rottura del disco e surriscaldamento del motore.
- Non avviare l'operazione di taglio sul pezzo. Lasciare che il disco raggiunga la velocità massima ed entrare con cura nel taglio muovendo l'utensile in avanti sulla superficie del pezzo. Il disco potrebbe incepparsi, rialzarsi o dare contraccolpi se si avvia l'utensile elettrico sul pezzo.
- Durante le operazioni di taglio non si deve mai cambiare l'angolo del disco. Se si esercita una pressione laterale sul disco scanalato (come per la smerigliatura), il disco potrebbe scheggiarsi e rompersi causando incidenti seri.
- I dischi diamantati vanno usati perpendicolarmente al materiale che si taglia.

MANUTENZIONE

ATTENZIONE:

- Accertarsi sempre che l'utensile sia spento e staccato dalla presa di corrente prima di qualsiasi intervento di ispezione o di manutenzione.
- Mai usare benzina, benzene, solventi, alcol e altre sostanze simili. Potrebbero causare scolorimenti, deformazioni o crepe.

L'utensile e le sue aperture di ventilazione devono essere mantenuti puliti. Pulire regolarmente le aperture di ventilazione dell'utensile, od ogni volta che cominciano ad essere ostruite. (**Fig. 12**)

Per preservare la SICUREZZA e l'AFFIDABILITÀ del prodotto, le riparazioni, l'ispezione e la sostituzione della spazzola di carbone o qualsiasi altra manutenzione e regolazione devono essere eseguite da un Centro Assistenza Makita autorizzato usando sempre ricambi Makita.

ACCESSORI

ATTENZIONE:

- Questi accessori o attrezzi sono consigliati per l'uso con l'utensile Makita specificato in questo manuale. L'impiego di altri accessori o attrezzi può costituire un rischio di lesioni alle persone. Usare gli accessori soltanto per il loro scopo prefissato.




Per maggiori dettagli e l'assistenza, rivolgersi al Centro Assistenza Makita locale.

- Protezione disco (coperchio disco) Per disco con centro depresso/multidisco
- Protezione disco (coperchio disco) Per disco abrasivo scanalato/disco diamantato
- Dischi con centro depresso
- Dischi abrasivi scanalati
- Multidisco
- Dischi diamantati
- Spazzole a tazza metallica
- Spazzola di ferro smusso 85
- Dischi abrasivi
- Flangia interna
- Controdado Per disco con centro depresso/disco abrasivo scanalato/multidisco/disco diamantato
- Controdado Per disco abrasivo
- Chiave controdadi
- Impugnatura laterale

Verklaring van algemene gegevens

| | | |
|--------------------|-----------------------------|--|
| 1 Asblokkering | 6 Hendel | 11 Doorslijpschijf/diamantschijf |
| 2 Schuifschakelaar | 7 Borgmoer | 12 Beschermkap voor doorslijp- schijf/diamantschijf |
| 3 Beschermkap | 8 Afbraamschijf/multischijf | 13 Luchtuitlaatopening |
| 4 Kussenblokkast | 9 Binnenflens | 14 Luchtinlaatopening |
| 5 Schroef | 10 Borgmoersleutel | |

TECHNISCHE GEGEVENS

| Model | 9563H | 9564H | 9565H |
|---|---|---|---|
| Diameter slijpschijf | 100 mm | 115 mm | 125 mm |
| Asschroefdraad | M10 | M14 | M14 |
| Nominaal toerental (n) / Toerental onbelast (n ₀) | 11 000 min ⁻¹ | 11 000 min ⁻¹ | 11 000 min ⁻¹ |
| Totale lengte | 299 mm | 299 mm | 299 mm |
| Netto gewicht | 2,1 kg | 2,3 kg | 2,3 kg |
| Veiligheidsklasse |  /II |  /II |  /II |

- In verband met ononderbroken research en ontwikkeling behouden wij ons het recht voor bovenstaande technische gegevens te wijzigen zonder voorafgaande kennisgeving.
- De technische gegevens kunnen van land tot land verschillen.
- Gewicht volgens de EPTA-procedure 01/2003

Doeleinden van gebruik

Dit gereedschap is bedoeld voor het snijden, slijpen en schuren van metaal- en steenmaterialen zonder gebruik van water.

Stroomvoorziening

Het gereedschap mag alleen worden aangesloten op een stroombron van hetzelfde voltage als aangegeven op de naamplaat, en kan alleen op enkel-fase wisselstroom worden gebruikt. Het gereedschap is dubbel-geïsoleerd volgens de Europese standaard en kan derhalve ook op een niet-geaard stopcontact worden aangesloten.

GEA010-1

Algemene veiligheidswaarschuwingen voor elektrisch gereedschap

⚠ WAARSCHUWING! Lees alle veiligheidswaarschuwingen en alle instructies. Het niet volgen van de waarschuwingen en instructies kan leiden tot elektrische schokken, brand en/of ernstig letsel.

Bewaar alle waarschuwingen en instructies om in de toekomst te kunnen raadplegen.

GEB033-3

VEILIGHEIDSWAARSCHUWINGEN VOOR EEN SLIJPMACHINE

Gemeenschappelijke veiligheidswaarschuwingen voor slijp-, schuur-, draadborstel- en doorslijpwerkzaamheden:

1. Dit elektrisch gereedschap is bedoeld voor gebruik als slijp-, schuur-, draadborstel- of doorslijpgereedschap. Lees alle veiligheidswaarschuwingen, instructies, afbeeldingen en technische gegevens die bij dit elektrisch gereedschap worden geleverd. Als u nalaat alle onderstaande instructies te volgen, kan dit leiden tot een elektrische schok, brand en/of ernstig letsel.

2. **Werkzaamheden zoals polijsten worden niet aanbevolen met dit elektrisch gereedschap.** Werkzaamheden waarvoor dit elektrisch gereedschap niet is bedoeld kunnen gevaarlijke situaties opleveren en tot persoonlijk letsel leiden.
3. **Gebruik geen accessoires die niet specifiek zijn ontworpen en aanbevolen door de fabrikant van het gereedschap.** Ook wanneer het accessoire kan worden bevestigd op uw elektrisch gereedschap, is een veilige werking niet gegarandeerd.
4. **Het nominaal toerental van het accessoire moet minstens gelijk zijn aan het maximumtoerental vermeld op het elektrisch gereedschap.** Accessoires die met een hoger toerental draaien dan hun nominaal toerental kunnen stuk breken en in het rond vliegen.
5. **De buitendiameter en de dikte van het accessoire moet binnen het capaciteitsbereik van het elektrisch gereedschap vallen.** Accessoires met verkeerde afmetingen kunnen niet afdoende worden afgeschermd of beheerst.
6. **De asdiameter van schijven, flenzen, rugschijven en andere accessoires moeten goed passen rond de as van het elektrisch gereedschap.** Accessoires met een asdiameter die niet overeenkomt met de standaardhardware voor het elektrisch gereedschap zullen niet in balans draaien, buitensporig trillen en kunnen tot verlies van controle over het gereedschap leiden.
7. **Gebruik nooit een beschadigd accessoire.** Inspecteer het accessoire vóór ieder gebruik, bijvoorbeeld een slijpschijf op ontbrekende schijffers en barsten; een rugschijf op barsten, scheuren of buitensporige slijtage; en een draadborstel op losse of gebarsten draden. Nadat het elektrisch gereedschap of accessoire is gevallen, inspecteert u het op schade of monteert u een onbeschadigd accessoire. Na inspectie en montage van een accessoire, zorgt u ervoor dat u en omstanders niet in het rotatie vlak van het accessoire staan, en laat u het elektrisch gereedschap draaien op het maximaal, onbelast toerental gedurende één minuut. Beschadigd accessoire breken normaal gesproken in stukken gedurende deze testduur.

8. **Gebruik persoonlijke-veiligheidsmiddelen.** Afhankelijk van de toepassing gebruikt u een gezichtsscherm, een beschermende bril of een veiligheidsbril. Al naar gelang van toepassing draagt u een stofmasker, gehoorbeschermers, handschoenen en een werkschort die in staat zijn kleine stukjes slijpsel of werkstukfragmenten te weerstaan. De oogbescherming moet in staat zijn rondvliegend afval te stoppen dat ontstaat bij de diverse werkzaamheden. Het stofmasker of ademhalingsapparaat moet in staat zijn deeltjes te filteren die ontstaat bij de werkzaamheden. Langdurige blootstelling aan zeer intens geluid kan leiden tot gehoorbeschadiging.
9. **Houd omstanders op veilige afstand van het werkgebied.** Iedereen die zich binnen het werkgebied begeeft, moet persoonlijke-veiligheidsmiddelen gebruiken. Fragmenten van het werkstuk of van een uiteengevallen accessoire kunnen rondvliegen en letsel veroorzaken buiten de onmiddellijke werkomgeving.
10. **Houd elektrisch gereedschap uitsluitend vast aan het geïsoleerde oppervlak van de handgrepen wanneer u werkt op plaatsen waar het slijpaccessoire met verborgen bedrading of zijn eigen snoer in aanraking kan komen.** Wanneer het slijpaccessoire in aanraking komt met onder spanning staande draden, zullen ook de niet-geïsoleerde metalen delen van het elektrisch gereedschap onder spanning komen te staan zodat de gebruiker een elektrische schok kan krijgen.
11. **Houd het snoer goed uit de buurt van het ronddraaiende accessoire.** Als u de controle verliest over het gereedschap, kan het snoer worden doorsneden of bekneld raken, en kan uw hand of arm tegen het ronddraaiende accessoire worden aange trokken.
12. **Leg het elektrisch gereedschap nooit neer voordat het accessoire volledig tot stilstand is gekomen.** Het ronddraaiende accessoire kan de ondergrond pakken zodat u de controle over het elektrisch gereedschap verliest.
13. **Laat het elektrisch gereedschap niet draaien terwijl u het naast u draagt.** Als het ronddraaiende accessoire u per ongeluk raakt, kan het verstrikt raken in uw kleding waardoor het accessoire in uw lichaam wordt getrokken.
14. **Maak de ventilatieopeningen van het gereedschap regelmatig schoon.** De ventilator van de motor zal het stof de behuizing in trekken, en een grote opeenhoping van metaalslijpsel kan leiden tot elektrisch gevaarlijke situaties.
15. **Gebruik het elektrisch gereedschap niet in de buurt van brandbare materialen.** Vonken kunnen deze materialen doen ontvlammen.
16. **Gebruik geen accessoires die met vloeistof moeten worden gekoeld.** Het gebruik van water of andere vloeibare koelmiddelen kan leiden tot elektrocutie of elektrische schokken.

Terugslag en aanverwante waarschuwingen:

Terugslag is een plotselinge reactie op een beknelde of vastgelopen draaiende schijf, rugschijf, borstel of enig ander accessoire. Beknellen of vastlopen veroorzaakt een snelle stilstand van het draaiende accessoire dat op zijn beurt ertoe leidt dat het elektrisch gereedschap zich ongecontroleerd beweegt in de tegenovergestelde richting van de draairichting van het accessoire op het moment van vastlopen.

Bijvoorbeeld, als een slijpschijf bekneld raakt of vastloopt in het werkstuk, kan de rand van de schijf die het beknellingspunt ingaat, zich invreten in het oppervlak van het materiaal waardoor de schijf eruit klimt of eruit slaat. De schijf kan daarbij naar de gebruiker toe of weg springen, afhankelijk van de draairichting van de schijf op het beknellingspunt. Slijpschijven kunnen in dergelijke situaties ook breken.

Terugslag is het gevolg van misgebruik van het elektrisch gereedschap en/of onjuiste gebruikprocedures of -omstandigheden, en kan worden voorkomen door goede voorzorgsmaatregelen te treffen, zoals hieronder vermeld:

- a) **Houd het gereedschap stevig vast en houd uw armen en lichaam zodanig dat u in staat bent een terugslag op te vangen.** Gebruik altijd de extra handgreep (indien aanwezig) voor een maximale controle over het gereedschap in geval van terugslag en de koppelreactiekrachten bij het starten. De gebruiker kan een terugslag of de koppelreactiekrachten opvangen indien de juiste voorzorgsmaatregelen worden getroffen.
- b) **Plaats uw hand nooit in de buurt van het draaiende accessoire.** Het accessoire kan terugslaan over uw hand.
- c) **Plaats uw lichaam niet in het gebied waar het elektrisch gereedschap naar toe gaat wanneer een terugslag optreedt.** Een terugslag zal het gereedschap bewegen in de tegenovergestelde richting van de draairichting van de schijf op het moment van beknellen.
- d) **Wees bijzonder voorzichtig bij het werken met hoeken, scherpe randen, enz. Voorkom dat het accessoire springt of bekneld raakt.** Hoeken, scherpe randen of springen veroorzaken vaak beknellen van het draaiende accessoire wat leidt tot terugslag of verlies van controle over het gereedschap.
- e) **Bevestig geen houtbewerkingsblad van een zaagketting of getand zaagblad.** Dergelijke bladen leiden vaak tot terugslag of verlies van controle over het gereedschap.

Veiligheidsaanschuwingen specifiek voor slijp- en doorslijpwerkzaamheden:

- a) **Gebruik uitsluitend schijven van het type aanbevolen voor uw elektrisch gereedschap en de specifieke beschermkap voor de te gebruiken schijf.** Schijven waarvoor het elektrisch gereedschap niet is ontworpen, kunnen niet goed worden afgeschermd en zijn niet veilig.

- b) **De beschermkap moet stevig worden vastgezet aan het elektrisch gereedschap en in de maximaal beschermende stand worden gezet zodat het kleinste mogelijke deel van de schijf is blootgesteld in de richting van de gebruiker.** De beschermkap helpt de gebruiker te beschermen tegen afgebroken stukjes van de schijf en het per ongeluk aanraken van de schijf.
- c) **De schijven mogen uitsluitend worden gebruikt voor de aanbevolen toepassingen. Bijvoorbeeld: u mag niet slijpen met de zijkant van een doorslijpschijf.** Doorslijpschijven zijn bedoeld voor slijpen met de rand. Krachten op het zijoppervlak kunnen deze schijven doen breken.
- d) **Gebruik altijd onbeschadigde schijfflensen van de juiste afmetingen en vorm voor de te gebruiken schijf.** Een goede schijfflens ondersteunt de schijf en verkleint daarmee de kans op het breken van de schijf. Flenzen voor doorslijpschijven kunnen verschillen van flenzen voor slijpschijven.
- e) **Gebruik geen afgesleten schijven van grotere elektrische gereedschappen.** Schijven die zijn bedoeld voor grotere elektrische gereedschappen zijn niet geschikt voor de hogere snelheid van een kleiner elektrisch gereedschap en kunnen in stukken breken.

Aanvullende veiligheidswaarschuwingen specifiek voor doorslijpwerkzaamheden:

- a) **Laat de doorslijpschijf niet vastlopen en oefen geen buitensporige druk uit. Probeer niet een buitensporig diepe snede te slijpen.** Een te grote kracht op de schijf verhoogt de belasting en de kans dat de schijf in de snede verdraait of vastloopt, waardoor terugslag kan optreden of de schijf kan breken.
- b) **Plaats uw lichaam niet in één lijn achter de ronddraaiende schijf.** Wanneer de schijf, op het aangrijppunt in het werkstuk, zich van uw lichaam af beweegt, kunnen door de mogelijke terugslag de ronddraaiende schijf en het elektrisch gereedschap in uw richting worden geworpen.
- c) **Wanneer de schijf vastloopt of u het slijpen onderbreekt, schakelt u het elektrisch gereedschap uit en houdt u dit stil totdat de schijf volledig tot stilstand is gekomen. Probeer nooit de doorslijpschijf uit de snede te halen terwijl de schijf nog draait omdat hierdoor een terugslag kan optreden.** Onderzoek waarom de schijf is vastgelopen en tref afdoende maatregelen om de oorzaak ervan op te heffen.
- d) **Begin niet met doorslijpen terwijl de schijf al in het werkstuk steekt. Wacht totdat de schijf op volle snelheid heeft bereikt en breng daarna de schijf voorzichtig terug in de snede.** Wanneer het elektrisch gereedschap opnieuw wordt gestart terwijl de schijf al in het werkstuk steekt, kan de schijf vastlopen, omhoog lopen of terugslaan.
- e) **Ondersteun platen en grote werkstukken om de kans op het beknellen van de schijf en terugslag te minimaliseren.** Grote werkstukken neigen door te zakken onder hun eigen gewicht. U moet het werkstuk ondersteunen vlakbij de snijlijn en vlakbij de rand van het werkstuk aan beide kanten van de schijf.

- f) **Wees extra voorzichtig bij blind slijpen in bestaande wanden of op andere plaatsen.** De uitstekende schijf kan gas- of waterleidingen, elektrische bedrading of voorwerpen die terugslag veroorzaken raken.

Veiligheidswaarschuwingen specifiek voor schuurwerkzaamheden:

- a) **Gebruik geen veel te grote schuurpapierschijven.** Volg de aanwijzingen van de fabrikant bij uw keuze van het schuurpapier. Te groot schuurpapier dat uitsteekt tot voorbij de rand van het schuurkussen levert snijgevaar op en kan beknellen of scheuren van de schuurpapierschijf of terugslag veroorzaken.

Veiligheidswaarschuwingen specifiek voor draadborstelwerkzaamheden:

- a) **Wees erop bedacht dat ook tijdens normaal gebruik borstelraden door de borstel worden rondgeslingerd. Oefen niet te veel kracht uit op de borstelraden door een te hoge belasting van de borstel.** De borstelraden kunnen met gemak door dunne kleding en/of de huid dringen.
- b) **Als het gebruik van een beschermkap wordt aanbevolen voor draadborstelen, zorgt u ervoor dat de draadschijf of draadborstel niet in aanraking komt met de beschermkap.** De draadschijf of draadborstel kan in diameter toenemen als gevolg van de werkbelasting en centrifugale krachten.

Aanvullende veiligheidswaarschuwingen:

17. **Bij gebruik van een slijpschijf met een verzonken middengat, mag u uitsluitend met glasvezel versterkte schijven gebruiken.**
18. **Let erop dat u de as, de flens (met name de montagekant) en de borgmoer niet beschadigt. Als deze onderdelen beschadigd raken, kan de schijf breken.**
19. **Zorg ervoor dat de schijf niet in aanraking is met het werkstuk voordat u het gereedschap hebt ingeschakeld.**
20. **Laat gereedschap een tijdje draaien voordat u het op het werkstuk gaat gebruiken. Controleer op trillingen of schommelingen die op onjuiste montage of een slecht uitgebalanceerd schijf kunnen wijzen.**
21. **Gebruik de aangegeven kant van de schijf om mee te slijpen.**
22. **Wees alert op rondvliegende vonken. Houd het gereedschap zodanig vast dat de vonken wegvliegen van u en andere personen of brandbare materialen.**
23. **Laat het gereedschap niet ingeschakeld liggen. Bedien het gereedschap alleen wanneer u het vasthoudt.**
24. **Raak het werkstuk niet onmiddellijk na gebruik aan. Deze kan bijzonder heet zijn en brandwonden op uw huid veroorzaken.**
25. **Controleer altijd of het gereedschap is uitgeschakeld en de stekker uit het stopcontact is getrokken of de accu is verwijderd alvorens enige werkzaamheden aan het gereedschap te verrichten.**
26. **Volg de instructies van de fabrikant voor het juist monteren en gebruiken van de schijven zorgvuldig op. Behandel de schijven voorzichtig en berg deze met zorg op.**

27. Gebruik geen afzonderlijke verloopmoffen of adapters om schuurschijven met een groot asgat aan dit gereedschap aan te passen.
28. Gebruik uitsluitend flenzen die voor dit gereedschap zijn bestemd.
29. Voor gereedschap waarop schijven met een geschroefd asgat dienen gemonteerd te worden, moet u ervoor zorgen dat de schroefdraad in de schijf lang genoeg zodat de as helemaal erin gaat.
30. Zorg ervoor dat het werkstuk goed ondersteund is.
31. Houd er rekening mee dat de schijf nog een tijdje blijft draaien nadat het gereedschap is uitgeschakeld.
32. Indien de werkplaats uiterst warm en vochtig is, of erg verontreinigd is door geleidend stof, gebruik dan een stroomonderbreker (30 mA) om de veiligheid van de gebruiker te verzekeren.
33. Gebruik het gereedschap niet op materialen die asbest bevatten.
34. Gebruik geen water of slijpolie.
35. Houd de ventilatieopeningen schoon wanneer u in een stoffige omgeving werkt. Wanneer u stof uit deze openingen wilt verwijderen, moet u eerst de aansluiting van het gereedschap op het stopcontact verbreken en oppassen dat u geen inwendige onderdelen beschadigt (gebruik voor het reinigen uitsluitend niet-metalen voorwerpen).
36. Wanneer u een doorslijpschijf gebruikt, dient u altijd te werken met de stofvangbeschermer die door de plaatselijke overheid wordt voorgeschreven.
37. Doorslijpschijven mogen niet aan zijwaartse druk worden blootgesteld.

BEWAAR DEZE VOORSCHRIFTEN.

WAARSCHUWING:

Laat u **NIET** misleiden door een vals gevoel van comfort en bekendheid met het gereedschap (na veelvuldig gebruik) en neem alle veiligheidsvoorschriften van het betreffende gereedschap altijd strikt in acht. **VERKEERD GEBRUIK** of het niet naleven van de veiligheidsvoorschriften in deze gebruiksaanwijzing kan leiden tot ernstige verwondingen.

BESCHRIJVING VAN DE FUNCTIES

LET OP:

- Zorg altijd dat het gereedschap is uitgeschakeld en zijn stekker uit het stopcontact is verwijderd voordat u functies op het gereedschap afstelt of controleert.

Asblokkering (Fig. 1)

LET OP:

- Druk de asblokkering nooit in terwijl de as beweegt. Hierdoor kan het gereedschap beschadigd raken.

Druk de asblokkering in om draaiing van de as te voorkomen wanneer u accessoires wilt installeren of verwijderen.

Werkning van de schakelaar (Fig. 2)

LET OP:

- Voordat u het gereedschap op een stopcontact aansluit, moet u altijd controleren of de schuifschakelaar goed werkt en naar de "OFF" positie terugkeert wanneer het achterste gedeelte ervan wordt ingedrukt.

Schuif de schuifschakelaar naar de "I (AAN)" positie om het gereedschap te starten. Voor continu gebruik drukt u het voorste gedeelte van de schuifschakelaar in om hem te vergrendelen.

Om het gereedschap te stoppen, drukt het achterste gedeelte van de schuifschakelaar in en schuift hem vervolgens naar de "O (UIT)" positie.

INEENZETTEN

LET OP:

- Zorg altijd dat het gereedschap is uitgeschakeld en zijn stekker uit het stopcontact is verwijderd alvorens enig werk aan het gereedschap uit te voeren.

Monteren van de zijhandgreep (handvat) (Fig. 3)

LET OP:

- Controleer altijd of de zijhandgreep stevig bevestigd is alvorens met het werk te beginnen.

Schroef de zijhandgreep stevig vast op het gereedschap op de plaats die is afgebeeld.

Installeren of verwijderen van de beschermkap (voor schijf met een verzonken middengat, multislijf/doorslijpschijf, diamantschijf)

Voor gereedschap met een beschermkap met een borgschroef (Fig. 4 en 5)

LET OP:

- De beschermkap dient zodanig op het gereedschap te worden gemonteerd dat de gesloten zijde ervan altijd naar de gebruiker is gericht.

Monteer de beschermkap zodanig dat het uitsteeksel op de beschermkapband overeenkomt met de inkeping in de kussenblokkast. Draai daarna de beschermkap 180 graden rechtsom. Draai de schroef stevig vast.

Om de beschermkap te verwijderen, voert u deze procedure in omgekeerde volgorde uit.

Voor gereedschap met een beschermkap voorzien van een klemhendel (Fig. 6 en 7)

Trek de hendel in de richting van de pijl nadat de schroef is losgedraaid. Monteer de beschermkap met het uitsteeksel op de beschermkap-band uitgelijnd met de inkeping in de kussenblokkast. Draai vervolgens de beschermkap 180°. Zet vast met de schroef nadat de hendel in de richting van de pijl voor het gebruiksdoel is getrokken. De bevestigingshoek van de beschermkap kan worden veranderd met de hendel.

Om de beschermkap te verwijderen, voert u deze procedure in omgekeerde volgorde uit.

Installeren of verwijderen van de afbraamschijf/multischijf (accessoire)

Monteer de binnenflens op de as. Plaats de schijf/multischijf over de binnenflens en schroef de borgmoer vast op de as. (Fig. 8)

Om de borgmoer vast te draaien, dient u stevig op de asblokkering te drukken zodat de as niet kan draaien. Draai vervolgens met de borgmoersleutel de borgmoer stevig naar rechts vast.

Om de schijf te verwijderen, voert u deze procedure in omgekeerde volgorde uit. (Fig. 9)

BEDIENING

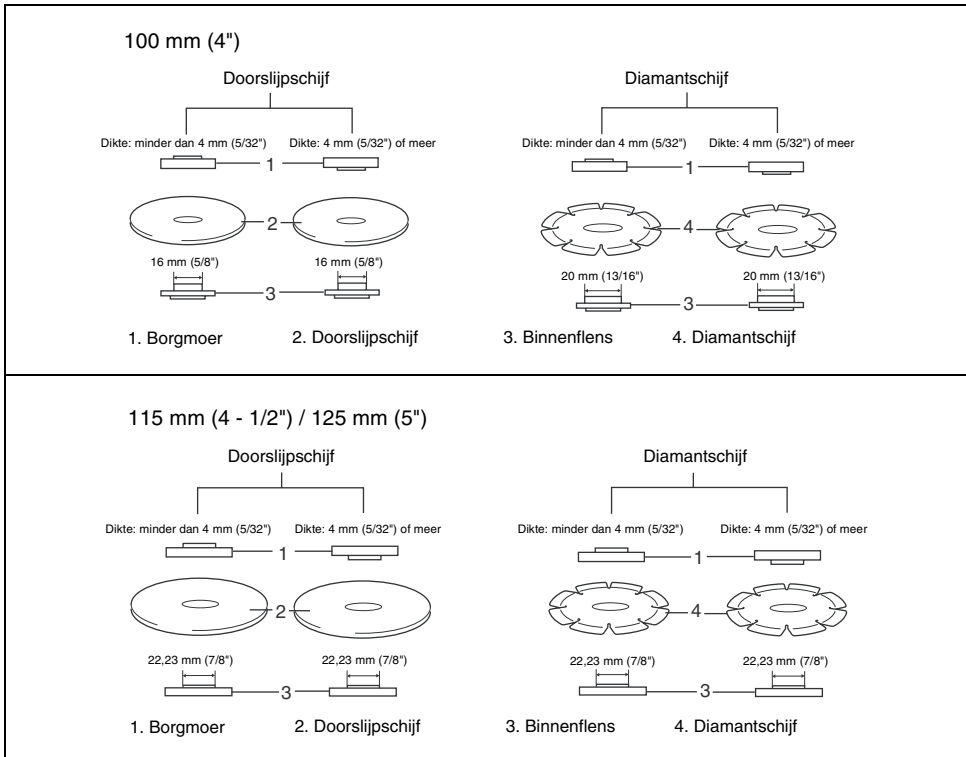
WAARSCHUWING:

- U dient nooit kracht op het gereedschap uit te oefenen. Het eigen gewicht van het gereedschap levert voldoende druk op. Overmatige kracht of druk kan schijfbreuk veroorzaken, hetgeen gevaarlijk is.
- Vervang ALTIJD de schijf indien het gereedschap tijdens het slijpen op de grond is gevallen.
- Bots of stoot de slijpschijf NOOIT tegen het werkstuk.
- Zorg dat de schijf niet terugkaatst of blijft hangen, vooral bij het bewerken van hoeken, scherpe randen, enz. Dit kan namelijk verlies van controle over het gereedschap en terugslag veroorzaken.

Gebruik met doorslijpschijf/diamantschijf (los verkrijgbaar) (Fig. 11)

De montagerichting van de borgmoer en binnenflens verschilt afhankelijk van de dikte van de schijf.

Raadpleeg het onderstaande overzicht.



- Gebruik het gereedschap NOOIT met houtzaagbladen of andere zaagbladen. Bij gebruik op een slijpmachine veroorzaken zaagbladen vaak terugslag en controleverlies, met persoonlijke verwonding als mogelijk gevolg.

LET OP:

- Schakel na het gebruik het gereedschap uit en wacht totdat de schijf volledig tot stilstand is gekomen alvorens het gereedschap neer te leggen.

Slijpen en schuren (Fig. 10)

Houd het gereedschap ALTIJD goed vast met de ene hand op het gereedschapshuis en de andere op de zijhandgreep. Schakel het gereedschap in en zet de slijp- of schuur schijf op het werkstuk.

Houd normaal de rand van de slijp- of schuur schijf bij een hoek van ongeveer 15 graden ten opzichte van het werkstukoppervlak.

Bij gebruik van een nieuwe schijf mag u deze aanvankelijk niet in de richting B gebruiken, omdat de schijf anders in het werkstuk zal snijden. Wanneer de rand van de schijf door gebruik ronder geworden is, kunt u de schijf zowel in richting A als in richting B gebruiken.

WAARSCHUWING:

- Wanneer u een doorslijpschijf of diamantschijf gebruikt, moet u altijd een beschermkap gebruiken die speciaal ontworpen is voor gebruik met doorslijpschijven.
- Gebruik NOOIT een doorslijpschijf om zijdelings mee te slijpen.
- Laat de schijf niet vastlopen en oefen geen buitensporige druk uit. Probeer niet een buitensporig diepe snede te slijpen. Een te grote kracht op de schijf verhoogt de belasting en de kans dat de schijf in de snede verdraait of vastloopt, waardoor terugslag kan optreden, de schijf kan breken of de motor oververhit kan raken.
- Begin niet met doorslijpen terwijl de schijf al in het werkstuk steekt. Laat de schijf eerst de volle snelheid bereiken en breng daarna de schijf voorzichtig in de snede door het gereedschap naar voren over het werkstukoppervlak te bewegen. Wanneer het elektrisch gereedschap wordt gestart terwijl de schijf al in het werkstuk steekt, kan de schijf vastlopen, omhoog lopen of terugslaan.
- Tijdens het doorslijpen mag u nooit de hoek van de schijf veranderen. Door zijdelingse druk uit te oefenen op de schijf (zoals bij schuren), zal de schijf barsten en breken waardoor ernstig persoonlijk letsel wordt veroorzaakt.
- Een diamantschijf moet haaks op het door te slijpen werkstuk worden gebruikt.

ONDERHOUD

LET OP:

- Zorg altijd dat het gereedschap is uitgeschakeld en zijn stekker uit het stopcontact is verwijderd alvorens te beginnen met inspectie of onderhoud.
- Gebruik nooit benzine, wasbenzine, thinner, alcohol en dergelijke. Hierdoor het verkleuring, vervormingen en barsten worden veroorzaakt.

Houd het gereedschap en zijn luchtopeningen altijd schoon. Reinig de luchtopeningen van het gereedschap regelmatig of telkens wanneer ze verstopt beginnen te raken. (Fig. 12)

Om de VEILIGHEID en BETROUWBAARHEID van het gereedschap te verzekeren, dienen alle reparaties, inspectie en vervanging van koolborstels, en alle andere onderhoudswerkzaamheden of afstellingen te worden uitgevoerd door een erkend Makita servicecentrum, en dit uitsluitend met gebruik van originele Makita vervangsonderdelen.

ACCESSOIRES

LET OP:

- Deze accessoires of hulpstukken worden aanbevolen voor gebruik met het Makita gereedschap dat in deze gebruiksaanwijzing wordt beschreven. Het gebruik van andere accessoires of hulpstukken kan gevaar voor persoonlijke verwonding opleveren. Gebruik de accessoires of hulpstukken uitsluitend voor het gespecificeerde doel.




Wenst u meer informatie over deze accessoires, neem dan contact op met het dichtstbijzijnde Makita servicecentrum.

- Beschermkap (schijfkap) Voor schijf met een verzonken middengat/multischijf
- Beschermkap (schijfkap) Voor doorslijpschijf/diamantschijf
- Afbraamschijven
- Doorslijpschijven
- Multischijven
- Diamantschijven
- Komvormige draadborstels
- Draadborstel 85
- Schuurschijven
- Binnenflens
- Borgmoer Voor schijf met een verzonken middengat/doorslijpschijf/multischijf/diamantschijf
- Borgmoer Voor schuurschijf
- Borgmoersleutel
- Zijhandgreep

Explicación de los dibujos

| | | |
|--------------------------|--|--|
| 1 Bloqueo del eje | 8 Disco de amolar de centro hundido/multidisco | 12 Protector de disco para disco de corte abrasivo/disco de diamante |
| 2 Interruptor deslizable | 9 Brida interior | 13 Abertura de salida de aire |
| 3 Protector de disco | 10 Llave de contratuerca | 14 Abertura de entrada de aire |
| 4 Caja de cojinetes | 11 Disco de corte abrasivo/disco de diamante | |
| 5 Tornillo | | |
| 6 Palanca | | |
| 7 Contratuerca | | |

ESPECIFICACIONES

| Modelo | 9563H | 9564H | 9565H |
|---|---|---|---|
| Diámetro de la rueda de disco abombado | 100 mm | 115 mm | 125 mm |
| Rosca del mandril | M10 | M14 | M14 |
| Velocidad especificada (n) / Velocidad en vacío (n ₀) | 11 000 min ⁻¹ | 11 000 min ⁻¹ | 11 000 min ⁻¹ |
| Longitud total | 299 mm | 299 mm | 299 mm |
| Peso neto | 2,1 kg | 2,3 kg | 2,3 kg |
| Clase de seguridad |  /II |  /II |  /II |

- Debido a un programa continuo de investigación y desarrollo, las especificaciones aquí dadas están sujetas a cambios sin previo aviso.
- Las especificaciones pueden ser diferentes de país a país.
- Peso de acuerdo con el procedimiento EPTA 01/2003

Uso previsto

La herramienta ha sido prevista para amolar, lijar y cortar metal y materiales de piedra sin usar agua.

Alimentación

La herramienta ha de conectarse solamente a una fuente de alimentación de la misma tensión que la indicada en la placa de características, y sólo puede funcionar con corriente alterna monofásica. El sistema de doble aislamiento de la herramienta cumple con la norma europea y puede, por lo tanto, usarse también en enchufes hembra sin conductor de tierra.

GEA010-1

Advertencias de seguridad generales para herramientas eléctricas

⚠ ¡ADVERTENCIA! Lea todas las advertencias de seguridad y todas las instrucciones. Si no sigue todas las advertencias e instrucciones podrá ocasionar una descarga eléctrica, un incendio y/o heridas graves.

Guarde todas las advertencias e instrucciones para futuras referencias.

GEB033-3

ADVERTENCIAS DE SEGURIDAD PARA LA AMOLADORA

Advertencias de seguridad comunes para las operaciones de amolar, lijar, cepillar con alambres, o corte abrasivo:

1. Esta herramienta eléctrica ha sido prevista para funcionar como amoladora, lijadora, cepillo de alambres o herramienta de corte. Lea todas las advertencias de seguridad, instrucciones, ilustraciones y especificaciones provistas con esta herramienta eléctrica. Si no sigue todas las instrucciones indicadas a continuación, podrá ocasionar una descarga eléctrica, un incendio y/o heridas graves.

2. **Operaciones tales como las de pulido no se recomienda realizarlas con esta herramienta eléctrica.** La realización de operaciones para las que esta herramienta eléctrica no ha sido diseñada podrá crear un riesgo y ocasionar heridas.
3. **No utilice accesorios que no estén específicamente diseñados y recomendados por el fabricante de la herramienta.** El simple hecho de que el accesorio pueda ser instalado en su herramienta eléctrica no garantiza una operación segura.
4. **La velocidad especificada del accesorio deberá ser por lo menos igual a la máxima velocidad marcada en la herramienta eléctrica.** Los accesorios utilizados por encima de su velocidad especificada podrán romperse y salir despedidos.
5. **El diámetro exterior y el grosor de su accesorio deberán estar dentro del rango de capacidad de su herramienta eléctrica.** Los accesorios de tamaño incorrecto no podrán ser protegidos y controlados debidamente.
6. **El tamaño del agujero para eje de los discos, bridas, platos de caucho o cualquier otro accesorio deberá encajar debidamente en el eje de la herramienta eléctrica.** Los accesorios con agujero para eje que no coincida con el eje de montaje de la herramienta eléctrica se desequilibrarán, vibrarán excesivamente y podrán ocasionar una pérdida de control.
7. **No utilice un accesorio que esté dañado. Antes de cada uso, inspeccione los accesorios tales como el disco abrasivo por si está astillado o agrietado, el plato de caucho por si está agrietado, rasgado o muy desgastado, el cepillo de alambres por si tiene alambres sueltas o quebradas. Si deja caer la herramienta eléctrica o el accesorio, inspecciónelos para ver si están dañados o instale uno que no esté dañado. Después de inspeccionar e instalar un accesorio, póngase usted y cualquier curioso alejados del plano del accesorio giratorio y haga funcionar la herramienta a la máxima velocidad sin carga durante un minuto.** Los accesorios dañados normalmente se desintegrarán durante este tiempo de prueba.

8. **Póngase equipo de protección personal. En función de la aplicación, utilice pantalla facial, gafas de protección o gafas de seguridad. Según corresponda, póngase mascarilla contra el polvo, protectores auditivos, guantes y delantal de taller que pueda detener los pequeños fragmentos abrasivos o de pieza de trabajo que salgan despedidos.** La protección de los ojos deberá poder detener los desechos despedidos generados en distintas operaciones. La mascarilla contra el polvo o respirador deberá poder filtrar las partículas generadas por la operación que realice. Una exposición prolongada a ruido de alta intensidad podrá ocasionar pérdida auditiva.
9. **Mantenga a los curiosos a una distancia segura del área de trabajo. Cualquier persona que entre en el área de trabajo deberá ponerse equipo de protección personal.** Los fragmentos de la pieza de trabajo o de un accesorio roto podrán salir despedidos y ocasionar heridas más allá del área de operación.
10. **Cuando realice una operación en la que la herramienta de corte pueda entrar en contacto con cableado oculto o con su propio cable, sujete la herramienta eléctrica por las superficies de aislamiento aisladas.** El contacto con un cable con corriente hará que la corriente circule por las partes metálicas expuestas de la herramienta y podrá electrocutar al operario.
11. **Coloque el cable de alimentación apartado del accesorio giratorio.** Si pierde el control, el cable de alimentación podrá ser cortado o enredado y su mano o brazo ser arrastrado hacia el accesorio giratorio.
12. **No deje nunca la herramienta eléctrica hasta que el accesorio se haya detenido completamente.** El accesorio giratorio podrá agarrarse a la superficie y tirar de la herramienta eléctrica haciéndole perder el control de la misma.
13. **No tenga en marcha la herramienta eléctrica mientras la trasporta en su costado.** Un contacto accidental con el accesorio giratorio podrá enredar sus ropas, y atraer el accesorio hacia su cuerpo.
14. **Limpie regularmente los orificios de ventilación de la herramienta eléctrica.** El ventilador del motor conducirá el polvo hacia el interior de la carcasa y una acumulación excesiva de metal en polvo podrá ocasionar peligros eléctricos.
15. **No utilice la herramienta eléctrica cerca de materiales inflamables.** Las chispas podrán encender estos materiales.
16. **No utilice accesorios que requieran refrigerantes líquidos.** La utilización de agua u otros refrigerantes líquidos podrá resultar en una descarga eléctrica o electrocución.

Advertencias sobre retrocesos bruscos y otros peligros relacionados:

El retroceso brusco es una reacción repentina debida a un aprisionamiento o estancamiento del disco, plato de caucho, cepillo o cualquier otro accesorio giratorio. El aprisionamiento o estancamiento ocasiona un detenimiento rápido del accesorio giratorio que a su vez hace que la herramienta eléctrica descontrolada sea forzada en dirección opuesta a la rotación del accesorio en el punto de bloqueo.

Por ejemplo, si el disco abrasivo queda aprisionado o estancado por la pieza de trabajo, el borde del disco que está entrando en el punto de estancamiento puede hincarse en la superficie del material haciendo que el disco se salga de la hendidura o salte. El disco podrá saltar hacia el operario o en dirección contraria a él, dependiendo de la dirección del movimiento del disco en el punto de estancamiento. Los discos abrasivos también podrán romperse en estas condiciones.

El retroceso brusco es el resultado de un mal manejo de la herramienta eléctrica y/o procedimientos o condiciones de operación incorrectos y pueden evitarse tomando las precauciones apropiadas ofrecidas a continuación.

- a) **Mantenga agarrada firmemente la herramienta eléctrica y coloque su cuerpo y brazo de forma que le permitan resistir las fuerzas del retroceso brusco. Utilice siempre el mango auxiliar, si está provisto, para tener el máximo control sobre el retroceso brusco o reacción de torsión durante la puesta en marcha.** El operario puede controlar las reacciones de torsión o fuerzas del retroceso brusco, si toma las precauciones adecuadas.
- b) **No ponga nunca su mano cerca del accesorio giratorio.** El accesorio podrá retroceder brusca-mente sobre su mano.
- c) **No ponga su cuerpo en el área donde vaya a desplazarse la herramienta eléctrica si ocurre un retroceso brusco.** El retroceso brusco propulsará la herramienta en dirección opuesta al movimiento del disco en el punto del enredo.
- d) **Tenga cuidado especial cuando trabaje esquinas, bordes afilados, etc. Evite que el accesorio rebote o se enrede.** Las esquinas, bordes afilados o los rebotes tienen una tendencia a enredar el accesorio giratorio y causar una pérdida de control o retroceso brusco.
- e) **No coloque un disco de tallar madera de cadena de sierra ni un disco de sierra dentado.** Tales discos crean retrocesos bruscos y pérdida de control frecuentes.

Advertencias de seguridad específicas para operaciones de amolar y corte abrasivo:

- a) **Utilice solamente tipos de disco que estén recomendados para su herramienta eléctrica y el protector específico diseñado para el disco seleccionado.** Los discos para los que no ha sido diseñada la herramienta eléctrica no pueden ser protegidos debidamente y no son seguros.
- b) **El protector de disco deberá estar fijado firmemente en la herramienta eléctrica y colocado de forma que ofrezca la máxima seguridad, quedando hacia el operario la mínima parte de disco desprotegida.** El protector de disco ayuda a proteger al operario de fragmentos de disco roto y de un contacto accidental con el disco.
- c) **Los discos deberán ser utilizados solamente para aplicaciones recomendadas. Por ejemplo: no amole con el costado de un disco de corte.** Los discos de corte abrasivo están previstos para amolado periférico, estos discos podrán desintegrarse si se le aplican fuerzas laterales.

- d) **Utilice siempre bridas de disco que no estén dañadas, y del tamaño y forma correctos para el disco que ha seleccionado.** Las bridas de disco correctas sujetan los discos de tal manera que reducen la posibilidad de que el disco se rompa. Las bridas para discos de corte pueden ser diferentes de las bridas para discos de amolar.
- e) **No utilice discos gastados de otras herramientas eléctricas más grandes.** Los discos previstos para herramientas eléctricas más grandes no son apropiados para la máxima velocidad de una herramienta más pequeña y puede reventarla.

Advertencias de seguridad adicionales para operaciones de corte abrasivo:

- a) **No “atasque” el disco de corte ni aplique presión excesiva. No intente hacer un corte de excesiva profundidad.** Si fatiga en exceso el disco, aumentará la carga y la susceptibilidad de retorcerse o estancarse en el corte y existirá la posibilidad de que se produzca un retroceso brusco o la rotura del disco.
- b) **No ponga su cuerpo en línea y por detrás del disco giratorio.** Cuando el disco, en el punto de operación, se mueve apartándose de su cuerpo, un posible retroceso brusco puede impulsar el disco giratorio y la herramienta eléctrica directamente hacia usted.
- c) **Cuando el disco esté estancándose o cuando quiera interrumpir un corte por cualquier razón, apague la herramienta eléctrica y sujétela sin moverla hasta que se haya detenido completamente. No intente nunca sacar el disco de corte del corte estando el disco moviéndose porque podrá producirse un retroceso brusco.** Investigue y tome medidas correctivas para eliminar la causa del estancamiento del disco.
- d) **No rompiese la operación de corte en la pieza de trabajo. Deje que el disco alcance plena velocidad y vuelva a entrar en el corte cuidadosamente.** Si vuelve a poner en marcha la herramienta eléctrica en la pieza de trabajo, el disco podrá estancarse, saltar o retroceder bruscamente.
- e) **Sujete los paneles o cualquier pieza de trabajo demasiado grande para minimizar el riesgo de que el disco se estanque o retroceda bruscamente.** Las piezas de trabajo grandes tienden a combarse con su propio peso. Deberá poner apoyos debajo de la pieza de trabajo cerca de la línea de corte y cerca del borde de la pieza de trabajo en ambos lados del disco.
- f) **Extreme las precauciones cuando haga un “corte por hundimiento” en paredes u otras áreas ciegas.** La parte saliente del disco podría cortar tuberías de gas o agua, cables eléctricos u objetos que pueden ocasionar un retroceso brusco.

Advertencias de seguridad específicas para operaciones de lijado:

- a) **No utilice discos de papel de lijar de tamaño excesivamente grandes. Siga las recomendaciones del fabricante a la hora de seleccionar el papel de lijar.** Un papel de lijar más grande que sobresalga del plato de caucho presentará un riesgo de laceración y podrá ocasionar un enredo o desgarrar del disco o un retroceso brusco.

Advertencias de seguridad específicas para operaciones de cepillado con alambres:

- a) **Sea consciente de que el cepillo lanza hebras de alambre incluso durante una operación normal. No fatigue los alambres aplicando una carga excesiva al cepillo.** Las hebras de alambre pueden penetrar la ropa ligera y/o la piel fácilmente.
- b) **Si se recomienda utilizar un protector para el cepillado con alambres, no deje que el disco de alambres o el cepillo interfiera con el protector.** El disco de alambres o el cepillo podrán expandir su diámetro debido a la carga del trabajo y las fuerzas centrífugas.

Advertencias de seguridad adicionales:

17. **Cuando utilice discos de amolar de centro hundido, asegúrese de utilizar solamente discos reforzados con fibra de vidrio.**
18. **Tenga cuidado de no dañar el eje, la brida (especialmente la cara de instalación) ni la contratuerca. Los daños en estas piezas podrán ocasionar la rotura del disco.**
19. **Asegúrese de que el disco no esté haciendo contacto con la pieza de trabajo antes de activar el interruptor.**
20. **Antes de utilizar la herramienta en una pieza de trabajo definitiva, déjala funcionar durante un rato. Observe para ver si hay vibración o bamboleo que pueda indicar una incorrecta instalación o disco mal equilibrado.**
21. **Utilice la superficie especificada del disco para realizar el amolado.**
22. **Tenga cuidado con las chispas que salen volando. Sujete la herramienta de forma que las chispas salgan volando en dirección contraria a usted y otras personas o materiales inflamables.**
23. **No deje la herramienta en marcha. Tenga en marcha la herramienta solamente cuando la tenga en la mano.**
24. **No toque la pieza de trabajo inmediatamente después de la operación; podría estar muy caliente y quemarle la piel.**
25. **Asegúrese siempre de que la herramienta esté apagada y desenchufada o que el cartucho de batería haya sido extraído antes de realizar cualquier trabajo en la herramienta.**
26. **Observe las instrucciones del fabricante para montar y utilizar correctamente los discos. Maneje y guarde con cuidado los discos.**
27. **No utilice bujes de reducción ni adaptadores separados para adaptar un orificio grande de disco abrasivo.**
28. **Utilice solamente las bridas especificadas para esta herramienta.**
29. **Para herramientas que vayan a ser utilizadas con discos de orificio roscado, asegúrese de que la rosca del disco sea lo suficientemente larga como para acomodar la longitud del eje.**
30. **Compruebe que la pieza de trabajo esté bien sujeta.**
31. **Tenga en cuenta que el disco continuará girando después de haber apagado la herramienta.**
32. **Si el lugar de trabajo es muy caluroso y húmedo, o si está muy contaminado con polvo conductor, utilice un disyuntor de cortocircuito (30 mA) para cerciorarse de la seguridad del operario.**
33. **No utilice la herramienta con ningún material que contenga asbestos.**

34. No utilice agua ni lubricante para amolado.
35. Asegúrese de que las aberturas de ventilación están libres cuando trabaje en condiciones polvorientas. Si fuera necesario retirar el polvo, primero desconecte la herramienta de la toma de corriente (utilice objetos no metálicos) y evite dañar las partes internas.
36. Cuando utilice discos de corte, trabaje siempre con el protector de disco de recogida de polvo requerido por los reglamentos locales.
37. Los discos de cortar no deberán ser expuestos a ninguna presión lateral.

GUARDE ESTAS INSTRUCCIONES.

ADVERTENCIA:

NO deje que la comodidad o familiaridad con el producto (a base de utilizarlo repetidamente) sustituya la estricta observancia de las normas de seguridad para el producto en cuestión. El MAL USO o el no seguir las normas de seguridad establecidas en este manual de instrucciones podrá ocasionar graves heridas personales.

DESCRIPCIÓN DEL FUNCIONAMIENTO

PRECAUCIÓN:

- Asegúrese siempre de que la herramienta esté apagada y desenchufada antes de ajustar o comprobar cualquier función de la herramienta.

Bloqueo del eje (Fig. 1)

PRECAUCIÓN:

- No accione nunca el bloqueo del eje cuando el eje esté moviéndose. Podría dañarse la herramienta.

Presione el bloqueo del eje para impedir que el eje gire cuando vaya a instalar o desmontar accesorios.

Accionamiento del interruptor (Fig. 2)

PRECAUCIÓN:

- Antes de enchufar la herramienta, compruebe siempre para confirmar que el interruptor deslizable se acciona debidamente y que vuelve a la posición "OFF" cuando se presione la parte trasera del interruptor deslizable.

Para poner en marcha la herramienta, deslice el interruptor deslizable hacia la posición "I (ON)". Para una operación continua, presione la parte delantera del interruptor deslizable para bloquearlo.

Para parar la herramienta, presione la parte trasera del interruptor deslizable, después deslícelo hacia la posición "O (OFF)".

MONTAJE

PRECAUCIÓN:

- Asegúrese siempre de que la herramienta esté apagada y desenchufada antes de realizar cualquier trabajo en ella.

Instalación de la empuñadura lateral (mango) (Fig. 3)

PRECAUCIÓN:

- Antes de realizar una operación, asegúrese siempre de que la empuñadura lateral está instalada firmemente.

Rosque la empuñadura lateral firmemente en la posición de la herramienta mostrada en la figura.

Instalación o desmontaje del protector de disco (Para disco de centro hundido, multidisco / disco de corte abrasivo, disco de diamante)

Para herramienta con protector de disco de tipo tornillo de fijación (Fig. 4 y 5)

PRECAUCIÓN:

- El protector de disco deberá estar instalado en la herramienta de forma que el lado cerrado del protector esté siempre orientado hacia el operario.

Monte el protector de disco con la protuberancia de la banda del protector de disco alineada con la muesca de la caja de cojinetes. Después gire el protector de disco a una posición en 180 grados. Asegúrese de apretar el tornillo firmemente.

Para desmontar el protector de disco, siga el procedimiento de instalación a la inversa.

Para herramienta con protector de disco de tipo palanca de abrazadera (Fig. 6 y 7)

Empuje la palanca en la dirección de la flecha después de aflojar el tornillo. Monte el protector de disco con la protuberancia de la banda del protector de disco alineada con la muesca de la caja de cojinetes. Después gire el protector de disco alrededor de 180°. Sujételo con el tornillo después de empujar la palanca en la dirección de la flecha para trabajar. El ángulo de ajuste del protector de disco puede fijarse con la palanca.

Para desmontar el protector de disco, siga el procedimiento de instalación a la inversa.

Instalación o desmontaje de un disco de amolar de centro hundido/multidisco (accesorio)

Monte la brida interior en el eje. Encaje el disco encima de la brida interior y rosque la contratuerca en el eje. (Fig. 8)

Para apretar la contratuerca, presione el bloqueo del eje firmemente para que el eje no pueda girar, después apriete firmemente hacia la derecha utilizando la llave de contratuerca.

Para desmontar el disco, siga el procedimiento de instalación a la inversa. (Fig. 9)

OPERACIÓN

ADVERTENCIA:

- No deberá ser nunca necesario forzar la herramienta. El peso de la herramienta aplica la presión adecuada. El forzamiento y la presión excesivos podrán ocasionar una peligrosa rotura del disco.
- Reemplace el disco SIEMPRE si deja caer la herramienta durante el amolado.
- No lance ni golpee NUNCA el disco de amolar u otros discos contra la pieza de trabajo.
- Evite los rebotes y enganches del disco, especialmente cuando trabaje esquinas, bordes agudos, etc. Esto podrá ocasionar la pérdida del control y retrocesos bruscos.
- No utilice NUNCA esta herramienta con discos para cortar madera ni otros discos de sierra. Los discos de ese tipo cuando se utilizan en una amoladora con frecuencia ocasionan retrocesos bruscos y pérdida del control que acarreen heridas personales.

PRECAUCIÓN:

- Después de la operación, apague siempre la herramienta y espere hasta que el disco se haya parado completamente antes de dejar la herramienta.

Operación de amolado y lijado (Fig. 10)

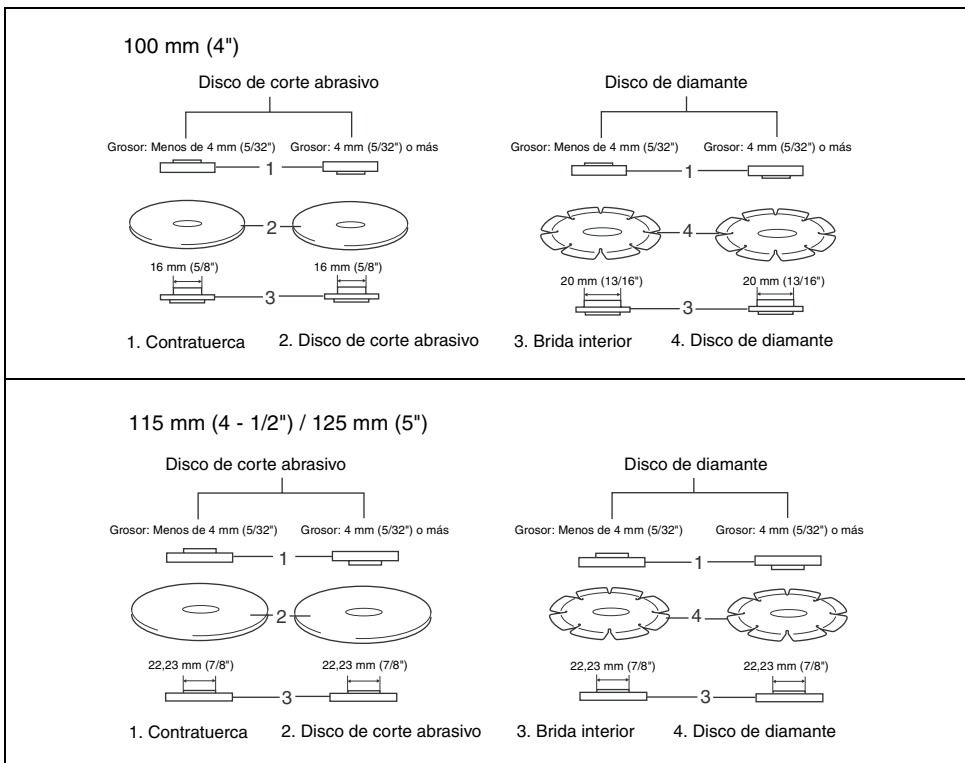
Sujete SIEMPRE la herramienta firmemente con una mano en la carcasa y la otra en la empuñadura lateral. Encienda la herramienta y después aplique el disco a la pieza de trabajo.

En general, mantenga el borde del disco a un ángulo de unos 15 grados con la superficie de la pieza de trabajo.

Durante el periodo de uso inicial de un disco nuevo, no trabaje con la amoladora en la dirección B porque tenderá a cortar la pieza de trabajo. Una vez que el borde del disco se haya redondeado con el uso, se podrá trabajar con el disco en ambas direcciones A y B.

Operación con disco de corte abrasivo / disco de diamante (accesorio opcional) (Fig. 11)

La dirección para montar la contratuerca y la brida interior varía según el grosor del disco. Consulte la tabla de abajo.



ADVERTENCIA:

- Cuando utilice un disco de corte abrasivo / disco de diamante, asegúrese de utilizar solamente el protector de disco especial diseñado para usar con discos de corte.
- No utilice NUNCA un disco de corte para amolar lateralmente.
- No "atasque" el disco ni ejerza presión excesiva. No intente cortar con una profundidad de corte excesiva. Si fatiga en exceso el disco aumentará la carga y la susceptibilidad de retorcerse o doblarse el disco en el corte y existirá la posibilidad de producirse un retroceso brusco, rotura del disco y recalentamiento del motor.

- No comience la operación de corte en la pieza de trabajo. Deje que el disco alcance plena velocidad y entre con cuidado en el corte moviendo la herramienta hacia delante sobre la superficie de la pieza de trabajo. Si pone en marcha la herramienta eléctrica en la pieza de trabajo, el disco podrá estancarse, saltar o retroceder bruscamente.
- Durante las operaciones de corte, no cambie nunca el ángulo del disco. La aplicación de presión lateral en el disco de corte (como en amolado) hará que el disco se agriete y se rompa, ocasionando graves heridas personales.
- Un disco de diamante deberá ser utilizado perpendicularmente al material que se esté cortando.

MANTENIMIENTO

PRECAUCIÓN:

- Asegúrese siempre de que la herramienta esté apagada y desenchufada antes de intentar realizar una inspección o mantenimiento.
- No utilice nunca gasolina, bencina, disolvente, alcohol o similares. Podría producir descolocación, deformación o grietas.

La herramienta y sus aberturas de ventilación han de mantenerse limpias. Limpie las aberturas de ventilación regularmente o siempre que los orificios empiecen a estar obstruidos. (Fig. 12)

Para mantener la SEGURIDAD y FIABILIDAD del producto, las reparaciones, la inspección y sustitución de las escobillas de carbón, y cualquier otro mantenimiento o ajuste deberán ser realizados en Centros de Servicios Autorizados por Makita, empleando siempre piezas de repuesto de Makita.

ACCESORIOS

PRECAUCIÓN:

- Estos accesorios o aditamentos están recomendados para su uso con la herramienta Makita especificada en este manual. El uso de cualquier otro accesorio o aditamento puede suponer un riesgo de lesiones personales. Utilice el accesorio o aditamento exclusivamente para su uso declarado.




Si necesita información más detallada sobre estos accesorios, consulte con su centro local de servicio de Makita.

- Protector de disco (Cubierta de disco) Para disco de centro hundido / Multidisco
- Protector de disco (Cubierta de disco) Para disco de corte abrasivo / disco de diamante
- Discos de centro hundido
- Discos de corte abrasivo
- Multidiscos
- Discos de diamante
- Gratas de alambres
- Grata de bisel de alambres de 85
- Discos abrasivos
- Brida interior
- Contratuerca Para disco de centro hundido / disco de corte abrasivo / multidisco / disco de diamante
- Contratuerca Para disco abrasivo
- Llave de contratuerca
- Empuñadura lateral

Explicação geral

| | | |
|--------------------------|---|--|
| 1 Travão do veio | 8 Roda de rebarbação deprimida ao centro/Disco múltiplo | 12 Resguardo da roda para o disco abrasivo de corte/disco diamantado |
| 2 Interruptor deslizante | 9 Falange interior | 13 Ventilação de exaustão |
| 3 Resguardo da roda | 10 Chave de porcas | 14 Ventilação de inalação |
| 4 Caixa dos rolamentos | 11 Disco abrasivo de corte/disco diamantado | |
| 5 Parafuso | | |
| 6 Alavanca | | |
| 7 Porca de bloqueio | | |

ESPECIFICAÇÕES

| Modelo | 9563H | 9564H | 9565H |
|--|---|---|---|
| Diâmetro do disco de centro deprimido | 100 mm | 115 mm | 125 mm |
| Rosca do eixo | M10 | M14 | M14 |
| Velocidade nominal (n) / Velocidade em vazio (n ₀) | 11.000 min ⁻¹ | 11.000 min ⁻¹ | 11.000 min ⁻¹ |
| Comprimento total | 299 mm | 299 mm | 299 mm |
| Peso líquido | 2,1 kg | 2,3 kg | 2,3 kg |
| Classe de segurança..... |  /II |  /II |  /II |

- Devido a um programa contínuo de pesquisa e desenvolvimento, estas especificações podem ser alteradas sem aviso prévio.
- As especificações podem variar de país para país.
- Peso de acordo com o Procedimento 01/2003 da EPTA (European Power Tool Association)

Utilização pretendida

A ferramenta foi concebida para rebarbação, corte e lixamento de metal e materiais de pedra sem a utilização de água.

Alimentação

A ferramenta só deve ser ligada a uma fonte de alimentação com a mesma voltagem da indicada na placa de características, e só funciona com alimentação de corrente alterna monofásica. Tem um sistema de isolamento duplo de acordo com as normas europeias e pode, por isso, utilizar tomadas sem ligação à terra.

GEA010-1

Avisos gerais de segurança para ferramentas eléctricas

⚠ AVISO! Leia todas os avisos de segurança e todas as instruções. O não cumprimento de todos os avisos e instruções pode originar choque eléctrico, incêndio e/ou ferimentos graves.

Guarde todos os avisos e instruções para futuras referências.

GEB033-3

AVISOS DE SEGURANÇA PARA A REBARBADORA

Avisos de segurança comuns para rebarbação, lixamento, limpeza com escova metálica ou corte abrasivo:

1. Esta ferramenta foi concebida para funcionar como uma rebarbadora, lixadeira, escova metálica ou ferramenta de corte. Leia os avisos de segurança, instruções, ilustrações e especificações fornecidas com a ferramenta. O não seguimento de todas as instruções que se seguem poderá resultar em choque eléctrico, incêndio e/ou graves ferimentos.

2. **Não é recomendável utilizar esta ferramenta para efectuar operações de polimento.** Operações diferentes daquelas para as quais a ferramenta foi projectada podem criar situações perigosas e causar ferimentos ao operador.
3. **Não utilize acessórios que não sejam especificamente projectados e recomendados pelo fabricante.** O fato de poder instalar o acessório na ferramenta eléctrica não garante um funcionamento com segurança.
4. **A velocidade nominal do acessório deve ser pelo menos igual à velocidade máxima indicada na ferramenta.** Os acessórios que funcionam em velocidade mais alta do que a velocidade nominal podem quebrar e se estilhaçar.
5. **O diâmetro externo e a espessura do acessório devem estar dentro da capacidade nominal da ferramenta eléctrica.** Não é possível proteger ou controlar adequadamente os acessórios de tamanho incorrecto.
6. **O tamanho da haste dos discos, falanges, base protectora ou qualquer outro acessório deve encaixar devidamente no eixo da ferramenta.** Acessórios com orifícios de haste que não correspondem com o hardware de instalação da ferramenta eléctrica ficam desbalanceados, vibram excessivamente e podem causar a perda de controlo.
7. **Não utilize acessórios danificados.** Antes de cada utilização, inspecione o acessório, tal como o disco abrasivo, para ver se há trincos ou rachaduras, a base protectora para ver se há trincos, rasgos ou desgaste demasiado e a escova metálica para ver se há arames soltos ou quebrados. Se a ferramenta ou acessório cair, verifique se há danos e, em caso positivo, instale um acessório em boas condições. Após inspecionar ou instalar um acessório, certifique-se de que os espectadores bem como você mesmo estejam afastados do acessório rotativo, e funcione a ferramenta em velocidade máxima em vazio por um minuto. Os acessórios danificados geralmente se quebram durante esta prova.

8. **Utilize equipamento de protecção pessoal. Utilize um protector facial, óculos de segurança ou protectores oculares, conforme a aplicação. Utilize uma máscara contra pó, protectores auriculares, luvas e avental capazes de resguardar contra estilhaços ou abrasivos pequenos da peça de trabalho.** Os protectores oculares devem ter capacidade de resguardar contra fragmentos gerados por diversas operações. A máscara contra pó ou de respiração deve ter capacidade de filtrar partículas geradas pela operação com a ferramenta. A exposição prolongada a ruídos de alta intensidade pode causar a perda de audição.
9. **Mantenha os espectadores a uma distância segura da área de trabalho. Todas as pessoas que entram na área de trabalho devem utilizar equipamento de protecção pessoal.** Estilhaços da peça de trabalho ou um acessório quebrado podem ser atirados e causar ferimentos além da área imediata de operação.
10. **Segure a ferramenta pelas partes isoladas ao executar uma operação onde a ferramenta de corte possa tocar em fios ocultos ou no seu próprio fio.** O contacto com um fio "ligado" carregará as partes metálicas da ferramenta e causará choque eléctrico no operador.
11. **Coloque o fio afastado do acessório rotativo.** Se perder o controlo, o fio pode ser cortado ou ficar preso e sua mão ou braço pode ser puxado para o acessório em rotação.
12. **Nunca pouse a ferramenta eléctrica antes que o acessório tenha parado completamente.** O acessório rotativo pode enganchar na superfície e descontrolar a ferramenta.
13. **Não funcione a ferramenta eléctrica enquanto a carrega ao seu lado.** O contacto acidental com o acessório rotativo pode prender as roupas, puxando o acessório na direcção do seu corpo.
14. **Limpe os orifícios de ventilação da ferramenta eléctrica regularmente.** A ventoinha do motor aspira o pó dentro da caixa e a acumulação excessiva de metal pulverizado pode causar choque eléctrico.
15. **Não funcione a ferramenta eléctrica próximo de materiais inflamáveis.** Asagulhas podem incendiar esses materiais.
16. **Não utilize acessórios que requerem refrigerantes líquidos.** A utilização de água ou outros refrigerantes líquidos pode resultar em choque ou electrocussão.

Advertências sobre contragolpes:

O contragolpe é uma reacção repentina a um disco rotativo, base protectora, escova ou qualquer outro acessório preso ou emperrado. O bloqueio causa a parada imediata do acessório rotativo que, por sua vez, causa o impulso da ferramenta descontrolada na direcção oposta à da rotação do acessório, no ponto onde foi preso.

Se o disco abrasivo ficar preso ou enroscado na peça de trabalho, por exemplo, a sua borda que está a entrar no ponto onde prendeu, pode entrar na superfície do material fazendo com que o disco salte ou cause um contragolpe. O disco pode pular na direcção do operador ou na direcção oposta, dependendo do sentido do movimento do disco no ponto onde foi preso. Os discos abrasivos também podem quebrar nessas circunstâncias.

O contragolpe é o resultado de utilização imprópria da ferramenta eléctrica e/ou condições ou procedimentos incorrectos para o funcionamento e pode ser evitado tomando-se as medidas de precaução relacionadas abaixo.

- a) **Segure firme a ferramenta eléctrica e posicione-se de tal forma que o seu corpo e braço permitam-lhe resistir à força do contragolpe. Utilize sempre o punho auxiliar, se fornecido, para controlo máximo sobre o contragolpe ou reacção do torque durante a partida.** O operador poderá controlar as reacções do torque ou as forças do contragolpe se tomar as precauções necessárias.
- b) **Nunca coloque as mãos perto do acessório rotativo.** O acessório pode recuar sobre a sua mão.
- c) **Posicione-se de forma a ficar afastado da área onde a ferramenta será lançada no caso de um contragolpe.** O contragolpe lança a ferramenta na direcção oposta ao movimento do disco no ponto onde prende.
- d) **Tenha cuidado especialmente ao trabalhar em cantos, arestas cortantes, etc. Evite bater com a ferramenta e prender o acessório.** Os cantos, arestas cortantes ou as batidas com a ferramenta tendem a prender o acessório rotativo e causar perda de controlo ou contragolpe.
- e) **Não instale uma lâmina para esculpir de motosserra nem uma lâmina de serra dentada.** Essas lâminas criam contragolpes frequentes e perda de controlo.

Advertências de segurança específicas para rebarbação e corte abrasivo:

- a) **Utilize somente os tipos de discos recomendados para a sua ferramenta eléctrica e o resguardo específico designado para o disco seleccionado.** Os discos incompatíveis com a ferramenta eléctrica são impossíveis de resguardar adequadamente e não são seguros.
- b) **O resguardo deve ser instalado firmemente na ferramenta e posicionado para máxima segurança, de forma que o mínimo do disco fique exposto na direcção do operador.** O resguardo ajuda a proteger o operador contra fragmentos do disco e contacto acidental com o disco.
- c) **Os discos devem ser utilizados somente para as aplicações recomendadas. Por exemplo: não rebarbar com a lateral do disco de corte.** Como os discos abrasivos de corte são projectados para rebarbação periférica, a pressão lateral pode causar a quebra desses discos.
- d) **Utilize sempre falanges em boas condições que sejam do tamanho e formato correctos para o disco seleccionado.** As falanges apropriadas apóiam o disco, reduzindo assim a possibilidade de quebra do disco. As falanges para discos de corte podem ser diferentes das falanges para discos de rebarbação.
- e) **Não utilize discos desgastados de ferramentas eléctricas maiores.** Os discos projectados para ferramentas eléctricas maiores não são apropriados para a alta velocidade de uma ferramenta menor e podem quebrar.

Advertências de segurança adicionais específicas para corte abrasivo:

- a) **Não entrave o disco de corte nem aplique força excessiva. Não tente efectuar um corte muito profundo.** Sujeitar o disco a esforço excessivo aumenta a carga e a susceptibilidade de torção ou emperramento do disco no corte e a possibilidade de contragolpe ou quebra do disco.
- b) **Não posicione-se atrás nem em linha com o disco em movimento.** Quando, durante a operação, o disco se move para longe de si, o possível contragolpe pode propulsar o disco em rotação e a ferramenta directamente contra você.
- c) **Se o disco ficar preso ou quando interromper o corte por qualquer motivo, desligue a ferramenta e segure-a até que o disco pare completamente. Nunca tente retirar o disco do corte enquanto o mesmo ainda estiver em rotação, caso contrário poderá ocorrer um contragolpe.** Verifique e tome as medidas correctivas para eliminar a causa do emperramento do disco.
- d) **Não reinicie a operação de corte na peça de trabalho. Aguarde até que o disco atinja a velocidade máxima e coloque-o no corte cuidadosamente.** O disco pode emperrar, pular ou contragolpear se ligar a ferramenta na peça de trabalho.
- e) **Apóie as tábuas ou peças de trabalho muito grandes para minimizar o risco do disco prender e de contragolpe.** As peças de trabalho grandes tendem a ceder sob o próprio peso. Os apoios devem ser colocados debaixo da peça de trabalho perto da linha de corte e da borda da peça de trabalho, nos dois lados.
- f) **Tenha cuidado especialmente quando fazendo um corte de perfuração numa parede ou outras zonas invisíveis.** O disco exposto pode cortar canos de gás ou de água, fios eléctricos ou outros objetos que podem causar contragolpe.

Advertências de segurança específicas para lixamento:

- a) **Não utilize uma lixa grande demais. Siga as recomendações do fabricante ao escolher a lixa.** Lixas grandes, que se estendem além da base de lixamento, apresentam perigo de ferimentos e podem prender ou rasgar o disco ou ainda causar contragolpe.

Advertências de segurança específicas para limpeza com escova metálica:

- a) **Lembre-se que a escova lança filamentos de metal, mesmo durante uma operação regular. Não sujeite os filamentos de metal a esforço excessivo, aumentando demais a carga da ferramenta.** Os filamentos de metal podem penetrar facilmente nas roupas leves e/ou na pele.
- b) **Se for recomendada a utilização do resguardo para operação com a escova metálica, não permita a interferência do disco ou da escova metálica com o resguardo.** O disco ou a escova metálica pode expandir em diâmetro devido à carga de trabalho e forças centrífugas.

Advertências de segurança adicionais:

17. **Quando utilizando uma roda de rebarbação deprimida ao centro, utilize apenas rodas reforçadas com fibra de vidro.**

18. **Tenha cuidado para não danificar o eixo, a falange (especialmente a superfície de instalação) nem a porca de bloqueio.** Se estas peças estiverem danificadas, o disco poderá partir-se.
19. **Antes de ligar a ferramenta, certifique-se que o disco não faz contacto com a peça de trabalho.**
20. **Antes de utilizar a ferramenta na peça de trabalho, deixe-a funcionar por alguns instantes. Verifique se há vibrações ou movimentos irregulares que possam indicar má instalação ou desbalanceamento do disco.**
21. **Use a superfície especificada do disco para rebarbação.**
22. **Tenha cuidado com as faíscas que saltam. Segure a ferramenta de modo que as faíscas não saltem na sua direcção ou na de outras pessoas e nem na direcção de materiais inflamáveis.**
23. **Não deixe a ferramenta a funcionar sozinha. Funcione a ferramenta somente quando estiver segurando-a.**
24. **Não toque na peça de trabalho imediatamente após a operação; ela poderá estar muito quente e causar queimaduras.**
25. **Certifique-se sempre de que a ferramenta esteja desligada e a bateria retirada antes de executar qualquer serviço de manutenção na ferramenta.**
26. **Observe as instruções do fabricante para montagem correcta e utilização dos discos. Manuseie e armazene os discos com cuidado.**
27. **Não utilize buchas de redução ou adaptadores para adaptar discos abrasivos de grande orifício.**
28. **Utilize só as falanges especificadas para esta ferramenta.**
29. **Para ferramentas destinadas a serem equipadas com discos de orifício roscado, certifique-se de que a rosca no disco tem tamanho suficiente para aceitar o comprimento do veio.**
30. **Verifique se a peça de trabalho está correctamente suportada.**
31. **Preste atenção pois o disco continua a rodar depois de desligar a ferramenta.**
32. **Se o local de trabalho for extremamente quente e húmido, ou muito poluído por pó condutor, utilize um disjuntor de 30 mA para assegurar uma operação segura.**
33. **Não utilize a ferramenta em qualquer material que contenha amianto.**
34. **Não utilize água ou lubrificante para rebarbar.**
35. **Certifique-se de que as aberturas de ventilação estão livres quando trabalha em condições poeirentas. Se se tornar necessário retirar o pó, primeiro desligue a ferramenta da alimentação (não utilize objectos metálicos) e evite estragar as partes internas.**
36. **Quando utiliza a roda de corte, trabalhe sempre com o resguardo da roda para recolha do pó como requerido pelas regulações domésticas.**
37. **Os discos de corte não devem ser sujeitos a pressão lateral.**

GUARDE ESTAS INSTRUÇÕES.

AVISO:

NÃO permita que conforto ou familiaridade com o produto (adquirido com o uso repetido) substitua a aderência estrita às regras de segurança da ferramenta. **MÁ INTERPRETAÇÃO** ou não seguimento das regras de segurança estabelecidas neste manual de instruções pode causar danos pessoais sérios.

DESCRIÇÃO FUNCIONAL

PRECAUÇÃO:

- Certifique-se sempre de que a ferramenta está desligada e a ficha retirada da tomada antes de regular ou verificar qualquer função da ferramenta.

Travão do veio (Fig. 1)

PRECAUÇÃO:

- Nunca actue o travão do veio quando o eixo está a movimentar. Pode estragar a ferramenta.

Pressione o travão do veio para evitar que o eixo rode quando instala ou retira acessórios.

Ação do interruptor (Fig. 2)

PRECAUÇÃO:

- Antes de ligar a ferramenta à corrente, certifique-se de que o interruptor deslizante funciona correctamente e volta para a posição "OFF" quando pressiona a parte traseira do interruptor deslizante.

Para iniciar a ferramenta, deslize o interruptor deslizante para a posição "I (ON)". Para operação contínua, pressione a parte da frente do interruptor deslizante para o travar.

Para parar a ferramenta, pressione a parte traseira do interruptor deslizante e em seguida deslize-o para a posição "O (OFF)".

MONTAGEM

PRECAUÇÃO:

- Certifique-se sempre de que a ferramenta está desligada e a ficha retirada da tomada antes de executar qualquer trabalho na ferramenta.

Instalação do punho lateral (pega) (Fig. 3)

PRECAUÇÃO:

- Certifique-se sempre de que o punho lateral está instalado firmemente antes da operação.

Aparafuse o punho lateral firmemente na posição da ferramenta como indicado na figura.

Instalar ou retirar o resguardo da roda (Para roda deprimida ao centro, disco múltiplo/disco abrasivo de corte, disco diamantado)

Para ferramentas com resguardo da roda do tipo com parafuso de bloqueio (Fig. 4 e 5)

PRECAUÇÃO:

- O resguardo da roda deve ser colocado na ferramenta de modo a que o lado fechado do resguardo aponte sempre para o operador.

Monte o resguardo da roda com a saliência na faixa do resguardo da roda alinhada com a ranhura na caixa de rolamentos. Em seguida rode o resguardo da roda 180 graus. Certifique-se de que aperta o parafuso firmemente.

Para retirar o resguardo da roda, execute o procedimento inverso da instalação.

Para ferramenta com resguardo da roda do tipo alavanca de fixação (Fig. 6 e 7)

Empurre a alavanca na direcção da seta depois de soltar o parafuso. Monte o resguardo da roda com a saliência na faixa do resguardo da roda alinhada com a ranhura na caixa de rolamentos. Em seguida rode o resguardo da roda de 180°. Aperte-o com o parafuso depois de empurrar a alavanca na direcção da seta para o trabalho desejado. O ângulo de ajuste do resguardo da roda pode ser regulado com a alavanca.

Para retirar o resguardo da roda, execute o procedimento inverso da instalação.

Instalar ou retirar a roda de rebarbação deprimido ao centro/Disco múltiplo (acessório)

Monte a falange interior no eixo. Coloque a roda/disco na falange interior e aparafuse a porca de bloqueio no eixo. (Fig. 8)

Para apertar a porca de bloqueio, pressione o travão do veio firmemente de modo a que o eixo não se mova e em seguida utilize a chave de porcas e aperte firmemente para a direita.

Para retirar a roda, execute o procedimento inverso da instalação. (Fig. 9)

OPERAÇÃO

AVISO:

- Nunca deverá ser necessário forçar a ferramenta. O peso da ferramenta aplica a pressão adequada. Força e pressão excessivas podem provocar estragos sérios na roda.
- Substitua SEMPRE a roda se deixar cair a ferramenta enquanto rebarba.
- NUNCA dê pancadas no trabalho com a roda de rebarbação.
- Nunca salte nem entorte a roda especialmente quando trabalha em cantos, extremidades afiadas, etc. Pode causar perda de controlo e recuo.
- NUNCA utilize a ferramenta com lâminas de cortes para madeira e outros discos de serra. Tais lâminas quando utilizadas numa rebarbadora recuam frequentemente e podem causar perda de controlo e originar danos pessoais.

PRECAUÇÃO:

- Depois da operação, desligue sempre a ferramenta e espere até que a roda esteja completamente parada antes de pôr a ferramenta de lado.

Rebarbação e lixamento (Fig. 10)

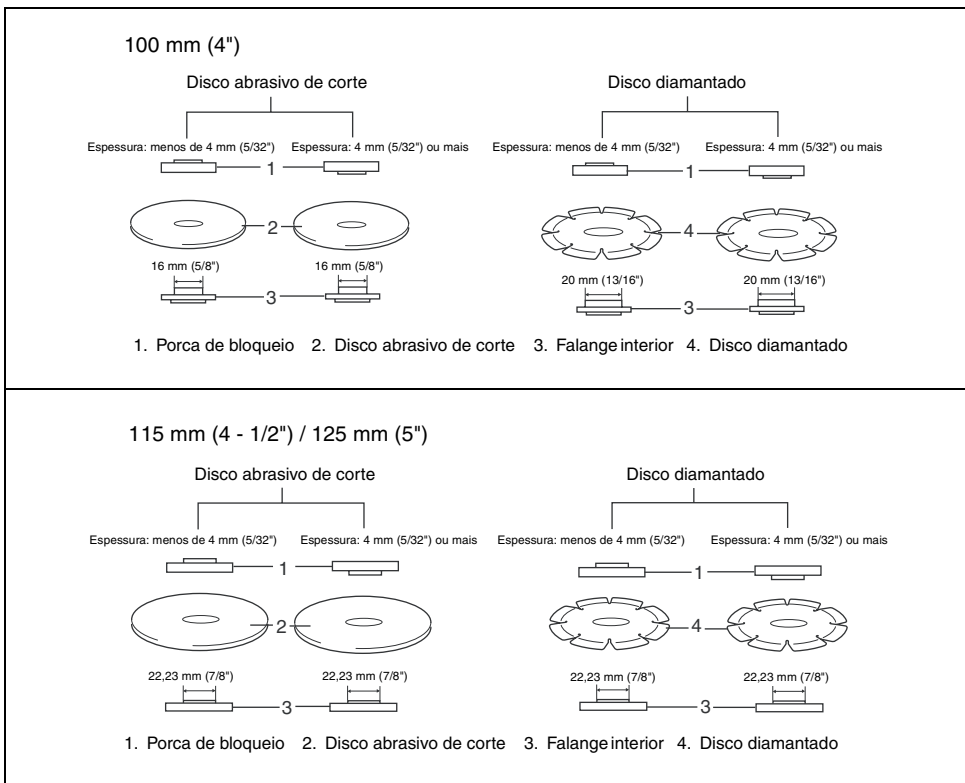
Agarre **SEMPRE** na ferramenta firmemente com uma mão no corpo e a outra na pega lateral. Ligue a ferramenta e em seguida aplique a roda ou disco na peça de trabalho.

Em geral, mantenha a extremidade da roda ou disco num ângulo de cerca de 15° com a superfície da peça de trabalho.

No período de adaptação com uma nova roda não trabalhe com a rebarbadora na direcção B ou cortará na peça. Quando a extremidade da roda estiver arredondada pelo uso pode trabalhar tanto na direcção A como B.

Operação com o disco abrasivo de corte/disco diamantado (acessório opcional) (Fig. 11)

A direcção da instalação da porca de bloqueio e da falange interior varia segundo a espessura do disco. Consulte o quadro abaixo.



AVISO:

- Ao utilizar um disco abrasivo de corte/disco diamantado, lembre-se de utilizar somente o resguardo da roda especialmente projectado para os discos de corte.
- NUNCA utilize discos de corte para rebarbação lateral.
- Não entreve o disco nem aplique força excessiva. Não tente efectuar um corte muito profundo. Sujeitar o disco a esforço excessivo aumenta a carga e a suscetibilidade de torção ou emperramento do disco no corte e a possibilidade de contragolpe ou quebra do disco, quebra do disco e sobreaquecimento do motor.

- Não inicie a operação de corte na peça de trabalho. Aguarde até que o disco atinja a velocidade máxima e coloque-o no corte cuidadosamente, movendo a ferramenta para a frente sobre a superfície da peça de trabalho. O disco pode emperrar, pular ou contragolpear se ligar a ferramenta na peça de trabalho.
- Nunca altere o ângulo do disco durante as operações de corte. Exercer pressão lateral no disco de corte (como na rebarbação) poderá causar rachaduras e quebra, causando ferimentos graves.
- O disco diamantado deve ser utilizado perpendicular ao material a ser cortado.

MANUTENÇÃO

PRECAUÇÃO:

- Certifique-se sempre de que a ferramenta está desligada e a ficha retirada da tomada antes de tentar executar qualquer inspeção ou manutenção.
- Nunca utilize gasolina, benzina, diluente, álcool ou produtos semelhantes. Pode ocorrer a descoloração, deformação ou rachaduras.

A ferramenta e as suas ventilações devem ser mantidas limpas. Limpe regularmente as ventilações de ar ou quando começarem a ficar obstruídas. **(Fig. 12)**

Para manter a **SEGURANÇA** e **FIABILIDADE** do produto, a reparação, inspeção e substituição da escova de carvão, bem como qualquer afinação ou manutenção devem sempre ser efectuadas num centro de assistência oficial Makita, utilizando sempre peças de substituição Makita.

ACESSÓRIOS

PRECAUÇÃO:

- Estes acessórios ou acoplamentos são os recomendados para uso na ferramenta Makita especificada neste manual. A utilização de qualquer outro acessório ou acoplamento poderá ser perigosa para o operador. Os acessórios ou acoplamentos devem ser utilizados de maneira adequada e apenas para os fins a que se destinam.

No caso de necessitar ajuda para mais detalhes sobre estes acessórios, consulte ao departamento de assistência local da Makita.

- Resguardo da roda (cobertura da roda) para rodas deprimidas ao centro/disco múltiplo
- Resguardo da roda (cobertura da roda) para o disco abrasivo de corte/disco diamantado
- Rodas deprimidas ao centro
- Discos abrasivos de corte
- Discos múltiplos
- Discos diamantados
- Escovas metálicas em forma de taça
- Escova do chanfro do fio 85
- Discos abrasivos
- Falange interior
- Porca de bloqueio para roda deprimida ao centro/disco abrasivo de corte/disco múltiplo/disco diamantado
- Porca de bloqueio para o disco abrasivo
- Chave de porcas
- Punho lateral

Illustrationsoversigt

| | | |
|---------------------|---|---|
| 1 Spindellås | 7 Låsemøtrik | 12 Beskyttelsesskærm til afskæringsskive/diamantskive |
| 2 Skydeafbryder | 8 Forkrøppet centerslibeskive/multi-skive | 13 Udstødsåbning |
| 3 Beskyttelsesskærm | 9 Indvendig flange | 14 Indsugningsåbning |
| 4 Lejeunderpart | 10 Låsemøtriknøgle | |
| 5 Skrue | 11 Afskæringsskive/diamantskive | |
| 6 Arm | | |

SPECIFIKATIONER

| Model | 9563H | 9564H | 9565H |
|---|--------------------------|--------------------------|--------------------------|
| Slibeskivediameter | 100 mm | 115 mm | 125 mm |
| Spindelgevind | M10 | M14 | M14 |
| Nominelle hastighed (n) / Omdrejninger (n ₀)..... | 11 000 min ⁻¹ | 11 000 min ⁻¹ | 11 000 min ⁻¹ |
| Længde | 299 mm | 299 mm | 299 mm |
| Vægt | 2,1 kg | 2,3 kg | 2,3 kg |
| Sikkerhedsklasse | □/II | □/II | □/II |

- Ret til tekniske ændringer forbeholdes.
- Specifikationer kan variere fra land til land.
- Vægt i henhold til EPTA-Procedure 01/2003

Tilsluttet anvendelse

Denne maskine er beregnet til skæring, afslibning og slibning af metal- og stenmaterialer uden anvendelse af vand.

Strømforsyning

Maskinen må kun tilsluttes en strømforsyning med samme spænding som angivet på typeskiltet, og kan kun anvendes på enfaset vekselstrømforsyning. I henhold til de europæiske retningslinier er den dobbeltisoleret og kan derfor også tilsluttes netstik uden jordforbindelse.

GEA010-1

Almindelige sikkerhedsregler for el-værktøj

⚠ ADVARSEL! Læs alle sikkerhedsadvarsler og alle sikkerhedsinstruktioner. Hvis nedenstående advarsler og instruktioner ikke overholdes, kan resultatet blive elektrisk stød, brand og/eller alvorlig personskade.

Gem alle advarsler og instruktioner til fremtidig reference.

GE0033-3

SIKKERHEDSADVARSLER FOR SLIBER

Almindelige sikkerhedsforskrifter for arbejde med slibning, slibning med sandpapir, stålborstning eller afskæring:

1. Denne maskine er beregnet til at fungere som en slibemaskine, slibemaskine med sandpapir, stålborste eller afskæringsværktøj. Læs alle de sikkerhedsadvarsler, instruktioner, illustrationer og specifikationer, som følger med denne maskine. Forsømmelse af at følge alle instruktionerne herunder kan resultere i elektrisk stød, brand og/eller alvorlig tilskadekomst.
2. Det anbefales ikke at udføre operationer som for eksempel polering med denne maskine. Anvendelse, som maskinen ikke er beregnet til, kan være farligt og føre til personskade.
3. Anvend ikke tilbehør, som ikke er specifikt lavet og anbefalet af maskinens fabrikant. Den omstændighed, at tilbehøret kan monteres på din maskine, er ingen garanti for, at anvendelsen bliver sikkerhedsmæssig forsvarlig.

4. **Tilbehøret skal være beregnet til mindst den nominelle hastighed, som er anført på maskinen.** Tilbehør, som kører med en større hastighed end den, som tilbehøret er beregnet til, kan brække og slynges af.
5. **Tilbehørets ydre diameter og tykkelse skal være inden for din maskines kapacitetsrating.** Tilbehør med en forøret størrelse kan ikke beskyttes eller styres tilstrækkeligt.
6. **Dornstørrelsen på skiver, flanger, bagskiver eller andet tilbehør skal passe nøjagtigt til spindelen på maskinen.** Tilbehør med en større diameter, som ikke passer til maskinens monteringsdele, vil miste balancen, vibrere ekstremt og kan føre til tab af kontrol.
7. **Anvend ikke beskadiget tilbehør.** Inspicer altid tilbehøret inden brugen, som for eksempel slibeskiver, for skår og revner, bagskiven for revner, slitage eller ekstrem nedslidning, stålborsten for løse eller revnede tråde. Hvis maskinen eller tilbehøret tabes, skal de efterses for skade, eller en ubeskadiget tilbehørsdel skal monteres. Efter inspektion og montering af tilbehør, skal De og omkringstående stå på god afstand af det roterende tilbehørs høvl, og maskinen skal køres på højeste, ubelastede hastighed i et minut. Beskadiget tilbehør vil normalt brække under prøvetiden.
8. **Anvend personligt beskyttelsesudstyr.** Afhængigt af brugen skal der anvendes beskyttelsesbriller eller sikkerhedsbriller. Anvend, alt efter forholdene, støvmaske, høreværn, handsker og forklæde, som kan stoppe mindre skarpe dele eller dele fra arbejdsområdet. Øjenbeskyttelsen skal kunne stoppe afslyngede stykker, som er frembragt af forskelligt arbejde. Støvmaske og respirator skal kunne stoppe filtreringspartikler, som er frembragt af arbejdet. Længere tids udsættelse for støj af høj intensitet kan føre til høretab.
9. **Hold tilskuere på god afstand af arbejdsområdet.** Enhver person, som befinder sig i arbejdsområdet, skal bære personligt beskyttelsesudstyr. Fragmenter fra arbejdsområdet eller fra brækket tilbehør kan blive slyngtet af og være årsag til tilskadekomst, også uden for det umiddelbare arbejdsområde.

10. Hold kun maskinen i de isolerede håndtagsflader, når der udføres et arbejde, hvor det skærende tilbehør kan komme i berøring med skjulte ledninger eller dets egen ledning. Skærende tilbehør, som kommer i berøring med en strømførende ledning, kan bevirke, at udsatte metaldele af maskinen bliver ledende, hvorved operatøren kan få stød.
11. Anbring altid ledningen, så den ikke kommer i kontakt med drejende tilbehør. Hvis De mister herredømmet over maskinen, kan ledningen blive skåret over, og Deres hånd eller arm kan komme i kontakt med det roterende tilbehør.
12. Læg aldrig maskinen fra Dem, før tilbehøret er stoppet fuldstændigt. Det roterende tilbehør kan gribe fat i overfladen, hvilket kan bevirke, at De mister herredømmet over maskinen.
13. Lad ikke maskinen køre, mens De bærer den ved siden. Utilsigtet kontakt med det roterende tilbehør kan gribe fat i tøjet og derved trække tilbehøret ind mod kroppen.
14. Rengør maskinens ventilationsåbninger med jævne mellemrum. Motorens vifte vil trække støv ind i huset, og en kraftig ophobning af metalstøv kan skabe elektrisk fare.
15. Anvend ikke maskinen i nærheden af brændbare materialer. Disse materialer kan blive antændt af gnister.
16. Anvend ikke tilbehør, der kræver kølevæske. Anvendelse af vand eller anden kølevæske kan resultere i dødelige stød eller elektriske stød.

Tilbageslag og relaterede advarsler:

Tilbageslag er en pludselig reaktion på en fastklemt eller blokeret roterende skive, bagskive eller andet tilbehør. En fastklemt eller blokeret del forårsager hurtig standsning af det roterende tilbehør, som derved bliver årsag til, at den ukontrollerede maskine bliver tvunget i den modsatte retning ved punktet for bindingen.

Hvis for eksempel en slibeskive er blokeret eller fastklemt af arbejdsemnet, kan kanten på skiven, som går ind i fastklemningspunktet, grave sig ind i materialets overflade og derved bevirke, at skiven kommer ud eller presses ud. Skiven kan enten slynges mod eller bort fra operatøren, afhængigt af skivens bevægelse på fastklemningspunktet. Slibeskiver kan også brække under disse forhold.

Tilbageslag er resultatet af misbrug af maskinen og/eller fejlagtig anvendelse eller forkerte brugsforhold og kan undgås ved at man tager de rigtige forholdsregler som vist herunder.

- a) Hold godt fast i maskinen og hold kroppen og armen således, at De kan modvirke til-bageslagskraften. Anvend altid hjælpehåndtaget, hvis et sådant medfølger, til at opnå maksimal kontrol af tilbageslag og drejningsmoment under starten. Operatøren kan kontrollere drejningsmomentreaktion eller tilbageslagskraft, hvis de rigtige forholdsregler tages.
- b) Anbring aldrig hænderne i nærheden af roterende tilbehør. De risikerer at få hånden ind i tilbageslagets bane.
- c) Stil Dem ikke i det område, hvor maskinen vil bevæge sig, hvis der opstår tilbageslag. Tilbageslag vil slynge maskinen i den modsatte retning af hjulets omdrejning på blokeringsstidspunktet.

- d) Vær særlig omhyggelig, når De arbejder på hjørner, skarpe kanter etc. Undgå at bumpe eller bløkkere tilbehøret. Hjørner, skarpe kanter eller bumpen har tendens til at blokere det roterende tilbehør og forårsage tab af kontrol eller tilbageslag.
- e) Monter ikke en kædesavs træskæreklinge eller en savklinge med tænder. Sådanne klinger giver hyp-pige tilbageslag og tab af kontrol.

Særlige sikkerhedsforskrifter for arbejde med slibning og afskæring:

- a) Anvend kun skivetyper, som anbefales til din maskine og den specielle beskyttelsesskærm, som er beregnet til den valgte skive. Skiver, for hvilke maskinen ikke er beregnet, kan ikke afskærmes tilstrækkeligt og er ikke sikkerhedsmæssigt forsvarlige.
- b) Beskyttelsesskærmen skal være ordentligt monteret på maskinen og placeret, så den optimale sikkerhed opnås, således at mindst muligt af skiven vender mod operatøren. Beskyttelsesskærmen bidrager til at beskytte operatøren mod afbrækkede skivefragmenter og utilsigtet kontakt med skiven.
- c) Skiver må kun anvendes til de anbefalede opgaver. For eksempel: slib ikke med siden af en afskæringsskive. Slibende afskæringsskiver er beregnet til periferisk slibning. Hvis disse skiver udsættes for sidetryk, kan resultatet blive, at de brækker.
- d) Anvend altid ubeskadigede skiveflanger, som har den rigtige størrelse og form til den valgte skive. Rigtige skiveflanger støtter skiven, hvorved risiko for skivebrud nedsættes. Flanger til afskæringsskiver kan være anderledes end slibeskiveflanger.
- e) Anvend ikke nedslidte skiver fra andre maskiner. Skiver, som er beregnet til større maskiner, er ikke egnede til en mindre maskines højere hastighed og kan brække.

Supplerende sikkerhedsforskrifter for arbejde med slibende afskæring:

- a) Vær påpasselig med ikke at "klemme" skæreskiven fast eller udsætte den for et ekstremt tryk. Forsøg ikke at lave en for stor skæredybde. Et for stort pres på skiven vil øge belastningen og risikoen for at skiven vrider eller binder i snittet med risiko for tilbageslag eller brud på skiven til følge.
- b) Stå ikke på linje med eller bag den roterende skive. Når skiven under anvendelse drejer bort fra Dem, kan et muligt tilbageslag bevirke, at den roterende skive og maskinen slynges direkte mod Dem.
- c) Hvis skiven binder eller hvis en skæring af en eller anden årsag afbrydes, skal De slukke for maskinen og holde den ubevægelig, indtil skiven er holdt helt op med at dreje. Forsøg aldrig at fjerne afskæringsskiven fra snittet, mens skiven er i bevægelse, da dette kan føre til tilbageslag. Undersøg problemet og tag de rigtige forholdsregler for at eliminere årsagen til at skiven binder.
- d) Lad være med at starte skæringen i arbejdsemnet. Lad skiven komme op på fuld hastighed og gå derefter forsigtigt ind i snittet igen. Skiven kan binde, presses op eller give tilbageslag, hvis maskinen startes igen i arbejdsemnet.

- e) **Understøt paneler eller alle arbejdsemner i over-størrelse for at minimere risikoen for fastklemning af skiven og tilbageslag.** Store arbejdsemner har tendens til at synke sammen under deres egen vægt. Der skal derfor anbringes støtteanordninger under arbejdsemnet i nærheden af snitlinjen og nær kanten på arbejdsstykket på begge sider af skiven.
- f) **Vær ekstra forsigtig, når De laver et "lommesnit" i eksisterende vægge eller andre blinde områder.** Den fremspringende skive kan komme til at skære i gas- og vandrør, elektriske ledninger eller genstande, som kan forårsage tilbageslag.

Sikkerhedsforskrifter for slibning med sandpapir:

- a) **Anvend ikke sandpapir af overstørrelse. Følg fabrikantens anbefalinger, når De vælger sandpapir.** Større sandpapir, som går ud over sandpapirskiven, udgør en fare for sønderrivelse og kan medføre blokering og beskadigelse af skiven eller være årsag til tilbageslag.

Sikkerhedsforskrifter for stålborstning:

- a) **Vær opmærksom på, at stålborstehårene afstødes fra børsten selv under almindelig anvendelse. Udsæt ikke stålborstehårene for et for stort tryk ved at trykke for kraftigt på børsten.** Stålborstehårene kan nemt gennemtrænge tynde klæder og/eller huden.
- b) **Hvis anvendelse af en beskyttelsesskærm ved stålborstning anbefales, må man ikke tillade interferens af stålborstes skiven eller børsten med beskyttelsesskærmen.** Stålborstes skiven eller børsten kan udvide sig i diameter på grund af arbejdsbelastningen og centrifugalkraften.

Supplerende sikkerhedsforskrifter:

17. Hvis der anvendes forkrøppet centerslibeskive, skal man sørge for kun at anvende fiberglasforstærkede skiver.
18. Vær påpasselig med ikke at komme til at beskadige spindelen, flangen (specielt monteringsfladen) eller låsemotrikken. Beskadigelse af disse dele kan resultere i at skiven brækker.
19. Sørg for, at skiven ikke er i berøring med arbejdsemnet, inden De tænder for maskinen med afbryderen.
20. Inden De begynder at anvende maskinen på et rigtigt arbejdsemne, skal De lade den køre i et stykke tid. Vær opmærksom på vibrationer eller slør, som kan være tegn på dårlig montering eller en forkert afbalanceret skive.
21. Anvend den specificerede overflade på skiven til at udføre slibningen.
22. Vær på vagt over for flyvende gnister. Hold maskinen således, at gnister flyver væk fra Dem, andre personer og antændeligt materiale.
23. Læg ikke maskinen fra Dem, mens den stadig kører. Anvend kun maskinen som håndværktøj.
24. Bør ikke arbejdsemnet lige efter at arbejdet er udført. Det kan blive meget varmt og være årsag til forbrændinger.
25. Sørg altid for, at maskinen er afbrudt og taget ud af forbindelse eller at akkuen er taget ud, inden De udfører noget arbejde på maskinen.
26. Overhold altid fabrikantens instruktioner for korrekt montering og anvendelse af skiver. Behandl og opbevar skiver med forsigtighed.

27. Anvend ikke en separat bøsning eller adapter til at tilpasse slibeskiver med store centerhuller til maskinen.
28. Anvend kun de anbefalede flanger til denne maskine.
29. Ved anvendelse af maskiner, der er beregnet til montering af slibeskiver med gevindforsynet hul, skal det altid sikres, at gevindet i skiven er langt nok i forhold til spindellængden.
30. Kontrollér at emnet er korrekt understøttet.
31. **Forsigtig! Skiven fortsætter med at rotere, efter at der slukket for maskinen.**
32. Hvis arbejdsstedet er ekstremt varmt eller fugtigt, eller slemt tilnavnet med ledende støv, bør der anvendes en kortslutningsafbryder (30 mA) for at garantere sikkerheden under arbejdet.
33. Anvend aldrig maskinen på materialer, der indeholder asbest.
34. Benyt ikke vand eller slibesmedemiddel.
35. Sørg for at ventilationsåbningerne holdes rene, når der arbejdes under støvede forhold. Hvis det skulle blive nødvendigt at fjerne ophobet støv, skal maskinen først afbrydes fra lysnettet (benyt ikke-metalliske genstande til rengøringen) og påpasselighed skal udvises, så indvendige dele ikke beskadiges.
36. Anvend altid den støvopsamlende beskyttelseskærm, som er påkrævet ifølge de lokale regler, når skæreskiven anvendes.
37. Skæreskiver må ikke udsættes for tryk fra siden.

GEM DISSE FORSKRIFTER.

ADVARSEL:

LAD IKKE bekvemmelighed eller kendskab til produktet (opnået gennem gentagen brug) forhindre, at sikkerhedsforskrifterne for produktet nøje overholdes. MISBRUG eller forsømmelse af at følge de i denne brugsvejledning givne sikkerhedsforskrifter kan føre til, at De kommer alvorligt til skade.

BESKRIVELSE AF FUNKTIONERNE

FORSIGTIG:

- Vær altid sikker på, at maskinen er afbrudt, inden dens funktion indstilles eller kontrolleres.

Spindellås (Fig. 1)

FORSIGTIG:

- Aktiver aldrig spindellåsen, mens spindelen bevæger sig. Dette kan bevirke, at maskinen lider skade.

Tryk spindellåsen ind for at forhindre spindelen i at rotere, når der monteres eller afmonteres tilbehør.

Afbryderkontaktbetjening (Fig. 2)

FORSIGTIG:

- Før maskinen sættes i forbindelse, skal De altid kontrollere, at afbryderen fungerer korrekt og vender tilbage til "OFF" positionen, når den bageste del af afbryderen trykkes ned.

Start maskinen ved at skyde afbryderen i retning af "I (ON)" positionen. For at opnå kontinuerlig operation, trykkes på den forreste del af afbryderen for at låse den.

For at slukke for maskinen, trykkes den bageste del af afbryderen ned, hvorefter den trykkes i retning af "O (OFF)" positionen.

SAMLING

FORSIGTIG:

- Sørg altid for, at maskinen er afbrudt og taget ud af forbindelse, inden der udføres noget arbejde på maskinen.

Montering af sidegreb (håndtag) (Fig. 3)

FORSIGTIG:

- Sørg altid for, at sidegrebet er ordentligt monteret inden brugen.

Skru sidegrebet ordentligt på det sted på maskinen som vises på illustrationen.

Montering og afmontering af beskyttelseskærm (Til forkrøppet centerslibeskive, multi-skive/ afskæringsskive, diamantskive)

Til maskine med beskyttelseskærm af typen med låseskrue (Fig. 4 og 5)

FORSIGTIG:

- Beskyttelseskærmen skal være monteret på maskinen således, at den lukkede side af skærmen altid vender mod operatøren.

Monter beskyttelseskærmen med fremspringet på beskyttelseskærmens bånd ud for hakket på lejeunderparten. Drej derefter beskyttelseskærmen 180 grader rundt. Sørg for at stramme skruen godt til.

Beskyttelseskærmen afmonteres ved at man følger monteringsproceduren i modsat rækkefølge.

For maskine med beskyttelseskærm af spændearmtypen (Fig. 6 og 7)

Træk armen i pilens retning efter at skruen er løsnet. Monter beskyttelseskærmen med fremspringet på beskyttelseskærmens bånd ud for hakket på lejeunderparten. Drej derefter beskyttelseskærmen 180°. Fastgør den med skruen, efter at De har trukket armen i pilens retning til arbejdsformålet. Beskyttelseskærmens indstillingsvinkel kan justeres med armen.

Beskyttelseskærmen afmonteres ved at man følger monteringsproceduren i modsat rækkefølge.

Montering eller afmontering af den forkrøpede centerslibeskive/multi-skive (ekstraudstyr)

Monter den indvendige flange på spindelen. Anbring slibeskiven/skiven på den indvendige flange og skru flangemøtrikken på spindelen. (Fig. 8)

For at stramme låsemøtrikken, skal De trykke fast på spindellåsen, så spindelen ikke kan dreje, og derefter anvende låsemøtriknøglen til at stramme godt til i retningen med uret.

Slibeskiven afmonteres ved at man følger installationsproceduren i modsat retning. (Fig. 9)

ANVENDELSE

ADVARSEL:

- Det er under ingen omstændigheder nødvendigt at presse maskinen. Maskinens egenvægt giver et tilstrækkeligt tryk. Forceret håndtering og et for hårdt tryk kan føre til brud på slibeskiven, hvilket er farligt.
- Udskift ALTID skiven, hvis De er kommet til at tabe maskinen under slibning.
- De må ALDRIG slå på eller støde til slibeskiven eller skiven under arbejdet.
- Undgå at bumpe eller obstruere slibeskiven, specielt når der arbejdes med hjørner, skarpe kanter etc. Dette kan forårsage tab af kontrol og tilbageslag.
- Anvend ALDRIG maskinen med skæreklinger til træ og andre typer savklinger. Sådanne klinger giver ofte tilbageslag, når de anvendes på en slibemaskine, med tab af kontrol, som kan føre til personskade, til følge.

FORSIGTIG:

- Afbryd altid maskinen efter brug og vent, indtil skiven er standset helt, inden De lægger maskinen fra Dem.

Slibning og sandslibning (Fig. 10)

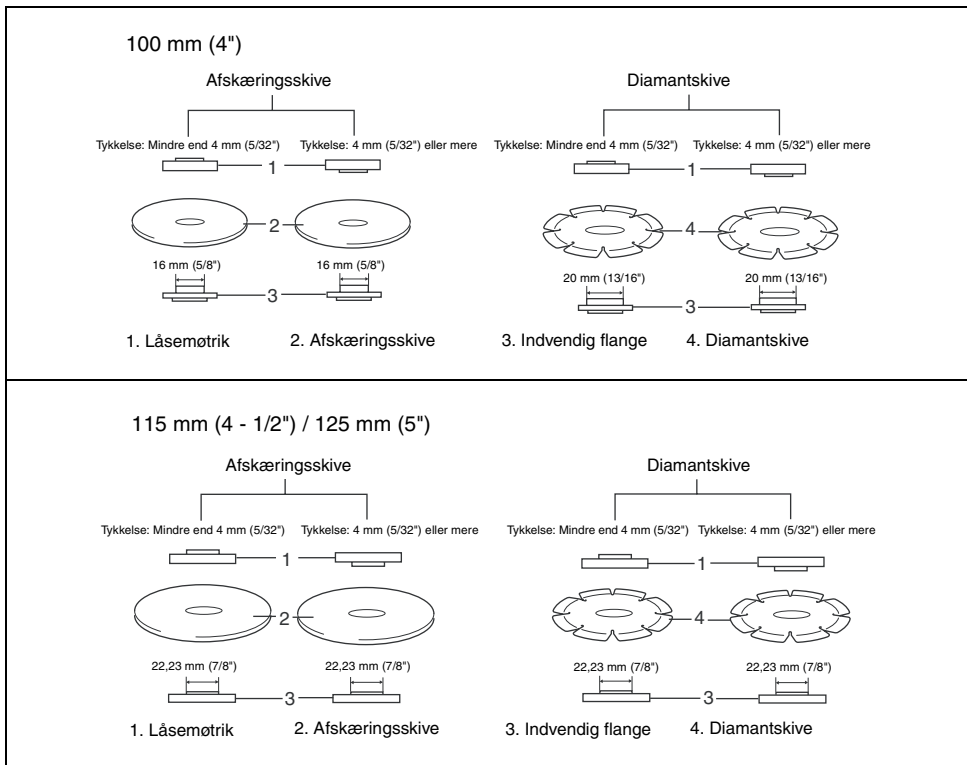
Hold ALTID godt fast i maskinen med den ene hånd på maskinkroppen og den anden på sidegrebet. Tænd for maskinen og anbring derefter slibeskiven eller skiven på arbejdsemnet.

Generelt skal kanten af slibeskiven eller skiven holdes i en vinkel på omkring 15 grader mod arbejdsemnets overflade.

I indkøringsperioden for en ny slibeskive, må man ikke anvende slibeskiven i retning B, da den i så fald vil skære ind i arbejdsemnet. Så snart kanten på slibeskiven er blevet afrundet af brug, kan slibeskiven anvendes i både retning A og B.

Anvendelse med afskæringsskive/diamantskive (ekstraudstyr) (Fig. 11)

Den retning, hvori låsemøtrikken og den indvendige flange skal monteres, er forskellig alt efter skivens tykkelse. Se skemaet herunder.



ADVARSEL:

- Når en afskærings-/diamantskive anvendes, skal man sørge for kun at anvende den specielle beskyttelses-skærm, som er beregnet til brug med afskæringsskiver.
- Anvend **ALDRIG** en afskæringsskive til sideslibning.
- Vær påpasselig med ikke at "klemme" skiven eller udsætte den for et ekstremt tryk. Forsøg ikke at lave en snit af ekstrem dybde. Et for stort pres på skiven vil øge belastningen og risikoen for at skiven vrider eller binder i snittet med risiko for tilbageslag, brud på skiven og overophedning af motoren.
- Begynd ikke skæringen i arbejdsemnet. Lad skiven komme op på fuld hastighed og gå omhyggeligt ind i snittet, idet maskinen flyttes fremad over arbejdsemnets overflade. Skiven kan binde, presses op eller give tilbageslag, hvis maskinen startes i arbejdsemnet.
- Under skæring må man aldrig ændre skivens vinkel. Hvis man øver sidelæns tryk på afskæringsskiven (som under slibning) vil det bevirke, at skiven revner og brækker med alvorlig tilskadekomst til følge.
- En diamantskive skal anvendes vinkelret på det materiale, der skæres i.

VEDLIGEHOLDELSE

FORSIGTIG:

- Sørg altid for, at maskinen er slukket og taget ud af forbindelse, før der foretages inspektion eller vedligeholdelse.
- Anvend aldrig benzin, rensebenzin, fortynder, alkohol og lignende. Resultatet kan blive misfarvning, deformation eller revner.

Maskinen og dens ventilationsåbninger skal til enhver tid holdes rene. Rengør maskinens ventilationsåbninger med jævne mellemrum eller så snart de begynder at blive tilstoppede. **(Fig. 12)**

For at opretholde produktets **SIKKERHED** og **PÅLIDELIGHED**, må istandsættelse, eftersyn af kulbørster og udskiftning af dele samt alle andre vedligeholdelsesarbejder og justeringer kun udføres af et autoriseret Makita-servicecenter, og der må kun anvendes udskiftningsdele fra Makita.

TILBEHØR

FORSIGTIG:

- Det i denne manual specificerede tilbehør og anordninger anbefales til brug sammen med Deres Makita maskine. Brug af andet tilbehør og andre anordninger kan udgøre en risiko for personskaade. Anvend kun tilbehør og anordninger til de beskrevne formål.




Hvis De behøver assistance eller yderligere detaljer om dette tilbehør, bedes De kontakte Deres lokale Makita servicecenter.

- Beskyttelsesskærm (skiveafskærmning) til forkroppet centerslibeskive/multi-skive
- Beskyttelsesskærm (skiveafskærmning) til afskæringsskive/diamantskive
- Forkrøpede centerskiver
- Afskæringsskiver
- Multi-skiver
- Diamantskiver
- Trådkopbørster
- Keglestålbørste 85
- Slibeskiver
- Indvendig flange
- Låsemøtrik til centerslibeskive/afskæringsskive/multi-skive/diamantskive
- Låsemøtrik til slibeskive
- Låsemøtriknøgle
- Sidegreb

Περιγραφή γενικής άποψης

| | | |
|------------------------|--|---|
| 1 Κλειδωμα άξονα | 8 Τροχός λείανσης χαμηλωμένου κέντρου/ Πολύ-δίσκος | 11 Τροχός λείανσης κοπής/ διαμαντοτροχός |
| 2 Διακόπτης ολίσθησης | 9 Εσωτερική φλάντζα | 12 Προφυλακτήρας τροχού για τροχό λείανσης κοπής/ διαμαντοτροχό |
| 3 Προφυλακτήρας τροχού | 10 Κλειδί παξιμαδιού κλειδώματος | 13 Δίοδος εξόδου αέρα |
| 4 Κιβώτιο ρουλεμάν | | 14 Δίοδος εισόδου αέρα |
| 5 Βίδα | | |
| 6 Μοχλός | | |
| 7 Παξιμάδι κλειδώματος | | |

ΤΕΧΝΙΚΑ ΧΑΡΑΚΤΗΡΙΣΤΙΚΑ

| Μοντέλο | 9563H | 9564H | 9565H |
|---|---|---|---|
| Διάμετρος τροχού χαμηλωμένου κέντρου | 100 χιλ. | 115 χιλ. | 125 χιλ. |
| Σπείρωμα ατράκτου | M10 | M14 | M14 |
| Ονομαστική ταχύτητα (n) / Ταχύτητα χωρίς φορτίο (n ₀) | 11.000 λεπτ ⁻¹ | 11.000 λεπτ ⁻¹ | 11.000 λεπτ ⁻¹ |
| Ολικό μήκος | 299 χιλ. | 299 χιλ. | 299 χιλ. |
| Βάρος Καθαρό | 2,1 Χγρ. | 2,3 Χγρ. | 2,3 Χγρ. |
| Κατηγορία ασφάλειας..... |  /II |  /II |  /II |

- Λόγω του συνεχιζόμενου προγράμματος έρευνας και ανάπτυξης, οι παρούσες προδιαγραφές υπόκεινται σε αλλαγή χωρίς προειδοποίηση.
- Τα τεχνικά χαρακτηριστικά μπορεί να διαφέρουν από χώρα σε χώρα.
- Βάρος σύμφωνα με διαδικασία ΕΡΤΑ 01/2003

Προοριζόμενη χρήση


Το εργαλείο προορίζεται για κοπή, λείανση και τρίψιμο μεταλλικών και πέτρινων υλικών χωρίς τη χρήση ύδατος.

Ρευματοδότηση

Το μηχάνημα πρέπει να συνδέεται μόνο σε παροχή ρεύματος της ίδιας τάσης με αυτή που αναφέρεται στην πινακίδα κατασκευαστού και μπορεί να λειτουργήσει μόνο με εναλλασσόμενο μονοφασικό ρεύμα. Τα μηχανήματα αυτά έχουν διπλή μόνωση σύμφωνα με τα Ευρωπαϊκά Πρότυπα και κατά συνέπεια, μπορούν να συνδεθούν σε ακροδέκτες χωρίς σύρμα γείωσης.

GEA010-1

Γενικές προειδοποιήσεις ασφαλείας για το ηλεκτρικό εργαλείο

 **ΠΡΟΕΙΔΟΠΟΙΗΣΗ** Διαβάστε όλες τις προειδοποιήσεις ασφαλείας και όλες τις οδηγίες. Η μη τήρηση των προειδοποιήσεων και οδηγιών ενδέχεται να καταλήξει σε ηλεκτροπληξία, πυρκαγιά ή/και σοβαρό τραυματισμό.

Φυλάξτε όλες τις προειδοποιήσεις και τις οδηγίες για μελλοντική παραπομπή.

ΛΕΙΑΝΤΗΡΑΣ — ΠΡΟΕΙΔΟΠΟΙΗΣΕΙΣ ΑΣΦΑΛΕΙΑΣ

Προειδοποιήσεις ασφαλείας, κοινές για εργασίες λείανσης, γυαλοχαρτίσματος, καθαρισμού με σурματοβούρτσα ή κοπής:

1. Αυτό το ηλεκτρικό εργαλείο προορίζεται για χρήση ως εργαλείο λείανσης, γυαλοχαρτίσματος, καθαρισμού με σурματοβούρτσα ή κοπής. Διαβάστε όλες τις προειδοποιήσεις ασφαλείας, οδηγίες, εικονογραφήσεις και προδιαγραφές που παρέχονται με αυτό το ηλεκτρικό εργαλείο. Αμέλεια να ακολουθήσετε όλες τις οδηγίες που αναγράφονται παρακάτω μπορεί να έχει ως αποτέλεσμα ηλεκτροπληξία, φωτιά ή/και προσωπικό τραυματισμό.
2. Δεν συνιστάται η εκτέλεση εργασιών στίλβωσης με αυτό το ηλεκτρικό εργαλείο. Λειτουργίες για τις οποίες το ηλεκτρικό αυτό εργαλείο δεν έχει σχεδιαστεί μπορεί να δημιουργήσουν κίνδυνο και να προκαλέσουν προσωπικό τραυματισμό.
3. Μη χρησιμοποιείτε εξαρτήματα που δεν είναι ειδικά σχεδιασμένα και συνιστώμενα από τον κατασκευαστή του εργαλείου. Απλώς και μόνο επειδή το εξάρτημα μπορεί να προσαρτηθεί στο εργαλείο, αυτό δεν εξασφαλίζει ασφαλή λειτουργία.
4. Η ονομαστική ταχύτητα του εξαρτήματος πρέπει να είναι τουλάχιστον ίση με την μέγιστη ταχύτητα που είναι σημειωμένη στο ηλεκτρικό εργαλείο. Εξαρτήματα που λειτουργούν ταχύτερα από την ονομαστική ταχύτητα τους μπορεί να σπάσουν και να εκτοξευθούν.
5. Η εξωτερική διάμετρος και το πάχος του εξαρτήματός σας πρέπει να είναι μέσα στα όρια ικανότητας του εργαλείου σας. Εξαρτήματα μη σωστού μεγέθους δεν μπορούν να προφυλαχθούν ή να ελεγχθούν επαρκώς.

GEB033-3

6. Το μέγεθος της οπής προσαρμογής σε άξονα των τροχών, πελμάτων (πατούρες), βάσεων υποστήριξης ή τυχόν άλλων εξαρτημάτων πρέπει να ταιριάζει απολύτως στον άξονα μετάδοσης κίνησης του ηλεκτρικού εργαλείου. Εξαρτήματα με οπές προσαρμογής σε άξονα που δεν ταιριάζουν με τον εξοπλισμό εγκατάστασης του ηλεκτρικού εργαλείου θα λειτουργούν χωρίς ισορροπία, θα δονούνται υπερβολικά και μπορεί να προκαλέσουν απώλεια ελέγχου.
 7. **Μη χρησιμοποιείτε εξάρτημα που έχει υποστεί βλάβη.** Πριν από κάθε χρήση, να εξετάζετε το εξάρτημα, όπως λειαντικούς τροχούς, για ρινιάματα και ρωγμές, τη βάση υποστήριξης ή ρωγμές, ρήξη ή υπερβολική φθορά, τη συμπατόβουρτσα για χαλαρά ή ραγισμένα σύρματα. Εάν το ηλεκτρικό εργαλείο ή το εξάρτημα πέσει κάτω, ελέγξτε το για ζημιές ή προσαρμόστε ένα καλό εξάρτημα. Μετά τον έλεγχο και την προσαρμογή ενός εξαρτήματος, απομακρυνθείτε εσείς και οι γύρω σας από το επίπεδο περιστροφής του εξαρτήματος και αφήστε σε λειτουργία το ηλεκτρικό εργαλείο σε μέγιστη ταχύτητα χωρίς φορτίο για ένα λεπτό. Εξαρτήματα με ζημιές θα διαλυθούν κατά τον χρόνο αυτής της δοκιμής.
 8. **Να φοράτε ατομικό εξοπλισμό προστασίας.** Ανάλογα με την εφαρμογή, να χρησιμοποιείτε προσωπίδα προστασίας, προστατευτικά γυαλιά-προσωπίδες ή γυαλιά προστασίας. Όταν απαιτείται, να φοράτε μάσκα σκόνης, προστατευτικά ακοής, γάντια και ποδιά συνεργείου ικανά να παρέχουν προστασία από τα εκτινασσόμενα μικρά θραύσματα λόγω της λειάνσης ή του τεμαχίου εργασίας. Η μάσκα σκόνης ή συσκευή αναπνοής πρέπει να είναι ικανή να φιλτράρει σωματίδια παραγόμενα από τις λειτουργίες σας. Παρατεταμένη έκθεση σε θόρυβο υψηλής συχνότητας μπορεί να προκαλέσει απώλεια ακοής.
 9. **Κρατάτε τους γύρω σας σε μία ασφαλή απόσταση από τον χώρο εργασίας.** Οποιοσδήποτε εισερχόμενος στο χώρο εργασίας πρέπει να φορά ατομικό προστατευτικό εξοπλισμό. Τεμαχίδια από το αντικείμενο εργασίας ή από ένα σπασμένο εξάρτημα μπορεί να εκτιναχθούν μακριά και να προκαλέσουν τραυματισμό πέραν της άμεσης περιοχής εργασίας.
 10. **Κρατάτε το ηλεκτρικό εργαλείο μόνο από τις μοναδικές επιφάνειες κρατήματος,** όταν εκτελείτε μία εργασία όπου το εξάρτημα κοπής μπορεί να έρθει σε επαφή με κρυμμένες καλωδιώσεις ή και με το δικό του καλώδιο. Το εξάρτημα κοπής που έρχεται σε επαφή με ένα ηλεκτροφόρο καλώδιο μπορεί να κάνει τα εκτεθειμένα μεταλλικά μέρη του ηλεκτρικού εργαλείου ηλεκτροφόρα και να προκαλέσει ηλεκτροπληξία στον χρήστη.
 11. **Κρατήστε το καλώδιο μακριά από το περιστρεφόμενο εξάρτημα.** Εάν χάσετε τον έλεγχο, το καλώδιο μπορεί να κοπεί ή να πιαστεί και το χέρι σας μπορεί να τραβηχθεί μέσα στο περιστρεφόμενο εξάρτημα.
 12. **Ποτέ μην τοποθετείτε το ηλεκτρικό εργαλείο κάτω μέχρι το εξάρτημα να έχει σταματήσει τελείως.** Το περιστρεφόμενο εξάρτημα μπορεί να πιάσει την επιφάνεια και να τραβήξει το ηλεκτρικό εργαλείο έξω από τον έλεγχο σας.
 13. **Μη χειρίζεστε το ηλεκτρικό εργαλείο ενώ το μεταφέρετε στο πλευρό σας.** Τυχαία επαφή με το περιστρεφόμενο εξάρτημα μπορεί να προκαλέσει πιάσιμο στα ρούχα σας και να τραβήξει το εξάρτημα μέσα στο σώμα σας.
 14. **Καθαρίζετε τακτικά τις οπές αερισμού του ηλεκτρικού εργαλείου.** Ο ανεμιστήρας του κινητήρα θα ταβήξει την σκόνη μέσα στο περιβλήμα και υπερβολική συγκέντρωση ρινομιμάτων μετάλλου μπορεί να προκαλέσει κίνδυνο ηλεκτροπληξίας.
 15. **Μη χειρίζεστε το ηλεκτρικό εργαλείο κοντά σε εύφλεκτα υλικά.** Σπινθήρες μπορεί να αναφλέξουν τα υλικά αυτά.
 16. **Μη χρησιμοποιείτε εξαρτήματα που χρειάζονται ψυκτικά υγρά.** Η χρήση νερού ή άλλων ψυκτικών υγρών μπορεί να προκαλέσουν ηλεκτροπληξία ή σοκ.
- Οπισθολάκτισμα και σχετικές προειδοποιήσεις:**
 Η ανάκρουση (οπισθολάκτισμα) είναι μία ξαφνική αντίδραση του εργαλείου λόγω σύσφιξης ή σκαλώματος του περιστρεφόμενου τροχού, της βάσης υποστήριξης, της βούρτσας ή τυχόν άλλου εξαρτήματος. Η σύσφιξη ή το σκάλωμα προκαλεί ταχεία απώλεια ελέγχου του περιστρεφόμενου εξαρτήματος το οποίο στη συνέχεια υποχρεώνει το ανεξέλεγκτο ηλεκτρικό εργαλείο σε περιστροφή αντίθετη από εκείνη του εξαρτήματος στο σημείο εμπλοκής.
 Για παράδειγμα, εάν ένας λειαντικός τροχός περιέλθει σε σύσφιξη ή σκάλωμα στο τεμάχιο εργασίας, η ακμή του τροχού που εισέρχεται στο σημείο σύσφιξης ενδέχεται να σκάψει την επιφάνεια του υλικού προκαλώντας την αναπήδηση ή το κλότσημα του τροχού. Ο τροχός ενδέχεται να αναπηδήσει προς το μέρος του χειριστή ή αντίθετα να απομακρυνθεί από αυτόν, ανάλογα με τη φορά περιστροφής του τροχού στο σημείο σύσφιξης. Υπό αυτές τις συνθήκες, οι τροχοί λειάνσης ενδέχεται επίσης να αποσπαστούν θραύση.
 Το οπισθολάκτισμα είναι αποτέλεσμα κακής χρήσης του ηλεκτρικού εργαλείου ή/και εσφαλμένων χειρισμών ή συνθηκών και μπορεί να αποφευχθεί με τις κατάλληλες προφυλάξεις όπως δίδονται παρακάτω.
- a) **Κρατάτε σταθερά το ηλεκτρικό εργαλείο και τοποθετήστε το σώμα σας και τον βραχίονα έτσι ώστε να ανθίστανται στις δυνάμεις του οπισθολακτίσματος.** Πάντοτε χρησιμοποιείτε την βοηθητική λαβή, εάν παρέχεται για μέγιστο έλεγχο οπισθολακτίσματος ή αντίδρασης ροπής κατά το ξεκίνωμα. Ο χειριστής μπορεί να ελέγχει τις αντιδράσεις ροπής ή δυνάμεις οπισθολακτίσματος, εάν έχουν ληφθεί οι κατάλληλες προφυλάξεις.
 - β) **Ποτέ μη βάλετε το χέρι σας κοντά στο περιστρεφόμενο εξάρτημα.** Το εξάρτημα μπορεί να οπισθολακτίσει στο χέρι σας.

- γ) Μην τοποθετήσετε το σώμα σας στην περιοχή όπου το ηλεκτρικό εργαλείο θα κινηθεί εάν συμβεί οπισθολάκτισμα. Το οπισθολάκτισμα θα οδηγήσει το εργαλείο σε διεύθυνση αντίθετη της κίνησης του τροχού στο σημείο εμπλοκής.
- δ) Χρησιμοποιείτε πολύ προσοχή όταν εργάζεστε σε γωνίες, αιχμηρές άκρες κλπ. Αποφύγετε αναπηδήσεις και εμπλοκές του εξαρτήματος. Γωνίες, αιχμηρές άκρες ή αναπηδήσεις έχουν την τάση να προκαλούν εμπλοκή στο περιστρεφόμενο εξάρτημα και προκαλούν απώλεια ελέγχου και οπισθολάκτισμα.
- ε) Μην προσαρμόζετε αλυσίδα αλυσοπριονίου λάμα για ξυλογλυπτική ή λάμα πριονιού με δόντια. Τέτοιες λάμες προκαλούν συχνό οπισθολάκτισμα και απώλεια ελέγχου.

Προειδοποιήσεις ασφαλείας ειδικά για εργασίες λείανσης και κοπής:

- α) Να χρησιμοποιείτε μόνον τύπους τροχών που συνιστώνται για χρήση με το δικό σας ηλεκτρικό εργαλείο και το συγκεκριμένο προφυλακτήρα που έχει σχεδιαστεί για τον επιλεγμένο τροχό. Η παροχή επαρκούς προστασίας από τροχούς για τους οποίους δεν έχει σχεδιαστεί το ηλεκτρικό εργαλείο, δεν είναι δυνατή και επομένως οι τροχοί δεν είναι ασφαλείς.
- β) Η προσαρμογή του προφυλακτήρα στο ηλεκτρικό εργαλείο πρέπει να πραγματοποιείται με ασφάλεια και η τοποθέτησή του να παρέχει τη μέγιστη δυνατή προστασία, ώστε ελάχιστο τμήμα του τροχού να εκτίθεται προς το μέρος του χειριστή. Ο προφυλακτήρας διευκολύνει την προστασία του χειριστή από οπασμένα τμήματα του τροχού και τυχαία επαφή με τον τροχό.
- γ) Οι τροχοί πρέπει να χρησιμοποιούνται μόνο στις προβλεπόμενες εφαρμογές. Για παράδειγμα: μη λειανείτε με την πλευρική επιφάνεια του τροχού κοπής. Οι τροχοί κοπής προορίζονται για περιφερειακή κοπή, η εφαρμογή πλευρικών δυνάμεων σε αυτούς τους τροχούς ενδέχεται να προκαλέσει τη θραύση τους.
- δ) Να χρησιμοποιείτε πάντα πέλματα (πατούρες) τροχών που δεν έχουν υποστεί βλάβη και είναι κατάλληλου μεγέθους και σχήματος για τον επιλεγμένο τροχό. Τα κατάλληλα πέλματα (πατούρες) τροχών υποστηρίζουν τους τροχούς και μειώνουν επομένως την πιθανότητα θραύσης τους. Τα πέλματα των τροχών κοπής ενδέχεται να διαφέρουν από τα πέλματα των τροχών λείανσης.
- ε) Μην χρησιμοποιείτε φθαρμένους τροχούς από μεγαλύτερο ηλεκτρικά εργαλεία. Ένας τροχός που προορίζεται για χρήση με ένα μεγαλύτερο ηλεκτρικό εργαλείο δεν είναι κατάλληλος για την υψηλότερη ταχύτητα ενός μικρότερου εργαλείου και ενδέχεται να υποστεί θραύση.

Επιπλέον προειδοποιήσεις ασφαλείας ειδικά για εργασίες κοπής:

- α) Μην προκαλείτε “μάγκωμα” του τροχού κοπής ή μην ασκείτε υπερβολική πίεση. Μην επιχειρείτε να δημιουργήσετε τομή υπερβολικού βάθους. Η άσκηση υπερβολικής δύναμης στον τροχό αυξάνει το φορτίο και τη δεκτικότητα σε συστροφή ή εμπλοκή του τροχού εντός της τομής και την πιθανότητα ανάκρουσης (οπισθολάκτισμα) ή θραύσης του τροχού.

- β) Μην ευθυγραμμίζετε το σώμα σας μπροστά ή πίσω από τον περιστρεφόμενο τροχό. Όταν ο τροχός, στο σημείο εργασίας, κινείται απομακρυνόμενος από το σώμα σας, τυχόν ανάκρουση (οπισθολάκτισμα) ενδέχεται να κατευθύνει τον περιστρεφόμενο τροχό και το ηλεκτρικό εργαλείο προς το μέρος σας.

- γ) Σε περίπτωση εμπλοκής του τροχού ή διακοπής της εργασίας για τη δημιουργία τομής για οποιοδήποτε λόγο, απενεργοποιήστε το ηλεκτρικό εργαλείο και κρατήστε το ακίνητο, έως ότου ο τροχός ακινητοποιηθεί πλήρως. Μην επιχειρήσετε ποτέ να αφαιρέσετε τον τροχό κοπής από την τομή ενώ ο τροχός κινείται, διότι ενδέχεται να παρουσιαστεί ανάκρουση (οπισθολάκτισμα). Ερευνήστε και λάβετε διορθωτικά μέτρα ώστε να εξαλειφθεί η αιτία εμπλοκής του τροχού.

- δ) Μην επαναλάβετε την εργασία κοπής στο τεμάχιο εργασίας. Αφήστε τον τροχό να αποκτήσει μέγιστη ταχύτητα και επανεισάγετε τον τροχό στην τομή με προσοχή. Ο τροχός ενδέχεται να παρουσιάσει εμπλοκή, αναπήδηση ή ανάκρουση εάν ενεργοποιήσετε το ηλεκτρικό εργαλείο εντός του τεμαχίου εργασίας.

- ε) Να στηρίξετε τα φανώματα ή οποιοδήποτε υπερμέγεθες τεμάχιο εργασίας ώστε να ελαχιστοποιηθεί ο κίνδυνος σύσφιξης και ανάκρουσης (οπισθολάκτισμα) του τροχού. Τα μεγάλα τεμάχια εργασίας τείνουν να παρουσιάζουν κάμψη προς τα κάτω λόγω του βάρους τους. Πρέπει να τοποθετούνται υποστηρίγματα κάτω από το τεμάχιο εργασίας κοντά στη γραμμική κοπή και κοντά στο άκρο του τεμαχίου εργασίας σε αμφότερες τις πλευρές του τροχού.

- φ) Να είστε ιδιαίτερα προσεκτικοί όταν δημιουργείτε μια “τομή-κοιλότητα” σε υπάρχοντες τοίχους ή άλλες τυφλές περιοχές. Ο προεξέχων τροχός ενδέχεται να κόψει σωλήνες αερίου ή ύδρευσης, ηλεκτρικές καλωδιώσεις ή αντικείμενα που μπορούν να προκαλέσουν ανάκρουση (οπισθολάκτισμα).

Προειδοποιήσεις ασφαλείας ειδικά για εργασίες γυαλοχαρτίσματος:

- α) Μην χρησιμοποιείτε υπερβολικά μεγαλύτερο μέγεθος δίσκου γυαλοχαρτίσματος. Ακολουθήστε τις συστάσεις του κατασκευαστή, όταν επιλέγετε γυαλόχαρτο. Ένα γυαλόχαρτο μεγαλύτερο μεγέθους που εκτείνεται πέρα από τα άκρα της βάσης υποστήριξης γυαλοχαρτίσματος εγκυμονεί κίνδυνο τεμαχισμού και ενδέχεται να προκαλέσει σκάλωμα, σχίσμο του δίσκου ή ανάκρουση (οπισθολάκτισμα).

Προειδοποιήσεις ασφαλείας ειδικά για εργασίες καθαρισμού με συρματόβουρτσα:

- α) Να είστε προσεκτικοί διότι συρματίνες τρίχες εκτινάσσονται από τη βούρτσα ακόμη και κάτω από συνθήκες συνθήκες λειτουργίας. Μην ασκείτε υπερβολική δύναμη στα σύρματα εφαρμόζοντας υπερβολικό φορτίο στη βούρτσα. Οι συρματίνες τρίχες μπορούν να διαπεράσουν ελαφρό ρουχισμό ή/και το δέρμα με ευκολία.

β) Εάν συνιστάται η χρήση προφυλακτήρα για εργασίες καθαρισμού με συρματόβουρτσα, μην επιτρέπετε παρεμπόδιση της λειτουργίας του συρματινίου τροχού ή της βούρτσας από τον προφυλακτήρα. Η διάμετρος ενός συρματινίου τροχού ή βούρτσας ενδέχεται να αυξηθεί λόγω του φόρτου εργασίας και της φυγοκέντρου δύναμης.

Επιπλέον προειδοποιήσεις ασφαλείας:

17. Όταν χρησιμοποιείτε τροχούς λείανσης με χαμηλό κέντρο, φροντίστε οι τροχοί να φέρουν ενίσχυση από ίνες γυαλιού μόνο.
18. Προσέξτε ώστε να μην προκαλέσετε βλάβη στον άξονα μετάδοσης της κίνησης, στο πέλαμα (πατούρα) (ιδιαίτερα στην επιφάνεια εγκατάστασης) ή στο ασφαλιστικό περικόχλιο. Τυχόν βλάβη στα συγκεκριμένα μέρη θα μπορούσε να καταλήξει σε θραύση του τροχού.
19. Φροντίστε ο τροχός να μην έρχεται σε επαφή με το τεμάχιο εργασίας πριν από την ενεργοποίηση του διακόπτη.
20. Πριν από τη χρήση του τροχού πάνω σε πραγματικό τεμάχιο εργασίας, αφήστε τον σε λειτουργία για μικρό χρονικό διάστημα. Παρατηρήστε εάν υπάρχουν δονήσεις ή ταλάντευση που υποδηλώνουν κακή εγκατάσταση ή τροχό με κακή ισορροπία.
21. Χρησιμοποιήστε την προκαθορισμένη επιφάνεια του τροχού για να εκτελέσετε την εργασία λείανσης.
22. Να είστε προσεκτικοί με τις εκτινασόμενες σπίθες. Κρατήστε το εργαλείο με τρόπο ώστε οι σπίθες να εκτινάσσονται μακριά από το σώμα σας και άλλα άτομα ή εύφλεκτα υλικά.
23. Μην αφήνετε το εργαλείο αναμμένο. Χειρίζεστε το εργαλείο μόνο όταν το κρατάτε στο χέρι.
24. Μην αγγίζετε το τεμάχιο εργασίας αμέσως μετά τη λειτουργία. Μπορεί να είναι υπερβολικά καυτό και να προκαλέσει έγκαυμα.
25. Να φροντίζετε πάντα ώστε να έχει απενεργοποιηθεί και αποσυνδεθεί το εργαλείο από την παροχή ρεύματος ή να έχει αφαιρεθεί η θήκη μπαταριών πριν από την εκτέλεση οποιασδήποτε εργασίας στο εργαλείο.
26. Μελετήστε τις οδηγίες του κατασκευαστή για σωστή τοποθέτηση και χρήση των τροχών. Χειριστείτε και αποθηκεύστε τους τροχούς με φροντίδα.
27. Μην χρησιμοποιείτε ξεχωριστές συστολές ή προσαρμογείς για να προσαρμόσετε τροχούς με μεγάλη οπή προσαρμογής σε άξονα.
28. Χρησιμοποιείτε φλάντζες κατάλληλες για το εργαλείο.
29. Για εργαλεία στα οποία πρόκειται να τοποθετηθεί τροχός με οπή με σπείρωμα, σιγουρευτείτε ότι το σπείρωμα στον τροχό έχει επαρκές μήκος για να δεχτεί το μήκος της άξονα.
30. Ελέγξτε ότι το μηχανήμα υποστηρίζεται σταθερά.
31. Προσέξτε ότι ο τροχός συνεχίζει να περιστρέφεται ακόμη και αφού το μηχανήμα έχει σβήσει.
32. Εάν το μέρος εργασίας είναι πολύ ζεστό και υγρό, ή υπάρχει πολύ αγωγίμη σκόνη, χρησιμοποιήστε ένα ασφαλειοδιακόπτη βραχυκυκλώματος (30 mA) για να είστε σίγουροι για ασφαλή λειτουργία.

33. Μην χρησιμοποιείτε το μηχανήμα σε κανένα υλικό που περιέχει άσβεστο.

34. Μην χρησιμοποιείτε νερό ή λιπαντικό τρόχισης.

35. Σιγουρευτείτε ότι τα οπές εξερισμού διατηρούνται ανοιχτά όταν εργάζεσθε σε σκοτεινό περιβάλλον. Εάν χρειαστεί να καθαρίσετε τη σκόνη, πρώτα αποσυνδέστε το μηχανήμα από την κύρια παροχή (χρησιμοποιήστε μη μεταλλικά αντικείμενα) και αποφυγείτε να καταστρέψετε εσωτερικά μέρη.

36. Όταν χρησιμοποιείτε τροχό κοπής, πάντοτε εργάζεστε με προφυλακτήρα τροχού συλλογής σκόνης όπως απαιτείται από τους τοπικούς κανονισμούς.

37. Οι δίσκοι κοπής δεν πρέπει να υπόκεινται σε πλευρική πίεση.

ΦΥΛΑΞΤΕ ΑΥΤΕΣ ΤΙΣ ΟΔΗΓΙΕΣ.

ΠΡΟΕΙΔΟΠΟΙΗΣΗ:

ΜΗΝ επιτρέψετε το βαθμό άνεσης ή εξοικείωσης με το προϊόν (λόγω επανειλημμένης χρήσης) να αντικαταστήσει την αυστηρή τήρηση των κανόνων ασφαλείας του παρόντος εργαλείου. ΚΑΚΗ ΧΡΗΣΗ ή αμέλεια να ακολουθήσετε τους κανόνες ασφαλείας που διατυπώνονται σ'αυτό το εγχειρίδιο οδηγίων μπορεί να προκαλέσει σοβαρό προσωπικό τραυματισμό.

ΠΕΡΙΓΡΑΦΗ ΛΕΙΤΟΥΡΓΙΑΣ

ΠΡΟΣΟΧΗ:

• Πάντοτε βεβαιώνετε ότι το εργαλείο είναι σβηστό και αποσυνδεδεμένο πριν ρυθμίσετε ή ελέγξετε κάποια λειτουργία στο εργαλείο.

Κλειδώμα άξονα (Εικ. 1)

ΠΡΟΣΟΧΗ:

• Ποτέ μην ενεργοποιήσετε το κλειδώμα άξονα όταν ο αξονίσκος κινείται. Το εργαλείο μπορεί να πάθει ζημιά.

Πατήστε το κλειδώμα άξονα για να εμποδίσετε την περιστροφή του αξονίσκου όταν τοποθετείτε ή αφαιρείτε εξαρτήματα.

Δράση διακόπτη (Εικ. 2)

ΠΡΟΣΟΧΗ:

• Πριν συνδέσετε το εργαλείο, πάντοτε ελέγχετε να δείτε ότι ο διακόπτης ολίσθησης ενεργοποιείται κανονικά και επιστρέφει στην θέση "OFF" όταν πιέζεται το πίσω μέρος του διακόπτη ολίσθησης.

Για να ξεκινήσετε το εργαλείο, σύρτε τον διακόπτη ολίσθησης στην θέση "I (ON)". Για συνεχή λειτουργία, πατήστε το εμπρόσθιο μέρος του διακόπτη ολίσθησης για να τον κλειδώσετε.

Για να σταματήσετε το εργαλείο, πατήστε το πίσω μέρος του διακόπτη ολίσθησης, μετά σύρτε το στην θέση "O (OFF)".

ΣΥΝΟΛΟ

ΠΡΟΣΟΧΗ:

- Πάντοτε βεβαιώνετε ότι το εργαλείο είναι σβηστό και αποσυνδεδεμένο πριν εκτελέσετε οποιαδήποτε εργασία στο εργαλείο.

Τοποθέτηση πλάγιας λαβής (λαβή) (Εικ. 3)

ΠΡΟΣΟΧΗ:

- Πάντοτε βεβαιώνετε ότι η πλάγια λαβή είναι τοποθετημένη με ασφάλεια πριν την λειτουργία.

Βιδώστε την πλάγια λαβή με ασφάλεια στην θέση του εργαλείου όπως φαίνεται στην εικόνα.

Τοποθέτηση ή αφαίρεση του προφυλακτήρα τροχού (Για τροχό χαμηλωμένου κέντρου, πολυδίσκο / τροχό λείανσης κοπής, διαμαντοτροχό)

Για εργαλείο με προφυλακτήρα τροχού τύπου κοχλία ασφάλισης (Εικ. 4 και 5)

ΠΡΟΣΟΧΗ:

- Ο προφυλακτήρας τροχού πρέπει να προσαρμόζεται στο εργαλείο έτσι ώστε η κλειστή πλευρά του προφυλακτήρα πάντοτε να είναι προς το μέρος του χειριστή.

Τοποθετήστε τον προφυλακτήρα τροχού με την προεξοχή στην ζώνη του προφυλακτήρα τροχού ευθυγραμμισμένη με την εγκοπή στο κιβώτιο ρουλεμάν. Μετά περιστρέψτε τον προφυλακτήρα τροχού κατά 180 μοίρες. Βεβαιωθείτε ότι σφίγγετε την βίδα με ασφάλεια.

Για να αφαιρέσετε τον προφυλακτήρα τροχού, ακολουθείστε την διαδικασία εγκατάστασης αντίστροφα.

Για εργαλείο με προφυλακτήρα τροχού τύπου μοχλού σύσφιξης (Εικ. 6 και 7)

Τραβήχτε τον μοχλό κατά την διεύθυνση του βέλους με το χαλάρωμα της βίδας. Τοποθετείστε τον προφυλακτήρα τροχού με την προεξοχή στην ζώνη προφυλακτήρα τροχού ευθυγραμμισμένη με την εγκοπή στο κιβώτιο ρουλεμάν. Μετά περιστρέψτε τον προφυλακτήρα τροχού κατά 180 μοίρες. Στερεώστε τον με την βίδα αφού τραβήξετε τον μοχλό κατά την διεύθυνση του βέλους για τον σκοπό της εργασίας. Η γωνία ρύθμισης του προφυλακτήρα τροχού μπορεί να ρυθμιστεί με τον μοχλό.

Για να αφαιρέσετε τον προφυλακτήρα τροχού, ακολουθείστε την διαδικασία εγκατάστασης αντίστροφα.

Τοποθέτηση ή αφαίρεση τροχού λείανσης χαμηλωμένου κέντρου/Πολύ-δίσκος (παρελκόμενο)

Τοποθετήστε την εσωτερική φλάντζα στον αξονίσκο. Εφαρμόστε τον τροχό/δίσκο στην εσωτερική φλάντζα και βιδώστε το παξιμάδι κλειδώματος πάνω στον αξονίσκο. (Εικ. 8)

Για να σφίξετε το παξιμάδι κλειδώματος, πατήστε το κλειδώμα άξονα σταθερά έτσι ώστε ο αξονίσκος δεν μπορεί να περιστραφεί, μετά χρησιμοποιείστε το κλειδί παξιμαδιού κλειδώματος και σφίχτε με ασφάλεια δεξιόστροφα.

Για να αφαιρέσετε τον τροχό, ακολουθείστε την διαδικασία τοποθέτησης αντίστροφα. (Εικ. 9)

ΛΕΙΤΟΥΡΓΙΑ

ΠΡΟΕΙΔΟΠΟΙΗΣΗ:

- Δεν πρέπει ποτέ να γίνει απαραίτητο να εξαναγκάσετε το εργαλείο. Το βάρος του εργαλείου εφαρμόζει αρκετή πίεση. Εξαναγκασμός και υπερβολική πίεση μπορεί να προκαλέσουν επικίνδυνο σπάσιμο του τροχού.
- ΠΑΝΤΟΤΕ αντικαταστήστε το τροχό εάν το εργαλείο πέσει κατά την λείανση.
- ΠΟΤΕ μη κρούσετε ή κτυπήσετε τον δίσκο λείανσης ή τον τροχό πάνω στο τεμάχιο εργασίας.
- Αποφύγετε την αναπήδηση και το πιάσιμο του τροχού, ιδιαίτερα όταν δουλεύετε γωνίες, κοφτερές άκρες κλπ. Αυτό μπορεί να προκαλέσει απώλεια ελέγχου και οπισθολάκτισμα.
- ΠΟΤΕ μη χρησιμοποιήσετε το εργαλείο με λάμες κοπής ξύλου και άλλες λάμες πριονιού. Τέτοιες λάμες όταν χρησιμοποιούνται συχνά σε λειαντή προκαλούν λακτίσματα και απώλεια ελέγχου που οδηγούν σε προσωπικό τραυματισμό.

ΠΡΟΣΟΧΗ:

- Μετά την λειτουργία, πάντοτε σβήνετε το εργαλείο και περιμένετε μέχρι ο τροχός να σταματήσει τελείως πριν αφήσετε το εργαλείο κάτω.

Λειτουργία λείανσης και τριψίματος (Εικ. 10)

ΠΑΝΤΟΤΕ κρατάτε το εργαλείο σταθερά με το ένα χέρι στο περίβλημα και το άλλο στην πλάγια λαβή. Ανάψτε το εργαλείο και μετά εφαρμόστε τον τροχό ή τον δίσκο στο τεμάχιο εργασίας.

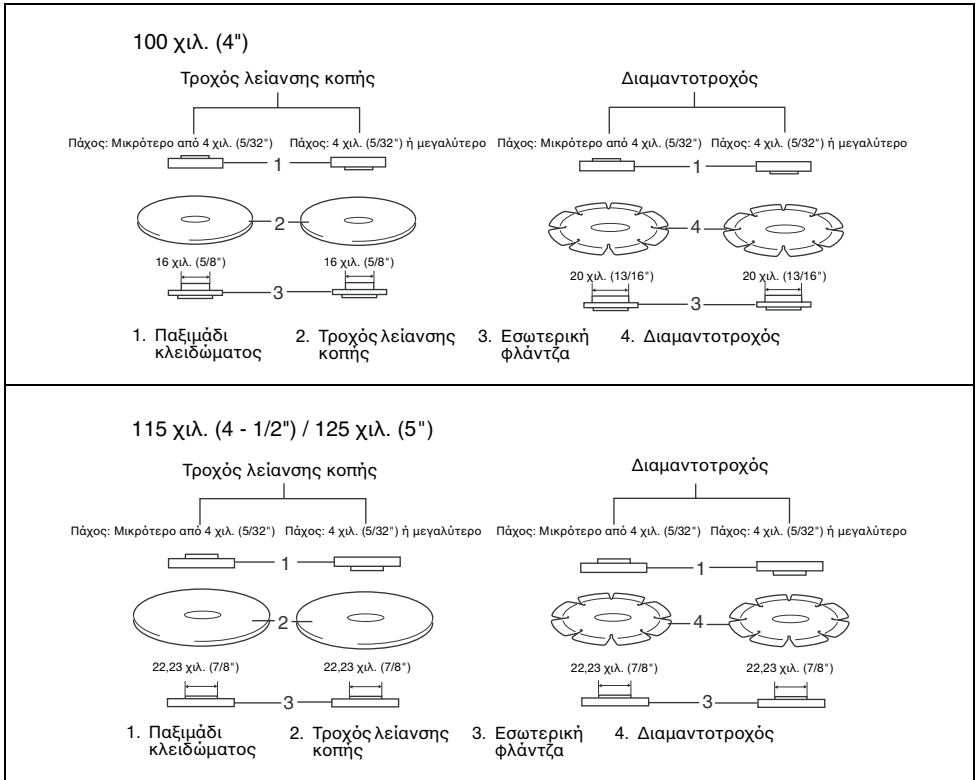
Γενικά, κρατάτε την άκρη του τροχού ή δίσκου σε μία γωνία περίπου 15 μοιρών στην επιφάνεια του τεμαχίου εργασίας.

Κατά την περίοδο εξοικίωσης με έναν νέο τροχό, μη λειτουργείτε τον λειαντή κατά την διεύθυνση Β διαφορετικά θα κόψει μέσα στο τεμάχιο εργασίας. Αφού η άκρη του τροχού έχει στρογγυλέψει από την χρήση, ο τροχός μπορεί να χρησιμοποιηθεί και στις δύο Α και Β διευθύνσεις.

Λειτουργία με τροχό λείανσης κοπής/ διαμαντοτροχό (προαιρετικό παρελκόμενο) (Εικ. 11)

Η κατεύθυνση στερέωσης του παξιμάδιου κλειδώματος και της εσωτερικής φλάντζας ποικίλλει ανάλογα με το πάχος του τροχού.

Ανατρέξτε στον πίνακα κατωτέρω.



ΠΡΟΕΙΔΟΠΟΙΗΣΗ:

- Όταν χρησιμοποιείτε τροχό λείανσης κοπής/ διαμαντοτροχό, φροντίστε να χρησιμοποιείτε μόνον τον ειδικό προφυλακτήρα τροχού που έχει σχεδιαστεί για χρήση με τροχούς κοπής.
- Μην χρησιμοποιείτε ΠΟΤΕ τροχό κοπής για πλευρική λείανση.
- Μην προκαλείτε “μάγκωμα” του τροχού ή μην ασκείτε υπερβολική πίεση. Μην επιχειρείτε να δημιουργήσετε τομή υπερβολικού βάθους. Η άσκηση υπερβολικής δύναμης στον τροχό αυξάνει το φορτίο και τη δεκτικότητα σε συστροφή ή εμπλοκή του τροχού εντός της τομής και την πιθανότητα ανάκρουσης (οπισθολάκτισμα) ή θραύσης του τροχού όπως και υπερθέρμανση του ηλεκτροκινητήρα.
- Μην αρχίσετε την εργασία κοπής στο τεμάχιο εργασίας αμέσως. Περιμένετε έως ότου ο τροχός αποκτήσει πλήρη ταχύτητα και φροντίστε για την εισαγωγή του με προσοχή στο εσωτερικό της τομής μετακινώντας το εργαλείο προς τα εμπρός πάνω στην επιφάνεια του τεμαχίου εργασίας. Ο τροχός, ενδέχεται να παρουσιάσει εμπλοκή, αναπήδηση ή ανάκρουση, εάν ενεργοποιήσετε το ηλεκτρικό εργαλείο, ενδωά βρίσκεται εντός του τεμαχίου εργασίας.
- Στη διάρκεια των εργασιών κοπής, μην αλλάζετε ποτέ τη γωνία του τροχού. Εάν ασκήσετε πλευρική πίεση στον τροχό κοπής (όπως στη λείανση), θα προκληθεί ράγισμα και θραύση του τροχού, με αποτέλεσμα σοβαρό τραυματισμό.
- Απαιτείται χειρισμός ενός διαμαντοτροχού κάθετα προς το υλικό που πρόκειται να κοπεί.

ΣΥΝΤΗΡΗΣΗ

ΠΡΟΣΟΧΗ:

- Πάντοτε βεβαιώνετε ότι το εργαλείο είναι σβηστό και αποσυνδεδεμένο πριν επιχειρήσετε να εκτελέσετε επιθεώρηση ή συντήρηση.
- Μην χρησιμοποιείτε ποτέ βενζίνη, πετρελαϊκό αιθέρα, διαλυτικό, αλκοόλη ή παρόμοιες ουσίες. Ενδέχεται να προκληθεί αποχρωματισμός, παραμόρφωση ή ρωγμές.

Το εργαλείο και οι αεραγωγοί του πρέπει να διατηρούνται καθαρά. Καθαρίζετε τακτικά τους αεραγωγούς του εργαλείου όταν αρχίζουν να βουλώνουν. **(Εικ. 12)**

Για να διατηρήσετε την ΑΣΦΑΛΕΙΑ και ΑΞΙΟΠΙΣΤΙΑ του προϊόντος, επισκευές, έλεγχος και αντικατάσταση των ψηκτρών άνθρακα, καθώς και οποιαδήποτε άλλη συντήρηση ή ρύθμιση πρέπει να εκτελούνται από Κέντρα Εξυπηρέτησης Εργοστασίου ή από Εξουσιοδοτημένα από την Makita Κέντρα, πάντοτε χρησιμοποιώντας ανταλλακτικά της Makita.

ΕΞΑΡΤΗΜΑΤΑ

ΠΡΟΣΟΧΗ:

- Αυτά τα εξαρτήματα ή προσαρτήματα συνιστώνται για χρήση με το εργαλείο Μάκιτα που περιγράφτηκε στις οδηγίες αυτές. Η χρήση οτιδήποτε άλλων εξαρτημάτων ή προσαρτημάτων μπορεί να προκαλέσει κίνδυνο τραυματισμού σε άτομα. Χρησιμοποιείτε τα εξαρτήματα ή προσαρτήματα μόνο για την χρήση που προορίζονται.

Εάν χρειάζεστε οποιαδήποτε βοήθεια για περισσότερες πληροφορίες σε σχέση με αυτά τα εξαρτήματα, αποτανθείτε στο τοπικό σας κέντρο εξυπηρέτησης Μάκιτα.

- Προφυλακτήρας τροχού (κάλυμμα τροχού) για τροχό χαμηλωμένου κέντρου/ πολυδίσκο
- Προφυλακτήρας τροχού (κάλυμμα τροχού) για τροχό κοπής λείανσης/ διαμαντοτροχό
- Τροχοί χαμηλωμένου κέντρου
- Τροχοί λείανσης κοπής
- Πολυδίσκοι
- Διαμαντοτροχοί
- Συρμάτινες βούρτσες
- Συρμάτινη κωνική ψήκτρα 85
- Αποξεστικοί δίσκοι
- Εσωτερική φλάντζα
- Παξιμάδι κλειδώματος για τροχό χαμηλωμένου κέντρου/ τροχό λείανσης κοπής/ πολυδίσκο/ διαμαντοτροχό
- Παξιμάδι κλειδώματος για δίσκο λείανσης
- Κλειδί παξιμαδιού κλειδώματος
- Πλάγια λαβή

ENGLISH

For European countries only

EC Declaration of Conformity

We Makita Corporation as the responsible manufacturer declare that the following Makita machine(s):

Designation of Machine: Angle Grinder
Model No./ Type: 9563H, 9564H, 9565H
are of series production and

Conforms to the following European Directives:

2006/42/EC

And are manufactured in accordance with the following standards or standardised documents:

EN60745

The technical documentation is kept by our authorized representative in Europe who is:

Makita International Europe Ltd,
Michigan, Drive, Tongwell,
Milton Keynes, MK15 8JD, England

DEUTSCH

Nur für europäische Länder

EG-Übereinstimmungserklärung

Wir, die Firma Makita als verantwortlicher Hersteller, erklären, dass die folgende(n) Makita-Maschine(n):

Bezeichnung der Maschine: Winkelschleifer
Modell-Nr./ Typ: 9563H, 9564H, 9565H
der Serienproduktion entstammen und

den folgenden europäischen Richtlinien entsprechen:

2006/42/EG

und gemäß den folgenden Standards oder standardisierten Dokumenten hergestellt werden:

EN60745

Die technische Dokumentation befindet sich im Bestand unserer autorisierten Vertretung in Europa, nämlich:

Makita International Europe Ltd,
Michigan, Drive, Tongwell,
Milton Keynes, MK15 8JD, England

FRANÇAIS

Pour les pays d'Europe uniquement

Déclaration de conformité CE

Makita Corporation, en tant que fabricant responsable, déclare que la ou les machines suivantes :

Désignation de la machine : Meuleuse d'Angle
N° de modèle / Type : 9563H, 9564H, 9565H
sont produites en série et

sont conformes aux Directives européennes suivantes :

2006/42/CE

et qu'elles sont fabriquées conformément aux normes ou documents normalisés suivants :

EN60745

La documentation technique est conservée par notre représentant agréé en Europe, à savoir :

Makita International Europe Ltd,
Michigan, Drive, Tongwell,
Milton Keynes, MK15 8JD, Angleterre

ITALIANO

Modello per l'Europa soltanto

Dichiarazione CE di conformità

Noi della Makita Corporation, come produttori responsabili, dichiariamo che le macchine Makita seguenti:

Designazione della macchina: Smerigliatrice angolare
Modello No./Tipo: 9563H, 9564H, 9565H

sono una produzione di serie e

conformi alle direttive europee seguenti:

2006/42/CE

E sono fabbricate conformemente ai seguenti standard o documenti standardizzati:

EN60745

La documentazione tecnica è tenuta dal nostro rappresentante autorizzato in Europa, che è:

Makita International Europe Ltd,
Michigan, Drive, Tongwell,
Milton Keynes, MK15 8JD, England

30. 1. 2009



Tomoyasu Kato

Director Direktor
Directeur Amministratore

Makita Corporation
3-11-8, Sumiyoshi-cho,
Anjo, Aichi, JAPAN

NEDERLANDS**Alleen voor Europese landen****EU-Verklaring van Conformiteit****Wij, Makita Corporation, als de verantwoordelijke fabrikant, verklaren dat de volgende Makita-machine(s):**

Aanduiding van de machine: Haakse slijpmachine

Modelnr./Type: 9563H, 9564H, 9565H

in serie zijn geproduceerd en

Voldoen aan de volgende Europese richtlijnen:

2006/42/EC

En zijn gefabriceerd in overeenstemming met de volgende normen of genormaliseerde documenten:

EN60745

De technische documentatie wordt bewaard door onze erkende vertegenwoordiger in Europa, te weten:

Makita International Europe Ltd.,

Michigan, Drive, Tongwell,

Milton Keynes, MK15 8JD, Engeland

PORTUGUÊS**Só para países Europeus****Declaração de conformidade CE****Nós, a Makita Corporation, fabricante responsável, declaramos que a(s) seguinte(s) ferramenta(s) Makita:**

Designação da ferramenta: Esmerilhadeira Angular

Modelos n.º/Tipo: 9563H, 9564H, 9565H

são de produção de série e

Em conformidade com as seguintes directivas europeias:

2006/42/EC

E estão fabricados de acordo com as seguintes normas ou documentos normativos:

EN60745

A documentação técnica é mantida pelo nosso representante autorizado na Europa:

Makita International Europe Ltd,

Michigan, Drive, Tongwell,

Milton Keynes, MK15 8JD, Inglaterra

ESPAÑOL**Para países europeos solamente****Declaración de conformidad CE****Makita Corporation como fabricante responsable declara que la(s) siguiente(s) máquina(s) de Makita:**

Designación de máquina: Esmeriladora Angular

Modelo N.º/Tipo: 9563H, 9564H, 9565H

son producidas en serie y

Cumplen con las directivas europeas siguientes:

2006/42/EC

Y que están fabricadas de acuerdo con las normas o documentos normalizados siguientes.

EN60745

Los documentos técnicos los guarda nuestro representante autorizado en Europa cuya persona es:

Makita International Europe Ltd,

Michigan, Drive, Tongwell,

Milton Keynes, MK15 8JD, Inglaterra

DANSK**Kun for lande i Europa****EU-konformitetserklæring****Vi, Makita Corporation, erklærer, som den ansvarlige fabrikant, at den (de) følgende Makita maskine(r):**

Maskinens betegnelse: Vinkelsliber

Model nr./Type: 9563H, 9564H, 9565H

er af serieproduktion og

opfylder betingelserne i de følgende EU-direktiver:

2006/42/EC

og er fremstillet i overensstemmelse med de følgende standarder eller standardiserede dokumenter:

EN60745

Den tekniske dokumentation opbevares af vores autoriserede repræsentant i Europa, som er:

Makita International Europe Ltd,

Michigan, Drive, Tongwell,

Milton Keynes, MK15 8JD, England

30. 1. 2009



Tomoyasu Kato
 Directeur Director
 Director Direktør

Makita Corporation
 3-11-8, Sumiyoshi-cho,
 Anjo, Aichi, JAPAN

ΕΛΛΗΝΙΚΑ

Μόνο για χώρες της Ευρώπης

Δήλωση Συμμόρφωσης ΕΚ

Η Makita Corporation, ως ο υπεύθυνος κατασκευαστής, δηλώνει ότι το/τα ακόλουθο(α) μηχάνημα(τα) της Makita:

Χαρακτηρισμός μηχανήματος: Γωνιακός λειαντήρας

Αρ. μοντέλου/ Τύπος: 9563H, 9564H, 9565H

είναι εν σειρά παραγωγή και

συμμορφώνονται με τις ακόλουθες Ευρωπαϊκές Οδηγίες:

2006/42/EK

και κατασκευάζονται σύμφωνα με τα ακόλουθα πρότυπα ή έγγραφα τυποποίησης:

EN60745

Η τεχνική τεκμηρίωση φυλάσσεται από τον εξουσιοδοτημένο εκπρόσωπό μας στην Ευρώπη, δηλαδή τη

Makita International Europe Ltd,
Michigan, Drive, Tongwell,
Milton Keynes, MK15 8JD, England (Αγγλία)

30. 1. 2009



Tomoyasu Kato
Διευθυντής

Makita Corporation
3-11-8, Sumiyoshi-cho,
Anjo, Aichi, JAPAN

Noise

The typical A-weighted noise level determined according to EN60745:

Model 9563H

Sound pressure level (L_{pA}): 85 dB (A)

Sound power level (L_{WA}): 96 dB (A)

Uncertainty (K): 3 dB (A)

Model 9564H, 9565H

Sound pressure level (L_{pA}): 84 dB (A)

Sound power level (L_{WA}): 95 dB (A)

Uncertainty (K): 3 dB (A)

Wear ear protection

ENG900-1

Vibration

The vibration total value (tri-axial vector sum) determined according to EN60745:

Model 9563H

Work mode: surface grinding

Vibration emission ($a_{h, AG}$): 5.5 m/s²

Uncertainty (K): 1.5 m/s²

If the tool is used for other applications, the vibration values may be different.

Model 9564H

Work mode: surface grinding

Vibration emission ($a_{h, AG}$): 8.5 m/s²

Uncertainty (K): 1.5 m/s²

If the tool is used for other applications, the vibration values may be different.

Work mode: surface grinding with vibration proof grip

Vibration emission ($a_{h, AG}$): 8.0 m/s²

Uncertainty (K): 1.5 m/s²

Model 9565H

Work mode: surface grinding

Vibration emission ($a_{h, AG}$): 9.0 m/s²

Uncertainty (K): 1.5 m/s²

If the tool is used for other applications, the vibration values may be different.

Work mode: surface grinding with vibration proof grip

Vibration emission ($a_{h, AG}$): 7.5 m/s²

Uncertainty (K): 1.5 m/s²

ENG902-1

- The declared vibration emission value has been measured in accordance with the standard test method and may be used for comparing one tool with another.
- The declared vibration emission value may also be used in a preliminary assessment of exposure.
- The declared vibration emission value is used for main applications of the power tool. However if the power tool is used for other applications, the vibration emission value may be different.

WARNING:

- The vibration emission during actual use of the power tool can differ from the declared emission value depending on the ways in which the tool is used.
- Be sure to identify safety measures to protect the operator that are based on an estimation of exposure in the actual conditions of use (taking account of all parts of the operating cycle such as the times when the tool is switched off and when it is running idle in addition to the trigger time).

Bruit

Niveau de bruit pondéré A typique, déterminé selon EN60745 :

Modèle 9563H

Niveau de pression sonore (L_{pA}) : 85 dB (A)

Niveau de puissance du son (L_{WA}) : 96 dB (A)

Incertitude (K) : 3 dB (A)

Modèle 9564H, 9565H

Niveau de pression sonore (L_{pA}) : 84 dB (A)

Niveau de puissance du son (L_{WA}) : 95 dB (A)

Incertitude (K) : 3 dB (A)

Porter des protecteurs anti-bruit

ENG900-1

Vibrations

Valeur totale de vibrations (somme de vecteur triaxial) déterminée selon EN60745 :

Modèle 9563H

Mode de travail : meulage de surface

Émission de vibrations ($a_{h, AG}$) : 5,5 m/s²

Incertitude (K) : 1,5 m/s²

Si l'outil est utilisé pour d'autres applications, il se peut que les valeurs de vibration soient différentes.

Modèle 9564H

Mode de travail : meulage de surface

Émission de vibrations ($a_{h, AG}$) : 8,5 m/s²

Incertitude (K) : 1,5 m/s²

Si l'outil est utilisé pour d'autres applications, il se peut que les valeurs de vibration soient différentes.

Mode de travail : meulage de surface avec poignée à l'épreuve des vibrations

Émission de vibrations ($a_{h, AG}$) : 8,0 m/s²

Incertitude (K) : 1,5 m/s²

Modèle 9565H

Mode de travail : meulage de surface

Émission de vibrations ($a_{h, AG}$) : 9,0 m/s²

Incertitude (K) : 1,5 m/s²

Si l'outil est utilisé pour d'autres applications, il se peut que les valeurs de vibration soient différentes.

Mode de travail : meulage de surface avec poignée à l'épreuve des vibrations

Émission de vibrations ($a_{h, AG}$) : 7,5 m/s²

Incertitude (K) : 1,5 m/s²

ENG902-1

- La valeur d'émission de vibrations déclarée a été mesurée conformément à la méthode de test standard et peut être utilisée pour comparer les outils entre eux.
- La valeur d'émission de vibrations déclarée peut aussi être utilisée pour l'évaluation préliminaire de l'exposition.
- La valeur d'émission de vibrations déclarée est utilisée pour les applications principales de l'outil électrique. Elle peut toutefois être différente si l'outil électrique est utilisé pour d'autres applications.

AVERTISSEMENT :

- L'émission de vibrations lors de l'usage réel de l'outil électrique peut être différente de la valeur d'émission déclarée, suivant la façon dont l'outil est utilisé.
- Les mesures de sécurité à prendre pour protéger l'utilisateur doivent être basées sur une estimation de l'exposition dans des conditions réelles d'utilisation (en tenant compte de toutes les composantes du cycle d'utilisation, comme par exemple le moment de sa mise hors tension, lorsqu'il tourne à vide et le moment de son déclenchement).

Geräusch

Typischer A-bewerteter Geräuschpegel ermittelt gemäß EN60745:

Modell 9563H

Schalldruckpegel (L_{pA}): 85 dB (A)

Schalleistungspegel (L_{WA}): 96 dB (A)

Ungewissheit (K): 3 dB (A)

Modell 9564H, 9565H

Schalldruckpegel (L_{pA}): 84 dB (A)

Schalleistungspegel (L_{WA}): 95 dB (A)

Ungewissheit (K): 3 dB (A)

Gehörschutz tragen

ENG900-1

Vibration

Vibrationsgesamt看wert (Drei-Achsen-Vektorsumme) ermittelt gemäß EN60745:

Modell 9563H

Arbeitsmodus: Oberflächenschleifen

Vibrationsemission ($a_{h, AG}$): 5,5 m/s²

Ungewissheit (K): 1,5 m/s²

Wenn die Maschine für andere Anwendungen verwendet wird, können die Vibrationswerte abweichen.

Modell 9564H

Arbeitsmodus: Oberflächenschleifen

Vibrationsemission ($a_{h, AG}$): 8,5 m/s²

Ungewissheit (K): 1,5 m/s²

Wenn die Maschine für andere Anwendungen verwendet wird, können die Vibrationswerte abweichen.

Arbeitsmodus: Oberflächenschleifen mit vibrationsfestem Griff

Vibrationsemission ($a_{h, AG}$): 8,0 m/s²

Ungewissheit (K): 1,5 m/s²

Modell 9565H

Arbeitsmodus: Oberflächenschleifen

Vibrationsemission ($a_{h, AG}$): 9,0 m/s²

Ungewissheit (K): 1,5 m/s²

Wenn die Maschine für andere Anwendungen verwendet wird, können die Vibrationswerte abweichen.

Arbeitsmodus: Oberflächenschleifen mit vibrationsfestem Griff

Vibrationsemission ($a_{h, AG}$): 7,5 m/s²

Ungewissheit (K): 1,5 m/s²

ENG902-1

- Der angegebene Vibrationsemissionswert wurde im Einklang mit der Standardprüfmethode gemessen und kann für den Vergleich zwischen Maschinen herangezogen werden.
- Der angegebene Vibrationsemissionswert kann auch für eine Vorbewertung des Gefährdungsgrads verwendet werden.
- Der angegebene Vibrationsemissionswert wird für Hauptanwendungen des Elektrowerkzeugs verwendet. Wird das Elektrowerkzeug jedoch für andere Anwendungen verwendet, kann der Vibrationsemissionswert abweichen.

WARNUNG:

- Die Vibrationsemission während der tatsächlichen Benutzung des Elektrowerkzeugs kann je nach der Benutzungsweise der Maschine vom angegebenen Emissionswert abweichen.
- Identifizieren Sie Sicherheitsmaßnahmen zum Schutz des Benutzers anhand einer Schätzung des Gefährdungsgrads unter den tatsächlichen Benutzungsbedingungen (unter Berücksichtigung aller Phasen des Arbeitszyklus, wie z. B. Ausschalt- und Leerlaufzeiten der Maschine zusätzlich zur Betriebszeit).

Rumore

Il tipico livello di rumore pesato A determinato secondo EN60745:

Modello 9563H

Livello pressione sonora (L_{pA}): 85 dB (A)

Livello potenza sonora (L_{WA}): 96 dB (A)

Incertezza (K): 3 dB (A)

Modello 9564H, 9565H

Livello pressione sonora (L_{pA}): 84 dB (A)

Livello potenza sonora (L_{WA}): 95 dB (A)

Incertezza (K): 3 dB (A)

Indossare i paraorecchi

ENG900-1

Vibrazione

Il valore totale di vibrazione (somma vettore triassiale) determinato secondo EN60745:

Modello 9563H

Modalità operativa: smerigliatura della superficie

Emissione di vibrazione ($a_{h, AG}$): 5,5 m/s²

Incertezza (K): 1,5 m/s²

Se l'utensile viene usato per altre applicazioni, i valori di vibrazione potrebbero essere diversi.

Modello 9564H

Modalità operativa: smerigliatura della superficie

Emissione di vibrazione ($a_{h, AG}$): 8,5 m/s²

Incertezza (K): 1,5 m/s²

Se l'utensile viene usato per altre applicazioni, i valori di vibrazione potrebbero essere diversi.

Modalità operativa: smerigliatura della superficie con impugnatura a prova di vibrazioni

Emissione di vibrazione ($a_{h, AG}$): 8,0 m/s²

Incertezza (K): 1,5 m/s²

Modello 9565H

Modalità operativa: smerigliatura della superficie

Emissione di vibrazione ($a_{h, AG}$): 9,0 m/s²

Incertezza (K): 1,5 m/s²

Se l'utensile viene usato per altre applicazioni, i valori di vibrazione potrebbero essere diversi.

Modalità operativa: smerigliatura della superficie con impugnatura a prova di vibrazioni

Emissione di vibrazione ($a_{h, AG}$): 7,5 m/s²

Incertezza (K): 1,5 m/s²

ENG902-1

- Il valore di emissione delle vibrazioni dichiarato è stato misurato conformemente al metodo di test standard, e può essere usato per paragonare un utensile con un altro.
- Il valore di emissione delle vibrazioni dichiarato può anche essere usato per una valutazione preliminare dell'esposizione.
- Il valore di emissione delle vibrazioni dichiarato viene usato per le applicazioni principali dell'utensile elettrico. Se però l'utensile elettrico viene usato per altre applicazioni, il valore di emissione delle vibrazioni potrebbe essere diverso.

AVVERTIMENTO:

- L'emissione delle vibrazioni durante l'uso reale dell'utensile elettrico può differire dal valore di emissione dichiarato a seconda dei modi in cui viene usato l'utensile.
- Identificare le misure di sicurezza per la protezione dell'operatore basate sulla stima dell'esposizione nelle condizioni reali d'utilizzo (tenendo presente tutte le parti del ciclo operativo, come le volte in cui l'utensile viene spento e quando gira a vuoto, oltre al tempo di funzionamento).

Geluidsniveau

De typisch, A-gewogen geluidsniveaus vastgesteld volgens EN60745:

Model 9563H

Geluidsdrukniveau (L_{pA}): 85 dB (A)
 Geluidsenergie-niveau (L_{WA}): 96 dB (A)
 Onnauwkeurigheid (K): 3 dB (A)

Model 9564H, 9565H

Geluidsdrukniveau (L_{pA}): 84 dB (A)
 Geluidsenergie-niveau (L_{WA}): 95 dB (A)
 Onnauwkeurigheid (K): 3 dB (A)

Draag oorbeschermers

Trilling

De totaalwaarde van de trillingen (triaxiale vectorsom) vastgesteld volgens EN60745:

Model 9563H

Toepassing: oppervlak slijpen
 Trillingsemmissie ($a_{h, AG}$): 5,5 m/s²
 Onnauwkeurigheid (K): 1,5 m/s²

Als het gereedschap voor andere toepassingen wordt gebruikt, kunnen de trillingswaarden anders zijn.

Model 9564H

Toepassing: oppervlak slijpen
 Trillingsemmissie ($a_{h, AG}$): 8,5 m/s²
 Onnauwkeurigheid (K): 1,5 m/s²

Als het gereedschap voor andere toepassingen wordt gebruikt, kunnen de trillingswaarden anders zijn.

Toepassing: slijpen van oppervlakken met trillingsbestendige handgreep

Trillingsemmissie ($a_{h, AG}$): 8,0 m/s²
 Onnauwkeurigheid (K): 1,5 m/s²

Model 9565H

Toepassing: oppervlak slijpen
 Trillingsemmissie ($a_{h, AG}$): 9,0 m/s²
 Onnauwkeurigheid (K): 1,5 m/s²

Als het gereedschap voor andere toepassingen wordt gebruikt, kunnen de trillingswaarden anders zijn.

Toepassing: slijpen van oppervlakken met trillingsbestendige handgreep

Trillingsemmissie ($a_{h, AG}$): 7,5 m/s²
 Onnauwkeurigheid (K): 1,5 m/s²

- De opgegeven trillingsemmissiewaarde is gemeten volgens de standaardtestmethode en kan worden gebruikt om dit gereedschap te vergelijken met andere gereedschappen.
- De opgegeven trillingsemmissiewaarde kan ook worden gebruikt voor een beoordeling vooraf van de blootstelling.
- De opgegeven trillingsemmissiewaarde wordt gebruikt bij veel toepassingen van het elektrisch gereedschap. Echter, indien het elektrisch gereedschap wordt gebruikt bij andere toepassingen, dan kan de trillingsemmissiewaarde anders zijn.

WAARSCHUWING:

- De trillingsemmissie tijdens het gebruik van het elektrisch gereedschap in de praktijk kan verschillen van de opgegeven trillingsemmissiewaarde afhankelijk van de manier waarop het gereedschap wordt gebruikt.
- Zorg ervoor dat veiligheidsmaatregelen worden getroffen ter bescherming van de operator die zijn gebaseerd op een schatting van de blootstelling onder praktijkomstandigheden (rekening houdend met alle fasen van de bedrijfscyclus, zoals de tijdsduur gedurende welke het gereedschap is uitgeschakeld en stationair draait, naast de ingeschakelde tijdsduur).

Ruido

El nivel de ruido A-ponderado típico determinado de acuerdo con la norma EN60745:

Modelo 9563H

Nivel de presión sonora (L_{pA}): 85 dB (A)
 Nivel de potencia sonora (L_{WA}): 96 dB (A)
 Error (K): 3 dB (A)

Modelo 9564H, 9565H

Nivel de presión sonora (L_{pA}): 84 dB (A)
 Nivel de potencia sonora (L_{WA}): 95 dB (A)
 Error (K): 3 dB (A)

Póngase protectores en los oídos

Vibración

El valor total de la vibración (suma de vectores triaxiales) determinado de acuerdo con la norma EN60745:

Modelo 9563H

Modo tarea: amolado superficial
 Emisión de vibración ($a_{h, AG}$): 5,5 m/s²
 Error (K): 1,5 m/s²

Si la herramienta se utiliza para otras aplicaciones, es posible que los valores de vibración sean diferentes.

Modelo 9564H

Modo tarea: amolado superficial
 Emisión de vibración ($a_{h, AG}$): 8,5 m/s²
 Error (K): 1,5 m/s²

Si la herramienta se utiliza para otras aplicaciones, es posible que los valores de vibración sean diferentes.

Modo tarea: amoladura de superficie con empuñadura a prueba de vibración

Emisión de vibración ($a_{h, AG}$): 8,0 m/s²
 Error (K): 1,5 m/s²

Modelo 9565H

Modo tarea: amolado superficial
 Emisión de vibración ($a_{h, AG}$): 9,0 m/s²
 Error (K): 1,5 m/s²

Si la herramienta se utiliza para otras aplicaciones, es posible que los valores de vibración sean diferentes.

Modo tarea: amoladura de superficie con empuñadura a prueba de vibración

Emisión de vibración ($a_{h, AG}$): 7,5 m/s²
 Error (K): 1,5 m/s²

- El valor de emisión de vibración declarado ha sido medido de acuerdo con el método de prueba estándar y se puede utilizar para comparar una herramienta con otra.
- El valor de emisión de vibración declarado también se puede utilizar en una valoración preliminar de exposición.
- El valor de emisión de vibración declarado se utiliza para las principales aplicaciones de la herramienta eléctrica. Sin embargo, si la herramienta se utiliza para otras aplicaciones, los valores de emisión de vibración pueden ser diferentes.

ADVERTENCIA:

- La emisión de vibración durante la utilización real de la herramienta eléctrica puede variar del valor de emisión declarado dependiendo de las formas en las que la herramienta sea utilizada.
- Asegúrese de identificar medidas de seguridad para proteger al operario que estén basadas en una estimación de la exposición en las condiciones reales de utilización (teniendo en cuenta todas las partes del ciclo operativo tal como las veces cuando la herramienta está apagada y cuando está funcionando en vacío además del tiempo de gatillo).

Ruído

A característica do nível de ruído A determinado de acordo com EN60745:

Modelo 9563H

Nível de pressão de som (L_{pA}): 85 dB (A)

Nível do som (L_{WA}): 96 dB (A)

Variabilidade (K): 3 dB (A)

Modelo 9564H, 9565H

Nível de pressão de som (L_{pA}): 84 dB (A)

Nível do som (L_{WA}): 95 dB (A)

Variabilidade (K): 3 dB (A)

Utilize protectores para os ouvidos

Vibração

Valor total da vibração (soma vectorial tri-axial) determinada conforme EN60745:

Modelo 9563H

Modo de funcionamento: rebarbação de superfície

Emissão de vibração ($a_{h,AG}$): 5,5 m/s²

Variabilidade (K): 1,5 m/s²

Se a ferramenta for utilizada para outros fins, os valores do nível de vibração podem ser diferentes.

Modelo 9564H

Modo de funcionamento: rebarbação de superfície

Emissão de vibração ($a_{h,AG}$): 8,5 m/s²

Variabilidade (K): 1,5 m/s²

Se a ferramenta for utilizada para outros fins, os valores do nível de vibração podem ser diferentes.

Modo de funcionamento: esmerilação de superfície

com pega à prova de vibração

Emissão de vibração ($a_{h,AG}$): 8,0 m/s²

Variabilidade (K): 1,5 m/s²

Se a ferramenta for utilizada para outros fins, os valores do nível de vibração podem ser diferentes.

Modo de funcionamento: rebarbação de superfície

Emissão de vibração ($a_{h,AG}$): 9,0 m/s²

Variabilidade (K): 1,5 m/s²

Se a ferramenta for utilizada para outros fins, os valores do nível de vibração podem ser diferentes.

Modo de funcionamento: esmerilação de superfície

com pega à prova de vibração

Emissão de vibração ($a_{h,AG}$): 7,5 m/s²

Variabilidade (K): 1,5 m/s²

- O valor da emissão de vibração indicado foi medido de acordo com o método de teste padrão e pode ser utilizado para comparar duas ferramentas.
- O valor da emissão de vibração indicado pode também ser utilizado na avaliação preliminar da exposição.
- O valor da emissão de vibração indicado é utilizado para as aplicações principais da ferramenta eléctrica. Entretanto, se a ferramenta for utilizada para outros fins, o valor da emissão de vibração pode ser diferente.

AVISO:

- A emissão de vibração durante a utilização real da ferramenta eléctrica pode diferir do valor de emissão indicado, dependendo das formas como a ferramenta é utilizada.
- Certifique-se de identificar as medidas de segurança para protecção do operador que sejam baseadas em uma estimativa de exposição em condições reais de utilização (considerando todas as partes do ciclo de operação, tal como quando a ferramenta está desligada e quando está a funcionar em marcha lenta além do tempo de accionamento).

Lyd

Det typiske A-vægtede støjniveau bestem i overensstemmelse med EN60745:

Model 9563H

Lydtryksniveau (L_{pA}): 85 dB (A)

Lydeffektniveau (L_{WA}): 96 dB (A)

Usikkerhed (K): 3 dB (A)

Model 9564H, 9565H

Lydtryksniveau (L_{pA}): 84 dB (A)

Lydeffektniveau (L_{WA}): 95 dB (A)

Usikkerhed (K): 3 dB (A)

Bær høreværn

Vibration

Vibrations totalværdi (tre-aksial vektorsum) bestem i overensstemmelse med EN60745:

Model 9563H

Arbejdsindstilling: overfladeslibning

Vibrationsafgivelse ($a_{h,AG}$): 5,5 m/s²

Usikkerhed (K): 1,5 m/s²

Hvis maskinen anvendes til andre formål, kan værdierne for vibration være anderledes.

Model 9564H

Arbejdsindstilling: overfladeslibning

Vibrationsafgivelse ($a_{h,AG}$): 8,5 m/s²

Usikkerhed (K): 1,5 m/s²

Hvis maskinen anvendes til andre formål, kan værdierne for vibration være anderledes.

Arbejdsindstilling: overfladeslibning med

vibrationsfrit greb

Vibrationsafgivelse ($a_{h,AG}$): 8,0 m/s²

Usikkerhed (K): 1,5 m/s²

Hvis maskinen anvendes til andre formål, kan værdierne for vibration være anderledes.

Arbejdsindstilling: overfladeslibning

Vibrationsafgivelse ($a_{h,AG}$): 9,0 m/s²

Usikkerhed (K): 1,5 m/s²

Hvis maskinen anvendes til andre formål, kan værdierne for vibration være anderledes.

Arbejdsindstilling: overfladeslibning med

vibrationsfrit greb

Vibrationsafgivelse ($a_{h,AG}$): 7,5 m/s²

Usikkerhed (K): 1,5 m/s²

- Den angivne vibrationsemissionsværdi er blevet målt i overensstemmelse med standardtestmetoden og kan anvendes til at sammenligne en maskine med en anden.
- Den angivne vibrationsemissionsværdi kan også anvendes i en preliminær eksponeringsvurdering.
- Den angivne vibrationsemissionsværdi anvendes til maskinens hovedanvendelser. Hvis maskinen imidlertid anvendes til andre formål, kan vibrationsemissionsværdien være en anden.

ADVARSEL:

- Vibrationsemissionen under den faktiske anvendelse af maskinen kan være forskellig fra den erklærede emissionsværdi, afhængigt af den måde, hvorpå maskinen anvendes.
- Sørg for at identificere de sikkerhedsforskrifter til beskyttelse af operatøren, som er baseret på en vurdering af eksponering under de faktiske brugsforhold (med hensyntagen til alle dele i brugscyklen, som f.eks. de gange, hvor maskinen er slukket og når den kører i tomgang i tilgift til afbrydertiden).

Θόρυβος

Το τυπικό Α επίπεδο μετρημένου θορύβου καθορίζεται σύμφωνα με το EN60745:

Μοντέλο 9563H

Πίεση ήχου (L_{pA}): 85 dB(A)

Δύναμη του ήχου (L_{WA}): 96 dB (A)

Αβεβαιότητα (K): 3 dB (A)

Μοντέλο 9564H, 9565H

Πίεση ήχου (L_{pA}): 84 dB(A)

Δύναμη του ήχου (L_{WA}): 95 dB (A)

Αβεβαιότητα (K): 3 dB (A)

Φοράτε ωτοασπίδες**Κραδασμός**

Η ολική τιμή δόνησης (άθροισμα τρι-αξονικού διανύσματος) καθορίζεται σύμφωνα με το EN60745:

Μοντέλο 9563H

Λειτουργία: λείανση επιφανείας

Εκπομπή δόνησης ($a_{h,AG}$): 5,5 m/s²

Αβεβαιότητα (K): 1,5 m/s²

Εάν το εργαλείο χρησιμοποιείται για άλλες εφαρμογές, το εύρος τιμών των κραδασμών ενδέχεται να είναι διαφορετικό.

Μοντέλο 9564H

Λειτουργία: λείανση επιφανείας

Εκπομπή δόνησης ($a_{h,AG}$): 8,5 m/s²

Αβεβαιότητα (K): 1,5 m/s²

Εάν το εργαλείο χρησιμοποιείται για άλλες εφαρμογές, το εύρος τιμών των κραδασμών ενδέχεται να είναι διαφορετικό.

Λειτουργία: λείανση επιφανειών με

αντικραδασμική λαβή

Εκπομπή δόνησης ($a_{h,AG}$): 8,0 m/s²

Αβεβαιότητα (K): 1,5 m/s²

Μοντέλο 9565H

Λειτουργία: λείανση επιφανείας

Εκπομπή δόνησης ($a_{h,AG}$): 9,0 m/s²

Αβεβαιότητα (K): 1,5 m/s²

Εάν το εργαλείο χρησιμοποιείται για άλλες εφαρμογές, το εύρος τιμών των κραδασμών ενδέχεται να είναι διαφορετικό.

Λειτουργία: λείανση επιφανειών με

αντικραδασμική λαβή

Εκπομπή δόνησης ($a_{h,AG}$): 7,5 m/s²

Αβεβαιότητα (K): 1,5 m/s²

- Η δηλωμένη τιμή εκπομπής κραδασμών έχει μετρηθεί σύμφωνα με την πρότυπη μέθοδο δοκιμής και μπορεί να χρησιμοποιηθεί για τη σύγκριση ενός εργαλείου με άλλο.
- Η δηλωμένη τιμή εκπομπής κραδασμών μπορεί να χρησιμοποιηθεί και στην προκαταρκτική αξιολόγηση έκθεσης.
- Η δηλωμένη τιμή εκπομπής κραδασμών χρησιμοποιείται για κύριες εφαρμογές του ηλεκτρικού εργαλείου. Πάντως, εάν το ηλεκτρικό εργαλείο χρησιμοποιείται για άλλες εφαρμογές, η τιμή εκπομπής κραδασμών ενδέχεται να είναι διαφορετική.

ΠΡΟΕΙΔΟΠΟΙΗΣΗ:

- Η εκπομπή κραδασμών κατά τη χρήση του ηλεκτρικού εργαλείου σε πραγματικές συνθήκες μπορεί να διαφέρει από τη δηλωμένη τιμή εκπομπής ανάλογα με τον τρόπο χρήσης του εργαλείου.
- Φροντίστε να λάβετε τα κατάλληλα μέτρα προστασίας του χειριστή βάσει υπολογισμού της έκθεσης σε πραγματικές συνθήκες χρήσης (λαμβάνοντας υπόψη όλες τις συνιστώσες του κύκλου λειτουργίας όπως τους χρόνους που το εργαλείο είναι εκτός λειτουργίας και όταν βρίσκεται σε αδρανή λειτουργία πέραν του χρόνου ενεργοποίησης).

Makita Corporation
Anjo, Aichi, Japan

884675C998

www.makita.com

IDE