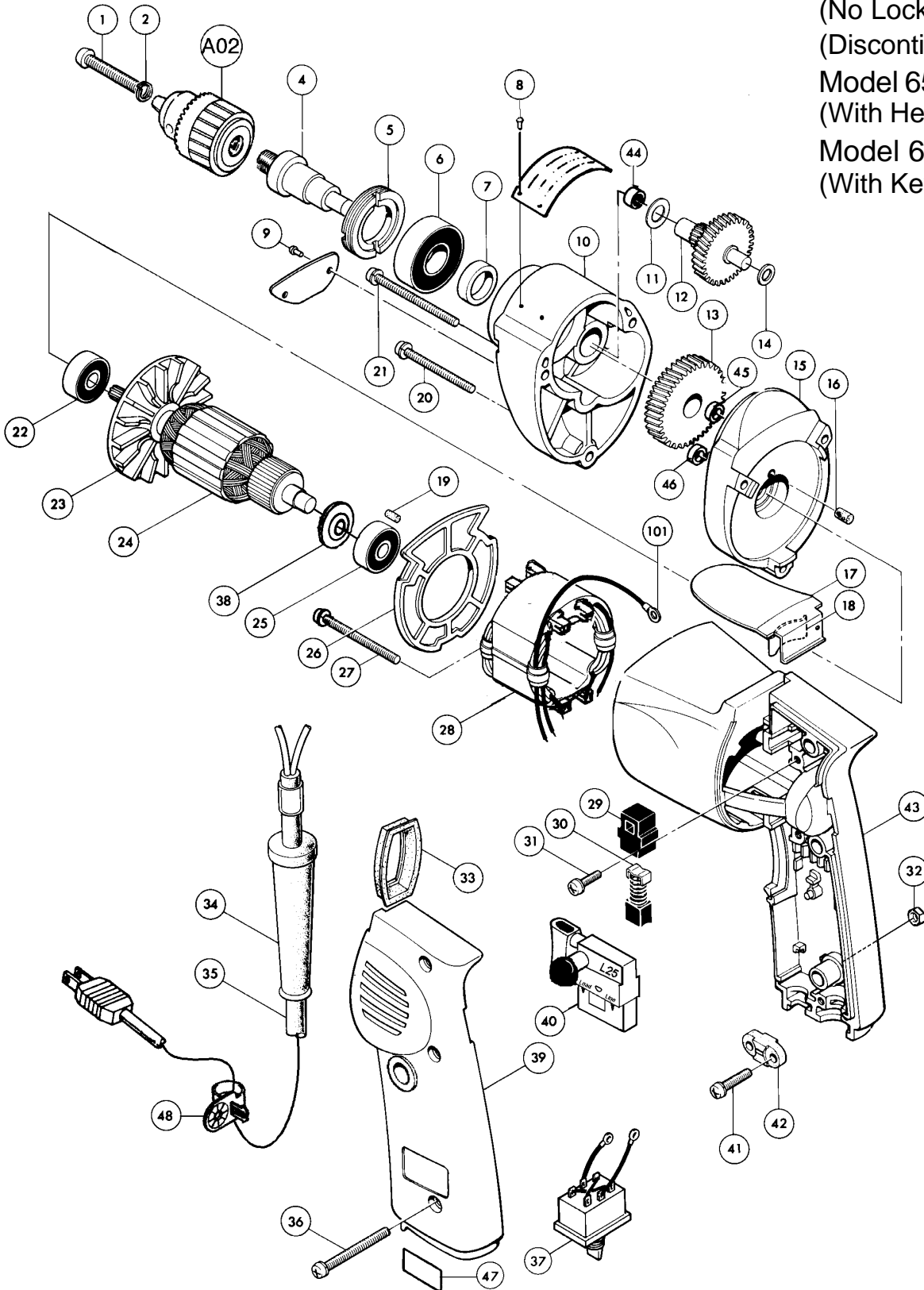


Makita Canada Inc.

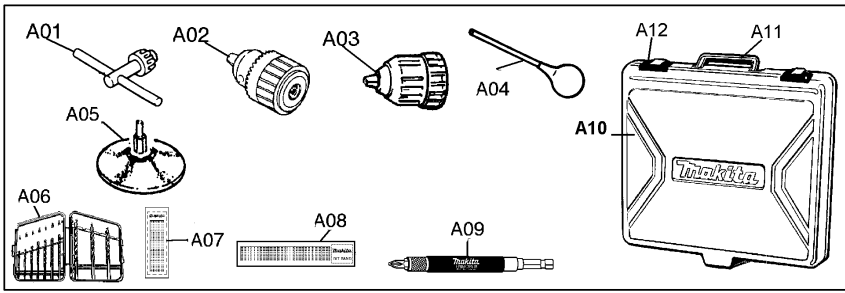
Makita

3/8" DRILL

Model 6510LVR
(With Industrial Chuck)
Model 6510LVRK
(With Carrying Case)
Model 6510LVR-B *
(No Lock Button Switch)
(Discontinued in 1995)
Model 6511LVR *
(With Heavy Duty Chuck)
Model 6511X *
(With Keyless Chuck)



05-2003



Item No.	Part No.	No. Used	Part No. Description	Item No.	Part No.	No. Used	Description
1	*	1	P.H. Screw (6510LVR)	32	931102-0	*	Hex Nut M4
	251448-1	1	(-) P.H. Screw M5x18 (6510LVR-B, 6511LVR, 6511X)	33	*	1	Dust Cover
	266001-0	1	Countersunk Hex Socket Head Screw M5x25	34	682502-4	1	Cord Guard
2	*	1	Spring Washer 5(6510LVR) (Old)	35	664013-1	1	Cord With Plug 2P-18-2.5
	942101-7	1	Spring Washer 5(6510LVR-B, 6511LVR, 6511X)(Old)	36	911153-9	*	P.H. Screw M4x28 (6510LVR)
4	*	1	Spindle (6510LVR)		911153-9	3	P.H. Screw M4x28 (6510LVR-B, 6511LVR, 6511X)
	323685-8	1	Spindle (6510LVR-B, 6511LVR, 6511X)	37	*	1	Reversing Switch
5	285804-3	1	Bearing Retainer 19-34	38	681617-4	1	Insulation Washer
6	211201-7	1	Ball Bearing 6002LLB	39	*	1	Handle Cover
7	257053-2	1	Ring 15		414939-5	1	Handle Cover (No Hole) (6510LVR-B)
8	953101-2	4	Rivet 0-3 (Type 1)	40	*	1	Switch 6A
9	953106-2	2	Rivet 0-5 (Type 2)		651345-5	1	Switch (No Lock Button) (6510LVR-B)
10	156401-1	1	Gear Housing (With Item 44)		651255-6	1	Switch 8A (Optional) (Type 4 only) (6510LVR, 6511LVR, 6511X)
11	253139-0	1	Flat Washer 8	41	911133-5	2	P.H. Screw M4x18 (With Washer)
12	226032-1	1	Gear 13-40	42	687002-9	1	Strain Relief
13	221624-1	1	Helical Gear 53	43	*	1	Motor Housing (With Items 19 & 32)
14	253077-6	1	Flat Washer 6	44	214001-4	1	Plane Bearing 8
15	156402-9	1	Gear Housing Cover (With Items 16, 45 & 46)	45	214001-4	1	Plane Bearing 8
16	263002-9	1	Rubber Pin 4	46	214004-8	1	Plane Bearing 6
17	*	1	Hook	47	817613-8	1	Caution Label (EN/FR)
18	232034-7	1	Leaf Spring (Old)	48	411780-7	1	Key Holder
19	263002-9	1	Rubber Pin 4	100	652030-3	4	(-) Set Screw M3x7.5
20	911168-6	1	P.H. Screw M4x40 (With Washer)	101	654038-3	2	Insulated Eye Terminal FV1.25-M4
21	911188-0	2	P.H. Screw M4x60 (With Washer)	<u>Accessories</u>			
22	211033-2	1	Ball Bearing 608LB	A01	*	1	Chuck Key S10 (6510LVR)
23	241802-7	1	Fan 58		763403-6A	1	ChuckKey S10 (6511LVR)
24	*	1	Armature Assembly (Includes Items 22, 23, 25 & 38)		763403-6C	1	Chuck Key S10 (6510LVR-B)
25	211028-5	1	Ball Bearing 627LB	A02	*	1	Drill Chuck S10(6510LVR)
26	*	1	Baffle Plate		763048-0A	1	Drill Chuck S10 (6511LVR)
27	*	2	P.H. Screw M4x45 (With Washer & Bond)		763048-0C	1	Drill Chuck S10 (6510LVR-B)
28	*	1	Field (With Item 101)	A03	192053-4	1	3/8" Keyless Chuck (6511X) (Metal)
29	643552-4	2	Brush Holder		763102-0	1	3/8" Locking Keyless Chuck (6511X - Type 1)
30	*	2	Carbon Brush		763132-1	1	3/8" Keyless Drill Chuck (6511X - Type 2)
	181503-4	2	Auto Cut-Off Carbon Brush CB-63	A04	765009-6	1	Blow-Out Bulb
31	911124-6	2	P.H. Screw M4x14 (With Washer)				

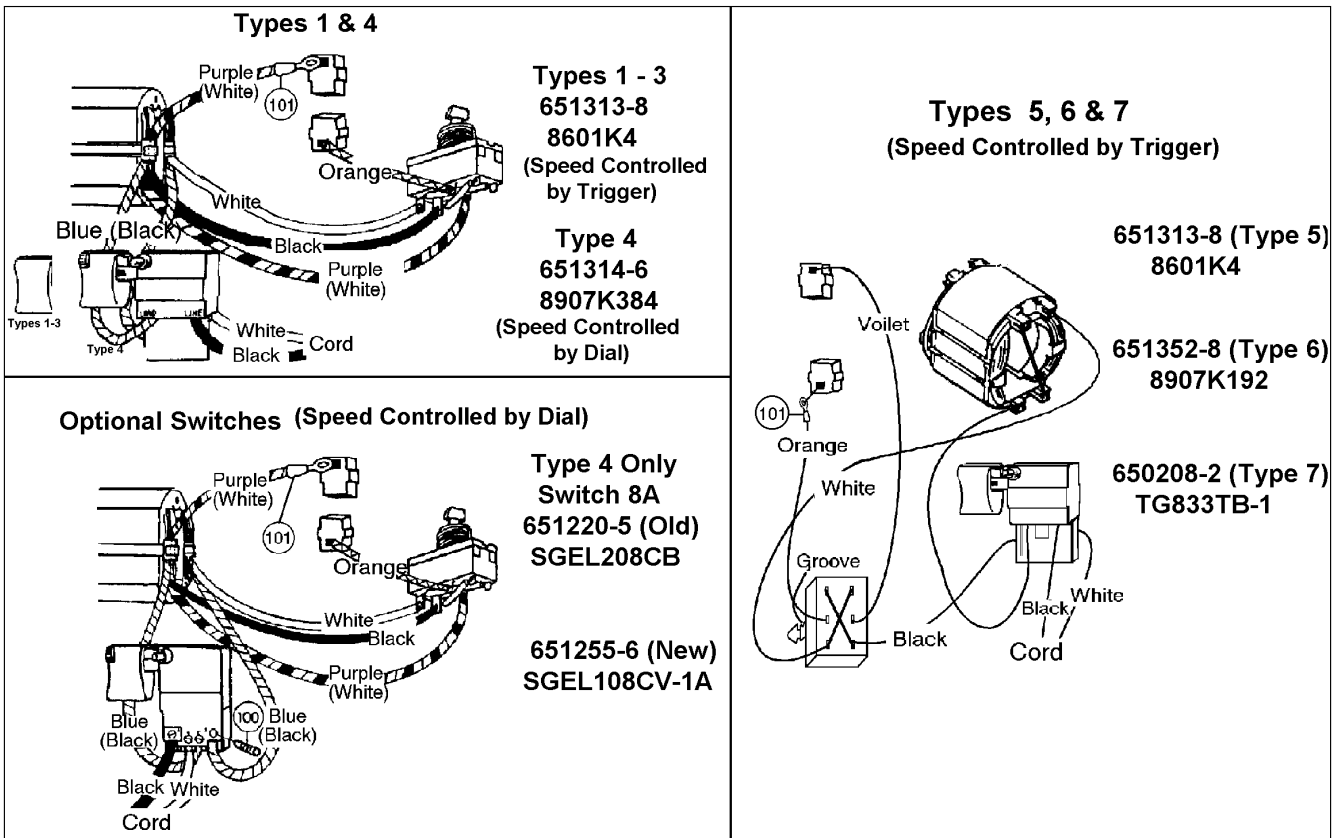
2 Model 6510LVR
 2 Model 6510LVRK
 2 Model 6510LVR-B
 2 Model 6511LVR
 2 Model 6511X

* SEE SERVICE CHANGE

Item No.	Part No.	No. Used	Description	Item No.	Part No.	No. Used	Description
A05	123001-2	1	Rubber Pad Assy	A10	824444-8	1	Plastic Carrying Case (Includes Items A11 & A12)
A06	711300-A-A	1	10pcs Drill Bit Set	A11	A00180-9	1	Black Plastic Handle
A07	122237-A	1	Bit Patch Holder	A12	A00182-5	2	Snap Lock (M)
A08	122238-A	1	Bit Band Holder				
A09	784810-A	1	Finder/Driver				
	784811-A	1	Stubby Finder/Driver				
	784812-A	1	Finder/Driver II				
	784814-A	1	Vision Finder/Driver				
	784815-A	1	Quick Driver 6				
	784816-A	1	Quick Driver 8				
	784817-A	1	Quick Driver 10				
	784818-A	1	Quick Flip Driver				
	784822-A	1	4 pc Quick Driver				

* SEE SERVICE CHANGE

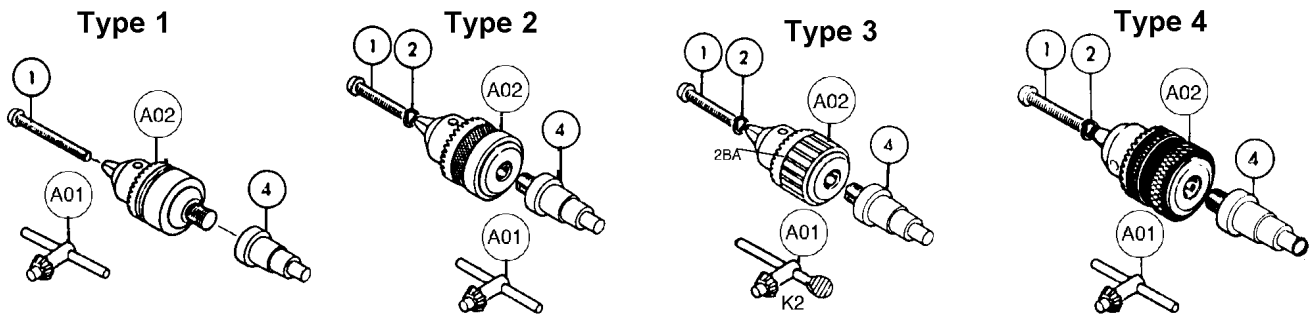
WIRING DIAGRAM



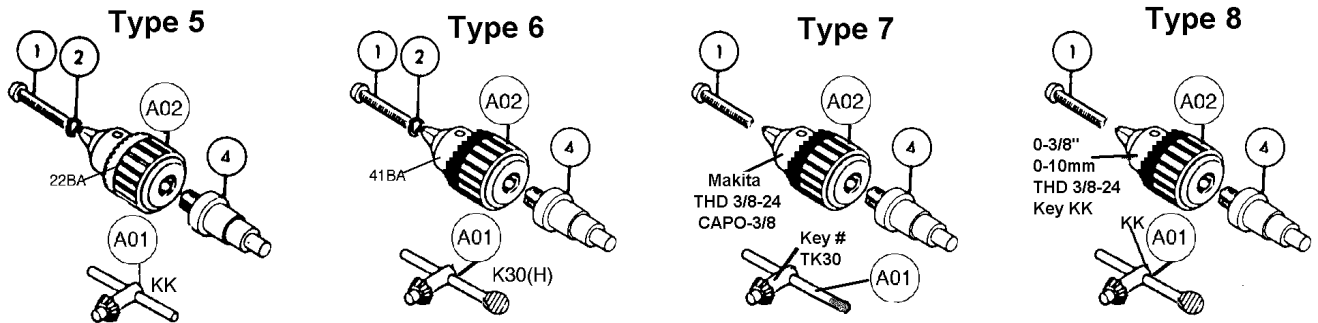
- 3 Model 6510LVR
- 3 Model 6510LVRK
- 3 Model 6510LVR-B
- 3 Model 6511LVR
- 3 Model 6511X

SERVICE CHANGES

1. Change on Drill Chuck, Chuck Key, and Spindle. (6510LVR only).



Item No	Description	Type 1	Type 2	Type 3	Type 4
1	P.H. Screw/ Countersunk Hex Socket Head Screw	251266-7 (+) (M5x35)(No Longer Available)	251277-2 (+) (M5x18)(No Longer Available)	251448-1 (-) M5 / 266001-0 Countersunk Hex Socket Head Screw M5x25	
2	Spring Washer 5	-----		942101-7 (Added)	
4	Spindle	323663-8 (No Longer Available)		323685-8	
A01	Chuck Key	763403-6		763403-6A	763403-6B

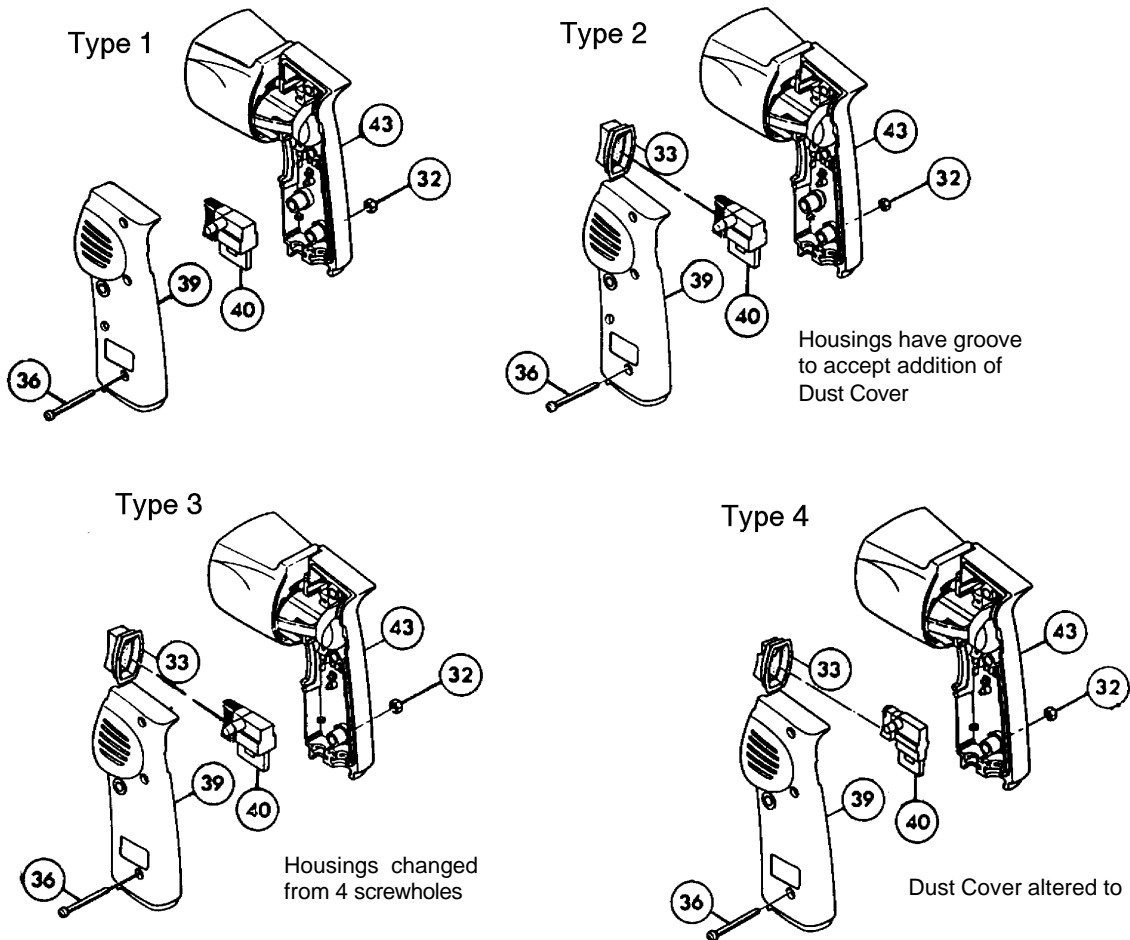


Item No	Description	Type 5	Type 6	Type 7	Type 8
1	P.H. Screw/ Countersunk Hex Socket Head Screw	251448-1 (-) M5 / 266001-0 Countersunk Hex Socket Head Screw M5x25			
2	Spring Washer 5	942101-7 (Added)			-----
4	Spindle	323685-8			
A01	Chuck Key	763403-6C	763424-8	763433-7	763403-6C
A02	Drill Chuck	763048-0C	763104-6	763074-9	763136-3

Above parts are completely interchangeable as a set.

- 4 Model 6510LVR
- 4 Model 6510LVRK
- 4 Model 6510LVR-B
- 4 Model 6511LVR

2. Change on Motor Housing, Handle Cover, Switch and Dust Cover (6510LVR)

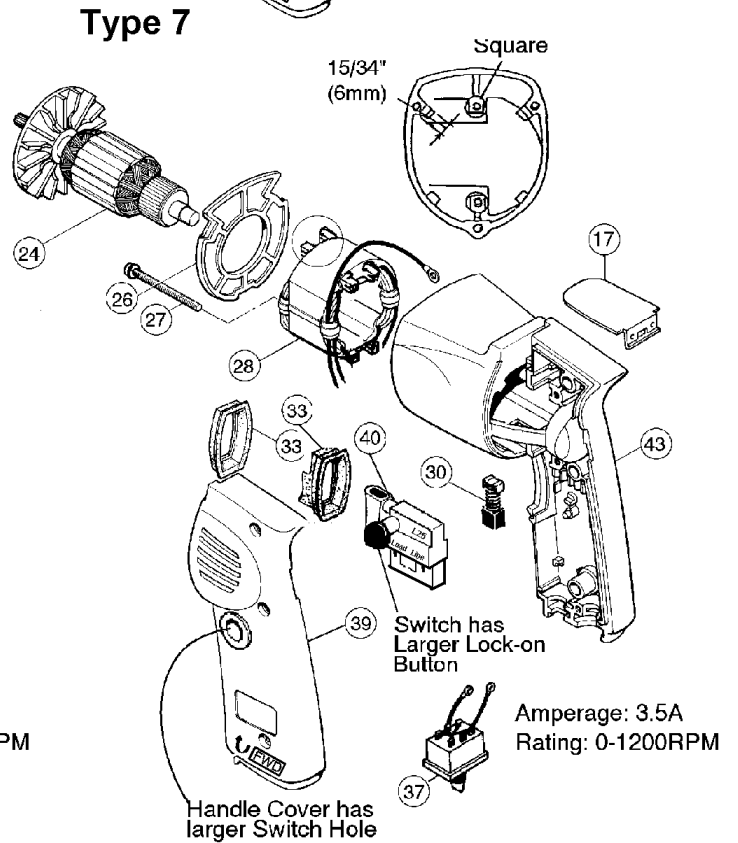
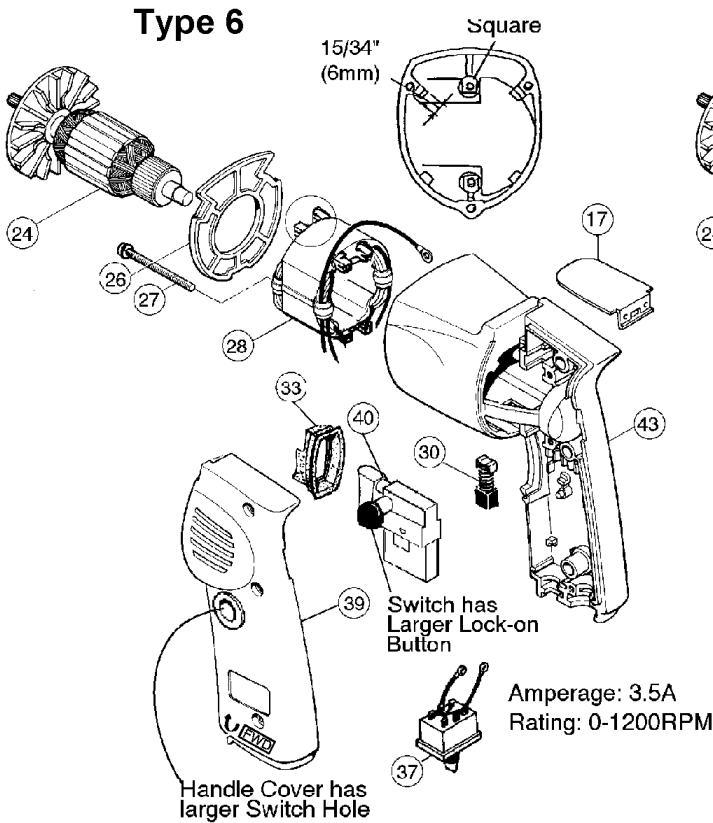
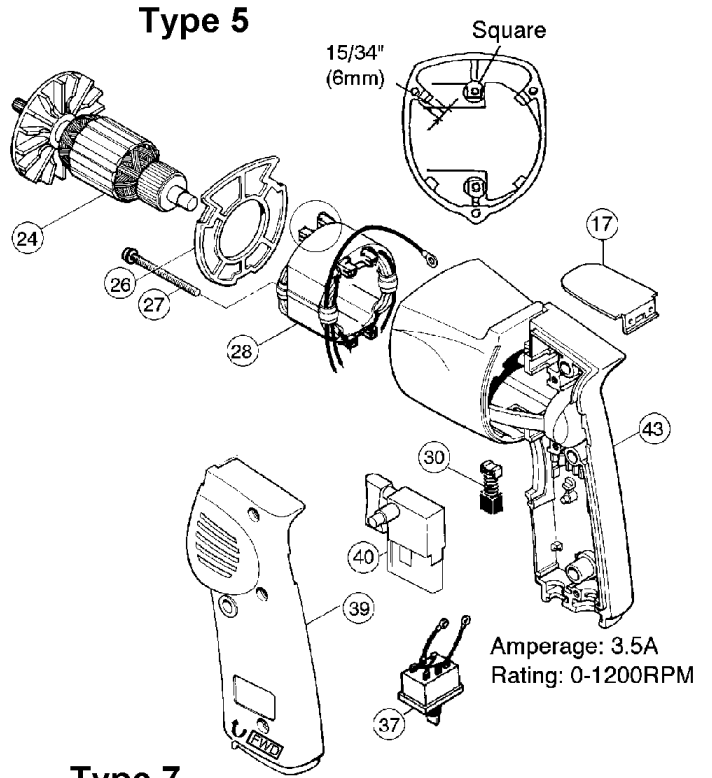
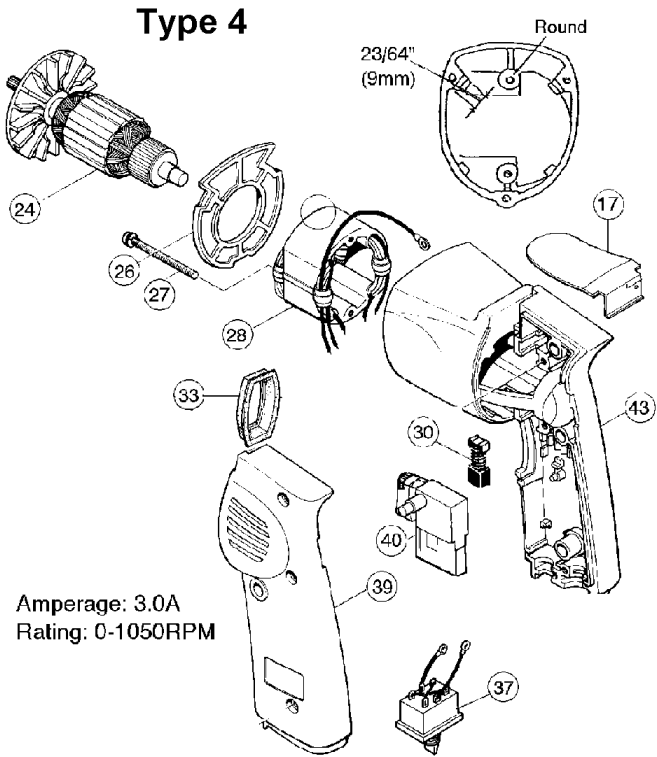


Item No.	Description	Type 1	Type 2	Type 3	Type 4	Types 5, 6 & 7
17	Hook		343693-3			For Further Changes See Service Change # 3
32	Hex Nut M4	4 pieces			3 pieces	
33	Dust Cover	-----	421144-7		421145-5	
36	P.H. Screw M4x28 (With Washer)	4 pieces			3 pieces	
39	Handle Cover	411216-6 (No Longer Available)	155216- (No Longer Available)	155300-4		
40	Switch, Variable Speed	651313-8- 8601K4			651314-6 (6A) 8907K384	
43	Motor Housing	411215- (No Longer Available)	411411- (No Longer Available)	156491-4		
	Serial No.	N/A	N/A	N/A	N/A	

Above parts are completely interchangeable as a set.

- 5 Model 6510LVR
- 5 Model 6510LVRK
- 5 Model 6510LVR-B
- 5 Model 6511LVR
- 5 Model 6511X

3. Change on Armature, Field, Motor Housing etc.



- 6 Model 6510LVR
- 6 Model 6510LVRK
- 6 Model 6510LVR-B
- 6 Model 6511LVR
- 6 Model 6511X

Item No.	Description	Type 4	Type 5	Type 6	Type 7
17	Hook	343693-3		343407-0	
24	Armature Assy	611332-6		511851-1	
26	Baffle Plate	411219-0		414292-9	
27	P.H. Screw M4x45	911175-9		911571-1	
28	Field Assy	621232-2		533081-4	
30	Carbon Brush	181028-8 CB-56 (No Longer Available)		191956-9 - CB-75 (191660-0 CB-66- No Longer Available)	
33	Dust Cover	421145-5		421144-7	
37	Reversing Switch	651461-3 (No Longer Available)		651475-2	
39	Handle Cover	155300-4	155300-4A	155300-4B	
40	Switch, Variable Speed	651314-6 8907K384	651313-8 8601K4	651352-8 8907K192	650208-2 TG833TB-1
43	Motor Hsg. Com.	156491-4		159089-6	
	Serial No. 6510LVR	~243190	243191 ~	N/A	
	Serial No. 6511LVR	~ 26920	26921 ~	N/A	
	Serial No. 6511X	~ 4030	4031 ~	N/A	

Above parts are completely interchangeable as a set.

For Models 6511LVR and 6511X there are no Types 1, 2 or 3.

Item # 24 - Types 5, 6 & 7 Armature replaces Type 4 Armature.

Item # 27 - Types 5, 6 & 7 P.H. Screw replaces Type 4 P.H. Screw.

7 Model 6510LVR
7 Model 6510LVRK
7 Model 6510LVR-B
7 Model 6511LVR
7 Model 6511X