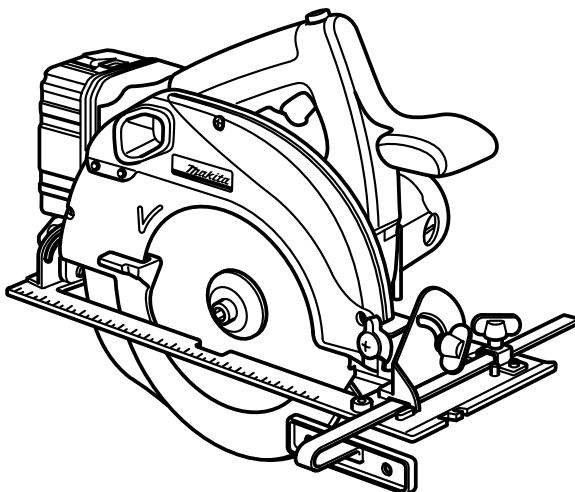
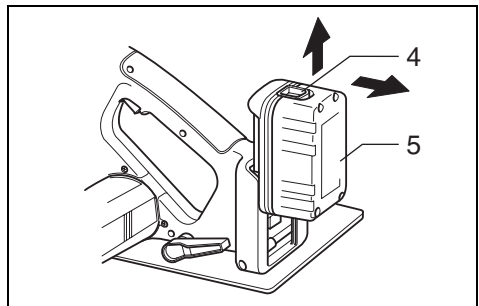
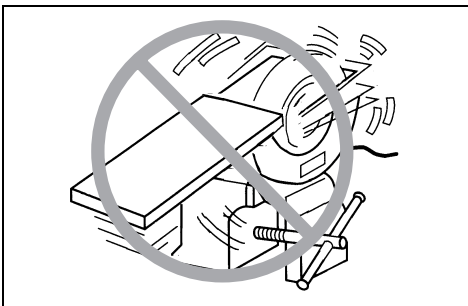
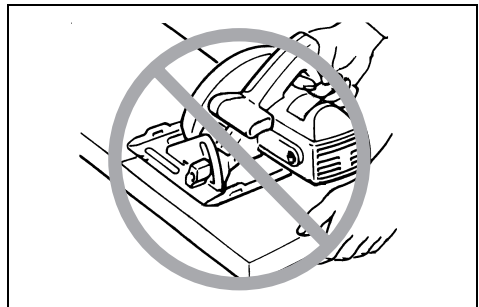
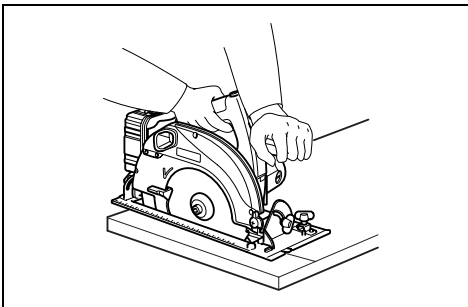
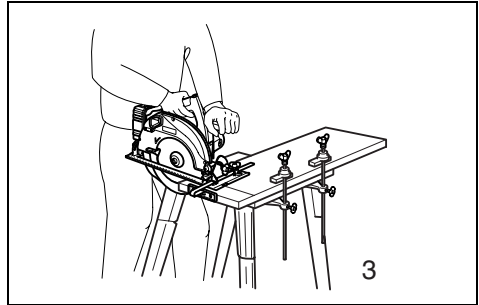
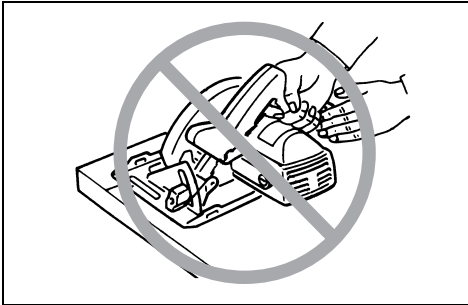
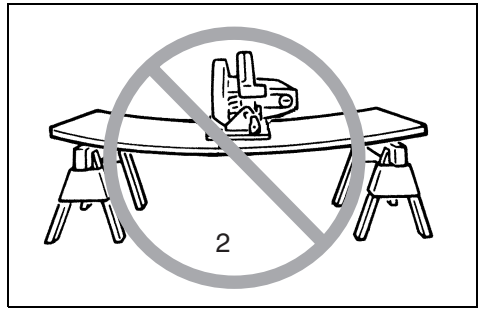
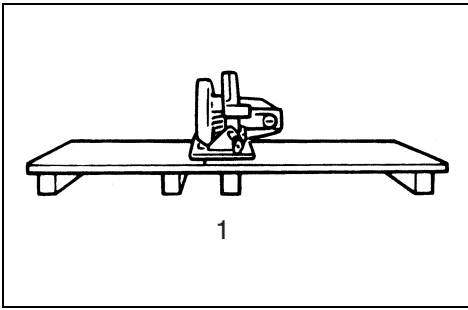


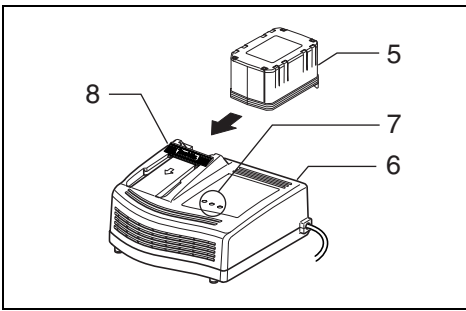
# Makita®

<b>GB</b>	<b>Cordless Circular Saw</b>	<b>Instruction Manual</b>
<b>F</b>	<b>Scie circulaire sans fil</b>	<b>Manuel d'instructions</b>
<b>D</b>	<b>Akku-Handkreissäge</b>	<b>Betriebsanleitung</b>
<b>I</b>	<b>Sega circolare a batteria</b>	<b>Istruzioni per l'uso</b>
<b>NL</b>	<b>Accu cirkelzaag</b>	<b>Gebruiksaanwijzing</b>
<b>E</b>	<b>Sierra circular a batería</b>	<b>Manual de instrucciones</b>
<b>P</b>	<b>Serra circular a bateria</b>	<b>Manual de instruções</b>
<b>DK</b>	<b>Akku rundsav</b>	<b>Brugsanvisning</b>
<b>S</b>	<b>Sladdlös cirkelsåg</b>	<b>Bruksanvisning</b>
<b>N</b>	<b>Akku sirkelsag</b>	<b>Bruksanvisning</b>
<b>SF</b>	<b>Akkukäyttöinen pyörösaha</b>	<b>Käyttöohje</b>
<b>GR</b>	<b>Ασύρματο δισκοπρίονο</b>	<b>Οδηγίες χρήσεως</b>

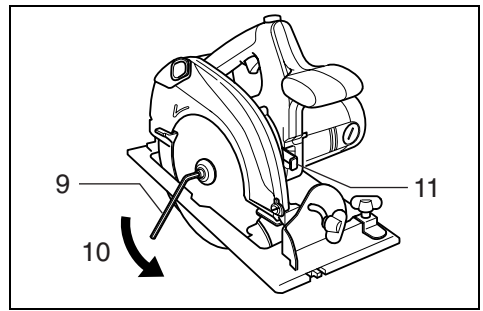
## BSR730



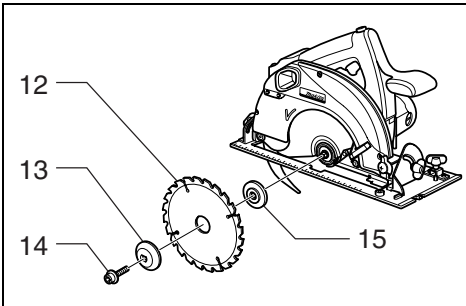




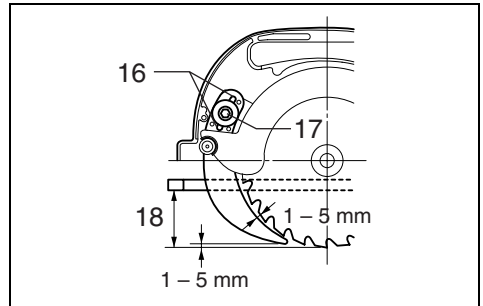
9



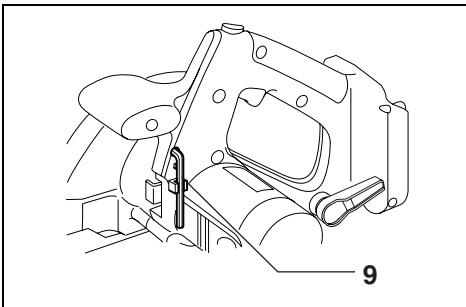
10



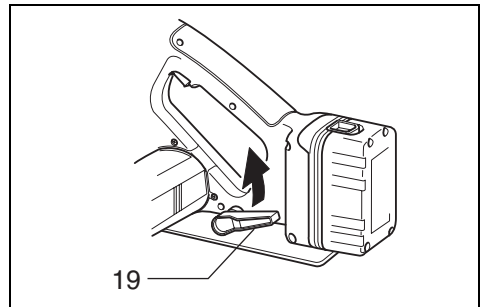
11



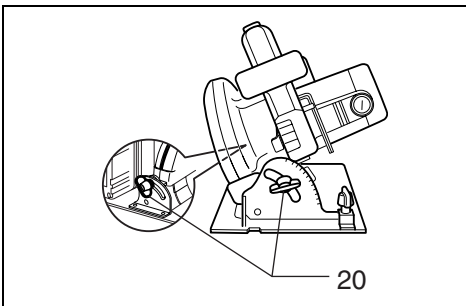
12



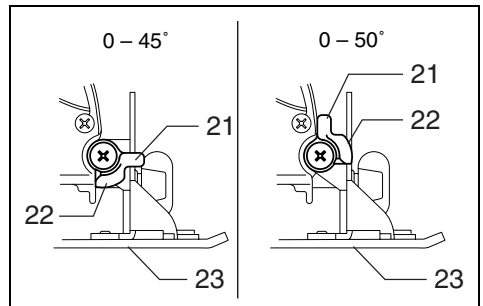
13



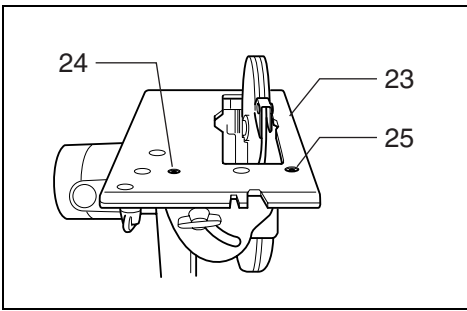
14



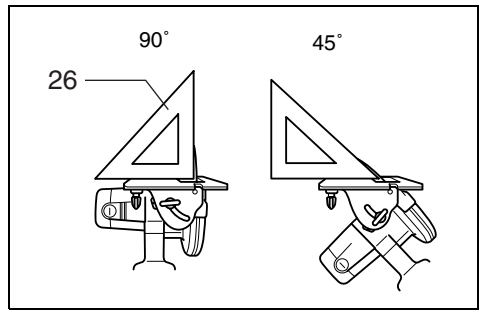
15



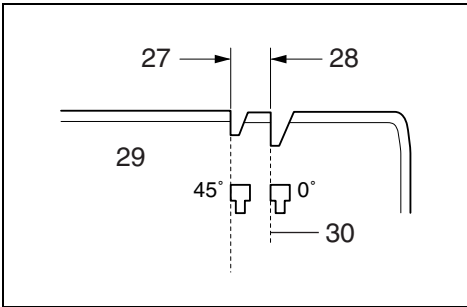
16



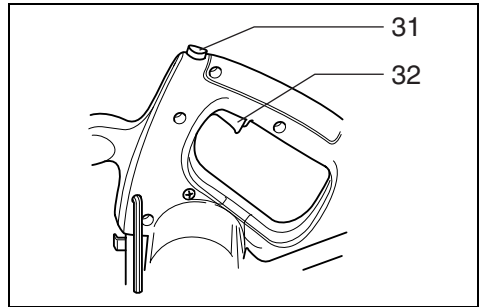
17



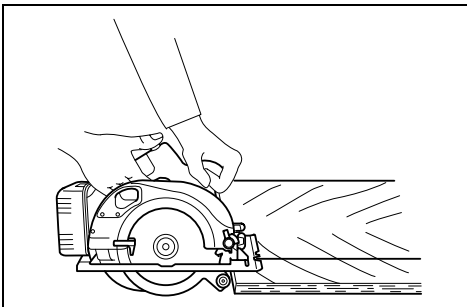
18



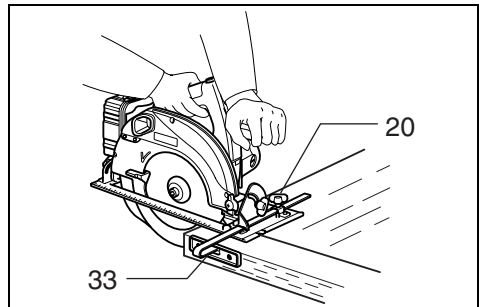
19



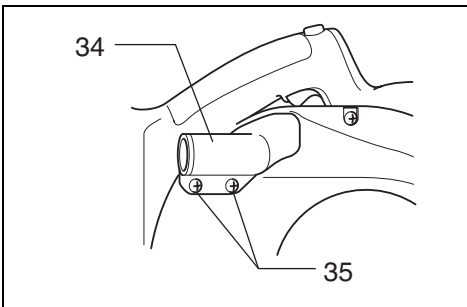
20



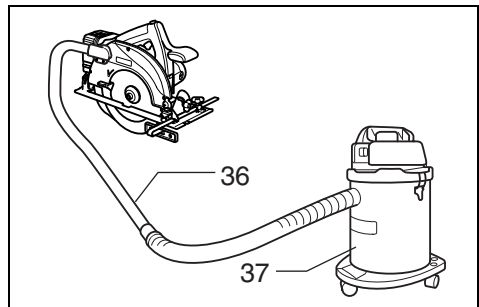
21



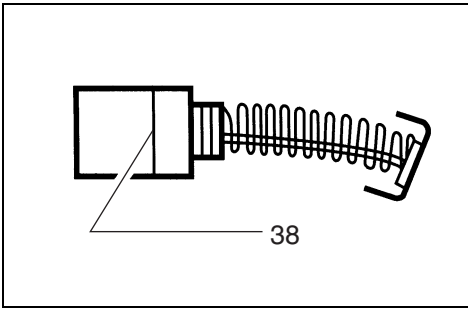
22



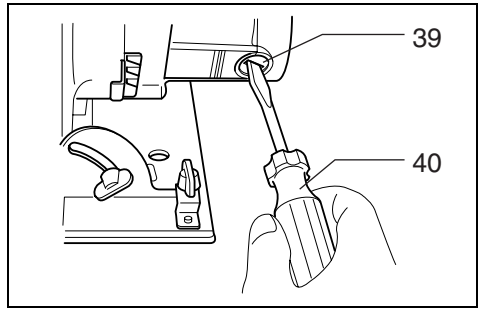
23



24



25



26

# ENGLISH

## Explanation of general view

1	To avoid kickback, do support board or panel near the cut.	12	Saw blade	27	For 45° bevel cuts
2	Don't support board or panel away from the cut.	13	Outer flange	28	For straight cuts
3	A typical illustration of proper hand support and workpiece support.	14	Bolt	29	Base plate
4	Button	15	Inner flange	30	Cutting line
5	Battery cartridge	16	Setting protuberances	31	Lock-off button
6	Battery charger	17	Hex socket head bolt	32	Switch trigger
7	Charging lights	18	Cutting depth	33	Rip fence (Guide rule)
8	Terminal cover	19	Lever	34	Dust nozzle
9	Hex wrench	20	Clamp screw	35	Screws
10	Loosen (counterclockwise)	21	Lever	36	Hose 28 mm in inner dia.
11	Shaft lock	22	Slant surface	37	Vacuum cleaner
		23	Base	38	Limit mark
		24	Adjusting screw for 90°	39	Brush holder cap
		25	Adjusting screw for 45°	40	Screwdriver
		26	Triangular rule		

## SPECIFICATIONS

<b>Model</b>	<b>BSR730</b>
Blade diameter .....	190 mm
Max. cutting depth	
At 90° .....	66 mm
At 45° .....	47 mm
At 50° .....	42 mm
No load speed (min <sup>-1</sup> ) .....	2,400
Overall length .....	378 mm
Net weight .....	4.6 kg
Rated voltage .....	D.C.24 V

- Due to our continuing program of research and development, the specifications herein are subject to change without notice.
- Note: Specifications may differ from country to country.

### Safety hints

For your own safety, please refer to the enclosed safety instructions.

## IMPORTANT SAFETY INSTRUCTIONS FOR CHARGER & BATTERY CARTRIDGE

ENC002-2

1. **SAVE THESE INSTRUCTIONS** — This manual contains important safety and operating instructions for battery charger.
2. **Before using battery charger, read all instructions and cautionary markings on (1) battery charger, (2) battery, and (3) product using battery.**
3. **CAUTION** — To reduce risk of injury, charge only MAKITA type rechargeable batteries. Other types of batteries may burst causing personal injury and damage.
4. **Do not expose charger to rain or snow.**
5. **Use of an attachment not recommended or sold by the battery charger manufacturer may result in a risk of fire, electric shock, or injury to persons.**
6. **To reduce risk of damage to electric plug and cord, pull by plug rather than cord when disconnecting charger.**
7. **Make sure cord is located so that it will not be stepped on, tripped over, or otherwise subjected to damage or stress.**

8. **Do not operate charger with damaged cord or plug — replace them immediately.**
9. **Do not operate charger if it has received a sharp blow, been dropped, or otherwise damaged in any way; take it to a qualified serviceman.**
10. **Do not disassemble charger or battery cartridge; take it to a qualified serviceman when service or repair is required. Incorrect reassembly may result in a risk of electric shock or fire.**
11. **To reduce risk of electric shock, unplug charger from outlet before attempting any maintenance or cleaning. Turning off controls will not reduce this risk.**
12. **The battery charger is not intended for use by young children or infirm persons without supervision.**
13. **Young children should be supervised to ensure that they do not play with the battery charger.**

## ADDITIONAL SAFETY RULES FOR CHARGER & BATTERY CARTRIDGE

1. **Do not charge battery cartridge when temperature is BELOW 10°C (50°F) or ABOVE 40°C (104°F).**
2. **Do not attempt to use a step-up transformer, an engine generator or DC power receptacle.**
3. **Do not allow anything to cover or clog the charger vents.**
4. **Do not short the battery cartridge:**
  - (1) **Do not touch the terminals with any conductive material.**
  - (2) **Avoid storing battery cartridge in a container with other metal objects such as nails, coins, etc.**
  - (3) **Do not expose battery cartridge to water or rain.**

A battery short can cause a large current flow, overheating, possible burns and even a breakdown.
5. **Do not store the tool and battery cartridge in locations where the temperature may reach or exceed 50°C (122°F).**
6. **Do not incinerate the battery cartridge even if it is severely damaged or is completely worn out. The battery cartridge can explode in a fire.**
7. **Be careful not to drop, shake or strike battery.**

8. Do not charge inside a box or container of any kind. The battery must be placed in a well ventilated area during charging.

## ADDITIONAL SAFETY RULES FOR TOOL

ENB037-2

1. Be aware that this tool is always in an operating condition, because it does not have to be plugged into an electrical outlet.
2. Wear hearing protection.
3. Keep Guards In Place and In Working Order. Never wedge or tie lower guard open. Check operation of lower guard before each use. Don't use if lower guard does not close briskly over saw blade.  
**CAUTION:** If saw is dropped, lower guard may be bent, restricting full return.
4. Do not use blades which are deformed or cracked.
5. Do not use blades of high speed steel.
6. Do not stop the blades by lateral pressure on the saw blade.
7. Keep Blades Clean and Sharp. Sharp blades minimize stalling and kickback.
8. **DANGER:**  
Keep Hands Away From Cutting Area. Keep hands away from blades. Don't reach underneath work while blade is rotating. Don't attempt to remove cut material when blade is moving.  
**CAUTION:** Blades coast after turn off.
9. Support Large Panels. (Fig. 1 & 2)  
Large panels must be supported as shown in Fig. 1 to minimize the risk of blade pinching and kickback.  
When cutting operation requires the resting of the saw on the workpiece, the saw shall be rested on the larger portion and the smaller piece cut off.
10. Use Rip Fence.  
Always use a fence or straight edge guide when ripping.
11. Guard Against Kickback. (Fig. 1 & 3)  
Kickback occurs when the saw stalls rapidly and is driven back towards the operator. Release switch immediately if blade binds or saw stalls. Keep blades sharp. Support large panels as shown in Fig. 1.  
Use fence or straight edge guide when ripping. Don't force tool. Stay alert—exercise control. Don't remove saw from work during a cut while the blade is moving.  
**NEVER** place your hand or fingers behind the saw. If kickback occurs, the saw could easily jump backwards over your hand, possibly causing severe injury.
12. Lower Guard.  
Raise lower guard with the retracting handle.
13. Adjustments.  
Before cutting be sure depth and bevel adjustments are tight.
14. Use Only Correct Blades In Mounting.  
Don't use blades with incorrect size holes. Never use defective or incorrect blade washers or bolts.

15. Avoid Cutting Nails.  
Inspect for and remove all nails from lumber before cutting.
16. Operate with proper hand support and proper workpiece support.  
**WARNING:**  
It is important to support the workpiece properly and to hold the saw firmly to prevent loss of control which could cause personal injury. Fig. 4 illustrates typical hand support of the saw.
17. Place the wider portion of the saw base on that part of the workpiece which is solidly supported, not on the section that will fall off when the cut is made.  
As example, Fig. 5 illustrates the RIGHT way to cut off the end of a board, and Fig. 6 the WRONG way. If the workpiece is short or small, clamp it into hand. **DON'T TRY TO HOLD SHORT PIECES BY HAND!** (Fig. 6)
18. Never attempt to saw with the circular saw held upside down in a vise. This is extremely dangerous and can lead to serious accidents. (Fig. 7)
19. Before setting the tool down after completing a cut, be sure that the lower (telescoping) guard has closed and the blade has come to a complete stop.
20. Using manufacturer data
  - Ensure that the diameter, thickness and other characteristics of the saw blade are suitable for the tool.
  - Ensure that the saw blade is suitable for the spindle speed of the tool.
21. Do not use any abrasive wheel.

## SAVE THESE INSTRUCTIONS.

## OPERATING INSTRUCTIONS

### Installing or removing battery cartridge (Fig. 8)

- Always switch off the tool before insertion or removal of the battery cartridge.
- To remove the battery cartridge, withdraw it from the tool while sliding the button on the side of the cartridge.
- To insert the battery cartridge, align the tongue on the battery cartridge with the groove in the housing and slip it into place. Always insert it all the way until it locks in place with a little click. If you can see the red part on the upper side of the button, it is not locked completely. Insert it fully until the red part cannot be seen. If not, it may accidentally fall out of the tool, causing injury to you or someone around you.
- Do not use force when inserting the battery cartridge. If the cartridge does not slide in easily, it is not being inserted correctly.

### Charging (Fig. 9)

1. Plug the battery charger into your power source. Two charging lights will flash in green color repeatedly.
2. Insert the battery cartridge into charger until it stops adjusting to the guide of charger. Terminal cover of charger can be opened with inserting and closed with pulling out the battery cartridge.
3. When the battery cartridge is inserted, the charging light color will change from green to red and charging will begin. The charging light will keep lighting up lit steadily during charging. One red charging light indicates charged condition in 0–80% and two red ones indicates 80–100%.
4. With finish of charge, the charging lights will change from two red ones to two green ones. The charging time is as follows:
5. If you leave the battery cartridge in the charger after the charging cycle is complete, the charger will switch into its “trickle charge (maintenance charge)” mode which will last approximately 24 hours.
6. After charging, unplug the charger from the power source.

Battery type	Capacity (mAh)	Number of cells	Charging time (DC24SA)	Charging time (DC24WA)
BH2420 (Ni-MH)	2,000	20	Approx. 30 min.	Approx. 55 min.
BH2433 (Ni-MH)	3,300	20	Approx. 60 min.	Approx. 90 min.

### Cooling system (DC24SA only)

- This charger is equipped with cooling fan for heated battery in order to enable the battery to prove its own performance. Sound of cooling air comes out during cooling, which means no trouble on the charger.
- Yellow light will flash for warning in the following cases.
  - Trouble on cooling fan
  - Incomplete cool down of battery, such as, being clogged with dustThe battery can be charged in spite of the yellow warning light. But the charging time will be longer than usual in this case.
- Check the sound of cooling fan, vent on the charger and battery, which can be sometime clogged with dust.
- The cooling system is in order although no sound of cooling fan comes out, if the yellow warning light will not flash.
- Always keep clean the vent on charger and battery for cooling.
- The products should be sent to repair or maintenance, if the yellow warning light will frequently flash.

### Conditioning charge (DC24SA only)

Conditioning charge can extend the life of battery by automatically searching the optimum charging condition for the batteries in every situation.

The battery employed in the following conditions repeatedly, will be worn out shortly, and yellow warning light may flash.

1. Recharge of battery with its high temperature
  2. Recharge of battery with its low temperature
  3. Recharge of full charged battery
  4. Over-discharge of battery (continue to discharge battery in spite of down of power.)
  5. Recharge under broken cooling system
- The charging time of such battery is longer than usual.

### Trickle charge (Maintenance charge)

If you leave the battery cartridge in the charger to prevent spontaneous discharging after full charge, the charger will switch into its “trickle charge (maintenance charge)” mode and keep the battery cartridge fresh and fully charged.

### Tips for maintaining maximum battery life

1. Charge the battery cartridge before completely discharged. Always stop tool operation and charge the battery cartridge when you notice less tool power.
2. Never recharge a fully charged battery cartridge. Overcharging shortens the battery service life.
3. Charge the battery cartridge with room temperature at 10°C–40°C (50°F–104°F). Let a hot battery cartridge cool down before charging it.
4. Charge the Nickel Metal Hydride battery cartridge when you do not use it for more than six months.



**NOTE:**

- The battery charger is for charging Makita-battery cartridge. Never use it for other purposes or for other manufacturer's batteries.
- When you charge a new battery cartridge or a battery cartridge which has not been used for a long period of time, it may not accept a full charge. This is a normal condition and does not indicate a problem. You can recharge the battery cartridge fully after discharging it completely and recharging a couple of times.
- If you charge a battery cartridge from a just-operated tool or battery cartridge which has been left in a location exposed to direct sunlight for a long time, the charging light may flash in red color. If this occurs, wait for a while. When the temperature on battery is more than approx. 70°C, two charging lights may flash in red color, and when approx. 50°C–70°C, one charging light in red color. Charging will begin after the battery cartridge is cooled by the cooling fan installed in the charger (DC24SA only).
- If the charging light flashes alternately in green and red color, charging is not possible. The terminals on the charger or battery cartridge are clogged with dust or the battery cartridge is worn out or damaged.
- Any of the following conditions indicates damage to the charger and/or battery cartridge. Ask your Makita Authorized or Factory Service Center to check them.
  - 1) The charging light does not flash (green) when the battery charger is plugged into a power source.
  - 2) The charging light does not light up or flash (red) when the battery is inserted in the charger port.
  - 3) Charging is not completed at even more than two hours after red light comes ON at start of charging.

**Removing or installing saw blade**

**Important:**

Always be sure that the tool is switched off and the battery cartridge is removed before removing or installing the blade.

The following blade can be used with this tool.

Max. dia.	Min. dia.	Blade thickness	Kerf
190 mm	170 mm	1.6 mm or less	1.9 mm or more

The thickness of the riving knife is 1.8 mm.

**CAUTION:**

- Do not use saw blades which do not comply with the characteristics specified in these instructions.
- Do not use saw blades the disc of which is thicker or the set of which is smaller than the thickness of the riving knife.

To remove the blade, press the shaft lock so that the blade cannot revolve and use the hex wrench to loosen the bolt counterclockwise. Then remove the bolt, outer flange and blade. (Fig. 10)

To install the blade, follow the removal procedure in reverse. **BE SURE TO TIGHTEN THE BOLT SECURELY.** (Fig. 11)

**CAUTION:**

- Be sure the blade is installed with teeth pointing up at the front of the tool.
- Use only the Makita hex wrench to remove or install the blade.

**Riving knife adjustment (Fig. 12)**

Use the hex wrench to loosen the hex socket head bolt for the riving knife adjustment, then raise the safety cover (safety guard). Move the riving knife up or down over the protuberance for settings indicated in Fig. 12, so as to obtain the proper clearance between the riving knife and saw blade.

**CAUTION:**

Ensure that the riving knife is adjusted such that: The distance between the riving knife and the toothed rim of the saw blade is not more than 5 mm. The toothed rim does not extend more than 5 mm beyond the lower edge of the riving knife.

**Hex wrench storage (Fig. 13)**

When not in use, the hex wrench can be conveniently stored.

**CAUTION:**

Always be sure that the tool is switched off and the battery cartridge is removed before any adjustment is attempted.

**Adjusting depth of cut (Fig. 14)**

Loosen the lever on the depth guide and move the base up or down. At the desired depth of cut, secure the base by tightening the lever.

**CAUTION:**

- Use a shallow depth of cut when cutting thin workpieces for cleaner, safer cuts.
- After adjusting the depth of cut, always tighten the lever securely.

**Bevel cutting (Fig. 15 & 16)**

Loosen the clamp screws in front and back. Set for the desired angle (0° – 50°) by tilting accordingly, then tighten the clamp screws securely.

Use the 45° stopper when you do precise 45° angle cutting. Turn the lever clockwise fully for bevel cuts (0° – 45°) and turn it counterclockwise for 0° – 50° bevel cuts.

**Adjusting for accuracy of 90° and 45° cut (vertical and 45° cut) (Fig. 17 & 18)**

This adjustment has been made at the factory. But if it is off, adjust the adjusting screws with a screwdriver while inspecting 90° or 45° the blade with the base using a triangular rule or square rule etc.

**CAUTION:**

After adjusting the depth of cut and bevel cutting angle, be sure to tighten the lever on the depth guide and the clamp screws in front and back.

**Sighting (Fig. 19)**

For straight cuts, align the right notch in the front of the base with your cutting line on the workpiece. For 45° bevel cuts, align the left notch with it.

## Switch action (Fig. 20)

### CAUTION:

Before inserting the battery cartridge into the tool, always check to see that the switch trigger actuates properly and returns to the "OFF" position when released.

To prevent the switch trigger from being accidentally pulled, a lock-off button is provided.

To start the tool, depress the lock-off button and pull the switch trigger. Release the switch trigger to stop.

## Operation (Fig. 21)

Hold the tool firmly. Set the base plate on the workpiece to be cut without the blade making any contact. Then turn the tool on and wait until the blade attains full speed. Now simply move the tool forward over the workpiece surface, keeping it flat and advancing smoothly until the sawing is completed. To get clean cuts, keep your sawing line straight and your speed of advance uniform.

### CAUTION:

- Always insert the battery cartridge all the way until it locks in place. If you can see the red part on the upper side of the button, it is not locked completely. Insert it fully until the red part cannot be seen. If not, it may accidentally fall out of the tool, causing injury to you or someone around you.
- When operating overhead, always make sure the battery cartridge is locked securely so that it will not be fallen out of the tool. If not, it may accidentally fall out of the tool, causing injury to you or someone around you.
- The riving knife should always be used except when plunging in the middle of the workpiece.
- Do not stop the saw blade by lateral pressure on the disc.
- Always gently keep the tool moving straight ahead when cutting. Forcing or twisting the tool will result in overheating of the motor and dangerous kickback, possibly causing severe injury.
- If the tool is operated continuously until the battery cartridge has discharged, allow the tool to rest for 15 minutes before proceeding with a fresh battery.

## Rip fence (guide rule) (Fig. 22)

The handy rip fence (guide rule) allows you to do extra-accurate straight cuts. Simply slide the rip fence up snugly against the side of the workpiece and secure it in position with the clamp screw on the front of the base. It also makes repeated cuts of uniform width possible.

## Dust nozzle (Fig. 23 & 24)

When you wish to perform clean cutting operation, connect a vacuum cleaner to your tool. Install the joint on the tool using the screws. Then connect a hose of vacuum cleaner to the joint.

## MAINTENANCE

### CAUTION:

Always be sure that the tool is switched off and the battery cartridge is removed before carrying out any work on the tool.

## Replacement of carbon brushes (Fig. 25 & 26)

Replace carbon brushes when they are worn down to the limit mark. Both identical carbon brushes should be replaced at the same time.

To maintain product safety and reliability, repairs, maintenance or adjustment should be carried out by a Makita Authorized Service Center.

## Descriptif

1	Pour éviter les chocs en retour, soutenez planches ou panneaux près de la ligne de coupe.	10	Desserrer (vers la gauche)	27	Pour coupe oblique à 45°
2	Ne soutenez pas planches ou panneaux trop loin de la ligne de coupe.	11	Blocage de l'arbre	28	Pour coupe droite
3	Cette illustration montre la position correcte des mains et la fixation adéquate de la pièce à travailler.	12	Lame de scie	29	Plaque de base
4	Bouton	13	Flasque extérieure	30	Ligne de coupe
5	Batterie	14	Boulon	31	Bouton de sécurité
6	Chargeur	15	Flasque intérieure	32	Gâchette
7	Témoins de charge	16	Protubérances de réglage	33	Garde de refente (guide parallèle)
8	Couvre-bornes	17	Boulon à tête hexagonale	34	Raccord d'aspiration
9	Clé hexagonale	18	Profondeur de coupe	35	Vis
		19	Levier	36	Tuyau de 28 mm de dia.
		20	Vis de serrage	37	Aspirateur
		21	Levier	38	Repère d'usure
		22	Surface inclinée	39	Bouchon du porte-charbon
		23	Table	40	Tournevis
		24	Vis de réglage pour 90°		
		25	Vis de réglage pour 45°		
		26	Equerre		

## SPECIFICATIONS

<b>Modèle</b>	<b>BSR730</b>
Diamètre de lame .....	190 mm
Profondeur maximum de coupe	
90° .....	66 mm
45° .....	47 mm
50° .....	42 mm
Vitesse à vide (min <sup>-1</sup> ) .....	2 400
Longueur totale .....	378 mm
Poids net .....	4,6 kg
Tension nominale .....	24 V.D.C.

- Etant donné l'évolution constante de notre programme de recherche et de développement, les spécifications contenues dans ce manuel sont sujettes à modification sans préavis.
- Note : Les spécifications peuvent varier suivant les pays.

### Consignes de sécurité

Pour votre propre sécurité, reportez-vous aux consignes de sécurité qui accompagnent l'outil.

## CONSIGNES DE SECURITE IMPORTANTES POUR LE CHARGEUR ET LES BATTERIES

1. **CONSERVEZ CES INSTRUCTIONS**—Ce manuel renferme des consignes de sécurité et d'utilisation importantes pour le chargeur de batterie.
2. Avant d'utiliser le chargeur de batterie, lisez toutes les étiquettes d'instruction et de précaution apposées sur (1) le chargeur de batterie, sur (2) la batterie et sur (3) le produit utilisant la batterie.
3. **ATTENTION**—Pour réduire tout risque de blessure, ne rechargez que des batteries rechargeables MAKITA de type rechargeable. Les autres types de batterie pourraient exploser et provoquer des blessures ou des dommages.
4. N'exposez pas le chargeur à la pluie ni à la neige.

5. L'utilisation d'un accessoire non recommandé ou non vendu par le fabricant du chargeur de batterie risque de provoquer un feu, une décharge électrique ou des blessures.
6. Pour réduire tout risque de dommage de la fiche et du cordon électrique, débranchez le cordon du chargeur en tirant sur la fiche.
7. Vérifiez que le cordon est placé de façon que personne ne puisse marcher dessus, se prendre les pieds dedans, ni l'endommager ou le soumettre à des contraintes.
8. N'utilisez pas le chargeur si son cordon ou sa fiche sont endommagés — remplacez-les immédiatement.
9. N'utilisez pas le chargeur s'il a reçu un coup, s'il est tombé ou endommagé de toute autre manière ; apportez-le à un réparateur qualifié.
10. Ne démontez pas le chargeur ni la batterie ; si un entretien ou des réparations sont nécessaires, apportez-les à un réparateur qualifié. Un remontage incorrect pourrait provoquer une décharge électrique ou un feu.
11. Pour réduire tout risque de décharge électrique, débranchez le chargeur de la prise secteur avant tout entretien ou nettoyage. Il ne suffit pas de couper les commandes.
12. La batterie ne doit pas être utilisée sans surveillance par des enfants ou des personnes handicapées.
13. Les jeunes enfants devraient être surveillés pour s'assurer qu'ils ne jouent pas avec la batterie.

## CONSIGNES DE SECURITE SUPPLEMENTAIRES POUR LE CHARGEUR ET LES BATTERIES

1. Ne rechargez pas la batterie si la température est INFÉRIEURE à 10°C ou SUPÉRIEURE à 40°C.
2. N'essayez pas d'utiliser un transformateur élévateur, un groupe électrogène ou une prise de courant continu.
3. Veillez à ce que rien ne recouvre ni n'obstrue les événements du chargeur.

4. Ne court-circuitez pas la batterie :
  - (1) Ne touchez pas les bornes avec un matériau conducteur.
  - (2) Evitez de ranger la batterie dans un récipient renfermant d'autres objets métalliques, comme des clous, des pièces de monnaie, etc.
  - (3) N'exposez pas la batterie à l'eau ni à la pluie. Un court-circuit pourrait provoquer un fort débit de courant, une surchauffe, parfois des brûlures et même une panne.
5. Ne rangez pas l'outil ni la batterie dans des endroits où la température risque d'atteindre ou de dépasser 50°C.
6. Ne jetez pas la batterie au feu, même si elle est gravement endommagée ou complètement hors d'usage. Elle pourrait exploser.
7. Veillez à ne pas faire tomber, secouer ni heurter la batterie.
8. N'effectuez pas la recharge à l'intérieur d'une boîte ou d'un récipient quel qu'il soit. La batterie devra se trouver dans un endroit bien aéré pendant la recharge.

## PROTECTION DE L'ENVIRONNEMENT (POUR LA SUISSE UNIQUEMENT)

Afin de préserver l'environnement, rap-  
portez la batterie usagée aux postes de  
ramassage officiel.



## PRECAUTIONS SUPPLEMENTAIRES POUR L'OUTIL

1. Ayez bien conscience que l'outil est constamment en état de marche, car il n'a pas à être raccordé au secteur.
2. Portez une protection anti-bruit.
3. Gardez les protections en place et en bon état. Rien ne doit entraver le libre jeu de carter mobile de sécurité. Avant chaque utilisation de la machine assurez-vous qu'il fonctionne normalement (effacement et retour).  
**ATTENTION** : en cas de chute de la machine, ce carter peut se déformer, et ne plus jouer librement.
4. Ne vous servez pas de lames déformées ou fisurées.
5. Ne vous servez pas de lames en acier rapide.
6. N'arrêtez pas la lame de scie en exerçant une pression latérale.
7. Gardez les lames propres et affûtées, pour éviter bourrage et recul.
8. **DANGER** :  
Gardez les mains à l'écart de la lame et de la zone de coupe.  
Quand la lame tourne ne portez pas les mains sous la scie et ne tentez pas de retirer les fragments sciés.  
**ATTENTION** : la lame continue à tourner une fois le contact coupé.
9. Soutenez les pièces de grande dimension. (Fig. 1 et 2)  
Les panneaux de grande dimension doivent être soutenus, comme sur la Fig. 1, afin de réduire les risques de pinçage de la lame ou de choc en retour.  
Vous devez choisir votre sens de travail de telle manière que la partie droite de la scie se trouve placée du côté où la chute va se détacher.
10. Garde de refente.  
Utilisez toujours une garde ou un guide parallèle quand vous refendez.
11. Contre le recul. (Fig. 1 et 3)  
Le blocage accidentel de la lame peut provoquer un recul brusque et dangereux. Dans ce cas, relâchez immédiatement l'interrupteur. Gardez les lames affûtées, soutenez les grandes portées comme indiqué sur la Fig. 1. Servez-vous de garde ou de guide parallèle quand vous refendez. Ne forcez jamais l'outil. Restez vigilant et gardez la maîtrise de votre outil. Ne retirez pas la lame du matériau au cours d'un sciage pendant qu'elle tourne encore.  
Ne mettez JAMAIS vos mains derrière la scie. En cas de recul, la scie risque de sauter en arrière et de vous blesser sévèrement.
12. Carter mobile de sécurité  
Relevez le au moyen du saillant latéral.
13. Réglages.  
Avant de scier, assurez-vous que la profondeur et l'angle de coupe sont bien réglés.
14. Ne montez sur l'outil que des lames adaptées : diamètre et alésage conformes aux spécifications pour ce modèle ; flasque et vis de fixation adaptés.
15. Attention aux clous.  
Retirez-les avec soin du matériau avant de scier.
16. Sciez toujours en assurant bien votre main et le matériau.  
**AVERTISSEMENT** :  
Il est important de soutenir correctement la pièce et de tenir fermement votre scie ; toute perte de contrôle pourrait entraîner un grave accident. La Fig. 4 vous montre comment il faut tenir votre outil.
17. La partie la plus large de la base de la scie doit reposer sur la partie soutenue de la pièce à scier, et non sur la partie destinée à tomber au sciage. La Fig. 5 vous montre la manière CORRECTE de scier l'extrémité d'une planche et la Fig. 6 la façon INCORRECTE. Si la pièce à couper est de petite taille, immobilisez-la avec un serre-joint : **N'ESSAYEZ PAS DE LA TENIR SEULEMENT AVEC VOTRE MAIN.** (Fig. 6)
18. Ne tentez jamais de scier en bloquant dans un étau la scie lame en l'air. C'est fort dangereux et risque d'entraîner de graves accidents. (Fig. 7)
19. Une fois le sciage terminé et avant de reposer la scie, assurez-vous que le carter mobile de protection coiffe complètement la lame, et que celle-ci est complètement arrêtée.

- 20. Utilisation des données du fabricant**
- Assurez-vous que le diamètre, l'épaisseur et les autres caractéristiques de la lame de scie sont adaptées à l'outil ;
  - Assurez-vous que la lame de scie est adaptée à la vitesse d'axe de l'outil.
- 21. N'utilisez aucun disque abrasif.**

## CONSERVEZ CES INSTRUCTIONS.

## MODE D'EMPLOI

### Engager et retirer la batterie (Fig. 8)

- L'alimentation doit être coupée (interrupteur à l'arrêt).
- Pour enlever la batterie, retirez-la de l'outil en faisant glisser le bouton situé sur le côté de la batterie.

### Recharge (Fig. 9)

1. Brancher le chargeur de batterie dans la prise d'alimentation secteur. Deux témoins de charge clignoteront en vert de façon répétée.
2. Insérer la batterie dans le chargeur jusqu'à ce qu'elle s'arrête, ajustée sur le guide du chargeur. Le couvre-bornes du chargeur peut être ouvert en insérant la batterie, et fermé en la retirant.
3. Lorsque la batterie est insérée la couleur de témoin de charge passe du vert au rouge et la charge commence. Le témoin de charge demeure continuellement allumé pendant la charge. L'allumage d'un témoin de charge en rouge indique un niveau de charge de 0% à 80%, tandis que l'allumage de deux témoins de charge en rouge indique un niveau de charge de 80% à 100%.
4. Une fois la charge terminée, la couleur des deux témoins de charge passe du rouge au vert. Les temps de charge sont les suivants :
5. Si vous laissez la batterie dans le chargeur une fois le cycle de charge terminé, le chargeur passe en mode de "charge de compensation (charge d'entretien)" pour environ 24 heures.
6. Après la charge, débranchez le chargeur de la prise d'alimentation secteur.

Type de batterie	Capacité (mAh)	Nombre d'accus	Durée de recharge (DC24SA)	Durée de recharge (DC24WA)
BH2420 (Ni-MH)	2 000	20	Environ 30 mn	Environ 55 mn
BH2433 (Ni-MH)	3 300	20	Environ 60 mn	Environ 90 mn

### Système de refroidissement (DC24SA seulement)

- Ce chargeur est doté d'un ventilateur de refroidissement pour batterie chaude afin de permettre à la batterie de fournir son plein rendement. Un son de refroidissement d'air s'échappe pendant le refroidissement, ce qui signifie que le chargeur fonctionne correctement.
- Un témoin jaune d'avertissement clignote dans les cas suivants.
  - Problème de ventilateur de refroidissement.
  - Refroidissement insuffisant de la batterie, causé par une accumulation de poussière, etc.
 La batterie peut être chargée même si le témoin jaune d'avertissement est allumé. Mais dans ce cas, le temps de charge sera plus long que d'ordinaire. Vérifier le son du ventilateur de refroidissement, ainsi que les événements du chargeur et de la batterie, où s'accumule parfois de la poussière.
- Le système de refroidissement fonctionne normalement si le témoin jaune d'avertissement ne clignote pas, et ce même si aucun son ne provient du ventilateur de refroidissement.
- Toujours garder les événements du chargeur et de la batterie propres pour permettre le refroidissement.
- Si le témoin jaune d'avertissement clignote souvent, les produits devraient être envoyés pour réparation ou entretien.

### Charge de remise en condition (DC24SA seulement)

La charge de remise en condition peut faire augmenter la durée de vie de la batterie en effectuant automatiquement une recherche du niveau de charge optimale des batteries dans toute situation.

Les batteries utilisées à plusieurs reprises dans les conditions suivantes s'usent rapidement, et le témoin jaune d'avertissement peut se mettre alors à clignoter.

1. Recharge de la batterie alors qu'elle est très chaude.
  2. Recharge de la batterie alors qu'elle est très froide.
  3. Recharge d'une batterie déjà complètement chargée.
  4. Décharge excessive de la batterie (continuer de décharger la batterie malgré l'absence d'alimentation).
  5. Recharge malgré un bris du système de refroidissement.
- Le temps de charge est alors plus long que d'ordinaire.

## Charge de compensation (charge d'entretien)

Si vous laissez la batterie dans le chargeur pour éviter toute décharge spontanée après une recharge complète, le chargeur passe en mode de "charge de compensation (charge d'entretien)" pour maintenir la batterie fraîche et rechargée à plein.

## Conseils pour obtenir la durée de service maximale de la batterie

1. Rechargez la batterie avant qu'elle ne soit complètement déchargée.  
Arrêtez toujours l'outil et rechargez la batterie quand vous remarquez que la puissance de l'outil diminue.
2. Ne rechargez jamais une batterie complètement chargée.  
Une surcharge réduira la durée de service de la batterie.
3. Rechargez la batterie à une température ambiante comprise entre 10°C et 40°C.  
Si la batterie est chaude, laissez-la refroidir avant de la recharger.
4. Rechargez la batterie à hydrure métallique de nickel lorsqu'elle reste inutilisée pour plus de six mois.

### ATTENTION :

- Le chargeur de batterie est conçu pour les batteries Makita. Ne jamais l'utiliser à d'autres fins ou avec les batteries d'autres fabricants.
- Lorsque vous chargez une batterie neuve ou qui est restée inutilisée pendant une longue période, il est possible qu'elle ne puisse pas être complètement chargée.  
Il s'agit d'une situation normale, qui n'indique aucune anomalie. Vous pourrez effectuer une charge optimale de la batterie après l'avoir complètement déchargée puis rechargée à quelques reprises.
- Si vous chargez une batterie qui vient juste d'être utilisée avec un outil, ou bien une batterie qui a été laissée dans un endroit exposé aux rayons directs du soleil pour une longue période, il se peut que le témoin de charge clignote en rouge. Dans un tel cas, attendez un moment. Lorsque la température de la batterie est supérieure à environ 70°C, deux témoins de charge peuvent clignoter en rouge, tandis qu'à une température d'environ 50°C à 70°C, un seul témoin clignote en rouge. La charge commencera une fois la batterie refroidie par le ventilateur de refroidissement installé dans le chargeur (DC24SA seulement).
- Si le témoin de charge clignote alternativement en vert et en rouge, la charge n'est pas possible. Les bornes du chargeur ou de la batterie sont alors bloquées par la poussière, ou bien la batterie est soit usée, soit endommagée.
- Les situations suivantes indiquent des dommages à la batterie et/ou au chargeur. Demandez alors à votre revendeur Makita autorisé ou à un centre de service de les vérifier.
  - 1) Le témoin de charge ne clignote pas (en vert) lorsque le chargeur de batterie est branché sur le secteur.
  - 2) Le témoin de charge ne s'allume pas ou ne clignote pas (en rouge) lorsque la batterie est insérée dans l'orifice.
  - 3) La charge n'est toujours pas terminée même plus de deux heures après l'allumage du témoin rouge au début de la charge.

## Pose et dépose de la lame

### Important :

Assurez-vous toujours que l'outil est éteint et que la batterie est retirée avant de monter ou de démonter la lame.

Avec cet outil, vous pouvez utiliser les lames suivantes :

Dia. max.	Dia. min.	Épaisseur	Trait de scie
190 mm	170 mm	1,6 mm ou moins	1,9 mm ou plus

L'épaisseur du couteau diviseur est de 1,8 mm.

### ATTENTION :

- Ne vous servez pas de lames dont les caractéristiques ne correspondent pas à celles spécifiées sur cette notice.
- Ne vous servez pas de lames dont le disque est plus épais ou dont le jeu est plus petit que l'épaisseur du couteau diviseur.

Pour retirer la lame, appuyez sur le blocage de l'arbre de façon que la lame ne puisse plus tourner, et desserrez le boulon vers la gauche à l'aide de la clé hexagonale. Puis, retirez le boulon, la flasque extérieure et la lame.

### (Fig. 10)

Pour installer la lame, procédez dans l'ordre inverse.  
**SERREZ BIEN LE BOULON A FOND. (Fig. 11)**

### ATTENTION :

- Assurez-vous que les dents de la lame pointent vers l'avant de l'outil.
- Utilisez exclusivement une clé hexagonale Makita pour le montage et le démontage de la lame.

## Réglage du couteau diviseur (Fig. 12)

Pour régler le couteau diviseur, desserrez le boulon à tête hexagonale à l'aide de la clé hexagonale, puis relevez le carter de sécurité (protection de sécurité). Déplacez le couteau diviseur vers le haut ou vers le bas sur la saillie pour obtenir les réglages indiqués à la **Fig. 12**, de façon à obtenir l'écart approprié entre le couteau diviseur et la lame de scie.

### ATTENTION :

Assurez-vous que le couteau diviseur est réglé de façon que : La distance entre le couteau diviseur et le rebord denté de la lame ne dépasse pas 5 mm. Le rebord denté de la lame ne dépasse pas de plus de 5 mm du bord inférieur du couteau diviseur.

## Rangement de la clé hexagonale (Fig. 13)

Lorsque vous ne vous servez pas de la clé hexagonale, vous pouvez la ranger, ce qui est très pratique.

### ATTENTION :

Assurez-vous toujours que l'outil est éteint et que la batterie est retirée avant de procéder aux réglages.

### Réglage de la profondeur de coupe (Fig. 14)

Desserrez le levier du guide de profondeur et déplacez la table vers le haut ou vers le bas. A la profondeur de coupe voulue, fixez la table en serrant le levier.

ATTENTION :

- Utilisez une faible profondeur de coupe avec les matériaux minces, pour obtenir une coupe plus nette et travailler en toute sécurité.
- Après avoir réglé la profondeur de coupe, resserrez le levier à fond.

### Coupe en biais (Fig. 15 et 16)

Desserrez les vis de serrage à l'avant et à l'arrière. Faites le réglage en inclinant selon l'angle désiré (0° à 50°), puis serrez fermement les vis de serrage.

Utilisez la butée de 45° lorsque vous devez faire avec précision une coupe de 45°. Tournez complètement le levier dans le sens des aiguilles d'une montre pour les coupes en biais (0° à 45°), et tournez-le en sens inverse pour les coupes en biais de 0° à 50°.

### Réglage de précision pour les coupes de 90° et de 45° (coupe verticale et coupe de 45°) (Fig. 17 et 18)

Ce réglage a été effectué en usine. En cas de dérèglement, ajustez les vis de réglage avec un tournevis, en plaçant la lame à 90° ou à 45° par rapport à la base à l'aide d'une équerre ordinaire, d'une équerre d'onglet, etc.

ATTENTION :

Après avoir réglé la profondeur de coupe et l'angle de coupe en biais, assurez-vous de serrer le guide de profondeur ainsi que les vis de serrage à l'avant et à l'arrière.

### Visée (Fig. 19)

Pour des coupes rectilignes, alignez l'encoche de droite située à l'avant de la base avec votre ligne de coupe sur la pièce à travailler. Pour les coupes en biais de 45°, ajustez l'encoche de gauche sur la ligne de coupe.

### Interrupteur (Fig. 20)

ATTENTION :

Avant d'insérer la batterie dans l'outil, assurez-vous toujours que la gâchette fonctionne correctement et qu'elle revient à la position "OFF" quand vous la relâchez.

Pour éviter que la gâchette ne se déclenche accidentellement, l'outil possède un bouton de sécurité.

Pour mettre l'outil en marche, appuyez sur le bouton de sécurité et tirez sur la gâchette. Pour arrêter l'outil, relâchez la gâchette.

### Opération (Fig. 21)

Tenez l'outil fermement. Placez la table sur le bois à couper sans que la lame soit en contact. Puis, mettez l'outil en marche et attendez que la lame ait atteint sa vitesse de régime. Déplacez alors simplement l'outil vers l'avant sur la surface de la pièce, en la maintenant bien à plat et en avançant doucement jusqu'à la fin du sciage. Pour obtenir des coupes nettes, gardez bien droite votre ligne de sciage et bien régulière votre vitesse de progression.

ATTENTION :

- Insérez toujours la batterie bien à fond, jusqu'à ce qu'elle se mette en place en émettant un déclic. Si vous pouvez voir la partie rouge du côté supérieur du bouton, elle n'est pas complètement verrouillée. Insérez-la complètement, jusqu'à ce que la partie rouge ne soit plus visible. Sinon, elle pourrait tomber accidentellement de l'outil, risquant de vous blesser ou de blesser quelqu'un se trouvant près de vous.
- Lorsque vous faites fonctionner l'outil au-dessus de la tête, assurez-vous toujours que la batterie est bien verrouillée, afin qu'elle ne tombe pas de l'outil. Sinon, elle pourrait tomber accidentellement de l'outil, risquant de vous blesser ou de blesser quelqu'un se trouvant près de vous.
- Le couteau diviseur devra toujours être utilisé, sauf lorsque vous attaquez une pièce par le milieu.
- N'arrêtez pas la lame de scie en exerçant une pression latérale dessus.
- Continuez de pousser doucement l'outil droit devant vous pendant la coupe. Ne forcez pas sur l'outil et ne lui infligez pas de torsion car cela provoquerait une surchauffe du moteur et un choc en retour dangereux qui pourrait vous blesser grièvement.
- Si l'outil fonctionne sans interruption jusqu'à ce que la batterie soit épuisée, laissez-le reposer pendant 15 minutes avant de recommencer avec une batterie fraîche.

### Garde de refente (guide parallèle) (Fig. 22)

La garde de refente (guide parallèle) vous permet de réaliser des coupes droites et d'une parfaite précision. Glissez simplement la garde de refente contre le côté de la pièce à scier, et fixez-la en position à l'aide de la vis de serrage, sur l'avant de la table. Elle vous permet en outre d'exécuter des coupes répétées pour une largeur uniforme.

### Raccord d'aspiration (Fig. 23 et 24)

Pour effectuer un sciage propre, raccordez un aspirateur à l'outil. Fixez le raccord sur l'outil à l'aide des vis. Puis, raccordez le tuyau de l'aspirateur au raccord.

## ENTRETIEN

ATTENTION :

Assurez-vous toujours que l'outil est hors tension et que la batterie a été enlevée avant d'effectuer toute intervention sur l'outil.

### Remplacement des charbons (Fig. 25 et 26)

Dès que l'un des charbons atteint son repère d'usure, remplacez la paire (par des charbons de même type).

Pour votre sécurité et la fiabilité du produit, les réparations, la maintenance de cet appareil doit être confiée à un Centre d'Entretien MAKITA.

## Übersicht

1	Anordnung der Werkstückunterlagen zur Vermeidung von Rückschlag.	11	Spindelarretrierung	27	Für 45°-Schnitte
2	Werkstück nicht zu weit von der Schnittstelle abstützen.	12	Sägeblatt	28	Für gerade Schnitte
3	Beispiel der richtigen Handhaltung und Abstützung des Werkstücks.	13	Außenflansch	29	Gleitschuh
4	Entriegelungsknopf	14	Schraube	30	Schnittlinie
5	Blockakku	15	Innenflansch	31	Einschaltsperr
6	Ladegerät	16	Einstellvorsprünge	32	Ein-Aus-Schalter
7	Ladekontrolleuchten	17	Innensechskantschraube	33	Parallelanschlag (Führungslineaal)
8	Kontaktabdeckung	18	Schnittiefe	34	Absaugstutzen
9	Inbusschlüssel	19	Hebel	35	Schrauben
10	Lösen (entgegen dem Uhrzeigersinn)	20	Feststellschraube	36	Schlauch von 28 mm Innendurchm.
		21	Hebel	37	Staubsauger
		22	Schräge Fläche	38	Verschleißgrenze
		23	Gleitschuh	39	Bürstenhalterkappe
		24	Einstellschraube für 90°	40	Schraubendreher
		25	Einstellschraube für 45°		
		26	Einsteldreieck		

## TECHNISCHE DATEN

<b>Modell</b>	<b>BSR730</b>
Sägeblatt ø .....	190 mm
Max. Schnittiefe	
90° .....	66 mm
45° .....	47 mm
50° .....	42 mm
Leerlaufdrehzahl (min <sup>-1</sup> ) .....	2 400
Gesamtlänge .....	378 mm
Nettogewicht .....	4,6 kg
Nennspannung .....	24 V

- Wir behalten uns vor, Änderungen im Zuge der Entwicklung und des technischen Fortschritts ohne vorherige Ankündigung vorzunehmen.
- Hinweis: Die technischen Daten können von Land zu Land abweichen.

### Sicherheitshinweise

Lesen und beachten Sie diese Hinweise, bevor Sie das Gerät benutzen.

## WICHTIGE SICHERHEITSHINWEISE FÜR LADEGERÄT UND AKKU

1. **DIESE ANWEISUNGEN GUT AUFBEWAHREN** — Diese Betriebsanleitung enthält wichtige Sicherheits- und Gebrauchsanweisungen für das Ladegerät.
2. Lesen Sie vor der Benutzung des Ladegerätes alle Anweisungen und Warnhinweise, die auf (1) Ladegerät, (2) Akku und (3) Akkugerät angegeben sind.
3. **VORSICHT** — Um die Verletzungsgefahr zu reduzieren, dürfen nur **MAKITA-Akkus** verwendet werden. Andere Akkutypen können platzen und Verletzungen oder Sachschäden verursachen.
4. Setzen Sie das Ladegerät weder Regen noch Schnee aus.
5. Die Verwendung von Zubehör, das nicht vom Ladegeräte-Hersteller empfohlen oder verkauft wird, kann einen Brand, elektrische Schläge oder Verletzungen verursachen.

6. **Um Beschädigung des Netzsteckers und Netzkabels zu vermeiden, ziehen Sie beim Trennen des Ladegerätes vom Stromnetz nicht am Kabel, sondern nur am Stecker.**
7. **Verlegen Sie das Netzkabel so, daß niemand darauf tritt oder darüber stolpert, und daß es keinen sonstigen schädlichen Einflüssen oder Belastungen ausgesetzt wird.**
8. **Betreiben Sie das Ladegerät nicht mit einem beschädigten Netzkabel oder Netzstecker — beschädigte Teile sind unverzüglich auszuwechseln.**
9. **Betreiben Sie das Ladegerät nicht, wenn es starken Erschütterungen ausgesetzt, fallengelassen oder sonstwie beschädigt wurde. Bringen Sie es zu einem qualifizierten Kundendiensttechniker.**
10. **Versuchen Sie nicht, das Ladegerät oder den Akku zu zerlegen. Bringen Sie das Teil zu einem qualifizierten Kundendiensttechniker, wenn Wartungs- oder Reparaturarbeiten erforderlich sind. Falscher Zusammenbau kann die Ursache für elektrische Schläge oder einen Brand sein.**
11. **Um die Gefahr von elektrischen Schlägen auszuschließen, trennen Sie das Ladegerät vom Stromnetz, bevor Sie mit Wartungs- oder Reinigungsarbeiten beginnen. Das bloße Ausschalten des Gerätes bewirkt keine Verringerung dieser Gefahr.**
12. **Das Ladegerät sollte nicht von kleinen Kindern oder gebrechlichen Personen ohne Beaufsichtigung benutzt werden.**
13. **Kleine Kinder sollten beaufsichtigt werden, um sicherzugehen, daß sie nicht mit dem Ladegerät spielen.**

## ZUSÄTZLICHE SICHERHEITSGEDELN FÜR LADEGERÄT UND AKKU

1. Laden Sie den Akku nicht bei Temperaturen **UNTER 10°C** oder **ÜBER 40°C**.
2. Das Ladegerät darf nicht an einen Aufwärtstransformator, Generator oder eine Gleichstrom-Steckdose angeschlossen werden.
3. Achten Sie darauf, daß die Lüftungsschlitze des Ladegerätes nicht abgedeckt oder blockiert werden.



4. Der Akku darf nicht kurzgeschlossen werden:
  - (1) Die Kontakte dürfen nicht mit leitfähigem Material berührt werden.
  - (2) Lagern Sie den Akku nicht in einem Behälter zusammen mit anderen Metallgegenständen, wie z.B. Nägel, Münzen usw.
  - (3) Setzen Sie den Akku weder Wasser noch Regen aus.  
Ein Kurzschluß des Akkus verursacht starken Stromfluß, der Überhitzung, Verbrennungen und einen Defekt zur Folge haben kann.
5. Lagern Sie Maschine und Akku nicht an Orten, an denen die Temperatur 50 °C erreichen oder überschreiten kann.
6. Versuchen Sie niemals, den Akku zu verbrennen, selbst wenn er stark beschädigt oder vollkommen verbraucht ist. Der Akku kann im Feuer explodieren.
7. Achten Sie darauf, daß der Akku nicht fallengelassen, Erschütterungen oder Stößen ausgesetzt wird.
8. Laden Sie den Akku niemals in einem Karton oder einem geschlossenen Behälter. Der Akku darf nur an einem gut belüfteten Ort geladen werden.
9. Keine Sägeblätter aus hochlegiertem Schnellarbeitsstahl (HSS) verwenden.
10. Das Sägeblatt nicht durch seitlichen Druck zum Stillstand bringen.
11. Nur scharfe Sägeblätter in gutem Zustand verwenden; um ein Einklemmen oder einen Rückschlag möglichst zu vermeiden.
12. **ACHTUNG:**  
Niemals die Schneidezähne berühren (Verletzungsgefahr). Nicht unter das Werkstück fassen, während das Sägeblatt läuft.  
**VORSICHT:** Sägeblatt läuft nach dem Abschalten nach.
13. Große Werkstücke müssen in der Nähe des Schnittes abgestützt werden, um ein Einklemmen des Sägeblatts oder einen Rückschlag möglichst zu vermeiden. (Abb. 1 und 2).  
Werkstücke nicht in zu großer Entfernung vom Schnitt abstützen.
14. Bei Längsschnitten immer einen Parallelanschlag oder eine Führungsscheine verwenden.
15. Maschine gegen Rückschlag sichern (Abb. 1 und 3)  
Festklemmen bzw. Verkanten des Sägeblatts kann zu gefährlichem Rückschlag (Kickback) der Maschine führen! Schalten Sie die Maschine sofort ab. Um Rückschlag zu vermeiden,
  - 1) verwenden Sie nur scharfe HM-Sägeblätter.
  - 2) unterstützen Sie das Werkstück mit entsprechenden Unterlagen.
  - 3) verwenden Sie den Parallelanschlag bei parallelem Schnittverlauf.
  - 4) Führen Sie die Maschine sicher mit kontrolliertem Druck und unter hoher Aufmerksamkeit.
  - 5) Heben Sie die Maschine bei laufendem Sägeblatt nicht aus dem Werkstück.
  - 6) überlasten Sie die Maschine nicht.  
Während des Schnitvorgangs niemals die Hand bzw. Finger hinter der Maschine halten. Bei Rückschlag der Maschine können schwere Verletzungen verursacht werden.
16. Zum Öffnen der Pendelschutzhaube den Hebel nach hinten ziehen.
17. Überprüfen Sie vor Arbeitsbeginn die Schnittiefen bzw. Winkeleinstellung.
18. Bei der Montage nur auf die Flanschbohrung abgestimmte Sägeblätter verwenden.  
Keine defekten bzw. vom Original abweichende Flansche, Befestigungsschrauben oder Unterlegscheiben verwenden.
19. Vor Arbeitsbeginn das Werkstück auf Nägel o. ä. untersuchen und diese ggf. entfernen.
20. Betreiben Sie die Maschine stets mit korrekter Handhaltung und Werkstückabstützung.  
**WARNUNG:**  
Achten Sie stets auf korrekte Werkstückabstützung und Handhaltung der Säge, um Verlust der Kontrolle über die Säge mit daraus resultierenden Verletzungen zu vermeiden. Abb. 4 zeigt die typische Handhaltung der Säge.

## UMWELTSCHUTZ

Das Gerät ist mit einem Nickel-Cadmium-Akku ausgerüstet. Um eine umweltgerechte Entsorgung zu gewährleisten, bitten wir Sie, folgende Punkte zu beachten:

- Gemäß Europäischer Batterierichtlinie 91/157/EWG und nationaler Gesetzgebung (Batterieverordnung) muß der verbrauchte Akku bei einer öffentlichen Sammelstelle, bei Ihrem Makita Kundendienst oder Ihrem Fachhändler zum Recycling abgegeben werden.
- Werfen Sie den verbrauchten Akku nicht in den Hausmüll, ins Feuer oder ins Wasser.



(Nur für die Schweiz)

- Ihr Beitrag zum Umweltschutz: Bringen Sie bitte die gebrauchte Batterie an eine offizielle Sammelstelle zurück.

## ZUSÄTZLICHE

### SICHERHEITSREGELN FÜR DIE MASCHINE

1. Beachten Sie, daß die Maschine stets betriebsbereit ist, da sie nicht erst an eine Stromquelle angeschlossen werden muß.
2. Tragen Sie während des Betriebs einen Augen- oder Gesichtsschutz. Ebenfalls dringend empfohlen ist das Tragen von Gehörschutz, Schutzhandschuhen und Schutzhandschuhen. Verwenden Sie eine Atemmaske bei stauberzeugenden Arbeiten.
3. Schutzvorrichtungen vor Inbetriebnahme überprüfen und nicht entfernen. Die bewegliche Schutzhaube niemals im geöffneten Zustand verkeilen oder festklemmen. Bewegliche Schutzhaube auf Funktion überprüfen.
4. Nur scharfe Sägeblätter in gutem Zustand verwenden; gesprungene oder verbogene Sägeblätter sofort ersetzen.

17. Maschine, wie in Abb. 5 gezeigt, mit der großen Auflagefläche der Grundplatte auf das nicht abzuschneidende Material setzen. Abb. 6 zeigt die falsche Anwendung. Kurze bzw. kleine Werkstücke müssen während des Schnittvorgangs festgespannt sein – NIEMALS MIT DER HAND HALTEN! (Abb. 6)
18. Die Handkreissäge ist nur für die handgehaltene Verwendung bestimmt. Spannen Sie die Maschine nie in einen Schraubstock o. ä. ein – erhöhte Unfallgefahr! (Abb. 7).
19. Nach dem Bearbeitungsvorgang erst Sägeblatt zum Stillstand kommen lassen, Schutzhaube auf geschlossene Stellung überprüfen und danach absetzen.
20. Anhand der Herstellerdaten
  - sicherstellen, daß Durchmesser, Dicke und andere Eigenschaften des Sägeblatts für die Maschine geeignet sind;
  - sicherstellen, daß das Sägeblatt für die Spindeldrehzahl der Maschine geeignet ist.
21. Verwenden Sie keine Schleifscheiben.

## BEDIENUNGSHINWEISE

### Ein- und Ausbau des Akkus (Abb. 8)

- Schalten Sie vor dem Ein- bzw. Ausbau des Akkus immer die Maschine ab.
- Zum Abnehmen des Akkus ziehen Sie ihn aus der Maschine heraus, während Sie den Entriegelungsknopf an der Seite verschieben.
- Zum Einsetzen des Akkus richten Sie die Führungsfeder des Akkus auf die Nut im Werkzeuggehäuse aus und schieben den Akku hinein. Schieben Sie den Akku stets vollständig ein, bis er mit einem hörbaren Klicken einrastet. Wenn der rote Teil an der Oberseite des Knopfes sichtbar ist, ist der Akku nicht richtig eingaset. Schieben Sie den Akku vollständig ein, bis der rote Teil verschwindet. Anderenfalls kann er aus dem Werkzeug herausfallen und Sie oder umstehende Personen verletzen.
- Beim Einsetzen des Akkus keine Gewalt anwenden. Der Akku muß leicht in die Maschine einzuführen sein.

## BEWAHREN SIE DIESE HINWEISE SORGFÄLTIG AUF.

### Laden (Abb. 9)

1. Schließen Sie das Ladegerät an eine Stromquelle an. Zwei Ladekontrolllampen blinken wiederholt in Grün.
2. Richten Sie den Akku auf die Führung des Ladegerätes aus, und führen Sie ihn bis zum Anschlag ein. Die Kontaktabdeckung des Ladegerätes wird durch Einschieben des Akkus geöffnet und durch Herausziehen des Akkus geschlossen.
3. Sobald der Akku eingesetzt wird, wechselt die Farbe der Ladekontrolllampe von Grün nach Rot, und der Ladevorgang beginnt. Die Ladekontrolllampe leuchtet während des Ladevorgangs ständig. Eine rote Ladekontrolllampe zeigt den Ladezustand von 0 – 80%, und zwei rote Lampen zeigen den Zustand von 80 – 100% an.
4. Nach Abschluss des Ladevorgangs wechselt die Farbe der beiden Ladekontrolllampen von Rot nach Grün. Die Ladezeit ist wie folgt:
5. Wird der Akku nach Abschluss des Ladevorgangs im Ladegerät gelassen, schaltet das Ladegerät auf den Erhaltungslademodus um, der etwa 24 Stunden andauert.
6. Trennen Sie das Ladegerät nach dem Ladevorgang von der Stromquelle.

Akku	Leistung (mAh)	Anzahl der Zellen	Ladezeit mit (DC24SA)	Ladezeit mit (DC24WA)
BH2420 (Ni-MH)	2 000	20	ca. 30 Min.	ca. 55 Min.
BH2433 (Ni-MH)	3 300	20	ca. 60 Min.	ca. 90 Min.

### Kühlsystem (nur für DC24SA)

- Dieses Ladegerät ist mit einem Kühlgebläse für erhitzte Akkus ausgestattet, um die Leistung des Akkus zu verbessern. Das vom Kühlgebläse erzeugte Laufgeräusch ist normal und stellt kein Anzeichen für eine Störung des Ladegerätes dar.
- Eine gelbe Lampe blinkt in den folgenden Fällen als Warnsignal.
  - Störung des Kühlgebläses
  - Unvollständige Kühlung des Akkus, z.B. bei Verstopfung mit Staub
 Der Akku kann trotz der gelben Warnlampe weiter aufgeladen werden. Aber in diesem Fall ist die Ladezeit länger als gewöhnlich.
- Überprüfen Sie das Laufgeräusch des Kühlgebläses und die Ventilationsöffnungen an Ladegerät und Akku, die sich manchmal mit Staub zusetzen können.
- Wenn die gelbe Warnlampe nicht blinkt, ist das Kühlsystem in Ordnung, selbst wenn kein Laufgeräusch des Kühlgebläses vernehmbar ist.
- Halten Sie die Ventilationsöffnungen an Ladegerät und Akku stets sauber, um einwandfreie Kühlung zu gewährleisten.
- Falls die gelbe Warnlampe häufig blinkt, sollten Sie die Produkte zwecks Reparatur oder Wartung einsenden.

## Anpassungsladung (nur für DC24SA)

Eine Anpassungsladung kann die Lebensdauer eines Akkus dadurch verlängern, dass in jeder Situation automatisch die optimalen Ladebedingungen für den Akku gesucht werden.

Wird ein Akku wiederholt den folgenden Bedingungen ausgesetzt, wird er bald erschöpft sein, und die gelbe Warnlampe kann blinken.

1. Nachladen eines Akkus bei hoher Temperatur
2. Nachladen eines Akkus bei niedriger Temperatur
3. Nachladen eines voll aufgeladenen Akkus
4. Übermäßiges Entladen eines Akkus (fortgesetztes Entladen eines bereits erschöpften Akkus.)
5. Nachladen mit beschädigtem Kühlsystem

Die Ladezeit eines solchen Akkus ist länger als gewöhnlich.

## Erhaltungsladung

Wird der Akku im Ladegerät gelassen, um Selbstentladung nach einer vollen Ladung zu vermeiden, schaltet das Ladegerät auf den Erhaltungslademodus um, so daß der Akku frisch und voll geladen bleibt.

## Tips zur Erhaltung der maximalen Akkuliebensdauer

1. Laden Sie den Akku, bevor er vollkommen entladen ist.  
Schalten Sie stets die Maschine aus und laden Sie den Akku, wenn Sie ein Nachlassen der Maschineleistung bemerken.
2. Unterlassen Sie erneutes Laden eines voll geladenen Akkus.  
Überladen verkürzt die Lebensdauer des Akkus.
3. Laden Sie den Akku bei Raumtemperatur (10°C bis 40°C).  
Lassen Sie einen heißen Akku vor dem Laden abkühlen.
4. Der Nickel-Metallhydrid-Akku muss geladen werden, wenn er länger als sechs Monate nicht benutzt worden ist.

### VORSICHT:

- Das Ladegerät ist ausschließlich zum Laden von Makita-Akkus vorgesehen. Verwenden Sie es auf keinen Fall für einen anderen Zweck oder zum Laden von Akkus anderer Fabrikate.
- Wenn Sie einen neuen oder längere Zeit unbenutzten Akku laden, wird möglicherweise keine volle Ladung erzielt. Dies ist normal und stellt kein Anzeichen für eine Störung dar. Der Akku lässt sich vollkommen aufladen, nachdem er ein paar mal vollständig entladen und wieder aufgeladen worden ist.
- Wenn Sie einen Akku laden, der von einem kurz zuvor benutzten Werkzeug abgenommen wurde, oder der längere Zeit direkter Sonnenbestrahlung ausgesetzt war, kann die Ladekontrolllampe in Rot blinken. Warten Sie in diesem Fall eine Weile. Wenn die Temperatur des Akkus mehr als 70°C beträgt, blinken zwei Ladekontrolllampen in Rot, während bei einer Temperatur von ca. 50°C – 70°C eine Ladekontrolllampe in Rot blinken kann. Der Ladevorgang beginnt, sobald der Akku von dem im Ladegerät eingebauten Kühlgebläse abgekühlt worden ist (nur für DC24SA).
- Falls die Ladekontrolllampe abwechselnd in Grün und Rot blinkt, liegt eine Störung vor, und der Akku kann nicht geladen werden. Möglicherweise sind die Kontakte des Ladegerätes oder des Akkus verschmutzt, oder der Akku ist verbraucht oder beschädigt.
- Jeder der folgenden Zustände zeigt eine Beschädigung von Ladegerät und/oder Akku an. Lassen Sie eine Überprüfung von einem Makita-Vertragshändler oder einem Makita-Kundendienstzentrum durchführen.
  - 1) Die Ladekontrolllampe blinkt nicht (grün), wenn das Ladegerät an eine Netzsteckdose angeschlossen wird.
  - 2) Die Ladekontrolllampe leuchtet nicht auf oder blinkt (rot), wenn der Akku in die Öffnung des Ladegerätes eingesetzt wird.
  - 3) Der Ladevorgang ist mehr als zwei Stunden nach dem Aufleuchten der roten Lampe am Beginn des Ladevorgangs noch nicht beendet.

## Montage und Demontage des Sägeblatts

### Wichtig:

Vergewissern Sie sich vor dem Demontieren oder Montieren des Sägeblatts stets, daß die Maschine ausgeschaltet und der Akku abgenommen ist.

Sägeblätter der folgenden Abmessungen können mit dieser Maschine verwendet werden.

Max. Durchm.	Min. Durchm.	Sägeblatt-dicke	Schnitt-breite
190 mm	170 mm	max. 1,6 mm	min. 1,9 mm

Die Dicke des Spaltkeils beträgt 1,8 mm.

### VORSICHT:

- Sägeblätter, die nicht den hier angegebenen Spezifikationen entsprechen, dürfen nicht verwendet werden.
- Verwenden Sie keine Sägeblätter, deren Dicke größer oder deren Schnittbreite kleiner als die Dicke des Spaltkeils ist.

Zur Demontage des Sägeblatts drücken Sie die Spindelarrätierung, um das Sägeblatt am Drehen zu hindern, und lösen die Schraube durch Linksdrehung des Inbusschlüssels. Nehmen Sie dann Schraube, Außenflansch und Sägeblatt ab. **(Abb. 10)**

Zur Montage des Sägeblatts wenden Sie das Demontageverfahren in umgekehrter Reihenfolge an.

**DIE SCHRAUBE FEST ANZIEHEN. (Abb. 11)**

#### VORSICHT:

- Montieren Sie das Sägeblatt so, daß seine Zähne an der Vorderseite der Maschine nach oben zeigen.
- Verwenden Sie nur den mitgelieferten Makita-Inbusschlüssel zum Demontieren oder Montieren des Sägeblatts.

#### Einstellung des Spaltkeils (Abb. 12)

Lösen Sie die Innensechskantschraube zur Einstellung des Spaltkeils mit dem Inbusschlüssel, und heben Sie dann die Schutzhaube (Sicherheitsschutz) an. Bewegen Sie den Spaltkeil über den Vorsprung nach oben oder unten, wie in **Abb. 12** gezeigt, um den korrekten Abstand zwischen Spaltkeil und Sägeblatt zu erzielen.

#### VORSICHT:

Vergewissern Sie sich, daß der Spaltkeil wie folgt eingestellt ist: Der Abstand des Spaltkeils zum Zahnkranz des Sägeblatts darf nicht größer als 5 mm sein. Der Zahnkranz darf nicht mehr als 5 mm über die Unterkante des Spaltkeils überstehen.

#### Inbusschlüssel-Aufbewahrung (Abb. 13)

Bei Nichtgebrauch kann der Inbusschlüssel griffbereit an der Maschine aufbewahrt werden.

#### VORSICHT:

Vergewissern Sie sich vor der Durchführung irgendwelcher Einstellungen stets, daß die Maschine ausgeschaltet und der Akku abgenommen ist.

#### Einstellung der Schnitttiefe (Abb. 14)

Lösen Sie den Hebel an der Tiefenführung, und verstellen Sie den Gleitschuh nach oben oder unten. Arretieren Sie den Gleitschuh an der gewünschten Schnitttiefe durch Festziehen des Hebels.

#### VORSICHT:

- Verwenden Sie eine geringe Schnitttiefe für dünne Werkstücke, um Schnitte von größerer Genauigkeit und Sicherheit auszuführen.
- Ziehen Sie den Hebel nach der Einstellung der Schnitttiefe stets fest an.

#### Gehrungsschnitt (Abb. 15 und 16)

Die Feststellschrauben an der Vorder- und Rückseite lösen. Die Maschine auf den gewünschten Winkel (0° – 50°) neigen, und dann die Feststellschrauben sicher festziehen.

Den 45°-Anschlag für genaue 45°-Gehrungsschnitte verwenden. Den Hebel für Gehrungsschnitte von 0° – 45° bis zum Anschlag nach rechts, und für Gehrungsschnitte von 0° – 50° nach links drehen.

#### Einstellung der 90°- und 45°-Schnittgenauigkeit (Vertikal- und 45°-Schnitt) (Abb. 17 und 18)

Diese Einstellung wurde werkseitig vorgenommen. Sollte sie verstellt sein, müssen die Einstellschrauben mit einem Schraubendreher nachjustiert werden, während das Sägeblatt mit Hilfe eines Einstelldreiecks, Anschlagwinkels usw. in den Winkel von 90° bzw. 45° mit dem Gleitschuh gebracht wird.

#### VORSICHT:

Denken Sie nach der Einstellung der Schnitttiefe und des Neigungswinkels daran, den Hebel an der Tiefenführung und die Feststellschrauben an der Vorder- und Rückseite festzuziehen.

#### Schnittlinie (Abb. 19)

Für gerade Schnitte die rechte Kerbe an der Vorderseite des Gleitschuhs auf die Schnittlinie am Werkstück ausrichten. Für Gehrungsschnitte von 45° die linke Kerbe auf die Schnittlinie ausrichten.

#### Schalterbedienung (Abb. 20)

#### VORSICHT:

Vergewissern Sie sich vor dem Einsetzen des Akkus in die Maschine stets, daß der Ein-Aus-Schalter ordnungsgemäß funktioniert und beim Loslassen in die AUS-Stellung zurückkehrt.

Um versehentliche Betätigung des Ein-Aus-Schalters zu verhüten, ist die Maschine mit einer Einschaltsperrung ausgestattet.

Zum Starten der Maschine betätigen Sie den Ein-Aus-Schalter bei gedrückter Einschaltsperrung. Zum Anhalten lassen Sie den Ein-Aus-Schalter los.

#### Betrieb (Abb. 21)

Halten Sie die Maschine mit festem Griff. Setzen Sie den Gleitschuh auf das zu schneidende Werkstück auf, ohne daß das Sägeblatt mit ihm in Berührung kommt. Schalten Sie dann die Maschine ein und warten Sie, bis das Sägeblatt die volle Drehzahl erreicht hat. Schieben Sie nun die Maschine flach und gleichmäßig über die Oberfläche des Werkstücks vor, bis der Schnitt vollendet ist. Um saubere Schnitte zu erzielen, halten Sie eine gerade Schnittlinie und eine gleichmäßige Vorschubgeschwindigkeit ein.

#### VORSICHT:

- Schieben Sie den Akku stets vollständig ein, bis er einrastet. Wenn der rote Teil an der Oberseite des Knopfes sichtbar ist, ist der Akku nicht richtig eingerastet. Schieben Sie den Akku vollständig ein, bis der rote Teil verschwindet. Andernfalls kann er aus dem Werkzeug herausfallen und Sie oder umstehende Personen verletzen.
- Vergewissern Sie sich bei der Ausführung von Überkopparbeiten stets, dass der Akku einwandfrei eingerastet ist, damit er nicht aus dem Werkzeug herausfällt. Andernfalls kann er aus dem Werkzeug herausfallen und Sie oder umstehende Personen verletzen.
- Der Spaltkeil muß, außer bei Tauchschnitten, immer ordnungsgemäß montiert sein.
- Bremsen Sie die Maschine nicht durch seitlichen Druck auf das Sägeblatt ab.
- Schieben Sie die Maschine beim Schneiden stets sachte vor. Übermäßige Druckausübung oder Verdrehen der Maschine bewirken Überhitzung des Motors und gefährliche Rückschläge, die möglicherweise zu schweren Verletzungen führen können.
- Wenn die Maschine im Dauerbetrieb bis zur vollkommenen Entladung des Akkus benutzt wurde, lassen Sie die Maschine vor dem Fortsetzen des Betriebs mit einem frischen Akku 15 Minuten lang ruhen.

#### Parallelanschlag (Führungslinial) (Abb. 22)

Der praktische Parallelanschlag (Führungslinial) ermöglicht die Ausführung besonders genauer Geradschnitte. Schieben Sie den Parallelanschlag einfach satt anliegend gegen die Werkstückkante, und sichern Sie ihn mit der Feststellschraube an der Vorderseite des Gleitschuhs. Wiederholte Schnitte auf gleiche Breite sind ebenfalls möglich.

### **Absaugstutzen (Abb. 23 und 24)**

Um größere Sauberkeit bei der Arbeit zu erzielen, kann ein Staubsauger an die Maschine angeschlossen werden. Montieren Sie den Absaugstutzen mit den Schrauben an der Maschine. Schließen Sie dann den Schlauch eines Staubsaugers an den Stutzen an.

### **WARTUNG**

VORSICHT:

Vor Arbeiten am Gerät vergewissern Sie sich, daß sich der Schalter in der "OFF"- Position befindet und der Akku aus dem Gerät entfernt ist.

### **Kohlebürsten wechseln (Abb. 25 und 26)**

Kohlebürsten ersetzen, wenn sie bis auf die Verschleißgrenze abgenutzt sind. Beide Kohlebürsten nur paarweise ersetzen.

Um die Sicherheit und Zuverlässigkeit dieses Gerätes zu gewährleisten, sollten Reparatur-, Wartungs-, und Einstellarbeiten nur von durch Makita autorisierten Werkstätten oder Kundendienstzentren unter ausschließlicher Verwendung von Makita-Originalersatzteilen ausgeführt werden.

### Visione generale

1	Per evitare i contraccolpi è necessario supportare la tavola o pannello vicino al taglio.	10	Per allentare (senso antiorario)	26	Squadra triangolare
2	Non supportare la tavola o pannello lontano dal taglio.	11	Bloccaggio albero	27	Per tagli a unghia di 45°
3	Illustrazione tipica del modo corretto di supportare il pezzo e di tenere l'utensile con le mani.	12	Lama	28	Per tagli dritti
4	Bottone	13	Flangia esterna	29	Piastra base
5	Cartuccia batteria	14	Bullone	30	Linea di taglio
6	Caricabatteria	15	Flangia interna	31	Bottone di sblocco
7	Spia di carica	16	Sporgenze di regolazione	32	Interruttore
8	Coperchio terminale	17	Bullone ad esagono incassato	33	Guida pezzo (righello guida)
9	Chiave esagonale	18	Profondità di taglio	34	Bocchettone polvere
		19	Leva	35	Viti
		20	Vite di fissaggio	36	Tube flessibile di 28 mm di diametro
		21	Leva	37	Aspiratore
		22	Superficie inclinata	38	Segno limite
		23	Base	39	Tappo portaspazzole
		24	Vite di registro 90°	40	Cacciavite
		25	Vite di registro 45°		

### DATI TECNICI

<b>Modello</b>	<b>BSR730</b>
Diametro della lama .....	190 mm
Massima profondità di taglio	
90° .....	66 mm
45° .....	47 mm
50° .....	42 mm
Velocità a vuoto (min <sup>-1</sup> ) .....	2.400
Lunghezza totale .....	378 mm
Peso netto .....	4,6 kg
Tensione nominale .....	24 V DC

- Per il nostro programma di ricerca e sviluppo continui, i dati tecnici sono soggetti a modifiche senza preavviso.
- Nota: I dati tecnici potrebbero differire a seconda del paese di destinazione del modello.

### Consigli per la sicurezza

Per la vostra sicurezza, riferitevi alle accluse istruzioni per la sicurezza.

### IMPORTANTI ISTRUZIONI DI SICUREZZA PER IL CARICATORE E PER LA CARTUCCIA BATTERIA

1. **CONSERVARE QUESTE ISTRUZIONI** — Questo manuale contiene istruzioni importanti per l'uso e la sicurezza del caricabatteria.
2. Prima di usare il caricabatteria, leggere tutte le istruzioni e le precauzioni che si trovano (1) sul caricabatteria, (2) sulla batteria e (3) sul prodotto che usa la batteria.
3. **ATTENZIONE** — Per ridurre il rischio di ferirsi, caricare soltanto il tipo di batterie MAKITA ricaricabili. Gli altri tipi di batterie potrebbero scoppiare causando ferite o danni.
4. Non esporre il caricatore alla pioggia o alla neve.
5. L'uso di un accessorio non raccomandato o non venduto dal costruttore del caricatore potrebbe causare un pericolo d'incendio, di scosse elettriche o di ferite alle persone.

6. Per ridurre il rischio di danneggiare il cavo elettrico o la spina, tirare la spina invece del cavo per staccarlo dalla presa di corrente.
7. **Accertarsi che il cavo non si trovi dove potrebbe venire calpestato, fare inciampare od essere altrimenti soggetto a danni o sollecitazioni.**
8. Evitare di usare il caricatore se ha il cavo o la spina danneggiati. Sostituirli immediatamente.
9. Evitare di usare il caricatore se ha ricevuto un forte colpo, se è caduto o se è in qualche modo danneggiato. Farlo riparare da un tecnico qualificato.
10. **Non smontare il caricatore o la cartuccia batteria. Se sono necessarie riparazioni, farli riparare da un tecnico qualificato. Se vengono montati in modo sbagliato, c'è pericolo di scosse elettriche o d'incendio.**
11. Per ridurre il rischio di scosse elettriche, staccare il caricatore dalla presa di corrente prima di eseguire un qualsiasi intervento di manutenzione o pulizia. Tale rischio non viene ridotto spegnendo soltanto il caricatore.
12. Il caricabatteria non deve essere usato dai bambini o dagli infermi senza supervisione.
13. I bambini devono essere sorvegliati perché non giochino con il caricabatteria.

### REGOLE ADDIZIONALI DI SICUREZZA PER IL CARICATORE E PER LA CARTUCCIA BATTERIA

1. Non caricare la cartuccia batteria quando la temperatura è SOTTO i 10° o SOPRA i 40°.
2. Non cercare di usare un trasformatore survolto, un generatore per motori o una presa di corrente continua.
3. Fare attenzione che le aperture di ventilazione non vengano coperte o si intasino.

4. Non cortocircuitare la cartuccia batteria:
  - (1) Non toccare i terminali con un materiale conduttivo.
  - (2) Evitare di conservare la cartuccia batteria in un contenitore insieme con altri oggetti metallici, come chiodi, monete, ecc.
  - (3) Non esporre la cartuccia batteria all'acqua o alla pioggia.

Un cortocircuito della batteria potrebbe causare un grande flusso di corrente, surriscaldamento, possibili bruciature ed anche guasti.
5. Non conservare l'utensile e la cartuccia batteria dove la temperatura potrebbe raggiungere o superare i 50°.
6. Non incinerare la cartuccia batteria, anche se è seriamente danneggiata o completamente consumata. La cartuccia batteria potrebbe esplodere nel fuoco.
7. Fare attenzione a non lasciar cadere, urtare o colpire la batteria.
8. Non caricare la batteria dentro una scatola o un qualsiasi altro tipo di contenitore. Durante la carica, la batteria deve trovarsi in un posto ben ventilato.

### (PER LA SVIZZERA SOLTANTO) PROTEZIONE DELL'AMBIENTE

La Vostra contribuzione per la protezione dell'ambiente:

Porta la batteria al collettivo ufficiale.



### ULTERIORI REGOLE DI SICUREZZA PER L'UTENSILE

1. Tenere a mente che questo utensile è sempre in condizioni operative, in quanto non è necessario collegarlo ad una presa di corrente.
  2. Indossare protezioni alle orecchie.
  3. Mantenere le protezioni al loro posto e in posizione di operazione.
 

Mai fermare oppure legare la protezione inferiore nella posizione aperta. Controllare il movimento della protezione inferiore ogni volta prima di cominciare la lavorazione. Non cominciare la lavorazione se la protezione inferiore non si trova nella sua dovuta posizione vicino alla lama della sega.

**ATTENZIONE:** se si lascia cadere la sega, la protezione inferiore potrebbe piegarsi impedendo il ritorno alla posizione primitiva.
  4. Non usare lame crepate o deformate.
  5. Non usare lame di acciaio ad alta velocità.
  6. Non arrestate la lama esercitando su di essa una pressione laterale.
  7. Mantenere la lama pulita e affilata. Lame ben affilate minimizzano la perdita di velocità e i contraccolpi.
  8. **PERICOLO:**

Mantenere le mani lontane dall'area di lavorazione.

Mantenere le mani lontane dalle lame. Non andare a contatto con pezzi che si trovano sotto la sega mentre la lama è ancora in movimento. Non cercare di rimuovere pezzi tagliati quando la lama è in movimento.
- ATTENZIONE:** Dopo aver tolto la corrente all'utensile la lama continua a girare finché si ferma.
9. Mettere supporti sotto compensati larghi. (Fig. 1 e 2)
 

Compensati larghi richiedono dei supporti come mostrato nella Fig. 1 per minimizzare il rischio di impuntamento oppure di contraccolpo della lama.

Quando l'operazione di taglio richiede di posare la sega sul pezzo da lavorare, la sega dovrà essere posata sulla parte più larga e si tagli il pezzo più stretto.
  10. Usare la guida pezzo.
 

Sempre usare un appoggio oppure una guida pezzo per fare rifilature.
  11. Guardarsi dai contraccolpi. (Fig. 1 e 3)
 

I contraccolpi capitano quando la sega perde rapidamente di velocità e viene spinta indietro l'operatore. Lasciare andare immediatamente l'interruttore se la lama salta oppure perde di velocità. Mantenere le lame affilate. Mettere supporti sotto compensati larghi come si vede nella Fig. 1.

Usare un appoggio oppure una guida dritta per rifilature. Non sforzare l'utensile. Esercitare un controllo continuo. Non staccare la sega dal pezzo sotto lavorazione mentre la lama è ancora in movimento. Mai piazzare le vostre mani oppure dita dietro la sega. Nel caso di contraccolpi la sega potrebbe facilmente fare un balzo indietro sulle vostre dita causando ferite serie.
  12. Protezione inferiore.
 

Sollevare la protezione inferiore con il manico piegevole.
  13. Regolazione.
 

Prima di cominciare la lavorazione assicurarsi che le leve di regolazione della profondità e livello siano ben strette.
  14. Nel montaggio usare Solamente Lame Adatte.
 

Non usare lame con il foro di misura diverso. Mai usare lame, rondelle oppure dadi difettosi oppure non adattati.
  15. Evitare di tagliare chiodi.
 

Ispezionare e rimuovere tutti i chiodi dal legno prima di cominciare la lavorazione.
  16. Tenere saldamente la sega in mano, con il pezzo da lavorare su supporti adatti.
 

**AVVERTIMENTO:**

È importante che il pezzo da lavorare sia supportato in modo appropriato e che la sega sia tenuta saldamente in mano per evitare la perdita di controllo che potrebbe causare lesioni. La Fig. 4 mostra il modo tipico di tenere la sega.
  17. Piazzare la parte più larga della base della sega sulla parte del pezzo da lavorare basata sui supporti e non sulla parte che dovrà cadere durante il taglio. Per es. la Fig. 5 mostra il sistema GIUSTO di taglio dell'estremità di una tavola. La Fig. 6 mostra il sistema SBAGLIATO. Se il pezzo da tagliare è corto oppure piccolo, tagliarlo via. **MAI CERCARE DI TENERE CON LE MANI UN PEZZO CORTO DURANTE IL TAGLIO!** (Fig. 6)
  18. Mai tentare di fare tagli con la sega tenendola nella posizione sottostante. Questo modo di sagare è molto pericoloso e può causare incidenti seri. (Fig. 7)

19. Prima di posare l'utensile dopo aver finito il taglio, assicurarsi che la protezione inferiore (telescopica) è al suo posto e la lama è completamente ferma.
20. L'uso dei dati del fabbricante
  - **assicura che il diametro, lo spessore e le altre caratteristiche della lama siano adatte all'utensile.**
  - **assicura che la lama sia adatta alla velocità del mandrino dell'utensile.**
21. **Non usare dischi abrasivi.**

## CONSERVARE QUESTE ISTRUZIONI.

## ISTRUZIONI PER L'USO

### Inserzione e rimozione della cartuccia (Fig. 8)

- Spegnerne sempre l'utensile prima della inserzione o della rimozione della cartuccia delle batterie.
- Per rimuovere la cartuccia batteria, estrarla dall'utensile spingendo il bottone sul fianco della cartuccia.
- Per inserire la cartuccia batteria, allineare l'appendice sulla cartuccia batteria con la scanalatura dell'alloggiamento e inserirla in posizione. Inserirlo sempre completamente finché non si blocca con un piccolo scatto. Se si vede la parte rossa del lato superiore del bottone, vuol dire che esso non è bloccato completamente. Inserirlo completamente finché la parte rossa non è più visibile. In caso contrario, potrebbe cadere dall'utensile con pericolo di ferite per l'operatore o per chi gli è vicino.
- Non mettere molta pressione quando si inseriscono le batterie a cartuccia. Quando le batterie non entrano bene vuol dire che non sono inserite bene.

### Carica (Fig. 9)

1. Collegare il caricabatteria alla presa di corrente. Due spie di carica lampeggiano ripetutamente in verde.
2. Inserire la cartuccia batteria nel caricatore finché non si arresta regolandola sulla guida del caricatore. Il coperchio del terminale del caricatore si apre quando si inserisce la cartuccia batteria, e si chiude quando la si estrae.
3. Quando si inserisce la cartuccia batteria, il colore della spia di carica cambia da verde a rosso e la carica comincia. La spia di carica rimane continuamente accesa durante la carica.  
Una spia di carica rossa indica la condizione di carica di 0 – 80%, e due spie rosse la condizione di carica di 80 – 100%.
4. Alla fine della carica, il colore delle due spie di carica cambia da rosso a verde. Il tempo di carica è come segue:
5. Se si lascia la cartuccia batteria nel caricatore dopo il completamento del ciclo di carica, il caricatore si dispone nella modalità di "carica centellinare (carica di manutenzione)" che dura circa 24 ore.
6. Dopo la carica, staccare il caricatore dalla presa di corrente.

Tipo di batteria	Capacità (mAh)	Numero di celle	Tempo di carica (DC24SA)	Tempo di carica (DC24WA)
BH2420 (Ni-MH)	2.000	20	30 minuti circa	55 minuti circa
BH2433 (Ni-MH)	3.300	20	60 minuti circa	90 minuti circa

### Sistema di raffreddamento (soltanto per il DC24SA)

- Questo caricatore è dotato di una ventola di raffreddamento per quando la batteria si riscalda, in modo che la batteria possa provare le sue prestazioni. Durante il raffreddamento si sente il rumore dell'aria di raffreddamento che esce, il che significa che non ci sono problemi con il caricatore.
- Una spia di avvertimento lampeggia in giallo nei casi seguenti:
  - Problema della ventola di raffreddamento
  - Raffreddamento incompleto della batteria, come quando c'è un intasamento di polvere
 La batteria può essere caricata anche se c'è la spia gialla di avvertimento. In questo caso, però, il tempo di carica è più lungo del normale.
- Controllare il rumore della ventola di raffreddamento, l'apertura di ventilazione sul caricatore e la batteria per possibili intasamenti di polvere.
- Il sistema di raffreddamento è normale anche se non si sente il rumore della ventola se la spia gialla di avvertimento non lampeggia.
- Per il raffreddamento, mantenere sempre pulita l'apertura di ventilazione del caricatore e della batteria.
- Se la spia gialla di avvertimento lampeggia frequentemente, i prodotti devono essere spediti per la riparazione o la manutenzione.



### Carica di condizionamento (soltanto per il DC24SA)

La carica di condizionamento può estendere la vita della batteria cercando automaticamente la condizione di carica ottimale della batteria in ogni situazione.

La batteria potrebbe usurarsi in poco tempo e la spia gialla di avvertimento lampeggiare se viene usata ripetutamente nelle condizioni seguenti.

1. Quando viene ricaricata alle alte temperature
2. Quando viene ricaricata alle basse temperature
3. Se viene ricaricata quando è completamente carica
4. Se viene scaricata eccessivamente (si continua a scaricare la batteria anche se è deole)
5. Se la si carica quando il sistema di raffreddamento non funziona

Il tempo di carica di tale batteria diventa allora più lungo del normale.

### Carica centellinare (carica di manutenzione)

Se si lasciano le cartucce batteria nel caricatore per evitare che si scarichino da sole dopo una carica completa, il caricatore si dispone nel modo di “carica centellinare (carica di manutenzione)” e mantiene le cartucce batteria completamente cariche.

### Suggerimenti per prolungare al massimo la vita della cartuccia batteria

1. Caricare la cartuccia batteria prima che si scarichi completamente.  
Smettere sempre di usare l'utensile e caricare la cartuccia batteria quando si nota una diminuzione di potenza dell'utensile.
2. Non si deve mai caricare una cartuccia batteria completamente carica.  
La carica eccessiva riduce la vita di servizio della cartuccia batteria.
3. Caricare la cartuccia batteria ad una temperatura ambiente compresa tra i 10°C e i 40°C.  
Aspettare che una cartuccia batteria calda si raffreddi prima di caricarla.
4. Caricare la batteria ibrida al nichel-metallo se non la si usa per più di sei mesi.

#### ATTENZIONE:

- Il caricabatteria serve esclusivamente a caricare le cartucce batteria Makita. Mai usarlo per altri scopi o per caricare batterie di altre marche.
- Quando si carica una nuova cartuccia batteria o una cartuccia batteria che non è stata usata per un lungo periodo di tempo, essa potrebbe non accettare una carica completa. Ciò è normale e non indica un problema. La cartuccia batteria può essere ricaricata completamente dopo che è stata scaricata completamente e ricaricata un paio di volte.
- Se si carica una cartuccia batteria di un utensile appena usato, o una cartuccia batteria che è rimasta per molto tempo in un luogo esposto alla luce diretta del sole, la spia di carica potrebbe lampeggiare in rosso. In tal caso, aspettare qualche tempo. Se la temperatura della batteria supera i 70°C circa, due spie di carica potrebbero lampeggiare in rosso e, se è di 50°C – 70°C, lampeggia in rosso una spia. La carica comincia dopo che la cartuccia batteria è stata raffreddata dalla ventola di raffreddamento del caricatore (soltanto per il DC24SA).
- Se la spia di carica lampeggia alternativamente in verde e in rosso, la carica non è possibile. I terminali del caricatore o della cartuccia batteria sono intasati di polvere o la cartuccia batteria è usurata o danneggiata.
- Una qualsiasi delle condizioni seguenti indica che il caricatore e/o la cartuccia batteria sono danneggiati. Farli allora controllare dal rivenditore o da un centro di assistenza Makita autorizzato.
  - 1) La spia di carica non lampeggia (verde) quando si collega il caricabatteria alla presa di corrente.
  - 2) La spia di carica non si accende o lampeggia (rossa) quando si inserisce la batteria nel caricabatteria.
  - 3) La carica non si completa anche dopo più di due ore dall'accensione della spia rossa all'inizio della carica.

### Rimozione o installazione della lama

Importante:

Accertarsi sempre che l'utensile sia spento e di aver rimosso la cartuccia batteria prima di rimuovere o di installare la lama.

Con questo utensile si possono usare le lame seguenti.

Diametro massimo	Diametro minimo	Spessore lama	Spessore taglio
190 mm	170 mm	1,6 mm o meno	1,9 mm o più

Lo spessore del cuneo è di 1,8 mm.

#### ATTENZIONE:

- Non usare lame che non sono conformi alle caratteristiche specificate in queste istruzioni.
- Non usare lame con un disco più spesso o con un insieme inferiore allo spessore del cuneo.

Per rimuovere la lama, premere il bloccaggio dell'albero in modo che la lama non possa girare e usare la chiave esagonale per allentare il bullone in senso antiorario. Rimuovere poi il bullone, la flangia esterna e la lama. (Fig. 10)

Per installare la lama, seguire il procedimento opposto di rimozione. ACCERTARSI CHE IL BULLONE SIA STRETTO SALDAMENTE. (Fig. 11)

#### ATTENZIONE:

- Accertarsi che la lama sia installata con i denti rivolti verso la parte anteriore dell'utensile.
- Per rimuovere o installare la lama, usare esclusivamente la chiave esagonale Makita.

### Regolazione del cuneo (Fig. 12)

Usare la chiave esagonale per allentare il bullone ad esagono incassato di regolazione del cuneo, e sollevare poi la copertura di sicurezza (riparo). Spostare su o giù il cuneo sopra la sporgenza per le regolazioni indicate nella Fig. 12, in modo da ottenere la distanza corretta tra il cuneo e la lama.

#### ATTENZIONE:

Accertarsi che il cuneo sia regolato in modo che:

La distanza tra il cuneo e il bordo dentato della lama non superi i 5 mm.

Il bordo dentato non sporga di oltre 5 mm oltre la punta del cuneo.

### Conservazione della chiave esagonale (Fig. 13)

Quando non viene usata, la chiave esagonale può essere riposta comodamente.

#### ATTENZIONE:

Accertarsi sempre che l'utensile sia spento e di aver rimosso la cartuccia batteria prima di fare qualsiasi regolazione.

### Regolazione della profondità di taglio (Fig. 14)

Allentare la leva sulla guida di profondità e spostare su o giù la base. Fissare la base alla profondità di taglio desiderata stringendo la leva.

#### ATTENZIONE:

- Usare una piccola profondità di taglio per tagliare pezzi sottili, in modo da ottenere tagli puliti e sicuri.
- Stringere sempre saldamente la leva dopo aver regolato la profondità di taglio.

### Taglio a unghia (Fig. 15 e 16)

Allentare le viti di fissaggio davanti e dietro. Regolare l'angolo desiderato (0° – 50°) inclinando in modo corrispondente, e stringere poi saldamente le viti.

Usare il fermo di 45° per il taglio preciso degli angoli di 45°. Girare completamente la leva in senso orario per i tagli a unghia da 0° a 45°, e in senso antiorario per quelli da 0° a 50°.

### Regolazione della precisione di taglio a 90° e 45° (taglio verticale e di 45°) (Fig. 17 e 18)

Questa regolazione è stata operata in fabbrica. Se però non è corretta, regolare le viti di registro con un cacciavite controllando la lama di 90° o di 45° con la base usando una squadra triangolare o di riscontro, ecc.

#### ATTENZIONE:

Dopo aver regolato la profondità di taglio e l'angolo di taglio a unghia, ricordarsi di stringere la leva sulla guida di profondità e le viti di fissaggio davanti e dietro.

### Taglio diritto (Fig. 19)

Per i tagli diritti, allineare la tacca destra sulla parte anteriore della base con la linea di taglio sul pezzo. Per i tagli a unghia di 45°, allineare la tacca sinistra.

### Azionamento dell'interruttore (Fig. 20)

#### ATTENZIONE:

Prima di inserire la cartuccia batteria nell'utensile, controllare sempre che il grilletto dell'interruttore funzioni correttamente e che torni sulla posizione "OFF" quando viene rilasciato.

L'utensile è dotato di un bottone di sblocco, per impedire che il grilletto venga schiacciato accidentalmente.

Per avviare l'utensile, premere dentro il bottone di sblocco e schiacciare il grilletto. Rilasciare il grilletto per fermarlo.

### Funzionamento (Fig. 21)

Tenere saldamente l'utensile. Appoggiare la piastra della base sul pezzo senza che la lama faccia contatto. Accendere poi l'utensile e aspettare che la lama raggiunga la velocità massima. Spostare poi semplicemente l'utensile in avanti sulla superficie del pezzo, mantenendolo a contatto e facendolo avanzare fino al completamento del taglio. Per ottenere dei tagli puliti, mantenere dritta la linea di taglio e uniforme la velocità di avanzamento.

#### ATTENZIONE:

- Inserire sempre completamente la cartuccia batteria finché non si blocca in posizione. Se essa non è bloccata completamente, la parte rossa del lato superiore del bottone rimane visibile. Inserirla completamente finché non si vede più la parte rossa. In caso contrario, potrebbe cadere accidentalmente fuori causando lesioni all'operatore o a chi gli sta vicino.
- Quando si usa l'utensile al di sopra della testa, accertarsi sempre che la cartuccia batteria sia fissata saldamente in modo che non cada fuori. Se dovesse cadere fuori dall'utensile, potrebbe causare lesioni all'operatore o a chi gli sta vicino.
- Il cuneo va sempre usato, eccetto quando si comincia il taglio da una parte interna del pezzo.
- Fare attenzione a non fermare la lama esercitando una pressione laterale su di essa.
- Mantenere sempre l'utensile in movimento spostandolo delicatamente in avanti durante il taglio. Se si fa forza sull'utensile o lo si storce, si potrebbe causare il surriscaldamento del motore e pericolosi contraccolpi, con pericolo di ferirsi gravemente.
- Se si fa funzionare continuamente l'utensile finché la cartuccia batteria si scarica, lasciarlo poi riposare per 15 minuti prima di continuare il lavoro con un'altra batteria.

### Guida pezzo (righello guida) (Fig. 22)

La comoda guida pezzo (righello guida) consente di fare dei tagli diritti estremamente accurati. Fare semplicemente scivolare la guida pezzo contro il fianco del pezzo e fissarla in posizione con la vite di fissaggio sulla parte anteriore della base. Essa consente anche di ripetere continuamente i tagli della stessa larghezza.

### Bocchettone della polvere (Fig. 23 e 24)

Per eseguire dei tagli puliti, collegare un aspiratore all'utensile. Installare il giunto sull'utensile usando le viti. Collegare poi al giunto il tubo flessibile dell'aspiratore.

## **MANUTENZIONE**

### **ATTENZIONE:**

Prima di effettuare ogni tipo di lavoro sull'utensile, assicuratevi sempre che essa sia spenta e che la batteria sia rimossa.

### **Sostituzione delle spazzole di carbone**

#### **(Fig. 25 e 26)**

Sostituire le spazzole di carbone quando sono usurate fino alla linea di delimitazione. Sostituire entrambe le spazzole con tipi di spazzole identici.

Per mantenere la sicurezza e l'affidabilità del prodotto, le riparazioni, la manutenzione o le regolazioni dovrebbero essere eseguite da un centro di assistenza Makita autorizzato.

## Verklaring van algemene gegevens

1 Om terugslag te voorkomen, ondersteun de plank of plaat dicht bij de snijlijn.	11 Asvergrendeling	27 Voor 45° verstekzagen
2 Plaats de ondersteuning niet te ver van de snijlijn.	12 Zaagblad	28 Voor zagen in rechte lijn
3 De illustratie laat zien hoe u het gereedschap juist vasthoudt en hoe het werkstuk behoorlijk wordt ondersteund.	13 Buitenflens	29 Voetplaat
4 Knop	14 Bout	30 Zaaglijn
5 Accu	15 Binnenflens	31 Ontgrendelknop
6 Acculader	16 Uitsteeksels voor instelling	32 Trekschakelaar
7 Oplaadlampjes	17 Zeskantbout	33 Trekgeleider (Breedtegeleider)
8 Deksel van accuklem	18 Snijdiepte	34 Verbindingsstuk voor stofafzuiging
9 Zeskantsleutel	19 Hendel	35 Schroeven
10 Losdraaien (linksom)	20 Klem Schroef	36 Slang 28 mm binnendiam.
	21 Hendel	37 Stofzuiger
	22 Schuin oppervlak	38 Limietaanduiding
	23 Voetplaat	39 Borstelhouderdop
	24 Stelschroef voor 90°	40 Schroevendraaier
	25 Stelschroef voor 45°	
	26 Driehoekslijnaal	

## TECHNISCHE GEGEVENS

<b>Model</b>	<b>BSR730</b>
Diameter zaagblad .....	190 mm
Max. zaagdiepte	
90° .....	66 mm
45° .....	47 mm
50° .....	42 mm
Toerental onbelast/min. (min <sup>-1</sup> ) .....	2 400
Totale lengte .....	378 mm
Netto gewicht .....	4,6 kg
Nominale spanning .....	DC 24 V

- In verband met ononderbroken research en ontwikkeling behouden wij ons het recht voor bovenstaande technische gegevens te wijzigen zonder voorafgaande kennisgeving.
- Opmerking: De technische gegevens kunnen van land tot land verschillen.

### Veiligheidswenken

Voor uw veiligheid dient u de bijgevoegde Veiligheidsvoorschriften nauwkeurig op te volgen.

## BELANGRIJKE

### VEILIGHEIDSVOORSCHRIFTEN VOOR ACCULADER EN ACCU

1. **BEWAAR DEZE VOORSCHRIFTEN** — Deze gebruiksaanwijzing bevat belangrijke veiligheids- en bedieningsvoorschriften betreffende de acculader.
2. Lees alle voorschriften en waarschuwingen die zijn aangebracht op (1) de acculader, (2) de accu en (3) het product waarvoor de accu wordt gebruikt, aandachtig door alvorens de acculader in gebruik te nemen.
3. **LET OP** — Om gevaar voor verwonding te voorkomen, dient u met de acculader uitsluitend **MAKITA** oplaadbare accu's te laden. Accu's van andere merken kunnen gaan barsten en verwondingen of schade veroorzaken.
4. Stel de acculader niet bloot aan regen of sneeuw.

5. Het gebruik van een accessoire dat door de fabrikant van de acculader niet wordt aanbevolen of verkocht, kan brandgevaar, elektrische schok of verwondingen veroorzaken.
6. Om beschadiging van het netsnoer en de stekker te voorkomen, dient u de stekker vast te pakken om het netsnoer uit het stopcontact te halen.
7. Zorg ervoor dat het netsnoer zodanig is geplaatst, dat niemand erop kan stappen of erover kan struikelen, en dat het niet aan beschadiging of druk is blootgesteld.
8. Gebruik de acculader niet met een beschadigd netsnoer of een beschadigde stekker — vervang deze onmiddellijk.
9. Gebruik de acculader niet indien deze een sterke schok heeft ondergaan, op de grond is gevallen, of een andere vorm van beschadiging heeft opgelopen; breng deze naar een bevoegde monteur.
10. Haal de acculader of de accu niet uit elkaar; breng deze naar een bevoegde monteur wanneer onderhoud of reparatie nodig is. Onjuist opnieuw ineenzetten kan namelijk een elektrische schok of brandgevaar opleveren.
11. Om gevaar voor een elektrische schok te voorkomen, trekt u de stekker van de acculader uit het stopcontact alvorens met onderhoud of reinigen te beginnen. Het gevaar voor een elektrische schok wordt niet voorkomen door de acculader alleen maar uit te schakelen.
12. De acculader is niet bedoeld voor gebruik door kleine kinderen of geestelijk gestoorden waarop geen toezicht wordt gehouden.
13. Houd toezicht op kleine kinderen om te voorkomen dat ze met de acculader spelen.

## AANVULLENDE

### VEILIGHEIDSVOORSCHRIFTEN VOOR ACCULADER EN ACCU

1. Laad de accu niet op bij een temperatuur **BENE-DEN 10°C** of **BOVEN 40°C**.
2. Gebruik voor het opladen nooit een verhogingstransformator, een dynamo of een gelijkstroombron.

3. Zorg ervoor dat de ventilatiegaten van de acculader niet afgesloten worden of verstopt raken.
4. Voorkom kortsluiting van de accu:
  - (1) Raak de accuklemmen nooit aan met een geleidend materiaal.
  - (2) Bewaar de accu niet in een bak waarin ook andere metalen voorwerpen zoals spijkers, munten e.d. worden bewaard.
  - (3) Stel de accu niet bloot aan water of regen. Kortsluiting van de accu kan oorzaak zijn van een grote stroomafgifte, oververhitting, brandwonden en zelfs defecten.
5. Bewaar het gereedschap en de accu niet op plaatsen waar de temperatuur kan oplopen tot 50°C of hoger.
6. Werp de accu nooit in het vuur, zelfs niet wanneer deze zwaar beschadigd of volledig versleten is. De accu kan namelijk ontploffen in het vuur.
7. Wees voorzichtig dat u de accu niet laat vallen en hem niet aan schokken of stoten blootstelt.
8. Laad de accu niet op in een bak of container. Laad hem uitsluitend op in een goed geventileerde ruimte.
9. Ondersteun omvangrijke werkstukken. (Fig. 1 en 2)
 

Omvangrijke werkstukken bijv. planken, dienen te worden ondersteund, zoals aangetoond in Fig. 1 om te voorkomen dat het zaagblad klemraakt of het gereedschap terugslaat.

Wanneer u het zagen even moet onderbreken, zet dan het gereedschap op het breder gedeelte van het werkstuk of waar het kleinste stuk van is afgezaagd.
10. Gebruik van een geleider. Gebruik altijd een rechte geleider wanneer u in de richting van de draad moet zagen.
11. Voorzorgsmaatregelen tegen terugslag. (Fig. 1 en 3)
 

Er heeft terugslag oftewel kickback plaats, wanneer het gereedschap plotseling afslaat en met kracht in de richting van de zager teruggedreven wordt. Laat de schakelaar onmiddellijk los zodra het zaagblad klemraakt of het gereedschap afslaat. Houd de zaagbladen altijd scherp. Ondersteun omvangrijke werkstukken, bijv. planken, zoals boven in Fig. 1 is aangetoond. Gebruik altijd een rechte geleider wanneer u in de richting van de draad zaagt. Forceer het gereedschap niet. Houd uw gedachten bij het werk en wees altijd op uw hoede. Verwijder de zaag nooit van het werkstuk wanneer het zaagblad nog ronddraait.

Plaats uw hand of vinger NOOIT achter het gereedschap, aangezien deze lichaamsdelen ernstige verwondingen kunnen oplopen, wanneer het gereedschap bij eventuele kickback met kracht teruggedreven wordt.

## **BIJGEVOEGDE VEILIGHEIDSVORSCHRIFTEN VOOR DE MACHINE**

1. Denk eraan dat dit gereedschap altijd gebruiksklaar is, omdat het niet op een stopcontact hoeft te worden aangesloten.
2. Draag oorbeschermers.
3. Wijzig de stand van de beschermkappen niet en houd ze in goede conditie.
 

Probeer nooit de onderste beschermkap open te houden door ze vast te klemmen of vast te binden. Gebruik het gereedschap niet, wanneer de verende beschermkap niet met kracht over het zaagblad dichtklapt.

LET OP: Indien het gereedschap is gevallen kan de onderste beschermkap verbogen zijn waardoor ze niet volledig dicht kan klappen.
4. Gebruik geen zaagbladen die gebarsten of vervormd zijn.
5. Gebruik geen zaagbladen die gemaakt zijn van sneldraaistaal.
6. Stop het zaagblad niet door er zijwaartse kracht op uit te oefenen.
7. Houd de zaagbladen schoon en scherp. Wanneer de zaagbladen scherp zijn, hebt u minder last van afslaan en terugslag (kickback).
8. **WAARSCHUWING:**

Houd uw handen uit de buurt van de zaagbladen. Steek tijdens het zagen (terwijl het zaagblad ronddraait) uw handen niet onder het werkstuk. Verwijder ook nooit de doorgezaagde stukken wanneer het zaagblad nog ronddraait.

LET OP: Na het uitschakelen van de spanning blijven de zaagbladen nog even ronddraaien.
12. **Onderste beschermkap.**

Verdraai de onderste beschermkap in de bovenste stand met behulp van de verstelhendel.
13. **Bijstellingen.**

Kontroleer alvorens te zagen of de zaagdiepte en eventueel de afschuiningshoek juist zijn ingesteld.
14. **Installeer op het gereedschap uitsluitend de juiste zaagbladen.**

Installeer nooit zaagbladen met asgaten van onjuiste diameters. Installeer ook nooit defekte zaagbladen en zorg dat u altijd de juiste vulringen of bouten gebruikt.
15. **Zorg dat tijdens het zagen het zaagblad niet in contact komt met spijkers.**

Kontroleer dus alvorens te zagen of alle spijkers uit het werkstuk zijn verwijderd.
16. **Houd tijdens het zagen uw beide handen op de handvaten en zorg voor behoorlijke ondersteuning van het werkstuk.**

**WAARSCHUWING:**

Het is uitermate belangrijk dat u het werkstuk altijd behoorlijk ondersteunt en het gereedschap stevig vasthoudt teneinde te voorkomen dat u de controle over het gereedschap verliest en hierdoor ernstige verwondingen oploopt. Fig. 4 laat zien hoe u het gereedschap juist vasthoudt.

17. Plaats het bredere gedeelte van de voetplaat op het gedeelte van het werkstuk dat behoorlijk ondersteund wordt en niet op het gedeelte dat bij doorzagen af zal vallen. Bij wijze van voorbeeld, laat Fig. 5 de JUISTE manier zien voor het afzagen van een stuk van een plank en Fig. 6 de VERKEERDE manier. Indien het werkstuk te kort of te smal is, klem het dan vast. **PROBEER NOOIT SMALLE WERKSTUKKEN MET UW HAND VAST TE HOUDEN!** (Fig. 6)
18. Probeer nooit te zagen met het gereedschap ondersteboven vastgeklemd op een bankschroef. Dit is buitengewoon gevaarlijk en kan gemakkelijk leiden tot zeer zware verwondingen. (Fig. 7)
19. Alvorens na het beëindigen van het zagen het gereedschap neer te leggen dient u te controleren of de verende beschermkap dichtgeklapt is en het zaagblad tot stilstand is gekomen.
20. Volg de specificaties van de fabrikant op.
  - Zorg ervoor dat de diameter, dikte en andere specificaties van het zaagblad geschikt zijn voor het gereedschap.
  - Zorg ervoor dat het zaagblad geschikt is voor de draaisnelheid van de as van het gereedschap.
21. Gebruik geen schuurschijf.

## BEWAAR DEZE VOORSCHRIFTEN.

### Laden (Fig. 9)

1. Sluit de acculader aan op het stopcontact. De twee oplaadlampjes zullen herhaaldelijk groen knipperen.
2. Volg de aanduidingen op de acculader en schuif de accu zo ver mogelijk in de acculader. Het deksel van de acculader gaat open wanneer u de accu erin steekt, en gaat weer dicht wanneer u de accu eruit haalt.
3. Wanneer de accu volledig erin zit, zal de kleur van het oplaadlampje veranderen van groen in rood en zal het opladen beginnen. Tijdens het opladen zal het oplaadlampje blijven branden. Eén rood oplaadlampje duidt aan dat de accu 0 – 80% is opgeladen, en twee rode oplaadlampjes 80 – 100%.
4. Nadat de accu volledig is opgeladen, zullen beide oplaadlampjes veranderen van rood in groen. De oplaadtijd is als volgt:
5. Indien u de accu na volledig opladen in de acculader laat zitten, zal de acculader overschakelen naar de “bijladen (handhaven van de lading)” stand die ongeveer 24 uur zal duren.
6. Trek de stekker van de acculader uit het stopcontact nadat het opladen is voltooid.

Model van batterijpak	Capaciteit (mAh)	Aantal cellen	Oplaadtijd met (DC24SA)	Oplaadtijd met (DC24WA)
BH2420 (Ni-MH)	2 000	20	ca. 30 min.	ca. 55 min.
BH2433 (Ni-MH)	3 300	20	ca. 60 min.	ca. 90 min.

### Koelsysteem (alleen voor DC24SA)

- Deze acculader is voorzien van een ventilator voor het afkoelen van een warmgeworden accu om verslechtering van de accuprestaties te voorkomen. Tijdens het koelen zult u het geluid van de koelingslucht horen. Dit is normaal en betekent niet dat er iets mankeert aan de acculader.
- Een gele waarschuwinglampje zal knipperen in de volgende gevallen.
  - Er mankeert iets aan de koelventilator.
  - De accu wordt slecht afgekoeld omdat deze verstopt is met stof e.d.
 Zelfs wanneer het gele waarschuwinglampje knippert, kan de accu worden opgeladen. In dat geval zal het opladen echter langer duren dan normaal.
- Controleer of het geluid van de koelventilator normaal is. Controleer ook of de luchtuitlaatopeningen op de accu en de acculader niet door stof verstopt zijn.
- Indien het gele waarschuwinglampje niet knippert hoewel u geen geluid van de koelventilator hoort, is het koelsysteem in orde.
- Houd de luchtuitlaatopeningen op de acculader en de accu altijd schoon om een goede koeling te verzekeren.
- Indien het gele waarschuwinglampje vaak gaat knipperen, moet u de producten naar een servicecentrum zenden voor reparatie of onderhoud.

## BEDIENINGSVOORSCHRIFTEN

### Installeren of verwijderen van de accu (Fig. 8)

- Schakel het gereedschap altijd uit alvorens de accu te installeren of te verwijderen.
- Om de accu te verwijderen, neemt u deze uit het gereedschap terwijl u de knop op de zijkant van de accu verschuift.
- Om de accu te installeren, doet u de tong op de accu overeenkomen met de groef in de behuizing en dan schuift u de accu erin. Schuif de accu zo ver mogelijk erin totdat deze op zijn plaats vastklikt. Wanneer het rode gedeelte op de bovenkant van de knop nog zichtbaar is, zit de accu niet volledig erin. Schuif hem volledig erin totdat het rode gedeelte niet meer zichtbaar is. Als u dit niet doet, kan de accu per ongeluk eruit vallen en uzelf of andere personen in uw omgeving verwonden.
- Probeer niet de accu met geweld in het accuhuis te duwen. Indien de accu niet gemakkelijk erin gaat, betekent dit dat u hem niet op de juiste wijze erin steekt.

### Optimaal heropladen (alleen voor DC24SA)

De functie voor optimaal heropladen verlengt de levensduur van de accu door de optimale oplaadconditie van de accu in elke situatie automatisch te bepalen.

Wanneer u een accu herhaaldelijk in de volgende omstandigheden gebruikt, zal deze rap verslijten en zal het gele waarschuingslampje mogelijk gaan knipperen.

1. Een accu bij een te hoge temperatuur opladen
2. Een accu bij een te lage temperatuur opladen
3. Een volledig opgeladen accu opnieuw opladen
4. Een accu te veel ontladen (de accu blijven gebruiken hoewel deze bijna leeg is)
5. Een accu opladen terwijl het koelsysteem defect is

Het opladen van een dergelijke accu duurt langer dan normaal.

### Bijladen (Handhaven van de lading)

Wanneer u een volledig opgeladen batterij in de lader laat zitten om spontaan ontladen te voorkomen, zal de lader overschakelen naar de "Bijladen (Handhaven van de lading)" stand waardoor de batterij vers en in volledig opgeladen toestand wordt gehouden.

### Wenken om een maximale levensduur van de batterij te handhaven

1. Laad de batterij op alvorens deze volledig is ontladen.  
Stop het gebruik van het gereedschap en laad de batterij op telkens wanneer u vaststelt dat het vermogen van het gereedschap verminderd is.
2. Laad een volledig opgeladen batterij nooit opnieuw op.  
Wanneer u de batterij te veel oplaadt, zal deze minder lang meegaan.
3. Laad de batterij op bij een kamertemperatuur tussen 10°C en 40°C.  
Laat een warme batterij afkoelen alvorens deze op te laden.
4. Laad de nikkel-metaalhydride accu op wanneer u deze langer dan zes maanden niet gebruikt.

#### LET OP:

- De acculader is uitsluitend bestemd voor het opladen van Makita accu's. Gebruik deze nooit voor andere doeleinden of voor het opladen van accu's van andere fabrikanten.
- Een nieuwe accu of een accu die gedurende lange tijd niet werd gebruikt, kan soms niet volledig worden opgeladen. Dit is normaal en wijst niet op een defect. Nadat u de accu een paar keer volledig hebt ontladen en herladen, kunt u deze weer volledig opladen.
- Wanneer u de accu van een zojuist gebruikt gereedschap oplaadt, of een accu die voor langere tijd aan direct zonlicht of hitte werd blootgesteld, gebeurt het wel eens dat het oplaadlampje in rood knippert. Wacht in zo'n geval een tijdje. Wanneer de inwendige temperatuur van de accu hoger is dan ongeveer 70°C, zullen de twee oplaadlampjes soms in rood knipperen; bij een temperatuur tussen ongeveer 50°C en 70°C, zal één oplaadlampje in rood knipperen. Het opladen zal beginnen nadat de accu door de koelventilator in de acculader is afgekoeld (alleen voor DC24SA).
- Indien het oplaadlampje afwisselend in groen en rood knippert, is opladen niet mogelijk. De klemmen op de accu of acculader zijn met vuil verstopt, of de accu is versleten of beschadigd.
- Indien een van de volgende condities optreedt, is de accu en/of acculader beschadigd. Laat deze nakijken door een erkend Makita Servicecentrum of Fabrik servicecentrum.
  - 1) Het oplaadlampje knippert niet (groen) nadat u de acculader op een stopcontact hebt aangesloten.
  - 2) Het oplaadlampje brandt niet of knippert niet (rood) nadat u de accu in de acculader hebt gestoken.
  - 3) Het opladen is nog niet voltooid hoewel reeds meer dan twee uur zijn verstreken nadat het rode lampje aan het begin van het opladen is aangegaan.

### Verwijderen of installeren van het zaagblad

Belangrijk:

Zorg altijd ervoor dat het gereedschap is uitgeschakeld en de batterij ervan is verwijderd alvorens het zaagblad te verwijderen of te installeren.

Voor dit gereedschap kunnen de volgende zaagbladen worden gebruikt.

Max. diam.	Min. diam.	Zaagblad-dikte	Zaagsnede
190 mm	170 mm	1,6 mm of minder	1,9 mm of meer

De dikte van het spouwmes is 1,8 mm.

#### LET OP:

- Gebruik geen zaagbladen die niet beantwoorden aan de in deze gebruiksaanwijzing vermelde specificaties.
- Gebruik geen zaagbladen waarvan het blad dikker, of de snijbreedte (zetting van de tanden) minder is dan de dikte van het spouwmes.

Om het zaagblad te verwijderen. drukt u eerst de asvergrendeling in zodat het zaagblad niet meer kan roteren. Draai dan met de zeskantsleutel de bout los naar links. Verwijder vervolgens de bout, de buitenflens en het zaagblad. (Fig. 10)

Om het zaagblad te installeren, volgt u de procedure voor het verwijderen in omgekeerde volgorde. ZORG ERVOOR DAT DE BOUT STEVIG VASTGEDRAAID IS. (Fig. 11)

LET OP:

- Zorg ervoor dat de tanden van het zaagblad aan de voorkant van het gereedschap naar boven gericht zijn.
- Gebruik uitsluitend de zeskantsleutel van Makita voor het verwijderen of installeren van het zaagblad.

### Afstellen van het spouwmes (Fig. 12)

Draai met de zeskantsleutel de zeskantbout voor afstelling van het spouwmes los, en breng dan de veiligheidskap (beschermkap) omhoog. Beweeg het spouwmes naar boven of naar beneden over de uitsteeksel aangegeven in Fig. 12 om de juiste afstand tussen het spouwmes en het zaagblad te krijgen.

LET OP:

Zorg ervoor dat het spouwmes zo wordt afgesteld dat: De afstand tussen het spouwmes en de zaagtandrand niet groter is dan 5 mm. De zaagtandrand niet verder dan 5 mm voorbij de onderrand van het spouwmes uitsteekt.

### Opbergplaats voor de zeskantsleutel (Fig. 13)

Berg de zeskantsleutel hier op wanneer hij niet wordt gebruikt.

LET OP:

Zorg altijd ervoor dat het gereedschap is uitgeschakeld en de accu ervan is verwijderd alvorens met het afstellen van het spouwmes te beginnen.

### Instellen van de zaagdiepte (Fig. 14)

Draai de hendel op de dieptegeleider los en beweeg de voetplaat naar boven of naar beneden. Wanneer de gewenste zaagdiepte is ingesteld, zet u de voetplaat weer vast door de hendel vast te draaien.

LET OP:

- Gebruik een geringe zaagdiepte voor het zagen van dunne werkstukken, om schoner en veiliger te kunnen zagen.
- Na het instellen van de zaagdiepte, dient u de hendel stevig vast te draaien.

### Verstekzagen (Fig. 15 en 16)

Draai de klemschroeven op de voorkant en de achterkant los. Hel het gereedschap om in te stellen op de gewenste hoek ( $0^\circ - 50^\circ$ ) en draai dan de klemschroeven weer stevig vast.

Gebruik de  $45^\circ$  aanslag voor nauwkeurig  $45^\circ$  verstekzagen. Draai de hendel volledig naar rechts voor schuine sneden ( $0^\circ - 45^\circ$ ) en volledig naar links voor  $0^\circ - 50^\circ$  schuine sneden.

### Instellen voor nauwkeurige sneden van $90^\circ$ en $45^\circ$ (verticale snede en $45^\circ$ snede) (Fig. 17 en 18)

Deze instelling is in de fabriek gemaakt. Indien deze instelling niet meer nauwkeurig is, kunt u bijstellen door de stelschroeven met een schroevendraaier af te stellen terwijl u een driehoekslinaal, een winkelhoek e.d. gebruikt om te controleren of het zaagblad een hoek van  $90^\circ$  of  $45^\circ$  maakt met de voetplaat.

LET OP:

Na het instellen van de zaagdiepte en de verstekzaaghoek, dient u de hendel op de dieptegeleider en de klemschroeven op de voorkant en de achterkant stevig vast te draaien.

### Richten (Fig. 19)

Voor rechte zaagsneden dient u de rechter inkeping op de voorkant van de voetplaat op één lijn te brengen met de zaaglijn op het werkstuk. Voor  $45^\circ$  verstekzagen dient u de linker inkeping op één lijn te brengen.

### Werking van de trekschakelaar (Fig. 20)

LET OP:

Alvorens de accu in het gereedschap aan te brengen, dient u altijd te controleren of de trekschakelaar behoorlijk werkt en bij loslaten naar de "OFF" positie terugkeert.

Om te voorkomen dat de trekschakelaar per toeval wordt ingedrukt, is het gereedschap voorzien van een ontgrendelknop.

Om het gereedschap te starten, drukt u eerst de ontgrendelknop in en dan de trekschakelaar. Laat de trekschakelaar los om het gereedschap te stoppen.

### Bediening (Fig. 21)

Houd het gereedschap stevig vast. Zet de voetplaat van het gereedschap op het werkstuk zonder dat het zaagblad contact maakt met het werkstuk. Schakel dan het gereedschap in en wacht tot het zaagblad op volle toeren draait. Beweeg daarna het gereedschap gewoon naar voren over het werkstukoppervlak, ervoor zorgend dat de voetplaat vlak op het werkstukoppervlak blijft. Beweeg het gereedschap gelijkmatig naar voren tot het werkstuk volledig is doorgezaagd. Om schone sneden te krijgen, moet u in een rechte lijn zagen en het gereedschap met gelijkmatige snelheid voortbewegen.

LET OP:

- Schuif de accu altijd zo ver mogelijk erin totdat hij op zijn plaats vergrendeld is. Zolang als het rode gedeelte op de bovenzijde van de knop zichtbaar is, is de accu niet goed vergrendeld. Steek hem volledig erin totdat het rode gedeelte niet meer zichtbaar is. Als u dit niet doet, kan de accu per ongeluk uit het gereedschap vallen zodat u of iemand anders in uw omgeving verwond raakt.
- Wanneer u boven het hoofd boort, moet u altijd ervoor zorgen dat de accu goed vergrendeld is zodat hij niet uit het gereedschap kan vallen. Als u dit niet doet, kan de accu per ongeluk eruit vallen zodat u of iemand anders in uw omgeving verwond raakt.
- Het spouwmes moet altijd worden gebruikt, behalve voor invalzaagwerk.
- Stop het zaagblad niet door zijdelingse druk erop uit te oefenen.
- Beweeg het gereedschap tijdens het zagen altijd langzaam recht naar voren. Forceer het gereedschap niet en zaag niet in een kromme baan, aangezien dit oververhitting van de motor, gevaarlijke terugslag en eventueel ernstige verwondingen kan veroorzaken.
- Als u het gereedschap continu gebruikt totdat de accu is ontladen, moet u het gereedschap ongeveer 15 minuten laten rusten alvorens met een verse accu verder te werken.

### Trekgeleider (breedtegeleider) (Fig. 22)

De handige trekgeleider (breedtegeleider) maakt het mogelijk uiterst nauwkeurige rechte zaagsneden te verkrijgen. Schuif de trekgeleider vlak tegen de zijkant van het werkstuk en zet hem vast met de klemschroef op de voorkant van de voetplaat. Met de geleider kunt u ook herhaaldelijk stukken van gelijke breedte afzagen.



### **Verbindingsstuk voor stofafzuiging (Fig. 23 en 24)**

Om uw werkomgeving schoon te houden, kunt u een stofzuiger op dit gereedschap aansluiten. Monteer het verbindingsstuk met behulp van de schroeven op het gereedschap. Sluit vervolgens een stofzuigerslang op het verbindingsstuk aan.

### **ONDERHOUD**

LET OP:

Controleer altijd of de machine is uitgeschakeld en de accu is losgekoppeld vooraleer onderhoud uit te voeren aan de machine.

### **Vervangen van koolborstels (Fig. 25 en 26)**

Vervang de borstels wanneer ze tot aan de aangegeven limiet zijn afgesleten. Beide koolborstels dienen tegelijkertijd te worden vervangen.

Opdat het gereedschap veilig en betrouwbaar blijft, dienen alle reparaties, onderhoud of afstellingen te worden uitgevoerd bij een erkend Makita service centrum.

**Explicación de los dibujos**

1	Para evitar contragolpes, apoye el tablero o panel cerca del punto de corte.	12	Hoja de sierra	28	Para cortes rectos
2	No apoye el tablero o panel en puntos alejados de la parte a cortar.	13	Brida exterior	29	Placa base
3	Ilustración típica de apoyo correcto de la mano y apoyo de la pieza de trabajo.	14	Perno	30	Línea de corte
4	Botón	15	Brida interior	31	Botón de bloqueo del encendido
5	Cartucho de batería	16	Protuberancias de ajuste	32	Interruptor de gatillo
6	Cargador de batería	17	Perno de cabeza hueca hexagonal	33	Guía lateral (regla guía)
7	Luces de carga	18	Profundidad de corte	34	Salida de polvo
8	Cubierta de terminal	19	Palanca	35	Tornillos
9	Llave hexagonal	20	Tornillo de fijación	36	Manguera de 28 mm de diámetro interior
10	Aflojar (hacia la izquierda)	21	Palanca	37	Aspiradora
11	Seguro del eje	22	Superficie inclinada	38	Marca de límite
		23	Base	39	Tapón de escobilla
		24	Tornillo de reglaje para 90°	40	Destornillador
		25	Tornillo de reglaje para 45°		
		26	Escuadra		
		27	Para cortes en bisel a 45°		

**ESPECIFICACIONES**

<b>Modelo</b>	<b>BSR730</b>
Diámetro de cuchilla .....	190 mm
Profundidad máx. de corte	
90° .....	66 mm
45° .....	47 mm
50° .....	42 mm
Velocidad en vacío (min <sup>-1</sup> ) .....	2.400
Longitud total .....	378 mm
Peso neto .....	4,6 kg
Tensión nominal .....	CC 24 V

- Debido a un programa continuo de investigación y desarrollo, las especificaciones aquí dadas están sujetas a cambios sin previo aviso.
- Nota: Las especificaciones pueden ser diferentes de país a país.

**Sugerencias de seguridad**

Para su propia seguridad, consulte las instrucciones de seguridad incluidas.

**NORMAS DE SEGURIDAD IMPORTANTES PARA EL CARGADOR Y EL CARTUCHO DE BATERÍA**

1. **GUARDE ESTAS INSTRUCCIONES** — Este manual contiene instrucciones de operación y de seguridad importantes para el cargador de baterías.
2. Antes de utilizar el cargador de baterías, lea todas las instrucciones y las indicaciones de precaución (1) del cargador de baterías, (2) de las baterías, y (3) del producto con el que se utilicen las baterías.
3. **PRECAUCIÓN** — Para reducir el riesgo de que se produzcan heridas personales, cargue solamente las baterías recargables del tipo MAKITA. Otros tipos de batería pueden reventar y causar heridas personales y daños.
4. No exponga el cargador a la lluvia ni a la nieve.
5. El uso de accesorios no recomendados ni vendidos por el fabricante del cargador de baterías podrá resultar en un riesgo de incendio, descarga eléctrica, o lesiones a personas.

6. Para reducir el riesgo de dañar el enchufe y cable eléctrico, cuando desconecte el cargador tire del enchufe y no del cable.
7. Cerciórese de colocar el cable de forma que no pueda pisarlo, tropezar con él, y que no esté sometido a tirones ni otro tipo de daños o fatiga.
8. No utilice el cargador si su cable o enchufe está estropeado — reemplácelos inmediatamente.
9. Si el cargador ha recibido un golpe fuerte, lo ha dejado caer, o ha resultado dañado de alguna forma, no lo utilice; llévalo a que se lo revise un técnico de servicio cualificado.
10. No desarme el cargador ni el cartucho de batería; cuando necesite realizar algún servicio o reparación, llévalo a un técnico de servicio cualificado. Un montaje incorrecto podría ocasionar un riesgo de descarga eléctrica o de incendio.
11. Para reducir el riesgo de una descarga eléctrica, desenchufe el cargador de la toma de corriente antes de intentar cualquier tipo de mantenimiento o limpieza. La desconexión de los controles, únicamente, no reducirá este riesgo.
12. El cargador de baterías no ha sido pensado para ser usado por niños ni menores sin ser supervisados.
13. Los padres deberán supervisar a sus hijos pequeños para asegurarse de que no juegan con el cargador de baterías.

**NORMAS DE SEGURIDAD ADICIONALES PARA EL CARGADOR Y EL CARTUCHO DE BATERÍA**

1. No cargue el cartucho de batería cuando la temperatura sea INFERIOR a 10°C o SUPERIOR a 40°C.
2. No intente utilizar un transformador elevador, un grupo electrógeno ni una toma de corriente continua (CC) para cargar el cartucho de batería.
3. No permita que nada cubra u obstruya las rejillas de ventilación del cargador.

4. No cortocircuite el cartucho de batería:
  - (1) No toque los bornes de la batería con ningún tipo de material conductor.
  - (2) Evite guardar el cartucho de batería en cajas junto con otros objetos metálicos tales como clavos, monedas, etc.
  - (3) No exponga el cartucho de batería al agua ni a la lluvia.

Un cortocircuito en la batería puede causar una gran circulación de corriente, un sobrecalentamiento, posibles quemaduras e incluso una avería.
5. No guarde la herramienta ni el cartucho de batería en lugares donde la temperatura pueda alcanzar o exceder los 50°C.
6. No queme el cartucho de batería aunque esté seriamente dañado o completamente fuera de servicio. El fuego podría hacerlo explotar.
7. Tenga cuidado de no dejar caer, sacudir ni golpear el cartucho de batería.
8. No cargue el cartucho de batería dentro de una caja o contenedor de ningún tipo. Durante la carga, la batería deberá estar en un lugar bien ventilado.
9. Sostenga los paneles largos. (Fig. 1 y 2)  
Los paneles largos deben sostenerse como se muestra en la Fig. 1 para minimizar el peligro de golpes y contragolpes de la cuchilla.  
Cuando la operación de corte requiere que se apoye la sierra sobre la pieza de trabajo, deberá apoyarse sobre la parte mayor para cortar la parte más pequeña.
10. Emplee la guía lateral.  
Emplee siempre un protector o borde recto para serrar.
11. Protector para evitar coltragle (Fig. 1 y 3)  
El contragle ocurre cuando la sierra se atasca rápidamente y es impulsada hacia atrás, hacia el operador. Suelte el interruptor inmediatamente si la sierra salta o se atasca. Mantenga afiladas las cuchillas. Sostenga los paneles largos como se muestra en la Fig. 1.  
Emplee un protector o borde recto de guía para serrar. No fuerce la herramienta. Esté alerta y ejerza el control. No saque la sierra de la pieza de trabajo mientras esté cortando o mientras la cuchilla esté en movimiento.  
NUNCA ponga la mano ni los dedos detrás de la sierra. Si se produce contragle, la sierra puede saltar con facilidad hacia atrás sobre su mano, causándole heridas graves.

## NORMAS DE SEGURIDAD ADICIONALES PARA LA HERRAMIENTA

1. Tenga presente que esta herramienta está siempre en condición de funcionamiento, porque no es necesario enchufarla en una toma de corriente eléctrica.
2. Utilice protección para los oídos.
3. Mantenga los protectores en su lugar y en orden de trabajo.  
No impida nunca que se abra el protector inferior. Compruebe la operación del protector inferior antes de cada utilización. No use la herramienta si el protector inferior no se abre completamente sobre la cuchilla de la sierra.  
**PRECAUCIÓN:** Si se cae la sierra, puede doblarse el protector inferior, impidiendo su total retorno.
4. No use cuchillas deformadas o con rajaduras.
5. Tampoco utilice cuchillas de acero de gran velocidad de corte.
6. No pare las hojas de sierra ejerciendo una presión lateral sobre ellas.
7. Mantenga las cuchillas limpias y afiladas.  
Las cuchillas afiladas minimizan las paradas y los contragolpes.
8. **PRELIGRO:**  
Mantenga las manos apartadas del área de corte.  
Mantenga las manos apartadas de las cuchillas. No toque la parte inferior de la pieza de trabajo mientras la cuchilla está girando. No intente sacar el material de corte cuando la cuchilla esté en movimiento.  
**PRECAUCIÓN:** Las cuchillas siguen girando en vacío después de desconectar la herramienta.
12. Protector inferior.  
Levante el protector inferior con la manivela retráctil.
13. Ajustes.  
Antes de efectuar el corte, ceriéndose de que los ajustes de la profundidad y biselado estén bien hechos.
14. Emplee sólo cuchillas correctas.  
No utilice cuchillas con orificios del tamaño incorrecto. No utilice nunca arandelas ni pernos de una cuchilla incorrectos o defectuosos.
15. No corte clavos.  
Inspeccione la pieza de trabajo y saque los clavos antes de efectuar el corte.
16. Opere con el soporte de mano adecuado, y con el soporte de pieza de trabajo adecuado.  
**ADVERTENCIA:**  
Es importante sujetar correctamente la pieza de trabajo y sostener firmemente la sierra para evitar pérdida del control que puede causar heridas personales. La Fig. 4 muestra el soporte de mano típico de la sierra.
17. Ponga la parte más ancha de la base de la sierra en la parte de la pieza de trabajo que esté bien sostenida, y no en la parte que caerá cuando se termine el corte. Como ejemplos, la Fig. 5 muestra la forma **CORRECTA** de cortar el extremo de una tabla, y la Fig. 6 la forma **INCORRECTA**. Si la pieza de trabajo es corta o pequeña, sujétela. **¡NO INTENTE SOSTENER LA PIEZAS CORTAS CON LA MANO!** (Fig. 6)
18. No intente nunca serrar con la sierra circular sostenida al revés en una mesa de trabajo. Es muy peligroso y puede ocasionar accidentes serios. (Fig. 7)
19. Antes de dejar la herramienta después de haber efectuado un corte, ceriéndose de que el protector inferior (que sobresale) esté cerrado y que la cuchilla se haya parado completo.

20. **Empleo de datos del fabricante**
- **Asegúrese de que el diámetro, espesor y otras características de la hoja de sierra sean apropiados para la herramienta.**
  - **Asegúrese de que la hoja de sierra sea apropiada para la velocidad del vástago de la herramienta.**
21. **No utilice ningún tipo de rueda abrasiva.**

## GUARDE ESTAS INSTRUCCIONES.

### INTRUCCIONES PARA EL FUNCIONAMIENTO

#### Insalación o extracción del cartucho de la batería (Fig. 8)

- Antes de insertar o de extraer el cartucho de la batería, asegúrese siempre de desconectar la herramienta.

#### Carga (Fig. 9)

1. Enchufe el cargador de baterías en una toma de corriente. Se encenderán repetidamente dos luces de carga en color verde.
2. Inserte el cartucho de batería en el cargador hasta que haga tope ajustándose a la guía del cargador. La tapa del terminal del cargador se abre al insertar el cartucho de batería y se cierra al sacarlo.
3. Una vez insertado el cartucho de batería, el color de la luz de carga cambiará de color verde a color rojo y comenzará la carga. La luz de carga se mantendrá encendida durante la carga. Una luz de carga roja indica que la batería está cargada entre 0 – 80%, y dos luces rojas, entre 80 – 100%.
4. Cuando termine la carga, las dos luces de carga cambiarán de color rojo a color verde. El tiempo de carga es como sigue:
5. Si deja el cartucho de batería en el cargador después de que se haya completado el ciclo de carga, el cargador cambiará a su modo de “carga lenta (carga de mantenimiento)” que durará aproximadamente 24 horas.
6. Después de finalizada la carga, desenchufe el cargador de la toma de corriente.

Tipo de batería	Capacidad (mAh)	Número de celdas	Tiempo de carga (DC24SA)	Tiempo de carga (DC24WA)
BH2420 (Ni-MH)	2.000	20	30 min. aprox.	55 min. aprox.
BH2433 (Ni-MH)	3.300	20	60 min. aprox.	90 min. aprox.

#### Sistema de enfriamiento (DC24SA solamente)

- Este cargador está equipado con un ventilador de enfriamiento para evitar el recalentamiento de la batería, y así poder sacarle a ésta el máximo rendimiento. Durante el enfriamiento se oye el sonido del ventilador, lo que significa que no hay ningún problema en el cargador.
- En los siguientes casos parpadeará una luz amarilla de aviso.
  - Problema en el ventilador de enfriamiento
  - Batería no enfriada completamente, tal como, obstruida con polvo

La batería se puede cargar aunque esté parpadeando la luz amarilla. Pero en este caso tardará más tiempo en cargarse.

Verifique el sonido del ventilador de enfriamiento, el orificio de ventilación de la batería y la batería, porque algunas veces podrán estar obstruidos con polvo.

- Si la luz amarilla de aviso no parpadea, el sistema de enfriamiento estará bien aunque no se escuche el sonido del ventilador de enfriamiento.
- Mantenga siempre limpios los orificios de ventilación del cargador y la batería.
- Si la luz amarilla de aviso parpadea con frecuencia, el cargador deberá ser enviado a que lo reparen o le hagan el mantenimiento.

#### Carga de acondicionamiento (DC24SA solamente)

La carga de acondicionamiento puede alargar la vida útil de la batería buscando automáticamente la condición óptima para la carga de la batería en cualquier situación.

Las baterías que se empleen repetidamente en las siguientes condiciones se estropearán en poco tiempo, y la luz amarilla de aviso podrá parpadear.

1. Si la carga estando caliente.
2. Si la carga estando fría.
3. Si la recarga estando completamente cargada.
4. Si la descarga demasiado (si continúa utilizándola a pesar de tener poca potencia.)
5. Si la carga estando estropeado el sistema de enfriamiento

El tiempo de carga de tal batería será más largo del normal.

## Carga continua y lenta (carga de mantenimiento)

Si deja el cartucho de batería en el cargador para evitar que se descargue espontáneamente después de haberlo cargado completamente, el cargador se cambiará a su modo de "carga continua y lenta (carga de mantenimiento)" y mantendrá el cartucho de batería fresco y completamente cargado.

### Consejos para alargar al máximo la vida de servicio de la batería

1. Cargue el cartucho de batería antes de que se descargue completamente.  
Pare la herramienta y cargue el cartucho de batería siempre que note que se debilita la potencia de la herramienta.
2. Nunca cargue un cartucho de batería que esté completamente cargado.  
El exceso de carga acorta la vida de servicio de la batería.
3. Cargue el cartucho de batería a una temperatura ambiente de 10°C – 40°C.  
Deje que el cartucho de batería se enfríe antes de cargarlo.
4. Cargue el cartucho de batería de hidruro metálico de níquel cuando no lo utilice durante más de seis meses.

### PRECAUCIÓN:

- El cargador de baterías es sólo para cargar cartuchos de batería Makita. No lo utilice nunca con otros fines ni para baterías de otros fabricantes.
- Cuando cargue un cartucho de batería nuevo o cartucho de batería que no haya sido utilizado durante largo tiempo, podrá no poderse cargar completamente. Esto es una condición normal y no denota ningún tipo de problema. El cartucho de batería podrá cargarse completamente después de repetir unas cuantas veces la operación de descargarlo completamente y volverlo a cargar.
- Si carga un cartucho de batería que justo acaba de utilizar con la herramienta o uno que haya estado expuesto directamente a la luz solar durante largo tiempo, la luz de carga podrá parpadear en color rojo. Si se da el caso, espere durante un rato. Si la temperatura de la batería es de más de aproximadamente 70°C, podrán parpadear dos luces de carga en color rojo, y si es de aproximadamente 50°C – 70°C, podrá parpadear una luz de carga en rojo. La carga comenzará cuando el cartucho de batería se enfríe mediante el ventilador de enfriamiento instalado en el cargador (DC24SA solamente).
- Si la luz de carga parpadea alternativamente en color verde y rojo, la batería no se podrá cargar. Los terminales del cargador o de la batería estarán obstruidos con polvo o el cartucho de batería estropeado o dañado.
- Cualquiera de las siguientes condiciones indican que el cargador y/o el cartucho de batería está dañado. Pida a su distribuidor o centro de servicio de fábrica autorizado por Makita que se lo revise.
  - 1) Si la luz de carga no parpadea (verde) cuando se enchufa el cargador de baterías en una toma de corriente.
  - 2) Si la luz de carga no se enciende o parpadea (rojo) cuando se inserta la batería en el receptáculo del cargador.
  - 3) Si la carga no se completa después de dos o más horas de haberse encendido la luz roja al iniciarse la carga.

## Desmontaje o instalación de la hoja de sierra

### Importante:

Cerciórese siempre de que la herramienta esté apagada y el cartucho de batería extraído antes de desmontar o instalar la hoja de sierra.

Con esta herramienta se podrán usar las siguientes hojas de sierra.

Máx. diá.	Mín. diá.	Espesor de la hoja	Corte de la hoja
190 mm	170 mm	1,6 mm o menos	1,9 mm o más

El espesor de la cuchilla abridora es de 1,8 mm.

### PRECAUCIÓN:

- No utilice hojas de sierra que no cumplan con las características especificadas en estas instrucciones.
- No utilice hojas de sierra cuyo disco sea más grueso o que el conjunto del mismo sea más pequeño que el espesor de la cuchilla abridora.

Para desmontar la hoja de sierra, presione el seguro del eje para que la hoja de sierra no pueda girar y afloje el perno girándolo hacia la izquierda con la llave hexagonal. Después quite el perno, la brida exterior y la hoja de sierra (**Fig. 10**)

Para instalar la hoja de sierra, siga el procedimiento de desmontaje al revés. **CERCIORESE DE APRETAR FIRMEMENTE EL PERNO. (Fig. 11)**

### PRECAUCIÓN:

- Cerciórese de que la hoja de sierra quede instalada con los dientes apuntando hacia arriba en la parte frontal de la herramienta.
- Emplee solamente la llave hexagonal Makita para desmontar o instalar la hoja de sierra.

## Ajuste de la cuchilla abridora (Fig. 12)

Afloje el perno de cabeza hueca hexagonal de ajuste de la cuchilla abridora con la llave hexagonal, después suba la cubierta de seguridad (guarda telescópica). Mueva la cuchilla abridora hacia arriba o abajo sobre el saliente para ajustes indicados en la **Fig. 12**, para obtener la holgura apropiada entre la cuchilla abridora y la hoja de sierra.

### PRECAUCIÓN:

Cerciórese de que la cuchilla abridora esté ajustada de forma que: La distancia entre la cuchilla abridora y el círculo dentado de la hoja de sierra no sea de más de 5 mm. El círculo dentado no sobresalga más de 5 mm por fuera del borde inferior de la cuchilla abridora.

## Para guardar la llave hexagonal (Fig. 13)

Cuando no utilice la llave hexagonal, podrá guardarla convenientemente en la herramienta.

### PRECAUCIÓN:

Cerciórese siempre de que la herramienta esté apagada y el cartucho de batería extraído antes de intentar realizar cualquier ajuste en ella.

### Ajuste de la profundidad de corte (Fig. 14)

Afloje la palanca de la guía de profundidad y mueva la base hacia arriba o abajo. A la profundidad de corte deseada, sujete la base apretando la palanca.

#### PRECAUCIÓN:

- Cuando corte piezas de trabajo finas, emplee poca profundidad de corte con objeto de obtener unos cortes más limpios y seguros.
- Después de ajustar la profundidad de corte, apriete siempre firmemente la palanca.

### Corte en bisel (Fig. 15 y 16)

Afloje los tornillos de fijación de las partes delantera y trasera. Ajuste el ángulo deseado ( $0^\circ - 50^\circ$ ) inclinando según corresponda, y luego apriete firmemente los tornillos de fijación.

Cuando quiera hacer un corte preciso a un ángulo de  $45^\circ$ , utilice el tope de  $45^\circ$ . Para cortes en bisel ( $0^\circ - 45^\circ$ ) gire la palanca completamente hacia la derecha y para cortes en bisel de  $0^\circ - 50^\circ$  gírela hacia la izquierda.

### Ajuste para un corte preciso a $90^\circ$ y $45^\circ$ (corte vertical y a $45^\circ$ ) (Fig. 17 y 18)

Este ajuste ha sido realizado en fábrica. Pero si se pierde, ajuste los tornillos de reglaje con un destornillador mientras pone la hoja de sierra a  $90^\circ$  o  $45^\circ$  con la base utilizando una escuadra o cartabón, etc.

#### PRECAUCIÓN:

Después de haber ajustado la profundidad de corte y el ángulo de corte en bisel, asegúrese de apretar la palanca de la guía de profundidad y los tornillos de fijación de las partes delantera y trasera.

### Guía visual (Fig. 19)

Para cortes rectos, alinee la muesca derecha de la parte delantera de la base con la línea de corte marcada en la pieza de trabajo. Para cortes en bisel a  $45^\circ$ , alinee la muesca izquierda con dicha línea.

### Accionamiento del interruptor (Fig. 20)

#### PRECAUCIÓN:

Antes de insertar el cartucho de batería en la herramienta, compruebe siempre que el interruptor de gatillo se acciona debidamente y que vuelve a la posición "OFF" cuando lo suelta.

Para evitar accionar accidentalmente el interruptor de gatillo, se ha provisto un botón de bloqueo del encendido.

Para poner en marcha la herramienta, presione el botón de bloqueo del encendido y apriete el interruptor de gatillo. Suelte el interruptor de gatillo para parar.

### Operación (Fig. 21)

Sujete firmemente la herramienta. Ponga la placa base sobre la pieza de trabajo a cortar sin que la hoja de sierra llegue a tocarla. Después encienda la herramienta y espere a que la hoja de sierra alcance plena velocidad. Ahora, mueva simplemente la herramienta hacia delante sobre la superficie de la pieza de trabajo, manteniéndola siempre plana y avanzando suavemente hasta completar el corte. Para obtener cortes limpios, siga rectamente la línea de corte y avance a velocidad uniforme.

#### PRECAUCIÓN:

- Inserte siempre el cartucho de batería a tope hasta que quede bloqueado en posición. Si puede ver la parte roja de la parte superior del botón, no estará bloqueado completamente. Insértelo totalmente hasta que no pueda verse la parte roja. En caso contrario, podrá caerse accidentalmente de la herramienta y causarle heridas a usted o a alguien cerca de usted.
- Cuando trabaje en un lugar elevado, asegúrese siempre de que el cartucho de batería esté bloqueado firmemente de forma que no se vaya a caer de la herramienta. En caso contrario, podrá caerse accidentalmente de la herramienta y causarle heridas a usted o a alguien cerca de usted.
- La cuchilla abridora deberá utilizarse siempre excepto cuando comience a cortar la pieza de trabajo por el medio.
- No pare la hoja de sierra aplicando presión lateral sobre el disco.
- Mantenga siempre la herramienta moviéndose suavemente hacia delante en línea recta cuando corte. Si la fuerza o la tuerce, la herramienta se recalentará o el motor dará unos peligrosos contragolpes, pudiendo ocasionarle serias heridas.
- Si hace funcionar la herramienta continuamente hasta agotar el cartucho de batería, deje descansar la herramienta durante unos 15 minutos antes de proseguir con un cartucho de batería recién cargado.

### Guía lateral (regla guía) (Fig. 22)

La útil guía lateral (regla guía) le permite efectuar cortes rectos de gran precisión. Deslícela simplemente hasta apoyarla contra el borde de la pieza de trabajo y fijela en posición con el tornillo de fijación de la parte frontal de la base. De este modo también podrá realizar cortes repetidos de anchura uniforme.

### Salida de polvo (Fig. 23 y 24)

Cuando quiera realizar operaciones de corte limpias, conecte una aspiradora a la herramienta. Instale la junta en la herramienta con los tornillos. Después conecte una manguera de aspiradora a la junta.

## MANTENIMIENTO

#### PRECAUCIÓN:

Asegúrese siempre de que la herramienta está apagada y de que el cartucho de baterías está quitado antes de realizar cualquier trabajo en la herramienta.

### Substitución de las escobillas de carbón (Fig. 25 y 26)

Substituya las escobillas de carbón cuando estén desgastadas hasta la marca del límite. Las dos escobillas de carbón idénticas deberían ser substituidas al mismo tiempo.

Para mantener la seguridad y fiabilidad del producto, las reparaciones, el mantenimiento y los ajustes deberán ser realizados por un Centro de Servicio Autorizado de Makita.

# PORTUGUÊS

## Explicação geral

1	Para evitar recuo, segure a superfície de trabalho junto à zona do corte.	12	Lâmina da serra/Disco de corte	27	Para cortes de esquadria de 45°.
2	Não segure a superfície de trabalho nas extremidades fora da zona do corte.	13	Falange exterior	28	Para cortes direitos
3	Uma ilustração típica da posição adequada das mãos e do suporte da superfície de trabalho	14	Perno	29	Placa base
4	Botão	15	Falange interior	30	Linha de corte
5	Bateria	16	Saliências de ajuste	31	Botão de segurança
6	Carregador da bateria	17	Perno com encaixe hexagonal	32	Gatilho
7	Luzes de carregamento	18	Profundidade de corte	33	Vedação para escarificação (guia paralela)
8	Tampa do terminal	19	Alavanca	34	Bocal para o pó
9	Chave hexagonal	20	Parafuso de regulação	35	Parafusos
10	Libertar (para a esquerda)	21	Alavanca	36	Mangueira com 28 mm de diâmetro interior
11	Travão do eixo	22	Inclinação	37	Aspirador
		23	Base	38	Marca limite
		24	Parafuso de regulação para 90°	39	Tampa do porta-escovas
		25	Parafuso de regulação para 45°	40	Chave de parafusos
		26	Esquadro		

## ESPECIFICAÇÕES

<b>Modelo</b>	<b>BSR730</b>
Diâmetro do disco .....	190 mm
Profundidade máxima de corte	
A 90° .....	66 mm
A 45° .....	47 mm
A 50° .....	42 mm
Velocidade em vazio (min <sup>-1</sup> ) .....	2.400
Comprimento total .....	378 mm
Peso líquido .....	4,6 kg
Voltagem nominal .....	24 V C.C.

- Devido a um programa contínuo de pesquisa e desenvolvimento, estas especificações podem ser alteradas sem aviso prévio.
- Nota: As especificações podem variar de país para país.

### Conselhos de segurança

Para sua segurança, leia as instruções anexas.

## INSTRUÇÕES DE SEGURANÇA IMPORTANTES PARA O CARREGADOR E BATERIA

1. **GUARDE ESTAS INSTRUÇÕES** — Este manual contém importantes normas de segurança e de funcionamento para o carregador de bateria.
2. Antes de utilizar o carregador leia todas as instruções e notas de precaução no (1) carregador de bateria, (2) bateria e (3) no produto que utiliza a bateria.
3. **PRECAUÇÃO** — Para reduzir o risco de acidente, carregue só baterias recarregáveis da MAKITA. Outros tipos de baterias podem explodir causando danos pessoais.
4. Não exponha o carregador à chuva ou à neve.
5. A utilização de qualquer acessório não recomendado ou vendido pelo fabricante do carregador de bateria pode provocar um incêndio, choque eléctrico ou danos pessoais.
6. Para reduzir o risco de danificar a ficha e o fio eléctrico, puxe pela ficha, nunca pelo fio, quando desligar o carregador.

7. **Certifique-se de que o fio está colocado de modo a que não seja pisado, torcido ou de qualquer maneira sujeito a danos ou esticões.**
8. **Não utilize o carregador com um fio ou ficha estragados — substitua-os imediatamente.**
9. **Não utilize o carregador se recebeu alguma pancada, caiu ou foi danificado de qualquer maneira; leve-o a um serviço de assistência qualificada.**
10. **Não abra o carregador ou a bateria; leve-o a um serviço de assistência qualificada quando necessitar de assistência ou reparação. Montagem incorrecta pode resultar em incêndio ou choque eléctrico.**
11. **Para reduzir o risco de choque eléctrico, desligue o carregador da tomada antes de efectuar qualquer manutenção ou limpeza. Desligar os controlos não reduz o risco.**
12. **O carregador de bateria não deve ser utilizado por crianças ou por enfermos sem vigilância.**
13. **Deve vigiar as crianças para se certificar de que não brincam com o carregador.**

## REGRAS DE SEGURANÇA ADICIONAIS PARA O CARREGADOR E BATERIA

1. Não carregue a bateria quando a temperatura é INFERIOR A 10°C ou SUPERIOR A 40°C.
2. Não tente utilizar um transformador de corrente, um gerador ou um receptáculo de alimentação CC.
3. Não deixe que nada cubra ou obstrua as ventilações do carregador.
4. Não provoque um curto circuito na bateria:
  - (1) Não toque nos terminais com nenhum material condutor.
  - (2) Evite guardar a bateria juntamente com outros objectos metálicos tal como pregos, moedas, etc.
  - (3) Não exponha a bateria à chuva ou a água. Um curto circuito na bateria pode causar um grande fluxo de corrente, sobreaquecimento, possíveis queimaduras e mesmo uma avaria.

5. Não guarde a ferramenta e a bateria em locais onde a temperatura possa atingir ou ultrapassar 50°C.
6. Não queime a bateria mesmo se estiver severamente danificada ou completamente gasta. A bateria pode explodir no fogo.
7. Tenha cuidado para não deixar cair, sacudir ou dar pancadas na bateria.
8. Não carregue dentro de uma caixa ou recipiente de qualquer tipo. A bateria deve ser colocada num local bem ventilado durante o carregamento.

## REGRAS DE SEGURANÇA ADICIONAIS PARA A FERRAMENTA

1. Não se esqueça de que esta ferramenta está sempre operacional pois não necessita de ser ligada a uma tomada de corrente eléctrica.
2. Use protectores para os ouvidos
3. Mantenha os resguardos na posição de origem e em condições de funcionamento.  
Nunca prenda ou mantenha o resguardo inferior aberto. Verifique o funcionamento do resguardo inferior antes de cada utilização. Não utilize a ferramenta se o resguardo inferior não fechar completamente sobre o disco de corte.  
**PRECAUÇÃO:** Se deixou cair a serra, o resguardo inferior pode estar danificado impedindo um retorno completo.
4. Não utilize discos que estejam deformados ou partidos.
5. Não utilize discos de aço rápidos.
6. Não páre o disco fazendo pressão lateral.
7. Mantenha os discos limpos e afiados.  
Os discos afiados minimizam paragens e contragolpes.
8. **PERIGO:**  
Mantenha as mãos afastadas da área de corte. Mantenha as mãos afastadas do disco. Não toque por baixo da superfície de trabalho enquanto o disco estiver. Não retire o material cortado enquanto o disco estiver em movimento.  
**PRECAUÇÃO:** O disco continua a movimentar-se por inércia depois de desligar a ferramenta.
9. Apoie as grandes superfícies de trabalho sobre suportes (Fig. 1 e 2)  
As grandes superfícies de trabalho devem ser colocadas sobre suportes como se mostra na Fig. 1, para minimizar o risco de o disco de corte prender ou provocar contragolpes.  
Quando a operação de corte obrigar a que a serra fique assente sobre a superfície de trabalho, a ferramenta deverá ser colocada sobre a parte maior em relação à que vai ser cortada.
10. Utilize vedação para escarificação  
Quando abrir rasgos oriente a direcção de corte servindo-se das faces de rasgos já efectuados na superfície de trabalho ou das suas arestas.

11. **Proteja-se de contragolpes (Fig. 1 e 3)**  
Ocorre um contragolpe quando a serra pára repentinamente e retrocede na direcção do operador. Liberte o gatilho imediatamente se o disco prender ou a serra parar de repente.  
Mantenha os discos afiados. Apoie as grandes superfícies de trabalho sobre suportes conforme indicado na Fig. 1. Quando abrir rasgos oriente a direcção de corte servindo-se das faces de rasgos já efectuados na superfície de trabalho ou das suas arestas. Não force a ferramenta. Mantenha-se atento e em controlo da operação. Não retire a ferramenta da superfície de trabalho enquanto o disco estiver em movimento.  
**NUNCA** coloque as suas mãos ou dedos atrás da serra. Se ocorrer um contragolpe, a serra pode facilmente saltar para trás, sobre a sua mão, causando ferimentos graves.
12. **Resguardo inferior.** Levante o resguardo inferior com a pega retráctil.
13. **Guias**  
Antes do corte certifique-se de que as guias de profundidade e de esquadria estão fixas.
14. **Instale apenas os discos apropriados**  
Não utilize discos com orifícios de medida inadequada. Nunca utilize anilhas ou pernos do disco que estejam danificados ou de medida inadequada.
15. **Evite cortar pregos.**  
Inspeccione e retire todos os pregos da madeira antes de cortar.
16. **Posicione as mãos de maneira adequada, apoie a superfície de trabalho sobre suportes.**  
**AVISO:**  
É importante apoiar a superfície de trabalho correctamente e segurar a serra firmemente para evitar perca de controlo que pode causar danos pessoais graves. A Fig. 4 ilustra a forma manual típica de segurar a serra.
17. **Coloque a parte mais ampla da base da serra sobre a área da superfície de trabalho que está solidamente apoiada, não na parte que vai cair quando fizer o corte.** Como exemplos, a Fig. 5 ilustra a maneira **CORRECTA** de cortar a extremidade de uma tábua e a Fig. 6 a maneira **INCORRECTA**. Se a superfície de trabalho for curta ou pequena, prenda-a com um torno. **NÃO TENTE SEGURAR PEÇAS PEQUENAS COM AS MÃOS!** (Fig. 6)
18. **Nunca tente serrar com a serra circular presa ao contrário num torno.** É extremamente perigoso e pode causar graves acidentes. (Fig. 7)
19. **Antes de pousar a ferramenta depois de acabar um corte, certifique-se de que o resguardo inferior (extensível) fechou e o disco está completamente parado.**
20. **Utilização dos dados do fabricante**
  - certifique-se de que o diâmetro, espessura e outras características do disco da serra são os indicados para a ferramenta
  - certifique-se de que o disco da serra é o indicado para a velocidade do veio da ferramenta.
21. **Não utilize discos abrasivos.**

**GUARDE ESTAS INSTRUÇÕES.**



## INSTRUÇÕES DE FUNCIONAMENTO

### Instalação ou extracção da bateria (Fig. 8)

- Desligue sempre a ferramenta antes de colocar ou extrair a bateria.
- Para retirar a bateria, tire-a da ferramenta enquanto desliza o botão no lado do cartucho.
- Para colocar a bateria, alinhe a lingueta na bateria com a ranhura na caixa e deslize-a para o seu lugar. Coloque-a sempre completamente até que faça um clique no seu lugar. Se conseguir ver a parte vermelha no lado superior do botão, não está completamente colocada. Coloque-a completamente até que não possa ver a parte vermelha. Se assim não for, pode acidentalmente cair da ferramenta ferindo-o a si ou alguém próximo.
- Não force a bateria ao introduzi-la. Se não deslizar com facilidade é porque não está a fazê-lo de modo correcto.

### Carregamento (Fig. 9)

1. Ligue o carregador à sua fonte de alimentação. Duas luzes de carregamento piscarão repetidamente em verde.
2. Coloque a bateria no carregador até que pare ajustando com a guia no carregador. A cobertura dos terminais do carregador pode ser aberta colocando a bateria e fechada retirando-a.
3. Quando a bateria está colocada, a cor da luz de carregamento muda de verde para vermelho e o carregamento começa. A luz de carregamento mantém-se acesa durante o carregamento. Uma luz de carregamento acesa em vermelho indica que a condição de carregamento é de 0 – 80% e das luzes acesas em vermelho indica que a condição de carregamento é de 80 – 100%
4. Quando o carregamento termina as duas luzes de carregamento passam de vermelho para verde. O tempo de carregamento é o seguinte:
5. Se deixar a bateria no carregador depois do ciclo de carregamento acabar, o carregador muda para o modo de “carregamento gota a gota (carregamento de manutenção)” que durará aproximadamente 24 horas.
6. Depois do carregamento, retire o carregador da fonte de alimentação.

Tipo da bateria	Capacidade (mAh)	Número de células	Tempo de carga (DC24SA)	Tempo de carga (DC24WA)
BH2420 (Ni-MH)	2.000	20	Aprox. 30 min.	Aprox. 55 min.
BH2433 (Ni-MH)	3.300	20	Aprox. 60 min.	Aprox. 90 min.

### Sistema de arrefecimento (só para a DC24SA)

- Este carregador está equipado com uma ventoinha de arrefecimento quando a bateria está quente, para permitir que a bateria comprove o seu desempenho. Escuta o som da ventoinha durante o arrefecimento e não significa problema com o carregador.
- Uma luz amarela de aviso piscará nos seguintes casos:
  - Problema na ventoinha de arrefecimento
  - Arrefecimento incompleto da bateria talvez por estar bloqueada com poeira.A bateria pode ser carregada apesar da luz amarela de aviso. Mas o tempo de carregamento será superior ao normal neste caso. Verifique o som da ventoinha de arrefecimento, a ventilação no carregador e bateria, que podem estar bloqueadas com poeira.
- O sistema de arrefecimento está em condições apesar de não ouvir a ventoinha de arrefecimento, se a luz amarela de aviso não piscar.
- Mantenha sempre limpas as ventilações para arrefecimento no carregador e bateria.
- Deve mandar os produtos para reparação ou manutenção se a luz amarela de aviso piscar frequentemente.

### Carregamento condicionado (só para a DC24SA)

O carregamento condicionado pode aumentar a vida da bateria procurando automaticamente a condição óptima de carregamento para as baterias em todas as situações.

Bateria utilizada repetidamente nas seguintes condições, ficarão gastas rapidamente e a luz amarela de aviso poderá piscar.

1. Carregamento da bateria com a temperatura máxima.
  2. Carregamento da bateria com a temperatura mínima.
  3. Carregamento de uma bateria completamente carregada.
  4. Super-descarregamento da bateria (continuar a descarregar a bateria apesar de já estar fraca).
  5. Carregamento com o sistema de arrefecimento estragado.
- O tempo de carregamento de uma bateria nestas condições é superior.

## Carregamento gota a gota (carregamento de manutenção)

Se deixar a bateria no carregador para evitar descarga espontânea depois de completamente carregada, o carregador mudará para o modo de "carregamento gota a gota (carregamento de manutenção)" e manterá a bateria fresca e completamente carregada.

### Conselhos para manter a máxima vida útil da bateria

1. Carregue a bateria antes de completamente descarregada.  
Páre sempre a operação e carregue a bateria quando notar diminuição de potência da ferramenta.
2. Nunca recarregue uma bateria completamente carregada.  
Sobrecarregamento diminui a vida útil da bateria.
3. Carregue a bateria à temperatura ambiente de 10°C – 40°C.  
Se a bateria estiver quente deixe-a arrefecer antes de a carregar.
4. Carregue a bateria de hidreto de níquel quando não a utilizar durante mais do que seis meses.

### PRECAUÇÃO:

- O carregador de bateria é para carregar cartuchos de bateria da Makita. Nunca o utilize para outros fins ou baterias de outros fabricantes.
- Quando carrega uma bateria nova ou uma bateria que não foi utilizada durante um longo período de tempo, pode não aceitar uma carregamento completo. Isto é uma condição normal e não indica um problema. Pode carregar a bateria completamente depois de a descarregar e voltar a carregar algumas vezes.
- Se carregar uma bateria de uma ferramenta que acabou de funcionar ou uma bateria que foi deixada num local exposta à luz solar directa durante um longo período de tempo, a luz de carregamento pode piscar em vermelho. Se isto acontecer, espere um pouco. Quando a temperatura na bateria for superior a aproximadamente 70°C, duas luzes de carregamento podem piscar em vermelho, e quando for aproximadamente 50°C – 70°C, uma luz de carregamento pisca em vermelho. O carregamento começa quando a bateria tiver arrefecido com a ventoinha de arrefecimento colocada no carregador (só para a DC24SA).
- Se a luz de carregamento piscar alternadamente em verde e vermelho, o carregamento não é possível. Os terminais no carregador ou bateria estão bloqueados com poeira ou a bateria está gasta ou estragada.
- Qualquer das seguintes condições indica estragos no carregador e/ou. Mande para verificação a um Serviço de Assistência da Makita.
  - 1) A luz de carregamento não pisca (verde) quando o carregador está ligado a uma fonte de alimentação.
  - 2) A luz de carregamento não se acende ou pisca (vermelho) quando a bateria está colocada no carregador.
  - 3) O carregamento não termina mesmo passado mais de duas horas depois da luz vermelha se ter acendido no início do carregamento.

## Para retirar ou instalar o disco de corte

Importante:

Certifique-se sempre de que a máquina está desligada e a bateria retirada antes de retirar ou instalar o disco.

Os seguintes discos podem ser utilizados com esta ferramenta.

Diâm. máx.	Diâm. mín.	Espessura do disco	Corte
190 mm	170 mm	1,6 mm ou menos	1,9 mm ou mais

A espessura da lâmina de abrir é de 1,8 mm.

### PRECAUÇÃO:

- Não utilize discos de corte que não respeitem as características especificadas nestas instruções.
- Não utilize discos de corte cuja espessura máxima seja inferior à espessura da lâmina de abrir.

Para retirar o disco, pressione o travão do eixo de modo a que o disco não possa girar e utilize a chave hexagonal para libertar o perno para a esquerda. Em seguida retire o perno, falgane exterior e disco. (Fig. 10)

Para colocar o disco, execute o procedimento inverso de para o retirar. **CERTIFIQUE-SE DE QUE APERTA FIRMEMENTE O PERNO. (Fig. 11)**

### PRECAUÇÃO:

- Certifique-se de que os dentes do disco estão apontados para cima na frente da máquina.
- Utilize só a chave hexagonal da Makita para retirar ou colocar o disco.

## Ajuste da lâmina de abrir (Fig. 12)

Utilize a chave hexagonal para libertar o perno com encaixe hexagonal de ajuste da lâmina de abrir e em seguida levante a cobertura de segurança (resguardo de segurança). Mova a lâmina de abrir para cima e para baixo sobre a saliência para as regulações indicadas na Fig. 12, de modo a obter a abertura apropriada entre a lâmina de abrir e o disco de corte.

### PRECAUÇÃO:

Certifique-se de que a lâmina de abrir está ajustada de maneira que: A distância entre a lâmina de abrir e o aro dentado do disco de corte não seja superior a 5 mm. O aro dentado não ultrapasse mais do que 5 mm a aresta inferior da lâmina de abrir.

## Armazenamento da chave hexagonal (Fig. 13)

Quando não estiver em utilização, a chave hexagonal pode ser guardada convenientemente.

### PRECAUÇÃO:

Certifique-se sempre de que a ferramenta está desligada e a bateria retirada antes de executar qualquer regulação.

### **Ajuste da profundidade de corte (Fig. 14)**

Liberte a alavanca na guia de profundidade e mova a base para cima e para baixo. Na profundidade de corte desejada, prenda a base apertando a alavanca.

#### **PRECAUÇÃO:**

- Execute um corte raso quando cortar peças finas, para obtenção de um corte limpo e seguro.
- Depois de ajustar a profundidade de corte, aperte sempre a alavanca seguramente.

### **Corte de esquadria (Fig. 15 e 16)**

Desaperte os parafusos de fixação à frente e atrás. Incline até obter o ângulo desejado ( $0^\circ - 50^\circ$ ) e em seguida aperte os parafusos de fixação firmemente. Utilize o travão de  $45^\circ$  quando faz cortes precisos com um ângulo de  $45^\circ$ . Rode a alavanca completamente para a direita para cortes de esquadria ( $0 - 45^\circ$ ) e para a esquerda para cortes de esquadria de  $0^\circ - 50^\circ$ .

### **Ajuste para cortes precisos de $90^\circ$ e $45^\circ$ (vertical e corte de $45^\circ$ ) (Fig. 17 e 18)**

Este ajuste foi feito na fábrica. Mas se estiver desajustado regule o parafuso de regulação com uma chave de parafusos, enquanto alinha a lâmina com a base de  $90^\circ$  ou  $45^\circ$  utilizando um esquadro, uma régua, etc.

#### **PRECAUÇÃO:**

Depois de ajustar a profundidade do corte e o ângulo de esquadria, certifique-se de que aperta a alavanca na guia de profundidade e os parafusos de fixação à frente e atrás.

### **Pontos de mira (Fig. 19)**

Para cortes direitos, alinhe a ranhura à direita na frente da base com a sua linha de corte na peça de trabalho. Para cortes de esquadria de  $45^\circ$  alinhe a ranhura esquerda.

### **Ação do interruptor (Fig. 20)**

#### **PRECAUÇÃO:**

Antes de colocar a bateria na ferramenta, certifique-se de que o gatilho funciona correctamente e volta para a posição "OFF" quando libertado.

Para evitar que o gatilho seja acidentalmente accionado existe um botão de bloqueio.

Para ligar a ferramenta, pressione no botão de bloqueio e carregue no gatilho. Liberte-o para parar.

### **Operação (Fig. 21)**

Segure na ferramenta firmemente. Coloque a placa base na superfície a cortar sem que o disco faça contacto. Em seguida ligue a ferramenta e espere até que o disco atinja a velocidade máxima. Nessa altura movimente a ferramenta para a frente sobre a superfície da peça de trabalho, mantendo-a direita e avançando lentamente até que o corte esteja completo. Para cortes perfeitos, mantenha a linha de corte direita e avance a uma velocidade uniforme.

#### **PRECAUÇÃO:**

- Coloque sempre a bateria completamente até ao fim, até que fique bem presa no seu lugar. Se conseguir ver a parte vermelha no lado superior do botão, não está completamente presa. Coloque-a completamente até que não consiga ver a parte vermelha. Se assim não for, pode cair da ferramenta acidentalmente, ferindo-o a si ou a alguém perto.
- Quando está a trabalhar em locais acima de si, certifique-se de que a bateria está bem presa de modo a que não caia da ferramenta. Se assim não for, pode cair da ferramenta acidentalmente, ferindo-o a si ou a alguém perto.
- Deve utilizar sempre a lâmina de abrir, excepto quando inicia o corte no meio da superfície de trabalho.
- Não páre o disco de corte fazendo pressão lateral.
- Mantenha sempre a ferramenta em movimento para a frente. Forçar ou torcer a ferramenta poderá originar sobreaquecimento do motor e recuo perigoso, causando possíveis ferimentos.
- Se a ferramenta funcionar continuamente até que a bateria esteja descarregada, deixe a ferramenta descansar durante 15 minutos antes de continuar com uma bateria carregada.

### **Vedação para escarificação (guia paralela) (Fig. 22)**

A guia permite-lhe a execução de cortes extremamente diretos. Encoste simplesmente a a guia à superfície de trabalho e prenda-a com o parafuso de fixação na frente da base. A guia também possibilita a execução de cortes repetidos com profundidade uniforme.

### **Bocal para o pó (Fig. 23 e 24)**

Quando deseja executar uma operação de corte limpa, ligue um aspirador à ferramenta. Coloque a junta na ferramenta utilizando os parafusos. Em seguida ligue um aspirador à junta.

## **MANUTENÇÃO**

#### **PRECAUÇÃO:**

Certifique-se sempre de que a ferramenta se encontra desligada e de que a bateria foi retirada antes de efectuar qualquer inspecção e manutenção.

### **Substituição das escovas de carvão (Fig. 25 e 26)**

As escovas de carvão devem ser substituídas quando o desgaste atingir a marca limite. Ambas as escovas de carvão devem ser substituídas ao mesmo tempo.

Para manter a segurança e fiabilidade do produto, as reparações, manutenção e afinações deverão ser sempre efectuadas por um Centro de Assistência Oficial Makita.

## Illustrationsoversigt

1	Understøt plader eller paneler tæt ved savestedet for at undgå tilbagespring.	12	Savblad	28	Til lige snit
2	Understøt ikke plader eller paneler langt fra savestedet.	13	Ydre flange	29	Grundplade
3	En typisk illustration af korrekt håndstøtte og understøtning af emnet.	14	Bolt	30	Skærelinie
4	Knap	15	Indre fælge	31	Låseknap
5	Batteripatron	16	Justeringsfremspring	32	Afbryderknap
6	Batterilader	17	Bolt med sekskantet hovede	33	Anslag (føringslineal)
7	Ladelamper	18	Skæredybde	34	Sugestuds
8	Beskyttelsesdæksel	19	Arm	35	Skruer
9	Sekskantsbolt	20	Spændeskruer	36	Slange (indre diameter på 28 mm)
10	Løsne (mod uret)	21	Arm	37	Støvsuger
11	Skaftlås	22	Skrå overflade	38	Slidgrænse
		23	Grundplade	39	Kulholderdæksel
		24	Justeringssskrue for 90°	40	Skruetrækker
		25	Justeringssskrue for 45°		
		26	Trekantslineal		
		27	Til 45° skråsnit		

## SPECIFIKATIONER

<b>Model</b>	<b>BSR730</b>
Klingediameter .....	190 mm
Maksimal skæredybde	
90° .....	66 mm
45° .....	47 mm
50° .....	42 mm
Omdrejninger (min <sup>-1</sup> ) .....	2 400
Længde .....	378 mm
Vægt .....	4,6 kg
Mærkespænding .....	24 V

- Ret til tekniske ændringer forbeholdes.
- Bemærk: Tekniske data kan variere fra land til land.

## Sikkerhedsbestemmelser

Af sikkerhedsgrunde bør De sætte Dem ind i de medfølgende Sikkerhedsforskrifter.

## VIGTIGE SIKKERHEDSFORSKRIFTER FOR OPLADER OG AKKU

1. **GEM DISSE FORSKRIFTER**—Denne brugsanvisning indeholder vigtige sikkerhedsforskrifter og betjeningsvejledninger for opladeren.
2. Før brug af opladeren bør De læse alle instruktationer og advarselmærkninger vedrørende (1) laderen, (2) akku, og (3) maskinen.
3. **ADVARSEL**—For at mindske risikoen for personskade må opladeren kun anvendes til opladning af genopladelige MAKITA akku-typer. Andre akku-typer kan sprænges og forårsage personskade eller ødelæggelser.
4. Udsæt ikke opladeren for regn eller sne.
5. Brug af tilbehør, der ikke er anbefalet eller solgt af Makita, kan medføre risiko for brand, elektrisk stød, eller personskade.
6. For at minimere risikoen for skade på netledning og netstik, skal De trække i netstikket og ikke i ledningen, når opladeren tages ud af stikkontakten.

7. Sørg for, at netledningen er placeret således, at man ikke træder på den eller falder over den, og således, at den ikke på anden måde beskadiges eller lider overlast.
8. Brug aldrig opladeren, hvis netledningen eller netstikket er beskadiget — få dem udskiftet øjeblikkeligt.
9. Brug aldrig opladeren, hvis den har fået voldsomt slag, er blevet tabt eller på anden måde er beskadiget. Lad en kvalificeret reparatør se på den.
10. Skil aldrig opladeren eller akkuen ad; kontakt en kvalificeret reparatør, når vedligeholdelse eller reparation er påkrævet. Forkert samling kan medføre risiko for elektrisk stød eller brand.
11. For at undgå risiko for elektrisk stød skal opladeren altid tages ud af stikkontakten, før vedligeholdelse eller rengøring udføres. Denne risiko fjernes ikke ved blot at slukke for kontrollerne.
12. Opladeren er ikke beregnet til at skulle anvendes af børn eller svaglige personer uden opsyn.
13. Små børn bør være under opsyn for at sikre, at de ikke leger med opladeren.

## YDERLIGERE SIKKERHEDSFORSKRIFTER FOR OPLADER OG AKKU

1. Oplad ikke akkuen, når temperaturen er UNDER 10°C, eller OVER 40°C.
2. Forsøg aldrig at anvende en transformator, generator eller jævnstrømsforsyning til opladning.
3. Sørg for at opladerens ventilationsåbninger ikke tildækkes.

4. Kortslut aldrig akkuen:
  - (1) Rør ikke polerne med noget ledende materiale.
  - (2) Opbevar ikke akkuen sammen med genstande af metal, som f.eks. søm og skruer.
  - (3) Udsæt aldrig akkuen eller opladeren for vand eller regn.

En kortslutning af akkuen kan forårsage en stor strømudladning, overophedning, forbrænding, og gennemslag gennem isolerende materiale.
5. Opbevar ikke akkuen eller maskinen på steder, hvor temperaturen kan komme over 50°C.
6. Akkuen indeholder cadmium og er dermed miljøaffald, som ikke må bortskaffes med almindeligt husholdningsaffald. Den må ikke brændes, da den kan eksplodere i åben ild. Akkuen skal, når den er udtjent, deponeres for genbrug. Spørg forhandleren om de gældende regler.
7. Udsæt ikke akkuen for slag eller andre voldsomme fysiske påvirkninger.
8. Oplad ikke akkuen i en kasse eller en anden form for beholder. Akkuen skal oplades på et sted med god ventilation.

## YDERLIGERE SIKKERHEDSFORSKRIFTER FOR MASKINEN

1. Vær opmærksom på at maskinen altid er driftsklar, da den ikke behøver at tilsluttes en stikkontakt.
2. Brug høreværn.
3. Sørg for, at beskyttelseskapper er på plads og fungerer korrekt.  
Den nedre beskyttelseskappe må aldrig kiles eller bindes fast. Kontrollér før hver brug, at den nedre beskyttelseskappe virker. Anvend ikke maskinen, hvis den nedre beskyttelseskappe ikke lukker over savbladet med det samme.  
**FORSIGTIG:** Hvis saven tages, kan den nedre beskyttelseskappe blive bøjet, hvilket kan forårsage, at den ikke kan returnere fuldstændigt.
4. Anvend aldrig deformede eller revnede savblade.
5. Anvend aldrig savblade, der er fremstillet af HS-stål.
6. Stop aldrig savbladet ved at trykke på savbladet fra siden.
7. Hold savbladene rene og skarpe.  
Skarpe savblade reducerer risikoen for at bladet klemmes fast eller springer tilbage.
8. **FARE:**  
Hold hænderne væk fra skæreområdet.  
Hold hænderne væk fra savbladene. Ræk ikke ind under emnet, mens savbladet roterer. Forsøg ikke at fjerne afsavet materiale, mens savbladet roterer.  
**FORSIGTIG:** Savbladene roterer et stykke tid efter at der er slukket for maskinen.
9. Understøt store plader. (Fig. 1 og 2)  
Store plader skal understøttes som vist i Fig. 1 for at reducere risikoen for at savbladet klemmes fast eller springer tilbage.  
Når savningen kræver, at saven hviler på emnet, skal saven hvile på det største stykke, mens det mindste saves af.

10. Anvend parallelanslag.  
Anvend altid et parallelanslag eller anslag med lige kant, når der saves.
11. Tag forholdsregler mod tilbagespring. (Fig. 1 og 3)  
Saven springer tilbage, når saven pludselig kører fast og drives tilbage mod brugeren. Slip afbryderkontakten øjeblikkeligt, hvis savbladet binder, eller saven kører fast. Hold savbladene skarpe. Understøt store plader som vist på Fig. 1. Anvend parallelanslag eller anslag med lige kant, når der saves. Brug ikke magt. Vær altid vågen og på vagt. Fjern aldrig saven fra et emne, mens savbladet stadig kører.  
Placér **ALDRIG** hænderne eller fingrene bag saven. Hvis saven springer tilbage, kan den nemt hoppe baglæns hen over hånden og forvold alvorlig personskade.
12. Nedre beskyttelseskappe.  
Hæv den nedre beskyttelseskappe med håndtaget.
13. Justeringer.  
Før der saves, bør det kontrolleres, at dybdeindstilling og geringsindstilling er korrekte.
14. Anvend kun de korrekte savblade ved montering.  
Anvend ikke savblade med en forkert størrelse huller. Anvend aldrig defekte eller forkerte spændeskiver eller bolte til savbladet.
15. Undgå at skære i søm.  
Kontrollér om der sidder søm i tømmeret. Fjern eventuelle søm før der saves.
16. Anvend saven med passende håndstøtte.  
**ADVARSEL:**  
Det er vigtigt, at emnet understøttes på korrekt vis, og at saven holdes med fast hånd for at forhindre at kontrollen over maskinen mistes; det kan medføre alvorlig personskade. Fig. 4 viser en typisk måde at holde saven på.
17. Placer den bredeste del af savens grundplade på den del af emnet, der er solidt understøttet; ikke på den del, der vil falde af når savningen foretages. Som et eksempel viser Fig. 5 den **RIGTIGE** måde skære enden på et bræt, og Fig. 6 viser den **FORKERTE** måde. Hvis emnet er kort eller lille, skal det spændes fast. **FORSØG ALDRIG AT HOLDE KORTE EMNER I HÅNDEN!** (Fig. 6)
18. Forsøg aldrig at save med rundsaven vendt på hovedet eller fastspændt i en spændeskruer. Dette er ekstremt farligt og kan medføre alvorlige ulykker. (Fig. 7)
19. Før maskinen sættes ned efter udførelse af en savning, skal det kontrolleres, at den nedre (teleskoperende) beskyttelseskappe er lukket, og at savbladet står helt stille.
20. Anvendelse af fabrikantdata
  - Sørg for at diameteren, tykkelsen og andre specifikationer på savbladet passer til værktøjet;
  - Sørg for at savbladet passer til spindlehastigheden på værktøjet.
21. Anvend ikke slibeskiver.

## GEM DISSE FORSKRIFTER.

## ANVENDELSE

### Montering og afmontering af akku (Fig. 8)

- Kontrollér altid, at maskinen er slået fra, før installering eller fjernelse af akkuen.
- Akkuen fjernes ved at den trækkes ud af maskinen, mens knapperne på begge sider af akkuen holdes trykket indad.
- Isæt akkuen ved at rette dens tunge ind efter rillen i huset. Skyd derefter akkuen helt ind, til den låser på plads med et lille klik. Hvis den røde del på oversiden af knappen er synlig, er akkuen ikke låst korrekt. Skyd akkuen helt ind, indtil den røde del ikke er synlig. Hvis akkuen ikke sættes i på denne måde, kan den ved et uheld falde ud af maskinen, og eventuelt forvolde personskaade på Dem selv eller andre.
- Brug aldrig magt når akkuen sættes i. Hvis ikke akkuen glider i uden besvær, er det fordi den vender forkert.

### Opladning (Fig. 9)

1. Tilslut opladeren til strømkilden. To ladeindikatorlamper fortsætter med at blinke grønt.
2. Ret akkuen ind efter rillen i laderen og skub den helt ind. Dækslet over laderens terminaler åbner ved isætning af akkuen og lukker ved udtrækning af akkuen.
3. Når akkuen er isat, skifter ladeindikatorlampernes farve fra grøn til rød, og opladning begynder. Ladeindikatorlampen lyser konstant under opladningen. En rød ladeindikatorlampe angiver 0 – 80% opladet tilstand, og to røde ladeindikatorlamper angiver 80 – 100%.
4. Når opladning er færdig, skifter ladeindikatorlampen fra to røde til to grønne. Ladetiden er som følger;
5. Hvis De efterlader akkuen i opladeren, efter at opladningen er fuldført, skifter opladeren til "kompensationsladning (vedligeholdelsesladning)" funktion, som varer ved i cirka 24 timer.
6. Efter opladning tages laderen ud af forbindelse med strømforsyningen.

Akku-type	Kapacitet (mAh)	Antal celler	Ladetid ved anvendelse (DC24SA)	Ladetid ved anvendelse (DC24WA)
BH2420 (Ni-MH)	2 000	20	Ca. 30 min.	Ca. 55 min.
BH2433 (Ni-MH)	3 300	20	Ca. 60 min.	Ca. 90 min.

### Kølesystem (kun for DC24SA)

- Denne oplader er forsynet med en ventilator til afkøling af akkuen, således at optimal ydelse sikres. Lyden fra køleluften høres under afkøling, hvilket ikke er tegn på, at der er noget i vejen med opladeren.
- Gult lys blinker som advarsel i følgende tilfælde.
  - Problem med ventilatoren
  - Ufuldstændig afkøling af akkuen, eksempelvis hvis denne er tilstoppet med støvAkkuen kan oplades, selv om den gul advarselslampe er tændt. Men ladetiden vil være længere end normalt. Lyt efter lyden af ventilatoren, og kontrollér ventilationshullerne på opladeren og akkuen, da disse kan tilstoppes af støv.
- Kølesystem virker korrekt, selv om der ingen ventilatorlyd høres, såfremt den gule advarselslampe ikke blinker.
- Hold altid ventilationshullerne på opladeren og akkuen rene for at fremme afkøling.
- Produkterne bør sendes til reparation eller eftersyn, hvis den gule advarselslampe hyppigt blinker.

### Konditioneringsopladning (kun for DC24SA)

Konditioneringsopladning kan forlænge akkuens levetid, idet denne form for opladning automatisk bestemmer den optimale ladetilstand på akkerne i enhver situation.

En akku, der gentagne gange anvendes under følgende forhold, vil blive slidt op i løbet af kort tid, og den gule advarselslampe kan blinke.

1. Opladning af akkuen, mens den er meget varm.
  2. Opladning af akkuen, mens den er meget kold.
  3. Opladning af en fuldt opladet akku.
  4. Overafledning af akku (afledning af akku fortsat selv om der ikke er mere strøm på).
  5. Opladning mens ventilationssystemet er i stykker.
- Ladetiden er længere end normalt ved en sådan akku.

## Kompensationsladning (vedligeholdelsesladning)

Hvis De efterlade akkuen i opladeren for at forebygge spontan afladning efter en fuld opladning, skifter opladeren til dens "kompensationsladning (vedligeholdelsesladning)" funktion, og holder derved akkuen frisk og fuldt opladet.

### Tips til sikring af maksimal akku-levetid

1. Oplad akkuen, før den er fuldt afladet.  
Stop altid med at bruge maskinen, og oplad akkuen, når De bemærker reduceret maskinkraft.
2. Oplad aldrig en fuldt opladet akku.  
Over-opladning forkorter akkuens levetid.
3. Oplad akkuen ved en rumtemperatur på 10°C – 40°C.  
Lad en varm akku køle, før den oplades.
4. Oplad nikkel metalhydrid akkuen, når De ikke har anvendt den indenfor et halvt år.

### FORSIGTIG:

- Opladeren er til opladning af Makita akkuer. Anvend den aldrig til andre formål eller til akku af andet fabrikat.
- Hvis De forsøger at oplade en ny akku, eller en akku, der ikke har været anvendt i lang tid, er det ikke sikkert, at akkuen kan oplades helt. Dette er normalt, og er ikke tegn på, at der er noget i vejen. De kan oplade akkuen fuldt ud, efter at den er blevet helt afladet og opladet nogle gange.
- Hvis De forsøger at oplade en akku, der lige er taget af en netop anvendt maskine, eller en akku, der har været efterladt på et sted, hvor den har været udsat for solens direkte stråler i lang tid, kan ladelampen blinke rødt. I dette tilfælde skal akkuen have lov at køle af. Når akkuens temperatur er højere end cirka 70°C, kan de to ladelamper blinke rødt, og når den er cirka 50°C til 70°C, blinker en ladelampe rødt. Opladning starter, når akkuen er blevet kølet ned af ventilatoren i opladeren (kun for DC24SA).
- Hvis ladelampen skiftevis blinker grønt eller rødt, er opladning ikke mulig. Terminalerne på opladeren eller akkuen er tilstoppet med støv, eller akkuen er slidt op eller beskadiget.
- Ethvert af følgende forhold er tegn på beskadigelse af opladeren og/eller akkuen. Bed Deres Makita autoriserede værksted eller servicecenter om at efterse dele.
  - 1) Ladelampen blinker ikke (grønt), når opladeren tilsluttes en strømforsyning.
  - 2) Ladelampen tændes ikke, eller blinker (rødt), når akkuen sættes ind i laderens åbning.
  - 3) Opladning er ikke afsluttet selv to timer efter at den røde lampe er blevet TÆNDT ved begyndelsen af opladningen.

### Afmontering eller montering af savblad

Vigtigt:

Sørg altid for, at maskinen er slukket og at akkuen er taget ud, inden savbladet afmonteres eller monteres.

Det følgende savblad kan anvendes i denne maskine.

Max. diameter	Min. diameter	Savbladsbredde	Skærebredde
190 mm	170 mm	1,6 mm eller mindre	1,9 mm eller mere

Bredden på spaltekniven er 1,8 mm.

### FORSIGTIG:

- Anvend ikke savblade, der ikke modsvarer de her angivne specifikationer.
- Anvend ikke savblade, hvis skive er tykkere eller hvis savspor er smallere end tykkelsen på spaltekniven.

Fjern savbladet ved at trykke skaftlåsen ind, således at savbladet ikke kan rotere, og løs bolten i retningen mod uret med en sekskantnøgle. Fjern derefter bolten, den ydre flange og savbladet (**Fig. 10**).

Monter savbladet ved at gå frem i modsat rækkefølge af ovenstående anvisninger. **SØRG FOR AT FASTSPÆNDE SEKSKANTBOLTEN FORSVARLIGT. (Fig. 11).**

### FORSIGTIG:

- Kontroller, at savbladets tænder peger opad foran på maskinen.
- Anvend kun Makita sekskantnøglen til afmontering og montering af savbladet.

### Justering af spaltekniv (Fig. 12)

Anvend sekskantnøglen til at løsne bolten med sekskantet hoved, når spaltekniven skal justeres, og løft derefter beskyttelseskappen (sikkerhedsdæksel). Flyt spaltekniven op eller ned henover fremspringet for at justere den som vist i **Fig. 12**, således at der bliver en passende afstand mellem spaltekniven og savbladet.

### FORSIGTIG:

Kontroller, at spaltekniven er justeret således at: Afstanden mellem spaltekniven og savbladets tænder ikke overstiger 5 mm. Savbladets tænder ikke kommer mere end 5 mm nedenfor spalteknivens nederste kant.

### Opbevaring af sekskantnøgle (Fig. 13)

Sekskantnøglen kan opbevares bekvemt som vist på illustrationen, når den ikke skal anvendes.

### FORSIGTIG:

Sørg altid for, at maskinen er slukket og at akkuen er taget ud, inden De udfører nogen justeringer.

### Justering af skæredybden (Fig. 14)

Armen på dybdeguiden løsnes, og grundpladen bevæges op og ned. Ved den ønskede skæredybde fastsikres grundpladen ved at armen spændes fast.

### FORSIGTIG:

- Anvend en lille snitdybde ved skæring af emner. Det giver et renere, sikrere snit.
- Stram altid armen forsvarligt, når De har justeret snitdybden.

## Skråsnit (Fig. 15 og 16)

Løsn fastspændingskruerne for og bag. Indstil til den ønskede vinkel (0° – 50°) ved at udføre den rigtige hældning, og derefter stramme fastspændingskruerne godt til. Benyt 45° stopperen, når der skal udføres præcise 45° vinkelsnit. Drej armen helt med uret for at lave skråsnit (0° – 45°), og drej den mod uret for at lave 0° – 50°.

## Præcisionsjustering for 90° og 45° snit (lodret og 45° snit) (Fig. 17 og 18)

Denne justering er allerede udført fra fabrikken. Men skulle den være blevet forrykket, skal justeringsskruerne justeres med en skruetrækker, mens savbladet holdes i 90° eller 45° vinkel mod grundpladen med brug af en trekantslineal, planvinkel, eller lignende.

### FORSIGTIG:

Husk altid at stramme armen på dybdeguiden og fastspændingskruerne for og bag efter justering af skæredybde og skråsnitvinklen.

## Snitlinier (Fig. 19)

Ved lige snit rettes højre not på forsiden af grundpladen ind efter snitlinien på emnet. Ved 45° skråsnit rettes venstre not ind efter snitlinien.

## Afbryderkontakt (Fig. 20)

### FORSIGTIG:

Inden akkuen sættes i maskinen, bør det altid kontrolleres, at afbryderkontakten fungerer korrekt og returnerer til "OFF" indstillingen, når den slippes.

Maskinen er forsynet med en låseknop for at forhindre, at afbryderkontakten aktiveres ved et uheld.

Start maskinen ved at holde låseknappen inde, mens der trykkes på afbryderkontakten. Slip afbryderkontakten, når De vil stoppe.

## Betjening (Fig. 21)

Hold godt fast i maskinen. Placer maskinens grundplade på det emne, der skal savnes, uden at savbladet kommer i kontakt med emnet. Tænd derefter for maskinen og vent, indtil savbladet er kommet op på fuld hastighed. Før nu ganske enkelt maskinen fremad henover emnets overflade, idet maskinen bevæges med jævn hastighed og holdes plant mod emnet, indtil savningen er gennemført. For at opnå rene snit skal De holde snitlinien lige, og maskinen skal føres fremad med jævn hastighed.

### FORSIGTIG:

- Skyd altid akkuen helt ind, til den låser på plads. Hvis den røde del på oversiden af knappen er synlig, er akkuen ikke låst korrekt. Skyd akkuen helt ind, indtil den røde del ikke er synlig. Hvis akkuen ikke sættes i på denne måde, kan den ved et uheld falde ud af maskinen, og eventuelt forvolde personskade på Dem selv eller andre.
- Når maskinen holdes højere end Dem selv ved anvendelse, bør De sikre Dem, at akkuen er sikkert låst fast, så den ikke falder ud af maskinen. Hvis akkuen ikke er låst, kan den ved et uheld falde ud af maskinen og eventuelt forvolde personskade på Dem selv eller andre.

- Spaltekniven bør altid anvendes, undtagen når savningen begynder midt i emnet.
- Stop ikke savbladet ved at trykke på skiven fra siden.
- Før altid maskinen lige fremad med et forsigtigt tryk, når der savnes. Hvis maskinen føres fremad med magt eller hvis den vrirkkes, vil resultatet blive overophedning af motoren og farligt tilbagespring med risiko for personskade.
- Hvis maskinen anvendes uafbrudt, indtil batteriet er afladet, skal maskinen have lov til at hvile i 15 minutter, inden der fortsættes med et nyt batteri.

## Anslag (føringslineal) (Fig. 22)

Det praktiske anslag (føringslineal) gør det muligt at opnå særligt præcise snit. De behøver blot at skyde anslaget tæt op mod siden af emnet og holde det på plads med fastspændingskruen på forsiden af grundpladen. Anslaget går det også muligt at lave gentagne savninger med samme bredde.

## Sugestuds (Fig. 23 og 24)

Tilslut en støvsuger til maskinen, hvis De ønsker at opnå en ren savning uden støv. Monter sugestudsens på maskinen ved hjælp af skruerne. Tilslut derefter støvsugerlangen til sugestudsens.

## VEDLIGEHOLDELSE

### ADVARSEL:

Sørg altid for at maskinen er slukket, og at akkuen er taget ud før der gennemføres noget arbejde på selve maskinen.

## Udskiftning af kul (Fig. 25 og 26)

Udskift maskinens kul når disse er slidt ned til slidgrænsen. De nedslidte kul erstattes med nye originale Makita-kul. Udskift altid kullene parvis.

For at opretholde produktets sikkerhed og pålidelighed, må istandsættelse, vedligeholdelse eller justering kun udføres af et autoriseret Makita service center.



Förklaring av allmän översikt

1 Stöd brädan eller panelen nära sågstållet för att undvika bakåtkast (kickback).	12 Sågklinga	28 För raksågning
2 Stöd inte brädan eller panelen långt ifrån sågstållet.	13 Yttre fläns	29 Sågbordets bottenplatta
3 Typexempel på korrekt handstöd och stöd för arbetsstycket.	14 Bult	30 Såglinje
4 Knapp	15 Inre fläns	31 Säkerhetsspärr
5 Batterikassett	16 Inställning av utskjutningar	32 Avtryckare
6 Batteriladdare	17 Sexkantsbult	33 Klyvningsanslag (sidoanslag)
7 Laddningslampa	18 Skärdjup	34 Sågspåmsmunstycke
8 Kontaktskydd	19 Spak	35 Skruvar
9 Sexkantsnyckel	20 Vingmutter	36 Slang med 28 mm innerdiameter
10 Lossa (moturs)	21 Spak	37 Dammsugare
11 Axellås	22 Sluttande yta	38 Gränsmärke
	23 Sågbord	39 Kolhållarlock
	24 Justeringskruv för 90°	40 Skruvmejsel
	25 Justeringskruv för 45°	
	26 Trekantslinjal	
	27 För sågning i 45° vinkel	

TEKNISKA DATA

<b>Modell</b>	<b>BSR730</b>
Klingdiameter .....	190 mm
Max. sågdjup	
90° .....	66 mm
45° .....	47 mm
50° .....	42 mm
Varvtal (min <sup>-1</sup> ) .....	2 400
Längd .....	378 mm
Vikt .....	4,6 kg
Märkspänning .....	24 V DC

- På grund av det kontinuerliga programmet för forskning och utveckling, kan här angivna tekniska data ändras utan föregående meddelande.
- Observera! Tekniska data kan variera i olika länder.

Säkerhetstips

För din egen säkerhets skull, bör du läsa igenom de medföljande säkerhetsföreskrifterna.

VIKTIGA SÄKERHETSINSTRUKTIONER FÖR LADDARE OCH KRAFTKASSETT

1. SPARA DESSA INSTRUKTIONER — Bruksanvisningen innehåller viktiga säkerhets- och driftsinstruktioner för batteriladdaren.
2. Läs alla instruktioner och varningstexter på (1) batteriladdaren, (2) kraftkassetten och (3) produkten till vilka dessa används, innan du använder batteriladdaren.
3. VARNING—Ladda endast MAKITA uppladdningsbara kraftkassetter för att minska risken för skador. Andra batterityper kan explodera och orsaka skador på person och egendom.
4. Utsätt inte laddaren för regn eller snö.
5. Användning av tillbehör som inte säljs eller är rekommenderade av batteriladdarens tillverkare kan medföra risk för eldsvåda, elektriska stötar och personsador.
6. Dra i kontakten och inte i sladden när laddaren kopplas ur strömuttaget, för att minska risken för skador på nätkontakten och nätsladden.

7. Se till att sladden är placerad så att inte någon trampar eller snubblar på den, eller att den på annat sätt utsätts för skador eller yttre påverkan.
8. Använd inte laddaren om kontakten eller sladden är skadade. Byt ut delarna omedelbart.
9. Använd inte laddaren om den har utsatts för ett kraftigt slag, tappats, eller på annat sätt skadats. Ta laddaren till en auktoriserad serviceverkstad.
10. Plocka inte isär laddaren eller kraftkassetten. Ta dem till en auktoriserad serviceverkstad om de behöver ses över eller repareras. Felaktig sammansättning kan medföra risk för elektriska stötar och eldsvåda.
11. Dra ur kontakten till laddaren innan underhåll eller rengöring utförs för att minska risken för elektriska stötar. Denna risk minskas inte genom att bara stänga av kontrollerna.
12. Batteriladdaren är inte avsedd för att användas av småbarn och personer som lider av ålderdomssvaghet utan tillsyn.
13. Småbarn bör ha sådan tillsyn att de inte leker med batteriladdaren.

SÄRSKILDA ANVISNINGAR FÖR LADDARE OCH KRAFTKASSETT

1. Ladda inte kraftkassetten när temperaturen är UNDER 10°C eller ÖVER 40°C.
2. Försök inte använda en spänningsomvandlare, motordriven generator eller ett likströmsuttag.
3. Låt ingenting täcka för eller täppa igen laddarens ventilationshål.
4. Kortslut inte kraftkassetten:
  - (1) Vidrör inte kontakterna med något ledande material.
  - (2) Undvik att förvara kraftkassetten i en behållare som innehåller andra metallföremål som till exempel spikar, mynt o.d.
  - (3) Utsätt inte kraftkassetten för vatten eller regn.
 En kortslutning av kraftkassetten kan medföra ett kraftigt spänningsflöde, överhettning, brännskador och även totalförstörelse av kraftkassetten.

5. Förvara ej verktyget eller kraftkassetten på platser där temperaturen kan komma att uppnå eller överskrida 50°C.
6. Bränn inte upp kraftkassetten även om den är kraftigt skadad eller totalt utsliten. Kraftkassetten kan explodera i eld.
7. Var försiktig så att batteriet inte tappas, skakas om kraftigt eller slås emot andra föremål.
8. Ladda inte kraftkassetten inuti en låda eller behållare av något slag. Kraftkassetten måste placeras på en plats med god ventilation under laddning.

## TILLÄGGSANVISNINGAR FÖR MASKINEN

1. **VARNING !** Tänk på att den här maskinen, till skillnad från en nätansluten, alltid är startklar.
2. Bär hörselskydd.
3. Håll klingskyddet på deras rätta plats och i fungerande skick.  
Böj eller bind aldrig fast det undre klingskyddet i öppet läge. Kontrollera funktionen hos det undre klingskyddet före varje användningstillfälle. Använd inte maskinen om det undre klingskyddet inte slår igen ordentligt över sågklingan.  
**FÖRSIKTIGHET:**  
om sågen tappas kan det undre klingskyddet böjas, vilket kan medföra att det inte slår igen helt.
4. Använd inte sågklingor som är deformerade eller spruckna.
5. Använd inte klingor av snabbstål.
6. Stoppa inte klingorna genom att trycka mot klingan från sidan.
7. Håll klingorna rena och skarpa.  
Skarpslipade klingor minimerar risken för stopp och bakåtkast (kickback).
8. **FARA:**  
håll händerna på avstånd från snittstället. Håll händerna på avstånd från klingorna. Sträck inte in handen under arbetsstycket medan klingan roterar. Försök inte avlägsna avsågade bitar eller spån medan klingan roterar.  
**FÖRSIKTIGHET:** klingan snurrar på frigång efter avstängning.
9. Stöd stora brädor eller skivor. (Fig. 1 och 2)  
Stora skivor måste stödas så som visas i fig. 1 för att minimera risken för att klingan kläms fast och kastar bakåt.  
När arbetet kräver att sågen vilar mot arbetsstycket ska sågen vila mot den större biten och den mindre biten sågas av.
10. Använd klyvkniv.  
Använd alltid klyvkniv eller parallellslag vid klyvning.

11. Akta dig för bakåtkast (kickback) (Fig. 1 och 3)  
Bakåtkast uppstår om sågen plötsligt stoppar och hastigt drivs tillbaka mot maskinföraren. Släpp omedelbart strömbrytaren om klingan fastnar eller sågen stoppar. Håll klingorna skarpslipade. Stöd stora brädor så som visas i fig. 1. Använd klyvkniv eller parallellslag vid klyvning. Tvinga inte maskinen. Var uppmärksam och upprätthåll kontrollen över maskinen. Avlägsna inte sågen från arbetsstycket under pågående sågning så länge klingan rör sig. Placera ALDRIG hand eller fingrar bakom sågen. Om ett bakåtkast skulle uppstå kan sågen lätt hoppa bakåt över din hand och i värsta fall orsaka svåra skador.
12. Undre klingskydd.  
Lyft det undre klingskyddet med tillbakadragningshandtaget.
13. Inställningar.  
Se till att djup- och vinkelinställningarna är ordentligt åtdragna innan sågning påbörjas.
14. Använd endast korrekta klingor vid montering. Använd inte klingor med felaktiga hålstorlekar. Använd aldrig skadade eller felaktiga klingbrickor eller bultar.
15. Undvik att såga i spikar.  
Rensa arbetsstycket från spik innan sågningen påbörjas.
16. Utför sågning med korrekt handstöd och korrekt stöd av arbetsstycket.  
**VARNING:**  
Det är viktigt att arbetsstycket stöds ordentligt och att sågen hålls stadigt för att förhindra att kontrollen över sågen förloras, vilket skulle kunna leda till personskador. Fig. 4 visar ett typexempel på korrekt grepp om sågen.
17. Placera den bredare delen av sågens sågbord på den del av arbetsstycket som är stadigt stöttat och inte på den del som faller ner när sågningen genomförs. Som exempel visas i fig. 5 **KORREKT** sätt att såga av ändan på en bräda och i fig. 6 **FELAKTIGT** sätt. Spänn fast arbetsstycket om det är litet eller kort. **FÖRSÖK INTE HÅLLA KORTA ARBETSSTYCKEN FÖR HAND!** (Fig. 6)
18. Försök aldrig såga med cirkelsågen fastspänd upp och ner i ett skruvstäd. Detta är oerhört farligt och kan leda till allvariga olyckor. (Fig. 7)
19. Se till att det undre (teleskop-) klingskyddet har stängts och att klingan har stannat helt innan sågen ställs ner efter avslutad sågning.
20. Använd de data som lämnas av tillverkaren
  - se till att diameter, tjocklek och andra kännetecken hos sågklingan är lämpliga för verktyget;
  - se till att sågklingan är lämplig för verktygets spindelhastighet.
21. Använd inte någon typ av sliprondell.

## SPARA DESSA ANVISNINGAR.

## BRUKSANVISNING

### Montering och demontering av kraftkassetten (Fig. 8)

- Stäng alltid av verktyget innan kraftkassetten monteras eller demonteras.
- Ta bort kraftkassetten genom att dra av den från verktyget, samtidigt som du skjuter på knappen på kassetten sida.
- Sätt på kraftkassetten genom att rikta in tungan på kraftkassetten mot skåran i verktygshuset, och sedan skjuta kassetten på plats. Skjut alltid in kassetten hela vägen tills den låses fast i läge med ett litet klick. Om du kan se den röda delen på knappens övre sida är kassetten inte helt fastlåst. Skjut på den helt tills den röda delen inte kan ses. I annat fall kan kassetten trilla av verktyget, och orsaka skador på dig själv eller någon i din närhet.
- Tvinga inte kraftkassetten i läge vid montering. Om kassetten inte lätt glider i läge utförs inte monteringen korrekt.

### Laddning (Fig. 9)

1. Koppla in batteriladdaren till din strömkälla. De två laddningslamporna kommer att blinka upprepade gånger med grönt ljus.
2. Sätt i kraftkassetten i laddaren tills det tar stopp, inriktad mot laddarens ledspår. Locket för laddarens kontaktbleck öppnas när i kraftkassetten sätts i, och stängs när kraftkassetten tas ur.
3. När kraftkassetten sätts i ändras färgen på laddningslamporna från grönt till rött, och laddningen påbörjas. Laddningslamporna fortsätter att lysa med stadigt sken under laddningen. En röd laddningslampa indikerar laddningstillståndet 0 – 80%, och två röda lampor indikerar 80 – 100%.
4. När laddningen är avslutad ändras laddningslamporna från två röda till två gröna. Laddningstiden är enligt följande:
5. Om du låter batteriet sitta kvar i laddaren efter att laddningen är klar, så övergår laddaren till dess läge för "strömladdning (underhållsladdning)", vilket varar i ungefär 24 timmar.
6. Koppla ur laddaren från strömkällan efter att laddningen är avslutad.

Batterityp	Kapacitet (mAh)	Antal celler	Laddningstid (DC24SA)	Laddningstid (DC24WA)
BH2420 (Ni-MH)	2 000	20	Ca 30 min.	Ca 55 min.
BH2433 (Ni-MH)	3 300	20	Ca 60 min.	Ca 90 min.

### Kylsystem (gäller endast för DC24SA)

- Laddaren är utrustad med en kylfläkt för varma batterier, i syfte att förbättra batteriets laddningsprestanda. Under kylning hörs det ett ljud från kylfläkten, men detta betyder inte att det är något fel på laddaren.
- Ett gult ljus blinkar som varning i följande fall.
  - Problem med kylfläkten.
  - Batteriet är inte tillräckligt avsvolat, t. ex. på grund av att det är igensatt med damm.Batteriet kan laddas även om den gula varningslampan blinkar. Laddningstiden blir dock längre än normalt i dessa fall. Lyssna på ljudet från kylfläkten, och kontrollera ventilerna på laddaren och batteriet som ibland kan täppas igen med damm.
- Kylsystemet fungerar normalt, även om inget ljud hörs från fläkten, så länge den gula varningslampan inte blinkar.
- Se till att ventilerna på laddaren och batteriet alltid är rengjorda vid kylning.
- Produkten bör skickas på reparation eller underhåll, om den gula varningslampan ofta blinkar.

### Villkorssladdning (gäller endast för DC24SA)

Villkorssladdningen kan förlänga batteriernas livslängd, genom att automatiskt söka efter det optimala laddningsvillkoret för batteriet i varje enskilt fall.

Batterier som upprepade gånger används i något av följande tillstånd kommer att slitas ut snabbt, och den gula varningslampan kan börja blinka.

1. Uppladdning av varma batterier.
2. Uppladdning av kalla batterier.
3. Uppladdning av redan fullt uppladdade batterier.
4. Överurladdning av batterier (fortsatt användning av ett batteri som redan börjat ladda ur).
5. Uppladdning med trasigt kylsystem.

Laddningstiden för dessa typer av batterier är längre än normalt.

## Strörladdning (underhållsladdning)

Laddaren övergår till läget för "strörladdning (underhållsladdning)" om du lämnar kvar batteripaketet i laddaren, för att förhindra att batteriet laddas ur spontant efter en fulladdning, och batteripaketet kan därmed hållas fräscht och fulladdat.

### Tips för att upprätthålla maximal livslängd för batteriet

1. Ladda upp batteripaketet innan det är fullständigt urladdat. Avbryt alltid arbetet som du utför med verktyget, och ladda upp batteripaketet, när du märker att kraften i verktyget minskar.
2. Ladda aldrig ett fulladdat batteripaket. Överladdning minskar batteriets livslängd.
3. Ladda batteripaketet i rumstemperatur vid 10°C – 40°C. Låt ett batteripaket, som har blivit varmt, svalna innan det laddas.
4. Ladda upp kraftkassetten, av typ nickel metallhydrid, om du inte använder den på mer än sex månader.

### FÖRSIKTIGHET:

- Batteriladdaren är avsedd för uppladdning av Makita kraftkassetter. Använd den aldrig för andra ändamål, eller för uppladdning av batterier från andra tillverkare.
- När du laddar upp en ny kraftkasset, eller en kraftkasset som inte har använts under en längre tid, kan det inträffa den inte kan laddas upp fullt. Detta är normalt och tyder inte på något fel. Du kan ladda upp kraftkassetten fullt, efter att ha laddat ur och laddat upp den ett par gånger.
- Om du laddar upp en kraftkasset från en verktyg som just har använts, eller en kraftkasset som har legat på en plats som är utsatt för direkt solljus under en längre tid, kan det inträffa att laddningslampan blinkar med rött ljus. Vänta i så fall ett litet tag. Om batteriets temperatur är cirka 70°C så blinkar de två laddningslamporna med rött ljus, och om den är cirka 50°C – 70°C så blinkar en av laddningslamporna med rött ljus. Laddningen påbörjas efter att kraftkassetten har svalnat tack vare kylfläkten som är inbyggd i laddaren (gäller endast för DC24SA).
- Om laddningslamporna blinkar med omväxlande rött och grönt ljus, så går det inte att ladda batteriet. Kontaktblecken på laddaren eller kraftkassetten är belagda med damm, eller så är kraftkassetten utsliten eller skadad.
- Följande tillstånd indikerar att laddaren och/eller kraftkassetten är skadad. Be att få dem kontrollerade hos en av Makitas auktoriserade serviceverkstäder eller fabrikksservicecenter.
  - 1) Laddningslampan blinkar inte (grönt ljus) när batteriladdaren kopplas in till strömkällan.
  - 2) Laddningslampan tänds eller blinkar inte (rött ljus) när batteriet sätts i laddarens öppning.
  - 3) Laddningen är inte avslutad ens efter mer än två timmar efter det att det röda ljuset TÄNDS vid laddningens början.

## Montering och demontering av sågklingor

### Viktigt:

Kontrollera alltid att maskinen är avstängd och att batterikassetten är avtagen innan sågklingan monteras eller demonteras.

Följande sorters sågklingor går att använda i denna maskin.

Max. diam.	Min. diam.	Klingtjocklek	Sågspår
190 mm	170 mm	Högst 1,6 mm	Minst 1,9 mm

Klyvknivens tjocklek är 1,8 mm.

### FÖRSIKTIGHET:

- Använd inte sågklingor som avviker från de specifikationer som anges i denna bruksanvisning.
- Använd inte sågklingor vars stamblad är tjockare eller vars tandbredd är mindre än klyvknivens tjocklek.

Demontera klingan genom att trycka på axellåset så att klingan inte kan rotera, och lossa bulten moturs med hjälp av sexkantsnyckeln. Ta sedan av bulten, den yttre flänsen och sågklingan. (Fig. 10)

Montera den nya klingan genom att följa ovanstående demonteringsprocedur i omvänd ordning. VAR NOGA MED ATT DRA ÅT BULTEN ORDENTLIGT. (Fig. 11)

### FÖRSIKTIGHET:

- Kontrollera att klingan installeras med tänderna riktade uppåt framtill på maskinen.
- Använd endast en sexkantsnyckel från Makita för att demontera och montera sågklingor.

## Justering av klyvkniven (Fig. 12)

Lossa sexkantsbulten för klyvknivsjustering med hjälp av sexkantsnyckeln, och lyft sedan upp klingskyddet (skyddskåpan). Flytta klyvkniven uppåt eller nedåt över den utskjutande delen för inställning enligt Fig. 12 för att ställa in rätt frigång mellan klyvkniven och sågklingan.

### FÖRSIKTIGHET:

Kontrollera att klyvkniven är inställd så att: Avståndet mellan klyvkniven och sågklingans tänder inte överskrider 5 mm. Sågklingans tänder inte sticker ut mer än 5 mm från klyvknivens underkant.

## Förvaring av sexkantsnyckeln (Fig. 13)

Förvara sexkantsnyckeln här när den inte används så att den alltid finns till hands.

### FÖRSIKTIGHET:

Kontrollera alltid att maskinen är avstängd och att batterikassetten är avtagen innan någon form av justering påbörjas.

### **Inställning av skärdjupet (Fig. 14)**

Lossa spaken på det fasta klingskyddet och flytta sågbordet uppåt eller nedåt. Säkra sågbordet vid önskat skärdjup genom att dra åt spaken.

#### **FÖRSIKTIGHET:**

- Ställ in ett grunt skärdjup vid sågning av tunna arbetsstycken för renast och säkrast möjliga sågning.
- Dra alltid åt spaken ordentligt efter justering av skärdjupet.

### **Vinkelsågning (Fig. 15 och 16)**

Lossa vingskruvarna framtill och baktill. Luta sågen för att ställa in den önskade vinkeln ( $0^{\circ}$  –  $50^{\circ}$ ), och dra sedan åt vingskruvarna ordentligt.

Använd stoppklacken för  $45^{\circ}$  när du ska utföra vinkelsågning i exakt  $45^{\circ}$  vinkel. Vrid spaken helt medurs för vinkelsågning ( $0^{\circ}$  –  $45^{\circ}$ ), och vrid den moturs för vinkelsågning i  $0^{\circ}$  –  $50^{\circ}$  vinkel.

### **Justering av precisionen för $90^{\circ}$ och $45^{\circ}$ sågning (rätvinklig och $45^{\circ}$ sågning)**

#### **(Fig. 17 och 18)**

Justering har utförts vid fabriken. Ställ in justeringsskruvarna med en skruvmejsel, om inställningen har blivit fel, medan du kontrollerar att sågklingan är i  $90^{\circ}$  respektive  $45^{\circ}$  vinkel mot sågbordet med hjälp av en trekantslinjal, vinkelhake e.d.

#### **FÖRSIKTIGHET:**

Se noga till att du drar åt spaken på djupanslaget och vingskruvarna framtill och baktill, efter att sågdjupet respektive vinkeln för vinkelsågning har justerats.

### **Inriktning (Fig. 19)**

Rikta in den högra siktskåran på sågbordets framdel mot din såglinje på arbetsstycket för rak sågning. Rikta in den vänstra siktskåran mot såglinjen för  $45^{\circ}$  vinkelsågning.

### **Avtryckaren (Fig. 20)**

#### **FÖRSIKTIGHET:**

Kontrollera alltid att avtryckarfjädern fungerar ordentligt och att avtryckaren återgår till avstängt läge när den släpps innan batterikassetten monteras på maskinen.

Maskinen är försedd med en säkerhetsspärr (strömbrytare) för att förhindra att avtryckaren trycks in av misstag. Starta maskinen genom att trycka in säkerhetsspärren och trycka på avtryckaren. Släpp avtryckaren för att stanna maskinen.

### **Sågning (Fig. 21)**

Håll maskinen stadigt. Placera sågbordet på arbetsstycket som ska sågas utan att klingan kommer i kontakt med det. Slå på maskinen och vänta tills sågklingan kommit upp i full hastighet. För sedan helt enkelt maskinen fram över arbetsstyckets yta. Håll maskinen plant och för den jämnt framåt tills sågningen är färdig. Håll såglinjen rak och för maskinen med jämn hastighet för att få renast möjliga snittytor.

#### **FÖRSIKTIGHET:**

- Sätt alltid i kraftkassetten hela vägen tills den låses fast i läge. Om du kan se den röda delen av knappens övre del är den inte låst ordentligt. För in kassetten tills den röda delen inte kan ses. I annat fall kan kraftkassetten trilla ur maskinen av misstag, och orsaka skador på dig själv eller någon in din omgivning.
- Se alltid till att kraftkassetten är stadigt fastlåst, vid arbeten där maskinen hålls över huvudet, så att den inte trillar ur maskinen. I annat fall kan kraftkassetten trilla ur maskinen av misstag, och orsaka skador på dig själv eller någon in din omgivning.
- Använd alltid klyvkniven utom vid dyksågning mitt i ett arbetsstycke.
- Stanna aldrig sågklingan genom att trycka på sidan av den.
- För alltid maskinen rakt och mjukt framåt under sågningen. Om sågen tvingas fram eller i sidled med våld kommer motorn att överhettas och det finns risk för farliga bakåtkast ("kickback"), som kan leda till allvarliga skador.
- Om maskinen används oavbrutet ända tills batterikassetten blivit urladdad så låt maskinen vila i 15 minuter innan du fortsätter med ett färskt batteri.

### **Klyvningsanslaget (sidoanslaget) (Fig. 22)**

Klyvningsanslaget är praktiskt för att såga extra rakt. Skjut helt enkelt in klyvningsanslaget mot arbetsstyckets kant och fäst det i rätt läge med hjälp av vingmuttern framtill på sågbordet. Klyvningsanslaget är också praktiskt vid sågning av flera bitar med samma bredd.

### **Sågspånmunstycket (Fig. 23 och 24)**

Koppla en dammsugare till maskinen för ren sågning. Installera kopplingsmunstycket på maskinen med hjälp av skruvarna. Koppla sedan en dammsugarslang till munstycket.

## **UNDERHÅLL**

#### **FÖRSIKTIGHET:**

Tillse alltid att maskinen är fränkopplad och att batteriet tagits ur maskinen innan Du utför arbete på denna.

### **Utbyte av kolborstar (Fig. 25 och 26)**

Byt ut kolborstarna när de slitits ner till slitagegränsmarkeringen. Byt alltid ut båda kolborstarna samtidigt.

För att bibehålla produktens säkerhet och tillförlitlighet, bör alltid reparationer, underhållsservice och justeringar utföras av auktoriserad Makita serviceverkstad.

## Forklaring til generell oversikt

1	For å unngå tilbakeslag må platen eller panelet som er nær kuttstedet understøttes.	11	Aksellås	26	Trekantlinjal
2	Støttene må ikke være for langt fra skjærestedet.	12	Sagblad	27	For 45° skråskjæring
3	Et typisk eksempel på korrekt håndstøtte og støtte av arbeidsemnet.	13	Ytre flens	28	For rettlinjert skjæring
4	Knapp	14	Bolt	29	Bunnplate
5	Batteri	15	Indre flens	30	Skjærelinje
6	Batterilader	16	Innstillingsprotruberanser	31	Sperreknapp
7	Ladelamper	17	Sekskantbolt	32	Startbryter
8	Terminaldeksel	18	Skjæredybde	33	Ripevern (parallellanlegg)
9	Sekskantnøkkel	19	Hendel	34	Støvtrakt
10	Løsne (moturs)	20	Klemskrue	35	Skruer
		21	Hendel	36	Slange, indre diam. 28 mm
		22	Skråflatel	37	Støvsuger
		23	Maskinfot	38	Slitasjegrense
		24	Justeringssskrue for 90°	39	Børsteholderhette
		25	Justeringssskrue for 45°	40	Skrutrekker

## TEKNISKE DATA

<b>Modell</b>	<b>BSR730</b>
Blad diameter .....	190 mm
Maks. skjæredybde	
90° .....	66 mm
45° .....	47 mm
50° .....	42 mm
Hastighet (min <sup>-1</sup> ) .....	2 400
Total lengde .....	378 mm
Netto vekt .....	4,6 kg
Merkespenning .....	D.C. 24 V

- Grunnet det kontinuerlige forsknings- og utviklingsprogrammet, forbeholder vi oss retten til å foreta endringer i tekniske data uten forvarsel.
- Merk: Tekniske data kan variere fra land til land.

## Sikkerhetstips

For din egen sikkerhets skyld ber vi deg lese de medfølgende sikkerhetsreglene.

## VIKTIGE SIKKERHETSREGLER FOR LADER OG BATTERI

1. **TA VARE PÅ BRUKSANVISNINGEN**—den inneholder viktige sikkerhetsregler og bruksveiledning for batteriladeren.
2. Les alle sikkerhetsregler og advarsler på (1) laderen, (2) batteriet og (3) produktet som batteriet skal brukes til før laderen tas i bruk.
3. **NB!**—Reduser faren for skader- bruk kun oppladbare batterier av Makita type. Andre typer batterier kan eksplodere og forårsake skader, både på personer og omgivelsene.
4. Utsett ikke laderen for regn eller snø.
5. Bruk av utstyr som ikke er anbefalt av eller selges av produsenten av laderen kan medføre fare for brann, elektrisk støt eller personskader.
6. Rykk ikke i ledningen for å få støpslet ut av stikkkontakten.
7. Sørg for at ledningen ligger slik at ingen trækker på, snubler i den, eller at den på annen måte utsettes for belastninger.
8. Bruk ikke laderen hvis ledningen eller støpslet er skadet—skift ut omgående.
9. Har hurtigladeren falt i gulvet eller vært utsatt for skade, bør den repareres på et autorisert verksted.

10. Demonter ikke lader eller batteri på egen hånd. Overlat eventuelle reparasjoner til et autorisert verksted. Feil montering kan medføre fare for elektrisk støt eller brann.
11. Faren for elektrisk støt ved rengjøring og vedlikehold reduseres ved å fjerne støpslet fra kontakten. Det er ikke nok å skru av kontrollene.
12. Batteriladeren er ikke beregnet til bruk for mindreårige barn eller personer som trenger oppsyn.
13. Se til at ikke mindreårige barn leker med batteriladeren.

## EKSTRA SIKKERHETSREGLER FOR LADER OG BATTERI

1. Ikke lad batteriet ved temperaturer **UNDER +10°C** eller **OVER +40°C**.
2. Kan ikke brukes med opptransformator, aggregat eller likestrømskontakt.
3. Sørg for at ikke luftehullene tildekkes eller tettes igjen.
4. Dette kan medføre kortslutning av batteriet:
  - (1) Terminalen må ikke komme i kontakt med strømførende materialer.
  - (2) Unngå å oppbevare batteriet sammen med andre metallgjenstander som f.eks spikre, mynter, etc.
  - (3) Batteriet må ikke utsettes for vann eller regn. Et batteri som kortsluttes kan forårsake stor elektrisk strømgang og driftsstand.
5. Hverken maskin eller batteri må oppbevares på steder hvor temperaturen kan nå eller overskride 50°C.
6. Kast ikke batteriet på åpen ild, selv om det er ødelagt eller totalt utslitt. Batteriet kan eksplodere i flammene.
7. Batteriet må ikke falle på gulvet, ristes eller utsettes for slag.
8. Batteriet må ikke lades opp inni en beholder av noe slag. Opplading av batteriet må foregå på et sted hvor ventilasjonen er god.

## EKSTRA SIKKERHETSREGLER FOR MASKINEN

1. Vær oppmerksom på at maskinen alltid vil være i startposisjon siden den ikke skal koples til strømmettet.
2. Bruk hørselvern.
3. Hold vernene på plass og i god stand. Bruk ikke makt for å åpne nedre vern. Kontroller at nedre vern virker som det skal før bruk. Maskinen må ikke brukes med mindre nedre vern lukker seg skikkelig over sagbladet. NB! Hvis sagen skulle falle i gulvet, kan det forårsake at vernet bøyer seg slik det ikke går helt tilbake på plass igjen.
4. Deformerte eller sprukne blad må ikke brukes.
5. Sagblad av hurtigstål må ikke brukes.
6. Sagbladet må ikke stanses ved å øve press fra siden.
7. Hold bladene rene og skarpe. Skarpe blad reduserer faren for stans og tilbakeslag.
8. FARE:  
Hold hendene unna kutteområdet.  
Hold hendene unna sagbladene. Rekk aldri hånden inn under arbeidsemnet mens sagen går. Gjør ikke forsøk på å fjerne avkuttet materiale mens sagen går.  
NB! Bladene roterer også etter at maskinen er slått av.
9. Store paneler må understøttes. (Fig. 1 og 2)  
Store paneler må understøttes som vist i fig. 1 for redusere faren for at bladet setter seg fast og for tilbakeslag.  
Når arbeidet krever at sagen hviler på materialet, skal sagen hvile på den største delen og den miste delen sages av.
10. Bruk ripevern.  
Bruk alltid vern eller rettlinjert kantfører ved kløving.
11. Unngå tilbakeslag. (Fig. 1 og 3)  
Tilbakeslag skjer når sagen plutselig kjører seg fast og slår tilbake mot den som betjener maskinen. Slå av motoren øyeblikkelig hvis bladet bender seg eller setter seg fast. Hold bladene skarpe. Understøtt lange paneler som vist i fig. 1. Bruk vern eller rettlinjert kantfører ved kløvarbeid. Press ikke maskinen. Vær alltid oppmerksom. Fjern ikke sagen fra emnet mens bladet går.  
Du må ALDRI plassere hånden eller fingrene bak sagen. Ved tilbakeslag kan sagen lett komme til å hoppe bakover over hånden og forårsake alvorlige skader.
12. Nedre vern.  
Hev nedre vern ved hjelp av håndtaket.

13. Justeringer.  
Sørg for at dybde- og vinkelinnstillingen er skikkelig strammet før bruk.
14. Bruk riktige sagblad.  
Det må ikke brukes sagblad med annen hullstørrelse. Og heller ikke ødelagte eller andre stoppeskiver eller bolter.
15. Unngå å kutte over spikre.  
Undersøk materialet for og fjern eventuelle spikre før arbeidet begynner.
16. Betjen sagen med ordentlig understøtting av både hånden og arbeidsemnet.  
ADVARSEL:  
Det er viktig å understøtte arbeidsemnet skikkelig og holde sagen i et godt grep for å hindre at man mister kontrollen, noe som eventuelt kan føre til personskade. Fig. 4 viser hvordan sagen bør holdes med hånden.
17. Plasser den brede delen av sagfoten på den delen av emnet hvor det er best understøtting, ikke den delen som vil falle av når sagingen er ferdig. Som eksempel på dette, viser fig. 5 KORREKT måte å sage av et endestykke på, og fig. 6 FEIL måte. Hvis emnet er kort eller lite, må det settes fast med kramper. GJØR ALDRI FORSØK PÅ Å HOLDE DET KORTE EMNET MED HÅNDEN! (Fig. 6)
18. Prøv aldri å sage med sirkelsagen spent fast oppned i en skruestikke. Dette er svært farlig og kan føre til alvorlige ulykker. (Fig. 7)
19. Påse at det nedre (teleskopiske) vernet har lukket seg og at bladet har stoppet før sagen settes ned etter bruk.
20. Bruk produsentdata
  - se til at diameter, tykkelse og andre bladegenskaper passer til verktøyet.
  - se til at sagbladet passer til verktøyets spindel-hastighet.
21. Det må ikke brukes noen form for slipeskive.

## TA VARE PÅ DISSE INSTRUKSENE.

### BRUKSANVISNINGER

#### Montering og demontering av batteriet (Fig. 8)

- Maskinen må alltid slås av før batteriet settes i eller tas ut.
- For å fjerne batteriet fra enheten, trekkes det ut av verktøyet samtidig som knappene på begge sider av batteriet skyves.
- Batteriet monteres ved å samstemme tungen på batteriet med sporet i huset og skyve det på plass. Skyv det alltid helt inn til det klikker på plass. Hvis du kan se den røde delen øverst på knappen, betyr det at det ikke er satt inn skikkelig. Skyv det helt inn til den røde delen ikke ses lenger. Hvis dette ikke gjøres, kan batteriet falle ut og påføre deg eller eventuelle andre skader.
- Batteriet må ikke settes i med makt. Hvis det ikke med letthet glir på plass er det fordi det settes i på feil måte.

## Lading (Fig. 9)

1. Kople batteriladeren til strømmettet. To ladelamper blinker grønt gjentatte ganger.
2. Sett batteriet inn i batteriladeren til det hviler på plass. Terminaldekslet på laderen åpnes ved innsetting av batteriet og lukkes når batteriet trekkes ut.
3. Når batteriet settes inn, skifter ladelampen fra grønn til rød og ladingen starter. Ladelampen lyser under hele ladeprosessen.  
En rød ladelampe angir ladetilstand på 0 – 80% og to røde lamper en tilstand på 80 – 100%.
4. Når ladingen er ferdig, skifter de to ladelampene fra rødt til grønt. Ladetiden er som følger:
5. Hvis batteriet blir stående i laderen etter at ladesyklusen er fullført, vil laderen gå over i “drypplading (vedlikeholdslading)” som varer i ca. 24 timer.
6. Etter ladingen koples laderen fra strømmettet.

Batteritype	Kapasitet (mAh)	Antall celler	Ladetid (DC24SA)	Ladetid (DC24WA)
BH2420 (Ni-MH)	2 000	20	Ca. 30 min.	Ca. 55 min.
BH2433 (Ni-MH)	3 300	20	Ca. 60 min.	Ca. 90 min.

## Kjølesystem (gjelder kun DC24SA)

- Denne laderen er utstyrt med en kjølevifte for varme batterier, slik at batteriet likevel kan lades opp. Viften vil høres under avkjøling og dette er tegn på at laderen virker som den skal.
- En gul varsellampe vil blinke i følgende tilfeller.
  - Når det er problemer med kjøleviften.
  - Når batteriet er utilstrekkelig avkjølt fordi lader eller batteri er tilstoppet med støv.Batteriet kan lades opp selv om den gule varsellampen lyser, men ladetiden vil være lenger enn vanlig. Kontroller lyden som kommer fra kjøleviften, samt ventilene på laderen og batteriet da disse kan stoppes til av støv.
- Kjølesystemet er i orden selv om det ikke høres noen lyd fra kjøleviften, såfremt den gule varsellampen ikke blinker.
- Ventiler på lader og batteriet må alltid holdes rene.
- Laderen må sendes inn til vedlikehold og reparasjon hvis den gule varsellampen blinker ofte.

## Kondisjoneringslading (gjelder kun DC24SA)

Kondisjoneringslading kan forlenge batteriets levetid ved automatisk å lete etter batteriets optimale ladetilstand uansett forhold.

Hvis batteriet brukes gjentatte ganger under følgende forhold, vil det slites raskere ned og den gule varsellampen vil blinke.

1. Opplading når batteriet er veldig varmt.
2. Opplading når batteriet er nedkjølt.
3. Opplading når batteriet er fullt oppladet.
4. Overutlading av batteriet (fortsatt bruk på tross av nedsatt effekt).
5. Opplading når kjølesystemet er ødelast.

Ladetiden for ovennevnte batterier vil være lenger enn normalt.

## Drypplading (vedlikeholdslading)

Hvis du lar batteriet stå i laderen for å forhindre utlading etter full opplading, vil laderen gå over i “dryppladningsmodus” (vedlikeholdslading) og holde batteriet i oppladet stand.

## Noen tips for å vedlikeholde batteriets maksimale levetid

1. Lad batteriet opp før det blir helt utladet.  
Stans maskinen og lad opp batteriet så snart du merker at maskineffekten begynner å synke.
2. Lad aldri opp et helt oppladet batteri.  
Overopplading vil redusere verktøyets levetid.
3. Lad batteriet opp under romtemperatur på 10°C – 40°C.  
Et varmt batteri bør avkjøles før det lades opp.
4. Nikkelmetallhydrid -batteriet må lades opp når det ikke skal brukes på mer enn 6 måneder.



NB!

- Batteriladeren er beregnet til opplading av Makita-batteri. Må ikke brukes til andre formål eller til lading av batterier fra andre produsenter.
- Når du lader opp et batteri fra et verktøy som nettopp har vært i bruk, eller et batteri som ikke har vært i bruk på en lang stund, kan det være vanskelig å lade det helt opp. Dette er normalt og ikke tegn på noe galt. Batteriet lar seg lade helt opp når det har vært ladet helt ut og opp igjen et par ganger.
- Hvis du lader opp et batteri fra et verktøy som nettopp har vært i bruk, eller et batteri som har vært utsatt for direkte sol over lang tid, kan det skje at ladelampen blinker rødt. Hvis dette skjer, venter du en liten stund. Når batteritemperaturen er over ca. 70°C, vil to ladelamper blinke rødt, og når temperaturen er mellom 50 – 70°C, vil en lampe blinke rødt. Ladingen starter når batteriet er tilstrekkelig avkjølt av viften som er installert i laderen (gjelder kun DC24SA).
- Hvis ladelampen blinker vekselvis i rødt og grønt, er lading ikke mulig. Terminalene på batteriet eller laderen kan være tilstoppet av støv eller så er batteriet utgått eller skadet.
- Følgende forhold er tegn på skade på laderen og/eller batteriet. Be din Makita-forhandler eller et godkjent serviceverksted om å kontrollere delene.
  - 1) Ladelampen blinker ikke (grønt) når batteriladeren koples til nettstrømmen.
  - 2) Ladelampen lyser ikke eller blinker ikke (rødt) når batteriet settes inn i ladeporten.
  - 3) Ladingen er ikke ferdig selv to timer etter at den røde lampen tentes når ladingen startet.

## Demontering og montering av sagblad

Viktig:

Sørg alltid for at maskinen er avslått og batteriet tatt ut før demontering eller montering av sagblad.

Følgende sagblad kan brukes med denne maskinen.

Maks. diam.	Min. diam.	Bladtykkelse	Hakk
190 mm	170 mm	1,6 mm eller mindre	1,9 mm eller mer

Spalteknivens tykkelse er 1,8 mm.

NB!

- Det må ikke benyttes sagblad som ikke etterkommer de spesifiserte egenskapene i denne veiledningen.
- Det må ikke benyttes sagblad hvor skiven er tykkere eller sett som er mindre enn spalteknivens tykkelse.

Bladet demonteres ved å trykke inn aksellåsen slik at bladet ikke kan rotere og så bruke sekskantnøkkelen til å løsne boltene i moturs retning. Fjern bolt, ytre flens og bladet. (Fig. 10)

Sagbladet monteres ved å følge fremgangsmåten for demontering i omvendt rekkefølge. SØRG FOR Å STRAMME BOLTEEN FORSVARLIG. (Fig. 11)

NB!

- Sørg for at sagtennene peker oppover foran på maskinen.
- Bruk kun Makitas sekskantnøkkel ved montering eller demontering av sagblad.

## Justering av spaltekniven (Fig. 12)

Bruk sekskantnøkkelen til å løsne sekskantboltene når spaltekniven skal justeres, og løft deretter opp sikkerhetsdekslet (sikkerhetsvernet). Flytt spaltekniven opp eller ned over utspringet for å stille inn som vist i Fig. 12, slik at korrekt klaring mellom spaltekniven og sagbladet oppnås.

NB!

Sørg for å justere spaltekniven slik at: Avstanden mellom spaltekniven og sagtennene ikke er mer enn 5 mm. Sagtennene ikke går lenger enn 5 mm utenfor den nederste kanten på spaltekniven.

## Oppbevaring av sekskantnøkkelen (Fig. 13)

Når sekskantnøkkelen ikke er i bruk, er det en praktisk oppbevaringsplass til den.

NB!

Sørg alltid for at maskinen er avslått og batteriet tatt ut før eventuelle justeringer utføres.

## Justering av skjæredybden (Fig. 14)

Løse hendelen på dybdeføreren og flytt foten opp eller ned. Ved ønsket skjæredybde festes foten forsvarlig ved å stramme hendelen.

NB!

- For renere og sikrere skjæring, brukes en grunn skjæredybde når det skal skjæres tynne materialer.
- Etter at skjæredybden er justert, må hendelen strammes forsvarlig.

## Skråskjæring (Fig. 15 og 16)

Løse klemeskruene foran og bak. Still inn ønsket vinkel (0° – 50°) ved å vippe tilsvarende, og stram deretter klemeskruene forsvarlig igjen.

Bruk 45° stopperen når du ønsker nøyaktig 45° vinkel-skjæring. Drei hendelen helt medurs for skråskjæring (0° – 45°) og moturs for 0° – 50° skråskjæring.

## Presisjonsskjæring for 90° og 45° skjæring (vertikal og 45° skjæring) (Fig. 17 og 18)

Denne justeringen er gjort på fabrikk. Men skulle den bli unøyaktig, justeres justeringsskruen med en skrutrekker mens bladet rettes inn i 90° og 45° i samsvar med foten ved hjelp av en trekantiinjel eller ansatsvinkel, etc.

NB!

Etter at skjæredybden og skjærevinkelen er justert, må hendelen på dybdeføreren og klemeskruene foran og bak strammes forsvarlig igjen.

## Sikting (Fig. 19)

Ved skjæring av rette linjer, samstemmes hakket på høyre side foran på foten med skjærelinjen på arbeidsområdet. For 45° skråskjæring samstemmes hakket på venstre side med skjærelinjen.

## Bryter (Fig. 20)

NB!

Før batteriet settes inn i maskinen, må du alltid kontrollere at bryteren virker som den skal og går tilbake til "OFF" når den slippes.

For å unngå at maskinen startes ved et uhell, er den utstyrt med en sperreknapp.

Maskinen startes ved å trykke inn sperreknappen og så trykke på startbryteren. Slipp bryteren for å stanse maskinen.

## Bruk (Fig. 21)

Hold godt fast i maskinen. Sett underlagsplaten på arbeidsemnet uten at bladet berøres. Slå maskinen på og vent til bladet har oppnådd full hastighet. Nå beveges maskinen ganske enkelt framover over arbeidsemnet samtidig som du passer på å holde maskinen flatt og beveger den jevnt til sagingen er gjort. Rene skjæreflater oppnår du ved å skjære i rett linje og med ens hastighet hele tiden.

NB!

- Batteriet må alltid settes helt inn til det låser seg på plass. Hvis du kan se den røde delen øverst på knappen, er det ikke skikkelig låst. Sett batteriet inn slik at den røde delen ikke kan ses, ellers kan det falle ut av verkøyet og forårsake skader på operatøren eller eventuelle andre.
- Når verktøyet betjenes over hodehøyde er det viktig å påse at batteriet er skikkelig montert slik at det ikke kan falle ut. Hvis ikke kan det ved et uhell falle ut og forårsake skader på operatøren eller eventuelle andre.
- Spaltekniven må alltid brukes unntatt ved innstikk midt i arbeidsemnet.
- Stopp ikke sagbladet ved å legge trykk på den ene siden av skiven.
- La alltid maskinen bevege seg forsiktig i rett linje fremover under skjæringen. Hvis det øves trykk på maskinen eller den vrir og vendes under skjæringen, kan det resultere i overoppheting av motoren og farlige tilbakeslag som kan forårsake en alvorlig ulykke.
- Hvis maskinen går kontinuerlig til batteriet går tomt, må maskinen få hvile i 15 minutter før du fortsetter med et oppladet batteri.

## Ripevern (parallellanlegg) (Fig. 22)

Et praktisk ripevern som hjelper deg til å skjære rette linjer enda mer nøyaktig. Skyv ganske enkelt parallellanlegget tett opp til arbeidsemnets side og fest det på plass med klemskruen foran på foten. Med parallellanlegget kan du dessuten skjære gjentatte ganger med samme bredde.

## Støvtrakt (Fig. 23 og 24)

For renere skjærearbeid kan du kople en støvsuger til maskinen. Monter skjøtet på maskinen ved hjelp av skruene. Kople deretter en støvsugerlange til skjøtet.

## SERVICE

NB!

Før det utføres arbeidet på maskinen må du alltid forvise seg om at maskinen er slått av og akkumulatoren er tatt ut.

## Skifte ut kullbørster (Fig. 25 og 26)

Skifte ut kullbørstene når de er slitt ned til grensemerket på ringen. Begge kullbørstene må skiftes ut samtidig.

For å garantere at maskinen arbeider sikkert og pålitelig bør reparasjoner, servicearbeid eller innstillinger utføres av et autorisert Makita-serviceverksted.

## Yleiselustus

1	Tue lauta tai levy sahauskohdan läheltä estääksesi takaiskun.	12	Sahanterä	27	Viistesahaukselle 45° kulmassa
2	Älä tue lautaa tai levyä kaukaa sahauskohdasta.	13	Ulkolaippa	28	Suoralle sahauskelle
3	Kuva esittää hyvää käsien otetta ja työkappaleen tuentaa.	14	Ruuvi	29	Jalustalevy
4	Tuki	15	Sisälaippa	30	Sahauslinja
5	Akku	16	Säätökohoumat	31	Lukituksen vapautuskytkin
6	Akkulaturi	17	Kuusiopultti	32	Liipaisinkytkin
7	Latausvalot	18	Sahaussyvyys	33	Halkaisuhjain (ohjaustulkki)
8	Liittimen kansi	19	Kytkin	34	Pölysuutin
9	Kuusoivain	20	Kiristysruuvi	35	Ruuvit
10	Löystyy (vastapäivään)	21	Kytkin	36	Sisähalkaisijaltaan 28 mm letku
11	Karalukitus	22	Vinopinta	37	Pölynimuri
		23	Alusta	38	Rajamerkki
		24	90° säätöruuvi	39	Harjanpitimen kansi
		25	45° säätöruuvi	40	Ruuvitalta
		26	Kolmikulma		

## TEKNISET TIEDOT

<b>Malli</b>	<b>BSR730</b>
Terä läpimitta .....	190 mm
Suurin sahaussyvyys	
90° kulma .....	66 mm
45° kulma .....	47 mm
50° kulma .....	42 mm
Tyhjäkäyntinopeus (min <sup>-1</sup> ) .....	2 400
Kokonaispituus .....	378 mm
Nettopaino .....	4,6 kg
Antoteho .....	24 V tasavirta

- Jatkuvan tutkimus- ja kehitysohjelman vuoksi pidämme oikeuden muuttaa tässä mainittuja teknisiä ominaisuuksia ilman ennakoilmoitusta.
- Huomautus: Tekniset ominaisuudet saattavat vaihdella eri maissa.

## Turvaohjeita

Oman turvallisuutesi vuoksi lue mukana seuraavat turvaohjeet.

## TÄRKEITÄ LATURIA JA AKKUA KOSKEVIA TURVAOHJEITA

1. **SÄILYTÄ NÄMÄ OHJEET** — Tämä ohjekirja sisältää tärkeitä akkulaturin turva- ja käyttöohjeita.
2. Lue kaikki (1) akkulaturia, (2) akkua ja (3) akkua käyttävää laitetta koskevat ohjeet ja varoitusmerkinnät ennen akkulaturin käyttöä.
3. **VARO** — Lataa ainoastaan MAKITAN ladattaviksi tarkoitettuja akkuja välttääksesi loukkaantumisvaaran. Muun tyyppiset akut saattavat räjähtää aiheuttaen loukkaantumisen tai esinevahinkoja.
4. Pidä laite poissa sateesta ja lumesta.
5. Muun kuin valmistajan suositteleman tai myymän lisävarusteen käyttäminen saattaa aiheuttaa tulipalon, sähköiskun tai loukkaantumisen.
6. Vedä virtajohtoa irrottaessasi pistokkeesta äläkä johdosta, jotta pistoke ja johto eivät vioittuisi.
7. Pidä huolta, että johto on asetettu sellaiseen paikkaan, että sen päälle ei astuta, siihen ei kompastuta ja ettei se muutenkaan joudu rasitukselle tai vahingolle alttiiksi.
8. Älä käytä laturia voittuneella johdolla tai pistokkeella — vaihda ne välittömästi uusiin.

9. Älä käytä laturia, jos siihen on kohdistunut voimakas isku, jos se on pudonnut tai muutoin vioittunut. Vie se valtuutetulle huoltomiehelle.
10. Älä pura laturia tai akkua osiinsa. Jätä kaikki huolto- ja korjaustyöt valtuutetun huoltomiehen tehtäväksi. Jos laite kootaan väärin, voi seurauksena olla sähköisku tai tulipalo.
11. Irrota laturin virtajohto pistorasiasta ennen kaikkia kunnostustöitä ja puhdistusta välttääksesi sähköiskun. Virran katkaisu laitteesta ei vähennä tätä vaaraa.
12. Akkulataajaa ei ole tarkoitettu nuorten lasten eikä toimintarajoitteisten käytettäväksi ilman valvontaa.
13. Nuorten lasten toimia tulee valvoa sen varmistamiseksi, että he eivät leiki akkulataajalla.

## LISÄÄ LATURIA JA AKKUA KOSKEVIA TURVAOHJEITA

1. Älä lataa akkua ALLE 10°C äläkä YLI 40°C lämpötilassa.
2. Älä käytä jännitteennostomuuntajaa, moottorigeneraattoria äläkä tasavirtapistorasiaa.
3. Älä peitä äläkä tuki laturin ilma-aukkoja.
4. Älä kytke akkua oikosulkuun:
  - (1) Älä kosketa liittimiä millään sähköä johtavalla esineellä.
  - (2) Älä säilytä akkua samassa tilassa muiden metalliesineiden kuten naulojen, kolikoiden tms. kanssa.
  - (3) Pidä akku poissa vedestä ja sateesta. Akun joutuminen oikosulkuun voi aiheuttaa voimakkaan sähkövirtauksen, ylikuumenemista, mahdollisia palovammoja ja laitteen rikkoutumisen.
5. Älä säilytä konetta ja akkua tilassa, jonka lämpötila voi ylittää 50°C.
6. Älä hävitä akkua polttamalla, vaikka se olisi pahasti vioittunut tai kokonaan kulunut loppuun. Akku saattaa räjähtää tulesa.
7. Varo pudottamasta, ravistamasta ja kolhimasta akkua.
8. Älä lataa akkua laatikossa tai muussa suljetussa tilassa. Akku tulee sijoittaa latauksen ajaksi tilaan, jossa on hyvä ilmanvaihto.

## YLEISIÄ TURVAOHJEITA

1. Muista, että tämä laite on aina toimintavalmiina, koska sitä ei tarvitse liittää sähköpistorasiaan.
2. Käytä kuulosuojaimia.
3. Pidä suojukset paikallaan ja hyvässä kunnossa. Älä koskaan kiilaa äläkä sido alasuojusta auki asentoon. Tarkista alasuojuksen toiminta ennen jokaista käyttökertaa. Älä käytä laitetta, jos alasuojus ei sulkeudu kunnolla terän päälle.  
**VARO:** Jos laite putoaa, alasuojus saattaa vääntyä täydellisen palautumisen.
4. Älä käytä vääntyneitä tai murtuneita teriä.
5. Älä käytä pikateräksestä valmistettuja teriä.
6. Älä pysyätä sahanterää painamalla sitä sivusuunnassa.
7. Pidä terät puhtaina ja terävinä.  
Jumiutumiset ja takaiskuriskit ovat pienimmillään terien ollessa terävät.
8. **VAARA:**  
Pidä kädet loitolla sahauspinnasta. Pidä kädet loitolla teristä. Älä vie käsiäsi työkaluun alle terän pyöriessä. Älä yritä irrottaa sahattavaa kappaletta terän pyöriessä. **VARO:** Terän pyörimisliike jatkuu sammuttamisen jälkeen.
9. Tuo suuret levyt. (Kuva 1 ja 2)  
Suuret levyt on tuettava kuvan 1 esittämällä tavalla minimoidaksesi jumiutumiset ja takaiskuriskit.  
Jos sahaus edellyttää sahan tukemista työkaluun avulla, saha tulee tukea suurempaan osaan ja pienempi osa sahataan irti.
10. Käytä ohjainta.  
Käytä pituussahaussahausta aina ohjainta tai suorasyrjää.
11. Varo takaiskua. (Kuva 1 ja 3)  
Takaisku tapahtuu siten, että saha jumiutuu äkillisesti ja ponnahtaa taaksepäin kohti käyttäjää. Jos terä ottaa kiinni tai jumiutuu, vapauta kytkin välittömästi. Pidä terät terävinä. Tuo suuret levyt kuvan 1 osoittamalla tavalla. Käytä pituussahausta ohjainta tai suorasyrjää. Älä sahaa väkisin. Pysy valppaana. Harjoittele sahan käyttöä. Älä irrota sahaa työkaluista terän pyöriessä.  
**ÄLÄ KOSKAAN** vie kättäsi tai sormiasi sahan taakse. Takaiskun tapahtuessa saha saattaa herkästi hypähtää taaksepäin käden päälle aiheuttaen mahdollisesti vakavan loukkaantumisen.
12. Alasuojus.  
Nosta alasuojus sisäänvedettävällä kädensijalla.
13. Säädot.  
Ennen kuin aloitat sahauskeskustämistä, varmista, että syvyys- ja viistosäädot ovat tiukasti kiinnitetyt.
14. Käytä ainoastaan sopivia teriä. Älä käytä teriä, joiden reiät ovat väärinkokoiset. Älä millloinkaan käytä rikkiinisiä tai väärin terän aluslaattoja tai ruuveja.
15. Varo nauloja sahatessasi.  
Tutki työkaluun ja poista kaikki nauhat ennen sahaamisen aloittamista.

16. Pidä virtajohto pois sahauskohdasta käyttäessäsi sahaa ja aseta johto siten, että se ei tartu työkaluunsaahan sahauskeskustämisen aikana. Ota laitteesta kunnon ote. Tuo työkalu kunnolla. Ohjaa virtajohto pois työskentelyalueelta.  
**VAROITUS:**  
Laitteen hallinnan menettäminen saattaa johtaa loukkaantumiseen. Tämän vuoksi työkaluunsaahan asianmukainen tuenta ja hyvän otteen varmistaminen on tärkeää. Kuva 4 esittää tyypillistä käsien otetta sahausta.
17. Aseta sahan alustan leveämpi puoli työkaluunsaahan tukevasti tuetun osan päälle, äläkä sen osan päälle, joka irtoaa sahauskeskustämisen päätyttyä. Kuva 5 näyttää esimerkin OIKEASTA tavasta sahata irti laudan päätä. Kuva 6 taas näyttää VÄÄRÄN tavan. Jos työkaluunsaahan on lyhyt tai pieni, kiinnitä se ruuvipenkkiin. **ÄLÄ YRITÄ PIDELLÄ LYHYITÄ TYÖKALUJA KÄSIIN!** (Kuva 6)
18. Älä koskaan sahaa pyörösaahalla siten, että se on kiinnitettynä ruuvipenkkiin ylösalaisin. Tämä on erittäin vaarallista ja voi johtaa vakavaan onnettomuuteen. (Kuva 7)
19. Ennen kuin päästät laitteen käsistäsi sahauskeskustämisen jälkeen varmista, että alasuojus (sisäänvetäytyvä) on sulkeutunut ja että terä on kokonaan pysähtynyt.
20. Valmistajan tietojen käyttäminen
  - varmista, että sahanterän läpimita, paksaus ja muut ominaisuudet ovat työkalulle sopivat;
  - varmista, että sahanterä on työkalun karan pyörimisnopeudelle sopiva.
21. Älä käytä mitään hiomalaikkaa.

## SÄILYTÄ NÄMÄ OHJEET.

### KÄYTTÖOHJEET

#### Akun asentaminen tai poistaminen (Kuva 8)

- Kytke kone aina POIS päältä ennen akun asentamista tai poistamista.
- Irrota akku vetämällä se irti työkalusta samalla kun siirät akun molemmilla reunoilla olevia painikkeita.
- Akku kiinnitetään asettamalla akussa oleva kieleke kotelossa olevan uran kohdalle ja sujauttamalla se paikalleen. Työnnä aina kokonaan sisään, kunnes se nap-sahtaa kevyesti paikalleen. Jos painikkeen yläosassa oleva punainen osa jää näkyviin, akku ei ole kokonaan lukittu paikalleen. Työnnä akku kokonaan sisään, kunnes punaista osaa ei näy. Jos et toimi näin, akku voi irrota vahingossa koneesta ja aiheuttaa itsesi tai sivullisen loukkaantumisen.
- Älä käytä voimaa asentaessasi akkuja. Jos akku ei mene sisään herkästi, se ei ole oikeassa asennossa.

## Lataaminen (Kuva 9)

1. Liitä akkulataaja virtalähteeseen. Kaksi latausvalo vilkkuu vuorotellen vihreänä.
2. Työnnä akkua lataajaan, kunnes se pysähtyy lataajan ohjaimen. Lataajan liittimen suojus aukeaa työnnettäessä akku sisään ja sulkeutuu vedettäessä akku irti.
3. Kun akku on työnnetty paikalleen, latausvalo vaihtuu vihreästä punaiseksi ja lataus alkaa. Latausvalo palaa tasaisesti latauksen aikana.  
Yksi punainen valo merkitsee latausasteen olevan välillä 0 – 80% ja kaksi valoa merkitsee 80 – 100%.
4. Kun lataus on päättynyt, kaksi punaista latausvaloa vaihtuu kahdeksi vihreäksi. Latausaika on:
5. Jos jätät akun lataajaan sen jälkeen, kun lataus on päättynyt, lataaja siirtyy heikkovirtalatausmuodolle, joka kestää noin 24 tuntia.
6. Irrota lataaja virtalähteestä latauksen jälkeen.

Akkutyyppi	Kapasiteetti (mAh)	Kennojen lukumäärä	Latausaika (DC24SA)	Latausaika (DC24WA)
BH2420 (Ni-MH)	2 000	20	Noin 30 min.	Noin 55 min.
BH2433 (Ni-MH)	3 300	20	Noin 60 min.	Noin 90 min.

## Jäähdytysjärjestelmä (vain DC24SA)

- Tämä lataaja on varustettu kuuman akun tuulettimella, jotta akun suorituskykyä saadaan parannettua. Jäähdytyksen aikana kuuluva jäähdytysilman ääni ei ole oire lataajan viasta.
- Keltainen valo vilkkuu varoituksena seuraavissa tilanteissa.
  - Tuuletinongelma
  - Akku ei jäähdy riittävästi johtuen esimerkiksi pölyn aiheuttamasta tukoksesta.  
Akku voidaan ladata keltaisesta varoitusvalosta huolimatta. Latausaika on tällöin kuitenkin tavanomaista pidempi. Tarkasta tuulettimen ääni sekä lataajan ja akun ilma-aukko, jotka voivat toisinaan tukkeutua pölystä.
- Jäähdytysjärjestelmä on kunnossa, vaikka tuulettimen ääntä ei kuulu silloin, kun keltainen varoitusvalo ei vilkkuu.
- Pidä lataajan ja akun jäähdytystä varten oleva ilma-aukot aina puhtaina.
- Laitteet tulee lähettää korjattaviksi tai huoltoon, jos keltainen varoitusvalo vilkkuu usein.

## Säätlolataus (vain DC24SA)

Säätlolataus pidentää akun käyttöikää valitsemalla automaattisesti akulle kussakin tilanteessa sopivimmat latausolot.

Seuraavanlaisissa oloissa toistuvasti käytetty akku kuluu nopeasti loppuun ja keltainen varoitusvalo voi vilkkuu.

1. Akku ladataan kuumana.
  2. Akku ladataan kylmänä.
  3. Täyteen ladattua akkua ladataan.
  4. Akun liiallinen purkautuminen (käytön jatkaminen alentuneesta latauksesta huolimatta).
  5. Akku ladataan jäähdytysjärjestelmän ollessa rikki.
- Tällaisen akun latausaika on tavanomaista pidempi.

## Heikkovirtalataus

Jos jätät akun laturiin estääksesi akun tyhjenemisen itsestään täyteen lataamisen jälkeen, laturi kytkeytyy heikkovirtalatausmuodolle, joka pitää akun jatkuvasti täydessä latauksessa.

## Vinkkejä akun käyttöiän maksimoimiseksi

1. Lataa akku, ennen kuin se on kokonaan tyhjennyt.  
Lopeta aina laitteella työskentely ja lataa akku, jos huomaat voiman vähenevän laitteesta.
2. Älä koskaan lataa täyteen ladattua akkua.  
Liiallinen lataaminen lyhentää akun käyttöikää.
3. Lataa akku huoneenlämmössä 10°C – 40°C.  
Anna kuuman akun viilentyä ennen sen lataamista.
4. Lataa nikkelimetalli-hybridiaakku, jos et käytä sitä yli kuuteen kuukauteen.

VARO:

- Akkulataaja on tarkoitettu Makitan akkujen lataamiseen. Älä koskaan käytä sitä muihin tarkoituksiin äläkä muiden akkujen lataamiseen.
- Kun lataat uutta akkua tai akkua, jota ei ole käytetty pitkään aikaan, sitä ei ehkä voida ladata täyteen. Tämä on normaalia eikä ole oire viasta. Akku voidaan ladata täyteen, kun se on purettu kokonaan ja ladattu muutampia kertoja.
- Jos lataat akkua, jolla on juuri käytetty konetta tai akkua, joka on ollut pitkään suorassa auringonvalossa, latausvalo saattaa vilkkua punaisena. Jos näin käy, odota hetki. Jos akun lämpötila on yli noin 70°C, kaksi latausvaloa saattaa vilkkua punaisina. Kun lämpötila on välillä 50 – 70°C, yksi latausvalo vilkkuu punaisena. Lataus alkaa, kun lataajassa oleva tuuletin on jäähdyttänyt akun (vain DC24SA).
- Jos latausvalo vilkkuu vuorotellen vihreänä ja punaisena, lataaminen ei ole mahdollista. Lataajan tai akun liittimet ovat pölyn peitossa tai akku on kulunut loppuun tai vioittunut.
- Kaikki seuraavat tilanteet kertovat lataajan ja/tai akun vioittuneen. Tarkistusta ne Makitan valtuuttamassa huollossa tai tehtaan huollossa.
  - 1) Latausvalo ei vilku (vihreänä), kun akkulataaja liitetään virtalähteeseen.
  - 2) Latausvalo ei syty eikä vilku (punaisena), kun akku on työnnetty latausaukkoon.
  - 3) Lataus ei pääty sen jälkeen kun on kulunut kaksi tuntia punaisen valon syyttymisestä latauksen alettua.

## Terän irrottaminen ja kiinnittäminen

Tärkeää:

Varmista aina ennen terän kiinnittämistä ja irrottamista, että laite on sammutettu ja akku irrotettu.

Tässä laitteessa voidaan käyttää seuraavia teriä.

Suurin läpimitta	Pienin läpimitta	Terän paksuus	Sahausleveys
190 mm	170 mm	1,6 mm tai alle	1,9 mm tai yli

VARO:

- Älä käytä sahanteriä, jotka eivät vastaa näissä ohjeissa määriteltäviä ominaisuuksia.
- Älä käytä sahanteriä, joiden kehä on paksumpi tai joiden haritus on pienempi kuin halkaisuterän paksuus.

Terä irrotetaan painamalla karalukitusta siten, että terä ei pääse pyörimään ja löysentämällä sitten ruuvia vastapäivään kuusioavaimella. Irrota lopuksi ruuvi, ulkolaippa ja terä. **(Kuva 10)**

Terä kiinnitetään tekemällä irrotustoimet päinvastaisessa järjestyksessä. **MUISTA KIRISTÄÄ RUUVI TIUKASTI. (Kuva 11)**

VARO:

- Varmista, että terä on kiinnitetty siten, että sahan hammat osoittavat laitteen edessä ylöspäin.
- Käytä ainoastaan Makitan kuusioavainta terän irrottamiseen ja kiinnittämiseen.

## Halkaisuterän säätäminen (Kuva 12)

Löysennä halkaisuterän säädön kuusiopultti kuusioavaimella. Nosta sitten turvasuojus (turvaohjain) ylös. Siirrä halkaisuterää ylös tai alas **kuvasa 12** näkyvän säätökohouman päälle siten, että halkaisuterän ja sahanterän välinen etäisyys tulee sopivaksi.

VARO:

Varmista, että halkaisuterä on säädetty siten, että Halkaisuterän ja sahanterän hammastetun kehän väli on enintään 5 mm. Hammastettu kehä ei ulotu yli 5 mm halkaisuterän alareunan ulkopuolelle.

## Kuusioavaimen säilyttäminen (Kuva 13)

Kuusioavain voidaan säilyttää kätevästi silloin kun sitä ei käytetä.

VARO:

Varmista aina ennen säätöjen tekemistä, että laite on sammutettu ja akku irrotettu.

## Sahaussyvyyden säätäminen (Kuva 14)

Löysennä syvyystulkissa olevaa kytkintä ja siirrä alustaa ylös tai alas. Kiinnitä alusta haluamaasi sahausussyvyyteen kiristämällä kytkin.

VARO:

- Käytä matalaa sahausussyvyyttä, kun sahaat ohutta työkappaletta. Näin sahausajalajesta tulee siistimpi ja sahaaminen on turvallisempaa.
- Kun olet säätänyt sahausussyvyyden, kiristä kytkin aina tiukasti.

## Viistesahaus (Kuvat 15 ja 16)

Löysennä edessä ja takana olevat kiristysruuvit. Aseta haluamasi kulma (0° – 50°) kääntämällä vastaavasti ja kiristä sitten kiristysruuvit tiukasti.

Käytä 45° rajoitinta, kun haluat sahata täsmälleen 45° kulmassa. Käännä kytkin kokonaan myötöpäivään, kun haluat tehdä viistosahauksia (0° – 45°) ja käännä vastaapäivään, kun haluat tehdä 0° – 50° viistosahauksia.

## Tarkkuussäätö 90° ja 45° sahaukselle (pystysuora ja 45° sahaus) (Kuvat 17 ja 18)

Tämä säätö on tehty valmiiksi tehtaalla. Jos se on kuitenkin siirtynyt, säädä säätöruuveja ruuvitaltalla samalla kun mittaat terän ja jalustan väliseksi kulmaksi kolmikulmalla tai kulmamittalla tms. 90° tai 45°.

VARO:

Kun olet säätänyt sahausussyvyyden ja viistosahauksen kulman, muista kiristää syvyystulkin kytkin sekä edessä ja takana olevat kiristysruuvit.

## Suuntaaminen (Kuva 19)

Kun haluat sahata suoraan, aseta alustan etuosassa oleva oikeanpuoleinen kolo työkappaleen sahauslinjan suuntaisesti. Kun haluat tehdä 45° viistosahausta, aseta vasemmanpuoleinen kolo sahauslinjan suuntaisesti.

## Kytkimen käyttäminen (Kuva 20)

VARO:

Tarkista aina ennen akun liittämistä laitteeseen, että liipaisinkytkin toimii moitteettomasti ja että se palautuu vapautettaessa "OFF"-asentoon.

Jotta välttyttäisiin liipaisimen tahattomalta painamiselta, laite on varustettu lukituksen vapautuspainikkeella.

Laite käynnistetään painamalla lukituksen vapautuspainike pohjaan ja painamalla sitten liipaisinkytkintä. Laite pysähtyy vapautettaessa liipaisinkytkin.

## Sahan käyttäminen (Kuva 21)

Ota laitteesta tukeva ote. Aseta aluslevy sahattavalle työkappaleelle siten, että terä ei kosketa siihen. Käynnistä laite ja odota, kunnes terä saavuttaa täyden käyntinopeuden. Siirrä yksinkertaisesti laitetta eteenpäin pitkin työkappaleen pintaa pitäen sen tasaisena työkappaletta vasten. Etene tasaisesti sahauksen loppuun asti. Sahausjäljestä tulee siisti, kun pidät sahauslinjan suorana ja etenemisnopeuden tasaisena.

VARO:

- Työnnä akku aina kokonaan sisään siten, että se lukittuu paikalleen. Jos näet painikkeen yläosan punaisen osan, akku ei ole kokonaan lukittu paikalleen. Työnnä akku kokonaan sisään siten, että punaista osaa ei näy. Jos et toimi näin, akku voi vahingossa irrota koneesta ja aiheuttaa itsesi tai sivullisen loukkaantumisen.
- Kun käytät konetta korkeissa paikoissa, varmista aina, että akku on kunnolla lukittu paikalleen siten, että se ei irtoa koneesta. Jos et toimi näin, akku voi irrota koneesta ja aiheuttaa itsesi tai sivullisen loukkaantumisen.
- Halkaisuterää tulee käyttää aina paitsi aloitettaessa sahaus keskeltä työkappaletta.
- Älä pysäytä sahanterää painamalla sitä sivulta.
- Liikuta laitetta aina kevyesti siirtyen suoraan eteenpäin sahauksen aikana. Laitteen pakottaminen tai vääntäminen aiheuttaa moottorin ylikuumenemistä ja vaarallisen takaiskun, joka voi johtaa loukkaantumiseen.
- Jos laitetta käytetään jatkuvasti akun tyhjenemiseen saakka, anna laitteen levätä 15 minuutin ajan ennen kuin jatkat uudella akulla.

## Halkaisuterä (ohjaustulkki) (Kuva 22)

Kätevän halkaisuterän (ohjaustulkin) avulla saat sahattua erityisen suoraan. Siirrä yksinkertaisesti halkaisuterä tiukasti kiinni työkappaleen reunaan ja kiinnitä se paikalleen alustan etuosassa olevalla kiristysruuvilla. Ohjaustulkin avulla voit myös sahata useita samanlevyisiä kappaleita.

## Pölysuutin (Kuvat 23 ja 24)

Kun haluat sahauksen olevan siistiä, kiinnitä laitteeseen pölynimuri. Kiinnitä laitteen liitoskappale ruuveilla. Kiinnitä sitten pölynimurin letku liitoskappaleeseen.

## HUOLTO

VARO:

Varmistaudu aina ennen kaikkia koneelle suoritettavia töitä, että kone on pysäytetty ja akku irrotettu.

## Hiilien vaihto (Kuvat 25 ja 26)

Hiilet on vaihdettava kun ne ovat kuluneet kulumisrajaan. Hiilet on vaihdettava aina parittain.

Laitteen käyttövarmuuden ja turvallisuuden vuoksi korjaukset ja muut huolto- ja säätötööt saa suorittaa ainoastaan Makitan hyväksymä huoltopiste.

## Περιγραφή γενικής άποψης

1	Για την αποφυγή κλωσήματος προς τα πίσω υποστηρίζετε την σανίδα ή τις πλάκες κοντά στο κόψιμο	10	Χαλαρώστε (αριστερά)	26	Γεωμετρικό τρίγωνο
2	Μην υποστηρίζετε την σανίδα ή τις πλάκες μακριά από το κόψιμο	11	Κλειδώμα άξονα	27	Για λοξές κοπές 45°
3	Μια τυπική απεικόνιση της κατάλληλης υποστήριξης με το χέρι, και υποστήριξη του κομματιού εργασίας	12	Λάμα τροχού	28	Για ευθείες κοπές
4	Πλήκτρο	13	Εξωτερική φλάντζα	29	Πλάκα βάσης
5	Κασέτα μπαταρίας	14	Βίδα	30	Γραμμική κοπή
6	Φορτιστής μπαταρίας	15	Εσωτερική φλάντζα	31	Κουμπί απασφάλισης
7	Λαμπάκια φόρτισης	16	Κουμπιά ρύθμισης	32	Σκανδάλη διακοπής
8	Κάλυμμα τερματικού	17	Βίδα ρύθμισης εξαγωνικής κεφαλής	33	Οδηγός χάρακας
9	Εξαγωνικό κλειδί	18	Βάθος κοπής	34	Στόμιο σκόνης
		19	Λεβιές	35	Βίδες
		20	Βίδα μέγερνης	36	Σωλήνας 28 χιλ. σε εσωτερική διάμετρο
		21	Λεβιές	37	Ηλεκτρική σκούπα
		22	Επικλινή επιφάνεια	38	Σημάδι ορίου
		23	Βάση	39	Κάλυμμα συγκρατητή βούρτσας
		24	Βίδα ρύθμισης για 90°	40	Κατσαβίδι
		25	Βίδα ρύθμισης για 45°		

## ΤΕΧΝΙΚΑ ΧΑΡΑΚΤΗΡΙΣΤΙΚΑ

<b>Μοντέλο</b>	<b>BSR730</b>
Διάμετρος λάμας .....	190 χιλ.
Μεγ. βάθος κοπής	
Σε 90° .....	66 χιλ.
Σε 45° .....	47 χιλ.
Σε 50° .....	42 χιλ.
Ταχύτητα χωρίς φορτίο (min <sup>-1</sup> ) .....	2.400
Ολικό μήκος .....	378 χιλ.
Καθαρό βάρος .....	4,6 Χγρ.
Εξοδος .....	D.C. 24 V

- Λόγω του συνεχιζόμενου προγράμματος έρευνας και ανάπτυξης, οι παρούσες προδιαγραφές υπόκεινται σε αλλαγή χωρίς προειδοποίηση.
- Παρατήρηση: Τα τεχνικά χαρακτηριστικά μπορεί να διαφέρουν από χώρα σε χώρα.

## Υποδείξεις ασφάλειας

Για την προσωπική σας ασφάλεια, ανατρέξτε στις εσωκλειστές οδηγίες ασφάλειας.

## ΣΗΜΑΝΤΙΚΕΣ ΟΔΗΓΙΕΣ ΑΣΦΑΛΕΙΑΣ ΓΙΑ ΣΥΣΚΕΥΗ ΦΟΡΤΙΣΗΣ ΚΑΙ ΜΠΑΤΑΡΙΑ

1. **ΦΥΛΑΞΕΤΕ ΑΥΤΕΣ ΤΙΣ ΟΔΗΓΙΕΣ** — Αυτό το εγχειρίδιο περιέχει σημαντικές οδηγίες ασφαλείας και χρήσης της συσκευής φόρτισης.
2. Πριν χρησιμοποιήσετε τη συσκευή φόρτισης, διαβάστε όλες τις οδηγίες και προειδοποιητικά σημεία (1) στην συσκευή φόρτισης, (2) στη μπαταρία, και (3) στη συσκευή που χρησιμοποιεί την μπαταρία.
3. **ΠΡΟΣΟΧΗ** — Για να μειωθεί ο κίνδυνος τραυματισμού, φορτίζετε μόνο μπαταρίες ΜΑΚΙΤΑ επαναφορτιζόμενου τύπου. Μπαταρίες άλλου τύπου μπορεί να εκραγούν, πληγώνοντας σας και προκαλώντας ζημίες.
4. Μην εκθέσετε τη συσκευή φόρτισης σε βροχή ή χιόνι.
5. Χρήση εξαρτήματος που δεν συστήνεται ή δεν πωλείται από τον κατασκευαστή της συσκευής φόρτισης μπορεί να προκαλέσει φωτιά, ηλεκτρικό σοκ, ή να σας τραυματίσει.

6. Για να μειωθεί ο κίνδυνος ζημιάς στην πρίζα και στο καλώδιο, όταν αποσυνδέετε τη συσκευή φόρτισης από την παροχή ρεύματος, πιάνετε και τραβάτε από την πρίζα και όχι από το καλώδιο.
7. Βεβαιωθείτε ότι το καλώδιο βρίσκεται σε θέση που ούτε θα το πατήσουν ούτε θα σκοντάψουν πάνω του ούτε μπορεί να πάθει ζημιά με οποιοδήποτε τρόπο.
8. Μη χρησιμοποιείτε τη συσκευή φόρτισης αν το καλώδιο ή η πρίζα της έχουν πάθει ζημιά — αντικαταστήστε τα αμέσως.
9. Μη χρησιμοποιείτε την συσκευή σε περίπτωση που έχει υποστεί δυνατό κτύπημα, έχει πέσει κάτω, ή έχει πάθει οποιαδήποτε ζημιά. Αναθέστε την επισκευή σε εξουσιοδοτημένο τεχνίτη.
10. Μην αποσυναρμολογείτε τη συσκευή φόρτισης ή τη μπαταρία. Πάρτε την σε εξουσιοδοτημένο τεχνίτη όταν χρειάζεται επισκευή ή σέρβις. Λανθασμένη επανασυναρμολόγηση μπορεί να οδηγήσει σε κίνδυνο ηλεκτρικού σοκ ή φωτιάς.
11. Για να μειωθεί ο κίνδυνος ηλεκτρικού σοκ, αποσυνδέστε τη συσκευή φόρτισης από την παροχή ρεύματος πριν κάνετε οποιαδήποτε συντήρηση ή καθαρισμό της. Μόνο με το να σβήσετε τη συσκευή αυτός ο κίνδυνος δε μειώνεται.
12. Ο φορτιστής μπαταρίας δεν προορίζεται για χρήση από μικρά παιδιά ή άτομα με ασαφή συμπεριφορά χωρίς επίβλεψη.
13. Τα μικρά παιδιά θα πρέπει να επιβλέπονται για να διασφαλισθεί ότι δεν παίζουν με τον φορτιστή μπαταρίας.

## ΕΠΙΠΡΟΣΘΕΤΟΙ ΚΑΝΟΝΕΣ ΑΣΦΑΛΕΙΑΣ ΓΙΑ ΣΥΣΚΕΥΗ ΦΟΡΤΙΣΗΣ ΚΑΙ ΜΠΑΤΑΡΙΑ

1. Μη φορτίζετε τη μπαταρία όταν η θερμοκρασία είναι ΚΑΤΩ από 10°C ή ΠΑΝΩ από 40°C.
2. Μη χρησιμοποιείτε ποτέ μετασχηματιστή ανύψωσης τάσης, γεννήτρια, ή υποδοχή συνεχούς ρεύματος.
3. Μην αφήσετε οτιδήποτε να καλύψει ή να μπλοκάρει της οπές εξαερισμού του φορτιστή.



4. Μη βραχυκυκλώσετε την κασέτα μπαταρίας:
  - (1) Μην αγγίξετε τους πόλους με κανένα αγώγιμο υλικό.
  - (2) Αποφύγετε την αποθήκευση της κασέτας μπαταρίας σε δοχείο με άλλα μεταλλικά αντικείμενα όπως καρφιά, νομίσματα, κλπ.
  - (3) Μην εκθέτετε την κασέτα μπαταρίας σε νερό ή σε βροχή.
 Ένα βραχυκύκλωμα μπαταρίας μπορεί να προκαλέσει μεγάλη ροή ρεύματος, υπεθέρμανση, πιθανά εγκαύματα και ακόμη μηχανική βλάβη.
5. Μη φυλάσσετε τη μηχανή και τη μπαταρία σε μέρη που η θερμοκρασία μπορεί να φθάσει ή να ξεπεράσει τους 50°C.
6. Μη κάψετε την μπαταρία ακόμα και αν έχει πάθει σοβαρές ζημιές ή έχει εντελώς φθαρεί. Η μπαταρία μπορεί να εκραγεί στην φωτιά.
7. Προσέχετε να μη ριζέτε κάτω, ταρακουνήσετε ή χτυπήσετε τη μπαταρία.
8. Μη φορτίσετε τη μπαταρία μέσα σε ένα κουτί ή δοχείο οποιουδήποτε είδους. Η μπαταρία πρέπει να τοποθετηθεί σε ένα καλά εξαεριζόμενο χώρο κατά τη διάρκεια της φόρτισης.

## ΕΠΙΠΡΟΣΘΕΤΕΣ ΟΔΗΓΙΕΣ ΑΣΦΑΛΕΙΑΣ ΓΙΑ ΤΟ ΜΗΧΑΝΗΜΑ

1. Έχετε υπόψη σας ότι το μηχανήμα αυτό βρίσκεται πάντα σε κατάσταση λειτουργίας γιατί δεν χρειάζεται να συνδεθεί στο ρεύμα.
  2. Φοράτε ωτοασπίδες.
  3. Κρατάτε τα Προστατευτικά στη θέση τους και σε Καλή Κατάσταση.  
Ποτέ μην στερεώνετε σφηνώνοντας ή δένοντας το κάτω προστατευτικό ανοικτό. Ελέγχετε την λειτουργία του κάτω προστατευτικού πριν από κάθε χρήση. Μη κάνετε χρήση εάν το κάτω προστατευτικό δεν κλείνει γερά υπεράνω της λάμας του πριονιού. **ΠΡΟΣΟΧΗ:** Αν το πριόνι πέσει κάτω, το κάτω προστατευτικό μπορεί να λυγίσει, εμποδίζοντας την πλήρη επαναφορά.
  4. Μη χρησιμοποιείτε λάμες που είναι παραμορφωμένες ή ραγισμένες.
  5. Μη χρησιμοποιείτε λάμες ασαλιού υψηλής ταχύτητας.
  6. Μην σταματάτε τις λάμες με πλευρική πίεση στη λάμα του πριονιού.
  7. Διατηρείτε τις λάμες καθαρές και κοφτερές. Οι κοφτερές λάμες ελαχιστοποιούν τα σταματήματα και τα κλωστήματα προς τα πίσω.
- 8. ΚΙΝΔΥΝΟΣ:**  
Κρατάτε Τα Χέρια Σας Μακριά Από Την Περιοχή Κοπής. Κρατάτε τα χέρια σας μακριά από τις λάμες. Μη πιάνετε από κάτω το αντικείμενο εργασίας ενώ η λάμα περιστρέφεται. Μη δοκιμάσετε να μετακινήσετε το υλικό κοπής ενώ η λάμα κινείται.
- ΠΡΟΣΟΧΗ:** Οι λάμες περιστρέφονται ελεύθερα μετά το σβήσιμο.
9. Υποστήριξη μεγάλων πλακών. (Εικ. 1 και 2)  
Οι μεγάλες πλάκες πρέπει να υποστηρίζονται όπως φαίνεται στη Εικ. 1 για την ελαχιστοποίηση του κινδύνου πιασίματος της λάμας και κλωστήματος προς τα πίσω. Όταν η εργασία κοπής απαιτεί να αφήνετε το πριόνι επάνω στο αντικείμενο εργασίας, το πριόνι πρέπει να αφήνεται στο μεγαλύτερο μέρος του αντικειμένου και το μικρότερο να κόβεται.
  10. Χρήση προφυλακτήρα σχισίματος.  
Πάντοτε χρησιμοποιείτε ένα προφυλακτήρα ή οδηγό ευθείας ακμής για τις κατά μήκος κοπές.
  11. Προστατευτικό Κλωστήματων προς τα πίσω. (Εικ. 1 και 3)  
Κλώστημα προς τα πίσω συμβαίνει όταν το πριόνι σταματά γρήγορα και οπισθοδρομεί προς τον χρήστη. Ελευθερώστε αμέσως το διακόπτη εάν η λάμα πιάσει ή το πριόνι σταματήσει. Διατηρείτε τις λεπίδες κοφτερές. Υποστηρίξτε τις μεγάλες πλάκες όπως φαίνεται στην Εικ. 1. Χρησιμοποιείτε προφυλακτήρα ή οδηγό ευθείας ακμής για τις κατά μήκος κοπές. Μη ζορίζετε το μηχανήμα. Να βρίσκεστε σε κατάσταση ετοιμότητας και εξασκείτε έλεγχο. Μην αφαιρείται το πριόνι από το αντικείμενο εργασίας κατά τη διάρκεια της κοπής ενώ η λάμα κινείται.  
**ΠΟΤΕ** μη βάλετε το χέρι ή τα δάκτυλά σας πίσω από το πριόνι. Αν συμβεί κλώστημα προς τα πίσω, το πριόνι μπορεί να πεταχτεί προς τα πίσω πάνω στο χέρι σας, με πιθανότητα πρόκλησης σοβαρού τραυματισμού.
  12. Κάτω Προστατευτικό.  
Σηκώστε το κάτω προστατευτικό με την ανασυρόμενη λαβή.
  13. Ρυθμίσεις.  
Προ της κοπής βεβαιωθείτε ότι οι ρυθμίσεις βάθους και λοξότμησης είναι σφικτές.
  14. Χρησιμοποιείτε κατά την τοποθέτηση μόνο της σωστές λάμες.  
Μην χρησιμοποιείτε λάμες με εσφαλμένο μέγεθος οπών. Ποτέ μην χρησιμοποιείτε ελατωματικά ή εσφαλμένου μεγέθους μπουλόνια ή ροδέλες λάμας.
  15. Αποφύγετε κόψιμο καρφιών.  
Επιθεωρήστε και αφαιρέστε όλα τα καρφιά από το ξύλο πριν από την κοπή.
  16. Εργάζεστε με κατάλληλη θέση χεριών για υποστήριξη του εργαλείου, κατάλληλη υποστήριξη του αντικείμενου εργασίας.
- ΠΡΟΕΙΔΟΠΟΙΗΣΗ:**  
Είναι σημαντικό να υποστηρίξετε το αντικείμενο εργασίας κατάλληλα και να κρατάτε το πριόνι σταθερά για να αποφύγετε απώλεια ελέγχου πράγμα που μπορεί να προκαλέσει προσωπικό τραυματισμό. Η Εικ. 4 δείχνει μια τυπική θέση χεριών για την υποστήριξη του πριονιού.

17. Τοποθετήστε το πλατύτερο τμήμα της βάσης του προιονιού σε εκείνο το μέρος του αντικειμένου εργασίας που είναι σταθερά υποστηριγμένο, και όχι στο τμήμα εκείνο που θα πέσει κάτω όταν θα εκτελεστεί η κοπή. Ως παράδειγμα, η Εικ. 5 δείχνει το ΣΩΣΤΟ τρόπο για να κόψετε την άκρη μιας σανίδας, και η Εικ. 6 τον ΕΣΦΑΛΜΕΝΟ τρόπο. Εάν το αντικείμενο εργασίας είναι κοντό ή μικρό, στερεώστε το κάτω. ΜΗΝ ΠΡΟΣΠΑΘΗΣΕΤΕ ΝΑ ΚΡΑΤΗΣΕΤΕ ΜΙΚΡΑ ΚΟΜΜΑΤΙΑ ΜΕ ΤΑ ΧΕΡΙΑ! (Εικ. 6)
18. Ποτέ μην δοκιμάσετε να προνίσετε με τον τροχό κρατημένο ανάποδα με μια μέγγενη. Αυτό είναι εξαιρετικά επικίνδυνο και μπορεί να οδηγήσει σε σοβαρά ατυχήματα. (Εικ. 7)
19. Πριν εγκαταλείψετε το μηχάνημα μετά το τέλος της κοπής, βεβαιωθείτε ότι το κάτω (τηλεσκοπικό) προστατευτικό έχει κλείσει και η λάμα έχει σταματήσει τελείως.
20. Χρησιμοποίηση των δεδομένων του κατασκευαστή
- βεβαιωθείτε ότι η διάμετρος, πάχος και τα άλλα χαρακτηριστικά του τροχού κοπής είναι τα σωστά για το εργαλείο.
  - βεβαιωθείτε ότι ο τροχός κοπής είναι ο σωστός για την ταχύτητα περιστροφής του εργαλείου.
21. Μη χρησιμοποιείτε κάποιο αποξυστικό δίσκο.

## ΦΥΛΑΞΕΤΕ ΑΥΤΕΣ ΤΙΣ ΟΔΗΓΙΕΣ.

### Φόρτιση (Εικ. 9)

1. Συνδέστε το φορτιστή της μπαταρίας στην παροχή ηλεκτρικού ρεύματος. Δύο φωτάκια φόρτισης θα ανάβουν σε χρώμα πράσινο επαναλαμβανόμενα.
2. Βάλτε την κασέτα μπαταρίας στο φορτιστή μέχρι να σταματήσει ρυθμιζόμενο από τον οδηγό του φορτιστή. Το κάλυμμα του τερματικού του φορτιστή μπορεί να ανοιχθεί με την εισαγωγή και να κλείσει με την απομάκρυνση της κασέτας μπαταρίας.
3. Όταν η κασέτα μπαταρίας έχει μπει μέσα, το χρώμα στο φωτάκι φόρτισης θα αλλάξει από πράσινο σε κόκκινο και η φόρτιση θα αρχίσει. Το φωτάκι φόρτισης θα παραμείνει αναμμένο σταθερά κατά τη διάρκεια της φόρτισης. Ένα κόκκινο φωτάκι φόρτισης ενδεικνύει κατάσταση φόρτισης 0 – 80%, ενώ δύο κόκκινα φωτάκια ενδεικνύουν φόρτιση 80 – 100%.
4. Όταν τελειώσει η φόρτιση, τα φωτάκια φόρτισης θα αλλάξουν από δύο κόκκινα σε δύο πράσινα. Ο χρόνος φόρτισης είναι όπως ακολούθως:
5. Εάν αφήσετε την κασέτα μπαταρίας στον φορτιστή αφού ο κύκλος φόρτισης έχει συμπληρωθεί, ο φορτιστής θα αλλάξει στη διαμόρφωση “φόρτιση σταγόνας (φόρτιση συντήρησης)” η οποία θα διαρκέσει περίπου 24 ώρες.
6. Μετά τη φόρτιση, αποσυνδέστε το φορτιστή από την παροχή ηλεκτρικού ρεύματος.

Τύπος μπαταρίας	Χωρητικότητα	Αριθμός κυψελών	Χρόνος φόρτισης (DC24SA)	Χρόνος φόρτισης (DC24WA)
BH2420 (Ni-MH)	2.000	20	Περίπου 30 λ.	Περίπου 55 λ.
BH2433 (Ni-MH)	3.300	20	Περίπου 60 λ.	Περίπου 90 λ.

## ΟΔΗΓΙΕΣ ΧΡΗΣΗΣ

### Τοποθέτηση ή αφαίρεση της κασέτας μπαταρίας (Εικ. 8)

- Πάντοτε σβήνετε το μηχάνημα πριν τοποθετήσετε ή αφαιρέσετε την κασέτα μπαταρίας.
- Για να απομακρύνετε την κασέτα μπαταρίας, βγάλτε την από το μηχάνημα ενώ ολισθαίνετε το κουμπί στην πλευρά της κασέτας.
- Για να τοποθετήσετε την κασέτα μπαταρίας, ευθυγραμμίστε την γλώσσα στην κασέτα μπαταρίας με την αυλακία στην υποδοχή και τοποθετήστε την. Πάντοτε να την βάζετε πλήρως μέχρι να κλειδώσει, γεγονός που υποδηλώνεται με ένα χαρακτηριστικό ήχο. Εάν μπορείτε να δείτε το κόκκινο κομμάτι στην επάνω πλευρά του πλήκτρου, δεν έχει κλειδώσει ολοκληρωτικά. Βάλτε την πλήρως έτσι ώστε να μην φαίνεται. Σε αντίθετη περίπτωση, ίσως πέσει κατά λάθος από το μηχάνημα, τραυματίζοντας εσάς ή κάποιον τριγύρω σας.
- Μη βάζετε δύναμη όταν τοποθετείτε την κασέτα μπαταρίας. Εάν η κασέτα δεν εισέρχεται με ευκολία, δεν είναι τοποθετημένη σωστά.

### **Σύστημα ψύξης (Μόνο για DC24SA)**

- Ο φορτιστής είναι εφοδιασμένος με ανεμιστήρα ψύξης για θερμαινόμενες μπαταρίες έτσι ώστε να καταστεί δυνατή η καλύτερη δυνατή απόδοσή της μπαταρίας. Ο ήχος του αέρα ψύξης ακούγεται κατά τη διάρκεια της ψύξης, το οποίο σημαίνει ότι δεν υπάρχει πρόβλημα στον φορτιστή.
- Ενα κίτρινο φωτάκι θα ανάψει στις ακόλουθες περιπτώσεις
  - Πρόβλημα στον ανεμιστήρα ψύξης
  - Ανεπαρκής ψύξη του ανεμιστήρα, όπως για παράδειγμα λόγω βουλώματος από σκόνη.Η μπαταρία μπορεί να φορτιστεί παρόλο που υπάρχει το προειδοποιητικό σήμα από το κίτρινο φωτάκι. Απλώς η φόρτιση θα διαρκέσει περισσότερο από το κανονικό σε αυτή την περίπτωση. Ελέγξτε τον ήχο του ανεμιστήρα ψύξης, τα ανοίγματα εξαερισμού στον φορτιστή και την μπαταρία, τα οποία μπορεί να έχουν βουλώσει με σκόνη.
- Το σύστημα ψύξης είναι εντάξει ακόμη και εάν δεν ακούγεται ο ήχος του ανεμιστήρα εξαερισμού, εάν το κίτρινο προειδοποιητικό φωτάκι δεν έχει ανάψει.
- Πάντοτε να κρατάτε καθαρά τα ανοίγματα εξαερισμού στον φορτιστή και στην μπαταρία.
- Τα προϊόντα θα πρέπει να στέλνονται για επισκευή ή συντήρηση, εάν το κίτρινο φωτάκι ανάβει συχνά.

### **Φόρτιση κατάστασης (Μόνο για DC24SA)**

Η φόρτιση κατάστασης μπορεί να επεκτείνει τη διάρκεια ζωής της μπαταρίας ψάχνοντας αυτόματα τη βέλτιστη κατάσταση φόρτισης για τις μπαταρίες σε κάθε περίπτωση.

Η μπαταρία που χρησιμοποιείται συχνά στις ακόλουθες περιπτώσεις, θα φθαρεί σύντομα, και το κίτρινο προειδοποιητικό φωτάκι ίσως ανάψει.

1. Επαναφόρτιση της μπαταρίας σε υψηλή θερμοκρασία
2. Επαναφόρτιση της μπαταρίας σε χαμηλή θερμοκρασία
3. Επαναφόρτιση πλήρως φορτισμένης μπαταρίας
4. Υπερφόρτιση της μπαταρίας (συνέχιση της αποφόρτισης της μπαταρίας και όχι μείωση της παροχής ενέργειας)
5. Φόρτιση με χαλασμένο το σύστημα ψύξης

Ο χρόνος φόρτισης μιας τέτοιας μπαταρίας είναι μεγαλύτερος από το κανονικό.

### **Στιγμιαία φόρτιση (Φόρτιση συντήρησης)**

Εάν έχετε αφήσει την κασέτα μπαταρίας στον φορτιστή για να προλάβετε αυθόρμητη αποφόρτιση μετά από πλήρη φόρτιση, ο φορτιστής θα αλλάξει στη διαμόρφωση της <rs>Συμβουλές φόρτισης</rs> (φόρτιση συντήρησης) και θα κρατήσει την κασέτα μπαταρίας φρέσκια και πλήρως φορτισμένη.

### **Συμβουλές για την διατήρηση της μέγιστης ζωής της μπαταρίας**

1. Αλλάξτε την κασέτα μπαταρίας πριν αποφορτιστεί τελείως.  
Πάντα σταματείστε την λειτουργία του μηχανήματος και φορτίστε την κασέτα μπαταρίας όταν παρατηρήσετε μειωμένη δύναμη του μηχανήματος.
2. Ποτέ μην επαναφορτίζετε μια πλήρως φορτισμένη κασέτα μπαταρίας.  
Η υπερφόρτιση μικραίνει την ωφέλιμη ζωή της μπαταρίας.
3. Φορτίστε την κασέτα μπαταρίας σε θερμοκρασία δωματίου στους 10°C–40°C.  
Αφήστε μια ζεστή κασέτα μπαταρίας να κρυώσει προτού την φορτίσετε.
4. Φορτίστε την κασέτα μπαταρίας Νικελίου Μεταλλικού Υδριδίου όταν δεν την έχετε χρησιμοποιήσει για έξι μήνες.

### **ΠΡΟΣΟΧΗ:**

- Ο φορτιστής της μπαταρίας είναι για φόρτιση κασετών μπαταρίας Μακίτα μόνο. Ποτέ μην τον χρησιμοποιείτε για άλλους σκοπούς ή για μπαταρίες άλλων κατασκευαστών.
- Όταν φορτίζετε μια καινούργια μπαταρία ή μια μπαταρία που δεν έχει χρησιμοποιηθεί για μακρό χρονικό διάστημα, ίσως πλήρης φόρτιση να μην είναι δυνατή. Αυτό είναι μια φυσιολογική κατάσταση και δεν αποτελεί δυσλειτουργία. Μπορείτε να επαναφορτίσετε την κασέτα μπαταρίας πλήρως αφού την αποφορτίσετε και την φορτίσετε δυο τρεις φορές.
- Εάν φορτίσετε μια κασέτα μπαταρίας από ένα μόλις χρησιμοποιημένο εργαλείο ή μια κασέτα μπαταρίας που έχει αφεθεί σε μια τοποθεσία εκτεθειμένη απευθείας στο ηλιακό φως για μακρό χρονικό διάστημα, το λαμπάκι φόρτισης ίσως ανάψει σε χρώμα κόκκινο. Εάν συμβεί αυτό, περιμένετε για λίγο. Όταν η θερμοκρασία της μπαταρίας είναι περισσότερο από περίπου 70°C, δύο φωτάκια φόρτισης ίσως ανάψουν σε χρώμα κόκκινο, και όταν είναι περίπου 50°C – 70°C ένα φωτάκι φόρτισης σε χρώμα κόκκινο. Η φόρτιση θα ξεκινήσει αφού η κασέτα μπαταρίας κρυώσει από τον ανεμιστήρα ψύξης που είναι εγκατεστημένος στον φορτιστή (Μόνο για DC24SA).
- Εάν το φωτάκι φόρτισης ανάβει εναλλασόμενα σε χρώμα πράσινο και κόκκινο, η φόρτιση δεν είναι δυνατή. Τα τερματικά στον φορτιστή ή στην κασέτα μπαταρίας είναι βουλωμένα με σκόνη ή η κασέτα μπαταρίας είναι έχει φθαρεί ή καταστραφεί.

- Καθεμία από τις παρακάτω καταστάσεις ενδεικνύει ζημιά στον φορτιστή ή/και στην κασέτα μπαταρίας. Ζητείστε από τον Εξουσιοδοτημένο Αντιπρόσωπο ή το Κέντρο Εργοστασιακών Υπηρεσιών να σας τις ελέγξουν.

- 1) Το φωτάκι φόρτισης δεν αναβοσβήνει (πράσινο) όταν ο φορτιστής της μπαταρίας συνδέεται στην παροχή ηλεκτρικού ρεύματος.
- 2) Το φωτάκι φόρτισης δεν ανάβει ή δεν αναβοσβήνει (κόκκινο) όταν η μπαταρία μπαίνει στην υποδοχή του φορτιστή.
- 3) Η φόρτιση δεν ολοκληρώνεται ακόμη και μετά από δύο ώρες αφού το κόκκινο φωτάκι έχει ΑΝΑΨΕΙ στην αρχή της φόρτισης.

### Απομάκρυνση ή εγκατάσταση της λάμας τροχού

Σημαντικό:

Πάντοτε να είστε σίγουροι ότι το μηχανήμα είναι σβηστό και η κασέτα μπαταρίας βγαλμένη προτού απομακρύνετε ή εγκαταστήσετε τη λάμα.

Οι ακόλουθες λάμες μπορούν να χρησιμοποιηθούν με αυτό το μηχανήμα.

Μέγιστη διάμετρος	Ελάχιστη διάμετρος	Πάχος λάμας	Εγκοπή
190 χιλ.	170 χιλ.	1.6 χιλ. ή λιγότερο	1.9 χιλ. ή περισσότερο

Το πάχος του μαχαιριού κοπής είναι 1.8 χιλ.

ΠΡΟΣΟΧΗ:

- Μη χρησιμοποιείτε λάμες τροχού που δεν ανταποκρίνονται στις προδιαγραφές που αναφέρονται στις οδηγίες αυτές.
- Μη χρησιμοποιείτε λάμες τροχού ο δίσκος των οποίων είναι παχύτερος του ή των οποίων η οδόντωση είναι μικρότερη από το πάχος του μαχαιριού κοπής.

Για να απομακρύνετε τη λάμα, πιέστε το κλειδωμά άξονα έτσι ώστε η λάμα να μην μπορεί να περιστραφεί και χρησιμοποιείστε το εξαγωνικό κλειδί για να χαλαρώσετε τη βίδα γυρνώντας την προς τα αριστερά. Έπειτα απομακρύνετε τη βίδα, την εξωτερική φλάντζα και τη λάμα. **(Εικ. 10)**

Για να εγκαταστήσετε τη λάμα, ακολουθήστε την διαδικασία απομάκρυνσης αντίστροφα. **ΣΙΓΟΥΡΕΥΤΕΙΤΕ ΟΤΙ ΣΦΙΞΑΤΕ ΤΗΝ ΒΙΔΑ ΣΦΙΧΤΑ. (Εικ. 11)**

ΠΡΟΣΟΧΗ:

- Βεβαιωθείτε ότι η λάμα είναι εγκατεστημένη με την οδόντωση πάνω στο μπροστινό μέρος του μηχανήματος.
- Χρησιμοποιείτε μόνο το εξαγωνικό κλειδί για να απομακρύνετε ή να εγκαταστήσετε τη λάμα.

### Ρύθμιση του μαχαιριού κοπής (Εικ. 12)

Χρησιμοποιείτε το εξαγωνικό κλειδί για να χαλαρώσετε τη βίδα ρύθμισης εξαγωνικής κεφαλής για τη ρύθμιση του μαχαιριού κοπής, και έπειτα ανεβάστε το κάλυμμα ασφαλείας (φύλακας ασφαλείας). Κινείστε το μαχαίρι κοπής επάνω ή κάτω πάνω από το εξογκωμα για ρυθμίσεις που φαίνονται στην **Εικ. 12**, για να πετύχετε την κατάλληλη απόσταση μεταξύ του μαχαιριού κοπής και της λάμας τροχού.

ΠΡΟΣΟΧΗ:

Βεβαιωθείτε ότι το μαχαίρι κοπής έχει ρυθμιστεί έτσι ώστε: Η απόσταση μεταξύ του μαχαιριού κοπής και του οδοντωτού άκρου της λάμας του τροχού δεν είναι περισσότερο από 5 χιλ. Το οδοντωτό άκρο δεν εκτείνεται περισσότερο από 5 χιλ. πέραν της χαμηλότερης άκρης του μαχαιριού κοπής.

### Αποθήκευση του εξαγωνικού κλειδιού (Εικ. 13)

Όταν το εξαγωνικό κλειδί δεν χρησιμοποιείται, μπορεί εύκολα να αποθηκευθεί.

ΠΡΟΣΟΧΗ:

Βεβαιωθείτε πάντα ότι το μηχανήμα είναι σβηστό και η κασέτα μπαταρίας βγαλμένη προτού αποπειραθείτε κάποια ρύθμιση.

### Ρύθμιση του βάθους κοπής (Εικ. 14)

Χαλαρώστε το λεβιέ στον οδηγό βάθους και μετακινήστε τη βάση προς τα πάνω ή προς τα κάτω. Στο επιθυμητό βάθος κοπής, ασφαλίστε τη βάση σφίγγοντας το λεβιέ.

ΠΡΟΣΟΧΗ:

- Χρησιμοποιείτε μικρό βάθος κοπής όταν το κομμάτι εργασίας είναι λεπτό, για καλύτερο και ασφαλέστερο κόψιμο.
- Μετά τη ρύθμιση του βάθους κοπής, πάντοτε να σφίγγετε το λεβιέ στερεά.

### Λοξοτομή (Εικ. 15 και 16)

Χαλαρώστε της βίδες του σφιχτήρα εμπρός και πίσω. Ρυθμίστε για την επιθυμητή γωνία (0° – 50°) δίνοντας την κατάλληλη κλίση και έπειτα σφίξτε καλά τις βίδες του σφιχτήρα.

Χρησιμοποιείτε τον σταματητή 45° όταν θέλετε να κάνετε μια κοπή ακριβώς 45°. Γυρίστε τον μοχλό δεξιόστροφα πλήρως για λοξές κοπές (0° – 45°) και γυρίστε τον αριστερόστροφα για λοξές κοπές 0° – 50°.

## **Ρύθμιση για ακρίβεια κοπής 90° και 45° (κοπή κάθετη και 45°) (Εικ. 17 και 18)**

Αυτή η ρύθμιση έχει γίνει στο εργοστάσιο. Εάν όμως χαλάσει, ρυθμίστε τις βίδες ρύθμισης με ένα κατσαβίδι ενώ ελέγχετε η βάση να είναι σε γωνία 90° ή 45° με την λάμα χρησιμοποιώντας ένα τρίγωνο ή τετράγωνο χάρακα κ.τ.λ.

### **ΠΡΟΣΟΧΗ:**

Αφού ρυθμίσετε το βάθος της κοπής και την γωνία της λοξοτομής, σιγουρευτείτε να σφίξετε το μοχλό στον οδηγό βάθους και τις βίδες του σφικτήρα εμπρός και πίσω.

## **Επίβλεψη (Εικ. 19)**

Για ευθείες κοπές, ευθυγραμμίστε το δεξιό κουμπί στο εμπρός μέρος της βάσης με την γραμμή κοπής στο κομμάτι εργασίας. Για λοξοτομές 45°, ρυθμίστε το αριστερό κουμπί με αυτήν.

## **Διαδικασία ανάμματος (Εικ. 20)**

### **ΠΡΟΣΟΧΗ:**

Προτού βάλετε την κασέτα μπαταρίας στο μηχάνημα, πάντα να ελέγχετε ότι η σκανδάλη διακόπτης λειτουργεί κανονικά και επιστρέφει στη θέση "OFF" όταν απελευθερώνεται.

Για να αποφύγετε κατά λάθος τράβηγμα της σκανδάλης διακόπτης, ένα κουμπί ασφάλισης παρέχεται.

Για να ξεκινήσει το μηχάνημα, αποσυμπίστε το κουμπί ασφάλισης και τραβήξτε τη σκανδάλη. Απελευθερώστε τη σκανδάλη διακόπτη για να σταματήσετε.

## **Λειτουργία (Εικ. 21)**

Κρατήστε το μηχάνημα σφικτά. Θέστε τη πλάκα βάσης στο αντικείμενο εργασίας που πρόκειται να κοπεί χωρίς η λάμα να ακουμπήσει καθόλου. Επειτα ανάψτε το μηχάνημα και περιμένετε μέχρι η λάμα να αποκτήσει την πλήρη ταχύτητα της. Τώρα απλώς μετακινείστε το μηχάνημα προς τα εμπρός πάνω στην επιφάνεια του αντικείμενου εργασίας, κρατώντας το επίπεδο και προωθώντας το ομαλά μέχρι η κοπή να ολοκληρωθεί. Για να πετύχετε καθαρές κοπές, κρατήστε τη γραμμή κοπής ευθεία και την ταχύτητα προώθησης σταθερή.

### **ΠΡΟΣΟΧΗ:**

- Πάντοτε να βάζετε τη μπαταρία πλήρως μέχρι να κλειδώσει καλά. Εάν μπορείτε να δείτε το κόκκινο τμήμα στο επάνω μέρος του πλήκτρου, σημαίνει ότι δεν έχει κλειδώσει καλά. Βάλτε την καλά μέχρι το κόκκινο τμήμα να μην φαίνεται. Σε αντίθετη περίπτωση, ίσως κατά λάθος πέσει έξω από το μηχάνημα και μπορεί να προκαλέσει τραυματικό σε εσάς ή σε κάποιον τριγύρω σας.
- Όταν λειτουργείτε έχοντας το μηχάνημα πάνω από το κεφάλι, πάντοτε να είστε σίγουροι ότι η κασέτα μπαταρίας είναι ασφαλισμένη καλά ώστε να μην πέσει έξω από το μηχάνημα. Σε αντίθετη περίπτωση, ίσως κατά λάθος πέσει έξω από το μηχάνημα και μπορεί να προκαλέσει τραυματικό σε εσάς ή σε κάποιον τριγύρω σας.

- Το μαχαίρι κοπής θα πρέπει να χρησιμοποιείται πάντα εκτός από τη περίπτωση που αρχίζετε κοπή στο μέσο του αντικείμενου εργασίας.
- Μη σταματάτε τη λάμα τροχού με πλευρική πίεση στον τροχό.
- Πάντα να κρατάτε μαλακά το μηχάνημα και να το μετακινείτε προς τα εμπρός όταν κόβετε. Πίεση ή στρίψιμο του μηχανήματος θα έχει ως αποτέλεσμα υπερθέρμανση του κινητήρα και επικίνδυνο κλότσημα προς τα πίσω, που πιθανώς να προκαλέσει σοβαρό τραυματισμό.
- Εάν το μηχάνημα λειτουργεί συνεχώς μέχρι η κασέτα μπαταρίας να αποφορτισθεί, αφήστε το μηχάνημα να ξεκουραστεί για 15 λεπτά προτού συνεχίσετε με καινούργια μπαταρία.

## **Οδηγός φραγής (Οδηγός κανόνας) (Εικ. 22)**

Ο οδηγός φραγής (οδηγός κανόνας) σας επιτρέπει να κάνετε ευθείες κοπές εξαιρετικής ακρίβειας. Απλώς ακουμπήστε τον οδηγό φραγής στην πλευρά του αντικείμενου εργασίας και ασφαλίστε τον στην κατάλληλη θέση με το παξιμάδι στο μπροστινό μέρος της βάσης. Αυτό κάνει επίσης δυνατή την επαναλαμβανόμενη ομοιόμορφη κοπή κομματιών ίδιου πλάτους.

## **Σωλήνας σκόνης (Εικ. 23 και 24)**

Όταν θέλετε να εκτελέσετε λειτουργία καθαρής κοπής, συνδέστε μια ηλεκτρική σκούπα στο μηχάνημα σας. Εγκαταστήστε το σύνδεσμο στο μηχάνημα χρησιμοποιώντας τις βίδες. Επειτα συνδέστε το σωλήνα μιας ηλεκτρικής σκούπας στο σύνδεσμο.

## **ΣΥΝΤΗΡΗΣΗ**

### **ΠΡΟΣΟΧΗ:**

Πριν την εκτέλεση εργασιών με τη συσκευή διαβιβείωνστε πάντοτε, για το ότι η συσκευή σβήστηκε με απομακρυσμένο το συσσωρευτή.

## **Αντικατάσταση καρβουνάκια (Εικ. 25 και 26)**

Τα καρβουνάκια πρέπει να αντικαθίστανται, όταν έχουν φθαρεί μέχρι το σημείο μαρκαρίσματος. Τα δύο ταυτόσημα καρβουνάκια πρέπει να αντικαθίστανται ταυτόχρονα.

Για τη διασφάλιση της σιγουριάς και αξιοπιστίας των προϊόντων μας πρέπει οι επισκευές, εργασίες συντήρησης ή ρυθμίσεις να εκτελούνται από εξουσιοδοτημένα εργαστήρια σέρβις πελατών Μάκιτα.

## **GB** ACCESSORIES

---

### CAUTION:

These accessories or attachments are recommended for use with your Makita tool specified in this manual. The use of any other accessories or attachments might present a risk of injury to persons. The accessories or attachments should be used only in the proper and intended manner.

## **F** ACCESSOIRES

---

### ATTENTION :

Ces accessoires ou ces fixations sont recommandés pour l'utilisation de l'outil Makita spécifié dans ce manuel. L'utilisation d'autres accessoires ou fixations peut présenter un risque de blessures. Les accessoires ou les fixations ne devront être utilisés que dans le but et de la manière prévus.

## **D** ZUBEHÖR

---

### VORSICHT:

Das mitgelieferte Zubehör ist speziell für den Gebrauch mit dem in dieser Betriebsanleitung angegebenen Makita-Elektrowerkzeug vorgesehen. Bei Verwendung von Fremdzubehör in Verbindung mit dieser Maschine besteht Verletzungsgefahr.

## **I** ACCESSORI

---

### ATTENZIONE:

Gli accessori o i raccordi seguenti sono raccomandati per l'uso con l'utensile Makita specificato in questo manuale. L'uso di qualsiasi altro accessorio o raccordo potrebbe causare pericoli di ferite alle persone. Gli accessori o i raccordi devono essere usati soltanto nel modo corretto e specificato.

## **NL** ACCESSOIRES

---

### LET OP:

Deze accessoires of hulpstukken zijn aanbevolen voor gebruik met uw Makita gereedschap dat in deze gebruiksaanwijzing is beschreven. Het gebruik van andere accessoires of hulpstukken kan gevaar voor persoonlijke verwondingen opleveren. De accessoires of hulpstukken dienen alleen op de juiste en voorgeschreven manier te worden gebruikt.

## **E** ACCESORIOS

---

### PRECAUCIÓN:

Estos accesorios o acoplamientos están recomendados para usar con la herramienta Makita especificada en este manual. Con el uso de cualquier otro accesorio o acoplamiento se podría correr el riesgo de producir heridas a personas. Los accesorios o acoplamientos deberán usarse solamente de la manera apropiada y para la que han sido designados.

## **P** ACESSÓRIOS

---

### PRECAUÇÃO:

Estes acessórios ou acoplamentos são os recomendados para uso na ferramenta MAKITA especificada neste manual. A utilização de quaisquer outros acessórios ou acoplamento poderá ser perigosa para o operador. Os acessórios ou acoplamentos devem ser utilizados de maneira adequada e apenas para os fins a que se destinam.

## **DK** TILBEHØR

---

### ADVARSEL:

Dette udstyr og tilbehør bør anvendes sammen med Deres Makita maskine, sådan som det er beskrevet i denne vejledning. Anvendelse af andet udstyr eller tilbehør kan medføre personskaade. Tilbehøret bør kun anvendes til det, det er beregnet til.

## **S** TILLBEHÖR

---

### FÖRSIKTIGHET:

Dessa tillbehör eller tillsatser rekommenderas endast för användning tillsammans med din Makita maskin som specificeras i denna bruksanvisning. Användning av andra tillbehör eller tillsatser kan medföra risk för personskaador. Tillbehören och tillsatserna får endast användas på lämpligt och där för avsett sätt.

## **N** TILBEHØR

---

### NB!

Dette tilbehøret eller utstyret anbefales til å brukes sammen med din Makita maskin som er spesifisert i denne bruksanvisningen. Bruk av annet tilbehør eller utstyr kan medføre en risiko for personskaader. Tilbehør og utstyr må bare brukes som spesifisert og bare til det det er beregnet til.

## **SF** LISÄVARUSTEET

---

### VARO:

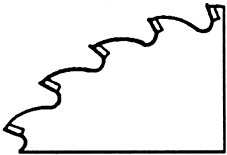
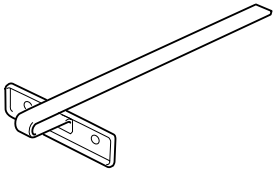

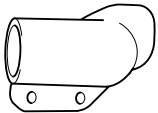
Tässä käyttöohjeessa mainitun Makita-koneen kanssa suositellaan seuraavien lisälaitteiden ja -varusteiden käyttöä. Minkä tahansa muun lisälaitteen tai -varusteen käyttäminen saattaa aiheuttaa loukkaantumisvaaran. Lisälaitteita ja -varusteita tulee käyttää ainoastaan niille sopivalla tavalla.

## **GR** ΕΞΑΡΤΗΜΑΤΑ

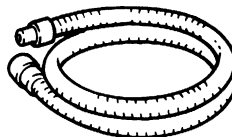
---

### ΠΡΟΣΟΧΗ:

Αυτά τα εξαρτήματα ή προσαρτήματα συνιστώνται για χρήση με το μηχάνημα της Μάκιτα που περιγράφεται στο εγχειρίδιο αυτο. Η χρήση άλλων εξαρτημάτων ή προσαρτημάτων μπορεί να είναι επικίνδυνη για τραυματισμό ατόμων. Τα εξαρτήματα ή προσαρτήματα πρέπει να χρησιμοποιούνται μόνο με το σωστό και προτιθέμενο τρόπο.

<ul style="list-style-type: none"> <li>• Carbide-tipped saw blade 190 mm</li> <li>• Lame à bord de carbure 190 mm</li> <li>• HM-Präzisions-Sägeblatt 190 mm</li> <li>• Lama da sega con punte temperate 190 mm</li> <li>• Zaagblad met hardmetalen punten 190 mm</li> <li>• Cuchilla de sierra con punta de carburo 190 mm</li> <li>• Disco de corte pastilhado com dente de carboneto 190 mm</li> <li>• Savblad med karbidstålskær 190 mm</li> <li>• Hårdmetallkinga 190 mm</li> <li>• Karbidbelagt sagblad 190 mm</li> <li>• Karbidikärkinen sahanterä 190 mm</li> <li>• Πριονολάμα με άκρη ανθρακασβεστίου 190 mm</li> </ul>	
<ul style="list-style-type: none"> <li>• Rip fence (Guide rule)</li> <li>• Garde de refente (guide parallèle)</li> <li>• Parallelenschlag (Führungslinéal)</li> <li>• Guida pezzo (righello guida)</li> <li>• Trekgeleider (Breedtegeleider)</li> <li>• Guía lateral (regla guía)</li> <li>• Vedação para escarificação (guia paralela)</li> <li>• Anslag (føringslineal)</li> <li>• Klyvningsanslag (sidoanslag)</li> <li>• Ripevern (parallellanlegg)</li> <li>• Halkaisuohjain (ohjaustulkki)</li> <li>• Οδηγός χάρακας</li> </ul>	
<ul style="list-style-type: none"> <li>• Hex wrench</li> <li>• Clé hexagonale</li> <li>• Innensechskantschlüssel</li> <li>• Chiave esagonale</li> <li>• Inbussleutel</li> <li>• Llave hexagonal</li> <li>• Chave hexagonal</li> <li>• Unbrakonøgle</li> <li>• Sexkantnyckel</li> <li>• Sekskantnøkkel</li> <li>• Kuusioavain</li> <li>• Εξαγωνικό κλειδί</li> </ul>	
<ul style="list-style-type: none"> <li>• Dust nozzle</li> <li>• Raccord d'aspiration</li> <li>• Absaugstutzen</li> <li>• Bocchettone polvere</li> <li>• Verbindingsstuk voor stofafzuiging</li> <li>• Salida de polvo</li> <li>• Bocal para o pó</li> <li>• Sugestuds</li> <li>• Sågsåmsmunstycke</li> <li>• Støvtrakt</li> <li>• Pölysuutin</li> <li>• Στόμιο σκόνης</li> </ul>	

- Hose 28 mm in inner dia. (1,5 m or 3,0 m long)
- Tuyau de 28 mm de dia. intérieur (longueur 1,5 m ou 3 m)
- Schlauch von 28 mm Innendurchm. (1,5 m oder 3,0 m Länge)
- Tubo flessibile di 28 mm di diametro interno (1,5 m o 3,0 m di lunghezza)
- Slang 28 mm binnendiam. (1,5 m of 3,0 m lang)
- Manguera de 28 mm de diámetro interior (1,5 m o 3,0 m de largo)
- Mangueira com 28 mm de diâ. interior (1,5 m ou 3,0 m de comprimento)
- Slange med 28 mm invendig diameter (1,5 m eller 3,0 m lang)
- Slang med 28 mm innerdiameter (1,5 eller 3,0 m lång)
- Slange, 28 mm i indre diameter (1,5m eller 3,0 m lang)
- Sisähalkaisijaltaan 28 mm letku (1,5 m tai 3,0 m pituinen)<>
- Σωλήνας 28 χιλ. σε εσωτερική διάμετρο (μήκος 1.5 μ. ή 3.0 μ.)





**ENGLISH****EC-DECLARATION OF CONFORMITY**

We declare under our sole responsibility that this product is in compliance with the following standards or standardized documents, EN50260, EN55014 in accordance with Council Directives, 89/336/EEC and 98/37/EC.

**FRANÇAISE****DÉCLARATION DE CONFORMITÉ CE**

Nous déclarons sous notre entière responsabilité que ce produit est conforme aux normes ou aux documents standardisés suivants, EN50260, EN55014 conformément aux Directives du Conseil, 89/336/CEE et 98/37/EG.

**DEUTSCH****CE-KONFORMITÄTSERKLÄRUNG**

Hiermit erklärt wir unter unserer alleinigen Verantwortung, daß dieses Produkt gemäß den Ratsdirektiven 89/336/EWG und 98/37/EG mit den folgenden Normen bzw. Normendokumenten übereinstimmen:

EN50260, EN55014.

**ITALIANO****DICHIARAZIONE DI CONFORMITÀ  
CON LE NORME DELLA COMUNITÀ EUROPEA**

Dichiariamo sotto la nostra sola responsabilità che questo prodotto è conforme agli standard o documenti standardizzati seguenti: EN50260, EN55014 secondo le direttive del Consiglio 89/336/CEE e 98/37/CE.

**NEDERLANDS****EG-VERKLARING VAN CONFORMITEIT**

Wij verklaren hierbij uitsluitend op eigen verantwoordelijkheid dat dit product voldoet aan de volgende normen of genormaliseerde documenten,

EN50260, EN55014

in overeenstemming met de richtlijnen van de Raad 89/336/EEC en 98/37/EC.

**ESPAÑOL****DECLARACIÓN DE CONFORMIDAD DE LA CE**

Declaramos bajo nuestra sola responsabilidad que este producto cumple con las siguientes normas o documentos normalizados, EN50260, EN55014 de acuerdo con las directivas comunitarias, 89/336/EEC y 98/37/CE.

**PORTUGUÊS****DECLARAÇÃO DE CONFORMIDADE DA CE**

Declaramos sob inteira responsabilidade que este produto obedece às seguintes normas ou documentos normalizados, EN50260, EN55014 de acordo com as directivas 89/336/CEE e 98/37/CE do Conselho.

**DANSK****EU-DEKLARATION OM KONFORMITET**

Vi erklærer hermed på eget ansvar, at dette produkt er i overensstemmelse med de følgende standardiseringer eller normstættende dokumenter,

EN50260, EN55014

i overensstemmelse med Rådets Direktiver 89/336/EEC og 98/37/EC.

**SVENSKA****EG-DEKLARATION OM ÖVERENSSTÄMMELSE**

Under eget ansvar deklarerar vi härmed att denna produkt överensstämmer med följande standardiseringar och standardiserade dokument,

EN50260, EN55014

i enlighet med EG-direktiven 89/336/EEC och 98/37/EC.

**NORSK****EU's SAMSVARS-ERKLÆRING**

Vi erklærer på eget ansvar at dette produktet er i overensstemmelse med følgende standard eller standardiserte dokumenter:

EN50260, EN55014,

i samsvar med Råds-direktivene, 89/336/EEC og 98/37/EC.

**SUOMI****VAKUUTUS EC-VASTAAVUDESTA**

Yksinomaisesti vastuullisina ilmoitamme, että tämä tuote on seuraavien standardien ja standardoitujen dokumenttien mukainen,

EN50260, EN55014

neuvoston direktiivien 89/336/EEC ja 98/37/EC mukaisesti.

**ΕΛΛΗΝΙΚΑ****ΔΗΛΩΣΗ ΣΥΜΜΟΡΦΩΣΗΣ ΕΚ**

Δηλώνουμε υπό την μοναδική μας ευθύνη ότι αυτός ο προϊόν βρίσκεται σε συμφωνία με τα ακόλουθα πρότυπα ή τυποποιημένα έγγραφα,

EN50260, EN55014

σύμφωνα με τις Οδηγίες του Συμβουλίου, 89/336/EEC και 98/37/ΚΕ.

Yasuhiko Kanzaki **CE 2000**



Director  
Directeur  
Direktor  
Amministratore  
Directeur  
Director

Director  
Direktør  
Direktör  
Direktor  
Johtaja  
Διευθυντής

**MAKITA INTERNATIONAL EUROPE LTD.**

Michigan Drive, Tongwell, Milton Keynes,  
Bucks MK15 8JD, ENGLAND

**ENGLISH****EC-DECLARATION OF CONFORMITY**

We declare under our sole responsibility that this product is in compliance with the following standards or standardized documents, EN60335, EN55014, EN61000 in accordance with Council Directives, 73/23/EEC and 89/336/EC.

**FRANÇAISE****DÉCLARATION DE CONFORMITÉ CE**

Nous déclarons sous notre entière responsabilité que ce produit est conforme aux normes ou aux documents standardisés suivants,

EN60335, EN55014, EN61000 conformément aux Directives du Conseil, 73/23/CEE et 89/336/EG.

**DEUTSCH****CE-KONFORMITÄTSERKLÄRUNG**

Hiermit erklärt wir unter unserer alleinigen Verantwortung, daß dieses Produkt gemäß den Ratsdirektiven 73/23/EWG und 89/336/EG mit den folgenden Normen bzw. Normendokumenten übereinstimmen:

EN60335, EN55014, EN61000.

**ITALIANO****DICHIARAZIONE DI CONFORMITÀ CON LE NORME DELLA COMUNITÀ EUROPEA**

Dichiariamo sotto la nostra sola responsabilità che questo prodotto è conforme agli standard o documenti standardizzati seguenti:

EN60335, EN55014, EN61000

secondo le direttive del Consiglio 73/23/CEE e 89/336/CE.

**NEDERLANDS****EG-VERKLARING VAN CONFORMITEIT**

Wij verklaren hierbij uitsluitend op eigen verantwoordelijkheid dat dit produkt voldoet aan de volgende normen of genormaliseerde documenten,

EN60335, EN55014, EN61000

in overeenstemming met de richtlijnen van de Raad 73/23/EEC en 89/336/EC.

**ESPAÑOL****DECLARACIÓN DE CONFORMIDAD DE LA CE**

Declaramos bajo nuestra sola responsabilidad que este producto cumple con las siguientes normas o documentos normalizados,

EN60335, EN55014, EN61000

de acuerdo con las directivas comunitarias, 73/23/EEC y 89/336/CE.

**PORTUGUÊS****DECLARAÇÃO DE CONFORMIDADE DA CE**

Declaramos sob inteira responsabilidade que este produto obedece às seguintes normas ou documentos normalizados,

EN60335, EN55014, EN61000

de acordo com as directivas 73/23/CEE e 89/336/CE do Conselho.

**DANSK****EU-DEKLARATION OM KONFORMITET**

Vi erklærer hermed på eget ansvar, at dette produkt er i overensstemmelse med de følgende standardiseringer og standardiserede dokumenter,

EN60335, EN55014, EN61000

i overensstemmelse med Rådets Direktiver 73/23/EEC og 89/336/EC.

**SVENSKA****EG-DEKLARATION OM ÖVERENSSTÄMMELSE**

Under eget ansvar deklarerar vi härmed att denna produkt överensstämmer med följande standardiseringar och standardiserade dokument,

EN60335, EN55014, EN61000

i enlighet med EG-direktiven 73/23/EEC och 89/336/EC.

**NORSK****EU's SAMSVARS-ERKLÆRING**

Vi erklærer på eget ansvar at dette produktet er i overensstemmelse med følgende standard eller standardiserede dokumenter:

EN60335, EN55014, EN61000,

i samsvar med Råds-direktivene, 73/23/EEC og 89/336/EC.

**SUOMI****VAKUUTUS EC-VASTAAVUDESTA**

Yksinomaisesti vastuullisina ilmoitamme, että tämä tuote on seuraavien standardien ja standardoitujen dokumenttien mukainen,

EN60335, EN55014, EN61000

neuvoston direktiivien 73/23/EEC ja 89/336/EC mukaisesti.

**ΕΛΛΗΝΙΚΑ****ΔΗΛΩΣΗ ΣΥΜΜΟΡΦΩΣΗΣ EK**

Δηλώνουμε υπό την μοναδική μας ευθύνη ότι αυτός ο προϊόν βρίσκεται σε συμφωνία με τα ακόλουθα πρότυπα ή τυποποιημένα έγγραφα,

EN60335, EN55014, EN61000

σύμφωνα με τις Οδηγίες του Συμβουλίου, 73/23/EEC και 89/336/ΚΕ.

Yasuhiko Kanzaki CE 94



Director  
Directeur  
Direktor  
Amministratore  
Directeur  
Director

Director  
Direktør  
Direktör  
Direktor  
Johtaja  
Διευθυντής

**MAKITA INTERNATIONAL EUROPE LTD.**

Michigan Drive, Tongwell, Milton Keynes,  
Bucks MK15 8JD, ENGLAND

## ENGLISH

### Noise and Vibration

The typical A-weighted noise levels are  
sound pressure level: 96 dB (A)  
sound power level: 109 dB (A)  
– Wear ear protection. –

The typical weighted root mean square acceleration value is not more than 2.5 m/s<sup>2</sup>.

## FRANÇAISE

### Bruit et vibrations

Les niveaux de bruit pondérés A types sont:  
niveau de pression sonore: 96 dB (A)  
niveau de puissance du son: 109 dB (A)  
– Porter des protecteurs anti-bruit. –

L'accélération pondérée ne dépasse pas 2,5 m/s<sup>2</sup>.

## DEUTSCH

### Geräusch- und Vibrationsentwicklung

Die typischen A-bewerteten Geräuschpegel betragen:  
Schalldruckpegel: 96 dB (A)  
Schalleistungspegel: 109 dB (A)  
– Gehörschutz tragen. –

Der gewichtete Effektivwert der Beschleunigung beträgt nicht mehr als 2,5 m/s<sup>2</sup>.

## ITALIANO

### Rumore e vibrazione

I livelli del rumore pesati secondo la curva A sono:  
Livello pressione sonora: 96 dB (A)  
Livello potenza sonora: 109 dB (A)  
– Indossare i paraorecchi. –

Il valore quadratico medio di accelerazione non supera i 2,5 m/s<sup>2</sup>.

## NEDERLANDS

### Geluidsniveau en trilling

De typische A-gewogen geluidsniveau's zijn  
geluidsdrukniveau: 96 dB (A)  
geluidsenergie-niveau: 109 dB (A)  
– Draag oorbeschermers. –

De typische gewogen effectieve versnellingswaarde is niet meer dan 2,5 m/s<sup>2</sup>.

## ESPAÑOL

### Ruido y vibración

Los niveles típicos de ruido ponderados A son  
presión sonora: 96 dB (A)  
nivel de potencia sonora: 109 dB (A)  
– Póngase protectores en los oídos. –

El valor ponderado de la aceleración no sobrepasa los 2,5 m/s<sup>2</sup>.

## PORTUGUÊS

### Ruído e vibração

Os níveis normais de ruído A são  
nível de pressão de som: 96 dB (A)  
nível do som: 109 dB (A)  
– Utilize protectores para os ouvidos –

O valor médio da aceleração é inferior a 2,5 m/s<sup>2</sup>.

## DANSK

### Lyd og vibration

De typiske A-vægtede lyd-niveauer er  
lydtrykniveau: 96 dB (A)  
lydeffektniveau: 109 dB (A)  
– Bær høreværn. –

Den vægtede effektive accelerationsværdi overstiger ikke 2,5 m/s<sup>2</sup>.

## SVENSKA

### Buller och vibration

De typiska A-vägda bullernivåerna är  
lydtrycksnivå: 96 dB (A)  
lydeffektnivå: 109 dB (A)  
– Använd hörselskydd –

Det typiskt vägda effektivvärdet för acceleration överstiger inte 2,5 m/s<sup>2</sup>.

## NORSK

### Støy og vibrasjon

De vanlige A-belastede støy-nivå er  
lydtrykknivå: 96 dB (A)  
lydstyrkenivå: 109 dB (A)  
– Benytt hørselvern. –

Den vanlig belastede effektiv-verdi for akselerasjon overskrider ikke 2,5 m/s<sup>2</sup>.

## SUOMI

### Melutaso ja värinä

Tyypilliset A-painotetut melutasot ovat  
äänenpainetaso: 96 dB (A)  
äänen tehotaso: 109 dB (A)  
– Käytä kuulosuoja-aimia. –

Tyypillinen kiihtyvyyden painotettu tehollisarvo ei ylitä 2,5 m/s<sup>2</sup>.

## ΕΛΛΗΝΙΚΑ

### Θόρυβος και κραδασμός

Οι τυπικές Α-μετρούμενες εντάσεις ήχου είναι  
πίεση ήχου: 96 dB (A)  
δύναμη του ήχου: 109 dB (A)  
– Φοράτε ωτοασπίδες. –

Η τυπική αξία της μετρούμενης ρίζας του μέσου τετραγώνου της επιτάχυνσης δεν ξεπερνά τα 2,5 m/s<sup>2</sup>.

**Makita Corporation**  
Anjo, Aichi Japan  
Made in Japan

884327B991