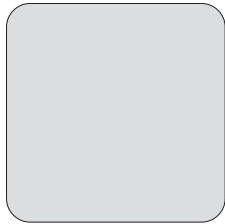
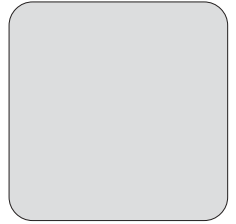
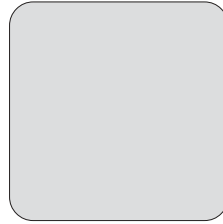


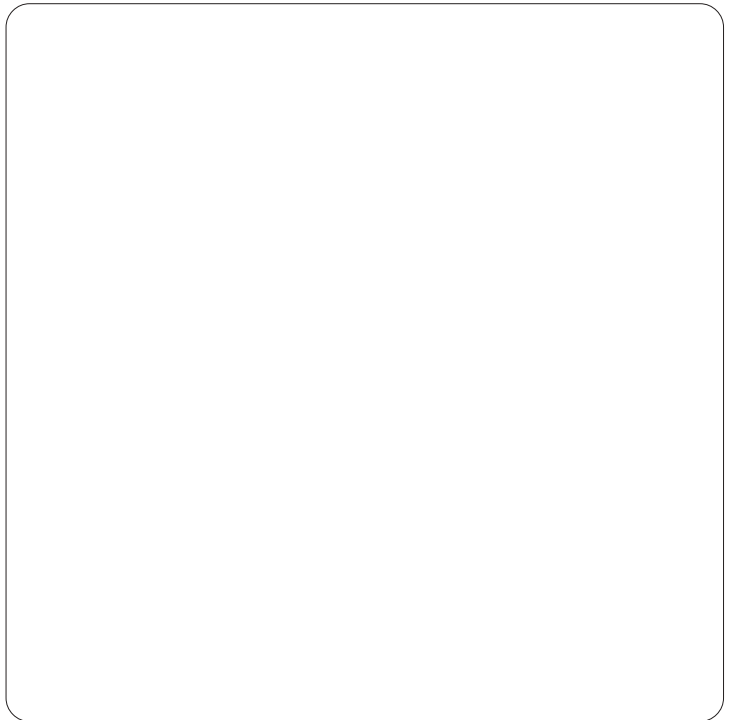
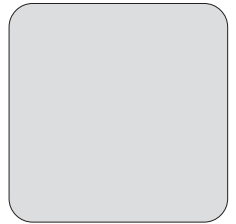
User
manual

Informations
pour l'utilisateur



Built-in
oven

Four encastrable



Thank you for selecting our appliance

We wish you lots of enjoyment with your new appliance and we hope that you will consider our brand again when purchasing household appliances.

Please read this user manual carefully and keep it throughout the product life cycle as a reference document. The user manual should be passed on to any future owner of the appliance.

Contents

Warnings and Important Safety Information	4
Description of the appliance	6
Controls	7
Before using the oven for the first time	8
Electronic programmer	9
Using the Oven	14
Baking and Roasting Tables	18
Cleaning and Maintenance	20
What happens if something goes wrong	26
Technical Data	27
Instructions for the Installer	28
Instructions fo Building In	29
Service and spare parts	30
Declaration of guarantee terms	31
European Guarantee	33

Guide to using the user instructions



Safety instructions



Step by step instructions



Hints and Tips



This appliance conforms with the following **ECC Directives**:

- **2006/95** (Low Voltage Directive);
- **89/336** (EMC Directive);
- **93/68** (General Directive); and subsequent modifications.

MANUFACTURER:

ELECTROLUX HOME PRODUCTS ITALY S.p.A.

Viale Bologna 298

47100 FORLÌ (Italy)

English



Warnings and Important Safety Information

Always keep these user instructions with the appliance. Should the appliance be passed on to third persons or sold, or if you leave this appliance behind when you move house, it is very important that the new user has access to these user instructions and the accompanying information.

These warnings are provided for the safety of the users and those living with them. So read them carefully before connecting and/or using the appliance.

Installation

- The installation must be performed by a qualified person in accordance with the rules and regulations in force. The individual operations for installing the appliance are described under the instructions for the installer.
- Have the appliance installed and connected by a qualified person with specialist knowledge, who will carry it out in accordance with the directives.
- If any modifications to the power supply are required because of the installation, these should also be carried out by a qualified electrician.
- It is dangerous to make modifications of any kind to this appliance or to its specifications.
- During the baking, roasting and grilling process, the oven window and the other parts of the appliance get hot, so children should be kept away from the appliance. Take care, if connecting electrical appliances to sockets near the oven, that cables do not come into contact with hot rings or get caught in the oven door.
- Always use oven gloves to take hot ovenproof dishes or pots out of the oven.
- Regular cleaning prevents the surface material from deteriorating.

Operation


- This oven is designed for cooking foodstuffs; never use it for other purposes.
- **When opening the oven door during or at the end of cooking be careful of the stream of hot air, which comes out of the oven.**
- Be very careful when using the cooker. The extreme heat of the heating elements makes the shelves and other parts very hot.
- If you should for whatever reason use aluminium foil to cook food in the oven, never allow it to come into direct contact with the floor of the oven.
- When cleaning the oven, proceed with care: never spray anything onto the grease filter (if fitted), the heating elements and the thermostat sensor.
- Before cleaning the oven, either turn the power off or pull the mains plug out.
- Make sure that the oven is in the "OFF" position, when the oven is no longer being used.
- This oven was made as a single appliance or as a combination appliance with electrical hotplate, depending on the model, for single-phase connection to 230 V.
- The appliance must not be cleaned with a superheated steam cleaner or a steam jet cleaner.
- Do not use abrasive cleaners or sharp metal scrapers. These can scratch the glass in the oven door, which may result in the shattering of the glass.

Child Safety

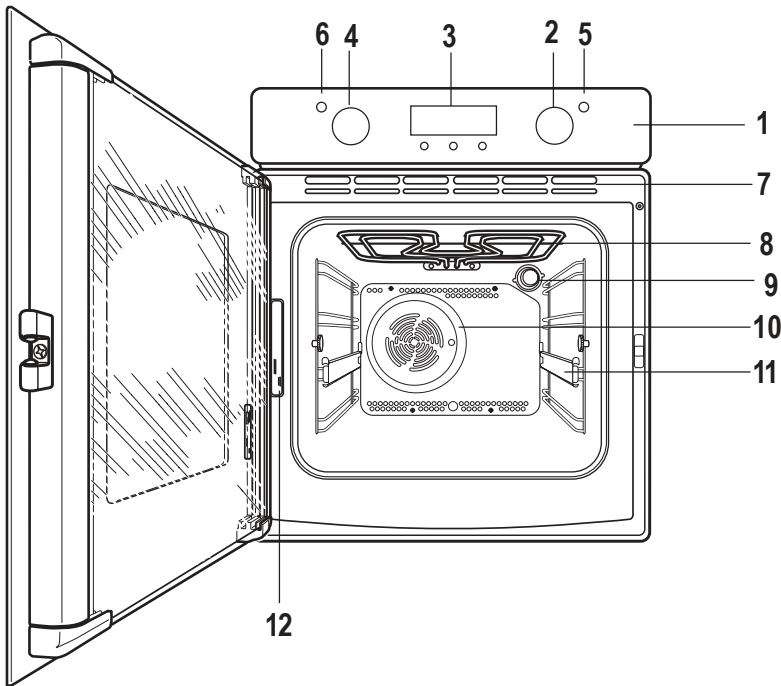
- This appliance is intended for use by adults. It is dangerous to allow children to use it or play with it.
- Children should be kept away while the oven is working. Also, after you have switched the oven off, it remains hot for a long time.
- This appliance is not intended for use by children or other persons whose physical, sensory or mental capabilities or lack of experience and knowledge prevents them from using the appliance safely without supervision or instruction by a responsible person to ensure that they can use the appliance safely.

Customer Service

- Have checks and/or repairs carried out by the manufacturer's service department or by a service department authorised by the manufacturer and use only original spare parts.
- Do not attempt to repair the appliance yourself in the event of malfunctions or damage. Repairs carried out by untrained persons may cause damage or injury.

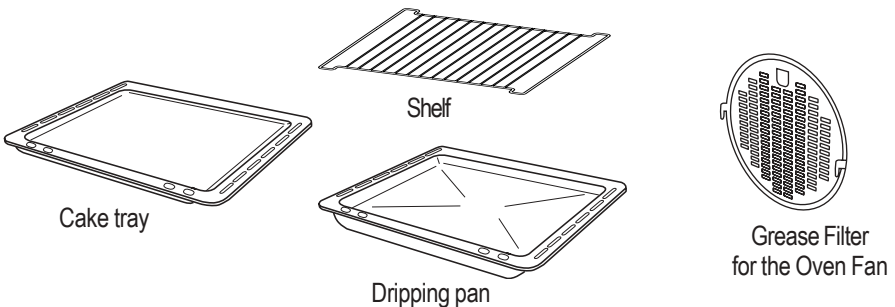
The symbol  on the product or its packaging indicates that this product is not to be treated as normal household waste. Instead it must be handed over to a collection point for the recycling of electrical and electronic equipment. The correct disposal of this product will help to protect the environment and human health. Environment and health are endangered by incorrect disposal. For more detailed information about recycling of this product, please contact your local town hall, your household waste disposal service or the shop where you purchased the product.

Description of the appliance



- | | |
|---------------------------------|------------------------------|
| 1. Control Panel | 7. Air Vents for Cooling Fan |
| 2. Oven Function Control Knob | 8. Grill |
| 3. Electronic programmer | 9. Oven light |
| 4. Thermostat Control Knob | 10. Oven Fan |
| 5. Mains On Indicator | 11. Telescopic Shelf Support |
| 6. Thermostat Control Indicator | 12. Rating plate |

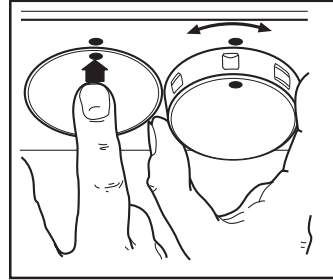
Oven accessories









Controls

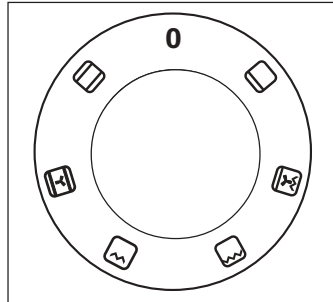
Push-Pull control knobs

This model is provided with push-pull control knobs. These knobs can be completely sunken inside the control panel when the oven is not working.



Oven Function Control Knob

- 0** The oven is off
-  Conventional cooking - The heat comes from both the top and bottom element, ensuring even heating inside the oven.
-  Fan cooking - This allows you to roast or roast and bake simultaneously using any shelf, without flavour transference.
-  Inner grill element only - It can be used for grilling small quantities.
-  Full Grill - The full grill element will be on.
-  Pizza - The bottom heating element, and the inner grill are on and the fan ensures air is circulated to cook the pizza toppings or pie fillings.
-  Bottom heating element - The heat comes from the bottom of the oven only



Mains on Indicator

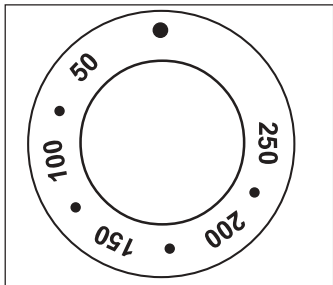
The mains on light will come on when the oven function control knob is set.

Thermostat Control Knob

Turn the thermostat control knob clockwise to select temperatures between 50°C and 250°C.

Thermostat Control Indicator

The thermostat control indicator will come on when the thermostat control knob is turned. The indicator will remain on until the correct temperature is reached. It will then cycle on and off to show the temperature is being maintained.



Safety Thermostat

To prevent dangerous overheating (through incorrect use of the appliance or defective components), the oven is fitted with a safety thermostat, which interrupts the power supply. The oven switches back on again automatically, when the temperature drops.

Should the safety thermostat trigger due to incorrect use of the appliance, it is enough to remedy the error after the oven has cooled down; if on the other hand, the thermostat triggers because of a defective component, please contact Customer Service.

The cooling fan

The cooling fan is designed to cool the the oven and the control panel. The fan switches on automatically after a few minutes of cooking. Warm air is blown out through the aperture near the oven door handle. When the oven is switched off, the fan may run on after the oven is switched off to keep the controls cool. This is quite normal.

i The action of the cooling fan will depend on how long the oven has been used and at what temperature. It may not switch in at all at lower temperature settings nor run on where the oven has only been used for a short time.

Before using the oven for the first time



i Remove **all packaging**, both inside and outside the oven, before using the oven.


i **The oven will work only if the time of day has been set (please read the relevant instructions).**

Before using for the first time, the oven should be heated up without food.

During this time, an unpleasant odour may be emitted. This is absolutely normal. It is caused by manufacturing residues.

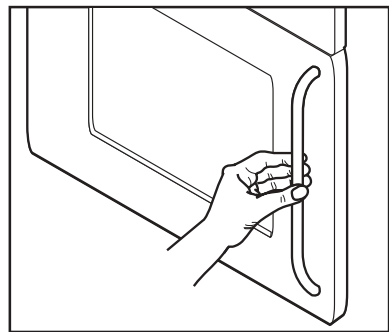
Ensure the room is well ventilated.

-  1. Switch the oven function control knob to fan cooking .
2. Set the thermostat control knob to 250.
3. Open a window for ventilation.
4. Allow the oven to run empty for approximately 45 minutes.

This procedure should be repeated with the full grill  for approximately 5-10 minutes.

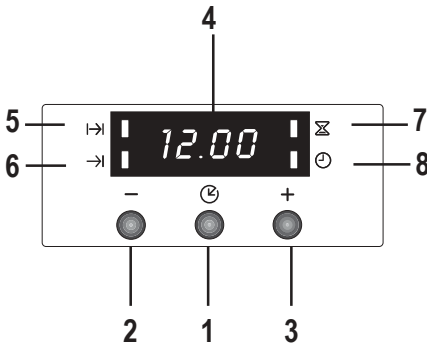
i Then let the oven cool down. Then dampen a soft cloth with warm water and a little mild washing-up liquid and use this to clean the oven cavity.

i Before using for the first time, carefully wash the oven accessories as well.



! To open the oven door, always hold the handle in the centre.

Electronic programmer



1. Push button for selecting a function ⌚
2. Decreasing control button "-"
3. Increasing control button "+"
4. Display
5. "Cooking Duration" pilot lamp |→|
6. "End of cooking" pilot lamp →|
7. "Minute minder" pilot lamp ∑
8. "Time of day" pilot lamp ⌚

i The oven will only work if the time of day has been set.

However, the oven can also be operated without any programme.

i In the event of a power failure, all the settings (time of day, programme setting or programme in operation) will be cancelled. When the power is restored, the numbers in the display will flash, and the clock/timer has to be reset.

Setting the time of day ⌚

When the power supply is switched on, or after a power failure, the "Time of day" pilot lamp ⌚ will flash on the display.

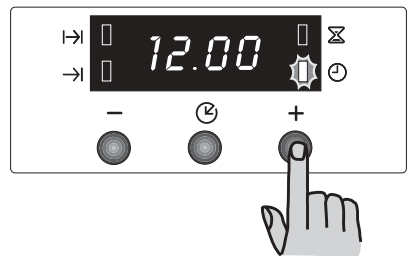
To set the correct time of day:

1. Press button "+" or "-".
2. After the setting is carried out, wait for 5 seconds: the "Time of day" pilot lamp ⌚ will go out and the display will show the set time. The appliance is ready for use.


To reset the correct time of day:

1. Press button ⌚ repeatedly to select the "Time of day" function. The relevant pilot lamp will start flashing. Then proceed as described above.

The time of day can only be reset if no automatic function (cooking duration |→| or end of cooking →|) has been set.



“Cooking Duration” function |→|

This function allows the oven to automatically switch off at the end of a programmed cooking duration time. Place food in the oven, select a cooking function and adjust the cooking temperature. Press button  repeatedly to select the “Cooking Duration” function. The relevant pilot lamp |→| will start flashing. Then, proceed as follows:


To set the duration time:

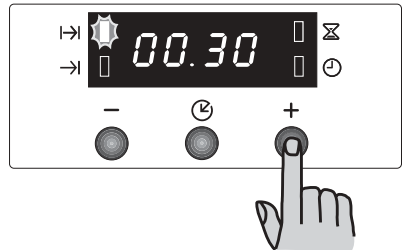
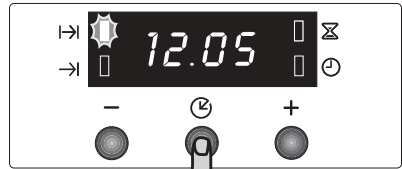
1. Press button “+” or “-”.
2. After the setting is carried out, wait for 5 seconds: the “Cooking Duration” pilot lamp |→| will come on and the display will revert to the time of day.
3. When cooking time is over, the oven will be switched off automatically and an acoustic alarm will be heard, while the pilot lamp will start flashing. Turn the oven function and the thermostat control knob to zero.

To switch off the acoustic alarm, press any button.


NOTE: turning the acoustic alarm off will reset the oven to manual, and if the oven function and the thermostat knobs are not set to zero the oven will start to heat again.

To cancel the duration time:

1. Press button  repeatedly to select the “Cooking Duration” function. The relevant pilot lamp |→| will flash and the display will show the remaining cooking time.
2. Press button “-” until the display shows “0:00”. After 5 seconds the pilot lamp will go out and the display will revert to the time of day.



“End of cooking” function →I


With this function, you can set the oven to switch off automatically when a programmed end of cooking time is over. Place food in the oven, select a cooking function and adjust the cooking temperature. Press button  repeatedly to select the “End of cooking” function. The relevant pilot lamp →I will start flashing. Then, proceed as follows:

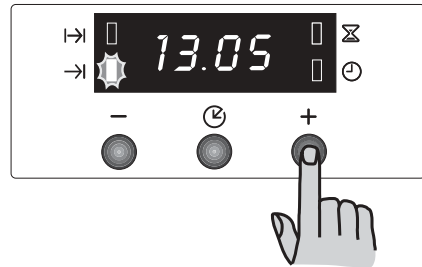
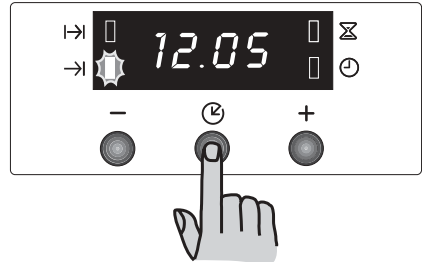
To set the End of cooking time:

1. Press button “+” or “-”.
2. After the setting is carried out, wait for 5 seconds: the “End of cooking” pilot lamp →I will come on and the display will revert to the time of day.
3. When cooking time is over, the oven will be switched off automatically and an acoustic alarm will be heard, and the pilot lamp will start flashing. Turn the oven function and the thermostat control knob to zero.

To switch off the acoustic alarm, press any button. **NOTE:** turning the acoustic alarm off will reset the oven to manual, and if the oven function and the thermostat knobs are not set to zero the oven will start to heat again.

To cancel the End of cooking time:

1. Press button  repeatedly to select the “End of cooking” function. The relevant pilot lamp →I will flash and the display will show the programmed End of cooking time.
2. Press button “-” until the display shows the current time of day. The programmer will beep and the pilot lamp will go out.



“Cooking duration” $\text{I} \rightarrow \text{I}$ and “End of cooking time” $\rightarrow \text{I}$ combined

The functions “Cooking duration” and “End of cooking time” can be used simultaneously to set the oven to switch on and off automatically at a later time.

1. With the “Cooking duration” function $\text{I} \rightarrow \text{I}$ (carry out the cooking duration setting as described in the relevant chapter) set the duration time. Then, press button $\text{I} \rightarrow \text{I}$: the display will show the programmed setting.
2. With the “End of cooking time” function $\rightarrow \text{I}$ (carry out the End of cooking setting as described in the relevant chapter) set the end of cooking time.
The relevant pilot lamps will come on and the display will show the time of day. The oven will switch on and off according to the set programmes.

“Minute minder” function $\text{I} \rightarrow \text{I}$

The minute minder alarm will sound at the end of a timed period, but the oven will remain on, if it is in use.

To set the minute minder:

1. Press button $\text{I} \rightarrow \text{I}$ repeatedly to select the “Minute minder” function. The relevant pilot lamp $\text{I} \rightarrow \text{I}$ will start flashing.
2. Then, press button “+” or “-” (maximum: 2 hours, 30 minutes).
3. After the setting is carried out, wait for 5 seconds: the “Minute minder” pilot lamp $\text{I} \rightarrow \text{I}$ will come on.
4. At the end of the timed period, the pilot lamp will start flashing and an acoustic alarm will be heard. To switch off the acoustic alarm, press any button.

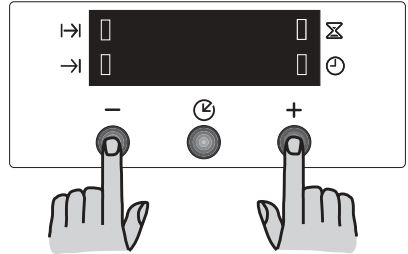
To cancel the minute minder:

1. Press button $\text{I} \rightarrow \text{I}$ repeatedly to select the “Minute minder” function. The relevant pilot lamp $\text{I} \rightarrow \text{I}$ will flash and the display will show the remaining time.
2. Press button “-” until the display shows “0:00”. After 5 seconds the pilot lamp will go out and the display will revert to the time of day.



How to switch off the display

1. Press two programmer push buttons simultaneously and keep them pressed for about 5 seconds. The display will switch off.
2. To switch on the display, press any button.
The display can be switched off only if no other functions have been set.



Using the oven

The oven is supplied with an exclusive system which produces a natural circulation of air and the constant recycling of steam.

This system makes it possible to cook in a steamy environment and keep the dishes soft inside and crusty outside. Moreover, the cooking time and energy consumption are reduced to a minimum. During cooking steam may be produced which can be released when opening the oven door. This is absolutely normal.



However, always stand back from the oven when opening the oven door during cooking or at the end of it to allow any build up of steam or heat to release.



Attention! - Do not place objects on the oven base and do not cover any part of the oven with aluminium foil while cooking, as this could cause a heat build-up which would affect the baking results and damage the oven enamel. Always place pans, heat-resisting pans and aluminium trays on the shelf which has been inserted in the shelf runners. When food is heated, steam is created, like in a kettle. When the steam comes into contact with the glass in the oven door, it condenses and creates water droplets.

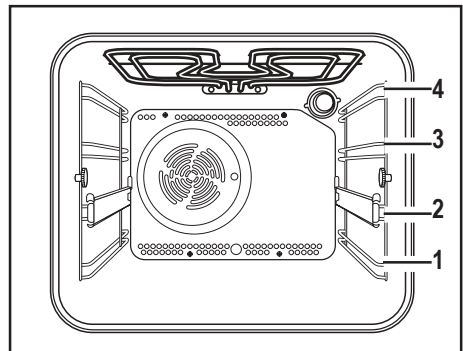
To reduce condensation, always preheat the empty oven for 10 minutes.

We recommend you wipe the water droplets away after every cooking process.



Always cook with the oven door closed. Stand clear when opening the drop down oven door. **Do not** allow it to fall open - support the door using the door handle, until it is fully open.

The oven has four shelf levels. The shelf positions are counted from the bottom of the oven as shown in the diagram. It is important that these shelves are correctly positioned as shown in the diagram. Do not place cookware directly on the oven base.



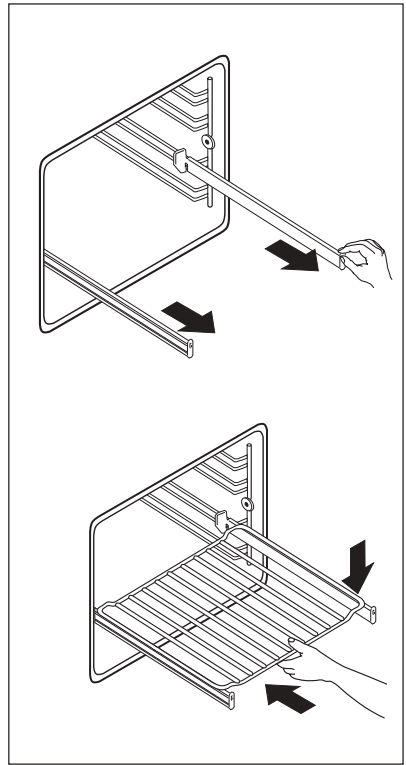
Shelf supports

Shelf level 2 is fitted with telescopic shelf supports to allow an easier operation when inserting or removing the shelves.

1. Pull the right and left hand telescopic shelf supports completely out, as shown in the picture.
2. Place the shelf or the grill pan on the telescopic shelf supports, then gently push them all inside the oven (see the picture).



Do not attempt to close the oven door if the telescopic shelf supports are not completely inside the oven. This could damage the door enamel and glass.



Fan cooking

- The food is cooked by means of preheated air force blown evenly round the inside of the oven by a fan set on the rear wall of the oven itself.
- Heat thus reaches all parts of the oven evenly and fast and this means that you can simultaneously cook different types of foods positioned on the various oven shelves. Fan cooking ensures rapid elimination of moisture and the dryer oven environment stops the different aromas and flavours from being transmitted from one food to another.
- The possibility of cooking on several shelf heights means that you can cook several different dishes at the same time and up to three tins of biscuits and mini pizzas to be eaten immediately or subsequently deep frozen.
- Naturally the oven can also be used for cooking on just one shelf. In this case you should use the lowest set of runners so that you can keep an eye on progress more easily.
- In addition, the oven is particularly recommended for sterilizing preserves, cooking home-made fruit in syrup, and for drying mushrooms or fruit.

How to use the fan cooking


1. Turn the oven function control knob to the required cooking function .
2. Turn the thermostat control knob to the required temperature.

Grilling -

- Most foods should be placed on the grid in the grill pan to allow maximum circulation of air and to lift the food out of the fats and juices. Food such as fish, liver and kidneys may be placed directly on the grill pan, if preferred.
- Food should be thoroughly dried before grilling to minimise splashing. Brush lean meats and fish lightly with a little oil or melted butter to keep them moist during cooking.
- Accompaniments such as tomatoes and mushrooms may be placed underneath the grid when grilling meats
- When toasting bread, we suggest that the top runner position is used.

- The food should be turned over during cooking, as required.

How to use the Full Grill


1. Turn the oven control function knob on .
2. Turn the thermostat control knob on the required temperature.
3. Adjust the grid and grill pan runner position to allow for different thicknesses of food. Position the food close to the element for faster cooking and further away for more gentle cooking.

Preheat the grill on a full setting for a few minutes before sealing steaks or toasting. Adjust the heat setting and the shelf as necessary, during cooking.

During cooking, the cooling fan and the thermostat control light will operate in the same way as described for the fan oven function.

How to use the Inner Grill


The inner grill provides quick direct heat to the central area of the grill pan. By using the inner grill element for cooking small quantities, it can help to save energy.

1. Turn the oven control function knob on .
2. Turn the thermostat control knob on the required temperature.
3. Adjust the grid and grill pan runner position to allow for different thicknesses of food and follow the instructions for grilling.

The grill element is controlled by the thermostat. During cooking, the grill cycles on and off to prevent overheating..

Bottom oven element only

This function is particularly useful when blind-baking pastry. It may also be used to finish off quiches or flans to ensure the base pastry is cooked through.

 The thermostat control light will remain on until the correct temperature is reached. It will then cycle on and off to show the temperature is being maintained.

Conventional Cooking


- The middle shelf position allows for the best heat distribution. To increase base browning simply lower the shelf position. To increase top browning, raise the shelf position.
- The material and finish of the baking trays and dishes used will affect base browning. Enamelware, dark, heavy or non-stick utensils increase base browning, while oven glassware, shiny aluminium or polished steel trays reflect the heat away and give less base browning.
- Always place dishes centrally on the shelf to ensure even browning.
- Stand dishes on suitably sized baking trays to prevent spillage onto the base of the oven and make cleaning easier.
- **Do not** place dishes, tins or baking trays directly on the oven base as it becomes very hot and damage will occur. When using this setting, heat comes from both the top and bottom elements. This allows you to cook on a single level and is particularly suitable for dishes which require extra base browning such as quiches and flans.

Gratins, lasagnes and hotpots which require extra top browning also cook well in the conventional oven.

How to use the conventional oven

1. Turn the oven function control knob to the required cooking function .
2. Turn the thermostat control knob to the required temperature.

Pizza

1. Turn the oven function control knob to the required cooking function .
2. Turn the thermostat control knob to the required temperature.

The bottom element provides direct heat to the base of pizzas, quiches or pies, while the fan ensures air is circulated to cook the pizza toppings or pie fillings. The grill element provides heat from the top to obtain top browning.

Hints and Tips

On baking:

Cakes and pastries usually require a medium temperature (150°C-200°C) and therefore it is necessary to preheat the oven for about 10 minutes.

Do not open the oven door before 3/4 of the baking time has elapsed.

Shortcrust pastry is baked in a springform tin or on a tray for up to 2/3 of the baking time and then garnished before being fully baked. This further baking time depends on the type and amount of topping or filling. Sponge mixtures must separate with difficulty from the spoon. The baking time would be unnecessarily extended by too much liquid.

If two baking trays with pastries or biscuits are inserted into the oven at the same time, a shelf level must be left free between the trays.

If two baking trays with pastries or biscuits are inserted into the oven at the same time, the trays must be swapped and turned around after about 2/3 of the baking time.

On Roasting:

Do not roast joints smaller than 1 kg. Smaller pieces could dry out when roasting. Dark meat, which is to be well done on the outside but remain medium or rare inside, must be roasted at a higher temperature (200°C-250°C).

White meat, poultry and fish, on the other hand, require a lower temperature (150°C-175°C). The ingredients for a sauce or gravy should only be added to the roasting pan right at the beginning if the cooking time is short. Otherwise add them in the last half hour.

You can use a spoon to test whether the meat is cooked: if it cannot be depressed, it is cooked through. Roast beef and fillet, which is to remain pink inside, must be roasted at a higher temperature in a shorter time.

If cooking meat directly on the oven shelf, insert the roasting pan in the shelf level below to catch the juices.

Leave the joint to stand for at least 15 minutes, so that the meat juices do not run out.

To reduce the build up of smoke in the oven, it is recommended to pour a little water in the roasting pan. To prevent condensation forming, add water several times. The plates can be kept warm in the oven at minimum temperature until serving.



Caution!

Do not line the oven with aluminium foil and do not place a roasting pan or baking tray on the floor, as otherwise the oven enamel will be damaged by the heat build-up.

Cooking times

Cooking times can vary according to the different composition, ingredients and amounts of liquid in the individual dishes.

Note the settings of your first cooking or roasting experiments to gain experience for later preparation of the same dishes.

Based upon your own experiences you will be able to alter the values given in the tables.

Grease Filter

When cooking meat, the grease filter must be fitted over the oven fan by clipping it over the vents in the back panel. This will prevent a built-up of fat on the fan impellor.

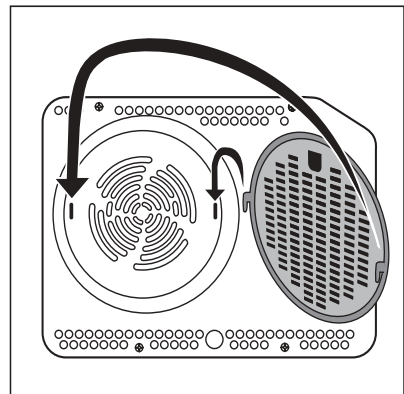
When cooking is completed and the oven has cooled down, remove the filter by pushing the protruding tongue on the filter upward (see diagram).



Fit the grease filter only when roasting.



Disconnect the appliance from the power supply before fitting/removing the grease filter.





Baking and Roasting Tables

Conventional Cooking -



Timings do not include pre-heating.


The empty oven should always be pre-heated for 10 minutes.

TYPE OF DISH	Conventional Cooking		Fan Cooking		Cooking times in minutes	NOTES
		temp °C		temp °C		
CAKES						
Whisked recipies	2	170	2 (1and3)*	160	45-60	In cake mould
Shortbread dough	2	170	2 (1and3)*	160	20-30	In cake mould
Butter-milk cheese cake	1	175	2	165	60-80	In cake mould
Apple cake (Apple pie)	1	170	2lef+righ.	160	90-120	In cake mould
Strudel	2	180	2	160	60-80	In baking tray
Jam- tart	2	190	2(1and3)*	180	40-45	In cake mould
Fruit cake	2	170	2	150	60-70	In cake mould
Sponge cake	1	170	2(1and3)*	165	30-40	In cake mould
Christmas cake	1	150	2	150	120-150	In cake mould
Plum cake	1	175	2	160	50-60	In bread tin
Small cake	3	170	2	160	20-35	In baking tray
Biscuits	2	160	2(1and3)*	150	20-30	In baking tray
Meringues	2	135	2(1and3)*	150	60-90	In baking tray
Buns	2	200	2	190	12~20	In baking tray
Pastry: Choux	2or 3	210	2(1and3)*	170	25-35	In braking tray
Plate tarts	2	180	2	170	45-70	In cake mould
BREAD AND PIZZA						
White bread	1	195	2	185	60-70	
Rye bread	1	190	1	180	30-45	In bread tin
Bread rolls	2	200	2(1and3)*	175	25-40	In baking tray
Pizza	2	200	2	200	20-30	In baking tray
FLANS						
Pasta flan	2	200	2(1and3)*	175	40-50	In mould
Vegetable flan	2	200	2(1and3)*	175	45-60	In mould
Quiches	1	210	1	190	30-40	In mould
Lasagne	2	200	2	200	25-35	In mould
Cannelloni	2	200	2	200	25-35	In mould
MEAT						
Beef	2	190	2	175	50-70	On grid
Pork	2	180	2	175	100-130	On grid
Veal	2	190	2	175	90-120	On grid
English roast beef						
rare	2	210	2	200	50-60	On grid
medium	2	210	2	200	60-70	On grid
well done	2	210	2	200	70-80	On grid
Shoulder of pork	2	180	2	170	120-150	With rind
Shin of pork	2	180	2	160	100-120	2 pieces
Lamb	2	190	2	175	110-130	Leg
Chicken	2	190	2	200	70-85	Whole
Turkey	2	180	2	160	210-240	Whole
Duck	2	175	2	220	120-150	Whole
Goose	2	175	1	160	150-200	Whole
Rabbit	2	190	2	175	60-80	Cut in pieces
Hare	2	190	2	175	150-200	Cut in pieces
Pheasant	2	190	2	175	90-120	Whole
Meat loaf	2	180	2	170	tot.150	in bread pan
FISH						
Trout/Sea bream	2	190	2(1and3)*	175	40-55	3-4 fishes
Tuna fish/Salmon	2	190	2(1and3)*	175	35-60	4-6 fillets

(*) If you cook more than one dish at the same time, we recommend you place them on the levels quoted between brackets.


Grilling -

i Timings do not include pre-heating.
The empty oven should always be pre-heated for 10 minutes.

TYPE OF DISH	Quantity		Grilling		Cooking time in minutes	
	Pieces	g.		temp.°C	1st side	2nd side
Fillet steaks	4	800	3	250	12~15	12~14
Beef-steaks	4	600	3	250	10~12	6~8
Sausages	8	/	3	250	12~15	10~12
Pork chops	4	600	3	250	12~16	12~14
Chicken (cut in two)	2	1000	3	250	30~35	25~30
Kebabs	4	/	3	250	10~15	10~12
Chicken (breast)	4	400	3	250	12~15	12~14
Hamburger*	6	600	2	250	20-30	
*Preheat 5'00"						
Fish (fillets)	4	400	3	250	12~14	10~12
Sandwiches	4~6	/	3	250	5~7	/
Toast	4~6	/	3	250	2~4	2~3

i The temperatures quoted are guidelines. The temperatures may have to be adapted to personal requirements.

Pizza Function

	Pizza Function		Cooking time in minutes	NOTES
		temp.°C		
Pizza , large	1	200	15~25	on baking tray
Pizza , small	1	200	10~20	on baking tray or on grid
Bread rolls	1	200	15~25	on baking tray

i The temperatures quoted are guidelines. The temperatures may have to be adapted to personal requirements.

Cleaning and Maintenance



Before cleaning switch the oven off and let it cool down.

The appliance must not be cleaned with a superheated steam cleaner or a steam jet cleaner.

Important: Before carrying out any cleaning operation, the appliance must be disconnected from the power supply.

To ensure a long life for your appliance, it is necessary to perform the following cleaning operations regularly:

- Only perform when the oven has cooled down.
- Clean the enamelled parts with soapy water.
- Do not use abrasive cleaners.
- Dry the stainless steel parts and glass with a soft cloth.
- If there are stubborn stains, use commercially available for stainless steel or warm vinegar.

The oven's enamel is extremely durable and highly impermeable. The action of hot fruit acids (from lemons, plums or similar) can however leave permanent, dull, rough marks on the surface of the enamel. However such marks in the brightly polished surface of the enamel does not affect the operation of the oven. Clean the oven thoroughly after every use. This is the easiest way to clean dirt off. It prevents dirt being burnt on.

Cleaning materials

Before using any cleaning materials on your oven, check that they are suitable and that their use is recommended by the manufacturer.

Cleaners that contain bleach should NOT be used as they may dull the surface finishes. Harsh abrasives should also be avoided.

External cleaning

Regularly wipe over the control panel, oven door and door seal using a soft cloth well wrung out in warm water to which a little liquid detergent has been added.

To prevent damaging or weakening the door glass panels avoid the use of the following:

- Household detergent and bleaches
- Impregnated pads unsuitable for non-stick saucepans
- Brillo/Ajax pads or steel wool pads
- Chemical oven pads or aerosols
- Rust removers
- Bath/Sink stain removers

Clean the outer and inner door glass using warm soapy water. Should the inner door glass become heavily soiled it is recommended that a cleaning product such as Hob Brite is used. Do not use paint scrapers to remove soilage.



DO NOT clean the oven door while the glass panels are warm. If this precaution is not observed the glass panel may shatter.



If the door glass panel becomes chipped or has deep scratches, the glass will be weakened and must be replaced to prevent the possibility of the panel shattering. Contact your local Service Force Centre who will be pleased to advise further.

Oven Cavity

The enamelled base of the oven cavity is best cleaned whilst the oven is still warm.

Wipe the oven over with a soft cloth soaked in warm soapy water after each use. From time to time it will be necessary to do a more thorough cleaning, using a proprietary oven cleaner.

Grease Filter

Disconnect the appliance from the power supply before removing the grease filter.

Wash the filter after use using warm soapy water. Do not use abrasive materials to clean the seal. The grease filter is dishwasher proof.

The Oven Door

i The following instructions are relevant to the oven door as it is supplied by the Manufacturer.

If the oven door has been reversed, please note that the references to the right or left side have to be switched.

Figure 1. With the right hand, hold the aluminium ventilating grill ("A") while pulling off the inner glass support "B" with the left hand. Push the support towards the right to release it and then lift it up.

Figure 2. Remove the aluminium ventilating grill "A" from support "C".

Figure 3. Hold firmly the inner glass "D" with the left hand and pull the support "C" off from its original position.



Make sure that glass "D" is firmly held to prevent it from falling down.

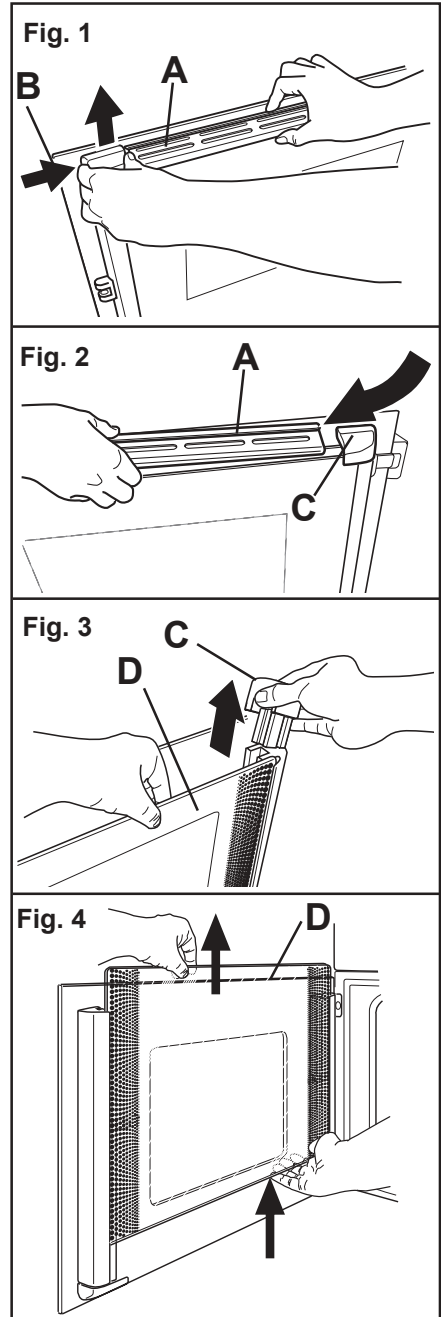
Figure 4. Hold tightly the inner glass "D" with both hands and remove it from its original position by sliding it up.

After removing the inner glass, clean the oven door and the glasses.

We recommend to clean the oven door using only a wet sponge and dry it up after cleaning with a soft cloth. Never use steel wool, acids or abrasive products as they can damage the oven surface.

After cleaning, place the inner glass "D" back in its original position.

i To correctly mount the inner glass "D" (with stripes along the sides) the surface marked with stripes has to face the oven door in a way that, when touching the surface on sight, the light roughness of the silk-screen printing is not perceptible.



After placing the inner glass back, insert support "C" in its position and, then:

Figure 5. Place the right end of the aluminium ventilating grill "A" in the proper slot located in support "C".

Figure 6. Place the left end of the aluminium ventilating grill "A" in the proper slot located in support "B". Now, insert support "B" in its original position and make sure the assembly is well fixed and stable.

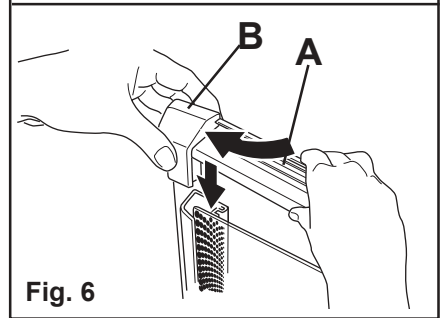
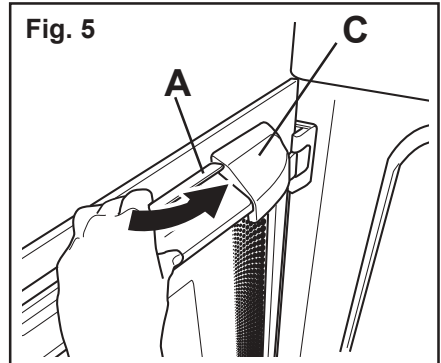
Models in stainless steel or aluminium

We recommend to clean the oven door using only a wet sponge and dry it up after cleaning with a soft cloth.

Never use steel wool, acids or abrasive products as they can damage the oven surface. Clean the oven control panel following the same precautions.



The side swing door reversal must be carried out by qualified installers only or by an authorized Electrolux After Sales technician. Do not attempt to reverse the Side Swing Door yourself.



Grill heating element

This model has been fitted with a hinged grill element to make the roof of the oven especially easy to clean.

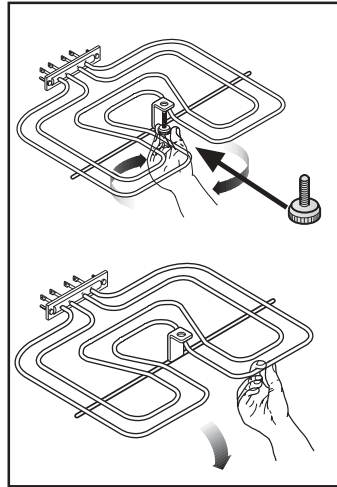


Before proceeding ensure the oven is cool and disconnected from the electricity supply.

- 1) Undo the screw fastening the grill element (see Fig). When carrying out this operation for the first time, we recommend using a screwdriver.
- 2) Then gently pull the grill downwards to allow access to the oven roof (see Fig).
- 3) Clean the oven roof with a suitable cleaner and wipe dry before returning the hinged grill element to its original position.
- 4) Carefully push the grill element up into its original position and re-tighten the retaining nut.



Ensure the retaining nut on the grill element is properly tightened so that it does not fall down when in use.



Telescopic pull-out shelf supports

The side rails with telescopic pull-out shelf supports can be completely removed for cleaning.

Removal

Take hold of the side rails on one side of the oven and undo the knurled nut at the front. Lift the side rails at the back in order to unhook them (see diagram).

Do the same thing on the other side of the oven.

Cleaning

Clean the two sets of side rails with telescopic shelf supports on the outside only with commercially available detergents.

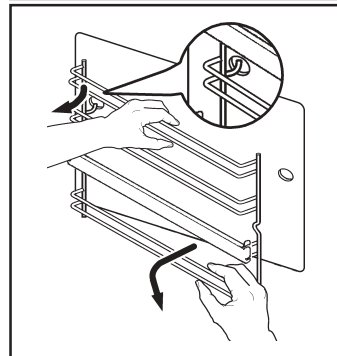
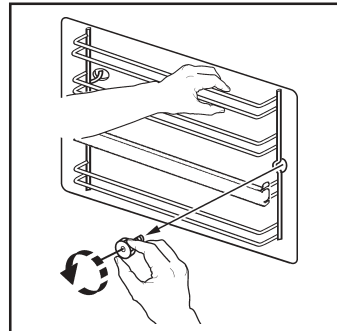


The telescopic shelf supports must not be cleaned in the dishwasher.

Attention, the rollers must not be greased.

Insertion

After cleaning, first insert the dry side rails with the hook into the hole at the back, then fasten at the front with the knurled nut.



Replacing The Oven Light

Disconnect the appliance

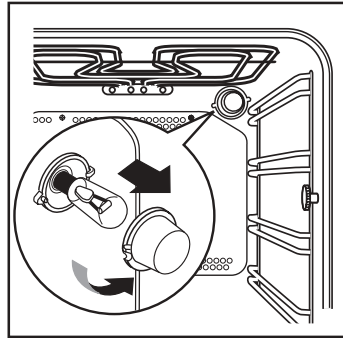
If the oven bulb needs replacing, it must comply with the following specifications:

- Electric power: 15 W/25 W,
- Electric rate: 230 V (50 Hz),
- Resistant to temperatures of 300°C,
- Connection type: E14.

These bulbs are available from your local Service Force Centre.

To replace the faulty bulb:

1. Ensure the oven is isolated from the electrical supply.
2. Push in and turn the glass cover anticlockwise.
3. Remove the faulty bulb and replace with the new one.
4. Refit the glass cover and restore the electrical supply.



What happens if something goes wrong

If the appliance is not working correctly, please check the following before contacting the Electrolux Service Centre:

PROBLEM	SOLUTION
<ul style="list-style-type: none"> ■ The oven is not switching on. 	<ul style="list-style-type: none"> ◆ Check that both a cooking function and temperature have been selected. or ◆ Check whether the appliance is correctly connected and the socket switch or the mains supply to the oven is ON.
<ul style="list-style-type: none"> ■ The oven temperature light does not come on. 	<ul style="list-style-type: none"> ◆ Select a temperature with the thermostat control knob. or ◆ Select a function with the oven function control knob.
<ul style="list-style-type: none"> ■ The oven light does not come on. 	<ul style="list-style-type: none"> ◆ Select a cooking function with the oven function control knob. or ◆ Check the light bulb, and replace it if necessary (see "Cleaning the Oven").
<ul style="list-style-type: none"> ■ It takes too long to cook the dishes or they cook too quickly. 	<ul style="list-style-type: none"> ◆ The temperature may need adjusting. or ◆ Following the advice contained in these instructions, especially the section "Using the oven".
<ul style="list-style-type: none"> ■ Steam and condensation settle on the food and in the oven cavity. 	<ul style="list-style-type: none"> ◆ When the cooking process is completed, do not leave the dishes standing in the oven for longer than 15-20 minutes.
<ul style="list-style-type: none"> ■ The oven fan is noisy. 	<ul style="list-style-type: none"> ◆ Check that shelves and bakeware are not vibrating in contact with the oven back panel.
<ul style="list-style-type: none"> ■ The electronic programmer does not work. 	<ul style="list-style-type: none"> ◆ Check the instructions for the timer.
<ul style="list-style-type: none"> ■ The display shows "12.00". 	<ul style="list-style-type: none"> ◆ Set the time of day (see chapter "Setting the time of day").

Technical Data

Heating element ratings

Bottom heating element	1000 W
Full oven (Top+Bottom)	1800 W
Inner Grill	1650 W
Full Grill	2450 W
Fan cooking	1825 W
Pizza	2650 W
Oven light	25 W
Hot air fan	25 W
Cooling Fan	25 W
Total rating	2725 W
Operating voltage (50 Hz)	230 V

Dimensions of the recess

Height	under top	mm 593
	in column	mm 580
Width		mm 560
Depth		mm 550

Oven

Height	mm 335
Width	mm 395
Depth	mm 400
Oven capacity	53 l

Instructions for the Installer



Installation and connection must be done in compliance with the regulations in force. Any interventions must be carried out when the appliance is switched off. Only accredited engineers may work on the appliance.

The manufacturer disclaims any liability if the safety measures are not observed.

Connecting to the electrical supply

Before connecting to the electrical supply, please make sure:

- The fuse and the domestic electrical installation must be designed for the max. load of the appliance (see rating plate).
- The domestic electrical installation must be equipped with a proper earth connection in accordance with the regulations in force.
- The socket or the multi-pole off switch must be easy to access after the appliance has been installed.

This appliance is delivered with an electric supply cable.

A proper plug, according to the electric load specified on the rating plate, must be fitted to the cable. The plug is to be inserted into a suitable wall socket. If you require a direct connection to the electric network (mains), it will be necessary to fit between the appliance and the mains an omnipole switch, with a minimum gap between contacts of 3 mm, suitable for the required load and in compliance with rules in force. The green & yellow ground wire must not be interrupted by the switch and it should be 2-3 cm. longer than the other cables.

The mains cable and plug as supplied are to be connected to a shockproof socket (230 V~, 50 Hz). The shockproof socket must be installed in accordance with the regulations.


The following types of mains cable are suitable, taking the necessary rated cross section into account: H07 RN-F, H05 RN-F, H05 RR-F, H05 VV-F, H05 V2V2-F (T90), H05 BB-F.

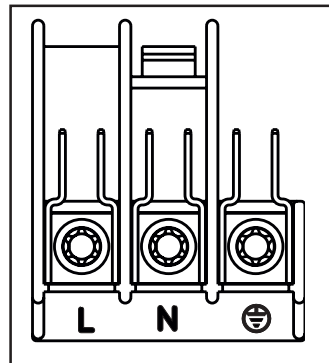
The connection cable must in any case be laid out so that at no point does it reach 50°C (over room temperature).

After the connection has been carried out, the heating elements must be tested by being operated for about 3 minutes.

Terminal block

The oven is fitted with an easily accessible terminal block which is designed to operate with a single-phase power supply of 230 V.

Letter L	-	Live terminal
Letter N	-	Neutral terminal
 or E	-	Earth terminal



Instructions for Building In

For problem-free functioning of the built-in appliance, the kitchen unit or the recess into which the appliance is built must have suitable dimensions.

In accordance with the regulations in force, all parts which ensure the shock protection of live and insulated parts must be fastened in such a way that they cannot be undone without tools.

These also include the fixing of any end walls at the beginning or end of a line of built-in units.

The shock protection must in any case be ensured by the building in of the appliance.

The appliance can be placed with its back or a side wall against higher kitchen units, appliances or walls. However, only other appliances or units of the same height as the appliance can be placed against the other side wall.

Oven dimensions (Fig. A)

Instructions for Building In

For problem-free functioning of the built-in appliance, the kitchen unit or the recess into which the appliance is built must have suitable dimensions (Fig. B-C).

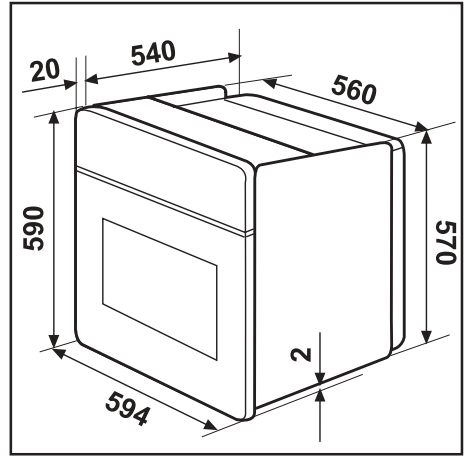


Fig. A

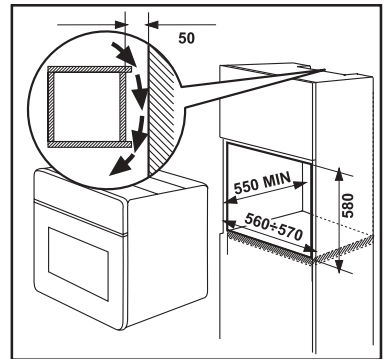


Fig. B

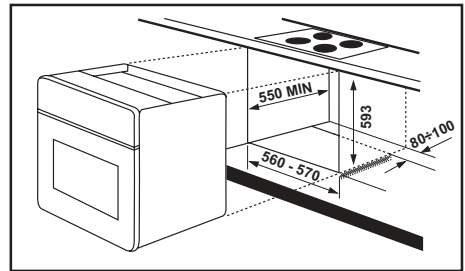
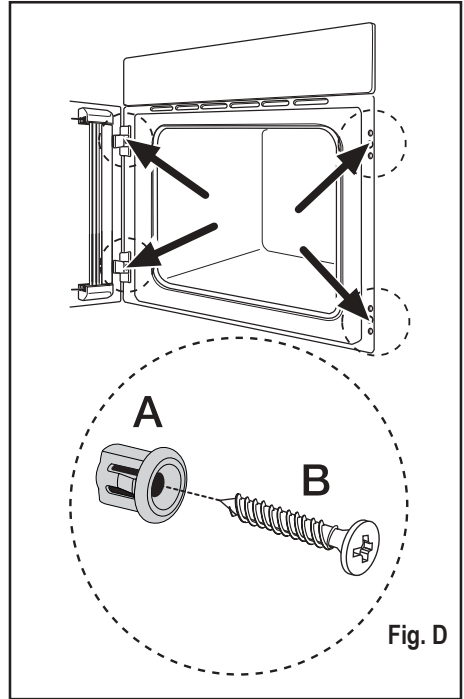


Fig. C

Securing the oven to the cabinet (Fig. D).

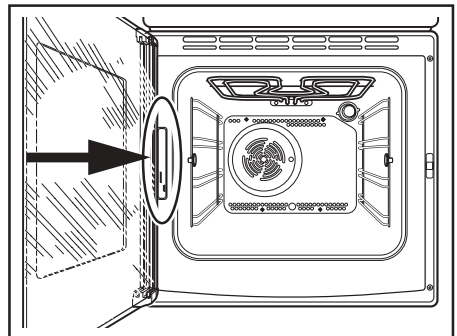
- Fit the appliance into the cabinet recess.
- Open the oven door and secure the oven to the kitchen cabinet by placing the four distance holders (A) in the holes provided in the oven frame and then inserting the four wood screws (B)



Service and spare parts

If after the checks listed in the chapter "What happens if something goes wrong", the appliance still does not work correctly, contact your local Service Centre, specifying the type of malfunctioning, the appliance model (Mod.), the product number (Prod. No.) and the serial number (Ser. No.) marked on the identification plate. This plate is placed on the front external edge of the oven cavity.

Original spare parts, certified by the product manufacturer and carrying this symbol, are only available at our Service Centre and authorized spare parts shops.



Declaration of guarantee terms

Our appliances are produced with the greatest of care. However, a defect may still occur. Our consumer services department will repair this upon request, either during or after the guarantee period. The service life of the appliance will not, however, be reduced as a result.

This declaration of guarantee terms is based on European Union Directive 99/44/EC and the provisions of the Civil Code. The statutory rights that the consumer has under this legislation are not affected by this declaration of guarantee terms.

This declaration does not affect the vendor's statutory warranty to the end user. The appliance is guaranteed within the context of and in adherence with the following terms:

1. In accordance with provisions laid down in paragraphs 2 to 15, we will remedy free of charge any defect that occurs within 24 months from the date the appliance is delivered to the first end user. These guarantee terms do not apply in the event of use for professional or equivalent purposes.
2. Performing the guarantee means that the appliance is returned to the condition it was in before the defect occurred. Defective parts are replaced or repaired. Parts replaced free of charge become our property.
3. So as to avoid more severe damage, the defect must be brought to our attention immediately.
4. Applying the guarantee is subject to the consumer providing proof of purchase showing the purchase and/or delivery date.
5. The guarantee will not apply if damage caused to delicate parts, such as glass (vitreous ceramic), synthetic materials and rubber, is the result of inappropriate use.
6. The guarantee cannot be called on for minor faults that do not affect the value or the overall reliability of the appliance.
7. The statutory warranty does not apply when defects are caused by:
 - a chemical or electrochemical reaction caused by water,
 - abnormal environmental conditions in general,
 - unsuitable operating conditions,
 - contact with harsh substances.
8. The guarantee does not apply to defects due to transport which have occurred outside of our responsibility. Nor will the guarantee cover those caused by inadequate installation or assembly, lack of maintenance or failure to respect the assembly instructions or directions for use.
9. Defects that result from repairs or measures carried out by people who are not qualified or expert or defects that result from the addition of non-original accessories or spare parts are not covered by the guarantee.
10. Appliances that are easy to transport may be delivered or sent to the consumer services department. Home repairs are only anticipated for bulky appliances or built-in appliances.
11. If the appliances are built-in, built-under, fixed or suspended in such a way that removing and replacing them in the place where they are fitted takes more than half an hour, the costs that result therefrom will be charged for. Connected damage caused by these removal and replacement operations will be the responsibility of the user.
12. If, during the guarantee period, repairing the same defect repeatedly is not conclusive, or if the repair costs are considered disproportionate, in agreement with the consumer, the defective appliance may be replaced with another appliance of the same value.
In this event, we reserve the right to ask for a financial contribution calculated according to the length of time it has been used.

13. A repair under guarantee does not mean that the normal guarantee period will be extended nor that a new guarantee period begins.
14. We give a twelve month guarantee for repairs, limited to the same defect.
15. Except in the event where liability is legally imposed, this declaration of guarantee terms excludes any compensation for damage outside the appliance for which the consumer wishes to assert his rights. In the event of legally admitted liability, compensation will not exceed the purchase price paid for the appliance.

These guarantee terms are only valid for appliances purchased and used in Belgium. For exported appliances, the user must first make sure that they satisfy the technical conditions (e.g.: voltage, frequency, installation instructions, etc.) for the country concerned and that they can withstand the local climatic and environmental conditions. For appliances purchased abroad, the user must first ensure that they meet the qualifications required in Belgium. Non-essential or requested adjustments are not covered by the guarantee and are not possible in all cases.

Our consumer services department is always at your disposal, even after the guarantee period has expired.

Address for our consumer services department:
BELGIUM

Electrolux Home Products Belgium	Consumer services	Tel: 02/363.04.44	Fax: 02/363.04.00
ELECTROLUX SERVICE			02/363.04.60
Bergensesteenweg 719			
1502 Lembeek			
E-mail: consumer.services@electrolux.be			

GRAND-DUCHÉ DE LUXEMBOURG

ELECTROLUX HOME PRODUCTS	Consumer services	0035242431-1	0035242431-360
Rue de Bitbourg, 7			
L-1273 Luxembourg-Hamm			
E-mail: consumer-service.luxembourg@electrolux.lu			




European Guarantee

This appliance is guaranteed by Electrolux in each of the countries listed at the back of this user manual, for the period specified in the appliance guarantee or otherwise by law. If you move from one of these countries to another of the countries listed below the appliance guarantee will move with you subject to the following qualifications:

- The appliance guarantee starts from the date you first purchased the appliance which will be evidenced by production of a valid purchase document issued by the seller of the appliance.
- The appliance guarantee is for the same period and to the same extent for labour and parts as exists in your new country of residence for this particular model or range of appliances.
- The appliance guarantee is personal to the original purchaser of the appliance and cannot be transferred to another user.
- The appliance is installed and used in accordance with instructions issued by Electrolux and is only used within the home, i.e. is not used for commercial purposes.
- The appliance is installed in accordance with all relevant regulations in force within your new country of residence.

The provisions of this European Guarantee do not affect any of the rights granted to you by law.

www.electrolux.com

		
Albania	+35 5 4 261 450	Rr. Pjeter Bogdani Nr. 7 Tirane
Belgique/België/Belgien	+32 2 363 04 44	Bergensesteenweg 719, 1502 Lembeek
Česká republika	+420 2 61 12 61 12	Budějovická 3, Praha 4, 140 21
Danmark	+45 70 11 74 00	Sjællandsgade 2, 7000 Fredericia
Deutschland	+49 180 32 26 622	Muggenhofer Str. 135, 90429 Nürnberg
Eesti	+37 2 66 50 030	Pärnu mnt. 153, 11624 Tallinn
España	+34 902 11 63 88	Carretera M-300, Km. 29,900 Alcalá de Henares Madrid
France	www.electrolux.fr	
Great Britain	+44 8705 929 929	Addington Way, Luton, Bedfordshire LU4 9QQ
Hellas	+30 23 10 56 19 70	4, Limnou Str., 54627 Thessaloniki
Hrvatska	+385 1 63 23 338	Slavonska avenija 3, 10000 Zagreb
Ireland	+353 1 40 90 753	Long Mile Road Dublin 12
Italia	+39 (0) 434 558500	C.so Lino Zanussi, 26 - 33080 Porcia (PN)
Latvija	+37 17 84 59 34	Kr. Barona iela 130/2, LV-1012, Riga
Lietuva	+370 5 2780609	Ozo 10A, LT 08200 Vilnius
Luxembourg	+352 42 431 301	Rue de Bitbourg, 7, L-1273 Hamm
Magyarország	+36 1 252 1773	H-1142 Budapest XIV, Erzsébet királyné útja 87
Nederland	+31 17 24 68 300	Vennootsweg 1, 2404 CG - Alphen aan den Rijn
Norge	+47 81 5 30 222	Risløkkvn. 2 , 0508 Oslo
Österreich	+43 18 66 400	Herziggasse 9, 1230 Wien
Polska	+48 22 43 47 300	ul. Kolejowa 5/7, Warszawa
Portugal	+35 12 14 40 39 39	Quinta da Fonte - Edificio Gonçalves Zarco - Q 35 -2774-518 Paço de Arcos
Romania	+40 21 451 20 30	Str. Garii Progresului 2, S4, 040671 RO
Schweiz - Suisse - Svizzera	+41 62 88 99 111	Industriestrasse 10, CH-5506 Mägenwil
Slovenija	+38 61 24 25 731	Gerbičeva ulica 98, 1000 Ljubljana
Slovensko	+421 2 43 33 43 22	Electrolux Slovakia s.r.o., Electrolux Domáce spotrebiče SK, Seberíného 1, 821 03 Bratislava
Suomi	www.electrolux.fi	
Sverige	+46 (0)771 76 76 76	Electrolux Service, S:t Göransgatan 143, S-105 45 Stockholm
Türkiye	+90 21 22 93 10 25	Tarlabası caddesi no : 35 Taksim İstanbul
Россия	+7 495 937 7837	129090 Москва, Олимпийский проспект, 16, БЦ "Олимпик"

Nous vous remercions d'avoir choisi cet appareil.

Nous vous souhaitons de profiter pleinement de votre nouvel appareil et espérons que vous choisirez de nouveau notre marque lors de votre prochain achat d'appareil électroménager.

Veillez lire attentivement cette notice d'utilisation et conservez-la comme documentation de référence pendant toute la durée de vie du produit. Si l'appareil devait être vendu ou cédé à une autre personne, assurez-vous que la notice d'utilisation l'accompagne.

Table des matières

Avertissements et informations importantes de sécurité	37
Description de l'appareil	39
Commandes	40
Avant d'utiliser le four pour la première fois	41
Programmeur électronique	42
Comment utiliser le four	46
Tableaux de cuisson	51
Nettoyage et entretien	53
En cas de problème	58
Caractéristiques techniques	59
Instructions à l'intention de l'installateur	60
Instructions pour l'encastrement	61
Plaque signalétique	62
Garantie/Service Après-vente	63
Garantie Européenne	65

Guide d'utilisation du manuel



Consignes de sécurité



Instructions pas à pas



Conseils et astuces



Cet appareil satisfait aux prescriptions des Directives CEE **suyvantes** :

- **2006/95** (Directive Basse Tension) ;
- **89/336** (Directive CEM) ;
- **93/68** (Directive générale) ; et aux modifications ultérieures.

FABRICANT:

ELECTROLUX HOME PRODUCTS ITALY S.p.A.

Viale Bologna, 298 - I - 47100 FORLÌ (Italie)

Français



Avertissements et informations importantes sur la sécurité

Veillez à toujours conserver ce manuel avec l'appareil. En cas de revente ou de passage de l'appareil à un tiers, il est particulièrement important que le nouvel utilisateur puisse avoir accès au présent manuel et aux informations qui l'accompagnent.

Ces avertissements sont destinés à garantir la sécurité des utilisateurs et des membres de leur famille. Nous vous invitons à les lire attentivement avant de brancher et/ou d'utiliser votre appareil.

Installation

- L'installation doit être réalisée par un professionnel qualifié, conformément aux normes et aux réglementations en vigueur localement. Vous trouverez la description des différentes opérations relatives à l'installation sous la rubrique "Instructions à l'intention de l'installateur".
- Pour l'installation et le branchement de l'appareil, faites appel à un professionnel qualifié, connaissant parfaitement les directives à observer en la matière.
- Si des modifications de l'alimentation s'imposent en raison de conditions particulières de votre installation, celles-ci doivent être exclusivement confiées à un électricien qualifié.
- Le nettoyage du four doit s'effectuer avec le maximum de précautions : ne vaporisez en aucun cas le produit de nettoyage sur le filtre à graisses (s'il est installé), sur les résistances et sur le capteur du thermostat.
- Il est formellement déconseillé d'effectuer des modifications de quelque nature que ce soit sur l'appareil ou relatives à ses spécifications.
- Le verre de la porte du four et d'autres parties de l'appareil deviennent chauds pendant la cuisson : tenez les enfants éloignés de l'appareil ! Si vous branchez d'autres appareils électriques à des prises situées à proximité du four, contrôlez que les câbles n'entrent pas en contact avec des brûleurs chauds et qu'ils ne restent pas coincés dans la porte du four.

Fonctionnement

- Ce four est conçu pour la cuisson des aliments ; toute utilisation à d'autres fins est proscrite.
- **Prenez garde au flux d'air chaud qui se dégage de l'enceinte du four lorsque vous ouvrez la porte de l'appareil pendant la cuisson ou au terme de celle-ci.**
- Soyez particulièrement prudent lorsque vous utilisez la cuisinière. Les hautes températures atteintes par les résistances rendent les plaques et autres éléments particulièrement chauds.
- Si vous utilisez des feuilles d'aluminium pour cuire des aliments au four, veillez à ce que celles-ci n'entrent pas directement en contact avec la sole du four.
- Munissez-vous toujours de gants pour retirer les plats du four, une fois la cuisson terminée.
- Veillez à nettoyer le four de façon régulière ; vous contribuerez ainsi à maintenir le revêtement en bon état.
- Avant de procéder au nettoyage du four, mettez l'appareil hors tension ou débranchez-le.
- Contrôlez que le four est en position d' "AR-RÊT" lorsque vous ne l'utilisez pas.
- Ce four a été conçu en tant qu'appareil simple ou combiné à une plaque de cuisson électrique (selon le modèle), pour une connexion monophasée de 230 V.
- Pour nettoyer le four, n'utilisez en aucun cas un nettoyeur à jet de vapeur très chaude.
- N'utilisez pas d'abrasifs durs ni de racloirs pointus en métal, sous peine de rayer le verre de la porte du four et de briser celui-ci.

Sécurité enfants

- L'utilisation de cet appareil est réservée aux personnes adultes. Le fait de laisser les enfants utiliser ou jouer avec l'appareil comporte des risques.
- Maintenez les enfants à une certaine distance du four lorsque celui-ci est en service. De même que lorsque vous venez d'éteindre le four, car il restera chaud pendant un long laps de temps après avoir été mis hors service.
- Cet appareil ne peut être utilisé, sans surveillance, par des enfants ou autres personnes présentant des capacités physiques, sensorielles ou mentales réduites, ou ne possédant ni l'expérience ni les connaissances requises pour le faire fonctionner correctement et en toute sécurité.

Service Après-vente

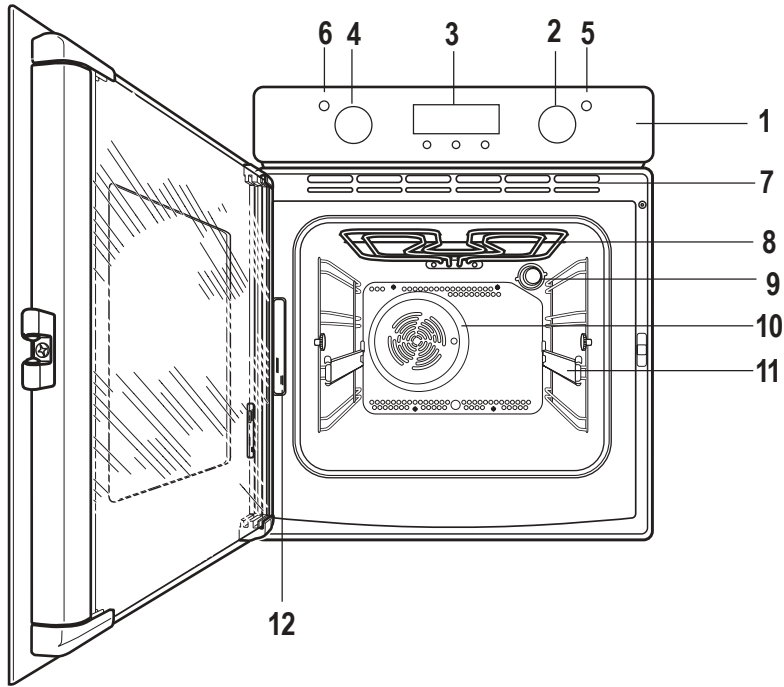
- Les contrôles et/ou réparations sont du ressort exclusif du personnel du service d'entretien du fabricant ou d'un service après-vente agréé par le fabricant ; seules des pièces d'origine doivent être utilisées.
- En cas de mauvais fonctionnement ou d'endommagement du four, ne tentez jamais de réparer l'appareil par vous-même. Toute réparation réalisée par du personnel non dûment formé peut être source de dommages ou de blessures.



Le symbole  figurant sur l'appareil ou

sur son emballage indique que cet appareil ne peut être traité comme une ordure ménagère. Il doit, par conséquent, être remis à un centre de collecte chargé du recyclage des équipements électriques et électroniques. En procédant correctement à la mise au rebut de cet appareil, vous contribuerez à protéger l'environnement et la santé de l'homme. Pour obtenir plus d'informations sur le recyclage de cet appareil, veuillez contacter le service compétent de votre commune, votre déchetterie locale ou le magasin où vous avez acheté l'appareil.

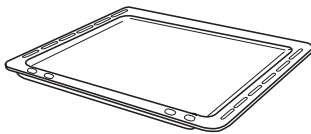
Description de l'appareil



- 1. Bandeau de commandes
- 2. Manette du four
- 3. Programmateur électronique
- 4. Bouton thermostat
- 5. Voyant de mise sous tension
- 6. Voyant thermostat

- 7. Bouches d'aération du ventilateur de refroidissement
- 8. Gril
- 9. Éclairage du four
- 10. Ventilateur du four
- 11. Glissières coulissantes
- 12. Plaque signalétique

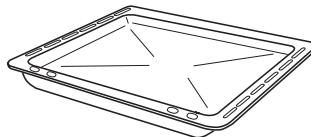
Accessoires du four



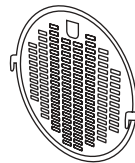
Plaque à pâtisserie



Grille



Lèchefrite

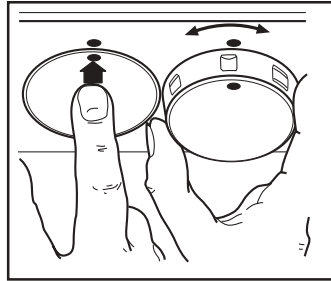


Filtre de turbine







Commandes

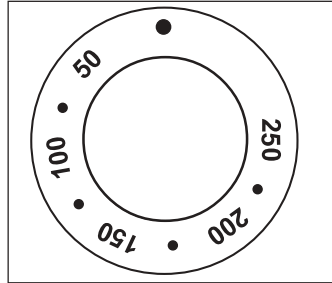
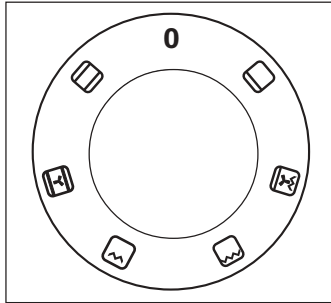
Manettes escamotables

Ces modèles sont équipés de manettes escamotables qui, lorsque le four n'est pas utilisé, sont complètement rentrées dans le bandeau de commande. Pour pouvoir agir sur les manettes, suivez les indications de la figure.



Manette du four

- 0** Le four est éteint.
-  Cuisson traditionnelle - La chaleur est produite tant par la voûte que par la sole, garantissant une répartition homogène de la chaleur dans l'enceinte du four.
-  Multichaleur tournante - Cette fonction permet de cuire ou de rôtir des aliments simultanément sur plusieurs gradins sans que les odeurs ne se mélangent.
-  Gril intérieur uniquement - À utiliser pour griller de petites quantités d'aliments.
-  Gril complet - Le gril complet sera activé. À utiliser pour de grandes quantités d'aliments.
-  Pizza - La résistance de sole et le gril fonctionnent en même temps, pendant que le ventilateur fait circuler la chaleur pulsée pour cuire de façon homogène le dessus des pizzas ou des tartes.
-  Résistance inférieure - La chaleur provient uniquement de la partie inférieure du four.



Voyant de mise sous tension

Le voyant de mise sous tension s'allume dès que la manette du four est positionnée sur une fonction.

Bouton thermostat

Tournez le bouton du thermostat dans le sens inverse des aiguilles d'une montre pour sélectionner une température comprise entre 50°C et 250°C.

Voyant thermostat

Le voyant du thermostat s'allume dès que le bouton du thermostat est tourné. Le voyant restera allumé jusqu'à ce que la température correcte soit atteinte. Il s'éteindra puis se rallumera ensuite de façon cyclique pour indiquer que la température est maintenue.

Thermostat de sécurité

Afin d'éviter tout risque de surchauffe (résultant d'une utilisation incorrecte de l'appareil ou d'un composant défectueux), le four est doté d'un thermostat de sécurité destiné à couper l'alimentation. Le four se remet automatiquement en marche dès que la température atteint un niveau ne présentant plus aucun risque.

Si le thermostat de sécurité se déclenche suite à une utilisation incorrecte de l'appareil, l'erreur peut être aisément corrigée une fois que le four est refroidi. Si, par contre, il se déclenche en raison d'un composant défectueux, veuillez contacter le Service Après-vente.

Le ventilateur de refroidissement

Le ventilateur de refroidissement est conçu pour refroidir le four et le bandeau de commandes. Il se met automatiquement en service quelques minutes après avoir démarré la cuisson. L'air chaud est soufflé à travers l'ouverture située à proximité de la poignée du four. Il se peut que le ventilateur continue de fonctionner après que vous ayez éteint le four, et ce afin de continuer à maintenir les commandes froides. Ce phénomène est normal.

i L'activité du ventilateur de refroidissement sera fonction de la durée d'utilisation du four et des températures programmées. Il est possible qu'il ne se mette pas en marche lorsque des températures peu élevées ont été programmées ou si le four n'a fonctionné que peu de temps.

Avant d'utiliser le four pour la première fois



i Retirez **tous les emballages** présents à l'intérieur et à l'extérieur du four avant de l'utiliser.

i **Le four fonctionne seulement si l'heure courante a été réglée.**


Avant la première utilisation, faites chauffer le four sans y introduire d'aliments.

Une odeur désagréable peut s'en dégager. Ce phénomène est normal et est provoqué par les résidus de la fabrication.

Veuillez à bien aérer la pièce.

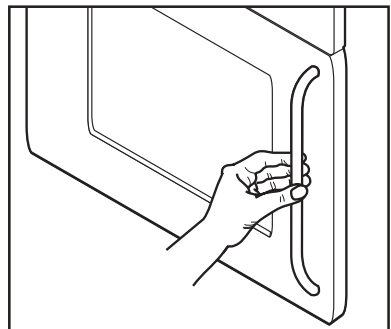
-  1. Positionnez la manette du four sur la fonction multichaleur tournante .
2. Placez le bouton thermostat sur 250.
3. Ouvrez une fenêtre pour aérer la pièce.
4. Faites fonctionner le four à vide pendant 45 minutes environ.

Répétez cette procédure en activant la fonction

 Gril complet pendant 5 à 10 minutes.

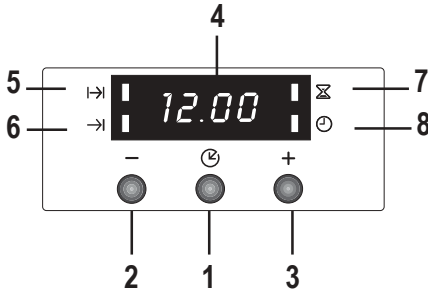
i Laissez ensuite refroidir le four complètement. Après quoi, nettoyez l'enceinte du four à l'aide d'un chiffon doux imbibé d'une solution d'eau et de détergent liquide.

i Avant d'utiliser votre four, veuillez à nettoyer soigneusement également les accessoires dont il est doté.



 **Ouvrez toujours le four en saisissant la poignée en son centre.**

Programmateur électronique



1. Touche de sélection d'une fonction
2. Touche pour diminuer "−"
3. Touche pour augmenter "+"
4. Affichage
5. Voyant "Durée de cuisson"
6. Voyant "Fin de cuisson"
7. Voyant "Compte-minutes"
8. Voyant "Heure du jour"

i Le four fonctionne uniquement si l'heure du jour a été réglée. Il peut toutefois être mis en marche sans aucune programmation.

i En l'absence de courant électrique, les données entrées dans la mémoire du programmateur sont supprimées et devront être de nouveau entrées au rétablissement du courant électrique.

Réglage de l'heure du jour

Dès que le four est mis sous tension ou après une coupure de courant, le voyant de l'"Heure du jour" clignote à l'affichage.

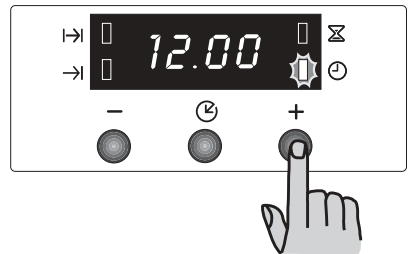
Pour régler l'heure du jour :

1. Appuyez sur la touche "+" ou "−".
2. Une fois le réglage effectué, attendez 5 secondes : le voyant de l'"Heure du jour" s'éteint et l'affichage visualise l'heure réglée. L'appareil est prêt à fonctionner.


Pour réinitialiser l'heure du jour :

1. Appuyez sur la touche à plusieurs reprises pour sélectionner la fonction "Heure du jour". Le voyant correspondant se met à clignoter. Procédez ensuite comme décrit ci-dessus.

Il est possible de réinitialiser l'heure du jour uniquement si aucune fonction automatique (durée de cuisson ou fin de cuisson) n'a été programmée.



Fonction “Durée de cuisson” I→I


Cette fonction permet d'arrêter le four automatiquement dès que la durée de cuisson programmée est écoulée. Introduisez les aliments dans le four, sélectionnez une fonction de cuisson et réglez la température de cuisson souhaitée. Appuyez sur la touche  à plusieurs reprises pour sélectionner la fonction “Durée de cuisson”. Le voyant correspondant I→I se met à clignoter. Puis, procédez comme suit :

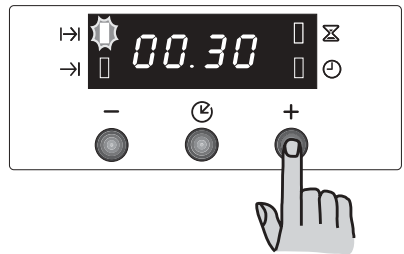
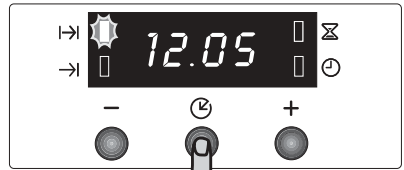
Pour régler la durée de cuisson :

1. Appuyez sur la touche “+” ou “-”.
2. Une fois le réglage effectué, attendez 5 secondes : le voyant de la “Durée de cuisson” I→I s'allume et l'affichage visualise à nouveau l'heure du jour.
3. Dès que la durée de cuisson est écoulée, le four s'éteint automatiquement et un signal sonore est émis, tandis que le voyant se met à clignoter. Placez la manette du four et le bouton thermostat sur la position zéro. Pour désactiver l'alarme sonore, appuyez sur une touche quelconque.


REMARQUE : En désactivant l'alarme sonore, vous restaurez le fonctionnement manuel du four. Dès lors, si la manette du four et le bouton thermostat ne sont pas positionnés sur zéro, le four se mettra à chauffer de nouveau.

Pour annuler la durée de cuisson :

1. Appuyez sur la touche  à plusieurs reprises pour sélectionner la fonction “Durée de cuisson”. Le voyant correspondant I→I clignote et l'affichage visualise le temps de cuisson résiduel.
2. Appuyez sur la touche “-” jusqu'à ce que l'affichage visualise “0:00”. Au bout de 5 secondes, le voyant s'éteint et l'affichage visualise l'heure du jour.



Fonction “Fin de cuisson” →|

Cette fonction vous permet d'éteindre le four automatiquement dès que la durée de cuisson est écoulée. Introduisez les aliments dans le four, sélectionnez une fonction de cuisson et réglez la température de cuisson souhaitée. Appuyez sur la touche  à plusieurs reprises pour sélectionner la fonction “Fin de cuisson”. Le voyant correspondant →| se met à clignoter. Puis, procédez comme suit :

Pour programmer l'heure de fin de cuisson :

1. Appuyez sur la touche “+” ou “-”.
2. Une fois le réglage effectué, attendez 5 secondes : le voyant “Fin de cuisson” →| s'allume et l'affichage visualise à nouveau l'heure du jour.
3. Dès que la durée de cuisson est écoulée, le four s'éteint automatiquement et un signal sonore est émis, tandis que le voyant se met à clignoter. Placez la manette du four et le bouton thermostat sur la position zéro.

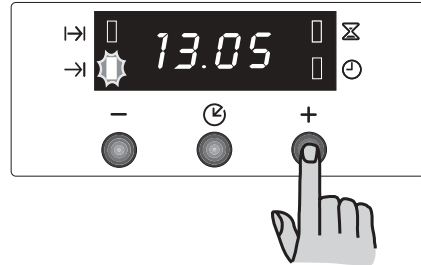
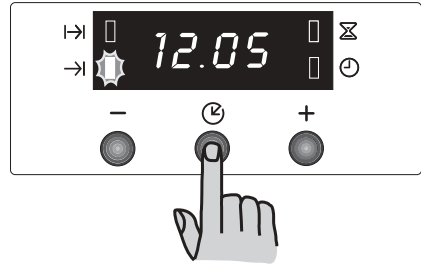
Pour désactiver l'alarme sonore, appuyez sur une touche quelconque. **REMARQUE :** En désactivant l'alarme sonore, vous restaurez le fonctionnement manuel du four. Dès lors, si la manette du four et le bouton thermostat ne sont pas positionnés sur zéro, le four se mettra à chauffer de nouveau.


Pour annuler l'heure de Fin de cuisson :

1. Appuyez sur la touche  à plusieurs reprises pour sélectionner la fonction “Fin de cuisson”. Le voyant correspondant →| clignote et l'affichage visualise l'heure de fin de cuisson programmée.
2. Appuyez sur la touche “-” jusqu'à ce que l'affichage visualise l'heure du jour. Le programmeur émet un bip et le voyant s'éteint.

“Durée de cuisson” |→| et “Heure de fin de cuisson” →| combinées

Les fonctions “Durée de cuisson” et “Heure de fin de cuisson” peuvent être utilisées simultanément pour démarrer et éteindre le four automatiquement à un moment ultérieur.






1. À l'aide de la fonction "Durée de cuisson" I→ (programmez le temps de cuisson comme décrit au chapitre correspondant), réglez la durée de cuisson. Puis, appuyez sur la touche  : l'afficheur visualise le réglage programmé.
2. À l'aide de la fonction "Fin de cuisson" → (programmez l'heure de fin de cuisson comme décrit au chapitre correspondant), réglez l'heure de fin de cuisson.

Les voyants correspondantes s'allument et l'afficheur visualise l'heure du jour. Le four démarrera et s'éteindra en fonction des programmations effectuées.


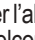
Fonction "Compte-minutes"

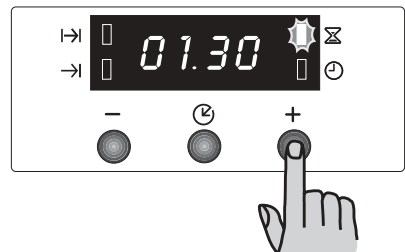
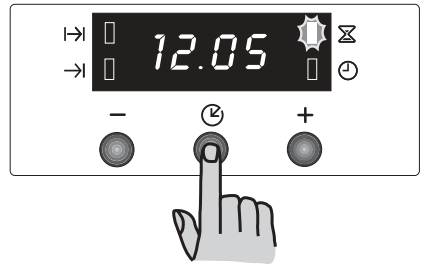
L'alarme du compte-minutes retentira au terme d'une période programmée, mais le four restera sous tension s'il est en cours d'utilisation.

Pour régler le compte-minutes :

1. Appuyez sur la touche  à plusieurs reprises pour sélectionner la fonction "Compte-minutes". Le voyant correspondant  se met à clignoter.
2. Appuyez ensuite sur la touche "+" ou "-" (maximum : 2 heures, 30 minutes).
3. Une fois le réglage effectué, attendez 5 secondes : le voyant "compte-minutes"  s'allume.
4. Au terme de la période programmée, le voyant se met à clignoter et une alarme sonore retentit. Pour désactiver l'alarme sonore, appuyez sur une touche quelconque.

Pour annuler le compte-minutes :

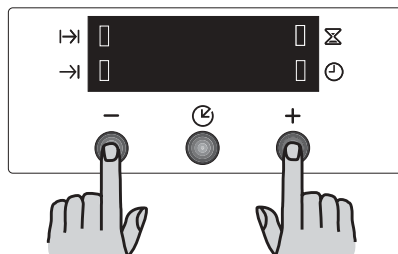
1. Appuyez sur la touche  à plusieurs reprises pour sélectionner la fonction "Compte-minutes". Le voyant correspondant  clignote et l'affichage visualise le temps résiduel.
2. Appuyez sur la touche "-" jusqu'à ce que l'affichage visualise "0:00". Au bout de 5 secondes, le voyant s'éteint et l'affichage visualise l'heure du jour.



Comment éteindre l'affichage

1. Appuyez simultanément sur deux touches de programmation et maintenez-les enfoncées pendant 5 secondes environ. L'affichage s'éteint.
2. Pour allumer l'affichage, appuyez sur une touche quelconque.

Il est possible d'éteindre l'affichage uniquement dans le cas où aucune autre fonction n'a été programmée.



Comment utiliser le four

Le four est doté d'un système exclusif qui produit une circulation naturelle de l'air et le recyclage constant de la vapeur.

Ce système permet de cuisiner des plats dans un environnement de vapeur, tout en maintenant ceux-ci tendres à l'intérieur et croquants à l'extérieur. En outre, le temps de cuisson et la consommation énergétique sont réduits au minimum. De la vapeur peut être produite en cours de cuisson et se dégager du four lorsque vous ouvrez la porte. Ce phénomène est tout à fait normal.



Veillez toutefois à vous positionner un peu à l'écart lorsque vous ouvrez la porte du four pendant la cuisson ou au terme de celle-ci, pour permettre le dégagement de la vapeur ou de la chaleur produite sans risquer de vous brûler.



Attention ! - Ne placez aucun objet sur la sole du four et ne recouvrez aucune partie du four à l'aide de feuilles d'aluminium pendant la cuisson, car cela engendrerait une formation de chaleur qui nuirait aux résultats de cuisson et risquerait d'endommager l'émail du four. Posez les cocottes spécial four et les plaques en aluminium sur la plaque ayant été insérée dans les gradins-glissières. De la vapeur se dégage des aliments chauds, comme d'une bouilloire. La vapeur, en se déposant sur le verre de la porte du four, se condense et donne lieu à la création de gouttes d'eau.

Pour réduire la condensation, pensez à toujours préchauffer le four à vide pendant 10 minutes.

Nous vous conseillons d'essuyer les gouttes d'eau après chaque processus de cuisson.

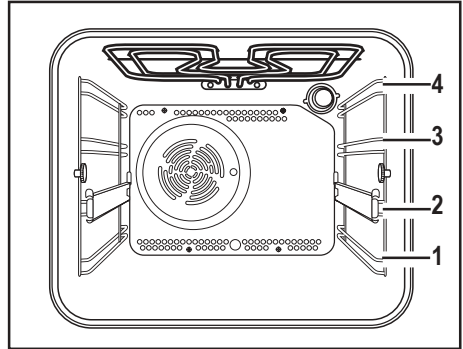


La porte du four doit être fermée pendant la cuisson. Tenez-vous à distance lorsque vous ouvrez la porte abattante du four. **Évitez de la laisser tomber** - maintenez-la à l'aide de la poignée jusqu'à ce qu'elle soit complètement ouverte.

Les glissières du four

Le four est équipé de 4 glissières. Elles sont numérotées de 1 à 4, de bas en haut comme illustré dans le diagramme.

La glissière 2 est coulissante, pour positionner et enlever les grilles ou la lechefrite plus facilement.



1. Sortissez les glissières coulissantes droite et gauche .
2. Posez la grille ou la lechefrite sur les glissières coulissantes, ensuite poussez-les délicatement à l'intérieur du four .



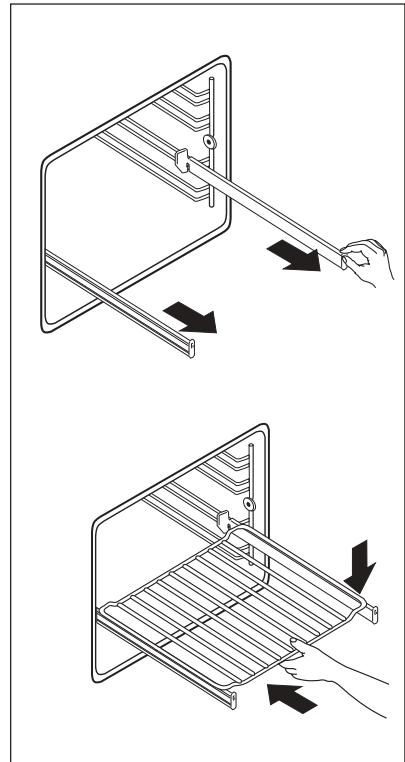
Ne pas essayer de fermer la porte du four si les glissières coulissantes ne sont pas complètement à l'intérieur du four. L'émail et le verre de la porte du four pourraient être endommagés.



Il est important de respecter la position des clayettes, comme indiqué dans le diagramme.



Ne posez pas d'ustensiles de cuisson directement sur le fond du four.




Multichaleur tournante

- Les aliments sont cuits grâce à de l'air pulsé préchauffé, réparti de façon homogène dans l'enceinte du four par un ventilateur installé sur la paroi arrière de l'appareil.
- La chaleur étant ainsi distribuée de façon rapide et homogène en toute part, il vous est dès lors possible de cuire simultanément différents mets disposés sur les différentes clayettes du four. La multichaleur tournante garantit une élimination rapide de l'humidité ; cet environnement sec empêche la transmission des odeurs et des saveurs d'un mets à l'autre.
- La possibilité de cuire sur différentes hauteurs de gradin signifie que vous pouvez cuire différents mets en même temps et jusqu'à trois plaques de biscuits et de mini-pizzas, à consommer immédiatement ou à congeler.
- Bien entendu, vous pouvez également n'utiliser qu'une seule clayette de votre four. Dans ce cas, utilisez de préférence le gradin du bas, de façon à pouvoir surveiller plus aisément l'évolution de la cuisson.
- En outre, le four est particulièrement indiqué pour stériliser des conserves, préparer des fruits au sirop "fait maison", et pour sécher des champignons ou des fruits.

Griller -

- Il convient de disposer la plupart des aliments sur la grille avec la lèchefrite placée au-dessous, afin de favoriser la circulation optimale de l'air et de séparer l'aliment des graisses et des sucs qui s'en dégagent. Des aliments comme le poisson, le foie et les rognons peuvent être placés directement sur la lèchefrite, si vous le souhaitez.
- Veillez à sécher soigneusement les aliments avant de les griller pour réduire les éclaboussures. Enduisez les viandes maigres et les poissons d'un peu d'huile ou de beurre fondu, afin qu'ils conservent leur tendreté au cours de la cuisson.
- Les garnitures, telles que tomates et champignons, peuvent être placées sous la grille lorsque vous grillez des viandes.
- Pour griller du pain, utilisez le gradin du haut.
- Retournez les aliments durant la cuisson, en fonction des besoins.

Comment utiliser le gril complet


1. Tournez la manette du four sur la position .
2. Placez le bouton thermostat sur la température requise.
3. Installez la grille et la lèchefrite en fonction de l'épaisseur des aliments. Placez l'aliment à proximité de la résistance si vous souhaitez une cuisson rapide ; éloignez-le pour une cuisson plus en douceur.

Préchauffez le gril à la température maximum pendant quelques minutes avant de saisir des steaks ou de griller du pain. Au besoin, modifiez la position de la grille pendant la cuisson.

Durant la cuisson, les voyants du ventilateur de refroidissement et du thermostat fonctionnent de manière identique à ce qui est décrit au point relatif à la fonction de ventilation du four.

Comment utiliser le gril intérieur


Le gril intérieur fournit rapidement de la chaleur directement au centre de la lèchefrite. Vous pouvez économiser de l'énergie en utilisant le gril intérieur pour cuire de petites quantités d'aliments.

1. Tournez la manette du four sur la position .
2. Placez le bouton thermostat sur la température requise.
3. Installez la grille et la lèchefrite en fonction de l'épaisseur des aliments et suivez les instructions de cuisson.

La résistance du gril est contrôlée par le thermostat. Pendant la cuisson, le gril s'éteint et s'allume de façon cyclique pour éviter toute surchauffe.

Résistance inférieure uniquement

Cette fonction est particulièrement utile pour cuire une pâte en blanc. Elle peut également être utilisée pour terminer la cuisson de quiches ou de flans, afin de garantir que la pâte de la base soit cuite à fond.


-  Le voyant du thermostat reste allumé jusqu'à ce que la température correcte soit atteinte. Ensuite, il s'éteint et se rallume pour indiquer que la température est maintenue à la valeur programmée.

Cuisson traditionnelle

- Le gradin intermédiaire permet une distribution optimale de la chaleur. Pour cuire plus intensément la base, déplacez la grille au gradin inférieur. Pour faire dorer plus intensément le dessus, déplacez la grille au gradin supérieur.
- Le matériau et la finition de la plaque de cuisson et des plats influent sur le degré de brunissement des aliments au fond. Les ustensiles en métal émaillé, foncés, lourds ou anti-adhérents favorisent le brunissage de la base, tandis que les plats à four en verre, les plaques en aluminium luisant ou en acier poli réfléchissent la chaleur et, par conséquent, ne permettent pas un brunissage optimal de la base.
- Disposez toujours les plats au centre de la clayette pour garantir un brunissage homogène.
- Placez les plats sur des plaques à pâtisserie de dimension appropriée pour éviter que les débordements ne se répandent sur le fond du four ; cela facilitera le nettoyage.
- **Évitez de** disposer des plats, des moules ou des plaques à pâtisserie directement sur le fond du four, car celui-ci est particulièrement chaud et cela pourrait occasionner des dommages. Lorsque vous choisissez ce réglage, la chaleur provient à la fois de la résistance supérieure et de la résistance inférieure. Cela vous permet de cuire sur un seul gradin, et cette position est idéale pour des mets nécessitant un brunissage plus intense de la base, tels que quiches et flans.

Les gratins, les lasagnes et les ragoûts de viande aux pommes de terre qui nécessitent un dorage sur le dessus cuisent très bien dans le four traditionnel.


Comment utiliser le four traditionnel

1. Positionnez la manette sur four sur la fonction de cuisson souhaitée .
2. Placez le bouton thermostat sur la température requise.

La cuisson pizza

L'action de la chaleur provenant du bas et de l'air chaud répartie par le ventilateur permet la cuisson uniforme de pizzas ou de tourtes salées.

Comment procéder ?

1. Positionnez le sélecteur sur la position  et le thermostat sur la température désirée.
2. Enfourez votre plat.

Conseils et astuces

Pour la cuisson au four :

Les gâteaux et les viennoiseries nécessitent généralement une température de cuisson moyenne (150°C - 200°C), c'est pourquoi il est nécessaire de préchauffer le four pendant environ 10 minutes.

N'ouvrez la porte du four qu'aux 3/4 du temps de cuisson.

La pâte brisée doit être cuite dans un moule à gâteau à fond amovible ou sur une plaque jusqu'aux 3/4 du temps de cuisson, puis garnie avant de terminer la cuisson. Ce temps de cuisson ultérieur dépendra du type et de la quantité de la garniture. Les pâtes de type Biscuit de Savoie doivent se décoller difficilement de la cuillère. Si elles sont trop liquides, cela allongera le temps de cuisson.

Si vous enfourez simultanément deux plaques à pâtisserie (viennoiseries, biscuits) dans le four, laissez un gradin libre entre les deux.

Si vous enfourez simultanément deux plaques à pâtisserie (viennoiseries, biscuits) dans le four, échangez et retournez les plaques aux 2/3 du temps de cuisson.

Pour rôtir :

Les rôtis doivent avoir un poids minimum de 1 kg. Des rôtis de poids inférieur risquent de sécher en cours de cuisson. Les viandes foncées, qui doivent être saisies à l'extérieur et être cuites à point ou au bleu à l'intérieur, doivent être cuites à une température supérieure (200°C - 250°C).

En revanche, les viandes blanches, les volailles et les poissons, nécessitent une température basse (150°C - 175°C). Les ingrédients de la sauce ou de la sauce au jus de viande doivent être ajoutés au plat en début de cuisson si le temps de cuisson est court. Dans le cas contraire, ajoutez-les au cours de la dernière demi-heure.

Servez-vous d'une cuillère pour contrôler que la viande est cuite : si elle ne s'affaisse pas sous

l'effet de la pression, cela signifie que la viande est cuite à point. Les rosbifs et les filets, qui doivent rester roses à l'intérieur, doivent être cuits à haute température pendant un temps relativement court.

Si vous cuisez de la viande directement sur la clayette, insérez la lèche-frite immédiatement au-dessous pour récolter les sucs.

Laisser cuire le rôti pendant au moins 15 minutes, de façon à ce que les sucs ne s'écoulent pas.

Pour réduire la formation de fumées dans l'enceinte du four, il est recommandé de verser un peu d'eau dans la lèche-frite. Versez un peu d'eau à plusieurs reprises pour empêcher que de la condensation ne se forme. Maintenez les plats au chaud dans le four, à température minimum, avant de servir.



Attention !

Ne recouvrez pas le fond du four avec des feuilles d'aluminium et n'y déposez pas la lèche-frite ou la plaque à pâtisserie ; la formation de chaleur risquerait d'abîmer l'émail.

Temps de cuisson

Les temps de cuisson varient en fonction de la composition, des ingrédients et de la quantité de liquide contenue dans les plats individuels.

Annotez les réglages programmés lors de vos premières expériences de cuisson au four ou au gril, afin de pouvoir les réutiliser lors de la préparation ultérieure de plats identiques.

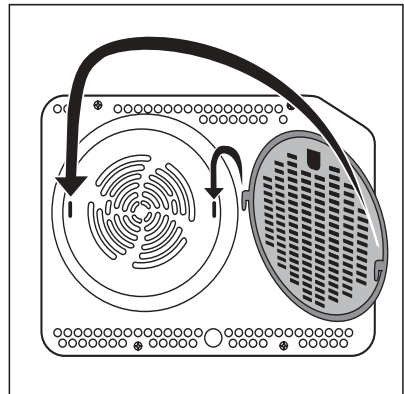
Vous modifierez les valeurs figurant dans les tableaux en fonction de vos expériences personnelles.

Filtre de turbine

Pour éviter que des projections de graisse n'incrustent la turbine, il faut que le filtre de turbine se trouve à sa place. Il doit être maintenu propre pour assurer un bon fonctionnement.

Pour le démonter il suffit de pousser la languette vers le haut.

N'utiliser le filtre que pour les rôtis.






Tableaux de cuisson

Cuisson traditionnelle -



Les temps de cuisson n'incluent pas le préchauffage.


Il est nécessaire de toujours préchauffer le four pendant 10 minutes.

TYPE DE PLAT	Cuisson traditionnelle		Multichaleur tournante		Temps de cuisson en minutes 	REMARQUES
	 temp °C	temp °C	 temp °C	temp °C		
GÂTEAUX						
Préparations fouettées	2	170	2 (1et3)*	160	45-60	Dans moule à gâteau
Pâte sablée	2	170	2 (1et3)*	160	20-30	Dans moule à gâteau
Gâteau au fromage blanc au babeurre	1	175	2	165	60-80	Dans moule à gâteau
Tarte aux pommes	1	170	2gauc.+droit.	160	90-120	Dans moule à gâteau
Strudel	2	180	2	160	60-80	Ds plaque à pâtiss.
Tarte à la confiture	2	190	2(1et3)*	180	40-45	Ds plaque à pâtiss.
Gâteau aux fruits	2	170	2	150	60-70	Dans moule à gâteau
Biscuit de Savoie	1	170	2(1et3)*	165	30-40	Dans moule à gâteau
Gâteau de Noël	1	150	2	150	120-150	Dans moule à gâteau
Plum-cake	1	175	2	160	50-60	Dans moule à pain
Petit gâteau	3	170	2	160	20-35	Ds plaque à pâtiss.
Biscuits	2	160	2(1et3)*	150	20-30	Ds plaque à pâtiss.
Meringues	2	135	2(1et3)*	150	60-90	Ds plaque à pâtiss.
Petits pains au lait	2	200	2	190	12~20	Ds plaque à pâtiss.
Viennoiseries : Choux	2ou 3	210	2(1et3)*	170	25-35	Ds plaque à pâtiss.
Tourtes	2	180	2	170	45-70	Dans moule à gâteau
PAIN ET PIZZA						
Pain blanc	1	195	2	185	60-70	
Pain de seigle	1	190	1	180	30-45	Dans moule à pain
Petits pains	2	200	2(1et3)*	175	25-40	Ds plaque à pâtiss.
Pizza	2	200	2	200	20-30	Ds plaque à pâtiss.
FLANS						
Flan de pâtes	2	200	2(1et3)*	175	40-50	Dans un moule
Flan de légumes	2	200	2(1et3)*	175	45-60	Dans un moule
Quiches	1	210	1	190	30-40	Dans un moule
Lasagnes	2	200	2	200	25-35	Dans un moule
Cannelloni	2	200	2	200	25-35	Dans un moule
VIANDES						
Bœuf	2	190	2	175	50-70	Sur la grille
Porc	2	180	2	175	100-130	Sur la grille
Veau	2	190	2	175	90-120	Sur la grille
Rosbif à l'anglaise						
saignant	2	210	2	200	50-60	Sur la grille
à point	2	210	2	200	60-70	sur la grille
bien cuit	2	210	2	200	70-80	Sur la grille
Épaule de porc	2	180	2	170	120-150	Avec couenne
Jarret de porc	2	180	2	160	100-120	2 pièces
Agneau	2	190	2	175	110-130	Gigot
Poulet	2	190	2	200	70-85	Entier
Dinde	2	180	2	160	210-240	Entier
Canard	2	175	2	220	120-150	Entier
Oie	2	175	1	160	150-200	Entière
Lapin	2	190	2	175	60-80	En morceaux
Lièvre	2	190	2	175	150-200	En morceaux
Faisan	2	190	2	175	90-120	Entier
Pain de viande	2	180	2	170	tot.150	dans moule à pain
POISSON						
Truite/Daurade	2	190	2(1et3)*	175	40-55	3-4 poissons
Thon/Saumon	2	190	2(1et3)*	175	35-60	3 à 4 filets

(*) Si vous cuisez plus d'un mets à la fois, nous vous suggérons de placer ceux-ci sur les gradins indiqués entre parenthèses.

Griller -


i Les temps de cuisson n'incluent pas le préchauffage.
Il est nécessaire de toujours préchauffer le four pendant 10 minutes.

TYPE DE PLAT	Quantité		Griller		Temps de cuisson en minutes	
	Pièces	g.		temp. °C	1e face	2e face
Steaks dans le filet	4	800	3	250	12~15	12~14
Biftecks	4	600	3	250	10~12	6~8
Saucisses	8	/	3	250	12~15	10~12
Côtelettes de porc	4	600	3	250	12~16	12~14
Poulet (coupé en deux)	2	1000	3	250	30~35	25~30
Kebabs	4	/	3	250	10~15	10~12
Poulet (poitrine)	4	400	3	250	12~15	12~14
Hamburgers*	6	600	2	250	20-30	
*Préchauffer 5'00"						
Poisson (tranches)	4	400	3	250	12~14	10~12
Sandwichs	4~6	/	3	250	5~7	/
Toasts	4~6	/	3	250	2~4	2~3

i Les températures sont fournies à titre indicatif. Il est possible que vous deviez les adapter en fonction de vos exigences personnelles.

La cuisson Pizza

i Les temps de cuisson n'incluent pas le préchauffage.
Il est nécessaire de toujours préchauffer le four pendant 10 minutes.

PRÉPARATIONS	La cuisson Pizza		Temps de cuisson en minutes	Notes
		temp.°C		
Pizza , grande	1	200	15~25	Sur plaque
Pizza , petite	1	200	10~20	Sur plaque ou sur grille
Fouace	1	200	15~25	Sur plaque

i Les températures sont fournies à titre indicatif. Il est possible que vous deviez les adapter en fonction de vos exigences personnelles.

Nettoyage et entretien



Avant de procéder au nettoyage du four, laissez-le refroidir complètement. N'utilisez en aucun cas de nettoyeur à vapeur très chaude ou de jet cleaner.

Attention : Avant de procéder à toute opération de nettoyage, veillez à débrancher l'appareil.

Afin de conserver votre appareil en parfait état pendant longtemps, il est recommandé d'effectuer régulièrement les opérations de nettoyage suivantes :

- Attendez toujours que le four soit refroidi.
- Nettoyez les parties émaillées à l'eau savonneuse.
- N'utilisez pas de détergents abrasifs.
- Essuyez les parties en acier inoxydable et en verre à l'aide d'un chiffon doux.
- En cas de taches particulièrement tenaces, utilisez du vinaigre chaud ou un produit spécial pour acier inoxydable disponible dans le commerce.

L'émail du four est particulièrement résistant et étanche. Toutefois, les acides de fruit chauds (citron, prune ou autre) peuvent laisser des traces indélébiles, ternes et inesthétiques sur la surface émaillée. Ces taches présentes sur la surface brillante et polie de l'émail n'entravent aucunement le bon fonctionnement du four. Nettoyez le four à fond après chaque utilisation. C'est la meilleure façon d'éliminer les salissures et d'empêcher qu'elles ne s'incrustent.

Produits de nettoyage

Avant d'utiliser tout produit d'entretien, contrôlez que celui-ci convient pour le nettoyage du four et qu'il est recommandé par le fabricant.

N'utilisez EN AUCUN CAS de produits nettoyants contenant de l'eau de javel, car ils peuvent ternir la finition des surfaces. Il faut également éviter d'utiliser des abrasifs durs.

Nettoyage de la carrosserie

Nettoyez régulièrement le bandeau de commandes, la porte du four et le joint de la porte à l'aide d'un chiffon doux, que vous tordrez après l'avoir trempé dans une solution d'eau chaude et de détergent liquide.

Pour éviter d'abîmer ou de fragiliser les panneaux en verre de la porte, évitez d'utiliser les produits suivants :

- Détergents et agents de blanchiment domestiques
- Tampons imprégnés de savon ne convenant pas aux poêles non anti-adhérentes
- Tampons Brillo/Ajax ou métalliques
- Tampons chimiques pour fours ou aérosols
- Détachants pour rouille
- Détachants pour baignoires et éviers

Nettoyez l'intérieur et l'extérieur du verre de la porte à l'aide d'eau chaude savonneuse. Si la face interne du verre de la porte du four est particulièrement sale, utilisez un produit de nettoyage de type Scotch-Brite. N'éliminez pas les salissures à l'aide d'un grattoir à peintures.



NE nettoyez PAS la porte du four tant que les panneaux en verre sont encore chauds. Si vous n'observez pas cette précaution, le verre risque de se briser.

Si le panneau en verre de la porte présente des éclats ou des rayures profondes, le verre est fragilisé et doit être remplacé pour éviter qu'il ne se brise. Prenez conseil auprès de votre Service Après-vente.



Cavité du four

Le nettoyage du revêtement émaillé de la cavité du four s'effectue au mieux lorsque le four est encore chaud.

Nettoyez l'intérieur du four à l'aide d'un chiffon imbibé d'eau chaude savonneuse après chaque utilisation. Il sera nécessaire d'effectuer, de temps à autre, un nettoyage plus en profondeur en utilisant un nettoyeur pour four recommandé par le fabricant.

Nettoyage de la porte du four

Les instructions suivantes expliquent comment démonter la porte du four telle qu'elle est fournie par le fabricant.

Au cas où la porte serait tournée sur votre demande ou pour des exigences d'installation, les instructions de référence devront être modifiées selon le côté droit ou gauche demandé.

Figure 1. Maintenez la plaque perforée en aluminium ("A") de la main droite tout en retirant le support "B" de vitre intérieure de la main gauche. Poussez le support vers la droite pour le libérer puis soulevez-le.

Figure 2. Retirez la plaque perforée en aluminium "A" du support "C".

Figure 3. Tenez fermement la vitre intérieure "D" de la main gauche et enlevez le support "C" de son logement.

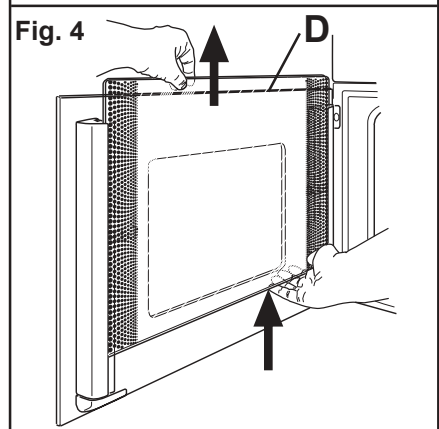
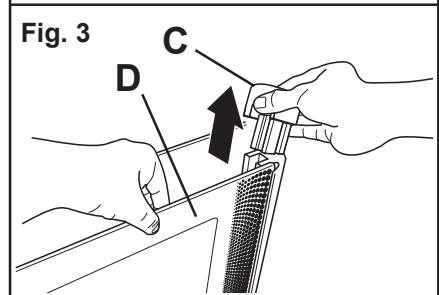
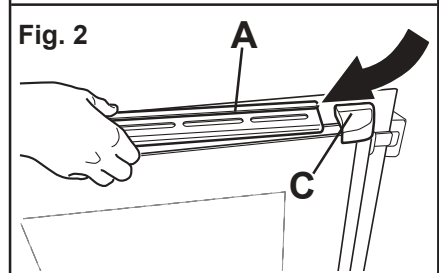
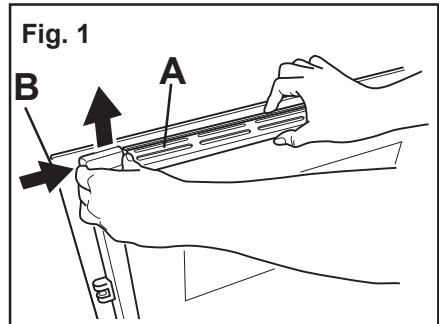
Veillez à ne pas lâcher la vitre "D" pour éviter qu'elle ne penche dangereusement et ne tombe.

Figure 4. Tenez fermement la vitre intérieure "D" des deux mains et retirez-la de son emplacement d'origine en la faisant glisser vers le haut.

Une fois la vitre intérieure retirée, nettoyez-la ainsi que la porte du four.

Il est conseillé de nettoyer la porte uniquement avec une éponge humide puis de la sécher avec un chiffon doux. N'utilisez jamais de paille de fer, d'acides ou de produits abrasifs sous peine d'endommager la surface du four.

Une fois qu'elle est nettoyée, remettez la vitre intérieure en place.





Pour que la vitre intérieure "D" (dont le pourtour comporte des stries) soit correctement montée, la surface portant les stries doit être orientée vers l'extérieur de la porte, de manière à ce que, vous ne perceviez pas la légère rugosité de la sérigraphie lorsque vous touchez la surface en vue.

Après avoir remis la vitre intérieure en place, insérez le support "C" dans son logement puis :

Figure 5. Insérez l'extrémité droite de la barre d'aluminium "A" dans la fente correspondante située sur le support "C".

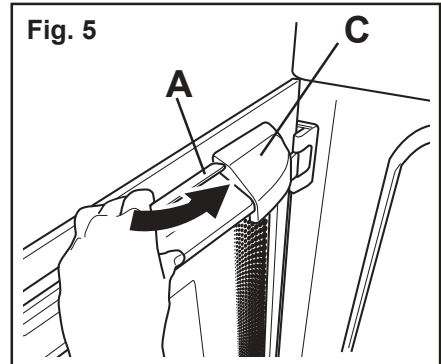
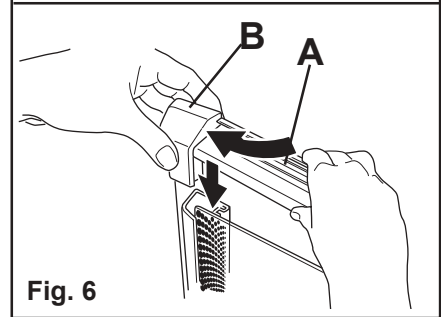


Figure 6. Insérez l'extrémité gauche de la barre d'aluminium "A" dans la fente correspondante située sur le support "B". A présent, remplacez le support "B" dans son logement et assurez-vous que l'ensemble est bien fixé et stable.



Appareils en acier inoxydable ou en aluminium :

Il est conseillé de nettoyer la porte du four à l'aide d'une éponge humide et de l'essuyer à l'aide d'un chiffon doux.

N'utilisez jamais de tampons métalliques, de substances acides ou abrasives susceptibles d'abîmer le revêtement du four. Nettoyez le bandeau de commandes du four en observant ces précautions.



NE nettoyez PAS la porte du four tant que les panneaux en verre sont encore chauds. Si vous n'observez pas cette précaution, le verre risque de se briser.

Si le panneau en verre de la porte présente des éclats ou des rayures profondes, le verre est fragilisé et doit être remplacé pour éviter qu'il ne se brise. Prenez conseil auprès de votre Service Après-vente.

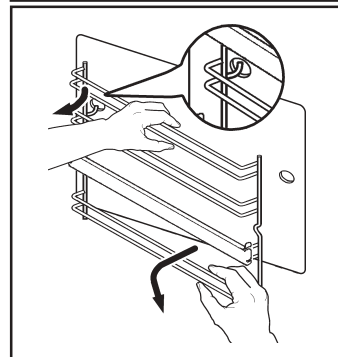
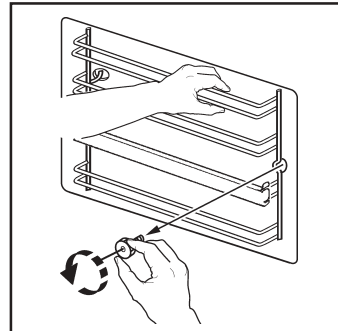
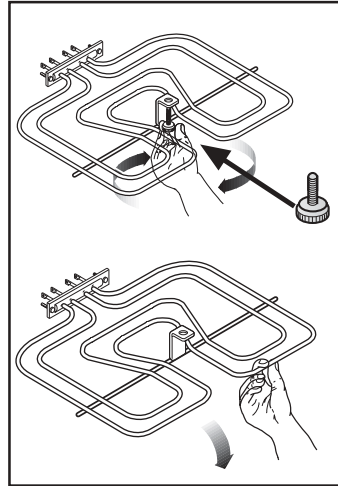
Élément chauffant du grill

Ce modèle est doté d'un grill pivotant pour faciliter le nettoyage de la voûte du four.

⚠ Avant de procéder au nettoyage n'oubliez pas de laisser refroidir le four et de le débrancher de la prise secteur.

- 1) Dévissez la vis qui maintient le grill en place (voir Fig.). Nous vous conseillons d'utiliser un tournevis lorsque vous effectuez cette opération pour la première fois.
- 2) Puis tirez doucement le grill vers le bas pour faciliter l'accès à la voûte du four (voir Fig.).
- 3) Nettoyez la voûte du four avec un produit nettoyant approprié et essuyez-la soigneusement avant de replacer le grill pivotant.
- 4) Poussez délicatement le grill vers le haut pour le remettre en place et resserrez le boulon et l'écrou de retenue.

⚠ Assurez-vous que l'écrou de retenue est bien serré pour que le grill ne risque pas de tomber en cours d'utilisation.



Gradins du four et supports

Pour nettoyer les gradins, utilisez de l'eau savonneuse. Éliminez les traces tenaces avec un tampon imprégné de savon.

Rincez abondamment et séchez avec un chiffon doux.

Les supports peuvent être retirés pour faciliter le nettoyage.

Procédez comme suit :

1. retirez la vis avant tout en maintenant le support en place de l'autre main ;
2. dégagez le crochet arrière et retirez le support ;
3. après le nettoyage, remplacez les supports en suivant la procédure inverse.

Assurez-vous que les écrous de retenue sont bien serrés lorsque vous remplacez les supports.

Remplacement de l'ampoule du four

Débranchez l'appareil

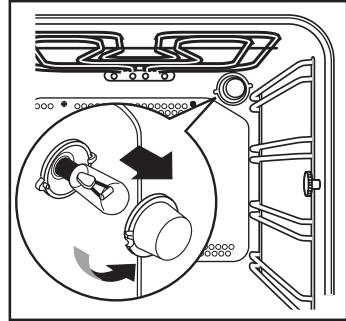
Si l'ampoule du four est grillée, remplacez-la par une ampoule du type suivant :

- Puissance : 15 W/25 W,
- Tension : 230 V (50 Hz),
- Résistant à des températures de 300°C,
- Type de connexion : E14.

Ces ampoules sont disponibles auprès du Service Après-vente.

Pour remplacer l'ampoule défectueuse :

1. Contrôlez que le four n'est pas sous tension.
2. Appuyez sur le capot en verre et tournez-le dans le sens inverse des aiguilles d'une montre.
3. Déposez l'ampoule grillée et remplacez-la par une ampoule neuve.
4. Réinstallez le capot en verre et rebranchez l'appareil.



En cas de problème

Si l'appareil présente des anomalies de fonctionnement, veuillez contrôler les points suivants avant de contacter le service Après-vente :

PROBLÈME	SOLUTION
<ul style="list-style-type: none"> ■ Le four ne s'allume pas. 	<ul style="list-style-type: none"> ◆ Contrôlez que vous avez sélectionné une fonction et une température de cuisson ou ◆ Vérifiez que l'appareil est correctement branché et que le commutateur de la prise ou l'alimentation du four est sur ON.
<ul style="list-style-type: none"> ■ Le voyant de température du four ne s'allume pas. 	<ul style="list-style-type: none"> ◆ Sélectionnez une température à l'aide du bouton thermostat ou ◆ Sélectionnez une fonction à l'aide de la manette du four.
<ul style="list-style-type: none"> ■ L'éclairage du four ne s'allume pas. 	<ul style="list-style-type: none"> ◆ Sélectionnez une température à l'aide du bouton thermostat ou ◆ Vérifiez l'ampoule et remplacez-la, si nécessaire (voir le chapitre "Nettoyage du four")
<ul style="list-style-type: none"> ■ La cuisson est trop longue ou trop rapide. 	<ul style="list-style-type: none"> ◆ Il peut être nécessaire d'adapter la température ou ◆ Suivez les recommandations contenues dans cette notice, en particulier le chapitre "Comment utiliser le four".
<ul style="list-style-type: none"> ■ De la vapeur et de la condensation sont présentes sur les aliments et dans la cavité du four. 	<ul style="list-style-type: none"> ◆ Une fois le processus de cuisson terminé, ne laissez pas les plats dans le four au-delà de 15 à 20 minutes.
<ul style="list-style-type: none"> ■ Le ventilateur du four est bruyant. 	<ul style="list-style-type: none"> ◆ Contrôlez que les clayettes et les ustensiles de cuisson ne vibrent pas au contact de la paroi arrière du four.
<ul style="list-style-type: none"> ■ Le programmateur électronique ne fonctionne pas. 	<ul style="list-style-type: none"> ◆ Consultez les instructions concernant le minuteur.
<ul style="list-style-type: none"> ■ Le programmateur affiche "12.00". 	<ul style="list-style-type: none"> ◆ Réglez l'heure (voir chapitre "Pour bien régler l'heure du jour").

Caractéristiques techniques

Puissance nominale des résistances

Résistance inférieure	1000 W
Résistance supérieure	800 W
Four complet (Haut+Bas)	1800 W
Multichaleur tournante	1825 W
Gril	1650 W
Gril complet	2450 W
Pizza	2650 W
Éclairage du four	25 W
Moteur du ventilateur d'air chaud	25 W
Moteur du ventilateur de refroidissement	25 W

Puissance totale 2725 W

Tension de fonctionnement (50 Hz) 230 V

Dimensions de la cavité

Hauteur	sous le plan	mm 593
	en colonne	mm 580
Largeur		mm 560
Profondeur		mm 550

Four

Hauteur	mm 335
Largeur	mm 395
Profondeur	mm 400
Capacité du four	53 l

Instructions à l'intention de l'installateur



L'installation et les branchements doivent être réalisés conformément aux réglementations en vigueur. Intervenir sur l'appareil uniquement après l'avoir débranché. Seuls des professionnels agréés sont autorisés à travailler sur l'appareil.

Le fabricant décline toute responsabilité en cas de dommages résultant du non-respect des consignes de sécurité énoncées dans le présent manuel.

Branchement électrique

Avant de brancher l'appareil, veuillez contrôler les points suivants :

- Le fusible et l'installation électrique de l'habitation doivent être en mesure de supporter la charge maximum de l'appareil (voir plaque signalétique).
- L'installation électrique de l'habitation doit être dotée d'une mise à la terre conforme aux réglementations en vigueur.
- La prise et le dispositif de coupure omnipolaire doivent être accessibles après que l'appareil a été installé.

L'appareil est fourni doté d'un cordon d'alimentation.

Une fiche appropriée doit être adaptée au cordon d'alimentation (voir charge électrique spécifiée sur la plaque signalétique). La fiche doit être insérée dans une prise murale appropriée. Si un branchement direct au réseau électrique (secteur) est requis, il sera nécessaire d'installer un interrupteur omnipolaire entre l'appareil et l'alimentation secteur, ayant une distance minimum de 3 mm entre les contacts, qui soit adapté à la charge requise et en accord avec les normes en vigueur. Le câble jaune/vert de terre ne doit pas être interrompu par l'interrupteur et doit être de 2 à 3 cm plus long que les autres câbles.

Le cordon d'alimentation et la fiche fournis doivent être branchés à une prise à l'épreuve des chocs (230 V~, 50 Hz). La prise à l'épreuve des chocs doit être installée conformément aux réglementations en vigueur.


Les types de câble d'alimentation suivants peuvent convenir, en tenant compte de la section transversale nominale requise : H07 RN-F, H05 RN-F, H05 RR-F, H05 VV-F, H05 V2V2-F (T90), H05 BB-F.

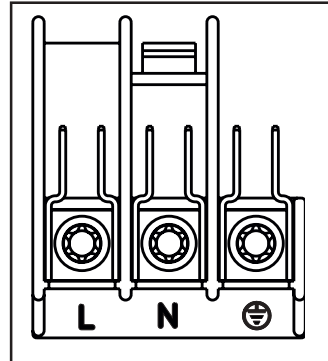
Le câble de connexion doit, en tous cas, être posé de façon à ce qu'il n'atteigne en aucun point une température de 50°C (surtempérature ambiante).

Une fois le branchement terminé, testez les résistances en les faisant fonctionner pendant 3 minutes environ.

Boîte des connexions

Le four est doté d'un bornier aisément accessible, conçu pour fonctionner avec une alimentation monophasée de 230 V.

Lettre L	-	Borne sous tension
Lettre N	-	Borne neutre
 ou E	-	Borne de terre



Instructions pour l'encastement

Afin d'assurer le fonctionnement optimal de l'appareil, il est nécessaire que le meuble de cuisine ou la niche dans laquelle il sera encastré possède des dimensions appropriées.

Conformément aux réglementations en vigueur, toutes les pièces assurant la protection anti-choc des éléments sous tension et isolés doivent être serrées de manière telle à ne pouvoir être dévissées qu'à l'aide d'outils.

Ceci inclut également la fixation de toute paroi terminale située au début ou à l'extrémité d'une rangée d'éléments encastrés.

En tous cas, la protection anti-choc doit être également garantie par l'encastrement de l'appareil.

L'appareil peut être placé avec sa paroi arrière ou latérale posée contre des meubles de cuisine, des appareils ou des parois d'une hauteur supérieure. Quoiqu'il en soit, seuls d'autres appareils ou meubles ayant une hauteur identique à celle du four peuvent être installés contre l'autre paroi latérale.

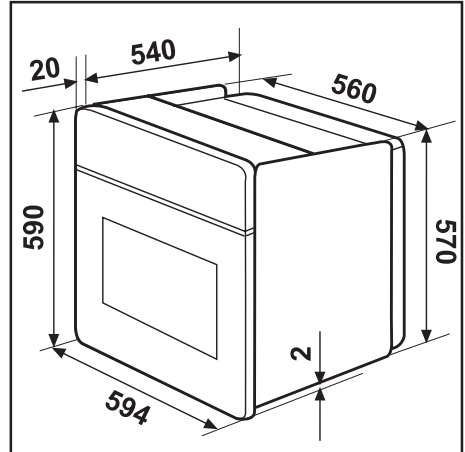


Fig. A

Dimensions du four (Fig. A)

Instructions pour l'encastement

Afin d'assurer le fonctionnement optimal de l'appareil, il est nécessaire que le meuble de cuisine ou la niche dans laquelle il sera encastré possède des dimensions appropriées (Fig. B-C).

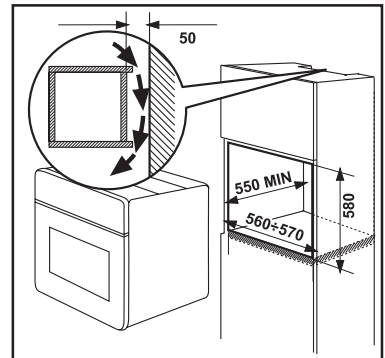


Fig. B

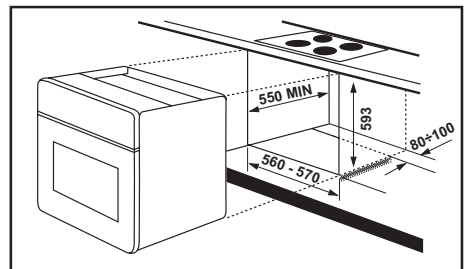
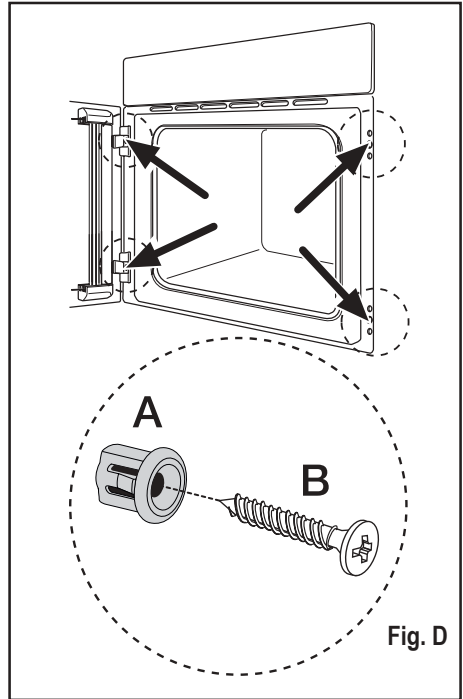


Fig. C

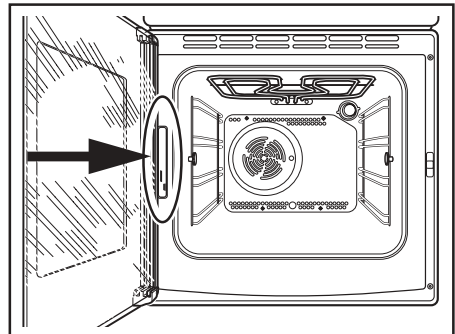
Fixation de l'appareil au meuble

1. Ouvrir la porte du four.
2. Fixer le four à l'élément en plaçant les quatre supports fournis avec l'appareil (Fig. D - A) et qui s'encastrent exactement dans les orifices du châssis, puis insérer quatre vis en bois (Fig. D - B).



Plaque signalétique

En cas d'anomalie de fonctionnement, le vendeur de votre appareil est le premier habilité à intervenir. A défaut (déménagement de votre part, fermeture du magasin où vous avez effectué l'achat ...), veuillez consulter le Centre Contact Consommateurs qui vous communiquera alors l'adresse d'un Service Après Vente. En cas d'intervention sur votre appareil, exigez du Service Après Vente les Pièces de Rechange certifiées Constructeur. En appelant un Service Après Vente, indiquez-lui le modèle, le numéro de produit et le numéro de série de l'appareil. Ces indications figurent sur la plaque signalétique située sur votre appareil. La plaque est située sur la façade de l'appareil.



Electrolux
Distriparts

Garantie/service-clientèle

Belgique

DÉCLARATION DE CONDITIONS DE GARANTIE.

Nos appareils sont produits avec le plus grand soin. Malgré cela, un défaut peut toujours se présenter. Notre service clientèle se chargera de réparer ceci sur demande, pendant ou après la période de garantie. La durée de vie de l'appareil n'en sera pas pour autant amputée.

La présente déclaration de conditions de garantie est basée sur la Directive de l'Union Européenne 99/44/CE et les dispositions du Code Civil. Les droits légaux dont le consommateur dispose au titre de cette législation ne peuvent être altérés par la présente déclaration de conditions de garantie.

Cette déclaration ne porte pas atteinte aux obligations de garantie du vendeur envers l'utilisateur final. L'appareil est garanti dans le cadre et dans le respect des conditions suivantes:

1. Compte tenu des dispositions stipulées aux paragraphes 2 à 15, nous remédierons sans frais à toute défectuosité qui se manifeste au cours de la période de 24 mois à compter de la date de livraison de l'appareil au premier consommateur final.
Ces conditions de garantie ne sont pas d'application en cas d'utilisation à des fins professionnelles ou de façon équivalente.
2. La prestation sous garantie implique que l'appareil est remis dans l'état qu'il avait avant que la défectuosité ne survienne. Les composants défectueux sont remplacés ou réparés. Les composants remplacés sans frais deviennent notre propriété.
3. Afin d'éviter des dommages plus sévères, la défectuosité doit immédiatement être portée à notre connaissance.
4. L'application de la garantie est soumise à la production par le consommateur des preuves d'achat avec la date d'achat et/ou la date de livraison.
5. La garantie n'interviendra pas si des dommages causés à des pièces délicates, telles que le verre (vitrocéramique), les matières synthétiques et le caoutchouc, résultent d'une mauvaise utilisation.
6. Il ne peut pas être fait appel à la garantie pour des anomalies bénignes qui n'affectent pas la valeur et la solidité générales de l'appareil.
7. L'obligation de garantie perd ses effets lorsque les défectuosités sont causées par:
 - une réaction chimique ou électrochimique provoquée par l'eau,
 - des conditions environnementales anormales en général,
 - des conditions de fonctionnement inadaptées,
 - un contact avec des produits agressifs.
8. La garantie ne s'applique pas pour les défectuosités, dues au transport, survenues en dehors de notre responsabilité. Celles causées par une installation ou un montage inadéquat, par un manque d'entretien, ou par le non-respect des indications de montage et d'utilisation, ne seront pas d'ailleurs couvertes par la garantie.
9. Ne sont pas couvertes par la garantie, les défectuosités qui proviennent de réparations ou d'interventions pratiquées par des personnes non qualifiées ou incompetentes, ou qui ont pour cause l'adjonction d'accessoires ou de pièces de rechange non d'origine.
10. Les appareils aisément transportables doivent être délivrés ou envoyés au service clientèle. Les interventions à domicile ne peuvent s'entrevoir que pour des appareils volumineux ou pour des appareils encastrables.
11. Si les appareils sont encastrés, insérés sous d'autres appareils, fixés ou suspendus de façon telle à ce que les opérations de retrait et de remise en place nécessitent plus d'une demi-heure, les coûts qui en résultent seront facturés au client. Les dommages en matière de connexion engendrés par ces travaux de retrait et de remise en place relèvent de la responsabilité de l'utilisateur.

12. Si au cours de la période de garantie, la réparation répétée d'une même défectuosité n'est pas concluante, ou si les frais de réparations sont jugés disproportionnés, le remplacement de l'appareil défectueux par un autre de même valeur peut être accompli en concertation avec le consommateur.
Dans ce cas nous nous réservons le droit de réclamer une participation financière calculée au prorata de la période d'utilisation écoulée.
13. La réparation sous garantie n'entraîne pas de prolongation de la période normale de garantie, ni le départ d'un nouveau cycle de garantie.
14. Nous octroyons une garantie de douze mois sur les réparations, limitée à la même défectuosité.
15. Hormis les cas où une responsabilité est imposée légalement, cette déclaration de conditions de garantie exclut toute indemnisation de dommages extérieurs à l'appareil dont le consommateur voudrait faire prévaloir les droits. Dans le cas d'une responsabilité reconnue légalement, la compensation n'excèdera pas la valeur d'achat de l'appareil.

Ces conditions de garantie sont valables uniquement pour des appareils achetés et utilisés en Belgique. Pour les appareils exportés, l'utilisateur doit d'abord s'assurer qu'ils satisfont aux conditions techniques (p. ex. : la tension, la fréquence, les prescriptions d'installation, le type de gaz, etc.) pour le pays concerné, et qu'ils supportent les conditions climatiques et environnementales locales. Pour les appareils achetés à l'étranger, l'utilisateur doit d'abord s'assurer qu'ils répondent bien aux qualifications requises en Belgique. Des adaptations indispensables ou souhaitées ne sont pas couvertes par la garantie et ne sont pas possibles dans tous les cas.

Le service clientèle se tient à votre disposition, également après expiration de la période de garantie.

Adresse de notre service clientèle :
BELGIQUE

Electrolux Home Products Belgium
ELECTROLUX SERVICE
Bergensesteenweg 719 1502 Lembeek
E-mail : consumer.services@electrolux.be

Consumer services

Téléphone :
02/363.04.44

Téléfax :
02/363.04.00
02/363.04.60

GRAND-DUCHÉ DE LUXEMBOURG

ELECTROLUX HOME PRODUCTS
Rue de Bitbourg 7 L-1273 Luxembourg-Hamm
E-mail : consumer-service.luxembourg@electrolux.lu

Service Après-vente

0035242431-1 0035242431-360




Garantie Européenne





Cet appareil est garanti par Electrolux dans chacun des pays énumérés au dos de cette notice et pour la période spécifiée par la garantie ou, à défaut, par la législation en vigueur. Si vous déménagez d'un pays dans un autre pays repris dans la liste, la garantie déménagera avec vous dans les conditions suivantes :

- La garantie commence à la date à laquelle l'appareil a effectivement été acheté à l'origine telle qu'elle apparaîtra sur production d'un document d'achat valable délivré par le vendeur de l'appareil.
- La garantie est valable pour la même période et couvre le remplacement de pièces détachées et la main-d'oeuvre dans les mêmes conditions que celles prévues pour votre nouveau pays de résidence pour le type de modèle ou la gamme d'appareils particuliers.
- La garantie de l'appareil est exclusivement reconnue à l'acheteur d'origine et ne peut être cédée à un autre utilisateur de l'appareil.
- L'appareil devra être installé et utilisé conformément aux instructions fournies par Electrolux, l'usage étant limité à des applications ménagères et à des fins non commerciales.
- L'appareil sera installé conformément à toutes les prescriptions et législations en vigueur dans votre nouveau pays de résidence.

Les dispositions de cette garantie européenne n'affecte en aucune manière les droits qui vous sont reconnus par la loi.

www.electrolux.com

		
Albania	+35 5 4 261 450	Rr. Pjeter Bogdani Nr. 7 Tirane
Belgique/België/Belgien	+32 2 363 04 44	Bergensesteenweg 719, 1502 Lembeek
Česká republika	+420 2 61 12 61 12	Budějovická 3, Praha 4, 140 21
Danmark	+45 70 11 74 00	Sjællandsgade 2, 7000 Fredericia
Deutschland	+49 180 32 26 622	Muggenhofer Str. 135, 90429 Nürnberg
Eesti	+37 2 66 50 030	Pärnu mnt. 153, 11624 Tallinn
España	+34 902 11 63 88	Carretera M-300, Km. 29,900 Alcalá de Henares Madrid
France	www.electrolux.fr	
Great Britain	+44 8705 929 929	Addington Way, Luton, Bedfordshire LU4 9QQ
Hellas	+30 23 10 56 19 70	4, Limnou Str., 54627 Thessaloniki
Hrvatska	+385 1 63 23 338	Slavonska avenija 3, 10000 Zagreb
Ireland	+353 1 40 90 753	Long Mile Road Dublin 12
Italia	+39 (0) 434 558500	C.so Lino Zanussi, 26 - 33080 Porcia (PN)
Latvija	+37 17 84 59 34	Kr. Barona iela 130/2, LV-1012, Riga
Lietuva	+370 5 2780609	Ozo 10A, LT 08200 Vilnius
Luxembourg	+352 42 431 301	Rue de Bitbourg, 7, L-1273 Hamm
Magyarország	+36 1 252 1773	H-1142 Budapest XIV, Erzsébet királyné útja 87
Nederland	+31 17 24 68 300	Vennootsweg 1, 2404 CG - Alphen aan den Rijn
Norge	+47 81 5 30 222	Risløkkvn. 2 , 0508 Oslo
Österreich	+43 18 66 400	Herziggasse 9, 1230 Wien
Polska	+48 22 43 47 300	ul. Kolejowa 5/7, Warszawa
Portugal	+35 12 14 40 39 39	Quinta da Fonte - Edificio Gonçalves Zarco - Q 35 -2774-518 Paço de Arcos
Romania	+40 21 451 20 30	Str. Garii Progresului 2, S4, 040671 RO
Schweiz - Suisse - Svizzera	+41 62 88 99 111	Industriestrasse 10, CH-5506 Mägenwil
Slovenija	+38 61 24 25 731	Gerbičeva ulica 98, 1000 Ljubljana
Slovensko	+421 2 43 33 43 22	Electrolux Slovakia s.r.o., Electrolux Domáce spotrebiče SK, Seberíniho 1, 821 03 Bratislava
Suomi	www.electrolux.fi	
Sverige	+46 (0)771 76 76 76	Electrolux Service, S:t Göransgatan 143, S-105 45 Stockholm
Türkiye	+90 21 22 93 10 25	Tarlabası caddesi no : 35 Taksim İstanbul
Россия	+7 495 937 7837	129090 Москва, Олимпийский проспект, 16, БЦ "Олимпик"

-	ES	DA	DE	EL	EN	FR	IT	NL	PT	SV	FI	ZANUSSI
1	Fabricante	Mærke	Hersteller	Προμηθευτής	Manufacturer	Fabricant	Costruttore	Fabrikant	Fabricante	Levematör	Tavarantoimittaja	ZOB 461
2	Modelo	Model	Modell	Μοντέλο	Model	Modèle	Modello	Model	Modelo	Modell	Malli	ZOB 461
3	Clase de eficiencia energética	Relativt energiforbrug	Energieeffizienzklasse	Τύξη ενεργειακής απόδοσης	Energy efficiency class	Classement selon son efficacité énergétique	Classe di efficienza energetica	Energie-efficiënsklasse	Classe de eficiência energética	Energieeffektivitetsklass	Energiestohokkuusluokka	
4	- Calentamiento convencional	- Traditionel opvarmning	- Konventionelle Beheizung	- Συμβατική θέρμανση	- Conventional	- Classique	- Convezione naturale	- Conventioneel	- Convencional	- Konventionell värmning	- Ylä-alalämpö	
5	- Convección forzada	- Varmiluft	- Um/Heißluft	- Με αναγκαστική θέρμανση	- Forced air convection	- Convection forcée	- Convezione forzata	- Geforceerde luchtconvector	- Convecção forçada de ar	- Värmning med varmluft	- Kiertolima	
6	Consumo de energía Función de calentamiento:	Energieforbrug Ovvarmningsfunktion:	Energieverbrauch Beheizung:	Κατανάλωση ενέργειας Λειτουργία θέρμανσης	Energy consumption Heating function:	Consommation d'énergie Fonction chauffage:	Consumo di energia Funzione di riscaldamento:	Energieverbruik Verhittingsfunctie:	Consumo de energia Função de aquecimento:	Energiförbrukning Värmningsfunktion:	Energiankäytös Kuunnemusta pa:	0.79 kWh
7	- Convección forzada	- Varmiluft	- Um/Heißluft	- Με αναγκαστική θέρμανση	- Forced air convection	- Convection forcée	- Convezione forzata	- Geforceerde luchtconvector	- Convecção forçada de ar	- Värmning med varmluft	- Kiertolima	0.78 kWh
8	- Vapor	- Damp	- Dampf	- Ατμός	- Steam	- Vapeur	- Vapore	- Stoom	- Vapor	- Ånga	- Höyry	
9	Volumen neto (litros)	Netto-volumen (liter)	Netto-volumen (Liter)	Ωφέλιμος όγκος (λίτρο)	Usable volume (litres)	Volume utile (litres)	Volume utile (litri)	Netto volume (liter)	Volume útil Litros	Användbar volym (liter)	Käyttötilavuus (litraa)	
••	• Pequeño	• Lille	• Klein	• Τεπός	• Small	• Petite	• Piccolo	• Klein	• Pequeno	• Storké	• Koko:	
•••	• Medio	• Middelstort	• Mittel	• Μέσιος	• Medium	• Média	• Medio	• Medio	• Médio	• Liten	• Pieni	
••••	• Grande	• Stort	• Groß	• Μεγάλος	• Large	• Grande	• Grande	• Grote	• Grande	• Stor	• Suuri	
10	Calentamiento convencional	Traditionel opvarmning	Konventionelle Beheizung	Συμβατική θέρμανση	Conventional	Classique	Convezione naturale	Conventioneel	Convencional	Konventionell värmning	Ylä-alalämpö	43 min.
11	Convección forzada	Varmiluft	Um/Heißluft	Με αναγκαστική θέρμανση	Forced air convection	Convection forcée	Convezione forzata	Geforceerde luchtconvector	Convecção forçada de ar	Värmning med varmluft	Kiertolima	41 min.
12	Superficie de la placa de mayor tamaño	Areal af den største bageplade	Größe des größten Backblechs	Η μεγαλύτερη επιφάνεια ψησίματος (εκφρασμένη)	The area of the largest baking sheet	Aire de la surface de la plus grande plaque pour pâtisserie	Superficie del piano di cottura più grande	Oppervlakte van de grootste bakplaat	Área da superfície da maior placa de pastelaria	Ytan för den största bakplaten	Suurimman leiväpölin ala	1130 cm ²
13	Ruido [dB (A) re 1 pW]	Lydeffekt-niveau dB (A) (Støj)	Geräusch dB (A) re 1 pW	Έπιφάνεια [dB (A) ανά 1 pW]	Noise [dB (A) re 1 pW]	Bruit [dB (A) re 1 pW]	Rumore [dB (A) re 1 pW]	Geluids-niveau dB (A) re 1 pW	Nível de ruído dB (A) re 1 pW	Bullarmått dB (A)	Ääni [dB (A) re 1 pW]	
<p>• Más eficiente / Lavt forbrug / Niedriger Verbrauch / Più efficiente / Più efficiente / More efficient / Economie</p> <p>Basni consumi / Effizient / Mais efficace / Más eficiente / Lag forbrøking / Vähän kuluttava</p> <p>Μεταδοτική Ηαί forbrug / Hoher Verbrauch / Μεταδοτική / Μεταδοτική / Less efficient / Περί οικονομία</p> <p>Aff consum / Inefficient / Menos eficiente / Αντιοποδοτική / Lag forbrøking / Pajon kuluttava</p> <p>•• 12 l Netto volume/Volume útil/Användbar volym/Käyttötillavuus < 35 l</p> <p>••• 35 l Netto volume/Volume útil/Användbar volym/Käyttötillavuus < 65 l</p> <p>•••• 65 l Netto volume/Volume útil/Användbar volym/Käyttötillavuus</p>												
[2002]40/EC												

www.electrolux.com

www.zanussi.be

www.zanussi.nl

www.zanussi.com.es