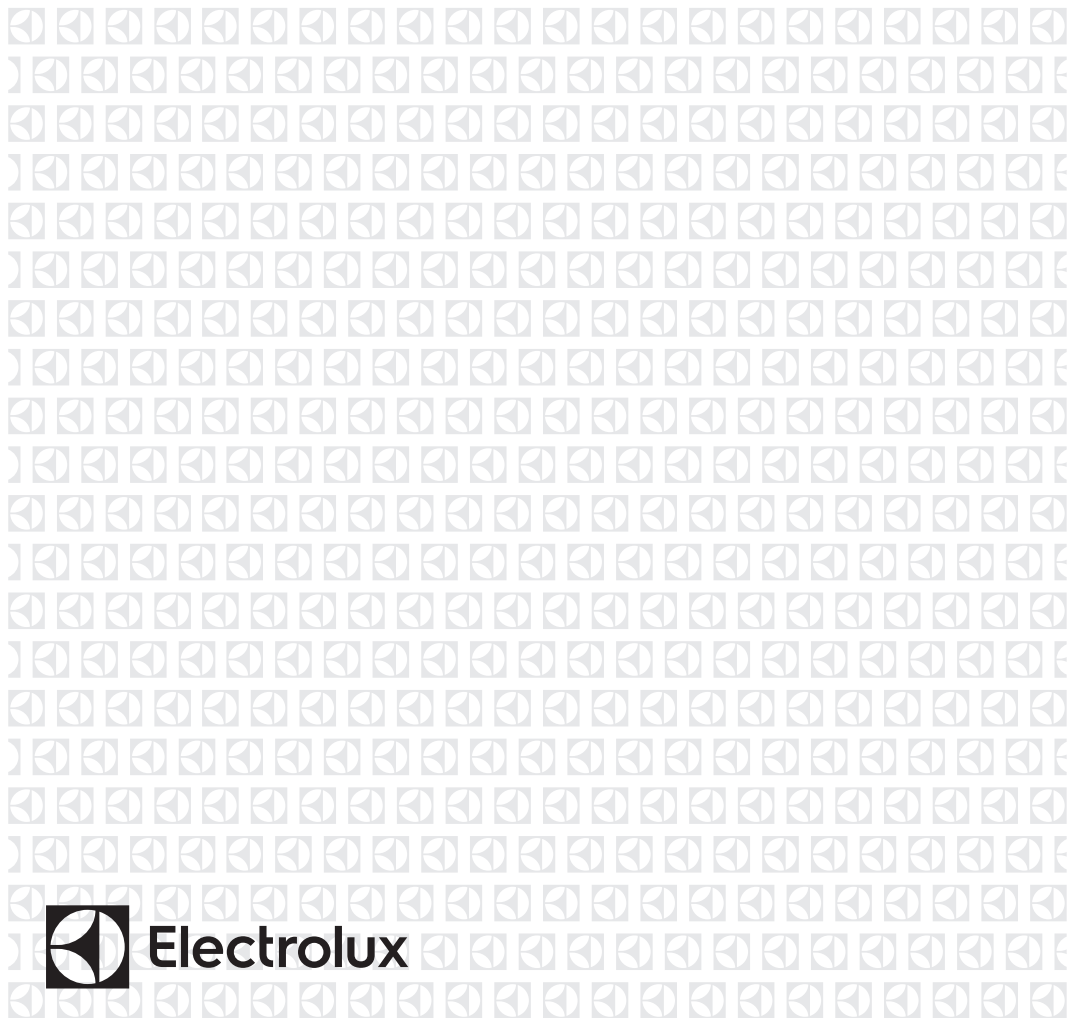




EN	Fridge Freezer	User Manual	2
FR	Réfrigérateur/congélateur	Notice d'utilisation	20
DE	Kühl - Gefrierschrank	Benutzerinformation	40
ES	Frigorífico-congelador	Manual de instrucciones	60



CONTENTS

1. SAFETY INFORMATION.....	3
2. SAFETY INSTRUCTIONS.....	4
3. OPERATION.....	5
4. DAILY USE.....	6
5. HINTS AND TIPS.....	8
6. CARE AND CLEANING.....	9
7. TROUBLESHOOTING.....	10
8. INSTALLATION.....	13
9. NOISES.....	17
10. TECHNICAL INFORMATION.....	18

WE'RE THINKING OF YOU

Thank you for purchasing an Electrolux appliance. You've chosen a product that brings with it decades of professional experience and innovation. Ingenious and stylish, it has been designed with you in mind. So whenever you use it, you can be safe in the knowledge that you'll get great results every time.

Welcome to Electrolux.

Visit our website for:



Get usage advice, brochures, trouble shooter, service information:
www.electrolux.com



Register your product for better service:
www.registerelectrolux.com



Buy Accessories, Consumables and Original spare parts for your appliance:
www.electrolux.com/shop

CUSTOMER CARE AND SERVICE

Always use original spare parts.

When contacting our Authorised Service Centre, ensure that you have the following data available: Model, PNC, Serial Number.

The information can be found on the rating plate.



Warning / Caution-Safety information



General information and tips



Environmental information

Subject to change without notice.

1. ⚠ SAFETY INFORMATION

Before the installation and use of the appliance, carefully read the supplied instructions. The manufacturer is not responsible if an incorrect installation and use causes injuries and damages. Always keep the instructions with the appliance for future reference.

1.1 Children and vulnerable people safety

- This appliance can be used by children aged from 8 years and above and persons with reduced physical, sensory or mental capabilities or lack of experience and knowledge if they have been given supervision or instruction concerning use of the appliance in a safe way and understand the hazards involved.
- Do not let children play with the appliance.
- Cleaning and user maintenance shall not be made by children without supervision.
- Keep all packaging away from children.

1.2 General Safety

- This appliance is intended to be used in household and similar applications such as:
 - Farm houses; staff kitchen areas in shops, offices and other working environments
 - By clients in hotels, motels, bed and breakfast and other residential type environments
- Keep ventilation openings, in the appliance enclosure or in the built-in structure, clear of obstruction.
- Do not use mechanical devices or other means to accelerate the defrosting process, other than those recommended by the manufacturer.
- Do not damage the refrigerant circuit.
- Do not use electrical appliances inside the food storage compartments of the appliance, unless they are of the type recommended by the manufacturer.
- Do not use water spray and steam to clean the appliance.

- Clean the appliance with a moist soft cloth. Only use neutral detergents. Do not use abrasive products, abrasive cleaning pads, solvents or metal objects.
- Do not store explosive substances such as aerosol cans with a flammable propellant in this appliance.
- If the supply cord is damaged, it must be replaced by the manufacturer, its Authorised Service Centre or similarly qualified persons in order to avoid a hazard.

2. SAFETY INSTRUCTIONS

2.1 Installation



WARNING!

Only a qualified person must install this appliance.

- Remove all the packaging.
 - Do not install or use a damaged appliance.
 - Obey the installation instruction supplied with the appliance.
 - Always be careful when you move the appliance because it is heavy. Always wear safety gloves.
 - Make sure the air can circulate around the appliance.
 - Wait at least 4 hours before connecting the appliance to the power supply. This is to allow the oil to flow back in the compressor.
 - Do not install the appliance close to radiators or cookers, oven or hobs.
 - The rear of the appliance must stand against the wall.
 - Do not install the appliance where there is direct sunlight.
 - Do not install this appliance in areas that are too humid or too colds, such as the construction appendices, garages or wine cellars.
 - When you move the appliance, lift it by the front edge to avoid scratching the floor.
- Make sure that the electrical information on the rating plate agrees with the power supply. If not, contact an electrician.
 - Always use a correctly installed shockproof socket.
 - Do not use multi-plug adapters and extension cables.
 - Make sure not to cause damage to the electrical components (e.g. mains plug, mains cable, compressor). Contact the Authorised Service Centre or an electrician to change the electrical components.
 - The mains cable must stay below the level of the mains plug.
 - Connect the mains plug to the mains socket only at the end of the installation. Make sure that there is access to the mains plug after the installation.
 - Do not pull the mains cable to disconnect the appliance. Always pull the mains plug.

2.2 Electrical connection



WARNING!

Risk of fire and electrical shock.

- The appliance must be earthed.

2.3 Use



WARNING!

Risk of injury, burns, electrical shock or fire.

- Do not change the specification of this appliance.
- Do not put electrical appliances (e.g. ice cream makers) in the appliance unless they are stated applicable by the manufacturer.
- Be careful not to cause damage to the refrigerant circuit. It contains isobutane (R600a), a natural gas with

- a high level of environmental compatibility. This gas is flammable.
- If damage occurs to the refrigerant circuit, make sure that there are no flames and sources of ignition in the room. Ventilate the room.
- Do not let hot items to touch the plastic parts of the appliance.
- Do not put soft drinks in the freezer compartment. This will create pressure on the drink container.
- Do not store flammable gas and liquid in the appliance.
- Do not put flammable products or items that are wet with flammable products in, near or on the appliance.
- Do not touch the compressor or the condenser. They are hot.
- Do not remove or touch items from the freezer compartment if your hands are wet or damp.
- Do not freeze again food that has been thawed.
- Obey the storage instructions on the packaging of frozen food.

2.4 Internal light

- The type of lamp used for this appliance is not suitable for household room illumination

2.5 Care and cleaning



WARNING!
Risk of injury or damage to the appliance.

- Before maintenance, deactivate the appliance and disconnect the mains plug from the mains socket.
- This appliance contains hydrocarbons in the cooling unit. Only a qualified person must do the maintenance and the recharging of the unit.
- Regularly examine the drain of the appliance and if necessary, clean it. If the drain is blocked, defrosted water collects in the bottom of the appliance.

2.6 Disposal



WARNING!
Risk of injury or suffocation.

- Disconnect the appliance from the mains supply.
- Cut off the mains cable and discard it.
- Remove the door to prevent children and pets to be closed inside of the appliance.
- The refrigerant circuit and the insulation materials of this appliance are ozone-friendly.
- The insulation foam contains flammable gas. Contact your municipal authority for information on how to discard the appliance correctly.
- Do not cause damage to the part of the cooling unit that is near the heat exchanger.

3. OPERATION

3.1 Switching on

1. Insert the plug into the wall socket.
2. Turn the Temperature regulator clockwise to a medium setting.

3.2 Switching off

To turn off the appliance, turn the temperature regulator to the "0" position.

3.3 Temperature regulation

The temperature is regulated automatically.



A medium setting is generally the most suitable. However, the exact setting should be chosen keeping in mind that the temperature inside the appliance depends on:

- room temperature,
- how often the door is opened,
- the quantity of food stored,
- the location of the appliance.

1. Turn the Temperature regulator toward lower settings to obtain the minimum coldness.
2. Turn the Temperature regulator toward higher settings to obtain the maximum coldness.



CAUTION!

If the ambient temperature is high or the appliance is fully loaded, and the appliance is set to the lowest temperatures, it may run continuously causing frost to form on the rear wall. In this case the dial must be set to a higher temperature to allow automatic defrosting and therefore reduced energy consumption.

4. DAILY USE

4.1 Freezing fresh food

The freezer compartment is suitable for freezing fresh food and storing frozen and deep-frozen food for a long time.

To freeze fresh foods it is not necessary to change the medium setting.

Place the fresh food to be frozen in the top compartment

For a faster freezing operation, turn the temperature regulator toward higher settings to obtain the maximum coldness.



CAUTION!

In this condition, the refrigerator compartment temperature might drop below 0°C. If this occurs reset the temperature regulator to a warmer setting.

4.2 Storage of frozen food

When first starting-up or after a period out of use, before putting the products in the compartment let the appliance run at least 2 hours on the higher settings.



In the event of accidental defrosting, for example due to a power failure, if the power has been off for longer than the value shown in the technical characteristics chart under "rising time", the defrosted food must be consumed quickly or cooked immediately and then re-frozen (after cooling).

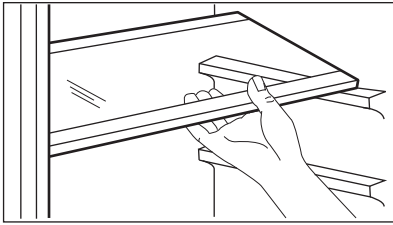
4.3 Thawing

Deep-frozen or frozen food, prior to being used, can be thawed in the refrigerator compartment or at room temperature, depending on the time available for this operation.

Small pieces may even be cooked still frozen, directly from the freezer: in this case, cooking will take longer.

4.4 Movable shelves

The walls of the refrigerator are equipped with a series of runners so that the shelves can be positioned as desired.



- i** Do not move the glass shelf above the vegetable drawer and the bottle shelf to ensure correct air circulation.

4.5 Ice-cube production

This appliance is equipped with one or more trays for the production of ice-cubes.

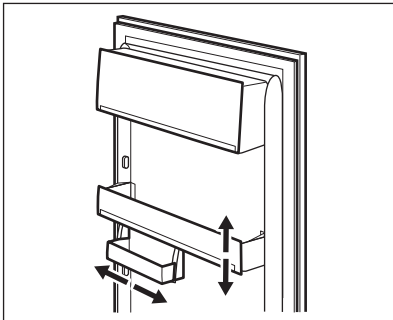
- i** Do not use metallic instruments to remove the trays from the freezer.

1. Fill these trays with water
2. Put the ice trays in the freezer compartment.

4.6 Positioning the door shelves

To permit storage of food packages of various sizes, the door shelves can be placed at different heights.

1. Gradually pull the shelf in the direction of the arrows until it comes free.
2. Reposition as required.

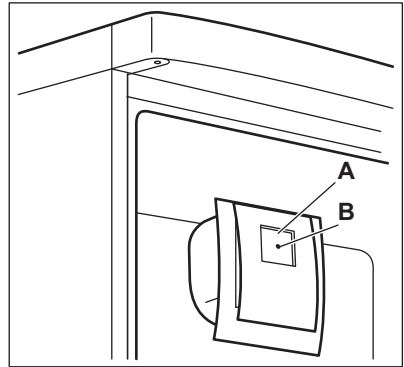


4.7 FREESTORE

The FREESTORE function let food cool quickly and a more uniform temperature in the compartment.

- i** Switch on the FREESTORE function when the ambient temperature exceeds 25°C.

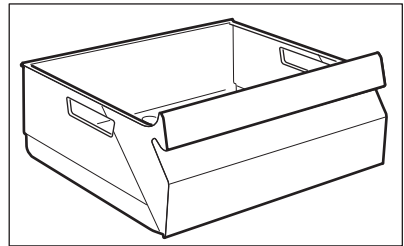
Press the switch (A) to switch on the FREESTORE.
The green light (B) comes on.



- i** When you switch off the appliance remember to turn off the fan by pressing the button (A).
The green light (B) comes off.

4.8 CrispFresh drawer

The drawer is suitable for storing fruit and vegetables.



5. HINTS AND TIPS

5.1 Normal operating sounds

The following sounds are normal during operation:

- A faint gurgling and bubbling sound from coils sound when refrigerant is pumped.
- A whirring and pulsating sound from the compressor when refrigerant is pumped.
- A sudden cracking noise from inside appliance caused by thermic dilatation (a natural and not dangerous physical phenomenon).
- A faint click noise from the temperature regulator when the compressor switches on or off.

5.2 Hints for energy saving

- Do not open the door frequently or leave it open longer than absolutely necessary.

5.3 Hints for fresh food refrigeration

To obtain the best performance:

- do not store warm food or evaporating liquids in the refrigerator
- do cover or wrap the food, particularly if it has a strong flavour
- position food so that air can circulate freely around it

5.4 Hints for refrigeration

Useful hints:

- Meat (all types) : wrap in polythene bags and place on the glass shelf above the vegetable drawer.
- For safety, store in this way only one or two days at the most.
- Cooked foods, cold dishes, etc...: these should be covered and may be placed on any shelf.
- Fruit and vegetables: these should be thoroughly cleaned and placed in the special drawer(s) provided.
- Butter and cheese: these should be placed in special airtight containers or wrapped in aluminium foil or

polythene bags to exclude as much air as possible.

- Bottles: these need a cap and should be stored on the door bottle shelf, or (if equipped) on the bottle rack.
- Bananas, potatoes, onions and garlic, if not packed, must not be kept in the refrigerator.

5.5 Hints for freezing

To help you make the most of the freezing process, here are some important hints:

- the maximum quantity of food which can be frozen in 24 hrs. is shown on the rating plate;
- the freezing process takes 24 hours. No further food to be frozen should be added during this period;
- freeze only top quality, fresh and thoroughly cleaned, foodstuffs;
- prepare food in small portions to enable it to be rapidly and completely frozen and to make it possible subsequently to thaw only the quantity required;
- wrap up the food in aluminium foil or polythene and make sure that the packages are airtight;
- do not allow fresh, unfrozen food to touch food which is already frozen, thus avoiding a rise in temperature of the latter;
- lean foods store better and longer than fatty ones; salt reduces the storage life of food;
- water ices, if consumed immediately after removal from the freezer compartment, can possibly cause the skin to be freeze burnt;
- it is advisable to show the freezing in date on each individual pack to enable you to keep tab of the storage time.

5.6 Hints for storage of frozen food

To obtain the best performance from this appliance, you should:

- make sure that the commercially frozen foodstuffs were adequately stored by the retailer;
- be sure that frozen foodstuffs are transferred from the foodstore to the freezer in the shortest possible time;
- not open the door frequently or leave it open longer than absolutely necessary;

- once defrosted, food deteriorates rapidly and cannot be refrozen;
- do not exceed the storage period indicated by the food manufacturer.

6. CARE AND CLEANING



WARNING!

Refer to Safety chapters.

6.1 General warnings



CAUTION!

Unplug the appliance before carrying out any maintenance operation.



This appliance contains hydrocarbons in its cooling unit; maintenance and recharging must therefore only be carried out by authorized technicians.



The accessories and parts of the appliance are not suitable for washing in a dishwasher.

6.2 Periodic cleaning



CAUTION!

Do not pull, move or damage any pipes and/or cables inside the cabinet.



CAUTION!

Take care of not to damage the cooling system.



CAUTION!

When moving the cabinet, lift it by the front edge to avoid scratching the floor.

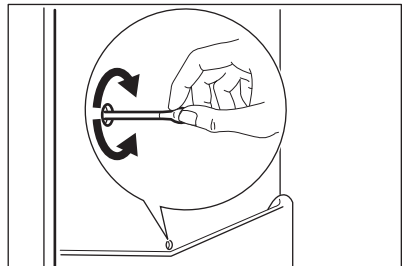
The equipment has to be cleaned regularly:

1. Clean the inside and accessories with lukewarm water and some neutral soap.
2. Regularly check the door seals and wipe clean to ensure they are clean and free from debris.
3. Rinse and dry thoroughly.
4. If accessible, clean the condenser and the compressor at the back of the appliance with a brush. This operation will improve the performance of the appliance and save electricity consumption.

6.3 Defrosting of the refrigerator

Frost is automatically eliminated from the evaporator of the refrigerator compartment every time the motor compressor stops, during normal use. The defrost water drains out through a trough into a special container at the back of the appliance, over the motor compressor, where it evaporates.

It is important to periodically clean the defrost water drain hole in the middle of the refrigerator compartment channel to prevent the water overflowing and dripping onto the food inside.



6.4 Defrosting the freezer



CAUTION!

Never use sharp metal tools to scrape off frost from the evaporator as you could damage it. Do not use a mechanical device or any artificial means to speed up the thawing process other than those recommended by the manufacturer. A temperature rise of the frozen food packs, during defrosting, may shorten their safe storage life.



About 12 hours prior to defrosting, set a lower temperature, in order to build up sufficient chill reserve for the interruption in operation.

A certain amount of frost will always form on the freezer shelves and around the top compartment.

Defrost the freezer when the frost layer reaches a thickness of about 3-5 mm.

1. Switch off the appliance, or pull out electrical plug from the wall socket.
2. Remove any stored food, wrap it in several layers of newspaper and put it in a cool place.

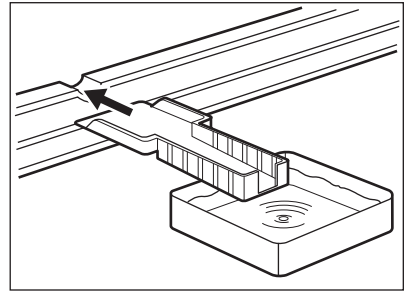


WARNING!

Do not touch frozen goods with wet hands. Hands can freeze to the goods.

3. Leave the door open and insert the plastic scraper in the appropriate seating at the bottom centre, placing a basin underneath to collect the

defrost water.



In order to speed up the defrosting process, place a pot of warm water in the freezer compartment. In addition, remove pieces of ice that break away before defrosting is complete.

4. When defrosting is completed, dry the interior thoroughly and keep the scraper for future use.
5. Switch on the appliance. After three hours reload the previously removed food into the freezer compartment.

6.5 Periods of non-operation

When the appliance is not in use for long periods, take the following precautions:

1. Disconnect the appliance from electricity supply.
2. Remove all food.
3. Defrost (if necessary) and clean the appliance and all accessories.
4. Clean the appliance and all accessories.
5. Leave the door/doors open to prevent unpleasant smells.



WARNING!

If the cabinet will be kept on, ask somebody to check it once in a while to prevent the food inside from spoiling in case of a power failure.

7. TROUBLESHOOTING



WARNING!

Refer to Safety chapters.

7.1 What to do if...

Problem	Possible cause	Solution
The appliance does not operate.	The appliance is switched off.	Switch on the appliance.
	The mains plug is not connected to the mains socket correctly.	Connect the mains plug to the mains socket correctly.
	There is no voltage in the mains socket.	Connect a different electrical appliance to the mains socket. Contact a qualified electrician.
The appliance is noisy.	The appliance is not supported properly.	Check if the appliance stands stable.
The lamp does not work.	The lamp is in stand-by.	Close and open the door.
	The lamp is defective.	Refer to "Replacing the lamp".
The compressor operates continually.	Temperature is set incorrectly.	Refer to "Operation" chapter.
	Many food products were put in at the same time.	Wait some hours and then check the temperature again.
	The room temperature is too high.	Refer to climate class chart on the rating plate.
	Food products placed in the appliance were too warm.	Allow food products to cool to room temperature before storing.
	The door is not closed correctly.	Refer to "Closing the door".
	The water drainage plug is not correctly positioned.	Position the water drainage plug in the correct way.
	Food products are not wrapped properly.	Wrap the food products better.
	Temperature is set incorrectly.	Refer to "Operation" chapter.
Water flows inside the refrigerator.	The water outlet is clogged.	Clean the water outlet.
	Food products prevent that water flows into the water collector.	Make sure that food products do not touch the rear plate.

Problem	Possible cause	Solution
Water flows on the floor.	The melting water outlet is not connected to the evaporative tray above the compressor.	Attach the melting water outlet to the evaporative tray.
The temperature in the appliance is too low/too high.	The temperature regulator is not set correctly.	Set a higher/lower temperature.
	The door is not closed correctly.	Refer to "Closing the door".
	The food products' temperature is too high.	Let the food products temperature decrease to room temperature before storage.
	Many food products are stored at the same time.	Store less food products at the same time.
	The thickness of the frost is greater than 4-5 mm.	Defrost the appliance.
	The door has been opened often.	Open the door only if necessary.
	There is no cold air circulation in the appliance.	Make sure that there is cold air circulation in the appliance.

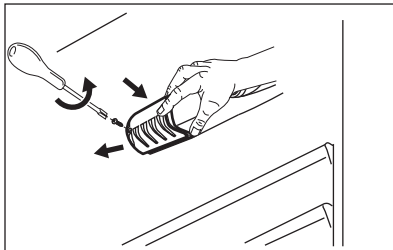


If the advice does not lead to the desired result, contact the nearest Authorised Service Centre.

7.2 Replacing the lamp

Disconnect the plug from the mains socket.

1. Remove the screw from the lamp cover.
2. Remove the lamp cover (refer to the illustration).



3. Replace the used lamp with a new lamp of the same power and specifically designed for household appliances (the maximum power is shown on the lamp cover).
4. Install the lamp cover.
5. Tighten the screw to the lamp cover.
6. Connect the plug to the mains socket.
7. Open the door.
Make sure that the light comes on.

7.3 Closing the door

1. Clean the door gaskets.
2. If necessary, adjust the door. Refer to "Installation".
3. If necessary, replace the defective door gaskets. Contact the Authorised Service Centre.

8. INSTALLATION

8.1 Positioning

This appliance can be installed in a dry, well ventilated indoor where the ambient temperature corresponds to the climate class indicated on the rating plate of the appliance:

Climate class	Ambient temperature
SN	+10°C to +32°C
N	+16°C to +32°C
ST	+16°C to +38°C
T	+16°C to +43°C



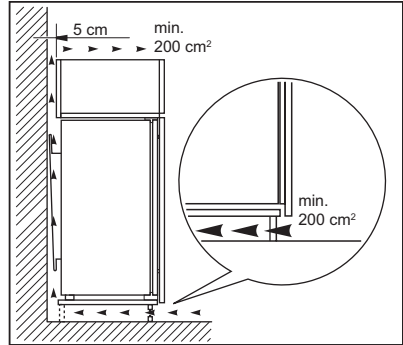
Some functional problems might occur for some types of models when operating outside of that range. The correct operation can only be guaranteed within the specified temperature range. If you have any doubts regarding where to install the appliance, please turn to the vendor, to our customer service or to the nearest Authorised Service Centre.

8.2 Electrical connection

- Before plugging in, ensure that the voltage and frequency shown on the rating plate correspond to your domestic power supply.
- The appliance must be earthed. The power supply cable plug is provided with a contact for this purpose. If the domestic power supply socket is not earthed, connect the appliance to a separate earth in compliance with current regulations, consulting a qualified electrician.
- The manufacturer declines all responsibility if the above safety precautions are not observed.
- This appliance complies with the E.E.C. Directives.

8.3 Ventilation requirements

The airflow behind the appliance must be sufficient.

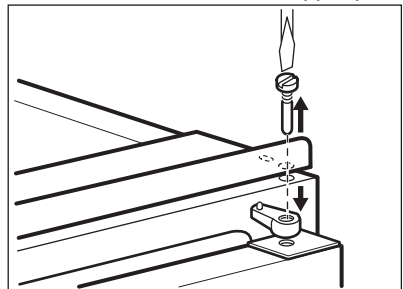


CAUTION!

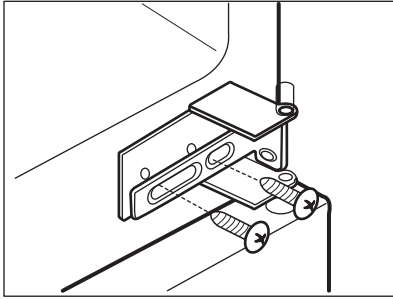
Refer to the assembly instructions for the installation.

8.4 Door reversibility

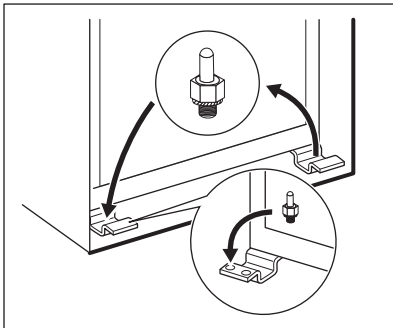
1. Loosen and remove the upper pin.



2. Remove the upper door.
3. Remove the spacer.
4. Loosen the middle hinge.



5. Remove the lower door.
6. Loosen and remove the lower pin.
7. Tighten the lower pin on the opposite side.



8. Install the lower door.
9. Tighten the middle hinge.
10. Install the spacer.
11. Install the upper door.
12. Tighten the upper pin.



Do a final check to make sure that:

- All screws are tightened.
- The magnetic seal adheres to the cabinet.
- The door opens and closes correctly.

If the ambient temperature is cold (i.e. in Winter), the gasket may not fit perfectly to the cabinet. In that case, wait for the natural fitting of the gasket.

In case you do not want to carry out the above mentioned operations, contact the nearest Authorised Service Centre. The Authorised Service specialist will carry out the reversibility of the doors at your cost.

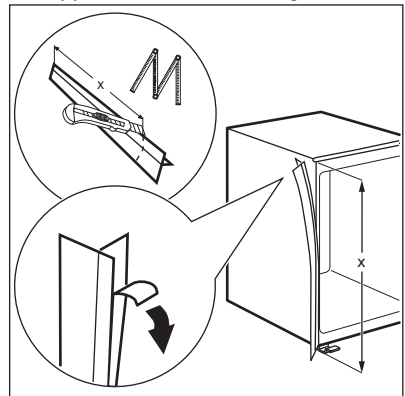
8.5 Installing the appliance



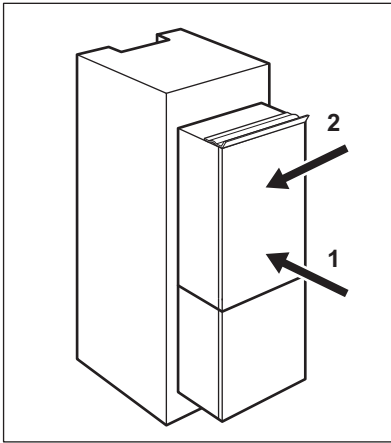
CAUTION!

Make sure that the mains cable can move freely.

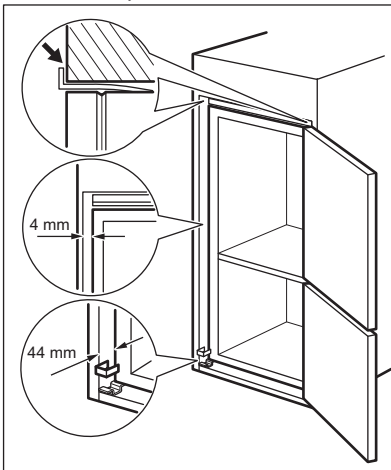
1. If necessary cut the adhesive sealing strip and then apply it to the appliance as shown in figure.



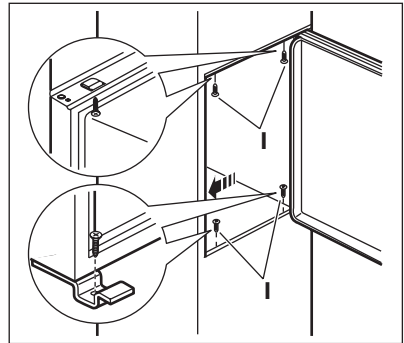
2. Install the appliance in the niche.
3. Push the appliance in the direction of the arrows (1) until the upper gap cover stops against the kitchen furniture.



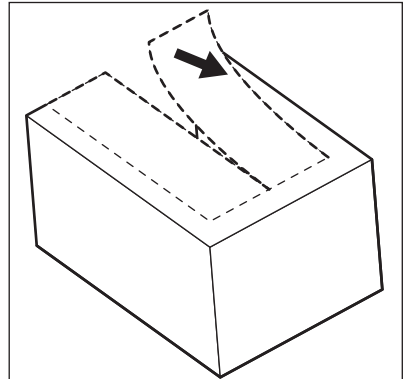
4. Push the appliance in the direction of the arrows (2) against the cupboard on the opposite side of the hinge.
5. Adjust the appliance in the niche. Make sure that the distance between the appliance and the cupboard front-edge is 44 mm. The lower hinge cover (in the accessories bag) makes sure that the distance between the appliance and the kitchen furniture is correct. Make sure that the clearance between the appliance and the cupboard is 4 mm.
6. Open the door. Put the lower hinge cover in position.



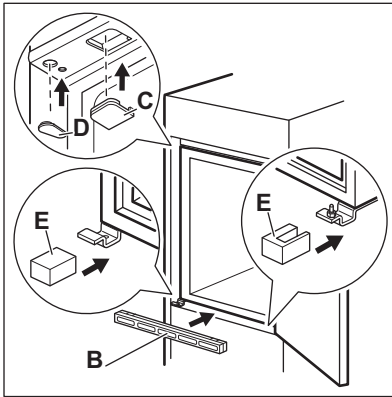
7. Attach the appliance to the niche with 4 screws.



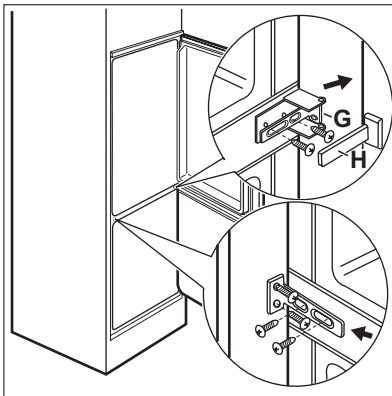
8. Remove the correct part from the hinge cover (E). Make sure to remove the part DX, in the case of right hinge, SX in opposite case.



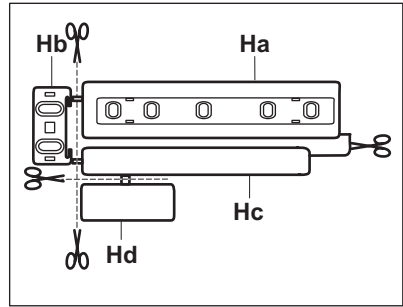
9. Attach the covers (C, D) to the lugs and the hinge holes.



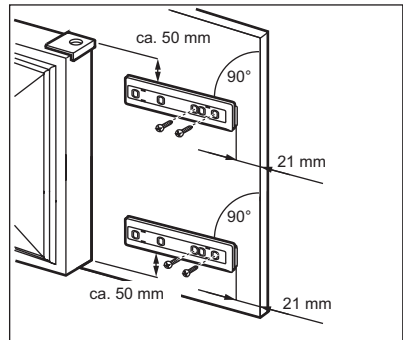
10. Install the vent grille (B).
11. Attach the hinge covers (E) to the hinge.
12. Connect the appliance laterally to the kitchen furniture sidewall.
13. Loosen the screws of the part (G) and move the part (G) till the furniture sidewall.



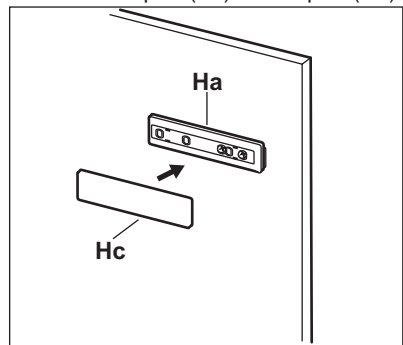
14. Tighten the screws of the part (G) again.
15. Attach the part (H) to the part (G).
16. Disconnect the parts (Ha), (Hb), (Hc) and (Hd).



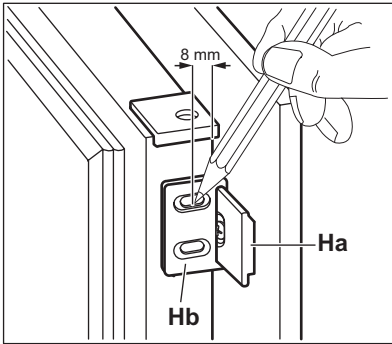
17. Install the part (Ha) on the inner side of the kitchen furniture.



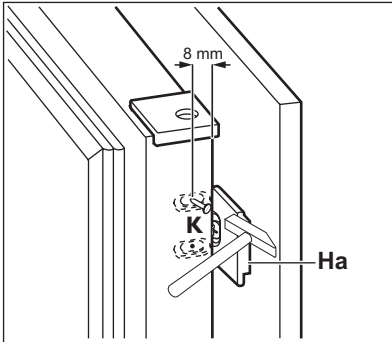
18. Push the part (Hc) on the part (Ha).



19. Open the appliance door and the kitchen furniture door at an angle of 90°.
20. Insert the small square (Hb) into guide (Ha).
21. Put together the appliance door and the furniture door and mark the holes.

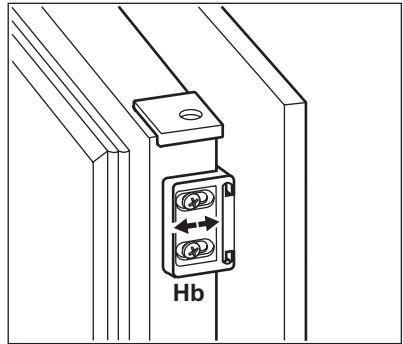


22. Remove the brackets and mark a distance of 8 mm from the outer edge of the door where the nail must be fitted (K).

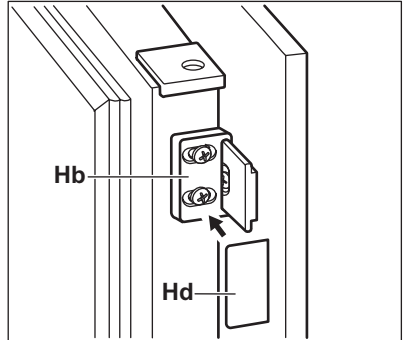


23. Place the small square on the guide again and fix it with the screws supplied.

24. Align the kitchen furniture door and the appliance door by adjusting the part (Hb).



25. Press the part (Hd) on the part (Hb).

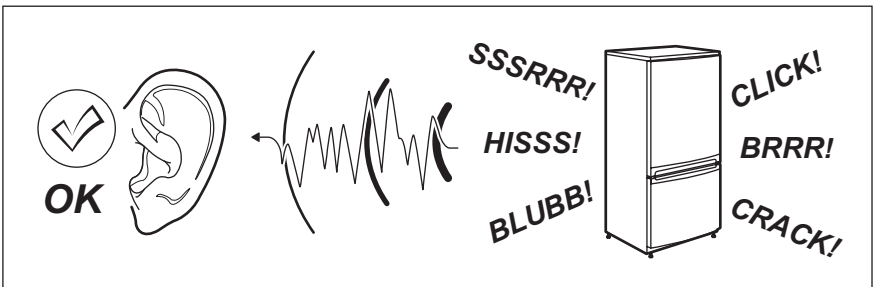


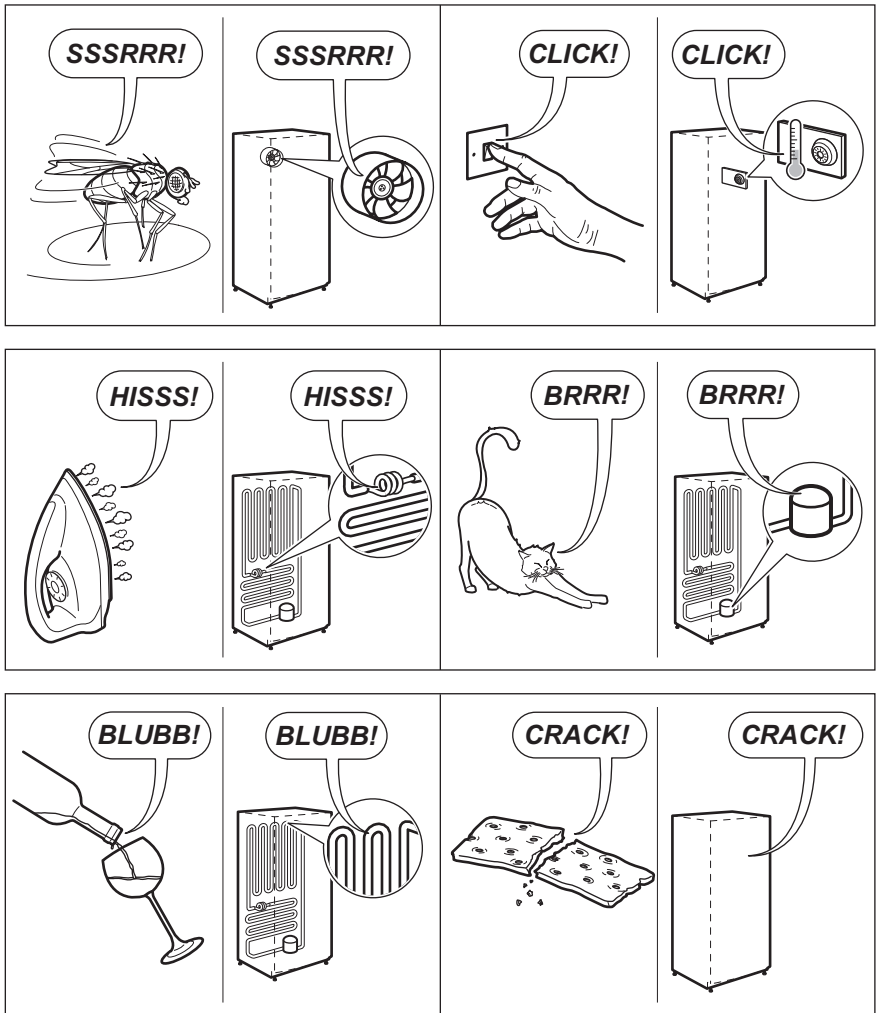
Do a final check to make sure that:

- All screws are tightened.
- The sealing strip is attached tightly to the cabinet.
- The door opens and closes correctly.

9. NOISES

There are some sounds during normal running (compressor, refrigerant circulation).





10. TECHNICAL INFORMATION

10.1 Technical data


Dimensions of the recess		
Height	mm	1850
Width	mm	560
Depth	mm	560

Rising time	Hours	20
Voltage	Volts	230 - 240
Frequency	Hz	50

The technical information are situated in the rating plate, on the external or

internal side of the appliance and in the energy label.

11. ENVIRONMENT CONCERNS

Recycle the materials with the symbol . Put the packaging in applicable containers to recycle it. Help protect the environment and human health and to recycle waste of electrical and electronic appliances. Do not dispose appliances


marked with the symbol  with the household waste. Return the product to your local recycling facility or contact your municipal office.

TABLE DES MATIÈRES

1. CONSIGNES DE SÉCURITÉ.....	21
2. INSTRUCTIONS DE SÉCURITÉ.....	22
3. FONCTIONNEMENT.....	24
4. UTILISATION QUOTIDIENNE.....	24
5. CONSEILS.....	26
6. ENTRETIEN ET NETTOYAGE.....	28
7. EN CAS D'ANOMALIE DE FONCTIONNEMENT.....	30
8. INSTALLATION.....	32
9. BRUITS.....	37
10. CARACTÉRISTIQUES TECHNIQUES.....	38

NOUS PENSONS À VOUS

Merci d'avoir choisi ce produit Electrolux. Avec ce produit, vous bénéficiez de dizaines d'années d'expérience professionnelle et d'innovation. Ingénieux et élégant, il a été conçu sur mesure pour vous. Grâce à cet appareil, vous savez que chaque utilisation vous apportera satisfaction.

Bienvenue chez Electrolux.

Visitez notre site Internet pour :



Obtenir des conseils d'utilisation, des brochures, de l'aide, des informations :
www.electrolux.com



Enregistrer votre produit pour obtenir un meilleur service :
www.registerelectrolux.com



Acheter des accessoires, consommables et pièces de rechange d'origine pour votre appareil :
www.electrolux.com/shop

SERVICE APRÈS-VENTE

N'utilisez que des pièces de rechange d'origine.

Avant de contacter le service, assurez-vous de disposer des informations suivantes : Modèle, PNC, numéro de série.

Vous trouverez ces informations sur la plaque signalétique.



Avertissement/Attention : consignes de sécurité.



Informations générales et conseils.



Informations en matière de protection de l'environnement.

Sous réserve de modifications.

1. ⚠️ CONSIGNES DE SÉCURITÉ

Avant d'installer et d'utiliser cet appareil, lisez soigneusement les instructions fournies. Le fabricant ne peut être tenu pour responsable des dommages et blessures liés à une mauvaise installation ou utilisation. Conservez toujours cette notice avec votre appareil pour vous y référer ultérieurement.

1.1 Sécurité des enfants et des personnes vulnérables

- Cet appareil peut être utilisé par des enfants âgés d'au moins 8 ans et par des personnes ayant des capacités physiques, sensorielles ou mentales réduites ou dénuées d'expérience ou de connaissance, s'ils (si elles) sont correctement surveillé(e)s ou si des instructions relatives à l'utilisation de l'appareil en toute sécurité leur ont été données et si les risques encourus ont été appréhendés.
- Les enfants ne doivent pas jouer avec l'appareil.
- Le nettoyage et l'entretien par l'utilisateur ne doivent pas être effectués par des enfants sans surveillance.
- Ne laissez pas les emballages à la portée des enfants.

1.2 Consignes générales de sécurité

- Cet appareil est conçu uniquement pour un usage domestique et des utilisations telles que :
 - dans les bâtiments de ferme, dans des cuisines réservées aux employés dans des magasins, bureaux et autres lieux de travail ;
 - pour une utilisation privée, par les clients, dans des hôtels et autres lieux de séjour.
- Veillez à ce que les orifices de ventilation, situés dans l'enceinte de l'appareil ou dans la structure intégrée, ne soient pas obstrués.

- N'utilisez aucun dispositif mécanique ou autre appareil pour accélérer le processus de dégivrage que ceux recommandés par le fabricant.
- N'endommagez pas le circuit frigorifique.
- N'utilisez pas d'appareils électriques à l'intérieur des compartiments de conservation des aliments de l'appareil, sauf s'ils sont du type recommandé par le fabricant.
- Ne pulvérisez pas d'eau ni de vapeur pour nettoyer l'appareil.
- Nettoyez l'appareil avec un chiffon doux humide. Utilisez uniquement des produits de nettoyage neutres. N'utilisez pas de produits abrasifs, de tampons à récurer, de solvants ni d'objets métalliques.
- Ne conservez aucune substance explosive dans cet appareil, comme des aérosols contenant un produit inflammable.
- Si le câble d'alimentation est endommagé, il doit être remplacé par le fabricant, son service après-vente ou des personnes de qualification similaire afin d'éviter un danger.

2. INSTRUCTIONS DE SÉCURITÉ

2.1 Installation



AVERTISSEMENT!

L'appareil doit être installé uniquement par un professionnel qualifié.

- Retirez l'intégralité de l'emballage
 - N'installez pas et ne branchez pas un appareil endommagé.
 - Suivez scrupuleusement les instructions d'installation fournies avec l'appareil.
 - Soyez toujours vigilants lorsque vous déplacez l'appareil car il est lourd. Portez toujours des gants de sécurité.
 - Assurez-vous que l'air circule autour de l'appareil.
 - Attendez au moins 4 heures avant de brancher l'appareil sur le secteur.
- Cela permet à l'huile de refouler dans le compresseur.
- N'installez pas l'appareil à proximité d'un radiateur, d'une cuisinière, d'un four ou d'une table de cuisson.
 - La surface arrière de l'appareil doit être positionnée contre un mur.
 - N'installez pas l'appareil dans un endroit exposé à la lumière directe du soleil.
 - N'installez pas l'appareil dans un endroit trop humide ou trop froid, comme une dépendance extérieure, un garage ou une cave.
 - Lorsque vous déplacez l'appareil, veillez à le soulever par l'avant pour éviter de rayer le sol.

2.2 Connexion électrique



AVERTISSEMENT!

Risque d'incendie ou d'électrocution.

- L'appareil doit être relié à la terre.
- Vérifiez que les données électriques figurant sur la plaque signalétique correspondent à celles de votre réseau. Si ce n'est pas le cas, contactez un électricien.
- Utilisez toujours une prise de courant de sécurité correctement installée.
- N'utilisez pas d'adaptateurs multiprises ni de rallonges.
- Veillez à ne pas endommager les composants électriques tels que la fiche secteur, le câble d'alimentation ou le compresseur. Contactez le service après-vente agréé ou un électricien pour changer les composants électriques.
- Le câble d'alimentation doit rester en dessous du niveau de la fiche secteur.
- Ne connectez la fiche d'alimentation secteur à la prise de courant secteur qu'à la fin de l'installation. Assurez-vous que la fiche d'alimentation est accessible une fois l'appareil installé.
- Ne tirez jamais sur le câble d'alimentation électrique pour débrancher l'appareil. Tirez toujours sur la fiche.

2.3 Usage



AVERTISSEMENT!

Risque de blessures, de brûlures, d'électrocution ou d'incendie.

- Ne modifiez pas les caractéristiques de cet appareil.
- Ne placez aucun appareil électrique (sorbetière, etc.) dans l'appareil, en l'absence d'indications du fabricant.
- Veillez à ne pas endommager le circuit frigorifique. Il contient de l'isobutane (R600a), un gaz naturel ayant un niveau élevé de compatibilité environnementale. Ce gaz est inflammable.
- Si le circuit frigorifique est endommagé, assurez-vous de

l'absence de flammes et de sources d'ignition dans la pièce. Aérez la pièce.

- Évitez tout contact d'éléments chauds avec les parties en plastique de l'appareil.
- Ne placez jamais de boissons gazeuses dans le congélateur. Cela engendrerait une pression sur le récipient de la boisson.
- Ne stockez jamais de gaz ou de liquide inflammable dans l'appareil.
- Ne placez pas de produits inflammables ou d'éléments imbibés de produits inflammables à l'intérieur ou à proximité de l'appareil, ni sur celui-ci.
- Ne touchez pas le compresseur ni le condenseur. Ils sont chauds.
- Ne retirez pas et ne touchez pas les éléments du compartiment congélateur avec les mains mouillées ou humides.
- Ne recongelez jamais un aliment qui a été décongelé.
- Respectez les instructions de stockage figurant sur l'emballage des aliments surgelés.

2.4 Éclairage interne

- Le type d'ampoule utilisé dans cet appareil n'est pas adapté à l'éclairage de votre habitation.

2.5 Entretien et nettoyage



AVERTISSEMENT!

Risque de blessure corporelle ou de dommages matériels.

- Avant toute opération d'entretien, éteignez l'appareil et débranchez la fiche de la prise secteur.
- Cet appareil contient des hydrocarbures dans son circuit de réfrigération. L'entretien et la recharge du circuit de réfrigération doivent être effectués par un professionnel qualifié.
- Examinez régulièrement l'écoulement de l'appareil et si nécessaire, nettoyez-le. Si l'orifice est bouché, l'eau provenant du dégivrage s'écoulera en bas de l'appareil.

2.6 Mise au rebut



AVERTISSEMENT!

Risque de blessure ou d'asphyxie.

- Débranchez l'appareil de l'alimentation électrique.
- Coupez le câble d'alimentation et mettez-le au rebut.
- Retirez la porte pour empêcher les enfants et les animaux de s'enfermer dans l'appareil.

- Le circuit frigorifique et les matériaux d'isolation de cet appareil préservent la couche d'ozone.
- La mousse isolante contient un gaz inflammable. Contactez votre service municipal pour obtenir des informations sur la marche à suivre pour mettre l'appareil au rebut.
- N'endommagez pas la partie du circuit de réfrigération située à proximité du condenseur thermique.

3. FONCTIONNEMENT

3.1 Mise en marche

1. Insérez la fiche dans la prise murale.
2. Tournez le thermostat vers la droite sur une position médiane.

3.2 Mise à l'arrêt

Pour éteindre l'appareil, tournez le thermostat sur la position « "0" ».

3.3 Réglage de la température

La température est régulée automatiquement.



Un réglage intermédiaire est généralement le plus indiqué.

Toutefois, on obtiendra le réglage exact en tenant compte du fait que la température à l'intérieur de l'appareil dépend de plusieurs facteurs :

- la température ambiante,
- la fréquence d'ouverture de la porte,
- la quantité d'aliments stockés,
- l'emplacement de l'appareil.

1. Tournez le thermostat sur la position minimale pour obtenir moins de froid.
2. Tournez le thermostat sur la position maximale pour obtenir plus de froid.



ATTENTION!

Si la température ambiante est élevée ou l'appareil très rempli et si le thermostat est réglé sur la température la plus basse, il est possible que le compresseur fonctionne en régime continu, d'où un risque de formation de givre sur la paroi arrière. Pour éviter cet inconvénient, modifiez la position du thermostat pour obtenir moins de froid, de façon à permettre un dégivrage automatique et, par conséquent, des économies d'énergie.

4. UTILISATION QUOTIDIENNE

4.1 Congélation d'aliments frais

Le compartiment congélateur est idéal pour congeler des aliments frais et

conserver longtemps des aliments congelés ou surgelés.

Pour congeler des aliments frais, il n'est pas nécessaire de modifier le réglage moyen.

Placez les denrées fraîches à congeler dans le(s) compartiment supérieur. Pour une congélation plus rapide, tournez le thermostat vers le haut pour obtenir plus de froid.



ATTENTION!

Dans ce cas, la température du compartiment réfrigérateur est susceptible de descendre en dessous de 0 °C. Si cela se produit, repositionnez le thermostat sur une position inférieure pour obtenir moins de froid.

4.2 Conservation d'aliments congelés et surgelés

À la mise en service ou après un arrêt prolongé, placez le thermostat sur la position maximale pendant 2 heures environ avant d'introduire les produits dans le compartiment.



En cas de décongélation accidentelle, due par exemple à une coupure de courant, si la coupure a duré plus de temps qu'indiqué au paragraphe « Autonomie de fonctionnement » du chapitre Caractéristiques techniques, consommez rapidement les aliments décongelés ou cuisez-les immédiatement avant de les recongeler (une fois refroidis).

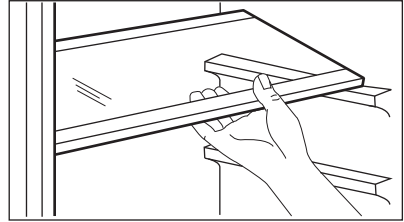
4.3 Décongélation

Avant utilisation, les aliments surgelés ou congelés peuvent être décongelés dans le compartiment réfrigérateur ou à température ambiante en fonction du temps disponible pour cette opération.

Les petites portions peuvent même être cuites sans décongélation préalable : la cuisson sera cependant un peu plus longue.

4.4 Glissières amovibles

Les parois du réfrigérateur sont équipées d'une série de glissières afin que les clayettes puissent être positionnées comme vous le souhaitez.



Pour permettre une bonne circulation de l'air, n'enlevez pas la clayette en verre au-dessus du bac à légumes ni le compartiment à bouteilles.

4.5 Production de glaçons

Cet appareil est équipé d'un ou plusieurs bacs à glaçons.



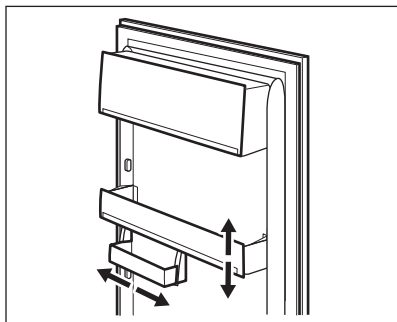
N'utilisez pas d'instruments métalliques pour décoller les bacs du congélateur.

1. Remplissez les bacs avec de l'eau
2. Placez les bacs dans le compartiment congélateur.

4.6 Mise en place des balconnets de la porte

En fonction de la taille des emballages des aliments conservés, les balconnets de la porte peuvent être positionnés à différentes hauteurs.

1. Faites glisser le balconnet dans le sens des flèches jusqu'à ce qu'il se libère.
2. Repositionnez-le selon les besoins.



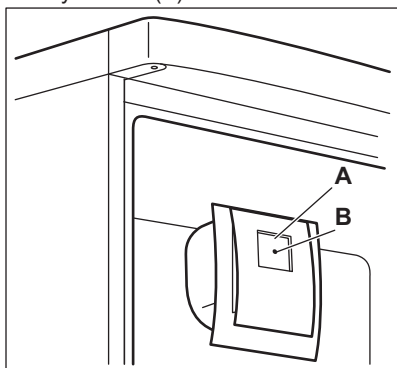
4.7 FREESTORE

La fonction FREESTORE permet le refroidissement rapide des aliments et une température plus homogène dans le compartiment.

- i** Activez la fonction FREESTORE lorsque la température ambiante est supérieure à 25 °C.

Appuyez sur la touche (A) pour activer la fonction FREESTORE.

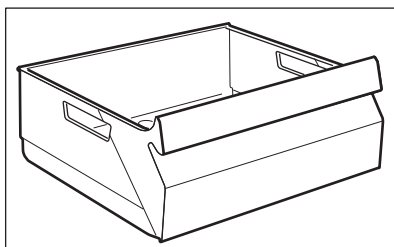
Le voyant vert (B) s'allume.



- i** Lorsque vous éteignez l'appareil, n'oubliez pas d'arrêter le ventilateur en appuyant sur la touche (A). Le voyant vert (B) s'éteint.

4.8 Bac CrispFresh

Le bac convient au rangement des fruits et légumes.



5. CONSEILS

5.1 Bruits normaux de fonctionnement

Les bruits suivants sont normaux lorsque l'appareil est en cours de fonctionnement :

- Un léger gargouillis lorsque le liquide réfrigérant est pompé.
- Un ronronnement et un bruit de pulsation provenant du compresseur lorsque le liquide réfrigérant est pompé.
- Un bruit de craquement soudain provenant de l'intérieur de l'appareil provoqué par une dilatation thermique (un phénomène naturel et inoffensif).

- Un léger cliquetis du thermostat lorsque le compresseur s'active ou se désactive.

5.2 Conseils d'économie d'énergie

- Évitez d'ouvrir trop souvent la porte du congélateur et ne la laissez ouverte que le temps nécessaire.

5.3 Conseils pour la réfrigération des aliments frais

Pour obtenir les meilleurs résultats :

- n'introduisez pas d'aliments encore chauds ou de liquides en évaporation dans le réfrigérateur
- couvrez ou enveloppez soigneusement les aliments, surtout s'ils sont aromatiques
- placez correctement les aliments pour que l'air puisse circuler librement autour

5.4 Conseils pour la réfrigération

Conseil utiles :

- Viande (tous types de viande) : enveloppez-la dans des sachets en plastique et placez-la sur la clayette en verre au-dessus du bac à légumes.
- Pour des raisons de sécurité, ne la conservez de cette manière que pendant un ou deux jours maximum.
- Aliments cuits, plats froids, etc. : ils doivent être couverts et peuvent être placés sur n'importe quelle clayette.
- Fruits et légumes : placez-les une fois nettoyés dans le bac à légumes.
- Beurre et fromage : placez-les dans des récipients étanches spéciaux ou enveloppez-les soigneusement dans des feuilles d'aluminium ou des sachets en plastique, afin que le volume d'air avec lesquels ils sont en contact soit réduit autant que possible.
- Bouteilles : elles nécessitent un bouchon et doivent être stockées sur l'étagère à bouteilles de la porte ou (si équipé) sur la grille à bouteilles.

- Bananes, pommes de terre, oignons et ail ne doivent pas être mis dans le réfrigérateur, s'ils ne sont pas emballés.

5.5 Conseils pour la congélation

Voici quelques conseils importants pour obtenir un processus de congélation optimal :

- Respectez la quantité maximale de denrées fraîches que vous pouvez congeler par 24 heures figurant sur la plaque signalétique ;
- Le processus de congélation dure 24 heures. N'ajoutez pas d'autres aliments à congeler pendant cette période ;
- Congelez uniquement des aliments de bonne qualité, frais et nettoyés ;
- Préparez la nourriture en petits paquets pour une congélation rapide et uniforme, adaptés à l'importance de la consommation ;
- Enveloppez les aliments dans des feuilles d'aluminium ou des sachets en plastique et assurez-vous que les emballages sont étanches ;
- Ne laissez pas des aliments frais, non congelés, toucher des aliments déjà congelés pour éviter une remontée en température de ces derniers ;
- Les aliments maigres se conservent mieux et plus longtemps que les aliments gras ; le sel réduit la durée de conservation des aliments ;
- La température très basse à laquelle se trouvent les bâtonnets glacés, s'ils sont consommés dès leur sortie du compartiment congélateur, peut provoquer des brûlures ;
- L'identification des emballages est importante : indiquez la date de congélation du produit et respectez la durée de conservation indiquée par le fabricant.

5.6 Conseils pour le stockage des aliments surgelés

Pour obtenir les meilleures performances possibles :

- assurez-vous que les denrées surgelées achetées dans le

- commerce ont été correctement entreposées par le revendeur ;
- prévoyez un temps réduit au minimum pour le transport des denrées du magasin d'alimentation à votre domicile ;
 - évitez d'ouvrir trop souvent la porte du congélateur et ne la laissez ouverte que le temps nécessaire ;

- une fois décongelés, les aliments se détériorent rapidement et ne peuvent pas être recongelés ;
- ne dépassez pas la durée de conservation indiquée par le fabricant.

6. ENTRETIEN ET NETTOYAGE



AVERTISSEMENT!

Reportez-vous aux chapitres concernant la sécurité.



ATTENTION!

Lorsque vous déplacez l'appareil, veillez à le soulever par l'avant pour éviter de rayer le sol.

6.1 Avertissements généraux



ATTENTION!

Débranchez l'appareil avant toute opération d'entretien et de nettoyage.



Cet appareil contient des hydrocarbures dans son circuit de réfrigération ; l'entretien et la recharge ne doivent donc être effectués que par du personnel qualifié.



Les pièces et accessoires de l'appareil ne doivent pas être lavés au lave-vaisselle.

L'appareil doit être nettoyé régulièrement :

1. Nettoyez l'intérieur et les accessoires avec de l'eau tiède et un détergent doux.
2. Vérifiez régulièrement les joints de porte et essuyez-les pour vous assurer qu'ils sont propres et ne contiennent pas de résidus.
3. Rincez et séchez soigneusement.
4. S'ils sont accessibles, nettoyez le condenseur et le compresseur situés à l'arrière de l'appareil avec une brosse.
Cette opération améliore les performances de l'appareil et permet des économies d'électricité.

6.2 Nettoyage périodique



ATTENTION!

Ne tirez pas, ne déplacez pas, n'endommagez pas les tuyaux et/ou câbles qui se trouvent à l'intérieur de l'appareil.



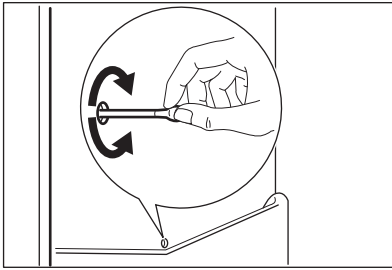
ATTENTION!

Attention à ne pas endommager le système de réfrigération.

6.3 Dégivrage du réfrigérateur

En fonctionnement normal, le givre est automatiquement éliminé de l'évaporateur du compartiment réfrigérateur à chaque fois que le compresseur s'arrête. L'eau de dégivrage est collectée dans un récipient spécial situé à l'arrière de l'appareil, au-dessus du compresseur, d'où elle s'évapore.

Il est important de nettoyer régulièrement l'orifice d'écoulement de la goutte d'évacuation de l'eau de dégivrage située au milieu du compartiment réfrigérateur pour empêcher l'eau de déborder et de couler à l'intérieur de l'appareil.



6.4 Dégivrage du congélateur



ATTENTION!

N'utilisez en aucun cas d'objets métalliques ou tranchants pour gratter la couche de givre sur l'évaporateur, car vous risqueriez de le détériorer. N'utilisez aucun dispositif mécanique ou autre moyen artificiel pour accélérer le processus de dégivrage hormis ceux recommandés par le fabricant. Une élévation de la température des denrées congelées, pendant le dégivrage, peut réduire leur durée de conservation.



Mettez le thermostat sur la température la plus basse 12 heures avant d'effectuer le dégivrage afin d'assurer une réserve de froid suffisante.

Une certaine quantité de givre se forme toujours sur les clayettes du congélateur et autour du compartiment supérieur.

Dégivrez le congélateur lorsque l'épaisseur de la couche de givre est comprise entre 3 et 5 mm.

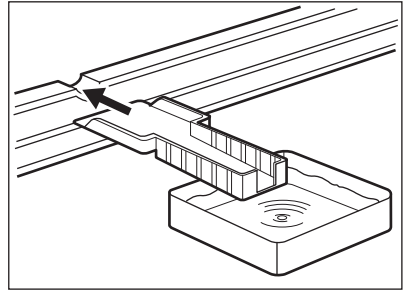
1. Éteignez l'appareil, ou débranchez la fiche de la prise secteur.
2. Sortez les denrées congelées, enveloppez-les dans plusieurs feuilles de papier journal et conservez-les dans un endroit frais.



AVERTISSEMENT!

Ne touchez pas les produits congelés et les surfaces givrées avec les mains humides. Risque de brûlures ou d'arrachement de la peau.

3. Maintenez la porte ouverte et utilisez la spatule en plastique comme gouttière en l'insérant dans l'emplacement prévu à cet effet. Placez au-dessous un récipient dans lequel s'écoulera l'eau de dégivrage.



Le dégivrage peut être accéléré en plaçant un récipient d'eau chaude dans le compartiment congélateur. Retirez également les morceaux de glace au fur et à mesure qu'ils se détachent, avant que le processus de dégivrage ne soit terminé.

4. Une fois le dégivrage terminé, séchez soigneusement l'intérieur et conservez la spatule pour une utilisation ultérieure.
5. Mettez l'appareil en marche. Au bout de 3 heures, remplacez les produits congelés dans le compartiment congélateur.

6.5 En cas de non-utilisation prolongée

Si l'appareil n'est pas utilisé pendant de longues périodes, prenez les précautions suivantes :

1. Débranchez l'appareil de l'alimentation électrique.
2. Retirez tous les aliments.
3. Dégivrez (si nécessaire) et nettoyez l'appareil ainsi que tous les accessoires.
4. Nettoyez l'appareil et tous les accessoires.

5. Laissez la porte/les portes ouverte(s) pour éviter la formation d'odeurs désagréables.



AVERTISSEMENT!

Si, toutefois, vous n'avez pas la possibilité de débrancher et de vider l'appareil, faites vérifier régulièrement le bon de fonctionnement de celui-ci et ceci en tenant compte de sa charge et de son autonomie de fonctionnement.

7. EN CAS D'ANOMALIE DE FONCTIONNEMENT



AVERTISSEMENT!

Reportez-vous aux chapitres concernant la sécurité.

7.1 En cas d'anomalie de fonctionnement

Problème	Cause probable	Solution
L'appareil ne fonctionne pas du tout.	L'appareil est éteint.	Mettez l'appareil en marche.
	La fiche du câble d'alimentation n'est pas correctement insérée dans la prise de courant.	Branchez correctement la fiche du câble d'alimentation dans la prise de courant.
	La prise de courant n'est pas alimentée.	Branchez un autre appareil électrique à la prise de courant. Contactez un électricien qualifié.
L'appareil est bruyant.	L'appareil n'est pas stable.	Assurez-vous de la stabilité de l'appareil.
L'éclairage ne fonctionne pas.	L'éclairage est en mode veille.	Fermez puis ouvrez la porte.
	L'éclairage est défectueux.	Reportez-vous au chapitre « Remplacement de l'ampoule ».
Le compresseur fonctionne en permanence.	Il y a une erreur dans le réglage de la température.	Reportez-vous au chapitre « Fonctionnement ».
	Trop de produits ont été introduits simultanément.	Attendez quelques heures et vérifiez de nouveau la température.

Problème	Cause probable	Solution
	La température ambiante est trop élevée.	Reportez-vous au tableau des classes climatiques de la plaque signalétique.
	Les aliments introduits dans l'appareil étaient trop chauds.	Laissez refroidir les aliments à température ambiante avant de les mettre dans l'appareil.
	La porte n'est pas fermée correctement.	Reportez-vous au chapitre « Fermeture de la porte ».
	Le bouchon de la gouttière d'évacuation de l'eau de dégivrage n'est pas bien placé.	Placez correctement le bouchon de la gouttière d'évacuation de l'eau.
	Les aliments ne sont pas correctement emballés.	Emballer les produits de façon plus adaptée.
	Il y a une erreur dans le réglage de la température.	Reportez-vous au chapitre « Fonctionnement ».
De l'eau s'écoule à l'intérieur du réfrigérateur.	L'orifice d'écoulement de l'eau de dégivrage est obstrué.	Nettoyez l'orifice d'écoulement de l'eau de dégivrage.
	Des aliments empêchent l'eau de s'écouler dans le réservoir d'eau.	Assurez-vous que les produits ne touchent pas la plaque arrière.
De l'eau coule sur le sol.	Le tuyau d'évacuation de l'eau de dégivrage n'est pas raccordé au bac d'évaporation situé au-dessus du compresseur.	Fixez le tuyau d'évacuation de l'eau au bac d'évaporation de l'eau de dégivrage.
La température à l'intérieur de l'appareil est trop basse/élevée.	Le thermostat n'est pas réglé correctement.	Augmentez/réduisez la température.
	La porte n'est pas fermée correctement.	Reportez-vous au chapitre « Fermeture de la porte ».
	La température des produits est trop élevée.	Laissez les aliments refroidir à température ambiante avant de les placer dans l'appareil.
	Trop de produits ont été introduits simultanément.	Introduisez moins de produits en même temps.
	L'épaisseur de givre est supérieure à 4 - 5 mm.	Dégivrez l'appareil.

Problème	Cause probable	Solution
	La porte a été ouverte trop souvent.	N'ouvrez la porte qu'en cas de nécessité.
	L'air froid ne circule pas dans l'appareil.	Assurez-vous que de l'air froid circule dans l'appareil.

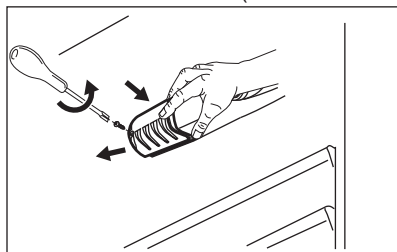


Si ces conseils n'apportent pas de solution à votre problème, veuillez contacter votre service après-vente agréé.

7.2 Remplacement de l'éclairage

Débranchez la fiche de l'appareil de la prise secteur.

1. Retirez la vis du diffuseur.
2. Retirez le diffuseur (voir l'illustration).



3. Remplacez l'ampoule défectueuse par une ampoule neuve de puissance identique, spécifiquement conçue pour les appareils électroménagers (la puissance maximale est indiquée sur le diffuseur).
4. Installez le diffuseur de l'ampoule.
5. Serrez la vis du diffuseur.
6. Branchez la fiche de l'appareil à la prise secteur.
7. Ouvrez la porte.
Vérifiez que l'ampoule s'allume.

7.3 Fermeture de la porte

1. Nettoyez les joints de la porte.
2. Si nécessaire, ajustez la porte. Reportez-vous au chapitre « Installation ».
3. Si nécessaire, remplacez les joints de porte défectueux. Contactez le service après-vente agréé.

8. INSTALLATION

8.1 Installation

Cet appareil peut être installé dans une pièce intérieure sèche et bien ventilée où la température ambiante correspond à la classe climatique indiquée sur la plaque signalétique de l'appareil :

Classe climatique	Température ambiante
SN	+10°C à + 32°C
N	+16°C à + 32°C
ST	+16°C à + 38°C
T	+16°C à + 43°C



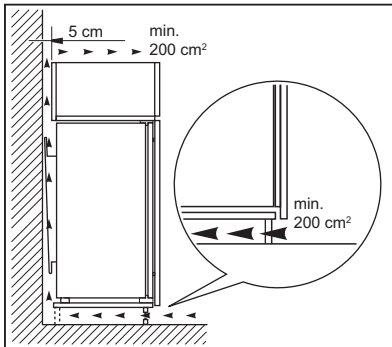
Des problèmes fonctionnels peuvent se produire sur certains types de modèles fonctionnant hors de cette plage de températures. Seul le respect de la plage de températures spécifiée peut garantir un bon fonctionnement de l'appareil. En cas de doute concernant l'emplacement d'installation de l'appareil, veuillez contacter le vendeur, notre service après-vente agréé le plus proche.

8.2 Branchement électrique

- Avant de brancher l'appareil, assurez-vous que la tension et la fréquence indiquées sur la plaque signalétique correspondent à celles de votre réseau électrique domestique.
- L'appareil doit être relié à la terre. La fiche du cordon d'alimentation est fournie avec un contact à cette fin. Si la prise de courant n'est pas mise à la terre, branchez l'appareil à une mise à la terre séparée conformément aux réglementations en vigueur, en consultant un électricien spécialisé.
- Le fabricant décline toute responsabilité en cas de non-respect de ces consignes de sécurité.
- Cet appareil est conforme aux directives CEE.

8.3 Exigences en matière de ventilation

Veillez à garantir une circulation d'air suffisante à l'arrière de l'appareil.

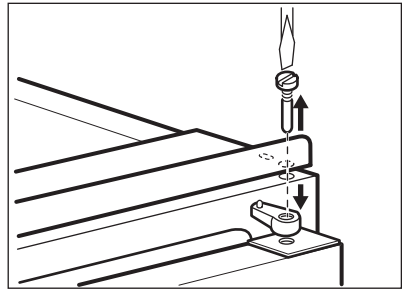


ATTENTION!

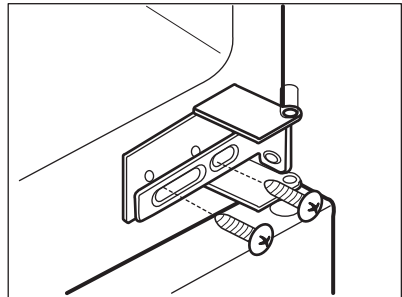
Consultez la notice de montage lors de l'installation.

8.4 Réversibilité de la porte

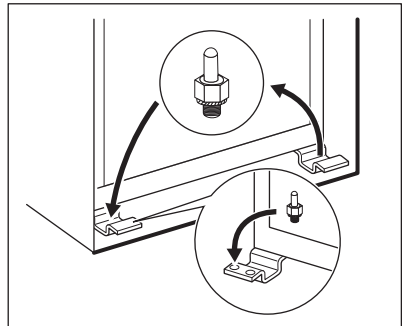
1. Dévissez, puis retirez le pivot supérieur.



2. Retirez la porte supérieure.
3. Retirez l'entretoise.
4. Desserrez la charnière intermédiaire.



5. Retirez la porte inférieure.
6. Dévissez, puis retirez le pivot inférieur.
7. Serrez le pivot inférieur sur le côté opposé.



8. Mettez en place la porte inférieure.
9. Serrez la charnière intermédiaire.
10. Mettez en place l'entretoise.
11. Mettez en place la porte supérieure.
12. Serrez le pivot supérieur.



Faites une dernière vérification pour vous assurer que :

- Toutes les vis sont bien serrées.
- Le joint magnétique adhère bien à l'appareil.
- La porte s'ouvre et se ferme correctement.

Si la température ambiante est basse (par exemple, en hiver), il se peut que le joint n'adhère pas parfaitement. Dans ce cas, attendez que le joint reprenne sa taille naturelle.

Si vous ne voulez pas effectuer personnellement les opérations décrites ci-dessus, contactez le service après-vente agréé le plus proche. Un technicien du service après-vente agréé procédera à la réversibilité de la porte à vos frais.

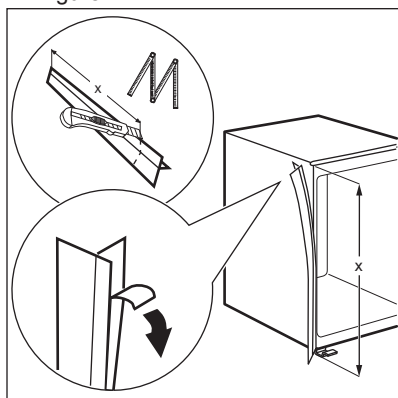
8.5 Installation de l'appareil



ATTENTION!

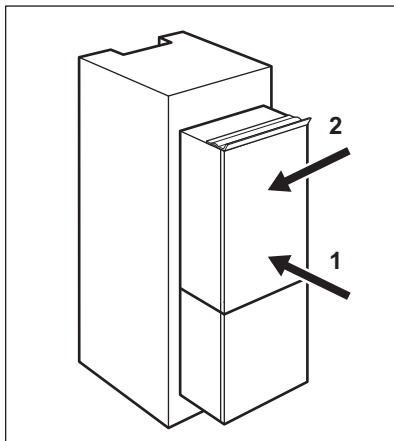
Assurez-vous que le câble d'alimentation n'est pas coincé.

1. Si nécessaire, coupez la bande d'étanchéité adhésive et appliquez-la sur l'appareil, comme indiqué sur la figure.

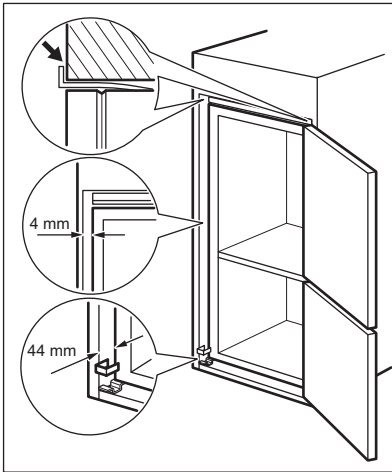


2. Installez l'appareil dans son emplacement.

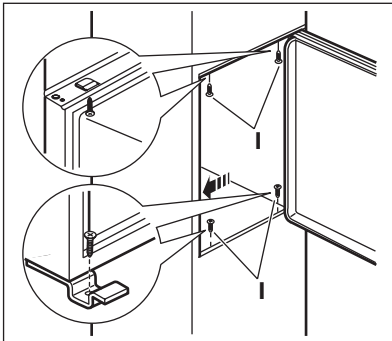
3. Poussez l'appareil dans la direction indiquée par les flèches (1) jusqu'à ce que la partie couvrant l'interstice en haut de l'appareil butte contre le meuble de cuisine.



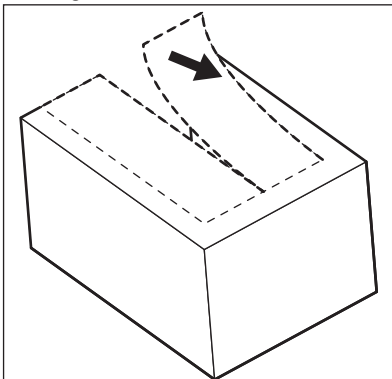
4. Poussez l'appareil dans la direction indiquée par les flèches (2) contre le meuble, du côté opposé à la charnière.
5. Ajustez la position de l'appareil dans le meuble d'encastrement. Assurez-vous que la distance entre l'appareil et le bord avant du meuble est de 44 mm. Le cache de la charnière inférieure (dans le sachet d'accessoires) vous permet de vérifier que la distance entre l'appareil et le meuble de cuisine est correcte. Assurez-vous que l'écart entre l'appareil et le meuble est de 4 mm.
6. Ouvrez le hublot. Mettez en place le cache de la charnière inférieure.



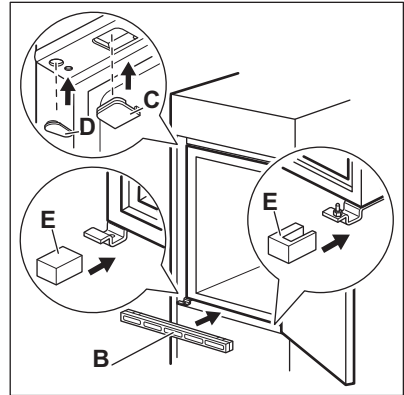
7. Fixez l'appareil au meuble d'encastrement à l'aide de 4 vis.



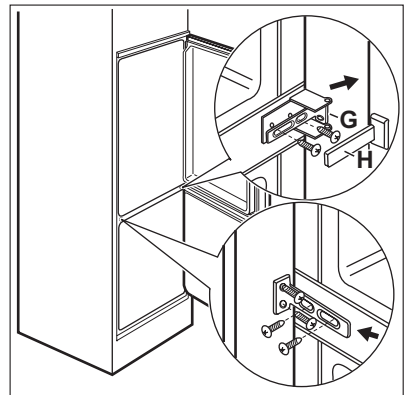
8. Retirez la pièce correcte du cache-charnière (E). Assurez-vous que vous retirez bien la pièce DX s'il s'agit de la charnière droite, SX s'il s'agit de l'autre charnière.



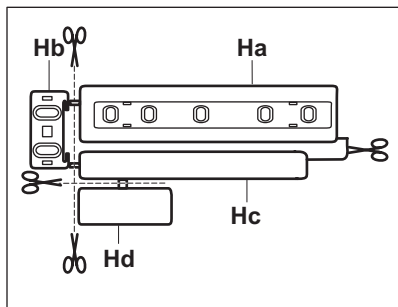
9. Fixez les protections (C, D) sur les ergots et dans les trous des charnières.



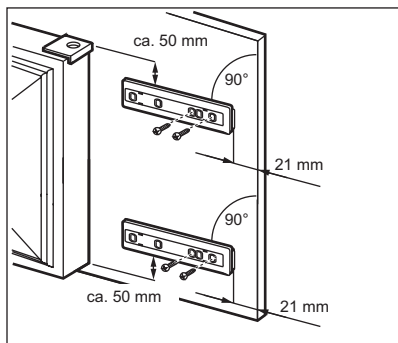
10. Mettez en place la grille d'aération (B).
11. Fixez les cache-charnières (E) sur la charnière.
12. Placez l'appareil contre la paroi latérale du meuble de cuisine.
13. Desserrez les vis de la pièce (G) et déplacez la pièce (G) jusqu'à la paroi latérale du meuble.



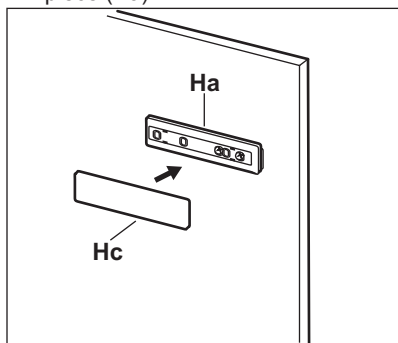
14. Serrez de nouveau les vis de la pièce (G).
15. Fixez la pièce (H) à la pièce (G).
16. Détachez les pièces (Ha), (Hb), (Hc) et (Hd).



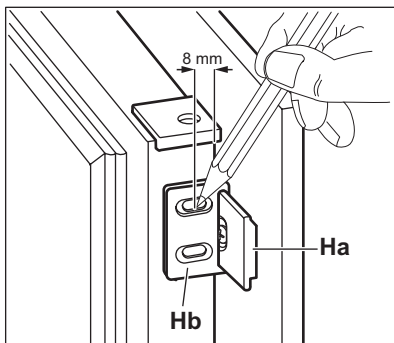
17. Installez la pièce (Ha) sur la face intérieure du meuble de cuisine.



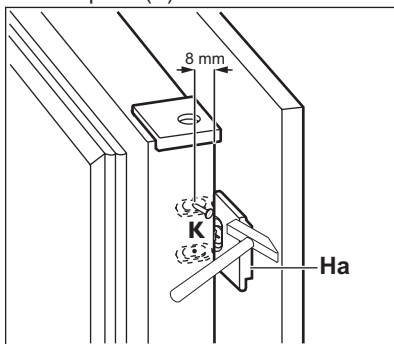
18. Poussez la pièce (Hc) sur la pièce (Ha).



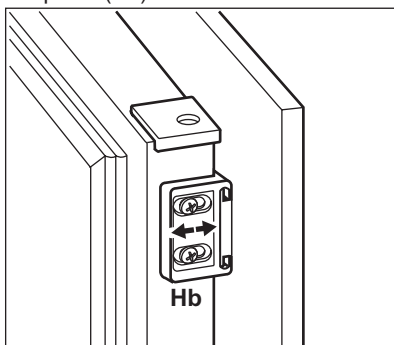
19. Ouvrez la porte de l'appareil et la porte du meuble de cuisine à un angle de 90°.
20. Insérez le petit carré (Hb) dans le guide (Ha).
21. Assemblez la porte de l'appareil et la porte du meuble puis marquez les trous.



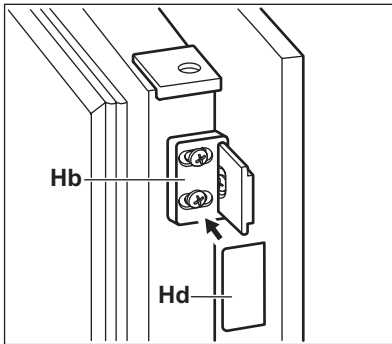
22. Retirez les supports et repérez une distance de 8 mm à partir de l'arête extérieure de la porte où le clou doit être posé (K).



23. Placez de nouveau le petit carré sur le guide et attachez-le avec les vis prévues à cet effet.
24. Alignez la porte du meuble de cuisine et celle de l'appareil en réglant la pièce (Hb).



25. Appuyez la pièce (Hd) sur la pièce (Hb).

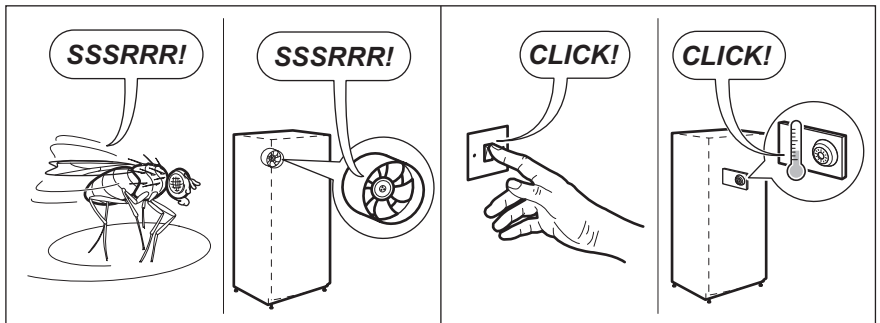
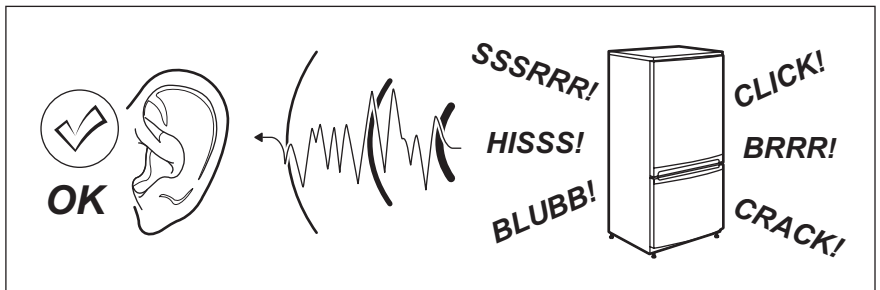


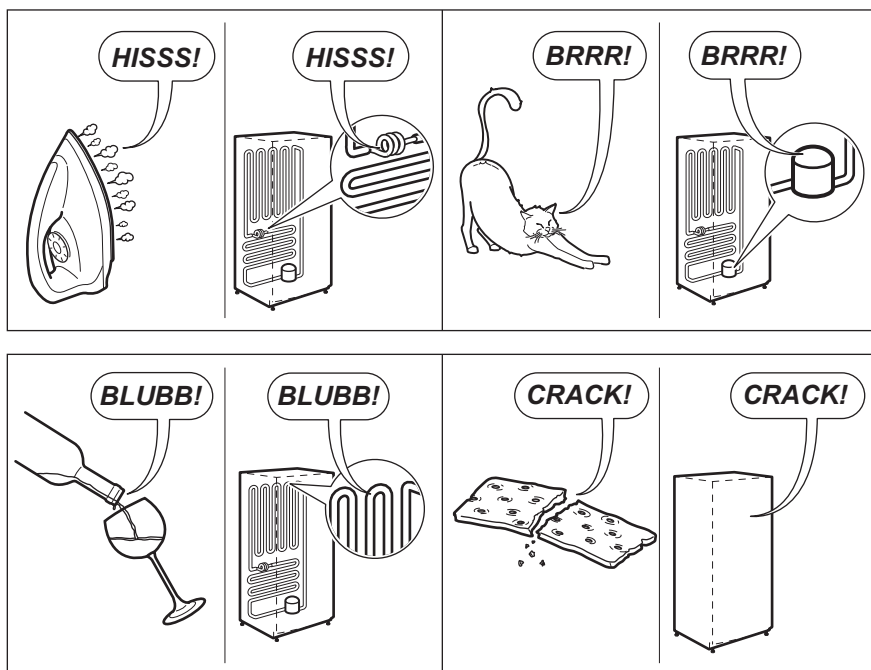
Faites une dernière vérification pour vous assurer que :

- Toutes les vis sont bien serrées.
- Le joint d'étanchéité est solidement fixé au meuble.
- La porte s'ouvre et se ferme correctement.

9. BRUITS

L'appareil émet certains bruits pendant son fonctionnement (compresseur, circuit frigorifique).





10. CARACTÉRISTIQUES TECHNIQUES


10.1 Caractéristiques techniques


Dimensions de la niche d'encastrement		
Hauteur	mm	1850
Largeur	mm	560
Profondeur	mm	560
Autonomie de fonctionnement	Heures	20
Tension	Volts	230 - 240
Fréquence	Hz	50

Les caractéristiques techniques figurent sur la plaque signalétique située sur le

côté intérieur ou extérieur de l'appareil et sur l'étiquette énergétique.

11. EN MATIÈRE DE PROTECTION DE L'ENVIRONNEMENT

Recyclez les matériaux portant le symbole . Déposez les emballages dans les conteneurs prévus à cet effet. Contribuez à la protection de l'environnement et à votre sécurité, recyclez vos produits électriques et

électroniques. Ne jetez pas les appareils portant le symbole  avec les ordures ménagères. Emmenez un tel produit dans votre centre local de recyclage ou contactez vos services municipaux.

INHALTSVERZEICHNIS

1. SICHERHEITSINFORMATIONEN.....	41
2. SICHERHEITSANWEISUNGEN.....	42
3. BETRIEB.....	44
4. TÄGLICHER GEBRAUCH.....	45
5. TIPPS UND HINWEISE.....	46
6. REINIGUNG UND PFLEGE.....	48
7. FEHLERSUCHE.....	50
8. MONTAGE.....	52
9. GERÄUSCHE.....	57
10. TECHNISCHE DATEN.....	58

WIR DENKEN AN SIE

Vielen Dank, dass Sie sich für ein Gerät von Electrolux entschieden haben. Sie haben ein Produkt gewählt, hinter dem jahrzehntelange professionelle Erfahrung und Innovation stehen. Bei der Entwicklung dieses großartigen und eleganten Geräts haben wir an Sie gedacht. So haben Sie bei jedem Gebrauch die Gewissheit, dass Sie stets großartige Ergebnisse erzielen werden. Willkommen bei Electrolux.

Besuchen Sie uns auf unserer Website, um:



Anwendungshinweise, Prospekte, Fehlerbehebungs- und Service-Informationen zu erhalten:

www.electrolux.com



Ihr erworbenes Produkt zu registrieren, um den besten Service dafür zu gewährleisten:

www.registerelectrolux.com



Zubehör, Verbrauchsmaterial und Original-Ersatzteile für Ihr Gerät zu erwerben:

www.electrolux.com/shop

REPARATUR- UND KUNDENDIENST

Bitte verwenden Sie ausschließlich Original-Ersatzteile für Ihre Produkte. Halten Sie folgende Angaben bereit, wenn Sie sich an den Kundendienst wenden Modell, Produktnummer (PNC), Seriennummer. Diese Informationen finden Sie auf dem Typenschild.



Warnungs-/ Sicherheitshinweise



Allgemeine Informationen und Empfehlungen



Informationen zum Umweltschutz

Änderungen vorbehalten.

1. ⚠ SICHERHEITSINFORMATIONEN

Lesen Sie vor der Montage und dem Gebrauch des Geräts zuerst die Gebrauchsanleitung. Der Hersteller übernimmt keine Verantwortung für Verletzungen und Beschädigungen durch unsachgemäße Montage. Bewahren Sie die Gebrauchsanleitung griffbereit auf.

1.1 Sicherheit von Kindern und schutzbedürftigen Personen

- Das Gerät kann von Kindern ab 8 Jahren und Personen mit eingeschränkten physischen, sensorischen oder geistigen Fähigkeiten oder mit mangelnder Erfahrung und/oder mangelndem Wissen nur dann verwendet werden, wenn sie durch eine für ihre Sicherheit zuständige Person beaufsichtigt werden oder in die sichere Verwendung des Geräts eingewiesen wurden und die mit dem Gerät verbundenen Gefahren verstanden haben.
- Kinder dürfen nicht mit dem Gerät spielen.
- Wartung oder Reinigung des Geräts dürfen nicht von Kindern ohne Aufsicht erfolgen.
- Alle Verpackungsmaterialien von Kindern fernhalten.

1.2 Allgemeine Sicherheit

- Dieses Gerät ist für die Verwendung im Haushalt und ähnliche Zwecke vorgesehen, wie z. B.:
 - Bauernhöfe, Personalküchenbereiche in Geschäften, Büros und anderen Arbeitsumfeldern
 - Für Gäste in Hotels, Motels, Pensionen und anderen wohnungsähnlichen Räumlichkeiten
- Achten Sie darauf, dass die Belüftungsöffnungen im Gehäuse, um das Gerät und in der Einbaunische nicht blockiert sind.
- Versuchen Sie nicht, den Abtauvorgang durch andere als vom Hersteller empfohlene mechanische oder sonstige Hilfsmittel zu beschleunigen.
- Beschädigen Sie nicht den Kältekreislauf.

- Betreiben Sie in den Lebensmittelfächern des Geräts keine anderen als die vom Hersteller empfohlenen Elektrogeräte.
- Reinigen Sie das Gerät nicht mit einem Wasser- oder Dampfstrahl.
- Reinigen Sie das Gerät mit einem weichen, feuchten Tuch. Verwenden Sie ausschließlich Neutralreiniger. Benutzen Sie keine Scheuermittel, scheuernde Reinigungsschwämmchen, Lösungsmittel oder Metallgegenstände.
- Bewahren Sie in dem Gerät keine explosiven Substanzen, wie Spraydosen mit entzündlichen Treibgasen auf.
- Wenn das Netzkabel beschädigt ist, muss es vom Hersteller, seinem autorisierten Kundenservice oder einer gleichermaßen qualifizierten Person ausgetauscht werden, um Gefahrenquellen zu vermeiden.

2. SICHERHEITSANWEISUNGEN

2.1 Montage



WARNUNG!

Nur eine qualifizierte Fachkraft darf den elektrischen Anschluss des Geräts vornehmen.

- Entfernen Sie das Verpackungsmaterial.
- Stellen Sie ein beschädigtes Gerät nicht auf und benutzen Sie es nicht.
- Halten Sie sich an die mitgelieferte Montageanleitung.
- Seien Sie beim Umsetzen des Geräts vorsichtig, denn es ist schwer. Tragen Sie stets Sicherheitshandschuhe.
- Stellen Sie sicher, dass die Luft um das Gerät zirkulieren kann.
- Warten Sie mindestens 4 Stunden, bevor Sie das Gerät an das Stromnetz anschließen. Dies ist erforderlich, damit das Öl in den Kompressor zurückfließen kann.

- Stellen Sie das Gerät nicht in der Nähe von Heizkörpern, Herden, Backöfen oder Kochfeldern auf.
- Die Geräterückseite muss gegen die Wand gestellt werden.
- Stellen Sie das Gerät nicht dort auf, wo es direktem Sonnenlicht ausgesetzt sein könnte.
- Stellen Sie das Gerät nicht an zu feuchten oder kalten Orten auf, wie z. B. in Nebengebäuden, Garagen oder Weinkellern.
- Wenn Sie das Gerät verschieben möchten, heben Sie es bitte an der Vorderkante an, um den Fußboden nicht zu verkratzen.

2.2 Elektrischer Anschluss



WARNUNG!

Brand- und Stromschlaggefahr.

- Das Gerät muss geerdet sein.
- Stellen Sie sicher, dass die elektrischen Daten auf dem

Typenschild den Daten Ihrer Stromversorgung entsprechen. Wenden Sie sich andernfalls an eine Elektrofachkraft.

- Schließen Sie das Gerät nur an eine ordnungsgemäß installierte Schutzkontaktsteckdose an.
- Verwenden Sie keine Mehrfachsteckdosen oder Verlängerungskabel.
- Achten Sie darauf, elektrische Bauteile (wie Netzstecker, Netzkabel und Kompressor) nicht zu beschädigen. Wenden Sie sich an den autorisierten Kundendienst oder einen Elektriker, um die elektrischen Bauteile auszutauschen.
- Das Netzkabel muss unterhalb des Netzsteckers verlegt werden.
- Stecken Sie den Netzstecker erst nach Abschluss der Montage in die Steckdose. Stellen Sie sicher, dass der Netzstecker nach der Montage noch zugänglich ist.
- Ziehen Sie nicht am Netzkabel, wenn Sie das Gerät von der Stromversorgung trennen möchten. Ziehen Sie stets am Netzstecker.

2.3 Verwendung



WARNUNG!

Es besteht Verletzungs-, Verbrennungs-, Stromschlag- und Brandgefahr.

- Nehmen Sie keine technischen Änderungen am Gerät vor.
- Stellen Sie keine elektrischen Geräte (z. B. Eisbereiter) in das Gerät, wenn solche Geräte nicht ausdrücklich vom Hersteller für diesen Zweck zugelassen sind.
- Achten Sie darauf, den Kältekreislauf nicht zu beschädigen. Er enthält Isobutan (R600a), ein Erdgas mit einem hohen Grad an Umweltverträglichkeit. Dieses Gas ist brennbar.
- Wird der Kältekreislauf beschädigt, stellen Sie bitte sicher, dass es keine Flammen und Zündquellen im Raum gibt. Belüften Sie den Raum.

- Stellen Sie keine heißen Gegenstände auf die Kunststoffteile des Geräts.
- Legen Sie Erfrischungsgetränke nicht in das Gefrierfach. Dadurch entsteht Druck auf den Getränkebehälter.
- Bewahren Sie keine entzündbaren Gase und Flüssigkeiten im Gerät auf.
- Platzieren Sie keine entflammaren Produkte oder Gegenstände, die mit entflammaren Produkten benetzt sind, im Gerät, auf dem Gerät oder in der Nähe des Geräts.
- Berühren Sie nicht den Kompressor oder den Kondensator. Sie sind heiß.
- Nehmen Sie keine Gegenstände aus dem Gefrierfach bzw. berühren Sie diese nicht, falls Ihre Hände nass oder feucht sind.
- Frieren Sie aufgetaute Lebensmittel nicht wieder ein.
- Befolgen Sie die Hinweise auf der Verpackung zur Aufbewahrung tiefgekühlter Lebensmittel.

2.4 Innenbeleuchtung

- Der in diesem Gerät verwendete Lampentyp eignet sich nicht zur Raumbeleuchtung.

2.5 Reinigung und Pflege



WARNUNG!

Verletzungsgefahr sowie Risiko von Schäden am Gerät.

- Schalten Sie das Gerät immer aus und ziehen Sie den Netzstecker aus der Steckdose, bevor Reinigungsarbeiten durchgeführt werden.
- Der Kältekreis des Gerätes enthält Kohlenwasserstoffe. Das Gerät muss von einer qualifizierten Fachkraft gewartet und nachgefüllt werden.
- Prüfen Sie regelmäßig den Wasserabfluss des Geräts und reinigen Sie ihn gegebenenfalls. Bei verstopftem Wasserabfluss sammelt sich das Abtauwasser am Boden des Geräts an.

2.6 Entsorgung



WARNUNG!

Verletzungs- und Erstickenungsgefahr.

- Trennen Sie das Gerät von der Stromversorgung.
- Schneiden Sie das Netzkabel ab, und entsorgen Sie es.
- Entfernen Sie die Tür, um zu verhindern, dass sich Kinder oder Haustiere in dem Gerät einschließen.

- Der Kältekreislauf und die Isolierungsmaterialien dieses Gerätes sind ozonfreundlich.
- Die Isolierung enthält entzündliches Gas. Für Informationen zur korrekten Entsorgung des Gerätes wenden Sie sich an Ihre kommunale Behörde.
- Achten Sie darauf, dass die Kühleinheit in der Nähe des Wärmetauschers nicht beschädigt wird.

3. BETRIEB

3.1 Einschalten des Geräts

1. Stecken Sie den Stecker in die Netzsteckdose.
2. Drehen Sie den Temperaturregler im Uhrzeigersinn auf eine mittlere Einstellung.

3.2 Ausschalten des Geräts

Drehen Sie den Temperaturregler zum Ausschalten des Geräts in die Position "0".

3.3 Temperaturregelung

Die Temperatur wird automatisch geregelt.



Eine mittlere Einstellung ist im Allgemeinen am besten geeignet.

Allerdings muss für eine exakte Einstellung berücksichtigt werden, dass die Temperatur im Innern des Geräts von verschiedenen Faktoren abhängt:

- Raumtemperatur,
- Häufigkeit der Türöffnung,
- Menge der eingelagerten Lebensmittel,
- Standort des Geräts.

1. Drehen Sie den Temperaturregler auf eine niedrigere Einstellung, um die minimal mögliche Kühlung zu erreichen.
2. Drehen Sie den Temperaturregler auf eine höhere Einstellung, um die maximal mögliche Kühlung zu erreichen.



ACHTUNG!

Ist die Umgebungstemperatur hoch oder das Gerät voll beladen, dieses aber auf die niedrigste Temperatur eingestellt, so kann es bei andauerndem Betrieb des Geräts an der Rückwand zu Frostbildung kommen. In diesem Fall muss eine höhere Temperatur gewählt werden, die ein automatisches Abtauen ermöglicht und damit auch einen niedrigeren Energieverbrauch.

4. TÄGLICHER GEBRAUCH

4.1 Einfrieren frischer Lebensmittel

Der Gefrierraum eignet sich zum Einfrieren von frischen Lebensmitteln und zum längerfristigen Lagern von bereits gefrorenen und tiefgefrorenen Lebensmitteln.

Für das Einfrieren frischer Lebensmittel ist eine Änderung der mittleren Einstellung nicht erforderlich.

Legen Sie die frischen Lebensmittel, die eingefroren werden sollen, in das oberste Fach

Möchten Sie den Gefriervorgang beschleunigen, drehen Sie den Temperaturregler auf eine höhere Einstellung, um die maximal mögliche Kühlung zu erreichen.



ACHTUNG!

Unter diesen Umständen kann die Temperatur im Kühlschrank unter 0 °C fallen. Ist dies der Fall, stellen Sie den Temperaturregler auf eine wärmere Einstellung.

4.2 Lagern von gefrorenen Lebensmitteln

Lassen Sie das Gerät vor der ersten Inbetriebnahme oder nach einer Zeit, in der das Gerät nicht benutzt wurde, mindestens 2 Stunden lang mit höherer Einstellung laufen, bevor Sie Lebensmittel in das Gefrierfach legen.



Kam es zum Beispiel durch einen Stromausfall, der länger dauerte als der in der Tabelle mit den technischen Daten angegebene Wert (siehe „Lagerzeit bei Störung“), zu einem ungewollten Abtauen, dann müssen die aufgetauten Lebensmittel sehr rasch verbraucht oder sofort gekocht und nach dem Abkühlen erneut eingefroren werden.

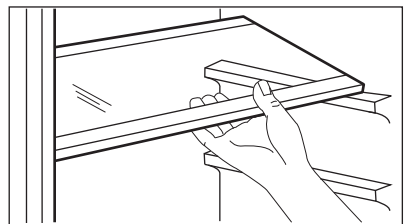
4.3 Abtauen

Tiefgefrorene oder gefrorene Lebensmittel können vor der Verwendung je nach der zur Verfügung stehenden Zeit im Kühlschrank oder bei Raumtemperatur aufgetaut werden.

Kleinere Gefriergutteile können sogar direkt aus dem Gefriergerät entnommen und anschließend sofort gekocht werden. In diesem Fall dauert der Garvorgang allerdings etwas länger.

4.4 Verstellbare Ablagen

Die Wände des Kühlschranks sind mit einer Reihe von Führungsschienen ausgestattet, die verschiedene Möglichkeiten für das Einsetzen der Ablagen bieten.



Die Glasablage über der Gemüseschublade und der Flaschenhalter sollten jedoch nicht verstellbar werden, um eine korrekte Luftzirkulation zu gewährleisten.

4.5 Herstellen von Eiswürfeln

Dieses Gerät ist mit einer oder mehreren Schalen für die Herstellung von Eiswürfeln ausgestattet.



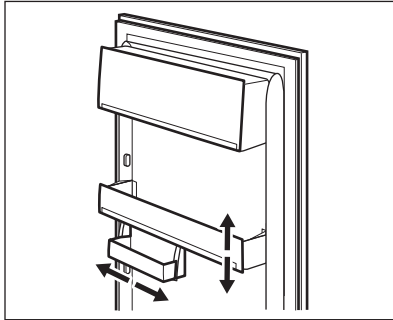
Verwenden Sie zum Entnehmen der Schalen aus dem Gefrierfach keine Gegenstände aus Metall.

1. Füllen Sie die Schalen mit Wasser.
2. Stellen Sie die Eisschalen in das Gefrierfach.

4.6 Positionierung der Türablagen

Die Türablagen können in verschiedener Höhe positioniert werden; damit ermöglichen sie das Lagern verschieden großer Lebensmittelpackungen.

1. Ziehen Sie die Ablage langsam in Pfeilrichtung, bis sie sich löst.
2. Setzen Sie die Ablage in der gewünschten Höhe wieder ein.



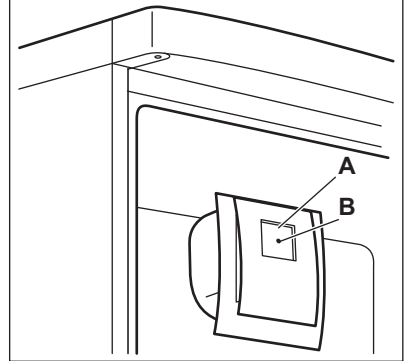
4.7 FREESTORE

Mit der Funktion FREESTORE werden die Lebensmittel schneller gekühlt und eine gleichmäßigere Temperatur im Kühlraum erzeugt.



Die Funktion FREESTORE sollte eingeschaltet werden, wenn die Umgebungstemperatur über 25 °C steigt.

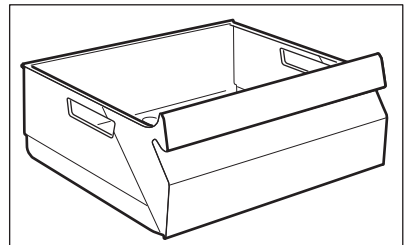
Drücken Sie zum Einschalten von FREESTORE die Taste (A). Die grüne Kontrolllampe (B) leuchtet auf.



Wenn Sie das Gerät ausschalten, vergessen Sie nicht den Ventilator durch Drücken von (A) auszuschalten. Die grüne Kontrolllampe (B) erlischt.

4.8 CrispFresh-Schublade

Die Schublade eignet sich zum Aufbewahren von Obst und Gemüse.



5. TIPPS UND HINWEISE

5.1 Normale Betriebsgeräusche

Folgende Geräusche sind während des normalen Gerätebetriebs normal:

- Ein leichtes Gurgeln und Blubbern, wenn das Kältemittel durch die Leitungen gepumpt wird.
- Ein Surren und ein pulsierendes Geräusch vom Kompressor, wenn

- das Kältemittel durch die Leitungen gepumpt wird.
- Ein plötzliches Knackgeräusch aus dem Geräteinneren, verursacht durch thermische Ausdehnung (eine natürliche und nicht gefährliche physikalische Erscheinung).
- Leises Klicken des Temperaturreglers, wenn sich der Kompressor ein- oder ausschaltet.

5.2 Energiespartipps

- Öffnen Sie die Tür nicht zu häufig, und lassen Sie diese nicht länger offen als notwendig.

5.3 Hinweise für die Kühlung frischer Lebensmittel

So erzielen Sie die besten Ergebnisse:

- Legen Sie keine warmen Lebensmittel oder dampfende Flüssigkeiten in den Kühlschrank.
- Decken Sie die Lebensmittel ab oder verpacken Sie diese entsprechend, besonders wenn sie stark riechen.
- Legen Sie die Lebensmittel so hinein, dass um sie Luft frei zirkulieren kann.

5.4 Hinweise für die Kühlung

Tipps:

- Fleisch (alle Sorten): Verpacken Sie Fleisch in einem Frischhaltebeutel und legen Sie diesen auf die Glasablage über der Gemüseschublade.
- Bitte lagern Sie Fleisch aus Sicherheitsgründen nur einen oder maximal zwei Tage auf diese Weise.
- Gekochte Lebensmittel, kalte Gerichte usw.: Diese sollten abgedeckt auf eine der Ablagen gelegt werden.
- Obst und Gemüse: Gründlich reinigen und in die dafür vorgesehene(n) Schublade(n) legen.
- Butter und Käse: Diese sollten stets in speziellen luftdichten Behältern verpackt sein oder in Aluminiumfolie bzw. in lebensmittelechte Tüten eingepackt werden, um so wenig Luft wie möglich in der Verpackung zu haben.

- Flaschen: Sie sollten mit Deckel in der Flaschenablage in der Tür oder im Flaschenhalter (falls vorhanden) aufbewahrt werden.
- Bananen, Kartoffeln, Zwiebeln und Knoblauch sollten im Kühlschrank nicht unverpackt aufbewahrt werden.

5.5 Hinweise zum Einfrieren

Im Folgenden finden Sie einige wertvolle Tipps für einen optimalen Gefriervorgang:

- Die maximale Menge an Lebensmitteln, die in 24 Stunden eingefroren werden kann, ist auf dem Typenschild angegeben.
- Der Gefriervorgang dauert 24 Stunden. Legen Sie während dieses Zeitraums keine weiteren einzufrierenden Lebensmittel in das Gefrierfach.
- Frieren Sie ausschließlich frische und gründlich gewaschene Lebensmittel von sehr guter Qualität ein.
- Teilen Sie die Lebensmittel in kleinere Portionen ein, damit diese schnell und vollständig gefrieren und Sie später nur die Menge auftauen müssen, die Sie benötigen.
- Verpacken Sie die einzufrierenden Lebensmittelportionen stets luftdicht in Alufolie oder in Gefrierbeuteln und achten Sie darauf, dass die Verpackung so wenig Luft wie möglich enthält.
- Achten Sie beim Hineinlegen von frischen, noch ungefrorenen Lebensmitteln darauf, dass sie keinen Kontakt mit Gefriergut bekommen, da dieses sonst antauen könnte.
- Magere Lebensmittel lassen sich besser und länger als fetthaltige lagern; durch Salz wird die maximale Lagerungsdauer verkürzt.
- Wird Wassereis direkt nach der Entnahme aus dem Gefrierfach verzehrt, kann dies zu Frostbrand auf der Haut führen.
- Es empfiehlt sich, das Einfrierdatum auf jeder einzelnen Packung zu notieren, um einen genauen Überblick über die Lagerzeit zu haben.

5.6 Hinweise zur Lagerung gefrorener Lebensmittel

So erzielen Sie die besten Ergebnisse mit Ihrem Gerät:

- Vergewissern Sie sich, dass die gefrorenen Lebensmittel vom Händler angemessen gelagert wurden.
- Achten Sie unbedingt darauf, die eingekauften gefrorenen Lebensmittel in der kürzest möglichen Zeit zum Gefriergerät zu bringen.

- Öffnen Sie die Tür nicht zu häufig, und lassen Sie die Tür nicht länger offen als notwendig.
- Aufgetaute Lebensmittel verderben sehr schnell und eignen sich nicht für ein erneutes Einfrieren.
- Das Haltbarkeitsdatum auf der Tiefkühlkostverpackung darf nicht überschritten werden.

6. REINIGUNG UND PFLEGE



WARNUNG!

Siehe Kapitel Sicherheitshinweise.



ACHTUNG!

Bitte achten Sie darauf, das Kühlsystem nicht zu beschädigen.

6.1 Allgemeine Warnhinweise



ACHTUNG!

Ziehen Sie vor jeder Wartungsmaßnahme immer den Netzstecker aus der Steckdose.



ACHTUNG!

Wenn Sie das Gerät verschieben möchten, heben Sie es bitte an der Vorderkante an, um den Fußboden nicht zu verkratzen.



Dieses Gerät enthält Kohlenwasserstoffe in seinem Kältekreislauf. Aus diesem Grund dürfen die Wartung und das Nachfüllen ausschließlich durch autorisiertes Fachpersonal erfolgen.

Das gesamte Gerät muss regelmäßig gereinigt werden:



Das Zubehör des Geräts und die Innenteile eignen sich nicht für die Reinigung im Geschirrspüler.

1. Reinigen Sie die Innenseiten und die Zubehörteile mit lauwarmem Wasser und etwas Neutralseife.
2. Prüfen und säubern Sie die Türdichtungen in regelmäßigen Abständen, um zu gewährleisten, dass diese sauber und frei von Fremdkörpern sind.
3. Spülen und trocknen Sie diese sorgfältig ab.
4. Reinigen Sie den Kondensator und den Kompressor auf der Geräterückseite, falls diese zugänglich sind, mit einer Bürste. Dadurch verbessert sich die Leistung des Geräts und es verbraucht weniger Strom.

6.2 Regelmäßige Reinigung



ACHTUNG!

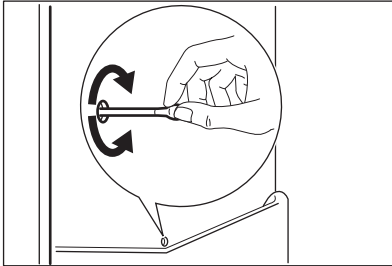
Ziehen Sie nicht an Leitungen und/oder Kabeln im Innern des Geräts und achten Sie darauf, diese nicht zu verschieben oder zu beschädigen.

6.3 Abtauen des Kühlschranks

Bei normalem Betrieb wird Reif bei jedem Anhalten des Kompressors automatisch vom Verdampfer des Kühlschranks entfernt. Das Tauwasser

sammelt sich in einer Auffangrinne und läuft durch eine Abflussöffnung in einen speziellen Behälter an der Rückseite des Geräts über dem Kompressor, wo es verdampft.

Reinigen Sie deshalb regelmäßig die Abflussöffnung in der Mitte der Auffangrinne an der Rückwand des Kühlraums, damit das Tauwasser nicht überläuft und auf die gelagerten Lebensmittel tropft.



6.4 Abtauen des Gefriergeräts



ACHTUNG!

Entfernen Sie Reif und Eis vom Verdampfer niemals mit scharfen metallischen Gegenständen, da dieser dadurch beschädigt werden könnte. Versuchen Sie nicht, den Abtauvorgang durch andere als vom Hersteller empfohlene mechanische oder sonstige Hilfsmittel zu beschleunigen. Ein Temperaturanstieg des Gefrierguts während des Abtauens des Geräts kann die Lagerzeit dieser Lebensmittel verkürzen.



Stellen Sie 12 Stunden vor dem Abtauen eine niedrigere Temperatur ein, damit eine ausreichende Kälte als Reserve für die Unterbrechung im Betrieb entstehen kann.

Auf den Ablagen des Gefriergeräts und im Innern des oberen Fachs bildet sich stets etwas Reif.

Tauen Sie das Gefriergerät ab, wenn die Reifschicht eine Stärke von etwa 3 bis 5 mm erreicht hat.

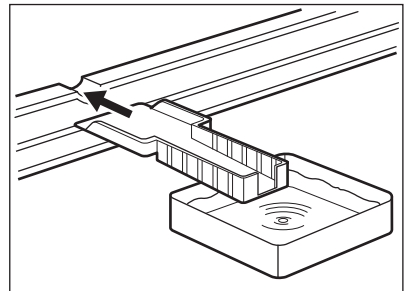
1. Schalten Sie das Gerät aus, oder ziehen Sie den Netzstecker aus der Steckdose.
2. Nehmen Sie das gesamte Gefriergut heraus, verpacken Sie es in mehrere Schichten Zeitungspapier und lagern Sie es an einem kühlen Ort.



WARNUNG!

Fassen Sie gefrorene Lebensmittel nicht mit nassen Händen an. Ihre Hände könnten an den Lebensmitteln festfrieren.

3. Lassen Sie die Tür des Geräts offen stehen, und setzen Sie den Kunststoffschaber in die entsprechende Aufnahme unten in der Mitte ein. Stellen Sie eine Schale zum Auffangen des Tauwassers darunter.



Stellen Sie eine Schale mit warmem Wasser in das Gefrierfach, um den Abtauprozess zu beschleunigen. Entfernen Sie bereits während des Abtauens vorsichtig Eisstücke, die sich lösen lassen.

4. Ist das Geräteinnere vollständig abgetaut, trocken Sie die nassen Oberflächen gründlich ab, und bewahren Sie den Kunststoffschaber für eine spätere Verwendung auf.
5. Schalten Sie das Gerät ein. Legen Sie die ausgelagerten Lebensmittel nach drei Stunden wieder in das Gefrierfach.

6.5 Stillstandszeiten

Bei längerem Stillstand des Geräts müssen Sie folgende Vorkehrungen treffen:

1. Trennen Sie das Gerät von der Netzstromversorgung.
2. Entnehmen Sie alle Lebensmittel.
3. Tauen Sie das Gerät ab (falls erforderlich). Reinigen Sie den Innenraum und das gesamte Zubehör.
4. Reinigen Sie das Gerät und alle Zubehörteile.

5. Lassen Sie die Tür(en) offen, um das Entstehen unangenehmer Gerüche zu vermeiden.



WARNUNG!

Möchten Sie bei einer längeren Abwesenheit das Gerät weiterlaufen lassen, bitten Sie jemanden, gelegentlich die Temperatur zu prüfen, damit das Kühlgut bei einem möglichen Stromausfall nicht im Inneren des Geräts verdirbt.

7. FEHLERSUCHE



WARNUNG!

Siehe Kapitel Sicherheitshinweise.

7.1 Was tun, wenn ...

Problem	Mögliche Ursache	Abhilfe
Das Gerät funktioniert nicht.	Das Gerät ist ausgeschaltet.	Schalten Sie das Gerät ein.
	Der Netzstecker wurde nicht richtig in die Steckdose gesteckt.	Stecken Sie den Netzstecker korrekt in die Steckdose.
	Es liegt keine Spannung an der Steckdose an.	Testen Sie, ob ein anderes Gerät an dieser Steckdose funktioniert. Wenden Sie sich an eine Elektrofachkraft.
Das Gerät erzeugt Geräusche.	Das Gerät ist nicht ordnungsgemäß aufgestellt.	Kontrollieren Sie, ob das Gerät stabil steht.
Die Lampe funktioniert nicht.	Die Lampe befindet sich im Standby-Modus.	Schließen und öffnen Sie die Tür.
	Die Lampe ist defekt.	Siehe hierzu „Austauschen der Lampe“.
Der Kompressor arbeitet ständig.	Die Temperatur ist nicht richtig eingestellt.	Siehe Kapitel „Betrieb“.
	Es wurden zu viele Lebensmittel gleichzeitig eingelegt.	Warten Sie einige Stunden und prüfen Sie dann die Temperatur erneut.
	Die Raumtemperatur ist zu hoch.	Siehe Klimaklasse auf dem Typenschild.

Problem	Mögliche Ursache	Abhilfe
	In das Gerät eingelegte Lebensmittel waren noch zu warm.	Lassen Sie die Lebensmittel vor dem Einlagern auf Raumtemperatur abkühlen.
	Die Tür ist nicht richtig geschlossen.	Siehe „Schließen der Tür“.
	Der Wasserablaufstopfen sitzt nicht richtig.	Setzen Sie den Wasserablaufstopfen richtig ein.
	Die Lebensmittel sind nicht richtig verpackt.	Verpacken Sie die Lebensmittel richtig.
	Die Temperatur ist nicht richtig eingestellt.	Siehe Kapitel „Betrieb“.
Wasser fließt in den Kühlchrank.	Der Wasserablauf ist verstopft.	Reinigen Sie den Wasserablauf.
	Die eingelagerten Lebensmittel verhindern, dass das Wasser zum Wassersammler fließt.	Stellen Sie sicher, dass die Lebensmittel nicht die Rückwand berühren.
Wasser läuft auf den Boden.	Der Tauwasserablauf ist nicht mit der Verdampferschale über dem Kompressor verbunden.	Verbinden Sie den Tauwasserablauf mit der Verdampferschale.
Die Temperatur im Gerät ist zu hoch/niedrig.	Der Temperaturregler ist nicht richtig eingestellt.	Stellen Sie eine höhere/niedrigere Temperatur ein.
	Die Tür ist nicht richtig geschlossen.	Siehe „Schließen der Tür“.
	Die Temperatur der zu kühlenden Lebensmittel ist zu hoch.	Lassen Sie die Lebensmittel auf Raumtemperatur abkühlen, bevor Sie sie in das Gerät stellen.
	Es wurden zu viele Lebensmittel gleichzeitig eingelegt.	Legen Sie weniger Lebensmittel gleichzeitig ein.
	Die Reifschicht ist dicker als 4 - 5 mm.	Tauen Sie das Gerät ab.
	Die Tür wurde zu häufig geöffnet.	Öffnen Sie die Tür nur, wenn es notwendig ist.
	Die Kaltluft kann im Gerät nicht zirkulieren.	Kaltluftzirkulation im Gerät sicherstellen.

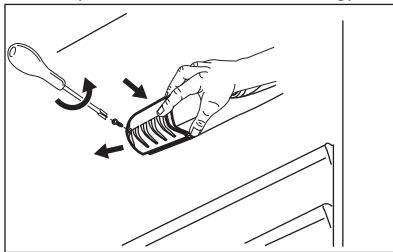


Bitte wenden Sie sich an den nächsten autorisierten Kundendienst, wenn alle genannten Abhilfemaßnahmen nicht zum gewünschten Erfolg führen.

7.2 Austauschen der Lampe

Ziehen Sie den Netzstecker aus der Steckdose.

1. Lösen Sie die Schraube an der Lampenabdeckung.
2. Nehmen Sie die Lampenabdeckung ab (siehe hierzu die Abbildung).



3. Ersetzen Sie die alte Lampe durch eine Lampe mit der gleichen Leistung (die maximal erlaubte Leistung steht auf der Lampenabdeckung), die speziell für Haushaltsgeräte vorgesehen ist.
4. Bringen Sie die Lampenabdeckung an.
5. Ziehen Sie die Schraube an der Lampenabdeckung fest.
6. Stecken Sie den Netzstecker in die Steckdose.
7. Öffnen Sie die Tür. Prüfen Sie, ob die Lampe brennt.

7.3 Schließen der Tür

1. Reinigen Sie die Türdichtungen.
2. Stellen Sie die Tür nach Bedarf ein. Siehe hierzu „Montage“.
3. Ersetzen Sie die defekten Türdichtungen, falls erforderlich. Wenden Sie sich an den autorisierten Kundendienst.

8. MONTAGE

8.1 Standort

Installieren Sie dieses Gerät in einem trockenen, gut belüfteten Raum, in dem die Umgebungstemperatur mit der Klimaklasse übereinstimmt, die auf dem Typenschild des Geräts angegeben ist:

Klima-klasse	Umgebungstemperatur
SN	+10 °C bis +32 °C
N	+16 °C bis +32 °C
ST	+16 °C bis +38 °C
T	+16 °C bis +43 °C



Bei einigen Modellen können Funktionsstörungen auftreten, wenn sie außerhalb dieses Temperaturbereichs betrieben werden. Der ordnungsgemäße Betrieb wird nur innerhalb des angegebenen Temperaturbereichs gewährleistet. Bei Fragen zum Aufstellungsort des Geräts wenden Sie sich an den Verkäufer, unseren Kundendienst oder nächstgelegenen autorisierten Service-Partner.

8.2 Elektrischer Anschluss

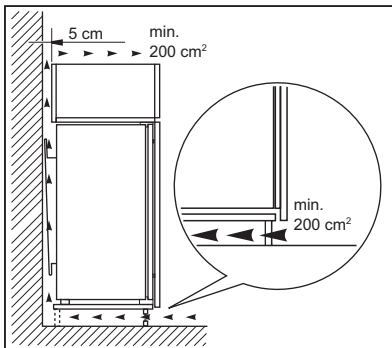
- Kontrollieren Sie vor der ersten Benutzung des Geräts, ob die Netzspannung und -frequenz Ihres Hausanschlusses mit den auf dem

Typenschild angegebenen Anschlusswerten übereinstimmen.

- Das Gerät muss geerdet sein. Zu diesem Zweck ist der Netzstecker mit einem Schutzkontakt ausgestattet. Falls die Steckdose Ihres Hausanschlusses nicht geerdet sein sollte, lassen Sie das Gerät gemäß den geltenden Vorschriften von einem qualifizierten Elektriker erden.
- Der Hersteller übernimmt keinerlei Haftung bei Missachtung der vorstehenden Sicherheitshinweise.
- Das Gerät entspricht den EWG-Richtlinien.

8.3 Anforderungen an die Belüftung

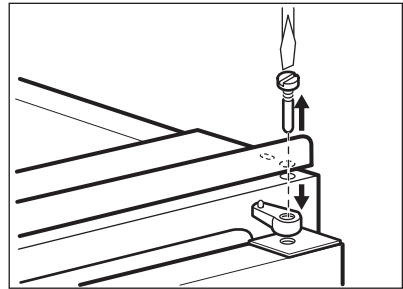
Hinter dem Gerät muss genug Platz für eine ausreichende Luftzirkulation sein.



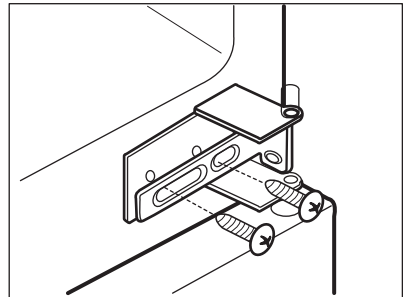
ACHTUNG!
Beachten Sie bei der Installation die Montageanleitung.

8.4 Wechseln des Türanschlags

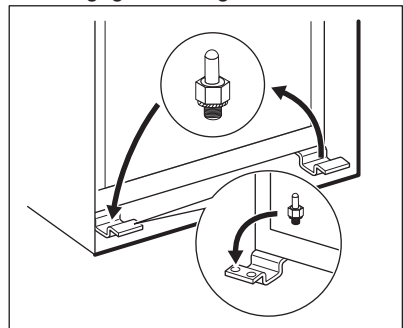
1. Lösen und entfernen Sie den oberen Stift.



2. Entfernen Sie die obere Tür.
3. Nehmen Sie das Distanzstück ab.
4. Lösen Sie das mittlere Scharnier.



5. Entfernen Sie die untere Tür.
6. Lösen und entfernen Sie den unteren Stift.
7. Schrauben Sie den unteren Stift an der gegenüberliegenden Seite an.



8. Bringen Sie die untere Tür an.
9. Ziehen Sie das mittlere Scharnier fest.
10. Setzen Sie das Distanzstück ein.
11. Bringen Sie die obere Tür an.
12. Ziehen Sie den oberen Stift fest.



Führen Sie eine Endkontrolle durch, um sicherzustellen, dass:

- Alle Schrauben fest angezogen sind;
- Die Magnetdichtung am Gerät anliegt.
- Die Tür ordnungsgemäß öffnet und schließt.

Bei niedrigen Umgebungstemperaturen (z. B. im Winter) kann es vorkommen, dass die Türdichtung nicht richtig am Gerät anliegt. Warten Sie in diesem Fall ab, bis sich die Dichtung allmählich anpasst. Wenden Sie sich bitte an den nächsten autorisierten Kundendienst, falls Sie die oben beschriebenen Tätigkeiten nicht selber durchführen möchten. Ein autorisierter Kundendiensttechniker wird die Türen dann auf Ihre Kosten umbauen.

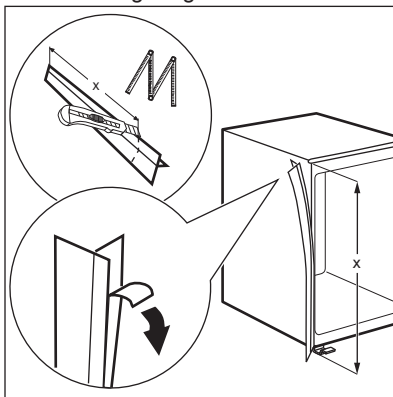
8.5 Montage des Geräts



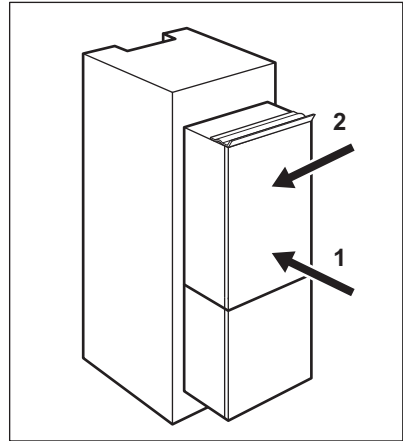
ACHTUNG!

Achten Sie darauf, dass sich das Netzkabel des Geräts frei bewegen lässt.

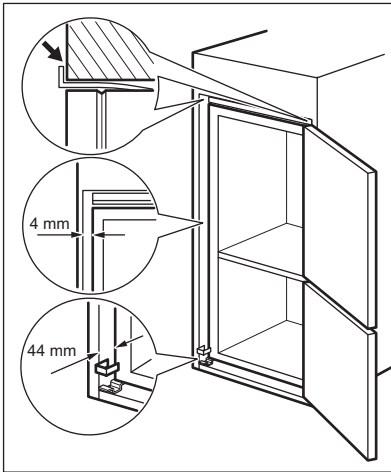
1. Schneiden Sie bei Bedarf den Dichtungstreifen zu und bringen Sie ihn am Gerät an, wie in der Abbildung dargestellt.



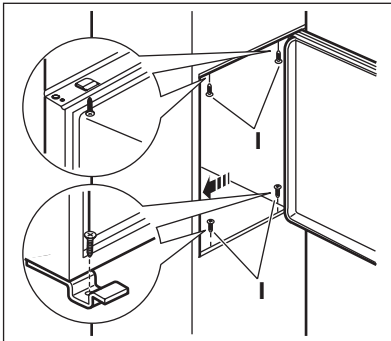
2. Setzen Sie das Gerät in die Einbaunische.
3. Schieben Sie das Gerät in Pfeilrichtung (1), bis die obere Lückenblende am Küchenmöbel anliegt.



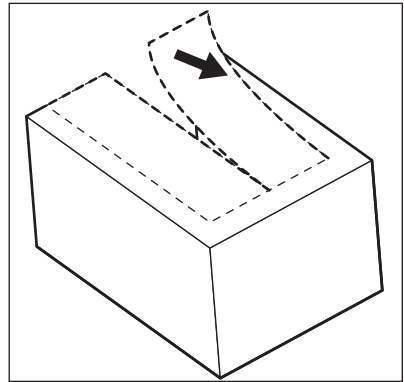
4. Schieben Sie das Gerät auf der den Scharnieren gegenüberliegenden Seite in Pfeilrichtung (2) so weit wie möglich gegen die Seitenwand des Küchenmöbels.
5. Richten Sie das Gerät in der Einbaunische aus. Vergewissern Sie sich, dass der Abstand zwischen dem Gerät und der Schrankvorderkante 44 mm beträgt. Mit der unteren Scharnierabdeckung (im Beipack) können Sie sicherstellen, dass der Abstand zwischen dem Gerät und dem Küchenmöbel richtig ist. Achten Sie darauf, dass der Abstand zwischen dem Gerät und dem Schrank 4 mm beträgt.
6. Öffnen Sie die Tür. Stecken Sie die untere Scharnierabdeckung auf.



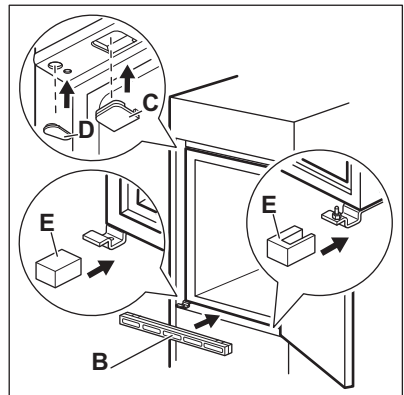
7. Befestigen Sie das Gerät mit 4 Schrauben in der Einbaunische.



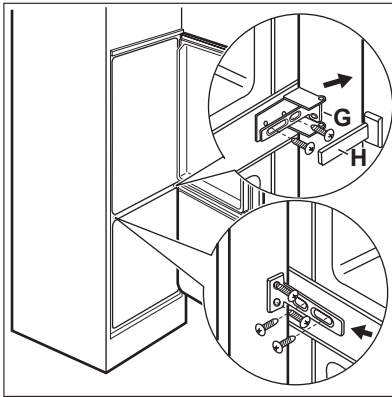
8. Entfernen Sie das entsprechende Teil aus der Scharnierabdeckung (E). Achten Sie darauf, im Falle eines rechten Scharniers Teil DX bzw. bei einem gegenüberliegenden Scharnier Teil SX zu entfernen.



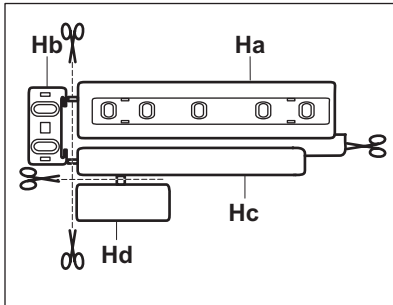
9. Setzen Sie die beiliegenden Abdeckkappen (C, D) in die Befestigungs- und Scharnierlöcher ein.



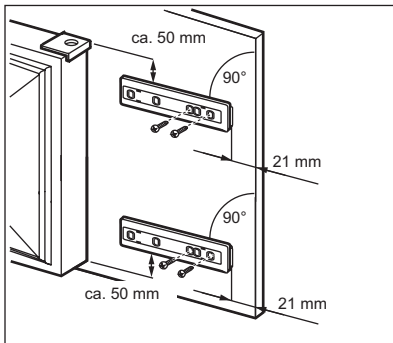
10. Bauen Sie das Belüftungsgitter (B) ein.
 11. Stecken Sie die Scharnierabdeckungen (E) auf das Scharnier auf.
 12. Schließen Sie das Gerät seitlich wie folgt an das Küchenmöbel an.
 13. Lösen Sie die Schrauben von Teil (G) und verschieben Sie Teil (G) zur Küchenmöbel-Seitenwand.



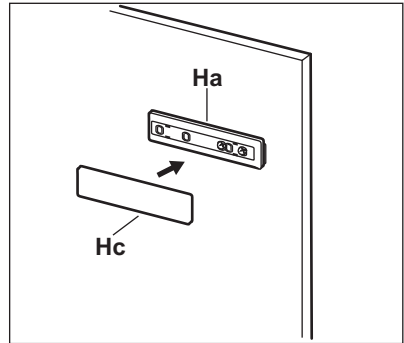
- 14. Ziehen Sie die Schrauben vom Teil (G) erneut fest.
- 15. Befestigen Sie Teil (H) am Teil (G).
- 16. Trennen Sie die Teile (Ha), (Hb), (Hc) und (Hd) ab.



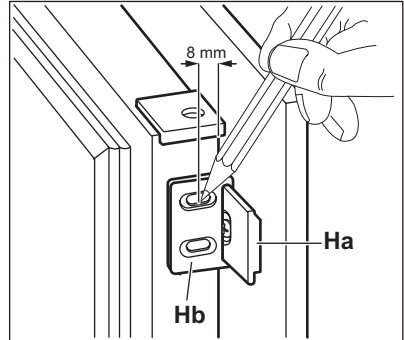
- 17. Montieren Sie das Teil (Ha) an der Innenseite der Tür des Küchenmöbels.



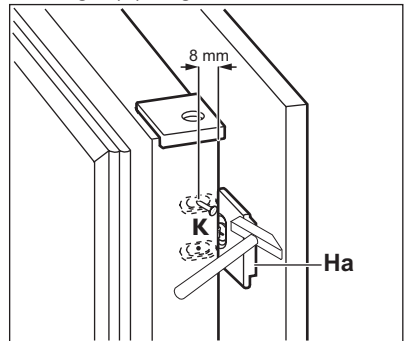
- 18. Drücken Sie das Teil (Hc) auf das Teil (Ha).



- 19. Öffnen Sie die Gerätetür und die Möbeltüre in einem Winkel von 90°.
- 20. Setzen Sie das Führungsstück (Hb) in die Führungsschiene (Ha) ein.
- 21. Halten Sie die Gerätetür an die Tür des Küchenmöbels und markieren Sie die Bohrungen.



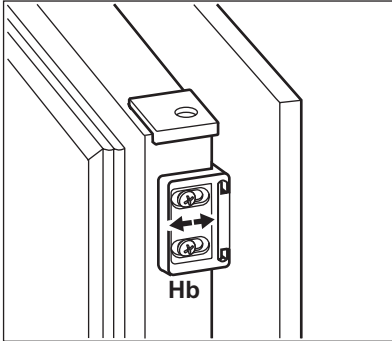
- 22. Nehmen Sie die Halterungen wieder ab. Markieren Sie 8 mm ab der Türaußenkante die Stelle, an der der Nagel (K) eingesetzt werden muss.



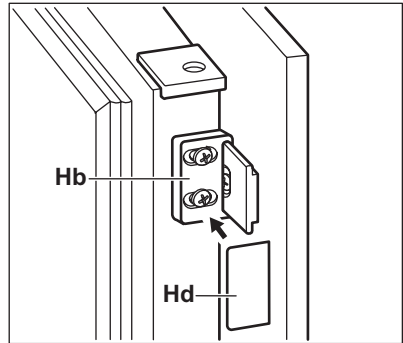
- 23. Setzen Sie das Führungsstück erneut auf die Führungsschiene und

schrauben Sie es mit den mitgelieferten Schrauben fest.

24. Richten Sie die Tür des Einbaumöbels und die Gerätetür mit dem Führungsstück (Hb) aus.



25. Drücken Sie Abdeckung (Hd) auf das Führungsstück (Hb).

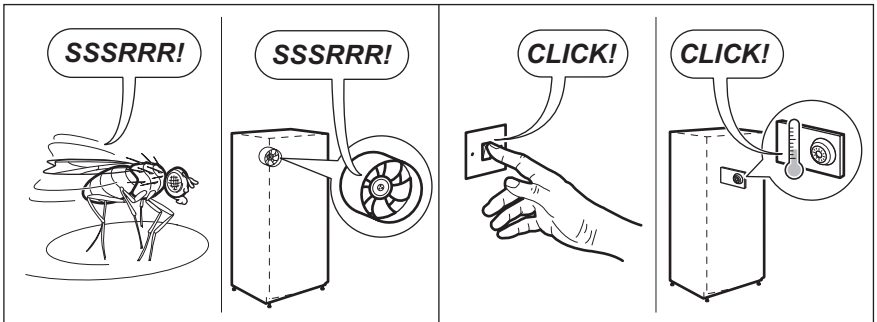
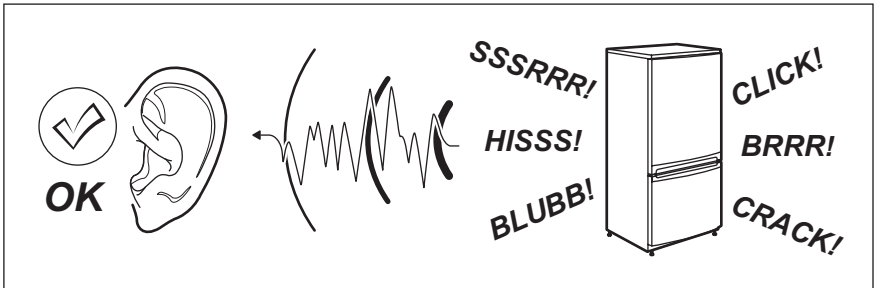


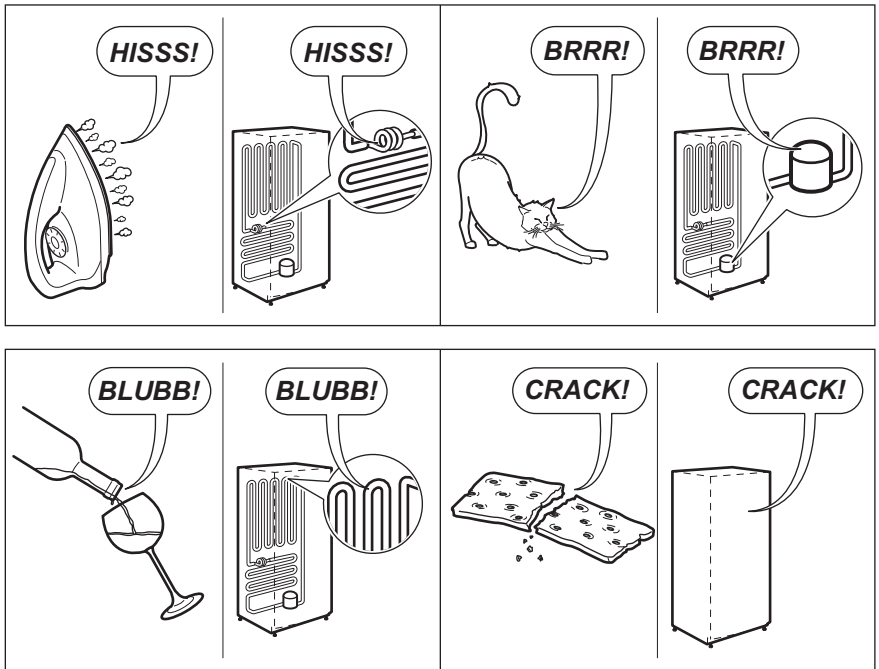
Führen Sie eine Endkontrolle durch, um sicherzustellen, dass:

- Alle Schrauben fest angezogen sind.
- Der Dichtungsstreifen sicher am Gerät befestigt ist.
- Die Tür ordnungsgemäß öffnet und schließt.

9. GERÄUSCHE

Während das Gerät in Betrieb ist, entstehen bestimmte Geräusche (Kompressor und Kühlkreislauf).





10. TECHNISCHE DATEN


10.1 Technische Daten

Abmessungen der Einbaunische		
Höhe	mm	1850
Breite	mm	560
Tiefe	mm	560
Lagerzeit bei Störung	Stunden	20
Spannung	Volt	230 - 240
Frequenz	Hz	50


Die technischen Daten befinden sich auf dem Typenschild auf der Außen- oder

Innenseite des Geräts sowie auf der Energieplakette.

11. UMWELTTIPPS

Recyceln Sie Materialien mit dem Symbol . Entsorgen Sie die Verpackung in den entsprechenden

Recyclingbehältern. Recyceln Sie zum Umwelt- und Gesundheitsschutz elektrische und elektronische Geräte.

Entsorgen Sie Geräte mit diesem Symbol
 nicht mit dem Hausmüll. Bringen Sie
das Gerät zu Ihrer örtlichen

Sammelstelle oder wenden Sie sich an
Ihr Gemeindeamt.

CONTENIDO

1. INFORMACIÓN SOBRE SEGURIDAD.....	61
2. INSTRUCCIONES DE SEGURIDAD.....	62
3. FUNCIONAMIENTO.....	64
4. USO DIARIO.....	64
5. CONSEJOS.....	66
6. MANTENIMIENTO Y LIMPIEZA.....	67
7. SOLUCIÓN DE PROBLEMAS.....	69
8. INSTALACIÓN.....	71
9. RUIDOS.....	76
10. INFORMACIÓN TÉCNICA.....	77

PENSAMOS EN USTED

Gracias por adquirir un aparato Electrolux. Ha escogido un producto que contiene décadas de experiencia e innovación profesionales. Ingenioso y elegante, se ha diseñado pensando en usted. Así pues, siempre que lo utilice, puede tener la seguridad de que conseguirá excelentes resultados.

Bienvenido a Electrolux.

Consulte en nuestro sitio web:



Obtener consejos, folletos, soluciones a problemas e información de servicio:
www.electrolux.com



Registrar su producto para recibir un mejor servicio:
www.registreelectrolux.com



Adquirir accesorios, artículos de consumo y recambios originales para su aparato:
www.electrolux.com/shop

ATENCIÓN Y SERVICIO AL CLIENTE

Le recomendamos que utilice recambios originales.

Al contactar con nuestro centro autorizado de servicio técnico, cerciórese de tener la siguiente información a mano: Modelo, PNC, Número de serie.

La información se puede encontrar en la placa de características.



Advertencia / Precaución-Información sobre seguridad



Información general y consejos



Información sobre el medio ambiente

Salvo modificaciones.

1. ⚠ INFORMACIÓN SOBRE SEGURIDAD

Antes de instalar y utilizar el aparato, lea atentamente las instrucciones facilitadas. El fabricante no se hace responsable de los daños y lesiones causados por una instalación y uso incorrectos. Guarde siempre las instrucciones junto con el aparato para futuras consultas.

1.1 Seguridad de niños y personas vulnerables

- Este electrodoméstico puede ser utilizado por niños de 8 años en adelante y personas cuyas capacidades físicas, sensoriales o mentales estén disminuidas o que carezcan de la experiencia y conocimientos suficientes para manejarlo, siempre que cuenten con las instrucciones o la supervisión sobre el uso del electrodoméstico de forma segura y comprendan los riesgos.
- No deje que los niños jueguen con el aparato.
- La limpieza y el mantenimiento no podrán realizarlas niños sin supervisión.
- Mantenga los materiales de embalaje fuera del alcance de los niños.

1.2 Instrucciones generales de seguridad

- Este aparato está concebido para utilizarse en aplicaciones domésticas y similares, tales como:
 - Granjas; áreas de cocina para el personal en tiendas, oficinas y otros entornos de trabajo
 - Por clientes en hoteles, moteles, pensiones y otros entornos de tipo residencial
- Mantenga libres de obstrucciones las aberturas de ventilación del alojamiento del aparato o de la estructura empotrada.
- No utilice dispositivos mecánicos ni medios artificiales para acelerar el proceso de descongelación, excepto los recomendados por el fabricante.
- No dañe el circuito del refrigerante.

- No utilice dispositivos eléctricos dentro de los compartimientos para alimentos del aparato, salvo si son del tipo recomendado por el fabricante.
- No utilice pulverizadores ni vapor de agua para limpiar el aparato.
- Limpie el aparato con un paño suave humedecido. Utilice solo detergentes neutros. No utilice productos abrasivos, estropajos duros, disolventes ni objetos metálicos.
- No almacene sustancias explosivas tales como latas de aerosol con un propulsor inflamable en este aparato.
- Si el cable eléctrico sufre algún daño, el fabricante, su servicio técnico autorizado o un profesional cualificado tendrán que cambiarlo para evitar riesgos.

2. INSTRUCCIONES DE SEGURIDAD

2.1 Instalación



ADVERTENCIA!

Solo un electricista cualificado puede instalar este aparato.

- Retire todo el embalaje
- No instale ni utilice un aparato dañado.
- Siga las instrucciones de instalación suministradas con el aparato.
- El aparato es pesado, tenga cuidado siempre cuando lo mueva. Utilice siempre guantes de protección.
- Asegúrese de que el aire pueda circular alrededor del aparato.
- Espere al menos 4 horas antes de conectar el aparato a la alimentación eléctrica. Esto es para permitir que el aceite regrese al compresor.
- No instale el aparato cerca de radiadores, cocinas, hornos o placas de cocción.
- La parte posterior del aparato se debe colocar contra la pared.
- No instale el aparato donde reciba luz solar directa.
- No coloque este aparato en lugares demasiado húmedos o fríos, como

anexos a una construcción, garajes o bodegas.

- Al mover el aparato, levántelo por el borde frontal para no arañar el suelo.

2.2 Conexión eléctrica



ADVERTENCIA!

Riesgo de incendios y descargas eléctricas.

- El aparato debe conectarse a tierra.
- Asegúrese de que las especificaciones eléctricas de la placa coinciden con las del suministro eléctrico de su hogar. En caso contrario, póngase en contacto con un electricista.
- Utilice siempre una toma con aislamiento de conexión a tierra correctamente instalada.
- No utilice adaptadores de enchufes múltiples ni cables prolongadores.
- Asegúrese de no provocar daños en los componentes eléctricos (como enchufe, cable de alimentación, compresor). Póngase en contacto con un electricista o con el servicio técnico autorizado para cambiar los componentes eléctricos.

- El cable de alimentación debe estar por debajo del nivel del enchufe de alimentación.
- Conecte el enchufe a la toma de corriente únicamente cuando haya terminado la instalación. Asegúrese de tener acceso al enchufe del suministro de red una vez instalado el aparato.
- No desconecte el aparato tirando del cable de conexión a la red. Tire siempre del enchufe.

2.3 Uso



ADVERTENCIA!

Existe riesgo de lesiones, quemaduras, descargas eléctricas o incendios.

- No cambie las especificaciones de este aparato.
- El utilice otros aparatos eléctricos (como máquinas de hacer helados) dentro de aparatos de refrigeración, a menos que el fabricante haya autorizado su utilización
- Tenga cuidado para no dañar el circuito de refrigerante. Contiene isobutano (R600a), un gas natural con alto grado de compatibilidad medioambiental. Este gas es inflamable.
- Si se daña el circuito del refrigerante, evite las llamas y fuentes de ignición en la habitación. Ventile la habitación.
- No toque con elementos calientes las piezas de plástico del aparato.
- No coloque bebidas con gas en el congelador. Se creará presión en el contenedor de la bebida.
- No almacene gas ni líquido inflamable en el aparato.
- No coloque productos inflamables ni objetos mojados con productos inflamables dentro, cerca o encima del aparato.
- No toque el compresor ni el condensador. Están calientes.
- No retire ni toque elementos del compartimento congelador con las manos húmedas o mojadas.
- No vuelva a congelar alimentos que se hayan descongelado.

- Siga las instrucciones del envase de los alimentos congelados.

2.4 Luz interna

- El tipo de bombilla de este aparato no es apto para iluminar la casa.

2.5 Mantenimiento y limpieza



ADVERTENCIA!

Podría sufrir lesiones o dañar el aparato.

- Antes de proceder con el mantenimiento, apague el aparato y desconecte el enchufe de la red.
- Este equipo contiene hidrocarburos en la unidad de refrigeración. Solo una persona cualificada debe realizar el mantenimiento y la recarga de la unidad.
- Examine periódicamente el desagüe del aparato y límpielo si fuera necesario. Si el desagüe se bloquea, el agua descongelada se acumulará en la base del aparato.

2.6 Desecho



ADVERTENCIA!

Existe riesgo de lesiones o asfixia.

- Desconecte el aparato de la red.
- Corte el cable de conexión a la red y deséchelo.
- Retire la puerta para evitar que los niños y las mascotas queden encerrados en el aparato.
- El circuito del refrigerante y los materiales aislantes de este aparato no dañan la capa de ozono.
- La espuma aislante contiene gas inflamable. Póngase en contacto con las autoridades locales para saber cómo desechar correctamente el aparato.
- No dañe la parte de la unidad de refrigeración que está cerca del intercambiador de calor.

3. FUNCIONAMIENTO

3.1 Encendido

1. Introduzca el enchufe en la toma de pared.
2. Gire el regulador de temperatura hacia la derecha, a un ajuste intermedio.

3.2 Apagado

Para apagar el aparato, gire el regulador de temperatura hasta la posición "0".

3.3 Regulación de la temperatura

La temperatura se regula automáticamente.



Lo más idóneo es ajustar la temperatura en una posición intermedia.

Sin embargo, el ajuste exacto debe elegirse teniendo en cuenta que la temperatura interior del aparato depende de:

- temperatura ambiente,
- la frecuencia con que se abre la puerta,
- la cantidad de alimentos guardados,
- ubicación del aparato.

1. Gire el regulador de temperatura hacia ajustes más bajos para obtener el frío mínimo.
2. Gire el regulador de temperatura hacia ajustes más altos para obtener el frío máximo.



PRECAUCIÓN!

Si la temperatura ambiente es elevada o el aparato está totalmente lleno y se ha ajustado a las temperaturas más bajas, puede mantenerse en marcha de manera continua provocando la formación de escarcha en la pared posterior. En tal caso, el mando debe colocarse a temperatura más elevada para permitir la descongelación automática y reducir así el consumo energético.

4. USO DIARIO

4.1 Congelación de alimentos frescos

El compartimento del congelador es adecuado para congelar alimentos frescos y conservar a largo plazo los alimentos congelados y ultracongelados.

Para congelar alimentos frescos no es necesario cambiar el ajuste intermedio.

Coloque los alimentos frescos que vaya a congelar en el compartimento superior. Para lograr una congelación más rápida, gire el regulador de temperatura a un ajuste más alto para obtener el frío máximo.



PRECAUCIÓN!

En esa situación, la temperatura del compartimento frigorífico puede descender por debajo de 0°C. En ese caso, sitúe el regulador de temperatura en un ajuste menos frío.

4.2 Conservación de alimentos congelados

Al poner en marcha el aparato por primera vez o después de un periodo sin uso, déjelo en marcha al menos durante 2 horas con un ajuste alto antes de

colocar los productos en el compartimento.

i En caso de producirse una descongelación accidental, por ejemplo, por un corte del suministro eléctrico, y si la interrupción ha sido más prolongada que el valor indicado en el campo "tiempo de elevación" de la tabla de características técnicas, será necesario consumir cuanto antes los alimentos descongelados o cocinarlos de inmediato y congelarlos de nuevo (después de que se hayan enfriado).

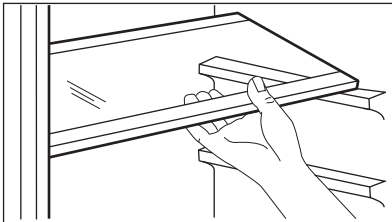
4.3 Descongelación

Los alimentos ultracongelados o congelados, antes de utilizarlos, se pueden descongelar en el compartimento frigorífico o a temperatura ambiente, dependiendo del tiempo de que se disponga.

Es posible incluso cocinar piezas pequeñas congeladas, tomadas directamente del congelador: en tal caso, el tiempo de cocción será más prolongado.

4.4 Estantes móviles

Las paredes del frigorífico cuentan con una serie de guías para colocar los estantes del modo que se prefiera.



i No coloque el estante de vidrio por encima del cajón de verduras y del estante de botellas para asegurar una circulación de aire correcta.

4.5 Producción de cubitos de hielo

Este aparato cuenta con una o varias bandejas para la producción de cubitos de hielo.

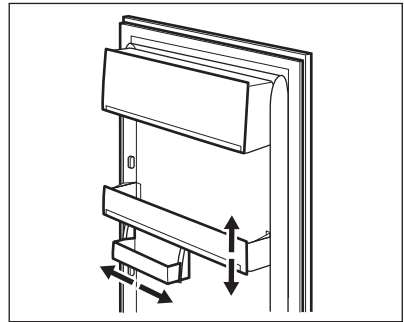
i No utilice instrumentos metálicos para retirar las bandejas del congelador.

1. Rellene estas bandejas con agua.
2. Ponga las bandejas de hielo en el compartimento del congelador.

4.6 Colocación de los estantes de la puerta

Para poder guardar alimentos de distintos tamaños, los estantes de la puerta se pueden colocar a diferentes alturas.

1. Tire gradualmente del estante en la dirección de las flechas hasta que se desenganche.
2. Vuelva a colocarlo según sea necesario.



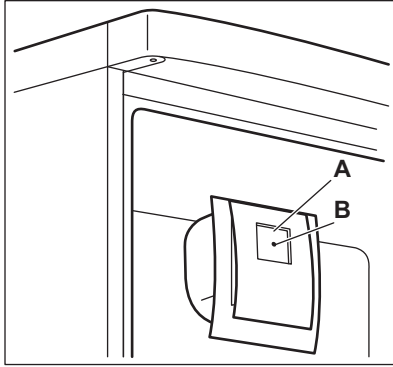
4.7 FREESTORE

La función FREESTORE permite enfriar los alimentos con rapidez y mantener una temperatura más uniforme dentro del compartimento.

i Active la función FREESTORE cuando la temperatura ambiente supere los 25 °C.

Pulse el interruptor (A) para encender el FREESTORE.

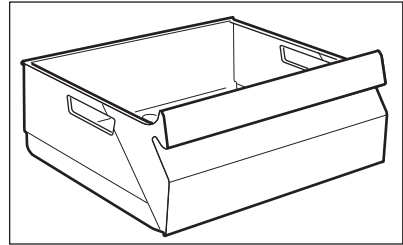
Se enciende la luz verde (B).



Cuando apague el aparato, recuerde apagar el ventilador pulsando la tecla (A).
Se apaga la luz verde (B).

4.8 Cajón CrispFresh

Este cajón es adecuado para guardar frutas y verduras.



5. CONSEJOS

5.1 Sonidos de funcionamiento normal

Los ruidos siguientes son normales durante el funcionamiento:

- Un gorgoteo y burbujeo débil desde el serpentín cuando se bombea el refrigerante.
- Un zumbido o sonido intermitente desde el compresor cuando se bombea el refrigerante.
- Un chasquido repentino desde el interior del aparato debido a la dilatación térmica (un fenómeno físico natural no peligroso).
- Un chasquido débil desde el regulador de temperatura cuando se activa o desactiva el compresor.

5.2 Consejos para ahorrar energía

- No abra la puerta con frecuencia ni la deje abierta más tiempo del estrictamente necesario.

5.3 Consejos para la refrigeración de alimentos frescos

Para obtener los mejores resultados:

- no guarde en el frigorífico alimentos calientes ni líquidos en evaporación
- cubra o envuelva los alimentos, en especial si tienen sabores fuertes
- coloque los alimentos de modo que el aire pueda circular libremente entre ellos

5.4 Consejos para la refrigeración

Consejos útiles:

- Carne (de todo tipo): guárdela en bolsas de plástico y colóquela en el estante de vidrio, sobre el cajón de las verduras.
- Por razones de seguridad, no la guarde más de uno o dos días.
- Alimentos cocinados, platos fríos, etc: cúbralos y colóquelos en cualquier estante.
- Frutas y verduras: una vez lavadas a fondo, guárdelas en los cajones especiales suministrados al efecto.

- Mantequilla y queso: utilice recipientes herméticos especiales, papel de aluminio o bolsas de plástico para excluir tanto aire como sea posible.
- Botellas: deben guardarse tapadas en el estante para botellas de la puerta de la puerta o en el botellero (si dispone de él).
- No guarde en el frigorífico productos como plátanos, patatas, cebollas y ajos, a menos que estén empaquetados.

5.5 Consejos sobre la congelación

Para aprovechar al máximo el proceso de congelación, tenga en cuenta:

- la cantidad máxima de alimentos que puede congelarse en 24 horas se indica en la placa de características;
- el proceso de congelación requiere 24 horas. No añada más alimentos para congelar durante ese tiempo;
- congele sólo alimentos de máxima calidad, frescos y perfectamente limpios;
- divida los alimentos en porciones pequeñas para agilizar el proceso de congelación y facilitar la descongelación y uso de las cantidades necesarias;
- envuelva los alimentos en papel de aluminio o polietileno y compruebe que los envoltorios quedan herméticamente cerrados;
- no permita que alimentos frescos y sin congelar entren en contacto con

- alimentos ya congelados, así evitará que aumente su temperatura;
- los alimentos magros se congelan mejor que los grasos; la sal reduce el tiempo de almacenamiento de los alimentos;
- el hielo que se consume inmediatamente después de extraerlo del congelador puede provocar quemaduras por congelación en la piel;
- se recomienda etiquetar cada paquete con la fecha de congelación para controlar el tiempo de almacenamiento.

5.6 Consejos para el almacenamiento de alimentos congelados

Para obtener el máximo rendimiento de este aparato, deberá:

- comprobar que el comerciante ha mantenido los productos congelados correctamente almacenados;
- procurar que los alimentos congelados pasen de la tienda al congelador en el menor tiempo posible;
- evitar la apertura frecuente de la puerta o dejarla abierta más tiempo del estrictamente necesario;
- los alimentos descongelados se deterioran con rapidez y no pueden congelarse de nuevo;
- no supere el tiempo de almacenamiento indicado por el fabricante de los alimentos.

6. MANTENIMIENTO Y LIMPIEZA



ADVERTENCIA!

Consulte los capítulos sobre seguridad.

6.1 Advertencias generales



PRECAUCIÓN!

Antes de realizar tareas de mantenimiento, desenchufe el aparato



Este aparato contiene hidrocarburos en la unidad de refrigeración por lo que cualquier tarea de mantenimiento o recarga debe ser realizada por personal técnico homologado.



Los accesorios y las piezas del aparato no deben lavarse en el lavavajillas.

6.2 Limpieza periódica



PRECAUCIÓN!

No mueva, dañe ni tire de los conductos o cables del interior del armario.



PRECAUCIÓN!

Tenga cuidado para no dañar el sistema de refrigeración.



PRECAUCIÓN!

Al mover el frigorífico, levántelo por el borde frontal para no arañar el suelo.

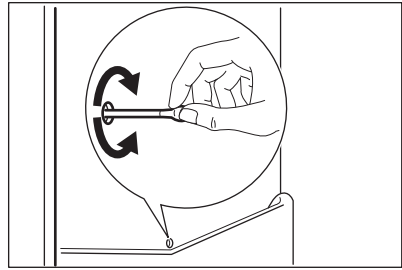
El equipo debe limpiarse de forma regular:

1. Limpie el interior y los accesorios con agua templada y un jabón neutro.
2. Revise y limpie periódicamente las juntas de la puerta para mantenerlas limpias y sin restos;
3. Aclare y seque a fondo.
4. Si se puede acceder, limpie el condensador y el compresor de la parte posterior del aparato con un cepillo.
Esa operación mejorará el rendimiento del aparato y reducirá el consumo eléctrico.

6.3 Descongelación del frigorífico

La escarcha se elimina automáticamente del evaporador del frigorífico cada vez que se detiene el compresor, durante el funcionamiento normal. El agua de la descongelación se descarga por un canal hacia un recipiente especial situado en la parte posterior del aparato, sobre el motor compresor, desde donde se evapora.

Es importante limpiar periódicamente el orificio de salida del agua de descongelación situado en la mitad del canal del compartimento frigorífico para evitar que el agua se desborde y caiga sobre los alimentos del interior.



6.4 Descongelación del congelador



PRECAUCIÓN!

No utilice herramientas metálicas afiladas para raspar la escarcha del evaporador, ya que podría dañarlo. No utilice dispositivos mecánicos ni medios artificiales para acelerar el proceso de descongelación, excepto los recomendados por el fabricante. El aumento de la temperatura de los paquetes de alimentos congelados durante la descongelación puede acortar su tiempo de almacenamiento.



Unas 12 horas antes de realizar la descongelación, ajuste una temperatura más baja con el fin de acumular frío suficiente para la interrupción del funcionamiento.

Siempre se forma un poco de escarcha en los estantes del congelador y en torno al compartimento superior.

Descongele el congelador sólo cuando la capa de escarcha alcance un grosor de unos 3 a 5 mm.

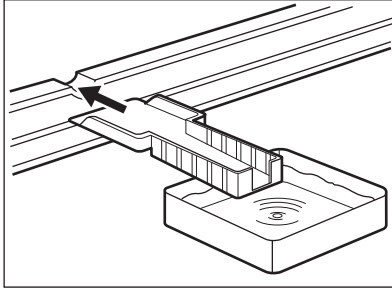
1. Apague el aparato o desconecte el enchufe de la toma de corriente.
2. Retire los alimentos congelados, envuélvalos en varias hojas de papel de periódico y colóquelos en un sitio fresco.



ADVERTENCIA!

No toque los alimentos congelados con las manos mojadas. Podrían congelarse al contacto con los alimentos.

3. Deje la puerta abierta e introduzca el raspador plástico en el centro de la base, después de colocar un recipiente debajo para recoger el agua de la descongelación.



Para acelerar el proceso de descongelación, coloque un recipiente con agua tibia en el compartimento congelador. Además, retire los trozos de hielo que se desprendan antes de que finalice la descongelación.

4. Finalmente, seque bien el interior y conserve el raspador para su uso futuro.

5. Encienda el aparato. Después de tres horas, vuelva a introducir los alimentos retirados anteriormente en los compartimentos.

6.5 Periodos de inactividad

Si el aparato no se utiliza durante un tiempo prolongado, tome las siguientes precauciones:

1. Desconecte el aparato de la red eléctrica.
2. Extraiga todos los alimentos.
3. Descongele (si es necesario) y limpie el aparato y todos sus accesorios
4. Limpie el electrodoméstico y todos sus accesorios
5. Deje la puerta o puertas abiertas para que no se produzcan olores desagradables.



ADVERTENCIA!

Si el armario va a mantenerse abierto, procure que alguien lo vigile de vez en cuando para que los alimentos de su interior no se estropeen si se interrumpe el suministro eléctrico.

7. SOLUCIÓN DE PROBLEMAS



ADVERTENCIA!

Consulte los capítulos sobre seguridad.

7.1 Qué hacer si...

Problema	Posible causa	Solución
El aparato no funciona.	El aparato se apaga.	Encienda el aparato.
	El aparato no está correctamente enchufado a la toma de corriente.	Enchufe el aparato correctamente a la toma de corriente.
	No hay tensión en la toma de corriente.	Enchufe un aparato eléctrico diferente a la toma de corriente. Llame a un electricista cualificado.

Problema	Posible causa	Solución
El aparato hace ruido.	El aparato no está bien apoyado en el suelo.	Compruebe que los soportes del aparato descansan sobre una superficie estable.
La bombilla no funciona.	La bombilla está en espera.	Cierre y abra la puerta.
	La bombilla es defectuosa.	Consulte la sección "Cambio de la bombilla".
El compresor funciona continuamente.	La temperatura está ajustada incorrectamente.	Consulte el capítulo de funcionamiento.
	Se han guardado muchos alimentos al mismo tiempo.	Espere unas horas y vuelva a comprobar la temperatura.
	La temperatura ambiente es demasiado alta.	Consulte la tabla de clase climática en la placa de datos técnicos.
	Los alimentos introducidos en el aparato estaban demasiado calientes.	Deje que los alimentos se enfrien a temperatura ambiente antes de almacenarlos.
	La puerta no está bien cerrada.	Consulte la sección "Cierre de la puerta".
	El tapón de drenaje del agua no está bien colocado.	Coloque el tapón de drenaje en la forma correcta.
	Los alimentos no están bien envueltos.	Envuelva mejor los productos.
	La temperatura está ajustada incorrectamente.	Consulte el capítulo de funcionamiento.
El agua fluye por el interior del frigorífico.	La salida de agua está obstruida.	Limpie la salida de agua.
	Los productos impiden que el agua fluya al colector de agua.	Asegúrese de que los alimentos no entran en contacto con la placa posterior.
Hay agua en el suelo.	El agua de la descongelación no fluye hacia la bandeja de evaporación situada sobre el compresor.	Fije la salida de agua de descongelación a la bandeja de evaporación.
La temperatura del aparato es demasiado baja/alta.	El regulador de temperatura no se ha ajustado correctamente.	Seleccione una temperatura más alta o baja.

Problema	Posible causa	Solución
	La puerta no está bien cerrada.	Consulte la sección "Cierre de la puerta".
	La temperatura de los productos es demasiado alta.	Deje que la temperatura de los productos descienda a la temperatura ambiente antes de guardarlo.
	Se han guardado muchos alimentos al mismo tiempo.	Guarde menos productos al mismo tiempo.
	El grosor de la escarcha es de más de 4-5 mm.	Descongele el aparato.
	La puerta se ha abierto con frecuencia.	Si es necesario, cierre la puerta.
	No hay circulación de aire frío en el aparato.	Compruebe que el aire frío circula libremente en el aparato.

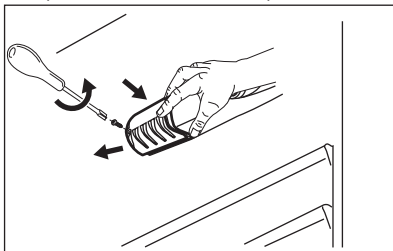


Si el consejo anterior no ofrece resultados, llame al servicio técnico autorizado más cercano.

7.2 Cambio de la bombilla

Desenchufe el aparato de la toma de corriente.

1. Retire el tornillo de la tapa de la bombilla.
2. Extraiga la tapa de la bombilla (consulte la ilustración).



3. Cambie la bombilla por una nueva de la misma potencia y específicamente diseñada para electrodomésticos (la potencia máxima se indica en la tapa de la bombilla).
4. Instale la tapa de la bombilla.
5. Apriete el tornillo de la tapa de la bombilla.
6. Enchufe el aparato a la toma de corriente.
7. Abra la puerta.
Compruebe que la bombilla se enciende.

7.3 Cierre de la puerta

1. Limpie las juntas de la puerta.
2. Si es necesario, ajuste la puerta. Consulte "Instalación".
3. Si es necesario, cambie las juntas defectuosas. Póngase en contacto con el servicio técnico autorizado.

8. INSTALACIÓN

8.1 Colocación

El aparato se puede instalar en un lugar interior seco y bien ventilado en el que la

temperatura ambiente se corresponda con la clase climática indicada en la placa de características del aparato:

Clase climática	Temperatura ambiente
SN	+10°C a + 32°C
N	+16°C a + 32°C
ST	+16°C a + 38°C
T	+16°C a + 43°C



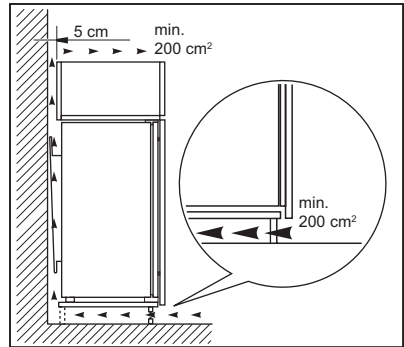
Se puede producir algún problema de funcionamiento en algunos modelos cuando se usan fuera de ese rango. Sólo se puede garantizar el correcto funcionamiento dentro del rango de temperatura especificado. Si tiene cualquier duda respecto al lugar de instalación del aparato, consulte al vendedor, a nuestro servicio de atención al cliente o al servicio técnico autorizado más cercano

8.2 Conexión eléctrica

- Antes de conectar el aparato, compruebe que el voltaje y la frecuencia indicados en la placa de datos técnicos se corresponden con el suministro de la vivienda.
- El aparato debe conectarse a tierra. El enchufe del cable de alimentación se suministra con un contacto para tal fin. Si la toma de red de la vivienda carece de conexión a tierra, conecte el aparato a una toma de tierra conforme con la normativa, después de consultar a un electricista profesional
- El fabricante declina toda responsabilidad si no se toman las precauciones antes indicadas.
- Este aparato cumple las directivas CEE.

8.3 Requisitos de ventilación

El aire debe poder circular libremente por la parte posterior del aparato.

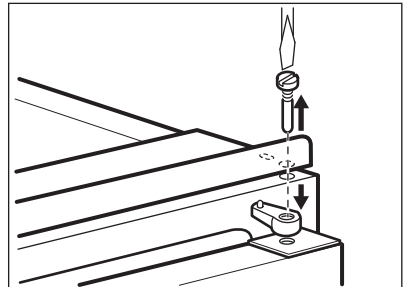


PRECAUCIÓN!

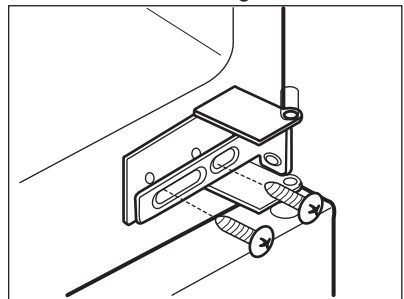
Consulte las instrucciones de montaje para la instalación.

8.4 Cambio del sentido de apertura de la puerta

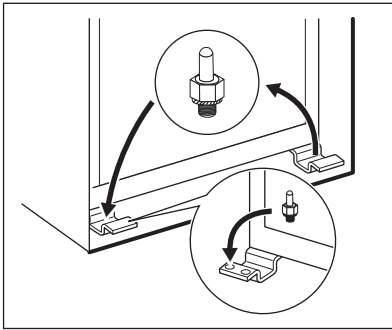
1. Afloje y retire el perno superior.



2. Retire la puerta superior.
3. Quite el separador.
4. Desatornille la bisagra central.



5. Retire la puerta inferior.
6. Afloje y retire el perno inferior.
7. Apriete el pasador inferior en el lado opuesto.



8. Vuelva a colocar la puerta inferior.
9. Apriete la bisagra central.
10. Coloque el separador.
11. Coloque la puerta superior.
12. Apriete el perno superior.



Finalmente, compruebe que:

- Todos los tornillos están apretados.
- La junta magnética se adhiere al mueble.
- La puerta abre y cierra correctamente.

Es posible que la junta no encaje a la perfección en el mueble si la temperatura ambiente es baja (es decir, en invierno). En tal caso, espere hasta que la junta se fije al mueble de forma natural.

Si prefiere no realizar los procedimientos anteriores, póngase en contacto con el centro de servicio técnico más próximo. El personal del centro de servicio técnico cambiará el sentido de apertura de las puertas con gastos a su cargo.

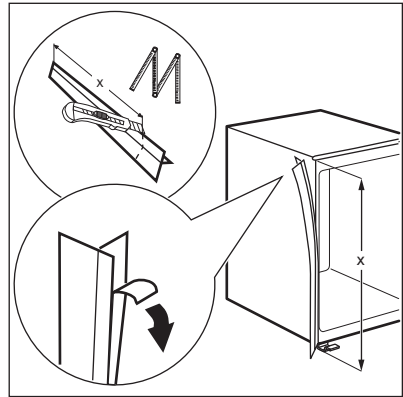
8.5 Instalación del aparato



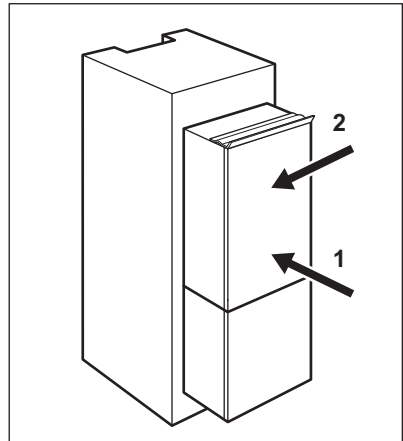
PRECAUCIÓN!

Compruebe que el cable de alimentación de red pueda moverse con facilidad.

1. Si es necesario, corte la cinta selladora adhesiva y péguela al aparato como se muestra en la figura.



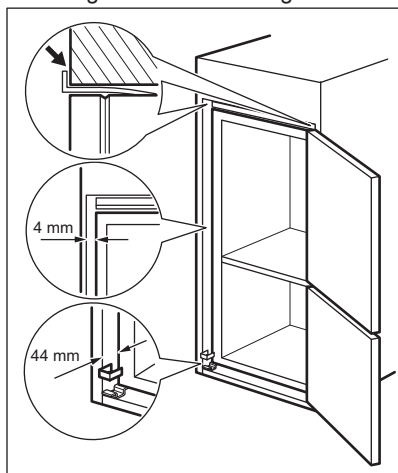
2. Instale el aparato en el hueco.
3. Empuje el aparato en el sentido de las flechas (1) hasta que la cubierta de separación superior haga tope contra el mueble de cocina.



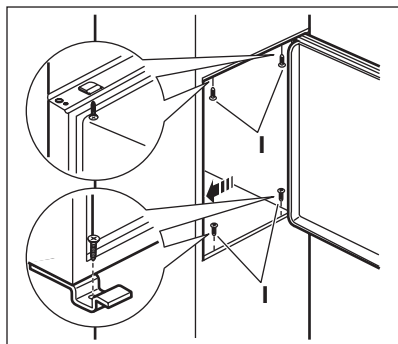
4. Empuje el aparato en el sentido de las flechas (2) contra el mueble en el lado opuesto de la bisagra.
5. Ajuste el aparato en el hueco. Asegúrese de que haya una distancia de 44 mm entre el aparato y el borde delantero del mueble. La tapa de la bisagra inferior (incluida en la bolsa de accesorios) garantiza que la separación entre el aparato y el mueble de cocina sea la adecuada.

Asegúrese de que quede un espacio de 4 mm entre el aparato y el mueble.

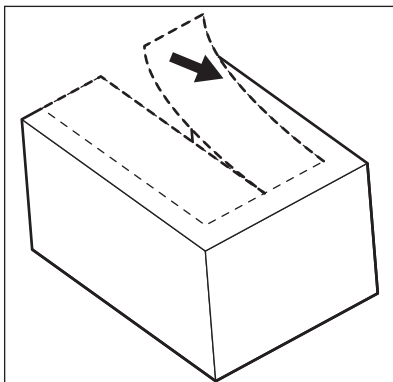
- Abra la puerta. Coloque la tapa de la bisagra inferior en su lugar.



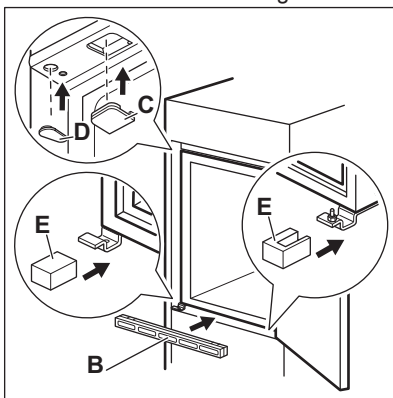
- Fije el aparato al hueco con cuatro tornillos.



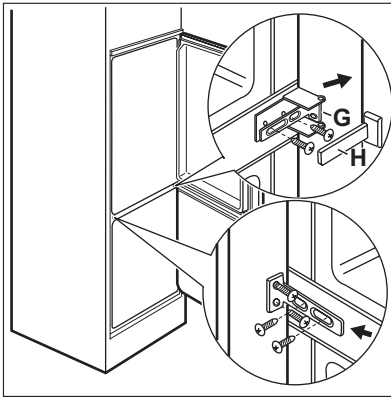
- Retire la parte correcta de la tapa de la bisagra (E). No olvide extraer la pieza DX, en el caso de la bisagra derecha, y la pieza SX en el caso contrario.



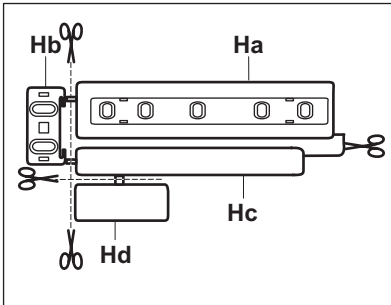
- Fije las tapas (C, D) a las lengüetas y a los orificios de la bisagra.



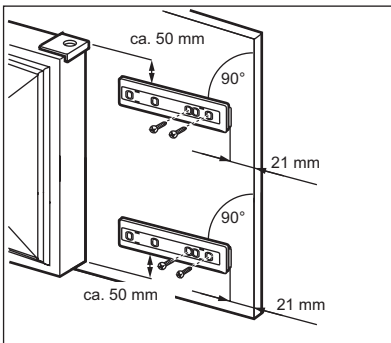
- Instale la rejilla de ventilación (B).
- Fije las tapas (E) a la bisagra.
- Conecte el aparato lateralmente con la puerta del mueble de cocina.
- Afloje los tornillos de la pieza (G) y desplace la pieza (G) hasta la puerta del mueble.



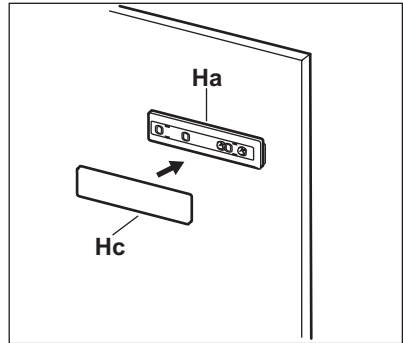
- 14. Vuelva a apretar los tornillos de la pieza (G).
- 15. Fije la pieza (H) a la pieza (G).
- 16. Desconecte las piezas (Ha), (Hb), (Hc) y (Hd).



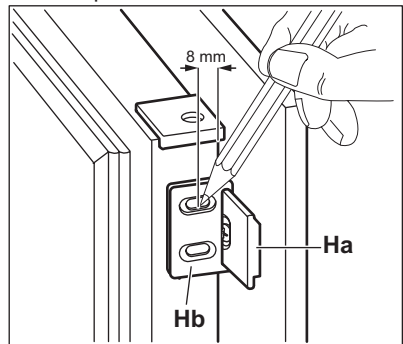
- 17. Instale la pieza (Ha) en el lado interno del mueble de cocina.



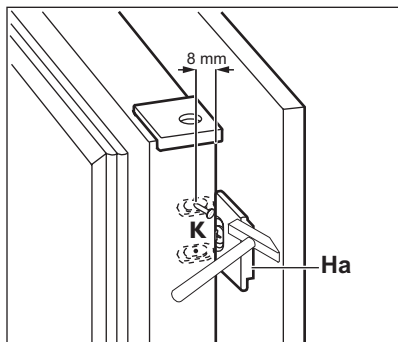
- 18. Empuje la pieza (Hc) contra la pieza (Ha).



- 19. Abra la puerta del aparato y la puerta del mueble de cocina en un ángulo de 90°.
- 20. Introduzca el cuadrado pequeño (Hb) en la guía (Ha).
- 21. Coloque juntas la puerta del aparato y la puerta del mueble de cocina y marque los orificios.

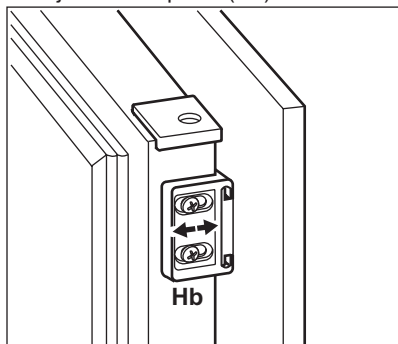


- 22. Quite los soportes y ponga una marca a una distancia de 8 mm desde el borde exterior de la puerta en la que se debe colocar el clavo (K).

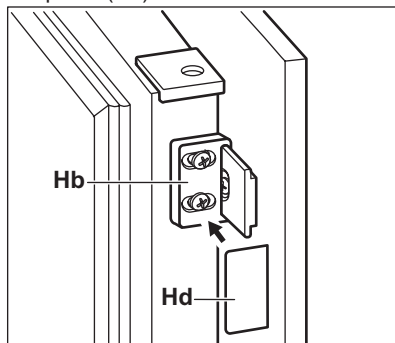


23. Vuelva a colocar el cuadrado pequeño en la guía y fíjelo con los tornillos suministrados.

24. Alinee las puertas del mueble de cocina y del aparato mediante el ajuste de la pieza (Hb).



25. Presione la pieza (Hd) contra la pieza (Hb).

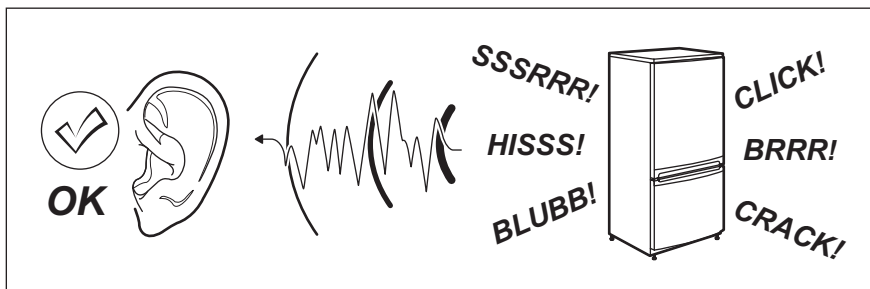


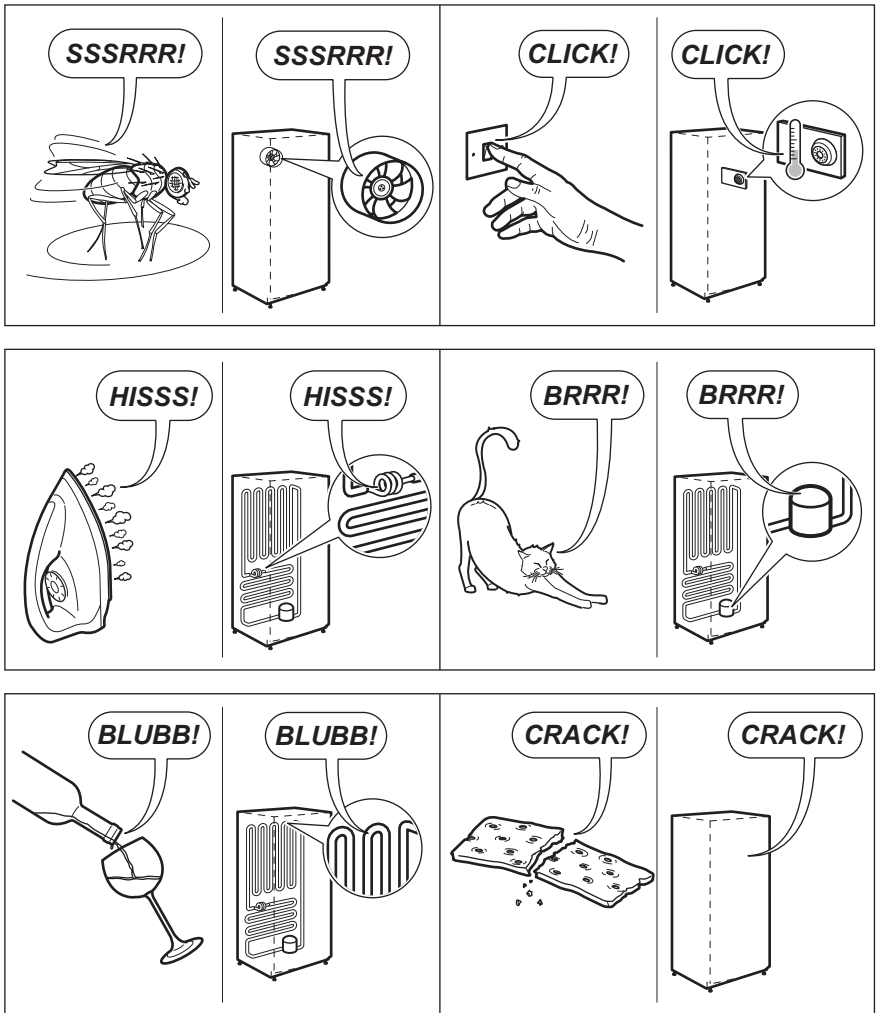
Finalmente, compruebe que:

- Todos los tornillos están apretados.
- La cinta selladora se ha fijado firmemente al armario.
- La puerta abre y cierra correctamente.

9. RUIDOS

Durante el funcionamiento normal del aparato suelen producirse ciertos ruidos (compresor, circulación del refrigerante).





10. INFORMACIÓN TÉCNICA

10.1 Datos técnicos


Medidas del hueco		
Alto	mm	1850
Ancho	mm	560
Fondo	mm	560


Tiempo de elevación	Horas	20
Voltaje	Voltios	230 - 240
Frecuencia	Hz	50

La información técnica se encuentra en la placa de datos técnicos situada en el

lado exterior o interior del aparato, y en la etiqueta de consumo energético.

11. ASPECTOS MEDIOAMBIENTALES

Recicle los materiales con el símbolo . Coloque el material de embalaje en los contenedores adecuados para su reciclaje. Ayude a proteger el medio ambiente y la salud pública, así como a reciclar residuos de aparatos eléctricos y

electrónicos. No deseche los aparatos marcados con el símbolo  junto con los residuos domésticos. Lleve el producto a su centro de reciclaje local o póngase en contacto con su oficina municipal.

www.electrolux.com/shop



222370872-A-472014

