

Instructions for use

WASHING MACHINE

GB

Contents

GB

English,1

IT

Italiano,13

FR

Français,25

ES

Español,37

PT

Português,49

BG

Български,61

RSG 925 J

Installation, 2-3

Unpacking and levelling
Connecting the electricity and water supplies
The first wash cycle
Technical data

Care and maintenance, 4

Cutting off the water and electricity supplies
Cleaning the washing machine
Cleaning the detergent dispenser drawer
Caring for the door and drum of your appliance
Cleaning the pump
Checking the water inlet hose

Precautions and tips, 5

General safety
Disposal
Opening the porthole door manually

Description of the washing machine, 6-7

Control panel
Display

Running a wash cycle, 8

Wash cycles and options, 9

Table of programmes and wash cycles
Wash options

Detergents and laundry, 10

Detergent dispenser drawer
Preparing the laundry
Special wash cycles
Load balancing system

Troubleshooting, 11

Service, 12

 **Hotpoint**

ARISTON

Installation

GB

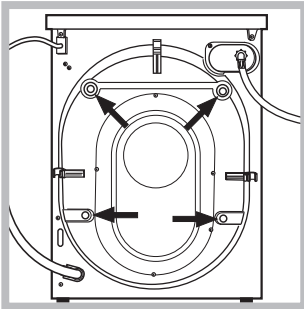
! This instruction manual should be kept in a safe place for future reference. If the washing machine is sold, transferred or moved, make sure that the instruction manual remains with the machine so that the new owner is able to familiarise himself/herself with its operation and features.

! Read these instructions carefully: they contain vital information relating to the safe installation and operation of the appliance.

Unpacking and levelling

Unpacking

1. Remove the washing machine from its packaging.
2. Make sure that the washing machine has not been damaged during the transportation process. If it has been damaged, contact the retailer and do not proceed any further with the installation process.

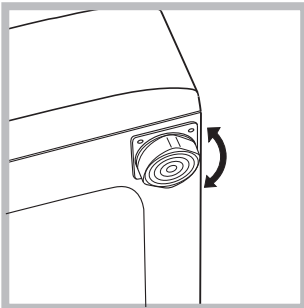


3. Remove the 4 protective screws (used during transportation) and the rubber washer with the corresponding spacer, located on the rear part of the appliance (see figure).

4. Close off the holes using the plastic plugs provided.
 5. Keep all the parts in a safe place: you will need them again if the washing machine needs to be moved to another location.
- ! Packaging materials should not be used as toys for children.

Levelling

1. Install the washing machine on a flat sturdy floor, without resting it up against walls, furniture cabinets or anything else.



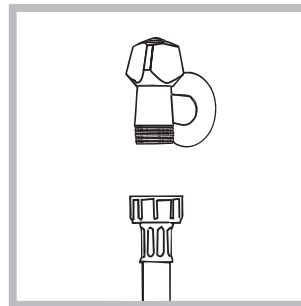
2. If the floor is not perfectly level, compensate for any unevenness by tightening or loosening the adjustable front feet (see figure); the angle of inclination, measured in relation to the worktop, must

not exceed 2°.

Levelling the machine correctly will provide it with stability, help to avoid vibrations and excessive noise and prevent it from shifting while it is operating. If it is placed on carpet or a rug, adjust the feet in such a way as to allow a sufficient ventilation space underneath the washing machine.

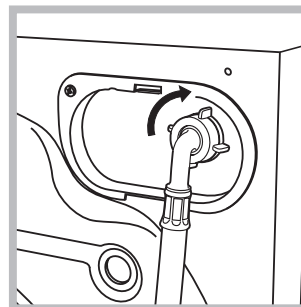
Connecting the electricity and water supplies

Connecting the water inlet hose



1. Connect the inlet hose by screwing it to a cold water tap using a 3/4 gas threaded connection (see figure).

Before performing the connection, allow the water to run freely until it is perfectly clear.



2. Connect the inlet hose to the washing machine by screwing it onto the corresponding water inlet of the appliance, which is situated on the top right-hand side of the rear part of the appliance (see figure).

figure).

3. Make sure that the hose is not folded over or bent.

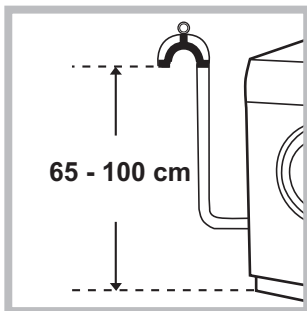
! The water pressure at the tap must fall within the range of values indicated in the Technical data table (see next page).

! If the inlet hose is not long enough, contact a specialised shop or an authorised technician.

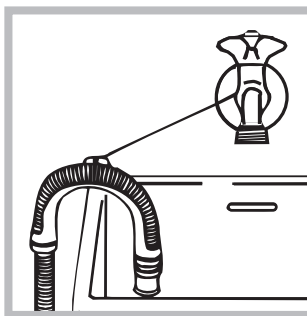
! Never use second-hand hoses.

! Use the ones supplied with the machine.

Connecting the drain hose



Connect the drain hose, without bending it, to a drain duct or a wall drain situated between 65 and 100 cm from the floor;



alternatively, placed it over the edge of a basin, sink or tub, fastening the duct supplied to the tap (see figure). The free end of the hose should not be underwater.

! We advise against the use of hose extensions; if it is absolutely necessary, the extension must have the same diameter as the original hose and must not exceed 150 cm in length.

Electrical connections

Before plugging the appliance into the electricity socket, make sure that:

- the socket is earthed and complies with all applicable laws;
- the socket is able to withstand the maximum power load of the appliance as indicated in the Technical data table (see opposite);
- the power supply voltage falls within the values indicated in the Technical data table (see opposite);
- the socket is compatible with the plug of the washing machine. If this is not the case, replace the socket or the plug.

! The washing machine must not be installed outdoors, even in covered areas. It is extremely dangerous to leave the appliance exposed to rain, storms and other weather conditions.

! When the washing machine has been installed, the electricity socket must remain within easy reach.

! Do not use extension cords or multiple sockets.

! The cable should not be bent or compressed.

! The power supply cable must only be replaced by authorised technicians.

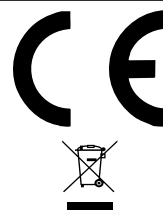
Warning! The company shall not be held responsible in the event that these standards are not observed.

The first wash cycle

Once the appliance has been installed, and before you use it for the first time, run a wash cycle with detergent and no laundry, using wash cycle auto clean (see "Cleaning the washing machine").

Technical data

Model	RSG 925 J
Dimensions	width 59,5 cm height 85 cm depth 60,5 cm
Capacity	from 1 to 9 kg
Electrical connections	please refer to the technical data plate fixed to the machine
Water connections	maximum pressure 1 MPa (10 bar) minimum pressure 0.05 MPa (0.5 bar) drum capacity 62 litres
Spin speed	up to 1200 rotations per minute
Test wash cycles in accordance with regulations 1061/2010 1015/2010	programme 9 ; Eco Cotton 60°C. programme 9 ; Eco Cotton 40°C.



This appliance conforms to the following EC Directives:
- 2004/108/EC (Electromagnetic Compatibility)
- 2006/95/EC (Low Voltage)
- 2012/19/EU (WEEE)

Care and maintenance

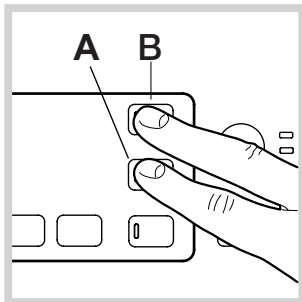
GB

Cutting off the water and electricity supplies

- Turn off the water tap after every wash cycle. This will limit wear on the hydraulic system inside the washing machine and help to prevent leaks.
- Unplug the washing machine when cleaning it and during all maintenance work.

Cleaning the washing machine

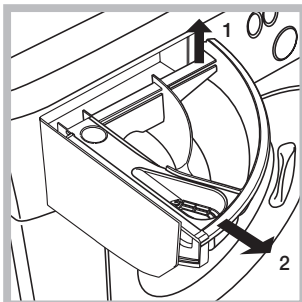
- The outer parts and rubber components of the appliance can be cleaned using a soft cloth soaked in lukewarm soapy water. Do not use solvents or abrasives.
- The washing machine has a auto clean programme for its internal parts that **must be run with no load in the drum**.



To help the wash cycle you may want to use either the detergent (i.e. a quantity 10% the quantity specified for lightly-soiled garments) or special additives to clean the washing machine. We recommend running a

cleaning programme every 40 wash cycles. To start the programme press buttons **A** and **B** simultaneously for 5 seconds (see figure). The programme will start automatically and will run for about 70 minutes. To stop the cycle press the START/PAUSE button.

Cleaning the detergent dispenser drawer



Remove the dispenser by raising it and pulling it out (see figure). Wash it under running water; this operation should be repeated frequently.

Caring for the door and drum of your appliance

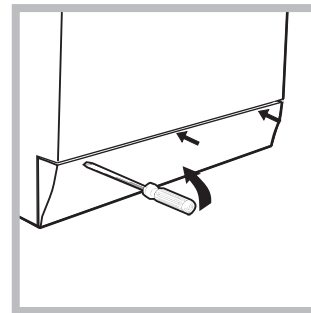
- Always leave the porthole door ajar in order to prevent unpleasant odours from forming.

Cleaning the pump

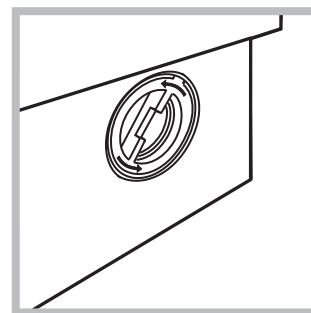
The washing machine is fitted with a self-cleaning pump which does not require any maintenance. Sometimes, small items (such as coins or buttons) may fall into the pre-chamber which protects the pump, situated in its bottom part.

! Make sure the wash cycle has finished and unplug the appliance.

To access the pre-chamber:



1. using a screwdriver, remove the cover panel on the lower front part of the washing machine (see figure);



2. unscrew the lid by rotating it anti-clockwise (see figure): a little water may trickle out. This is perfectly normal;

3. clean the inside thoroughly;
4. screw the lid back on;
5. reposition the panel, making sure the hooks are securely in place before you push it onto the appliance.

Checking the water inlet hose

Check the inlet hose at least once a year. If there are any cracks, it should be replaced immediately: during the wash cycles, water pressure is very strong and a cracked hose could easily split open.

! Never use second-hand hoses.

! This washing machine was designed and constructed in accordance with international safety regulations. The following information is provided for safety reasons and must therefore be read carefully.

General safety

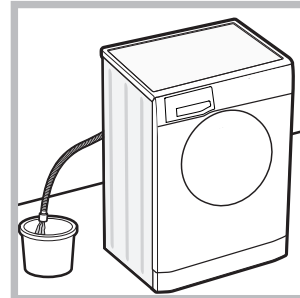
- This appliance was designed for domestic use only.
- This appliance can be used by children aged from 8 years and above and persons with reduced physical, sensory or mental capabilities or lack of experience and knowledge if they have been given supervision or instruction concerning use of the appliance in a safe way and understand the hazards involved. Children shall not play with the appliance. Cleaning and user maintenance shall not be made by children without supervision.
- Do not touch the machine when barefoot or with wet or damp hands or feet.
- Do not pull on the power supply cable when unplugging the appliance from the electricity socket. Hold the plug and pull.
- Do not open the detergent dispenser drawer while the machine is in operation.
- Do not touch the drained water as it may reach extremely high temperatures.
- Never force the porthole door. This could damage the safety lock mechanism designed to prevent accidental opening.
- If the appliance breaks down, do not under any circumstances access the internal mechanisms in an attempt to repair it yourself.
- Always keep children well away from the appliance while it is operating.
- The door can become quite hot during the wash cycle.
- If the appliance has to be moved, work in a group of two or three people and handle it with the utmost care. Never try to do this alone, because the appliance is very heavy.
- Before loading laundry into the washing machine, make sure the drum is empty.

Disposal

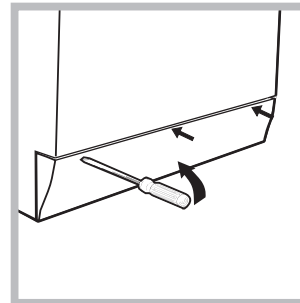
- Disposing of the packaging materials: observe local regulations so that the packaging may be re-used.
- The European Directive 2012/19/EU on Waste Electrical and Electronic Equipment, requires that old household electrical appliances must not be disposed of in the normal unsorted municipal waste stream. Old appliances must be collected separately in order to optimise the recovery and recycling of the materials they contain and reduce the impact on human health and the environment. The crossed out "wheeled bin" symbol on the product reminds you of your obligation, that when you dispose of the appliance it must be separately collected. Consumers should contact their local authority or retailer for information concerning the correct disposal of their old appliance.

Opening the porthole door manually

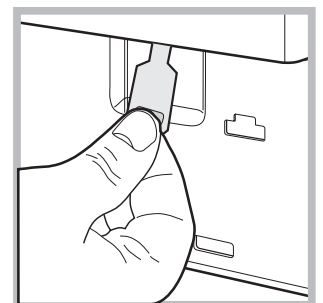
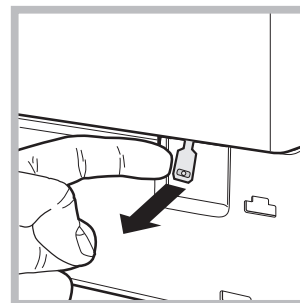
In the event that it is not possible to open the porthole door due to a powercut, and if you wish to remove the laundry, proceed as follows:



1. remove the plug from the electrical socket.
2. make sure the water level inside the machine is lower than the door opening; if it is not, remove excess water using the drain hose, collecting it in a bucket as indicated in the figure.



3. using a screwdriver, remove the cover panel on the lower front part of the washing machine (see figure).



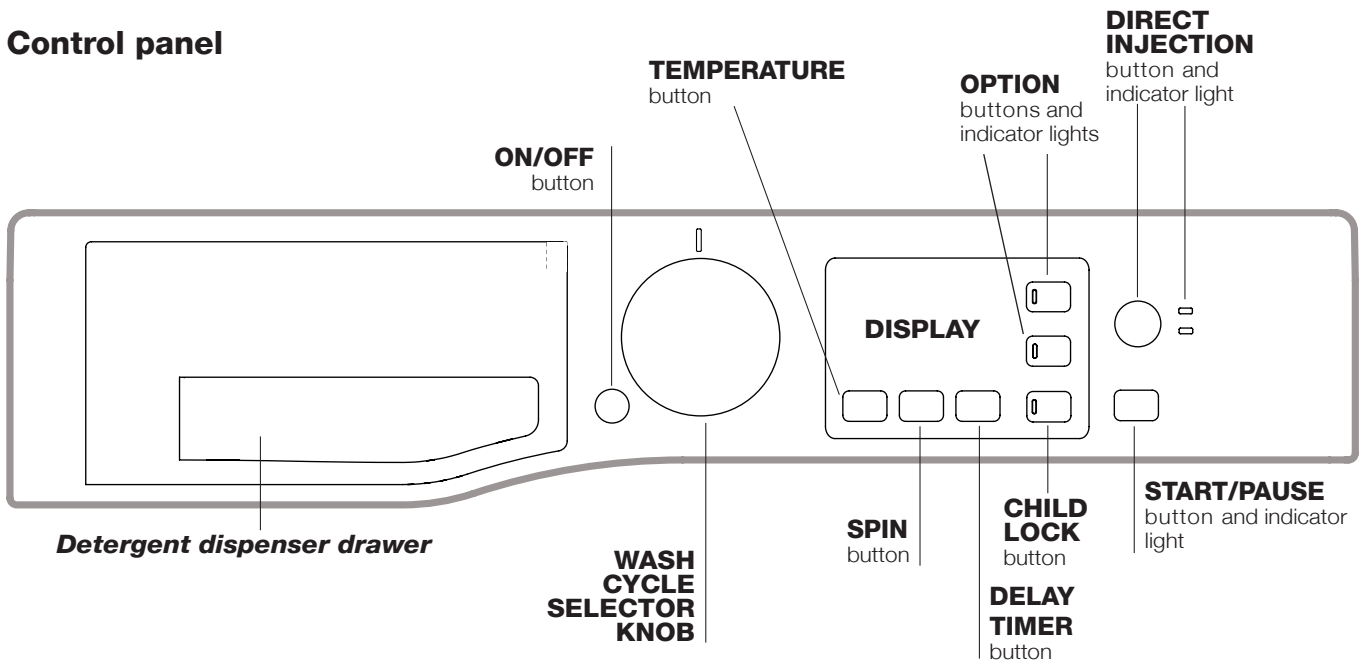
4. pull outwards using the tab as indicated in the figure, until the plastic tie-rod is freed from its stop position; pull downwards and open the door at the same time.

5. reposition the panel, making sure the hooks are securely in place before you push it onto the appliance.


Description of the washing machine

GB

Control panel



Detergent dispenser drawer: used to dispense detergents and washing additives (see “Detergents and laundry”).


ON/OFF  button: press this briefly to switch the machine on or off. The START/PAUSE indicator light which flashes slowly in a green colour shows that the machine is switched on. To switch off the washing machine during the wash cycle, press and hold the button for approximately 3 seconds; if the button is pressed briefly or accidentally the machine will not switch off.


If the machine is switched off during a wash cycle, this wash cycle will be cancelled.


WASH CYCLE SELECTOR KNOB: used to set the desired wash cycle (see “Table of programmes and wash cycles”).

OPTION buttons and indicator lights: press to select the available options. The indicator light corresponding to the selected option will remain lit.


DIRECT INJECTION button and indicator light: press to select the DIRECT INJECTION option.


TEMPERATURE  button: press to reduce or completely exclude the temperature; the value appears on the display.

SPIN  button: press to reduce or completely exclude the spin cycle; the value appears on the display.

DELAYED START  button: press to set a delayed start for the selected wash cycle; the delay period appears on the display.

START/PAUSE button and indicator light: when the green indicator light flashes slowly, press the button to start a wash cycle. Once the cycle has begun the indicator light will remain lit in a fixed manner. To pause the wash cycle, press the button again; the indicator light will flash in an

amber colour. If the  symbol is not illuminated, the door may be opened. To start the wash cycle from the point at which it was interrupted, press the button again.

CHILD LOCK button: to activate the control panel lock, press and hold the button for approximately 2 seconds. When the symbol  is illuminated, the control panel is locked (apart from the ON/OFF button). This means it is possible to prevent wash cycles from being modified accidentally, especially where there are children in the home. To deactivate the control panel lock, press and hold the button for approximately 2 seconds.

Standby mode

This washing machine, in compliance with new energy saving regulations, is fitted with an automatic standby system which is enabled after about 30 minutes if no activity is detected. Press the ON-OFF button briefly and wait for the machine to start up again.

Antimicrobial seal

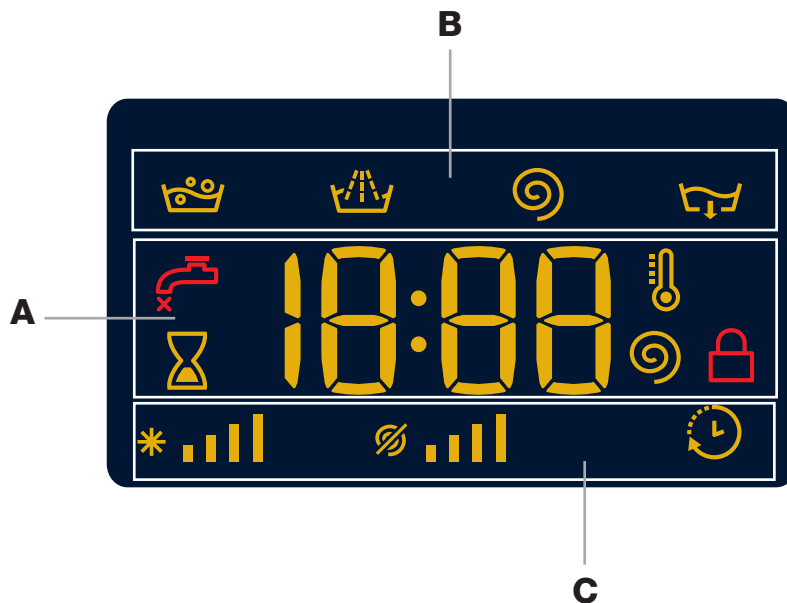
The seal around the porthole door is made from a special mixture ensuring antimicrobial protection, thus reducing bacterial proliferation up to 99.99%.

The seal contains zinc pyrithione, a biocidal substance which reduces the proliferation of harmful microbes (*) such as bacteria and mould prone to causing stains, unpleasant odours and product deterioration.

(*) **According to tests performed by the University of Perugia, Italy on:** *Staphylococcus aureus, Escherichia coli, Pseudomonas aeruginosa, Candida albicans, Aspergillus niger, Penicillium digitatum.*

In rare cases an allergic reaction may be caused by prolonged contact between seal and skin.

Display







The display is useful when programming the machine and provides a great deal of information.

The duration of the available wash cycles and the remaining time of a running cycle appear in section **A** (the display will show the maximum duration of the cycle chosen, which may decrease after several minutes, since the effective duration of the programme varies depending on the wash load and the settings chosen); if the DELAYED START option has been set, the countdown to the start of the selected wash cycle will appear.

Pressing the corresponding button allows you to view the maximum spin speed and temperature values attained by the machine during the set wash cycle, or the values selected most recently, if these are compatible with the set wash cycle.


The “wash cycle phases” corresponding to the selected wash cycle and the “wash cycle phase” of the running wash cycle appear in section **B**:

-  Main wash
-  Rinse
-  Spin
-  Pump out


The icons corresponding to “temperature”, “spin” and “delayed start” (working from the left) are displayed in section **C**.

The “temperature” bars *  indicate the maximum temperature level which may be selected for the set cycle.

The “spin” bars  indicate the maximum spin level which may be selected for the set cycle.





The “delay” symbol , when lit, indicates that the set “delayed start” value has appeared on the display.

DOOR LOCKED  indicator light:

The lit symbol indicates that the door is locked. To prevent any damage, wait until the symbol turns off before opening the door. To open the door while a cycle is in progress, press the START/PAUSE button; if the DOOR LOCKED  symbol is switched off the door may be opened.

Running a wash cycle

GB

1. **SWITCH THE MACHINE ON.** Press the  button; the START/PAUSE indicator light will flash slowly in a green colour.
2. **LOAD THE LAUNDRY.** Open the porthole door. Load the laundry, making sure you do not exceed the maximum load value indicated in the table of programmes and wash cycles on the following page.
3. **MEASURE OUT THE DETERGENT.** Pull out the detergent dispenser drawer and pour the detergent into the relevant compartments as described in “*Detergents and laundry*”.
4. **CLOSE THE DOOR.**
5. **SELECT THE WASH CYCLE.** Use the WASH CYCLE SELECTOR knob to select the desired wash cycle. A temperature and spin speed is set for each wash cycle; these values may be adjusted. The duration of the cycle will appear on the display.
6. **CUSTOMISE THE WASH CYCLE.** Use the relevant buttons:
Modify the temperature and/or spin speed.
The machine automatically displays the maximum temperature and spin speed values set for the selected cycle, or the most recently-used settings if they are compatible with the selected cycle. The temperature can be decreased by pressing the  button, until the cold wash “OFF” setting is reached. The spin speed may be progressively reduced by pressing the  button, until it is completely excluded (the “OFF” setting). If these buttons are pressed again, the maximum values are restored.
! Exception: if the 2 programme is selected, the temperature can be increased up to a value of 40°C.
! Exception: if the 3 programme is selected, the temperature can be increased up to a value of 90°C.
! Exception: if the 4 programme is selected, the temperature can be increased up to a value of 60°C.
Setting a delayed start.
To set a delayed start for the selected cycle, press the corresponding button repeatedly until the required delay period has been reached. When this option has been activated, the  symbol lights up on the display. To remove the delayed start setting, press the button until the text “OFF” appears on the display.

Modify the cycle settings.




- Press the button to enable the option; the indicator light corresponding to the button will switch on.
- Press the button again to disable the option; the indicator light will switch off.

! If the selected option is not compatible with the set wash cycle, the indicator light will flash and the option will not be activated.

! If the selected option is not compatible with a previously selected one, the indicator light corresponding to the first function selected will flash and only the second option will

be activated; the indicator light for the option which has been activated will be illuminated.

! The options may affect the recommended load value and/or the duration of the cycle.

7. **START THE WASH CYCLE.** Press the START/PAUSE button. The corresponding indicator light will turn green, remaining lit in a fixed manner, and the door will be locked (the DOOR LOCKED  symbol will be lit). To change a wash cycle while it is in progress, **pause the washing machine** using the START/PAUSE button (the START/PAUSE indicator light will flash slowly in an amber colour); then select the desired cycle and press the START/PAUSE button again.
To open the door while a cycle is in progress, press the START/PAUSE button; if the DOOR LOCKED  symbol is switched off the door may be opened. Press the START/PAUSE button again to restart the wash cycle from the point at which it was interrupted.
8. **THE END OF THE WASH CYCLE.** This will be indicated by the text “END” on the display; when the DOOR LOCKED  symbol switches off the door may be opened. Open the door, unload the laundry and switch off the machine.


! If you wish to cancel a cycle which has already begun, press and hold the  button. The cycle will be stopped and the machine will switch off.

Table of programmes and wash cycles

Wash cycles	Description of the wash cycle	Max. temp. (°C)	Max. speed (rpm)	Detergents		Max. load (kg)	Residual dampness%	Energy consumption kWh	Total water lt	Cycle duration
				Wash	Fabric softener					
DAILY CLEAN										
1	Stain removal Power 20°C	20°	1200	●	●	9	-	-	-	**
2	Stain removal Turbo 45'	20° (Max. 40°C)	1200	●	●	4,5	-	-	-	**
3	Cotton: lightly soiled resistant and delicate colours.	40° (Max. 90°C)	1200	●	●	9	-	-	-	**
4	Synthetics (4): lightly soiled resistant colours.	40° (Max. 60°C)	1000	●	●	4,5	46	0,60	61	110'
5	Mix 30': to refresh lightly soiled garments quickly (not suitable for wool, silk and clothes which require washing by hand).	30°	800	●	●	3,5	71	0,13	42	30'
SPECIALS										
6	Darks	30°	800	●	●	5	-	-	-	**
7	Delicates	30°	0	●	●	1	-	-	-	**
8	Wool: for wool, cashmere, etc.	40°	800	●	●	2	-	-	-	**
9	Eco Cotton 60°C (1): heavily soiled whites and resistant colours.	60°	1200	●	●	9	53	1,00	57	225'
9	Eco Cotton 40°C (2): lightly soiled resistant and delicate colours.	40°	1200	●	●	9	53	1,00	88	225'
9	Eco Cotton 40°C (3): lightly soiled resistant and delicate colours.	40°	1200	●	●	9	53	0,88	88	195'
10	Baby	40°	1000	●	●	5	-	-	-	**
EXTRA										
11	Anti Allergy	60°	1200	●	●	5	-	-	-	**
12	Bed & Bath: for bedlinen and towels.	60°	1200	●	●	9	-	-	-	**
13	Silk/Curtains: for garments in silk and viscose, lingerie.	30°	0	●	●	2	-	-	-	**
14	Duvets: for down-stuffed garments.	30°	1000	●	●	3,5	-	-	-	**
Partial Programmes										
	Rinse	-	1200	-	●	9	-	-	-	**
	Spin and Pump out	-	1200	-	-	9	-	-	-	**
	Pump out only *	-	OFF	-	-	9	-	-	-	**

* If you select programme and exclude the spin cycle, the machine will drain only.

** The duration of the wash cycle can be checked on the display.

The length of cycle shown on the display or in this booklet is an estimation only and is calculated assuming standard working conditions. The actual duration can vary according to factors such as water temperature and pressure, the amount of detergent used, the amount and type of load inserted, load balancing and any wash options selected.

1) Test wash cycle in compliance with regulations 1061/2010: set wash cycle 9 with a temperature of 60°C.

This cycle is designed for cotton loads with a normal soil level and is the most efficient in terms of both electricity and water consumption; it should be used for garments which can be washed at 60°C. The actual washing temperature may differ from the indicated value.

2) Test wash cycle in compliance with regulations 1061/2010: set wash cycle 9 with a temperature of 40°C.

This cycle is designed for cotton loads with a normal soil level and is the most efficient in terms of both electricity and water consumption; it should be used for garments which can be washed at 40°C. The actual washing temperature may differ from the indicated value.

For all Test Institutes:

3) Long wash cycle for cottons: set programme 9 at temperature 40°C and press the DIRECT INJECTION button under "Power" mode.

4) Long wash cycle for synthetics: set wash cycle 4 with a temperature of 40°C.

Wash options

! If the selected option is not compatible with the set wash cycle, the indicator light will flash and the option will not be activated.

! If the selected option is not compatible with a previously selected one, the indicator light corresponding to the first function selected will flash and only the second option will be activated; the indicator light for the option which has been activated will be illuminated.

Direct Injection

The washing machine is equipped with the innovative technology «Direct Injection» which pre-mixes water and detergent, thus immediately activating the detergent's cleaning principles. This active emulsion is directly introduced into the drum of the washing machine and penetrates the fibres with more efficacy in cleaning

even heavily soiled garments at low temperatures, fully preserving colours and fabrics.

The mode «Power» ensures the best cleaning performance and the mode «EcoEnergy» allows more energy saving.

Extra Rinse

By selecting this option, the efficiency of the rinse is increased and optimal detergent removal is guaranteed. It is particularly useful for sensitive skin.

Time Saver

If you select this option, the wash cycle duration will be reduced by up to 50%, depending on the selected cycle, thereby guaranteeing simultaneous water and energy saving. Use this cycle for lightly soiled garments.

Detergents and laundry

GB

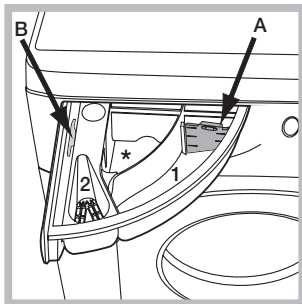
Detergent dispenser drawer

Successful washing results also depend on the correct dose of detergent: adding too much detergent will not necessarily result in a more efficient wash, and may in fact cause build up on the inside of your appliance and contribute to environmental pollution.

! Use powder detergent for white cotton garments, for pre-washing, and for washing at temperatures over 60°C.

! Follow the instructions given on the detergent packaging.

! Do not use hand washing detergents; they create too much foam.



Open the detergent dispenser drawer and pour in the detergent or washing additive, as follows.

! Do not pour detergent into the middle compartment (*).

compartment 1:
Detergent for the wash cycle (powder or liquid)

If liquid detergent is used,

it is recommended that the removable plastic partition A (supplied) be used for proper dosage.

If powder detergent is used, place the partition into slot B.

compartment 2: Additives (fabric softeners, etc.)

The fabric softener should not overflow the grid.

Preparing the laundry

- Divide the laundry according to:
 - the type of fabric/the symbol on the label
 - the colours: separate coloured garments from whites.
- Empty all garment pockets and check the buttons.
- Do not exceed the listed values, which refer to the weight of the laundry when dry: see "Table of programmes and wash cycles".

How much does your laundry weigh?

- 1 sheet 400-500 g
- 1 pillow case 150-200 g
- 1 tablecloth 400-500 g
- 1 bathrobe 900-1,200 g
- 1 towel 150-250 g

Special wash cycles

Stain removal Power 20°C: this programme ensures maximum stain removal capacity with no need for pre-treatment at low temperatures, preserving fabrics and colours.

Stain removal Turbo 45': this cycle ensures excellent stain removal capacity even at 20°C in just 45 minutes. The temperature of this cycle can be increased up to 40°C.

Darks: use cycle 6 to wash dark-coloured garments. This programme is designed to maintain dark colours over time. We recommend using a liquid detergent for the best results when washing dark-coloured garments.

Delicates: use programme 7 to wash very delicate garments having strasses or sequins.

We recommend turning the garments inside out before washing and placing small items into the special bag for washing delicates. Use liquid detergent on delicate garments for best results.

Wool - Woolmark Apparel Care - Green:

the wool wash cycle of this machine has been approved by The Woolmark Company for the washing of wool garments labelled as "hand wash" provided that the products are washed according to the instructions on the garment label and those issued by the manufacturer of this washing machine (M1127)



Baby: use the special wash cycle 10 to remove the remove the soiling typically caused by babies, while removing all traces of detergent from nappies in order to prevent the delicate skin of babies from suffering allergic reactions. The cycle has been designed to reduce the amount of bacteria by using a greater quantity of water and optimising the effect of special disinfecting additives added to the detergent.

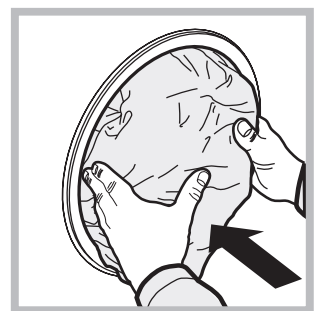
Anti Allergy: use programme 11 to remove major allergens such as pollen, mites, cat's and dog's hair.

Bed & Bath: use programme 12 to wash bed linen and towels in one single cycle: it optimises softener performance and helps you save time and energy. We recommend the use of powder detergent

Silk: use special wash cycle 13 to wash all silk garments. We recommend the use of special detergent which has been designed to wash delicate clothes.

Curtains: fold curtains and place them in a pillow case or mesh bag. Use wash cycle 13.

Duvets: to wash double or single duvets (the weight of which should not exceed 3,5 kg), cushions or clothes padded with goose down such as puffa jackets, use the special 14 wash cycle. We recommend that duvets are placed in the drum with their edges folded inwards (see figure) and that no more than 3/4 of the total volume of the drum is used. To achieve the best results, we recommend that a liquid detergent is used and placed inside the detergent dispenser drawer.



Load balancing system

Before every spin cycle, to avoid excessive vibrations before every spin and to distribute the load in a uniform manner, the drum rotates continuously at a speed which is slightly greater than the washing rotation speed. If, after several attempts, the load is not balanced correctly, the machine spins at a reduced spin speed. If the load is excessively unbalanced, the washing machine performs the distribution process instead of spinning. To encourage improved load distribution and balance, we recommend small and large garments are mixed in the load.

Your washing machine could occasionally fail to work. Before contacting the Technical Assistance Service (see “Service”), make sure that the problem cannot be solved easily using the following list.

Problem:

Possible causes / Solutions:

The washing machine does not switch on.

- The appliance is not plugged into the socket fully, or not enough to make contact.
- There is no power in the house.

The wash cycle does not start.

- The washing machine door is not closed properly.
- The ON/OFF button has not been pressed.
- The START/PAUSE button has not been pressed.
- The water tap has not been opened.
- A delayed start has been set.

The washing machine does not fill with water (the text “H2O” flashes on the display).

- The water inlet hose is not connected to the tap.
- The hose is bent.
- The water tap has not been opened.
- There is no water supply in the house.
- The pressure is too low.
- The START/PAUSE button has not been pressed.

The washing machine continuously takes in and drains water.

- The drain hose is not fitted at a height between 65 and 100 cm from the floor (see “Installation”).
- The free end of the hose is under water (see “Installation”).
- The wall drainage system is not fitted with a breather pipe.

If the problem persists even after these checks, turn off the water tap, switch the appliance off and contact the Technical Assistance Service. If the dwelling is on one of the upper floors of a building, there may be problems relating to water drainage, causing the washing machine to fill with water and drain continuously. Special anti-draining valves are available in shops and help to prevent this inconvenience.

The washing machine does not drain or spin.

- The wash cycle does not include draining: some cycles require the draining process to be enabled manually.
- The drain hose is bent (see “Installation”).
- The drainage duct is clogged.

The washing machine vibrates a lot during the spin cycle.

- The drum was not unlocked correctly during installation (see “Installation”).
- The washing machine is not level (see “Installation”).
- The washing machine is trapped between cabinets and walls (see “Installation”).

The washing machine leaks.

- The water inlet hose is not screwed on properly (see “Installation”).
- The detergent dispenser drawer is blocked (for cleaning instructions, see “Care and maintenance”).
- The drain hose is not fixed properly (see “Installation”).

The “option” and START/PAUSE indicator lights flash rapidly and an error code appears on the display (e.g.: F-01, F-..).

- Switch off the machine and unplug it, wait for approximately 1 minute and then switch it back on again.
If the problem persists, contact the Technical Assistance Service.

There is too much foam.

- The detergent is not suitable for machine washing (it should display the text “for washing machines” or “hand and machine wash”, or the like).
- Too much detergent was used.

Service

GB

Before contacting the Technical Assistance Service:

- Check whether you can solve the problem alone (see "Troubleshooting");
- Restart the wash cycle to check whether the problem has been solved;
- If this is not the case, contact an authorised Technical Assistance Centre.

! Always request the assistance of authorised technicians.

Have the following information to hand:

- the type of problem;
- the appliance model (Mod.);
- the serial number (S/N).

This information can be found on the data plate applied to the rear of the washing machine, and can also be found on the front of the appliance by opening the door.

COMMISSION DELEGATED REGULATION (EU) No 1061/2010	
Brand	HOTPOINT/ARISTON
Model	RSG 925 JS EU
Rated capacity in kg of cotton	9
Energy efficiency class on a scale from A+++ (low consumption) to G (high consumption)	A+++
Energy consumption per year in kWh ¹⁾	174
Energy consumption of the standard 60 °C cotton programme at full load in kWh ²⁾	1.002
Energy consumption of the standard 60 °C cotton programme at partial load in kWh ²⁾	0.602
Energy consumption of the standard 40 °C cotton programme at partial load in kWh ²⁾	0.585
Power consumption of the off-mode in W	0.5
Power consumption of the left-on mode in W	8
Water consumption per year in litres ³⁾	11600
Spin-drying efficacy class on a scale from G (minimum efficacy) to A (maximum efficacy)	B
Maximum spin speed attained ⁴⁾	1200
Remaining moisture content ⁵⁾	53.0%
Programme time of the "standard 60 °C cotton" at full load in minutes	225
Programme time of the "standard 60 °C cotton" at partial load in minutes	170
Programme time of the "standard 40°C cotton" at partial load in minutes	160
Duration of the left-on mode in minutes	30
Noise in dB(A) re 1 pW washing ⁶⁾	54
Noise in dB(A) re 1 pW spinning ⁶⁾	81
Built-in model	

¹⁾ The "standard 60°C cotton" at full and partial load and the "standard 40°C cotton" at partial load are the standard washing programmes to which the information in the label and the fiche relates. Standard 60°C cotton and standard 40°C cotton are suitable to clean normally soiled cotton laundry and are the most efficient programmes in terms of combined energy and water consumption. Partial load is half the rated load.

²⁾ Based on 220 standard washing cycles for cotton programmes at 60°C and 40°C at full and partial load, and the consumption of the low-power modes. Actual energy consumption will depend on how the appliance is used.

³⁾ Based on 220 standard washing cycles for cotton programmes at 60°C and 40°C at full and partial load. Actual water consumption will depend on how the appliance is used.

⁴⁾ For the standard 60 °C at full and partial load or the 40°C at partial whichever is lower.

⁵⁾ Attained for 60 °C cotton at full and partial load or the 40°C at partial whichever is higher.

⁶⁾ Based on washing and spinning phases for the standard 60°C cotton programme at full load.

IT

Italiano

RSG 925 J

Sommario

Installazione, 14-15

Disimballo e livellamento
Collegamenti idraulici ed elettrici
Primo ciclo di lavaggio
Dati tecnici

Manutenzione e cura, 16

Escludere acqua e corrente elettrica
Pulire la lavabiancheria
Pulire il cassetto dei detersivi
Curare oblò e cestello
Pulire la pompa
Controllare il tubo di alimentazione dell'acqua

Precauzioni e consigli, 17

Sicurezza generale
Smaltimento
Apertura manuale della porta oblò

Descrizione della lavabiancheria, 18-19

Pannello di controllo
Display

Come effettuare un ciclo di lavaggio, 20

Programmi e opzioni, 21

Tabella dei programmi
Opzioni di lavaggio

Detersivi e biancheria, 22

Cassetto dei detersivi
Preparare la biancheria
Programmi particolari
Sistema bilanciamento del carico

Anomalie e rimedi, 23

Assistenza, 24

Assistenza Attiva 7 giorni su 7

Installazione

IT

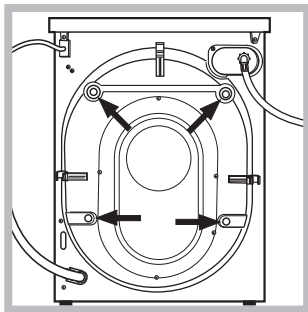
! È importante conservare questo libretto per poterlo consultare in ogni momento. In caso di vendita, di cessione o di trasloco, assicurarsi che resti insieme alla lavabiancheria per informare il nuovo proprietario sul funzionamento e sui relativi avvertimenti.

! Leggere attentamente le istruzioni: ci sono importanti informazioni sull'installazione, sull'uso e sulla sicurezza.

Disimballo e livellamento

Disimballo

1. Disimballare la lavabiancheria.
2. Controllare che la lavabiancheria non abbia subito danni nel trasporto. Se fosse danneggiata non collegarla e contattare il rivenditore.



3. Rimuovere le 4 viti di protezione per il trasporto e il gommino con il relativo distanziale, posti nella parte posteriore (vedi figura).

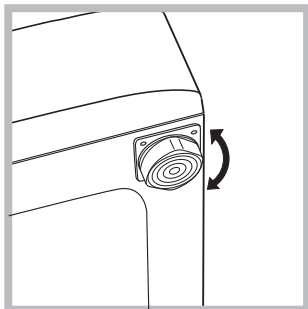
4. Chiudere i fori con i tappi di plastica in dotazione.

5. Conservare tutti i pezzi: qualora la lavabiancheria debba essere trasportata, dovranno essere rimontati.

! Gli imballaggi non sono giocattoli per bambini.

Livellamento

1. Installare la lavabiancheria su un pavimento piano e rigido, senza appoggiarla a muri, mobili o altro.

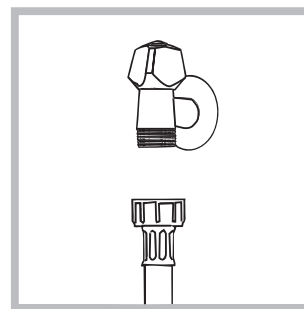


2. Se il pavimento non fosse perfettamente orizzontale, compensare le irregolarità svitando o avvitando i piedini anteriori (vedi figura); l'angolo di inclinazione, misurato sul piano di lavoro, non deve superare i 2°.

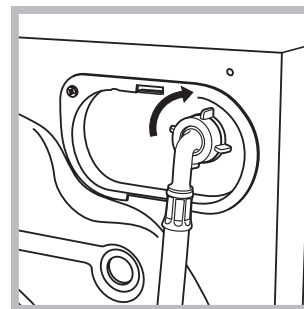
Un accurato livellamento dà stabilità alla macchina ed evita vibrazioni, rumori e spostamenti durante il funzionamento. In caso di moquette o di un tappeto, regolare i piedini in modo da conservare sotto la lavabiancheria uno spazio sufficiente per la ventilazione.

Collegamenti idraulici ed elettrici

Collegamento del tubo di alimentazione dell'acqua



1. Collegare il tubo di alimentazione avvitandolo a un rubinetto d'acqua fredda con bocca filettata da 3/4 gas (vedi figura). Prima di allacciare, far scorrere l'acqua finché non sia limpida.



2. Collegare il tubo di alimentazione alla lavabiancheria avvitandolo all'apposita presa d'acqua, nella parte posteriore in alto a destra (vedi figura).

3. Fare attenzione che nel tubo non ci siano né pieghe né strozzature.

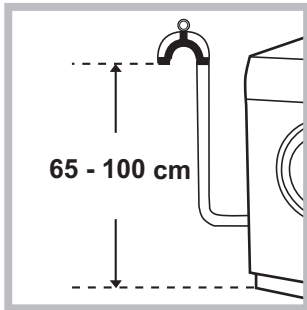
! La pressione idrica del rubinetto deve essere compresa nei valori della tabella Dati tecnici (vedi pagina a fianco).

! Se la lunghezza del tubo di alimentazione non fosse sufficiente, rivolgersi a un negozio specializzato o a un tecnico autorizzato.

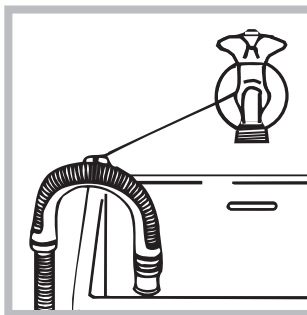
! Non utilizzare mai tubi già usati.

! Utilizzare quelli in dotazione alla macchina.

Collegamento del tubo di scarico



Collegare il tubo di scarico, senza piegarlo, a una conduttura di scarico o a uno scarico a muro posti tra 65 e 100 cm da terra;



oppure appoggiarlo al bordo di un lavandino o di una vasca, legando la guida in dotazione al rubinetto (vedi figura). L'estremità libera del tubo di scarico non deve rimanere immersa nell'acqua.

! È sconsigliato usare tubi di prolunga; se indispensabile, la prolunga deve avere lo stesso diametro del tubo originale e non superare i 150 cm.

Collegamento elettrico

Prima di inserire la spina nella presa della corrente, accertarsi che:

- la presa abbia la messa a terra e sia a norma di legge;
- la presa sia in grado di sopportare il carico massimo di potenza della macchina, indicato nella tabella Dati tecnici (vedi a fianco);
- la tensione di alimentazione sia compresa nei valori indicati nella tabella Dati tecnici (vedi a fianco);
- la presa sia compatibile con la spina della lavabiancheria. In caso contrario sostituire la presa o la spina.

! La lavabiancheria non va installata all'aperto, nemmeno se lo spazio è riparato, perché è molto pericoloso lasciarla esposta a pioggia e temporali.

! A lavabiancheria installata, la presa della corrente deve essere facilmente raggiungibile.

! Non usare prolunghe e multiple.

! Il cavo non deve subire piegature o compressioni.

! Il cavo di alimentazione deve essere sostituito solo da tecnici autorizzati.

Attenzione! L'azienda declina ogni responsabilità qualora queste norme non vengano rispettate.

Primo ciclo di lavaggio

Dopo l'installazione, prima dell'uso, effettuare un ciclo di lavaggio con detersivo e senza biancheria impostando il programma "Auto Pulizia" (vedi "Pulire la lavabiancheria").

Dati tecnici

Modello	RSG 925 J
Dimensioni	larghezza cm 59,5 altezza cm 85 profondità cm 60,5
Capacità	da 1 a 9 kg
Collegamenti elettrici	vedi la targhetta caratteristiche tecniche applicata sulla macchina
Collegamenti idrici	pressione massima 1 MPa (10 bar) pressione minima 0,05 MPa (0,5 bar) capacità del cesto 62 litri
Velocità di centrifuga	sino a 1200 giri al minuto
Programmi di controllo secondo la direttiva 1061/2010 1015/2010	programma 9; Eco Cotone 60°C; programma 9; Eco Cotone 40°C.
 	Questa apparecchiatura è conforme alle seguenti Direttive Comunitarie: - 2004/108/CE (Compatibilità Elettromagnetica) - 2012/19/EU (WEEE) - 2006/95/CE (Bassa Tensione)

Manutenzione e cura

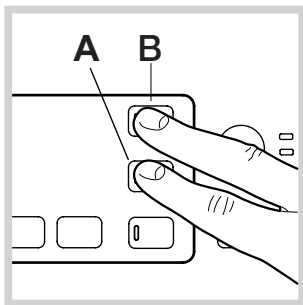
IT

Escludere acqua e corrente elettrica

- Chiudere il rubinetto dell'acqua dopo ogni lavaggio. Si limita così l'usura dell'impianto idraulico della lavabiancheria e si elimina il pericolo di perdite.
- Staccare la spina della corrente quando si pulisce la lavabiancheria e durante i lavori di manutenzione.

Pulire la lavabiancheria

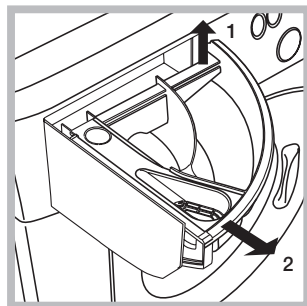
- La parte esterna e le parti in gomma possono essere puliti con un panno imbevuto di acqua tiepida e sapone. Non usare solventi o abrasivi.
- La lavabiancheria è dotata di un programma di "Auto Pulizia" delle parti interne che deve essere effettuato **senza alcun tipo di carico nel cesto**.



Il detersivo (nella quantità pari al 10% di quella consigliata per capi poco sporchi) o additivi specifici per la pulizia della lavabiancheria, potranno essere utilizzati come coadiuvanti nel programma di lavaggio. Si consiglia di effettuare

il programma di pulizia ogni 40 cicli di lavaggio. Per attivare il programma premere contemporaneamente il tasto **A** e **B** per 5 sec. (vedi figura). Il programma partirà automaticamente ed avrà una durata di circa 70 minuti. Per fermare il ciclo premere il tasto START/PAUSE.

Pulire il cassetto dei detersivi



Sfilare il cassetto sollevandolo e tirandolo verso l'esterno (vedi figura). Lavarlo sotto l'acqua corrente; questa pulizia va effettuata frequentemente.

Curare oblò e cestello

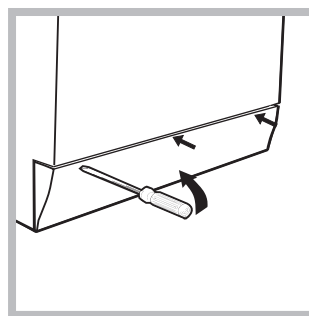
- Lasciare sempre socchiuso l'oblò per evitare che si formino cattivi odori.

Pulire la pompa

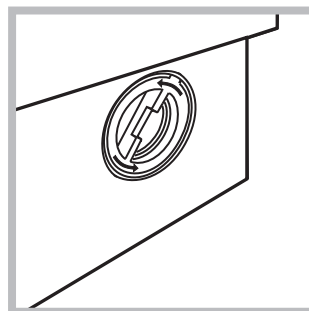
La macchina è dotata di una pompa autopulente che non ha bisogno di manutenzione. Può però succedere che piccoli oggetti (monete, bottoni) cadano nella precamera che protegge la pompa, situata nella parte inferiore di essa.

! Assicurarsi che il ciclo di lavaggio sia terminato e staccare la spina.

Per accedere alla precamera:



1. rimuovere il pannello di copertura sul lato anteriore della macchina con l'ausilio di un giravite (vedi figura);



2. svitare il coperchio ruotandolo in senso antiorario (vedi figura): è normale che fuoriesca un po' d'acqua;

3. pulire accuratamente l'interno;
4. riavvitare il coperchio;
5. rimontare il pannello assicurandosi, prima di spingerlo verso la macchina, di aver inserito i ganci nelle apposite asole.

Controllare il tubo di alimentazione dell'acqua

Controllare il tubo di alimentazione almeno una volta all'anno. Se presenta screpolature e fessure va sostituito: durante i lavaggi le forti pressioni potrebbero provocare improvvise spaccature.

! Non utilizzare mai tubi già usati.

! La lavabiancheria è stata progettata e costruita in conformità alle norme internazionali di sicurezza. Queste avvertenze sono fornite per ragioni di sicurezza e devono essere lette attentamente.

Sicurezza generale

- Questo apparecchio è stato concepito esclusivamente per un uso di tipo domestico.
- Questo apparecchio può essere usato da bambini da 8 anni in su e da persone con capacità fisiche, sensoriali o mentali ridotte o con esperienza e conoscenze insufficienti se sono supervisionati o se hanno ricevuto adeguata formazione in merito all'uso dell'apparecchio in modo sicuro e capendo i pericoli connessi. I bambini non devono giocare con l'apparecchio. Manutenzione e pulizia non devono essere effettuati dai bambini senza supervisione.
- Non toccare la macchina a piedi nudi o con le mani o i piedi bagnati o umidi.
- Non staccare la spina dalla presa della corrente tirando il cavo, bensì afferrando la spina.
- Non aprire il cassetto dei detersivi mentre la macchina è in funzione.
- Non toccare l'acqua di scarico, che può raggiungere temperature elevate.
- Non forzare in nessun caso l'oblò: potrebbe danneggiarsi il meccanismo di sicurezza che protegge da aperture accidentali.
- In caso di guasto, in nessun caso accedere ai meccanismi interni per tentare una riparazione.
- Controllare sempre che i bambini non si avvicinino alla macchina in funzione.
- Durante il lavaggio l'oblò tende a scaldarsi.
- Se dev'essere spostata, lavorare in due o tre persone con la massima attenzione. Mai da soli perché la macchina è molto pesante.
- Prima di introdurre la biancheria controlla che il cestello sia vuoto.

Smaltimento

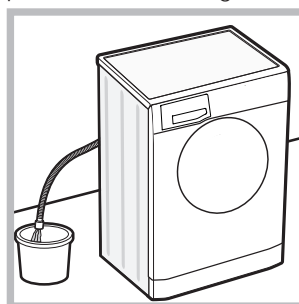
- Smaltimento del materiale di imballaggio: attenersi alle norme locali, così gli imballaggi potranno essere riutilizzati.
- La direttiva Europea 2012/19/EU sui rifiuti di apparecchiature elettriche ed elettroniche, prevede che gli elettrodomestici non debbano essere smaltiti nel normale flusso dei rifiuti solidi urbani. Gli apparecchi dismessi devono essere raccolti separatamente per ottimizzare il tasso di recupero e riciclaggio dei materiali che li compongono ed impedire potenziali danni per la salute e l'ambiente. Il simbolo del cestino barrato è riportato su tutti i prodotti per ricordare gli obblighi di raccolta separata. Quando si acquista una nuova apparecchiatura equivalente si può consegnare il RAEE al negoziante, che è tenuto a ritirarlo gratuitamente; i RAEE di "piccolissime dimensioni" (nessun

lato sopra i 25 cm) possono essere consegnati gratuitamente ai negozianti anche se non si acquista nulla (solo nei negozi con superficie di vendita superiore a 400 mq).

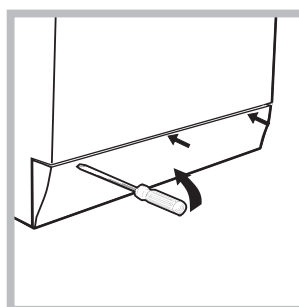
Per ulteriori informazioni, sulla corretta dismissione degli elettrodomestici, i detentori potranno rivolgersi al servizio pubblico preposto o ai rivenditori.

Apertura manuale della porta oblò

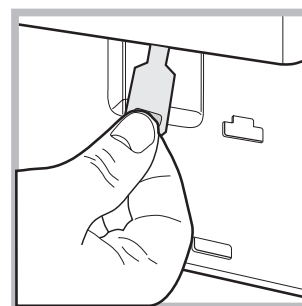
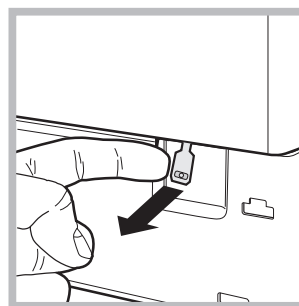
Nel caso non sia possibile aprire la porta oblò a causa della mancanza di energia elettrica e volete stendere il bucato, procedere come segue:



1. togliere la spina dalla presa di corrente.
2. verificare che il livello dell'acqua all'interno della macchina sia inferiore rispetto all'apertura dell'oblò; in caso contrario togliere l'acqua in eccedenza attraverso il tubo di scarico raccogliendola in un secchio come indicato in figura.



3. rimuovere il pannello di copertura sul lato anteriore della lavabiancheria con l'ausilio di un giravite (vedi figura).



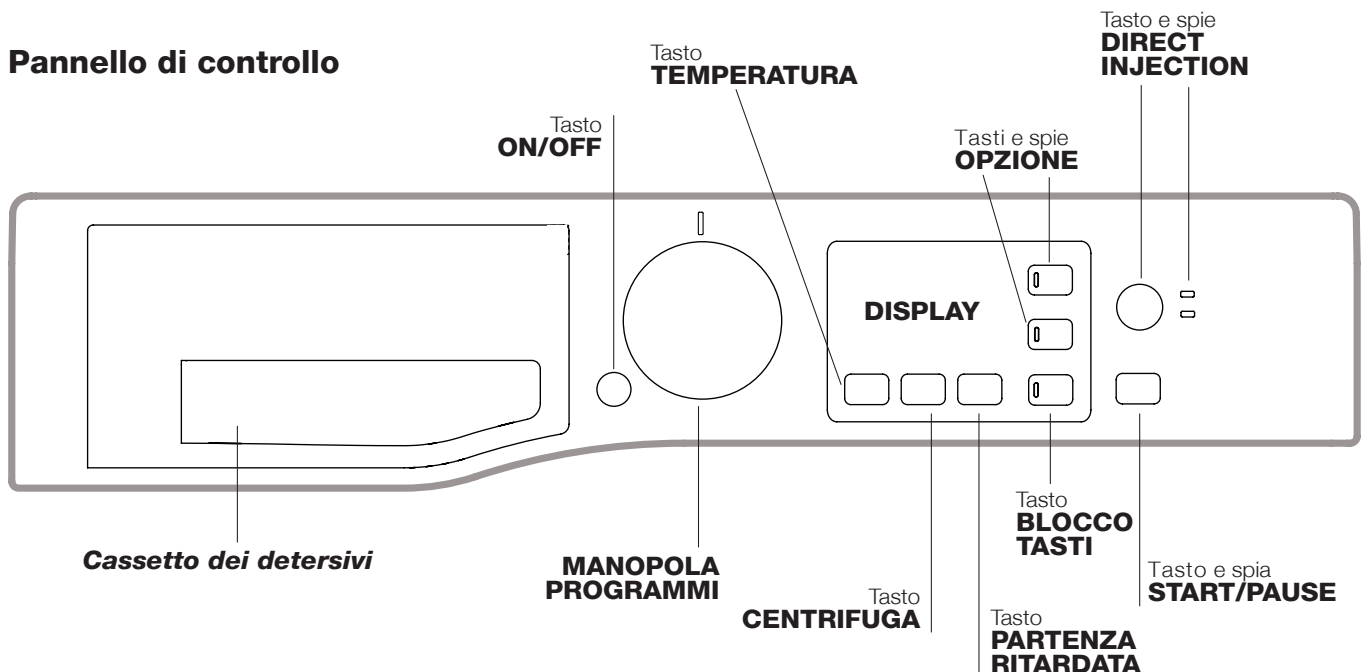
4. utilizzando la linguetta indicata in figura tirare verso l'esterno fino a liberare il tirante in plastica dal fermo; tirarlo successivamente verso il basso e contemporaneamente aprire la porta.

5. rimontare il pannello assicurandosi, prima di spingerlo verso la macchina, di aver inserito i ganci nelle apposite asole.


Descrizione della lavabiancheria

IT

Pannello di controllo



Cassetto dei detersivi: per caricare detersivi e additivi (vedi "Detersivi e biancheria").

Tasto ON/OFF : premere brevemente il tasto per accendere o spegnere la macchina. La spia START/PAUSE che lampeggia lentamente di colore verde indica che la macchina è accesa. Per spegnere la lavabiancheria durante il lavaggio è necessario tenere premuto il tasto più a lungo, circa 3 sec.; una pressione breve o accidentale non permetterà lo spegnimento della macchina. Lo spegnimento della macchina durante un lavaggio in corso annulla il lavaggio stesso.

MANOPOLA PROGRAMMI: per impostare il programma desiderato (vedi "Tabella dei programmi").


Tasti e spie OPZIONE: per selezionare le opzioni disponibili. La spia relativa all'opzione selezionata rimarrà accesa.

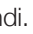
Tasto e spia DIRECT INJECTION: premere per selezionare l'opzione DIRECT INJECTION.

Tasto TEMPERATURA : premere per ridurre o escludere la temperatura; il valore viene indicato nel display.

Tasto CENTRIFUGA : premere per ridurre o escludere del tutto la centrifuga; il valore viene indicato nel display.

Tasto PARTENZA RITARDATA : premere per impostare una partenza ritardata del programma prescelto; il ritardo viene indicato nel display.

Tasto e spia START/PAUSE: quando la spia verde lampeggia lentamente, premere il tasto per avviare un lavaggio. A ciclo avviato la spia diventa fissa. Per mettere in pausa il lavaggio, premere nuovamente il tasto; la spia lampeggerà con colore ambra. Se il simbolo  non è illuminato, si potrà aprire l'oblò. Per far ripartire il lavaggio dal punto in cui è stato interrotto, premere nuovamente il tasto.

Tasto BLOCCO TASTI: per attivare il blocco del pannello di controllo, tenere premuto il tasto per circa 2 secondi. Il simbolo  acceso indica che il pannello di controllo è bloccato (ad eccezione del tasto ON/OFF. In questo modo si impediscono modifiche accidentali dei programmi), soprattutto se in casa ci sono dei bambini. Per disattivare il blocco del pannello di controllo, tenere premuto il tasto per circa 2 secondi.

Modalità stand by

Questa lavatrice, in conformità alle nuove normative legate al risparmio energetico, è dotata di un sistema di autospegnimento (stand by) che entra in funzione dopo circa 30 minuti nel caso di non utilizzo. Premere brevemente il tasto ON-OFF e attendere che la macchina si riattivi.

Guarnizione anti-microbica

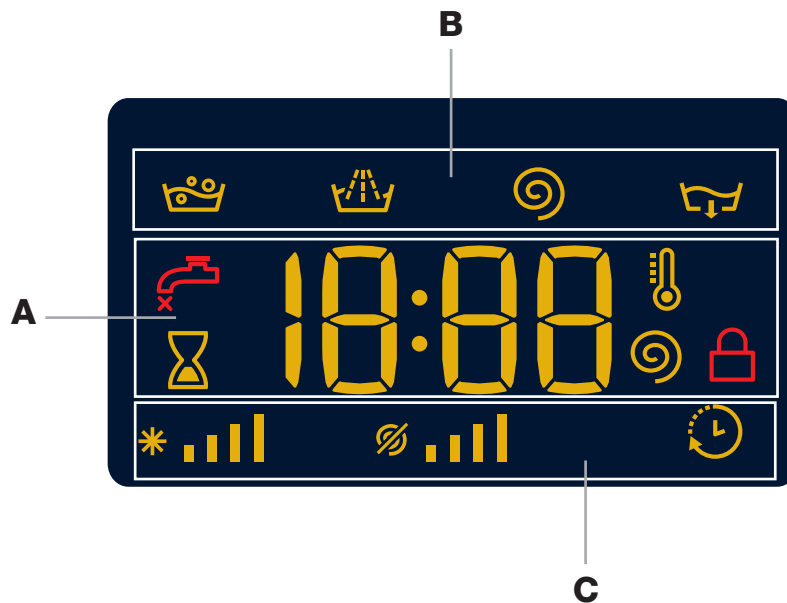
La guarnizione dell'oblò è realizzata con una particolare miscela in grado di garantire una protezione antimicrobica, riducendo la proliferazione batterica fino al 99,99%.

La guarnizione oblò contiene piritione di zinco, una sostanza biocida che riduce la proliferazione di microbi dannosi (*) quali batteri e muffe, che potrebbero causare macchie, cattivi odori e deterioramento del prodotto.

(*) **Secondo test effettuato dall'Università di Perugia su:** *Staphylococcus aureus, Escherichia coli, Pseudomonas aeruginosa, Candida albicans, Aspergillus niger, Penicillium digitatum.*

In rari casi il contatto prolungato con la guarnizione potrebbe provocare una reazione allergica alla pelle.

Display



Il display è utile per programmare la macchina e fornisce molteplici informazioni.

Nella sezione **A** viene visualizzata la durata dei vari programmi a disposizione e a ciclo avviato il tempo residuo alla fine dello stesso (il display visualizzerà la durata massima del ciclo selezionato che potrà diminuire dopo alcuni minuti, in quanto la durata effettiva del programma varia in base al carico di biancheria e alle impostazioni date); nel caso fosse stata impostata una PARTENZA RITARDATA, viene visualizzato il tempo mancante all'avvio del programma selezionato.

Inoltre, premendo il relativo tasto, vengono visualizzati i valori massimi della velocità di centrifuga e di temperatura che la macchina può effettuare in base al programma impostato o gli ultimi valori selezionati se compatibili con il programma scelto.


Nella sezione **B** vengono visualizzate le “fasi di lavaggio” previste per il ciclo selezionato e a programma avviato la “fase di lavaggio” in corso:

-  Lavaggio
-  Risciacquo
-  Centrifuga
-  Scarico

Nella sezione **C** sono presenti, partendo da sinistra, le icone relative alla “temperatura”, alla “centrifuga” e alla “Partenza ritardata”.


Le barre “temperatura” *  indicano il livello di temperatura relativo al massimo selezionabile per il ciclo impostato.

Le barre “centrifuga”  indicano il livello di centrifuga relativo al massimo selezionabile per il ciclo impostato.

Il simbolo “delay”  illuminato indica che nel display viene visualizzato il valore della “Partenza ritardata” impostato.

Spia **Oblò bloccato**



Il simbolo acceso indica che l'oblò è bloccato. Per evitare danni è necessario attendere che il simbolo si spenga prima di aprire l'oblò.

Per aprire la porta mentre un ciclo è in corso premere il tasto START/PAUSE; se il simbolo OBLO' BLOCCATO  è spento sarà possibile aprire l'oblò.

Come effettuare un ciclo di lavaggio

IT

1. **ACCENDERE LA MACCHINA.** Premere il tasto ; la spia START/PAUSE lampeggerà lentamente di colore verde.
2. **CARICARE LA BIANCHERIA.** Aprire la porta oblò. Caricare la biancheria facendo attenzione a non superare la quantità di carico indicata nella tabella programmi della pagina seguente.
3. **DOSARE IL DETERSIVO.** Estrarre il cassetto e versare il detersivo nelle apposite vaschette come spiegato in "Detersivi e biancheria".
4. **CHIUDERE L'OBLO'.**
5. **SCEGLIERE IL PROGRAMMA.** Selezionare con la manopola PROGRAMMI il programma desiderato; ad esso è associata una temperatura e una velocità di centrifuga che possono essere modificate. Sul display comparirà la durata del ciclo.
6. **PERSONALIZZARE IL CICLO DI LAVAGGIO.** Agire sugli appositi tasti:


Modificare la temperatura e/o la centrifuga. La macchina visualizza automaticamente la temperatura e la centrifuga massime previste per il programma impostato o le ultime selezionate se compatibili con il programma scelto. Premendo il tasto  si riduce progressivamente la temperatura sino al lavaggio a freddo "OFF". Premendo il tasto  si riduce progressivamente la centrifuga sino alla sua esclusione "OFF". Un'ulteriore pressione dei tasti riporterà i valori al massimo consentito per il ciclo selezionato.

! Eccezione: selezionando il programma 2 la temperatura può essere portata sino a 40°.

! Eccezione: selezionando il programma 3 la temperatura può essere portata sino a 90°.

! Eccezione: selezionando il programma 4 la temperatura può essere portata sino a 60°.

Impostare una partenza ritardata.

Per impostare la partenza ritardata del programma prescelto, premere il tasto relativo fino a raggiungere il tempo di ritardo desiderato. Quando tale opzione è attiva, sul display si illumina il simbolo . Per rimuovere la partenza ritardata premere il tasto fino a che sul display compare la scritta "OFF".

Modificare le caratteristiche del ciclo.

- Premere il tasto per attivare l'opzione; la spia corrispondente al pulsante si accenderà.
- Premere nuovamente il tasto per disattivare l'opzione; la spia si spegnerà.

! Se l'opzione selezionata non è compatibile con il programma impostato, la spia lampeggerà e l'opzione non verrà attivata.

! Se l'opzione selezionata non è compatibile con un'altra precedentemente impostata, la spia relativa alla prima funzione selezionata lampeggerà e verrà attivata solo la seconda, la spia dell'opzione attivata si illuminerà.

! Le opzioni possono variare il carico raccomandato e/o la durata del ciclo.

7. **AVVIARE IL PROGRAMMA.** Premere il tasto START/PAUSE. La spia relativa si illuminerà di colore verde fisso e l'oblò si bloccherà (simbolo OBLO' BLOCCATO  acceso). Per cambiare un programma mentre un ciclo è in corso, **mettere la lavabiancheria in pausa** premendo il tasto START/PAUSE (la spia START/PAUSE lampeggerà lentamente di colore ambra); selezionare quindi il ciclo desiderato e premere nuovamente il tasto START/PAUSE. Per aprire la porta mentre un ciclo è in corso premere il tasto START/PAUSE; se il simbolo OBLO' BLOCCATO  è spento sarà possibile aprire l'oblò. Premere nuovamente il tasto START/PAUSE per far ripartire il programma dal punto in cui era stato interrotto.
8. **FINE DEL PROGRAMMA.** Viene indicata dalla scritta "END" sul display, quando il simbolo OBLO' BLOCCATO  si spegnerà sarà possibile aprire l'oblò. Aprire l'oblò, scaricare la biancheria e spegnere la macchina.


! Se si desidera annullare un ciclo già avviato, premere a lungo il tasto . Il ciclo verrà interrotto e la macchina si spegnerà.

Tabella dei programmi

Programmi	Descrizione del Programma	Temp. max. (°C)	Velocità max. (giri al minuto)	Detersivi		Carico max. (kg)	Umidità residua %	Consumo energia kWh	Acqua totale lt	Durata ciclo
				Lavaggio	Ammorbidente					
DAILY CLEAN										
1	Antimacchia Power 20°C	20°	1200	●	●	9	-	-	-	**
2	Antimacchia Turbo 45'	20° (Max. 40°C)	1200	●	●	4,5	-	-	-	**
3	Cotone: bianchi e colorati delicati poco sporchi.	40° (Max. 90°C)	1200	●	●	9	-	-	-	**
4	Sintetici (4): colori resistenti poco sporchi.	40° (Max. 60°C)	1000	●	●	4,5	46	0,60	61	110'
5	Rapido 30': per rinfrescare rapidamente capi poco sporchi (non indicato per lana, seta e capi da lavare a mano).	30°	800	●	●	3,5	71	0,13	42	30'
SPECIALS										
6	Scuri	30°	800	●	●	5	-	-	-	**
7	Delicati	30°	0	●	●	1	-	-	-	**
8	Lana: per lana, cachemire, ecc.	40°	800	●	●	2	-	-	-	**
9	Eco Cotone 60°C (1): bianchi e colorati resistenti molto sporchi.	60°	1200	●	●	9	53	1,00	57	225'
9	Eco Cotone 40°C (2): bianchi e colorati delicati poco sporchi.	40°	1200	●	●	9	53	1,00	88	225'
9	Eco Cotone 40°C (3): bianchi e colorati delicati poco sporchi.	40°	1200	●	●	9	53	0,88	88	195'
10	Baby	40°	1000	●	●	5	-	-	-	**
EXTRA										
11	Anti Allergy	60°	1200	●	●	5	-	-	-	**
12	Bed & Bath: per biancheria da letto e da bagno.	60°	1200	●	●	9	-	-	-	**
13	Seta/Tende: per capi in seta, viscosa, lingerie.	30°	0	●	●	2	-	-	-	**
14	Piumini: per capi imbottiti in piuma d'oca.	30°	1000	●	●	3,5	-	-	-	**
Programmi parziali										
	Risciacquo	-	1200	-	●	9	-	-	-	**
	Centrifuga + Scarico	-	1200	-	-	9	-	-	-	**
	Solo Scarico *	-	OFF	-	-	9	-	-	-	**

* Selezionando il programma ed escludendo la centrifuga la macchina effettuerà solo lo scarico.

** E' possibile controllare la durata dei programmi di lavaggio sul display.

La durata del ciclo indicata sul display o sul libretto è una stima calcolata in base a condizioni standard. Il tempo effettivo può variare in base a numerosi fattori quali la temperatura e la pressione dell'acqua in ingresso, la temperatura ambiente, la quantità di detersivo, la quantità ed il tipo di carico, il bilanciamento del carico, le opzioni aggiuntive selezionate.

1) **Programma di controllo secondo la direttiva 1061/2010: impostare il programma 9 con una temperatura di 60°C.**

Questo ciclo è adatto per pulire un carico di cotone normalmente sporco ed è il più efficiente in termini di consumo combinato di energia e di acqua, da usare su capi lavabili a 60 °C. La temperatura effettiva di lavaggio può differire da quella indicata.

2) **Programma di controllo secondo la direttiva 1061/2010: impostare il programma 9 con una temperatura di 40°C.**

Questo ciclo è adatto per pulire un carico di cotone normalmente sporco ed è il più efficiente in termini di consumo combinato di energia e di acqua, da usare su capi lavabili a 40°C. La temperatura effettiva di lavaggio può differire da quella indicata.

Per tutti Test Institutes:

3) **Programma cotone lungo:** impostare il programma 9 con una temperatura di 40°C e premere il tasto DIRECT INJECTION con modalità "Power".

4) **Programma sintetico lungo:** impostare il programma 4 con una temperatura di 40°C.

Opzioni di lavaggio

- Se l'opzione selezionata non è compatibile con il programma impostato, la spia lampeggerà e l'opzione non verrà attivata.

- Se l'opzione selezionata non è compatibile con un'altra precedentemente impostata, la spia relativa alla prima funzione selezionata lampeggerà e verrà attivata solo la seconda, la spia dell'opzione attivata si illuminerà.

Direct Injection

La lavabiancheria è dotata di un'innovativa tecnologia «Direct Injection» che pre-miscela acqua e detersivo attivando da subito i principi pulenti del detersivo. Questa emulsione attiva viene immessa direttamente nel cesto della lavatrice e penetra più efficacemente nelle fibre rimuovendo lo sporco più ostinato già a basse temperature, nel massimo rispetto dei colori e dei tessuti.

È possibile scegliere la modalità «Power» per ottenere migliori performance di pulito oppure la modalità «EcoEnergy» per un maggior risparmio energetico.

Extra Risciacquo

Selezionando questa opzione si aumenta l'efficacia del risciacquo, e si assicura la massima rimozione del detersivo. E' utile per pelli particolarmente sensibili.

Rapido

Selezionando questa opzione si riduce la durata del programma fino al 50% in base al ciclo scelto, garantendo al contempo un risparmio di acqua ed energia. Utilizzare questo ciclo per capi non eccessivamente sporchi.

Detersivi e biancheria

IT

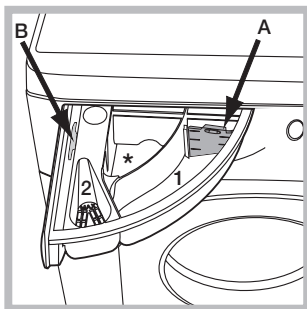
Cassetto dei detersivi

Il buon risultato del lavaggio dipende anche dal corretto dosaggio del detersivo: eccedendo non si lava in modo più efficace e si contribuisce a incrostare le parti interne della lavabiancheria e a inquinare l'ambiente.

! Usare detersivi in polvere per capi in cotone bianchi e per il prelavaggio e per lavaggi con temperatura superiore a 60°C.

! Seguire le indicazioni riportate sulla confezione di detersivo.

! Non usare detersivi per il lavaggio a mano, perché formano troppa schiuma.



Estrarre il cassetto dei detersivi e inserire il detersivo o l'additivo come segue.

! Non inserire il detersivo nella vaschetta centrale (*).

vaschetta 1: Detersivo per lavaggio (in polvere o liquido)

Nel caso di utilizzo di detersivo liquido si consiglia di utilizzare la parete **A** in dotazione per un corretto dosaggio.

Per l'utilizzo del detersivo in polvere riporre la parete nella cavità **B**.

Vaschetta 2: Additivi (ammorbidente, ecc.)

L'ammorbidente non deve fuoriuscire dalla griglia.

Preparare la biancheria

- Suddividere la biancheria secondo:
 - il tipo di tessuto / il simbolo sull'etichetta.
 - i colori: separare i capi colorati da quelli bianchi.
- Vuotare le tasche e controllare i bottoni.
- Non superare i valori indicati, riferiti al peso della biancheria asciutta: vedi "Tabella dei programmi".

Quanto pesa la biancheria?

- 1 lenzuolo 400-500 gr.
- 1 federa 150-200 gr.
- 1 tovaglia 400-500 gr.
- 1 accappatoio 900-1200 gr.
- 1 asciugamano 150-250 gr.

Programmi particolari

Antimacchia Power 20°C: questo programma offre la massima capacità di rimozione delle macchie senza necessità di pretrattamento, a bassa temperatura, mantenendo intatti tessuti e colori.

Antimacchia Turbo 45': questo ciclo garantisce un'eccellente capacità di rimozione delle macchie già a 20°C in soli 45 minuti. La temperatura per questo ciclo può essere aumentata fino a 40°C.

Scuri: utilizzare il ciclo **6** per il lavaggio dei capi di colore scuro. Il programma è studiato per il mantenimento dei colori scuri nel tempo.

Per risultati migliori si raccomanda l'utilizzo del detersivo liquido, preferibilmente per il lavaggio di capi scuri.

Delicati: utilizzare il programma **7** per il lavaggio dei capi molto delicati, che presentano applicazioni quali strass o paillettes.

Si raccomanda di rovesciare i capi prima del lavaggio e di inserire gli indumenti piccoli nell'apposito sacchetto per il lavaggio dei capi delicati. Per risultati migliori si raccomanda l'utilizzo del detersivo liquido per capi delicati.

Lana - Woolmark Apparel Care - Green:

il ciclo di lavaggio "Lana" di questa lavatrice è stato approvato dalla Woolmark Company per il lavaggio di capi di lana classificati come "lavabili a mano", purché il lavaggio venga eseguito nel rispetto delle istruzioni riportate sull'etichetta dell'indumento e delle indicazioni fornite dal produttore di questa lavatrice. (M1127)



Baby: utilizzare il programma **10** per asportare lo sporco tipico dei bambini e rimuovere il detersivo dai panni onde evitare reazioni allergiche alla pelle delicata dei bambini. Questo ciclo è stato studiato per ridurre la carica batterica utilizzando una maggior quantità di acqua e ottimizzando l'effetto di additivi specifici igienizzanti aggiunti al detersivo.

Anti Allergy: utilizzare il programma **11** per la rimozione dei principali allergeni come polline, acari, peli del gatto e cane.

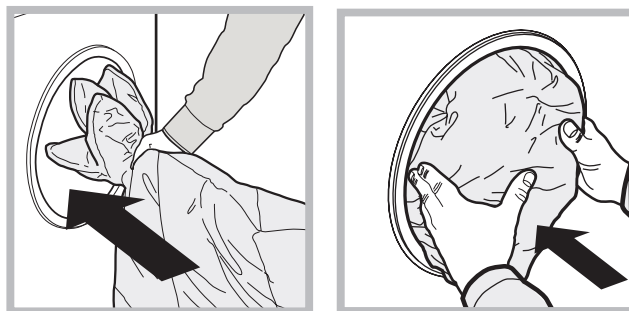
Bed & Bath: per lavare la biancheria di tutta la casa in un unico ciclo utilizzare il programma **12** che ottimizza l'utilizzo di ammorbidente e ti consente di risparmiare tempo ed energia. Si consiglia l'utilizzo di detersivo in polvere.

Seta: utilizzare l'apposito programma **13** per lavare tutti i capi in seta. Si consiglia l'utilizzo di un detersivo specifico per capi delicati.

Tende: si raccomanda di piegarle e sistemarle dentro una federa o un sacchetto a rete. Utilizzare il programma **13**.

Piumini: per lavare capi con imbottiture in piuma d'oca quali piumoni matrimoniali o singoli (non eccedenti i 3,5 kg. di peso), cuscini, giacche a vento utilizzare l'apposito programma **14**. Si raccomanda di caricare i piumini nel cestello ripiegandone i lembi verso l'interno (vedi figure) e di non superare i $\frac{3}{4}$ di volume del cestello stesso.

Per un lavaggio ottimale si raccomanda di utilizzare detersivo liquido da dosare nel cassetto detersivo.



Sistema bilanciamento del carico

Prima di ogni centrifuga, per evitare vibrazioni eccessive e per distribuire il carico in modo uniforme, il cestello effettua delle rotazioni ad una velocità leggermente superiore a quella del lavaggio. Se al termine di ripetuti tentativi il carico non fosse ancora correttamente bilanciato la macchina effettua la centrifuga ad una velocità inferiore a quella prevista. In presenza di eccessivo sbilanciamento la lavabiancheria effettua la distribuzione anziché la centrifuga. Per favorire una migliore distribuzione del carico e il suo corretto bilanciamento si consiglia di mescolare capi grandi e piccoli.

Può accadere che la lavabiancheria non funzioni. Prima di telefonare all'Assistenza (vedi "Assistenza"), controllare che non si tratti di un problema facilmente risolvibile aiutandosi con il seguente elenco.

Anomalie:

La lavabiancheria non si accende.

Il ciclo di lavaggio non inizia.

La lavabiancheria non carica acqua (Sul display viene visualizzata la scritta "H2O" lampeggiante).

La lavabiancheria carica e scarica acqua di continuo.

La lavabiancheria non scarica o non centrifuga.

La lavabiancheria vibra molto durante la centrifuga.

La lavabiancheria perde acqua.

Le spie delle "Opzioni" e dell'START/PAUSE lampeggiano velocemente e il display visualizza un codice di anomalia (es.: F-01, F-..).

Si forma troppa schiuma.

Possibili cause / Soluzione:

- La spina non è inserita nella presa della corrente, o non abbastanza da fare contatto.
- In casa non c'è corrente.

- L'oblò non è ben chiuso.
- Il tasto ON/OFF non è stato premuto.
- Il tasto START/PAUSE non è stato premuto.
- Il rubinetto dell'acqua non è aperto.
- Si è impostato un ritardo sull'ora di avvio (PARTENZA RITARDATA, vedi "Come effettuare un ciclo di lavaggio").

- Il tubo di alimentazione dell'acqua non è collegato al rubinetto.
- Il tubo è piegato.
- Il rubinetto dell'acqua non è aperto.
- In casa manca l'acqua.
- Non c'è sufficiente pressione.
- Il tasto START/PAUSE non è stato premuto.

- Il tubo di scarico non è installato fra 65 e 100 cm da terra (vedi "Installazione").
- L'estremità del tubo di scarico è immersa nell'acqua (vedi "Installazione").
- Lo scarico a muro non ha lo sfiato d'aria.

Se dopo queste verifiche il problema non si risolve, chiudere il rubinetto dell'acqua, spegnere la lavabiancheria e chiamare l'Assistenza. Se l'abitazione si trova agli ultimi piani di un edificio, è possibile che si verifichino fenomeni di sifonaggio, per cui la lavabiancheria carica e scarica acqua di continuo. Per eliminare l'inconveniente sono disponibili in commercio apposite valvole anti-sifonaggio.

- Il programma non prevede lo scarico: con alcuni programmi occorre avviarlo manualmente.
- Il tubo di scarico è piegato (vedi "Installazione").
- La condotta di scarico è ostruita.

- Il cestello, al momento dell'installazione, non è stato sbloccato correttamente (vedi "Installazione").
- La lavabiancheria non è in piano (vedi "Installazione").
- La lavabiancheria è stretta tra mobili e muro (vedi "Installazione").

- Il tubo di alimentazione dell'acqua non è ben avvitato (vedi "Installazione").
- Il cassetto dei detersivi è intasato (per pulirlo vedi "Manutenzione e cura").
- Il tubo di scarico non è fissato bene (vedi "Installazione").

- Spegnere la macchina e togliere la spina dalla presa, attendere circa 1 minuto quindi riaccenderla.
Se l'anomalia persiste, chiamare l'Assistenza.

- Il detersivo non è specifico per lavabiancheria (deve esserci la dicitura "per lavatrice", "a mano e in lavatrice", o simili).
- Il dosaggio è stato eccessivo.

Assistenza

IT

Prima di contattare l'Assistenza:

- Verificare se l'anomalia può essere risolta da soli (vedi "Anomalie e rimedi");
- Riavviare il programma per controllare se l'inconveniente è stato avviato;
- In caso negativo, contattare il Numero Unico 199.199.199*.

! Non ricorrere mai a tecnici non autorizzati.

Comunicare:

- il tipo di anomalia;
- il modello della macchina (Mod.);
- il numero di serie (S/N).

Queste informazioni si trovano sulla targhetta applicata nella parte posteriore della lavabiancheria e nella parte anteriore aprendo l'oblò.

Assistenza Attiva 7 giorni su 7



In caso di necessità d'intervento chiamare il Numero Unico Nazionale 199.199.199*.

Un operatore sarà a completa disposizione per fissare un appuntamento con il Centro Assistenza Tecnico Autorizzato più vicino al luogo da cui si chiama.

È attivo 7 giorni su 7, sabato e domenica compresi, e non lascia mai inascoltata una richiesta.

* Al costo di 14,25 centesimi di Euro al minuto (iva inclusa) dal Lun. al Ven. dalle 08:00 alle 18:30, il Sab. dalle 08:00 alle 13:00 e di 5,58 centesimi di Euro al minuto (iva inclusa) dal Lun. al Ven. dalle 18:30 alle 08:00, il Sab. dalle 13:00 alle 08:00 e i giorni festivi, per chi chiama da telefono fisso. Per chi chiama da radiomobile le tariffe sono legate al piano tariffario dell'operatore telefonico utilizzato.

Le suddette tariffe potrebbero essere soggette a variazione da parte dell'operatore telefonico; per maggiori informazioni consultare il sito <http://www.hotpoint.eu/hotpoint/>

FICHE TECNICA - REGOLAMENTO DELEGATO (UE) N. 1061/2010 DELLA COMMISSIONE

Marchio	HOTPOINT/ARISTON
Modello	RSG 925 JS EU
Capacità in kg di cotone	9
Classe di efficienza energetica su una scala da A+++ (basso consumo) a G (alto consumo)	A+++
Consumo annuo di energia in kWh ¹⁾	174
Consumo di energia del programma cotone standard a 60°C a pieno carico in kWh ²⁾	1.002
Consumo di energia del programma cotone standard a 60°C a carico parziale in kWh ²⁾	0.602
Consumo di energia del programma cotone standard a 40°C a carico parziale in kWh ²⁾	0.585
Consumo di potenza in modo spento in W	0.5
Consumo di potenza in modo lasciato acceso in W	8
Consumo di acqua in litri/anno ³⁾	11600
Classe di efficacia di centrifuga su una scala da G (efficacia minima) ad A (efficacia massima)	B
Velocità massima di centrifuga raggiunta ⁴⁾	1200
Umidità residua ⁵⁾	53.0%
Durata del programma cotone standard a 60°C a pieno carico in minuti	225
Durata del programma cotone standard a 60°C a carico parziale in minuti	170
Durata del programma cotone standard a 40°C a carico parziale in minuti	160
Durata del modo lasciato acceso in minuti	30
Rumore in dB(A) re 1 pW in lavaggio ⁶⁾	54
Rumore in dB(A) re 1 pW in centrifuga ⁶⁾	81
Modello da incasso	

¹⁾ Basato su 220 cicli di lavaggio cotone standard a 60°C e a 40°C a carico pieno e parziale e sul consumo nei modi di spento e lasciato acceso. Il consumo effettivo dipende dalla modalità di utilizzo della lavabiancheria.

²⁾ Il "cotone standard a 60°C" a carico pieno e parziale ed il "cotone standard a 40°C" a carico parziale sono i programmi di lavaggio standard ai quali fanno riferimento le informazioni sull'etichetta e sulla scheda, questi programmi sono adatti per lavare cotone normalmente sporco e sono i programmi più efficienti in termini di consumo combinato di energia e acqua. Il carico parziale è la metà del carico nominale.

³⁾ Basato su 220 cicli di lavaggio cotone standard a 60°C e a 40°C a carico pieno e parziale. Il consumo effettivo dipende dalla modalità di utilizzo dell'apparecchio.

⁴⁾ Valore minimo fra il programma cotone standard 60°C a pieno e metà carico e il cotone standard 40°C a metà carico.

⁵⁾ Valore massimo fra il programma cotone standard 60°C a pieno e metà carico e il cotone standard 40°C a metà carico.

⁶⁾ Misurato sul programma cotone standard a 60°C pieno carico.

FR

Français

RSG 925 J

Sommaire

FR

Installation, 26-27

Déballage et mise à niveau
Raccordements eau et électricité
Premier cycle de lavage
Caractéristiques techniques

Entretien et soin, 28

Coupure de l'arrivée d'eau et du courant
Nettoyage du lave-linge
Nettoyage du tiroir à produits lessiviels
Entretien du hublot et du tambour
Nettoyage de la pompe
Contrôle du tuyau d'arrivée de l'eau

Précautions et conseils, 29

Sécurité générale
Mise au rebut
Ouverture manuelle du hublot

Description du lave-linge, 30-31

Bandeau de commandes
Écran

Comment faire un cycle de lavage, 32

Programmes et options, 33

Tableau des programmes
Options de lavage

Produits lessiviels et linge, 34

Tiroir à produits lessiviels
Triage du linge
Programmes spéciaux
Système d'équilibrage de la charge

Anomalies et remèdes, 35

Assistance, 36

Installation

FR

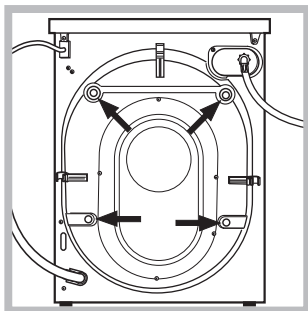
! Conserver ce mode d'emploi pour pouvoir le consulter à tout moment. En cas de vente, de cession ou de déménagement, veiller à ce qu'il suive toujours le lave-linge pour que son nouveau propriétaire soit informé sur son mode de fonctionnement et puisse profiter des conseils correspondants.

! Lire attentivement les instructions: elles fournissent des conseils importants sur l'installation, l'utilisation et la sécurité de l'appareil.

Déballage et mise à niveau

Déballage

1. Déballer le lave-linge.
2. Contrôler que le lave-linge n'a pas été endommagé pendant le transport. S'il est abîmé, ne pas le raccorder et contacter le vendeur.



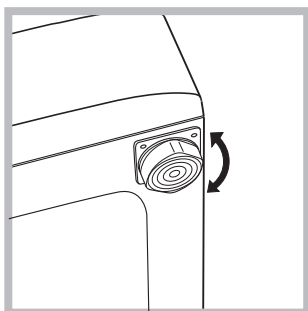
3. Enlever les 4 vis de protection servant au transport, le caoutchouc et la cale, placés dans la partie arrière (voir figure).

4. Boucher les trous à l'aide des bouchons plastique fournis.
5. Conserver toutes ces pièces: il faudra les remonter en cas de transport du lave-linge.

! Les pièces d'emballage ne sont pas des jouets pour enfants.

Mise à niveau

1. Installer le lave-linge sur un sol plat et rigide, sans l'appuyer contre des murs, des meubles ou autre.

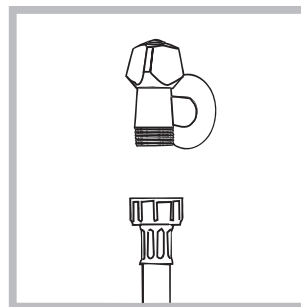


2. Si le sol n'est pas parfaitement horizontal, visser ou dévisser les pieds de réglage avant (voir figure) pour niveler l'appareil; son angle d'inclinaison, mesuré sur le plan de travail, ne doit pas dépasser 2°.

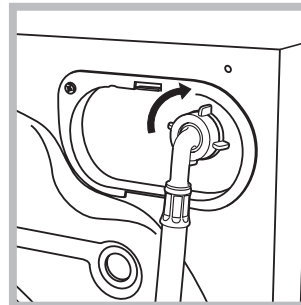
Une bonne mise à niveau garantit la stabilité de l'appareil et évite qu'il y ait des vibrations, du bruit et des déplacements en cours de fonctionnement. Si la machine est posée sur de la moquette ou un tapis, régler les pieds de manière à ce qu'il y ait suffisamment d'espace pour assurer une bonne ventilation.

Raccordements eau et électricité

Raccordement du tuyau d'arrivée de l'eau



1. Reliez le tuyau d'alimentation en le vissant à un robinet d'eau froide à embout fileté 3/4 gaz (voir figure). Faire couler l'eau jusqu'à ce qu'elle soit limpide et sans impuretés avant de raccorder.



2. Raccorder le tuyau d'arrivée de l'eau au lave-linge en le vissant à la prise d'eau prévue, dans la partie arrière en haut à droite (voir figure).

3. Attention à ce que le tuyau ne soit pas plié ou écrasé.

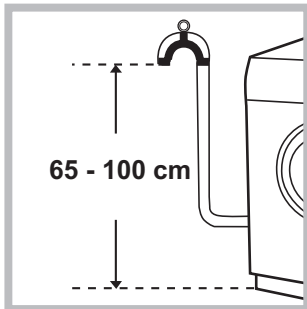
! La pression de l'eau doit être comprise entre les valeurs indiquées dans le tableau des Caractéristiques techniques (voir page ci-contre).

! Si la longueur du tuyau d'alimentation ne suffit pas, s'adresser à un magasin spécialisé ou à un technicien agréé.

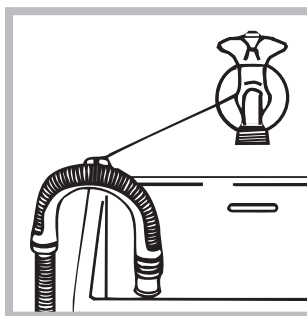
! N'utiliser que des tuyaux neufs.

! Utiliser ceux qui sont fournis avec l'appareil.

Raccordement du tuyau de vidange



Raccorder le tuyau d'évacuation, sans le plier, à un conduit d'évacuation ou à une évacuation murale placés à une distance du sol comprise entre 65 et 100 cm ;



ou bien l'accrocher à un évier ou à une baignoire, dans ce cas, fixer le support en plastique fourni avec l'appareil au robinet (voir figure). L'extrémité libre du tuyau d'évacuation ne doit pas être plongée dans l'eau.

! L'utilisation d'un tuyau de rallonge est absolument déconseillée mais si on ne peut faire autrement, il faut absolument qu'il ait le même diamètre que le tuyau original et sa longueur ne doit pas dépasser 150 cm.

Raccordement électrique

Avant de brancher la fiche dans la prise de courant, s'assurer que :

- la prise est bien reliée à la terre et est conforme aux réglementations en vigueur;
- la prise est bien apte à supporter la puissance maximale de l'appareil indiquée dans le tableau des Caractéristiques techniques (voir ci-contre);
- la tension d'alimentation est bien comprise entre les valeurs figurant dans le tableau des Caractéristiques techniques (voir ci-contre);
- la prise est bien compatible avec la fiche du lave-linge. Autrement, remplacer la prise ou la fiche.

! Le lave-linge ne doit pas être installé dehors, même à l'abri, car il est très dangereux de le laisser exposé à la pluie et aux orages.

! Après installation du lave-linge, la prise de courant doit être facilement accessible.

! N'utiliser ni rallonges ni prises multiples.



- ! Le câble ne doit être ni plié ni trop écrasé.
- ! Le câble d'alimentation ne doit être remplacé que par des techniciens agréés.

Attention! Nous déclinons toute responsabilité en cas de non-respect des normes énumérées ci-dessus.

Premier cycle de lavage

Avant la première mise en service de l'appareil, effectuer un cycle de lavage avec un produit lessiviel mais sans linge et sélectionner le programme auto nettoyage (voir "Nettoyage du lave-linge").

Caractéristiques techniques

Modèle	RSG 925 J
Dimensions	largeur 59,5 cm hauteur 85 cm profondeur 60,5 cm
Capacité	de 1 à 9 kg
Raccorde-ments élec-triques	Voir la plaque signalétique appliquée sur la machine
Raccor-dements hydrauliques	pression maximale 1 MPa (10 bar) pression minimale 0,05 MPa (0,5 bar) capacité du tambour 62 litres
Vitesse d'essorage	jusqu'à 1200 tours minute
Programmes de contrôle selon les règlements 1061/2010 1015/2010	programme 9; Coton Eco 60°. programme 9; Coton Eco 40°.
 	Cet appareil est conforme aux Directives Communautaires suivantes: - 2004/108/CE (Compatibilité électromagnétique) - 2012/19/EU (WEEE) - 2006/95/CE (Basse Tension)

Entretien et soin

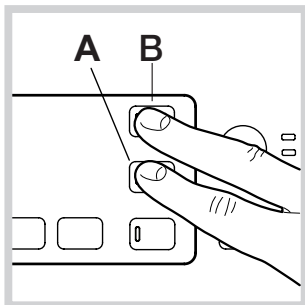
FR

Coupure de l'arrivée d'eau et du courant

- Fermer le robinet de l'eau après chaque lavage. Cela réduit l'usure de l'installation hydraulique du lave-linge et évite tout danger de fuites.
- Débrancher la fiche de la prise de courant lors de tout nettoyage du lave-linge et pendant tous les travaux d'entretien.

Nettoyage du lave-linge

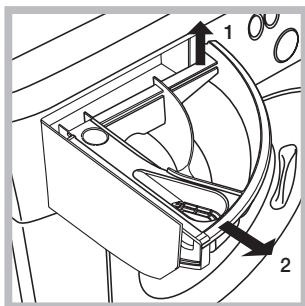
- Pour nettoyer l'extérieur et les parties en caoutchouc, utiliser un chiffon imbibé d'eau tiède et de savon. N'utiliser ni solvants ni abrasifs.
- Ce lave-linge est équipé d'un programme auto nettoyage des parties internes qui doit être effectué **tambour complètement vide**. La lessive (dans une quantité égale à 10% de celle conseillée pour du linge peu sale) ou les additifs spéciaux pour le nettoyage du lave-linge, pourront être utilisés comme adjuvants dans le programme de lavage. Il est conseillé d'effectuer le programme de nettoyage tous les 40 cycles de lavage.



Pour activer le programme, appuyer simultanément sur les touches **A** et **B** pendant 5 secondes (voir figure). Le programme démarrera automatiquement et durera environ 70 minutes. Pour stopper

le cycle, appuyer sur la touche START/PAUSE.

Nettoyage du tiroir à produits lessiviels.



Soulever le tiroir et le tirer vers soi pour le sortir de son logement (voir figure). Le laver à l'eau courante; effectuer cette opération assez souvent.

Entretien du hublot et du tambour

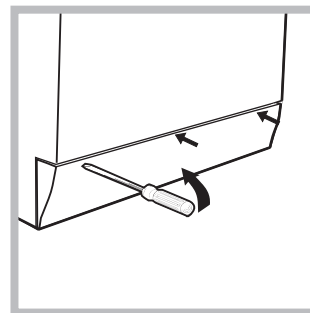
- Il faut toujours laisser le hublot entrouvert pour éviter la formation de mauvaises odeurs.

Nettoyage de la pompe

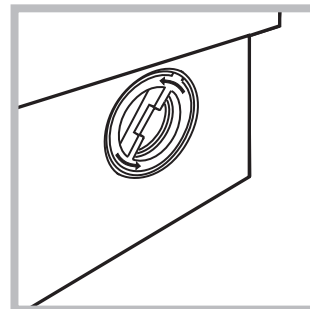
Le lave-linge est équipé d'une pompe autonettoyante qui n'exige aucune opération d'entretien. Il peut toutefois arriver que de menus objets (pièces de monnaie, boutons) tombent dans la préchambre qui protège la pompe, placée en bas de cette dernière.

! S'assurer que le cycle de lavage est bien terminé et débrancher la fiche.

Pour accéder à cette préchambre:



1. démonter le panneau situé à l'avant du lave-linge à l'aide d'un tournevis (voir figure);



2. dévisser le couvercle en le tournant dans le sens inverse des aiguilles d'une montre (voir figure); il est normal qu'un peu d'eau s'écoule;

3. nettoyer soigneusement l'intérieur;
4. revisser le couvercle;
5. remonter le panneau en veillant à bien enfiler les crochets dans les fentes prévues avant de le pousser contre l'appareil.

Contrôle du tuyau d'arrivée de l'eau

Contrôler le tuyau d'alimentation au moins une fois par an. Procéder à son remplacement en cas de craquements et de fissures: car les fortes pressions subies pendant le lavage pourraient provoquer des cassures.

! N'utiliser que des tuyaux neufs.

! Ce lave-linge a été conçu et fabriqué conformément aux normes internationales de sécurité. Ces consignes sont fournies pour des raisons de sécurité, il faut les lire attentivement.

Sécurité générale

- Cet appareil est conçu pour un usage domestique.
- Cet appareil peut être utilisé par les enfants à partir de 8 ans et par les personnes dont les capacités physiques, sensorielles ou mentales sont réduites ou qui ne disposent pas des connaissances suffisantes, à condition qu'ils soient encadrés ou aient été formés de façon appropriée pour l'utilisation de l'appareil de façon sûre et en comprenant les dangers qui y sont liés. Les enfants ne doivent pas jouer avec l'appareil. L'entretien et le nettoyage ne doivent pas être effectués par les enfants sans surveillance.
- Ne jamais toucher l'appareil si l'on est pieds nus et si les mains sont mouillées ou humides.
- Ne jamais tirer sur le câble pour débrancher la fiche de la prise de courant.
- Ne pas ouvrir le tiroir à produits lessiviels si la machine est branchée.
- Ne pas toucher à l'eau de vidange, elle peut atteindre des températures très élevées.
- Ne pas forcer pour ouvrir le hublot: le verrouillage de sécurité qui protège contre les ouvertures accidentelles pourrait s'endommager.
- En cas de panne, éviter à tout prix d'accéder aux mécanismes internes pour tenter une réparation.
- Veiller à ce que les enfants ne s'approchent pas de l'appareil pendant son fonctionnement.
- Pendant le lavage, le hublot a tendance à se réchauffer.
- Deux ou trois personnes sont nécessaires pour déplacer l'appareil avec toutes les précautions nécessaires. Ne jamais le déplacer tout seul car il est très lourd.
- Avant d'introduire le linge, s'assurer que le tambour est bien vide.

Mise au rebut

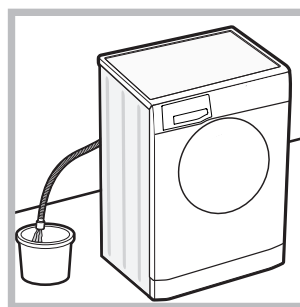
- Mise au rebut du matériel d'emballage: se conformer aux réglementations locales de manière à ce que les emballages puissent être recyclés.
- La Directive Européenne 2012/19/EU sur les Déchets des Equipements Electriques et Electroniques, exige que les appareils ménagers usagés ne soient pas jetés dans le flux normal des déchets municipaux. Les appareils usagés doivent être collectés séparément afin d'optimiser le taux de récupération et le recyclage des matériaux qui les composent et réduire l'impact sur la santé humaine et l'environnement. Le symbole de la "poubelle barrée" est apposée sur tous les produits pour rappeler les obligations de collecte séparée. Les consommateurs devront contacter les autorités locales

ou leur revendeur concernant la démarche à suivre pour l'enlèvement de leur vieil appareil.

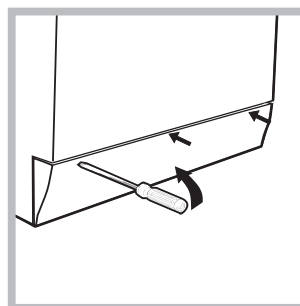
FR

Ouverture manuelle du hublot

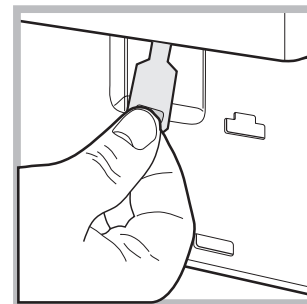
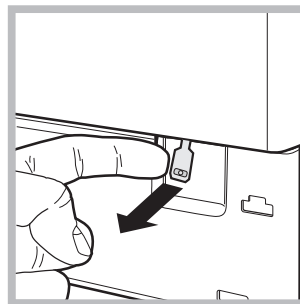
A défaut de pouvoir ouvrir la porte hublot à cause d'une panne de courant pour étendre le linge, procéder comme suit :



1. débrancher la fiche de la prise de courant.
2. s'assurer que le niveau de l'eau à l'intérieur de l'appareil se trouve bien au-dessous de l'ouverture du hublot, si ce n'est pas le cas vider l'eau en excès à travers le tuyau de vidange dans un seau comme illustré voir figure.



3. démonter le panneau situé à l'avant du lave-linge à l'aide d'un tournevis (voir figure).



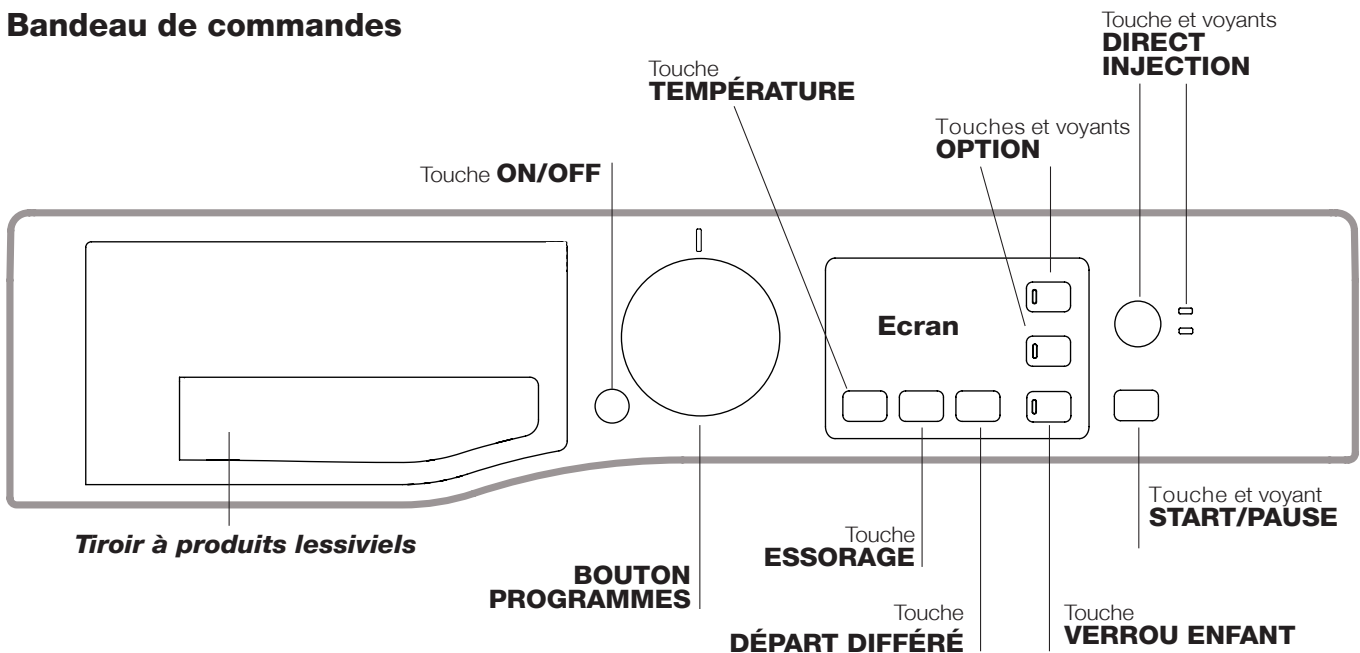
4. se servir de la languette indiquée, tirer vers soi jusqu'à ce que le tirant en plastique se dégage de son cran d'arrêt; tirer ensuite vers le bas et ouvrir l'hublot en même temps.

5. remonter le panneau en veillant à bien enfiler les crochets dans les fentes prévues avant de le pousser contre l'appareil.


Description du lave-linge

FR

Bandeau de commandes




Tiroir à produits lessiviels : pour charger les produits lessiviels et les additifs (voir “Produits lessiviels et linge”).


Touche **ON/OFF**  : appuyer brièvement sur la touche pour allumer ou éteindre l'appareil. Le voyant vert START/PAUSE clignotant lentement indique que la machine est allumée. Pour éteindre le lave-linge en cours de lavage, appuyer sur la touche pendant au moins 3 secondes de suite ; une pression brève ou accidentelle n'entraîne pas l'arrêt de l'appareil. L'arrêt de l'appareil pendant un lavage annule le lavage en cours.

BOUTON PROGRAMMES : pour sélectionner le programme désiré (voir “Tableau des programmes”).


Touches et voyants **OPTION** : pour sélectionner les options disponibles. Le voyant correspondant à l'option sélectionnée restera allumé.

Touche et voyants **DIRECT INJECTION** : appuyer pour sélectionner l'option DIRECT INJECTION.


Touche **TEMPÉRATURE**  : appuyer sur cette touche pour diminuer la température ou pour l'exclure complètement. La valeur correspondante s'affiche à l'écran.

Touche **ESSORAGE**  : appuyer sur cette touche pour diminuer la vitesse de l'essorage ou pour l'exclure complètement. La valeur correspondante s'affiche à l'écran.

Touche **DÉPART DIFFÉRÉ**  : appuyer pour sélectionner un départ différé pour le programme choisi. Le retard est affiché à l'écran.

Touche avec voyant **START/PAUSE** : quand le voyant vert clignote lentement, appuyer sur la touche pour démarrer un lavage. Une fois le cycle lancé, le voyant passe à l'allumage fixe. Pour activer une pause de lavage, appuyer à nouveau sur la touche ; le voyant passe à l'orange et se met à clignoter. Si le symbole  n'est pas allumé, il est

possible d'ouvrir le hublot. Pour faire redémarrer le lavage exactement à l'endroit de l'arrêt, appuyer une nouvelle fois sur la touche.

Touche **VERROU ENFANT** : pour **activer** le verrouillage des commandes, garder la touche enfoncée pendant environ 2 secondes. Le symbole  allumé indique que le bandeau de commandes est verrouillé. Ceci permet d'éviter toute modification involontaire des programmes (exception faite de la touche ON/OFF), surtout s'il y a des enfants à la maison. Pour **désactiver** le verrouillage des commandes, garder la touche enfoncée pendant environ 2 secondes.

Stand-by

Ce lave-linge, conformément aux nouvelles normes en vigueur dans le domaine de l'économie d'énergie, est équipée d'un système d'extinction automatique (veille) activé après 30 environ minutes d'inutilisation. Appuyez brièvement sur la touche ON-OFF et attendre que la machine soit réactivée.

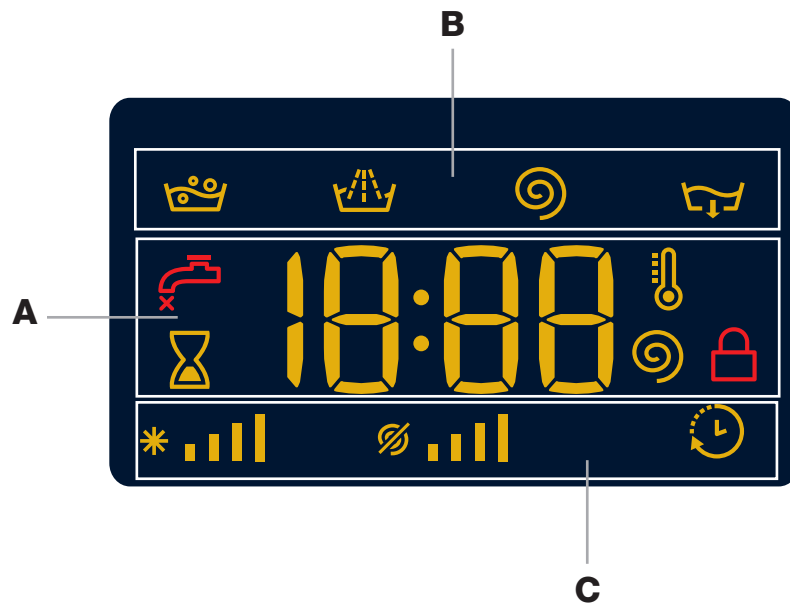
Joint antimicrobien

Le joint du hublot est réalisé dans un mélange particulier en mesure de garantir une protection antimicrobienne, en réduisant la prolifération bactérienne jusqu'à 99,99%. Le joint du hublot contient du pyrithione de zinc, une substance biocide qui réduit la prolifération de microbes nocifs (*) tels que les bactéries et les moisissures, qui pourraient causer des taches, de mauvaises odeurs et une détérioration du produit.

(*) Selon le test effectué par l'Université de Perugia sur: *Staphylococcus aureus*, *Escherichia coli*, *Pseudomonas aeruginosa*, *Candida albicans*, *Aspergillus niger*, *Penicillium digitatum*.

Dans de rares cas, le contact prolongé avec le joint peut provoquer une réaction allergique au niveau de la peau.

Ecran



L'écran est utile pour programmer la machine et fournit de multiples renseignements.

La section **A** affiche la durée des différents programmes disponibles et, une fois le cycle lancé, le temps restant jusqu'à la fin du programme (l'écran affiche la durée maximale du cycle sélectionné, cette dernière pourra diminuer au bout de quelques minutes car la durée effective du programme varie selon la charge de linge et les sélections effectuées); si un DÉPART DIFFÉRÉ a été sélectionné, le temps restant avant le démarrage du programme sélectionné est affiché.


De plus, en appuyant sur la touche correspondante, il y a affichage des valeurs maximales de la vitesse d'essorage et de la température que la machine peut effectuer en fonction du programme sélectionné ou des dernières valeurs sélectionnées si ces dernières sont compatibles avec le programme sélectionné.

La section **B** affiche les "phases de lavage" prévues pour le cycle sélectionné et, une fois le programme lancé, la "phase de lavage" en cours :

-  Lavage
-  Rinçage
-  Essorage
-  Vidange

La section **C** contient, en partant de gauche, les icônes correspondant à la "température", à "l'essorage" et au "Départ différé".


Les barres "température" *  indiquent le niveau de température correspondant au niveau maximum programmable pour le cycle sélectionné.

Les barres "essorage"  indiquent le niveau d'essorage correspondant au niveau maximum programmable pour le cycle sélectionné.

Le symbole "DÉPART DIFFÉRÉ"  s'éclaire pour signaler que l'écran est en train d'afficher le "Départ différé" sélectionné.


Voyant **HUBLOT VERROUILLÉ**

Le symbole allumé indique que le hublot est verrouillé. Pour éviter d'abîmer l'appareil, attendre que le symbole s'éteigne avant d'ouvrir le hublot.

Pour ouvrir la porte tandis qu'un cycle est en cours, appuyer sur la touche START/PAUSE; si le symbole HUBLOT VERROUILLÉ  est éteint, on peut ouvrir le hublot.

Comment faire un cycle de lavage


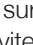
FR

1. **METTRE L'APPAREIL SOUS TENSION.** Appuyer sur la touche ; le voyant de START/PAUSE passe au vert et clignote lentement.
2. **CHARGER LE LINGE.** Ouvrir la porte hublot. Charger le linge en faisant attention à ne pas dépasser la quantité indiquée dans le tableau des programmes de la page suivante.
3. **DOSER LE PRODUIT LESSIVIEL.** Sortir le tiroir et placer le produit lessiviel dans les bacs correspondants comme indiqué au paragraphe "Produits lessiviels et linge".
4. **FERMER LE HUBLOT.**
5. **CHOISIR LE PROGRAMME.** Sélectionner à l'aide du bouton PROGRAMMES le programme voulu; une température et une vitesse d'essorage pouvant être modifiées sont associées à ce dernier. La durée du cycle s'affiche sur l'écran.

6. PERSONNALISER LE CYCLE DE LAVAGE.

Appuyer sur les touches correspondantes :

Modifier la température et/ou l'essorage.


L'appareil affiche automatiquement la température et l'essorage maximum prévus pour le programme sélectionné ou ceux qui ont été sélectionnés en dernier s'ils sont compatibles avec le programme choisi. Par pression sur la touche  on peut diminuer progressivement la température de lavage jusqu'à un lavage à froid "OFF". Par pression sur la touche  on peut diminuer progressivement la vitesse d'essorage jusqu'à sa suppression totale "OFF". Une autre pression sur les touches ramènera les valeurs aux maximales prévues.

! Exception: lors de la sélection du programme 2 la température peut être augmentée jusqu'à 40°.

! Exception: lors de la sélection du programme 3 la température peut être augmentée jusqu'à 90°.

! Exception: lors de la sélection du programme 4 la température peut être augmentée jusqu'à 60°.

Sélectionner un départ différé.

Pour programmer le départ différé d'un programme sélectionné, appuyer sur la touche correspondante jusqu'à ce que le retard désiré soit atteint. Quand cette option est activée, le symbole  s'éclaire sur l'écran. Pour supprimer le départ différé, appuyer sur la touche jusqu'à ce que l'écran affiche "OFF".

Modifier les caractéristiques du cycle.

- Appuyer sur la touche pour activer l'option ; le voyant correspondant à la touche s'allume.
- Appuyer une nouvelle fois sur la touche pour désactiver l'option; le voyant s'éteint.

! Si l'option sélectionnée est incompatible avec le programme sélectionné, le voyant se met à clignoter et l'option n'est pas activée.

! Si l'option sélectionnée n'est pas compatible avec une autre sélectionnée précédemment, le voyant correspondant à la première fonction sélectionnée se met à clignoter et seule la deuxième est activée, le voyant de l'option activée s'éclaire.

! Les options permettent de modifier le chargement conseillé et/ou la durée du cycle de lavage.

7. **DEMARRER LE PROGRAMME.** Appuyer sur la touche START/PAUSE. Le voyant correspondant s'allume en vert fixe et le hublot est verrouillé (symbole HUBLOT VERROUILLÉ  allumé). Pendant le lavage, le nom de la phase en cours s'affiche à l'écran. Pour modifier un programme lorsqu'un cycle est en cours, **mettre le lave-linge en pause** en appuyant sur la touche START/PAUSE (le voyant START/PAUSE passe à l'orange et clignote lentement); sélectionner le cycle désiré et appuyer de nouveau sur la touche START/PAUSE. Pour ouvrir la porte tandis qu'un cycle est en cours, appuyer sur la touche START/PAUSE; si le symbole HUBLOT VERROUILLÉ  est éteint, on peut ouvrir le hublot. Pour faire redémarrer le programme exactement à l'endroit de l'arrêt, appuyer une nouvelle fois sur la touche START/PAUSE.
 8. **FIN DU PROGRAMME.** Elle est signalée par l'inscription "END" qui s'affiche à l'écran ; quand le symbole HUBLOT VERROUILLÉ  s'éteint, on peut ouvrir le hublot. Ouvrir le hublot, vider le lave-linge et éteindre l'appareil.
- ! Une pression prolongée sur la touche  permet d'annuler un cycle déjà lancé. Le cycle est interrompu et l'appareil s'éteint.

Tableau des programmes

Programmes	Description du Programme	Temp. maxi. (°C)	Vitesse maxi (tours minute)	Produits lessiviels		Charge maxi (kg)	Humidité résiduelle %	Consommation d'énergie kWh	Eau totale lt	Durée cycle
				Lavage	Assouplissant					
DAILY CLEAN										
1	Spécial taches Power 20°C	20°	1200	●	●	9	-	-	-	**
2	Spécial taches Turbo 45'	20° (Max. 40°C)	1200	●	●	4,5	-	-	-	**
3	Coton: blancs et couleurs délicates peu sales.	40° (Max. 90°C)	1200	●	●	9	-	-	-	**
4	Synthétiques (4): couleurs résistantes très sales.	40° (Max. 60°C)	1000	●	●	4,5	46	0,60	61	110'
5	Rapide 30': pour rafraîchir rapidement du linge peu sale (ne convient pas pour la laine, la soie et le linge à laver à la main).	30°	800	●	●	3,5	71	0,13	42	30'
SPECIALS										
6	Foncé	30°	800	●	●	5	-	-	-	**
7	Ultradélicat	30°	0	●	●	1	-	-	-	**
8	Laine: pour laine, cachemire, etc.	40°	800	●	●	2	-	-	-	**
9	Coton Eco 60°C (1): blancs et couleurs résistantes très sales.	60°	1200	●	●	9	53	1,00	57	225'
9	Coton Eco 40°C (2): blancs et couleurs délicates peu sales.	40°	1200	●	●	9	53	1,00	88	225'
9	Coton Eco 40°C (3): blancs et couleurs délicates peu sales.	40°	1200	●	●	9	53	0,88	88	195'
10	Bébé	40°	1000	●	●	5	-	-	-	**
EXTRA										
11	Anti-allergie	60°	1200	●	●	5	-	-	-	**
12	Lit & Bain: pour le linge de lit et le linge de toilette.	60°	1200	●	●	9	-	-	-	**
13	Soie & Voilages: pour linge en soie, viscose, lingerie.	30°	0	●	●	2	-	-	-	**
14	Couettes: pour linge et vêtements en duvet d'oie.	30°	1000	●	●	3,5	-	-	-	**
Programmes partiels										
	Rinçage	-	1200	-	●	9	-	-	-	**
	Essorage + Vidange	-	1200	-	-	9	-	-	-	**
	Vidange seulement *	-	OFF	-	-	9	-	-	-	**

* En cas de sélection du programme et de suppression de l'essorage, la machine n'effectuera que la vidange.

** La durée des programmes de lavage est contrôlable sur l'afficheur.

La durée du cycle indiquée sur l'écran ou dans la notice représente une estimation calculée dans des conditions standard. Le temps effectif peut varier en fonction de nombreux facteurs tels que : température et pression de l'eau en entrée, température ambiante, quantité de lessive, quantité et type de charge, équilibrage de la charge, options supplémentaires sélectionnées.

1) Programme de contrôle selon la réglementation 1061/2010: sélectionner le programme 9 et une température de 60°C.

Ce cycle convient au lavage d'une charge de coton normalement sale et c'est le plus performant en termes de consommation d'eau et d'énergie, l'utiliser pour du linge lavable à 60°C. La température effective de lavage peut différer de la température indiquée.

2) Programme de contrôle selon la réglementation 1061/2010: sélectionner le programme 9 et une température de 40°C.

Ce cycle convient au lavage d'une charge de coton normalement sale et c'est le plus performant en termes de consommation d'eau et d'énergie, l'utiliser pour du linge lavable à 40°C. La température effective de lavage peut différer de la température indiquée.

Pour tous les instituts qui effectuent ces tests :

3) Programme coton long: sélectionner le programme 9 avec une température de 40°C et appuyer sur la touche DIRECT INJECTION avec le mode "Power".

4) Programme synthétique long: sélectionner le programme 4 avec une température de 40°C.

Options de lavage

! Si l'option sélectionnée est incompatible avec le programme sélectionné, le voyant se met à clignoter et l'option n'est pas activée.

! Si l'option sélectionnée n'est pas compatible avec une autre sélectionnée précédemment, le voyant correspondant à la première fonction sélectionnée se met à clignoter et seule la deuxième est activée, le voyant de l'option activée s'éclaire.

Direct Injection

Le lave-linge est doté d'une technologie innovante appelée « Direct Injection » qui pré-mélange l'eau et la lessive, activant ainsi immédiatement les principes nettoyants du produit lessiviel. Cette émulsion active est envoyée directement dans le tambour du lave-linge et pénètre plus efficacement dans les fibres, éliminant ainsi la saleté la plus tenace même à basse température, tout en respectant au maximum les couleurs et les tissus.

Il est possible de choisir le mode « Power » pour obtenir de meilleurs résultats en termes de propreté ou bien le mode « EcoEnergy » afin d'économiser de l'énergie.

Rinçage Extra

La sélection de cette option permet d'augmenter l'efficacité du rinçage et d'éliminer totalement toute trace de lessive. Elle est très utile en cas de peaux particulièrement sensibles.

Gain de Temps

La sélection de cette option permet de réduire jusqu'à 50 % la durée de lavage du cycle choisi et de faire des économies d'eau et d'énergie. Utiliser ce programme pour les vêtements modérément sales.

Produits lessiviels et linge

FR

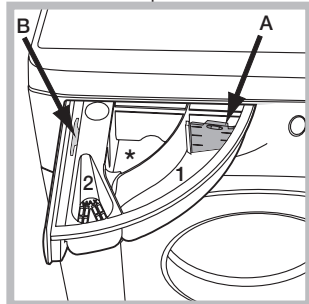
Tiroir à produits lessiviels

Un bon résultat de lavage dépend aussi d'un bon dosage de produit lessiviel: un excès de lessive ne lave pas mieux, il incruste l'intérieur du lave-linge et pollue l'environnement.

! Utiliser des lessives en poudre pour du linge en coton blanc et en cas de pré-lavage et de lavages à une température supérieure à 60°C.

! Respecter les indications figurant sur le paquet de lessive.

! Ne pas utiliser de lessives pour lavage à la main, elles moussent trop.



Sortir le tiroir à produits lessiviels et verser la lessive ou l'additif comme suit.

! Ne pas mettre le détergent dans la bac central (*).

bac 1: Lessive lavage (en poudre ou liquide)

En cas d'utilisation de lessive liquide, nous conseillons d'introduire le séparateur

fourni avec le lave-linge pour mieux déterminer la dose correcte. En cas d'utilisation de lessive en poudre, placer le séparateur dans le bac B.

bac 2: Additifs (assouplissant, etc.)

L'assouplissant ne doit pas déborder de la grille.

Triage du linge

- Trier correctement le linge d'après:
 - le type de textile / le symbole sur l'étiquette.
 - les couleurs: séparer le linge coloré du blanc.
- Vider les poches et contrôler les boutons.
- Ne pas dépasser les valeurs indiquées correspondant au poids de linge sec : voir "Tableau des programmes".

Combien pèse le linge ?

- 1 drap 400-500 g
- 1 taie d'oreiller 150-200 g
- 1 nappe 400-500 g
- 1 peignoir 900-1200 g
- 1 serviette éponge 150-250 g

Programmes spéciaux

Spécial taches Power 20°C: ce programme est celui qui offre la capacité d'élimination des taches la plus élevée sans qu'aucun pré-traitement ne soit nécessaire, à basse température, et en préservant les tissus et les couleurs.

Spécial taches Turbo 45': ce cycle garantit une excellente capacité d'élimination des taches dès 20°C et en seulement 45 minutes. La température de ce cycle peut être augmentée jusqu'à 40°C.

Foncé: utiliser le cycle 6 pour le lavage des textiles de couleur foncée. Ce programme est conçu pour préserver les couleurs foncées au fil des lavages. Pour obtenir de meilleurs résultats, nous conseillons d'utiliser de la lessive liquide spéciale textiles foncés.

Ultradélicat: utiliser le programme 7 pour le lavage d'articles particulièrement délicats avec applications de strass ou de paillettes.

Il est recommandé de mettre le linge à l'envers avant le lavage et d'introduire les articles plus petits dans le sachet prévu pour le lavage des articles délicats. Pour obtenir de meilleurs résultats, nous conseillons d'utiliser de la lessive liquide spéciale textiles délicats.

Laine - Woolmark Apparel Care - Green:

le cycle de lavage « Laine » de ce lave-linge a été approuvé par la société Woolmark Company pour le lavage d'articles en laine classés comme « lavables à la main », à condition que le lavage soit effectué conformément aux instructions indiquées sur l'étiquette du vêtement et aux indications fournies par le fabricant de ce lave-linge. (M1127)



Bébé: utiliser le programme 10 pour enlever les taches des vêtements de bébé et rincer correctement les vêtements afin d'éviter les réactions allergiques. Spécialement conçu pour diminuer la charge bactérienne, ce cycle utilise une plus grande quantité d'eau et optimise l'effet des additifs désinfectants spécifiques ajoutés à la lessive.

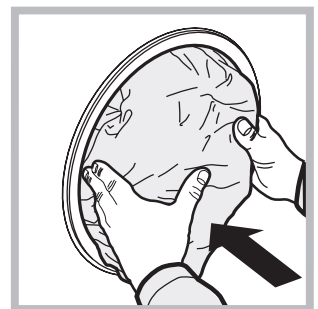
Anti-allergie: utiliser le programme 11 pour éliminer les principaux allergènes tels que pollens, acariens, poils de chien ou de chat.

Lit & Bain: pour laver le linge de toilette et de lit en un seul cycle, utiliser le programme 12 qui optimise l'utilisation de l'assouplissant et permet de faire des économies de temps et d'électricité. Nous conseillons d'utiliser de la lessive en poudre.

Soie: sélectionner le programme de lavage spécial 13 pour vêtements en soie. Il est conseillé d'utiliser une lessive spéciale pour linge délicat.

Voilages: pliez-les bien et glissez-les dans une taie d'oreiller ou dans un sac genre filet. Sélectionner le programme 13.

Couettes: pour laver des articles avec garnissage en duvet d'oie comme par exemple des couettes pour une ou deux personnes (poids maximal à ne pas dépasser 3,5 kg), oreillers, anoraks, utiliser le programme spécial 14. Pour introduire les duvets dans le tambour, nous recommandons de replier les bords vers l'intérieur (voir figures) et de ne pas occuper plus de 3/4 du volume du tambour. Pour un lavage optimal, nous recommandons d'utiliser une lessive liquide à doser dans le tiroir à produits lessiviels.



Système d'équilibrage de la charge

Avant tout essorage, pour éviter toute vibration excessive et répartir le linge de façon uniforme, le lave-linge fait tourner le tambour à une vitesse légèrement supérieure à la vitesse de lavage. Si au bout de plusieurs tentatives, la charge n'est toujours pas correctement équilibrée, l'appareil procède à un essorage à une vitesse inférieure à la vitesse normalement prévue. En cas de déséquilibre excessif, le lave-linge préfère procéder à la répartition du linge plutôt qu'à son essorage. Pour une meilleure répartition de la charge et un bon équilibrage, nous conseillons de mélanger de grandes et petites pièces de linge.

Il peut arriver que le lave-linge ne fonctionne pas bien. Avant d'appeler le Service de dépannage (voir "Assistance"), contrôler s'il ne s'agit pas par hasard d'un problème facile à résoudre à l'aide de la liste suivante.

Anomalies :

Le lave-linge ne s'allume pas.

Causes / Solutions possibles :

- La fiche n'est pas branchée dans la prise de courant ou mal branchée.
- Il y a une coupure de courant.

Le cycle de lavage ne démarre pas.

- Le hublot n'est pas bien fermé.
- La touche ON/OFF n'a pas été enfoncée.
- La touche START/PAUSE n'a pas été enfoncée.
- Le robinet de l'eau n'est pas ouvert.
- Un départ différé a été sélectionné.

Il n'y a pas d'arrivée d'eau (l'écran affiche "H2O" qui clignote).

- Le tuyau d'arrivée de l'eau n'est pas raccordé au robinet.
- Le tuyau est plié.
- Le robinet de l'eau n'est pas ouvert.
- Il y a une coupure d'eau.
- La pression n'est pas suffisante.
- La touche START/PAUSE n'a pas été enfoncée.

Le lave-linge prend l'eau et vidange continuellement.

- Le tuyau de vidange n'est pas installé à une distance du sol comprise entre 65 et 100 cm (voir "Installation").
- L'extrémité du tuyau de vidange est plongée dans l'eau (voir "Installation").
- L'évacuation murale n'a pas d'évent.

Si après ces vérifications, le problème persiste, fermer le robinet de l'eau, éteindre la machine et appeler le service Assistance. Si l'appartement est situé en étage dans un immeuble, il peut y avoir des phénomènes de siphonage qui font que le lave-linge prend et évacue l'eau continuellement. Pour supprimer cet inconvénient, on trouve dans le commerce des soupapes spéciales anti-siphonage.

Le lave-linge ne vidange pas et n'essore pas.

- Le programme ne prévoit pas de vidange : pour certains programmes, il faut intervenir pour la faire démarrer.
- Le tuyau de vidange est plié (voir "Installation").
- La conduite d'évacuation est bouchée.

Le lave-linge vibre beaucoup pendant l'essorage.

- Le tambour n'a pas été débloqué comme il faut lors de l'installation du lave-linge (voir "Installation").
- Le lave-linge n'est pas posé à plat (voir "Installation").
- Le lave-linge est coincé entre des meubles et le mur (voir "Installation").

Le lave-linge a des fuites.

- Le tuyau d'arrivée de l'eau n'est pas bien vissé (voir "Installation").
- Le tiroir à produits lessiviels est bouché (pour le nettoyer voir "Entretien et soin").
- Le tuyau de vidange n'est pas bien fixé (voir "Installation").

Les voyants des "Options" et de START/PAUSE clignotent rapidement. L'écran affiche un code d'anomalie (par ex. : F-01, F-..).

- Eteindre l'appareil et débrancher la fiche de la prise de courant, attendre 1 minute environ avant de rallumer.
Si l'anomalie persiste, appeler le service d'assistance.

Il y a un excès de mousse.

- Le produit de lavage utilisé n'est pas une lessive spéciale machine (il faut qu'il y ait l'inscription "pour lave-linge", "main et machine", ou autre semblable).
- La quantité utilisée est excessive.

Assistance

FR

Avant d'appeler le service d'Assistance technique :

- Vérifier s'il est possible de résoudre l'anomalie par ses propres moyens (voir "Anomalies et Remèdes");
- Remettre le programme en marche pour contrôler si l'inconvénient a disparu ;
- Si ce n'est pas le cas, contacter un Centre de dépannage.

! Ne jamais s'adresser à des techniciens non agréés.

Communiquer :

- le type de panne ;
- le modèle de l'appareil (Mod.) ;
- le numéro de série (S/N).

Ces informations se trouvent sur la plaque signalétique apposée à l'arrière du lave-linge et à l'avant quand on ouvre la porte hublot.

RÈGLEMENT DÉLÉGUÉ (UE) N o 1061/2010 DE LA COMMISSION	
Marque	HOTPOINT/ARISTON
Modèle	RSG 925 JS EU
Capacité nominale en kg de coton	9
Classe énergétique sur une échelle de A+++ (faible consommation) à G (consommation élevée)	A+++
Consommation d'énergie par année en kWh ¹⁾	174
Consommation d'énergie d'un programme coton standard à 60°C et à pleine charge en kWh ²⁾	1.002
Consommation d'énergie d'un programme coton standard à 60°C et à demi-charge en kWh ²⁾	0.602
Consommation d'énergie d'un programme coton standard à 40°C et à demi-charge en kWh ²⁾	0.585
Consommation d'énergie en mode "off" en W	0.5
Consommation d'énergie en mode "on" en W	8
Consommation d'eau par an en litres ³⁾	11600
Classe d'efficacité d'essorage sur une échelle de G (efficacité minimum) à A (efficacité maximum)	B
Vitesse d'essorage maximum ⁴⁾	1200
Taux d'humidité résiduelle (en %) ⁵⁾	53.0%
Durée du « programme coton standard à 60°C » à pleine charge en minutes	225
Durée du « programme coton standard à 60°C » à demi-charge en minutes	170
Durée du « programme coton standard à 40°C » à demi-charge en minutes	160
Durée du mode laissé en marche en minutes	30
Émissions acoustiques dans l'air, exprimées en dB(A) re 1 pW en phase de lavage ⁶⁾	54
Émissions acoustiques dans l'air, exprimées en dB(A) re 1 pW en phase d'essorage ⁶⁾	81
Encastrable	

¹⁾ Le programme "coton standard 60°C" pleine et demi-charge et le programme "coton standard 40°C" demi-charge sont les programmes de lavage standard auxquels se rapportent les informations qui figurent sur l'étiquette et sur la fiche. Ils conviennent pour laver du linge en coton normalement sale, et il s'agit des programmes les plus efficaces en termes de consommation combinée d'eau et d'énergie. La demi-charge correspond à la moitié de la charge nominale.

²⁾ Sur la base de 220 cycles de lavage standard pour les programmes coton à 60°C et à 40°C à pleine et à demi-charge, et de la consommation des modes à faible puissance. La consommation réelle d'énergie dépend des conditions d'utilisation de l'appareil.

³⁾ Sur la base de 220 cycles de lavage standard pour les programmes coton à 60°C et à 40°C à pleine et à demi-charge. La consommation réelle d'eau dépend des conditions d'utilisation de l'appareil.

⁴⁾ Pour le programme standard à 60°C à pleine ou demi-charge, ou le programme standard à 40°C à demi-charge, la valeur la plus faible des deux étant retenue.

⁵⁾ Atteint avec le programme coton à 60°C à pleine et demi-charge, ou le programme coton à 40°C à demi-charge, la valeur la plus élevée des deux étant retenue.

⁶⁾ Sur la base des phases de lavage et d'essorage pour le programme coton standard à 60°C à pleine charge.

ES

Español

RSG 925 J

Sumario

Instalación, 38-39

Desembalaje y nivelación
Conexiones hidráulicas y eléctricas
Primer ciclo de lavado
Datos técnicos

Mantenimiento y cuidados, 40

Interrumpir el agua y la corriente eléctrica
Limpiar la lavadora
Limpiar el contenedor de detergentes
Cuidar la puerta y el cesto
Limpiar la bomba
Controlar el tubo de alimentación de agua

Precauciones y consejos, 41

Seguridad general
Eliminación
Apertura manual de la puerta

Descripción de la lavadora, 42-43

Panel de control
Pantalla

Cómo efectuar un ciclo de lavado, 44

Programas y opciones, 45

Tabla de programas
Opciones de lavado

Detergentes y ropa, 46

Contenedor de detergentes
Preparar la ropa
Programas particulares
Sistema de equilibrado de la carga

Anomalías y soluciones, 47

Asistencia Técnica, 48

Instalación

ES

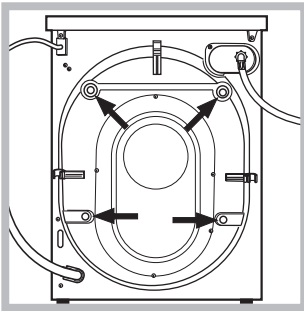
! Es importante conservar este manual para poder consultarlo en cualquier momento. En caso de venta, de cesión o de traslado, verifique que permanezca junto con la lavadora para informar al nuevo propietario sobre el funcionamiento y brindar las correspondientes advertencias.

! Lea atentamente las instrucciones: ellas contienen importante información sobre la instalación, el uso y la seguridad.

Desembalaje y nivelación

Desembalaje

1. Desembale la lavadora.
2. Controle que la lavadora no haya sufrido daños durante el transporte. Si estuviera dañada no la conecte y llame al revendedor.



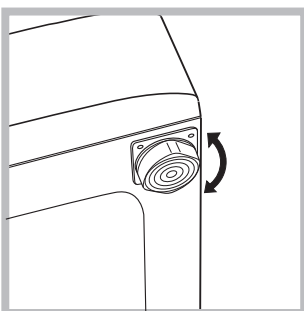
3. Quite los 4 tornillos de protección para el transporte y la arandela de goma con el correspondiente distanciador ubicados en la parte posterior (ver la figura).

4. Cubra los orificios con los tapones de plástico suministrados con el aparato.
5. Conserve todas las piezas: cuando la lavadora deba ser transportada nuevamente, deberán volver a colocarse.

! Los embalajes no son juguetes para los niños.

Nivelación

1. Instale la lavadora sobre un piso plano y rígido, sin apoyarla en las paredes, muebles ni en ningún otro aparato.

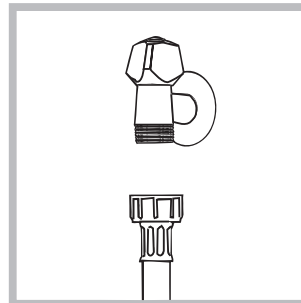


2. Si el piso no está perfectamente horizontal, compense las irregularidades desenroscando o enroscando las patas delanteras (ver la figura); el ángulo de inclinación medido sobre la superficie de trabajo, no debe superar los 2°.

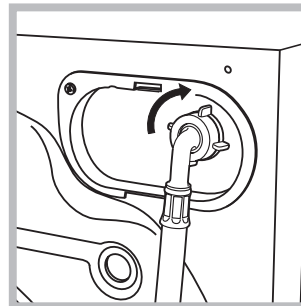
Una cuidadosa nivelación brinda estabilidad a la máquina y evita vibraciones, ruidos y desplazamientos durante el funcionamiento. Cuando se instala sobre moquetas o alfombras, regule los pies para conservar debajo de la lavadora un espacio suficiente para la ventilación.

Conexiones hidráulicas y eléctricas

Conexión del tubo de alimentación de agua



1. Conectar el tubo de tubo enroscándolo a un grifo de agua fría con la boca roscada de 3/4 gas (ver la figura). Antes de conectarlo, haga correr el agua hasta que esté límpida.



2. Conecte el tubo de alimentación a la lavadora enroscándolo en la toma de agua correspondiente ubicada en la parte posterior derecha (arriba) (ver la figura).

3. Controle que en el tubo no hayan pliegues ni estrangulaciones.

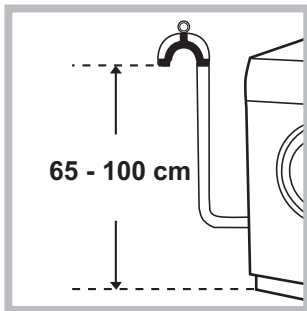
! La presión de agua del grifo debe estar comprendida dentro de los valores contenidos en la tabla de Datos técnicos (ver la página correspondiente).

! Si la longitud del tubo de alimentación no es la suficiente, diríjase a un negocio especializado o a un técnico autorizado.

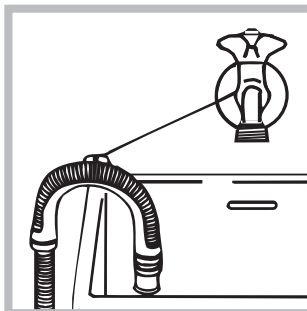
! No utilice nunca tubos ya usados.

! Utilice los suministrados con la máquina.

Conexión del tubo de desagüe



Conecte el tubo de desagüe, sin plegarlo, a un conducto de desagüe o a una desagüe de pared ubicados a una distancia del piso comprendida entre 65 y 100 cm.;



o apóyelo en el borde de un lavamanos o de una bañera, uniendo la guía suministrada con el aparato, al grifo (ver la figura). El extremo libre del tubo de desagüe no debe permanecer sumergido en el

agua.

! No se aconseja utilizar tubos de prolongación, si fuera indispensable hacerlo, la prolongación debe tener el mismo diámetro del tubo original y no superar los 150 cm.

Conexión eléctrica

Antes de enchufar el aparato, verifique que:

- la toma tenga la conexión a tierra y haya sido hecha según las normas legales;
- la toma sea capaz de soportar la carga máxima de potencia de la máquina indicada en la tabla de Datos técnicos (ver al costado);
- la tensión de alimentación esté comprendida dentro de los valores indicados en la tabla de Datos técnicos (ver al costado);
- la toma sea compatible con el enchufe de la lavadora. Si no es así, sustituya la toma o el enchufe.

! La lavadora no debe ser instalada al aire libre, ni siquiera si el lugar está reparado, ya que es muy peligroso dejarla expuesta a la lluvia o a las tormentas.

! Una vez instalada la lavadora, la toma de corriente debe ser fácilmente accesible.

! No utilice prolongaciones ni conexiones múltiples.

! El cable no debe estar plegado ni sufrir compresiones.

! El cable de alimentación debe ser sustituido sólo por técnicos autorizados.
¡Atención! La empresa fabricante declina toda responsabilidad en caso de que estas normas no sean respetadas.

Primer ciclo de lavado

Después de la instalación y antes del uso, realice un ciclo de lavado con detergente y sin ropa, seleccionando el programa "Auto Limpieza" (ver "Limpiar la lavadora").

Datos técnicos

Modelo	RSG 925 J
Dimensiones	ancho 59,5 cm altura 85 cm profundidad 60,5 cm
Capacidad	de 1 a 9 kg
Conexiones eléctricas	ver la placa de características técnicas aplicada en la máquina
Conexiones hídricas	presión máxima 1 MPa (10 bar) presión mínima 0,05 MPa (0,5 bar) capacidad del cesto 62 litros
Velocidad de centrifugado	máxima 1200 r.p.m.
Programas de control según los Reglamentos 1061/2010 1015/2010	programa 9; Eco Algodón 60°C. programa 9; Eco Algodón 40°C.



Esta máquina cumple con lo establecido por las siguientes Directivas de la Comunidad:

- 2004/108/CE (Compatibilidad Electromagnética)
- 2012/19/EU (WEEE)
- 2006/95/CE (Baja Tensión)

Mantenimiento y cuidados

ES

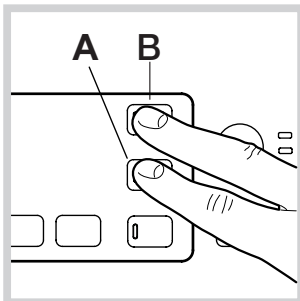
Interrumpir el agua y la corriente eléctrica

- Cierre el grifo de agua después de cada lavado. De este modo se limita el desgaste de la instalación hidráulica de la lavadora y se elimina el peligro de pérdidas.
- Desenchufe la máquina cuando la debe limpiar y durante los trabajos de mantenimiento.

Limpiar la lavadora

- La parte externa y las partes de goma se pueden limpiar con un paño embebido en agua tibia y jabón. No use solventes ni productos abrasivos.
- La lavadora posee un programa de "Auto Limpieza" de su interior que se debe realizar **sin ningún tipo de carga en el cesto**.

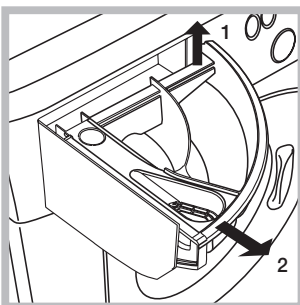
El detergente (en un 10% de la cantidad aconsejada para prendas poco sucias) o algunos aditivos específicos para la limpieza de la ropa se podrán utilizar como coadyuvantes en el programa de lavado. Se aconseja efectuar el programa de limpieza cada 40 ciclos de lavado.



Para activar el programa pulse simultáneamente los botones **A** y **B** durante 5 segundos (ver la figura). El programa comenzará automáticamente y tendrá una duración de 70 minutos aproximadamente.

Para detener el ciclo presione el botón START/PAUSE.

Limpiar el contenedor de detergentes



Extraiga el contenedor levantándolo y tirándolo hacia fuera (ver la figura). Lávelo debajo del agua corriente, esta limpieza se debe realizar frecuentemente.

Cuidar la puerta y el cesto

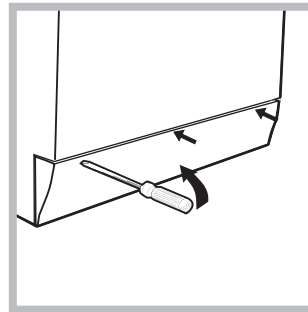
- Deje siempre semicerrada la puerta para evitar que se formen malos olores.

Limpiar la bomba

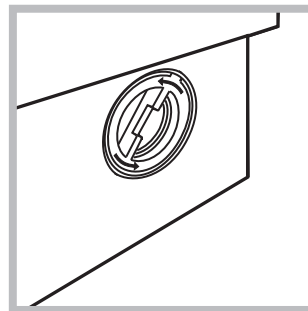
La lavadora posee una bomba autolimpiante que no necesita mantenimiento. Pero puede suceder que objetos pequeños (monedas, botones) caigan en la precámara que protege la bomba, situada en la parte inferior de la misma.

! Verifique que el ciclo de lavado haya terminado y desenchufe la máquina.

Para acceder a la precámara:



1. quite el panel que cubre la parte delantera de la lavadora con la ayuda de un destornillador (ver la figura);



2. desenrosque la tapa girándola en sentido antihorario (ver la figura); es normal que se vuelque un poco de agua;

3. limpie con cuidado el interior;
4. vuelva a enroscar la tapa;
5. vuelva a montar el panel verificando, antes de empujarlo hacia la máquina, que los ganchos se hayan introducido en las correspondientes ranuras.

Controlar el tubo de alimentación de agua

Controle el tubo de alimentación al menos una vez al año. Si presenta grietas o rajaduras debe ser sustituido: durante los lavados, las fuertes presiones podrían provocar roturas imprevistas.

! No utilice nunca tubos ya usados.

! La lavadora fue proyectada y fabricada en conformidad con las normas internacionales de seguridad. Estas advertencias se suministran por razones de seguridad y deben ser leídas atentamente.

Seguridad general

- Este aparato ha sido fabricado para un uso de tipo doméstico exclusivamente.
- Este aparato puede ser utilizado por niños de 8 años o más y por personas con capacidades físicas, sensoriales o mentales disminuidas o con experiencia y conocimientos insuficientes siempre que sean supervisados o que hayan recibido una adecuada formación sobre el uso del aparato en forma segura y conozcan los peligros derivados del mismo. Los niños no deben jugar con el aparato. El mantenimiento y la limpieza no deben ser realizados por niños sin supervisión.
- La lavadora debe ser utilizada sólo por personas adultas y siguiendo las instrucciones contenidas en este manual.
- No toque la máquina con los pies desnudos ni con las manos o los pies mojados o húmedos.
- No desenchufe la máquina tirando el cable, sino tomando el enchufe.
- No abra el cajón de detergentes mientras la máquina está en funcionamiento.
- No toque el agua de descarga ya que puede alcanzar temperaturas elevadas.
- En ningún caso fuerce la puerta: podría dañarse el mecanismo de seguridad que la protege de aperturas accidentales.
- En caso de avería, no acceda nunca a los mecanismos internos para intentar una reparación.
- Controle siempre que los niños no se acerquen a la máquina cuando está en funcionamiento.
- Durante el lavado, la puerta tiende a calentarse.
- Si debe ser trasladada, deberán intervenir dos o más personas, procediendo con el máximo cuidado. La máquina no debe ser desplazada nunca por una sola persona ya que es muy pesada.
- Antes de introducir la ropa controle que el cesto esté vacío.

Eliminaciones

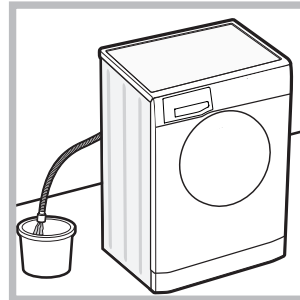
- Eliminación del material de embalaje: respete las normas locales, de ese modo, los embalajes podrán volver a ser utilizados.
- La norma Europea 2012/19/EU sobre la eliminación de aparatos eléctricos y electrónicos, indica que los electrodomésticos no deben ser eliminados de la misma manera que los desechos sólidos urbanos. Los aparatos en desuso se deben recoger separadamente para optimizar el porcentaje de recuperación y reciclaje de los materiales que los componen e impedir potenciales daños para la salud y el medio ambiente. El

símbolo de la papelera tachada se encuentra en todos los productos para recordar la obligación de recolección separada.

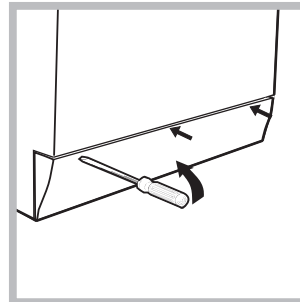
Para mayor información sobre la correcta eliminación de los electrodomésticos, los poseedores de los mismos podrán dirigirse al servicio público responsable o a los revendedores.

Apertura manual de la puerta

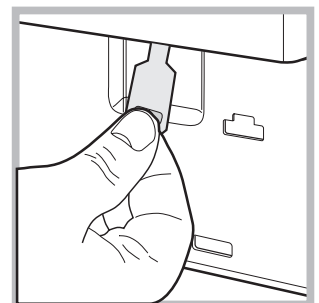
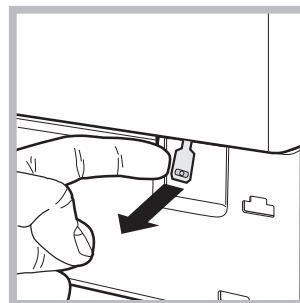
Si desea sacar la ropa de la lavadora y no es posible abrir la puerta debido a un corte de energía eléctrica, proceda del siguiente modo:



1. desenchufe la máquina.
2. verifique que el nivel de agua en el interior de la máquina sea inferior al hueco de la puerta; si no es así, extraiga el agua en exceso utilizando el tubo de descarga y recogiéndola en un balde como se indica en la figura.



3. quite el panel de cobertura delantero de la lavadora con la ayuda de un destornillador (ver la figura).

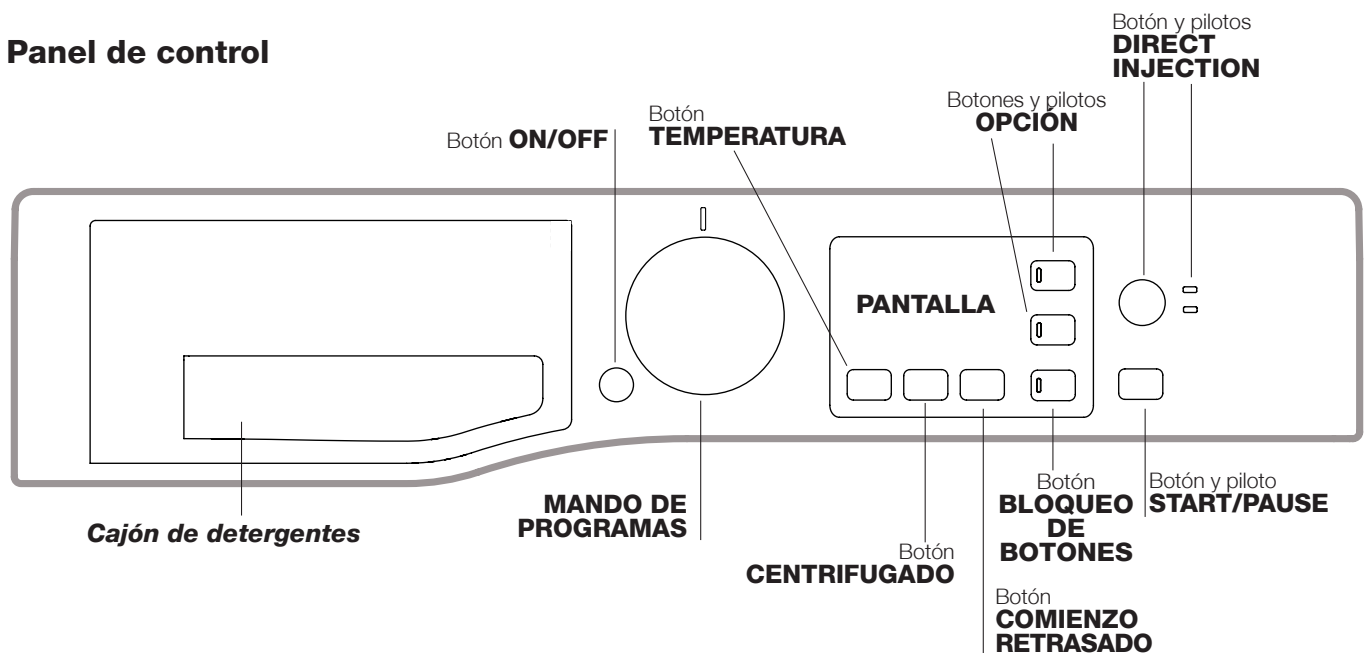


4. utilizando la lengüeta indicada en la figura, tire hacia fuera hasta liberar la varilla de plástico del retén; posteriormente tire hacia abajo y simultáneamente abra la puerta.
5. vuelva a montar el panel verificando, antes de empujarlo hacia la máquina, que los ganchos se hayan introducido en las correspondientes ranuras.


Descripción de la lavadora

ES

Panel de control



Cajón de detergentes: para cargar detergentes y aditivos (ver "Detergentes y ropa").


Botón **ON/OFF** : presione brevemente el botón para encender o apagar la máquina. El piloto START/PAUSE que centellea lentamente de color verde indica que la máquina está encendida. Para apagar la lavadora durante el lavado, es necesario mantener presionado el botón durante más tiempo, aproximadamente 3 seg.; si se presiona en forma más breve o accidental, la máquina no se apagará. Si la máquina se apaga durante un lavado en curso, dicho lavado se anulará.


MANDO DE PROGRAMAS: para seleccionar el programa deseado (ver "Tabla de programas").


Botones y pilotos **OPCIÓN:** para seleccionar las opciones disponibles. El piloto correspondiente a la opción seleccionada permanecerá encendido.

Botones y pilotos **DIRECT INJECTION:** pulsar para seleccionar la opción DIRECT INJECTION.


Botón **TEMPERATURA** : presiónelo para disminuir o excluir la temperatura; el valor se indica en la pantalla.

Botón **CENTRIFUGADO** : presiónelo para disminuir o excluir totalmente el centrifugado; el valor se indica en la pantalla.

Botón **COMIENZO RETRASADO** : presiónelo para seleccionar un comienzo retrasado del programa previamente elegido; el retraso se indica en la pantalla.

Botón con piloto **START/PAUSE:** cuando el piloto verde centellea lentamente, presione el botón para que comience el lavado. Una vez que el ciclo ha comenzado, el piloto se mantiene fijo. Para poner en pausa el lavado, presione nuevamente el botón; el piloto centelleará con un color anaranjado. Si el símbolo  no está iluminado,

se podrá abrir la puerta. Para que el lavado se reanude a partir del momento en el cual fue interrumpido, presione nuevamente el botón.

Botón **BLOQUEO DE BOTONES:** para **activar** el bloqueo del panel de control, mantenga presionado el botón durante 2 segundos aproximadamente. El símbolo  encendido indica que el panel de control está bloqueado (con excepción del botón ON/OFF). De este modo, se evitan modificaciones accidentales de los programas, sobre todo si en la casa hay niños. Para **desactivar** el bloqueo del panel de control, mantenga presionado el botón durante 2 segundos aproximadamente.

Modalidad de stand by

Esta lavadora está en conformidad con las nuevas normativas vinculadas al ahorro energético. Está dotada de un sistema de auto-apagado (stand by) que, en caso de no funcionamiento, se activa pasados aproximadamente 30 minutos. Presionar brevemente el botón ON/OFF y esperar que la máquina se active.

Junta antimicrobiana

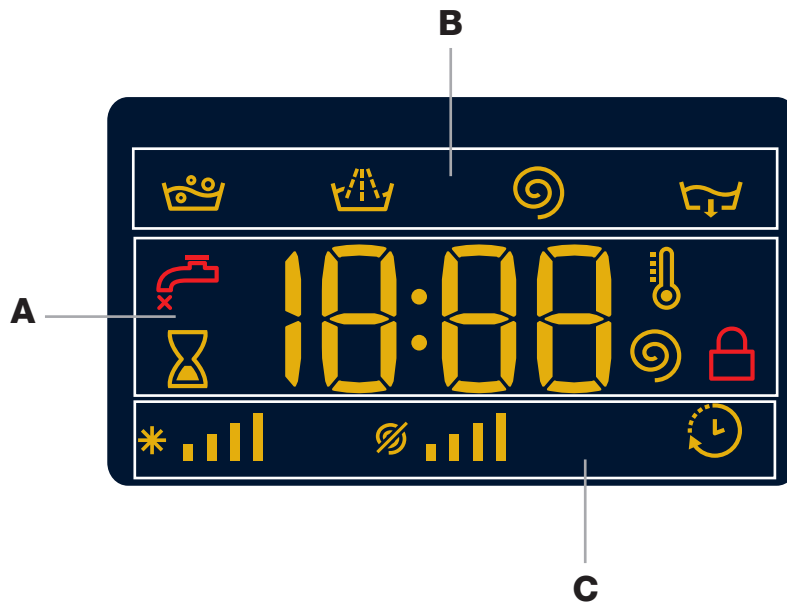
La junta de la puerta está realizada con una mezcla especial que garantiza la protección antimicrobiana, reduciendo la proliferación bacteriana hasta el 99,99%.

La junta de la puerta contiene piritiona de zinc, sustancia biocida que limita la proliferación de microbios nocivos (*), como bacterias y mohos, que podrían causar manchas, malos olores y deterioro del producto.

(*) **Según análisis realizados en la Universidad de Perusa sobre:** *Staphylococcus aureus*, *Escherichia coli*, *Pseudomonas aeruginosa*, *Candida albicans*, *Aspergillus niger*, *Penicillium digitatum*.

El contacto prolongado con la junta raramente provoca reacciones alérgicas en la piel.

Pantalla




La pantalla es útil para programar la máquina y ofrece múltiple información.

En la sección **A** se visualiza la duración de los distintos programas disponibles, para los que han comenzado, el tiempo que falta para su finalización (la pantalla muestra la duración máxima del ciclo seleccionado, que puede disminuir después de unos minutos, ya que la duración efectiva del programa varía según la carga de ropa y los ajustes elegidos); si se hubiera seleccionado un COMIENZO RETRASADO, se visualiza el tiempo que falta para que comience el programa seleccionado. Además, presionando el botón correspondiente, se visualizan los valores máximos de la velocidad de centrifugado y de temperatura que la máquina puede alcanzar en base al programa seleccionado o los últimos valores seleccionados si son compatibles con el programa elegido.


En la sección **B** se visualizan las “fases de lavado” previstas para el ciclo seleccionado y, una vez comenzado el programa, la “fase de lavado” en curso:

-  Lavado
-  Aclarado
-  Centrifugado
-  Descarga


En la sección **C** se encuentran, comenzando desde la izquierda, los iconos correspondientes a la “temperatura”, al “centrifugado” y al “Comienzo retrasado”.

Las barras de “temperatura” *  indican el nivel de temperatura con respecto al máximo que se puede seleccionar para el ciclo elegido.

Las barras de “centrifugado”  indican el nivel de centrifugado con respecto al máximo que se puede seleccionar para el ciclo elegido.

El símbolo “COMIENZO RETRASADO”  iluminado indica que en la pantalla se visualiza el valor del “Comienzo retrasado” fijado.

Piloto **Puerta bloqueada**



El símbolo encendido indica que la puerta está bloqueada. Para evitar daños, antes de abrir la puerta espere que el símbolo se apague. Para abrir la puerta mientras un ciclo está en curso, presione el botón START/PAUSE; si el símbolo PUERTA BLOQUEADA  está apagado, será posible abrir la puerta.

Cómo efectuar un ciclo de lavado

ES

1. **ENCENDER LA MÁQUINA.** Presione el botón ; el piloto START/PAUSE centelleará lentamente de color verde.
2. **CARGAR LA ROPA.** Abra la puerta. Cargue la ropa, cuidando no superar la cantidad de carga indicada en la tabla de programas de la página siguiente.
3. **DOSIFICAR EL DETERGENTE.** Extraiga el cajón y vierta el detergente en las cubetas correspondientes como se explica en “*Detergentes y ropa*”.
4. **CERRAR LA PUERTA.**
5. **ELEGIR EL PROGRAMA.** Seleccione con el mando PROGRAMAS el programa deseado; al mismo están asociadas una temperatura y una velocidad de centrifugado que se pueden modificar. En la pantalla aparecerá la duración del ciclo.
6. **PERSONALIZAR EL CICLO DE LAVADO.** Utilice los correspondientes botones:

Modificar la temperatura y/o el centrifugado.




La máquina muestra automáticamente la temperatura y la centrifugación máximas previstas para el programa fijado o las últimas seleccionadas si son compatibles con el programa elegido. Presionando el botón  se disminuye progresivamente la temperatura hasta llegar al lavado en frío “OFF”. Presionando el botón  se disminuye progresivamente el centrifugado hasta su exclusión “OFF”. Si se presionan una vez más los botones, se volverá a los valores máximos previstos.

! Excepción: cuando se selecciona el programa 2, la temperatura se puede aumentar hasta 40°C.



! Excepción: cuando se selecciona el programa 3, la temperatura se puede aumentar hasta 90°C.

! Excepción: cuando se selecciona el programa 4, la temperatura se puede aumentar hasta 60°C.

Seleccionar un comienzo retrasado.

Para seleccionar el comienzo retrasado del programa elegido, presione el botón  correspondiente hasta alcanzar el tiempo de retraso deseado. Cuando dicha opción está activada, en la pantalla se ilumina el símbolo . Para cancelar el comienzo retrasado presione el botón  hasta que en la pantalla aparezca “OFF”.




Modificar las características del ciclo.

- Presione el botón  para activar la opción; el piloto correspondiente al botón se encenderá.
- Presione nuevamente el botón  para desactivar la opción; el piloto se apagará.

! Si la opción seleccionada no es compatible con el programa elegido, el piloto centelleará y la opción no se activará.

! Si la opción seleccionada no es compatible con otra precedentemente seleccionada, el piloto correspondiente a la primera función seleccionada centelleará y se activará solo la segunda, el piloto de la opción activada se iluminará.

! Las opciones pueden variar la carga recomendada y/o la duración del ciclo.

7. **PONER EN MARCHA EL PROGRAMA.** Presione el botón START/PAUSE. El piloto correspondiente se iluminará de color azul fijo y la puerta se bloqueará (símbolo PUERTA BLOQUEADA  encendido). Para cambiar un programa mientras un ciclo está en curso, **ponga la lavadora en pausa** presionando el botón START/PAUSE (el piloto START/PAUSE centelleará lentamente de color ámbar); luego seleccione el ciclo deseado y presione nuevamente el botón START/PAUSE.
Para abrir la puerta mientras un ciclo está en curso, presione el botón START/PAUSE; si el símbolo PUERTA BLOQUEADA  está apagado, será posible abrir la puerta. Presione nuevamente el botón START/PAUSE para reanudar el programa a partir del momento en el que se había interrumpido.
8. **FIN DEL PROGRAMA.** Se indica con el mensaje “END” en la pantalla, cuando el símbolo PUERTA BLOQUEADA  se apague, será posible abrir la puerta. Abra la puerta, descargue la ropa y apague la máquina.


! Si se desea anular un ciclo ya comenzado, presione largo tiempo el botón . El ciclo se interrumpirá y la máquina se apagará.

Tabla de programas

Programas	Descripción del Programa	Temp. max. (°C)	Velocidad máx. (r.p.m.)	Detergentes		Carga máx. (kg)	Humedad residual%	Consumo de energía kWh	Agua total lit	Duración del ciclo
				Lavado	Suavizante					
DAILY CLEAN										
1	Antimanchas Power 20°C	20°	1200	●	●	9	-	-	-	**
2	Antimanchas Turbo 45'	20° (Max. 40°C)	1200	●	●	4,5	-	-	-	**
3	Algodón: blancos y colores delicados poco sucios.	40° (Max. 90°C)	1200	●	●	9	-	-	-	**
4	Sintético (4): colores resistentes poco sucios.	40° (Max. 60°C)	1000	●	●	4,5	46	0,60	61	110'
5	Rápido 30': para refrescar rápidamente prendas poco sucias (no se aconseja utilizarlo para lana, seda y prendas para lavar a mano).	30°	800	●	●	3,5	71	0,13	42	30'
SPECIALS										
6	Oscuro	30°	800	●	●	5	-	-	-	**
7	Ultradelicados	30°	0	●	●	1	-	-	-	**
8	Lana: para lana, cachemira, etc.	40°	800	●	●	2	-	-	-	**
9	Eco Algodón 60°C (1): blancos y colores resistentes muy sucios.	60°	1200	●	●	9	53	1,00	57	225'
9	Eco Algodón 40°C (2): blancos y colores delicados poco sucios.	40°	1200	●	●	9	53	1,00	88	225'
9	Eco Algodón 40°C (3): blancos y colores delicados poco sucios.	40°	1200	●	●	9	53	0,88	88	195'
10	Bebé	40°	1000	●	●	5	-	-	-	**
EXTRA										
11	Antialergia	60°	1200	●	●	5	-	-	-	**
12	Colada 7 días: lencería de cama, toallas, albornoz.	60°	1200	●	●	9	-	-	-	**
13	Seda/Cortinas: para prendas de seda, viscosa, lencería.	30°	0	●	●	2	-	-	-	**
14	Plumones: para prendas rellenas con plumas de ánsar.	30°	1000	●	●	3,5	-	-	-	**
Programas Parciales										
	Aclarado	-	1200	-	●	9	-	-	-	**
	Centrifugado y Desaguado	-	1200	-	-	9	-	-	-	**
	Sólo Desaguado *	-	OFF	-	-	9	-	-	-	**

* Si se selecciona el programa y se excluye el centrifugado, la máquina efectúa sólo la descarga.

** Se puede controlar la duración de los programas de lavado en la pantalla.

La duración del ciclo que se indica en el visor o en el manual es una estimación calculada en base a condiciones estándar. El tiempo efectivo puede variar en función de numerosos factores como la temperatura y la presión del agua de entrada, la temperatura ambiente, la cantidad de detergente, la cantidad y el tipo de carga, el equilibrio de la carga y las opciones adicionales seleccionadas.

1) Programa de control según el reglamento 1061/2010: seleccione el programa 9 con una temperatura de 60°C.

Este ciclo es adecuado para limpiar una carga de algodón normalmente sucia, es el más eficiente en lo que se refiere al consumo combinado con la energía y la cantidad de agua y se usa con prendas lavables a 60°C. La temperatura efectiva de lavado puede diferir de la indicada.

2) Programa de control según el reglamento 1061/2010: seleccione el programa 9 con una temperatura de 40°C.

Este ciclo es adecuado para limpiar una carga de algodón normalmente sucia, es el más eficiente en lo que se refiere al consumo combinado con la energía y la cantidad de agua y se usa con prendas lavables a 40°C. La temperatura efectiva de lavado puede diferir de la indicada.

Para todos los Test Institutes:

3) Programa algodón largo: seleccione el programa 9 con una temperatura de 40°C y pulsar la tecla DIRECT INJECTION en modo "Power".

4) Programa sintético largo: seleccione el programa 4 con una temperatura de 40°C.

Opciones de lavado

! Si la opción seleccionada no es compatible con el programa elegido, el piloto centelleará y la opción no se activará.

! Si la opción seleccionada no es compatible con otra precedentemente seleccionada, el piloto correspondiente a la primera función seleccionada centelleará y se activará solo la segunda, el piloto de la opción activada se iluminará.

Direct Injection

La lavadora está dotada de una innovadora tecnología «Direct Injection» que premezcla el agua con el detergente y activa inmediatamente los principios limpiadores. Esta emulsión activa se introduce directamente en el cesto de la lavadora y penetra más eficazmente en las fibras, eliminando la suciedad

más persistente ya a bajas temperaturas y respetando al máximo los colores y los tejidos.

Es posible elegir el modo «Power» para obtener mejores prestaciones de limpieza o el modo «EcoEnergy» para un mayor ahorro energético.

Aclarado Extra

Al elegir esta opción aumentará la eficacia del aclarado y se asegurará la máxima eliminación del detergente. Es útil para pieles particularmente sensibles.

Ahorro de Tiempo

Seleccionando esta función se disminuye la duración del programa hasta un 50% según el ciclo elegido, garantizando al mismo tiempo un ahorro de agua y energía.

Utilice este ciclo para prendas no excesivamente sucias.

Detergentes y ropa

ES

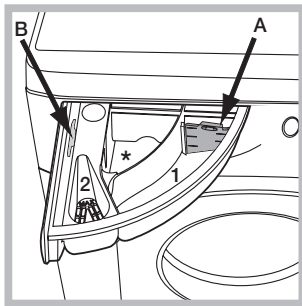
Contenedor de detergentes

El buen resultado del lavado depende también de la correcta dosificación del detergente: si se excede la cantidad, no se lava de manera más eficaz, sino que se contribuye a encostrar las partes internas de la lavadora y a contaminar el medio ambiente.

! Utilice detergentes en polvo para prendas de algodón blancas, para el prelavado y para lavados con una temperatura mayor que 60°C.

! Respete las indicaciones que se encuentran en el envase de detergente.

! No use detergentes para el lavado a mano porque producen demasiada espuma.



Extraiga el contenedor de detergentes e introduzca el detergente o el aditivo de la siguiente manera:

! No vierta el detergente en el compartimento central (*).

Compartimento 1: Detergente para lavado (en polvo o líquido)

Si se utiliza detergente

líquido, se aconseja colocar el tabique divisorio **A** suministrado con la máquina, para una correcta dosificación. Cuando utilice detergente en polvo, vuelva a colocar el tabique divisorio en la cavidad **B**.

Compartimento 2: Aditivos (suavizante, etc.)

El suavizante no se debe volcar fuera de la rejilla.

Preparar la ropa

- Subdivida la ropa según:
 - el tipo de tejido / el símbolo en la etiqueta.
 - los colores: separe las prendas de color y las blancas.
- Vacíe los bolsillos y controle los botones.
- No supere los valores indicados, referidos al peso de la ropa seca: ver "Tabla de programas".

¿Cuánto pesa la ropa?

- 1 sábana 400/500 g
- 1 funda 150/200 g
- 1 mantel 400/500 g
- 1 albornoz 900/1.200 g
- 1 toalla 150/250 g

Programas particulares

Antimanchas Power 20°C: este programa ofrece la máxima capacidad de eliminación de las manchas sin necesidad de pretratamiento, a baja temperatura, manteniendo intactos los tejidos y los colores.

Antimanchas Turbo 45': este ciclo garantiza una excelente capacidad de eliminación de las manchas ya a 20°C en sólo 45 minutos. La temperatura para este ciclo se puede aumentar hasta 40°C.

Oscuro: utilice el ciclo **6** para el lavado de prendas de color oscuro. El programa ha sido estudiado para mantener los colores oscuros. Para obtener mejores resultados, cuando lave prendas oscuras se recomienda utilizar detergente líquido.

Ultradelicados: utilice el programa **7** para el lavado de las prendas muy delicadas que tienen aplicaciones como strass o lentejuelas.

Se recomienda voltear las prendas antes del lavado e introducir las más pequeñas en la bolsa para el lavado

de prendas delicadas. Para obtener mejores resultados, se recomienda el uso de detergente líquido para prendas delicadas.

Lana - Woolmark Apparel Care - Green:

el ciclo de lavado "Lana" de esta lavadora ha sido aprobado por Woolmark Company para el lavado de prendas de lana clasificadas como "lavables a mano", siempre que el lavado se realice siguiendo las instrucciones contenidas en la etiqueta de la prenda y las indicaciones suministradas por el fabricante de esta lavadora. (M1127)



Bebé (programa 10). Programa capaz de eliminar la suciedad característica de los niños pero garantizando la eliminación del detergente de las prendas para evitar problemas de alergia en la piel delicada de los niños. El ciclo ha sido estudiado para disminuir la carga bacteriana utilizando una mayor cantidad de agua y optimizando el efecto de aditivos específicos higienizantes agregados al detergente.

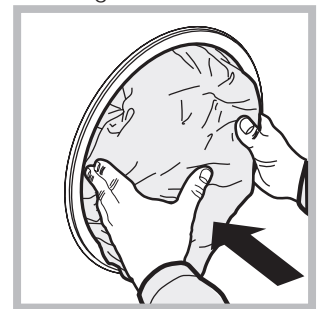
Antialergia: utilice el programa **11** para la eliminación de los principales alérgenos como polen, ácaros, pelos de gato y de perro.

Colada 7 días: para lavar la ropa de cama y de baño en un único ciclo, utilice el programa **12** que optimiza el uso de suavizante y permite ahorrar tiempo y energía. Se aconseja el uso de detergente en polvo.

Seda: utilice el programa correspondiente **13** para lavar todas las prendas de seda. Se aconseja el uso de un detergente específico para prendas delicadas.

Cortinas: pliéguelas y colóquelas dentro de una funda o de una bolsa de red. Utilice el programa **13**.

Plumones: para lavar prendas con relleno de pluma de ganso como edredones para camas matrimoniales o individuales (que no excedan los 3,5 kg. de peso), cojines y anoraks, utilice el programa **14**. Se recomienda cargar los edredones en el cesto doblando sus bordes hacia dentro (ver las figuras) y no superar los $\frac{3}{4}$ del volumen de dicho cesto. Para lograr un lavado óptimo, se recomienda utilizar detergente líquido introduciéndolo en el contenedor de detergente.



Sistema de equilibrado de la carga

Antes de cada centrifugado, para evitar vibraciones excesivas y para distribuir la carga de modo uniforme, el cesto realiza rotaciones a una velocidad ligeramente superior a la del lavado. Si después de varios intentos, la carga todavía no está correctamente equilibrada, la máquina realiza el centrifugado a una velocidad inferior a la prevista. Cuando existe un excesivo desequilibrio, la lavadora realiza la distribución antes que el centrifugado. Para obtener una mejor distribución de la carga y su correcto equilibrado, se aconseja mezclar prendas grandes y pequeñas.

Puede suceder que la lavadora no funcione. Antes de llamar al Servicio de Asistencia Técnica (ver “Asistencia Técnica”), controle que no se trate de un problema de fácil solución utilizando la siguiente lista.

Anomalías:

Posibles causas / Solución:

La lavadora no se enciende.

- El enchufe no está introducido en la toma de corriente, o no hace contacto.
- En la casa no hay corriente.

El ciclo de lavado no comienza.

- La puerta no está correctamente cerrada.
- El botón ON/OFF no fue pulsado.
- El botón START/PAUSE no ha sido presionado.
- El grifo de agua no está abierto.
- Se fijó un retraso de la hora de puesta en funcionamiento.

La lavadora no carga agua (En la pantalla se visualiza el mensaje “H2O” centelleante).

- El tubo de alimentación de agua no está conectado al grifo.
- El tubo está plegado.
- El grifo de agua no está abierto.
- En la casa no hay agua.
- No hay suficiente presión.
- El botón START/PAUSE no ha sido presionado.

La lavadora carga y descarga agua continuamente.

- El tubo de descarga no está instalado entre los 65 y 100 cm. del suelo (ver “Instalación”).
- El extremo del tubo de descarga está sumergido en el agua (ver “Instalación”).
- La descarga de pared no posee un respiradero.

Si después de estas verificaciones, el problema no se resuelve, cierre el grifo de agua, apague la lavadora y llame al Servicio de Asistencia Técnica. Si la vivienda se encuentra en uno de los últimos pisos de un edificio, es posible que se verifiquen fenómenos de sifonaje, por ello la lavadora carga y descarga agua de modo continuo. Para eliminar este inconveniente se encuentran disponibles en el comercio válvulas especiales que permiten evitar el sifonaje.

La lavadora no descarga o no centrifuga.

- El programa no prevé la descarga: con algunos programas es necesario activarla manualmente .
- El tubo de descarga está plegado (ver “Instalación”).
- El conducto de descarga está obstruido.

La lavadora vibra mucho durante la centrifugación.

- El cesto, en el momento de la instalación, no fue desbloqueado correctamente (ver “Instalación”).
- La máquina no está instalada en un lugar plano (ver “Instalación”).
- Existe muy poco espacio entre la máquina, los muebles y la pared (ver “Instalación”).

La lavadora pierde agua.

- El tubo de alimentación de agua no está bien enroscado (ver “Instalación”).
- El contenedor de detergentes está obstruido (para limpiarlo ver “Mantenimiento y cuidados”).
- El tubo de descarga no está bien fijado (ver “Instalación”).

Los pilotos de las “Opciones” y de START/PAUSE centellean velozmente y en la pantalla se visualiza un código de anomalía (por ej.: F-01, F-...).

- Apague la máquina y desenchúfela, espere aproximadamente 1 minuto y luego vuelva a encenderla.
Si la anomalía persiste, llame al Servicio de Asistencia Técnica.

Se forma demasiada espuma.

- El detergente no es específico para la lavadora (debe contener algunas de las frases “para lavadora”, “a mano o en lavadora” o similares).
- La dosificación fue excesiva.

Asistencia Técnica

ES

Antes de llamar al Servicio de Asistencia Técnica:

- Verifique si la anomalía la puede resolver Ud. solo (ver "Anomalías y soluciones");
- Vuelva a poner en marcha el programa para controlar si el inconveniente fue resuelto;
- Si no es así, llame a un Centro de Asistencia Técnica.

! No recurra nunca a técnicos no autorizados.

Comuníquese:

- el tipo de anomalía;
- el modelo de la máquina (Mod.);
- el número de serie (S/N).

Esta información se encuentra en la placa aplicada en la parte posterior de la lavadora y en la parte delantera abriendo la puerta.

REGLAMENTO DELEGADO (UE) N° 1061/2010 DE LA COMISIÓN	
Marca	HOTPOINT/ARISTON
Modelo	RSG 925 JS EU
Capacidad medida en kg de algodón	9
Clase de eficiencia energética sobre una escala de A+++ (bajo consumo) a G (alto consumo)	A+++
Consumo anual de energía in kWh ¹⁾	174
Consumo de energía del programa de algodón estándar a 60°C a plena carga in kWh ²⁾	1.002
Consumo de energía del programa de algodón estándar a 60° C a media carga en kWh ²⁾	0.602
Consumo de energía del programa de algodón estándar a 40°C a media carga en kWh ²⁾	0.585
Consumo de potencia en modo apagado en W	0.5
Consumo de potencia en modo encendido en W	8
Consumo de agua en litros/año ³⁾	11600
Clase de eficacia de centrifugado sobre una escala de G (eficacia mínima) a A (eficacia máxima)	B
Velocidad máxima de centrifugado ⁴⁾	1200
Humedad residual ⁵⁾	53.0%
Duración del programa algodón estándar a 60°C a plena carga en minutos	225
Duración del programa algodón estándar 60°C con media carga en minutos	170
Duración del programa algodón estándar a 40°C con media carga en minutos	160
Duración del modo encendido en minutos	30
Nivel de ruido en dB (A) re 1 pW lavado ⁶⁾	54
Nivel de ruido en dB (A) re 1 pW centrifugado ⁶⁾	81
Modelo de encastre	

¹⁾ El ciclo "algodón estándar a 60°C" con carga total y parcial y el "ciclo algodón estándar a 40°C" con carga parcial son los programas de referencia en la información relacionada con las etiquetas y fichas energéticas. Los ciclos algodón estándar 60°C y algodón estándar 40°C son los indicados para lavar una colada de algodón y los más eficientes en términos de consumo combinado de agua y energía. La carga parcial representa la mitad sobre la carga medida.

²⁾ Basado en 220 ciclos de lavado estándar de programas de algodón a 60°C y a 40°C a carga plena y parcial, y en el modo de bajo consumo. El consumo de energía dependerá de cómo el aparato es utilizado.

³⁾ Basado en 220 ciclos de lavado estándar de programas de algodón a 60°C y a 40°C a carga plena y parcial. El consumo de agua dependerá de cómo el aparato es utilizado.

⁴⁾ Para el ciclo estándar de 60°C con carga parcial y total o el de 40°C con carga parcial allí donde sea más bajo.

⁵⁾ Obtenido para algodón 60°C con carga parcial y total o el de 40°C con carga parcial donde sea más alto.

⁶⁾ Basado en fases de lavado y centrifugado para el programa estándar de algodón 60°C aq carga completa.

Instruções para a utilização

MÁQUINA DE LAVAR ROUPA

PT

Português

RSG 925 J

Sumário

Instalação, 50-51

Desembalar e nivelar
Ligações hidráulicas e eléctricas
Primeiro ciclo de lavagem
Dados técnicos

Manutenção e cuidados, 52

Interromper a alimentação de água e de corrente eléctrica
Limpar a máquina de lavar roupa
Limpar a gaveta dos detergentes
Cuidados com a porta de vidro e o tambor
Limpar a bomba
Verificar o tubo de alimentação de água

Precauções e conselhos, 53

Segurança geral
Eliminação
Abertura manual da porta de vidro

Descrição da máquina de lavar roupa, 54-55

Painel de comandos
Visor

Como efectuar um ciclo de lavagem, 56

Programas e opções, 57

Tabela dos programas
Opções de Lavagem

Detergentes e roupa, 58

Gaveta dos detergentes
Preparar a roupa
Programas especiais
Sistema de balanceamento da carga

Anomalias e soluções, 59

Assistência, 60

 **Hotpoint**

ARISTON

Instalação

PT

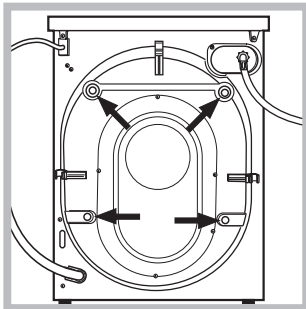
! É importante guardar este livrete para poder consultá-lo a qualquer momento. Se a máquina for vendida, cedida ou transferida, certifique-se que este livrete permaneça com a máquina para informar o novo proprietário acerca do seu funcionamento e das respectivas advertências.

! Leia com atenção estas instruções: há importantes informações acerca da instalação, da utilização e da segurança.

Desembalar e nivelar

Desembalar

1. Tire a máquina de lavar roupa da embalagem.
2. Verifique se a máquina de lavar roupa sofreu danos no transporte. Se estiver danificada não efectue a sua ligação e contacte o revendedor.



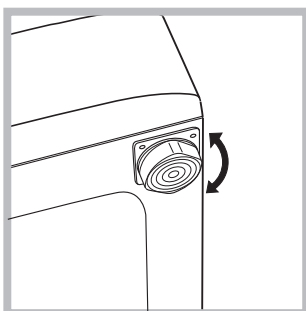
3. Tire os 4 parafusos de protecção para o transporte e a borrachinha com o respectivo calço, situados na parte traseira (veja a figura).

4. Tape os furos com as tampas em plástico fornecidas.
5. Guarde todas as peças: se for necessário transportar a máquina de lavar roupa, terão de ser montadas outra vez.

! Embalagens não são brinquedos para as crianças!

Nivelamento

1. Instale a máquina de lavar roupa sobre um pavimento plano e rígido, sem encostá-la em paredes, móveis nem outro.



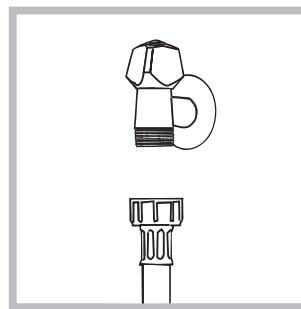
2. Se o pavimento não for perfeitamente horizontal, para compensar qualquer irregularidade, desatarraxe ou atarraxe os pés dianteiros (veja a figura); ; o ângulo de inclinação, medido no plano de trabalho,

não deve ultrapassar 2°.

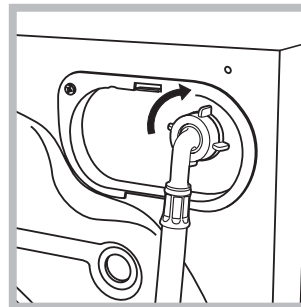
Um cuidadoso nivelamento dá estabilidade à máquina e evita vibrações, ruídos e deslocamentos durante o funcionamento. Se houver tapete ou alcatifa, regule os pés De modo a que debaixo da máquina de lavar roupa haja um espaço suficiente para ventilação.

Ligações hidráulicas e eléctricas

Ligação do tubo de alimentação da água



1. Realize a ligação do tubo de alimentação parafusando-o a uma torneira de água fria com bocal de rosca de 3/4 gás (veja a figura). Antes de realizar esta ligação, haja a água escorrer até estar límpida.



2. Ligue o tubo de alimentação na máquina de lavar roupa atarraxando-o no apropriado fornecimento da água, na parte traseira, em cima à direita (veja a figura).

3. Tome cuidado para o tubo não ser dobrado nem esmagado.

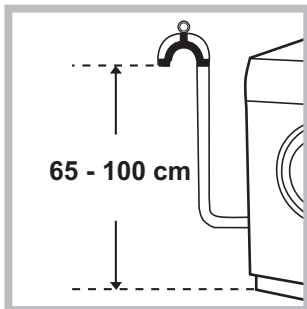
! A pressão hídrica da torneira deve ser entre os valores da tabela dos Dados técnicos (veja a página ao lado).

! Se o comprimento do tubo de alimentação não for suficiente, contacte uma oficina especializada ou um técnico autorizado.

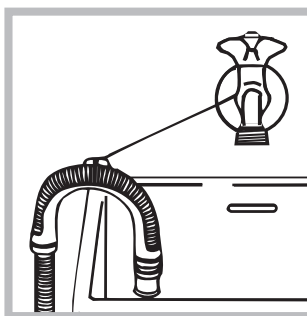
! Nunca utilize tubos já usados.

! Utilize aqueles fornecidos com a máquina.

Ligação do tubo de descarga



Ligue o tubo de descarga, sem dobrá-lo, a uma conduta de descarga ou a uma descarga na parede situada entre 65 e 100 cm de altura do chão;



ou coloque na beira de um lavabo ou de uma banheira, prenda na torneira a guia fornecida (veja a figura). A ponta solta do tubo de descarga não deve permanecer emergida na água.

! É desaconselhado empregar tubos de extensão; mas se for indispensável, a extensão deve ter o mesmo diâmetro do tubo original e não medir mais de 150 cm de comprimento.

Ligação eléctrica

Antes de ligar a ficha na tomada eléctrica, certifique-se que:

- a tomada tenha uma ligação à terra e seja nos termos da legislação;
- a tomada tenha a capacidade para suportar a carga máxima de potência da máquina, indicada na tabela dos Dados técnicos (veja ao lado);
- a tensão de alimentação seja entre os valores indicados na tabela dos Dados técnicos (veja ao lado);
- a tomada seja compatível com a ficha da máquina de lavar roupa. Se não for, substitua a tomada ou a ficha.

! Esta máquina de lavar roupa não deve ser instalada ao aberto, nem mesmo abrigada, porque é muito perigoso deixá-la exposta à chuva e às tempestades.

! Depois de ter instalado a máquina de lavar roupa, o acesso à tomada eléctrica deve ser fácil.

! Não empregue extensões nem fichas múltiplas.



! O cabo não deve ser dobrado nem apertado.

! O cabo de alimentação deve ser substituído somente por técnicos autorizados.

Atenção! O fabricante declina toda a responsabilidade se estas regras não forem respeitadas.

Primeiro ciclo de lavagem

Depois da instalação, antes de usar, efectue um ciclo de lavagem com detergente mas sem roupa, defina o programa "Auto Limpeza" (veja "Limpar a máquina de lavar roupa").

Dados técnicos	
Modelo	RSG 925 J
Medidas	largura 59,5 cm altura 85 cm profundidade 60,5 cm
Capacidade	de 1 a 9 kg
Ligações eléctricas	veja a placa das características técnicas colocada na máquina
Ligações hídricas	pressão máxima 1 MPa (10 bars) pressão mínima 0,05 MPa (0,5 bar) capacidade do tambor 62 litros
Velocidade da centrifugação	até 1200 rotações por minuto
Programas de controlo conforme com o regulamento 1061/2010 1015/2010	programa 9; Eco Algodão 60°C; programa 9; Eco Algodão 40°C.
 	Esta aparelhagem é em conformidade com as seguintes Directivas Comunitárias: - 2004/108/CE (Compatibilidade Electromagnética) - 2012/19/EU (WEEE) - 2006/95/CE (Baixa Tensão)

Manutenção e cuidados

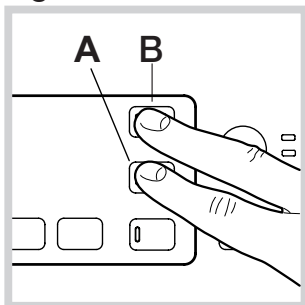
PT

Interromper a alimentação de água e de corrente eléctrica

- Feche a torneira da água depois de cada lavagem. Desta maneira diminuiu-se o desgaste do sistema hidráulico da máquina de lavar roupa e elimina-se o risco de inundação.
- Tire a ficha da tomada eléctrica quando for limpar a máquina de lavar roupa e durante os trabalhos de manutenção.

Limpar a máquina de lavar roupa

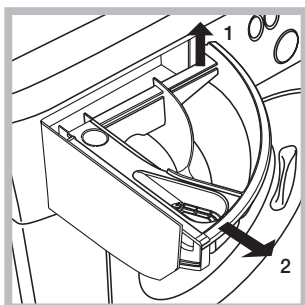
- A parte externa e as peças em borracha podem ser limpas com um pano molhado com água morna e sabão. Não empregue solventes nem abrasivos.
- A máquina de lavar roupa dispõe de um programa de “Auto Limpeza” das suas partes internas que **deve ser efectuado sem carga alguma dentro do tambor**.



O detergente (na quantidade equivalente ao 10% daquela recomendada para peças pouco sujas) ou aditivos específicos para a limpeza da máquina de lavar roupa, poderão ser utilizados

como coadjuvantes no programa de lavagem. Recomenda-se efectuar o programa de limpeza a cada 40 ciclos de lavagem. Para activar o programa, pressione contemporaneamente as teclas **A** e **B** por 5 segundos (*ver figura*). O programa iniciará automaticamente e terá uma duração de aproximadamente 70 minutos. Para terminar o ciclo, carregar no botão START/PAUSE.

Limpar a gaveta dos detergentes



Para tirar a gaveta, erga-a e puxe-a para fora (*veja a figura*). Lave-a com água corrente; esta limpeza deve ser efectuada frequentemente.

Cuidados com a porta de vidro e o tambor

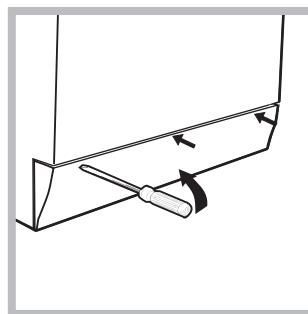
- Deixe a porta sempre entreaberta para evitar que se formem odores desagradáveis.

Limpar a bomba

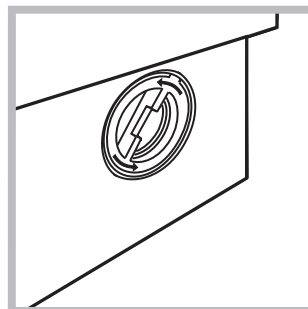
Esta máquina de lavar roupa é equipada com uma bomba com limpeza automática que não precisa de operações de manutenção. Entretanto pode acontecer que pequenos objectos (moedinhas, botões) caiam na pré-câmara que protege a bomba, situada na parte inferior da mesma.

! Certifique-se que o ciclo de lavagem tenha terminado e tire a ficha da tomada.

Para obter acesso à pré-câmara:



1. tire o painel de cobertura da parte dianteira da máquina de lavar roupa com ajuda de uma chave de fendas (*veja a figura*);



2. desenrosque a tampa girando-a no sentido anti-horário (*veja a figura*). É normal que perca um pouco de água;

3. limpe o interior com cuidado;
4. enrosque outra vez a tampa;
5. monte outra vez o painel, certifique-se, antes de empurrá-la na máquina, que os ganchos foram colocados nas respectivas ranhuras.

Verificar o tubo de alimentação de água

Verifique o tubo de alimentação pelo menos uma vez por ano. Se houver rachaduras ou fendas, será necessário substituí-lo: durante as lavagens as fortes pressões podem provocar repentinas quebras.

! Nunca utilize tubos já usados.

! Esta máquina de lavar roupa foi projectada e fabricada em conformidade com os regulamentos internacionais de segurança. Estas advertências são fornecidas por razões de segurança e devem ser lidas com atenção.

Segurança geral

- Este aparelho foi projectado exclusivamente para um uso doméstico.
- Este aparelho pode ser utilizado por crianças com mais de 8 anos e por pessoas com capacidades físicas, sensoriais ou mentais reduzidas ou com experiência e conhecimentos insuficientes, caso sejam supervisionadas ou caso tenham recebido instruções adequadas em relação ao uso do aparelho de forma segura, compreendendo os perigos associados. As crianças não devem brincar com o aparelho. A manutenção e limpeza não devem ser efectuadas por crianças sem supervisão.
- Não toque na máquina com os pés descalços nem com as mãos ou os pés molhados ou húmidos.
- Não puxe o cabo eléctrico para tirar a ficha da tomada, pegue a ficha mesmo.
- Não abra a gaveta dos detergentes enquanto a máquina estiver a funcionar.
- Não toque a água de descarga, que poderá chegar a temperaturas altas.
- Em nenhum caso force a porta para abri-la: poderá danificar o mecanismo de segurança que a protege contra aberturas acidentais.
- Se houver avarias, em nenhum caso mexa nos mecanismos internos para tentar reparar.
- Verifique sempre que criança não se aproximem da máquina a funcionar.
- Durante a lavagem a porta de vidro tende a aquecer-se.
- Se for preciso deslocá-la, são precisas pelo menos duas ou três pessoas, com a máxima atenção. Nunca sozinho porque a máquina é muito pesada.
- Antes de colocar a roupa controle que o tambor esteja vazio.

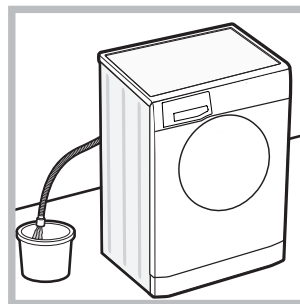
Eliminação

- Eliminação do material de embalagem: obedeça os regulamentos locais, de maneira que as embalagens possam ser reutilizadas.
- A directiva Europeia 2012/19/EU relativa aos resíduos de equipamentos eléctricos e electrónicos prevê que os electrodomésticos não devem ser eliminados no normal fluxo dos resíduos sólidos urbanos. Os aparelhos que deixaram de ser utilizados devem ser recolhidos separadamente para otimizar a taxa de recuperação e reciclagem dos materiais que os compõem e impedir potenciais danos à saúde e ao meio ambiente. O símbolo do contentor de lixo barrado com uma cruz está presente em todos os produtos para lembrar o dever de recolha selectiva. Para mais

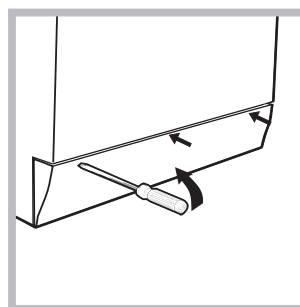
informações sobre o correcto desmantelamento dos electrodomésticos, contacte o serviço público especializado ou os revendedores.

Abertura manual da porta de vidro

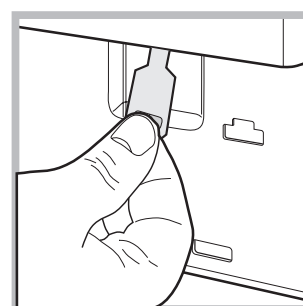
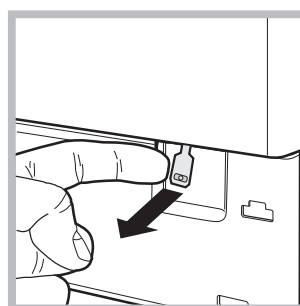
Caso não seja possível abrir a porta de vidro por falta de energia eléctrica e quiser pendurar a roupa lavada, proceda da seguinte maneira:



1. tire a ficha da tomada de corrente.
2. verifique que o nível de água no interior da máquina seja inferior respeito à abertura da porta de vidro; caso contrário, tirar a água em excesso através do tubo de descarga recolhendo-a num balde como indicado na figura.



3. tire o painel de cobertura da parte dianteira da máquina de lavar roupa com ajuda de uma chave de fendas(veja a figura).



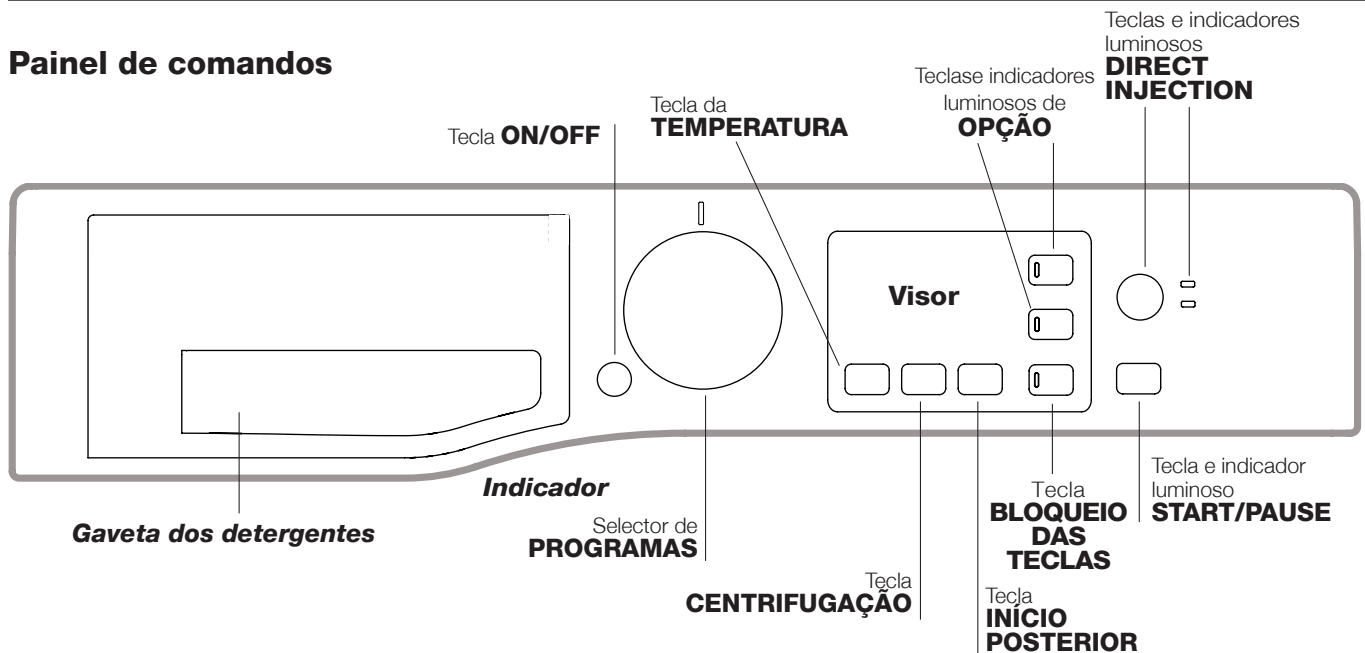
4. utilizando a lingueta indicada na figura, puxe para o exterior até liberar o tirante de plástico do fecho; puxá-lo sucessivamente para baixo e contemporaneamente abrir a porta.

5. monte outra vez o painel, certifique-se, antes de empurrá-la na máquina, que os ganchos foram colocados nas respectivas ranhuras.

Descrição da máquina de lavar roupa

PT

Painel de comandos



Gaveta dos detergentes: para colocar detergentes e aditivos (veja “Detergentes e roupa”).

Tecla **ON/OFF** : carregue brevemente na tecla para ligar ou desligar a máquina. O indicador luminoso START/PAUSE que pisca lentamente com a cor verde, indica que a máquina está ligada. Para desligar a máquina de lavar roupa durante a lavagem, é necessário manter pressionada a tecla por mais tempo, aproximadamente 3 segundos; uma pressão breve ou acidental não anulará o funcionamento da máquina. O desligar a máquina durante uma lavagem em curso anula a própria lavagem.

Selector de **PROGRAMAS**: para seleccionar o programa desejado (veja a “Tabela dos programas”).

Botões e indicadores luminosos **OPÇÃO**: para seleccionar as opções disponíveis. O indicador luminoso correspondente à opção seleccionada permanecerá aceso.

Teclas e indicadores luminosos **DIRECT INJECTION**: pressionar para seleccionar a opção DIRECT INJECTION.

Tecla **TEMPERATURA** : pressionar para reduzir ou excluir a temperatura; o valor é indicado no visor.

Tecla **CENTRIFUGAÇÃO** : pressionar para reduzir ou excluir completamente a centrifugação; o valor é indicado no visor.

Tecla **INÍCIO POSTERIOR** : pressionar para programar um início atrasado do programa escolhido; o atraso é indicado no visor.

Tasto com indicador luminoso **START/PAUSE**: quando o indicador luminoso verde, acender intermitentemente, carregue na tecla para iniciar uma lavagem. Quando o ciclo iniciar, o indicador permanecerá aceso fixo. Para colocar em pausa a lavagem, carregue novamente no botão; o indicador ficará intermitente com uma luz laranja.

Se o símbolo não estiver iluminado, será possível abrir a porta de vidro. Para fazer iniciar a lavagem do ponto em que foi interrompida, carregue novamente na tecla.

Tecla **BLOQUEIO DAS TECLAS**: para **activar** o bloqueio do painel de comandos, manter pressionada a tecla durante aproximadamente 2 segundos. O símbolo aceso indica que o painel de comandos está bloqueado. Deste modo, impedem-se modificações acidentais dos programas (à excepção da tecla ON/OFF), sobretudo se houver crianças em casa. Para **desactivar** o bloqueio do painel de comandos, mantenha pressionada a tecla durante aproximadamente 2 segundos.

Modalidade de Stand by

Esta máquina de lavar roupa, em conformidade com as novas normas sobre a economia energética, dispõe de um sistema de desligação automática (stand by) que entra em função aproximadamente 30 minutos depois, no caso de inutilização. Carregue brevemente no botão ON/OFF e aguarde até a reactivação da máquina.

Vedante antimicrobiano

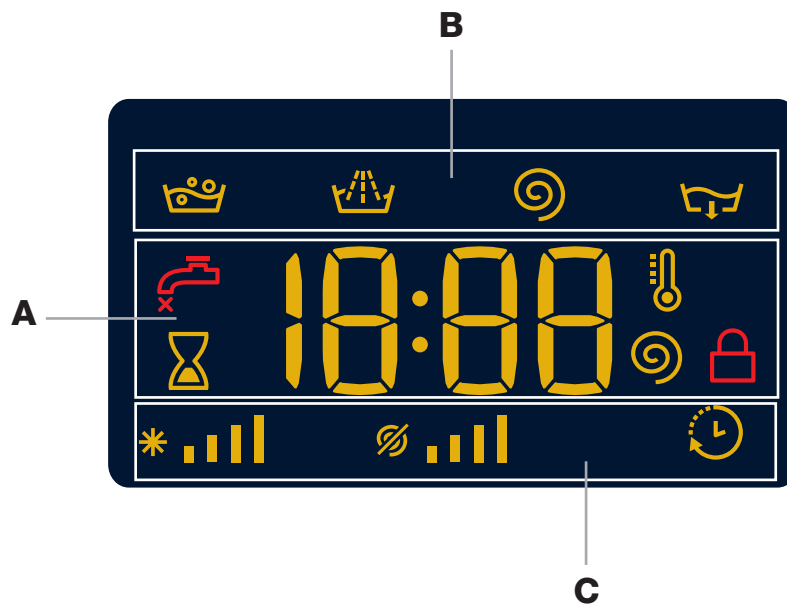
O vedante da porta é realizado com uma mistura especial capaz de garantir uma protecção antimicrobiana, reduzindo a proliferação bacteriana até 99,99%.

O vedante da porta contém piritiona de zinco, uma substância biocida que reduz a proliferação de micróbios prejudiciais (*) como bactérias e bolores, que podem causar manchas, maus cheiros e deterioramento do produto.

(*) **De acordo com um teste efetuado pela Universidade de Perugia com:** *Staphylococcus aureus, Escherichia coli, Pseudomonas aeruginosa, Candida albicans, Aspergillus niger, Penicillium digitatum.*

Em casos raros, o contacto prolongado com o vedante pode provocar uma reacção alérgica na pele.

Visor




O visor é útil para programar a máquina e fornece muitas informações.


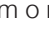
Na secção **A** é visualizada a duração dos vários programas à disposição e com o ciclo iniciado o tempo restante para o fim do mesmo (no visor é visualizada a duração máxima do ciclo seleccionado, que pode diminuir após alguns minutos, enquanto a duração efectiva do programa varia com base na carga de roupa e nas configurações realizadas); no caso em que tenha sido programado um INÍCIO POSTERIOR, será visualizado o tempo Restante para o início do programa seleccionado.

Além disto, ao carregar na respectiva tecla, serão visualizados os valores máximos da velocidade de centrifugação e de temperatura que a máquina pode efectuar conforme o programa seleccionado ou os últimos valores seleccionados compatíveis com o programa escolhido.

Na secção **B** são visualizadas as “fases de lavagem” previstas para o ciclo seleccionado e com o programa iniciado a “fase de lavagem” em curso.

-  Lavagem
-  Enxaguamento
-  Centrifugação
-  Descarga


Na secção **C** estão presentes, da esquerda para a direita, os ícones relativos à “temperatura”, à “centrifugação” e ao “Início posterior”.

As barras da “temperatura” *  indicam o nível de temperatura relativo ao máximo seleccionável para o ciclo programado. As barras da “centrifugação”  indicam o nível de centrifugação relativo ao máximo seleccionável para o ciclo programado.

O símbolo “INÍCIO POSTERIOR”  iluminado indica que no visor é visualizado o valor do “Início posterior” configurado.


Indicador luminoso **Porta bloqueada** 

O símbolo aceso indica que a porta está bloqueada. Para evitar danos é necessário aguardar que o símbolo apaga antes de abrir a porta de vidro.



Para abrir a porta durante a realização de um ciclo, carregar na tecla START/PAUSE; se o símbolo PORTA DE VIDRO BLOQUEADA  estiver apagado será possível abrir a porta.

Como efectuar um ciclo de lavagem

PT

1. **LIGAR A MÁQUINA.** Carregue na tecla ; o indicador luminoso START/PAUSE piscará lentamente na cor verde.
2. **COLOCAR A ROUPA** Abrir a porta de vidro. Coloque a roupa dentro da máquina prestando atenção para não superar a carga máxima indicada na tabela dos programas na página seguinte.
3. **DOSAGEM DO DETERGENTE.** Extrair a gaveta e deitar o detergente nos específicos recipientes como explicado no parágrafo “*Detergentes e roupa*”.
4. **FECHAR A PORTA DE VIDRO.**
5. **Escolha do programa.** Selecciona com o selector dos PROGRAMAS o programa desejado; ao mesmo é associada uma temperatura e uma velocidade de centrifugação que podem ser modificadas. No visor aparecerá a duração do ciclo.
6. **PERSONALIZAR O ciclo de lavagem.** Utilizar as específicas teclas:

Modificar a temperatura e/ou a centrifugação.


A máquina visualiza automaticamente a temperatura e a centrifugação máximas para o programa seleccionado ou as últimas seleccionadas se compatíveis com o programa escolhido. Carregando no botão  pode-se reduzir a temperatura progressivamente até a lavagem a frio “OFF”. Carregando no botão  pode-se reduzir a centrifugação progressivamente até a sua exclusão “OFF”. Uma posterior pressão dos botões colocará os valores novamente aos máximos previstos.

! Excepção: seleccionando o programa 2 a temperatura pode ser aumentada até a 40°C.

! Excepção: seleccionando o programa 3 a temperatura pode ser aumentada até a 90°C.

! Excepção: seleccionando o programa 4 a temperatura pode ser aumentada até a 60°C.

Programar um início posterior.

Para programar o início atrasado do programa escolhido, carregue no botão relativo até alcançar o tempo de atraso desejado. Quando a opção estiver activa, no visor ilumina-se o símbolo . Para cancelar a opção de início posterior, carregue novamente na tecla até que no visor apareça a escrita “OFF”.


Modificar as características do ciclo.


- Pressionar o botão para activar a opção; o indicador luminoso correspondente ao botão irá acender-se.
- Carregar novamente no botão para desactivar a opção; o respectivo indicador luminoso irá apagar-se.


! Se a opção seleccionada não for compatível com o programa definido, o indicador luminoso acender-se-á intermitente e a opção não ficará activa.

! Se a opção seleccionada não for compatível com uma outra programada anteriormente, o respectivo indicador luminoso irá piscar e ficará activa somente a segunda, o indicador luminoso do botão irá acender-se.

! As opções podem variar a carga recomendada e/ou a duração do ciclo.

7. **INICIAR O PROGRAMA.** Carregar no botão START/PAUSE. O respectivo indicador luminoso ficará azul fixo e a porta de vidro irá bloquear-se (símbolo PORTA BLOQUEADA  aceso). Para modificar um programa durante a realização de um ciclo, **colocar a máquina de lavar roupa em pausa** carregando na tecla START/PAUSE (o indicador luminoso START/PAUSE irá piscar lentamente na cor laranja); seleccionar então o ciclo desejado e carregar novamente no botão START/PAUSE.

Para abrir a porta durante a realização de um ciclo, carregar no botão START/PAUSE; se o símbolo PORTA BLOQUEADA  estiver apagado será possível abrir a porta. Carregar novamente no botão START/PAUSE para fazer iniciar o programa do ponto em que foi interrompido.

8. **FIM DO PROGRAMA.** É indicado pela escrita “END” no visor, quando o símbolo PORTA BLOQUEADA  irá apagar-se será possível abrir a porta. Abrir a porta, retirar a roupa e desligar a máquina.


! Se desejar anular um ciclo já iniciado, carregue por alguns segundos na tecla . O ciclo será interrompido e a máquina irá desligar-se.

Tabela dos programas

Programas	Descrição do Programa	Temp. max. (°C)	Velocidade max. (rotações por minuto)	Detergentes e aditivos		Carga max. (Kg)	Humidade residual %	Consumo de energia kWh	Água total lt	Duração ciclo
				Lava-gem	Amaciador					
DAILY CLEAN										
1	Antimanchas Power 20°C	20°	1200	●	●	9	-	-	-	**
2	Antimanchas Turbo 45'	20° (Max. 40°C)	1200	●	●	4,5	-	-	-	**
3	Algodão: brancos e coloridos delicados pouco sujos.	40° (Max. 90°C)	1200	●	●	9	-	-	-	**
4	Sintéticos (4): coloridos resistentes pouco sujos.	40° (Max. 60°C)	1000	●	●	4,5	46	0,60	61	110'
5	Mix 30': para refrescar rapidamente roupas levemente sujas (não é indicado para lã, seda e roupas que deve ser lavadas à mão).	30°	800	●	●	3,5	71	0,13	42	30'
SPECIALS										
6	Escuros	30°	800	●	●	5	-	-	-	**
7	Ultradelicado	30°	0	●	●	1	-	-	-	**
8	Lã: para lã, cashmere, etc.	40°	800	●	●	2	-	-	-	**
9	Eco Algodão 60°C (1): brancos e coloridos resistentes muito sujos.	60°	1200	●	●	9	53	1,00	57	225'
9	Eco Algodão 40°C (2): brancos e coloridos delicados pouco sujos.	40°	1200	●	●	9	53	1,00	88	225'
9	Eco Algodão 40°C (3): brancos e coloridos delicados pouco sujos.	40°	1200	●	●	9	53	0,88	88	195'
10	Ciclo Bebés	40°	1000	●	●	5	-	-	-	**
EXTRA										
11	Anti-alérgico	60°	1200	●	●	5	-	-	-	**
12	Roupa 7 dias: roupa de banho e de cama.	60°	1200	●	●	9	-	-	-	**
13	Seda / Cortinas: para roupas de seda, viscosa, lingeirie.	30°	0	●	●	2	-	-	-	**
14	Cobertor: para peças com enchimento em plumas de ganso.	30°	1000	●	●	3,5	-	-	-	**
Parciais										
	Enxaguamentos	-	1200	-	●	9	-	-	-	**
	Centrifugação e Descarga	-	1200	-	-	9	-	-	-	**
	Apenas descarga *	-	OFF	-	-	9	-	-	-	**

* Ao seleccionar o programa e excluindo a centrifugação, a máquina efectuará apenas a descarga.

** É possível controlar a duração dos programas de lavagem no visor.

A duração do ciclo indicada no visor ou no manual é uma estima calculada com base nas condições padrão. O tempo efectivo poderá variar a depender de vários factores, tais como a temperatura e a pressão da água em entrada, a temperatura ambiental, a quantidade de detergente, a quantidade e o tipo de carga, o balanceamento da carga e as opções adicionais seleccionadas.

Para todos Test Institútes:

1) Programa de controlo segundo o regulamento 1061/2010: configurar o programa 9 com uma temperatura de 60°C.

Este ciclo é adaptado para lavar uma carga de algodão normalmente suja e é o mais eficiente em termos de consumo combinado de energia e de água, para lavar a 60°C. A temperatura efectiva de lavagem pode ser diferente daquela indicada.

2) Programa de controlo segundo o regulamento 1061/2010: configurar o programa 9 com uma temperatura de 40°C.

Este ciclo é adaptado para lavar uma carga de algodão normalmente suja e é o mais eficiente em termos de consumo combinado de energia e de água, para lavar a 40°C. A temperatura efectiva de lavagem pode ser diferente daquela indicada.

Para todos Test Institútes:

3) Programa longo para algodão: configurar o programa 9 com uma temperatura de 40°C e pressionar a tecla DIRECT INJECTION com modalidade "Power".

4) Programa longo para sintético: configurar o programa 4 com uma temperatura de 40°C.

Opções de Lavagem

! Se a opção seleccionada não for compatível com o programa definido, o indicador luminoso acender-se-á intermitente e a opção não ficará activa.

! Se a opção seleccionada não for compatível com uma outra programada anteriormente, o respectivo indicador luminoso irá piscar e ficará activa somente a segunda, o indicador luminoso do botão irá acender-se.

Direct Injection

A máquina de lavar roupa dispõe de uma inovadora tecnologia «Direct Injection» que pré-mistura água e detergente, ativando de imediato os princípios de limpeza do detergente. Esta emulsão activa é directamente colocada no cesto da máquina de lavar roupa e penetra mais eficazmente nas fibras, removendo a sujidade mais difícil mesmo a baixas temperaturas, respeitando ao máximo as cores e os tecidos.

É possível seleccionar a modalidade «Power» para obter melhores desempenhos de limpeza ou a modalidade «EcoEnergy» para uma maior poupança energética.

Enxaguamento Extra

Seleccionando esta opção aumenta-se a eficácia da enxaguamento, e garante-se a máxima remoção do detergente. É útil para quem tem a pele particularmente sensível.

Economizar Tempo

Seleccionando esta opção, diminui de 30%-50% a duração do programa, conforme o ciclo escolhido, garantindo ao mesmo tempo uma economia de água e energia eléctrica. Use este ciclo apenas para roupas não excessivamente sujas.

Detergentes e roupa

PT

Gaveta dos detergentes

O bom resultado da lavagem depende também do emprego da dose certa de detergente: com excessos não se lava de maneira mais eficaz, mas contribui-se para formar crostas nas peças internas da máquina de lavar roupa e poluir o meio ambiente.

! Usar detergentes em pó para roupas de algodão brancas e para a pré-lavagem e para lavagens com temperatura superior aos 60°C.

! Seguir as indicações fornecidas pelo produtor na embalagem do detergente.

! Não use detergentes para lavagem à mão, porque

formam demasiada espuma. Tire a gaveta dos detergentes e deite o detergente ou o aditivo da seguinte maneira:

! Não deite o detergente na gaveta média (*).

Gaveta 1: Detergente para lavagem (em pó ou líquido)

No caso do uso de detergente líquido,

aconselha-se usar o recipiente **A** fornecido com o aparelho para uma correcta dosagem. Para o uso do detergente em pó, coloque o recipiente na cavidade **B**.

Gaveta 2: Aditivos (para amaciar etc.)

O aditivo para amaciar não deve ultrapassar a grade.

Preparar a roupa

- Divida a roupa em função:
 - do tipo de tecido / do símbolo na etiqueta.
 - as cores: separe as peças coloridas das brancas.
- Esvazie as algibeiras e verifique se há botões soltos.
- Não ultrapasse os valores indicados que se referem ao peso da roupa enxuta: veja a "Tabela dos programas".

Quanto pesa a roupa?

- 1 lençol 400 - 500 g.
- 1 fronha 150 - 200 g.
- 1 toalha de mesa 400 - 500 g.
- 1 roupão 900 - 1.200 g.
- 1 toalha de rosto 150 - 250 g.

Programas especiais

Antimanchas Power 20°C: este programa oferece a máxima capacidade de remoção de manchas sem necessidade de pré-tratamento, a baixa temperatura, mantendo intactos os tecidos e as cores.

Antimanchas Turbo 45': este ciclo garante uma excelente capacidade de remoção das manchas a partir dos 20 °C em apenas 45 minutos. A temperatura para este ciclo pode ser aumentada até 40 °C.

Escuros: utilizar o programa **6** para a lavagem de peças escuras. O programa foi estudado para preservar no tempo a duração das cores escuras. Para obter melhores resultados, recomenda-se o uso de detergente líquido, preferivelmente para peças escuras.

Ultradelicado: utilize o programa **7** para a lavagem de peças muito delicadas, que possuem aplicações como aplicações ou brilhantes. Recomenda-se virar do avesso as roupas antes de lavá-las e colocar as peças pequenas no saquinho específico para a lavagem das peças delicadas. Para obter melhores resultados, recomenda-se o uso de detergente líquido para peças delicadas.

Lã - Woolmark Apparel Care - Green:

o ciclo de lavagem "Lã" desta máquina de lavar roupa foi aprovado pela Woolmark Company para a lavagem de vestuário em lã classificado como "lavável à mão", desde que a lavagem seja executada de acordo com as instruções indicadas na etiqueta da peça e com as indicações fornecidas pelo fabricante da máquina de lavar roupa. (M1127)



Ciclo Bébés: programa para remover a sujidade típica das roupas das crianças, garantindo a remoção do detergente para evitar alergias na pele delicada das crianças. O ciclo **10** foi estudado para reduzir as bactérias utilizando uma maior quantidade de água e otimizando o efeito de aditivos específicos higienizantes, acrescentados ao detergente.

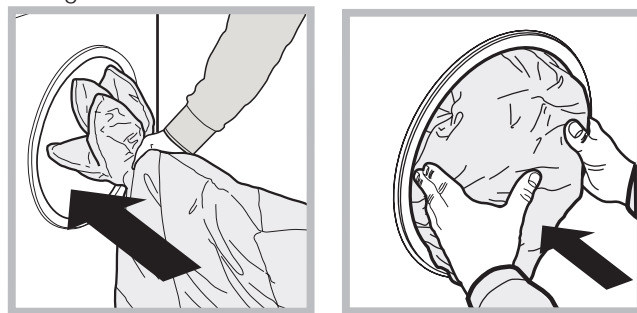
Anti-alérgico: utilizar o programa **11** para remover as principais causas de alergia, como pólen, ácaros, pelos de gato e cão.

Roupa 7 dias: para lavar toda a roupa de banho e de cama com um único ciclo, utilize o programa **12** que otimiza o uso do amaciador e consente uma economia de tempo e energia. Aconselhamos a utilização de detergente em pó.

Seda: utilize o programa específico **13** para lavar todas as roupas de seda. Aconselha-se o uso de um detergente específico para tecidos delicados.

Cortinas: dobre-as bem e coloque-as dentro de uma fronha ou de um saquinho de rede. Utilize o programa **13**.

Cobertor: para lavar peças com enchimento de plumas de ganso de casal ou de solteiro (com peso inferior a 3,5 kg), travesseiros, jaquetas, utilizar o programa específico **14**. Recomenda-se colocar as peças no tambor dobrando as suas pontas para dentro (veja as figuras) e de não superar os $\frac{3}{4}$ do volume do próprio tambor. Para obter ótimos resultados de lavagem recomenda-se utilizar o detergente líquido dosado na gaveta dos detergentes.



Sistema de balanceamento da carga

Antes de cada centrifugação, para evitar vibrações excessivas e para distribuir a carga em modo uniforme, o tambor efectua algumas rotações a uma velocidade levemente superior àquela de lavagem. Se no fim de repetidas tentativas a carga ainda não estiver correctamente balanceada, a máquina efectuará a centrifugação com uma velocidade inferior àquela prevista. No caso de um excessivo desequilíbrio, a máquina de lavar roupa efectuará a distribuição ao invés da centrifugação. Para favorecer uma melhor distribuição da carga e o seu correcto balanceamento, aconselha-se misturar peças grandes com peças pequenas.

Pode acontecer que a máquina de lavar roupa não funcione. Antes de telefonar para a Assistência Técnica (veja "Assistência"), verifique se não se trata de um problema fácil de resolver com ajuda da seguinte lista.

Anomalias:

Possíveis causas / Solução:

A máquina de lavar roupa não liga.

- A ficha não está colocada na tomada eléctrica, ou não é suficiente para haver contacto.
- Em casa não há corrente.

O ciclo de lavagem não inicia.

- A porta de vidro não está bem fechada.
- O botão ON/OFF não foi pressionado.
- O botão START/PAUSE não foi pressionado.
- A torneira da água não está aberta.
- Foi programado um atraso de uma hora no início.

A máquina de lavar roupa não carrega água (no visor é visualizada a palavra "H2O" intermitente).

- O tubo de alimentação de água não está ligado na torneira.
- O tubo está dobrado.
- A torneira da água não está aberta.
- Está a faltar água em casa.
- Não há suficiente pressão.
- O botão START/PAUSE não foi pressionado.

A máquina de lavar roupa carrega e descarrega água continuamente.

- O tubo de descarga não está instalado entre 65 e 100 cm de altura do chão (veja "Instalação").
- A ponta do tubo de descarga está imersa na água (veja "Instalação").
- Da descarga na parede não foi sangrado o ar.

Se depois destas verificações o problema não for resolvido, feche a torneira da água, desligue a máquina de lavar roupa e chame a assistência técnica. Se a morada encontrar-se nos últimos andares de um edifício, é possível que aconteçam fenómenos de sifão por causa dos quais a máquina de lavar roupa carrega e descarrega água continuamente. Para eliminar este inconveniente, há a disposição no comércio apropriadas válvulas contra o efeito sifão.

A máquina de lavar roupa não descarrega ou nem realiza centrifugação.

- No programa não há descarga: com alguns programas será necessário iniciar a descarga manualmente..
- O tubo de descarga está dobrado (veja "Instalação").
- A conduta de descarga está entupida.

A máquina de lavar roupa vibra muito durante a centrifugação.

- O tambor, no momento da instalação, não foi liberado correctamente (veja "Instalação").
- A máquina não está nivelada (veja "Instalação").
- A máquina está apertada entre móveis e parede (veja "Instalação").

Da máquina de lavar roupa está a vazar água.

- O tubo de alimentação da água não está bem enroscado (veja "Instalação").
- O gaveta dos detergentes está entupida (para limpá-la veja "Manutenção e cuidados").
- O tubo de descarga não está fixado correctamente (veja "Instalação").

Irão piscar os indicadores luminosos das "Opções" e o indicador de START/PAUSE e o visor irá indicar um código de anomalia (por ex.: F-01, F-..).

- Desligue a máquina e tire a ficha da tomada, aguarde aproximadamente 1 minuto e volte a ligá-la.
Se a anomalia persistir, contacte a Assistência Técnica.

Está a formar-se demasiada espuma.

- O detergente não é específico para máquina de lavar roupa (deve haver a escrita "para máquina de lavar", "à mão e para máquina de lavar" ou similares).
- A dose foi excessiva.

Assistência

PT

Antes de contactar a Assistência Técnica:

- Verifique se consegue resolver a anomalia sozinho (veja “Anomalias e soluções”);
- Reinicie o programa para verificar se o inconveniente foi resolvido;
- Em caso negativo, contacte um Centro de Assistência Técnica.

! Nunca recorra a técnicos não autorizados.

Comunique:

- o tipo de anomalia;
- o modelo da máquina (Mod.);
- o número de série (S/N)

Estas informações encontram-se na placa colocada na parte traseira da máquina de lavar roupa e na parte anterior abrindo a porta de vidro.

REGULAMENTO DELEGADO (UE) N.º 1061/2010 DA COMISSÃO	
Modelo	HOTPOINT/ARISTON
Código	RSG 925 JS EU
Capacidade nominal em kg de tecidos de algodão	9
Classe de eficiência energética numa escala de A+++ (baixos consumos) a D (altos consumos)	A+++
Consumo de energia anual em kWh ¹⁾	174
Consumo energético do programa algodões standard a 60°C em plena carga em kWh ²⁾	1.002
Consumo energético do programa algodões standard a 60° em carga parcial em kWh ²⁾	0.602
Consumo energético do programa algodões standard a 40° em carga parcial em kWh ²⁾	0.585
Consumo energético ponderado em estado de desactivação em W	0.5
Consumo energético ponderado em estado inactivo em W	8
Consumo de água em litros/ano ³⁾	11600
Classe de eficiência de secagem numa escala de G (menos eficiente) a A (mais eficiente)	B
Velocidade máxima de centrifugação obtida ⁴⁾	1200
Grau de humidade residual ⁵⁾	53.0%
Duração do programa standard para tecidos de algodão 60°C em plena carga em min.	225
Duração do programa standard para tecidos de algodão 60°C em carga parcial em min.	170
Duração do programa standard para tecidos de algodão 40°C em carga parcial em min.	160
A duração do estado inactivo em min.	30
A emissão de ruído aéreo, expressa em dB(A) Re 1 pW, na lavagem ⁶⁾	54
A emissão de ruído aéreo, expressa em dB(A) Re 1 pW, na centrifugação ⁶⁾	81
Modelo de encastrar	

¹⁾ Com base em 220 ciclos de lavagem dos programas de lavagem normal de algodão a 60 °C e a 40 °C em plena carga e em carga parcial, e no consumo dos modos de baixo consumo de energia. O valor real do consumo de energia dependerá do modo de utilização do aparelho.

²⁾ O «programa de lavagem normal de algodão a 60 °C» e o «programa de lavagem normal de algodão a 40 °C» são os programas de lavagem normal a que se referem as informações no rótulo e na ficha, de que estes programas são adequados para a lavagem de roupa de algodão com grau de sujidade normal e são os programas de maior eficiência em termos de consumo combinado de energia e água **A carga parcial é a metade da carga nominal.

³⁾ Com base em 220 ciclos de lavagem dos programas de lavagem normal de algodão a 60 °C e a 40 °C em plena carga e em carga parcial. O valor real do consumo de energia dependerá do modo de utilização do aparelho.

⁴⁾ Para o programa de lavagem normal de algodão a 60 °C em plena carga ou no programa de lavagem normal de algodão a 40 °C em carga parcial, conforme o que for inferior.

⁵⁾ Para o programa de lavagem normal de algodão a 60 °C em plena carga ou no programa de lavagem normal de algodão a 40 °C em carga parcial, conforme o que for maior .

⁶⁾ baseada nas fases de lavagem e centrifugação no programa de lavagem normal de algodão a 60 °C em plena carga .

BG

Български

RSG 925 J

Съдържание

Инсталиране, 62-63

Разопаковане и нивелиране
Свързване към водопровода и електрозахранването
Първи цикъл на изпиране
Технически данни

Поддръжка и почистване, 64

Спиране на водата и изключване на електрозахранването
Почистване на пералната машина
Почистване на чекмеджето за перилни препарати
Поддръжка на люка и на барабана
Почистване на помпата
Проверка на маркуча за студена вода

Мерки за безопасност и препоръки, 65

Общи мерки за безопасност
Рециклиране
Ръчно отваряне на люка

Описание на пералната машина, 66-67

Табло за управление
Дисплей

Как се изпълнява един цикъл на изпиране, 68

Програми и опции, 69

Таблица с програмите
Опции на прането

Перилни препарати и дрехи за пране, 70

Чекмедже за перилни препарати
Разпределяне на дрехите за пране
Специални програми
Система за измерване на тежестта на товара

Проблеми и мерки за отстраняването им, 71

Сервизно обслужване, 72

Инсталиране

BG

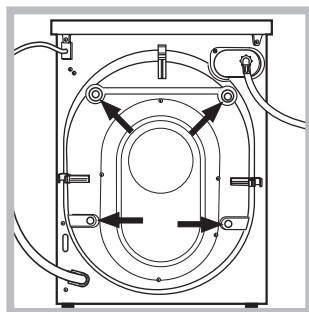
! Важно е да съхранявате тези инструкции, за да можете да правите допълнителни справки по всяко време. В случай че пералната машина бъде продадена, преотстъпена и или преместена, трябва да се погрижите инструкциите винаги да я придружават, за да се предостави на новия собственик информация за работата на уреда и съответните предупреждения.

! Прочетете внимателно инструкциите: те съдържат важна информация за монтажа, използването и безопасността.

Разопаковане и нивелиране

Разопаковане

1. Разопакувайте пералната машина.
2. Проверете дали пералната машина не е повредена при транспортирането. Ако е повредена, не я свързвайте, а се обърнете към дистрибутора.



3. Отстранете 4-те защитни винта за предпазване при превода и гумираната опаковка със съответния раздалечител, намиращи се в задната част (вижте фигурата).

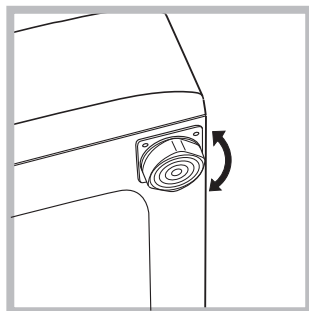
4. Затворете отворите с предоставените пластмасови капачки.

5. Съхранете всички части: целта е да се монтират отново при необходимост пералната машина да бъде транспортирана.

! Опаковъчният материал не е играчка за деца.

Нивелиране

1. Монтирайте пералната машина на равен и твърд под, без да я опирате в стени, мебели и др.



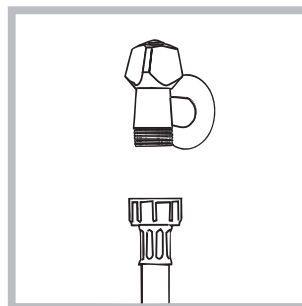
2. Ако подът не е идеално равен, компенсирате неравностите, като отвиете или завиеете предните крачета (вижте фигурата). Ъгълът на наклона,

измерен върху работната повърхност, не трябва да надвишава 2°.

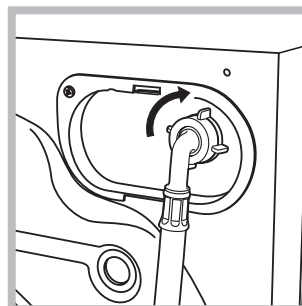
Точното нивелиране позволява машината да бъде стабилна и да се избягват вибрациите, шумът и преместването ѝ по време на работа. Когато настилката е мокет или килим, регулирайте така крачетата, че под пералната машина да остане достатъчно място за вентилация.

Свързване към водопровода и електрозахранването

Свързване на маркуча към водопроводната мрежа



1. Свържете захранващия маркуч, като го завиеете към крана за студената вода с накрайник с газова резба 3/4 (вижте фигурата). Преди да го свържете, източете водата, докато се избистри.



2. Свържете маркуча за студената вода към пералната машина, като го завиеете към специалния щуцер, разположен от задната страна, горе вдясно (вижте фигурата).

3. Внимавайте маркучът да не се прегъва и притиска.

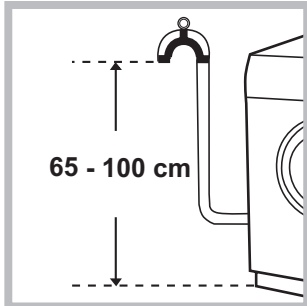
! Налягането по водопроводната мрежа трябва да бъде в границите, указани в таблицата "Технически данни" (вижте следващата страница).

! Ако дължината на захранващия маркуч не е достатъчна, обърнете се към специализиран магазин или към упълномощен техник.

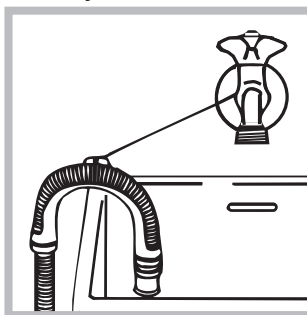
! Никога не използвайте вече употребяван маркуч.

! Използвайте тези, което са доставени с пералната машина.

Свързване на маркуча за мръсната вода



между 65 и 100 см;



Свържете маркуча за мръсната вода, без да го прегъвате, към канализационната тръба или към тръбата за отвеждане в стената, разположени на височина от пода

или го подпрете в края на мивката, или на ваната, като вържете водача за крана (вижте фигурата). Свободният край на маркуча за мръсната вода не трябва да бъде потопен във вода.

! Не се препоръчва използването на удължаващи маркучи. Ако е необходимо, удължителят трябва да има същия диаметър като оригиналния маркуч и да не надвишава 150 см.

Свързване към електрическата мрежа

Преди да свържете щепсела в контакта, проверете дали:

- контактът е заземен съгласно действащите стандарти;
- контактът може да поеме максималната мощност на натоварване на машината, указана в таблицата с техническите данни (вижте следващата страница);
- захранващото напрежение е в границите на указаното в таблицата с технически данни (вижте следващата страница);
- контактът отговаря на щепсела на пералната машина. В противен случай заменете щепсела или контакта.

! Пералната машина не се монтира на открито, дори под навес, защото е много опасно да се остави на влиянието на атмосферните условия.

! Електрическият контакт на монтирана перална машина трябва да бъде леснодостъпен.

! Не използвайте удължители или разклонители.

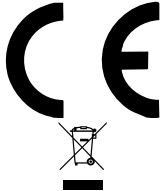
! Кабелът не трябва да бъде огънат или сплескан.
! Захранващият кабел трябва да се подменя само от упълномощени техници.

Внимание! Фирмата отхвърля всякаква отговорност в случаите, в които тези норми не се спазват.

Първи цикъл на пране

След инсталиране и преди употреба включете един цикъл на изпиране с перилен препарат, но без дрехи, задавайки програма „Автоматично почистване“ (вижте *Почистване на пералната машина*).

Технически данни

Модел	RSG 925 J
Размери	ширина 59,5 см височина 85 см дълбочина 60,5 см
Вместимост	от 1 до 9 кг.
Електрическо захранване	Виж табелката с характеристиките, поставена на машината
Захранване с вода	максимално налягане 1 MPa (10 bar) минимално налягане 0,05 MPa (0,5 bar) обем на казана 62 литра
Скорост на центрофугата	до 1200 оборота/минута
Програми за проверка съгласно Регламенти № 1061/2010 и № 1015/2010 на Комисията.	програма 9; Еко памук 60 C°; програма 9; Еко памук 40 C°.
	Пералната машина съответства на следните Европейски директиви: - 2004/108/CE (за електромагнитна съвместимост) - 2012/19/EU (WEEE) - 2006/95/CE (за ниско напрежение)

Поддръжка и почистване

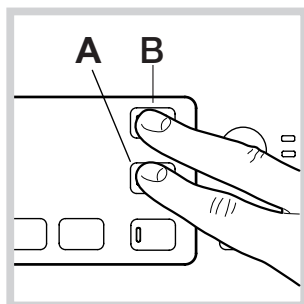
BG

Спиране на водата и изключване на електрозахранването

- Затваряйте крана за вода след всяко изпиране. По този начин се ограничава износването на хидравличната инсталация на пералната машина и се ограничава опасността от течове.
- Изключвайте щепсела от електрическото захранване, когато почиствате пералната машина и по време на работи по поддръжката.

Почистване на пералната машина

- Външната част и гумените части могат да се почистват с кърпа с хладка вода и сапун. Не използвайте разтворители или абразивни препарати.
- Пералната разполага с програма за „Автоматично почистване“ на вътрешните части, което трябва да се извършва **при абсолютно празен барабан**.



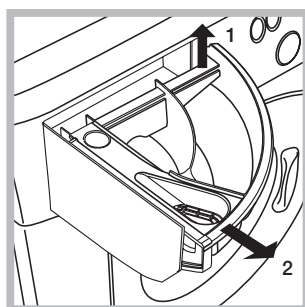
Прахът за пране (10% от препоръчаното количество за слабо замърсено пране) или специални допълнителни препарати за почистване на пералната може да

се ползват в добавка към програмата за изпиране. Препоръчва се пускането на програмата за почистване на всеки 40 изпирания.

За да задействате програмата, натиснете едновременно бутони **A** и **B** за 5 сек (вижте *фигурата*).

Програмата ще се активира автоматично и ще продължи около 70 минути. За да спрете цикъла, натиснете бутона **START/PAUSE**.

Почистване на чекмеджето за перилните препарати



Извадете чекмеджето с повдигане и изтегляне навън (виж *фигурата*). Измийте го под течаща вода. Това почистване трябва да се извършва често.

Поддръжка на люка и на барабана

- Оставете люка винаги открит за избягване образуването на неприятни миризми.

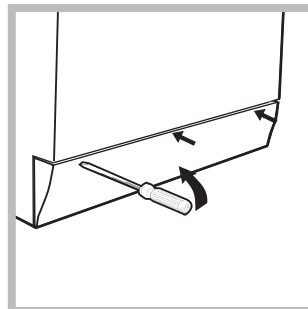
Почистване на помпата

Пералната машина е окомплектована със самопочистваща се помпа, която няма нужда от поддръжка. Възможно е обаче малки предмети (монети, копчета) да попаднат във филтъра, който предпазва помпата и се намира в долната ѝ част.

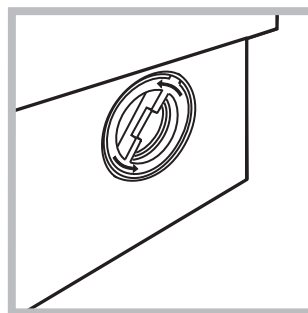
! Уверете се, че цикълът на пране е завършил, и изключете щепсела от контакта.

За достъп до филтъра:

1. свалете панела в предната част на пералната машина с помощта на отвертка (вж. *фигура*);



2. отвийте капачката, като я завъртите в посока, обратна на часовниковата стрелка (виж *фигура*): нормално е да изтече малко вода;



3. почистете внимателно отвътре;
4. завийте отново капачката;
5. затворете отново панела, като, преди да го избутате към пералнята, се уверите, че сте

поставили правилно закрепващите куки в специалните водачи.

Проверка на маркуча за студената вода

Проверявайте маркуча за студената вода поне веднъж годишно. Да се замени, ако е напукан и нацепен, защото по време на изпиране голямото налягане може да предизвика внезапно спукване.

! Никога не използвайте вече употребяван маркуч.

! Пералната машина е проектирана и произведена в съответствие с международните норми за безопасност. Предупрежденията тук са продиктувани от съображения за безопасност и трябва да се четат внимателно.

Общи мерки за безопасност

- Този уред е предназначен изключително за домашна употреба.
- Този уред може да бъде използван от деца над 8 години и лица с ограничени физически, сетивни или умствени способности, или с недостатъчен опит и познания, ако те са наблюдавани или инструктирани относно използването на уреда от лице, отговорно за тяхната безопасност и разбират опасностите, свързани с употребата на уреда. Децата не трябва да си играят с уреда. Поддръжката и почистването не трябва да се извършват от деца без надзор.
- Пералната машина трябва да се използва само от възрастни хора съгласно инструкциите, предоставени в тази книжка.
- Не докосвайте машината, когато сте боси, с мокри или влажни ръце или крака.
- Не изключвайте щепсела от контакта за електрически ток, като дърпате кабела, а като хващате щепсела.
- Не отваряйте чекмеджето с перилни препарати, докато пералната машина работи.
- Не докосвайте маркуча за мръсната вода, защото може да е достигнал високи температури.
- Никога не отваряйте люка със сила, защото може да се повреди обезопасителния механизъм, който предпазва от случайно отваряне.
- В случай на повреда по никакъв повод не достигайте до вътрешните механизми в опити за ремонт.
- Винаги контролирайте децата да не се доближават до работещата машина.
- По време на изпиране люкът се нагрива.
- Преместването да се извършва внимателно от двама или трима души. Никога от сам човек, защото пералната машина тежи много.
- Преди да заредите машината, проверете дали барабанът е празен.

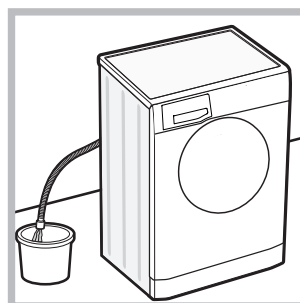
Рециклиране

- Унищожаване на опаковъчния материал: спазвайте местните норми – по този начин опаковъчният материал може да се рециклира.
- Европейската директива 2012/19/EU за отпадъците от електрическо и електронно оборудване предвижда домакинските електроуреди да не се изхвърлят заедно с обичайните твърди градски отпадъци. Извадените от употреба уреди трябва да бъдат събирани отделно с цел да бъде увеличен дялът на подлежащите на повторна употреба и рециклиране материали, от които са направени, както и да бъдат избегнати евентуални вреди за здравето и околната среда.

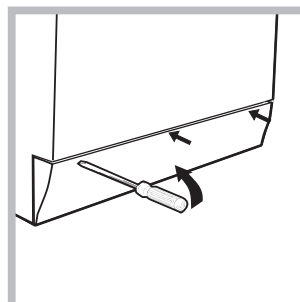
Символът със зачеркнатия контейнер е поставен върху всички продукти, за да напомня за задължителното разделно събиране. За по-нататъшна информация относно правилното извеждане от употреба на домакинските електроуреди се обърнете към предназначенията за това обществена служба или към дистрибуторите.

Ръчно отваряне на люка

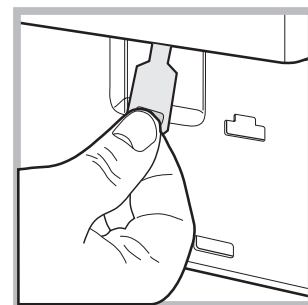
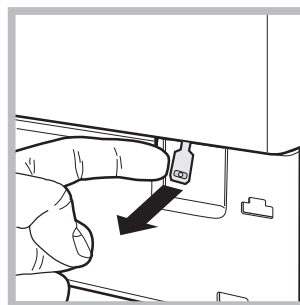
В случай че е невъзможно да се отвори вратата на люка поради прекъсване на електрическата енергия и искате да прострете прането, процедирайте по следния начин:



1. извадете щепсела от контакта за електрически ток.
2. уверете се, че нивото на водата в пералнята е по-ниско от отвора на люка; в противен случай отстранете излишната вода чрез маркуча за мръсна вода, като я съберете в кофа, както е посочено на *фигура*.



3. свалете долния панел в предната част на пералната машина с помощта на отвертка (вж. *фигура*).



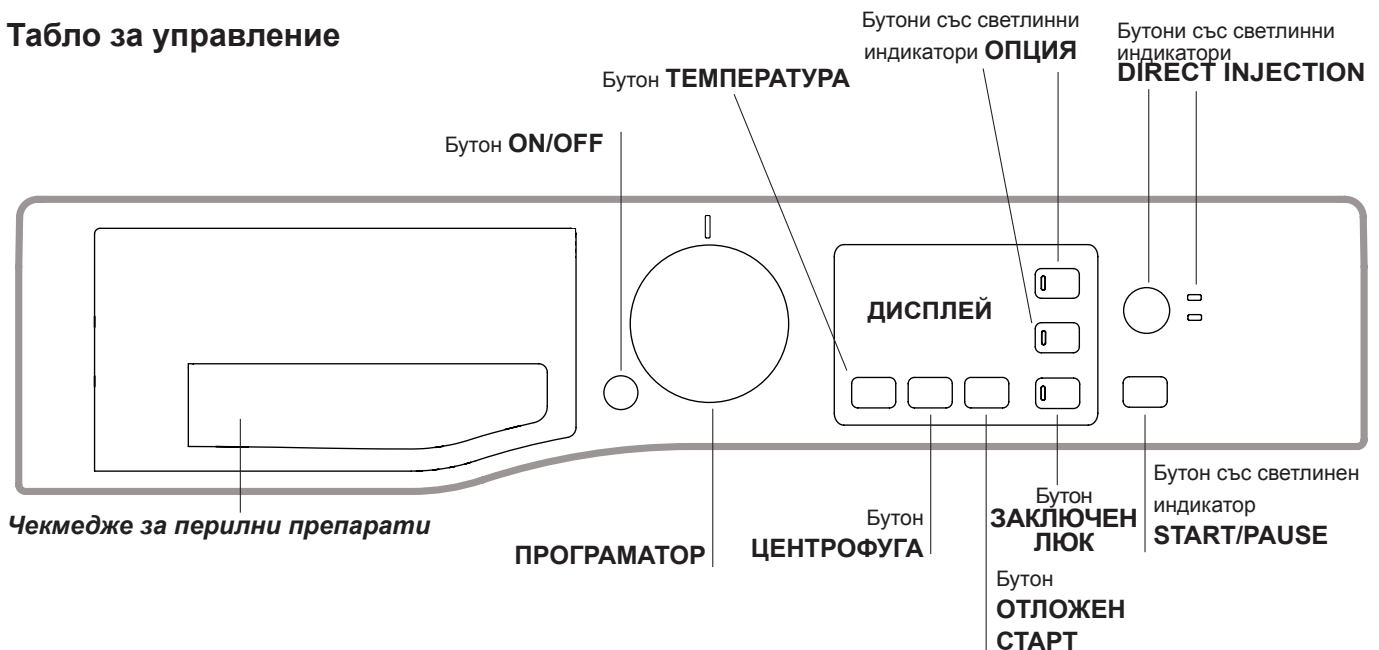
4. като използвате езичето, посочено на фигурата, дръпнете навън до освобождаване на пластмасовия изтегляч от неподвижно положение; след това го издърпайте надолу и едновременно с това отворете вратата.

5. затворете отново панела, като, преди да го избутате към пералнята, се уверите, че сте поставили правилно закрепващите куки в специалните водачи.


Описание на пералната машина

BG

Табло за управление




Чекмедже за перилни препарати: за дозиране на перилни препарати и добавки (вижте “Перилни препарати и дрехи за пране”).


Бутон **ON/OFF** : натиснете за кратко бутона за включване и изключване на пералната машина. Светлинният индикатор **START/PAUSE**, който бавно мига в зелено, показва, че пералната машина е включена. За да угасите пералната машина по време на пране, е необходимо да натиснете бутона по-дълго време - около 3 сек. Кратко или случайно натискане няма да доведе до спиране на машината. Изключването на пералната по време на започнало вече пране го анулира.


ПРОГРАМАТОРПРОГРАМИ: за задаване на желаната програма (вижте “Таблица с програмите”).

Бутони и светлинни индикатори **ОПЦИЯ:** за избиране на възможните опции. Светлинният индикатор за избраната опция ще продължи да свети.


Бутони и светлинни индикатори **DIRECT INJECTION:** натиснете, за да изберете опцията **DIRECT INJECTION**.


Бутон **ТЕМПЕРАТУРА** : натиснете, за да намалите или “изключите” температурата; стойността се изобразява на дисплея.

Бутон **ЦЕНТРОФУГА** : натиснете, за да намалите или изключите напълно центрофугата – стойността се показва на дисплея.

Бутон **ОТЛОЖЕН СТАРТ** : натиснете, за да зададете забавен старт за избраната програма – закъснението ще се появи на дисплея.

Бутон със светлинен индикатор **START/PAUSE:** когато зеленият индикатор мига бавно, натиснете бутона, за да стартирате прането. При започнал цикъл на пране индикаторът свети непрекъснато. За да направите пауза при прането, натиснете отново

бутона. Светлинният индикатор мига в оранжево. Ако символът  не свети, люкът може да се отвори. За продължаване на цикъла пране от мястото, в което е бил прекъснат, натиснете отново бутона.

Бутон **ЗАКЛЮЧЕН ЛЮК:** за активиране на блокировката на таблото за управление задръжте натиснат бутона за около 2 секунди. Символът  сигнализира, че таблото за управление е блокирано (с изключение на бутон **ON/OFF**). По този начин се възпрепятстват случайни промени в програмите, преди всичко ако в къщи има деца. За деактивиране блокировката на таблото за управление задръжте натиснат бутона за около 2 секунди.

Режим на stand by

В съответствие с новите нормативи за пестене на енергия тази перална машина е снабдена със система за автоматично изключване (stand by), която се задейства след 30 минути в случай, че машината не се използва. Натиснете за кратко бутон **ON/OFF** и изчакайте машината да се задейства отново.

Противомикробно уплътнение

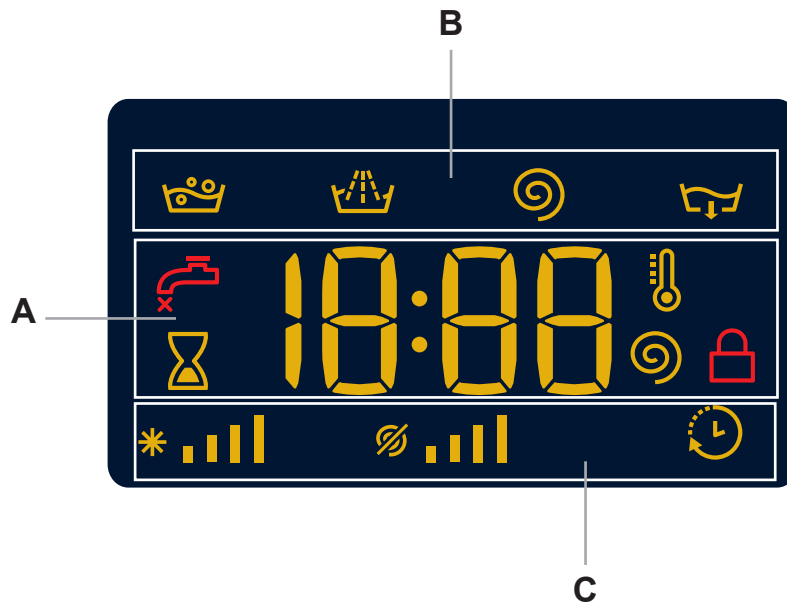
Уплътнението на люка е изработено от специална комбинация от материали, която осигурява защита от микробите, като намалява бактериалната пролиферация с до 99,99%.

Уплътнението на люка съдържа цинков пиритион – биоцидно вещество, което намалява размножаването на вредни микроби (*) като бактерии и мухъл, които могат да причинят поява на петна, лоши миризми и разваляне на уреда.

(*) **Според изследване, извършено от Университета в Перуджа върху: Staphylococcus aureus, Escherichia coll, Pseudomonas aeruginosa, Candida albicans, Aspergillus niger, Penicillium digitatum.**

В редки случаи продължителният контакт с уплътнението би могъл да предизвика алергична реакция на кожата.

Дисплей



Дисплеят служи за програмиране на пералната машина и дава многостранна информация.

В сектор **A** ще се изобрази продължителността на програмите, а при задействан цикъл се показва времето, което остава до завършването му (дисплеят ще покаже максималната продължителност на избраната програма, която ще намалее след няколко минути, тъй като действителната продължителност на програмата варира в зависимост от теглото на прането и настройките); в случай че е бил зададен **ОТЛОЖЕН СТАРТ**, показва времето, оставащо до включване на избраната програма.

Също така с натискане на съответния бутон се изобразяват максималните стойности на скоростта на центрофугата и на температурата, които машината може да осъществи при зададената програма, или последните избрани стойности, ако те са съвместими с избраната програма.

В сектор **B** ще се изобразят “фазите на пране”, предвидени за избрания цикъл, а при включена програма се показва текущата “фаза на пране”.

- Основно пране
- Изплакване
- Центрофуга
- Източване на водата

В раздел **C** в посока от ляво на дясно са разположени иконите за “температура”, “центрофуга” и “Отложен старт”. Линиите “температура” * показват максималната възможна за избиране температура за зададения цикъл. Линиите “центрофуга” показват максималната възможна за избиране степен на центрофугиране за зададения цикъл.

Символът “Отложен старт” със светенето си указва, че на дисплея се изписва зададената стойност на “Отложен старт”.


Светлинен индикатор **БЛОКИРАН ЛЮК**



Светещият символ показва, че люкът е блокиран. За избягване на щети трябва да изчакате символът да угасне, преди да отворите люка.

За да отворите люка по време на цикъл на пране, натиснете бутона **START/PAUSE**. Ако символът **БЛОКИРАН ЛЮК** не свети, ще бъде възможно да го отворите.

Как се извършва един цикъл на пране

BG

- 1. ВКЛЮЧВАНЕ НА ПЕРАЛНЯТА.** Натиска се бутон ; Светлинният индикатор START/PAUSE мига бавно в зелено.
- 2. ПОСТАВЯНЕ НА ДРЕХИТЕ ЗА ПРАНЕ.** Отваря се вратичката на люка. Заредете дрехите за пране, като внимавате да не превишите количеството на зареждане, посочено в таблицата с програмите на следващата страница.
- 3. ДОЗИРАНЕ НА ПЕРИЛНИЯ ПРЕПАРАТ.** Извадете чекмеджето и изсипете перилния препарат в специалните ванички, както е обяснено в “Перилни препарати и дрехи за пране”.
- 4. ЗАТВОРЕТЕ ЛЮКА.**
- 5. ИЗБИРАНЕ НА ПРОГРАМАТА.** Изберете с превключвателя ПРОГРАМИ желаната програма; към нея са предвидени температура и скорост на центрофугиране, които могат да бъдат изменяни. На дисплея се изобразява продължителността на цикъла на пране.
- 6. ПЕРСОНАЛИЗИРАНЕ НА ЦИКЪЛ ПРАНЕ.** Натиснете съответните бутони:


Промяна на температурата и/или центрофугирането. Машината автоматично изписва максималните температура и скорост на центрофугиране, които са предвидени за зададената програма, или последно избраните такива параметри, ако са съвместими с текущо избраната програма. С натискане на бутон  се намалява прогресивно температурата – до студено пране – “OFF”. С натискане на бутон  се намалява центрофугата – до пълното ѝ изключване “OFF”. Последващо натискане на бутоните връща стойностите на максимално предвидените.

! Изключение: с избиране на програма 2 температурата може да се повиши до 40°.

! Изключение: с избиране на програма 3 температурата може да се повиши до 90°.

! Изключение: с избиране на програма 4 температурата може да се повиши до 60°.

Задаване на отложен старт.

За задаване на отложен старт на избрана програма натиснете съответния бутон до достигане на желаното време за закъснение. Когато е активна тази опция, на дисплея ще светне символът . За отказ от отложено стартиране натискайте бутона, докато на дисплея се изпише “OFF”.




Променяне на характеристиките на цикъла.

- Натиснете бутона, за да активирате опцията - съответният индикатор за бутона светва.
- При повторното му натискане опцията се деактивира и индикаторът изгасва.

! Ако избраната опция не е съвместима със зададената програма, светлинният индикатор ще мига и опцията няма да се активира.

! Ако избраната опция не е съвместима с друга опция, избрана преди това, съответният светлинен индикатор за първата избрана функция ще свети с мигаща светлина и ще се активира само втората, светлинният индикатор наактивираната опция щесветне.

! Опциите могат да променят препоръчителното количество на зареждане и/или продължителността на цикъла.

- 7. СТАРТИРАНЕ НА ПРОГРАМАТА.** Натиснете клавиш START/PAUSE. Съответният индикатор започва да свети непрекъснато в зелено и люкът се блокира (символът БЛОКИРАН ЛЮК  свети). За да смените програмата, докато се изпълнява един цикъл, поставете пералната машина в режим на пауза, натискайки бутона START/PAUSE (светлинният индикатор START/PAUSE започва бавно да мига в кехлибарен цвят), след което изберете желаните цикъл и натиснете отново бутона START/PAUSE. За да отворите люка по време на цикъл на пране, натиснете бутона START/PAUSE. Ако символът БЛОКИРАНЕ НА ЛЮКА  не свети, ще бъде възможно да отворите вратата. Натиснете отново бутона START/PAUSE, за да продължи програмата от мястото, в което е била прекъсната.
- 8. КРАЙ НА ПРОГРАМАТА.** Указва се от надписа “END” върху дисплея и когато символът за БЛОКИРАН ЛЮК  угасне, люкът може да се отвори. Отворете люка, извадете прането и изключете пералнята.


! Ако искате да спрете вече започнал цикъл, натиснете продължително бутона . Изпълнението на цикъла ще се прекъсне и пералнята ще се изключи.

Таблица с програмите

Програми	Описание на програмата	Макс. температура (°C)	Макс. скорост (обороты в минута)	Перилни препарати		Зареж-дане макс (кг)	Остатъчна влажност%	Разход на енергия kWh	Общ разход на вода lt	Продължителност на цикъла
				Основно пране	Омеко-тител					
DAILY CLEAN										
1	БЕЗ ПЕТНА СТЕПЕН 20°C	20°	1200	●	●	9	-	-	-	**
2	БЕЗ ПЕТНА ТУРБО 45'	20° (Max. 40°C)	1200	●	●	4,5	-	-	-	**
3	ПАМУК: Бели и цветни, деликатни, много замърсени.	40° (Max. 90°C)	1200	●	●	9	-	-	-	**
4	СИНТЕТИЧНИ (4): Цветни, устойчиви, много замърсени.	40° (Max. 60°C)	1000	●	●	4,5	46	0,60	61	110'
5	БЪРЗО ПРАНЕ 30': За бързо освежаване на не много замърсени дрехи (не се препоръчва за вълна, коприна и дрехи, които трябва да се перат на ръка).	30°	800	●	●	3,5	71	0,13	42	30'
SPECIALS										
6	ТЪМНИ	30°	800	●	●	5	-	-	-	**
7	УЛТРА ДЕЛИКАТНИ	30°	0	●	●	1	-	-	-	**
8	ВЪЛНА: за вълна, кашмир и т.н.	40°	800	●	●	2	-	-	-	**
9	ЕКО ПАМУК 60°C (1): Бели и цветни, устойчиви, силно замърсени.	60°	1200	●	●	9	53	1,00	57	225'
9	ЕКО ПАМУК 40°C (2): Бели и цветни, деликатни, много замърсени.	40°	1200	●	●	9	53	1,00	88	225'
9	ЕКО ПАМУК 40°C (3): Бели и цветни, деликатни, много замърсени.	40°	1200	●	●	9	53	0,88	88	195'
10	БЕБЕ	40°	1000	●	●	5	-	-	-	**
EXTRA										
11	АНТИАЛЕРГИЧНО	60°	1200	●	●	5	-	-	-	**
12	ПРАНЕ СЕДМИЧНО	60°	1200	●	●	9	-	-	-	**
13	КОПРИНА/ПЕРДЕТА: За дрехи от коприна, вискоза, фино бельо.	30°	0	●	●	2	-	-	-	**
14	ЗАВИВКИ: За дрехи и завивки, подплатени с гъши пух.	30°	1000	●	●	3,5	-	-	-	**
Частични										
	Изплакване	-	1200	-	●	9	-	-	-	**
	Центрофуга и Източване на водата	-	1200	-	-	9	-	-	-	**
	Само източване на водата *	-	OFF	-	-	9	-	-	-	**

* С избирането на програма и изключването на центрофугата пералнята само ще източи водата

** Продължителността на програмата за пране се изписва върху дисплея.

Продължителността на цикъла, показана на дисплея или посочена в ръководството, е приблизително изчислена въз основа на стандартните условия. Реалното времетраене може да варира в зависимост от множество фактори като температура и налягане на водата при пълнене, температура на въздуха в помещението, количество перилен препарат, количество, вид и тегло на прането, допълнително избрани опции.

1) Програма за проверка съгласно стандарт 1061/2010: задайте програма 9 с температура 60°C.

Този цикъл е подходящ за пране на памучни, нормално замърсени тъкани и е най-ефективен от гледна точка на комбиниран разход на енергия и вода, подходящ е за дрехи, които могат да се перат на 60°C. Действителната температура на пране може да се различава от указаната.

2) Програма за проверка съгласно стандарт 1061/2010: задайте програма 9 с температура 40°C.

Този цикъл е подходящ за пране на памучни, нормално замърсени тъкани и е най-ефективен от гледна точка на комбиниран разход на енергия и вода, подходящ е за дрехи, които могат да се перат на 40°C. Действителната температура на пране може да се различава от указаната.

За всички институции, извършващи изпитания:

3) Продължителна програма за памук: настройте програма 9 с температура 40 °C и натиснете бутон DIRECT INJECTION в режим „Power“.

4) Дълга програма за синтетични тъкани: задайте програма 4 с температура 40° C.

Опции на прането

! Ако избраната опция не е съвместима със зададената програма, светлинният индикатор ще мига и опцията няма да се активира.

! Ако избраната опция не е съвместима с друга опция, избрана преди това, съответният светлинен индикатор за първата избрана функция ще свети с мигаща светлина и ще се активира само втората, светлинният индикатор наактивираната опция щесветне.

Direct Injection

Пералната машина работи с новаторската технология „Direct Injection“, която смесва предварително водата с перилния препарат, като активира веднага почистващите му съставки. По този начин активната емулсия се вкарва директно в барабана на пералнята и прониква по-ефикасно във влакната, като отстранява най-упоритото

замърсяване дори при ниска температура, като запазва максимално цветовете и тъканите. Може да изберете режим „Power“, за да получите по-добри резултати от изпирането, или режим „EcoEnergy“ за по-малък разход на енергия.

Допълнително изплакване

С избора на тази опция се увеличава ефикасността на изплакването и се гарантира максимално отстраняване на перилния препарат. Подходяща е за особено чувствителна кожа.

Пестене на време

При избор на тази опция времетраенето на програмата намалява с до 50% в зависимост от избрания цикъл, като същевременно се гарантира пестене на вода и енергия. Използвайте тази опция за не много замърсени дрехи.

Перилни препарати и дрехи за пране

BG

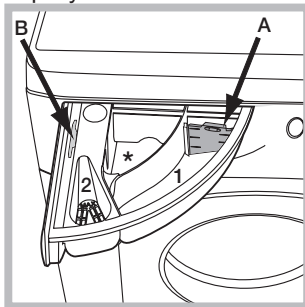
Чекмедже за перилни препарати

Добрият резултат от прането зависи и от правилното дозиране на перилните препарати. С предозирание не се пере по-ефикасно, а това води до отлагане на налепи по вътрешната страна на пералната машина и до замърсяване на околната среда.

! Използвайте прахообразни перилни препарати за бели памучни тъкани за предпране и за пране при температура над 60°C.

! Уверете се, че следват указанията, посочени върху опаковката на перилния препарат.

! Не използвайте препарати за ръчно пране, защото образуват много пяна.



Изтеглете чекмеджето за перилни препарати и изсипете праха за пране и допълнителните препарати по следния начин.

! Да не се поставя на перилния препарат в централната (*).

Отделение 1: Препарат за пране (на прах или течен)

При употребата на течен

препарат за пране се препоръчва да се използва разделителят от комплекта **A** с цел правилно дозиране. В случай на употреба на прах за пране върнете разделителя в отделение **B**.

Отделение 2: Допълнителни препарати (омекотител и др.)
Омекотителят не трябва да изтича извън решетката.

Разпределяне на дрехите за пране

- Разпределете прането съобразно:
 - типа на тъканите/символа върху етикета.
 - цветовете: отделете цветните от белите дрехи.
- Изпразнете джобовете и проверете копчетата.
- Не надвишавайте указните стойности за теглото на сухото пране: вижте "Таблица с програмите".

Колко тежат дрехите за пране?

- 1 чаршаф 400-500 г
- 1 калъфка 150-200 г
- 1 покривка 400-500 г
- 1 хавлия 900-1200 г
- 1 кърпа 150-250 г

Специални програми

БЕЗ ПЕТНА СТЕПЕН 20°C: тази програма предлага максимална възможност за отстраняване на петната без нужда от предварителна обработка, на ниска температура, като запазва непроменени тъканите и цветовете.

БЕЗ ПЕТНА ТУРБО 45': този цикъл гарантира отлична възможност за отстраняване на петната дори при 20 °C само за 45 минути. Температурата за този цикъл може да се увеличи до 40°C.

ТЪМНИ: използвайте програмата **6** за прането в тъмни цветове. Програмата е предназначена за запазване на тъмните цветове във времето. За по-добри резултати се препоръчва ползването на течен перилен препарат, за предпочитане при дрехите в тъмни цветове.

УЛТРА ДЕЛИКАТНИ: използвайте програмата **7** за изпиране на много фини тъкани с приложения от рода на страс или пайети.

Препоръчва се обръщането на дрехите наопаки преди прането и слагането на малките дрехи в торбичката за фино пране. За по-добри резултати се препоръчва използването на течен препарат за пране за фини тъкани.

ВЪЛНА - Woolmark Apparel Care - Green:

Цикълът на изпиране „Вълна“ на тази пералня е тестван и одобрен от компанията Woolmark за пране на вълнени тъкани, определени като „подходящи за изпиране на ръка“, при условие че се спазват инструкциите от етикета на дрехата и указанията на производителя на пералнята. (M1127)



БЕБЕ: използвайте специалната програма **10**, за да отстраните типичното замърсяване на детските дрехи и премахнете перилния препарат, за да се избегнат алергични реакции на деликатната детска кожа. Цикълът е създаден за елиминиране на бактериите чрез използване на по-голямо количество вода и оптимизиране на ефекта от специфичните хигиенизиращи добавки към перилния препарат.

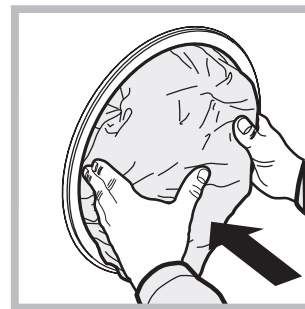
АНТИАЛЕРГИЧНО: използвайте програмата **11** за отстраняване на основните алергени като полени, акари, кучешки и котешки косми.

ПРАНЕ СЕДМИЧНО: тази пералня позволява да се пере бельото за цялата къща с един-единствен цикъл, **12** който оптимизира използването на омекотители и позволява пестене на време и енергия. Препоръчва се използването на прахообразен перилен препарат.

КОПРИНА: използвайте специалната програма **13** за пране на всички дрехи от коприна. За деликатните тъкани се препоръчва използването на специален вид перилен препарат.

ПЕРДЕТА: препоръчва се да се сгънат и поставят в дозавестената торбичка. Използвайте програма **13**.

ЗАВИВКИ: за пране на дрехи и завивки с подплата от гъши пух, като двойни и единични пухени завивки (не по-тежки от 3,5 kg), възглавници, якета, използвайте специалната програма – **14**. Препоръчва се пухените завивки да се поставят в барабана, като краищата им се подгънат навътре (виж фигурите) и да не се превишават ¼ от обема на самия барабан. За оптимално изпиране се препоръчва използване на течен перилен препарат, който се дозира в чекмеджето за перилния препарат.



Система за измерване на товара

Преди всяко центрофугиране, с цел избягване на прекалени вибрации и за равномерно разпределяне на товара, барабанът се завърта с малко по-висока от тази при прането скорост. Ако след направените последователни опити товарът все още не е перфектно разпределен, машината извършва центрофугиране при скорост, по-ниска от предвидената. При наличие на прекален дебалансиране пералнята извършва разпределянето вместо центрофугата. За улесняване на по-доброто разпределяне на товара и правилното му балансиране се препоръчва да се смесват дрехи за пране с големи и малки размери.

Проблеми и мерки за отстраняването им

Възможно е пералната машина да откаже да работи. Преди да се обадите в сервиза за техническа поддръжка и ремонт (вижте “Сервизно обслужване”), проверете дали не става въпрос за леснорешим проблем, като си помогнете със следващия списък.

Проблеми:

Възможни причини/Мерки за отстраняването им:

Пералната машина не се включва.

- Щепселът не е включен към електрически контакт или не е добре включен, за да прави контакт.
- Няма ток къщи.

Цикълът на изпиране не започва.

- Люкът не е затворен добре
- Бутонът ON/OFF не е бил натиснат.
- Бутонът START/PAUSE не е бил натиснат.
- Кранът за вода не е отворен.
- Въвело се е закъснение за часа на стартиране.

Пералната машина не се пълни с вода (на дисплея се показва мигащ надпис H2O).

- Маркучът за студената вода не е свързан към крана.
- Маркучът е прегънат.
- Кранът за вода не е отворен.
- Няма вода по водопроводната мрежа.
- Налягането е недостатъчно.
- Бутонът START/PAUSE не е бил натиснат.

Пералнята непрекъснато се пълни и източва.

- Маркучът за мръсната вода не е монтиран между 65 и 100 см от земята (вижте “Инсталиране”).
- Краят на маркуча за мръсната вода е потопен във вода (вижте “Монтаж”).
- Канализационната тръба в стената няма отдушник.

Ако след тези проверки проблемът не се реши, затворете крана за водата, изключете пералната машина и позвънете в сервиза. Ако жилището ви се намира на последните етажи на сградата, налягането на студената вода може да е ниско, поради което пералната машина непрекъснато се пълни и източва. За избягване на това неудобство в търговската мрежа се предлагат подходящи възвратни клапани.

Пералната не се източва или не центрофугира.

- Програмата не предвижда източване: с някои програми трябва да се извършва ръчно.
- Маркучът за мръсната вода е притиснат (вижте “Монтаж”).
- Канализационната тръба е запушена.

Пералната вибрира много по време на центрофугиране.

- При монтажа барабанът не е бил отблокиран правилно (вижте “Монтаж”).
- Пералната машина не е нивелирана (вижте “Монтаж”).
- Пералната машина е притисната между мебели и стена (вижте “Монтаж”).

Пералнята има теч.

- Маркучът за студената вода не е добре свързан (вижте “Монтаж”).
- Чекмеджето за перилни препарати е запушено (за почистването му вижте “Поддръжка и почистване”).
- Маркучът за мръсната вода не е закрепен добре (вижте “Монтаж”).

Светлинните индикатори на “Опции” и светлинният индикатор на “START/PAUSE” мигат и дисплеят изписва код за грешка.

- Изключете машината и извадете щепсела от контакта, изчакайте около 1 минута и я включете отново. Ако неизправността не може да се отстрани, потърсете услугите на сервиза.

Бразува се твърде много пяна.

- Перилният препарат не е за автоматична пералня (трябва да има надпис “за автоматична пералня”, “за пране на ръка и за автоматична пералня” или подобен надпис).
- Дозирането е било твърде голямо.

Преди да се свържете с техническия сервиз:

- Проверете дали можете да решите сами проблема (*вижте "Неизправности и начини за отстраняването им"*);
- Включете отново програмата, за да проверите дали неизправността е отстранена;
- В противен случай се обърнете към Центъра за техническо обслужване и ремонт.

! Никога не ползвайте услугите на неупълномощени техници.

Съобщете:

- типа на проблема;
- модела на машината (Mod.);
- серийния номер (S/N).

Тази информация се намира върху фабричната табелка, разположена на задната страна на пералната машина, и в предната част; вижда се след отваряне на люка.

ДЕЛЕГИРАН РЕГЛАМЕНТ (ЕС) № 1061/2010 НА КОМИСИЯТА

Марка	HOTPOINT/ARISTON
Модел	RSG 925 JS EU
Капацитет на памучно пране в кг	9
Енергиен клас от A+++ (ниска консумация) до G (висока консумация)	A+++
Годишна консумация на енергия (kWh) ¹⁾	174
Консумация на енергия при стандартна програма памук 60°C при пълно зареждане в kWh ²⁾	1.002
Консумация на енергия при стандартна програма памук 60°C при частично зареждане в kWh ²⁾	0.602
Консумация на енергия при стандартна програма памук 40°C при частично зареждане в kWh ²⁾	0.585
Консумация на енергия (W) в режим "OFF" (изключено)	0.5
Консумация на енергия (W) в режим "ON" (включено)	8
Годишна консумация на вода в литри ³⁾	11600
Клас на изсушаване от G (ниска ефективност) до A (висока ефективност)	B
Максимални обороти на центрофугата ⁴⁾	1200
Съдържание на остатъчна влажност ⁵⁾	53.0%
Продължителност в минути на стандартна програма памук 60 °C при пълно зареждане	225
Продължителност в минути на стандартна програма памук 60 °C при частично зареждане	170
Продължителност в минути на стандартна програма памук 40 °C при частично зареждане	160
Продължителност в минути при преминаване от работен режим в режим на изчакване	30
Съдържание на остатъчна влажност ⁶⁾	54
Ниво на шум в dB(A) ге 1 pW при пране ⁶⁾	81
Модел за вграждане	

¹⁾ Информацията на енергийния стикер и описанието на продукта се отнася за стандартна програма памук 60°C при пълно и частично зареждане и стандартна програма памук 40°C при частично зареждане. Стандартните програми памук 60°C и 40°C са подходящи за пране на нормално замърсени памучни тъкани и са най-ефективни по отношение консумацията на енергия и вода. Частичното зареждане е половината от максималния капацитет на пране.

²⁾ Базирано на 220 стандартни цикъла на пране на памучни тъкани при 60°C и 40°C при пълно и частично зареждане и при консумация на нисък режим на мощност. Реалната консумация на енергия зависи от това как се използва уреда.

³⁾ Базирано на 220 стандартни цикъла на пране на памучни тъкани при 60°C и 40°C при пълно и частично зареждане. Реалната консумация на вода зависи от това как се използва уреда.

⁴⁾ По-ниската стойност между стандартни програми 60 °C при пълно и частично зареждане или 40°C при частично зареждане.

⁵⁾ По-високата стойност получена при програми памук 60 °C при пълно или частично зареждане или 40°C при частично зареждане.

⁶⁾ Базирано на фазите на пране и центрофугиране за стандартна програма памук 60°C при пълно зареждане.