

NA

English

ARWF 149

NA

Contents

Important safety instructions 2-3

Important safety instructions
Grounding Instructions
Safety

Installation instructions 4-5-6

Unpacking and leveling
Minimum Installation Spacing
Connecting Water Inlet
Drainage
Connecting the drain hose
Electrical
Under Sink Method
Technical data

Description of the washing machine and starting a wash cycle 7-8

Control panel
Indicator lights
Starting a wash cycle

Wash cycles 9

Table of wash cycles
Special wash cycles

Personalisation 10-11

Setting the temperature
Setting the spin speed
Functions

Detergents and laundry 12

Detergent dispenser drawer
Bleach cycle
Preparing the laundry
Garments requiring special care
Load balancing system
Helpful Hints

Care and maintenance instructions 13

Cutting off the water and electricity supplies
Cleaning the washing machine
Cleaning the detergent dispenser drawer
Caring for the door and drum of your appliance
Cleaning the pump
Checking the water inlet hose

Troubleshooting 14

Service 15

Warranty, 16-17

Important safety instructions

NA

IMPORTANT SAFETY INSTRUCTIONS

WARNING - To reduce the risk of fire, electrical shock, or injury to persons when using your appliance, follow basic precautions, including the following:

- Read all instructions before using the appliance.
- Do not wash articles that have been previously cleaned in, washed in, soaked in, or spotted with gasoline, dry cleaning solvents, other flammable, or explosive substances as they give off vapors that could ignite or explode.
- Do not allow children to play on or in the appliance. Close supervision of children is necessary when the appliance is used near children.
- Before the appliance is removed from service or discarded, remove the door to the washing compartment.
- Do not add gasoline, dry cleaning solvents, or other flammable or explosive substances to the wash water. These substances give off vapors that could ignite or explode.
- Do not install or store this appliance where it will be exposed to the weather.
- Do not tamper with controls.
- Under certain conditions Hydrogen gas may be produced in a hot water system that has not been used for 2 weeks or more. **HYDROGEN GAS IS EXPLOSIVE.** If the hot water system has not been used for such a period, before using the appliance, turn on all hot water faucets and let the water flow from each for several minutes. This will release any accumulated hydrogen gas. As the gas is flammable do not smoke or use an open flame during this time.
- Turn off water faucets to relieve pressure on hoses and valves and to minimize leakage if a break or rupture occurs.
- Do not reach into the appliance if the tub or drum is moving.
- Do not repair or replace any part of the appliance or attempt any servicing unless specifically recommended in the user-maintenance instructions or in published user-repair instructions that you understand and have the skills to carry out.
- Good, safe practices and caution **MUST** be applied when installing, operating, and maintaining any appliance. Follow basic precaution.
- Disconnect power to the washer at the circuit breaker or fuse box, or unplug the machine in an emergency or when servicing required. Have the installer show you and label the proper switch or fuse at the electrical disconnect box.
- The interior of the appliance should be cleaned periodically by qualified service personnel.
- Before loading the washer, make sure the drum is empty.

SAVE THESE INSTRUCTIONS

GROUNDING INSTRUCTIONS

This appliance must be grounded. In the event of malfunction or breakdown, grounding will reduce the risk of electric shock by providing a path of least resistance for electric current. This appliance is equipped with a cord having an equipment-grounding conductor and a grounding plug. The plug must be plugged into an appropriate outlet that is properly installed and grounded in accordance with all local codes and ordinances.

WARNING - Improper connection of the equipment-grounding conductor can result in a electric shock.

Check with a qualified electrician or service representative or personnel if you are in doubt as to whether the appliance is properly grounded.

Do not modify the plug provided with the appliance: if it will not fit outlet, have a proper outlet installed by a qualified electrician.

Safety



**CAUTION RISK
OF ELECTRIC
SHOCK DO
NOT OPEN**



CAUTION:

To reduce the risk of electric shock, DO NOT remove cover (or back)/no user servicable parts inside. Refer for servicing to qualified services personnel.

The model number of this product may be found on the back of the unit; the serial number of the label affixed to the back of the unit.

You should note the model and serial numbers of this unit in the space provided. Retain this booklet as a permanent record of your purchase to aid in identification in the event of theft.

MODEL N. _____

SERIAL N. _____



WARNING:

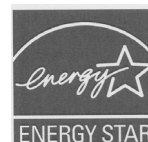
TO PREVENT FIRE OR SHOCK HAZARD DO NOT EXPOSE THIS PRODUCT TO RAIN OR MOISTURE.



The lightning flash with arrowhead symbol, within an equilateral triagle, is intended to alert the user to the presence of uninsulated “dangerous voltage” within the product’s enclosure that may be of sufficient magnitude to constitute a risk of electric shock to persons.



The exclamation point within an equilateral triangle is intended to alert the user to the presence of important operating and maintenance (servicing) instructions in the booklet.



Indesit Company offers to his customers products with the ENERGY STAR Label.

This appliance was tested by UL and conforms with both Canadian and U.S. UL safety requirements and displays their Mark



Installation instructions

NA

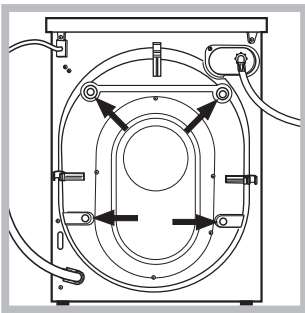
! This instruction manual should be kept in a safe place for future reference. If the washer is sold, transferred or moved, make sure that the instruction manual remains with the machine so that the new owner is able to familiarise himself/herself with its operation and features.

! Read these instructions carefully: they contain vital information relating to the safe installation and operation of the appliance.

Unpacking and levelling

Unpacking

1. Remove the washer from its packaging.
2. Make sure that the washer has not been damaged during the transportation process. If it has been damaged, contact the retailer and do not proceed any further with the installation process.



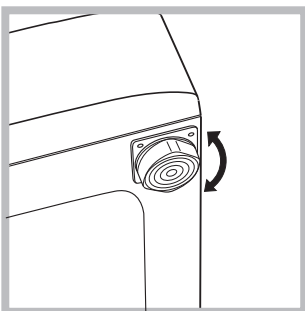
3. Remove the 4 protective screws (used during transportation) and the rubber washer with the corresponding spacer, located on the rear part of the appliance (see figure).

4. Close off the holes using the plastic plugs provided.
5. Keep all the parts in a safe place: you will need them again if the washer needs to be moved to another location.

! Packaging materials should not be used as toys for children.

Levelling

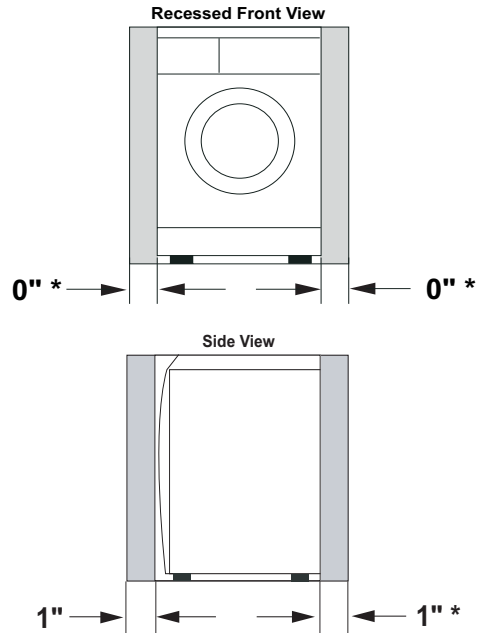
1. Install the washer on a flat sturdy floor, without resting it up against walls, furniture cabinets or anything else.



2. If the floor is not perfectly level, compensate for any unevenness by tightening or loosening the adjustable front feet (see figure); the angle of inclination, measured in relation to the worktop, must not exceed 2°.

Levelling the machine correctly will provide it with stability, help to avoid vibrations and excessive noise and prevent it from shifting while it is operating.

Minimum Installation Spacing



This appliance may be installed in a recessed area, closet or alcove. The installation spacing is in inches and is the minimum acceptable.

*Additional spacing should be considered for easy installation, servicing and compliance with local codes and ordinances. Installations must conform with the minimum dimensions indicated.

Connecting Water Inlet

If the water pipes you will be connecting to are new or unused, run the water until clear to remove any debris that could clog the water valve screens or valves before connecting the machine. NOTE: Supply shut-off valves should be easily accessible.



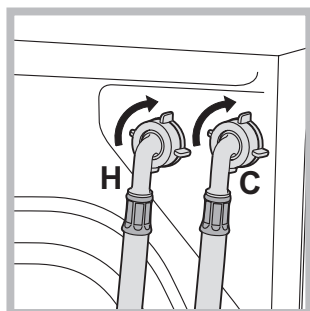
Important: Water pressure MUST range within the values indicated on the "Technical Data" chart.

1. Screw the cold water fill hose (C blue connector) onto the cold water supply until tight.

2. Turn on the cold water supply and check for leaks, tighten if necessary.

3. Screw the hot water fill hose (H red connector) onto the hot water supply until tight.

4. Turn on the hot water supply and check for leaks, tighten if necessary.



Important: Do not use excessive force. Damage to the couplings can result. The couplings should be tightened by hand; a tool should only be used if a leak occurs.

Drainage

- **Standpipe Diameter/Capacity** - Needs a 1 1/4" minimum diameter standpipe with a minimum carry-away capacity of 7 gallons per minute.
- **Top of Standpipe** - Must be between 25" - 34" high from the bottom of the machine.
- **Outlet End of Drain Hose (provided with the unit)** - Must be at least 20" above the bottom of the washer-dryer. An air break must be available at the standpipe to avoid siphoning. No more than 6" of the drain hose should be inserted into the drain pipe to prevent siphoning.

Connecting the drain hose

It is possible for the water to be discharged into a sink, standpipe or drainpipe, but an air break must be available at a min. 20" height to prevent the machine from siphoning (Fig. 6).

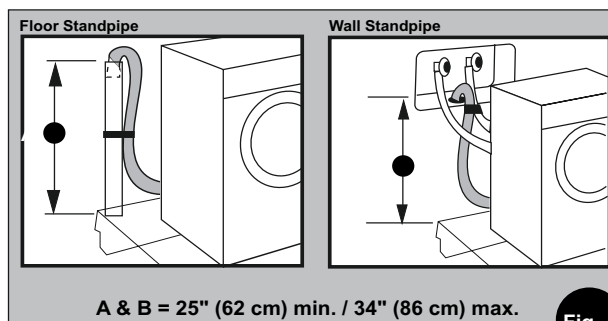


Fig. 4

Standpipe Drain System - Installations require a minimum 1 1/4" (3.2 cm) diameter standpipe with a minimum carry away capacity of 7 gallons (26 liters) per minute.

Wall or Floor Standpipe Drain System - The top of the standpipe must be between 25" (62 cm) - 34" (86 cm) from the bottom of the washer (Fig. 4).

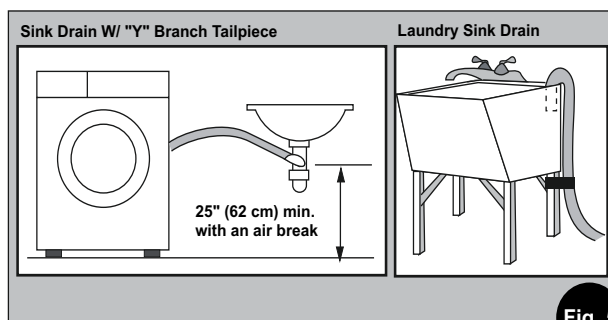


Fig. 5

Sink Drainpipe System - Entry into the sink drain system must be above the trap (Fig. 5). When routing the drain hose through cabinets or walls, use a protective material such as electrical or duct tape to cover sharp edges that could damage the drain hose. Use a suitable clamp to secure the drain hose to the "Y" branch or the disposer. With a sink drainpipe system, you may connect directly:

- 1) to a disposer by following the manufacturer's attachment method.
- 2) directly to a "Y" branch tail piece (available at most hardware stores).



Important: Make sure that the drain hose is not kinked and that water flow is not restricted.

- 3) Through the floor to a separate trap. The trap must be vented to prevent siphoning. To provide proper venting, install an Air Gap Kit (available at most hardware stores).
- 4) To the to the faucet using a Faucet Adapter Kit (available separately).

- Use a U-Clamp (provided in your accessories packet) or suitable item to secure the outlet end of the drain hose (pre-installed on the back of your machine).

- Insert the outlet end of the drain hose into the standpipe, wall or floor drain (Fig. 6). NOTE: The outlet end of the drain hose MUST be at least 20" (50 cm) above the base of the machine. No more than 6" of the drain hose should be inserted into the drain pipe to prevent siphoning.
- Use a strap, cable tie, or similar item to hold the hose or the U-Clamp in place.

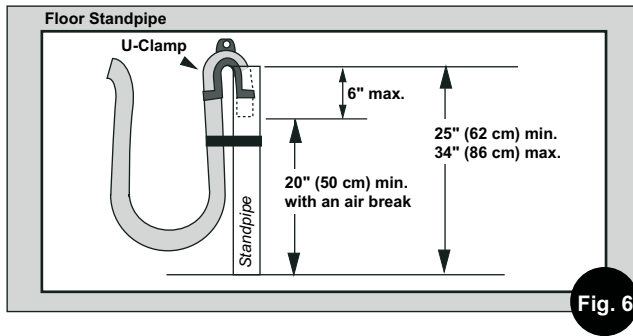


Fig. 6

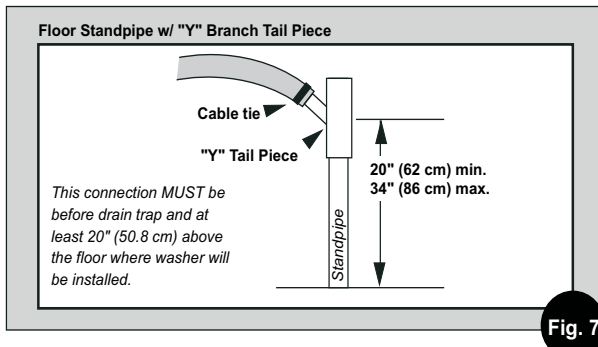
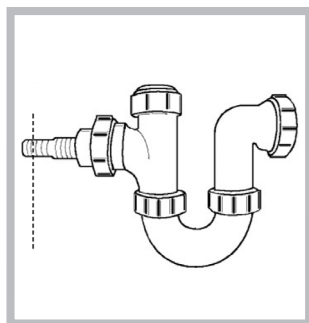
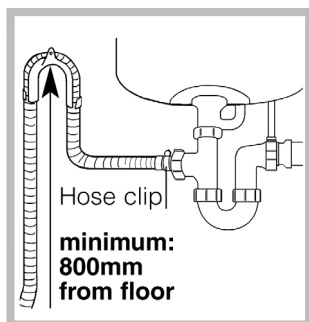


Fig. 7

Under Sink Method



1. Cut the blocked end of the under sink drainage unit.





2. Fix the hooked end support a minimum of 620 mm from the floor.
3. Use a hose clip clamp to securely attach the grey drainage hose end to the under sink drainage unit using a hose clamp

Electrical

- Machine Voltage/Amperage - 120V, 60 Hz, 10 Amp.
- Connection - 3-prong plug with 6' cord is provided with the machine.
- Circuit/Protector - 3-wire single phase, 120V, 60 Hz, AC, on a separate 15 Amp circuit.

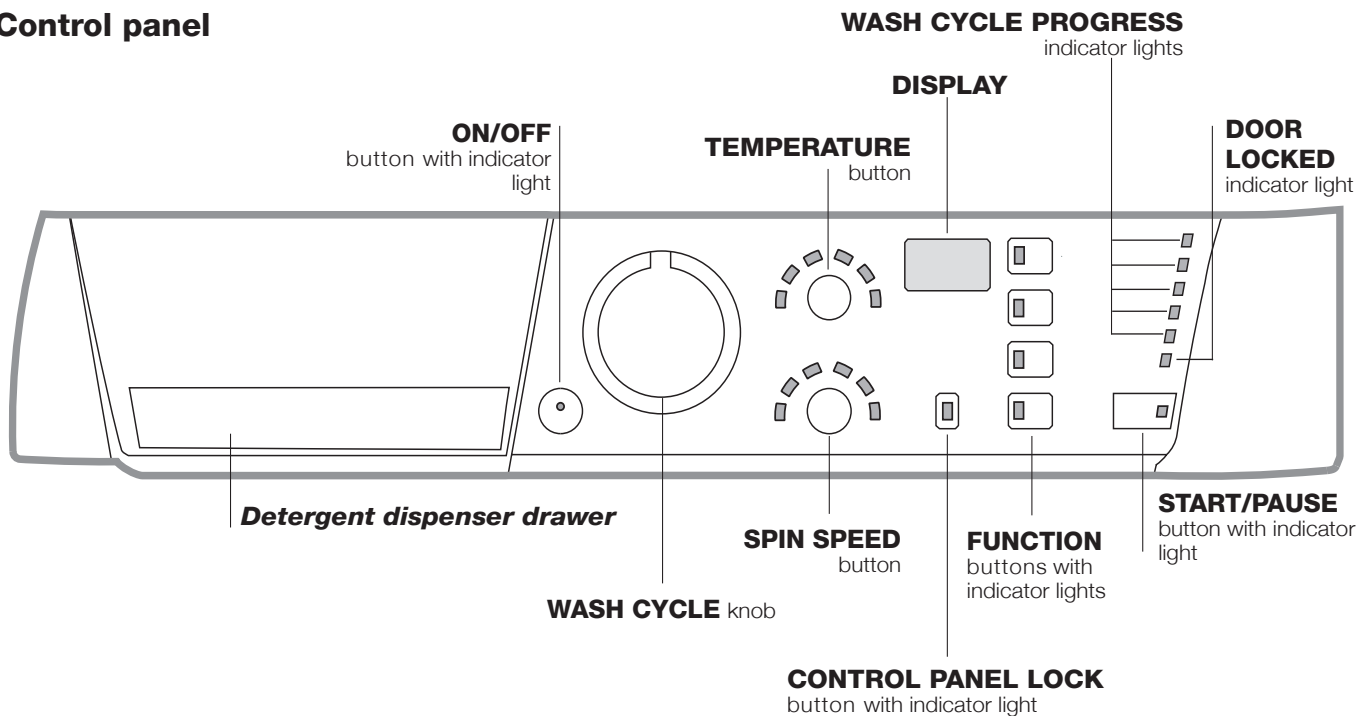
Technical Information

Technical data	
Model	ARWF 149
Dimensions	width: 23.4" (59.5 cm) height: 33.24" - 33.75" (84.5 - 85.7 cm) depth: 22" (55.9 cm)
Weight	148 lbs
Minimum Installation Clearances	Sides: 0" Front / Back: 1"
Capacity	Washing: 2 to 15 lbs. (1 to 7 kg)
Electrical connections	Voltage: 120Volts, 10 A, 60 Hz
Water connections	Max. Pressure: 0.69 MPa (6.9 bar), 100 psi Min. Pressure: 0.05 MPa (0.5 bar), 7.2 psi
Max. Spin speed	up to 1400 RPM
Indesit Company offers to his customers products with the ENERGY STAR Label. 	
This appliance was tested by UL and conforms with both Canadian and U.S. UL safety requirements and displays their Mark. 	

Description of the washing machine and starting a wash cycle

NA

Control panel



WARNING: To reduce the risk of fire, electric shock, or injury to persons, read the **IMPORTANT SAFETY INSTRUCTIONS** before operating this appliance.

Detergent dispenser drawer: used to dispense detergents and washing additives (see “Detergents and laundry”).

ON/OFF button with indicator light: switches the machine on and off.
If the indicator light is illuminated, this indicates that the machine is switched on.

WASH CYCLE knob: programmes the wash cycles. During the wash cycle, the knob does not move.

SPIN SPEED button: sets the spin speed or exclude the spin cycle completely (see “Personalisation”).

TEMPERATURE button: sets the temperature or the cold wash cycle (see “Personalisation”).
The wash temperatures selections are uniformly distributed.

DISPLAY: indicates the time remaining for the selected wash cycle and, if a delayed start has been programmed, the time remaining until the start of the wash cycle.


CONTROL PANEL LOCK button with indicator light: activates or deactivates the control panel lock.

FUNCTION buttons with indicator light: used to select the available functions. The indicator light corresponding to the selected function will remain lit.

WASH CYCLE PROGRESS indicator lights: used to monitor the progress of the wash cycle.
The illuminated indicator light shows which phase is in progress.

DOOR LOCKED indicator light: indicates whether the door may be opened or not (see *next page*).

START/PAUSE button with indicator light: starts or temporarily interrupts the wash cycles.

N.B. To pause the wash cycle in progress, press this button; the corresponding indicator light will flash orange, while the indicator light for the current wash cycle phase will remain lit in a fixed manner. If the **DOOR LOCKED**  indicator light is switched off, the door may be opened. To start the wash cycle from the point at which it was interrupted, press this button again.










Indicator lights

The indicator lights provide important information. This is what they can tell you:

Wash cycle phase indicator lights

As the WASH CYCLE knob is rotated, the indicator lights illuminate, indicating the stages which will be performed by the machine in accordance with the selected wash cycle.

Once the desired wash cycle has been selected and has begun, the indicator lights switch on one by one to indicate which phase of the cycle is currently in progress.

Wash		
Rinse		
Spin		
Drain		
End of wash cycle	END	

Function buttons and corresponding indicator lights

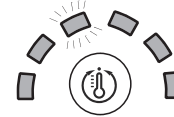
When a function is selected, the corresponding indicator light will illuminate.

If the selected function is not compatible with the programmed wash cycle, the corresponding indicator light will flash, a sound signal will be emitted and the function will not be activated.

If a function which is incompatible with another function selected previously, only the most recent selection will remain active.

Temperature indicator light

When a temperature value is selected, the corresponding indicator light will illuminate.



Spin indicator light

When a spin value is selected, the corresponding indicator light will illuminate.



Control panel lock indicator light

To **activate** the control panel lock, press and hold the button for approximately 2 seconds. When the indicator light is illuminated, the control panel is locked. This means it is possible to prevent wash cycles from being modified accidentally, especially where there are children in the home.

To **deactivate** the control panel lock, press and hold the button for approximately 2 seconds.

Door locked indicator light

If this indicator light is on, the appliance door is locked to prevent it from being opened accidentally; to avoid any damage, wait for the indicator light to switch off before you open the appliance door.

N.B. If the DELAY TIMER function is activated, the door cannot be opened; pause the machine by pressing the START/PAUSE button if you wish to open it.

! If the START/PAUSE indicator light (orange) flashes rapidly at the same time as the function indicator light, this indicates a problem has occurred (see "Troubleshooting").

Starting a wash cycle

1. Switch the washing machine on by pressing the ON/OFF button. All indicator lights will switch on for a few seconds, then they will switch off and the START/PAUSE indicator light will pulse.
2. Load the laundry and close the door.
3. Set the WASH CYCLE knob to the desired programme.
4. Set the washing temperature (see "Personalisation").
5. Set the spin speed (see "Personalisation").
6. Measure out the detergent and washing additives (see "Detergents and laundry").
7. Select the desired functions.
8. Start the wash cycle by pressing the START/PAUSE button and the corresponding indicator light will remain lit in a fixed manner, in green.

To cancel the set wash cycle, pause the machine by pressing the START/PAUSE button and select a new cycle.

9. At the end of the wash cycle the (END) indicator light will switch on. The DOOR LOCKED indicator light will switch off, indicating that the door may be opened. Take out your laundry and leave the appliance door ajar to make sure the drum dries completely. Switch the washing machine off by pressing the ON/OFF button.

Table of wash cycles

Wash cycles	Description of the wash cycle	Max. temp. (°C)	Max. speed (rpm)	Detergents			Max load (lb)	Cycle duration
				Bleach	Wash	Fabric softener		
Essentials cycles								The duration of the wash cycles can be checked on the display.
1	Cottons Regular: Heavily soiled whites and resistant colours.	Hot	Max	-	●	●	Max	
2	Cottons Colored: Lightly soiled whites and delicate colours.	Warm	Max	-	●	●	Max	
3	Permanent Press: Normally soiled synthetics or permanent press labelled garments.	Warm	800	-	●	●	6.6	
4	Quick Wash	Warm	Max	-	●	●	2.20	
5	Mixed Load 30 min.: To refresh lightly soiled garments quickly (not suitable for wool, silk and clothes which require washing by hand).	Warm	800	-	●	●	6.6	
Special wash cycles								
6	Sanitizing: Sanitizes your load by reaching over 160°F, use on extremely soiled whites.	Hot	Max	●	●	●	Max	
7	Bright White: Heavily soiled whites and resistant colours.	Warm	Max	●	●	●	Max	
8	Jeans	Warm	800	-	●	●	6.6	
9	Active Wear	Warm	600	-	●	●	6.6	
10	Lightly Soiled 15 min.: To refresh lightly soiled garments quickly (not suitable for wool, silk and clothes which require washing by hand)	Warm	800	-	●	●	3.30	
Delicates								
11	Delicate: Lightly soiled delicates colours.	Warm	800	-	●	●	6.6	
12	Silk/Curtains	Warm	0	-	●	●	2.20	
13	Wool: for wool, cashmere, etc.	Warm	600	-	●	●	3.30	
Partials wash cycles								
A	Rinse	-	Max	-	-	●	Max	
B	Spin	-	Max	-	-	-	Max	
C	Drain	-	-	-	-	-	Max	

Special wash cycles

Permanent Press (wash cycle 3) this cycle has less mechanical agitation and spinning speed designed to reduce wrinkles.

Mixed Load (wash cycle 5) this wash cycle was designed to wash lightly soiled garments quickly: it lasts just 30 minutes and therefore saves both energy and time. By selecting this wash cycle (5 at WARM temperature), it is possible to wash different fabrics together (except for wool and silk items), with a maximum load of 6.6 lb - (3 kg).

Sanitizing cycle (wash cycle 6). A high-temperature hygienic wash cycle (over 60°C), use this cycle if you specifically need to hygienize your garments or if you have an extremely soiled load; this cycle optimizes the action of bleach. Pour the bleach, the detergent and the additives into the relevant compartments (see paragraph entitled “Detergent dispenser drawer”).

Bright White (wash cycle 7) Use this cycle when bleaching with hypochlorite based products.

Pour the bleach, the detergent and the additives into the relevant compartments (see paragraph entitled “Detergent dispenser drawer”).

Active wear (wash cycle 9) is for washing lightly soiled sports clothing fabrics (tracksuits, shorts, etc.); for best results, we recommend not exceeding the maximum load indicated in the “Table of wash cycles”. We recommend using a liquid detergent and dosage suitable for a half-load.

Lightly Soiled 15 min. (wash cycle 10) this wash cycle was designed to wash lightly soiled garments quickly: it lasts just 15 minutes and therefore saves both energy and time. By selecting this wash cycle (10 at WARM temperature), it is possible to wash different fabrics together (except for wool and silk items), with a maximum load of 3.30 lb - (1.5 kg). For this cycle we recommend pretreating stains, shirt necks and wrists with specific antistain products.

Personalisation

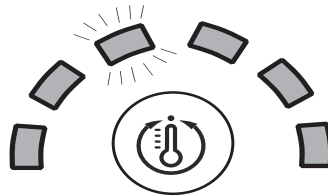
NA

Setting the temperature

By pressing the **TEMPERATURE** button to set the wash temperature. (See **Table of wash cycles**) Wash temperature can be set selecting ☼, “Cold”, “Warm”, “Hot” or 2 in-between positions which correspond to intermediate levels of water temperature (example: the position between “cold” and “warm” is lukewarm). See below for the indication in °C and °F for each temperature position.

The available selections are:

- ☼ Tap water
- **Cold** 15 °C / 59 °F
- 20 °C / 68 °F
- **Warm** 40 °C / 104 °F
- 57 °C / 134 °F
- **Hot** 75 °C / 167 °F



Setting the spin speed

By pressing the **SPIN SPEED** button to set the spin speed for the selected wash cycle.

The maximum spin speeds available for each wash cycle are as follows:

Wash cycles	Maximum spin speed
Cottons	1400 rpm only
Synthetics	800 rpm
Wool	600 rpm
Silk	drain only

The spin speed may be lowered, or the spin cycle can be excluded altogether by selecting the symbol ☼.

The washing machine will automatically prevent you from selecting a spin speed which is higher than the maximum speed set for each wash cycle.

Note 1: During the (Cotton) cycles 1 and 2, it is not possible to eliminate the spin cycle or reduce the pre determined spin speed.”

Note 2: For the first two Programmes (Cottons Regular and Cottons Colored) the garments will be spun at maximum speed. This allows to get the most from the spinning phase and reduce time and energy needed for the drying.

Functions

The various wash functions available with this washing machine will help to achieve the desired results, every time.

To activate the functions:

1. Press the button corresponding to the desired function;
2. the function is enabled when the corresponding indicator light is illuminated.

Note: If the indicator light flashes rapidly, this signals that this particular function may not be selected in conjunction with the selected wash cycle.

Delay timer

To set a delayed start for the selected wash cycle, press the button repeatedly until the desired delay time is displayed (this may be between 1 hour and 24 hours).

To disable the function press the button until the text **OFF** is displayed.

N.B. Once you have pressed the **START/PAUSE** button, the delay time may only be decreased if you wish to modify it.

! This option is enabled with all programmes.

Super Wash

Because a greater quantity of water is used in the initial phase of the cycle, and because of the increased cycle duration, this function offers a high-performance wash.

! This function may not be used in conjunction with wash cycles 4, 5, 6, 8, 10, 12, 13, A, B, C.

Extra rinse

By selecting this function, the efficiency of the rinse is increased and optimal detergent removal is guaranteed. It is particularly useful for sensitive skin.

! This function may not be used in conjunction with wash cycles 5, 10, B, C.

Reduced Wrinkles

By selecting this function, the wash and spin cycles will be modified in order to reduce the formation of creases. At the end of the cycle the washing machine will perform slow rotations of the drum; the REDUCED WRINKLES indicator light will switch on and the START/PAUSE indicator light will flash in an orange colour and the phase **END** will remain lit in a fixed manner. To end the cycle, press the START/PAUSE button or the REDUCED WRINKLES button.

For the **Silk/Curtains** cycle, the machine will end the cycle while the laundry is soaking and the REDUCED WRINKLES indicator light will flash. To drain the water so that the laundry may be removed, press the START/PAUSE button or the REDUCED WRINKLES button.

! It may not be used with the 5, 6, 9, 10, 13, B, C.

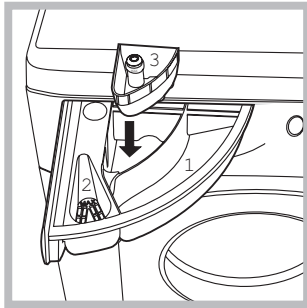
Detergents and laundry

NA

Detergent dispenser drawer

Good washing results also depend on the correct dose of detergent: adding too much detergent will not necessarily result in a more efficient wash, and may in fact cause build up on the inside of your appliance and contribute to environmental pollution.

! Do not use hand washing detergents because these create too much foam.



Open the detergent dispenser drawer and pour in the detergent or washing additive, as follows.

compartment 1: Detergent for the wash cycle (powder or liquid)

Liquid detergent should only be poured in immediately prior to the start of wash cycle.

compartment 2: Additives (fabric softeners, etc.)

The fabric softener should not overflow the grid.

extra compartment 3: Bleach

Bleach cycle

Bleaching may only be performed in conjunction with wash cycles **6**. Pour the bleach into extra compartment **3**; pour the detergent and softener into the corresponding compartments, then select one of the abovementioned wash cycles.

This option is recommended only for very soiled cotton garments.

Preparing the laundry

- Divide the laundry according to:
 - the type of fabric/the symbol on the label.
 - the colours: separate coloured garments from whites
- Empty all garment pockets and check the buttons.
- Do not exceed the listed values, which refer to the weight of the laundry when dry:
 - Durable fabrics: max. 15 lb - (7 kg)
 - Synthetic fabrics: max. 6.6 lb - (3 kg)
 - Delicate fabrics: max. 4.4 lb - (2 kg)
 - Wool: max. 3.30 lb - (1,5 kg)

How much does your laundry weigh?


- 1 sheet 14-17 oz - (400-500 g)
- 1 pillow case 5-7 oz - (150-200 g)
- 1 tablecloth 14-17 oz - (400-500 g)
- 1 bathrobe 31-42 oz - (900-1200 g)
- 1 towel 5-8 oz - (150-250 g)

Garments requiring special care

Jeans: Turn garments inside-out before washing and use a liquid detergent. Use programme **8**.

Silk: use special wash cycle **12** to wash all silk garments. We recommend the use of special detergent which has been designed to wash delicate clothes.

Curtains: fold curtains and place them in a pillow case or mesh bag. Use wash cycle **12**.

Wool: Ariston is the only washer manufacturer to have been awarded the prestigious Woolmark Platinum Care endorsement (M.0508) by the Woolmark Company, which means that all woollen garments may be washed in the washer, even those which state "hand wash only"  on the label. Wash cycle **13** therefore offers complete peace of mind when washing woollen garments in the washer (max. load 3.30 lb - 1,5 kg) and guarantees optimal performance.

Load balancing system

Before every spin cycle, to avoid excessive vibrations and to distribute the load in a uniform manner, the drum rotates continuously at a speed which is slightly greater than the washing rotation speed. If, after several attempts, the load is not balanced correctly, the machine spins at a reduced spin speed. If the load is excessively unbalanced, the washer performs the distribution process instead of spinning. To encourage improved load distribution and balance, we recommend small and large garments are mixed in the load.

Helpful Hints

Your washer features three different speeds during the wash cycle. During the Cotton cycle the drum spins at 1,200 or 800 rpm. During Permanent Press the drum spins at 850 rpm. During delicates, the drum spins at 500 rpm.

Use Liquid Fabric Softener. Fill the softener compartment up to the level marked. Using fabric softener fluffs out clothes immediately after the wash cycle. This helps speed drying time and reduce wrinkles.

Use Low sudsing Detergent. This is recommended for all front loading washers. It ensures there is no over sudsing, which may reduce the performance of your machine. Also, this prevents damage to your machine which may be caused by excess suds entering the condensing chamber and clogging the fan blower mechanism with lint.

When sorting laundry always take into consideration the quantity and type of fabric contained in the load. Highly absorbent fabrics such as those used in towels or jeans will absorb more water and become very heavy when saturated. If you notice that your clothes are taking longer than usual to dry may be overloading the machine, or washing too many highly absorbent articles for a single load.

Care and maintenance instructions

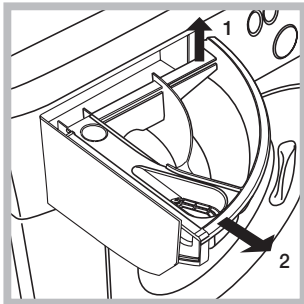
Cutting off the water and electricity supplies

- Turn off the water tap after every wash cycle. This will limit wear on the hydraulic system inside the washing machine and help to prevent leaks.
- Unplug the washing machine when cleaning it and during all maintenance work.

Cleaning the washing machine

The outer parts and rubber components of the appliance can be cleaned using a soft cloth soaked in lukewarm soapy water. Do not use solvents or abrasives.

Cleaning the detergent dispenser drawer



Remove the dispenser by raising it and pulling it out (see figure). Wash it under running water; this operation should be repeated frequently.

Caring for the door and drum of your appliance

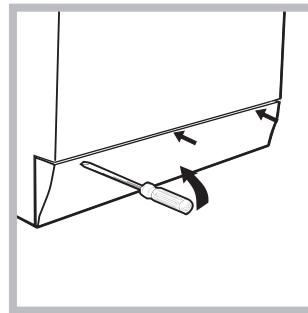
- Always leave the porthole door ajar in order to prevent unpleasant odours from forming.

Cleaning the pump

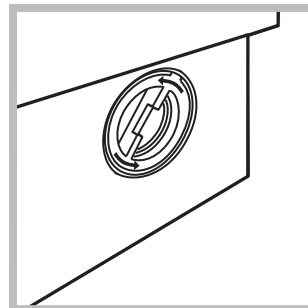
The washing machine is fitted with a self-cleaning pump which does not require any maintenance. Sometimes, small items (such as coins or buttons) may fall into the pre-chamber which protects the pump, situated in its bottom part.

! Make sure the wash cycle has finished and unplug the appliance.

To access the pre-chamber:



1. using a screwdriver, remove the cover panel on the lower front part of the washing machine (see figure);



2. unscrew the lid by rotating it anti-clockwise (see figure); a little water may trickle out. This is perfectly normal;

3. clean the inside thoroughly;
4. screw the lid back on;
5. reposition the panel, making sure the hooks are securely in place before you push it onto the appliance.

Checking the water inlet hose

Check the inlet hose at least once a year. If there are any cracks, it should be replaced immediately: during the wash cycles, water pressure is very strong and a cracked hose could easily split open.

! Never use second-hand hoses.

Troubleshooting

NA

Your washing machine could fail to work. Before contacting the Technical Assistance Centre (see "Assistance"), make sure that the problem cannot be not solved easily using the following list.

Problem:

Possible causes / Solutions:

The washing machine does not switch on.

- The appliance is not plugged into the socket fully, or is not making contact.
- There is no power in the house.

The wash cycle does not start.

- The washing machine door is not closed properly.
- The ON/OFF button has not been pressed.
- The START/PAUSE button has not been pressed.
- The water tap has not been opened.
- A delayed start has been set (using the Delay Timer, see "Personalisation").

The washing machine does not take in water (the indicator light for the first wash cycle stage flashes rapidly).

- The water inlet hose is not connected to the tap.
- The hose is bent.
- The water tap has not been opened.
- There is no water supply in the house.
- The pressure is too low.
- The START/PAUSE button has not been pressed.

The washing machine continuously takes in and drains water.

- The drain hose is not fitted at a height between 65 and 100 cm from the floor (see "Installation").
- The free end of the hose is under water (see "Installation").
- The wall drainage system is not fitted with a breather pipe.

If the problem persists even after these checks, turn off the water tap, switch the appliance off and contact the Assistance Service. If the dwelling is on one of the upper floors of a building, there may be problems relating to water drainage, causing the washing machine to fill with water and drain continuously. Special anti-draining valves are available in shops and help to avoid this inconvenience.

The washing machine does not drain or spin.

- The wash cycle does not include draining: some wash cycles require the drain phase to be started manually.
- The REDUCED WRINKLES function has been activated: To complete the wash cycle, press the START/PAUSE button ("Personalisation").
- The drain hose is bent (see "Installation").
- The drainage duct is clogged.

The washing machine vibrates a lot during the spin cycle.

- The drum was not unlocked correctly during installation (see "Installation").
- The washing machine is not level (see "Installation").
- The washing machine is trapped between cabinets and walls (see "Installation").

The washing machine leaks.

- The water inlet hose is not screwed on properly (see "Installation").
- The detergent dispenser drawer is blocked (for cleaning instructions, see "Care and maintenance").
- The drain hose is not fixed properly (see "Installation").

The START/PAUSE indicator light (orange) and the function indicator lights flash rapidly.

- Switch off the machine and unplug it, wait for approximately 1 minute and then switch it back on again.
If the problem persists, contact the Technical Assistance Service.

There is too much foam.

- The detergent is not suitable for machine washing (it should display the text "for washing machines" or "hand and machine wash", or the like).
- Too much detergent was used.

Before calling for Assistance:

- Check whether you can solve the problem alone (see “*Troubleshooting*”);
- Restart the programme to check whether the problem has been solved;
- If this is not the case, contact an authorised Technical Assistance Centre using the telephone number provided on the guarantee certificate.

! Always request the assistance of authorised technicians.

Have the following information to hand:

- the type of problem;
- the appliance model (Mod.);
- the serial number (S/N).

This information can be found on the data plate applied to the rear of the washing machine, and can also be found on the front of the appliance by opening the door.

Warranty

ARISTON ONE-YEAR LIMITED WARRANTY (USA & CANADA ONLY)

WHO IS COVERED BY THIS WARRANTY

This limited one-year warranty (“Warranty”) is given only to the original end-use/retail purchaser (the “First Using Purchaser”) of the accompanying Ariston product(s) (the “Ariston Product”).

If you purchased this Ariston Product from someone other than an authorized Ariston reseller/dealer in the United States or Canada, or if the Ariston Product was used (including but not limited to floor models or refurbished products) prior to your purchase, then you are not the First Using Purchaser and the Ariston Product that you purchased is not covered by this Warranty. This Warranty is not transferable.

WHAT IS COVERED BY THIS WARRANTY

Ariston will repair or replace any part of the Ariston Product which fails due to a defect in materials or workmanship when used under normal home-use conditions. Ariston will also provide, free of charge, all labor and related services to repair or replace the defective part.

This Warranty applies only to Ariston Products purchased and used in the United States or Canada. Subject to the exclusions below, for Ariston Products purchased in, but used outside, the United States or Canada, this Warranty covers only warranty service within the United States or Canada (and does not include shipping outside the United States or Canada).

LENGTH OF THE WARRANTY

This Warranty runs for a period of one (1) year from the date of the original purchase by the First Using Purchaser. Please note that a copy of your original purchase receipt showing the purchase date and the vendor’s name and address are required to obtain service under this Warranty. For the purposes of determining the applicable warranty period, please note that any and all replaced or repaired parts shall assume the identity of the original.

WHAT IS NOT COVERED BY THE WARRANTY (EXCLUSIONS)

This Warranty does not cover:

1. Improper installation, delivery, maintenance and/or improper operation of the Ariston Product.
2. Damage caused if the Ariston Product has not been used in compliance with the electricity or gas supply specifications printed on the rating plate.
3. Failure of or damage to the Ariston Product if it is altered, abused, misused, or used for other than the intended purpose, or if it is used commercially.
4. Service trips to your home to provide instructions on the use of your Ariston Product.

5. Replacement of house fuses or correction of the plumbing or electric wiring in your home.
 6. Damage caused by neglect, accident, fire, floods or acts of God.
 7. Physical Damage to the appearance of your Ariston Product including, without limitation, scratches, rust, dents, warping, peeling and the like.
 8. Damage caused by transportation.
 9. Replacement of any consumable or degradable item or accessory including, but not limited to: plugs, cables, batteries, light bulbs, fluorescent tubes and starters, covers and filters, or replacement of any removable parts made of glass or plastic.
 10. Damage caused after delivery.
 11. Water damage of any kind.
 12. An Ariston Product not accessible to provide required service.
 13. Problems arising from other than defects in materials or workmanship.
 14. Travel time when installed in a recreational vehicle or marine application.
- This Warranty is void if the Ariston Product is altered, serviced, maintained, dismantled, or otherwise interfered with by any person who is not authorized by Ariston.
15. Non-standard labor when installed in a marine application.
 16. Water leaks of any kind.

TO THE EXTENT PERMITTED BY LAW, THIS WARRANTY IS IN LIEU OF ALL OTHER WARRANTIES, WRITTEN OR ORAL, WHETHER EXPRESSED BY AFFIRMATION, PROMISE, DESCRIPTION, DRAWING, MODEL OR SAMPLE. ANY AND ALL WARRANTIES OTHER THAN THIS ONE, WHETHER EXPRESS OR IMPLIED, INCLUDING IMPLIED WARRANTIES OF MERCHANTABILITY AND FITNESS FOR A PARTICULAR PURPOSE, ARE HEREBY DISCLAIMED. IMPLIED WARRANTIES INCLUDING, BUT NOT LIMITED TO, THE IMPLIED WARRANTIES OF MERCHANTABILITY AND FITNESS THAT CANNOT BE EXCLUDED BY LAW, SHALL BE LIMITED TO THE SAME DURATION AS THIS WARRANTY. EXCEPT FOR THAT REPAIR OR REPLACEMENT AS DESCRIBED ABOVE, ARISTON SHALL NOT BE LIABLE FOR ANY DIRECT, INDIRECT, INCIDENTAL OR CONSEQUENTIAL DAMAGES OR SPECIFIC RELIEF.

Some States and Provinces do not allow the exclusion or limitation of incidental or consequential damages and/or implied warranties, so the above limitations or exclusions may not apply to you. This Warranty gives you specific legal rights and you may also have other legal rights which vary from State to State or Province to Province.

WHAT YOU SHOULD DO TO OBTAIN WARRANTY SERVICE

All repairs or warranty service must be provided by Ariston or an Authorized Ariston Service Center.

To schedule warranty service please call 1-877-356-0766, email service@aristonamerica.com. Please remember to provide us with your Ariston Product's model number and serial number.

Please note that a copy of your original purchase receipt showing the purchase date and the vendor's name and address are required to obtain service under this Warranty. If the Ariston Product is located in an area where service by an Authorized Ariston Service Center is not available, you may be responsible for a trip charge or you may be required to bring the Ariston Product to an Authorized Ariston Service Center for service.

The foregoing are your sole (i.e., only) and exclusive remedies under this Warranty. This Warranty is the only warranty that Ariston is giving for this Ariston Product. This Warranty replaces all other agreements and understandings that you may have with Ariston or its representatives.

FR

Français

ARWF 149

 **ARISTON**

Table des matières

Consignes de sécurité importantes, 20-21

Consignes de sécurité importantes
Consignes de mise à la terre
Sécurité

Instructions pour l'installation, 22-23-24

Déballage et mise de niveau
Encombrement minimum
Raccordement de l'arrivée d'eau
Évacuation
Raccordement de la décharge
Raccordements électriques
Pose sous évier
Caractéristiques techniques

Description du lave-linge et démarrage d'un cycle de lavage, 25-26

Tableau de commande
Témoins
Démarrage d'un cycle de lavage

Cycles de lavage, 27

Tableau des cycles de lavage
Cycles de lavage spéciaux

Personnalisation, 28-29

Réglage de la température
Réglage de la vitesse d'essorage
Fonctions

Produits lessiviels et linge, 30

Distributeur de produits lessiviels
Cycle à l'eau de Javel
Préparation du linge
Vêtements nécessitant des soins particuliers
Système d'équilibrage des charges
Conseils utiles

Consignes pour l'entretien et le nettoyage, 31

Coupure de l'arrivée d'eau et de l'électricité
Nettoyage du lave-linge
Nettoyage du distributeur de produits lessiviels
Entretien du hublot et du tambour de votre machine
Nettoyage de la pompe
Contrôle du tuyau d'arrivée d'eau

Dépannage, 32

Entretien, 33

Garantie, 34-35

FR

Consignes de sécurité importantes

FR

CONSIGNES DE SÉCURITÉ IMPORTANTES

AVERTISSEMENT : Pour limiter le risque d'incendie, d'électrocution ou de blessure lors de l'utilisation de la machine, suivez les consignes de base suivantes :

- Lisez le manuel dans son intégralité avant d'utiliser la machine.
- Ne lavez les vêtements préalablement lavés avec de l'essence, imbibés ou tachés d'essence, de solvants pour le nettoyage à sec, d'autres produits inflammables ou de substances explosives car ils sont susceptibles de produire des vapeurs inflammables.
- Interdisez aux enfants de jouer sur ou dans la machine. Gardez les enfants sous étroite surveillance lorsqu'ils se trouvent à proximité de la machine.
- Avant l'enlèvement de la machine pour l'entretien ou pour sa mise au rebut, retirez la porte permettant l'accès au compartiment de lavage.
- N'ajoutez pas d'essence, de solvants utilisés pour le nettoyage à sec ou d'autres substances inflammables ou explosives dans l'eau de lavage. Ces substances libèrent des vapeurs inflammables.
- N'installez ni ne stockez la machine dans un endroit exposé aux intempéries.
- Veillez à ne pas endommager les commandes.
- Dans certains cas, de l'hydrogène peut être produit dans le circuit d'eau chaude s'il n'a pas été utilisé pendant 2 semaines ou plus. L'HYDROGÈNE EST UN GAZ EXPLOSIF. Si le circuit d'eau chaude n'a pas été utilisé pendant cette période, avant d'utiliser la machine, ouvrez tous les robinets d'eau chaude et laissez l'eau s'écouler pendant plusieurs minutes. Cela permettra de libérer l'hydrogène accumulé. Le gaz étant inflammable, évitez de fumer ou d'approcher une flamme vive pendant cette période.
- Coupez les robinets d'eau chaude pour libérer la pression sur les tuyaux et les vannes. Vous pourrez ainsi contenir les fuites en cas de rupture éventuelle.
- Évitez toute manipulation à l'intérieur de la machine lorsque la cuve ou le tambour est en mouvement.
- Ne tentez pas de réparer ou de remplacer un quelconque élément de la machine ni d'effectuer une quelconque réparation sauf si la marche à suivre est clairement expliquée dans le manuel d'entretien de l'utilisateur ou dans le manuel de réparation de l'utilisateur. Assurez-vous au préalable de disposer des compétences nécessaires pour prendre en charge ces opérations.
- Veillez à faire preuve de la prudence nécessaire lors de l'installation, l'utilisation et la maintenance de la machine. Respectez les précautions de base.
- Coupez l'alimentation du lave-linge au niveau du disjoncteur ou de la boîte à fusibles ou débranchez la machine en cas d'urgence ou lors d'une réparation. Faites en sorte que l'installateur vous montre et signale le commutateur ou le fusible correspondant au niveau du tableau.
- L'intérieur de la machine doit faire l'objet d'un nettoyage périodique par un technicien qualifié.
- Avant de charger le lave-linge, vérifiez si le tambour est bien vide.

CONSERVEZ CE MANUEL

CONSIGNES POUR LA MISE À LA TERRE

Cet appareil doit être mis à la terre. En cas de dysfonctionnement ou de panne, la mise à la terre permet de limiter le risque d'électrocution offrant une résistance inférieure au courant électrique. L'appareil est équipé d'un câble doté d'un conducteur de terre et d'une prise de mise à la terre. La fiche doit être branchée dans la prise adéquate, laquelle devra être correctement installée et mise à la terre conformément aux règlements locaux en vigueur.

AVERTISSEMENT - Tout raccordement inadéquat du conducteur de terre peut provoquer une électrocution.

Vérifiez auprès d'un électricien, d'un technicien ou du personnel qualifié en cas de doute quant à la mise à la terre de l'appareil.

Ne modifiez pas la fiche fournie avec l'appareil : si elle ne rentre pas dans la prise, demandez à un électricien qualifié d'en installer une nouvelle.

Sécurité



AVERTISSEMENT :

Pour réduire le risque d'électrocution, N'enlevez PAS le capot (ou le dos) de l'appareil. Aucune pièce protégée par ces éléments ne peut être remplacée par l'utilisateur.

Faites appel à un technicien qualifié le cas échéant.

La référence du modèle et le numéro de série se trouvent à l'arrière de l'appareil.

Notez le modèle et le numéro de série dans l'espace indiqué. Conservez ce manuel comme preuve d'achat. Il permettra l'identification de la machine en cas de vol.

N° DE MODÈLE _____

N° DE SÉRIE _____



AVERTISSEMENT :

POUR ÉVITER TOUT RISQUE D'INCENDIE OU D'ÉLECTROCUTION, PROTÉGEZ L'APPAREIL CONTRE LES INTEMPÉRIES ET L'HUMIDITÉ.

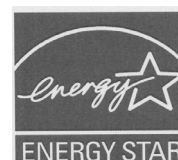


Le symbole représentant une flèche en forme d'éclair encadré d'un triangle équilatéral signale la présence d'une tension non isolée à l'intérieur du bâti d'une intensité suffisante pour causer une électrocution.



Le point d'exclamation encadré d'un triangle équilatéral signale à l'utilisateur la présence de consignes d'utilisation et d'entretien importantes dans le manuel.

La Société Indesit propose à ses clients des produits marqués par le label ENERGY STAR.



Cet appareil a été testé par UL. Il a été déclaré conforme aux normes de sécurité UL pour le Canada et les États-Unis, comme l'indique le symbole.



Consignes d'installation

FR

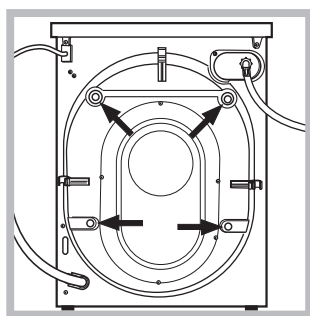
! Conservez ce manuel en vue d'une consultation ultérieure. En cas de vente du lave-linge, si celui-ci est déplacé ou déménagé, veillez à ce que le manuel accompagne la machine de sorte que le nouveau propriétaire puisse se familiariser avec son fonctionnement et ses caractéristiques.

! Lisez attentivement ces instructions : elles contiennent des informations essentielles quant à l'installation et à l'utilisation en toute sécurité de la machine.

Déballage et mise de niveau

Déballage

1. Déballiez le lave-linge.
2. Vérifiez si le lave-linge n'a pas été endommagé pendant le transport. S'il a été endommagé, contactez le vendeur et attendez avant de continuer l'installation.



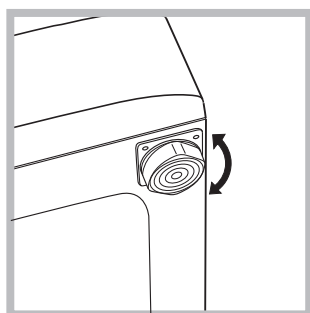
3. Retirez les 4 vis de protection (utilisées pendant le transport), la rondelle en caoutchouc et l'entretoise sur la face arrière de la machine (voir figure).

4. Bouchez les trous à l'aide des pastilles en plastique fournies.
5. Conservez toutes les pièces en lieu sûr : vous en aurez besoin si le lave-linge doit à nouveau être déplacé.

! Les emballages ne sont pas des jouets. Ils doivent être conservés hors de portée des enfants.

Mise de niveau

1. Installez le lave-linge sur une surface résistante sans toutefois l'appuyer contre les parois, le mobilier ou tout autre élément à proximité.
2. Si le sol n'est pas parfaitement de niveau, compensez les écarts en serrant ou desserrant les pieds avant

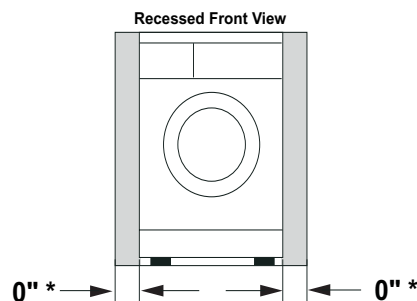
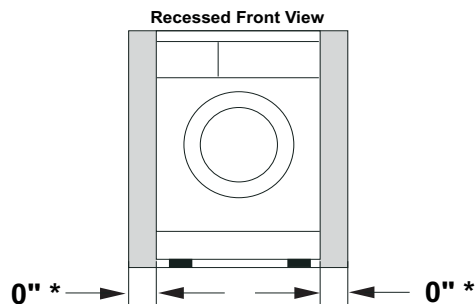


réglables (voir figure). L'angle d'inclinaison, mesuré au niveau du plan de travail, ne peut pas dépasser 2°.

Mettez correctement la machine de niveau pour assurer sa stabilité, éviter les vibrations et les bruits excessifs.

Cela permet également d'éviter le déplacement de la machine pendant son fonctionnement.

Encombrement minimum



La machine peut être installée dans un espace confiné, dans un placard ou une alcôve. Les espaces sont exprimés en pouces et représentent le minimum acceptable.

*Prévoyez un espace supplémentaire pour une installation et un entretien facile. Veillez également à respecter les règlements locaux en vigueur. L'installation doit respecter les dimensions minimum indiquées.

Raccordement de l'arrivée d'eau

Si les canalisations prévues pour le raccordement sont neuves ou n'ont jamais été utilisées, faites couler l'eau pour évacuer les débris susceptibles de boucher les filtres ou les vannes avant de raccorder la machine.

REMARQUE : les vannes d'arrêt fournies doivent être facilement accessibles.



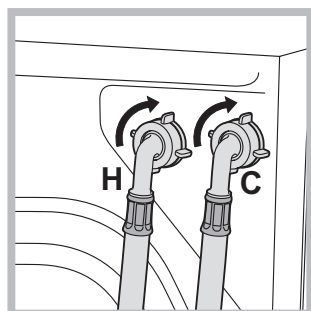
Important : la pression de l'eau doit être comprise entre les valeurs figurant dans les Caractéristiques techniques.

1. Raccordez le robinet d'eau froide (raccord bleu **C**) à l'arrivée d'eau froide. Serrez bien.

2. Ouvrez l'arrivée d'eau froide et vérifiez l'absence de fuites. Serrez davantage si nécessaire.

3. Raccordez le robinet d'eau chaude (raccord rouge **H**) à l'arrivée d'eau chaude. Serrez bien.

4. Ouvrez l'arrivée d'eau froide et vérifiez l'absence de fuites. Serrez davantage si nécessaire.



Important : Do not use excessive force. Damage to the couplings can result. Les raccords doivent être serrés à la main. N'utilisez un outil qu'en cas de fuite.

Évacuation

• **Diamètre/capacité de la conduite verticale :** une conduite verticale d'au moins 1 ¼" et dotée d'une capacité de 26,50 litres/minutes est nécessaire.

• **Sommet de la conduite verticale :** doit se trouver à une distance comprise entre 64 et 86 cm du bas de la machine.

• **Extrémité du tuyau de décharge (fourni avec la machine) :** doit se trouver à au moins 50 cm au-dessus du fond du lave-linge/sèche-linge. Une prise d'air doit être prévue au niveau du tuyau de décharge afin d'éviter le siphonnage. Veillez à introduire le tuyau d'évacuation sur 6" (15 cm) maximum dans la décharge pour éviter le siphonnage.

Raccordement de la décharge

L'eau peut être évacuée vers un lavabo, une conduite verticale ou un tuyau d'écoulement. Une prise d'air doit être prévue à au moins 50 cm pour éviter le siphonnage (Fig. 6).

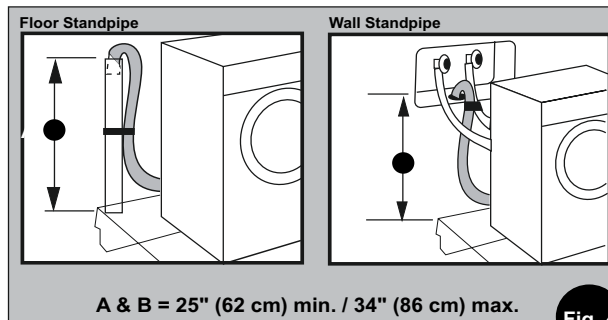


Fig. 4

Conduite verticale : l'installation nécessite une colonne montante de 1 ¼" (3,2 cm) d'une capacité de 26 litres par minute.

Canalisation encastrée dans le sol ou dans le mur : le haut de la canalisation doit être compris entre 25" (62 cm) et 34" (86 cm) par rapport au fond du lave-linge (Fig. 4).

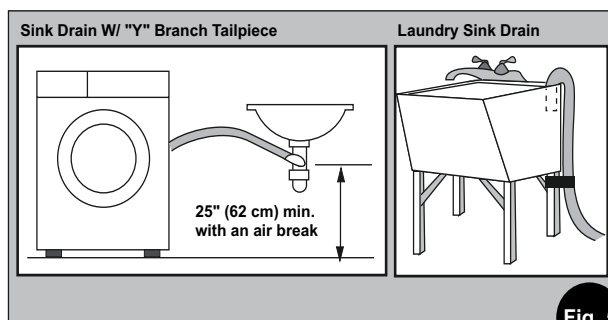


Fig. 5

Décharge sous évier : le raccordement au système d'évacuation du bac doit se trouver au-dessus du siphon (Fig. 5). Lorsque la décharge est encastrée dans des parois ou des murs, utilisez un matériau de protection (ruban isolant ou adhésif en toile) pour couvrir les bords tranchants susceptibles d'endommager la conduite. Utilisez un système de fixation adapté pour raccorder la décharge à la bifurcation ou au broyeur. En présence d'une décharge sous évier, vous pouvez effectuer le raccordement directement aux éléments suivants :

- 1) à un broyeur en respectant les techniques de fixation prévues par le fabricant.
- 2) directement à un about de bifurcation (disponible dans la plupart des quincailleries).



Important : veillez à ce que la décharge ne soit pas pincée et que l'eau s'écoule librement.

- 3) par le plancher vers un siphon distinct. Le siphon doit être doté d'une prise d'air pour éviter le siphonnage. Pour garantir l'aération du système, installez un reniflard (disponible dans la plupart des quincailleries).
- 4) Au robinet à l'aide d'un adaptateur (disponible séparément).

• Utilisez la bride ouverte (fournie avec les accessoires) ou un élément adéquat pour fixer l'extrémité de la décharge (préinstallée à l'arrière de votre machine).

- Introduisez l'extrémité de la décharge dans la conduite verticale ou la décharge encastrée dans le mur ou le sol (Fig. 6). REMARQUE : l'extrémité de la décharge DOIT se trouver à au moins 20" (50 cm) au-dessus de la base de la machine. Veillez à introduire le tuyau d'évacuation sur 6" (15 cm) maximum dans la décharge pour éviter le siphonnage.
- Utilisez du ruban adhésif, un serre-câbles ou tout autre élément analogue pour maintenir le tuyau ou la bride ouverte en place.

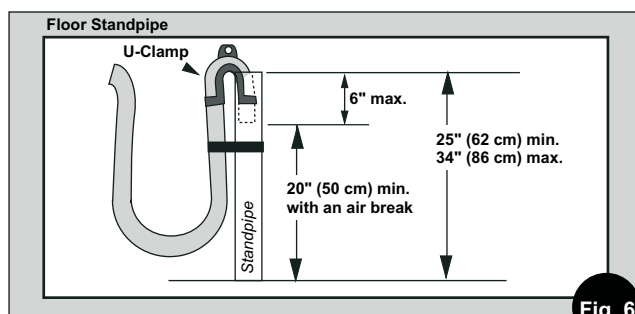


Fig. 6

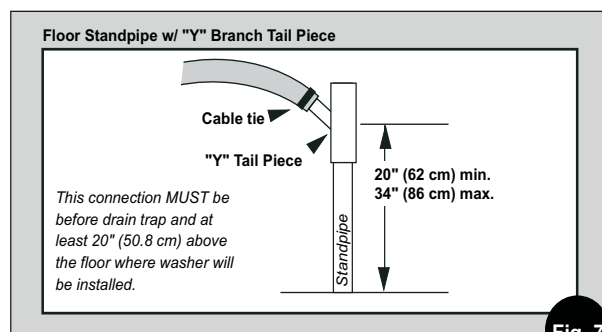
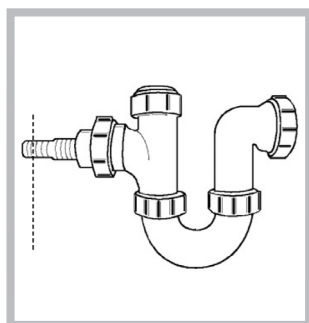
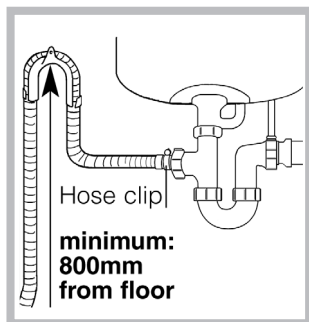


Fig. 7

Pose sous évier



1. Coupez l'extrémité fermée de la décharge sous l'évier.



2. Fixez le support pour le raccord à au moins 620 mm du sol.

3. Utilisez un collier de serrage pour raccorder l'extrémité de la conduite d'évacuation grise à la décharge sous l'évier.

Raccordements électriques

- Tension/intensité de la machine : 120V, 60 Hz, 10 Amp.
- Raccordement : prise à trois broches et cordon de 1m80 fournis
- Circuit/parafoudre : monophasé à trois fils, 120 V, 60 Hz, CA, sur circuit de 15 Amp séparé.

Données techniques

Caractéristiques techniques

Modèle	ARWF 149
Dimensions	largeur : 23.4" (59,5 cm) hauteur : 33.24" - 33.75" (84,5 - 85,7 cm) profondeur : 22" (55,9) cm
Poids	148 lbs (68 kg)
Encombrement minimum	Côtés : 0" Avant / arrière : 1"
Capacité	Lavage : 2 à 15 lbs. (1 à 7 kg)
Raccords électriques	Tension : 120 Volts, 10 A, 60 Hz
Raccordements en eau	Pression maximale : 0,69 Mpa (6,9 bar), 100 psi Pression minimale : 0,05 Mpa (0,5 bar), 7,2 psi
Vitesse d'essorage max.	jusqu'à 1400 tr/min

La Société Indesit propose à ses clients des produits marqués par le label ENERGY STAR.

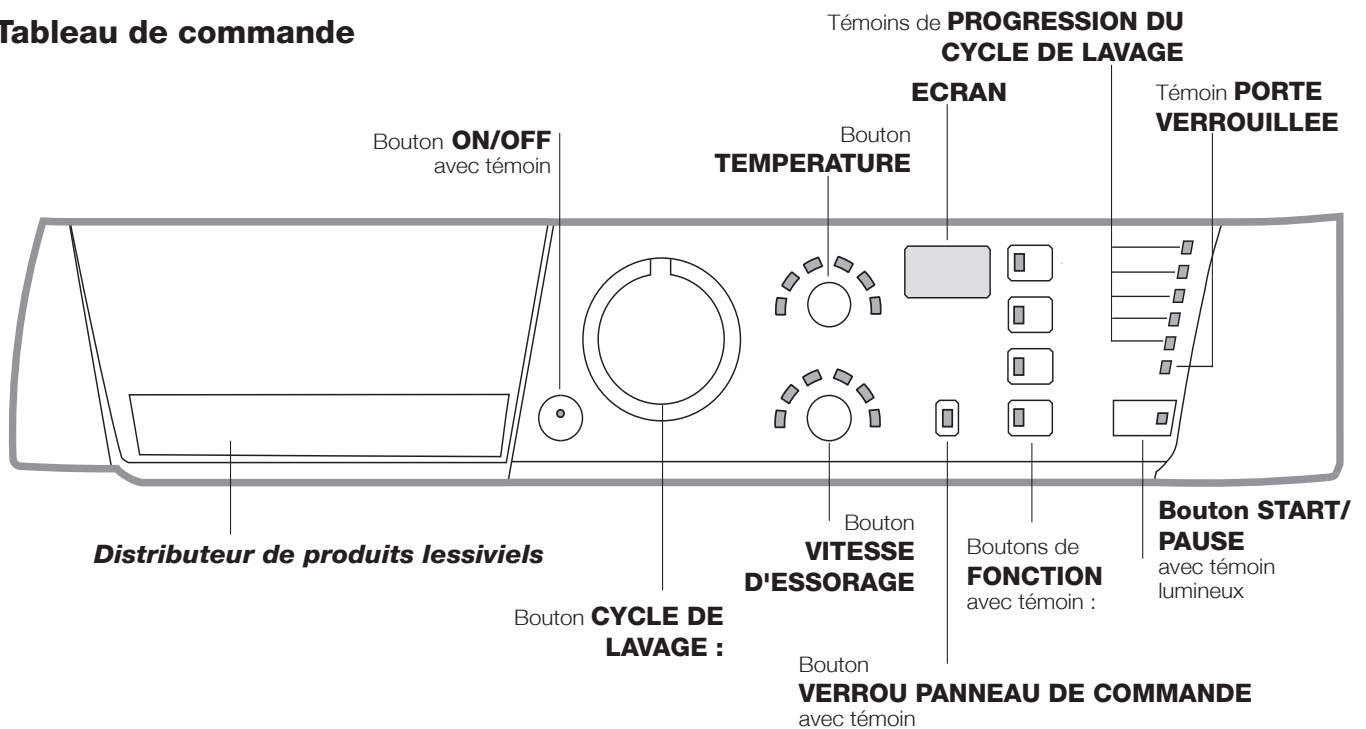


Cet appareil a été testé par UL. Il a été déclaré conforme aux normes de sécurité UL pour le Canada et les États-Unis, comme l'indique le symbole.



Description du lave-linge et ARISTON démarrage d'un cycle de lavage

Tableau de commande



AVERTISSEMENT : pour limiter les risques d'incendie, d'électrocution ou de blessures, lisez les **CONSIGNES DE SÉCURITÉ IMPORTANTES** avant d'utiliser l'appareil.

Distributeur de produits lessiviels : utilisé pour la distribution des produits lessiviels et des compléments de lavage (voir « Produits lessiviels et linge »).

Bouton ON/OFF avec témoin : permet de mettre la machine sous/hors tension.
Si le témoin est allumé, cela indique que la machine est sous tension.

Bouton CYCLE DE LAVAGE : permet de programmer les cycles de lavage. Pendant le cycle de lavage, le bouton reste immobile.

Bouton VITESSE D'ESSORAGE : permet de définir la vitesse d'essorage ou d'exclure totalement l'essorage (voir "Personnalisation").

Bouton TEMPERATURE : permet de régler la température ou le cycle de lavage à froid (voir "Personnalisation").
Les sélections pour les températures de lavage sont distribuées de manière uniforme.


ECRAN : indique le temps restant pour le cycle de lavage sélectionné. En cas de départ différé, le temps restant avant le démarrage du cycle de lavage s'affiche.

Bouton VERROU PANNEAU DE COMMANDE avec témoin : active ou désactive le verrou du panneau de commande.

Boutons de FONCTION avec témoin : permettent la sélection des fonctions disponibles. Le témoin correspondant à la fonction sélectionnée restera allumé.

Témoins de PROGRESSION DU CYCLE DE LAVAGE : permettent de contrôler la progression du cycle de lavage. Le témoin affiche la phase en cours.

Témoin PORTE VERROUILLEE : indique si le hublot peut être ouvert ou non (voir page suivante).

Bouton START/PAUSE avec témoin lumineux : démarre ou interrompt momentanément les cycles de lavage.
Remarque : pour interrompre un cycle de lavage, appuyez sur ce bouton. Le témoin correspondant clignotera en orange alors que le témoin indiquant la phase de lavage restera fixe. Si le témoin PORTE VERROUILLEE  est éteint, la porte peut être ouverte.
Pour redémarrer le cycle de lavage à l'endroit où il a été interrompu, appuyez à nouveau sur ce bouton.






Témoins

Le témoin fournit des informations importantes.
A savoir :

Témoins d'indication de phase de lavage

Lorsque vous tournez le bouton CYCLE DE LAVAGE, les témoins s'allument et indiquent les étapes qui seront effectuées par la machine selon le cycle de lavage sélectionné.

Une fois que le cycle de lavage sélectionné a commencé, les témoins s'allument au fur et à mesure pour indiquer la phase en cours.

Lavage	
Rinçage	
Essorage	
Vidange	
Fin du cycle de lavage	END 

Boutons de fonction et témoins correspondants

Lorsqu'une fonction est sélectionnée, le témoin correspondant s'allume.

Si la fonction désirée n'est pas compatible avec le cycle de lavage programmé, le témoin correspondant clignotera, un signal sonore sera émis et la fonction ne sera pas activée. Si une fonction est incompatible avec une autre fonction active, seule la dernière sélection restera active.

Témoin de température

Lorsqu'une température est sélectionnée, le témoin correspondant s'allume.



Témoin d'essorage

Lorsqu'une vitesse d'essorage est sélectionnée, le témoin correspondant s'allume.



Témoin de verrouillage du tableau de commande

Pour activer le verrouillage du tableau de commande, appuyez sur ce bouton et maintenez-le enfoncé pendant 2 secondes environ. Lorsque le témoin est allumé, le tableau de commande est bloqué. Les cycles de lavage ne peuvent donc pas être modifiés par accident, surtout en présence d'enfants dans la maison.

Pour **désactiver** le verrouillage du tableau de commande, appuyez sur ce bouton et maintenez-le enfoncé pendant 2 secondes environ.

Témoin de porte verrouillée

Si ce témoin est allumé, la porte de la machine est verrouillée afin d'éviter toute ouverture accidentelle. Pour éviter tout dommage à l'appareil, attendez que le témoin s'éteigne avant d'ouvrir la porte.

Remarque : si la fonction DÉPART DIFFÉRÉ est active, la porte ne peut pas être ouverte. Mettez la machine en pause en appuyant sur le bouton START/PAUSE si vous souhaitez l'ouvrir.

! Si le témoin START/PAUSE (orange) clignote rapidement en même temps que le témoin indiquant la fonction, c'est qu'un problème s'est produit (voir "Dépannage").

Démarrage d'un cycle de lavage

1. Éteignez le lave-linge en appuyant sur le bouton ON/OFF. Tous les témoins s'allumeront pendant quelques secondes. Ils s'éteindront ensuite et le témoin START/PAUSE clignotera.
2. Chargez le linge et fermez le hublot.
3. Programmez le cycle de lavage à l'aide du bouton CYCLE DE LAVAGE.
4. Réglez la température (voir "Personnalisation").
5. Réglez le cycle d'essorage si nécessaire (voir "Personnalisation").
6. Ajoutez la dose de produit lessiviel et les compléments de lavage (voir "Produits lessiviels et linge").
7. Sélectionnez les fonctions désirées.
8. Lancez le cycle de lavage en appuyant sur le bouton START/PAUSE. Le témoin correspondant restera fixe (vert). Pour annuler le cycle programmé, mettez la machine en pause en appuyant sur le bouton START/PAUSE et en sélectionnant un nouveau cycle.
9. Au terme du cycle de lavage, le témoin (**END**) s'allumera. Le témoin PORTE VERROUILLE s'allumera pour signaler que l'ouverture du hublot est possible. Retirez le linge et laissez le hublot ouvert pour que le tambour puisse sécher complètement. Éteignez le lave-linge en appuyant sur le bouton ON/OFF.

Tableau des cycles de lavage

Cycles de lavage	Description du cycle de lavage	Température maximale (°C)	Vitesse maximale (tr/min)	Produits lessiviels			Volume maximal (lb)	Durée du cycle	
				Javel	Lessive	Adoucissant			
Cycles de base									
1	Coton standard : vêtements blancs et colorés résistants très sales.	Très chaud	Max	-	●	●	Max	La durée des cycles de lavage s'affiche à l'écran.	
2	Coton couleur : vêtements blancs et colorés délicats peu sales.	Chaud	Max	-	●	●	Max		
3	Permanent : vêtements synthétiques ou sans repassage normaux.	Chaud	800	-	●	●	6.6		
4	Lavage rapide	Chaud	Max	-	●	●	2.20		
5	Volume mixte - 30 min : pour rafraîchir rapidement les vêtements peu sales (ne convient pas pour la laine, la soie et les vêtements nécessitant un lavage à la main).	Chaud	800	-	●	●	6.6		
Cycles de lavage spéciaux									
6	Désinfection : désinfectez votre lessive en la lavant à plus de 70 °C (160 °F). Pour les blancs très sales.	Très chaud	Max	●	●	●	Max		
7	Blanc éclatant : vêtements blancs et colorés résistants très sales.	Chaud	Max	●	●	●	Max		
8	Jeans	Chaud	800	-	●	●	6.6		
9	Vêtements de sport	Chaud	600	-	●	●	6.6		
10	Peu de taches - 15 min : pour rafraîchir rapidement les vêtements peu sales (ne convient pas pour la laine, la soie et les vêtements nécessitant un lavage à la main).	Chaud	800	-	●	●	3.30		
Délicats									
11	Délicat : couleurs délicates peu sales.	Chaud	800	-	●	●	6.6		
12	Soie/Tentures	Chaud	0	-	●	●	2.20		
13	Laine : laine, cashmere, etc.	Chaud	600	-	●	●	3.30		
Cycles de lavage partiels									
A	Rinçage	-	Max	-	-	●	Max		
B	Essorage	-	Max	-	-	-	Max		
C	Drain	-	-	-	-	-	Max		

Cycles de lavage spéciaux

Sans repassage (cycle 3) Ce cycle se caractérise par un lavage et un essorage plus lents afin de réduire le froissement des vêtements.

Charge mixte (cycle 5) ce cycle de lavage est prévu pour le lavage rapide des vêtements peu sales : il ne dure que 30 minutes, ce qui permet d'économiser à la fois de l'énergie et du temps. Si vous sélectionnez ce cycle de lavage (5 avec température CHAUD), vous pourrez laver différents tissus en une seule machine (sauf la laine et la soie) pour une lessive de maximum 6.6 lb - (3 kg).

Cycle Désinfection (cycle de lavage 6). Cycle de lavage hygiénique à haute température (plus de 60 °C). Utilisez ce cycle si vous devez désinfecter vos vêtements ou s'ils sont très sales. Ce cycle améliore l'action de la Javel. Versez l'eau de Javel, la lessive et les compléments dans les compartiments prévus à cet effet (voir "Distributeur de produits lessiviels").

Blanc éclatant (cycle 7) : utilisez ce cycle lorsque vous lavez à l'aide de produits à base d'hypochlorite.

Versez l'eau de Javel, la lessive et les compléments dans les compartiments prévus à cet effet (voir "Distributeur de produits lessiviels").

Vêtements de sport (cycle 9) : permet de laver les vêtements de sport peu sales (survêtements, shorts, etc.). Pour obtenir de meilleurs résultats, il est conseillé de ne pas dépasser la charge maximale indiquée dans le Tableau des cycles de lavage. Nous conseillons l'utilisation d'une lessive liquide et d'une dose adaptée à un demi-volume.


Peu de taches - 15 min. (cycle 10) : ce cycle de lavage est prévu pour le lavage rapide des vêtements peu sales : il ne dure que 15 minutes, ce qui permet d'économiser à la fois de l'énergie et du temps. Si vous sélectionnez ce cycle de lavage (10 avec température CHAUD), vous pourrez laver différents tissus en une seule machine (sauf la laine et la soie) pour une lessive de maximum 1,50 kg - (1,5 kg).

Pour ce cycle, il est conseillé de traiter au préalable les taches, les cols et les manchettes de chemise à l'aide d'un détachant adapté.

Personnalisation

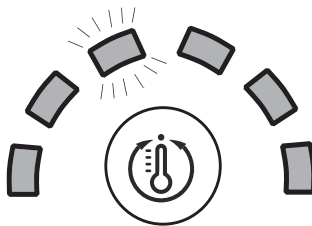
FR

Réglage de la température

Appuyez sur le bouton TEMPERATURE pour régler la température de lavage. (Voir Tableau des cycles de lavage) La température de lavage peut être définie à l'aide des boutons , "Froid", "Chaud", "Très chaud" ou les deux positions intermédiaires (par exemple : la position comprise entre "froid" et "chaud" équivaut donc à tiède). Voir ci-dessous pour les valeurs en °C et °F correspondant à chaque température.

Les choix disponibles sont les suivants :


-  L' eau du robinet
- **Froid (cold)** 15 °C/ 59 °F
- 20 °C/ 68 °C
- **Chaud (warm)** 40 °C/ 104 °C
- 57 °C / 134 °F
- **Très chaud (hot)** 75 °C / 167 °F



Réglage de la vitesse d'essorage

Appuyez sur le bouton VITESSE D'ESSORAGE pour régler la vitesse d'essorage correspondant au cycle de lavage sélectionné. Les vitesses d'essorage maximales pour chaque cycle de lavage sont les suivantes :

Cycles de lavage	Vitesse d'essorage maximale
Coton	1400 tr/min seulement
Synthétique	800 tr/min
Laine	600 tr/min
Soie	vidange uniquement

La vitesse d'essorage peut être réduite ou l'essorage exclu grâce au symbole .

Le lave-linge vous empêchera automatiquement de sélectionner une vitesse d'essorage supérieure à la vitesse maximale définie pour chaque cycle de lavage.

Remarque 1: Dans les programmes 1 et 2 (Coton) la régulation et l'exclusion d'essorage ne sont pas possibles.

Remarque 2: pour les deux premiers programmes (Cotons blancs et colorés) les vêtements seront essorés à la vitesse maximum. Ceci permet d'obtenir un essorage optimal et de réduire ainsi le temps et l'énergie nécessaires au séchage.

Fonctions

Les différentes options de lavage offertes par le lave-linge permettront d'obtenir à chaque fois le résultat souhaité.

Pour activer les fonctions :

1. Appuyez sur le bouton correspondant à la fonction souhaitée :
2. la fonction s'active lorsque le témoin correspondant s'allume.

Remarque: Si l'indicateur clignote rapidement, c'est que la fonction en question n'est pas compatible avec le cycle de lavage souhaité.

Retardateur

Pour différer le départ d'un cycle de lavage donné, appuyez plusieurs fois sur le bouton jusqu'à ce que le délai souhaité s'affiche (il peut être compris entre 1 et 24 heures).

Pour désactiver la fonction, appuyez sur le bouton jusqu'à ce que la mention **OFF** s'affiche.

Remarque: lorsque vous appuyez sur le bouton START/PAUSE, la durée ne peut être que diminuée.

! Cette option est valable pour tous les programmes.

Super Wash

Puisqu'une plus grande quantité d'eau est utilisée au cours de la phase initiale de ce cycle et en raison de la durée du cycle, cette fonction permet un lavage performant.

! Cette fonction ne peut pas être utilisée avec les cycles de lavage 4, 5, 8, 10, 6, 12, 13, A, B, C.

Rinçage extra

Si vous sélectionnez cette fonction, le rinçage sera d'autant plus efficace et les produits lessiviels seront complètement éliminés. Ce programme est particulièrement utile pour les peaux sensibles.

! Cette fonction ne peut pas être utilisée avec les cycles de lavage 5, 10, B, C.

Froissement réduit

Si vous sélectionnez ces fonctions, les cycles de lavage et d'essorage seront modifiés afin de limiter le froissement des vêtements. Au terme du cycle, le lave-linge fera tourner lentement le tambour. Le témoin FROISSEMENT REDUIT s'allumera et le témoin START/PAUSE clignotera en orange. La mention **END** restera fixe.

Pour achever le cycle, appuyez sur le bouton START/PAUSE ou sur le bouton FROISSEMENT REDUIT.

Pour le cycle Soie/Tentures, la machine achèvera le cycle tandis que la lessive est encore mouillée et le témoin FROISSEMENT REDUIT clignotera. Pour vidanger et retirer la lessive, appuyez sur le bouton START/PAUSE ou sur le bouton FROISSEMENT REDUIT.

! Cette fonction n'est pas compatible avec les programmes 5, 6, 9, 10, 13, B, C.

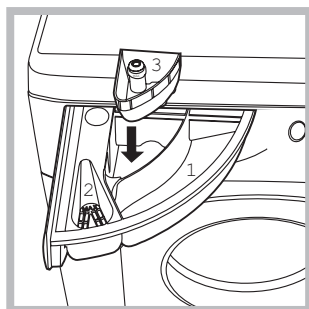
Produits lessiviels et linge

FR

Distributeur de produits lessiviels

La qualité du lavage dépend aussi de l'utilisation d'une dose de produit lessiviel adaptée : l'ajout d'une trop grande quantité de produit lessiviel ne donnera pas forcément une lessive plus propre. Le produit pourrait même s'accumuler dans la machine et contribuer à la pollution de l'environnement.

! N'utilisez pas de produits pour le lavage à la main car ils génèrent trop de mousse.



Ouvrez le distributeur de produits lessiviels et versez-y le savon ou l'additif selon les consignes suivantes.

compartiment 1 : lessive pour le cycle de lavage (poudre ou liquide)

Le produit liquide doit être versé immédiatement avant le début du cycle de lavage.

compartiment 2 : additifs (adoucissants, etc.)

L'adoucissant ne doit pas dépasser la grille.

compartiment supplémentaire 3 : Javel

Cycle à l'eau de Javel

Le lavage à l'eau de Javel ne peut avoir lieu qu'en association à d'autres cycles de lavage **6**. Versez la Javel dans le compartiment supplémentaire **3**. Versez le produit lessiviel et l'adoucissant dans les compartiments correspondants et choisissez le cycle de lavage souhaité. Cette option n'est conseillée que pour les vêtements en coton très sales.

Préparation du linge

- Séparez le linge en fonction des critères suivants :
 - type de tissu/symbole sur l'étiquette.
 - couleurs : séparez les couleurs des blancs
- Videz les poches et vérifiez les boutons.
- Ne dépassez pas les limites indiquées. Elles font référence au poids du linge à sec :
 - Vêtements durables : max. 6,80 kg - (7 kg)
 - Vêtements synthétiques : max. 2,99 kg - (3 kg)
 - Vêtements délicats : max. 2,00 kg - (2 kg)
 - Laine : max. 3.30 lb - (1,5 kg)

Combien pèse votre linge ?


- 1 chemise : 14-17 oz - (400-500 g)
- 1 taie d'oreiller : 5-7 oz - (150-200 g)
- 1 nappe : 14-17 oz - (400-500 g)
- 1 peignoir de bain : 31-42 oz - (900-1200 g)
- 1 serviette : 5-8 oz - (150-250 g)

Vêtements nécessitant des soins particuliers

Jeans : retournez les vêtements avant de les laver et utiliser une lessive liquide. Utilisez le programme **8**.

Soie : utilisez le cycle de lavage spécial **12** pour laver les vêtements en soie. Nous conseillons l'utilisation de produits spéciaux réservés au linge délicat.

Tentures : pliez les tentures et placez-les dans une taie d'oreiller ou un sac de lavage. Utilisez le cycle de lavage **12**.

Laine : Ariston est le seul fabricant de lave-linge ayant obtenu le célèbre label Woolmark Platinum Care (M.0508) de Woolmark Company, ce qui signifie que tous les vêtements en laine peuvent être lavés en machine, même ceux portant la mention "lavage à la main uniquement"  sur l'étiquette. Le cycle de lavage **13** vous permet de laver vos vêtements en laine en toute tranquillité dans le lave-linge (charge max. : 3,30 lb - 1,5 kg) et vous garantit d'excellents résultats.

Système d'équilibrage des charges

Avant chaque essorage, pour éviter les vibrations excessives et pour répartir la charge de manière uniforme, le tambour tourne en permanence à une vitesse légèrement supérieure à celle du lavage. Si, après plusieurs tentatives, la charge n'est pas correctement équilibrée, la machine essorera à une vitesse réduite. Si la charge n'est pas du tout équilibrée, le lave-linge exécutera le programme de répartition au lieu de l'essorage. Pour assurer la répartition et l'équilibrage des charges, il est conseillé de mélanger les vêtements grands aux petits.

Conseils utiles

Votre lave-linge tourne à trois vitesses différentes pendant le cycle de lavage. Pendant le cycle Coton, le tambour tourne à 1200 ou 800 tr/min. Pendant le cycle Sans repassage, le tambour tourne à 850 tr/min. Pendant le cycle réservé au linge délicat, le tambour tourne à 500 tr/min.

Utilisez un adoucissant liquide. Remplissez le compartiment pour l'adoucissant jusqu'au niveau indiqué. L'utilisation d'un adoucissant permet de secouer les vêtements directement à la fin du lavage. Vous réduisez ainsi le temps de séchage et le froissement des vêtements.

Utilisez des produits lessiviels peu moussants. Ce conseil vaut pour tous les lave-linge à chargement par l'avant. Cela permet d'éviter une mousse excessive, laquelle pourrait limiter les performances de votre machine. Vous éviterez ainsi d'endommager votre machine suite à la présence de mousse dans la chambre de condensation et de peluches dans la soufflerie.

Lorsque vous triez le linge, tenez toujours compte de la quantité et du type de tissu composant la lessive. Les tissus à forte absorption comme ceux utilisés dans les serviettes ou les jeans absorberont plus d'eau. Ils seront donc beaucoup plus lourds une fois saturés en eau. Si vous constatez que vos vêtements mettent plus de temps à sécher, c'est peut-être parce que vous chargez trop votre machine ou que vous lavez trop de vêtements à forte absorption en même temps.

Consignes pour l'entretien et le nettoyage

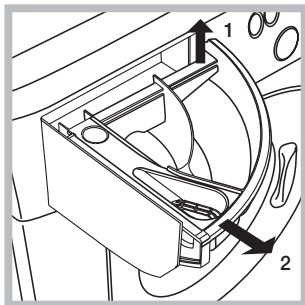
Coupage de l'arrivée d'eau et de l'électricité

- Coupez le robinet d'arrivée d'eau au terme de chaque cycle de lavage. Vous limiterez ainsi l'usure du circuit hydraulique à l'intérieur du lave-linge et éviterez les fuites.
- Débranchez le lave-linge lors du nettoyage et pendant les entretiens.

Nettoyage du lave-linge

Les éléments extérieurs et les composants en caoutchouc peuvent être nettoyés à l'aide d'un chiffon humide imbibé d'eau tiède et de savon. N'utilisez pas de solvants ou de produits abrasifs.

Nettoyage du distributeur de produits lessiviels



Retirez le distributeur en le soulevant et en le tirant vers vous (voir illustration). Rincez-le à l'eau claire. Répétez cette opération le plus souvent possible.

Entretien du hublot et du tambour de votre machine

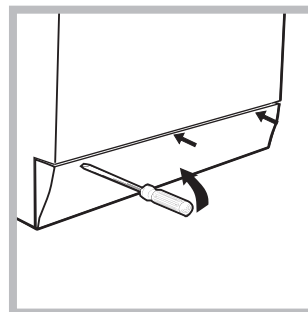
- Laissez toujours le hublot ouvert pour éviter la formation de mauvaises odeurs.

Nettoyage de la pompe

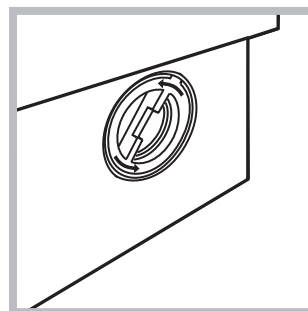
Le lave-linge est doté d'une pompe de nettoyage automatique ne nécessitant aucun entretien. Parfois, de petits éléments (pièces ou boutons) peuvent tomber dans la chambre intermédiaire protégeant la pompe, laquelle se trouve dans la partie inférieure.

! Vérifiez la fin du cycle de lavage et débranchez la machine.

Pour accéder à la chambre intermédiaire :



1. à l'aide d'un tournevis, retirez le capot de la partie inférieure du lave-linge/ sèche-linge (voir illustration) ;



2. dévissez le couvercle en tournant dans le sens contraire des aiguilles d'une montre (voir illustration) : de l'eau peut s'écouler. C'est tout à fait normal ;

3. nettoyez soigneusement l'intérieur ;
4. revissez le couvercle ;
5. remplacez le panneau en veillant à ce que les crochets soient bien en place avant de l'enfoncer.

Contrôle du tuyau d'arrivée d'eau

Vérifiez le tuyau d'arrivée d'eau au moins une fois par an. Si vous constatez des fissures, remplacez-le immédiatement : pendant les cycles de lavage, la pression d'eau est très forte. Un tuyau craquelé pourrait très bien se fendre.

! N'utilisez jamais de tuyaux de récupération.

Dépannage

FR

Votre lave-linge peut parfois refuser de fonctionner. Avant de prendre contact avec le Service technique (voir "Assistance"), vérifiez si le problème ne peut pas être résolu à l'aide de la liste suivante.

Problème :

Causes possibles/Solutions :

Le lave-linge ne s'allume pas.

- L'appareil n'est pas branché dans la prise de courant ou il n'est pas suffisamment branché pour effectuer un contact.
- La maison n'est pas alimentée.

Le cycle de lavage ne démarre pas.

- Le hublot du lave-linge n'est pas bien fermé.
- Le bouton MARCHE/ARRÊT n'a pas été enfoncé.
- Le bouton MARCHE/ARRÊT n'a pas été enfoncé.
- Le robinet d'eau n'a pas été ouvert.
- Un départ différé a été programmé (à l'aide de l'option Départ différé, voir "Personnalisation").

Le lave-linge n'achemine pas l'eau (le témoin du premier cycle de lavage clignote rapidement).

- Le tuyau d'arrivée d'eau n'est pas relié au robinet.
- Le tuyau est plié.
- Le robinet d'eau n'a pas été ouvert.
- La maison n'est pas alimentée en eau.
- La pression est trop faible.
- Le bouton MARCHE/ARRÊT n'a pas été enfoncé.

Le lave-linge pompe et évacue l'eau en permanence.

- Le tuyau d'évacuation n'est pas installé à une hauteur comprise entre 65 et 100 cm par rapport au sol (voir "Installation").
- L'extrémité libre du tuyau se trouve sous l'eau (voir "Installation").
- La décharge murale n'est pas dotée d'un reniflard.

Si le problème persiste au terme de ces vérifications, coupez l'arrivée d'eau, mettez l'appareil hors tension et contactez le Service technique. Si votre habitation se trouve au niveau des étages supérieurs d'un bâtiment, le problème peut être dû à l'évacuation, ce qui causerait l'alimentation en eau et la vidange permanentes du lave-linge. Des vannes anti-décharge sont disponibles dans le commerce. Elles vous aideront à résoudre le problème.

Le lave-linge ne se vide pas ou n'essore pas.

- Le cycle de lavage ne comprend pas l'évacuation : certains cycles nécessitent un démarrage manuel de la phase d'évacuation.
- La fonction FROISSEMENT REDUIT a été activée : Pour terminer le cycle de lavage, appuyez sur le bouton START/PAUSE ("Personnalisation").
- Le tuyau de décharge est plié (voir "Installation").
- Le tuyau d'évacuation est bouché.

Le lave-linge vibre beaucoup pendant l'essorage.

- Le tambour n'a pas été débloqué pendant l'installation (voir "Installation").
- Le lave-linge/sèche-linge n'est pas de niveau (voir "Installation").
- Le lave-linge est encastré entre deux parois ou du mobilier (voir "Installation").

Le lave-linge fuit.

- L'arrivée d'eau n'est pas bien vissée (voir "Installation").
- Le distributeur de produits lessiviels est bloqué (pour les consignes de nettoyage, voir "Consignes pour l'entretien et le nettoyage").
- Le tuyau de décharge est mal fixé (voir "Installation").

Le témoin START/PAUSE (orange) et le témoin de fonction clignotent rapidement.

- Mettez la machine hors tension et débranchez-la. Attendez une minute environ et remettez-la sous tension.
Si le problème persiste, contactez le Service technique.

Trop de mousse.

- Le produit lessiviel n'est pas adapté au lavage en machine (vous devez trouver la mention "Pour lave-linge", "lavage en machine et à la main" ou toute mention analogue sur l'emballage).
- Vous avez utilisé trop de produits lessiviels.

Avant d'appeler le technicien :

- Vérifiez si vous pouvez résoudre le problème par vous-même (voir "*Dépannage*") ;
- Redémarrez le programme pour vérifier si le problème a été résolu ;
- Si tel n'est pas le cas, contactez le Service technique au numéro de téléphone figurant sur le certificat de garantie.

! Demandez toujours l'aide de techniciens agréés.

Ayez les informations suivantes à portée de main :

- type de problème ;
- modèle (Mod.) ;
- numéro de série (S/N).

Ces informations se trouvent sur la plaque signalétique à l'arrière du lave-linge. Elles sont également reprises à l'avant de l'appareil (hublot).

GARANTIE LIMITÉE ARISTON (UN AN) (ÉTATS-UNIS et CANADA UNIQUEMENT)

QUI EST COUVERT PAR CETTE GARANTIE

Cette garantie limitée d'un an ("Garantie") est attribuée uniquement à l'acheteur originel ("Acheteur originel") des produits Ariston l'accompagnant ("Produit Ariston").

Si vous avez acheté ce Produit Ariston d'une personne autre que le revendeur agréé Ariston aux États-Unis ou au Canada, si le Produit Ariston a été utilisé (en ce compris, les modèles d'exposition et les produits reconditionnés) avant votre achat, vous n'êtes pas l'Acheteur originel. Par conséquent, le Produit Ariston que vous avez acheté n'est pas couvert par cette garantie. La présente Garantie est inaliénable.

QUE COUVRE CETTE GARANTIE ?

Ariston prendra en charge la réparation ou le remplacement de tout Produit Ariston en panne suite à des défauts de fabrication ou des avaries apparues dans le cadre d'une utilisation normale. Ariston prendra également en charge les frais de main-d'œuvre et les frais connexes associés à la réparation ou au remplacement des pièces défectueuses.

La présente Garantie ne s'applique qu'aux Produits Ariston achetés et utilisés aux États-Unis ou au Canada. Sans préjudice des restrictions ci-dessous, pour les Produits Ariston achetés aux États-Unis ou au Canada mais utilisés en dehors des frontières de ces pays, la Garantie ne couvrira que les interventions effectuées aux États-Unis ou au Canada (elle ne comprend donc pas les envois hors des États-Unis ou du Canada).

DURÉE DE LA GARANTIE

Cette garantie est valable pour une période de un (1) an à compter de la date d'achat par l'Acheteur originel. Sachez qu'une copie du reçu affichant la date d'achat ainsi que le nom et l'adresse du vendeur sont nécessaires pour profiter des services inclus dans la présente garantie. Pour définir la période de garantie applicable, toutes les pièces remplacées ou réparées seront assimilées aux éléments d'origine.

CE QUI N'EST PAS COUVERT PAR LA GARANTIE (EXCLUSIONS)

La présente garantie ne couvre pas les éléments suivants :

1. Installation, livraison, entretien ou utilisation inadéquats du Produit Ariston.
2. Dommages causés si le Produit Ariston n'a pas été utilisé conformément aux critères d'alimentation en gaz ou en électricité figurant sur la plaque signalétique.
3. Panne ou dommage causé au Produit Ariston suite à une altération, une utilisation impropre ou inadaptée ou en cas d'utilisation professionnelle.
4. Déplacements à votre domicile pour vous fournir des consignes quant à l'utilisation de votre Produit Ariston.

5. Remplacement des fusibles ou modification de la plomberie ou des raccordements électriques à votre domicile.
 6. Dommages causés suite à une négligence, un accident, un incendie, une inondation ou une catastrophe naturelle.
 7. Dommages physiques causés à l'aspect de votre Produit Ariston, en ce compris, sans restriction, les rayures, la rouille, les coups, le gauchissement, l'écaillage et assimilés.
 8. Dommages causés par le transport.
 9. Remplacement des éléments consommables ou dégradables ainsi que des accessoires, notamment : prises, câbles, batteries, ampoules, tubes luminescents et démarreurs, capots et filtres ou remplacement des pièces amovibles à base de verre ou de plastique.
 10. Dommages causés après la livraison.
 11. Dommages causés par l'eau de quelque nature que ce soit.
 12. Produit Ariston inaccessible pour le service à fournir.
 13. Problèmes causés par d'autres défauts matériels ou de fabrication.
 14. Déplacement en cas d'installation dans un mobil-home ou sur un bateau.
- Cette garantie est nulle si le Produit Ariston a été modifié ou démonté, s'il a fait l'objet d'un entretien ou d'une réparation ou s'il a été manipulé par toute autre personne que le personnel agréé par Ariston.
15. Les travaux particuliers effectués dans le cadre d'une installation sur un bateau.
 16. Fuites d'eau de quelque nature que ce soit.

DANS LES LIMITES PRÉVUES PAR LA LOI, LA PRÉSENTE GARANTIE ANNULE TOUTES LES AUTRES, ÉCRITES OU VERBALES, EXPRIMÉES SOUS FORME D'AFFIRMATION, DE PROMESSE, DE DESCRIPTION, DE SCHÉMA, DE MODÈLE OU D'ÉCHANTILLON. TOUTES LES AUTRES GARANTIES AUTRES QUE LA PRÉSENTE, EXPLICITE OU IMPLICITE, EN CE COMPRIS LES GARANTIES IMPLICITES DE VALEUR MARCHANDE OU D'ADÉQUATION À UN USAGE PARTICULIER SONT ANNULÉES PAR LA PRÉSENTE. LES GARANTIES IMPLICITES, NOTAMMENT LES GARANTIES IMPLICITES DE VALEUR MARCHANDE OU D'ADÉQUATION À UN USAGE PARTICULIER NE POUVANT PAS ÊTRE EXCLUES PAR LA LOI, SERONT LIMITÉES À LA MÊME DURÉE QUE LA PRÉSENTE GARANTIE. SAUF POUR LES RÉPARATIONS OU LES REMPLACEMENTS DE PIÈCES CI-DESSUS, ARISTON DÉCLINE TOUTE RESPONSABILITÉ EN CAS DE DOMMAGES DIRECTS, INDIRECTS, ACCIDENTELS OU CONSÉCUTIFS.

Certains états et provinces n'autorisent pas l'exclusion ou la limitation des dommages accidentels ou consécutifs et/ou les garanties implicites. Les restrictions ou exclusions ci-dessus peuvent donc ne pas vous concerner. La présente garantie vous confère des droits particuliers. Vous pouvez disposer d'autres droits susceptibles de varier selon l'Etat ou la Province où vous vous trouvez.

QUE DEVEZ-VOUS FAIRE POUR PROFITER DE CE SERVICE DE GARANTIE

Toutes les réparations ou les services de garantie doivent être effectués par Ariston ou par un Service technique agréé par Ariston.

Pour prendre un RDV pour une intervention sous garantie, appelez le 1-877-356-0766 ou envoyez un e-mail à l'adresse service@aristonamerica.com. Veillez à signaler le modèle de votre Produit Ariston ainsi que le numéro de série.

Sachez qu'une copie du reçu affichant la date d'achat ainsi que le nom et l'adresse du vendeur sont nécessaires pour profiter des services inclus dans la présente garantie. Si le Produit Ariston se trouve dans une zone non desservie par le Service technique Ariston agréé, les frais de déplacement pourront vous être facturés. Il peut également vous être demandé d'apporter le Produit Ariston au Service technique Ariston agréé.

Les éléments ci-dessus sont les conditions exclusives quant à la présente Garantie. La présente Garantie est la seule qu'Ariston fournit pour ce Produit Ariston. La présente Garantie remplace tous les autres contrats et accords susceptibles de vous lier avec Ariston ou ses représentants.

ES

Español

ARWF 149

Tabla de contenidos

Instrucciones de seguridad importantes 38-39

Instrucciones de seguridad importantes
Instrucciones de conexión a tierra
Seguridad

Instrucciones de instalación 40-41-42

Desembalaje y nivelación
Espacio mínimo para la instalación
Conexión de la entrada de agua
Descarga
Conexión de la manguera de descarga
Características eléctricas
Método debajo del fregadero
Datos técnicos

Descripción del lavarropas y comienzo de un ciclo de lavado 43-44

Panel de control
Luces indicadoras
Comienzo de un ciclo de lavado

Ciclos de lavado 45

Tabla de ciclos de lavado
Ciclos de lavado especiales

Personalización 46-47

Ajuste de temperatura
Ajuste de la velocidad de centrifugado
Funciones

Detergentes y ropa 48

Cajón de detergente
Ciclo de blanqueo
Preparación de la ropa
Prendas que requieren un cuidado especial
Sistema de equilibrado de carga
Consejos útiles

Instrucciones de cuidado y mantenimiento 49

Corte del suministro de agua y electricidad
Limpieza del lavarropas
Limpieza del cajón de detergente
Cuidado de la puerta y el tambor del artefacto
Limpieza de la bomba
Control de la manguera de entrada de agua

Resolución de problemas 50

Servicio 51

Garantía, 52-53

Instrucciones de seguridad importantes

ES

INSTRUCCIONES DE SEGURIDAD IMPORTANTES

ADVERTENCIA: A fin de reducir el riesgo de incendio, choque eléctrico, o lesiones durante el uso del artefacto, tome las precauciones básicas, incluidas las siguientes:

- Lea todas las instrucciones antes de usar el artefacto.
- No lave artículos que hayan entrado en contacto (por lavado, limpieza, inmersión o manchas) con gasolina, solventes para limpieza en seco, u otras sustancias inflamables o explosivas, ya que producen vapores que pueden encenderse o explotar.
- No permita que los niños jueguen sobre el artefacto ni dentro de él. Si el artefacto se usa con niños cerca, debe supervisarlos con cuidado.
- Antes de sacar el artefacto de servicio o descartarlo, quítele la puerta del compartimiento de lavado.
- No agregue gasolina, solventes para limpieza en seco ni otras sustancias inflamables o explosivas al agua de lavado. Estas sustancias producen vapores que pueden encenderse o explotar.
- No instale ni almacene este artefacto a la intemperie.
- No altere los controles.
- Bajo determinadas condiciones, se puede producir gas hidrógeno en un sistema de agua caliente que no se ha usado en 2 semanas o más. **EL GAS HIDRÓGENO ES EXPLOSIVO.** Si usará el artefacto después de 2 semanas o más sin uso, primero abra todos los grifos de agua caliente y deje correr el agua durante unos minutos. De esta manera se liberará el gas hidrógeno acumulado. Debido a que el gas es inflamable, no fume ni use una llama abierta durante esta operación.
- Cierre los grifos para aliviar la presión en las mangueras y válvulas, y para minimizar las pérdidas en caso de rotura.
- No introduzca las manos en el artefacto con la cuba o el tambor en movimiento.
- No repare ni reemplace ninguna pieza del artefacto ni intente realizar ningún servicio, salvo recomendación específica en las instrucciones de mantenimiento o de reparación por el usuario que usted comprenda y esté capacitado para llevar a cabo.
- **DEBE** aplicar prácticas seguras y precaución al instalar, operar y mantener cualquier artefacto. Tome medidas básicas de precaución.
- En caso de emergencia o de necesitar servicio, desconecte la alimentación al artefacto en el disyuntor o la caja de fusibles, o desenchúfelo. Solicite al instalador que le muestre y etiquete el interruptor o fusible correcto en la caja de desconexión eléctrica.
- El interior del artefacto debe ser limpiado periódicamente por personal de servicio calificado.
- Antes de cargar el lavarropas, verifique que el tambor esté vacío.

GUARDE ESTAS INSTRUCCIONES

INSTRUCCIONES DE CONEXIÓN A TIERRA

El artefacto se debe conectar a tierra. En caso de mal funcionamiento o avería, la conexión a tierra reduce el riesgo de choque eléctrico al ofrecer un trayecto de menor resistencia para la corriente eléctrica. El artefacto está equipado con un cable con un conductor y un enchufe de conexión a tierra. El enchufe se debe colocar en un tomacorriente adecuado, correctamente instalado y conectado a tierra de conformidad con todos los códigos y ordenanzas locales.

ADVERTENCIA: La conexión incorrecta del conductor de conexión a tierra puede llevar al choque eléctrico.

Consulte a un electricista calificado o a un representante o empleado de servicio si no está seguro si el artefacto está bien conectado a tierra.

No modifique el enchufe suministrado con el artefacto: si no encaja en el tomacorriente, encargue la instalación de un tomacorriente adecuado a un electricista calificado.

Seguridad



**PRECAUCIÓN
RIESGO DE CHOQUE
ELÉCTRICO NO
ABRIR**



PRECAUCIÓN:

A fin de reducir el riesgo de choque eléctrico, NO quite la tapa (ni la parte posterior). No existen piezas que pueda reparar el usuario en el interior.

Encargue las tareas de servicio a personal de servicio calificado.

El número de modelo de este producto se encuentra en la parte posterior de la unidad, y el número de serie en la etiqueta fijada en la parte posterior de la unidad.

Anote el número de modelo y el número de serie de la unidad en el espacio provisto. Guarde este cuadernillo como registro permanente de su compra, para facilitar la identificación en caso de robo.

N. DE MODELO _____

N. DE SERIE _____



ADVERTENCIA:

PARA PREVENIR INCENDIOS O CHOQUES, NO EXPONGA ESTE PRODUCTO A LA LLUVIA O A LA HUMEDAD.

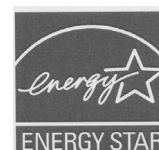


El relámpago con flecha dentro de un triángulo equilátero le indica al usuario la presencia de “voltaje peligroso” sin aislamiento dentro del gabinete del producto que puede ser suficiente para representar un riesgo de choque eléctrico para las personas.



El signo de exclamación dentro de un triángulo equilátero le indica al usuario la presencia de instrucciones importantes de operación y mantenimiento (servicio) en el cuadernillo.

Indesit Company ofrece a sus clientes productos con la etiqueta de ENERGY STAR.



Este artefacto ha sido probado por UL y cumple con los requisitos de seguridad de UL de los Estados Unidos y Canadá, por lo cual presenta su Marca.



Instrucciones de instalación

ES

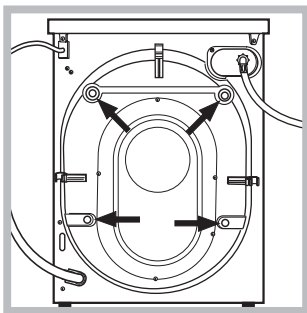
! Es importante conservar este manual de instrucciones en un lugar seguro para referencia futura. En caso de vender, transferir o trasladar el lavarropas, asegúrese de trasladar también el manual, para que el nuevo dueño pueda conocer sus características y saber cómo usarlo.

! Lea atentamente las instrucciones: contienen información importante sobre la instalación y operación segura del artefacto.

Desembalaje y nivelación

Desembalaje

1. Desembale el lavarropas.
2. Verifique que el lavarropas no haya sufrido daños durante el transporte. Si estuviera dañado, comuníquese con el vendedor y no prosiga con la instalación.



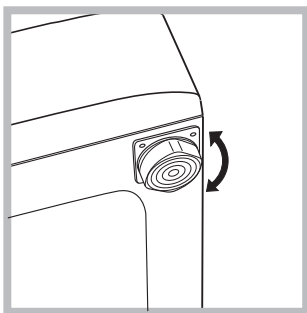
3. Quite los 4 tornillos de protección (que se usan para el transporte) y la arandela de goma con su correspondiente separador, ubicados en la parte posterior del artefacto (ver la figura).

4. Cierre los orificios con los tapones de plástico suministrados.
5. Conserve todas las piezas en un lugar seguro: las necesitará nuevamente si decide trasladar el lavarropas.

! Los materiales de embalaje no se deben entregar a los niños como juguetes.

Nivelación

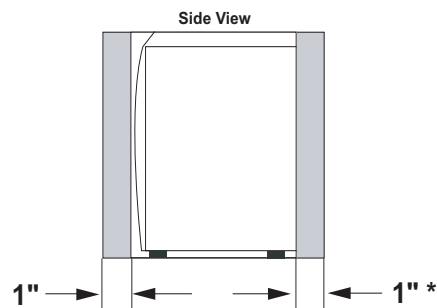
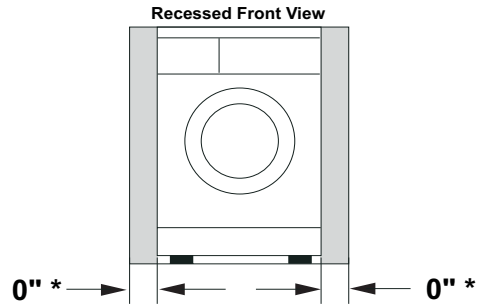
1. 1. Instale el lavarropas sobre un piso plano y rígido, sin apoyarlo en paredes, muebles ni elemento alguno.



2. Si el piso no es completamente horizontal, compense las irregularidades ajustando o aflojando las patas delanteras ajustables (ver la figura). El ángulo de inclinación, medido con respecto a la superficie de trabajo, no debe superar los 2°.

La nivelación adecuada brinda estabilidad a la máquina y ayuda a evitar vibraciones, ruidos excesivos y desplazamientos durante el funcionamiento.

Espacio mínimo para la instalación



Este artefacto se puede instalar empotrado, en un armario o en un nicho. El espacio para la instalación está expresado en pulgadas y es el mínimo aceptable.

*Considere dejar más espacio para facilitar la instalación y el servicio y cumplir con códigos y ordenanzas locales. Las instalaciones deben cumplir con las dimensiones mínimas indicadas.

Conexión de la entrada de agua

Si las tuberías de agua a las que conectará el artefacto son nuevas o no tienen uso, deje correr el agua hasta que salga limpia, a fin de eliminar todo residuo que pueda obstruir los filtros de las válvulas de agua o las válvulas antes de conectar la máquina. NOTA: Las válvulas de cierre de alimentación deben ser de fácil acceso.



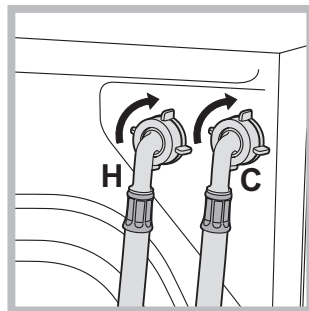
Importante: La presión de agua DEBE estar comprendida dentro de los valores indicados en la tabla "Datos técnicos".

1. Enrosque la manguera de llenado de agua fría (el conector azul **C**) en la entrada de agua fría y ajústela bien.

2. Abra el suministro de agua fría y verifique que no existan pérdidas. Ajuste la manguera si es necesario.

3. Enrosque la manguera de llenado de agua caliente (el conector rojo **H**) en la entrada de agua caliente y ajústela bien.

4. Abra el suministro de agua fría y verifique que no existan pérdidas. Ajuste la manguera si es necesario.



Importante: Do not use excessive force. Damage to the couplings can result. Las uniones se deben ajustar a mano. Use una herramienta únicamente en caso de pérdida.

Descarga

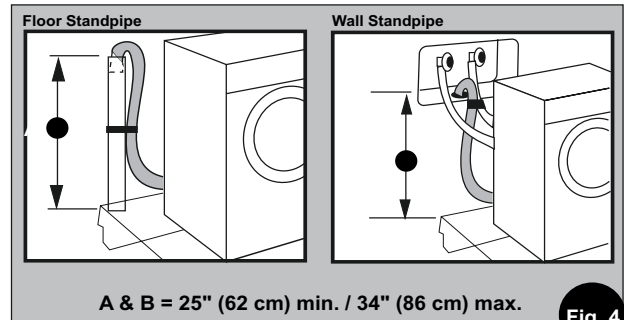
• **Diámetro/capacidad del tubo vertical:** Necesita un tubo vertical con un diámetro mínimo de 1 1/4" (3,2 cm) y una capacidad de descarga mínima de 7 galones (26 litros) por minuto.

• **Parte superior del tubo vertical:** Se debe encontrar a una altura de 25" (62 cm) - 34" (86 cm) desde la base de la máquina.

• **Extremo de salida de la manguera de descarga (suministrada con la unidad):** Se debe encontrar a una altura mínima de 20" (50 cm) desde la base de la máquina. El tubo vertical debe contar con interrupción de aire para evitar el sifonaje. Para evitar el sifonaje, no se debe insertar más de 6" (15 cm) de la manguera de descarga en el tubo de desagüe.

Conexión de la manguera de descarga

Es posible descargar el agua en un fregadero, un tubo vertical o un tubo de desagüe, pero debe existir una interrupción de aire a una altura mínima de 20" (50 cm) para evitar el sifonaje en la máquina (Fig. 6).



A & B = 25" (62 cm) min. / 34" (86 cm) max.

Fig. 4

Sistema de descarga con tubo vertical: La instalación requiere un tubo vertical con un diámetro mínimo de 1 1/4" (3,2 cm) y una capacidad de descarga mínima de 7 galones (26 litros) por minuto.

Sistema de descarga con tubo vertical de pared o de piso: La parte superior del tubo vertical se debe encontrar a una altura de 25" (62 cm) - 34" (86 cm) desde la base de la máquina (Fig. 4).

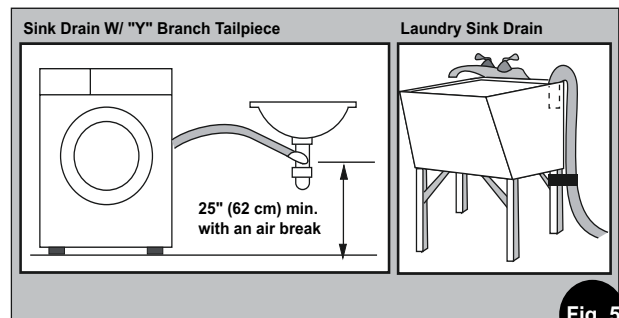


Fig. 5

Sistema de descarga en fregadero: La entrada al sistema de descarga en fregadero debe estar por sobre el colector (Fig. 5). Si pasa la manguera de descarga por muebles o paredes, use un material protector, como cinta aislante, para cubrir los bordes filosos que puedan dañar la manguera. Use una abrazadera adecuada para fijar la manguera de descarga a la bifurcación o el triturador. Con un sistema de descarga en fregadero, puede conectar directamente:

- 1) A un triturador, siguiendo las instrucciones del fabricante.
- 2) A una cola de bifurcación (disponible en la mayoría de las ferreterías).



Importante: Asegúrese de que la manguera no esté doblada y de que no esté restringido el flujo de agua.

- 3) A un colector distinto a través del piso. El colector debe estar ventilado para evitar el sifonaje. Para ofrecer una ventilación adecuada, instale un kit de intervalo de aire (disponible en la mayoría de las ferreterías).
- 4) Al grifo, con un kit de adaptación para grifo (disponible por separado).

• Use una abrazadera tipo U (incluida en el paquete de accesorios) u otro elemento adecuado para fijar el extremo de salida de la manguera de descarga (preinstalada en la parte posterior de la máquina).

- Inserte el extremo de salida de la manguera de descarga dentro del tubo vertical o el drenaje de pared o de piso (Fig. 6). **NOTA:** El extremo de salida de la manguera de descarga se **DEBE** encontrar a una altura mínima de 20" (50 cm) desde la base de la máquina. Para evitar el sifonaje, no se debe insertar más de 6" (15 cm) de la manguera de descarga en el tubo de desagüe.
- Use una abrazadera, un sujetacable o un elemento similar para sujetar la manguera o abrazadera tipo U en su lugar.

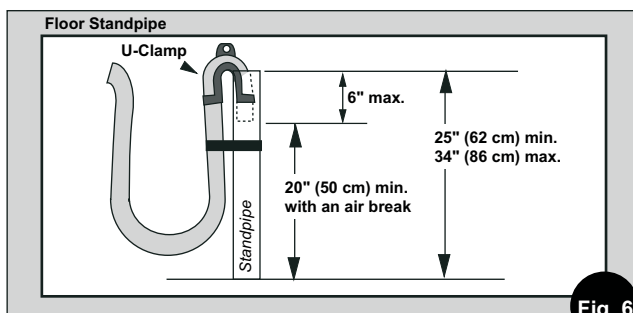


Fig. 6

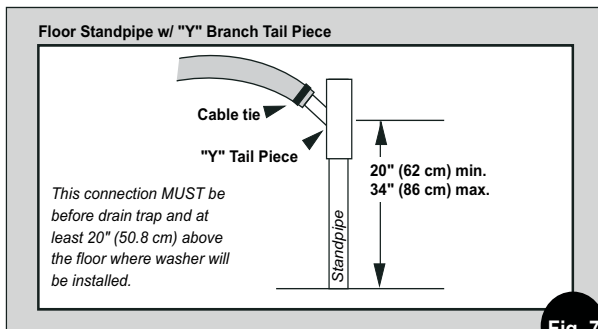
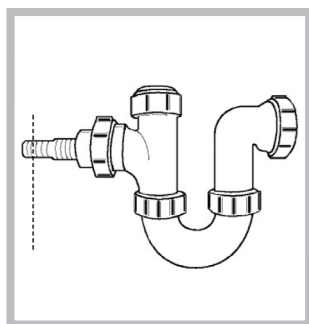
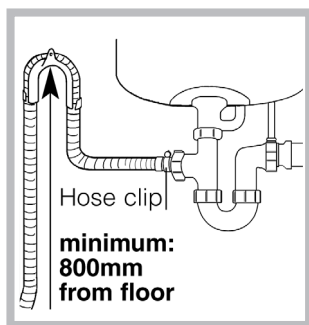


Fig. 7

Método debajo del fregadero



1. Corte el extremo bloqueado de la unidad de descarga debajo del fregadero.



2. Fije el soporte de extremo de gancho a una distancia mínima de 620 mm del piso.

3. Use una grapa de manguera para ajustar firmemente la manguera de descarga gris a la unidad de descarga de fregadero con una abrazadera de manguera.

Características eléctricas

- Voltaje/amperaje de la máquina: 120 V, 60 Hz, 10 Amp.
- Conexión: Se suministra un enchufe de 3 patas con cable de 6' (180 cm) con la máquina.
- Circuito/protector: 3 alambres, monofásico, 120 V, 60 Hz, CA, en un circuito separado de 15 Amp.

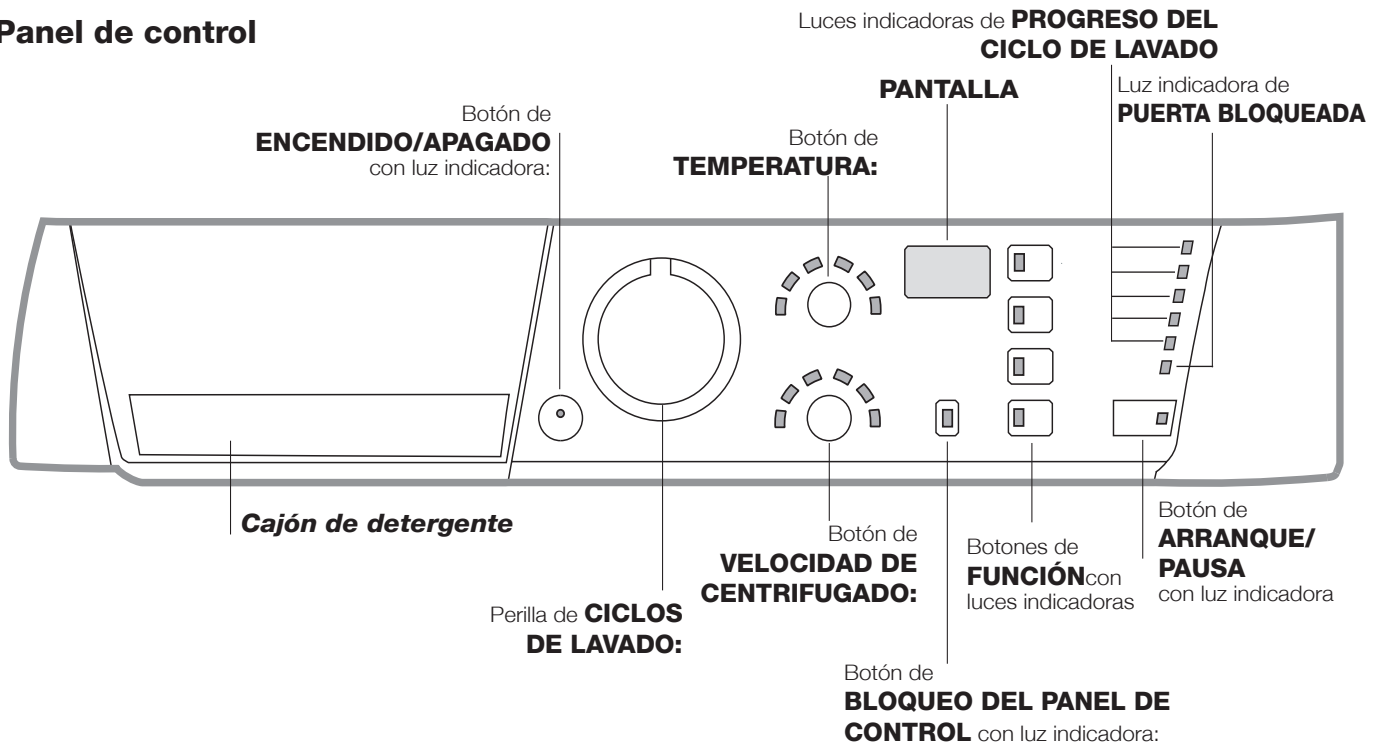
Datos técnicos

Datos técnicos	
Modelo	ARWF 149
Dimensiones	Ancho: 23,4" (59,5 cm) Altura: 33,24" – 33,75" (84,5 – 85,7 cm) Profundidad: 22" (55,9 cm)
Peso	148 lb (67 kg)
Espacio mínimo para la instalación	Laterales: 0" Adelante/atrás: 1"
Capacidad	Lavado: 2 a 15 lb (1 a 7 kg)
Conexiones eléctricas	Voltaje: 120 V, 10 Amp, 60 Hz
Conexiones hidráulicas	Presión máx.: 0,69 mpa (6,9 bar), 100 psi Presión mín.: 0,05 mpa (0,5 bar), 7,2 psi
Velocidad de centrifugado máxima	Hasta 1.400 RPM
Indesit Company ofrece a sus clientes productos con la etiqueta de ENERGY STAR.	
Este artefacto ha sido probado por UL y cumple con los requisitos de seguridad de UL de los Estados Unidos y Canadá, por lo cual presenta su Marca.	



Descripción del lavavropas y ARISTON comienzo de un ciclo de lavado

Panel de control



ADVERTENCIA: A fin de reducir el riesgo de incendio, choque eléctrico o lesiones, lea las **INSTRUCCIONES DE SEGURIDAD IMPORTANTES** antes de usar este artefacto.

Cajón de detergente: Se usa para agregar los detergentes y aditivos de lavado (ver “Detergentes y ropa”).

Botón de **ENCENDIDO/APAGADO** con luz indicadora: Enciende y apaga la máquina. Si la luz indicadora está encendida, entonces la máquina está encendida.

Perilla de **CICLOS DE LAVADO:** Programa los ciclos de lavado. Durante el ciclo de lavado, la perilla no se mueve.

Botón de **VELOCIDAD DE CENTRIFUGADO** : Se usa para elegir la velocidad de centrifugado o excluir el ciclo de centrifugado completamente (ver “Personalización”).

Botón de **TEMPERATURA:** Se usa para elegir la temperatura o el ciclo de lavado en frío (ver “Personalización”). Las opciones de temperatura de lavado están distribuidas de manera uniforme.

PANTALLA: Indica el tiempo restante del ciclo de lavado seleccionado y, si se programó el comienzo retrasado, el tiempo restante hasta el comienzo del ciclo de lavado.

Botón de **BLOQUEO DEL PANEL DE CONTROL** con luz indicadora: Activa o desactiva el bloqueo del panel de control.


Botones de **FUNCIÓN** con luces indicadoras: Se usan para seleccionar las funciones disponibles. La luz indicadora correspondiente a la función seleccionada permanecerá encendida.

Luces indicadoras de **PROGRESO DEL CICLO DE LAVADO:** Se usan para controlar el progreso del ciclo de lavado.

La luz indicadora encendida indica cuál fase de lavado está en curso.

Luz indicadora de **PUERTA BLOQUEADA:** Indica si la puerta se puede abrir o no (ver la página siguiente).

Botón de **ARRANQUE/PAUSA** con luz indicadora: Arranca o interrumpe momentáneamente el ciclo de lavado.

Nota: Para pausar el ciclo de lavado en curso, presione este botón. La luz indicadora correspondiente parpadeará en naranja, mientras que la luz indicadora de la fase del ciclo de lavado en curso permanecerá encendida. Si la luz indicadora de **PUERTA BLOQUEADA**  está apagada, se puede abrir la puerta. Para retomar el ciclo de lavado desde el punto de la interrupción, presione el botón nuevamente.

Luces indicadoras

Las luces indicadoras ofrecen información importante. Esto es lo que le pueden decir:

Luces indicadoras de fase del ciclo de lavado

Al girar la perilla de CICLOS DE LAVADO, las luces indicadoras se encienden para indicar las etapas que llevará a cabo la máquina según el ciclo de lavado seleccionado.

Una vez que se selecciona y comienza el ciclo de lavado deseado, las luces indicadoras se encienden de a una para indicar cuál fase del ciclo está en curso.

Lavado	
Enjuague	
Centrifugado	
Drenaje	
Fin del ciclo de lavado	END

Botones de FUNCIÓN con las luces indicadoras correspondientes

Cuando se selecciona una función, se enciende la luz indicadora correspondiente.

Si la función seleccionada no es compatible con el ciclo de lavado programado, la luz indicadora correspondiente parpadea, se emite una señal sonora, y la función no se activa.

Si la función seleccionada no es compatible con otra función seleccionada anteriormente, permanece activa únicamente la selección más reciente.

Luz indicadora de temperatura

Cuando se selecciona una temperatura, se enciende la luz indicadora correspondiente.



Luz indicadora de centrifugado

Cuando se selecciona un valor de centrifugado, se enciende la luz indicadora correspondiente.



Luz indicadora de bloqueo del panel de control

Para **activar** el bloqueo del panel de control, presione el botón y manténgalo presionado durante aproximadamente 2 segundos. Cuando la luz indicadora está encendida, el panel de control está bloqueado. Esto significa que es posible evitar la modificación accidental de los ciclos de lavado, especialmente si hay niños en la casa.

Para **activar** el bloqueo del panel de control, presione el botón y manténgalo presionado durante aproximadamente 2 segundos.

Luz indicadora de puerta bloqueada

Si esta luz indicadora está encendida, la puerta del artefacto está bloqueada para evitar que se abra accidentalmente. Para evitar daños, espere que la luz indicadora se apague antes de abrir la puerta.

Nota: Si está activada la función de TEMPORIZADOR DE RETRASO, la puerta no se puede abrir. Si desea abrirla, ponga la máquina en pausa presionando el botón de ARRANQUE/PAUSA.

! Si la luz indicadora de ARRANQUE/PAUSA (naranja) parpadea rápidamente al mismo tiempo que la luz indicadora de función, esto significa que se produjo un problema (ver "Resolución de problemas").

Comienzo de un ciclo de lavado

1. Apague el lavarropas presionando el botón de ENCENDIDO/APAGADO. Todas las luces indicadoras se encenderán durante unos segundos, luego se apagarán, y la luz indicadora de ARRANQUE/PAUSA comenzará a parpadear.
2. Cargue la ropa y cierre la puerta.
3. Elija el programa deseado con la perilla de CICLOS DE LAVADO.
4. Ajuste la temperatura de lavado (ver "Personalización").
5. Elija la velocidad de centrifugado (ver "Personalización").
6. Mida la cantidad de detergente y aditivos de lavado (ver "Detergentes y ropa").
7. Seleccione las funciones deseadas.
8. Ponga en marcha el ciclo de lavado presionando el botón de ARRANQUE/PAUSA. La luz indicadora correspondiente permanecerá encendida, en color verde.
Para cancelar el ciclo de lavado seleccionado, ponga la máquina en pausa presionando el botón de ARRANQUE/PAUSA y seleccione un nuevo ciclo.
9. Al finalizar el ciclo de lavado, se encenderá la luz indicadora de (END). La luz indicadora de PUERTA BLOQUEADA se apagará, indicando que se puede abrir la puerta. Saque la ropa y deje la puerta del artefacto entreabierta para que el tambor se seque completamente. Apague el lavarropas presionando el botón de ENCENDIDO/APAGADO.

Tabla de ciclos de lavado

Ciclos de lavado	Descripción del ciclo de lavado	Temp. máx. (°C)	Vel. máx. (rpm)	Detergentes			Carga máx. (lb)	Duración del ciclo	
				Blanqueador	Lavado	Suavizante de telas			
Ciclos esenciales									
1	Algodón Común: Colores resistentes y blancos muy sucios.	Caliente	Máx.	-	●	●	Máx.	La duración de los ciclos de lavado se puede consultar en la pantalla.	
2	Algodón Color: Colores delicados y blancos poco sucios.	Tibia	Máx.	-	●	●	Máx.		
3	Planchado Permanente: Telas sintéticas con suciedad normal o prendas con etiqueta de planchado permanente.	Tibia	800	-	●	●	6.6		
4	Lavado Rápido	Tibia	Máx.	-	●	●	2.20		
5	Carga Mixta 30 min.: Para refrescar prendas poco sucias rápidamente (no adecuado para lana, seda y ropa que se debe lavar a mano).	Tibia	800	-	●	●	6.6		
Ciclos de lavado especiales									
6	Higienización: Higieniza la carga con una temperatura superior a 160 °F; para blancos sumamente sucios.	Caliente	Máx.	●	●	●	Máx.		
7	Blanco Brillante: Colores resistentes y blancos muy sucios.	Tibia	Máx.	●	●	●	Máx.		
8	Jeans	Tibia	800	-	●	●	6.6		
9	Prendas Deportivas	Tibia	600	-	●	●	6.6		
10	Poca Suciedad 15 min.: Para refrescar prendas poco sucias rápidamente (no adecuado para lana, seda y ropa que se debe lavar a mano).	Tibia	800	-	●	●	3.30		
Delicados									
11	Delicados: Colores delicados poco sucios.	Tibia	800	-	●	●	6.6		
12	Seda/Cortinas	Tibia	0	-	●	●	2.20		
13	Lana: Para lana, cachemir, etc.	Tibia	600	-	●	●	3.30		
Ciclos de lavado parciales									
A	Enjuague	-	Máx.	-	-	●	Máx.		
B	Centrifugado	-	Máx.	-	-	-	Máx.		
C	Drenaje	-	-	-	-	-	Máx.		

Ciclos de lavado especiales

Planchado Permanente (ciclo de lavado 3). Este ciclo tiene menor agitación mecánica y velocidad de centrifugado para reducir las arrugas.

Carga Mixta (ciclo de lavado 5). Este ciclo de lavado fue diseñado para lavar prendas poco sucias rápidamente: dura apenas 30 minutos, por lo que ahorra energía y tiempo. Este ciclo (5 a temperatura TIBIA) permite lavar distintas telas al mismo tiempo (excepto prendas de lana y de seda), con una carga máxima de 6,6 lb (3 kg).

Ciclo de Higienización (ciclo de lavado 6). Este ciclo de alta temperatura (más de 60°C) se debe usar si tiene la necesidad específica de higienizar sus prendas o si la carga está sumamente sucia, ya que optimiza la acción del blanqueador. Introduzca el blanqueador, el detergente y los aditivos en los compartimientos correspondientes (ver "Cajón de detergente").

Blanco Brillante (ciclo de lavado 7). Use este ciclo para blanquear con productos a base de hipoclorito. Introduzca el blanqueador, el detergente y los aditivos en los compartimientos correspondientes (ver "Cajón de detergente").

Prendas Deportivas (ciclo de lavado 9). Este ciclo es para lavar prendas deportivas poco sucias (equipos, shorts, etc.). Para lograr los mejores resultados, recomendamos no superar la carga máxima indicada en la "Tabla de ciclos de lavado". Recomendamos usar un detergente líquido y una cantidad adecuada para media carga.

Poca Suciedad 15 min. (ciclo de lavado 10). Este ciclo de lavado fue diseñado para lavar prendas poco sucias rápidamente: dura apenas 15 minutos, por lo que ahorra energía y tiempo. Este ciclo (10 a temperatura TIBIA) permite lavar distintas telas al mismo tiempo (excepto prendas de lana y de seda), con una carga máxima de 3,3 lb (1,5 kg). Para este ciclo, recomendamos pretratar los puños, los cuellos y las manchas con productos antimanchas específicos.

Personalización

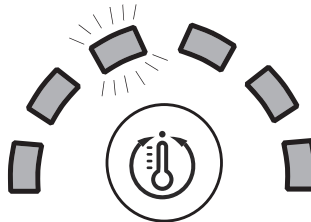
ES

Ajuste de temperatura

Seleccione la temperatura de lavado presionando el botón de TEMPERATURA (ver la Tabla de ciclos de lavado). La temperatura de lavado se puede ajustar seleccionando ☼, “Fría”, “Tibia”, “Caliente” o 2 posiciones intermedias que corresponden a niveles intermedios de temperatura del agua (por ejemplo: la posición entre “fría” y “tibia” es apenas tibia). Abajo se indica la temperatura en °C y °F de cada posición.

Las opciones disponibles son:

- ☼ El agua del grifo
- **Fría (cold)** 15 °C/ 59 °F
- 20 °C/ 68 °F
- **Tibia (warm)** 40 °C/ 104 °F
- 57 °C / 134 °F
- **Caliente (hot)** 75 °C / 167 °F



Ajuste de la velocidad de centrifugado

Presione el botón de VELOCIDAD DE CENTRIFUGADO para elegir la velocidad de centrifugado para el ciclo de lavado seleccionado.

Las velocidades de centrifugado máximas disponibles para cada ciclo de lavado son las siguientes:

Ciclos de lavado	Velocidad de centrifugado máxima
Algodón	1400 rpm solamente
Sintético	800 rpm
Lana	600 rpm
Seda	sólo drenaje

La velocidad de centrifugado se puede reducir, o el ciclo de centrifugado se puede excluir directamente seleccionando el símbolo ☼.

El lavarropas automáticamente le impide seleccionar una velocidad de centrifugado más alta que la máxima permitida para cada ciclo de lavado.

Nota: En los programas 1 y 2 (Algodón) no es posible reducir ni excluir la velocidad de centrifugado.

Nota: Para los dos primeros Programas (Algodón normal y Algodón de color) las prendas deberán centrifugarse a la máxima velocidad. Esto permite obtener el mejor resultado en la fase de aceleración y reducir el tiempo y la energía necesarios para el secado.

Funciones

Las distintas funciones de lavado que ofrece este lavarropas lo ayudan a obtener los resultados deseados.

Para activar las funciones:

1. Presione el botón correspondiente a la función deseada.
2. Cuando se enciende la luz indicadora correspondiente, la función está activa.

Nota: Si la luz indicadora parpadea rápidamente, esto significa que la función elegida no se puede seleccionar en combinación con el ciclo de lavado seleccionado.

Temporizador de retraso

Para retrasar el comienzo del ciclo de lavado seleccionado, presione el botón varias veces hasta que se muestre el tiempo de retraso deseado (puede ser entre 1 y 24 horas).

Para desactivar la función, presione el botón hasta que se muestre el texto OFF.

Nota: Una vez presionado el botón de ARRANQUE/PAUSA, el tiempo de retraso se puede disminuir, pero no aumentar.

! Esta opción está disponible para todos los programas.

Super Wash

Ya que se usa una mayor cantidad de agua en la fase inicial del ciclo, y gracias a la mayor duración del ciclo, esta función ofrece un lavado óptimo.

! Esta función no se puede usar en combinación con los ciclos de lavado 4, 5, 6, 8, 10, 12, 13, A, B y C.

Enjuague extra

Al seleccionar esta función, se mejora la eficiencia del enjuague y se garantiza la eliminación óptima del detergente. Es especialmente útil para piel sensible.

! Esta función no se puede usar en combinación con los ciclos de lavado 5, 10, B y C.

Reducción de arrugas

Al seleccionar esta función, los ciclos de lavado y centrifugado se modifican para reducir la formación de arrugas.

Al finalizar el ciclo de lavado, la máquina gira el tambor lentamente. La luz indicadora de REDUCCIÓN DE ARRUGAS se enciende y la luz indicadora de ARRANQUE/PAUSA parpadea en naranja, mientras que la fase de **FIN** permanece encendida.

Para completar el ciclo, presione el botón de ARRANQUE/PAUSA o el botón de REDUCCIÓN DE ARRUGAS.

Para el ciclo de **Seda/Cortinas**, la máquina termina el ciclo con la ropa en remojo y parpadea la luz indicadora de REDUCCIÓN DE ARRUGAS. Para drenar el agua y poder sacar la ropa, presione el botón de ARRANQUE/PAUSA o el botón de REDUCCIÓN DE ARRUGAS.

! No se puede usar con los ciclos 5, 6, 9, 10, 13, B y C.

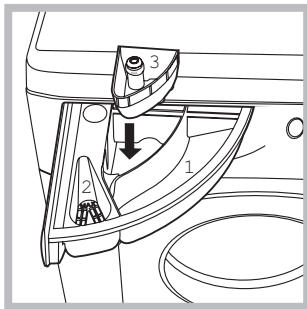
Detergentes y ropa

ES

Cajón de detergente

El buen resultado del lavado también depende de la dosis correcta de detergente: si agrega demasiado detergente, no necesariamente logrará un lavado más eficiente. Por el contrario, puede provocar la acumulación de residuos dentro del artefacto y contribuir a la contaminación ambiental.

! No use detergentes para lavar a mano, ya que producen demasiada espuma.



Abra el cajón para detergentes e introduzca el detergente o aditivo, de la siguiente manera:

Compartimiento 1: Detergente para el ciclo de lavado (en polvo o líquido)

El detergente líquido se debe verter inmediatamente antes de comenzar el ciclo de lavado.

Compartimiento 2: Aditivos (suavizantes de telas, etc.)

El suavizante no debe rebalsar la rejilla.

Compartimiento extra 3: Blanqueador

Ciclo de blanqueo

El blanqueo se puede realizar únicamente en combinación con el ciclo de lavado **6**. Introduzca el blanqueador en el compartimiento extra **3**, introduzca el detergente y el suavizante en los compartimientos correspondientes, y luego seleccione el ciclo de lavado.

Esta opción se recomienda únicamente para prendas de algodón muy sucias.

Preparación de la ropa

- Divida la ropa según:
 - el tipo de tela/el símbolo de la etiqueta.
 - los colores: separe las prendas de color de las blancas.
- Vacíe todos los bolsillos y controle los botones.
- No supere los valores indicados, que corresponden al peso de la ropa cuando está seca:
 - Telas resistentes: 6,80 kg (7 kg) máx.
 - Telas sintéticas: 2,99 kg (3 kg) máx.
 - Telas delicadas: 2,00 kg (2 kg) máx.
 - Lana: 1,50 kg (1,5 kg) máx.

¿Cuánto pesa su ropa?

- 1 sábana 14-17 oz (400-500 g)
- 1 funda de almohada 5-7 oz (150-200 g)
- 1 mantel 14-17 oz (400-500 g)
- 1 bata de baño 31-42 oz (900-1.200 g)
- 1 toalla 5-8 oz (150-250 g)

Prendas que requieren un cuidado especial

Jeans: Lave las prendas al revés y use un detergente líquido. Use el programa **8**.

Seda: Use el programa de lavado especial **12** para lavar todas las prendas de seda. Recomendamos usar un detergente especial diseñado para prendas delicadas.

Cortinas: Doble las cortinas y colóquelas en una funda de almohada o bolsa de red. Use el ciclo de lavado **12**.

Lana: Ariston es el único fabricante de lavarropas que obtuvo el prestigioso reconocimiento Woolmark Platinum Care (M.0508) otorgado por Woolmark Company, que significa que todas las prendas de lana se pueden lavar en el lavarropas, incluso aquellas cuya etiqueta indica "lavar a mano únicamente" . Por lo tanto, el programa de lavado **13** ofrece absoluta tranquilidad al lavar prendas de lana en el lavarropas (carga máxima 3,3 lb - 1,5 kg) y garantiza resultados óptimos.

Sistema de equilibrado de carga

Antes de cada ciclo de centrifugado, a fin de evitar vibraciones excesivas y distribuir la carga de manera uniforme, el tambor gira continuamente a una velocidad levemente mayor a la velocidad de rotación de lavado. Si luego de varios intentos la carga no está bien equilibrada, la máquina centrifuga a una velocidad de centrifugado reducida. Si la carga está muy mal equilibrada, la máquina realiza un proceso de distribución, en lugar de centrifugar. Para lograr un mejor equilibrio y distribución de la carga, recomendamos mezclar prendas grandes y pequeñas en la carga.

Consejos útiles

Su lavarropas presenta tres velocidades distintas durante el ciclo de lavado. Durante el ciclo de Algodón, el tambor centrifuga a 1.200 u 800 rpm. Durante el ciclo de Planchado Permanente, centrifuga a 850 rpm. Durante el ciclo de Delicados, centrifuga a 500 rpm.

Use un suavizante de telas líquido. Llene el compartimiento para suavizante hasta el nivel marcado. El suavizante esponja la ropa inmediatamente después del ciclo de lavado. Así se reduce el tiempo de secado y las arrugas.

Use detergente de baja espuma. Esta recomendación es válida para todos los lavarropas de carga frontal. Al usar este tipo de detergente, se evita el exceso de espuma, que puede afectar el rendimiento de la máquina. También se evita el posible daño ocasionado por el ingreso del exceso de espuma en la cámara de condensación y la posterior obstrucción del mecanismo del ventilador con pelusa.

Al preparar la ropa para lavar tenga en cuenta la cantidad de prendas y los tipos de tela. Los tejidos muy absorbentes, como los de las toallas y los pantalones de jean, absorben más agua y se vuelven muy pesados cuando se saturan. Si nota que su ropa tarda más tiempo que el habitual en secarse, es posible que haya sobrecargado la máquina o que haya incluido demasiados artículos muy absorbentes en la carga.

Instrucciones de cuidado y mantenimiento

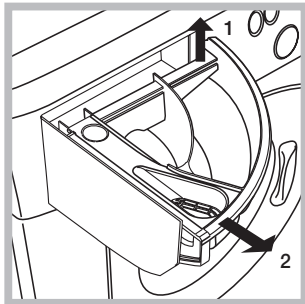
Corte del suministro de agua y electricidad

- Cierre el grifo de agua después de cada ciclo de lavado. Así se limita el desgaste del sistema hidráulico del lavarropas y se ayuda a prevenir pérdidas.
- Desenchufe el lavarropas para limpiarlo y para todas las tareas de mantenimiento.

Limpieza del lavarropas

Las partes externas y los componentes de goma del artefacto se pueden limpiar con un paño suave embebido en agua tibia con jabón. No use solventes ni sustancias abrasivas.

Limpieza del cajón de detergente



Quite el cajón levantándolo y tirando hacia afuera (ver la figura). Lávelo con agua corriente. Repita esta operación con frecuencia.

Cuidado de la puerta y el tambor del artefacto

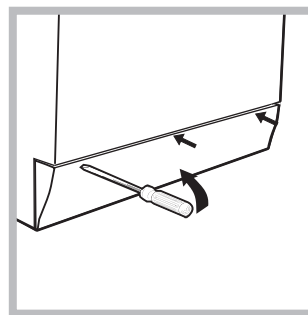
- Siempre deje la puerta entreabierta para evitar la acumulación de olores desagradables.

Limpieza de la bomba

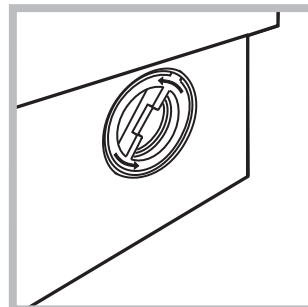
El lavarropas cuenta con una bomba autolimpiante que no requiere mantenimiento. A veces pueden caer elementos pequeños (como monedas o botones) en la precámara que protege la bomba, ubicada en la parte inferior.

! Asegúrese de que haya terminado el ciclo de lavado y desenchufe el artefacto.

Para acceder a la precámara:



1. Con un destornillador, quite el panel de la parte delantera inferior del lavarropas (ver la figura);



2. Quite la tapa girándola en el sentido contrario a las agujas del reloj (ver la figura). Puede salir algo de agua. Esto es normal.

3. Limpie el interior completamente.
4. Vuelva a colocar la tapa.
5. Vuelva a colocar el panel, asegurándose de que los ganchos estén en su lugar antes de presionarlo sobre el artefacto.

Control de la manguera de entrada de agua

Controle la manguera de entrada al menos una vez al año. En caso de grietas, se debe sustituir de inmediato: durante los ciclos de lavado, la presión de agua es muy fuerte y si la manguera está agrietada se puede romper fácilmente.

! Nunca use mangueras ya usadas.

Resolución de problemas

ES

Su lavarropas puede fallar. Antes de comunicarse con el Centro de Asistencia Técnica (ver "Asistencia"), primero fíjese si se trata de un problema de fácil solución con las siguientes recomendaciones:

Problema:

El lavarropas no se enciende.

Posibles causas/soluciones:

- El artefacto no está bien enchufado en el tomacorriente, o no hace contacto.
- No hay corriente eléctrica en la casa.

El ciclo de lavado no comienza.

- La puerta del lavarropas no está bien cerrada.
- No presionó el botón de ENCENDIDO/APAGADO.
- No presionó el botón de ARRANQUE/PAUSA.
- No abrió el grifo de agua.
- Seleccionó el comienzo retrasado (con el temporizador de retraso, ver "Personalización").

El lavarropas no carga agua (la luz indicadora de la primera etapa del ciclo de lavado parpadea rápidamente).

- La manguera de entrada de agua no está conectada al grifo.
- La manguera está retorcida.
- No abrió el grifo de agua.
- No hay suministro de agua en la casa.
- La presión es demasiado baja.
- No presionó el botón de ARRANQUE/PAUSA.

El lavarropas carga y descarga agua continuamente.

- La manguera de descarga no está instalada a una altura entre los 65 y 100 cm del suelo (ver "Instalación").
- El extremo libre de la manguera se encuentra sumergido (ver "Instalación").
- El sistema de descarga de pared no tiene un respiradero.

Si el problema persiste después de estas verificaciones, cierre el grifo de agua, apague el artefacto y comuníquese con el Servicio de Asistencia. Si su casa se encuentra en uno de los pisos más altos de un edificio, es posible que exista un problema de drenaje, por el cual el lavarropas carga y descarga agua continuamente. Puede comprar válvulas especiales antidrenaje para solucionar este problema.

El lavarropas no descarga o no centrifuga.

- El ciclo de lavado no incluye descarga: en algunos ciclos de lavado, la descarga se debe activar manualmente.
- Se ha activado la función de REDUCCIÓN DE ARRUGAS. Para completar el ciclo de lavado, presione el botón de ARRANQUE/PAUSA ("Personalización").
- La manguera de descarga está retorcida (ver "Instalación").
- El conducto de descarga está obstruido.

El lavarropas vibra mucho durante el centrifugado.

- El tambor no fue desbloqueado correctamente durante la instalación (ver "Instalación").
- El lavarropas no está nivelado (ver "Instalación").
- El lavarropas está atrapado entre muebles y paredes (ver "Instalación").

El lavarropas pierde.

- La manguera de entrada de agua no está enroscada correctamente (ver "Instalación").
- El cajón de detergente está bloqueado (consulte las instrucciones de limpieza en "Cuidado y mantenimiento").
- La manguera de descarga no está bien ajustada (ver "Instalación").

La luz indicadora de ARRANQUE/PAUSA (naranja) y las luces indicadoras de función parpadean rápidamente.

- Apague y desenchufe la máquina. Espere aproximadamente 1 minuto y vuelva a enchufarla y encenderla. Si el problema persiste, comuníquese con el Servicio de Asistencia Técnica.

Hay demasiada espuma.

- El detergente no es adecuado para lavar en máquina (debe tener una leyenda como "para lavarropas" o "para lavado a mano o en máquina", o similar).
- Usó demasiado detergente.

Antes de llamar para solicitar asistencia técnica:

- Verifique si puede resolver el problema solo (ver *"Resolución de problemas"*).
- Reinicie el programa para verificar si el problema está resuelto.
- Si el problema persiste, comuníquese con un Centro de Asistencia Técnica autorizado al número de teléfono indicado en el certificado de garantía.

! Siempre recurra a técnicos autorizados.

Tenga los siguientes datos a mano:

- el tipo de problema
- el modelo del artefacto (Mod.)
- el número de serie (S/N)

Estos datos se encuentran en la placa fijada en la parte posterior del lavarropas, y también en la parte delantera, abriendo la puerta.

GARANTÍA LIMITADA DURANTE UN AÑO DE ARISTON (EE.UU. Y CANADÁ ÚNICAMENTE)

QUIÉN ESTÁ CUBIERTO POR ESTA GARANTÍA

Esta garantía limitada durante un año (la "Garantía") se otorga únicamente al comprador minorista/final original (el "Comprador de Primer Uso") del producto Ariston adjunto (el "Producto Ariston").

Si usted no compró el Producto Ariston de un revendedor/distribuidor autorizado de Ariston en los Estados Unidos o Canadá, o si compró el Producto Ariston usado antes de su compra (por ejemplo, modelos de exhibición o reacondicionados), entonces usted no es el Comprador de Primer Uso, y el Producto Ariston adquirido no se encuentra cubierto por esta Garantía. Esta Garantía no es transferible.

QUÉ CUBRE ESTA GARANTÍA

Ariston se compromete a reparar o sustituir cualquier pieza del Producto Ariston que falle por un defecto de materiales o de mano de obra, cuando haya sido usado en situaciones normales de uso doméstico. Ariston también brindará, sin cargo alguno, toda la mano de obra y los servicios relacionados necesarios para reparar o sustituir la pieza defectuosa.

Esta Garantía es válida únicamente para los Productos Ariston adquiridos en los Estados Unidos o Canadá. Sujeto a las exclusiones indicadas más abajo, en el caso de Productos Ariston adquiridos en los Estados Unidos o Canadá, pero usados en otro país, esta Garantía cubre únicamente el servicio bajo garantía realizado dentro de los Estados Unidos o Canadá (y no incluye el envío fuera de los Estados Unidos o Canadá).

DURACIÓN DE LA GARANTÍA

Esta Garantía se extiende durante un (1) año desde la fecha de la compra original del Comprador de Primer Uso. Tenga en cuenta que es necesario presentar una copia de su recibo de compra original con la fecha de compra y el nombre y la dirección del comercio a fin de obtener servicio bajo esta Garantía. A los fines de determinar el período de garantía aplicable, tenga en cuenta que toda pieza sustituida o reparada asumirá la identidad de la original.

QUÉ NO CUBRE ESTA GARANTÍA (EXCLUSIONES)

Esta Garantía no cubre:

1. Instalación, entrega, mantenimiento y/u operación indebida del Producto Ariston.
2. Daños ocasionados por no usar el Producto Ariston en cumplimiento de las especificaciones de suministro de electricidad o gas indicadas en la placa de datos.
3. Daños ocasionados al Producto Ariston o fallas de éste por alteración, abuso, mal uso, uso distinto del previsto, o uso comercial.
4. Visitas de servicio a su casa para brindar instrucciones sobre el uso de su Producto Ariston.

5. Reemplazo de fusibles en su casa o corrección de las tuberías o los circuitos eléctricos de su casa.
 6. Daños ocasionados por negligencia, accidente, incendio, inundación o actos fortuitos.
 7. Daños físicos al aspecto de su Producto Ariston, como rayones, óxido, abolladuras, deformaciones, descamación y otros.
 8. Daños ocasionados por el transporte.
 9. Reemplazo de accesorios o elementos consumibles o degradables, por ejemplo: enchufes, cables, baterías, bombillas, tubos fluorescentes, arrancadores, tapas y filtros; y reemplazo de piezas extraíbles de vidrio o de plástico.
 10. Daños ocasionados luego de la entrega.
 11. Daños por agua de cualquier tipo.
 12. Productos Ariston que no estén accesibles para realizar el servicio necesario.
 13. Problemas no ocasionados por defectos de materiales o de mano de obra.
 14. Tiempo de viaje cuando el producto esté instalado en un vehículo recreativo o una aplicación marítima.
- Esta Garantía quedará sin efecto si una persona no autorizada por Ariston altera, desmantela, mantiene, o realiza servicio al Producto Ariston o interfiere con él de cualquier otra manera.
15. Mano de obra no estándar cuando el producto esté instalado en una aplicación marítima.
 16. Daños por agua de cualquier tipo.

HASTA EL GRADO MÁXIMO QUE PERMITA LA LEY, ESTA GARANTÍA REEMPLAZA TODA OTRA GARANTÍA, ESCRITA U ORAL, YA SEA EXPRESADA MEDIANTE DECLARACIÓN, PROMESA, DESCRIPCIÓN, DIBUJO, MODELO O MUESTRA. QUEDA DENEGADA TODA OTRA GARANTÍA, EXPLÍCITA O IMPLÍCITA, INCLUIDAS LAS GARANTÍAS IMPLÍCITAS DE COMERCIABILIDAD Y APTITUD PARA UN FIN DETERMINADO. AQUELLAS GARANTÍAS IMPLÍCITAS, INCLUIDAS ENTRE OTRAS LAS GARANTÍAS IMPLÍCITAS DE COMERCIABILIDAD Y APTITUD PARA UN FIN DETERMINADO, QUE NO PUEDAN SER EXCLUIDAS POR LEY, QUEDARÁN LIMITADAS A LA MISMA DURACIÓN QUE LA PRESENTE GARANTÍA. EXCEPTUANDO LAS REPARACIONES O LOS REEMPLAZOS ANTEDICHOS, ARISTON NO SERÁ RESPONSABLE POR DAÑOS DIRECTOS, INDIRECTOS, INCIDENTALES O EMERGENTES, NI POR DESAGRAVIOS ESPECÍFICOS.

Algunos estados o provincias no permiten la exclusión o limitación de daños incidentales o emergentes y/o garantías implícitas, por lo tanto las exclusiones o limitaciones antedichas pueden no corresponderle a usted. Esta Garantía le confiere derechos legales específicos y es posible que también goce de otros derechos legales según su estado o provincia.

QUÉ DEBE HACER PARA OBTENER SERVICIO BAJO GARANTÍA

Todas las reparaciones y los servicios bajo garantía deben ser provistos por Ariston o por un Centro de Servicios Autorizado de Ariston.

Para solicitar servicio bajo garantía, llame al 1-877-356-0766 o envíe un mensaje de correo electrónico a service@aristonamerica.com. Recuerde informar el número de modelo y el número de serie de su Producto Ariston.

Tenga en cuenta que es necesario presentar una copia de su recibo de compra original con la fecha de compra y el nombre y la dirección del comercio a fin de obtener servicio bajo esta Garantía. Si el Producto Ariston se encuentra en una zona donde no está disponible el servicio de un Centro de Servicios Autorizado de Ariston, es posible que se le cobre el traslado del personal o que se le solicite que lleve el Producto Ariston a un Centro de Servicios Autorizado de Ariston para recibir el servicio.

Los antedichos son sus recursos únicos y exclusivos bajo esta Garantía. Esta Garantía es la única garantía otorgada por Ariston para este Producto Ariston. Esta Garantía reemplaza todo otro acuerdo o entendimiento que usted pueda tener con Ariston o sus representantes.

ES