

SHARP®

PN-L702B

LCD MONITOR
MONITEUR LCD
MONITOR LCD
LCD FARBMONITOR
ЖК МОНИТОР

SETUP MANUAL
MANUEL D'INSTALLATION
MANUAL DE INSTALACIÓN
INSTALLATIONSANLEITUNG
РУКОВОДСТВО ПО УСТАНОВКИ

ENGLISH E1
FRANÇAIS..... F1
ESPAÑOL S1
DEUTSCH D1
РУССКИЙ..... P1

香港電器安全規格
(國際電工委員會規格適合)

HDMI™
HIGH-DEFINITION MULTIMEDIA INTERFACE

(الدليل باللغة العربية يوجد في أسطوانة CD-ROM المرفقة.)

ENGLISH

FRANÇAIS

ESPAÑOL

DEUTSCH

РУССКИЙ

IMPORTANT:

To aid reporting in case of loss or theft, please record the product's model and serial numbers in the space provided. The numbers are located in the rear of the product.

Model No.:

Serial No.:

U.S.A. ONLY

FOR CUSTOMERS IN U.K.

IMPORTANT

The wires in this mains lead are coloured in accordance with the following code:

| | |
|--------------------------|----------------|
| GREEN-AND-YELLOW: | Earth |
| BLUE: | Neutral |
| BROWN: | Live |

As the colours of the wires in the mains lead of this apparatus may not correspond with the coloured markings identifying the terminals in your plug proceed as follows:

- The wire which is coloured GREEN-AND-YELLOW must be connected to the terminal in the plug which is marked by the letter **E** or by the safety earth \perp or coloured green or green-and-yellow.
- The wire which is coloured BLUE must be connected to the terminal which is marked with the letter **N** or coloured black.
- The wire which is coloured BROWN must be connected to the terminal which is marked with the letter **L** or coloured red.

Ensure that your equipment is connected correctly. If you are in any doubt consult a qualified electrician.

“WARNING: THIS APPARATUS MUST BE EARTHED.”

Authorised representative responsible for the European Union Community Market
Représentant autorisé pour le marché de la communauté européenne
Representante autorizado responsable del mercado comunitario de la Unión Europea
Autorisierter Repräsentant in der Europäischen Union



SHARP ELECTRONICS (Europe) GmbH
SonninstraÙe 3, D-20097 Hamburg

| | | | |
|--|---|--|---|
| IMPORTANT INFORMATION | 1 | Connections | 6 |
| DEAR SHARP CUSTOMER | 1 | Turning Power On/Off | 7 |
| SAFETY PRECAUTIONS | 2 | Specifications | 8 |
| SAFETY INSTRUCTION | 3 | Mounting Precautions | |
| MOUNTING PRECAUTIONS | 4 | (For SHARP dealers and service engineers) | 8 |
| Supplied Components | 5 | | |
| Preparing the Remote Control Unit and | | | |
| the Touch Pen | 5 | | |

Read the manuals in the "Manual" folder of the provided CD-ROM. (Adobe Reader is required to view the manuals.)
 Operation Manual (PNL702B_manual_English.pdf)
 Touch Panel Driver Operation Manual (PNL702B_driver_English.pdf)
 Pen Software Operation Manual (PenSoftware_manual_English.pdf)

IMPORTANT INFORMATION

WARNING: TO REDUCE THE RISK OF FIRE OR ELECTRIC SHOCK, DO NOT EXPOSE THIS PRODUCT TO RAIN OR MOISTURE.

| | |
|---|--|
|  | <div style="background-color: black; color: white; padding: 5px; font-weight: bold;">CAUTION</div> <div style="border: 1px solid black; padding: 5px;"> <p>RISK OF ELECTRIC SHOCK DO NOT OPEN</p> </div>  |
| <p>CAUTION: TO REDUCE THE RISK OF ELECTRIC SHOCK, DO NOT REMOVE COVER. NO USER-SERVICEABLE PARTS INSIDE. REFER SERVICING TO QUALIFIED SERVICE PERSONNEL.</p> | |



The lightning flash with arrowhead symbol, within an equilateral triangle, is intended to alert the user to the presence of uninsulated "dangerous voltage" within the product's enclosure that may be of sufficient magnitude to constitute a risk of electric shock to persons.



The exclamation point within a triangle is intended to alert the user to the presence of important operating and maintenance (servicing) instructions in the literature accompanying the product.

WARNING:

FCC Regulations state that any unauthorized changes or modifications to this equipment not expressly approved by the manufacturer could void the user's authority to operate this equipment.

NOTE:

This equipment has been tested and found to comply with the limits for Class A digital device, pursuant to Part 15 of the FCC Rules. These limits are designed to provide reasonable protection against harmful interference when the equipment is operated in a commercial environment. This equipment generates, uses, and can radiate radio frequency energy and, if not installed and used in accordance with the instruction manual, may cause harmful interference to radio communications. Operation of this equipment in a residential area is likely to cause harmful interference in which case the user will be required to correct the interference at his own expense.

U.S.A. ONLY

DEAR SHARP CUSTOMER

Thank you for your purchase of a SHARP LCD product. To ensure safety and many years of trouble-free operation of your product, please read the Safety Precautions carefully before using this product.

SAFETY PRECAUTIONS

Electricity is used to perform many useful functions, but it can also cause personal injuries and property damage if improperly handled. This product has been engineered and manufactured with the highest priority on safety. However, improper use can result in electric shock and/or fire. In order to prevent potential danger, please observe the following instructions when installing, operating and cleaning the product. To ensure your safety and prolong the service life of your LCD product, please read the following precautions carefully before using the product.

1. Read instructions — All operating instructions must be read and understood before the product is operated.
2. Keep this manual in a safe place — These safety and operating instructions must be kept in a safe place for future reference.
3. Observe warnings — All warnings on the product and in the instructions must be observed closely.
4. Follow instructions — All operating instructions must be followed.
5. Cleaning — Unplug the power cord from the AC outlet before cleaning the product. Use a dry cloth to clean the product. Do not use liquid cleaners or aerosol cleaners.
6. Attachments — Do not use attachments not recommended by the manufacturer. Use of inadequate attachments can result in accidents.
7. Water and moisture — Do not use the product near water. Do not install the product in a place where water may splash onto it. Be careful of equipment which drains water such as an air-conditioner.
8. Ventilation — The vents and other openings in the cabinet are designed for ventilation. Do not cover or block these vents and openings since insufficient ventilation can cause overheating and/or shorten the life of the product. Do not place the product on a sofa, rug or other similar surface, since they can block ventilation openings. Do not place the product in an enclosed place such as a bookcase or rack, unless proper ventilation is provided or the manufacturer's instructions are followed.
9. Power cord protection — The power cords must be routed properly to prevent people from stepping on them or objects from resting on them.
10. The screen used in this product is made of glass. Therefore, it can break when the product is dropped or applied with impact. Be careful not to be injured by broken glass pieces in case the screen breaks.
11. Overloading — Do not overload AC outlets or extension cords. Overloading can cause fire or electric shock.
12. Entering of objects and liquids — Never insert an object into the product through vents or openings. High voltage flows in the product, and inserting an object can cause electric shock and/or short internal parts. For the same reason, do not spill water or liquid on the product.
13. Servicing — Do not attempt to service the product yourself. Removing covers can expose you to high voltage and other dangerous conditions. Request a qualified service person to perform servicing.
14. Repair — If any of the following conditions occurs, unplug the power cord from the AC outlet, and request a qualified service person to perform repairs.
 - a. When the power cord or plug is damaged.
 - b. When a liquid was spilled on the product or when objects have fallen into the product.
 - c. When the product has been exposed to rain or water.
 - d. When the product does not operate properly as described in the operating instructions. Do not touch the controls other than those described in the operating instructions. Improper adjustment of controls not described in the instructions can cause damage, which often requires extensive adjustment work by a qualified technician.
 - e. When the product has been dropped or damaged.
 - f. When the product displays an abnormal condition. Any noticeable abnormality in the product indicates that the product needs servicing.
15. Replacement parts — In case the product needs replacement parts, make sure that the service person uses replacement parts specified by the manufacturer, or those with the same characteristics and performance as the original parts. Use of unauthorized parts can result in fire, electric shock and/or other danger.
16. Safety checks — Upon completion of service or repair work, request the service technician to perform safety checks to ensure that the product is in proper operating condition.
17. Wall mounting — When mounting the product on a wall, be sure to install the product according to the method recommended by the manufacturer.
18. Heat sources — Keep the product away from heat sources such as radiators, heaters, stoves and other heat-generating products (including amplifiers).
19. Batteries — Incorrect use of batteries may cause the batteries to burst or ignite. A leaky battery may corrode the equipment, dirty your hands or spoil your clothing. In order to avoid these problems, make sure to observe the precautions below:
 - Use the specified batteries only.
 - Install the batteries with due attention to the plus (+) and minus (-) sides of the batteries according to the instructions in the compartment.
 - Do not mix old and new batteries.
 - Do not mix batteries of different types. Voltage specifications of batteries of the same shape may vary.
 - Replace an exhausted battery with a new one promptly.
 - If you will not use the remote control for a long time, remove the batteries.
 - If leaked battery fluid gets on your skin or clothing, rinse immediately and thoroughly. If it gets into your eye, bathe your eye well rather than rubbing and seek medical treatment immediately. Leaked battery fluid that gets into your eye or your clothing may cause a skin irritation or damage your eye.
20. Usage of the monitor must not be accompanied by fatal risks or dangers that, could lead directly to death, personal injury, severe physical damage or other loss, including nuclear reaction control in nuclear facility, medical life support system, and missile launch control in a weapon system.

SAFETY PRECAUTIONS (Continued)

21. Do not stay in contact with the parts of the product that become hot for long periods of time. Doing so may result in low-temperature burns.

WARNING:

This is a class A product. In a domestic environment this product may cause radio interference in which case the user may be required to take adequate counter measures.

To maintain compliance with EMC regulations, use shielded cables to connect to the following terminals: PC/AV DVI-D output terminal, PC/AV DVI-D input terminal, PC/AV HDMI input terminal, PC D-SUB input terminal, PC RGB input terminals, and RS-232C input/output terminals.

If a monitor is not positioned in a sufficiently stable location, it can be potentially hazardous due to falling. Many injuries, particularly to children, can be avoided by taking simple precautions such as:

- Using fixing devices like wall mount brackets recommended by the manufacturer.
- Only using furniture that can safely support the monitor.
- Ensuring the monitor is not overhanging the edge of the supporting furniture.
- Not placing the monitor on tall furniture (for example, cupboards or bookcases) without anchoring both the furniture and the monitor to a suitable support.
- Not standing the monitors on cloth or other materials placed between the monitor and supporting furniture.
- Educating children about the dangers of climbing on furniture to reach the monitor or its controls.

Especially for child safety

- Don't allow children to climb on or play with the monitor.
- Don't place the monitor on furniture that can easily be used as steps, such as a chest of drawers.
- Remember that children can become excited while watching a program, especially on a "larger than life" monitor. Care should be taken to place or install the monitor where it cannot be pushed, pulled over, or knocked down.
- Care should be taken to route all cords and cables connected to the monitor so that they cannot be pulled or grabbed by curious children.

SAFETY INSTRUCTION

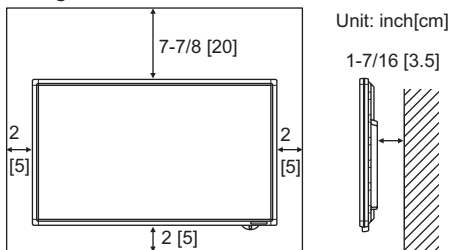
- Do not use the monitor where there is a lot of dust, where humidity is high, or where the monitor may come into contact with oil or steam, as this could lead to fire.
- Ensure that the monitor does not come into contact with water or other fluids. Ensure that no objects such as paper clips or pins enter the monitor as this could lead to fire or electric shock.
- Do not place the monitor on top of unstable objects or in unsafe places. Do not allow the monitor to receive strong shocks or to strongly vibrate. Causing the monitor to fall or topple over may damage it.
- Do not use the monitor near heating equipment or in places where there is likelihood of high temperature, as this may lead to generation of excessive heat and outbreak of fire.
- Do not use the monitor in places where it may be exposed to direct sunlight.
- The AC outlet shall be installed near the equipment and shall be easily accessible.
- Do not operate the screen with a hard or pointed object such as a fingernail, pen, or pencil.

The Power Cord

- Use only the power cord supplied with the monitor.
- Do not damage the power cord nor place heavy objects on it, stretch it or over bend it. Also, do not add extension cords. Damage to the cord may result in fire or electric shock.
- Do not use the power cord with a power tap. Adding an extension cord may lead to fire as a result of overheating.
- Do not remove or insert the power plug with wet hands. Doing so could result in electric shock.
- Unplug the power cord if it is not used for a long time.
- Do not attempt to repair the power cord if it is broken or malfunctioning. Refer the servicing to the service representative.

MOUNTING PRECAUTIONS

- This product is for use indoors.
- A mounting bracket compliant with VESA specifications is required.
- Since the monitor is heavy, consult your dealer before installing, removing or moving the monitor.
- Mounting the monitor on the wall requires special expertise and the work must be performed by an authorized SHARP dealer. You should never attempt to perform any of this work yourself. Our company will bear no responsibility for accidents or injuries caused by improper mounting or mishandling.
- This monitor cannot be used in vertical orientation.
- Use the monitor with the surface perpendicular to a level surface. If necessary, the monitor may be tilted up to 20 degrees upward.
- When moving the monitor, be sure to hold it with either both handles or the 4 corners on the bottom of the unit. Do not place your hand on the screen. This may cause product damage, failure, or injury.
- This monitor should be used at an ambient temperature between 41°F (5°C) and 95°F (35°C). Provide enough space around the monitor to prevent heat from accumulating inside.



- If it is difficult to provide sufficient space for any reason such as the installation of the monitor inside a housing, or if the ambient temperature may be outside of the range of 41°F (5°C) to 95°F (35°C), install a fan or take other measures to keep the ambient temperature within the required range.
- Temperature condition may change when using the monitor together with the optional equipments recommended by SHARP. In such cases, please check the temperature condition specified by the optional equipments.
- Do not block any ventilation openings. If the temperature inside the monitor rises, this could lead to a malfunction.
- Do not place the monitor on a device which generates heat.
- Do not use the product in locations where the unit is exposed to direct sunlight or other strong light. Since this product operates with infrared rays, such light may cause a malfunction.

Supplied Components

If any component should be missing, please contact your dealer.

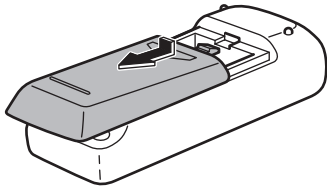
- | | | |
|---|--|--|
| <input type="checkbox"/> Liquid Crystal Display Monitor: 1 | <input type="checkbox"/> Touch pen: 1 | <input type="checkbox"/> Tray mounting fitting (cover / bracket): x 2 |
| <input type="checkbox"/> Remote control unit: 1 | <input type="checkbox"/> Pen tip (for touch pen): 2 | <input type="checkbox"/> Tray mounting screws: M5 x 4 / M4 x 2 |
| <input type="checkbox"/> Cable clamp: 2 | <input type="checkbox"/> Touch pen battery (LR-03 ("AAA" size)): 1 | <input type="checkbox"/> Terminal label: 1 |
| <input type="checkbox"/> Power cord: 1 | <input type="checkbox"/> USB cable: 1 | Used when installing the interface expansion board PN-ZB01 (optional). |
| <input type="checkbox"/> R-6 battery ("AA" size): 2 | <input type="checkbox"/> Eraser: 1 | <input type="checkbox"/> Cover Sharp logo: 1 |
| <input type="checkbox"/> CD-ROM (Utility Disk for Windows): 1 | <input type="checkbox"/> Tray: 1 | Place this sticker onto the SHARP logo to cover the logo. |
| <input type="checkbox"/> Setup Manual (this manual) : 1 | | |

- * Sharp Corporation holds authorship rights to the Utility Disk program. Do not reproduce it without permission.
- * For environmental protection!
Do not dispose of batteries in household waste. Follow the disposal instructions for your area.

Preparing the Remote Control Unit and the Touch Pen

Installing the batteries

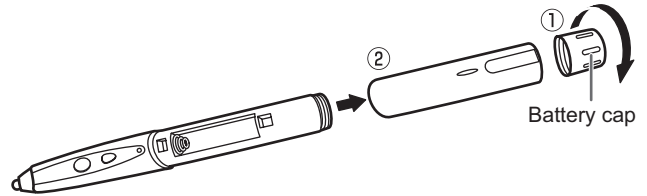
1. Press the cover gently and slide it in the direction of the arrow.



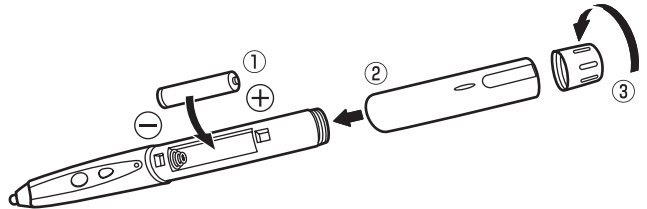
2. See the instructions in the compartment and put in the supplied batteries (R-6 ("AA" size) x 2) with their plus (+) and minus (-) sides oriented correctly.
3. Close the cover.

Inserting the battery

1. Rotate the battery cap and remove it, and then pull out the cover.



2. Insert the supplied battery (LR-03 ("AAA" size)) in the orientation shown, and attach the cover and battery cap.

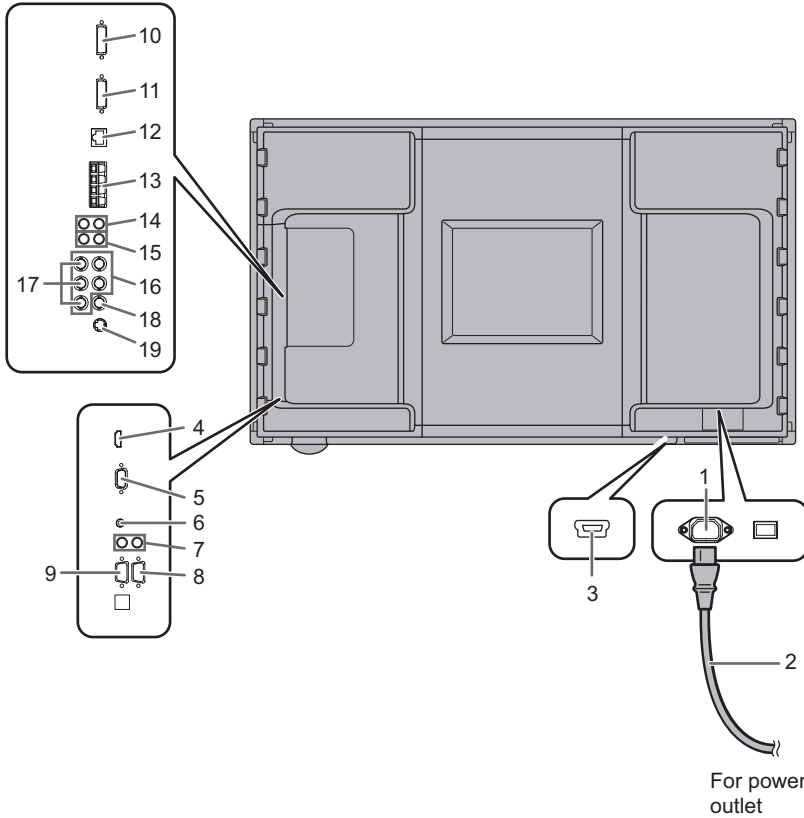


Connections

! Caution

- Be sure to turn off the main power switch and disconnect the plug from the power outlet before connecting/disconnecting cables. Also, read the manual of the equipment to be connected.
- Be careful not to confuse the input terminal with the output terminal when connecting cables. Accidentally reversing cables connected to the input and output terminals may cause malfunctions and the other problems.

When the PN-ZB01 (optional) is attached



1. AC input terminal
2. Power cord (Supplied)
3. USB port
4. PC/AV HDMI input terminal
5. PC D-sub input terminal
6. Audio input terminal
7. Audio output terminals
8. RS-232C output terminal
9. RS-232C input terminal

When the PN-ZB01 (optional) is attached

10. PC/AV DVI-D input terminal
11. PC/AV DVI-D output terminal
12. LAN terminal
13. External speaker terminals
14. Audio 1 input terminals
15. Audio 2 input terminals
16. PC RGB input terminals
17. AV component input terminals
18. AV video input terminal
19. AV S-video input terminal

TIPS

- Set the audio input terminal used for each input mode in AUDIO SELECT on the OPTION menu. The factory settings are shown below.

| Input mode | Audio input terminal (Factory setting) |
|--|--|
| PC D-SUB, PC DVI-D, PC RGB | Audio input terminal |
| AV DVI-D | Audio1 input terminal |
| AV COMPONENT (BNC), AV S-VIDEO , AV VIDEO (BNC) | Audio2 input terminal |
| AV COMPONENT (D-SUB), AV VIDEO (D-SUB) | Audio input terminal |
| PC HDMI, AV HDMI | PC/AV HDMI input terminal |

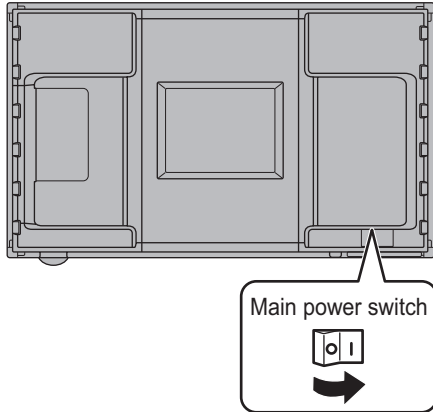
- When connecting the external speaker, attach the speaker cable core (included in the optional PN-ZB01).
- To use the touch panel, the touch panel must be connected to a computer, and the touch panel driver and Pen Software must be installed on the computer from the provided CD-ROM.
To connect the touch panel and install the touch panel driver, see the Touch Panel Driver Operation Manual.
To install the Pen Software, see the Pen Software Operation Manual.
- HDMI, the HDMI logo and High-Definition Multimedia Interface are trademarks or registered trademarks of HDMI Licensing LLC.

Turning Power On/Off

! Caution

- Turn on the monitor first before turning on the PC or playback device.

Turning on the main power

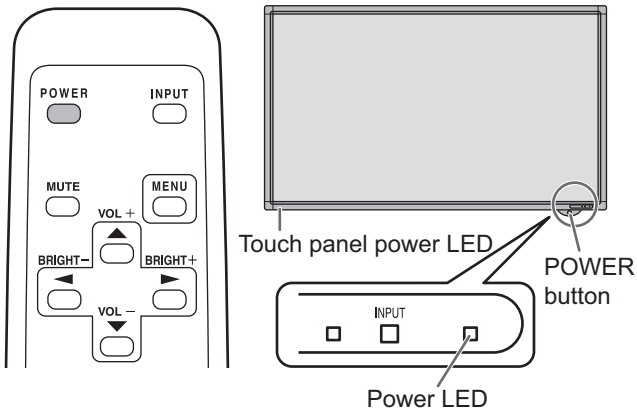


! Caution

- The main power must be turned on/off with the main power switch. Do not connect/disconnect the power cord or turn the breaker on/off while the main power switch is on.
- When switching the main power switch or the POWER button off and back on, always wait for at least 5 seconds.
- For a complete electrical disconnection, pull out the main plug.

Turning power on/off

Press the POWER button to turn the power ON/OFF.



- Status of the power LED

| Status | Status of the monitor |
|----------------|---------------------------|
| Green lit | Power on |
| Orange lit | Power off (Standby mode) |
| Green flashing | Input signal waiting mode |

- Status of the touch panel power LED

| Status | Status of the touch panel |
|--|--|
| Green lit | Operating normally |
| Blinking orange Alternately blinking green and orange | Initializing |
| Off | Touch panel off (power not supplied, etc.) |

■ Operation mode

When the monitor is turned on for the first time after being shipped from the factory, the operation mode setting screen will be displayed. Set it to MODE1 or MODE2.

MODE1 ... OFF IF NO OPERATION is set to ON, and STANDBY MODE is set to LOW POWER. (These settings can not be changed.)

If there is no operation for 4 hours or more, the monitor automatically enters standby mode. Power consumption in standby mode is also minimized.

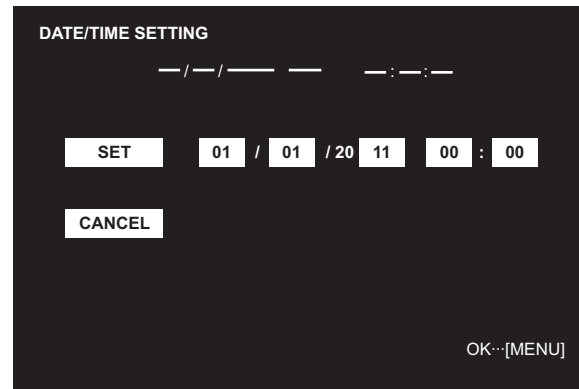
MODE2 ... Will perform standard operation.

OFF IF NO OPERATION is set to OFF, and STANDBY MODE is set to STANDARD. These settings can be changed.

Even after being set, changes can be made using OPERATION MODE, located in the menu of the monitor. (See Operation manual.)

■ Date/time setting

- If the time has yet to be set when the monitor is first turned on, the date/time setting screen appears. Set the date and time.



1. Press , , or to select the date and time, and press or to change the numerical values.
 2. Select SET and then press .
- Be sure to set the date and time.
 - The date/time setting screen will close automatically if no operation is performed for about 15 seconds. The date and time can be set using DATE/TIME SETTING from the OPTION menu when the date/time setting screen disappears.

TIPS

- Set the date in "Day/Month/Year" order.
- Set the time on a 24-hour basis.
- The clock is maintained by the internal battery.
- If you already set the time but the date/time setting screen appears when the power is turned on, the internal battery may be exhausted. Please contact your local SHARP servicing dealer or service center for assistance with battery replacement.
- Estimated service life of the internal battery: About 5 years (depending on monitor operation)
- The initial battery was inserted at the factory when the monitor was shipped, so it may run out of power before its expected operation life.

Specifications

| | | |
|------------------------------------|--|--|
| Model | PN-L702B | |
| Power requirement | AC 100 V - 240 V, 2.8 A, 50/60 Hz | |
| Operating temperature * | 41°F to 95°F (5°C to 35°C) | |
| Operating humidity | 20% to 80% (no condensation) | |
| Power consumption (Maximum) | 235 W [When PN-ZB01 (optional) is attached: 240 W] | |
| Dimensions (excluding protrusions) | inch (mm) | Approx. 64-7/8 (W) x 4-9/16 (D) x 38-11/16 (H) (1,648 x 116 x 982) |
| Weight | lbs. (kg) | Approx. 154.3 (70) [PN-ZB01 (optional): Approx. 1.102 (0.5)] |

* Temperature condition may change when using the monitor together with the optional equipments recommended by SHARP. In such cases, please check the temperature condition specified by the optional equipments.

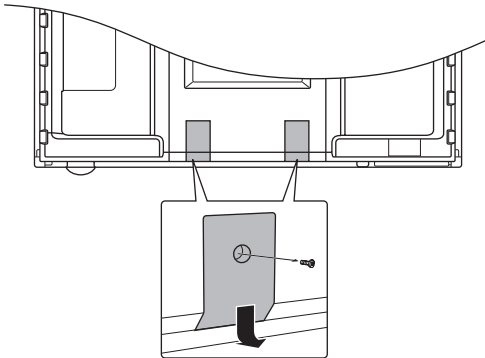
As a part of our policy of continuous improvement, SHARP reserves the right to make design and specification changes for product improvement without prior notice. The performance specification figures indicated are nominal values of production units. There may be some deviations from these values in individual units.

Mounting Precautions (For SHARP dealers and service engineers)

- When installing, removing or moving the monitor, ensure that this is carried out by at least 4 people.
- Be sure to use a wall-mount bracket designed or designated for mounting the monitor.
- This monitor is designed to be installed on a concrete wall or pillar. Reinforced work might be necessary for some materials such as plaster / thin plastic board / wood before starting installation.
This monitor and bracket must be installed on a wall which can endure at least 4 times or more the weight of the monitor. Install by the most suitable method for the material and the structure.
- To attach a VESA-compliant mounting bracket, use M6 screws that are 5/16 inch (8 mm) to 3/8 inch (10 mm) longer than the thickness of the mounting bracket.
- After mounting, please carefully ensure the monitor is secure, and not able to come loose from the wall or mount.
- Do not use any screw holes other than VESA holes for installation.

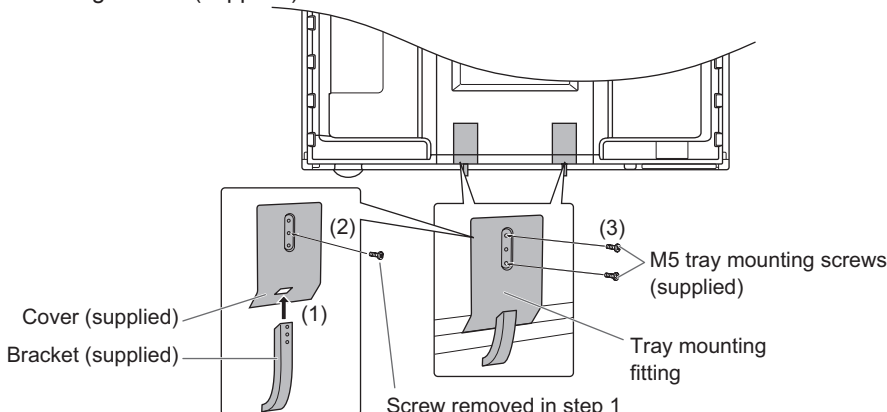
■Attaching the Tray

1. Remove the cover from the back of the monitor.



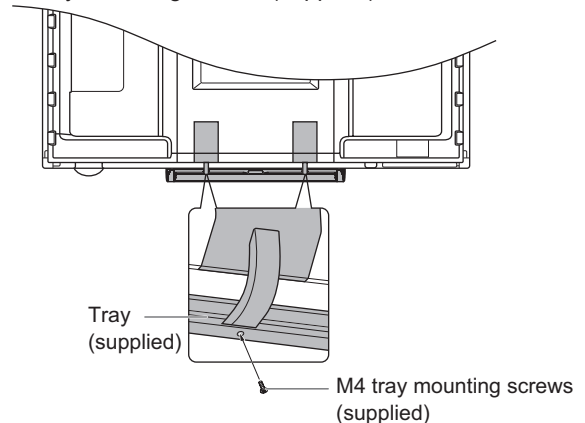
2. Secure the tray mounting fitting.

Secure using the screw removed in step 1 and 2 M5 tray mounting screws (supplied).



3. Secure the tray.

Insert the tray into the tray mounting fitting and secure with 2 M4 tray mounting screws (supplied).



| | | | |
|--|---|---|---|
| INFORMATION IMPORTANTE | 1 | Préparation de la télécommande et du stylet | 5 |
| CHER CLIENT | 1 | Connexions | 6 |
| PRÉCAUTIONS DE SÉCURITÉ | 2 | Mise sous tension et hors tension | 7 |
| MESURES DE SÉCURITÉ | 3 | Caractéristiques | 8 |
| PRÉCAUTIONS POUR LE MONTAGE | 4 | Précautions Pour le Montage | |
| Composants fournis | 5 | (À l'attention des revendeurs et techniciens SHARP) | 8 |

Lisez les manuels se trouvant dans le dossier "Manual" du CD-ROM fourni. (Adobe Reader est nécessaire pour pouvoir visualiser les manuels.)





Mode d'emploi (PNL702B_manual_French.pdf)

Mode d'emploi du pilote d'écran tactile (PNL702B_driver_French.pdf)

Mode d'emploi du Pen Software (PenSoftware_manual_French.pdf)

INFORMATION IMPORTANTE

AVERTISSEMENT : POUR RÉDUIRE LE RISQUE D'INCENDIE OU DE DÉCHARGE ÉLECTRIQUE, NE PAS EXPOSER CE PRODUIT À LA PLUIE OU À LA POUSSIÈRE.

| | | |
|---|--|--|
|  | <div style="background-color: black; color: white; padding: 2px; font-weight: bold;">ATTENTION</div> <div style="border: 1px solid black; padding: 5px; margin: 5px 0;"> <p>RISQUE DE DÉCHARGE ÉLECTRIQUE NE PAS OUVRIR</p> </div>  |  <p>Le symbole représenté par l'éclair à la tête en pointe de flèche à l'intérieur d'un triangle équilatéral, est placé pour alerter l'utilisateur de la présence d'une "tension dangereuse" non isolée à l'intérieur du produit. Cette tension peut avoir une valeur suffisante pour constituer un risque d'électrocution à toute personne.</p> |
| <p>ATTENTION : POUR RÉDUIRE LE RISQUE DE DÉCHARGE ÉLECTRIQUE, NE PAS RETIRER LE COUVERCLE. IL N'Y A AUCUNE PIÈCE RÉPARABLE PAR L'UTILISATEUR À L'INTÉRIEUR. AVERTIR LE PERSONNEL DE SERVICE QUALIFIÉ POUR TOUTE PROCÉDURE D'ENTRETIEN.</p> | |  <p>Le point d'exclamation à l'intérieur d'un triangle est placé pour alerter l'utilisateur de la présence d'une procédure particulière ou d'une procédure de maintenance (entretien) importante dans les manuels accompagnant le produit.</p> |

AVERTISSEMENT :

Les lois FCC établissent que tout changement ou modification non-autorisés de cet équipement qui n'ont pas été expressément approuvés par le producteur, constituent un motif d'annulation des droits de l'utilisateur d'utiliser cet appareil.

REMARQUE :

Cet équipement, après les tests, a été jugé conforme aux limites d'un équipement numérique de Classe A, conformément à la section 15 de la réglementation FCC. Ces limites sont établies pour fournir une protection raisonnable contre les interférences nuisibles lorsque l'équipement est utilisé dans un environnement commercial. Cet équipement produit, utilise et peut rayonner de l'énergie sous forme de radiofréquences et, s'il n'est pas installé et utilisé conformément aux instructions du mode d'emploi, peut provoquer des interférences nuisibles aux communications par radio. Le fonctionnement de cet équipement dans une zone résidentielle peut vraisemblablement provoquer des interférences nuisibles, auquel cas l'utilisateur est prié de corriger ces interférences à ses propres frais.

ÉTATS-UNIS SEULEMENT

CHER CLIENT

Nous vous remercions d'avoir acheté cet appareil SHARP à écran LCD. Afin de garantir le bon fonctionnement de ce moniteur, nous vous conseillons de lire attentivement cette brochure et de la conserver pour toute référence ultérieure.

PRÉCAUTIONS DE SÉCURITÉ

L'électricité remplit de nombreuses fonctions utiles, mais elle peut provoquer des blessures et des dégâts matériels si elle n'est pas utilisée correctement. Cet appareil a été conçu et fabriqué en attachant la plus grande importance à la sécurité. Cependant, une utilisation inadéquate peut entraîner une décharge électrique et/ou un incendie. Afin d'éviter tout danger potentiel, veuillez respecter les consignes suivantes lors de l'installation, de l'utilisation et du nettoyage de l'appareil. Afin d'assurer votre propre sécurité et de prolonger la durée de service de votre moniteur LCD, veuillez lire attentivement les précautions ci-dessous avant d'utiliser l'appareil.

1. Lisez ces explications — Vous devez lire et comprendre toutes les informations relatives au fonctionnement de l'appareil avant de l'utiliser.
2. Conservez cette brochure dans un endroit sûr — Ces explications concernant la sécurité et le fonctionnement doivent être conservées dans un endroit sûr pour vous y référer en cas de besoin.
3. Respectez les avertissements — Tous les avertissements figurant sur l'appareil et dans ce mode d'emploi doivent être strictement respectés.
4. Suivez les instructions — Toutes les explications sur le fonctionnement doivent être respectées.
5. Nettoyage — Débranchez le cordon d'alimentation au niveau de la prise du secteur avant de nettoyer l'appareil. Servez-vous d'un linge sec, et n'employez pas de détergents liquides ou en atomiseur.
6. Accessoires — N'utilisez pas d'accessoires non recommandés par le fabricant, car ceci pourrait provoquer des accidents.
7. Eau et humidité — N'utilisez pas cet appareil près de l'eau. N'installez pas le produit à un endroit où il pourrait recevoir de l'eau. Évitez en particulier les emplacements sous les appareils à vidange d'eau tels que les climatiseurs.
8. Ventilation — Des ouïes et autres ouvertures sont prévues dans le coffret de l'appareil pour sa ventilation. Ne recouvrez pas et ne bloquez pas ces ouvertures car une ventilation insuffisante peut provoquer une surchauffe et réduire la durée de vie de l'appareil. Ne placez pas l'appareil sur un sofa, un tapis ou toute autre surface analogue car ceci pourrait obstruer les ouvertures de ventilation. Cet appareil n'est pas conçu pour une installation encastrée; ne le placez donc pas dans un endroit fermé comme une bibliothèque ou une baie à moins qu'une ventilation adéquate ne soit prévue et que les consignes du fabricant ne soient respectées.
9. Protection du cordon d'alimentation — Faites passer les cordons d'alimentation à un endroit où ils ne seront pas écrasés ou coincés par d'autres objets.
10. L'écran utilisé dans ce produit est en verre et, par conséquent, il peut se briser si l'appareil tombe ou s'il reçoit un fort impact. Veuillez à ne pas être blessé par les éclats de verre au cas où l'écran se romprait.
11. Surcharge — Ne surchargez pas les prises de courant ou les rallonges car ceci peut entraîner un risque d'incendie ou d'électrocution.
12. Insertion de solides ou de liquides — N'introduisez jamais des objets par les orifices de cet appareil, car ils pourraient provoquer une électrocution et/ou un court-circuit en touchant des pièces internes sous haute tension. Pour la même raison, ne renversez jamais de l'eau ou un liquide sur l'appareil.
13. Entretien — N'essayez pas de réparer vous-même l'appareil. La dépose des couvercles peut vous exposer à une haute tension ou à d'autres dangers. Confiez toute réparation à un personnel qualifié.
14. Réparation — Dans les cas suivants, débranchez le cordon d'alimentation au niveau de la prise secteur et demandez à un personnel qualifié d'effectuer les réparations.
 - a. Dégât sur le cordon ou la prise de courant.
 - b. Infiltration d'un liquide ou pénétration d'un objet à l'intérieur de l'appareil.
 - c. Exposition de l'appareil à la pluie ou à l'eau.
 - d. Fonctionnement anormal malgré une conformité aux explications du mode d'emploi.
Ne réglez que les commandes dont il est fait mention dans le mode d'emploi. Un réglage incorrect des autres commandes peut provoquer des dégâts qui nécessiteraient des réparations complexes par un technicien spécialisé.
 - e. Chute ou dégâts subis par l'appareil.
 - f. Tout changement notable ou situation anormale de l'appareil indique qu'une réparation est nécessaire.
15. Pièces de rechange — Lorsque des pièces doivent être remplacées, assurez-vous que le technicien a utilisé les pièces spécifiées par le fabricant ou des pièces dont les performances et les caractéristiques sont identiques. Des changements non autorisés de pièces peuvent entraîner un incendie, une électrocution et/ou d'autres dangers.
16. Contrôles de sécurité — Après une intervention d'entretien ou de réparation, demandez au technicien de procéder à un contrôle pour être sûr que l'appareil peut être utilisé en toute sécurité.
17. Installation sur paroi — Si l'appareil doit être fixé sur une paroi, installez-le en respectant la méthode recommandée par le fabricant.
18. Sources de chaleur — Tenez l'appareil à l'écart de sources de chaleur, telles que radiateurs, dispositifs de chauffage, poêles et autres appareils dégageant de la chaleur (y compris les amplificateurs).
19. Piles — Une utilisation incorrecte des piles peut les faire éclater ou prendre feu. Une pile qui fuit peut causer des corrosions dans l'équipement, des salissures aux mains ou abîmer vos vêtements. Afin d'éviter ces problèmes, assurez-vous que les précautions suivantes sont appliquées :
 - Utilisez seulement des piles prescrites.
 - Installez les piles en faisant bien attention aux polarités plus (+) et moins (-) des piles selon les instructions dans le compartiment.
 - Ne mélangez pas des piles usagées avec des neuves.
 - Ne mélangez pas des piles de différents types. Les spécifications de voltage des piles de même forme peuvent varier.
 - Remplacez rapidement une pile épuisée par une nouvelle.
 - Si vous n'avez pas l'intention d'utiliser la télécommande pendant une longue période, retirez les piles.
 - Si le liquide provenant d'une pile qui fuit touche votre peau ou vos habits, rincez immédiatement et complètement les parties touchées. Si un œil est touché, faites immédiatement un bain d'œil plutôt que de le frotter et cherchez immédiatement un traitement médical. Le liquide provenant de la fuite d'une pile qui atteint votre œil ou vos habits peut causer une irritation de la peau ou des dommages à votre œil.
20. L'utilisation de ce moniteur ne doit pas entraîner des risques mortels ou des dangers qui pourraient provoquer directement la mort, des blessures sur le personnel, des dommages physiques sévères ou d'autres destructions, y compris dans le contrôle des réactions nucléaires dans les installations nucléaires, dans le système médical de réanimation, et dans le contrôle de lancement des missiles dans les systèmes d'armes.

PRÉCAUTIONS DE SÉCURITÉ (Suite)

21. N'entrez pas en contact direct avec les parties du produit ayant chauffé pendant de longues périodes. Il pourrait en résulter des brûlures à basse température.

AVERTISSEMENT :

Ce produit appartient à la Classe A. Dans un environnement résidentiel, il peut provoquer des interférences radio et, dans ce cas, l'utilisateur peut être obligé de prendre les mesures nécessaires.

Afin de satisfaire aux normes EMC, utiliser des câbles blindés pour connecter les bornes suivantes : Borne de sortie PC/AV DVI-D, borne d'entrée PC/AV DVI-D, borne d'entrée PC/AV HDMI, borne d'entrée PC D-sub, bornes d'entrée PC RVB, et bornes d'entrée/sortie RS-232C.

Un moniteur placé sur un support instable est dangereux en raison des risques de chute qu'il présente. De nombreuses blessures, touchant en particulier les enfants, peuvent être évitées en prenant quelques précautions simples :

- Utiliser les dispositifs de fixation tels que les supports muraux fournis par le fabricant.
- Utiliser uniquement des meubles capables d'accueillir le moniteur en toute sécurité.
- Vérifier que le moniteur ne dépasse pas du bord du meuble sur lequel il est posé.
- Ne pas placer le moniteur sur des meubles hauts, armoires ou étagères, par exemple, sans fixer le meuble concerné et le moniteur à un support approprié.
- Ne pas intercaler de tissu ou toute autre matière entre le moniteur et le meuble sur lequel il est posé.
- Expliquer aux enfants qu'il est dangereux de grimper sur les meubles pour atteindre le moniteur ou ses boutons de commande.

En particulier pour la sécurité des enfants

- Ne laissez pas les enfants grimper sur ou jouer avec le moniteur.
- Ne placez pas le moniteur sur des meubles qui peuvent facilement se transformer en marches comme une commode avec tiroirs.
- Souvenez-vous que les enfants s'excitent souvent en visionnant un programme, surtout sur un moniteur « plus grand que la normale ». Il faut faire en sorte d'installer le moniteur là où il ne peut pas être poussé, tiré, ni basculé.
- Il faut faire en sorte de placer les fils et les câbles connectés au moniteur de façon à ce que des enfants curieux ne puissent pas les tirer ni les saisir.

MESURES DE SÉCURITÉ

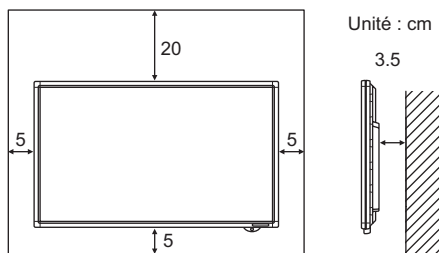
- N'utilisez pas le moniteur dans un endroit où il y a beaucoup de poussières, où le degré d'humidité est élevé, ou encore là où il pourrait se trouver en contact avec de l'huile ou de la vapeur, car cela pourrait provoquer un début d'incendie.
- Assurez-vous que le moniteur ne se trouve pas en contact avec de l'eau ou d'autres fluides. Assurez-vous qu'aucun objet tel que des agrafes et des trombones ne pénètre dans le moniteur, car cela pourrait provoquer un début d'incendie ou un choc électrique.
- N'installez pas le moniteur au dessus des objets instables ou dans des endroits peu sûrs. Faites attention que le moniteur ne reçoive pas de chocs violents ni de fortes vibrations. Provoquer la chute du moniteur ou le culbuter peut l'endommager.
- N'utilisez pas le moniteur à proximité d'un appareil de chauffage ou dans des endroits où la température est élevée, car cela pourrait conduire à un dégagement excessif de chaleur et provoquer un début d'incendie.
- N'utilisez pas le moniteur dans des endroits exposés directement à la lumière du soleil.
- La prise de secteur doit être installée près de l'équipement et être facilement accessible.
- Ne faites pas fonctionner l'écran avec un objet rigide ou pointu tel qu'un ongle, un stylo ou un crayon.

Le cordon d'alimentation

- Utilisez seulement le cordon d'alimentation fourni avec le moniteur.
- N'endommagez pas le cordon d'alimentation, ne déposez pas d'objets lourds sur le cordon d'alimentation, ne tirez pas dessus et ne le pliez pas de manière excessive. De même, n'ajoutez pas de rallonges. Tout endommagement du cordon d'alimentation peut provoquer un début d'incendie ou un choc électrique.
- Ne branchez pas le cordon d'alimentation sur une prise multiple. Ajouter une rallonge peut entraîner une surchauffe et provoquer un début d'incendie.
- Ne débranchez pas ni ne branchez la prise d'alimentation avec des mains humides. En ce faisant, vous risquez un choc électrique.
- Débranchez le cordon d'alimentation si l'équipement n'est pas utilisé pendant une longue période.
- Ne tentez pas de réparer le cordon d'alimentation s'il est coupé ou s'il ne fonctionne pas correctement. Veuillez prendre contact avec le service après vente et suivre ses recommandations.

PRÉCAUTIONS POUR LE MONTAGE

- Ce produit est destiné à être utilisé en intérieur.
- Un support de montage conforme aux spécifications VESA est nécessaire.
- Comme le moniteur est lourd, consultez votre revendeur avant l'installation, le démontage ou le déplacement du moniteur.
- Le montage du moniteur sur le mur demande des compétences techniques spéciales et le travail doit être fait par un revendeur agréé par SHARP. Vous ne devez jamais tenter de faire ce travail vous-même. Notre société déclinera toute responsabilité pour les accidents ou blessures causés par un montage incorrect ou par une mauvaise manipulation.
- Ce moniteur ne peut pas être utilisé en orientation verticale.
- Utilisez le moniteur perpendiculairement à la surface horizontale. Si nécessaire, vous pouvez incliner le moniteur de 20 degrés vers le haut au maximum.
- Lorsque vous déplacez le moniteur, veillez à le saisir par les deux poignées ou par les 4 coins situés en bas de l'appareil. Ne mettez pas votre main sur l'écran. Ceci pourrait causer une panne, un dysfonctionnement ou une blessure.
- Ce moniteur doit être utilisé sous une température ambiante entre 5°C et 35°C. Laissez assez d'espace autour du moniteur pour empêcher que la chaleur ne s'accumule à l'intérieur.



- S'il est difficile de laisser un espace suffisant pour une raison ou pour une autre (installation du moniteur dans une enceinte, par exemple) ou si la température ambiante est susceptible de dépasser la plage de valeurs prévue (de 5 à 35°C), installez un ventilateur ou prenez d'autres mesures appropriées pour maintenir la température ambiante dans la plage de valeurs requise.
- La température de fonctionnement du moniteur peut être différente de celle des accessoires additionnels recommandés par SHARP. Lorsque c'est le cas, veuillez vérifier la température de fonctionnement des accessoires additionnels.
- Ne bloquez pas les ouvertures de ventilation. Si la température dans le moniteur s'élève, ceci pourrait causer un dysfonctionnement.
- Ne placez le moniteur sur un équipement qui dégage de la chaleur.
- N'utilisez pas le produit à des endroits où l'unité est exposée aux rayons directs du soleil ou à un autre éclairage puissant. Comme ce produit fonctionne avec des rayons infrarouges, une telle lumière risque de causer des dysfonctionnements.

Composants fournis

Si un composant venait à manquer, veuillez contacter votre revendeur.

- | | | |
|---|--|--|
| <input type="checkbox"/> Moniteur à cristaux liquides : 1 | <input type="checkbox"/> Stylet : 1 | <input type="checkbox"/> Vis de montage de plateau : M5 x 4, M4 x 2 |
| <input type="checkbox"/> Télécommande : 1 | <input type="checkbox"/> Pointe du stylet (pour le stylet) : 2 | <input type="checkbox"/> Étiquette de borne : 1 |
| <input type="checkbox"/> Serre-câble : 2 | <input type="checkbox"/> Pile de stylet (LR-03 (format "AAA")) : 1 | Utilisé lorsque vous installez le tableau d'extension d'interface PN-ZB01 (optionnel). |
| <input type="checkbox"/> Cordon d'alimentation : 1 | <input type="checkbox"/> Câble USB : 1 | <input type="checkbox"/> Logo Sharp sur le couvercle : 1 |
| <input type="checkbox"/> Pile du format R-6 (format "AA") : 2 | <input type="checkbox"/> Gomme : 1 | Placez cet autocollant sur le logo SHARP pour le couvrir. |
| <input type="checkbox"/> CD-ROM (Utility Disk pour Windows) : 1 | <input type="checkbox"/> Plateau : 1 | |
| <input type="checkbox"/> Manuel d'Installation (ce manuel) : 1 | <input type="checkbox"/> Élément de montage de plateau (couvercle/support) : x 2 | |

* Sharp Corporation détient les droits d'auteur du programme de l'Utility Disk. Veuillez ne pas le reproduire sans autorisation de la société.

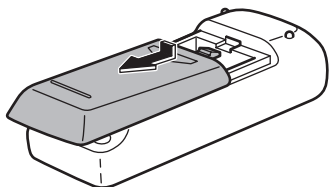
* Pensez à votre environnement !

Ne pas jeter les piles avec les ordures ménagères, exige un traitement spécial.

Préparation de la télécommande et du stylet

Mise en place des piles

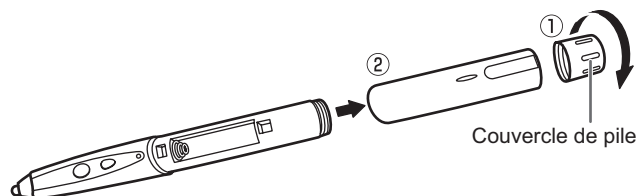
1. Appuyez doucement sur le capot et faites le glisser dans la direction de la flèche.



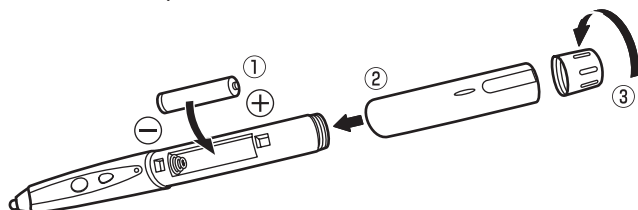
2. Reportez-vous aux instructions dans le compartiment et insérez les piles fournies (2 piles du format R-6, ou "AA") avec leurs pôles positifs (+) et négatifs (-) orientés correctement.
3. Refermer le capot.

Insertion de la pile

1. Tournez le couvercle de pile et enlevez-le, puis retirez le couvercle.



2. Insérez la pile fournie (LR-03 (format "AAA")) en l'orientant comme indiqué sur l'illustration, puis fixez le couvercle et le couvercle de pile.

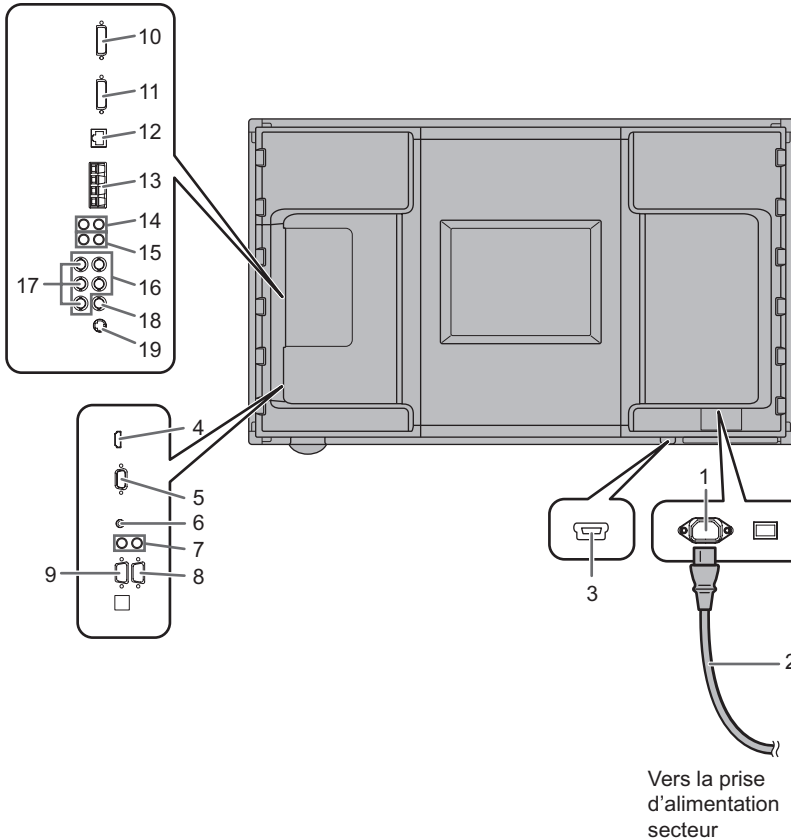


Connexions

Attention

- Veillez à bien mettre hors tension l'interrupteur principal puis débranchez la prise de l'alimentation secteur avant de connecter ou de déconnecter les câbles. Lisez également le manuel de l'équipement à connecter.
- Veillez à ne pas confondre la borne d'entrée avec la borne de sortie quand vous connectez les câbles. En confondant les câbles branchés aux bornes d'entrée et de sortie, vous pouvez causer des dysfonctionnements et d'autres problèmes.

Lorsque le PN-ZB01 (optionnel) est raccordé



1. Borne d'entrée secteur
2. Cordon d'alimentation (fourni)
3. Port USB
4. Borne d'entrée PC/AV HDMI
5. Borne d'entrée PC D-sub
6. Borne d'entrée audio
7. Bornes de sortie audio
8. Borne de sortie RS-232C
9. Borne d'entrée RS-232C

Lorsque le PN-ZB01 (optionnel) est raccordé

10. Borne d'entrée PC/AV DVI-D
11. Borne de sortie PC/AV DVI-D
12. Borne LAN
13. Bornes du haut-parleur externe
14. Bornes d'entrée audio 1
15. Bornes d'entrée audio 2
16. Bornes d'entrée PC RVB
17. Bornes d'entrée AV composant
18. Borne d'entrée AV vidéo
19. Borne d'entrée AV S-vidéo

Conseils

- Réglez la borne d'entrée audio utilisée pour chaque mode d'entrée dans AUDIO SELECT <SÉLECTION ENTRÉE AUDIO> du menu OPTION <OPTIONS>. Les réglages par défaut sont indiqués ci-dessous.

| Mode d'entrée | Borne d'entrée audio (paramètre d'origine) |
|--|--|
| PC D-SUB, PC DVI-D, PC RGB < PC RVB> | Borne d'entrée audio |
| AV DVI-D | Borne d'entrée audio 1 |
| AV COMPONENT (BNC) <AV COMPONENT (BNC)>, AV S-VIDÉO <AV S-VIDÉO >, AV VIDÉO (BNC) <AV VIDÉO (BNC)> | Borne d'entrée audio 2 |
| AV COMPONENT (D-SUB) <AV COMPONENT (D-SUB)>, AV VIDÉO (D-SUB) <AV VIDÉO (D-SUB)> | Borne d'entrée audio |
| PC HDMI, AV HDMI | Borne d'entrée PC/AV HDMI |

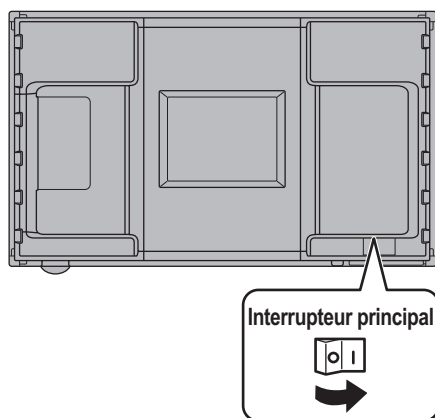
- Lorsque vous connectez le haut-parleur extérieur, fixez le noyau du câble de haut-parleur (fourni avec le PN-ZB01 en option).
- Pour utiliser l'écran tactile, vous devez connecter l'écran tactile à un ordinateur, et installer le pilote d'écran tactile et le Pen Software sur l'ordinateur à partir du CD-ROM fourni.
Pour plus de détails concernant la connexion de l'écran tactile et l'installation du pilote d'écran tactile, reportez-vous au Mode d'emploi du pilote d'écran tactile.
Pour plus de détails concernant l'installation du Pen Software, reportez-vous au Mode d'emploi du Pen Software.
- HDMI, le Logo HDMI et High-Definition Multimedia Interface sont des marques de commerce ou des marques déposées de la société HDMI Licensing LLC.

Mise sous tension et hors tension

! Attention

- Mettez sous tension le moniteur d'abord avant de mettre sous tension le PC ou l'équipement de lecture.

Mise sous tension de l'interrupteur principal

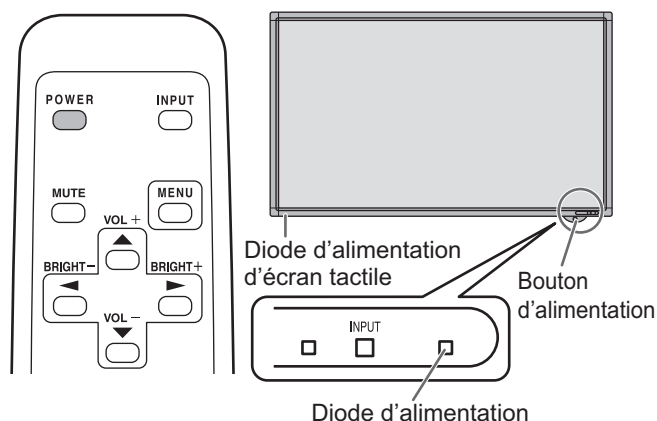


! Attention

- La mise sous/hors doit être effectuée à l'aide de l'interrupteur d'alimentation. Ne branchez/débranchez pas le cordon d'alimentation ou ne mettez pas le disjoncteur sous/hors tension lorsque l'interrupteur d'alimentation est en position marche.
- Lors de la mise hors tension et de la remise sous tension, ou lorsque vous appuyez sur l'interrupteur principal ou le bouton POWER, attendez toujours au moins 5 secondes.
- Pour déconnecter complètement l'alimentation électrique, retirez la fiche principale de la prise.

Mise sous/hors tension

Appuyez sur le bouton POWER ou sur le bouton d'alimentation pour la mise sous/hors tension.



- État de la diode d'alimentation

| État | État du moniteur |
|----------------------|---------------------------------------|
| Allumé en vert | Power en position marche |
| Allumé en orange | Power en position arrêt (mode Veille) |
| Clignotement en vert | Mode attente du signal d'entrée |

- État de la diode d'alimentation d'écran tactile

| État | État de l'écran tactile |
|---|---|
| Allumé en vert | Fonctionne normalement |
| Clignote en orange | Initialisation en cours |
| Clignote alternativement en vert et en orange | |
| Éteint | Écran tactile éteint (alimentation non fournie, etc.) |

■ Mode de fonctionnement

Lorsque vous allumez votre moniteur pour la première fois, l'écran de réglage du mode de fonctionnement s'affiche. Réglez le mode de fonctionnement sur MODE1 ou MODE2.

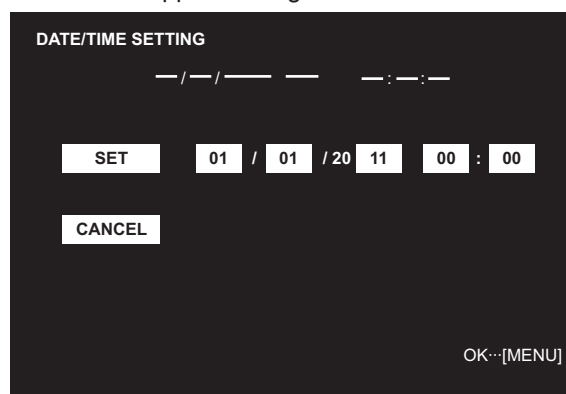
MODE1 ... OFF IF NO OPERATION <OFF SI AUCUNE OPÉRATION> est réglé sur ON, et STANDBY MODE <MODE VEILLE> est réglé sur LOW POWER <BASSE CONSOMMATION>. (Ces réglages ne peuvent pas être modifiés.) Si aucune action n'est accomplie pendant au moins 4 heures, le moniteur se met automatiquement en mode veille. Le mode veille permet de réduire la consommation d'énergie.

MODE2 ... Permet d'utiliser les fonctions standards. OFF IF NO OPERATION <OFF SI AUCUNE OPÉRATION> est réglé sur OFF et STANDBY MODE <MODE VEILLE> est réglé sur STANDARD. Ces réglages peuvent être modifiés.

Après chaque réglage, il est possible d'effectuer des changements à partir de OPERATION MODE <MODE DE FONCTIONNEMENT>, situé dans le menu du moniteur. (Voir le MODE D'EMPLOI.)

■ Réglage de la date/heure

- Si l'heure doit être réglée lorsque le moniteur est mis sous tension pour la première fois, l'écran de réglage de la date/heure apparaît. Réglez la date et l'heure.



1. Appuyez sur , , ou pour sélectionner la date et l'heure, puis appuyez sur ou pour changer les valeurs numériques.
2. Sélectionnez SET <RÉGLER> puis appuyez sur .

- Assurez-vous que la date et l'heure sont réglées.
- L'écran de réglage de la date/heure va disparaître automatiquement si aucune opération n'est réalisée pendant environ 15 secondes. La date et l'heure peuvent être réglées en utilisant DATE/TIME SETTING <RÉGLAGE DATE/HEURE> à partir du menu OPTION <OPTIONS> lorsque l'écran de réglage de la date/heure disparaît.

Conseils

- Réglez la date dans l'ordre "Jour/Mois/Année".
- Réglez l'heure sur la base de 24 heures.
- L'horloge est alimentée par la batterie interne.
- Si vous avez déjà réglé l'heure, mais que l'écran de réglage de la date/de l'heure apparaît lors de la mise sous tension, alors la batterie est déchargée. Contactez votre revendeur SHARP ou votre centre de services local pour le remplacement de la batterie.
- Durée de vie estimée de la batterie interne : environ 5 ans (selon le fonctionnement du moniteur)
- La batterie initiale a été insérée en usine avant expédition, elle risque donc d'être épuisée avant la fin de sa durée de vie normale.

Caractéristiques

| | |
|--|--|
| Modèle | PN-L702B |
| Alimentation | CA 100 V - 240 V, 2,8 A, 50/60 Hz |
| Température de fonctionnement * | 5°C à 35°C |
| Hygrométrie de fonctionnement | 20 % à 80 % (sans condensation) |
| Consommation électrique (Maximum) | 235 W [Lorsque le PN-ZB01 (optionnel) est raccordé: 240 W] |
| Dimensions (à l'exclusion des éléments qui dépassent) | (mm) Environ 1648 x 116 x 982 |
| Poids | (kg) Environ 70 [PN-ZB01 (optionnel): Environ 0,5] |

* La température de fonctionnement du moniteur peut être différente de celle des accessoires additionnels recommandés par SHARP. Lorsque c'est le cas, veuillez vérifier la température de fonctionnement des accessoires additionnels.

SHARP se réserve le droit d'apporter des modifications à la présentation et aux caractéristiques des appareils à fin d'amélioration. Les valeurs indiquées dans ce document sont les valeurs nominales des appareils de série mais de légères différences peuvent être constatées d'un appareil à l'autre.

Précautions pour le montage (À l'attention des revendeurs et techniciens SHARP)

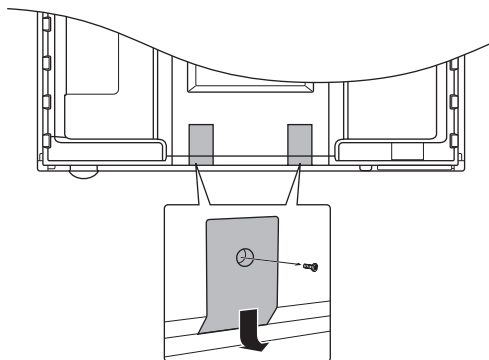
- L'installation, le démontage ou le déplacement du moniteur doit être fait par 4 personnes ou plus.
- Veuillez à utiliser un support mural conçu ou prévu pour la fixation du moniteur.
- Ce moniteur est prévu pour être installé sur un mur ou un pilier en béton. Un travail de renforcement pourrait s'avérer nécessaire pour certains matériaux tels que le plâtre, un mince panneau de plastique ou le bois avant de commencer l'installation.

Le mur sur lequel ce moniteur et le support doivent être installés doit pouvoir supporter, au moins, 4 fois son poids ou davantage. Installez de la manière qui convient le mieux en fonction du matériau et de la structure.

- Pour fixer un support de montage compatible avec VESA, utilisez des vis M6 de 8 mm à 10 mm plus longues que l'épaisseur du support de montage.
- Après le montage, assurez-vous que le moniteur est bien fixé au mur ou au support, sans risque de relâche.
- N'utilisez pas de trous de vis autres que les trous standard VESA pour l'installation.

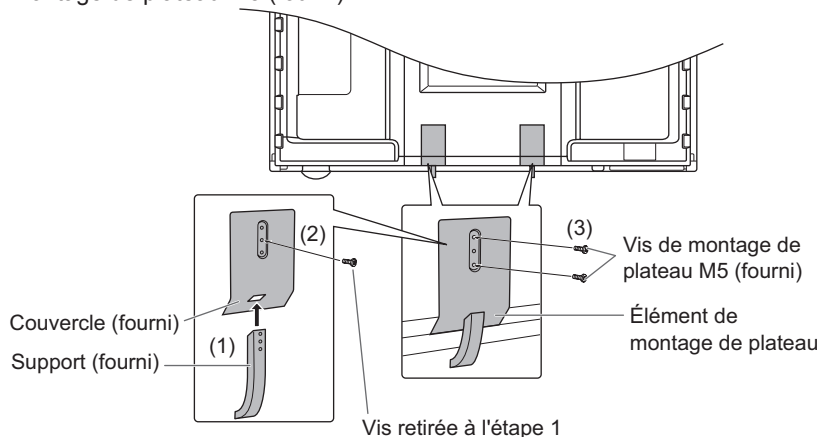
■ Fixation du plateau

1. Retirez le couvercle de l'arrière du moniteur.



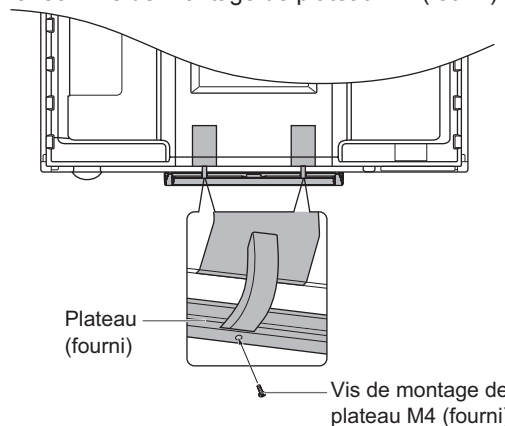
2. Fixez l'élément de montage de plateau.

Fixez en utilisant la vis retirée à l'étape 1 et 2 vis de montage de plateau M5 (fourni).



3. Fixez le plateau.

Insérez le plateau dans l'élément de montage de plateau et fixez avec 2 vis de montage de plateau M4 (fourni).



| | | | |
|---|----------|---|----------|
| INFORMACIÓN IMPORTANTE..... | 1 | Preparación de la Unidad de control remoto y el Lápiz táctil | 5 |
| ESTIMADO CLIENTE DE SHARP..... | 1 | Conexiones | 6 |
| PRECAUCIONES DE SEGURIDAD | 2 | Encendido/apagado | 7 |
| INSTRUCCIONES DE SEGURIDAD | 3 | Especificaciones..... | 8 |
| PRECAUCIONES DE MONTAJE..... | 4 | Precauciones de montaje | |
| Componentes suministrados | 5 | (para distribuidores y técnicos de servicio de SHARP) ... | 8 |

Lea los manuales que se encuentran en la carpeta "Manual" del CD-ROM provisto. (Se necesita Adobe Reader para ver los manuales.)



Manual de instrucciones (PNL702B_manual_Spanish.pdf)

Manual de instrucciones del controlador de panel sensible al tacto (PNL702B_driver_Spanish.pdf)

Manual de instrucciones del Pen Software (PenSoftware_manual_Spanish.pdf)

INFORMACIÓN IMPORTANTE

ADVERTENCIA: PARA REDUCIR EL RIESGO DE INCENDIO O DESCARGAS ELÉCTRICAS, NO EXPONGA ESTE PRODUCTO A LA LLUVIA NI A LA HUMEDAD.

| | |
|---|--|
|  <div style="border: 1px solid black; padding: 5px; text-align: center;"> <p>PRECAUCIÓN</p> <p>RIESGO DE DESCARGAS ELÉCTRICAS NO ABRIR</p> </div>  | <p>El símbolo del rayo con cabeza de flecha dentro de un triángulo equilátero está concebido para avisar al usuario de la presencia de "tensión peligrosa" sin aislamiento en el interior del producto que podría ser de magnitud suficiente para constituir un riesgo de descargas eléctricas a las personas.</p> |
| <p>PRECAUCIÓN: PARA REDUCIR EL RIESGO DE DESCARGAS ELÉCTRICAS, NO RETIRE LA TAPA. EN EL INTERIOR NO HAY PIEZAS QUE EL USUARIO PUEDA REPARAR. SOLICITE CUALQUIER REPARACIÓN A UN TÉCNICO DE SERVICIO CALIFICADO.</p> | <p>El símbolo de exclamación dentro de un triángulo está concebido para avisar al usuario de la presencia de instrucciones importantes de uso y mantenimiento (servicio) en la documentación que acompaña al producto.</p> |

ADVERTENCIA:

La normativa de la FCC establece que cualquier cambio o modificación no autorizados en este equipo y no aprobados expresamente por el fabricante podrían anular el derecho del usuario a utilizar el equipo.

NOTA:

Este equipo ha sido probado y es conforme a los límites para dispositivos digitales de la Clase A, de acuerdo con la Parte 15 de la normativa de la FCC. Dichos límites están diseñados para proporcionar una protección razonable frente a interferencias nocivas cuando se utilice el equipo en un entorno comercial. Este equipo genera, utiliza y puede irradiar energía de radiofrecuencia y, si no se instala y usa de acuerdo con el manual de instrucciones, puede causar interferencias molestas en las comunicaciones de radio. El empleo de este equipo en zonas residenciales puede provocar interferencias molestas, en cuyo caso el usuario deberá corregir dichas interferencias por su cuenta.

EE.UU. SÓLO

ESTIMADO CLIENTE DE SHARP

Gracias por adquirir un producto LCD de SHARP. Para garantizar la seguridad y muchos años de funcionamiento sin problemas, lea atentamente las Precauciones de seguridad antes de utilizar este producto.

PRECAUCIONES DE SEGURIDAD

La electricidad se emplea para muchas funciones útiles pero también puede causar lesiones personales y daños en la propiedad si se manipula de forma inadecuada. Este producto se ha diseñado y fabricado poniendo el máximo énfasis en la seguridad. No obstante, el uso inadecuado podría tener como resultado descargas eléctricas y/o incendios. Para evitar peligros potenciales, observe las siguientes instrucciones cuando instale, utilice y limpie el producto. Para garantizar su seguridad y prolongar la vida de servicio de su producto de LCD, lea atentamente las siguientes precauciones antes de usar el producto.

1. Lea las instrucciones — Todas las instrucciones operativas deberán leerse y comprenderse antes de utilizar el producto.
2. Mantenga este manual en un lugar seguro — Estas instrucciones de seguridad y operativas deberán guardarse en un lugar seguro para referencia en el futuro.
3. Tenga en cuenta las advertencias — Todas las advertencias e instrucciones del producto deberán observarse estrictamente.
4. Respete las instrucciones — Deberán respetarse todas las instrucciones operativas.
5. Limpieza — Desenchufe el cable de alimentación de la toma de alimentación de corriente antes de limpiar el producto. Utilice un paño seco para limpiar el producto. No emplee limpiadores líquidos ni aerosoles.
6. Accesorios — No utilice accesorios no recomendados por el fabricante. El empleo de accesorios inadecuados podría provocar accidentes.
7. Agua y humedad — No utilice el producto cerca del agua. No instale este producto en lugares donde puedan producirse salpicaduras de agua. Preste especial atención a equipos que drenen agua, por ejemplo los de aire acondicionado.
8. Ventilación — Los respiraderos y otras ranuras de la caja están diseñados para ventilación. No cubra ni bloquee dichos respiraderos y ranuras, ya que la ventilación insuficiente podría provocar sobrecalentamiento y/o acortar la vida operativa del producto. No coloque el producto sobre un sofá, una alfombra u otras superficies similares ya que se podrían bloquear las ranuras de ventilación. No coloque el producto en un lugar cerrado como, por ejemplo, una librería o una estantería, a menos que se proporcione una ventilación adecuada o se respeten las instrucciones del fabricante.
9. Protección del cable de alimentación — Los cables de alimentación deberán ubicarse adecuadamente para evitar que las personas puedan tropezar con ellos o que los objetos puedan descansar sobre éstos.
10. La pantalla usada en este producto está hecha de vidrio. Consiguientemente, podría romperse si el producto cae al suelo o recibe un golpe. Tenga cuidado de no herirse con pedazos de vidrio roto en caso que se rompa la pantalla.
11. Sobrecarga — No sobrecargue las tomas de corriente ni los cables alargadores o regletas. La sobrecarga podría provocar incendios o descargas eléctricas.
12. Introducción de objetos y líquidos — No inserte nunca objetos en el producto a través de los respiraderos o las ranuras de ventilación. El producto tiene altas tensiones en su interior y la inserción de objetos podría provocar descargas eléctricas y/o cortocircuitar los componentes internos.
Por la misma razón, no derrame agua o líquidos sobre el producto.
13. Servicio — No intente reparar usted mismo el producto. La retirada de las tapas podría exponerle a alto voltaje y otras circunstancias peligrosas. Solicite cualquier reparación a un técnico de servicio calificado.
14. Reparación — Si se produjera cualquiera de las circunstancias siguientes, desenchufe el cable de alimentación de la toma de corriente y solicite la reparación a un técnico de servicio calificado.
 - a. Cuando el cable de alimentación o el enchufe esté dañado.
 - b. Cuando se haya derramado un líquido sobre el producto o hayan caído objetos al interior del producto.
 - c. Cuando se haya expuesto el producto a la lluvia o al agua.
 - d. Cuando el producto no funcione correctamente según lo descrito en las instrucciones operativas. No toque ningún control aparte de los descritos en las instrucciones de uso. El ajuste inadecuado de controles no descritos en las instrucciones podría provocar daños, lo que a menudo requiere un trabajo importante de ajuste por parte de un técnico calificado.
 - e. Cuando el producto haya caído al suelo o se haya dañado.
 - f. Cuando el producto presente un estado anormal. Cualquier anomalía perceptible en el producto indicará que éste necesita servicio.
15. Repuestos — En caso de que el producto necesite repuestos, asegúrese de que el técnico de servicio utiliza las piezas de sustitución especificadas por el fabricante, o unas con las mismas características y rendimiento que las piezas originales. El uso de piezas no autorizadas podría tener como resultado incendio, descargas eléctricas y/u otros daños.
16. Comprobaciones de seguridad — Tras la finalización del trabajo de servicio o reparación, solicite al técnico de servicio que lleve a cabo comprobaciones de seguridad para asegurarse de que el producto se encuentra en perfectas condiciones de funcionamiento.
17. Montaje mural — Cuando monte el producto sobre una pared, asegúrese de instalarlo de acuerdo con el método recomendado por el fabricante.
18. Fuentes de calor — Mantenga el producto alejado de fuentes de calor como pueden ser radiadores, calentadores, estufas y otros productos que generen calor (incluyendo amplificadores).
19. Pilas — El uso incorrecto de las pilas podría causar la explosión o ignición de las mismas. Las fugas de las pilas pueden oxidar el equipo y ensuciarle las manos o la ropa. Para evitar estos problemas, asegúrese de observar las siguientes precauciones:
 - Utilice únicamente las pilas especificadas.
 - Instale las pilas con la polaridad apropiada de las mismas (+) y (-) de acuerdo con las indicaciones del compartimento.
 - No mezcle pilas viejas y nuevas.
 - No mezcle pilas de distintos tipos. Las especificaciones de voltaje de pilas con la misma forma pueden variar.
 - Sustituya las pilas gastadas por unas nuevas a la mayor brevedad.
 - Extraiga las pilas si no piensa utilizar el control remoto durante un período de tiempo prolongado.
 - Si el líquido de pilas con fugas entrara en contacto con la piel o la ropa, lave inmediatamente con agua abundante. Si le entrara en los ojos, láveselos abundantemente sin frotar y acuda inmediatamente al médico. El contacto de líquido de las pilas con los ojos o la ropa podría causar irritación de la piel o daños oculares.
20. El monitor no deberá utilizarse en lugares con riesgos o peligros fatales que pudieran provocar directamente la muerte, lesiones personales, daños físicos graves u otras pérdidas, incluyendo control de reacción nuclear en instalaciones nucleares, sistemas médicos de soporte vital y control de lanzamiento de misiles en sistemas armamentísticos.

PRECAUCIONES DE SEGURIDAD (Continuación)

21. No permanezca en contacto durante períodos prolongados de tiempo con componentes del producto que se recalienten. Podrían producirse quemaduras de baja temperatura.

ADVERTENCIA:

Éste es un producto de clase A. En un entorno doméstico, este producto puede causar interferencias de radio, en cuyo caso el usuario deberá adoptar las medidas adecuadas para solucionar el problema.

Para mantener la conformidad con la normativa sobre compatibilidad electromagnética (EMC), utilice cables apantallados para la conexión a los siguientes terminales: terminal de salida de PC/AV DVI-D, terminal de entrada PC/AV DVI-D, terminal de entrada PC/AV HDMI, terminal de entrada PC D-sub, terminales de entrada PC RGB y terminales de entrada/salida RS-232C.

Si el monitor no se coloca en una ubicación lo suficientemente estable, podría resultar potencialmente peligroso debido al riesgo de caída. Muchas lesiones, especialmente a los niños, pueden evitarse adoptando precauciones sencillas como pueden ser:

- Utilizar dispositivos de fijación como pueden ser soportes de montaje mural recomendados por el fabricante.
- Emplear únicamente muebles que puedan soportar de forma segura el monitor.
- Asegurarse de que el monitor no sobresale del borde del mueble que sirve de apoyo.
- No colocar el monitor sobre muebles altos (por ejemplo, armarios o librerías) sin anclar el mueble y el monitor a un soporte adecuado.
- No colocar los monitores sobre paños u otros materiales ubicados entre el monitor y el mueble de apoyo.
- Educar a los niños sobre los peligros de trepar a los muebles para llegar al monitor o a sus controles.

Especialmente para la seguridad de los niños

- No permita que los niños trepen al monitor o jueguen con éste.
- No coloque el monitor sobre muebles que se puedan usar como peldaños, como pueden ser los cajones de una cómoda.
- Recuerde que los niños se pueden agitar mientras ven un programa, especialmente en un monitor en el que las cosas se ven "más grandes que en la vida real". Deberá tenerse cuidado de colocar o instalar el monitor en lugares en los que no se pueda empujar, mover o tirar al suelo.
- Deberá procurarse enrutar todos los cables conectados al monitor de modo que los niños curiosos no puedan tirar de ellos ni agarrarlos.

INSTRUCCIONES DE SEGURIDAD

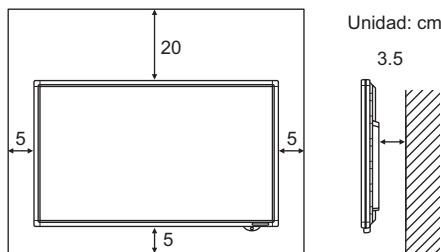
- No emplee el monitor en lugares con un nivel elevado de polvo o humedad ni donde éste pueda entrar en contacto con aceite o vapor, ya que esto podría provocar un incendio.
- Asegúrese de que el monitor no entra en contacto con agua ni otros líquidos. Asegúrese de no introducir en el monitor objetos como pueden ser clips o chinchetas, ya que esto podría causar incendios o descargas eléctricas.
- No coloque el monitor encima de objetos inestables ni en lugares inseguros. No permita que el monitor reciba golpes fuertes ni que vibre demasiado. La caída o pérdida de equilibrio del monitor podría dañarlo.
- No utilice el monitor cerca de aparatos de calefacción ni en lugares donde puedan existir temperaturas elevadas, ya que esto podría conducir a la generación de calor excesivo y provocar un incendio.
- No utilice el monitor en lugares en los que pueda estar expuesto a la luz solar directa.
- La toma de corriente deberá estar instalada cerca del equipo y ser accesible fácilmente.
- No use la pantalla con un objeto puntiagudo o duro como una uña, lápiz o lapicera.

Cable de alimentación

- Emplee únicamente el cable de alimentación suministrado con el monitor.
- No dañe el cable de alimentación ni coloque objetos pesados sobre el mismo. No lo estire ni lo doble excesivamente. Tampoco añada cables alargadores ni regletas. Si el cable se daña, podrían producirse incendios o descargas eléctricas.
- No utilice el cable de alimentación con una regleta. La adición de un cable alargador o una regleta podría causar un incendio por sobrecalentamiento.
- No retire ni inserte el enchufe con las manos mojadas. Podrían producirse descargas eléctricas.
- Desenchufe el cable de alimentación si no piensa utilizar el equipo durante un período de tiempo prolongado.
- No intente reparar el cable de alimentación si éste está roto o no funciona adecuadamente. Solicite cualquier reparación al representante de servicio técnico autorizado.

PRECAUCIONES DE MONTAJE

- Este producto es para uso en interiores.
- Se requiere un soporte de montaje en conformidad con las especificaciones VESA.
- Este monitor es pesado. Por consiguiente, consulte a su distribuidor antes de instalar, desinstalar o trasladar el monitor.
- El montaje mural del monitor requiere un soporte especial y el trabajo deberá ser efectuado por un distribuidor autorizado de SHARP. Nunca deberá intentar realizar este trabajo usted mismo. Nuestra empresa no se hace responsable en caso de accidentes o lesiones causados por un montaje o una manipulación inadecuados.
- Este monitor no se puede usar en orientación vertical.
- Utilice el monitor perpendicular a una superficie nivelada. Si fuera necesario, el monitor podrá inclinarse un máximo de 20 grados hacia arriba.
- Cuando traslade el monitor, asegúrese de sujetarlo por las dos asas o bien por las 4 esquinas de la parte inferior de la unidad. No coloque su mano en la pantalla. Esto podría provocar daños en el producto, fallos o lesiones.
- Este monitor deberá utilizarse a una temperatura ambiente de entre 5 y 35°C. Proporcione espacio suficiente alrededor del monitor para evitar que el calor se acumule en su interior.



- Si fuera difícil proporcionar suficiente espacio por cualquier razón, como puede ser la instalación del monitor dentro de una carcasa, o si la temperatura ambiente pudiera estar fuera del rango de 5 a 35°C, instale un ventilador o adopte otras medidas para mantener la temperatura ambiente dentro del rango necesario.
- Las condiciones de temperatura podrían cambiar al utilizar el monitor conjuntamente con los equipos opcionales recomendados por SHARP. En dichos casos, compruebe las condiciones de temperatura especificadas por los equipos opcionales.
- No bloquee ninguna ranura de ventilación. Si la temperatura del interior del monitor aumentara, podrían producirse malfuncionamientos.
- No coloque el monitor sobre un dispositivo que genere calor.
- No use el producto en lugares donde la unidad quede expuesta a los rayos directos del sol u otras luces fuertes. Debido a que este producto funciona mediante rayos infrarrojos, esa luz puede provocar malfuncionamientos.

Componentes suministrados

Si falta algún componente, póngase en contacto con su distribuidor.

- | | | |
|---|--|--|
| <input type="checkbox"/> Monitor de pantalla de cristal líquido: 1 | <input type="checkbox"/> Punta de lápiz (para lápiz táctil): 2 | <input type="checkbox"/> Tornillos de montaje de la bandeja: M5 x 4 / M4 x 2 |
| <input type="checkbox"/> Control remoto: 1 | <input type="checkbox"/> Pila del lápiz táctil (LR-03 (tamaño "AAA")): 1 | <input type="checkbox"/> Etiqueta de terminal: 1 Se usa cuando se instala la placa de expansión de interfaz PN-ZB01 (opcional). |
| <input type="checkbox"/> Abrazadera para cable: 2 | <input type="checkbox"/> Cable USB: 1 | <input type="checkbox"/> Logo Sharp de cubierta: 1 Coloque esta etiqueta sobre el logotipo de SHARP para tapar el logotipo. |
| <input type="checkbox"/> Cable de alimentación: 1 | <input type="checkbox"/> Borrador: 1 | |
| <input type="checkbox"/> Pila de tamaño "R-6" (tamaño "AA"): 2 | <input type="checkbox"/> Bandeja: 1 | |
| <input type="checkbox"/> CD-ROM (Disco de utilidades para Windows): 1 | <input type="checkbox"/> Pieza de montaje de la bandeja (cubierta/ménsula) : x 2 | |
| <input type="checkbox"/> Manual de Instalación (este manual): 1 | | |
| <input type="checkbox"/> Lápiz táctil: 1 | | |

* Sharp Corporation posee los derechos de autor del programa Disco de utilidades. No lo reproduzca sin permiso.

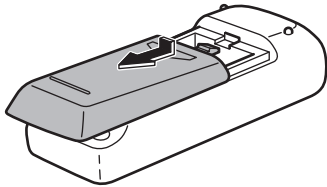
* ¡Para protección medioambiental!

No vierta las pilas en la basura doméstica. Respete la normativa de vertido local.

Preparación de la Unidad de control remoto y el Lápiz táctil

Instalación de las pilas

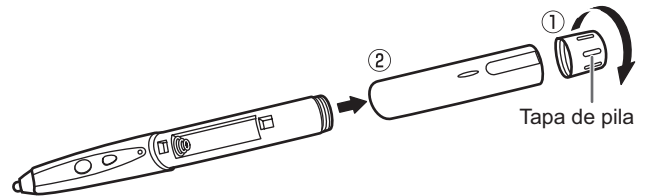
1. Presione suavemente la tapa y deslícela en la dirección de la flecha.



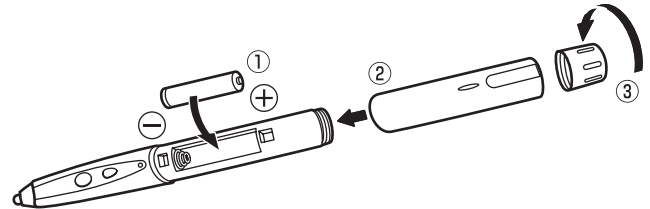
2. Consulte las indicaciones del compartimento y coloque las pilas suministradas (R-6 (tamaño "AA") x 2) con la polaridad (+) y (-) correcta.
3. Cierre la tapa.

Inserción de la pila

1. Gire la tapa de la pila y retírela, y luego tire de la cubierta hacia afuera.



2. Inserte la pila suministrada (LR-03 (tamaño "AAA")) en la orientación que se muestra, e instale la cubierta y la tapa de la pila.

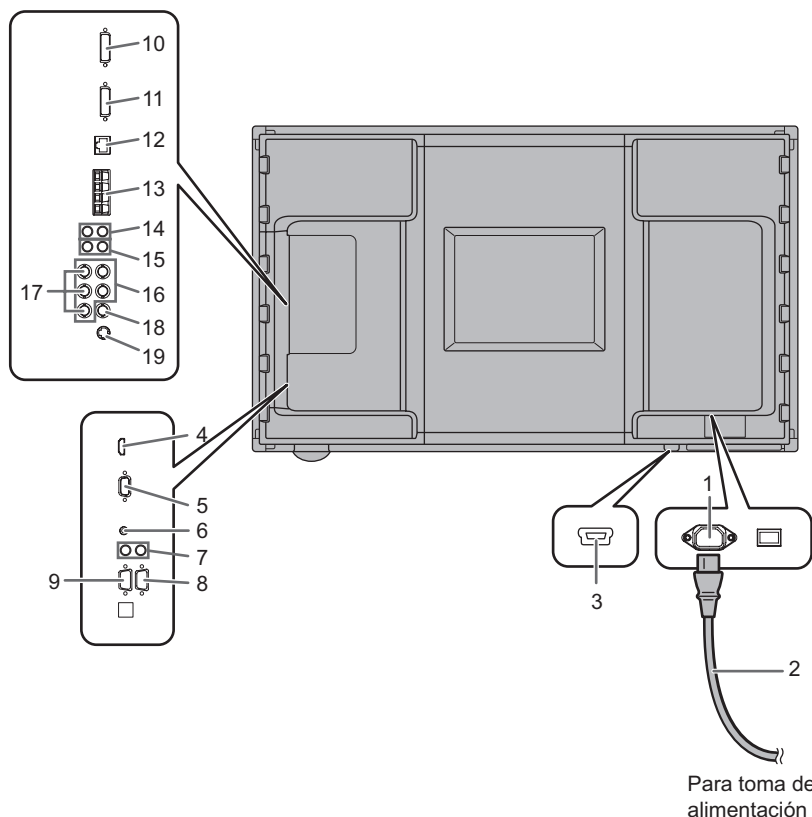


Conexiones

Precaución

- Asegúrese de apagar el interruptor primario y desconectar el enchufe de la toma de corriente antes de conectar/desconectar los cables. Asimismo, lea el manual del equipo que desea conectar.
- Tenga cuidado de no confundir el terminal de entrada con el terminal de salida al conectar los cables. La inversión accidental de los cables conectados a los terminales de entrada y salida podría causar malfuncionamientos y otros problemas.

Cuando está instalada la placa PN-ZB01 (opcional)



1. Terminal de entrada de corriente
2. Cable de alimentación (suministrado)
3. Puerto USB
4. Terminal de entrada PC/AV HDMI
5. Terminal de entrada PC D-sub
6. Terminal de entrada de audio
7. Terminales de salida de audio
8. Terminal de salida RS-232C
9. Terminal de entrada RS-232C

Cuando está instalada la placa PN-ZB01 (opcional)

10. Terminal de entrada PC/AV DVI-D
11. Terminal de salida PC/AV DVI-D
12. Terminal de LAN
13. Terminales de altavoces externos
14. Terminales de entrada Audio1
15. Terminales de entrada Audio2
16. Terminales de entrada PC RGB
17. Terminales de entrada AV component
18. Terminal de entrada AV video
19. Terminal de entrada AV S-video

CONSEJOS

- Ajuste el terminal de entrada de audio usado para cada modo de entrada en AUDIO SELECT <SELECCIÓN DE AUDIO> en el menú OPTION <OPCIONES>. A continuación se muestran los ajustes de fábrica.

| Modo de entrada | Terminal de entrada de audio (ajuste de fábrica) |
|--|--|
| PC D-SUB, PC DVI-D, PC RGB | Terminal de entrada de audio |
| AV DVI-D | Terminal de entrada Audio1 |
| AV COMPONENT (BNC), AV S-VIDEO, AV VIDEO (BNC) | Terminal de entrada Audio2 |
| AV COMPONENT (D-SUB), AV VIDEO (D-SUB) | Terminal de entrada de audio |
| PC HDMI, AV HDMI | Terminal de entrada PC/AV HDMI |

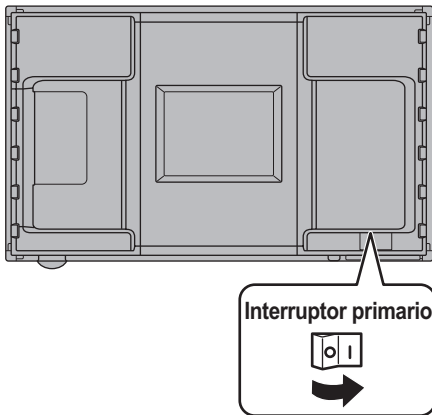
- Cuando se conecta el altavoz externo, instale el núcleo de cable de altavoz (incluido en el accesorio opcional PN-ZB01).
- Para usar el panel sensible al tacto, el panel sensible al tacto se debe conectar a la computadora, y se debe instalar en la computadora el controlador del panel sensible al tacto y el Pen Software del CD-ROM provisto. Para conectar al panel sensible al tacto e instalar el controlador de panel sensible al tacto, consulte el Manual de instrucciones del controlador del panel sensible al tacto. Por información sobre el Pen Software, consulte el Manual de instrucciones del Pen Software.
- HDMI, el logotipo de HDMI y High-Definition Multimedia Interface son marcas comerciales o registradas de HDMI Licensing LLC.

Encendido/apagado

!Precaución

- Encienda el monitor antes de encender el PC o el dispositivo de reproducción.

Encendido de la alimentación principal

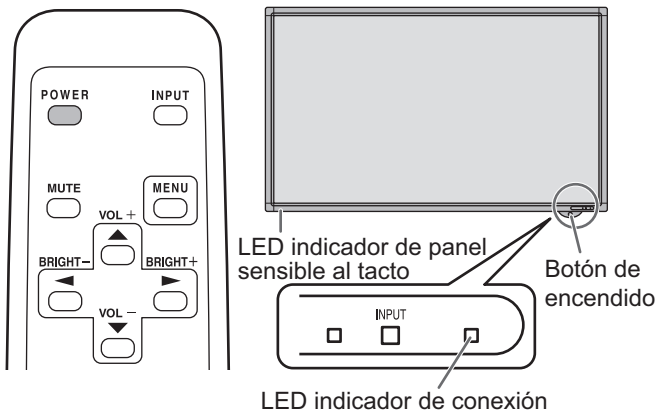


!Precaución

- La alimentación principal deberá encenderse/apagarse con el interruptor principal. No conecte/desconecte el cable de alimentación ni active/desactive el disyuntor mientras el interruptor principal está encendido.
- Cuando apague el interruptor principal o el botón POWER y lo vuelva a encender, espere siempre 5 segundos como mínimo.
- Para la desconexión eléctrica completa, desconecte el enchufe principal.

Encendido/apagado

Pulse el botón POWER o el botón de encendido para encender/apagar.



- Estado del LED indicador de conexión

| Estado | Estado del monitor |
|----------------------|---------------------------------------|
| Encendido de verde | Alimentación encendida |
| Encendido de naranja | Alimentación apagada (modo de reposo) |
| Parpadeo en verde | Modo de espera de señal de entrada |

- Estado del LED indicador de panel sensible al tacto

| Estado | Estado del panel sensible al tacto |
|---|--|
| Encendido de verde | Funcionando normalmente |
| Destellando de color naranja Destellando alternadamente entre verde y naranja | Inicializando |
| Apagado | Panel sensible al tacto desconectado (no se suministra electricidad, etc.) |

■Modo operativo

Cuando se encienda el monitor por vez primera tras su envío de fábrica, aparecerá la pantalla de ajuste del modo operativo. Establezca en MODE1 <MODO1> o MODE2 <MODO2>.

MODE1 <MODO1>

..... OFF IF NO OPERATION <SE APAGA SI NO SE USA> está establecido en ON <SI> y STANDBY MODE <MODO EN ESPERA> está establecido en LOW POWER <BAJO CONSUMO> (estos ajustes no pueden cambiarse). Si no se realiza ninguna operación durante 4 horas o más, el monitor pasará automáticamente al modo en espera. El consumo de energía también reduce al mínimo en el modo en espera.

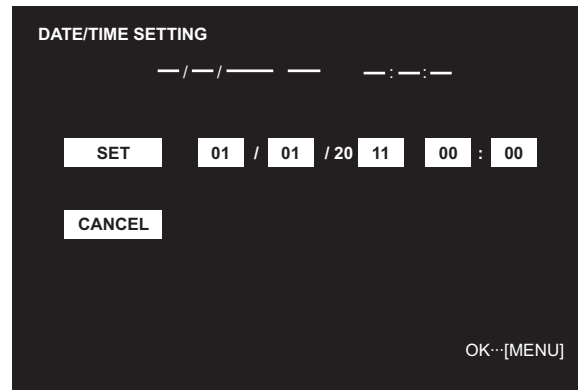
MODE2 <MODO2>

..... Permitirá la utilización estándar. OFF IF NO OPERATION <SE APAGA SI NO SE USA> está establecido en OFF <NO> y STANDBY MODE <MODO EN ESPERA> está establecido en STANDARD <ESTÁNDAR>. Estos ajustes pueden cambiarse.

Incluso después de haberse establecido, podrán realizarse cambios con OPERATION MODE <MODO DE OPERACIÓN>, dentro del menú del monitor. (Véase el Manual de instrucciones.)

■Ajuste de fecha y hora

- Si aún no se ha ajustado la hora al encender el monitor por vez primera, aparecerá la pantalla de ajuste de la fecha y la hora. Ajuste la fecha y la hora.



1. Pulse , , o para seleccionar la fecha y la hora y pulse o para cambiar los valores numéricos.
 2. Seleccione SET <AJUSTAR> y, a continuación, pulse .
- Asegúrese de ajustar la fecha y la hora.
 - La pantalla de ajuste de la fecha y la hora se cerrará automáticamente si no se lleva a cabo ninguna operación durante aproximadamente 15 segundos. La fecha y la hora podrán ajustarse utilizando DATE/TIME SETTING <AJUSTE FECHA/HORA> en el menú OPTION <OPCIONES> cuando desaparezca la pantalla de ajuste de la fecha y la hora.

CONSEJOS

- Ajuste la fecha en el orden "Día/Mes/Año".
- Ajuste la hora en el formato de 24 horas.
- El reloj es alimentado por la pila interna.
- Si ya ha ajustado la hora pero aparece la pantalla de ajuste de la fecha y la hora en el encendido, la pila interna podría estar gastada. Póngase en contacto con su distribuidor o servicio técnico de SHARP para obtener ayuda sobre la sustitución de la pila.
- Vida estimada de la pila interna: aproximadamente 5 años (dependiendo del funcionamiento del monitor)
- La pila inicial se ha insertado en el momento de la salida de fábrica del monitor, por lo que podría agotarse antes de tiempo esperado de vida útil.

Especificaciones

| | |
|---|--|
| Modelo | PN-L702B |
| Requisitos de alimentación | 100 V - 240 V ca, 2,8 A, 50/60 Hz |
| Temperatura de funcionamiento * | 5°C a 35°C |
| Humedad de funcionamiento | 20% al 80% (sin condensación) |
| Consumo de energía (Máxima) | 235 W [Cuando está instalada la placa PN-ZB01 (opcional): 240 W] |
| Dimensiones (excluidas las protuberancias) | (mm) Aprox. 1648 x 116 x 982 |
| Peso | (kg) Aprox. 70 [PN-ZB01 (opcional): Aprox. 0,5] |

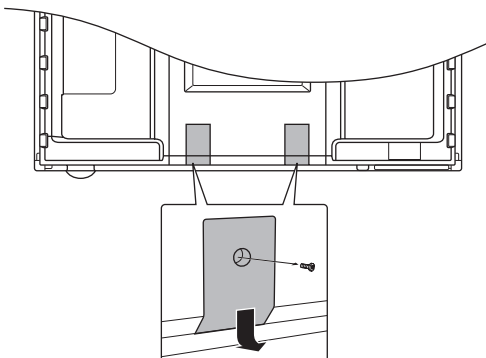
* Las condiciones de temperatura podrían cambiar al utilizar la pantalla conjuntamente con los equipos opcionales recomendados por SHARP. En dichos casos, compruebe las condiciones de temperatura especificadas por los equipos opcionales. Como parte de la política de mejoras continuas, SHARP se reserva el derecho de realizar cambios en el diseño y especificaciones para la mejora del producto sin previo aviso. Las figuras indicadas que especifican el rendimiento son valores nominales de los aparatos de producción. Puede haber algunas desviaciones de estos valores en los aparatos individuales.

Precauciones de montaje (para distribuidores y técnicos de servicio de SHARP)

- Cuando instale, desinstale o traslade el monitor, asegúrese de agarrarlo entre 4 personas como mínimo.
- Asegúrese de utilizar un soporte de montaje mural diseñado para la instalación del monitor.
- Este monitor está diseñado para su instalación sobre un muro o pilar de hormigón. Tal vez resulte necesario realizar un trabajo de refuerzo para ciertos materiales como pueden ser yeso, paneles de plástico finos o madera antes de iniciar la instalación. Este monitor y el soporte deberán instalarse en una pared con una resistencia de al menos 4 veces el peso del monitor. Realice la instalación mediante el método más adecuado para el material y la estructura.
- Para colocar una ménsula de montaje compatible con VESA, use tornillos M6 que sean 8 mm a 10 mm más largos que la ménsula de montaje.
- Una vez efectuado el montaje, asegúrese de que el monitor está instalado de forma segura y que no se puede aflojar de la pared o el soporte.
- No utilice orificios de tornillos que no sean orificios VESA para la instalación.

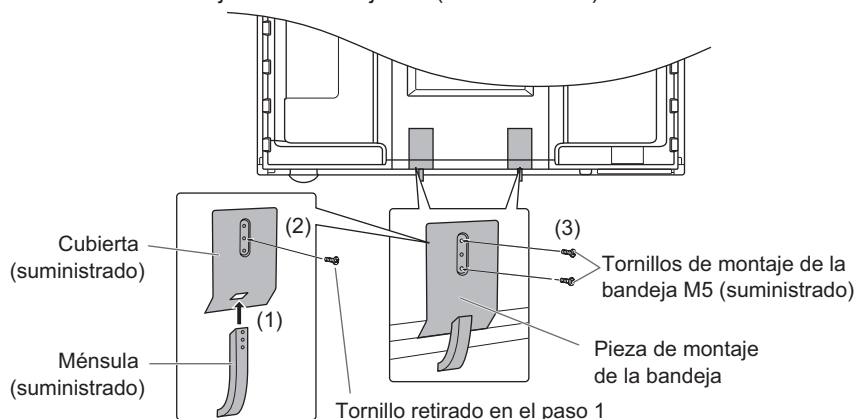
■ Colocación de la bandeja

1. Desmonte la cubierta de la parte de atrás del monitor.



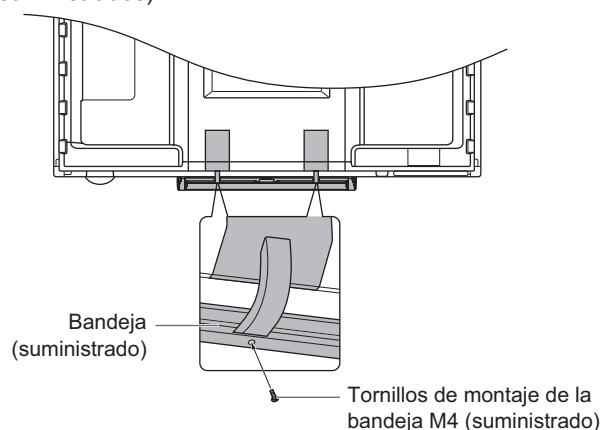
2. Asegure la pieza de montaje de la bandeja.

Asegúrela usando el tornillo desmontado en el paso 1 y los 2 tornillos de montaje de la bandeja M5 (suministrados).



3. Asegurar la bandeja.

Inserte la bandeja en la pieza de montaje de la bandeja y asegúrela con 2 tornillos de montaje de bandeja M4 (suministrados).



| | | | |
|--|---|---|---|
| WICHTIGE INFORMATIONEN | 1 | Vorbereitung der Fernbedienung und von Touch-Pen | 5 |
| VEREHRTE KUNDIN, VEREHRTER KUNDE | 1 | Anschlüsse | 6 |
| SICHERHEITSVORKEHRUNGEN | 2 | Ein- und ausschalten | 7 |
| SICHERHEITSANLEITUNG | 3 | Technische Daten | 8 |
| WICHTIGE HINWEISE ZUR BEFESTIGUNG | 4 | Wichtige Hinweise zur Befestigung | |
| Mitgelieferte Komponenten | 5 | (Für SHARP-Händler und Servicetechniker) | 8 |

Lesen Sie die Anleitungen, die sich im Ordner "Manual" auf der mitgelieferten CD-ROM befinden. (Zum Öffnen der Dateien wird Adobe Reader benötigt.)

Bedienungsanleitung (PNL702B_manual_German.pdf)

Bedienungsanleitung für Touch-Panel-Treiber (PNL702B_driver_German.pdf)

Pen Software-Bedienungsanleitung (PenSoftware_manual_German.pdf)

WICHTIGE INFORMATIONEN

ACHTUNG: HALTEN SIE DAS GERÄT VON REGEN UND JEDLICHER ART VON FEUCHTIGKEIT FERN, UM DIE GEFAHR VON BRAND ODER STROMSCHLAG ZU VERRINGERN.



VORSICHT

ELEKTROSCHOCK-GEFAHR

NICHT ÖFFNEN



VORSICHT: ABDECKUNG NICHT ENTFERNEN:
GEFAHR VON ELEKTROSCHOCK.
KEINE WARTUNGSTEILE IM INNEREN.
SERVICEARBEITEN NUR VON
QUALIFIZIERTEM FACHPERSONAL
DURCHFÜHREN LASSEN.



Das Blitzsymbol innerhalb eines gleichseitigen Dreiecks weist den Benutzer auf das Vorhandensein nicht isolierter "gefährlicher Spannung" im Geräteinneren hin, die ausreichend groß ist, um einen Elektroschock hervorzurufen.



Das Ausrufezeichen innerhalb eines Dreiecks weist den Benutzer auf wichtige Betriebs- und Wartungs- bzw. Serviceanweisungen in der Produktdokumentation hin.

VEREHRTE KUNDIN, VEREHRTER KUNDE

Wir danken Ihnen für den Kauf eines SHARP LCD-Gerätes. Um Ihre Sicherheit sowie einen jahrelangen, störungsfreien Betrieb dieses Produkts zu gewährleisten, lesen Sie bitte den Abschnitt "Sicherheitsvorkehrungen" vor der Verwendung des Produkts durch.

SICHERHEITSVORKEHRUNGEN

Elektrizität erfüllt viele nützliche Aufgaben, kann aber auch Personen- und Sachschäden verursachen, wenn sie unsachgemäß gehandhabt wird. Dieses Produkt wurde mit Sicherheit als oberster Priorität konstruiert und hergestellt. Dennoch besteht bei unsachgemäßer Handhabung u.U. Stromschlag- und Brandgefahr. Um mögliche Gefahren zu vermeiden, befolgen Sie beim Aufstellen, Betreiben und Reinigen des Produkts bitte die nachstehenden Anleitungen. Lesen Sie im Interesse Ihrer eigenen Sicherheit sowie einer langen Lebensdauer des LCD-Gerätes zunächst die nachstehenden Hinweise durch, bevor Sie das Produkt in Verwendung nehmen.

1. Bedienungsanleitungen lesen — Nehmen Sie das Produkt erst in Betrieb, nachdem Sie alle diesbezüglichen Hinweise gelesen und verstanden haben.
2. Bedienungsanleitung aufbewahren — Diese Bedienungsanleitung mit den Sicherheits- und Bedienungshinweisen sollte aufbewahrt werden, damit Sie im Bedarfsfall jederzeit darauf zurückgreifen können.
3. Warnungen beachten — Alle Warnungen auf dem Gerät und in den Bedienungsanleitungen sind genauestens zu beachten.
4. Anleitungen befolgen — Alle Anleitungen zur Bedienung müssen befolgt werden.
5. Reinigung — Ziehen Sie vor dem Reinigen des Produkts das Netzkabel. Reinigen Sie das Gerät mit einem trockenen Tuch. Verwenden Sie keine flüssigen Reiniger oder Aerosol-Sprays.
6. Zusatzgeräte und Zubehör — Verwenden Sie ausschließlich vom Hersteller empfohlenes Zubehör. Bei Verwendung anderer Zusatzgeräte bzw. Zubehörteile besteht evtl. Unfallgefahr.
7. Wasser und Feuchtigkeit — Benutzen Sie das Gerät nicht in der Nähe von Wasser. Montieren Sie das Gerät unter keinen Umständen an einer Stelle, an der Wasser darauf tropfen kann. Achten Sie dabei besonders auf Geräte, aus denen zuweilen Wasser tropft, wie etwa Klimaanlage.
8. Belüftung — Die Belüftungsschlitze und andere Öffnungen im Gehäuse dienen der Belüftung des Geräts. Halten Sie diese Öffnungen unbedingt frei, da eine unzureichende Belüftung zu einer Überhitzung bzw. Verkürzung der Lebensdauer des Produkts führen kann. Stellen Sie das Gerät nicht auf ein Sofa, einen Lappen oder ähnliche Oberflächen, da die Belüftungsschlitze dadurch blockiert werden können. Stellen Sie das Gerät auch nicht in ein umschlossenes Gehäuse, wie z.B. in ein Bücherregal oder einen Schrank, sofern dort nicht für eine ausreichende Belüftung gesorgt ist oder die Anweisungen des Herstellers befolgt werden.
9. Netzkabel-Schutz — Die Netzkabel sind so zu verlegen, dass sie vor Tritten geschützt sind und keine schweren Objekte darauf abgestellt werden.
10. Der Bildschirm für dieses Gerät ist aus Glas hergestellt. Es kann daher brechen, wenn es zu Boden fällt oder einen Schlag oder Stoß erhält. Seien Sie vorsichtig, dass Sie sich bei einem Bruch des Bildschirms nicht an den Scherben verletzen.
11. Überlastung — Vermeiden Sie eine Überlastung von Netzsteckdosen und Verlängerungskabeln. Bei Überlastung besteht Brand- und Stromschlaggefahr.
12. Eindringen von Gegenständen und Flüssigkeiten — Schieben Sie niemals irgendwelche Gegenstände durch die Gehäuseöffnungen in das Innere des Geräts. Im Produkt liegen hohe Spannungen vor. Durch das Einschieben von Gegenständen besteht Stromschlaggefahr bzw. die Gefahr von Kurzschlüssen zwischen den Bauteilen. Aus demselben Grunde dürfen auch keine Flüssigkeiten auf das Gerät verschüttet werden.
13. Wartung — Versuchen Sie auf keinen Fall, selbst Wartungsarbeiten am Gerät durchzuführen. Durch das Entfernen von Abdeckungen setzen Sie sich hohen Spannungen und anderen Gefahren aus. Lassen Sie sämtliche Wartungsarbeiten ausschließlich von qualifiziertem Service-Personal ausführen.
14. Reparaturen — Ziehen Sie in den folgenden Situationen sofort das Netzkabel und lassen Sie das Produkt von qualifiziertem Service-Personal reparieren:
 - a. Wenn das Netzkabel oder der Netzstecker beschädigt ist.
 - b. Wenn Flüssigkeit in das Gerät eingedrungen ist oder Gegenstände in das Gerät gefallen sind.
 - c. Wenn das Gerät nass geworden ist (z.B. durch Regen).
 - d. Wenn das Gerät nicht wie in der Bedienungsanleitung beschrieben funktioniert.
Nehmen Sie nur die in den Bedienungsanleitungen beschriebenen Einstellungen vor. Unsachgemäße Einstellungen an anderen Reglern können zu einer Beschädigung führen und machen häufig umfangreiche Einstellarbeiten durch einen qualifizierten Service-Techniker erforderlich.
 - e. Wenn das Produkt fallen gelassen oder beschädigt wurde.
 - f. Wenn das Gerät einen anormalen Zustand aufweist. Jedes erkennbare anormale Verhalten zeigt an, dass der Kundendienst erforderlich ist.
15. Ersatzteile — Wenn Ersatzteile benötigt werden, stellen Sie bitte sicher, dass der Service-Techniker nur die vom Hersteller bezeichneten Teile oder Teile mit gleichen Eigenschaften und gleichem Leistungsvermögen wie die Originalteile verwendet. Die Verwendung anderer Teile kann zu einem Brand, zu Stromschlag oder anderen Gefahren führen.
16. Sicherheitsüberprüfungen — Lassen Sie vom Service-Techniker nach Service- oder Reparaturarbeiten eine Sicherheitsüberprüfung vornehmen, um sicherzustellen, dass das Produkt in einem einwandfreien Betriebszustand ist.
17. Wandmontage — Bei der Montage des Gerätes an der Wand ist sicherzustellen, dass die Befestigung nach der vom Hersteller empfohlenen Methode erfolgt.
18. Wärmequellen — Stellen Sie das Produkt nicht in der Nähe von Heizkörpern, Heizgeräten, Öfen oder anderen Geräten (wie z.B. Verstärkern) auf, die Hitze abstrahlen.
19. Batterien — Durch falsche Anwendung können die Batterien explodieren oder sich entzünden. Eine undichte Batterie kann Korrosion am Gerät verursachen sowie Hände und Kleidung verschmutzen. Um diese Probleme zu vermeiden, beachten Sie bitte die folgenden Sicherheitshinweise:
 - Verwenden Sie nur empfohlene Batterietypen.
 - Achten Sie beim Einlegen der Batterien darauf, dass die Plus- (+) und die Minus- (-) Seite der Batterien gemäß den Anweisungen im Fachinneren richtig ausgerichtet sind.
 - Verwenden Sie nicht alte und neue Batterien gemeinsam.
 - Verwenden Sie keine Batterien unterschiedlichen Typs. Batterien derselben Form können unterschiedliche Spannungswerte besitzen.
 - Ersetzen Sie eine leere Batterie sofort durch eine neue.
 - Wenn Sie die Fernbedienung längere Zeit nicht verwenden, entnehmen Sie die Batterien.
 - Wenn ausgetretene Batterieflüssigkeit auf Haut oder Kleidung gelangt, müssen Sie diese sofort gründlich mit Wasser spülen. Wenn Batterieflüssigkeit in die Augen gelangt, dürfen Sie die Augen auf keinen Fall reiben, sondern am besten mit viel Wasser spülen und sofort einen Arzt aufsuchen. Batterieflüssigkeit kann Hautreizungen hervorrufen oder Augenschäden verursachen.

SICHERHEITSVORKEHRUNGEN (Fortsetzung)

20. Bei der Verwendung des Monitors ist darauf zu achten, dass Gefahren für Leib und Leben, Schäden an Gebäuden und anderen Gegenständen sowie eine Beeinflussung von wichtigen oder gefährlichen Geräten, wie z.B. der Nuklearreaktionssteuerung in Atomanlagen, lebenserhaltenden Geräten in medizinischen Einrichtungen oder Raketenabschusssteuerungen in Waffensystemen vermieden werden.
21. Vermeiden Sie es, Teile des Produkts, die sich erwärmen, über längere Zeit hinweg zu berühren. Dies könnte zu leichten Verbrennungen führen.

ACHTUNG:

Dieses Gerät ist ein Produkt der Klasse A. In Wohnräumen kann dieses Gerät Störsignale erzeugen, die durch entsprechende Abhilfemaßnahmen beseitigt werden müssen.

Verwenden Sie EMV-gerechte, abgeschirmte Kabel, um die folgenden Anschlüsse zu verbinden: PC/AV DVI-D-Ausgangsanschluss, PC/AV DVI-D-Eingangsanschluss, PC/AV HDMI-Eingangsanschluss, PC D-sub-Eingangsanschluss, PC RGB-Eingangsanschlüsse und RS-232C-Eingangs-/Ausgangsanschlüsse.

Wenn ein Monitor nicht auf einer stabilen Unterlage aufgestellt wird, besteht die Gefahr, dass er kippt oder fällt. Zahlreiche Verletzungen, besonders bei Kindern, können durch einfache Vorsichtsmaßnahmen vermieden werden:

- Bei Verwendung der vom Hersteller empfohlenen Befestigungsvorrichtungen, wie z.B. Wandhaken.
- Stellen Sie den Monitor nur auf Möbelstücke, die ausreichend stark sind.
- Achten Sie darauf, dass der Monitor nicht über den Rand des Möbelstücks, auf dem er steht, vorsteht.
- Stellen Sie den Monitor niemals auf ein großes Möbelstück (z.B. einen Schrank oder in ein Bücherregal), ohne sowohl das Möbelstück als auch den Monitor an einem geeigneten Element sicher zu verankern.
- Stellen Sie den Monitor niemals auf ein Tuch oder andere Materialien, die zwischen dem Monitor und dem Möbelstück, auf dem er steht, liegen.
- Weisen Sie Kinder eindringlich darauf hin, dass es gefährlich ist, auf ein Möbelstück zu klettern, um an den Monitor oder seine Regler zu gelangen.

Wichtige Hinweise für die Sicherheit von Kindern

- Lassen Sie Kinder niemals auf den Monitor klettern oder am Monitor spielen.
- Stellen Sie den Monitor nicht auf Möbelstücke, die leicht als Stufen verwendet werden könnten, wie zum Beispiel eine Truhe oder Kommode.
- Bedenken Sie, dass Kinder bei Betrachtung eines Fernsehprogramms – und ganz besonders bei einem “überlebensgroßen” Monitor – in starke Aufregung verfallen können. Der Monitor sollte so aufgestellt werden, dass er nicht umgestoßen oder gekippt werden kann.
- Alle am Monitor angeschlossenen Kabel und Stränge sollten so verlegt werden, dass neugierige Kinder nicht daran ziehen oder sie ergreifen können.

SICHERHEITSANLEITUNG

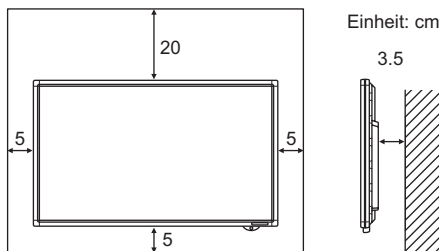
- Verwenden Sie den Monitor nicht an Orten mit hoher Staubentwicklung, hoher Luftfeuchtigkeit oder an Orten, an denen der Monitor mit Öl oder Dampf in Kontakt kommen könnte, da dies zu einem Brand führen könnte.
- Achten Sie darauf, dass der Monitor nicht mit Wasser oder anderen Flüssigkeiten in Berührung kommt. Achten Sie auch darauf, keine Gegenstände, wie z.B. Büroklammern oder sonstige spitze Gegenstände, in den Monitor zu stecken. Die Folge könnte ein Brand oder Stromschlag sein.
- Stellen Sie den Monitor nicht auf instabile Gegenstände oder an andere unsichere Stellen. Setzen Sie den Monitor keinen starken Stößen oder Erschütterungen aus. Wenn der Monitor hinunterfällt oder umkippt, könnte er Schaden nehmen.
- Stellen Sie den Monitor nicht in der Nähe von Heizungen oder an anderen Stellen auf, an denen hohe Temperaturen auftreten, da dies zu einer übermäßig starken Erhitzung mit der Folge eines Brandes führen könnte.
- Stellen Sie den Monitor nicht an Orten auf, an denen er direktem Sonnenlicht ausgesetzt ist.
- Die Wandsteckdose sollte sich in der Nähe des Gerätes befinden und leicht zugänglich sein.
- Bedienen Sie den Bildschirm nicht mit harten oder spitzen Gegenständen, wie Fingernägel, Kugelschreiber oder Bleistift.

Das Netzkabel

- Verwenden Sie nur das mit dem Monitor gelieferte Netzkabel.
- Beschädigen Sie das Netzkabel nicht, stellen Sie keine schweren Gegenstände darauf, und überdehnen oder knicken Sie es nicht. Verwenden Sie keine Verlängerungskabel. Ein beschädigtes Kabel kann einen Brand oder Stromschlag verursachen.
- Verwenden Sie das Netzkabel nicht mit einer Mehrfachsteckdose. Die Verwendung eines Verlängerungskabels kann aufgrund von Überhitzung zu einem Brand führen.
- Achten Sie darauf, dass Sie beim Einstecken oder Ausstecken des Netzsteckers keine nassen Hände haben, um einen Elektroschlag zu vermeiden.
- Ziehen Sie das Netzkabel aus der Steckdose, wenn Sie das Gerät längere Zeit über nicht verwenden.
- Führen Sie keine Reparaturversuche an einem beschädigten oder nicht funktionstüchtigen Netzkabel durch. Überlassen Sie Reparaturarbeiten ausschließlich dem Kundendienst.

WICHTIGE HINWEISE ZUR BEFESTIGUNG

- Dieses Produkt ist nicht für den Gebrauch im Freien gedacht.
- Ein Montagewinkel, der den VESA-Spezifikationen entspricht, ist erforderlich.
- Da der Monitor sehr schwer ist, sollten Sie Ihren Händler vor dem Befestigen, Abmontieren oder Transportieren des Monitors um Rat fragen.
- Für die Wandbefestigung des Monitors sind Spezialkenntnisse erforderlich. Diese Arbeit darf daher nur von einem autorisierten SHARP-Händler durchgeführt werden. Führen Sie diese Arbeit niemals selbst durch. Unser Unternehmen übernimmt keine Verantwortung für Unfälle oder Verletzungen, die sich durch eine falsche Befestigung oder einen falschen Umgang mit dem Gerät ergeben.
- Dieser Monitor kann nicht in vertikaler Ausrichtung verwendet werden.
- Verwenden Sie den Monitor mit der Vorderseite senkrecht zu einer ebenen Fläche auf. Nötigenfalls können Sie den Monitor um bis zu 20 Grad nach oben neigen.
- Halten Sie den Monitor beim Tragen entweder an beiden Griffen oder an den vier Ecken der Unterseite. Legen Sie die Hand nicht auf den Bildschirm. Das Gerät könnte dadurch beschädigt werden, oder Sie könnten sich dabei verletzen.
- Dieser Monitor sollte bei einer Umgebungstemperatur zwischen 5°C und 35°C verwendet werden. Rund um den Monitor muss genügend Luft sein, damit die Wärme aus dem Geräteinneren gut entweichen kann.



- Wenn es aus irgendeinem Grund schwierig ist, ausreichend Platz frei zu lassen, etwa weil der Monitor in ein Gehäuse eingebaut wird, oder wenn die Umgebungstemperatur außerhalb des zulässigen Bereichs von 5°C bis 35°C liegen könnte, so müssen Sie ein Gebläse installieren oder andere Maßnahmen ergreifen, um die Umgebungstemperatur innerhalb des vorgeschriebenen Bereichs zu halten.
- Die Temperaturbedingungen können sich ändern, wenn der Monitor zusammen mit von SHARP empfohlenem Zubehör verwendet wird. Überprüfen Sie in diesem Fall bitte die für das Zubehör empfohlenen Temperaturbedingungen.
- Alle Belüftungsöffnungen müssen stets frei bleiben. Wenn die Temperatur innerhalb des Monitors ansteigt, kann dies zu Fehlfunktionen führen.
- Stellen Sie den Monitor nicht auf ein anderes Gerät, das Wärme erzeugt.
- Verwenden Sie das Gerät nicht an Orten, an denen es direkter Sonneneinstrahlung oder anderem starken Lichteinfall ausgesetzt ist. Weil für die Bedienung Infrarotstrahlen verwendet werden, können Störungen durch Lichteinfall verursacht werden.

Mitgelieferte Komponenten

Sollte eine der angeführten Komponenten fehlen, kontaktieren Sie bitte Ihren Händler.

- | | | |
|--|--|--|
| <input type="checkbox"/> LCD-Monitor: 1 | <input type="checkbox"/> Pen-Spitze (für Touch-Pen): 2 | <input type="checkbox"/> Ablagenschrauben: M5 x 4 / M4 x 2 |
| <input type="checkbox"/> Fernbedienung: 1 | <input type="checkbox"/> Touch-Pen-Batterie (LR-03 (Größe "AAA")): 1 | <input type="checkbox"/> Anschlussaufkleber: 1 |
| <input type="checkbox"/> Kabelklammer: 2 | <input type="checkbox"/> USB-Kabel: 1 | Für die Installation eines Schnittstellen-Erweiterungsboards PN-ZB01 (optional). |
| <input type="checkbox"/> Netzkabel: 1 | <input type="checkbox"/> Radiergummi: 1 | <input type="checkbox"/> Sharp-Logo-Aufkleber: 1 |
| <input type="checkbox"/> R-6 Batterie (Größe "AA"): 2 | <input type="checkbox"/> Ablage: 1 | Um das Logo zu verdecken, überkleben Sie das SHARP-Logo mit diesem Aufkleber. |
| <input type="checkbox"/> CD-ROM (Utility Disk für Windows): 1 | <input type="checkbox"/> Ablageneinbau (Abdeckung/Halterung): x 2 | |
| <input type="checkbox"/> Installationsanleitung (diese Anleitung): 1 | | |
| <input type="checkbox"/> Touch-Pen: 1 | | |

* Die Sharp Corporation besitzt die Autorenrechte am Utility Disk Programm. Eine Vervielfältigung dieses Programms ohne schriftliche Genehmigung ist daher nicht gestattet.

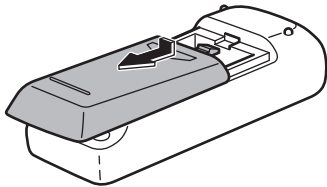
* Der Umwelt zuliebe!

Batterien dürfen nicht mit den Siedlungsabfällen entsorgt werden, sondern verlangen Sonderbehandlung.

Vorbereitung der Fernbedienung und von Touch-Pen

Einlegen der Batterien

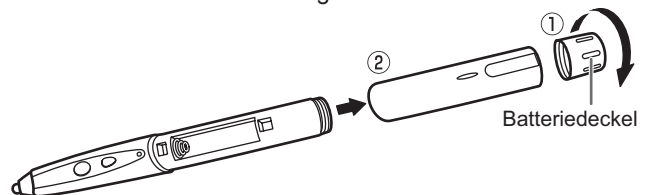
1. Drücken Sie leicht auf den Batteriefachdeckel und schieben Sie ihn in die Richtung des Pfeils.



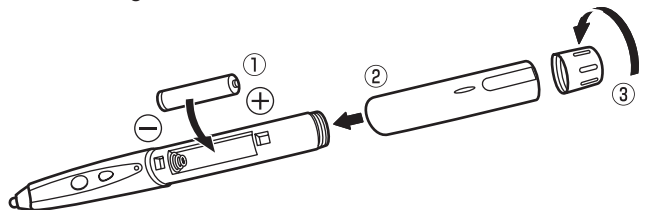
2. Beachten Sie die Anweisungen im Fachinneren und legen Sie die mitgelieferten Batterien (2 R-6 Batterien, d. h. Größe "AA", Mignonzelle) richtig ein (auf die Plus- (+) und Minus- (-) Seite achten).
3. Schließen Sie die Abdeckung.

Einsetzen der Batterie

1. Drehen Sie den Batteriedeckel zum Abnehmen und entfernen Sie die Abdeckung.



2. Setzen Sie die mitgelieferte Batterie (LR-03 (Größe "AAA")) wie nachstehend gezeigt gerichtet ein und bringen Sie die Abdeckung und den Batteriedeckel wieder an.

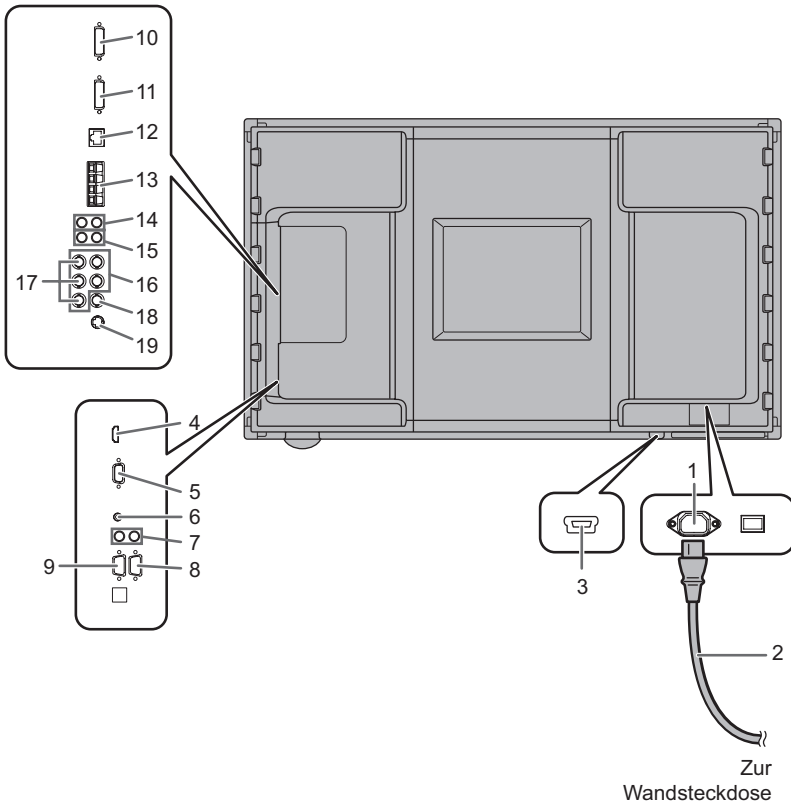


Anschlüsse

Vorsicht

- Schalten Sie unbedingt den Hauptschalter aus und ziehen Sie den Netzstecker, bevor Sie Kabel anschließen oder abziehen. Lesen Sie auch das Handbuch des Gerätes, das Sie an den Monitor anschließen möchten.
- Verwechseln Sie beim Anschließen nicht die Eingangsklemmen mit den Ausgangsklemmen. Dies könnte zu Fehlfunktionen und anderen Problemen führen.

Wenn das PN-ZB01 (optional) angeschlossen ist



1. Netzsteckdose
2. Netzkabel (im Lieferumfang enthalten)
3. USB-Buchse
4. PC/AV HDMI-Eingangsanschluss
5. PC D-sub-Eingangsanschluss
6. Audioeingangsanschluss
7. Audioausgangsanschlüsse
8. RS-232C-Ausgangsanschluss
9. RS-232C-Eingangsanschluss

Wenn das PN-ZB01 (optional) angeschlossen ist

10. PC/AV DVI-D-Eingangsanschluss
11. PC/AV DVI-D-Ausgangsanschluss
12. LAN-Anschluss
13. Anschlüsse für externe Lautsprecher
14. Audio1 Eingangsanschlüsse
15. Audio2 Eingangsanschlüsse
16. PC RGB-Eingangsanschlüsse
17. AV Component-Eingangsanschlüsse
18. AV Video-Eingangsanschluss
19. AV S-Video-Eingangsanschluss

TIPPS

- Stellen Sie die Audioeingangsbuchse für die einzelnen Eingangsmodi in AUDIO SELECT <AUDIO AUSWAHL> im Menü OPTION <OPTIONEN> ein. Die Einstellungen bei der Auslieferung sind nachstehend gezeigt.

| Eingangsmodus | Audioeingangsanschluss (Werkseinstellung) |
|---|---|
| PC D-SUB, PC DVI-D, PC RGB | Audioeingangsanschluss |
| AV DVI-D | Audio1 Eingangsanschluss |
| AV COMPONENT (BNC), AV S-VIDEO, AV VIDEO (BNC) | Audio2 Eingangsanschluss |
| AV COMPONENT (D-SUB), AV VIDEO (D-SUB) | Audioeingangsanschluss |
| PC HDMI, AV HDMI | PC/AV HDMI-Eingangsanschluss |

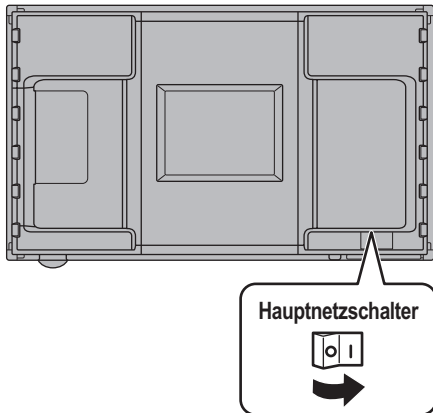
- Bei Anschluss eines externen Lautsprechers muss das Lautsprecherkabel (mit PN-ZB01 mitgeliefert) angebracht werden.
- Für die Verwendung muss das Touch-Panel am Computer angeschlossen sein und der Touch-Panel-Treiber und die Pen Software müssen von der mitgelieferten CD-ROM im Computer installiert worden sein.
Für den Anschluss des Touch-Panels und die Installation des Touch-Panel-Treibers wird auf die Bedienungsanleitung für Touch-Panel-Treiber verwiesen.
Für die Installation der Pen Software wird auf die Pen Software-Bedienungsanleitung verwiesen.
- HDMI, das HDMI-Logo und High-Definition Multimedia Interface sind Warenzeichen oder eingetragene Warenzeichen von HDMI Licensing LLC.

Ein- und ausschalten

! Vorsicht

- Schalten Sie zuerst den Monitor und erst danach den PC oder ein anderes Wiedergabegerät ein.

Einschalten des Netzstroms

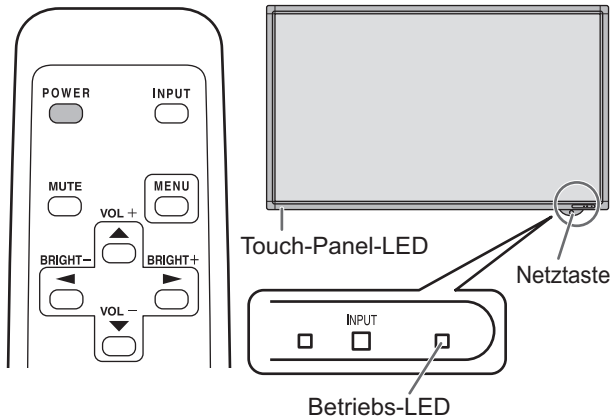


! Vorsicht

- Die Hauptstromversorgung muss mithilfe des Hauptnetzschalters ein- und ausgeschaltet werden. Während der Hauptschalter eingeschaltet ist, darf das Netzkabel nicht abgezogen/angeschlossen oder der Trennschalter ein- und ausgeschaltet werden.
- Warten Sie zwischen dem Ein- und Ausschalten des Hauptnetzschalters oder der POWER-Taste immer mindestens 5 Sekunden.
- Für eine komplette elektrische Trennung muss der Netzstecker abgezogen werden.

Ein- und ausschalten

Drücken Sie auf die POWER-Taste oder auf den Netzstaste, um die Stromversorgung ein- oder auszuschalten.



- Status der Betriebs-LED

| Status | Betriebszustand des Monitors |
|-----------------|---------------------------------------|
| Leuchtet grün | Monitor eingeschaltet |
| Leuchtet orange | Monitor ausgeschaltet (Standby-Modus) |
| Grün blinkend | Eingangssignal-Wartemodus |

- Status der Touch-Panel-LED

| Status | Status des Touch-Panels |
|---|---|
| Leuchtet grün | Normaler Betrieb |
| Blinkt orange Blinkt abwechselungsweise grün und orange | Initialisierung |
| Aus | Touch-Panel aus (keine Stromversorgung usw.) |

■ Betriebsmodus

Wenn der Monitor zum ersten Mal in Betrieb genommen wird, erscheint das Betriebsmodus-Einstellfenster. Wählen Sie hier MODE1 <MODUS1> oder MODE2 <MODUS2> aus.

MODE1 <MODUS1>

.....OFF IF NO OPERATION <AUTO SYSTEM AUS> ist auf ON <EIN> gesetzt, und STANDBY MODE <STANDBY-MODUS> ist auf LOW POWER <GERINGE LEISTUNG> gesetzt. (Diese Einstellungen können nicht geändert werden.)

Erfolgt mindestens 4 Stunden lang keine Befehlseingabe, wechselt der Monitor automatisch in den Standby-Modus. Der Stromverbrauch wird im Standby-Modus minimiert.

MODE2 <MODUS2>

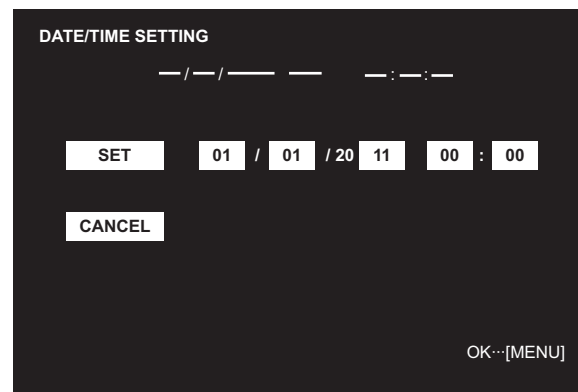
.....Ermöglicht den Standardbetrieb.

OFF IF NO OPERATION <AUTO SYSTEM AUS> ist auf OFF <AUS> gesetzt, und STANDBY MODE <STANDBY-MODUS> ist auf STANDARD gesetzt. Diese Einstellungen können geändert werden.

Auch nach erfolgter Einstellung können Änderungen mittels OPERATION MODE <BETRIEBSMODUS> im Menü des Monitors vorgenommen werden. (Siehe Bedienungsanleitung.)

■ Einstellung von Datum/Uhrzeit

- Muss die Zeit erst eingestellt werden, wenn der Monitor zum ersten Mal eingeschaltet wird, erscheint der Einstellbildschirm für Datum/Uhrzeit. Stellen Sie das Datum und die Uhrzeit ein.



1. Drücken Sie auf , , oder , um das Datum und die Uhrzeit auszuwählen, und drücken Sie auf oder , um die Zahlenwerte zu ändern.
 2. Wählen Sie SET <GESETZT> aus und drücken Sie dann auf .
- Stellen Sie jetzt das Datum und die Uhrzeit ein.
 - Der Bildschirm für die Einstellung des Datums bzw. der Uhrzeit schließt sich automatisch, wenn innerhalb von ca. 15 Sekunden keine Bedienung erfolgt. Datum und Uhrzeit können mit DATE/TIME SETTING <EINSTELLUNG DATUM/ZEIT> im Menü OPTION <OPTIONEN> eingestellt werden, wenn der Bildschirm für die Einstellung des Datums bzw. der Uhrzeit verschwindet.

TIPPS

- Geben Sie das Datum in der Reihenfolge "Tag/Monat/Jahr" ein.
- Geben Sie die Zeit in der 24h-Schreibweise ein.
- Die Uhr wird mithilfe der internen Batterie betrieben.
- Wenn beim Einschalten des Geräts das Fenster zur Einstellung von Uhrzeit und Datum erscheint, obwohl Sie Zeit und Datum bereits eingestellt haben, ist möglicherweise die interne Batterie leer. Wenden Sie sich für den Austausch der Batterie an Ihren Sharp-Händler oder das nächstgelegene SHARP Servicecenter.
- Geschätzte Lebensdauer der internen Batterie: circa 5 Jahre (abhängig von der Nutzung des Monitors)
- Die im Gerät enthaltene Batterie wurde vor der Auslieferung im Werk eingelegt. Es besteht daher die Möglichkeit, dass sie nicht so lange hält wie erwartet.

Technische Daten

| | |
|-------------------------------|---|
| Modell | PN-L702B |
| Leistungsaufnahme | AC 100 V - 240 V, 2,8 A, 50/60 Hz |
| Betriebstemperatur * | 5°C bis 35°C |
| Relative Luftfeuchtigkeit | 20% bis 80% (Keine Kondensation) |
| Stromverbrauch (Maximal) | 235 W [Wenn PN-ZB01 (optional) angeschlossen ist: 240W] |
| Abmessungen (ohne Vorsprünge) | (mm) Ca. 1648 (W) x 116 (D) x 982 (H) |
| Gewicht | (kg) Ca. 70 [PN-ZB01 (optional): Ca. 0,5] |

* Die Temperaturbedingungen können sich ändern, wenn das Monitor zusammen mit von SHARP empfohlenem Zubehör verwendet wird. Überprüfen Sie in diesem Fall bitte die für das Zubehör empfohlenen Temperaturbedingungen.

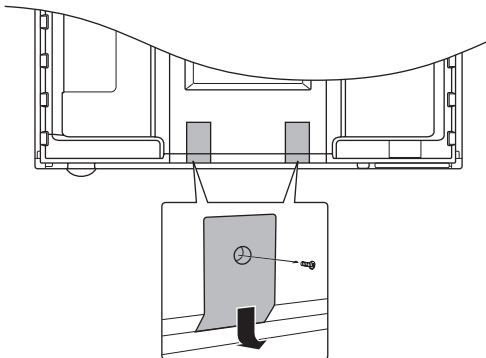
Bedingt durch fortlaufende technische Verbesserungen behält sich SHARP das Recht vor, das Design und die Spezifikationen ohne vorherige Ankündigung ändern zu können. Die angegebenen Leistungswerte stellen die Nennwerte einer in Serienherstellung produzierten Einheit dar. Geringe Abweichungen bei einzelnen Geräten sind möglich.

Wichtige Hinweise zur Befestigung (Für SHARP-Händler und Servicetechniker)

- Für das Befestigen, Abmontieren oder Transportieren des Monitors müssen mindestens zwei Personen zur Verfügung stehen.
- Verwenden Sie dazu einen Wandhaken, der für die Befestigung des Monitors geeignet sind.
- Dieser Monitor wurde für die Befestigung an einer Betonwand oder an einer Betonsäule gebaut. Vor der Aufstellung des Monitors kann es notwendig sein, Wände, die aus bestimmten Materialien (z.B. Gips, dünnem Kunststoff usw.) bestehen, entsprechend zu verstärken.
Der Monitor und der Befestigungswinkel dürfen nur an einer Wand montiert werden, die mindestens das vierfache Gewicht des Monitors tragen kann. Wählen Sie das für Material und Wandstruktur jeweils am besten geeignete Befestigungsverfahren aus.
- Verwenden Sie die M6-Schrauben, die 8 bis 10 mm länger als die Dicke der Halterung sind, zum Befestigen der VESAkompatiblen Halterung.
- Überprüfen Sie nach der Befestigung des Monitors sorgfältig, dass der Monitor sicher befestigt ist und sich auf keinen Fall von der Wand oder der Befestigungsvorrichtung lösen kann.
- Verwenden Sie für die Installation nur VESA-Bohrungen.

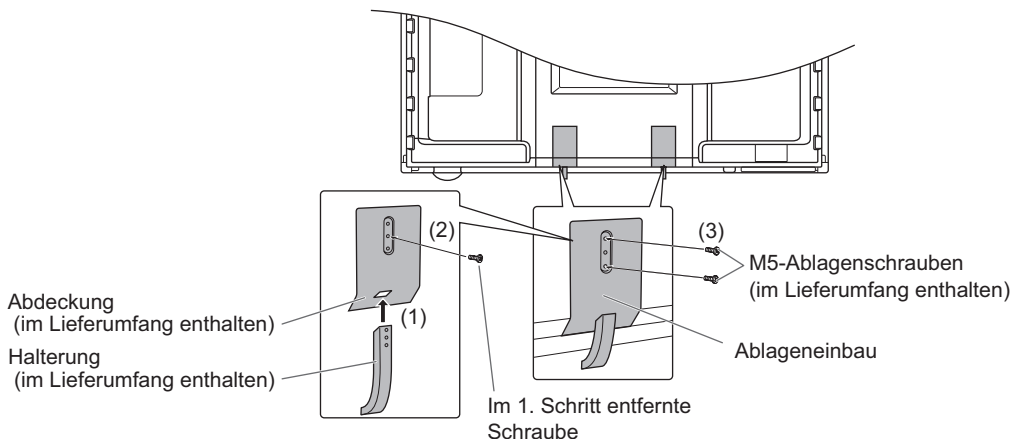
■ Anbringen der Ablage

1. Entfernen Sie die Abdeckung an der Rückseite des Monitors.



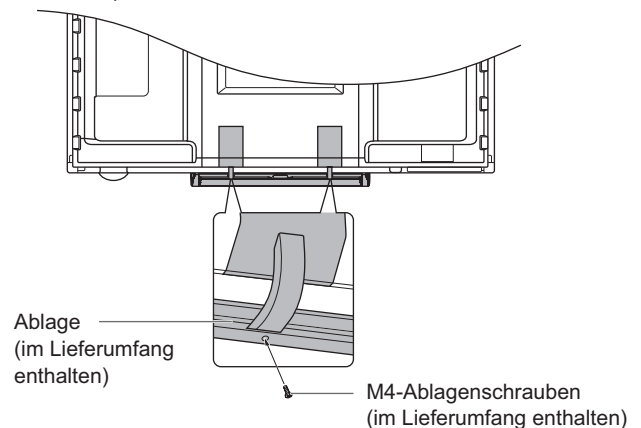
2. Sichern Sie den Ablageeinbau.

Verwenden Sie dazu die im 1. Schritt entfernte Schraube und die 2 M5-Ablagensschrauben (im Lieferumfang enthalten).



3. Die Ablage sichern.

Setzen Sie die Ablage in den Ablageeinbau und sichern Sie sie mit den 2 M4-Ablagenschrauben (im Lieferumfang enthalten).






| | |
|---|--|
| ВАЖНАЯ ИНФОРМАЦИЯ.....1 | Соединения.....6 |
| УВАЖАЕМЫЙ КЛИЕНТ КОМПАНИИ SHARP1 | Включение/выключение питания7 |
| ПРАВИЛА ТЕХНИКИ БЕЗОПАСНОСТИ.....2 | Спецификации.....8 |
| Инструкции по безопасности.....3 | Меры предосторожности при креплении |
| МЕРЫ ПРЕДОСТОРОЖНОСТИ ПРИ КРЕПЛЕНИИ4 | (Для дилеров и инженеров по обслуживанию SHARP)....8 |
| Комплектные принадлежности.....5 | |
| Подготовка пульта дистанционного управления | |
| и Стилус.....5 | |

Прочитайте руководства в “Manual” папку компакт-диска. (Adobe Reader необходим для просмотра учебных пособий.)
 Руководство по эксплуатации (PNL702B_manual_Russian.pdf)
 Руководство по эксплуатации Драйвер Сенсорной Панели. (PNL702B_driver_Russian.pdf)
 Руководство по эксплуатации к Pen Software (PenSoftware_manual_Russian.pdf)

ВАЖНАЯ ИНФОРМАЦИЯ

ПРЕДОСТЕРЕЖЕНИЕ: ДЛЯ УМЕНЬШЕНИЯ ОПАСНОСТИ ВОЗНИКНОВЕНИЯ ПОЖАРА ИЛИ ПОРАЖЕНИЯ ЭЛЕКТРИЧЕСКИМ ТОКОМ НЕ ПОДВЕРГАЙТЕ ДАННОЕ ИЗДЕЛИЕ ВОЗДЕЙСТВИЮ ДОЖДЯ ИЛИ ВЛАГИ.

| | | | |
|--|---|---|---|
|  | ВНИМАНИЕ ОПАСНОСТЬ ПОРАЖЕНИЯ ЭЛЕКТРИЧЕСКИМ ТОКОМ НЕ ОТКРЫВАТЬ |  |  <p>Знак молнии со стрелкой на конце внутри равностороннего треугольника предупреждает пользователя о наличии внутри корпуса неизолированного “опасного напряжения” такой величины, что оно представляет угрозу поражения электрическим током для людей.</p> |
| <p>ВНИМАНИЕ! НЕ УДАЛЯЙТЕ КРЫШКУ, ЧТОБЫ СНИЗИТЬ ОПАСНОСТЬ ПОРАЖЕНИЯ ЭЛЕКТРИЧЕСКИМ ТОКОМ. ВНУТРИ ПРИБОРА НЕТ ДЕТАЛЕЙ, КОТОРЫЕ МОГУТ ОБСЛУЖИВАТЬСЯ ПОЛЬЗОВАТЕЛЕМ. ДЛЯ ОБСЛУЖИВАНИЯ ОБРАЩАЙТЕСЬ К КВАЛИФИЦИРОВАННОМУ ПЕРСОНАЛУ СЕРВИСНЫХ ЦЕНТРОВ.</p> | | |  <p>Восклицательный знак внутри треугольника предупреждает пользователя о наличии важных инструкций по эксплуатации и использованию (сервису) в литературе, которая поставляется в комплекте с изделием.</p> |

Страна-изготовитель: Произведено в Китае
Фирма-изготовитель: ШАРП Корпорейшн
Юридический адрес изготовителя: 22-22 Нагайке-чо, Абено-ку, Осака 545-8522, Япония

Во исполнение Статьи 5 Закона Российской Федерации “О защите прав потребителей”, а также Указа Правительства Российской Федерации №720 от 16 июня 1997 г. устанавливается срок службы данной модели – 5 лет с момента производства при условии использования в строгом соответствии с инструкцией по эксплуатации и применяемыми техническими стандартами.

Импортер: ООО «Шарп Электроникс Раша»
 Адрес: Россия, 119017, Москва, ул. Большая Ордынка, 40/4
 Телефон: +7-495-411-87-77

Класс защиты от поражения электрическим током I

Дата производства указана в серийном номере:

SERIAL No. 0 1 2 3 4 5 6 7

| | |
|---------|-------------|
| Год | Месяц |
| 1: 2011 | 1: Январь |
| 2: 2012 | : : : |
| 3: 2013 | 9: Сентябрь |
| : : : | 0: Октябрь |
| 0: 2020 | X: Ноябрь |
| | Y: Декабрь |

УВАЖАЕМЫЙ КЛИЕНТ КОМПАНИИ SHARP

Благодарим вас за приобретение ЖК монитора SHARP. Для обеспечения безопасности и многолетней бесперебойной эксплуатации приобретенного вами изделия внимательно прочтите правила по технике безопасности перед тем, как начать его эксплуатацию.

ПРАВИЛА ТЕХНИКИ БЕЗОПАСНОСТИ

Электричество используется для выполнения многих полезных функций, но оно также может причинять травмы персоналу и быть причиной повреждения имущества в случае неправильного обращения с ним. Данное изделие спроектировано и произведено с обеспечением максимальной безопасности. Однако неправильная эксплуатация может привести к поражению электрическим током и/или возникновению пожара. В целях предотвращения потенциальной угрозы соблюдайте следующие инструкции по установке, эксплуатации и чистке данного изделия. Для обеспечения вашей безопасности и увеличения срока эксплуатации вашего ЖК монитора внимательно прочтите следующие правила, прежде чем приступать к эксплуатации данного изделия.

1. Прочтите инструкции – Прежде чем начать эксплуатацию изделия, необходимо прочесть и понять все инструкции по его эксплуатации.
2. Храните данное руководство в надежном месте – Данные инструкции по безопасности и эксплуатации следует хранить в надежном месте, чтобы можно было обратиться к ним впоследствии.
3. Подчиняйтесь предостережениям – Все предостерегающие надписи и знаки, имеющиеся на изделии и в инструкции, должны строго соблюдаться.
4. Следуйте инструкциям – Необходимо следовать всем инструкциям по эксплуатации.
5. Чистка – Прежде чем приступать к чистке изделия, необходимо достать вилку из розетки переменного тока. Для чистки изделия необходимо использовать сухую тряпку. Запрещается использовать для этих целей жидкие или аэрозольные чистящие средства.
6. Принадлежности – Запрещается использовать принадлежности, не рекомендованные производителем данного изделия. Использование других принадлежностей может стать причиной несчастных случаев.
7. Вода и влага – Запрещается использовать изделия возле источников воды. Не размещайте монитор в месте, где на него может попасть вода. При размещении обратите внимание на оборудование, использующее в работе воду, например, кондиционер.
8. Вентиляция – Вентиляционные отверстия и другие отверстия в корпусе прибора предназначены для вентиляции. Запрещается закрывать или блокировать эти вентиляционные отверстия или другие отверстия, поскольку недостаточная вентиляция может привести к перегреву и/или сокращению срока службы изделия. Запрещается устанавливать изделие на софу, ковер или другие аналогичные поверхности, поскольку они могут заблокировать вентиляционные отверстия. Запрещается устанавливать изделие в закрытых пространствах, таких как книжный шкаф или полка, если там не обеспечена надлежащая вентиляция, за исключением случаев, когда это предусмотрено в инструкции производителя.
9. Защита шнура питания – Шнур питания должен размещаться таким образом, чтобы на него не наступали люди и не устанавливались какие-либо предметы.
10. Экран, который используется в данном оборудовании, сделан из стекла. Следовательно, она может разбиться в случае, если изделие уронят или нанесут по нему удар. При повреждении экрана будьте осторожны, чтобы не пораниться осколками стекла.
11. Перегрузка – Запрещается перегружать розетку переменного тока и/или удлинительные кабели. Перегрузка может привести к пожару или поражению электрическим током.
12. Попадание внутрь корпуса предметов и жидкостей – Категорически запрещается вставлять какие-либо предметы внутрь изделия через вентиляционные или другие отверстия. Внутри изделия подается высокое напряжение, поэтому просовывание в его корпус через отверстие какого-либо предмета может привести к поражению электрическим током и/или короткому замыканию некоторых деталей. По той же причине запрещается допускать попадание внутрь изделия воды или других жидкостей.
13. Обслуживание – Запрещается заниматься обслуживанием изделия самостоятельно. Если вы будете снимать крышки, то можете подвергнуться воздействию высокого напряжения и других опасных факторов. Обратитесь к квалифицированному обслуживающему персоналу для выполнения обслуживания.
14. Ремонт – Если произойдет что-либо из перечисленного ниже, извлеките из розетки переменного тока вилку шнура питания и обратитесь к квалифицированному обслуживающему персоналу за выполнением необходимых ремонтных работ.
 - a. Поврежден шнур питания или вилка.
 - b. В случае попадания в изделие жидкости или каких-либо других предметов.
 - c. Когда изделие попало под дождь или в воду.
 - d. Когда изделие не работает так, как это описано в инструкции по эксплуатации. Запрещается трогать органы управления помимо тех, что описаны в инструкциях по эксплуатации. Неправильная регулировка органов управления, которая не описана в инструкциях, может привести к повреждениям, для устранения которых зачастую требуется привлечь квалифицированных специалистов, которым приходится выполнять большой объем работ по регулировке.
 - e. В случае, если изделие уронили или повредили.
 - f. В случае, если в рабочем изделии наблюдаются какие-либо отклонения. Явные отклонения в работе изделия указывают на то, что требуется его обслуживание.
15. Запасные детали — Если для изделия потребуются запасные детали, убедитесь в том, что выполняющий обслуживание человек использует запасные детали, указанные производителем или аналогичные детали с такими же характеристиками и производительностью, как и оригинальные. Использование деталей, не рекомендованных производителем, может привести к возгоранию, поражению электрическим током или созданию других опасных ситуаций.
16. Проверки безопасности — После завершения работ по обслуживанию или ремонту попросите техника по обслуживанию произвести проверку безопасности, чтобы убедиться, что изделие находится в надлежащем рабочем состоянии.
17. Крепление на стену — При креплении изделия на стену необходимо убедиться в том, что оно установлено с использованием метода, рекомендованного его производителем.
18. Источники тепла — Держите изделие вдали от источников тепла, таких как радиаторы, нагреватели, плиты и другое оборудование, генерирующее тепло (включая усилители).
19. Батарейки — Неправильное использование батареек может привести к их взрыву или возгоранию. Протекание батареек может вызвать коррозию оборудования, испачкать ваши руки или повредить одежду. Чтобы избежать подобных проблем, строго выполняйте перечисленные ниже требования техники безопасности:

ПРАВИЛА ТЕХНИКИ БЕЗОПАСНОСТИ (Продолжение)

- Используйте только рекомендуемый тип батареек.
 - В соответствии с инструкциями в отсеке для батареек вставьте поставляемые батарейки, правильно сориентировав их стороны с знаками (+) и (-).
 - Не используйте одновременно старые и новые батарейки.
 - Не используйте батарейки различных типов. Напряжение батареек одинаковой формы может отличаться.
 - Оперативно заменяйте разрядившуюся батарейку новой.
 - Если вы предполагаете не пользоваться пультом дистанционного управления длительное время, извлеките из него батарейки.
 - Если жидкость из батарейки попала на вашу кожу или одежду, немедленно и тщательно промойте их. Если жидкость попала вам в глаза, тщательно промойте их, но не трите, и немедленно обратитесь к врачу. Попадание жидкости из батарейки в глаза или на одежду может вызвать раздражение кожи или повредить глаз.
20. Использование монитора не должно сопровождаться созданием фатальных угроз или же опасностей, которые могут непосредственно привести к смерти, получению травм, серьезных физических повреждений или потерь, включая управление ядерной реакцией в ядерных установках, медицинских системах поддержания жизни, а также управление запусками ракет в системах вооружений.
21. Не следует в течение длительного времени находиться в контакте с нагревающимися деталями изделия. Это может привести к возникновению низкотемпературных ожогов.

ПРЕДОСТЕРЕЖЕНИЕ:

Данное изделие относится к классу А. При использовании в домашних условиях данное изделие может создавать радиопомехи, и пользователю, возможно, необходимо будет принять меры для их устранения.

С целью выполнения требований электромагнитной совместимости (ЭМС), используйте экранированные кабели для подключения к следующим разъемам: выходной разъем ПК/AV DVI-D, входной разъем ПК/AV DVI-D, входной разъем ПК/AV HDMI, входной разъем ПК D-sub, входные разъемы ПК RGB и входные/выходные разъемы RS-232C.

Если монитор установлен на недостаточно стабильной поверхности, это может быть опасным, так как он может упасть. Многие травмы, особенно детей, можно предотвратить с помощью следующих простых мер предосторожности:

- использование настенных кронштейнов или опор, рекомендованных производителем монитора;
- использование только тех предметов мебели, которые могут выдержать вес монитора;
- монитор не должен нависать над краем предмета мебели, на котором он установлен;
- монитор не следует устанавливать на высокие предметы (например, шкафы или стеллажи) без соответствующего крепления предмета мебели и монитора к подходящей основе;
- монитор не следует ставить на ткань или другие материалы, находящиеся между монитором и предметом мебели;
- объясняйте детям, что забираться на мебель, чтобы достать до монитора или его частей, может быть опасно.

Особые меры безопасности для детей

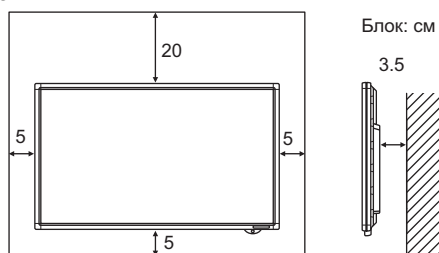
- Не позволяйте детям забираться на монитор или играть рядом с ним.
- Не устанавливайте монитор на мебели, которая может использоваться в качестве ступеней (например, комод).
- Помните, что дети выражать бурные эмоции во время просмотра программ, особенно на огромном мониторе. Монитор следует устанавливать в месте, где дети не смогут его двигать, тянуть или уронить.
- Все шнуры и кабели должны быть подведены таким образом, чтобы любопытные дети не могли их тянуть и хвататься за них.

Инструкции по безопасности

- Запрещается использовать монитор в запыленных местах, местах с высокой влажностью или же там, где монитор может соприкоснуться с маслами или паром, поскольку это может стать причиной возгорания.
 - Следите за тем, чтобы монитор не соприкасался с водой или другими жидкостями. Следите за тем, чтобы никакие предметы, такие как скрепки для бумаги, иголки, заколки, не попадали внутрь корпуса монитора, поскольку это может стать причиной пожара или привести к поражению электрическим током.
 - Запрещается устанавливать монитор сверху неустойчивых предметов или же в местах, где не гарантируется его безопасность. Запрещается подвергать монитор воздействию сильных ударов или вибрации. Если монитор упадет или опрокинется, это может его повредить.
 - Запрещается использовать монитор вблизи нагревательного оборудования или в тех местах, где он может подвергаться воздействию высокой температуры, поскольку это может привести к его избыточному нагреву и, как результат, к возгоранию.
 - Не используйте монитор в местах, где на него могут попадать солнечные лучи.
 - Розетка переменного тока должна находиться вблизи оборудования таким образом, чтобы к ней обеспечивался беспрепятственный доступ.
 - Не касайтесь экрана твердыми или заостренными предметами, например, ногтем, ручкой или карандашом.
- ### Сетевой шнур
- Запрещается повреждать сетевой шнур или ставить на него тяжелые предметы, растягивать его или сильно изгибать. Его также нельзя наращивать. Повреждение шнура может привести к пожару или поражению электрическим током.
 - Используйте только тот шнур питания, который поставляется вместе с монитором.
 - Не используйте шнур питания с блоком розеток. Наращивание шнура питания может привести к пожару по причине его перегрева.
 - Запрещается вынимать или вставлять вилку сетевого шнура в розетку мокрыми руками. Это может привести к поражению электрическим током.
 - Извлекайте вилку шнура питания из розетки, если изделие не эксплуатируется длительное время.
 - Запрещается чинить шнур питания в случае его поломки или нарушений в работе. Обратитесь за помощью к обслуживающему персоналу.

МЕРЫ ПРЕДОСТОРОЖНОСТИ ПРИ КРЕПЛЕНИИ

- Монитор предназначен для эксплуатации в помещении.
- Требуется крепежный кронштейн, соответствующий спецификации VESA.
- Поскольку монитор имеет большой вес, проконсультируйтесь с дилером перед его установкой, снятием или перемещением.
- Крепление монитора к стене требует специальных навыков, поэтому такая работа должна выполняться специалистами компании SHARP. Вам не следует предпринимать попыток сделать эту работу самостоятельно. Наша компания не несет какой-либо ответственности за несчастные случаи или травмы, вызванные плохим монтажом или неправильным обращением.
- Этот монитор не предназначен для использования в вертикальном положении.
- Монитор должен использоваться перпендикулярно по отношению к поверхности, на которой он установлен. При необходимости монитор может быть наклонен на 20 градусов вверх.
- При перемещении монитора удерживайте его либо за обе ручки, либо за 4 угла на нижней части корпуса. Это может привести к повреждению изделия, его неисправности или к травмированию людей.
- Данный монитор должен эксплуатироваться при температуре окружающей среды от 5°C до 35°C. Обеспечьте вокруг монитора достаточно пространства, чтобы предотвратить накопление тепла внутри его корпуса.



- Если сложно обеспечить достаточное пространство по той или иной причине, например, из-за того, что монитор устанавливается внутри кожуха, или из-за того, что температура окружающей среды выходит за диапазон от 5 °C до 35 °C, установите вентилятор или примите другие меры для того, чтобы температура окружающей среды находилась в пределах требуемого диапазона.
- Температурные условия могут отличаться при использовании монитора с дополнительным оборудованием, рекомендованным SHARP. В подобных случаях следует ознакомиться с температурными условиями, рекомендованными производителем дополнительного оборудования.
- Запрещается блокировать вентиляционные отверстия монитора. Рост температуры внутри корпуса монитора может привести к его неправильному функционированию.
- Запрещается размещать монитор на устройствах, генерирующих тепло.

Комплектные принадлежности

В случае отсутствия какого-либо компонента, свяжитесь со своим дилером.

- | | | |
|--|--|---|
| <input type="checkbox"/> Монитор с жидкокристаллическим дисплеем: 1 | <input type="checkbox"/> Стилус: 1 | <input type="checkbox"/> Винты для установки лотка: M5 x 4 / M4 x 2 |
| <input type="checkbox"/> Пульт дистанционного управления: 1 | <input type="checkbox"/> Наконечник Стилуса (для стилуса): 2 | <input type="checkbox"/> Наклейка с расположением терминалов: 1 Используется при установке расширительной платы интерфейса PN-ZB01 (опция) |
| <input type="checkbox"/> Зажим кабеля: 2 | <input type="checkbox"/> В стилусе используется батарея (LR-03 (тип "AAA")): 1 | <input type="checkbox"/> Логотип Sharp: 1 Наклейте стикер на логотип SHARP, чтобы закрыть его. |
| <input type="checkbox"/> Шнур питания: 1 | <input type="checkbox"/> USB-кабеля: 1 | |
| <input type="checkbox"/> Батарейки R-6 (тип "AA"): 2 | <input type="checkbox"/> Ластик: 1 | |
| <input type="checkbox"/> Компакт-диск (Компакт-диск с сервисными программами для Windows): 1 | <input type="checkbox"/> Лоток: 1 | |
| <input type="checkbox"/> Руководство по установке (это руководство) : 1 | <input type="checkbox"/> Крепление для установки лотка (пластина/скоба) : x 2 | |

* Права собственности на программы, содержащиеся на компакт-диске с утилитами, принадлежат корпорации Sharp Corporation. Запрещается воспроизводить их без ее разрешения.

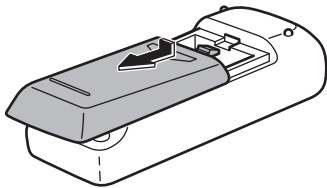
* Для защиты окружающей среды!

Запрещается выбрасывать батарейки в домашний мусор. Следуйте инструкциям по утилизации, действующим там, где вы проживаете.

Подготовка пульта дистанционного управления и Стилус

Установка батареек

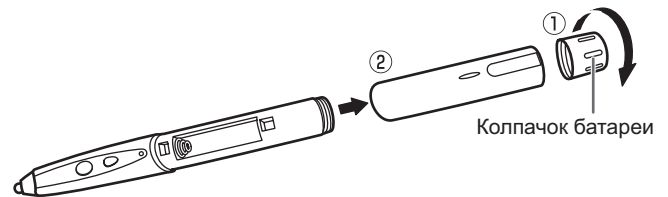
1. Легко нажмите на крышку и сдвиньте в направлении стрелки.



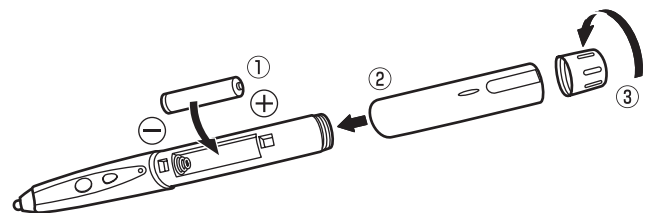
2. В соответствии с инструкциями в отсеке для батареек вставьте поставляемые батарейки (R-6 [тип "AA"], 2 шт.), правильно сориентировав их стороны с знаками (+) и (-).
3. Закройте крышку.

Установка батареи

1. Поверните колпачок отсека для батареи и снимите его, затем вытащите крышку.



2. Установите поставляемую батарею (LR-03 (тип "AAA")), как показано, и установите крышку и колпачок.

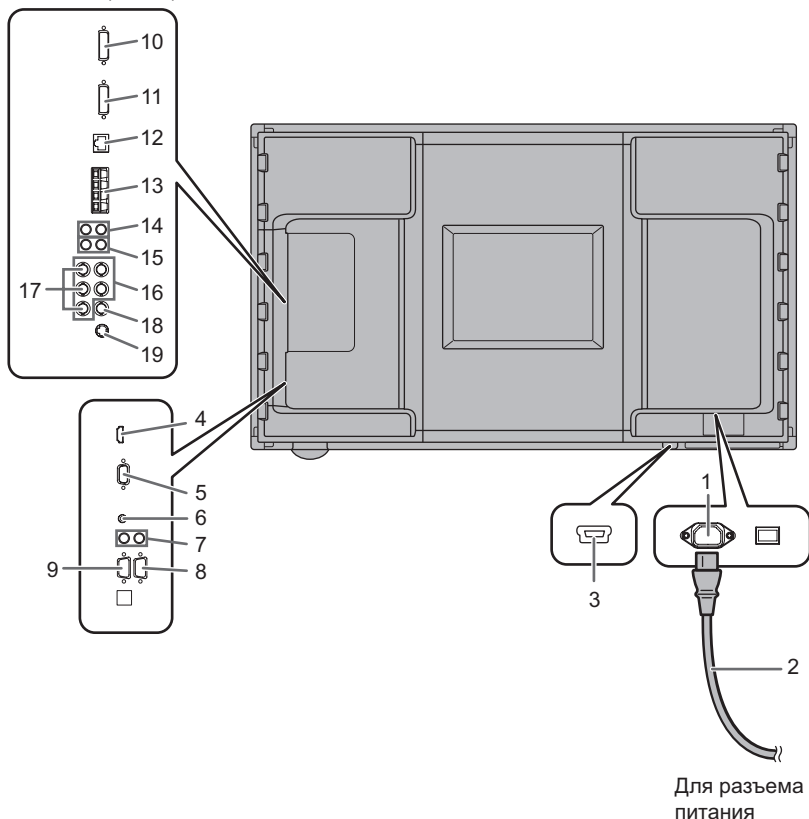


Соединения

Внимание

- Проверьте, что вы выключили главный выключатель питания и вынули вилку из электрической розетки, прежде чем присоединять/отсоединять кабели. Также прочтите руководство пользователя того оборудования, которое будет подсоединяться.
- Будьте внимательны и не перепутайте при подсоединении кабелей входной и выходной разъемы. Если кабели, подсоединенные к входному и выходному разъемам, будут случайно перепутаны, это может стать причиной возникновения неисправностей и других проблем.

Если подсоединена PN-ZB01 (опция)



1. Входной разъем питания переменного тока
2. Шнур питания (входит в поставку)
3. USB-порт
4. Входной разъем ПК/AV HDMI
5. Входной разъем ПК D-sub
6. Входной разъем аудио
7. Выходные разъемы аудио
8. Выходной разъем RS-232C
9. Входной разъем RS-232C

Если подсоединена PN-ZB01 (опция)

10. Входной разъем ПК/AV DVI-D
11. Выходной разъем ПК/AV DVI-D
12. Разъем LAN
13. Разъемы внешнего динамика
14. Входные разъемы аудио 1
15. Входные разъемы аудио 2
16. Входные разъемы ПК RGB
17. Входные разъемы AV компонент
18. Входной разъем AV видео
19. Входной разъем AV S-видео

Для разъема питания

ПОДСКАЗКИ

- Определите входной аудиотерминал для использования в каждом режиме входа в AUDIO SELECT <ВЫБРАТЬ АУДИО ВХОД> в меню OPTION <ОПЦИЯ>. Указанные ниже параметры настройки устанавливаются на заводе.

| Режим ввода | Входной разъем аудио (настройка по умолчанию) |
|---|---|
| PC D-SUB <ПК D-SUB>, PC DVI-D <ПК DVI-D>, PC RGB <ПК RGB> | Входной разъем аудио |
| AV DVI-D | Входной разъем аудио1 |
| AV COMPONENT (BNC) <AV КОМПОНЕНТ (BNC)>, AV S-VIDEO <AV S-ВИДЕО>, AV VIDEO (BNC) <AV ВИДЕО (BNC)> | Входной разъем аудио2 |
| AV COMPONENT (D-SUB) <AV КОМПОНЕНТ (D-SUB)>, AV VIDEO (D-SUB) <AV ВИДЕО (D-SUB)> | Входной разъем аудио |
| PC HDMI <ПК HDMI>, AV HDMI | Входной разъем ПК/AV HDMI |

- При подключении внешних динамиков подсоедините кабельную жилу динамика (поставляется с опцией PN-ZB01).
- Для использования сенсорной панели она должна быть подключена к компьютеру, а драйвер сенсорной панели и Pen Software должны быть установлены на компьютере с поставляемого в комплекте Компакт-диск.

Для получения информации о драйвер сенсорной панели и его установки, смотрите руководство по эксплуатации Драйвер Сенсорной Панели.

Для установки Pen Software смотрите руководство по эксплуатации к Pen Software.

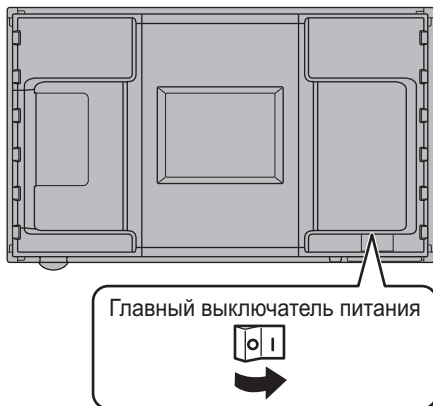
- HDMI, логотип HDMI и High-Definition Multimedia Interface – это торговые марки или зарегистрированные торговые марки HDMI Licensing LLC.

Включение/выключение питания

Внимание

- Включите монитор до того, как будет включен ПК или устройство воспроизведения.

Подключение электропитания

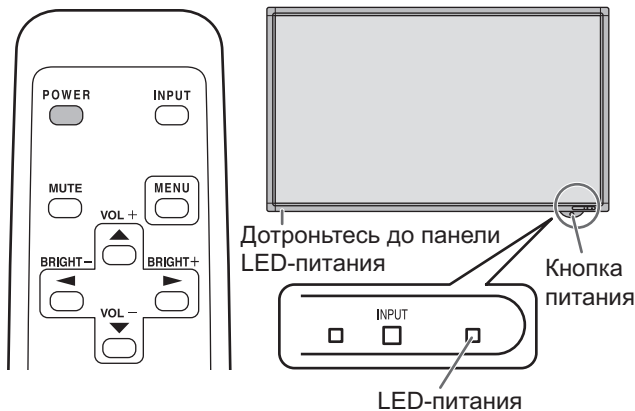


Внимание

- Питание должно включаться и выключаться с помощью основного выключателя. Не подсоединяйте/отсоединяйте шнур питания и не меняйте положение выключателя, когда основной выключатель питания находится во включенном положении.
- При отключении питания главным выключателем питания или кнопкой POWER повторное включение должно осуществляться не раньше чем через 5 секунд.
- Для полного отключения питания выдерните шнур питания.

Включение/выключение питания

Нажмите кнопку POWER (Питание) или кнопку питания, чтобы включить/выключить питание.



- Статус LED-питания

| Состояние | Статус монитора |
|-----------------------|-----------------------------------|
| Зеленое свечение | Питание вкл. |
| Оранжевое свечение | Питание выкл. (Режим ожидания) |
| Мигает зеленым цветом | Режим ожидания входного сигнала |

- Состояние дотронуться до панели LED-питания

| Состояние | Состояние сенсорной панели |
|---|--|
| Зеленое свечение | Работает в обычном режиме |
| Мигающий оранжевый свет Полупеременно мигающий зеленый и оранжевый свет | Выполняется инициализация |
| Выключена | Сенсорная панель выключена (питание не подается и т. п.) |

Рабочий режим

Когда монитор включен первый раз после отгрузки с завода, будет отображен экран настройки режима работы. Установите MODE1 <РЕЖИМ1> или MODE2 <РЕЖИМ2>.

MODE1 <РЕЖИМ1>
..... Опция OFF IF NO OPERATION <ВЫКЛ. ПРИ НЕИСПОЛЬЗ.> установлена на ON <ВКЛ>, а STANDBY MODE <РЕЖИМ ОЖИДАНИЯ> установлена на LOW POWER <МАЛАЯ МОЩНОСТЬ>. (Эти настройки не могут быть изменены.)

Если нет работы в течение 4 часов или более, монитор автоматически входит в ждущий режим. Потребление энергии в ждущем режиме также минимизировано.

MODE2 <РЕЖИМ2>

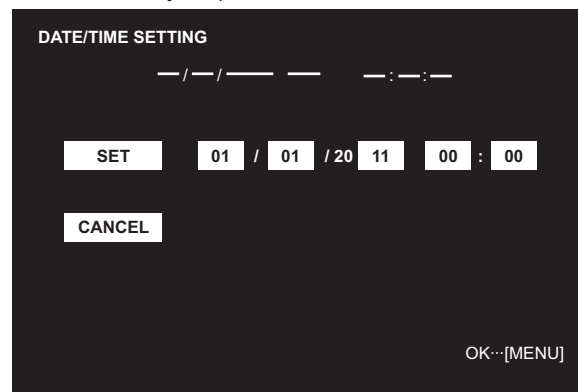
..... Будет выполнена стандартная операция. Опция OFF IF NO OPERATION <ВЫКЛ. ПРИ НЕИСПОЛЬЗ.> установлена на OFF <ВЫКЛ>, а STANDBY MODE <РЕЖИМ ОЖИДАНИЯ> установлена на STANDARD <СТАНДАРТНО>.

Эти настройки могут быть изменены. минимизировано.

Даже после настройки возможно сделать изменения, используя пункт OPERATION MODE <РАБОЧИЙ РЕЖИМ>, находящейся в меню монитора. (См. Руководство по эксплуатации.)

Настройка даты/времени

- Если требуется ввести время при первом включении монитора, появляется экран настройки даты/времени. Установите дату и время.



- Нажмите , , или для выбора даты и времени и нажимайте или для изменения числовых значений.
 - Выберите SET <УСТАНОВИТЬ>, а затем нажмите .
- Обязательно установите дату и время.
 - Экран настройки даты/времени закроется автоматически, если в течение 15 секунд не выполняется каких-либо действий. После закрытия экрана настройки даты/времени дату и время можно установить с помощью DATE/TIME SETTING <УСТАНОВКА ДАТЫ/ВРЕМЕНИ> из меню OPTION <ОПЦИЯ>.

ПОДСКАЗКИ

- Установите дату в формате: "День/Месяц/Год".
- Установите время в 24-часовом формате.
- Часы питаются от внутреннего аккумулятора.
- Если время уже установлено, но при включении питания появляется экран настройки даты/времени, возможно, что внутренний аккумулятор разряжен. Для замены аккумулятора обратитесь к своему местному дилеру SHARP по обслуживанию или в сервисный центр.
- Расчетный срок службы внутреннего аккумулятора: около 5 лет (в зависимости от эксплуатации монитора)
- Аккумулятор, поставляемый вместе с монитором, был установлен на заводе и поэтому его срок службы может быть меньше стандартного.

Спецификации

| | |
|----------------------------------|--|
| Модель | PN-L702B |
| Требование к электропитанию | AC 100 В - 240 В, 2,8 А, 50/60 Гц |
| Рабочая температура * | 5°C - 35°C |
| Рабочая влажность | 20% - 80% (без конденсации) |
| Потребляемая мощность (максимум) | 235 Вт [Если подсоединена PN-ZB01 (опция): 240 Вт] |
| Размеры (исключая выступы) | (мм) APPROX. 1,648 x 116 x 982 |
| Вес | (кг) Прибл. 70 [PN-ZB01 (опция): Прибл. 0,5] |

* Температурные условия могут отличаться при использовании монитора с дополнительным оборудованием, рекомендованным SHARP.

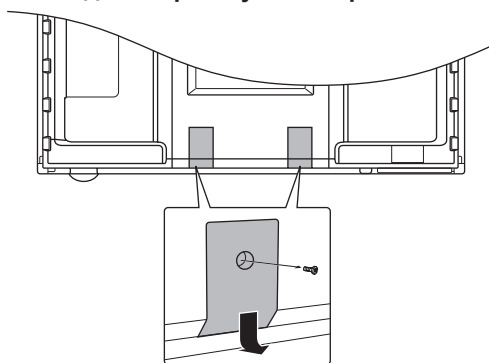
В соответствии с нашей политикой постоянного улучшения наших изделий, корпорация SHARP оставляет за собой право вносить изменения в дизайн и спецификации изделия без предварительного уведомления. Указанные значения технических характеристик являются номинальными значениями среднестатистического прибора. Возможны некоторые отклонения от этих значений у отдельных приборов.

Меры предосторожности при креплении (Для дилеров и инженеров по обслуживанию SHARP)

- При установке, снятии или перемещении монитора следует убедиться, что эту работу выполняют не менее 4 человек.
- Убедитесь, что вы используете настенный кронштейн, спроектированный или предназначенный для крепления данного монитора.
- Данный монитор проектировался для установки на бетонные стены или колонны. Для крепления к конструкциям из других материалов, таких как оштукатуренные стены/тонкие пластмассовые панели/ деревянные панели, необходимо до установки выполнить определенные работы по их укреплению.
Данный монитор и крепежные кронштейны должны устанавливаться на стену, которая может выдержать как минимум 4-кратный вес монитора. Установку необходимо выполнять, используя подходящий для материала и конструкции метод.
- Для крепления кронштейнов, совместимые со стандартом VESA следует использовать винты M6, длина которых на 8-10 мм больше толщины крепежного кронштейна.
- После установки убедитесь в том, что монитор надежно закреплен на стене и в креплении.
- Запрещается использовать какие-либо другие отверстия для крепежных винтов, за исключением отверстий VESA.

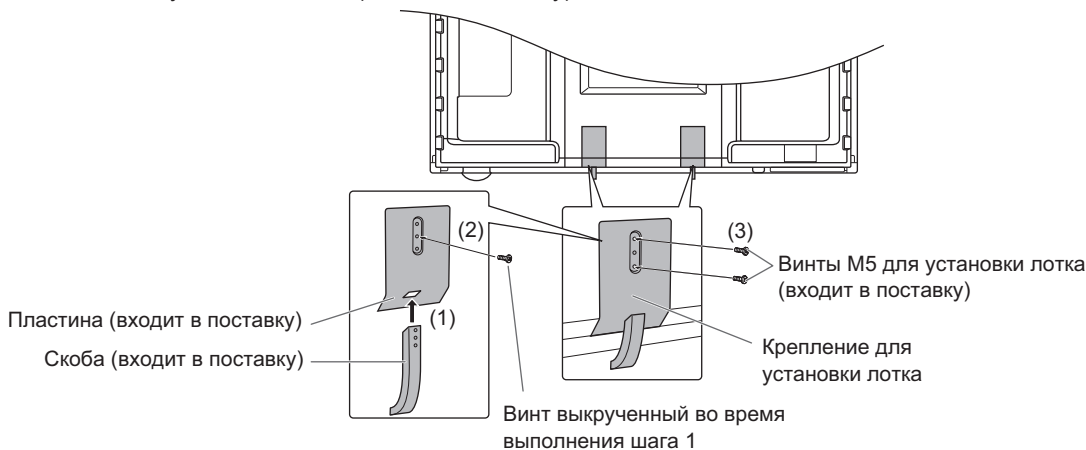
■ Крепление лотка

1. Снимите заднюю крышку монитора.



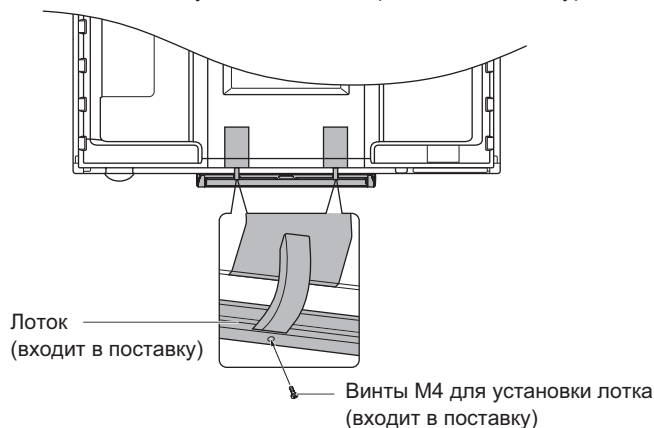
2. Зафиксируйте крепление лотка.

Закрепите с помощью винта, снятого на шаге 1, и 2 винты M5 для установки лотка (входит в поставку).



3. Зафиксируйте лоток.

Вставьте лоток в крепление и зафиксируйте его, используя 2 винты M4 для установки лотка (входит в поставку).



SHARP[®]
SHARP CORPORATION

Printed in China
Imprimé en Chine
Impreso en China
Gedruckt in China
Отпечатано в Китае

11J KS1
TINSM1202MPZZ(1)