

DJ MIXER

TABLE DE MIXAGE

DJ-MISCHPULT

MIXER PER DJ

DJ MENGPANEEL

MESA DE MEZCLAS DJ

DJM-1000

Operating Instructions

Mode d'emploi

Bedienungsanleitung

Istruzioni per l'uso

Gebruiksaanwijzing



Manual de instrucciones

Thank you for buying this Pioneer product.

Please read through these operating instructions so you will know how to operate your model properly. After you have finished reading the instructions, put them away in a safe place for future reference.

In some countries or regions, the shape of the power plug and power outlet may sometimes differ from that shown in the explanatory drawings. However the method of connecting and operating the unit is the same.

K015 En

IMPORTANT  The lightning flash with arrowhead symbol, within an equilateral triangle, is intended to alert the user to the presence of uninsulated "dangerous voltage" within the product's enclosure that may be of sufficient magnitude to constitute a risk of electric shock to persons.	CAUTION RISK OF ELECTRIC SHOCK DO NOT OPEN CAUTION: TO PREVENT THE RISK OF ELECTRIC SHOCK, DO NOT REMOVE COVER (OR BACK). NO USER-SERVICEABLE PARTS INSIDE. REFER SERVICING TO QUALIFIED SERVICE PERSONNEL.	 The exclamation point within an equilateral triangle is intended to alert the user to the presence of important operating and maintenance (servicing) instructions in the literature accompanying the appliance.
D3-4-2-1-1_En-A		

Replacement and mounting of an AC plug on the power supply cord of this unit should be performed only by qualified service personnel.

IMPORTANT FOR USE IN THE UNITED KINGDOM The wires in this mains lead are coloured in accordance with the following code: Blue : Neutral Brown : Live If the plug provided is unsuitable for your socket outlets, the plug must be cut off and a suitable plug fitted.	The cut-off plug should be disposed of and must not be inserted into any 13 amp socket as this can result in electric shock. The plug or adaptor or the distribution panel should be provided with 3 A fuse. As the colours of the wires in the mains lead of this appliance may not correspond with coloured markings identifying the terminals in your plug, proceed as follows : The wire which is coloured blue must be connected to the terminal which is marked with the letter N or coloured black. The wire which is coloured brown must be connected to the terminal which is marked with the letter L or coloured red.	Do not connect either wire to the earth terminal of a three pin plug. NOTE After replacing or changing a fuse, the fuse cover in the plug must be replaced with a fuse cover which corresponds to the colour of the insert in the base of the plug or the word that is embossed on the base of the plug, and the appliance must not be used without a fuse cover. If lost replacement fuse covers can be obtained from your dealer. Only 3 A fuses approved by B.S.I or A.S.T.A to B.S.1362 should be used.
D3-4-2-1-2_En		

WARNING

This equipment is not waterproof. To prevent a fire or shock hazard, do not place any container filled with liquid near this equipment (such as a vase or flower pot) or expose it to dripping, splashing, rain or moisture.

D3-4-2-1-3_A_En

WARNING

Before plugging in for the first time, read the following section carefully.

The voltage of the available power supply differs according to country or region. Be sure that the power supply voltage of the area where this unit will be used meets the required voltage (e.g., 230V or 120V) written on the rear panel.

D3-4-2-1-4_A_En

WARNING

To prevent a fire hazard, do not place any naked flame sources (such as a lighted candle) on the equipment.

D3-4-2-1-7a_A_En

VENTILATION CAUTION

When installing this unit, make sure to leave space around the unit for ventilation to improve heat radiation (at least 5 cm at rear, and 3 cm at each side).

WARNING

Slots and openings in the cabinet are provided for ventilation to ensure reliable operation of the product, and to protect it from overheating. To prevent fire hazard, the openings should never be blocked or covered with items (such as newspapers, table-cloths, curtains) or by operating the equipment on thick carpet or a bed.

D3-4-2-1-7b_A_En

Operating Environment

Operating environment temperature and humidity:
+5 °C – +35 °C (+41 °F – +95 °F); less than 85 %RH
(cooling vents not blocked)

Do not install this unit in a poorly ventilated area, or in locations exposed to high humidity or direct sunlight (or strong artificial light)

D3-4-2-1-7c_A_En

This product complies with the Low Voltage Directive (73/23/EEC, amended by 93/68/EEC), EMC Directives (89/336/EEC, amended by 92/31/EEC and 93/68/EEC).

D3-4-2-1-9a_En

POWER-CORD CAUTION

Handle the power cord by the plug. Do not pull out the plug by tugging the cord and never touch the power cord when your hands are wet as this could cause a short circuit or electric shock. Do not place the unit, a piece of furniture, etc., on the power cord, or pinch the cord. Never make a knot in the cord or tie it with other cords. The power cords should be routed such that they are not likely to be stepped on. A damaged power cord can cause a fire or give you an electrical shock. Check the power cord once in a while. When you find it damaged, ask your nearest PIONEER authorized service center or your dealer for a replacement.

5002_En

If the AC plug of this unit does not match the AC outlet you want to use, the plug must be removed and appropriate one fitted. Replacement and mounting of an AC plug on the power supply cord of this unit should be performed only by qualified service personnel. If connected to an AC outlet, the cut-off plug can cause severe electrical shock. Make sure it is properly disposed of after removal. The equipment should be disconnected by removing the mains plug from the wall socket when left unused for a long period of time (for example, when on vacation).

D3-4-2-2-1a_A_En

CAUTION

The POWER switch on this unit will not completely shut off all power from the AC outlet. Since the power cord serves as the main disconnect device for the unit, you will need to unplug it from the AC outlet to shut down all power. Therefore, make sure the unit has been installed so that the power cord can be easily unplugged from the AC outlet in case of an accident. To avoid fire hazard, the power cord should also be unplugged from the AC outlet when left unused for a long period of time (for example, when on vacation).

D3-4-2-2-2a_A_En

FEATURES

① High sound quality design

Analog signals are transmitted via the shortest path and converted to digital signals by a 96 kHz sampling, 24 bit, high-quality A/D converter, thus passing the signals to the digital mixing stage under optimum conditions.

Through the use of a 32 bit DSP, mixing is achieved with zero sound quality degradation, and together with simultaneous ideal filtering, optimum sound is produced for professional DJs working in clubs.

To get the most from these features, a great deal of care has been paid to perfecting the sound quality, including a high-rigidity chassis to cut down unnecessary vibrations that might affect the sound, together with a high-performance power section using an R-core transformer that supports bass quality, thus creating clear and powerful sound ideal for club performances.

② 3 band isolator

Built-in 3-band isolator capable of producing level control +6 dB to $-\infty$ on each bandwidth.

The sharp operation feel allows the realization of a wide variety of DJ performances.

③ 2-system, 3-type SEND/RETURN

A 2-system, 3-type SEND/RETURN (PRE INSERT/POST INSERT/AUX) is provided to allow multiple connection variations with other external devices, such as effectors and samplers, thus widening the range of DJ play potential.

④ Fader curve adjust

The fader curve adjust allows adjustment not only the cross fader curve (as on former models), but also of channel fader curve.

Both faders' functions can be adjusted within 17 steps, so that DJs can customize the settings to their own preferred settings.

⑤ Digital IN/OUT

Using digital input connectors provided for each of the sampling rates (44.1/48/96 kHz), a system can be built in which no sound quality degradation occurs when connecting to external digital devices.

A DIGITAL OUT connector with 24 bit/96 kHz sampling rate is provided, facilitating recording at studios and other situations demanding high sound quality.

Supports only linear PCM.

⑥ MIDI OUT

MIDI signals can be output to allow MIDI control of external devices.

⑦ Digital link function

Multiple functions can be performed by using digital link cables to connect other PIONEER DJ CD players, DJ effectors and AV mixers.

⑧ Other features

- By using a control cable to connect the unit to a PIONEER DJ-use CD player, playback can be started on the CD player in automatic linkage to operation of the fader ("fader start play").
- Built-in "3-band equalizer" enabling level control within range +6 dB to -26 dB at each bandwidth.
- Features "2-band booth EQ" for control of booth monitor response, thus facilitating booth monitoring by the DJ.
- Built-in "cross fader assign" function, enabling more flexible assigning of each channel's input to the cross fader.
- Built-in "TALK OVER function" automatically lowers track volume during MIC-input.

CONTENTS

FEATURES	3
CONFIRM ACCESSORIES	3
CAUTIONS REGARDING HANDLING	4

BEFORE USING

CONNECTIONS	5
CONNECTION PANEL	5
POWER CORD CONNECTION	6
CONNECTING TO THE INPUT CONNECTORS ...	6
CONNECTING TO THE EFFECTOR AND OUTPUT CONNECTORS	7
MIDI CONNECTORS	7
CONNECTING MICROPHONES, HEADPHONES ...	8
DIGITAL LINK CONNECTIONS	8
PART NAMES AND FUNCTIONS	9

OPERATIONS

OPERATIONS	13
BASIC OPERATIONS	13
FADER CURVE ADJUSTMENTS	13
FADER START FUNCTION	14
USING EXTERNAL EFFECTORS	14
DIGITAL LINK FUNCTION	15

OTHER

TROUBLESHOOTING	16
SPECIFICATIONS	17
BLOCK DIAGRAM	100

CONFIRM ACCESSORIES

Operating Instructions	1
Power cord	1

CAUTIONS REGARDING HANDLING

Location

Install the unit in a well-ventilated location where it will not be exposed to high temperatures or humidity.

- Do not install the unit in a location which is exposed to direct rays of the sun, or near stoves or radiators. Excessive heat can adversely affect the cabinet and internal components. Installation of the unit in a damp or dusty environment may also result in a malfunction or accident. (Avoid installation near cookers etc., where the unit may be exposed to oily smoke, steam or heat.)
- When the unit is used inside a carrying case or DJ booth, separate it from the walls or other equipment to improve heat radiation.

Installing the DJM-1000 in an EIA rack

The screw holes on the front panel of the DJM-1000 are designed for use in attaching the unit to a 19-inch EIA rack.

- Attach the unit to the rack using screws of the appropriate size (screws not provided with the unit).
- When installing the unit in a rack, take care to avoid pinching your fingers.

Note

- Never place this unit directly above a power amplifier, as the heat given off by the amplifier might result in damage to the unit. Placing the unit directly above a power amplifier might also result in ham radio signals being picked up or in other types of interference.
- Allow at least 1U (43.7 mm) space between this component and the one mounted above it, so as to assure that the cords connected to this unit's input/output connectors and terminals do not touch the component above.
- Always be sure to remove the unit from its rack before shipping.
- When moving the unit while still installed in its rack, exercise caution to avoid subjecting the unit to shocks or vibration.

Condensation

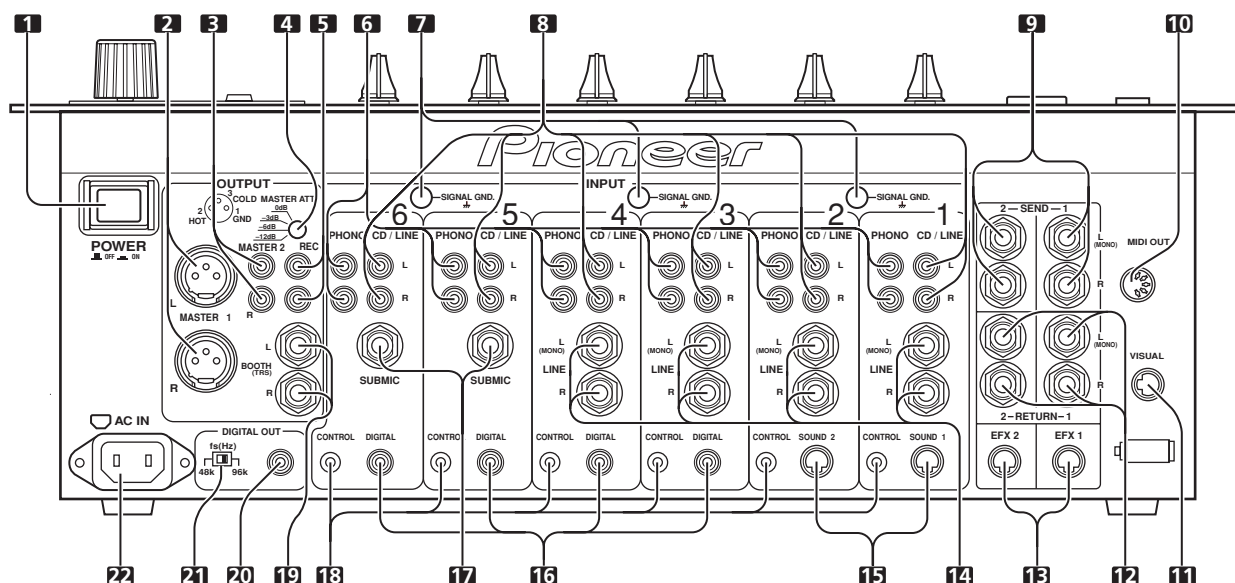
When this unit is brought into a warm room from previously cold surroundings or when the room temperature rises sharply, condensation may form inside, and the unit may not be able to attain its full performance. In cases like this, allow the unit to stand for about an hour or raise the room temperature gradually.

Cleaning the Unit

- Use a polishing cloth to wipe off dust and dirt.
- When the surfaces are very dirty, wipe with a soft cloth dipped in some neutral cleanser diluted five or six times with water and wrung out well, then wipe again with a dry cloth. Do not use furniture wax or cleaners.
- Never use thinners, benzene, insecticide sprays or other chemicals on or near this unit, since these will corrode the surfaces.

CONNECTIONS

CONNECTION PANEL



1. POWER switch

2. MASTER output connector 1 (MASTER 1)

XLR type balanced output (male connector).

3. MASTER output connector 2 (MASTER 2)

RCA type unbalanced output.

4. MASTER output attenuator dial (MASTER ATT.)

Attenuates the output level of MASTER 1 and MASTER 2 output. The level of attenuation can be chosen from 0 dB, -3 dB, -6 dB, -12 dB.

5. Recording output connectors (REC)

RCA type output connector for recording.

6. PHONO input connectors

RCA type phono level (for MM cartridge) input connectors. Do not use for input of line level signals.

7. Signal grounding terminal (SIGNAL GND)

Use to connect grounding wire from analog player. Not a terminal for safety grounding.

8. CD/LINE input connectors

RCA type line level input connectors. Use to connect DJ CD players and/or line level output devices.

9. SEND output connectors (SEND 1, 2)

Ø6.3 mm phone type output connectors. Use to connect input connectors from external effectors, etc. When only the L channel is connected, a monaural signal of L+R is output.

10. MIDI output connector (MIDI OUT)

DIN type output connector. Connects with other MIDI devices (P.7).

11. VISUAL link connector

When a digital link cable is used to connect the unit to a PIONEER video mixer (switcher) supporting digital-linkage, the video mixer's cross fader can be controlled using the cross fader of the DJM-1000.

12. RETURN connectors (RETURN 1, 2)

Ø6.3 mm phone type output connectors. Connect to input connectors of external effectors, etc. When only the L channel is connected, the input in the L channel will be input into the R channel.

13. EFX link input/output connectors (EFX 1, 2)

When a digital-link cable is used to connect the unit to a PIONEER DJ effector supporting digital linkage (EFX-1000), SEND/RETURN connections are performed at once digitally, and functions such as fader effect are also enabled.

14. LINE input connectors

Ø6.3 mm phone type line level connectors. When only the L channel is connected, the input to the L channel will also be input into the R channel.

15. CDJ link input connectors (SOUND 1, 2)

When a digital-link cable is used to connect the unit to a PIONEER DJ CD player supporting digital linkage, the digital audio connections and control cable connections are performed at once, and functions such as BPM synchro are also enabled.

16. DIGITAL input connectors

RCA type digital coaxial input connectors. Connect to digital coaxial output connectors of DJ CD player, etc.

17. SUBMIC input connectors

Ø6.3 mm phone type microphone input connectors. Utilizes the DJM-1000's channels 5 and 6 as microphone input channels.

18. CONTROL connectors

Ø3.5 mm mini phone-type input connector for connecting control cable to DJ CD player. Allows use of the DJM-1000's fader function to control start/stop of a connected DJ CD player.

19. BOOTH monitor output connectors

Ø 6.3 mm phone type output connectors for booth monitor. Changes the volume with the BOOTH MONITOR dial (LEVEL), unaffected to the MASTER fader (since output is TRS, both balanced and unbalanced outputs are supported).

20. Digital output connector (DIGITAL OUT)

RCA type digital coaxial output connector. Digital master output.

21. Sampling frequency selector switch (48k/96k)

Chooses the sampling frequency of the digital output (96 kHz or 48 kHz).

22. Power inlet connector (AC IN)

Connect to AC outlet plug with the provided power cord.

Before making or changing connections, switch off the power and disconnect the power cord from the AC outlet.

POWER CORD CONNECTION

Connect the power cord last.

- When all other connections are completed, connect the supplied power cord to the AC inlet located on the rear panel of this unit, and connect the power plug to an AC outlet or auxiliary power socket on an amplifier.
- Be sure to use only the supplied power cord.

CONNECTING TO THE INPUT CONNECTORS

PIONEER DJ CD players

Connect the DJ CD player's audio output connectors to one of the sets of CD/LINE input connectors on the DJM-1000, and connect the control cable to the corresponding channel's CONTROL connector. Switch the input selector switch of the connected channel to [CD/LINE].

When using digital connections, connect the digital coaxial output connector to one of the DIGITAL input connectors of the DJM-1000, and switch the input selector switch of the connected channel to [DIGITAL] (no digital input connectors are provided for channel 1 and channel 2).

Analog turntables

Connect the audio output cables of the analog turntable to one set of PHONO input connectors on the DJM-1000, and switch the input selector switch of the connected channel to [PHONO]. The PHONO input of the DJM-1000 supports MM cartridges.

The ground cable of an analog turntable is connected to one of the SIGNAL GND terminals.

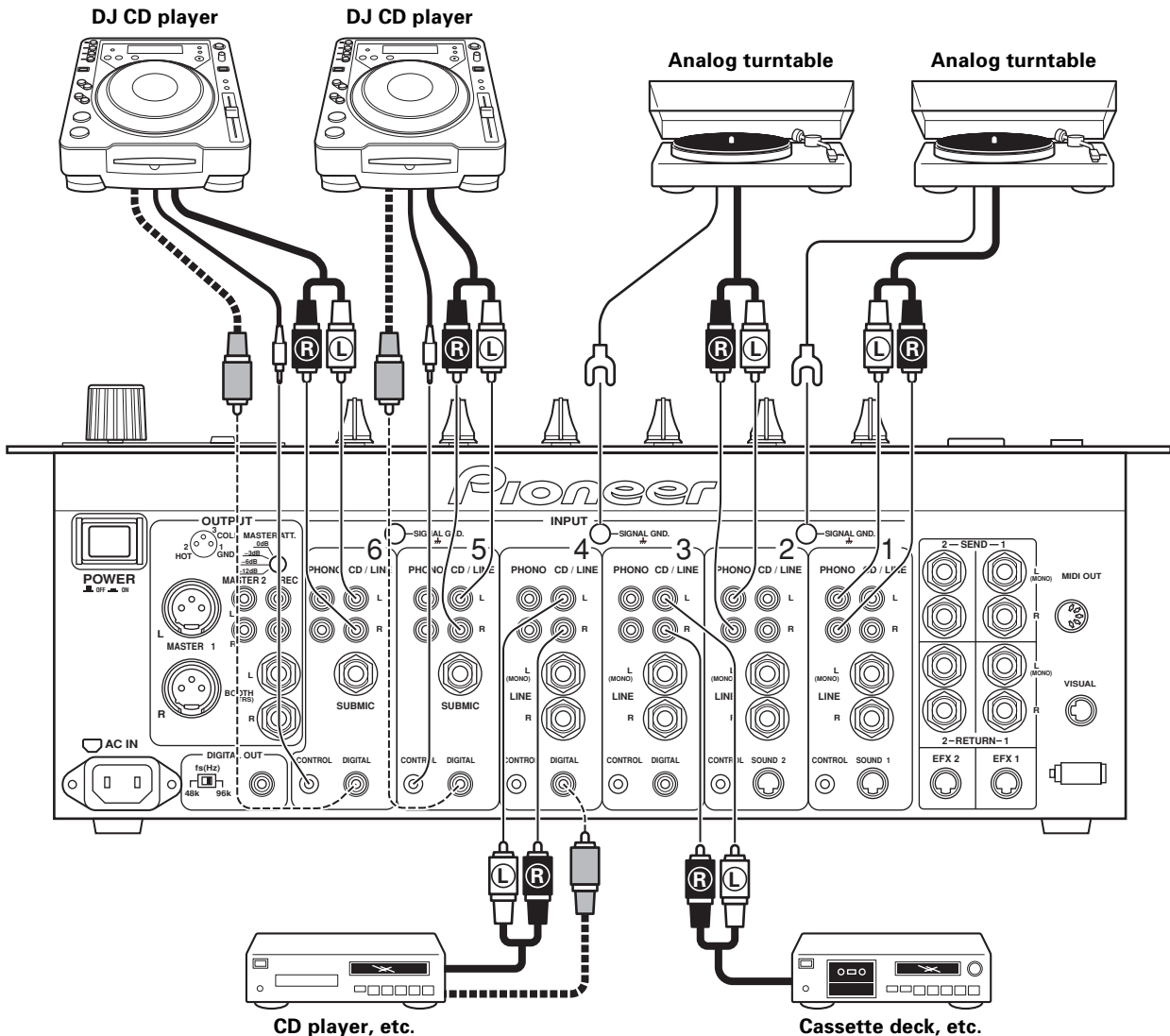
Other line level output devices

When connecting cassette decks or CD players, connect the audio output connectors to one of the CD/LINE input connectors of the DJM-1000, and switch the input selector switch of the connected channel to [CD/LINE].

When the connection plug is a Ø6.3 mm phone plug, connect to one of the LINE input connectors of the DJM-1000, and switch the input selector switch of the connected channel to [LINE] (no LINE input connectors are provided for channel 5 and channel 6). When only the L channel is connected, the input in the L channel will be input to the R channel as well.

Digital output devices

When using digital connections to devices such as CD players, connect the device's digital coaxial output connector to one of the DIGITAL input connectors of the DJM-1000, and switch the input selector switch of the connected channel to [DIGITAL] (no DIGITAL input connectors are provided for channel 1 and channel 2).



CONNECTING TO THE EFFECTOR AND OUTPUT CONNECTORS

Master output

There is an XLR plug correspondent balanced output MASTER 1, and a RCA plug correspondent unbalanced output MASTER 2. Set the output level using the MASTER ATT. dial to match the input sensitivity of the connected power amplifier.

Booth monitor output

Unbalanced output supporting Ø6.3 mm phone plug. Volume can be adjusted with the BOOTH MONITOR dial (LEVEL), regardless of the setting of the MASTER fader.

Recording output

Output connectors for recording, supports RCA plug.

Digital output

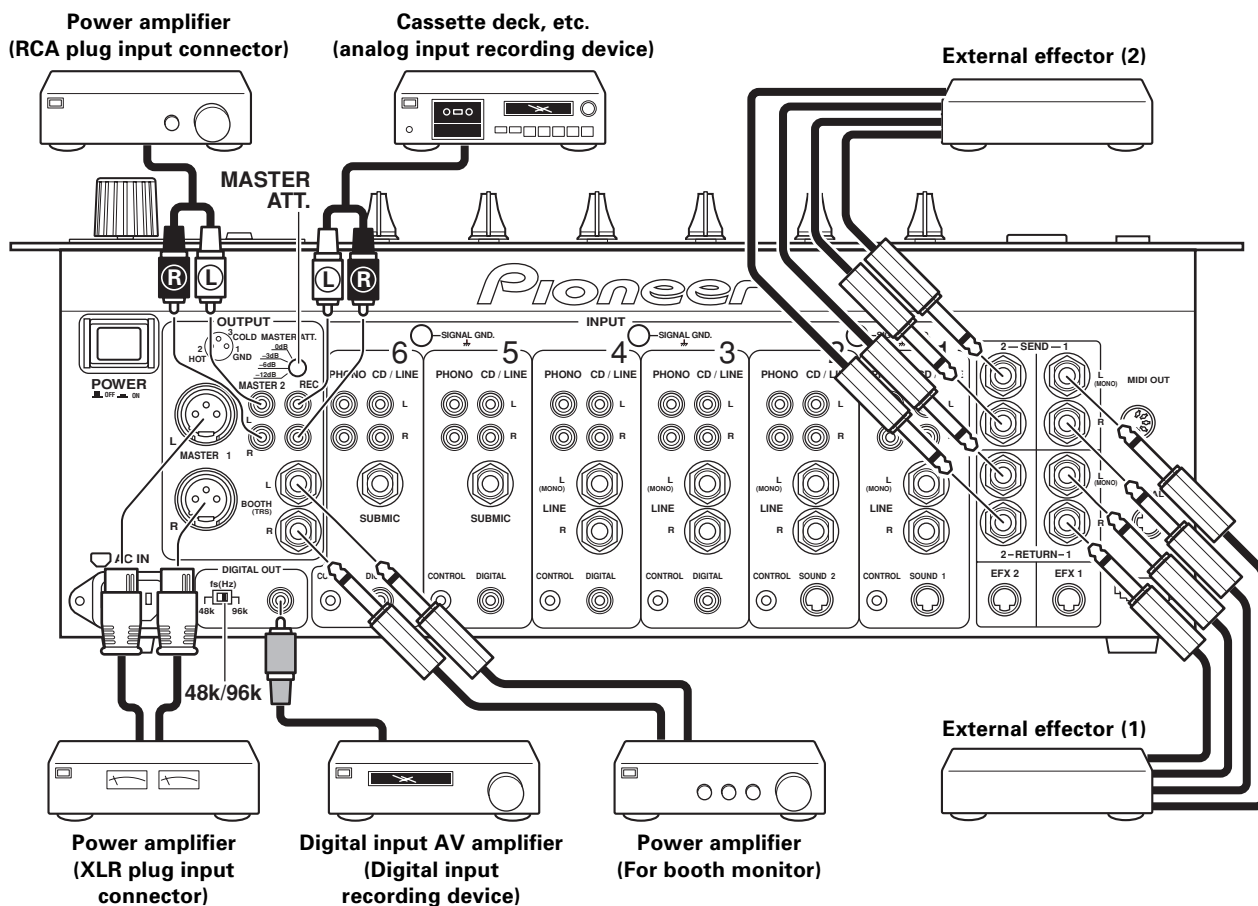
Coaxial digital output connector, supports RCA plug. Sampling frequency can be selected (96 kHz/48 kHz) in accordance with connected device.

External effector

Use a cable with Ø6.3 mm phone plugs to connect the DJ mixer's SEND connectors to the input connectors of an external effector. When using a monaural input effector, connect only the L channel output. In this way, the mixed L/R audio signal will be sent to the effector.

In the same way, use a cable with Ø6.3 mm phone plugs to connect the DJ mixer's RETURN connectors to the output connectors of the external effector.

When the effector has only monaural output, connect the L channel input only. In this way, the signal from the effector will be input to both L/R channels.



MIDI CONNECTORS

MIDI (Musical Instrument Digital Interface) is a unified standard for transmitting data between electrical musical instruments and computers.

Data can be transmitted between devices with MIDI connectors using a MIDI cable.

The DJM-1000 can send operating data to external MIDI devices using the MIDI protocol.

DJM-1000 control	MIDI control code	MIDI control name	MIDI Channel
Cross fader operation	CC11	Expression	1

* 0-127 MIDI data is output by operating the cross fader.

* When using the visual link function, MIDI data is not output.

CONNECTING MICROPHONES, HEADPHONES

Headphones

Headphones with Ø6.3 mm stereo phone plugs can be connected to the PHONES plug in the operation panel (top panel).

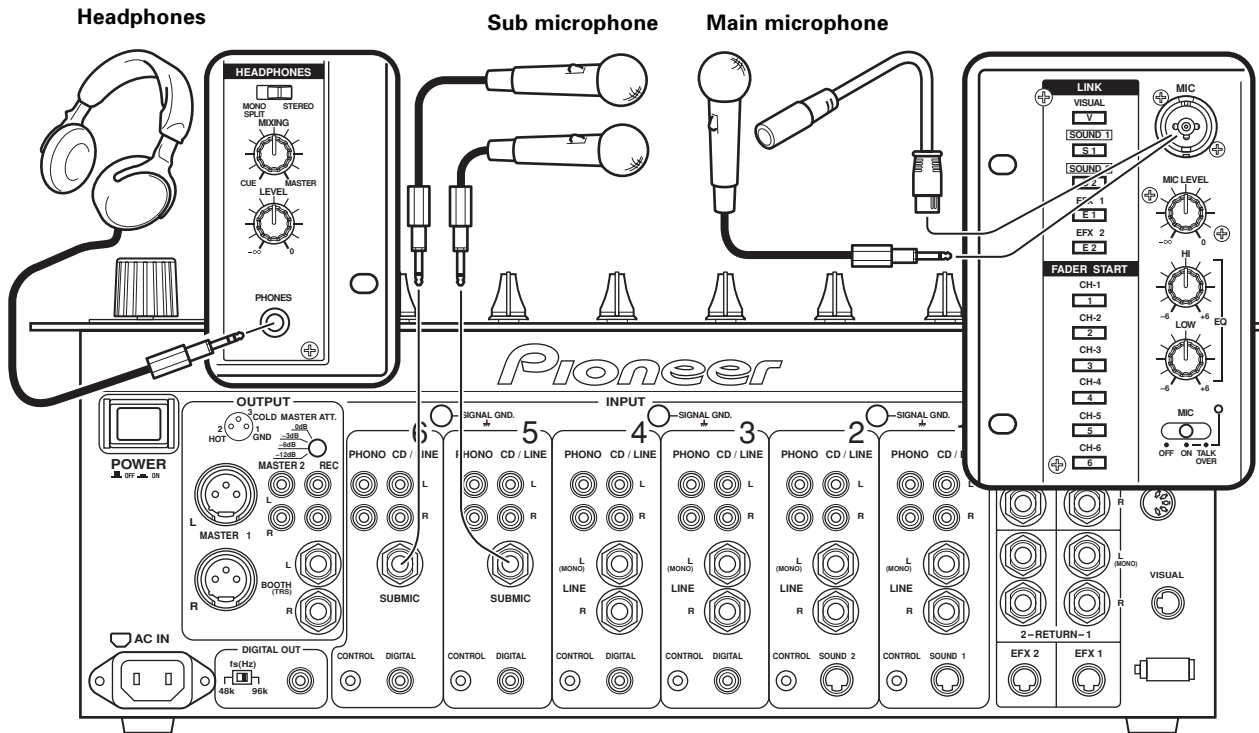
Main microphone

A microphone with either a Ø6.3 mm phone plug or XLR plug can be connected to the MIC plug in the operation panel (top panel).

Sub microphone

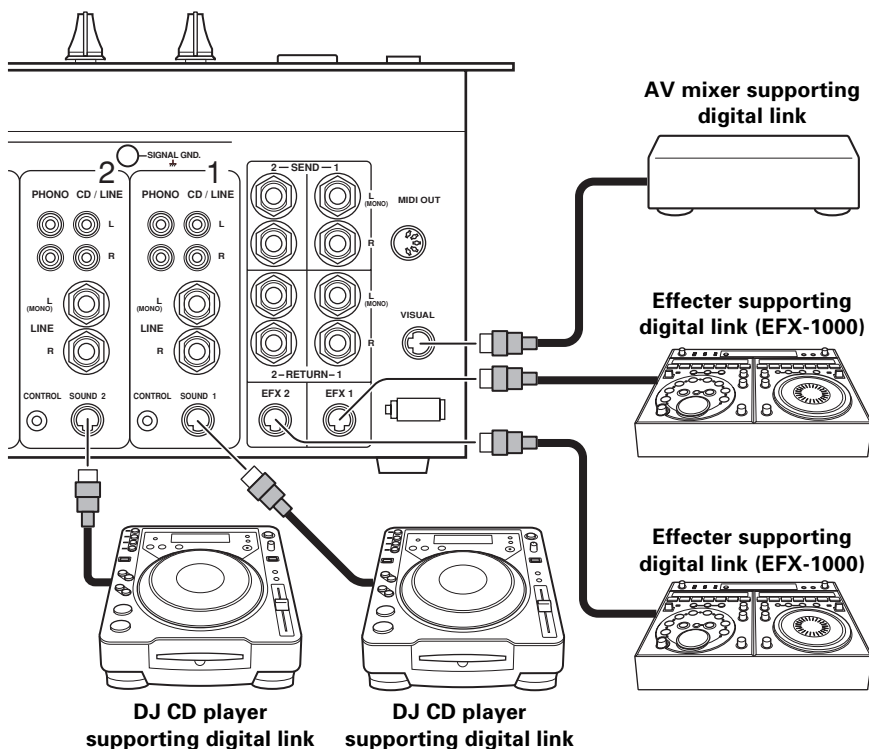
A Ø6.3 mm phone plug microphone can be connected to the SUBMIC input connectors on channel 5 and channel 6 of the DJM-1000.

Switch the input selector switch of the connected channel to [SUBMIC].



DIGITAL LINK CONNECTIONS

(Includes connections to future components supporting digital link.)



By connecting a single dedicated cable (digital link cable), exchange of audio signals and control signals can be performed digitally (The connection of audio cables or control cables is unneeded).

VISUAL link connector

When a digital link cable is used to connect the unit to a PIONEER video mixer (switcher) supporting digital linkage, the cross fader function of the video mixer can be operated by using the cross fader of the DJM-1000. (P.15)

EFX link input/output connectors (EFX 1, 2)

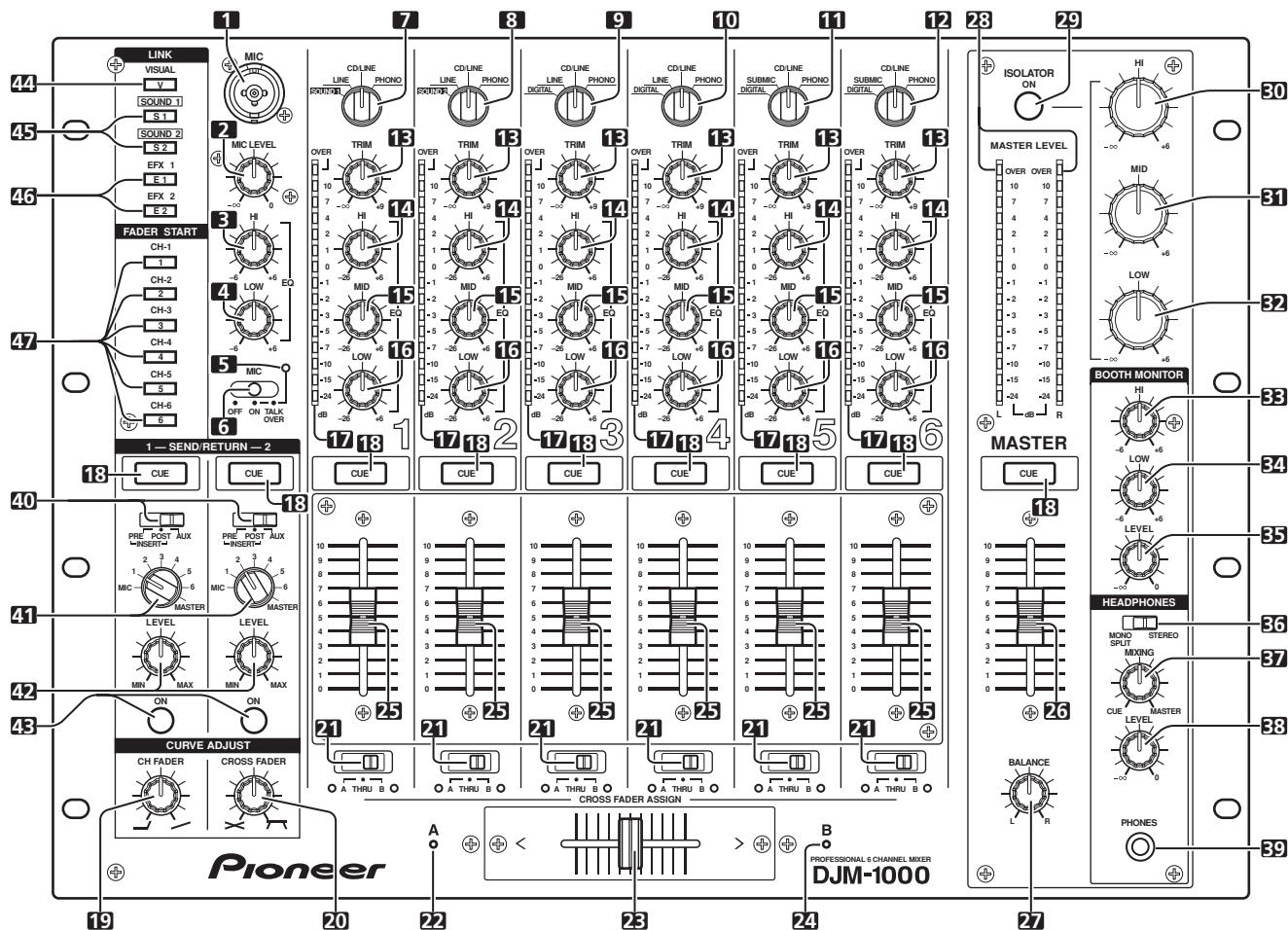
When a digital link cable is used to connect the unit to a PIONEER DJ effector supporting digital linkage (EFX-1000), SEND/RETURN connections are performed at once digitally, thus allowing the use of fader effect functions and BPM sync functions when sound link connections are used. (P.15)

CDJ link input connectors (SOUND 1, 2)

When a digital link cable is used to connect the unit to a PIONEER DJ CD player supporting digital linkage, digital audio connections and control cable functions are performed at once, and functions such as BPM synchro are also enabled. Switch the input selector switch of the channel 1 and 2 to [SOUND 1] and [SOUND 2]. (P.15)

PART NAMES AND FUNCTIONS

Operation Panel



Main microphone input control section

1. Main MIC input connector

Connect to microphones with XLR type or phone type connector.

2. MIC LEVEL adjustment dial

Adjusts the volume of the main microphone.
(Adjustable range: $-\infty$ to 0 dB)

3. Microphone equalizer high-range sound adjust dial (EQ HI)

Adjusts the high-range sound of the main microphone.
(Adjustable range: -6 dB to $+6$ dB)

4. Mic equalizer low-range sound adjust dial (EQ LOW)

Adjusts the low-range sound of the main microphone.
(Adjustable range: -6 dB to $+6$ dB)

5. Microphone function indicator

Lights when MIC selector switch is set to [ON]. Flashes when selector switch is set to [TALK OVER].

6. MIC function selector switch

OFF:

Main microphone audio is not output.

ON:

Main microphone audio is output.

TALK OVER:

Main microphone audio is output. When a sound higher than -15 dB is input to the main microphone input, the TALK OVER function operates and the output of all sound except for the main microphone audio is attenuated 20 dB.

Channel input control section

7. Channel 1 input selector switch

SOUND 1:

Dedicated input for DJ CD players supporting digital link (mini DIN connector).

LINE:

Phone type connector (When a monaural signal is connected to only the L channel, the signal is input to both L and R channels).

CD/LINE:

RCA type connector with line level input.

PHONO:

RCA type connector with phono level input.

8. Channel 2 input selector switch

SOUND 2:

Dedicated input for DJ CD players supporting digital link (mini DIN connector).

LINE:

Phone type connector (when a monaural signal is connected to only the L channel, the signal is input to both L and R channels).

CD/LINE:

RCA type connector with line level input.

PHONO:

RCA type connector with phono level input.

9. Channel 3 input selector switch

DIGITAL:

RCA type connector with coaxial cable digital input.

LINE:

Phone type connector (when a monaural signal is connected to only the L channel, the signal is input to both L and R channels).

CD/LINE:

RCA type connector with line level input.

PHONO:

RCA type connector with phono level input.

10. Channel 4 input selector switch

DIGITAL:

RCA type connector for coaxial cable digital input.

LINE:

Phone type connector (when a monaural signal is connected to only the L channel, the signal is input to both L and R channels).

CD/LINE:

RCA type connector with line level input.

PHONO:

RCA type connector with phono level input.

11. Channel 5 input selector switch

DIGITAL:

RCA type connector for coaxial cable digital input.

SUBMIC:

Phone type connector for sub microphone input (monaural).

CD/LINE:

RCA type connector with line level input.

PHONO:

RCA type connector with phono level input.

12. Channel 6 input selector switch

DIGITAL:

RCA type connector for coaxial cable digital input.

SUBMIC:

Phone type connector for sub microphone input (monaural).

CD/LINE:

RCA type connector with line level input.

PHONO:

RCA type connector with phono level input.

13. Channel 1-6 TRIM adjustment dials

Adjusts each channel's input level.

(Adjustable range: $-\infty$ to +9 dB, approaches 0 dB at mid-point)

14. Channel equalizer high-range sound adjust dials (EQ HI)

Adjusts each channel's high-range sound. (Adjustable range: -26 dB to +6 dB)

15. Channel equalizer mid-range sound adjust dials (EQ MID)

Adjusts each channel's mid-range sound. (Adjustable range: -26 dB to +6 dB)

16. Channel equalizer low-range sound adjust dials (EQ LOW)

Adjusts each channel's low-range sound. (Adjustable range: -26 dB to +6 dB)

17. Channel level indicators

Displays each channel level. The display provides 2 seconds peak hold.

18. Headphone CUE button/indicators

The selected source to be monitored by headphones is chosen by pressing the CUE button for RETURN 1, RETURN 2, channel 1-6, or MASTER. When multiple buttons are pressed at once, the selected audio sounds are mixed. When a button is pressed again, the selection is canceled. The buttons of unselected sources light dimly, and the buttons of the selected sources light brightly.

Fader control section

19. Curve adjust channel fader dial (CURVE ADJUST CH FADER)

Adjusts the curve characteristics of the channel fader. (P.13)

20. Curve adjust cross fader dial (CURVE ADJUST CROSS FADER)

Adjusts the curve characteristics of the cross fader. (P.13)

21. CROSS FADER ASSIGN switches/indicators

Selects which side of the cross fader the output from each channel is directed to. (When multiple channels have been selected in the same side, the combined sum is assigned to that side.)

A:

The channel output is directed to the A side (left side) of the cross fader. The A indicator will light.

THRU:

The channel output is directed to the master output without going through the cross fader. Both A and B indicators will go out.

B:

The channel output is directed to the B side (right side) of the cross fader. The B indicator will light.

22. Cross fader assign A indicator (A)

Lights orange when power is ON.

23. Cross fader slider

The audio directed to either the A side or B side by the CROSS FADER ASSIGN switch for each channel is output in accordance with the cross fader curve set by the CURVE ADJUST dial (CROSS FADER).

24. Cross fader assign B indicator (B)

Lights green when power is ON.

25. Channel fader slider

Adjusts volume of each channel.

(Adjustable range: $-\infty$ to 0 dB)

Outputs according to the channel fader curve set by the CURVE ADJUST dial (CH FADER).

Master output control section**26. MASTER fader slider**

Adjusts the volume of the master output.

(Adjustable range: $-\infty$ to 0 dB)

The master output is the combination of the channel whose audio has been set to [THRU] by the CROSS FADER ASSIGN switch, together with the audio passed through the cross fader and the audio from the main microphone (depending on the mode, RETURN input will also be added).

27. MASTER BALANCE dial

Adjusts the L/R channel balance of the master output, booth monitor output, recording output, and digital output.

28. MASTER LEVEL indicators (L, R)

Displays output levels of the L channel and the R channel. Each segment provides 2 seconds of peak hold.

29. MASTER ISOLATOR button/indicator (ON)

Turns master isolator function ON/OFF.

The isolator function operates with respect to master output 1, master output 2, booth monitor output, recording output and digital output.

Turns off when OFF, and lights when ON.

30. MASTER ISOLATOR high-range sound adjust dial (HI)

Use to adjust the high-range sound of the master output signal.

(Adjustable range: $-\infty$ to +6 dB)

31. MASTER ISOLATOR mid-range sound adjust dial (MID)

Used to adjust the mid-range sound of the master output signal.

(Adjustable range: $-\infty$ to +6 dB)

32. MASTER ISOLATOR low-range sound adjust dial (LOW)

Used to adjust the low-range sound of the master output signal.

(Adjustable range: $-\infty$ to +6 dB)

Booth monitor control section**33. BOOTH MONITOR equalizer high-range sound adjust dial (HI)**

Used to adjust the high-range sound of the booth monitor output signal.

(Adjustable range: -6 dB to +6 dB)

34. BOOTH MONITOR equalizer low-range sound adjust dial (LOW)

Used to adjust the low-range sound of the booth monitor output signal.

(Adjustable range: -6dB to +6 dB)

35. BOOTH MONITOR LEVEL adjust dial

Adjusts the volume of the booth monitor output.

Adjustable regardless of setting of master fader.

(Adjustable range: $-\infty$ to 0 dB)

Headphone output section**36. Headphone output selector switch (HEADPHONES — MONO SPLIT/STEREO)****MONO SPLIT:**

The audio source selected by the headphone CUE button is output from the left channel, and the master audio is output from the right channel (Only when MASTER is selected with the headphone CUE button).

STEREO:

The selected audio is output in stereo.

37. Headphone MIXING dial (HEADPHONES MIXING)

When turned clockwise (MASTER direction) the master output audio is output (only when MASTER is selected with the headphone CUE button); when turned counterclockwise (CUE direction), the audio output will be a mixture of the sound from the channel selected with the headphone CUE button, and the sound coming from the external effector (RETURN).

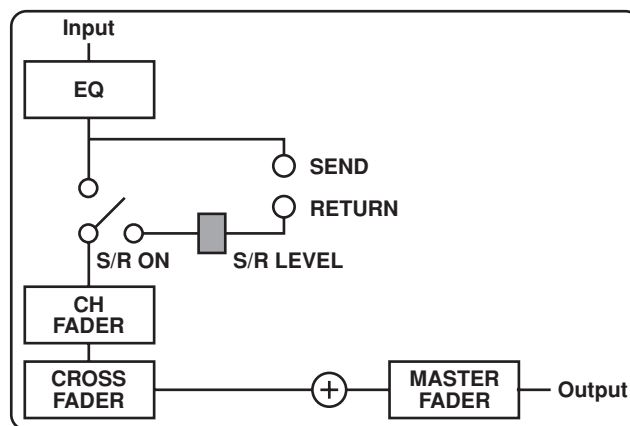
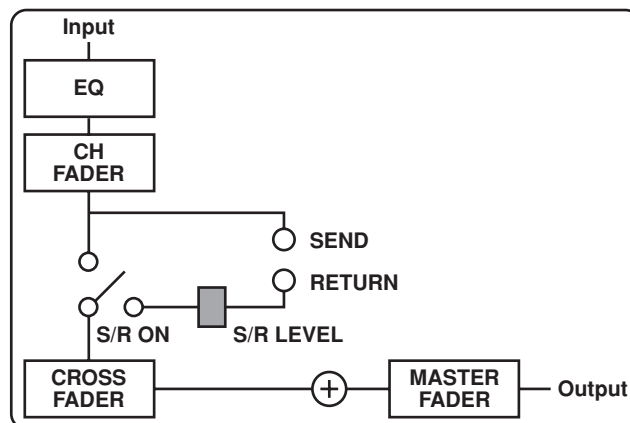
38. Headphone LEVEL adjust dial (HEADPHONES LEVEL)

Adjusts the output volume of the headphone connector.

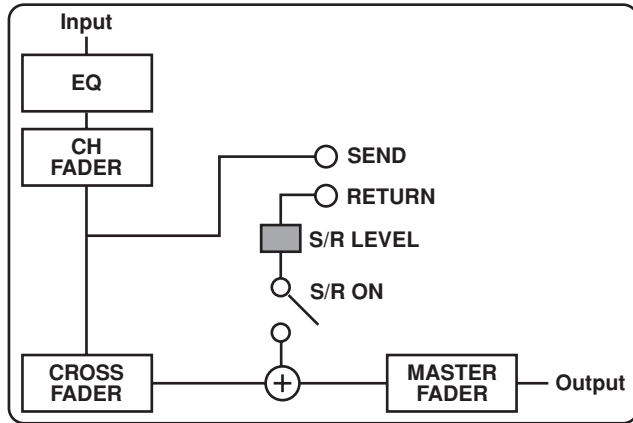
(Adjustable range: $-\infty$ to 0 dB)

39. Headphone jack (PHONES)**SEND/RETURN section****40. SEND/RETURN type selector switches**

Use to switch between the sending stage (SEND) and input stage (RETURN) for signals when connected to an external effector (P.14).

[Pre-Insert type]**[Post-Insert type]**

[AUX type]



41. SEND channel selector switches

Use to select the send audio from MIC, channels 1-6, and MASTER.

42. RETURN input level adjust dials (LEVEL)

Adjusts the level of the signal returned.
(Adjustable range: $-\infty$ to +6 dB)

43. SEND/RETURN buttons/indicators (ON)

Use to switch ON/OFF the SEND/RETURN operation of the selected type on the selected channel.

Lights when a plug is inserted to the RETURN connector, or when a component supporting digital link is connected to the EFX connector. If the button is pressed when lighted, the function turns ON and the indicator flashes. When indicator is ON, input signal to RETURN connector is enabled. When a digital-link component is connected to the EFX connector, the digital link component (digital signal) is given priority.

Link function ON/OFF section

44. VISUAL LINK button/Indicator (V)

When a digital link cable (mini DIN connector) is used to connect a PIONEER video mixer/switcher supporting digital link, the video mixer's cross fader can be operated using the cross fader of the DJM-1000.

The indicator lights when the function is turned ON.

45. SOUND LINK buttons 1, 2 (SOUND 1, 2)/indicator (S1, 2)

When this unit is connected via digital link to a PIONEER DJ effector with digital link support (EFX-1000), and a PIONEER DJ CD player with digital link support is also connected via digital link cable (mini DIN connector), setting these buttons to ON enables BPM sync functions.

The indicator lights when the function is turned ON.

46. Effector LINK buttons 1, 2 (EFX 1, 2)/Indicator (E 1, 2)

When a digital link cable (mini DIN connector) is used to connect this unit to a PIONEER DJ effector with digital link support (EFX-1000), setting these buttons to ON enables fader effect functions.

The indicator lights when the function is turned ON.

Fader start/stop ON/OFF section

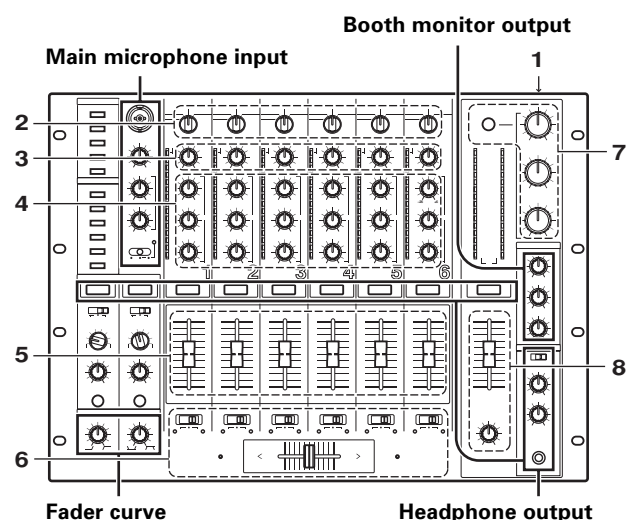
47. Fader start button/indicators (FADER START CH-1 to CH-6)

When the CROSS FADER ASSIGN switches for each channel are used to select [A] or [B], the cross fader start/stop function of that channel's DJ CD player are turned ON/OFF.

When [THRU] is selected by the CROSS FADER ASSIGN switch for each channel, the channel fader start/stop function for that channel's DJ CD player is turned ON/OFF. The button for each channel lights up when the fader start/stop function is turned ON, and is turned off when the fader start/stop function is turned OFF.

OPERATIONS

BASIC OPERATIONS



1. Set the **POWER** switch located on the rear panel (connection panel) to **ON**.
2. Set the input selector switches for the channels used to the devices connected to those channels.
3. Use the **TRIM** dial to adjust the input level.
4. Adjust the tone using the **EQ** dials (**HI**, **MID**, **LOW**).
5. Adjust the volume of the channel with the channel fader slider.
6. When cross fading between channels, use the **CROSS FADER ASSIGN** switch to choose between channel **[A]** and channel **[B]** of the cross fader, and operate the cross fader.
 - When not using the cross fader, choose **[THRU]** with the **CROSS FADER ASSIGN** switches.
7. When using the isolator, switch the **MASTER ISOLATOR** button **ON**, and adjust the level of each bandwidth with the **MASTER ISOLATOR** dials (**HI**, **MID**, **LOW**).
 - The **MASTER ISOLATOR** button will light when switched **ON**.
8. Use the **MASTER** fader slider to adjust the overall volume, and adjust the left and right volume balance by using the **MASTER BALANCE** dial.

[Main microphone input]

1. When using the main microphone, either set the **MIC** selector switch to **[ON]** or set to **[TALK OVER]**.
 - When set to **[TALK OVER]**, the output of all sound except for the main microphone audio is attenuated 20 dB when a sound higher than -15 dB is input to the main microphone input.
2. Adjust the volume with the **MIC LEVEL** dial, and adjust the tone with the **MIC EQ** dials (**HI**, **LOW**).

[Booth monitor output]

1. Adjust the volume with the **BOOTH MONITOR** dial (**LEVEL**).
 - The volume can be adjusted with the **BOOTH MONITOR** dial (**LEVEL**), regardless of the setting of the **MASTER** fader slider.
2. Adjust the tone using the **BOOTH MONITOR** dial (**HI** "high-range sound") and **BOOTH MONITOR** dial (**LOW** "low-range sound").

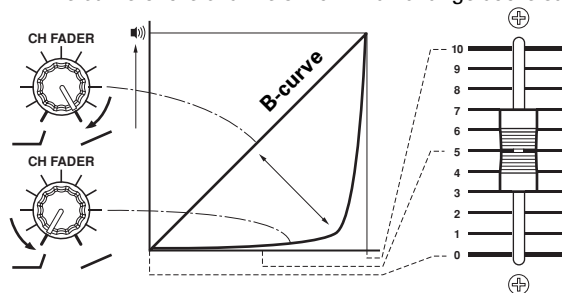
[Headphones output]

1. Choose the source with the headphone **CUE** button (channel 1-6, **MASTER**, **RETURN 1**, **RETURN 2**).
 - The chosen headphone **CUE** button will light brightly.
2. Use the **HEADPHONES** selector switch (**MONO SPLIT/STEREO**) to select the format of the audio output.
 - When **[MONO SPLIT]** is chosen, the audio chosen with the **CUE** button will be output from the left channel, and the master audio (enabled only when the **CUE** button for the **MASTER** is turned **ON**) will be output from the right channel.
 - When **[STEREO]** is chosen, the audio chosen with the **CUE** button will be output in stereo.
3. When **[MONO SPLIT]** is chosen, use the **HEADPHONES** dial (**MIXING**) to adjust the balance of the left channel (chosen by the headphone **CUE** button), and the right channel (master audio—supported only when the headphone **CUE** button for **MASTER** is turned **ON**).
 - When turned clockwise (**MASTER** direction) the master output (only when **CUE** button for **MASTER** is turned **ON**) will be output, and when turned counterclockwise (**CUE** direction) the audio chosen by the **CUE** button will be output.
4. Adjust the volume of the headphones with the **HEADPHONES** dial (**LEVEL**).

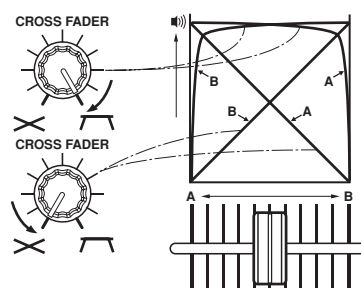
FADER CURVE ADJUSTMENTS

This allows adjustment of the sound volume change characteristics corresponding to the movement of the fader operation.

- Turn the **CURVE ADJUST** dial (**CH FADER**), and adjust the curve characteristics of the channel fader.
 - When turned fully to the right, raising the fader will cause the volume to change in a nearly linear fashion (equivalent to B-curve).
 - When turned fully to the left, the volume curve will change so that sound volume increases slowly until the fader is raised almost fully.
 - The curve of the channels 1-6 will all change at the same time.



- Turn the **CURVE ADJUST** dial (**CROSS FADER**), and adjust the curve characteristics of the cross fader.
 - When turned all the way to the right, the cross fader becomes a steep rising curve in which moving the fader from the side causes instant appearance of the sound on the opposite side.
 - When turned all the way to the left, the cross fader becomes an almost linear volume change curve.
 - Both curves of the A and B side will change at once.



FADER START FUNCTION

By using a control cable to connect the unit to an optional PIONEER CD player, playback on the CD player can be started using the channel fader or cross fader functions (if a digital link connection is made, use of the control cable is unnecessary).

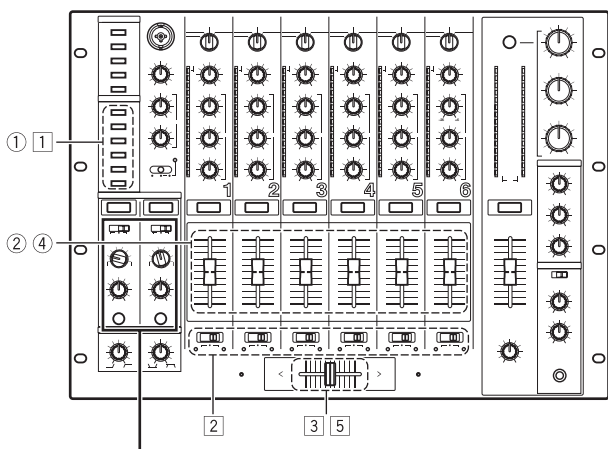
The CD player's pause function is canceled when the mixer's channel fader slider or cross fader slider is moved, and the playback of the track starts automatically and instantly. In addition, by returning the fader to its former position, the CD player's playback can be returned back to the cue point (back cue), so that sampler-like playback can be performed.

[Cross fader start play & back cue play]

During cue point standby on the CD player assigned to channel A of the cross fader, moving the cross fader slider from the right side (B side) to the left side (A side) causes the CD player connected to channel A to start playback.

When the cross fader slider reaches the left side (A side), the CD player assigned to channel B will back cue (return to cue point). When the CD player assigned to channel B is in cue point standby mode, moving the cross fader slider from the left side (A side) to the right side (B side), causes playback on the CD player assigned to channel B to begin. When the cross fader slider reaches the right side (B side), the CD player assigned to channel A will back cue.

* Back cue will occur even if the input selector switch is not set to [CD/LINE].



External effector

[Starting playback with channel fader]

1 Press the FADER START button for the channel (CH-1 to CH-6) connected to the CD player you wish to control.

- The button of the selected channel will light.

2 Move the channel fader slider to the [0] position.

3 Set a cue point in the CD player, and set to standby at cue point.

- If a cue point has already been set, the CD player does not have to be set to standby at the cue point.

4 Move channel fader slider at the desired timing to start playback.

- CD player will start playback.
- After playback has started, moving the channel fader slider back to [0] causes the CD player to return to cue point and enter standby mode (back cue).

* Channel fader is enabled for control only when CROSS FADER ASSIGN switch is set to [THRU].

[Starting playback with cross fader]

1 Press the FADER START button for the channel (CH-1 to CH-6) connected to the CD player you wish to control.

- The button of the selected channel will light.

2 Set the CROSS FADER ASSIGN switch of the selected channel to either [A] or [B].

- When assigning to channel A (left side) of the cross fader, set to [A].
- When assigning to channel B (right side) of the cross fader, set to [B].

3 Move the cross fader slider as far as it will go to the opposite side of the channel you wish to start.

4 Set a cue point on the CD player, and set to standby at the cue point.

- If a cue point has already been set, the CD player does not have to be set to standby at the cue point.

5 Move the cross fader slider at the desired timing to start playback.

- CD player will start playback.
- After playback has started, by moving the cross fader slider all the way, the CD player assigned at the opposite side will return to cue point and enter standby mode (back cue).

* The fader start function may not operate properly when digital connections are made alone. In this event, connect the CD player's analog connectors as well.

USING EXTERNAL EFFECTORS

Two effectors can be connected if desired.

1. Use the SEND channel selector switch to choose the source to be sent to the effector.

- Select from either [MIC], channel [1]-[6], or [MASTER].

2. Use the SEND/RETURN selector switch to choose the stage to which the effector is connected.

- When the send channel is set to [MIC], [INSERT] and [AUX] switching only are enabled from the same point for both [PRE] and [POST]. When send channel is set to [MASTER], only [INSERT] is enabled.

PRE INSERT:

Equalizer output, sent from before the channel fader and returned to same point.

POST INSERT:

Channel fader output, sent from before the cross fader assign, and returned to the same point.

AUX:

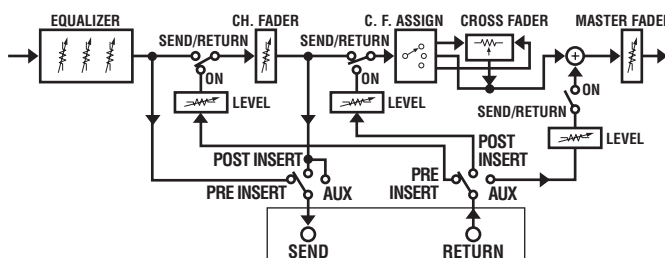
Channel fader output, sent from before the cross fader assign and returned to the point before the master fader, and then added to any other output. The original sound which has been sent will also be passed through the cross fader assign and added.

3. Set the SEND/RETURN button to ON.

- The SEND/RETURN button flashes.

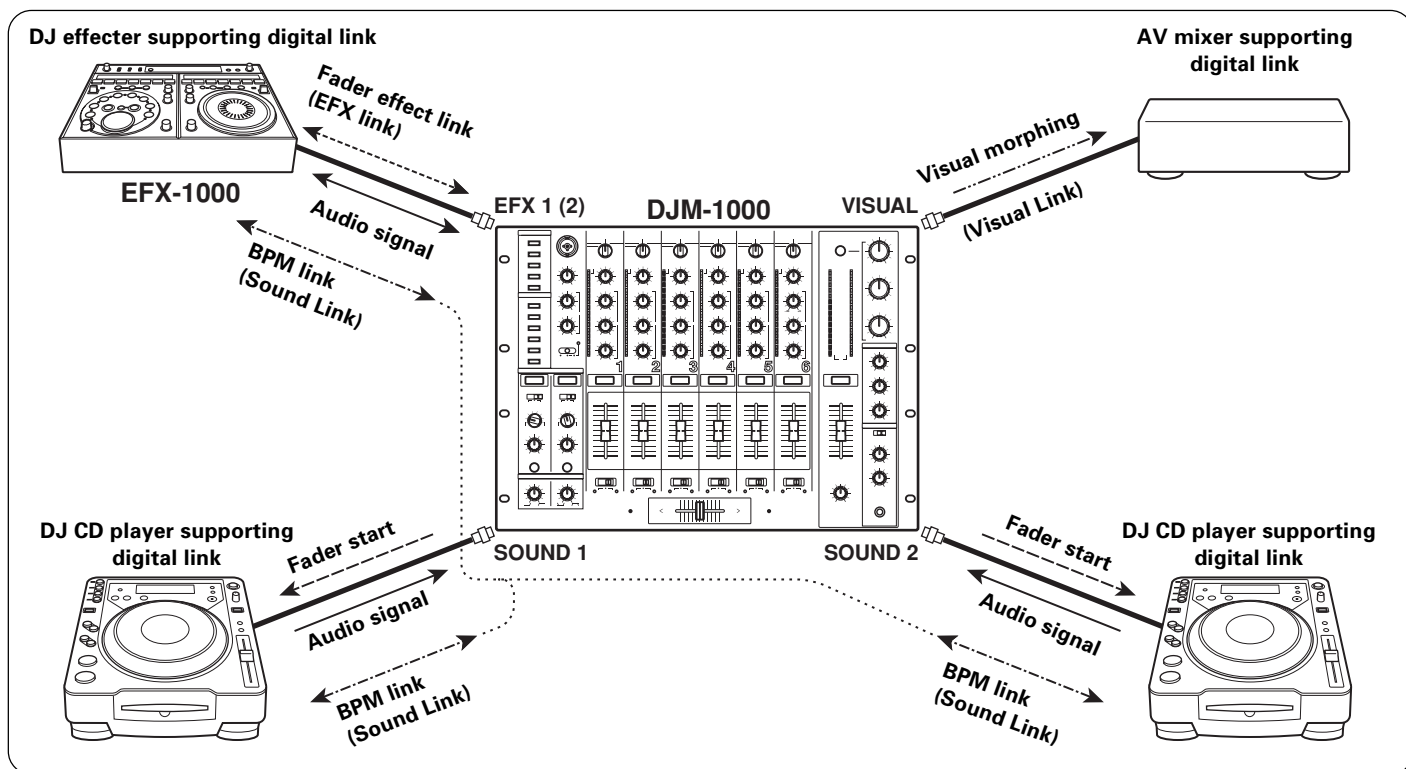
4. Adjust the RETURN volume with the RETURN dial (LEVEL).

Source	Position		
	PRE	POST	AUX
MIC	INSERT		AUX
CH-1 — CH-6	PRE	POST	AUX
MASTER	INSERT		



DIGITAL LINK FUNCTION

Link system diagram



Digital link connections for EFX-1000

Use a digital link cable to connect a PIONEER DJ effector (EFX-1000) to the EFX 1 or 2 connectors of this unit.

This link provides a high-fidelity digital connection and enables use of the EFX-1000's effects functions.

Operations following connection are the same as those when "USING EXTERNAL EFFECTORS" (P.14). If the SEND/RETURN connectors (phone plug cable) are connected simultaneously, the EFX link input/output connection (via the digital link cable) is automatically given priority.

For more information regarding settings, consult the EFX-1000 Operating Instructions.

Fader effect link (EFX Link)

When the connections described above have been made, moving the channel fader slider produces the same effects as when operating the EFX-1000's jog dial.

1. Set EFX-1000's digital jog break to ON.
2. Use the SEND channel selector switches to select the channel to be used for fader effects (channel [1]-[6] can be selected).
3. Set the effector LINK buttons (EFX 1, 2) to ON.
 - The effector LINK buttons will light.

Note: The sound volume for the channel selected will become the same as that set with the maximum channel fader; as a result, make your selection after confirming the level of sound produced when the channel fader is set to maximum.

4. Turn the SEND/RETURN button ON.
 - The SEND/RETURN button will flash.
5. Operate the fader for the selected channel.
 - The EFX-1000's digital jog break meter and sound will change in response to the position of the channel fader.
 - When the SEND channel selector switch setting is changed, the fader effect link is canceled, and the effector LINK button indicator goes out.

Digital link connections for the digital link DJ CD player

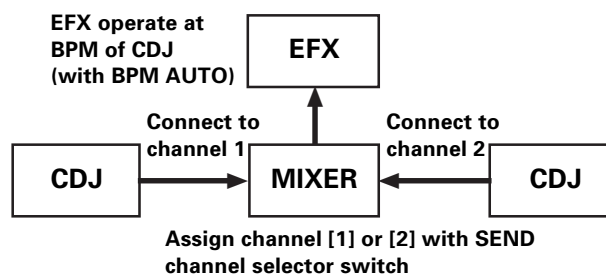
A digital link cable can be used to connect a digital link DJ CD player to the SOUND 1, 2 connectors of this unit.

This link provides a high-fidelity digital connection for mixing of sounds from the DJ CD player.

The fader start function is also enabled by means of this single digital link.

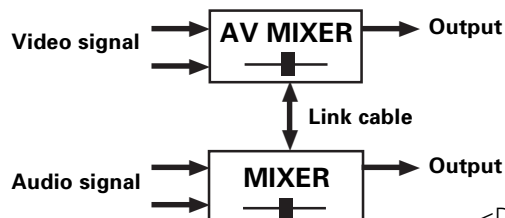
BPM link (Sound Link)

When a digital link cable is used to connect a supported DJ CD player to the SOUND 1, 2 connectors, and the DJ effector EFX-1000 is connected via digital link cable to the EFX 1 or 2 connectors, the effects can be added at the more accurate BPM value measured with the DJ CD player.



Visual morphing (Visual Link)

When a digital link cable is used to connect the DJ mixer's VISUAL connector to an AV mixer supporting digital link (and with the link function enabled), the AV mixer's cross fader can be moved automatically in linkage with the cross fader of the DJ mixer, thus allowing both audio and video to be modified together.



TROUBLESHOOTING

Incorrect operations are often mistaken for trouble and malfunctions. If you think there is something wrong with this component, check the points below. Sometimes the trouble may originate from another component. Thus, also check the other electrical appliances also in use.

If the trouble cannot be rectified even after checking the following items, contact your dealer or nearest PIONEER service center.

Symptom	Possible Cause	Countermeasure
Power does not turn on.	<ul style="list-style-type: none"> The power cord has not been connected. 	<ul style="list-style-type: none"> Connect the cord to a power outlet.
Little or no sound.	<ul style="list-style-type: none"> Input selector switch is in the wrong position. Connection cable hasn't been connected properly or has been disconnected. Connector or plug is dirty. MASTER ATT. dial on rear panel is set too low ([-12 dB], etc.). 	<ul style="list-style-type: none"> Choose the device currently playing with the input selector switch. Connect properly. Clean and reconnect. Adjust the setting of the MASTER ATT. dial in the rear panel.
Sound is distorted.	<ul style="list-style-type: none"> Master output level is too high. Input level is too high. 	<ul style="list-style-type: none"> Adjust the MASTER ATT. dial in the rear panel. Adjust the TRIM dial so that the input level approaches 0 dB on the CHANNEL LEVEL indicators.
Cannot cross fade.	<ul style="list-style-type: none"> The setting of the CROSS FADER ASSIGN switch ([A], [THRU], [B]) is incorrect. 	<ul style="list-style-type: none"> Set the CROSS FADER ASSIGN switch of the channel desired to cross fade properly.
Cannot fader start the CD player.	<ul style="list-style-type: none"> The fader start switch is set to OFF. The rear panel's player CONTROL connector hasn't been connected. 	<ul style="list-style-type: none"> Set the fader start switch to ON. Use the control cable to connect the unit and CD player.
External effector's sound is distorted.	<ul style="list-style-type: none"> The input level from the external effector is too high. 	<ul style="list-style-type: none"> Lower the external effector's output level, or adjust the return level using the RETURN dial (LEVEL).
External effector doesn't operate.	<ul style="list-style-type: none"> The SEND/RETURN button is turned OFF. The effector is not connected to the RETURN connector or EFX connector located in the rear panel. The SEND channel selector switch setting is mistaken. 	<ul style="list-style-type: none"> Turn the SEND/RETURN button ON. Connect the effector to either the SEND/RETURN connector or the EFX 1 or EFX 2 connectors in the rear panel. Select the source to which you want to apply effects with the SEND channel selector switch.
Link function doesn't work.	<ul style="list-style-type: none"> A device supporting digital link is not connected to the digital link connectors (EFX 1, EFX 2, SOUND 1, SOUND 2, VISUAL) in the rear panel. 	<ul style="list-style-type: none"> Use a digital link cable to connect the DJM-1000 to a supported device.

Static electricity or other external interference may cause the unit to malfunction. To restore normal operation, turn the power off and then on again.

Check the following items if the link connection is not established properly:

CAUTION Indicators	Meaning	Countermeasure
Each link indicator flashes twice.	Unsupported components are connected at the link input/output connectors.	Check the connections at the link input/output connectors.
Each link indicator flashes three times.	The link connectors of a single DJM-1000 are connected together, or the link connectors from two DJM-1000s are connected together.	Check connections.
Each link indicator flashes four times.	Communication error occurred at the link input/output connectors.	Check connections and connector cables.

SPECIFICATIONS

1. General Specifications

Power supply voltage	AC 220-240 V, 50/60 Hz
Power consumption	62 W
Operating temperature	+5 °C to +35°C
Operating humidity	5 % to 85 % (no condensation)
Weight	12.1 kg
External dimensions	482 (W) x 363.5 (D) x 187.5 (H) mm

2. Audio Section

Sampling rate	96 kHz
A/D, D/A converter	24 bits
Frequency response	20 Hz to 20 kHz
S/N ratio (at full scale)	
LINE	104 dB
PHONO	88 dB
MIC	84 dB
Distortion (LINE-MASTER1)	0.005 %
Headroom	19 dB
Input level	
PHONO	-52 dBu (47 kΩ)
MIC, SUBMIC	-52 dBu (3 kΩ)
CD/LINE, LINE	-12 dBu (22 kΩ)
RETURN	-12 dBu (22 kΩ)
Output level	
MASTER1	+2 dBu (600 Ω)
MASTER2	+2 dBu (10 kΩ)
REC	-8 dBu (10 kΩ)
BOOTH	+2 dBu (600 Ω)
SEND	-12 dBu (10 kΩ)
PHONES	+8.5 dBu (32 Ω)
Crosstalk (LINE)	88 dB
Channels	6
Channel equalizer	
HI	-26 dB to +6 dB (13 kHz)
MID	-26 dB to +6 dB (1 kHz)
LOW	-26 dB to +6 dB (70 Hz)
Microphone equalizer	
HI	-6 dB to +6 dB (10 kHz)
LOW	-6 dB to +6 dB (100 Hz)
Booth monitor equalizer	
HI	-6 dB to +6 dB (10 kHz)
LOW	-6 dB to +6 dB (100 Hz)

3. Input output connectors

PHONO input connectors	
RCA pin jack	6
CD/LINE, LINE input connectors	
RCA pin jack	6
Phone jack (Ø6.3 mm)	4
MIC, SUBMIC input connectors	
XLR connector/Phone jack (Ø6.3 mm)	1
Phone jack (Ø6.3 mm)	2
DIGITAL coaxial input connectors	
RCA pin jack	4
RETURN input connectors	
Phone jack (Ø6.3 mm)	2
MASTER output connectors	
XLR connector	1
RCA pin jack	1
BOOTH output connectors	
RCA pin jack	1
REC output connectors	
RCA pin jack	1
SEND output connectors	
Phone jack (Ø6.3 mm)	2
DIGITAL coaxial output connector	
RCA pin jack	1
Digital link connectors (EFX 1, 2, SOUND 1, 2, VISUAL)	
Mini DIN	5
MIDI OUT connector	
5P DIN	1

4. Accessories

Operating instructions	1
Power cord	1

Appearance and specifications are subject to change without notice.

Nous vous remercions pour cet achat d'un produit Pioneer.

Nous vous demandons de lire soigneusement ce mode d'emploi; vous serez ainsi à même de faire fonctionner l'appareil correctement. Après avoir bien lu le mode d'emploi, le ranger dans un endroit sûr pour pouvoir s'y référer ultérieurement.

Dans certains pays ou certaines régions, la forme de la fiche d'alimentation et de la prise d'alimentation peut différer de celle qui figure sur les schémas, mais les branchements et le fonctionnement de l'appareil restent les mêmes. K015 Fr

IMPORTANT



Ce symbole de l'éclair, placé dans un triangle équilatéral, a pour but d'attirer l'attention de l'utilisateur sur la présence, à l'intérieur du coffret de l'appareil, de "tensions dangereuses" non isolées d'une grandeur suffisante pour représenter un risque d'électrocution pour les êtres humains.

ATTENTION

**DANGER D'ELECTROCUTION
NE PAS OUVRIR**

ATTENTION:
POUR ÉVITER TOUT RISQUE D'ÉLECTROCUTION, NE PAS ENLEVER LE COUVERCLE (NI LE PANNEAU ARRIÈRE). AUCUNE PIÈCE RÉPARABLE PAR L'UTILISATEUR NE SE TROUVE À L'INTÉRIEUR. CONFIER TOUT ENTRETIEN À UN PERSONNEL QUALIFIÉ UNIQUEMENT.



Ce point d'exclamation, placé dans un triangle équilatéral, a pour but d'attirer l'attention de l'utilisateur sur la présence, dans les documents qui accompagnent l'appareil, d'explications importantes du point de vue de l'exploitation ou de l'entretien.

D3-4-2-1-1_Fr

NOTE IMPORTANTE SUR LE CÂBLE D'ALIMENTATION

Tenir le câble d'alimentation par la fiche. Ne pas débrancher la prise en tirant sur le câble et ne pas toucher le câble avec les mains mouillées. Cela risque de provoquer un court-circuit ou un choc électrique. Ne pas poser l'appareil ou un meuble sur le câble. Ne pas pincer le câble. Ne pas faire de noeud avec le câble ou l'attacher à d'autres câbles. Les câbles d'alimentation doivent être posés de façon à ne pas être écrasés. Un câble abîmé peut provoquer un risque d'incendie ou un choc électrique. Vérifier le câble d'alimentation de temps en temps. Contacter le service après-vente PIONEER le plus proche ou le revendeur pour un remplacement.

5002_Fr

AVERTISSEMENT

Cet appareil n'est pas étanche. Pour éviter les risques d'incendie et de décharge électrique, ne placez près de lui un récipient rempli d'eau, tel qu'un vase ou un pot de fleurs, et ne l'exposez pas à des gouttes d'eau, des éclaboussures, de la pluie ou de l'humidité.

D3-4-2-1-3_A_Fr

AVERTISSEMENT

Avant de brancher l'appareil pour la première, lisez attentivement la section suivante.

La tension de l'alimentation électrique disponible varie selon le pays ou la région. Assurez-vous que la tension du secteur de la région où l'appareil sera utilisé correspond à la tension requise (par ex. 230 V ou 120 V), indiquée sur le panneau arrière.

D3-4-2-1-4_A_Fr

Si la fiche d'alimentation secteur de cet appareil ne convient pas à la prise secteur à utiliser, la fiche doit être remplacée par une appropriée.

Ce remplacement et la fixation d'une fiche secteur sur le cordon d'alimentation de cet appareil doivent être effectués par un personnel de service qualifié.

En cas de branchement sur une prise secteur, la fiche de coupure peut provoquer une sérieuse décharge électrique. Assurez-vous qu'elle est éliminée correctement après sa dépose.

L'appareil doit être déconnecté en débranchant sa fiche secteur au niveau de la prise murale si vous prévoyez une période prolongée de non utilisation (par exemple avant un départ en vacances).

D3-4-2-2-1a_A_Fr

AVERTISSEMENT

Pour éviter les risques d'incendie, ne placez aucune flamme nue (telle qu'une bougie allumée) sur l'appareil.

D3-4-2-1-7a_A_Fr

PRÉCAUTION DE VENTILATION

Lors de l'installation de l'appareil, veillez à laisser un espace suffisant autour de ses parois de manière à améliorer la dissipation de chaleur (au moins 5 cm à l'arrière et 3 cm de chaque côté).

AVERTISSEMENT

Les fentes et ouvertures du coffret sont prévues pour la ventilation, pour assurer un fonctionnement stable de l'appareil et pour éviter sa surchauffe. Pour éviter les risques d'incendie, ne bouchez jamais les ouvertures et ne les recouvrez pas d'objets, tels que journaux, nappes ou rideaux, et n'utilisez pas l'appareil posé sur un tapis épais ou un lit.

D3-4-2-1-7b_A_Fr

ATTENTION

L'interrupteur POWER de cet appareil ne coupe pas complètement celui-ci de sa prise secteur. Comme le cordon d'alimentation fait office de dispositif de déconnexion du secteur, il devra être débranché au niveau de la prise secteur pour que l'appareil soit complètement hors tension. Par conséquent, veillez à installer l'appareil de telle manière que son cordon d'alimentation puisse être facilement débranché de la prise secteur en cas d'accident. Pour éviter tout risque d'incendie, le cordon d'alimentation sera débranché au niveau de la prise secteur si vous prévoyez une période prolongée de non utilisation (par exemple avant un départ en vacances).

D3-4-2-2-2a_A_Fr

Milieu de fonctionnement

Température et humidité du milieu de fonctionnement :
De +5 à +35°C (de +41 à +95°F); Humidité relative inférieure à 85% (orifices de ventilation non obstrués)
N'installez pas l'appareil dans un endroit mal ventilé ou un lieu soumis à une forte humidité ou en plein soleil (ou à une forte lumière artificielle).

D3-4-2-1-7c_A_Fr

Ce produit est conforme à la directive relative aux appareils basse tension (73/23/CEE), à la directive CE relative à la compatibilité électromagnétique (89/336/CEE, amendements 92/31/CEE et 93/68/CEE).

D3-4-2-1-9a_Fr

CARACTÉRISTIQUES

① Design à haute qualité sonore

Les signaux analogiques sont transmis par le chemin le plus court et convertis en signaux numériques par un convertisseur A/N à 24 bits et échantillonnage de 96 kHz. Les signaux sont ainsi passés à l'étage de mixage numérique dans les meilleures conditions.

Grâce à l'emploi d'un DSP à 32 bits, le mixage s'accomplit sans la moindre dégradation de la qualité sonore et par l'action simultanée d'un filtrage idéal, un son optimal est produit pour les DJ professionnels, travaillant dans des clubs.

Pour que ces fonctions puissent agir au mieux, un grand soin a été accordé aux détails qui contribuent à la qualité du son, notamment un châssis très rigide, destiné à réduire les vibrations désagréables pouvant affecter les sons. Très performante, la section d'alimentation fait appel à un transformateur à noyau R qui étaye la qualité des graves et procure ainsi un son clair et puissant, idéal pour les interprétations en club.

② Isolateur à 3 bandes

Un isolateur intégré à 3 bandes est capable de produire une commande de niveau de +6 dB à ($-\infty$) sur chaque bande passante. L'impression nette du fonctionnement autorise une large gamme de performances DJ.

③ Circuit SEND/RETURN à 2 systèmes, 3 types

Un circuit SEND/RETURN à 2 systèmes et 3 types (PRE INSERT/POST INSERT/AUX) est prévu pour permettre des variations de connexion avec d'autres périphériques externes, tels que des effecteurs ou des échantillonneurs, ce qui élargit d'autant la portée et les potentialités DJ.

④ Réglage de la courbe de fader

Le réglage de la courbe de fondu permet d'ajuster non seulement la courbe de fader croisé (comme sur les modèles antérieurs), mais aussi la courbe de fader de canal.

Ces fonctions de fader s'ajustent selon 17 paliers, de sorte que le DJ peut personnaliser les réglages à ses propres paramètres.

⑤ Entrée/Sortie (IN/OUT) numérique

En faisant appel à des connecteurs d'entrée numériques destinés à chaque taux d'échantillonnage (44,1/48/96 kHz), il est possible de constituer un système qui ne subit aucune dégradation de la qualité sonore lorsque des périphériques numériques externes sont raccordés.

Un connecteur DIGITAL OUT à taux d'échantillonnage de 24 bits/96 kHz est prévu, ce qui facilite l'enregistrement en studios et autres situations où une haute qualité sonore est indispensable.

Prend en compte seulement PCM linéaire.

⑥ MIDI OUT

Les signaux MIDI peuvent être sortis, ce qui autorise un contrôle MIDI sur des équipements externes.

⑦ Fonction de liaison numérique

Plusieurs fonctions peuvent être exécutées grâce à des câbles de liaison numérique, servant à relier d'autres lecteurs CD DJ, des effecteurs DJ et des tables de mixage AV de PIONEER.

⑧ Autres particularités

- En faisant appel à un câble de commande pour raccorder cet appareil à un lecteur CD à finalité DJ de PIONEER, vous pouvez lancer la lecture sur le lecteur CD en liaison automatique avec le mouvement du fader ("Lecture à départ en fondu").
- Incorporation d'un "Égaliseur 3 bandes", permettant une commande de niveau sur une plage de +6 dB à -26 dB pour chaque bande passante.
- Dispose d'un "Égaliseur de cabine à 2 voies" pour contrôler la réponse du moniteur de cabine, afin de faciliter la surveillance de cabine par le DJ.
- Fonction "affectation de fader croisé" incorporée, autorisant une affectation plus souple de l'entrée de chaque canal au fader croisé.
- Incorporation d'une fonction "TALK OVER", abaissant automatiquement le volume de la piste lors d'une entrée par micro.

TABLE DES MATIÈRES

CARACTÉRISTIQUES	19
VÉRIFICATION DES ACCESSOIRES	19
AVERTISSEMENTS CONCERNANT L'USAGE	20

AVANT L'UTILISATION

CONNEXIONS	21
PANNEAU DE CONNEXION	21
BRANCHEMENT DU CORDON D'ALIMENTATION	22
BRANCHEMENT DES CONNECTEURS D'ENTRÉE	22
BRANCHEMENT DES CONNECTEURS D'EFFECTEUR ET DE SORTIE	23
CONNECTEURS MIDI	23
BRANCHEMENT DE MICROPHONE, CASQUE D'ÉCOUTE	24
BRANCHEMENTS À LIAISON NUMÉRIQUE	24
NOMS ET FONCTIONS DES ORGANES	25

UTILISATION

UTILISATION	29
DÉMARCHES DE BASE	29
RÉGLAGES DE LA COURBE DE FADER	29
FONCTION DE DÉPART EN FONDU	30
UTILISATION D'EFFECTEURS EXTERNES	30
FONCTION DE LIAISON NUMÉRIQUE	31

DIVERS

DÉPANNAGE	32
FICHE TECHNIQUE	33
SCHÉMA DE CÂBLAGE	100

VÉRIFICATION DES ACCESSOIRES

Mode d'emploi	1
Cordon d'alimentation	1

AVERTISSEMENTS CONCERNANT L'USAGE

Emplacement

Installez l'appareil dans un endroit bien aéré, où il ne sera pas exposé à de hautes températures ou à l'humidité.

- N'installez pas l'appareil dans un endroit exposé aux rayons de soleil directs, ni à proximité de poêles ou de radiateurs. Le boîtier et les parties internes peuvent être endommagés par de fortes chaleurs. L'installation de l'appareil dans un environnement humide ou poussiéreux peut entraîner un dysfonctionnement ou un accident. (Évitez d'installer l'appareil à proximité de cuisinières etc., où il pourrait être exposé à des fumées grasses, à des vapeurs ou à la chaleur.)
- Si l'appareil est utilisé dans une valise ou dans une cabine de DJ, éloignez-le des parois ou d'autres appareils afin de favoriser l'évacuation de la chaleur.

Installation du DJM-1000 dans une baie EIA

Les orifices pour vis du panneau avant du DJM-1000 sont réservés à la fixation de l'appareil dans une baie EIA de 48 cm (19 pouces).

- Fixer l'appareil à la baie à l'aide de vis de taille appropriée (vis non fournies avec l'appareil).
- Lors de l'installation de l'appareil dans une baie, faites attention à ne pas vous pincer les doigts.

Remarques

- Ne placez jamais cet appareil directement au-dessus d'un amplificateur de puissance, car la chaleur qu'il dégage pourrait endommager l'appareil. Celui-ci risque aussi de capter des signaux de radio-amateur ou d'autres types d'interférences.
- Prévoyez un espace d'au moins 1U (= 43,7 mm) entre ce composant et celui installé au-dessus, de sorte que les cordons, raccordés aux connecteurs et bornes d'entrée/sortie de cet appareil ne touchent pas le composant supérieur.
- Avant de transporter l'appareil, retirez-le toujours de son armoire.
- Si vous devez déplacer l'appareil quand il est installé dans son armoire, veillez à éviter les chocs et les vibrations.

Condensation

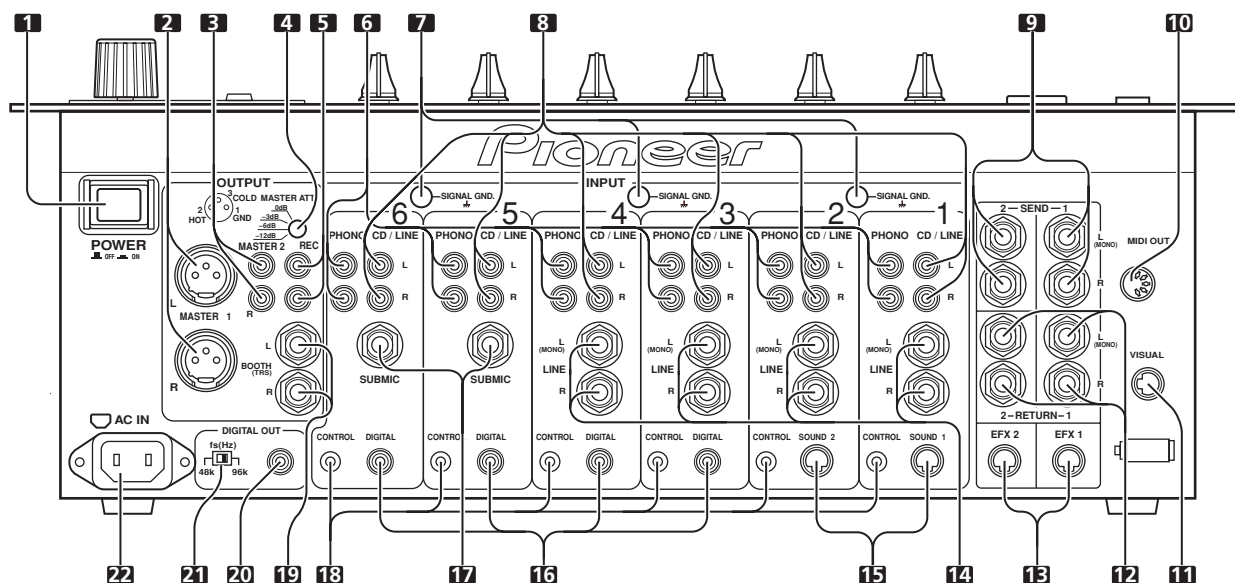
Lorsque cet appareil est déplacé d'un endroit froid vers une pièce chaude, ou si la température de la pièce monte subitement, il se peut qu'il y ait formation de condensation à l'intérieur de l'appareil et qu'il subisse des baisses de performance. Dans ce cas, laissez l'appareil se réchauffer pendant environ une heure ou faites monter progressivement la température de la pièce.

Nettoyer l'appareil

- Utilisez un chiffon à poussière pour enlever la poussière et les saletés.
- Si les surfaces sont très sales, nettoyez avec un chiffon doux trempé dans un détergent neutre, dilué dans cinq ou six fois plus d'eau, essorez bien et repassez avec un chiffon sec. N'utilisez pas de cire à meubles ou de détachants.
- N'utilisez jamais de diluants, de benzène, d'insecticides ou d'autres produits chimiques sur ou à proximité de l'appareil, car ceux-ci abîment les surfaces.

CONNEXIONS

PANNEAU DE CONNEXION



1. Interrupteur d'alimentation (POWER)

2. Connecteur de sortie principale 1 (MASTER 1)

Sortie symétrique de type XLR (connecteur mâle).

3. Connecteur de sortie principale 2 (MASTER 2)

Sortie asymétrique de type RCA.

4. Bague d'atténuateur de sortie principale (MASTER ATT.)

Elle atténue le niveau de sortie obtenu à MASTER 1 et MASTER 2. Le niveau d'atténuation peut être sélectionné entre : 0 dB, -3 dB, -6 dB et -12 dB.

5. Connecteurs de sortie d'enregistrement (REC)

Connecteur de sortie de type RCA destiné à l'enregistrement.

6. Connecteurs d'entrée PHONO

Connecteurs d'entrée de niveau phono (cellule MM) de type RCA. Ne les utilisez pas pour l'entrée de signaux de niveau de ligne.

7. Borne de mise à la terre du signal (SIGNAL GND)

Pour le branchement du fil de terre, provenant d'un lecteur analogique. Il ne s'agit pas d'une borne de mise à la masse de sécurité.

8. Connecteurs d'entrée CD/LINE

Connecteurs d'entrée de niveau de ligne de type RCA. Pour le branchement de lecteurs CD DJ et/ou d'appareils de sortie de niveau de ligne.

9. Connecteurs de sortie de transmission (SEND 1, 2)

Connecteurs de sortie de type téléphonique (Ø 6,3 mm). Pour le branchement de connecteurs d'entrée, provenant d'effecteurs externes, etc. Si seul le canal L (gauche) est raccordé, un signal monaural de L+R sera fourni.

10. Connecteur de sortie MIDI (MIDI OUT)

Connecteur de sortie de type DIN. Pour le branchement d'autres périphériques MIDI (p. 23)

11. Connecteur de liaison VISUAL

Quand un câble de liaison numérique est utilisé pour raccorder l'appareil à un mixeur vidéo (pupitre de mélange vidéo) de PIONEER, prenant en compte la liaison numérique, le fader croisé du mixeur vidéo peut être contrôlé au moyen du fader croisé du DJM-1000.

12. Connecteurs de retour (RETURN 1, 2)

Connecteurs de sortie de type téléphonique (Ø 6,3 mm). Pour brancher les connecteurs d'entrée d'effecteurs externes, etc. Si seul le canal L (gauche) est raccordé, l'entrée du canal L sera entrée au canal R (droit).

13. Connecteurs d'entrée/sortie de liaison EFX (EFX 1, 2)

Si vous utilisez un câble de liaison numérique pour raccorder l'appareil à un effecteur DJ de PIONEER acceptant la liaison numérique (EFX-1000), les connexions SEND/RETURN sont réalisées d'un coup de façon numérique et les fonctions, telle que l'effet de fondu, sont également validées.

14. Connecteurs d'entrée LINE

Connecteurs de niveau de ligne de type téléphonique (Ø 6,3 mm). Si seul le canal L (gauche) est raccordé, l'entrée du canal L sera entrée au canal R (droit).

15. Connecteurs d'entrée de liaison CDJ (SOUND 1, 2)

Quand un câble de liaison numérique est utilisé pour raccorder l'appareil à un lecteur CD DJ de PIONEER prenant en compte la liaison numérique, les connexions audio numériques et les connexions par câble de commande sont réalisées d'un coup et les fonctions, telles que la synchro BPM, sont validées.

16. Connecteurs d'entrée numérique (DIGITAL)

Connecteurs d'entrée coaxiale numérique de type RCA. Raccordez aux connecteurs de sortie coaxiale numérique du lecteur CD DJ, etc.

17. Connecteurs d'entrée SUBMIC

Connecteurs d'entrée de microphone de type téléphonique (Ø 6,3 mm). Utilisez les canaux 5 et 6 du DJM-1000 comme canaux d'entrée de microphone.

18. Connecteurs de commande (CONTROL)

Connecteurs d'entrée de type mini-téléphonique (Ø 3,5 mm) pour branchement du câble de commande à un lecteur CD DJ. Ces connecteurs permettent à la fonction fader du DJM-1000 de contrôler la marche/arrêt d'un lecteur CD DJ raccordé.

19. Connecteurs de sortie pour moniteur de cabine (BOOTH)

Connecteurs de sortie de type téléphonique (Ø 6,3 mm) pour moniteur de cabine. Changez le volume par la bague BOOTH MONITOR (LEVEL), sans effet sur le fader MASTER (comme la sortie est un jack TRS, les sorties symétriques et asymétriques sont toutes deux prises en compte).

20. Connecteur de sortie numérique (DIGITAL OUT)

Connecteur de sortie coaxiale numérique de type RCA. Sortie principale numérique.

21. Sélecteur de fréquence d'échantillonnage (48k/96k)

Pour choisir la fréquence d'échantillonnage (96 kHz ou 48 kHz) de la sortie numérique.

22. Connecteur d'entrée secteur (AC IN)

Branchez ici la fiche de sortie secteur du cordon d'alimentation fourni.

Avant d'effectuer les connexions ou de les modifier, coupez l'alimentation et débranchez le cordon d'alimentation au niveau de la prise secteur.

BRANCHEMENT DU CORDON D'ALIMENTATION

Branchez le cordon d'alimentation en dernier lieu.

- Une fois que tous les branchements sont terminés, raccordez le cordon d'alimentation fourni sur la prise secteur, prévue sur le panneau arrière de cet appareil, et raccordez la fiche sur une prise secteur ou sur la prise auxiliaire d'un amplificateur.
- Utilisez uniquement le cordon d'alimentation fourni.

BRANCHEMENT DES CONNECTEURS D'ENTRÉE

Lecteurs CD DJ de PIONEER

Branchez les connecteurs de sortie audio du lecteur CD DJ sur un des jeux de connecteurs d'entrée CD/LINE du DJM-1000, puis branchez le câble de commande sur le connecteur CONTROL du canal correspondant. Réglez le sélecteur d'entrée du canal raccordé sur [CD/LINE].

Si vous utilisez des connexions numériques, branchez le connecteur de sortie coaxiale numérique sur un des connecteurs d'entrée DIGITAL du DJM-1000, puis réglez le sélecteur d'entrée du canal raccordé sur [DIGITAL] (aucun connecteur d'entrée numérique n'est prévu pour le canal 1 et le canal 2).

Autres dispositifs de sortie de niveau de ligne

Lors du branchement de platines-cassette ou de lecteurs CD, branchez les connecteurs de sortie audio sur un des connecteurs d'entrée CD/LINE du DJM-1000, puis réglez le sélecteur d'entrée du canal raccordé sur [CD/LINE].

Si vous utilisez une fiche téléphonique (Ø 6,3 mm), raccordez-la sur un des connecteurs d'entrée LINE du DJM-1000, puis réglez le sélecteur d'entrée du canal raccordé sur [LINE] (aucun connecteur d'entrée LINE n'est prévu pour le canal 5 et le canal 6). Si seul le canal L (gauche) est raccordé, l'entrée au canal L sera fournie aussi au canal R (droit).

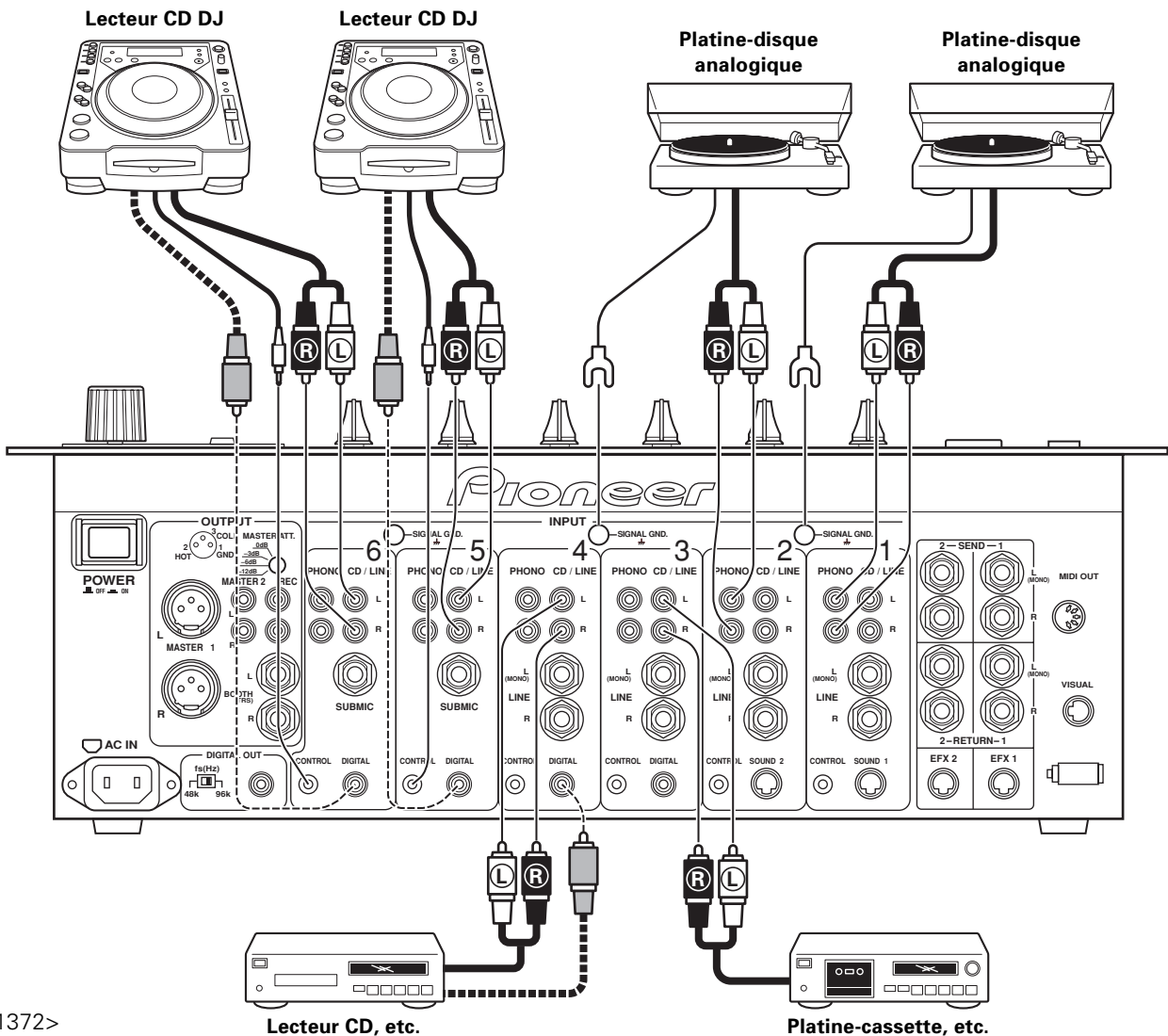
Platines-disque analogiques

Raccordez les câbles de sortie audio de la platine-disque analogique sur un jeu des connecteurs d'entrée PHONO du DJM-1000, puis réglez le sélecteur d'entrée du canal raccordé sur [PHONO]. L'entrée PHONO du DJM-1000 prend en compte les cellules magnétiques MM.

Le câble de mise à la terre d'une platine-disque analogique se branche sur une des bornes SIGNAL GND.

Dispositifs de sortie numérique

A l'emploi de connexions numériques sur des appareils tels que des lecteurs CD, branchez le connecteur de sortie coaxiale numérique de l'appareil sur un des connecteurs d'entrée DIGITAL du DJM-1000, puis réglez le sélecteur d'entrée du canal raccordé sur [DIGITAL] (aucun connecteur d'entrée DIGITAL n'est prévu pour le canal 1 et le canal 2).



BRANCHEMENT DES CONNECTEURS D'EFFECTEUR ET DE SORTIE

Sortie principale

Il existe une fiche XLR, correspondant à la sortie symétrique MASTER 1, et une fiche RCA, correspondant à la sortie asymétrique MASTER 2. Réglez le niveau de sortie au moyen de la bague MASTER ATT. de manière à correspondre à la sensibilité d'entrée de l'amplificateur de puissance raccordé.

Sortie au moniteur de cabine

Sortie asymétrique, acceptant une fiche téléphonique de Ø 6,3 mm. Le volume peut s'ajuster par la bague BOOTH MONITOR (LEVEL), quel que soit le réglage du fader MASTER.

Sortie d'enregistrement

Connecteur de sortie pour l'enregistrement, acceptant une fiche RCA.

Sortie numérique

Connecteurs de sortie numérique coaxiale, acceptant une fiche RCA. La fréquence d'échantillonnage (96 KHz/48 kHz) peut être choisie en fonction de l'appareil raccordé.

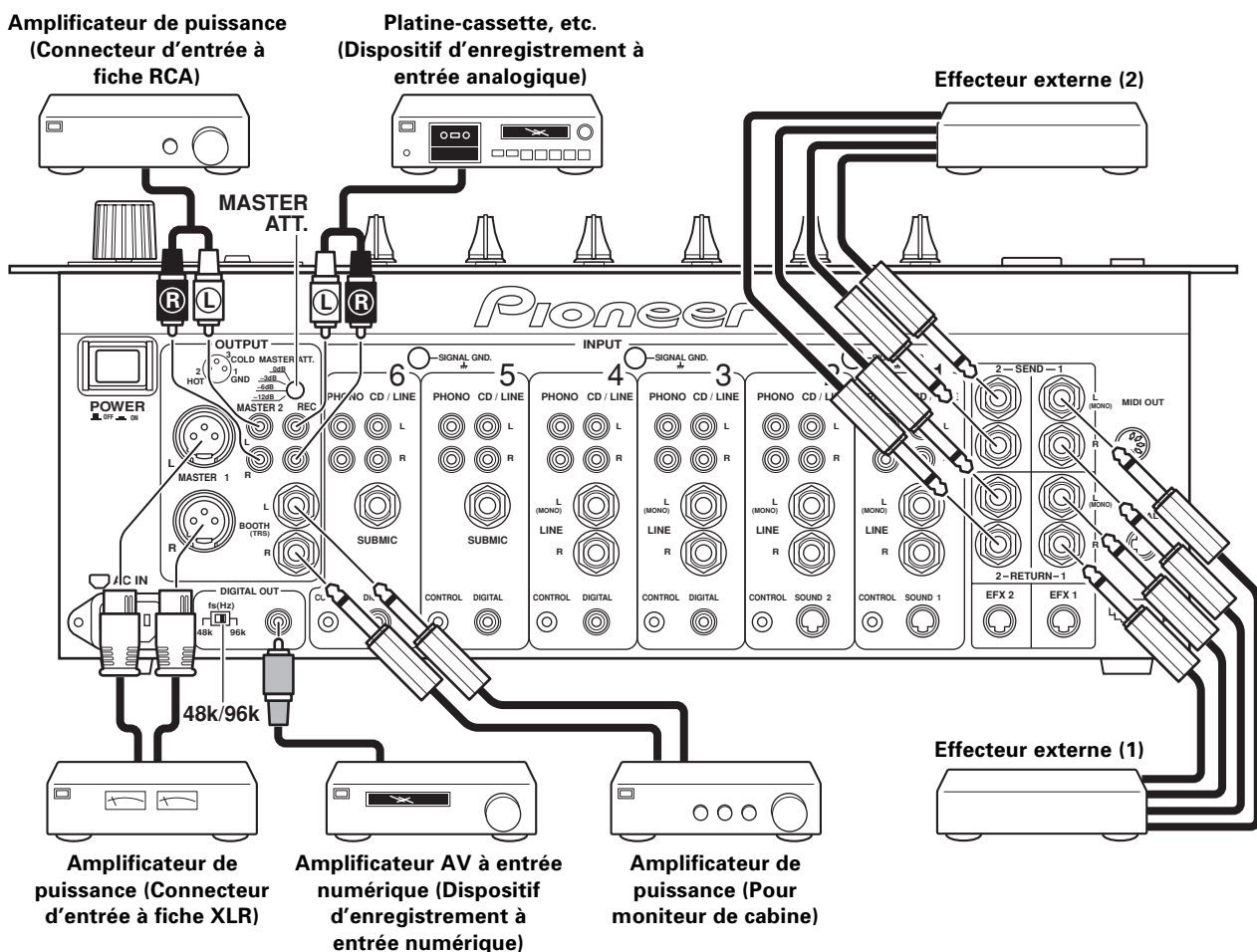
Effecteur externe

Utilisez un câble à fiche téléphonique de Ø 6,3 mm pour raccorder les connecteurs SEND du mixeur DJ aux connecteurs d'entrée d'un effecteur externe. Si vous utilisez un effecteur d'entrée monaural, raccordez uniquement la sortie du canal L (gauche). De cette façon, le signal audio L/R mixé sera envoyé à l'effecteur.

De la même façon, utilisez un câble à fiche téléphonique de Ø 6,3 mm pour raccorder les connecteurs RETURN du mixeur DJ aux connecteurs de sortie de l'effecteur externe.

Si vous utilisez un effecteur d'entrée monaural, raccordez uniquement la sortie du canal L (gauche). De cette façon, le signal provenant de l'effecteur sera fourni aux canaux L/R (gauche/droit).

Français



CONNECTEURS MIDI

La norme MIDI (acronyme pour "Interface numérique d'instrument de musique") est un standard unifié, servant à la transmission de données entre des instruments de musique électriques et des ordinateurs.

Des données peuvent être transmises entre des dispositifs munis de connecteurs MIDI en faisant appel à un câble MIDI.

Le DJM-1000 peut envoyer des données de travail à des dispositifs MIDI externes, en utilisant le protocole MIDI.

Commande DJM-1000	Code de commande MIDI	Nom de commande MIDI	Canal MIDI
Action de fader croisé	CC11	Expression	1

* Les données MIDI (0-127) sont fournies en agissant sur le fader croisé.

* A l'emploi de la fonction de liaison visuelle, les données MIDI ne sont pas fournies.

BRANCHEMENT DE MICROPHONE, CASQUE D'ÉCOUTE

Casque d'écoute

Un casque à fiche téléphonique de Ø 6,3 mm peut se brancher sur la prise PHONES du pupitre d'exploitation (panneau supérieur).

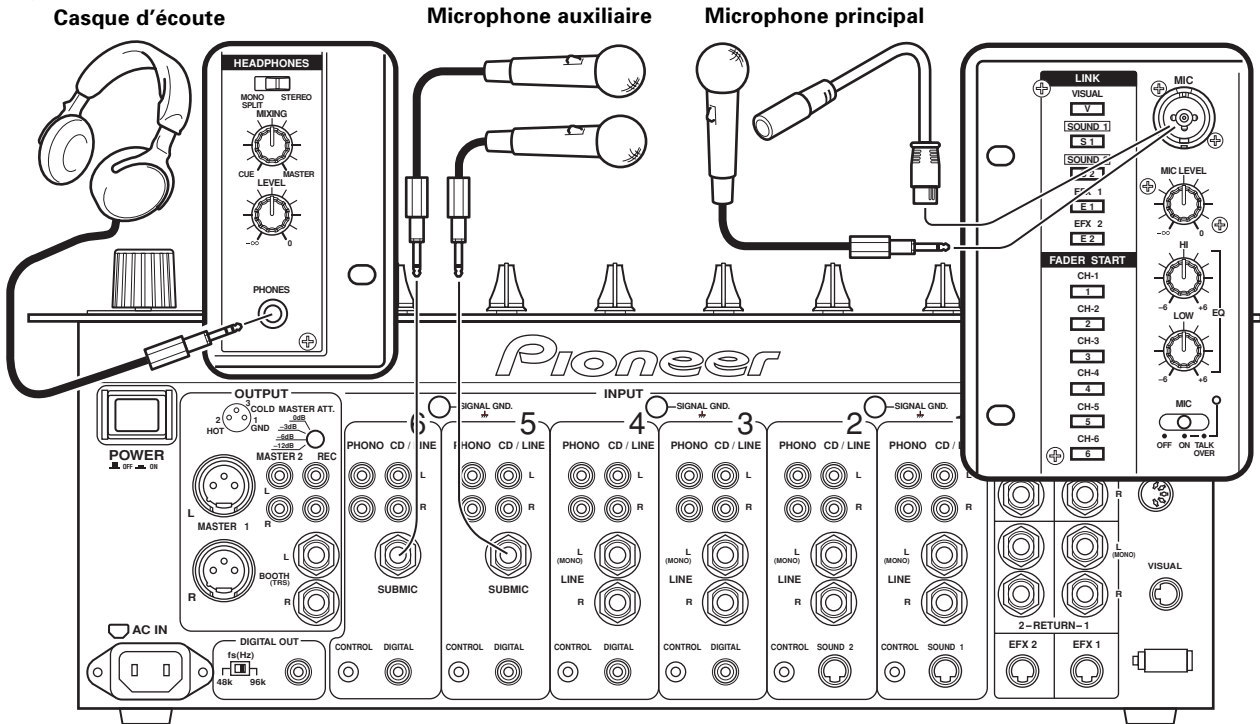
Microphone principal

Un microphone à fiche téléphonique de Ø 6,3 mm ou à fiche XLR peut se brancher sur la prise MIC du pupitre d'exploitation (panneau supérieur).

Microphone auxiliaire

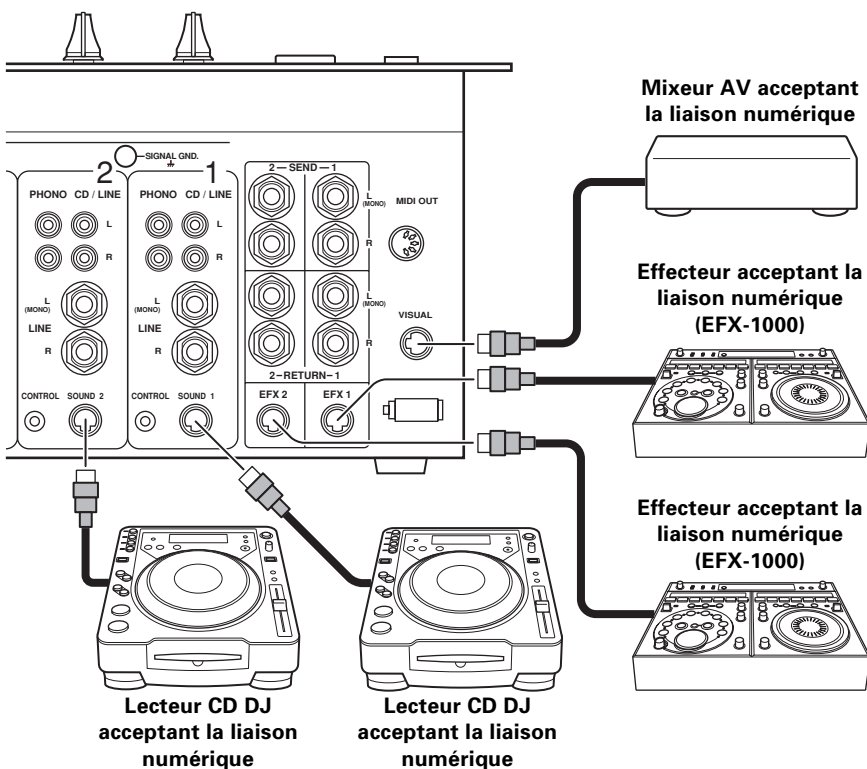
Un microphone à fiche téléphonique de Ø 6,3 mm peut se brancher sur les connecteurs d'entrée SUBMIC sur le canal 5 et le canal 6 du DJM-1000.

Réglez le sélecteur d'entrée du canal raccordé sur [SUBMIC].



BRANCHEMENTS À LIAISON NUMÉRIQUE

(Comprend les connexions pour de futurs composants, acceptant la liaison numérique.)



En raccordant un simple câble dédié (câble de liaison numérique) l'échange de signaux audio et de signaux de commande est possible numériquement. (Le branchement de câbles audio et de câble de commande est superflu.)

Connecteur de liaison VISUAL

Si vous utilisez un câble à liaison numérique pour raccorder cet appareil à un mixeur vidéo (pupitre de mélange vidéo) de PIONEER, acceptant la liaison numérique, la fonction de fader croisé du mixeur vidéo peut être activée au moyen du fader croisé du DJM-1000. (p. 31)

Connecteurs d'entrée/sortie de liaison EFX (EFX 1, 2)

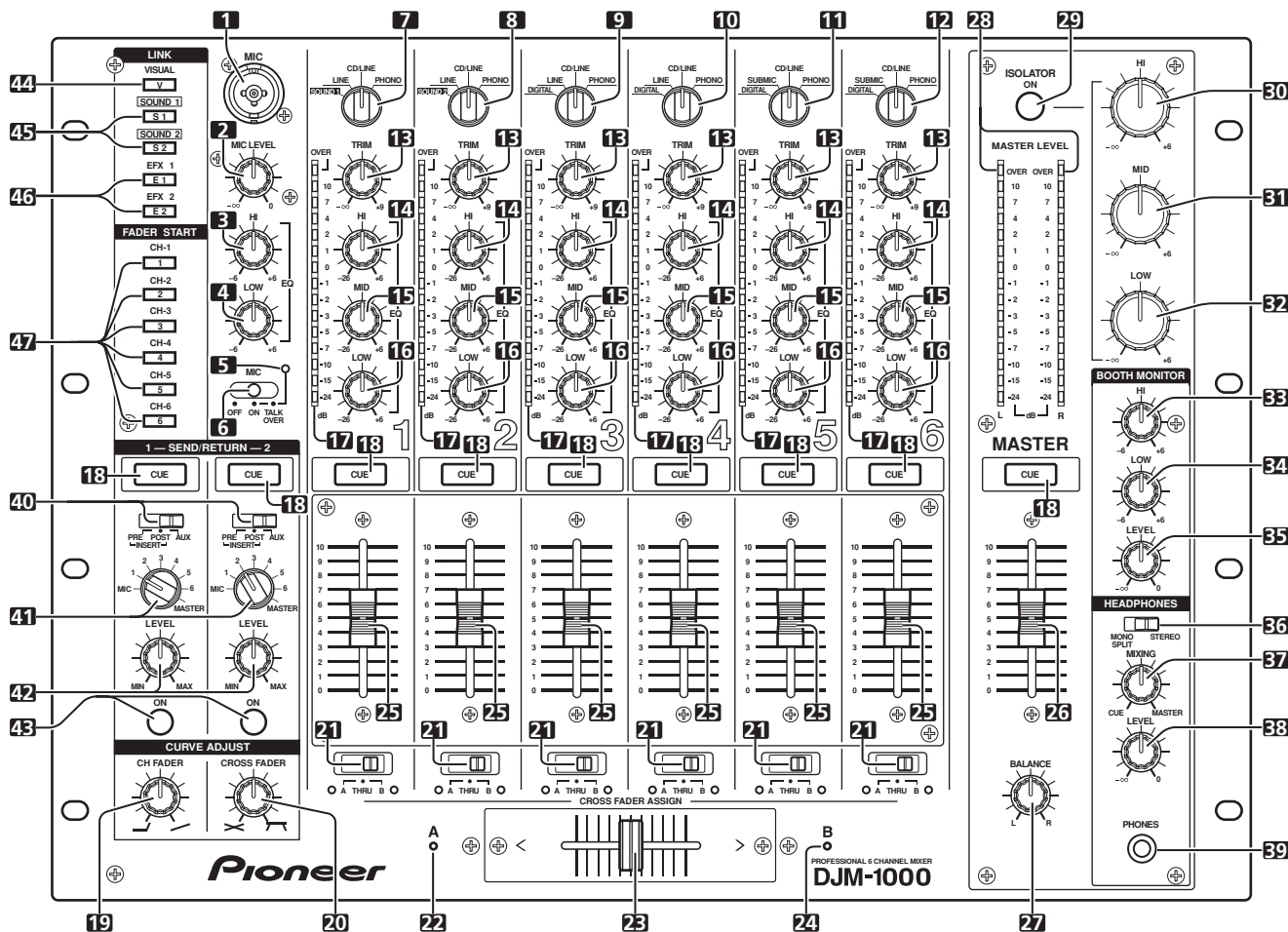
Si vous utilisez un câble de liaison numérique pour raccorder l'appareil à un effecteur DJ PIONEER acceptant la liaison numérique (EFX-1000), les connexions SEND/RETURN sont réalisées d'un coup de façon numérique, ce qui autorise l'emploi des fonctions d'effet de fondu et les fonctions de synchronisation BPM lorsque les connexions de liaison sonore sont utilisées. (p. 31)

Connecteurs d'entrée de liaison CDJ (SOUND 1, 2)

Si vous utilisez un câble à liaison numérique pour raccorder cet appareil à un lecteur CD DJ de PIONEER, acceptant la liaison numérique, les connexions audio numériques et les fonctions par câble de commande sont réalisées d'un coup et des fonctions, telles que la synchro BPM sont validées. Réglez le sélecteur d'entrée du canal 1 et 2 sur [SOUND 1] et [SOUND 2]. (p. 31)

NOMS ET FONCTIONS DES ORGANES

Pupitre d'exploitation



Section de contrôle d'entrée du microphone principal

1. Connecteur d'entrée de microphone principal (MIC)
 Pour le branchement d'un microphone, muni d'un connecteur de type XLR ou type téléphonique.

2. Bague de réglage du niveau de microphone (MIC LEVEL)
 Pour ajuster le volume du microphone principal. (Plage de réglage : de $-\infty$ à 0 dB)

3. Bague de réglage des sons aigus d'égaliseur de microphone (EQ HI)
 Pour ajuster la plage des sons aigus du microphone principal. (Plage de réglage : de -6 dB à + 6 dB)

4. Bague de réglage des sons graves d'égaliseur de microphone (EQ LOW)
 Pour ajuster la plage des sons graves du microphone principal. (Plage de réglage : de -6 dB à + 6 dB)

5. Voyant de fonctionnement du microphone
 Il s'allume quand le sélecteur MIC est réglé sur [ON] et il clignote quand le sélecteur est réglé sur [TALK OVER].

6. Sélection de fonctionnement du microphone (MIC)
OFF :
 Les sons du microphone principal ne sont pas fournis.
ON :
 Les sons du microphone principal sont fournis.
TALK OVER :

Les sons du microphone principal sont fournis. Lorsque des sons supérieurs à -15 dB sont entrés au microphone principal, la fonction TALK OVER agit et la sortie de tous les sons est atténuée de 20 dB, à l'exception de ceux du microphone principal.

Section de contrôle d'entrée des canaux

7. Sélecteur d'entrée de canal 1
SOUND 1 :
 Entrée réservée aux lecteurs CD DJ, prenant en compte la liaison numérique (connecteur mini-DIN).

LINE :
 Connecteur de type téléphonique. (Si un signal monaural est fourni au canal L (gauche) seulement, il sera entré aux deux canaux gauche et droit ou L et R)

CD/LINE :
 Connecteur de type RCA avec entrée de niveau de ligne.

PHONO :
 Connecteur de type RCA avec entrée de niveau phono.

8. Sélecteur d'entrée de canal 2

SOUND 2 :

Entrée réservée aux lecteurs CD DJ, prenant en compte la liaison numérique (connecteur mini-DIN).

LINE :

Connecteur de type téléphonique (Si un signal monaural est fourni au canal L (gauche) seulement, il sera entré aux deux canaux gauche et droit ou L et R).

CD/LINE :

Connecteur de type RCA avec entrée de niveau de ligne.

PHONO :

Connecteur de type RCA avec entrée de niveau phono.

9. Sélecteur d'entrée de canal 3

DIGITAL :

Connecteur de type RCA à entrée numérique par câble coaxial.

LINE :

Connecteur de type téléphonique (Si un signal monaural est fourni au canal L (gauche) seulement, il sera entré aux deux canaux gauche et droit ou L et R).

CD/LINE :

Connecteur de type RCA avec entrée de niveau de ligne.

PHONO :

Connecteur de type RCA avec entrée de niveau phono.

10. Sélecteur d'entrée de canal 4

DIGITAL :

Connecteur de type RCA à entrée numérique par câble coaxial.

LINE :

Connecteur de type téléphonique (Si un signal monaural est fourni au canal L (gauche) seulement, il sera entré aux deux canaux gauche et droit ou L et R).

CD/LINE :

Connecteur de type RCA avec entrée de niveau de ligne.

PHONO :

Connecteur de type RCA avec entrée de niveau phono.

11. Sélecteur d'entrée de canal 5

DIGITAL :

Connecteur de type RCA à entrée numérique par câble coaxial.

SUBMIC :

Connecteur de type téléphonique avec entrée de microphone auxiliaire (monaural).

CD/LINE :

Connecteur de type RCA avec entrée de niveau de ligne.

PHONO :

Connecteur de type RCA avec entrée de niveau phono.

12. Sélecteur d'entrée de canal 6

DIGITAL :

Connecteur de type RCA à entrée numérique par câble coaxial.

SUBMIC :

Connecteur de type téléphonique avec entrée de microphone auxiliaire (monaural).

CD/LINE :

Connecteur de type RCA avec entrée de niveau de ligne.

PHONO :

Connecteur de type RCA avec entrée de niveau phono.

13. Bagues de réglage (TRIM) des canaux 1 à 6

Pour le réglage du niveau d'entrée de chaque canal.

(Plage de réglage : de $-\infty$ à +9 dB. Le réglage approche de 0 dB à mi-distance.)

14. Bagues de réglage des sons aigus d'égaliseur de canal (EQ HI)

Pour ajuster la plage des sons aigus de chaque canal. (Plage de réglage : de -26 dB à +6 dB)

15. Bagues de réglage des sons moyens d'égaliseur de canal (EQ MID)

Pour ajuster la plage des sons moyens de chaque canal. (Plage de réglage : de -26 dB à +6 dB)

16. Bagues de réglage des sons graves d'égaliseur de canal (EQ LOW)

Pour ajuster la plage des sons graves de chaque canal. (Plage de réglage : de -26 dB à +6 dB)

17. Voyants du niveau de canal

Ils affichent le niveau de chaque canal. L'affichage permet un maintien de crête pendant 2 secondes.

18. Boutons/voyants de repérage (CUE) par casque

La source que vous souhaitez surveiller par casque d'écoute est sélectionnée par pression sur le bouton CUE pour RETURN 1, RETURN 2, les canaux 1 à 6 et MASTER. Si plusieurs boutons sont actionnés, les sons sélectionnés sont mixés. Quand un bouton est à nouveau actionné, sa sélection est annulée. Les boutons des sources non choisies s'allument faiblement, tandis que ceux des sources sélectionnées deviennent brillants.

Section de contrôle de fader

19. Bague de réglage de courbe de fader de canal (CURVE ADJUST CH FADER)

Pour le réglage des caractéristiques de la courbe du fader de canal (p. 29).

20. Bague de réglage de courbe du fader croisé (CURVE ADJUST CROSS FADER)

Pour le réglage des caractéristiques de la courbe du fader croisé (p. 29).

21. Sélecteurs/voyants d'affectation du fader croisé (CROSS FADER ASSIGN)

Pour sélectionner vers quel côté du fader croisé la sortie de chaque canal sera dirigée (Si plusieurs canaux sont choisis sur le même côté, la somme combinée sera affectée vers le côté en question).

A :

La sortie du canal est dirigée vers le côté A (côté gauche) du fader croisé. Le voyant A s'allume.

THRU :

La sortie du fader de canal est dirigée vers la sortie principale sans passer par le fader croisé. Les voyants A et B s'éteignent sous deux.

B :

La sortie du canal est dirigée vers le côté B (côté droit) du fader croisé. Le voyant B s'allume.

22. Voyant A d'affectation du fader croisé (A)

S'allume en orange lorsque l'alimentation est fournie.

23. Curseur de fader croisé

Le son, dirigé vers le côté A ou le côté B par le curseur CROSS FADER ASSIGN pour chaque canal, est fourni selon la courbe de fader croisé, définie par la bague CURVE ADJUST (CROSS FADER).

24. Voyant B d'affectation du fader croisé (B)

S'allume en vert lorsque l'alimentation est fournie.

25. Curseur du fader de canal

Pour ajuster le volume de chaque canal.
(Plage de réglage : de $-\infty$ à 0 dB)

La sortie dépend de la courbe de fader de canal, définie par la bague CURVE ADJUST (CH FADER).

Section de contrôle de sortie principale

26. Curseur de fader principal (MASTER)

Pour ajuster le volume de la sortie principale.
(Plage de réglage : de $-\infty$ à 0 dB)

La sortie principale est la combinaison du canal, dont le son a été réglé sur [THRU] par le sélecteur CROSS FADER ASSIGN, avec le son passé par le fader croisé et le son provenant du microphone principal (selon le mode, l'entrée RETURN sera ajoutée elle aussi).

27. Bague de balance principale (MASTER BALANCE)

Pour ajuster la balance des canaux gauche/droit (L/R) de la sortie principale, de la sortie du moniteur de cabine, de la sortie d'enregistrement et de la sortie numérique.

28. Voyants de niveau principal (MASTER LEVEL) (L, R)

Ils affichent les niveaux de sortie du canal gauche (L) et du canal droit (R). Chaque segment assure un maintien de crête de 2 secondes.

29. Bouton /voyant d'isolateur (MASTER ISOLATOR ON)

Il commande la mise en/hors service de la fonction d'isolateur principal. Cette fonction agit sur la sortie principale 1, la sortie principale 2, la sortie du moniteur de cabine, la sortie d'enregistrement et la sortie numérique. S'éteint à la mise hors tension (OFF) et s'allume à la mise sous tension (ON).

30. Bague de réglage des sons aigus MASTER ISOLATOR (HI)

Pour ajuster les sons aigus du signal de sortie principal.
(Plage de réglage : de $-\infty$ à +6 dB)

31. Bague de réglage des sons moyens MASTER ISOLATOR (MID)

Pour ajuster les sons moyens du signal de sortie principal.
(Plage de réglage : de $-\infty$ à +6 dB)

32. Bague de réglage des sons graves MASTER ISOLATOR (LOW)

Pour ajuster les sons graves du signal de sortie principal.
(Plage de réglage : de $-\infty$ à +6 dB)

Section de contrôle du moniteur de cabine

33. Bague de réglage des sons aigus d'égaliseur BOOTH MONITOR (HI)

Pour ajuster les sons aigus du signal de sortie du moniteur de cabine.
(Plage de réglage : de -6 dB à +6 dB)

34. Bague de réglage des sons graves d'égaliseur BOOTH MONITOR (LOW)

Pour ajuster les sons graves du signal de sortie du moniteur de cabine.
(Plage de réglage : de -6 dB à +6 dB)

35. Bague de réglage de niveau du moniteur de cabine (BOOTH MONITOR LEVEL)

Pour ajuster le niveau de la sortie du moniteur de cabine. Réglage possible indépendamment de celui du fader principal.
(Plage de réglage : de $-\infty$ à 0 dB)

Section de sortie de casque d'écoute

36. Sélecteur de sortie du casque (HEADPHONES — MONO SPLIT/STEREO)

MONO SPLIT :

La source audio sélectionnée par le bouton CUE de casque d'écoute est fournie par le canal gauche, tandis que le son principal l'est par le canal droit (Seulement quand MASTER est sélectionné par le bouton CUE de casque d'écoute).

STEREO :

La sortie sélectionnée est fournie en stéréo.

37. Bague de mixage de casque (HEADPHONES MIXING)

Lors d'une rotation dans le sens horaire (vers MASTER), le son de sortie principale est fourni (seulement quand MASTER est sélectionné par le bouton CUE de casque). Lors d'une rotation dans le sens antihoraire (vers CUE), la sortie sonore sera un mélange du son provenant du canal sélectionné par la bouton CUE de casque et du son provenant de l'effecteur externe (RETURN).

38. Bague de réglage du niveau au casque (HEADPHONES LEVEL)

Pour ajuster le volume de sortie du connecteur de casque.
(Plage de réglage : de $-\infty$ à 0 dB)

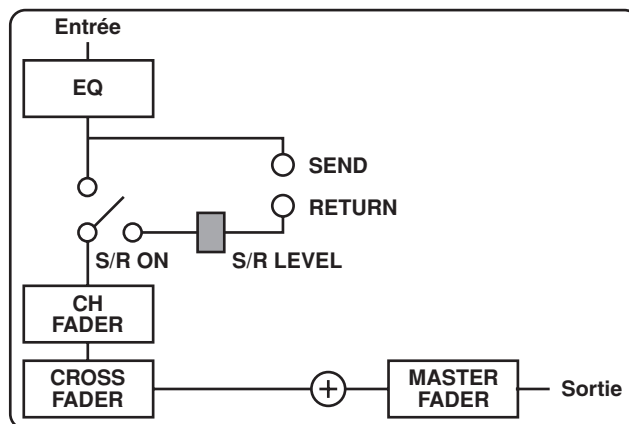
39. Fiche de casque d'écoute (PHONES)

Section SEND/RETURN

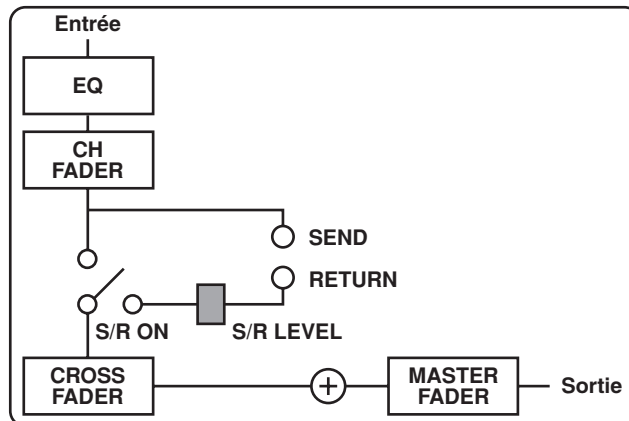
40. Sélecteurs de type SEND/RETURN

Ils permettent de choisir entre l'étage d'envoi (SEND) et l'étage d'entrée (RETURN) des signaux, lors du branchement à un effecteur externe (p. 30).

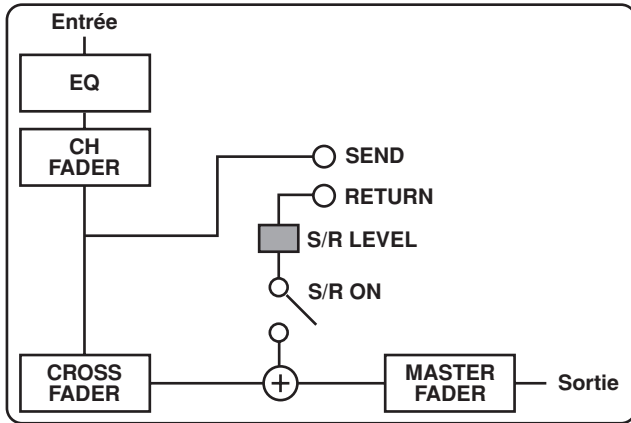
[Type à pré-insertion]



[Type de post-insertion]



[Type AUX]



41. Sélecteurs de canal SEND

Pour la sélection des sons transmis depuis MIC, les canaux 1 à 6 et MASTER.

42. Bagues de réglage de niveau d'entrée RETURN (LEVEL)

Pour ajuster le niveau du signal retourné.
(Plage de réglage : de $-\infty$ à +6 dB)

43. Boutons/voyants SEND/RETURN (ON)

Ils servent à la mise en/hors service du fonctionnement SEND/RETURN du type sélectionné sur le canal choisi. Le voyant s'allume quand une fiche est insérée dans le connecteur RETURN, ou quand un composant acceptant la liaison numérique est raccordé au connecteur EFX. Si le bouton est actionné quand le voyant est allumé, la fonction est activée (ON) et le voyant clignote. Lorsque le voyant est allumé (ON), le signal d'entrée au connecteur RETURN est activé. Si un composant à liaison numérique est raccordé au connecteur EFX, le composant à liaison numérique (signal numérique) obtient la priorité.

Section d'activation/désactivation de fonction de liaison

44. Bouton/voyant VISUAL LINK (V)

Quand un câble de liaison numérique (connecteur mini-DIN) est utilisé pour raccorder un mixeur/mélangeur vidéo de PIONEER, acceptant la liaison numérique, le fader croisé du mixeur vidéo peut être utilisé au moyen du fader croisé du DJM-1000.

Le voyant s'allume quand la fonction est activée (ON).

45. Boutons SOUND LINK 1, 2 (SOUND 1, 2)/voyant (S1, 2)

Si cet appareil est raccordé via une liaison numérique à un effecteur DJ de PIONEER acceptant la liaison numérique (EFX-1000) et qu'un lecteur de CD DJ de PIONEER acceptant la liaison numérique est également raccordé par un câble de liaison numérique (à connecteur mini DIN), le réglage de ces boutons sur ON activera les fonctions de synchronisation BPM.

Le voyant s'allume quand la fonction est activée (ON).

46. Boutons de liaison (LINK) d'effecteur 1, 2 (EFX 1, 2)/Voyant (E 1, 2)

Si vous utilisez un câble de liaison numérique (à connecteur mini DIN) pour raccorder cet appareil à un effecteur DJ de PIONEER acceptant la liaison numérique (EFX-1000), le réglage de ces boutons sur ON activera les fonctions d'effet de fondu.

Le voyant s'allume quand la fonction est activée (ON).

Section de marche/arrêt de fader

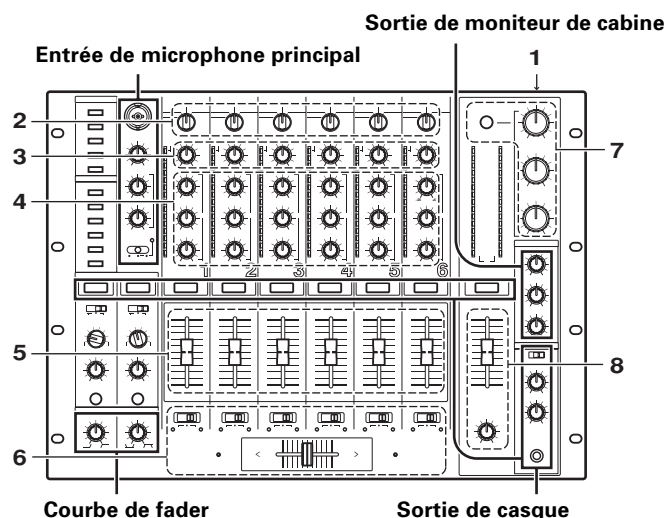
47. Boutons/voyants d'activation de fader (FADER START CH-1 à 6)

Quand les sélecteurs CROSS FADER ASSIGN de chaque canal sont utilisés pour sélectionner [A] ou [B], la fonction de marche/arrêt du fader croisé du lecteur CD DJ de ce canal est mise en/hors service.

Quand [THRU] est choisi par le sélecteur CROSS FADER ASSIGN de chaque canal, la fonction de marche/arrêt du fader de canal pour le lecteur CD DJ de ce canal est mise en/hors service. Le bouton de chaque canal s'allume quand la fonction de marche/arrêt du fader est en service et il s'éteint quand cette fonction est hors service.

UTILISATION

DÉMARCHES DE BASE



1. Allumez (sur ON) l'interrupteur POWER prévu sur le panneau arrière (panneau de connexion).
2. Réglez les sélecteurs d'entrée pour les canaux utilisés aux périphériques raccordés à ces canaux.
3. Utilisez la bague TRIM pour ajuster le niveau d'entrée.
4. Ajustez la tonalité au moyen des bagues EQ (HI, MID, LOW).
5. Ajustez le niveau du canal au moyen du curseur de fader de canal.
6. Lors d'un fader croisé entre des canaux, servez-vous du sélecteur CROSS FADER ASSIGN pour choisir entre le canal [A] et le canal [B] du fader croisé et agissez sur le fader croisé.
 - Si vous n'utilisez pas le fader croisé, choisissez [THRU] au moyen des sélecteurs CROSS FADER ASSIGN.
7. À l'emploi de l'isolateur, allumez (ON) le bouton MASTER ISOLATOR et ajustez le niveau de chaque bande passante au moyen des bagues MASTER ISOLATOR (HI, MID, LOW).
 - Le bouton MASTER ISOLATOR s'allume à la mise en service (ON).
8. Utilisez le curseur de fader MASTER pour ajuster le volume d'ensemble et ajustez la balance du volume gauche et droit au moyen de la bague MASTER BALANCE.

[Entrée de microphone principal]

1. A l'emploi du microphone principal, réglez le sélecteur MIC sur [ON] ou sur [TALK OVER].
 - Lors d'un réglage sur [TALK OVER], la sortie de tous les sons, à l'exception de ceux du microphone principal, est atténuée de 20 dB quand des sons supérieurs à -15 dB sont fournis à l'entrée du microphone principal.
2. Ajustez le volume au moyen de la bague MIC LEVEL et ajustez la tonalité au moyen des bagues MIC EQ (HI, LOW).

[Sortie du moniteur de cabine]

1. Ajustez le volume au moyen de la bague BOOTH MONITOR (LEVEL).
 - Le volume peut s'ajuster par la bague BOOTH MONITOR (LEVEL), indépendamment du réglage du curseur de fader MASTER.
2. Ajustez la tonalité au moyen de la bague BOOTH MONITOR (HI - "sons aigus") et de la bague BOOTH MONITOR (LOW - "sons graves").

[Sortie de casque d'écoute]

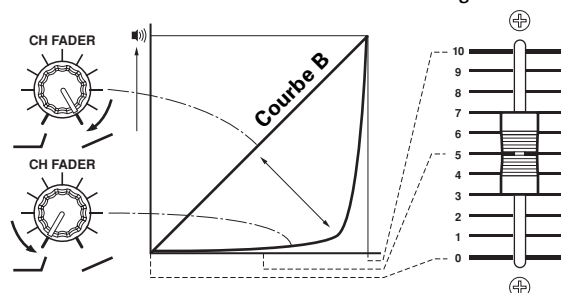
1. Choisissez la source par le bouton CUE de casque (canal 1 à 6, MASTER, RETURN 1, RETURN 2).
 - Le bouton CUE de casque choisi s'allume clairement.
2. Utilisez le sélecteur HEADPHONES (MONO SPLIT/STEREO) pour choisir le format de la sortie audio.
 - Quand [MONO SPLIT] est choisi, le son choisi par le bouton CUE sera fourni par le canal gauche et le son principal (validé seulement quand le bouton CUE pour le son MASTER est allumé) sera fourni par le canal droit.
 - Quand [STEREO] est choisi, le son choisi par le bouton CUE sera fourni en stéréo.
3. Quand [MONO SPLIT] est choisi, utilisez la bague HEADPHONES (MIXING) pour ajuster la balance entre le canal gauche (choisi par le bouton CUE de casque) et le canal droit (son principal - pris en compte uniquement quand le bouton CUE de casque pour MASTER est allumé).
 - Lors d'une rotation dans le sens horaire (vers MASTER), la sortie principale (uniquement quand le bouton CUE pour MASTER est allumé) sera fournie; lors d'une rotation antihoraire (vers CUE), le son choisi par le bouton CUE sera fourni.
4. Ajustez le volume du casque d'écoute par la bague HEADPHONES (LEVEL).

RÉGLAGES DE LA COURBE DE FADER

Il est possible d'ajuster les caractéristiques du volume sonore en fonction du mouvement du curseur de fader.

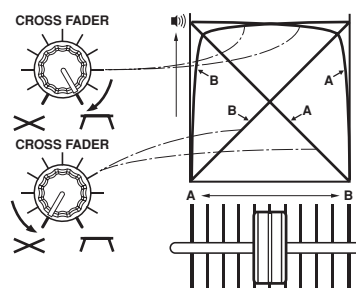
■ Tournez la bague CURVE ADJUST (CH FADER) et ajustez les caractéristiques de courbe du fader de canal.

- Lors d'une rotation complète vers la droite, une remontée du potentiomètre fait changer le volume d'une façon presque linéaire (équivalent à une courbe B).
- Lors d'une rotation complète vers la gauche, la courbe de volume change de sorte que le volume sonore augmente lentement jusqu'à ce que le potentiomètre soit remonté presque à fond.
- La courbe de tous les canaux de 1 à 6 change en même temps.



■ Tournez la bague CURVE ADJUST (CROSS FADER) et ajustez les caractéristiques de courbe du fader croisé.

- Lors d'une rotation complète vers la droite, le fader croisé devient une courbe à montée abrupte sur laquelle le mouvement du potentiomètre d'un côté provoque une apparition instantanée du son sur le côté opposé.
- Lors d'une rotation complète vers la gauche, le fader croisé devient une courbe de changement de volume presque linéaire.
- Les courbes des côtés A et B changent d'un coup.



FONCTION DE DÉPART EN FONDU

En faisant appel à un câble de commande pour raccorder l'appareil à un lecteur CD de PIONEER, la lecture peut être déclenchée sur le lecteur CD au moyen des fonctions de fader de canal ou de fader croisé (si une connexion à liaison numérique est effectuée, l'emploi d'un câble de commande devient superflu).

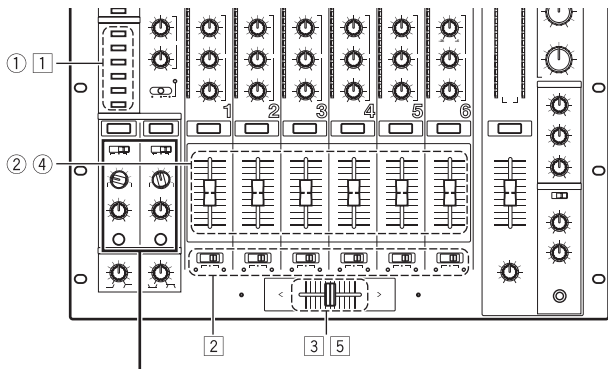
La fonction de pause du lecteur CD est annulée quand le curseur du fader de canal ou le curseur de fader croisé du mixeur est déplacé et la lecture de la plage commence automatiquement et à l'instant. En outre, en ramenant le potentiomètre à sa position antérieure, la lecture du CD peut être ramenée au point de repère (retour au point de repère) de sorte qu'une lecture semblable à celle d'un échantillonneur est possible.

[Lecture à départ en fondu croisé et lecture à retour au point de repère]

Pendant une pause au point de repère sur le lecteur CD affecté au canal A du fader croisé, un déplacement du curseur de fader croisé du côté droit (vers B) vers le côté gauche (vers A) a pour effet que le lecteur CD raccordé au canal A commence la lecture.

Quand le curseur du fader croisé atteint le côté gauche (côté A), le lecteur CD affecté au canal B revient au point de repère (retour au point de repère). Quand le lecteur CD affecté au canal B est en mode d'attente au point de repère, le déplacement du curseur de fader croisé du côté gauche (côté A) vers le côté droit (côté B), a pour effet de commencer la lecture sur le lecteur CD affecté au canal B. Quand le curseur de fader croisé atteint le côté droit (côté B), le lecteur CD affecté au canal A revient au point de repère.

* Le retour au point de repère se produit même si le sélecteur d'entrée n'est pas réglé sur [CD/LINE].



Effecteur externe

[Lancement de la lecture par le fader de canal]

1 Appuyez sur le bouton FADER START pour le canal (CH-1 à 6) raccordé au lecteur CD que vous voulez contrôler.

- Le bouton du canal sélectionné s'allume.

2 Déplacez le curseur du fader de canal à la position [0].

3 Réglez le point de repère sur le lecteur CD et placez celui-ci en mode Attente au point de repère.

- Si un point de repère a déjà été posé, le lecteur CD ne doit pas être placé en mode Attente au point de repère.

4 Déplacez le curseur du fader de canal au moment souhaité pour lancer la lecture.

- Le lecteur CD commence la lecture.
- Une fois que la lecture a commencé, le déplacement du curseur du fader de canal à [0] fait que le lecteur CD revient au point de repère et qu'il s'y place en mode Attente (retour au point de repère).

* Le fondu de canal est activé pour le contrôle seulement quand le sélecteur CROSS FADER ASSIGN est réglé sur [THRU].

[Lancement de la lecture par fader croisé]

1 Appuyez sur le bouton FADER START pour le canal (CH-1 à 6) raccordé au lecteur CD que vous voulez contrôler.

- Le bouton du canal sélectionné s'allume.

2 Réglez le sélecteur CROSS FADER ASSIGN du canal sélectionné sur [A] ou sur [B].

- Lors d'une affectation au canal A (côté gauche) du fader croisé, réglez sur [A].
- Lors d'une affectation au canal B (côté droit) du fader croisé, réglez sur [B].

3 Déplacez le curseur du fader croisé aussi loin que possible vers le côté opposé au canal que vous voulez commencer.

4 Réglez le point de repère sur le lecteur CD et réglez celui-ci en mode Attente au point de repère.

- Si un point de repère a déjà été posé, le lecteur CD ne doit pas être placé en mode Attente au point de repère.

5 Déplacez le curseur du fader croisé au moment souhaité pour lancer la lecture.

- Le lecteur CD commence la lecture.
- Une fois que la lecture a commencé, en déplaçant le curseur de fader croisé à fond, le lecteur CD affecté au côté opposé reviendra au point de repère et il s'y placera en mode Attente (retour au point de repère).

* Il se peut que la fonction de mise en marche à fondu n'agisse pas correctement si seules les connexions numériques sont réalisées. Dans ce cas, branchez également les connecteurs analogiques du lecteur CD.

UTILISATION D'EFFECTEURS EXTERNES

Au besoin, deux effecteurs peuvent être raccordés.

1. Utilisez le sélecteur de canal SEND pour choisir la source à transmettre à l'effecteur.

- Sélectionnez parmi [MIC], canal de [1] à [6] et [MASTER].

2. Servez-vous du sélecteur SEND/RETURN pour choisir l'étage auquel l'effecteur sera raccordé.

- Lorsque le canal de transmission est réglé sur [MIC], la commutation [INSERT] et [AUX] seule est validée à partir du même point pour [PRE] et [POST]. Si le canal transmis est réglé sur [MASTER], seul [INSERT] sera validé.

PRE INSERT :

Sortie d'égaliseur, envoyée avant le fader croisé et ramenée au même point.

POST INSERT :

Sortie de fader de canal, envoyée avant l'affectation du fader croisé, et ramenée au même point.

AUX :

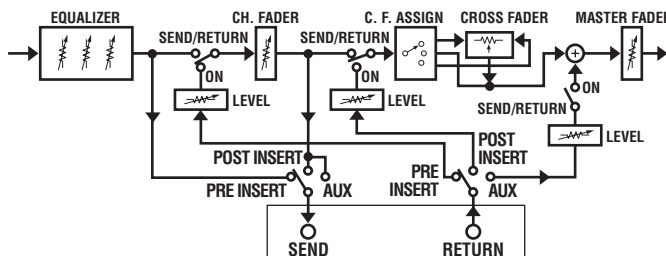
Sortie de fader de canal, envoyée avant l'affectation de fader croisé et ramenée au point avant le fader principal, puis ajoutée à une autre sortie. Le son original, qui a été envoyé sera aussi transmis par l'affectation du fader croisé et il sera ajouté.

3. Réglez le bouton SEND/RETURN sur ON.

- Le bouton SEND/RETURN clignote.

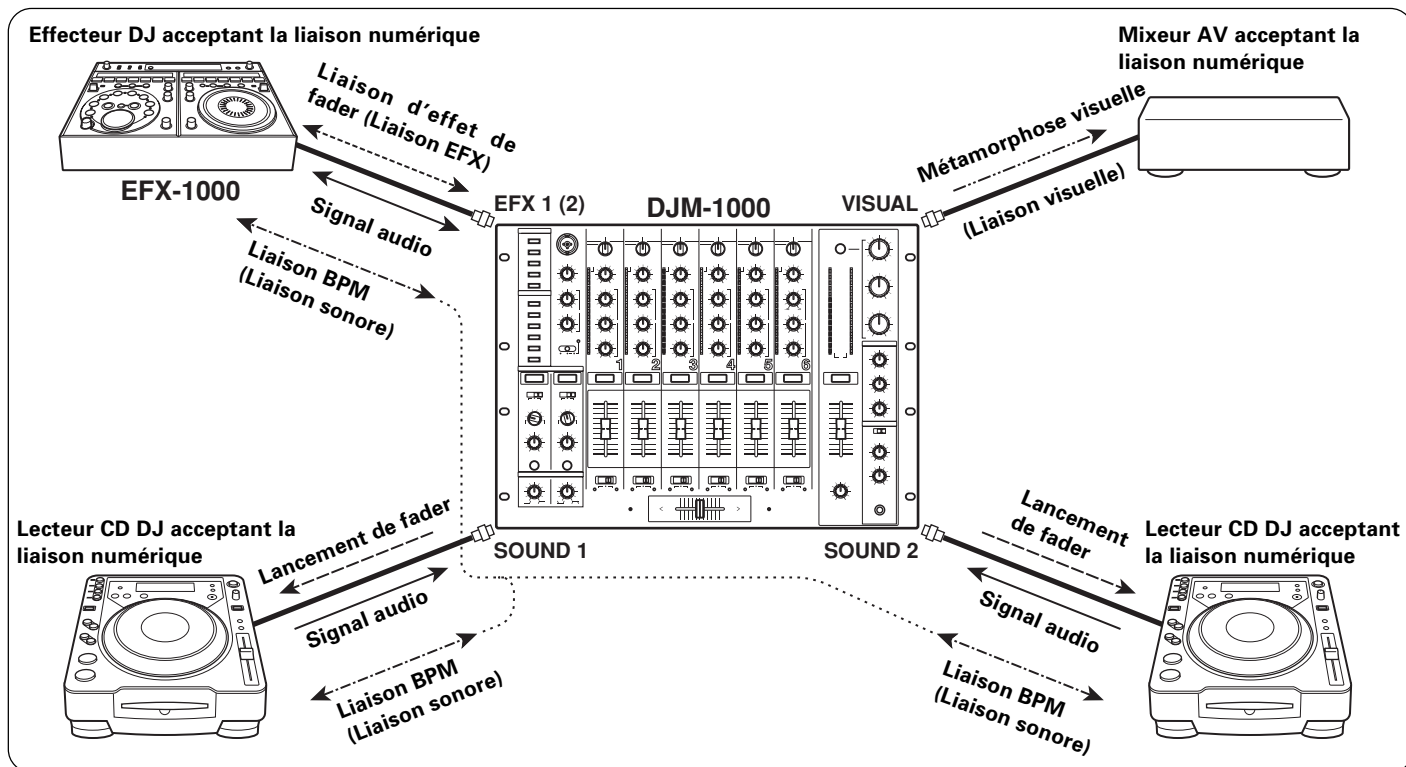
4. Ajustez le volume de RETURN au moyen de la bague RETURN (LEVEL).

Position			
Source	PRE POST AUX └─INSERT─┘	PRE POST AUX └─INSERT─┘	PRE POST AUX └─INSERT─┘
MIC	INSERT		
CH-1 — CH-6	PRE	POST	AUX
MASTER	INSERT		



FONCTION DE LIAISON NUMÉRIQUE

Schéma de système à liaison



Connexions à liaison numérique pour le EFX-1000

Utilisez un câble de liaison numérique pour raccorder un effecteur DJ de PIONEER (EFX-1000) sur les connecteurs EFX 1 ou 2 de cet appareil.

Cette liaison fournit une connexion numérique à haute fidélité et elle permet l'emploi des fonctions des effets du EFX-1000.

Après la connexion, les démarches sont les mêmes que celles indiquées sous "UTILISATION D'EFFECTEURS EXTERNES" (p. 30). Si les connecteurs SEND/RETURN (câble à prise téléphonique) sont branchés simultanément, la connexion d'entrée/sortie à liaison EFX (par le câble de liaison numérique) obtiendra automatiquement la priorité.

Pour plus de renseignements sur les réglages, consultez le Mode d'emploi du EFX-1000.

Liaison d'effet de fondu (Liaison EFX)

Lorsque les connexions ci-dessus sont réalisées, le déplacement du curseur de fader de canal produit les mêmes effets que lors de l'utilisation de la bague jog du EFX-1000.

- Réglez l'interrupteur de jog numérique du EFX-1000 sur ON.
- Servez-vous des sélecteurs de canal SEND pour choisir le canal à utiliser pour les effets de fondu (vous pouvez choisir le canal de [1] à [6]).
- Réglez les boutons LINK d'effecteur (EFX 1, 2) sur ON.
 - Les boutons LINK d'effecteur s'allument.

Remarque: Le volume sonore du canal sélectionné deviendra le même que celui réglé par le fader de canal maximum; par conséquent, faites votre choix après avoir vérifié le niveau du son obtenu lorsque le fader de canal est réglé.

- Réglez le bouton SEND/RETURN sur ON.
 - Le bouton SEND/RETURN clignote.
- Actionnez le fader pour le canal sélectionné.
 - Le compteur de coupure de jog numérique (EFX-1000) et le son changent en fonction de la position du fader de canal.
 - Si le réglage du sélecteur de canal SEND est modifié, la liaison d'effet de fondu est annulée et le voyant du bouton LINK d'effecteur s'éteint.

Connexions à liaison numérique pour un lecteur CD DJ à liaison numérique

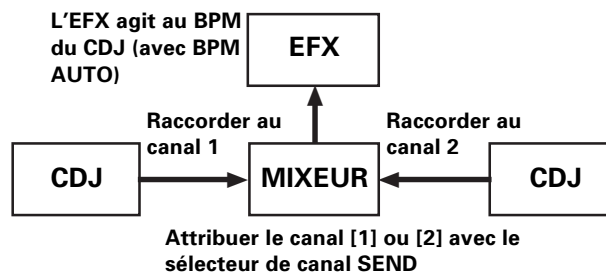
Vous pouvez utiliser un câble à liaison numérique pour raccorder un lecteur CD DJ à liaison numérique sur les connecteurs SOUND 1, 2 de cet appareil.

Cette liaison fournit une connexion numérique à haute fidélité pour le mixage de sons provenant du lecteur CD DJ.

La fonction de mise en marche à fondu est également validée grâce à cette seule liaison numérique.

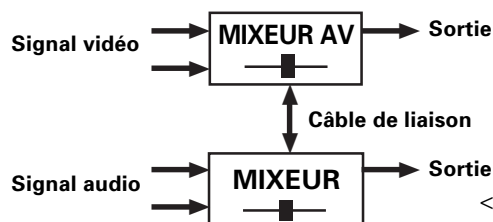
Liaison BPM (Liaison sonore)

Si un câble de liaison numérique est utilisé pour raccorder un lecteur CD DJ aux connecteurs SOUND 1, 2 et que l'effecteur DJ EFX-1000 est raccordé via un câble à liaison numérique aux connecteurs EFX 1 ou 2, les effets peuvent être ajoutés selon une valeur BPM plus précise, mesurée avec le lecteur CD DJ.



Métamorphose visuelle (Liaison visuelle)

Quand un câble de liaison numérique est utilisé pour raccorder le connecteur VISUAL du mixeur DJ à un mixeur AV, prenant en compte la liaison numérique (la fonction de liaison étant activée), le fondu croisé du mixeur AV peut être actionné automatiquement en liaison avec le fondu croisé du mixeur DJ, ce qui permet de modifier les sons et les images en même temps.



DÉPANNAGE

De fausses manipulations sont souvent prises pour des pannes et des dysfonctionnements. Si vous croyez que ce composant a un problème, vérifiez les points du tableau suivant. Parfois le problème est ailleurs, dans un autre composant. Vérifiez donc les autres appareils utilisés avec celui-ci.

Si le problème persiste, même après vérification des points énumérés ci-dessous, contactez votre revendeur ou votre centre de service après-vente PIONEER le plus proche.

Problème	Cause possible	Correction proposée
L'appareil ne se met pas sous tension.	<ul style="list-style-type: none"> Le cordon d'alimentation n'est pas branché. 	<ul style="list-style-type: none"> Branchez le cordon sur une prise du secteur.
Le son est faible ou inaudible.	<ul style="list-style-type: none"> Le sélecteur d'entrée n'est pas à la bonne position. Le câble de connexion n'a pas été correctement branché ou il est débranché. Le connecteur ou la fiche est souillé. La bague MASTER ATT. du panneau arrière est réglée trop bas ([-12 dB], etc.) 	<ul style="list-style-type: none"> Sélectionnez un appareil en cours de lecture au moyen du sélecteur d'entrée. Raccordez correctement le câble. Nettoyez et reconnectez. Ajustez la bague MASTER ATT. sur le panneau arrière.
Le son est distordu.	<ul style="list-style-type: none"> Le niveau de sortie principale est trop élevé. Le niveau d'entrée est trop élevé. 	<ul style="list-style-type: none"> Ajustez la bague MASTER ATT. sur le panneau arrière. Ajustez la bague TRIM de sorte que le niveau d'entrée approche 0 dB sur les voyants de l'indicateur de niveau CHANNEL LEVEL.
Le fondu croisé ne fonctionne pas.	<ul style="list-style-type: none"> Le réglage (sur [A], [THRU] ou [B]) du sélecteur CROSS FADER ASSIGN n'est pas correct. 	<ul style="list-style-type: none"> Régalez correctement le sélecteur CROSS FADER ASSIGN du canal où vous voulez un fondu croisé.
Le départ en fondu du lecteur CD ne marche pas.	<ul style="list-style-type: none"> Le sélecteur de départ en fondu est désactivé (réglé sur OFF). Le connecteur CONTROL sur le panneau arrière du lecteur n'est pas branché. 	<ul style="list-style-type: none"> Activez (réglez sur ON) le sélecteur de départ en fondu. Utilisez le câble de commande pour raccorder l'appareil et le lecteur CD.
Le son d'un effecteur externe est distordu.	<ul style="list-style-type: none"> Le niveau d'entrée provenant de l'effecteur externe est trop élevé. 	<ul style="list-style-type: none"> Abaissez le niveau de sortie de l'effecteur externe ou ajustez le niveau de retour au moyen de la bague RETURN (LEVEL).
L'effecteur externe ne fonctionne pas.	<ul style="list-style-type: none"> Le bouton SEND/RETURN est désactivé (OFF). L'effecteur n'est pas raccordé au connecteur RETURN ou au connecteur EFX situé sur le panneau arrière. Le réglage du sélecteur de canal SEND n'est pas correct. 	<ul style="list-style-type: none"> Activez (ON) le bouton SEND/RETURN. Raccordez l'effecteur soit sur le connecteur SEND/RETURN, soit sur les connecteurs EFX 1 ou EFX 2 du panneau arrière. Au moyen du sélecteur de canal SEND, sélectionnez la source à laquelle vous souhaitez appliquer des effets.
La fonction de liaison n'agit pas.	<ul style="list-style-type: none"> Un périphérique prenant en compte la liaison numérique n'est pas raccordé aux connecteurs de liaison numérique (EFX 1, EFX 2, SOUND 1, SOUND 2, VISUAL) du panneau arrière. 	<ul style="list-style-type: none"> Utilisez un câble de liaison numérique pour raccorder le DJM-1000 à un périphérique pris en compte.

Il se peut que l'appareil ne fonctionne pas normalement à cause de l'électricité statique ou d'autres interférences externes. Mettez l'appareil hors et sous tension afin de rétablir des conditions de fonctionnement normales.

Vérifiez les points suivants si la connexion à liaison n'est pas établie correctement :

Voyants ATTENTION	Signification	Correction
Chaque voyant de liaison clignote deux fois.	Des composants non pris en compte sont raccordés aux connecteurs d'entrée/sortie de liaison.	Vérifiez les branchements aux connecteurs d'entrée/sortie de liaison.
Chaque voyant de liaison clignote trois fois.	Les connecteurs de liaison d'un seul DJM-1000 sont raccordés ensemble, ou les connecteurs de liaison de deux DJM-1000 sont raccordés ensemble.	Vérifiez les branchements.
Chaque voyant de liaison clignote quatre fois.	Une erreur de communication s'est produite aux connecteurs d'entrée/sortie de liaison.	Vérifiez les branchements et les câbles de connexion.

FICHE TECHNIQUE

1. Données d'ordre général

Tension d'alimentation	Secteur 220-240 V, 50/60 Hz
Consommation électrique	62 W
Température de fonctionnement	De +5 à +35°C
Humidité de fonctionnement	De 5 à 85 % (sans condensation)
Poids	12,1 kg
Dimensions externes	482 x 363,5 x 187,5 mm (L x P x H)

2. Section audio

Taux d'échantillonnage	96 kHz
Convertisseur A/N, N/A	24 bits
Réponse de fréquence	De 20 Hz à 20 kHz
Rapport S/B (à déviation maximale)	
LINE	104 dB
PHONO	88 dB
MIC	84 dB
Distorsion (LINE-MASTER 1)	0,005%
Latence	19 dB
Niveau d'entrée	
PHONO	-52 dBu (47 kΩ)
MIC, SUBMIC	-52 dBu (3 kΩ)
CD/LINE, LINE	-12 dBu (22 kΩ)
RETURN	-12 dBu (22 kΩ)
Niveau de sortie	
MASTER 1	+2 dBu (600 Ω)
MASTER 2	+2 dBu (10 kΩ)
REC	-8 dBu (10 kΩ)
BOOTH	+2 dBu (600 Ω)
SEND	-12 dBu (10 kΩ)
PHONES	+8,5 dBu (32 Ω)
Diaphonie (LINE)	88 dB
Canaux	6
Égaliseur de canal	
HI	De -26 à +6 dB (13 kHz)
MID	De -26 à +6 dB (1 kHz)
LOW	De -26 à +6 dB (70 Hz)
Égaliseur de microphone	
HI	De -6 à +6 dB (10 kHz)
LOW	De -6 à +6 dB (100 Hz)
Égaliseur de moniteur de cabine	
HI	De -6 à +6 dB (10 kHz)
LOW	De -6 à +6 dB (100 Hz)

3. Connecteurs d'entrée / sortie

Connecteurs d'entrée PHONO	
Prise à broche RCA	6
Connecteurs d'entrée CD/LINE, LINE	
Prise à broche RCA	6
Prise téléphonique (ø 6,3 mm)	4
Connecteurs d'entrée MIC, SUBMIC	
Connecteur XLR/ Prise téléphonique (ø 6,3 mm)	1
Prise téléphonique (ø 6,3 mm)	2
Connecteurs d'entrée coaxiale DIGITAL	
Prise à broche RCA	4
Connecteurs d'entrée RETURN	
Prise téléphonique (ø 6,3 mm)	2
Connecteur de sortie MASTER	
Connecteur XLR	1
Prise à broche RCA	1
Connecteur de sortie BOOTH	
Prise à broche RCA	1
Connecteur de sortie REC	
Prise à broche RCA	1
Connecteurs de sortie SEND	
Prise téléphonique (ø 6,3 mm)	2
Connecteur de sortie coaxiale DIGITAL	
Prise à broche RCA	1
Connecteurs de liaison numérique (EFX 1, 2, SOUND 1, 2, VISUAL)	
Prise mini-DIN	5
Connecteur MIDI OUT	
Prise DIN à 5 broches	1

4. Accessoires

Mode d'emploi	1
Cordon d'alimentation	1

Pour des raisons d'amélioration, les caractéristiques techniques et la conception peuvent faire l'objet de modifications sans préavis.

Wir danken Ihnen für den Kauf dieses Pioneer-Produkts.

Lesen Sie sich bitte diese Bedienungsanleitung durch. Dann wissen Sie, wie Sie Ihr Gerät richtig bedienen. Bewahren Sie sie an einem sicheren Platz auf, um auch zukünftig nachschlagen zu können.

In manchen Ländern oder Verkaufsgebieten weichen die Ausführungen von Netzstecker oder Netzsteckdose u.U. von den in den Abbildungen gezeigten ab; die Anschluß- und Bedienungsverfahren des Gerätes sind jedoch gleich. K015 Ge

WICHTIG



Das Blitzsymbol in einem Dreieck weist den Benutzer darauf hin, dass eine Berührungsgefahr mit nicht isolierten Teilen im Geräteinneren, die eine gefährliche Spannung führen, besteht. Die Spannung kann so hoch sein, dass sie die Gefahr eines elektrischen Schlages birgt.

CAUTION

RISK OF ELECTRIC SHOCK
DO NOT OPEN

ACHTUNG:
UM SICH NICHT DER GEFAHR EINES ELEKTRISCHEN SCHLAGES AUSZusetzen, DÜRFEN SIE NICHT DEN DECKEL (ODER DIE RÜCKSEITE) ENTFERNEN. IM GERÄTEINNEREN BEFINDEN SICH KEINE VOM BENUTZER REPARIERBAREN TEILE. ÜBERLASSEN SIE REPARATUREN DEM QUALIFIZIERTEN KUNDENDIENST.



Ein Ausrufezeichen in einem Dreieck weist den Benutzer auf wichtige Bedienungs- und Wartungsanweisungen in den Dokumenten hin, die dem Gerät beiliegen.

D3-4-2-1-1_Ge

VORSICHT MIT DEM NETZKABEL

Fassen Sie das Netzkabel immer am Stecker. Ziehen Sie nicht am Kabel selbst, und fassen Sie das Netzkabel niemals mit nassen Händen an, da dies einen Kurzschluss oder elektrischen Schlag verursachen kann. Stellen Sie nicht das Gerät, Möbelstücke o.ä. auf das Netzkabel; sehen Sie auch zu, dass es nicht eingeklemmt wird. Machen Sie niemals einen Knoten in das Netzkabel, und binden Sie es nicht mit anderen Kabeln. Das Netzkabel sollte so gelegt werden, dass niemand darauf tritt. Ein beschädigtes Netzkabel kann einen Brand oder elektrischen Schlag verursachen. Prüfen Sie das Netzkabel von Zeit zu Zeit. Sollte es beschädigt sein, wenden Sie sich an Ihre nächste autorisierte PIONEER-Kundendienststelle oder Ihren Händler, um es zu ersetzen.

5002_Ge

WARNUNG

Dieses Gerät ist nicht wasserdicht. Zur Vermeidung der Gefahr von Brand und Stromschlag keine Behälter mit Flüssigkeiten (z.B. Blumenvasen und -töpfe) in die Nähe des Gerätes bringen und dieses vor Tropfwasser, Spritzwasser, Regen und Nässe schützen.

D3-4-2-1-3_A_Ge

WARNUNG

Vor dem erstmaligen Anschluss des Gerätes an das Stromnetz bitte den folgenden Hinweis sorgfältig beachten.

Die Netzspannung ist je nach Land verschieden. Vor der Inbetriebnahme des Gerätes sicherstellen, dass die örtliche Netzspannung mit der auf dem Typenschild an der Rückwand des Gerätes angegebenen Nennspannung (z.B. 230 V oder 120 V) übereinstimmt.

D3-4-2-1-4_A_Ge

WARNUNG

Keine Quellen offener Flammen (z.B. eine brennende Kerze) auf dieses Gerät stellen.

D3-4-2-1-7a_A_Ge

VORSICHTSHINWEIS ZUR BELÜFTUNG

Bei der Aufstellung dieses Gerätes muss für einen ausreichenden Freiraum gesorgt werden, um eine einwandfreie Wärmeabfuhr zu gewährleisten (mindestens 5 cm hinter dem Gerät und jeweils 3 cm an der Seite des Gerätes).

WARNUNG

Im Gerätegehäuse sind Ventilationsschlitze und andere Öffnungen vorgesehen, die dazu dienen, eine Überhitzung des Gerätes zu verhindern und einen zuverlässigen Betrieb zu gewährleisten. Um Brandgefahr auszuschließen, dürfen diese Öffnungen auf keinen Fall blockiert oder mit Gegenständen (z.B. Zeitungen, Tischdecken und Gardinen) abgedeckt werden, und das Gerät darf beim Betrieb nicht auf einem dicken Teppich oder Bett aufgestellt sein.

D3-4-2-1-7b_A_Ge

Betriebsumgebung

Betriebstemperatur und Betriebsluftfeuchtigkeit:

5 °C bis 35 °C, 85 % rel. Feuchte max.

(Ventilationsschlitze nicht blockiert)

Eine Aufstellung dieses Gerät an einem unzureichend belüfteten, sehr feuchten oder heißen Ort ist zu vermeiden, und das Gerät darf weder direkter Sonneneinstrahlung noch starken Kunstlichtquellen ausgesetzt werden.

D3-4-2-1-7c_A_Ge

Dieses Produkt entspricht den

Niederspannungsrichtlinien (73/23/EEC, geändert durch 93/68/EEC), den EMV-Richtlinien (89/336/EEC, geändert durch 92/31/EEC und 93/68/EEC). D3-4-2-1-9a_Ge

MERKMALE

① Hohe Klangqualität

Analoge Signale werden über den kürzest möglichen Weg übertragen und von einem hochwertigen, mit einer Abtastfrequenz von 96 kHz und 24 Bit arbeitenden A/D-Wandler in Digitalsignale umgewandelt, so dass die Signale in einem optimalen Zustand an die digitale Mischstufe geleitet werden.

Dank Einsatz eines 32-Bit-DSP erfolgt der Mischvorgang ohne die geringste Beeinträchtigung der Klangqualität, und in Verbindung mit einer gleichzeitig ausgeführten idealen Filterung der Signale wird der von Profi-Diskjockeys in Clubs benötigte optimale Klang erzeugt.

Um die volle Leistungsmöglichkeit dieses hochwertigen Schaltungsaufbaus auszuschöpfen, wurde der Perfektionierung der Klangqualität die größte Aufmerksamkeit gewidmet. Dazu wurde dieses Mischpult mit einem hochsteifen Chassis zur Unterdrückung von mechanischen Schwingungen, die den Klang beeinträchtigen können, sowie mit einem Hochleistungs-Netzteil einschließlich eines R-Kern-Transformators ausgestattet, der die Klangqualität der Bässe verbessert. Auf diese Weise wird ein sauber definierter, satter Klang erhalten, der für Club-Darbietungen ideal geeignet ist.

② 3-Band-Isolator

Der eingebaute 3-Band-Isolator ermöglicht eine Pegelregelung innerhalb des Bereichs von +6 dB bis $-\infty$ auf jedem Frequenzband.

Die scharfe Trennung der einzelnen Frequenzbänder bietet dem Diskjockey vielseitige Möglichkeiten bei der Realisierung neuartiger Effekte in seinen Darbietungen.

③ 2-System-, 3-Typ-SEND/RETURN-Schaltung

Eine 2-System-, 3-Typ-SEND/RETURN-Schaltung (PRE INSERT/POST INSERT/AUX) ist vorgesehen, um den gleichzeitigen Anschluss verschiedener externer Geräte, z.B. Effektgeräte und Sampler, zu ermöglichen, wodurch die Ausdrucksmöglichkeiten bei der DJ-Wiedergabe beträchtlich erweitert werden.

④ Einstellung der Faderhebel-Dämpfungskurve

Diese neue Funktion gestattet eine Einstellung der Dämpfungskurve nicht nur des Kreuz-Faderhebels (wie bei früheren Modellen), sondern auch der Kanal-Faderhebel.

Da die Dämpfungskurve beider Arten von Faderhebeln in 17 Stufen einstellbar ist, kann sie benutzerspezifisch eingerichtet werden.

⑤ Digital-Eingang/Ausgang

Unter Verwendung der digitalen Eingangsbuchsen, die für die drei verfügbaren Abtastfrequenzen (44,1 kHz, 48 kHz und 96 kHz) separat vorgesehen sind, lässt sich eine Anlage zusammenstellen, bei der keinerlei Beeinträchtigung der Klangqualität auftritt, wen externe Digitalkomponenten angeschlossen werden.

Zusätzlich verfügt dieses Gerät über eine Digital-Ausgangsbuchse, die auf die Ausgabe von 24-Bit-Signalen mit einer Abtastfrequenz von 96 kHz ausgelegt ist, was bei Aufnahmen im Tonstudio sowie bei anderen Anwendungen, bei denen eine hohe Klangqualität absolut unerlässlich ist, äußerst praktisch ist.

Unterstützt nur Linear-PCM-Tonsignale.

⑥ MIDI OUT-Funktion

MIDI-Signale können ausgegeben werden, um externe Geräte über MIDI anzusteuern.

⑦ Digitalverknüpfungs-Funktion

Bei Verwendung von Digitalverknüpfungs-Kabel zum Anschließen von PIONEER CD-Playern für DJ-Anwendungen, DJ-Effektgeräten und AV-Mischpulten stehen verschiedene Sonderfunktionen zur Verfügung.

⑧ Weitere Merkmale

- Bei Anschluss eines PIONEER CD-Players für DJ-Anwendungen an dieses Mischpult über ein Steuerkabel ist ein automatischer Wiedergabestart durch eine Betätigung des Faderhebels möglich (Fader-Startfunktion).
- Der eingebaute 3-Band-Equalizer ermöglicht eine Pegelregelung innerhalb des Bereichs von +6 dB bis -26 dB auf jedem Frequenzband.
- Der eingebaute 2-Band-Kabinen-Equalizer für Entzerrung des Kabinen-Monitorons erleichtert dem Diskjockey die Überwachung des Wiedergabetons.
- Eine „Kreuz-Faderhebel-Zuordnungsfunktion“ ist vorgesehen, die die Zuordnung des Eingangssignals jedes Kanals zum Kreuz-Faderhebel wesentlich flexibler gestaltet.
- Eine „TALK OVER-Funktion“ sorgt für eine automatische Absenkung des Lautstärkepegels des laufenden Titels, wenn der Diskjockey in das Mikrofon spricht.

INHALTSVERZEICHNIS

MERKMALE	35
ÜBERPRÜFEN DES MITGELIEFERTEN ZUBEHÖRS	35
VORSICHTSHINWEISE ZUR HANDHABUNG	36

VOR INBETRIEBNAHME

ANSCHLÜSSE	36
ANSCHLUSSFELD	36
ANSCHLIESSEN DES NETZKABELS	38
ANSCHLÜSSE AN DEN EINGANGSBUCHSEN	38
ANSCHLÜSSE AN DEN EFFEKTGERÄT- UND AUSGANGSBUCHSEN	39
MIDI-ANSCHLUSS	39
ANSCHLIESSEN VON MIKROFONEN UND KOPFHÖRER	40
ANSCHLÜSSE FÜR DIGITALVERKNÜPFUNG	40
BEZEICHNUNG UND FUNKTION DER BEDIENELEMENTE	41

BEDIENUNGSVERFAHREN

BEDIENUNGSVERFAHREN	45
GRUNDLEGENDE BEDIENUNGSVERFAHREN ...	45
EINSTELLUNG DER FADER-DÄMPFUNGSKURVE	45
FADER-STARTFUNKTION	46
VERWENDUNG VON EXTERNEN EFFEKTGERÄTEN	46
DIGITALVERKNÜPFUNGS-FUNKTION	47

SONSTIGES

FEHLERBESEITIGUNG	48
TECHNISCHE DATEN	49
BLOCKSCHALTBILD	100

ÜBERPRÜFEN DES MITGELIEFERTEN ZUBEHÖRS

Bedienungsanleitung	1
Netz kabel	1

VORSICHTSHINWEISE ZUR HANDHABUNG

Aufstellung

Stellen Sie dieses Gerät an einem gut belüfteten Ort auf, an dem es weder hohen Temperaturen noch hoher Luftfeuchtigkeit ausgesetzt ist.

- Das Gerät darf nicht an einem Ort, der direkter Sonneneinstrahlung ausgesetzt ist, oder in der Nähe von Öfen oder Heizkörpern aufgestellt werden. Starke Hitze kann sich negativ auf Gehäuse und Bauteile im Geräteinneren auswirken. Außerdem kann eine Aufstellung des Gerätes in einer feuchten oder staubigen Umgebung zu Funktionsstörungen oder Unfällen führen. (Vermeiden Sie eine Aufstellung auch in der Nähe eines Küchenherdes usw., wo das Gerät ölhaltigem Rauch, Wasserdampf oder Hitze ausgesetzt wäre.)
- Wenn das Gerät innerhalb eines Transportbehälters oder einer DJ-Kabine betrieben wird, muss für einen angemessenen Abstand zu Wänden bzw. anderen Geräten gesorgt werden, um eine ausreichende Wärmeabfuhr zu gewährleisten.

Einbau des DJM-1000 in einem EIA-Gestell

Die Schraubenlöcher an der Vorderseite des DJM-1000 dienen zur Befestigung des Gerätes an einem 19-Zoll-Gestell in EIA-Norm.

- Verwenden Sie Schrauben der geeigneten Größe (separat zu besorgen) zur Befestigung des Gerätes am Gestell.
- Achten Sie beim Einbau des Gerätes in ein Gestell sorgfältig darauf, sich nicht die Finger einzuklemmen.

Hinweise

- Stellen Sie dieses Gerät auf keinen Fall direkt über einem Leistungsverstärker auf, da die vom Verstärker abgegebene Wärme eine Beschädigung des Gerätes verursachen könnte. Wird das Gerät direkt oberhalb eines Leistungsverstärkers platziert, so kann dies außerdem zum Auffangen von Funkamateursignalen oder anderen Störungen führen.

- Halten Sie einen Mindestabstand von 1 HE (43,7 mm) zwischen diesem Gerät und der unmittelbar darüber in das Rack eingebauten Komponente ein, um sicherzustellen, dass die an dieses Gerät angeschlossenen Kabel die Komponente darüber nicht berühren.
- Vor einem Transport oder Versand muss das Gerät aus dem Gestell entfernt werden.
- Wenn das Gerät bewegt werden soll, während es im Gestell installiert ist, muss sorgfältig darauf geachtet werden, dass das Gerät dabei weder Erschütterungen noch mechanischen Schwingungen ausgesetzt wird.

Kondensatbildung

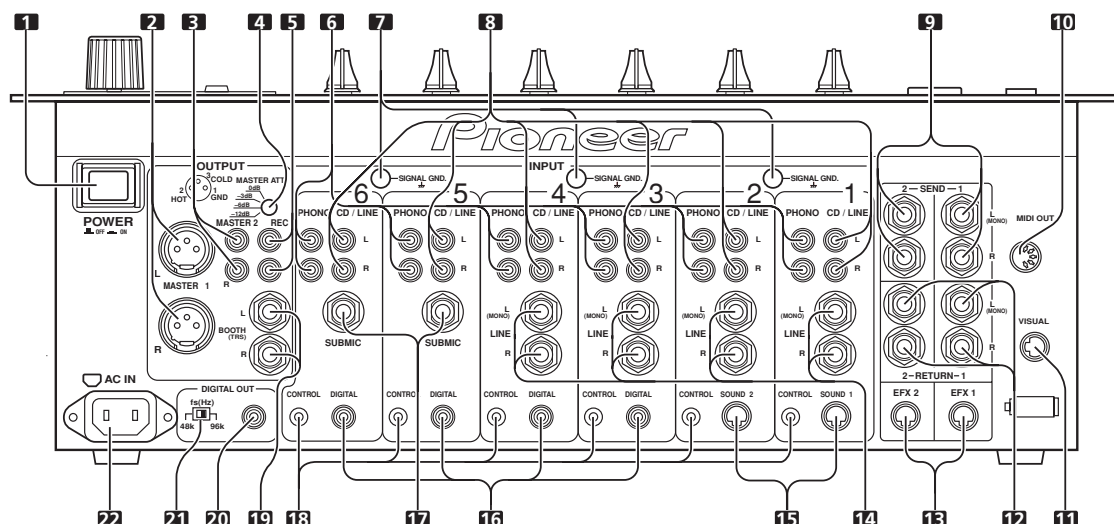
Wenn dieses Gerät aus einer kalten Umgebung in einen warmen Raum gebracht wird oder die Raumtemperatur schnell ansteigt, kann sich Kondensat im Inneren des Gerätes bilden, wonach das Gerät seine volle Leistung nicht entwickeln kann. Lassen Sie das Gerät in einem solchen Fall etwa eine Stunde lang im ausgeschalteten Zustand, bis die Kondensfeuchtigkeit verdunstet ist, bzw. erhöhen Sie die Raumtemperatur allmählich.

Reinigen des Gerätes

- Verwenden Sie ein weiches, trockenes Tuch, um Staub und Schmutz von den Außenflächen zu entfernen.
- Um hartnäckige Schmutzflecken zu beseitigen, tauchen Sie einen weichen Lappen in eine milde Seifenlauge (ein Teil neutrales Reinigungsmittel zu 5-6 Teilen Wasser), wringen Sie das Tuch gründlich aus und wischen Sie die Außenflächen damit ab. Reiben Sie anschließend mit einem trockenen Tuch nach. Benutzen Sie keinerlei Möbelpolitur oder Möbelreiniger.
- Verwenden Sie auf keinen Fall Farbverdünner, Leichtbenzin, Insektensprays oder andere Chemikalien auf oder in der Nähe dieses Gerätes, da derartige Mittel die Außenflächen angreifen.

ANSCHLÜSSE

ANSCHLUSSFELD



1. Netzschalter (POWER)

2. Master-Ausgangsbuchsen 1 (MASTER 1)

Dies ist ein symmetrischer XLR-Buchsenausgang (Steckbuchse).

3. Master-Ausgangsbuchsen 2 (MASTER 2)

Dies ist ein unsymmetrischer Cinchbuchsen-Ausgang.

4. Dämpfungsregler für Master-Ausgangspegel (MASTER ATT.)

Dieser Regler dient zur Dämpfung des Ausgangspegels der Ausgänge MASTER 1 und MASTER 2.

Die folgenden Einstellungen des Ausmaßes der Dämpfung stehen zur Verfügung: 0 dB, -3 dB, -6 dB und -12 dB.

5. Aufnahme-Ausgangsbuchsen (REC)

Dies ist ein Cinchbuchsen-Aufnahmeausgang.

6. Plattenspieler-Eingangsbuchsen (PHONO)

Dies ist ein Cinchbuchsen-Eingang für einen Plattenspieler (mit MM-Tonabnehmer).

Leiten Sie diesen Buchsen auf keinen Fall Signale mit Line-Pegel zu.

7. Signalerde-Klemme (SIGNAL GND)

An diese Klemme wird der Massedraht eines Plattenspielers angeschlossen.

Diese Klemme liefert keine Schutzerdung.

8. CD/LINE-Eingangsbuchsen

Dies ist ein Cinchbuchsen-Eingang.

Schließen Sie einen CD-Player für DJ-Anwendungen und/oder den Line-Pegel-Ausgang eines anderen Gerätes an.

9. Ausgangsbuchsen für externes Effektgerät (SEND 1, 2)

Dies ist ein Klinkenbuchsen-Ausgang (Ø6,3 mm).

Verbinden Sie diese Buchsen mit den Eingangsbuchsen eines externen Effektgerätes usw.

Bei Verwendung eines Effektgerätes mit monauralem Ausgang verbinden Sie diesen mit der Ausgangsbuchse des linken (L) Kanals. Bei dem an das Effektgerät ausgegebenen Signal handelt es sich dann um eine Mischung der Signale des linken und rechten Kanals.

10. MIDI-Ausgangsbuchse (MIDI OUT)

Bei dieser Buchse handelt es sich um einen DIN-Buchsen-Ausgang.

Schließen Sie ein anderes MIDI-Gerät an diese Buchse an (S. 39).

11. VISUAL-Verknüpfungsbuchse

Wenn dieses Gerät über ein Digitalverknüpfungskabel an ein PIONEER Video-Mischpult (Schaltgerät) angeschlossen wird, das eine Digitalverknüpfung unterstützt, kann der Kreuz-Faderhebel des Video-Mischpults über den Kreuz-Faderhebel des DJM-1000 angesteuert werden.

12. Rückleitungsbuchsen für externes Effektgerät (RETURN 1, 2)

Dies ist ein Klinkenbuchsen-Eingang (Ø6,3 mm).

Verbinden Sie diese Buchsen mit den Ausgangsbuchsen eines externen Effektgerätes usw.

Bei Verwendung eines Effektgerätes mit monauralem Ausgang verbinden Sie diesen mit der Eingangsbuchse des linken (L) Kanals. Das vom Effektgerät zugeleitete Signal wird dann sowohl an den linken Kanal als auch an den rechten Kanal geleitet.

13. Ein-/Ausgangsbuchsen für Verknüpfung eines EFX (EFX 1, 2)

Wenn dieses Gerät über ein Digitalverknüpfungskabel an ein PIONEER DJ-Effektgerät (EFX-1000) angeschlossen wird, das eine Digitalverknüpfung unterstützt, werden die SEND/RETURN-Verbindungen unmittelbar auf digitalem Wege hergestellt, und verschiedene Sonderfunktionen, z.B. die Faderhebel-Effektfunktionen, werden ebenfalls unterstützt.

14. LINE-Eingangsbuchsen

Dies ist ein Klinkenbuchsen-Eingang (Ø6,3 mm) mit Line-Pegel.

Bei Verwendung eines Gerätes mit monauralem Ausgang verbinden Sie diesen mit der Eingangsbuchse des linken (L) Kanals. Das vom angeschlossenen Gerät zugeleitete Signal wird dann sowohl an den linken Kanal als auch an den rechten Kanal geleitet.

15. Eingangsbuchsen für Verknüpfung eines CDJ (SOUND 1, 2)

Wenn dieses Gerät über ein Digitalverknüpfungskabel an einen PIONEER CD-Player für DJ-Anwendungen angeschlossen wird, der eine Digitalverknüpfung unterstützt, werden die Audio- und Steuerkabel-Verbindungen unmittelbar auf digitalem Wege hergestellt, wonach verschiedene Sonderfunktionen, z.B. BPM-Syncho-Wiedergabe, zur Verfügung stehen.

16. Digitalsignal-Eingangsbuchsen (DIGITAL)

Dies ist ein koaxialer Cinchbuchsen-Digitaleingang.

Verbinden Sie jeweils eine dieser Buchsen mit dem koaxialen Digitalausgang eines CD-Players für DJ-Anwendungen oder anderen Gerätes.

17. Nebenmikrofon-Eingangsbuchsen (SUBMIC)

Dies ist ein Klinkenbuchsen-Eingang (Ø6,3 mm) für ein Mikrofon.

Kanal 5 und 6 des DJM-1000 werden als Mikrofon-Eingangskanäle verwendet.

18. Steuerbuchsen (CONTROL)

Dies ist ein Minibuchsen-Eingang (Ø3,5 mm) für die Verbindung des Steuerkabels mit der CONTROL-Buchse eines CD-Players für DJ-Anwendungen.

Dieser Anschluss ermöglicht es, die Wiedergabe am angeschlossenen CD-Player für DJ-Anwendungen über den Faderhebel am DJM-1000 zu starten und zu stoppen.

19. Ausgangsbuchsen für Kabinen-Monitor (BOOTH)

Dies ist ein Klinkenbuchsen-Ausgang (Ø6,3 mm) für einen Kabinen-Monitor.

Der Lautstärkepegel der von diesen Buchsen ausgegebenen Signale kann mit dem BOOTH MONITOR LEVEL-Regler unabhängig von der Einstellung des Master-Faderhebels eingestellt werden (da es sich um einen TRS-Ausgang handelt, werden sowohl symmetrische als auch unsymmetrische Ausgangssignale unterstützt).

20. Digitalsignal-Ausgangsbuchse (DIGITAL OUT)

Dies ist ein koaxialer Cinchbuchsen-Digitalausgang.

Bei dieser Buchse handelt es sich um einen digitalen Master-Ausgang.

21. Abtastfrequenz-Wahlschalter (48k/96k)

Mit diesem Schalter wird die Abtastfrequenz des Digitalausgangs (96 kHz oder 48 kHz) eingestellt.

22. Netzeingang (AC IN)

Verbinden Sie diese Buchse über das mitgelieferte Netzkabel mit einer Netzsteckdose.

Achten Sie unbedingt darauf, das Gerät auszuschalten und den Netzstecker von der Netzsteckdose zu trennen, bevor irgendwelche Anschlüsse hergestellt oder geändert werden.

ANSCHLIESSEN DES NETZKABELS

Schließen Sie das Netzkabel zuletzt an.

- Nachdem alle übrigen Anschlüsse hergestellt worden sind, schließen Sie den Steckverbinder an einem Ende des mitgelieferten Netzkabels an den Netzeingang an der Rückwand dieses Gerätes, und den Netzstecker am anderen Ende des Netzkabels an eine Netzsteckdose oder die Zusatzsteckdose eines Verstärkers an.
- Verwenden Sie ausschließlich das Netzkabel im Lieferumfang dieses Gerätes.

ANSCHLÜSSE AN DEN EINGANGSBUCHSEN

PIONEER CD-Player für DJ-Anwendungen

Verbinden Sie die Audio-Ausgangsbuchsen des CD-Players für DJ-Anwendungen mit einem Paar von CD/LINE-Eingangsbuchsen am DJM-1000, und schließen Sie das Steuerkabel an die CONTROL-Buchse des entsprechenden Kanals an. Bringen Sie den Eingangswahlschalter des angeschlossenen Kanals in die Stellung [CD/LINE].

Um einen Digitalanschluss zu verwenden, verbinden Sie den koaxialen Digitalausgang des CD-Players für DJ-Anwendungen mit einer der DIGITAL-Eingangsbuchsen am DJM-1000, und bringen Sie den Eingangswahlschalter des angeschlossenen Kanals in die Stellung [DIGITAL] (für Kanal 1 und 2 sind keine DIGITAL-Eingangsbuchsen vorgesehen).

Plattenspieler

Schließen Sie die Audio-Ausgangskabel des Plattenspielers an ein Paar von PHONO-Eingangsbuchsen am DJM-1000 an, und bringen Sie den Eingangswahlschalter des angeschlossenen Kanals in die Stellung [PHONO]. Der PHONO-Eingang des DJM-1000 ist auf den Anschluss von Plattenspielern mit MM-Tonabnehmer ausgelegt.

Schließen Sie den Massedraht des Plattenspielers an eine der SIGNAL GND-Klemmen an.

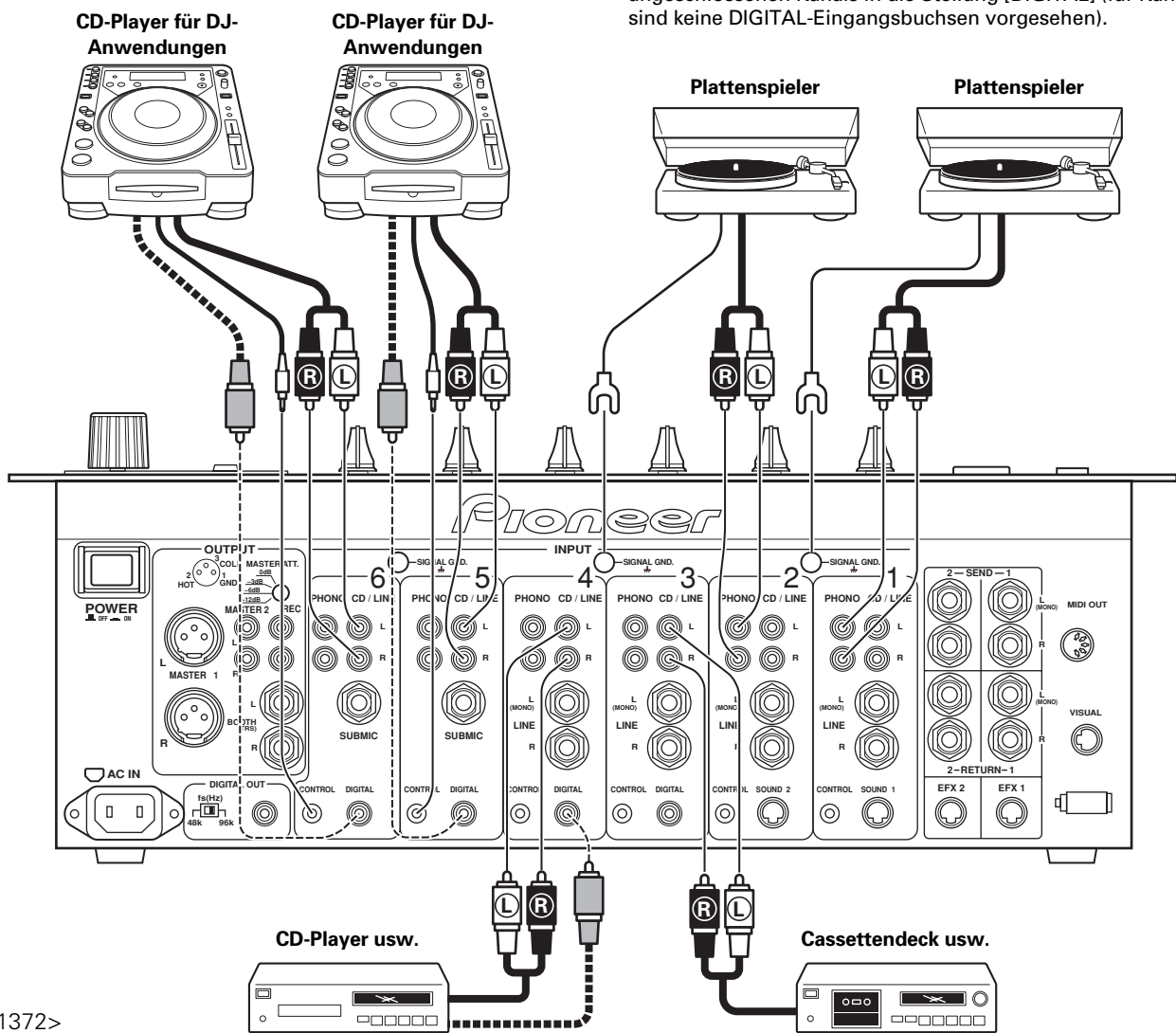
Sonstige Geräte mit Line-Pegel-Ausgang

Um ein Cassettendeck oder einen herkömmlichen CD-Player anzuschließen, verbinden Sie die Audio-Ausgangsbuchsen des betreffenden Gerätes mit einem Paar von CD/LINE-Eingangsbuchsen am DJM-1000, und bringen Sie den Eingangswahlschalter des angeschlossenen Kanals in die Stellung [CD/LINE].

Wenn der Anschluss über ein Kabel mit 6,3-mm-Klinkensteckern hergestellt werden soll, verbinden Sie das Kabel mit einem Paar von LINE-Eingangsbuchsen am DJM-1000, und bringen Sie den Eingangswahlschalter des angeschlossenen Kanals in die Stellung [LINE] (für Kanal 5 und 6 sind keine LINE-Eingangsbuchsen vorgesehen). Bei Verwendung eines Gerätes mit monauralem Ausgang verbinden Sie diesen mit der Eingangsbuchse des linken (L) Kanals. Das vom angeschlossenen Gerät zugeleitete Signal wird dann sowohl an den linken Kanal als auch an den rechten Kanal geleitet.

Geräte mit Digitalausgang

Um ein Gerät wie einen CD-Player über Digitalanschluss anzuschließen, verbinden Sie den koaxialen Digitalausgang des betreffenden Gerätes mit einer der DIGITAL-Eingangsbuchsen am DJM-1000, und bringen Sie den Eingangswahlschalter des angeschlossenen Kanals in die Stellung [DIGITAL] (für Kanal 1 und 2 sind keine DIGITAL-Eingangsbuchsen vorgesehen).



ANSCHLÜSSE AN DEN EFFEKTGERÄT- UND AUSGANGSBUCHSEN

Master-Ausgang

Für diesen Ausgang sind sowohl symmetrische XLR-Buchsen (MASTER 1) als auch unsymmetrische Cinchbuchsen (MASTER 2) vorgesehen. Stellen Sie den Master-Ausgangspegel mit dem MASTER ATT.-Regler ein, um ihn der Eingangsempfindlichkeit des angeschlossenen Leistungsverstärkers anzupassen.

Kabinen-Monitorausgang

Dies ist ein unsymmetrischer Ausgang mit 6,3-mm-Klinkebuchsen. Der Lautstärkepegel der von diesen Buchsen ausgegebenen Signale kann mit dem BOOTH MONITOR LEVEL-Regler unabhängig von der Einstellung des Master-Faderhebels eingestellt werden.

Aufnahmeausgang

Dies ist ein Cinchbuchsen-Ausgang für Aufnahmezwecke.

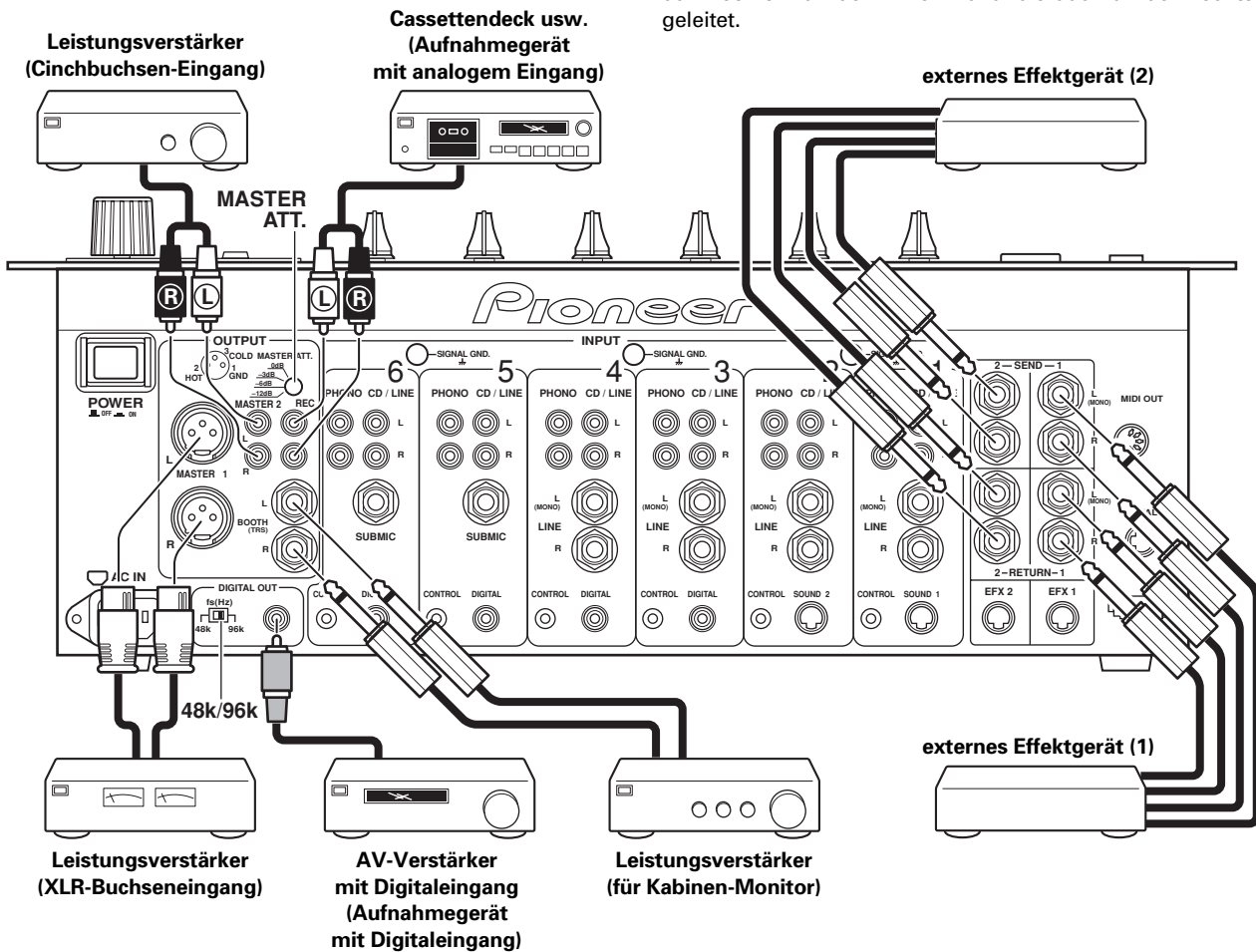
Digitalausgang

Dies ist ein koaxialer Cinchbuchsen-Digitalausgang. Die Abtastfrequenz kann mit dem dazugehörigen Schalter dem angeschlossenen Gerät entsprechend eingestellt werden (96 kHz/48 kHz).

Externes Effektgerät

Verbinden Sie die SEND-Buchsen des DJ-Mischpults über ein Kabel mit 6,3-mm-Klinkebuchsen mit den Eingangsbuchsen des externen Effektgerätes. Bei Verwendung eines Effektgerätes mit monauralem Eingang verbinden Sie diesen mit der Ausgangsbuchse des linken (L) Kanals. Bei dem an das Effektgerät ausgegebenen Signals handelt es sich dann um eine Mischung der Signale des linken und rechten Kanals.

Verbinden Sie die RETURN-Buchsen des DJ-Mischpults über ein Kabel mit 6,3-mm-Klinkebuchsen mit den Ausgangsbuchsen des externen Effektgerätes. Bei Verwendung eines Effektgerätes mit monauralem Ausgang verbinden Sie diesen mit der Eingangsbuchse des linken (L) Kanals. Das vom Effektgerät zugeleitete Signal wird dann sowohl an den linken Kanal als auch an den rechten Kanal geleitet.



Deutsch

MIDI-ANSCHLUSS

Bei MIDI (Musical Instrument Digital Interface) handelt es sich um eine genormte Schnittstelle, die eine Übertragung von Daten zwischen elektronischen Musikinstrumenten und Personalcomputern gestattet. Daten können über ein MIDI-Kabel zwischen Geräten ausgetauscht werden, die mit MIDI-Buchsen ausgestattet sind.

Das DJM-1000 ist zur Übertragung von Betriebsdaten an ein externes MIDI-Gerät unter Verwendung des MIDI-Protokolls im Stande.

Steuerung am DJM-1000	MIDI-Steuercode	Bezeichnung der MIDI-Steuerung	MIDI-Kanal
Betätigung des Kreuz-Faderhebels	CC11	Expression	1

* MIDI-Daten 0-127 werden durch Betätigen des Kreuz-Faderhebels ausgegeben.

* Bei Verwendung der Digitalverknüpfungs-Funktion erfolgt keine Ausgabe von MIDI-Daten.

ANSCHLIESSEN VON MIKROFONEN UND KOPFHÖRER

Kopfhörer

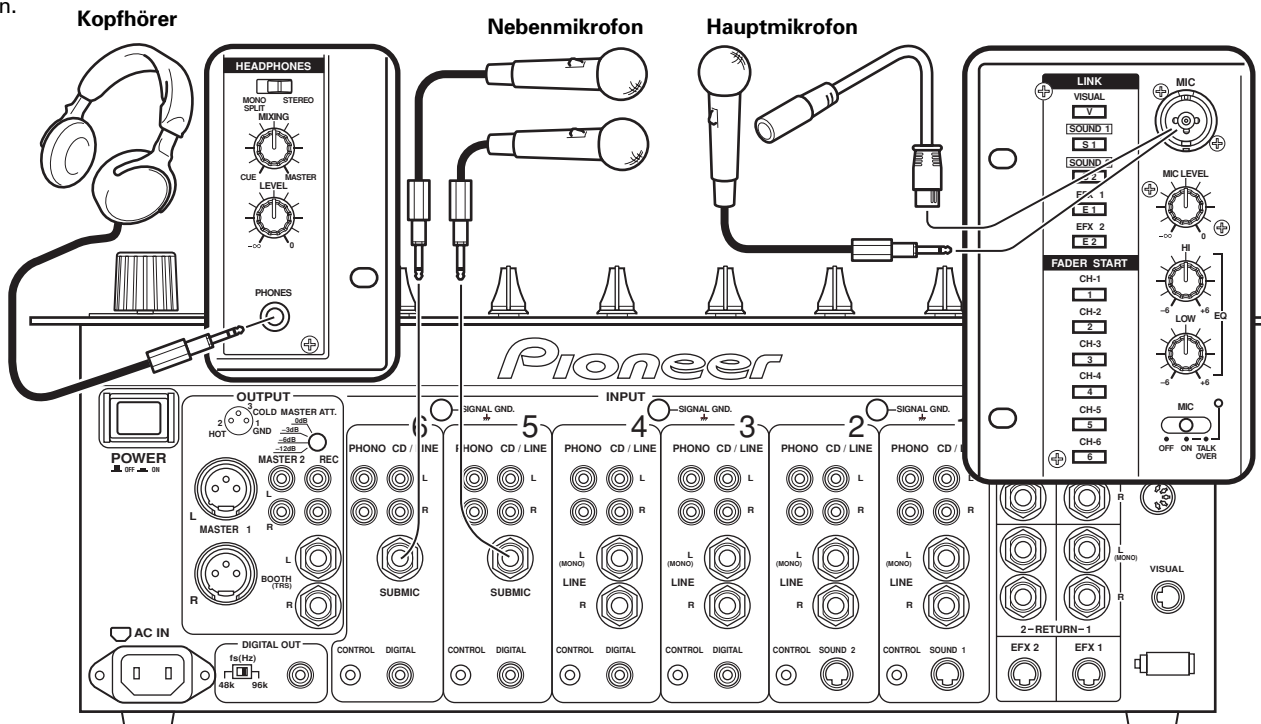
Ein Kopfhörer mit 6,3-mm-Stereo-Klinkenstecker kann an die PHONES-Buchse am Bedienfeld (Oberseite des Gerätes) angeschlossen werden.

Hauptmikrofon

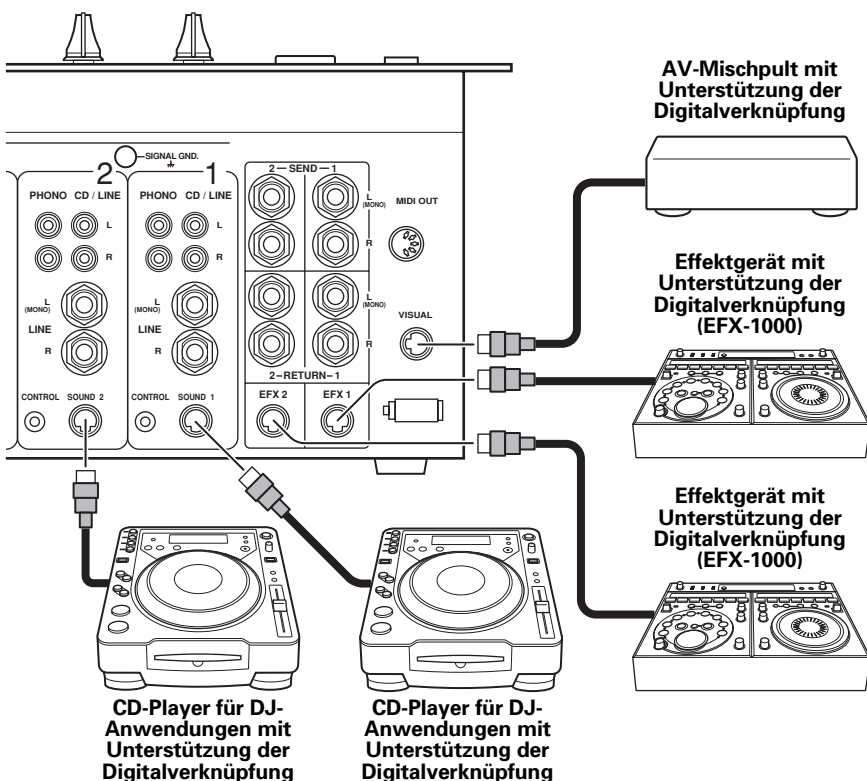
Ein Mikrofon mit 6,3-mm-Klinkenstecker oder XLR-Stecker kann an die MIC-Buchse am Bedienfeld (Oberseite des Gerätes) angeschlossen werden.

Nebemikrofon

Ein Mikrofon mit 6,3-mm-Klinkenstecker kann jeweils an die SUBMIC-Buchse von Kanal 5 und 6 des DJM-1000 angeschlossen werden. Zur Verwendung des Nebemikrofans bringen Sie den Eingangswahlschalter des angeschlossenen Kanals in die Stellung [SUBMIC].



ANSCHLÜSSE FÜR DIGITALVERKNÜPFUNG (einschließlich von Anschlüssen an zukünftig lieferbare Geräte, die eine Digitalverknüpfung unterstützen)



Durch den Anschluss eines einzigen Spezialkabels (Digitalverknüpfungskabels) kann der Austausch von Audio- und Steuersignalen auf digitalem Wege ausgeführt werden. (Dies erübrigt den Anschluss von Audio- und Steuerkabeln.)

VISUAL-Verknüpfungsbuchse

Wenn dieses Gerät über ein Digitalverknüpfungskabel an ein PIONEER Video-Mischpult (Schaltgerät) angeschlossen wird, das eine Digitalverknüpfung unterstützt, kann der Kreuz-Faderhebel des Video-Mischpults über den Kreuz-Faderhebel des DJM-1000 angesteuert werden (S. 47).

Ein-/Ausgangsbuchsen für Verknüpfung eines EFX (EFX 1, 2)

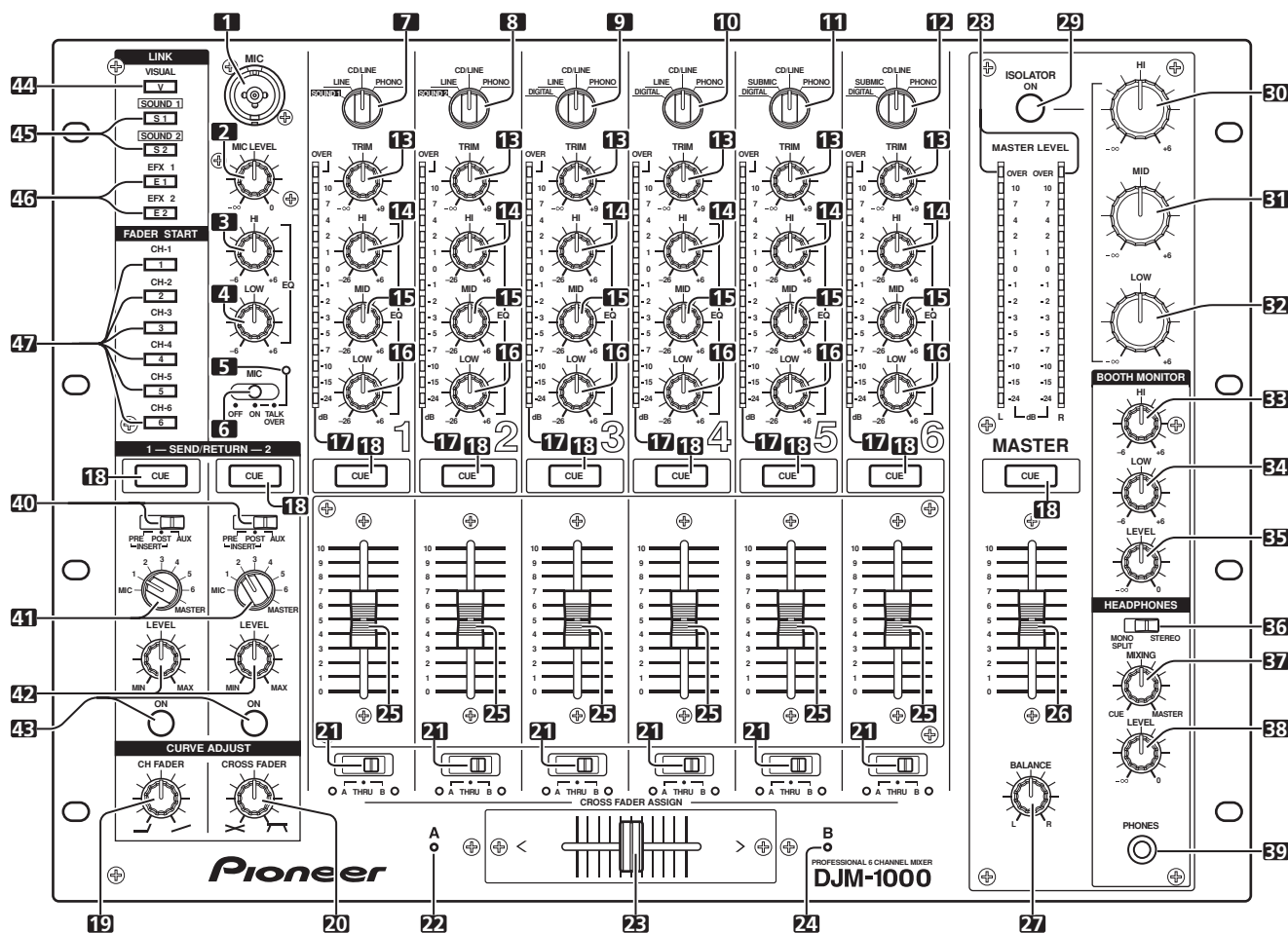
Wenn dieses Gerät über ein Digitalverknüpfungskabel an ein PIONEER DJ-Effektgerät (EFX-1000) angeschlossen wird, das eine Digitalverknüpfung unterstützt, werden die SEND/RETURN-Verbindungen unmittelbar auf digitalem Wege hergestellt, und Funktionen wie die Faderhebel-Effektfunktionen und BPM-Synchro-Wiedergabe werden bei Verwendung der Audio-Verknüpfungsanschlüsse ebenfalls unterstützt (S. 47).

Eingangsbuchsen für Verknüpfung eines CDJ (SOUND 1, 2)

Wenn dieses Gerät über ein Digitalverknüpfungskabel an einen PIONEER CD-Player für DJ-Anwendungen angeschlossen wird, der eine Digitalverknüpfung unterstützt, werden die Audio- und Steuerkabel-Verbindungen unmittelbar auf digitalem Wege hergestellt, wonach verschiedene Sonderfunktionen, z.B. BPM-Synchro-Wiedergabe, zur Verfügung stehen. Dazu bringen Sie den Eingangswahlschalter von Kanal 1 oder 2 in die Stellung [SOUND 1] bzw. [SOUND 2] (S. 47).

BEZEICHNUNG UND FUNKTION DER BEDIENELEMENTE

Bedienfeld



Hauptmikrofoneingangs-Steuerbereich

1. Hauptmikrofon-Eingangsbuchse (MIC)

An diese Buchse kann ein Mikrofon mit XLR-Stecker oder Klinkenstecker angeschlossen werden.

2. Mikrofon-Pegelregler (MIC LEVEL)

Mit diesem Regler wird der Lautstärkepegel des Hauptmikrofons eingestellt (Einstellbereich: $-\infty$ bis 0 dB).

3. Mikrofon-Entzerrungsregler für Höhen (EQ HI)

Mit diesem Regler wird der Lautstärkepegel der hohen Frequenzanteile des Hauptmikrofonsignals eingestellt (Einstellbereich: -6 dB bis +6 dB).

4. Mikrofon-Entzerrungsregler für Tiefen (EQ LOW)

Mit diesem Regler wird der Lautstärkepegel der tiefen Frequenzanteile des Hauptmikrofonsignals eingestellt (Einstellbereich: -6 dB bis +6 dB).

5. Mikrofonfunktions-Anzeige

Diese Anzeige leuchtet, wenn sich der Mikrofonfunktions-Wahlschalter in Stellung [ON] befindet. Sie blinkt, wenn der Wahlschalter auf [TALK OVER] eingestellt ist.

6. Mikrofonfunktions-Wahlschalter (MIC)

OFF:

Der Ton des Hauptmikrofons wird nicht ausgegeben.

ON:

Der Ton des Hauptmikrofons wird ausgegeben.

TALK OVER:

Der Ton des Hauptmikrofons wird ausgegeben. Wenn der Hauptmikrofon-Eingangsbuchse ein Signal mit einem höheren Pegel als -15 dB zugeleitet wird, spricht die TALK OVER-Funktion automatisch an, und alle Tonausgangspegel mit Ausnahme des Hauptmikrofontons werden um 20 dB gedämpft.

Kanaleingangs-Steuerbereich

7. Eingangswahlschalter Kanal 1

SOUND 1:

Diese Einstellung dient zur Wahl des Spezialeingangs SOUND 1 (Mini-DIN-Buchse) für einen CD-Player für DJ-Anwendungen, der die Digitalverknüpfung unterstützt.

LINE:

Diese Einstellung dient zur Wahl des Klinkenbuchsen-Eingangs. (Bei Verwendung eines Gerätes mit monauralem Ausgang verbinden Sie diesen mit der Eingangsbuchse des linken (L) Kanals. Das vom angeschlossenen Gerät zugeleitete Signal wird dann sowohl an den linken Kanal als auch an den rechten Kanal geleitet.)

CD/LINE:

Diese Einstellung dient zur Wahl des Cinchbuchsen-Eingangs mit Line-Pegel.

PHONO:

Diese Einstellung dient zur Wahl des Cinchbuchsen-Eingangs mit Plattenspielerpegel.

8. Eingangswahlschalter Kanal 2

SOUND 2:

Diese Einstellung dient zur Wahl des Spezialeingangs SOUND 2 (Mini-DIN-Buchse) für einen CD-Player für DJ-Anwendungen, der die Digitalverknüpfung unterstützt.

LINE:

Diese Einstellung dient zur Wahl des Klinkebuchsen-Eingangs. (Bei Verwendung eines Gerätes mit monauralem Ausgang verbinden Sie diesen mit der Eingangsbuchse des linken (L) Kanals. Das vom angeschlossenen Gerät zugeleitete Signal wird dann sowohl an den linken Kanal als auch an den rechten Kanal geleitet.)

CD/LINE:

Diese Einstellung dient zur Wahl des Cinchbuchsen-Eingangs mit Line-Pegel.

PHONO:

Diese Einstellung dient zur Wahl des Cinchbuchsen-Eingangs mit Plattenspielerpegel.

9. Eingangswahlschalter Kanal 3

DIGITAL:

Diese Einstellung dient zur Wahl des koaxialen Cinchbuchsen-Digitaleingangs.

LINE:

Diese Einstellung dient zur Wahl des Klinkebuchsen-Eingangs. (Bei Verwendung eines Gerätes mit monauralem Ausgang verbinden Sie diesen mit der Eingangsbuchse des linken (L) Kanals. Das vom angeschlossenen Gerät zugeleitete Signal wird dann sowohl an den linken Kanal als auch an den rechten Kanal geleitet.)

CD/LINE:

Diese Einstellung dient zur Wahl des Cinchbuchsen-Eingangs mit Line-Pegel.

PHONO:

Diese Einstellung dient zur Wahl des Cinchbuchsen-Eingangs mit Plattenspielerpegel.

10. Eingangswahlschalter Kanal 4

DIGITAL:

Diese Einstellung dient zur Wahl des koaxialen Cinchbuchsen-Digitaleingangs.

LINE:

Diese Einstellung dient zur Wahl des Klinkebuchsen-Eingangs. (Bei Verwendung eines Gerätes mit monauralem Ausgang verbinden Sie diesen mit der Eingangsbuchse des linken (L) Kanals. Das vom angeschlossenen Gerät zugeleitete Signal wird dann sowohl an den linken Kanal als auch an den rechten Kanal geleitet.)

CD/LINE:

Diese Einstellung dient zur Wahl des Cinchbuchsen-Eingangs mit Line-Pegel.

PHONO:

Diese Einstellung dient zur Wahl des Cinchbuchsen-Eingangs mit Plattenspielerpegel.

11. Eingangswahlschalter Kanal 5

DIGITAL:

Diese Einstellung dient zur Wahl des koaxialen Cinchbuchsen-Digitaleingangs.

SUBMIC:

Diese Einstellung dient zur Wahl des (monauralen) Klinkebuchsen-Eingangs für ein Nebemikrofon.

CD/LINE:

Diese Einstellung dient zur Wahl des Cinchbuchsen-Eingangs mit Line-Pegel.

PHONO:

Diese Einstellung dient zur Wahl des Cinchbuchsen-Eingangs mit Plattenspielerpegel.

12. Eingangswahlschalter Kanal 6

DIGITAL:

Diese Einstellung dient zur Wahl des koaxialen Cinchbuchsen-Digitaleingangs.

SUBMIC:

Diese Einstellung dient zur Wahl des (monauralen) Klinkebuchsen-Eingangs für ein Nebemikrofon.

CD/LINE:

Diese Einstellung dient zur Wahl des Cinchbuchsen-Eingangs mit Line-Pegel.

PHONO:

Diese Einstellung dient zur Wahl des Cinchbuchsen-Eingangs mit Plattenspielerpegel.

13. Eingangspegelregler Kanal 1 bis 6 (TRIM)

Mit diesen Reglern wird der Eingangspegel des entsprechenden Kanals eingestellt (Einstellbereich: $-\infty$ bis +9 dB, ca. 0 dB in Mittenstellung des Reglers).

14. Kanal-Entzerrungsregler für Höhen (EQ HI)

Mit diesen Reglern wird der Pegel der hohen Frequenzanteile des Signals des entsprechenden Kanals eingestellt (Einstellbereich: -26 dB bis +6 dB).

15. Kanal-Entzerrungsregler für Mitten (EQ MID)

Mit diesen Reglern wird der Pegel der mittleren Frequenzanteile des Signals des entsprechenden Kanals eingestellt (Einstellbereich: -26 dB bis +6 dB).

16. Kanal-Entzerrungsregler für Tiefen (EQ LOW)

Mit diesen Reglern wird der Pegel der tiefen Frequenzanteile des Signals des entsprechenden Kanals eingestellt (Einstellbereich: -26 dB bis +6 dB).

17. Kanalpegelmesser

Mit diesen Leuchtsegmentsäulen wird der Pegel des entsprechenden Kanals angezeigt. Die Anzeige arbeitet mit einem Spitzenhalt von 2 Sekunden Dauer.

18. Tasten/Anzeigen für Kopfhörer-Überwachung (CUE)

Die über Kopfhörer zu überwachende Eingangsquelle wird durch Drücken der CUE-Taste von RETURN 1, RETURN 2, Kanal 1 bis 6 oder MASTER gewählt. Wenn mehrere dieser Tasten gleichzeitig eingeschaltet sind, werden die entsprechenden Signale gemischt an den Kopfhörer ausgegeben. Durch erneutes Drücken einer CUE-Taste wird die Wahl des betreffenden Signals zur Überwachung aufgehoben. Die Tasten der nicht gewählten Eingangsquellen leuchten schwach, die der momentan gewählten Eingangsquellen leuchten hell.

Faderhebel-Steuerbereich

19. Regler für Einstellung der Dämpfungskurve der Kanal-Faderhebel (CURVE ADJUST CH FADER)

Mit diesem Regler wird die Dämpfungskurve der Kanal-Faderhebel eingestellt (S. 45).

20. Regler für Einstellung der Dämpfungskurve des Kreuz-Faderhebels (CURVE ADJUST CROSS FADER)

Mit diesem Regler wird die Dämpfungskurve des Kreuz-Faderhebels eingestellt (S. 45).

21. Schalter/Anzeigen für Kreuz-Faderhebel-Zuordnung (CROSS FADER ASSIGN)

Mit diesen Schaltern wird die Seite des Kreuz-Faderhebels gewählt, der das Ausgangssignal des entsprechenden Kanals zugeordnet werden soll. (Wenn mehrere Kanäle der gleichen Seite des Kreuz-Faderhebels zugeordnet werden, erfolgt auf der betreffenden Seite eine summierte Ausgabe der betreffenden Kanalsignale.)

A:

Das Ausgangssignal des entsprechenden Kanals wird Seite A (linke Seite) des Kreuz-Faderhebels zugeordnet, und die Anzeige „A“ leuchtet auf.

THRU:

Das Ausgangssignal des Kanals wird direkt auf den Master-Ausgang gelegt, ohne die Kreuz-Faderhebelschaltung zu passieren. Bei Wahl dieser Einstellung bleiben die beiden Anzeigen „A“ und „B“ sind ausgeschaltet.

B:

Das Ausgangssignal des entsprechenden Kanals wird Seite B (rechte Seite) des Kreuz-Faderhebels zugeordnet, und die Anzeige „B“ leuchtet auf.

22. Anzeige für Zuordnung zu Kreuz-Faderhebelseite A (A)

Bei eingeschaltetem Gerät leuchtet diese Anzeige orangefarben.

23. Kreuz-Faderhebel

Das mit dem CROSS FADER ASSIGN-Schalter jedes Kanals entweder Seite A oder B des Kreuz-Faderhebels zugeordnete Signal wird entsprechend der mit dem CURVE ADJUST CROSS FADER-Regler für den Kreuz-Faderhebel eingestellten Dämpfungskurve ausgegeben.

24. Anzeige für Zuordnung zu Kreuz-Faderhebelseite B (B)

Bei eingeschaltetem Gerät leuchtet diese Anzeige grün.

25. Kanal-Faderhebel

Mit diesen Gleitbahnreglern wird der Pegel des auf den Kreuz-Faderhebel gelegten Signals des entsprechenden Kanals eingestellt (Einstellbereich: $-\infty$ bis 0 dB).

Die Ausgabe erfolgt entsprechend der mit dem CURVE ADJUST CH FADER-Regler für die Kanal-Faderhebel eingestellten Dämpfungskurve.

Steuerbereich für Master-Ausgang

26. Master-Faderhebel (MASTER)

Mit diesem Gleitbahnregler wird der Pegel des Master-Ausgangssignals eingestellt (Einstellbereich: $-\infty$ bis 0 dB).

Beim Master-Ausgangssignal handelt es sich um die Summe der Signale aller Kanäle, deren CROSS FADER ASSIGN-Schalter auf [THRU] eingestellt ist, der auf den Kreuz-Faderhebel gelegten Signale und des Hauptmikrofonsignals (ggf. wird auch das Rückleitungssignal eines externen Effektgerätes hinzugefügt).

27. Gesamtbalanceregler (MASTER BALANCE)

Mit diesem Regler wird die Links/Rechts-Kanalbalance der Signale des Master-Ausgangs, Kabinen-Monitorausgangs, Aufnahmeausgangs und Digitalausgangs eingestellt.

28. Pegelmesser für Master-Ausgang (MASTER LEVEL L, R)

Mit diesen Leuchtsegmentssäulen werden die Ausgangspegel des linken und rechten Kanals des Master-Ausgangssignals angezeigt. Jedes Leuchtsegment liefert einen Spitzenhalt von 2 Sekunden Dauer.

29. Taste/Anzeige für Master-Isolator-Funktion (MASTER ISOLATOR ON)

Diese Taste dient zum Ein- und Ausschalten der Master-Isolator-Funktion.

Die Isolator-Funktion ist für die Signale von Master-Ausgang 1, Master-Ausgang 2, Kabinen-Monitorausgang, Aufnahmeausgang und Digitalausgang wirksam.

Bei ausgeschalteter Isolator-Funktion leuchtet die Anzeige; sie blinkt, wenn diese Funktion eingeschaltet ist.

Bei ausgeschalteter Master-Isolator-Funktion ist die Anzeige ausgeschaltet; sie leuchtet, wenn diese Funktion eingeschaltet ist.

30. Isolator-Höhenregler (MASTER ISOLATOR HI)

Mit diesem Regler kann der Pegel der hohen Frequenzanteile des Master-Ausgangssignals eingestellt werden (Einstellbereich: $-\infty$ bis +6 dB).

31. Isolator-Mittenregler (MASTER ISOLATOR MID)

Mit diesem Regler kann der Pegel der mittleren Frequenzanteile des Master-Ausgangssignals eingestellt werden (Einstellbereich: $-\infty$ bis +6 dB).

32. Isolator-Tiefenregler (MASTER ISOLATOR LOW)

Mit diesem Regler kann der Pegel der tiefen Frequenzanteile des Master-Ausgangssignals eingestellt werden (Einstellbereich: $-\infty$ bis +6 dB).

Steuerbereich für Kabinen-Monitor

33. Höhen-Entzerrungsregler für Kabinen-Monitorausgang (BOOTH MONITOR HI)

Mit diesem Regler kann der Pegel der hohen Frequenzanteile des Ausgangssignals des Kabinen-Monitors eingestellt werden (Einstellbereich: -6 dB bis +6 dB).

34. Tiefen-Entzerrungsregler für Kabinen-Monitor (BOOTH MONITOR LOW)

Mit diesem Regler kann der Pegel der tiefen Frequenzanteile des Ausgangssignals des Kabinen-Monitors eingestellt werden (Einstellbereich: -6 dB bis +6 dB).

35. Pegelregler für Kabinen-Monitor (BOOTH MONITOR LEVEL)

Mit diesem Regler kann der Gesamtpegel des Ausgangssignals des Kabinen-Monitors unabhängig von der Einstellung des Master-Faderhebels eingestellt werden (Einstellbereich: $-\infty$ bis 0 dB).

Kopfhörerausgangs-Bereich

36. Kopfhörerausgangssignal-Wahlschalter (HEADPHONES MONO SPLIT/STEREO)

MONO SPLIT:

Der Ton der mit der entsprechenden CUE-Taste zur Überwachung über Kopfhörer gewählten Eingangsquelle wird über den linken Kanal ausgegeben, während die Ausgabe des Master-Ausgangssignals über den rechten Kanal erfolgt (nur wenn die CUE-Taste MASTER eingeschaltet ist).

STEREO:

Das gewählte Signal wird stereophon ausgegeben.

37. Kopfhörer-Mischregler (HEADPHONES MIXING)

Wenn dieser Regler im Uhrzeigersinn (in Richtung MASTER) gedreht wird, erfolgt eine Ausgabe des Master-Ausgangssignals (nur wenn die CUE-Taste MASTER eingeschaltet ist) an den Kopfhörer; bei Drehen des Reglers im Gegenuhrzeigersinn (in Richtung CUE) wird ein Mischsignal aus dem Signal des mit der CUE-Taste gewählten Kanals und des vom externen Effektgerät (an die RETURN-Buchsen) geleiteten Signals an den Kopfhörer ausgegeben.

38. Kopfhörer-Pegelregler (HEADPHONES LEVEL)

Mit diesem Regler kann der Lautstärkepegel des von der Kopfhörerbuchse ausgegebenen Signals eingestellt werden (Einstellbereich: $-\infty$ bis 0 dB).

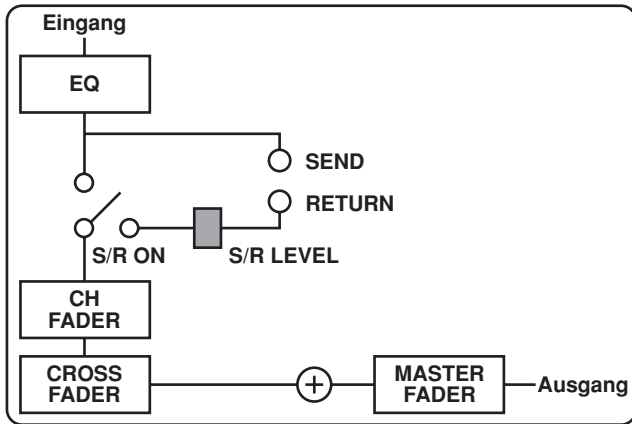
39. Kopfhörerbuchse (PHONES)

SEND/RETURN-Bereich

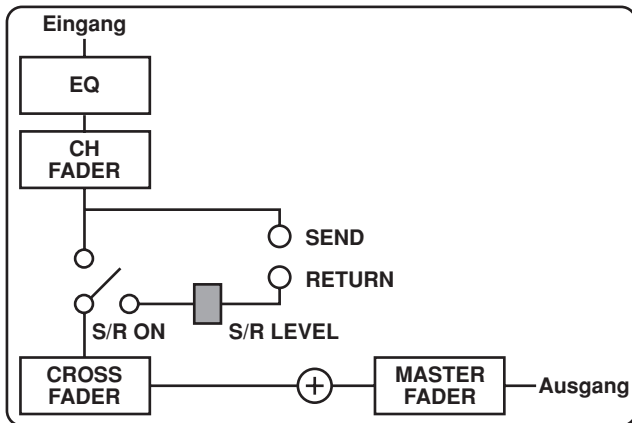
40. Wahlschalter für Typ der Ausgabe/Rückleitung (SEND/RETURN)

Bei Anschluss eines externen Effektgerätes dienen diese Schalter zum Umschalten zwischen der Ausgabestufe (SEND) und der Eingabestufe (RETURN) für Signale (S. 46).

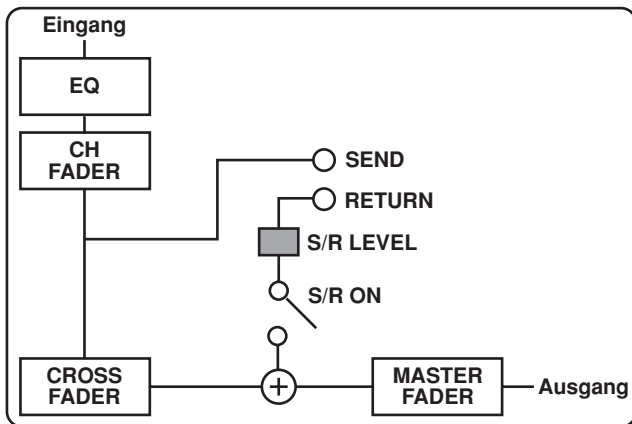
[Typ „vor Einschleifung“]



[Typ „nach Einschleifung“]



[AUX-Typ]



41. Ausgabekanal-Wahlschalter (SEND)

Diese Schalter dienen zur Wahl des an ein externes Effektgerät auszugebenden Signals aus den Ausgangssignalen der MIC-Buchse, von Kanal 1 bis 6 oder des Master-Ausgangs.

42. Eingangspegelregler für Rückleitungssignal (RETURN LEVEL)

Mit diesen Reglern kann der Pegel des von einem externen Effektgerät zurückgeleiteten Signals eingestellt werden (Einstellbereich: $-\infty$ bis +6 dB).

43. Tasten/Anzeigen für Ein- und Ausschalten des Ausgabe-Rückleitungsbetriebs (SEND/RETURN ON)

Diese Tasten dienen zum Ein- und Ausschalten des gewählten Typs des Ausgabe-Rückleitungsbetriebs auf dem jeweils gewählten Kanal.

Die Anzeige leuchtet, wenn ein Anschluss an den RETURN-

Buchsen hergestellt oder ein Gerät, das eine Digitalverknüpfung unterstützt, an die Buchsen EFX 1 oder 2 angeschlossen ist. Wird die Taste im leuchtenden Zustand der Anzeige gedrückt, wird diese Funktion eingeschaltet, und die Anzeige beginnt zu blinken. Bei eingeschalteter Anzeige ist die Zuleitung von Signalen an die RETURN-Buchsen freigegeben. Bei Anschluss eines Gerätes, das eine Digitalverknüpfung unterstützt, an die Buchsen EFX 1 oder 2 besitzt das betreffende Gerät (Digitalsignal) Vorrang.

Bereich für Ein- und Ausschalten der Digitalverknüpfungs-Funktion

44. Taste/Anzeige für VISUAL-Verknüpfung (LINK-V)

Wenn dieses Gerät über ein Digitalverknüpfungs-Kabel (Mini-DIN-Buchse) an ein Pioneer Video-Mischpult bzw. Schaltgerät angeschlossen ist, das eine Digitalverknüpfung unterstützt, kann der Kreuz-Faderhebel des Video-Mischpults über den Kreuz-Faderhebel des DJM-1000 angesteuert werden.

Bei aktivierter Funktion leuchtet die Anzeige.

45. Tasten/Anzeigen 1, 2 für Audio-Verknüpfung (LINK-SOUND 1, 2/S1, 2)

Wenn dieses Gerät über ein Digitalverknüpfungs-Kabel an ein PIONEER DJ-Effektgerät (EFX-1000) angeschlossen ist, das eine Digitalverknüpfung unterstützt, und ein PIONEER CD-Player für DJ-Anwendungen, der eine Digitalverknüpfung unterstützt, ebenfalls über ein Digitalverknüpfungs-Kabel (Mini-DIN-Buchse) an dieses Gerät angeschlossen ist und diese Tasten eingeschaltet werden, steht die BPM-Synchro-Wiedergabefunktion zur Verfügung.

Bei aktivierter Funktion leuchtet die Anzeige.

46. Tasten/Anzeigen 1, 2 für Effektgerät-Verknüpfung (LINK-EFX 1, 2/E 1, 2)

Wenn dieses Gerät über ein Digitalverknüpfungs-Kabel (Mini-DIN-Buchse) an ein PIONEER DJ-Effektgerät (EFX-1000) angeschlossen ist, das eine Digitalverknüpfung unterstützt, und diese Tasten eingeschaltet werden stehen die Faderhebel-Effektfunktionen zur Verfügung.

Bei aktivierter Funktion leuchtet die Anzeige.

Bereich für Ein- und Ausschalten der Fader-Start/ Stopp-Funktion (FADER START)

47. Fader-Start-Tasten/Anzeigen (FADER START CH-1 bis CH-6)

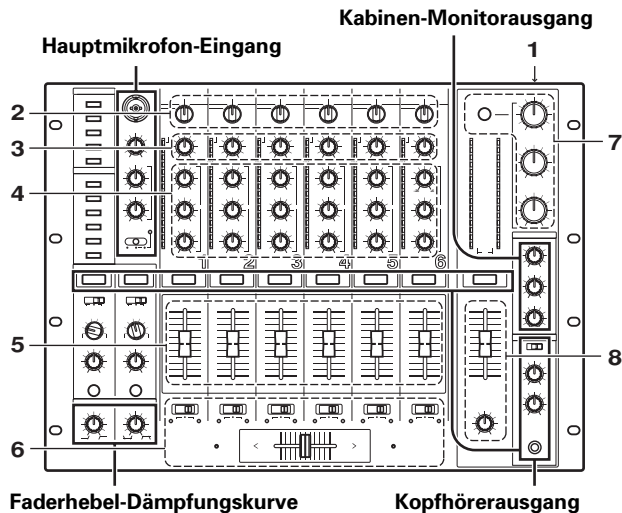
Wenn der CROSS FADER ASSIGN-Schalter mindestens eines Kanals auf [A] oder [B] eingestellt ist, dienen diese Tasten zum Ein- und Ausschalten der Fader-Start/Stopp-Funktion des an den betreffenden Kanals angeschlossenen CD-Players für DJ-Anwendungen bzw. DJ-Mischpults.

Wenn der CROSS FADER ASSIGN-Schalter mindestens eines Kanals auf [THRU] eingestellt ist, dienen diese Tasten zum Ein- und Ausschalten der Fader-Start/Stopp-Funktion des an den betreffenden Kanals angeschlossenen CD-Players für DJ-Anwendungen bzw. DJ-Mischpults.

Bei eingeschalteter Fader-Start/Stopp-Funktion leuchtet die Anzeige des betreffenden Kanals, nach Ausschalten der Fader-Start/Stopp-Funktion erlischt die Anzeige.

BEDIENUNGSVERFAHREN

GRUNDLEGENDE BEDIENUNGSVERFAHREN



1. Schalten Sie den POWER-Schalter an der Rückwand (Anschlussfeld) ein.
2. Stellen Sie den Eingangswahlschalter jedes Kanals entsprechend dem an den betreffenden Kanal angeschlossenen Gerät ein.
3. Stellen Sie den Eingangspegel mit dem TRIM-Regler jedes Kanals wunschgemäß ein.
4. Stellen Sie die Klangfarbe mit den Entzerrungsreglern (EQ-HI, MID, LOW) jedes Kanals wunschgemäß ein.
5. Stellen Sie den Lautstärkepegel jedes Kanals mit seinem Kanal-Faderhebel wunschgemäß ein.
6. Wenn eine Kreuzüberblendung zwischen Kanälen ausgeführt werden soll, verwenden Sie die CROSS FADER ASSIGN-Schalter zur Wahl zwischen Kanal [A] und [B] des Kreuz-Faderhebels, und betätigen Sie dann den Kreuz-Faderhebel.
 - Wenn der Kreuz-Faderhebel nicht verwendet werden soll, wählen Sie die Einstellung [THRU] der CROSS FADER ASSIGN-Schalter.
7. Zur Verwendung des Isolators schalten Sie die MASTER ISOLATOR-Taste ein, und stellen Sie dann den Pegel jedes Frequenzbands mit den Isolator-Klangreglern (MASTER ISOLATOR HI, MID, LOW) wunschgemäß ein.
 - Nach Einschalten der MASTER ISOLATOR-Taste leuchtet sie auf.
8. Betätigen Sie den MASTER-Faderhebel zur Einstellung des Gesamtlautstärkepegels, und justieren Sie die Links/Rechts-Kanalbalance mit dem MASTER BALANCE-Regler.

[Hauptmikrofon-Eingang]

1. Zur Verwendung des Hauptmikrofons bringen Sie den MIC-Schalter in die Stellung [ON] oder [TALK OVER].
 - Bei Einstellung auf [TALK OVER] werden alle Tonausgangspegel mit Ausnahme des Hauptmikrofontons automatisch um 20 dB gedämpft, wenn dem Hauptmikrofon-Eingang ein Signal mit einem höheren Pegel als -15 dB zugeleitet wird.
2. Stellen Sie den Lautstärkepegel mit dem MIC LEVEL-Regler, und die Klangfarbe mit den Mikrofon-Entzerrungsreglern (MIC EQ-HI, LOW) wunschgemäß ein.

[Kabinen-Monitorausgang]

1. Stellen Sie den Lautstärkepegel mit dem BOOTH MONITOR LEVEL-Regler wunschgemäß ein.
 - Der Lautstärkepegel kann mit dem BOOTH MONITOR LEVEL-Regler unabhängig von der Einstellung des MASTER-Faderhebels eingestellt werden.
2. Stellen Sie die Klangfarbe mit den Entzerrungsreglern für Kabinen-Monitorausgang (BOOTH MONITOR-HI, LOW) wunschgemäß ein.

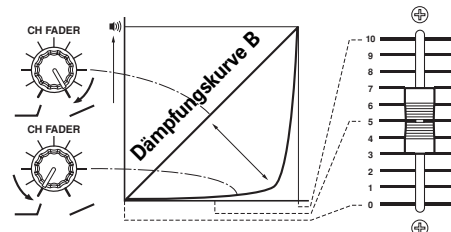
[Kopfhörerausgang]

1. Wählen Sie die abzuhörende Eingangsquelle mit der CUE-Taste (Kanal 1 bis 6, MASTER, RETURN 1, RETURN 2).
 - Die gedrückte Taste leuchtet hell auf.
2. Verwenden Sie den HEADPHONES MONO SPLIT/STEREO-Schalter zur Wahl des an den Kopfhörer auszugebenden Signals.
 - Bei Wahl von [MONO SPLIT] wird das mit der CUE-Taste gewählte Signal über den linken Kanal ausgegeben, während das Master-Ausgangssignal über den rechten Kanal ausgegeben wird (nur wenn die CUE-Taste MASTER eingeschaltet ist).
 - Bei Wahl von [STEREO] wird das mit der CUE-Taste gewählte Signal stereophon ausgegeben.
3. Bei Wahl von [MONO SPLIT] betätigen Sie den HEADPHONES MIXING-Regler zur Einstellung der Balance zwischen dem (mit der CUE-Taste gewählten) Signal des linken Kanals und dem Master-Ausgangssignal des rechten Kanals (nur wenn die CUE-Taste MASTER eingeschaltet ist).
 - Wenn dieser Regler im Uhrzeigersinn (in Richtung MASTER) gedreht wird, erfolgt eine Ausgabe des Master-Ausgangssignals (nur wenn die CUE-Taste MASTER eingeschaltet ist) an den Kopfhörer; bei Drehen des Reglers im Gegenuhrzeigersinn (in Richtung CUE) wird das mit der CUE-Taste gewählte Signal an den Kopfhörer ausgegeben.
4. Stellen Sie den Lautstärkepegel des Kopfhörers mit dem HEADPHONES LEVEL-Regler wunschgemäß ein.

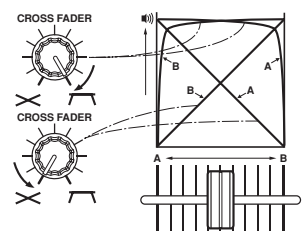
EINSTELLUNG DER FADER-DÄMPFUNGSKURVE

Die FADER CURVE-Regler ermöglichen eine Einstellung des Dämpfungskurven-Ansprechverhaltens (Verlauf der Änderung des Lautstärkepegels) entsprechend der Betätigung der betreffenden Faderhebel.

- Drehen Sie den CURVE ADJUST CH FADER-Regler, um das Dämpfungskurven-Ansprechverhalten der Kanal-Faderhebel wunschgemäß einzustellen.
 - Wenn dieser Regler bis zum Anschlag im Uhrzeigersinn gedreht wird, ändert sich der Lautstärkepegel beim Verschieben eines Kanal-Faderhebels nach oben auf annähernd lineare Weise (entspricht Dämpfungskurve B).
 - Wenn der Regler bis zum Anschlag im Gegenuhrzeigersinn gedreht wird, nimmt der Lautstärkepegel beim Verschieben eines Kanal-Faderhebels nach oben allmählich zu, bis der Faderhebel die Nähe seiner oberen Anschlagstellung erreicht hat.
 - Die mit diesem Regler eingestellte Dämpfungskurve ist für alle Kanal-Faderhebel von 1 bis 6 wirksam.



- Drehen Sie den CURVE ADJUST CROSS FADER-Regler, um das Dämpfungskurven-Ansprechverhalten des Kreuz-Faderhebels wunschgemäß einzustellen.
 - Wenn dieser Regler bis zum Anschlag im Uhrzeigersinn gedreht wird, entsteht eine steil ansteigende Dämpfungskurve, die bewirkt, dass der Ton beim Verschieben des Kreuz-Faderhebels von einer Seite unmittelbar auf der gegenüberliegenden Seite erscheint.
 - Wenn der Regler bis zum Anschlag im Gegenuhrzeigersinn gedreht, ergibt sich eine annähernd lineare Kurve für die Änderung des Lautstärkepegels.
 - Die beiden Kurven von Seite A und B ändern sich gleichzeitig.



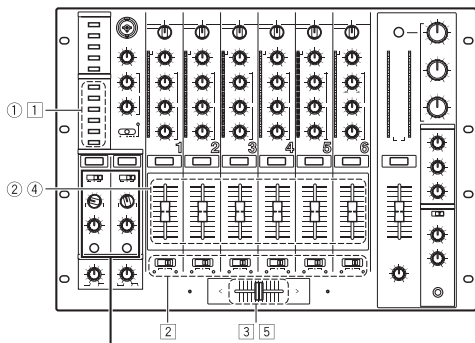
FADER-STARTFUNKTION

Wenn dieses Gerät über ein Steuerkabel an einen PIONEER CD-Player angeschlossen wird, können die Kanal-Faderhebel und der Kreuz-Faderhebel betätigt werden, um die Wiedergabe am CD-Player automatisch zu starten (wenn der Anschluss über ein Digitalverknüpfungs-Kabel hergestellt wird, erübrigt sich der Anschluss des Steuerkabels). Bei einer Verstellung des Kanal- oder Kreuz-Faderhebels am Mischpult wird der Pausenzustand am CD-Player aufgehoben, und die Wiedergabe des Titels startet unmittelbar. Wird der Faderhebel anschließend in seine Ausgangsstellung zurückgebracht, so kehrt der CD-Player an den Cue-Punkt zurück (Cue-Rücklauf-Funktion), wodurch eine Sampler-ähnliche Wiedergabe ermöglicht wird.

[Wiedergabestart und Cue-Rücklauf über Kreuz-Faderhebel]

Wenn der Kanal A des Kreuz-Faderhebels zugeordnete CD-Player momentan am Cue-Punkt auf Wiedergabebereitschaft geschaltet ist und der Kreuz-Faderhebel von der rechten Seite (Seite B) auf die linke Seite (Seite A) geführt wird, startet die Wiedergabe an dem Kanal A zugeordneten CD-Player. Sobald der Kreuz-Faderhebel seine linke (Seite A) Anschlagstellung erreicht, führt der Kanal B zugeordnete CD-Player einen Rücklauf an den Cue-Punkt (Cue-Rücklauf) aus. Wenn der Kanal B des Kreuz-Faderhebels zugeordnete CD-Player momentan am Cue-Punkt auf Wiedergabebereitschaft geschaltet ist und der Kreuz-Faderhebel von der linken Seite (Seite A) auf die rechte Seite (Seite B) geführt wird, startet die Wiedergabe an dem Kanal B zugeordneten CD-Player. Sobald der Kreuz-Faderhebel seine rechte (Seite B) Anschlagstellung erreicht, führt der Kanal A zugeordnete CD-Player einen Rücklauf an den Cue-Punkt (Cue-Rücklauf) aus.

* Der Cue-Rücklauf wird selbst dann ausgeführt, wenn der Eingangswahlschalter nicht auf [CD/LINE] eingestellt ist.



externes Effektgerät

[Starten der Wiedergabe über Kanal-Faderhebel]

- ① Drücken Sie die FADER START-Taste des Kanals (CH-1 bis CH-6), an den der anzusteuende CD-Player angeschlossen ist.
 - Die Taste des gewählten Kanals leuchtet auf.
- ② Richten Sie den Kanal-Faderhebel auf die Skalenteilung [0] aus.
- ③ Legen Sie den gewünschten Cue-Punkt am CD-Player fest, und schalten Sie ihn dort auf Wiedergabebereitschaft.
 - Wenn der Cue-Punkt bereits festgelegt worden ist, braucht der CD-Player nicht am Cue-Punkt auf Bereitschaft geschaltet zu werden.
- ④ Sobald die Wiedergabe des CD-Players beginnen soll, führen Sie den Kanal-Faderhebel mit der gewünschten Geschwindigkeit nach oben.
 - Die Wiedergabe startet am CD-Player.
 - Nach Beginn der Wiedergabe können Sie den Kanal-Faderhebel jederzeit wieder auf die Skalenteilung [0] ausrichten, um den CD-Player an den Cue-Punkt zurückzuführen und in den Bereitschaftszustand zu schalten (Cue-Rücklauf).

* Die Steuerung über Kanal-Faderhebel ist nur dann freigegeben, wenn sich der CROSS FADER ASSIGN-Schalter in Stellung [THRU] befindet.

[Starten der Wiedergabe über den Kreuz-Faderhebel]

- ① Drücken Sie die FADER START-Taste des Kanals (CH-1 bis CH-6), an den der anzusteuende CD-Player angeschlossen ist.
 - Die Taste des gewählten Kanals leuchtet auf.

- ② Bringen Sie den CROSS FADER ASSIGN-Schalter des gewählten Kanals in Stellung [A] oder [B].
 - Wählen Sie die Stellung [A], wenn der Kanal, der zur Wiedergabe vorgesehen ist, Kanal A (der linken Seite) des Kreuz-Faderhebels zugeordnet werden soll.
 - Wählen Sie die Stellung [B], um den Kanal, der zur Wiedergabe vorgesehen ist, Kanal B (der rechten Seite) des Kreuz-Faderhebels zuzuordnen.

- ③ Bringen Sie den Kreuz-Faderhebel in die Anschlagstellung, die dem zur Wiedergabe vorgesehenen Kanal entgegen gesetzt ist.

- ④ Legen Sie den gewünschten Cue-Punkt am CD-Player fest, und schalten Sie ihn dort auf Wiedergabebereitschaft.
 - Wenn der Cue-Punkt bereits festgelegt worden ist, braucht der CD-Player nicht am Cue-Punkt auf Bereitschaft geschaltet zu werden.

- ⑤ Sobald die Wiedergabe des CD-Players beginnen soll, führen Sie den Kreuz-Faderhebel mit der gewünschten Geschwindigkeit auf die Seite des entsprechenden Kanals.
 - Die Wiedergabe startet am CD-Player.
 - Nach Beginn der Wiedergabe können Sie den Kreuz-Faderhebel jederzeit in die entgegengesetzte Anschlagstellung bringen, um den CD-Player an den Cue-Punkt zurückzuführen und in den Bereitschaftszustand zu schalten (Cue-Rücklauf).

* Wenn ausschließlich ein Digitalanschluss hergestellt ist, arbeitet die Fader-Startfunktion möglicherweise nicht einwandfrei. In einem solchen Fall schließen Sie den CD-Player zusätzlich an die analogen Eingangsbuchsen an.

VERWENDUNG VON EXTERNEN EFFEKTGERÄTEN

An dieses Mischpult können zwei Effektgeräte gleichzeitig angeschlossen werden.

1. Verwenden Sie den Ausgabekanal-Wahlschalter zur Wahl der Eingangsquelle, deren Signal an das Effektgerät ausgegeben werden soll.
 - Sie können zwischen den Einstellungen [MIC], (Kanal [1] bis [6]) und [MASTER] wählen.

2. Verwenden Sie den Wahlschalter für Typ der Ausgabe/Rückleitung zur Wahl der Stufe, an die das Effektgerät angeschlossen ist.
 - Bei Einstellung des Ausgabekanal-Wahlschalters auf [MIC] ist die Umschaltung zwischen [INSERT] und [AUX] für sowohl [PRE] als auch [POST] nur vom gleichen Punkt aus freigegeben. Bei Einstellung des Ausgabekanal-Wahlschalters auf [MASTER] ist nur Typ [INSERT] freigegeben.

PRE INSERT: Das vom Equalizer beeinflusste Ausgangssignal wird ausgegeben, bevor es auf den Kanal-Faderhebel gelegt wird, und an den gleichen Punkt zurückgeleitet.

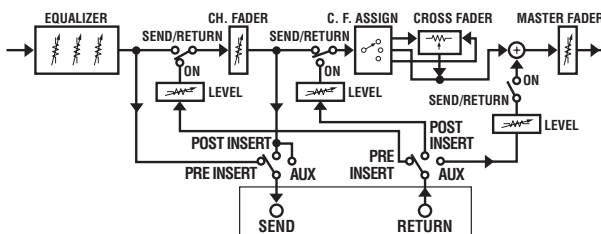
POST INSERT: Das vom Kanal-Faderhebel gesteuerte Signal wird ausgegeben, bevor es auf den Kreuz-Faderhebel gelegt wird, und an den gleichen Punkt zurückgeleitet.

AUX: Das vom Kanal-Faderhebel gesteuerte Signal wird ausgegeben, bevor es die Kreuz-Faderhebel-Zuordnungsschaltung passiert, und an den Punkt vor dem Master-Faderhebel zurückgeleitet, wonach es ggf. einem anderen Ausgangssignal hinzugefügt wird. Das ausgegebene Originalsignal passiert die Kreuz-Faderhebel-Zuordnungsschaltung ebenfalls, wonach es dem Ausgangssignal hinzugefügt wird.

3. Schalten Sie die ON-Taste im SEND/RETURN-Bereich ein.
 - Die ON-Taste (SEND/RETURN) blinkt.

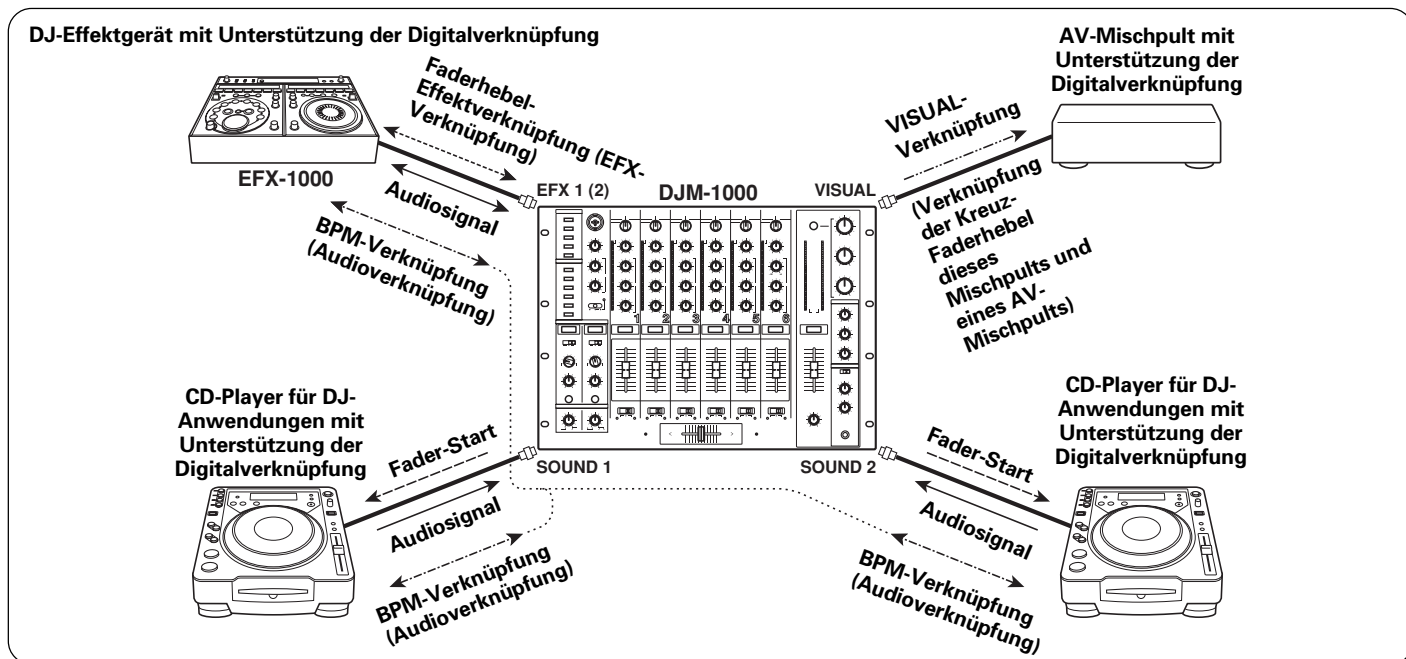
4. Stellen Sie den Lautstärkepegel des Rückleitungssignals mit dem RETURN LEVEL-Regler wunschgemäß ein.

	Position		
Signalquelle	PRE POST AUX └─INSERT─┘	PRE POST AUX └─INSERT─┘	PRE POST AUX └─INSERT─┘
MIC	INSERT		AUX
CH-1 — CH-6	PRE	POST	AUX
MASTER	INSERT		



DIGITALVERKNÜPFUNGS-FUNKTION

Übersicht über das Verknüpfungssystem



Digitalverknüpfungsanschluss für EFX-1000

Verwenden Sie ein Digitalverknüpfungskabel zum Anschließen eines PIONEER DJ-Effektgerät (EFX-1000) an die Buchsen EFX 1 oder 2 dieses Gerätes.

Diese Verknüpfung liefert einen Digitalanschluss für hochwertige Klangqualität und ermöglicht den Gebrauch der Effektfunktionen des EFX-1000.

Die Bedienungsverfahren nach Herstellung dieses Anschlusses sind die gleichen wie im Abschnitt „VERWENDUNG VON EXTERNEN EFFEKTGERÄTEN“ (S. 46) beschrieben. Wenn gleichzeitig ein Anschluss an die SEND/RETURN-Buchsen (über ein Kabel mit Klinkensteckern) hergestellt ist, besitzt der (über Digitalverknüpfungskabel hergestellte) Anschluss an den Ein-/Ausgangsbuchsen für Effektgerät-Verknüpfung Vorrang.

Einzelheiten zu den Einstellungen finden Sie in der Bedienungsanleitung des EFX-1000.

Faderhebel-Effektverknüpfung (Effektgerät-Verknüpfung)

Nach Herstellen der oben gezeigten Anschlüsse wird bei einer Betätigung des Kanal-Faderhebels der gleiche Effekt erhalten wie bei einer Betätigung der Jogscheibe am EFX-1000.

- Schalten Sie die Digital Jog Break-Funktion des EFX-1000 ein.
- Verwenden Sie den Ausgabekanal-Wahlschalter zur Wahl des Kanals, der mit den Faderhebel-Effekten versehen werden soll (Kanal [1] bis [6] können gewählt werden).
- Schalten Sie die Tasten für Effektgerät-Verknüpfung (EFX 1, 2) ein.
 - Die Anzeigen der Tasten für Effektgerät-Verknüpfung (EFX 1, 2) leuchten auf.

Hinweis: Der Lautstärkepegel des gewählten Kanals entspricht dem Lautstärkepegel, der in der oberen Anschlagstellung des Kanal-Faderhebels erhalten wird; achten Sie daher bei der Wahl darauf, den Lautstärkepegel zu überprüfen, während sich der Kanal-Faderhebel in seiner oberen Anschlagstellung befindet.

- Schalten Sie ON-Taste im SEND/RETURN-Bereich ein.
 - Die ON-Taste im SEND/RETURN-Bereich beginnt zu blinken.
- Betätigen Sie den Kanal-Faderhebel des gewählten Kanals.
 - Die Anzeige auf dem Digital Jog Break-Pegelmeter des EFX-1000 und der Ton ändern sich entsprechend der Position des Kanal-Faderhebels.
 - Bei Änderung der Einstellung des Ausgabekanal-Wahlschalters wird die Faderhebel-Effektverknüpfung aufgehoben, und die Anzeige der Taste für Effektgerät-Verknüpfung erlischt.

Digitalverknüpfungsanschluss für CD-Player für DJ-Anwendungen mit Unterstützung der Digitalverknüpfungsfunktion

Ein CD-Player für DJ-Anwendungen mit Unterstützung der Digitalverknüpfungsfunktion kann über ein Digitalverknüpfungskabel

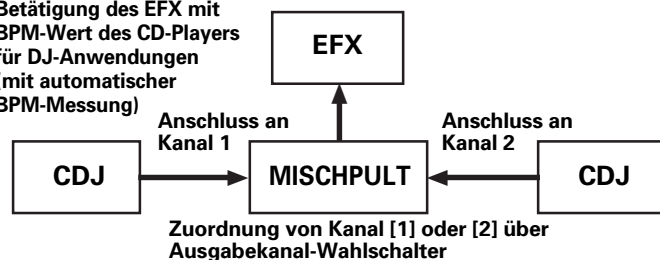
an die Buchsen SOUND 1, 2 dieses Gerätes angeschlossen werden. Diese Verknüpfung liefert einen Digitalanschluss für hochwertige Klangqualität beim Zumischen des Tons des CD-Player für DJ-Anwendungen.

Nach Herstellung dieser Digitalverknüpfung über ein einziges Kabel steht außerdem die Fader-Startfunktion zur Verfügung.

BPM-Verknüpfung (Audioverknüpfung)

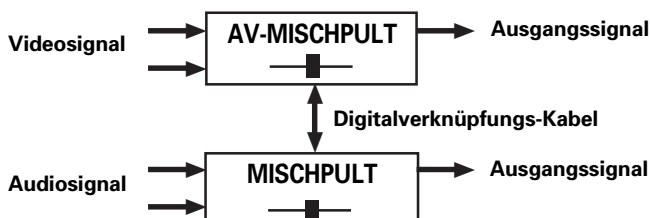
Wenn ein CD-Player für DJ-Anwendungen mit Unterstützung der Digitalverknüpfung über ein Digitalverknüpfungskabel an die Buchsen SOUND 1 oder SOUND 2 dieses Mischpults angeschlossen ist und das DJ-Effektgerät EFX-1000 über ein Digitalverknüpfungskabel an die Buchsen EFX 1 oder EFX 2 dieses Mischpults angeschlossen ist, können Effekte mit dem vom CD-Player für DJ-Anwendungen gemessenen, genaueren BPM-Wert hinzugefügt werden.

Betätigung des EFX mit BPM-Wert des CD-Players für DJ-Anwendungen (mit automatischer BPM-Messung)



VISUAL-Verknüpfung (Verknüpfung der Kreuz-Faderhebel dieses Mischpults und eines AV-Mischpults)

Wenn ein AV-Mischpult mit Unterstützung der Digitalverknüpfung über ein Digitalverknüpfungskabel an die VISUAL-Buchsen dieses Mischpults angeschlossen ist (und die Digitalverknüpfungsfunktion eingeschaltet ist), führt eine Betätigung des Kreuz-Faderhebels an diesem Mischpult zu einer automatisch verknüpften Betätigung des Kreuz-Faderhebels am AV-Mischpult, so dass Ton und Bild gleichzeitig verändert werden können.



Deutsch

FEHLERBESEITIGUNG

Vermeintliche Funktionsstörungen des Gerätes lassen sich häufig auf Bedienungsfehler zurückführen. Wenn Sie annehmen, dass das Mischpult nicht richtig funktioniert, prüfen Sie die folgenden Punkte. Das Problem kann auch bei einem anderen Gerät liegen. Prüfen Sie daher auch die benutzten anderen Geräte.

Wenn das Problem auch nach Prüfung der folgenden Punkte nicht behoben werden kann, wenden Sie sich an Ihren Händler oder den nächstgelegenen PIONEER-Kundendienst.

Störung	Mögliche Ursache	Abhilfemaßnahme
Das Gerät lässt sich nicht einschalten.	<ul style="list-style-type: none"> Das Netzkabel ist nicht angeschlossen. 	<ul style="list-style-type: none"> Schließen Sie das Netzkabel an eine Netzsteckdose an.
Es wird kein oder nur ein sehr leiser Ton gehört.	<ul style="list-style-type: none"> Der Eingangswahlschalter befindet sich in der falschen Stellung. Das Verbindungskabel wurde falsch angeschlossen bzw. abgetrennt. Die Buchse oder der Stecker ist verschmutzt. Der MASTER ATT.-Regler an der Rückwand ist auf einen zu niedrigen Wert ([-12 dB] usw.) eingestellt. 	<ul style="list-style-type: none"> Stellen Sie den Eingangswahlschalter dem momentan zur Wiedergabe verwendeten Gerät entsprechend ein. Schließen Sie das Kabel richtig an. Reinigen Sie die Buchse bzw. den Stecker, und schließen Sie das Kabel dann erneut an. Korrigieren Sie die Einstellung des MASTER ATT.-Reglers an der Rückwand.
Der Klang ist verzerrt.	<ul style="list-style-type: none"> Der Master-Ausgangspegel ist zu hoch. Der Eingangspegel ist zu hoch. 	<ul style="list-style-type: none"> Justieren Sie den MASTER ATT. -Regler an der Rückwand. Justieren Sie den TRIM-Regler, bis die Pegelmesser (CHANNEL LEVEL) einen Eingangspegel von annähernd 0 dB anzeigen.
Eine Kreuzüberblendung kann nicht ausgeführt werden.	<ul style="list-style-type: none"> Der CROSS FADER ASSIGN-Schalter befindet sich in der falschen Stellung ([A], [THRU], [B]). 	<ul style="list-style-type: none"> Stellen Sie den CROSS FADER ASSIGN-Schalter des Kanals, auf dem eine Kreuzüberblendung ausgeführt werden soll, richtig ein.
Der CD-Player spricht nicht auf die Fader-Startfunktion an.	<ul style="list-style-type: none"> Die FADER START-Taste ist ausgeschaltet. Es ist kein Steuerkabel vom CD-Player an die CONTROL-Buchse an der Rückwand des Mischpults angeschlossen. 	<ul style="list-style-type: none"> Schalten Sie die FADER START-Taste ein. Verbinden Sie Mischpult und CD-Player über das Steuerkabel.
Der Klang eines externen Effektgerätes ist verzerrt.	<ul style="list-style-type: none"> Der Eingangspegel vom externen Effektgerät ist zu hoch. 	<ul style="list-style-type: none"> Verringern Sie den Ausgangspegel am externen Effektgerät, oder justieren Sie den Rückleitungspegel mit dem RETURN-Regler (LEVEL).
Ein externes Effektgerät funktioniert nicht.	<ul style="list-style-type: none"> Die ON-Taste im SEND/RETURN-Bereich ist ausgeschaltet. Das Effektgerät ist nicht an die RETURN- oder EFX-Buchsen an der Rückwand angeschlossen. Der Ausgabekanal-Wahlschalter befindet sich in der falschen Stellung. 	<ul style="list-style-type: none"> Schalten Sie die ON-Taste im SEND/RETURN-Bereich ein. Schließen Sie das Effektgerät entweder an die SEND/RETURN-Buchse oder an die Buchsen EFX 1 bzw. EFX 2 an der Rückwand an. Wählen Sie die Eingangsquelle, die mit Effekten versehen werden soll, über den Ausgabekanal-Wahlschalter.
Die Digitalverknüpfungs-Funktion arbeitet nicht.	<ul style="list-style-type: none"> Es ist kein die Digitalverknüpfung unterstützendes Gerät an die Digitalverknüpfungs-Buchsen (EFX 1, EFX 2, SOUND 1, SOUND 2, VISUAL) an der Rückwand angeschlossen. 	<ul style="list-style-type: none"> Verbinden Sie das DJM-1000 über ein Digitalverknüpfungs-Kabel mit einem Gerät, das die Digitalverknüpfung unterstützt.

Statische Elektrizität und andere externe Einstreuungen können Funktionsstörungen des Gerätes verursachen. Um den normalen Betriebszustand in einem solchen Fall wiederherzustellen, schalten Sie den Netzschalter einmal aus und wieder ein.

Falls die Digitalverknüpfung nicht einwandfrei hergestellt wird, überprüfen Sie bitte die folgenden Punkte:

Warnanzeigen	Bedeutung	Abhilfemaßnahme
Alle Anzeigen für Digitalverknüpfung blinken zweimal.	Nicht unterstützte Geräte sind an die Ein-/Ausgangsbuchsen für Digitalverknüpfung angeschlossen.	Überprüfen Sie die Anschlüsse an den Ein-/Ausgangsbuchsen für Digitalverknüpfung.
Alle Anzeigen für Digitalverknüpfung blinken dreimal.	Die Ein- und Ausgangsbuchsen für Digitalverknüpfung eines einzigen DJM-1000, oder die Ein- und Ausgangsbuchsen für Digitalverknüpfung von zwei DJM-1000 sind zusammengeschlossen worden.	Überprüfen Sie die Anschlüsse.
Alle Anzeigen für Digitalverknüpfung blinken viermal.	An den Ein-/Ausgangsbuchsen für Digitalverknüpfung ist ein Kommunikationsfehler aufgetreten.	Überprüfen Sie die Anschlüsse und Verbindungskabel.

TECHNISCHE DATEN

1. Allgemeine Daten

Stromversorgung	220–240 V Netzspannung, 50/60 Hz
Leistungsaufnahme	62 W
Betriebstemperatur	5 °C bis 35 °C
Betriebsluftfeuchtigkeit	5 % bis 85 % (ohne Kondensatbildung)
Masse	12,1 kg
Außenabmessungen	482 (B) x 363,5 (T) x 187,5 (H) mm

2. Audiodaten

Abtastfrequenz	96 kHz
A/D-, D/A-Wandler	24 Bit
Frequenzgang	20 Hz bis 20 kHz
Signal-Rauschabstand (bei Vollaussteuerung)	
LINE	104 dB
PHONO	88 dB
MIC	83 dB
Klirrfaktor (LINE-MASTER1)	0,005 %
Dynamikreserve	19 dB
Eingangsspegel	
PHONO	-52 dBu (47 k Ω)
MIC, SUBMIC	-52 dBu (3 k Ω)
CD/LINE, LINE	-12 dBu (22 k Ω)
RETURN	-12 dBu (22 k Ω)
Ausgangsspegel	
MASTER1	+2 dBu (600 Ω)
MASTER2	+2 dBu (10 k Ω)
REC	-8 dBu (10 k Ω)
BOOTH	+2 dBu (600 Ω)
SEND	-12 dBu (10 k Ω)
PHONES	+8,5 dBu (32 Ω)
Übersprechen (LINE)	88 dB
Anzahl der Kanäle	6
Kanal-Equalizer	
HI	-26 dB bis +6 dB (13 kHz)
MID	-26 dB bis +6 dB (1 kHz)
LOW	-26 dB bis +6 dB (70 Hz)
Mikrofon-Equalizer	
HI	-6 dB bis +6 dB (10 kHz)
LOW	-6 dB bis +6 dB (100 Hz)
Kabinen-Monitor-Equalizer	
HI	-6 dB bis +6 dB (10 kHz)
LOW	-6 dB bis +6 dB (100 Hz)

3. Eingänge/Ausgänge

PHONO-Eingangsbuchsen	
Cinchbuchsen	6
CD/LINE-, LINE-Eingangsbuchsen	
Cinchbuchsen	6
Klinkenbuchsen (Ø6,3 mm)	4
MIC-, SUBMIC-Eingangsbuchsen	
XLR-Buchse/Klinkenbuchse (Ø6,3 mm)	1
Klinkenbuchsen (Ø6,3 mm)	2
Koaxiale DIGITAL-Eingangsbuchsen	
Cinchbuchsen	4
RETURN-Eingangsbuchsen	
Klinkenbuchsen (Ø6,3 mm)	2
MASTER-Ausgangsbuchsen	
XLR-Buchse	1
Cinchbuchse	1
BOOTH-Ausgangsbuchsen	
Cinchbuchsen	1
REC-Ausgangsbuchsen	
Cinchbuchsen	1
SEND-Ausgangsbuchsen	
Klinkenbuchsen (Ø6,3 mm)	2
Koaxialer DIGITAL-Ausgang	
Cinchbuchse	1
Digitalverknüpfungs-Buchsen (EFX 1, 2, SOUND 1, 2, VISUAL)	
Mini-DIN-Buchsen	5
MIDI OUT-Buchse	
5-polige DIN-Buchse	1

4. Mitgeliefertes Zubehör

Bedienungsanleitung	1
Netzkabel	1

Änderungen der technischen Daten und äußerer Aufmachung bleiben im Sinne der ständigen Produktverbesserung jederzeit vorbehalten.

Grazie per aver acquistato questo prodotto Pioneer.

Leggere attentamente questo manuale di istruzioni per familiarizzarsi con l'uso dell'apparecchio. Conservare poi il manuale per ogni eventuale futuro riferimento.

I modelli disponibili in alcuni paesi o regioni possono avere la forma della spina del cavo d'alimentazione e della presa ausiliaria di corrente diversa da quella mostrata nelle illustrazioni, ma il loro modo di collegamento e funzionamento è lo stesso. K015 It

IMPORTANTE



Il simbolo del lampo con terminale a forma di freccia situato all'interno di un triangolo equilatero serve ad avvisare l'utilizzatore della presenza di una "tensione pericolosa" non isolata nella struttura del prodotto che potrebbe essere di un'intensità tale da provocare scosse elettriche all'utilizzatore.



ATTENZIONE:
PER EVITARE IL RISCHIO DI SCOSSE ELETTRICHE, NON RIMUOVERE IL COPERCHIO (O IL RETRO). NON CI SONO PARTI INTERNE LA CUI MANUTENZIONE POSSA ESSERE EFFETTUATA DALL'UTENTE. IN CASO DI NECESSITÀ, RIVOLGERSI ESCLUSIVAMENTE A PERSONALE DI SERVIZIO QUALIFICATO.



Il punto esclamativo in un triangolo equilatero serve ad avvisare l'utilizzatore della presenza di importanti istruzioni di funzionamento e manutenzione riportate nel libretto allegato al prodotto.

D3-4-2-1-1_It

AVVERTIMENTO RIGUARDANTE IL FILO DI ALIMENTAZIONE

Prendete sempre il filo di alimentazione per la spina. Non tiratelo mai agendo per il filo stesso e non toccate mai il filo con le mani bagnate, perché questo potrebbe causare cortocircuiti o scosse elettriche. Non collocate l'unità, oppure dei mobili sopra il filo di alimentazione e controllate che lo stesso non sia premuto. Non annodate mai il filo di alimentazione né collegatelo con altri fili. I fili di alimentazione devono essere collocati in tal modo che non saranno calpestati. Un filo di alimentazione danneggiato potrebbe causare incendi o scosse elettriche. Controllate il filo di alimentazione regolarmente. Quando localizzate un eventuale danno, rivolgetevi al più vicino centro assistenza autorizzato della PIONEER oppure al vostro rivenditore per la sostituzione del filo di alimentazione.

5002_It

ATTENZIONE

Questo apparecchio non è impermeabile. Per prevenire pericoli di incendi o folgorazioni, non posizionare nelle vicinanze di questo apparecchio contenitori pieni di liquidi (quali vasi da fiori, o simili), e non esporre l'apparecchio a sgocciolii, schizzi, pioggia o umidità.

D3-4-2-1-3_A_It

ATTENZIONE

Prima di collegare per la prima volta l'apparecchio alla sorgente di alimentazione leggere attentamente la sezione che segue.

La tensione della sorgente di elettricità differisce da Paese a Paese e da regione a regione. Verificare che la tensione di rete della zona in cui si intende utilizzare l'apparecchio sia quella corretta, come indicato sul pannello posteriore dell'apparecchio stesso (ad es.: 230 V o 120 V).

D3-4-2-1-4_A_It

Se la spina del cavo di alimentazione di questo apparecchio non si adatta alla presa di corrente alternata di rete nella quale si intende inserire la spina stessa, questa deve essere sostituita con una adatta allo scopo. La sostituzione della spina del cavo di alimentazione deve essere effettuata solamente da personale di servizio qualificato. Dopo la sostituzione, la vecchia spina, tagliata dal cavo di alimentazione, deve essere adeguatamente eliminata per evitare possibili scosse o folgorazioni dovute all'accidentale inserimento della spina stessa in una presa di corrente sotto tensione. Se si pensa di non utilizzare l'apparecchio per un relativamente lungo periodo di tempo (ad esempio, durante una vacanza), staccare la spina del cavo di alimentazione dalla presa di corrente alternata di rete.

D3-4-2-1a_A_It

ATTENZIONE

Per evitare il pericolo di incendi, non posizionare sull'apparecchio dispositivi con fiamme vive (ad esempio una candela accesa, o simili).

D3-4-2-1-7a_A_It

AVVERTENZA PER LA VENTILAZIONE

Installare l'apparecchio avendo cura di lasciare un certo spazio all'intorno dello stesso per consentire una adeguata circolazione dell'aria e migliorare la dispersione del calore (almeno 5 cm sul retro, e 3 cm su ciascuno dei lati).

ATTENZIONE

L'apparecchio è dotato di un certo numero di fessure e di aperture per la ventilazione, allo scopo di garantirne un funzionamento affidabile, e per proteggerlo dal surriscaldamento. Per prevenire possibili pericoli di incendi le aperture non devono mai venire bloccate o coperte con oggetti vari (quali giornali, tovaglie, tende o tendaggi, ecc.), e l'apparecchio non deve essere utilizzato appoggiandolo su tappeti spessi o sul letto.

D3-4-2-1-7b_A_It

AVVERTENZA

L'interruttore principale (POWER) dell'apparecchio non stacca completamente il flusso di corrente elettrica dalla presa di corrente alternata di rete. Dal momento che il cavo di alimentazione costituisce l'unico dispositivo di distacco dell'apparecchio dalla sorgente di alimentazione, il cavo stesso deve essere staccato dalla presa di corrente alternata di rete per sospendere completamente qualsiasi flusso di corrente. Verificare quindi che l'apparecchio sia stato installato in modo da poter procedere con facilità al distacco del cavo di alimentazione dalla presa di corrente, in caso di necessità. Per prevenire pericoli di incendi, inoltre, il cavo di alimentazione deve essere staccato dalla presa di corrente alternata di rete se si pensa di non utilizzare l'apparecchio per periodi di tempo relativamente lunghi (ad esempio, durante una vacanza).

D3-4-2-2a_A_It

Condizioni ambientali di funzionamento

Gamma ideale della temperatura ed umidità dell'ambiente di funzionamento:
da +5 a +35 °C, umidità relativa inferiore all'85%
(fessure di ventilazione non bloccate)

Non installare l'apparecchio in luoghi poco ventilati, o in luoghi esposti ad alte umidità o alla diretta luce del sole (o a sorgenti di luce artificiale molto forti).

D3-4-2-1-7c_A_It

Questo prodotto è conforme alla direttiva sul basso voltaggio (73/23/CEE emendata 93/68/CEE), direttive EMC 89/338/CEE, emendata 92/31/CEE e 93/68/CEE.

D3-4-2-1-9a_It

CARATTERISTICHE

① Design per un'alta qualità audio

I segnali analogici sono trasmessi attraverso il percorso più breve e convertiti in segnali digitali da un convertitore A/D di alta qualità con campionamento a 96 kHz, 24 bit facendo passare i segnali allo stadio di missaggio digitale in condizioni ottimali.

Attraverso l'uso di un DSP a 32 bit, il missaggio viene raggiunto con nessuna degradazione della qualità del suono, ma con filtraggio simultaneo ideale e audio ottimale per DJ professionisti che operano in discoteche.

Per permettere di sfruttare al massimo queste caratteristiche, è stata prestata molta attenzione alla qualità del suono attraverso un telaio di grande rigidità per eliminare vibrazioni che possono influenzare il suono ed una sezione alimentazione di alte prestazioni che usa un trasformatore R-core che permette di ottenere bassi di alta qualità e quindi suoni chiari e potenti ideali per le discoteche.

② Isolatore a tre bande

L'isolatore a tre bande incorporato permette un controllo del livello da +6 dB a $-\infty$ su ciascuna banda di frequenze.

La pronta risposta ai comandi permette la realizzazione di una vasta gamma di operazioni per DJ.

③ SEND/RETURN a due sistemi, tre tipi

Una caratteristica SEND/RETURN (PRE INSERT/POST INSERT/AUX) da due sistemi e tre tipi permette molte variazioni dei collegamenti con dispositivi esterni, ad esempio unità di effetto e campionatori, allargando così il potenziale di lavoro del DJ.

④ Regolazione della curva della dissolvenza

La curva di dissolvenza permette di regolare non solo la curva di dissolvenza incrociata (come nei modelli precedenti), ma anche la curva della dissolvenza dei canali.

Le due funzioni di dissolvenza possono venire regolate in 17 fasi diverse, così che i DJ possono personalizzare le impostazioni come preferiscono.

⑤ Ingresso ed uscita digitali

Usando i connettori di ingresso digitale in dotazione per ciascuna delle frequenze di campionamento (44,1/48/96 kHz), è possibile costruire in sistema senza degradazione della qualità audio anche utilizzando apparecchi digitali esterni.

È in dotazione un connettore DIGITAL OUT a 24 bit e 96 kHz di frequenza di campionamento per facilitare la registrazione in studio ed in altre situazioni che richiedono audio di alta qualità.

Supporta solo segnale lineare PCM.

⑥ Uscite MIDI

Si possono emettere segnali MIDI permettendo il controllo di strumenti MIDI esterni.

⑦ Funzione di collegamento digitale

Si possono eseguire molte funzioni usando cavi di collegamento digitale con lettori CD per DJ, unità effetti per DJ e mixer AV PIONEER.

⑧ Altre caratteristiche

- Usando un cavo di controllo per collegare quest'unità ad un lettore CD PIONEER per DJ è possibile iniziare la riproduzione da un lettore CD con la dissolvenza automatica (riproduzione con apertura in dissolvenza automatica).
- "Equalizzatore a tre bande" incorporato che permette di controllo del livello del segnale entro la gamma +6 dB a -26 dB in ciascuna banda di frequenza.
- Possiede un "equalizzatore da cabina a due bande" per il controllo di monitoraggio in cabina di registrazione, facilitando quindi il monitoraggio in cabina da parte del DJ.
- Funzione di "assegnazione di dissolvenza incrociata" che permette un'assegnazione più flessibile del segnale in ingresso di ciascun canale alla dissolvenza incrociata.
- "Funzione TALK OVER" che abbassa automaticamente il volume di un brano durante l'ingresso di segnale dal microfono.

INDICE

CARATTERISTICHE	51
ACCESSORI IN DOTAZIONE	51
AVVERTENZE PER L'USO	52

PRIMA DELL'USO

COLLEGAMENTI	53
PANNELLO DEL COLLEGAMENTI	53
COLLEGAMENTO DEL CAVO DI ALIMENTAZIONE	54
COLLEGAMENTI AI CONNETTORI DI INGRESSO	54
COLLEGAMENTO AI CONNETTORI DI UNITÀ EFFETTI E DI USCITA	55
CONNETTORI MIDI	55
COLLEGAMENTO DI MICROFONI E CUFFIE	56
COLLEGAMENTI DIGITALI	56
NOME DELLE VARIE PARTI E LORO FUNZIONE ...	57

OPERAZIONI

OPERAZIONI	61
OPERAZIONI DI BASE	61
REGOLAZIONE DELLE CURVE DI DISSOLVENZA	61
FUNZIONE DI INIZIO DELLA DISSOLVENZA INCROCIATA	62
USO DI UNITÀ EFFETTI ESTERNE	62
FUNZIONE DI COLLEGAMENTO DIGITALE	63

ALTRI DATI

DIAGNOSTICA	64
CARATTERISTICHE TECNICHE	65
DIAGRAMMA A BLOCCHI	100

ACCESSORI IN DOTAZIONE

Istruzioni per l'uso	1
Cavo di alimentazione	1

AVVERTENZE PER L'USO

Posizionamento

Installare l'apparecchio in un ambiente ben ventilato, dove non sia esposto ad alte temperature o ad umidità.

- Non installare l'apparecchio in luoghi esposti alla diretta luce del sole, o in prossimità di stufe o termosifoni. Il calore eccessivo può danneggiare il mobiletto dell'apparecchio e i dispositivi interni. L'installazione, inoltre, dell'apparecchio in luoghi umidi o polverosi può risultare in danni o in un cattivo funzionamento dell'apparecchio. Evitare pertanto l'installazione nelle vicinanze di fornelli da cucina, o in luoghi simili, dove l'apparecchio possa trovarsi esposto a fumi oleosi, vapore e calore.
- Se il mixer viene utilizzato dentro un contenitore per il trasporto, o all'interno di una cabina DJ, tenerlo lontano dalle pareti o da altre apparecchiature per consentire una buona dispersione del calore.

Installazione del DJM-1000 in uno scaffale a norme EIA

I fori delle viti presenti sul pannello anteriore del DJM-1000 servono per il montaggio dell'apparecchio in uno scaffale a norme EIA, da 19 pollici.

- Montare l'apparecchio nello scaffale utilizzando delle viti (non fornite) di dimensioni appropriate.
- Se si installa l'unità in un rack, fare attenzione a non pizzicarsi le dita.

Note

- Non collocare l'apparecchio direttamente sopra un amplificatore di potenza, perché il calore emesso dall'amplificatore potrebbe provocare danni all'apparecchio. La collocazione dell'apparecchio direttamente su un amplificatore di potenza potrebbe determinare anche la ricezione di segnali emessi da stazioni di radioamatori, o altri tipi di interferenze.
- Lasciare almeno 1U (43,7 mm) di spazio fra questo componente e quello sopra di esso in modo da esser certi che i cavi collegati ai connettori di ingresso ed uscita di questo apparecchio ed i relativi terminali non tocchino quelli dei componenti che lo sovrasta.
- Togliere sempre l'apparecchio dallo scaffale prima di ogni eventuale spostamento o trasporto.
- Ove non si possa fare a meno di spostare l'apparecchio ancora montato sullo scaffale, prestare la massima attenzione onde evitare che l'apparecchio subisca urti o venga sottoposto a vibrazioni.

Condensa

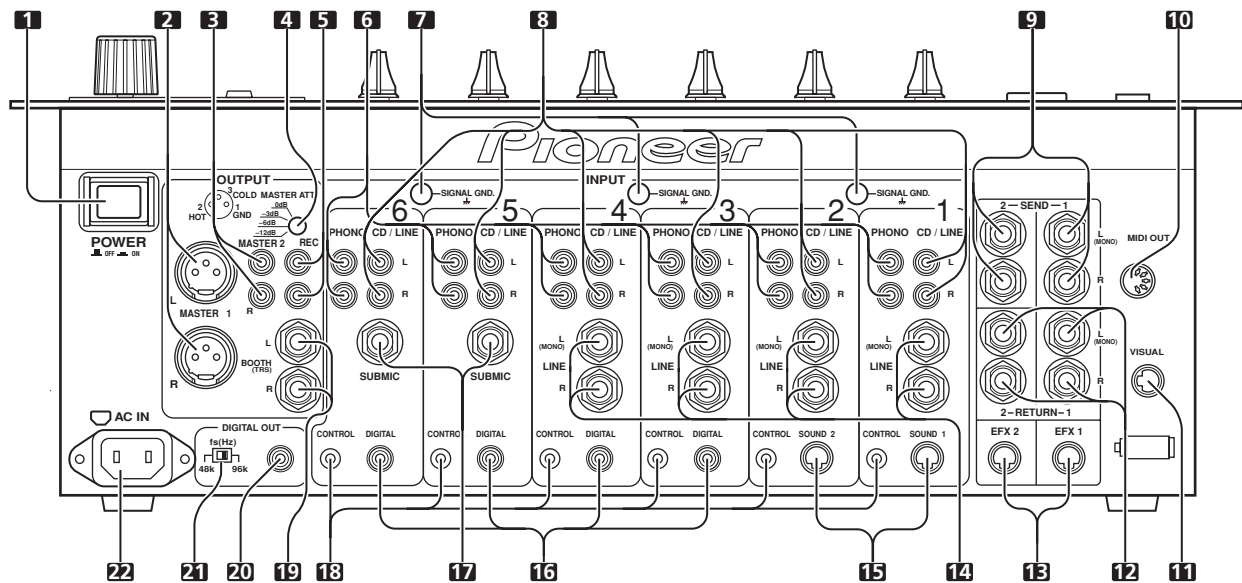
Se l'apparecchio viene spostato da un ambiente freddo ad uno caldo, o se la temperatura dell'ambiente viene alzata repentinamente, all'interno dell'apparecchio può formarsi della condensa e, come conseguenza, l'apparecchio può non essere in grado di offrire il massimo delle proprie prestazioni. In questi casi, alzare la temperatura ambiente gradualmente, o lasciare l'apparecchio inutilizzato per circa un'ora per consentire alla condensa di evaporare.

Pulizia dell'apparecchio

- Eliminare polvere ed umidità strofinando l'apparecchio con un panno asciutto.
- In caso di sporco molto ostinato, immergere un panno morbido in una soluzione detergente diluita con cinque o sei parti di acqua, strizzarlo bene ed usarlo per strofinare le superfici dell'apparecchio. Non usare assolutamente cere per mobili o detersivi.
- Non utilizzare mai sull'apparecchio, o nelle sue vicinanze, solventi, benzene, spray di insetticidi o altri agenti chimici, che possono causare la corrosione delle superfici dell'apparecchio stesso.

COLLEGAMENTI

PANNELLO DEL COLLEGAMENTI



1. Interruttore POWER

2. Connettore di uscita MASTER 1 (MASTER 1)

Uscita di tipo bilanciato XLR (connettore maschio).

3. Connettore di uscita MASTER 2 (MASTER 2)

Uscita di tipo RCA non bilanciata.

4. Manopola attenuatore di uscita MASTER (MASTER ATT.)

Attenua il livello di uscita delle uscite MASTER 1 e MASTER 2. Il livello di attenuazione può venire scelto fra i valori 0 dB, -3 dB, -6 dB, -12 dB.

5. Connettori di uscita per registrazione (REC)

Connettori di uscita RCA per la registrazione.

6. Connettori di ingresso PHONO

Connettori RCA di ingresso fono (per cartucce MM).

Da non usare come ingressi per segnale di linea.

7. Terminale di messa a terra del segnale (SIGNAL GND)

Da usare per collegare il filo di messa a terra di un giradischi. Non è un terminale per la messa a terra per motivi di sicurezza.

8. Connettori di ingresso CD/LINE

Connettori di ingresso a livello di linea di tipo RCA.

Da usare per collegare lettori CD per DJ e/o dispositivi che emettono segnale a livello di linea.

9. Connettori di uscita SEND (SEND 1, 2)

Connettori di uscita di tipo fono da 6,3 mm di diametro.

Da usare con connettori di ingresso da unità effetti esterne, ecc.

Se si usa il solo canale sinistro, viene emesso un segnale monofonico contenente i due canali sinistro e destro.

10. Connettore di uscita MIDI (MIDI OUT)

Connettore di uscita di tipo DIN.

Va collegato ad altri dispositivi MIDI (pag. 55).

11. Connettore di collegamento VISUAL

Se un cavo di collegamento digitale viene usato per collegare quest'unità ad un mixer video PIONEER (switcher) che supporta i collegamenti digitali, la dissolvenza incrociata del video mixer può venire controllata usando la funzione di dissolvenza incrociata del DJM-1000.

12. Connettori RETURN (RETURN 1,2)

Connettori di uscita di tipo fono da 6,3 mm di diametro.

Da usare con connettori di ingresso da unità effetti esterne, ecc.

Se si usa il solo canale sinistro, l'ingresso dal canale sinistro viene mandato anche al canale destro.

13. Connettori di collegamento d'ingresso/uscita EFX (EFX 1, 2)

Se un cavo di collegamento digitale viene usato per collegare quest'unità ad un'unità effetti DJ PIONEER che supporta i collegamenti digitali (EFX-1000), i collegamenti SEND/RETURN vengono eseguiti immediatamente digitalmente e le funzioni come la effetti di dissolvenza vengono a loro volta attivate.

14. Connettori di ingresso LINE

Connettori a livello di linea di tipo foto da 6,3 mm di diametro.

Se si usa il solo canale sinistro, l'ingresso dal canale sinistro viene anche mandato al canale destro.

15. Connettori di collegamento di ingresso CDJ (SOUND 1, 2)

Se un cavo di collegamento digitale viene usato per collegare quest'unità ad un lettore CD per DJ PIONEER che supporta i collegamenti audio digitali, i collegamenti audio e dei cavi di controllo digitali vengono eseguiti immediatamente e le funzioni come la sincronizzazione BPM vengono a loro volta attivate.

16. Connettori di ingresso DIGITAL

Connettori di ingresso digitali coassiali di tipo RCA.

Da collegare ai connettori di uscita coassiali digitali di lettori CD per DJ, ecc.

17. Connettori di ingresso SUBMIC

Connettori di ingresso per microfono da 6,3 mm di diametro.

Utilizzano i canali 5 e 6 del DJM-1000 come canali di ingresso per microfono.

18. Connettori CONTROL

Connettori di ingresso mini di tipo fono da 3,5 mm di diametro per il collegamento di cavi di controllo a un lettore CD per DJ.

Permette l'uso della funzione di dissolvenza incrociata del DJM-1000 per controllare l'avvio e l'arresto di un lettore CD per DJ collegato al sistema.

19. Connettori di uscita di monitoraggio BOOTH

Connettori di uscita di tipo fono da 6,3 mm di diametro per il monitoraggio in cabina.

Cambiarne il volume con la manopola BOOTH MONITOR (LEVEL), ma non sono influenzati dal comando MASTER. Dato che l'uscita è TRS, sono supportate le uscite sia bilanciate che non bilanciate.

20. Connettore di uscita digitale (DIGITAL OUT)

Connettore di uscita digitale coassiale di tipo RCA.

È l'uscita digitale principale.

21. Selettore della frequenza di campionamento (48k/96k)

Determina la frequenza di campionamento dell'uscita digitale (96 kHz o 48 kHz).

22. Connettore di alimentazione (AC IN)

Collegarlo ad una presa di corrente alternata con il cavo di alimentazione in dotazione.

Prima di fare o modificare collegamenti, non mancare di spegnere quest'unità e scollegarne il cavo di alimentazione dalla presa di corrente alternata.

COLLEGAMENTO DEL CAVO DI ALIMENTAZIONE

Collegare il cavo di alimentazione per ultimo.

- Una volta che tutti i collegamenti sono stati completati, collegare il cavo di alimentazione in dotazione alla presa di ingresso di corrente alternata del pannello posteriore di quest'unità e la spina di alimentazione ad una presa di corrente alternata o alla presa di corrente di servizio di un amplificatore.
- Usare solo il cavo di alimentazione in dotazione.

COLLEGAMENTI AI CONNETTORI DI INGRESSO

Lettori CD per DJ PIONEER

Collegare i connettori di uscita audio di un lettore CD per DJ ad una delle serie di connettori di ingresso CD/LINE del DJM-1000 e collegare il cavo di controllo al connettore CONTROL del canale corrispondente. Portare su [CD/LINE] il selettore d'ingresso del canale collegato.

Se si usano collegamenti di tipo digitale, collegare il connettore di uscita coassiale digitale ad uno dei connettori di ingresso DIGITAL del DJM-1000 e portare su [DIGITAL] il selettore d'ingresso del canale collegato. Non sono previsti connettori di ingresso digitali per il canale 1 ed il canale 2.

Giradischi

Collegare i cavi di uscita audio del giradischi ad una serie di connettori di ingresso PHONO del DJM-1000 e portare il selettore d'ingresso del canale collegato su [PHONO]. L'ingresso PHONO del DJM-1000 supporta testine a magnete mobile (MM).

Il cavo di messa a terra del giradischi è collegato ad uno dei terminali SIGNAL GND.

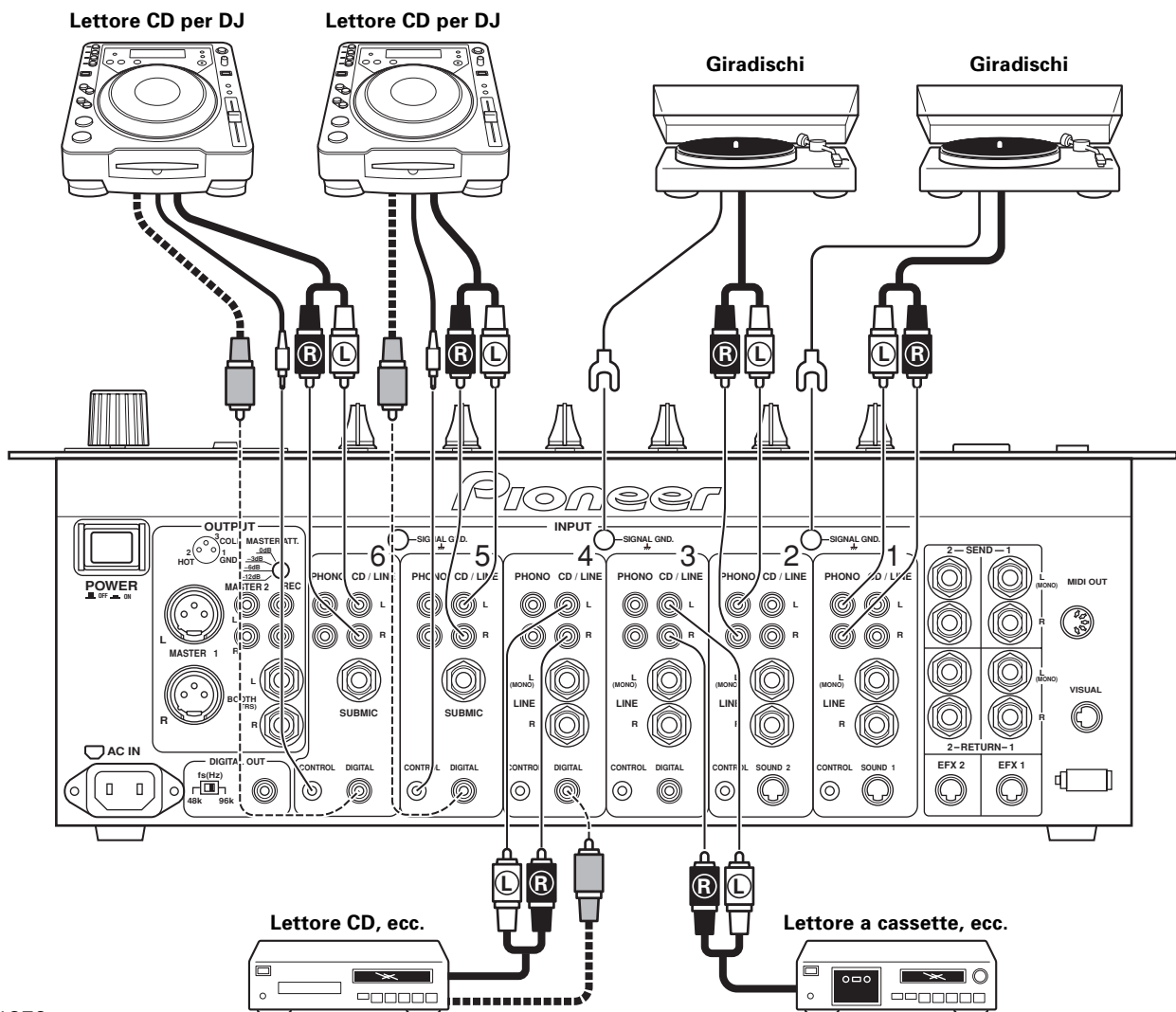
Altri dispositivi di uscita a livello di linea

Per collegare dei registratori a cassette o lettori CD, collegare i connettori di uscita audio ad uno dei connettori d'ingresso CD/LINE del DJM-1000 e portare il selettore d'ingresso del canale collegato su [CD/LINE].

Se lo spinotto di collegamento è di tipo fono da 6,3 mm di diametro, collegarlo ad uno dei connettori di ingresso LINE del DJM-1000 e portare il selettore d'ingresso del canale collegato su [LINE]. Non sono presenti connettori di ingresso LINE per i canali 5 e 6. Se si usa il solo canale sinistro, l'ingresso dal canale sinistro viene mandato anche al canale destro.

Apparecchi dall'uscita digitale

Se si usano collegamenti di tipo digitale con apparecchi come lettori CD, collegare il connettore di uscita coassiale digitale dell'apparecchio ad uno dei connettori di ingresso DIGITAL del DJM-1000 e portare su [DIGITAL] il selettore d'ingresso del canale collegato. Non sono previsti connettori di ingresso digitali per il canale 1 ed il canale 2.



COLLEGAMENTO AI CONNETTORI DI UNITÀ EFFETTI E DI USCITA

Uscita principale

È presente un'uscita bilanciata MASTER 1 per spinotti XLR ed un'uscita MASTER 2 non bilanciata per spinotti RCA. Regolare il livello di uscita usando la manopola MASTER ATT. in modo che sia adatto alla sensibilità d'ingresso dell'amplificatore di potenza usato.

Uscita di monitoraggio in cabina

Un'uscita non bilanciata che supporta spinotti fono da 6,3 mm di diametro. Il volume può venire regolato con la manopola BOOTH MONITOR (LEVEL) indipendentemente dalla posizione del comando di dissolvenza MASTER.

Uscite di registrazione

Connettori di uscita per la registrazione che supportano spinotti RCA.

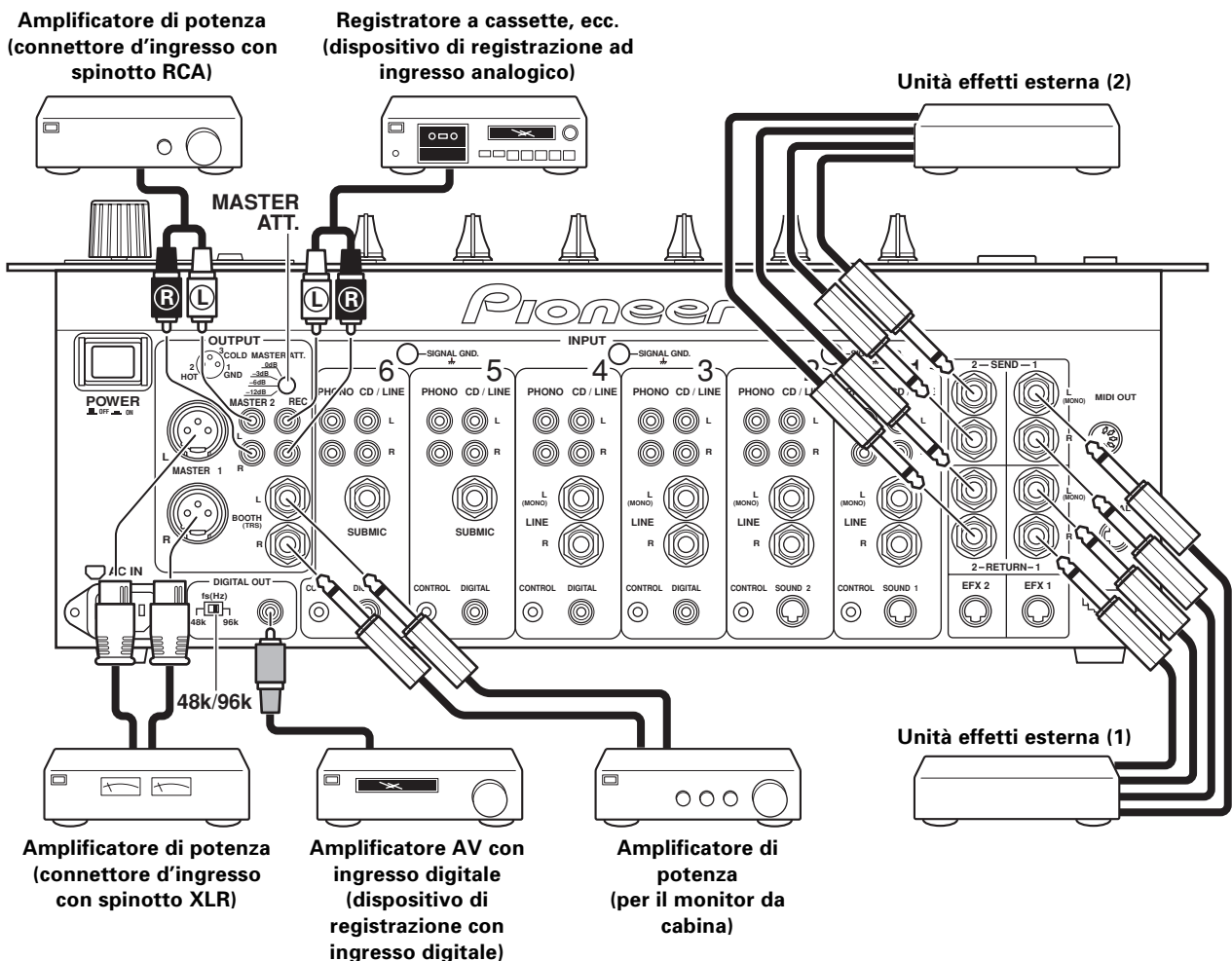
Uscite digitali

Connettori di uscita digitale coassiali che usano spinotti RCA. La frequenza di campionamento può venir scelta (96 kHz/48 kHz) a seconda del dispositivo usato.

Unità effetti esterna

Collegare i connettori SEND del mixer DJ ai connettori d'ingresso di un'unità effetti esterna con un cavo con spinotti fono da 6,3 mm di diametro. Se si usa un'unità effetti monoaurale, collegare la sola uscita del canale sinistro (L). In questo modo, i segnali dei due canali L/R vengono inviati all'unità effetti missati insieme.

Analogamente, fare uso di un cavo con spinotti fono da 6,3 mm di diametro per collegare i connettori RETURN del mixer DJ ai connettori di uscita dell'unità effetti esterna. Se l'unità effetti possiede solo un'uscita manofonica, collegare il solo ingresso del canale L. In questo modo, il segnale dall'unità effetti viene inviato ad ambedue i canali L ed R.



CONNETTORI MIDI

MIDI (Musical Instrument Digital Interface) è uno standard unificato per la trasmissione di dati fra strumenti musicali elettrici e computer. I dati possono venire scambiati fra dispositivi dotati di connettori MIDI servendosi di un cavo MIDI.

Il DJM-1000 può mandare dati ad unità MIDI esterne usando il protocollo MIDI.

Controllo DJM-1000	Codice MIDI	Nome di controllo MIDI	Canale MIDI
Operazione di dissolvenza incrociata	CC11	Expression	1

* I dati MIDI 0-127 vengono emessi azionando la dissolvenza incrociata.

* Se si usa la funzione Visual Link, i dati MIDI non vengono emessi.

COLLEGAMENTO DI MICROFONI E CUFFIE

Cuffie

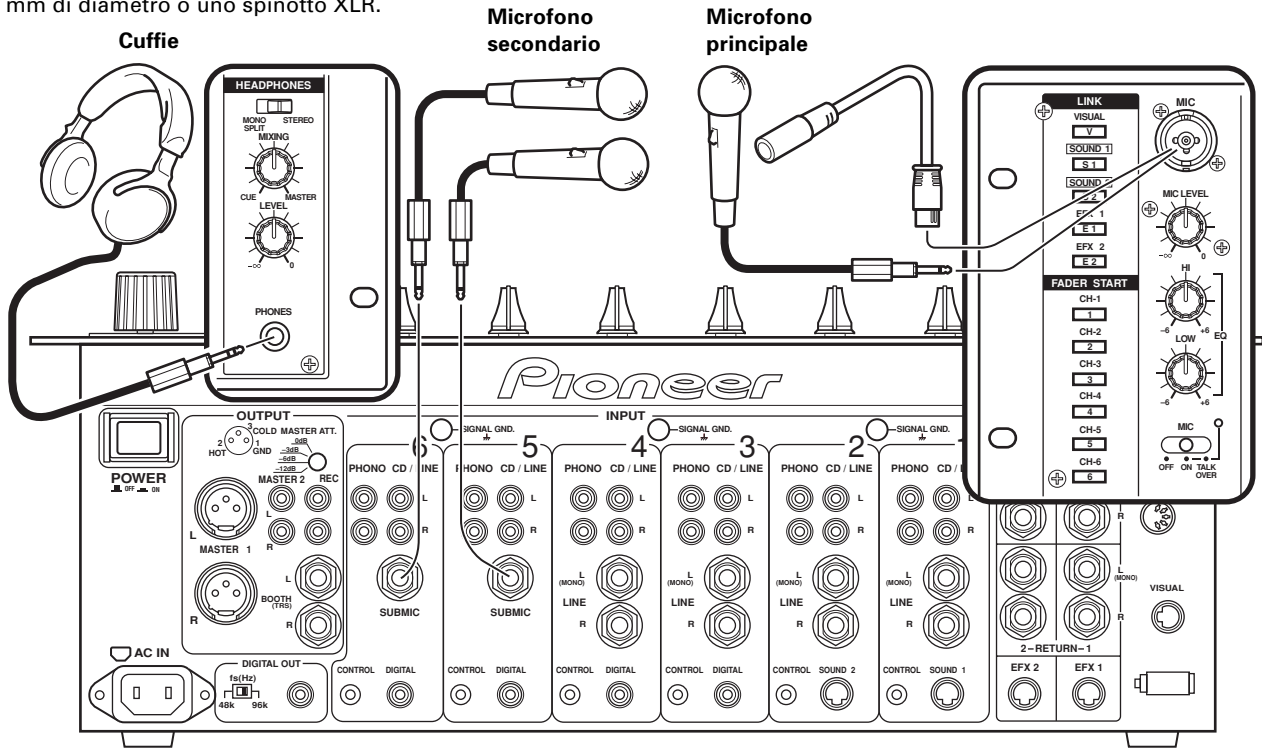
È possibile collegare alla presa PHONES del pannello comandi (pannello superiore) delle cuffie con presa fono stereo da 6,3 mm di diametro.

Microfono principale

È possibile collegare alla presa MIC del pannello comandi (pannello superiore) un microfono dotato o di uno spinotto fono da 6,3 mm di diametro o uno spinotto XLR.

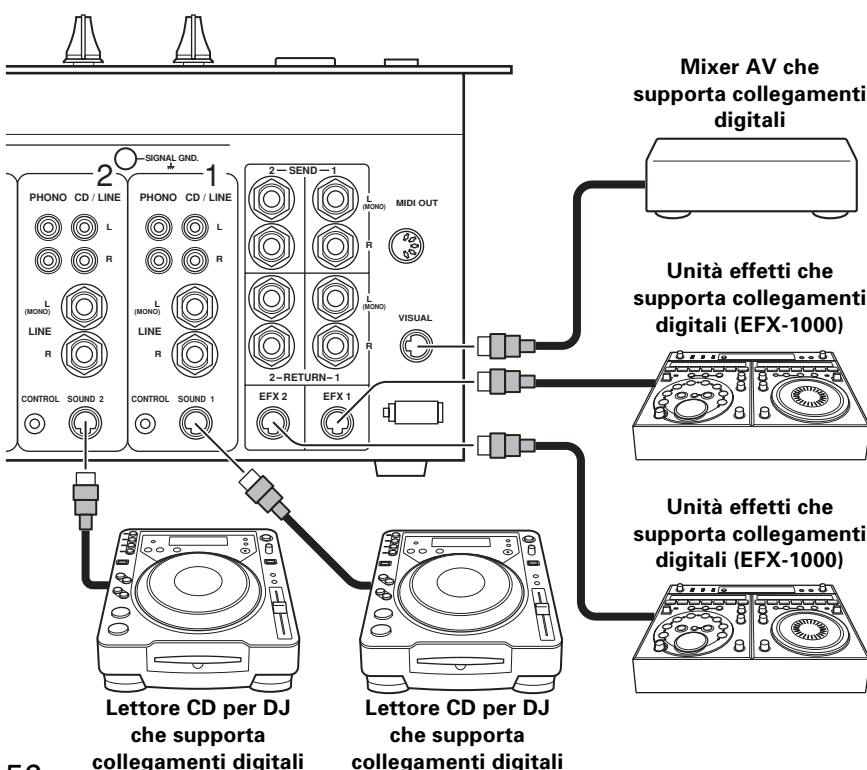
Microfono secondario

Ai connettori SUBMIC dei canali 5 e 6 del DJM-1000 si possono collegare microfoni con spinotto fono da 6,3 mm di diametro. Portare su [SUBMIC] il selettore d'ingresso del canale collegato.



COLLEGAMENTI DIGITALI

(Include collegamenti a componenti futuri che supportino i collegamenti digitali.)



Collegando un solo cavo apposito (cavo di collegamento digitale) è possibile scambiare dati audio e segnali di controllo in modo digitale. Il collegamento di altri cavi audio o cavi di controllo è quindi superfluo.

Connettore di collegamento VISUAL

Se un cavo di collegamento digitale viene usato per collegare quest'unità ad un mixer video (switcher) PIONEER che supporta i collegamenti digitali, la dissolvenza incrociata del video mixer può venire controllata usando la funzione di dissolvenza incrociata del DJM-1000. (pag. 63)

Connettori di collegamento d'ingresso/uscita EFX (EFX 1, 2)

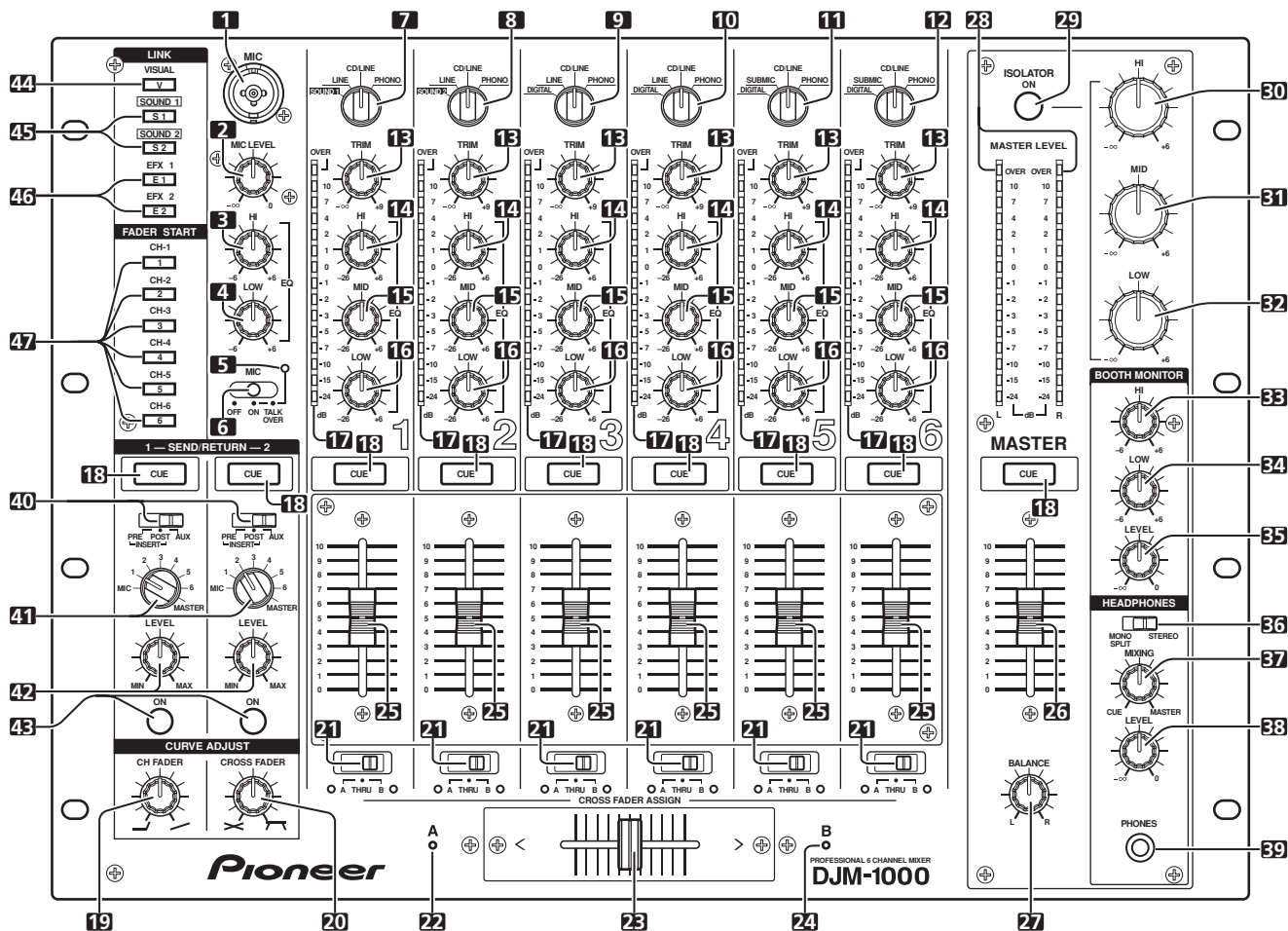
Quando un cavo di collegamento digitale viene usato per collegare quest'unità ad un'unità effetti DJ PIONEER che supporta i collegamenti digitali (EFX-1000), i collegamenti SEND/RETURN vengono eseguiti immediatamente digitalmente, permettendo l'uso di effetti di dissolvenza e di sincronizzazione BPM quando usati collegamenti Sound. (pag. 63)

Connettori di collegamento di ingresso CDJ (SOUND 1, 2)

Se un cavo di collegamento digitale viene usato per collegare quest'unità ad un lettore CD per DJ PIONEER che supporta i collegamenti audio digitali, i collegamenti dei cavi di controllo vengono eseguiti immediatamente digitalmente e le funzioni come la sincronizzazione BPM vengono a loro volta attivate. Portare il selettore d'ingresso del canale 1 e 2 su [SOUND 1] e [SOUND 2]. (pag. 63)

NOME DELLE VARIE PARTI E LORO FUNZIONE

Pannello comandi



Sezione di controllo di ingresso microfono principale

1. Connettore d'ingresso MIC principale

Collegarlo a microfoni con connettore di tipo XLR o fono.

2. Manopola di regolazione MIC LEVEL

Regola il volume del microfono principale.

(Gamma di regolazione: $-\infty$ a 0 dB)

3. Manopola di regolazione degli acuti dell'equalizzatore del microfono (EQ HI)

Regola gli acuti del microfono principale.

(Gamma di regolazione: -6 dB a +6 dB)

4. Manopola di regolazione dei bassi dell'equalizzatore del microfono (EQ LOW)

Regola i bassi del microfono principale.

(Gamma di regolazione: -6 dB a +6 dB)

5. Indicatore della funzione del microfono

Si illumina quando il selettore MIC si trova su [ON].

Lampeggia quando il selettore si trova su [TALK OVER].

6. Selettore di funzione MIC

OFF:

L'audio del microfono principale non viene emesso.

ON:

L'audio del microfono principale viene emesso.

TALK OVER:

L'audio del microfono principale viene emesso. Se un suono di intensità oltre i -15 dB viene ricevuto dal microfono principale, la funzione TALK OVER entra in funzione e tutto il segnale audio in uscita, salvo quello del microfono principale, viene attenuato di 20 dB.

Sezione comandi degli ingressi canali

7. Selettore d'ingresso del canale 1

SOUND 1:

Ingresso dedicato per lettori CD DJ che supportano i collegamenti digitali (connettore mini DIN).

LINE:

Connettore di tipo fono. Se un segnale monofonico viene mandato al solo canale sinistro, il segnale viene mandato sia dal canale sinistro che da quello destro.

CD/LINE:

Connettore RCA con ingresso a livello di linea.

PHONO:

Connettore RCA con ingresso fono a livello di linea.

8. Selettore d'ingresso del canale 2

SOUND 2:

Ingresso dedicato per lettori CD DJ che supportano i collegamenti digitali (connettore mini DIN).

LINE:

Connettore di tipo fono. Se un segnale monofonico viene mandato al solo canale sinistro, il segnale viene mandato sia dal canale sinistro che da quello destro.

CD/LINE:

Connettore RCA con ingresso a livello di linea.

PHONO:

Connettore RCA con ingresso fono a livello di linea.

9. Selettore d'ingresso del canale 3

DIGITAL:

Connettore RCA con ingresso digitale a cavo coassiale.

LINE:

Connettore di tipo fono. Se un segnale monofonico viene mandato al solo canale sinistro, il segnale viene mandato sia dal canale sinistro che da quello destro.

CD/LINE:

Connettore RCA con ingresso a livello di linea.

PHONO:

Connettore RCA con ingresso fono a livello di linea.

10. Selettore d'ingresso del canale 4

DIGITAL:

Connettore RCA con ingresso digitale a cavo coassiale.

LINE:

Connettore di tipo fono. Se un segnale monofonico viene mandato al solo canale sinistro, il segnale viene mandato sia dal canale sinistro che da quello destro.

CD/LINE:

Connettore RCA con ingresso a livello di linea.

PHONO:

Connettore RCA con ingresso fono a livello di linea.

11. Selettore d'ingresso del canale 5

DIGITAL:

Connettore RCA con ingresso digitale a cavo coassiale.

SUBMIC:

Connettore fono per l'ingresso del microfono secondario (monoaurale).

CD/LINE:

Connettore RCA con ingresso a livello di linea.

PHONO:

Connettore RCA con ingresso fono a livello di linea.

12. Selettore d'ingresso del canale 6

DIGITAL:

Connettore RCA con ingresso digitale a cavo coassiale.

SUBMIC:

Connettore fono per l'ingresso del microfono secondario (monoaurale).

CD/LINE:

Connettore RCA con ingresso a livello di linea.

PHONO:

Connettore RCA con ingresso fono a livello di linea.

13. Manopole di regolazione canali 1-6 TRIM

Regolano il livello di ingresso dei vari canali.

(Gamma di regolazione: $-\infty$ a +9 dB, raggiunge gli 0 dB a metà)

14. Manopole di regolazione degli acuti dell'equalizzatore dei canali (EQ HI)

Regola gli acuti di ciascun canale.

(Gamma di regolazione: -26 dB a +6 dB)

15. Manopole di regolazione dei medi dell'equalizzatore dei canali (EQ MID)

Regola i toni medi di ciascun canale.

(Gamma di regolazione: -26 dB a +6 dB)

16. Manopole di regolazione dei bassi dell'equalizzatore dei canali (EQ LOW)

Regola i bassi di ciascun canale.

(Gamma di regolazione: -26 dB a +6 dB)

17. Indicatori di livello dei canali

Visualizzano il livello di ciascun canale. Il display mantiene il livello di picco per 2 secondi.

18. Pulsante/indicatori CUE della cuffia

La sorgente di segnale scelta da controllare in cuffia viene scelta premendo il pulsante CUE per RETURN 1, RETURN 2, i canali 1-6 o MASTER. Se si premono più pulsanti in una volta, i segnali audio scelti vengono missati. Se un pulsante viene premuto di nuovo, la selezione viene cancellata.

I pulsanti delle sorgenti di segnale non scelte si illuminano leggermente ed i pulsanti di quelle scelte si illuminano intensamente.

Sezione di controllo della dissolvenza

19. Manopola di regolazione della curva di dissolvenza canali (CURVE ADJUST CH FADER)

Regola le caratteristiche della curva della dissolvenza dei canali (pag. 61).

20. Manopola di regolazione della curva di dissolvenza incrociata (CURVE ADJUST CROSS FADER)

Regola le caratteristiche della curva della dissolvenza incrociata (pag. 61).

21. Interruttori/indicatori CROSS FADER ASSIGN

Scelgono a quale lato della dissolvenza incrociata l'uscita di ciascun canale deve andare. Se si scelgono più canali per lo stesso lato, la loro somma combinata viene assegnata a tale lato.

A:

L'uscita del canale viene mandata al lato A (lato sinistro) della dissolvenza incrociata. L'indicatore A si illumina.

THRU:

L'uscita della dissolvenza canali viene mandata all'uscita principale senza passare per la dissolvenza incrociata. Sia l'indicatore A che quello B si spengono.

B:

L'uscita del canale viene mandata al lato B (lato destro) della dissolvenza incrociata. L'indicatore B si illumina.

22. Indicatore A di assegnazione della dissolvenza incrociata (A)

Si illumina di luce arancione se quest'unità è accesa.

23. cursore di dissolvenza incrociata

L'audio diretto al lato A o a quello B a seconda della posizione dell'interruttore CROSS FADER ASSIGN di ciascun canale viene emesso in accordo con la curva di dissolvenza incrociata impostata con la manopola CURVE ADJUST (CROSS FADER).

24. Indicatore B di assegnazione dissolvenza incrociata (B)

Si illumina di luce verde se quest'unità è accesa.

25. cursore della dissolvenza canali

Regola il volume di ciascun canale.
(Gamma di regolazione: $-\infty$ a 0 dB)
Emette segnale a seconda della curva di dissolvenza incrociata di canale impostata con la manopola CURVE ADJUST (CH FADER).

Sezione di controllo uscita principale**26. cursore dissolvenza incrociata MASTER**

Regola il volume dell'uscita principale.
(Gamma di regolazione: $-\infty$ a 0 dB)
L'uscita principale è una combinazione del canale il cui audio è stato impostato su [THRU] con il selettore CROSS FADER ASSIGN, l'audio che passa attraverso la dissolvenza incrociata e quello del microfono principale. A seconda della modalità, l'ingresso RETURN può venire aggiunto a sua volta.

27. Manopola MASTER BALANCE

Regola il bilanciamento dei canali sinistro e destro dell'uscita principale, dell'uscita di monitoraggio in cabina e dell'uscita digitale.

28. Indicatori MASTER LEVEL (L, R)

Visualizzano i livelli di uscita dei canali sinistro (L) e destro (R). Ciascun segmento mantiene il livello di picco per due secondi.

29. Pulsante ed indicatore MASTER ISOLATOR (ON)

Attiva e disattiva la funzione dell'isolatore principale. La funzione dell'isolatore principale agisce sul sull'uscita principale 1, sull'uscita principale 2, sull'uscita di monitoraggio in cabina, sull'uscita di registrazione e sull'uscita digitale.

Si spegne se quest'unità è spenta, e si illumina se è accesa.

30. Manopola di regolazione acuti MASTER ISOLATOR (HI)

Da usare per regolare gli acuti del segnale in uscita principale.

(Gamma di regolazione: $-\infty$ a +6 dB)

31. Manopola di regolazione toni medi MASTER ISOLATOR (MID)

Da usare per regolare i toni medi del segnale in uscita principale.

(Gamma di regolazione: $-\infty$ a +6 dB)

32. Manopola di regolazione bassi MASTER ISOLATOR (LOW)

Da usare per regolare i bassi del segnale in uscita principale.

(Gamma di regolazione: $-\infty$ a +6 dB)

Sezione di controllo del monitoraggio in cabina**33. Manopola di regolazione acuti equalizzatore BOOTH MONITOR (HI)**

Da usare per regolare gli acuti del segnale in uscita di monitoraggio in cuffia.

(Gamma di regolazione: -6 dB a +6 dB)

34. Manopola di regolazione bassi equalizzatore BOOTH MONITOR (LOW)

Da usare per regolare i bassi del segnale in uscita di monitoraggio in cuffia.

(Gamma di regolazione: -6 dB a +6 dB)

35. Manopola di regolazione BOOTH MONITOR LEVEL

Regola il volume dell'uscita di monitoraggio in cabina. Regolabile a prescindere dalla posizione del comando principale della dissolvenza.

(Gamma di regolazione: $-\infty$ a 0 dB)

Sezione uscita cuffie**36. Selettore di uscita delle cuffie (HEADPHONES — MONO SPLIT/STEREO) MONO SPLIT:**

La sorgente audio scelta col pulsante CUE della cuffia viene emesso dal canale sinistro e l'audio principale viene emesso dal canale destro (solo se MASTER viene scelto con il pulsante CUE della cuffia).

STEREO:

L'audio scelto viene emesso in stereo.

37. Manopola di missaggio della cuffia (HEADPHONES MIXING)

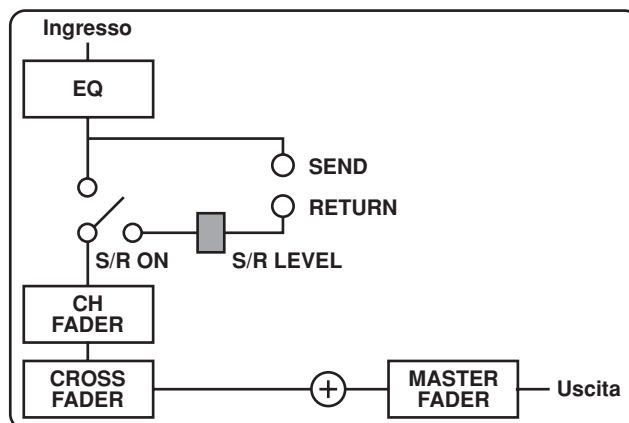
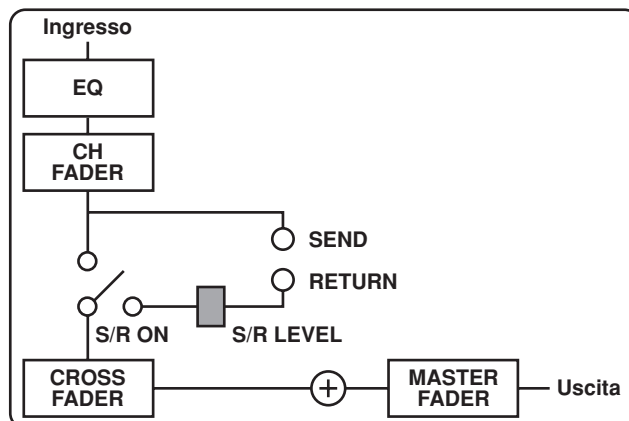
Se girata nella direzione oraria (direzione MASTER), l'audio in uscita principale viene emesso (solo quando MASTER è scelto con il pulsante CUE della cuffia); se girata in direzione antioraria (direzione CUE), l'audio emesso è una combinazione del suono del canale scelto con il pulsante CUE della cuffia ed il suono che viene da un'unità effetti esterna (RETURN).

38. Manopola di regolazione del livello della cuffia (HEADPHONES LEVEL)

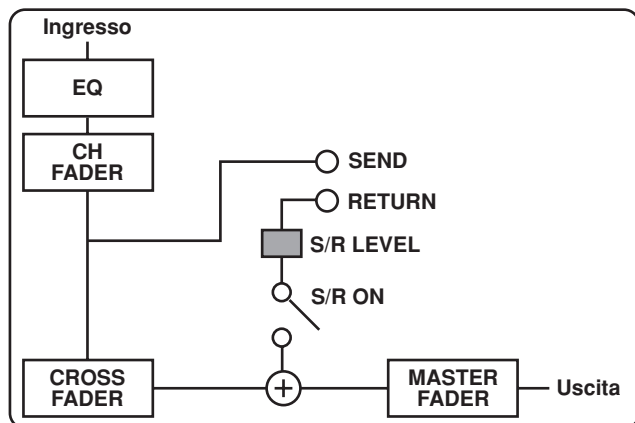
Regola il volume di uscita presso il connettore della cuffia.
(Gamma di regolazione: $-\infty$ a 0 dB)

39. Presa per cuffia (PHONES)**Sezione SEND/RETURN****40. Selettori del tipo SEND/RETURN**

Usati per passare dalla fase di invio (SEND) a quella di ingresso (RETURN) per segnali che passano da un'unità effetti esterna (pag. 62).

[Tipo ad inserimento iniziale]**[Tipo ad inserimento tardivo]**

[Tipo AUX]



41. Selettori di canale SEND

Usati per emettere segnale audio da MIC, dai canali 1-6 e da MASTER.

42. Manopole di regolazione del livello di ingresso RETURN (LEVEL)

Regolano il livello del segnale di ritorno.
(Gamma di regolazione: $-\infty$ a +6 dB)

43. Pulsanti/indicatori SEND/RETURN (ON)

Vengono usati per attivare o disattivare le funzioni SEND/RETURN del tipo e del canale scelto.

Gli indicatori si illuminano quando una spina viene inserita nel connettore RETURN o quando un componente che supporta i collegamenti digitali viene collegato al connettore EFX. Se il pulsante viene premuto quando un indicatore è acceso, la funzione si attiva e l'indicatore lampeggia. Se questo indicatore è acceso, il segnale arriva al connettore RETURN. Se un componente compatibile con i collegamenti digitali viene collegato al connettore EFX, il componente con collegamenti digitali (segnale digitale) riceve la priorità.

Sezione di attivazione/disattivazione funzioni di collegamento (LINK)

44. Pulsante/indicatore funzione VISUAL LINK (V)

Se un cavo di collegamento digitale (con connettore mini DIN) viene usato per collegare quest'unità ad un mixer/switcher video PIONEER che supporta i collegamenti digitali, la dissolvenza incrociata del video mixer può venire controllata usando la funzione di dissolvenza incrociata del DJM-1000.

L'indicatore si illumina quando la funzione viene attivata.

45. Pulsanti funzione SOUND LINK 1, 2 (SOUND 1, 2)/indicatori SOUND (S1, 2)

Quando quest'unità viene collegata via collegamenti digitali ad un'unità effetti DJ PIONEER compatibile con collegamenti digitali (EFX-1000) ed un lettore CD DJ PIONEER che supporta i collegamenti digitali viene a sua volta collegato con un cavo di collegamento digitale (connettore mini DIN), portando questi pulsanti su ON si attiva la funzione di sincronizzazione BPM.

L'indicatore si illumina quando la funzione viene attivata.

46. Pulsanti unità effetti LINK 1, 2 (EFX 1, 2)/indicatori unità effetti (E1, 2)

Quando un cavo di collegamento digitale (connettore mini DIN) viene usato per collegare quest'unità ad un'unità effetti DJ PIONEER compatibile con collegamenti digitali (EFX-1000), portando questi pulsanti su ON si attivano le funzioni di effetti di dissolvenza.

L'indicatore si illumina quando la funzione viene attivata.

Sezione di attivazione/disattivazione dissolvenza

47. Pulsanti/indicatori di avvio/fine della dissolvenza (FADER START CH-1 a CH-6)

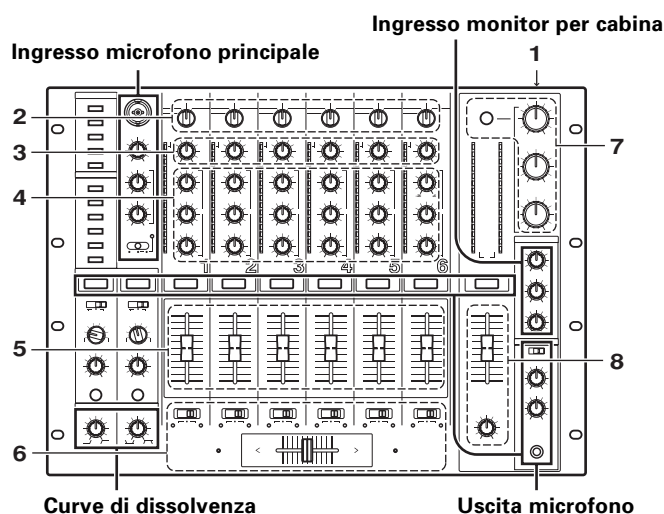
Se gli interruttori CROSS FADER ASSIGN di ciascun canale vengono usati per scegliere [A] o [B], la funzione di avvio e fine della dissolvenza incrociata del lettore CD per DJ di quel canale viene attivata o disattivata.

Se si sceglie [THRU] viene scelta con l'interruttore CROSS FADER ASSIGN per ciascun canale, la funzione di avvio e fine della dissolvenza per il lettore CD per DJ di quel canale viene attivata o disattivata.

Il pulsante di ciascun canale si illumina quando la funzione di avvio o fine della dissolvenza viene attivata e si spegne quando la funzione di avvio o fine della dissolvenza viene invece disattivata.

OPERAZIONI

OPERAZIONI DI BASE



1. Portare l'interruttore POWER del pannello posteriore (pannello collegamenti) su ON.
2. Impostare i selettori di ingresso dei canali usati dai dispositivi ad essi collegati.
3. Usare la manopola TRIM per regolare il livello d'ingresso.
4. Regolare i toni usando le manopole EQ (HI, MID e LOW).
5. Regolare il volume del canale usando il cursore della dissolvenza dei canali.
6. Se si effettua la dissolvenza incrociata fra canali, usare l'interruttore CROSS FADER ASSIGN per scegliere fra il canale [A] e il canale [B] per la dissolvenza incrociata ed attivare quest'ultima.
 - Se non si usa la dissolvenza incrociata, scegliere [THRU] con gli interruttori CROSS FADER ASSIGN.
7. Se si usa un isolatore, portare il pulsante MASTER ISOLATOR su ON e regolare il livello di ciascuna gamma di frequenze con le manopole MASTER ISOLATOR (HI, MID e LOW).
 - Il pulsante MASTER ISOLATOR si accende se si trova su ON.
8. Usare il cursore della dissolvenza MASTER per regolare il volume generale e regolare il bilanciamento dei canali destro e sinistro con la manopola MASTER BALANCE.

[Ingresso principale microfono]

1. Se si usa il microfono principale, impostare il selettore MIC su [ON] o su [TALK OVER].
 - Se si sceglie [TALK OVER], tutto il segnale audio in uscita, salvo quello del microfono principale, viene attenuato a 20 dB quando un suono oltre i -15 dB viene ricevuto dal microfono principale.
2. Regolare il volume con la manopola MIC LEVEL e regolare i toni con quelle MIC EQ (HI, LOW).

[Uscita di monitoraggio in cabina]

1. Regolare il volume con la manopola BOOTH MONITOR (LEVEL).
 - Il volume può venire regolato con la manopola BOOTH MONITOR (LEVEL) indipendentemente dalla posizione del comando di dissolvenza MASTER.
2. Regolare i toni usando sia la manopola BOOTH MONITOR HI (acuti) e BOOTH MONITOR LOW (bassi).

[Uscita cuffia]

1. Scegliere la sorgente con uno dei pulsanti CUE della cuffia (canali 1-6, MASTER, RETURN 1, RETURN 2).
 - Il pulsante CUE della cuffia scelto si illumina.

2. Usare il selettore HEADPHONES (MONO SPLIT/STEREO) per scegliere il formato dell'uscita audio.

- Scegliendo [MONO SPLIT], l'audio scelto col pulsante CUE viene emesso dal canale sinistro e l'audio principale (attivato solo quando il pulsante CUE di MASTER è attivato) viene emesso dal canale destro.
- Scegliendo [STEREO], l'audio scelto col pulsante CUE viene emesso in stereo.

3. Se [MONO SPLIT] viene scelto, usare la manopola HEADPHONES (MIXING) per regolare il bilanciamento del canale sinistro (scelto con un pulsante della cuffia CUE), e canale destro (audio principale — supportato solo se il pulsante CUE di MASTER è attivato).

- Girando la manopola in direzione oraria (direzione MASTER), viene emesso il canale di uscita principale (solo se il pulsante CUE di MASTER è attivato), mentre se viene girata in senso antiorario (direzione CUE), viene emesso l'audio scelto con il pulsante CUE.

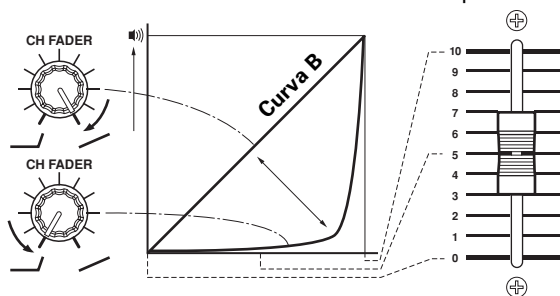
4. Regolare il volume delle cuffie con la manopola HEADPHONES (LEVEL).

REGOLAZIONE DELLE CURVE DI DISSOLVENZA

Quest'operazione permette la regolazione della variazione del volume del suono nel corso della dissolvenza.

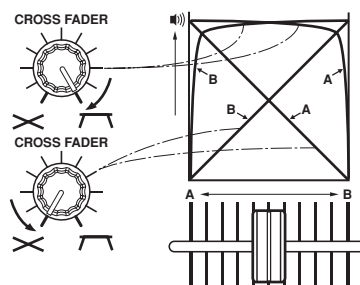
■ Girare la manopola CURVE ADJUST (CH FADER) e regolare le caratteristiche della curva del canale di dissolvenza.

- Girando la manopola del tutto verso destra, il volume cambia in modo praticamente lineare (equivalente alla curva B).
- Girando la manopola del tutto verso sinistra, la curva del volume cambia in modo che il volume aumenti lentamente fino a che raggiunge il massimo.
- La curva dei canali da 1 a 6 cambia contemporaneamente.



■ Girare la manopola CURVE ADJUST (CROSS FADER) e regolare le caratteristiche della curva di dissolvenza incrociata.

- Se la manopola è girata del tutto verso destra, la dissolvenza incrociata diviene una curva che sale rapidamente con la quale il movimento della manopola del fader causa l'apparizione istantanea del suono sul lato opposto.
- Se girata del tutto verso sinistra, la dissolvenza incrociata diviene una curva di cambiamento praticamente lineare.
- Ambedue le curve dei lati A e B cambiano insieme.



FUNZIONE DI INIZIO DELLA DISSOLVENZA INCROCIATA

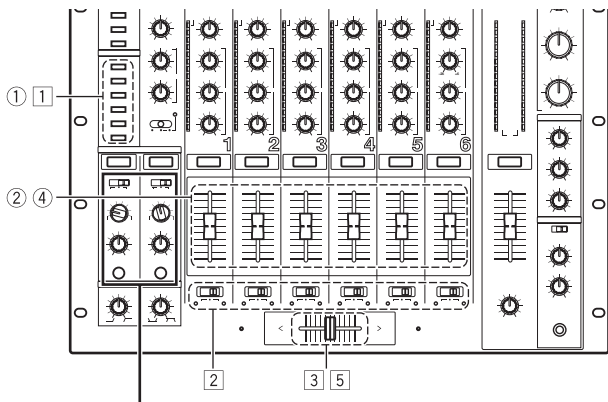
Usando un cavo di controllo per collegare l'unità ad un lettore CD PIONEER opzionale, la riproduzione sul lettore CD può venire fatta iniziare usando le funzioni di dissolvenza dei canali o di dissolvenza incrociata. Se un collegamento digitale è presente, l'uso di un cavo di controllo non è necessario. La funzione di pausa del lettore CD viene cancellata quando il cursore della dissolvenza dei canali o della dissolvenza incrociata del mixer viene mosso e la riproduzione inizia automaticamente ed istantaneamente. Inoltre, riportando il fader nella sua posizione originaria, la riproduzione del lettore CD può venire riportata al punto di attacco (ritorno al punto di attacco) in modo da poter fare una riproduzione a campionamenti.

[Riproduzione da punti di avvio e riproduzione a ritroso a punti di avvio]

Durante la pausa presso un punto di attacco con il lettore CD assegnato al canale A della dissolvenza incrociata, spostando il cursore di dissolvenza incrociata verso destra (lato B) o verso sinistra (lato A) si fa iniziare la riproduzione del lettore CD collegato al canale A.

Quando il cursore di dissolvenza incrociata raggiunge il lato sinistro (lato A), il lettore CD assegnato al canale B torna ad un punto di attacco (funzione di ritorno ad un punto di attacco). Se il lettore CD assegnato al canale B si trova in modalità di pausa presso un punto di attacco, spostando il cursore di dissolvenza incrociata dal lato sinistro (lato A) al lato destro (lato B) si fa iniziare la riproduzione del lettore CD assegnato al canale B. Quando il cursore di dissolvenza incrociata raggiunge il lato destro (lato B), il lettore assegnato al canale A torna ad un punto di attacco.

* La funzione di ritorno ad un punto di attacco ha luogo anche se il selettore d'ingresso non si trova su [CD/LINE].



Unità effetti esterna

[Inizio della riproduzione con la dissolvenza di canali]

- 1 Premere il pulsante **FADER START** per il canale (CH-1 a CH-6) collegato al lettore CD che volete controllare.
 - Il pulsante del canale scelto si illumina.
- 2 Spostare il cursore della dissolvenza di canale sulla posizione [0].
- 3 Impostare un punto di attacco sul lettore CD ed impostarvi la modalità di pausa presso un punto di attacco.
 - Se esiste già un punto di attacco, il lettore CD non deve venire portato in modalità di attesa presso tale punto di attacco.
- 4 Spostare il cursore della dissolvenza di canale nel momento desiderato per dare inizio alla riproduzione.
 - Il lettore CD inizia la riproduzione.
 - Dopo che la riproduzione è iniziata, riportando il cursore della dissolvenza di canale su [0] il lettore CD torna al punto di attacco e lì si porta in modalità di attesa (ritorno ad un punto di attacco).

* La funzione di dissolvenza dei canali viene attivata solo per il controllo quando l'interruttore **CROSS FADER ASSIGN** si trova su [THRU].

[Inizio della riproduzione con la dissolvenza incrociata]

- 1 Premere il pulsante **FADER START** per il canale (CH-1 a CH-6) collegato al lettore CD che volete controllare.
 - Il pulsante del canale scelto si illumina.
 - 2 Portare l'interruttore **CROSS FADER ASSIGN** del canale scelto su [A] o [B].
 - Per assegnare il canale A (lato sinistro) della dissolvenza incrociata, impostare [A].
 - Per assegnare il canale B (lato destro) della dissolvenza incrociata, impostare [B].
 - 3 Spostare il cursore di dissolvenza incrociata il più possibile verso il lato opposto del canale che volete fare iniziare.
 - 4 Impostare un punto di attacco sul lettore CD ed impostarvi la modalità di pausa presso un punto di attacco.
 - Se esiste già un punto di attacco, il lettore CD non deve venire portato in modalità di attesa presso tale punto di attacco.
 - 5 Spostare il cursore della dissolvenza incrociata nel momento desiderato per dare inizio alla riproduzione.
 - Il lettore CD inizia la riproduzione.
 - Iniziata la riproduzione, spostando del tutto il cursore di dissolvenza incrociata il lettore CD assegnato al lato opposto torna al punto di attacco e si porta in modalità di attesa (ritorno ad un punto di attacco).
- * La funzione di avvio in dissolvenza può non funzionare correttamente se si fanno solo collegamenti digitali. In tal caso, collegare anche i connettori analogici del lettore CD.

USO DI UNITÀ EFFETTI ESTERNE

Se desiderato, è possibile fare uso di due unità effetti.

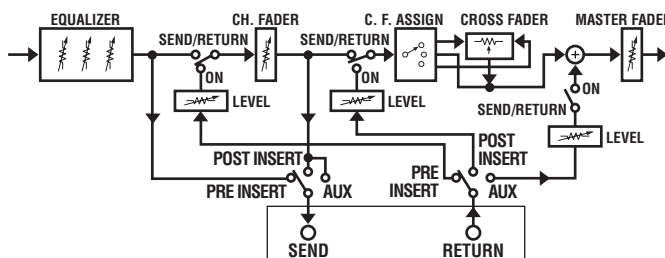
1. Usare il selettore di canale **SEND** per scegliere la sorgente del segnale da mandare all'unità effetti.
 - Scegliere [MIC], i canali [1]-[6], o [MASTER].
2. Usare il selettore **SEND/RETURN** per scegliere il punto in cui l'unità effetti è collegata.
 - Quando il canale di invio è regolato su [MIC], è possibile solo la commutazione fra la posizione [INSERT] e quella [AUX] dallo stesso punto sia per [PRE] che per [POST]. Se si regola il canale SEND su [MASTER], solo [INSERT] funziona.

PRE INSERT:
L'uscita dell'equalizzatore inviata prima della dissolvenza di canale e che ritorna allo stesso punto.

POST INSERT:
L'uscita di dissolvenza canali mandata prima dell'assegnazione del canale di dissolvenza incrociata e che ritorna allo stesso punto.

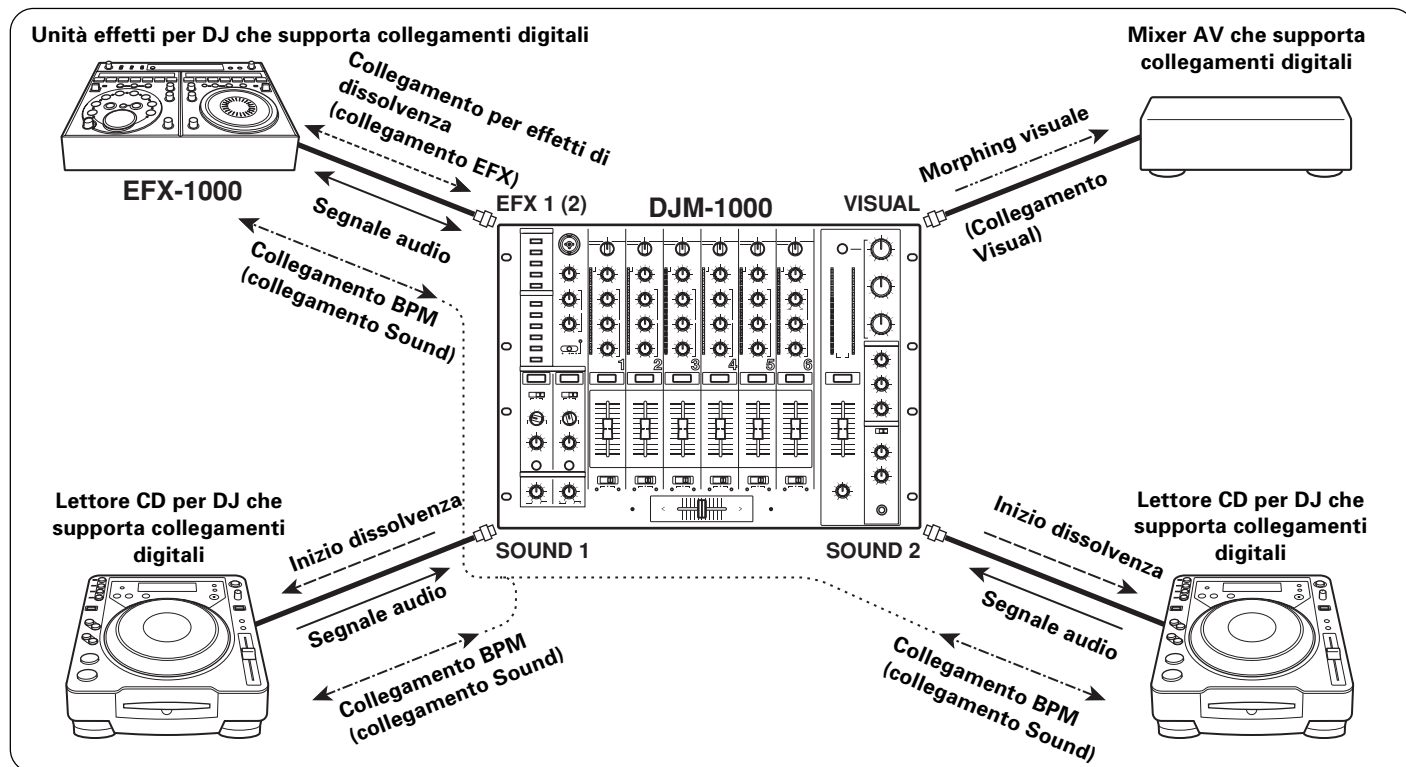
AUX:
L'uscita della dissolvenza di canale inviata prima dell'assegnazione della dissolvenza incrociata e che ritorna al punto prima della dissolvenza principale e quindi viene aggiunta a qualsiasi segnale in uscita. Il suono originale che viene inviato passa a sua volta attraverso la fase di assegnazione di dissolvenza incrociata e viene quindi aggiunto al segnale complessivo.
3. Premere il pulsante **SEND/RETURN** su ON.
 - Il pulsante SEND/RETURN lampeggia.
4. Regolare il volume **RETURN** con la manopola **RETURN (LEVEL)**.

Posizione			
Sorgente	PRE └─INSERT─┘	POST └─INSERT─┘	AUX └─INSERT─┘
MIC	INSERT		AUX
CH-1 — CH-6	PRE	POST	AUX
MASTER	INSERT		



FUNZIONE DI COLLEGAMENTO DIGITALE

Diagramma di collegamenti di sistema



Collegamenti digitali per EFX-1000

Usare un cavo di collegamento digitale per collegare un'unità effetti DJ PIONEER (EFX-1000) ai connettori EFX 1 o 2 di quest'unità. Questo collegamento permette la trasmissione di segnale digitale ad alta fedeltà e permette l'uso delle funzioni di effetto dell'EFX-1000. Le operazioni dopo i collegamenti sono quelle viste in "USO DI UNITÀ EFFETTI ESTERNE" (pag. 62). Se i connettori SEND/RETURN (cavo con presa telefonica) vengono collegati contemporaneamente, i collegamenti di ingresso/uscita EFX (via cavo di collegamento digitale) ricevono automaticamente la priorità. Per maggiori istruzioni in proposito, consultare le istruzioni per l'uso dell'EFX-1000.

Collegamento per effetti di dissolvenza (collegamento EFX)

Quando i collegamenti descritti qui sopra sono stati fatti, spostando il cursore di dissolvenza dei canali produce gli stessi effetti della manopola Jog dell'EFX-1000.

1. Portare la funzione digitale Jog Break dell'EFX-1000 su ON.
2. Usare i selettori di canale SEND per scegliere il canale da usare per gli effetti di dissolvenza (si possono scegliere i canali da [1] a [6]).
3. Portare i pulsanti LINK dell'unità effetti (EFX 1, 2) su ON.
 - I pulsanti LINK dell'unità effetti si illuminano.

Nota: Il volume del canale scelto diviene uguale a quello impostato con la dissolvenza massima del canale; quindi, fare la propria scelta dopo aver confermato il livello del suono prodotto quando la dissolvenza del canale viene impostata sul massimo.
4. Portare SEND/RETURN su ON.
 - Il pulsante SEND/RETURN lampeggia.
5. Azionare la dissolvenza per il canale scelto.
 - Il misuratore digitale Jog Break ed il suono dell'unità effetti EFX-1000 cambiano in risposta alla posizione del controllo di dissolvenza dei canali.
 - Se si cambia la posizione del selettore del canale SEND, il collegamento per l'effetto di dissolvenza viene cancellato e l'indicatore del pulsante LINK dell'unità effetti si spegne.

Collegamenti digitali per lettori CD DJ compatibili con collegamenti digitali

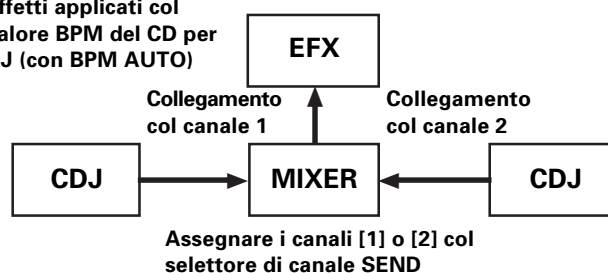
È possibile usare un cavo di collegamento digitale per collegare un lettore CD DJ compatibile con collegamenti digitali ai connettori SOUND 1 e 2 di quest'unità.

Questo collegamento produce segnale di alta fedeltà per il messaggio di suoni dal lettore CD DJ. La funzione di avvio in dissolvenza può venire avviata anche attraverso solo questo collegamento digitale.

Collegamento BPM (collegamento Sound)

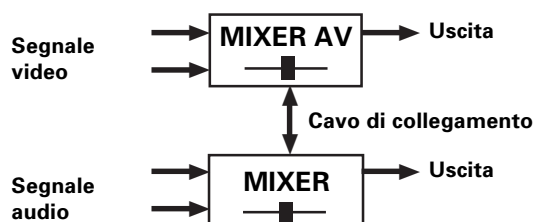
Se un cavo di collegamento digitale viene usato per collegare un lettore CD per DJ ai connettori SOUND 1, 2 e l'unità effetti per DJ EFX-1000 è collegata attraverso collegamenti digitali ai connettori EFX 1 o 2, gli effetti possono venire aggiunti al più accurato valore BPM misurato dal lettore CD per DJ.

Effetti applicati col valore BPM del CD per DJ (con BPM AUTO)



Visual morphing (collegamento Visual)

Se un cavo di collegamento digitale viene usato per collegare il connettore VISUAL del mixer DJ ad un mixer AV che supporta i collegamenti digitali (e con la funzione di collegamento attivata), la funzione di dissolvenza incrociata del mixer AV può venire cambiata in sincronia con il mixer DJ, permettendo la modifica in contemporanea di audio e video.



DIAGNOSTICA

Errori di uso vengono spesso scambiati per problemi o disfunzioni. Se si ritiene che vi siano dei problemi nel funzionamento di questo apparecchio controllare i punti elencati qui di seguito. Alle volte le disfunzioni possono derivare da altri componenti collegati al sistema e si consiglia quindi di controllare il funzionamento anche di tutte le altre apparecchiature elettriche in uso.

Se il problema persiste anche dopo l'esecuzione dei controlli descritti qui di seguito, rivolgersi ad un tecnico qualificato o al più vicino centro di assistenza PIONEER.

Problema	Causa possibile	Rimedio
L'unità non si accende.	<ul style="list-style-type: none"> Il cavo di alimentazione è scollegato. 	<ul style="list-style-type: none"> Collegare il cavo di alimentazione ad una sorgente di energia elettrica.
Audio basso o assente.	<ul style="list-style-type: none"> Il selettore d'ingresso è su di una posizione scorretta. Il cavo di collegamento non è stato collegato correttamente o è stato scollegato. Connettore o spinotto sporco. Manopola MASTER ATT. del pannello posteriore su livello troppo basso ([-12 dB], ecc.). 	<ul style="list-style-type: none"> Scegliere il dispositivo al momento in fase di riproduzione col selettore d'ingresso. Correggere i collegamenti. Pulire e ricollegare. Regolare la posizione della manopola MASTER ATT. del pannello posteriore.
Audio distorto.	<ul style="list-style-type: none"> Livello di uscita principale eccessivo. Il livello di ingresso è regolato su di una posizione eccessiva. 	<ul style="list-style-type: none"> Regolare la manopola MASTER ATT. del pannello posteriore. Regolare la manopola TRIM in modo che il livello d'ingresso degli indicatori CHANNEL LEVEL si avvicini ai 0 dB.
Dissolvenza incrociata impossibile.	<ul style="list-style-type: none"> L'impostazione dell'interruttore CROSS FADER ASSIGN ([A], [THRU], [B]) è scorretta. 	<ul style="list-style-type: none"> Regolare l'interruttore CROSS FADER ASSIGN del canale desiderato in modo da ottenere la dissolvenza desiderata.
La riproduzione con il lettore CD non può venire iniziata col lettore CD.	<ul style="list-style-type: none"> L'interruttore di avvio della dissolvenza si trova su OFF. Il connettore CONTROL del pannello posteriore del lettore non è stato collegato. 	<ul style="list-style-type: none"> Portare l'interruttore di avvio della dissolvenza su ON. Collegare quest'unità ed il lettore CD con un cavo di controllo.
Il suono dell'unità effetti esterna è distorto.	<ul style="list-style-type: none"> Il livello di ingresso dall'unità effetti esterna è eccessivo. 	<ul style="list-style-type: none"> Abbassare il livello di uscita dell'unità effetti esterna o regolare il livello di ritorno usando la manopola RETURN (LEVEL).
L'unità effetti esterna non funziona.	<ul style="list-style-type: none"> Il pulsante SEND/RETURN si trova su OFF. L'unità effetti non è collegata al connettore RETURN o al connettore EFX del pannello posteriore. Il selettore del canale SEND è su di una posizione scorretta. 	<ul style="list-style-type: none"> Portare SEND/RETURN su ON. Collegare l'unità effetti al connettore SEND&RETURN o ai connettori EFX 1 o EFX 2 del pannello posteriore. Scegliere la sorgente di segnale cui applicare gli effetti con il selettore di canale SEND.
La funzione di collegamento non funziona.	<ul style="list-style-type: none"> Un dispositivo che supporta i collegamenti digitali non è collegato a connettori digitali (EFX 1, EFX 2, SOUND 1, SOUND 2, VISUAL) del pannello posteriore. 	<ul style="list-style-type: none"> Usare un cavo di collegamento digitale per collegare il DJM-1000 ad un dispositivo supportato.

L'elettricità statica, o altre interferenze esterne, possono causare disfunzioni dell'apparecchio. Per ripristinare il funzionamento normale, disattivare l'apparecchio, attendere brevemente, e riattivarlo.

Se un collegamento non funziona bene, controllare quanto segue.

Indicatori AVVERTENZA	Significato	Rimedio
L'indicatore di ciascun collegamento lampeggia due volte.	Dei componenti non supportati sono collegati ai connettori di ingresso/uscita.	Controllare il collegamento dei connettori di ingresso/uscita di collegamento.
L'indicatore di ciascun collegamento lampeggia tre volte.	I connettori di collegamento di un DJM-1000 sono collegati fra loro o i connettori di collegamento da due DJM-1000 sono collegati fra loro.	Controllare i collegamenti.
L'indicatore di ciascun collegamento lampeggia quattro volte.	Errore di comunicazione occorso nei connettori di ingresso/uscita di collegamento.	Controllare i collegamenti ed i cavi di collegamento.

CARATTERISTICHE TECNICHE

1. Caratteristiche tecniche generali

Caratteristiche di alimentazione	C.a. da 220-240 V, 50/60 Hz
Consumo	62 W
Temperatura di lavoro	+5 °C a +35 °C
Umidità di lavoro	Da 5 % a 85 % (senza condensa)
Peso	12,1 kg
Dimensioni esterne	482 (L) x 363,5 (P) x 187,5 (A) mm

2. Sezione audio

Frequenza di campionamento	96 kHz
Convertitore A/D, D/A	24 bit
Risposta in frequenza	20 Hz a 20 kHz
Rapporto S/R (a tutta scala)	
LINE	104 dB
PHONO	88 dB
MIC	84 dB
Distorsione (LINE-MASTER1)	0,005 %
Margine di dinamica	19 dB
Livello d'ingresso	
PHONO	-52 dBu (47 kΩ)
MIC, SUBMIC	-52 dBu (3 kΩ)
CD/LINE, LINE	-12 dBu (22 kΩ)
RETURN	-12 dBu (22 kΩ)
Livello di uscita	
MASTER1	+2 dBu (600 Ω)
MASTER2	+2 dBu (10 kΩ)
REC	-8 dBu (10 kΩ)
BOOTH	+2 dBu (600 Ω)
SEND	-12 dBu (10 kΩ)
PHONES	+8,5 dBu (32 Ω)
Diafonia (LINE)	88 dB
Canali	6
Equalizzatore canali	
HI	-26 dB a +6 dB (13 kHz)
MID	-26 dB a +6 dB (1 kHz)
LOW	-26 dB a +6 dB (70 Hz)
Equalizzatore del microfono	
HI	-6 dB a +6 dB (10 kHz)
LOW	-6 dB a +6 dB (100 Hz)
Equalizzatore monitoraggio in cabina	
HI	-6 dB a +6 dB (10 kHz)
LOW	-6 dB a +6 dB (100 Hz)

3. Connettori di ingresso ed uscita

Connettori di ingresso PHONO	
Presa RCA	6
Connettori di ingresso CD/LINE, LINE	
Presa RCA	6
Presa fono (6,3 mm di diametro)	4
Connettori di uscita MIC, SUBMIC	
Connettore XLR / connettore fono (6,3 mm di diametro)	1
Presa fono (6,3 mm di diametro)	2
Connettori di ingresso coassiali DIGITAL	
Presa RCA	4
Connettori di ingresso RETURN	
Presa fono (6,3 mm di diametro)	2
Connettori di uscita MASTER	
Connettore XLR	1
Presa RCA	1
Connettori di uscita BOOTH	
Presa RCA	1
Connettori di uscita REC	
Presa RCA	1
Connettori di uscita SEND	
Presa fono (6,3 mm di diametro)	2
Connettori di uscita coassiali DIGITAL	
Presa RCA	1
Connettori di collegamento digitale (EFX 1, 2, SOUND 1, 2, VISUAL)	
Mini DIN	5
Connettori MIDI OUT	
5 piedini, DIN	1

4. Accessori

Istruzioni per l'uso	1
Cavo di alimentazione	1

A seguito di continui miglioramenti del prodotto, i dati tecnici e l'aspetto dell'apparecchio possono subire modifiche senza preavviso.

Hartelijk dank voor de aanschaf van dit Pioneer produkt. Lees de gebruiksaanwijzing aandachtig door zodat u het apparaat op de juiste wijze kunt bedienen. Bewaar de gebruiksaanwijzing voor het geval u deze in de toekomst nogmaals nodig heeft. Het is mogelijk dat in bepaalde landen of gebieden de uitvoering van de netstekker en het stopcontact verschilt van hetgeen in deze gebruiksaanwijzing is afgebeeld. De aansluitmethode en bediening zijn in dergelijke gevallen echter precies hetzelfde. K015 Du

BELANGRIJK



De lichtflash met pijlpuntstroom in een gelijkzijdige driehoek is bedoeld om de aandacht van de gebruikers te trekken op een niet geïsoleerde "gevaarlijke spanning" in het toestel, welke voldoende kan zijn om bij aanraking een elektrische shock te veroorzaken.

CAUTION

RISK OF ELECTRIC SHOCK
DO NOT OPEN



WAARSCHUWING:
OM HET GEVAAR VOOR EEN ELEKTRISCHE SHOCK TE VOORKOMEN, DEKSEL (OF RUG) NIET VERWIJDEREN. AAN DE BINNENZIJDE BEVINDEN ZICH GEEN ELEMENTEN DIE DOOR DE GEBRUIKER KUNNEN BEDIEND WORDEN. ENKEL DOOR GEKwalificeerd PERSONEEL TE BEDIENEN.

Het uitroepteken in een gelijkzijdige driehoek is bedoeld om de aandacht van de gebruiker te trekken op de aanwezigheid van belangrijke bedienings- en onderhoudsinstructies in de handleiding bij dit toestel.

D3-4-2-1-1_Du

WAARSCHUWING NETSNOER

Pak het netsnoer beet bij de stekker. Trek de stekker er niet uit door aan het snoer te trekken en trek nooit aan het netsnoer met natte handen aangezien dit kortsluiting of een elektrische schok tot gevolg kan hebben. Plaats geen toestel, meubelstuk o.i.d. op het netsnoer, en klem het niet vast. Maak er nooit een knoop in en verbind het evenmin met andere snoeren. De netsnoeren dienen zo te worden geleid dat er niet per ongeluk iemand op gaat staan. Een beschadigd netsnoer kan brand of een elektrische schok veroorzaken. Controleer het netsnoer af en toe. Wanneer u de indruk krijgt dat het beschadigd is, dient u bij uw dichtstbijzijnde erkende PIONEER onderhoudscentrum of uw dealer een nieuw snoer te kopen.

5002_Du

WAARSCHUWING

Dit apparaat is niet waterdicht. Om brand of een elektrische schok te voorkomen, mag u geen voorwerp dat vloeistof bevat in de buurt van het apparaat zetten (bijvoorbeeld een bloemenvaas) of het apparaat op andere wijze blootstellen aan waterdruppels, opspattend water, regen of vocht.

D3-4-2-1-3_A_Du

WAARSCHUWING

Lees zorgvuldig de volgende informatie voordat u de stekker de eerste maal in het stopcontact steekt.

De bedrijfsspanning van het apparaat verschilt afhankelijk van het land waar het apparaat wordt verkocht. Zorg dat de netspanning in het land waar het apparaat wordt gebruikt overeenkomt met de bedrijfsspanning (bijv. 230 V of 120 V) aangegeven op de achterkant van het apparaat.

D3-4-2-1-4_A_Du

WAARSCHUWING

Om brand te voorkomen, mag u geen open vuur (zoals een brandende kaars) op de apparatuur zetten.

D3-4-2-1-7a_A_Du

BELANGRIJKE INFORMATIE BETREFFENDE DE VENTILATIE

Let er bij het installeren van het apparaat op dat er voldoende vrije ruimte rondom het apparaat is om een goede doorstroming van lucht te waarborgen (tenminste 5 cm achter en 3 cm aan de zijkanten van het apparaat).

WAARSCHUWING

De gleuven en openingen in de behuizing van het apparaat zijn aangebracht voor de ventilatie, zodat een betrouwbare werking van het apparaat wordt verkregen en oververhitting wordt voorkomen. Om brand te voorkomen, moet u ervoor zorgen dat deze openingen nooit geblokkeerd worden of dat ze afgedekt worden door voorwerpen (kranten, tafelkleed, gordijn e.d.) of door gebruik van het apparaat op een dik tapijt of een bed.

D3-4-2-1-7b_A_Du

Gebruiksomgeving

Temperatuur en vochtigheidsgraad op de plaats van gebruik:

$\pm 5^{\circ} - +35^{\circ}\text{C}$, minder dan 85% RH (ventilatieopeningen niet afgedekt)

Zet het apparaat niet op een slecht geventileerde plaats en stel het apparaat ook niet bloot aan hoge vochtigheid of direct zonlicht (of sterke kunstmatige verlichting).

D3-4-2-1-7c_A_Du

Dit product voldoet aan de laagspanningsrichtlijn (73/23/EEG, gewijzigd bij 93/68/EEG), EMC-richtlijnen (89/336/EEG, gewijzigd bij 92/31/EEG en 93/68/EEG).

D3-4-2-1-9a_Du

Als de netstekker van dit apparaat niet geschikt is voor het stopcontact dat u wilt gebruiken, moet u de stekker verwijderen en een geschikte stekker aanbrengen. Laat het vervangen en aanbrengen van een nieuwe netstekker over aan vakkundig onderhoudspersoneel. Als de verwijderde stekker per ongeluk in een stopcontact zou worden gestoken, kan dit resulteren in een ernstige elektrische schok. Zorg er daarom voor dat de oude stekker na het verwijderen op de juiste wijze wordt weggegooid.

Haal de stekker van het netsnoer uit het stopcontact wanneer u het apparaat geruime tijd niet denkt te gebruiken (bijv. wanneer u op vakantie gaat).

D3-4-2-2-1a_A_Du

LET OP

De POWER schakelaar van dit apparaat koppelt het apparaat niet volledig los van het lichtnet. Aangezien er na het uitschakelen van het apparaat nog een kleine hoeveelheid stroom blijft lopen, moet u de stekker uit het stopcontact halen om het apparaat volledig van het lichtnet los te koppelen. Plaats het apparaat zodanig dat de stekker in een noodgeval gemakkelijk uit het stopcontact kan worden gehaald. Om brand te voorkomen, moet u de stekker uit het stopcontact halen wanneer u het apparaat langere tijd niet denkt te gebruiken (bijv. wanneer u op vakantie gaat).

D3-4-2-2-2a_A_Du

KENMERKEN

① Hoogwaardig ontwerp voor een topkwaliteit geluid

De analoge signalen worden via het kortste signaalpad overgebracht en omgezet in digitale signalen via een 24-bit topkwaliteit A/D-omzetter met 96 kHz bemonstering, zodat ze onder optimale omstandigheden bij de digitale mengtrap binnenkomen.

Door gebruik van een 32-bit DSP wordt de geluidskwaliteit bij het mengen niet aangetast en de gelijktijdige ideale filtering biedt een optimaal geluid voor professionele DJ's in discoclubs of andere gelegenheden.

Om zoveel mogelijk profijt te hebben van deze voorzieningen is veel zorg besteed aan het perfectioneren van de geluidskwaliteit, zoals toepassing van een solide ombouw om trillingen te voorkomen die een nadelige invloed zouden kunnen hebben, plus gebruik van een hoogwaardig vermogensgedeelte met een R-kern transformator die zorgt voor een hoge basiskwaliteit, waardoor een helder en krachtig geluid bij uitstek geschikt voor weergave in clubs is verkregen.

② 3-bands isolator

Ingebouwde 3-bands isolator die een niveauregeling van +6 dB tot $-\infty$ op elke bandbreedte biedt.

De nauwkeurige bedieningsregeling zorgt voor een grote variëteit in de mogelijkheden van de DJ.

③ 2-systemen, 3-typen SEND/RETURN

De 2-systemen, 3-typen SEND/RETURN (PRE INSERT/POST INSERT/AUX) is toegepast om meerdere aansluitmogelijkheden met externe apparatuur te bieden, zoals effectors en samplers, zodat de DJ-weergavefuncties nog verder kunnen worden uitgebreid.

④ Afstellen van de fadercurve

Met de fadercurve-afstelfunctie kunt u niet alleen de kruisfadercurve afstellen (zoals bij vroegere modellen), maar tevens de kanaalfadercurve.

Beide faderfuncties kunnen binnen 17 stappen worden afgesteld, zodat DJ's de instellingen aan hun eigen voorkeuren kunnen aanpassen.

⑤ Digitale IN/OUT

Uitgerust met digitale ingangsaansluitingen voor elk van de bemonsteringsfrequenties (44,1/48/96 kHz) waardoor een systeem kan worden opgezet waarbij er geen vermindering in de geluidskwaliteit optreedt bij het aansluiten op externe digitale apparaten.

Tevens is er een DIGITAL OUT aansluiting met 24-bit/96 kHz bemonsteringsfrequentie voor opname in studio's en op andere plaatsen waar een hoge geluidskwaliteit gewenst is.

Ondersteunt alleen lineaire PCM.

⑥ MIDI OUT

Uitvoer van MIDI signalen voor MIDI regeling van externe apparatuur.

⑦ Digitale linkfunctie

Door met behulp van digitale linkkabels andere PIONEER DJ CD-spelers, DJ-effectors en AV-mengpanelen aan te sluiten hebt u de beschikking over diverse interessante bedieningsfuncties.

⑧ Overige kenmerken

- Door dit apparaat met behulp van een bedieningssignaal kabel op een PIONEER CD-speler voor DJ-gebruik aan te sluiten, kan het afspelen op de CD-speler automatisch gestart worden door de fader te bedienen ("faderstart-weergave").
- Ingebouwde "3-bands equalizer" met een niveauregeling over een bereik van +6 dB tot -26 dB bij elke bandbreedte.
- Voorzien van "2-bands monitor-EQ" voor regeling van de cabinemonitor-respons, waardoor cabinecontrole door de DJ wordt vergemakkelijkt.
- Ingebouwde "kruisfader-toewijzing" functie voor een meer flexibele toewijzing van de kanaalingangen aan de kruisfader.
- Ingebouwde "TALK OVER functie" voor het automatisch verlagen van het muziekvolume tijdens MIC-invoer.

INHOUDSOPGAVE

KENMERKEN	67
CONTROLEER DE ACCESSOIRES	67
WAARSCHUWINGEN I.V.M. HET GEBRUIK	68

VOOR GEBRUIK

AANSLUITINGEN	69
AANSLUITINGENPANEEL	69
AANSLUITEN VAN HET NETSNOER	70
AANSLUITEN VAN APPARATUUR OP DE INGANGSAANSLUITINGEN	70
AANSLUITEN VAN DE EFFECTOR EN ANDERE APPARATUUR OP DE UITGANGEN	71
MIDI-AANSLUITINGEN	71
AANSLUITEN VAN MICROFOONS EN HOOFDTELEFOONS	72
DIGITALE LINK-AANSLUITINGEN	72
BENAMING EN FUNCTIE VAN DE BEDIENINGSORGANEN	73

BEDIENING

BEDIENING	77
BASISBEDIENING	77
INSTELLEN VAN DE FADERCURVE	77
FADERSTARTFUNCTIE	78
GEBRUIK VAN EXTERNE EFFECTORS	78
DIGITALE LINKFUNCTIE	79

OVERIG

ZELF STORINGEN VERHELPEN	80
TECHNISCHE GEGEVENS	81
BLOKSCHEMA	100

CONTROLEER DE ACCESSOIRES

Gebruiksaanwijzing	1
Netsnoer	1

WAARSCHUWINGEN I.V.M. HET GEBRUIK

Installatieplek

Installeer het toestel in een goed verluchte ruimte, waar het niet aan hoge temperaturen of vocht wordt blootgesteld.

- Installeer het toestel niet in een ruimte die aan directe zonnestralen is blootgesteld, of naast kachels of radiators. De buitenkant en de interne bestanddelen kunnen door te grote hitte worden beschadigd. De installatie van het toestel in een vochtige of stoffige omgeving kan ook stoornissen of ongelukken tot gevolg hebben. (Vermijd plaatsing naast fornuizen, etc. waar het toestel aan vette dampen, stoom of hitte zou kunnen worden blootgesteld.)
- Wanneer het toestel in een koffer of in een DJ-cabine wordt gebruikt, moet het van de wanden worden verwijderd om de warmteuitstraling te bevorderen.

Opstelling van de DJM-1000 in een EIA-rek

De schroefgaten in het voorpaneel van de DJM-1000 dienen om het apparaat in een 19-inch EIA-rek te bevestigen.

- Bevestig het apparaat met schroeven van de juiste maat in het rek (deze schroeven worden niet bijgeleverd).
- Wanneer het apparaat in een rek wordt opgesteld, moet u erop letten dat uw vingers niet klem komen te zitten.

Opmerkingen

- Zet dit apparaat nooit op een eindversterker aangezien de warmte van de versterker het apparaat zou kunnen beschadigen. Wanneer het apparaat bovenop een eindversterker staat, kunnen ook amateurradiosignalen of andere soorten interferentiesignalen opgepikt worden.
- Houd minimaal 1U (43,7 mm) ruimte vrij tussen dit apparaat en het apparaat dat erboven wordt opgesteld, zodat de snoeren die op de ingangs-/uitgangsaansluitingen van dit apparaat worden aangesloten niet in contact komen met het apparaat erboven.
- Verwijder het apparaat altijd uit het rek voordat u het apparaat gaat vervoeren of verzenden.
- Wees voorzichtig bij het verplaatsen van het apparaat wanneer dit zich nog in het rek bevindt, om te voorkomen dat het apparaat aan schokken of trillingen wordt blootgesteld.

Condensatie

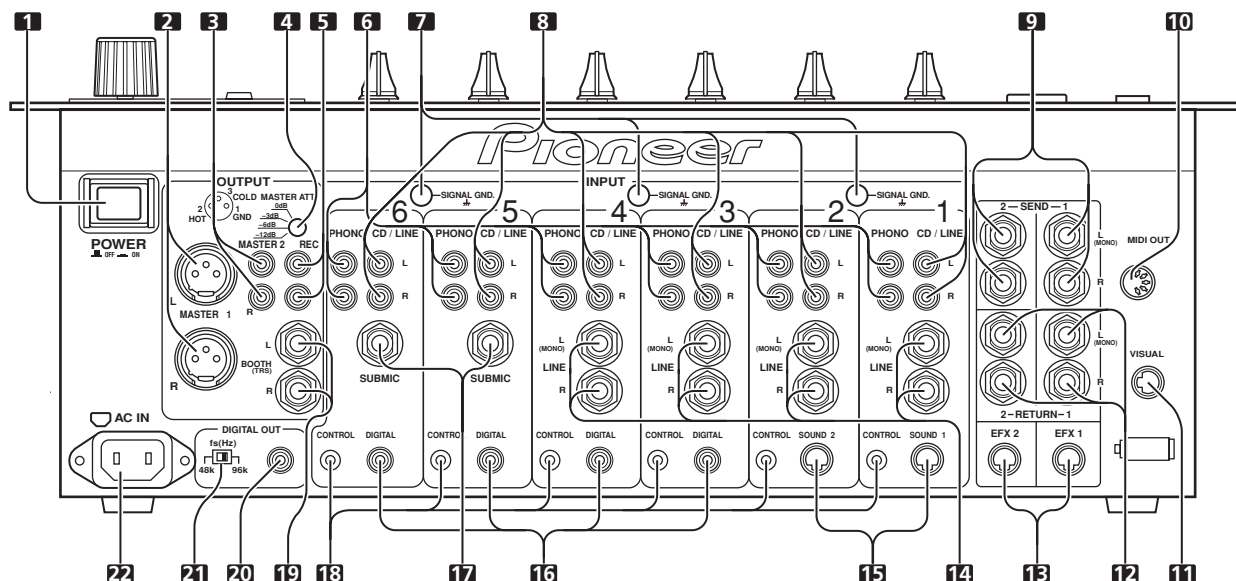
Wanneer het toestel van een koude omgeving naar een warme kamer wordt overgeplaatst of wanneer de kamertemperatuur plots stijgt, kan er binnenin condensatie worden gevormd, zodat het toestel niet meer optimaal functioneert. In dergelijke gevallen moet u het toestel ongeveer een uur laten staan of de kamertemperatuur geleidelijk opvoeren.

Het toestel schoonmaken

- Gebruik een poetsdoek om het stof en het vuil weg te nemen.
- Wanneer de buitenkant erg vuil is, kunt u deze met een in een neutraal, met vijf à zes keer zoveel water verdund reinigingsmiddel gedrenkte en goed uitgewrongen zachte doek schoonmaken en eindigen met een droge doek. Gebruik geen meubelwas of vlekkenmiddelen.
- Gebruik nooit verdunners, benzeen, insecticiden of andere chemische producten op of in de buurt van dit toestel, want deze tasten de buitenkant aan.

AANSLUITINGEN

AANSLUITINGENPANEEL



1. POWER schakelaar

2. MASTER uitgangsaansluiting 1 (MASTER 1)

XLR-type gebalanceerde uitgang (mannetjes-stekker).

3. MASTER uitgangsaansluiting 2 (MASTER 2)

RCA-type ongebalanceerde uitgang.

4. MASTER uitgangsniveau-verzwakkingsregelaar (MASTER ATT.)

Voor het verzwakken van het uitgangsniveau van de MASTER 1 en MASTER 2 uitvoer.

Het verzwakkingsniveau kan worden ingesteld op 0 dB, -3 dB, -6 dB of -12 dB.

5. Opname-uitgangsaansluitingen (REC)

RCA-type uitgangsaansluitingen voor het maken van opnamen.

6. PHONO ingangsaansluitingen

RCA-type phono-niveau (voor MM-element) ingangsaansluitingen. Gebruik deze aansluitingen niet voor het invoeren van lijnniveausignalen.

7. Signaal-aardeaansluiting (SIGNAL GND)

Sluit hierop de aarddraad van een analoge speler aan. Dit is geen aansluiting voor veiligheidsaarde.

8. CD/LINE ingangsaansluitingen

RCA-type lijnniveau-ingangsaansluitingen. Gebruik deze aansluitingen voor DJ CD-spelers en/of lijnniveau uitgangapparaten.

9. SEND uitgangsaansluitingen (SEND 1, 2)

Ø6,3 mm klinkstekkertype uitgangsaansluitingen. Verbind deze aansluitingen met de ingangsaansluitingen van externe effectors enz. Wanneer alleen het L-kanaal is aangesloten, wordt er een L+R monosignaal uitgevoerd.

10. MIDI uitgangsaansluiting (MIDI OUT)

DIN-type uitgangsaansluiting. Verbind deze aansluiting met andere MIDI apparaten (blz. 71).

11. VISUAL link-aansluiting

Als het apparaat met behulp van een digitale linkkabel is aangesloten op een PIONEER videomengpaneel (switcher) die digitale link ondersteunt, kan de kruisfader van het videomengpaneel bediend worden met de kruisfader van de DJM-1000.

12. RETURN aansluitingen (RETURN 1, 2)

Ø6,3 mm klinkstekkertype uitgangsaansluiting. Verbind deze aansluitingen met de uitgangsaansluitingen van externe effectors enz. Wanneer alleen het L-kanaal is aangesloten, zal het ingangssignaal van het L-kanaal ook naar het R-kanaal worden gestuurd.

13. EFX link-ingang/uitgangsaansluitingen (EFX 1, 2)

Als het apparaat met behulp van een digitale linkkabel wordt aangesloten op een PIONEER DJ-effector die digitale link ondersteunt (EFX-1000), zullen de SEND/RETURN aansluitingen meteen digitaal werken en worden tevens functies zoals fadereffect geactiveerd.

14. LINE ingangsaansluitingen

Ø6,3 mm klinkstekkertype lijnniveau-aansluitingen. Wanneer alleen het L-kanaal is aangesloten, zal het ingangssignaal van het L-kanaal ook naar het R-kanaal worden gestuurd.

15. CDJ link-ingangsaansluitingen (SOUND 1, 2)

Als het apparaat met behulp van een digitale linkkabel wordt aangesloten op een PIONEER DJ CD-speler die digitale link ondersteunt, zullen de digitale audio-aansluitingen en bedienings-signaalkabel-aansluitingen meteen gaan werken en worden tevens functies zoals BPM-synchro geactiveerd.

16. DIGITAL ingangsaansluitingen

RCA-type digitale coaxiale ingangsaansluitingen. Verbind deze aansluitingen met de digitale coaxiale uitgangsaansluitingen van een DJ CD-speler enz.

17. SUBMIC ingangsaansluitingen

Ø6,3 mm klinkstekkertype microfoon-ingangsaansluitingen. De kanalen 5 en 6 van de DJM-1000 worden als de microfoon-ingangskanalen gebruikt.

18. CONTROL aansluitingen

Ø3,5 mm mini-klinkstekkertype ingangsaansluiting voor het aansluiten van de bedienings-signaalkabel op de DJ CD-speler. De faderfunctie van de DJM-1000 kan dan gebruikt worden voor de bediening van de start/stopfunctie van de aangesloten DJ CD-speler.

19. BOOTH monitor-uitgangsaansluitingen

Ø6,3 mm klinkstekkertype uitgangsaansluitingen voor de cabinemonitor. Het volume wordt geregeld met de BOOTH MONITOR regelaar (LEVEL), zonder dat dit van invloed is op de MASTER fader (aangezien de uitvoer TRS is, wordt zowel gebalanceerde als ongebalanceerde uitvoer ondersteund).

20. Digitale uitgangsaansluiting (DIGITAL OUT)

RCA-type digitale coaxiale uitgangsaansluiting. Digitale hoofduitgang.

21. Bemonsteringsfrequentie-keuzeschakelaar (48k/96k)

Voor het kiezen van de bemonsteringsfrequentie van de digitale uitgang (96 kHz of 48 kHz).

22. Netstroamingang (AC IN)

Sluit hierop het bijgeleverde netsnoer aan.

Nederlands

Schakel de apparatuur uit en trek de stekker uit het stopcontact voordat u aansluitingen maakt of deze wijzigt.

AANSLUITEN VAN HET NETSNOER

Sluit het netsnoer als laatste aan.

- Nadat alle aansluitingen zijn voltooid, sluit u het bijgeleverde netsnoer op de netstroomingang aan de achterkant van dit apparaat aan en steekt dan de netstekker in een stopcontact of in een netstroomuitgang van de versterker.
- Gebruik uitsluitend het bijgeleverde netsnoer.

AANSLUITEN VAN APPARATUUR OP DE INGANGSAANSLUITINGEN

PIONEER DJ CD-spelers

Verbind de audio-uitgangsaansluitingen van de DJ CD-speler met een set CD/LINE ingangsaansluitingen van de DJM-1000 en sluit de bedieningssignaalkabel op de bijbehorende CONTROL aansluiting van het kanaal aan. Zet de ingangskeuzeschakelaar van het aangesloten kanaal op [CD/LINE].

Bij het maken van digitale aansluitingen verbindt u de digitale coaxiale uitgangsaansluiting met een van de DIGITAL ingangsaansluitingen van de DJM-1000 en zet dan de ingangskeuzeschakelaar van het aangesloten kanaal op [DIGITAL] (er zijn geen digitale ingangsaansluitingen voor kanaal 1 en kanaal 2).

Analoge platenspelers

Verbind de audio-uitgangskabels van de analoge platenspeler met een set PHONO ingangsaansluitingen van de DJM-1000 en zet de ingangskeuzeschakelaar van het aangesloten kanaal op [PHONO]. De PHONO ingang van de DJM-1000 is geschikt voor MM-elementen.

Sluit de aardkabel van de analoge platenspeler op een van de SIGNAL GND aansluitingen aan.

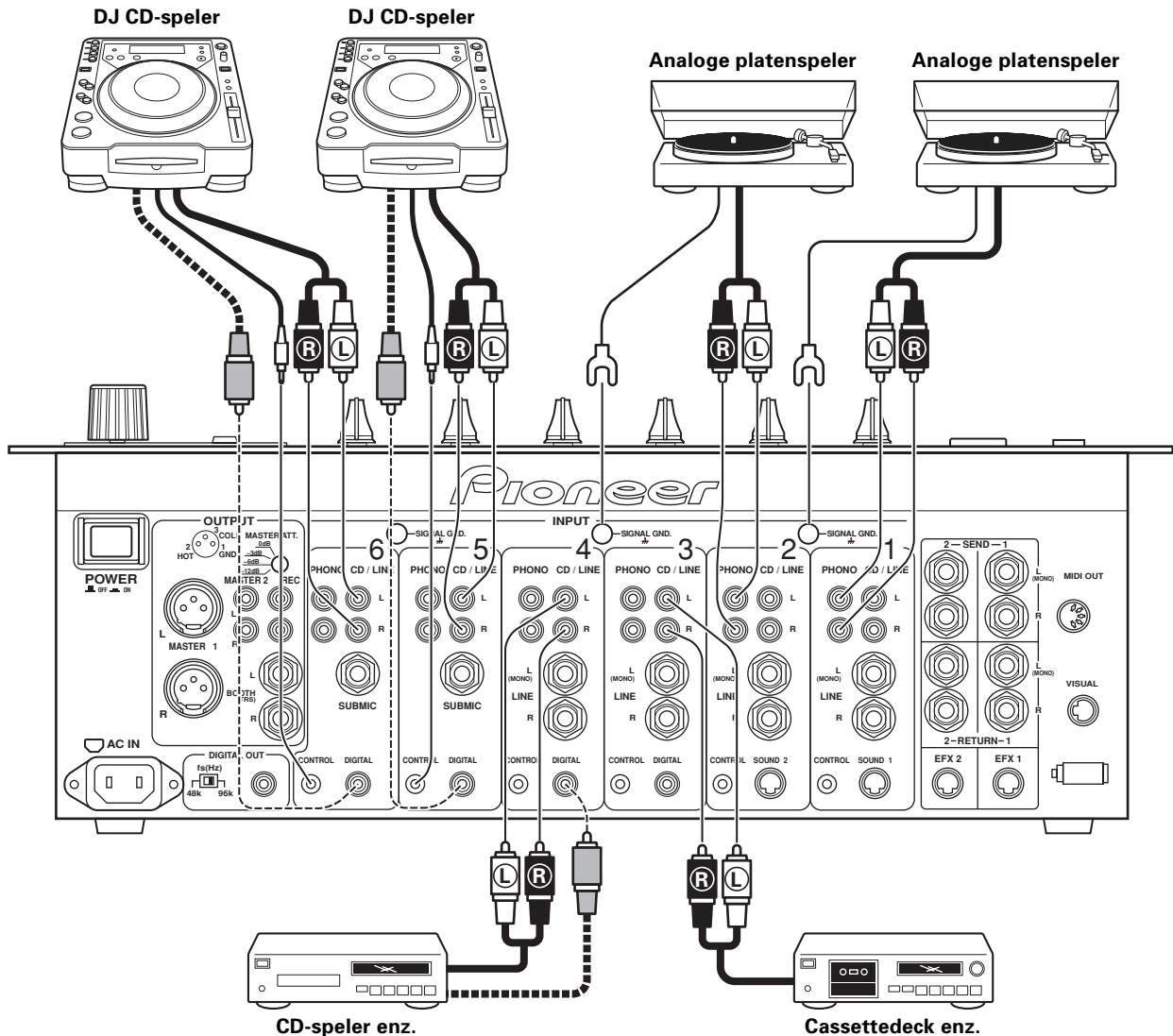
Andere lijnniveau uitgangapparaten

Wanneer u een cassettedeck of CD-speler aansluit, verbindt u de audio-uitgangsaansluitingen met een van de CD/LINE ingangsaansluitingen van de DJM-1000 en zet dan de ingangskeuzeschakelaar van het aangesloten kanaal op [CD/LINE].

Als de aansluitstekker een Ø6,3 mm klinkstekker is, verbindt u deze met een van de LINE ingangsaansluitingen van de DJM-1000 en zet dan de ingangskeuzeschakelaar van het aangesloten kanaal op [LINE] (er zijn geen LINE ingangsaansluitingen voor kanaal 5 en kanaal 6). Wanneer alleen het L-kanaal is aangesloten, zal het ingangssignaal van het L-kanaal ook naar het R-kanaal worden gestuurd.

Digitale uitgangapparaten

Bij het maken van digitale verbindingen met apparaten zoals een CD-speler verbindt u de digitale coaxiale uitgangsaansluiting van het apparaat met een van de DIGITAL ingangsaansluitingen van de DJM-1000 en zet dan de ingangskeuzeschakelaar van het aangesloten kanaal op [DIGITAL] (er zijn geen DIGITAL ingangsaansluitingen voor kanaal 1 en kanaal 2).



AANSLUITEN VAN DE EFFECTOR EN ANDERE APPARATUUR OP DE UITGANGEN

Hoofduitgang

Er is een XLR-type gebalanceerde uitgang MASTER 1 en een RCA-type ongebalanceerde uitgang MASTER 2. Stel het uitgangsniveau met de MASTER ATT. regelaar in overeenkomstig de ingangsgevoeligheid van de aangesloten eindversterker.

Cabinemonitor-uitgang

Ongebalanceerde uitgang geschikt voor een Ø6,3 mm klinkstekker. Het volume kan worden geregeld met de BOOTH MONITOR regelaar (LEVEL), ongeacht de instelling van de MASTER fader.

Opname-uitgang

Uitgangsaansluitingen voor opnamen, geschikt voor RCA-stekker.

Digitale uitgang

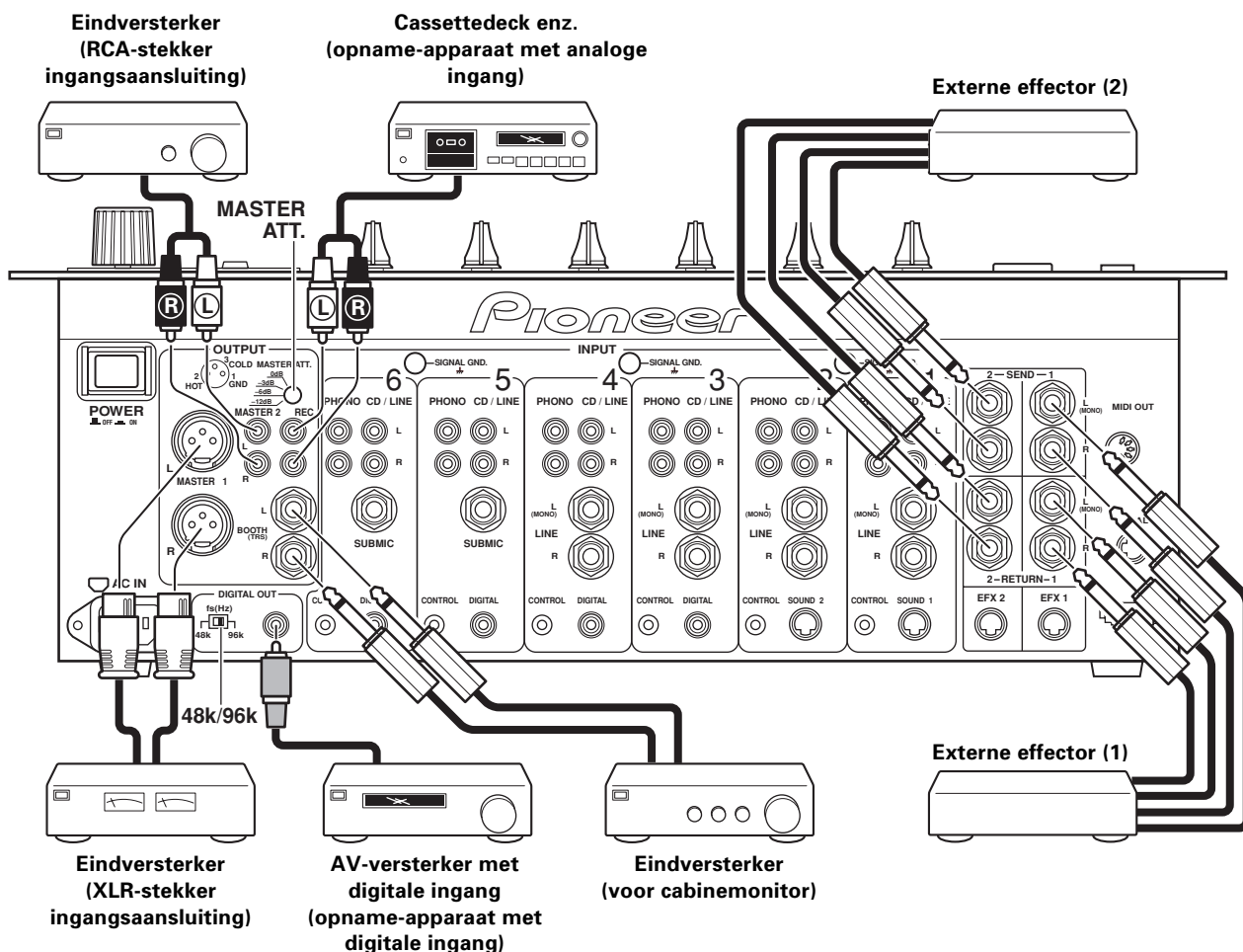
Coaxiale digitale uitgangsaansluitingen, geschikt voor RCA-stekker. De bemonsteringsfrequentie kan worden ingesteld overeenkomstig het aangesloten apparaat (96 kHz/48 kHz).

Externe effector

Gebruik een kabel met Ø6,3 mm klinkstekkers om de SEND aansluitingen van het DJ-mengpaneel te verbinden met de ingangsaansluitingen van een externe effector. Bij gebruik van een effector met een mono-ingang dient u alleen de L-kanal uitgang aan te sluiten. In dit geval zal het gemengde L/R audiosignaal naar de effector worden gestuurd.

Gebruik ook een kabel met Ø6,3 mm klinkstekkers om de RETURN aansluitingen van het DJ-mengpaneel te verbinden met de uitgangsaansluitingen van de externe effector.

Als de effector alleen een mono-uitgang heeft, dient alleen de L-kanal ingang te worden aangesloten. In dit geval zal het signaal van de effector naar de L/R kanalen worden gestuurd.



Nederlands

MIDI-AANSLUITINGEN

MIDI (digitaal interface voor muziekinstrument) is een gemeenschappelijke norm voor het overbrengen van gegevens tussen elektrische muziekinstrumenten en computers.

De gegevens kunnen met behulp van een MIDI kabel worden overgebracht tussen apparaten die zijn uitgerust met MIDI aansluitingen.

De DJM-1000 kan via het MIDI protocol bedieningsgegevens zenden naar externe MIDI apparaten.

DJM-1000 bediening	MIDI bedieningscode	MIDI bedieningsnaam	MIDI kanaal
Bediening van de kruisfader	CC11	Expressie	1

* 0-127 MIDI gegevens worden uitgevoerd via bediening van de kruisfader.

* Bij gebruik van de visuele linkfunctie wordt er geen MIDI data uitgevoerd.

AANSLUITEN VAN MICROFOONS EN HOOFDTELEFOONS

Hoofdtelefoon

Op de PHONES aansluiting van het bedieningspaneel (bovenpaneel) kan een hoofdtelefoon met een Ø6,3 mm stereo klinkstekker worden aangesloten.

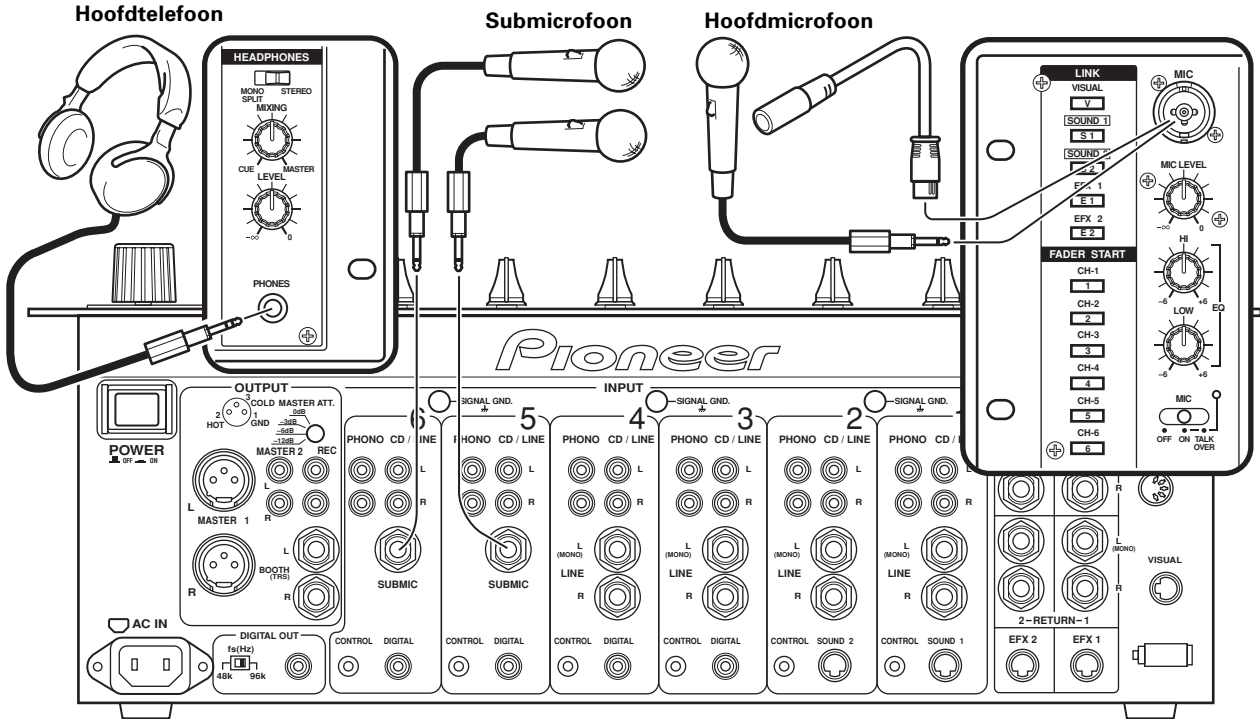
Hoofdmicrofoon

Op de MIC aansluiting van het bedieningspaneel (bovenpaneel) kan een microfoon met een Ø6,3 mm stereo klinkstekker of XLR-stekker worden aangesloten.

Submicrofoon

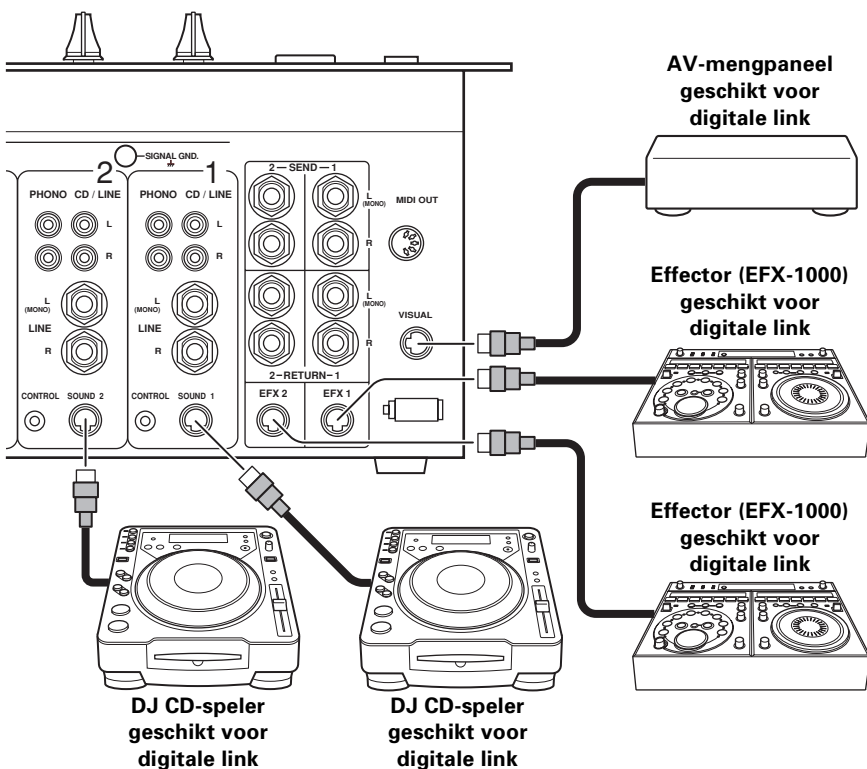
Op de SUBMIC ingangsaansluitingen van kanaal 5 en kanaal 6 van de DJM-1000 kan een microfoon met een Ø6,3 mm klinkstekker worden aangesloten.

Zet de ingangskeuzeschakelaar van het aangesloten kanaal op [SUBMIC].



DIGITALE LINK-AANSLUITINGEN

(Inclusief verbinding met toekomstige apparatuur die digitale link ondersteunt.)



Door een enkele speciale kabel (digitale linkkabel) aan te sluiten kunnen audiosignalen en bedieningssignalen digitaal worden overgebracht (er hoeven geen extra audiokabels of bedieningssignalkabels te worden aangesloten).

VISUAL link-aansluiting

Als het apparaat met behulp van een digitale linkkabel is aangesloten op een PIONEER videomengpaneel (switcher) die digitale link ondersteunt, kan de kruisfader van het videomengpaneel bediend worden met de kruisfader van de DJM-1000. (blz. 79)

EFX link-ingang/uitgangsaansluitingen (EFX 1, 2)

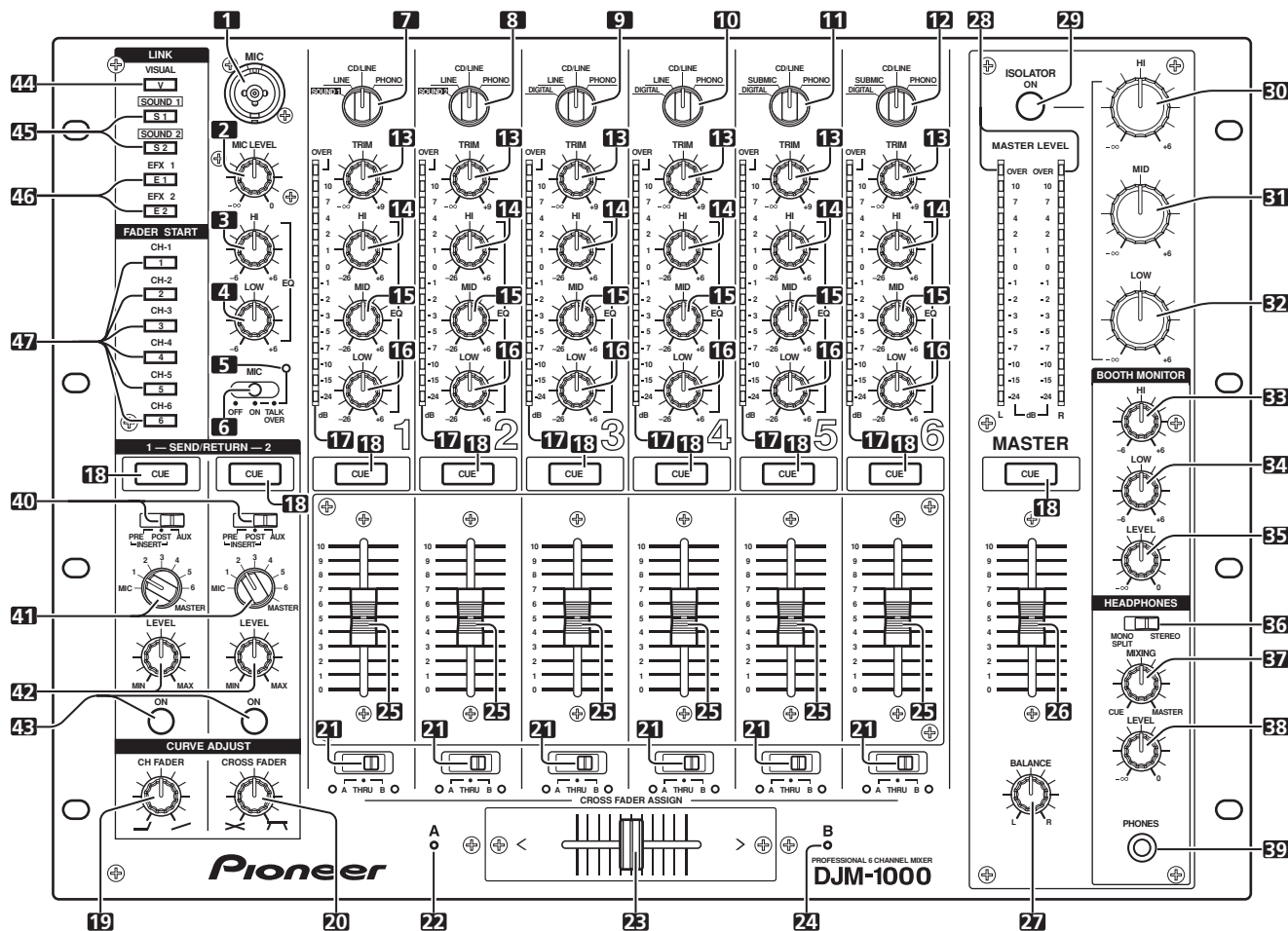
Als het apparaat met behulp van een digitale linkkabel wordt aangesloten op een PIONEER DJ-effector die digitale link ondersteunt (EFX-1000), zullen de SEND/RETURN aansluitingen meteen digitaal werken waardoor fadereffectfuncties en BPM-synchrofuncties beschikbaar zijn wanneer de geluidlink-verbindingen worden gebruikt. (blz. 79)

CDJ link-ingangsaansluitingen (SOUND 1, 2)

Als het apparaat met behulp van een digitale linkkabel wordt aangesloten op een PIONEER DJ CD-speler die digitale link ondersteunt, zullen de digitale audio-aansluitingen en bedieningssignalkabel-aansluitingen meteen gaan werken en worden tevens functies zoals BPM-synchro geactiveerd. Zet de ingangskeuzeschakelaar van kanaal 1 en 2 op [SOUND 1] en [SOUND 2]. (blz. 79)

BENAMING EN FUNCTIE VAN DE BEDIENINGSORGANEN

Bedieningspaneel



Hoofdmicrofoon-invoer bedieningsgedeelte

1. MIC hoofdmicrofoon-aansluiting

Sluit hierop een microfoon met een XLR-type stekker of klinkstekker aan.

2. MIC LEVEL niveauregelaar

Voor het instellen van het volume van de hoofdmicrofoon. (Instelbereik: $-\infty$ tot 0 dB)

3. Regelaar voor het hogetonenbereik van de microfoon (EQ HI)

Voor het instellen van de hoge tonen van de hoofdmicrofoon. (Instelbereik: -6 dB tot +6 dB)

4. Regelaar voor het lagetonenbereik van de microfoon (EQ LOW)

Voor het instellen van de lage tonen van de hoofdmicrofoon. (Instelbereik: -6 dB tot +6 dB)

5. Microfoonfunctie-indicator

Licht op wanneer de MIC keuzeschakelaar op [ON] is ingesteld. Knippert wanneer de keuzeschakelaar op [TALK OVER] staat.

6. MIC functiekeuzeschakelaar

OFF:

Het hoofdmicrofoongeluid wordt niet uitgevoerd.

ON:

Het hoofdmicrofoongeluid wordt uitgevoerd.

TALK OVER:

Het hoofdmicrofoongeluid wordt uitgevoerd. Wanneer geluid hoger dan -15 dB naar de hoofdmicrofoon-ingang wordt gevoerd, zal de TALK OVER functie in werking treden en wordt de uitvoer van alle geluid, behalve het geluid van de hoofdmicrofoon, met 20 dB verzwakt.

Kanaal-invoer bedieningsgedeelte

7. Kanaal 1 ingangskleuzeschakelaar

SOUND 1:

Speciale ingang voor DJ CD-spelers die geschikt zijn voor digitale link (mini-DIN aansluiting).

LINE:

Klinkstekkertype (wanneer alleen een monosignaal naar het L-kanaal wordt gevoerd, zal het signaal zowel naar het L-kanaal als het R-kanaal worden gestuurd).

CD/LINE:

RCA-type aansluiting met lijnniveau-invoer.

PHONO:

RCA-type aansluiting met phononiveau-invoer.

8. Kanaal 2 ingangskeuzeschakelaar

SOUND 2:

Speciale ingang voor DJ CD-spelers die geschikt zijn voor digitale link (mini-DIN aansluiting).

LINE:

Klinkstekkertype (wanneer alleen een monosignaal naar het L-kanaal wordt gevoerd, zal het signaal zowel naar het L-kanaal als het R-kanaal worden gestuurd).

CD/LINE:

RCA-type aansluiting met lijnniveau-invoer.

PHONO:

RCA-type aansluiting met phononiveau-invoer.

9. Kanaal 3 ingangskeuzeschakelaar

DIGITAL:

RCA-type aansluiting voor digitale invoer via coaxiale kabel.

LINE:

Klinkstekkertype (wanneer alleen een monosignaal naar het L-kanaal wordt gevoerd, zal het signaal zowel naar het L-kanaal als het R-kanaal worden gestuurd).

CD/LINE:

RCA-type aansluiting met lijnniveau-invoer.

PHONO:

RCA-type aansluiting met phononiveau-invoer.

10. Kanaal 4 ingangskeuzeschakelaar

DIGITAL:

RCA-type aansluiting voor digitale invoer via coaxiale kabel.

LINE:

Klinkstekkertype (wanneer alleen een monosignaal naar het L-kanaal wordt gevoerd, zal het signaal zowel naar het L-kanaal als het R-kanaal worden gestuurd).

CD/LINE:

RCA-type aansluiting met lijnniveau-invoer.

PHONO:

RCA-type aansluiting met phononiveau-invoer.

11. Kanaal 5 ingangskeuzeschakelaar

DIGITAL:

RCA-type aansluiting voor digitale invoer via coaxiale kabel.

SUBMIC:

Klinkstekkertype voor submicrofoon-invoer (mono).

CD/LINE:

RCA-type aansluiting met lijnniveau-invoer.

PHONO:

RCA-type aansluiting met phononiveau-invoer.

12. Kanaal 6 ingangskeuzeschakelaar

DIGITAL:

RCA-type aansluiting voor digitale invoer via coaxiale kabel.

SUBMIC:

Klinkstekkertype voor submicrofoon-invoer (mono).

CD/LINE:

RCA-type aansluiting met lijnniveau-invoer.

PHONO:

RCA-type aansluiting met phononiveau-invoer.

13. Kanaal 1-6 TRIM regelaars

Voor het instellen van het ingangsniveau van elk kanaal. (Instelbereik: $-\infty$ tot +9 dB, nadert 0 dB in de middenstand)

14. Regelaars voor het hogetonenbereik van de kanalen (EQ HI)

Voor het instellen van de hoge tonen van elk kanaal. (Instelbereik: -26 dB tot +6 dB)

15. Regelaars voor het middentonenbereik van de kanalen (EQ MID)

Voor het instellen van de middentonen van elk kanaal. (Instelbereik: -26 dB tot +6 dB)

16. Regelaars voor het lagetonenbereik van de kanalen (EQ LOW)

Voor het instellen van de lage tonen van elk kanaal. (Instelbereik: -26 dB tot +6 dB)

17. Kanaalniveau-indicators

Deze indicators tonen het niveau van elk kanaal. Het display heeft een 2-seconden piekvasthoudfunctie.

18. Hoofdtelefoon CUE toets/indicators

De bron die gemonitord moet worden via de hoofdtelefoon wordt gekozen door op de CUE toets voor RETURN 1, RETURN 2, kanaal 1-6, of MASTER te drukken. Wanneer gelijktijdig meerdere toetsen worden ingedrukt, zullen de gekozen geluiden gemengd worden. Wanneer een toets nogmaals wordt ingedrukt, komt de selectie te vervallen. De toetsen van de niet gekozen bronnen lichten zwak op en de toetsen van de gekozen bronnen lichten helder op.

Fader-bedieningsgedeelte

19. CURVE ADJUST CH FADER regelaar

Voor het instellen van de curve-eigenschappen van de kanaalfader. (blz. 77)

20. CURVE ADJUST CROSS FADER regelaar

Voor het instellen van de curve-eigenschappen van de kruisfader. (blz. 77)

21. CROSS FADER ASSIGN schakelaars/indicators

Voor het kiezen van de kant van de kruisfader waar de uitvoer van elk kanaal naar toe gestuurd wordt. (Wanneer dezelfde kant voor meerdere kanalen is gekozen, zal het gecombineerde totaal aan die kant worden toegewezen.)

A:

De kanaaluitvoer wordt naar de A kant (linkerkant) van de kruisfader gestuurd. De A indicator licht op.

THRU:

De uitvoer van de kanaalfader wordt naar de hoofduitvoer gestuurd, zonder dat deze via de kruisfader loopt. De A en B indicator gaan uit.

B:

De kanaaluitvoer wordt naar de B kant (rechterkant) van de kruisfader gestuurd. De B indicator licht op.

22. A indicator voor kruisfader-toewijzing (A)

Licht oranje op wanneer de stroom is ingeschakeld.

23. Kruisfader-schuifregelaar

Het geluid dat naar de A kant of B kant wordt gestuurd door de CROSS FADER ASSIGN schakelaar voor elk kanaal, wordt uitgevoerd overeenkomstig de kruisfadercurve die is ingesteld met de CURVE ADJUST regelaar (CROSS FADER).

24. B indicator voor kruisfader-toewijzing (B)

Licht groen op wanneer de stroom is ingeschakeld.

25. Kanaalfader-schuifregelaar

Voor het instellen van het volume van elk kanaal. (Instelbereik: $-\infty$ tot 0 dB)

De uitvoer gebeurt overeenkomstig de kanaalfadercurve die met de CURVE ADJUST regelaar (CH FADER) is ingesteld.

Hoofduitvoer-bedieningsgedeelte

26. MASTER faderschuifregelaar

Voor het instellen van het volume van de hoofduitvoer. (Instelbereik: $-\infty$ tot 0 dB)

De hoofduitvoer is een combinatie van het kanaal waarvan de audio is ingesteld op [THRU] met de CROSS FADER ASSIGN schakelaar, samen met de audio die via de kruisfader loopt en de audio van de hoofdmicrofoon (afhankelijk van de functie, zal ook nog de RETURN invoer worden toegevoegd).

27. MASTER BALANCE regelaar

Voor het instellen van de L/R kanaalbalans van de hoofduitgang, cabinemonitor-uitgang, opname-uitgang en digitale uitgang.

28. MASTER LEVEL indicators (L, R)

Deze geven de uitgangsniveaus van het L-kanaal en R-kanaal aan. Ieder segment heeft een 2-seconden piekvasthoudfunctie.

29. MASTER ISOLATOR toets/indicator (ON)

Voor het in/uitschakelen van de hoofdisolatorfunctie. De isolatorfunctie werkt voor de hoofduitgang 1, hoofduitgang 2, cabinemonitor-uitgang, opname-uitgang en digitale uitgang.

Brandt niet wanneer uitgeschakeld en brandt wanneer ingeschakeld.

30. Regelaar voor het hogetonenbereik van de MASTER ISOLATOR (HI)

Voor het instellen van de hoge tonen van het hoofduitgangssignaal. (Instelbereik: $-\infty$ tot +6 dB)

31. Regelaar voor het middentonenbereik van de MASTER ISOLATOR (MID)

Voor het instellen van de middentonen van het hoofduitgangssignaal. (Instelbereik: $-\infty$ tot +6 dB)

32. Regelaar voor het lagetonenbereik van de MASTER ISOLATOR (LOW)

Voor het instellen van de lagetonen van het hoofduitgangssignaal. (Instelbereik: $-\infty$ tot +6 dB)

Cabinemonitor-bedieningsgedeelte

33. Regelaar voor het hogetonenbereik van de BOOTH MONITOR equalizer (HI)

Voor het instellen van de hoge tonen van het cabinemonitor-uitgangssignaal. (Instelbereik: -6 dB tot +6 dB)

34. Regelaar voor het lagetonenbereik van de BOOTH MONITOR equalizer (LOW)

Voor het instellen van de lage tonen van het cabinemonitor-uitgangssignaal. (Instelbereik: -6dB tot +6 dB)

35. BOOTH MONITOR LEVEL niveauregelaar

Voor het instellen van het volume van de cabinemonitor-uitgang. Deze instelling is onafhankelijk van de instelling van de hoofdfader. (Instelbereik: $-\infty$ tot 0 dB)

Hoofdtelefoon-uitgangsgedeelte

36. Hoofdtelefoonuitgang-keuzeschakelaar (HEADPHONES — MONO SPLIT/STEREO) MONO SPLIT:

De geluidsbron die gekozen is met de hoofdtelefoon CUE toets wordt uitgevoerd via het linker kanaal en het hoofdgeluid wordt uitgevoerd via het rechter kanaal (alleen wanneer MASTER gekozen is met de hoofdtelefoon CUE toets).

STEREO:

Het gekozen geluid wordt in stereo uitgevoerd.

37. Hoofdtelefoon MIXING regelaar (HEADPHONES MIXING)

Als de regelaar naar rechts (MASTER richting) wordt gedraaid, zal het hoofdgeluid worden uitgevoerd (alleen wanneer MASTER is gekozen met de hoofdtelefoon CUE toets); als de regelaar naar links (CUE richting) wordt gedraaid, zal het uitgevoerde geluid een menging zijn van het geluid van het kanaal dat gekozen is met de hoofdtelefoon CUE toets en het geluid dat van de externe effector (RETURN) komt.

38. Hoofdtelefoon LEVEL niveauregelaar (HEADPHONES LEVEL)

Voor het instellen van het uitgangsvolume van de hoofdtelefoon-aansluiting. (Instelbereik: $-\infty$ tot 0 dB)

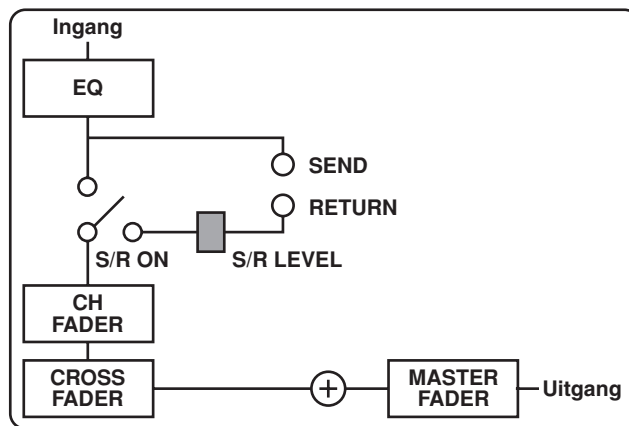
39. Hoofdtelefoonaansluiting (PHONES)

SEND/RETURN gedeelte

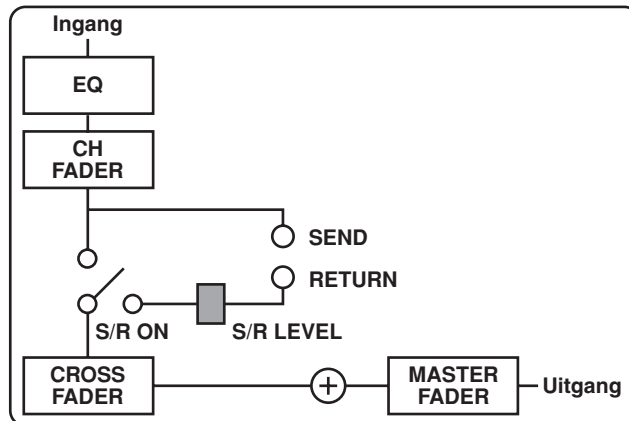
40. SEND/RETURN typekeuzeschakelaars

Voor het omschakelen tussen de zendtrap (SEND) en de invoertrap (RETURN) voor de signalen bij aansluiting op een externe effector (blz. 78).

[Vóór-invoer type]

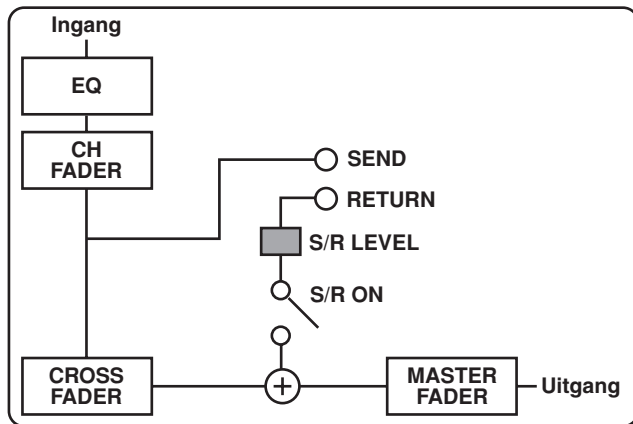


[Na-invoer type]



Nederlands

[AUX type]



41. SEND kanaalkeuzeschakelaars

Gebruik deze schakelaars om audio van de MIC, kanalen 1-6 en MASTER te zenden.

42. RETURN ingangsniveauregelaars (LEVEL)

Voor het instellen van het niveau van het teruggevoerde signaal.

(Instelbereik: $-\infty$ tot +6 dB)

43. SEND/RETURN toetsen/indicators (ON)

Gebruik deze toetsen om de SEND/RETURN bediening van het gekozen type op het geselecteerde kanaal ON/OFF te schakelen.

De indicator licht op wanneer er een stekker in de RETURN aansluiting wordt gestoken of als een apparaat dat digitale link ondersteunt op de EFX aansluiting wordt aangesloten. Als de toets wordt ingedrukt terwijl de indicator oplicht, zal de functie ingeschakeld worden en gaat de indicator knipperen. Wanneer de indicator brandt, is hetingangssignaal naar de RETURN aansluiting geactiveerd. Wanneer een digitale-link apparaat op de EFX aansluiting is aangesloten, heeft het digitale-link apparaat (digitaal signaal) voorrang.

Linkfunctie ON/OFF gedeelte

44. VISUAL LINK toets/indicator (V)

Als het apparaat met behulp van een digitale linkkabel (mini-DIN aansluiting) is aangesloten op een PIONEER videomengpaneel/switcher die digitale link ondersteunt, kan de kruisfader van het videomengpaneel bediend worden met de kruisfader van de DJM-1000.

De indicator licht op wanneer de functie wordt ingeschakeld.

45. SOUND LINK toetsen 1, 2 (SOUND 1, 2)/ indicator (S1, 2)

Als dit apparaat via digitale link verbonden is met een PIONEER DJ-effector die digitale link ondersteunt (EFX-1000), en er tevens een PIONEER DJ CD-speler die digitale link ondersteunt is aangesloten via een digitale linkkabel (mini DIN aansluiting), kunt u deze toetsen op ON zetten voor het inschakelen van de BPM-synchrofuncties.

De indicator licht op wanneer de functie wordt ingeschakeld.

46. Effector LINK toetsen 1, 2 (EFX 1, 2)/ indicator (E 1, 2)

Als een digitale linkkabel (mini DIN aansluiting) wordt gebruikt om dit apparaat aan te sluiten op een PIONEER DJ-effector die digitale link ondersteunt (EFX-1000), kunt u deze toetsen op ON zetten om de fadereffectfuncties in te schakelen.

De indicator licht op wanneer de functie wordt ingeschakeld.

Fader-start/stop ON/OFF gedeelte

47. Fader-start toets/indicators (FADER START CH-1 tot CH-6)

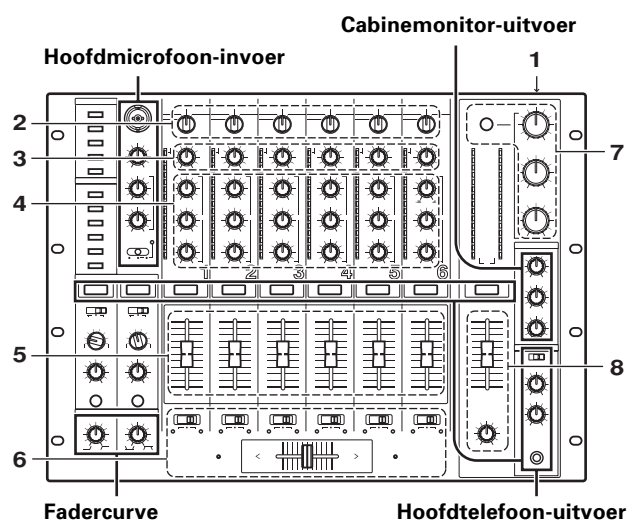
Als de CROSS FADER ASSIGN schakelaars van de kanalen gebruikt worden om [A] of [B] te selecteren, zal de kruisfader-start/stopfunctie van de DJ CD-speler voor het betreffende kanaal ON/OFF geschakeld worden.

Als [THRU] geselecteerd wordt met de CROSS FADER ASSIGN schakelaar van het kanaal, zal de kanaalfader-start/stopfunctie van de DJ CD-speler voor het betreffende kanaal ON/OFF geschakeld worden.

De toets voor elk kanaal licht op wanneer de fader-start/stopfunctie op ON wordt gezet en de toets dooft wanneer de fader-start/stopfunctie op OFF wordt gezet.

BEDIENING

BASISBEDIENING



1. Zet de POWER schakelaar op het achterpaneel (aansluitingenpaneel) op ON.
2. Stel de ingangskuzeschakelaars voor de kanalen die gebruikt worden in op de apparaten die op deze kanalen zijn aangesloten.
3. Gebruik de TRIM regelaar om het ingangsniveau in te stellen.
4. Stel de klank in met de EQ regelaars (HI, MID, LOW).
5. Stel het volume van het kanaal in met de kanaalfaderschuifregelaar.
6. Bij kruisfaden tussen de kanalen gebruikt u de CROSS FADER ASSIGN schakelaar om kanaal [A] of kanaal [B] van de kruisfader te kiezen en dan bedient u de kruisfader.
 - Wanneer u de kruisfader niet gebruikt, kiest u [THRU] met de CROSS FADER ASSIGN schakelaars.
7. Bij gebruik van de isolator schakelt u de MASTER ISOLATOR toets ON en stelt dan het niveau van elke bandbreedte af met de MASTER ISOLATOR regelaars (HI, MID, LOW).
 - De MASTER ISOLATOR toets licht op wanneer deze op ON staat.
8. Gebruik de MASTER faderschuifregelaar om het totale volume in te stellen en stel dan de linker en rechter volumebalans in met de MASTER BALANCE regelaar.

[Hoofdmicrofoon-invoer]

1. Bij gebruik van de hoofdmicrofoon moet u de MIC keuzeschakelaar op [ON] of op [TALK OVER] zetten.
 - Als de schakelaar op [TALK OVER] wordt gezet, zal alle geluid, behalve het geluid van de hoofdmicrofoon, met 20 dB verzwakt worden wanneer een geluid van meer dan -15 dB wordt ingevoerd bij de hoofdmicrofoon-ingang.
2. Stel het volume met de MIC LEVEL regelaar in en stel de klank met de MIC EQ regelaars (HI, LOW) in.

[Cabinemonitor-uitvoer]

1. Stel het volume met de BOOTH MONITOR regelaar (LEVEL) in.
 - Het volume kan worden geregeld met de BOOTH MONITOR regelaar (LEVEL), ongeacht de instelling van de MASTER faderschuifregelaar.
2. Stel de klank met de BOOTH MONITOR regelaar (HI "hogetonengeluid") en de BOOTH MONITOR regelaar (LOW "lagetonengeluid") in.

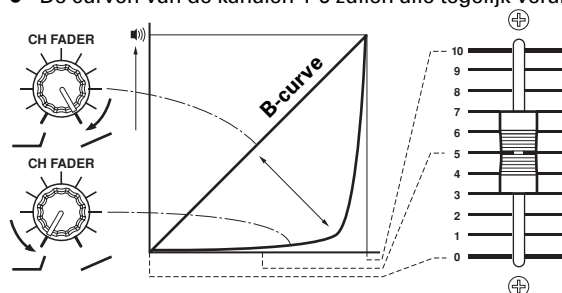
[Hoofdtelefoon-uitvoer]

1. Kies de bron met de hoofdtelefoon CUE toets (kanaal 1-6, MASTER, RETURN 1, RETURN 2.)
 - De gekozen hoofdtelefoon CUE toets zal helder oplichten.
2. Gebruik de HEADPHONES keuzeschakelaar (MONO SPLIT/STEREO) om het formaat van de audio-uitvoer te selecteren.
 - Als [MONO SPLIT] is gekozen, zal het geluid dat gekozen is met de CUE toets via het linker kanaal worden uitgevoerd en het hoofdgeluid (alleen geactiveerd wanneer de CUE toets voor de MASTER op ON is gezet) wordt via het rechter kanaal uitgevoerd.
 - Als [STEREO] is gekozen, zal het geluid dat gekozen is met de CUE toets in stereo worden uitgevoerd.
3. Als [MONO SPLIT] is gekozen, gebruik dan de HEADPHONES regelaar (MIXING) om de balans tussen het linker kanaal (gekozen met de hoofdtelefoon CUE toets) en het rechter kanaal (hoofdgeluid—wordt alleen ondersteund wanneer de hoofdtelefoon CUE toets voor MASTER op ON staat) in te stellen.
 - Als de regelaar rechtsom is gedraaid (MASTER richting) wordt de hoofduitvoer uitgevoerd (alleen wanneer de CUE toets voor MASTER op ON staat) en als de regelaar linksom is gedraaid (CUE richting) wordt het geluid dat gekozen is met de CUE toets uitgevoerd.
4. Stel het volume van de hoofdtelefoon met de HEADPHONES regelaar (LEVEL) in.

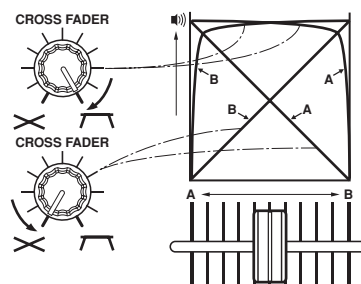
INSTELLEN VAN DE FADERCURVE

Gebruik de volgende functies voor het instellen van de eigenschappen van de geluidsvolumewijziging overeenkomstig de bediening van de fader.

- Draai aan de CURVE ADJUST regelaar (CH FADER) en stel de curve-eigenschappen van de kanaalfader af.
 - Als de regelaar volledig naar rechts wordt gedraaid, zal bij het omhooghalen van de fader het volume praktisch lineair veranderen (gelijk aan de B-curve).
 - Als de regelaar volledig naar links wordt gedraaid, zal de volumecurve zodanig veranderen dat het geluidsvolume geleidelijk toeneemt totdat de fader praktisch geheel omhooggehaald is.
 - De curven van de kanalen 1-6 zullen alle tegelijk veranderen.



- Draai aan de CURVE ADJUST regelaar (CROSS FADER) en stel de curve-eigenschappen van de kruisfader af.
 - Als de regelaar helemaal naar rechts wordt gedraaid, zal de kruisfader een steil stijgende curve worden en is meteen het geluid van de tegenovergestelde kant hoorbaar wanneer de fader vanaf de zijkant wordt verplaatst.
 - Als de regelaar helemaal naar links wordt gedraaid, zal de kruisfader een praktisch lineaire volumewijzigingscurve hebben.
 - De curven van de A en B kant zullen meteen veranderen.



FADERSTARTFUNCTIE

Door dit apparaat met behulp van een bedieningssignaalkabel op een los verkrijgbare PIONEER CD-speler aan te sluiten, kan het afspelen op de CD-speler gestart worden met behulp van de kanaalfader of de kruisfader (als er een digitale-link verbinding is gemaakt, hoeft de bedieningssignaalkabel niet gebruikt te worden).

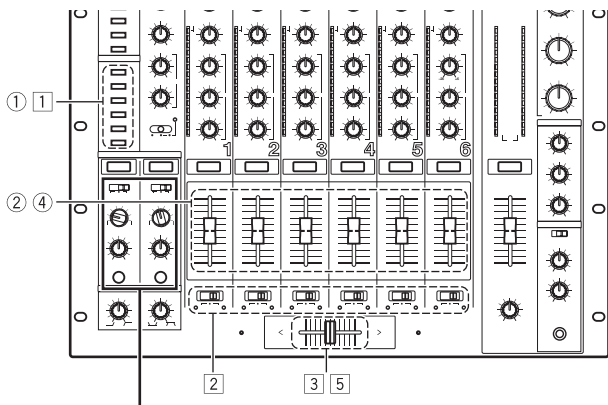
De pauzefunctie van de CD-speler wordt geannuleerd wanneer de kanaalfader-schuifregelaar of de kruisfader-schuifregelaar van het mengpaneel wordt verschoven, waarna de weergave van het muziekstuk onmiddellijk wordt gestart. Wanneer de fader naar de oorspronkelijke plaats wordt teruggeschoven, zal de weergave van de CD-speler terugkeren naar het oorspronkelijke cue-punt (terug-naar-cue functie), zodat sampler-weergave mogelijk is.

[Kruisfader-start weergave & terug-naar-cue weergave]

Tijdens cue-punt standby op de CD-speler die is toegewezen aan kanaal A van de kruisfader kunt u de kruisfader-schuifregelaar vanaf de rechterkant (B kant) naar de linkerkant (A kant) schuiven om de CD-speler die op kanaal A is aangesloten te laten starten met afspelen.

Wanneer de kruisfader-schuifregelaar de linkerkant (A kant) bereikt, zal de CD-speler die is toegewezen aan kanaal B terugkeren naar het cue-punt (terug-naar-cue functie). Als de CD-speler die is toegewezen aan kanaal B in de cue-punt standbymodus staat, kunt u de kruisfader-schuifregelaar vanaf de linkerkant (A kant) naar de rechterkant (B kant) schuiven om het afspelen te laten beginnen van de CD-speler die aan kanaal B is toegewezen. Wanneer de kruisfader-schuifregelaar de rechterkant (B kant) bereikt, zal de CD-speler die is toegewezen aan kanaal A terugkeren naar het cue-punt.

* De terug-naar-cue actie wordt ook uitgevoerd als de ingangkeuzeschakelaar niet op [CD/LINE] staat.



Externe effector

[Starten met afspelen met behulp van de kanaalfader]

- ① Druk op de FADER START toets van het kanaal (CH-1 tot CH-6) dat is aangesloten op de CD-speler die u wilt bedienen.
 - De toets van het gekozen kanaal licht op.
- ② Verplaats de kanaalfader-schuifregelaar naar de [0] positie.
- ③ Stel een cue-punt op de CD-speler in en zet de speler bij het cue-punt op standby.
- Als er reeds een cue-punt is ingesteld, hoeft de CD-speler niet bij het cue-punt op standby te worden gezet.
- ④ Verplaats de kanaalfader-schuifregelaar op het juiste moment om te beginnen met afspelen.
 - De CD-speler begint met afspelen.
 - Nadat het afspelen is begonnen, kunt u de kanaalfader-schuifregelaar terug naar [0] schuiven om de CD-speler te laten terugkeren naar het cue-punt en daar in de standbymodus te zetten (terug-naar-cue).

* De kanaalfader is alleen voor regeling ingeschakeld wanneer de CROSS FADER ASSIGN schakelaar op [THRU] staat.

[Starten met afspelen met behulp van de kruisfader]

- ① Druk op de FADER START toets van het kanaal (CH-1 tot CH-6) dat is aangesloten op de CD-speler die u wilt bedienen.
 - De toets van het gekozen kanaal licht op.
- ② Zet de CROSS FADER ASSIGN schakelaar van het gekozen kanaal op [A] of [B].
 - Bij toewijzing aan kanaal A (linkerkant) van de kruisfader, stelt u in op [A].
 - Bij toewijzing aan kanaal B (rechterkant) van de kruisfader, stelt u in op [B].
- ③ Schuif de kruisfader-schuifregelaar zo ver mogelijk naar de tegenovergestelde kant van het kanaal dat u wilt laten starten.
- ④ Stel een cue-punt op de CD-speler in en zet de speler bij het cue-punt op standby.
 - Als er reeds een cue-punt is ingesteld, hoeft de CD-speler niet bij het cue-punt op standby te worden gezet.
- ⑤ Verplaats de kruisfader-schuifregelaar op het juiste moment om te beginnen met afspelen.
 - De CD-speler begint met afspelen.
 - Nadat het afspelen is begonnen, kunt u de kruisfader-schuifregelaar helemaal verschuiven om de CD-speler die aan de tegenovergestelde kant is toegewezen te laten terugkeren naar het cue-punt en daar in de standbymodus te zetten (terug-naar-cue).

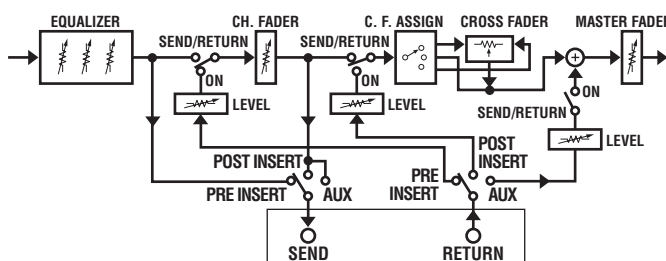
* De faderstartfunctie werkt mogelijk niet juist wanneer er enkel digitale verbindingen worden gemaakt. In dit geval moet u tevens de analoge aansluitingen van de CD-speler aansluiten.

GEbruIK VAN EXTERNE EFFECTORS

Indien gewenst, kunnen er twee effectors worden aangesloten.

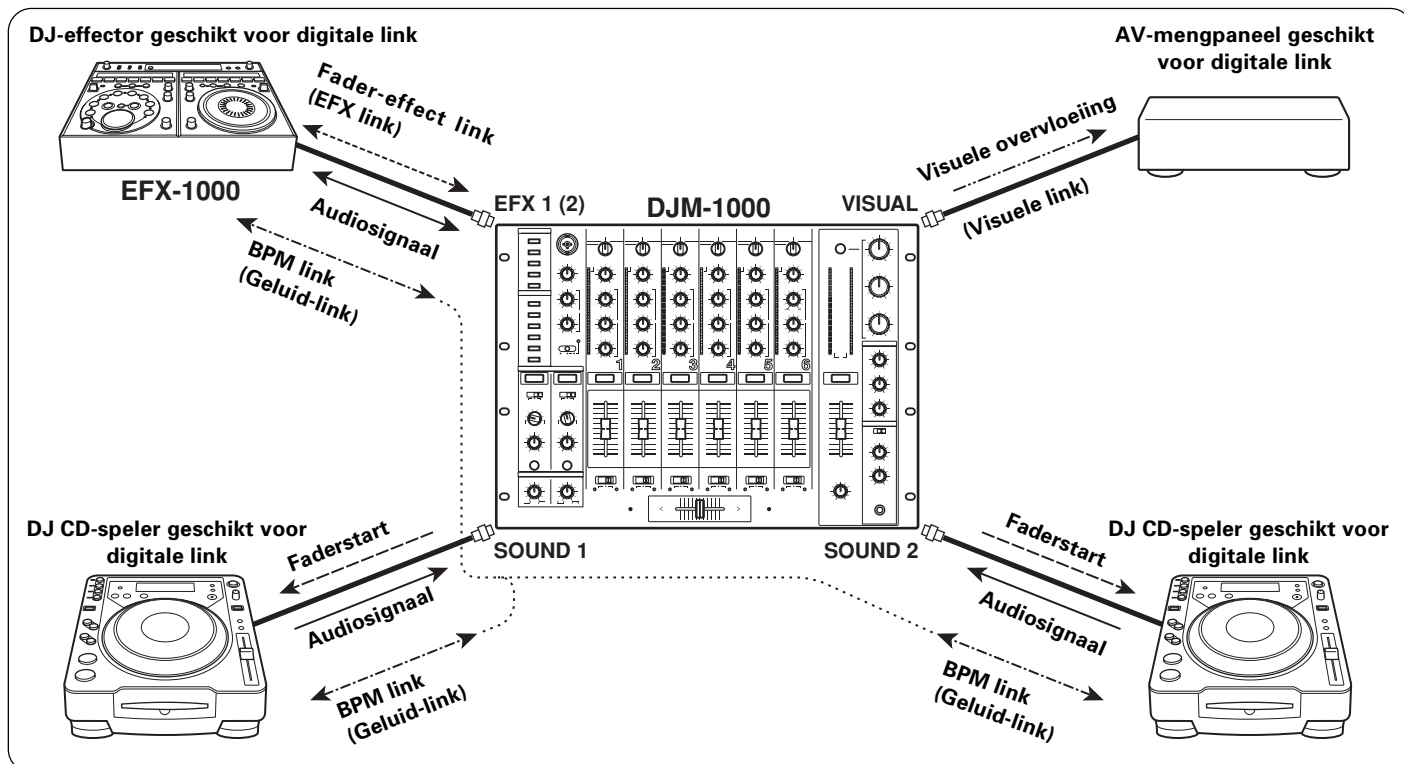
1. Gebruik de SEND kanaalkeuzeschakelaar om de bron te kiezen die naar de effector gestuurd moet worden.
 - Kies uit [MIC], kanaal [1]-[6] of [MASTER].
2. Gebruik de SEND/RETURN keuzeschakelaar om de trap te kiezen waarop de effector is aangesloten.
 - Wanneer het zendkanaal is ingesteld op [MIC], zijn [INSERT] en [AUX] omschakelen alleen geactiveerd vanaf hetzelfde punt voor zowel [PRE] als [POST]. Wanneer het kanaal is ingesteld op [MASTER], is alleen [INSERT] geactiveerd.
 - PRE INSERT:**
Equalizer-uitvoer, wordt gestuurd vanaf vóór de kanaalfader en teruggestuurd naar hetzelfde punt.
 - POST INSERT:**
Kanaalfader-uitvoer, wordt gestuurd vanaf vóór de kruisfader-toewijzing en teruggestuurd naar hetzelfde punt.
 - AUX:**
Kanaalfader-uitvoer, wordt gestuurd vanaf vóór de kruisfader-toewijzing en teruggestuurd naar het punt vóór de hoofdfader en dan toegevoegd aan een willekeurig andere uitvoer. Het oorspronkelijke geluid dat gestuurd is, zal ook door de kruisfader-toewijzing lopen en toegevoegd worden.
3. Zet de SEND/RETURN toets op ON.
 - De SEND/RETURN toets knippert.
4. Stel het RETURN volume met de RETURN regelaar (LEVEL) in.

Bron	Positie		
	PRE	POST	AUX
MIC	INSERT		AUX
CH-1 — CH-6	PRE	POST	AUX
MASTER	INSERT		



DIGITALE LINKFUNCTIE

Linkstelschema



Digitale link-verbindingen voor de EFX-1000

Gebruik een digitale linkkabel om de PIONEER DJ-effector (EFX-1000) met de EFX 1 of 2 aansluitingen van dit apparaat te verbinden. Deze link verschaft een hifi digitale verbinding en maakt de effectfuncties van de EFX-1000 beschikbaar. De bediening na het maken van de verbinding is hetzelfde als bij "GEBRUIK VAN EXTERNE EFFECTORS" (blz.78). Als de SEND/RETURN aansluitingen (klinkstekker-kabel) eveneens zijn aangesloten, zal de EFX link ingangs-/uitgangsverbinding (via de digitale linkkabel) automatisch voorrang hebben. Raadpleeg de gebruiksaanwijzing van de EFX-1000 voor verdere informatie over de instellingen.

Fader-effect link (EFX link)

Wanneer de hierboven beschreven aansluitingen zijn gemaakt, zal bij het verplaatsen van de kanaalfader-schuifregelaar dezelfde effecten geproduceerd worden als bij de bediening van de jog-draaischijf van de EFX-1000.

- Zet de digitale jog-break van de EFX-1000 op ON.
- Gebruik de SEND kanaalkeuzeschakelaars om het kanaal te kiezen dat voor de fadereffecten wordt gebruikt (kanaal [1]-[6] kan gekozen worden).
- Zet de effector LINK toetsen (EFX 1, 2) op ON.
 - De effector LINK toetsen lichten op.
 Opmerking: Het geluidsvolume voor het kanaal dat gekozen is, zal hetzelfde worden als het volumeniveau dat is ingesteld met de maximale kanaalfader; maak daarom uw keuze nadat u het niveau gecontroleerd hebt van het geluid dat weergegeven wordt wanneer de kanaalfader op maximum is ingesteld.
- Zet de SEND/RETURN toets op ON.
 - De SEND/RETURN toets knippert.
- Bedien de fader voor het gekozen kanaal.
 - De digitale jog-break meter van de EFX-1000 en het geluid veranderen als reactie op de positie van de kanaalfader.
 - Wanneer de instelling van de SEND kanaalkeuzeschakelaar wordt veranderd, wordt de fadereffect verbinding geannuleerd en dooft de indicator van de effector LINK toets.

Digitale link-verbindingen voor de digitale link van de DJ CD-speler

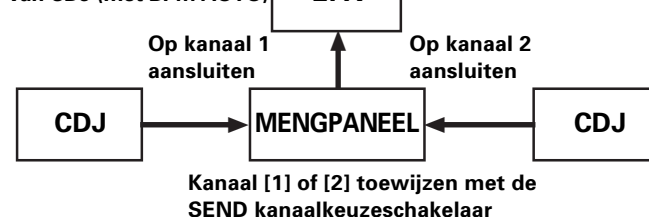
U kunt een digitale linkkabel gebruiken om een digitale-link DJ CD-speler met de SOUND 1, 2 aansluitingen van dit apparaat te verbinden.

Deze link biedt een hifi digitale verbinding voor het mengen van geluiden van de DJ CD-speler. De faderstartfunctie wordt ook geactiveerd door middel van deze enkelvoudige digitale link.

BPM link (Geluid-link)

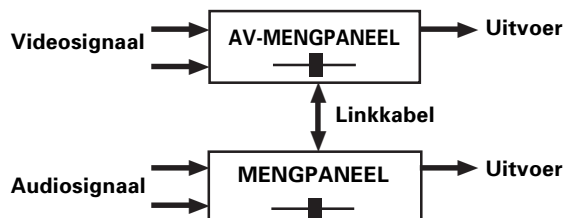
Als een geschikte DJ CD-speler met behulp van een digitale linkkabel is aangesloten op de SOUND 1, 2 aansluitingen en de DJ-effector EFX-1000 via een digitale linkkabel is aangesloten op de EFX 1 of 2 aansluitingen, kunnen de effecten worden toegevoegd met de meer nauwkeurige BPM-waarde gemeten met de DJ CD-speler.

EFX bedient met BPM van CDJ (met BPM AUTO)



Visuele overvloeiing (Visuele link)

Als de VISUAL aansluitingen van het DJ-mengpaneel met behulp van een digitale linkkabel zijn verbonden met een AV-mengpaneel dat geschikt is voor de digitale linkfunctie (en de linkfunctie ingeschakeld is), kan de kruisfader van het AV-mengpaneel automatisch verschoven worden overeenkomstig de bediening van de kruisfader van het DJ-mengpaneel, zodat zowel het geluid als het beeld gelijktijdig veranderen.



ZELF STORINGEN VERHELPEN

Onjuist uitgevoerde bewerkingen worden vaak voor defecten of storingen aanzien. Als u denkt dat er werkelijk iets mis is met dit toestel, moet u eerst onderstaande punten controleren. Soms moet de oorzaak van het probleem bij een ander toestel worden gezocht. U moet dus alle aangesloten elektrische apparaten controleren.

Indien het probleem, zelfs na controle van onderstaande punten, niet kan worden opgelost, moet u met uw verkoper of dichtsbijzijnde PIONEER service center contact opnemen.

Storing	Mogelijke oorzaak	Maatregel
Geen stroom.	<ul style="list-style-type: none"> • Het netsnoer is niet aangesloten. 	<ul style="list-style-type: none"> • Sluit het netsnoer op een stopcontact aan.
Geen of weinig geluid.	<ul style="list-style-type: none"> • De ingangskeuzeschakelaar staat in de verkeerde stand. • De aansluitkabel is niet juist aangesloten of de kabel zit los. • De aansluiting of de stekker is vuil. • De MASTER ATT. regelaar op het achterpaneel staat te laag ingesteld ([-12 dB] enz.). 	<ul style="list-style-type: none"> • Kies het apparaat dat nu weergeeft met de ingangskeuzeschakelaar. • Corrigeer de aansluitingen. • Schoonmaken en opnieuw aansluiten. • Corrigeer de instelling van de MASTER ATT. regelaar op het achterpaneel.
Geluid is vervormd.	<ul style="list-style-type: none"> • Het hoofduitgangsniveau is te hoog. • Het ingangsniveau is te hoog. 	<ul style="list-style-type: none"> • Verlaag het niveau met de MASTER ATT. regelaar op het achterpaneel. • Stel de TRIM regelaar zodanig in dat het ingangsniveau op de CHANNEL LEVEL indicators 0 dB nadert.
Kruisfaden is niet mogelijk.	<ul style="list-style-type: none"> • De CROSS FADER ASSIGN schakelaar ([A], [THRU], [B]) is niet juist ingesteld. 	<ul style="list-style-type: none"> • Stel de CROSS FADER ASSIGN schakelaar van het gewenste kanaal juist in voor gebruik van de kruisfaderfunctie.
Faderstart met de CD-speler is niet mogelijk.	<ul style="list-style-type: none"> • De faderstartschakelaar staat op OFF. • De CONTROL aansluiting op het achterpaneel van de speler is niet aangesloten. 	<ul style="list-style-type: none"> • Zet de faderstartschakelaar op ON. • Verbind het apparaat en de CD-speler met een bedieningssignaalkabel.
Geluid van de externe effector is vervormd.	<ul style="list-style-type: none"> • Het ingangsniveau van de externe effector is te hoog. 	<ul style="list-style-type: none"> • Verlaag het uitgangsniveau van de externe effector of corrigeer het terugkeerniveau met de RETURN regelaar (LEVEL).
Externe effector werkt niet.	<ul style="list-style-type: none"> • De SEND/RETURN toets staat op OFF. • De effector is niet aangesloten op de RETURN aansluiting of de EFX aansluiting op het achterpaneel. • De instelling van de SEND kanaalkeuzeschakelaar is verkeerd. 	<ul style="list-style-type: none"> • Zet de SEND/RETURN toets op ON. • Sluit de effector op de SEND/RETURN aansluiting of op de EFX 1 of EFX 2 aansluitingen op het achterpaneel aan. • Kies met de SEND kanaalkeuzeschakelaar de bron waarop u de effecten wilt toepassen.
Linkfunctie werkt niet.	<ul style="list-style-type: none"> • Er is geen apparaat dat geschikt is voor digitale link aangesloten op de digitale-link aansluitingen (EFX 1, EFX 2, SOUND 1, SOUND 2, VISUAL) op het achterpaneel. 	<ul style="list-style-type: none"> • Verbind de DJM-1000 met behulp van een digitale linkkabel met een geschikt apparaat.

Bij statische elektriciteit of andere externe interferentie kunnen er storingen in het apparaat optreden. Om de normale werking te herstellen, schakelt u het apparaat uit en dan weer in.

Controleer de volgende punten als de link-verbinding niet juist werkt:

WAARSCHUWING indicators	Betekenis	Maatregel
Elke link-indicator knippert tweemaal.	Er zijn niet ondersteunde componenten op de link ingangs-/uitgangsaansluitingen aangesloten.	Controleer de verbinding bij de link ingangs-/uitgangsaansluitingen.
Elke link-indicator knippert driemaal.	De link-aansluitingen van een enkele DJM-1000 zijn samen aangesloten of de link-aansluitingen van twee DJM-1000's zijn samen aangesloten.	Controleer de aansluitingen.
Elke link-indicator knippert viermaal.	Er is een communicatiefout opgetreden bij de link ingangs-/uitgangsaansluitingen.	Controleer de aansluitingen en de aansluitkabels.

TECHNISCHE GEGEVENS

1. Algemene specificaties

Stroomvoorziening	220-240 V wisselstroom, 50/60 Hz
Stroomverbruik	62 W
Bedrijfstemperatuur	+5°C tot +35°C
Bedrijfsvochtigheid	5% tot 85% (zonder condensatie)
Gewicht	12,1 kg
Buitenafmetingen	482 (B) x 363,5 (D) x 187,5 (H) mm

2. Audiogedeelte

Bemonsteringsfrequentie	96 kHz
A/D, D/A-omzetter	24 bits
Frequentiebereik	20 Hz tot 20 kHz
S/R-verhouding (bij volledige schaalwaarde)	
LINE	104 dB
PHONO	88 dB
MIC	84 dB
Vervorming (LINE-MASTER1)	0,005 %
Headroom	19 dB
Ingangsniveau	
PHONO	-52 dBu (47 kΩ)
MIC, SUBMIC	-52 dBu (3 kΩ)
CD/LINE, LINE	-12 dBu (22 kΩ)
RETURN	-12 dBu (22 kΩ)
Uitgangsniveau	
MASTER1	+2 dBu (600 Ω)
MASTER2	+2 dBu (10 kΩ)
REC	-8 dBu (10 kΩ)
BOOTH	+2 dBu (600 Ω)
SEND	-12 dBu (10 kΩ)
PHONES	+8,5 dBu (32 Ω)
Overspraak (LINE)	88 dB
Kanalen	6
Kanaal-equalizer	
HI	-26 dB tot +6 dB (13 kHz)
MID	-26 dB tot +6 dB (1 kHz)
LOW	-26 dB tot +6 dB (70 Hz)
Microfoon-equalizer	
HI	-6 dB tot +6 dB (10 kHz)
LOW	-6 dB tot +6 dB (100 Hz)
Cabinemonitor-equalizer	
HI	-6 dB tot +6 dB (10 kHz)
LOW	-6 dB tot +6 dB (100 Hz)

3. Ingangs-/uitgangsaansluitingen

PHONO ingangsaansluitingen	
RCA tulpstekkerbus	6
CD/LINE, LINE ingangsaansluitingen	
RCA tulpstekkerbus	6
Klinkstekkerbus (Ø6,3 mm)	4
MIC, SUBMIC ingangsaansluitingen	
XLR aansluiting/klinkstekkerbus (Ø6,3 mm)	1
Klinkstekkerbus (Ø6,3 mm)	2
DIGITAL coaxiale ingangsaansluitingen	
RCA tulpstekkerbus	4
RETURN ingangsaansluitingen	
Klinkstekkerbus (Ø6,3 mm)	2
MASTER uitgangsaansluitingen	
XLR aansluiting	1
RCA tulpstekkerbus	1
BOOTH uitgangsaansluitingen	
RCA tulpstekkerbus	1
REC uitgangsaansluitingen	
RCA tulpstekkerbus	1
SEND uitgangsaansluitingen	
Klinkstekkerbus (Ø6,3 mm)	2
DIGITAL coaxiale uitgangsaansluitingen	
RCA tulpstekkerbus	1
Digitale link-aansluitingen (EFX 1, 2, SOUND 1, 2, VISUAL)	
Mini-DIN	5
MIDI OUT aansluitingen	
5-polige DIN	1
4. Accessoires	
Gebruiksaanwijzing	1
Netsnoer	1

De technische gegevens en de uitvoering kunnen wegens verbeteringen zonder voorafgaande kennisgeving worden gewijzigd.

Enhorabuena por la adquisición de este producto Pioneer.

Lea completamente este manual de instrucciones para aprender a operar correctamente el aparato. Después de haber terminado la lectura de las instrucciones, guarde el manual en un lugar seguro para poderlo consultar en el futuro.

En algunos países o regiones, la forma de la clavija de alimentación y del enchufe de corriente pueden ser diferentes de la mostrada en las ilustraciones de explicación. Sin embargo, el método de conexión y operación del aparato es el mismo. K015 Sp

IMPORTANTE



La luz intermitente con el símbolo de punta de flecha dentro un triángulo equilátero. Está convenido para avisar al usuario de la presencia de "voltaje peligrosa" no aislada dentro el producto que podría constituir un peligro de choque eléctrico para las personas.



ATENCIÓN:
PARA PREVENIR EL PELIGRO DE CHOQUE ELÉCTRICO NO REMOVER LA TAPA NI LAS PARTES DENTRO NO UTILIZADAS, LLAMAR UNA PERSONA CUALIFICADA



El punto exclamativo dentro un triángulo equilátero convenido para avisar el usuario de la presencia de importantes instrucciones sobre el funcionamiento y la manutención en la libreta que acompaña el aparato.

D3-4-2-1-1_Sp

PRECAUCIONES CONCERNIENTES A LA MANIPULACIÓN DEL CABLE DE ALIMENTACIÓN

Tomar el cable de alimentación por la clavija. No extraiga la clavija tirando del cable. Nunca toque el cable de alimentación cuando sus manos estén mojadas, ya que esto podría causar cortocircuitos o descargas eléctricas. No coloque la unidad, algún mueble, etc., sobre el cable de alimentación. Asegúrese de no hacer nudos en el cable ni de unirlos a otros cables. Los cables de alimentación deberán ser dispuestos de tal forma que la probabilidad de que sean pisados sea mínima. Una cable de alimentación dañado podrá causar incendios o descargas eléctricas. Revise el cable de alimentación está dañado, solicite el reemplazo del mismo al centro de servicio autorizado PIONEER más cercano, o a su distribuidor. 5002_Sp

ADVERTENCIA

Este aparato no es impermeable. Para evitar el riesgo de incendio y de descargas eléctricas, no ponga ningún recipiente lleno de líquido (como pueda ser un vaso o un florero) cerca del aparato ni lo exponga a goteo, salpicaduras, lluvia o humedad.

D3-4-2-1-3_A_Sp

ADVERTENCIA

Antes de enchufar el aparato a la corriente, lea la sección siguiente con mucha atención.

La tensión de la red eléctrica es distinta según el país o región. Asegúrese de que la tensión de la alimentación de la localidad donde se proponga utilizar este aparato corresponda a la tensión necesaria (es decir, 230 V ó 120 V) indicada en el panel posterior.

D3-4-2-1-4_A_Sp

ADVERTENCIA

Para evitar el peligro de incendio, no ponga nada con fuego encendido (como pueda ser una vela) encima del aparato.

D3-4-2-1-7a_A_Sp

VENTILACION: Cuando se instala esta unidad, asegúrese de dejar espacio alrededor de la unidad para proporcionar ventilación y mejorar así la radiación del calor (por lo menos 5 cm en la parte trasera y 3 cm de cada lado).

ADVERTENCIA: Las rendijas en el aparato es necesario para la ventilación para permitir el funcionamiento del producto y para proteger este de sobrecalentamiento, para evitar incendio. Las rendijas no deberían ser nunca cubiertas con objetos, como periódicos, manteles, tiendas, etc. También no poner el aparato sobre alfombra espesa, cama, sofá o construcción de pila espesa.

D3-4-2-1-7b_Sp

Entorno de funcionamiento

Temperatura y humedad del entorno de funcionamiento +5 – +35°C; menos del 85% de humedad relativa (rejillas de refrigeración no obstruidas)

No instale este aparato en un lugar mal ventilado, ni en lugares expuestos a alta humedad o a la luz directa del sol (o de otra luz artificial potente).

D3-4-2-1-7c_A_Sp

Este producto cumple con la Directiva de Bajo Voltaje (73/23/ CE, correcto por la 93/68/CE), Directivas EMC (89/336/CE, correcto por la 92/31/CE y la 93/68/CE) .

D3-4-2-1-9a_Sp

Si la clavija del cable de alimentación de CA de este aparato no se adapta a la toma de corriente de CA que usted desea utilizar, deberá cambiar la clavija por otra que se adapte apropiadamente. El reemplazo y montaje de una clavija del cable de alimentación de CA sólo deberá realizarlos personal de servicio técnico cualificado. Si se enchufa la clavija cortada a una toma de corriente de CA, puede causar fuertes descargas eléctricas. Asegúrese de que se tira de la forma apropiada después de haberla extraído. El aparato deberá desconectarse desenchufando la clavija de la alimentación de la toma de corriente cuando no se proponga utilizarlo durante mucho tiempo (por ejemplo, antes de irse de vacaciones).

D3-4-2-2-1a_A_Sp

PRECAUCIÓN

El interruptor de la alimentación POWER de este aparato no corta por completo toda la alimentación de la toma de corriente de CA. Puesto que el cable de alimentación hace las funciones de dispositivo de desconexión de la corriente para el aparato, para desconectar toda la alimentación del aparato deberá desenchufar el cable de la toma de corriente de CA. Por lo tanto, asegúrese de instalar el aparato de modo que el cable de alimentación pueda desenchufarse con facilidad de la toma de corriente de CA en caso de un accidente. Para evitar correr el peligro de incendio, el cable de alimentación también deberá desenchufarse de la toma de corriente de CA cuando no se tenga la intención de utilizarlo durante mucho tiempo seguido (por ejemplo, antes de irse de vacaciones).

D3-4-2-2-2a_A_Sp

CARACTERÍSTICAS

① Diseño de sonido de alta calidad

Las señales analógicas se transmiten a través de la vía más corta y se convierten a señales digitales mediante un convertidor A/D de alta calidad, 24 bits, de muestro a 96 kHz, pasando de este modo las señales a la etapa de mezcla digital en las óptimas condiciones. Empleando un DSP de 32 bits, la mezcla se realiza sin ninguna degradación de la calidad del sonido y, junto con el filtrado simultáneo ideal, se produce el sonido óptimo para los DJ profesionales que trabajan en clubes.

Para poder aprovechar al máximo estas funciones, se ha tenido mucho cuidado en perfeccionar la calidad del sonido, incluyendo un chasis de alta rigidez, junto con una sección de potencia de alto rendimiento que emplea un transformador de núcleo R que apoya la calidad de los graves, creando de este modo un sonido potente y claro que es ideal para el ambiente de los clubes.

② Aislador de 3 bandas

El aislador de 3 bandas incorporado es capaz de producir el control del nivel de +6 dB a $-\infty$ en cada ancho de banda.

La clara sensación de la operación permite realizar una amplia variedad de técnicas de DJ.

③ Envío/retorno (SEND/RETURN) de 2 sistemas y 3 tipos

Se incorpora una función de envío/retorno (SEND/RETURN) de 2 sistemas y 3 tipos (PRE INSERT/POST INSERT/AUX) para permitir múltiples variaciones de conexión con otros dispositivos externos, tales como generadores de efectos y de muestreo, ampliando de este modo el margen del potencial de reproducción del DJ.

④ Ajuste de la curva de fundido

El ajuste de la curva de fundido permite ajustar no sólo la curva del fundido cruzado (como en los modelos anteriores), sino también la curva de fundido de canales.

Ambas funciones de fundido pueden ajustarse en 17 pasos, por lo que los DJ pueden personalizar los ajustes a sus ajustes propios preferidos.

⑤ Entrada/salida digital (IN/OUT)

Empleando los conectores de entrada digital incorporados para cada una de las velocidades de muestreo (44, 1/48/96 kHz), puede formarse un sistema en el que no se produzca degradación de la calidad del sonido cuando se conecte a dispositivos digitales externos.

Se incorpora un conector DIGITAL OUT con velocidad de muestreo de 24 bits/96 kHz, que facilita la grabación en estudios y en otras situaciones que requieren alta calidad del sonido.

Es compatible sólo con PCM lineal.

⑥ Salida MIDI (MIDI OUT)

Las señales MIDI pueden emitirse para permitir el control MIDI de dispositivos externos.

⑦ Función de enlace digital

Pueden efectuarse múltiples funciones empleando cables de enlace digital para conectar otros reproductores de CD para DJ, generadores de efectos para DJ y consolas de mezcla audiovisual PIONEER.

⑧ Otras características

- Empleando un cable de control para conectar la unidad a un reproductor de CD para DJ PIONEER, podrá iniciarse la reproducción en el reproductor de CD en enlace automático con la operación de fundido ("reproducción de inicio con fundido").
- El "ecualizador de 3 bandas" incorporado permite controlar el nivel dentro del margen de +6 dB a -26 dB en cada ancho de banda.
- Incorpora un "Ecualizador de cabina de 2 bandas" para control de la respuesta del monitor de la cabina, facilitando así al DJ el control de monitor de la cabina.
- La función de "asignación de fundido cruzado" incorporada, permite asignar con más flexibilidad la entrada de cada canal para el fundido cruzado.
- La función de intercomunicaciones "TALK OVER" reduce automáticamente el volumen de la pista durante la entrada de micrófono (MIC).

ÍNDICE

CARACTERÍSTICAS	83
CONFIRMACIÓN DE LOS ACCESORIOS	83
PRECAUCIONES PARA LA MANIPULACIÓN	84

ANTES DE LA UTILIZACIÓN

CONEXIONES	85
PANEL DE CONEXIONES	85
CONEXIÓN DEL CABLE DE ALIMENTACIÓN ...	86
CONEXIÓN A LOS CONECTORES DE ENTRADA	86
CONEXIÓN A UN GENERADOR DE EFECTOS Y CONECTORES DE SALIDA	87
CONECTORES MIDI	87
CONEXIÓN DE MICRÓFONOS Y AURICULARES	88
CONEXIONES DE ENLACE DIGITAL	88
NOMENCLATURA Y FUNCIONES	89

OPERACIONES

OPERACIONES	93
OPERACIONES BÁSICAS	93
AJUSTES DE LA CURVA DE FUNDIDO	93
FUNCIÓN DE INICIO CON FUNDIDO	94
EMPLEO DE GENERADORES DE EFECTOS EXTERNOS	94
FUNCIÓN DE ENLACE DIGITAL	95

OTROS

SOLUCIÓN DE PROBLEMAS	96
ESPECIFICACIONES	97
DIAGRAMA EN BLOQUES	100

CONFIRMACIÓN DE LOS ACCESORIOS

Manual de instrucciones	1
Cable de alimentación	1

PRECAUCIONES PARA LA MANIPULACIÓN

Situación

Instale la unidad en un lugar bien ventilado donde no quede expuesta a altas temperaturas ni a humedad.

- No instale la unidad en lugares expuestos a los rayos directos del sol, ni cerca de estufas o radiadores. El calor excesivo puede afectar adversamente el exterior y los componentes internos de la unidad. Su instalación en un lugar húmedo o polvoriento también puede producir mal funcionamiento o un accidente. (No la instale cerca de fogones, etc. donde pueda quedar expuesta a humo de aceite, vapor, o calor.)
- Cuando se emplea la unidad dentro de un estuche para el transporte o de una cabina de DJ, sepárela de las paredes o de otros equipos para mejorar la disipación del calor.

Instalación de la DJM-1000 en un bastidor EIA

Los orificios para tornillos del panel frontal de la DJM-1000 están diseñados para montar la unidad en un bastidor EIA de 19 pulgadas.

- Monte la unidad en el bastidor empleando unos tornillos del tamaño apropiado (los tornillos no se suministran con la unidad).
- Cuando instale la unidad en un bastidor, tenga cuidado para no pillarse los dedos.

Notas:

- No ponga nunca esta unidad directamente encima de un amplificador de potencia, porque el calor emitido por el amplificador podría ocasionar daños en la unidad. Si se pone la unidad directamente encima de un amplificador de potencia, también es posible que se capten señales de radio u otros tipos de interferencias.
- Deje un espacio de 1U (43,7 mm) como mínimo entre este componente y el que se monte encima del mismo, para asegurar que los cables conectados a los conectores de entrada/salida y los terminales de esta unidad no tocan el componente que hay encima.
- Antes de transportar la unidad, siempre deberá desmontarla del bastidor.
- Cuando deba mover la unidad mientras está montada en el bastidor, tenga mucho cuidado para que no reciba ningún golpe ni quede sometida a vibraciones.

Condensación

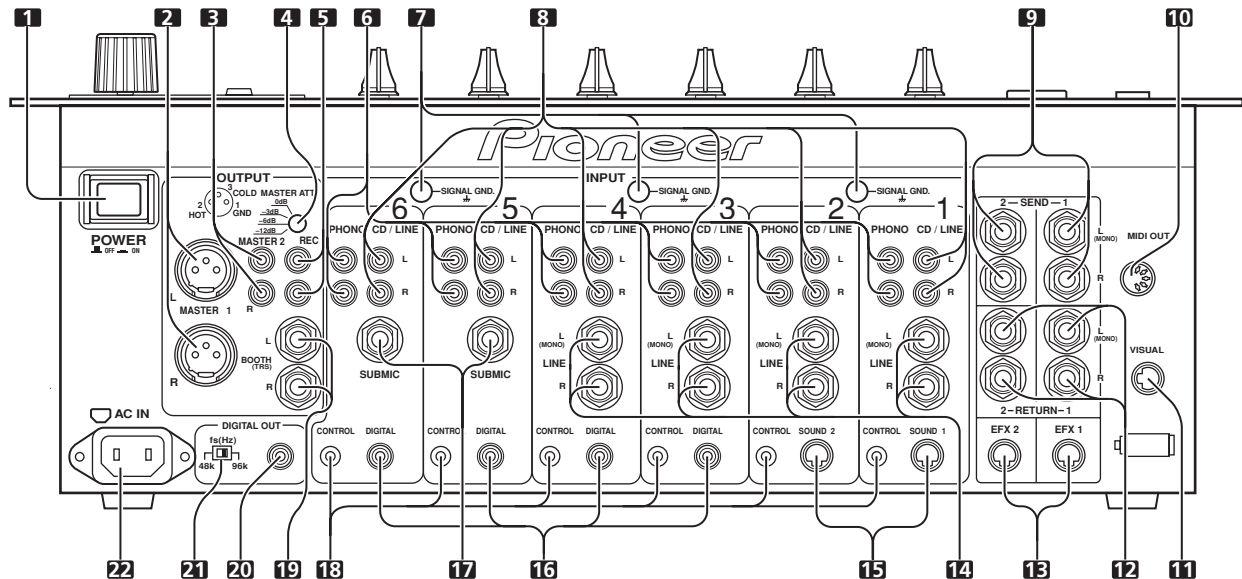
Cuando se traslada la unidad desde un lugar frío a una sala cálida, o cuando la temperatura de la sala aumenta rápidamente, puede formarse condensación de humedad en el interior, y la unidad puede resultar incapaz de funcionar como debiera. En casos como éstos, deje la unidad sin desplazarla durante aproximadamente una hora, o deje que la temperatura de la sala suba gradualmente.

Limpieza de la unidad

- Emplee un paño de limpieza para sacar el polvo y la suciedad.
- Cuando las superficies estén muy sucias, frótelas con un paño suave humedecido en una solución de detergente neutro diluido en cinco o seis partes de agua, bien escurrido, y luego frote de nuevo con un paño seco. No emplee ceras ni limpiadores de muebles.
- No emplee nunca disolventes, bencina, pulverizadores de insecticidas ni otros productos químicos sobre esta unidad ni cerca de la misma, porque pueden causar corrosión en las superficies.

CONEXIONES

PANEL DE CONEXIONES



- 1. Interruptor de la alimentación (POWER)**
- 2. Conector de salida principal 1 (MASTER 1)**
Salida equilibrada del tipo XLR (conector macho).
- 3. Conector de salida principal 2 (MASTER 2)**
Salida desequilibrada del tipo RCA.
- 4. Mando del atenuador de salida principal (MASTER ATT.)**
Atenúa el nivel de salida de las salidas MASTER 1 y MASTER 2. El nivel de atenuación puede seleccionarse entre 0 dB, -3 dB, -6 dB, -12 dB.
- 5. Conectores de salida de grabación (REC)**
Conector de salida del tipo RCA para grabación.
- 6. Conectores de entrada de tocadiscos (PHONO)**
Conectores de entrada de nivel de tocadiscos (del tipo de cápsula MM) del tipo RCA.
No los emplee para introducir señales de nivel de línea.
- 7. Terminal de tierra de la señal (SIGNAL GND)**
Se emplea para conectar el cable de toma de tierra de un tocadiscos analógico.
No es un terminal de toma de tierra de seguridad.
- 8. Conectores de entrada de CD/línea (CD/LINE)**
Conectores de entrada de nivel de línea del tipo RCA.
Se emplean para conectar reproductores de CD para DJ y/o dispositivos de salida de nivel de línea.
- 9. Conectores de salida de envío (SEND 1, 2)**
Conectores de salida del tipo telefónico de 6,3 mm de diámetro.
Se emplean para conectar los conectores de entrada de generadores de efectos externos, etc.
Cuando sólo se conecta el canal izquierdo, se emite una señal monofónica de los canales izquierdo y derecho (L+R).
- 10. Conector de salida MIDI (MIDI OUT)**
Conector de salida del tipo DIN.
Se conecta con otros dispositivos MIDI (P. 87).
- 11. Conector de enlace VISUAL**
Cuando se utiliza un cable de enlace digital para conectar la unidad a una consola de mezcla de vídeo PIONEER (conmutador) compatible con el enlace digital, podrá controlarse el fundido cruzado de la consola de mezcla de vídeo empleando el fundido cruzado de la DJM-1000.
- 12. Conectores de retorno (RETURN 1, 2)**
Conectores de salida del tipo telefónico de 6,3 mm de diámetro.
Se conectan a los conectores de entrada de generadores de efectos externos, etc.
Cuando sólo se conecta el canal izquierdo (L), la entrada al canal izquierdo (L) se introducirá al canal derecho (R).

- 13. Conectores de entrada/salida de enlace de EFX (EFX 1, 2)**
Cuando se emplea un cable de enlace digital para conectar la unidad a un generador de efectos para DJ PIONEER compatible con el enlace digital (EFX-1000), las conexiones de SEND/RETURN se efectúan digitalmente de una vez, y las funciones tales como las de efectos de fundido también se habilitan.
- 14. Conectores de entrada de línea (LINE)**
Conectores de nivel de línea del tipo telefónico de 6,3 mm de diámetro.
Cuando sólo se conecta el canal izquierdo (L), la entrada al canal izquierdo (L) también se introducirá al canal derecho (R).
- 15. Conectores de entrada de enlace de CDJ (SOUND 1, 2)**
Cuando se emplea un cable de enlace digital para conectar la unidad a un reproductor de CD para DJ PIONEER compatible con el enlace digital, las conexiones de audio digital y las conexiones de cables de control se efectúan de una vez, y las funciones tales como las de sincronización de BPM también se habilitan.
- 16. Conectores de entrada DIGITAL**
Conectores de entrada coaxial digital del tipo RCA.
Se conectan a los conectores de salida coaxial digital del reproductor de CD para DJ, etc.
- 17. Conectores de entrada de micrófono secundario (SUBMIC)**
Conectores de entrada de micrófono del tipo telefónico de 6,3 mm de diámetro.
Utilizan los canales 5 y 6 de la DJM-1000 como canales de entrada de micrófono.
- 18. Conectores de CONTROL**
Conector de entrada del tipo telefónico mini de 3,5 mm de diámetro para conectar el cable de control al reproductor de CD para DJ.
Permite el empleo de la función de fundido de la DJM-1000 para controlar el inicio/parada de un reproductor de CD para DJ conectado.
- 19. Conectores de salida de monitor de cabina (BOOTH)**
Conectores de salida del tipo telefónico de 6,3 mm de diámetro para monitor de la cabina. Cambia el volumen con el mando BOOTH MONITOR (LEVEL), sin verse afectado por el fundido MASTER (puesto que la salida es TRS, se soportan las salidas equilibrada y desequilibrada).
- 20. Conector de salida digital (DIGITAL OUT)**
Conector de salida coaxial digital del tipo RCA.
Salida principal digital.
- 21. Selector de la frecuencia de muestreo (48k/96k)**
Selecciona la frecuencia de muestreo de la salida digital (96 kHz o 48 kHz).
- 22. Conector de entrada de alimentación (AC IN)**
Se conecta a la toma de corriente de CA con el cable de alimentación suministrado.

Antes de realizar o cambiar conexiones, desconecte la alimentación y desenchufe el cable de alimentación del tomacorriente de CA.

CONEXIÓN DEL CABLE DE ALIMENTACIÓN

Conecte el cable de alimentación en último lugar.

- Cuando se han terminado todas las otras conexiones, enchufe el cable de alimentación suministrado a la toma de entrada de CA del panel posterior de esta unidad, y enchufe la clavija de alimentación a una toma de corriente de CA o a un receptáculo de alimentación auxiliar de un amplificador.
- Asegúrese de emplear sólo el cable de alimentación suministrado.

CONEXIÓN A LOS CONECTORES DE ENTRADA

Reproductores de CD para DJ PIONEER

Conecte los conectores de salida de audio del reproductor de CD para DJ a uno de los juegos de conectores de entrada CD/LINE de la DJM-1000, y conecte el cable de control al conector de CONTROL del canal correspondiente. Ponga el selector de entrada del canal conectado en la posición [CD/LINE].

Cuando emplee conexiones digitales, conecte el conector de salida coaxial digital a uno de los conectores de entrada DIGITAL de la DJM-1000, y ponga el selector de entrada del canal conectado en la posición [DIGITAL] (no hay conectores de entrada digital para el canal 1 ni para el canal 2).

Giradiscos analógicos

Conecte los cables de salida de audio del giradiscos analógico a un juego de conectores de entrada PHONO de la DJM-1000, y ponga el selector de entrada del canal conectado en la posición [PHONO]. La entrada PHONO de la DJM-1000 es compatible con cápsulas MM.

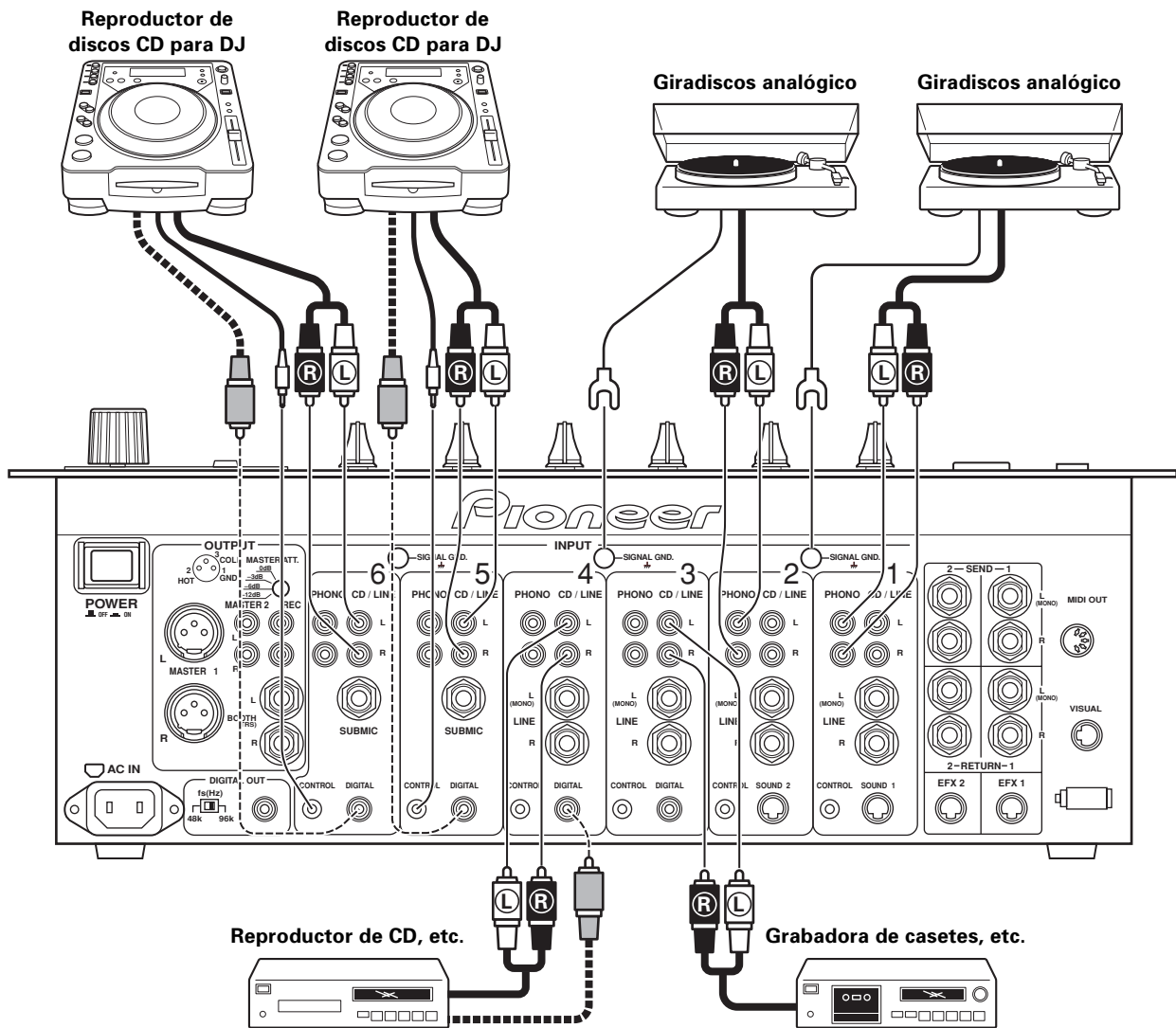
El cable de tierra de un giradiscos analógico se conecta a uno de los terminales SIGNAL GND.

Otros dispositivos de salida de nivel de línea

Cuando conecte grabadoras de cassette o reproductores de discos CD, conecte los conectores de salida de audio a uno de los conectores de entrada CD/LINE de la DJM-1000, y ponga el selector de entrada del canal conectado en la posición [CD/LINE]. Cuando la clavija de conexión es una clavija telefónica de 6,3 mm de diámetro, conéctela a uno de los conectores de entrada LINE de la DJM-1000, y ponga el selector de entrada del canal conectado en la posición [LINE] (no hay conectores de entrada LINE para el canal 5 ni para el canal 6). Cuando sólo se conecta el canal izquierdo (L), la entrada al canal izquierdo (L) se introducirá también al canal derecho (R).

Dispositivos de salida digital

Cuando emplee conexiones digitales para dispositivos tales como reproductores de discos CD, conecte el conector de salida coaxial digital del dispositivo a uno de los conectores de entrada DIGITAL de la DJM-1000, y ponga el selector de entrada del canal conectado en la posición [DIGITAL] (no hay conectores de entrada DIGITAL para el canal 1 ni para el canal 2).



CONEXIÓN A UN GENERADOR DE EFECTOS Y CONECTORES DE SALIDA

Salida principal

Hay una clavija XLR que corresponde a la salida equilibrada MASTER 1, y una clavija RCA que corresponde a la salida desequilibrada MASTER 2. Ajuste el nivel de salida empleando el mando MASTER ATT. para adaptar la sensibilidad de entrada del amplificador de potencia conectado.

Salida de monitor de cabina

Es una salida desequilibrada compatible con clavijas telefónicas de 6,3 mm de diámetro. El volumen puede ajustarse con el mando BOOTH MONITOR (LEVEL), sin tener en cuenta el ajuste de fundido MASTER.

Salida de grabación

Son conectores de salida para grabación, compatibles con clavijas RCA.

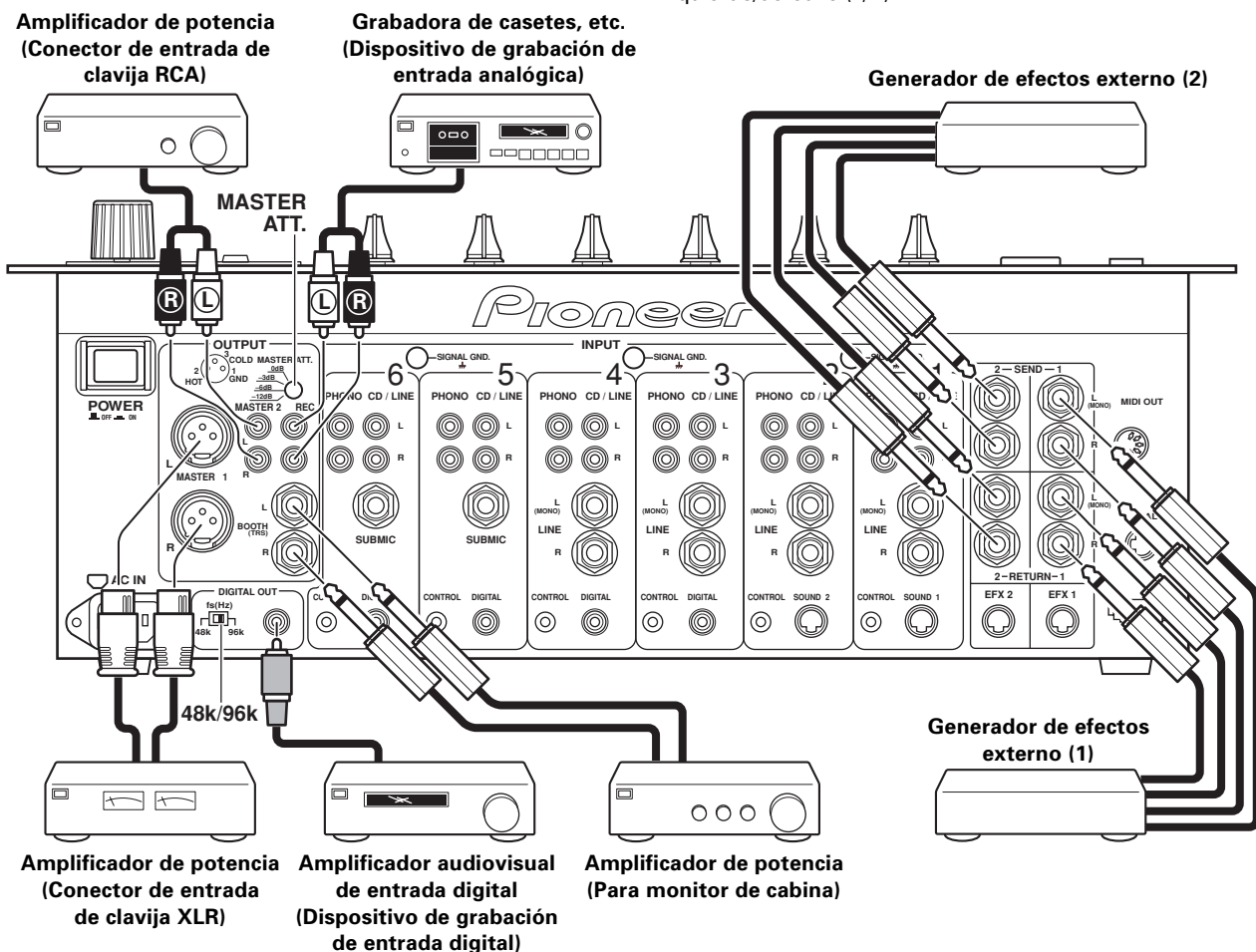
Salida digital

Son conectores de salida digital coaxial, compatibles con clavijas RCA. Puede seleccionarse la frecuencia de muestreo (96 kHz/48 kHz) de acuerdo con el dispositivo conectado.

Generador de efectos externo

Emplee un cable con clavijas telefónicas de 6,3 mm de diámetro para conectar los conectores SEND de la consola de mezcla para DJ a los conectores de entrada de un generador de efectos externo. Cuando utilice un generador de efectos de entrada monofónica, conecte sólo la salida del canal izquierdo (L). De este modo, la señal de audio mezclada de los canales izquierdo/derecho (L/R) se enviará al generador de efectos.

Del mismo modo, emplee un cable con clavijas telefónicas de 6,3 mm de diámetro para conectar los conectores RETURN de la consola de mezcla para DJ a los conectores de salida del generador de efectos externo. Cuando el generador de efectos sólo tenga salida monofónica, conecte sólo la entrada del canal izquierdo (L). De este modo, la señal del generador de efectos se introducirá en los canales izquierdo/derecho (L/R).



CONECTORES MIDI

MIDI (interfaz digital para instrumentos musicales) es una norma unificada para transmisión de datos entre instrumentos musicales eléctricos y ordenadores.

Los datos pueden transmitirse entre dispositivos con conectores MIDI empleando un cable MIDI.

El DJM-1000 puede transmitir datos de operación a dispositivos MIDI externos empleando el protocolo MIDI.

Control de la DJM-1000	Código de control MIDI	Nombre de control MIDI	Canal MIDI
Operación de fundido cruzado	CC11	Expresión	1

* Los datos 0-127 MIDI se emiten operando el fundido cruzado.

* Cuando utilice la función de enlace visual, no se emitirán los datos MIDI.

CONEXIÓN DE MICRÓFONOS Y AURICULARES

Auriculares

Pueden conectarse unos auriculares con clavija telefónica estéreo de 6,3 mm de diámetro a la toma PHONES del panel de operación (panel superior).

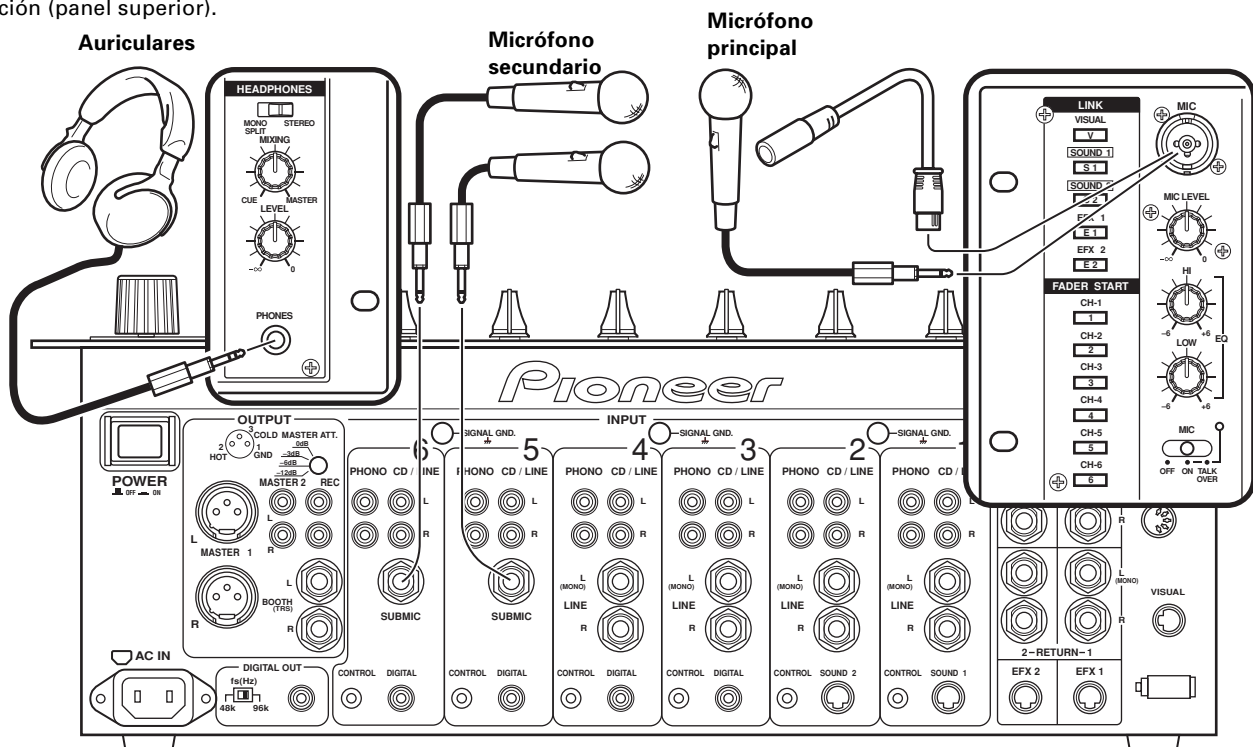
Micrófono principal

Puede conectarse un micrófono con clavija telefónica de 6,3 mm de diámetro o con clavija XLR a la toma MIC del panel de operación (panel superior).

Micrófono secundario

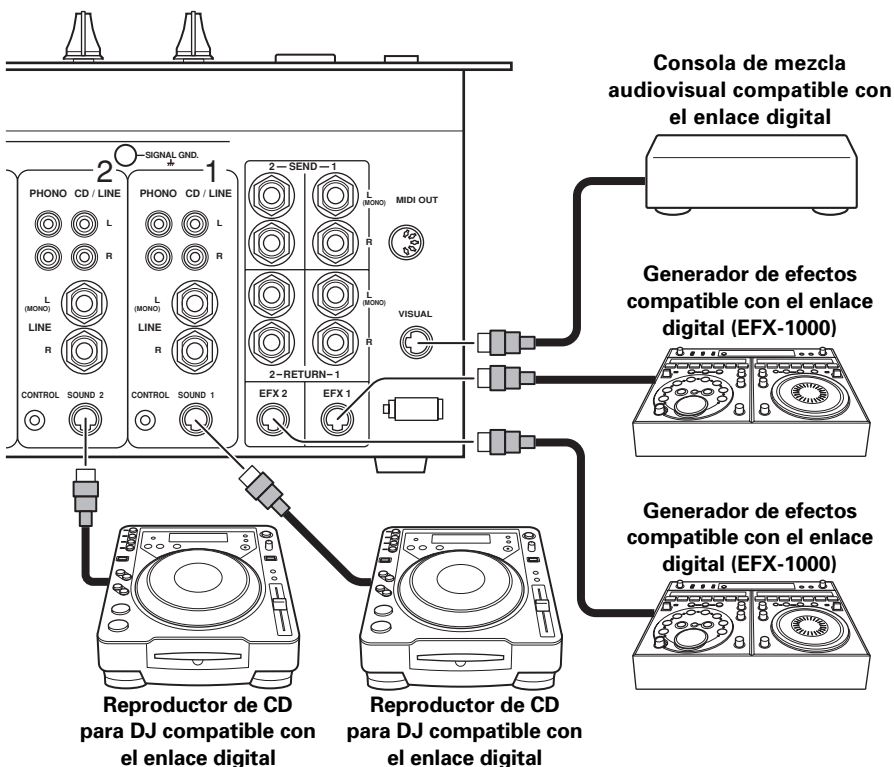
Puede conectarse un micrófono con clavija telefónica de 6,3 mm de diámetro a los conectores de entrada SUBMIC en el canal 5 y canal 6 de la DJM-1000.

Ponga el selector de entrada del canal conectado en la posición [SUBMIC].



CONEXIONES DE ENLACE DIGITAL

(Incluye conexiones para futuros componentes compatibles con el enlace digital.)



Conectando un solo cable exclusivo (cable de enlace digital), podrá efectuarse digitalmente el intercambio de señales de audio y de señales de control (no es necesaria la conexión de cables de audio ni de cables de control).

Conector de enlace VISUAL

Cuando se utiliza un cable de enlace digital para conectar la unidad a una consola de mezcla de vídeo PIONEER (conmutador) compatible con el enlace digital, podrá operarse la función de fundido cruzado de la consola de mezcla de vídeo empleando el fundido cruzado de la DJM-1000. (P.95)

Conectores de entrada/salida de enlace de EFX (EFX 1, 2)

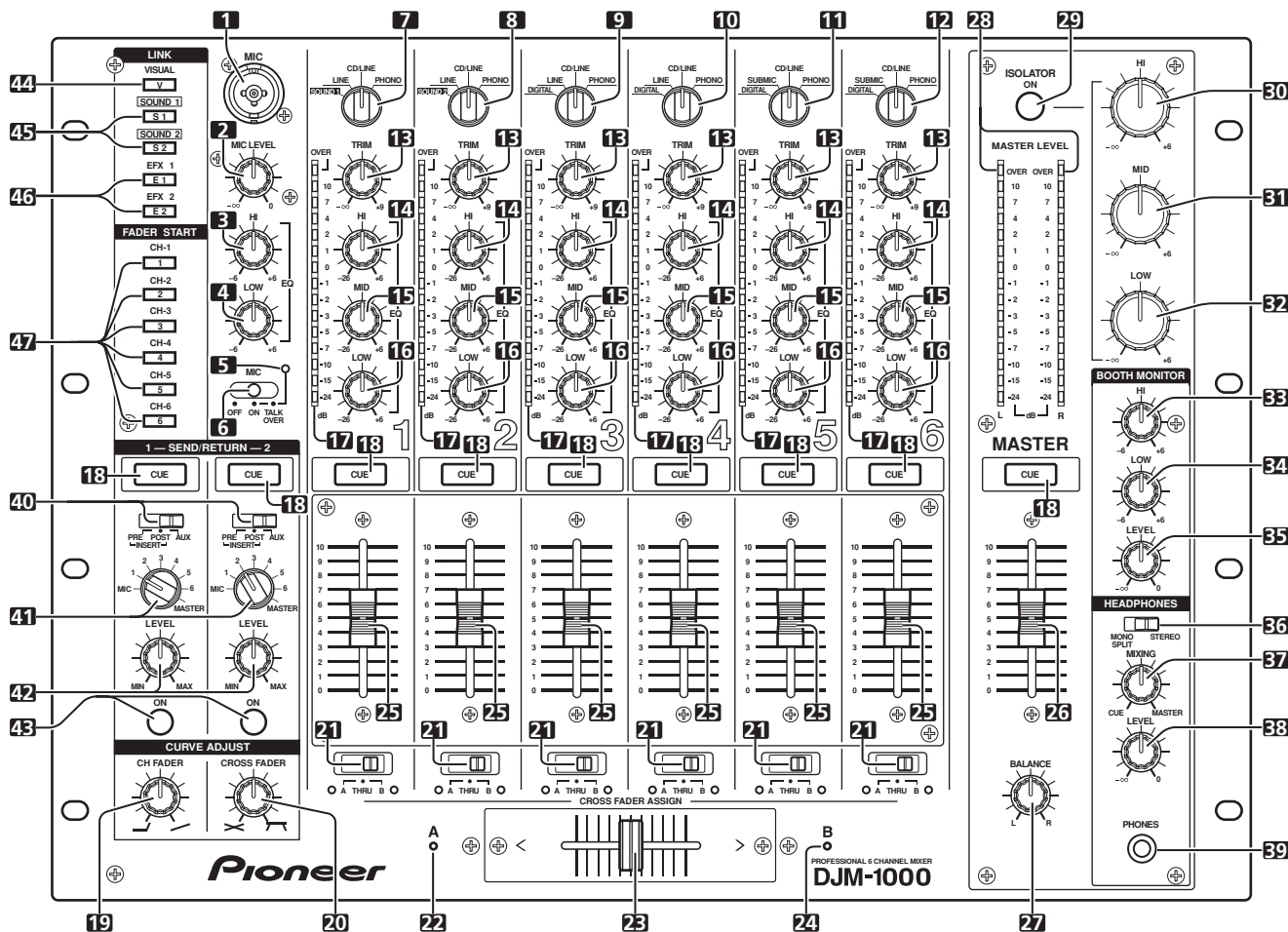
Cuando se emplea un cable de enlace digital para conectar la unidad a un generador de efectos para DJ PIONEER compatible con el enlace digital (EFX-1000), las conexiones de SEND/RETURN se efectúan digitalmente de una vez, permitiendo de este modo el empleo de las funciones de efectos de fundido y funciones de sincronización de BPM cuando se emplean las conexiones de enlace sonoro. (P.95)

Conectores de entrada de enlace de CDJ (SOUND 1, 2)

Cuando se emplea un cable de enlace digital para conectar la unidad a un reproductor de CD para DJ PIONEER compatible con el enlace digital, las conexiones de audio digital y las funciones de cables de control se efectúan de una vez, y las funciones tales como las de sincronización de BPM también se habilitan. Ajuste el selector de entrada del canal 1 y 2 en [SOUND 1] y [SOUND 2]. (P.95)

NOMENCLATURA Y FUNCIONES

Panel de operación



Sección de control de entrada del micrófono principal

1. Conector de entrada del micrófono principal (MIC)
Sirve para conectar micrófonos con conector del tipo XLR o telefónico.

2. Mando de ajuste del nivel del micrófono (MIC LEVEL)

Ajusta el volumen del micrófono principal.
(Margen ajustable: $-\infty$ a 0 dB)

3. Mando de ajuste del sonido de la gama alta del ecualizador del micrófono (EQ HI)

Ajusta el sonido de gama alta del micrófono principal.
(Margen ajustable: -6 dB a +6 dB)

4. Mando de ajuste del sonido de la gama baja del ecualizador del micrófono (EQ LOW)

Ajusta el sonido de gama baja del micrófono principal.
(Margen ajustable: -6 dB a +6 dB)

5. Indicador de función del micrófono

Se enciende cuando el selector del micrófono se pone en la posición [ON]. Parpadea cuando el selector se pone en la posición [TALK OVER].

6. Selector de función del micrófono (MIC)

OFF:
No se emite el sonido del micrófono principal.
ON:
Se emite el sonido del micrófono principal.
TALK OVER:

Se emite el sonido del micrófono principal. Cuando se introduce un sonido más alto que -15 dB en la entrada del micrófono principal, la función TALK OVER se activa y la salida de todo el sonido, con excepción del sonido del micrófono principal, se atenúa 20 dB.

Sección de control de entrada de canales

7. Selector de entrada del canal 1

SOUND 1:
Entrada exclusiva para reproductores de CD para DJ compatibles con el enlace digital (conector mini DIN).

LINE:
Conector del tipo telefónico (cuando se conecta una señal monofónica sólo al canal izquierdo (L), la señal se introduce a los canales izquierdo (L) y derecho (R)).

CD/LINE:
Conector del tipo RCA con entrada de nivel de línea.

PHONO:
Conector del tipo RCA con entrada de nivel de giradiscos.

Español

8. Selector de entrada del canal 2

SOUND 2:

Entrada exclusiva para reproductores de CD para DJ compatibles con el enlace digital (conector mini DIN).

LINE:

Conector del tipo telefónico (cuando se conecta una señal monofónica sólo al canal izquierdo (L), la señal se introduce a los canales izquierdo (L) y derecho (R)).

CD/LINE:

Conector del tipo RCA con entrada de nivel de línea.

PHONO:

Conector del tipo RCA con entrada de nivel de giradiscos.

9. Selector de entrada del canal 3

DIGITAL:

Conector del tipo RCA con entrada digital de cable coaxial.

LINE:

Conector del tipo telefónico (cuando se conecta una señal monofónica sólo al canal izquierdo (L), la señal se introduce a los canales izquierdo (L) y derecho (R)).

CD/LINE:

Conector del tipo RCA con entrada de nivel de línea.

PHONO:

Conector del tipo RCA con entrada de nivel de giradiscos.

10. Selector de entrada del canal 4

DIGITAL:

Conector del tipo RCA para entrada digital de cable coaxial.

LINE:

Conector del tipo telefónico (cuando se conecta una señal monofónica sólo al canal izquierdo (L), la señal se introduce a los canales izquierdo (L) y derecho (R)).

CD/LINE:

Conector del tipo RCA con entrada de nivel de línea.

PHONO:

Conector del tipo RCA con entrada de nivel de giradiscos.

11. Selector de entrada del canal 5

DIGITAL:

Conector del tipo RCA para entrada digital de cable coaxial.

SUBMIC:

Conector del tipo del tipo telefónico para entrada de micrófono secundario (monofónico).

CD/LINE:

Conector del tipo RCA con entrada de nivel de línea.

PHONO:

Conector del tipo RCA con entrada de nivel de giradiscos.

12. Selector de entrada del canal 6

DIGITAL:

Conector del tipo RCA para entrada digital de cable coaxial.

SUBMIC:

Conector del tipo del tipo telefónico para entrada de micrófono secundario (monofónico).

CD/LINE:

Conector del tipo RCA con entrada de nivel de línea.

PHONO:

Conector del tipo RCA con entrada de nivel de giradiscos.

13. Mandos de ajuste del nivel de entrada de los canales 1-6 (TRIM)

Ajustan el nivel de entrada de cada canal.

(Margen ajustable: $-\infty$ a +9 dB, se aproxima a 0 dB en el punto intermedio.)

14. Mandos de ajuste del sonido de la gama alta del ecualizador de canales (EQ HI)

Ajustan el sonido de la gama alta de cada canal.

(Margen ajustable: -26 dB a +6 dB)

15. Mandos de ajuste del sonido de la gama media del ecualizador de canales (EQ MID)

Ajustan el sonido de la gama media de cada canal.

(Margen ajustable: -26 dB a +6 dB)

16. Mandos de ajuste del sonido de la gama baja del ecualizador de canales (EQ LOW)

Ajustan el sonido de la gama baja de cada canal.

(Margen ajustable: -26 dB a +6 dB)

17. Indicadores del nivel del canal

Visualizan el nivel de cada canal. El visualizador proporciona una retención de picos de 2 segundos.

18. Botón/indicadores de activación de auriculares (CUE)

La fuente seleccionada que deba escucharse con los auriculares se selecciona presionando el botón CUE para RETURN 1, RETURN 2, canales 1-6, o MASTER. Cuando se presionan a la vez varios botones, los sonidos del audio seleccionado se mezclan. Cuando se presiona de nuevo un botón, se cancela la selección.

Los botones de las fuentes no seleccionadas se encienden con poca intensidad, y los botones de las fuentes seleccionadas se encienden con más intensidad.

Sección de control de fundido

19. Mando de fundido de canal de ajuste de la curva (CURVE ADJUST CH FADER)

Ajusta las características de la curva del fundido de canal. (P.93)

20. Mando de fundido cruzado de ajuste de la curva (CURVE ADJUST CROSS FADER)

Ajusta las características de la curva del fundido cruzado. (P.93)

21. Interruptores/indicadores de asignación de fundido cruzado (CROSS FADER ASSIGN)

Selecciona el lado al que dirige la salida de cada canal del fundido cruzado. (Cuando se han seleccionado varios canales en el mismo lado, la suma combinada se asigna a este lado.)

A:

La salida de los canales se dirige al lado A (lado izquierdo) del fundido cruzado. Se encenderá el indicador A.

THRU:

La salida del fundido de canales se dirige a la salida principal sin pasar por el fundido cruzado. Se apagarán los indicadores A y B.

B:

La salida de los canales se dirige al lado B (lado derecho) del fundido cruzado. Se encenderá el indicador B.

22. Indicador de asignación de fundido cruzado A (A)

Se enciende en naranja cuando la alimentación está conectada.

23. Control deslizante de fundido cruzado

El audio dirigido al lado A o al lado B con el interruptor CROSS FADER ASSIGN para cada canal se emite de acuerdo con la curva de fundido cruzado ajustada con el mando CURVE ADJUST (CROSS FADER).

24. Indicador de asignación de fundido cruzado B (B)

Se enciende en verde cuando la alimentación está conectada.

25. Control deslizante de fundido de canales

Ajusta el volumen de cada canal. (Margen ajustable: $-\infty$ a 0 dB)
Emite el sonido de acuerdo con la curva de fundido de canales ajustada con el mando CURVE ADJUST (CH FADER).

Sección de control de salida principal

26. Control deslizante de fundido principal (MASTER)

Ajusta el volumen de la salida principal.
(Margen ajustable: $-\infty$ a 0 dB)

La salida principal es la combinación del canal cuyo audio se ha ajustado a [THRU] mediante el interruptor CROSS FADER ASSIGN, junto con el audio que ha pasado por el fundido cruzado y el audio del micrófono principal (dependiendo del modo, también se añade la entrada de RETURN).

27. Mando de balance principal (MASTER BALANCE)

Ajusta el balance de los canales izquierdo/derecho (L/R) de la salida principal, la salida de monitor de la cabina, la salida de grabación, y la salida digital.

28. Indicadores del nivel principal (MASTER LEVEL, L y R)

Visualiza los niveles de salida del canal izquierdo (L) y del derecho (R). Cada segmento proporciona una retención de picos de 2 segundos.

29. Botón/indicador del aislador principal (MASTER ISOLATOR, ON)

Activa y desactiva (ON/OFF) la función del aislador principal. La función del aislador opera con respecto a la salida principal 1, salida principal 2, salida de monitor de la cabina, salida de grabación y salida digital. Se apaga cuando está desactivado (OFF), y se enciende cuando está activado (ON).

30. Mando de ajuste del sonido de la gama alta del aislador principal (MASTER ISOLATOR, HI)

Se emplea para ajustar el sonido de la gama alta de la señal de salida principal.
(Margen ajustable: $-\infty$ a +6 dB)

31. Mando de ajuste del sonido de la gama media del aislador principal (MASTER ISOLATOR, MID)

Se emplea para ajustar el sonido de la gama media de la señal de salida principal.
(Margen ajustable: $-\infty$ a +6 dB)

32. Mando de ajuste del sonido de la gama baja del aislador principal (MASTER ISOLATOR, LOW)

Se emplea para ajustar el sonido de la gama baja de la señal de salida principal.
(Margen ajustable: $-\infty$ a +6 dB)

Sección de control de monitor de la cabina

33. Mando de ajuste del sonido de la gama alta del monitor de la cabina (BOOTH MONITOR, HI)

Se emplea para ajustar el sonido de la gama alta de la señal de salida del monitor de la cabina.
(Margen ajustable: -6 dB a +6 dB)

34. Mando de ajuste del sonido de la gama baja del monitor de la cabina (BOOTH MONITOR, LOW)

Se emplea para ajustar el sonido de la gama baja de la señal de salida del monitor de la cabina.
(Margen ajustable: -6 dB a +6 dB)

35. Mando de ajuste del nivel de monitor de la cabina (BOOTH MONITOR LEVEL)

Ajusta el volumen de la salida de monitor de la cabina. Puede ajustarse independientemente del ajuste del fundido principal.
(Margen ajustable: $-\infty$ a 0 dB)

Sección de salida de audio

36. Selector de salida de los auriculares (HEADPHONES — MONO SPLIT/STEREO)

MONO SPLIT:

El audio de la fuente seleccionada con el botón CUE de los auriculares se emite por el canal izquierdo, y el audio principal se emite por el canal derecho (sólo cuando se ha seleccionado MASTER con el botón CUE de los auriculares).

STEREO:

El audio seleccionado se emite en estéreo.

37. Mando de mezcla de auriculares (HEADPHONES MIXING)

Cuando se gira hacia la derecha (dirección de MASTER), se emite el audio de la salida principal (sólo cuando se ha seleccionado MASTER con el botón CUE de los auriculares); cuando se gira hacia la izquierda (dirección de CUE), la salida de audio será una mezcla del sonido del canal seleccionado con el botón CUE de los auriculares, y el sonido que proviene del generador de efectos externo (RETURN).

38. Mando de ajuste del nivel de los auriculares (HEADPHONES LEVEL)

Ajusta el volumen de salida del conector de auriculares.
(Margen ajustable: $-\infty$ a 0 dB)

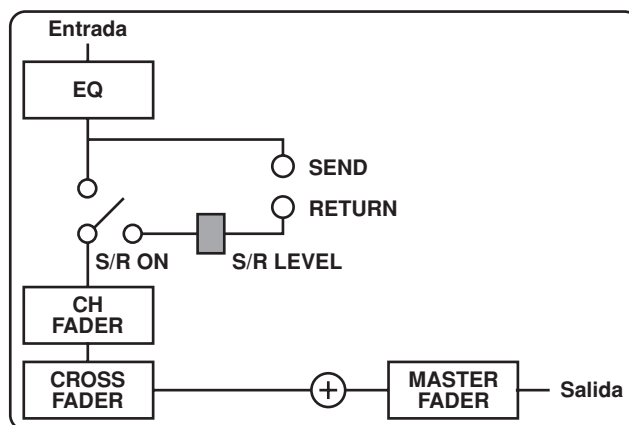
39. Toma de auriculares (PHONES)

Sección de envío/retorno (SEND/RETURN)

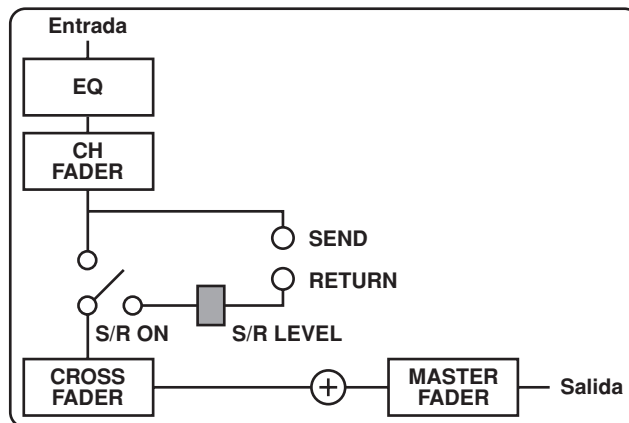
40. Selectores del tipo de envío/retorno (SEND/RETURN)

Se emplean para cambiar entre la etapa de envío (SEND) y la etapa de entrada (RETURN) para las señales cuando se ha conectado un generador de efectos externo (P. 94).

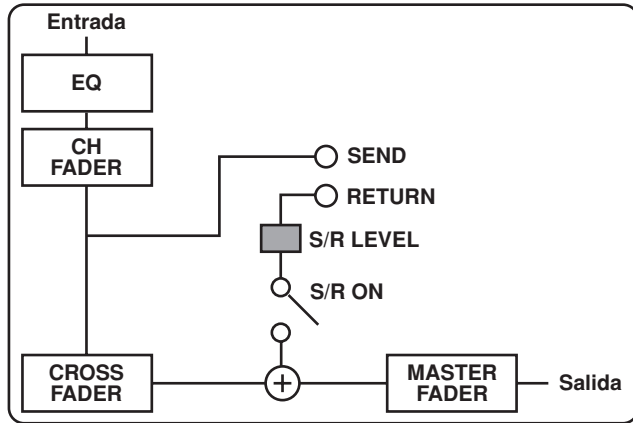
[Tipo de pre-inserción]



[Tipo de post-inserción]



[Tipo AUX]



41. Selectores de canal de envío (SEND)

Se emplea para seleccionar el audio de envío desde MIC, los canales 1-6, y MASTER.

42. Mandos de ajuste del nivel de entrada de retorno (RETURN, LEVEL)

Ajustan el nivel de la señal retornada. (Margen ajustable: $-\infty$ a +6 dB)

43. Botones/indicadores de envío/retorno (SEND/RETURN, ON)

Se emplean para activar/desactivar (ON/OFF) la operación de envío/retorno (SEND/RETURN) del tipo seleccionado en el canal seleccionado.

Se enciende cuando se inserta una clavija en el conector RETURN, o cuando se conecta un componente compatible con el enlace digital al conector EFX. Si se presiona el botón cuando está encendido, se activa (ON) la función y parpadea el indicador. Cuando el indicador está encendido, la señal de entrada al conector RETURN está habilitada. Cuando se conecta un componente de enlace digital al conector EFX, se da prioridad al componente de enlace digital (señal digital).

Sección de activación/desactivación (ON/OFF) de la función de enlace

44. Botón/indicador de enlace visual (VISUAL LINK, V)

Cuando se utiliza un cable de enlace digital (conector mini DIN) para conectar una consola de mezcla de vídeo/conmutador PIONEER compatible con el enlace digital, podrá operarse el fundido cruzado de la consola de mezcla de vídeo empleando el fundido cruzado de la DJM-1000. El indicador se enciende cuando se activa la función.

45. Botones de enlace de sonido SOUND LINK 1, 2 (SOUND 1, 2)/indicador (S1, 2)

Cuando se emplea un enlace digital para conectar esta unidad a un generador de efectos para DJ PIONEER compatible con el enlace digital (EFX-1000), y se conecta también un reproductor de discos CD para DJ PIONEER compatible con el enlace digital a través del cable de enlace digital (conector mini DIN), al ajustar estos botones en ON se habilitan las funciones de sincronización de BPM. El indicador se enciende cuando se activa la función.

46. Botones LINK de enlace de generador de efectos 1, 2 (EFX 1, 2)/indicador (E 1, 2)

Cuando se emplea un cable de enlace digital (conector mini DIN) para conectar esta unidad a un generador de efectos para DJ PIONEER compatible con el enlace digital (EFX-1000), al ajustar estos botones en ON se habilitan las funciones de efectos de fundido. El indicador se enciende cuando se activa la función.

Sección de activación/desactivación (ON/OFF) del inicio/parada de fundido

47. Botón/indicadores de inicio con fundido (FADER START CH-1 a CH-6)

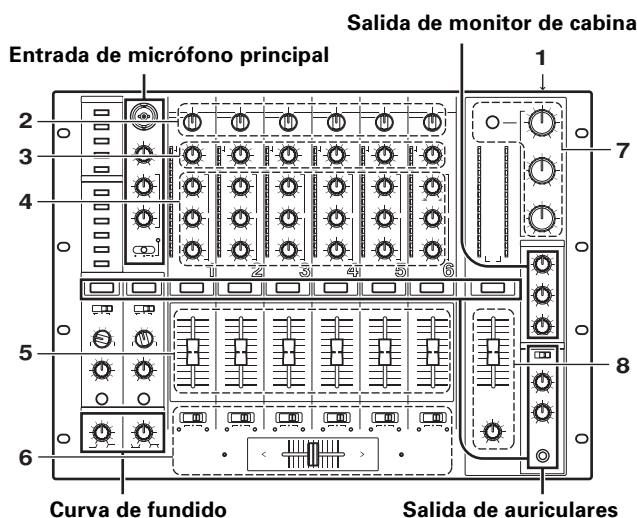
Cuando se emplean los interruptores CROSS FADER ASSIGN para cada canal con el fin de seleccionar [A] o [B], se activa/desactiva (ON/OFF) la función de inicio/parada de fundido cruzado de la consola de reproductor de CD para DJ de tal canal.

Cuando se selecciona [THRU] con el interruptor CROSS FADER ASSIGN para cada canal, se activa/desactiva (ON/OFF) la función de inicio/parada de fundido de canales de la consola de reproductor de CD para DJ de tal canal.

El botón de cada canal se enciende cuando se activa (ON) la función de inicio/parada de fundido, y se apaga cuando se desactiva (OFF) la función de inicio/parada de fundido.

OPERACIONES

OPERACIONES BÁSICAS



1. Ponga el interruptor **POWER**, situado en el panel posterior (panel de conexiones), en la posición **ON**.
2. Ajuste los selectores de entrada para los canales utilizados a los dispositivos conectados a estos canales.
3. Emplee el mando **TRIM** para ajustar el nivel de entrada.
4. Ajuste el tono empleando los mandos **EQ (HI, MID, LOW)**.
5. Ajuste el volumen del canal con el control deslizante de fundido de canales.
6. Cuando desee utilizar el fundido cruzado entre canales, emplee el interruptor **CROSS FADER ASSIGN** para seleccionar el canal **[A]** o el canal **[B]** del fundido cruzado, y opere el fundido cruzado.
 - Cuando no emplee el fundido cruzado, seleccione **[THRU]** con los interruptores **CROSS FADER ASSIGN**.
7. Cuando utilice el aislador, ponga el botón **MASTER ISOLATOR** en la posición **ON**, y ajuste el nivel de cada ancho de banda con los mandos **MASTER ISOLATOR (HI, MID, LOW)**.
 - El botón **MASTER ISOLATOR** se encenderá cuando se active **(ON)**.
8. Emplee el control deslizante de fundido **MASTER** para ajustar el volumen general, y ajuste el balance del volumen de los canales izquierdo y derecho empleando el mando **MASTER BALANCE**.

[Entrada de micrófono principal]

1. Cuando emplee el micrófono principal, ajuste el selector **MIC** en **[ON]** o ajústelo en **[TALK OVER]**.
 - Cuando se ajusta en **[TALK OVER]**, se atenúa en 20 dB la salida de todo el sonido, con excepción del sonido del micrófono principal, cuando se introduce un sonido más alto que -15 dB en la entrada del micrófono principal.
2. Ajuste el volumen con el mando **MIC LEVEL**, y ajuste el tono con los mandos **MIC EQ (HI, LOW)**.

[Salida de monitor de cabina]

1. Ajuste el volumen con el mando **BOOTH MONITOR (LEVEL)**.
 - El volumen puede ajustarse con el mando **BOOTH MONITOR (LEVEL)**, sin tener en cuenta el ajuste del control deslizante de fundido **MASTER**.
2. Ajuste el tono empleando el mando **BOOTH MONITOR (HI "sonido de gama alta")** y el mando **BOOTH MONITOR (LOW "sonido de gama baja")**.

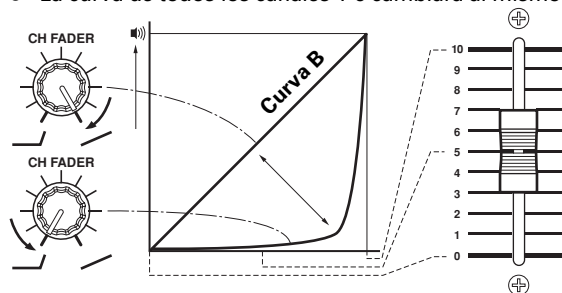
[Salida de auriculares]

1. Seleccione la fuente con el botón **CUE** de los auriculares (canales 1-6, **MASTER**, **RETURN 1**, **RETURN 2**).
 - El botón **CUE** de los auriculares seleccionados se encenderá con intensidad.
2. Emplee el selector **HEADPHONES (MONO SPLIT/STEREO)** para seleccionar el formato de la salida de audio.
 - Cuando se selecciona **[MONO SPLIT]**, el audio seleccionado con el botón **CUE** se emitirá por el canal izquierdo, y el audio principal (habilitado sólo cuando se ha activado **(ON)** el botón **CUE** para **MASTER**) se emitirá por el canal derecho.
 - Cuando se selecciona **[STEREO]**, el audio seleccionado con el botón **CUE** se emitirá en estéreo.
3. Cuando se selecciona **[MONO SPLIT]**, emplee el mando **HEADPHONES (MIXING)** para ajustar el balance del canal izquierdo (seleccionado con el botón **CUE** de los auriculares), y del canal derecho (audio principal soportado sólo cuando se ha activado **(ON)** el botón **CUE** de los auriculares para **MASTER**).
 - Cuando se gira hacia la derecha (dirección de **MASTER**), se emitirá la salida principal (sólo cuando el botón **CUE** para **MASTER** esté activado **(ON)**), y cuando se gire hacia la izquierda (dirección de **CUE**) se emitirá el audio seleccionado con el botón **CUE**.
4. Ajuste el volumen de los auriculares con el mando **HEADPHONES (LEVEL)**.

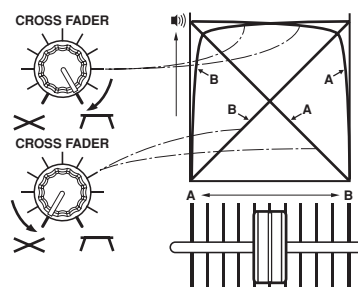
AJUSTES DE LA CURVA DE FUNDIDO

Permiten el ajuste de las características de cambio de volumen del sonido correspondientes al movimiento de operación del fundido.

- Gire el mando **CURVE ADJUST (CH FADER)**, y ajuste las características de la curva del fundido de canales.
 - Cuando se gira completamente hacia la derecha, al incrementar el fundido se cambiará el volumen casi de forma lineal (equivalente a la curva B).
 - Cuando se gira completamente hacia la izquierda, la curva del volumen cambiará de modo que el volumen del sonido aumente lentamente hasta que el fundido suba casi por completo.
 - La curva de todos los canales 1-6 cambiará al mismo tiempo.



- Gire el mando **CURVE ADJUST (CROSS FADER)**, y ajuste las características de la curva del fundido cruzado.
 - Cuando se gira por completo hacia la derecha, el fundido cruzado pasará a ser una curva de subida pronunciada en la que el movimiento del fundido desde el lado causa la aparición instantánea del sonido en el lado opuesto.
 - Cuando se gira por completo hacia la izquierda, el fundido cruzado pasa a ser una curva de cambio de volumen casi lineal.
 - Ambas curvas del lado A y B cambiarán a la vez.



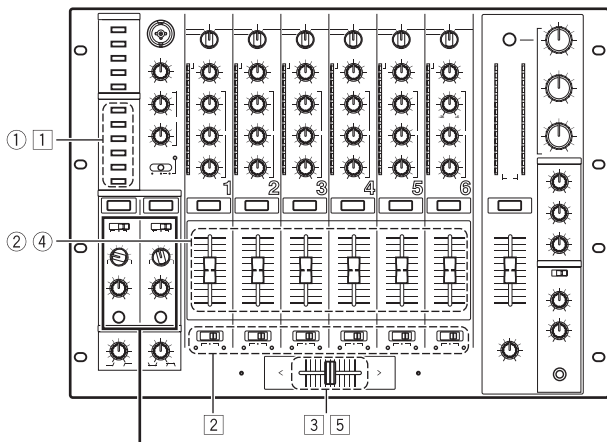
FUNCIÓN DE INICIO CON FUNDIDO

Empleando un cable de control para conectar la unidad a un reproductor de discos CD PIONEER opcional, la reproducción del reproductor de CD podrá iniciarse con las funciones de fundido de canales o de fundido cruzado (si se efectúa una conexión de enlace digital, no será necesario emplear un cable de control). La función de pausa del reproductor de CD se cancela cuando se mueve el control deslizante de fundido de canales o el control deslizante del fundido cruzado de la consola de mezcla, y la reproducción de la pista se inicia instantáneamente de forma automática. Adicionalmente, haciendo volver el fundido a su posición anterior, la reproducción del reproductor de CD puede hacerse retroceder al punto de localización (localización regresiva), para poder efectuar la reproducción como un muestreador.

[Reproducción de inicio con fundido cruzado y reproducción con localización regresiva]

Durante el estado de espera del punto de localización en el reproductor de CD asignado al canal A del fundido cruzado, al mover el control deslizante de fundido cruzado desde el lado derecho (lado B) al lado izquierdo (lado A), se inicia la reproducción en el reproductor de CD conectado al canal A. Cuando el control deslizante de fundido cruzado llega al lado izquierdo (lado A), el reproductor de CD asignado al canal B efectuará la localización regresiva (retorno al punto de localización). Durante el modo de espera del punto de localización en el reproductor de CD asignado al canal B, al mover el control deslizante de fundido cruzado desde el lado izquierdo (lado A) al lado derecho (lado B), se inicia la reproducción en el reproductor de CD asignado al canal B. Cuando el control deslizante de fundido cruzado llega al lado derecho (lado B), el reproductor de CD asignado al canal A efectuará la localización regresiva.

* La localización regresiva se realizará aunque el selector de entrada no esté ajustado en [CD/LINE].



Generador de efectos externo

[Inicio de la reproducción con fundido de canales]

- 1 Presione el botón FADER START para el canal (canales 1 a 6) conectado al reproductor de CD que desee controlar.
 - El botón del canal seleccionado se encenderá.
 - 2 Mueva el control deslizante de fundido de canales a la posición [0].
 - 3 Ajuste un punto de localización en el reproductor de CD, y establézcalo en el estado de espera en el punto de localización.
 - Si ya se ha ajustado un punto de localización, no será necesario ajustar el reproductor de CD en el estado de espera en el punto de localización.
 - 4 Mueva el control deslizante de fundido de canales en el momento deseado para iniciar la reproducción.
 - El reproductor de CD iniciará la reproducción.
 - Después de haberse iniciado la reproducción, al hacer retroceder el control deslizante de fundido de canales a [0], el reproductor de CD vuelve al punto de localización y se establece en el modo de espera (localización regresiva).
- * El fundido se habilita para el control sólo cuando se ajusta el interruptor CROSS FADER ASSIGN en [THRU].

[Inicio de la reproducción con fundido de cruzado]

- 1 Presione el botón FADER START para el canal (canales 1 a 6) conectado al reproductor de CD que desee controlar.
 - El botón del canal seleccionado se encenderá.
 - 2 Ajuste el interruptor CROSS FADER ASSIGN del canal seleccionado en [A] o en [B].
 - Cuando esté asignado al canal A (lado izquierdo) del fundido cruzado, ajústelo en [A].
 - Cuando esté asignado al canal B (lado derecho) del fundido cruzado, ajústelo en [B].
 - 3 Mueva el control deslizante de fundido cruzado al máximo hacia el lado opuesto al del canal por el que usted desee empezar.
 - 4 Ajuste un punto de localización en el reproductor de CD, y establézcalo en el estado de espera en el punto de localización.
 - Si ya se ha ajustado un punto de localización, no será necesario ajustar el reproductor de CD en el estado de espera en el punto de localización.
 - 5 Mueva el control deslizante de fundido cruzado en el momento deseado para iniciar la reproducción.
 - El reproductor de CD iniciará la reproducción.
 - Después de haberse iniciado la reproducción, al mover el control deslizante de fundido cruzado hasta el final, el reproductor de CD asignado al lado opuesto volverá al punto de localización y se establecerá en el modo de espera (localización regresiva).
- * Es posible que la función de inicio con fundido no funcione correctamente cuando se hacen sólo las conexiones digitales. En este caso, conecte también los conectores analógicos del reproductor de discos CD.

EMPLEO DE GENERADORES DE EFECTOS EXTERNOS

Pueden conectarse dos generadores de efectos si así se desea.

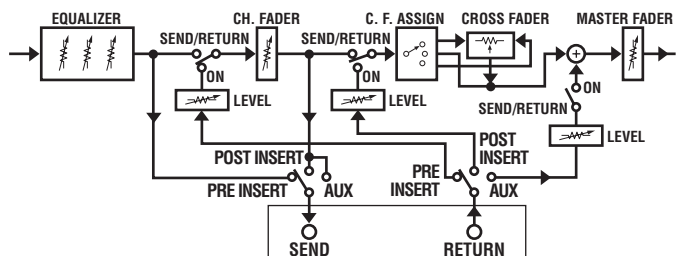
1. Emplee el selector de canales SEND para seleccionar la fuente que deba enviarse al generador de efectos.
 - Seleccione entre [MIC], canales [1]-[6], o [MASTER].
2. Emplee el selector SEND/RETURN para seleccionar la etapa al que se haya conectado el generador de efectos.
 - Cuando el canal de envío se ajusta a [MIC], sólo se habilita la conmutación de [INSERT] y [AUX] desde el mismo punto para [PRE] y [POST]. Cuando se ajusta el canal de envío a [MASTER], sólo se habilita [INSERT].

PRE INSERT:
Salida del ecualizador, enviada antes del fundido de canales, y retornada al mismo punto.

POST INSERT:
Salida de fundido de canales, enviada antes del fundido cruzado, y retornada al mismo punto.

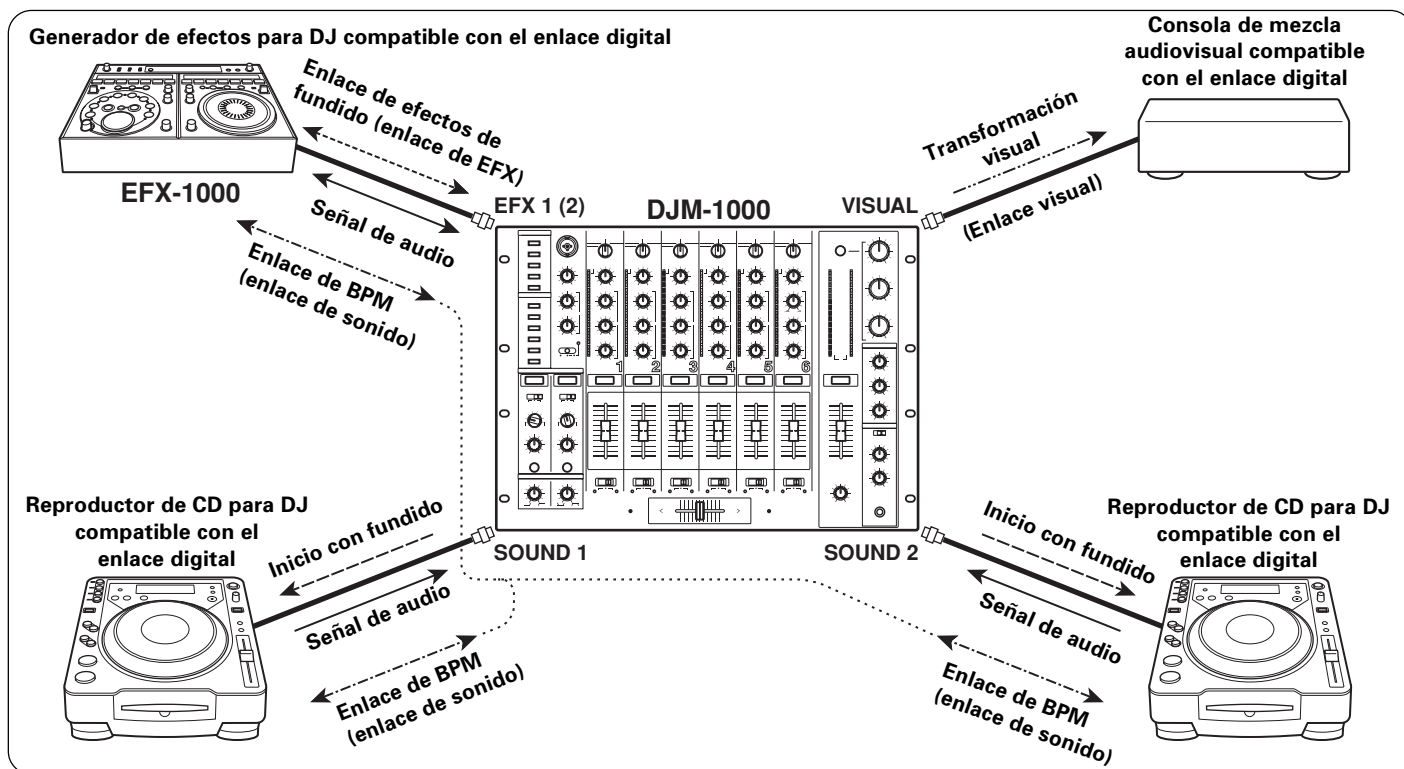
AUX:
Salida de fundido de canales, enviada antes de la asignación del fundido cruzado y retornada al punto anterior del fundido principal, y luego añadida a cualquier otra salida. El sonido original que se ha enviado también pasará por el fundido cruzado asignado y se añadirá.
3. Active (ON) el botón SEND/RETURN.
 - Parpadea el botón SEND/RETURN.
4. Ajuste el volumen de RETURN con el mando RETURN (LEVEL).

Fuente	Posición		
	PRE INSERT	POST INSERT	AUX
MIC	INSERT		AUX
CH-1 — CH-6	PRE	POST	AUX
MASTER	INSERT		



FUNCIÓN DE ENLACE DIGITAL

Diagrama del sistema de enlace



Conexiones del enlace digital para el EFX-1000

Emplee un cable de enlace digital para conectar un generador de efectos para DJ PIONEER (EFX-1000) a los conectores EFX 1 ó 2 de esta unidad.

Este enlace proporciona una conexión digital de alta fidelidad y permite el empleo de las funciones de efectos del EFX-1000.

Las operaciones de después de la conexión son las mismas que para el "EMPLO DE GENERADORES DE EFECTOS EXTERNOS" (P. 94). Si se conectan simultáneamente los conectores SEND/RETURN (cable de clavija telefónica), la conexión de entrada/salida de entrada del EFX (a través del cable de enlace digital) obtiene automáticamente prioridad.

Para obtener más información sobre los ajustes, consulte el manual de instrucciones del EFX-1000.

Enlace de efectos de fundido (enlace de EFX)

Quando se han efectuado las conexiones arriba descritas, al mover el control deslizante de fundido de canales se producen los mismos efectos que cuando se opera el mando de lanzadera digital del EFX-1000.

- Ajuste en ON la interrupción de mando de lanzadera digital del EFX-1000.
- Emplee los selectores de canal SEND para seleccionar el canal que deba utilizarse para los efectos de fundido (pueden seleccionarse los canales [1]-[6]).
- Ajuste en ON los botones LINK del generador de efectos (EFX 1, 2).
 - Se encenderán los botones LINK del generador de efectos.

Nota: El volumen del sonido para el canal seleccionado pasará a ser el mismo que el que se ha ajustado con el fundido de canales máximo; como resultado, deberá efectuar su selección después de haber seleccionado el nivel de sonido producido cuando se ajusta el fundido de canales al máximo.
- Active (ON) el botón SEND/RETURN.
 - Parpadeará el botón SEND/RETURN.
- Opere el fundido para el canal seleccionado.
 - El medidor de interruptor de mando de lanzadera digital del EFX-1000 y el sonido cambiarán como respuesta a la posición del fundido de canales.
 - Cuando se cambia el ajuste del selector de canal SEND, se cancela el enlace de efectos de fundido, y se apaga el indicador del botón LINK del generador de efectos.

Conexiones de enlace digital para el reproductor de discos CD para DJ de enlace digital

Puede utilizarse un cable de enlace digital para conectar un reproductor de discos CD para DJ con enlace digital a los

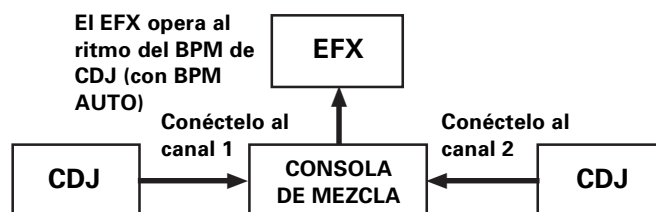
conectores SOUND 1, 2 de esta unidad.

Este enlace proporciona una conexión digital de alta fidelidad para mezcla sonidos del reproductor de discos CD para DJ.

La función de inicio con fundido también se habilita mediante este único enlace digital.

Enlace de BPM (enlace de sonido)

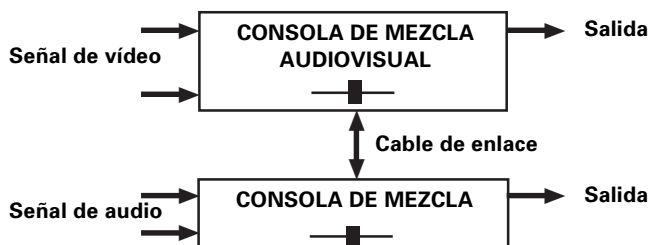
Cuando se emplea un cable de enlace digital para conectar un reproductor de CD para DJ compatible a los conectores SOUND 1 ó 2, y se conecta el generador de efectos para DJ EFX-1000 a través del cable de enlace digital a los conectores EFX 1 ó 2, los efectos podrá añadirse con un calor de BPM más preciso medido con el reproductor de CD para DJ.



Asigne el canal [1] ó [2] con el selector de canales SEND

Transformación visual (enlace visual)

Cuando se emplea un cable de enlace digital para conectar el conector VISUAL de la consola de mezcla para DJ a una consola de mezcla audiovisual compatible con el enlace digital (y con la función de enlace digital habilitada), el fundido cruzado de la consola de mezcla audiovisual podrá moverse automáticamente enlazado con el fundido cruzado de la consola de mezcla para DJ, permitiendo de este modo modificar al mismo tiempo el audio y el video.



Español

SOLUCIÓN DE PROBLEMAS

Las operaciones incorrectas suelen confundirse como averías y problemas de funcionamiento. Si usted cree que hay algo que no funciona bien en este componente, compruebe los puntos siguientes. A veces el problema reside en otro componente. Por lo tanto, compruebe también los otros aparatos eléctricos que esté utilizando.

Si el problema no puede solucionarse después de haber verificado los puntos siguientes, póngase en contacto con su distribuidor o con el centro de servicio técnico PIONEER que le quede más cerca.

Síntoma	Causa posible	Contramedida
No se conecta la alimentación.	<ul style="list-style-type: none"> No se ha enchufado el cable de la alimentación. 	<ul style="list-style-type: none"> Enchufe el cable a una toma de corriente.
El sonido es bajo o inaudible.	<ul style="list-style-type: none"> El selector de entrada está en una posición incorrecta. No se ha conectado correctamente el cable de conexión o se ha desconectado. El conector o la clavija están sucios. El ajuste del mando MASTER ATT. del panel posterior es demasiado bajo ([-12 dB], etc.). 	<ul style="list-style-type: none"> Seleccione el dispositivo que está actualmente en reproducción empleando el selector de entrada. Conéctelo correctamente. Límpielos y vuélvalos a conectar. Ajuste el mando MASTER ATT. del panel posterior.
El sonido sale distorsionado.	<ul style="list-style-type: none"> El nivel de salida principal es demasiado alto. El nivel de entrada es demasiado alto. 	<ul style="list-style-type: none"> Ajuste el mando MASTER ATT. del panel posterior. Ajuste el mando TRIM para que el nivel de entrada se acerque a 0 dB en los indicadores CHANNEL LEVEL.
No puede efectuarse el fundido cruzado.	<ul style="list-style-type: none"> El ajuste del interruptor CROSS FADER ASSIGN ([A], [THRU], [B]) es incorrecto. 	<ul style="list-style-type: none"> Ajuste el interruptor CROSS FADER ASSIGN del canal deseado para efectuar correctamente el fundido cruzado.
No puede iniciarse con fundido el reproductor de CD.	<ul style="list-style-type: none"> El interruptor de inicio con fundido está desactivado (OFF). No se ha conectado el conector de CONTROL del reproductor del panel posterior. 	<ul style="list-style-type: none"> Active (ON) el interruptor de inicio con fundido. Emplee el cable de control para conectar la unidad y el reproductor de CD.
El sonido del generador de efectos externo sale distorsionado.	<ul style="list-style-type: none"> El nivel de entrada del generador de efectos externo es demasiado alto. 	<ul style="list-style-type: none"> Reduzca el nivel de salida del generador de efectos externo, o ajuste el nivel de retorno con el mando RETURN (LEVEL).
El generador de efectos externo no funciona.	<ul style="list-style-type: none"> Se apaga el botón SEND/RETURN. El generador de efectos no está conectado al conector RETURN o conector EFX del panel posterior. El ajuste del selector de canales SEND es erróneo. 	<ul style="list-style-type: none"> Active (ON) el botón SEND/RETURN. Conecte el generador de efectos al conector SEND/RETURN o conectores EFX 1 o EFX 2 del panel posterior. Seleccione la fuente a la que desee aplicar los efectos con el selector de canales SEND.
La función de enlace no funciona.	<ul style="list-style-type: none"> No se ha conectado un dispositivo compatible con el enlace digital a los conectores de enlace digital (EFX 1, EFX 2, SOUND 1, SOUND 2, VISUAL) del panel posterior. 	<ul style="list-style-type: none"> Emplee un cable de enlace digital para conectar la DJM-1000 a un dispositivo que sea compatible.

La electricidad estática u otras interferencias externas pueden afectar negativamente el funcionamiento de la unidad. Para restablecer el funcionamiento normal, apague la alimentación y vuelva a encenderla.

Compruebe los elementos siguientes si la conexión del enlace no se establece correctamente:

Indicadores de precaución	Significado	Contramedida
Cada indicador de enlace parpadea dos veces.	Hay componentes que no son compatibles conectados a los conectores de entrada/salida de enlace.	Compruebe las conexiones de los conectores de entrada/salida de enlace.
Cada indicador de enlace parpadea tres veces.	Los conectores de enlace de una DJM-1000 se han conectado juntos, o los conectores de enlace de dos DJM-1000 se han conectado juntos.	Compruebe las conexiones.
Cada indicador de enlace parpadea cuatro veces.	Ha ocurrido un error de comunicaciones en los conectores de entrada/salida de enlace.	Compruebe las conexiones y los cables de conexión.

ESPECIFICACIONES

1. Especificaciones generales

Tensión de alimentación	220-240 V CA, 50/60 Hz
Consumo de energía	62 W
Temperatura de funcionamiento	+5 °C a +35°C
Humedad de funcionamiento	5% al 85% (sin condensación)
Peso	12,1 kg
Dimensiones externas	482 (An) x 363,5 (Prf) x 187,5 (Al) mm

2. Sección de audio

Frecuencia de muestreo	96 kHz
Convertidor A/D, D/A	24 bits
Respuesta en frecuencia	20 Hz a 20 kHz
Relación de señal/ruido (a escala completa)	
LINE	104 dB
PHONO	88 dB
MIC	84 dB
Distorsión (LINE-MASTER1)	0,005 %
Altura libre	19 dB
Nivel de entrada	
PHONO	-52 dBu (47 kΩ)
MIC, SUBMIC	-52 dBu (3 kΩ)
CD/LINE, LINE	-12 dBu (22 kΩ)
RETURN	-12 dBu (22 kΩ)
Nivel de salida	
MASTER1	+2 dBu (600 Ω)
MASTER2	+2 dBu (10 kΩ)
REC	-8 dBu (10 kΩ)
BOOTH	+2 dBu (600 Ω)
SEND	-12 dBu (10 kΩ)
PHONES	+8,5 dBu (32 Ω)
Diafonía (LINE)	88 dB
Canales	6
Ecuador de canales	
HI	-26 dB a +6 dB (13 kHz)
MID	-26 dB a +6 dB (1 kHz)
LOW	-26 dB a +6 dB (70 Hz)
Ecuador de micrófono	
HI	-6 dB a +6 dB (10 kHz)
LOW	-6 dB a +6 dB (100 Hz)
Ecuador del monitor de cabina	
HI	-6 dB a +6 dB (10 kHz)
LOW	-6 dB a +6 dB (100 Hz)

3. Conectores de entrada y salida

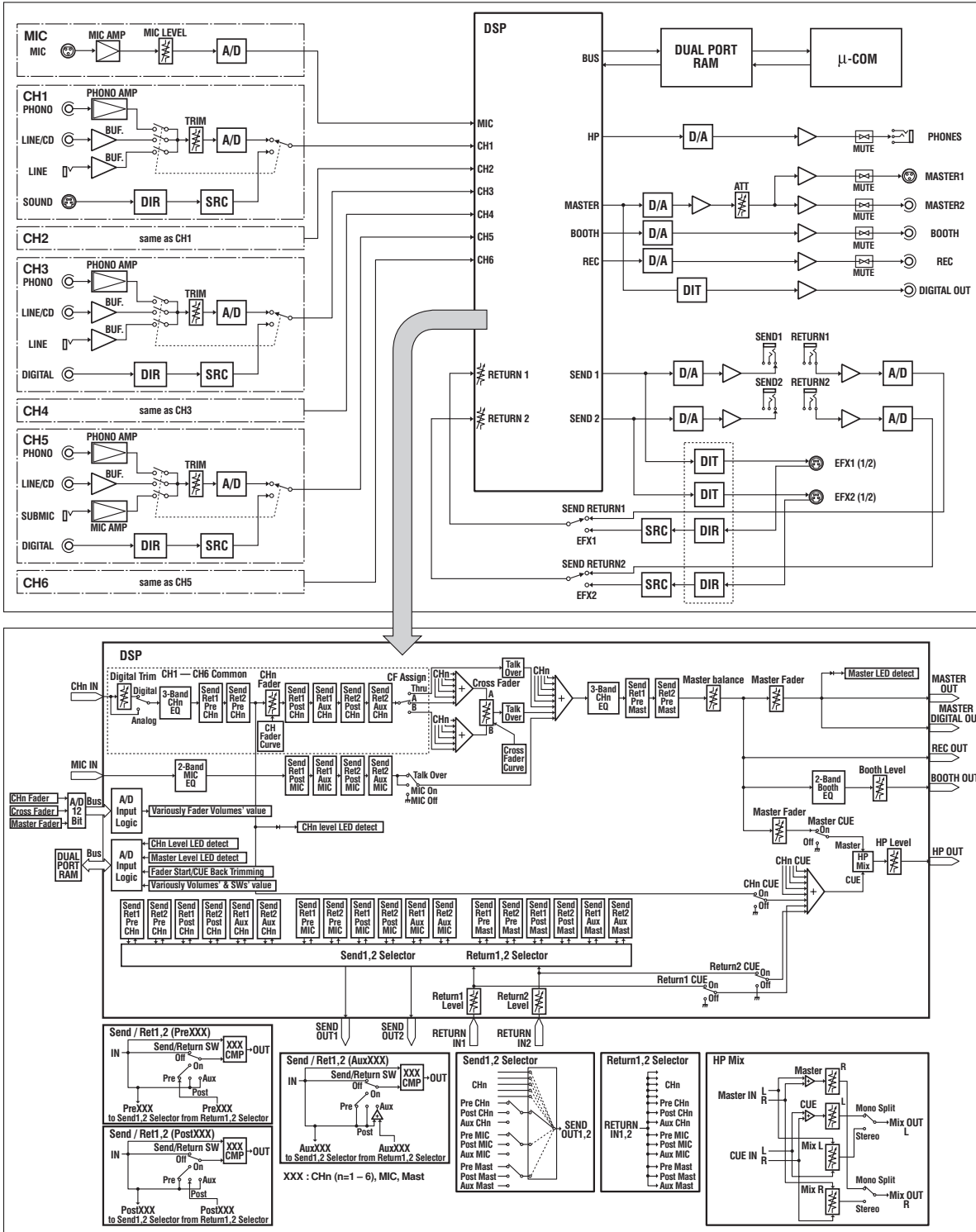
Conectores de entrada PHONO	
Toma de clavija RCA	6
Conectores de entrada CD/LINE, LINE	
Toma de clavija RCA	6
Toma telefónica (6,3 mm de diámetro)	4
Conectores de entrada MIC, SUBMIC	
Conector XLR/toma telefónica (6,3 mm de diámetro)	1
Toma telefónica (6,3 mm de diámetro)	2
Conectores de entrada coaxial DIGITAL	
Toma de clavija RCA	4
Conectores de entrada RETURN	
Toma telefónica (6,3 mm de diámetro)	2
Conectores de salida MASTER	
Conector XLR	1
Toma de clavija RCA	1
Conectores de salida BOOTH	
Toma de clavija RCA	1
Conectores de salida REC	
Toma de clavija RCA	1
Conectores de salida SEND	
Toma telefónica (6,3 mm de diámetro)	2
Conector de salida coaxial DIGITAL	
Toma de clavija RCA	1
Conectores de enlace digital (EFX 1, 2, SOUND 1, 2, VISUAL)	
Mini DIN	5
Conector MIDI OUT	
DIN de 5 patillas	1

4. Accesorios

Manual de instrucciones	1
Cable de alimentación	1

Con fines de mejora del producto, las especificaciones y el diseño están sujetos a cambios sin previo aviso.

BLOCK DIAGRAM / SCHÉMA DE CÂBLAGE / BLOCKSCHALTBIKD / DIAGRAMMA A BLOCCHI / BLOKSCHEMA / DIAGRAMA EN BLOQUES



Published by Pioneer Corporation.
Copyright © 2004 Pioneer Corporation.
All rights reserved.

PIONEER CORPORATION 4-1, Meguro 1-Chome, Meguro-ku, Tokyo 153-8654, Japan
PIONEER EUROPE NV MULTIMEDIA DIVISION Pioneer House Hollybush Hill, Stoke Poges, Slough SL2 4QP U.K. TEL: +44-1-753-789-789
PIONEER ELECTRONICS AUSTRALIA PTY. LTD. 178-184 Boundary Road, Braeside, Victoria 3195, Australia TEL: +61-3-9586-6300
PIONEER ELECTRONICS ASIACENTRE PTE. LTD. 253 Alexandra Road, #04-01, Singapore 159936 TEL: +65-6472-1111
PIONEER ELECTRONICS DE MEXICO S.A. DE C.V. Blvd.Manuel Avila Camacho 138 10 piso Col.Lomas de Chapultepec, Mexico, D.F. C.P. 11000 TEL: 52-55-9178-4270