

SANTO C 9 18 44-5i

User manual

Notice d'utilisation

Benutzerinformation

Istruzioni per l'uso

Fridge-Freezer

Réfrigérateur-
congélateur

Kühl-/Gefrierschrank

Frigorifero-Congelatore

Thank you for choosing one of our high-quality products.

To ensure optimal and regular performance of your appliance please read this instruction manual carefully. It will enable you to navigate all processes perfectly and most efficiently. To refer to this manual any time you need to, we recommend you to keep it in a safe place. And please pass it to any future owner of the appliance.

We wish you much joy with your new appliance.

Contents

Safety information	2	Positioning the door half shelf	8
Children and vulnerable people safety		Humidity control	9
General safety	3	Helpful hints and tips	9
Daily Use	4	Hints for energy saving	9
Care and cleaning	4	Hints for fresh food refrigeration	9
Installation	4	Hints for refrigeration	9
Service	5	Hints for freezing	9
		Hints for storage of frozen food	10
Control panel	5	Care and cleaning	10
Switching on	5	Periodic cleaning	10
Switching off	5	Defrosting of the refrigerator	11
Temperature regulation	5	Defrosting the freezer	11
Fast Freezing function	6	Periods of non-operation	12
First use	6	What to do if...	12
Cleaning the interior	6	Replacing the lamp	14
Daily use	6	Closing the door	14
Freezing fresh food	6	Technical data	14
Storage of frozen food	6	Installation	14
Freezing Calendar	7	Positioning	14
Thawing	7	Electrical connection	15
Ice-cube production	7	Ventilation requirements	15
Cold accumulators	7	Environmental concerns	15
Movable shelves	8		
Positioning the door shelves	8		

Subject to change without notice



Safety information

In the interest of your safety and to ensure the correct use, before installing and first using the appliance, read this user manual carefully, including its hints and warnings. To avoid unnecessary mistakes and accidents, it is important to ensure that all people using the appliance are thoroughly familiar with its operation and safety features. Save these instructions and make sure that they remain with the appliance if it is moved or sold, so that everyone using it through its life will be properly informed on appliance use and safety.

For the safety of life and property keep the precautions of these user's instructions as the manufacturer is not responsible for damages caused by omission.

Children and vulnerable people safety

- This appliance is not intended for use by persons (including children) with reduced physical, sensory or mental capabilities, or lack of experience and knowledge, unless they have been given supervision or instruction concerning use of the appliance by a person responsible for their safety.

Children should be supervised to ensure that they do not play with the appliance.

- Keep all packaging well away from children. There is risk of suffocation.
- If you are discarding the appliance pull the plug out of the socket, cut the connection cable (as close to the appliance as you can) and remove the door to prevent playing children to suffer electric shock or to close themselves into it.
- If this appliance featuring magnetic door seals is to replace an older appliance having a spring lock (latch) on the door or lid, be sure to make that spring lock unusable before you discard the old appliance. This will prevent it from becoming a death trap for a child.

General safety



CAUTION!

Keep ventilation openings clear of obstruction.

- The appliance is intended for keeping foodstuff and/or beverages in a normal household as explained in this instruction booklet.
- Do not use a mechanical device or any artificial means to speed up the thawing process.
- Do not use other electrical appliances (such as ice cream makers) inside of refrigerating appliances, unless they are approved for this purpose by the manufacturer.
- Do not damage the refrigerant circuit.
- The refrigerant isobutane (R600a) is contained within the refrigerant circuit of the appliance, a natural gas with a high level of environmental compatibility, which is nevertheless flammable.

During transportation and installation of the appliance, be certain that none of the components of the refrigerant circuit become damaged.

If the refrigerant circuit should become damaged:

- avoid open flames and sources of ignition
 - thoroughly ventilate the room in which the appliance is situated
- It is dangerous to alter the specifications or modify this product in any way. Any damage to the cord may cause a short-circuit, fire and/or electric shock.



WARNING!

Any electrical component (power cord, plug, compressor) must be replaced by a certified service agent or qualified service personnel.

1. Power cord must not be lengthened.
2. Make sure that the power plug is not squashed or damaged by the back of the appliance. A squashed or damaged power plug may overheat and cause a fire.
3. Make sure that you can come to the mains plug of the appliance.
4. Do not pull the mains cable.

5. If the power plug socket is loose, do not insert the power plug. There is a risk of electric shock or fire.
 6. You must not operate the appliance without the lamp cover¹⁾ of interior lighting.
- This appliance is heavy. Care should be taken when moving it.
 - Do not remove nor touch items from the freezer compartment if your hands are damp/wet, as this could cause skin abrasions or frost/freezer burns.
 - Avoid prolonged exposure of the appliance to direct sunlight.

Daily Use

- Do not put hot pot on the plastic parts in the appliance.
- Do not store flammable gas and liquid in the appliance, because they may explode.
- Do not place food products directly against the air outlet on the rear wall.²⁾
- Frozen food must not be re-frozen once it has been thawed out.
- Store pre-packed frozen food in accordance with the frozen food manufacturer's instructions.
- Appliance's manufacturers storage recommendations should be strictly adhered to. Refer to relevant instructions.
- Do not place carbonated or fizzy drinks in the freezer compartment as it creates pressure on the container, which may cause it to explode, resulting in damage to the appliance.
- Ice lollies can cause frost burns if consumed straight from the appliance.

Care and cleaning

- Before maintenance, switch off the appliance and disconnect the mains plug from the mains socket.
- Do not clean the appliance with metal objects.
- Do not use sharp objects to remove frost from the appliance. Use a plastic scraper.
- Regularly examine the drain in the refrigerator for defrosted water. If necessary, clean the drain. If the drain is blocked, water will collect in the bottom of the appliance.

Installation



For electrical connection carefully follow the instructions given in specific paragraphs.

- Unpack the appliance and check if there are damages on it. Do not connect the appliance if it is damaged. Report possible damages immediately to the place you bought it. In that case retain packing.
- It is advisable to wait at least four hours before connecting the appliance to allow the oil to flow back in the compressor.
- Adequate air circulation should be around the appliance, lacking this leads to overheating. To achieve sufficient ventilation follow the instructions relevant to installation.
- Wherever possible the back of the product should be against a wall to avoid touching or catching warm parts (compressor, condenser) to prevent possible burn.
- The appliance must not be located close to radiators or cookers.
- Make sure that the mains plug is accessible after the installation of the appliance.
- Connect to potable water supply only.³⁾

1) If the lamp cover is foreseen

2) If the appliance is Frost Free

3) If a water connection is foreseen

Service

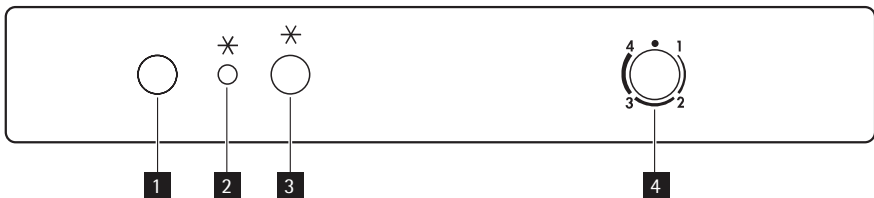
- Any electrical work required to do the servicing of the appliance should be carried out by a qualified electrician or competent person.
- This product must be serviced by an authorized Service Centre, and only genuine spare parts must be used.

Environment Protection



This appliance does not contain gasses which could damage the ozone layer, in either its refrigerant circuit or insulation materials. The appliance shall not be discarded together with the urban refuse and rubbish. The insulation foam contains flammable gases: the appliance shall be disposed according to the applicable regulations to obtain from your local authorities. Avoid damaging the cooling unit, especially at the rear near the heat exchanger. The materials used on this appliance marked by the symbol are recyclable.

Control panel



- 1 Pilot light
- 2 Fast Freezing light
- 3 Fast Freezing switch
- 4 Temperature regulator

Switching on

Insert the plug into the wall socket.

Turn the Temperature setting regulator clockwise to a medium setting.

The pilot light will light up.

Switching off

To turn off the appliance, turn the Temperature regulator to the "0" position.

The pilot light will switch off.

Temperature regulation

The temperature is automatically regulated.

To operate the appliance, proceed as follows:

- turn the Temperature regulator toward lower settings to obtain the minimum coldness.
- turn the Temperature regulator toward higher settings to obtain the maximum coldness.



A medium setting is generally the most suitable.

However, the exact setting should be chosen keeping in mind that the temperature inside the appliance depends on:

- room temperature
- how often the door is opened
- the quantity of food stored
- the location of the appliance.



If the ambient temperature is high or the appliance is fully loaded, and the appliance is set to the lowest temperatures, it may run continuously causing frost to form on the rear wall. In this case the dial must be set to a higher temperature to allow automatic defrosting and therefore reduced energy consumption.

Fast Freezing function

You can activate the Fast Freezing function by pressing the Fast Freezing switch.

The Fast Freezing light will light up.

It is possible to deactivate the function at any time by pressing Fast Freezing switch.

The Fast Freezing light will switch off.

First use

Cleaning the interior

Before using the appliance for the first time, wash the interior and all internal accessories with lukewarm water and some neutral soap so as to remove the typical smell of a brand-new product, then dry thoroughly.



Do not use detergents or abrasive powders, as these will damage the finish.

Daily use

Freezing fresh food

The freezer compartment is suitable for freezing fresh food and storing frozen and deep-frozen food for a long time.

To freeze fresh food activate the Fast Freezing function at least 24 hours before placing the food to be frozen in the freezer compartment.

Place the fresh food to be frozen in the top compartment.

The maximum amount of food that can be frozen in 24 hours is specified on the **rating plate**, a label located on the inside of the appliance.

The freezing process lasts 24 hours: during this period do not add other food to be frozen.

Storage of frozen food

When first starting-up or after a period out of use, before putting the products in the compartment let the appliance run at least 2 hours on the higher settings.

If large quantities of food are to be stored, remove all drawers and baskets from appliance and place food on cooling shelves to obtain the best performance.

**WARNING!**

Make sure that foods do not exceed the load limit stated on the side of the upper section (where applicable) ►



In the event of accidental defrosting, for example due to a power failure, if the power has been off for longer than the value shown in the technical characteristics chart under "rising time", the defrosted food must be consumed quickly or cooked immediately and then re-frozen (after cooling).

Freezing Calendar



The symbols show different types of frozen goods.

The numbers indicate storage times in months for the appropriate types of frozen goods. Whether the upper or lower value of the indicated storage time is valid depends on the quality of the foods and treating before freezing.

Thawing

Deep-frozen or frozen food, prior to being used, can be thawed in the refrigerator compartment or at room temperature, depending on the time available for this operation. Small pieces may even be cooked still frozen, directly from the freezer: in this case, cooking will take longer.

Ice-cube production

This appliance is equipped with one or more trays for the production of ice-cubes. Fill these trays with water, then put them in the freezer compartment.



Do not use metallic instruments to remove the trays from the freezer.

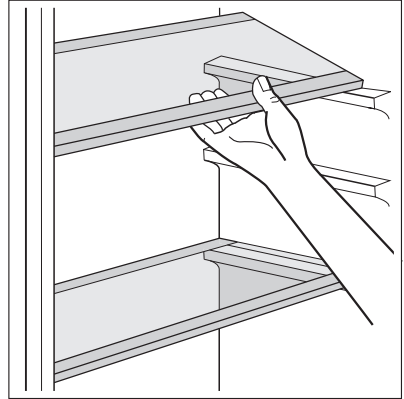
Cold accumulators

One or more cold accumulators are supplied in the freezer; these increase the length of time for which food will keep in the event of a power failure or breakdown.

Movable shelves

The walls of the refrigerator are equipped with a series of runners so that the shelves can be positioned as desired.

For better use of space, the front half-shelves can lie over the rear ones.



Positioning the door shelves

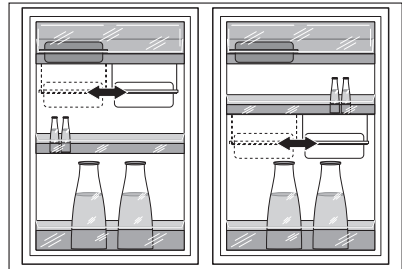
To permit storage of food packages of various sizes, the door shelves can be placed at different heights.

Positioning the door half shelf

The door half shelf can be placed at different heights.

To make these adjustments proceed as follow:

1. lift the shelf with the door half shelf upwards and out of the holders in the door
2. remove the retaining bracket out of the guide under the shelf
3. Reverse the above operation to insert the half shelf at a different height.

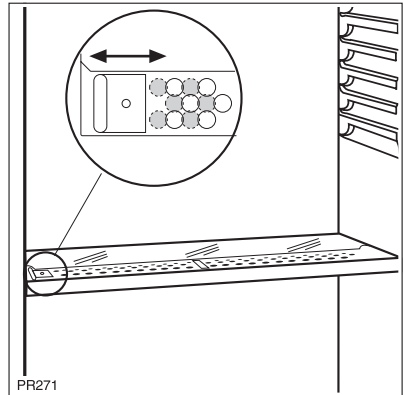


Humidity control

The glass shelf incorporates a device with slits (adjustable by means of a sliding lever), which makes it possible to regulate the temperature in the vegetable drawer(s).

When the ventilation slots are closed: the natural moisture content of the food in the fruit and vegetable compartments is preserved for longer.

When the ventilation slots are opened: more air circulation results in a lower air moisture content in the fruit and vegetable compartments.



Helpful hints and tips

Hints for energy saving

- Do not open the door frequently or leave it open longer than absolutely necessary.
- If the ambient temperature is high and the Temperature Regulator is set to low temperature and the appliance is fully loaded, the compressor may run continuously, causing frost or ice on the evaporator. If this happens, set the Temperature Regulator toward warmer settings to allow automatic defrosting and so a saving in electricity consumption.

Hints for fresh food refrigeration

To obtain the best performance:

- do not store warm food or evaporating liquids in the refrigerator
- do cover or wrap the food, particularly if it has a strong flavour
- position food so that air can circulate freely around it

Hints for refrigeration

Useful hints:

Meat (all types) : wrap in polythene bags and place on the glass shelf above the vegetable drawer.

For safety, store in this way only one or two days at the most.

Cooked foods, cold dishes, etc.: these should be covered and may be placed on any shelf.

Fruit and vegetables: these should be thoroughly cleaned and placed in the special drawer(s) provided.

Butter and cheese: these should be placed in special airtight containers or wrapped in aluminium foil or polythene bags to exclude as much air as possible.

Milk bottles: these should have a cap and should be stored in the bottle rack on the door.

Bananas, potatoes, onions and garlic, if not packed, must not be kept in the refrigerator.

Hints for freezing

To help you make the most of the freezing process, here are some important hints:

- the maximum quantity of food which can be frozen in 24 hrs. is shown on the rating plate;
- the freezing process takes 24 hours. No further food to be frozen should be added during this period;
- only freeze top quality, fresh and thoroughly cleaned, foodstuffs;
- prepare food in small portions to enable it to be rapidly and completely frozen and to make it possible subsequently to thaw only the quantity required;
- wrap up the food in aluminium foil or polythene and make sure that the packages are airtight;
- do not allow fresh, unfrozen food to touch food which is already frozen, thus avoiding a rise in temperature of the latter;
- lean foods store better and longer than fatty ones; salt reduces the storage life of food;
- water ices, if consumed immediately after removal from the freezer compartment, can possibly cause the skin to be freeze burnt;
- it is advisable to show the freezing in date on each individual pack to enable you to keep tab of the storage time.

Hints for storage of frozen food

To obtain the best performance from this appliance, you should:

- make sure that the commercially frozen foodstuffs were adequately stored by the retailer;
- be sure that frozen foodstuffs are transferred from the foodstore to the freezer in the shortest possible time;
- not open the door frequently or leave it open longer than absolutely necessary.
- Once defrosted, food deteriorates rapidly and cannot be refrozen.
- Do not exceed the storage period indicated by the food manufacturer.

Care and cleaning



CAUTION!

Unplug the appliance before carrying out any maintenance operation.



This appliance contains hydrocarbons in its cooling unit; maintenance and recharging must therefore only be carried out by authorized technicians.

Periodic cleaning

The equipment has to be cleaned regularly:

- clean the inside and accessories with lukewarm water and some neutral soap.
- regularly check the door seals and wipe clean to ensure they are clean and free from debris.
- rinse and dry thoroughly.



Do not pull, move or damage any pipes and/or cables inside the cabinet.

Never use detergents, abrasive powders, highly perfumed cleaning products or wax polishes to clean the interior as this will damage the surface and leave a strong odour.

Clean the condenser (black grill) and the compressor at the back of the appliance with a brush or a vacuum cleaner. This operation will improve the performance of the appliance and save electricity consumption.



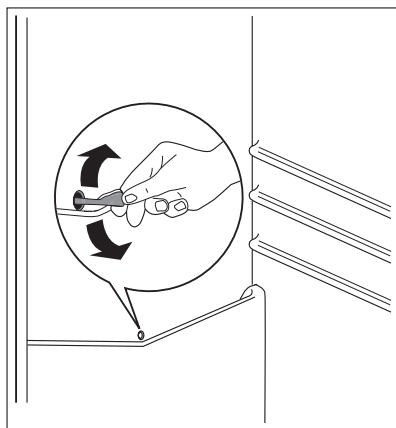
Take care of not to damage the cooling system.

Many proprietary kitchen surface cleaners contain chemicals that can attack/damage the plastics used in this appliance. For this reason it is recommended that the outer casing of this appliance is only cleaned with warm water with a little washing-up liquid added. After cleaning, reconnect the equipment to the mains supply.

Defrosting of the refrigerator

Frost is automatically eliminated from the evaporator of the refrigerator compartment every time the motor compressor stops, during normal use. The defrost water drains out through a trough into a special container at the back of the appliance, over the motor compressor, where it evaporates.

It is important to periodically clean the defrost water drain hole in the middle of the refrigerator compartment channel to prevent the water overflowing and dripping onto the food inside. Use the special cleaner provided, which you will find already inserted into the drain hole.



Defrosting the freezer

A certain amount of frost will always form on the freezer shelves and around the top compartment.

Defrost the freezer when the frost layer reaches a thickness of about 3-5 mm.



About 12 hours prior to defrosting, set the Temperature regulator toward higher settings, in order to build up sufficient chill reserve for the interruption in operation.

To remove the frost, follow the instructions below:

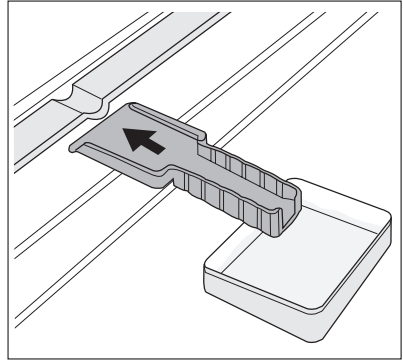
1. Switch off the appliance.
2. Remove any stored food, wrap it in several layers of newspaper and put it in a cool place.



CAUTION!

Do not touch frozen goods with wet hands. Hands can freeze to the goods.

3. Leave the door open and insert the plastic scraper in the appropriate seating at the bottom centre, placing a basin underneath to collect the defrost water



In order to speed up the defrosting process, place a pot of warm water in the freezer compartment. In addition, remove pieces of ice that break away before defrosting is complete.

4. When defrosting is completed, dry the interior thoroughly and keep the scraper for future use.
5. Switch on the appliance.
6. After two or three hours, reload the previously removed food into the compartment.



Never use sharp metal tools to scrape off frost from the evaporator as you could damage it.

Do not use a mechanical device or any artificial means to speed up the thawing process other than those recommended by the manufacturer.

A temperature rise of the frozen food packs, during defrosting, may shorten their safe storage life.

Periods of non-operation

When the appliance is not in use for long periods, take the following precautions:

- **disconnect the appliance from electricity supply**
- remove all food
- defrost ⁴⁾ and clean the appliance and all accessories
- leave the door/doors ajar to prevent unpleasant smells.

If the cabinet will be kept on, ask somebody to check it once in a while to prevent the food inside from spoiling in case of a power failure.

What to do if...



WARNING!

Before troubleshooting, disconnect the mains plug from the mains socket.

Only a qualified electrician or competent person must do the troubleshooting that is not in this manual.



There are some sounds during normal use (compressor, refrigerant circulation).

Problem	Possible cause	Solution
The appliance does not operate. The lamp does not operate.	The appliance is switched off.	Switch on the appliance.

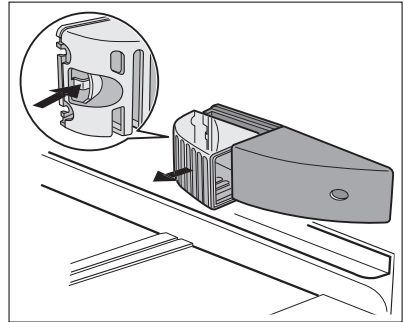
4) If foreseen.

Problem	Possible cause	Solution
	The mains plug is not connected to the mains socket correctly.	Connect the mains plug to the mains socket correctly.
	The appliance has no power. There is no voltage in the mains socket.	Connect a different electrical appliance to the mains socket. Contact a qualified electrician.
The lamp does not work.	The lamp is in stand-by.	Close and open the door.
	The lamp is defective.	Refer to "Replacing the lamp".
The compressor operates continually.	The temperature is not set correctly.	Set a higher temperature.
	The door is not closed correctly.	Refer to "Closing the door".
	The door has been opened too frequently.	Do not keep the door open longer than necessary.
	The product temperature is too high.	Let the product temperature decrease to room temperature before storage.
	The room temperature is too high.	Decrease the room temperature.
Water flows on the rear plate of the refrigerator.	During the automatic defrosting process, frost defrosts on the rear plate.	This is correct.
Water flows into the refrigerator.	The water outlet is clogged.	Clean the water outlet.
	Products prevent that water flows into the water collector.	Make sure that products do not touch the rear plate.
Water flows on the ground.	The melting water outlet does not flow in the evaporative tray above the compressor.	Attach the melting water outlet to the evaporative tray.
The temperature in the appliance is too low.	The temperature regulator is not set correctly.	Set a higher temperature.
The temperature in the appliance is too high.	The temperature regulator is not set correctly.	Set a lower temperature.
	The door is not closed correctly.	Refer to "Closing the door".
	The product temperature is too high.	Let the product temperature decrease to room temperature before storage.
	Many products are stored at the same time.	Store less products at the same time.
The temperature in the refrigerator is too high.	There is no cold air circulation in the appliance.	Make sure that there is cold air circulation in the appliance.
The temperature in the freezer is too high.	Products are too near to each other.	Store products so that there is cold air circulation.

Problem	Possible cause	Solution
There is too much frost.	Food is not wrapped correctly.	Wrap the food correctly.
	The door is not closed correctly.	Refer to "Closing the door".
	The temperature regulator is not set correctly.	Set a higher temperature.

Replacing the lamp

1. Switch off the appliance.
2. Press on the rear hook and at the same time slide the cover in the direction of the arrow.
3. Replace the lamp with one of the same power (the maximum power is shown on the lamp cover).
4. Install the lamp cover by sliding it into its original position.
5. Switch on the appliance.
6. Open the door. Make sure that the light comes on.



Closing the door

1. Clean the door gaskets.
2. If necessary, adjust the door. Refer to "Installation".
3. If necessary, replace the defective door gaskets. Contact the Service Center.

Technical data

Dimension of the recess		
	Height	1780 mm
	Width	560 mm
	Depth	550 mm
Rising Time		24 h

The technical information are situated in the rating plate on the internal left side of the appliance and in the energy label.

Installation

Positioning



WARNING!

If you are discarding an old appliance that has a lock or catch on the door, you must ensure that it is made unusable to prevent young children being trapped inside.



The appliance shall have the plug accessible after installation.

Install this appliance at a location where the ambient temperature corresponds to the climate class indicated on the rating plate of the appliance:

Climate class	Ambient temperature
SN	+10°C to + 32°C
N	+16°C to + 32°C
ST	+16°C to + 38°C
T	+16°C to + 43°C

Electrical connection

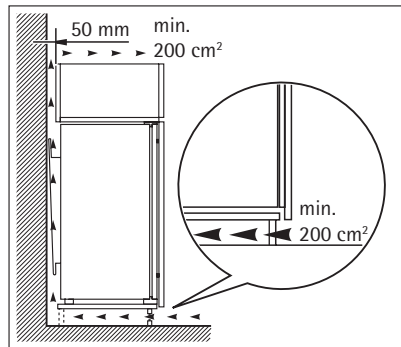
Before plugging in, ensure that the voltage and frequency shown on the rating plate correspond to your domestic power supply.

The appliance must be earthed. The power supply cable plug is provided with a contact for this purpose. If the domestic power supply socket is not earthed, connect the appliance to a separate earth in compliance with current regulations, consulting a qualified electrician. The manufacturer declines all responsibility if the above safety precautions are not observed.


This appliance complies with the E.E.C. Directives.

Ventilation requirements

The airflow behind the appliance must be sufficient.



Environmental concerns

The symbol  on the product or on its packaging indicates that this product may not be treated as household waste. Instead it should be taken to the appropriate collection point for the recycling of electrical and electronic equipment. By ensuring this product is disposed of correctly, you will help prevent potential negative consequences for the environment and human health, which could otherwise be caused by inappropriate waste handling of this product. For more detailed information about recycling of this product, please contact your local council, your household waste disposal service or the shop where you purchased the product.

Nous vous remercions d'avoir choisi l'un de nos produits de qualité.

Afin de garantir une performance optimale et constante de votre appareil, veuillez lire attentivement cette notice d'utilisation. Il vous permettra d'utiliser correctement et efficacement toutes les fonctions de l'appareil. Nous vous recommandons de conserver cette notice à proximité pour une utilisation rapide et optimale. Si l'appareil devait être vendu ou cédé à une autre personne, assurez-vous que la notice d'utilisation l'accompagne.

Nous vous souhaitons beaucoup de plaisir avec votre nouvel appareil.

Sommaire

Consignes de sécurité	16	Contrôle de l'humidité	23
Sécurité des enfants et des personnes vulnérables	17	Conseils utiles	23
Sécurité générale	17	Conseils pour l'économie d'énergie	23
Utilisation quotidienne	18	Conseils pour la réfrigération de denrées fraîches	23
Entretien et nettoyage	18	Conseils pour la réfrigération	24
Installation	18	Conseils pour la congélation	24
Maintenance	19	Conseils pour la conservation des produits surgelés et congelés du commerce	24
Bandeau de commande	19	Entretien et nettoyage	25
Mise en fonctionnement	20	Nettoyage périodique	25
Mise à l'arrêt	20	Dégivrage du réfrigérateur	25
Réglage de la température	20	Dégivrage du congélateur	26
Fonction Congélation rapide	20	En cas d'absence prolongée ou de non-utilisation	27
Première utilisation	20	En cas d'anomalie de fonctionnement	27
Nettoyage intérieur	20	Remplacement de l'ampoule	29
Utilisation quotidienne	21	Fermeture de la porte	29
Congélation de denrées fraîches	21	Caractéristiques techniques	29
Conservation des aliments congelés	21	Installation	30
Guide de congélation	21	Emplacement	30
La décongélation	22	Branchement électrique	30
Fabrication de glaçons	22	Ventilation	30
Accumulateurs de froid	22	En matière de sauvegarde de l'environnement	31
Clayettes amovibles	22		
Emplacement des balconnets de la porte	22		
Emplacement du demi-balconnet	22		

Sous réserve de modifications



Consignes de sécurité

Pour votre sécurité et garantir une utilisation correcte de l'appareil, lisez attentivement cette notice, y compris les conseils et avertissements, avant d'installer et d'utiliser l'appareil pour la première fois. Pour éviter toute erreur ou accident, veuillez à ce que toute personne

qui utilise l'appareil connaisse bien son fonctionnement et ses fonctions de sécurité. Conservez cette notice avec l'appareil. Si l'appareil doit être vendu ou cédé à une autre personne, veillez à remettre cette notice au nouveau propriétaire, afin qu'il puisse se familiariser avec son fonctionnement et sa sécurité.

Pour la sécurité des personnes et des biens, conservez et respectez les consignes de sécurité figurant dans cette notice. Le fabricant décline toute responsabilité en cas de dommages dus au non-respect de ces instructions.

Sécurité des enfants et des personnes vulnérables

- Cet appareil n'est pas destiné à être utilisé par des enfants ou des personnes dont les capacités physiques, sensorielles ou mentales, ou le manque d'expérience et de connaissance les empêchent d'utiliser l'appareil sans risque lorsqu'ils sont sans surveillance ou en l'absence d'instruction d'une personne responsable qui puisse leur assurer une utilisation de l'appareil sans danger.

Empêchez les enfants de jouer avec l'appareil.

- Ne laissez pas les différents emballages à portée des enfants. Ils pourraient s'asphyxier.
- Si l'appareil doit être mis au rebut, veillez à couper le câble d'alimentation électrique au ras de l'appareil pour éviter les risques d'électrocution. Démontez la porte pour éviter que des enfants ne restent enfermés à l'intérieur.
- Cet appareil est muni de fermetures magnétiques. S'il remplace un appareil équipé d'une fermeture à ressort, nous vous conseillons de rendre celle-ci inutilisable avant de vous en débarrasser. Ceci afin d'éviter aux enfants de s'enfermer dans l'appareil et de mettre ainsi leur vie en danger.

Sécurité générale



ATTENTION

Veillez à ce que les orifices de ventilation ne soient pas obstrués.

- Cet appareil est destiné uniquement à la conservation d'aliments et/ou de boissons dans le cadre d'un usage domestique normal, tel que celui décrit dans la présente notice.
- N'utilisez pas de dispositifs mécaniques ou autres moyens artificiels pour accélérer le dégivrage de l'appareil.
- N'utilisez pas d'autres appareils électriques (par exemple, sorbetières) à l'intérieur d'appareils réfrigérants sauf s'ils sont homologués pour cet usage par leur fabricant.
- N'endommagez pas le circuit de refroidissement.
- Le circuit de refroidissement de l'appareil contient de l'isobutane (R600a), un gaz naturel offrant un haut niveau de compatibilité avec l'environnement mais qui est néanmoins inflammable.

Pendant le transport et l'installation de l'appareil, assurez-vous qu'aucune pièce du circuit de refroidissement n'est endommagée.

Si tel est le cas :

- évitez les flammes vives et les sources d'ignition
- aérez soigneusement la pièce où se trouve l'appareil
- Il est dangereux de modifier les caractéristiques de l'appareil ou l'appareil. Un cordon d'alimentation endommagé peut être la cause de courts-circuits, d'incendies et/ou de décharges électriques.



AVERTISSEMENT

Les composants électriques (cordon d'alimentation, prise, compresseur) doivent être remplacés par un technicien d'entretien agréé ou par un électricien spécialisé.

1. Ne branchez pas le cordon d'alimentation à une rallonge.
 2. Assurez-vous que la prise n'est pas écrasée ou endommagée par l'arrière de l'appareil. Une prise de courant endommagée peut s'échauffer et provoquer un incendie.
 3. Assurez-vous de pouvoir accéder à la prise secteur de l'appareil.
 4. Ne tirez pas sur le cordon d'alimentation.
 5. Si la fiche du cordon d'alimentation est desserrée, ne la branchez pas sur la prise murale. Risque d'électrocution ou d'incendie.
 6. N'utilisez pas l'appareil si le diffuseur de l'ampoule d'éclairage n'est pas présent ⁵⁾ pour l'éclairage intérieur.
- Cet appareil est lourd. Faites attention lors de son déplacement.
 - Ne touchez pas les produits congelés sortant du congélateur avec les mains humides car ceci peut provoquer des abrasions ou des brûlures cutanées.
 - Évitez les expositions prolongées de l'appareil aux rayons solaires.

Utilisation quotidienne

- Ne posez pas d'éléments chauds sur les parties en plastique de l'appareil.
- Ne stockez pas de gaz ou de liquides inflammables dans l'appareil (risque d'explosion).
- Ne placez pas d'aliments directement contre la sortie d'air sur la paroi arrière de l'appareil. ⁶⁾
- Un produit décongelé ne doit jamais être recongelé.
- Conservez les aliments emballés conformément aux instructions de leur fabricant.
- Respectez scrupuleusement les conseils de conservation donnés par le fabricant de l'appareil. Consultez les instructions respectives.
- Ne mettez pas de bouteilles ni de boîtes de boissons gazeuses dans le compartiment congélateur, car la pression se formant à l'intérieur du contenant pourrait le faire éclater et endommager ainsi l'appareil.
- Ne consommez pas certains produits tels que les bâtonnets glacés dès leur sortie de l'appareil, car ils peuvent provoquer des brûlures.

Entretien et nettoyage

- Avant toute opération d'entretien, mettez l'appareil hors tension et débranchez-le de la prise de courant.
- N'utilisez pas d'objets métalliques pour nettoyer l'appareil.
- N'utilisez pas d'objet tranchant pour gratter la couche de givre. Utilisez une spatule en plastique.
- Contrôlez régulièrement l'orifice d'évacuation de l'eau de dégivrage dans le compartiment réfrigérateur. Nettoyez-le, si besoin. Si l'orifice est bouché, l'eau s'écoulera en bas de l'appareil.

Installation



Avant de procéder au branchement électrique, respectez scrupuleusement les instructions fournies dans cette notice.

5) Si le diffuseur est prévu

6) Si l'appareil est sans givre

- Déballiez l'appareil et vérifiez qu'il n'est pas endommagé. Ne branchez pas l'appareil s'il est endommagé. Signalez immédiatement au revendeur de l'appareil les dommages constatés. Dans ce cas, gardez l'emballage.
- Il est conseillé d'attendre au moins quatre heures avant de brancher l'appareil pour que le circuit frigorifique soit stabilisé.
- Veillez à ce que l'air circule librement autour de l'appareil pour éviter qu'il ne surchauffe. Pour assurer une ventilation suffisante, respectez les instructions de la notice (chapitre Installation).
- Placez l'appareil dos au mur pour éviter tout contact avec le compresseur et le condenseur (risque de brûlure).
- Placez de préférence votre appareil loin d'une source de chaleur (chauffage, cuisson ou rayons solaires trop intenses).
- Assurez-vous que la prise murale reste accessible après l'installation de l'appareil.
- Branchez à l'alimentation en eau potable uniquement. ⁷⁾

Maintenance

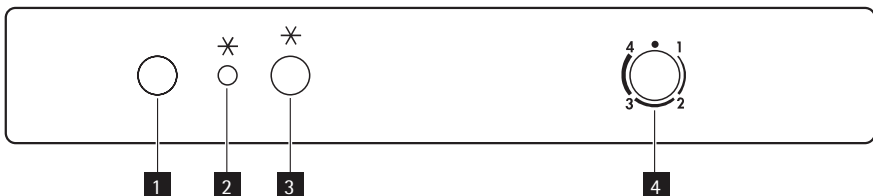
- Les branchements électriques nécessaires à l'entretien de l'appareil doivent être réalisés par un électricien qualifié ou une personne compétente.
- Cet appareil ne doit être entretenu et réparé que par un Service après-vente autorisé, exclusivement avec des pièces d'origine.

Protection de l'environnement



Le système frigorifique et l'isolation de votre appareil ne contiennent pas de C.F.C. contribuant ainsi à préserver l'environnement. L'appareil ne doit pas être mis au rebut avec les ordures ménagères et les déchets urbains. La mousse d'isolation contient des gaz inflammables : l'appareil sera mis au rebut conformément aux règlements applicables disponibles auprès des autorités locales. Veillez à ne pas détériorer les circuits frigorifiques, notamment au niveau du condenseur. Les matériaux utilisés dans cet appareil identifiés par le symbole ♻️ sont recyclables.

Bandeau de commande



- 1 Voyant
- 2 Voyant de congélation rapide
- 3 Touche de congélation rapide
- 4 Dispositif de réglage de température

7) Si un branchement sur le réseau d'eau est prévu

Mise en fonctionnement

Branchez l'appareil à une prise murale.

Tournez le bouton du thermostat dans le sens horaire sur une position moyenne.

Le voyant s'allume.

Mise à l'arrêt

Pour mettre l'appareil à l'arrêt, tournez le bouton du thermostat sur la position "0".

Le voyant s'éteint.

Réglage de la température

La température est réglée automatiquement.

Pour utiliser l'appareil, procédez comme suit :

- tournez le bouton du thermostat vers les valeurs basses pour obtenir un réglage de froid minimum.
- tournez le bouton du thermostat vers les valeurs élevées pour obtenir un réglage de froid maximum.



Le réglage sur une valeur moyenne est le plus indiqué.

Toutefois, le réglage doit être choisi en tenant compte du fait que la température à l'intérieur de l'appareil dépend de plusieurs facteurs :

- la température ambiante
- la fréquence d'ouverture de la porte
- la quantité de denrées stockées
- l'emplacement de l'appareil.



Si le thermostat est réglé sur la position de froid maximum, lorsque la température ambiante est élevée ou lorsque l'appareil est plein, il est possible que le compresseur fonctionne en régime continu. Dans ce cas, il y a un risque de formation excessive de givre sur la paroi postérieure, à l'intérieur de l'appareil. Pour éviter ce phénomène, placez le thermostat sur une température plus élevée de façon à permettre un dégivrage automatique et, par conséquent, des économies de courant.

Fonction Congélation rapide

Pour activer la fonction Congélation rapide, appuyez sur la touche Congélation rapide.

Le voyant correspondant s'allume.

Il est possible de désactiver cette fonction à n'importe quel moment en appuyant sur la touche Congélation rapide.

Le voyant de congélation rapide s'éteint.

Première utilisation

Nettoyage intérieur

Avant d'utiliser l'appareil pour la première fois, nettoyez l'intérieur et tous les accessoires internes avec de l'eau tiède savonneuse pour supprimer l'odeur caractéristique du "neuf" puis séchez soigneusement.



N'utilisez pas de produits abrasifs, poudre à récurer, éponge métallique pour ne pas abîmer la finition.

Utilisation quotidienne

Congélation de denrées fraîches

Votre appareil porte le sigle normalisé 4 étoiles c'est à dire qu'il vous permet de congeler vous même des denrées fraîches et des plats cuisinés, et de conserver des aliments surgelés ou congelés.

Pour congeler des aliments frais, activez la fonction Congélation Rapide au moins 24 heures avant de placer les denrées à congeler dans le compartiment congélateur.

Placez les denrées fraîches à congeler dans le compartiment supérieur.

Respectez le pouvoir de congélation de votre appareil (c'est à dire la quantité maximale de denrées fraîches que vous pouvez congeler par 24 heures) qui figure sur la **plaque signalétique** située à l'intérieur de l'appareil.

Le temps de congélation est de 24 heures : vous ne devez ajouter aucune autre denrée à congeler au cours de cette période.

Conservation des aliments congelés

À la mise en service ou après un arrêt prolongé, placez le thermostat sur la position Max pendant 2 heures environ, avant d'introduire les produits dans le compartiment congélateur.

Si vous devez stocker une grande quantité d'aliments, vous avez la possibilité de retirer tous les tiroirs et de placer directement les aliments sur les clayettes refroidissantes pour obtenir les meilleures performances possibles.



AVERTISSEMENT

Assurez-vous que la quantité d'aliments ne dépasse pas la charge limite indiquée sur le côté de la section supérieure (le cas échéant) 



En cas de dégivrage accidentel, dû par exemple à une panne de courant, si la panne doit se prolonger plus de temps qu'il n'est prévu sous "augmentation du temps", dans les caractéristiques techniques, consommez les aliments décongelés le plus rapidement possible ou recongelez-les après les avoir cuits (une fois refroidis).

Guide de congélation



Les symboles indiquent différents types d'aliments congelés.

Les numéros indiquent les temps de conservation en mois correspondant aux différents types d'aliments congelés. La validité du temps de stockage maximum ou minimum indiqué dépend de la qualité des aliments et de leur traitement avant la congélation.

La décongélation

Les aliments surgelés ou congelés peuvent être décongelés dans le compartiment réfrigérateur ou à température ambiante, avant d'être utilisés, en fonction du temps disponible pour cette opération.

Les petites pièces peuvent même être cuites sans décongélation préalable : dans ce cas, la cuisson est plus longue.

Fabrication de glaçons

Cet appareil est équipé d'un ou de plusieurs bacs à glaçons. Remplissez d'eau ces bacs et mettez-les dans le compartiment congélateur.



N'utilisez pas d'instruments métalliques pour décoller les bacs du congélateur.

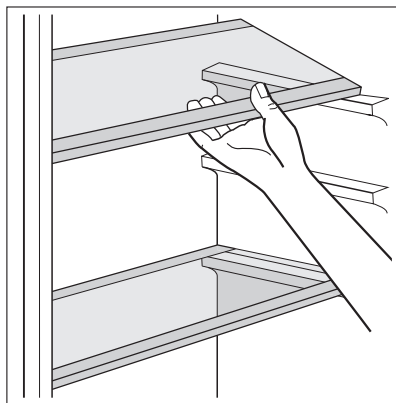
Accumulateurs de froid

Le compartiment congélateur est équipé d'un ou plusieurs accumulateurs ; il(s) vous permette(nt) d'augmenter l'autonomie de fonctionnement de l'appareil en cas de coupure de courant, de transporter des produits congelés ou surgelés, de maintenir le froid dans les produits surgelés ou congelés durant la période de dégivrage.

Clayettes amovibles

Les parois du réfrigérateur sont équipées d'une série de glissières pour que les clayettes puissent être placées en fonction des besoins.

Pour exploiter au mieux l'espace, vous pouvez placer les demi-clayettes avant au dessus des clayettes arrière.



Emplacement des balconnets de la porte

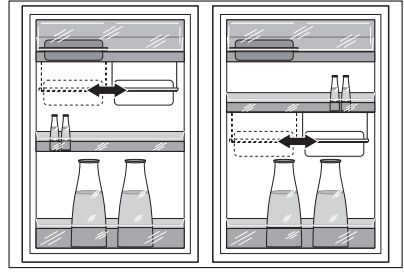
En fonction de la taille des paquets d'aliments conservés, les balconnets de la porte peuvent être positionnés à différentes hauteurs.

Emplacement du demi-balconnet

Le demi-balconnet peut être positionné à différentes hauteurs.

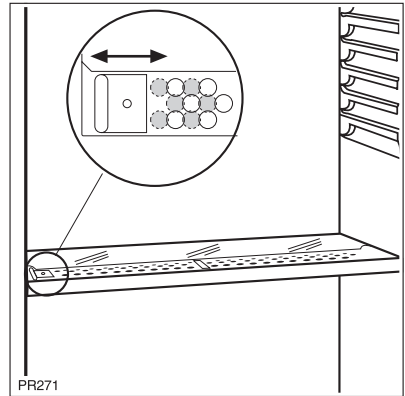
Pour l'ajuster, procédez comme suit :

1. soulevez l'ensemble balconnet et demi-balconnet pour l'extraire des supports de la porte
2. retirez la patte de fixation de la glissière située sous le balconnet
3. Pour glisser le demi-balconnet à une hauteur différente, suivez cette même procédure mais dans l'ordre inverse.



Contrôle de l'humidité

La clayette inférieure en verre est équipée d'un dispositif muni de fentes dont les ouvertures sont réglables à l'aide d'un levier coulissant. Le rôle de ce filtre est de retarder la déshydratation des fruits et légumes dans le bac à légumes, ce qui permet d'augmenter considérablement leur conservation. Lorsque les fentes sont fermées : le taux d'humidité est plus élevé. Lorsque les fentes sont ouvertes : le taux d'humidité est plus bas.



Conseils utiles

Conseils pour l'économie d'énergie

- N'ouvrez pas la porte trop souvent ou plus longtemps que nécessaire.
- Si la température ambiante est élevée, le dispositif de réglage de température est sur la position de froid maximum et l'appareil est plein : il est possible que le compresseur fonctionne en régime continu, d'où un risque de formation excessive de givre sur l'évaporateur. Pour éviter ceci, modifiez la position du dispositif de réglage de température de façon à obtenir des périodes d'arrêt du compresseur et ainsi permettre un dégivrage automatique, d'où des économies d'énergie.

Conseils pour la réfrigération de denrées fraîches

Pour obtenir les meilleures performances possibles :

- n'introduisez pas d'aliments encore chauds ou de liquides en évaporation dans le réfrigérateur
- couvrez ou enveloppez soigneusement les aliments, surtout s'ils sont aromatiques
- placez les aliments pour que l'air puisse circuler librement autour

Conseils pour la réfrigération

Conseils utiles :

Viande (tous les types) : enveloppez-la dans des sachets en plastique et placez-la sur la tablette en verre au-dessus du bac à légumes.

La période de conservation est de 1 à 2 jours au maximum.

Aliments cuits, plats froids, etc. : placez-les bien couverts sur une clayette.

Fruits et légumes : placez-les une fois nettoyés dans le(s) bac(s) à légumes fourni(s).

Beurre et fromage : placez-les dans des récipients étanches spéciaux ou enveloppez-les soigneusement dans des feuilles d'aluminium ou de polyéthylène, pour emmagasiner le moins d'air possible.

Lait en bouteille : bouchez-le et placez-le dans le balconnet de la contreporte réservé aux bouteilles.

Bananes, pommes de terre, oignons et ail ne se conservent pas au réfrigérateur, s'ils ne sont pas correctement emballés.

Conseils pour la congélation

Pour obtenir les meilleurs résultats, voici quelques conseils importants :

- la quantité maximale de denrées que vous pouvez congeler par 24 heures est indiquée sur la plaque signalétique.
- le temps de congélation est de 24 heures. Aucune autre denrée à congeler ne doit être ajoutée pendant cette période.
- congelez seulement les denrées alimentaires fraîches, de qualité supérieure (une fois nettoyées).
- préparez la nourriture en petits paquets pour une congélation rapide et uniforme, adaptés à l'importance de la consommation.
- enveloppez les aliments dans des feuilles d'aluminium ou de polyéthylène et assurez-vous que les emballages sont étanches ;
- ne laissez pas des aliments frais, non congelés, toucher des aliments déjà congelés pour éviter une remontée en température de ces derniers.
- les aliments maigres se conservent mieux et plus longtemps que les aliments gras ; le sel réduit la durée de conservation des aliments
- la température très basse à laquelle se trouvent les bâtonnets glacés, s'ils sont consommés dès leur sortie du compartiment congélateur, peut provoquer des brûlures.
- L'identification des emballages est importante : indiquez la date de congélation du produit, et respectez la durée de conservation indiquée par le fabricant.

Conseils pour la conservation des produits surgelés et congelés du commerce

Pour une bonne conservation des produits surgelés et congelés, vous devez :

- vous assurer qu'ils ont bien été conservés au magasin ;
- prévoir un temps réduit au minimum pour leur transport du magasin d'alimentation à votre domicile ;
- éviter d'ouvrir trop souvent la porte du congélateur et ne la laisser ouverte que le temps nécessaire.
- une fois décongelés, les aliments se détériorent rapidement et ne peuvent pas être re-congelés.
- respecter la durée de conservation indiquée par le fabricant.

Entretien et nettoyage



ATTENTION

débrancher l'appareil avant toute opération d'entretien.



Cet appareil contient des hydrocarbures dans son circuit réfrigérant : l'entretien et la recharge ne doivent donc être effectués que par du personnel autorisé.

Nettoyage périodique

Cet appareil doit être nettoyé régulièrement :

- nettoyez l'intérieur et tous les accessoires avec de l'eau tiède savonneuse.
- vérifiez régulièrement les joints de porte et nettoyez-les en les essuyant pour éviter toute accumulation de déchets.
- rincez et séchez soigneusement.



Ne pas tirer, déplacer ou endommager les tuyaux et/ou câbles qui se trouvent à l'intérieur de l'appareil.

Ne JAMAIS utiliser de produits abrasifs ou caustiques ni d'éponges avec grattoir pour nettoyer l'intérieur de façon à ne pas l'abîmer et laisser de fortes odeurs.

Nettoyer le condenseur (grille noire) et le compresseur situés à l'arrière de l'appareil avec une brosse ou un aspirateur. Cette opération améliore les performances de l'appareil et permet des économies d'énergie.



Attention à ne pas endommager le système de réfrigération.

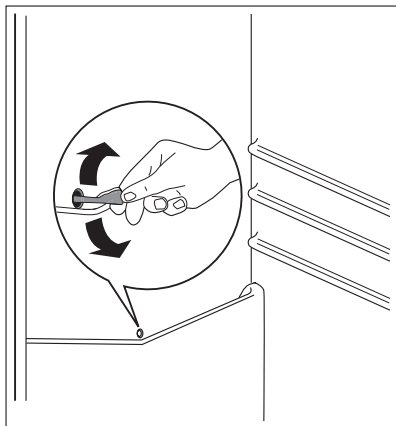
De nombreux détergents pour la cuisine recommandés par les fabricants contiennent des produits chimiques qui peuvent attaquer/endommager les pièces en plastique utilisées dans cet appareil. Il est par conséquent recommandé d'utiliser seulement de l'eau chaude additionnée d'un peu de savon liquide pour nettoyer la carrosserie de l'appareil.

Après le nettoyage, rebranchez l'appareil.

Dégivrage du réfrigérateur

Le givre est automatiquement éliminé de l'évaporateur du compartiment réfrigérateur à chaque arrêt du compresseur, en cours d'utilisation normale. L'eau de dégivrage est collectée dans un récipient spécial situé à l'arrière de l'appareil, au-dessus du compresseur, d'où elle s'évapore.

Il est important de nettoyer régulièrement l'orifice d'écoulement de la gouttière d'évacuation de l'eau de dégivrage située au milieu du compartiment réfrigérateur pour empêcher l'eau de déborder et de couler sur les aliments qui se trouvent à l'intérieur. Nettoyez l'orifice d'écoulement de l'eau de dégivrage avec le bâtonnet spécial se trouvant déjà dans l'orifice.



Dégivrage du congélateur

Une certaine quantité de givre se forme toujours sur les clayettes du congélateur et autour du compartiment supérieur.

Dégivrez le congélateur lorsque l'épaisseur de la couche de givre est d'environ 3-5 mm.



Environ 12 heures avant d'effectuer le dégivrage, réglez le bouton du thermostat vers le haut, de manière à assurer une réserve de froid pendant l'interruption du fonctionnement.

Pour enlever le givre, suivez les instructions ci-dessous :

1. Mettez l'appareil à l'arrêt.
2. Sortez les denrées congelées, enveloppez celles-ci dans plusieurs feuilles de papier journal et conservez-les dans un endroit frais.



ATTENTION

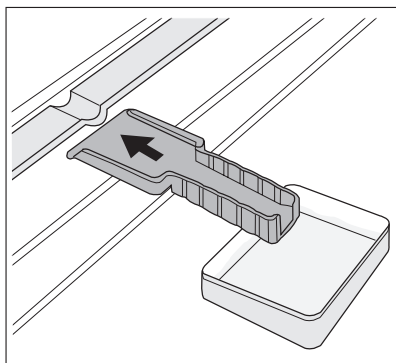
Ne touchez pas d'aliments surgelés avec des mains mouillées. Vos mains risqueraient de rester collées.

3. Laissez la porte entrouverte et glissez la spatule en plastique dans le logement prévu, en bas de l'appareil ; placez dessous un récipient pour recevoir l'eau de dégivrage.



Pour accélérer le dégivrage, placez un récipient d'eau chaude dans le compartiment congélateur. De plus, retirez les morceaux de givre qui se détachent en se cassant avant la fin du dégivrage.

4. Le dégivrage terminé, épongez et séchez bien l'intérieur du congélateur et conservez la spatule pour une prochaine utilisation.
5. Mettez l'appareil en marche.
6. Deux ou trois heures plus tard, remplacez les produits surgelés ou congelés dans le compartiment.





N'utilisez jamais de couteau ou d'objet métallique pour gratter la couche de givre, vous risquez de détériorer irrémédiablement l'évaporateur.
N'utilisez aucun autre dispositif mécanique ou moyen artificiel que ceux qui sont recommandés par le fabricant pour accélérer le dégivrage de votre appareil.
Une élévation de la température des denrées congelées, pendant la décongélation, peut réduire leur durée de conservation.

En cas d'absence prolongée ou de non-utilisation

Prenez les précautions suivantes :

- **débranchez l'appareil**
- retirez tous les aliments
- dégivrez ⁸⁾et nettoyez l'appareil et tous les accessoires
- laissez la porte/les portes entrouverte(s) pour prévenir la formation d'odeurs désagréables.

Si, toutefois, vous n'avez pas la possibilité de débrancher et vider l'appareil, faites vérifier régulièrement son bon fonctionnement pour éviter la détérioration des aliments en cas de panne de courant.

En cas d'anomalie de fonctionnement



AVERTISSEMENT

Avant de résoudre les problèmes, débranchez l'appareil.
La résolution des problèmes, non mentionnés dans le présent manuel, doit être exclusivement confiée à un électricien qualifié ou une personne compétente.



Certains bruits pendant le fonctionnement (compresseur, système réfrigérant) sont normaux.

Anomalie	Cause possible	Remède
L'appareil ne fonctionne pas. L'ampoule ne fonctionne pas.	L'appareil est à l'arrêt.	Mettez l'appareil en fonctionnement.
	La fiche n'est pas correctement branchée sur la prise de courant.	Branchez correctement la fiche sur la prise de courant.
L'ampoule ne fonctionne pas.	Le courant n'arrive pas à l'appareil. La prise de courant n'est pas alimentée.	Branchez un autre appareil électrique sur la prise de courant. Faites appel à un électricien qualifié.
	L'ampoule est en mode veille.	Ouvrez et fermez la porte.
Le compresseur fonctionne en permanence.	L'ampoule est défectueuse.	Consultez le paragraphe "Remplacement de l'ampoule".
	La température n'est pas correctement réglée.	Sélectionnez une température plus élevée.

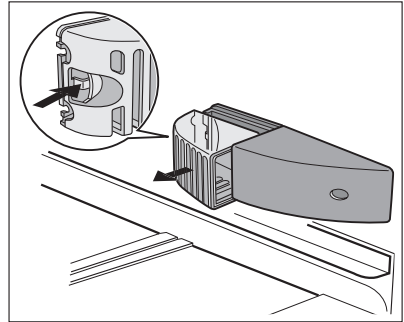
8) si cela est prévu.

Anomalie	Cause possible	Remède
	La porte n'est pas correctement fermée.	Consultez le paragraphe " Fermeture de la porte " .
	La porte a été ouverte trop souvent.	Ne laissez pas la porte ouverte plus longtemps que nécessaire.
	La température du produit est trop élevée.	Laissez le produit revenir à température ambiante avant de le ranger dans l'appareil.
	La température ambiante est trop élevée.	Réduisez la température ambiante.
De l'eau s'écoule sur la plaque arrière du compartiment réfrigérateur.	Pendant le dégivrage automatique, le givre fond sur la plaque arrière.	Ce phénomène est normal.
De l'eau s'écoule dans le compartiment réfrigérateur.	La gouttière d'évacuation de l'eau de dégivrage est obstruée.	Nettoyez la gouttière d'évacuation.
	Des produits empêchent l'eau de s'écouler dans le réservoir d'eau.	Assurez-vous que les produits ne touchent pas la plaque arrière.
De l'eau coule sur le sol.	L'eau de dégivrage ne s'écoule pas dans le plateau d'évaporation situé au-dessus du compresseur.	Fixez la gouttière d'évacuation de l'eau au plateau d'évaporation.
La température à l'intérieur de l'appareil est trop basse.	La température n'est pas correctement réglée.	Sélectionnez une température plus élevée.
La température à l'intérieur de l'appareil est trop élevée.	La température n'est pas correctement réglée.	Sélectionnez une température plus basse.
	La porte n'est pas correctement fermée.	Consultez le paragraphe " Fermeture de la porte " .
	La température du produit est trop élevée.	Laissez le produit revenir à température ambiante avant de le ranger dans l'appareil.
	Trop de produits ont été introduits simultanément.	Introduisez moins de produits en même temps.
La température du compartiment réfrigérateur est trop élevée.	L'air froid ne circule pas dans l'appareil.	Assurez-vous que l'air froid circule dans l'appareil.
La température du compartiment congélateur est trop élevée.	Les produits sont trop près les uns des autres.	Stockez les produits de façon à permettre la circulation de l'air froid.
Il y a trop de givre.	Les aliments ne sont pas correctement emballés.	Enveloppez les aliments correctement.

Anomalie	Cause possible	Remède
	La porte n'est pas correctement fermée.	Consultez le paragraphe "Fermeture de la porte".
	La température n'est pas correctement réglée.	Sélectionnez une température plus élevée.

Remplacement de l'ampoule

1. Mettez l'appareil à l'arrêt.
2. Tout en appuyant sur le crochet arrière, faites glisser le diffuseur dans le sens de la flèche.
3. Remplacez l'ampoule par un modèle semblable de même puissance (la puissance maximale est indiquée sur le diffuseur).
4. Installez le diffuseur de l'ampoule en le faisant glisser dans sa position d'origine.
5. Mettez l'appareil en marche.
6. Ouvrez la porte. Vérifiez que l'ampoule s'allume.



Fermeture de la porte

1. Nettoyez les joints de la porte.
2. Si nécessaire, ajustez la porte. Consultez le paragraphe "Installation".
3. Si nécessaire, remplacez les joints défectueux. Contactez le Service Après-vente.

Caractéristiques techniques

Dimensions de la niche d'encastrément		
	Hauteur	1780 mm
	Largeur	560 mm
	Profondeur	550 mm
Temps de remontée en température		24 h

Les caractéristiques techniques figurent sur la plaque signalétique située sur le côté gauche à l'intérieur de l'appareil et sur l'étiquette d'énergie.

Installation

Emplacement



AVERTISSEMENT

Si l'appareil qui doit être mis au rebut est équipé d'un dispositif de fermeture, rendez celui-ci inutilisable de manière à ce que les enfants ne puissent pas rester enfermés à l'intérieur de l'appareil.



La prise de l'appareil doit être facilement accessible après son installation.

Installez cet appareil à un endroit où la température ambiante correspond à la classe climatique indiquée sur la plaque signalétique de l'appareil :

Classe climatique	Température ambiante
SN	+10°C à + 32°C
N	+16°C à + 32°C
ST	+16°C à +38°C
T	+16°C à +43°C

Branchement électrique

Contrôlez, avant de brancher l'appareil, si la tension et la fréquence indiquées sur la plaque signalétique correspondent à celles de votre réseau.

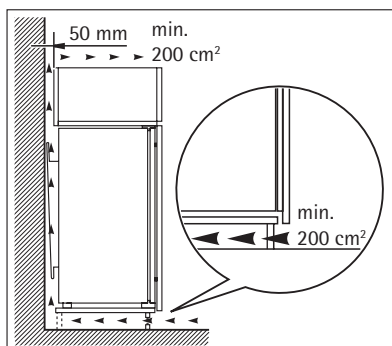
L'appareil doit être relié à la terre. La fiche du câble d'alimentation comporte un logement pour mise à la terre. Si la prise de courant murale n'est pas mise à la terre, branchez l'appareil sur une prise de terre conformément aux normes en vigueur, en demandant conseil à un électricien qualifié.

Le fabricant décline toute responsabilité en cas d'incident suite au non-respect des consignes de sécurité sus-mentionnées.


Cet appareil est conforme aux directives communautaires.

Ventilation

La circulation d'air derrière l'appareil doit être suffisante.



En matière de sauvegarde de l'environnement

Le symbole  sur le produit ou son emballage indique que ce produit ne peut être traité comme déchet ménager. Il doit plutôt être remis au point de ramassage concerné, se chargeant du recyclage du matériel électrique et électronique. En vous assurant que ce produit est éliminé correctement, vous favorisez la prévention des conséquences négatives pour l'environnement et la santé humaine qui, sinon, seraient le résultat d'un traitement inapproprié des déchets de ce produit. Pour obtenir plus de détails sur le recyclage de ce produit, veuillez prendre contact avec le bureau municipal de votre région, votre service d'élimination des déchets ménagers ou le magasin où vous avez acheté le produit.

Où aller avec les appareils usagés?

Partout où des appareils neufs sont vendus, mais aussi dans un centre de collecte ou une entreprise de récupération officiels SENS.

La liste des centres de collecte officiels SENS est disponible sous www.sens.ch.

Danke, dass Sie sich für eines unserer hochqualitativen Produkte entschieden haben.

Lesen Sie für eine optimale und gleichmäßige Leistung Ihres Gerätes diese Benutzerinformation bitte sorgfältig durch. Sie wird Ihnen helfen, alle Vorgänge perfekt und äußerst effizient zu steuern. Damit Sie diese Benutzerinformation bei Bedarf stets zur Hand haben, empfehlen wir Ihnen, sie an einem sicheren Ort aufzubewahren. Und geben Sie diese Benutzerinformation bitte an einen eventuellen neuen Besitzer dieses Gerätes weiter.

Wir wünschen Ihnen viel Freude mit Ihrem neuen Gerät.

Inhalt

Sicherheitshinweise	32	Feuchtigkeitsregulierung	39
Sicherheitshinweis	33	Praktische Tipps und Hinweise	39
Allgemeine Sicherheitshinweise	33	Energiespartipps	39
Täglicher Gebrauch	34	Hinweise für die Kühlung frischer Lebensmittel	39
Reinigung und Pflege	34	Hinweise für die Kühlung	39
Inbetriebnahme	34	Hinweise zum Einfrieren	40
Kundendienst	35	Hinweise zur Lagerung gefrorener Produkte	40
Bedienblende	35	Reinigung und Pflege	40
Einschalten des Gerätes	36	Regelmäßige Reinigung	41
Ausschalten des Geräts	36	Abtauen des Kühlschranks	41
Temperaturregelung	36	Abtauen des Gefrierschranks	42
Superfrost-Funktion (Schnellgefrieren)	36	Stillstandzeiten	43
Erste Inbetriebnahme	36	Was tun, wenn ...	43
Reinigung des Innenraums	36	Austauschen der Lampe für die Innenbeleuchtung	45
Täglicher Gebrauch	37	Schließen Sie die Tür	45
Einfrieren frischer Lebensmittel	37	Technische Daten	45
Lagerung gefrorener Produkte	37	Gerät aufstellen	46
Gefrierkalender	37	Aufstellung	46
Auftauern	37	Elektrischer Anschluss	46
Eiswürfelbereitung	38	Anforderungen an die Belüftung	46
Kälteakku(s)	38	Hinweise zum Umweltschutz	47
Verstellbare Ablagen/Einsätze	38		
Positionierung der Türeinsätze	38		
Positionierung der variablen Ablagebox	38		

Änderungen vorbehalten



Sicherheitshinweise

Lesen Sie zu Ihrer Sicherheit und für die optimale Geräteanwendung vor der Installation und dem Gebrauch des Gerätes die vorliegende Benutzerinformation aufmerksam durch, einschließlich der Ratschläge und Warnungen. Es ist wichtig, dass zur Vermeidung von

Fehlern und Unfällen alle Personen, die das Gerät benutzen, mit der Bedienung und den Sicherheitsvorschriften vertraut sind. Heben Sie die Benutzerinformation gut auf und übergeben Sie sie bei einem Weiterverkauf des Gerätes dem neuen Besitzer, so dass jeder während der gesamten Lebensdauer des Gerätes über Gebrauch und Sicherheit informiert ist.

Halten Sie sich zu Ihrer Sicherheit und zum Schutz Ihres Eigentums strikt an die Vorsichtsmaßnahmen der vorliegenden Benutzerinformation, da der Hersteller bei Missachtung derselben von jeder Haftung freigestellt ist.

Sicherheitshinweis

- Das Gerät darf von Personen (einschließlich Kindern), deren physische, sensorische Fähigkeiten und deren Mangel an Erfahrung und Kenntnissen einen sicheren Gebrauch des Gerätes ausschließen nur unter Aufsicht oder nach ausreichender Einweisung durch eine verantwortungsbewusste Person benutzt werden, die sicherstellt, dass sie sich der Gefahren des Gebrauchs bewusst sind.

Kinder müssen beaufsichtigt werden, damit sie nicht am Gerät herumspielen können.

- Halten Sie das Verpackungsmaterial unbedingt von Kindern fern. Erstickungsgefahr!
- Ziehen Sie vor der Entsorgung des Gerätes den Netzstecker, schneiden Sie das Netzkabel (so nah wie möglich am Gerät) ab und entfernen Sie die Tür, so dass spielende Kinder vor elektrischem Schlag geschützt sind und sich nicht in dem Gerät einschließen können.
- Wenn dieses Gerät mit magnetischer Türdichtung ein älteres Modell mit Schnappverschluss (Türflasche) an der Tür oder auf dem Deckel ersetzt, machen Sie den Schnappverschluss vor dem Entsorgen des Altgerätes unbrauchbar. So verhindern Sie, dass das Gerät nicht zu einer Todesfalle für Kinder wird.

Allgemeine Sicherheitshinweise



VORSICHT!

Die Belüftungsöffnungen müssen immer frei von Hindernissen sein.

- Das Gerät ist für die Aufbewahrung von Lebensmitteln und/oder Getränken in einem normalen Haushalt bestimmt, wie in den vorliegenden Bedienungsanweisungen beschrieben wird.
- Benutzen Sie keine mechanischen oder sonstigen Hilfsmittel, um den Abtauprozess zu beschleunigen.
- Verwenden Sie keine anderen Elektrogeräte (wie Speiseeisbereiter) in Kühlgeräten, wenn solche Geräte nicht ausdrücklich vom Hersteller für diesen Zweck zugelassen sind.
- Achten Sie darauf, den Kühlkreislauf nicht zu beschädigen.
- Das Kältemittel Isobutan (R600a) im Kältekreislauf des Gerätes ist ein natürliches und sehr umweltfreundliches Gas, das jedoch leicht entflammbar ist.

Achten Sie beim Transport und bei der Aufstellung des Gerätes darauf, nicht die Komponenten des Kältekreislaufs zu beschädigen.

Bei einer eventuellen Beschädigung des Kältekreislaufs:

- offene Flammen und Zündfunken vermeiden
- den Raum, in dem das Gerät installiert ist, gut lüften
- Änderungen der Spezifikationen und am Gerät sind gefährlich. Ein defektes Netzkabel kann Kurzschlüsse und Feuer verursachen und/oder zu Stromschlägen führen.

**WARNUNG!**

Elektrische Bauteile (Netzkabel, Stecker, Kompressor) dürfen nur vom Kundendienst oder einer kompetenten Fachkraft ausgewechselt werden.

1. Das Netzkabel darf nicht verlängert werden.
 2. Vergewissern Sie sich, dass der Netzstecker nicht von der Geräterückseite gequetscht oder beschädigt wird. Ein gequetschter oder beschädigter Netzstecker überhitzt und kann einen Brand verursachen.
 3. Vergewissern Sie sich, dass der Netzstecker des Gerätes frei zugänglich ist.
 4. Ziehen Sie nicht am Netzkabel.
 5. Stecken Sie den Netzstecker nie in eine lockere Steckdose. Es besteht Brand- und Stromschlaggefahr.
 6. Betreiben Sie das Gerät nicht ohne Lampenabdeckung,⁹⁾ Innenbeleuchtung vorgesehen ist.
- Dieses Gerät ist schwer. Vorsicht beim Transport.
 - Entnehmen oder berühren Sie nie mit nassen/feuchten Händen Tiefkühlgut, da dies zu Hautverletzungen oder Kälteverbrennungen führen kann.
 - Das Gerät nicht direkter Sonneneinstrahlung aussetzen.

Täglicher Gebrauch

- Stellen Sie keine heißen Töpfe auf die Kunststoffteile des Gerätes.
- Lagern Sie keine feuergefährlichen Gase oder Flüssigkeiten in dem Gerät. Explosionsgefahr.
- Legen Sie Lebensmittel nicht direkt vor den Luftauslass auf der Rückwand.¹⁰⁾
- Ein aufgetautes Produkt darf nicht wieder eingefroren werden.
- Abgepackte Tiefkühlkost immer entsprechend den Herstellerangaben aufbewahren.
- Die Lagerempfehlungen des Geräteherstellers sollten strikt eingehalten werden. Halten Sie sich an die betreffenden Anweisungen.
- Keine kohlenensäurehaltigen Getränke oder Sprudel in den Tiefkühlschrank stellen, da der Druckanstieg in den Behältern zur Explosion führen und das Gerät beschädigen kann.
- Eis am Stiel kann Kälteverbrennungen verursachen, wenn es direkt nach der Entnahme aus dem Gefrierschrank gegessen wird.

Reinigung und Pflege

- Schalten Sie vor Wartungsarbeiten immer das Gerät ab und ziehen Sie den Netzstecker aus der Steckdose.
- Reinigen Sie das Gerät nicht mit Metallgegenständen.
- Keine scharfen Gegenstände zum Entfernen von Reif und Eis im Gerät verwenden. Verwenden Sie einen Kunststoffschaber.
- Kontrollieren Sie den Tauwasserabfluss im Kühlraum in regelmäßigen Abständen. Reinigen Sie den Ablauf, falls nötig. Bei verstopftem Wasserabfluss sammelt sich das Wasser auf dem Boden des Geräts an.

Inbetriebnahme

Halten Sie sich für den elektrischen Anschluss strikt an die Anweisungen der betreffenden Abschnitte.

9) wenn eine Abdeckung der

10) No-Frost-Geräte

- Kontrollieren Sie nach dem Auspacken das Gerät auf eventuelle Beschädigungen. Nehmen Sie das Gerät nicht in Betrieb, wenn es beschädigt ist. Melden Sie die Schäden umgehend dem Händler, bei dem Sie es erworben haben. Bewahren Sie in diesem Fall die Verpackung auf.
- Lassen Sie das Gerät mindestens vier Stunden stehen, bevor Sie es elektrisch anschließen, damit das Öl in den Kompressor zurückfließen kann.
- Ausreichenden Freiraum zur Luftzirkulation um das Gerät lassen; anderenfalls besteht Überhitzungsgefahr. Halten Sie sich für die Belüftung an die Installationsanweisungen.
- Das Gerät sollte zur Vermeidung von Verbrennungen durch Berührung von heißen Bauteilen (Kompressor, Kondensator) möglichst mit der Rückseite gegen eine Wand aufgestellt werden.
- Das Gerät darf nicht in der Nähe von Heizkörpern oder Kochern installiert werden.
- Vergewissern Sie sich, dass der Netzstecker des Gerätes nach der Installation frei zugänglich ist.
- Verbinden Sie das Gerät ausschließlich mit einer Trinkwasserzuleitung. ¹¹⁾

Kundendienst

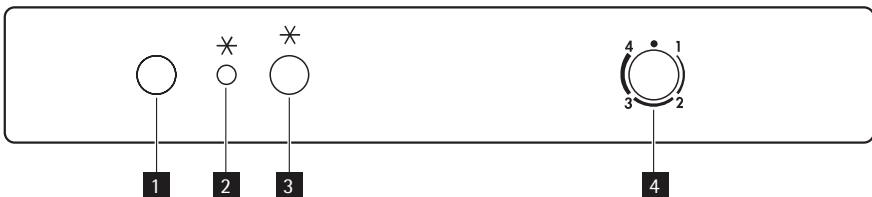
- Sollte die Wartung des Gerätes elektrische Arbeiten verlangen, so dürfen diese nur von einem qualifizierten Elektriker oder einem Elektro-Fachmann durchgeführt werden.
- Wenden Sie sich für Reparaturen und Wartung nur an Fachkräfte der autorisierten Kundendienststellen und verlangen Sie stets Original-Ersatzteile.

Umweltschutz



Das Gerät enthält im Kältekreis oder in dem Isoliermaterial keine ozonschädigenden Gase. Das Gerät darf nicht wie normaler Hausmüll entsorgt werden. Die Isolierung enthält entzündliche Gase: das Gerät muss gemäß den geltenden Vorschriften entsorgt werden; sie erhalten diese bei Ihrer Gemeindeverwaltung. Nicht das Kälteaggregat beschädigen, insbesondere nicht in der Nähe des Wärmetauschers. Die Materialien, die bei der Herstellung dieses Geräts verwendet wurden und mit dem Symbol ♻️ markiert sind, können recycelt werden.

Bedienblende



- 1 Kontrolllampe
- 2 Superfrost-Kontrolllampe (Schnellgefrieren)
- 3 Superfrost-Taste (Schnellgefrieren)
- 4 Temperaturregler

11) Falls ein Wasseranschluss erforderlich ist

Einschalten des Gerätes

Stecken Sie den Stecker in die Netzsteckdose.
Drehen Sie den Temperaturregler im Uhrzeigersinn auf eine mittlere Einstellung.
Die Kontrolllampe leuchtet auf.

Ausschalten des Geräts

Drehen Sie den Temperaturregler zum Ausschalten des Geräts in die Position "0".
Die Kontrolllampe schaltet sich aus.

Temperaturregelung

Die Temperatur wird automatisch geregelt.

Bedienen Sie das Gerät wie folgt:

- Drehen Sie den Temperaturregler auf eine niedrigere Einstellung, um die minimal mögliche Kühlung zu erreichen.
- Drehen Sie den Temperaturregler auf eine höhere Einstellung, um die maximal mögliche Kühlung zu erreichen.



Eine mittlere Einstellung ist im Allgemeinen am besten geeignet.

Allerdings muss für eine exakte Einstellung berücksichtigt werden, dass die Temperatur im Innern des Gerätes von verschiedenen Faktoren abhängt:

- Raumtemperatur
- von der Häufigkeit der Türöffnung
- von der Menge der eingelagerten Lebensmittel
- und vom Standort des Geräts.



Ist die Umgebungstemperatur hoch oder das Gerät voll beladen, dieses aber auf die niedrigste Temperatur eingestellt, so kann es bei andauerndem Betrieb des Geräts an der Rückwand zu Frostbildung kommen. In diesem Fall muss eine höhere Temperatur gewählt werden, die ein automatisches Abtauen ermöglicht und damit auch einen niedrigeren Energieverbrauch.

Superfrost-Funktion (Schnellgefrieren)

Durch Drücken der Superfrost-Taste können Sie die Schnellgefrier-Funktion aktivieren.

Die Superfrost-Kontrolllampe leuchtet auf.

Diese Funktion kann jederzeit durch Drücken der Superfrost-Taste ausgeschaltet werden.

Die Superfrost-Kontrolllampe erlischt.

Erste Inbetriebnahme

Reinigung des Innenraums

Bevor Sie das Gerät in Betrieb nehmen, beseitigen Sie den typischen "Neugeruch" am besten durch Auswaschen der Innenteile mit lauwarmem Wasser und einem neutralen Reinigungsmittel. Sorgfältig nachtrocknen.



Verwenden Sie keine Reinigungsmittel oder Scheuermittel, da hierdurch die Oberfläche beschädigt wird.

Täglicher Gebrauch

Einfrieren frischer Lebensmittel

Der Gefrierraum eignet sich zum Einfrieren frischer Lebensmittel und zum Lagern gefrorener und tiefgefrorener Lebensmittel für einen längeren Zeitraum.

Zum Einfrieren frischer Lebensmittel schalten Sie bitte die Superfrost-Funktion (Schnellgefrieren) mindestens 24 Stunden, bevor Sie die einzufrierenden Lebensmittel in den Gefrierraum legen, ein.

Legen Sie die einzufrierenden frischen Lebensmittel in das obere Fach.

Die maximale Menge an Lebensmitteln, die in 24 Stunden eingefroren werden kann, ist auf dem **Typenschild** angegeben; eine Plakette befindet sich im Innern des Geräts.

Der Gefriervorgang dauert 24 Stunden. Legen Sie während dieses Zeitraums keine weiteren einzufrierenden Lebensmittel in den Gefrierraum.


Lagerung gefrorener Produkte

Lassen Sie das Gerät vor der ersten Inbetriebnahme oder nach einer Zeit, in der das Gerät nicht benutzt wurde, mindestens zwei Stunden lang auf den höheren Einstellungen laufen, bevor Sie Lebensmittel in das Gefrierfach hinein legen.

Sollen große Mengen an Lebensmitteln aufbewahrt werden, entfernen Sie alle Körbe und Schubladen aus dem Gerät und setzen Sie die Lebensmittel auf Kühlblagen, um die optimale Leistung zu erhalten.



WARNUNG!

Bitte achten Sie unbedingt darauf, die Beladungsgrenze nicht zu überschreiten, die seitlich im oberen Teil angegeben ist (wo zutreffend) 



Kam es zum Beispiel durch einen Stromausfall, der länger dauerte als der in der Tabelle mit den technischen Daten angegebene Wert (siehe "Ausfalldauer") zu einem ungewollten Abtauen, dann müssen die aufgetauten Lebensmittel sehr rasch verbraucht oder sofort gekocht und nach dem Abkühlen erneut eingefroren werden.

Gefrierkalender



Die Symbole zeigen verschiedene Arten gefrorener Lebensmittel an.

Die Zahlen geben die Lagerzeiten in Monaten für die entsprechenden Arten gefrorener Lebensmittel an. Es hängt von der Qualität der Lebensmittel und ihrer Behandlung vor dem Einfrieren ab, ob der obere oder der untere Wert für die angezeigte Lagerzeit gilt.

Auftauen

Tiefgefrorene oder gefrorene Lebensmittel können vor der Verwendung je nach der zur Verfügung stehenden Zeit im Kühlschrank oder bei Raumtemperatur aufgetaut werden. Kleinere Gefriergutteile können unter Umständen sogar direkt aus dem Gefrierschrank entnommen und anschließend sofort gekocht oder gegart werden: in diesem Fall dauert der Garvorgang allerdings etwas länger.

Eiswürfelbereitung

Dieses Gerät ist mit einer oder mehreren Schalen für die Herstellung von Eiswürfeln ausgestattet. Füllen Sie die Schalen mit Wasser und stellen Sie diese in das Gefrierfach.



Bitte verwenden Sie zum Herausholen der Schalen aus dem Gefrierschrank keine Utensilien aus Metall.

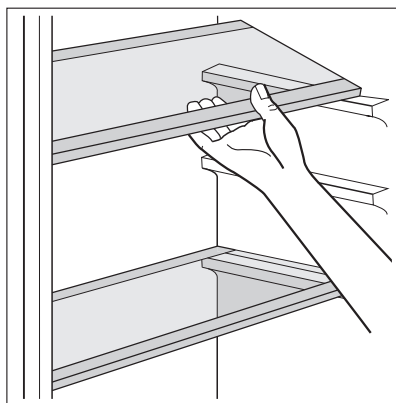
Kälteakku(s)

Der Gefrierschrank wird mit einem oder mehreren Kälteakku(s) geliefert. Diese verlängern die Zeitdauer, in der die Lebensmittel bei einem Stromausfall oder einem Ausfall des Gerätes gekühlt werden.

Verstellbare Ablagen/Einsätze

Die Wände des Kühlschranks sind mit einer Anzahl von Führungsschienen ausgestattet, die verschiedene Möglichkeiten für das Einsetzen der Ablagen bieten.

Zur besseren Raumnutzung können die vorderen Halbtteile der Ablagen auf die rückwärtigen hinaufgelegt werden.



Positionierung der Türeinsätze

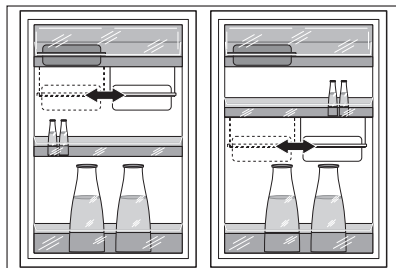
Die Türeinsätze können in verschiedener Höhe positioniert werden; damit ermöglichen Sie das Lagern verschieden großer Lebensmittelpackungen.

Positionierung der variablen Ablagebox

Die Ablagebox kann in verschiedenen Höhen positioniert werden.

Bitte nehmen Sie diese Einstellungen wie folgt vor:

1. Zum Umsetzen das Abstellfach mit der Ablagebox nach oben aus den Aufnahmen in der Tür herausheben
2. Haltebügel aus der Führung unter der Ablage herausnehmen
3. Das Einsetzen in eine andere Höhe bitte in umgekehrter Reihenfolge vornehmen.

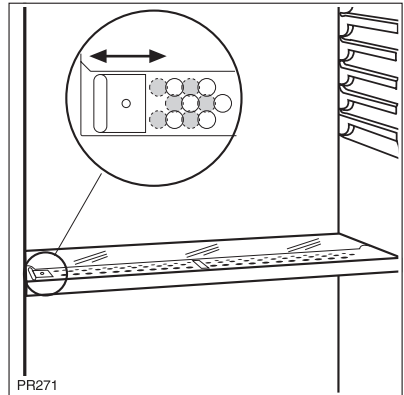


Feuchtigkeitsregulierung

In die Glasablage ist eine Vorrichtung mit (über einen Schieber verstellbaren) Schlitzern integriert, die die Temperaturregelung in den Gemüsefächern ermöglicht.

Bei geschlossenen Lüftungsschlitzern: bleibt der natürliche Feuchtegehalt der Lebensmittel in den Obst- und Gemüsefächern für längere Zeit erhalten.

Bei geöffneten Lüftungsschlitzern: führt die höhere Luftzirkulation zu einem niedrigeren Feuchtegehalt der Luft in den Obst- und Gemüsefächern.



Praktische Tipps und Hinweise

Energiespartipps

- Öffnen Sie die Tür nicht zu häufig, und lassen Sie diese nicht länger offen als unbedingt notwendig.
- Wenn die Umgebungstemperatur hoch ist und der Temperaturregler auf eine niedrige Temperatur eingestellt und das Gerät voll beladen ist, kann es zu andauerndem Betrieb des Kompressors und damit zu Reif- oder Eisbildung am Verdampfer kommen. Stellen Sie in diesem Fall den Temperaturregler auf eine höhere Einstellung ein, die ein automatisches Abtauen und damit auch einen niedrigeren Energieverbrauch ermöglicht.

Hinweise für die Kühlung frischer Lebensmittel

So erzielen Sie beste Ergebnisse:

- legen Sie bitte keine warmen Lebensmittel oder dampfende Flüssigkeiten in den Kühlschrank
- decken Sie die Lebensmittel ab oder verpacken Sie diese entsprechend, besonders wenn diese stark riechen
- legen Sie die Lebensmittel so hinein, dass um sie Luft frei zirkulieren kann

Hinweise für die Kühlung

Tipps:

Fleisch (alle Sorten): wickeln Sie Fleisch in lebensmittelechte Tüten und legen Sie diese auf die Glasablage über der Gemüseschublade.

Bitte lagern Sie Fleisch aus Sicherheitsgründen nur einen oder maximal zwei Tage auf diese Weise.

Gekochte Lebensmittel, kalte Gerichte usw.: diese können abgedeckt auf eine Ablage gelegt werden.

Obst und Gemüse: bitte waschen Sie Obst und Gemüse gründlich und legen Sie es in die speziell dafür vorgesehene(n) Schublade(n).

Butter und Käse: diese sollten stets in speziellen luftdichten Behältern verpackt sein oder in Aluminiumfolie bzw. in lebensmittelechte Tüten eingepackt werden, um so wenig Luft wie möglich in der Verpackung zu haben.

Milchflaschen: bitte bewahren Sie Milchflaschen stets mit Deckel im Flaschenregal in der Tür auf.

Bananen, Kartoffeln, Zwiebeln und Knoblauch sollten nicht im Kühlschrank aufbewahrt werden, außer diese sind dafür speziell verpackt.

Hinweise zum Einfrieren

Im Folgenden finden Sie einige wertvolle Tipps für einen optimalen Gefriervorgang:

- die maximale Menge an Lebensmitteln, die innerhalb von 24 Stunden eingefroren werden kann, ist auf dem Typschild angegeben;
- der Gefriervorgang dauert 24 Stunden. Legen Sie während dieses Zeitraums keine weiteren einzufrierenden Lebensmittel in das Gefrierfach;
- frieren Sie ausschließlich frische und gründlich gewaschene Lebensmittel von sehr guter Qualität ein;
- teilen Sie die Lebensmittel in kleinere Portionen ein, damit diese schnell und vollständig gefrieren und Sie später nur die Menge auftauen müssen, die Sie gerade benötigen;
- die einzufrierenden Lebensmittelportionen sollten stets luftdicht in Aluminiumfolie oder in lebensmittelechte Gefrierbeutel verpackt werden, um so wenig Luft wie möglich in der Verpackung zu haben;
- achten Sie beim Hineinlegen von frischen, noch ungefrorenen Lebensmitteln darauf, dass diese keinen Kontakt mit Gefriergut bekommen, da dieses sonst antauen kann;
- weniger fetthaltige Lebensmittel lassen sich besser lagern als fetthaltigere; Salz verkürzt die Lagerzeit von Lebensmitteln im Gefrierfach;
- werden Gefrierwürfel direkt nach der Entnahme aus dem Gefrierfach verwendet, können Sie zu Frostbrand auf der Haut führen;
- Es empfiehlt sich, das Einfrierdatum auf jeder einzelnen Packung zu notieren, um einen genauen Überblick über die Lagerzeit zu haben.

Hinweise zur Lagerung gefrorener Produkte

So erzielen Sie die besten Ergebnisse mit Ihrem Gerät:

- prüfen Sie sorgfältig, dass die im Handel erworbenen gefrorenen Lebensmittel sachgerecht gelagert wurden;
- achten Sie unbedingt darauf, die eingekauften gefrorenen Lebensmittel in der kürzest möglichen Zeit in Ihren Gefrierschrank zu bringen;
- öffnen Sie die Tür nicht zu häufig, und lassen Sie diese nicht länger offen als unbedingt notwendig.
- Abgetaute Lebensmittel verderben sehr schnell und eignen sich nicht für ein erneutes Einfrieren.
- Das Haltbarkeitsdatum auf der Tiefkühlkostverpackung sollte nicht überschritten werden.

Reinigung und Pflege



VORSICHT!

Ziehen Sie bitte vor jeder Reinigungsarbeit immer den Netzstecker aus der Steckdose.



Der Kältekreis des Gerätes enthält Kohlenwasserstoffe; Wartungsarbeiten und Nachfüllen von Kältemittel dürfen daher nur durch vom Hersteller autorisiertes Fachpersonal ausgeführt werden.

Regelmäßige Reinigung

Der gesamte Kühlschrank muss regelmäßig gereinigt werden:

- Reinigen Sie die Innenseiten und die Zubehörteile mit lauwarmem Wasser und etwas Neutralseife.
- Prüfen und säubern Sie die Türdichtungen in regelmäßigen Abständen und kontrollieren Sie, dass diese sauber und frei von Verunreinigungen sind.
- Spülen und trocknen Sie diese sorgfältig ab.



Ziehen Sie nicht an Leitungen und/oder Kabeln im Innern des Kühlschranks und achten Sie darauf, diese nicht zu verschieben oder zu beschädigen.

Benutzen Sie zur Reinigung des Innenraums keinesfalls Putzmittel, Scheuerpulver, stark parfümierte Reinigungsmittel oder Wachspolituren, da diese die Oberfläche des Innenraums beschädigen und einen starken Eigengeruch hinterlassen können.

Reinigen Sie den Kondensator (schwarzes Gitter) und den Motorkompressor auf der Geräterückseite mit einer Bürste oder einem Staubsauger. Dadurch verbessert sich die Leistung des Geräts und es verbraucht weniger Strom.



Bitte achten Sie darauf, das Kühlsystem nicht zu beschädigen.

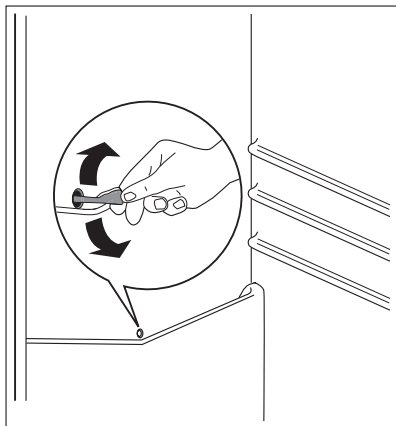
Viele Haushaltsreiniger für Küchen enthalten Chemikalien, die den im Gerät verwendeten Kunststoff angreifen können. Aus diesem Grund ist es empfehlenswert, das Gerät außen nur mit warmem Wasser und etwas flüssigem Tellerspülmittel zu reinigen.

Schließen Sie das Gerät nach der Reinigung wieder an die Netzversorgung an.

Abtauen des Kühlschranks

Bei normalem Betrieb wird Frost bei jedem Anhalten des Motorkompressors automatisch aus dem Verdampfer des Kühlschranks entfernt. Das Tauwasser läuft durch eine Rinne in einen speziellen Behälter an der Rückseite des Geräts über dem Motorkompressor, wo es verdampft.

Reinigen Sie deshalb regelmäßig die Abflussöffnung des Tauwassers in der Mitte des Kühlschrankskanals, damit das Wasser nicht überfließt und auf die gelagerten Lebensmittel tropft. Benutzen Sie dazu bitte das mitgelieferte Reinigungswerkzeug, das sich bereits in der Ablauföffnung befindet.



Abtauen des Gefrierschranks

Auf den Ablagen des Gefrierschranks und im Innern des oberen Fachs wird sich stets etwas Reif bilden.

Tauen Sie den Gefrierschrank ab, wenn die Reifschicht eine Stärke von etwa 3 bis 5 mm erreicht hat.



Stellen Sie den Temperaturregler bitte 12 Stunden vor dem Abtauen auf eine kühlere Einstellung, damit eine ausreichende Kälte als Reserve für die Unterbrechung im Betrieb entstehen kann.

Entfernen Sie den Reif wie nachstehend erläutert:

1. Schalten Sie das Gerät aus.
2. Nehmen Sie das gesamte Gefriergut heraus, verpacken Sie es in mehrere Schichten Zeitungspapier und lagern Sie es an einem kühlen Ort.



VORSICHT!

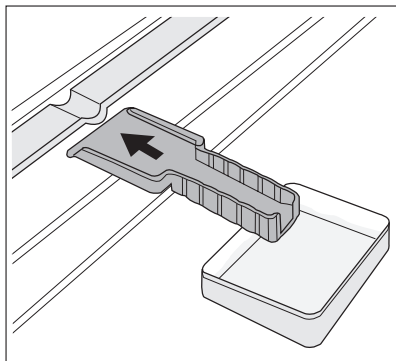
Fassen Sie eingefrorene Lebensmittel nicht mit nassen Händen an. Ihre Hände könnten an den Lebensmitteln festfrieren.

3. Lassen Sie die Tür des Geräts offen stehen und setzen Sie den Kunststoffschaber in den entsprechenden Sitz unten in der Mitte; stellen Sie eine Schale zum Auffangen des Tauwassers darunter



Stellen Sie eine Schale mit heißem Wasser in das Gefrierfach, um den Abtauprozess zu beschleunigen. Entfernen Sie vorsichtig Eisstücke von den Wänden, bevor alles abgetaut ist.

4. Ist alles vollständig abgetaut, trocken Sie die nassen Oberflächen gründlich ab und bewahren Sie den Schaber für eine spätere Verwendung auf.
5. Schalten Sie das Gerät ein.



6. Nachdem das Gerät zwei bis drei Stunden in Betrieb ist, können Sie die ausgelagerten Lebensmittel wieder in den Gefrierschrank hinein legen.



Verwenden Sie bitte niemals scharfe Gegenstände zum Entfernen von Reif und Eis vom Verdampfer, da dieser dadurch beschädigt werden könnte. Benutzen Sie keine mechanischen oder sonstigen Hilfsmittel, um den Abtauprozess zu beschleunigen; halten Sie sich dazu ausschließlich an die Angaben des Geräteherstellers. Ein Temperaturanstieg des Gefrierzugs während des Abtauens des Gerätes kann die Lagerzeit dieser Lebensmittel verkürzen.

Stillstandzeiten

Bei längerem Stillstand des Gerätes müssen Sie folgendermaßen vorgehen:

- **trennen Sie das Gerät von der Netzversorgung**
- entnehmen Sie alle Lebensmittel
- tauen Sie das Gerät ab, ¹²⁾Reinigen Sie das Gerät und alle Zubehörteile
- lassen Sie die Türen offen/angelehnt, um das Entstehen unangenehmer Gerüche zu vermeiden.

Möchten Sie bei einer längeren Abwesenheit den Gefrierschrank weiter laufen lassen, bitten Sie jemanden, gelegentlich die Temperatur zu prüfen, damit das Gefriergut bei einem möglichen Stromausfall nicht im Innern des Gerätes verdirbt.

Was tun, wenn ...



WARNUNG!

Ziehen Sie vor der Fehlersuche immer den Netzstecker aus der Steckdose.

Die Fehlersuche, die in der vorliegenden Benutzerinformation nicht beschrieben ist, darf nur von einem qualifizierten Elektriker oder einer kompetenten Person durchgeführt werden.



Während das Gerät in Betrieb ist, entstehen bestimmte Geräusche (Kompressor und Kühlkreislauf).

Störung	Mögliche Ursache	Abhilfe
Das Gerät funktioniert nicht. Die Lampe funktioniert nicht.	Das Gerät ist ausgeschaltet.	Schalten Sie das Gerät ein.
	Der Netzstecker steckt nicht richtig in der Steckdose.	Stecken Sie den Netzstecker richtig in die Steckdose.
	Das Gerät bekommt keinen Strom. Es liegt keine Spannung an der Netzsteckdose an.	Testen Sie bitte, ob ein anderes Gerät an dieser Steckdose funktioniert. Kontaktieren Sie gegebenenfalls einen qualifizierten Elektriker.
Die Lampe funktioniert nicht.	Die Lampe ist im Standby-Modus.	Öffnen und schließen Sie die Tür.

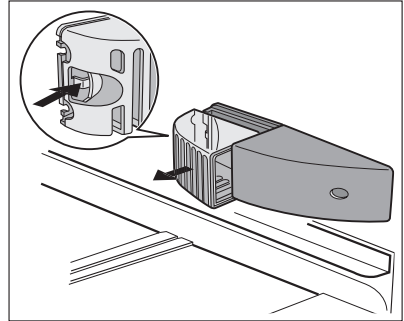
12) falls dies vorgesehen ist.

Störung	Mögliche Ursache	Abhilfe
	Die Lampe ist defekt.	Siehe hierzu "Austauschen der Lampe".
Der Kompressor arbeitet ständig.	Die Temperatur ist nicht richtig eingestellt.	Stellen Sie eine höhere Temperatur ein.
	Die Tür ist nicht richtig geschlossen.	Siehe hierzu "Schließen der Tür".
	Die Tür wurde zu häufig geöffnet.	Lassen Sie die Tür nicht länger als unbedingt erforderlich offen.
	Die Temperatur der zu kühlenden Lebensmittel ist zu hoch.	Lassen Sie die Lebensmittel auf Raumtemperatur abkühlen, bevor Sie sie in das Gerät legen.
	Die Raumtemperatur ist zu hoch.	Senken Sie die Raumtemperatur.
Wasser fließt an der Rückwand des Kühlschranks hinunter.	Beim automatischen Abtauen fließt das abgetaute Wasser an der Rückwand des Kühlschranks hinunter.	Das ist normal.
Wasser fließt in den Kühlschrank.	Der Wasserabflusskanal ist verstopft.	Reinigen Sie den Ablauf.
	Die eingelagerten Lebensmittel verhindern, dass das Wasser zum Kollektor fließt.	Stellen Sie sicher, dass die Lebensmittel nicht die Rückwand berühren.
Wasser fließt auf den Boden.	Der Tauwasserablauf läuft nicht in die Verdampferschale über dem Kompressor.	Befestigen Sie den Tauwasserablauf an der Verdampferschale.
Die Temperatur im Gerät ist zu niedrig.	Die Temperatur ist nicht richtig eingestellt.	Stellen Sie eine höhere Temperatur ein.
Die Temperatur im Gerät ist zu hoch.	Die Temperatur ist nicht richtig eingestellt.	Stellen Sie eine niedrigere Temperatur ein.
	Die Tür ist nicht richtig geschlossen.	Siehe hierzu "Schließen der Tür".
	Die Temperatur der zu kühlenden Lebensmittel ist zu hoch.	Lassen Sie die Lebensmittel auf Raumtemperatur abkühlen, bevor Sie sie in das Gerät legen.
	Es wurden zu viele Lebensmittel auf einmal eingelegt.	Legen Sie weniger Lebensmittel auf einmal ein.
Die Temperatur im Kühlschrank ist zu hoch.	Die Kaltluft kann nicht im Gerät zirkulieren.	Stellen Sie sicher, dass die Kaltluft im Gerät zirkulieren kann.
Die Temperatur im Gefrierraum ist zu hoch.	Die einzufrierenden Packungen liegen zu dicht aneinander.	Stellen Sie sicher, dass die Kaltluft im Gerät zirkuliert und die Lebensmittel dies nicht verhindern.

Störung	Mögliche Ursache	Abhilfe
Es bildet sich zu viel Reif oder Eis.	Die Lebensmittel sind nicht richtig verpackt.	Verpacken Sie die Lebensmittel richtig.
	Die Tür ist nicht richtig geschlossen.	Siehe hierzu "Schließen der Tür".
	Die Temperatur ist nicht richtig eingestellt.	Stellen Sie eine höhere Temperatur ein.

Austauschen der Lampe für die Innenbeleuchtung

1. Schalten Sie das Gerät aus.
2. Drücken Sie auf den Haken hinten und schieben Sie die Abdeckung der Lampe gleichzeitig in Pfeilrichtung.
3. Ersetzen Sie die Lampe durch eine Lampe der gleichen Leistung (die maximal erlaubte Leistung steht auf der Abdeckung der Lampe).
4. Bringen Sie die Abdeckung der Lampe wieder an, indem Sie sie an die ursprüngliche Position zurückschieben.
5. Schalten Sie das Gerät ein.
6. Öffnen Sie die Tür. Vergewissern Sie sich, dass die Lampe leuchtet.



Schließen Sie die Tür

1. Reinigen Sie die Türdichtungen.
2. Stellen Sie die Tür nach Bedarf ein. Siehe hierzu "Gerät aufstellen".
3. Ersetzen Sie die defekten Türdichtungen, falls erforderlich. Kontaktieren Sie den Kundendienst.

Technische Daten

Abmessung der Aussparung		
	Höhe	1780 mm
	Breite	560 mm
	Tiefe	550 mm
Ausfalldauer		24 h

Die technischen Informationen befinden sich auf dem Typenschild innen links im Gerät sowie auf der Energieplakette.

Gerät aufstellen

Aufstellung



WARNUNG!

Wenn Sie ein altes Gerät entsorgen möchten, das ein Schloss oder einen Riegel an der Tür besitzt, müssen Sie das Schloss bzw. den Riegel zunächst unbrauchbar machen, um zu verhindern, dass sich spielende Kinder darin einschließen können.



Die Steckdose für den Anschluss des Geräts muss nach der Installation zugänglich sein.

Installieren Sie dieses Gerät an einem Ort, an dem die Umgebungstemperatur mit der Klimaklasse übereinstimmt, die auf dem Typschild des Geräts angegeben ist:

Klimaklasse	Umgebungstemperatur
SN	+10°C bis +32°C
N	+16°C bis +32°C
ST	+16°C bis +38°C
T	+16°C bis +43°C

Elektrischer Anschluss

Kontrollieren Sie vor der ersten Benutzung des Gerätes, ob die Netzspannung und -frequenz Ihres Hausanschlusses mit den auf dem Typenschild angegebenen Anschlusswerten übereinstimmen.

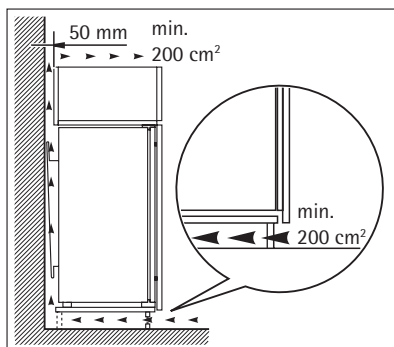
Das Gerät muss geerdet sein. Zu diesem Zweck ist die Netzkabelsteckdose mit einem Schutzkontakt ausgestattet. Falls die Steckdose Ihres Hausanschlusses nicht geerdet sein sollte, lassen Sie das Gerät bitte gemäß den geltenden Vorschriften erden und fragen Sie dafür einen qualifizierten Elektriker.

Der Hersteller übernimmt keinerlei Haftung für Schäden oder Verletzungen, die durch Missachtung der oben genannten Sicherheitshinweise entstehen.


Das Gerät entspricht den EU- Richtlinien.

Anforderungen an die Belüftung

Die Luftzirkulation hinter dem Gerät muss ausreichend groß sein.



Hinweise zum Umweltschutz

Das Symbol  auf dem Produkt oder seiner Verpackung weist darauf hin, dass dieses Produkt nicht als normaler Haushaltsabfall zu behandeln ist, sondern an einem Sammelpunkt für das Recycling von elektrischen und elektronischen Geräten abgegeben werden muss. Durch Ihren Beitrag zum korrekten Entsorgen dieses Produkts schützen Sie die Umwelt und die Gesundheit Ihrer Mitmenschen. Umwelt und Gesundheit werden durch falsches Entsorgen gefährdet. Weitere Informationen über das Recycling dieses Produkts erhalten Sie von Ihrem Rathaus, Ihrer Müllabfuhr oder dem Geschäft, in dem Sie das Produkt gekauft haben.

Wohin mit den Altgeräten?

Überall dort wo neue Geräte verkauft werden oder Abgabe bei den offiziellen SENS-Sammelstellen oder offiziellen SENS-Recyclern.

Die Liste der offiziellen SENS-Sammelstellen findet sich unter www.sens.ch.

Grazie per aver scelto uno dei nostri prodotti di qualità.

Per garantire il funzionamento ottimale e regolare dell'apparecchio, la preghiamo di leggere attentamente questo manuale d'istruzioni. In tal modo potrà eseguire ogni operazione alla perfezione e con la massima efficienza. Le consigliamo inoltre di conservare il manuale in un luogo sicuro, affinché possa consultarlo ogni volta che ne avrà bisogno. Infine, qualora l'apparecchio cambiasse proprietario, non dimentichi di consegnargli il presente manuale.

Le auguriamo di trarre la massima soddisfazione dal suo nuovo acquisto.

Indice

Informazioni per la sicurezza	48	Controllo dell'umidità	55
Sicurezza dei bambini e delle persone fragili	49	Consigli e suggerimenti utili	55
Sicurezza generale	49	Consigli per il risparmio energetico	55
Uso quotidiano	50	Consigli per la refrigerazione di cibi freschi	55
Pulizia e cura	50	Consigli per la refrigerazione	55
Installazione	50	Consigli per il congelamento	56
Assistenza tecnica	51	Conservazione per la conservazione di cibi congelati	56
Pannello dei comandi	51	Pulizia e cura	56
Accensione	52	Pulizia periodica	56
Spegnimento	52	Sbrinamento del vano frigorifero	57
Regolazione della temperatura	52	Sbrinamento del vano congelatore	57
Funzione di congelamento rapido	52	Periodi di inutilizzo	58
Primo utilizzo	52	Cosa fare se...	58
Pulizia dell'interno	52	Sostituzione della lampadina	60
Utilizzo quotidiano	53	Chiusura della porta	60
Congelazione dei cibi freschi	53	Dati tecnici	61
Conservazione dei cibi congelati	53	Installazione	61
Calendario di congelamento	53	Luogo d'installazione	61
Scongelamento	53	Collegamento elettrico	61
Produzione di cubetti di ghiaccio	53	Requisiti di ventilazione	62
Accumulatori di freddo	54	Considerazioni ambientali	62
Ripiani mobili	54		
Posizionamento delle mensole	54		
Posizionamento delle mensole intermedie	54		

Con riserva di modifiche



Informazioni per la sicurezza

Per garantire un impiego corretto e sicuro dell'apparecchio, prima dell'installazione e del primo utilizzo leggere con attenzione il libretto istruzioni, inclusi i suggerimenti e le avvertenze. Per evitare errori e incidenti, è importante garantire che tutte le persone che

utilizzano l'apparecchio ne conoscano il funzionamento e le caratteristiche di sicurezza. Conservare queste istruzioni e accertarsi che rimangano unite all'apparecchio in caso di vendita o trasloco, in modo che chiunque lo utilizzi sia correttamente informato sull'uso e sulle norme di sicurezza.

Per la sicurezza delle persone e delle cose osservare le precauzioni indicate nelle presenti istruzioni per l'utente, il produttore non è responsabile dei danni provocati da eventuali omissioni.

Sicurezza dei bambini e delle persone fragili

- Questo apparecchio non deve essere usato da persone, bambini inclusi, con ridotte capacità fisiche, sensoriali o psichiche, oppure prive di conoscenza e esperienza, a meno che non siano state istruite all'uso dell'apparecchio da parte dei responsabili della loro sicurezza, oppure sotto vigilanza di questi.
I bambini devono essere sorvegliati per assicurarsi che non giochino con l'apparecchio.
- Tenere i materiali di imballaggio al di fuori della portata dei bambini. Alcuni materiali possono creare rischi di soffocamento.
- Qualora l'apparecchio venga demolito, estrarre la spina dalla presa, tagliare il cavo di collegamento (il più vicino possibile all'apparecchio) e smontare lo sportello per evitare che i bambini giocando possano subire scosse elettriche o chiudersi dentro l'apparecchio.
- Se questo nuovo apparecchio, che è dotato di guarnizioni magnetiche nello sportello, va a sostituirne uno più vecchio avente sportello o coperchio con chiusure a molla, si deve rendere inutilizzabili tali chiusure prima di eliminare l'apparecchio sostituito, per evitare che diventi una trappola mortale per i bambini.

Sicurezza generale



ATTENZIONE

Assicurarsi che le aperture di ventilazione non siano otturate.

- L'apparecchio è progettato per la conservazione di alimenti e bevande per il normale uso domestico, come spiegato nelle presenti istruzioni per l'uso.
- Non utilizzare dispositivi meccanici o altri mezzi artificiali per accelerare lo sbrinamento.
- Non utilizzare altri apparecchi elettrici (per esempio gelatiere) all'interno dei frigoriferi, a meno che non siano approvati per questo scopo dal produttore.
- Non danneggiare il circuito refrigerante.
- Nel circuito refrigerante dell'apparecchio è contenuto il refrigerante isobutano (R600a), un gas naturale con un elevato livello di compatibilità ambientale, che è però infiammabile.

Durante il trasporto e l'installazione dell'apparecchio, assicurarsi che nessuno dei componenti del circuito refrigerante venga danneggiato.

Se il circuito refrigerante dovesse venire danneggiato:

- evitare fiamme libere e sorgenti di accensione
 - ventilare la stanza in cui si trova l'apparecchio
- È pericoloso cambiare le specifiche o cercare di modificare il prodotto in qualunque modo. Se il cavo è danneggiato potrebbe provocare cortocircuiti, incendi e/o scosse elettriche.

**AVVERTENZA**

Ogni componente elettrico (cavo elettrico, spina, compressore) deve essere sostituito da un tecnico certificato o da personale d'assistenza qualificato.

1. Non si devono applicare prolunghe al cavo elettrico.
 2. Controllare che la spina non venga schiacciata o danneggiata dal retro dell'apparecchio. Una spina schiacciata o danneggiata può surriscaldarsi e provocare incendi.
 3. Accertare di riuscire a raggiungere la spina dell'apparecchio.
 4. Non tirare il cavo di rete.
 5. Se la presa è allentata, non inserire la spina. si potrebbero provocare scosse elettriche o incendi.
 6. Non mettere in funzione l'apparecchio senza la copertura della lampadina ¹³⁾ di illuminazione interna.
- Questo apparecchio è pesante. Spostarlo con cautela.
 - Non rimuovere né toccare alimenti riposti nel vano congelatore con le mani bagnate/umide, si potrebbero provocare abrasioni della pelle o bruciate da gelo.
 - Evitare un'esposizione prolungata dell'apparecchio alla luce solare diretta.

Uso quotidiano

- Non collocare pentole calde sulle parti in plastica dell'apparecchio.
- Non collocare gas e liquidi infiammabili nell'apparecchio, perché potrebbero esplodere.
- Non collocare gli alimenti direttamente contro l'uscita dell'aria nella parete posteriore.
¹⁴⁾
- Gli alimenti congelati non devono essere ricongelati una volta scongelati.
- Riporre gli alimenti surgelati preconfezionati secondo le istruzioni del produttore dell'alimento surgelato.
- Osservare rigorosamente i consigli per la conservazione degli alimenti del produttore dell'apparecchio. Vedere le relative istruzioni.
- Non collocare bevande gassate o frizzanti nello scomparto congelatore perché creano pressione sul recipiente che può esplodere danneggiando l'apparecchio.
- I ghiaccioli possono provocare bruciate da gelo se consumati immediatamente dopo averli tolti dall'apparecchio.

Pulizia e cura

- Prima della manutenzione, spegnere l'apparecchio e staccare la spina dalla presa.
- Non pulire l'apparecchio con oggetti metallici.
- Non usare oggetti appuntiti per rimuovere la brina dall'apparecchio. Usare un raschietto di plastica.
- Esaminare regolarmente il foro di scarico dell'acqua di sbrinamento nel frigorifero. Se necessario, pulirlo. Se il foro è otturato, l'acqua si raccoglie sul fondo dell'apparecchio.

Installazione

Per il collegamento elettrico, seguire attentamente le istruzioni dei paragrafi corrispondenti.

¹³⁾ Se la copertura della lampadina è prevista

¹⁴⁾ Se l'apparecchio è di tipo No-Frost

- Disimballare l'apparecchio e assicurarsi che non presenti danni. Non collegare l'apparecchio se è danneggiato. Segnalare immediatamente gli eventuali danni al negozio in cui è stato acquistato. In questo caso conservare l'imballaggio.
- Si consiglia di attendere almeno due ore prima di collegare l'apparecchio per consentire all'olio di arrivare nel compressore.
- Attorno all'apparecchio vi deve essere un'adeguata circolazione dell'aria, altrimenti si può surriscaldare. Per ottenere una ventilazione sufficiente seguire le istruzioni di installazione.
- Se possibile il retro dell'apparecchio dovrebbe essere posizionato contro una parete per evitare di toccare le parti calde o di rimanervi impigliati (compressore, condensatore), evitando così possibili scottature.
- L'apparecchio non deve essere posto vicino a radiatori o piani di cottura a gas.
- Installare l'apparecchio in modo che la presa rimanga accessibile.
- Per il collegamento idrico, usare solo sorgenti d'acqua potabile. ¹⁵⁾

Assistenza tecnica

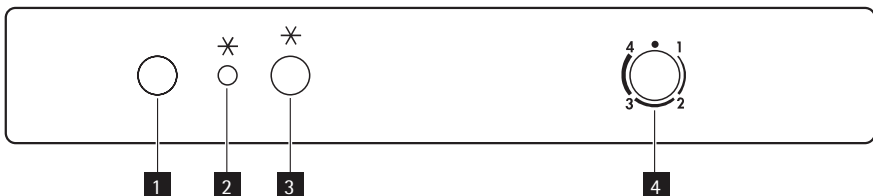
- Tutti gli interventi elettrici richiesti per gli interventi di assistenza dell'apparecchio devono essere eseguiti da un elettricista qualificato o da una persona competente.
- Gli interventi di assistenza sul prodotto devono essere eseguiti esclusivamente da tecnici autorizzati e utilizzando solo ricambi originali.

Tutela ambientale



Questo apparecchio non contiene gas che potrebbero danneggiare lo strato di ozono nel circuito refrigerante o nei materiali isolanti. L'apparecchio non deve essere smaltito assieme ai rifiuti urbani e alla spazzatura. La schiuma dell'isolamento contiene gas infiammabili: lo smaltimento dell'apparecchio va eseguito secondo le prescrizioni vigenti da richiedere alle autorità locali. Evitare di danneggiare il gruppo refrigerante, specialmente nella parte posteriore vicino allo scambiatore di calore. I materiali usati su questo apparecchio contrassegnati dal simbolo ♻ sono riciclabili.

Pannello dei comandi



- 1 Spia di controllo
- 2 Spia di congelamento rapido
- 3 Tasto di congelamento rapido
- 4 Regolatore di temperatura

15) Per gli apparecchi che prevedono un collegamento alla rete idrica

Accensione

Inserire la spina nella presa.

Impostare il regolatore di temperatura a un livello medio, ruotandolo in senso orario.

La spia di congelamento rapido si accende.

Spegnimento

Per spegnere l'apparecchiatura, ruotare il regolatore di temperatura in posizione "0".

La spia di controllo si spegne.

Regolazione della temperatura

La temperatura viene regolata automaticamente.

Per regolare il livello di raffreddamento, procedere come segue:

- impostare il regolatore di temperatura a un livello basso per ottenere un raffreddamento minimo.
- ruotare il regolatore di temperatura verso l'impostazione massima per aumentare l'intensità del raffreddamento.



In condizioni normali, si consiglia di utilizzare una regolazione media.

Tuttavia, è importante ricordare che la temperatura all'interno dell'apparecchiatura è condizionata dai seguenti fattori:

- temperatura ambiente
- frequenza di apertura della porta
- quantità di alimenti conservati
- posizione dell'apparecchiatura.



Se la temperatura ambiente è elevata o l'apparecchiatura è a pieno carico, un'impostazione alla temperatura minima può causare l'attivazione ininterrotta del compressore e la formazione di brina sulla parete posteriore. In questo caso, impostare una temperatura più elevata per consentire lo sbrinamento automatico e ridurre così il consumo di energia.

Funzione di congelamento rapido

Questa funzione viene attivata premendo il tasto di congelamento rapido.

La spia di congelamento rapido si accende.

È possibile disattivare la funzione in qualsiasi momento premendo il tasto di congelamento rapido.

La spia di congelamento rapido si spegne.

Primo utilizzo

Pulizia dell'interno

Prima di utilizzare l'apparecchio per la prima volta, lavare l'interno e gli accessori interni con acqua tiepida e un po' di sapone neutro in modo a togliere il tipico odore dei prodotti nuovi, quindi asciugare accuratamente.



Non usare detergenti corrosivi o polveri abrasive che danneggiano le finiture.

Utilizzo quotidiano

Congelazione dei cibi freschi

Il vano congelatore è adatto alla congelazione di cibi freschi e alla conservazione a lungo termine di alimenti congelati e surgelati.

Per congelare alimenti freschi, attivare la funzione di congelamento rapido almeno 24 ore prima di introdurre gli alimenti nel vano congelatore.

Riporre i cibi freschi da congelare nel comparto superiore.

La quantità massima di alimenti congelabile in 24 ore è riportata sulla **targhetta**, un'etichetta presente sulle pareti interne dell'apparecchiatura.

Il processo di congelamento dura 24 ore: finché non è concluso, non aggiungere altro cibo da congelare.

Conservazione dei cibi congelati

Al primo avvio o dopo un periodo di non utilizzo, prima di riporre i prodotti nel vano fare funzionare l'apparecchio per almeno 2 ore con una regolazione alta.

Per conservare grandi quantità di cibo, togliere dall'apparecchio tutti i cassetti e i cestelli e sistemare il cibo sui ripiani di raffreddamento per ottenere i migliori risultati.



AVVERTENZA

Accertare che il cibo non superi il limite di carico riportato a lato della sezione superiore (quando applicabile) ►



In caso di sbrinamento accidentale, per esempio a causa di un'interruzione dell'alimentazione elettrica, se l'alimentazione manca per un periodo superiore al valore indicato nella tabella dei dati tecnici sotto "Tempo di risalita", il cibo scongelato deve essere consumato rapidamente o cucinato immediatamente quindi ricongelato (dopo il raffreddamento).

Calendario di congelamento



I simboli mostrano i diversi tipi di cibi congelati.

Il numeri indicano i tempi di conservazione in mesi dei tipi corrispondenti di cibi congelati.

La validità del valore superiore o inferiore del tempo di conservazione indicato dipende dalla qualità dei cibi e dal trattamento prima del congelamento.

Scongelamento

Prima dell'utilizzo, i cibi surgelati o congelati possono essere scongelati nel vano frigorifero o a temperatura ambiente, in funzione del tempo disponibile per questa operazione.

I pezzi piccoli possono addirittura essere cucinati ancora congelati, direttamente dal congelatore: in questo caso la cottura durerà più a lungo.

Produzione di cubetti di ghiaccio

Questo apparecchio è equipaggiato con una o più vaschette per la produzione di cubetti di ghiaccio. Riempire d'acqua le vaschette quindi inserirle nel vano congelatore.



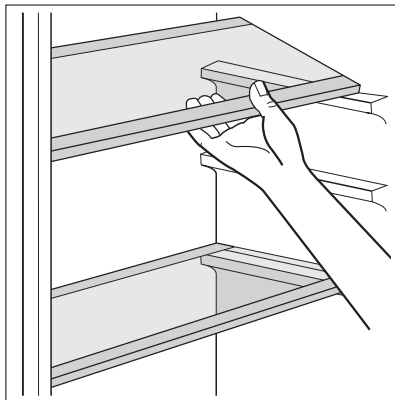
Non usare strumenti metallici per rimuovere le vaschette dal congelatore.

Accumulatori di freddo

Il congelatore dispone di uno o più accumulatori di freddo che prolungano la durata di conservazione degli alimenti in caso di guasto o interruzione dell'energia elettrica.

Ripiani mobili

Le guide presenti sulle pareti del frigorifero permettono di posizionare i ripiani a diverse altezze. Per un migliore sfruttamento dello spazio, i semi-ripiani anteriori possono essere collocati sopra a quelli posteriori.



Posizionamento delle mensole

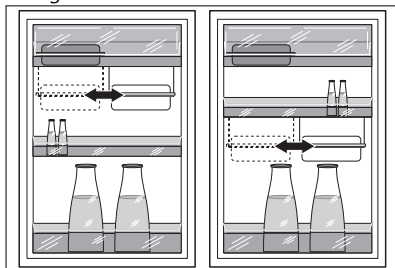
Per facilitare l'introduzione di alimenti di diverse dimensioni, le mensole della porta possono essere posizionate ad altezze differenti.

Posizionamento delle mensole intermedie

Le mensole intermedie possono essere inserite a diverse altezze.

Per regolare l'altezza delle mensole, procedere come segue:

1. sollevare la mensola con la parte superiore rivolta verso l'alto ed estrarla dalle guide
2. togliere le staffe di fissaggio dalla guida sotto alla mensola
3. Procedere in modo inverso per inserire una mensola intermedia ad un'altezza diversa.

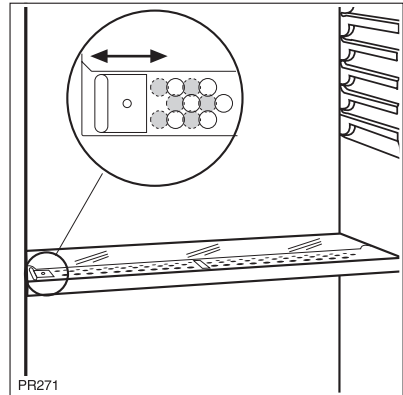


Controllo dell'umidità

La mensola in vetro comprende un dispositivo con griglie (regolabili mediante una leva) che consente di regolare la temperatura nei cassetti della verdura.

Quando le griglie di ventilazione sono chiuse: il normale contenuto di umidità degli alimenti conservati nel cassetto per la frutta e la verdura è conservato più a lungo.

Quando le griglie di ventilazione sono aperte: una maggiore circolazione dell'aria determina un contenuto inferiore di umidità nei comparti frutta e verdura.



Consigli e suggerimenti utili

Consigli per il risparmio energetico

- Non aprire frequentemente la porta e non lasciarla aperta più di quanto assolutamente necessario.
- Se la temperatura ambiente è elevata, il termostato è impostato su una regolazione alta e l'apparecchio è a pieno carico, il compressore può funzionare in continuo causando la formazione di brina o ghiaccio sull'evaporatore. In questo caso, ruotare il termostato su una regolazione più bassa per consentire lo scongelamento automatico risparmiando così energia.

Consigli per la refrigerazione di cibi freschi

Per ottenere i migliori risultati:

- non riporre nel frigorifero cibi caldi o liquidi in fase di evaporazione
- coprire o avvolgere il cibo, in particolare se emana un odore forte
- posizionare il cibo in modo che l'aria possa circolare liberamente attorno ad esso

Consigli per la refrigerazione

Consigli utili:

Carne (tutti i tipi): avvolgerla in sacchetti di politene e collocarla sul ripiano di vetro sopra il cassetto delle verdure.

Per motivi di sicurezza, conservarla in queste condizioni solo per uno o due giorni al massimo.

Cibi cucinati, piatti freddi ecc.: dovrebbero essere coperti e possono essere collocati su qualsiasi ripiano.

Frutta e verdura: dovrebbero essere pulite accuratamente e collocate nell'apposito/i cassetto/i speciale/i.

Burro e formaggio: dovrebbero essere posti in contenitori ermetici speciali o avvolti in pellicole di alluminio o sacchetti di politene per escludere per quanto possibile l'aria.

Bottiglie di latte: dovrebbero essere tappate e conservate nell'apposito ripiano sulla porta.

Non conservare nel frigorifero banane, patate, cipolle o aglio se non sono confezionati.

Consigli per il congelamento

Per un processo di congelamento ottimale, ecco alcuni consigli importanti:

- la quantità massima di cibo che può essere congelata in 24 h è riportata sulla targhetta;
- il processo di congelamento dura 24 ore. In questo periodo non aggiungere altro cibo da congelare;
- congelare solo alimenti freschi, di ottima qualità e accuratamente puliti;
- preparare il cibo in piccole porzioni per consentire un congelamento rapido e completo e per scongelare in seguito solo la quantità necessaria;
- avvolgere il cibo in pellicole di alluminio o in politene e verificare che i pacchetti siano ermetici;
- non lasciare che cibo fresco non congelato entri in contatto con quello già congelato, per evitare un aumento della temperatura in quest'ultimo;
- i cibi magri si conservano meglio e più a lungo di quelli grassi; il sale riduce il periodo di conservazione del cibo;
- i ghiaccioli, se consumati immediatamente dopo la rimozione dal vano congelatore, possono causare ustioni da congelamento della pelle;
- si consiglia di riportare la data di congelamento su ogni singolo pacchetto per riuscire a tenere traccia del tempo di conservazione;

Conservazione per la conservazione di cibi congelati

Per ottenere i migliori risultati con questo apparecchio:

- accertare che i cibi congelati commercialmente siano adeguatamente conservati dal rivenditore;
- fare in modo che i cibi congelati siano trasferiti dal negozio al congelatore nel più breve tempo possibile;
- non aprire la porta frequentemente o lasciarla aperta più del tempo strettamente necessario.
- Una volta scongelato, il cibo si deteriora rapidamente e non può essere ricongelato.
- Non superare il periodo di conservazione indicato dal produttore.

Pulizia e cura



ATTENZIONE

Staccare la spina dell'apparecchio prima di eseguire lavori di manutenzione.



Questo apparecchio contiene idrocarburi nell'unità di raffreddamento; la manutenzione e la ricarica devono pertanto essere effettuate esclusivamente da tecnici autorizzati.

Pulizia periodica

L'apparecchio deve essere pulito regolarmente:

- pulire l'interno e gli accessori con acqua tiepida e un po' di sapone neutro.
- controllare regolarmente le guarnizioni della porta e verificare che siano pulite e prive di residui.
- risciacquare e asciugare accuratamente.



Non tirare, spostare o danneggiare tubi e/o cavi all'interno dell'apparecchio. Non usare mai detersivi, polveri abrasive, prodotti per la pulizia con una forte profumazione o cere lucidanti per pulire l'interno, in quanto danneggiano la superficie e lasciano un odore forte.

Pulire il condensatore (griglia nera) e il compressore sul retro con una spazzola o un aspirapolvere. Questa operazione migliorerà le prestazioni dell'apparecchio riducendo i consumi elettrici.



Non danneggiare il sistema di raffreddamento.

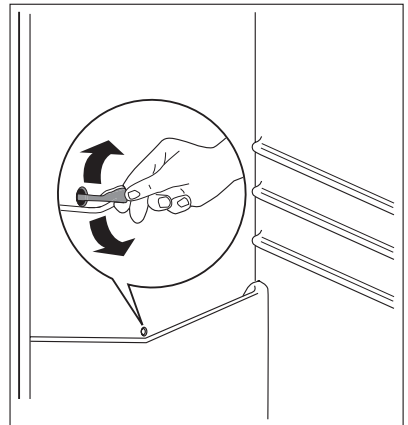
Molti detersivi per cucine di marca contengono sostanze chimiche in grado di attaccare/danneggiare la plastica impiegata in questo apparecchio. Per questo motivo si raccomanda di pulire l'involucro esterno dell'apparecchio solo con acqua calda con un po' di liquido detersivo.

Dopo la pulizia, ricollegare l'apparecchio alla rete di alimentazione.

Sbrinamento del vano frigorifero

Durante l'uso normale, la brina viene eliminata automaticamente dall'evaporatore del vano frigorifero ogni volta che il motore compressore si arresta. L'acqua di sbrinamento giunge attraverso un condotto in un apposito recipiente posto sul retro dell'apparecchio, sopra il motore compressore, dove evapora.

È importante pulire periodicamente il foro di scarico dell'acqua di sbrinamento, situato al centro del canale sulla parete posteriore, per evitare che l'acqua fuoriesca sugli alimenti. Usare l'apposito utensile già inserito nel foro di scarico.



Sbrinamento del vano congelatore

È normale che sui ripiani del congelatore e intorno allo scomparto superiore si formi, con il tempo, uno strato di brina.

Quando tale strato raggiunge uno spessore di ca. 3-5 mm, il vano congelatore deve essere sbrinato.



Circa 12 ore prima dello sbrinamento, impostare il termostato su una regolazione più alta per accumulare una riserva di freddo sufficiente per l'interruzione del funzionamento.

Per rimuovere la brina, procedere come segue:

1. Spegner l'apparecchio.

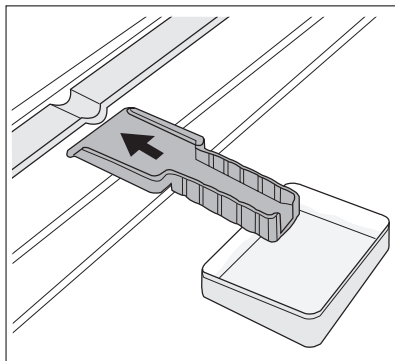
2. Rimuovere i surgelati, avvolgerli in vari strati di carta di giornale e riporli in un luogo fresco.



ATTENZIONE

Non toccare il cibo congelato con le mani bagnate. Le mani potrebbero aderire all'alimento congelato.

3. Lasciare aperta la porta e inserire il raschietto in plastica nella sede appropriata al centro sul fondo, collocando una bacinella al di sotto per raccogliere l'acqua di sbrinamento.



Per accelerare il processo di sbrinamento, collocare un recipiente di acqua calda nel vano congelatore. Inoltre rimuovere i pezzi di ghiaccio che si distaccano prima che lo sbrinamento sia completo.

4. Una volta completato lo sbrinamento, asciugare accuratamente l'interno conservando il raschietto per l'uso futuro.
5. Accendere l'apparecchio.
6. Dopo due o tre ore, reintrodurre nel vano congelatore gli alimenti precedentemente rimossi.



Per rimuovere la brina dall'evaporatore, non usare utensili metallici appuntiti che possano danneggiarlo.

Non usare dispositivi elettrici o altri mezzi artificiali non raccomandati dal produttore allo scopo di accelerare il processo di sbrinamento.

Un innalzamento della temperatura dei surgelati durante lo sbrinamento può ridurre la loro durata di conservazione.

Periodi di inutilizzo

Quando l'apparecchio non è utilizzato per lunghi periodi, adottare le seguenti precauzioni:

- **scollegare l'apparecchiatura dalla rete elettrica**
- rimuovere tutto il cibo
- sbrinare ¹⁶⁾e pulire l'apparecchio e tutti gli accessori
- lasciare la/e porta/e socchiusa/e per evitare odori sgradevoli.

Se l'apparecchio rimane acceso, chiedere a qualcuno di controllare ogni tanto per evitare che il cibo contenuto marcisca in caso di interruzione dell'alimentazione elettrica.

Cosa fare se...



AVVERTENZA

Prima della ricerca guasti, estrarre la spina dalla presa.

Le operazioni di ricerca guasti non descritte nel presente manuale devono essere eseguite esclusivamente da elettricisti qualificati o da personale competente.

16) Se previsto.



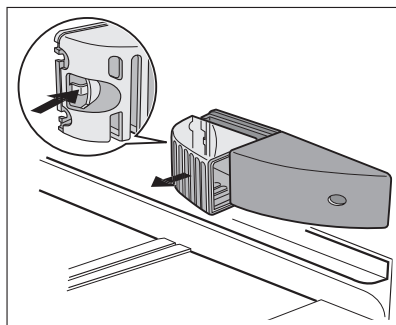
Durante l'uso, alcuni rumori di funzionamento (come quelli del compressore o del circuito refrigerante) sono da considerarsi normali.

Problema	Possibile causa	Soluzione
L'apparecchiatura non funziona. La lampadina non si accende.	L'apparecchiatura è spenta.	Accendere l'apparecchiatura.
	La spina non è inserita correttamente nella presa.	Inserire correttamente la spina nella presa.
	L'apparecchiatura non riceve corrente. Non arriva tensione alla presa elettrica.	Collegare alla presa un'altra apparecchiatura elettrica. Rivolgersi a un elettricista qualificato.
La lampadina non si accende.	La lampadina è in stand-by.	Aprire e chiudere la porta.
	La lampadina è difettosa.	Vedere "Sostituzione della lampadina".
Il compressore rimane sempre in funzione.	La temperatura non è regolata correttamente.	Impostare una temperatura superiore.
	La porta non è chiusa correttamente.	Vedere "Chiusura della porta".
	La porta viene aperta troppo frequentemente.	Limitare il più possibile il tempo di apertura della porta.
	La temperatura degli alimenti è troppo alta.	Prima di introdurre gli alimenti, lasciarli raffreddare a temperatura ambiente.
	La temperatura ambiente è troppo alta.	Abbassare la temperatura ambiente.
Scorre acqua sul pannello posteriore del frigorifero.	Durante lo sbrinamento automatico, la brina che si forma sul pannello posteriore si scioglie.	Non si tratta di un'anomalia.
Scorre acqua all'interno del frigorifero.	Lo scarico dell'acqua è ostruito.	Pulire lo scarico dell'acqua.
	Gli alimenti impediscono all'acqua di scorrere nell'apposito collettore.	Evitare di disporre gli alimenti direttamente contro la parete posteriore.
Scorre acqua sul pavimento.	L'acqua di sbrinamento non viene scaricata nella bacinella di evaporazione posta sopra il compressore.	Collegare lo scarico dell'acqua di sbrinamento alla bacinella di evaporazione.
La temperatura all'interno dell'apparecchiatura è troppo bassa.	La temperatura non è regolata correttamente.	Impostare una temperatura superiore.

Problema	Possibile causa	Soluzione
La temperatura all'interno dell'apparecchiatura è troppo alta.	La temperatura non è regolata correttamente.	Impostare una temperatura inferiore.
	La porta non è chiusa correttamente.	Vedere "Chiusura della porta".
	La temperatura degli alimenti è troppo alta.	Prima di introdurre gli alimenti, lasciarli raffreddare a temperatura ambiente.
	Sono stati introdotti molti alimenti insieme.	Introdurre gli alimenti poco alla volta.
La temperatura nel vano frigorifero è troppo alta.	L'aria fredda non circola correttamente all'interno dell'apparecchiatura.	Adottare le misure necessarie per garantire una corretta circolazione dell'aria fredda.
La temperatura nel vano congelatore è troppo alta.	I surgelati sono troppo vicini tra loro.	Disporre i surgelati in modo da consentire una corretta circolazione dell'aria fredda.
Si forma troppa brina.	Gli alimenti non sono avvolti correttamente.	Avvolgere correttamente gli alimenti.
	La porta non è chiusa correttamente.	Vedere "Chiusura della porta".
	La temperatura non è regolata correttamente.	Impostare una temperatura superiore.

Sostituzione della lampadina

1. Spegner l'apparecchio.
2. Premere sul gancio posteriore e contemporaneamente fare scorrere il coprilampada nella direzione della freccia.
3. Sostituire la lampadina con una di uguale potenza (la potenza massima è indicata sul coprilampada).
4. Rimontare il coprilampada facendolo scorrere nella posizione originale.
5. Accendere l'apparecchio.
6. Aprire la porta. Controllare che la lampadina si accenda.



Chiusura della porta

1. Pulire le guarnizioni della porta.
2. Se necessario, regolare la porta. Vedere "Installazione".
3. Se necessario, sostituire le guarnizioni della porta difettose. Contattare il Centro di assistenza locale.

Dati tecnici

Nicchia di incasso		
	Altezza	1780 mm
	Larghezza	560 mm
	Profondità	550 mm
Tempo di risalita		24 h

I dati tecnici sono riportati sulla targhetta del modello, applicata sul lato sinistro interno dell'apparecchio, e sull'etichetta dei valori energetici.

Installazione

Luogo d'installazione



AVVERTENZA

Qualora occorra ritirare dall'uso un apparecchio con serratura, si raccomanda di rendere quest'ultima inservibile per evitare che i bambini possano chiudersi all'interno.



La spina dell'apparecchio deve essere accessibile dopo l'installazione.

Installare l'apparecchio in un luogo la cui temperatura ambiente corrisponda alla classe climatica indicata sulla targhetta del modello:

Classe climatica	Temperatura ambiente
SN	da +10°C a +32°C
N	da +16°C a +32°C
ST	da +16°C a +38°C
T	da +16°C a +43°C

Collegamento elettrico

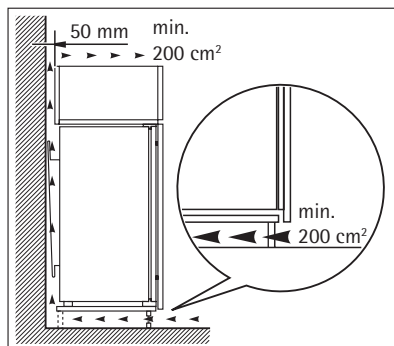
Prima di inserire la spina, verificare che la tensione e la frequenza riportate sulla targhetta corrispondano ai valori della rete elettrica domestica.

L'apparecchio deve essere collegato a massa. La spina del cavo di alimentazione è dotata di un contatto a tale scopo. Se la presa della rete elettrica domestica non è collegata a massa, collegare l'apparecchio ad una massa separata in conformità alle norme relative alla corrente, consultando un elettricista qualificato.


Il fabbricante declina qualsiasi responsabilità se le precauzioni suddette non sono rispettate. Il presente apparecchio è conforme alle direttive CEE.

Requisiti di ventilazione

Il flusso d'aria dietro l'apparecchio deve essere sufficiente.



Considerazioni ambientali

Il simbolo  sul prodotto o sulla confezione indica che il prodotto non deve essere considerato come un normale rifiuto domestico, ma deve essere portato nel punto di raccolta appropriato per il riciclaggio di apparecchiature elettriche ed elettroniche. Provvedendo a smaltire questo prodotto in modo appropriato, si contribuisce a evitare potenziali conseguenze negative, che potrebbero derivare da uno smaltimento inadeguato del prodotto. Per informazioni più dettagliate sul riciclaggio di questo prodotto, contattare l'ufficio comunale, il servizio locale di smaltimento rifiuti o il negozio in cui è stato acquistato il prodotto.

Dove portare gli apparecchi fuori uso?

In qualsiasi negozio che vende apparecchi nuovi oppure si restituiscono ai centri di raccolta ufficiali della SENS oppure ai riciclatori ufficiali della SENS.

La lista dei centri di raccolta ufficiali della SENS è visibile nel sito www.sens.ch.

www.electrolux.com



Pour les accessoires et les pièces détachées visitez notre Web Shop:
www.aeg.ch

Für Gerätezubehör und Ersatzteile besuchen Sie unseren Web Shop:
www.aeg.ch

Per gli accessori e i pezzi di ricambio vogliate visitare il nostro Web Shop:
www.aeg.ch