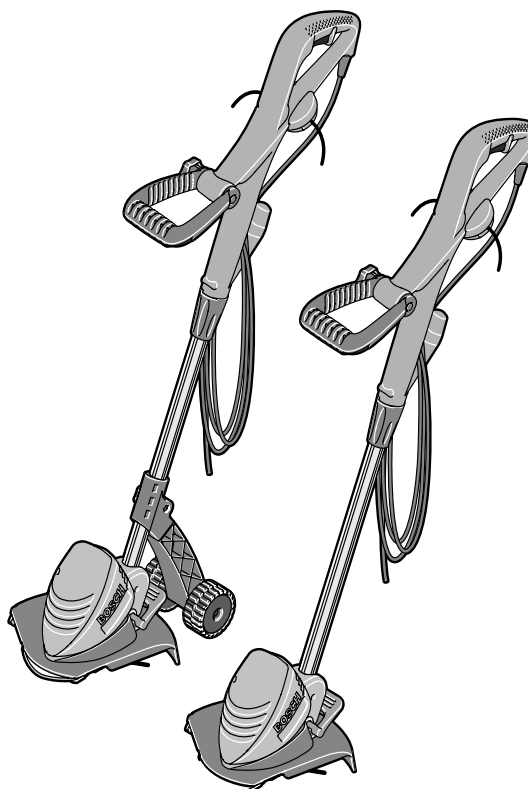




BOSCH

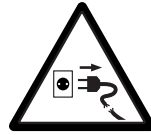
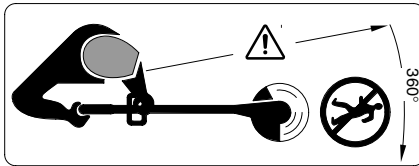
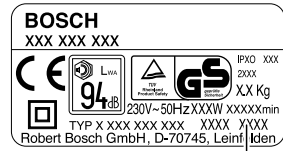
ART COMBITRIM



Originalbetriebsanleitung
Original instructions
Notice originale
Manual original
Manual original
Istruzioni originali
Oorspronkelijke
gebruiksaanwijzing
Original brugsanvisning
Bruksanvisning i original
Original driftsinstruks
Alkuperäiset ohjeet
Πρωτότυπο οδηγίων
χρήσης
Orijinal işletme talimatı
Instrukcja oryginalna
Původní návod k používání
Pôvodný návod na použitie
Eredeti használati utasítás
Оригинальное руководст-
во по эксплуатации
Оригинальна інструкція з
експлуатації
Instrucțiuni originale
Оригинална инструкция
Originalno uputstvo za rad
Izvirna navodila
Originalne upute za rad
Algupärane kasutusjuhend
Instrukcijas oriģinālvalodā
Originali instrukcija

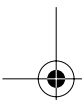
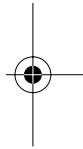
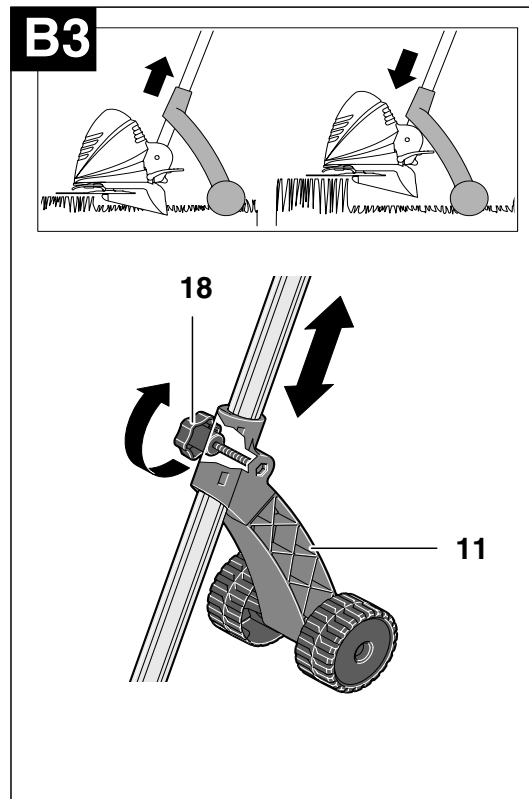
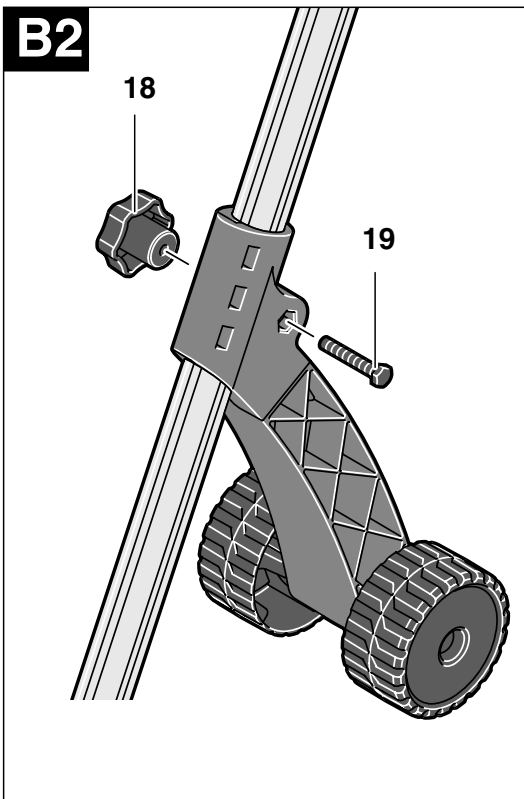
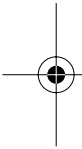
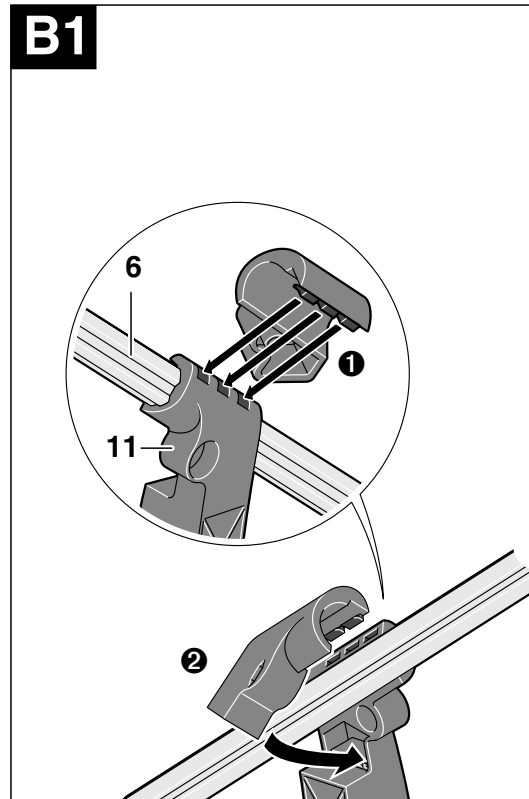
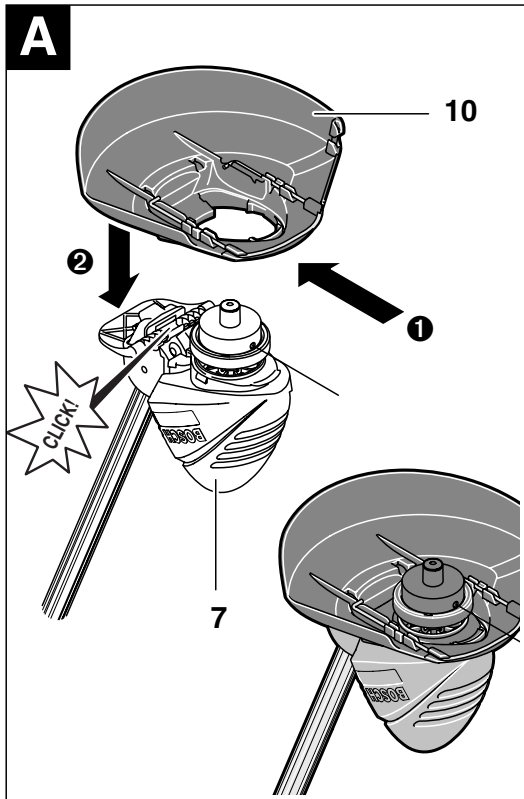
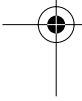
Deutsch	Polski
English	Česky
Français	Slovensky
Español	Magyar
Português	Русский
Italiano	Українська
Nederlands	Română
Dansk	Български
Svenska	Srpski
Norsk	Slovensko
Suomi	Hrvatski
Ελληνικά	Eesti
Türkçe	Latviešu
	Lietuviškai

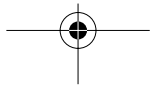
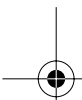
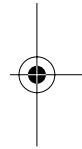
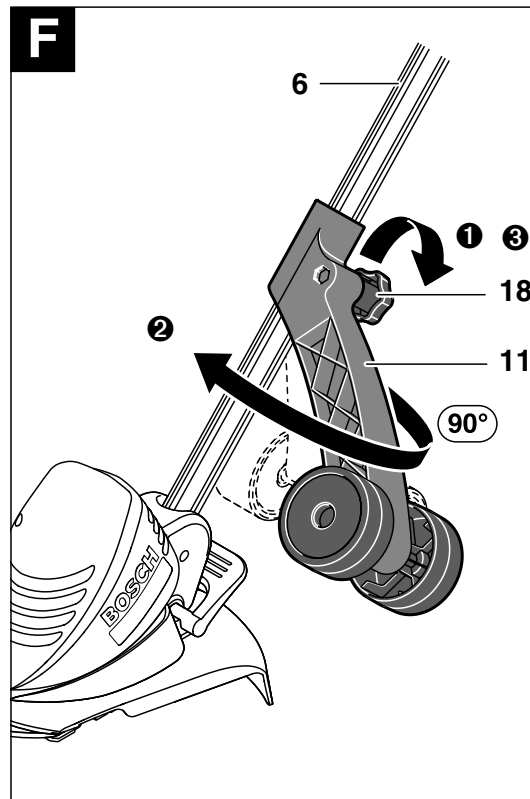
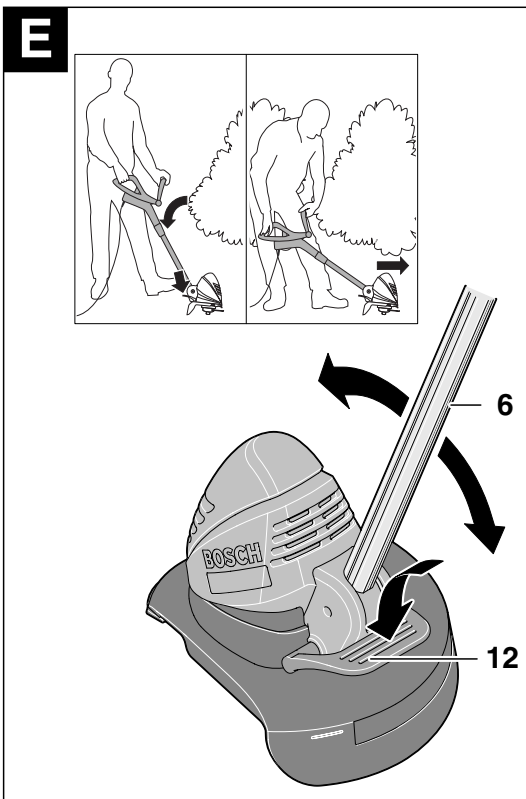
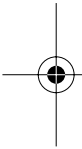
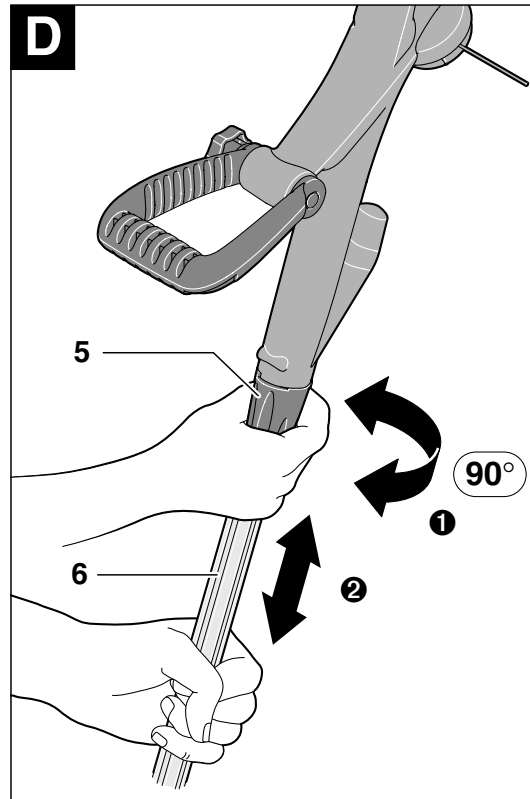
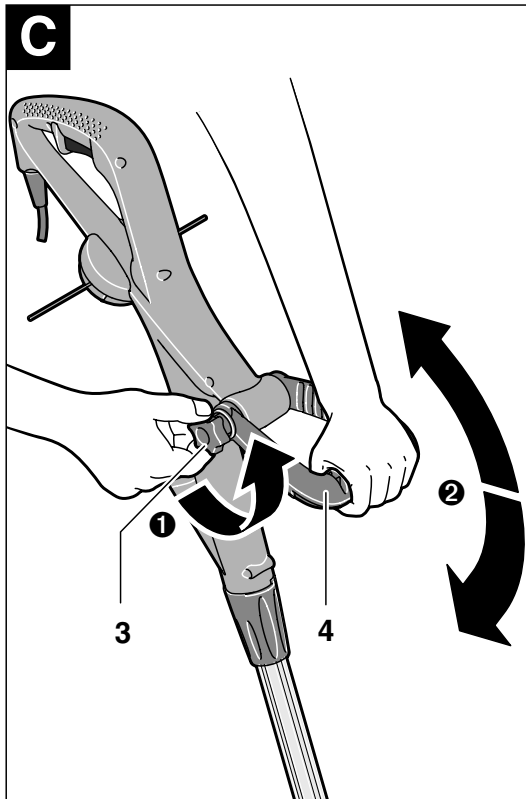
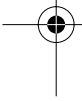


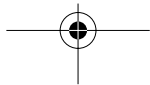
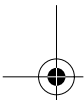
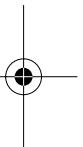
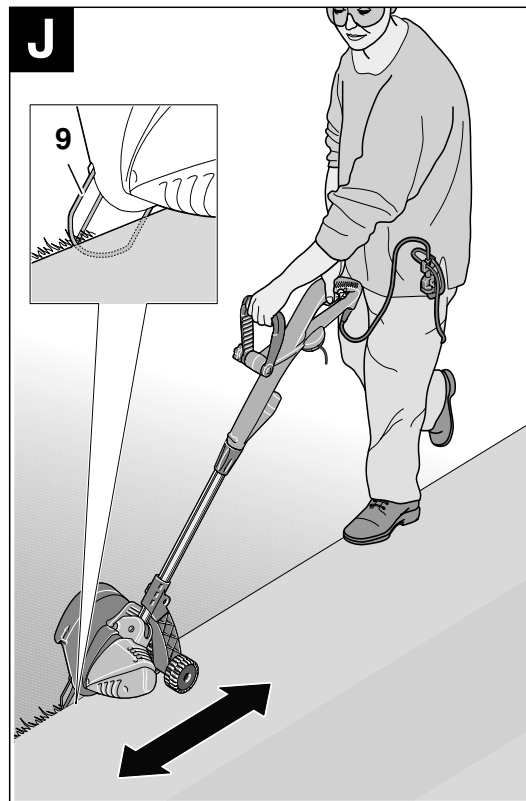
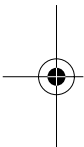
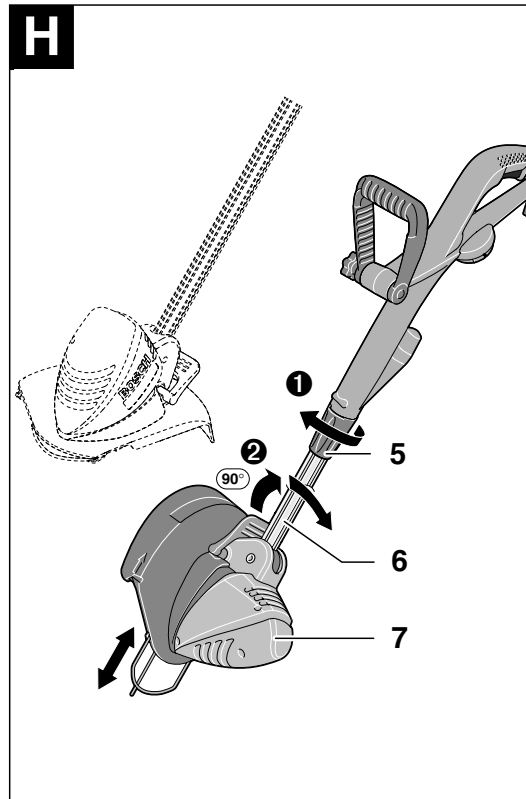
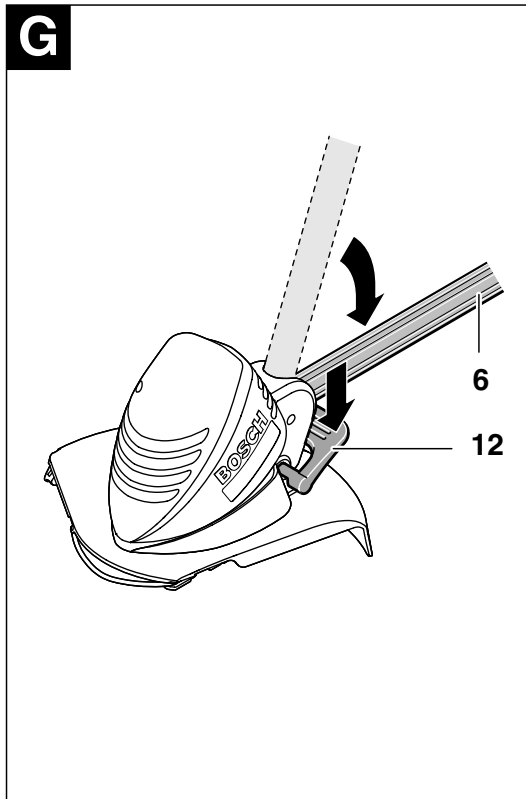
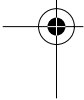


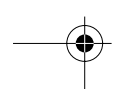
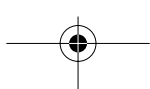
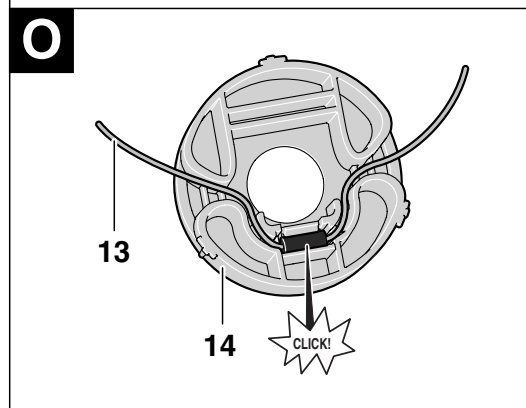
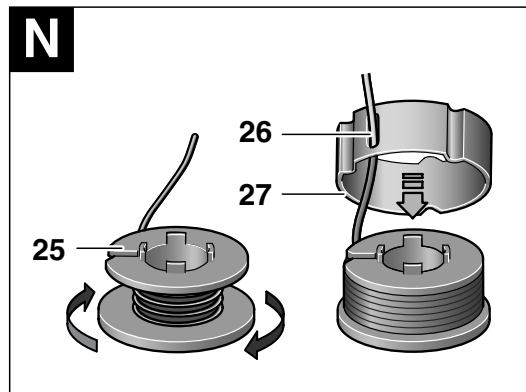
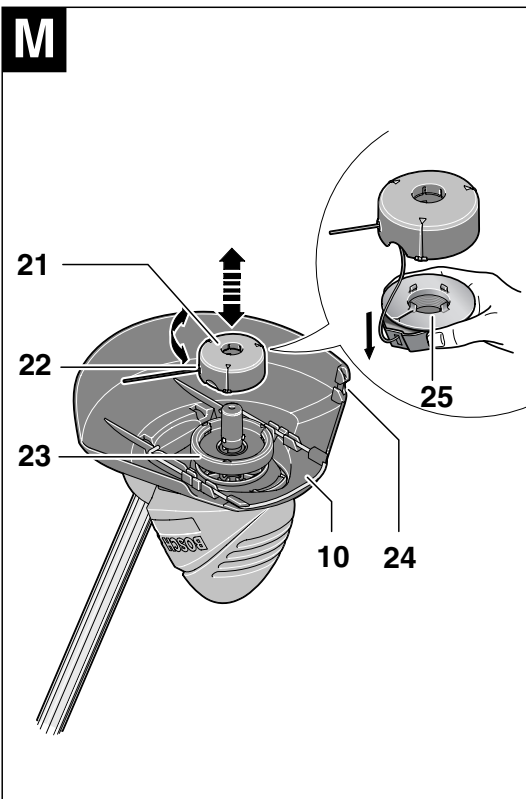
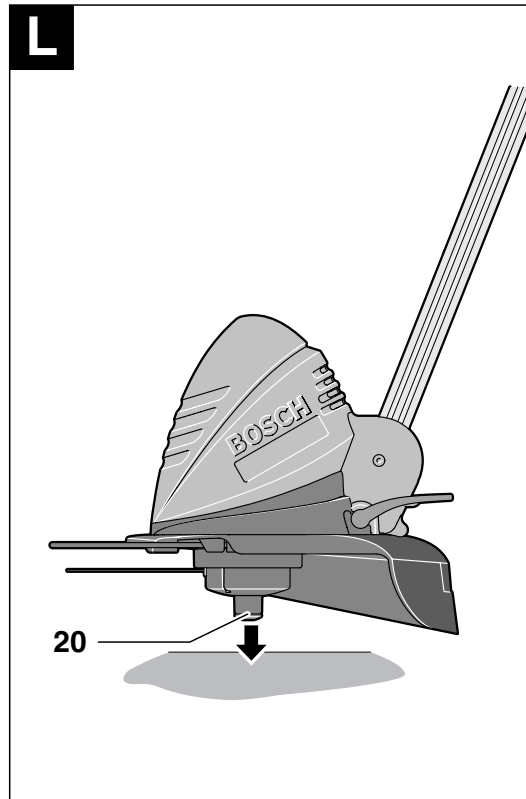
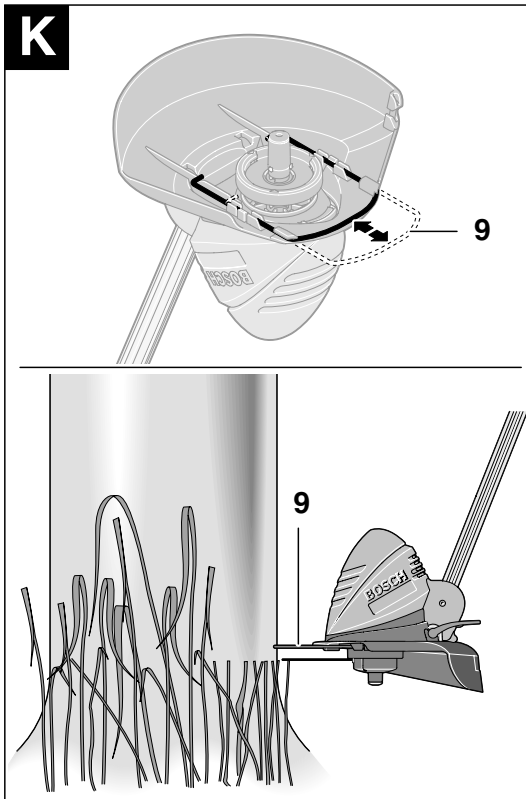
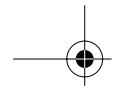
16

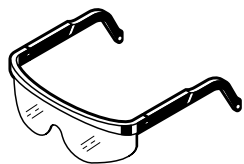




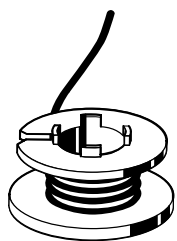




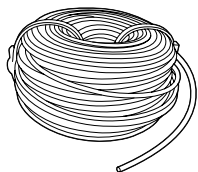




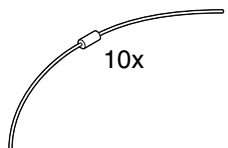
F 016 800 178



F 016 800 175



F 016 800 176



F 016 800 174
(ART 23/2300 COMBITRIM)

F 016 800 181
(ART 26/2600 COMBITRIM)

F 016 800 182
(ART 30/3000 COMBITRIM)



F 016 800 172



F 016 800 173



Safety Notes

Warning! Read these instructions carefully, be familiar with the controls and the proper use of the line trimmer. Please keep the instructions safe for later use.

Explanation of symbols on the line trimmer



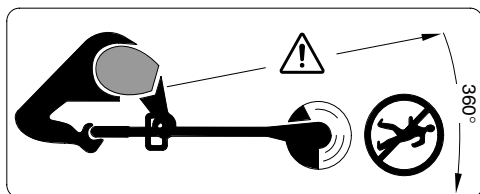
General hazard safety alert.



Read instruction manual.



Wear eye protection.



Beware of thrown or flying objects to bystanders.

Keep bystanders a safe distance away from the machine.



Switch off and remove plug from mains before adjusting, cleaning or if the cable is entangled and before leaving the trimmer unattended for any period. Keep the supply flexible cord away from the cutting line.



Do not work in the rain or leave the trimmer outdoors whilst it is raining.

- Never operate the trimmer with damaged guards or shields or without guards or shields in position.
- Before use check the supply and extension cord for signs of damage or ageing. If the cord becomes damaged during use, disconnect the cord from the supply immediately. **DO NOT TOUCH THE CORD BEFORE DISCONNECTING THE SUPPLY.** Do not use the trimmer if the cord is damaged or worn.
- Before using the machine and after impact, check for signs of wear or damage and repair if necessary.
- Do not operate the trimmer when barefoot or wearing open sandals, always wear substantial footwear and long trousers.
- Keep extension cords away from cutting elements.
- Never allow children or people unfamiliar with these instructions to use the trimmer. Local regulations may restrict the age of the operator. When not in use store the trimmer out of reach of children.
- This appliance is not intended for use by persons (including children) with reduced physical, sensory or mental capabilities, or lack of experience and knowledge, unless they have been given supervision or instruction concerning use of the appliance by a person responsible for their safety. Children should be supervised to ensure that they do not play with the appliance.
- Never work with this trimmer while people, especially children or pets are nearby.
- The operator or user is responsible for accidents or hazards occurring to other people or their property.
- Wait until the rotating line has completely stopped before touching it. The line continues to rotate after the trimmer is switched off, a rotating line can cause injury.
- Work only in daylight or in good artificial light.
- Avoid operating the trimmer in wet grass, where feasible.
- Switch off when transporting the trimmer to and from the area to be worked on.
- Switch on the trimmer with hands and feet well away from the rotating line.
- Do not put hands or feet near the rotating line.
- Never fit metal cutting elements to this trimmer.
- Inspect and maintain the trimmer regularly.
- Have the trimmer repaired only by an authorized customer service agent.
- Always ensure that the ventilation slots are kept clear of debris.
- Take care against injury from the blade fitted for cutting the nylon line length. After feeding line always return the trimmer to its horizontal operating position before switching on.
- Do not feed and cut off excess line in edging position.
- **Switch off and remove the plug from the socket:**
 - whenever you leave the machine unattended for any period
 - before replacing the spool
 - if the cable is entangled
 - before cleaning or working on the line trimmer.
- Store the machine in a secure dry place out of reach of children. Do not place other objects on top of the machine.
- Replace worn or damaged parts for safety.
- Ensure replacement parts fitted are Bosch approved.

Technical data

Line trimmer	ART 23 COMBITRIM/ ART 2300 COMBITRIM	ART 26 COMBITRIM/ ART 2600 COMBITRIM	ART 30 COMBITRIM/ ART 3000 COMBITRIM
Part number (typ)	3 600 H78 B..	3 600 H78 C..	3 600 H78 D..
Rated power [W]	400	450	500
No-load speed [min ⁻¹]	12 000	11 500	10 500
Cutting line feed	Pro tap automatic	Pro tap automatic	Pro tap automatic
Adjustable handle	●	●	●
Cutting Head angle adjustment/edging adjustment	●	●	●
Cutting line [mm]	Ø 1.6	Ø 1.6	Ø 1.6
Cutting circle [cm]	23	26	30
Cutting spool capacity [m]	8	8	8
Extra Strong Line [mm]	Ø 2.4	Ø 2.4	Ø 2.4
Weight (without optional extras) [kg]	2.7	3.0	3.2
Protection class	□ / II	□ / II	□ / II
Serial Number	See serial No 16 (rating plate) on machine.		

Intended Use

The product is intended for the cutting of grass and weeds under bushes, as well as on slopes and edges that can not be reached with the lawn mower.

Intended Use is related to operation within 0 °C and 40 °C ambient temperature.

Introduction

This manual gives instructions on the correct assembly and safe use of your machine. It is important that you read these instructions carefully.

Delivered Items

Carefully remove the machine from its packaging and check that you have all the following items:

- Line trimmer
- Cutting guard
- Adjustable handle (fitted)
- Wheels (ART 30/3000 COMBITRIM only)
- Plant protector (ART 30/3000 COMBITRIM only)
- Extra Strong Line
- Operating instructions

When parts are missing or damaged, please contact your dealer.

Operating Controls

- 1 On/Off switch
- 2 Handle
- 3 Handle wing nut
- 4 Adjustable handle
- 5 Adjusting collar
- 6 Shaft
- 7 Trimmer head
- 8 Ventilation slots
- 9 Plant protector (ART 30/3000 COMBITRIM only)
- 10 Cutting guard
- 11 Wheels (ART 30/3000 COMBITRIM only)
- 12 Foot pedal for head angle adjustment
- 13 Extra Strong Line
- 14 Extra Strong Line spool
- 15 Mains plug**
- 16 Serial Number

**Country specific

Not all of the accessories illustrated or described are included as standard delivery.



For Your Safety

Warning! Switch off, remove plug from mains before adjusting, cleaning or if cable is cut, damaged or entangled.

The cutting line continues to rotate for a few seconds after the trimmer is switched off.

Caution – do not touch rotating cutting line.

Electrical Safety

Your machine is double insulated for safety and requires no earth connection. The operating voltage is 230 V AC, 50 Hz (for non-EU countries 220 V, 240 V as applicable). Only use approved extension cables. Contact your Bosch Service Center for details.

It is recommended for increased electrical safety to use a Residual Current Device (RCD) with a tripping current of not more than 30 mA. Always check your RCD every time you use it.

WARNING: For safety, it is essential that the mains plug **15** attached to the machine is fitted to the power supply cable **17**.

The couplings of connection leads must be protected against splashes and the coupling sockets on the leads must be made of rubber or coated with rubber.

Fixing means for the connection leads must be used.

The connection lead must be inspected for signs of damage at regular intervals and may only be used if in perfect condition.

If the supply cord is damaged, it must be replaced by a Bosch Service Centre.

Extension cords/leads should only be used if they comply with H05VV-F or H05RN-F types.

Products sold in **GB** only: Your machine is fitted with an approved 13 A (BS 1363/A) electric plug and is protected by a 13 A fuse (ASTA Approved to BS 1362).

If the fitted plug is not suitable for your socket outlets, it should be cut off and an appropriate plug fitted in its place by an authorized customer service agent.

The severed plug must be disposed of to avoid a possible shock hazard and should never be inserted into a 13 A socket elsewhere.

Assembly



Do not connect the machine to the mains socket before it is completely assembled.

A Mounting the Cutting Guard

Place the cutting guard **10** on the trimmer head **7**.

① Hook the guard onto trimmer head and push until secure fitting.

② Push rear of guard until secure (click).

Mounting the Wheels (ART 30/3000 COMBITRIM only)

B1 Fit the wheels **11** onto the shaft **6**.

B2 Fit the bolt **19** and the wingnut **18**.

Note: The position of the wheels can be adjusted by loosening the wingnut **18** and moving to the desired position.

B3 The wheels can be moved up and down the shaft **6** depending on the height of cut required.

Adjustment

C Using Adjustable Handle

The adjustable handle **4** can be set in various positions:

① To change the position undo the handle wing nut **3** and move the adjustable handle **4**.

② Tighten the handle wing nut **3** securely to fix the adjustable handle **4** in the adjusted position.

D Adjusting Product Length

① Loosen the adjustment collar **5** 90°.

② Pull the shaft out to increase the height, or push the shaft in to decrease the height. Re-tighten adjustment collar **5**.

E Adjusting cutting head angle:

To change the angle depress the foot pedal **12** and move the shaft **6** to the desired position.

Release the foot pedal **12**.

Adjusting for Edging Mode

F Moving wheels (where fitted):

① Loosen wingnut **18**.

② Twist wheels **11** 90° as shown.

③ Tighten wingnut **18**.

G Adjusting cutting head angle:

① Depress the foot pedal **12**.

② Move the shaft **6** to the lowest position. Release the foot pedal **12**.

H Move trimmer head:

① Loosen the adjustment collar **5**.

② Turn the shaft **6** 90° to position the trimmer head **7** for trimming/edging as shown. Re-tighten adjustment collar **5**.

Cutting and Edging

! Remove stones, loose pieces of wood and other objects from the cutting area.

The cutting line continues to rotate for a few seconds after the trimmer is switched off. Allow the motor/cutting line to stop rotating before switching "on" again.

Do not rapidly switch off and on.

Switching On and Off

Press switch **1** and hold depressed. Release switch **1** for switching off.

I Cutting Grass

Move the trimmer left and right, keeping it well away from the body.

The trimmer can efficiently cut grass up to a height of 15 cm. Cut taller grass in stages.

Remove the wheels when cutting long grass (ART 30/3000 COMBITRIM only).

Cutting Very Long Grass/Weeds

The product is supplied with Extra Strong Line and a fixing spool, fit as described in spool maintenance.

Fitting the Extra Strong Line for very long tough conditions will improve the performance and give better results.

J Trimming Edges

Guide the trimmer along the edge of the lawn. Do not allow the cutting line to contact paved surfaces, stones or garden walls, since this will wear the line rapidly.

For better control use the plant protector **9** (ART 30/3000 COMBITRIM only – available as an accessory for ART 23/26/2300/2600 COMBITRIM) as a guide.

K Cutting Around Trees and Bushes

Carefully cut around trees and bushes so that they do not come into contact with the cutting line.

Plants can die if you damage the bark.

For better control use adjustable handle and use the plant protector **9** (ART 30/3000 COMBITRIM only – available as an accessory for ART 23/26/2300/2600 COMBITRIM).

Feeding the Line

! Do not feed and cut off excess line in edging position (see figure J). Feed button **20** may become hot.

The rotating line can wear or break. You will notice when the motor runs without load and no grass is cut.

L While operating the trimmer press the ground or a solid surface, then release (necessary pressure approx. 3 kg). This action will allow the feed button **20** to release the line out. The spool will release approx. 4 cm of line per action.

When the line breaks off completely, feed twice to regain the full cutting circle.

M If the line is exceeding the maximum cutting circle it will be cut by the blade **24** integrated in the cutting guard **10**.

Maintenance

! Stop and remove plug from the power supply.

Note: To ensure long and reliable service, carry out the following maintenance regularly.

Regularly check for obvious defects such as loose fixings, and worn or damaged components.

Check that covers and guards are undamaged and correctly fitted. Carry out necessary maintenance or repairs before using.

If the trimmer should happen to fail despite the care taken in manufacture and testing, repair should be carried out by an authorized customer service agent for Bosch garden products.

For all correspondence and spare parts orders, always include the 10-digit part number (TYP) from the nameplate of the machine!

Spool Maintenance

! Stop and remove plug from the power supply.

M Replacing the Line Spool

Hold the spool plate **23** in position.

Turn the spool cover **21** counter-clockwise and remove.

Take the empty spool **25** out from the spool cover.

Thread the line of the new/refilled spool through the eyehole **22** and place the spool in the spool cover **21**.

Pull approx. 9 cm of line out of the spool.

Place spool with cover **21** on the spool plate in the correct position (bayonet fastening), press down and turn fully clockwise (click).

Fitting Extra Strong Line Spool

Hold the spool plate **23** in position.

Turn the spool cover **21** counter-clockwise and remove.

Place the Extra Strong Line spool **14** on the spool plate in the correct position (bayonet fastening), press down and turn fully clockwise (click).

O When the Extra Strong Line breaks, use the above procedure to remove the spool and fit the Extra Strong replacement Line **13** as shown to the spool.

Replacement Extra Strong Line can be stored on the product as shown in main figure.

N Refilling Line

Take out the spool **25** as described above.

Press the cover ring **27** together, push it forward and detach over the smaller diameter of the spool.

Cut off approx. 8 m line from the refill roll. Press one end into the notch of the spool so that it stands out approx. 4 mm.

Wind on the line tightly and in orderly layers in arrow direction.

Thread the line's end through the slot **26** in the cover ring **27** from the inside.

Keep the line tight and slide the cover ring **27** over the smaller diameter of the spool.

Build in the spool as described above.

Note: Only use Bosch replacement line. It has been developed specially for improved cutting and feeding performance. The use of other line will lead to a deterioration in performance.

After Trimming/Storage

! Stop and remove plug from the power supply.

Clean the exterior of the machine thoroughly using a soft brush and cloth. Do not use water, solvents or polishes. Remove all grass and debris, especially from the ventilation slots **8**.

Turn the machine on its side and clean the cutting guard **10** inside. If grass cuttings are compacted, remove with a wooden or plastic implement.

Hang the cable on the hook provided. DO NOT wrap/loop the supply/extension cable around the hook and the guard together – this will cause the cable to be in contact with the guard blade which can damage the cable. ONLY hang the cable on the hook provided.

Fault Finding

The following table gives checks and actions that you can perform if your machine does not operate correctly. If these do not identify/remedy the problem, contact your service agent.

Warning: Switch off and remove plug from mains before investigating fault.

Symptom	Possible Cause	Remedy
Machine fails to operate	Power turned off Mains socket faulty Extension cable damaged Fuse faulty/blown	Turn power on Use another socket Inspect cable, replace if damaged Replace fuse
Machine functions intermittently	Extension cable damaged Machines internal wiring damaged	Inspect cable, replace if damaged Contact Service Agent Contact Service Agent
Machine labours	Grass too high	Cut in stages
Machine is not cutting	Line too short/broken off	Feed the line manually/automatically
Line can not be fed	Spool empty Line inside the spool entangled	Replace the spool Inspect the spool, rewind if necessary
Line keeps breaking	Line inside the spool entangled Trimmer used incorrectly	Inspect the spool, rewind if necessary Only trim with the tip of the line, avoid stones, walls and other hard objects. Feed the line regularly to maintain full cutting width.

Disposal

Power tools, accessories and packaging should be sorted for environmental-friendly recycling.

Only for EC countries:



Do not dispose of power tools into household waste!

According to the European Directive 2002/96/EC on waste electrical and electronic equipment and its incorporation into national law, products that are no longer suitable for use must be separately collected and sent for recovery in an environmentally-friendly manner.

After-Sales Service and Customer Assistance

Our after-sales service responds to your questions concerning maintenance and repair of your product as well as spare parts. Exploded views and information on spare parts can also be found under:

www.bosch-pt.com

Our customer consultants answer your questions concerning best buy, application and adjustment of products and accessories.

Great Britain

Robert Bosch Ltd. (B.S.C.)
P.O. Box 98
Broadwater Park
North Orbital Road
Denham
Uxbridge
UB 9 5HJ

Tel. Service: +44 (0844) 736 0109

Fax: +44 (0844) 736 0146

E-Mail: SPT-Technical.de@de.bosch.com

Ireland

Origo Ltd.
Unit 23 Magna Drive
Magna Business Park
City West
Dublin 24

Tel. Service: +353 (01) 4 66 67 00

Fax: +353 (01) 4 66 68 88

Australia, New Zealand and Pacific Islands

Robert Bosch Australia Pty.Ltd.
Power Tools
Locked Bag 66
Clayton South VIC 3169
Customer Contact Center

Inside Australia:

Phone: +61 (01300) 307 044

Fax: + 61 (01300) 307 045

Inside New Zealand:

Phone: +64 (0800) 543 353

Fax: +64 (0800) 428 570

Outside AU and NZ:

Phone: +61 (03) 9541 5555

www.bosch.com.au

Declaration of Conformity

Measured sound values determined according to 2000/14/EC (1.60 m height, 1 m distance away).

Typically the A-weighted noise levels of the product are: sound pressure level 85 dB(A); sound power level 95 dB(A). Uncertainty K=1 dB.

Wear hearing protection!

Vibration total values (triax vector sum) determined according to EN 60335:

Vibration emission value $a_{H}=3.5 \text{ m/s}^2$, Uncertainty $K=2 \text{ m/s}^2$.

We declare under our sole responsibility that the product described under „Technical data“ is in conformity with the following standards or standardization documents: EN 60335 according to the provisions of the directives 2004/108/EC, 98/37/EC (until 28 Dec 2009), 2006/42/EC (from 29 Dec 2009), 2000/14/EC.

2000/14/EC: Guaranteed sound power level 96 dB(A).

Conformity assessment procedure according to Annex VI.

Equipment category: 33

Notified body: SRL, Sudbury, England, Nr. 1088

Technical file at: Bosch Lawn and Garden Ltd., PT-LG/EAE, Stowmarket, Suffolk IP14 1EY, England

Leinfelden, 21.10.2009

Dr. Egbert Schneider
Senior Vice President
Engineering

Dr. Eckerhard Strötgen
Head of Product
Certification

Robert Bosch GmbH, Power Tools Division

Subject to change without notice