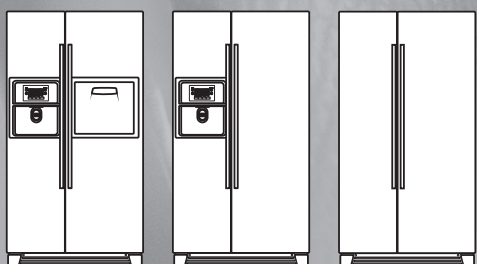


KAN..



en Operating and Installation instructions

fr Notices d'utilisation et de montage

tr Kullanma ve Kurma Kılavuzu

fa دستور استفاده و نصب

ar دليل الاستخدام والتنصيب



**BOSCH**

---

<b>en</b> .....	3
<hr/>	
<b>fr</b> .....	23
<hr/>	
<b>tr</b> .....	43
<hr/>	
<b>fa</b> .....	fa-1
<hr/>	
<b>ar</b> .....	ar-1
<hr/>	

---

## en Table of Contents

Congratulations .....	4
Safety and warning information .....	4
Information concerning disposal .....	5
Your new appliance .....	6
Installation .....	8
Connecting the appliance .....	8
Switching on the appliance .....	8
Setting the temperature .....	8
Switching off and disconnecting the appliance .....	9
Functions .....	9
Variable interior design .....	9
Fridge .....	10
Freezer compartment .....	11
Freezing and storing food .....	11
Automatic ice and water dispenser .....	12
Water filter .....	13
How to save energy .....	15
Operating noises .....	15
Defrosting .....	15
Cleaning the appliance .....	15
Eliminating minor faults yourself .....	16
Changing the bulb .....	18
Calling customer service .....	18
Installation instructions .....	19

## Congratulations

With the purchase of your new fridge-freezer you have opted for a modern, high-quality domestic appliance.

Your fridge-freezer is distinguished by its economical energy consumption.

Each appliance which leaves our factory is inspected thoroughly to ensure that it functions properly and is in perfect condition.

If you have any questions – particularly concerning installation and connection of the appliance – please do not hesitate to contact our customer service.

Further information and a selection of our products can be found on our home page.

Please read these operating instructions as well as the installation instructions and all information enclosed with the appliance and follow accordingly.

Retain all documents for subsequent use or for the next owner.

## Safety and warning information

### Before you switch ON the appliance

Please read the operating and installation instructions carefully. They contain important information on how to install, use and maintain the appliance.

Keep all documentation for subsequent use or for the next owner.

### Technical safety

#### Warning

- Only customer service may change the power cord and carry out any other repairs. Improper installations and repairs may put the user at considerable risk.

### Important information when using the appliance

- Never use electrical appliances inside the appliance (e. g. heaters, electric ice makers, etc.). Risk of explosion!
- NEVER use a steam cleaner to defrost or clean the appliance. Steam may come into contact with electrical components and cause a short-circuit or an electric shock.
- Do not store products which contain flammable propellants (e. g. spray cans) or explosive substances in the appliance. Explosion hazard!
- Do not stand or support yourself on the base, drawers or doors, etc.
- Before defrosting and cleaning the appliance, pull out the mains plug or switch off the fuse. Do not pull out the mains plug by tugging the cable.
- Bottles which contain a high percentage of alcohol must be sealed and stored in an upright position.
- Keep plastic parts and the door seal free of oil and grease. Otherwise, parts and door seal will become porous.
- Never cover or block the ventilation openings for the appliance.
- Persons with limited physical, sensory or mental abilities or insufficient knowledge must only use this appliance under supervision or after receiving extensive instructions.

- Do not store bottled or canned drinks (especially carbonated drinks) in the freezer compartment. Bottles and cans may explode!
- Do not put an ice lolly or ice cube directly from the freezer compartment into your mouth. **Risk of burns** from very low temperatures!
- Never touch frozen food with wet hands. Your hands could freeze to the food. Risk of injury!
- Do not scrape off hoarfrost or stuck frozen food with a knife or pointed object. You could damage the refrigerant tubing. Leaking refrigerant may cause eye injuries.

### Children in the household

- Do not allow children to play with the appliance!
- If the appliance features a lock, keep the key out of the reach of children.

### General requirements

The appliance is suitable

- for refrigerating food,
- for freezing food,
- for making ice.

This appliance is intended for use in the home and the home environment.

The appliance is suppressed according to EU Directive 2004/108/EC.

The refrigerant circuit has been tested for leaks.

## Information concerning disposal

### Disposal of packaging

The packaging protects your appliance from damage during transit.

All packaging materials are environmentally friendly and recyclable. Please contribute to a better environment by disposing of packaging materials in an environmentally-friendly manner.

Please ask your dealer or inquire at your local authority about current means of disposal.

#### Warning

Keep children away from packaging and its parts. Danger of suffocation from folding cartons and plastic film!

### Disposal of your old appliance

Old appliances are not worthless rubbish! Valuable raw materials can be reclaimed by recycling old appliances.

 This appliance has been identified in accordance with the European directive 2002/96/EG on Waste Electrical and Electronic Equipment – WEEE). The directive specifies the framework for an EU-wide valid return and recycling of old appliances.

#### Warning

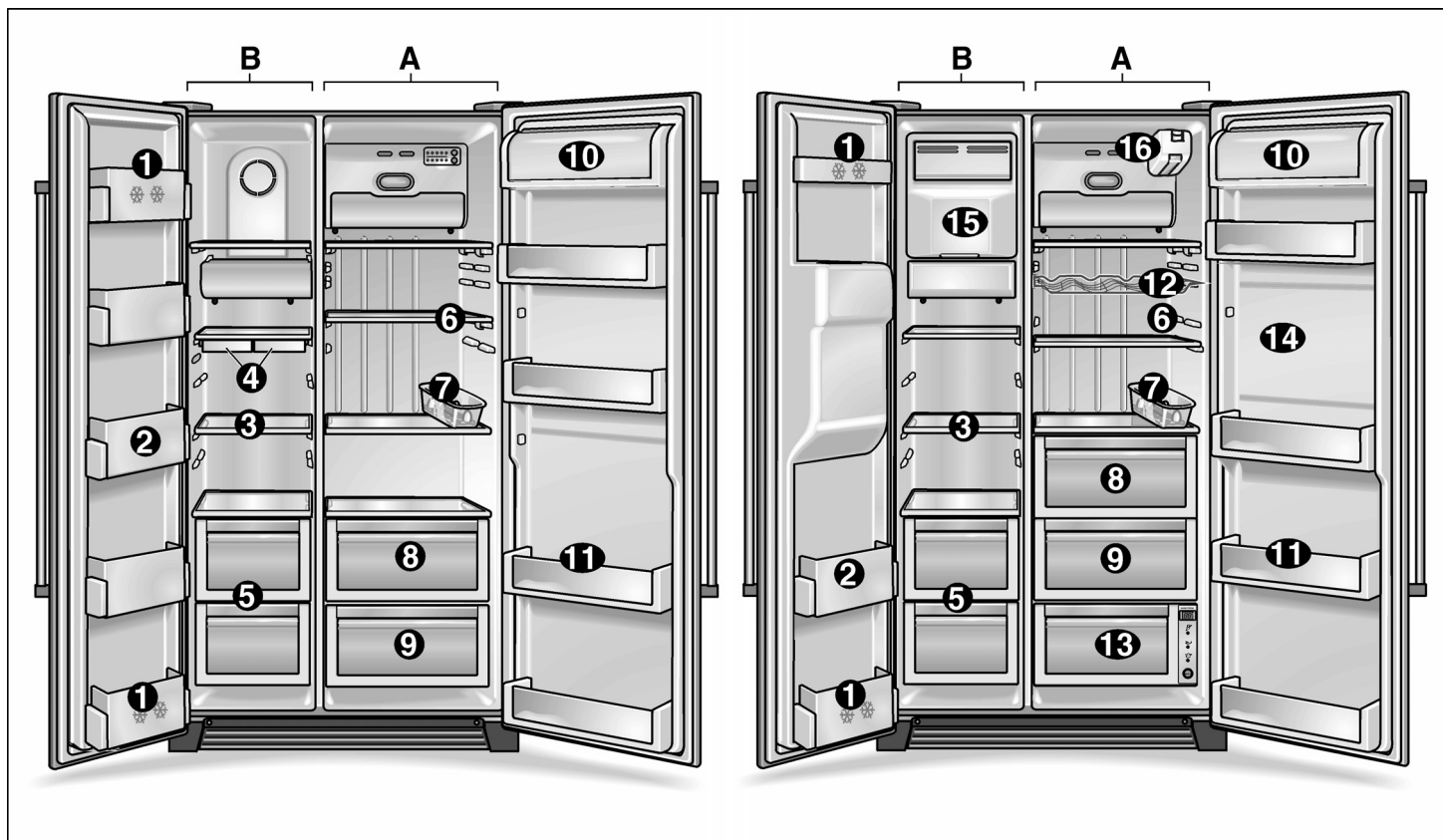
Redundant appliances:

1. Pull out the mains plug.
2. Cut off the power cord and discard with the mains plug.

Refrigerators contain refrigerants and the insulation contains gases. Refrigerant and gases must be disposed of properly. Ensure that tubing of the refrigerant circuit is not damaged prior to proper disposal.

## Your new appliance

These operating instructions refer to several models. The illustrations may differ.



- A Refrigerator compartment  
B Freezer compartment

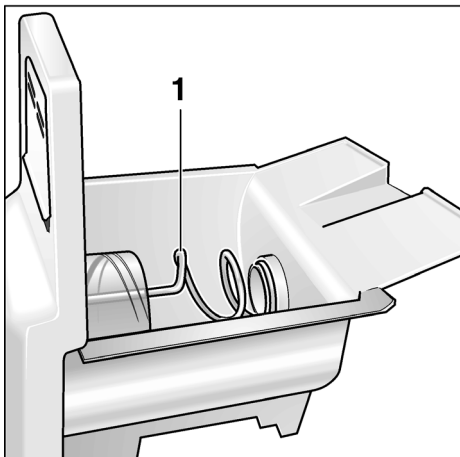
- |  |   |  |
|--|---|--|
| <p><b>1 Door storage compartment (2-star compartment)</b><br/>for short-term storage of food and ice cream.</p> <p><b>2 Door storage compartment</b><br/>for storage of frozen food.</p> <p><b>3 Glass shelves in freezer compartment</b><br/>for storage of frozen food, e.g. meat, fish, ice cream.</p> <p><b>4 Ice cube container *</b></p> <p><b>5 Freezer compartment drawer</b><br/>for storage of meat, fish, poultry (packaged).</p> | <p><b>6 Glass shelves in refrigerator compartment</b><br/>for storage of cooked food, milk products, sausage.</p> <p><b>7 Egg rack</b></p> <p><b>8 Vegetable container</b></p> <p><b>9 Fruit container</b></p> <p><b>10 Butter and cheese compartment</b></p> <p><b>11 Door storage compartment</b><br/>for storage of tinned food, bottles and jars.</p> <p><b>12 Wine rack *</b></p> <p><b>13 Cool-fresh compartment *</b><br/>for optimum storage of fish, meat and poultry.</p> | <p><b>14 Bar compartment *</b><br/>opens from the outside for quick removal of drinks without opening the refrigerator compartment door.</p> <p><b>15 Ice maker *</b><br/>for production and storage of ice cubes.</p> <p><b>16 Water filter *</b></p> |
|--|---|--|

\* not all models

**Note**

If some of the indicate parts are missing from your appliance, these parts belong to a different model.

**Ice maker**



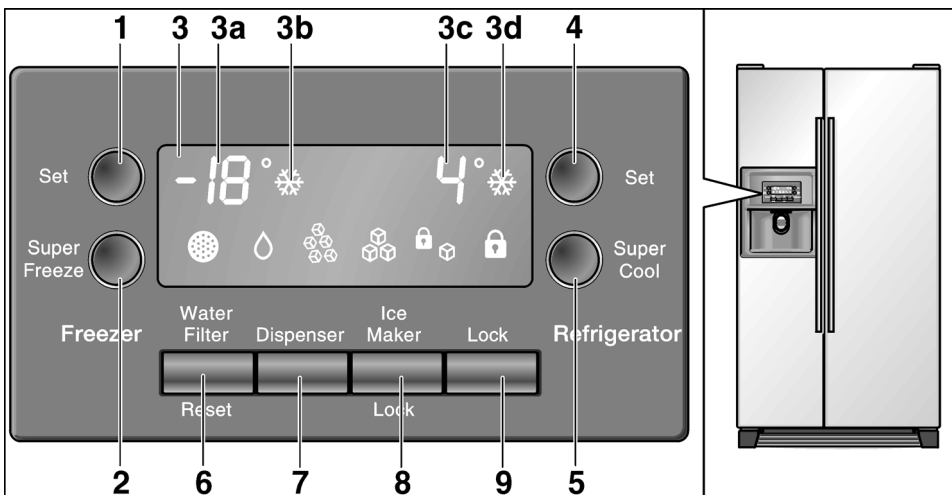
1 Screw conveyor

**Ice and water dispenser**

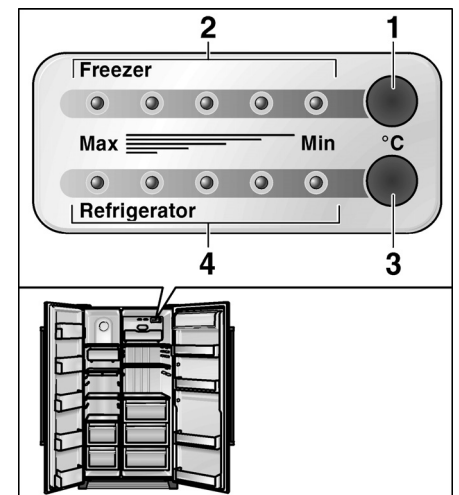


2 Dispenser pad  
3 Water collecting tray

**Control and display panel**



- 1 Selection button for freezer compartment temperature
- 2 “Super” freeze button
- 3 Display panel
- 3a Temperature display, freezer compartment
- 3b “Super” freeze display
- 3c Temperature display, refrigerator compartment
- 3d “Super” cool display
- 4 Selection button for refrigerator compartment temperature
- 5 “Super” cool button
- 6 Reset button, water filter
- 7 Request button for water/ice
- 8 Lock button for ice maker for cleaning or prolonged non-use of the ice maker.
- 9 Lock button for control panel (childproof lock)  
Press button to prevent the settings from being unintentionally changed. To release the button, press for longer than a second. The display goes out.



- Temperature control**
- 1 Selection button for freezer compartment temperature
  - 2 LED display Freezer compartment temperature
  - 3 Selection button for refrigerator compartment temperature
  - 4 LED display Refrigerator compartment temperature

**Explanation of the symbols on the display panel**

	“Filter change required” display. After changing the filter, press the water filter reset button for approx. 5 seconds to switch off the display.		“Water” display
	“Ice maker locked” display		“Crushed ice” display
	“Control panel locked” display		“Ice cubes” display

## Installation

### Installation location

Install the appliance in a dry, well ventilated room. The installation location should neither be exposed to direct sunlight nor near a heat source, e.g. a cooker, radiator, etc. If installation near a heat source is unavoidable, use a suitable insulating plate or observe the following minimum distances to a heat source:

- 3 cm to an electric cooker.
- 30 cm to an oil or solid-fuel cooker.

The floor on which the appliance is to be installed must be rigid. If required, reinforce the floor.

The appliance is very heavy, for empty weight see the following table.

Basic model	104 kg
Model with dispenser	113 kg
Model with home bar	115 kg

To ensure that the ice maker functions correctly, the appliance must be upright. Align the appliance with a spirit level. To ensure that the doors can open all the way, observe lateral minimum distances when installing the appliance in a corner or recess (see section on “Appliance dimensions”).

## Connecting the appliance

After setting up the appliance, wait for at least one hour before starting the appliance up. The oil contained in the compressor may have been displaced into the refrigeration system during transport.

Clean the inside of the appliance before it is first used (see “Cleaning”).

The socket should be freely accessible. Connect the appliance to a 220-240V / 50 Hz alternating current supply via a correctly installed socket. The socket must be protected by a fuse with a rating of 10 A to 16 A.

In the case of appliances operated outside Europe, check whether the voltage and type of current specified on the rating plate conform to the values of your electricity grid. The rating plate is at the bottom left inside the appliance. If the power cord needs to be replaced, this must only be carried out by a skilled professional.

### ⚠ Warning

Never connect the appliance to an energy-saving plug or an inverter that converts the direct current into 230 V alternating current (e.g. solar energy systems, electrical systems on boats).

### Caution:

Fit strain relief when installing or replacing the power cord.

Do not use extension cables or distributors.

## Observe ambient temperature and ventilation

The atmosphere grade is written on the identification plate. It states the room temperature within which the appliance can be operated.

Atmosphere grade	Permitted ambient temperature
SN	+10 °C to 32 °C
N	+16 °C to 32 °C
ST	+16 °C to 38 °C
T	+16 °C to 43 °C

### Ventilation

Never cover the ventilation openings in the base panel. Otherwise, the refrigerating unit must work harder and the power consumption is increased.

## Switching on the appliance

- Insert the mains plug into a socket.
- The appliance begins to cool down as soon as it is connected to the power supply. When the doors are open, the interior lights come on.

### Note:

The preset temperatures (factory settings) are reached after approx. 2 to 3 hours. Do not put any food in the appliance beforehand.

To change the set temperatures → see “Setting the temperature”.

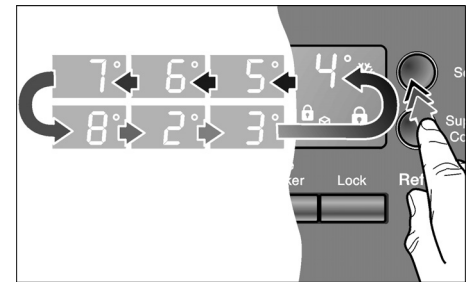
## Setting the temperature

### Appliances with control panel

- The temperature for the refrigerator and freezer compartments can be adjusted separately. The set value is indicated on the display panel.

To change the values:

- Keep pressing the Selection button until the required temperature value is indicated.

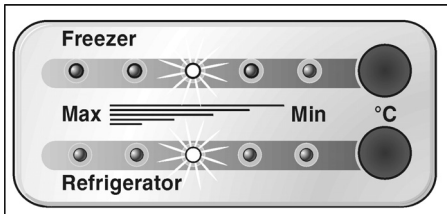


The value last indicated is saved by the system.



## Appliances with temperature control

- The appliance features a separate temperature control for the refrigerator and freezer compartments.
- The factory setting for the refrigerator and freezer compartments is in the mid-range.

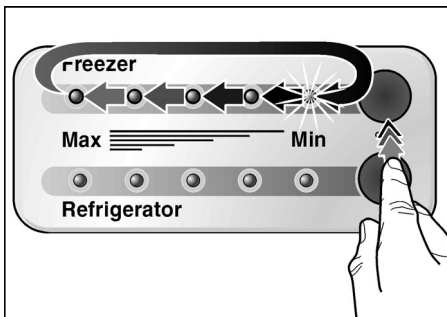


### Note:

The 5 LEDs indicate the entire temperature range of the respective compartment, e.g. refrigerator compartment from +2 °C to +8 °C.

To change the values:

- Keep pressing the Selection buttons until the required setting is reached.



The temperature values are displayed in stages from the warmest (Min) to the coldest (Max) setting.

## Switching off and disconnecting the appliance

### Switching off the appliance

- Pull out the mains plug.

### Disconnecting the appliance

If the appliance is not used for a prolonged period:

- Take all food out of the appliance.
- Cut off the water supply.

- Empty the ice cube container (see "Cleaning the appliance").
- Run off the remaining drinking water.
- Pull out the mains plug.
- Remove the water filter.

### Note:

Before switching on the appliance again, install a new water filter!

- Clean the appliance interior (see "Cleaning the appliance").

To prevent odours, leave the doors open.

**If there is a risk of frost, have a technician empty the water container for the drinking water dispenser (see installation instructions).**

### If moving house

Remove all detachable parts and pack each one carefully. Secure the doors and flaps with adhesive tape and transport the appliance in an upright position.

## Functions

### Door alarm

If one of the doors is left open, an alarm signal sounds after one minute and is repeated every 60 seconds for 5 minutes.

### Interior light automatically switches off

If an appliance door is left open for longer than 10 minutes, the interior light automatically switches off to prevent overheating. This saves energy.

### Energy saving mode

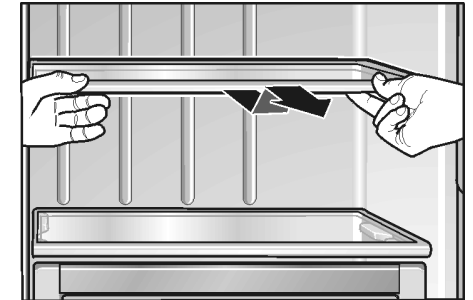
One minute after the doors have been closed and the last button has been pressed on the operating and display panel or in the ice and water dispenser, the display on the control panel changes to energy saving mode, with reduced illuminating power.

Once the appliance is being used again, e.g. if the door is opened or a button is pressed, the display reverts to normal illuminating power.

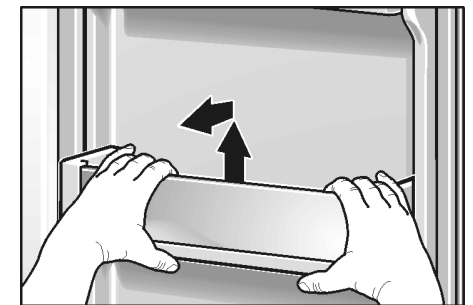
## Variable interior design

You can vary the shelves inside the appliance and the containers in the door to suit your requirements.

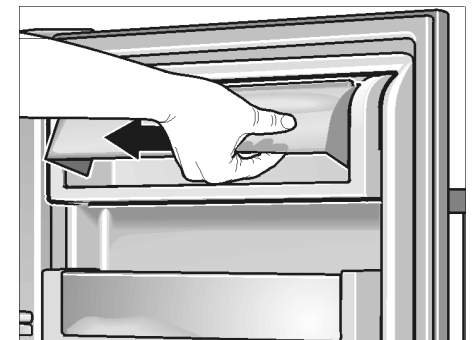
- Pull the shelf forwards and remove.



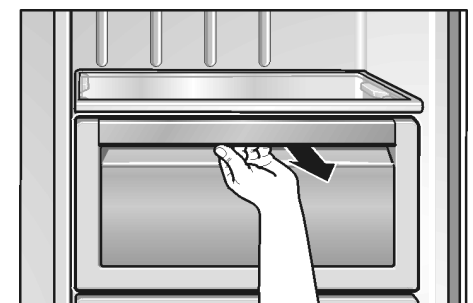
- Lift the container and remove.



- Raise the cover slightly on the butter and cheese compartment, press to the left and remove.



- Pull drawers forwards, raise slightly and remove.



## Fridge

The refrigerator compartment temperature can be set from +2 °C to +8 °C. We recommend a setting of +4 °C.

### Using the refrigerator compartment

For storage of cakes and pastries, ready meals, tinned food, condensed milk, hard cheese, fruit and vegetables sensitive to the cold: tropical fruit, e.g. mandarins, bananas, pineapples, melons, avocados, papayas, passion fruit, aubergines, also fruit which requires further ripening, tomatoes, cucumbers, green tomatoes, potatoes.

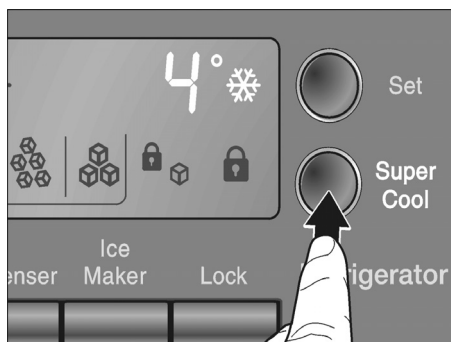
### When storing food, comply with the following:

- Allow warm food and drinks to cool down outside the appliance.
- To prevent food from losing its flavour or drying out, place in airtight containers.
- Avoid contact of oil and fat with the plastic parts and door seal.
- Store high-percentage alcohol tightly closed and standing up, do not store any explosive substances in the appliance. Explosion hazard!

### “Super” cooling

Function for rapid cooling of food or drinks which are to be stored in the refrigerator compartment. The refrigerator compartment is cooled as cold as possible in “super” cooling mode.

- Press the **Super** button.

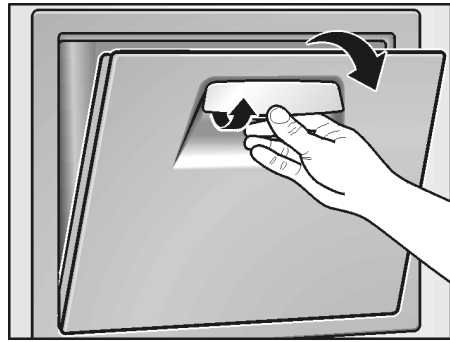


Each time the button is pressed, the function is activated or deactivated. The activated “super” cooling function is indicated by the symbol on the display panel.

### Bar compartment

(not all models)

To remove drinks, etc. from the refrigerator compartment, it is not necessary to open the door.



### “Cool-fresh” compartment

(not all models)

The temperature in this compartment is kept at almost 0 °C. This provides optimum storage conditions for fresh food.

For optimum storage of food:

- Using the Selection button, select the appropriate food (vegetables/fish/meat).

The selection is indicated by a lit LED and temperature.



#### Note:

- In the “Off” position the compartment adopts the temperature of the compartment situated above.
- The displayed temperature is a required temperature. The temperature in the “cool-fresh” compartment may deviate slightly.

### Foods not suitable for the “cool-fresh” compartment:

- Fruit and vegetables sensitive to the cold (tropical fruit, avocados, papayas, passion fruit, aubergines, cucumbers, peppers, lettuce)
- Ripening fruit (green tomatoes, bananas)
- Potatoes
- Hard cheese

### When buying food, please note:

The “purchase freshness” is important for the shelf-life of your food. In principle the following applies: the fresher the food is placed in the “cool-fresh” compartment, the longer it will keep. When buying food, always note the degree of freshness.

### Storage times (at 0 °C):

#### Depending on the initial quality

Sausage, cold cuts, meat, offal, fish, fresh milk, curds	up to 7 days
Small pieces of meat, fried sausage, mushrooms, lettuce, leafy vegetables	up to 10 days
Large pieces of meat, ready meals	up to 15 days
Smoked or cured sausage, cabbage	up to 20 days
Large pieces of heat-treated meat, beef, game, pulses	up to 30 days

## Freezer compartment

The freezer compartment temperature can be set from  $-16\text{ }^{\circ}\text{C}$  to  $-22\text{ }^{\circ}\text{C}$ . We recommend a setting of  $-18\text{ }^{\circ}\text{C}$ .

- Use the freezer compartment
- for storing deep-frozen food.
  - to freeze food.
  - to make ice cubes.

### Note:

Ensure that the freezer compartment door is always closed. If the door is open, the frozen food will thaw. The freezer compartment will become covered in thick ice. Also: Energy will be lost due to high power consumption.

## “Super” freezing

Fast freezing is used to freeze large quantities of fresh food and, depending on the quantity, must be switched on up to 24 hours before the food is placed in the freezer compartment. The freezer compartment is cooled as cold as possible in “super” freezing mode.

- Press the **Super** button.



Each time the button is pressed, the function is activated or deactivated. The activated “super” freezing function is indicated by the symbol on the display panel.

## Freezing and storing food

### Storing deep-frozen food

When purchasing deep-frozen food, comply with the following:

- Check that the packaging is not damaged.
- Check the sell-by date.
- The temperature of the supermarket freezer should be  $-18\text{ }^{\circ}\text{C}$  or lower. If not, the storage life of the food is reduced.
- Purchase deep-frozen food last. Wrap in newspaper or place in a cold bag and take home.
- At home immediately place deep-frozen food in the freezer compartment. Use the deep-frozen food before the sell-by date runs out.
- Do not refreeze thawed food. Exception: If you use the food to make a ready meal (boiling or frying), you can refreeze this ready meal.

### Freezing food yourself

Freeze fresh, undamaged food only. To prevent food from losing its flavour or drying out, wrap the food in airtight film or place in containers. In order to retain the vitamins, nutritional value, appearance and flavour food should be frozen as quickly as possible. Do not exceed the max. freezing capacity.

### How to wrap food correctly:

- Place the food in the wrapping.
- Press out all the air.
- Seal the wrapping.
- Label the wrapping with the contents and date.

### The following products are not suitable for wrapping food:

Wrapping paper, greaseproof paper, cellophane, refuse bags and used shopping bags.

### The following products are suitable for wrapping food:

Plastic film, polyethylene blown film, aluminium foil and freezer tins. These products can be purchased from a specialist outlet.

### The following products are suitable for sealing the wrapped food:

Rubber bands, plastic clips, string, cold-resistant adhesive tape or similar. Bags and polyethylene blown film can be sealed with a film sealer.

### Freezing capacity

You can freeze up to 10 kg of food within 24 hours.

### Storage duration of the frozen food

The storage period depends on the type of produce.

At a mean temperature:

Fish, sausage, ready meals, cakes and pastries	up to 6 months
Cheese, poultry and meat	up to 8 months
Vegetables and fruit	up to 12 months

### Thawing frozen food

Depending on the type of food and intended use, frozen produce can be thawed as follows:

- at room temperature
- in the refrigerator
- in an electric oven, with/without hot-air fan
- in the microwave

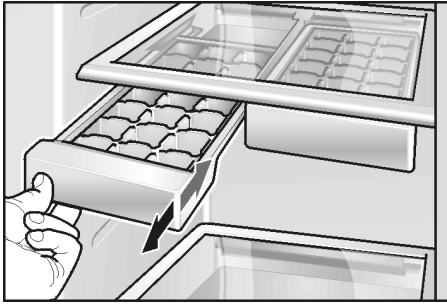
### Note

Do NOT refreeze food which is beginning to thaw or has already thawed. The food cannot be refrozen until it has been prepared (boiled or fried).

No longer store the frozen produce for the max. storage period.

## Making ice cubes

(Appliances without ice maker)



- Fill the ice cube tray  $\frac{3}{4}$  full of water and place in the freezer compartment.
- To loosen the ice cubes, twist the ice tray slightly or hold briefly under flowing water.

## Automatic ice and water dispenser

The following can be dispensed as required:

- cooled water
- ice cubes
- crushed ice

### **Warning!**

**Do not use fragile receptacles for dispensing water or ice – risk of injury from broken glass!**

**Keep fingers clear of the discharge opening. Risk of injury from crusher blades!**

### **Note:**

The ice and water dispenser will not function unless the appliance is connected to the power supply.

## When switching on your new appliance, observe the following

When the appliance has been connected, there are still air bubbles in the lines.

Run off drinking water and pour away until water can be dispensed without bubbles. Pour away the first 5 glasses.

When using the ice maker for the first time, do not use the first 30-40 ice cubes for reasons of hygiene.

## Operating the ice maker

When the freezer compartment has reached its freezing temperature, water flows into the ice maker and freezes into ice cubes. When the ice cubes are ready, they are automatically discharged into the ice cube container.

Occasionally the sides of the ice cubes stick together. When they are conveyed to the outlet opening, they usually break away from each other.

When the ice cube container is full, ice making switches off automatically.

The ice maker can make approx. 100 ice cubes within 24 hours.

**Do not place bottles or food in the cube container in order to cool them quickly. The ice maker may block and be damaged.**

When the appliance has been switched on, it takes approx. 24 hours until the first batch of ice cubes are ready.

When ice cubes are being made, the buzzing water valve, the water flowing into the ice cube tray and the falling ice cubes can be heard.

## Drinking water quality

All materials used in the drinks dispenser are odourless and tasteless.

If the water has an aftertaste, this may be caused by:

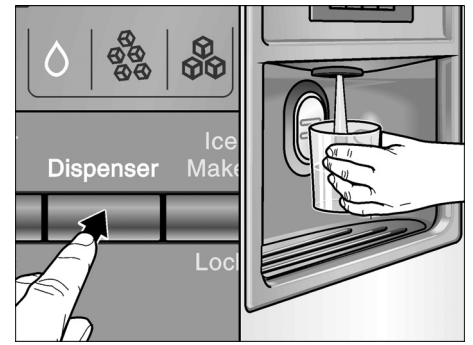
- Mineral and chlorine content of the drinking water.
- Material of the domestic water line or connection line.
- Freshness of the drinking water (if water has not been dispensed for a long time, the water may have a “stale” taste. In this case dispense approx. 15 glasses of water and pour away).

Taste and odour of the water may be improved by installing the enclosed water filter.

**The enclosed water filter will filter only particles out of the supply water, not bacteria or microbes.**

## Dispensing water

- Press the button until the symbol lights up.



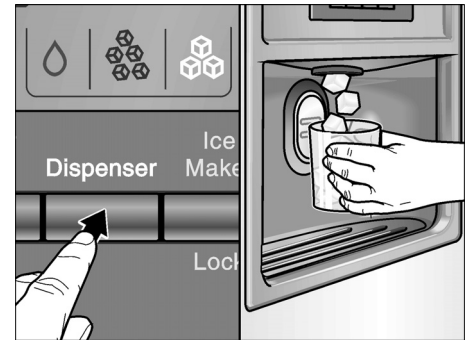
- Press the glass against the dispenser pad. The water stops running when the glass is removed from the pad.

### **Tip:**

The water from the water dispenser is cooled to a palatable temperature. If you would like the water colder, place ice cubes in the glass before dispensing the water.

## Dispensing ice

- Press the button until the symbol for ice cubes or crushed ice lights up.



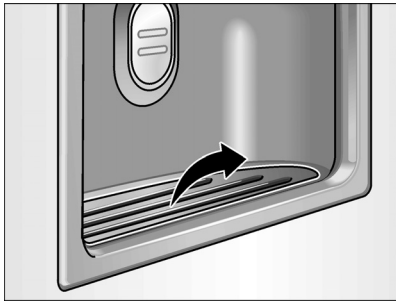
- Press a suitable receptacle against the dispenser pad.

### **Note:**

- Remove the receptacle from the dispenser pad when it is approx. half full. Ice in the discharge may cause the receptacle to overflow or block the discharge.
- After switching over from dispensing ice cubes to crushed ice, the dispenser may still contain whole ice cubes or pieces of ice cube. These will be dispensed with the first portions of crushed ice.

### Removing and cleaning the water collecting tray

Spilled water collects in the water collecting tray. The water collecting tray can be emptied and cleaned by pulling it out.



### Removing and cleaning the ice cube container

If ice cubes have not been dispensed for a prolonged period, they will shrink, have a stale taste and stick together.

- Pull out the container, empty and clean with lukewarm water.
- Thoroughly dry the container and screw conveyor to prevent new ice cubes from sticking.

### Inserting the ice cube container

- Push the ice cube container all the way back onto the supports until it locks into position.



- If the container cannot be pushed all the way back, twist the screw conveyor in the container.

Ice cube production continues.

### Disconnecting the ice cube maker

If ice cubes are not to be dispensed for longer than 1 week (e.g. holiday), temporarily disconnect the ice cube maker to prevent the ice cubes from freezing together.



- Press the "Ice maker" lock button. The symbol lights up.
- Remove the ice cube container, empty and re-insert. Ensure that the ice cube container engages with the support.

Switching on the ice cube maker again:

- Press "Ice maker" lock button. The symbol goes out.

### Water filter

#### ⚠ Warning

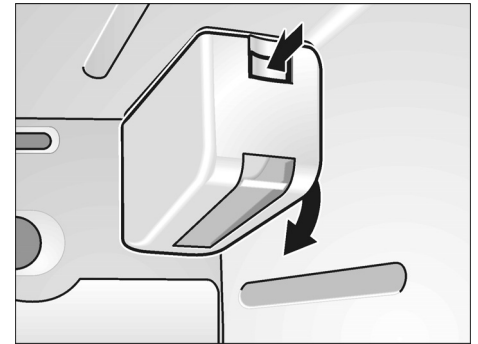
**In places where the water quality is suspect or unknown, do not use the appliance without adequate disinfection before or after filtering.**

A new filter can be obtained from after-sales service.

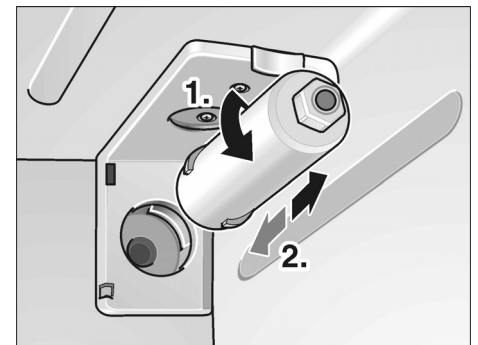
Change the filter at least every 6 months, and, at the latest, when "Filter change required" appears in the display.

### Changing the filter

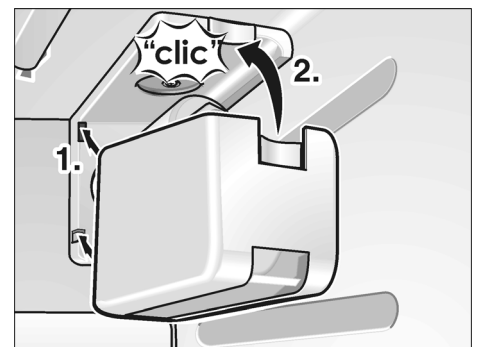
- **Caution:** unplug the appliance or switch off the circuit breaker.
- Disconnect the water supply to the appliance.



- Press the knob and remove the cover.



- Carefully turn the filter 90° anti-clockwise, and pull it out.
- Remove the new filter from its packaging and remove the protective cap.
- Insert the new filter into the holder, and carefully turn it 90° clockwise.



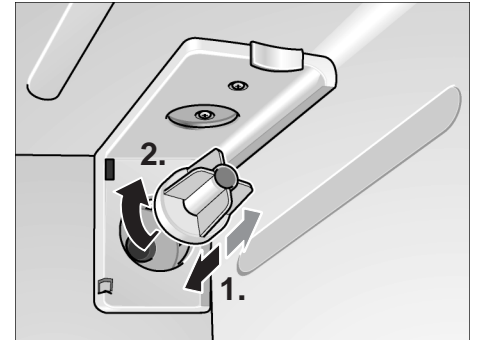
- Refit the cover.

## Information concerning the water filter

- After use, the water system is subject to low pressure. Proceed with caution when removing the filter.
- Flush the water system if the appliance has not been in use for a lengthy period, or if the ice/water has an unpleasant taste or smell. To do this, dispense water through the water dispenser for several minutes. If the unpleasant taste or smell remains, replace the filter.
- Protect from frost. Remove the filter cartridge if you expect the temperature to drop below freezing.

- Do not install the water filter if the water pressure is greater than 0.86 MPa (8.6 bar). If the water pressure is greater than 0.55 MPa (5.5 bar), a pressure reducing valve must be fitted. If you are not sure what the water pressure is, contact an installation expert.
- If pressure surges could occur in the water pipe, do not install the water filter without a suitable surge eliminator. Contact an installation expert if you are not sure whether pressure surges could occur in the water pipe.
- After installing a new filter: Discard any ice produced in the first 24 hours after switching on.

- If no ice has been removed for a lengthy period: Empty the ice box and discard any ice produced over the next 24 hours.
- The ice and water dispenser can also be used without a water filter, in which case the locking cap must be used.



## Specification and output data sheet



### Performance Data Sheet Models CS-451/CS-452

These systems have been tested according to NSF/ANSI 42 for the reduction of the substances listed below. The concentration of the substances indicated in water entering the system was reduced to a concentration less than or equal to the permissible limit for water leaving the system as specified in NSF/ANSI 42.



System tested and certified by NSF International against NSF/ANSI Standard 42 for the reduction of chlorine taste and odour.

Capacity: 5,700 litres depending on local water conditions.

#### Contaminant reduction determined by NSF testing

Contaminant reduction	Average influent	NSF specified influent challenge concentration	Avg. product water	Avg. % reduction	NSF reduction requirements	NSF Test
Chlorine taste and odour	2.0	2.0 mg/l ± 10%	0.28	86	≥ 50%	503821-01

For cold water use only.

Application guidelines / water supply parameters	
Service flow	1.9 l/min
Water supply	Public or private well
Water pressure	0.17 - 0.86 MPa (1.7 - 8.6 bar)
Water temperature	5 - 38 °C

It is essential that operational, maintenance and filter replacement requirements be carried out for this product to perform as advertised. Change cartridges every 6 months. Flush new cartridge for 5 minutes. Use replacement cartridges CS-51 or CS-52.

Do not use with water that is microbiologically unsafe or of unknown quality without adequate disinfection before or after the system.

Systems must be installed and operated in accordance with manufacturer's recommended procedures and guidelines.

Warranty: See warranty card.

For service and parts contact your local dealer or:

Note that while the testing was performed under standard laboratory conditions, actual performance may vary.



**WaterGroup**

**CUNO Incorporated**  
400 Research Parkway  
Meriden, CT 06450, USA  
Worldwide: 203-237-5541  
Fax: 203-238-8701  
www.cuno.com

## How to save energy

- Install the appliance in a cool, well ventilated room, but not in direct sunlight and not near a heat source (radiator, cooker, etc.). If required, use an insulating plate.
- Allow warm food and drinks to cool down before placing in the appliance!
- When thawing frozen food, place it in the refrigerator compartment. The low temperature of the frozen products cools the food in the refrigerator.
- Open and close the door as briefly as possible.

## Operating noises

### Normal noises

**Humming** – refrigerating unit is running. The fan in the circulating air system is running.

**Bubbling, gurgling or whirring noises** – refrigerant is flowing through the tubing. Water flowing into the ice maker.

**Clicking** – motor is switching on or off. Solenoid valve on the water connection is opening or closing.

**Rumbling** – ready ice cubes from the ice maker are falling into the ice cube container.

### Noises which can be easily rectified

#### The appliance is not level

Please align the appliance with a spirit level. Use the height-adjustable feet or place something under the feet.

#### The appliance is touching adjacent units or appliances

Please move the appliance away from adjacent units or appliances.

#### Drawers, baskets or storage areas are loose or sticking

Please check the removable parts and, if required, reinsert them.

#### Receptacles are touching each other

Please move bottles or receptacles away from each other.

## Defrosting

Defrosting is actuated automatically.

The water which occurs during defrosting runs down to the evaporation tray on the rear panel in the refrigerator and evaporates automatically.

## Cleaning the appliance

- **Attention:** Pull out the mains plug or switch off the fuse!
- Clean the door seal with water only and then dry thoroughly.
- Clean the appliance with tepid rinsing water. The rinsing water must not drip onto the fascia or light.

Do not place the cold glass shelves directly from the freezer compartment into hot water.

Never clean the shelves or containers in the dishwasher. The parts may warp.

- After cleaning: insert the mains plug or switch on the fuse.

### Warning!

**Never touch frozen food with wet hands. Your hands could freeze to the food. Risk of injury!**

Never use a steam cleaner to clean the appliance. The steam may come into contact with live parts in the appliance and cause a short-circuit or electric shock. Steam may damage the plastic surfaces.

## Eliminating minor faults yourself

### Before you call customer service:

Please check whether you can eliminate the fault yourself based on the following information. Customer service will charge you for advice, even if the appliance is still under guarantee!

### Refrigerator and freezer compartments

Fault	Possible cause	Remedial action
Appliance has no refrigerating capacity. The interior light is not functioning.	Power failure; the fuse has been switched off; the mains plug has not been inserted properly.	Check whether the power is on, the fuse must be switched on.
The refrigerating unit is switching on more frequently and for longer.	Appliance door opened frequently.	Do not open the door unnecessarily.
	Large quantities of fresh food are being frozen.	Do not exceed max. freezing capacity.
	The ventilation openings have been covered.	Remove obstacles.
The temperature in the refrigerator or freezer compartment is too cold.	Temperature has been set too low.	Select a warmer temperature (see "Setting the temperature").
The frozen food is frozen solid.		Loosen frozen food with a blunt object. Do not use a knife or pointed object.
There is a thick layer of frost in the freezer compartment.		Always ensure that the appliance door is closed.
The interior light is not functioning.	The bulb is defective.	Replace bulb (see "Changing the bulb").
	Light switch is sticking.	Check whether it can be moved.
The freezer compartment is no longer reaching the selected temperature.	The freezer compartment door was open too long. The evaporator (refrigeration generator) is covered in such a thick layer of ice that the fully automatic defrosting system is no longer able to defrost this amount of ice.	Take frozen food out of the appliance, insulate thoroughly and place in a cool location. After approx. 12 hours the ice in the refrigerating system has thawed. Switch on the appliance again and put back the frozen food. <b>Note!</b> To prevent loss of refrigeration, do not open the refrigerator compartment door unnecessarily often. If the fault cannot be rectified by means of the above information, please call customer service.

### Water and ice dispenser

Fault	Possible cause	Remedial action
Despite prolonged operating time, ice cubes are not being dispensed.	Tap turned off.	Turn tap on.
	Water supply is interrupted. Water pressure too low.	Inform plumber.
	Ice maker is locked. The symbol is lit on the display panel.	Press "Ice maker" lock button.
	Freezer compartment too warm.	Lower temperature in the freezer compartment (see "Setting the temperature").
Ice cubes are in the ice cube container but are not being dispensed.	Ice cubes are frozen together.	Remove and empty the ice cube container.
Ice cubes are jammed in the outlet of the ice cube container or in the ice crusher.		Remove the ice cube container and rotate the screw conveyor by hand. Loosen any jammed chunks of ice with a wooden chopstick.

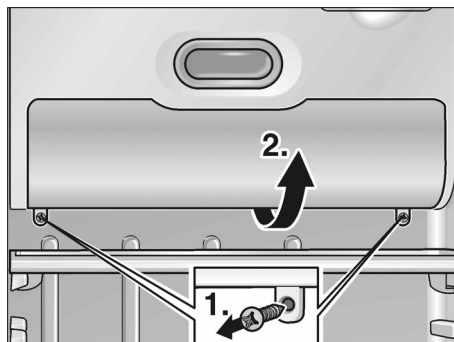


Fault	Possible cause	Remedial action
<b>Ice cubes are watery.</b>	Ice cubes have melted – power failure or the freezer compartment door was not closed properly.	Remove the ice cube maker, empty and rub dry.
<b>Ice cubes are evaporating.</b>		Cold air flowing over the ice cubes is causing shrinkage, particularly if consumption is low. This is normal.
<b>The flap on the ice cube dispenser is not closing properly.</b>	Ice cubes are preventing the flap from closing.	Remove ice cubes.
<b>Ice cubes are sticking in the ice cube tray.</b>	Limescale from the water may be forming in the trays.	Moisten a cloth with vinegar and wipe out the trays. If limescale is thick, always clean the trays when cleaning the refrigerator compartment.
<b>Ice cubes are not the same size and there is water in the ice cube container.</b>	The appliance is not level.	Align the appliance with a spirit level and with the height-adjustable rollers or feet (see Installation instructions).
<b>Water dispenser is not functioning.</b>	Tap turned off. Water supply is interrupted. Water pressure too low.	Turn tap on. Inform plumber.
	Freezer compartment too warm.	Lower temperature in the freezer compartment (see “Setting the temperature”).

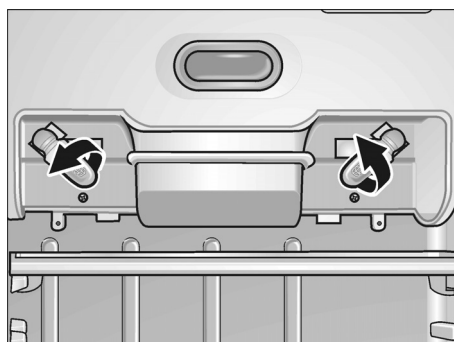
## Changing the bulb

### Changing the bulb inside the appliance

- **Attention:** Pull out the mains plug or switch off the fuse!
- Loosen 2 screws under the cover and remove the cover.



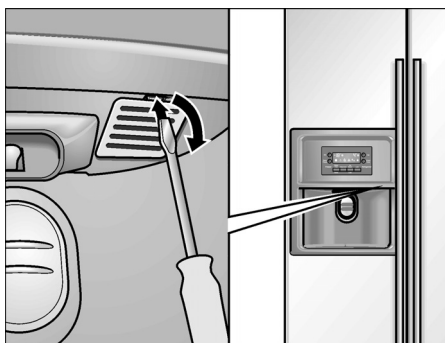
- Change the bulb.  
Replacement bulb max. 25 W,  
220-240 V AC, E14 lampholder.



- Attach the cover.

### Changing the bulb on the ice and water dispenser

- **Attention:** Pull out the mains plug or switch off the fuse!
- Prise out the cover with a screwdriver.



- Change the bulb.  
Replacement bulb max. 15 W,  
220-240 V AC, E14 lampholder.

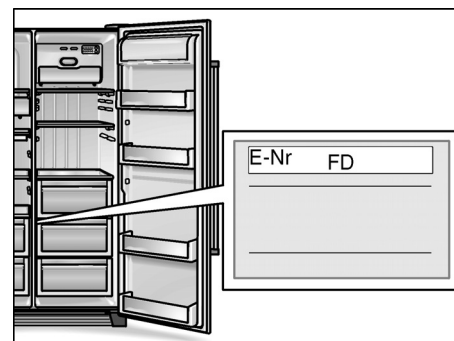


- Attach the cover.

## Calling customer service

Your local customer service can be found in the telephone directory or in the customer-service index. Please provide customer service with the appliance product number (E-Nr.) and production number (FD).

This information can be found on the product label.



To prevent unnecessary call-outs, please assist customer service by quoting the product and production numbers. This will save you additional costs.

# Installation instructions

## Important note:

These installation instructions refer to various models.

Not all steps are required for some models.

**The appliance may be installed and connected only by an authorised technician according to these installation instructions.**

**Always connect the water before the power.**

Apart from statutory national regulations, you should stick to the connection terms relating to the local electricity and water companies.

**Keep the installation instructions in a safe place.**

## Installation location

### Warning:

The appliance is very heavy, for empty weight see the following table.

Basic model	104 kg
Model with dispenser	113 kg
Model with home bar	115 kg

Install the appliance in a dry, well ventilated room. The installation location should neither be exposed to direct sunlight nor near a heat source, e.g. a cooker, radiator, etc. If installation next to a heat source is unavoidable, use a suitable insulating plate or observe the following minimum distances to a heat source:

- 3 cm to an electric cooker.
- 30 cm to an oil or solid-fuel cooker.

The floor on which the appliance is to be installed must be rigid. If required, reinforce the floor (appliance is very heavy, unloaded approx. 145 kg, loaded up to 400 kg). To ensure that the ice maker functions correctly, the appliance must be upright. To ensure that the doors can open all the way, observe lateral minimum distances when installing the appliance in a corner or recess (see section on "Appliance and installation dimensions").

## Unpacking the appliance

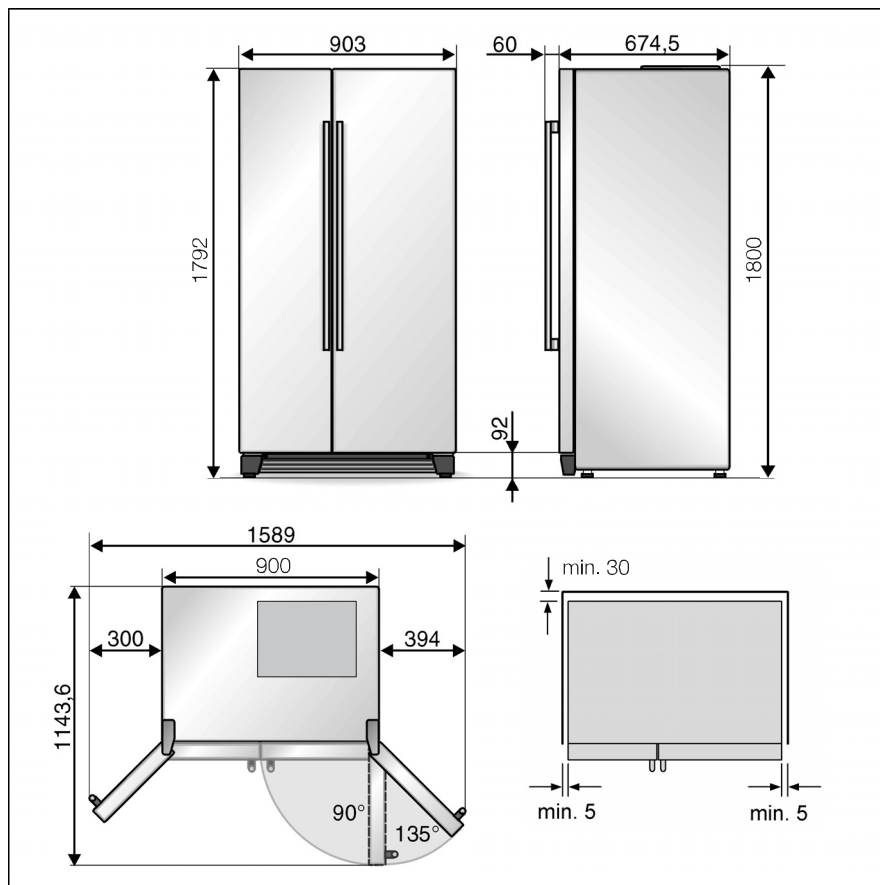
- Remove packaging material and adhesive tape. (Adhesive residue on the housing can be removed with the adhesive side of the removed tape. To do this, repeatedly place the adhesive tape on the adhesive residue and remove).
- Do not remove the transportation protection devices from the shelves and storage compartments until the appliance has been installed.
- After installing the appliance, remove the transportation protection devices from the ice maker. To do this, pull out the ice maker.



### Warning:

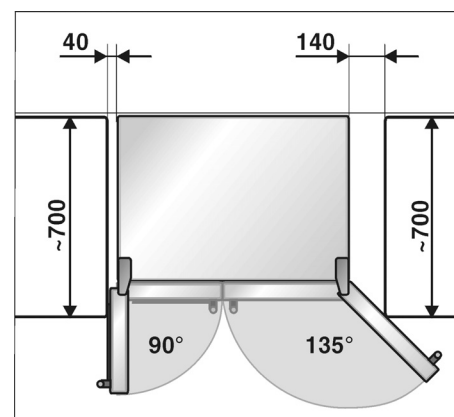
Before connecting the appliance to the power supply, remove all the inner and outer packaging material.

## Appliance and installation dimensions



If the depth of the adjacent kitchen equipment is more than 60 cm, observe lateral minimum distances in order to utilise the full door opening angle.

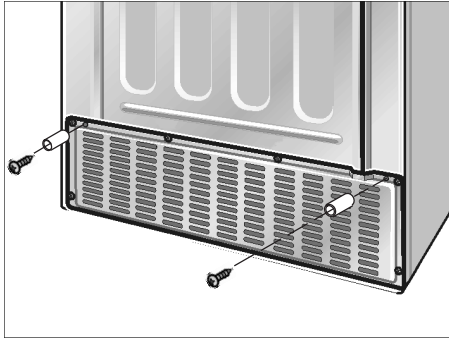
Door opening angle	Minimum distance
90°	40 mm
135°	140 mm



If a panel or cupboard is installed above the appliance, ensure that a gap is left so that the appliance can be pulled out of the recess if required.

### Minimum distance from rear wall

- Use the screws to attach the spacers provided to the relevant openings at the rear of the appliance.



This will maintain the minimum distance of 30 mm from the wall, therefore providing adequate ventilation.

### Unscrewing the doors

If the appliance will not fit through the house door, the appliance doors can be unscrewed.

#### Caution:

Should it be necessary to remove the doors, this must only be carried out by our after-sales service. Your local after-sales service will quote you a price for removing the doors.

### Connecting the appliance to the water supply

The water may be connected only by a competent fitter according to the local regulations of the appropriate water supply company.

Connect the appliance to a cold water line.

- Minimum pressure: 0.1 Mpa (1.0 bar)
- Maximum pressure during operation without a water filter: 1.0 Mpa (10.0 bar)

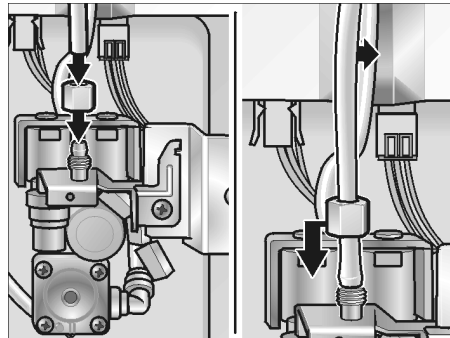
Depending on the local conditions, it may be necessary to install a pressure reducer in the water line.

The tap  $\frac{3}{4}$ " for connection of the enclosed line should be freely accessible. The enclosed connection lines are 1.5 m and 7 m long.

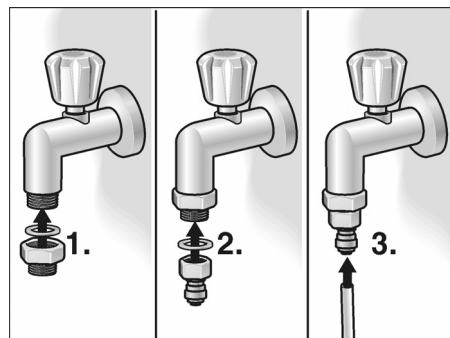
Taste and odour of the water may be improved by installing the enclosed water filter. If this is the case, observe the different connection requirements – see Water filter.

### Connection

- Connect the line to the solenoid valve.



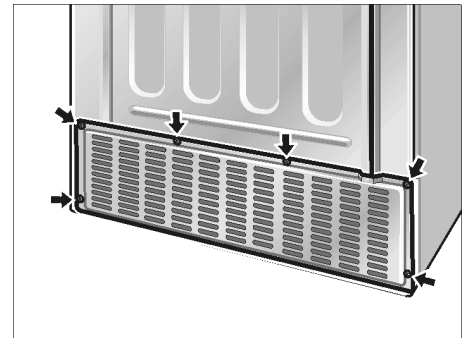
- Connect the line to the tap.



- Using the enclosed clips, attach the connecting line to the rear panel of the appliance and to the room wall.
- Place the connecting line in loops or coils so that the appliance can be moved away from the wall.

### Checking the water connection for leaks

- Switch on the appliance according to the enclosed operating instructions.
- Remove water according to the operating instructions. This will last several seconds as there is still air in the lines and water tank.
- Check all screw-on water connections for leaks on the appliance and on the water connection.
- After checking for leaks, pull out the mains plug again and attach the motor compartment cover.

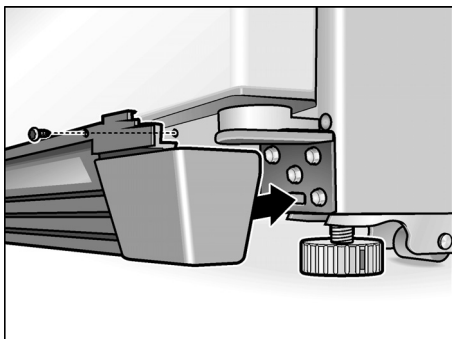


### Aligning the appliance

To ensure that the appliance functions correctly, it must be set level with a spirit level.

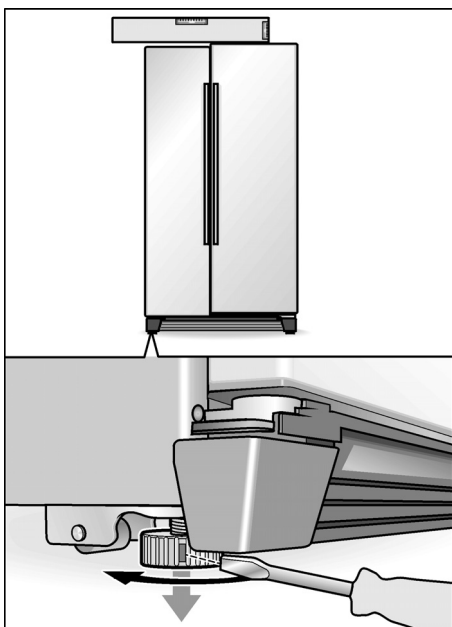
If the appliance is not level, water may flow out of the ice maker, ice cubes may be irregular or the doors may not close properly.

- Place the appliance in the designated location.
- Attach the enclosed base panel with 3 screws.

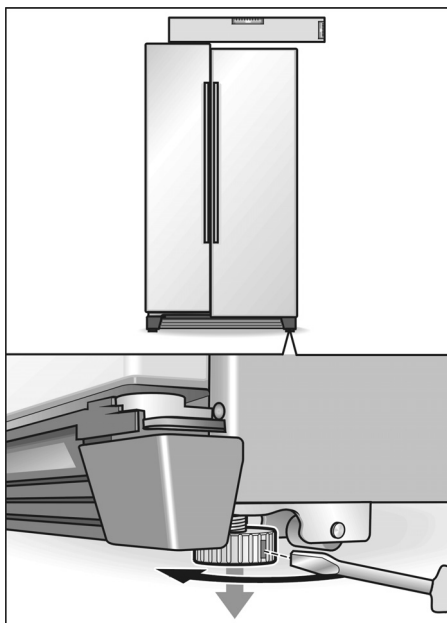


- To prevent the appliance from rolling away, screw down the front feet until they are positioned firmly on the floor.
- Rotate the feet until the appliance is aligned exactly. Use the doors as a reference point!

Freezer compartment door is deeper:

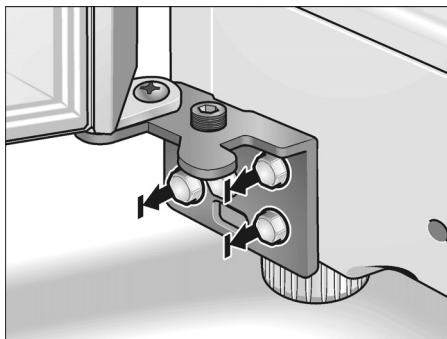


Refrigerator compartment door is deeper:

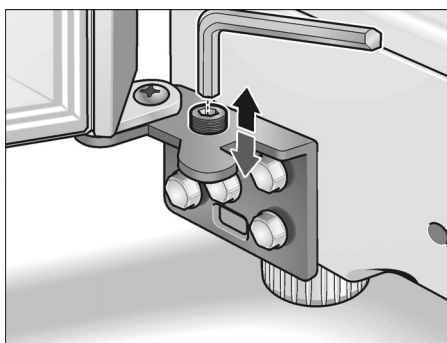


If the previous steps for aligning the door are not adequate:

- Remove the base panel.



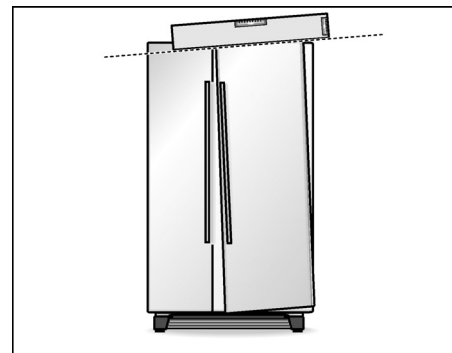
- Loosen 3 hinge screws. **Do not completely unscrew the screws!**
- Place the wrench on the adjusting screw.



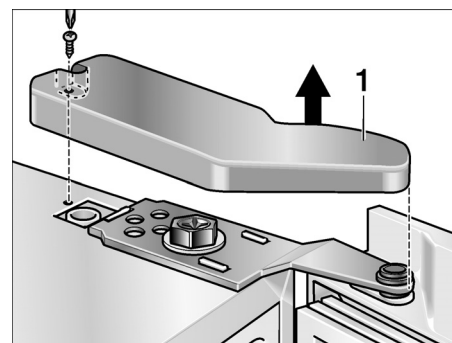
- To raise a door: Rotate the wrench clockwise.
- To lower a door: Rotate the wrench anti-clockwise.

### Note:

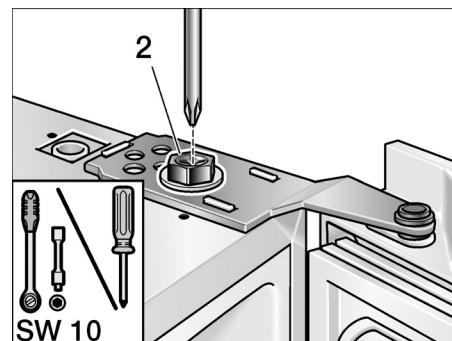
Due to the weight of the appliance and the food load in the door, the refrigerator compartment door may incline, even if the appliance itself is level. The door gap is not the same at the top and bottom.



- Remove the upper hinge cover (1).



- Loosen hinge screws (2). **Do not completely unscrew the screw!**



- Adjust the inclination of the refrigerator compartment door.
- Tighten the hinge screws.
- Fix the hinge covers.

## Switching on the appliance

Switch on the appliance according to the enclosed operating instructions.

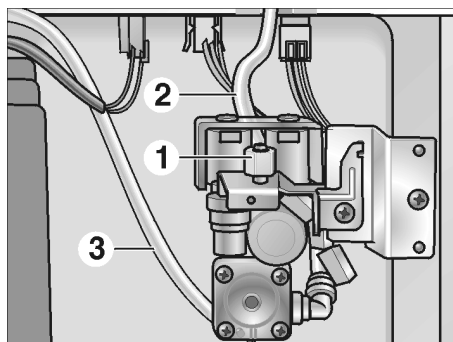
## Disconnecting the appliance

Disconnect the appliance according to the enclosed operating instructions.

If the appliance is to be disconnected or stored at temperatures below freezing point, empty the water tank for the drinking water dispenser.

## Emptying the water tank in the appliance

- Pull out the mains plug.
- Cut off the water supply to the appliance.
- Remove the motor compartment cover from the rear of the appliance.
- Unscrew the connecting cable (1).
- Place a shallow water-collecting tray (capacity approx. 3 litres) under the connection valve.



- Unscrew, drain and screw back hose (2) and then hose (3) on the appliance connection valve.  
**Important:** Do not mix up the hose connections!
- After draining the water tank, re-attach the motor compartment cover.

**Switch on the appliance and then turn on the tap.**

---

## fr Table des matières

Félicitations .....	24
Consignes de sécurité et avertissements .....	24
Conseils pour la mise au rebut .....	25
Votre nouvel appareil .....	26
Installation .....	28
Branchement de l'appareil .....	28
Enclenchement de l'appareil .....	28
Réglage de la température .....	28
Arrêt et remisage de l'appareil .....	29
Fonctions .....	29
Agencement variable du compartiment intérieur .....	29
Compartiment réfrigérateur .....	30
Compartiment congélateur .....	31
Congélation et rangement .....	31
Distributeur automatique de glaçons et d'eau .....	32
Filtre à eau .....	33
Economies d'énergie .....	35
Bruits de fonctionnement .....	35
Si vous dégivrez l'appareil .....	35
Nettoyage de l'appareil .....	35
Remédier soi même aux petites pannes .....	36
Changement d'ampoule .....	38
Appeler le service après-vente .....	38
Instructions d'installation .....	39

## Félicitations

Avec l'achat de ce réfrigérateur-congélateur, vous venez d'opter pour un appareil électroménager moderne et de haute qualité.

Ce réfrigérateur-congélateur se distingue par une consommation économique d'électricité.

Chaque appareil subit, avant de quitter notre usine, des contrôles fonctionnels destinés à vérifier qu'il se trouve dans un état impeccable.

Si vous souhaitez demander des précisions, notamment en ce qui concerne l'installation et le raccordement de l'appareil, notre service après-vente se tient à votre disposition.

Pour obtenir des informations avancées et découvrir un choix de nos produits, rendez-vous à notre adresse d'internet.

Veuillez lire la présente notice d'utilisation, les instructions d'installation ainsi que toutes les informations accompagnant votre appareil, et les respecter.

Rangez soigneusement ces documents pour les consulter à nouveau plus tard, ou pour les remettre au futur nouveau propriétaire de l'appareil.

## Consignes de sécurité et avertissements

### Avant de mettre l'appareil en service

Veuillez lire attentivement et entièrement les informations figurant dans les notices d'utilisation et de montage. Elle contiennent des remarques importantes concernant l'installation, l'utilisation et l'entretien de l'appareil. Conservez toute la documentation pour pouvoir la consulter à nouveau ultérieurement ou si l'appareil doit changer un jour de propriétaire.

### Sécurité technique

#### Attention

- Le changement de cordon d'alimentation et d'autres réparations sont exclusivement réservées au service après-vente. Les installations et réparations inexpertes peuvent engendrer des risques considérables pour l'utilisateur.

### Pendant l'utilisation

- N'utilisez jamais d'appareils électriques à l'intérieur de l'appareil (par. ex. des appareils de chauffage, sorbetières électriques, etc.). Risque d'explosion !
- Ne dégivrez ni ne nettoyez jamais l'appareil avec un nettoyeur à vapeur. La vapeur pourrait atteindre des pièces électroconductrices et provoquer un court-circuit ou vous faire électrocuter.
- Ne stockez dans l'appareil ni produits contenant des gaz propulseurs inflammables (par ex. bombes aérosols) ni produits explosifs. Risque d'explosion !
- Ne vous servez pas des socles, clayettes et portes comme marchepieds ou pour vous appuyer.
- Pour dégivrer et nettoyer l'appareil, débranchez la fiche mâle de la prise de courant ou retirez le fusible / désarmez le disjoncteur. Pour débrancher l'appareil, tirez sur la fiche mâle et non pas sur son cordon.
- Stockez les boissons fortement alcoolisées en position verticale dans des récipients bien fermés.

- L'huile et la graisse ne doivent pas entrer en contact avec les parties en matières plastiques et le joint de porte. (Ces derniers pourraient sinon devenir poreux.)
- Ne recouvrez et n'obstruez jamais les orifices de ventilation de l'appareil.
- Les personnes souffrant de déficiences physiques, sensorielles ou intellectuelles ou dont l'expérience et les connaissances sont insuffisantes, ne peuvent utiliser l'appareil que sous la surveillance d'une tierce personne ou à l'aide d'une notice plus exhaustive.
- Dans le compartiment congélateur, ne stockez pas de boissons, gazeuses en particulier, en bouteilles ou en boîtes car elles éclateraient. Les bouteilles et les boîtes risqueraient d'éclater !
- Ne portez pas directement à la bouche les esquimaux ou les glaçons qui sortent du compartiment congélateur (**risque de brûlures** dû à la température très basse).
- Ne touchez pas les aliments congelés avec les mains mouillées car elles risqueraient de rester collées. Risque de blessures.
- Ne tentez jamais de racler le givre ou la glace avec un couteau. Vous risqueriez d'endommager les tuyaux de fluide réfrigérant. Ce fluide, en fuyant, pourrait vous blesser aux yeux.

### Les enfants et l'appareil

- L'appareil n'est pas un jouet, éloignez les enfants.
- Si l'appareil est équipé d'une serrure : rangez la clé hors de portée des enfants.

### Dispositions générales

L'appareil convient pour :

- Réfrigérer des produits alimentaires.
- A congeler des produits alimentaires.
- Préparer des glaçons.

Cet appareil est destiné à une utilisation domestique, c'est-à-dire une utilisation à l'intérieur de votre domicile ou des pièces attenantes.

L'appareil a été antiparasité conformément à la directive UE 2004/108/EC.

Le circuit frigorifique a subi un contrôle d'étanchéité.



## Conseils pour la mise au rebut

### Mise au rebut de l'emballage

L'emballage protège votre appareil contre les dégâts qu'il pourrait subir en cours de transport. Tous les matériaux qui le constituent sont compatibles avec l'environnement et recyclables. Aidez-nous à recycler l'emballage en respectant l'environnement.

Pour savoir comment vous débarrasser de l'emballage, veuillez consulter votre revendeur ou les services administratifs de votre mairie.

#### Attention

Ne permettez jamais aux enfants de jouer avec l'emballage et ses pièces constitutives. Ils risquent de s'étouffer avec les cartons pliants et les feuilles de plastique !

### Mise au rebut de l'ancien appareil

Les appareils usagés ne sont pas des déchets sans valeur. Leur élimination dans le respect de l'environnement permet d'en récupérer de précieuses matières premières.



Cet appareil a été labélisé en conformité avec la directive communautaire européenne 2002/96/CE visant les appareils électriques et électroniques usagés (waste electrical and electronic equipment – WEEE).

La directive définit le cadre pour une reprise et une récupération des appareils usagés applicables dans les pays de la CE.

#### Attention

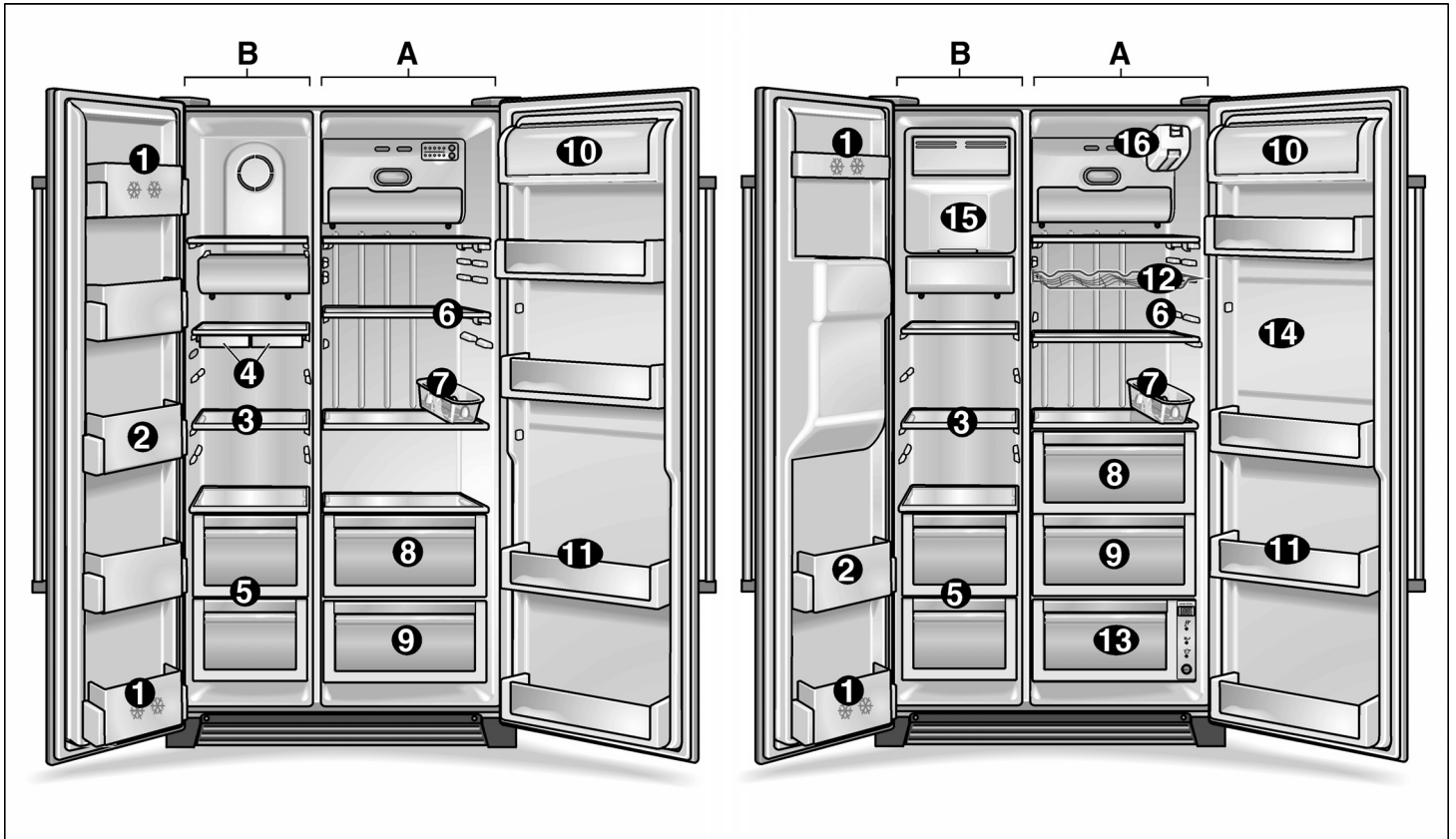
Avant de mettre au rebut l'appareil qui ne sert plus :

1. Débranchez la fiche mâle de la prise de courant.
2. Sectionnez le cordon d'alimentation puis enlevez-le avec la fiche mâle.

Les appareils frigorifiques contiennent des fluides frigorigènes et des gaz isolants qui nécessitent une mise au rebut adéquate. Veillez à ce que les tuyaux du circuit frigorifique de votre appareil ne soient pas endommagés jusqu'à son élimination dans les règles de l'art. Jusqu'à l'enlèvement de l'appareil, veillez bien à ce que son circuit frigorifique ne soit pas endommagé.

## Votre nouvel appareil

La présente notice d'utilisation vaut pour plusieurs modèles. Selon le modèle, l'appareil peut différer du contenu des illustrations.



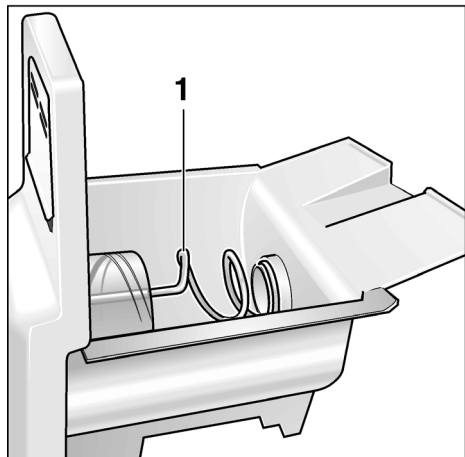
- A** Compartiment réfrigérateur  
**B** Compartiment congélateur

- |   |   |   |
|---|---|---|
| <p><b>1 Support en contre-porte (compartiment 2-étoiles)</b><br/>Pour ranger brièvement des produits et glaces alimentaires.</p> <p><b>2 Supports en contre-porte</b><br/>Pour ranger des produits alimentaires congelés.</p> <p><b>3 Clayettes en verre du compartiment congélateur</b><br/>Pour ranger des produits congelés comme par ex. la viande, le poisson, les glaces alimentaires.</p> <p><b>4 Bac à glaçons *</b></p> <p><b>5 Tiroir du compartiment congélateur</b><br/>Pour ranger la viande rouge, le poisson, et la volaille (emballés).</p> | <p><b>6 Clayettes en verre du compartiment réfrigérateur</b><br/>Pour ranger des aliments cuits, produits laitiers, la charcuterie.</p> <p><b>7 Balconnet à œufs</b></p> <p><b>8 Bac à légumes</b></p> <p><b>9 Bac à fruits</b></p> <p><b>10 Casier à beurre et à fromage</b></p> <p><b>11 Supports en contre-porte</b><br/>Pour ranger des conserves, de la viande et des bocaux.</p> <p><b>12 Clayettes à bouteilles de vin *</b></p> <p><b>13 Compartiment fraîcheur *</b><br/>Pour ranger de façon optimale le poisson, la viande rouge et de volaille.</p> | <p><b>14 Minibar *</b><br/>Il s'ouvre de l'extérieur pour prélever rapidement des boissons sans devoir ouvrir la porte du compartiment réfrigérateur.</p> <p><b>15 Distributeur de glaçons *</b><br/>Pour confectionner et conserver les glaçons.</p> <p><b>16 Filtre à eau *</b></p> |
|---|---|---|

\* selon le modèle

**Remarque :** Si certaines des pièces indiquées ne figurent pas sur votre appareil, c'est qu'elles se réfèrent à d'autres modèles.

### Distributeur de glaçons



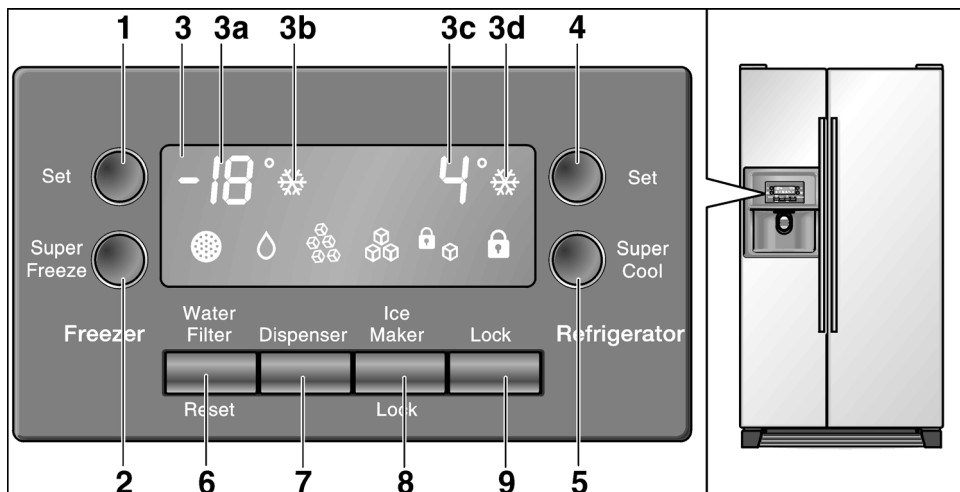
1 Vis sans fin de transport

### Distributeur de glaçons et d'eau

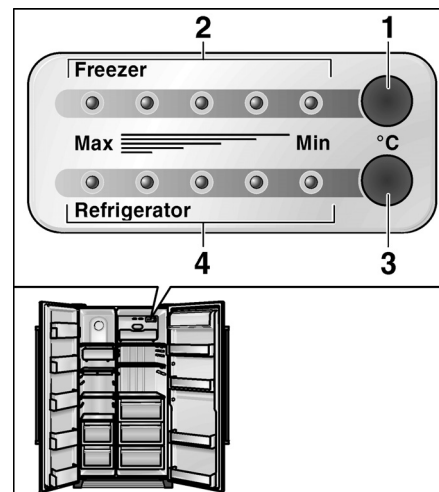


2 Plot de prélèvement  
3 Bac récupérateur d'eau

### Bandeau de commande et d'affichage



- 1 Touche de réglage de la température du compartiment congélateur
- 2 Touche de «super»-congélation
- 3 Bandeau d'affichage
- 3a Affichage de la température dans le compartiment congélateur
- 3b Affichage de la «super»-congélation
- 3c Affichage de la température dans le compartiment réfrigérateur
- 3d Affichage de la «super»-réfrigération
- 4 Touche de réglage de la température du compartiment réfrigérateur
- 5 Touche de «super»-réfrigération
- 6 Touche de réarmement du filtre à eau
- 7 Touche de prélèvement d'eau / de glaçons
- 8 Touche de verrouillage du distributeur de glaçons  
Au moment de le nettoyer ou s'il doit rester une période prolongée sans servir.
- 9 Touche de verrouillage du bandeau de commande (protection enfants)  
Appuyez sur la touche pour protéger les réglages contre toute modification involontaire. Pour déverrouiller, appuyez sur cette touche plus d'une seconde. La mention s'éteint.



- #### Commande de la température
- 1 Touche de réglage de la température régnant dans le compartiment congélateur
  - 2 LED d'affichage de la température régnant dans le compartiment congélateur
  - 3 Touche de réglage de la température régnant dans le compartiment réfrigérateur
  - 4 LED d'affichage de la température régnant dans le compartiment réfrigérateur

### Légende des symboles apparaissant sur le bandeau d'affichage

	Symbole «Changement de filtre nécessaire». Après un changement de filtre, appuyez pendant env. 5 secondes sur la touche de réarmement pour désactiver ce symbole.		Symbole «Glace pilée»		Symbole «Distributeur de glaçons verrouillé»
	Symbole «Eau»		Symbole «Glaçons»		Symbole «Bandeau de commande verrouillé»

## Installation

### Lieu d'installation

Un local sec et aérable convient pour installer l'appareil. Veillez à ce que l'emplacement ne soit pas directement exposé aux rayons solaires et qu'il ne se trouve pas à proximité d'une source de chaleur (par ex. une cuisinière, un radiateur, etc.). Si l'installation près d'une source de chaleur est inévitable, utilisez un panneau isolant approprié ou respectez les distances minimales suivantes par rapport à la source de chaleur :

- 3 cm par rapport à une cuisinière électrique,
- 30 cm par rapport à un appareil de chauffage au fuel ou au charbon.

Le sol sur le lieu d'installation ne doit pas s'affaisser. Renforcez-le le cas échéant.

L'appareil est très lourd. Pour connaître son poids à vide, reportez-vous au tableau suivant.

Version de base	104 kg
Version à distributeur	113 kg
Version à minibar	115 kg

Afin que le distributeur de glaçons fonctionne impeccablement, l'appareil doit se trouver parfaitement à la verticale. Pour horizontaliser, utilisez un niveau à bulle. Si l'appareil a été installé dans une niche ou dans un coin de la pièce, maintenez un écart minimum pour pouvoir ouvrir les portes jusqu'à la butée (voir les dimensions de l'appareil).

## Branchement de l'appareil

Après l'installation de l'appareil, attendez au moins 1 heure avant de le remettre en marche. Au cours du transport, il peut arriver que le fluide contenu dans le compresseur se déplace dans le circuit frigorifique.

Avant la première mise en service, nettoyez l'intérieur de l'appareil (voir Nettoyage).

La prise doit être facilement accessible. Branchez l'appareil sur une prise installée selon les normes (220-240 V/50 Hz alternatif). La prise doit être protégée par un fusible de 10 A à 16 A.

Si vous utilisez l'appareil dans un pays non européen, contrôlez que la tension et le type de courant indiqués sur la plaque signalétique correspondent aux caractéristiques du réseau électrique local. La plaque signalétique se trouve en bas à gauche de l'appareil. Tout remplacement éventuel du câble d'alimentation secteur ne doit être réalisé que par un technicien dûment formé.

### ⚠ Avertissement

L'appareil ne doit en aucun cas être branché sur des prises électroniques à économie d'énergie ni sur des onduleurs qui convertissent le courant continu en courant alternatif de 230 V (par exemple installations solaires, réseaux marins).

### Attention :

Lors du montage ou du remplacement du cordon d'alimentation, montez un dispositif anti-arrachement.

N'utilisez ni rallonges, ni multiprises.

## Contrôler la température ambiante et l'aération

La catégorie climatique de l'appareil figure sur sa plaque signalétique. Elle indique les températures ambiantes dans lesquelles l'appareil peut fonctionner.

Catégorie climatique	Température ambiante admissible
SN	+10 °C à 32 °C
N	+16 °C à 32 °C
ST	+16 °C à 38 °C
T	+16 °C à 43 °C

## Aération

Ne recouvrez en aucun cas les orifices d'entrée et de sortie d'air situés contre le bandeau du socle. Dans le cas contraire, le groupe frigorifique fonctionne plus longtemps, ce qui hausse la consommation de courant.

## Enclenchement de l'appareil

- Branchez la fiche mâle dans une prise de courant.

Après le raccordement au secteur, l'appareil commence à réfrigérer. Les éclairages intérieurs s'allument lorsque vous ouvrez les portes.

### Remarque:

L'appareil atteint en 2-3 heures les températures pré-réglées (réglages usine). Pendant cette période, ne rangez pas de produits alimentaires dans l'appareil.

Pour modifier les températures pré-réglées, → reportez-vous à la rubrique «Réglage de la température».

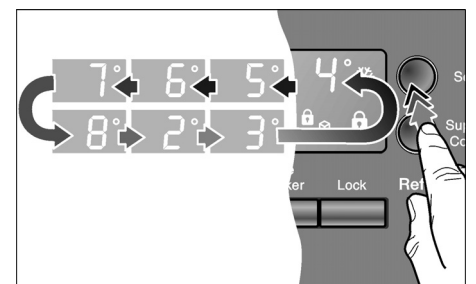
## Réglage de la température

### Appareils à bandeau de commande

- La température des compartiments réfrigérateur et congélateur est réglable séparément. La valeur réglée s'affiche sur le bandeau.

Pour modifier les valeurs :

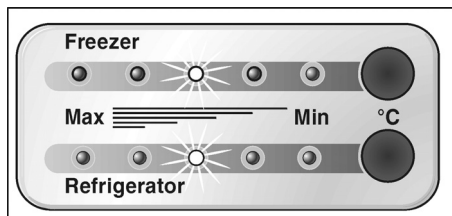
- Appuyez sur la touche de réglage jusqu'à ce que la température voulue s'affiche.



Le système mémorise la valeur affichée en dernier.

## Appareils à commande de la température

- L'appareil dispose d'une commande de température séparée pour le compartiment réfrigérateur et le compartiment congélateur.
- Le compartiment réfrigérateur et le compartiment congélateur ont, à la fabrication, été réglés sur une température moyenne.

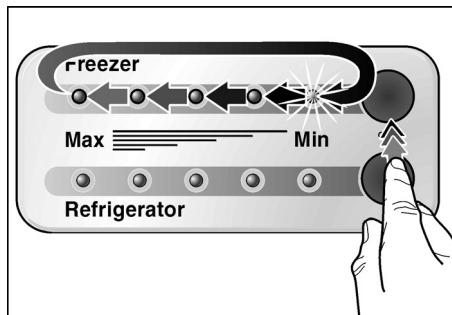


### Remarque :

Les 5 LED couvrent toute la plage de températures du compartiment correspondant. Ainsi par exemple, elles vont de +2 °C à +8 °C pour le compartiment fraîcheur.

Pour modifier les valeurs :

- Appuyez sur touches de réglage jusqu'à ce que le réglage souhaité soit atteint.



Les valeurs de température s'affichent par paliers, du réglage le plus chaud (Min) au réglage le plus froid (Max).

## Arrêt et remisage de l'appareil

### Coupure de l'appareil

- Débranchez la fiche mâle de la prise de courant.

### Remisage de l'appareil

Si l'appareil doit rester longtemps sans servir :

- Sortez tous les produits alimentaires de l'appareil.
- Fermez l'arrivée d'eau.

- Videz le bac à glaçons (voir «Nettoyage de l'appareil»).
- Prélevez l'eau potable restante.
- Débranchez la fiche mâle de la prise de courant.
- Sortez le filtre à eau.

### Remarque :

Lors de la remise en service, incorporez un filtre à eau neuf.

- Nettoyez l'intérieur de l'appareil (voir «Nettoyage de l'appareil»).

Pour éviter l'apparition de mauvaises odeurs, laissez les portes ouvertes.

**S'il y a un risque de gel, chargez un spécialiste de vidanger le réservoir d'eau affecté au distributeur d'eau (voir les instructions d'installation).**

### Remarque importante en cas de déménagement

Enlevez toutes les pièces facilement amovibles et emballez chacune d'elles soigneusement. Transportez l'appareil à la verticale après avoir sécurisé les portes et les trappes avec du ruban adhésif.

## Fonctions

### Alarme relative à la porte

Si vous laissez une porte de l'appareil ouverte, un signal d'alarme retentit au bout d'une minute pendant cinq minutes. Il se désactive une minute puis se réactive 5 minutes et ainsi de suite.

### Coupure automatique de l'éclairage intérieur

Si une porte est restée ouverte plus de 10 minutes, l'éclairage intérieur s'éteint automatiquement pour empêcher toute surchauffe. Ceci permet aussi d'économiser de l'énergie.

### Mode économie d'énergie

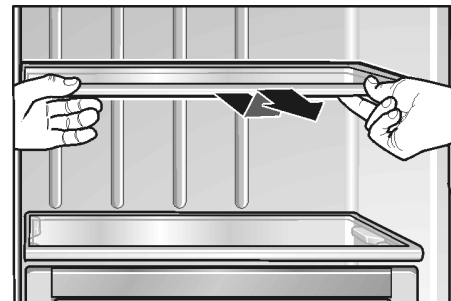
Une minute après la fermeture des portes et le dernier actionnement d'une touche de la zone de commande et d'affichage ou du distributeur de glaçons et d'eau, l'affichage du bandeau de commande bascule en mode économie d'énergie et n'est éclairé que faiblement.

Dès que l'appareil est à nouveau utilisé (ouverture de porte ou actionnement de touche), l'affichage s'éclaire à nouveau normalement.

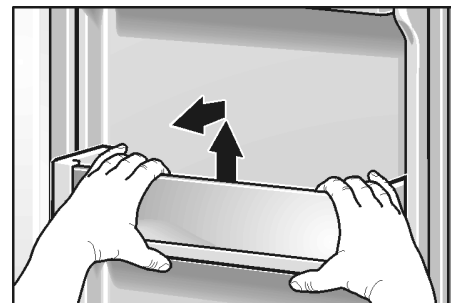
## Agencement variable du compartiment intérieur

Vous pouvez modifier à volonté l'agencement des clayettes dans le compartiment et des bacs en contreporte :

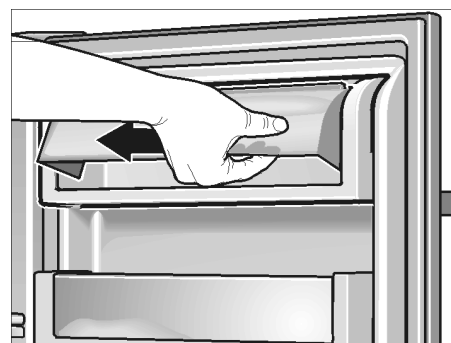
- Tirez la clayette à vous puis extrayez-la.



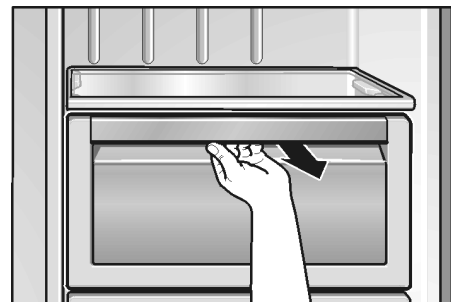
- Soulevez le bac puis sortez-le.



- Soulevez légèrement le couvercle du casier à beurre et à fromage, appuyez **à gauche** puis retirez-le.



- Tirez les tiroirs à vous, soulevez-les légèrement puis sortez-les.



## Compartment réfrigérateur

La température du compartiment réfrigérateur est réglable entre +2 °C et +8 °C. Nous vous recommandons de régler la température sur +4 °C.

### Utilisation du compartiment réfrigérateur

Vous pouvez ranger les pâtisseries, plats précuisinés, conserves, lait condensé, le fromage dur, les fruits et légumes craignant le froid, les agrumes dont par ex. les mandarines ; les bananes, ananas, melons, avocats, papayes, fruits de la passion, aubergines, laisser aussi les fruits finir de mûrir ; rangez également dans ce tiroir les tomates, concombres, tomates vertes, pommes de terre.

### Consignes de rangement à respecter :

- Placez les produits à décongeler dans le compartiment réfrigérateur.
- L'air ne doit pas pénétrer dans l'emballage pour que les aliments ne perdent pas leur goût ni ne sèchent pas.
- Les huiles et graisses n'entrent pas en contact avec les pièces en plastique et le joint de la porte.
- Conserver les alcools concentrés uniquement fermés et placés debout. De plus, ne jamais ranger de matières explosives dans l'appareil. Risque d'explosion !

### «Super»-réfrigération

Cette fonction sert à réfrigérer rapidement les produits alimentaires ou les boissons qui doivent séjourner dans le compartiment réfrigérateur. Lorsque la fonction de super-réfrigération est active, la température baisse le plus fortement possible dans le compartiment réfrigérateur.

- Appuyez sur la touche **Super**.

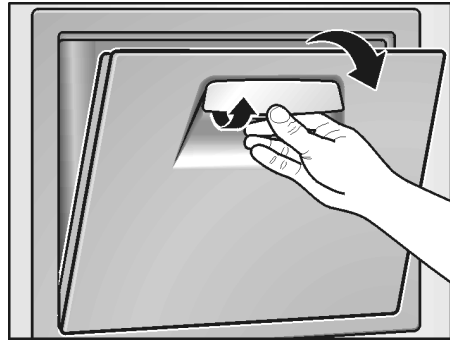


Chaque fois que vous appuyez sur la touche, la fonction s'active ou se désactive. La fonction activée super-réfrigération est signalée par le symbole correspondant sur le bandeau d'affichage.

### Minibar

(selon le modèle)

Il permet de retirer rapidement des boissons et assimilées présentes dans le compartiment réfrigérateur sans devoir ouvrir la porte de ce dernier.



### Compartment fraîcheur

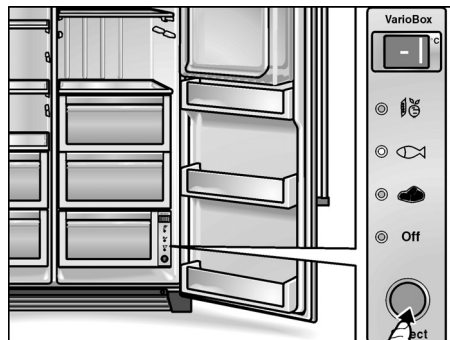
(selon le modèle)

Dans ce compartiment, la température est maintenue proche de 0 °C. Ceci offre des conditions de stockage optimales aux produits frais.

Pour stocker les produits alimentaires de façon optimale :

- A l'aide de la touche de sélection, choisissez le produit voulu (légume / poisson / viande).

La sélection est confirmée par l'allumage de la LED et l'affichage de la température correspondante.



### Remarque :

- Sur la position «Off», ce compartiment prend la température du compartiment d'en face.
- La température affichée est une température de consigne. Celle qui règne réellement dans le compartiment fraîcheur peut en différer légèrement.

### Produits non-adaptés au compartiment fraîcheur :

- Fruits et légumes craignant le froid (agrumes, avocats, papayes, fruits de la passion, aubergines, concombres, poivrons)
- Fruits finissant de mûrir (tomates vertes, bananes)
- Pommes de terre
- Fromage dur

### Attention lors de l'achat de produits alimentaires :

C'est la fraîcheur des produits alimentaires le jour de leur achat qui détermine leur durée de conservation. Principe fondamental : plus les produits arrivent frais dans le compartiment fraîcheur et plus ils se conserveront longtemps. Lors de vos achats, vérifiez toujours le degré de fraîcheur des produits.

### Durées de stockage (à 0 °C):

#### suivant la qualité de départ

Saucisses, charcuterie en tranches, viande rouge, abats, poisson, lait frais, fromage blanc	jusqu'à 7 jours
---	-----------------

Viande en petits morceaux, saucisses à griller, champignons, salades, légumes à feuilles	jusqu'à 10 jours
--	------------------

Viande en gros morceaux, plats pré-cuisinés	jusqu'à 15 jours
---	------------------

Charcuterie fumée ou salée, choux	jusqu'à 20 jours
-----------------------------------	------------------

Viande en gros morceaux, viande de bœuf, de gibier après traitement à la chaleur, légumes secs	jusqu'à 30 jours
--	------------------

## Compartiment congélateur

La température du compartiment congélateur est réglable entre  $-16\text{ °C}$  et  $-22\text{ °C}$ . Nous vous recommandons de régler la température sur  $-18\text{ °C}$ .

Servez-vous du compartiment congélateur pour :

- Sert à ranger des produits surgelés
- Congeler des produits alimentaires
- Confectionner des glaçons

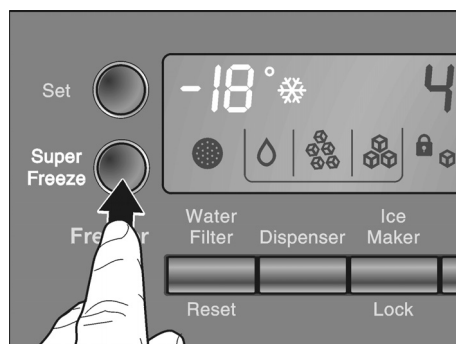
### Remarque :

Veillez à ce que la porte du compartiment congélateur soit toujours fermée. Si cette porte reste ouverte, les produits surgelés dégèleront. Le compartiment réfrigérateur se couvrirait de givre. En outre, vous gaspillez de l'énergie vu la forte consommation de courant.

### «Super»-congélation

La supercongélation sert à surgeler de grandes quantités d'aliments frais. Vous devrez l'enclencher jusqu'à 24 heures avant de ranger ces aliments frais. Pendant la super-congélation, la température devient très basse dans le compartiment congélateur.

- Appuyez sur la touche **Super**.



Le fait d'appuyer sur cette touche active ou désactive la fonction. Pour indiquer que la super-congélation s'est activée, le symbole correspondant apparaît sur le bandeau.

## Congélation et rangement

### Ranger des produits surgelés

Au moment d'acheter des produits surgelés, tenez compte de ce qui suit :

- Vérifiez si l'emballage est endommagé.
- Vérifiez la date limite de consommation recommandée.
- La température indiquée par le thermomètre du congélateur commercial doit être de  $-18\text{ °C}$  minimum. Si ce n'est pas le cas, la durée de conservation des produits surgelés diminue en conséquence.
- Achetez les produits surgelés en dernier. Emballez-les dans du papier journal ou utilisez un sac isotherme pour le transport.
- Une fois revenu chez vous, rangez les produits surgelés immédiatement dans le compartiment congélateur. Consommez les produits surgelés avant la date limite de conservation.
- Ne recongelez jamais les aliments qui ont dégelé. Exception : si vous transformez les aliments en plat cuisiné (cuit ou rôti), vous pourrez dans ce cas recongeler ce plat.

### Congeler soi-même les aliments

Pour congeler les aliments, n'utilisez que des aliments frais et d'un aspect impeccable. Emballez les aliments hermétiquement pour éviter qu'ils ne perdent leur saveur ou se dessèchent. Les aliments doivent congeler à cœur aussi vite que possible pour qu'ils conservent vitamines, valeur nutritive, aspect et goût.

### Pour emballer correctement :

- Placez les aliments dans l'emballage.
- Chassez complètement l'air de l'emballage.
- Obturez l'emballage hermétiquement.
- Inscrivez sur l'emballage le nom du contenu et la date de congélation.

### Emballages inadaptés :

Le papier d'emballage, le papier sulfurisé, les feuilles de cellophane, les sacs poubelles et les sacs en plastique ayant déjà servi.

### Emballages corrects :

Feuilles en plastique, feuilles-boyaux en polyéthylène, feuilles d'aluminium, boîtes de congélation.

Vous trouverez ces produits dans le commerce spécialisé.

### Pour obturer les emballages, utilisez des :

Caoutchoucs, clips en plastique, ficelles, rubans adhésifs résistants au froid, ou assimilés.

Vous pouvez obturer les sachets et les feuilles en polyéthylène au moyen d'une thermosoudeuse.

### Capacité de congélation

Vous pouvez congeler jusqu'à 10 kg de produits alimentaires en 24 heures.

### Durée de conservation des produits surgelés

La durée de stockage dépend de la nature de l'aliment.

A une température de surgélation moyenne, les durée de conservation suivantes s'appliquent :

Poisson, charcuterie, plats pré-cuisinés, pâtisseries	jusqu'à 6 mois
Fromage, volaille, viande	jusqu'à 8 mois
Fruits et légumes	jusqu'à 12 mois

### Décongélation des produits

Selon la nature et l'utilisation des produits surgelés, vous pouvez choisir entre plusieurs possibilités :

- A la température ambiante,
- Dans le réfrigérateur,
- Dans le four électrique avec/sans le ventilateur pour chaleur tournante,
- Dans le micro-ondes.

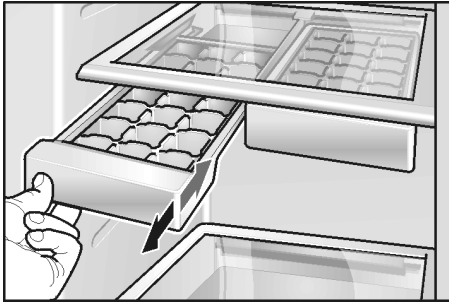
### Remarque :

Ne remettez pas à congeler des produits alimentaires partiellement ou entièrement décongelés. Ne recongelez les produits qu'après les avoir transformés (cuisson ou rôtissage).

Dans ce cas, consommez-les nettement avant la date limite de conservation.

## Préparation de glaçons

(Appareils sans distributeur de glaçons)



- Remplissez le bac à glaçons aux  $\frac{3}{4}$  avec de l'eau, puis placez-le dans le compartiment congélateur.
- Pour enlever les glaçons du bac, passez-le brièvement sous l'eau du robinet ou déformez légèrement le bac.

## Distributeur automatique de glaçons et d'eau

Vous pouvez prélever, suivant besoins :

- de l'eau réfrigérée
- des glaçons
- de la glace pilée

### ⚠ Attention !

**Pour prélever de l'eau ou de la glace, n'utilisez pas de récipients fragiles – Risque de blessures en cas de bris de verre !**

**N'introduisez pas les doigts dans l'orifice d'éjection. Risque de vous blesser avec les lames du dispositif pilant la glace !**

### Remarque :

Le distributeur de glace et d'eau ne fonctionne que si l'appareil est raccordé au réseau d'eau.

## Consignes importantes lors de la mise en service de l'appareil neuf

Après le raccordement, les conduites contiennent encore des bulles d'air.

Prélevez de l'eau et jetez-la jusqu'à ce qu'elle sorte sans bulles. Jetez le contenu des 5 premiers verres.

Si vous utilisez le distributeur de glaçons pour la première fois, n'utilisez pas, pour des motifs d'hygiène, les 30 à 40 premiers glaçons.

## Remarques concernant le fonctionnement du distributeur de glaçons

Une fois que le compartiment congélateur a atteint la température de congélation, l'eau afflue dans ce distributeur et se solidifie dans ses compartiments pour former des glaçons. Les glaçons finis sont automatiquement transférés dans le bac à glaçons.

Parfois, plusieurs glaçons à la fois s'accumulent sur le côté. Ils se détachent généralement d'eux-mêmes pendant leur transfert vers l'orifice de distribution.

Une fois que le distributeur de glaçons est plein, la préparation de glaçons cesse automatiquement.

Le distributeur de glaçons est en mesure de préparer 100 glaçons en 24 heures.

**Ne mettez jamais de bouteilles ou produits alimentaires dans le distributeur de glaçons pour les faire refroidir rapidement. Il risquerait de se bloquer et de s'endommager.**

Après la mise en service de l'appareil, il faut env. 24 heures pour que les premiers glaçons soient prêts.

Lors de la confection des glaçons, on entend le bourdonnement de l'électrovanne à eau, l'afflux d'eau dans le bac à glaçons et la chute des glaçons.

## Qualité de l'eau potable

Tous les matériaux utilisés dans le distributeur de boisson sont inodores et sans saveur.

Si l'eau devait avoir un goût, les raisons peuvent être les suivantes :

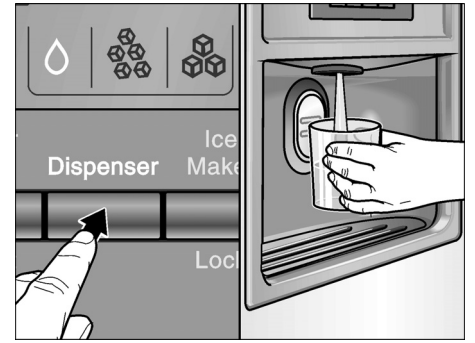
- Teneur de l'eau potable en sels minéraux et en chlore.
- Matériau de la conduite d'adduction d'eau à la maison ou de raccordement.
- Fraîcheur de l'eau potable (si vous êtes resté longtemps sans prélever de l'eau, l'eau peut avoir un goût «pas frais». Dans ce cas, soutirez l'équivalent de 15 verres et jetez leur contenu).

Vous pouvez intercaler le filtre à eau ci-joint si l'eau a un goût et une odeur.

**Le filtre à eau ci-joint filtre exclusivement les particules en suspension dans l'eau entrante, mais il ne retient pas les bactéries ni les microbes.**

## Prélèvement d'eau

- Appuyez sur la touche jusqu'à ce que le symbole s'allume.



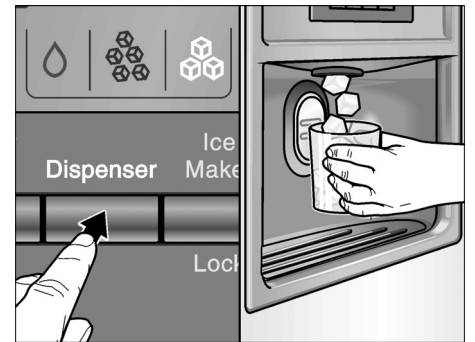
- Appuyez le verre contre le plot de prélèvement. Le prélèvement cesse lorsque vous cessez d'appuyer.

### Un conseil :

L'eau sortant du distributeur d'eau se trouve à une température fraîche adaptée à sa dégustation. Si vous voulez de l'eau plus froide, mettez quelques glaçons dans le verre avant d'en prélever.

## Prélèvement de glaçons

- Appuyez sur la touche jusqu'à ce que le symbole des glaçons ou de la glace pilée s'allume.



- Placez un récipient approprié contre le plot de prélèvement.

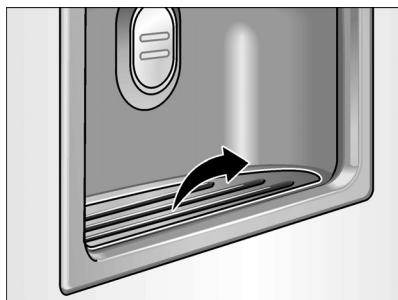
### Remarque :

- Cessez d'appuyer le récipient contre le plot dès qu'il s'est rempli à moitié. La glace présente dans l'orifice d'éjection peut faire déborder le récipient ou bloquer l'orifice d'éjection.
- Après commutation du prélèvement de glaçons sur celui de glace pilée, des glaçons ou morceaux de glaçons peuvent encore se trouver dans le distributeur. Ces morceaux sont fournis par le distributeur avec les premières quantités de glace pilée.



## Retirer et nettoyer le bac de récupération d'eau

L'eau renversée afflue dans le bac de récupération. Vous pouvez le retirer pour le vider et le nettoyer.



## Retirer et nettoyer le bac à glaçons

Si vous n'avez pas prélevé de glaçons pendant une période prolongée, ceux déjà confectionnés rapetissent, perdent leur fraîcheur et collent entre eux.

- Sortez le bac, videz-le et nettoyez-le à l'eau tiède.
- Essuyez bien le bac et la vis transporteuse sans fin avec un essuie-tout sec pour que les nouveaux glaçons ne viennent pas coller contre la surface mouillée.

## Mis en place du bac à glaçons

- Poussez le bac à glaçons complètement à l'arrière sur les surfaces, jusqu'à ce qu'il encoche.



- Si le bac refuse de se laisser pousser complètement jusqu'au fond, tournez un peu la vis sans fin de transport dans le réservoir.

La production de glaçons continue.

## Désactivation du distributeur de glaçons

Si vous prévoyez de ne pas prélever de glaçons pendant plus d'une semaine (période de vacances par ex.), il faudrait désactiver temporairement le système de préparation des glaçons pour empêcher que les glaçons ne se soudent et forment un bloc.



- Appuyez sur la touche de verrouillage «Distributeur de glaçons». Le symbole s'allume.
  - Retirez le bac à glaçons, videz-le puis remettez-le en place. Veillez à ce que le bac encoche bien sur sa surface d'appui.
- Pour le remettre en service :
- Appuyez sur la touche de verrouillage «Distributeur de glaçons». Le symbole s'éteint.

## Filtre à eau

### ⚠ Attention !

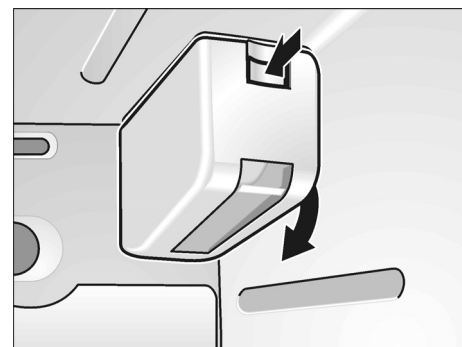
N'utilisez pas l'appareil dans un lieu où la qualité de l'eau est douteuse ou insuffisante sans désinfection adaptée en amont ou en aval du dispositif de filtration.

Pour vous procurer un nouveau filtre, adressez-vous au service après-vente.

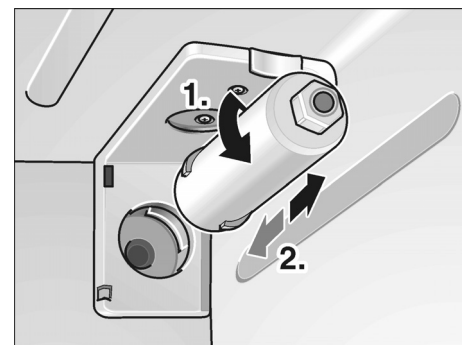
Remplacez le filtre au moins tous les 6 mois et en tous les cas dès l'avertissement de changement de filtre.

## Changement de filtre

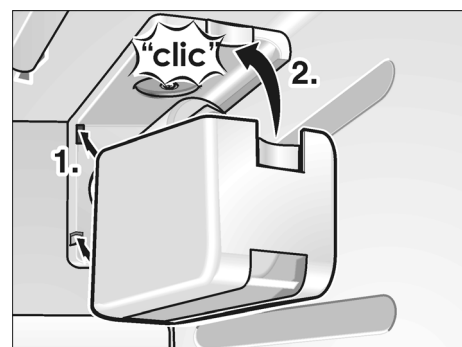
- **Attention** : débranchez la prise ou coupez l'alimentation électrique au niveau du fusible !
- Fermez l'arrivée d'eau de l'appareil.



- Appuyez sur le bouton et enlevez le capot.



- Tournez précautionneusement le filtre de 90° dans le sens inverse des aiguilles d'une montre et retirez-le.
- Sortez le nouveau filtre de son emballage et enlevez la protection.
- Positionnez le nouveau filtre et tournez-le précautionneusement de 90° dans le sens des aiguilles d'une montre.

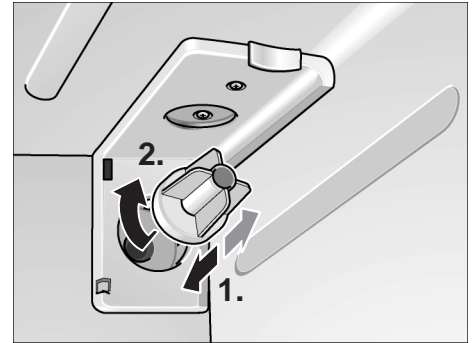


- Remettez le capot.

## Indications concernant le filtre à eau

- Après utilisation, un peu de pression subsiste dans le circuit d'eau. Attention lors du retrait du filtre !
- Si l'appareil n'a pas été utilisé pendant longtemps ou si les glaçons ou l'eau a un goût ou une odeur désagréable, vidangez le circuit d'eau. Pour cela, faites couler de l'eau pendant plusieurs minutes au niveau du distributeur d'eau. Si l'odeur désagréable persiste, changez le filtre.

- Protection contre le gel. Démontez la cartouche filtrante si les températures sont susceptibles de descendre en dessous du point de congélation.
- Ne montez pas le filtre à eau si la pression de l'eau est supérieure à 0,86 MPa (8,6 bar). Si la pression de l'eau est supérieure à 0,55 MPa (5,5 bar), montez un détendeur. Contactez un installateur agréé en cas de problèmes avec la pression de l'eau.
- Si des coups de bélier sont susceptibles de se produire dans la conduite d'eau, ne montez pas le filtre à eau sans un anti-coup de bélier approprié. Contactez un installateur agréé en cas de doute au sujet de la possible survenue de coups de bélier dans la conduite d'eau.
- Après la mise en place d'un nouveau filtre, n'utilisez pas les glaçons produits pendant les 24 premières heures consécutives à la remise en service.
- S'il s'est écoulé une longue période depuis le dernier prélèvement de glaçons, videz le bac à glaçons et n'utilisez pas les glaçons produits pendant les 24 premières heures consécutives à la remise en service.
- Le distributeur de glaçons et d'eau peut également être utilisé sans filtre à eau. Dans ce cas, utilisez le bouchon.



## Caractéristiques et performances

**CUNO OCS**  
COFFEE • TEA • WATER • VENDING

### Fiche performances produits Modèles CS-451/CS-452

Ces systèmes ont été testés selon la norme NSF/ANSI 42 en ce qui concerne la réduction des substances énumérées ci-après.

La concentration des substances indiquées dans l'eau entrant dans le système a été réduite à un niveau inférieur ou égal au seuil autorisé pour l'eau sortant du système selon la norme NSF/ANSI 42.



Système testé et certifié par NSF International selon la norme NSF/ANSI 42 (réduction du goût et de l'odeur de chlore).

Capacité : 5700 litres selon l'état de l'eau au plan local.

#### Réduction des contaminants déterminée par le test NSF

Réduction des polluants	Moyenne des polluants influents	Concentration problématique de polluants influents spécifiée par NSF	Moyenne pour l'eau produite	Réduction moyenne en %	Exigences de réduction de NSF	Test NSF
Goût et odeur de chlore	2,0	2,0 mg/l ± 10 %	0,28	86	≥ 50 %	503821-01

Pour eau froide uniquement.

Consignes relatives à l'alimentation en eau	
Débit de service	1,9 l/min
Alimentation en eau	Réseau public ou puits privé
Pression d'eau	0,17 - 0,86 MPa (1,7 - 8,6 bar)
Température d'eau	5 - 38 °C

Il est essentiel de respecter les conditions d'utilisation, les exigences d'entretien et les intervalles de remplacement des filtres pour que le produit fonctionne normalement. Changer les cartouches tous les 6 mois. Passer la cartouche neuve à l'eau pendant 5 minutes. Utiliser les cartouches de rechange CS-51 ou CS-52.

Ne pas utiliser avec de l'eau de qualité microbienne médiocre ou inconnue sans désinfection adéquate en amont ou en aval du système.

Les systèmes doivent être installés et utilisés conformément aux procédures et consignes données par le fabricant.

Garantie : voir carte de garantie.

Le test ayant été réalisé en laboratoire, les performances en conditions réelles peuvent être différentes.

Pour toute intervention technique ou pour obtenir des pièces de rechange, contacter un distributeur ou :



**Water Group**

**CUNO Incorporated**  
400 Research Parkway  
Meriden, CT 06450, USA  
Un seul numéro : 203-237-5541  
Fax : 203-238-8701  
www.cuno.com

## Economies d'énergie

- Placez votre appareil dans un endroit frais et bien aéré. Veillez à ce qu'il ne soit pas exposé aux rayons solaires et qu'il ne se trouve pas à proximité d'une source de chaleur (radiateur etc.). Utilisez le cas échéant une plaque isolante.
- Attendez que les boissons et aliments chauds aient refroidi à la température de la pièce avant de les ranger dans le compartiment congélateur.
- Vous pouvez utiliser le froid qu'ils ont emmagasiné pour refroidir les aliments stockés dans le réfrigérateur. Vous profitez ainsi de leur excédent de froid pour refroidir les aliments déjà présents dans ce compartiment.
- Ouvrez le moins possible les portes de l'appareil lorsque vous mettez ou prenez des aliments.

## Bruits de fonctionnement

### Bruits parfaitement normaux

**Bourdonnements étouffés** – ces bruits normaux se font entendre pendant que le compresseur est en marche. Le ventilateur du système de circulation d'air fonctionne.

**Gargouillis, clapotis légers ou bourdonnements** – du fluide réfrigérant circule dans les serpentins. Eau en train d'affluer dans le distributeur de glaçons.

**Cliquetis** – ils sont audibles lorsque le moteur se met en marche ou s'arrête. L'électrovanne située sur le raccordement de l'eau s'ouvre et se ferme.

**Bruit de chute** – les glaçons finis de se solidifier chutent du distributeur dans le bac.

### Bruits faciles à supprimer

#### L'appareil ne repose pas d'aplomb

Vérifiez l'horizontalité de l'appareil à l'aide d'un niveau à bulle. Ajustez ensuite l'horizontalité par les pieds à vis ou placez un objet dessous.

#### L'appareil touche quelque chose

Eloignez l'appareil de meubles ou d'appareils voisins.

#### Des tiroirs, paniers ou surfaces de rangement vibrent ou se coincent

Vérifiez les pièces amovibles puis remettez-les en place correctement.

#### Des récipients se touchent

Eloignez légèrement les bouteilles ou récipients les uns des autres.

## Si vous dégivrez l'appareil

La décongélation a lieu automatiquement.

L'eau issue de la décongélation coule en direction du bac d'évaporation contre la paroi arrière du réfrigérateur et s'évapore ensuite automatiquement.

## Nettoyage de l'appareil

- **Attention** : débranchez la fiche mâle de la prise secteur ou coupez le fusible / disjoncteur !
- Ne nettoyez le joint de porte qu'avec de l'eau claire puis essuyez-le à fond avec un chiffon sec.
- Nettoyez l'appareil avec de l'eau tiède additionnée de produit à vaisselle. Cette eau ne doit pas pénétrer dans le bandeau de commande ou l'éclairage.

Lorsque vous sortez les clayettes en verre, elles sont très froides. Ne les plongez pas directement dans de l'eau de vaisselle très chaude.

Ne nettoyez jamais les clayettes et les bacs au lave-vaisselle. Ces pièces pourraient se déformer.

- Après le nettoyage : rebranchez la fiche mâle dans la prise de courant ou réarmez le disjoncteur / remettez le fusible en place.

### Attention !

**Ne touchez pas les produits surgelés avec les mains nues. Elles risqueraient de rester collées dessus. Risque de blessures !**

Ne dégivrez ni ne nettoyez jamais l'appareil avec un nettoyeur à vapeur. La vapeur risque d'atteindre des pièces électroconductrices de l'appareil et de provoquer un court-circuit ou vous faire électrocuter. La vapeur peut endommager les surfaces en plastique.

## Remédier soi même aux petites pannes

### Avant d'appeler le service après-vente (SAV) :

Vérifiez svp si vous ne pouvez pas remédier vous-même au dérangement à l'aide des instructions qui suivent. Si vous faites venir le technicien, ses conseils vous seront facturés, même pendant la période de garantie !

### Compartiments réfrigérateur et congélateur :

Dérangement	Cause possible	Remède
L'appareil ne refroidit pas. L'éclairage intérieur est éteint.	Coupure de courant ; disjoncteur disjoncté ; fiche mâle pas complètement branchée dans la prise.	Vérifiez si la prise est sous tension. Le disjoncteur doit se trouver en position armée.
Le groupe frigorifique s'enclenche de plus en plus souvent et longtemps.	Vous avez ouvert fréquemment la porte.	N'ouvrez pas la porte inutilement.
	Vous avez mis une assez grande quantité d'aliments à congeler.	Ne dépassez pas la capacité de congélation maximale.
La température est trop basse dans le compartiment réfrigérateur ou congélateur.	Les orifices d'apport et d'évacuation d'air sont recouverts par des objets faisant obstacle.	Enlevez ces obstacles.
	Vous avez réglé la température trop basse.	Réglez-les respectivement sur une température plus élevée (voir «Réglage de la température»).
Les aliments congelés sont collés entre eux ou contre une paroi.		Détachez-les à l'aide d'un objet émoussé. Ne les détachez pas avec un couteau ou un objet pointu.
Le compartiment congélateur présente une épaisse couche de givre.		Veillez toujours à ce que les portes de l'appareil soient fermées.
L'éclairage intérieur ne fonctionne pas.	L'ampoule est grillée.	Changez l'ampoule (voir «Changement d'ampoule»).
	L'interrupteur de l'éclairage est coincé.	Vérifiez s'il peut s'enfoncer.
Le compartiment congélateur n'atteint plus la température réglée.	La porte compartiment congélateur est restée longtemps ouverte. L'évaporateur (générateur de froid) est tellement givré que le système de décongélation automatique ne parvient pas à résorber la quantité de givre présente.	Sortez les produits congelés de l'appareil et rangez-les bien isolés dans un endroit frais. Au bout de 12 heures environ, la glace a fondu dans le système de réfrigération. Réenclenchez l'appareil puis rangez les produits congelés. <b>Remarque !</b> N'ouvrez pas la porte du compartiment réfrigérateur inutilement. Vous éviterez ainsi une déperdition du froid. Si les consignes précédemment énoncées ne vous permettent pas de supprimer le dérangement, veuillez toujours contacter le service après-vente.

### Distributeur d'eau et de glaçons

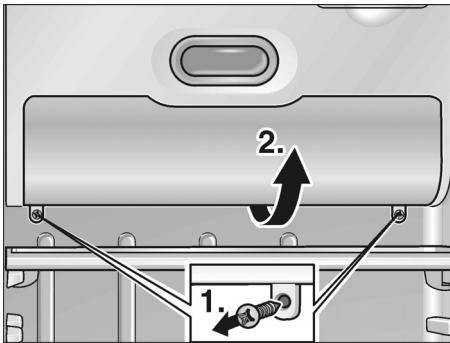
Dérangement	Cause possible	Remède
Bien que l'appareil fonctionne déjà depuis longtemps, il n'a produit encore aucun glaçon.	Robinet d'eau fermé.	Ouvrez le robinet d'eau.
	Alimentation en eau coupée. Pression de l'eau trop faible.	Prévenez l'installateur.
	Distributeur de glaçons verrouillé. Le symbole du cadenas est allumé.	Appuyez sur la touche de verrouillage «Distributeur de glaçons».
Il y a des glaçons dans le bac à glaçons mais ils ne descendent pas.	Température trop élevée dans le compartiment congélateur.	Réduisez la température dans le compartiment congélateur (voir «Réglage de la température»).
	Les glaçons se sont soudés entre eux.	Retirez le bac à glaçons et videz-le.

Dérangement	Cause possible	Remède
<b>Les glaçons se sont coincés à la sortie du bac à glaçons ou dans le broyeur de glace.</b>		Retirez le bac à glaçons et faites tourner la vis sans fin de transport à la main. Avec un bâtonnet en bois, détachez les glaçons éventuellement coincés.
<b>Les glaçons sont à moitié dégelés.</b>	Les glaçons ont dégelé à un certain moment à la suite d'une panne de courant, ou la porte du compartiment congélateur n'était pas correctement fermée.	Retirez le bac à glaçons, videz-le puis essuyez-le bien pour le sécher.
<b>Les glaçons diminuent de volume par évaporation.</b>		L'air froid qui s'écoule sur les glaçons provoque leur rapetissement. Ce phénomène, normal, se manifeste surtout si vous en prélevez peu.
<b>La trappe du distributeur de glaçons ne ferme pas correctement.</b>	Des glaçons l'empêchent de se fermer.	Retirez les glaçons.
<b>Des glaçons adhèrent dans le bac à glaçons.</b>	Des dépôts de tartre provenant de l'eau peuvent se former contre la paroi des bacs.	Humectez un chiffon avec du vinaigre et essuyez les bacs. Si les dépôts sont épais, nettoyez les bacs chaque fois que vous nettoyez le compartiment réfrigérateur.
<b>Les glaçons sont inégaux et il y a de l'eau dans le bac à glaçons.</b>	L'appareil n'est pas d'aplomb.	Mettez l'appareil d'aplomb en vous servant d'un niveau à bulle et de ses roulettes et pieds à vis réglables en hauteur (voir les instructions d'installation).
<b>Le distributeur d'eau ne fonctionne pas.</b>	Robinet d'eau fermé.	Ouvrez le robinet d'eau.
	Alimentation en eau coupée. Pression de l'eau trop faible.	Prévenez l'installateur.
	Température trop élevée dans le compartiment congélateur.	Réduisez la température dans le compartiment congélateur (voir «Réglage de la température»).

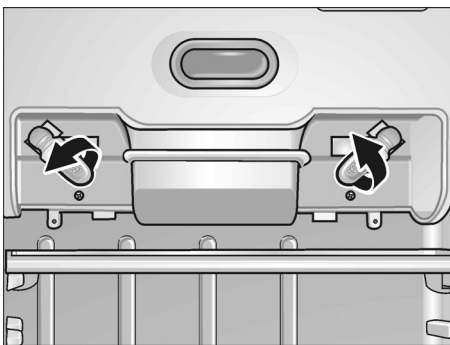
## Changement d'ampoule

### Changer l'ampoule du compartiment réfrigérateur

- **Attention** : débranchez la fiche mâle de la prise secteur ou coupez le fusible / disjoncteur !
- Défaites les 2 vis situées en dessous du cache-lampe puis retirez ce dernier.



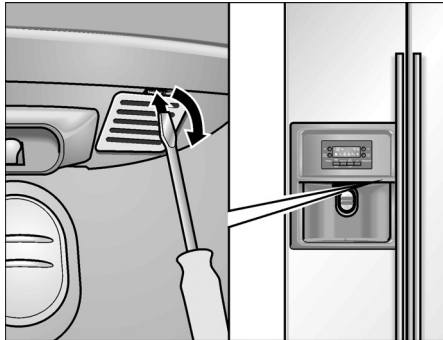
- Changez l'ampoule. Ampoule de rechange 25 W max., 220-240 V, courant alternatif, culot E14.



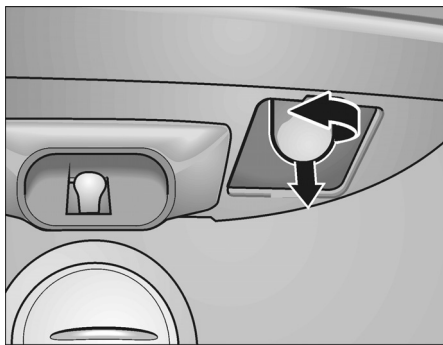
- Remontez le cache-lampe.

### Changer l'ampoule du distributeur d'eau et de glaçons

- **Attention** : débranchez la fiche mâle de la prise secteur ou coupez le fusible / disjoncteur !
- Soulevez le cache-lampe à l'aide d'un tournevis.



- Changez l'ampoule. Ampoule de rechange 15 W max., 220-240 V, courant alternatif, culot E14.

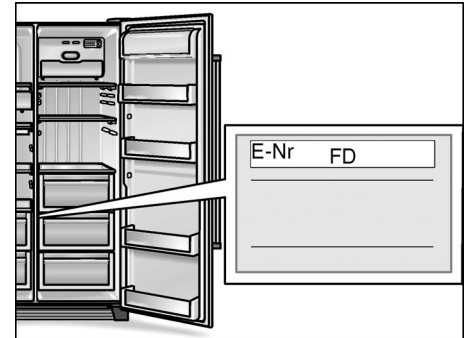


- Posez le recouvrement.

## Appeler le service après-vente

Pour connaître le service après-vente situé le plus près de chez vous, consultez l'annuaire téléphonique ou le répertoire des services après-vente (SAV). Veuillez indiquer au SAV le numéro de série (E-Nr.) de l'appareil et son numéro de fabrication (FD-Nr.).

Vous trouverez ces indications sur la plaque signalétique



Aidez-nous à éviter des déplacements inutiles : indiquez les numéros de série et de fabrication. Vous économiserez ainsi des suppléments de frais inutiles.

## Instructions d'installation

### Remarque importante :

Ces instructions d'installation valent pour plusieurs modèles.

Certains des modèles ne requièrent pas les étapes de travail décrites ici.

**L'installation et le raccordement de cet appareil sont des opérations réservées à un spécialiste agréé.**

**Réalisez le raccordement de l'eau impérativement avant celui de l'électricité.**

Outre les prescriptions légales en vigueur dans votre pays, veuillez aussi respecter les règlements publiés par les compagnies distribuant l'électricité et l'eau dans votre localité.

**Veuillez conserver les présentes instructions d'installation.**

### Lieu d'installation

**Attention :** L'appareil est très lourd.

Pour connaître son poids à vide, reportez-vous au tableau suivant.

Version de base	104 kg
Version à distributeur	113 kg
Version à minibar	115 kg

Un local sec et aérable convient comme lieu d'installation. Évitez de placer l'appareil à un endroit directement exposé aux rayons solaires ou à proximité d'une source de chaleur telle une cuisinière, un radiateur, etc. Si l'installation près d'une source de chaleur est inévitable, utilisez une plaque isolante appropriée ou respectez les distances minimales suivantes:

- 3 cm par rapport à une cuisinière électrique,
- 30 cm par rapport aux chaudières à fuel et à charbon.

Le sol sur l'emplacement de l'appareil ne doit pas s'affaisser. Vous devrez le cas échéant renforcer le sol. L'appareil est très lourd (env. 145 kg à vide). Une fois rempli, il peut atteindre 400 kg). Afin que le distributeur de glaçons fonctionne impeccablement, l'appareil doit se trouver parfaitement à la verticale. Il faudra respecter les écarts latéraux minimum si l'appareil se trouve dans un coin ou dans une cavité aménagée dans un mur et pour pouvoir ouvrir les portes jusqu'à la butée (voir la section «Dimensions de l'appareil et cotes d'encombrement»).

### Déballer l'appareil

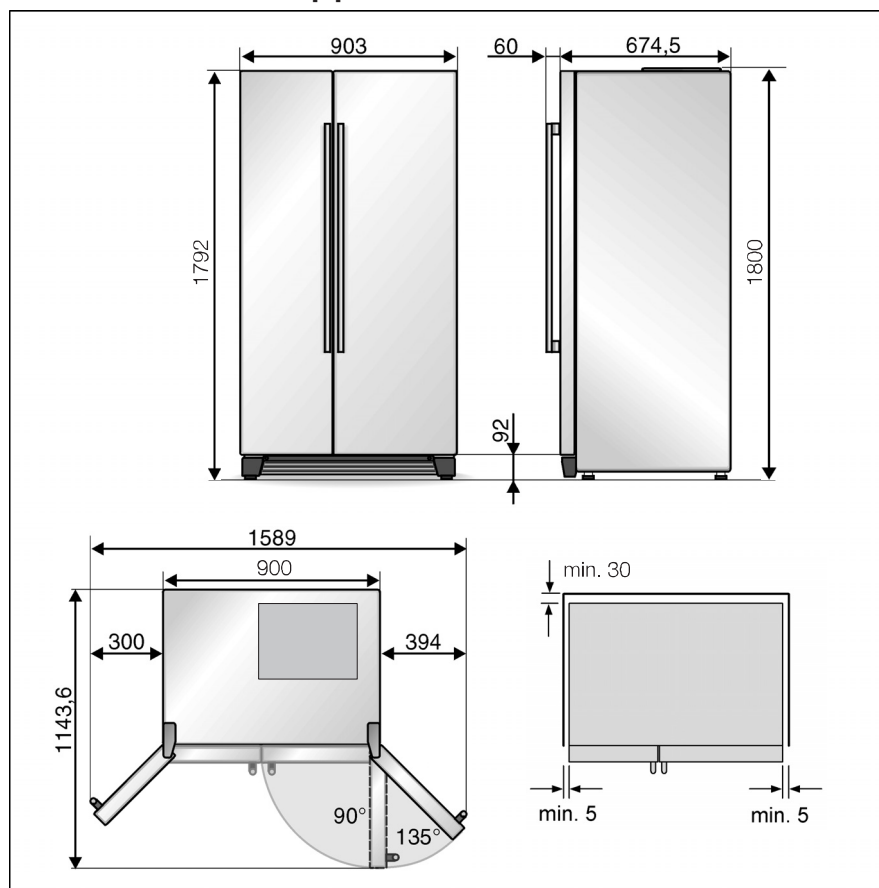
- Enlevez le matériau d'emballage et les rubans adhésifs. Vous pouvez retirer les résidus de ruban adhésif sur le corps de l'appareil à l'aide du côté collant du ruban retiré. Pour ce faire, posez le ruban plusieurs fois sur les résidus et détachez-le à nouveau.
- N'enlevez les cales de transport retenant les clayettes et balconnets qu'après l'installation.
- N'enlevez la cale de transport du distributeur de glaçons qu'après l'installation. Pour ce faire, extrayez le distributeur de glaçons.



### Attention :

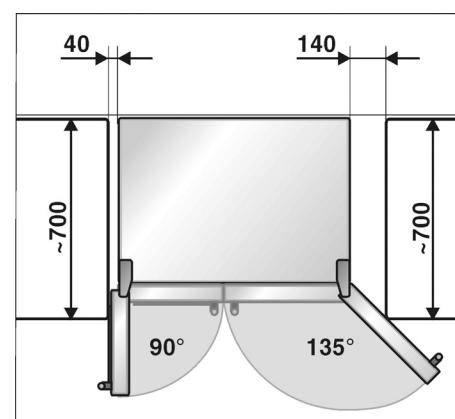
Avant de raccorder l'appareil au secteur, il faudra avoir intégralement retiré les matériaux d'emballages présents à l'intérieur et l'extérieur.

### Dimensions de l'appareil et cotes d'encombrement



Si la profondeur des équipements de cuisine voisins dépasse 60 cm, il faudra respecter des écarts latéraux minimums afin de profiter de l'angle complet d'ouverture des portes.

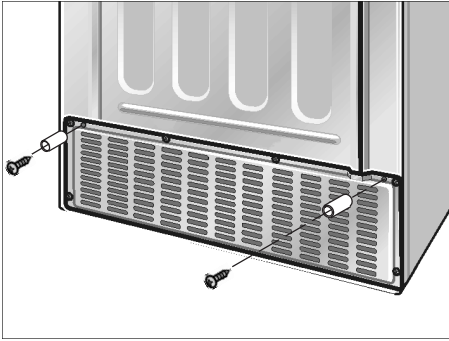
Angle d'ouverture des portes	Écart minimum
90°	40 mm
135°	140 mm



Si vous montez un cache ou un placard au-dessus de l'appareil, il faudra prévoir un espace libre pour pouvoir si nécessaire sortir l'appareil de la cavité.

### Distance minimale par rapport au mur du fond

- Fixez les entretoises fournies avec les vis, au niveau des orifices prévus à cet effet au dos de l'appareil.



Ainsi, la distance minimale de 30 mm par rapport au mur est respectée et l'évacuation de l'air est assurée.

### Dévisser les portes

Si l'appareil ne passe pas par la porte d'entrée de votre logement, vous pouvez démonter les portes de l'appareil.

#### Attention :

Si nécessaire, le démontage des portes de l'appareil ne doit être effectué que par le service après-vente. Pour le coût du démontage des portes, veuillez consulter le service après-vente.

### Raccorder l'appareil au réseau d'eau

Le raccordement de l'eau est une opération exclusivement réservée à un installateur professionnel qui respectera ce faisant les prescriptions publiées par la compagnie distributrice d'eau dans votre localité.

Raccordez l'appareil à une conduite d'eau froide.

- Pression minimum : 0,1 Mpa (1,0 bar)
- Pression maximale en cas d'utilisation sans filtre à eau : 1,0 Mpa (10,0 bar)

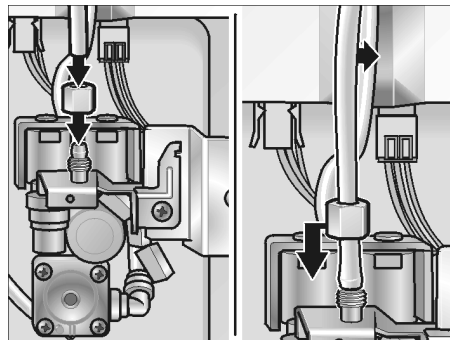
Suivant les impératifs locaux, il pourra être nécessaire d'installer un détendeur sur la conduite d'eau.

Le robinet d'eau, diamètre 3/4", destiné à raccorder la conduite de branchement ci-jointe, doit être librement accessible. Les conduites de raccordement ci-jointes mesurent 1,5 et 7 mètres de long.

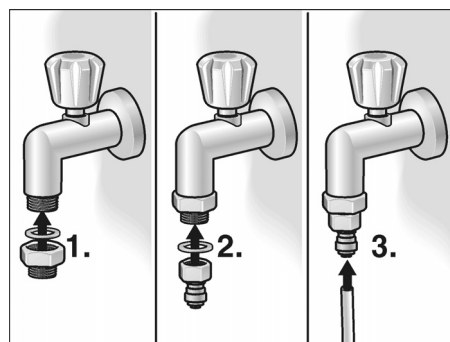
Vous pouvez intercaler le filtre à eau ci-joint si l'eau a un goût et une odeur. Respectez si tel est le cas les conditions de raccordement qui s'appliquent (voir filtre à eau).

### Branchement

- Raccordez la conduite de branchement à l'électrovanne.



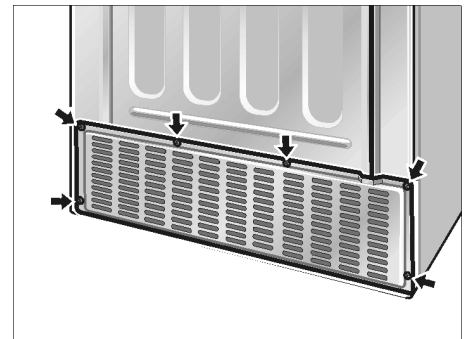
- Raccordez la conduite de branchement au robinet d'eau.



- Fixez la conduite de branchement contre la paroi arrière de l'appareil et le mur de la pièce. Servez-vous pour cela des colliers livrés d'origine.
- Posez la conduite en boucles ou en spires afin de pouvoir éloigner l'appareil du mur sans lui faire subir de tensions mécaniques.

### Vérifier l'étanchéité du raccordement de l'eau

- Mettez l'appareil en service en respectant le contenu de la notice d'utilisation.
- Prélevez de l'eau conformément à la notice d'utilisation. La première fois, l'eau tarde quelques secondes à sortir vu qu'il reste de l'air dans les conduites et dans le réservoir d'eau.
- Vérifiez l'étanchéité de toutes les jonctions par vis sur l'appareil et sur le raccordement de l'eau.
- Après cette vérification, débranchez à nouveau la fiche mâle de la prise de courant et montez le capot du compartiment moteur.



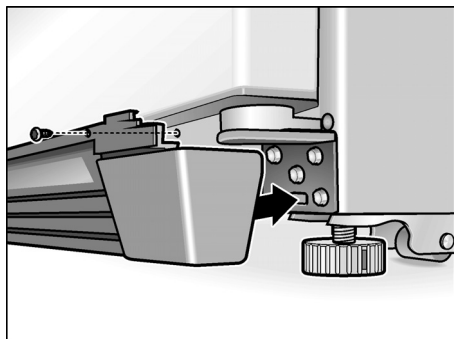


## Ajuster l'appareil

Afin que l'appareil fonctionne impeccablement, il faut l'horizontaliser à l'aide d'un niveau à bulle.

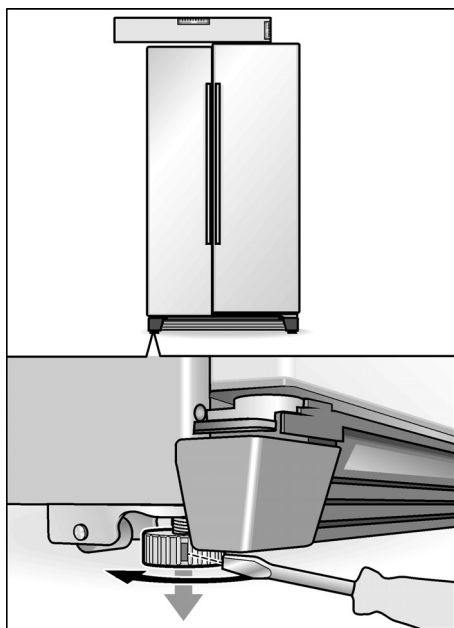
S'il n'est pas d'aplomb, l'eau risque de fuir du distributeur de glaçons, qui va produire des glaçons difformes, ou les portes risquent de ne pas bien fermer.

- Amenez l'appareil sur l'emplacement prévu.
- Fixez le bandeau de socle ci-joint à l'aide de 3 vis.

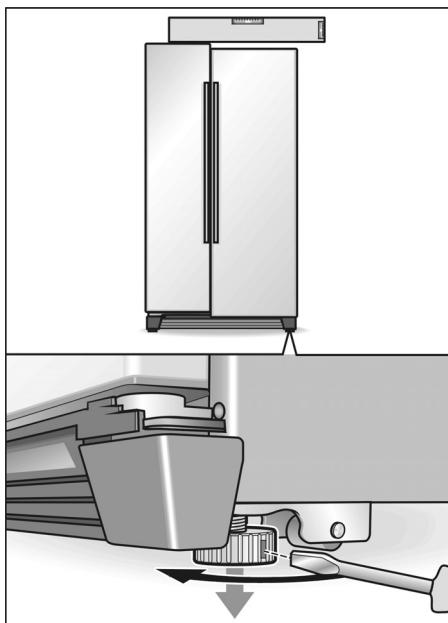


- Afin que l'appareil ne puisse pas se mettre à rouler tout seul, dévissez ses deux pieds avant jusqu'à ce qu'ils entrent fermement en contact avec le sol.
- Tournez les pieds jusqu'à ce que l'appareil soit parfaitement à l'horizontale. Servez-vous de ses portes comme indicateurs d'horizontalité.

Si la porte du compartiment congélateur se trouve plus bas :

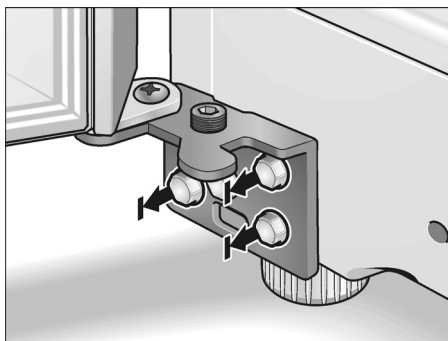


Si la porte du compartiment réfrigérateur se trouve plus bas :



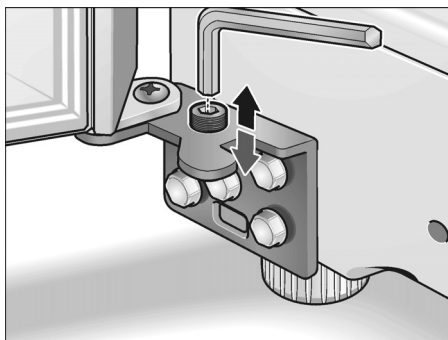
Si les étapes accomplies jusqu'à présent ne suffisent pas pour aligner correctement la porte :

- Retirez le bandeau du socle.



- Desserrez 3 vis de charnière. **Ne dévissez pas complètement les vis !**

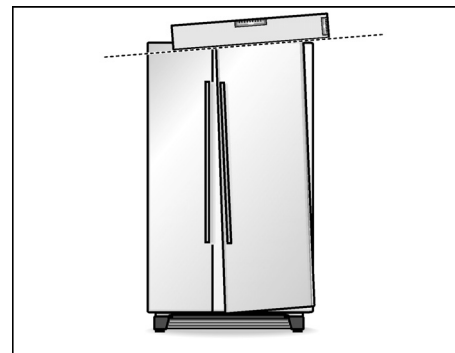
- Introduisez la clé hexagonale dans la vis d'ajustage.



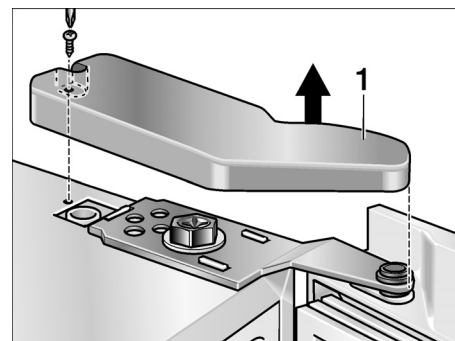
- Pour soulever une porte :  
Tournez la clé hexagonale dans le sens des aiguilles d'une montre.
- Pour abaisser une porte :  
Tournez la clé hexagonale en sens inverse des aiguilles d'une montre.

## Remarque :

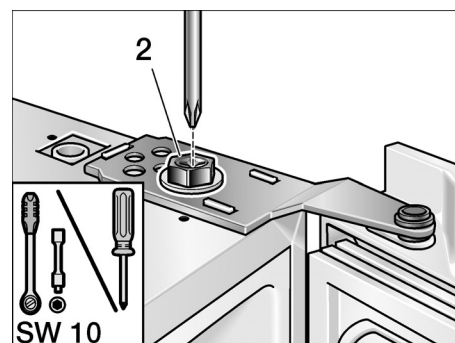
Il peut arriver que la porte du compartiment réfrigérateur s'incline, même lorsque l'appareil est bien d'aplomb ; cela est dû au poids propre de la porte et aux denrées présentes en contreporte. L'interstice de porte n'est pas le même en haut et en bas.



- Retirez le couvercle à charnière supérieur (1).



- Dévissez les vis de charnière (2). **Ne dévissez pas la vis complètement.**



- Adaptez l'inclinaison de la porte du compartiment réfrigérateur.
- Revissez la vis de charnière à fond.
- Fixez les couvercles des charnières.

## Mise en service de l'appareil

Mettez l'appareil en service en respectant le contenu de la notice d'utilisation.

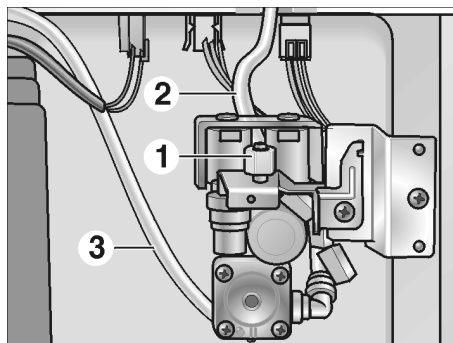
## Remisage de l'appareil

Mettez l'appareil hors service conformément à la notice d'utilisation ci-jointe.

Si vous voulez mettre l'appareil hors service ou le ranger à un endroit dont la température descend en-dessous du point de congélation, il faudra vider le réservoir équipant le distributeur d'eau.

## Vider le réservoir d'eau dans l'appareil

- **Débranchez la fiche mâle de la prise de courant.**
- Fermez le robinet d'eau de l'appareil.
- Au dos de l'appareil, retirez le capot du compartiment machine.
- Dévissez la conduite de branchement (1).
- Sous la vanne de raccordement, placez un bac de récupération plat (contenance : 3 litres env.).



- Sur la vanne de raccordement de l'appareil, dévissez les flexibles (2) et (3) les uns après les autres, videz-les et revissez-les ensuite.  
**Important :** ne permutez pas les branchements des flexibles.
- Après la vidange, remontez le couvercle du compartiment machine.

**N'ouvrez robinet d'eau que lors de la remise en service.**

## tr İçindekiler

Tebrik ederiz .....	44
Güvenlik ve ikaz bilgileri .....	44
İmha bilgileri .....	45
Yeni cihazınız .....	46
Montaj .....	48
Cihazın elektriğe bağlanması .....	48
Cihazın çalıştırılması .....	48
Sıcaklık ayarı .....	48
Cihazın kapatılması, cihazın tamamen kapatılması .....	49
Fonksiyonlar .....	49
Değiştirilebilir iç dizayn .....	49
Soğutucu bölmesi .....	50
Dondurucu bölmesi .....	50
Besinlerin dondurulması ve depolanması .....	51
Otomatik buz ve su deposu .....	52
Su filtresi .....	53
Enerji tasarruf bilgileri .....	55
Çalışma sesleri .....	55
Cihazın buzunun çözülmesi .....	55
Cihazın temizlenmesi .....	55
Küçük arızaların giderilmesi .....	56
Ampul değiştirilmesi .....	58
Yetkili servisin çağırılması .....	58
Montaj kılavuzu .....	59

## Tebrik ederiz

Soğutucu ve dondurucu bölmelerine sahip yeni buzdolabınızı satın almakla, modern, kaliteli, bir ev aletine sahip oldunuz.

Soğutucu ve dondurucu bölmelerine sahip buzdolabınızın bir özelliği de, tasarruflu enerji tüketimidir.

Fabrikamızdan çıkan her cihaz, düzgün çalıştığından ve kusursuz bir durumda olduğundan emin olamak için itinalı bir kontrolden geçer.

Sorularınız varsa, özellikle de cihazın kurulması ve bağlanması ile ilgili konularda, yetkili servisimiz size daima memnuniyetle yardımcı olacaktır.

Daha fazla bilgi ve ürün yelpazemize bakmak için, internet sayfamıza bakınız.

Bu çalıştırma kılavuzunu, kurma kılavuzunu, cihaza ilave edilmiş diğer tüm diğer bilgileri okuyunuz ve dikkate alınız.

Belge ve dokümanları sonradan kullanabilmek için veya satacaksanız yeni sahibi için saklayınız.

## Güvenlik ve ikaz bilgileri

### Cihazı çalıştırmadan önce

Cihazı çalıştırmadan önce, çalıştırma ve montaj kılavuzlarındaki bilgileri dikkatlice okuyunuz. Bu talimatlarda cihazın kurulması, yerleştirilmesi, kullanılması ve bakımı ile ilgili önemli bilgiler bulunmaktadır. Belge ve dokümanları sonradan kullanabilmek için veya satacaksanız yeni sahibi için saklayınız.

### Teknik güvenlik

#### ⚠ Uyarı

- Elektrik şebekesi bağlantı hattının değiştirilmesi ve diğer onarım çalışmaları sadece yetkili servis tarafından yapılmalıdır. Gerektiği gibi yapılmayan kurma işlemleri ve onarımlar kullanıcı için önemli zararlara neden olabilir.

### Kullanım için önemli bilgiler

- Cihaz içinde kesinlikle elektrikli cihazlar kullanmayınız (örn. ısıtma cihazları, elektrikli dondurma yapma cihazları v.s.). Patlama tehlikesi!
- Cihazı temizlemek veya buzunu çözmek için asla buharlı temizleme cihazları kullanmayınız. Buhar, cihazın gerilim altında olan elektrikli parçalarına gelebilir ve kısa devre oluşmasına veya cereyan çarpmasına yol açabilir.
- Cihazın içinde yanıcı tahrik gazı ihtiva eden ürünler (örn. sprey kutuları) ve patlayıcı maddeler bulundurmuyunuz. Patlama tehlikesi!
- Cihazın tabanını, raflarını, kapılarını ve bu gibi parçalarını basamak niyetine veya destek olarak kullanmayınız.
- Buz çözme ve temizleme işlemi için, cihazın elektrik fişini prizden çekip çıkarınız veya bağlı olduğu sigortayı kapatınız. Fişi prizden çıkarırken, fişin kendisi tutulmalıdır, kablodan tutulup çekilmemelidir.
- Alkol oranı yüksek olan sıvı dolu şişeleri iyice kapatarak ve dik olarak buzdolabına koyunuz.
- Cihazın plastik parçalarına ve kapının contasına sıvı ve katı yağ deşmemesine özen gösteriniz. Aksi halde bu parçalar delinip aşınabilir.

- Cihazın hava giriş ve çıkış delikleri kesinlikle örtülmemeli ve önleri kapatılmamalıdır.
- Bu cihaz; fiziksel, algısal veya zihinsel eksiklikleri olan kişiler tarafından sadece, kontrol altındayken veya yardımcı bir yönlendirme söz konusuysen kullanılabilir.
- Şişe ve kutu içindeki sıvı maddeleri (özellikle karbonik asit ihtiva eden içecekleri) dondurucu bölümüne koymayınız. Şişeler ve kutular patlayabilir!
- Sapı olan dondurmaları ve küp buz parçalarını doğrudan buzluktan ağzınıza almayınız. Bu maddeler çok soğuk olduğu için, ağzınızda **donma yanığı olma tehlikesi** söz konusudur!
- Dondurulmuş besinlere ıslak eller ile dokunmayınız. Elleriniz donmuş besinlere yapışabilir. Yaralanma tehlikesi!
- Cihazın içinde oluşan kar, buz ve kırağı tabakalarını ve ayrıca donup cihaza yapışmış besinleri bıçak veya sivri cisimler ile cihazdan çıkarmaya veya kazımaya çalışmayınız. Aksi halde soğutucu madde sirkülasyon borularının zarar görme tehlikesi söz konusudur. Dışarı sızan soğutucu madde göz yaralanmasına sebep olabilir.

### Evdeki çocuklar

- Bu cihaz çocuklar için bir oyuncak değildir!
- Kapısında kilit tertibatı olan cihazlarda: Kilidin anahtarını çocukların erişemeyecekleri bir yerde muhafaza ediniz!

### Genel yönetmelikler

Bu cihaz

- Besinleri soğutmak.
- Besinleri dondurmak.
- Buz hazırlamak için kullanılır.

Bu cihaz sadece ev içinde kullanılmak üzere üretilmiştir.

Cihaz, 2004/108/EC AB direktiflerine istinaden parazitlenmeye karşı korunmuştur.

Soğutucu madde devresinin sızdırmazlığı kontrol edilmiştir.

## İmha bilgileri

### Ambalajın imha edilmesi

Ambalaj cihazınızı taşıma esnasında oluşabilecek hasarlara karşı korur. Yeni cihazın ambalajı için kullanılan tüm malzemeler çevreye zarar vermeyen türden olup, yeniden geri kazanılabilir. Ambalajları çevre dostu bir şekilde imha ederek, lütfen siz de çevrenin daha iyi bir çevre için katkıda bulununuz.


Mevcut imha etme yollarını yetkili satıcınızdan veya bağlı bulunduğunuz belediyelerden öğrenebilirsiniz.

### Uyarı

Ambalajları ve ambalaj parçalarını çocuklara vermeyiniz. Katlanabilen karton kutu ve folyolardan dolayı, havasız kalıp boğulabilirler!

### Eski cihazınızın imha edilmesi

Eski cihazlar değersiz çöp değildir! Eski cihazların geri dönüştürülmesi ile değerli ham maddeler elde edilebilir.

 Bu cihaz, elektrikli ve elektronik eski cihazlar (waste electrical and electronic equipment – WEEE) ile ilgili 2002/96/EG sayılı Avrupa direktifine uygun bir şekilde tanımlanmıştır. Bu direktif, AB dahilinde eski cihazların geri alınması ve geri dönüştürülmesi için geçerli işlem çerçevesini belirler.

### Uyarı

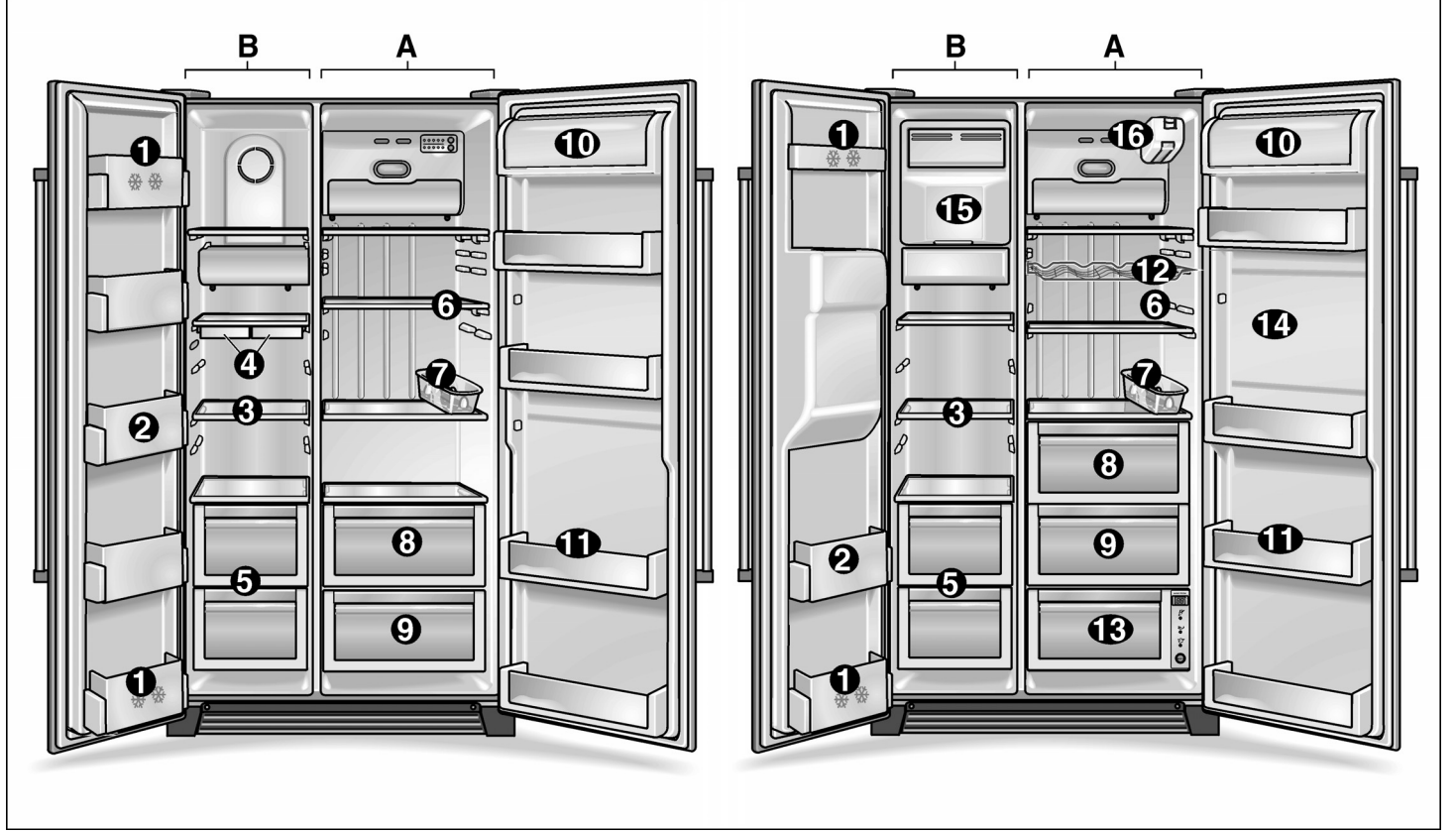
Eskimiş ve artık kullanılmayacak cihazlarda

1. Cihazın elektrik fişini prizden çıkarınız.
2. Elektrik kablosunu kesip, fişi ile birlikte cihazdan ayırınız.

Soğutma cihazlarının içinde soğutucu maddeler vardır, yalıtım tertibatlarında ise izolasyon gazları vardır. Soğutma maddeleri ve gazlar doğru bir şekilde imha edilmelidir. Soğutucu madde sirkülasyon borularının doğru bir şekilde imha edilmeden önce zarar görmemesine dikkat ediniz.

## Yeni cihazınız

Bu kullanma kılavuzu birden fazla model için geçerlidir. Resimlerde farklılıklar olabilir.



- A Soğutucu bölümü**  
**B Dondurucu bölümü**

**1 Kapı için raflar (2 yıldızlı göz)**

Kısa bir süre için besin ve dondurma depolamak için kullanılır.

**2 Kapı için raflar**

Dondurulmuş besinlerin depolanması için kullanılır.

**3 Cam raflar, dondurucu bölümü**

Örn. et, balık ve dondurma gibi, dondurulmuş besinlerin depolanması için kullanılır.

**4 Küp buz kabı \***

**5 Dondurucu bölümü kabı**

Et, balık, kümes hayvanlarının (ambalajlı) depolanması için kullanılır.

**6 Cam raflar, soğutucu bölümü**

Piştirilmiş besinlerin, süt mamullerinin, sucuk türü ürünlerin depolanması için kullanılır.

**7 Yumurtalık**

**8 Sebzelik**

**9 Meyvelik**

**10 Tereyağı ve peynir kabı**

Konserve, şişe ve kavanozların depolanması için kullanılır.

**12 Şarap rafı \***

**13 Taze tutma bölümü \***

Balık, et ve kümes hayvanlarının en ideal şekilde depolanması için kullanılır.

**14 Bar bölümü \***

Buzdolabının kapısını açmadan, çabucak içecek almak için dıştan açılabilir.

**15 Buz hazırlayıcı \***

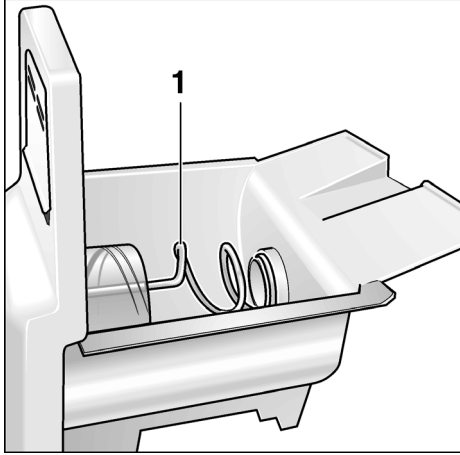
Küp buz üretmek ve depolamak için kullanılır.

**16 Su filtresi \***

\* her modelde değil

**Not**

Eğer resimlerde gösterilen parçalardan bazıları sizin cihazınızda yoksa, ilgili parçalar başka modellere ait demektir.

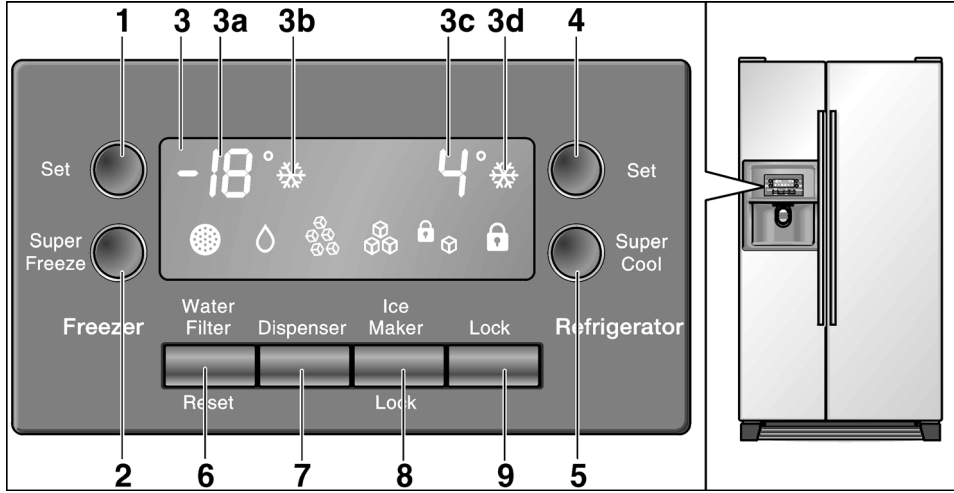
**Buz hazırlayıcı**

1 Sevk helezonu

**Buz ve su deposu**

2 Alma bezi

3 Su toplama kabı

**Kumanda ve gösterge alanı**

1 Dondurucu bölmesi sıcaklığı için ayar tuşu

2 "Super" dondurma tuşu

3 Gösterge alanı

3a Dondurucu bölmesi sıcaklık göstergesi

3b "Super" dondurma göstergesi

3c Soğutucu bölmesi sıcaklık göstergesi

3d "Super" soğutma göstergesi

4 Dondurucu bölmesi sıcaklığı

5 "Super" soğutma tuşu

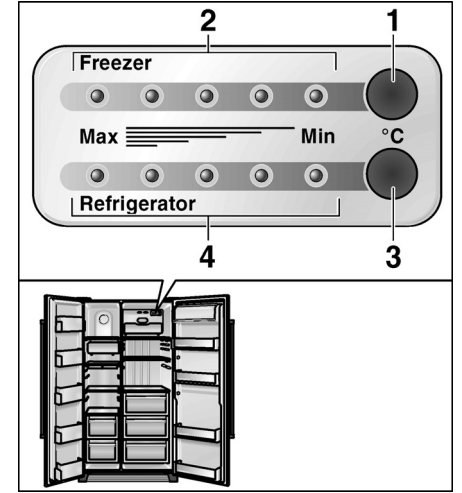
6 Su filtresi sıfırlama tuşu

7 Su/buz talep tuşu

8 Buz hazırlayıcı kilitleme tuşu  
Buz hazırlayıcının temizlenmesi veya uzun süre kullanılmaması durumunda kullanılır.

9 Kumanda alanı kilitleme tuşu (çocuk emniyeti)

Ayarların istenmeden değiştirilmesini önlemek için, bu tuşa basınız. Kilitlemeyi yeniden çözmek için, tuşa bir saniyeden daha uzun bir süre basınız. Gösterge söner.

**Sıcaklık kontrolü**

1 Dondurucu bölmesi sıcaklığı için ayar tuşu

2 Dondurucu bölmesi sıcaklığı için LED göstergesi

3 Dondurucu bölmesi sıcaklığı

4 Soğutucu bölmesi sıcaklığı için LED göstergesi

**Gösterge alanındaki sembollerin açıklamaları**

"Filtre değiştirilmesi gereklidir" göstergesi. Filtre değiştirme işleminden sonra, su filtresi sıfırlama tuşuna yaklaşık 5 saniye basarak, göstergeyi kapatınız.



"Su" göstergesi



"Buz hazırlayıcı kilitli" göstergesi



"Parçalanmış buz" (crush-ice) göstergesi



"Kumanda alanı" kilitli göstergesi



"Küp buz" göstergesi

## Montaj

### Montaj yeri

Cihazı kuru ve iyi havalandırılmış bir odaya kurunuz.

Güneş ışınları doğrudan cihazın kurulacağı yere gelmemeli ve cihaz elektrikli ocak, fırın, soba, kalörifer vs. gibi sıcaklık oluşturan cisimlerin ve ısı kaynaklarının yanına veya yakınına kurulmamalıdır. Eğer cihazın bir ısı kaynağının yanına kurulması kaçınılmazsa, uygun bir izolasyon plakası kullanınız veya cihaz ile ısı kaynağı arasında aşağıda belirtilen asgari mesafeleri dikkate alınız:

- Elektrikli fırınlardan 3 cm.
- Gaz yağı ve kömür sobalarından 30 cm.

Cihazın kurulacağı zemin esnememelidir. Gerekirse zemini takviye ediniz.

Cihaz oldukça ağırdır. Boş ağırlığı için aşağıdaki tabloya bakınız.

Ana modeli	104 kg
Dispenser modeli	113 kg
Homebar modeli	115 kg

Buz hazırlayıcının kusursuz çalışabilmesi için, cihaz dik konumda durmalıdır. Düzgün ayarlamak için bir su terazisi kullanınız. Cihaz kapılarının sonuna kadar açılabilmesi için, cihaz bir köşeye veya boşluğa kurulacaksa, yan taraflarda olması gereken asgari mesafelere uyulmalıdır (cihaz ebatlarına bakınız).

## Cihazın elektriğe bağlanması

Cihaz kurulumundan sonra, cihazı çalıştırmadan önce en az 1 saat bekleyiniz. Taşıma sırasında, kompresördeki yağın soğutma sistemine ulaşması mümkündür.

İlk çalıştırmadan önce cihazın iç kısmını temizleyiniz (bkz. Temizleme).

Prize rahatça ulaşılabilir. Cihazı 220-240 V / 50 Hz alternatif akıma kurallara uygun biçimde kurulmuş bir priz üzerinden bağlayınız. Priz, 10 A ile 16 A arasında bir sigorta ile emniyete alınmış olmalıdır.

Avrupa dışındaki ülkelerde çalıştırılacak cihazlarda, tip levhası üzerinde belirtilen gerilim ve akım tipinin yerel akım şebekesinin değerleri ile örtüşüp örtüşmediği kontrol edilmelidir. Tip levhası cihazın içinde sol alt kısımda bulunmaktadır. Elektrik bağlantı kablosunun değiştirilmesi gerekiyorsa, bu sadece bir uzman tarafından yapılmalıdır.

### ⚠ Uyarı!

Cihazın elektronik enerji tasarruf sistemlerine ve doğru akımı 230 V değerinde alternatif akıma çeviren dalgalı redresörlere (örn. güneş enerjisi tesisatlarına, gemi elektrik şebekelerine) bağlanması kesinlikle yasaktır.

### Dikkat:

Şebeke bağlantı kablosunun montajı veya değiştirilmesi esnasında topraklama hattı monte ediniz.

Uzatma kablosu veya dağıtıcı kullanmayınız.

## Oda sıcaklığına ve havalandırmaya dikkat edilmesi

İklim sınıfı tip levhasının üzerinde bulunur. Bu, cihazın hangi mekân sıcaklıkları dahilinde işletilebileceğini bildirir.

Klima sınıfı	izin verilen mekân sıcaklığı
SN	+10 °C'den 32 °C'ye kadar
N	+16 °C'den 32 °C'ye kadar
ST	+16 °C'den 38 °C'ye kadar
T	+16 °C'den 43 °C'ye kadar

## Havalandırma

Kesinlikle cihazın ön taban kısmındaki hava giriş ve çıkış deliklerinin önünü kapatmayınız.

Aksi halde kompresörün daha fazla çalışması gerekir ve bu da elektrik tüketimini yükseltir.

## Cihazın çalıştırılması

- Elektrik fişini bir elektrik prizine takınız.

Cihaz elektrik şebekesine bağlandıktan sonra, soğutmaya başlar. Cihazın kapıları açık olunca, iç aydınlatma lambaları yanar.

### Not:

Ön ayarı yapılmış olan sıcaklık derecelerine (fabrika ayarları) yaklaşık 2-3 saat sonra ulaşılır. Bu süreden önce cihaza besin koymayınız.

Ön ayar sıcaklıklarını değiştirmek için -> "Sıcaklık ayarı" bölümüne bakınız.

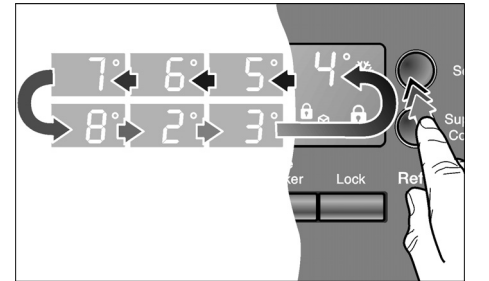
## Sıcaklık ayarı

### Kumanda alanlı cihazlar

– Soğutma ve dondurma bölmelerinin sıcaklığı ayarı ayrı ayarlanabilir. Ayarlanan değer gösterge alanında gösterilir.

Değerleri değiştirmek için:

- İstenilen derece gösterilinceye kadar, ayar tuşuna arka arkaya basınız.

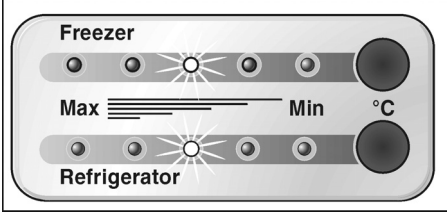


Son olarak ayarlanmış olan değer sistem tarafından kaydedilir.



## Sıcaklık kontrollü cihazlar

- Cihaz, soğutucu ve dondurucu bölmeleri için ayrı olan bir sıcaklık kontrolüne sahiptir.
- Soğutucu ve dondurucu bölmelerinin fabrika ayarları orta derecede bir ayardır.

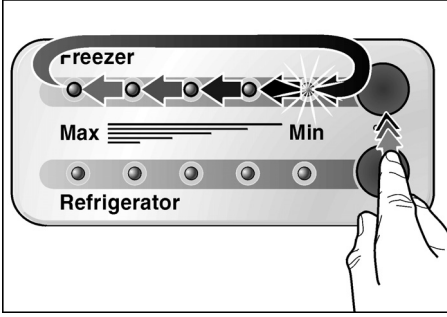


### Not:

Mevcut olan 5 LED, ilgili bölmenin tüm sıcaklık ayar aralığını gösterir, örn. soğutucu bölümü için +2 °C ile +8 °C arası.

Değerleri değiştirmek için:

- İstenilen ayara ulaşıncaya kadar, ayar tuşuna arka arkaya basınız.



Isı değerleri, en sıcak (Min) ayardan en soğuk (Max) ayara doğru kademe kademe gösterilir.

## Cihazın kapatılması, cihazın tamamen kapatılması

### Cihazın kapatılması

- Cihazın elektrik fişini prizden çıkarınız.

### Cihazın tamamen kapatılması

Eğer cihaz uzun bir süre kullanılmıyorsa:

- Cihazın içindeki tüm besinleri çıkarınız.
- Su girişini kapatınız.
- Küp buz kabını boşaltınız (bkz. "Cihazın temizlenmesi").

- Bakiye içme suyunu boşaltınız.
- Cihazın elektrik fişini prizden çıkarınız.
- Su filtresi sökülmelidir.

### Not:

Tekrar devreye sokma işleminde yeni bir su filtresi takılmalıdır!

- Cihazın içini temizleyiniz (bkz. "Cihazın temizlenmesi").

Koku oluşmasını önlemek için, cihazın kapılarını açık bırakınız.

**Eğer donma tehlikesi varsa, içme suyu deposunun kabı yetkili ve uzman bir eleman tarafından boşaltılmalıdır (kurma kılavuzuna bakınız).**

### Taşınma durumunda dikkat

Kolay çıkarılabilen tüm parçaları çıkarınız ve teker teker itinayla ambalajlayınız. Cihazın kapı ve kapaklarını yapışkan bant ile emniyetledikten sonra, cihazı dik konumda taşıyınız.

## Fonksiyonlar

### Kapı alarmı

Cihazın kapılarından biri açık bırakılırsa, bir dakika sonra bir alarm sinyali duyulur ve 5 dakikalık bir süre için, her 60 saniyede bir tekrarlanır.

### İç aydınlatmanın otomatik kapatılması

Eğer bir cihaz kapısı 10 dakikadan daha uzun bir süre açık kalırsa, iç aydınlatma otomatik olarak kapanır ve böylelikle aşırı ısınma önlenir. Böylelikle enerjiden tasarruf edilir.

### Enerji tasarrufu modu

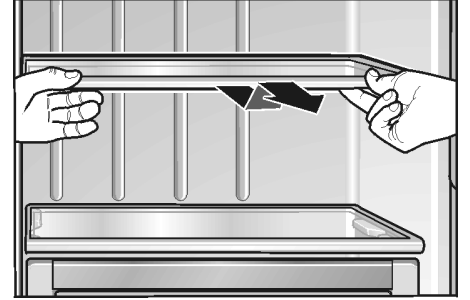
Kapılar kapatıldıktan, kumanda ve gösterge alanındaki veya buz ve su otomatiğindeki son tuşlama işlemi yapıldıktan sonra kumanda panosunun göstergesi enerji tasarrufu moduna geçer ve sönük bir ışıkla yanar.

Cihaz tekrar kullanılmaya başladığında, örn. kapı açıldığında veya bir tuşa basıldığında gösterge tekrar normal ışıkla yanmaya başlar.

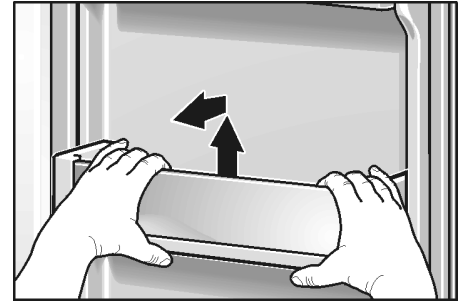
## Değiştirilebilir iç dizayn

Cihazın içindeki rafların ve kapı içindeki kapların yerlerini istediğiniz gibi değiştirebilirsiniz:

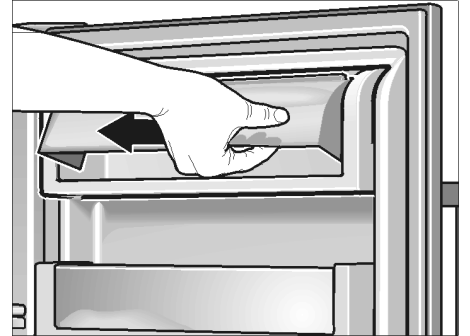
- Rafı öne çekiniz ve dışarı çıkarınız.



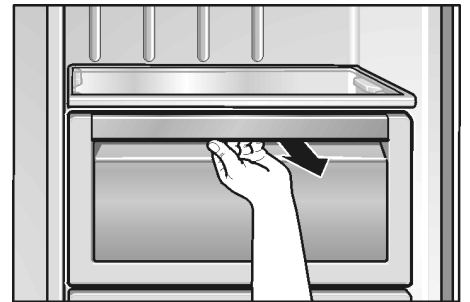
- Kabı yukarı kaldırdınız ve dışarı çıkarınız.



- Tereyağı ve peynir gözlerinin kapağını hafifçe kaldırdınız, sola bastırınız ve çıkarınız.



- Çekmeceleri öne çekiniz, hafifçe kaldırdınız ve çıkarınız.



## Soğutucu bölmesi

Soğutucu bölmesinin sıcaklığı +2 °C ile +8 °C arasında ayarlanabilir. +4 °C ayarlamamızı tavsiye ediyoruz.

## Soğutma bölmesinin kullanılması

Hamur işleri, hazır yemek, konserve, kondanse süt, sert peynir, soğuğa karşı hassas meyve ve sebzeler: Örn. mandalina, muz, ananas, kavun, karpuz, avokado, papaya, egzotik meyveler, patlıcan, olgunlaşması için bekletilecek meyveler, domates, salatalık, yeşil domates ve patates gibi ürünler.

## Besinleri yerleştirirken dikkat edilecek noktalar:

- Sıcak yiyecek ve içecekleri dolaba koymadan önce, dışarıda soğumalarını bekleyiniz veya soğutunuz.
- Besinlerin tadlarının bozulmasını ve kurumalarını önlemek için onları hava almayan kaplara koyunuz.
- Cihazın plastik parçalarına ve kapı contasına sıvı ve katı yağ değmemesine özen gösteriniz.
- Alkol oranı yüksek olan sıvı dolu şişeleri iyice kapatarak ve dik olarak buzdolabına koyunuz. Ayrıca, cihazda patlayıcı maddeler muhafaza etmeyiniz. Patlama tehlikesi!

## "Süper" soğutma

Soğutucu bölümünde muhafaza edilecek besin veya içeceklerin hızlı soğutulması için kullanılan fonksiyon. Süper soğutmada, soğutucu bölümü mümkün olduğunca soğuk yapılır.

- **Super** tuşuna basınız.

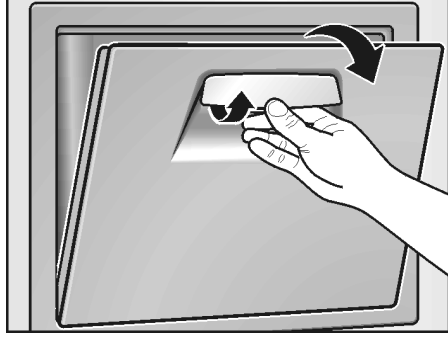


Tuşa her basılmasında bu fonksiyon devreye sokulur ya da devreden çıkarılır. Aktifleştirilmiş "süper" soğutma fonksiyonu, gösterge alanındaki ilgili sembol üzerinden gösterilir.

## Bar bölümü

(her modelde değil)

Soğutucu bölümünden içecek vb. besinlerin çabuk alınması için kullanılır. Cihazın kapısını açmak gerekmez.



## Taze tutma bölümü

(her modelde değil)

Bu bölmedeki sıcaklık derecesi hemen hemen 0 °C'de tutulur. Bu da, taze besinlerin depolanmasında ideal sıcaklık koşullarının olmasını sağlar.

Besinlerin en iyi şekilde depolanması:

- Seçme tuşu ile ilgili besini (sebze/balık/et) seçiniz.

Seçiminiz, ilgili LED yanarak ve ilgili sıcaklık derecesi göstergede görüntülenerek belli edilir.



## Notlar:

- İlgili bölme, "Off" konumunda üst tarafındaki bölme için geçerli olan sıcaklık derecesini üstlenir.
- Gösterilen sıcaklık derecesi bir itibari sıcaklıktır. Taze tutma bölümündeki sıcaklık bundan biraz sapabilir.

## Taze tutmak için uygun olmayanlar:

- Soğuk derecelere karşı hassas meyveler ve sebzeler (narenciyeler, avokadolar, papayalar, güney meyveleri, patlıcanlar, salatalıklar, biberler).
- Daha olgunlaşmaya devam edecek meyveler (yeşil domates, muz)
- Patates
- Sert peynir

## Besin satın alınırken dikkat edilecek hususlar:

Besinlerin dayanma süresi için, "satın alma tazeliği" çok önemlidir. Genel olarak: Besinler taze tutma bölümüne ne kadar tazeyleyen yerleştirilirse, o kadar uzun süre dayanır. Satın alınırken besinlerin tazelik derecesine dikkat ediniz.

## Depolama süreleri (0 °C'de):

### Başlangıç kalitesine bağlı olarak

Sucuk, dilim et veya sucuk, et, sakatatlar, balık, taze süt, yağsız süzme yoğurt	azami 7 gün
--	----------------

Küçük parça et, kızartma sucuk/sosis, mantar, salata, yaprak sebze	azami 10 gün
--	-----------------

Büyük parça et, hazır yemekler	azami 15 gün
--------------------------------	-----------------

Tütsülenmiş veya salamuralanmış sucuk, lahana	azami 20 gün
---	-----------------

Isıtılmış büyük parça et, sığır eti, av eti, baklagiller	azami 30 gün
--	-----------------

## Dondurucu bölümü

Dondurucu bölümünün sıcaklığı -16 °C ile -22 °C arasında ayarlanabilir. -18 °C ayarlamamızı tavsiye ediyoruz.

Dondurucu bölümünün kullanımı:

- Derin dondurucuda dondurulmuş besinlerin saklanması için.
- Besin dondurmak için.
- Küp buz oluşturmak için.

## Not:

Dondurucu bölümünün kapısının daima kapalı olmasına dikkat ediniz. Kapı açık olduğu zaman, dondurulmuş besinlerin buzu çözülür. Dondurucu bölümü aşırı buz tutar. Ayrıca: Yüksek elektrik tüketiminden dolayı enerji kaybı.

## "Süper" dondurma

Süper dondurma fonksiyonu, çok miktarda taze besinin dondurulması için kullanılır ve yerleştirilen taze besin miktarına göre, besinler dondurucu bölmesine konmadan yaklaşık 24 saat kadar önce çalıştırılmalıdır. Süper dondurma fonksiyonunda dondurucu bölmesi mümkün olduğu kadar soğutulur.

- **Super** tuşuna basınız.



Tuşa her basılmasında bu fonksiyon devreye sokulur ya da devreden çıkarılır. Aktifleştirilmiş "süper" dondurma fonksiyonu, gösterge alanındaki ilgili sembol üzerinden gösterilir.

## Besinlerin dondurulması ve depolanması

### Derin dondurulmuş besinlerin depolanması

Lütfen dondurulmuş besin satın alırken şu noktalara dikkat ediniz:

- Ambalaja dikkat ediniz, ambalaj kusursuz olmalıdır.
- Son kullanma tarihini kontrol ediniz.
- Bu gıda maddelerinin içinde bulunduğu buzlukların sıcaklığı -18 °C veya daha da soğuk olmalıdır. Eğer daha sıcaksa, dondurulmuş besinin son kullanma tarihi daha kısa olur.
- Dondurulmuş besinleri alışveriş yaparken en sonunda satın alınız. Dondurulmuş besinleri gazete kağıdına veya belli bir süre soğuk tutan izole poşetlere koyup, mümkün olduğu kadar çabuk eve götürünüz.

- Eve varınca, dondurulmuş besinleri derhal cihazın dondurucu bölmesine yerleştiriniz. Dondurulmuş besinleri son kullanma tarihinden önce tüketiniz.
- Buzu çözülmeye başlamış veya çözülmüş olan bir besinleri tekrar dondurmayınız. İstisna: Bu besinlerden yemek yaptıktan (pişirerek veya kızartarak) sonra, hazır yemek şeklinde yeniden dondurabilirsiniz.

### Besinleri kendiniz dondurunca

Dondurmak için sadece taze ve iyi besinler kullanınız. Besinlerin tadını kaybetmesini ve kurummasını önlemek için besinleri hava girmeyecek şekilde sarınız veya kaplara yerleştiriniz. Yiyeceklerin vitaminlerini, besin değerlerini, görünümlerini ve tadlarını korumak için mümkün olduğunca hızlı dondurunuz. Maksimum dondurma kapasitesini aşmayınız.

### Besinlerin doğru ambalajlanması:

- Besinleri ambalajın içine yerleştiriniz.
- Ambalaj içindeki havayı bastırıp tamamen boşaltınız.
- Ambalajı sızdırmayacak şekilde kapatınız.
- Ambalaj üzerine içindeki besinlerin ismini ve dondurma tarihini yazınız.

### Paketlemek için şu malzemeler uygun değildir:

Paketleme kağıdı, parşömen kağıdı, selofan (jelatinli kağıt), çöp torbası ve kullanılmış poşetler.

### Paketlemek için şu malzemeler uygundur:

Plastik folyo, polietilenden torba folyo, alüminyum folyo ve dondurmak için uygun kutular. Bu ürünleri ve malzemeleri ilgili alışveriş merkezlerinde bulabilirsiniz.

### Paket kapatmak için uygun malzemeler:

Lastik halkalar, plastik klipler, bağlama iplikleri, soğuğa dayanıklı yapışkan bantlar veya benzeri malzemeler.

Polietilenden torba ve hortum folyoları, bir folyo kaynak yapıştırma cihazı ile yapıştırılabilir.

## Dondurma kapasitesi

24 saat içinde azami 10 kg besin dondurabilirsiniz.

## Dondurulmuş besinleri depolama süresi (son kullanma tarihi)

Depolama süresi, dondurulacak besinin türüne bağlıdır.

Orta sıcaklık ayarında:

Balık, sucuk, hazır yemekler, hamur işleri	6 aya kadar
Peynir, kümes hayvanları, et	8 aya kadar
Sebze, meyve	12 aya kadar

## Dondurulmuş besinlerin buzunun çözülmesi

Besinlerin türüne ve kullanım amacına göre, aşağıdaki olanaklardan birini seçmek mümkündür:

- Oda sıcaklığında
- Buz dolabında
- Elektrikli fırında, sıcak hava fanını kullanarak/kullanmadan
- Mikrodalga fırında

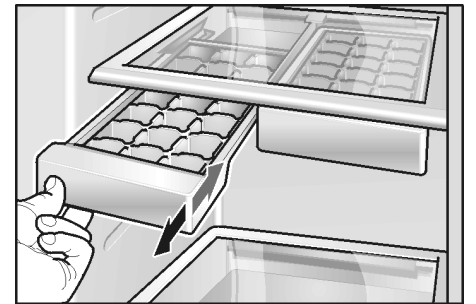
### Bilgi

Buzu çözülmeye başlamış veya çözülmüş dondurulmuş besinleri tekrar dondurmuyunuz. Ancak işlendikten sonra (pişirmek veya kızartmak) yeniden dondurulabilir.

Bu durumda ilgili besini son kullanma tarihi dolmadan kullanınız.

## Küp buz hazırlanması

(Buz hazırlayıcısı olmayan cihazlar)



- Buz kabının  $\frac{3}{4}$  kadar olan kısmını su ile doldurunuz ve dondurucu bölmesine koyunuz.
- Küp buzları buz kabından çıkarmak için, kabı kısa bir süre musluktan akan su altına tutunuz veya biraz sağa sola bükünüz.

## Otomatik buz ve su deposu

İhtiyaca göre şunlar alınabilir:

- Soğutulmuş su
- Küp buz
- Parçalanmış buz (crush-ice)

### ⚠ Uyarı!

**Su ve buz almak için kırılabilir kaplar kullanmayınız. Cam kırılması sonucunda yaralanma tehlikesi söz konusudur!**

**Çıkış deliğine elinizi sokmayınız. Buz kırma bıçağından dolayı yaralanma tehlikesi söz konusudur!**

### Not:

Buz ve su deposu ancak cihaz su şebekesine bağlı olduğu zaman çalışır.

## Yeni cihazın devreye sokulmasında dikkat

Bağlantıların kurulmasından sonra hatlar içinde hava kabarcıkları vardır.

Hava kabarcığı olmayan su gelinceye kadar, içme suyu alıp dökünüz. İlk 5 bardak suyu dökünüz.

Buz hazırlayıcı ilk kez kullanıldığında, ilk 30-40 küp buzu hijyenik sebeplerden dolayı kullanmayınız.

## Buz hazırlayıcının kullanılması için bilgiler

Dondurucu bölmesi ayarlanmış sıcaklık derecesine ulaşıncaya, buz hazırlayıcıya su akar ve içindeki hücreler içinde küp buz olur. Hazırlanan küp buzlar otomatik olarak küp buz kabına dökülür.

Bazen küp buzlar yan taraflardan birbirine yapışık olabilir. Bu küp buzlar, çıkışa sevk edilirlerken çok kez kendiliğinden birbirlerinden ayrılır.

Küp buz kabı dolu olduğu zaman, buz hazırlayıcı otomatik olarak kapanır.

Buz hazırlayıcı 24 saat içinde yaklaşık 100 küp buz hazırlayabilir.

**Küp buz kabına hızlı soğuması için şişe veya besin koymayınız. Buz hazırlayıcı bloke olabilir ve zarar görebilir.**

Cihazın devreye sokulmasından sonra, ilk küp buz parçaları yaklaşık 24 saat sonra hazırlanış olur.

Küp buz hazırlanırken, su valfinin sesi, suyun buz kabına akması ve küp buz parçalarının aşağı dökülmesi sesleri duyulur.

## İçme suyu kalitesi

İçme suyu deposunda kullanılmış olan tüm malzemeler koku ve tad açısından tarafsızdır.

Suyun tadında bir farklılık olursa, bunun sebepleri şu olabilir:

- İçme suyunun mineral ve klor oranı.
- Evin su veya bağlantı hatlarında kullanılmış olan malzemeler.
- İçme suyunun tazeliği (uzun süre su akıtılmamışsa, su "bayatlamış" gibi bir tad alabilir. Bu durumda yaklaşık 15 bardak su alıp dökünüz).

Suyun tadı ve kokusu, ekteki su filtresine takılarak daha iyi yapılabilir.

**Ekteki su filtresi sadece giriş suyundaki partikelleri (küçük parçacıkları) süzer, bakterileri veya mikropları değil.**

## Su alınması

- Sembol yanınca kadar, tuşa basınız.



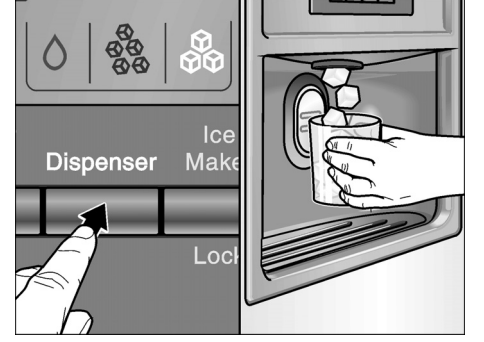
- Bardağı su alma yastığına karşı bastırınız. Bardak yastıktan uzaklaştırılınca, su alma işlemi sona erer.

### Yararlı bilgi:

Su deposundan alınan su, içme sıcaklığındadır. Suyun daha soğuk olması isteniyorsa, bardağa su doldurmadan önce, ek olarak buz koyunuz.

## Buz alma

- Küp buz veya "crush-ice" sembolü yanınca kadar, tuşa basınız.



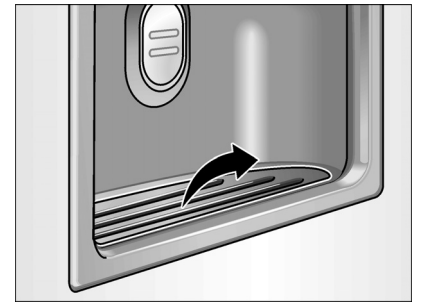
- Uygun bir kabı alma yastığına doğru bastırınız.

### Notlar:

- Kap yaklaşık yarıya kadar dolunca, buz alma yastığından uzaklaştırınız. Çıkış kısmında bulunan buz, kabın taşmasına veya çıkışın bloke edilmesine neden olabilir.
- Fonksiyon, küp buz alma modundan parçalanmış buz alma moduna değiştirildikten sonra, buz deposunda henüz bütün küp buz veya küp buz parçaları bulunabilir. Bu parçalar ilk parçalanmış buz (crush-ice) porsiyonları ile verilir.

## Su-toplama kabının çıkarılması ve temizlenmesi

Taşan veya dökülen su, su toplama kabı içinde birikir. Boşaltmak ve temizlemek için, su toplama kabı dışarı çekilip çıkarılabilir.



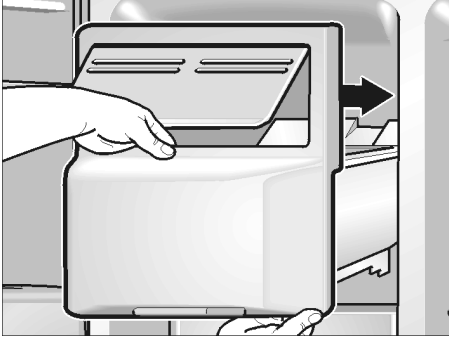
## Küp buz kabının dışarı çıkarılması ve temizlenmesi

Uzun süre küp buz alınmadıysa, üretilmiş olan küp buz parçaları küçülür, bayat bir tad alır ve birbirine yapışır.

- Kabı çekip dışarı çıkarınız, boşaltınız ve ılık su ile temizleyiniz.
- Kabı ve sevk helezonunu iyice silip kurulayınız ki, yeni küp buz parçaları donup yapışmasın.

## Küp buz kabının yerleştirilmesi

- Küp buz kabını altlık üzerinden, yerine oturuncaya kadar arkaya doğru itiniz.



- Kap tamamen arkaya itilemezse, kabın içindeki sevk helezonunu biraz çeviriniz.

Küp buz üretimi yine çalışmaya başlar.

## Küp buz hazırlayıcının devre dışı bırakılması

Muhtemelen 1 haftadan daha uzun bir süre küp buz alınmayacaksa (örn. tatil), küp buz hazırlama sistemi geçici olarak devreden çıkarılmalı ve böylelikle küp buzların birbirine yapışması önlenmelidir.



- "Buz hazırlayıcı" kilitleme tuşuna basınız. İlgili sembol yanar.
- Küp buz kabını dışarı çıkarınız, boşaltınız ve tekrar yerine takınız. Küp buz kabının altlık üzerinde yerine oturmasına dikkat ediniz.

Tekrar devreye sokmak için:

- "Buz hazırlayıcı" kilitleme tuşuna basınız. İlgili sembol söner.

## Su filtresi

### ⚠ Uyarı!

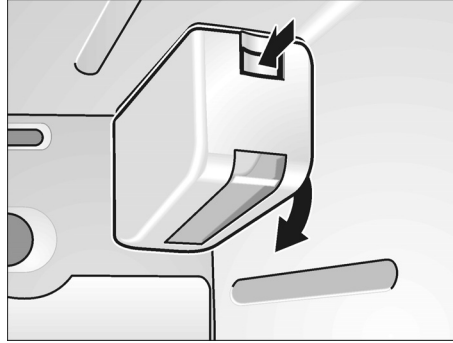
Su kalitesinin sakıncalı olduğu veya yeterince bilinmediği yerlerde cihaz, filtreleme öncesi ve sonrasında uygun dezenfeksiyon işlemi yapılmadan kullanılmamalıdır.

Yeni filtre yetkili servisten temin edilebilir.

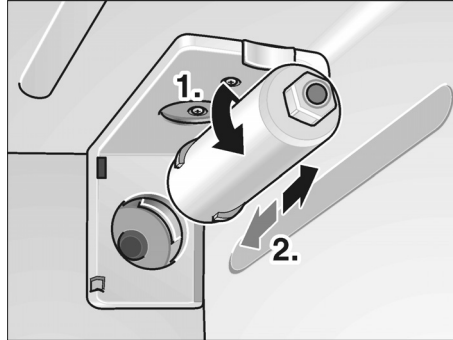
Filtre, her 6 ayda bir veya en geç gösterge ekranında "Filtre değişimi gerekli" görüldüğünde değiştirilmelidir.

### Filtre değişimi

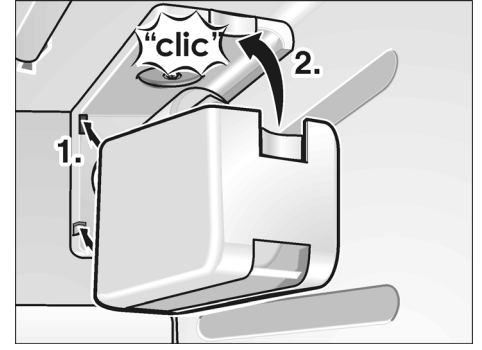
- **Dikkat:** Sigortayı kapatınız veya elektrik fişini çekiniz!
- Cihazda su girişini kapatınız.



- Düğmeye basınız ve kapağı çıkarınız.



- Filtreyi 90° saat dönüş yönünün tersine dikkatlice çeviriniz ve dışarı çekiniz.
- Yeni filtreyi paketinden çıkartınız ve koruma kapağını çıkartınız.
- Yeni filtreyi yuvaya yerleştiriniz ve 90° saat dönüş yönünde dikkatlice çeviriniz.

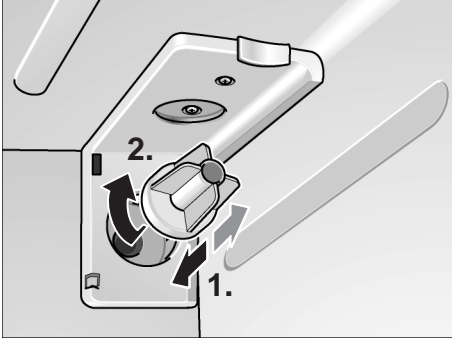


- Kapağı tekrar takınız.

## Su filtresi ile ilgili uyarılar

- Su sistemi kullanımdan sonra düşük basınçtaadır. Filtreyi çıkarırken dikkatli olunuz!
- Eğer cihaz uzun bir süre kullanılmadıysa veya buz ve/veya su garip bir tatta veya kokudaysa, su sistemini iyice yıkayınız. Ayrıca uzun bir süre su sebilinden su akıtınız. Eğer hala garip bir koku varsa, filtreyi değiştiriniz.
- Buzlanmaya karşı koruma. Sıcaklıkların donma noktasının altına düşmesi bekleniyorsa, filtre kartuşlarını çıkarınız.
- Su basıncı 0,86 MPa'dan (8,6 bar) daha yüksek bir değerde ise, su filtresi kurulumunu yapmayınız. Su basıncı 0,55 MPa'dan (5,5 bar) daha yüksek bir değerde ise, basınç düşürme valfi monte edilmelidir. Su basıncı kesin olarak bilinmiyorsa, uzman bir kişi ile irtibata geçiniz.
- Su borusunda basınç kaynaklı darbeler oluşabileceğinden, su filtresi kurulumunu her zaman uygun bir su darbe saptırıcısı ile birlikte yapınız. Su borusunda, su basıncı kaynaklı darbelerin oluşabilme durumundan emin değilseniz, uzman bir kişi ile irtibata geçiniz.
- Yeni bir filtrenin takılmasından sonra: Makinenin açılmasından sonraki ilk 24 saat içerisinde üretilen buzlar atılmalıdır.
- Eğer uzun süre buz çıkartılmaz ise: Buz kabı boşaltılmalı ve sonraki 24 saat içerisinde üretilen buzlar atılmalıdır.

- Buz makinesi ve su sebili aynı zamanda filtresiz de kullanılabilir. Bu durumda kapatma tapasını yerleştiriniz.



## Teknik özellik ve performans veri sayfası

**CunoOCS**  
COFFEE • TEA • WATER • VENDING

### Performans Veri Sayfası CS-451/CS-452 modelleri

Bu sistemler, aşağıda sıralanan maddeleri azaltmak amacıyla NSF/ANSI 42 uyarınca test edilmiştir. Sisteme giren suda bulunan belirtilmiş maddelerin konsantrasyonu, NSF/ANSI 42'ye uygun olarak, sistemden çıkan su için izin verilen sınırdan az veya bu sınıra eşit bir konsantrasyon seviyesine düşürülmüştür.



Sistem, klor tat ve kokusunun azaltılması için NSF International tarafından NSF/ANSI 42 standardına uygun şekilde test edilmiş ve onaylanmıştır.

Kapasite: Yerel şebeke suyu şartlarına bağlı olarak 5700 litre.

#### NSF testi tarafından belirlenmiş kirletici maddelerin azaltılması

Kirletici maddelerin azaltılması	Ortalama etki	NSF tarafından belirlenen kirletici madde değişim konsantrasyonu	Ort. ürün suyu	Ort. azaltım %'si	NSF azaltım şartları	NSF testi
Klor Tat ve Koku	2,0	2,0 mg/l ± %10	0,28	86	≥ %50	503821-01

Sadece soğuk su kullanımı için.

Kullanım Kılavuzu / su ikmali parametreleri	
Hizmet debisi	1,9 l/min
Su ikmali	Ortak veya özel kuyu
Su basıncı	0,17 - 0,86 MPa (1,7 - 8,6 bar)
Su derecesi	5 - 38 °C

Belirtilen performansa erişmek için ürün kullanımı, bakımı ve filtre değiştirme konularına dikkat edilmesi önem taşımaktadır. Kartuşları her 6 ayda bir değiştiriniz. Yeni kartuşu 5 dakika su ile çalkalayınız. CS-51 veya CS-52 yedek parça kartuşlarını kullanınız.

Sistemden önce veya sonra, mikrobiyolojik açıdan güvenli olmayan veya uygun dezenfektasyon işleminden geçirilmemiş belirsiz kalitede su kullanmayınız.

Sistemler, üretici tarafından önerilen prosedürlere ve talimatlara uygun şekilde kurulmalı ve çalıştırılmalıdır.

Garanti: Garanti kartına bakınız.

Laboratuvar şartlarında uygulanan test ile güncel performans arasında farklılık olabilir.

Hizmet ve parçalar için yerel bayinizle temas kurunuz veya:



**WaterGroup**

**CUNO Incorporated**

400 Research Parkway

Meriden, CT 06450, USA

Dünyanın her yerinden: 203-237-5541

Faks: 203-238-8701

www.cuno.com

## Enerji tasarruf bilgileri

- Cihazı serin, iyi havalandırılmış bir odaya kurunuz; doğrudan güneş ışınlarına maruz bırakmayınız ve ısı kaynaklarından (örn. kalorifer, ocak) uzak bir yere kurunuz. Gerekirse bir izolasyon plakası kullanınız.
- Sıcak yiyecek ve içecekleri dolaba koymadan önce, dışarıda soğumalarını bekleyiniz veya soğutunuz.
- Dondurulmuş besinleri, buzlarının çözülmesi için soğutucu bölmesine koyunuz. Böylelikle bu maddelerdeki soğukluğu, soğutma bölümündeki besinlerin soğutulmasında kullanmış olursunuz.
- Kapıyı mümkün olduğu kadar az açık tutunuz!

## Çalışma sesleri

### Normal sesler

**Boğuk horultu** – Soğutma makinesi (kompresör) çalışıyor. Hava dolaşım sisteminin ventilatörü çalışıyor.

**Fıkırtı, şırıltı ve tınlama sesleri** – Soğutma maddesi borulardan akıyor. Buz hazırlayıcıya su akıyor.

**Çıtlama** – Motor (kompresör) devreye giriyor ve çıkıyor. Su bağlantısındaki manyetik valf açılıyor ya da kapanıyor.

**Patırtı sesleri** – Hazır küp buz parçaları, küp buz hazırlayıcıdan küp buz kabının içine düşüyor.

### Kolay giderilebilecek ses ve gürültüler

#### Cihaz düzgün durmuyor

Cihazı bir su terazisi yardımı ile düzgün ayarlayınız. Bunun için vidalı ayakları kullanınız veya altına uygun destek koyunuz.

#### Cihaz etrafındaki ünite bve cihazlara temas ediyor

Cihazı temas ettiği mobilya veya cihazlardan uzaklaştırınız.

#### Çekmeceler, sepetler veya raflar sallanıyor veya sıkışıyor

Dışarı çıkarılabilen parçaları kontrol ediniz ve gerekirse yeniden takınız.

#### Kaplar birbirine temas ediyor

Şişeleri veya kapları birbirinden biraz ayırınız.

## Cihazın buzunun çözülmesi

Buz çözme işlemi otomatik gerçekleşir.

Buz çözme işleminde oluşan su, buzdolabının içinde arka yüzdeki buharlaşma kabına aşağıya doğru akar ve otomatik olarak buharlaşır.

## Cihazın temizlenmesi

- **Dikkat:** Elektrik fişini prizden çekiniz veya sigortayı kapatınız.
- Kapı contasını sadece temiz su ile temizleyiniz ve iyice silip kurulayınız.
- Cihazı deterjanlı ılık su ile temizleyiniz. Temizlik suyu kontrol panosuna veya aydınlatmaya girmemelidir.

Soğuk cam rafları doğrudan dondurucu bölmesinden çıkarıp, sıcak bulaşık deterjanlı suya sokmayınız.

Raflar ve kaplar kesinlikle bulaşık yıkama makinesinde yıkanmamalıdır. Aksi halde bu parçalar deforme olabilir.

- Temizleme işleminden sonra: Elektrik fişini prize takınız ya da sigortayı açınız.

### ⚠ Uyarı!

**Dondurulmuş besinlere ıslak eller ile dokunmayınız. Elleriniz donmuş besinlere yapışabilir. Yaralanma tehlikesi!**

Cihazı kesinlikle bir buharlı temizleyici ile temizlemeyiniz! Buhar, cihazın gerilim altında olan parçalarına gelebilir ve kısa devre oluşmasına veya elektrik çarpmasına yol açabilir. Buhar cihazın plastik yüzeylerine zarar verebilir.

## Küçük arızaların giderilmesi

### Yetkili servisi çağırmadan önce:

Aşağıdaki talimatların yardımıyla arızayı kendinizin giderip gideremeyeceğinizi kontrol ediniz.

Garanti süresi içerisinde dahi, bu gibi durumlarda servis görevlisinin masraflarının tümünü kendiniz ödemek zorundasınız!

### Soğutma ve dondurma bölmesi

Arıza	Muhtemel sebebi	Giderilmesi
Cihaz soğutmuyor. İç aydınlatma çalışmıyor.	Elektrik kesintisi; sigorta kapalı; elektrik fişi prize iyi takılmamış.	Elektrik kesikliği olmadığını kontrol ediniz; sigorta atmamış ve çalışır durumda olmalıdır.
Kompresör sık sık devreye girişiyor ve uzun süre devrede kalıyor.	Cihaz kapısı sık sık açıldı. Çok miktarda taze besin donduruldu. Hava giriş ve çıkış deliklerinin önü kapanmış.	Cihaz kapısı gereksiz yere açılmamalıdır. Azami dondurma kapasitesi aşılmamalıdır. Engeller giderilmelidir.
Soğutma ya da dondurma bölmesi çok soğuk.	Sıcaklık derecesi çok soğuk ayarlanmış.	Daha sıcak bir derece ayarlayınız. ("Sıcaklık ayarı" bölümüne bakınız).
Dondurulmuş besinler yapışıp kalmış.		Dondurulmuş besinleri keskin ve sivri olmayan bir cisim ile yapışmış oldukları yerden çözünüz. Dondurulmuş besinleri yapışmış oldukları yerden çözmek için bıçak veya sivri bir cisim kullanmayınız.
Dondurucu bölmesinde kalın bir buz tabakası var.		Cihazın kapısının daima kapalı olmasına dikkat ediniz.
İç aydınlatma çalışmıyor.	Ampul bozuk. Lamba şalteri sıkışmış.	"Ampulün değiştirilmesi" bölümüne bakınız. Şalterin hareket edip etmediği kontrol edilmelidir.
Dondurucu bölmesi artık ayarlanmış sıcaklık derecesine ulaşamıyor.	Dondurucu bölmesinin kapısı uzun süre açık kaldı. Buharlaştırıcı (kompresör) çok fazla buz tutmuş ve tam otomatik buz çözme sistemi bu buz miktarını eritemiyor.	Dondurulmuş besinleri cihazdan çıkarınız ve iyice izole ederek, serin bir yerde muhafaza ediniz. Yaklaşık 12 saat sonra soğutma sistemindeki buz erimiş olur. Cihazı tekrar açınız ve dondurulmuş besinleri yerleştiriniz. <b>Bilgi!</b> Soğuk kaybı olmasını önlemek için soğutma bölmesinin kapısını gereksiz yere açmayınız. Arıza, yukarıda tarif edilen önlemler ile giderilemezse, kesinlikle yetkili servisi arayınız.

### Su ve buz deposu

Arıza	Muhtemel sebebi	Giderilmesi
İşletme süresi uzun olduğu halde, küp buz alınamıyor.	Su musluğu kapalı. Su beslemesinde kesiklik var. Su basıncı çok düşük. Buz hazırlayıcı kilitlenmış. Gösterge alanında sembol yanıyor. Dondurucu bölmesi çok sıcak.	Musluğu açınız. Tesisatçıyı arayınız. "Buz hazırlayıcı" kilitleme tuşuna basınız. Dondurucu bölmesinin sıcaklık derecesi düşürülmelidir ("Sıcaklık ayarı" bölümüne bakınız).
Küp buzlar küp buz kabının içinde fakat boşaltılmıyor.	Küp buz parçaları birbirine yapışmış.	Küp buz kabını dışarı çıkarınız ve boşaltınız.
Küp buzlar, küp buz kabının veya buz kırıcının çıkışında sıkışmış.		Küp buz kabını dışarı çıkarınız ve sevk helezonunu elden çeviriniz. Sıkışmış olabilecek buz parçalarını odun çubuk ile çözünüz.

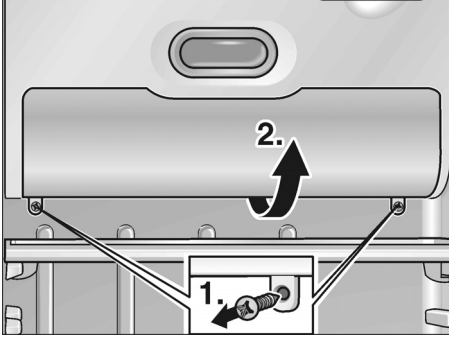


Arıza	Muhtemel sebebi	Giderilmesi
<b>Küp buzlar sulu.</b>	Küp buzlar erimiş. Elektrik kesikliği söz konusu olmuş veya cihazın kapısı doğru kapatılmamış.	Küp buz kabını dışarı çıkarınız, boşaltınız ve silip kurulayınız.
<b>Küp buzlar buharlaşıyor.</b>		Küp buzlar üzerinden geçen soğuk hava, öncelikle küp buzlar az kullanıldığında küp buzların küçülmesine neden olur. Bu normaldir.
<b>Küp buz deposunun kapağı doğru kapanmıyor.</b>	Küp buz parçaları kapağa engel oluyor.	Küp buzları kapaktan uzaklaştırınız.
<b>Küp buz parçaları küp buz kabına yapışıyor.</b>	Suyun içerdiği kireç kap içinde tortulaşabilir.	Bir bezi sirke ile nemlendiriniz ve kapları bu bez ile siliniz. Tortulaşma yoğun ise, kapları soğutucu bölmesini her temizlediğinizde siliniz.
<b>Küp buzların ebatları farklı ve küp buz kabında su var.</b>	Cihaz düz yerleştirilmemiş.	Cihazı su terazisi ve ayarlanabilen tekerlekler ya da vida dişli ayaklar üzerinden düzgün ayarlayınız (kurma kılavuzuna bakınız).
<b>Su deposu çalışmıyor.</b>	Su musluğu kapalı.	Musluğu açınız.
	Su beslemesinde kesiklik var. Su basıncı çok düşük.	Tesisatçiyı arayınız.
	Dondurucu bölmesi çok sıcak.	Dondurucu bölmesinin sıcaklık derecesi düşürülmelidir ("Sıcaklık ayarı" bölümüne bakınız).

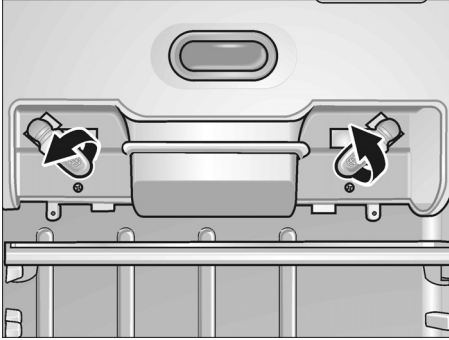
## Ampul deęiřtirilmesi

### İç kısımdaki ampulün deęiřtirilmesi

- **Dikkat:** Elektrik fiřini prizden ıkarınız veya sigortayı kapatınız.
- Kapaęın altındaki 2 civatayı özünüz ve kapaęı ıkarınız.



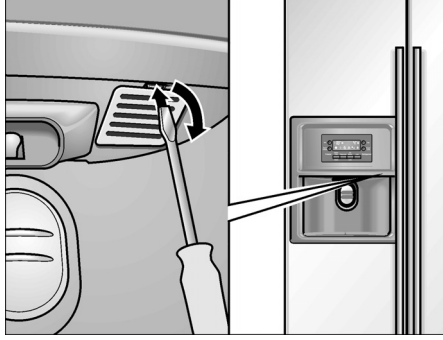
- Ampulü deęiřtiriniz.  
Yedek ampul, maks. 25 W,  
220-240 V alternatif akım,  
soket E14.



- Kapaęı monte ediniz.

## Buz ve su deposunun ampulünün deęiřtirilmesi

- **Dikkat:** Cereyan fiřini řebeke prizinden ıkarınız veya cihazın baęlı olduęu sigorta üzerinden gerilimi kesiniz!
- Kapaęı tornavida ile kaldırıp ıkarınız.



- Ampulü deęiřtiriniz.  
Yedek ampul, maks. 15 W,  
220-240 V alternatif akım,  
soket E14.

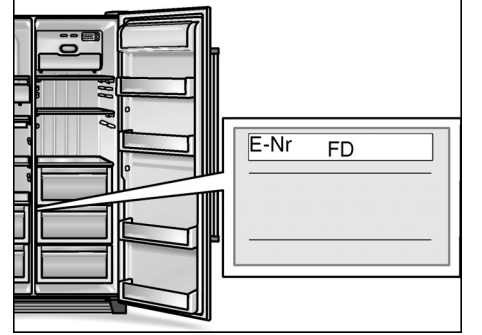


- Kapaęı takınız.

## Yetkili servisin aęırılması

Size yakın bir yetkili servisimizi telefon rehberinde veya yetkili servis listesinde bulabilirsiniz. Lütfen yetkili servisimizi aęırdıęınız zaman, cihazın ürün numarasını (E-Nr.) ve imalat numarasını (FD) bildiriniz.

Bu numaraları, tip levhasının üzerinde bulabilirsiniz.



Cihazın ürün numarasını ve imalat numarasını bildirmek suretiyle, gereksiz gidip gelme masraflarını ve zaman kaybını önlemiş olursunuz. Böylelikle ilgili fazla masraflardan tasarruf etmiş olursunuz.

## Montaj kılavuzu

### Önemli not:

Bu kurma kılavuzu farklı modeller için geçerlidir.

Bazı modellerde, burada anlatılan tüm işlem adımları gerekli değildir.

**Cihaz sadece yetkili bir uzman tarafından, bu kurma kılavuzuna göre kurulmalı ve bağlanmalıdır.**

**Su bağlantısı kesinlikle elektrik bağlantısından önce yapılmalıdır.**

**Yasal öngörülen yönetmeliklerin yanında yerel elektrik ve su işletmelerinin bağlantı koşulları yerine getirilmelidir.**

**Kurma ve montaj kılavuzunu itinayla muhafaza ediniz.**

## Kurulum yeri

### Dikkat:

Cihaz oldukça ağırdır. Boş ağırlığı için aşağıdaki tabloya bakınız.

Ana modeli	104 kg
Dispenser modeli	113 kg
Homebar modeli	115 kg

Cihazı kuru ve iyi havalandırılmış bir yere kurunuz.

Güneş ışınları doğrudan cihazın kurulacağı yere gelmemeli ve cihaz elektrikli ocak, fırın, soba, kalöfer vs. gibi sıcaklık oluşturan cisimlerin ve ısı kaynaklarının yanına veya yakınına kurulmamalıdır. Eğer cihazın bir ısı kaynağının yanına kurulması kaçınılmazsa, uygun bir izolasyon plakası kullanınız; ya da ısı kaynağına aşağıda belirtilen asgari mesafelerin olmasına dikkat ediniz.

– Elektrikli fırınlardan 3 cm.

– Gaz yağı ve kömür ocaklarından 30 cm.

Cihazın kurulacağı zemin esnememelidir. Gerekirse zemini takviye ediniz (cihaz çok ağırdır, içi boşken yaklaşık 145 kg, içi doluyken yaklaşık 400 kg olabilir). Buz hazırlayıcının kusursuz çalışabilmesi için, cihaz dik konumda durmalıdır. Cihaz kapılarının sonuna kadar açılabilmesi için, cihaz bir köşeye veya boşluğa kurulacaksa, yan taraflarda olması gereken asgari mesafelere uyulmalıdır (bkz. "Cihazın ve kurulacağı yerin ebatları").

## Cihazın ambalajdan çıkarılması

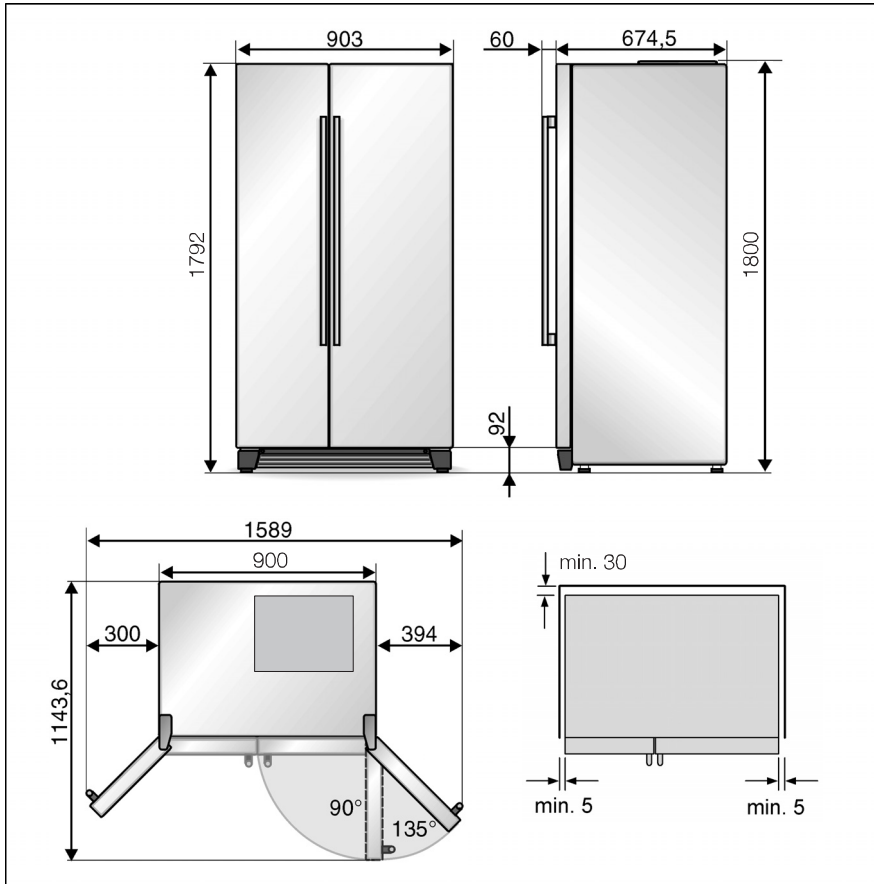
- Ambalaj malzemelerini ve yapışkan bantları sökünüz (Cihaz gövdesinde kalan yapışkan bant artıkları, yapışkan bandın yapışkanlı tarafı kullanılarak temizlenebilir. Bunun için bandı yapışkan artıkları olan yerin üzerine birkaç kez bastırıp çekiniz).
- Rafların ve kapların taşıma emniyet tertibatını ancak cihazı kurduktan sonra çıkarınız.
- Buz hazırlayıcının transport emniyet tertibatını cihazı kurduktan sonra çıkarınız. Bunun için buz hazırlayıcıyı çekip dışarı çıkarınız.



### Dikkat:

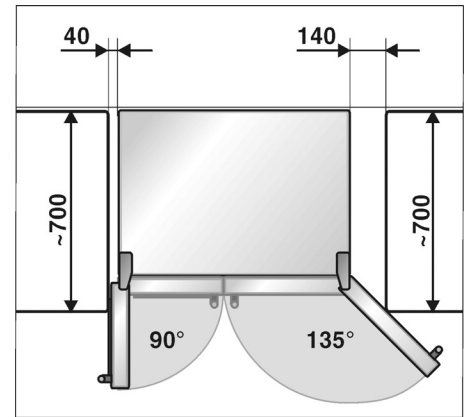
Cihazın elektrik bağlantısını kurmadan önce, cihazın içindeki ve dışındaki tüm ambalaj malzemeleri çıkarılmış olmalıdır.

## Cihazın ve kurulacağı yerin ebatları



Cihazın kurulacağı yerin etrafındaki mutfak donanımının derinliği 60 cm'yi aşıyorsa, kapıların açılma açısından tamamen yararlanabilmek için, yan taraflarda asgari mesafeler olmasına dikkat edilmelidir.

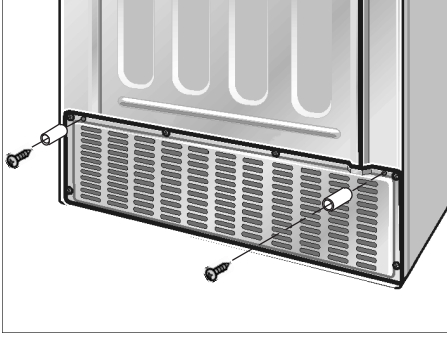
Kapı açılma açısı	Minimum mesafe
90°	40 mm
135°	140 mm



Cihazın üst tarafına bir pano veya başka bir dolap takılacak olursa, gerektiğinde cihazın kurulduğu boşluktan çekilip çıkarılabilmesi için, bir boşluk bırakılmalıdır.

#### Arka duvara asgari mesafe

- Cihazla birlikte gönderilen mesafe tutucuları, cıvatalarla cihazın arka tarafında bunlar için öngörölmüş deliklere sabitleyiniz.



Bu sayede duvara olan 30 mm'lik asgari mesafe korunmuş ve hava tahliyesi sağlanmış olur.

#### Kapıların sökülmesi

Cihaz evin kapısından geçmezse, cihazın kapıları sökülebilir.

#### Dikkat:

Cihaz kapaklarının sökülmesi gerekiyorsa bu, sadece müşteri hizmetleri tarafından yapılmalıdır. Kapakların sökme işleminin ücretini yetkili müşteri hizmetlerinizden öğrenebilirsiniz.

## Cihazın su şebekesine bağlanması

Su bağlantısı sadece yetkili bir tesisatçı tarafından, yerel su işletmesinin kurallarına göre kurulmalıdır.

Cihazı bir soğuk su hattına bağlayınız.

- Asgari basınç: 0,1 Mpa (1,0 bar)
- Su filtresi olmadan çalıştırıldığında azami basınç: 1,0 Mpa (10,0 bar)

Yerel duruma göre, su hattına bir basınç düşürücü (presostat) takılması gerekli olabilir.

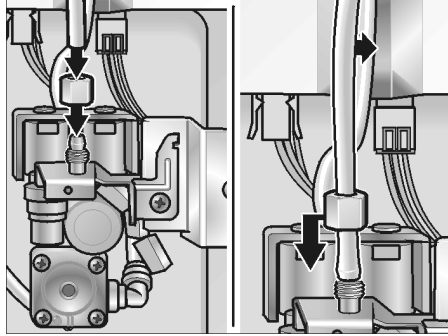
Ekteki bağlantı hattının bağlanacağı 3/4" inçlik su musluğuna rahat ulaşılabilir. Ekteki bağlantı hatları 1,5 m ya da 7 m uzunluğundadır.

Suyun tadı ve kokusu, ekteki su filtresine takılarak daha iyi yapılabilir.

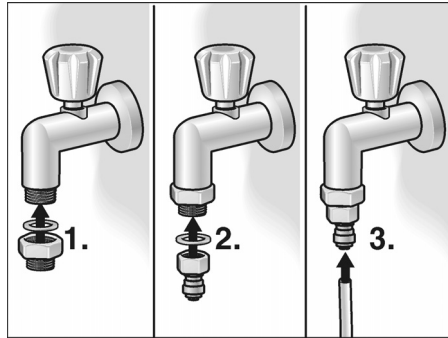
Bu durumda farklı bağlantı koşullarına dikkat ediniz, bkz. su filtresi.

#### Bağlanması

- Bağlantı hattını manyetik valfe bağlayınız.



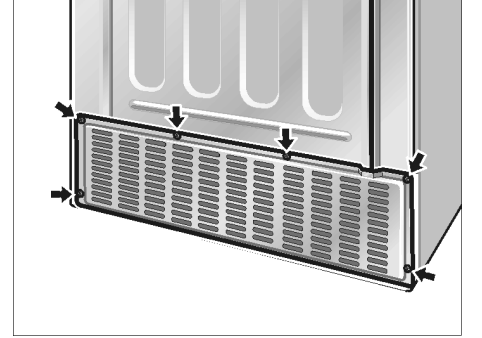
- Bağlantı hattını su musluğuna bağlayınız.



- Bağlantı hattını ekteki bilezikler ile cihaz arka yüzüne ve duvara sabitleyiniz.
- Bağlantı hattını fiyong şeklinde veya dolayarak toplayınız ki, cihaz duvardan ayrılabilsin.

## Su bağlantısının sızdırmazlığının kontrolü

- Cihazı ekteki kullanma kılavuzuna göre çalıştırınız.
- Suyu kullanma kılavuzunda bildirildiği gibi alınız. Henüz hatlarda ve su tankında hava olduğu için, suyun gelmesi birkaç saniye sürebilir.
- Cihazdaki ve su bağlantısındaki tüm vidalı su bağlantılarında sızdırmazlık kontrolü yapınız.
- Kontrolten sonra elektrik fişini tekrar çekip prizden çıkarınız ve motor bölümü kapağını monte ediniz.

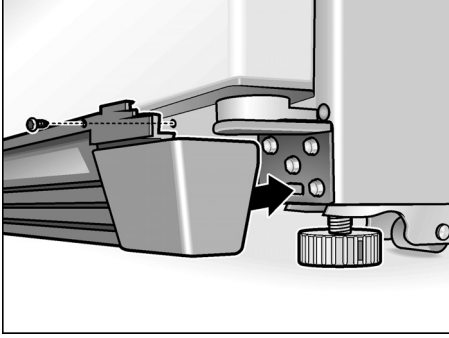


## Cihazın düzgün yerleştirilmesi

Cihazın kusursuz çalışabilmesi için, su terazisi ile düzgün ayarlanmış olması gerekir.

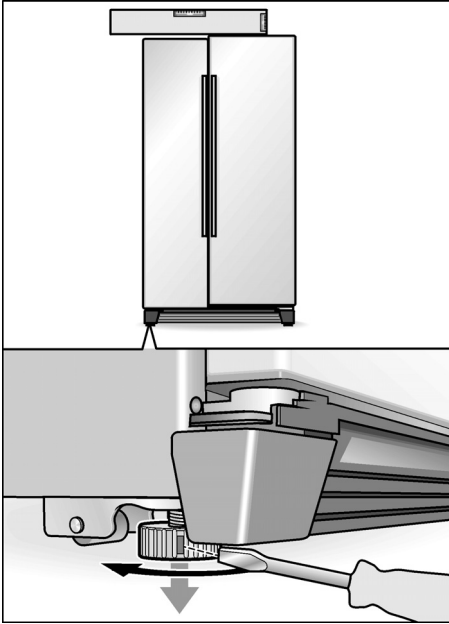
Cihaz yamuk durursa, buz hazırlayıcıdan su akabilir, farklı ebatlarda küp buz üretilebilir veya kapılar doğru kapanmayabilir.

- Cihazı öngörülmiş yere yerleştiriniz.
- Ekteki taban panosunu 3 cıvata ile sabitleyiniz.

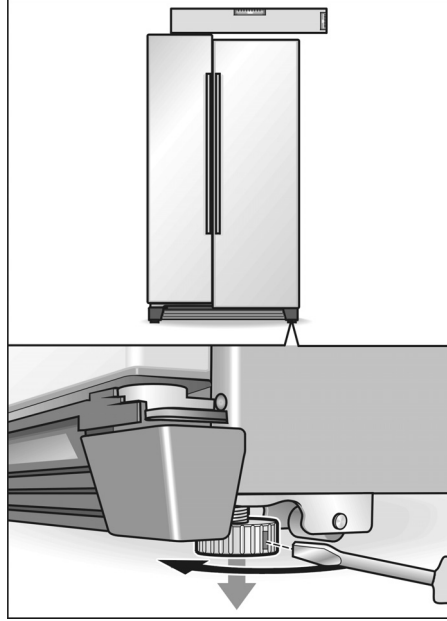


- Cihazın yerinden kayıp oynamaması için, öndeki iki ayağı iyice zemine temas edinceye kadar aşağı indiriniz.
- Cihaz hassas ayarlanıncaya kadar, ayakları çeviriniz. Kapıları referans olarak kullanınız!

Dondurucu bölümünün kapısı daha aşağıda:

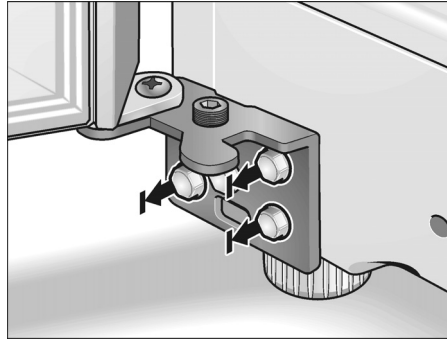


Soğutucu bölümünün kapısı daha aşağıda:

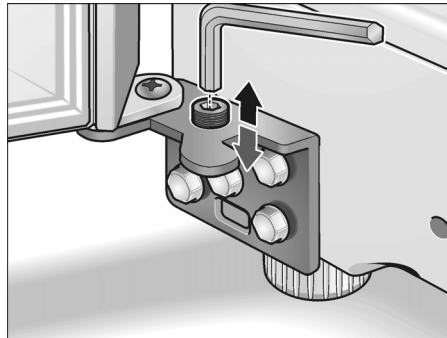


**Eğer şimdiye kadar uyguladığınız işlem adımları kapıyı ayarlamaya yetmiyorsa:**

- Taban panosunu çıkarınız.



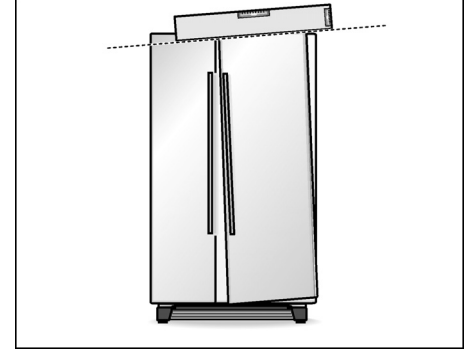
- 3 menteşe civatasını çözünüz. **Cıvataları tamamen söküp çıkarmayınız!**
- Altı köşeli anahtar (alyen anahtarı) ayarlama civatasına takınız:



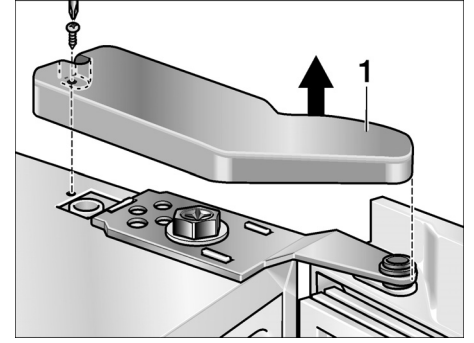
- Bir kapıyı yukarı kaldırmak için:  
Altı köşeli anahtar (alyen anahtarı) saatin çalışma yönünde çeviriniz.
- Bir kapıyı aşağı indirmek için:  
Altı köşeli anahtar (alyen anahtarı) saatin çalışma yönünün tersine çeviriniz.

## Not:

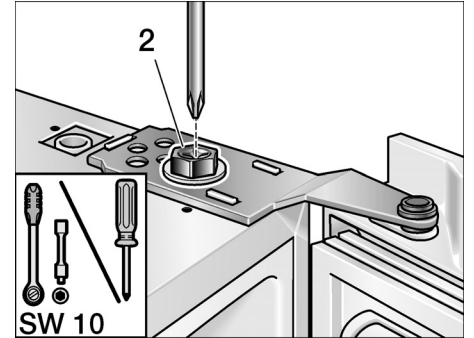
Kapağın kendi ağırlığından ve içine yerleştirilen malzemelerin ağırlığından dolayı, cihaz düzgün dursa bile, soğutucu bölümünün kapığı eğik durabilir. Kapı aralık mesafesi üstte ve altta farklı.



- Üst menteşe kapağını sökünüz (1).



- Menteşe civatasını çözünüz (2). **Cıvataı tamamen söküp çıkarmayınız!**



- Soğutucu bölümü kapağının eğikliğini uygun şekilde düzeltiniz.
- Menteşe civatasını sıkınız.
- Menteşe kapaklarını sabitleyiniz.

## Cihazın çalıştırılması

Cihazı ekteki çalıştırma kılavuzuna göre çalıştırınız.

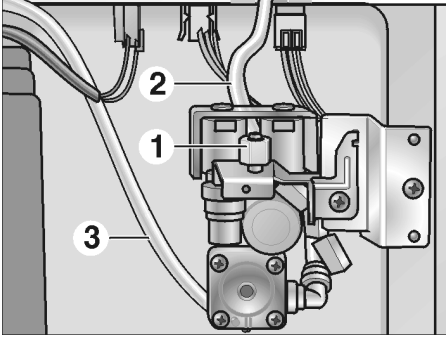
## Cihazın tamamen kapatılması

Cihazı ekteki çalıştırma kılavuzuna göre kesiniz.

Cihaz kapalı şekilde veya sıfırın altında bir derecede muhafaza edilecekse, içme suyu deposunun su kabı boşaltılmalıdır.

## Cihazın içindeki su kabının boşaltılması

- Cihazın elektrik fişini prizden çıkarınız.
- Cihaza su girişini kapatınız.
- Cihazın arka yüzünden makine bölümü kapağını sökünüz.
- Bağlantı hattını sökünüz (1).
- Yassı su toplama kabını (kapasitesi yaklaşık 3 litre) bağlantı valfinin altına yerleştiriniz.



- Cihazın bağlantı valfindeki hortumları (2 ve 3) sırayla sökünüz, sularını boşaltınız ve tekrar vidalayınız.  
**Önemli:** Hortumların bağlantı yerlerini karıştırmayınız!
- Boşaltma işleminden sonra makine bölümü kapağını monte ediniz.

**Su musluğunu ancak cihazı tekrar çalıştırdığınız zaman açınız.**

## دستگاه را روشن نمائید

با توجه به دستورالعمل های نصب ضمیمه، دستگاه را روشن نمائید.

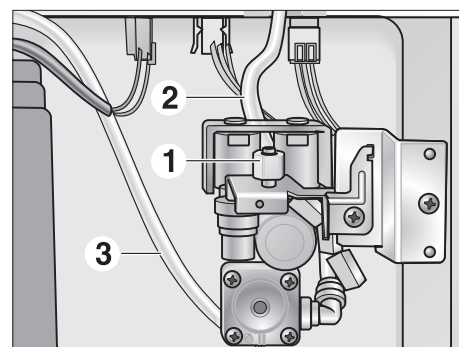
## روش قطع اتصال دستگاه

بر طبق دستورالعمل های نصب ضمیمه، اتصال دستگاه را قطع نمائید.

چنانچه برای مدتی طولانی قصد استفاده از دستگاه را نداشته و می خواهید برق آن را قطع سازید و یا دمای محیط محل قرار گرفتن دستگاه زیر نقطه انجماد است، آب داخل مخزن آب آشامیدنی قسمت توزیع آب و یخ را خالی نمائید.

## روش تخلیه آب مخزن آب آشامیدنی قسمت توزیع آب و یخ

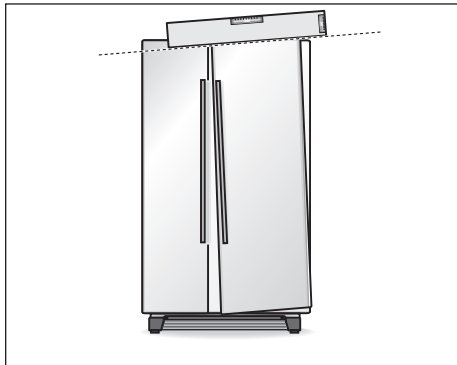
- دو شاخه دستگاه را از پریز برق بکشید.
- جریان آب دستگاه را قطع کنید.
- درپوش محفظه موتور را از قسمت عقب دستگاه جدا سازید.
- پیچ کابل اتصال را باز کنید (1).
- یک سینی تخت جهت جمع آوری آب (ظرفیت حدود ۳ لیتر) را زیر فلکه اتصال قرار دهید.



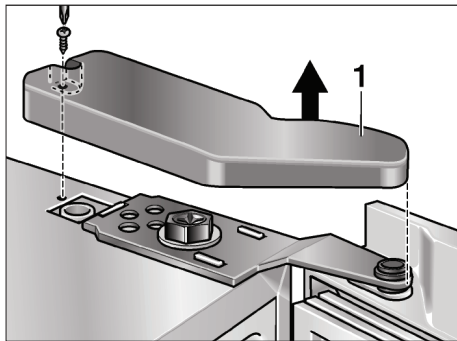
- ابتدا پیچ شلنگ (2) موجود بر روی فلکه اتصال را باز نموده و آب آن را تخلیه نموده سپس همین کار را با شلنگ (3) انجام دهید. مهم: اتصالات شلنگ ها را اشتباه نکنید!
- پس از تخلیه آب مخزن، مجدداً درپوش محفظه موتور را وصل نمائید.
- دستگاه را روشن نموده و شیر آب را باز کنید.

## توجه:

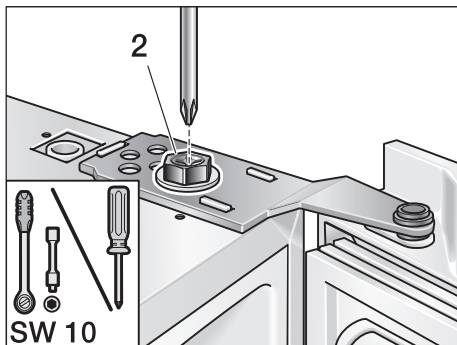
بسته به وزن دستگاه و حجم غذا موجود در داخل درب ها، درب محفظه یخچال ممکن است کمی خم باشد، حتی اگر خود دستگاه تراز است. فاصله درب در بالا و پایین یکسان نیست.



- روکش لولای فوقانی را بردارید (1).

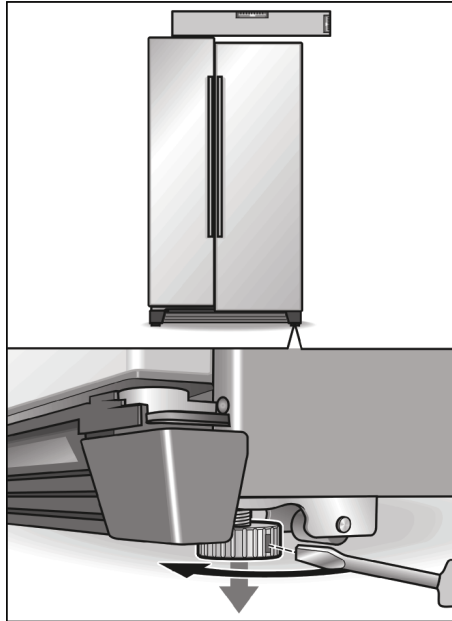


- پیچ های لولا (2) را شل کنید. پیچ را کاملاً باز ننمایید!

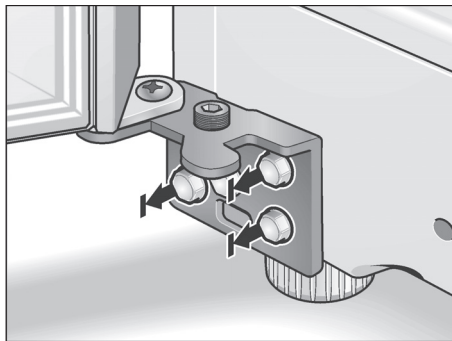


- خم درب یخچال را برطرف نمایید.
- پیچ های لولا را محکم کنید.
- درپوش را سر جای خود بگذارید.

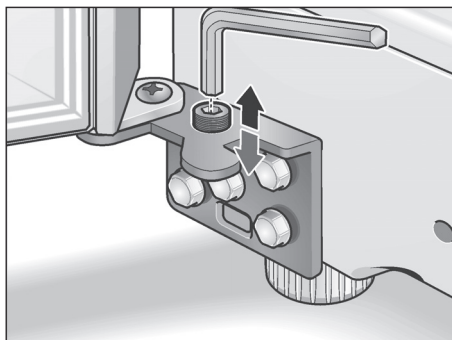
## عمق درب محفظه یخچال بیشتر است:



- در صورتیکه مراحل قبلی برای تراز نمودن درب ها کافی نبودند:
- صفحه پایه دستگاه را بردارید.



- ۳ عدد از پیچهای لولا را شل کنید. پیچ ها را تا آخر باز نکنید!
- آچار را روی پیچ تنظیم قرار دهید.



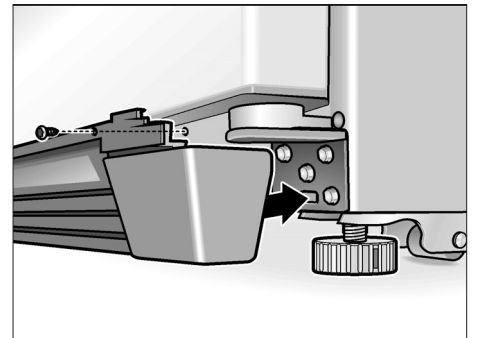
- جهت بالا آوردن درب: آچار را در جهت عقربه های ساعت بچرخانید.
- جهت پائین آوردن درب: آچار را در جهت خلاف عقربه های ساعت بچرخانید.

## روش تراز نمودن دستگاه

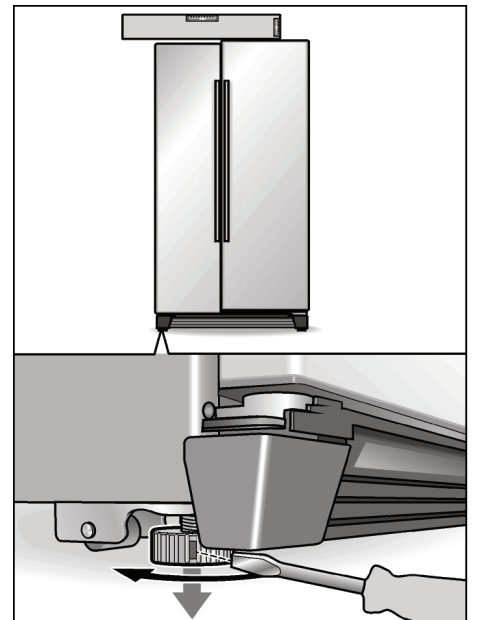
جهت اطمینان از کارکردن دستگاه بطور صحیح، دستگاه باید با یک تراز حیابدار تراز شود.

در صورت تراز نبودن دستگاه، امکان بیرون ریختن آب از دستگاه یخساز، نامتناسب بودن شکل قالب های یخ و یا عدم بسته شدن صحیح درب ها متصور خواهد بود.

- دستگاه را در محل اختصاص یافته قرار دهید.
- صفحه پایه همراه دستگاه را با استفاده از ۳ پیچ آن ببندید.



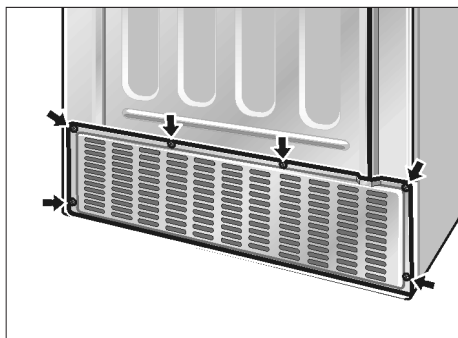
- جهت جلوگیری از حرکت دستگاه به اطراف، پایه های جلو و عقب آن را باز ننمایید تا کاملاً با زمین اتصال تماس داشته باشند.
- پایه جلو و عقب را تا جایی بچرخانید که دستگاه بدرستی تراز شود. از دربهها به عنوان مبنای مقایسه استفاده ننمایید!
- عمق درب محفظه فریزر بیشتر است:





## روش چک کردن اتصال آب از نظر عدم نشت

- با توجه به دستور العمل های نصب ضمیمه، دستگاه را روشن نمائید.
- با توجه به دستور العمل های نصب ضمیمه، جریان آب دستگاه را برقرار نمائید. این عمل بسته به میزان هوای موجود در لوله ها و مخزن آب چند ثانیه طول خواهد کشید.
- کلیه پیچ های روی اتصالات آب را جهت عدم وجود نشتی آب در دستگاه و اتصال آب، چک نمائید.
- پس از چک کردن عدم نشتی، دوباره دوشاخه اصلی را از پریز جدا نموده و روکش محفظه موتور را نصب نمائید.



## روش اتصال دستگاه به سیستم تغذیه آب

آب دستگاه تنها با توجه به قوانین اداره آب منطقه ای محل سکونت و بوسیله یک متخصص فنی مجرب، ممکن می باشد.

دستگاه را به یک لوله آب سرد متصل نمائید.

- حداقل فشار: ۰/۸ ام پی ای (۱/۰ بار)

- حداکثر فشار در هنگام کارکرد دستگاه بدون احتساب فیلتر آب: ۰/۸ ام پی ای (۱۰/۰ بار)

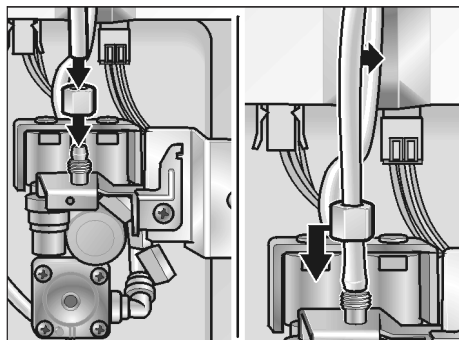
بسته به شرایط محیطی، ممکن است به نصب یک کاهنده فشار در داخل لوله آب نیاز باشد.

جهت اتصال به لوله ضمیمه دستگاه، یک شیر ۳/۴ اینچ مورد نیاز است. شیر و لوله بایستی براحتی در دسترس باشند. طول لوله های اتصال ضمیمه ۱/۵ متر و ۷ متر می باشند.

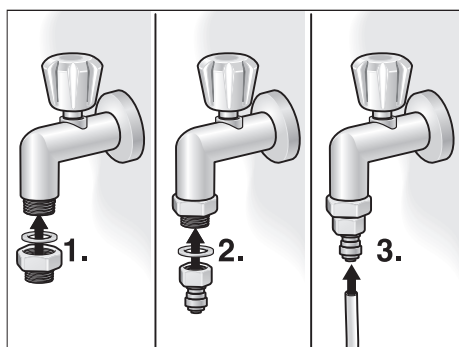
طعم و بوی آب احتمالاً با نصب فیلتر ضمیمه دستگاه، بهبود می یابد. در چنین حالتی، می باید الزامات نصب دستگاه را مد نظر قرار داد - به بخش فیلتر آب رجوع شود.

## روش اتصال

- لوله را به شیر سولنوئیدی وصل نمائید



- لوله را به شیر وصل نمائید.

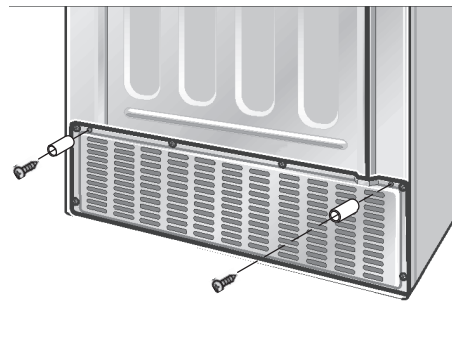


- از گیره های ضمیمه استفاده نموده، لوله اتصال را به صفحه پشتی دستگاه و به دیوار محل ثابت نمائید.

- لوله های اتصال را بصورت گرد و یا حلقه قرار دهید که دور نمودن دستگاه از دیوار به آسانی ممکن شود.

حداقل فاصله دستگاه از دیوار عقب

- با استفاده از پیچ، صفحه مشبک را بر روی فضای باز موجود در قسمت عقب دستگاه ببندید.



این کار باعث حفظ حداقل فاصله ۳۰ میلیمتری از دیوار پشت گشته و بنابر این تهویه مناسب هوا انجام خواهد پذیرفت.

## روش باز کردن درب ها

چنانچه دستگاه از میان درب منزل رد نشود، می توان درب های دستگاه را باز نمود.

### احتیاط:

در صورت نیاز به باز نمودن و برداشتن درب های دستگاه، این کار می بایست توسط مرکز خدمات پس از فروش ما انجام پذیرد. مرکز خدمات محلی شما نرخ مصوب برای برداشتن درب را به شما اعلام خواهد نمود.

## دستگاه را از داخل بسته بندی خارج سازید

- مواد بسته بندی و نوار چسب را بردارید. (قسمت زائد چسب باقی مانده بروی بدنه داخلی را با می توان با سمت چسب دار نوار کنده شده، بردارید. بدین منظور چندین بار سمت چسب دار نوار را روی زوائد باقی مانده گذاشته و بردارید).
- تا دستگاه نصب نشده است وسایل محافظ حمل و نقل را از طبقات و محفظه های ذخیره سازی غذا بردارید.
- پس از نصب دستگاه، وسایل محافظ حمل و نقل را از دستگاه یخساز جدا نمائید. بدین منظور، دستگاه یخساز را به بیرون بکشید.

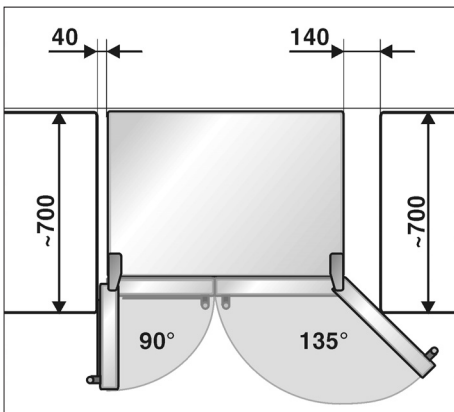


### هشدار:

قبل از اتصال سیم برق دستگاه به پریز برق، تمامی مواد بسته بندی را از داخل و خارج دستگاه بردارید.

چنانچه عمق قرار گرفتن وسایل مجاور آشپزخانه بیش از ۶۰ سانتی متر می باشد، جهت استفاده کامل از زاویه باز شدن درب، حداقل فاصله جانبی را در نظر بگیرید.

زاویه باز شدن درب	حداقل فاصله
۹۰°	۴۰ میلیمتر
۱۳۵°	۱۴۰ میلیمتر



چنانچه یک صفحه یا کابینت در قسمت بالای دستگاه نصب شده است، اطمینان حاصل نمائید که فاصله بالایی به صورتی در نظر گرفته شده است که در صورت نیاز می توان دستگاه را از فرورفتگی بیرون کشید.

## محل نصب دستگاه

### هشدار:

وزن دستگاه بسیار سنگین است. جهت اطلاع از وزن خالص دستگاه، به جدول زیر مراجعه شود.

مدل پایه	۱۰۴ کیلوگرم
مدل دارای قسمت توزیع یخ	۱۱۳ کیلوگرم
مدل های دارای بار خانگی	۱۱۵ کیلوگرم

دستگاه را در محلی خشک و با تهویه مناسب هوا قرار دهید. محل استقرار دستگاه نباید در معرض تابش مستقیم نور خورشید و یا در مجاورت منابع گرما زا همانند اجاق، شوفاژ و امثالهم انتخاب گردد. در صورتیکه نصب دستگاه در کنار منابع گرما زا اجتناب ناپذیر است، از یک صفحه عایق مناسب استفاده نموده و یا حداقل فواصل ذکر شده در زیر را رعایت بفرمائید:

۳ - سانتیمتر تا اجاق الکتریکی.

۳۰ - سانتیمتر تا اجاق نفتی و یا اجاق های دارای سوخت جامد.

کف زمین محل استقرار دستگاه باید محکم باشد. در صورت لزوم، کف زمین را تقویت نمائید (وزن دستگاه بسیار سنگین است، وزن خالی حدود ۱۴۵ کیلوگرم، و وزن پر تا ۴۰۰ کیلوگرم برآورد می گردد). جهت اطمینان از کارکرد صحیح یخساز، می بایست دستگاه بصورت ایستاده قرار گرفته باشد. در هنگام نصب دستگاه در گوشه و یا فرو رفتگی های اتاق و به جهت اطمینان از باز شدن کامل درب های دستگاه، می بایست حداقل فواصل جانبی را مد نظر قرار داده و رعایت نمائید ( به بخش «دستگاه و اندازه های مورد نیاز در هنگام نصب» رجوع شود).

## دستورالعمل های نصب

### توجه مهم:

این دستورالعمل های نصب به مدل های مختلفی اشاره دارند.

اجرای کلیه مراحل برای تمام مدل ها غیر ضروریست.

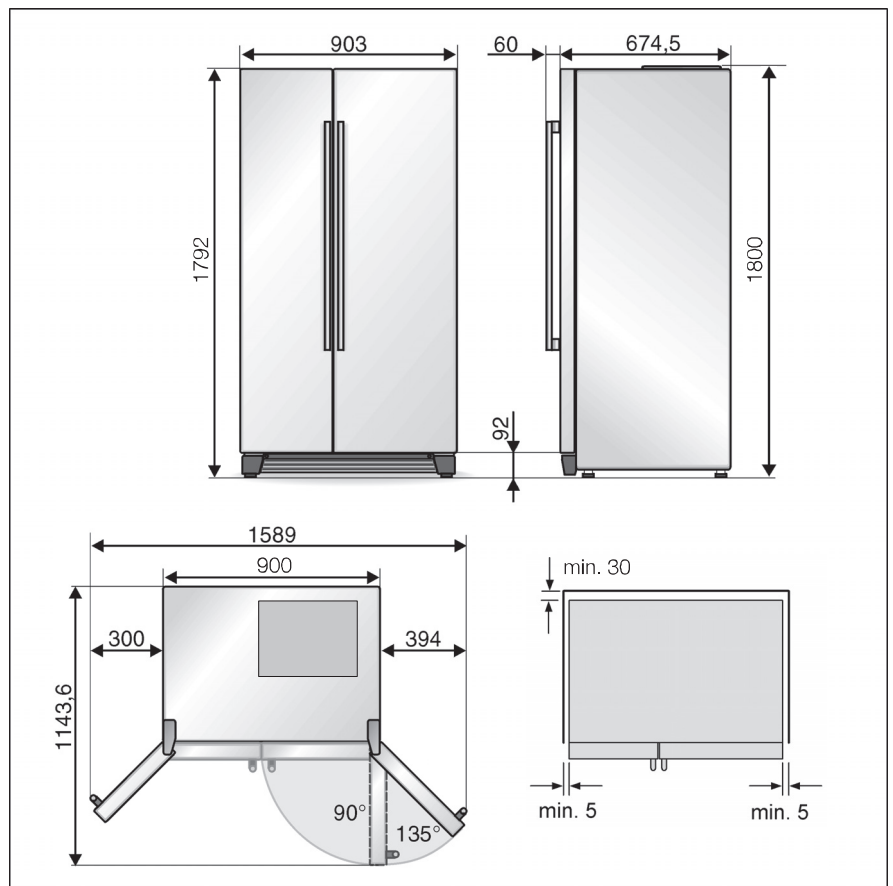
دستگاه را می بایست تنها توسط یک تکنسین مجاز و بر اساس دستورالعمل های مربوطه، نصب و به برق متصل نمائید.

همیشه آب دستگاه را قبل از اتصال آن به برق وصل کنید.

شما می باید علاوه بر رعایت قوانین و مقررات ملی، شرایط خاص شرکت آب و شرکت تامین برق را نیز قبل از اتصال دستگاه، مد نظر قرار دهید.

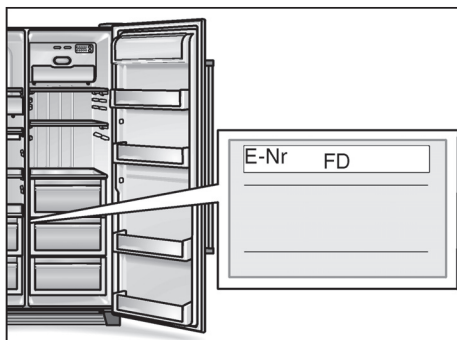
دستورالعمل های نصب را در مکانی مطمئن نگاهدارید.

## ابعاد دستگاه و محل نصب



## نحوه تماس با سرویس و خدمات مشتریان

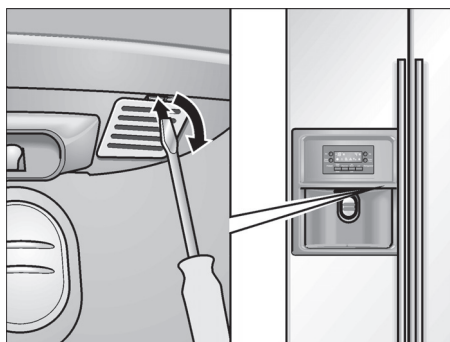
مرکز سرویس و خدمات مشتریان منطقه شما را میتوان در راهنمای تلفن یا فهرست مراکز سرویس و خدمات مشتریان یافت. لطفا در هنگام تماس با مرکز سرویس و خدمات مشتریان، شماره سریال (ای-ان-آر) و شماره تولید (اف دی) را اعلام فرمائید. این گونه اطلاعات را می توان بروی برچسب محصول یافت.



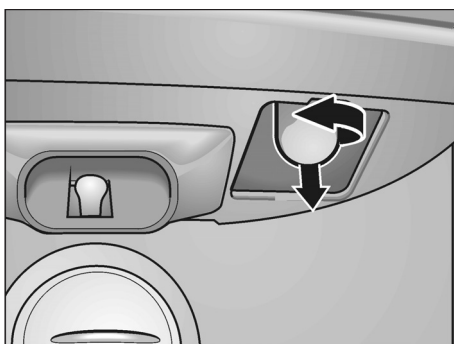
جهت جلوگیری از تماس های غیر ضروری، لطفا شماره سریال و شماره تولید را به ایشان اعلام فرمائید. اینکار باعث صرفه جویی در هزینه های شما خواهد بود.

## روش تعویض لامپ روی توزیع کننده آب و یخ

- توجه: دوشاخه اصلی دستگاه را از پریز خارج نموده و یا فیوز را قطع نمائید!
- روکش را با یک پیچ گوشتی بلند کنید.



- روش تعویض لامپ. لامپ سوخته را با لامپ ماکزیمم ۱۵ وات، ۲۲۰ تا ۲۴۰ ولت ای سی، با نگهدارنده لامپ ای ۱۴ تعویض نمائید.

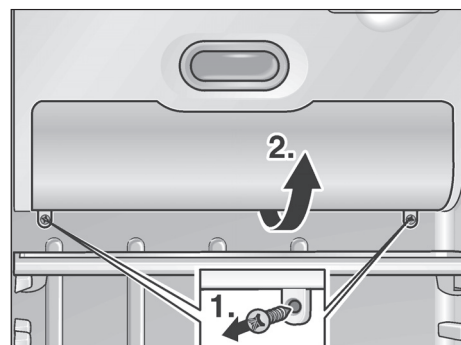


- روکش را وصل نمائید.

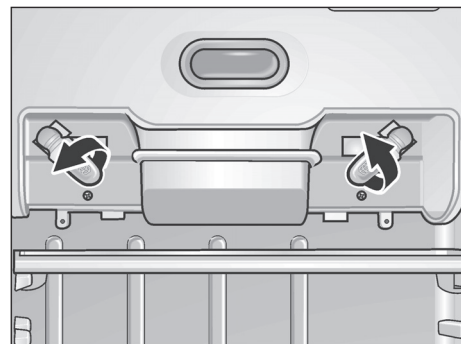
## روش تعویض لامپ

### روش تعویض لامپ داخل دستگاه

- توجه: دوشاخه اصلی را از پریز خارج نموده یا فیوز را قطع کنید!
- ۲ عدد پیچ قسمت زیرین روکش را شل نموده و روکش را بردارید.



- روش تعویض لامپ. لامپ سوخته را با لامپ ماکزیمم ۲۵ وات، ۲۲۰ تا ۲۴۰ ولت ای سی، با نگهدارنده لامپ ای ۱۴ تعویض نمائید.



- روکش را وصل نمائید.

ایراد	دلیل احتمالی	عمل برطرف کننده ایراد
قالب های یخ آبکی هستند.	قالبهای یخ به دلیل - قطع برق یا درست بسته نبودن درب محفظه فریزر آب شده اند.	یخساز قالبی را برداشته، خالی نموده و با دستمال خشک کنید.
قالب های یخ در حال تبخیر هستند.		جریان هوای سرد بالای قالب های یخ مخصوصا در حالتی که مصرف یخ کم باشد، باعث کهنگی قالب های یخ می شود. این امر طبیعی است.
زبانۀ روی محفظه توزیع یخ بدرستی بسته نشده است.	قالب های یخ از بسته شدن زبانۀ ممانعت می کنند.	قالب های یخ را بردارید.
قالب های یخ داخل سینی قالب های یخ می چسبند.	امکان دارد که رسوبات آهکی ناشی از آب در داخل سینی ها شکل بگیرد.	یک تکه پارچه را با سرکه مرطوب نموده و سینی ها را با آن پاک کنید. در صورت ضخیم بودن رسوبات، همیشه در زمان تمیزکاری محفظه یخچال، سینی ها را نیز تمیز کنید.
قالب های یخ به یک اندازه نیستند و داخل محفظه جمع آوری یخ، آب وجود دارد.	دستگاه تراز نیست.	دستگاه را با استفاده یک تراز حباب دار و رولر یا پایه های تنظیم ارتفاع، تراز نمائید (به بخش دستورالعمل های نصب رجوع شود).
قسمت توزیع آب و یخ کار نمی کند.	شیر آب بسته شده است.	شیر آب را باز کنید.
	جریان آب قطع شده است. فشار آب خیلی کم است.	از یک لوله کش کمک بخواهید.
	داخل محفظه فریزر بسیار گرم است.	دمای محفظه فریزر را کم کنید (به بخش «روش تنظیم دما» رجوع شود).

## رفع ایرادات جزئی توسط خودتان

### پیش از اینکه با سرویس خدمات مشتریان تماس بگیرید:

لطفاً چک کنید که آیا بر اساس اطلاعات زیر خودتان می‌توانید عیب را برطرف نمائید. حتی اگر دستگاه هنوز تحت ضمانت قرار داشته باشد، سرویس خدمات مشتریان جهت ارائه شماره فنی طلب وجه می‌نماید!

### محفظه های یخچال و فریزر

ایراد	دلیل احتمالی	عمل برطرف کننده ایراد
دستگاه توانائی خنک کردن ندارد. چراغ داخلی کار نمی‌کند.	قطع برق: فیوز برق پریده است: دوشاخه اصلی بطور صحیح در داخل پریز برق قرار داده نشده است.	چک کنید که آیا برق وصل است، فیوز باید عملیاتی باشد.
واحد خنک کننده مرتباً و بمدت طولانی روشن می‌شود.	درب دستگاه مرتباً باز می‌شود.	درب را در مواقعی که نیاز نیست باز نکنید.
دمای داخل یخچال یا محفظه فریزر بسیار سرد است.	مقادیر زیادی از غذاهای تازه در حال فریز شدن می‌باشند.	بیش از ظرفیت مجاز، غذا در داخل فریزر قرار ندهید.
اغذیه یخ زده سخت فریز شده‌اند.	منافذ تهویه مسدود شده‌اند.	موانع را برطرف کنید.
لایه ضخیمی از یخ داخل محفظه فریزر وجود دارد.	دما در حد بسیار پائینی تنظیم شده است.	دمایی گرمتر را انتخاب نمائید (به بخش «روش تنظیم دما رجوع شود»).
چراغ داخلی کار نمی‌کند.	لامپ خراب است.	اغذیه یخ زده را با لوازم غیر تیز از هم جدا نمایید. از چاقو یا چیزهای نوکدار استفاده نکنید. همیشه از بسته بودن درب دستگاه مطمئن شوید.
محفظه فریزر به دمای انتخاب شده نمی‌رسد.	کلید لامپ گیر کرده است.	لامپ را تعویض نمائید (به بخش «تعویض لامپ رجوع شود»).
علاوه بر این میزان از یخ نمی‌باشد.	درب محفظه فریزر بمدت طولانی باز مانده است. تبخیر کننده (مولد سرما) با چنان لایه ضخیمی از یخ پوشانده شده است که سیستم یخ زدائی خودکار در مدت کارکرد کامل خود، قادر به آب نمودن این میزان از یخ نمی‌باشد.	چک کنید که آیا میتواند آزاد شود.
جهت جلوگیری از اتلاف هوای خنک، درب محفظه یخچال را بیش از حد لزوم باز نکنید. چنانچه با توجه به اطلاعات بالا قادر به رفع عیب نمی‌باشید، لطفاً با مرکز سرویس و خدمات مشتریان تماس بگیرید.		

### قسمت توزیع آب و یخ

ایراد	دلیل احتمالی	عمل برطرف کننده ایراد
علیرغم گذشت مدت زمان طولانی از راه اندازی، قالبهای یخ توزیع نشده‌اند.	شیر آب بسته شده است.	شیر آب را باز کنید.
دستگاه یخساز قفل شده است. سمبل روی صفحه نمایشگر روشن شده است.	جریان آب قطع شده است. فشار آب خیلی کم است.	از یک لوله کش کمک بخواهید.
داخل محفظه فریزر بسیار گرم است.	دستگاه یخساز قفل شده است. سمبل روی صفحه نمایشگر روشن شده است.	دکمه قفل «دستگاه یخساز» را فشار دهید.
قالبهای یخ داخل محفظه جمع آوری یخ وجود دارند اما توزیع نمی‌شوند.	داخل محفظه فریزر بسیار گرم است.	دمای محفظه فریزر را کم کنید (به بخش «روش تنظیم دما» رجوع شود).
قالبهای یخ در خروجی محفظه جمع آوری یخ یا در قسمت یخ خرد شده بهم چسبیده شده‌اند.	قالبهای یخ به یکدیگر چسبیده‌اند.	محفظه جمع آوری یخ را برداشته و خالی نمائید.
		محفظه جمع آوری یخ را برداشته و با دست پیچ نقله را بچرخانید. تمامی تکه های کلفت یخ جمع شده را با یک قاشق چوبی جدا سازید.

## یخ زدائی

یخ زدائی بطور اتوماتیک فعال می شود.

آبی که در مدت یخ زدایی تولید می شود داخل سینی تبخیر صفحه پشت یخچال می ریزد و بطور اتوماتیک تبخیر می شود.

## روش تمیز کردن دستگاه

- **توجه:** دوشاخه اصلی را از پریز خارج نموده یا فیوز را قطع کنید!
- لاستیک دور درب را فقط با آب کاملاً پاک نموده و سپس کاملاً خشک نمائید.
- دستگاه را با آب ولرم تمیز نمائید. آب شستشو نباید بر روی لاستیک دور درب یا لامپ بریزد.
- طبقات شیشه ای خنک را مستقیماً از محفظه یخچال داخل آب داغ قرار ندهید.
- هرگز طبقات و محفظه ها را داخل ظرفشویی تمیز نکنید. ممکن است برخی قسمتها تغییر حالت دهند.
- پس از تمیزکاری: دوشاخه اصلی را به برق متصل نموده یا فیوز را وصل کنید.

### ⚠ هشدار!

هرگز اغذیه یخ زده را با دست مرطوب لمس نکنید. دستان شما به یخ اغذیه خواهد چسبید. خطر بروز جراحت!

هرگز از یک تمیز کننده دارای بخار جهت تمیز کردن دستگاه استفاده نفرمائید. احتمال نفوذ و تماس بخار با اجزای برق دار و ایجاد اتصالی و یا برق گرفتگی متصور است. ممکن است بخار به سطوح پلاستیکی صدمه وارد نماید.

## روش صرفه جوئی در مصرف برق

### صدا های طبیعی

سر و صدا همهمه مانند - واحد خنک کننده در حال کارکرد است. فن قسمت گردش هوا در حال کار می باشد.

قل قل کردن، شرشر کردن یا قرق کردن - خنک کننده در لوله ها جریان می یابد. آب داخل یخساز جریان می یابد.

صدای کلیک مانند - موتور روشن یا خاموش می شود. - شیر سولنوئیدی واقع بروی اتصال آب، باز یا بسته می شود.

صدای کشیده و دنباله دار - یخهای آماده شده از یخساز داخل ظرف جمع آوری یخ ریخته می شود.

### صداهایی که براحتی رفع می شود

#### دستگاه تران نیست

صاف قرار داشتن دستگاه را با یک تراز جابدار بسنجید. از پایه های قابل تنظیم ارتفاع استفاده نموده یا چیزی زیر پایه ها قرار دهید.

#### دستگاه از وسایل یا دستگاههای مجاور تاثیر می پذیرد.

لطفا دستگاه را از وسایل یا دستگاههای مجاور دور نمائید.

#### کشوها، سبدها یا محفظه های ذخیره سازی شل شده یا چسبیده اند

لطفا قسمتهای جداشدنی را بررسی نموده و، در صورت نیاز، آنها را دوباره نصب کنید.

#### ظرفها به یکدیگر چسبیده اند

لطفا بطری ها یا ظرف ها را از یکدیگر جدا سازید.

## روش صرفه جوئی در مصرف برق

- دستگاه را در یک محل خنک و دارای تهویه مناسب قرار داده، لیکن در زیر نور مستقیم خورشید و نزدیک منابع گرمازا (همچون شوفاژ، چراغ خوراک پزی، و غیره) قرار ندهید. در صورت نیاز، از یک صفحه عایق استفاده نمائید.
- اجازه دهید غذا و نوشیدنیهای گرم پیش از قرار گرفتن در یخچال خنک شوند!
- هنگام باز شدن یخ ماده غذایی یخ زده، آن را داخل محفظه یخچال قرار دهید. دمای پایین فرآورده های یخ زده غذایی درون یخچال را خنک می کند.
- تا حد امکان در را کمتر باز و بسته کنید. صدا های حین عملکرد دستگاه.

## اطلاعاتی در مورد فیلتر آب

- پس از استفاده، کارکرد سیستم آب تابع فشار پائین شبکه است. هنگام برداشتن فیلتر با احتیاط عمل کنید.

- در صورتیکه دستگاه به مدت طولانی مورد استفاده قرار نگرفته باشد، یا یخ یا آب دارای مزه یا بوی نامطلوب باشد، اجازه دهید آب در کل سیستم آب دستگاه جریان یابد.

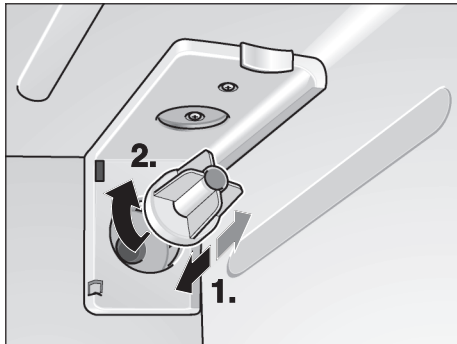
- در این صورت، با دریافت آب به مدت چند دقیقه، جریان آب را در داخل محفظه توزیع آب برقرار نمایید. در صورت باقی ماندن مزه یا بوی نامطلوب، فیلتر را تعویض نمایید.

- در برابر یخ زدگی محافظت نمایید. در صورت احتمال کاهش دما به حد پائینتر از نقطه انجماد، کارتریج فیلتر را خارج نمایید.

- در صورتیکه فشار آب بالاتر از ۰/۸۶ ام پی

که تا ۲۴ ساعت بعد تولید خواهند شد را دور بریزید.

- امکان استفاده از قسمت توزیع آب و یخ بدون وجود فیلتر نیز وجود دارد. در چنین حالتی درپوش قفل شدنی باید مورد استفاده قرار گیرد.



ای (۸/۶ بار) می باشد فیلتر آب را نصب نکنید. در صورتیکه فشار آب بالاتر از ۰/۵۵ ام پی ای (۵/۵ بار) می باشد، باید یک شیر کاهنده فشار نصب شود. چنانچه مطمئن نیستید که فشار آب چه اندازه می باشد، با یک کارشناس نصب تماس حاصل نمایید.

- در صورت احتمال بروز نوسان فشار داخل لوله آب، فیلتر آب را بدون استفاده از برطرف کننده مناسب نوسان نصب نکنید. در صورت مطمئن نبودن از بروز نوسان فشار داخل لوله آب با یک کارشناس نصب تماس حاصل نمایید.

- پس از نصب یک فیلتر جدید: تمامی یخهایی را که در ۲۴ ساعت اول پس از روشن شدن دستگاه تولید شده اند دور بریزید.

- در صورتی که برای مدتی طولانی هیچ یخی خارج نشده است: ظرف مخصوص جمع آوری یخ را خالی نموده و تمامی یخهایی را

## برگ اطلاعات مشخصات و خروجی دستگاه

برگ اطلاعات عملکرد  
مدلهای CS-451/CS-452

**CUNOCS**  
COFFEE • TEA • WATER • VENDING

این سیستم ها از جهت کاهش میزان مواد لیست شده زیر و بر اساس استاندارد شماره ۴۲ NSF/ANSI مورد تست و آزمایش قرار گرفته اند.

غلظت مواد مشخص شده در داخل آب ورودی به سیستم بمیزان مساوی یا کمتر از حد مجاز غلظت مشخص شده آب خروجی سیستم که بر اساس استاندارد شماره ۴۲ NSF/ANSI تعریف گشته، در نظر گرفته شده است.

این سیستم توسط مرکز بین المللی ان اس اف و بر طبق استاندارد شماره ۴۲ NSF/ANSI در خصوص میزان بو و مزه کلرین مورد آزمایش و گواهی قرار گرفته است.



ظرفیت: ۵۷۰۰ لیتر بسته به شرایط آب محل.

## کاهش آلاینده ها توسط ان اس اف تعیین شده است

آزمایش ان اس اف	الزامات مورد نیاز ان اس اف در خصوص کاهش	متوسط درصد کاهش	میزان متوسط آب دستگاه	میزان متوسط مایعات درون ریز مشخص شده توسط ان اس اف. میزان غلظت را مورد اعتراض قرار می دهد	میزان متوسط مایعات درون ریز	کاهش آلاینده ها
503821-01	$\leq 50\%$	۸۶	۰/۲۸	۲/۰ میلی گرم بر لیتر $\pm 10\%$	۲/۰	مزه و بوی کلرین

تنها برای استفاده با آب سرد.

بمنظور استفاده بهینه و مطابق آگهی انجام شده از این دستگاه، در نظر گرفتن و اجرای الزامات عملکردی، تعمیراتی و تعویض بموقع فیلتر ضروری می باشد. هر شش ماه کارتریج ها را تعویض نمایید. جریان آب را بمدت ۵ دقیقه در کارتریج جدید جاری سازید. جهت جایگزینی از کارتریج های شماره CS-51 و یا CS-52 استفاده فرمائید.

راهنامه استفاده / پارامترهای تغذیه آب	روند سرویس
۱/۹ لیتر/دقیقه	تغذیه آب
جریان آب عمومی یا خصوصی	فشار آب
۰/۱۷ - ۰/۸۶ ام پی ای (۱/۷ - ۸/۶ بار)	دمای آب
۵ تا ۳۸ درجه سانتیگراد	

از استعمال قبل یا بعد این سیستم با آبی که از لحاظ میکروبیولوژیک نامطمئن بوده و یا آبی که کیفیت آن نامشخص می باشد و هنوز ضد عفونی نگردیده است، خودداری فرمائید.

انجام مراحل نصب و استفاده از سیستم ها می بایست بر اساس دستورالعمل و روش های توصیه شده شرکت سازنده انجام پذیرد.

شرایط ضمانت: کارت ضمانت را ملاحظه کنید.

بمنظور دریافت سرویس و قطعات یدکی با نمایندگی محلی شرکت تماس حاصل فرمائید و یا:

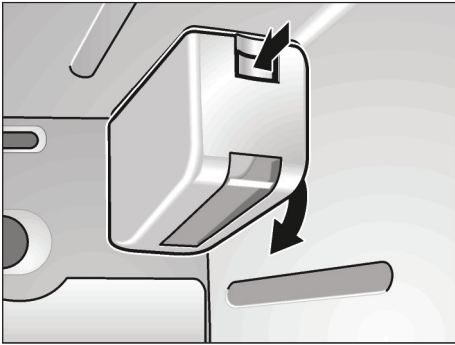
به این نکته توجه داشته باشید که آزمایشات در محیط استاندارد لابراتوار انجام گرفته اند و ممکن است نتایج عملکرد واقعی متفاوت باشد.



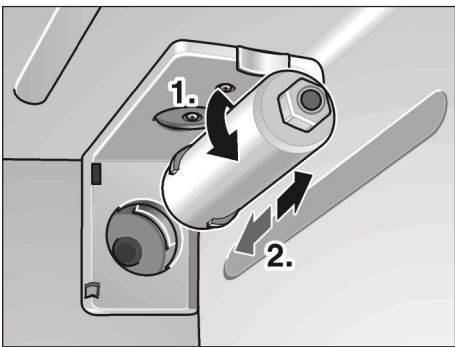
**CUNO Incorporated**  
400 Research Parkway  
Meriden, CT 06450, USA  
Worldwide: 203-237-5541  
Fax: 203-238-8701  
www.cuno.com

## روش تعویض فیلتر

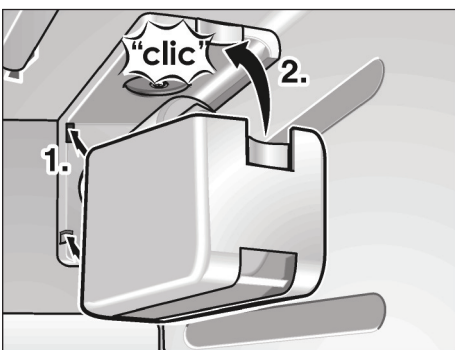
- احتیاط: دستگاه را از برق کشیده و یا فیوز را قطع نمائید.
- جریان آب دستگاه را قطع نمائید.



- شستی را فشرده و درپوش را بردارید.



- فیلتر را با دقت ۹۰ درجه در خلاف جهت عقربه های ساعت چرخانده، و آن را بیرون بکشید.
- فیلتر جدید را از داخل بسته بندی آن خارج نموده و درپوش محافظ را بردارید.
- فیلتر جدید را داخل نگهدارنده قرار داده، و با دقت ۹۰ درجه در جهت عقربه های ساعت بچرخانید.



- درپوش را در جای خود محکم نمائید.

## روش قطع کردن دستگاه یخساز

چنانچه برای مدتی طولانی مثلاً بیش از یک هفته نیاز به قالب یخ ندارید، جهت جلوگیری از ساخت یخ و چسبندگی آن ها به یکدیگر، دستگاه یخساز را بطور موقت قطع کنید.



- دکمه قفل «دستگاه یخساز» را فشار دهید. سمبل مرتبط روشن می گردد.
- ظرف مخصوص قالب یخ را خارج کرده و پس از تخلیه مجدداً جایگذاری نمائید. مطمئن شوید که ظرف مخصوص قالب یخ در داخل نگه دارنده خود قرار دارد.
- مجدداً دستگاه یخساز را روشن کنید:
- دکمه قفل «دستگاه یخساز» را فشار دهید. سمبل خاموش می شود.

## فیلتر آب

### ⚠ هشدار

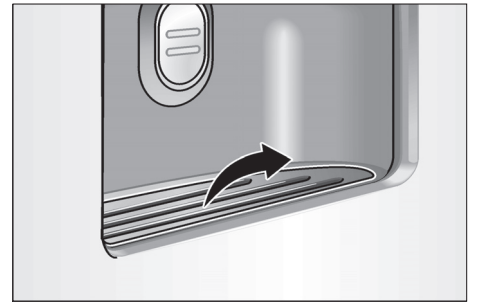
در محلهایی که کیفیت آب مشکوک و یا ناشناخته می باشد، از دستگاه بدون ضدعفونی، مناسب آب قبل و یا بعد از تصفیه استفاده نفرمائید.

فیلتر جدید را می توانید از خدمات پس از فروش تهیه نمائید.

حداقل هر شش ماه یکبار و یا در نهایت، زمانی که عبارت «نیاز به تعویض فیلتر» بر روی نمایشگر نشان داده شد، فیلتر را تعویض نمائید.

## روش تخلیه و تمیز کردن سینی جمع آوری آب

قطرات آب بیرون پاشیده از لیوان، در داخل سینی جمع آوری آب گرد می آیند. با بیرون آوردن سینی جمع آوری آب، امکان تخلیه و تمیز کردن آن وجود خواهد داشت.



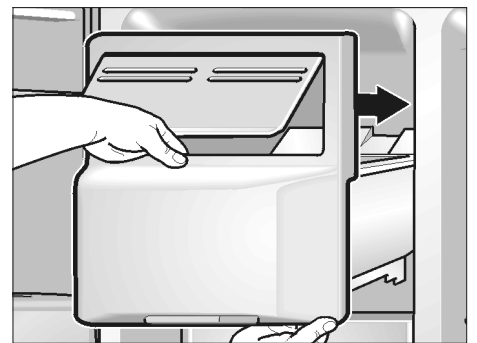
## روش خارج کردن و تمیز کردن ظرف مخصوص قالب های یخ

چنانچه بمدت طولانی یخ از قسمت توزیع دریافت نشود، قالب های یخ حالت کهنگی پیدا نموده، طعم ماندگی گرفته و بهم می چسبند.

- ظرف را بیرون کشیده، خالی نموده و سپس با آب ولرم بشوئید.
- ظرف را کاملاً خشک کرده و آنگاه جهت جلوگیری از چسبندگی قالب های یخ به یکدیگر، پیچ نقاله یخ را بپیچانید.

## ظرف مخصوص قالب های یخ در جای خود قرار دهید

- ظرف مخصوص قالب های یخ را به سمت عقب و بروی نگه دارنده آن فشار دهید تا در جای خود قفل شود.

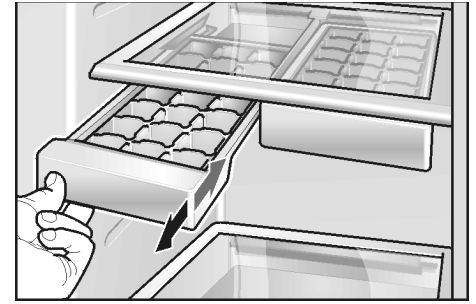


- اگر ظرف را نمیتوانید به سمت عقب فشار دهید، پیچ نقاله یخ را بپیچانید.
- در این حال کار یخساز ادامه می یابد.



## روش ساخت قالب های یخ

(دستگاه های فاقد دستگاه یخساز)



- ۷۴ سینی مخصوص قالب یخ را از آب پر نموده و در جای خود در داخل محفظه فریزر قرار دهید.
- جهت در آوردن قالب های یخ، کمی سینی مخصوص قالب یخ را خم نموده و یا بصورت ساده زیر آب بگیرید.

## محل توزیع خودکار یخ و آب

موارد زیر را می توان بسته به نوع نیاز دریافت نمود:

- آب سرد
- قالب های یخ
- یخ خرد شده

**⚠ هشدار!**

برای دریافت آب و یا یخ از ظروف شکننده استفاده ننمائید - خطر بروز جراحت در اثر شکستن شیشه!

انگشتان خود را از خروجی تخلیه دور نگه دارید. خطر بروز جراحت در اثر تماس با تیغه خرد کننده یخ!

توجه:

قسمت تحویل یخ و آب در صورت اتصال دستگاه به پریز برق کار خواهد کرد.

## در هنگام روشن نمودن دستگاه خود، به موارد زیر عنایت فرمائید

زمانی که دستگاه را وصل می نمائید هنوز حباب های هوا در داخل لوله ها وجود دارند.

آب آشامیدنی را مکرراً از قسمت توزیع آب دریافت نموده و دور بریزید و اینکار را تا زمانی که آب بدون هوا خارج شود، ادامه دهید. ۵ لیوان اول آب را دور بریزید.

هنگامیکه برای نخستین بار دستگاه یخساز را مورد بهره برداری قرار می دهید، بدلیل بهداشتی، ۳۰-۴۰ قالب یخ اول را مصرف نکنید.

## روش عملکرد دستگاه یخساز

زمانیکه محفظه فریزر به دمای انجمادی خود رسید، آب بداخل یخساز جاری شده و بصورت قالب یخ شکل میگیرد. در هنگامی که قالب های یخ آماده شدند، بطور خودکار بداخل ظرف مخصوص نگه داری یخ تخلیه می گردند.

گاهی اوقات لبه یخ ها بهم می چسبند. زمانیکه به مدخل خرجی منتقل شدند، از یکدیگر شکسته و جدا می شوند.

هر زمان که ظرف مخصوص نگه داری یخ پر شود، عملیات یخساز بطور خودکار متوقف می شود.

دستگاه یخساز قادر به ساخت حدود ۱۰۰ قالب یخ در طی ۲۴ ساعت می باشد.

هرگز جهت سرد شدن سریع، بطری ها و یا غذیه را در داخل ظرف مخصوص نگه داری یخ قرار ندهید. امکان قفل کردن دستگاه یخساز و آسیب دیدگی آن وجود دارد.

از زمان روشن شدن دستگاه تا آماده سازی اولین دسته قالب های یخ حدود ۲۴ ساعت وقت لازم است.

هنگامیکه قالب های یخ در حال ساخت هستند، صدای شیر داخلی دستگاه و جریان آب ورودی بداخل سینی قالب یخ و همچنین صدای افتادن یخ ها بداخل ظرف مخصوص شنیده می شوند.

## کیفیت آب آشامیدنی

کلیه مواد اولیه بکار رفته در قسمت توزیع آب از جنس بدون طعم و بو انتخاب شده اند.

اگر آب طعم دارد میتواند بدلیل زیر باشد:

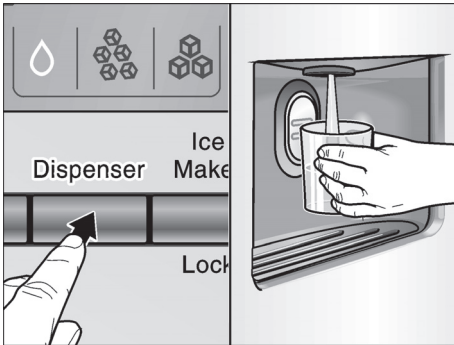
- مواد معدنی و کلرین موجود در آب آشامیدنی.
- مواد موجود در خطوط داخلی آب و اتصالات آن.
- تازگی آب آشامیدنی ( چنانچه برای مدتی طولانی از قسمت توزیع آب نگرفته باشید، ممکن است آب مزه «ماندگی» بخود بگیرد. در چنین مواقعی حدود ۱۵ لیوان آب از یخچال گرفته و دور بریزید).

طعم و بوی آب احتمالاً با نصب فیلتر ضمیمه دستگاه، بهبود می یابد.

فیلتر همراه دستگاه فقط قادر به جذب ذرات موجود در آب خواهد بود و نه باکتری ها و میکروب های آن.

## روش دریافت آب از قسمت توزیع یخچال

- تا زمان روشن شدن سمبل مربوطه، دکمه را فشار داده و نگه دارید.



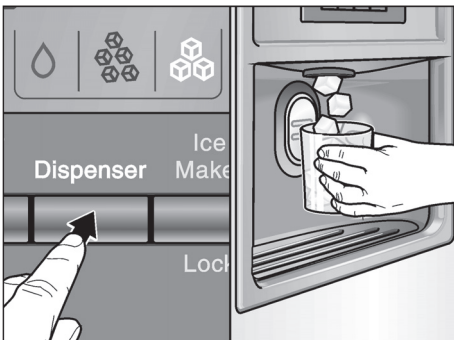
- لیوان را به پدال قسمت توزیع آب فشار دهید. هنگامی که لیوان را از پدال قسمت توزیع آب بردارید، جریان آب قطع می گردد.

نکته:

دمای آب دریافتی تا حدی دلیپذیر خنک شده است. چنانچه تمایل به آب خنک تر دارید، قبل از دریافت آب، در لیوان خود یخ بریزید.

## روش دریافت یخ از قسمت توزیع یخچال

- تا زمان روشن شدن سمبل مربوطه به قالب یخ و یا یخ خرد شده، دکمه را فشار داده و نگه دارید.



- ظرف مناسب را به پدال قسمت توزیع آب و یخ فشار دهید.

توجه:

- هنگامی که ظرف تا حد نصف آن پر شد، آن را از پدال قسمت توزیع آب و یخ بردارید. زیرا احتمال دارد یخ موجود در مجرای خروجی از حد ظرف بالا زده و باعث انسداد مجرا شود.

- پس از تبدیل حالت یخ قالبی به یخ خرد شده، ممکن است هنوز در مجرای خروجی قالب یخ و یا تکه های آن وجود داشته باشد. این یخ های باقیمانده با اولین سری یخ خرد شده بیرون می آیند.

## محصولات زیر جهت بسته بندی مواد غذایی مناسب هستند:

کیسه های نازک پلاستیکی، کیسه های بادکنکی پلی اتیلن، فویل آلومینیوم و ظرف فلزی مخصوص فریزر. این گونه محصولات را می توان از فروشگاه های مخصوص تهیه نمود.

## محصولات زیر جهت وکیوم نمودن مواد غذایی بسته بندی شده مناسب هستند:

نوار های لاستیکی، گیره های پلاستیکی، نخ مخصوص، نوار چسب های مقاوم در برابر سرما یا موارد مشابه.

درب کیسه های معمولی و بادکنکی جنس پلی اتیلن را میتوان با یک نوار وکیوم کننده بست.

## ظرفیت فریزر

شما امکان فریز نمودن تا ۱۰ کیلو گرم مواد غذایی در ۲۴ ساعت را دارا هستید.

## طول زمان ذخیره سازی مواد غذایی

مدت زمان ذخیره سازی بستگی به نوع تولید دارد.

در دمای میانه:

ماهی، سوسیس، غذای آماده تا شش ماه و کیگ و شیرینی	تا هشت ماه
پنیر، مرغ و گوشت	تا ۱۲ ماه
سبزیجات و میوه	تا ۱۲ ماه

## روش ذوب یخ غذایی

بسته به نوع غذا و موارد استفاده، یخ غذایی فریزر شده را می توان بر روش زیر ذوب نمود:

- در دمای اتاق

- در یخچال

- در اجاق الکتریکی، با/بدون فن هوای داغ

- در ماکروفر

### توجه

از فریز کردن مجدد اقلام غذایی که یخ آنها در حال باز شدن بوده و یا قبلاً باز شده اند، خودداری بفرمائید. مواد غذایی قابلیت فریز مجدد را ندارند مگر آنکه قبلاً آماده شده باشند (جوشانده یا سرخ کرده).

بیش از زمان حداکثر ذخیره سازی، اقلام غذایی فریز شده را نگاه ندارید.

## روش فریز کردن و ذخیره سازی مواد غذایی

### روش نگه داری غذا هایی که عمیقاً یخ زده اند

در هنگام خرید غذایی فریز شده، مورد زیر را مورد عنایت قرار دهید:

- دقت کنید که بسته بندی آسیب ندیده باشد.
- تاریخ اعتبار مواد غذایی را چک کنید.
- دمای داخلی فریزر سوپر مارکت می بایست -۱۸ درجه سانتیگراد یا کمتر باشد. در غیر اینصورت، طول زمان ذخیره سازی کاهش می یابد.
- مواد غذایی فریز شده را در آخرین مرحله، خرید نمائید. این مواد را در داخل روزنامه پیچیده و یا داخل کیسه های مخصوص حمل مواد غذایی سرد قرار داده و به خانه ببرید.

• در خانه نیز سریعاً مواد غذایی یخ زده را در داخل فریزر قرار دهید. مواد غذایی یخ زده را قبل از گذشت تاریخ اعتبار، مصرف کنید.

- موادی که یخ شان باز شده را مجدداً فریز نکنید. استثنائات: چنانچه از این مواد جهت پخت غذا های آماده استفاده می نمائید (جوشاندن و یا سرخ کردن)، می توانید مجدداً آن ها را فریز کنید.

## فریز کردن مواد توسط خودتان

تنها فریز کردن غذا های تازه و غیر معیوب جهت جلوگیری از پدید آمدن بو و مزه غذایی و خشک شدن آن، این مواد را بسته بندی نموده و یا در داخل ظروف در بسته محفوظ از جریان هوا قرار دهید. جهت حفظ ویتامین ها، ارزش غذایی، ظاهر و طعم غذایی، لازم است که هر چه سریعتر آنها را فریز نمائیم. بیش از حد مجاز ظرفیت فریزر، در آن مواد غذایی قرار ندهید.

## روش صحیح بسته بندی مواد غذایی:

- غذا را در داخل لفاف قرار دهید.
- هوای داخل لفاف را کاملاً تخلیه کنید.
- درب لفاف را ببندید.
- تاریخ بسته بندی و نام مواد داخل کیسه را روی یک برچسب نوشته و بروی آن بچسبانید.

## محصولات زیر جهت بسته بندی مواد غذایی مناسب نیستند:

کاغذ بسته بندی، کاغذ ضد روغن، سلوفان، کیسه های غیر قابل استفاده و کیسه های خرید دست دوم.

## محفظه فریزر

دمای داخل محفظه فریزر را می توان از -۱۶ درجه سانتیگراد تا -۲۲ درجه سانتیگراد تنظیم نمود. توصیه ما دمای -۱۸ درجه سانتیگراد است.

روش استفاده از محفظه فریزر

- جهت نگه داری و ذخیره سازی اقلام غذایی که عمیقاً یخ زده اند.

- جهت فریز کردن مواد غذایی.

- جهت ساخت قالب های یخ.

### توجه:

همیشه از بسته بودن درب فریزر اطمینان داشته باشید. در صورت باز بودن درب، یخ مواد غذایی باز می شود. محفظه فریزر با قشری ضخیم از برفک پوشیده خواهد شد. همچنین: همچنین در اثر مصرف بالایی برق، انرژی نیز تلف می گردد.

## فریز «سریع»

کاربرد فریز سریع در فریز کردن مقادیر زیاد غذا های تازه بوده و بسته به کمیت مواد غذایی، می باید تا ۲۴ ساعت قبل از قرار دادن مواد غذایی در محفظه فریزر، فعال گردیده باشد. در حالت فریز «سریع»، محفظه فریزر تا حد امکان سرد خواهد گشت.

- دکمه سوپر را فشار دهید.



با هر بار فشار دکمه، این عملکرد فعال یا غیر فعال می گردد. فعال شدن عملکرد «فریز سریع» توسط سمبل خاص بروی صفحه نمایش نشان داده خواهد شد.

## غذا هائي كه ننگه داري آن ها در محفظه «سرد - تازه» توصيه نمي گردد:

- ميوه ها و سبزيجات حساس به سرما ( ميوه هاي مناطق استوائي، انبه، عنبه هندي، ميوه هاي خاص، بادنجان، خيار، فلفل، كاهو)
- ميوه هائي كه نياز به رسيدن دارند ( گوجه سبز، موز)
- سيب زميني
- پنير سفت

## هنگام خريد اغذيه به موارد زير توجه كنيد:

«تازگي خريد» نقش مهمي را در طول عمر ننگه داري مواد غذائي ايفاء مي نمايد. بطور كلي موارد زير مصداق دارند: هر چه مواد غذائي ننگه داري شده در محفظه «سرد - تازه» با نشاط تر باشند، بيشتر مي توان آن ها را ننگه داري نمود. هميشه در هنگام خريد مواد غذائي به درجه تازگي آن ها توجه داشته باشيد.

## زمان هاي ننگه داري (در 0 درجه سانتيگراد):

### بستگي به ميزان كيفيت اوليه دارد

سوسيس، كالباس، گوشت، مواد تا ۷ روز زائد گوشت، ماهي، شير تازه، مواد لبنی
قطعات ريز گوشت، سوسيس تا ۱۰ روز سرخ شده، قارچ، كاهو، سبزيجات برگ دار
قطعات درشت گوشت، غذا هاي تا ۱۵ روز آماده
سوسيس دودي يا سفت، كلم تا ۲۰ روز
قطعات درشت گوشت تفت داده تا ۳۰ روز شده، گوشت گاو، گوشت شكار، گوشت تازه ذبح شده

## محفظه بار خانگي

(كليه مدل ها را شامل نمي گردد)

بمنظور دريافت نوشيدني، و امثالهم از داخل محفظه يخچال، لازم نيست كه درب را باز نماييد.



## محفظه ننگه داري «سرد - تازه»

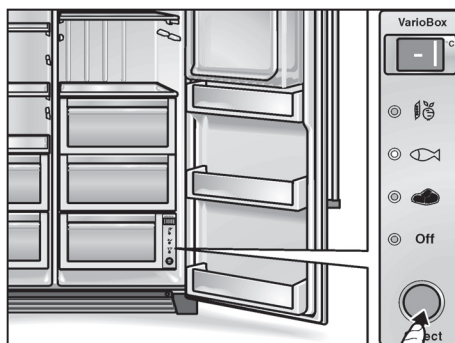
(كليه مدل ها را شامل نمي گردد)

دماي اين محفظه در حد تقريبا 0 درجه سانتيگراد حفظ مي گردد. اين حالت فراهم كننده مطلوب ترين شرايط ذخيره سازي اغذيه تازه است.

جهت ايجاد مطلوب ترين شرايط ذخيره سازي غذا:

- با استفاده از دکمه انتخاب، نوع غذاي مناسب را انتخاب نماييد (سبزيجات/ماهي/گوشت).

انتخاب انجام شده توسط يك چراغ ال ابي دي روشن و ميزان دما نمايش داده مي شود.



### توجه:

- در وضعيت «غير فعال»، محفظه، دمائي محفظه بالاي خود را اختيار مي کند.
- دمائي نمايش داده شده همان دمائي مورد نياز مي باشد. امکان تغيير جزئي دمائي داخل محفظه «سرد - تازه» وجود دارد.

## يخچال

دماي داخل محفظه يخچال را مي توان از ۲+ درجه سانتيگراد تا ۸+ درجه سانتيگراد تنظيم نمود. توصيه ما تنظيم بروي رقم ۳+ درجه سانتيگراد است.

## روش استفاده از محفظه يخچال

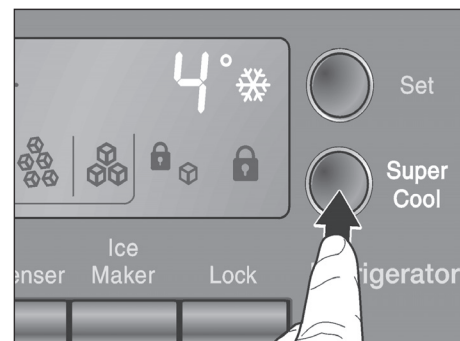
جهت ذخيره سازي و ننگه داري كيك، شيريني، غذا هاي آماده، اغذيه كنسرو، شير تغليظ شده، پنير سفت، ميوه و سبزيجات حساس به سرما: ميوه هاي مناطق استوائي، مانند نارنگي، موز، آناناس، خربزه، انبه، عنبه هندي، ميوه هاي خاص، بادنجان و همچنين ميوه هائي كه نياز به رسيدن شدن دارند، مانند گوجه فرنگي، خيار، گوجه سبز، سيب زميني.

## هنگام قرار دادن غذا ها، بروش زير عمل كنيد:

- صبر كنيد كه اغذيه و نوشابه هاي گرم بيرون از دستگاه خنك شوند.
- جهت جلوگیری از پريدن بو و مزه اغذيه و خشك شدن آن، اين مواد را در داخل ظروف در بسته محفوظ از جريان هوا قرار دهيد.
- از تماس روغن و چربي غذا ها با سطوح پلاستيكي و لاستيك دور درب پرهيز بفرمائيد.
- درب بطري هاي حاوي الكل با درصد بالا را محكم بسته و بصورت ايستاده نگاه داريد. از ذخيره سازي مواد انفجاري در داخل دستگاه خودداري نماييد. خطر انفجار!

## خنك سازي «سريع»

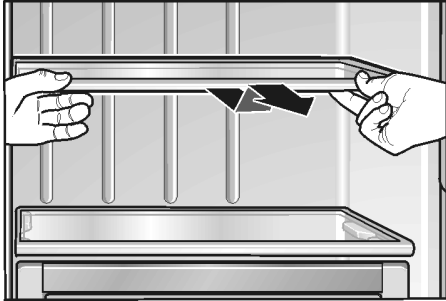
- کاربرد اين عملکرد در خنك سازي سريع مواد غذائي و نوشيدني هائي است كه در داخل محفظه يخچال قرار داده مي شوند. در حالت فعال بودن عملکرد خنك سازي «سريع»، محفظه يخچال تا حد امکان سرد مي شود.
- دکمه سوپر را فشار دهيد.



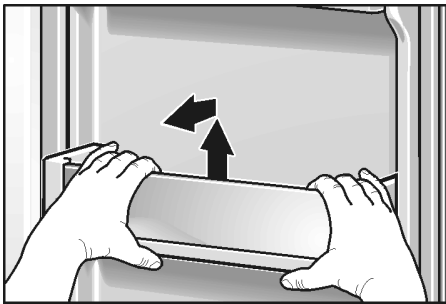
با هر بار فشار دکمه، اين عملکرد فعال يا غير فعال مي گردد. فعال شدن عملکرد «خنك سازي سريع» توسط يك سمبل بروي صفحه نمايش ظاهر مي گردد.

## طراحی داخلی متغیر

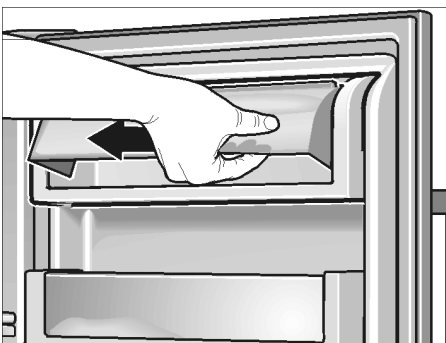
- شما امکان تغییر وضعیت طبقات داخلی دستگاه و همچنین محفظه های داخل درب را بر اساس نیاز های خود، دارا هستید.
- طبقه را بسمت جلو کشیده و خارج سازید.



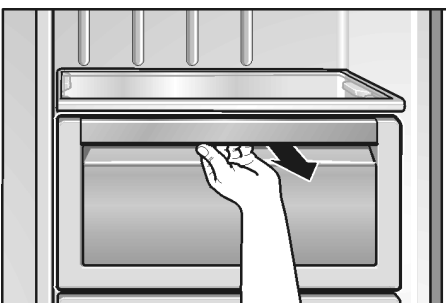
- محفظه را بلند نموده و خارج سازید.



- درپوش روی محفظه کره و پنیر را به آرامی بلند نموده و به سمت چپ فشار داده و خارج سازید.



- کشوها را به سمت جلو کشیده آنگاه کمی بلند نموده و خارج سازید.



- ظرف مخصوص قالب های یخ را تخلیه نمائید (به بخش «روش تمیز کردن دستگاه» رجوع شود).
- تنمه آب آشامیدنی را خالی کنید.
- دوشاخه اصلی دستگاه را از پریز خارج نمائید.
- فیلتر آب را بردارید.

### توجه:

- قبل از روشن کردن مجدد دستگاه، یک فیلتر آب جدید را نصب کنید!
- داخل دستگاه را تمیز نمائید (به بخش «تمیز کردن دستگاه» رجوع شود).

جهت جلوگیری از بو گرفتگی، درب های دستگاه را باز بگذارید.

چنانچه احتمال یخ زدگی وجود دارد، با بکار گیری یک تکنسین، محفظه آب آشامیدنی قسمت توزیع آب را تخلیه نمائید (به بخش دستورالعمل های نصب رجوع شود)

### در صورت تغییر منزل

کلیه اجزای جدا شدنی را جدا ساخته و هر کدام را بدقت بسته بندی نمائید. درب ها و قسمت های آویزان را با استفاده از نوار چسب محکم نموده و دستگاه را بحالت ایستاده حمل کنید.

## عملکرد های دستگاه

### زنگ آلارم درب

در صورتیکه یکی از درب ها باز بماند، یک صدای آلارم پس از یک دقیقه بصدا در آمده و هر ۶۰ ثانیه یک بار به مدت ۵ دقیقه تکرار می گردد.

### چراغ داخلی بصورت خودکار خاموش می شود

در صورتیکه یکی از درب ها بمدت بیش از ۱۰ دقیقه باز بماند، چراغ داخلی جهت جلوگیری از ایجاد گرمای اضافی خاموش می گردد. این کار باعث صرفه جوئی در مصرف برق می شود.

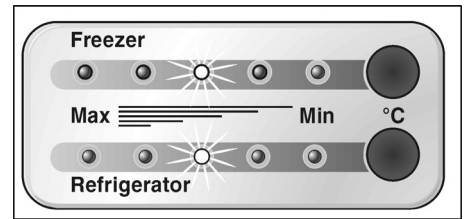
### حالت صرفه جوئی در مصرف برق

یک دقیقه پس از بسته شدن درب ها و یا فشار داده شدن یکی از دکمه های صفحه نمایشگر عملیات و یا دکمه های قسمت توزیع یخ و آب، وضعیت صفحه نمایشگر صفحه کنترل، به حالت صرفه جوئی در مصرف برق تغییر یافته و نور زمینه آن کم می گردد.

بمحض اینکه دستگاه مجدداً مورد استفاده قرار گیرد، بعنوان مثال درب آن باز شده و یا یکی از کلید ها فشار داده شوند، نور زمینه صفحه نمایش به حالت عادی باز خواهد گشت.

## دستگاه های دارای کنترل دما

- دستگاه دارای دو کنترل دمائی مجزا برای محفظه های یخچال و فریزر می باشد.
- تنظیمات کارخانه برای محفظه های یخچال و فریزر در حد متوسط می باشد.

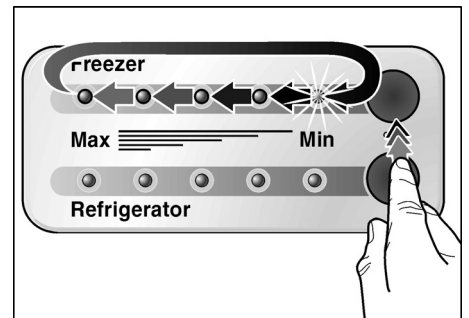


### توجه:

۵ چراغ ال ای دی نشاندهنده محدوده دمائی محفظه مربوطه می باشد. بعنوان مثال دمائی محفظه یخچال از +۲ درجه سانتیگراد تا +۸ درجه سانتیگراد.

جهت تغییر رقم دما بروش زیر عمل کنید:

- تا زمان رسیدن به تنظیمات دلخواه، دکمه انتخاب را فشار داده و نگه دارید.



اعداد نشاندهنده مقدار درجه حرارت دستگاه، به ترتیب از گرمترین (حداقل) تا سردترین (حداکثر) نشان داده می شوند.

## روش خاموش کردن دستگاه و قطع اتصال آن

### روش خاموش کردن دستگاه

- دوشاخه اصلی دستگاه را از پریز خارج نمائید.

### روش قطع اتصال دستگاه

چنانچه برای مدتی طولانی مورد استفاده قرار نمی گیرد:

- کلیه مواد غذایی را از داخل دستگاه خارج کنید.
- جریان آب دستگاه را قطع نمائید.

## روش نصب

### محل نصب دستگاه

دستگاه را در محلی خشک و با تهویه مناسب هوا قرار دهید. محل استقرار دستگاه نمی بایست در معرض نور مستقیم خورشید و یا در مجاورت منابع گرما یا از قبیل اجاق گاز، شوفاژ و امثالهم انتخاب گردد. در صورتیکه چاره ای جز نصب در کنار منابع گرما وجود ندارد، از یک صفحه عایق مناسب استفاده نموده و یا حداقل فاصله لازم را رعایت فرمائید:

۳ - سانتیمتر تا اجاق الکتریکی.

۳۰ - سانتیمتر تا اجاق نفتی و یا اجاق های دارای سوخت جامد.

کف زمین محل استقرار دستگاه باید محکم باشد. در صورت لزوم، کف زمین را تقویت نمائید.

وزن دستگاه بسیار سنگین است. جهت اطلاع از وزن خالص دستگاه، به جدول زیر مراجعه شود.

مدل پایه	۱۰۴ کیلوگرم
مدل دارای قسمت توزیع یخ	۱۱۳ کیلوگرم
مدل های دارای بار خانگی	۱۱۵ کیلوگرم

جهت اطمینان از کارکرد صحیح یخساز، می بایست دستگاه بصورت ایستاده قرار گرفته باشد. صاف قرار داشتن دستگاه را با یک تراز بابادار بسنجید. چنانچه دستگاه را در گوشه و یا فرو رفتگی دیوار اتاق قرار می دهید، بمنظور باز شدن کامل درب ها، حداقل فاصله جانبی را رعایت فرمائید. (به بخش «اندازه های دستگاه» رجوع شود).

## روش اتصال دستگاه به برق

پس از نصب و استقرار دستگاه حداقل یک ساعت درنگ نموده و سپس دستگاه را روشن نمایید. این امر به احاط آن است که امکان دارد روغن موجود در کمپرسور دستگاه در زمان حمل و نقل به داخل سیستم خنک کننده وارد شده باشد.

قبل از استفاده از دستگاه برای نخستین بار، داخل آن را تمیز نمایید. (به بخش «تمیزکاری دستگاه» مراجعه کنید).

توجه داشته باشید که می بایست پریز برق همیشه در دسترس باشد. همچنین می باید دستگاه را از طریق یک پریز سالم و مناسب به جریان برق متناوب ۲۴۰-۲۰۰ ولت / ۵۰ هرتز وصل نمایید. پریز مذکور باید توسط یک فیوز ۱۰ تا ۱۶ آمپر محافظت شده باشد.

در صورت کاربری دستگاه در کشور های خارج از قاره اروپا، چک کنید که ولتاژ و نوع جریان قید شده بر روی پلاک رتبه بندی دستگاه با مقادیر برق در دسترس همخوانی کامل داشته باشند. پلاک رتبه بندی دستگاه در قسمت پایین و چپ در داخل محفظه دستگاه تعبیه شده است. همچنین توجه داشته باشید که در صورت نیاز به تعویض کابل برق دستگاه، این عمل می بایست توسط متخصصین کارآموده انجام پذیرد.

### ⚠ هشدار!

هرگز دستگاه را از طریق دوشاخه های مخصوص صرفه جوئی در مصرف برق و یا مبدل هایی که جریان برق ۲۳۰ ولت را به جریان متناوب تبدیل می کنند (مانند سیستم های برق خورشیدی و یا سیستم های مورد استفاده در قایق ها) متصل ننموده و مورد استفاده قرار ندهید.

### احتیاط:

در هنگام نصب و یا تعویض کابل برق، مقداری را جهت کشیدگی در نظر بگیرید.

## همیشه دمای محیط و وضعیت تهویه هوا را مد نظر داشته باشید

درجه بندی اتمسفر بروی صفحه شناسائی دستگاه درج شده است. این صفحه نشاندهنده دمای مطلوب اتاق جهت کارکرد دستگاه می باشد.

درجه بندی اتمسفر	دمای مجاز محیط
SN	۱۰+ درجه سانتیگراد تا ۳۲ درجه سانتیگراد
N	۱۶+ درجه سانتیگراد تا ۳۲ درجه سانتیگراد
ST	۱۶+ درجه سانتیگراد تا ۳۸ درجه سانتیگراد
T	۱۶+ درجه سانتیگراد تا ۴۲ درجه سانتیگراد

## تهویه هوا

هرگز منافذ تهویه هوای صفحه زیر پایه دستگاه را مسدود نکنید. در غیر اینصورت، واحد سرما زای دستگاه، تحت فشار کاری بالایی قرار گرفته و مصرف برق افزایش می یابد.

## روش روشن کردن دستگاه

• دو شاخه اصلی دستگاه را در داخل پریز برق قرار دهید.

بمحض اتصال دستگاه به برق، مرحله سرما زائی آن آغاز می گردد. در هنگام باز بودن درب دستگاه، چراغ های داخلی آن روشن می شوند.

### توجه:

دستگاه پس از گذشت حدود ۲ تا ۳ ساعت به دماهای پیش فرض (تنظیمات کارخانه) می رسد. قبل از این مرحله، مواد غذایی را داخل دستگاه قرار ندهید.

بمنظور تغییر تنظیمات دمائی -> به بخش «روش تنظیم دما» رجوع شود.

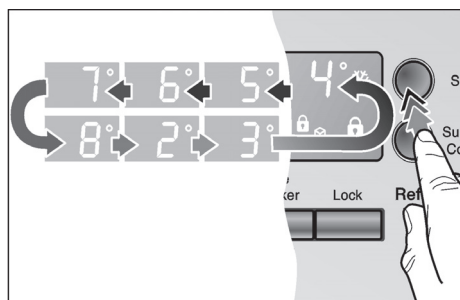
## روش تنظیم دما

### دستگاه های دارای صفحه کنترل

- دمای داخل محفظه های یخچال و فریزر را می توان بصورت مجزا تنظیم نمود. رقم تنظیم شده بروی صفحه نمایشگر نشان داده می شود.

جهت تغییر رقم دما بروش زیر عمل کنید:

• دکمه انتخاب را فشار داده و تا زمان نشان داده شدن رقم دلخواه دما آن را نگه دارید.

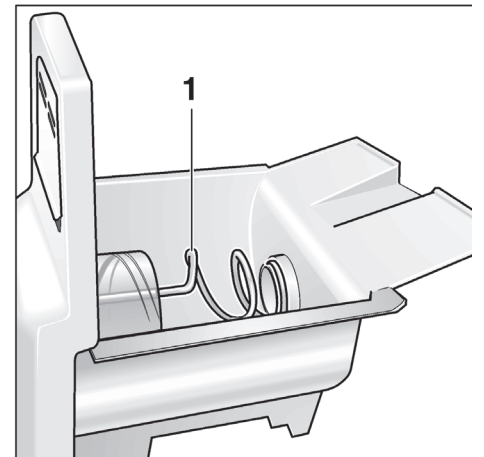


آخرین رقم نمایش داده شده در سیستم ذخیره می شود.

چنانچه برخی لوازم در دستگاه شما موجود نیست، بدلیل آن است که مربوط به مدل های دیگر میشود.

### محل توزیع یخ و آب

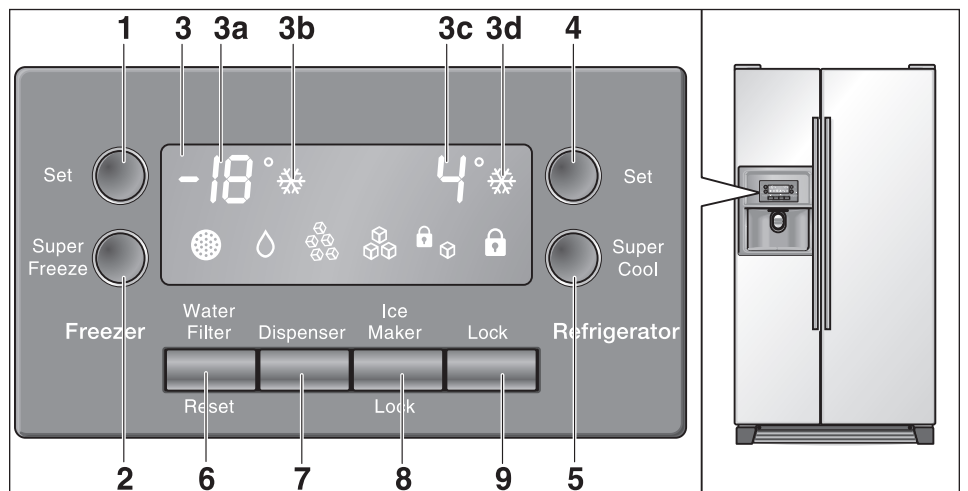
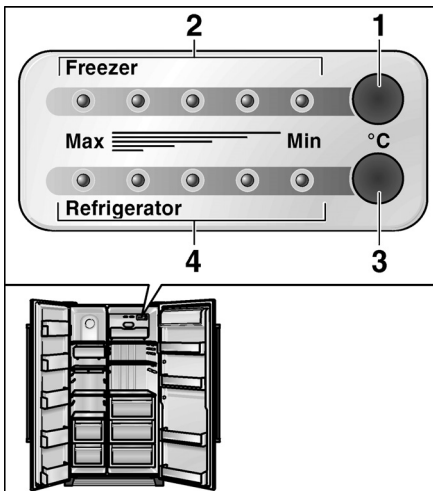
### دستگاه یخساز



- 2 پد مخصوص محل توزیع  
3 سینی مخصوص جمع آوری آب

1 حامل پیچ

### صفحه کنترل و نمایشگر



- کنترل دما
- 1 دکمه انتخاب دمای داخل محفظه فریزر  
2 نمایشگر ال ای دی دمای محفظه فریزر  
3 دکمه انتخاب دمای داخل محفظه یخچال  
4 نمایشگر ال ای دی دمای محفظه یخچال

- 6 دکمه راه اندازی مجدد، فیلتر آب  
7 دکمه درخواست آب/یخ  
8 دکمه قفل دستگاه یخساز جهت استفاده در زمان تمیز کردن و یا هنگام عدم استفاده طولانی مدت از دستگاه یخساز  
9 دکمه قفل صفحه کنترل (قفل کودک) فشار این دکمه باعث جلوگیری از تغییرات ناخواسته تنظیمات دستگاه خواهد گشت. جهت آزاد شدن دکمه، آن را بمدت بیش از یک ثانیه فشار دهید. نمایشگر محو می گردد.

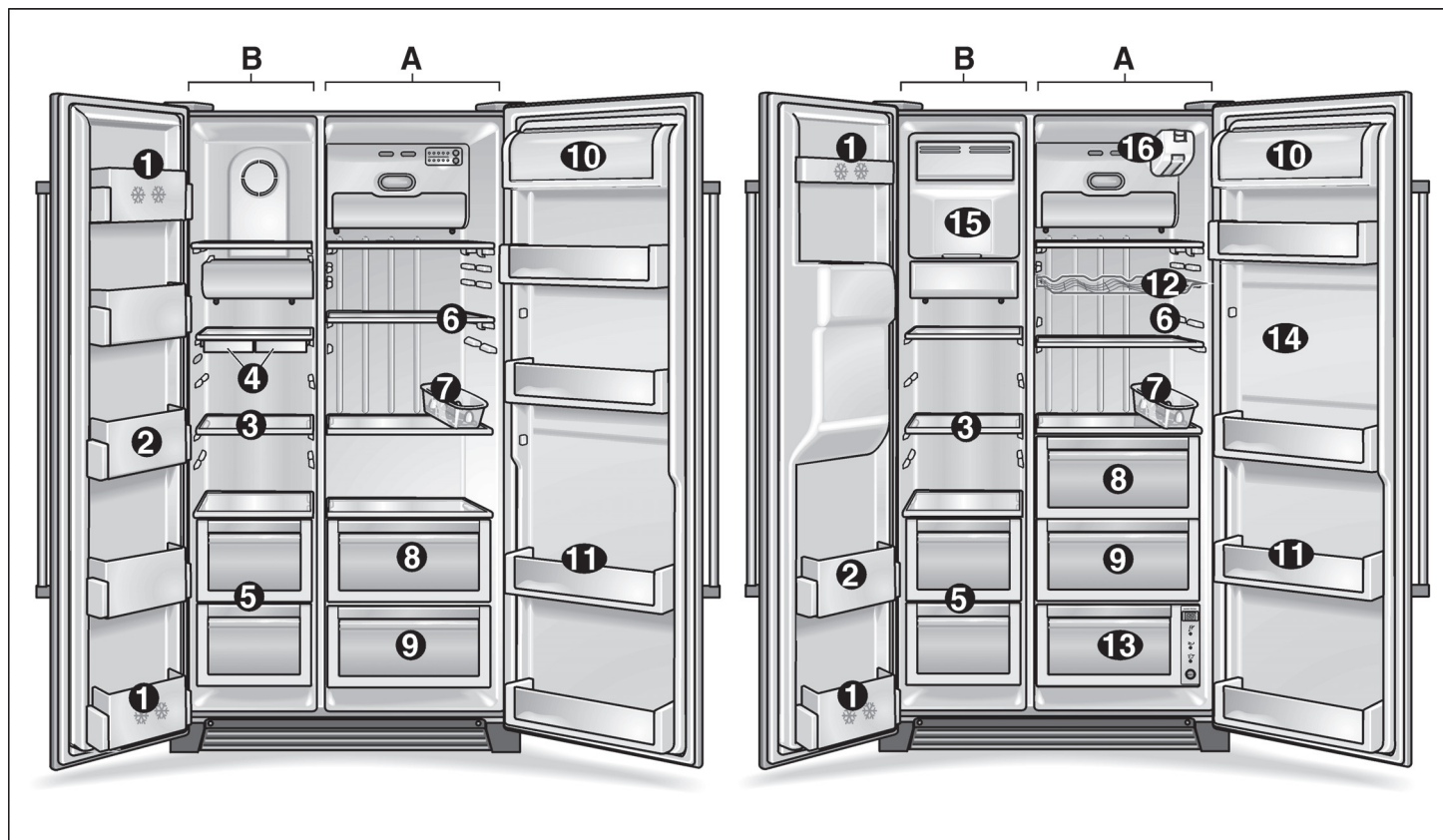
- 1 دکمه انتخاب دمای داخل محفظه فریزر  
2 دکمه فریز «سریع»  
3 صفحه نمایشگر  
3a نمایشگر دما، محفظه فریزر  
3b نمایشگر فریز «سریع»  
3c نمایشگر دما، محفظه یخچال  
3d نمایشگر خنک ساز «سریع»  
4 دکمه انتخاب دمای داخل محفظه یخچال  
5 دکمه خنک ساز «سریع»

### توضیحاتی در مورد سمبل های صفحه نمایشگر

نمایشگر «آب»		نمایش پیام «زمان تعویض فیلتر» پس از تعویض فیلتر، بمنظور خاموش شدن نمایشگر، دکمه ریست فیلتر را بمدت حدودا 5 ثانیه فشار داده و نگه دارید.	
نمایشگر «یخ خرد شده»		نمایشگر «یخساز قفل است»	
نمایشگر «یخ قالبی»		نمایشگر «صفحه کنترل قفل است»	

## دستگاه جدید شما

این دستورالعمل‌های عملکرد مربوط به چندین مدل مختلف می‌باشند. تصاویر ممکن است متفاوت باشند.



A محفظه یخچال

B محفظه فریزر

- |   |   |   |
|---|---|---|
| <p><b>14</b> محفظه بار خانگی*<br/>جهت سهولت در برداشت سریع نوشیدنی‌ها و بدون نیاز به باز کردن درب یخچال، از خارج باز می‌گردد.</p> <p><b>15</b> دستگاه یخساز*<br/>جهت تولید و ذخیره سازی قالب‌های یخ.</p> <p><b>16</b> فیلتر آب*</p> | <p><b>6</b> طبقات شیشه‌ای داخل محفظه یخچال جهت ذخیره سازی غذیه پخته شده، محصولات لبنی، سوسیس.</p> <p><b>7</b> ظرف مخصوص تخم مرغ</p> <p><b>8</b> محفظه مخصوص سبزیجات</p> <p><b>9</b> محفظه مخصوص میوه</p> <p><b>10</b> محفظه نگه داری کره و پنیر</p> <p><b>11</b> محفظه ذخیره سازی داخل درب جهت نگه داری غذیه کنسرو، بطری‌ها و پارچ‌ها.</p> <p><b>12</b> نگه دارنده بطری شراب*</p> <p><b>13</b> محفظه مخصوص تازه و خنک نگه داشتن غذیه*<br/>جهت ذخیره سازی بهینه ماهی، گوشت، مرغ.</p> | <p><b>1</b> محفظه ذخیره سازی داخل درب (۲- محفظه استار)<br/>جهت ذخیره سازی کوتاه مدت غذا و بستنی.</p> <p><b>2</b> محفظه ذخیره سازی داخل درب جهت نگه داری غذیه فریز شده.</p> <p><b>3</b> طبقات شیشه‌ای داخل محفظه فریزر جهت نگه داری غذیه فریز شده، مانند گوشت، ماهی، بستنی.</p> <p><b>4</b> محفظه نگه داری یخ قالبی*</p> <p><b>5</b> کشوی داخل محفظه فریزر جهت ذخیره سازی گوشت، ماهی، مرغ (بسته بندی شده).</p> |
|---|---|---|

\* تمام مدل‌ها را شامل نمی‌شود

## اطلاعاتی در خصوص روش دور انداختن دستگاه

### روش دور انداختن مواد بسته بندی

مواد بسته بندی دستگاه شما را در زمان حمل و نقل محفوظ نگه می دارند. کلیه مواد بسته بندی سازگار با محیط زیست بوده و قابل باز یافت هستند. لطفا با رعایت موازین زیست محیطی در هنگام دور انداختن مواد بسته بندی، در ایجاد محیط زیست سالم تر مشارکت فرمائید.

لطفا روش های صحیح دور انداختن مواد بسته بندی را از نماینده فروش دستگاه و یا مقامات محلی جویا شوید.

#### ⚠ هشدار

مواد و اجزای بسته بندی را از دسترس کودکان بدور نگاه دارید. خطر خفگی بر اثر کارتن های چند لایه و نوار های پلاستیکی وجود دارد!

### اطلاعات در خصوص روش دور انداختن دستگاه قدیمی

دستگاه های قدیمی زیاده های بی ارزش نیستند! مواد خام ارزشمندی را می توان از دستگاه های قدیمی بدست آورده و بازیافت نمود.

این دستگاه بر اساس استاندارد اروپایی شماره 2002/96/EG که رهنمود هایی را در خصوص تجهیزات ضایعاتی الکتریکی و الکترونیکی - دلیو ایی ایی ارائه می دهد، شناسائی و طبقه بندی شده است.

این استاندارد چهار چوبی معتبر در سراسر اروپا در زمینه روش های بازگشت و باز یافت دستگاه های قدیمی را ترسیم می نماید.

#### ⚠ هشدار

دستگاه های زائد:

۱. دوشاخه اصلی دستگاه را از پریز خارج نمائید.

۲. سیم برق دستگاه را بریده و به همراه دوشاخه آن دور بیاندازید.

پنچال ها حاوی مواد خنک کننده و عایق های آن حاوی انواع گاز می باشند. روش دور انداختن مواد خنک کننده و گاز ها می بایست بنحو صحیح انجام پذیرد. قبل از دور انداختن صحیح، از سالم بودن لوله و مسیر ماده خنک کننده اطمینان حاصل فرمائید.



## تبریک می گوئیم

با خرید یخچال-فریزر جدید خود، محصولی خانگی مدرن و با کیفیتی برتر را برگزیده اید.

ویژگی شاخص یخچال فریزر شما مصرف کم انرژی آن می باشد.

کلیه محصولات که از کارخانه ما خارج می شوند از لحاظ کیفیت عملکرد و صحت اجزای آن بدقت و بطور کلی مورد بررسی قرار می گیرند.

در صورت وجود هر گونه سوال - خصوصاً در زمینه مراحل نصب و اتصال دستگاه - لطفاً هیچ گونه تردید بخود راه ندهد و یا مرکز سرویس و خدمات مشتریان ما تماس حاصل بفرمائید.

اطلاعات تکمیلی و برگزیده ای از محصولات ما را می توانید روی سایت اینترنتی ما مشاهده فرمائید.

لطفاً مفاد این کتابچه راهنما را بدقت مطالعه فرمائید. همچنین مطالعه مطالب دستورالعمل نصب و کلیه اطلاعات ضمیمه دستگاه و بکار بردن آنها توصیه می گردد.

کلیه دستورالعمل ها را جهت استفاده های بعدی و یا استفاده مالک بعدی دستگاه، نگاه داری فرمائید.

## نکات و هشدار های ایمنی

### مراحل قبل از روشن نمودن دستگاه

لطفاً دستورالعمل های عملکرد و نصب را بدقت مطالعه فرمائید. این دستورالعمل های حاوی اطلاعاتی مهم در مورد نصب، استفاده و نگهداری از دستگاه می باشند. لطفاً کلیه مدارک را برای استفاده بعدی خودتان و یا استفاده مالک بعدی دستگاه نگاه دارید.

### نکات ایمنی فنی

#### ⚠ هشدار

- تعمیرات دستگاه و همچنین تعویض سیم برق دستگاه می بایست تنها در مرکز سرویس و خدمات مشتریان انجام پذیرد. نصب نادرست و تعمیرات غیر اصولی باعث میشود که مصرف کننده در معرض خطرات قابل ملاحظه قرار گیرد.

### اطلاعات مهم در خصوص استفاده از دستگاه

- هرگز وسایل الکتریکی داخل دستگاه (همانند گرمکن ها، یخساز های الکتریکی و غیره را مورد استفاده قرار ندهید). خطر انفجار!
- هرگز از یک تمیز کننده دارای بخار جهت آب کردن یخ و یا تمیز کردن دستگاه استفاده نفرمائید. احتمال نفوذ و تماس بخار با اجزای الکتریکی و ایجاد اتصالی و یا برق گرفتگی متصور است.
- از قرار دادن محصولات که حاوی عوامل اشتعال زا هستند (همانند قوطی های اسپری) و یا مواد انفجاری، در داخل دستگاه پرهیز کنید. خطر انفجار!
- از ایستادن و تکیه کردن بروی پایه، کشوها و یا درب و دیگر اجزای دستگاه خودداری نمائید.
- قبل از مرحله یخ زدائی و تمیز نمودن دستگاه، دو شاخه اصلی را از پریز خارج نموده و یا فیوز را قطع کنید. دو شاخه را با کشیدن سیم برق از پریز خارج نکنید.
- درب بطری های حاوی مواد دارای درصد بالای الکل می بایست بطور کامل بسته شده و بطری بحالت ایستاده نگاه داشته شود.
- قطعات پلاستیکی و لاستیک دور درب را از آلوده شدن به مواد نفتی روغنی محفوظ نگه دارید. در غیر اینصورت، اجزای یاد شده و لاستیک دور درب سوراخ سوراخ می شوند.
- هرگز منافذ تهویه هوا دستگاه را نپوشانیده و یا مسدود نکنید.
- افرادی که دارای اختلالات فیزیکی، حسی و یا ادراک هوشی بوده و یا اطلاعات ناکافی در خصوص استفاده از این دستگاه دارند، می باید تنها با نظارت کافی و یا پس از ارائه توضیحات کافی به استفاده از دستگاه بپردازند.

- از ذخیره سازی بطری ها و یا قوطی های نوشابه (خصوصاً نوشابه های حاوی کربنات) در داخل محفظه فریزر پرهیز فرمائید. احتمال انفجار بطری ها و یا قوطی ها وجود دارد!

- هرگز رشته ها و یا قالب های یخ را مستقیماً از داخل محفظه فریزر بدخل دهان خود نگذارید. خطر یخ سوختگی بر اثر دمای بسیار پایین!

- هرگز اغذیه یخ زده را با دستان مرطوب لمس نکنید. دستان شما به یخ اغذیه خواهد چسبید. خطر بروز جراحت!

- هیچگاه سعی نکنید که برفک و یا غذا های یخ زده چسبیده را با استفاده از یک چاقو و یا اشیاء نوک تیز بتراشید. با این کار احتمال آسیب دیدگی لوله حاوی ماده خنک کننده وجود خواهد داشت. نشئت ماده خنک ساز احتمال بروز آسیب های چشمی را به همراه خواهد داشت.

### گرفتار شدن کودکان در داخل لوازم خانگی

- اجازه ندهید که کودکان با دستگاه بازی کنند!
- چنانچه دستگاه دارای قفل می باشد، کلید آن را از دسترس کودکان بدور نگه دارید.

### الزامات عمومی

- این دستگاه مناسب است برای
- خنک کردن مواد غذایی،
- فریز کردن مواد غذایی،
- و جهت ساخت یخ.
- طراحی کاربری این دستگاه بر اساس مصارف خانگی و استفاده از آن در محیط منزل می باشد.
- ساخت این دستگاه بر اساس استاندارد اروپایی 2004/108/EC انجام پذیرفته است.
- مسیر جریان ماده خنک کننده از جهت وجود نشستی مورد بررسی قرار گرفته است.

## fa فهرست مطالب به زبان

fa-2	تبریک میگوئیم . . . . .
fa-2	نکات و هشدار های ایمنی . . . . .
fa-3	اطلاعات در خصوص روش دور انداختن دستگاه قدیمی . . . . .
fa-4	دستگاه جدید شما . . . . .
fa-6	روش نصب . . . . .
fa-6	روش نصب دستگاه . . . . .
fa-6	روش روشن نمودن دستگاه . . . . .
fa-6	روش تنظیم دما . . . . .
fa-7	روشن خاموش کردن و قطع اتصال دستگاه از برق . . . . .
fa-7	عملکرد های دستگاه . . . . .
fa-7	طرح متفاوت داخلی . . . . .
fa-8	یخچال . . . . .
fa-9	محفظه فریزر . . . . .
fa-9	روش فریز و ذخیره کردن مواد غذایی . . . . .
fa-10	توزیع خودکار آب و یخ . . . . .
fa-11	فیلتر آب . . . . .
fa-13	نحوه صرفه جوئی در مصرف برق . . . . .
fa-13	صدا های حین عملکرد دستگاه . . . . .
fa-13	یخ زدائی . . . . .
fa-13	روش تمیز کردن دستگاه . . . . .
fa-14	رفع ایرادات جزئی توسط خودتان . . . . .
fa-16	روش تعویض لامپ . . . . .
fa-16	نحوه تماس با سرویس و خدمات مشتریان . . . . .
fa-17	دستورالعمل های نصب . . . . .

## تشغيل الثلاجة

قم بتشغيل الثلاجة طبقا لتعليمات التشغيل المرفقة.

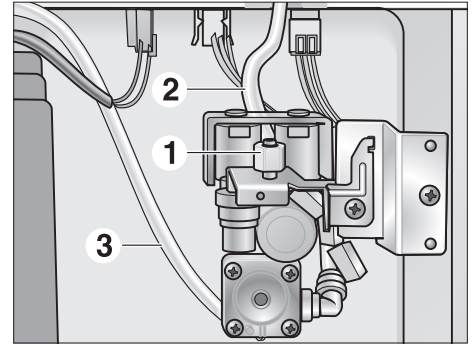
### فصل الثلاجة

قم بفصل الثلاجة طبقا لتعليمات التشغيل المرفقة.

في حالة فصل الثلاجة أو تخزينها في درجات حرارة تقل عن درجة التجمد قم بتفريغ خزان الماء الخاص بوحدة صب ماء الشرب.

### تفريغ خزان الماء بالثلاجة

- اخلع القابس الكهربائي.
- قم بإيقاف إمداد الثلاجة بالماء.
- اخلع غطاء حيز المحرك الموجود بظهر الثلاجة
- قم بفك كابل التوصيل (1).
- ضع وعاء مسطحا (سعة ٣ لتر تقريبا) أسفل صمام التوصيل لاستيعاب الماء الخارج.



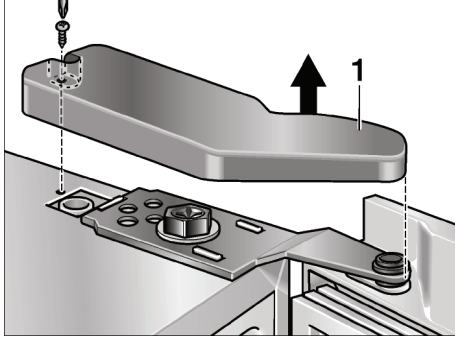
- قم بفك الخرطومين (2) و (3) بصمام التوصيل الخاص بالثلاجة واحدا تلو الآخر و قم بتفريغهما ثم أعد تركيبهما.
- هام: احرص على عدم حدوث خلط عند إعادة تركيب وصلات الخرطوم!
- بعد الانتهاء من تفريغ خزان الماء أعد تركيب غطاء حيز المحرك.
- قم بتشغيل الثلاجة ثم افتح صنوبر الماء.

**ملحوظة:**

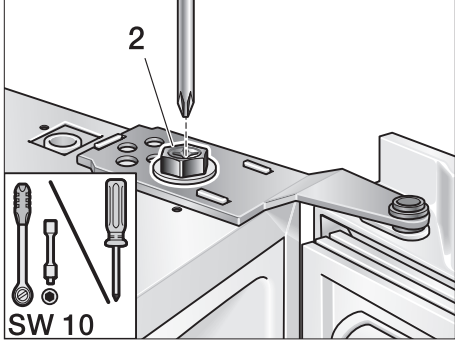
قد يؤدي وزن الثلاجة وحمولة الطعام في الباب إلى حدوث ميل لباب قسم التبريد حتى لو كانت الثلاجة نفسها مضبوطة بصورة مستوية. يوجد تفاوت في فجوة الباب بين الجهتين العلوية والسفلية.



- اخلع غطاء المفصلة العلوية (1).

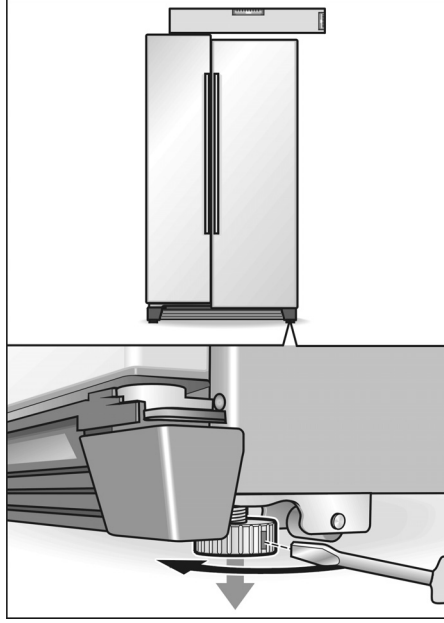


- قم بتخفيف ربط مسامير القلاووظ الخاصة بالمفصلة (2). لا تفك مسامير القلاووظ بشكل كامل!



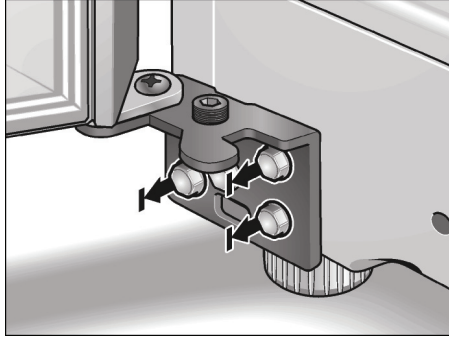
- قم بضبط ميل باب قسم التبريد.
- قم بإحكام ربط مسامير القلاووظ الخاصة بالمفصلة.
- قم بتثبيت أغطية المفصلات.

باب قسم التبريد منخفض عن الآخر:

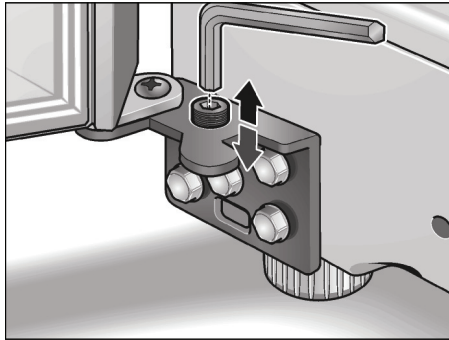


إذا لم تكن الخطوات السابقة كافية لضبط استواء الثلاجة:

- اخلع لوح القاعدة.



- قم بتخفيف ربط مسامير القلاووظ الثلاثة الخاصة بالمفصلة. لا تفك مسامير القلاووظ بشكل كامل!
- أدخل مفتاح الربط في مسامير الضبط.



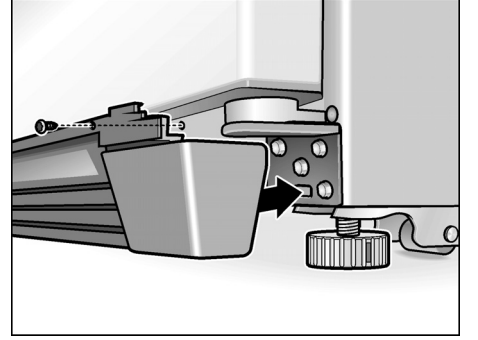
- لرفع الباب إلى أعلى:  
أدر مفتاح الربط في اتجاه حركة عقارب الساعة.
- لتحريك الباب إلى أسفل:  
أدر مفتاح الربط عكس اتجاه حركة عقارب الساعة.

**ضبط استواء الثلاجة**

يجب ضبط استواء الثلاجة باستخدام ميزان ماء لضمان قيام الثلاجة بوظيفتها بشكل صحيح.

في حالة ضبط استواء الثلاجة بشكل غير صحيح فقد يتسبب ذلك في تسرب الماء من جهاز إعداد الثلج أو في تفاوت أحجام مكعبات الثلج أو في عدم انغلاق الأبواب بصورة صحيحة.

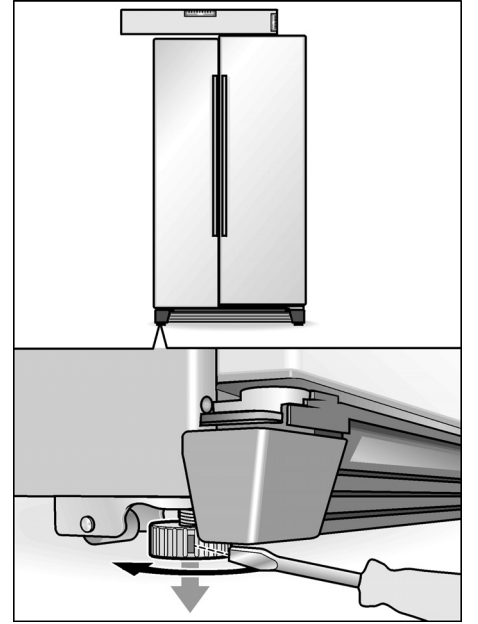
- قم بتركيب الثلاجة في المكان المخصص لذلك.
- اربط لوح القاعدة المرفق باستخدام ٣ مسامير قلاووظ.



- لمنع تدرج الثلاجة قم بإدارة القدمين الأماميتين والخلفيتين إلى أن تتلامس جيدا مع الأرضية.

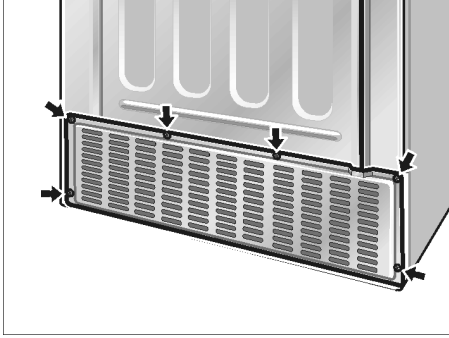
- قم بإدارة القدمين الأماميتين والخلفيتين إلى أن يتم ضبط استواء الثلاجة بصورة دقيقة. استعن بالأبواب كمقياس لضبط الاتزان!

باب قسم التجميد منخفض عن الآخر:



## فحص وصلة الماء ضد التسريب

- قم بتشغيل الثلاجة طبقا لتعليمات التشغيل المرفقة.
- قم بتفريغ الماء من الثلاجة طبقا لتعليمات التشغيل. سيستغرق ذلك بضع ثوان نظرا لأنه لا يزال هناك هواء في الوصلات وفي خزان الماء.
- افحص الجلب اللولبية من حيث وجود تسريب من جهتي الثلاجة والصنوبر.
- بعد الانتهاء من عملية الفحص ضد التسريب اخلع القابس الكهربائي مرة أخرى ثم قم بتركيب غطاء حيز المحرك.



## توصيل الثلاجة بمصدر الإمداد بالماء

لا يجوز توصيل الماء إلا من خلال فني متخصص وعلى نحو مطابق للتعليمات المحلية الصادرة عن مرفق المياه المختص.

قم بتوصيل الثلاجة بوصلة ماء بارد.

– الحد الأدنى للضغط: ٠,١ ميجاباسكال (١,٠ بار)

– الحد الأقصى للضغط أثناء التشغيل بدون فلتر الماء: ١,٠ ميجاباسكال (١٠,٠ بار)

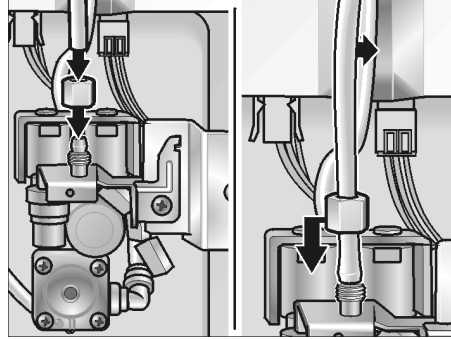
قد يلزم تركيب خافض للضغط في وصلة الماء حسب حالة ضغط الماء في مرفق المياه المحلي.

يجب أن يكون صنوبر الماء الذي يبلغ مقاسه  $\frac{3}{4}$  بوصة والذي سيتم توصيله بالخرطوم المرفق في متناول الأيدي. هناك خرطومان مرفقان يبلغ طول أحدهما ١,٥ متر والآخر ٧ أمتار.

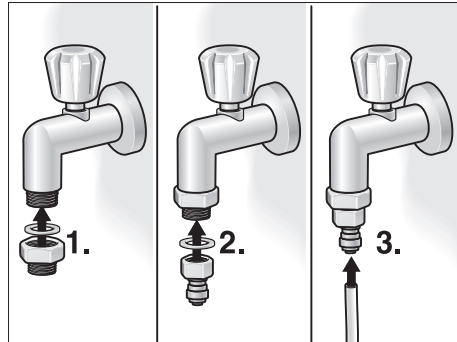
يمكن تحسين طعم الماء ورائحته من خلال تركيب فلتر الماء المرفق. في هذه الحالة يجب مراعاة شروط التوصيل الأخرى - انظر فلتر الماء.

### التوصيل

- قم بتوصيل الخرطوم بالصمام المغناطيسي.



- قم بتوصيل الخرطوم بصنوبر الماء.

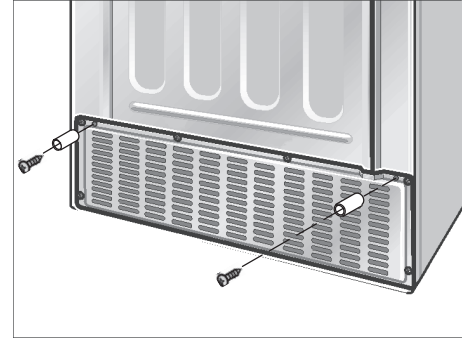


- ركب خرطوم التوصيل باللوحة الخلفية للثلاجة وحائط الغرفة باستخدام المشابك المرفقة.

- قم بلف خرطوم التوصيل على شكل حلقات بحيث يمكن تحريك الثلاجة بعيدا عن الحائط.

## أدنى مسافة بين الثلاجة والحائط الخلفي

- استخدم مسامير القلاووظ لربط وسائل المياعة الموردة في الفتحات المعنية بظهر الثلاجة.



ومن شأن ذلك المحافظة على أدنى مسافة بين الثلاجة والحائط الخلفي، وهي ٣٠ مم، مما يوفر تهوية كافية.

## فك الأبواب

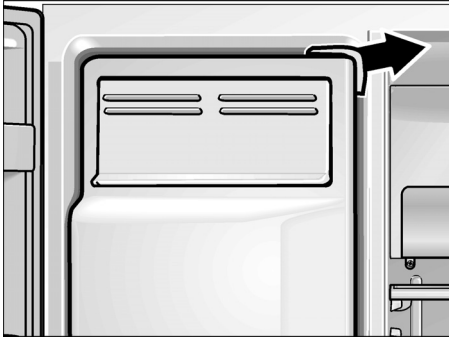
في حالة تعذر مرور الثلاجة من خلال باب المنزل يمكن فك أبواب الثلاجة.

### تنبيه:

إذا كان من الضروري فك الأبواب، فيجب أن يتم ذلك بمعرفة مركزنا لخدمة ما بعد البيع فقط. وسوف يقدر لك مركز خدمة ما بعد البيع المحلي تكلفة فك الأبواب.

## إزالة الأغلفة الحافظة للثلاجة

- قم بإزالة مواد التغليف والشرائط اللاصقة. (يمكن إزالة بقايا الشرائط اللاصقة العالقة بالثلاجة باستخدام الجانب اللاصق من الشريط الذي تمت إزالته. ولهذا الغرض قم بوضع الجانب اللاصق للشريط على البقايا اللاصقة ثم انزعه مع تكرار هذه العملية حتى يتم إزالة البقايا اللاصقة بالكامل).
- لا تقم بخلع وسائل تأمين النقل من الرفوف وأدراج التخزين حتى يتم تركيب الثلاجة بشكل كامل.
- بعد تركيب الثلاجة قم بخلع وسائل تأمين النقل من جهاز إعداد الثلج. ولهذا الغرض قم بسحب جهاز إعداد الثلج إلى الخارج.

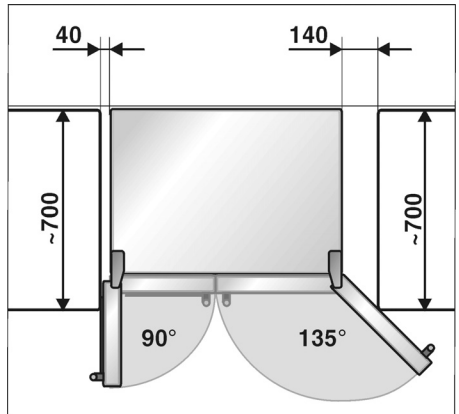


### تحذير:

قبل توصيل الثلاجة بمصدر الإمداد بالتيار الكهربائي قم بإزالة جميع مواد التغليف الداخلية والخارجية.

إذا كان عمق تجهيزة المطبخ المجاورة أكبر من ٦٠ سم، فيجب الالتزام بالحد الأدنى للمسافات الجانبية حتى يمكن الاستفادة من زاوية فتح الباب بالكامل.

زاوية فتح الباب	الحد الأدنى للمسافة
٩٠°	٤٠ مم
١٣٥°	١٤٠ مم



في حالة تركيب لوح أو إحدى وحدات المطبخ أعلى الثلاجة، تأكد من توافر حيز فراغ كاف بحيث يمكن سحب الثلاجة خارج موضع التركيب إذا لزم الأمر.

## مكان التركيب

### تحذير:

الثلاجة ثقيلة للغاية، لمعرفة الوزن الفارغ لها انظر الجدول التالي.

الطرز الأساسي	كجم
الطرز المزود بجهاز صب الماء وإخراج الثلج	١١٣ كجم
الطرز المزود بدرج مشروبات	١١٥ كجم

قم بتركيب الثلاجة في غرفة جافة وبها تهوية جيدة. ينبغي ألا يكون مكان التركيب معرضاً لأشعة الشمس المباشرة أو قريباً من مصادر الحرارة مثل الموقد أو المشع أو ما شابه. وإذا كان من غير الممكن تجنب تركيب الثلاجة بالقرب من مصدر حرارة، فينبغي استخدام لوح عازل مناسب أو الالتزام بالحد الأدنى من المسافات الفاصلة بين الثلاجة ومصدر الحرارة، وهو كما يلي:

– ٣ سم بالنسبة للموقد الكهربائي.

– ٣٠ سم بالنسبة للموقد العامل بالزيت أو العامل بالوقود الصلب.

يجب أن تتسم الأرضية التي ستركب عليها الثلاجة بالمتانة والصلابة. قم بتقوية الأرضية وتدعيمها إذا لزم الأمر (الثلاجة ثقيلة جداً، حيث يبلغ وزنها وهي فارغة ١٤٥ كجم تقريباً، في حين يصل وزنها إلى ٤٠٠ كجم إذا كانت محملة). يجب أن تكون الثلاجة في وضع قائم لضمان قيام جهاز إعداد الثلج بوظيفته بشكل صحيح. عند تركيب الثلاجة في أحد أركان الغرفة أو بين وحدات المطبخ يجب الالتزام بالحد الأدنى من المسافات الجانبية الفاصلة لضمان فتح الأبواب حتى النهاية (انظر موضوع «أبعاد الثلاجة والتركيب»).

## تعليمات التركيب

### ملحوظة هامة:

تسري تعليمات التركيب هذه على العديد من الموديلات.

ليست كل الخطوات ضرورية بالنسبة لبعض الموديلات.

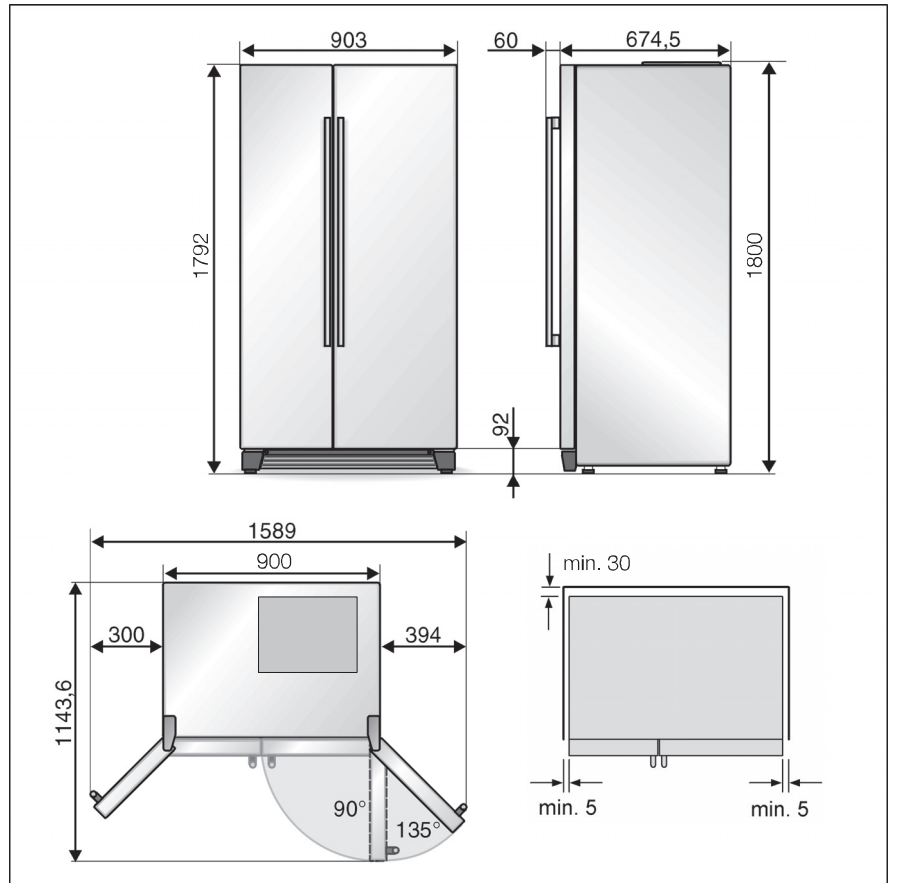
لا يجوز تركيب الثلاجة وتوصيلها إلا عن طريق فني معتمد وطبقاً لتعليمات التركيب.

قم دائماً بتوصيل الثلاجة بالماء قبل توصيلها بالكهرباء.

بالإضافة إلى اللوائح القانونية المحلية يجب عليك الالتزام بشروط التوصيل الخاصة بمرفق الكهرباء والمياه المحلي.

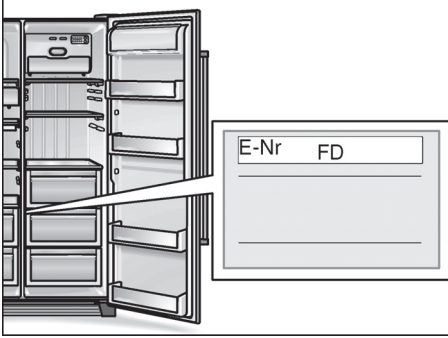
احتفظ بتعليمات التركيب في مكان آمن.

## أبعاد الثلاجة والتركيب



## الاتصال بخدمة العملاء

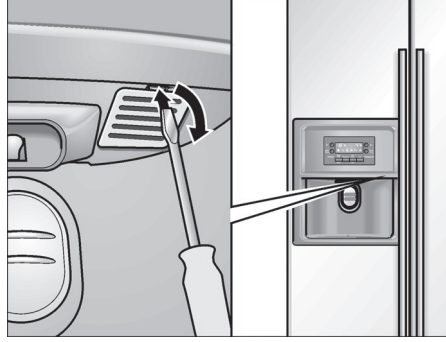
تجد عنوان مركز خدمة العملاء القريب منك في دليل الهاتف أو في دليل مراكز خدمة العملاء. من فضلك أعط خدمة العملاء رقم المنتج (E-Nr.) ورقم الصنع (FD) الخاصين بالثلاجة. توجد هذه المعلومات على ملصق بيانات المنتج.



من فضلك ساعد خدمة العملاء على تجنب الذهاب إليك بدون داع من خلال ذكر رقم المنتج ورقم الصنع. وبذلك توفر على نفسك تحمل نفقات إضافية.

## استبدال اللمبة الموجودة بجهاز إخراج الثلج وصب الماء

- تنبيه: انزع القابس الكهربائي من المقبس أو افصل المصهر!
- حرك الغطاء إلى الخارج باستخدام مفك.



- قم باستبدال اللمبة. اللمبة البديلة بحد أقصى ١٥ واط، جهد متردد ٢٢٠-٢٤٠ فولت، دواة E14.

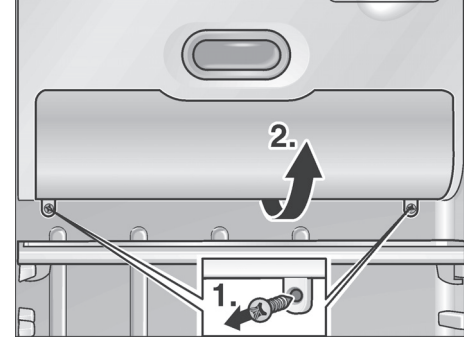


- أعد تركيب الغطاء.

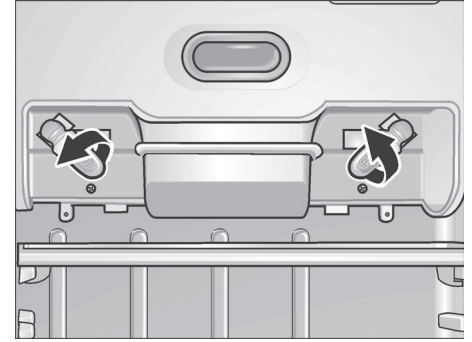
## استبدال لمبات الإضاءة

### استبدال لمبة الإضاءة بداخل الثلاجة

- تنبيه: انزع القابس الكهربائي من المقبس أو افصل المصهر!
- قم بفك مسامري القلاووظ الموجودين أسفل الغطاء ثم اخلع الغطاء.



- قم باستبدال اللمبة. اللمبة البديلة بحد أقصى ٢٥ واط، جهد متردد ٢٤٠-٢٢٠ فولت، دواة E14.



- أعد تركيب الغطاء.

العطل	الأسباب المحتملة	الحل
مكعبات الثلج مبتلة.	مكعبات الثلج بدأت في الذوبان - انقطاع التيار الكهربائي أو لم يتم غلق باب قسم التجميد بشكل صحيح.	أخرج جهاز إعداد مكعبات الثلج وقم بتفريغه ثم جففه جيدا.
مكعبات الثلج تتبخر.	مكعبات الثلج تعوق غلق الغطاء القلاب.	تيار الهواء البارد المار على مكعبات الثلج يتسبب في تقلصها، وخاصة إذا كان استهلاكها قليلا. ويعد هذا أمرا طبيعيا. أخرج مكعبات الثلج.
الغطاء القلاب بجهاز إخراج مكعبات الثلج لا ينغلق بشكل صحيح. مكعبات الثلج منحصرة في القالب الخاص بها.	قد توجد ترسبات جيرية في القوالب ناشئة عن الماء.	قم بتنظيف القوالب باستخدام قطعة قماش مبللة بالخل. إذا كانت الترسبات الجيرية كثيفة فقم دائما بتنظيف القوالب عند كل تنظيف لقسم التبريد.
هناك تفاوت في حجم مكعبات الثلج ويوجد ماء في إناء مكعبات الثلج. جهاز صب الماء لا يعمل.	الثلاجة منصوبة على أرضية غير مستوية. صنبور الماء مغلق. انقطاع الإمداد بالماء. ضغط الماء منخفض للغاية.	اضبط اوزان الثلاجة باستخدام ميزان ماء وباستخدام الأقدام أو العجلات القابلة لضبط الارتفاع (انظر تعليمات التركيب). افتح صنبور الماء. استعن بفني تركيبات صحية.
قسم التجميد دافئ للغاية.	اضبط درجة الحرارة في قسم التجميد على قيمة منخفضة (انظر موضوع «ضبط درجة الحرارة»).	



## تغلب بنفسك على الأعطال البسيطة

### قبل اتصالك بخدمة العملاء:

يرجى التأكد مما إذا كان بإمكانك التغلب على العطل بنفسك بالاستعانة بالمعلومات التالية. يراعى أنك ستتحمل تكاليف استشارة خدمة العملاء، حتى إذا كانت الثلاجة مازالت في فترة الضمان!

### قسم التبريد والتجميد

العطل	الأسباب المحتملة	الحل
الثلاجة لا تقوم بالتبريد. الإضاءة الداخلية لا تعمل.	انقطاع التيار الكهربائي، تم فصل المصهر، لم يتم إدخال القابس الكهربائي في المقبس بشكل صحيح.	تأكد مما إذا كان التيار الكهربائي يسري، يجب أن يكون المصهر موصلاً.
وحدة التبريد تعمل لمرات أكثر ومدد أطول من المعتاد.	تم فتح باب الثلاجة بشكل متكرر. يتم تجميد كميات كبيرة من المواد الغذائية الطازجة.	لا تفتح باب الثلاجة دون داع. لا تتجاوز الحد الأقصى لسعة التجميد.
درجة الحرارة في قسم التبريد أو قسم التجميد باردة للغاية.	تم تغطية فتحات التهوية.	أزل معوقات التهوية.
المواد الغذائية المجمدة ملتصقة بشدة بالمكان الموضوعة فيه.	تم ضبط درجة الحرارة على قيمة منخفضة للغاية.	اختر درجة حرارة أعلى نسبياً (انظر موضوع «ضبط درجة الحرارة»).
توجد طبقة سميكة من الثلوج في قسم التجميد.	لمبة الإضاءة معطوبة.	حاول تخليص المواد المجمدة باستخدام أداة غير حادة. ولا تستخدم سكين أو أية أداة مدببة للقيام بذلك. تأكد دائماً من أن باب الثلاجة مغلق.
الإضاءة الداخلية لا تعمل.	مفتاح الضوء منحصر.	استبدل لمبة الإضاءة (انظر موضوع «تغيير لمبة الإضاءة»). افحص ما إذا كان يمكن تحريكه.
درجة حرارة قسم التجميد لم تعد تصل إلى القيمة المضبوطة عليها.	باب قسم التجميد كان مفتوحاً لمدة طويلة للغاية. المبخر (ماكينة التبريد) مغطى بطبقة سميكة جداً من الثلج لدرجة أن نظام إذابة الثلوج الأوتوماتيكي بالكامل لم يعد بمقدوره إذابة هذه الكمية المتراكمة من الثلج.	أخرج المواد الغذائية المجمدة من الثلاجة، وقم بعزلها جيداً عن تأثيرات الوسط المحيط واحفظها في مكان بارد. بعد مرور حوالي ١٢ ساعة يكون الثلج الموجود في نظام التبريد قد ذاب. عاود تشغيل الثلاجة، ثم ضع المواد الغذائية المجمدة فيها مرة أخرى.
		<b>ملحوظة!</b>
		لا تفتح باب قسم التبريد كثيراً دون داع، لتجنب تسرب البرودة إلى الخارج.
		إذا تعذر إزالة العطل بالاستعانة بالمعلومات السالف ذكرها، فيرجى الاتصال بخدمة العملاء.

### جهاز صب الماء وإخراج الثلج

العطل	الأسباب المحتملة	الحل
بالرغم من طول مدة التشغيل لا يتم إخراج مكعبات الثلج.	صنبور الماء مغلق.	افتح صنبور الماء.
	انقطاع الإمداد بالماء. ضغط الماء منخفض للغاية.	استعن بفني تركيبات صحية.
	جهاز إعداد الثلج مغلق. والرمز الخاص بذلك مضيء في شاشة العرض.	اضغط على زر منع تشغيل جهاز إعداد الثلج «Ice maker».
	قسم التجميد دافئ للغاية.	اضبط درجة الحرارة في قسم التجميد على قيمة منخفضة (انظر موضوع «ضبط درجة الحرارة»).
	مكعبات الثلج ملتصقة ببعضها البعض.	أخرج إناء مكعبات الثلج وقم بتفريغه.
		أخرج إناء مكعبات الثلج وأدر نابض الإزاحة بيدك. وأزل أية قطع ثلج منحصرة بواسطة عصا خشبية صغيرة.

## إذابة الثلوج

تتم إذابة الثلوج أوتوماتيكياً.

الماء الناتج عن إذابة الثلوج ينساب في اتجاه حوض التبخر يظهر الثلجة ويتبخر أوتوماتيكياً.

## تنظيف الثلجة

- **تنبيه:** انزع القابس الكهربائي من المقبس أو افصل المصهر!
- نظف إطار إحكام غلق الباب بالماء فقط، ثم جففه جيداً.
- نظف الثلجة بماء دافئ ممزوج بإحدى مواد التنظيف. تجنب وصول ماء التنظيف إلى لوحة التحكم أو عناصر الإضاءة.
- لا تضع الأرفف الزجاجية الباردة في الماء الساخن مباشرة بعد إخراجها من قسم التجميد.
- لا تقم أبداً بتنظيف الأرفف أو الأوعية في غسالة الأواني. فقد تضررت على هيئة هذه الأجزاء.
- بعد التنظيف: أدخل القابس الكهربائي في المقبس أو أعد توصيل المصهر!

### ⚠ تحذير!

لا تلمس أبداً المواد الغذائية المجمدة ويديك مبتلتين. فقد يؤدي ذلك إلى التصاق يديك بالمواد الغذائية المجمدة. خطر الإصابة!

لا تقم أبداً بتنظيف الثلجة باستخدام أجهزة التنظيف البخار. فقد يصل البخار إلى أجزاء الثلجة الموصلة بالشبكة الكهربائية ويتسبب في حدوث دائرة قصر أو التعرض لصعقة كهربائية. كما أن البخار يمكن أن يلحق الضرر بالأسطح البلاستيكية.

## الأصوات الصادرة عند التشغيل

### الأصوات العادية

**الطنين** – وحدة التبريد مشغلة. المروحة في نظام دورة الهواء مشغلة.

**أصوات بلوب أو غرغرة أو أزيز** – وسيط التبريد يتدفق في المواسير. الماء يتدفق إلى داخل جهاز إعداد الثلج.

**صوت كليك** – يتم تشغيل المحرك أو إيقافه. جاري فتح أو غلق الصمام المغناطيسي بوصلة الإمداد بالماء.

**صوت طقطقة** – مكعبات الثلج الخارجة من جهاز إعداد الثلج تسقط في الإناء المخصص لها.

### الأصوات التي يمكن تجنبها بسهولة

#### الثلجة منصوبة على أرضية غير مستوية

يرجى ضبط أوزان الثلجة باستخدام ميزان ماء. استخدم الأقدام القابلة لضبط الارتفاع أو ضع شيئاً ما أسفل الأقدام.

#### الثلجة متلامسة مع قطع الأثاث أو الأجهزة المجاورة لها

يرجى إبعاد الثلجة عن قطع الأثاث أو الأجهزة المجاورة لها.

#### الأدراج أو السلال أو مواضع الحفظ سائبة أو منحصرة

يرجى إخراج الأجزاء القابلة للثقل لفحصها إذا لزم الأمر، ثم عاود تركيبها.

#### الأوعية تتلامس مع بعضها البعض

يرجى إبعاد الزجاجات أو الأوعية عن بعضها البعض.

## كيف يمكنك توفير الطاقة

- قم بتركيب الثلجة في غرفة باردة وجيدة التهوية، ولكن مع تجنب تعريضها لأشعة الشمس المباشرة أو تركيبها بالقرب من أحد الأجهزة الحرارية (مثل المدفأة أو الفرن وغير ذلك). وإذا لزم الأمر استخدم لوح عازل.
- دع الأطعمة والمشروبات الساخنة تبرد قبل وضعها في الثلجة!
- ضع المواد الغذائية المجمدة في قسم التبريد عند الرغبة في إذابة التجمد عنها. وبذلك تستغل درجة الحرارة المنخفضة للمواد الغذائية المجمدة في تبريد المواد الغذائية الموجودة في قسم التبريد.
- احرص على أن يتم فتح وغلق باب الثلجة في أسرع وقت ممكن.

## معلومات متعلقة بفلتر الماء

بعد الاستخدام ينخفض الضغط بدورة الماء. اتبع التعليمات عند إخراج الفلتر.

اجعل الماء يسري في دورة الماء في حالة عدم استخدام الثلجة لفترة طويلة للغاية أو إذا كان للثلج/الماء طعم أو رائحة غير مستحبة. لهذا الغرض، قم بصب الماء عبر جهاز صب الماء لعدة دقائق. إذا لم يزول الطعم أو الرائحة، استبدل الفلتر.

اتخذ إجراءات الوقاية من التجمد. أخرج خرطوشة الفلتر إذا كنت تتوقع انخفاض درجة الحرارة إلى ما دون درجة التجمد.

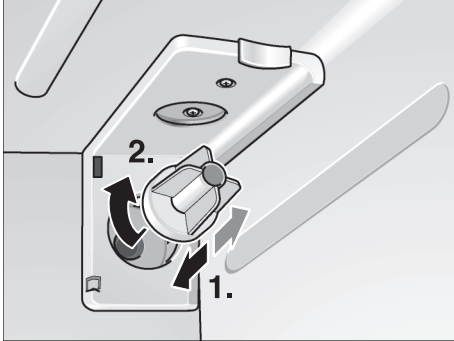
لا تقم بتثبيت فلتر الماء إذا كان ضغط الماء أكبر من ٠,٨٦ ميغاباسكال (٨,٦ بار). إذا كان ضغط الماء أكبر من ٠,٥٥ ميغاباسكال (٥,٥ بار)، ففي هذه الحالة يلزم تركيب صمام تقليل الضغط. إذا لم تكن متأكدًا من قياس ضغط الماء، فاتصل بفني التركيب.

في حالة حدوث ارتفاع لضغط الماء في الماسورة، فلا تقم بتثبيت الفلتر دون استخدام منظم مناسب. اتصل بفني التركيب إذا لم تكن متأكدًا من إمكانية حدوث ارتفاع لضغط الماء في الماسورة أم لا.

بعد تركيب فلتر ماء جديد: تخلص من الثلج الذي تحصل عليه خلال أول ٢٤ ساعة بعد بدء التشغيل.

في حالة عدم إخراج أية كميات من الثلج لفترة طويلة: قم بإفراغ محتويات صندوق الثلج وتخلص من الثلج الذي تحصل عليه خلال ٢٤ ساعة تالية.

يمكن أيضا استخدام جهاز صب الماء وإخراج الثلج دون فلتر الماء، وفي هذه الحالة يلزم استخدام غطاء الغلق.



## نشرة المواصفات والبيانات

**CunoOCS**  
COFFEE • TEA • WATER • VENDING

### نشرة بيانات الأداء الموديلات CS-452/CS-451

تم اختبار هذه الأنظمة طبقا لمعايير المؤسسة القومية الأمريكية للعلوم المسماة بـ NSF (National Sanitary Foundation) / المعهد القومي الأمريكي للمعايير المسمى بـ ANSI (American National Standards Institution) رقم ٤٢ وذلك لتقليل نسبة المواد المذكورة أدناه.

لقد تم تخفيض نسبة تركيز المواد المشار إليها في الماء الداخلة إلى النظام لتصل إلى نسبة تركيز أقل أو مساوية للحد المسموح به للماء الخارج من النظام كما ورد في معايير ANSI/NSF رقم ٤٢.

النظام مختبر ومعتمد من قبل مؤسسة NSF الدولية طبقا لمعايير ANSI/NSF رقم ٤٢ الخاصة بتقليل طعم ورائحة الكلور.



السعة: ١٥٠٠ جالون (٥٦٧٨ لترا) حسب ظروف الماء المحلي.

### تقليل نسبة الشوائب المحددة عند إجراء اختبار NSF

اختبار NSF	شروط التقليل NSF	معدل التقليل %	معدل الماء الناتج	تركيز مقاومة التدفق المحدد NSF	معدل التدفق	تقليل الشوائب
503821-01	≤ ٥٠%	٨٦	٠,٢٨	٢,٠ مللي جرام/لتر ± ١٠%	٢,٠	طعم ورائحة الكلور

لاستخدام الماء البارد فقط.

تعليمات الاستخدام/بارامترات الإمداد بالماء	
تيار الخدمة	٠,٥ جالون/دقيقة (١,٨٩ لتر/دقيقة)
مصدر الإمداد بالماء	مصدر عام أو خاص
ضغط الماء	٢٥ - ١٢٥ باوند علي الإنش المربع (١٧٢ - ٨٦٢ كيلو باسكال)
درجة حرارة الماء	٤٠ - ١٠٠ فهرنهايت (٤,٤ - ٣٨ مئوي)

من الضروري استيفاء الشروط المتعلقة بعمليات التشغيل والصيانة وتغيير الفلاتر الخاصة بهذا الجهاز لكي يقوم بأداء وظيفته بالشكل الأمثل. احرص على تغيير الفلاتر كل ٦ شهور. واشطفه لمدة ٥ دقائق. احرص على استخدام الفلاتر البديلة موديل CS-51 أو CS-52.

لا تستخدم ماء غير آمن من الناحية الميكروبيولوجية أو بدرجة جودة غير معروفة دون توافر تعقيم كافٍ قبل وبعد استعمال النظام.

يجب تركيب وتشغيل الأنظمة طبقا للخطوات والتعليمات الموصى بها من قبل الجهة الصانعة.

الضمان: انظر بطاقة الضمان.

للخدمات ولمزيد من المعلومات الرجاء الاتصال بوكيلنا المعتمد



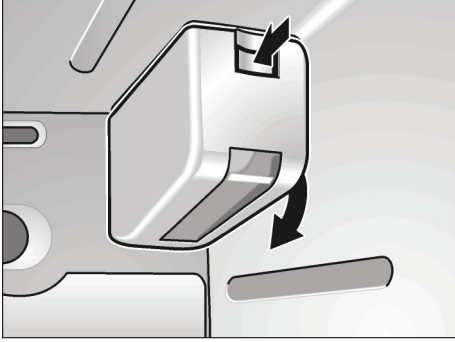
WaterGroup

**CUNO Incorporated**  
400 Research Parkway  
Meriden, CT 06450, USA  
لجميع أنحاء العالم:  
203-237-5541  
فاكس: 203-238-8701  
www.cuno.com

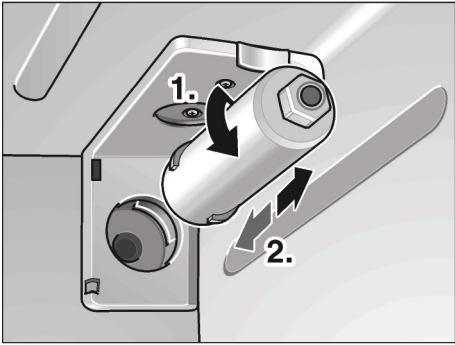
يرجى ملاحظة أن إجراء الاختبار تم في ظل ظروف وشروط مطابقة للمعايير والمقاييس وقد يختلف الأداء الفعلي عن ذلك.

## تغيير الفلتر

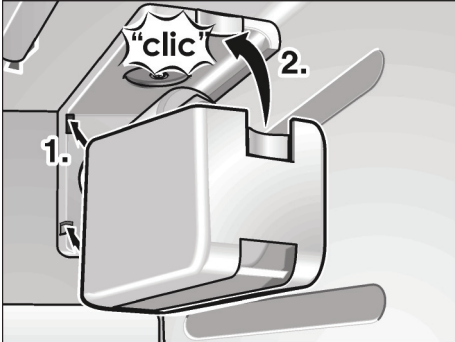
- تنبيه: انزع القابس من المقبس أو أوقف عمل قاطع الدائرة الكهربائية.
- افصل مصدر الماء عن الثلاجة.



- اضغط على الزر وأخرج الغطاء.



- أدر الفلتر بزاوية ٩٠° بحرص في عكس اتجاه عقارب الساعة ثم اخرجها.
- أخرج الفلتر الجديد من مواد التغليف وغطاء الحماية.
- قم بتركيب الفلتر الجديد في الحامل وأدره بزاوية ٩٠° بحرص في اتجاه عقارب الساعة.



- أعد تركيب الغطاء.

## فصل جهاز إعداد مكعبات الثلج

في حالة عدم استهلاك مكعبات الثلج لفترة تزيد على أسبوع (قضاء عطلية على سبيل المثال)، فينبغي فصل جهاز إعداد مكعبات الثلج بشكل مؤقت تجنباً لالتصاق مكعبات الثلج ببعضها البعض.



- اضغط على زر منع تشغيل جهاز إعداد الثلج "Ice maker". فيضيء الرمز الدال على ذلك.
- أخرج وعاء مكعبات الثلج وأفرغه من محتوياته ثم أعد تركيبه. تأكد أن وعاء مكعبات الثلج مثبت بإحكام على الحوامل المخصصة له.
- إعادة تشغيل جهاز إعداد الثلج:
- اضغط على زر منع تشغيل جهاز إعداد الثلج "Ice maker". فينطفئ الرمز الدال على ذلك.

## فلتر الماء

### ⚠ تحذير

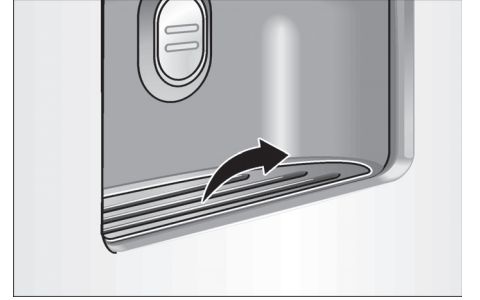
في الأماكن التي يصعب فيها تحديد أو ضمان جودة الماء، لا تستخدم الثلاجة دون استخدام مواد تعقيم ملائمة قبل أو بعد عملية الترشيح.

يمكن الحصول على فلتر جديد عبر خدمة ما بعد البيع.

قم بتغيير الفلتر كل ٦ أشهر على أقل تقدير، وكذلك عند ظهور رمز «ضرورة تغيير الفلتر» في شاشة البيان على أقصى تقدير.

## إخراج وعاء تجميع الماء المتساقط وتنظيفه

تتجمع قطرات الماء المتساقطة في وعاء تجميع الماء المتساقط. الذي يمكن إخراجها من الجهاز من أجل إفراغ محتوياته وتنظيفه.



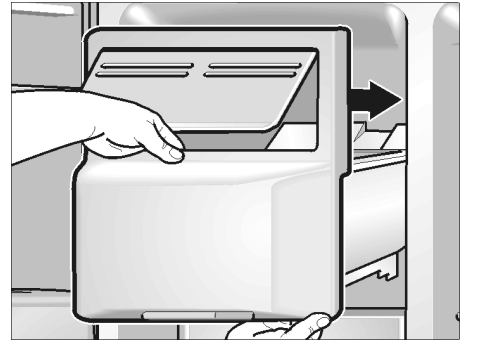
## إخراج وعاء مكعبات الثلج وتنظيفه

إذا لم يتم إخراج مكعبات الثلج من الجهاز لفترة طويلة فإنها تتقلص بعض الشيء وتكتسب مذاق الماء الراكد وتلتصق ببعضها البعض.

- أخرج الوعاء وأفرغه من محتوياته ثم قم بتنظيفه بماء فاتر.
- قم بتجفيف الوعاء ونايظ الإزاحة جيداً كي لا تلتصق بهما مكعبات الثلج الجديدة.

## تركيب وعاء مكعبات الثلج

- ادفع وعاء مكعبات الثلج على الحوامل المخصصة له حتى النهاية إلى أن يثبت تماماً.

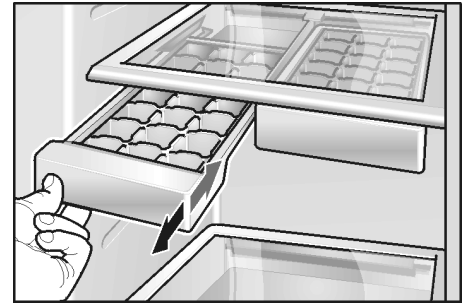


- في حالة تعذر دفع الوعاء حتى النهاية تماماً، أدر نايظ الإزاحة الموجود بالوعاء بعض الشيء.

عندئذ يواصل الجهاز إنتاج مكعبات الثلج.

## إعداد مكعبات الثلج

(الثلاجات غير المزودة بجهاز إعداد الثلج)



• املا ثلاثة أرباع درج مكعبات الثلج بالماء ثم ضعه في قسم التجميد.

• لإخراج مكعبات الثلج قم بثني درج مكعبات الثلج قليلا أو ضعه تحت ماء جار لفترة قصيرة

## جهاز صب الماء وإخراج الثلج أوتوماتيكيا

يمكن الحصول من الثلاجة على الآتي:

- ماء بارد
- مكعبات ثلج
- ثلج مجروش

### ⚠ تحذير!

لا تستخدم أوعية سهلة الكسر لصب الماء أو دفع الثلج فيها، خطر الإصابة بجروح من جراء الزجاج المتكسر!

لا تدخل أصابعك في فتحة إخراج الثلج. خطر الإصابة بجروح بفعل أنصال تكسير الثلج!

ملحوظة:

لا يعمل جهاز صب الماء وإخراج الثلج إلا إذا كانت الثلاجة موصلة بالشبكة الكهربائية.

## ما يجب مراعاته عند تشغيل الثلاجة الجديدة

بعد توصيل الثلاجة تظل هناك فقاعات هوائية في المواسير.

دع ماء الشرب ينساب إلى أن يصبح خال من الفقاعات ثم اسكب هذه الكمية. اسكب كذلك الأكواب الخمسة الأولى.

عند استخدام جهاز إعداد الثلج لأول مرة، احرص على عدم استخدام الكمية الأولى من مكعبات الثلج (من ٣٠ إلى ٤٠ مكعب) لأسباب تتعلق بالصحة والنظافة.

## تشغيل جهاز إعداد الثلج

عندما تصل درجة حرارة قسم التجميد إلى درجة التجميد، فإن الماء يتدفق عبر جهاز إعداد الثلج متحولاً إلى مكعبات من الثلج. وعندما يتم تجهيز مكعبات الثلج فإنها تخرج أوتوماتيكيا في وعاء مكعبات الثلج.

وفي بعض الأحيان تلتصق مكعبات الثلج ببعضها البعض. إلا أنها عادة ما تنفصل عن بعضها عندما يتم نقلها إلى فتحة التفريغ.

في حالة امتلاء وعاء مكعبات الثلج فسيوقف جهاز إعداد الثلج بشكل تلقائي.

تبلغ الطاقة الإنتاجية لجهاز إعداد الثلج حوالي ١٠٠ مكعب من الثلج خلال ٢٤ ساعة.

لا تضع زجاجات أو مواد غذائية في وعاء مكعبات الثلج بغرض تبريدها بشكل سريع. فقد يؤدي ذلك إلى انسداد جهاز إعداد الثلج وتعرضه للضرر.

إنتاج الدفعة الأولى من مكعبات الثلج بعد تشغيل الجهاز يتطلب فترة تصل إلى ٢٤ ساعة تقريبا.

أثناء إنتاج مكعبات الثلج يمكن سماع طنين صادر عن صمام الماء وهدير ناجم عن تدفق الماء إلى درج مكعبات الثلج وأصوات تساقط مكعبات الثلج.

## جودة ماء الشرب

كافة الخامات المستخدمة في إنتاج جهاز صب الماء عديمة الرائحة وليس لها أي تأثير على الطعم.

وإذا كان للماء طعم ما، فقد يعزى ذلك إلى الأسباب الآتية:

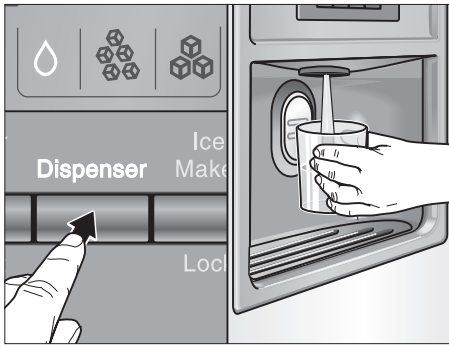
- امتزاج ماء الشرب بمواد معدنية وكلور.
- الخامات المستخدمة في مواسير المياه المركبة في المنزل أو مواسير شبكة المياه.
- تجدد ماء الشرب (إذا لم يتم صب الماء لفترة طويلة، فقد يكتسب مذاق الماء «الراكد».
- وينبغي في مثل هذه الحالة ملء حوالي ١٥ كوب من الماء وسكبهم).

يمكن تحسين طعم الماء ورائحته من خلال تركيب فلتر الماء المرفق.

يقوم فلتر الماء المرفق فقط بترشيح الجزيئات من الماء الداخل إلى الثلاجة، ولا يرشح غيرها من البكتيريا والميكروبات.

## الحصول على الماء

- اضغط على الزر إلى أن يضيء الرمز الدال على ذلك.



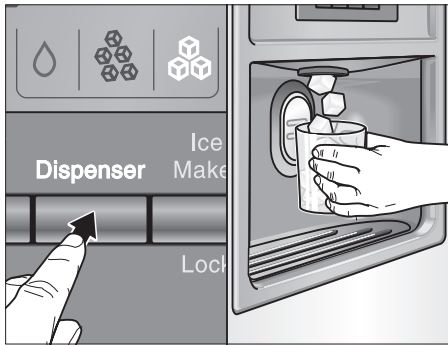
- اضغط على زر صب الماء باستخدام الكوب. ويتوقف تدفق الماء بمجرد رفع الكوب عن الزر.

### فكرة مفيدة:

إن الماء المتدفق من جهاز صب الماء على نحو من البرودة مناسب للفم. وإذا كانت لديك الرغبة في المزيد من برودة الماء فيمكنك وضع بعض من مكعبات الثلج في الكوب قبل صب الماء فيه.

## الحصول على الثلج

- اضغط على الزر إلى أن يضيء الرمز الدال على مكعبات الثلج أو الثلج المجروش.



- اضغط على زر إخراج الثلج باستخدام وعاء مناسب.

### ملحوظة:

- توقف عن الضغط على الزر بمجرد امتلاء منتصف الوعاء تقريبا بالثلج. حيث أن الثلج المتواجد في الفوهة التي يندفع منها قد يتساقط منه ما يفوق استيعاب الوعاء وقد يؤدي إلى انسداد الفوهة.
- بعد التحويل من وضع الحصول على مكعبات الثلج إلى الثلج المجروش يظل في الجهاز بعض من مكعبات الثلج الكاملة أو أجزاء منها، يتم إخراجها مع أول دفعة من الثلج المجروش.

## المنتجات التالية تصلح لتغليف المواد الغذائية:

الرقائق البلاستيكية والرقائق المصنوعة من البولي إيثيلين ورقائق الألومنيوم والعلب المخصصة للتجميد. يمكن الحصول على هذه المنتجات من المتاجر المتخصصة.

## المنتجات التالية تصلح لإحكام تغليف المواد الغذائية:

الحلقات المطاطية والمشابك البلاستيكية وأشرطة الربط والأشرطة اللاصقة المقاومة للبرودة أو ما يشبهها.

يمكن غلق الأكياس والرقائق المصنوعة من البولي إيثيلين بواسطة جهاز لحام الرقائق.

## سعة التجميد

يمكنك خلال ٢٤ ساعة تجميد كمية من المواد الغذائية يصل وزنها إلى ١٠ كجم.

## مدة حفظ المواد الغذائية المجمدة

تتوقف مدة الحفظ على أصناف المواد الغذائية.

عند درجة الحرارة المعنية المقررة:

الأسماك والسجق والأطعمة الجاهزة والمخبوزات والفظائر	حتى ٦ أشهر
الجبنة والطيور واللحوم	حتى ٨ أشهر
الخضروات والفواكه	حتى ١٢ شهر

## إذابة التجمد عن المواد الغذائية المجمدة

تبعاً لنوع المواد الغذائية وغرض الاستخدام يمكن إذابة التجمد عن المواد الغذائية المجمدة كما يلي:

– في درجة حرارة الغرفة

– في قسم التبريد

– في الفرن الكهربائي، المزود أو غير المزود بمروحة الهواء الساخن

– في جهاز الميكروويف

### ملحوظة

لا تعاود تجميد مواد غذائية بدأ ذوبان التجمد عنها أو أذيب عنها التجمد بالفعل. يمكن فقط إعادة تجميد المواد الغذائية التي تم طهيها من قبل (مطبوخة أو مقلية).

لا تقم بحفظ المواد الغذائية المجمدة حتى مدة الحفظ القصوى.

## تجميد وحفظ المواد الغذائية

### حفظ المواد الغذائية المجمدة

اتبع الآتي عند شراء المواد الغذائية المجمدة:

• تأكد أن الغلاف ليس به ضرر.

• تأكد من تاريخ الصلاحية.

• درجة حرارة ثلاجة التجميد الموجودة بمحال البيع يجب أن تكون  $-18^{\circ}\text{C}$  أو أقل. وإلا فإن مدة تخزين المواد الغذائية ستصبح أقصر.

• اجعل المواد الغذائية المجمدة في آخر مشترياتك. ويستحسن نقلها إلى المنزل في ورق صحف أو أكياس حافظة للبرودة.

• ضع المواد الغذائية المجمدة مباشرة في قسم التجميد فور الوصول إلى المنزل. وينبغي استهلاك المواد الغذائية المجمدة قبل انقضاء تاريخ صلاحيتها.

• لا تعاود تجميد المواد الغذائية التي أذيب عنها التجمد. ويستثنى من ذلك: المواد الغذائية التي جرى طهيها (المطبوخة أو المقلية) مسبقاً قبل تجميدها فإنه يمكن إعادة تجميدها.

### تجميد المواد الغذائية بنفسك

لا تقم إلا بتجميد المواد الغذائية الطازجة التي ليس بها عطب. غلف المواد الغذائية بصورة محكمة خالية من الهواء أو وضعها في أوعية حتى لا تفقد نكهتها أو تجف. يجب تجميد المواد الغذائية بأسرع ما يمكن للحفاظ على الفيتامينات التي تحتوي عليها وقيمتها الغذائية وشكلها الناضج ونكهتها. لا تتجاوز الحد الأقصى لسعة التجميد.

### كيفية تغليف المواد الغذائية بطريقة صحيحة:

• ضع المواد الغذائية في الكيس.

• ادفع الهواء إلى الخارج تماماً من خلال الضغط على الكيس.

• أغلق الكيس بإحكام.

• اكتب نوع المادة الغذائية وتاريخ التجميد على الكيس.

### المنتجات التالية غير صالحة لتغليف المواد الغذائية:

ورق التغليف والورق المصمت المقاوم للشحوم والسلوفان وأكياس القمامة وأكياس التسوق المستعملة.

## قسم التجميد

يمكن ضبط درجة حرارة قسم التجميد بدءاً من  $-16^{\circ}\text{C}$  وحتى  $-22^{\circ}\text{C}$ . ونحن نصح بالضبط على  $-18^{\circ}\text{C}$ .

استخدام قسم التجميد

– لحفظ المواد الغذائية المجمدة.

– لتجميد المواد الغذائية.

– لإعداد مكعبات الثلج.

### ملحوظة:

تأكد دائماً أن باب قسم التجميد مغلقاً دائماً. فإذا ظل الباب مفتوحاً يذوب التجمد عن المواد الغذائية. وينجم عن ذلك تكون طبقات من الثلج في قسم التجميد.

ومن ثم: سيتم فقدان الطاقة من جراء الزيادة في استهلاك الكهرباء.

### التجميد السريع "Super"

تستخدم خاصية التجميد السريع عند الحاجة إلى تجميد كميات كبيرة من المواد الغذائية الطازجة، ويجب تشغيلها قبل ساعات تصل إلى ٢٤ ساعة قبل وضع المواد الغذائية في قسم التجميد ويتوقف ذلك على الكمية المطلوب تجميدها. في وضع التجميد السريع "super" يتم تبريد قسم التجميد على أسرع نحو ممكن.

• اضغط على الزر **super**.



في كل مرة تضغط فيها على الزر يتم تفعيل الوظيفة أو إيقاف فعاليتها. يشار إلى تفعيل وظيفة «التجميد السريع» برمز في شاشة البيان.

## المواد الغذائية غير الملائمة للحفظ في درج «الطازج»:

- الفاكهة والخضروات الحساسة للبرودة (فواكه المناطق الحارة والأفوكادو والبابايا والباشن فروت والباذنجان والخيار والقلقل والخس)
- الفواكه التي لم تنضج بعد (الطماطم الخضراء والموز)
- البطاطس
- الجبن الجامد

## انتبه عند شراء المواد الغذائية إلى الآتي:

إن «شراء المواد الغذائية الطازجة» يعد عاملاً هاماً بالنسبة لطول فترة صلاحيتها. وعليه فإنه من حيث المبدأ: كلما كانت المواد الغذائية طازجة قبل وضعها في درج الطازج طاللت مدة صلاحيتها. احرص دائماً على انتقاء المواد الغذائية الطازجة عند الشراء.

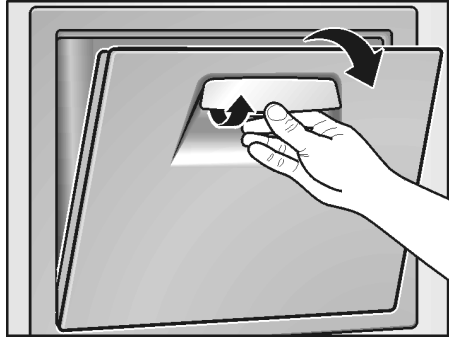
## فترات الحفظ (عند صفر م°):

ارتباطاً بالحالة الطازجة	
السجق وشرائح اللحم البارد واللحوم وأجزاء الذبائح الداخلية والأسماك واللبن الطازج واللبن الرائب	حتى ٧ أيام
قطع اللحم الصغيرة والسجق المقلي وعش الغراب والخس والخضروات ذات الأوراق	حتى ١٠ أيام
قطع اللحم الكبيرة والوجبات الجاهزة	حتى ١٥ يوم
السجق المدخن أو المملح والكرنب	حتى ٢٠ يوم
قطع اللحوم الكبيرة المعالجة بالحرارة واللحم البقري ولحوم الحيوانات البرية والبقول	حتى ٣٠ يوم

## درج المشروبات

(ليست كل الطرازات مجهزة به)

إخراج المشروبات وغيرها من قسم التبريد دون الحاجة إلى فتح الباب.



## درج «الطازج»

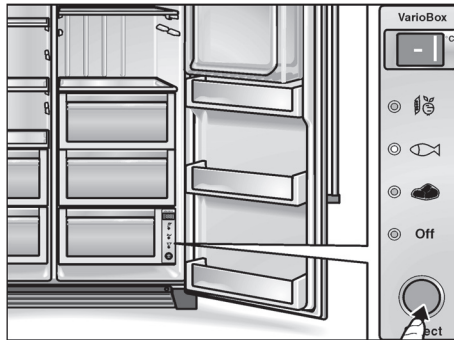
(ليست كل الطرازات مجهزة به)

تظل درجة الحرارة في هذا الدرج تقريباً عند صفر م°. وهذا يتيح إمكانية الحفظ المثالية للمواد الغذائية الطازجة.

الحفظ المثالي للمواد الغذائية:

- باستخدام زر الاختيار اختر المادة الغذائية المناسبة (خضروات/أسماك/لحوم).

يشار إلى الاختيار بإضاءة لمبة LED وبيان درجة الحرارة.



## ملحوظة:

- في وضع الإيقاف "Off" يأخذ الدرج نفس درجة حرارة الدرج الموجود أعلاه.
- درجة الحرارة التي يتم عرضها هي درجة الحرارة اللازمة لهذا النوع من المواد الغذائية. وقد يكون هناك تفاوت بسيط بينها وبين درجة حرارة درج «الطازج».

## التبريد

يمكن ضبط درجة حرارة قسم التبريد بدءاً من +٢ م° وحتى +٨ م°. ونحن ننصح بال ضبط على +٤ م°.

## استخدام قسم التبريد

ملائم لحفظ المخبوزات والفطائر والأطعمة الجاهزة والمعلبات واللبن المركز والجبن الجامد والفواكه والخضروات الحساسة للبرودة: فواكه المناطق الحارة مثل اليوسفي والموز والأناناس والبطيخ والشمام والأفوكادو والبابايا والباشن فروت والباذنجان وبالإضافة إلى ذلك الفواكه التي تحتاج فترة للنضج والطماطم والخيار والطماطم الخضراء والبطاطس.

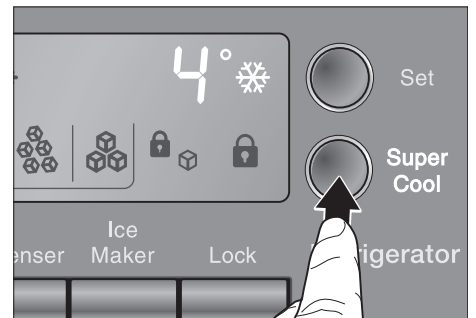
## اتبع الآتي عند حفظ المواد الغذائية:

- اترك المواد الغذائية والمشروبات الساخنة تبرد أولاً خارج الثلاجة.
- احفظ المواد الغذائية في أوعية محكمة الغلق حتى لا تفقد نكهتها أو تجف.
- لا تدع الزيوت أو الشحوم تلامس الأجزاء البلاستيكية للثلاجة أو إطار إحكام غلق الباب.
- احفظ المشروبات المحتوية على نسبة عالية من الكحول في زجاجات محكمة الغلق وضعها في وضع رأسي. لا تقم على الإطلاق بحفظ أية مواد قابلة للانفجار في الثلاجة. خطر الانفجار!

## التبريد السريع "Super"

وظيفة للتبريد السريع للمواد الغذائية والمشروبات والتي ينبغي تخزينها في قسم التبريد. في وضع التبريد السريع "super" يتم تبريد قسم التبريد على أسرع نحو ممكن.

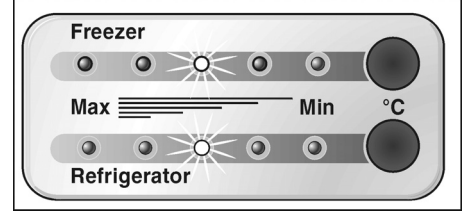
- اضغط على الزر super.



في كل مرة تضغط فيها على الزر يتم تفعيل الوظيفة أو إيقاف فعاليتها. يشار إلى تفعيل وظيفة «التبريد السريع» برمز في شاشة البيان.

## الثلاجات المجهزة بلوحة تحكم في درجة الحرارة

- الثلاجة مجهزة بلوحة منفصلة للتحكم في درجة حرارة قسمي التبريد والتجميد.
- تم ضبط درجة حرارة كل من قسمي التبريد والتجميد في المصنع على قيمة متوسطة.

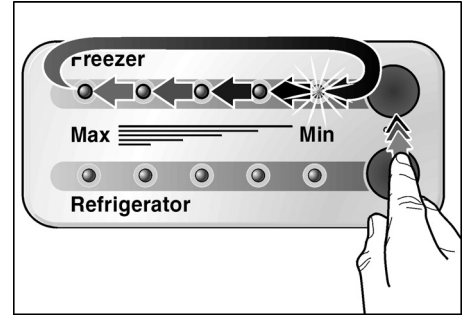


### ملحوظة:

تبين لمبات الـ LED الخمسة درجة الحرارة الداخلية الخاصة بكل قسم، على سبيل المثال قسم التبريد من  $2^{\circ}\text{C}$  إلى  $8^{\circ}\text{C}$ .

لتغيير هذه القيم:

- استمر في الضغط على زر اختيار درجة الحرارة حتى يتم الوصول إلى وضع الضبط المرغوب.



تظهر قيم درجات الحرارة تدريجياً من القيمة الأكثر دفئاً (Min) إلى القيمة الأكثر برودة (Max).

## إيقاف الثلاجة وفصلها

### إيقاف الثلاجة

- افصل القابس الكهربائي.

### فصل الثلاجة

إذا كنت تنوي عدم استخدام الثلاجة لفترة طويلة:

- أخرج جميع المواد الغذائية من الثلاجة.
- أوقف إمداد الثلاجة بالماء.

- قم بتفريغ صندوق مكعبات الثلج (انظر «تنظيف الثلاجة»).

- دع قطرات ماء الشرب المتبقية تتساقط.

- افصل القابس الكهربائي.

- اخلع فلتر الماء.

### ملحوظة:

قبل تشغيل الثلاجة مرة أخرى فيما بعد قم بتركيب فلتر ماء جديد!

- قم بتنظيف الثلاجة من الداخل (انظر «تنظيف الثلاجة»).

لتجنب تكون الروائح الكريهة اترك الأبواب مفتوحة.

إذا كان هناك ما يشير إلى وجود خطر الصقيع فيجب تفريغ وعاء الماء الخاص بجهاز صب ماء الشرب بمعرفة فني متخصص (انظر تعليمات التركيب).

### عند تغيير السكن

اخلع كل الأجزاء القابلة لللف وقم بتغليف كل جزء منها بعناية. قم بتأمين الأبواب والأغطية القابلة باستخدام أشرطة لاصقة وقم بنقل الثلاجة في وضع رأسي.

## الوظائف

### إنذار الباب

إذا تُرك أحد الأبواب مفتوحاً، فإن هذا يؤدي إلى صدور إشارة تحذيرية صوتية بعد دقيقة وتكرر كل ٦٠ ثانية لمدة ٥ دقائق.

### انطفاء الإضاءة الداخلية

#### أوتوماتيكياً

إذا تُرك باب الثلاجة مفتوحاً لمدة تزيد على ١٠ دقائق، فإن الإضاءة الداخلية تنطفئ أوتوماتيكياً لتجنب ارتفاع درجة الحرارة. وهذا يعمل على توفير الطاقة.

### وضع توفير الطاقة

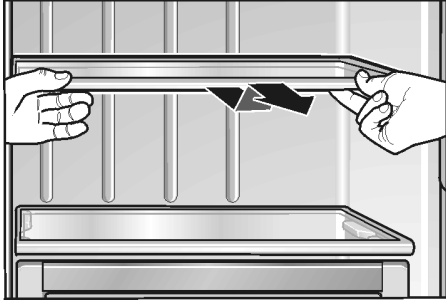
بعد مرور دقيقة واحدة على غلق الأبواب والضغط على آخر زر على لوحة التشغيل وشاشة البيان أو في جهاز صب الماء وإخراج الثلج، تتحول الشاشة في لوحة التحكم إلى وضع توفير الطاقة، وهو وضع ذو قدرة إضاءة منخفضة.

وبمجرد إعادة استخدام الثلاجة مرة أخرى، عند فتح الباب أو الضغط على أحد الأزرار مثلاً، تتحول الشاشة إلى قدرة الإضاءة العادية.

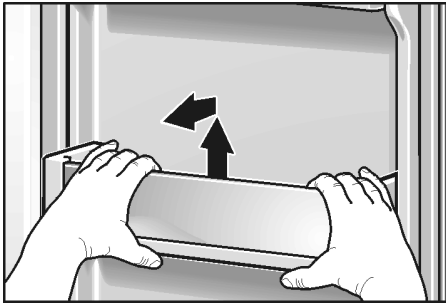
## التصميم الداخلي المتنوع

يمكنك تغيير أوضاع رفوف الثلاجة وخانات الباب بما يتناسب مع مطالباتك الشخصية.

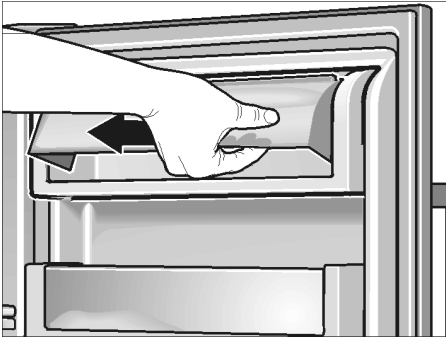
- اسحب الرف من الأمام وأخرجه من الثلاجة.



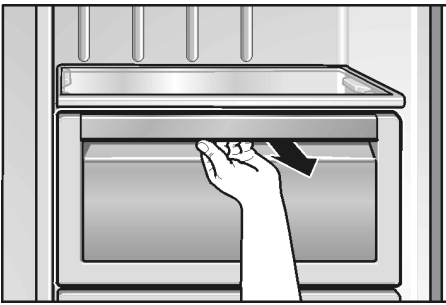
- ارفع درج الباب ثم اخلعه.



- ارفع غطاء رف حفظ الزبد والجبن إلى أعلى قليلاً، ثم اضغطه جهة اليسار واخلعه.



- اسحب الأدراج إلى الأمام وارفعها قليلاً لأعلى ثم اخلعها.





## التركيب

### مكان التركيب

قم بتركيب الثلاجة في غرفة جافة وبها تهوية جيدة. يجب ألا يكون مكان التركيب معرضاً لأشعة الشمس المباشرة أو بالقرب من مصدر حرارة كموقد أو مدفأة أو ما شابه ذلك، فإذا كان من الصعب تجنب التركيب بالقرب من مصدر للحرارة فينبغي هنا استخدام لوح عازل مناسب أو الاحتفاظ بالحد الأدنى التالي ذكره للمسافة الفاصلة بين الثلاجة ومصدر الحرارة:

– ٣ سم بالنسبة للموقد الكهربائي.

– ٣٠ سم بالنسبة للموقد العامل بالزيت أو العامل بالوقود الصلب.

يجب أن تتسم الأرضية التي ستركب عليها الثلاجة بالمتانة والصلابة. وإذا لزم الأمر قم بتدعيم الأرضية.

الثلاجة ثقيلة للغاية، لمعرفة الوزن الفارغ لها انظر الجدول التالي.

الطرز الأساسي	١٠٤ كجم
الطرز المزود بجهاز صب الماء وإخراج الثلج	١١٣ كجم
الطرز المزود بدرج مشروبات	١١٥ كجم

يجب أن تكون الثلاجة في وضع قائم لضمان قيام جهاز إعداد الثلج بوظيفته بشكل صحيح. استخدم ميزان ماء لضبط الوضع الرأسي للثلاجة. لضمان إمكانية فتح أبواب الثلاجة حتى النهاية حافظ على الحد الأدنى للمسافات الفاصلة عند تركيب الثلاجة في أحد أركان الغرفة أو في تجويف بجدار الغرفة (انظر موضوع «أبعاد الثلاجة»).

## توصيل الثلاجة

بعد تنصيب الثلاجة انتظر لمدة ساعة على الأقل قبل تشغيلها. فإثناء النقل قد يدخل الزيت الموجود بالكمبريسور إلى نظام التبريد.

قبل تشغيل الثلاجة للمرة الأولى قم بتنظيفها من الداخل (انظر «تنظيف الثلاجة»).

يجب أن يكون المقبس المخصص لتوصيل الثلاجة في متناول الأيدي. قم بتوصيل الثلاجة بتيار متردد ٢٢٠-٢٤٠ فولت/ ٥٠ هرتز عبر مقبس تم تركيبه بطريقة سليمة. ويجب أن يكون المقبس مؤمناً بمصهر قدرته ١٠ إلى ١٦ أمبير.

في حالة تشغيل الثلاجة في دولة غير أوروبية يجب التأكد من تطابق قيم الجهد الكهربائي ونوع التيار المذكور بلوحة الصنع مع قيم مصدر الإمداد بالكهرباء في بلدك. توجد لوحة الصنع في قاع الثلاجة على الجانب الأيسر من الداخل. إذا كان من الضروري استبدال سلك الكهرباء فيجب أن يتم ذلك بمعرفة كهربائي متخصص.

### ⚠ تحذير!

لا تقم على الإطلاق بتوصيل الثلاجة بالمقابس الموفرة للطاقة الكهربائية أو المحولات الكهربائية التي تحول التيار المستمر إلى تيار متردد بجهد ٢٣٠ فولت (مثل أجهزة الطاقة الشمسية أو شبكات التيار الكهربائي بالسفن).

### تنبيه:

قم بتركيب وسيلة لتخفيف الشد عند تركيب أو استبدال سلك الكهرباء.

لا تستخدم كابلات إطالة أو موزعات.

## انتبه إلى درجة الحرارة المحيطة والتهوية

يوجد مستوى البيئة الحرارية على لوحة المواصفات الفنية. وهو يشير إلى نطاق درجة حرارة الغرفة التي سيجري تشغيل الثلاجة بها.

درجة الحرارة المحيطة المسموح بها	مستوى البيئة الحرارية
١٠+ م° إلى ٣٢ م°	SN
١٦+ م° إلى ٣٢ م°	N
١٦+ م° إلى ٣٨ م°	ST
١٦+ م° إلى ٤٣ م°	T

## التهوية

لا تقم على الإطلاق بتغطية فتحات التهوية الموجودة بقاعدة الثلاجة. وإلا ستعمل وحدة التبريد بقدرة أعلى من اللازم مما يؤدي إلى زيادة استهلاك الكهرباء.

## تشغيل الثلاجة

• ضع القابس الكهربائي بالمقبس.

تبدأ الثلاجة في التبريد بمجرد توصيلها بالشبكة الكهربائية. وعند فتح الأبواب تعمل الإضاءة الداخلية.

### ملحوظة:

يتم الوصول إلى درجة الحرارة المضبوطة (وضع ضبط المصنع) بعد حوالي ساعتين أو ثلاث ساعات. لا تضع أية مواد غذائية بالثلاجة قبل انقضاء هذه الفترة.

لتغيير درجة الحرارة المضبوطة -> انظر «ضبط درجة الحرارة».

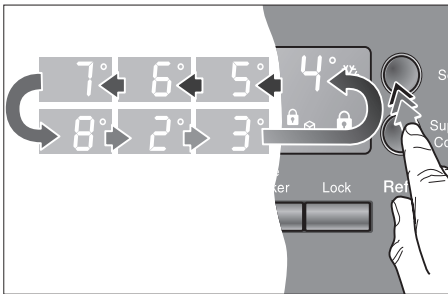
## ضبط درجة الحرارة

### الثلاجات المجهزة بلوحة تحكم

– يجري ضبط درجة الحرارة لكل من قسمة التبريد والتجميد على نحو منفصل. ويشار إلى درجة الحرارة المضبوطة في شاشة البيان.

لتغيير هذه القيم:

• استمر في الضغط على زر اختيار درجة الحرارة حتى تظهر درجة الحرارة المرغوبة.



يقوم النظام بحفظ القيمة المبيّنة الأخيرة.

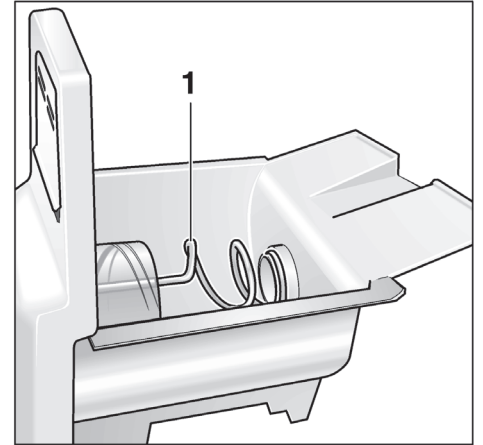
إذا لم تكن بعض الأجزاء الموضحة موجودة بثلاجتك، فإنها تخص طراز مختلف.

### جهاز صب الماء وإخراج الثلج



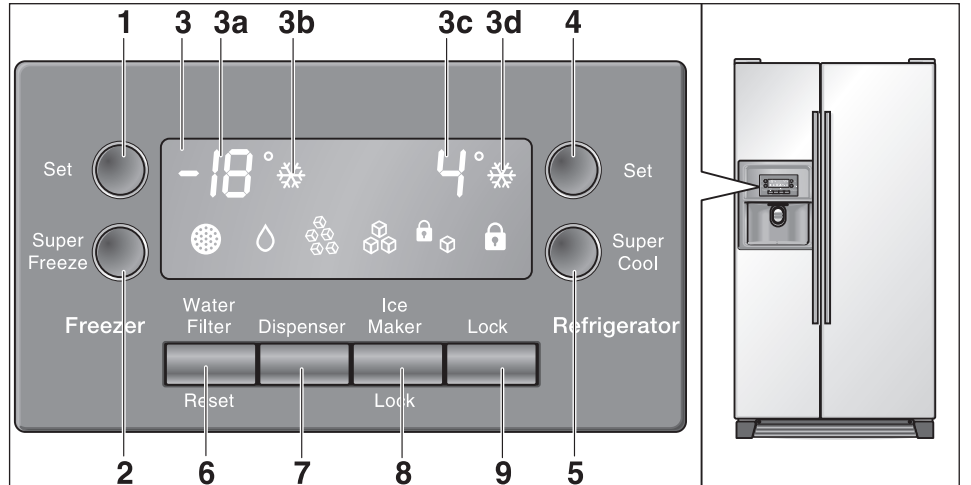
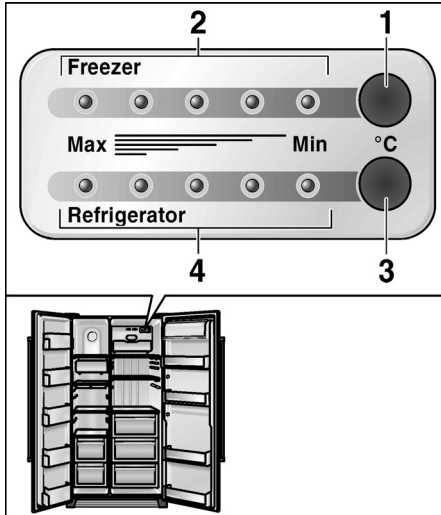
2 زر جهاز صب الماء وإخراج الثلج  
3 وعاء تجميع الماء المتساقط

### جهاز إعداد الثلج



1 نابض الإزاحة

### لوحة التحكم وشاشة البيان



التحكم في درجة الحرارة  
1 زر اختيار درجة حرارة قسم التجميد  
2 لمبة LED  
لبیان درجة حرارة قسم التجميد  
3 زر اختيار درجة حرارة قسم التبريد  
4 لمبة LED لبیان درجة حرارة قسم التبريد

6 زر إرجاع بيان فلتر الماء  
7 زر إنزال الماء/ الثلج  
8 زر غلق جهاز إعداد الثلج  
عند تنظيف جهاز إعداد الثلج أو التوقف عن استخدامه لفترة طويلة.  
9 زر غلق لوحة التحكم (التأمين ضد عبث الأطفال)  
اضغط على الزر لتأمين أو وضع الضبط ضد التغيير غير المقصود. لتحرير الزر اضغط عليه لمدة تزيد على ثانية واحدة. فيختفي البيان المعني.

1 زر اختيار درجة حرارة قسم التجميد  
2 زر التجميد السريع "super"  
3 شاشة البيان  
3a بیان درجة حرارة قسم التجميد  
3b بیان التجميد السريع "super"  
3c بیان درجة حرارة قسم التبريد  
3d بیان التبريد السريع "super"  
4 زر اختيار درجة حرارة قسم التبريد  
5 زر التبريد السريع "super"

### شرح الرموز الموجودة بشاشة البيان

بيان «الماء»



بيان «ضرورة تغيير الفلتر». بعد تغيير الفلتر اضغط على زر إرجاع بيان الفلتر لمدة 5 ثوان تقريباً لإخفاء البيان.



بيان «الثلج المجروش»



بيان «غلق جهاز إعداد الثلج»



بيان «مكعبات الثلج»

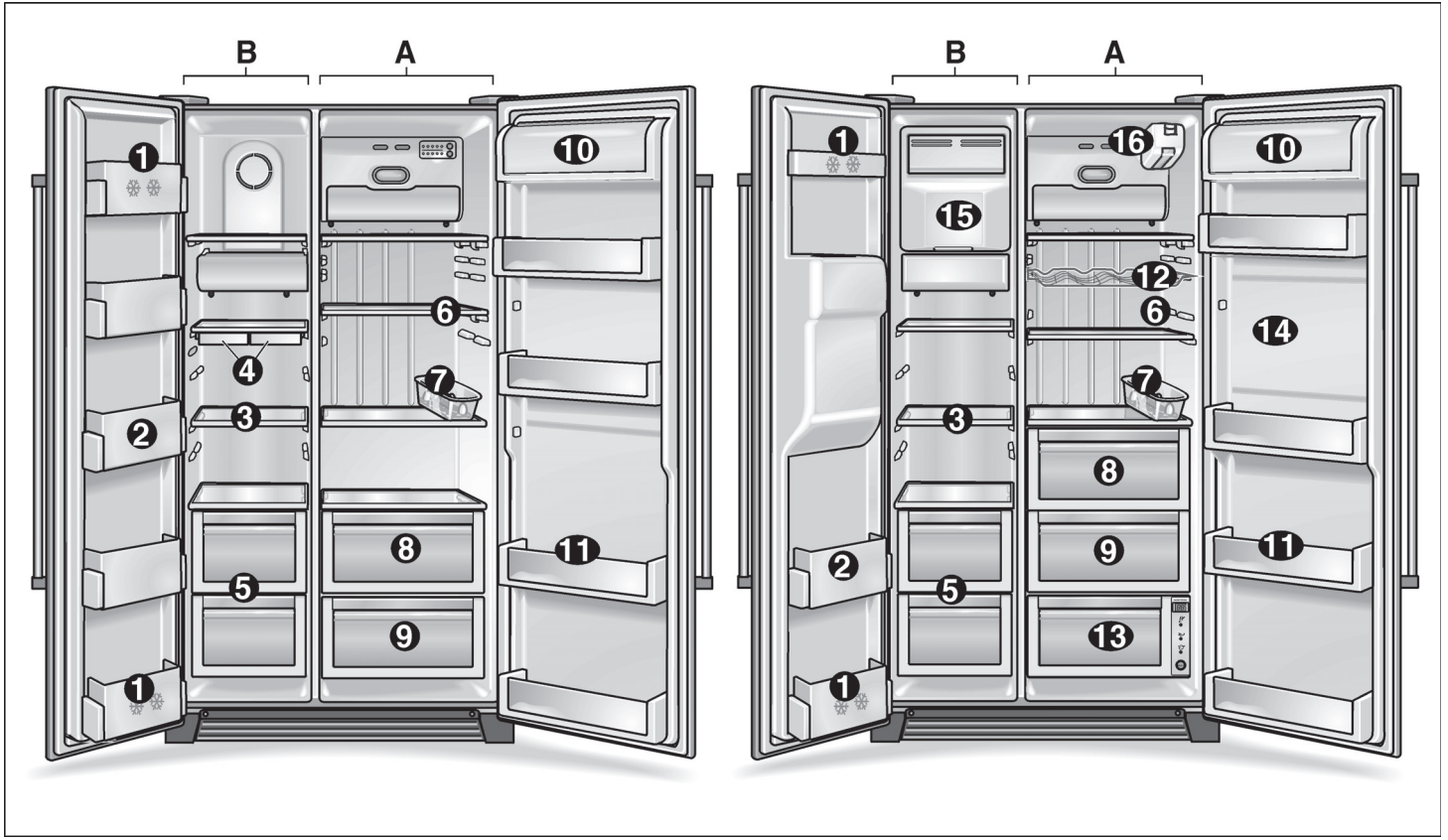


بيان «غلق لوحة التحكم»



## ثلاجتك الجديدة

يسري هذا الدليل على العديد من الطرازات. لذا فإن الأشكال التوضيحية قد تختلف عن ثلاجتك.



A قسم التبريد

B قسم التجميد

- |    |                                       |    |                                  |    |   |
|----|---------------------------------------|----|----------------------------------|----|---|
| 14 | درج المشروبات *                       | 14 | درج المشروبات *                  | 1  | رف الباب (رف فئة نجمتين)                |
|    | يفتح من الخارج لإخراج المشروبات بصورة |    | سريعة دون الحاجة إلى فتح باب قسم |    | التبريد.                                |
|    | التبريد.                              |    |                                  | 2  | رف الباب                                |
|    |                                       |    |                                  |    | لحفظ المواد الغذائية المجمدة.           |
|    |                                       |    |                                  | 3  | رفوف زجاجية بقسم التجميد                |
|    |                                       |    |                                  |    | لحفظ المواد الغذائية المجمدة مثل اللحوم |
|    |                                       |    |                                  |    | والأسماك والأيس كريم.                   |
|    |                                       |    |                                  | 4  | إناء مكعبات الثلج *                     |
|    |                                       |    |                                  |    | درج قسم التجميد                         |
|    |                                       |    |                                  |    | ملائم لحفظ اللحوم والأسماك والطيور      |
|    |                                       |    |                                  |    | (مغلقة).                                |
|    |                                       |    |                                  | 5  | درج الطازج *                            |
|    |                                       |    |                                  |    | للحفظ المثالي للأسماك واللحوم والطيور.  |
|    |                                       |    |                                  | 6  | رفوف زجاجية بقسم التبريد                |
|    |                                       |    |                                  |    | لحفظ الأطعمة المطهية ومنتجات الألبان.   |
|    |                                       |    |                                  |    | والسجق.                                 |
|    |                                       |    |                                  | 7  | قالب البيض                              |
|    |                                       |    |                                  | 8  | صندوق الخضروات                          |
|    |                                       |    |                                  | 9  | صندوق الفاكهة                           |
|    |                                       |    |                                  | 10 | رف حفظ الزبد والجبن                     |
|    |                                       |    |                                  | 11 | رف الباب                                |
|    |                                       |    |                                  |    | لحفظ المعلبات والزجاجات والأوعية        |
|    |                                       |    |                                  |    | الزجاجية.                               |
|    |                                       |    |                                  | 12 | رف المشروبات *                          |
|    |                                       |    |                                  | 13 | درج الطازج *                            |
|    |                                       |    |                                  |    | للحفظ المثالي للأسماك واللحوم والطيور.  |

\* ليست كل الطرازات مجهزة به

## معلومات خاصة بالتخلص من الأغلفة والأجهزة القديمة

### التخلص من مواد التغليف

تحمي مواد التغليف الغسالة من التعرض للضرر أثناء النقل.

جميع المواد المستخدمة في التغليف ملائمة للبيئة ويمكن إعادة تدويرها. فبرجاء المشاركة في الحفاظ على البيئة بالتخلص من مواد التغليف بطريقة ملائمة للبيئة.

يرجى معرفة أحدث الأساليب الجارية للتخلص من مواد التغليف من المحال التجارية المتخصصة أو الاستفسار عنها لدى الإدارة المحلية.

### تحذير

لا تترك مواد التغليف وأجزائها في متناول الأطفال. خطر التعرض للاختناق من خلال لعب الكارتون المطوية والأشرطة البلاستيكية!

### التخلص من ثلاجتك القديمة

لا تدخل الأجهزة القديمة في عداد القمامة عديمة القيمة! ويمكن عن طريق إعادة تدويرها استخراج مواد خام منها ذات قيمة عالية.

هذه الثلاجة مطابقة للمواصفة الأوروبية 2002/96/EG المتعلقة بالأجهزة

الكهربائية والإلكترونية المستهلكة - Waste Electrical and Electronic Equipment - WEEE.

هذه المواصفة تحدد القواعد العامة لاسترداد وإعادة استغلال الأجهزة القديمة داخل نطاق دول الاتحاد الأوروبي.

### تحذير

بالنسبة للأجهزة المستهلكة:

١. افصل القابس الكهربائي.

٢. اقطع كابل الكهرباء وأبعده مع القابس الكهربائي.

تحتوي أجهزة التبريد على وسائط تبريد والأجزاء العازلة تحتوي على غازات. ويجب التخلص من وسائط التبريد والغازات على نحو سليم. تأكد من عدم تعرض مواسير دورة وسيط التبريد لأي ضرر قبل التخلص منها على النحو السليم.

## تهنئة

لقد اقتنيت بشراء هذه الثلاجة الجديدة المصممة للتبريد والتجميد جهازًا منزليًا حديثًا يتميز بمستوى عالٍ من الجودة.

تتميز هذه الثلاجة المصممة للتبريد والتجميد باستهلاكها الاقتصادي للطاقة.

يخضع كل جهاز يغادر مصنعنا لاختبار دقيق للتأكد من كفاءته الوظيفية وخلوه من أية عيوب.

إذا كان لديك أية استفسارات - خاصة فيما يتعلق بتركيب وتوصيل الثلاجة - فلا تتردد في الاتصال بقسم خدمة العملاء التابع لنا.

تجد المزيد من المعلومات والباقة المنتقاة من منتجاتنا في صفحتنا على شبكة الإنترنت.

يرجى قراءة كل من دليل الاستعمال وتعليمات التركيب وسائر المعلومات الأخرى المرفقة مع الثلاجة والالتزام بالتوجيهات التي تتضمنها.

ينبغي الاحتفاظ بسائر المستندات المرفقة مع الثلاجة للاستعانة بها عند الحاجة أو لتسليمها لأي شخص آخر قد يمتلكها في وقت لاحق.

## تعليمات الأمان والتنبيهات التحذيرية

### قبل الشروع في تشغيل الثلاجة

اقرأ كل من دليل الاستعمال والتركيب بعناية. حيث إنه يتضمن معلومات هامة تتعلق بتركيب واستخدام وصيانة الثلاجة. احتفظ بكافة المستندات المرفقة مع الثلاجة للاستعانة بها عند الحاجة أو لتسليمها لأي شخص آخر قد يمتلكها في وقت لاحق.

### تعليمات الأمان الفنية

#### ⚠ تحذير

استبدال سلك الكهرباء أو القيام بأية إصلاحات أخرى يجب أن يتم فقط بمعرفة خدمة العملاء. حيث إن أية تركيبات أو إصلاحات تتم بصورة غير سليمة يمكن أن تعرض المستخدم لمخاطر كبيرة.

### معلومات هامة حول استخدام الثلاجة

لا تستخدم على الإطلاق أية أجهزة كهربائية داخل الثلاجة (على سبيل المثال أجهزة التدفئة أو أجهزة إعداد الثلج الكهربائية وغيرها). خطر الانفجار!

لا تستخدم على الإطلاق جهاز تنظيف البخار لإذابة الثلج المتكون بالثلاجة أو لتنظيفها. فقد يصل البخار إلى الأجزاء الكهربائية ويؤدي إلى حدوث دائرة قصر أو التعرض لصدمة كهربائية.

لا تقم بتخزين أية منتجات تحتوي على غازات دافعة قابلة للاشتعال (مثل علب الإسبراي) أو أية مواد قابلة للانفجار داخل الثلاجة. خطر الانفجار!

قاعدة الثلاجة وأدراجها وأبوابها وغيرها من الأجزاء ليست مهيأة للوقوف أو الاستناد عليها.

قبل إذابة الثلج المتكون بالثلاجة أو تنظيفها، افصل القابس الكهربائي أو افصل المصهر. لا تقم بفصل القابس الكهربائي من خلال جذب الكابل.

يجب إحكام غلق الزجاجات المحتوية على نسبة عالية من الكحول وتخزينها في وضع رأسي.

حافظ على خلو الأجزاء البلاستيكية للثلاجة وإطار إحكام غلق الباب من الزيت والشحم. وإلا تعرضت هذه الأجزاء وإطار إحكام غلق الباب للتشققات.

لا تقم على الإطلاق بتغطية أو سد فتحات التهوية الخاصة بالثلاجة.

الأشخاص ذوو القدرات البدنية أو الحسية أو العقلية المحدودة أو من ليس لديهم المعرفة الكافية يجب ألا يستخدموا الثلاجة إلا تحت إشراف شخص آخر أو بعد أن يتلقوا تعليمات مستفيضة عن الاستخدام.

• لا تقم بوضع أية زجاجات أو علب بها مشروبات (لاسيما المشروبات المحتوية على أحماض كربونية) في قسم التجميد. فقد تنفجر الزجاجات والعلب!

• لا تتناول الأيس كريم أو مكعبات الثلج مباشرة فور إخراجها من قسم التجميد. خطر تعرض اللسان لقرصة برد بسبب درجة الحرارة المنخفضة للغاية!

• لا تمسك المواد الغذائية المجمدة ويداك مبتلتان. وإلا فقد تلتصق يدك بالمواد الغذائية المجمدة. خطر الإصابة!

• لا تكشف طبقات الثلج الرقيقة المتكونة أو المواد الغذائية المجمدة الملتصقة باستخدام سكين أو أية أداة حادة. فقد ينجم عن ذلك إلحاق الضرر بمواسير وسيط التبريد. فوسيط التبريد المتسرب يمكن أن يؤدي إلى حدوث إصابات بالأعين.

### تعليمات متعلقة بالأطفال في المنزل

• لا تدع الأطفال يعثون بالثلاجة!  
• إذا كانت الثلاجة مجهزة بقفل، فاحفظ المفتاح بعيدا عن متناول الأطفال.

### تعليمات عامة

الثلاجة مناسبة لما يلي

• تبريد المواد الغذائية،

• تجميد المواد الغذائية،

• إعداد الثلج.

هذه الثلاجة مصممة فقط للاستخدام المنزلي وبما يتناسب مع بيئة المنزل.

الثلاجة معزولة لمنع التداخل الموجي طبقا لمواصفة الاتحاد الأوروبي 2004/108/EC.

دورة وسيط التبريد خضعت لاختبارات للتأكد من مدى إحكامها.

ar-2	تهنئة
ar-2	تعليمات الأمان والتنبيهات التحذيرية
ar-3	معلومات خاصة بالتخلص من الأغلفة والأجهزة القديمة
ar-4	ثلاجتك الجديدة
ar-6	التركيب
ar-6	توصيل الثلاجة
ar-6	تشغيل الثلاجة
ar-6	ضبط درجة الحرارة
ar-7	إيقاف الثلاجة وفصلها
ar-7	الوظائف
ar-7	التصميم الداخلي المتنوع
ar-8	التبريد
ar-9	قسم التجميد
ar-9	تجميد وحفظ المواد الغذائية
ar-10	جهاز صب الماء وإخراج الثلج أوتوماتيكيا
ar-11	فلتر الماء
ar-13	كيف يمكنك توفير الطاقة
ar-13	الأصوات الصادرة عند التشغيل
ar-13	إذابة الثلوج
ar-13	تنظيف الثلاجة
ar-14	تغلب بنفسك على الأعطال البسيطة
ar-16	استبدال لمبات الإضاءة
ar-16	الاتصال بخدمة العملاء
ar-17	تعليمات التركيب

EEE Yönetmeliğine Uygundur