

EN GUIDE TO INSTALLATION
FR GUIDE D'UTILISATION
PT MANUAL DE UTILIZAÇÃO
DE BEDIENUNGSANLEITUNG
CZ NÁVOD K POUŽITÍ

DK INSTALLATIONSVEJLEDNING
FI ASENNUSOHJEET
NO MANUAL FOR INSTALLASJON
SE GUIDE FÖR INSTALLATION
GR ΟΔΗΓΟΣ ΕΓΚΑΤΑΣΤΑΣΗΣ

Decorative Hood
Hotte decorative
Exaustor decorativo
Dekorative Dunstabzugshaube
Extrakční dekorativní zvon
Dekorativ emhætte
Koristekupu
Dekorativ hette
Dekorativ spiskåpa
Διακοσμητικός απορροφητήρας



Brandt

EN	2
FR	18
PT	34
DE	50
CZ	66
DK	82
FI	98
NO	116
SE	135
GR	151

As part of our commitment to constantly improving our products, we reserve the right to make changes to them based on technical advances to their technical and functional features and appearance.



Warning :
Before installing and using your appliance, please carefully read this Guide to Installation and Use, which will allow you to quickly familiarise yourself with its operation.

1 / NOTICES TO THE USER	
• Safety recommendations _____	4
• Environmental protection _____	5
• Description of your appliance _____	6
2 / INSTALLING YOUR APPLIANCE	
• Using the evacuation mode _____	7
• Using the recycling mode _____	7
• Electrical connections _____	8
• Assembling the hood _____	9
• Assembling the ventilation shaft	
◦ Outdoor evacuation _____	10
◦ Recycling _____	11
3 / USING YOUR APPLIANCE	
• Description of control panel _____	12
4 / CARING FOR AND CLEANING YOUR APPLIANCE	
• Cleaning the filter cartridges _____	13
• Changing the carbon filter _____	13
• Cleaning the outer surfaces _____	14
• Changing the light bulb _____	14
• Maintaining your appliance _____	15
5 / TROUBLESHOOTING _____	16
6 / AFTER-SALES SERVICE _____	17

**Attention**

Keep this user guide with your appliance. If the appliance is ever sold or transferred to another person, ensure that the new owner receives the user guide. Please become familiar with these recommendations before installing and using your appliance. They were written for your safety and the safety of others.

• SAFETY RECOMMENDATIONS

— This appliance was designed for use by private persons in their homes.

— This appliance is to be used by adults. Make sure that children do not touch and that they do not treat it as a toy. Make sure that they do not touch the appliance's control panel.

— When you receive the appliance, unpack or have it unpacked immediately. Give it an overall general inspection. Make note of any concerns or reservations on the delivery slip and make sure to keep a copy of this form.

— Your appliance is intended for standard household use. Do not use it for commercial or industrial purposes or for any other purpose than that for which it was designed.

— Do not modify or attempt to modify any of the characteristics of this appliance. This would be dangerous to your safety.

— Repairs must only be carried out by an approved specialist.

— Always unplug the hood before cleaning it or performing other maintenance acts.

— Provide adequate ventilation for the room in the case of simultaneous use of the hood and other appliances powered by an energy source other than electricity. This will prevent the hood from aspirating the combustion gases.

— You should never “flambé” dishes under the hood or operate gas rings under the hood without placing cookware on them (the flames sucked up into the hood can damage the appliance).

— When frying food under the appliance,

you must carefully monitor the preparation at all times.

Oils and grease brought to very high temperatures can catch fire.

— Respect the recommended frequency of cleanings and filter replacements. The accumulation of grease deposits may cause a fire.

— The hood should never be used over a combustible fuel burning stove (wood, coal, etc.).

— Never use steam or high-pressure devices to clean your appliance (requirement imposed by electrical safety).

— With a view to constantly improving our products, we reserve the right to modify their technical, functional or aesthetic characteristics, making any changes to their features considered necessary or desirable in view of technical progress.

— In order to easily locate the reference information for your appliance, we recommend that you note these data on the “After-Sales Service Department and Customer Relations” page.

(This page also explains to you where to find this information on your appliance.)

- This appliance is not intended to be used by persons (including children) with reduced physical, sensory or mental abilities, or persons lacking experience or awareness, unless using it with the help of a person responsible for their safety, or under supervision and with prior instruction in its use.

**Warning**

In the case of a kitchen heated by a device connected to a chimney (a stove, for example) the “recycling” version of the hood should be installed. Do not use the hood without metal filters.

Suitable ventilation should be provided in the room when the hood is used at the same time as appliances operated by gas or another combustible fuel.

• ENVIRONMENTAL PROTECTION

— This appliance's packaging material is recyclable. Help recycle it and protect the environment by dropping it off in the municipal receptacles provided for this purpose.

— Your appliance also contains a great amount of recyclable material. It is marked with this label to indicate the used appliances that should not be mixed with other waste. This way,



the appliance recycling organised by your manufacturer will be done under the best possible conditions, in compliance with European Directive 2002/96/EC on Waste Electrical and Electronic Equipment. Contact your town hall or your retailer for the used appliance collection points closest to your home.

— We thank you doing your part to protect the environment.

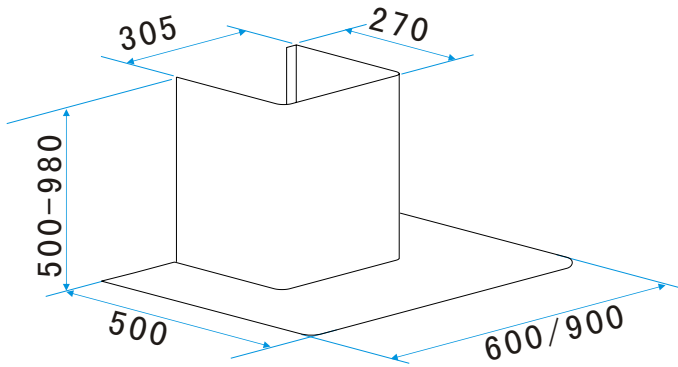
**Warning**

Installation should only be performed by installers and qualified technicians.

**Warning**

Remove the protective film from the cartridge filter before use.

• DESCRIPTION OF YOUR APPLIANCE

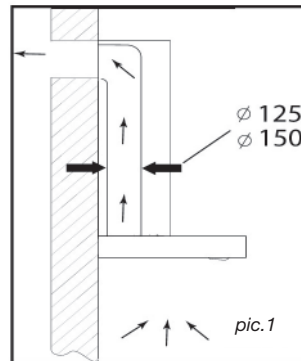


- The appliance must be unplugged during installation or when any repairs or maintenance work is being performed.
- Ensure that the network voltage corresponds to the voltage noted on the identification plate located inside the hood.
- If the electrical installation at your residence requires any changes in order to hook up your Appliance, call upon a professional electrician.
- If the hood is being used in evacuation mode, do not connect the appliance to a combustion gas exhaust duct (boiler, chimney, etc.) or to a CMV (controlled mechanical ventilation) system.
- Under no circumstances should the exhaust duct empty into the attic.
- Install the hood at a safe distance of at least 70 cm from an electric, gas or combined cooking hob.

• USING THE EVACUATION MODE

If you possess an outlet to the exterior
(pic. 1)

Your hood can be connected to this outlet using a flue (minimum diameter \varnothing mm that is enamelled, in aluminium, flexible or made of inflammable material). If your flue is less than 125 mm in diameter, **you must use the recycling mode.**

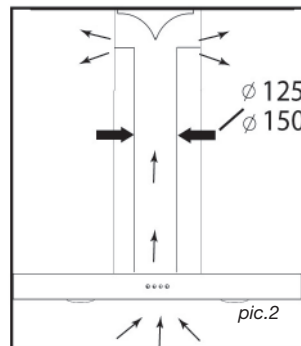


• USING THE RECYCLING MODE

If you do not possess an outlet to the exterior
(pic. 2)

All of our appliances can be used in recycling mode.

In this case, you should add an active carbon filter which will keep in odours. (See Chapter 4: Changing the carbon filter.)



• ELECTRICAL CONNECTIONS

During installation and maintenance operations, the appliance must be unplugged from the electrical grid; fuses must be cut off or removed.

The electrical connections are made before the appliance is installed in its housing.

Ensure that:

- the electrical installation has sufficient voltage,
- the electrical wires are in good condition,
- the diameter of the wires complies with the installation requirements.



Warning

This appliance is delivered with a H 05 VVF power cord that has three- 0.75 mm² conductors (neutral, phase and ground). It must be connected to the main power supply (which should be a 220-240 V single phase current) via a CEI 60083 standardised socket that should remain accessible after installation, in keeping with installation guidelines.

We cannot be held responsible for any accident resulting from an inexistent, defective or incorrect ground lead. The fuse for your installation must be 10 or 16A. If the power cable is damaged, call the after-sales service department in order to avoid danger.



Warning

If the electrical installation at your residence requires any changes in order to hook up your appliance, call upon a professional electrician.



Warning

If the hood displays any malfunctions, unplug the appliance or remove the fuse corresponding to the electrical socket where your appliance is plugged in.

• ASSEMBLING THE HOOD



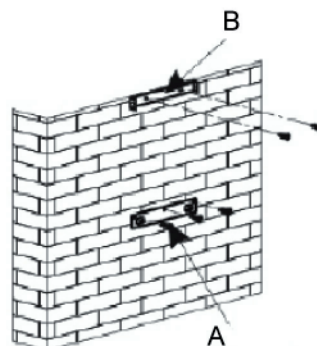
Warning

The hood must be installed in compliance with all applicable regulations concerning the ventilation of premises. In France these regulations are described in DTU 61.1 from the CSTB. In particular, the evacuated air should never be conveyed to a duct used to evacuate smoke from appliances that use gas or other combustible fuels. Unused ducts may only be used after approval from a competent specialist.

The minimum distance between the cooking surface and the lowest part of the hood must be 70 cm at least. If the instructions for the hob installed under the hood specify a distance of more than 70 cm, this requirement must be respected.

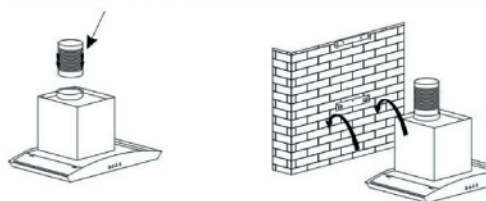
Fixing to the wall :

- Mark a vertical line on the wall centred on the cooktop.
- Mark on the wall the three holes that have to be drilled, using the supplied hood suspension hook and observing the recommended distance.
- Drill the three 8 mm diameter holes in a suitable position and insert the plugs (part A Pic. 1).
- Before fixing the hood, mount the non-return valve on the motor outlet -Secure the hood's fixing support, ensuring that it is perfectly level. (part A Pic. 1)
- Fix the extendable evacuation sleeve (not included) to the motor outlet without impeding the movement of the non-return valve.
- Fit and secure the body of the hood on this support with the screws provided for this purpose.



Pict 1

Gainé extensible (non fourni)

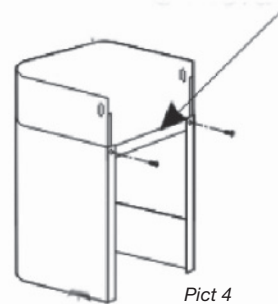
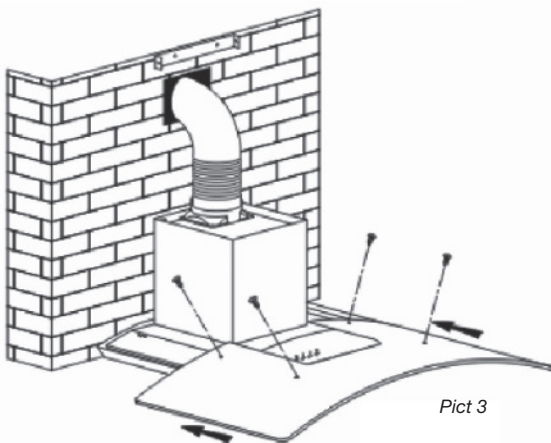
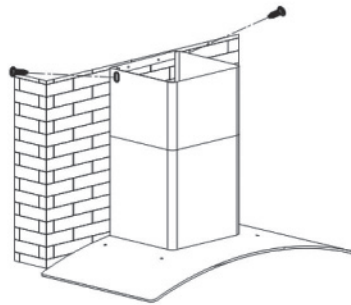


Pict 2

• ASSEMBLING THE VENTILATION SHAFT

• Outdoor evacuation

- Calculate the final height for fixing the duct support U-bracket (part B Pic. 1)
- Mark the two holes accordingly
- Drill 8 mm diameter holes and secure the duct support bracket, ensuring that it is fixed on the same axis as the hood (part B Pic. 1)
- Fix the flat bracket behind the lower duct. (part C Pic. 4).
- Place the glass on the guides. Slide the glass in and secure it with the 4 screws with rubber seal (glass safety). Tighten the screws slightly.
- Fix the two ducts to the hood.
- Connect the sleeve to the air outlet to the outside.
- Make the electrical connection to the hood using the mains supply cable.
- Lift the upper duct up to the ceiling and fix it to the bracket using the screws.

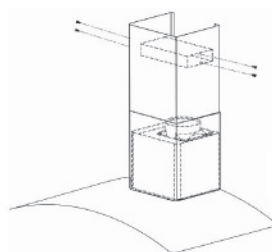


• Recycling

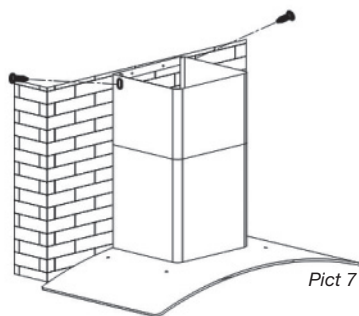
- Calculate the final height for fixing the duct support U-bracket (part B Pic. 1).
- Mark the two holes.
- Drill 8 mm diameter holes and secure the duct support bracket, ensuring that it is fixed in the same axis as the hood (part B Pic. 1).
- Fix the flat bracket behind the lower duct part C Pic. 4).
- Place the glass on the guides. Slide the glass in and secure it with the 4 screws.
- Fit the sleeve adapter on the deflector (Pic. 8).
- Connect the extendable sleeve (not included) to the deflector (Pic. 8).
- Fit the two parts of the duct on to the hood.
- Fit the deflector (Pic. 8) into the upper duct by the ventilation inlets (Pic. 6)
- Make the electrical connection to the hood using the mains supply cable.
- Lift the upper duct up to the ceiling and fix it to the bracket using the two screws (Pic. 7).



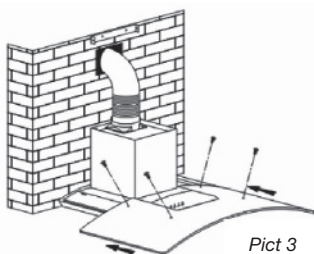
Pict 8



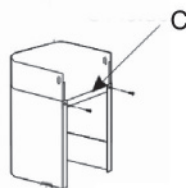
Pict 6



Pict 7



Pict 3



Pict 4



Tip

For optimal use of your appliance, we recommend that you connect the hood to a 150 mm-diameter flue (not delivered with the appliance). Minimise the number of angles and bends and the lengths of the flue. In the event that the hood will be operated using outdoor evacuation, you should ensure a sufficient inflow of fresh air to avoid a pressure deficiency in the room.



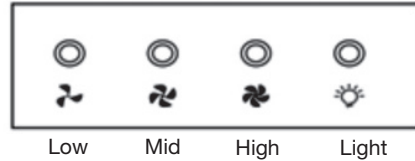
Warning

Do not use tools to remove the safety film of hood.

• TO USE YOUR COOKER HOOD

How to use the control panel .

- a. Press the button “Low”, the inner indicator light of switch starts shining, the motor is running at low speed. Press the button again, the motor stop.
- b. Press the button “Mid”, the inner indicator light of switch starts shining, the motor is running at medium speed. Press the button again, the motor stop.
- c. Press the button “High”, the inner indicator light of switch starts shining, the motor is running at high speed. Press the button again, the motor stop.
- d. Press the button “Light”, both lights start shining. Press the button again, the lights are switched off then.



**Warning**

Always unplug the hood before cleaning it or performing other maintenance acts. Regular maintenance of your appliance is a guarantee of proper functioning, good performance and durability.

**Warning**

Failure to respect the guidelines for cleaning the appliance and filters may cause fires. Please carefully adhere to the maintenance recommendations.

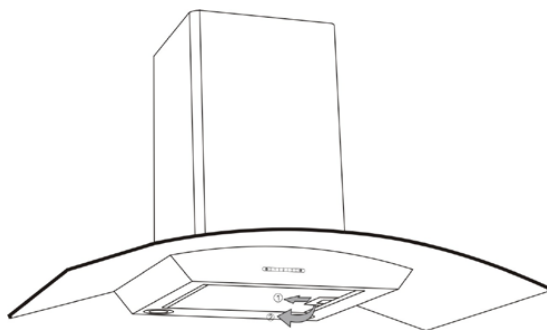
• CLEANING THE FILTER CARTRIDGES

They must be cleaned after approximately 30 hours of use or at least once a month. These filters can be cleaned in a vertical position in your dishwasher.

Use a brush, hot water and mild detergent. Rinse and dry them thoroughly before returning them to the hood.

• Dismantling the filter cartridge

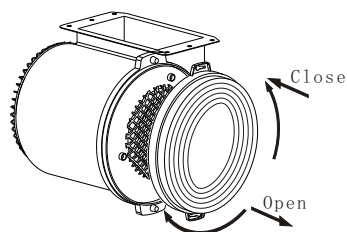
- Turn the built-in filter cartridge handle.
- Tilt the filter cartridge downward.



• CHANGING THE CARBON FILTER (optional)

Replace it after approximately 120 hours of use.

- Remove the filter cartridge.
- Turn the carbon filter to remove it.
- Do the operation in the reverse order to put a new filter back.
- Put the filter cartridges back.



- **CLEANING THE OUTER SURFACES**

To clean the outside of your hood, use soapy water, but never use abrasive creams, corrosive detergents, scrubbing sponges or brushes. Wipe down with a soft, damp cloth.

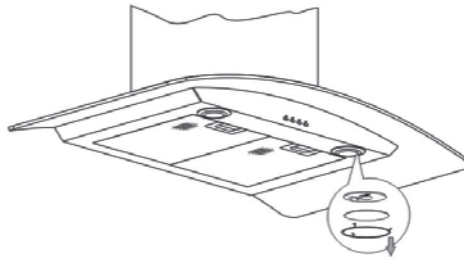
- **CHANGING THE LIGHT BULB**

**Warning**

Before carrying out any work, the power supply to the hood must be turned off, either by unplugging it or by using the circuit breaker switch.

Model with halogen bulb

- Remove the lighting port
- Change the halogen bulb.
- Replace the bulb by repeating these steps in reverse order.



**Warning**

Before carrying out any work, the power supply to the hood must be turned off, either by unplugging it or by using the circuit breaker switch.

- **MAINTAINING YOUR APPLIANCE**

MAINTENANCE	WHAT TO DO	PRODUCTS/ACCESSORIES TO USE
Top surface and accessories	Never use metal scouring pads, abrasive products or excessively stiff brushes.	To clean the body and the lighting port, you should use only commercial household cleaning products diluted in water and then rinse using clean water, drying with a soft cloth.
Filter cartridge	This filter traps fatty vapours and dust. This component plays an important role in ensuring the effectiveness of your hood. In the event of tough stains, use a non-abrasive cream, then rinse with clean water.	Use a commercial household cleaning product then rinse abundantly and dry. These filters can be cleaned in a vertical position in your dishwasher. (Do not allow them to touch dirty dishes or silverware.)
Activated carbon filter	This filter traps odours and must be changed at least once a year depending on your level of use. You should order these filters from your dealer (quoting the reference shown on the identification plate located inside the hood) and note the date the filter was changed.	

To preserve your appliance, we recommend that you use Clearit cleaning products.



*Professional expertise
serving individuals*

Clearit offers you professional products and solutions designed for the daily care of your household appliances and kitchens.

They are on sale at your regular retailer, along with a complete line of accessories and consumable products.

SYMPTOMS	SOLUTIONS
The hood is not working...	Ensure that: <ul style="list-style-type: none">• The power is not cut off.• A speed has been selected.
The hood is not operating effectively...	Ensure that: <ul style="list-style-type: none">• The selected motor speed is sufficient for the quantity of smoke and vapours to be cleared.• The kitchen is sufficiently ventilated to allow for fresh air intake.• The carbon filter is not worn (hood operating in recycling mode).
The hood stopped working.	Ensure that: <ul style="list-style-type: none">• The power is not cut off.• The single-pole cut-off device was not activated.

Any maintenance on your equipment should be undertaken by :

- either your dealer,
- or another qualified mechanic who is an authorized agent for the brand appliances.

When making an appointment, state the full reference of your equipment (model, type and serial number). This information appears on the manufacturer's nameplate attached to your equipment.

Dans le souci d'une amélioration constante de nos produits, nous nous réservons le droit d'apporter à leurs caractéristiques techniques, fonctionnelles ou esthétiques toutes modifications liées à leur évolution.



Important :

Avant de mettre votre appareil en marche, veuillez lire attentivement ce guide d'installation et d'utilisation afin de vous familiariser plus rapidement avec son fonctionnement.

1 / A L'ATTENTION DE L'UTILISATEUR	
• Consignes de sécurité _____	20
• Respect de l'environnement _____	21
• Description de votre appareil _____	22
2 / INSTALLATION DE VOTRE APPAREIL	
• Utilisation en version évacuation _____	23
• Utilisation en version recyclage _____	23
• Raccordement électrique _____	24
• Montage de la hotte _____	25
• Montage de la cheminée	
° Evacuation extérieure _____	26
° Recyclage _____	27
3 / UTILISATION DE VOTRE APPAREIL	
• Description des commandes _____	28
4 / ENTRETIEN ET NETTOYAGE DE VOTRE APPAREIL	
• Nettoyage des filtres cassettes _____	29
• Changement du filtre charbon _____	29
• Nettoyage de la surface extérieure _____	30
• Changement de la lampe _____	30
• Entretenir votre appareil _____	31
5 / ANOMALIES DE FONCTIONNEMENT _____	32
6 / SERVICE APRES-VENTE	
• Interventions _____	33
• Relations consommateurs _____	33



Important

Conservez cette notice d'utilisation avec votre appareil. Si l'appareil devait être vendu ou cédé à une autre personne, assurez-vous que la notice d'utilisation l'accompagne. Merci de prendre connaissance de ces conseils avant d'installer et d'utiliser votre appareil. Ils ont été rédigés pour votre sécurité et celle d'autrui.

• CONSIGNES DE SÉCURITÉ

— Cet appareil a été conçu pour être utilisé par des particuliers dans leur lieu d'habitation.

— Cet appareil doit être utilisé par des adultes. Veillez à ce que les enfants n'y touchent pas et ne l'utilisent pas comme un jouet. Assurez-vous qu'ils ne manipulent pas les commandes de l'appareil.

— A la réception de l'appareil, déballez-le ou faites le déballer immédiatement. Vérifiez son aspect général. Faites les éventuelles réserves par écrit sur le bon de livraison dont vous gardez un exemplaire.

— Votre appareil est destiné à un usage domestique normal. Ne l'utilisez pas à des fins commerciales ou industrielles ou pour d'autres buts que celui pour lequel il a été conçu.

— Ne modifiez pas ou n'essayez pas de modifier les caractéristiques de cet appareil. Cela représenterait un danger pour vous.

— Les réparations doivent être exclusivement effectuées par un spécialiste agréé.

— Débranchez toujours la hotte avant de procéder à son nettoyage ou à son entretien.

— Aérez convenablement la pièce en cas de fonctionnement simultané de la hotte et d'autres appareils alimentés par une source d'énergie différente de l'énergie électrique. Ceci afin que la hotte n'aspire pas les gaz de combustion.

— Il est interdit de flamber des mets ou de faire fonctionner des foyers gaz sans récipients de cuisson, au dessous de la hotte (les flammes aspirées risqueraient de détériorer l'appareil).

— Les fritures effectuées sous l'appareil doivent faire l'objet d'une surveillance constante. Les huiles et graisses portées à très haute température peuvent prendre feu.

— Respectez la fréquence de nettoyage et de remplacement des filtres. L'accumulation de dépôts de graisse risque d'occasionner un incendie.

— Le fonctionnement au dessus d'un foyer à combustible (bois, charbon...) n'est pas autorisé.

— N'utilisez jamais d'appareils à vapeur ou à haute pression pour nettoyer votre appareil (exigences relatives à la sécurité électrique).

— Dans le souci d'une amélioration constante de nos produits, nous nous réservons le droit d'apporter à leurs caractéristiques techniques, fonctionnelles ou esthétiques toutes modifications de leurs caractéristiques liées à l'évolution technique.

— Afin de retrouver aisément à l'avenir les références de votre appareil, nous vous conseillons de les noter en page "Service Après-Vente et Relations Consommateurs". (Cette page vous explique également où les trouver sur votre appareil).



Attention

Dans le cas d'une cuisine chauffée avec un appareil raccordé à une cheminée (ex : poêle), il faut installer la hotte en version recyclage. Ne pas utiliser la hotte sans les filtres cassettes. Une ventilation convenable de la pièce doit être prévue lorsqu'une hotte de cuisine est utilisée simultanément avec des appareils utilisant du gaz ou un autre combustible.

• RESPECT DE L'ENVIRONNEMENT

– Les matériaux d'emballage de cet appareil sont recyclables. Participez à leur recyclage et contribuez ainsi à la protection de l'environnement en les déposant dans les conteneurs municipaux prévus à cet effet.

– Votre appareil contient également de nombreux matériaux recyclables. Il est donc marqué de ce logo afin de vous indiquer que les appareils usagés ne doivent pas être mélangés avec d'autres déchets. Le recyclage des appareils qu'organise votre fabricant sera ainsi réalisé dans les meilleures conditions, conformément à la directive européenne 2002/96/CE sur les déchets d'équipements électriques et électroniques.



Adressez vous à votre mairie ou à votre revendeur pour connaître les points de collecte des appareils usagés les plus proches de votre domicile.

– Nous vous remercions pour votre collaboration à la protection de l'environnement.

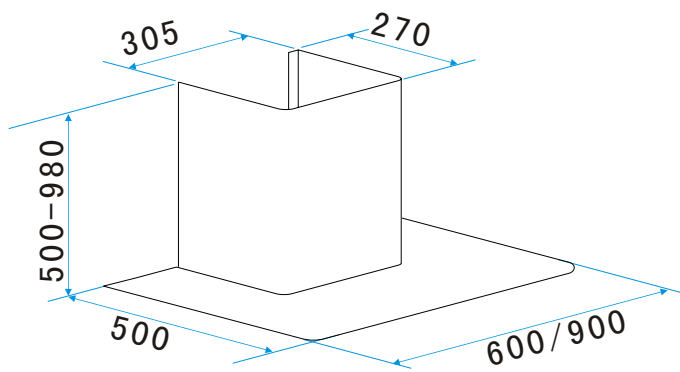
**Attention**

L'installation est réservée aux installateurs et techniciens qualifiés.

**Attention**

Avant la première utilisation du filtre cassette, retirez le film de protection.

• DESCRIPTION DE VOTRE APPAREIL



2 / INSTALLATION DE VOTRE APPAREIL

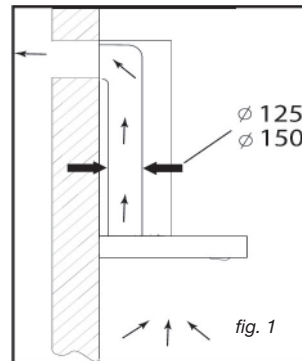
FR

- L'appareil doit être débranché pendant l'installation ou dans l'éventualité d'une intervention.
- Vérifiez que la tension du réseau correspond à la tension mentionnée sur la plaque signalétique située à l'intérieur de la hotte.
- Si l'installation électrique de votre habitation nécessite une modification pour le branchement de votre appareil, faites appel à un électricien qualifié.
- Si la hotte est utilisée en version évacuation, ne raccordez pas l'appareil à un conduit d'évacuation de fumées de combustion (chaudière, cheminée, etc...) ou à une VMC (ventilation mécanique contrôlée).
- Le conduit d'évacuation, quel qu'il soit ne doit pas déboucher dans les combles.
- Installez la hotte à une distance de sécurité d'au moins 70cm d'un plan de cuisson électrique, gaz ou mixte.

• UTILISATION EN VERSION EVACUATION

Vous possédez une sortie vers l'extérieur
(fig. 1)

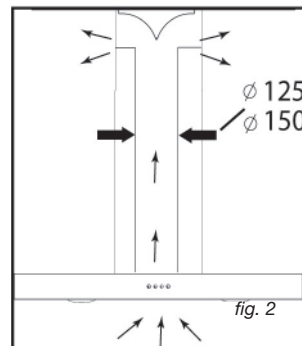
Votre hotte peut être raccordée sur celle-ci par l'intermédiaire d'une gaine d'évacuation (minimum \varnothing 125 mm, émaillée, en alu, flexible ou en matière ininflammable). Si votre gaine est inférieure à 125 mm de diamètre, **passer obligatoirement en mode recyclage.**



• UTILISATION EN VERSION RECYCLAGE

Vous ne possédez pas de sortie vers l'extérieur
(fig. 2)

Tous nos appareils ont la possibilité de fonctionner en mode recyclage. Dans ce cas, ajoutez un filtre à charbon actif qui retiendra les odeurs. (voir Chapitre 4: Changement du filtre charbon)



• RACCORDEMENT ELECTRIQUE

Lors de l'installation et des opérations d'entretien, l'appareil doit être débranché du réseau électrique, les fusibles doivent être coupés ou retirés.

Le raccordement électrique est à réaliser avant la mise en place de l'appareil dans le meuble.

Vérifiez que:

- la puissance de l'installation est suffisante,
- les lignes d'alimentation sont en bon état
- le diamètre des fils est conforme aux règles d'installation.



Attention

Este aparato se suministra con un cable. Cet appareil est livré avec un câble d'alimentation H 05 VVF à 3 conducteurs de 0,75 mm² (neutre, phase et terre). Il doit être branché sur réseau 220-240 V monophasé par l'intermédiaire d'une prise de courant normalisée CEI 60083 qui doit rester accessible après installation, conformément aux règles d'installation.

Notre responsabilité ne saurait être engagée en cas d'accident consécutif à une mise à la terre inexistante ou incorrecte. Le fusible de votre installation doit être de 10 ou 16 A. Si le câble d'alimentation est endommagé, faites appel au service après-vente afin d'éviter un danger.



Attention

Si l'installation électrique de votre habitation nécessite une modification pour le branchement de votre appareil, faites appel à un électricien qualifié.



Attention

Si la hotte présente une quelconque anomalie, débranchez l'appareil ou enlevez le fusible correspondant à la ligne de branchement de l'appareil.

• MONTAGE DE LA HOTTE



Attention

L'installation doit être conforme aux règlements en vigueur pour la ventilation des locaux. En France, ces règlements sont indiqués dans le DTU 61.1 du CSTB. En particulier, l'air évacué ne doit pas être envoyé dans un conduit utilisé pour évacuer les fumées d'appareils utilisant du gaz ou autre combustible. L'utilisation de conduits désaffectés ne peut se faire qu'après accord d'un spécialiste compétent.

La distance minimale entre le plan de cuisson et la partie la plus basse de la hotte doit être de 70 cm. au minimum. Si les instructions de la table de cuisson installée sous la hotte spécifient une distance plus grande que 70 cm, celle-ci doit être prise en compte.

Fixation au mur :

- Tracez une ligne sur le mur, centrée et à la verticale de votre plan de cuisson.
- Tracez sur le mur les 3 trous que vous devez percer en utilisant le crochet de suspension de la hotte fourni et en respectant la distance conseillée.
- Percez les 3 trous de 8mm à l'emplacement adéquat et insérez les chevilles (pièce A fig. 1).
- Avant de raccorder la hotte, monter le clapet anti-retour sur la sortie moteur.
- Fixez le support de fixation de la hotte en veillant à ce qu'il soit parfaitement de niveau (pièce A fig. 1).
- Fixez la gaine extensible d'évacuation (non fournie) sur la sortie moteur sans gêner le mouvement du clapet anti-retour.
- Posez et fixez le corps de la hotte sur ce support avec les vis prévues en dotation.

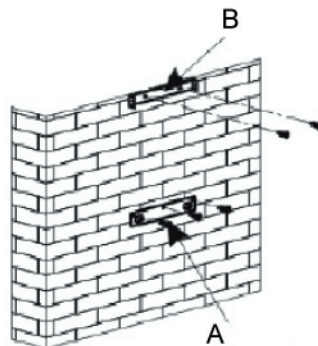


Fig. 1

Gainé extensible (non fourni)

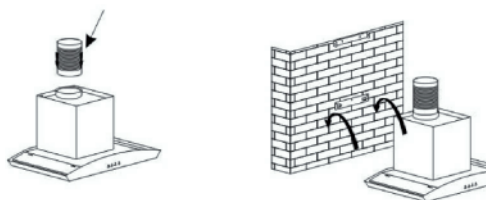


Fig. 2

• **MONTAGE DE LA CHEMINÉE**

• **Evacuation extérieure**

– Calculez la hauteur finale pour fixer l'étrier en U de support de la cheminée (pièce B fig. 1).

– Tracez les 2 trous à l'endroit adapté.

– Percez les 2 trous de 8mm et fixez l'étrier de support de la cheminée en faisant attention qu'il soit bien dans l'axe de la hotte (pièce B fig. 1).

– Fixez l'étrier plat à l'arrière de la cheminée inférieure (pièce C fig. 4).

– Placer le verre sur les guides. Glisser et fixer le verre avec les 4 vis muni du joint caoutchouc (protection au verre). Serrez les vis modérément (fig. 3).

– Posez les 2 cheminées sur la hotte.

– Raccordez la gaine à la sortie de l'air vers l'extérieur.

– Effectuez le raccordement électrique de la hotte au moyen du câble d'alimentation.

– Soulever la cheminée supérieure jusqu'au plafond et la fixer à l'étrier à l'aide des vis.

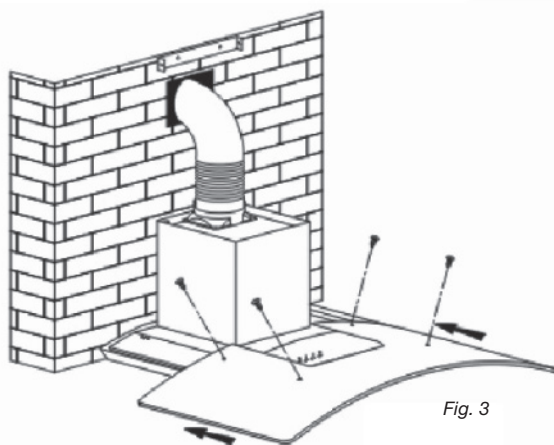
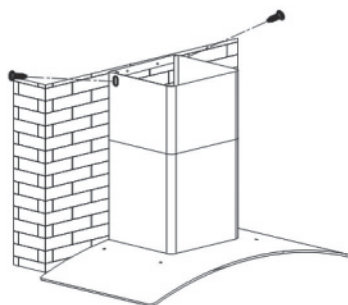


Fig. 3

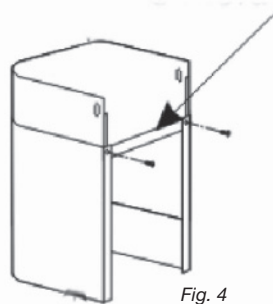


Fig. 4

• *Recyclage*

- Calculez la hauteur finale pour fixer l'étrier de support de la cheminée (pièce B fig. 1).
- Tracez les 2 trous à l'endroit adapté.
- Percez les 2 trous de 8mm et fixez l'étrier de support de la cheminée en faisant attention qu'il soit bien dans l'axe de la hotte (pièce B fig. 1).
- Fixez l'étrier plat à l'arrière de la cheminée inférieure (pièce C fig. 4).
- Placer le verre sur les guides. Glisser et fixer le verre sur les 4 vis.
- Installer l'adaptateur de gaine sur le déflecteur (fig. 8).
- Raccordez la gaine extensible au déflecteur.
- Posez la cheminée composée de 2 parties sur la hotte.
- Installer le déflecteur (fig. 8) dans la cheminée supérieure au niveau des ouïes d'aération (fig. 6).
- Effectuez le raccordement électrique de la hotte au moyen du câble d'alimentation.
- Soulevez la cheminée supérieure jusqu'au plafond et la fixer à l'étrier à l'aide des 2 vis (fig. 7).



Fig. 8

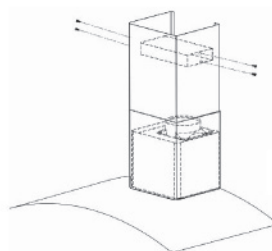


Fig. 6

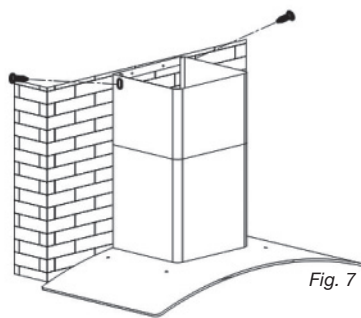


Fig. 7

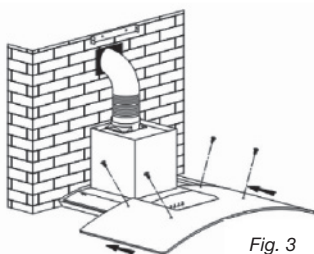


Fig. 3

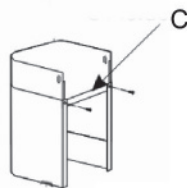


Fig. 4



Conseil

Pour une utilisation optimale de votre appareil, nous vous conseillons le raccordement à une gaine diamètre 150 mm (non livrée). Limiter au maximum le nombre de coude et la longueur de la gaine. Dans le cas où la hotte fonctionne en évacuation extérieure, il convient d'assurer une arrivée d'air frais suffisante pour éviter de mettre la pièce en dépression.

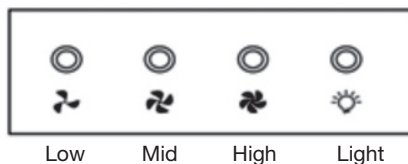


Attention

Ne pas utiliser d'outils pour enlever le film de protection transparent sur les parois.

• DESCRIPTION DES COMMANDES**Bouton-poussoir**

1. Appuyez sur le bouton basse vitesse, l'avertisseur sonore retentit une fois et le moteur tourne à basse vitesse. Appuyez sur la touche nouveau sur le bouton, l'arrêt du moteur.
2. Appuyez sur le bouton moyenne vitesse, l'avertisseur sonore retentit une fois et le moteur tourne à moyenne vitesse. Appuyez sur la touche nouveau sur le bouton, l'arrêt du moteur.
3. Appuyez sur le bouton vitesse rapide, l'avertisseur sonore retentit une fois et le moteur tourne à vitesse rapide. Appuyez sur la touche nouveau sur le bouton, l'arrêt du moteur.
4. Appuyez sur le bouton éclairage et les deux lampes s'allument. Appuyez à nouveau et elles s'éteignent.



**Attention**

Débranchez l'appareil avant de procéder à l'entretien et au nettoyage de l'appareil. Un entretien régulier de votre appareil est une garantie de bon fonctionnement, de bon rendement et de durabilité.

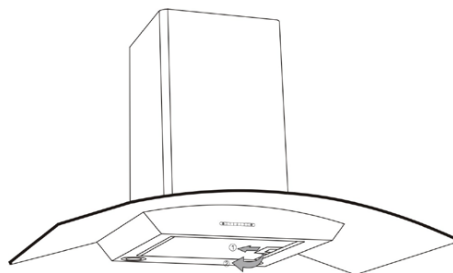
**Attention**

Le non-respect des instructions de nettoyage de l'appareil et des filtres peut occasionner des incendies. Veuillez respecter strictement les consignes d'entretien.

• NETTOYAGE DES FILTRES CASSETTES

Ils doivent être nettoyés toutes les 30 heures d'utilisation environ ou une fois par mois minimum. Ce nettoyage peut être effectué dans votre lave-vaisselle en position verticale.

Utilisez une brosse, de l'eau chaude et un détergent doux. Rincez-les et séchez-les soigneusement avant de les remettre en place.



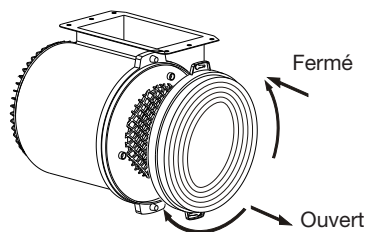
• Démontage du filtre cassette

- Pivotez la poignée intégrée du filtre cassette.
- Basculez le filtre cassette vers le bas.

• CHANGEMENT DU FILTRE CHARBON

Remplacez-le toutes les 120 heures d'utilisation environ.

- Retirez les filtres cassettes.
- Tourner le filtre charbon pour le retirer.
- Faire l'opération inverse pour remettre un nouveau filtre.
- Remettre les filtres cassettes.



• NETTOYAGE DE LA SURFACE EXTERIEURE

Pour nettoyer l'extérieure de votre hotte utilisez de l'eau savonneuse, mais n'utilisez jamais de crèmes à récurer, de détergents corrosif, ni d'éponge grattoir ou brosse. Essayez avec un chiffon humide et doux.

• CHANGEMENT DE LAMPE

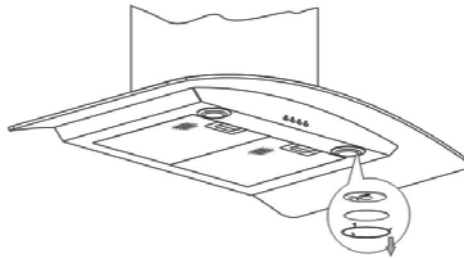


Attention

Avant toute intervention, la hotte doit être mise hors tension, soit en retirant la prise, soit en actionnant le disjoncteur.

Modèle avec lampe halogène

- Retirez le hublot
- Changez la lampe halogène
- Remplacez l'ensemble en effectuant les opérations en sens inverse.



**Attention**

Avant toute intervention, la hotte doit être mise hors tension, soit en retirant la prise, soit en actionnant le disjoncteur.

- **ENTRETIENIR VOTRE APPAREIL**

ENTRETIEN...	COMMENT PROCEDER ?	PRODUITS/ACCESSOIRES A UTILISER
Enveloppe et accessoires	N'utilisez jamais de tampons métalliques, de produits abrasifs ou de brosses trop dures.	Pour nettoyer la carrosserie et le hublot d'éclairage, utilisez exclusivement des nettoyeurs ménagers du commerce dilués dans de l'eau, puis rincez à l'eau claire et essuyez avec un chiffon doux.
Filtre cassette	Ce filtre retient les vapeurs grasses et les poussières. Il est l'élément assurant une part importante de l'efficacité de votre hotte. Dans le cas de taches persistantes, utilisez une crème non abrasive, puis rincez à l'eau claire.	Avec un nettoyeur ménager du commerce, puis rincez abondamment et séchez. Ce nettoyage peut être effectué dans votre lave-vaisselle en position verticale (ne pas mettre en contact avec de la vaisselle sale ou des couverts en argent).
Filtre charbon actif	Ce filtre retient les odeurs et doit être changé au moins tous les ans en fonction de votre utilisation. Commandez ces filtres chez votre revendeur (sous la référence indiquée sur la plaque signalétique située à l'intérieur de la hotte) et notez la date de changement.	

Pour préserver votre appareil, nous vous recommandons d'utiliser les produits d'entretien Clearit.



*L'expertise des professionnels
au service des particuliers*

Clearit vous propose des produits professionnels et des solutions adaptées pour l'entretien quotidien de vos appareils électroménagers et de vos cuisines.

Vous les trouverez en vente chez votre revendeur habituel, ainsi que toute une ligne de produits accessoires et consommables.

SYMPTOMES	SOLUTIONS
La hotte ne fonctionne pas...	Vérifiez que: <ul style="list-style-type: none">• il n'y a pas de coupure de courant.• une vitesse a été effectivement sélectionnée.
La hotte a un rendement insuffisant...	Vérifiez que: <ul style="list-style-type: none">• la vitesse moteur sélectionnée est suffisante pour la quantité de fumée et de vapeur dégagée.• la cuisine est suffisamment aérée pour permettre une prise d'air.• le filtre à charbon n'est pas usagé (hotte en version recyclage).
La hotte s'est arrêtée au cours du fonctionnement	Vérifiez que: <ul style="list-style-type: none">• il n'y a pas de coupure de courant.• le dispositif à coupure omnipolaire ne s'est pas enclenché.

• INTERVENTIONS

Les éventuelles interventions sur votre appareil doivent être effectuées par un professionnel qualité dépositaire de la marque. Lors de votre appel, mentionnez la référence complète de votre appareil (modèle, type, numéro de série). Ces renseignements figurent sur la plaque signalétique (Fig. 1).

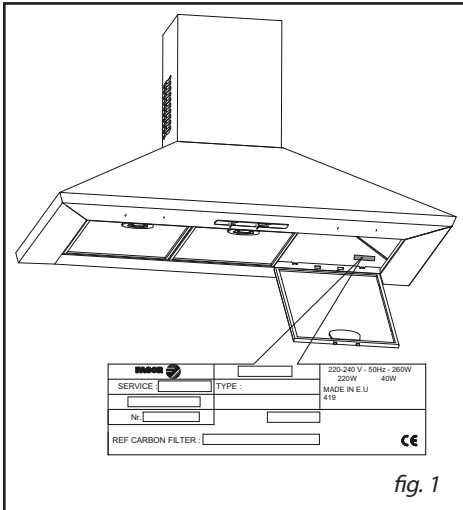


fig. 1

PIÈCES D'ORIGINE

Lors d'une intervention d'entretien, demandez l'utilisation exclusive de **pièces détachées certifiées d'origine**.



• RELATIONS CONSOMMATEURS

• Pour en savoir plus sur tous les produits de la marque :

informations, conseils, les points de vente, les spécialistes après-vente.

• Pour communiquer :

nous sommes à l'écoute de toutes vos remarques, suggestions, propositions auxquelles nous vous répondrons personnellement.

> Vous pouvez nous écrire :

Service Consommateurs FAGOR

BP 9526

95069 CERGY PONTOISE CEDEX

> ou nous téléphoner au :

0892 02 88 07*

*0,34 € TTC / min à partir d'un poste fixe

Com o objectivo de melhorar constantemente os nossos produtos, reservamo-nos o direito de modificar as respectivas características técnicas, funcionais ou estéticas por motivos ligados a avanços técnicos.



Importante:

Antes de colocar o seu aparelho em funcionamento, leia atentamente este manual de instalação e utilização para se familiarizar mais rapidamente possível com o seu funcionamento.

1 / INFORMAÇÕES DESTINADAS AO UTILIZADOR	
• Instruções de segurança _____	36
• Protecção do ambiente _____	37
• Descrição do aparelho _____	38
2 / INSTALAÇÃO DO APARELHO	
• Utilização na versão de evacuação _____	39
• Utilização na versão de reciclagem _____	39
• Ligação eléctrica _____	40
• Montagem do exaustor _____	41
• Montagem da chaminé	
° Evacuação exterior _____	42
° Reciclagem _____	43
3 / UTILIZAÇÃO DO APARELHO	
• Descrição dos comandos _____	44
4 / MANUTENÇÃO E LIMPEZA DO APARELHO	
• Limpeza dos filtros cassete _____	45
• Substituição do filtro de carvão _____	45
• Limpeza da superfície exterior _____	46
• Substituição da lâmpada _____	46
• Manutenção do exaustor _____	47
5 / ANOMALIAS DE FUNCIONAMENTO _____	48
6 / SERVIÇO TÉCNICO _____	49

**Importante**

Guarde este guia de utilização junto do aparelho. Se o aparelho for vendido ou cedido a outra pessoa, tenha o cuidado de remeter igualmente o manual de utilização. Leia estas recomendações antes de instalar e utilizar o aparelho. Estas recomendações foram redigidas para a sua segurança e a segurança dos outros.

• INSTRUÇÕES DE SEGURANÇA

— Este aparelho foi concebido para ser utilizado por particulares em suas casas.

— Este aparelho deve ser utilizado apenas por adultos. Certifique-se de que as crianças não lhe tocam e que não o utilizam como um brinquedo. Certifique-se de que não tocam no painel de controlo do aparelho.

— Quando receber o aparelho, retire-o da embalagem imediatamente. Faça uma verificação geral. Aponte as eventuais reservas por escrito na guia de remessa e guarde um exemplar da mesma.

— Este aparelho destina-se a ter uma utilização doméstica normal. Não o utilize para fins comerciais ou industriais ou com outros fins para além dos objectivos para os quais foi concebido.

— Não modifique nem tente modificar as características deste aparelho. Isso poderá representar um perigo para si.

— As reparações devem ser efectuadas exclusivamente por um técnico autorizado.

— Desligue sempre o exaustor antes de proceder à manutenção ou à limpeza do mesmo.

— Ventile convenientemente a cozinha em caso de funcionamento simultâneo do exaustor com outros aparelhos funcionando com fontes de energia diferentes da electricidade, para que o exaustor não aspire os gases de combustão.

— É interdita a realização, por baixo do exaustor, de receitas “flambé” ou fazer funcionar os bicos de gás sem recipientes, (as

chamas aspiradas são susceptíveis de deteriorar o aparelho).

— As frituras efectuadas sob o aparelho devem ser alvo de uma vigilância constante. O óleo e as gorduras aquecidas a temperaturas bastante elevadas podem incendiar-se.

— Respeite a frequência de limpeza e de substituição dos filtros. A acumulação de gordura pode ocasionar a deflagração de incêndios.

— Não é autorizado o funcionamento por cima de um foco de combustível (lenha, carvão, etc.)

— Nunca utilize aparelhos a vapor ou de alta pressão para limpar o aparelho (requisitos relativos à segurança eléctrica).

— Com a preocupação de melhorar constantemente os nossos produtos, reservamo-nos o direito de modificar as respectivas características técnicas, funcionais ou estéticas por motivos ligados avanços técnicos.

— Para no futuro encontrar facilmente as referências do aparelho, aconselhamos a que as aponte na página “Serviço Pós-Venda e Relações com o Consumidor”. (Esta página também explica onde se encontram no aparelho).

— Este aparelho não está previsto para ser utilizado por pessoas (incluindo crianças) com capacidades físicas, sensoriais ou mentais reduzidas, ou por pessoas sem experiência ou conhecimentos, excepto se forem vigiadas ou se tiverem instruções prévias sobre a utilização do aparelho.

**Atenção**

No caso de a cozinha ser aquecida com um aparelho ligado a uma chaminé (ex.: fogão de sala), é necessário instalar o exaustor na sua versão de reciclagem. Não utilize o exaustor sem os filtros cassete.

Dever-se-á prever uma ventilação adequada da cozinha sempre que o exaustor seja utilizado simultaneamente com aparelhos que utilizam gás ou outro combustível qualquer.

• PROTECÇÃO DO AMBIENTE

— Os materiais e embalagem deste aparelho são recicláveis. Por isso, participe na reciclagem dos mesmos e contribua, assim, para a protecção do ambiente, depositando-os nos contentores municipais previstos para este efeito.

— Este aparelho também contém muitos materiais recicláveis. Por esta razão, está marcado com este símbolo a fim de lhe indicar que os aparelhos usados não devem ser misturados com os restantes resíduos. A reciclagem dos aparelhos organizada pelo fabricante será, pois, efectuada nas melhores condições possíveis, de acordo com a directiva europeia 2002/96/CE sobre os resíduos de equipamentos eléctricos e electrónicos. Consulte a sua câmara municipal ou o revendedor de forma a encontrar os pontos de recolha para aparelhos utilizados mais próximos de sua casa.



— Agradecemos, desde já, a sua colaboração na protecção do ambiente.

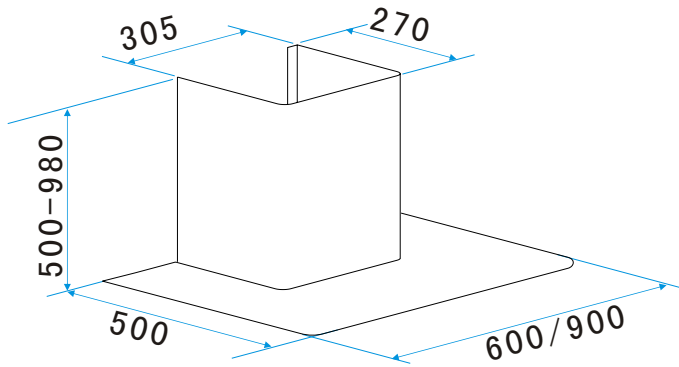
**Atenção**

A instalação do exaustor é reservada aos instaladores e técnicos qualificados.

**Atenção**

Antes da primeira utilização do filtro cassete, retire a película de protecção.

- **DESCRIÇÃO DO APARELHO**

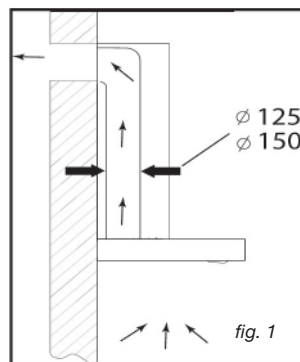


- O exaustor deve estar desligado durante a sua instalação ou em caso de intervenção.
- Verifique se a tensão da rede eléctrica corresponde à tensão mencionada na placa de características situada no interior do exaustor.
- Se a instalação eléctrica da sua residência necessitar de uma alteração para a ligação do exaustor, contacte um electricista qualificado.
- Se o exaustor for utilizado na sua versão de evacuação, não o ligue a uma conduta de evacuação de fumos de combustão (caldeira, chaminé, etc.) ou a um sistema de ventilação mecânica controlada.
- A conduta de evacuação, seja de que tipo for, não deve desembocar em águas furtadas.
- Instale o exaustor a uma distância mínima de segurança de 70 cm em relação à placa de cozinha eléctrica, a gás ou mista.

• UTILIZAÇÃO NA VERSÃO DE EVACUAÇÃO

A sua instalação possui uma saída para o exterior (fig. 1)

O exaustor pode ser ligado a esta saída através de um tubo de evacuação (\varnothing mínimo 125 mm, esmaltado, em alumínio, ou em material não inflamável). Se o tubo tiver um diâmetro inferior a 125 mm, **passe obrigatoriamente para o modo reciclagem.**



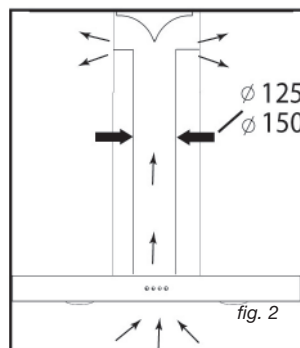
• UTILIZAÇÃO NA VERSÃO DE RECICLAGEM

A sua instalação não possui saída para o exterior (fig. 2)

Todos os nossos aparelhos têm a possibilidade de funcionar em modo reciclagem.

Neste caso, acrescente um filtro de carvão activo que captará os cheiros.

(Ver Capítulo 4: Substituição do filtro de carvão).



• LIGAÇÃO ELÉCTRICA

Durante a instalação e as operações de manutenção, o exaustor deve ser desligado da corrente eléctrica e os fusíveis devem ser cortados ou retirados.

A ligação eléctrica deve ser realizada antes de o aparelho ser instalado no armário.

Verificar se:

- a instalação tem potência suficiente,
- os fios eléctricos estão em boas condições.
- o diâmetro dos fios está em conformidade com os requisitos de instalação.



Atenção

Este aparelho é vendido com um cabo eléctrico H 05 VVF de 3 condutores de 0,75 mm² (neutro, fase e terra), devendo este ser ligado a uma rede monofásica de 220-240 V através de uma tomada eléctrica normalizada CEI 60083, que, de acordo com as regras de instalação, deve ficar acessível após a instalação.

Declinamos qualquer responsabilidade em caso de acidente ocasionado por uma ligação à terra inexistente ou incorrecta. O fusível da sua instalação deve ser de 10 ou 16 A. Se o cabo eléctrico estiver danificado, contacte o serviço pós-venda a fim de evitar qualquer perigo.



Atenção

Se a instalação eléctrica da sua residência necessitar de uma alteração para a ligação do exaustor, contacte um electricista qualificado.



Atenção

Se o exaustor apresentar qualquer anomalia, desligue o aparelho ou retire o fusível correspondente à linha de ligação do mesmo.

• MONTAGEM DO EXAUSTOR DECORATIVO



Atenção

A instalação deve cumprir os requisitos dos regulamentos em vigor para a ventilação dos locais. Em França, estes regulamentos são indicados no DTU 61.1 do CSTB. Designadamente, o ar evacuado não deve ser enviado para uma conduta utilizada para a evacuação de fumos de aparelhos a gás ou utilizando outros combustíveis. A utilização de tubos desafectados só pode ser feita após acordo de um especialista competente.

A distância mínima entre a placa de cozinha e a parte mais baixa do exaustor deverá ser de 70 cm, no mínimo. Se as instruções da placa de cozinha instalada sob o exaustor especificarem uma distância superior a 70 cm, esta deverá ser levada em consideração.

Fixação na parede:

- Trace uma linha na parede, centrada e verticalmente à placa de cozinha.
- Trace na parede os 3 orifícios que tem de fazer utilizando o gancho de suspensão do exaustor fornecido e respeitando a distância aconselhada (peça A da fig. 1).
- Faça os 3 orifícios de 8 mm no local adequado e insira as buchas.
- Fixe o suporte de fixação do exaustor, certificando-se de que fica totalmente nivelado (peça A fig. 1).
- Antes de ligar o exaustor, monte a válvula de retenção na saída do motor.
- Fixe o tubo extensível de evacuação (não fornecido) na saída do motor sem obstruir o movimento da válvula de retenção (fig. 3).
- Coloque e fixe o corpo do exaustor neste suporte com os parafusos previstos para esse fim (fig. 2).

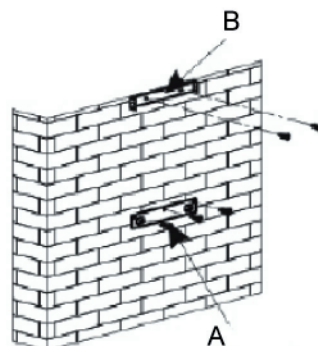


Fig. 1

Gainé extensible (non fourni)

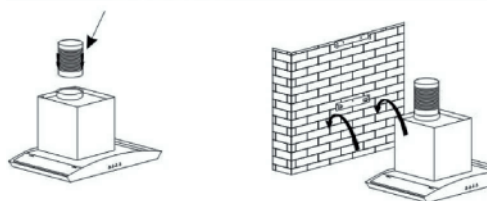


Fig. 2

• MONTAGEM DA CHAMINÉ

• **Evacuação exterior**

- Calcule a altura final para fixar o apoio em U do suporte da chaminé (peça B da fig. 1).
- Marque os 2 orifícios no local adequado.
- Faça os 2 orifícios de 8 mm e fixe o apoio do suporte da chaminé certificando-se de que fica exactamente no eixo do exaustor (peça B da fig. 1).
- Fixe o apoio plano na parte de trás da chaminé inferior.
- Coloque as 2 chaminés sobre o exaustor (fig. 5).
- Ligue o tubo à saída de ar para o exterior.
- Efectue a ligação eléctrica do exaustor com o cabo de alimentação.
- Levante a chaminé superior até ao tecto e fixe-a no apoio com parafusos.

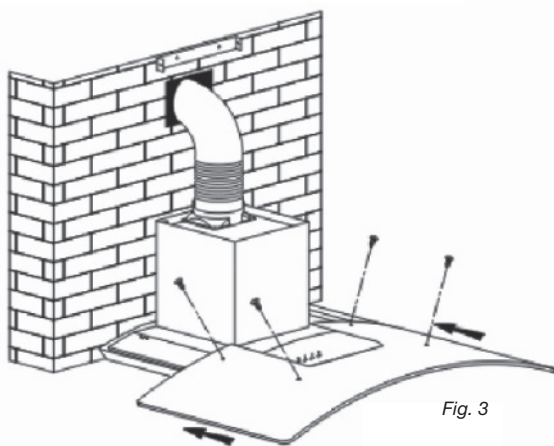
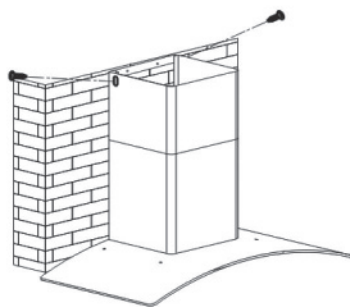


Fig. 3

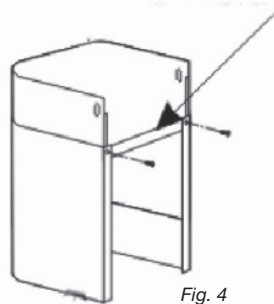


Fig. 4

• Reciclagem

- Calcule a altura final para fixar o apoio de suporte à chaminé.
- Marque os 2 orifícios no local adequado.
- Faça os 2 orifícios de 8 mm e fixe o apoio do suporte da chaminé certificando-se de que fica exactamente no eixo do exaustor.
- Fixe o apoio plano na parte de trás da chaminé inferior.
- Coloque as 2 chaminés sobre o exaustor (fig. 5).
- Ligue a capa da saída de ar para o exterior.
- Efectue a ligação eléctrica do exaustor através do cabo de alimentação.
- Levante a chaminé superior até ao tecto e fixe-a no apoio com os 2 parafusos.



Fig. 8

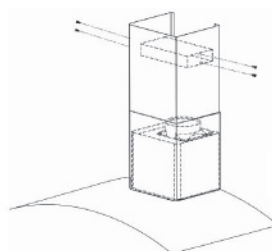


Fig. 6

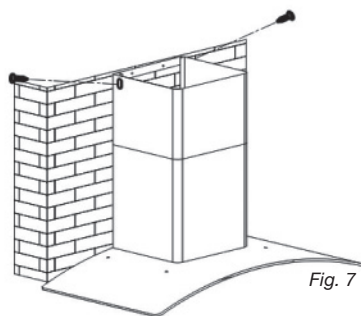


Fig. 7

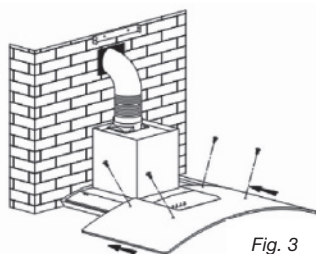


Fig. 3

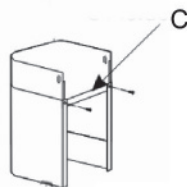


Fig. 4



Conselho

Para uma utilização ideal do exaustor, aconselhamos que a ligação seja efectuada a um tubo com 150 mm de diâmetro (vendido separadamente). Limite ao máximo o número de cotovelos e o comprimento do tubo. Se o exaustor funcionar com uma evacuação exterior, convém assegurar-se da existência de uma entrada de ar exterior suficientemente grande para evitar colocar a cozinha em depressão.



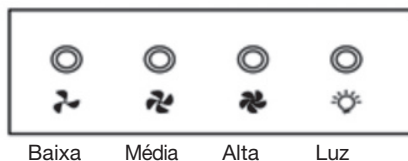
Atenção

Não utilize ferramentas para retirar a película de protecção transparente dos painéis.

• **PARA USAR O SEU EXTRACTOR DE COZINHA**

Como usar o painel de controlo.

- a. Pressione o botão “Baixa” e o indicador luminoso interior do interruptor acende-se. O motor está a funcionar a baixa velocidade. Pressione novamente o botão e o motor pára de imediato.
- b. Pressione o botão “Média” e o indicador luminoso interior do interruptor acende-se. O motor está a funcionar a média velocidade. Pressione novamente o botão e o motor pára de imediato.
- c. Pressione o botão “Alta” e o indicador luminoso interior do interruptor acende-se. O motor está a funcionar a alta velocidade. Pressione novamente o botão e o motor pára de imediato.
- d. Pressione o botão “Luz” e ambas as luzes vão acender-se. Pressione novamente o botão e as luzes irão apagar-se.



**Atenção**

Desligue o aparelho antes de proceder à sua limpeza e manutenção. Uma manutenção periódica do aparelho é uma garantia para o seu devido funcionamento, bom rendimento e durabilidade.

**Atenção**

O não cumprimento das instruções de limpeza do aparelho e dos filtros pode provocar incêndios. Respeite absolutamente as instruções de manutenção.

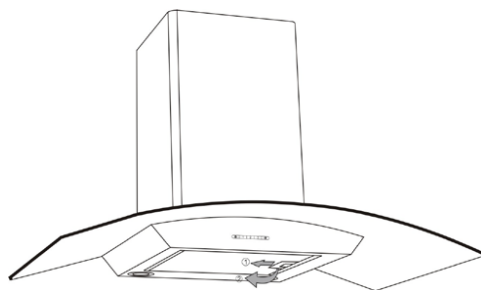
• LIMPEZA DOS FILTROS CASSETE

Devem ser limpos após 30 horas de utilização ou no mínimo uma vez por mês. A sua limpeza pode ser efectuada na máquina de lavar louça na vertical.

Lave-os com uma escova, água quente e um detergente suave. Passe-os por água e seque-os cuidadosamente antes de os voltar a instalar.

• Desmontagem dos filtros cassette

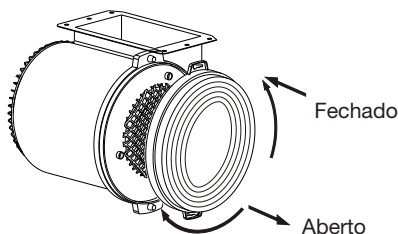
- Rode a pega integrada do filtro cassette.
- Incline o filtro cassette para baixo.



• SUBSTITUIÇÃO DO FILTRO DE CARVÃO (opcional)

Substitua o filtro de carvão após 120 horas de utilização aproximadamente.

- Retire os filtros cassette.
- Rode o filtro de carvão para o retirar.
- Faça a operação inversa para instalar um novo filtro.
- Volte a instalar os filtros cassette.



• LIMPEZA DA SUPERFÍCIE EXTERIOR

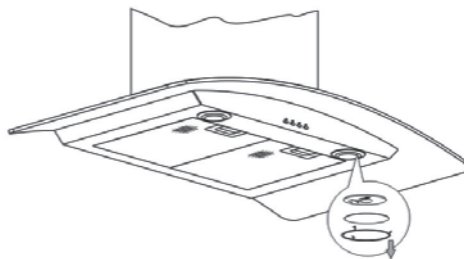
Para limpar a parte exterior do exaustor, utilize água com um detergente; não utilize cremes abrasivos, detergentes corrosivos, nem o esfregão das esponjas, nem escovas. Seque com um pano macio e húmido.

• SUBSTITUIÇÃO DA LÂMPADA**Atenção**

Antes de efectuar qualquer intervenção, desligue o exaustor da corrente eléctrica, quer retirando a ficha da tomada, ou accionando o disjuntor.

Modelo com lâmpada de halogéneo

- Retire o visor
- Substitua a lâmpada de halogéneo.
- Volte a instalar todos os elementos, efectuando as operações no sentido inverso.



**Atenção**

Antes de efectuar qualquer intervenção, desligue o exaustor da corrente eléctrica, quer retirando a ficha da tomada, ou accionando o disjuntor.

• **MANUTENÇÃO DO EXAUSTOR**

MANUTENÇÃO	COMO PROCEDER?	PRODUTOS/ACESSÓRIOS A UTILIZAR
Campânula e acessórios	Nunca utilize esfregões metálicos, produtos abrasivos ou escovas demasiado duras.	Para limpar a parte exterior e a vigia de iluminação, utilize exclusivamente produtos de limpeza domésticos vendidos no comércio diluídos em água, em seguida enxágue com água limpa e seque com um pano macio.
Filtro cassete	Este filtro absorve os vapores gordurosos e as poeiras. Este elemento desempenha uma importante função na eficácia do exaustor. Se houver manchas persistentes, utilize um detergente creme não abrasivo e passe por água limpa.	Com um produto de limpeza doméstico vendido no comércio, em seguida enxágue e seque. A sua limpeza pode ser efectuada na máquina de lavar louça colocados na vertical. (Não pôr em contacto com louça suja ou talheres de prata).
Filtro de carvão activo	Este filtro absorve os cheiros e deve ser substituído pelo menos todos os anos em função da sua utilização. Encomende filtros no seu revendedor (através da referência indicada na placa de características situada dentro do exaustor) e anote a data de substituição.	

Para preservar o seu aparelho, recomendamos a utilização de produtos de limpeza Clearit.



Os conhecimentos e a experiência dos profissionais ao serviço dos particulares

A Clearit propõe-lhe produtos profissionais e soluções adequadas para a manutenção diária dos seus electrodomésticos e da sua cozinha.

Poderá encontrá-los à venda no seu revendedor habitual, bem como toda uma linha de acessórios e consumíveis.

SINTOMAS	SOLUÇÕES
O exaustor não funciona...	Verificar se: <ul style="list-style-type: none">• não há um corte de electricidade.• foi realmente seleccionada uma velocidade.
O rendimento do exaustor é insuficiente...	Verificar se: <ul style="list-style-type: none">• a velocidade do motor seleccionada é suficiente para a quantidade de fumo e vapor libertada.• a ventilação da cozinha é suficiente para permitir a entrada de ar.• o filtro de carvão não está gasto (exaustor na versão de reciclagem).
O exaustor parou durante o seu funcionamento	Verificar se: <ul style="list-style-type: none">• não há um corte de electricidade.• o dispositivo de corte ominoplar não se activou.

As intervenções de que o aparelho necessite devem ser realizadas

- pelo revendedor;
- por outro profissional qualificado autorizado pela marca.

Ao chamá-los, indique a referência completa do seu aparelho (modelo, tipo e número de série). Estas informações figuram na placa de identificação fixada no aparelho.

Mit dem Ziel die konstante Verbesserung unserer Produkte zu gewährleisten, behalten wir uns das Recht vor, an ihnen Änderungen der technischen Eigenschaften oder am Design vorzunehmen, die einen technischen Fortschritt bedeuten.

**Wichtig:**

Lesen Sie die Anleitung für die Installation und Benutzung bitte aufmerksam durch, bevor Sie dieses Produkt in Betrieb nehmen, um sich so schnell wie möglich mit seiner Funktionsweise vertraut zu machen.

1 / WAS DER BENUTZER BEACHTEN SOLLTE	
• Hinweise für die Sicherheit _____	52
• Hinweise zum Schutz der Umwelt _____	53
• Beschreibung des Geräts _____	54
2 / INSTALLATION DES GERÄTS	
• Benutzung in der Absaugfunktion _____	55
• Benutzung in der Umluftfunktion _____	55
• Elektrischer Anschluss _____	56
• Montage der Dunstabzugshaube _____	57
• Montage der Rohrabdeckung	
◦ Absaugung nach außen _____	58
◦ Umluft _____	59
3 / BENUTZUNG DES GERÄTS	
• Beschreibung der Steuerung _____	60
4 / REINIGUNG UND INSTANDHALTUNG DES GERÄTS	
• Reinigung der Modulfilter _____	61
• Wechsel des Kohlefilters _____	61
• Reinigung der Oberflächen außen _____	62
• Lampe austauschen _____	62
• Instandhaltung des Geräts _____	63
5 / ANOMALIEN IM BETRIEB _____	64
6 / TECHNISCHER KUNDENDIENST _____	65



Wichtig

Bewahren Sie diese Bedienungsanleitung mit dem Gerät auf. Wenn Sie es verkaufen oder an eine andere Person weiter geben, versichern Sie sich darüber, dass auch das Handbuch zur Bedienung beiliegt. Lesen Sie bitte diese Hinweise aufmerksam durch, bevor Sie das Gerät anschließen oder benutzen. Sie wurden für Ihre Sicherheit und für die der Allgemeinheit verfasst.

• **Hinweise für die Sicherheit**

- Dieses Gerät wurde dafür konstruiert, um von Privatpersonen in ihren Wohnungen benutzt zu werden.
- Dieser Gerät darf nur von Erwachsenen benutzt werden. Achten Sie darauf, dass Kinder es nicht anfassen oder es als Spielzeug benutzen. Versichern Sie sich darüber, dass Kinder nicht die Steuerungen des Geräts bedienen.
- Wenn Sie das Gerät erhalten, packen Sie es sofort aus oder lassen Sie es auspacken. Überprüfen Sie visuell den allgemeinen Zustand. Wenn Sie Reklamationen haben, legen Sie diese schriftlich auf dem Lieferschein nieder und behalten Sie eine Kopie zurück.
- Ihr Gerät ist für den normalen häuslichen Gebrauch bestimmt. Sie dürfen es weder für kommerzielle oder industrielle Zwecke noch für Zwecke benutzen, für die es nicht konstruiert wurde.
- Modifizieren Sie nicht die Eigenschaften des Geräts oder versuchen Sie nicht, diese zu verändern. Das kann für Sie gefährlich sein.
- Die Reparaturen dürfen nur von autorisierten Fachleuten durchgeführt werden.
- Schalten Sie die Dunstabzugshaube stets ab, bevor Sie sie reinigen oder mit der Instandhaltung beginnen.
- Lüften Sie den Raum stets ausreichend, wenn die Dunstabzugshaube zur gleichen Zeit mit anderen Geräten betrieben werden, die nicht über Strom gespeist werden. Das dient dazu, dass die Dunstabzugshaube nicht die Verbrennungsgase ansaugt.
- Es dürfen unter ihr keine Nahrungsmittel flambiert werden oder es dürfen zum Beispiel keine Gasherde betrieben werden, ohne dass ein Koch-

gefäß die Flamme abdeckt (die Flammen können das Gerät beschädigen).

- Wenn Sie unter dem Gerät frittieren, müssen Sie es konstant überwachen. Auf sehr hohe Temperaturen erhitzte Öle und Fette könnten sich entflammen.
- Halten Sie die Frequenzen zur Reinigung und zum Wechsel des Filters ein. Die Ansammlung von Fetten kann zu einem Brand führen.
- Das Gerät darf nicht über offenen Flammen (Holzfeuer, Kohlenfeuer...) betrieben werden.
- Benutzen Sie keine Dampf- oder Druckreiniger zur Reinigung des Geräts (es handelt sich um eine Vorschrift im Rahmen der elektrischen Sicherheit).
- Mit dem Ziel die konstante Verbesserung unserer Produkte zu gewährleisten, behalten wir uns das Recht vor, an ihnen Änderungen der technischen Eigenschaften oder am Design vorzunehmen, die einen technischen Fortschritt bedeuten.
- Um die Spezifikationen Ihres Geräts stets leicht zur Hand zu haben, raten wir Ihnen, sie auf der Seite "Technischer Kundendienst und Kundenservice" zu notieren (Diese Seite zeigt Ihnen auch, wo Sie diese Angaben auf dem Gerät finden).
- Dieses Gerät ist nicht für die Benutzung durch Personen konzipiert (Kinder eingeschlossen), die über eingeschränkte physische, sensorische oder mentale Kapazitäten verfügen, die keine Erfahrung oder keine Kenntnis des Geräts haben, außer wenn diese unter Aufsicht einer Person stehen, die für ihre Sicherheit während der Benutzung des Geräts verantwortlich ist und entsprechend angewiesen wurden.



Achtung

Wenn in der Küche ein Heizgerät betrieben wird, dass ebenfalls an das Abzugsrohr angeschlossen wird (zum Beispiel eine Etagenheizung), muss die Dunstabzugshaube in der Umluftfunktion betrieben werden. Benutzen Sie die Dunstabzugshaube nicht ohne die Modulfilter. Sorgen Sie stets für eine ausreichende Lüftung des Raums, wenn die Dunstabzugshaube zur gleichen Zeit mit anderen Geräten betrieben wird, die mit Gas oder anderen Heizstoffen arbeiten.

• SCHUTZ DER UMWELT

– Die Materialien zur Verpackung dieses Geräts können recycelt werden. Nehmen Sie am Recycling teil und helfen Sie uns, die Umwelt zu schützen, indem Sie sie in die Behälter ihrer Gemeinde werfen, die extra dafür vorgesehen sind.

– Auch das Gerät wurde mit recycelbaren Materialien hergestellt, weshalb es mit diesem Logo versehen ist. Das zeigt an, dass derlei Geräte nicht mit anderem Müll zusammen entsorgt werden sollten. Wenn Sie so handeln, wird das Recycling der Geräte durch den Hersteller unter den best möglichen Bedingungen realisiert, gemäß der europäischen Richtlinie: 2002/96/CE über die Entsorgung von elektrischen und elektronischen Geräten. Setzen Sie sich bitte mit Ihrer Gemeinde oder dem Geschäft in Verbindung, in dem Sie das Gerät erworben haben, um zu erfahren, wo die nächstgelegenen Punkte zur Entsorgung zu finden sind.



– Wir bedanken uns bei Ihnen für die Unterstützung für den Schutz der Umwelt.

**Achtung**

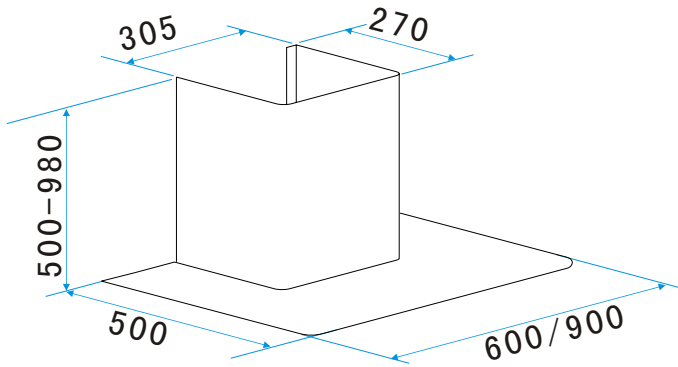
Der Anschluss darf nur von qualifizierten Installateuren und Technikern durchgeführt werden.

**Achtung**

Bevor Sie den Modulfilter zum ersten Mal benutzen, ziehen Sie die Schutzfolie ab.

DE 1 / WAS DER BENUTZER BEACHTEN SOLLTE

• **BESCHREIBUNG DES GERÄTS**



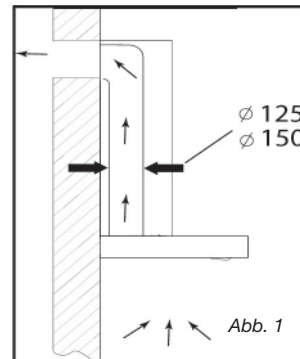
- Das Gerät muss vom Stromnetz getrennt sein, bevor es angeschlossen wird oder Arbeiten an ihm ausgeführt werden.
- Prüfen Sie bitte zunächst, ob die Netzspannung mit der übereinstimmt, die auf dem Typenschild angegeben ist, das sich Inneren der Dunstabzugshaube befindet.
- Wenn der elektrische Anschluss im Raum, in dem die Dunstabzugshaube betrieben wird, Änderungen zum Anschluss des Gerät bedarf, lassen Sie dies von einem qualifizierten Elektriker.
- Wenn die Dunstabzugshaube mit der Absaugfunktion betrieben wird, schließen Sie es nicht an einen Kamin an, der für die Ausleitung von Verbrennungsrückständen benutzt wird (Heizung, offener Kamin, etc.) oder an eine mechanisch gesteuerte Ventilation.
- Die Ableitung, egal welcher Art, darf nicht unterhalb des Dachs oder im Speicher enden.
- Bringen Sie die Dunstabzugshaube in einem Sicherheitsabstand von wenigstens 70cm über dem Elektro-, Gas- oder Mischherd an.

• BENUTZUNG MIT DER ABSAUGFUNKTION

Wenn Sie über eine Ableitungsmöglichkeit nach außen verfügen

(Abb. 1)

Ihre Dunstabzugshaube kann über ein Abluftrohr (Ø mindestens 125 mm, emailliert, aus Aluminium oder nicht brennbaren Materialien) an den Abzug angeschlossen werden. Ist der Durchmesser kleiner als 125 mm **müssen Sie die Umluftfunktion benutzen**.



• BENUTZUNG IN DER UMLUFTFUNKTION

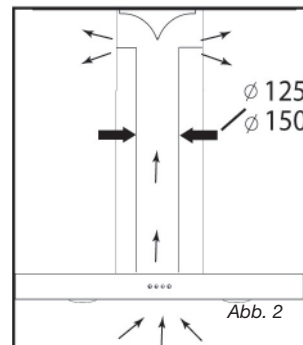
Wenn Sie über keine Ableitungsmöglichkeit nach außen verfügen

(Abb. 2)

Bei allen unseren Geräten besteht die Möglichkeit, sie in der Umluftfunktion zu betreiben.

In diesem Fall setzen Sie einen Aktivkohlefilter ein, welcher die Gerüche herausfiltert.

(siehe Abschnitt 4: Wechsel des Kohlefilters).



• ELEKTRISCHER ANSCHLUSS

Beim Anschließen und bei Arbeiten zur Instandhaltung, muss das Gerät vom Netzstrom getrennt werden und die Sicherungen müssen getrennt oder herausgedreht sein.

Der elektrische Anschluss muss vorbereitet sein, bevor das Gerät in das Möbelstück eingesetzt wird.

Überprüfen Sie, dass:

- die Leistung der Stromzufuhr ausreichend ist,
- die Leitungen zur Stromzufuhr in gutem Zustand sind,
- der Durchmesser der Kabel entsprechend der Normen für die Installation ist.



Achtung

Dieses Gerät wird mit einem Stromkabel geliefert (H 05 VVF) mit drei 3 Leitungen von 0,75 mm² (Schutzleiter, Phase und Erdung), das an ein einphasiges Stromnetz mit 220 - 240 V über einen gewöhnlichen Stecker (CEI 60083) angeschlossen wird, der nach dem Abschluss der Arbeiten, in Übereinstimmung mit den Installationsnormen, zugänglich sein muss.

Wir übernehmen keine Verantwortung im Fall eines Unfalls, der sich wegen einer fehlenden oder falschen Erdung ereignet. Die Installation muss mit einer Sicherung von 10 oder 16 A. abgesichert sein. Wenn das Kabel zur Stromversorgung beschädigt ist, wenden Sie sich sofort an den technischen Kundendienst, um Gefahren zu vermeiden.



Achtung

Wenn der elektrische Anschluss im Raum geändert werden muss, in dem die Dunstabzugshaube betrieben werden soll, wenden Sie sich an einen qualifizierten Elektriker.



Achtung

Wenn Sie eine Anomalie beim Betrieb der Dunstabzugshaube feststellen, schalten Sie das Gerät ab oder trennen Sie die zugehörige Sicherung.

• MONTAGE DER DUNSTABZUGSHAUBE



Achtung
Der Anschluss muss gemäß den gesetzlichen Vorschriften für die Belüftung von Räumen vorgenommen werden. In Frankreich sind diese Vorschriften im DTU 61.1 des CSTB dargelegt. Im Besonderen darf die abgesaugte Luft nicht in einen Abzug führen, der zur Ableitung von Rauch oder Verbrennungsgase anderer Gas- oder Verbrennungsgeräte benutzt wird. Nicht genutzte Abzüge dürfen nur nach Angaben eines kompetenten Spezialisten genutzt werden.

Der minimale Abstand zwischen der Kochzone und des untersten Teils der Dunstabzugshaube muss mindestens 70 cm betragen. Wenn die Anleitung des jeweiligen Herds unter der Dunstabzugshaube einen höheren Abstand als 70 cm vorschreibt, muss dieser eingehalten werden.

Befestigung an der Wand:

– Zeichnen Sie eine zentrierte Linie auf die Mauer und von der Vertikalen ihres Kochgeräts.

– Zeichnen Sie auf die Mauer die 3 Bohrlöcher auf, die Sie benötigen und benutzen Sie dafür die mitgelieferten Halter der Dunstabzugshaube und beachten Sie dabei den empfohlenen Abstand (Teil A der Abb. 1).

– Bohren Sie die 3 Löcher von 8 mm an den entsprechenden Stellen und setzen Sie die Dübel ein.

– Schrauben Sie den Halter für die Befestigung der Dunstabzugshaube fest und garantieren Sie, dass er vollständig im Wasser ist (Teil A der Abb. 1).

– Bevor Sie die Dunstabzugshaube aufhängen, montieren das Rückschlagventil auf den Ausgang des Motors.

– Schrauben Sie die dehnbare Hülle (nicht inbegriffen) für die Abluft auf den Ausgang des Motors ohne dabei die Bewegungen des Rückschlagventils zu beeinträchtigen. (Abb. 3).

– Setzen Sie den Körper der Dunstabzugshaube auf den Halter mit den dafür vorgesehenen mitgelieferten Schrauben auf (Abb. 2).

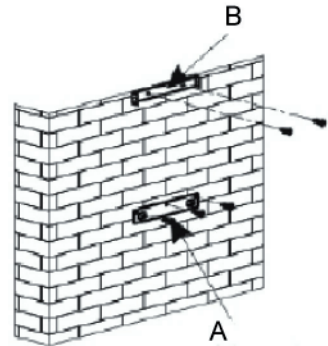


Abb. 1

Gainé extensible (non fourni)

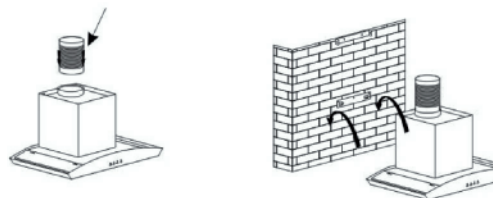


Abb. 2

• MONTAGE DER ROHRABDECKUNG

• **Absaugung nach außen**

- Berechnen Sie die Endhöhe für den U-Halter der Rohrabdeckung (Teil B Abb. 1)
- Markieren Sie die 2 Löcher am richtigen Ort.
- Bohren Sie die beiden Löcher mit 8 mm und schrauben Sie den Halteflansch der Rohrabdeckung an und achten Sie dabei, dass die Achse zur Dunstabzugshaube korrekt ist (Teil B Abb.1)
- Schrauben Sie die flache Gabel an die hintere untere Seite der Rohrabdeckung.
- Setzen Sie die beiden Teile der Rohrabdeckung auf die Dunstabzugshaube (Abb. 5).
- Schließen Sie die Hülle des Luftausgangs außen an.
- Führen Sie den elektrischen Anschluss der Dunstabzugshaube mit dem Stromkabel durch.
- Führen Sie das obere Teil der Rohrabdeckung bis zum höchsten Punkt und befestigen Sie sie an der Gabel über die Schrauben.

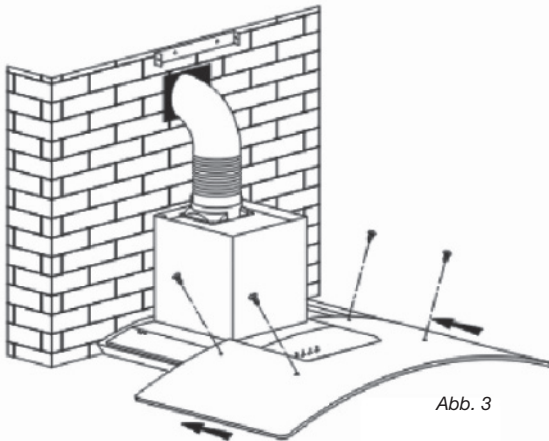
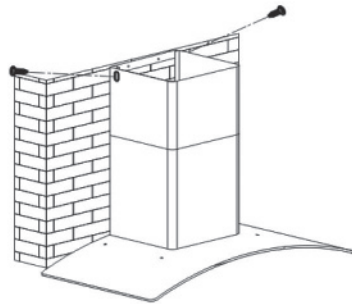


Abb. 3

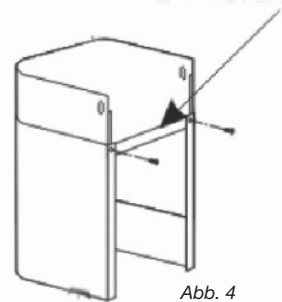


Abb. 4

• Umluft

- Berechnen Sie die Endhöhe für den Halter der Rohrabdeckung.
- Markieren Sie die 2 Löcher am richtigen Ort.
- Bohren Sie die beiden Löcher mit 8 mm und schrauben Sie den Halteflansch des Rohrhalters an und achten Sie dabei, dass die Achse zur Dunstabzugshaube korrekt ist.
- Schrauben Sie die flache Gabel an die hintere untere Seite der Rohrabdeckung.
- Setzen Sie die beiden Teile der Rohrabdeckung auf die Dunstabzugshaube. (Abb. 5)
- Schließen Sie die Hülle des Luftausgangs außen an.
- Führen Sie den elektrischen Anschluss der Dunstabzugshaube mit dem Stromkabel durch.
- Führen Sie das obere Teil der Rohrabdeckung bis zum höchsten Punkt und befestigen Sie sie an der Gabel über die Schrauben.



Abb. 8

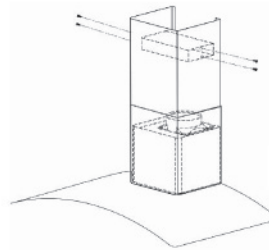


Abb. 6

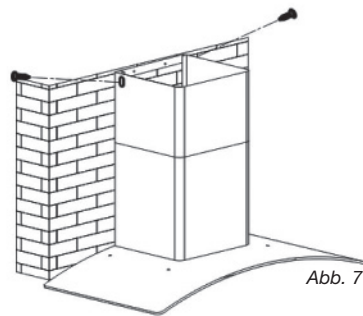


Abb. 7

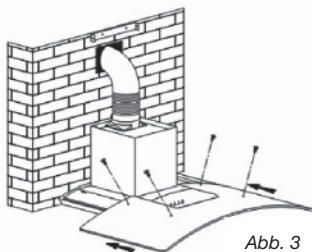


Abb. 3

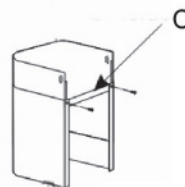


Abb. 4



Hinweis

Um die optimale Leistung des Geräts zu gewährleisten, raten wir Ihnen, es an einen Anschluss mit einem Durchmesser von 150 mm anzuschließen (nicht mitgeliefert). Beschränken Sie so weit wie möglich den Einsatz von Winkeln und die Gesamtlänge. Wenn die Dunstabzugshaube im Abluftbetrieb benutzt wird, müssen Sie sich darüber versichern, dass genug Luft zugeführt wird, damit kein Unterdruck im Raum entsteht.



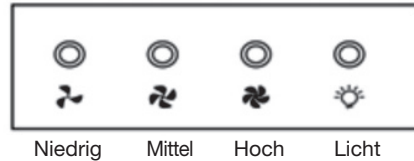
Achtung

Benutzen Sie kein Werkzeug, um den Schutzfilm abzuziehen.

• FÜR DIE BENUTZUNG IHRER DUNSTABZUGSHAUBE

Wie man die Steuerung benutzt:

- a. Drücken Sie den Knopf "Niedrig" und die Leuchte im Schalter wird aufleuchten. Den Motor wird mit einer niedrigen Geschwindigkeit betrieben. Wenn Sie den Knopf erneut drücken, wird der Motor wieder angehalten.
- b. Drücken Sie den Knopf "Mittel" und die Leuchte im Schalter wird aufleuchten. Den Motor wird mit einer mittleren Geschwindigkeit betrieben. Wenn Sie den Knopf erneut drücken, wird der Motor wieder angehalten.
- c. Drücken Sie den Knopf "Hoch" und die Leuchte im Schalter wird aufleuchten. Den Motor wird mit einer hohen Geschwindigkeit betrieben. Wenn Sie den Knopf erneut drücken, wird der Motor wieder angehalten.
- d. Drücken Sie den Knopf "Licht" und beide Lampen werden aufleuchten. Wenn Sie den Knopf erneut drücken, werden die Leuchten wieder abgeschaltet.



**Achtung**

Trennen Sie das Gerät stets von der Stromversorgung, bevor Sie eine Arbeit zur Wartung oder Reinigung vornehmen. Eine periodische Instandhaltung ist eine Garantie für einen guten Betrieb, eine gute Leistung und eine lange Laufzeit.

**Achtung**

Wenn Sie den Anweisungen zur Reinigung des Geräts und der Filter nicht nachkommen, kann das zu Bränden führen. Halten Sie strikt die Anweisungen zur Instandhaltung ein.

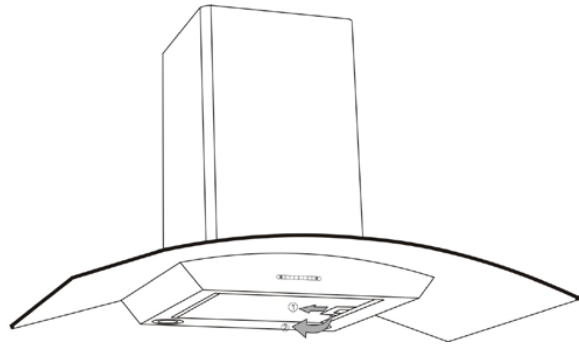
• REINIGUNG DER MODULFILTER

Sie müssen nach jeweils 30 Betriebsstunden oder nach etwa einem Monat (minimal) gereinigt werden. Die Reinigung kann aufrecht stehend in der Spüle vorgenommen werden.

Benutzen Sie eine Bürste, heißes Wasser und ein weiches Spülmittel. Spülen Sie gut nach und trocknen Sie sie gut, bevor Sie sie wieder einsetzen.

• Demontage des Modulfilters

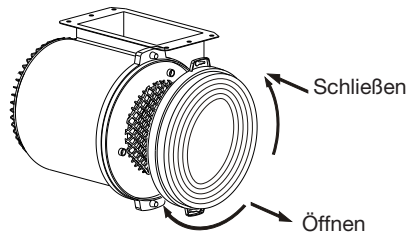
- Drehen Sie den Griff am Modulfilter.
- Kippen Sie den Modulfilter nach unten weg.



• WECHSEL DES KOHLEFILTERS (optional)

Sie müssen ihn jeweils nach 120 Betriebsstunden wechseln.

- Entnehmen Sie die übrigen Modulfilter
- Drehen Sie den Kohlefilter, um ihn herausnehmen zu können.
- Führen Sie den Vorgang in umgekehrter Reihenfolge durch, um einen neuen Filter einzusetzen.
- Setzen Sie danach die übrigen Modulfilter wieder ein.



• REINIGUNG DER OBERFLÄCHEN AUßEN

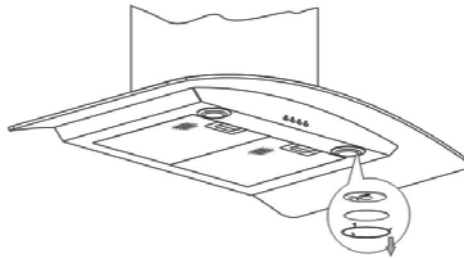
Zur äußerlichen Reinigung der Dunstabzugshaube benutzen Sie Wasser und Seife. Benutzen Sie keine Cremes zum Spülen, noch kratzende Reiniger, Schwämme oder Bürsten. Trocknen Sie mit einem feuchten und weichen Lappen nach.

• LAMPE AUSTAUSCHEN**Achtung**

Bevor Sie irgendeine Arbeit an der Dunstabzugshaube verrichten, schalten Sie den Strom ab, ziehen den Netzstecker oder trennen die Sicherung.

Modell mit Halogenlampe

- Nehmen Sie die Fassung heraus
- Ersetzen Sie die Halogenlampe.
- Setzen Sie die Gruppe wieder ein, indem Sie in umgekehrter Reihenfolge vorgehen.



**Achtung**

Bevor Sie irgendeine Arbeit an der Dunstabzugshaube verrichten, schalten Sie den Strom ab, ziehen den Netzstecker oder trennen die Sicherung.

- **INSTANDHALTUNG DES GERÄTS**

WARTUNG	WAS ZU TUN IST	PRODUKTE / ZUBEHÖR ZUM GEBRAUCH
Gehäuse und Zubehör	Benutzen Sie niemals metallische Schwämme, kratzende Reiniger oder zu harte Bürsten.	Um das Gehäuse und das Auge zur Beleuchtung zu reinigen, benutzen Sie nur kommerzielle Reiniger, die in Wasser verdünnt werde und spülen Sie danach mit Wasser nach und trocknen Sie mit einem weichen Lappen nach.
Modulfilter	Dieser Filter hält den fetten Dampf und den Staub zurück. Es ist das Element, das ganz wesentlich die Wirksamkeit der Dunstabzugshaube garantiert. Wenn es schwer lösliche Flecken gibt, benutzen Sie einen nicht kratzenden Reiniger und spülen Sie mit klarem Wasser nach.	Reinigen Sie ihn mit einem kommerziellen Reiniger, spülen Sie mit reichlich Wasser nach und trocknen Sie ihn ab. Die Reinigung kann aufrecht stehend in der Spüle vorgenommen werden. (Bringen Sie ihn nicht mit schmutzigem Geschirr oder mit Silberbesteck in Kontakt).
Aktivkohlefilter	Dieser Filter filtert die Gerüche und er muss wenigstens ein Mal im Jahr, je nach Nutzung, gewechselt werden. Bestellen Sie diese Filter bei ihrem Händler (mit den Referenzen, die auf der Typenplakette finden, die sich im Inneren der Dunstabzugshaube befindet) und notieren Sie das Datum des Tauschs.	

Um das Gerät in einem guten allgemeinen Zustand zu erhalten, empfehlen wir die Nutzung der Produkte Clearit.



Die Kenntnisse und die Erfahrung von Fachleuten im Dienst von Privatpersonen.

Clearit bietet Ihnen Profi-Produkte und adäquate Lösungen für die täglichen Arbeiten an Ihren Haushaltsgeräten und in Ihrer Küche.

Sie werde von Ihrem üblichen Händler zusammen mit den Zubehörprodukten und Verbrauchsmaterialien verkauft.

SYMPTOME	LÖSUNGEN
Die Dunstabzugshaube funktioniert nicht ...	Überprüfen Sie, dass: <ul style="list-style-type: none">• der Strom nicht abgestellt wurde.• eine Geschwindigkeit zum Betrieb gewählt wurde.
Die Leistung der Dunstabzugshaube ist unzureichend.	Stellen Sie sicher, dass: <ul style="list-style-type: none">• Die gewählte Motordrehzahl ist für die ausreichende Menge von Rauch und Dämpfen gelöscht werden.• Die Küche ist ausreichend belüftet, damit für Frischluftzufuhr.• Die Kohlenstoff-Filter nicht getragen wird (Haube Betriebssystem im Recycling-Modus).
Die Dunstabzugshaube hat sich im Betrieb abgeschaltet.	Überprüfen Sie, dass: <ul style="list-style-type: none">• der Strom nicht abgestellt wurde.• der automatische Schutztrennschalter nicht ausgelöst wurde.

Die Arbeiten, die an dem Gerät ausgeführt werden, müssen durchgeführt werden von:

- dem Händler
- oder von einem von der Marke autorisiertem und qualifizierten Fachmann.

Bei Anrufen geben Sie bitte stets die gesamten Referenzdaten an (Modell, Typ und Seriennummer). Diese Daten finden sich auf dem Typenschild des Geräts.

Za účelem neustálého zlepšování našich výrobků si vyhrazujeme právo provádět úpravy jejich technických, funkčních a estetických vlastností, spojených s technickým pokrokem.

**Důležité:**

Než uvedete váš přístroj do provozu, přečtěte si pozorně tento návod k instalaci a použití, aby jste se co nejrychleji obeznámili s jeho fungováním.

1 / PRO UŽIVATELE	
• Bezpečnostní údaje _____	68
• Ochrana životního prostředí _____	69
• Popis přístroje _____	70
2 / INSTALACE PŘÍSTROJE	
• Použití v evakuačním způsobu _____	71
• Použití v recyklačním způsobu _____	71
• Elektrické zapojení _____	72
• Montáž extrakčního zvonu _____	73
• Montáž komína	
° Evakuace ven _____	74
° Recyklace _____	75
3 / POUŽITÍ PŘÍSTROJE	
• Popis ovládačů _____	76
4 / ÚDRŽBA A ČIŠTĚNÍ PŘÍSTROJE	
• Čištění modulárních filtrů _____	77
• Výměna uhlíkového filtru _____	77
• Čištění vnějšího povrchu _____	78
• Výměna žárovky _____	78
• Údržba přístroje _____	79
5 / ZÁVADY VE FUNGOVÁNÍ _____	80
6 / TECHNICKÝ SERVIS _____	81

**Důležité**

Ušchevejte tuto příručku spolu s přístrojem. Pokud prodáte nebo přenecháte tento přístroj jiné osobě, ujistěte se, že jste k němu přiložili tento návod k použití. Prosíme, přečtěte si tyto rady dříve, než nainstalujete a začnete používat tento přístroj. Byly sepsané za účelem zajištění bezpečnosti vaší i vašeho okolí.

• BEZPEČNOSTNÍ ÚDAJE

— Tento přístroj je určený pro používání soukromými osobami ve svých domovech.

— Tento přístroj musí být používán dospělými osobami. Dávejte pozor, aby se ho nedotýkaly děti a nepoužívaly jej jako hračku. Ujistěte se, že nemanipulují ovládačemi přístroje.

— Po obdržení přístroj ihned vybalte nebo jej nechejte vybalit. Zkontrolujte jeho celkový vzhled. Pokud máte nějaké výhrady, napište je do dodacího listu a ponechtejte si jednu kopii.

— Váš přístroj je určený pro normální domácí použití. Nepoužívejte jej k obchodním nebo průmyslovým účelům, nebo k jakýmkoliv jiným účelům, než k těm, pro které byl vyrobený.

— Neupravujte, ani se nesnažte upravovat charakteristiky přístroje. Mohlo by to být pro vás nebezpečné.

— Opravy musí být prováděné výhradně autorizovaným odborníkem.

— Odpojte vždy extrační zvon, než začnete s čištěním nebo údržbou.

— Ventilujte dostatečně pokoj, pokud extrakční zvon funguje zároveň s jinými přístroji, napájenými jiným zdrojem energie, než je elektřina. To proto, aby zvon nenasával spalované plyny.

— Nelze flambovat potraviny nebo mít zapálený plynový hořák bez nádoby pod

zvonem (nasáté plameny by mohly poškodit přístroj).

— Když budete smažit pod přístrojem, musíte jej neustále hlídat. Oleje a tuk ohřátý na vysokou teplotu by se mohly vznítit.

— Respektujte frekvenci čištění a výměn filtrů. Nahromadění nánosů tuku by mohlo vyvolat požár.

— Nesmí fungovat nad ohněm, který je na bázi spalování (dřevo, uhlí, ...).

— Na čištění přístroje nepoužívejte přístroje na páru nebo vysoký tlak (požadavky vzhledem k elektrické bezpečnosti).

— Za účelem neustálého zlepšování našich výrobků si vyhrazujeme právo aplikovat úpravy co se týče technických, funkčních nebo estetických charakteristik, způsobených technickým pokrokem.

— Aby jste mohli snadněji nalézt reference vašeho přístroje, radíme Vám, aby jste je zaznamenali na stránce "Technická podpora a zákaznické centrum". (Na této stránce je také popis, kde je na přístroji najdete).

— Tento přístroj není určený k používání osobami (včetně dětí) se sníženými fyzickými, smyslovými nebo mentálními schopnostmi nebo osobami, které nedisponují potřebnými zkušenostmi nebo znalostmi, s výjimkou, pokud by osoba zodpovědná za jejich bezpečnost na ně dohlížela nebo je předem náležitě poučila, jak přístroj používat.

**Pozor**

Pokud se sporák ohřívá pomocí přístroje napojeného na komín (například kamna), je třeba nainstalovat zvon v recyklačním způsobu. Nepoužívejte zvon bez modulárních filtrů. Je třeba zajistit adekvátní ventilaci, pokud se extrakční kuchyňský zvon používá zároveň s dalšími přístroji, které fungují na plyn nebo jiný spalovací pohon.

• OCHRANA ŽIVOTNÍHO PROSTŘEDÍ

— Materiály použité při balení tohoto přístroje jsou recyklovatelné. Podílejte se na jejich recyklování a pomáhejte zachovávat životní prostředí jejich vyhozením do obecních kontejnerů, určených k těmto účelům.



— Váš přístroj také obsahuje recyklovatelné materiály, proto je označený tímto logem, které oznamuje, že použité přístroje se nesmí míchat mezi ostatní odpad. Tímto způsobem se recyklace přístrojů, kterou organizuje váš výrobce, uskuteční v nejlepších možných podmínkách, v souladu s evropskou směrnicí 2002/96/CE o odpadech elektrických a elektronických vybavení. Informujte se na vašem obecním úřadě nebo u vašeho prodejce, aby jste se dozvěděli, kde se nacházejí sběrná místa pro použité přístroje, která jsou nejbližší vašemu bydlišti.

— Děkujeme Vám za vaši spolupráci při ochraně životního prostředí.

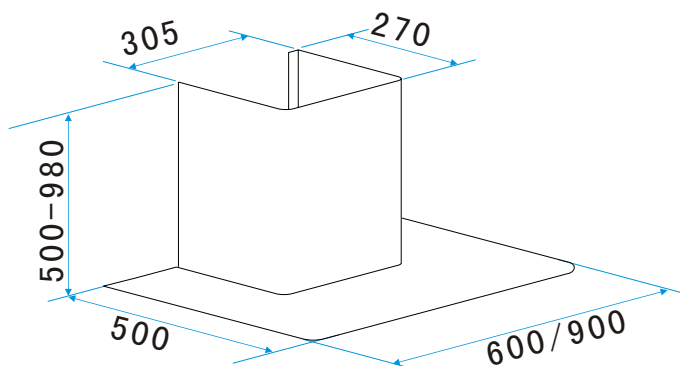
**Pozor**

Instalace musí být provedená kvalifikovanými instalačními techniky.

**Pozor**

Dříve, než poprvé použijete modulární filtr, odstraňte z něj ochranný film.

• POPIS PŘÍSTROJE

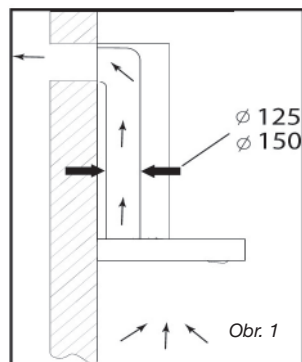


- Příklad je třeba odpojit před instalací a před provedením jakéhokoliv zákroku na něm.
- Zkontrolujte, zda napětí sítě odpovídá napětí, uvedenému na štítku s charakteristikami, který se nachází uvnitř zvonu.
- Pokud je pro nainstalování vašeho zvonu třeba provést nějaké změny, aby jste mohli připojit přístroj, pověřte tím kvalifikovaného elektrikáře.
- Pokud používáte zvon v evakuačním způsobu, nezapojujte přístroj na vývod pro evakuaci dýmu ze spalování (kotel, komín, atd.) nebo na VMC (mechanická kontrolovaná ventilace).
- Evakuační vývod, ať je jakýkoliv, nesmí vyústit pod střešou.
- Nainstalujte zvon do bezpečnostní vzdálenosti alespoň 70 cm od desky elektrického, plynového nebo smíšeného variče.

• POUŽITÍ V EVAKUAČNÍM ZPŮSOBU

Pokud disponujete vývodem ven
(Obr. 1)

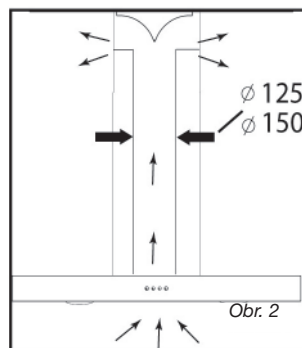
Můžete k němu připojit váš zvon pomocí evakuačního vývodu (minimální \varnothing 125 mm, smaltovaný, hliníkový nebo nehořlavý materiál). Pokud má vývod průměr menší, než 125 mm, **přejděte povinně do recyklačního způsobu.**



• POUŽITÍ V RECYKLAČNÍM ZPŮSOBU

Pokud nedisponujete vývodem ven
(Obr. 2)

Všechny naše přístroje jsou uzpůsobené pro možnost fungování v recyklačním způsobu. V tomto případě přidejte filtr s aktivním uhlím, který zachycuje pachy. (viz. kapitola 4: Výměna uhlíkového filtru).



• ELEKTRICKÉ ZAPOJENÍ

Při provádění instalace a údržbářských operací musí být přístroj odpojený z elektrické sítě a pojistky musí být vypnuté a odstraněné.

Elektrické zapojení je třeba provést před umístěním přístroje do nábytku.

Zkontrolujte, zda:

- je dostatečný výkon instalace,
- jsou napájecí linky v dobrém stavu,
- je průměr káblu v souladu s normami instalace.



Pozor

Tento přístroj je dodáván spolu s napájecím káblem H 05 VVF s 3 vodiči o 0,75 mm² (nulák, fáze a zem), který je třeba napojit na jednofázovou síť s 220 - 240 V prostřednictvím normalizované zásuvky CEI 60083, ta musí být přístupná i po provedení instalace, v souladu s instalačními normami.

Nebudeme na sebe přebírat zodpovědnost za nehody způsobené neexistující nebo nesprávnou zásuvkou.

Pojistka ve vaší instalaci musí mít 10 nebo 16 A. Pokud by byl napájecí kábel poškozený, kontaktujte zákaznické centrum, aby jste předešli jakémukoliv nebezpečí.



Pozor

Pokud potřebujete upravit elektrickou instalaci vašeho pokoje, aby bylo možné zapojit přístroj, přivolejte kvalifikovaného elektrikáře.



Pozor

Pokud se na zvonu objeví jakákoliv anomálie, odpojte přístroj nebo vyndejte pojistku odpovídající lince zapojení přístroje.

• MONTÁŽ EXTRAKČNÍHO ZVONU



Pozor

Instalace musí být v souladu s platnými normami pro ventilaci místností. Ve Francii jsou tyto normy popsány v DTU 61.1, CSTB. Především by vypouštěný vzduch neměl proudit stejnými proudy jako dým z přístrojů, které používají plyn nebo jiné spalování.

Neužívané vývody se mohou znovu použít pouze se souhlasem kompetentního odborníka.

Minimální vzdálenost mezi varnou zónou a nejnižší částí zvonu musí být alespoň 70 cm. Pokud by instrukce na štítku, instalovaném pod zvonem, uváděly vzdálenost vyšší než 70 cm, je třeba ji brát v úvahu.

Upevnění na zeď:

— Nakreslete na zeď vystředěnou čáru, ve vertikální pozici k vařicí desce.

— Označte na zdi všechny 3 otvory, které potřebujete vyvrtat a použijte hák pro zavěšení zvonu, ponechejte a respektujte doporučenou vzdálenost (kus A, obr. 1).

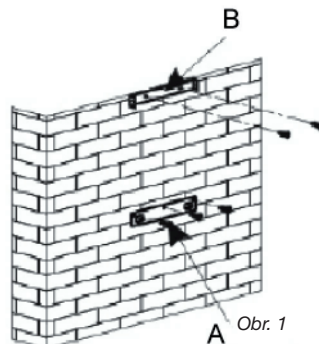
— Vyvrtejte všechny 3 otvory o 8 mm v adekvátním rozmístění a vložte hmoždinky.

— Našroubujte držák pro upevnění zvonu a zajistěte, aby byl zcela nivelovaný (kus A, obr. 1).

— Před zavěšením zvonu namontujte zpětný ventil na vývod motoru.

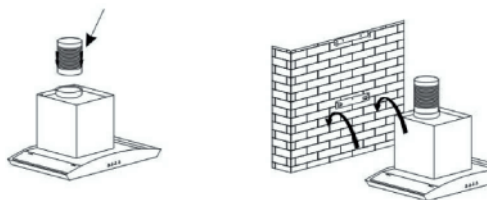
— Našroubujte (nepřiložené) výsuvné odvodové pouzdro na vývod motoru tak, aby nepřekáželo v pohybu zpětného ventilu. (obr. 3).

— Umístěte a zapojte těleso zvonu na tento držák pomocí připravených přiložených šroubů. (obr. 2).



Obr. 1

Gaine extensible (non fourni)

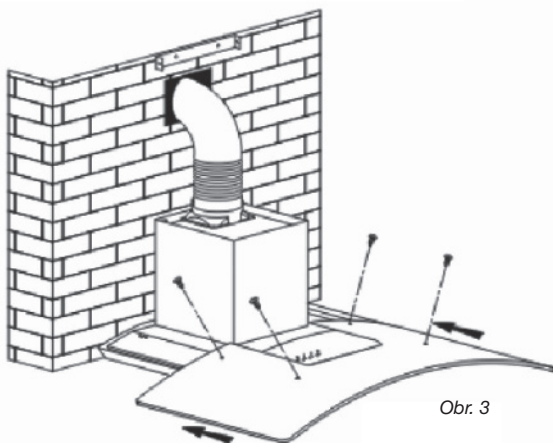
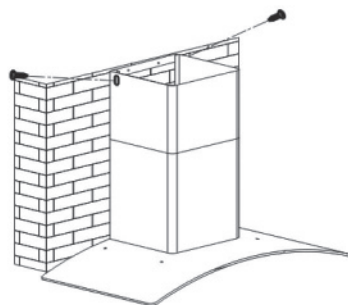


Obr. 2

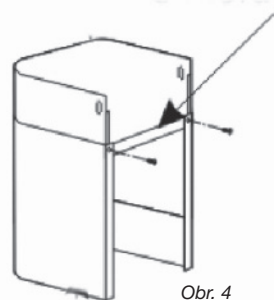
• **MONTÁŽ KOMÍNA**

• **Vypouštění ven**

- Vypočítejte konečnou výšku pro našroubování výběžku ve tvaru U na držáku komína (kus B, obr. 1).
- Vyznačte 2 otvory na adekvátním místě.
- Vyvrtejte oba 2 otvory o 8 mm, našroubujte přírubu držáku komína a věnujte pozornost tomu, aby byla dobře uložena v hřídeli zvonu (kus B, obr.1).
- Našroubujte plochou vidlici dozadu, na spodní část komína.
- Umístěte oba 2 komíny na zvon (obr. 5).
- Napojte pouzdro na vývod vzduchu ven.
- Proveďte elektrické zapojení zvonu prostřednictvím napájecího kabele.
- Zvedněte horní komín až do maximální výšky a upevněte ho na vidlici pomocí dvou šroubů.



Obr. 3



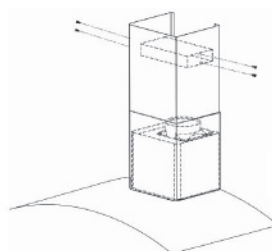
Obr. 4

• Recyklování

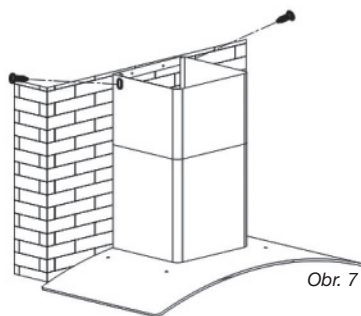
- Vypočítejte konečnou výšku pro vložení příruby držáku komína.
- Vyznačte 2 otvory na adekvátním místě.
- Vyrvejte oba 2 otvory o 8 mm a našroubujte přírubu na držák komína, dbejte na to, aby byla dobře uložena v hřídeli zvonu.
- Našroubujte plochou vidlici dozadu na spodní část komína.
- Umístěte oba 2 komíny na zvon (obr. 5).
- Napojte pouzdro na vývod vzduchu ven.
- Proveďte elektrické zapojení zvonu prostřednictvím napájecího kábele. -Zvedněte horní komín až na maximum a upevněte jej na vidlici pomocí šroubů.



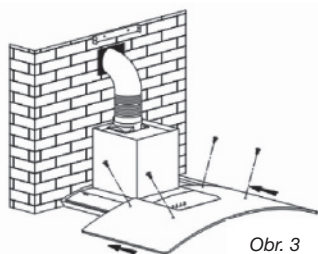
Obr. 8



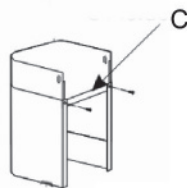
Obr. 6



Obr. 7



Obr. 3



Obr. 4



Rada

Pro dosažení optimálního používání přístroje vám doporučujeme jej napojit na vedení s průměrem 150 mm (nepřiložené). Omezit na maximum počet kolen a délku vedení. Pokud zvon funguje pro evakuaci ven, je třeba se ujistit, zda vchází dostatek vzduchu, aby se nevytvořil v místnosti podtlak.



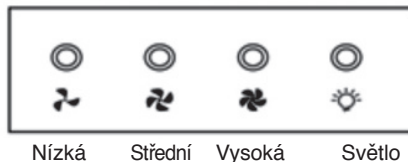
Pozor

Na odstranění ochranného filu nepoužívejte žádné nástroje.

• POUŽITÍ VAŠEHO KUCHYŇSKÉHO ZVONU

Jak používat kontrolní panel.

- a. Stiskněte tlačítko “Nízká” a vnitřní světelný indikátor tlačítka se rozsvítí. Motor bude fungovat při nízké rychlosti. Stiskněte znovu tlačítko a motor se zastaví.
- b. Stiskněte tlačítko “Střední” a vnitřní světelný indikátor tlačítka se rozsvítí. Motor bude fungovat při střední rychlosti. Stiskněte znovu tlačítko a motor se zastaví.
- c. Stiskněte tlačítko “Vysoká” a vnitřní světelný indikátor tlačítka se rozsvítí. Motor bude fungovat při vysoké rychlosti. Stiskněte znovu tlačítko a motor se zastaví.
- d. Stiskněte tlačítko “Světlo” a obě světla se rozsvítí. Stiskněte znovu tlačítko a světla zhasnou.



**Pozor**

Odpojte přístroj dříve, než přistoupíte k jeho údržbě a čištění. Pravidelná údržba zaručí dobré fungování, výkon a životnost.

**Pozor**

Nerespektování instrukcí pro čištění přístroje a filtrů může vyvolat požar. Dodržujte přesně instrukce pro údržbu.

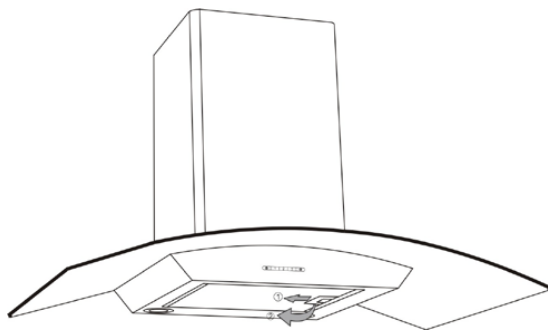
• ČIŠTĚNÍ MODULÁRNÍCH FILTRŮ

Musí se čistit po každých 30 hodinách používání nebo minimálně jednou za měsíc. Čištění lze provádět v myčce, ve vertikální poloze.

Použijte kartáč, teplou vodu a jemný čisticí prostředek. Opatrně je opláchněte a usušte, než je opět nasadíte.

• Demontáž modulárního filtru

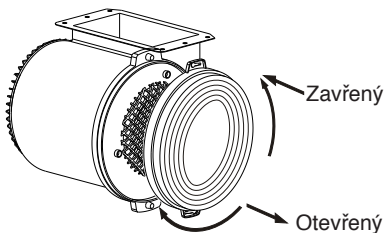
- Otočte integrovaným držadlem modulárního filtru.
- Nakloňte modulární filtr směrem dolů.



• VÝMĚNA UHLÍKOVÉHO FILTRU (možnost)

Vyměňte jej přibližně po každých 120 hodinách použití.

- Odstraňte modulární filtry.
- Otočte uhlíkovým filtrem, aby jste jej mohli odstranit.
- Postupte opačně pro nasazení nového filtru.
- Opět nasadte modulární filtry.



• **ČIŠTĚNÍ VNĚJŠÍHO POVRCHU**

Na vyčištění vnějšku extrakčního zvonu použijte vodu s mýdlem; nepoužívejte čisticí krémy, žíravé čisticí prostředky, ani drátěnky nebo kartáče. Vysušte jemnou a vlhkou hadříčkou.

• **VÝMĚNA ŽÁROVKY**

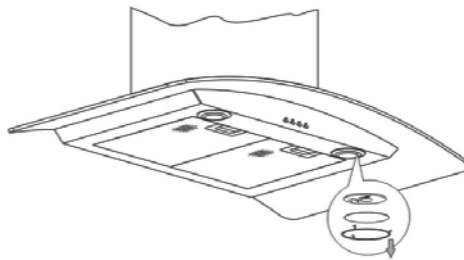


Pozor

Před provedením jakéhokoliv zásahu musíte nechat zvon bez napětí jeho odpojením ze zásuvky nebo stisknutím jističe.

Model s halogenní žárovkou.

- Odstraňte stínítko.
- Vyměňte halogenní žárovku.
- Opět sadu nasadte provedením stejných operací v opačném pořadí.



**Pozor**

Před provedením jakéhokoliv zásahu musíte nechat zvon bez napětí jeho odpojením ze zásuvky nebo stisknutím jističe.

• ÚDRŽBA PŘÍSTROJE

ÚDRŽBA	CO DĚLAT	PRODUKTY/PŘÍSLUŠENSTVÍ
Kostra a příslušenství	Nikdy nepoužívejte kovové drátěnky, abrazivní výrobky nebo příliš tvrdé kartáče.	Na vyčištění rámu a okénka pro osvětlení používejte výhradně čistící komerční výrobky rozpuštěné ve vodě, následně opláchněte vodou a vysušte suchým hadříkem.
Modulární filtr	Tento filtr zachycuje mastné výpary a prach. Jedná se o část, která zaručuje účinnost zvonu. Pokud se vyskytnou odolné skvrny, použijte neabrazivní krém a opláchněte čistou vodou.	Vyčistěte pomocí komerčního čistícího výrobku, pořádně opláchněte a vysušte. Čištění lze provádět v myčce, ve vertikální poloze. (Nedávejte do styku se špinavým nádobím nebo stříbrnými přístroji).
Filtr s aktivním uhlím	Tento filtr zachycuje pachy a musí se vyměnit alespoň jednou ročně, v závislosti na používání. Objednejte tyto filtry u vašeho prodejce (s referencí, která je uvedena na štítku s charakteristikami, umístěném uvnitř zvonu) a poznamenejte si datum výměny.	

Pro udržení přístroje v dobrém stavu vám doporučujeme používat údržbařské výrobky Clearit.



Znalosti a zkušenosti profesionálů ve službách soukromých osob.

Clearit vám nabízí profesionální výrobky a adekvátní řešení pro každodenní údržbu vašich elektrospotřebičů a vaší kuchyně.

Můžete je zakoupit u vašeho obvyklého dodavatele, spolu s celou linií výrobků, příslušenství a spotřebního zboží.

PŘÍZNAKY	ŘEŠENÍ
Zvon nefunguje ...	Zkontrolujte, zda : <ul style="list-style-type: none">• se nepřerušila dodávka proudu.• byla zvolená rychlost.
Výkon zvonu je nedostatečný...	Zkontrolujte, zda : <ul style="list-style-type: none">• vámi zvolená rychlost motoru je dostatečná pro množství vzniklého kouře a vodní páry.• je kuchyně dostatečně ventilovaná, aby mohl vcházet vzduch.• není opotřebovaný uhlíkový filtr (zvon v recyklačním způsobu).
Zvon se během fungování zastavil	Zkontrolujte, zda : <ul style="list-style-type: none">• nebyla přerušena dodávka proudu.• nebyl aktivovaný mnohopólový vypínač.

Nezbytné zásahy na stroji musí provést:

- prodejce,
- nebo jakýkoliv kvalifikovaný odborník, který je držitelem značky.

Při telefonním kontaktu uveďte kompletní referenci stroje (model, typ a sériové číslo).

Tyto údaje se nacházejí na identifikačním štítku, umístěném na stroji.

DK

* \$

Som en del af vores forpligtelse til løbende at forbedre vores produkter, forbeholder vi os retten til at foretage ændringer på dem på baggrund af tekniske fremskridt i forhold til deres tekniske og funktionelle egenskaber og udseende.



Vigtigt:

Inden du installerer og bruger dette apparat, skal denne Installations- og brugsvejledning læses grundigt, hvilket tillader dig hurtigt at blive bekendt med apparatets virkemåde.

1 / BEMÆRKNINGER TIL BRUGEREN	
• Sikkerhedsanbefalinger _____	84
• Miljøbeskyttelse _____	85
• Beskrivelse af apparatet _____	86
2 / INSTALLATION AF APPARATET	
• Brug med udsugningsversionen _____	87
• Brug med recirkuleringsversionen _____	87
• Elektriske tilslutninger _____	88
• Samling af emhætten _____	89
• Samling af ventilationsskakten	
° Udsugning til det fri _____	90
° Recirkulering _____	91
3 / BRUG AF APPARATET	
• Beskrivelse af knapper _____	92
4 / PLEJE OG RENGØRING AF APPARATET	
• Udskiftning af filterelementerne _____	93
• Udskiftning af kulfiltret _____	93
• Rengøring af de udvendige overflader _____	94
• Udskiftning af pæren _____	94
• Vedligeholdelse af apparatet _____	95
5 / FEJLFINDING _____	96
6 / EFTERSALGSSERVICE _____	97

**Vigtigt**

Gem denne brugsanvisning sammen med apparatet. Hvis apparatet på noget tidspunkt sælges eller videregives til andre, skal du sørge for, at den nye ejer får denne brugsanvisning. Gør dig venligst bekendt med disse anbefalinger inden du installerer og bruger emhætten. Anbefalingerne er udarbejdet for at værne om din og andres sikkerhed.

- **SIKKERHEDSANBEFALINGER**

- Denne emhætte er fremstillet til at blive bugt af private i hjemmet.

- Dette apparat skal bruges af voksne. Sørg for at børn ikke rører det og at de ikke behandler det som legetøj. Sørg for at de ikke rører apparatets knapper.

- Når du modtager apparatet, skal du pakke det ud eller få det pakket ud med det samme. Giv det en overordnet generel inspektion. Læg mærke til eventuelle problemer eller forbehold på leveringssedlen og sørg for at gemme en kopi af denne seddel.

- Apparatet er beregnet til almindeligt husholdningsbrug. Brug det ikke til erhvervs- eller industrielle formål eller til noget andet formål end til det apparatet er fremstillet til.

- Ændr ikke på nogen af apparatets dele eller udseende og forsøg heller ikke herpå. Dette vil udgøre en fare for din sikkerhed.

- Reparationer må kun foretages af en autoriseret specialist.

- Stikket skal altid tages ud inden emhætten rengøres eller inden der foretages andre vedligeholdelseshandlinger.

- Sørg for hensigtsmæssig ventilering i lokalet hvis emhætten bruges samtidigt med andre apparater, som drives af en anden energikilde end el. Dette vil forhindre emhætten i at indsuge forbrændingsgasserne. Du bør aldrig "flambere" retter under emhætten eller anvende gaskogeplader under emhætten uden at placere kogegrej på dem (flammerne kan suges op i emhætten og beskadige apparatet).

- Ved stegning og friturestegning under

apparatet, skal emhætten og tilberedningen overvåges omhyggeligt hele tiden.

Olier og fedtstoffer som bringes op på meget høje temperaturer kan antændes.

- Respekter den anbefalede hyppighed for rengøring og udskiftning af filtre. Ophobning af fedtrestre kan forårsage brand.

- Emhætten må aldrig bruges over et komfur som bruger antændeligt materiale (træ, kul, osv.)

- Brug aldrig damp- eller højtryksapparater til rengøring af apparatet (krav pålagt af regler vedr. el-sikkerhed).

- Med løbende forbedring af vores produkter for øje, forbeholder vi os retten til at ændre på deres tekniske, funktionelle og æstetiske egenskaber, idet eventuelle ændringer på deres funktioner opfattes som værende nødvendige eller ønskværdige med den tekniske udvikling for øje.

- For nemt at kunne finde referenceinformationerne til apparatet, anbefaler vi, at du noterer disse data på siden "Eftersalgsservice og kundeservice". (Denne side forklarer desuden, hvor du kan finde disse informationer på dit apparat.)

- Dette apparat er ikke beregnet til at blive brugt af personer (herunder børn) med nedsatte fysiske funktioner eller sansfunktioner, eller af personer, som mangler erfaring eller bevidsthed, medmindre apparatet bruges med hjælp fra den person, som er ansvarlig for deres sikkerhed, eller under opsyn og med forudgående instruktion i brugen af apparatet.

**Advarsel**

Hvis dit køkken er opvarmet af en anordning, som er tilsluttet en skorsten (for eksempel en brændeovn skal "recirkulerings-" versionen af emhætten installeres. Brug ikke emhætten uden metalfiltrene.

Der bør sørges for hensigtsmæssig ventilering i lokaler, hvor emhætten bruges samtidigt med apparater, som bruger gas eller et andet brændbart drivmiddel.

• MILJØBESKYTTELSE

- Dette apparats emballagemateriale er genbrugeligt. Hjælp med at genbruge det og beskyt miljøet ved at aflevere det på et kommunalt genbrugscenter til dette formål.
- En stor del af apparatets materiale er også genbrugeligt. Det er mærket med denne etiket for at indikere de brugte dele af apparatet, som ikke bør blandes med andet affald.



Således vil genanvendelsen af apparatet, der organiseres af fabrikanten, blive udført under de bedst mulige forhold, i henhold til EU-direktivet 2002/96/EF om Affald af elektrisk og elektronisk udstyr. Kontakt din kommune eller din forhandler for at blive oplyst om genbrugscentraler i nærheden af, hvor du bor.

- Vi takker dig for, at du gør dit til at beskytte miljøet.

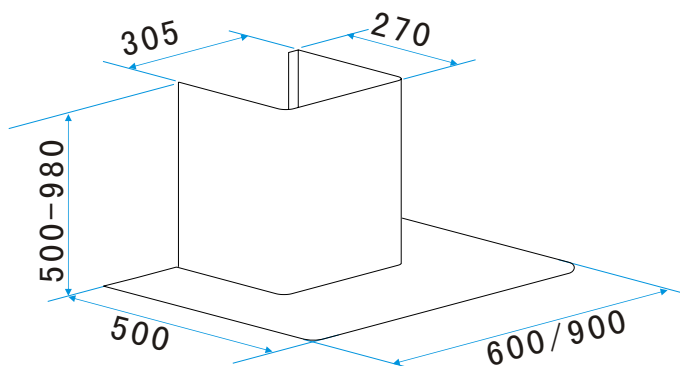
**Advarsel**

Installationen bør kun udføres af installatører og kvalificerede teknikere.

**Advarsel**

Fjern beskyttelsesfolien fra filtret inden brug.

• BESKRIVELSE AF APPARATET



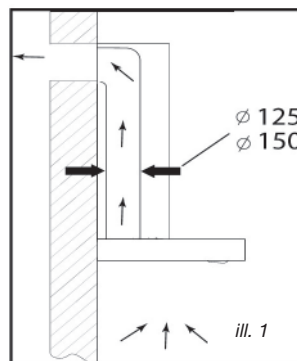
- Dette apparats stik skal være taget ud af stikkontakten under installation, samt når der udføres reparationer og vedligeholdelse.
- Du skal sikre dig at nettets spænding svarer til spændingen på identifikationsskilt, som findes på indersiden af emhætten.
- Hvis el-installationerne i din bolig kræver nogen form for ændringer for at kunne tilslutte apparatet, skal du tilkalde en professionel elektriker.
- Hvis emhættens bruges med udsugningsversionen, må apparatet ikke tilsluttes en aftrækskanal til brændbare gasser (fyrkedel, storsten, osv) eller til et kontrolleret mekanisk ventileringsystem.
- Aftrækskanalen må under ingen omstændigheder udledes til et loftsrum.
- Installer emhætten med en forsvarlig afstand på mindst 70 cm fra et elektrisk kogeblus, et gaskogeblus eller et kombineret kogeblus.

• BRUG MED UDSUGNINGSVERSIONEN

Hvis du har et udtag til det fri

(ill. 1)

Kan emhætten tilsluttes dette udtag med et aftræksrør (diameter på mindst \varnothing mm, som er emaljeret, af aluminium, fleksibelt eller lavet af ubrændbart materiale). Hvis aftrækskanalen er mindre end 125 mm i diameter, **skal du bruge recirkuleringsversionen**.



• BRUG MED RECIRKULERINGSVERSIONEN

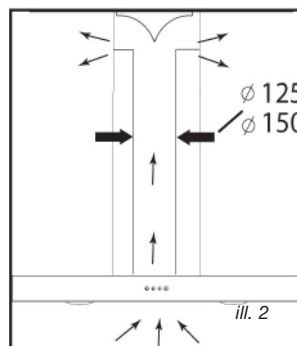
Hvis du ikke har et udtag til det fri

(ill. 2)

Kan alle apparaterne bruges med recirkuleringsversionen.

I så fald skal du påsætte et aktivt kulfilter, som vil holde på lugte.

(Se kapitel 4: Udskiftning af kulfiltret.)



• ELEKTRISKE TILSLUTNINGER

Under installation og vedligeholdelse skal apparatets stik være taget ud af elforsyningsnettet; sikringer skal slås fra eller fjernes.

De elektriske tilslutninger foretages inden apparatet installeres i sin kasse.

Kontroller at:

- den elektriske installation har tilstrækkelig spænding,
- elkablerne er i god stand,
- kablernes diameter overholder installationskravene.



Advarsel

Apparatet leveres med en elledning til H 05 VVF, som har tre 0,75 mm² ledere (nul, fase og jord). Det skal tilsluttes el-nettet (som skal have en spænding på 220-240 V) via et godkendt strømudtag, som skal være tilgængeligt efter installationen i henhold til retningslinjerne for installation.

Fabrikanten kan ikke stilles til ansvar for eventuelle ulykker forårsaget af en ikke-eksisterende, defekt eller forkert jordledning. Sikringen til installationen skal være på 10 eller 16A. Hvis elledningen er beskadiget, skal du kontakte afdelingen for eftersalgsservice for at undgå farer.



Advarsel

Hvis den elektriske installation i din bolig kræver ændringer for at dit apparat kan tilsluttes, skal en professionel elektriker tilkaldes.



Advarsel

Hvis emhætten udviser nogen form for defekter, skal du tage stikket ud eller fjerne den sikring, som hører til det elektriske udtag, hvor apparatet er isat.

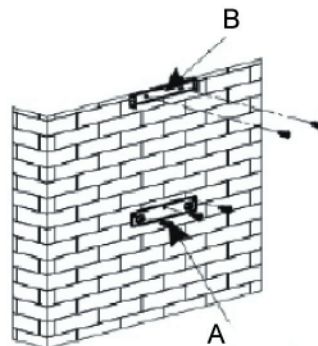
• SAMLING AF EMHÆTTEN

⚠ Advarsel
Emhætten skal installeres i overensstemmelse med alle gældende regler for ventilering og aftrækskanaler. I Frankrig er disse regler beskrevet i DTU 61.1 fra CSTB. I særdeleshed må den udsugede luft aldrig ledes ud igennem en kanal, som bruges til at udsuge røg fra apparater, som bruger gas eller andre brændbare drivmidler. Kanaler som ikke er i brug må kun bruges efter godkendelse fra en kompetent specialist.

Minimumsafstanden mellem komfurets overkant og emhættens nederste del skal være mindst 70 cm. Hvis anvisningerne til det blus som er installeret under emhætten foreskriver en afstand på over 70 cm, skal dette krav respekteres.

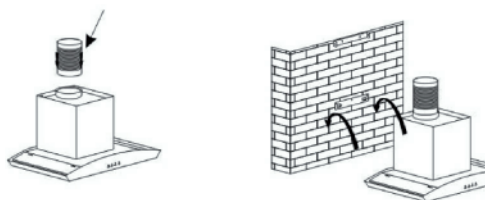
Montering på væggen:

- Afmærk en vandret linje på væggen, centreret i forhold til komfurets overflade.
- Afmærk på væggen de tre huller som skal bores ved hjælp af den medfølgende holder til emhætten samtidig med, at du observerer den anbefalede afstand. (del A Ill. 1).
- Bor de tre huller med en diameter på 8 mm i en passende position og isæt rawlplugs.
- Inden emhætten fastgøres, skal du montere kontraventilen på motorens udgang.
- Fastgør emhættens fastgørelsesbeslag, sørg for at det er nøjagtigt nivelleret. (del A Ill. 1).
- Fastgør flex-udsugningsslangen (medfølger ikke) til motorens udgang uden af forhindre kontraventilens bevægelse. (Ill. 3).
- Monter og fastgør emhættens hoveddel på det tilhørende støttebeslag med de medfølgende skruer til dette formål. (Ill. 2).



Illu. 1

Gaine extensible (non fourni)

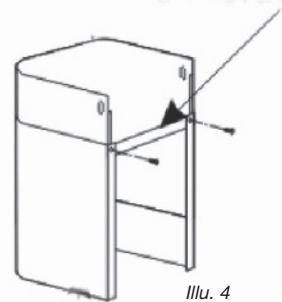
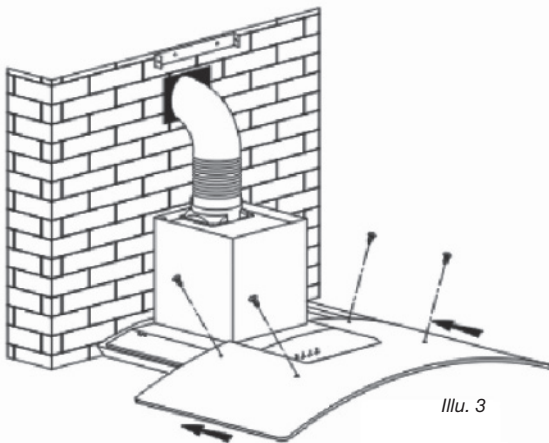
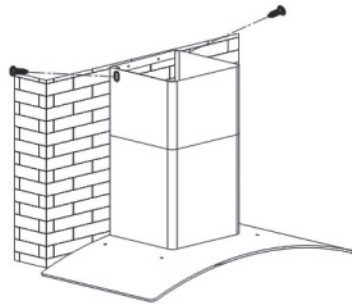


Illu. 2

• SAMLING AF VENTILATIONSSKAKTEN

• Udsugning til det fri

- Beregn den endelige højde, hvor aftrækskanalens u-beslag skal fastgøres (del B Ill. 1).
- Afmærk de to huller herefter.
- Bor hullerne med en diameter på 8 mm og fastgør kanalens støttebeslag, sørg for at det er fastgjort på samme akse som emhætten (del B Ill. 1).
- Fastgør det flade beslag bag på kanalens nedre del. Illu. 6
- Fastgør de to kanaler til emhætten. (Ill. 5).
- Tilslut flexslangen til luftudtaget til det fri.
- Foretag den elektriske tilslutning til emhætten med kablet fra el-nettet.
- Løft den øvre kanal op til loftet og fastgør den til beslaget med skruerne.

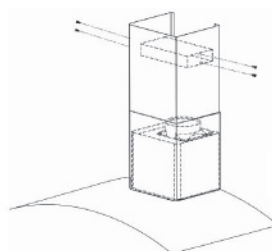


• Recirkulering

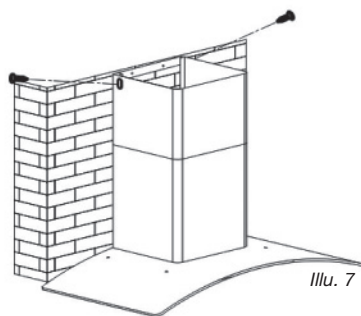
- Beregn den endelige højde, hvor aftrækskanalens U-beslag skal fastgøres.
- Afmærk de to huller.
- Bor hullerne med en diameter på 8 mm og fastgør kanalens støttebeslag, sørg for at det er fastgjort på samme akse som emhætten.
- Fastgør det flade beslag bagpå kanalens nedre del.
- Monter slange-tilpasningsstykket på deflektoren (Ill. 8).
- Tilslut flexslangen til deflektoren.
- Monter kanalens to dele på emhætten (Ill. 5).
- Monter deflektoren (Illu. 8) på kanalens øvre del ved ventilationsindtagene (Ill. 6)
- Foretag den elektriske tilslutning til emhætten med kablet fra el-nettet.
- Løft den øvre kanal op til loftet og fastgør den til beslaget med de to skruer.



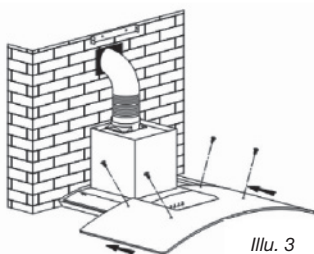
Illu. 8



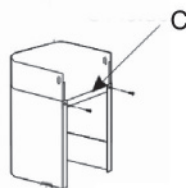
Illu. 6



Illu. 7



Illu. 3



Illu. 4



Råd

For at udnytte apparatet optimalt, anbefaler vi, at du tilslutter emhætten til et aftræksrør med en diameter på 150 mm (medfølger ikke). Reducer antallet af vinkler og knæk samt aftræksrørets længde. Hvis emhætten skal bruges med udsugning til det fri, bør du sørge for tilstrækkelig tilførsel af frisk luft for at undgå undertryk i lokalet.



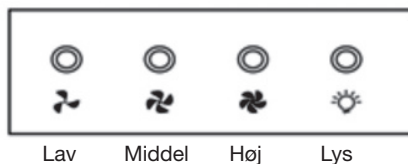
Vigtigt

Fjern ikke sikkerhedsfolien med nogen form for værktøj.

• BRUG AF EMHÆTTEN

Sådan bruger du knapperne.

- a. Tryk på knappen “Lav” og lysindikatoren i midten af knappen begynder at lyse. Motoren arbejder nu ved lav hastighed. Tryk igen på knappen og motoren stopper.
- b. Tryk på knappen “Middel” og lysindikatoren i midten af knappen begynder at lyse. Motoren er nu i gang ved middel hastighed. Tryk igen på knappen og motoren stopper.
- c. Tryk på knappen “Høj” og lysindikatoren i midten af knappen begynder at lyse. Motoren arbejder nu ved høj hastighed. Tryk igen på knappen og motoren stopper.
- d. Tryk på knappen “Lys” og begge lys tændes. Tryk igen på knappen og lysene slukkes.



**Advarsel**

Stikket skal altid tages ud inden emhætten rengøres, og inden der foretages andre former for vedligeholdelse. Regelmæssig vedligeholdelse af apparatet er en garanti for korrekt funktion, god ydeevne og levetid.

**Advarsel**

Respekteres retningslinjerne for rengøring af apparat og filtre ikke, kan de forårsage brand. Følg omhyggeligt anbefalingerne vedrørende vedligeholdelse.

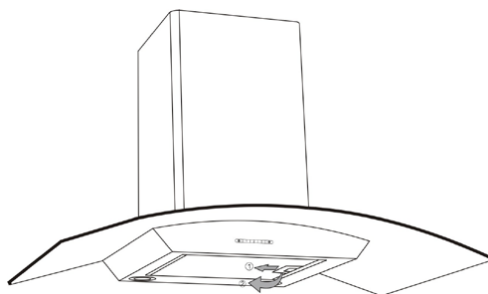
• RENGØRING AF FILTERELEMENTERNE

Filtrene skal rengøres efter cirka 30 timers brug eller mindst en gang om måneden. Disse filtre kan vaskes i opretstående stilling i opvaskemaskinen.

Brug en børste, varmt vand og opvaskemiddel. Skyl og tør filtrene grundigt inden de sættes tilbage i emhætten.

• Aftagning af filterelement

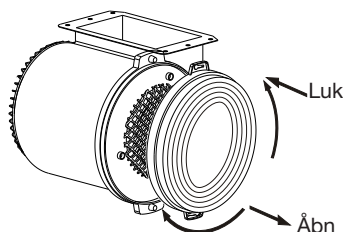
- Drej det indbyggede greb til filterelementet.
- Vip filterelementet nedad.



• UDSKIFNING AF KULFILTRET (kulfilter valgfrit)

Udskift kulfiltret efter cirka 120 timers brug.

- Fjern filterelementet.
- Drej kulfiltret for at kunne fjerne det.
- Udfør forløbet i omvendt rækkefølge, når det nye filter skal sættes på igen.
- Sæt filterelementerne tilbage.



• RENGØRING AF DE YDRE OVERFLADER

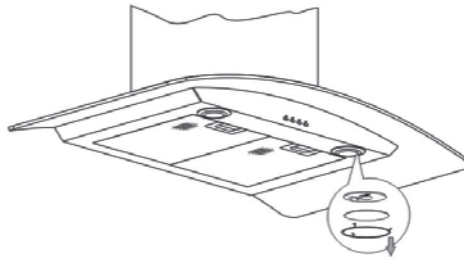
Brug sæbevand til rengøring af emhættens ydre flader, men brug aldrig slibemidler, ætsende rengøringsmidler, skrubbesvampe eller børster. Tørres af med en blød fugtig klud.

• UDSKIFNING AF PÆREN**Advarsel**

Inden der udføres nogen form for opgaver, skal strømforsyningen til emhætten slås fra, enten ved at tage emhættens stik ud eller ved hjælp af kredsafbryderen.

Model med halogenpære

- Fjern skærmen
- Udskift halogenpæren.
- Sæt delene på plads ved at gentage disse trin i omvendt rækkefølge.



**Advarsel**

Inden der udføres nogen form for opgaver, skal strømforsyningen til emhætten slås fra, enten ved at tage emhættens stik ud eller ved hjælp af hovedafbryderen.

• **VEDLIGEHODELSE AF APPARATET**

VEDLIGEHODELSE	DET SKAL DU GØRE	PRODUKTER/TILBEHØR SOM SKAL BRUGES
Øvre overflader og tilbehør	Brug aldrig metal-skrubbesvampe, slibe-produkter eller meget hårde børster.	Til rengøring af hoveddelen og lysdelen, bør der kun bruges produkter fortyndet med vand og som fjernes med rent vand og tørres med en blød fugtig klud.
Filterelementer	Dette filter opfanger fedtdampe og støv. Denne komponent spiller en vigtig rolle i emhættens effektivitet. Hvis der opstår genstridige pletter, kan du bruge en ikke-slibende creme og skylle efter med rent vand.	Brug et rengøringsprodukt som kan købes i en almindelig handel, skyl med rigeligt vand og tør. Disse filtre kan vaskes i opretstående stilling i opvaskemaskinen. (De må ikke komme til at røre beskidt service eller sølvtøj.)
Aktiveret kulfilter	Dette filter opfanger lugte og skal udskiftes mindst en gang om året afhængig af brugsintensiteten. Disse filtre bør bestilles hos forhandleren (opgiv referencen på indentitetsskiltet, som sidder på emhættens inderside) og noter datoen, hvor filteret blev skiftet.	

For at bevare apparatet, anbefaler vi, at du bruger Clearit rengøringsprodukter.



Ekspertise fra fagfolk til tjeneste for private

Clearit tilbyder professionelle produkter og løsninger udarbejdet til den daglige pleje af dine husholdningsapparater og dit køkken.

De kan købes hos din sædvanlige forhandler, sammen med et komplet udvalg af tilbehør og forbrugsvarer.

SYMPTOMER	LØSNINGER
Emhætten virker ikke...	Kontroller at: <ul style="list-style-type: none">• Strømmen ikke er slået fra.• En hastighed er valgt.
Emhættens præstation er utilstrækkelig...	Kontroller at: <ul style="list-style-type: none">• Den valgte motorhastighed er tilstrækkelig for den mængde af mados og damp som skal suges ud.• Køkkenet er tilstrækkeligt ventileret for at tillade indtag af frisk luft.• Kulfiltret ikke er opbrugt (emhætte som fungerer med recirkuleringsversionen).
Emhætten er gået i stå	Kontroller at: <ul style="list-style-type: none">• Strømmen ikke er slået fra.• De enpolde automatsikringer ikke er blevet aktiveret.

Al vedligeholdelse på dit udstyr bør foretages af:

- enten din forhandler,
- eller en anden kvalificeret mekaniker, som er autoriseret til reparation af apparater af dette mærke.

Når du laver aftale med ovenstående, skal du opgive hele dit udstyrs reference (model, type og serienummer). Disse oplysninger findes på fabrikantens navneskilt påsat dit udstyr.

Koska parannamme jatkuvasti tuotteitamme, pidätämme oikeuden tehdä niihin muutoksia, jotka perustuvat tuotteiden teknisten ja toiminnallisten ominaisuuksien kehittelyyn.

**Varoitus:**

Lue huolellisesti nämä asennus- ja käyttöohjeet ennen kuvun asennusta ja käyttöä. Näin voit nopeasti tutustua sen toimintaan.

SISÄLTÖ

FI

1 / OHJEITA KÄYTTÄJÄLLE	100
● TURVALLISUUSOHJEET	100
● YMPÄRISTÖNSUOJELU	102
● LAITTEEN KUVAUS	103
2 / LAITTEEN ASENNUS	104
● KÄYTTÖ HORMIIN POISTAVANA	104
● KIERRÄTYSMUOTO	104
● SÄHKÖLIITÄNNÄT	104
● LIESITUULETTIMEN ASENNUS	106
● TUULETUSRUNGON ASENNUS.....	107
• Poistoilma	107
• Kiertoilma.....	108
3 / LAITTEEN KÄYTTÖ.....	109
● LIESITUULETTIMEN KÄYTTÖ	109
4 / LAITTEEN HUOLTO JA PUHDISTUS	110
● SUODATTIMIEN PUHDISTUS	110
● Suodatinpatruunan avaaminen.....	110
● HIILISUODATTIMEN VAIHTAMINEN (lisävaruste).....	110
● ULKOPINTOJEN PUHDISTUS	111
● LAMPUN VAIHTO	111
● LAITTEEN HUOLTO	112
5 / VIANETSINTÄ.....	114
6 / ASIAKASPALVELU.....	115



Huom.:

Nämä käyttöohjeet on säilytettävä laitteen mukana. Jos laite myydään tai luovutetaan toiselle henkilölle, on varmistettava että uusi omistaja saa myös käyttöohjeet. Tutustu näihin ohjeisiin ennen laitteen asennusta ja käyttöä. Ohjeet on laadittu sinun ja muiden turvallisuutta ajatellen.

● TURVALLISUUSOHJEET

- Tämä laite on tarkoitettu vain yksityiseen kotitalouskäyttöön.
- Laitella saavat käyttää vain aikuiset. On varmistettava, etteivät lapset koske tuuletinta eivätkä leiki sillä. On myös varmistettava, etteivät lapset koske laitteen ohjauspaneelia.
- Laite tulee poistaa pakkauksesta heti kun se vastaanotetaan ja tarkastaa se. Mahdolliset huomautukset tai valitukset on merkittävä toimituslistaan, josta säilytetään kopio.
- Laite on tarkoitettu tavalliseen kotitalouskäyttöön. Sitä ei saa käyttää kaupallisiin tai teollisuustarkoituksiin, eikä muihin sellaisiin tarkoituksiin, joihin sitä ei ole suunniteltu.
- Mitään laitteen ominaisuuksia ei saa muuttaa tai yrittää muuttaa, sillä se saattaisi vaarantaa turvallisuuttasi.
- Ainoastaan valtuutetut ammattihenkilöt saavat suorittaa korjauksia.
- Irrota kupu aina sähköverkosta ennen sen puhdistamista tai muita huoltotoimenpiteitä.
- On huolehdittava huoneen riittävästä ilmanvaihdosta, jos kuvun kanssa käytetään samanaikaisesti muulla kuin sähköllä toimivien laitteiden kanssa. Tällöin kupu ei ime niiden palokaasuja.
- Älä koskaan liekitä ruokia kuvun alla. Jos liesituuletinta käytetään kaasulieden yläpuolella, on huolehdittava siitä, että liekin päällä on aina keittoastia (liesituuletin voi vahingoittaa liekkien aiheuttamasta kuumuudesta).

- Älä jätä paistumassa olevaa ruokaa ilman valvontaa. Ylikuumentuneet öljyt ja rasvat voivat syttyä palamaan.
- Noudata suosittelujen puhdistusaikavälejä ja vaihda suodatin ohjeiden mukaisesti. Rasvojen kerääntyminen voi aiheuttaa palovaaran.
- Kupua ei saa koskaan käyttää polttoaineineilla (puu, hiili, ym.) toimivan laitteen yläpuolella.
- Älä koskaan käytä liesituulettimen puhdistukseen höyry- tai paineilmatoimisia laitteita (sähköturvallisuusmääräykset).
- Koska parannamme jatkuvasti tuotteitamme, pidämme oikeuden muuttaa niiden teknisiä, toiminnallisia tai esteettisiä ominaisuuksia, tekemällä muutoksia, jotka perustuvat tuotteiden teknisten ominaisuuksien kehittelyyn.
- Laitteen viitetietojen löytämiseksi, lue ohjeet asiakaspalvelua käsittelevältä sivulta. (Sivulla on myös selitetty, mistä nämä tiedot löytyvät laitteesta).
- Tämä laite ei sovi henkilöiden käyttöön (lapset mukaan lukien), jotka ovat fyysisesti tai psyykkisesti siihen kykenemättömiä, tai joilla ei ole käyttöön tarvittavaa kokemusta tai taitoa, ellei mukana ole heidän turvallisuudestaan vastaava henkilö, tai heille on etukäteen opetettu laitteen käyttöä koskevat tiedot.



Huom:

Jos keittiön lämmitykseen käytetään poistoilmahormiin liitettyä laitetta (esim.takka), täytyy kuvun “kierrätys” versio olla asennettuna. Älä käytä kupua ilman metallisia suodattimia.

Huone on aina tuuletettava hyvin, kun tuuletinta käytetään yhtäaikaisesti kaasulla tai muilla polttoaineilla toimivien laitteiden kanssa.

● YMPÄRISTÖNSUOJELU

- Tämän laitteen pakkausmateriaali voidaan kierrättää. Osallistu kierrättämiseen ja ympäristönsuojeluun jättämällä materiaali asianmukaisiin jäteastioihin.
- Myös laitteessa on paljon kierrätettävää materiaalia. Tämä kuva tuotteessa merkitsee, että sitä ei saa hävittää tavallisen talousjätteen mukana. Näin valmistajan järjestämä



laitteen kierrätys tapahtuu parhaalla mahdollisella tavalla, EU:n sähkö- ja elektroniikkalaiteromua koskevan direktiivin 2002/96/EY mukaisesti. Kysy kunnastasi tai vähittäismyyjältäsi tietoja sinua lähimpänä sijaitsevasta keräyspisteestä.

- Kiitämme sinua ympäristönsuojeluun osallistumisesta.



Varoitus

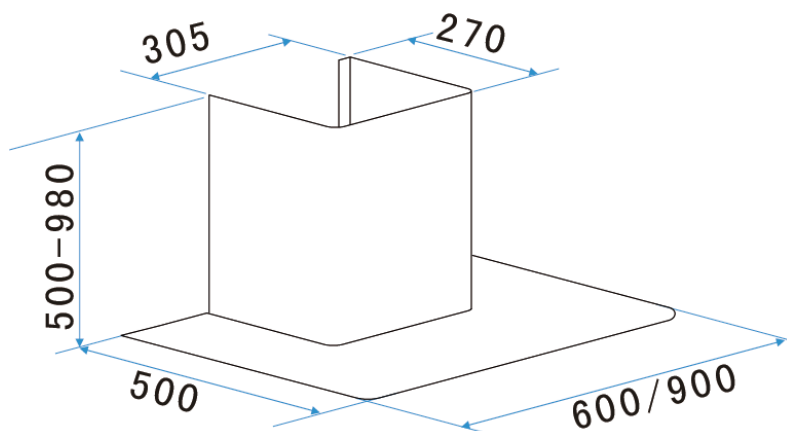
Asennuksen saa suorittaa ainoastaan ammattitaitoinen asentaja ja tehtävään koulutettu teknikko.



Varoitus

Poista suojakalvo suodatinpatruunasta ennen käyttöä.

● LAITTEEN KUVAUS

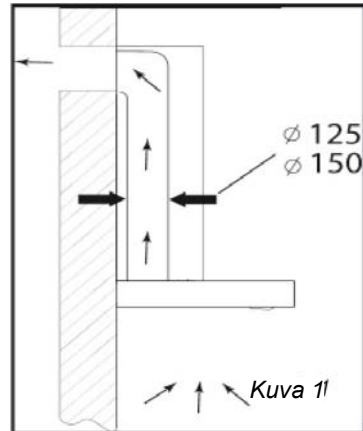


- Laitteen pistotulppa tulee irrottaa pistorasiasta aina korjaus- tai huoltotoimenpiteitä suoritettaessa.
- Varmista, että kuvun sisällä olevan arvokilven jännitemerkintä vastaa paikallista verkkojännitettä.
- Mikäli asuntosi sähköjärjestelmään tarvitaan muutoksia laitteen paikalleenasettamisen vuoksi, ota yhteys ammattitaitoiseen sähköasentajaan.
- Jos kupua käytetään hormiin poistavana, laitetta ei saa liittää polttoöljyllä toimivien laitteiden savuhormiin (lämmitin, kamina, jne.) tai ohjattuun mekaaniseen ilmanvaihtojärjestelmään.
- Poistoilmaa ei saa missään tapauksessa johtaa vinttiin.
- Kupu tulee asentaa vähintään 70 cm sähkö- kaasu- tai seka- liesitason yläpuolelle.

● **KÄYTTÖ HORMIIN POISTAVANA**

Ulkoisella poistolla (Kuva 1)

Kupu voidaan yhdistää joko emaloituun, alumiiniseen, joustavaan tai tulenkestävästä materiaalista valmistettuun poistoputkeen, minimihalkaisija \varnothing mm. Jos poistoputkesi halkaisija on alle 125mm, **täytyy sinun käyttää kierrätysversiota.**

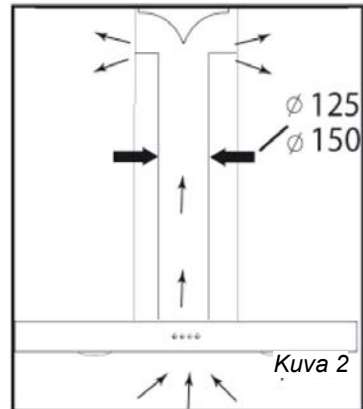


● **KIERRÄTYSMUOTO**

Jos ulkoista poistoa ei ole (Kuva 2)

Kaikkia laitteitamme voidaan käyttää kierrätysmuodossa.

Tässä tapauksessa täytyy käyttää aktiivihiihluodatinta, joka sitoo hajut (katso Kappale 4: Hiilisuodattimen vaihtaminen.)



● SÄHKÖLIITÄNNÄT

Asennus- ja huoltotoimenpiteiden aikana tulee laite irrottaa sähköverkosta; sulakkeet tulee poiskytkä tai poistaa.

Sähköliitännät suoritetaan ennen laitteen paikalleenasettamista.

Varmista, että:

- sähköliitännässä on riittävä jännite;
- sähköjohdot ovat moitteettomassa kunnossa;
- johtojen läpimitta on asennusmäärysten mukainen.



Varoitus

Tämän laitteen mukana toimitetaan H05 VVF sähköjohto, jossa on kolme 0.75 mm² liitintä (nolla, vaihe ja maadoitus). Se on kytkettävä päävirtalähteeseen (jonka tulee olla 220-240V yksivaiheinen vaihtovirta) CEI 60083 standardisoidulla pistorasialla, johon tulee olla pääsy asennuksen jälkeen.

Emme vastaa mistään onnettomuuksista, jotka on aiheuttanut puuttuva, viallinen tai sopimaton maajohto. Asennussulakkeen tulee olla 10 tai 16A. Mikäli sähköjohto on viallinen, on käännyttävä asiakaspalvelun puoleen vaarojen välttämiseksi.



Varoitus

Mikäli asuntosi sähköjärjestelmään tarvitaan muutoksia laitteen paikalleenasettamisen vuoksi, ota yhteys ammattitaitoiseen sähköasentajaan

Varoitus



Mikäli kuvun toiminta on viallinen, laite sähköverkosta tai poista sähköpistorasiaa vastaava sulake.

● LIESITUULETTIMEN ASENNUS



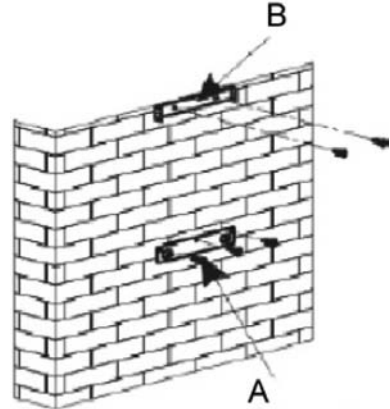
Varoitus

Kupu on asennettava tilojen ilmastointia koskevien sovellettavien sääntöjen mukaisesti. Erityisesti on muistettava, ettei poistoilmaa saa koskaan johtaa kaasulla tai muilla polttoöljyjillä toimivien laitteiden savuhormiin. Uusia hormoja saa käyttää vasta sen jälkeen, kun asiantunteva ammattilainen on ne hyväksynyt.

Keittotason ja kuvun alimman osan välinen minimietäisyys on oltava vähintään 70 cm. Tätä vaatimusta on noudatettava.

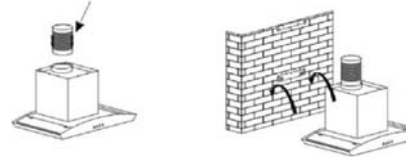
Seinään kiinnitys:

- Piirrä pystyviiva seinään keittotason keskiosan kohdalle.
- Merkitse seinään kolmen porattavan reiän paikat kuvun ripustuskoukun mukaan, suositeltavia etäisyyksiä noudattaen.
- Poraa kolme 8 mm reikää sopivaan kohtaan ja laita seinätulpat paikoilleen (kohta A Kuva 1).
- Ennen kuvun kiinnittämistä, asenna takaiskuventtiili moottorin poistoaukon kohdalle.
- Kiinnitä kuvun kiinnitystuki, varmistaen että se on täysin linjattuna. (kohta A Kuva 1)
- Kiinnitä poistovaippa (ei sisälly toimitukseen) moottorin poistoaukkoon, estämättä takaiskuventtiilin liikettä.
- Aseta ja kiinnitä kuvun runko tukeen tähän tarkoitetuilla ruuveilla.



Kuva 1

Vaippa (ei sisälly toimitukseen)

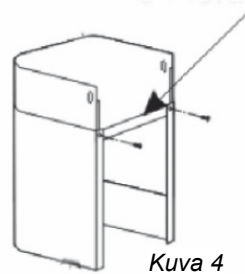
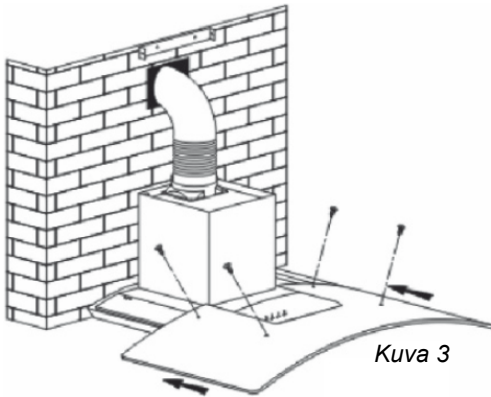
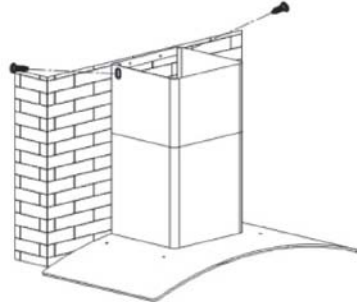


Kuva 2

● TUULETUSRUNGON ASENNUS

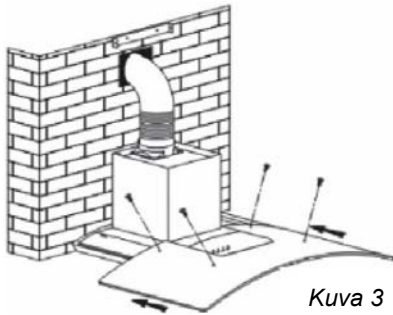
• Poistoilma

- Arvioi lopullinen korkeus putken U-kannattimen kiinnitykselle (kohta B Kuva 1)
- Merkitse kahden reiän paikat sen mukaisesti
- Poraa 8 mm reiät ja kiinnitä tukikannatin, varmistaen että se on samanmukainen kuvun kanssa (kohta B Kuva 1)
- Kiinnitä litteä kannatin alemman putken taakse. (kohta C Kuva 4).
- Aseta lasi ohjaimille. Työnnä lasi sisään ja kiinnitä se neljällä kumitiivisteisellä ruuvilla (lasin suoja). Kiristä ruuveja hieman.
- Kiinnitä kaksi putkea kupuun.
- Liitä vaippa ulkoiseen ilmanpoistoon.
- Tee sähköliitännät kupuun kaapelien avulla.
- Nosta ylempi putki kattoon ja kiinnitä se kannattimeen ruuvien avulla.



• Kiertoilma

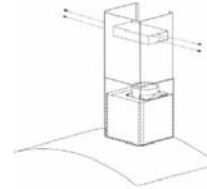
- Arvioi lopullinen korkeus putken U-kannattimen kiinnitykselle (kohta B Kuva 1).
- Merkitse kahden reiän paikat.
- Poraa 8 m m reiät ja kiinnitä tukikannatin, varmistaen että se on samanmukainen kuvun kanssa (kohta B Kuva 1).
- Kiinnitä litteä kannatin alemman putken taakse (kohta C Kuva 4).
- Aseta lasi ohjaimille. Työnnä lasi sisään ja kiinnitä se neljällä ruuvilla.
- Kiinnitä laipan asetin suojalevyille (Kuva 8).
- Liitä laippa (ei kuulu varusteisiin) suojalevyyn (Kuva 8).
- Kiinnitä putki kahdesta kohdasta kupuun.
- Kiinnitä suojalevy (Kuva 8) ylemmän putken tuuletusaukkojen kohdalla (Kuva 6)
- Tee sähköliitännät kupuun kaapelin avulla.
- Nosta ylempi putki kattoon ja kiinnitä se kannattimeen kahden ruuvin avulla (Kuva 7).



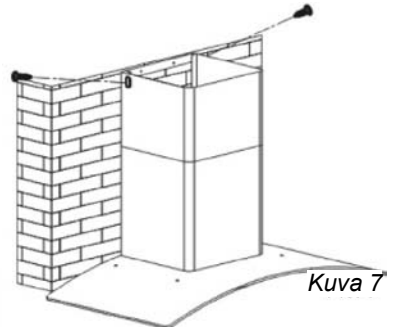
Kuva 3



Kuva 8



Kuva 6



Kuva 7



Kuva 4



Vinkki

Suosittellemme laitteen optimaalista käyttöä varten, kuvun kiinnitystä hormiin, jonka halkaisija on 150 mm (ei toimiteta laitteen mukana). Minimoi hormin kulmat, taitot ja pituudet. Mikäli kupua käytetään poistoilmamenetelmällä, tulee taata riittävä ilmanvaihto, jotta huonetilaan ei synny alipainetta.



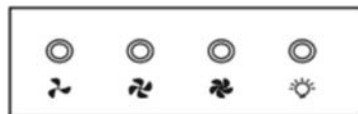
Varoitus

Älä käytä työkaluja kuvun suojakalvon poistamiseen.

● LIESITUULETTIMEN KÄYTTÖ

Ohjauspaneelin käyttö.

- a. Paina "Low" painiketta. Kytkimen sisäinen merkkivalo syttyy, moottori toimii alhaisella nopeudella. Paina uudelleen painiketta ja moottori pysähtyy.
- b. Paina "Mid" painiketta. Kytkimen sisäinen merkkivalo syttyy, moottori toimii keskinopeudella. Paina uudelleen painiketta ja moottori pysähtyy.
- c. Paina "High" painiketta. Kytkimen sisäinen merkkivalo syttyy, moottori toimii suurella nopeudella. Paina uudelleen painiketta ja moottori pysähtyy.
- d. Paina "Light" painiketta. Molemmat valot syttyvät. Paina uudelleen painiketta ja valot sammuvat.



Low Mid High Light

**Varoitus**

Irrota kupu aina sähköverkosta ennen puhdistus- tai huoltotoimenpiteitä. Laitteen säännöllinen huolto takaa sen oikean toiminnan ja pitkän käyttöiän.

**Varoitus**

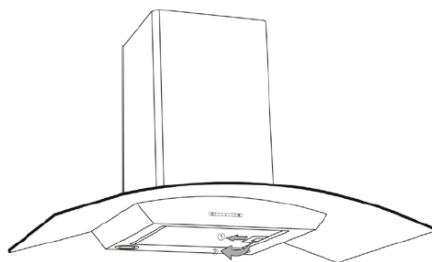
Laitteen ja suodattimien puhdistusta koskevien ohjeiden laiminlyöminen saattaa aiheuttaa tulipalon. Noudata tarkoin huolto-ohjeita.

● SUODATTIMIEN PUHDISTUS

Suodattimet tulee puhdistaa noin 30 käyttötunnin välein, tai ainakin kerran kuussa. Nämä suodattimet voidaan puhdistaa pystyasennossa astianpesukoneessa. Käytä harjaa, kuumaa vettä ja mietoa pesuainetta. Huuhtelee ja kuivaa ne hyvin, ennen kuin asetat ne takaisin kupuun.

● Suodatinpatruunan avaaminen

- Käännä suodatinpatruunan kahvaa.
- Kallista suodatinpatruunaa alaspäin.

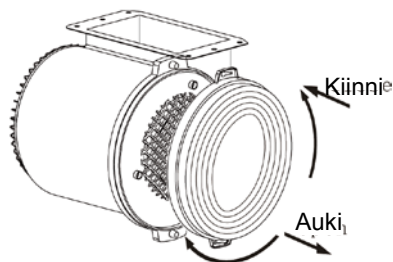


● HIILISUODATTIMEN VAIHTAMINEN

(lisävaruste)

Vaihda noin 120 käyttötunnin jälkeen.

- Poista suodatinpatruunat.
- Käännä hiilisuodatinta sen poistamiseksi.
- Toista toimenpide päinvastaisessa järjestyksessä uuden suodattimen paikalleenasettamiseksi.
- Laita suodatinpatruunat takaisin



● ULKOPINTOJEN PUHDISTUS

Puhdista kuvun ulkopinta saippuavedellä, mutta älä koskaan käytä hankaavia voiteita, syövyttäviä puhdistusaineita, hankaavia sieniä tai harjoja. Pyyhi pehmeällä ja kostealla liinalla.

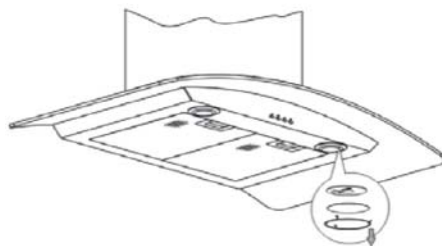
● LAMPUN VAIHTO



Varoitus
Ennen minkäänlaisia toimenpiteitä, täytyy kupu irrottaa sähköverkosta, joko irrottamalla pistotulppa pistorasiasta tai pääkatkaisimen avulla.

Malli, jossa on halogeenilamppu

- Irrota lampunsuojus
- Vaihda halogeenilamppu.
- Laita suojus takaisin toistamalla nämä toimenpiteet päinvastaisessa järjestyksessä.



**Varoitus**

Ennen minkäänlaisia toimenpiteitä, täytyy kupu irrottaa sähköverkosta, joko irrottamalla pistotulppa pistorasiasta tai pääkatkaisimen avulla

● **LAITTEEN HUOLTO**

HUOLTO	TOIMENPITEET	KÄYTETTÄVÄT TUOTTEET VÄLINEET
Yläpinta varusteet ja	Älä koskaan käytä metallisia hankaussieniä, hankaavia tuotteita tai kovin jäykkiä harjoja.	Käytä rungon ja lampun suojuksen puhdistamiseen ainoastaan myynnissä olevia kotitalouksien puhdistustuotteita veteen laimennettuina. Huuhtelee puhtaalla vedellä ja kuivaa pehmeällä liinalla.
Suodatinpatruuna	Tämä suodatin imee rasvahöyryt ja pölyn. Tämä komponentti on merkittävä tekijä kuvun tehokkuuden takaamisessa. Käytä sitkeisiin tahroihin hankaamatonta voidetta ja huuhtelee puhtaalla vedellä.	Käytä myynnissä olevaa kotitalouksien puhdistustuotetta. Huuhto hyvin ja kuivaa. Nämä suodattimet voidaan pestä pystyasennossa astianpesukoneessa. (Älä anna niiden joutua kosketuksiin likaisten astioiden tai hopeaesineiden kanssa).
Aktiivihiihisiuodatin	Tämä suodatin sitoo hajut ja se tulee vaihtaa vähintään kerran vuodessa, käyttötiheydestä riippuen. Suodattimet tilataan jälleenmyyjältä (ilmoittamalla kuvun sisäpuolella olevassa tunnistelaaatassa olevat tiedot) Pidä muistissa suodattimen vaihtopäivämäärä.	

Suosittellemme Clearit puhdistustuotteita laitteen suojaamiseksi.



Ammattitaitoista
kokemusta
yksilölliseen
palveluun

Clearit tarjoaa sinulle tehokkaita tuotteita ja ratkaisuja, jotka on suunniteltu kotitaloustarvikkeiden ja keittiön päivittäiseen huoltoon.

Voit ostaa niitä jälleenmyyjältäsi, muiden tarvikkeiden ja kulutustuotteiden lisäksi.

HÄIRIÖ	SUORITETTAVAT TOIMENPITEET
Tuuletin ei toimi...	Varmista, että: <ul style="list-style-type: none">● Virta ei ole pois päältä.● Nopeus on valittu.
Tuuletin ei toimi tehokkaasti...	Varmista, että: <ul style="list-style-type: none">● Moottorin valittu nopeus on riittävä haihdutettavan käryn ja höyryjen määrään nähden.● Keittiön ilmanvaihto on riittävä raittiin ilman saamiseksi.● Hiilisuodatin ei ole kulunut (kupu suodatinversiona).
Tuuletin on pysähtynyt.	Varmista, että: <ul style="list-style-type: none">● Virta ei ole pois päältä.● Yksinapainen katkaisin ei ole aktivoitunut.

Laitteen kaikki huoltotoimenpiteet suorittaa:

- jälleenmyyjä,
- tai joku muu valmistajan valtuuttama ammattitaitoinen mekaanikko. Ottaessasi yhteyttä, ilmoita kaikki laitteeseen liittyvät tiedot (malli, tyyppi ja sarjanumero). Nämä tiedot löytyvät valmistajan kyltistä, joka on kiinnitetty laitteeseen.

Som en del av vår forpliktelse til stadig å forbedre produktene våre, forbeholder vi oss retten til å gjøre endringer i dem basert på fremskritt i tekniske og funksjonelle egenskaper og utseende.



Advarsel:

Før du installerer og bruker apparatet, vennligst les nøye denne guiden for installasjon og bruk, for å raskt gjøre deg kjent med apparatet.

1 / MERKNADER FOR BRUKEREN.....	118
● <i>SIKKERHETSANBEFALINGER</i>	118
● <i>MILJØMESSIG BESKYTTELSE</i>	120
● <i>BESKRIVELSE AV DITT APPARAT</i>	121
2 / INSTALLERING AV DITT APPARAT	122
● <i>BRUKE EKAVIKUERINGSMODUS</i>	122
● <i>BRUKE GJENVINNINGSMODUS</i>	122
● <i>ELEKTRISKE TILKOBLINGER</i>	123
● <i>MONTERING AV HETTEN</i>	124
● <i>MONTERING AV VENTILASJONSSJAKT</i>	125
• <i>Utendørs evakuering</i>	125
• <i>Resirkulering</i>	126
3 / BRUK AV APPARATET	128
● <i>BRUK AV AVTREKKSIVIFTEN</i>	128
4 / VEDLIKEHOLD OG RENGJØRING AV APPARATET	129
● <i>RENGJØRING AV FILTERPATRONER</i>	129
● <i>Demontering av filterpatronen</i>	129
● <i>BYTTE AV KARBONFILTERET (valgfritt)</i>	129
● <i>RENGJØRING AV DE YTRE VERFLATENE</i>	130
● <i>BYTTE LYSPÆREN</i>	130
● <i>VEDLIKEHOLD AV APPARATET</i>	131
5 / FEILSØKING.....	133
6 / ETTERSALGS-SVERVICE	134

**Advarsel:**

Oppbevar denne bruksanvisningen ved komfyren. Hvis apparatet noen gang blir solgt eller overført til en annen person, sørg for at den nye eieren får med bruksanvisningen. Gjør deg kjent med disse anvisningene før du monterer og bruker apparatet. Anvisningene ble skrevet for din og andres sikkerhet.

● SIKKERHETSANBEFALINGER

- Dette apparatet er utviklet for bruk av privatpersoner i deres hjem.
- Dette apparatet skal brukes av voksne. Pass på at barn ikke berører det, og at de ikke behandler det som et leketøy. Pass på at de ikke berører maskinens kontrollpanel.
- Når du mottar apparatet, pakk ut eller få det pakket ut umiddelbart. Foreta en generell inspeksjon. Noter eventuelle bekymringer eller problemer på leveringsslippen og sørg for å beholde en kopi av denne.
- Apparatet er beregnet for standard husholdningsbruk. Det må ikke brukes til kommersielle eller industrielle formål eller til andre formål enn det er ment for.
- Ikke endre eller forsøke å endre noen av egenskapene til denne maskinen. Dette kan være farlig for din sikkerhet.
- Reparasjoner må kun utføres av en godkjent spesialist.
- Fjern alltid dekselet før du rengjør det eller utfører annet vedlikeholdsarbeid.
- Sørg for tilstrekkelig ventilasjon i rommet ved samtidig bruk av viften og andre apparater drevet av en annen energikilde enn elektrisitet. Dette forhindrer at viften kommer i kontakt med forbrenningsgasser.
- Du bør aldri flambe retter under viften eller bruke gassbluss under viften uten å ha kjeler eller stekepanner på dem (flammer sugd opp i viften kan skade apparatet).

- Ved steking mat under apparatet må du til enhver tid overvåke forberedelsene nøye.

Oljer og fett kan ved meget høye temperaturer ta fyr.

- Respekter den anbefalte hyppigheten for rengjøring og erstatning av filteret. Opphopning av fett kan forårsake brann.

- Viften bør aldri brukes over en ovn med brennbart drivstoff (tre, kull, osv.).

- Bruk aldri damp- eller høytrykksenheter for å rengjøre apparatet (krav for elektrisk sikkerhet).

- For å stadig forbedre våre produkter, forbeholder vi oss retten til å endre tekniske, funksjonelle eller estetiske egenskaper ved apparatet, gjøre eventuelle endringer i dets funksjoner hvis det anses som nødvendig eller ønskelig i henhold til tekniske fremskritt.

- For å enkelt finne referansen for enheten din, anbefaler vi at du noterer deg denne informasjonen på siden for "etterkjøps-service".

(Denne siden forklarer deg også hvor du finner denne informasjonen på apparatet ditt.)

- Dette apparatet er ikke ment for bruk av personer (inkludert barn) med reduserte fysiske eller sensoriske evner, eller personer uten erfaring eller kunnskap,

med mindre det brukes ved hjelp av en person som er ansvarlig for deres sikkerhet, eller under oppsyn.



Advarsel:

I forbindelse med kjøkken oppvarmet av en enhet som er koblet til en skorstein (komfyr, for eksempel) skal "resirkulerings"-versjonen av viftedekket installeres. Bruk ikke hetten uten metallfiltre.

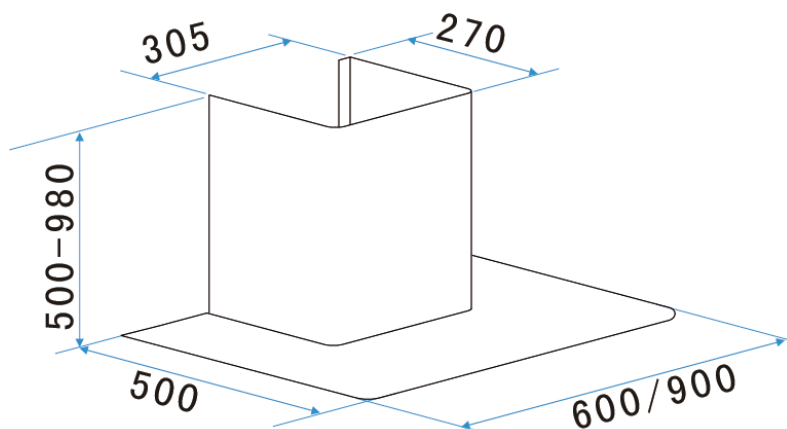
Tilstrekkelig v entilasjon bør være i rommet når hetten brukes samtidig som apparater drevet av gass eller annet brennbart drivstoff.

● MILJØMESSIG BESKYTTELSE

- Dette apparatets emballasje er resirkulerbar. Hjelp til å resirkulere det og beskytte miljøet ved å kaste det i kommunale avfallsdunker til dette formålet.
- Apparatet inneholder også en stor mengde resirkulerbart materiale. Det er merket med denne etiketten for å indikere at de brukte apparatene ikke skal blandes med annet avfall. På denne måten vil gjenvinning av apparatet arrangert av fabrikanten gjøres under best mulige forhold, i samsvar med EU-direktiv 2002/96/EF om avfall fra elektrisk og elektronisk utstyr. Kontakt rådhuset eller forhandleren for innsamlingspunkt for brukte apparater nærmest ditt hjem.
- Vi takker du gjør din del for å beskytte miljøet.

**Advarsel*****Installasjon skal kun utføres av installatører og kvalifiserte teknikere.*****Advarsel*****Fjern den beskyttende filmen fra filteret før bruk.***

● **BESKRIVELSE AV DITT APPARAT**

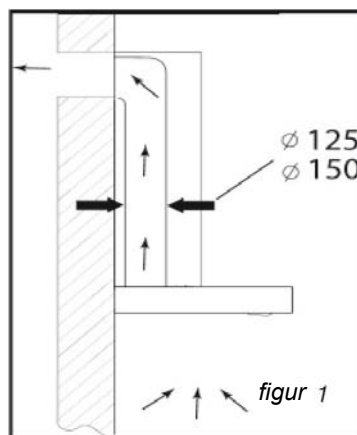


- Apparatet må være koblet fra under installasjonen eller når eventuelle reparasjoner eller vedlikehold blir utført.
- Kontroller at kretsens spenning tilsvarer spenningen notert på identifikasjonsplaten plassert inne i hetten.
- Hvis den elektriske installasjonen i din bolig krever noen endringer for å koble opp apparatet, påkaller en elektriker.
- Hvis hetten brukes i evakueringsmodus, ikke koble apparatet til en eksoskanal for forbrenningsgass (kjele, pipe, osv.) eller til et KMV (kontrollert mekanisk ventilasjon)-system.
- Under ingen omstendigheter bør eksoskanalen tømmes inn i loftet.
- Monter hetten på trygg avstand på minst 70 cm fra en elektrisk, gassdrevet eller kombinert kokeplate.

● BRUKE EKAVIKUERINGSMODUS

Hvis du har en stikkontakt på utsiden
(figur 1)

Din hette kan kobles til dette uttaket ved hjelp av et avtrekk (minimum diameter \varnothing mm som er emaljert, i aluminium, fleksibel eller laget av brennbar materiale). Hvis pipen er mindre enn 125mm i diameter, må du bruke gjenvinningsmodus.

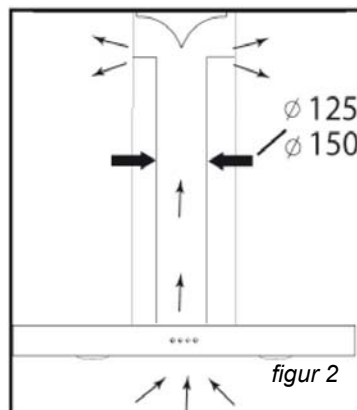


● BRUKE GJENVINNINGSMODUS

Hvis du ikke har en stikkontakt på ut siden
(figur 2)

Alle våre apparater kan brukes i gjenvinningsmodus.

I dette tilfellet bør du legge til et aktivt kullfilter som vil holde på lukt. (Se kapittel 4: skifte kullfilter.)



● **ELEKTRISKE TILKOBLINGER**

Under installasjon og vedlikehold må apparatet være koblet fra strømmettet. Sikringene skal være avskåret eller fjernet. De elektriske tilkoblingene gjøres før apparatet er installert i boligen.

Se til at:

- den elektriske installasjonen har tilstrekkelig spenning;
- de elektriske ledninger er i god stand;
- diameteren på ledningene samsvarer med kravene til installasjon.



Advarsel

Dette apparatet leveres med en H 05 VVF strømledning som har tre 0,75 mm² ledere (nøytral, fase og jord). Den må være koblet til strømmettet (som bør være en 220-240 V en fase-strøm) via en CEI 60083 standardisert ko ntakt so m s kal være tilgjengelig etter installasjonen, i tråd med retningslinjene for installering.

Vi kan ikke holdes ansvarlig for eventuelle ulykker som følge av en ikke-eksisterende, defekt eller feil jordledning. Sikringen f or installasjonen må være 10 eller 16A . Hvis strømkabelen er skadet, ringe avdeling for ettersalgs-service for å unngå fare.



Advarsel

Hvis den elektriske installasjonen på din bolig krever noen endringer for å koble opp apparatet, påkall en elektriker.



Advarsel

Hvis hetten viser noen feil, koble fra apparatet eller fjern som svar er til stikkkontakten hvor apparatet er plagget i.

● MONTERING AV HETTEN



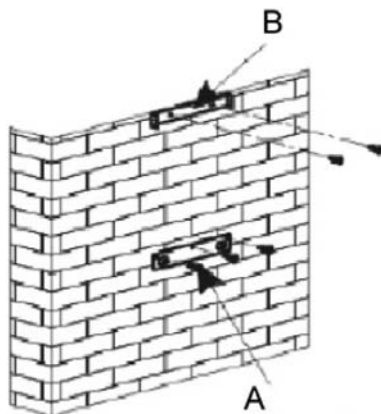
Advarsel

Hetten må være installert i samsvar med alle gjeldende bestemmelser om ventilasjon av lokaler. I Frankrike er denne forskriften beskrevet i DTU 61.1 fra CSTB. Spesielt bør den evakuerte luften aldri være en kanal som brukes til å fjerne røyk fra apparater som bruker gass eller andre brennbare drivstoff. Ubrukte kanaler kan bare brukes etter godkjenning fra kompetent spesialist.

Minste avstand mellom kokeoverflaten og den laveste delen av viftehetten må være minst 70 cm. Hvis installasjonsinstruksjonene for kokeoverflaten under viftedekket angir en avstand på mer enn 70 cm, må dette kravet respekteres.

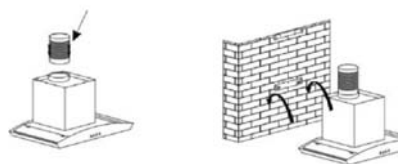
Montering til veggen:

- Marker en vertikal linje på veggen sentrert på kokeoverflatens topp.
- Marker på veggen de tre hullene som skal bores, ved hjelp av medfølgende opphengskroken for viftehetten, og observer den anbefalte avstanden.
- Bor tre 8 mm diameter hull i en egnet posisjon og sett inn pluggene (del A figur 1).
- Før montering av viftehetten, monter ikke-tilbakeslagsventilen på motoruttaket
- Sikre hettens støtte, slik at det er helt i vater. (del A figur 1)
- Fest den utvidende evakueringshylsen (ikke inkludert) til motoruttaket uten å hindre bevegelse for ikke-tilbakeslagsventilen.
- Monter og sikre hettens hoveddel på denne støtten med skruene som følger med til dette formålet.



figur 1

Utvidbart hylsen (medfølger ikke)

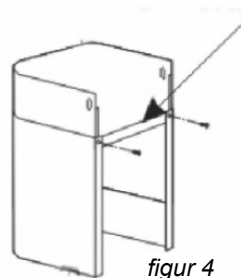
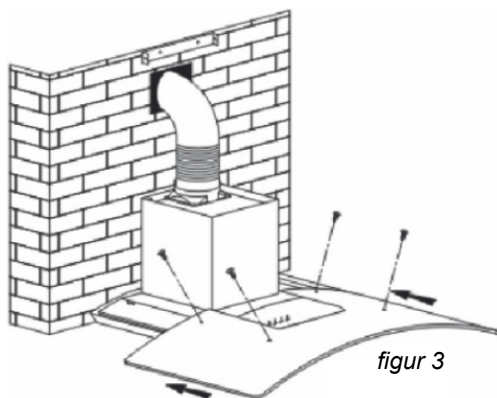
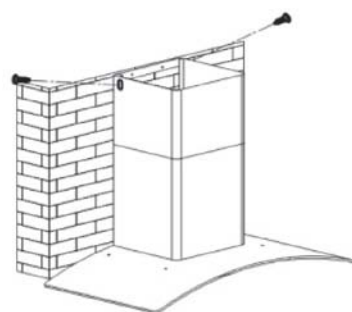


figur 2

● MONTERING AV VENTILASJONSSJAKT

• Utendørs evakuering

- Beregn endelig høyde for festing av rørstøttet U-brakett (del B figur 1.)
- Mark de to hullene i henholdsmessig.
- Bor hull på 8 mm i diameter og sikre kanalstøttede braketten, slik at det er festet på samme akse som hetten (del B figur 1.)
- Fest den flate braketten bak den nedre kanalen. (del C figur 4).
- Plasser glasset på skinnene. Skyv glasset inn og fest det med 4 skruer med gummipakning (glassikkerhet). Trekk til skruene litt.
- Fest de to kanalene til vifdedekket.
- Koble ermet til luftuttaket på utsiden.
- Koble den elektriske tilkoblingen til hetten ved bruk av hovedkabelen.
- Løft den øvre kanalen opp til taket og fest den til braketten med skruene.

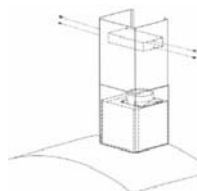


• Resirkulering

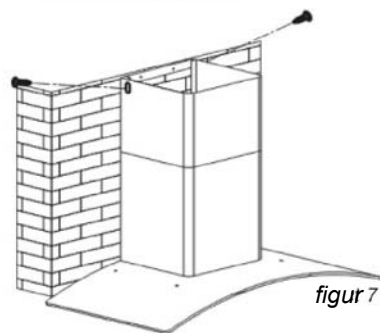
- Beregn endelige høyde for innfesting av rørstøttet U-brakett (del B figur 1.).
- Marker de to hullene.
- Bore hull med 8 mm i diameter og sikre kanalens støttebrakett, slik at det er festet på samme akse som hetten (del B figur 1.).
- Fest den flate braketten bak den nedre kanalen. (del C figur 4).
- Plasser glasset på skinnene. Skyv glasset inn og fest det med 4 skruer.
- Monter ermeadapteren på deflektoren (figur 8).
- Koble utvidelsehylsen (ikke inkludert) til deflektoren (figur 8).
- Monter de to delene av røret på dekselet.
- Monter deflektoren (figur 8) inn i den øvre kanalen ved ventilasjonsinntakene (figur 6)
- Koble den elektriske tilkoblingen til hetten ved bruk av hovedkabelen.
- Løft den øvre kanalen opp til taket og fest den til braketten med to skruer (figur 7).



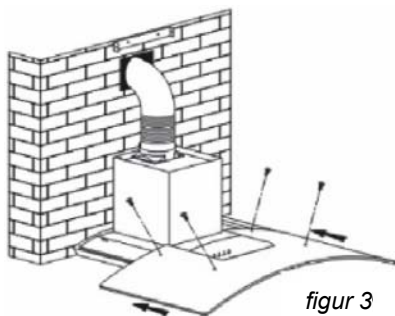
figur 8



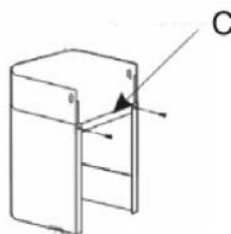
figur 6



figur 7



figur 3



figur 4



Tips

For optimal bruk av apparatet ditt, anbefaler vi at du kobler dekselet til en 150 mm-diameter røykkanal (leveres ikke med apparatet). Reduser antall vinkler, bøyer og lengden på røykkanalen. I tilfelle at dekselet blir brukt med utendørs evakuering, bør du sikre en tilstrekkelig tilførsel av frisk luft for å unngå trykk mangel i rommet.



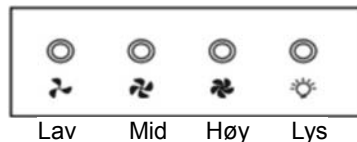
Advarsel

Bruk ikke verktøy for å fjerne sikkerhetsfilmen på hetten.

● BRUK AV AVTREKKSIVFTEN

Slik bruker du kontrollpanelet.

- Trykk på knappen "Lav", og når den indre indikatorlampen på bryteren starter å lyse, kjører motoren på lav hastighet. Trykk på knappen igjen for å stoppe motoren.
- Trykk på knappen "Mid", og når den indre indikatorlampen på bryteren starter å lyse, kjører motoren på middels hastighet. Trykk på knappen igjen for å stoppe motoren.
- Trykk på knappen "Høy", og når den indre indikatorlampen på bryteren starter å lyse, kjører motoren på høy hastighet. Trykk på knappen igjen for å stoppe motoren.
- Trykk på knappen "Lys" for å skru på lyset. Trykk på knappen igjen for å skru av lyset.



**Advarsel**

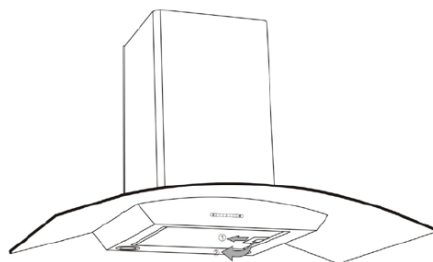
Koble alltid hetten fra før rengjøring eller annet vedlikeholdsarbeid. Regelmessig vedlikehold av apparatet er en garanti for riktig funksjon, god ytelse og holdbarhet.

**Advarsel**

A ikke respektere retningslinjene for rengjøring av apparatet og filtre kan forårsake brann. Vennligst følg nøye den anbefalingene for vedlikehold.

● RENGJØRING AV FILTERPATRONER

De må rengjøres etter ca. 30 timers bruk eller minst en gang i måneden. Disse filterene kan rengjøres i vertikal posisjon i oppvaskmaskinen. Bruk en børste, varmt vann og mild såpe. Skyll og tørk dem grundig før de settes tilbake i dekselet.



● Demontering av filterpatronen

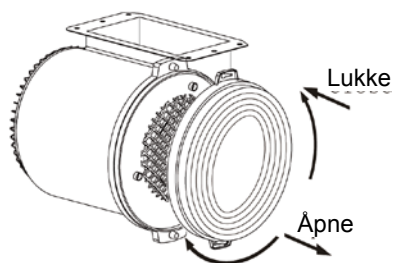
- Snu det innebygde filterhåndtaket.
- Vipp filteret ned.

● BYTTE AV KARBONFILTERET

(valgfritt)

Bytt det etter ca. 120 timers bruk.

- Ta ut filterpatronen.
- Vri kullfilteret for å fjerne det.
- Gjør operasjonen i motsatt rekkefølge for å sette inn et nytt filter.
- Sett filterpatronen tilbake.



● RENGJØRING AV DE YTRE VERFLATENE

For å rengjøre utsiden av dekselet, bruk såpevann, men bruk aldri slipende kremer, etsende vaskemidler, skrubbesvamber eller børster. Tørk av med en myk, fuktig klut.

● BYTTE LYSPÆREN

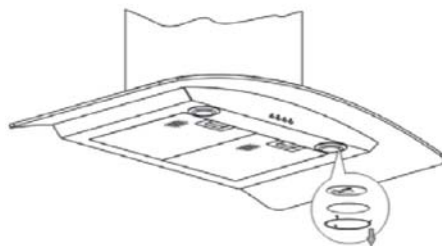


Advarsel

Før du utfører noen handlinger, må strømmen til apparatet slås av, enten ved å trekke ut kontakten eller ved hjelp av av/på-bryteren.

Modell med halogenpære

- Fjern belysningsdekselet.
- Skift ut halogenpæren.
- Erstatt lyspæren ved å gjenta disse trinnene i omvendt rekkefølge.



**Advarsel**

Før du utfører noen handlinger, må strømmen til apparatet slås av, enten ved å trekke ut kontakten eller ved hjelp av av/på-bryteren.

● **VEDLIKEHOLD AV APPARATET**

VEDLIKEHOLD	HVA EN SKAL GJØRE	PRODUKTER/TILBEØR SOM SKAL BRUKES
Toppoverflate og tilbehør	Bruk aldri skurepulver, slipende produkter eller overdrevent stive børster.	For å rense hoveddelen og belysningsområdet, bør du kun bruke kommersielle rengjøringsprodukter fortynnet i vann og skylle med rent vann, samt tørke med en myk klut.
Filterpatron	Dette filteret samler fettdamp og støv. Denne komponenten spiller en viktig rolle for å sikre viftens effektiviteten. Ved vanskelige flekker, bruk en ikke-slipende krem, og skyll med rent vann.	Bruk et kommersielt rengjøringsprodukt, og skyll rikelig og la tørke. Disse filtrene kan rengjøres i vertikal posisjon i oppvaskmaskinen. (Ikke la dem komme i kontakt med skittent servise eller bestikk.)
Karbonfilter	Dette filteret fanger lukt og må skiftes minst en gang i året, avhengig av din bruk. Du bør bestille disse filtrene fra din forhandler (oppgi referansenummeret som vises på identifikasjonsplaten plassert på innsiden av dekslet) og merk datoen filteret ble byttet.	

For å bevare apparatet, anbefaler vi at du bruker Clearit rengjøringsmidler.



Profesjonell ekspertise
for enkeltpersoner

Clearit tilbyr profesjonelle produkter og løsninger for det daglige vedlikeholdet av dine hvitevarer og kjøkken.

De selges hos din vanlige forhandler, sammen med et komplett utvalg av tilbehør og forbruksprodukter.

SYMPTOMER	LØSNINGER
Viften virker ikke...	Sørg for at: <ul style="list-style-type: none">● Strømmen ikke er skrudd av.● En hastighet er valgt.
Viften fungerer ikke effektivt...	Sørg for at: <ul style="list-style-type: none">● Den valgte viftehastigheten er tilstrekkelig for mengden av røyk og damp.● Kjøkkenet er tilstrekkelig ventilert for å tillate friskt luftinntak.● Kullfilteret er ikke slitt (viften opererer i resirkuleringsmodus).
Viften har stoppet å virke.	Se til at: <ul style="list-style-type: none">● Den ikke er skrudd av.● Stoppmekanismen ikke er aktivert.

Ethvert vedlikehold på apparatet bør foretas av:

- enten din forhandler,
- eller en annen kvalifisert mekaniker som er en autorisert agent for apparatets merke.

Når du gjør en avtale, oppgi full referanse til ditt apparat (modell, type og serienummer).

Denne informasjonen vises på produsentens navneskilt festet på utstyret.

Som en del i vårt arbete att hela tiden förbättra våra produkter så vill vi meddela att vi förbehåller oss rätten att göra ändringar baserade på tekniska framsteg och ändra funktion och utseende utan föregående information.



Varning:
Innan du installerar och använder din apparat bör du läsa igenom informationen i denna manual noggrant. Detta gör att du kan bekanta dig med apparaten innan du använder den.

1 / INFORMATION TILL ANVÄNDAREN	137
● SÄKERHETSINFORMATION	137
● MILJÖSKYDD	138
● BESKRIVNING AV APPARATEN	139
2 / INSTALLERA DIN APAPRAT	140
● ANVÄND UTSUGNINGSLÄGET	140
● ANVÄND ÅTERVINNINGSLÄGET	140
● ELEKTRISKA ANSLUTNINGAR	141
● SÄTT IHOP SPISKÅPAN	142
● SÄTTA IHOP VENTILATIONSTRUMMAN	143
• Utsug till utomhusmiljö	143
• Återvinning	144
3 / ANVÄND DIN APPARAT	145
● ATT ANVÄNDA DIN SPISKÅPA	145
4 / RENGÖRING OCH UNDERHÅLL AV DIN APPARAT	146
● RENGÖR FILTERPATRONERNA	146
● Plocka isär filterpatronerna	146
● BYTA UT KOLFILTREN (valfritt)	146
● RENGÖR YTTERHÖLJET	147
● BYT UT GLÖDLAMPAN	147
● UNDERHÅLL AV DIN APPARAT	148
5 / FELSÖKNING	149
6 / SERVICE OCH SUPPORT	150

**Observera:**

Förvara den här manualen väl för framtida bruk. Om du säljer apparaten eller för den vidare till tredje person så ska du se till så att manualen medföljer. Vänligen läs igenom informationen nedan innan du påbörjar installationen och innan du börjar använda apparaten. Detta för din och andras säkerhet.

● SÄKERHETSINFORMATION

- Den här apparaten har utveckats för hushållsbruk av privatpersoner.
 - Den här apparaten ska användas av vuxna. Se till att barn inte vidrör apparaten och att de inte leker med den. Se till att de inte kommer åt apparatens kontrollpanel.

- Då du mottager apparaten ska du först packa upp den. Inspektera alla delar. Notera eventuella invändningar på leveranskvittot och se till att du får en kopia av det.

- Din apparat är tillverkad för normal hushållsanvändning. Använd den inte kommersiellt eller vid industriproduktion. Du kan inte använda den för något annat än det som den är tillverkad för.

- Gör inte ändringar och försök inte att ställa om de grundläggande funktionerna på apparaten. Detta är farligt och det finns risk för personskada.

- Reparationer får bara utföras av auktoriserad personal.

- Dra alltid ur kontakten till spiskåpan innan du utför rengöring och underhåll.

- Se till att ventilationen i rummet fungerar bra i det fall att du samtidigt ska köra spiskåpan och andra elektriska apparater som har en strömtillförsel som är annan än elektricitet. Detta för att undvika att fläkten suger in avgaser.

- Du bör aldrig flambra rätter under spiskåpan eller ha öppna gaslägor under kåpan utan ett ordentligt skyddslock (flammorna kan sugas upp i kåpan och skada apparaten).

**Observera:**

I de fall där ett kök värms upp av en apparat som är ansluten till en skorsten (t ex en kamin) så ska "återvinning" versionen av kåpan installeras. Använd inte kåpan utan metallfilter.

Bra ventilation måste finnas i rummet då kåpan används samtidigt som maskiner/apparater som drivs av bensin/gas eller liknande bränslen.

- Då du steker mat under kåpan måste du hela tiden övervaka tillagningen.

Olja och fett som uppnår väldigt höga temperaturer kan självantända.

- Respektera det rekommenderade rengöringsschemat och schemat för utbyte av filter. Om fett samlas på samma plats kan detta orsaka eldsvåda.

- Kåpan ska aldrig användas över en eldad ugn (trä, kol, etc).

- Använd aldrig ånga eller högtrycksredskap för att rengöra apparaten (detta på grund av elektronikens säkerhetskrav).

- Som en del i vårt arbete att hela tiden förbättra våra produkter vad gäller teknik, funktioner och utseende så förbehåller vi oss rätten att göra ändringar och förbättringar som är nödvändiga för att göra produkten ännu bättre.

- För att enkelt kunna hitta referensinformation för din apparat rekommenderar vi att noterar dessa data på sidan för "Service, support och kundrelationer.

(Den här sidan förklarar också vart på apparaten du hittar informationen.)

- Den här apparaten ska inte användas av personer (även barn) med reducerad fysisk, sensorisk eller mental kapacitet, ej heller av personer som saknar erfarenhet och medvetenhet kring elektriska apparater, om detta inte sker under övervakning och efter noggranna instruktioner av någon som är ansvarig för deras säkerhet.

● MILJÖSKYDD

- Den här apparatens förpackningsmaterial kan återvinnas. Gör detta för att skydda miljön genom att lämna materialet på den återvinningscentral som anvisas av din kommun.

- Din apparat innehåller också mycket material som kan återvinnas. Detta är märkt med en etikett som indikerar att elektroniskt avfall inte bör blandas med vanligt hushållsavfall.



På detta sätt kan apparaten till stora delar återvinnas av din tillverkare under bästa möjliga förhållanden enligt det Europeiska direktivet 2002/96/EC förande elektriskt avfall och elektronisk utrustning. Vänd dig till din återförsäljare för information om vart du kan lämna apparaten för återvinning.

- Vi tackar dig för att du gör din del i att skydda miljön.



Varning

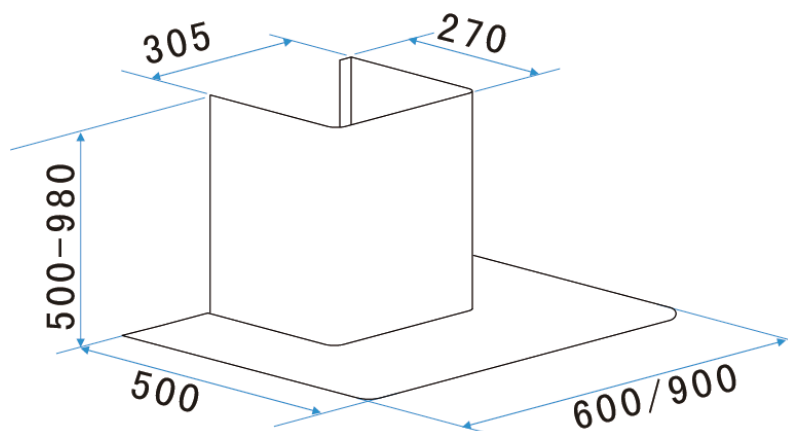
Installationen bör bara utföras av kvalificerade tekniker eller annan kompetent personal.



Varning

Ta bort det skyddande plasthöljet från patronfiltret innan första användning.

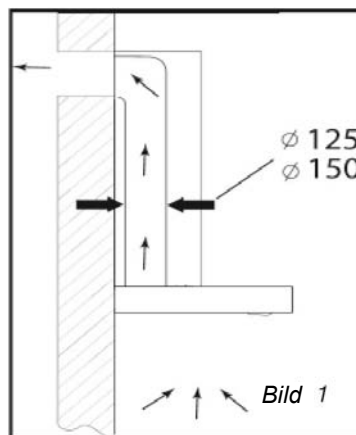
- **BESKRIVNING AV APPARATEN**



- Apparaten måste vara fränkopplad från elnätet då du utför underhåll eller eventuella reparationer.
- Se till att elnätet i ditt hem motsvarar de specifikationer som finns angivna på identifikationsplattan på insidan av kåpan.
- Om den elektriska installationen i ditt hem kräver ändringar för att sätta upp din apparat bör du ta hjälp av en professionell elektriker.
- Om kåpan används i utsugningsläge ska du inte ansluta apparaten till systemet där förbränningsgas leds ut (t ex från din vedpanna, skorsten, etc) eller till ett CMV system (kontrollerat mekaniskt ventilationssystem).
- Du ska inte under några som helst omständigheter låta utsläppen gå direkt upp på vinden.
- Installera kåpan på ett säkert avstånd på minst 70cm från elektriska, eller gasdrivna kokplattor.

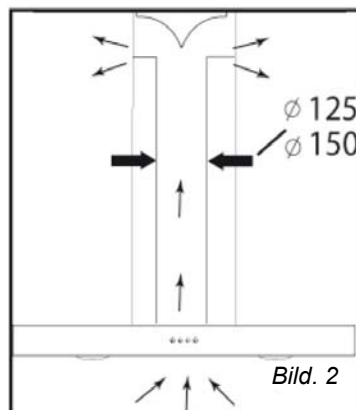
● ANVÄND UTSUGNINGSLÄGET

Om du har ett utlopp till utomhusmiljö (bild. 1)
Din kåpa kan anslutas till det här systemet med hjälp av en röckanal (minsta diameter \emptyset mm som är emaljerad, i aluminium, flexibel eller är tillverkad av oantändligt material). Om din röckanal är mindre än 125mm i diameter så **måste du använda återvinningsläget**.



● ANVÄND ÅTERVINNINGSLÄGET

Om du inte har ett utlopp till utomhusmiljö (bild. 2)
Alla våra apparater kan köras i återvinningsläget.
I detta fall ska du sätta i ett aktivt kolfilter som håller ute dåliga lukter. (Se kapitel 4: att byta kolfilter.)



● ELEKTRISKA ANSLUTNINGAR

Vid installation och underhåll så måste apparaten vara frånsluten från elnätet.

Säkringar måste slås av eller tas ur.

Elektriska anslutningar ska göras innan apparaten installeras i sitt ytterhölje.

Se till att:

- den elektriska installationen har tillräckligt hög spänning;
- att de elektriska kablarna är i gott skick;
- att diametermåtten på kablarna överensstämmer med installationskraven.



Varning

Den här apparaten levereras med en H 05 VVF strömkabel som har tre 0.75 mm² konduktorer (neutral, fas och jordad).

Kabeln måste anslutas till ett väg gultag (med 220-240 V enkelfas elstandard) via ett CEI 60083 standarduttag som ska gå lätt att komma åt efter installation, allt i enlighet med instruktionerna för installation.

Vi kan inte hållas ansvariga för olyckor som orsakas av en icke-existerande, defekt eller felaktig jordad ledning.

Säkringen måste vara antingen 10

eller 16A. Om strömkabeln är

skadad bör du vända dig till ett

servicecenter för att undvika skaderisk.



Varning

Om elektriska installationer i ditt hem kräver att du gör ändringar för att sätta upp din apparat bör du vända dig till en professionell elektriker.



Varning

Om kåpan inte fungerar som den ska, dra ur kontakten från uttaget och ta ur säkringen för apparaten i ditt säkringsskåp.

● SÄTT IHOP SPISKÅPAN



Varning

Kåpan måste installeras i enlighet med alla gällande regler för ventilation där kåpan ska användas. I Frankrike beskrivs dessa regler i DTU 61.1, utgiven av CSTB. Var särskilt noga med att utsugen luft aldrig bör ledas till ett system som används för att suga ut rök från apparater som drivs av bensin, gas eller liknande bränslen. Icke använda system kan bara användas efter att detta fått grönt ljus från en kompetent specialist.

Det minsta avståndet mellan kokytan och kåpan lägsta del måste vara 70 cm. Om manualen för spisen under kåpan anger ett större avstånd än 70 cm så måste dessa krav respekteras oavsett omständigheter.

Fixera kåpan vid väggen:

- Dra en vertikal linje på väggen, centrerad över kokplatsen.
- Markera tre hål på väggen som måste borrar. Använd de medföljande upphängningskrokarna och var noga med de angivna anstånden.
- Borra de tre hålen med en diameter på 8 mm på en lämplig plats på väggen och sätt i pluggarna (del A, bild 1).
- Innan du fäster kåpan ska du montera backventilen på motorutsuget.
- Säkra kåpans upphängningsenhet och se till så att den sitter helt plant (del A, bild 1.)
- Fixera den förlängningsbara utsugsslangen (medföljer ej) till motorutsuget utan att begränsa rörligheten på backventilen.
- Fäst och säkra höljet på kåpan på stöden med skruvarna med medföljer för detta syfte.

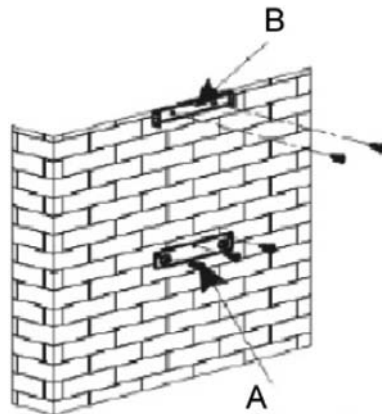


Bild. 1

Stödållare tänjbar (icke fourni)

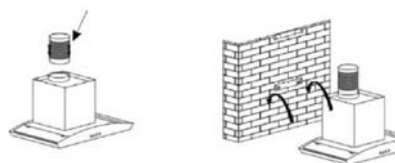


Bild. 2

● SÄTTA IHOP VENTILATIONSTRUMMAN**• Utsug till utomhusmiljö**

- Beräkna den definitiva höjden för att fixera kanalkonsolens U-fäste (del B, bild 1).
- Markera de två hålen enligt angivelserna.
- Borra hål med 8 mm diameter och se till så att de är fixerade på stödfästet längs samma axel som kåpan (del B, bild 1).
- Fixera den plana konsolen bakom den lägre kanalen (del C, bild 4).
- Placera glaset på guidelisterna. Låt glaset glida fast och fäst det med 4 skruvar med gummitätning (glassäker). Dra åt skruvarna lite mer.
- Fixera de två kanalerna till kåpan.
- Anslut hylsan till luftuttaget till utomhusmiljö.
- Gör den elektriska anslutningen till kåpan med den medföljande strömkabeln.
- Lyft upp den övre kanalen och fixera den vid fästet med skruvarna.

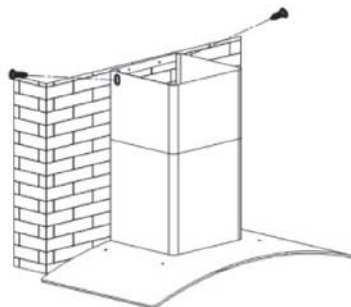


Bild . 5

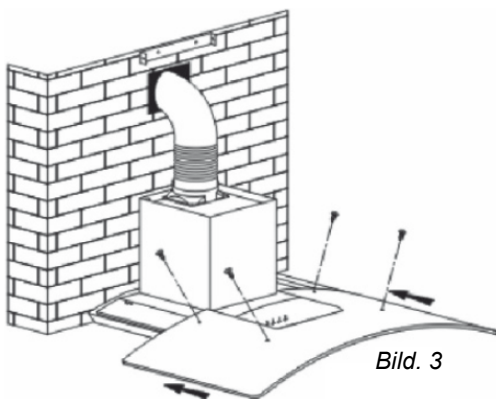


Bild. 3

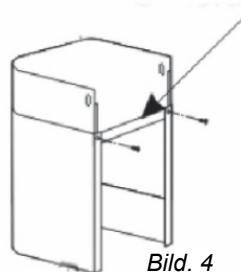


Bild. 4

• Återvinning

- Beräkna den definitiva höjden för att fixera kanalkonsolens U-fäste (del B, bild 1).
- Markera de två hålen enligt angivelserna.
- Borra hål med 8 mm diameter och se till så att de är fixerade på stödfästet längs samma axel som kåpan (del B, bild 1).
- Fixera den plana konsolen bakom den lägre kanalen (del C, bild 4).
- Placera glaset på guidelisterna. Låt glaset glida fast och fäst med 4 skruvar.
- Fäst med hylsadaptern på spridarplattan (Bild 8).
- Anslut den förlängbara hylsan (medföljer ej) till spridarplattan (Bild 8).
- Anslut de två delarna av kanalen till kåpan.
- Fäst spridarplattan (Bild. 8) in i den övre kanalen via ventilationsintagen (Bild 6).
- Gör den elektriska anslutningen till kåpan med den medföljande strömkabeln.
- Lyft upp den övre kanalen till taket och fixera den vid fästet med hjälp av de två skruvarna (Bild 7).



Bild. 8

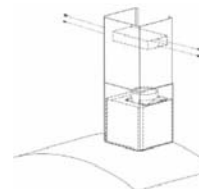


Bild. 6

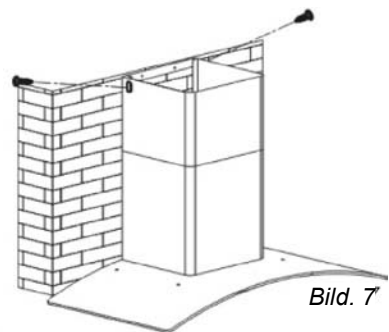


Bild. 7

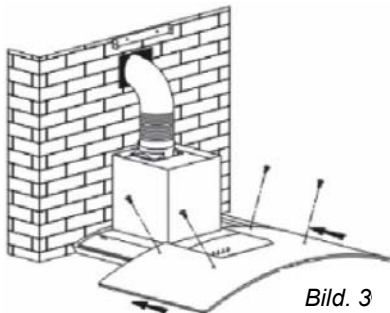


Bild. 3

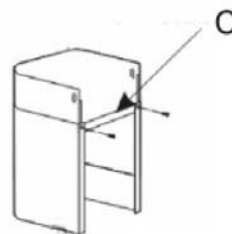


Bild. 4



Tips

För optimal prestanda för din apparat rekommenderar vi att du ansluter din kåpa till en 150 mm-diameter rökkanal (medföljer inte i förpackningen). Minimera antalet vinklar och böjar och längden på rökkanalen. I det fall att kåpan ska köras med ett utsug till utomhusmiljö ska du se till att inflödet av frisk luft är tillräckligt för att undvika tryckfall i rummet.

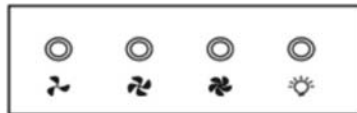


Varning Använd inte verktyg för att ta bort plastskyddet på kåpan.

● ATT ANVÄNDA DIN SPISKÅPA

Hur du använder kontrollpanelen.

- Tryck först på "låg" knappen så kommer indikatorlampan att börja lysa och fläktmotorn börjar köras på låg hastighet. Tryck på knappen igen så stannar motorn.
- Tryck på "mellan" knappen så kommer indikatorlampan att börja lysa och fläktmotorn börjar köras på mediumhastighet. Tryck på knappen igen så stannar motorn.
- Tryck på "hög" knappen så kommer indikatorlampan att börja lysa och fläktmotorn börjar köras på hög hastighet. Tryck på knappen igen så stannar motorn.
- Tryck på "lampa" knappen så börjar kåpan att lysas upp. Tryck på knappen igen för att slå av lamporna.



Låg Mellan Hög Lampa

**Varning**

Dra alltid ur kontakten från eluttaget innan du rengör kåpan eller påbörjar underhåll. Regelbundet underhåll av apparaten är en garanti för att den ska fungera som den ska, god prestanda och lång livslängd.

**Varning**

Om du inte följer instruktionerna vid rengöring och underhåll så kan detta orsaka eldsvåda. Var väldigt noga med att följa rekommendationerna för underhåll.

● RENGÖR FILTERPATRONERNA

Dessa måste rengöras efter cirka 30 timmars användning eller minst en gång i månaden. Dessa filter kan rengöras i diskmaskin, låt dem stå vertikalt.

Använd en borst, hett vatten och ett mildt rengöringsmedel. Skölj och torka av ordentligt innan du sätter tillbaka dem i kåpan.



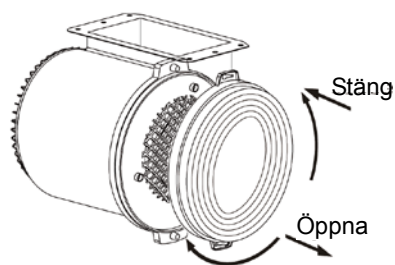
● Plocka isär filterpatronerna

- Vrid handtaget på den inbyggda filterpatronen.
- Luta filterpatronen nedåt.

● BYTA UT KOLFILTREN (valfritt)

Byt ut dessa efter cirka 120 timmars användning.

- Ta ur kolfiltren.
- Vrid kolfiltret för att ta ur det.
- Gör om proceduren baklänges för att sätta tillbaka ett nytt filter.
- Sätt tillbaka filterpatronerna.



● RENGÖR YTTERHÖLJET

För att rengöra utsidan av kåpan ska du använda såpavatten. Använd aldrig starka eller slipande rengöringsmedel, skrubborstar eller liknande. Torka av med en mjuk, fuktig trasa.

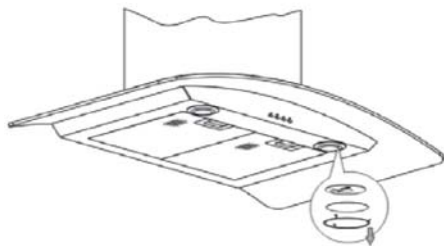
● BYT UT GLÖDLAMPAN



Varning
Innan du börjar denna process ska du först se till att kåpan är avslagen, antingen genom att dra ur kontakten eller genom att använda reglaget för att slå av säkringen.

Modell med halogenlampa

- Ta bort belysningsporten.
- Byt ut halogenlampan.
- Byt ut halogenlampan genom att genomföra processen i omvänd ordning.



4 / RENGÖRING OCH UNDERHÅLL FÖR DIN APPARAT SE



Varning

Innan underhåll påbörjas måste elanslutningen till kåpan brytas, antingen genom att dra ur kontakten eller genom att slå av säkringen i säkringskåpet.

● UNDERHÅLL AV DIN APPARAT

UNDERHÅLL	ATT GÖRA	PRODUKTER/TILLBEHÖR SOM BEHÖVS
Ytterhölje och tillbehör	Använd aldrig stålull eller liknande produkter, ej heller skrubborstar och sådant som kan skada ytan.	För att rengöra hölje och belysningsporten ska du använda vanligt diskmedel utblandat i vatten. Skölj av och torka ordentligt med en mjuk, fuktig trasa.
Filterpatroner	Detta filter gör att fett och damm samlas på vissa platser. Filtret spelar också en viktig roll för att apparaten ska fungera som den ska. Om tuffa fläckar har uppstått så ska du använda ett mildt fläckmedel och sedan skölja rent med vatten.	Använd ett vanligt medel för hushållsbruk och skölj av och torka ordentligt. Dessa filter kan rengöras i vertikalt läge i en diskmaskin. (Låt dem inte komma i kontakt med smutsig disk och annat.)
Aktiverat kolfilter	Det här filtret fångar obehagliga lukter och måste bytas ut minst en gång per år beroende på hur mycket kåpan används. Du kan beställa nya filter från din återförsäljare (du behöver nämna referensnumret på identifikationsplattan) och notera det datum och den tid som filtret byttes ut.	

För bästa resultat rekommenderar vi att du använder rengöringsprodukter från Clearit.



Professionell expertis
med fokus på di

Clearit erbjuder dig professionella produkter och lösningar framtagna för dagligt underhåll av hushållsapparater och köksprodukter.

Produkterna finns till salu hos din vanliga återförsäljare tillsammans med ett komplett sortiment tillbehör och andra lämpliga produkter.

PROBLEM	LÖSNING
Kåpan fungerar inte...	Se till att: <ul style="list-style-type: none">● Strömtilförseln är påslagen.● Ett hastighetsläge har valts.
Kåpan fungerar inte särskilt bra...	Se till att: <ul style="list-style-type: none">● Den valda fläkthastigheten är tillräcklig för det os som uppstår vid matlagningen.● Köket har bra ventilation så att tillräckligt med frisk luft kommer in.● Kolfiltret inte är slutet (om kåpan kör i återvinningsläge).
Kåpan fungerar inte längre.	Se till att: <ul style="list-style-type: none">● Strömförsörjningen inte har brutits.● Att enspoliga avslagningsenheten inte har aktiverats.

Allt underhåll på din apparat ska utföras av:

- din återförsäljare,
- eller en annan kvalificerad mekaniker som är auktoriserad för underhåll av apparaten.

Då du bokar in ett möte, ange hela referensnumret för din utrustning (modell, typ och serienummer). Den här informationen finns på tillverkarens platta som är fäst på utrustningen.

Στα πλαίσια της δέσμευσης μας για τη διαρκή βελτίωση των προϊόντων μας, διατηρούμε το δικαίωμα να προβούμε σε αλλαγές με βάση τις τεχνολογικές εξελίξεις των τεχνικών και λειτουργικών χαρακτηριστικών καθώς και της εμφάνισης των προϊόντων.



Προειδοποίηση:
Πριν εγκαταστήσετε και λειτουργήσετε τη συσκευή, διαβάστε προσεκτικά το παρόν Εγχειρίδιο Εγκατάστασης και Χρήσης για να εξοικειωθείτε με τη λειτουργία της συσκευής.

1 / ΣΗΜΕΙΩΣΕΙΣ ΓΙΑ ΤΟ ΧΡΗΣΤΗ	153
● ΣΥΣΤΑΣΕΙΣ ΑΣΦΑΛΕΙΑΣ	153
● ΠΕΡΙΒΑΛΛΟΝΤΙΚΗ ΠΡΟΣΤΑΣΙΑ	155
● ΠΕΡΙΓΡΑΦΗ ΤΗΣ ΣΥΣΚΕΥΗΣ ΣΑΣ	156
2 / ΕΓΚΑΤΑΣΤΑΣΗ ΤΗΣ ΣΥΣΚΕΥΗΣ ΣΑΣ	157
□ ΧΡΗΣΙΜΟΠΟΙΩΝΤΑΣ ΤΗ ΛΕΙΤΟΥΡΓΙΑ	157
□ ΧΡΗΣΗ ΤΗΣ ΛΕΙΤΟΥΡΓΙΑΣ RECYCLING	157
● ΗΛΕΚΤΡΙΚΕΣ ΣΥΝΔΕΣΕΙΣ	158
● ΣΥΝΑΡΜΟΛΟΓΗΣΗ ΤΟΥ ΑΠΟΡΡΟΦΗΤΗΡΑ	159
● ΣΥΝΑΡΜΟΛΟΓΗΣΗ ΤΟΥ ΦΡΕΑΡ ΕΞΑΕΡΙΣΜΟΥ	161
• Εξωτερική εκκένωση	161
• Recycling-Ανακύκλωση	162
3 / ΧΡΗΣΙΜΟΠΟΙΩΝΤΑΣ ΤΗ ΣΥΣΚΕΥΗΣ ΣΑΣ	164
● ΧΡΗΣΗ ΤΟΥ ΑΠΟΡΡΟΦΗΤΗΡΑ	164
4 / ΚΑΘΑΡΙΣΜΟΣ ΚΑΙ ΦΡΟΝΤΙΔΑ ΤΗΣ ΣΥΣΚΕΥΗΣ ΣΑΣ	165
● ΚΑΘΑΡΙΣΜΟΣ ΤΩΝ ΦΥΣΙΓΓΙΩΝ ΤΟΥ ΦΙΛΤΡΟΥ	165
● Αποσυναρμολόγηση του φυσιγγίου του φίλτρου	165
● ΑΛΛΑΓΗ ΤΟΥ ΦΙΛΤΡΟΥ ΑΝΘΡΑΚΑ (προαιρετική)	165
● ΚΑΘΑΡΙΣΜΟΣ ΤΩΝ ΕΞΩΤΕΡΙΚΩΝ ΕΠΙΦΑΝΕΙΩΝ	166
● ΑΛΛΑΓΗ ΤΗΣ ΛΑΜΠΑΣ ΦΩΤΙΣΜΟΥ	166
● ΣΥΝΤΗΡΗΣΗ ΤΗΣ ΣΥΣΚΕΥΗΣ ΣΑΣ	168
5 / ΑΝΤΙΜΕΤΩΠΙΣΗ ΠΡΟΒΛΗΜΑΤΩΝ	169
6 / ΥΠΟΣΤΗΡΙΞΗ ΜΕΤΑ ΤΗΝ ΠΩΛΗΣΗ	170



Προσοχή:

Φυλάξτε αυτό τον οδηγό χρήσης μαζί με τη συσκευή. Εάν η συσκευή πουληθεί ή μεταβιβαστεί σε άλλο άτομο, σιγουρευτείτε ότι ο νέος ιδιοκτήτης θα λάβει τον οδηγό χρήσης. Σας παρακαλούμε να διαβάσετε και να κατανοήσετε τις παρούσες συστάσεις πριν εγκαταστήσετε και λειτουργήσετε τη συσκευή. Γράφτηκαν για τη δικιά σας και την ασφάλεια των άλλων.

● **ΣΥΣΤΑΣΕΙΣ ΑΣΦΑΛΕΙΑΣ**

- Η παρούσα συσκευή σχεδιάστηκε για ιδιωτική οικιακή χρήση.

- Η παρούσα συσκευή πρέπει να λειτουργείται από ενήλικες. Σιγουρευτείτε ότι δεν αγγίζεται από παιδιά και ότι δεν χρησιμοποιείται σα παιχνίδι. Σιγουρευτείτε ότι τα παιδιά δεν αγγίζουν τον πίνακα ελέγχου της συσκευής.

- Όταν λάβετε τη συσκευή, βγάλτε τη από τη συσκευασία της ή ζητήστε να αποσυσκευαστεί αμέσως. Κάντε ένα γενικό έλεγχο. Εάν έχετε επιφυλάξεις ή προβληματίστε σημειώστε το στο δελτίο παραλαβής και κρατήστε αντίγραφο του.

- Η συσκευή σας προορίζεται για τυπική οικιακή χρήση. Μην τη χρησιμοποιείτε για εμπορικούς ή βιομηχανικούς σκοπούς ή για άλλο σκοπό για τον οποίο δεν σχεδιάστηκε.

- Μην τροποποιήσετε ή επιχειρήσετε να τροποποιήσετε τα χαρακτηριστικά αυτής της συσκευής. Είναι επικίνδυνο για την ασφάλεια σας.

- Οι επισκευές πρέπει να γίνονται μόνο από εξουσιοδοτημένο ειδικό.

- Βγάξτε τον απορροφητήρα πάντα από την πρίζα πριν τον καθαρίσετε ή εκτελέσετε άλλη εργασία συντήρησης.

- Εξασφαλίστε επαρκή εξαερισμό στο χώρο στην περίπτωση που γίνεται ταυτόχρονη χρήση του απορροφητήρα και άλλων συσκευών που τροφοδοτούνται από πηγή ενέργειας που δεν είναι ηλεκτρικό ρεύμα. Με αυτό τον τρόπο αποφεύγεται η εισροή των αναφλέξιμων αερίων στον απορροφητήρα.

- Δεν πρέπει ποτέ να ετοιμάζετε πιάτα με φωτιά (flambé) καθώς και να λειτουργείτε εστίες υγραερίου κάτω από τον

απορροφητήρα χωρίς προστατευτικά καπάκια (η αναρρόφηση της φλόγας από τον απορροφητήρα μπορεί να προκαλέσει ζημιά στη συσκευή).

- Όταν τηγανίζετε φαγητό κάτω από τη συσκευή, πρέπει να παρακολουθείτε διαρκώς την προετοιμασία του.

Τα έλαια και τα λίπη σε υψηλή θερμοκρασία μπορεί να αρπάζουν φωτιά.

- Τηρήστε την προτεινόμενη συχνότητα καθαρισμού και αλλαγής του φίλτρου. Η συσσώρευση μάζας λίπους μπορεί να προκαλέσει πυρκαγιά.

- Ο απορροφητήρας δεν πρέπει ποτέ να χρησιμοποιείται πάνω από φούρνο με αναφλέξιμα καύσιμα (ξύλο, άνθρακας, κτλ).

- Μη χρησιμοποιείτε ποτέ ατμό ή συσκευές υψηλής πίεσης για να καθαρίσετε τη συσκευή σας (επιβάλλεται για λόγους ηλεκτρικής ασφαλείας).

- Με γνώμονα τη διαρκή βελτίωση των προϊόντων μας, διατηρούμε το δικαίωμα να τροποποιήσουμε τα τεχνικά, λειτουργικά, ή αισθητικά χαρακτηριστικά τους, προβαίνοντας σε οποιεσδήποτε αλλαγές κριθούν απαραίτητες ή επιθυμητές εν' όψει των τεχνολογικών εξελίξεων.

- Προκειμένου να εντοπίσετε εύκολα τις σχετικές πληροφορίες που διακρίνουν τη συσκευή σας, σας προτείνουμε να τις σημειώσετε στη σελίδα "Τμήμα Πελαταιακής Σχέσης και Υποστήριξης μετά την πώληση".

(Η συγκεκριμένη σελίδα σας εξηγεί πώς να βρείτε τις εν λόγω πληροφορίες στη συσκευή σας.)

- Η παρούσα συσκευή δεν προορίζεται για χρήση από άτομα (συμπεριλαμβανομένων και των παιδιών) με περιορισμένη φυσική, αισθητηριακή, ή

διανοητική ικανότητα, ή άτομα που δεν έχουν την εμπειρία ή την αντίληψη, εκτός και αν τη χρησιμοποιούν με τη βοήθεια ατόμου που φέρει την ευθύνη για την

ασφάλεια τους, ή υπό επίβλεψη και αφού τους έχουν δοθεί πρωτίστως οδηγίες σχετικά με τη χρήση της.



Προσοχή:

Στην περίπτωση που η κουζίνα θερμαίνεται από συσκευή που είναι συνδεδεμένη σε καπνοδόχο (ένα φούρνο για παράδειγμα) πρέπει να γίνει εγκατάσταση της έκδοσης "recycling-ανακύκλωσης" του απορροφητήρα. Μη χρησιμοποιείτε τον απορροφητήρα χωρίς μεταλλικά φίλτρα.

Πρέπει να παρέχεται επαρκής εξαερισμός στο χώρο όταν ο απορροφητήρας χρησιμοποιείται ταυτόχρονα με συσκευές που χρησιμοποιούν υγραέριο ή άλλο αναφλέξιμο καύσιμο.

● ΠΕΡΙΒΑΛΛΟΝΤΙΚΗ ΠΡΟΣΤΑΣΙΑ

- Το υλικό της συσκευασίας της παρούσας συσκευής είναι ανακυκλώσιμο. Βοηθήστε στην ανακύκλωση του και προστατέψτε το περιβάλλον απορρίπτοντας τη στους δημοτικούς κάδους που προορίζονται για αυτό το σκοπό.

- Επίσης, η συσκευή σας καθεαυτή περιέχει ένα σημαντικό ποσοστό ανακυκλώσιμου υλικού. Φέρει τη σήμανση με αυτή την ετικέτα για να υποδηλώσει ότι οι μεταχειρισμένες συσκευές δεν πρέπει να αναμιγνύονται με άλλα σκουπίδια. Με αυτό τον τρόπο, η ανακύκλωση της συσκευής γίνεται σύμφωνα με την Ευρωπαϊκή Οδηγία 2002/96/EC σχετικά με την Απόρριψη Ηλεκτρικού και Ηλεκτρονικού Εξοπλισμού. Επικοινωνήστε με το δήμο ή με το λιανοπωλητή σας για τα σημεία περισυλλογής μεταχειρισμένων συσκευών που είναι πλησιέστερα στην κατοικία σας.



- Σας ευχαριστούμε για τη συμβολή σας στην προστασία του περιβάλλοντος.

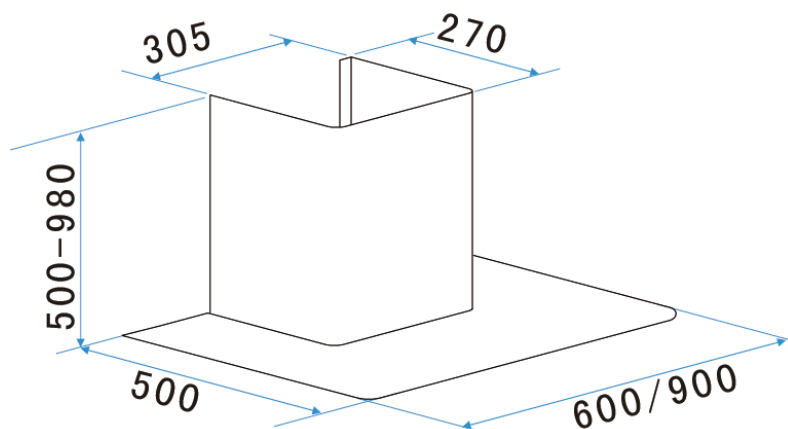
**Προειδοποίηση**

Η εγκατάσταση πρέπει να γίνεται μόνο από ειδικούς εγκατάστασης και ειδικευμένους τεχνικούς.

**Προειδοποίηση**

Αφαιρέστε την προστατευτική ταινία από το φυσίγγιο του φίλτρου πριν τη χρήση.

● ΠΕΡΙΓΡΑΦΗ ΤΗΣ ΣΥΣΚΕΥΗΣ ΣΑΣ

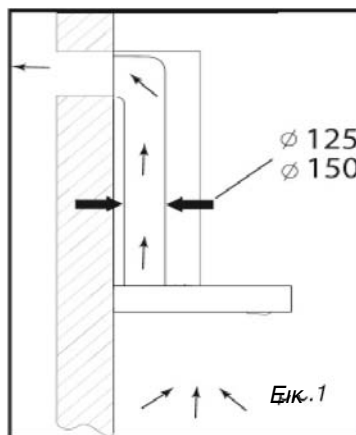


- Η συσκευή δεν πρέπει να είναι στην πρίζα στη διάρκεια της εγκατάστασης ή όταν εκτελούνται επισκευές ή συντήρηση.
- Σιγουρευτείτε ότι η τάση του ηλεκτρικού δικτύου συμφωνεί με την τάση που αναγράφεται στον πίνακα των ενδείξεων στο εσωτερικό του απορροφητήρα.
- Εάν η ηλεκτρική υποδομή στην κατοικία σας χρειάζεται αλλαγές προκειμένου να συνδεθεί η συσκευή σας, καλέστε επαγγελματία ηλεκτρολόγο.
- Εάν ο απορροφητήρας χρησιμοποιείται στη λειτουργία (evacuation-εκκένωσης), μη συνδέετε τη συσκευή σε αγωγό εξόδου αναφλέξιμου υγραερίου (σε λέβητα, καπνοδόχο, κλπ) ή σε σύστημα CMV (μηχανικά ελεγχόμενου εξαερισμού).
- Ο απορροφητήρας δεν πρέπει σε καμία περίπτωση να καταλήγει στη σοφίτα.
- Εγκαταστήστε τον απορροφητήρα σε ασφαλή απόσταση - τουλάχιστον 70 εκ από εστία ηλεκτρικού, υγραερίου ή συνδυαστική εστία μαγειρέματος.

● ΧΡΗΣΙΜΟΠΟΙΩΝΤΑΣ ΤΗ ΛΕΙΤΟΥΡΓΙΑ EVACUATION-EΚΚΕΝΩΣΗ

Στην περίπτωση που η έξοδος είναι σε εξωτερικό χώρο (εικ. 1)

Ο απορροφητήρας σας μπορεί να συνδεθεί σε αυτή την έξοδο χρησιμοποιώντας καπναγωγό (ελάχιστη διάμετρο \varnothing χιλ σε εμαγιέ, σε αλουμίνιο, εύκαμπτο ή από μη αναφλέξιμο υλικό). Εάν ο καπναγωγός σας είναι λιγότερα από 125χιλ σε διάμετρο, πρέπει να **χρησιμοποιήσετε τη λειτουργία recycling-ανακύκλωσης**.

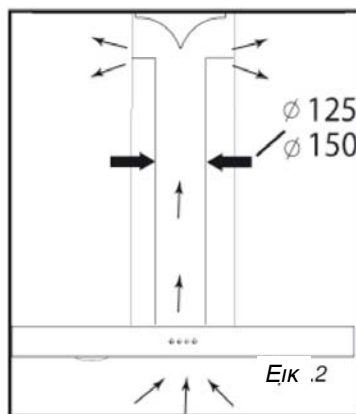


● ΧΡΗΣΗ ΤΗΣ ΛΕΙΤΟΥΡΓΙΑΣ RECYCLING ΑΝΑΚΥΚΛΩΣΗΣ

Στην περίπτωση που η έξοδος δεν είναι σε εξωτερικό χώρο (εικ. 2)

Όλες οι συσκευές μας μπορούν να χρησιμοποιηθούν στη λειτουργία recycling-ανακύκλωσης.

Σε αυτή την περίπτωση, πρέπει να προσθέσετε φίλτρο ενεργού άνθρακα το οποίο κρατάει τις οσμές (Δείτε την ενότητα 4: Αλλαγή του φίλτρου άνθρακα.)



● ΗΛΕΚΤΡΙΚΕΣ ΣΥΝΔΕΣΕΙΣ

Στη διάρκεια των διαδικασιών εγκατάστασης και συντήρησης, η συσκευή πρέπει να αποσυνδεθεί από την παροχή ρεύματος, και οι ηλεκτρικές ασφάλειες πρέπει να αφαιρεθούν ή να τεθούν εκτός λειτουργίας.

Οι ηλεκτρικές συνδέσεις προηγούνται της εγκατάστασης της συσκευής.

Σιγουρευτείτε ότι:

- το ηλεκτρικό δίκτυο προσφέρει επαρκή ηλεκτρική τάση,
- τα ηλεκτρικά καλώδια είναι σε καλή κατάσταση
- η διάμετρος των καλωδίων πληροί τις προϋποθέσεις της εγκατάστασης.



Προειδοποίηση

Η παρούσα συσκευή προσφέρεται με καλώδιο τροφοδοσίας H 05 VVF το οποίο αποτελείται από τρεις αγωγούς 0.75 mm² (ουδέτερο, φάση και γείωση). Πρέπει να συνδεθεί στην παροχή της κεντρικής τροφοδοσίας (η οποία πρέπει να είναι μονοφασικό ρεύμα 220-240 V) μέσω τυποποιημένης υποδοχής CEI 60083 η οποία πρέπει να είναι προσπελάσιμη και μετά την εγκατάσταση σύμφωνα με τις οδηγίες εγκατάστασης.

Δε θα καταστούμε υπόλογοι για οποιοδήποτε ατύχημα προκύψει από τη μη ύπαρξη ή από ελαττωματική γείωση. Η ηλεκτρική ασφάλεια για την εγκατάσταση πρέπει να είναι 10 ή 16A. Εάν το καλώδιο τροφοδοσίας είναι φθαρμένο, καλέστε το τμήμα υποστήριξης μετά την πώληση για την αποφυγή κινδύνου από το καλώδιο



Προειδοποίηση

Εάν το ηλεκτρικό δίκτυο στην κατοικία σας χρειάζεται τυχόν αλλαγές για να συνδεθεί η συσκευή σας, καλέστε επαγγελματία ηλεκτρολόγο.



Προειδοποίηση

Εάν ο απορροφητήρας παρουσιάζει δυσλειτουργίες, βγάλτε τη συσκευή από την πρίζα ή αφαιρέστε τις ασφάλειες που αντιστοιχούν στην ηλεκτρική υποδοχή της συσκευής σας.

● ΣΥΝΑΡΜΟΛΟΓΗΣΗ ΤΟΥ ΑΠΟΡΡΟΦΗΤΗΡΑ



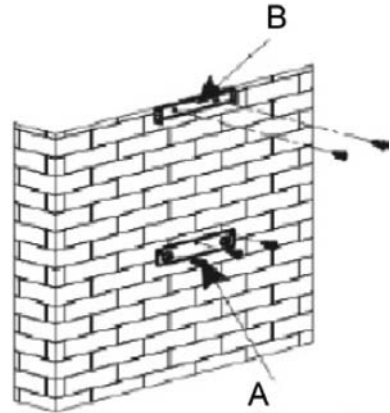
Προειδοποίηση

Ο απορροφητήρας πρέπει να εγκατασταθεί σύμφωνα με τους κανόνες που αφορούν τον εξαερισμό εγκαταστάσεων. Στη Γαλλία αυτοί οι κανόνες περιγράφονται στο DTU 61.1 από το CSTB. Συγκεκριμένα, ο αέρας που εκκενώνεται δεν πρέπει ποτέ να περιορίζεται σε αγωγή που χρησιμοποιείται για την απομάκρυνση καπνού από συσκευές που χρησιμοποιούν υγραέριο ή άλλα αναφλέξιμα καύσιμα. Οι αχρησιμοποίητοι αγωγοί μπορούν να χρησιμοποιηθούν μόνο κατόπιν εγκρίσεως αρμόδιου ειδικού.

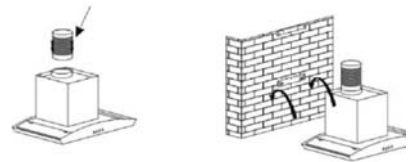
Η ελάχιστη απόσταση ανάμεσα στην επιφάνεια μαγειρέματος και στο χαμηλότερο τμήμα του απορροφητήρα πρέπει να είναι τουλάχιστον 70 εκατοστά. Εάν οι οδηγίες σχετικά με την τοποθέτηση τασιού κάτω από τον απορροφητήρα υποδεικνύουν απόσταση μεγαλύτερη από 70 εκατοστά, αυτή η οδηγία πρέπει να τηρηθεί.

Στήριξη στον τοίχο:

- Σημειώστε μία κάθετη γραμμή στον τοίχο στο κέντρο της κορυφής της εστίας μαγειρέματος.
- Σημαδέψτε στον τοίχο τις τρεις εσοχές που πρέπει να διανοιχτούν, χρησιμοποιώντας το συνοδευτικό άγκιστρο στήριξης του απορροφητήρα και τηρώντας την προτεινόμενη απόσταση.
- Διανοίξτε τις τρεις εσοχές διαμέτρου 8 χιλ στο κατάλληλο σημείο και εισάγετε τα βύσματα (τμήμα Α Εικ. 1).
- Πριν τοποθετήσετε τον απορροφητήρα, μοντάρετε τη βαλβίδα μη επιστροφής στην έξοδο του μοτέρ
- Ασφαλίστε το πλαίσιο στήριξης του απορροφητήρα και σιγουρευτείτε ότι είναι τελείως οριζοντιωμένο. (τμήμα Α Εικ. 1)
- Ρυθμίστε το επεκτάσιμο μανίκι εκκένωσης (δεν περιλαμβάνεται) στην έξοδο του μοτέρ χωρίς να εμποδίσετε την κίνηση της βαλβίδας



Gaine επεκτάσιμο (δεν προσφέρεται)



Εικ. 2

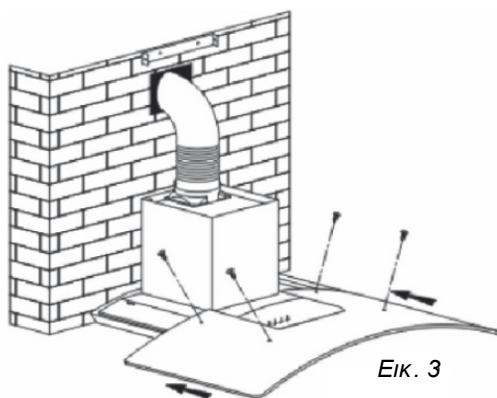
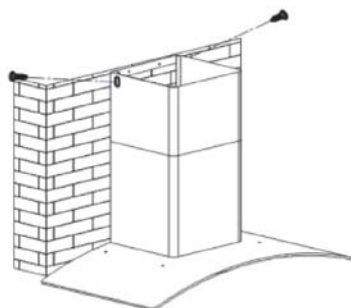
μη επιστροφής.

- Στηρίξτε και ασφαλίστε το σώμα στον απορροφητήρα σε αυτό το πλαίσιο στήριξης με τις βίδες που προορίζονται για αυτό το σκοπό.

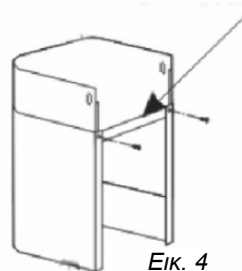
● ΣΥΝΑΡΜΟΛΟΓΗΣΗ ΤΟΥ ΦΡΕΑΡ ΕΞΑΕΡΙΣΜΟΥ

• Εξωτερική εκκένωση

- Υπολογίστε το συνολικό ύψος για τη στήριξη του πλαισίου στήριξης U του αγωγού (τμήμα Β Εικ. 1)
- Σημαδέψτε αντίστοιχα τις δύο εσοχές
- Διανοίξτε εσοχές διαμέτρου 8 χιλ και ασφαλίστε το πλαίσιο στήριξης του αγωγού. Σιγουρευτείτε ότι στηρίζεται στον ίδιο άξονα με τον απορροφητήρα (τμήμα Β Εικ. 1)
- Τοποθετήστε το επίπεδο πλαίσιο κάτω από το χαμηλότερο τμήμα του αγωγού. (τμήμα C Εικ. 4).
- Τοποθετήστε τα τζάμια στους οδηγούς. Σύρετε το τζάμι προς τα μέσα και ασφαλίστε το με τις 4 βίδες με τους λαστιχένιους δακτύλιους (για την ασφάλεια του τζαμιού). Συσφίξτε τις βίδες ελαφρά.
- Τοποθετήστε τους δύο αγωγούς στον απορροφητήρα.
- Συνδέστε το μανίκι στην έξοδο του αεραγωγού εξωτερικά.
- Συνδέστε τον απορροφητήρα στο ηλεκτρικό ρεύμα χρησιμοποιώντας το κεντρικό καλώδιο τροφοδοσίας.
- Ανυψώστε τον άνω αγωγό στο ταβάνι και στηρίξτε το στο πλαίσιο χρησιμοποιώντας τις βίδες.



Εικ. 3



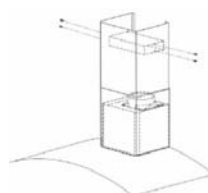
Εικ. 4

• Recycling-Ανακύκλωση

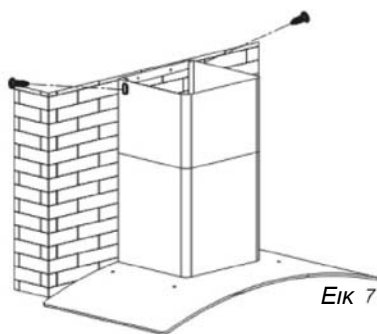
- Υπολογίστε το συνολικό ύψος για τη στήριξη του πλαισίου στήριξης U του αγωγού (τμήμα Β Εικ. 1).
- Σημαδέψτε τις δύο εσοχές.
- Ανοίξτε δύο εσοχές διαμέτρου 8 χιλ και ασφαλίστε το πλαίσιο στήριξης του αγωγού. Σιγουρευτείτε ότι στηρίζεται στον ίδιο άξονα με τον απορροφητήρα (τμήμα Β Εικ. 1).
- Στηρίξτε το επίπεδο πλαίσιο πίσω στο χαμηλότερο τμήμα του αγωγού C Εικ. 4).
- Τοποθετήστε το τζάμι πάνω στους οδηγούς. Σύρετε το τζάμι προς τα μέσα και ασφαλίστε το με τις 4 βίδες.
- Τοποθετήστε τον προσαρμογέα του μανικιού στον ανακλαστήρα (Εικ. 8).
- Συνδέστε το επεκτάσιμο μανίκι (δεν περιλαμβάνεται) στον ανακλαστήρα (Εικ. 8).
- Τοποθετήστε τα δύο τμήματα του αγωγού πάνω στον απορροφητήρα.
- Τοποθετήστε τον ανακλαστήρα (Εικ. 8) μέσα στον άνω αγωγό στις εισόδους του εξαερισμού (Εικ. 6)
- Συνδέστε τον απορροφητήρα στο ρεύμα χρησιμοποιώντας το κεντρικό καλώδιο τροφοδοσίας.
- Αφυψώστε τον άνω αγωγό στο ταβάνι και στηρίξτε το στο πλαίσιο χρησιμοποιώντας τις δύο βίδες (Εικ. 7).



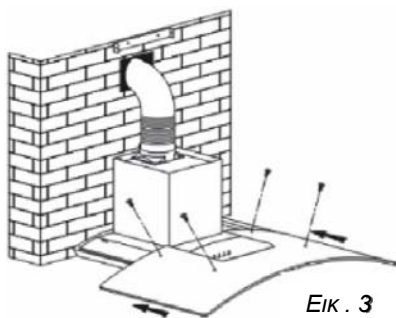
Εικ. 8



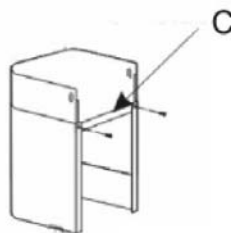
Εικ. 6



Εικ. 7



Εικ. 3



Εικ. 4

**Συμβουλή**

Για τη βέλτιστη απόδοση της συσκευής σας, σας προτείνουμε να συνδέσετε τον απορροφητήρα σε σωλήνα διαφυγής διαμέτρου 150 χιλ (δε συνοδεύει τη συσκευή). Διατηρήστε τον αριθμό των γωνιών και των στρεβλώσεων στο σωλήνα στο ελάχιστο. Στην περίπτωση που ο απορροφητήρας λειτουργεί χρησιμοποιώντας εξωτερική εκκένωση, σιγουρευτείτε ότι υπάρχει επαρκής εισροή φρέσκου αέρα για την αποφυγή ελλιπούς πίεσης στο δωμάτιο.

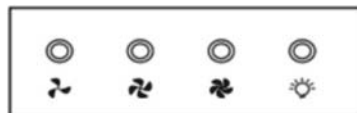
**Προειδοποίηση**

Μη χρησιμοποιείτε εργαλεία για να αφαιρέσετε την προστατευτική ταινία στον απορροφητήρα.

● ΧΡΗΣΗ ΤΟΥ ΑΠΟΡΡΟΦΗΤΗΡΑ

Πώς να χρησιμοποιήσετε τον πίνακα ελέγχου.

α. Πιέστε το κουμπί “Low-(Χαμηλή)”. Ανάβει η εσωτερική ένδειξη του φωτισμού και το μοτέρ ξεκινάει τη λειτουργία του σε χαμηλή ταχύτητα. Πιέστε το κουμπί ξανά για να σταματήσετε το μοτέρ.



β. Πιέστε το κουμπί “Mid-(Μεσαία)”. Ανάβει η εσωτερική ένδειξη του φωτισμού και το μοτέρ ξεκινάει τη λειτουργία του σε μεσαία ταχύτητα. Πιέστε το κουμπί ξανά για να σταματήσετε το μοτέρ.

γ. Πιέστε το κουμπί “High-(Υψηλή)”. Ανάβει η εσωτερική ένδειξη του φωτισμού και το μοτέρ ξεκινάει τη λειτουργία του σε υψηλή ταχύτητα. Πιέστε το κουμπί ξανά για να σταματήσετε το μοτέρ.

δ. Πιέστε το κουμπί “Light-(Φως)”. Ανάβουν και τα δύο φώτα. Πιέστε το κουμπί ξανά για να τα σβήσετε.

Χαμηλή Μεσαία Υψηλή Φως

**Προειδοποίηση**

Πριν από καθαρισμό ή την εκτέλεση άλλων διαδικασιών συντήρησης βγάξτε πάντοτε τον απορροφητήρα από την πρίζα. Η τακτική συντήρηση της συσκευής σας αποτελεί εγγύηση της σωστής λειτουργίας, της απόδοσης και της διάρκειας ζωής του προϊόντος.

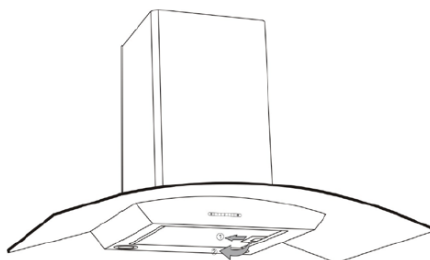
**Προειδοποίηση**

Η μη τήρηση των οδηγιών καθαρισμού της συσκευής και των φίλτρων μπορεί να προκαλέσει πυρκαγιά. Σας παρακαλούμε, όπως τηρήσετε τις συστάσεις που αναφέρονται στη συντήρηση.

● ΚΑΘΑΡΙΣΜΟΣ ΤΩΝ ΦΥΣΙΓΓΙΩΝ ΤΟΥ ΦΙΛΤΡΟΥ

Πρέπει να καθαρίζονται κατά προσέγγιση μετά από 30 ώρες λειτουργίας ή τουλάχιστον μία φορά το μήνα. Τα συγκεκριμένα φίλτρα πρέπει να καθαρίζονται σε κατακόρυφη θέση στο νιπτήρα.

Χρησιμοποιήστε βούρτσα, καυτό νερό και μεσαίας δράσης απορρυπαντικό. Ξεβγάλετε τα και στεγνώστε τα πλήρως πριν τα τοποθετήσετε πίσω στη θέση τους στον απορροφητήρα.

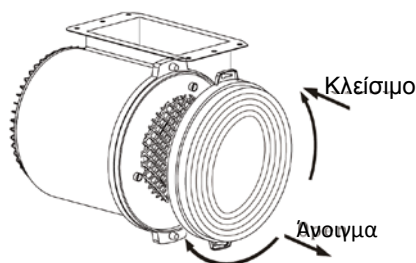
**● Αποσυναρμολόγηση του φυσιγγίου του φίλτρου**

- Στρέψτε την ενσωματωμένη λαβή του φυσιγγίου του φίλτρου.
- Γείρετε το φυσιγγίο του φίλτρου προς τα κάτω.

● ΑΛΛΑΓΗ ΤΟΥ ΦΙΛΤΡΟΥ ΑΝΘΡΑΚΑ**(προαιρετική)**

Αντικαταστήστε το μετά από περίπου 120 ώρες λειτουργίας.

- Αφαιρέστε το φυσιγγίο του φίλτρου.
- Στρέψτε το φίλτρο του άνθρακα για να το αφαιρέσετε.
- Επαναλάβετε τη διαδικασία αντίστροφα για να τοποθετήσετε στη θέση του το νέο φίλτρο.
- Επιστρέψτε στη θέση τους τα φυσιγγία του φίλτρου.



● ΚΑΘΑΡΙΣΜΟΣ ΤΩΝ ΕΞΩΤΕΡΙΚΩΝ ΕΠΙΦΑΝΕΙΩΝ

Για να καθαρίσετε το εξωτερικό του απορροφητήρα, χρησιμοποιήστε σαπουνόνερο, αλλά μη χρησιμοποιήσετε ποτέ λειαντικές κρέμες, διαβρωτικά απορρυπαντικά, συρμάτινα σφουγγαράκια ή βούρτσες. Σκουπίστε με απαλό, υγρό πανάκι.

● ΑΛΛΑΓΗ ΤΗΣ ΛΑΜΠΑΣ ΦΩΤΙΣΜΟΥ

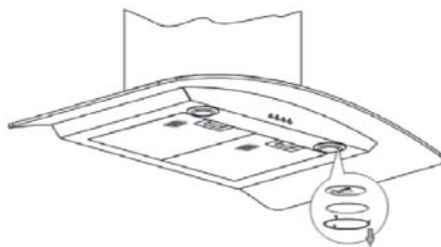


Προειδοποίηση

Πριν εκτελέσετε οποιαδήποτε εργασία, πρέπει να διακοπεί η τροφοδοσία ρεύματος στον απορροφητήρα, βγάζοντάς τη από την πρίζα είτε χρησιμοποιώντας το διακόπτη του ηλεκτρικού ρεύματος.

Μοντέλο με λάμπα αλογόνου

- Αφαιρέστε το κάλυμμα του φωτιστικού.
- Αλλάξτε τη λάμπα αλογόνου.
- Αντικαταστήστε τη λάμπα επαναλαμβάνοντας τα βήματα με την αντίστροφη σειρά.





Προειδοποίηση

Πριν εκτελέσετε οποιαδήποτε εργασία, πρέπει να διακοπεί η τροφοδοσία ρεύματος στον απορροφητήρα, βγάζοντάς τη από την πρίζα είτε χρησιμοποιώντας το διακόπτη του ηλεκτρικού ρεύματος.

● ΣΥΝΤΗΡΗΣΗ ΤΗΣ ΣΥΣΚΕΥΗΣ ΣΑΣ

ΣΥΝΤΗΡΗΣΗ	ΤΙ ΝΑ ΚΑΝΕΤΕ	ΠΡΟΙΟΝΤΑ/ΠΑΡΕΛΚΟΜΕΝΑ ΠΟΥ ΧΡΕΙΑΖΟΝΤΑΙ
<p>Η άνω επιφάνεια και τα παρελκόμενα</p>	<p>Μη χρησιμοποιείτε συρμάτινα σφουγγαράκια, λειαντικά προϊόντα ή πολύ σκληρές βούρτσες.</p>	<p>Για να καθαρίσετε το σώμα και τη κάλυμμα του φωτιστικού, χρησιμοποιήστε μόνο οικιακά προϊόντα καθαρισμού του εμπορίου, διαλυμένα σε νερό και στη συνέχεια ξεβγάλετε με καθαρό νερό, και στεγνώστε τα με απαλό ύφασμα.</p>
<p>Φυσίγγιο φίλτρου</p>	<p>Αυτό το φίλτρο παγιδεύει υδατμούς λίπους και σκόνη. Το συγκεκριμένο εξάρτημα παίζει σημαντικό ρόλο στη διασφάλιση της αποτελεσματικής λειτουργίας του απορροφητήρα. Στην περίπτωση δύσκολων λεκέδων χρησιμοποιήστε μη λειαντική κρέμα, και ξεβγάλετε με καθαρό νερό.</p>	<p>Χρησιμοποιήστε οικιακό προϊόν καθαρισμού του εμπορίου και στη συνέχεια ξεβγάλετε με άφθονο νερό και στεγνώστε το. Αυτά τα φίλτρα καθαρίζονται σε κατακόρυφη θέση στο νιπτήρα σας. (Προσέξτε να μην έλθουν σε επαφή με βρώμικα πιάτα ή με μαχαιροπήρουνα.)</p>
<p>Ενεργοποιημένο φίλτρο άνθρακα</p>	<p>Αυτό το φίλτρο παγιδεύει τις οσμές και πρέπει να καθαρίζεται τουλάχιστον μία φορά το χρόνο ανάλογα με το επίπεδο της χρήσης του. Πρέπει να παραγγείλετε αυτά τα φίλτρα από το μεταπωλητή σας (αναφέροντας τα στοιχεία του προϊόντος που αναγράφονται στο εσωτερικό του απορροφητήρα) και να</p>	

	σημειώσετε την ημερομηνία αλλαγής του φίλτρου.	
--	--	--

Για την καλή περιποίηση της συσκευής σας, σας προτείνουμε να χρησιμοποιείτε προϊόντα καθαρισμού Clearit.



Επαγγελματική
εμπειρία στην
εξυπηρέτηση του
καταναλωτή

Η Clearit προσφέρει επαγγελματικά προϊόντα και λύσεις σχεδιασμένα για την καθημερινή φροντίδα των οικιακών συσκευών και της κουζίνας σας.

Θα τα βρείτε στο μεταπωλητή σας, μαζί με μία πλήρη σειρά από αξεσουάρ και καταναλωτικά προϊόντα.

ΣΥΜΠΤΩΜΑΤΑ	ΛΥΣΕΙΣ
Ο απορροφητήρας δε λειτουργεί...	<p>Σιγουρευτείτε ότι:</p> <ul style="list-style-type: none"> ● Δεν έχει διακοπεί η τροφοδοσία. ● Έχει επιλεγεί ταχύτητα λειτουργίας.
Ο απορροφητήρας δε λειτουργεί ικανοποιητικά...	<p>Σιγουρευτείτε ότι:</p> <ul style="list-style-type: none"> ● Η επιλεγμένη ταχύτητα του μοτέρ επαρκεί για τον καθαρισμό της ποσότητας του καπνού και των υδρατμών που εκλύονται. ● Η κουζίνα αερίζεται επαρκώς με φρέσκο αέρα. ● Το φίλτρου του άνθρακα δεν έχει φθορές (ο απορροφητήρας λειτουργεί στη λειτουργία της ανακύκλωσης-recycling)
Ο απορροφητήρας σταμάτησε να λειτουργεί.	<p>Σιγουρευτείτε ότι:</p> <ul style="list-style-type: none"> ● Δεν έχει διακοπεί η τροφοδοσία. ● Δεν έχει ενεργοποιηθεί η συσκευή διακοπής μόνης πόλωσης.

Οποιαδήποτε συντήρηση του εξοπλισμού σας πρέπει να εκτελείται από:

- το μεταπωλητή σας,
- ή ειδικευμένο μηχανικό που είναι εξουσιοδοτημένος για τις συσκευές της συγκεκριμένης μάρκας. Όταν κανονίσετε ραντεβού, αναφέρετε τα πλήρη στοιχεία του εξοπλισμού σας (μοντέλο, τύπος και σειριακό αριθμό). Οι πληροφορίες βρίσκονται στην ετικέτα του κατασκευαστή που είναι προσκολλημένη στον εξοπλισμό σας.

