

AC Adaptor/Charger Adaptateur/Chargeur CA

Operating Instructions
Mode d'emploi

ActiFORCE™

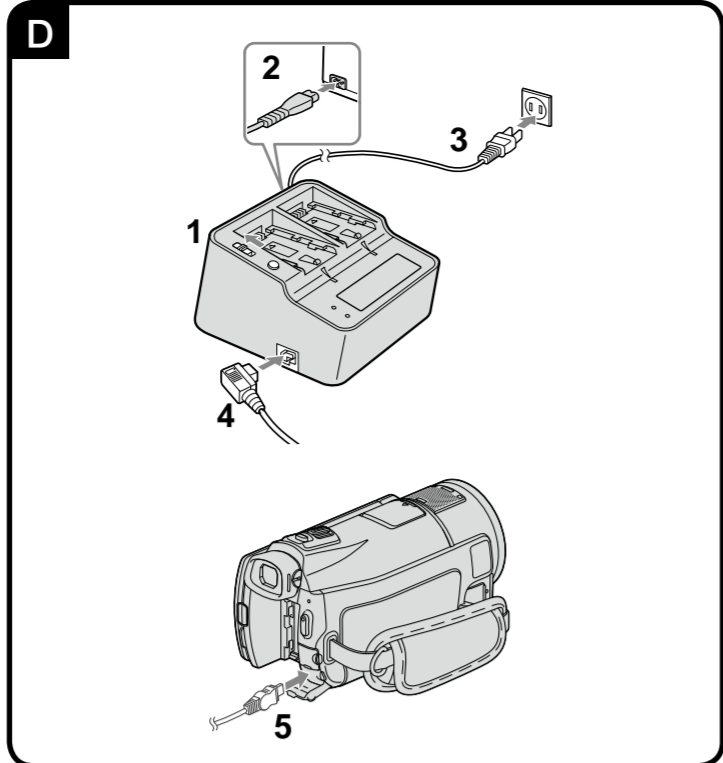
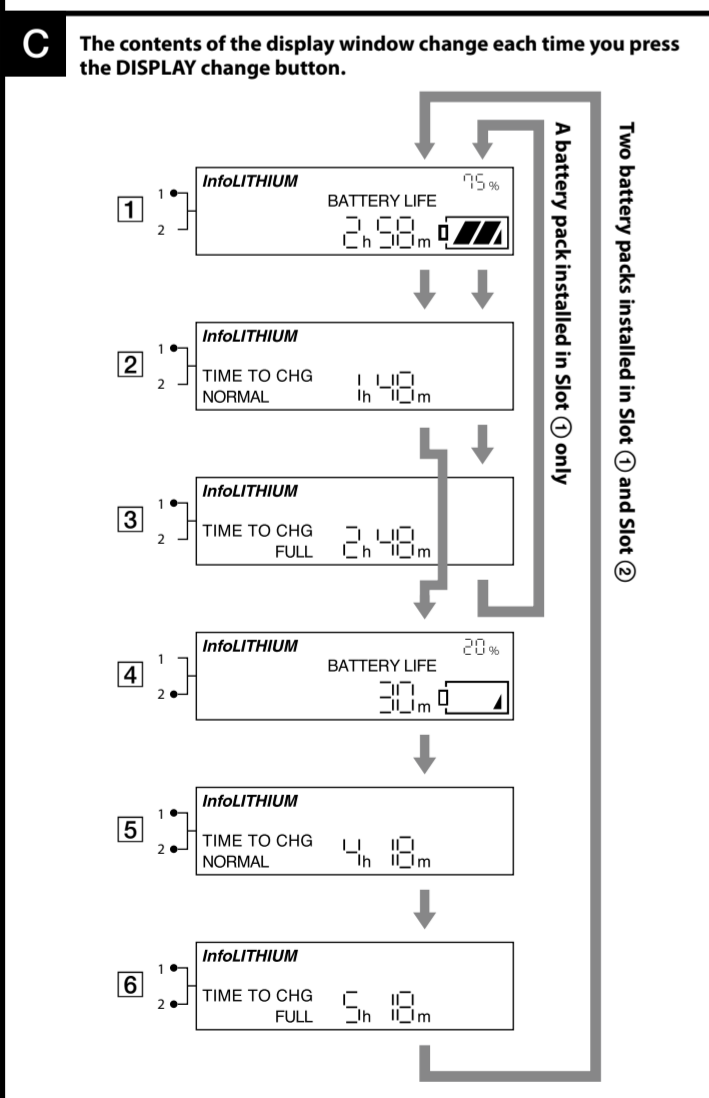
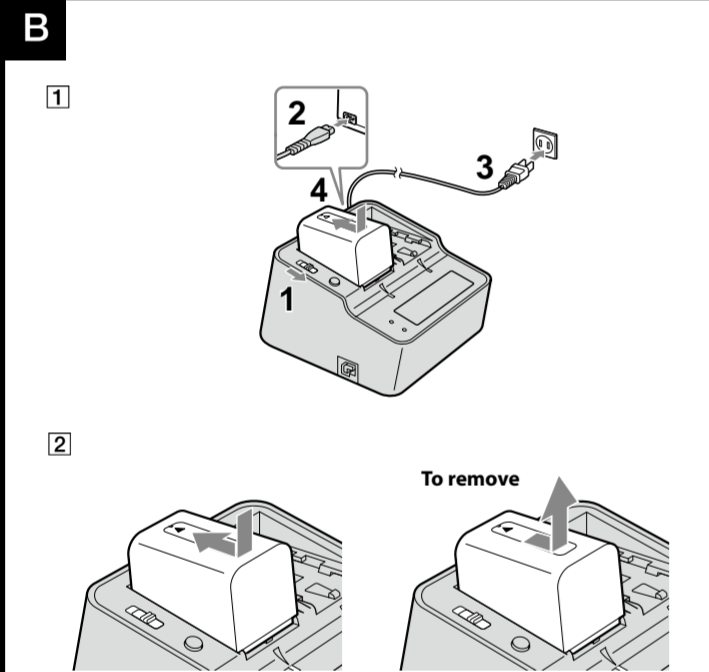
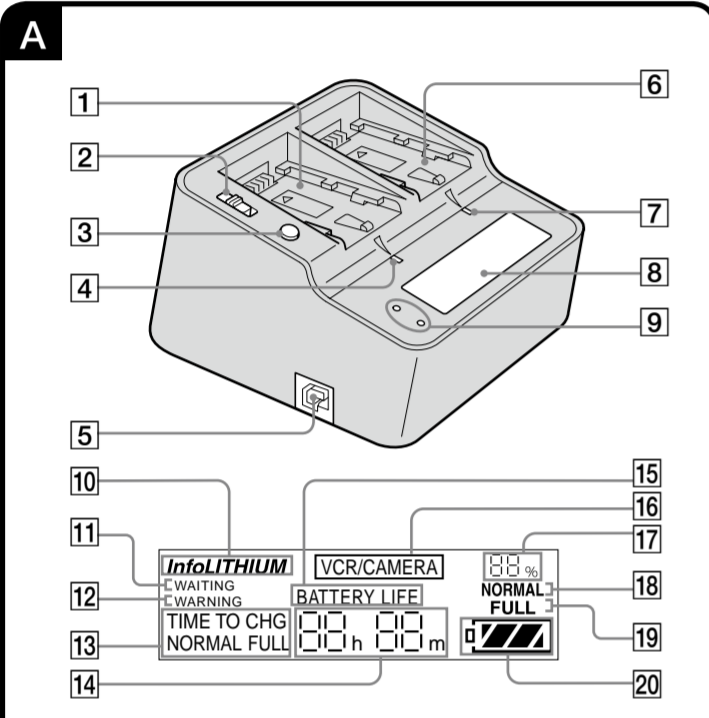


AC-VQV10

© 2010 Sony Corporation Printed in Japan



4 172 847 11 0



English

Thank you for purchasing the Sony AC Adaptor/Charger.

Before operating the unit, please read this manual thoroughly and retain it for future reference.

Owner's Record

The model and serial numbers are located on the bottom of the unit. Record the serial number in the space provided below. Refer to these numbers whenever you call upon your Sony dealer regarding this product.

Model No. AC: _____ Serial No. _____

WARNING

To reduce fire or shock hazard, do not expose the unit to rain or moisture. Do not expose the batteries to excessive heat such as sunshine, fire or the like. To avoid electrical shock, do not open the cabinet. Refer servicing to qualified personnel only.

The AC Power cord must only be changed at a qualified service shop.

CAUTION

Replace the battery with the specified type only. Otherwise, fire or injury may result.

PRECAUTION

The set is not disconnected from the AC power source (mains) as long as it is connected to the wall outlet, even if the set itself has been turned off.

NOTICE FOR THE CUSTOMERS IN THE U.S.A.

CAUTION
You are cautioned that any changes or modifications not expressly approved in this manual could void your authority to operate this equipment.

Note:
This equipment has been tested and found to comply with the limits for a Class B digital device, pursuant to Part 15 of the FCC Rules. These limits are designed to provide reasonable protection against harmful interference in a residential installation. This equipment generates, uses, and can radiate radio frequency energy and, if not installed and used in accordance with the instructions, may cause harmful interference to radio communications. However, there is no guarantee that interference will not occur in a particular installation. If this equipment does cause harmful interference to radio or television reception, which can be determined by turning the equipment off and on, the user is encouraged to try to correct the interference by one or more of the following measures:

- Reorient or relocate the receiving antenna.
- Increase the separation between the equipment and receiver.
- Connect the equipment into an outlet on a circuit different from that to which the receiver is connected.
- Consult the dealer or an experienced radio/TV technician for help.

NOTICE FOR THE CUSTOMERS IN THE U.S.A. AND CANADA

IMPORTANT SAFETY INSTRUCTIONS

SAVE THESE INSTRUCTIONS.

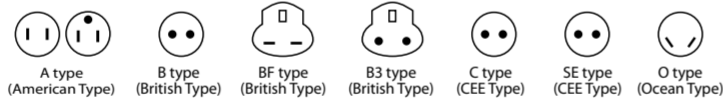
DANGER - TO REDUCE THE RISK OF FIRE OR ELECTRIC SHOCK, CAREFULLY FOLLOW THESE INSTRUCTIONS.

- This power unit is intended to be correctly orientated in a vertical or floor mount position.
- For connection to a supply not in the U.S.A., use an attachment plug adapter of the proper configuration for the power outlet.

Battery to be recharged for this product is follows

Brand Name	Sony				
Battery Type	NP-FV30	NP-FV50	NP-FH50	NP-FV70	NP-FV100
Rating (Typical Capacity)	DC 7.2 V 3.6 Wh (500 mAh)	DC 6.8 V 7.0 Wh (1030 mAh)	DC 6.8 V 6.1 Wh (900 mAh)	DC 6.8 V 14.0 Wh (2060 mAh)	DC 6.8 V 26.5 Wh (3900 mAh)

Representative plug of power supply cord of countries/regions around the world.



The representative supply voltage and plug type are described in this chart. Depend on an area. Different type of plug and supply voltage are used.

Attention: Power cord meeting demands from each country shall be used.

- For only the United States
use a UL Listed, 1.8-3 m (6-10 ft), Type SPT-2 or NISPT-2, AWG no. 18 power supply cord, rated for 125V 7A, with a NEMA 1-15P plug rated for 125V 15A."

Europe	Countries/Regions	Voltage	Frequency (Hz)	Plug type
Austria	230	50	C	
Belgium	230	50	C	
Czech	220	50	C	
Denmark	230	50	C	
Finland	230	50	C	
France	230	50	C	
Germany	230	50	C	
Greece	220	50	C	
Hungary	220	50	C	
Iceland	230	50	C	
Ireland	230	50	C/BF	
Italy	220	50	C	
Luxemburg	230	50	C	
Netherlands	230	50	C	
Norway	230	50	C	
Poland	230	50	C	
Portugal	230	50	C	
Romania	220	50	C	
Russia	220	50	C	
Slovak	220	50	C	
Spain	127/230	50	C	
Sweden	230	50	C	
Switzerland	230	50	C	
UK	240	50	BF	

Asia	Countries/Regions	Voltage	Frequency (Hz)	Plug type
China	220	50	A	
Hong Kong	200/220	50	BF	
India	230/240	50	C	
Indonesia	127/230	50	A	
Japan	100	50/60	A	
Korea (rep)	220	60	C	
Malaysia	240	50	BF	
Philippines	220/230	60	A/C	
Singapore	230	50	BF	
Taiwan	110	60	A	
Thailand	220	50	C/BF	
Switzerland	230	50	C	
UK	240	50	BF	

Oceania	Countries/Regions	Voltage	Frequency (Hz)	Plug type
Australia	240	50	O	
New Zealand	230/240	50	O	

North America	Countries/Regions	Voltage	Frequency (Hz)	Plug type
Canada	120	60	A	
USA	120	60	A	

Central America	Countries/Regions	Voltage	Frequency (Hz)	Plug type
Bahamas	120/240	60	A	
Costa Rica	110	60	A	
Cuba	110/220	60	A/C	
Dominican (rep)	110	60	A	
El Salvador	110	60	A	
Guatemala	120	60	A	
Honduras	110	60	A	
Jamaica	110	50	A	
Mexico	120/127	60	A	
Nicaragua	120/240	60	A	
Panama	110/220	60	A	

South America	Countries/Regions	Voltage	Frequency (Hz)	Plug type
Argentina	220	50	C/BF/O	
Brazil	127/220	60	A/C	
Chile	220	50	C	
Colombia	120	60	A	
Peru	220	60	A/C	
Venezuela	120	60	A	

Middle East	Countries/Regions	Voltage	Frequency (Hz)	Plug type
Iran	220	50	C/BF	
Iraq	220	50	C/BF	
Israel	230	50	C	
Saudi Arabia	127/220	50	A/C/BF	
Turkey	220	50	C	
UAE	240	50	C/BF	

Africa	Countries/Regions	Voltage	Frequency (Hz)	Plug type
Algeria	127/220	50	C	
Congo (dem)	220	50	C	
Egypt	220	50	C	
Ethiopia	220	50	C	
Kenya	240	50	C/BF	
Nigeria	230	50	C	
South Africa	220/230	50	C/BF	
Tanzania	230	50	C/BF	
Tunisia	220	50	C	

NOTICE FOR THE CUSTOMERS IN THE UNITED KINGDOM
A moulded plug complying with BS 1363 is fitted to this equipment for your safety and convenience.

Should the fuse in the plug supplied need to be replaced, a fuse of the same rating as the supplied one and approved by ASTA or BSI to BS1362 (i.e., marked with Ⓢ or Ⓜ) must be used.

If the plug supplied with this equipment has a detachable fuse cover, be sure to attach the fuse cover after you change the fuse. Never use the plug without the fuse cover. If you should lose the fuse cover, please contact your nearest Sony service station.

<Notice for the customers in the countries applying EU Directives>
The manufacturer of this product is Sony Corporation, 1-7-1 Konan Minato-ku Tokyo, 108-0075 Japan. The Authorized Representative for EMC and product safety is Sony Deutschland GmbH, Hedelfinger Strasse 61, 70327 Stuttgart, Germany. For any service or guarantee matters please refer to the addresses given in separate service or guarantee documents.

For the Customers in Europe

Disposal of Old Electrical & Electronic Equipment (Applicable in the European Union and other European countries with separate collection systems)
This symbol on the product or on its packaging indicates that this product shall not be treated as household waste. Instead it shall be handed over to the applicable collection point for the recycling of electrical and electronic equipment. By ensuring this product is disposed of correctly, you will help prevent potential negative consequences for the environment and human health, which could otherwise be caused by inappropriate waste handling of this product. The recycling of materials will help to conserve natural resources. For more detailed information about recycling of this product, please contact your local Civic Office, your household waste disposal service or the shop where you purchased the product.

Notes on Use

This unit does not have dust-proof, splash-proof or waterproof specifications.

Charging

- Designed for use with compatible Sony battery packs.
- Only charge recommended battery packs with this unit.
- Attach the battery pack firmly.

Charging temperature

- To provide maximum battery efficiency, the recommended temperature range when charging is 10 °C to 30 °C (50 °F to 86 °F).
- This unit provides quick charging, but charging outside the recommended temperature range leads to longer charging times in order to protect the battery pack. Once the charging time has been extended, it will not return to quick charging even if the temperature is brought within the recommended temperature range. Reattach the battery pack and then recharge it.

Where not to put this unit

- Do not put this unit in any of the following places, whether it is in use or in storage. Doing so may lead to a malfunction.
 - Where it is extremely hot
 - Near a heater or in direct sunlight such as on a dashboard. This unit may become deformed or malfunction.
 - Where there is excessive vibration
 - Where there is strong electromagnetism or radiation
 - Where there is excessive sand
- Protect this unit from sand and dust in places such as the seashore and other sandy areas or where dust clouds occur, as there is risk of malfunction.

Precautions on Use

- Do not place objects filled with liquids, such as vases, on the apparatus.
- Do not use the unit placed in a narrow space, such as between a wall and furniture.
- The nameplate indicating operating voltage, power consumption, etc. is located on the bottom.
- Attach the battery pack firmly to this unit when charging the battery pack.
- The battery terminal may be damaged if the battery pack is not attached correctly.
- Do not use this unit where there are strong radio waves or radiation. Video cameras etc. may not be able to record or play back correctly.
- To protect the battery pack, remove it from this unit when charging is completed.
- Do not drop or apply mechanical shock to this unit.
- Keep this unit away from TVs or AM receivers. Noise from this unit may enter the TV or radio if placed nearby.
- Connect this unit to an available wall outlet. Even when the CHARGE lamp of this unit is off, the power is still connected. If any trouble occurs while this unit is in use, unplug it from the wall outlet to disconnect the power.
- Be sure that nothing metallic comes into contact with the metal parts of this unit or connecting cord. If it does, a short may occur and this unit may be damaged.
- Do not connect this unit to a voltage adaptor (travel converter) for overseas travel. This may result in overheating or another malfunction.
- This unit gets warm during use. This is not a malfunction.
- Unplug this unit from the wall outlet after use. To disconnect the cord, pull it out by the plug. Never pull the cord itself.
- Remove the battery from this unit when charging is complete. Keeping the battery attached may decrease the battery life.

Maintenance

- If this unit gets dirty, wipe it using a soft dry cloth.
- If this unit gets very dirty, wipe it using a cloth with a little neutral solvent added, and then wipe it dry.
- Do not use thinners, benzene, alcohol, etc., as they will damage the surface of this unit.
- When using a chemical cleaning cloth, refer to its instruction manual.
- Spraying with a volatile solvent such as an insecticide or prolonged contact with rubber or vinyl may cause deterioration or damage to this unit.

Troubleshooting

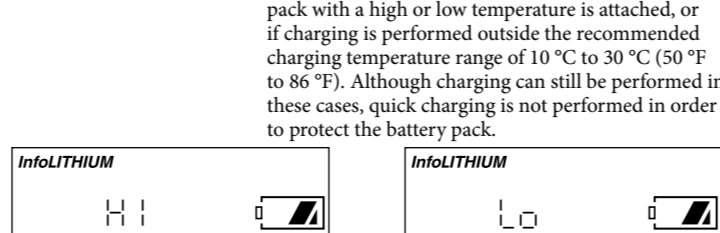
Symptom	Cause/Solution
Video equipment does not work	<ul style="list-style-type: none"> • The power plug is disconnected from the wall outlet. → Insert into a wall outlet. • The connector cable is not properly connected. → Connect properly. • The mode switch is set to CHARGE. → Set the mode switch to VCR/CAMERA.

The battery pack is not charged
→ The mode switch is set to VCR/CAMERA.
→ Set the mode switch to CHARGE.

Power immediately turns off even though there is sufficient battery life, or the displayed battery life differs from the actual battery life
→ Run down the battery pack and then fully charge it again. → The battery life will be correctly displayed.

The display is not changed
Refer to "Notes on the BATTERY LIFE indicator and the Battery remaining % indication".

Quick charging is not performed
→ The temperature of the battery pack is too high or too low.
→ The display shown below may appear if a battery pack with a high or low temperature is attached, or if charging is performed outside the recommended charging temperature range of 10 °C to 30 °C (50 °F to 86 °F). Although charging can still be performed in these cases, quick charging is not performed in order to protect the battery pack.



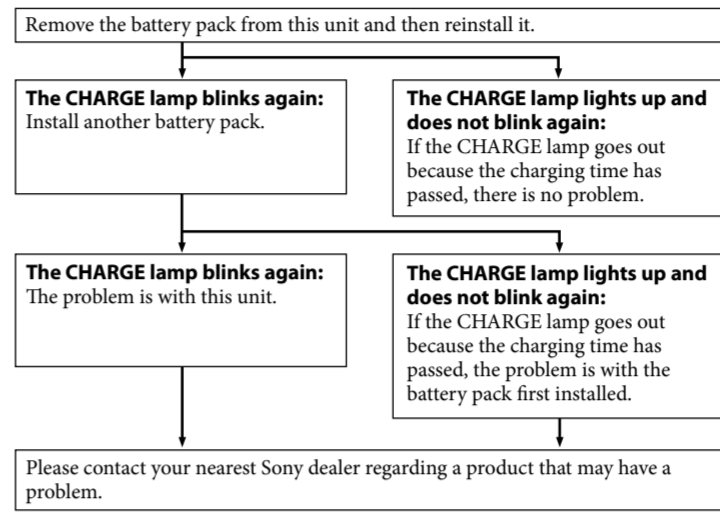
Symptom	Cause/Solution
---------	----------------

When the CHARGE lamp blinks, read the following and take suitable action depending on how the CHARGE lamp blinks.

The CHARGE lamp blinks in the following two ways.
Blinks quickly: Turns on and off repeatedly every 0.15 seconds
Blinks slowly: Turns on and off repeatedly every 1.5 seconds

When the CHARGE lamp blinks quickly and "WARNING" is displayed in the display window.
→ If the room temperature or the battery temperature is out of the appropriate temperature range, charging stops automatically. When the room temperature returns to the appropriate range, the CHARGE lamp lights up and charging restarts. We recommend charging the battery pack at 10 °C to 30 °C (50 °F to 86 °F).

When the CHARGE lamp blinks slowly and "WARNING" is displayed in the display window.
→ A battery that has not been used for a long time may lack the minimum required remaining capacity for this unit and battery pack to recognize each another. In this case, remove the battery pack from the unit and then install and charge it again. If "WARNING" is still displayed, check according to the following procedure.



Specifications

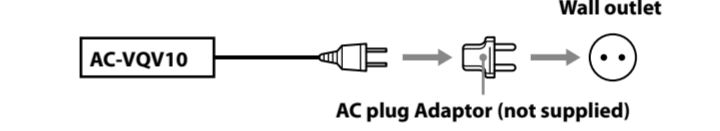
AC-VQV10	100 V - 240 V AC	50/60 Hz	26 W
Input	8.4 V DC	1.7 A (VCR)	
Output	8.4 V DC	2.2 A (BATT)	
Operating temperature	0 °C to 40 °C (32 °F to 104 °F)		
Storage temperature	-20 °C to +60 °C (-4 °F to +140 °F)		
Dimensions (excluding the projecting parts)	Approx. 100 × 67 × 111 mm (w/h/d) (4 × 2 3/4 × 4 3/8 in.)		
Mass	Approx. 330 g (11.7 oz)		

- Included items
- AC Adaptor/Charger (AC-VQV10) (1)
 - AC Power cord (1)
 - Connecting cord (DK-225) (1)
 - Set of printed documentation

Design and specifications are subject to change without notice.

Note

Use a commercially available AC plug Adaptor (not supplied), if necessary, depending on the design of the wall outlet.



Do not connect this unit to a voltage Adaptor (travel converter) for overseas travel. This may result in overheating or other malfunction.

The AC-VQV10 AC Adaptor/Charger can be used as follows

- For operating Sony equipment (video cameras etc.) using the connection cords included with this unit.
- For charging Sony rechargeable battery packs (V series, H series, P series). The following functions are available when charging an "InfoLITHIUM" battery pack. With an "ActiFORCE" battery pack, even more advanced control is possible.
 - Quick charging (Faster than charging with your video camera, etc.)
 - Approximate charging time and battery life can be displayed.

- For charging lithium ion battery packs. Cannot be used to recharge Ni-Cd or Ni-MH batteries.
- Cannot be used with some model video cameras or other equipment. Confirm the compatibility of your equipment before use.

What is "InfoLITHIUM"?

"InfoLITHIUM" is a lithium ion battery pack which can exchange data on battery consumption with compatible electronic equipment. We recommend that you use an "InfoLITHIUM" battery pack (V series, H series, P series) with electronic equipment that has the (i) InfoLITHIUM mark.

"InfoLITHIUM" is a trademark of Sony Corporation.

What is "ActiFORCE"?

"ActiFORCE" is the function name for next generation power systems. "ActiFORCE" has higher capacity, quicker recharge, and faster and more accurate calculation of remaining battery capacity compared to our existing "InfoLITHIUM" battery pack P series power system.

"ActiFORCE" is a trademark of Sony Corporation.

Notes on the BATTERY LIFE indicator and the Battery remaining % indication (Read carefully before use)

While charging the battery pack, this unit shows the battery life and the remaining battery capacity if used with your video camera, etc. so long as the following conditions are met.

- You are using an "InfoLITHIUM" battery pack.
- You are using a video camera, etc. with the (i) InfoLITHIUM mark. Check the battery pack has the (i) InfoLITHIUM mark. Check in the operating instructions supplied with your video equipment whether it is "InfoLITHIUM" compatible.

If you use the battery pack with more than one video camera, etc. with the (i) InfoLITHIUM mark, the remaining battery time shown is if using with the equipment last attached to the battery pack.

Compensation for Recorded Content
Sony will not provide compensation for any failure to record or play back images, sound or other content due to a malfunction of the battery pack or AC adaptor/charger.

To Operate Video Equipment

For details of connection, refer to the operating instructions of the video camera etc.

- 1 Set the mode switch to VCR/CAMERA.
- 2 Connect the AC power cord to this unit.
- 3 Connect the AC power cord to a wall outlet. There is a beep and the display window comes on.
- 4 Connect the connecting cord to the DC OUT connector of this unit.
- 5 Connect the connecting cord to the video camera. For the direction in which to fit the connecting cord, refer to the operating instructions of video camera etc.

Notes

- Setting the mode switch to CHARGE while operating the video camera etc. cuts the power supply to the video camera.
- You cannot charge a battery pack installed in this unit when it is in VCR/CAMERA mode.
- Keep this unit away from your video camera etc. if the image is distorted.
- The illustration shows connection to an HDR-CX550V digital HD video camera recorder.

To Charge the Battery Pack

Also refer to the operating instructions of your device (video camera etc.) and battery pack. See illustration B-1.

- 1 Set the mode switch to CHARGE.
- 2 Connect the AC power cord to this unit.
- 3 Connect the AC power cord to a wall outlet. There is a beep and the display window comes on.
- 4 Install the battery pack. Refer to "To install the battery pack". When charging starts, the battery mark in the display window blinks in sequence and the CHARGE lamp lights up.
- 5 When charging is complete, remove the battery pack. There are two levels of charge completion: "Normal charge" and "Full charge".

Normal charge

When charge is completed, the battery mark is displayed as illustrated on the right.



Full charge

If you continue to charge after normal charging is complete until the battery mark shows "FULL", the battery pack can be used slightly longer than when in the normal charge state.



Refer to "To remove the battery pack" when removing the battery pack.

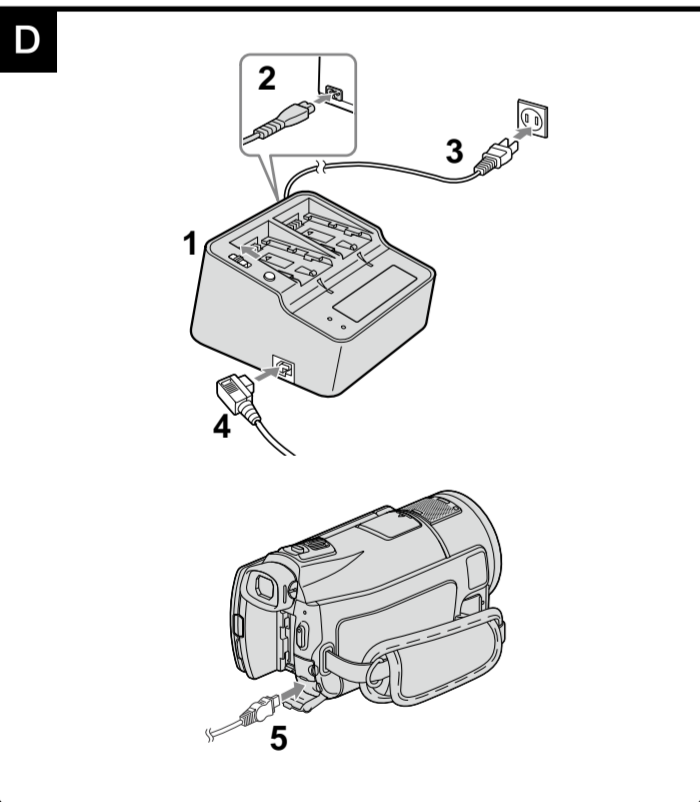
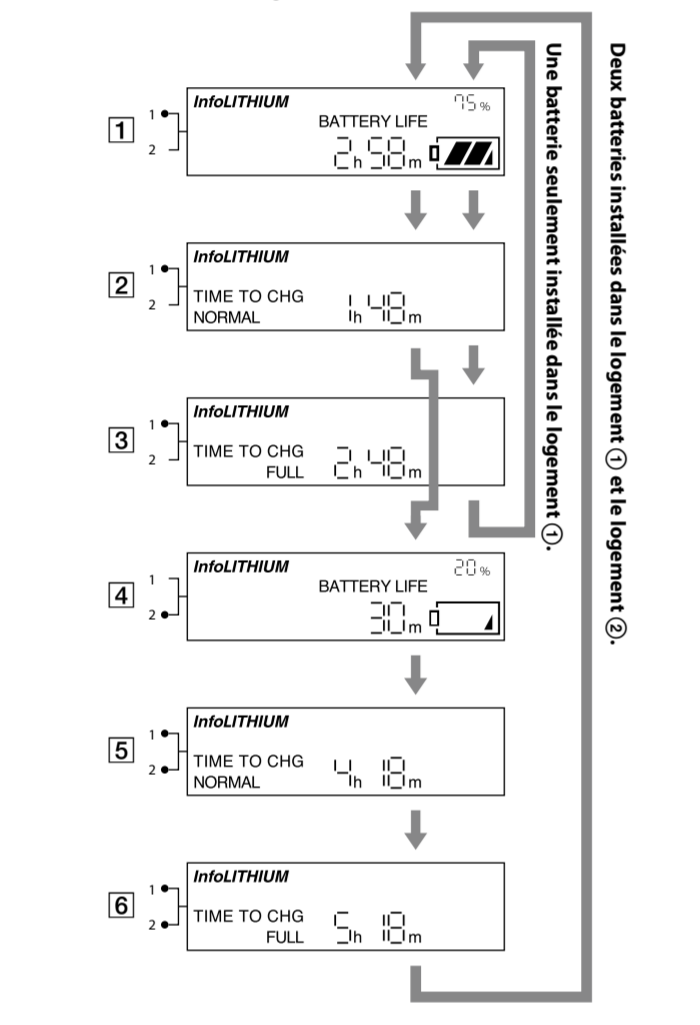
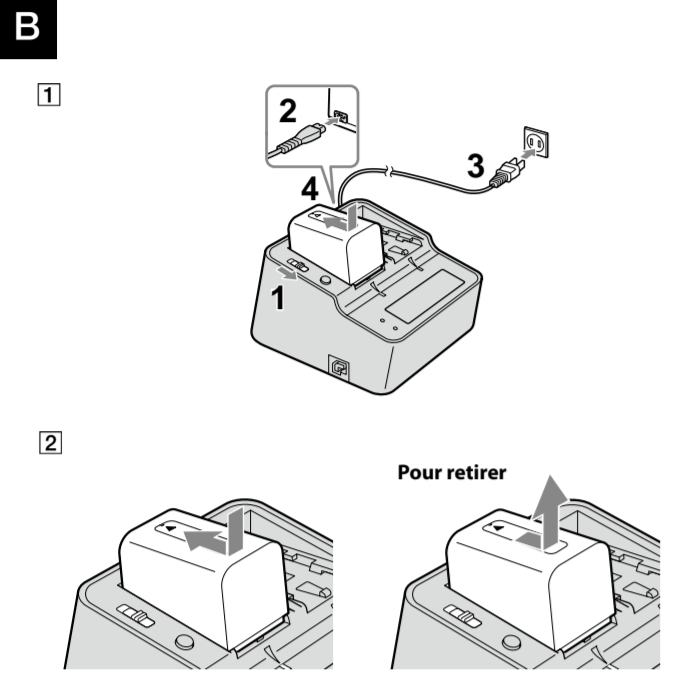
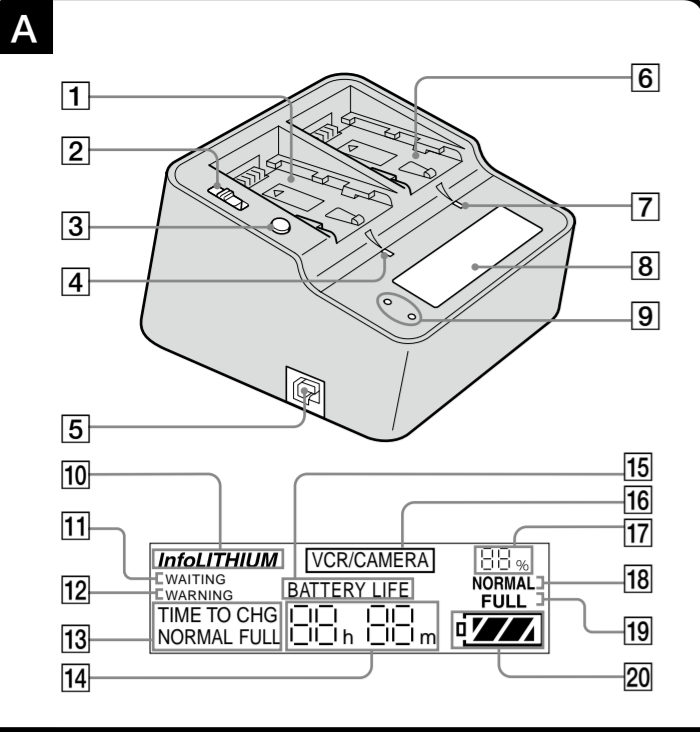
Installing two battery packs simultaneously

You can install two battery packs in this unit at the same time. Charging starts with the battery pack installed in Slot 1.

When two battery packs are installed but not simultaneously, charging starts with the battery pack installed first regardless of whether it is in Slot 1 or 2.

Note

This unit can be installed with two battery packs but cannot charge both simultaneously.



Français

Merci pour l'achat de cet adaptateur / chargeur CA Sony.

Avant d'utiliser cet appareil, veuillez lire attentivement ce manuel et le conserver pour toute référence future.

Aide-mémoire

Les numéros de modèle et de série se situent sous l'appareil. Prendre en note le numéro de série dans l'espace prévu ci-dessous. Se reporter à ces numéros lors des communications avec le détaillant Sony au sujet de ce produit.

Modèle no. AC: _____ No de série _____

AVERTISSEMENT

Afin de réduire les risques d'incendie ou de décharge électrique, n'exposez pas cet appareil à la pluie ou à l'humidité. N'exposez pas les piles à une chaleur excessive, notamment aux rayons directs du soleil, à une flamme, etc. Pour éviter toute décharge électrique n'ouvrez pas le chargeur. Confiez toute réparation à un personnel qualifié seulement.

Le cordon d'alimentation secteur doit être remplacé dans un centre de réparations agréé uniquement.

ATTENTION

Remplacer la pile par une pile du type spécifiée uniquement. Sinon, cela peut provoquer un incendie ou des blessures.

PRECAUTION

L'appareil n'est pas connecté à la source d'alimentation secteur tant qu'il reste branché sur la prise murale, même s'il a été mis hors tension.

AVIS À LA CLIENTÈLE AUX ÉTATS-UNIS

AVERTISSEMENT

Par la présente, vous êtes avisé du fait que tout changement ou toute modification ne faisant pas l'objet d'une autorisation expresse dans le présent manuel pourrait annuler votre droit d'utiliser l'appareil.

Note

L'appareil a été testé et est conforme aux exigences d'un appareil numérique de Classe B, conformément à la Partie 15 de la réglementation de la FCC. Ces critères sont conçus pour fournir une protection raisonnable contre les interférences nuisibles dans un environnement résidentiel. L'appareil génère, utilise et peut émettre des fréquences radio; s'il n'est pas installé et utilisé conformément aux instructions, il pourrait provoquer des interférences nuisibles aux communications radio. Cependant, il n'est pas possible de garantir que des interférences ne seront pas provoquées dans certaines conditions particulières. Si l'appareil devait provoquer des interférences nuisibles à la réception radio ou à la télévision, ce qui peut être démontré en allumant et éteignant l'appareil, il est recommandé à l'utilisateur d'essayer de corriger cette situation par l'une ou l'autre des mesures suivantes :

- Réorienter ou déplacer l'antenne réceptrice.
- Augmenter la distance entre l'appareil et le récepteur.
- Brancher l'appareil dans une prise ou sur un circuit différent de celui sur lequel le récepteur est branché.
- Consulter le détaillant ou un technicien expérimenté en radio/télévisions.

AVIS À LA CLIENTÈLE AUX ÉTATS-UNIS ET AU CANADA

IMPORTANTES INSTRUCTIONS DE SECURITE - CONSERVEZ CES INSTRUCTIONS DANGER

AFIN DE REDUIRE LE RISQUE D'INCENDIE OU DE DECHARGE ELECTRIQUE, SUIVEZ EXACTEMENT CES INSTRUCTIONS

—Cet appareil peut être installé en position verticale ou horizontale. —Pour le brancher sur une source d'alimentation hors des États-Unis, utilisez l'adaptateur de fiche approprié à la configuration de votre prise électrique.

Les batteries pouvant être rechargées pour ce produit sont les suivantes

Marque	Sony				
Type de batterie	NP-FV30	NP-FV50	NP-FH50	NP-FV70	NP-FV100
Valeur nominale (Capacité typique)	CC 7,2 V 3,6 Wh (500 mAh)	CC 6,8 V 7,0 Wh (1030 mAh)	CC 6,8 V 6,1 Wh (900 mAh)	CC 6,8 V 14,0 Wh (2060 mAh)	CC 6,8 V 26,5 Wh (3900 mAh)

Représentation des fiches des cordons d'alimentation CA des pays ou régions du monde

La tension d'alimentation et le type de fiche représentatifs sont décrits dans le tableau suivant. Il est possible que plusieurs types de fiches et tensions d'alimentation soient utilisés dans une région.

Attention : il convient d'utiliser un cordon d'alimentation satisfaisant aux exigences de chaque pays.

— Pour les États-Unis uniquement Utilisez, dans la liste UL, un cordon d'alimentation de 1,8 à 3 m (6 à 10 pieds), type SPT-2 ou NISPT-2, AWG n° 18, pour une tension nominale de 125 V 7 A, avec une fiche 1-15P NEMA pour une tension nominale de 125 V 15 A.

Europe	Pays/régions	Tension	Fréquence (Hz)	Type de fiche
Autriche	230	50	C	
Belgique	230	50	C	
République tchèque	230	50	C	
Danemark	230	50	C	
Finlande	230	50	C	
France	230	50	C	
Allemagne	230	50	C	
Grèce	230	50	C	
Hongrie	230	50	C	
Islande	230	50	C	
Irlande	230	50	C/BF	
Italie	220	50	C	
Luxembourg	230	50	C	
Pays-Bas	230	50	C	
Norvège	230	50	C	
Pologne	230	50	C	
Portugal	230	50	C	
Roumanie	230	50	C	
Russie	220	50	C	
Slovaquie	220	50	C	
Espagne	127/230	50	C	
Suède	230	50	C	
Suisse	230	50	C	
Royaume-Uni	240	50	BF	

Asie	Pays/régions	Tension	Fréquence (Hz)	Type de fiche
Chine	220	50	A	
Hong Kong	200/220	50	BF	
Inde	230/240	50	C	
Indonésie	127/230	50	C	
Japon	100	50/60	A	
Malaisie	240	50	BF	
République de Corée	220	60	C	
Malaisie	240	50	BF	
Philippines	220/230	60	A/C	
Singapour	230	50	BF	
Thaïlande	110	60	A	
Taiwan	220	50	C/BF	
Vietnam	220	50	A/C	

Océanie	Pays/régions	Tension	Fréquence (Hz)	Type de fiche
Australie	240	50	O	
Nouvelle-Zélande	230/240	50	O	

Amérique du nord	Pays/régions	Tension	Fréquence (Hz)	Type de fiche
Canada	120	60	A	
États-Unis	120	60	A	

Amérique centrale	Pays/régions	Tension	Fréquence (Hz)	Type de fiche
Bahamas	120/240	60	A	
Costa Rica	110	60	A	
Cuba	110/220	60	A/C	
République dominicaine	110	60	A	
El Salvador	110	60	A	
Guatemala	120	60	A	
Honduras	110	60	A	
Jamaïque	110	50	A	
Mexique	120/127	60	A	
Nicaragua	120/240	60	A	
Panama	110/220	60	A	

Amérique du sud	Pays/régions	Tension	Fréquence (Hz)	Type de fiche
Argentine	220	50	C/BF/O	
Bésil	127/220	60	A/C	
Chili	220	50	C	
Colombie	120	60	A	
Pérou	220	60	A/C	
Venezuela	120	60	A	

Moyen-Orient	Pays/régions	Tension	Fréquence (Hz)	Type de fiche
Iran	220	50	C/BF	
Irak	220	50	C/BF	
Israël	230	50	C	
Arabie saoudite	127/220	50	A/C/BF	
Turquie	220	50	C	
EAU	240	50	C/BF	

Afrique	Pays/régions	Tension	Fréquence (Hz)	Type de fiche
Algérie	127/220	50	C	
République démocratique du Congo	220	50	C	
Egypte	220	50	C	
Ethiopie	220	50	C	
Kenya	240	50	C/BF	
Nigeria	240	50	C/BF	
Afrique du Sud	220/230	50	C/BF	
Tanzanie	230	50	C/BF	
Tunisie	220	50	C	

< Avis aux consommateurs des pays appliquant les Directives UE >

Le fabricant de ce produit est Sony Corporation, 1-7-1 Konan Minato-ku Tokyo, 108-0075 Japon. Le représentant agréé pour la compatibilité électromagnétique et la sécurité du produit est Sony Deutschland GmbH, Hedelfinger Strasse 61, 70327 Stuttgart, Allemagne. Pour toute question relative à la garantie ou aux réparations, reportez-vous à l'adresse que vous trouverez dans les documents ci-joints, relatifs à la garantie et aux réparations.

Pour les clients en Europe

Traitement des appareils électriques et électroniques en fin de vie (Applicable dans les pays de l'Union Européenne et aux autres pays européens disposant de systèmes de collecte sélective)

Ce symbole, apposé sur le produit ou sur son emballage, indique que ce produit ne doit pas être traité avec les déchets ménagers. Il doit être remis à un point de collecte approprié pour le recyclage des équipements électriques et électroniques. En s'assurant que ce produit est bien mis au rebut de manière appropriée, vous aiderez à prévenir les conséquences négatives potentielles pour l'environnement et la santé humaine. Le recyclage des matériaux aidera à préserver les ressources naturelles. Pour toute information supplémentaire au sujet du recyclage de ce produit, vous pouvez contacter votre municipalité, votre déchetterie ou le magasin où vous avez acheté le produit.

Remarques concernant l'emploi

Cet appareil n'est pas étanche à la poussière, aux éclaboussures d'eau ou à l'eau.

Charge

- Cet appareil est conçu pour les batteries Sony compatibles.
- Ne chargez que les batteries recommandées avec cet appareil.
- Insérez bien comme il faut chaque batterie.

Température de charge
• Pour une charge optimale de la batterie, une température de 10 °C à 30 °C (50 °F à 86 °F) est conseillée lors de la charge.
• Cet appareil permet d'effectuer des charges rapides, mais hors de la plage de températures recommandées les temps de charge sont allongés pour protéger la batterie. Lorsque le temps de charge a été allongé, vous ne pouvez pas revenir à une charge rapide en ramenant la température à la plage conseillée. Remettez la batterie en place et chargez-la de nouveau.

Où ne pas mettre cet appareil

Ne mettez pas cet appareil aux endroits suivants, ni pour la charge ni pour l'entreposage. Ceci peut entraîner une panne.

- Endroits extrêmement chauds.
- Prés d'un appareil de chauffage ou en plein soleil, comme sur le tableau de bord d'une voiture. Cet appareil pourrait se déformer ou mal fonctionner.
- À un endroit exposé à des vibrations excessives.
- À un endroit exposé à un électromagnétisme ou à des radiations.
- À un endroit où il y a beaucoup de saleté.

Protégez cet appareil du sable et de la poussière, par exemple sur une plage ou à des endroits exposés au sable ou à une grande quantité de poussière, sous peine de panne.

Précautions d'emploi

- Ne posez pas d'objets remplis de liquides, comme des vases, sur l'appareil.
- N'utilisez pas l'appareil dans un endroit exigü, notamment entre un mur et un meuble.
- La plaque signalétique indiquant la tension de fonctionnement, la consommation électrique, etc., se trouve sous l'appareil.
- Insérez bien comme il faut la batterie dans cet appareil avant de la charger.
- La borne de la batterie peut être endommagée si la batterie n'est pas insérée correctement.
- N'utilisez pas cet appareil à un endroit exposé à des ondes radio ou à des radiations puissantes. Votre caméscope, etc. pourrait ne pas effectuer correctement l'enregistrement et la lecture.
- Pour protéger la batterie, retirez-la de cet appareil lorsque la charge est terminée.
- Ne laissez pas tomber ou n'appliquez pas de choc mécanique à cet appareil.
- Gardez cet appareil à l'écart des téléviseurs ou récepteurs AM. Placé près d'un téléviseur ou d'un poste de radio, cet appareil peut causer du bruit.
- Raccordez cet appareil à une prise murale disponible. Même lorsque le témoin CHARGE de cet appareil est éteint, l'appareil reste sous tension. Si un problème devait se produire pendant l'utilisation de cet appareil, débranchez celui-ci de la prise murale pour le mettre hors tension.
- Faites attention à ce qu'aucun objet métallique ne touche les parties métalliques de cet appareil ou du cordon de liaison. Ceci pourrait causer un court-circuit et endommager l'appareil.
- Ne branchez pas cet appareil sur un adaptateur de tension (convertisseur de voyage) lorsque vous voyagez à l'étranger. Ceci pourrait causer une surchauffe ou une autre défaillance.
- Cet appareil devient chaud pendant l'emploi. Il ne s'agit pas d'une déféctuosité.
- Débranchez cet appareil de la prise murale après utilisation. Pour débrancher le cordon, tirez sur la fiche. Ne tirez jamais sur le cordon proprement dit.
- Retirez la batterie de cet appareil lorsque la charge est terminée. Si vous la laissez sur l'appareil son autonomie peut être réduite.

Entretien

- Lorsque cet appareil est sale, essayez-le avec un chiffon sec et doux.
- Lorsque cet appareil est très sale, essayez-le avec un chiffon et un peu de solvant neutre puis séchez-le.
- N'utilisez pas de diluants, benzine, alcool, etc. car ils endommageront la surface de cet appareil.
- Si vous utilisez un tissu de nettoyage chimique, consultez son mode d'emploi.
- La vaporisation d'un solvant volatil, tel qu'un insecticide ou un contact prolongé avec du caoutchouc ou du vinyle peut détériorer ou endommager cet appareil.

Symptôme	Cause/Solution
L'appareil vidéo ne fonctionne pas.	<ul style="list-style-type: none"> • La fiche d'alimentation est débranchée de la prise murale. → Insérez-la dans une prise murale. • Le câble de liaison n'est pas branché correctement. → Branchez-le correctement. • Le sélecteur de mode est réglé sur CHARGE. → Réglez le sélecteur de mode sur VCR/CAMERA.
La batterie n'est pas chargée.	<ul style="list-style-type: none"> • Le sélecteur de mode est réglé sur VCR/CAMERA. → Réglez le sélecteur de mode sur CHARGE.
L'appareil s'éteint immédiatement bien que la batterie soit suffisamment chargée, ou bien l'autonomie de la batterie indiquée est différente de l'autonomie réelle de la batterie.	<ul style="list-style-type: none"> • Videz la batterie puis chargez-la complètement une nouvelle fois. → L'autonomie de la batterie sera indiquée correctement.

L'affichage ne change pas. Reportez-vous à « Remarques sur l'indicateur BATTERY LIFE et sur l'indication en % de la capacité restante de la batterie ».

La charge rapide ne s'effectue pas.

- La température de la batterie est trop élevée ou trop basse. → L'affichage ci-dessous peut apparaître si une batterie très chaude ou très froide est insérée, ou si la charge est effectuée hors de 10 °C à 30 °C (50 °F à 86 °F), la plage de températures recommandées. Bien que la charge soit effectuée dans ces cas, elle est allongée par rapport à la charge rapide de manière à protéger la batterie.

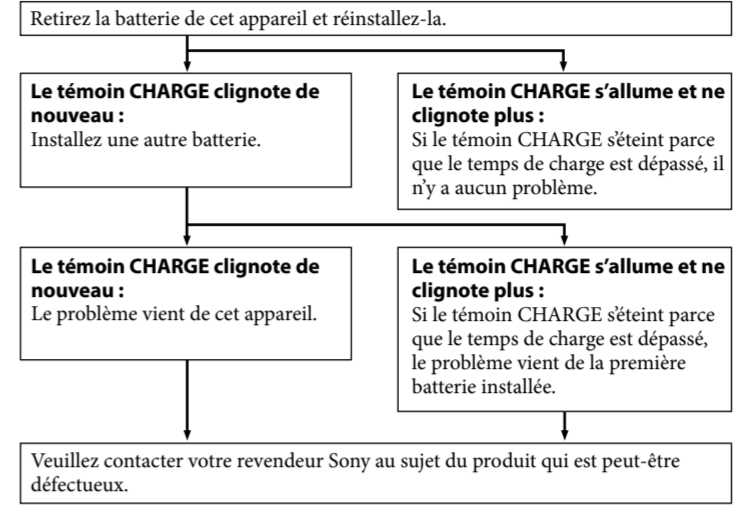
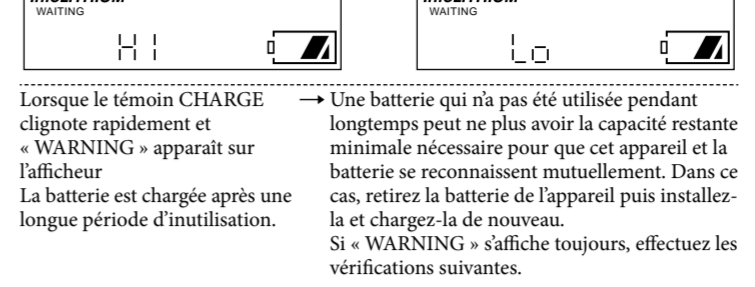
InfoLITHIUM	InfoLITHIUM

Lorsque le témoin CHARGE clignote, lisez ce qui suit et prenez la mesure appropriée selon la façon dont le témoin CHARGE clignote.

Le témoin CHARGE clignote des deux façons suivantes.

Clignotement rapide : S'allume et s'éteint toutes les 0,15 secondes de façon répétée. Clignotement lent : S'allume et s'éteint toutes les 1,5 secondes de façon répétée.

Symptôme	Cause/Solution
Lorsque le témoin CHARGE continue de clignoter lentement et « WAITING » apparaît sur l'afficheur.	<ul style="list-style-type: none"> → La charge est temporairement arrêtée. Cet appareil est en attente. Si la température de la pièce ou de la batterie est hors de la plage de températures appropriée, la charge s'arrête automatiquement. Lorsque la température de la pièce revient à la plage appropriée, le témoin CHARGE s'allume et la charge redémarre. Il est conseillé de charger la batterie rechargeable entre 10 °C et 30 °C (50 °F et 86 °F).



Veuillez contacter votre revendeur Sony au sujet du produit qui est peut-être défectueux.

Spécifications

AC-VQV10

Entrée	100 V - 240 V CA 50/60 Hz 26 W
Sortie	8,4 V CC 1,7 A (VCR) 8,4 V CC 2,2 A (BATT)
Température de fonctionnement	0 °C à 40 °C (32 °F à 104 °F)
Température d'entreposage	-20 °C à +60 °C (-4 °F à +140 °F)
Dimensions (parties saillantes non comprises)	Environ 100 × 67 × 111 mm (l/h/p) (4 × 2 3/4 × 4 3/8 po.)
Poids	Environ 330 g (11,7 oz)

Articles inclus

- Adaptateur / Chargeur CA (AC-VQV10) (1)
- Cordon d'alimentation secteur (1)
- Cordon de liaison (DK-225) (1)
- Jeu de documents imprimés

La conception et les spécifications peuvent être modifiées sans préavis.

Ne branchez pas cet appareil sur un adaptateur de tension (convertisseur de voyage) lorsque vous voyagez à l'étranger. Ceci pourrait causer une surchauffe ou une autre défaillance.

L'adaptateur / chargeur CA AC-VQV10 peut être utilisé de la façon suivante

- Pour faire fonctionner un appareil Sony (caméscopes, etc.) avec les cordons de liaison fournis avec cet appareil.
- Pour charger des batteries rechargeables Sony (série V, série H, série P). Les fonctions suivantes sont disponibles lors de la charge d'une batterie « InfoLITHIUM ». Avec une batterie « ActiFORCE », un contrôle encore plus précis est possible.
 - Charge rapide (Plus rapide que la charge avec votre caméscope, etc.)
 - Le temps de charge et l'autonomie approximatifs sont indiqués.

- Pour la charge de batteries lithium-ion. Ne peut pas être utilisé pour charger des batteries Ni-Cd ou Ni-MH.
- Ne peut pas être utilisé avec certains modèles de caméscopes et certains appareils. Assurez-vous de la compatibilité de votre appareil avant usage.

Que désigne « InfoLITHIUM » ?

« InfoLITHIUM » désigne une batterie qui peut échanger des données sur la consommation d'énergie avec un appareil électronique compatible. Il est conseillé d'utiliser une batterie « InfoLITHIUM » (série V, série H, série P) avec un appareil électronique portant la marque .

« InfoLITHIUM » est une marque commerciale de Sony Corporation.

Que désigne « ActiFORCE » ?

« ActiFORCE » désigne une fonction des nouveaux systèmes d'alimentation. « ActiFORCE » a une plus grande capacité, une charge plus rapide et un calcul plus rapide et plus précis de la capacité restante de la batterie par rapport au système d'alimentation de nos batteries « InfoLITHIUM », série P.

« ActiFORCE » est une marque commerciale de Sony Corporation.

Remarques sur l'indicateur BATTERY LIFE et sur l'indication en % de la capacité restante de la batterie (Lire avec attention avant utilisation)

Lorsque vous chargez la batterie, cet appareil montre l'autonomie de la batterie et la capacité restante lorsque la batterie est utilisée avec votre caméscope, etc. dans la mesure où les conditions suivantes sont remplies.

- Vous utilisez une batterie « InfoLITHIUM ».
- Vous utilisez un caméscope, etc. avec la marque .
- Assurez-vous que la batterie porte la marque . Vérifiez dans le mode d'emploi fourni avec votre appareil vidéo si celui-ci est compatible « InfoLITHIUM ».

Si vous utilisez la batterie avec plus d'un caméscope, etc. portant la marque , le temps de batterie restant indiqué correspond à celui de la batterie rattachée au dernier appareil utilisé.

Dédommagement concernant les enregistrements

Sony n'accorde aucun dédommagement pour les absences d'enregistrement ou de lecture d'images, de son ou d'autres contenus résultant d'une déféctuosité de la batterie ou de l'adaptateur / chargeur CA.

Pour faire fonctionner un appareil vidéo

Voir l'illustration .

- 1 Réglez le sélecteur de mode sur VCR/CAMERA.
 - 2 Raccordez le cordon d'alimentation secteur à cet appareil.
 - 3 Raccordez le cordon d'alimentation secteur à une prise murale. Un bip retentit et l'affichage apparaît.
 - 4 Raccordez le cordon de liaison à la prise DC OUT de cet appareil.
 - 5 Raccordez le cordon de liaison au caméscope.
- Pour le sens d'insertion du cordon de liaison, reportez-vous au mode d'emploi du caméscope, etc.

Remarques

- Le réglage du sélecteur de mode sur CHARGE pendant le fonctionnement du caméscope, etc. a pour effet de couper l'alimentation du caméscope.
- Vous ne pouvez pas charger la batterie installée sur cet appareil lorsque celui-ci est en mode VCR/CAMERA.
- Gardez cet appareil à l'écart du caméscope, etc. si l'image est déformée.
- L'illustration montre le raccordement d'un Caméscope numérique HD HDR-CX550V.

Pour charger la batterie

Reportez-vous aussi au mode d'emploi de votre appareil (caméscope, etc.) et de la batterie. Voir l'illustration .

- 1 Réglez le sélecteur de mode sur CHARGE.
- 2 Raccordez le cordon d'alimentation secteur à cet appareil.
- 3 Raccordez le cordon d'alimentation secteur à une prise murale. Un bip retentit et l'affichage apparaît.
- 4 Installez la batterie. Reportez-vous à « Pour installer la batterie ». Lorsque la charge commence, le symbole de la batterie dans l'afficheur clignote et le témoin CHARGE s'allume.
- 5 Lorsque la charge est terminée, retirez la batterie. Il y a deux niveaux de fin de charge : « Charge normale » et « Charge complète ».
 - Charge normale

Lorsque la charge est terminée, le symbole de batterie apparaît de la façon illustrée à droite.	
---	--
 - Charge complète

Si vous continuez de charger la batterie à la fin d'une charge normale jusqu'à ce que le symbole de batterie indique « FULL », la batterie pourra être utilisée un peu plus longtemps que lorsqu'elle est chargée normalement.	
--	--

Reportez-vous à « Pour retirer la batterie » lorsque vous voulez retirer la batterie.

Installation simultanée de deux batteries

Vous pouvez installer deux batteries en même temps dans cet appareil. La charge commence par la batterie installée dans le logement ①.

Si deux batteries sont installées mais pas simultanément, la charge commence par la première batterie installée, que ce soit dans le logement ① ou le logement ②.

Remarques

Cet appareil peut contenir deux batteries en même temps mais ne peut pas les charger simultanément.

Pour installer la batterie

Voir l'illustration .

- Placez la batterie sur cet appareil avec le repère « du côté de la borne ».
- Faites glisser la batterie dans le sens de la flèche.

Pour retirer la batterie

Voir l'illustration .

Faites glisser la batterie dans le sens de la flèche et levez-la tout droit.

Remarques

- Ne saisissez pas cet appareil par la batterie.
- Veillez tout particulièrement à ne pas frapper la batterie lorsque vous l'installez.
- Faites attention à ne pas vous pincer les doigts lorsque vous installez ou retirez la batterie.

Temps de charge

Le tableau suivant montre le temps de charge pour une batterie principale complètement déchargée.

Charge rapide

Batterie « InfoLITHIUM » série V

	NP-FV100	NP-FV70	NP-FV50
Charge normale	125 min	70 min	55 min
Charge complète	185 min	130 min	115 min

Batterie « InfoLITHIUM » série H

	NP-FH100	NP-FH70	NP-FH50
Charge normale	130 min	65 min	55 min
Charge complète	190 min	125 min	115 min

Batterie « InfoLITHIUM » série P

	NP-FP90	NP-FP71	NP-FP50
Charge normale	115 min	80 min	65 min
Charge complète	175 min	140 min	125 min