

# Digital Photo Printer

Before you begin

Preparations

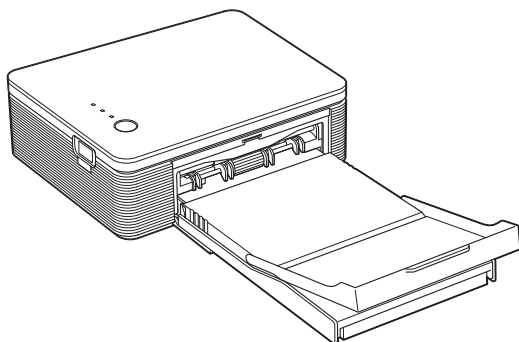
Printing from a PictBridge camera (PictBridge mode)

Printing from a PC (PC mode)

Troubleshooting

Additional information

## DPP-FP30



### Operating Instructions

Before operating this printer, please read this manual thoroughly and retain it for future reference.

**SUPER  
COAT 2**

**PictBridge**

## WARNING

To prevent fire or shock hazard, do not expose the unit to rain or moisture.

To avoid electrical shock, do not open the cabinet. Refer servicing to qualified personnel only.

### Owner's Record

The model and serial numbers are located on the bottom. Record the serial number in the space provided below. Refer to these numbers whenever you call upon your Sony dealer regarding this product.

Model No. DPP-FP30

Serial No. \_\_\_\_\_

## WARNING

The equipment should be connected to an easily accessible mains outlet socket.

(So that it may be disconnected from the mains if required)

## Attention for the customers in Europe

This product has been tested and found compliant with the limits sets out in the EMC Directive for using connection cables shorter than 3 meters (9.8 feet).

## For the customers in the U.S.A.

### CAUTION

You are cautioned that any changes or modifications not expressly approved in this manual could void your authority to operate this equipment.

### Note:

This equipment has been tested and found to comply with the limits for a Class B digital device, pursuant to Part 15 of the FCC Rules.

These limits are designed to provide reasonable protection against harmful interference in a residential installation. This equipment generates, uses, and can radiate radio frequency energy and, if not installed and used in accordance with the instructions, may cause harmful interference to radio communications. However, there is no guarantee that interference will not occur in a particular installation. If this equipment does cause harmful interference to radio or television reception, which can be determined by turning the equipment off and on, the user is encouraged to try to correct the interference by one or more of the following measures:

- Reorient or relocate the receiving antenna.
- Increase the separation between the equipment and receiver.
- Connect the equipment into an outlet on a circuit different from that to which the receiver is connected.
- Consult the dealer or an experienced radio/TV technician for help.

The shielded interface cable recommended in this manual must be used with this equipment in order to comply with the limits for a digital device pursuant to Subpart B of Part 15 of Fcc Rules.

*If you have any questions about this product, you may call:*

*Sony Customer Information Services Center*

*1-800-222-SONY (7669)*

*or Sony Web site at [www.sony.com](http://www.sony.com)*

### Declaration of Conformity

Trade Name: SONY

Model No.: DPP-FP30

Responsible Party:

Sony Electronics Inc.  
Address: 16450 W. Bernardo Dr, San  
Diego, CA 92127 U.S.A.

Telephone No.: 858-942-2230

This device complies with part 15 of the FCC Rules. Operation is subject to the following two conditions:

(1) this device may not cause harmful interference, and (2) this device must accept any interference received, including interference that may cause undesired operation.

Duplication, edition, or printing of a CD, TV programs, copyrighted materials such as pictures or publications, or any other materials except for your own recording or creation is limited to private or domestic use only. Unless you hold copyright or have permission of copyright holders for the materials to be duplicated, use of those materials beyond this limit may infringe the provisions of the copyright law and be subject to the copyright holder's claim for damages.

When using photo images with this printer, pay special attention not to infringe the provisions of the copyright law. Any unauthorized use or modification of others' portrait may also infringe their rights.

For some demonstrations, performances, or exhibits, photography may be forbidden.

## On trademarks and copyrights

- VAIO is the trademark of Sony Corporation.
- Microsoft and Windows® are registered trademarks or trademarks of Microsoft Corporation in the United States and other countries.
- IBM and PC/AT are registered trademarks of International Business Machines Corporation.
- MMX and Pentium are registered trademarks of Intel Corporation.
- This software is based in part on the work of the independent JPEG Group.
- Libtiff  
Copyright © 1988-1997 Sam Leffler  
Copyright © 1991-1997 Silicon Graphics, Inc.
- Lib png  
Copyright © 1995, 1996 Guy Eric Schalnat, Group 42, Inc.  
Copyright © 1996, 1997 Andreas Dilger  
Copyright © 1998, 1999 Glenn Randers-Pehrson
- Zlib  
© 1995- 2002 Jean-loup Gailly and Mark Adler
- This product uses "Exif Toolkit For Windows Ver.2.4 (Copyright © 1998 FUJI PHOTO FILM CO., LTD. All rights reserved)". Exif is the exchangeable image file format for digital still cameras specified by the JEITA (Japan Electronics and Information Technology Industries Association).
- All other companies and product names mentioned herein may be the trademarks or registered trademarks of their respective companies. Furthermore, "TM" and "®" are not mentioned in each case in this manual.

## Notice for users

Program © 2004 Sony Corporation  
Documentation ©2004 Sony Corporation

All rights reserved. This manual or the software described herein, in whole or in part, may not be reproduced, translated or reduced to any machine readable form without prior written approval from Sony Corporation.

IN NO EVENT SHALL SONY CORPORATION BE LIABLE FOR ANY INCIDENTAL, CONSEQUENTIAL OR SPECIAL DAMAGES, WHETHER BASED ON TORT, CONTACT, OR OTHERWISE, ARISING OUT OF OR IN CONNECTION WITH THIS MANUAL, THE SOFTWARE OR OTHER INFORMATION CONTAINED HEREIN OR THE USE THEREOF.

By breaking the seal of the envelope of the CD-ROM package, you accept all the terms and conditions of this agreement. If you do not accept these terms and conditions, please return this disk envelope unopened, along with the rest of the package, immediately to the dealer where you obtained it.

Sony Corporation reserves the right to make any modification to this manual or the information contained herein at any time without notice. The software described herein may also be governed by the terms of a separate user license agreement.

## User Registration

To receive customer services, complete and return the registration card included in your package.

Any design data such as sample pictures provided in this software cannot be modified or duplicated except for the purpose of personal use. Any unauthorized duplication of this software is prohibited under copyright law.

Please note that unauthorized duplication or modification of others' portraits or copyrighted work could infringe the rights reserved by right holders.

---

# Table of contents

---

## Before you begin

Overview .....	5
What you can do with this printer .....	5
Features .....	6

---

## Preparations

<b>1</b> Checking the contents of the package .....	7
<b>2</b> Preparing the printing pack (not supplied) .....	8
Sizes of print paper .....	8
Optional printing packs .....	8
<b>3</b> Loading the print cartridge .....	9
<b>4</b> Inserting the print paper .....	10

---

## Printing from a PictBridge camera (PictBridge mode)

Printing images from the digital camera .....	13
---	----

---

## Printing from a PC (PC mode)

Installing the software .....	15
System requirements .....	15
Installing the printer driver .....	16
Uninstalling the printer driver .....	20
Installing the PictureGear Studio .....	22
Uninstalling the PictureGear Studio .....	24
Printing photos from the PictureGear Studio .....	25
Printing from other application software ..	32

---

## Troubleshooting

If trouble occurs .....	33
If paper jams .....	41

---

## Additional information

Precautions .....	42
Specifications .....	44
Printing range .....	45
Glossary .....	46
Identifying the parts .....	47
Index .....	49

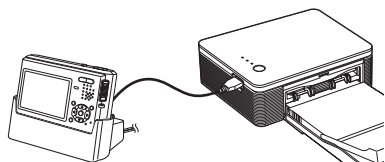
## Overview

### What you can do with this printer

The Digital Photo Printer DPP-FP30 provides the following two operation modes, depending on the device you use for printing.

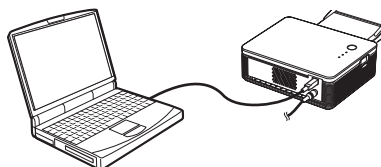
#### Printing from a PictBridge camera (PictBridge mode) → Page 13

Connect a PictBridge-compliant digital camera to the printer to print images using the camera.

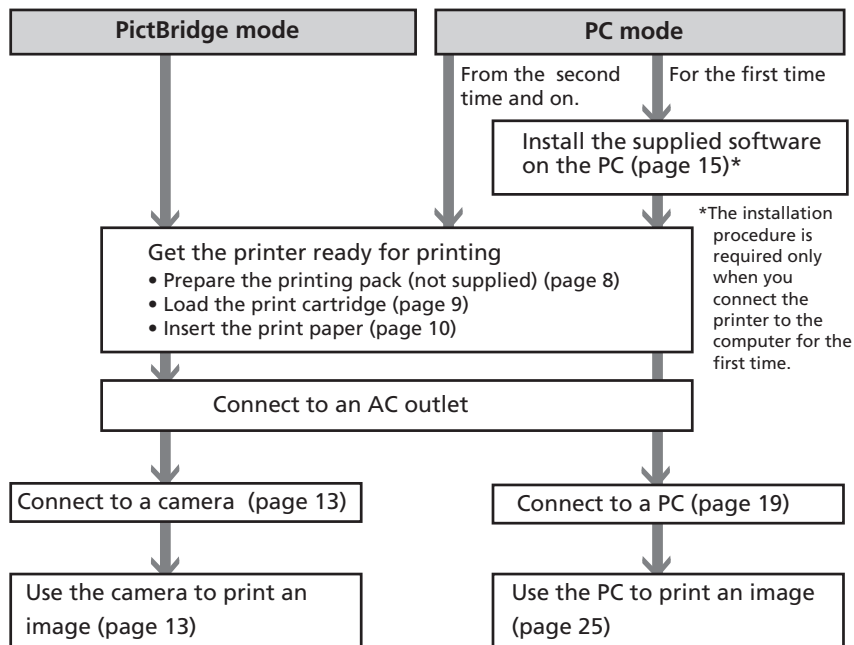


#### Printing from a PC (PC mode) → Page 15

Connect a PC to the printer to print images using the PC.



Depending on the operation mode you choose, follow the operation flow below:



## Features

### **PictBridge-compliant\* (page 13)**

The printer supports the PictBridge standard, so that you can print an image easily from a PictBridge-compliant digital camera.

### **Windows PC support with a convenient USB connection (page 15)**

By connecting the printer to your PC via a USB connector and installing the supplied printer driver, you can print images from your PC.

### **Super Coat 2**

The Super Coat 2 feature enables high durability and moisture or fingerprint resistance, keeping your prints in good condition for an extended period of time.

### **Auto Fine Print 3**

The Auto Fine Print 3 analyses the picture information of an image, including the Exif data, and corrects the resulting picture to make an image look more natural and beautiful.

### **Exif 2.21\*\* (Exif Print) support (page 46)**

When you use the supplied PictureGear Studio software to print an image from your PC, you can choose Exif Print picture correction in addition to the conventional OS picture correction. In Exif Print correction, the supplied printer driver uses the Exif data of an image and the printer's color processing to adjust and reproduce an image with supreme picture quality.

### **Red-eye reduction and other adjustments (PC mode only, page 29)**

You can adjust an image to reduce the red-eye phenomenon that may occur when the subject was shot with flash. Adjustments of brightness, hue, and other elements of picture quality are also possible.

### **Paper tray allowing bulk printing of 20 sheets (page 10)**

With the supplied paper tray, you can print up to 20 sheets of print paper at one time.

### **A choice of print sizes (page 8)**

You can select from Post Card size and 3.5 x 5 inch size.

#### **Note**

In some regions, 3.5 x 5 inch size print paper is not sold.

---

\* PictBridge is a standard that allows you to connect a digital camera directly to a printer without a PC, enabling direct printing on the spot.

\*\* Exif (Exchangeable image file format for digital cameras) Print is a global standard for digital photo printing. A digital camera supporting Exif Print stores data relevant to the shooting conditions as each shot is taken. The printer utilises the Exif Print data stored in each image file to ensure the printed result matches the original shot as closely as possible.

This section explains how to prepare your printer. Follow the procedures in this section to get the printer ready for printing.

**1** Checking the contents of the package (this page)



**2** Prepare the printing pack (not supplied) (page 8)



**3** Loading the print cartridge (page 9)



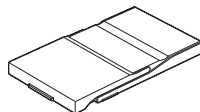
**4** Inserting the print paper (page 10)

After you finish preparations, read the explanations for each operation mode (pages 5 to 6) to print an image.

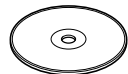
## 1 Checking the contents of the package

Make sure that the following accessories are supplied with your printer.

**Paper tray (1)**

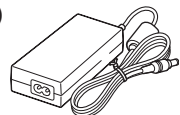


**CD-ROM (1)**

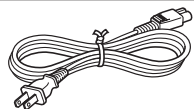


- Sony DPP-FP30 Printer Driver Software for Windows® XP Professional/Windows® XP Home Edition/Windows® 2000 Professional/Windows® Millennium Edition/Windows® 98 Second Edition
- PictureGear Studio V.2.0

**AC power adaptor (1)**



**AC power cord \* (1)**



- Color printing pack (1)
- Operating Instructions (this booklet, 1)
- Warranty (1)
- Sony End User Software License Agreement (1)

\* The AC power cord illustrated is for 120V only. The plug shape and specifications of the AC power cord differ depending on the region you purchased the printer.

## 2 Preparing the printing pack (not supplied)

To print an image, you need an optional printing pack designed for the printer. The pack contains a set of print paper and a print cartridge.



### Sizes of print paper

You can select the print paper from the following two sizes:

- Post card (4 x 6 inch) size (101.6 x 184.4 mm)
- 3.5 x 5 inch size (89 x 159 mm)\*

### Optional printing packs

Select the printing pack according to the type of printing you intend to do:

#### Post card size

##### **SVM-F40P**

- Two packs with each 20 sheets of Post Card size photo paper
- Print cartridge for 40 prints

##### **SVM-F80P**

- Four packs with each 20 sheets of Post Card size photo paper
- 2 Print cartridges each for 40 prints

#### 3.5 x 5 inch size → SVM-F40L\*

- Two packs with each 20 sheets of 3.5 x 5 inch size photo paper
- Print cartridge for 40 prints

#### \*Note

In some regions, 3.5 x 5 inch size print paper is not sold.

To order printing packs, visit the following web site:

[www.sony.com/printers](http://www.sony.com/printers)

#### Notes on using printing packs

- Always use the print cartridge and print paper from the same carton as a set. If you mix cartridges and paper of different types, printing may not be possible.
- The side without the imprinting is the printing surface. Inferior print quality may result if the printing surface is contaminated with dust or fingerprints. Be careful to avoid touching the printing surface.
- **Do not bend the paper or tear it off at the perforations before printing.**
- **Do not print on used sheets of print paper or attempt to rewind the ribbon inside the print cartridge. Doing so could result in damages to the printer.**
- Please do not disassemble the print cartridge.

#### Notes on storing printing packs (for quality prints)

- When you are going to store a partially-used pack of the print cartridge and print paper for an extended period of time, store it in its original bag or in a similar container.
- Avoid placing the printing pack in locations that are subject to high temperature, high humidity, excessive dust, or direct sunlight.
- Use printing pack within two years from the date of production.

#### Note on storing printouts

- Do not affix cellophane tape or plastic erasers to printouts. Also avoid leaving printouts under plastic desk mats.

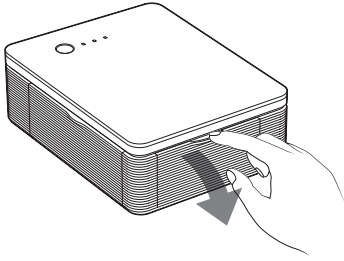
#### Caution

- TV program, films, video tapes and other materials may be copyrighted. Unauthorized video printing of such materials may be contrary to the provisions of the copyright law.

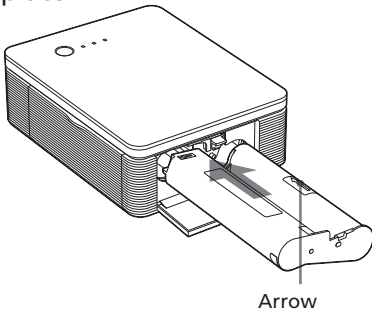


## 3 Loading the print cartridge

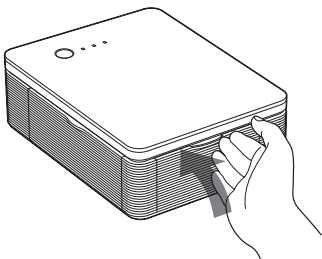
- 1 Pull and open the cartridge compartment lid.



- 2 Insert the print cartridge to the back in the arrow direction until it clicks into place.

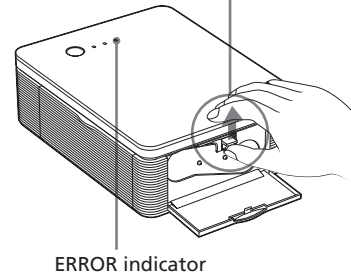
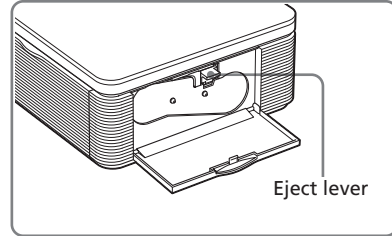


- 3 Close the cartridge compartment lid.



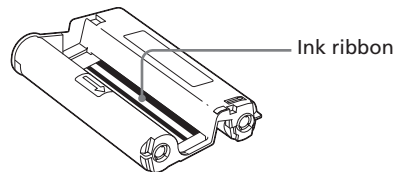
## Removing the print cartridge

When the print cartridge runs out, the ERROR indicator will flash slowly. Open the cartridge compartment lid, push up the eject lever, and remove the used print cartridge.



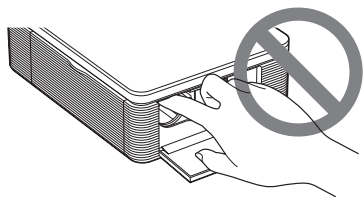
### Notes

- Use the print cartridge contained in the same box with the print paper.
- Do not touch the ink ribbon or place the print cartridge in a dusty location. Fingerprints or dust on the ink ribbon may result in imperfect printing.

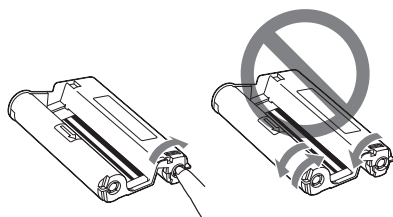


Continued

- Never put your hand into the cartridge compartment. The thermal head reaches high temperatures, especially after repeated printing.



- Do not rewind the ink ribbon and use the rewound print cartridge for printing. Otherwise, proper printing result will not be obtained, or even a malfunction may occur.
- If the print cartridge does not click into place, remove it and then re-insert it. If the ink ribbon is too slack to be loaded, wind the ink ribbon in the direction of the arrow to remove the slack.



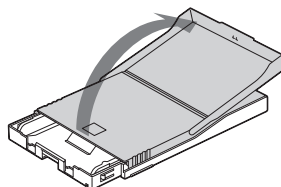
- Do not remove the print cartridge while printing.

#### Notes on storing the print cartridge

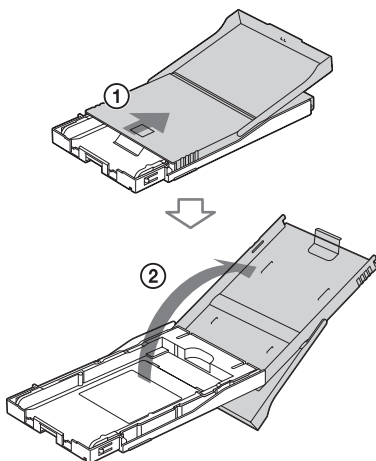
- Avoid placing the print cartridge in a location subject to high temperatures, high humidity, excessive dust or direct sunlight
- When you are going to store a partially-used cartridge, store it in its original bag.

## 4 Inserting the print paper

- 1 Open the eject paper tray.



- 2 Slide the paper tray lid in the opposite direction to the paper feeding direction (1) and then lift open it (2).



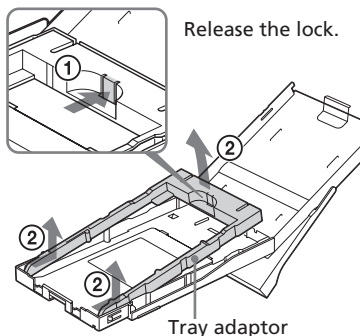
- 3 Set the tray adaptor according to the print paper size you want to use.

#### Note

In some regions, 3.5 x 5 inch size print paper is not sold.

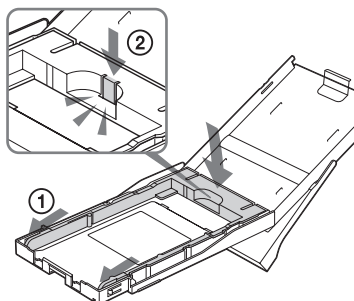
### ■ To use Post Card (4 x 6 inch) size print paper

Press the tray and the back of the tray adaptor to release the locks of the adaptor (①), and remove and lift the tray adaptor from the lock holes (②).



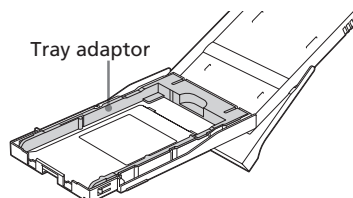
### To attach the tray adaptor to the tray

Put the projections of the tray adaptor into the lock holes of the front of the tray (①), and then slide down the adaptor until its back lock clicks into place (②).



### ■ To use 3.5 x 5 inch size print paper

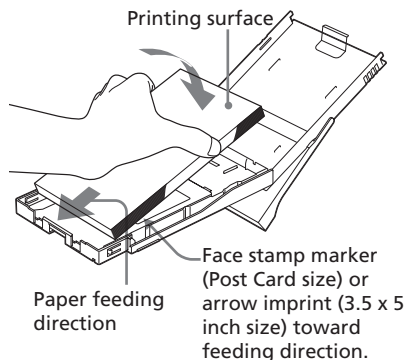
Keep the tray adaptor installed.



## 4 Set the print paper into the tray.

Riffle the print paper. Then insert the print paper with its printing surface (the side with no imprint) facing up.

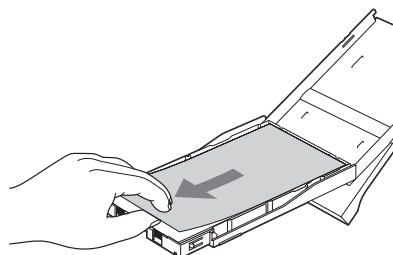
- To set the Post Card size print paper, face the stamp marker to the paper feeding direction.
  - To set the 3.5 x 5 inch size print paper, align an arrow imprint to the paper feeding direction.
- Insert the protective sheet together with paper. You can set up to 20 sheets of print paper.



### Note

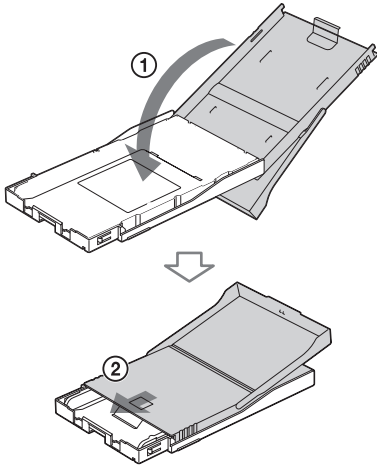
Do not touch the printing surface. Fingerprints on the printing surface may result in imperfect printing.

## 5 Remove the protective sheet.

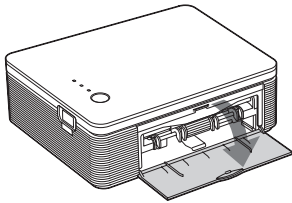


Continued

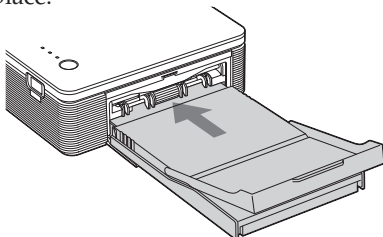
- 6** Close the paper tray lid (①) and slide it to the paper feeding direction (②).  
Keep the paper eject tray open.



- 7** Pull and open the printer's paper tray compartment lid.



- 8** Insert the paper tray into the printer.  
Insert it firmly until it clicks into place.



#### Notes

- Do not remove the paper tray during printing.
- To avoid paper jam or malfunctions of the printer, make sure the following before printing:
  - Do not write or type on the print paper. Use the oil ink pen to write on the paper after printing. You cannot type on the print paper.
  - Do not attach sticker or stamps on the print paper.
  - Do not hold or bend the print paper.
  - When adding print paper to a partially full tray, make sure that the total number of sheets does not exceed 20 for the print paper.
  - Do not print on the used print paper. Printing an image twice on the same paper will not make the printed image thicker.
  - Use the print paper for this printer only.
  - Do not use the print paper ejected without printed.

#### Notes on storing the print paper

- Avoid storing the paper with the printed faces touching each other or in contact with rubber or plastic products including vinyl chloride or plasticizer for an extended period of time; color changes or deterioration of the printed image may occur.
- Avoid placing the print paper in a location subject to high temperatures, high humidity, excessive dust or direct sunlight.
- When you are going to store partially-used print paper, store it in its original bag.

## Printing images from the digital camera

You can connect a PictBridge-compliant digital camera and print an image directly from your digital camera.

### 1 Set your digital camera ready for printing with a PictBridge-compliant printer.

The settings and operations that are necessary before connection differ depending on the digital camera. For details, see the operating instructions of the digital camera you use.

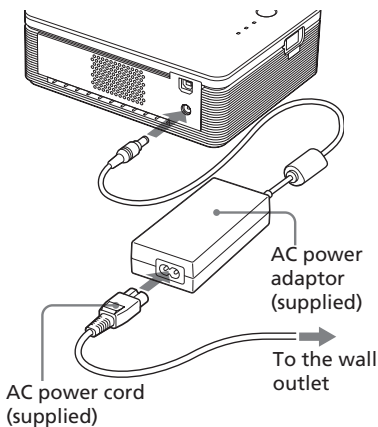
#### Note

When you use a DSC-T1, you need to update software version.

### 2 Connect the printer to the AC power source.

- 1 Insert one plug of the supplied AC power cord to the supplied AC power adaptor.
- 2 Insert the other plug of the AC power cord to the wall outlet.
- 3 Insert the plug of the AC power adaptor to the DC IN jack of the printer.

The STANDBY indicator lights in red.

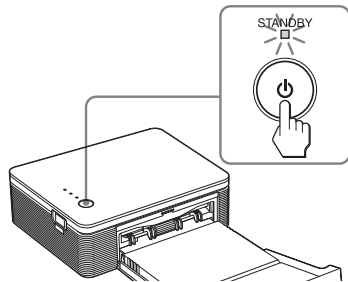


#### Notes

- Connect the AC power adaptor to an easily accessible wall outlet close by. If some trouble occurs while using the adaptor, immediately shut off the power by disconnecting the plug from the wall outlet.
- When you have finished using the AC power adaptor, disconnect it from the DC IN jack of the printer and the wall outlet.
- The set is not disconnected from the AC power source (mains) as long as it is connected to the wall outlet, even if the unit itself has been turned off.
- The AC power cord illustrated is for 120V only. The plug shape and specifications of the AC power cord differ depending on the region you purchased the printer.
- The print paper emerges from the paper outlet a few times during printing. Do not block the paper outlet with the AC power adaptor or AC power cord.

### 3 Turn on the printer.

The STANDBY indicator of the printer lights in green.



#### To turn off the printer

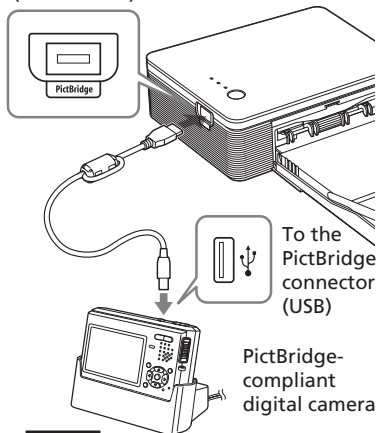
Keep pressing STANDBY for longer than one second until the STANDBY indicator turns to red.

### 4 Connect a PictBridge-compliant digital camera to the printer.

Use the USB connecting cable supplied with the digital camera.

Continued

To the PICTBRIDGE connector  
(USB A-TYPE)



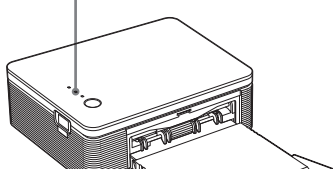
#### Notes

- You cannot connect a PictBridge-compliant digital camera and a PC simultaneously to the printer. When printing from a digital camera, remove the PC from the printer.
- The connector is designed for the PictBridge only. Never connect a device other than a PictBridge-compliant digital camera.
- The type of USB connecting cable you should use may differ depending on the digital camera. Use a USB connecting cable with an A-TYPE connector for the printer and an appropriate type for your digital camera.
- Use a commercially available USB cable shorter than 3m in length.

### When you connect a PictBridge-compliant digital camera to the printer

The printer automatically enters the PictBridge mode. The PICTBRIDGE indicator turns to green.

PICTBRIDGE indicator



## 5 Operate the digital camera to print an image.

The printer supports the following prints:

- Single-image print.
- All images print (ALL)

#### Notes

- If you replace a print cartridge while the printer is connected to a digital camera, an image may not be printed properly. If this occurs, make the paper size setting of the digital camera again or disconnect and then connect the digital camera.
- Never move or turn off the printer while it is printing; the print cartridge or paper may become stuck. In case you turn off the power, keep the paper tray inserted and then turn on the printer. If paper being printed remains in the printer, remove it and resume printing from the step 1.
- The print paper may emerge a few times during printing. Do not touch nor pull the emerged paper. Wait for the print paper to be fully ejected after printing ends.
- Make sure to spare enough space behind the printer during printing.
- If print paper runs out during continuous printing or if you print with no print paper in the paper tray, the printer's ERROR indicator lights. Feed the print paper without turning off the power and resume printing.

### On the PICTBRIDGE indicator

The PICTBRIDGE indicator shows the connection status between the printer and the digital camera as follows:

- When the indication lights: The connection between the printer and the PictBridge-compliant digital camera is established.
- When the indication blinks: The device that does not support the PictBridge feature is connected. Or the image to be printed is damaged.

To print from a PC connected to the printer, you need to install the supplied software to your PC.

This section explains how to install the supplied software on your PC and how to use the supplied PictureGear Studio software to print an image.

Please also refer to the operating instructions of your PC.

Installation of the software is necessary only when you connect the printer to your PC for the first time.

### On trademarks and copyrights of PictureGear Studio

- On copyrights of design materials  
The copyrights of the design materials contained in this software are owned by Sony Corporation or Sony Music Communications Corporation. Any commercial use is prohibited by the copyrights laws.
- Duplication of copyrighted materials, such as photographs, is prohibited except for private or domestic use.
- All other companies and product names mentioned herein may be the trademarks or registered trademarks of their respective companies. Furthermore, "™" and "®" are not mentioned in each case in this manual.

## Installing the software

### System requirements

To use the supplied printer driver and PictureGear Studio, your PC must meet the following system requirements:

OS: Microsoft Windows® XP Professional/Windows® XP Home Edition/Windows® 2000 Professional/Windows® Millennium Edition/Windows® 98 Second Edition, pre-installed (IBM PC/AT compatible)

(Windows 95, Windows 98 Gold Edition, Windows NT, other versions (ex. Server, Personal) of Windows 2000 are not supported.)

CPU: Pentium III 500MHz or faster (Pentium III 800MHz or faster is recommended.)

RAM: 128 MB or more (256 MB or more is recommended.)

Hard disk space: 200 MB or more (Depending on the Windows version you use, more space will be required. To handle image data, you will need additional hard disk space.)

Display:

Screen area: 800 × 600 pixels or more

Colors: High Color (16-bit) or more

## On the supplied CD-ROM

The supplied CD-ROM contains the following software:

- Printer driver for DPP-FP30: The software describes the printer's requirements and enables printing from the computer.
- PictureGear Studio: Sony's original software application that allows you to handle still images—capturing, managing, processing, and printing.

### Notes

- If a hub is used to connect the printer and your PC, or if two or more USB devices including other printers are connected to your PC, a trouble may occur. If this occurs, simplify the connections between your PC and the printer.
- You cannot operate the printer from another USB device being used simultaneously.
- Do not remove the USB cable from or connect it to the printer during data communication or printing. The printer may not work properly.
- The printer does not support system standby/hibernate mode of the computer. During printing, do not change your PC to system standby/hibernate mode.
- We cannot guarantee operations with all personal computers, even though they may meet or exceed the system requirements.

## Installing the printer driver

- 1** Make sure that the printer is **disconnected** from the computer.

### Note

If you connect the printer to your PC in this stage, either of the following dialog boxes are displayed:

- When using Windows 98SE/Me: Add New Hardware Wizard
- When using Windows 2000/XP: Found New Hardware Wizard

If this occurs, disconnect the printer from the PC and then click "Cancel" in the dialog box.

- 2** Turn on your computer and start Windows.

- When installing or uninstalling the software in Windows® 2000 Professional, log on to Windows as "Administrator" or "Power user".
- When installing or uninstalling the software with Windows® XP Professional/Home Edition, log on using a "Computer administrator" user account.

### Notes

- Be sure to close all running programs before installing the software.
- The dialog boxes in this section are those in Windows XP Professional, unless otherwise specified. The installation procedures and the dialog boxes shown differ depending on the operating system.



- 3** Insert the supplied CD-ROM into the CD-ROM drive of your computer.

The setup starts automatically and the installation window is displayed.

**Note**

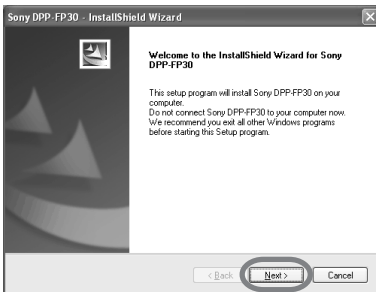
In case the installation window is not automatically displayed, double-click the "Setup.exe" of the CD-ROM.

- 4** Click "Installing Printer Driver".



The "Sony DPP-FP30 - InstallShieldWizard" dialog box appears.

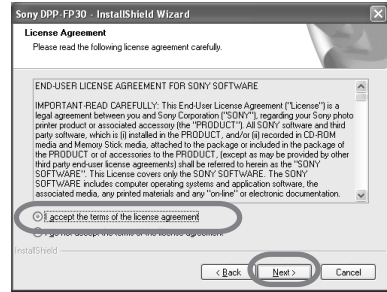
- 5** Click "Next".



The license agreement dialog box is displayed.

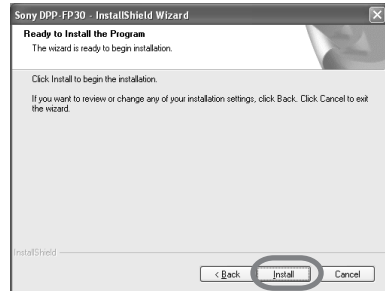
- 6** Check "I accept the terms of the license agreement" and click "Next".

If you check "I do not accept the terms of the license agreement", you cannot proceed to the next step.



The "Ready to install the program" dialog box is displayed.

- 7** Click "Install".

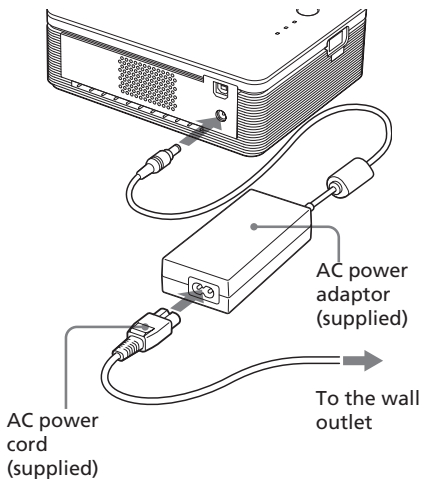


The "Printer connection" dialog box is displayed.

## 8 Connect the printer to the AC power source.

- ① Insert one plug of the supplied AC power cord to the supplied AC power adaptor.
- ② Insert the other plug of the AC power cord to the wall outlet.
- ③ Insert the plug of the AC power adaptor to the DC IN jack of the printer.

The STANDBY indicator lights in red.



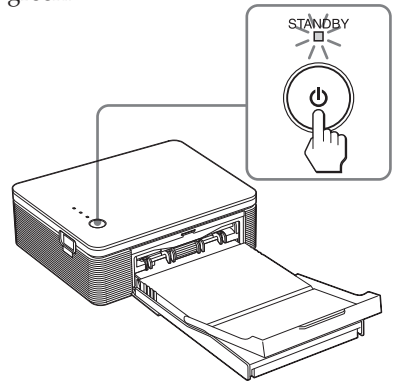
### Notes

- Connect the AC power adaptor to an easily accessible wall outlet close by. If some trouble occurs while using the adaptor, immediately shut off the power by disconnecting the plug from the wall outlet.
- When you have finished using the AC power adaptor, disconnect it from the DC IN jack of the printer and the wall outlet.
- The set is not disconnected from the AC power source (mains) as long as it is connected to the wall outlet, even if the unit itself has been turned off.

- The AC power cord illustrated is for 120V only. The plug shape and specifications of the AC power cord differ depending on the region you purchased the printer.
- The print paper emerges from the paper outlet a few times during printing. Do not block the paper outlet with the AC power adaptor or AC power cord.

## 9 Turn on the printer.

The STANDBY indicator lights in green.

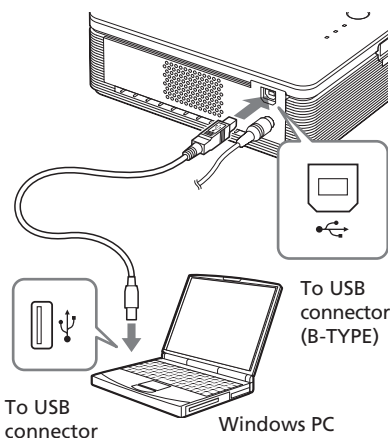


### To turn off the printer

Keep pressing STANDBY for longer than one second until the STANDBY indicator turns to red.

## 10 Connect the USB connectors of the printer and your computer.

Use a commercially available USB connecting cable.



**Note**

Use a commercially available A-B TYPE USB-compatible connecting cable shorter than 3m in length. The type of USB cable you should use may differ depending on the computer. For details, see the instructions manual of your computer.

**11** Click "Next".



The printer automatically enters the PC mode and the printer setup will start automatically.

When the printer setup is complete, the "InstallShield Wizard Complete" dialog box is displayed.

**12** Click "Finish".



The installation of the printer driver is complete. When you are prompted to restart your computer, restart the computer.

**13.** To finish installation, click "Complete" and remove the CD-ROM from your computer and keep it for future use.

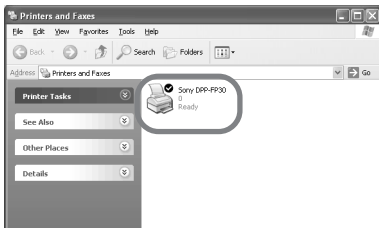
- To continue to install the PictureGear Studio software, click "Installing the PictureGear Studio" and follow the procedures on pages 22.

## Notes

- If the printer driver CD-ROM is prompted during the installation, specify the following directory:
  - When using the Windows 98SE/Me:  
D:\Driver\Win98.me
  - When using the Windows 2000/XP:  
D:\Driver\Win2000.me“D” stands for the CD-ROM drive of your PC and may differ depending on the system.
- The supplied CD-ROM will be required when you uninstall or re-install the printer driver. Keep it in good order for possible future use.
- If the installation fails, remove the printer from your computer, restart your computer, and then do the installation procedures from the step 3.
- After installation, the “Sony DPP-FP30” is not set as the default printer. Set the printer you use for each application.
- Before you use the printer, read the Readme file (the Readme folder of the CD-ROM→English folder→Readme.txt).

## Checking the installation

Open the “Printers and Faxes” (Windows XP Home Edition/XP Professional only) or “Printers” from the “Control Panel”. When the “Sony DPP-FP30” is displayed in the “Printers and Faxes” or “Printers” window, the printer driver has been successfully installed.



## Uninstalling the printer driver

When the printer driver becomes unnecessary, remove it from your PC hard disk as follows:

- 1** Disconnect the USB cable from your printer and the computer.
- 2** Insert the supplied CD-ROM into the CD-ROM drive of your computer.

The setup starts automatically and the installation window is displayed.

### Note

In case the installation window is not automatically displayed, double-click the “Setup.exe” of the CD-ROM.

- 3** Click “Installing Printer Driver”.



The “Sony DPP-FP30 - InstallShield Wizard” dialog box appears.

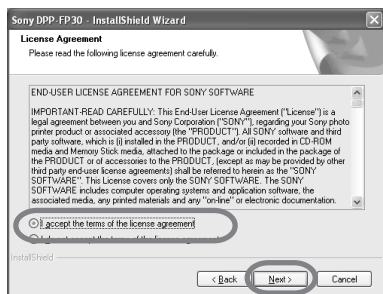
## 4 Click "Next".



The license agreement dialog box is displayed.

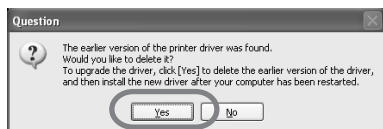
## 5 Check "I accept the terms of the license agreement" and click "Next".

If you check "I do not accept the terms of the license agreement", you cannot proceed with uninstallation.



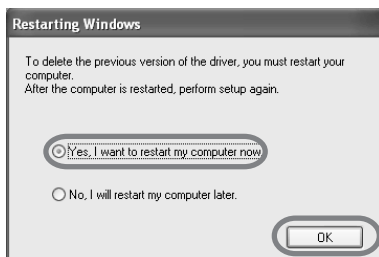
The dialog box used for confirming uninstallation is displayed.

## 6 Click "Yes".



The dialog box used for restarting the computer is displayed.

## 7 Check "Yes, I want to restart my computer now" and click "OK".



After the computer is restarted, the relevant files will be deleted and uninstallation is complete.

### To check uninstallation

Select "Printers and Faxes" (Windows XP Home Edition/XP Professional only) or "Printers" from the "Control Panel" to check if the "DPP-FP30" is displayed. If not, the printer driver is successfully removed.

## Installing the PictureGear Studio

Install the PictureGear Studio to your computer.

- 1 Turn on your computer and start Windows.
  - When installing or uninstalling the software in Windows® 2000 Professional, log on Windows as the user name of “Administrator” or “Power user”.
  - When installing or uninstalling the software in Windows® XP Professional/Home Edition, log on as a user name with the “Computer administrator” user account.

### Notes

- Be sure to close all running programs before installing the software.
- The dialog boxes in this section are those in Windows XP Professional, unless otherwise specified. The installation procedures and the dialog boxes shown differ depending on the operation system.

- 2 Insert the supplied CD-ROM into the CD-ROM drive of your computer.  
The setup starts automatically and the installation window is displayed.

### Notes

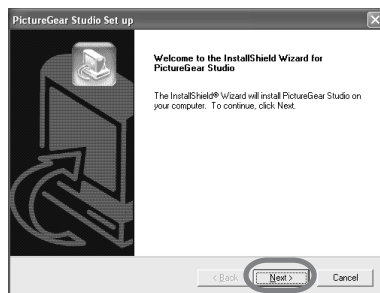
- In case the installation window is not automatically displayed, double-click the “Setup.exe” of the CD-ROM.
- Depending on the PC system environments, the Microsoft Data Access Component 2.7 and Jet 1.0 should be installed during the PictureGear Studio installation. If so, the dialog box used for installing the programs will be displayed automatically; Follow the on-screen instructions proceed with the installation.

- 3 Click “Installing PictureGear Studio”.



The “PictureGear Studio Setup” dialog box appears.

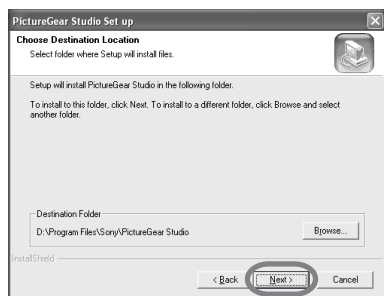
- 4 Click “Next”.



The dialog box to specify the destination folder is displayed.

## 5 Check the destination and then click "Next".

To specify a different destination folder, click "Browse",



The "PictureGear Studio Media Watcher" dialog box is displayed.

## 6 To register the Media Watcher, check "Register the PictureGear Studio Media Watcher in the startup folder." and then click "OK".



When the installation is completed, the installation complete dialog box is displayed.

## What is "PictureGear Studio Media Watcher"?

The PictureGear Studio Media Watcher detects insertion of a device or medium storing photos when the PictureGear Studio is installed in an operating system other than the Windows XP.

To change the settings done during installation, follow the procedures below:

1 After you install the PictureGear Studio software, click "Start", "Programs", "PictureGear Studio", "Tools", and then "Media Watcher".

The PictureGear Studio Media Watcher is started.

2 Click the PictureGear Studio Media Watcher icon on the taskbar with the right mouse button, and click "Settings" from the menu displayed.

3 Add or clear the check mark for "Starts the Media Watcher when you log on Windows".

To do registration, check the option. To cancel registration, clear the check box.

## 7 To display the Readme file, check "View Readme File" and then click "Finish".



Continued

- When you check “View Readme File”, the Readme file is displayed. When you close the Readme file, the PictureGear Studio Setup dialog box is also closed.
- When you do not check “View Readme File”, the PictureGear Studio Setup dialog box is closed.

## 8 Remove the CD-ROM from your computer and keep it for future use.

### Notes

- If the installation fails, do the installation procedures from step 2.
- The supplied CD-ROM will be required when you uninstall or re-install the PictureGear Studio. Keep it in good order for possible future use.
- The PictureGear Studio supplied with the DPP-FP30 has the following limitations:
  - In PhotoCollection, you cannot select paper other than “Sony”.
  - In PrintStudio, you cannot create or print “Label”.
  - In PrintStudio, you cannot create or print a “Sticker, name card, or card”.
  - In PrintStudio, you cannot print part of “Postcard” designs.

To delete the above limitations and upgrade the software to the version supplied with VAIO computer or CLIE handheld, execute the “Setup.exe” in the “pgs.add” folder.

## Uninstalling the PictureGear Studio

When the software becomes unnecessary, remove it from your PC hard disk as follows:

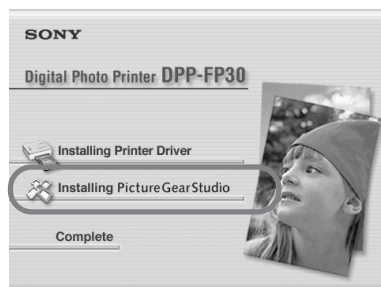
- 1 Remove the USB cable between the printer and the PC.
- 2 Insert the supplied CD-ROM into the CD-ROM drive of your computer.

The setup starts automatically and the installation window is displayed.

### Note

In case the installation window is not automatically displayed, double-click the “Setup.exe” of the CD-ROM.

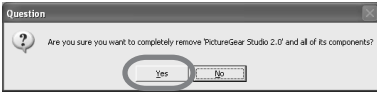
- 3 Click “Installing PictureGear Studio”.



The dialog box used for confirming deletion is displayed.



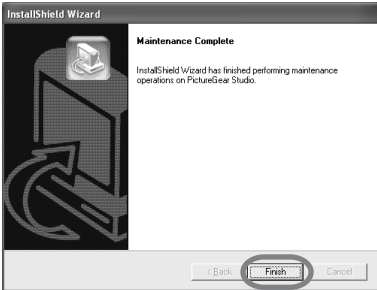
## 4 Click "Yes".



The deletion complete dialog box is displayed.

## 5 Click "Finish".

The relevant files are deleted.



### Tips

You can also remove the software from the Control Panel. Select "Add/Remove Programs" from the "Control Panel." Then select PictureGear Studio and click "Remove".

# Printing photos from the PictureGear Studio

PictureGear Studio allows you to carry out a series of procedures for handling a still image—capturing, managing, processing, and outputting. You can use the software to print an image from your PC in the post card or 3.5 x 5 inch size print paper.

### Note

In some regions, 3.5 x 5 inch size print paper is not sold.

## 1 Select "Start" from the Windows desktop, and then "PictureGear Studio" from the "Programs".

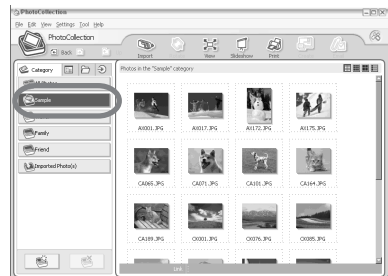
The PictureGear Studio window is started.

## 2 Click "Photo Collection".



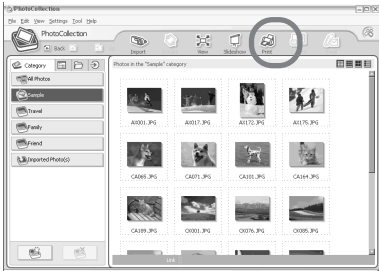
The "Photo Collection" window is displayed.

## 3 Click the desired photo category folder.



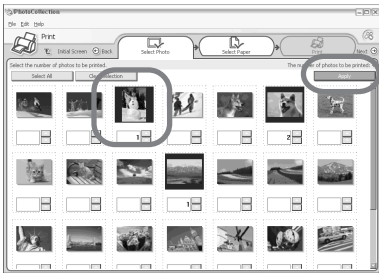
For explanations, “Sample” folder is selected in the following example.

#### 4 Click “Print.”



The Print dialog box is displayed.

#### 5 Select the photos that you want to print, set the number of copies to be printed for each photo, and then click “Apply”.

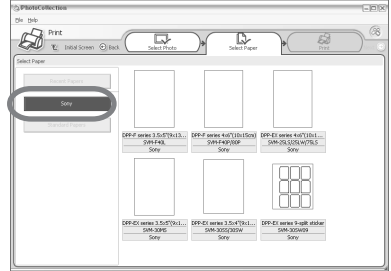


The print paper selection dialog box is displayed.

#### Note

Make sure to set the print quantity in this dialog box. Even if you set the number of copies in “Paper/Output” tab of the “Sony DPP-FP30 Properties” dialog box, the print quantity will not be reflected.

#### 6 Click “Sony”, and then select the DPP-F series paper size of the paper you use.



- DPP-F series 4 x 6” (Postcard size) SVM-F40P/F80P
- DPP-F series 3.5 x 5” SVM-F40L

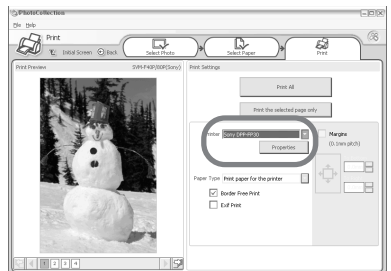
#### Notes

- In some regions, 3.5 x 5 inch size print paper (SVM-F40L, DPP-F series) is not sold.
- If you select paper other than the DPP-F series paper, you cannot obtain proper printing results.
- When you use the supplied printing pack, select “DPP-F series 4 x 6” SVM-F40P.

When you select the paper size, the print dialog box is displayed.

#### 7 In the “Printer” drop-down list box, select “Sony DPP-FP30” and then click “Properties”.

In the “Printer” drop-down list box, select the printer that you actually use.



Items	Functions
-------	-----------

Print All	All the photos selected in the “Select Photo” window will be printed.
-----------	---

Print the selected page only	The image being displayed in the “Print Preview” will be printed.
------------------------------	---

Printer	Select “Sony DPP-FP30”.
---------	-------------------------

Border Free Print	<ul style="list-style-type: none"> <li>• When checked, an image will be printed without margins around it.</li> <li>• When unchecked, an image will be printed with margins around it.</li> </ul>
-------------------	---

Exif print	<ul style="list-style-type: none"> <li>• When checked, an image shot with a Exif Print (Exif 2.21)-compliant digital camera will be adjusted and printed with its optimum picture quality.</li> </ul>
------------	---

**Note**

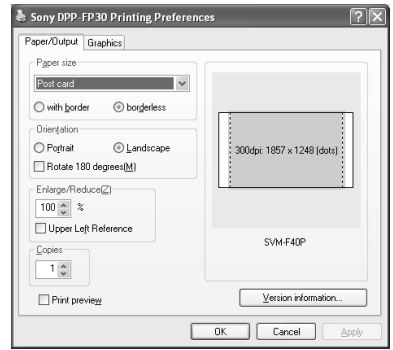
The image displayed on the monitor will not be adjusted.

- When unchecked, an image will be printed without adjustments.

Properties	Specifies orientation, picture quality and other details.
------------	---

When you click “Properties”, the document properties dialog box for the selected printer is displayed.

**8** In the “Paper/Output” tab, specify the paper size.



Items	Functions
-------	-----------

Paper size	From the drop-down list box, select the paper size you actually use for printing:
------------	---

- Post card
- 3.5x5 inch

**Note**

In some regions, 3.5 x 5 inch size print paper is not sold.

Then check either of the following to specify the margins around the image:

- With border: an image is printed with borders around it.
- Borderless: an image is printed without borders around it.

Orientation	Select the orientation of an image when printed:
-------------	--

- Portrait
- Landscape
- Rotates 180 degrees

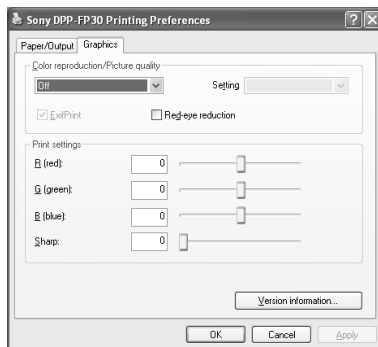
**Note**

Depending on the application software you use, orientation may not change even if you change portrait or landscape setting.

Printing from a PC (PC mode)

Items	Functions
Copies	Specify the number of copies to be printed.
	<p><b>Note</b></p> <p>Depending on the application software you use, the print quantity setting of the application has priority over that specified here.</p>
Enlarge/Reduce	<p>Specify the percentage to enlarge or reduce the size of an image when printed.</p> <p>You can set the reference point when an image is enlarged or reduced by checking “Upper left reference”.</p> <ul style="list-style-type: none"> <li>• When unchecked, an image is enlarged or reduced with the center as the reference point. Usually, use this option.</li> <li>• When checked, an image is enlarged or reduced with the upper left corner as the reference point. You need to use this option when using some types of applications. In case printing does not complete satisfactorily with the option unchecked, select this option.</li> </ul>
Print preview	Check this option to display a preview of an image before printed.

## 9 In the “Graphics” tab, set the color reproduction and picture quality.



Items	Functions
Color reproduction/Picture quality	<p>Select the setting from the drop-down list box:</p> <ul style="list-style-type: none"> <li>• <b>Off:</b> An image will be printed without adjustment.</li> <li>• <b>Auto Fine Print 3:</b> From the “Settings” drop-down list box, select either of the following correction method: <ul style="list-style-type: none"> <li>– <b>Photographical:</b> An image will be adjusted automatically and printed with natural and beautiful pictures. (Recommended option)</li> <li>– <b>Vivid:</b> An image will be adjusted automatically and printed with more vivid pictures. (In this setting, a stronger sharpness correction is given, making pictures more vivid.)</li> </ul> </li> </ul>

---

Items	Functions
-------	-----------

---

- ICM (system): From the “Settings” drop-down list box, select either of the following correction method:
  - Graphics: when graphics or vivid colors are used.
  - Match: when you want to match colors.
  - Pictures: when a photograph or pictures are printed.

**Note**

The ICM setting is valid only when you are using an ICM-compliant application software. When printing from the application software that does not support the ICM system, an image may be printed with incorrect colors.

---

**Exif Print**

Check it to adjust and print an image shot with a Exif Print (Exif 2.21)-compliant digital camera. The printer driver uses the color conversion and Exif shooting data to adjust the image. This option is effective only with PictureGear Studio.

---

---

**Red-eye reduction**

Check it to automatically reduce the red-eye phenomenon of the subject shot by using a flash light.

**Notes**

- When you check this option, make sure to select “Preview” to display the preview image before printing and check that the red-eye reduction has been correctly processed to the image.
  - Red-eye phenomenon will be detected automatically, and it may not be corrected.  
If red-eye phenomenon is not corrected, use the PictureGear Studio correction function.
  - Red-eye reduction is enabled only when you have installed the software from “Setup.exe” in the supplied CD-ROM. For the details see the Readme.txt.
-

---

**Items      Functions**

---

**Print settings**

Adjusts the color elements and sharpness.

**R:** Adjusts the red and blue elements. The higher you set the level, the more reddish the picture becomes as if it receives red light. The lower you set the level, the darker the picture becomes as if light blue is added.

**G:** Adjusts the green and purple elements. The higher you set the level, the more greenish the picture becomes as if it receives green light. The lower you set the level, the darker the picture becomes as if red purple is added.

**B:** Adjusts the blue and yellow elements. The higher you set the level, the more bluish the picture becomes as if it receives blue light. The lower you set the level, the darker the picture becomes as if yellow is added.

**Sharp** (sharpness): The higher you set the sharpness level, the more distinct the outlines become

---

**10** Click "OK".

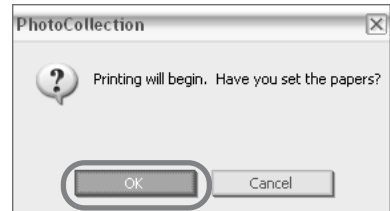
The print dialog box is displayed.

**11** Click "Print All" or "Print the selected page only".

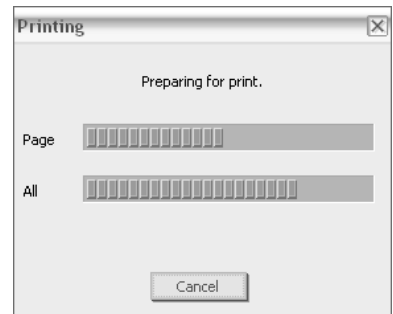


The confirmation dialog box for printing is displayed.

**12** Make sure that the specified print paper and print cartridge are loaded and click "OK".

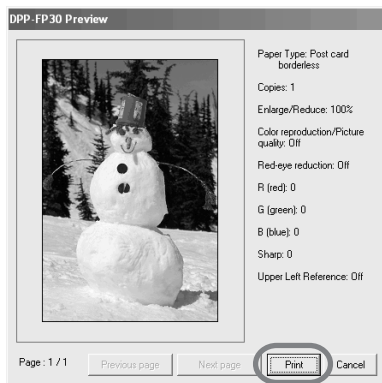


Printing starts.



## When “Print preview” is checked in step 8

The preview window is displayed. Check the adjustment results and then click “Print”.



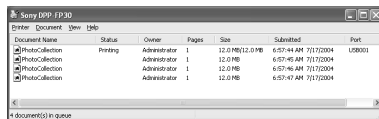
Printing resumes.

### Notes

- Never move or turn off the printer while it is printing; the print cartridge or paper may become stuck. If this happens, turn the printer off and then on, and resume printing from the beginning.
- The print paper may emerge a few times during printing. Do not touch nor pull the emerged paper. Wait for the print paper to be fully ejected after printing ends.
- Make sure to spare enough space behind the printer during printing.
- If print paper runs out during continuous printing or if you print with no print paper in the paper tray, the printer’s ERROR indicator lights. Feed the print paper without turning off the power and resume printing.

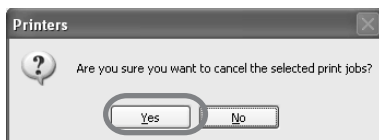
## To stop printing

- 1 Double-click on the printer icon on the taskbar, and open the “Print” dialog box.
- 2 Click the document name that you want to cancel printing of and then click “Cancel” from the “Document” menu.



The dialog box used for confirming the deletion is displayed.

- 3 Click “Yes”.



The printing job is canceled.

### Note

Do not cancel the printing job on process, which may cause a paper jam.

## Printing from other application software

You can use a commercially-available application software to print an image from the DPP-FP30. Select “DPP-FP30” in the print dialog box and select the print paper size in the page setup dialog box. For details in print settings, see steps 8 and 9 on pages 27 and 30.

### On “Borderless” setting in the “Paper size” section

When using an application other than the PictureGear Studio, an image might be printed with borders even if you select borderless print in the “Paper size” section of the “Paper/Output” tab in the “Sony DPP-FP30 Properties” dialog box.

When you select the borderless print option, the printing range information for borderless print will be supplied to the application. Some applications, however, may arrange and print the image with borders within the specified range.

If this occurs, do either of the following to print an image without borders:

- When you can set print range with an application, set an image to be printed fully in the print range. For example, select “Full page photo print” or a similar option.
- Set a larger value in the “Enlarge/Reduce” text box in the “Paper/Output” tab of the “Sony DPP-FP30 Properties” dialog box.

If borders remain on the right and bottom sides of a printed image even after you set a larger value, check “Upper left reference”.

In either case, make sure to display and check the preview image before printing.

### Orientation setting

Depending on the application software you use, orientation may not change even if you change portrait or landscape setting.

### With border/borderless setting of the printer driver

When the application software you use has border/borderless setting, we suggest you select borderless as the printer driver setting.

### Print quantity setting in the Properties dialog box

Depending on the application software you use, the print quantity setting of the application you use may have priority over the setting specified in the printer driver dialog box.

### Exif Print Settings in the “Graphics” tab

The Exif Print setting in the “Color reproduction/Picture quality” section supports the PictureGear Studio only. If you use other application to print an image with this option checked, the image may be printed with incorrect colors. If this occurs, remove the check.



## If trouble occurs

If you run into any problems using the printer, use the following guidelines to solve the problem. If the problem persists, consult your Sony dealer.

### Power

Symptom	Check	Cause/Solutions
The printer cannot be turned on.	<ul style="list-style-type: none"> <li>• Is the AC power cord properly connected?</li> <li>• Is the AC power adaptor properly connected?</li> </ul>	→ Connect one plug of the supplied AC power cord to the supplied AC power adaptor, and the other plug to the wall outlet. Then insert the plug of the AC power adaptor to the DC IN connector of the printer securely. (← pages 13, 18)
The printer cannot be turned off.		→ Keep pressing STANDBY for longer than one second until the STANDBY indicator turns to red.

### Connecting with a digital camera

Symptom	Check	Cause/Solutions
The PICTBRIDGE indicator of the printer does not light.	• Is the digital camera connected correctly?	→ Connect the cable correctly.
	• Is the printer turned on?	→ Press STANDBY to turn on the STANDBY indicator in green.
	• Does the firmware of your digital camera support the printer?	→ See the homepage for the digital camera you are using.
	• Is the PICTBRIDGE indicator of the printer flashing?	→ If a USB mouse or other non-PictBridge-compliant device is connected, remove it and connect a PictBridge-compliant device. → Disconnect the digital camera and the printer and then connect them again. Or turn off and then on the printer and the digital camera.
	• Is printing in process?	→ Connect the cable again after printing is complete.
	• Is the printer connected to the PC?	→ You cannot connect a PictBridge-compliant digital camera and the PC to the printer at the same time. Remove the USB cable of the PC and connect the digital camera again to the printer.

Symptom	Check	Cause/Solutions
An error is displayed with the digital camera and you cannot make printing.	<ul style="list-style-type: none"> <li>• Are you using the identical type of print paper and print cartridge?</li> </ul>	→ Insert the print paper whose type is identical with the print cartridge loaded. To change the type of the print cartridge, postpone printing, replace print cartridges, and then resume printing.
You cannot make a DPOF printing.		→ Some types of digital cameras do not support DPOF printing. Use another method for printing.
You cannot make a date printing.		→ The printer does not support date printing. Some types of digital cameras provide date print setting. Even if you set the date print setting effective, the date will not be printed.

## Connecting with a computer

Symptom	Check	Cause/Solutions
I lost the supplied CD-ROM and want to obtain a new one.		→ Please download the printer driver from the Customer support home page (→ page 41). Or contact your Sony dealer.
The printer driver cannot be installed.	<ul style="list-style-type: none"> <li>• Are you sure that you have followed the installation procedures correctly?</li> </ul>	→ Follow the procedures in the operating instructions to install the driver (→ page 16). If an error occurs, restart your computer and do the installation procedures again.
	<ul style="list-style-type: none"> <li>• Is another application program running?</li> </ul>	→ Exit all applications and then install the driver again.
	<ul style="list-style-type: none"> <li>• Did you specify the CD-ROM as the installation CD-ROM correctly?</li> </ul>	→ Double-click My Computer, and then the CD-ROM icon in the open window. Follow the procedures in the operating instructions to install the driver.
	<ul style="list-style-type: none"> <li>• Is the USB driver installed?</li> </ul>	→ The USB driver may not be installed properly. Follow the operating instructions to install the USB driver again.

Symptom	Check	Cause/Solutions
<p>The printer driver cannot be installed.</p>	<ul style="list-style-type: none"> <li>• Can you read the CD-ROM with Explorer?</li> </ul>	<p>→ If there is an error with the CD-ROM, you may not be able to read it. If an error message is displayed on your PC, check the contents and remove the source of the problem. Then install the printer driver again. For details on the error contents, see the operating instructions of your PC.</p>
	<ul style="list-style-type: none"> <li>• Is there an anti-virus program or other program running on the system?</li> </ul>	<p>→ If there is an anti-virus program or other program running on the system, exit it and then start installing the driver.</p>
	<ul style="list-style-type: none"> <li>• Did you log onto Windows XP/2000 Professional using an Administrator user account?</li> </ul>	<p>→ To install the driver in Windows XP/2000 Professional, log onto Windows using an Administrator user account.</p>
<p>The printer does not respond to the printing order from the PC.</p>		<p>→ Check if the ERROR indicator of the printer lights or flashes. If it does, do the following procedures, which may solve the problem:</p> <ol style="list-style-type: none"> <li>1 Turn off and then on the printer.</li> <li>2 Disconnect the AC power adaptor from the printer.</li> <li>3 Wait for 5 to 10 seconds, and then connect the AC adaptor again.</li> <li>4 Restart your computer.</li> </ol> <p>If these do not solve the problem, consult with your Sony dealer or service facilities.</p>
	<ul style="list-style-type: none"> <li>• Is an error message displayed stating that an error was detected in output of documents via USB?</li> </ul>	<p>→ Remove the USB cable and then connect it again.</p>
	<ul style="list-style-type: none"> <li>• Is a PictBridge-compliant digital camera connected to the printer?</li> </ul>	<p>→ You cannot connect a PictBridge-compliant digital camera and the PC to the printer at the same time. Remove the cable from the PICTBRIDGE connector and connect the PC again to the printer.</p>

Symptom	Check	Cause/Solutions
An image is printed with borders even if I select borderless print option.	<ul style="list-style-type: none"> <li>• Are you using an application software other than PictureGear Studio?</li> </ul>	<p>→ When using an application other than the PictureGear Studio, an image might be printed with borders even if you select borderless print. If this occurs, do either of the following to print an image without borders:</p> <ul style="list-style-type: none"> <li>– When you can set print range with an application, set an image to be printed fully in the print range even if it is printed over the range.</li> <li>– Set a larger value in the “Enlarge/Reduce” text box in the “Paper/Output” tab of the “Sony DPP-FP30 Properties” dialog box. (→ page 28)</li> <li>– If borders remain on the right and bottom sides of a printed image even after you set a larger value, check “Upper left reference”.</li> </ul>
An image is not printed in correct colors.	<ul style="list-style-type: none"> <li>• Is “Exif Print” checked in the “Graphics” tab of the “Sony DPP-FP30 Properties” dialog box?</li> </ul>	<p>→ The Exif Print setting in the “Color reproduction/Picture quality” section supports the PictureGear Studio only. To print from other application, uncheck “Exif Print”.</p>
	<ul style="list-style-type: none"> <li>• Is “ICM” selected in the “Graphics” tab of the “Sony DPP-FP30 Properties” dialog box?</li> </ul>	<p>→ The ICM setting may be valid only when you are using an ICM-compliant application. Check to see if the application software you are using supports ICM.</p>
Preview image does not reflect the print settings in the “Graphics” tab of the “Sony DPP-FP30 Properties” dialog box.	/	<p>→ The print settings adjusts the printer itself and cannot influence the preview image.</p>
Print quantity specified in the “Paper/Output” tab of the “Sony DPP-FP30 Properties” dialog box does not take effect.	<ul style="list-style-type: none"> <li>• Are you using PictureGear Studio?</li> </ul>	<p>→ Set the print quantity in the “Print” dialog box of the PictureGear Studio. The print quantity setting in the “Paper/Output” tab of the printer driver does not take effect.</p> <p>→ Depending on the application software you use, the print quantity setting of the application software may have priority over the setting specified in the printer driver dialog box.</p>

## Printing

When you place print paper in the paper tray and start printing, paper feeding error may occur: the printer does not feed paper; the printer may feed overlapped paper; or the printer may feed paper diagonally. If this occurs, check the items listed in the following symptom "Paper does not feed".

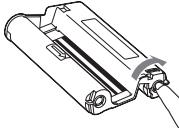
Symptom	Check	Cause/Solutions
Paper does not feed.	<ul style="list-style-type: none"> <li>• Is the print paper properly set in the paper tray?</li> </ul>	<p>→ If print paper is not properly loaded, the printer may develop trouble. Check the following:</p> <ul style="list-style-type: none"> <li>• Is the correct set of print paper and print cartridge loaded? (→ page 8)</li> <li>• Did you place print paper exceeding the limit in the paper tray? (→ page 10)</li> <li>• Did you set the tray adaptor according to the print paper size you use? (→ page 10)</li> <li>• Did you riffle the print paper thoroughly?</li> <li>• Did you bend or fold the print paper before printing?</li> </ul> <p>→ If print paper runs out during continuous printing or if you print with no print paper in the paper tray, the printer's ERROR indicator lights. Feed the print paper without turning off the power and resume printing.</p>
	<ul style="list-style-type: none"> <li>• Are you using print paper that was not designed for the printer?</li> </ul>	<p>→ Use print paper designed for the printer. If you use incompatible print paper, the printer may develop trouble. (→ page 8)</p>
	<ul style="list-style-type: none"> <li>• Is the print paper jammed?</li> </ul>	<p>→ When the printer cannot feed the print paper, the ERROR indicator flashes rapidly. Remove the paper tray and check paper jam. (→ page 41)</p>
The print paper emerges during printing in process.	<ul style="list-style-type: none"> <li>• Is it in the middle of the printing process?</li> </ul>	<p>→ The print paper may emerge a few times during printing. Do not touch nor pull the emerged paper. Wait for the print paper to be fully ejected after printing ends. Make sure to spare enough space behind the printer during printing.</p>

## Printed results

Symptom	Check	Cause/Solutions
The printed pictures are inferior in quality.	<ul style="list-style-type: none"> <li>• Did you print preview image data?</li> </ul>	<p>→ When a digital camera saves an image, a preview image may be saved along with the primary images. The printed quality of the preview images will not be as good as the primary images. Note that if you delete the preview images, the data for the primary images may be damaged.</p>
	<ul style="list-style-type: none"> <li>• Did you allow dust to get on the print cartridge?</li> </ul>	<p>→ Wipe the plastic part of the print cartridge and remove dust.</p>
	<ul style="list-style-type: none"> <li>• Did you allow dust or finger prints to get on the printed surface?</li> </ul>	<p>→ Do not touch the printing surface (the shiny-side with no imprint). Fingerprints on the printing surface may result in imperfect printing.</p>
	<ul style="list-style-type: none"> <li>• Did you use used print paper?</li> </ul>	<p>→ Do not print on used print paper. Printing an image twice on the same paper will not make the printed image thicker. Doing so could result in damages to the printer.</p>
	<ul style="list-style-type: none"> <li>• Did you use an AdobeRGB-compliant digital camera, not compatible with the DCF 2.0, to shoot an image in the AdobeRGB mode?</li> </ul>	<p>→ An AdobeRGB image file that supports the DCF 2.0 will undergo color corrections, but an AdobeRGB image file that does not support the DCF 2.0 will be printed in vague colors without color corrections.</p> <p><b>What is an AdobeRGB?</b></p> <p>An AdobeRGB is a color space that the Adobe System Incorporated employs and uses as the default setting for image processing software including the Adobe Photoshop. The AdobeRGB, an optional color space extended with the DCF 2.0, determines the color ranges widely used in printing industry.</p> <p>For whether or not a digital camera supports the AdobeRGB, see the operating instructions of the digital camera.</p>

Symptom	Check	Cause/Solutions
The picture quality and colors of the image previewed on the screen of the digital camera differs from those printed.		→ Because of differences in the phosphor method or profiles of a monitor or LCD display, please regard the image being displayed on the screen as just a reference.
The image cannot be printed fully in the print range.	<ul style="list-style-type: none"> <li>• Is the aspect ratio of the image correct?</li> </ul>	→ Depending on the type of digital camera used, the aspect ratio of the recorded image differs, so the image may not be printed covering the entire printable area.
The image is stretched horizontally when printed.	<ul style="list-style-type: none"> <li>• Did you rotate the image or add other process?</li> </ul>	→ Depending on the type of digital camera used, the image may be stretched vertically if it has been rotated or processed using your digital camera. This is not because of trouble with the printer, but because the image was rewritten with your digital camera.

## Others

Symptom	Check	Cause/Solutions
I cannot insert the print cartridge smoothly.		<p>→ If the print cartridge does not click into place, remove it and then re-insert it. Only when the ink ribbon is too slack to be loaded, wind the ink ribbon in the direction of the arrow to remove the slack. (→ page 10)</p> 
The print cartridge cannot be removed.		<p>→ Keep the paper tray inserted and turn off the STANDBY button and then turn it on. After the initial motion stops, try to remove the cartridge. If this does not solve the problem, contact Sony service facilities or your Sony dealer.</p>
The print paper is not ejected.	<ul style="list-style-type: none"> <li>• Is the ERROR indicator flashing rapidly?</li> </ul>	<p>→ Paper is jammed. See "If paper jams" (→ page 41) and remove jammed paper from the printer. If jammed paper cannot be removed, contact the Sony service facilities.</p>
	<ul style="list-style-type: none"> <li>• Does the ERROR indicator light?</li> </ul>	<p>→ Remove the print paper and resume printing. If you cannot remove the print paper, follow the procedures shown in "If paper jams" (→ page 41) and remove jammed paper from the printer.</p>
Printing stops midway.	<ul style="list-style-type: none"> <li>• Is the ERROR indicator flashing rapidly?</li> </ul>	<p>→ Paper is jammed. See "If paper jams" (→ page 41) and remove jammed paper from the printer. If jammed paper cannot be removed, contact the Sony service facilities.</p>

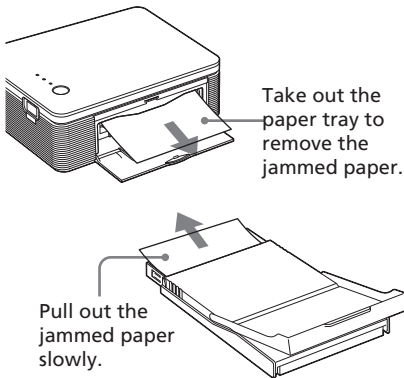


# If paper jams

If the print paper jams, the ERROR indicator lights or flashes rapidly and printing stops.

When the ERROR indicator lights, remove the print paper and resume printing.

When the ERROR indicator flashes rapidly, turn off the power with the print paper and print cartridge loaded. Then turn on the printer again. When the printer's initial loading process ends, remove the paper tray from the printer. Check if there is jammed paper in the paper outlet or feeding slot of the printer and remove the jammed paper, if any.



## Note

If you cannot remove the jammed paper, contact your Sony dealer or service facilities.

## To turn off the printer

Keep pressing STANDBY for longer than one second until the STANDBY indicator turns to red.

## Customer support home page

The latest support information is available at the following homepage addresses:

For the customers in the U.S.A.:

<http://www.sel.sony.com/SEL/service/conselec/>

For the customers in Canada:

<http://www.sony.ca/service>

For the customers in Europe:

<http://www.sonydigitallink.com/index/index.asp>

For the customers in Singapore:

<http://www.css.ap.sony.com>

### Precautions

#### On safety

- Be careful not to set or drop any heavy objects on the power cord, or to damage the power cord in any way. Never operate this printer with a damaged power cord.
- Should any solid object or liquid fall into the cabinet, unplug the printer and have it checked by qualified personnel before operating it any further.
- Never disassemble the printer.
- To disconnect the power cord, pull it out by the plug. Never pull the power cord itself.
- When the printer is not going to be used for an extended period of time, disconnect the power cord from the wall outlet.
- Do not handle the printer roughly.
- To reduce the risk of electrical shock, always unplug the printer from the electrical outlet before cleaning and servicing the printer.

#### On installation

- Avoid placing the printer in a location subject to:
  - vibration
  - high humidity
  - excessive dust
  - direct sunlight
  - extremely high or low temperatures
- Do not use electrical equipment near the printer. The printer will not work properly in electromagnetic fields.
- Do not place heavy objects on the printer.
- Leave enough room around the printer so that the ventilation holes are not blocked. Blocking these holes may cause internal heat build-up.
- Leave enough room behind the printer. If there is not enough space, printing will be failed or a problem may occur.

#### On the AC power adaptor

- Be sure to use the AC power adaptor supplied with the printer. Do not use other AC power adaptors, as this may cause a malfunction.
- Do not use an electrical transformer (travel converter), as this may cause overheating or a malfunction.
- In case the cord of the AC adaptor is disconnected or damaged, never use it any longer, as this may cause danger.

## On moisture condensation

If the printer is brought directly from a cold location to a warm location or placed in an extremely warm or humid room, moisture may condense inside the unit. In such cases the printer will probably not work properly and may even develop a fault if you persist in using it. If moisture condensation occurs, unplug the AC power cord of the printer and do not use the printer for at least one hour.

## On transport

When you transport the printer, remove the print cartridge, paper tray, AC power adaptor from the printer and put the printer and its peripherals in the original box with the protective packaging.

If you no longer have the original box and packing parts, use similar packing material so that the printer will not be damaged while being transported.

## On cleaning

Clean the cabinet, panel and controls with a soft dry cloth, or a soft cloth lightly moistened with a mild detergent solution. Do not use any type of solvent, such as alcohol or benzine, which may damage the finish.

## On restrictions on duplication

If duplicating documents with the printer, pay special attention to the following:

- Duplication of banknotes, coins, or securities is against the law.
- Duplication of blank certificates, licenses, passports, private securities, or unused postal stamps is also against the law.
- TV program, films, video tapes, others' portraits or other materials may be copyrighted. Unauthorized video printing of such materials may infringe the provisions of the copyright law.

---

# Specifications

## ■ Printer

### Printing method

Dye sublimation printing (Yellow /  
Magenta/Cyan 3 pass)

### Resolution

300 dpi x 300 dpi

### Image processing per dot

256 levels (8 bits for each Yellow /  
Magenta/Cyan), approx. 16 770 000 colors

### Printing size

Post Card (4 x 6 inch) size:

101.6 x 152.4 mm (maximum,  
borderless)

3.5 x 5 inch size\*1:

89 x 127 mm (maximum, borderless)

### Printing time (per sheet)

Post Card (4 x 6 inch) size: approx. 90  
seconds

3.5 x 5 inch size\*1: approx. 80 seconds  
(excluding the time for data  
processing and data transferring from  
the computer or digital camera.)

### Input/Output connectors

USB connector (1)

PICTBRIDGE connector (1)

### Compatible image file formats\*2

JPEG: DCF\*3 2.0 compatible, Exif\*4 2.21  
compatible

### Maximum number of pixels to be handled

JPEG: 10 000 (H) x 7 500 (V) dots

### Print cartridge/Print Paper

See "Preparing the printing pack (not  
supplied)" on page 8.

### Power requirements

DC IN jack, DC 24V

(On standby mode, less than 1W)

### Operating temperature

5 °C to 35 °C (41 °F to 95 °F)

### Dimensions

Approx. 175 x 60.5 x 137 mm

(7 x 2 1/2 x 5 1/2 inches)

(w/h/d, excluding protruding parts)

(400 mm (15 3/4 inches) of depth when  
the paper tray is installed.)

### Mass

Approx. 950g (2 lb 2 oz)

(excluding the 100 g (4 oz) paper tray)

### Supplied accessories

See "Checking the contents of the  
package" on page 7.

## ■ AC power adaptor

### Power requirements

AC 100 to 240 V, 50/60 Hz, 1.5 to 0.75 A

### Rated output voltage

DC 24 V, 2.2 A

### Operating temperature

5 °C to 35 °C (41 °F to 95 °F)

### Dimensions

Approx. 60 x 30.5 x 122 mm

(2 3/8 x 1 1/4 x 4 7/8 inches)

(w/h/d, excluding protruding parts)

### Mass

Approx. 305 g (11 oz)

Design and specifications are subject to  
change without notice.

\*1: In some regions, 3.5 x 5 inch size print  
paper is not sold.

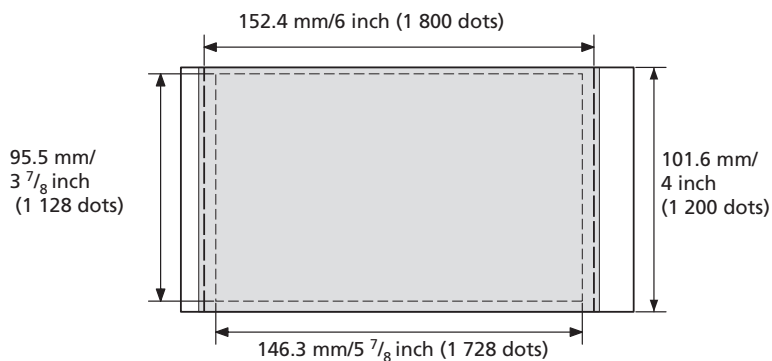
\*2: Some special file types are not  
compatible.

\*3: "DCF" stands for Design rule for  
Camera File system.

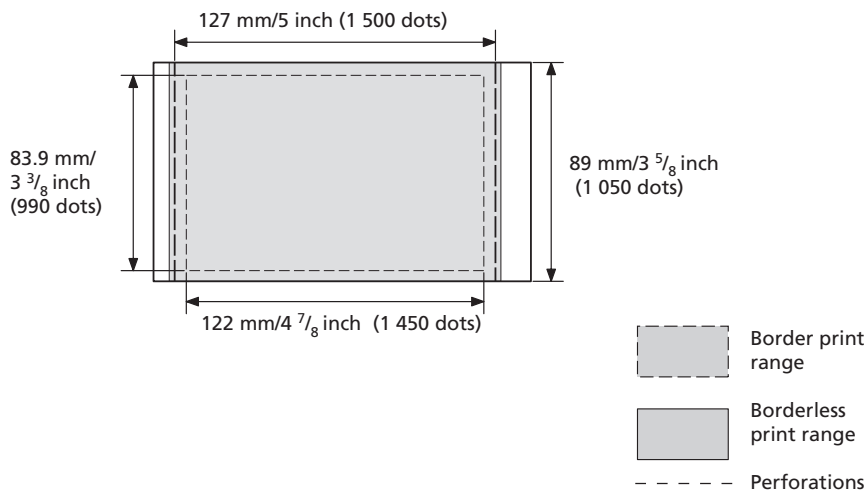
\*4: "Exif" is an image file format  
containing an image data added with its  
thumbnail data for viewing, shot date  
data and the shooting conditions data.

## Printing range

### Postcard size



### 3.5 x 5 inch size



The above illustrations are those when an image with a 2:3 aspect ratio is printed. The printing range differs for a border or a borderless print.

#### Note

In some regions, 3.5 x 5 inch size print paper is not sold.

---

# Glossary

## Auto Fine Print 3

The function automatically corrects the picture quality so that an image may be printed in more vivid, clear and beautiful pictures. It is especially effective for a darker image with low contrast. The pictures are corrected to reproduce natural skin colors, vivid tree leaf green, or clear sky blue.

## DCF (Design rule for Camera File system)

The standard specified by JEITA (Japan Electronics and Information Technology Industries Association) to maintain the file exchangeability and compatibilities between digital cameras and related products.

## Exif 2.21 (Exif Print)

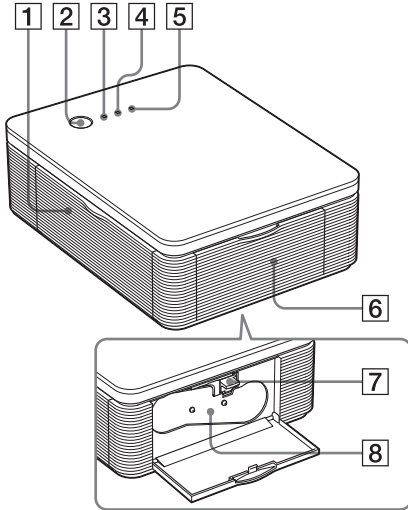
Exif (Exchangeable image file format for digital cameras) Print is a global standard for digital photo printing. A digital camera supporting Exif Print stores the data relevant to the conditions of shooting as each shot is taken. The printer utilises the Exif Print data stored in each image file to ensure the printed result matches the original shot as closely as possible<sup>\*1</sup>.

\*1 When the "Auto Fine Print 3" is enabled and an image (JPEG file) is shot by an Exif Print (Exif 2.21)-compliant digital camera, the image is automatically adjusted to its optimum picture quality and printed.

## PictBridge

A standard specified by Camera & Imaging Products Association that allows you to connect PictBridge-complaint digital camera directly to the printer without a PC, enabling direct printing on the spot.

# Identifying the parts



For details, see the pages indicated in the parentheses.

## Printer

### 1 Paper tray compartment lid (pages 12)

### 2 STANDBY button (pages 13, 18)

- To turn on the printer, press STANDBY to turn on the STANDBY indicator in green.
- To turn off the printer, keep pressing STANDBY for more than one second until the STANDBY indicator turns in red.

### 3 STANDBY indicator (pages 13, 18)

- Lights in red: The printer is in the standby mode.
- Lights in green: The printer is powered on.
- Flashes in green: Printing is in process.

### 4 PICTBRIDGE indicator (page 14)

- Lights: The printer is being connected to a PictBridge-compliant digital camera.
- Flashes: A device that does not support the PictBridge feature is connected. Or, the image to be printed is damaged.

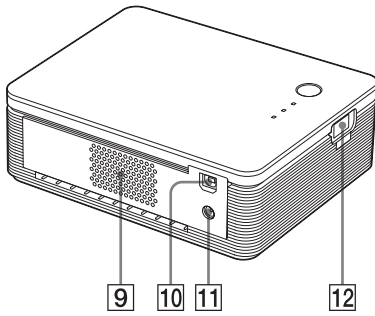
### 5 ERROR indicator (pages 9, 35, 37, 41)

- Lights: The paper tray is not inserted. No print paper is in the paper tray. Paper remains in the printer. Print paper is running out.
- Flashes slowly: The print cartridge ends. No print cartridge is inserted.
- Flashes rapidly: Paper is jammed. Malfunction occurs with the printer.

### 6 Cartridge compartment lid (pages 9)

### 7 Print cartridge eject lever (page 9)

### 8 Print cartridge (Not supplied)



**9 Ventilation holes**

**10 USB connector (page 19)**

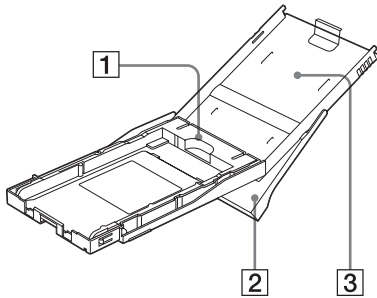
Connects to the USB connector of your PC.

**11 DC IN jack (pages 13, 18)**

Insert the AC power adaptor supplied here, and then connect the AC power adaptor and the wall outlet with the supplied AC power cord.

**12 PICTBRIDGE connector (page 14)**

Connect the PictBridge-compliant digital camera.



**Paper tray**

**1 Tray adaptor (page 11)**

Use the adaptor only when you feed 3.5 x 5 inch size paper into the paper tray.

**Note**

In some regions, 3.5 x 5 inch size print paper is not sold.

**2 Paper eject tray (page 10)**

**3 Paper tray lid (page 10)**



# Index

## Symbols

3.5 x 5 inch size 8

## A

AC power adaptor  
7, 13, 18

AC power cord 7, 13, 18

Auto Fine Print 3 6, 46

## B

Border/borderless print  
27

## C

Cartridge compartment  
lid 9

Cleaning

Outsides the printer 43

Connecting

Computer 19

PictBridge-compliant  
digital camera 13

To AC outlet 13, 18

## D

DC IN jack 13, 18

DCF (Design rule for  
Camera File system) 46

## E

Eject lever 9

Enlarge/reduce 28

ERROR indicator  
9, 35, 37, 41

Exif Print 6, 27, 29, 46

## F

Features 6

## I

ICM 29

Inserting

Print cartridge 9

Installing

Picture Gear Studio 22

Printer driver 16

System requirements  
15

## M

Moisture condensation  
43

## O

Operation flows 5

Operation modes 5

Orientation 27

Overview 5

## P

Paper jams 41

Paper size 8, 27

Paper tray 10, 48

PC mode 5, 19

PictBridge 5, 13, 46

PICTBRIDGE indicator  
14

Picture quality 28, 30

Post card size 8

Preview 31

Print cartridge 8, 9

Print paper 8, 10

Print Setting 30

Printing

From a PictBridge-  
compliant digital  
camera 13

From your PC 25

Printing pack 8

Printing range 45

Printing surface 11, 38

## R

Red-eye reduction 29

Restrictions on  
duplication 43

## S

STANDBY indicator  
13, 18

Stop printing 31

Super Coat 2 6

Supplied accessories 7

System requirements 15

## T

Transport 43

Troubleshooting 33

## U

Uninstalling

Picture Gear Studio 24

Printer driver 20

USB connector 19





