



For problems or questions, DO NOT return this product to the store. Contact your Customer Service Agent.

En cas de problèmes ou pour des questions, NE PAS retourner ce produit au point de vente. S'adresser au préposé du Service à la clientèle en composant.

Para problemas o preguntas, NO devolver este producto a la tienda. Contacte a su Agente de Servicio al Cliente.

McCULLOCH U.S.A
10715 Springdale Avenue, Unit 2
Santa Fe Springs,
CA 90670
U.S.A

For Consumer Assistance Please Call
L'Aide Du Consommateur Necessitez S'il Vous Plait
Para La Ayuda Del Consumidor Llame Por Favor



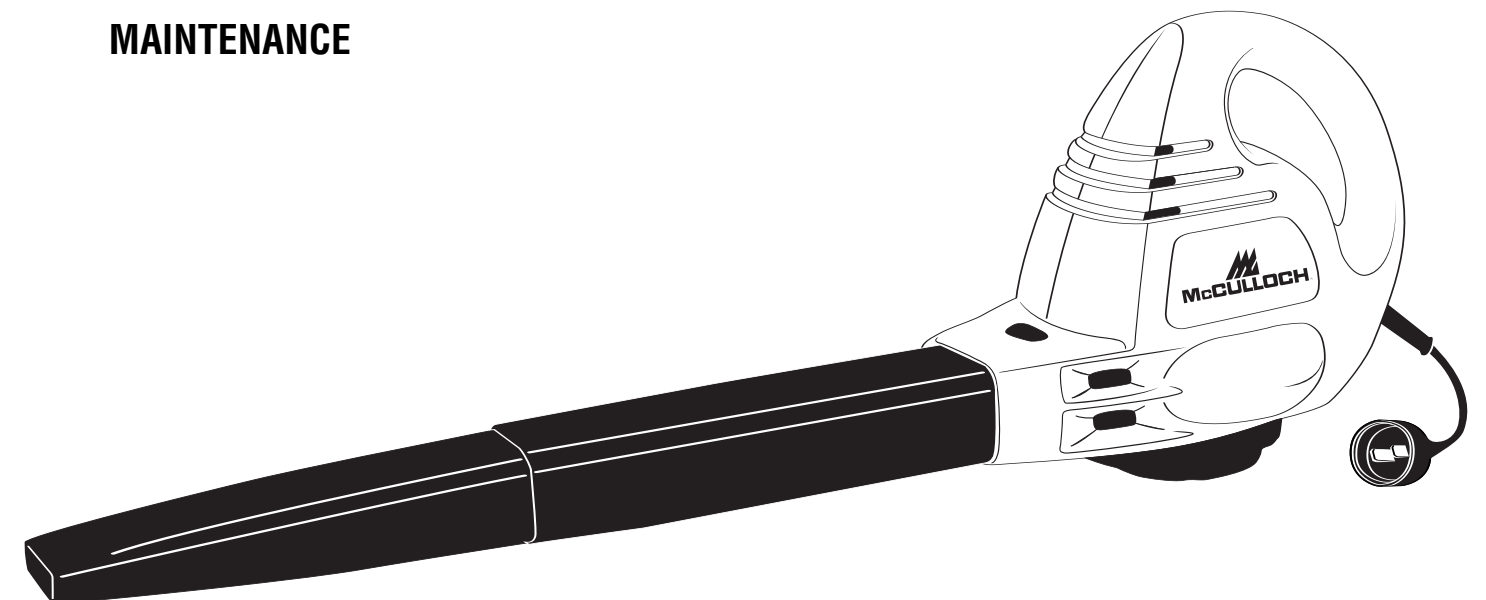
U.S.A. & CANADA
1-800-521-8559

Made in China / Fabriqué à Chine / Hecho en China

USER MANUAL Electric Blower

Model : MCB2203

SAFETY
OPERATION
MAINTENANCE



 DOUBLE INSULATED

WARNING

Read all safety instructions carefully before attempting to operate. Retain for future reference.

INTRODUCTION

PLEASE READ

Dear Customer,

Thank you for purchasing a McCulloch product. With proper operation and maintenance, it will provide you with years of service.

In order to make the best use of your investment, be **CERTAIN** to familiarize yourself with the contents of the **ENTIRE** user manual before attempting to operate and maintain your unit.

Be sure to carefully follow the step-by-step instructions in this manual to start, operate and maintain your new product.

In the manual there will be the following call-outs: **NOTE:**, **WARNING / CAUTION** and **WARRANTY**.

A **NOTE:** is used to convey additional information, to highlight a particular explanation, or to expand a step description.

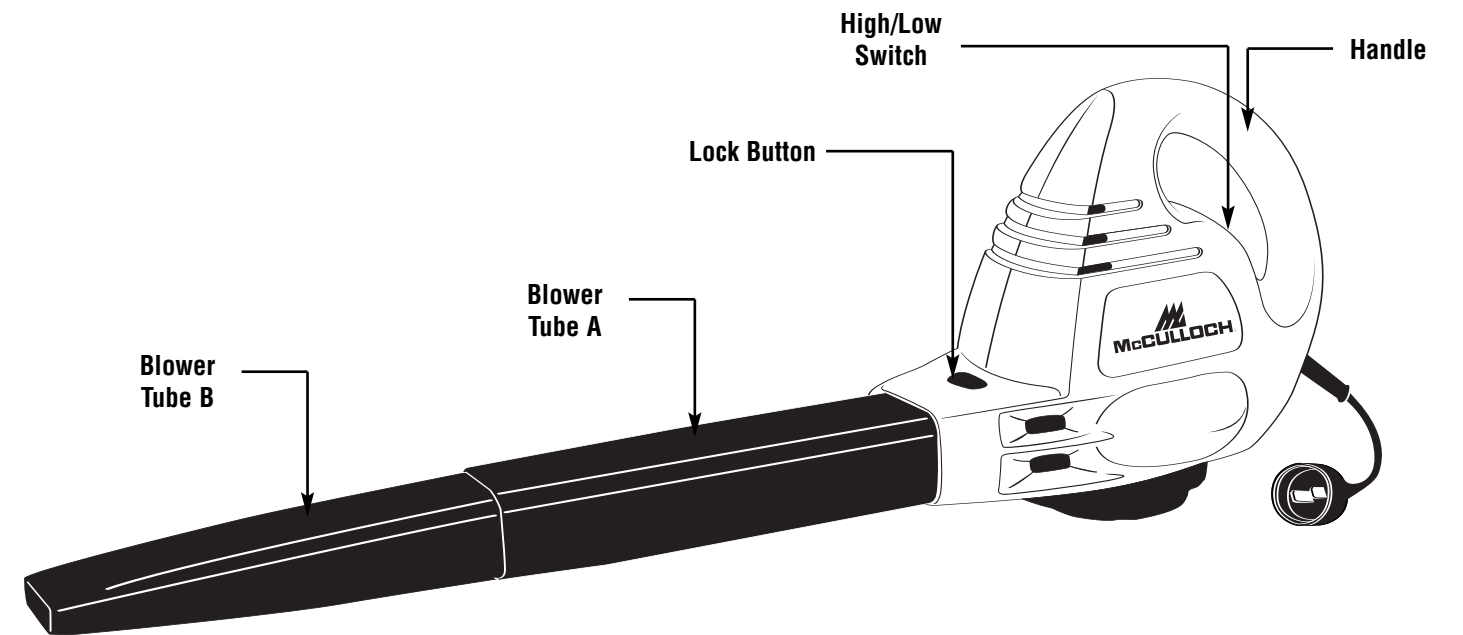
A **WARNING** or **CAUTION** identifies a procedure which, if not undertaken or if improperly done, can result in serious personal injury and/or damage to the unit.

The **W** (**WARRANTY SYMBOL**) serves notice that unless instructions or procedures are followed, any damage caused will void the warranty and repairs will be at owner's expense.

Pay particular attention to the safety precautions. They are written for your protection and contain important information you must know to safely operate your Blower.

FOR WARRANTY OR SERVICE CONTACT THE NEAREST McCULLOCH AUTHORIZED SERVICE CENTER - LOCATE YOUR NEAREST SERVICE CENTER BY CALLING THE TOLL FREE NUMBER IN THIS MANUAL.

1 - GENERAL INFORMATION



SPECIFICATIONS

Input120V~, 60Hz,7.0Amp
No Load Speed	
High15,060/min.
Low12,100/min.
Air Velocity145 MPH
Air Volume220 CFM
Net Weight2.8 Kg (6.2 Lbs)

2 - SAFETY PRECAUTIONS

PLEASE READ - SAVE THESE INSTRUCTIONS

When using a power blower basic precautions should always be followed to assure maximum safety and optimum performance. Read this manual before assembling and operating this power blower. Failure to comply with instructions may result in electrical shock, burns, fire, or personal injury.

WARNING

2-1. TO REDUCE THE RISK OF ELECTRIC SHOCK:

1. Use only with an extension cord intended for outdoor use. Match wire gauge to the cord length. See "Extension Cord" chart (Table 1 - page 11). A two-wire cord without a ground connection may be used since the power blower is double insulated.
2. Do not abuse cord. Never carry power blower by cord or pull cord to disconnect from outlet. Grasp the plug, not the cord.
3. Keep cord clear of operator and obstacles at all times. Do not expose cord to heated surfaces, oil, water, or pull around sharp edges, corners, or close door on cord.
4. Avoid unintentional starting. Be sure the switch is in the "OFF" position while connecting and disconnecting to a power supply. Do not carry plugged-in power blower with finger on the switch.
5. Place switch in the "OFF" position and disconnect power blower from power supply when not in use and before servicing.

WARNING

2-2. TO REDUCE THE RISK OF BURNS, FIRE, ELECTRIC SHOCK, OR PERSONAL INJURY:

1. Do not allow unit to be used as a toy or to run unattended at any time. Keep children away.
2. Do not use accessories or attachments except as recommended and provided by McCulloch Corporation. Use this power blower only for its intended use as described in this manual.
3. Never power blower if the cord or plug has been damaged, the motor or the unit itself is not working as it should, or it has been dropped, damaged, left outdoors or dropped into water.
4. This power blower is provided with double insulations. There are no serviceable parts inside.
5. Never operate the power blower in wet or damp conditions or around swimming pools, hot tubs, etc. Do not use to blow snow.

6. Do not handle plug, cord or power blower with wet hands.
7. Inspect power blower for any damage to the housing, cord or plug. Keep all fasteners tight.
8. Do not use if the switch does not turn the power blower on and off properly.
9. Keep everyone, especially children and pets, away from the area of operation. Never allow children to operate the power blower. Turn off unit immediately if you are approached.
10. Always inspect the area before starting the power blower to remove debris and hard or sharp objects that can be blown or cause damage during operation.
11. Do not overreach or use from unstable surfaces such as ladders, trees, steep slopes, rooftops, etc. Keep firm hold of handle and walk, never run. Keep firm footing and balance at all times.
12. Never blow debris in the direction of bystanders or solid objects. The force of the air can cause objects to be blown or ricochet which can harm people. Never place objects inside blower tubes.
13. Never operate with any air openings blocked. Keep air openings free of dust, lint, hair and anything that may reduce air flow. Do not plug anything into openings or blower tubes.
14. Never use the power blower for spreading chemicals, fertilizer, or any other substances that may contain toxic materials. Do not use power blower as a sprayer of flammable liquids.
15. Keep hair, face, fingers and loose clothing away from any openings.
16. Use extra care when using on stairs.
17. Do not use in the presence of flammable liquids or gases, smoking or burning materials to avoid creating a fire or explosion.
18. Avoid dangerous environments. Do not use in unventilated areas or where dust or explosive vapors can build up.

WARNING

ELECTRIC SHOCK COULD OCCUR IF USED ON WET SURFACES. DO NOT EXPOSE TO RAIN. STORE INDOORS.

WARNING

ALWAYS WEAR EYE PROTECTION TO PREVENT ROCKS OR DEBRIS FROM BEING BLOWN OR RICOCHETING INTO THE EYES OR FACE WHICH CAN RESULT IN BLINDNESS OR OTHER SERIOUS INJURY.

SAVE THESE INSTRUCTIONS

2 - SAFETY PRECAUTIONS

2-3. OPERATING INSTRUCTIONS

1. Always wear safety goggles or other suitable eye protection.
2. Always wear long pants, shoes and gloves. Do not wear loose clothing, jewelry, short pants, sandals, or go barefoot.
3. Always wear a respirator or face mask when working with the blower in a dusty environment.
4. Always inspect the area before starting the power blower to remove debris and hard or sharp objects that can be blown or cause damage during operation.
5. Never operate this power blower when you are tired, ill or under the influence of alcohol, drugs or medication.

6. Use only 120 A.C. voltage supply as shown on the nameplate of the power blower.
7. Always run the power blower with the blower tubes attached to the unit.
8. This power blower is intended for household use.
9. Don't force power blower - it will do the job better and with less likelihood of a risk of injury at the rate for which it was designed.

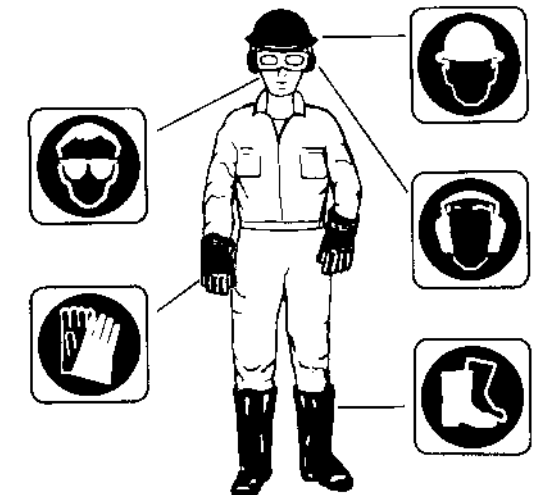
2-4. INTERNATIONAL SYMBOLS

Use of these personal safety items is highly recommended to reduce the risk of accidental injury.



2-1

Read the User Manual.



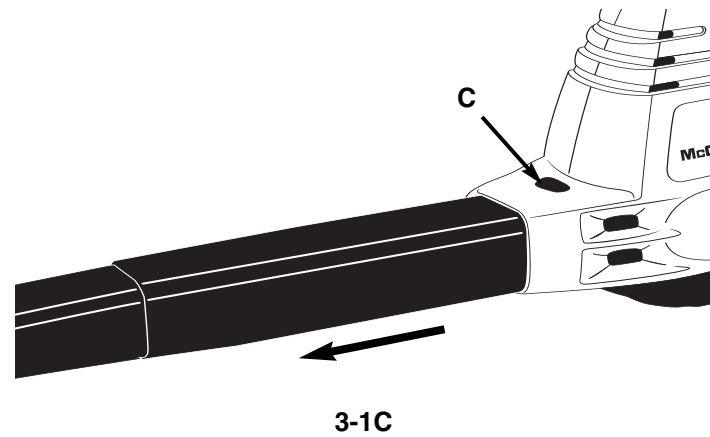
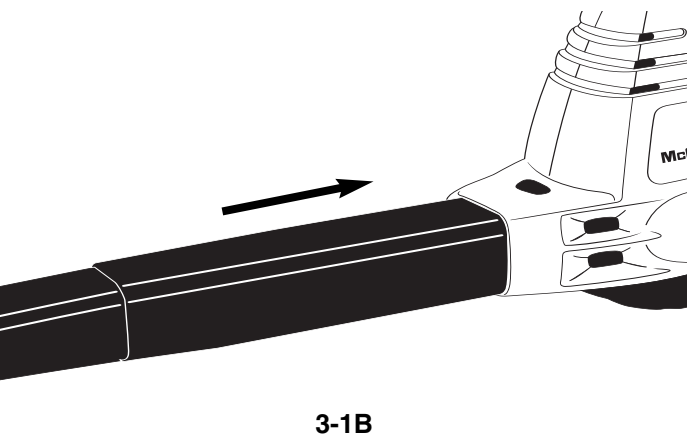
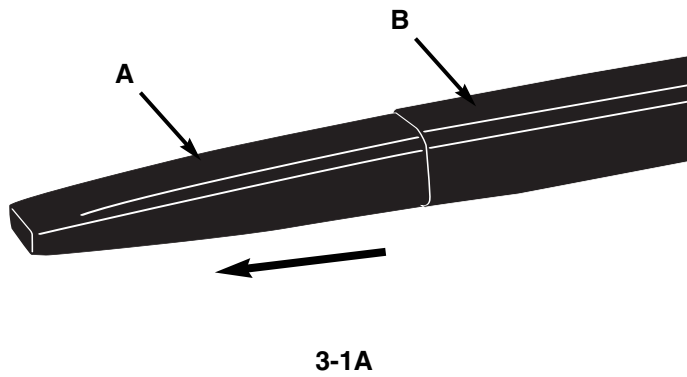
2-2

3 - ASSEMBLY INSTRUCTIONS

Remove blower from carton and examine it thoroughly to make sure it is not damaged. This electric blower requires no tools for assembly. Read your User manual carefully before assembly and operation.

3-1. BLOWER ATTACHMENT ASSEMBLY

1. Pull the blower tube (A) from (B), till it's engaged. (Fig. 3-1A)
2. With a slight twisting motion, slide the larger width end of the blower tube, with the cut-out notch on top, into the blower outlet until it clicks in place.
3. To pull out the blower tube just press the red button (C) and the blower tube will pull out. (Fig. 3-1C)



4 - OPERATING INSTRUCTIONS

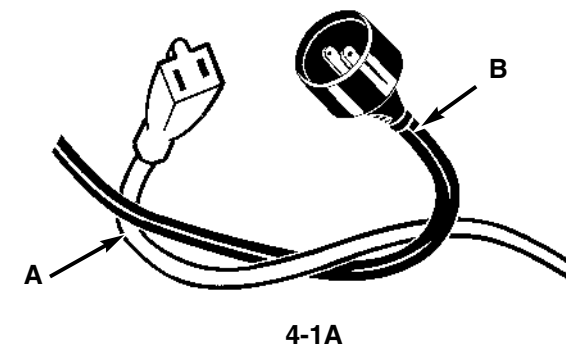
4-1. EXTENSION CORD

MINIMUM WIRE GAUGE RECOMMENDATIONS		
VOLTS	EXTENSION CORD LENGTH	WIRE SIZE REQUIRED
120	25 feet / 7.5m	18 A.W.G.*
	50 feet / 15m	16 A.W.G.*
	100 feet / 30m	16 A.W.G.*

*American Wire Gauge

Table 1

1. When using the power blower, an extension cord of adequate size must be used for safety, and to prevent loss of power and overheating. See Table 1.
2. The extension cord must be specifically designed for outdoor use and marked "SW-A", "SOW-A", "STW-A", "STOW-A", "SJW-A", "SJOW-A", "SJTOW-A", "SJTW-A", or "SJTW".
3. Inspect extension power cord for loose or exposed wires and damaged insulation. If damaged, replace before using power blower.
4. To reduce the risk of electric shock, this power blower has a polarized plug (one blade is wider than the other). This plug will fit in a polarized extension cord only one way. If the plug does not fit fully in the extension cord, reverse the plug. If it still does not fit, do not use that extension cord. Do not change the plug in any way.
5. Secure the extension cord (A) to the power supply cord (B) as shown in Figure 4-1A. Devices for retaining extension cords may also be obtained at your local hardware store.

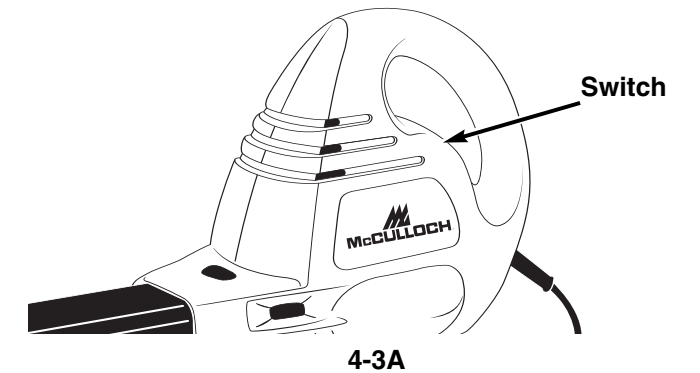


4-2. OPERATING TIPS

1. Always work moving away from solid objects such as walls, large stones, automobiles and fences.
2. Clean spaces with corners by starting in corners and moving outward to straight areas to prevent an accumulation of debris which could fly into face.
3. Be careful when working near valuable plants. The force of air could damage tender plants.
4. Uses for your blower:
 - Sweeping debris or grass clippings from driveways, sidewalks, patios, parks, parking lots, barns, etc.
 - Gathering grass clippings, straw or leaves into piles.
 - Removing debris from corners, around joints and between bricks.

4-3. SWITCH

Press "o" Off, "1" Low Speed, "2" High Speed. (Fig. 4-3A)



5 - MAINTENANCE INSTRUCTIONS

5-1. MAINTENANCE

SERVICING DOUBLE-INSULATED POWER EQUIPMENT
In this double-insulated power blower, two systems of insulation are provided instead of grounding. No grounding means is provided on a double-insulated power blower, nor should a means for grounding be added to the power blower. There are no serviceable parts inside. A double-insulated power blower is marked with the words, "DOUBLE INSULATION" or "DOUBLE INSULATED". □ The symbol (square within a square) may also be marked on the power blower.

1. Place switch in "OFF" position and unplug the power supply before the power blower is serviced, cleaned or maintenance is performed.
2. Keep air intake clean and air vents free of debris to avoid overheating the motor.
3. Clean with a damp sponge and mild soap. Do not squirt with a water hose or douse with water or other liquids.
4. If the blower vibrates abnormally, stop motor immediately. Abnormal vibration usually indicates a mechanical problem and continued operation could lead to injury or damage to the blower.
5. No lubrication is necessary as the motor is equipped with lifetime lubricated bearings.
6. If the blower does not operate, turn switch to "OFF" position and disconnect extension from power supply first, then from blower. Check power supply for blown fuses or tripped circuit breakers. If the blower still does not operate, contact the McCulloch Product Service Department through the Toll-Free number (listed on back cover) for service information. Do not attempt to repair it yourself. There are no serviceable parts inside.

5-2. STORAGE

1. Clean blower before storing.
 - Free debris from air intake.
 - Clean plastic parts with a mild soap and sponge dampened with warm water.
 - Do not spray blower with water.
2. Store indoors in a dry area out of reach of children.

WARNING

DO NOT EXPOSE TO RAIN. AVOID ALL TYPES OF DETERGENTS, CLEANERS OR SOLVENTS. NEVER SUBMERGE IN WATER OR OTHER LIQUIDS.

3. Do not leave extension cord lying on the ground once you have finished using the power blower. It can become a tripping hazard.
4. When not in use, store your power blower indoors in a dry place out of reach of children.

6 - ONE YEAR LIMITED WARRANTY

1. DURATION

The duration of the warranty for this McCulloch product is as follows: ONE (1) YEAR from date of original purchase only when used for personal, family, household, farm or ranch, purposes, provided the unit is not used for rental purposes; NINETY (90) DAYS from date of original purchase when used for commercial, professional, institutional or rental purposes. This warranty gives you specific legal rights. You may also have other rights which vary from state to state. MCCULLOCH CORPORATION HEREBY DISCLAIMS ALL IMPLIED WARRANTIES AFTER THE APPLICABLE EXPIRATION DATES OF THIS EXPRESS LIMITED WARRANTY. (Some states do not allow limitations on how long an implied warranty lasts, so the above limitations may not apply to you.)

2. WHO GIVES THIS WARRANTY

McCulloch U.S.A 1-800-521-8559
10715 Springdale Avenue, Unit 2, Santa Fe Springs, CA 90670 USA

3. WHO RECEIVES THIS WARRANTY

- A. The buyer (other than for purposes of resale) of the McCulloch Product.
- B. Any person to whom such product is lawfully transferred within the duration of the implied or written warranty applicable to the product.
- C. Any other person who is entitled by the terms of the warranty or under applicable state law to enforce against the Warrantor the obligation of the warranty.
(The above mentioned parties are hereinafter referred to as "User.")

4. WHAT IS COVERED UNDER THIS WARRANTY

Any failure that occurs within the applicable duration of the warranty period that is the result of defects in materials or workmanship.

5. WHAT IS NOT COVERED UNDER THIS WARRANTY

- A. Any incidental or consequential damages that may result from the failure or malfunction of the McCulloch product. (Some states do not allow the exclusion or limitation of incidental or consequential damages, so these limitations may not apply to you.)
- B. Any failure that results from an accident, User abuse, neglect or failure to operate the product in accordance with the instructions provided in the User Manual(s) supplied with the product, or that results from improper servicing by an unauthorized repair facility.
- C. Normal adjustments which are explained in the User Manual(s) provided with the product.
- D. Any component(s) or accessories not sold or manufactured by the Warrantor.
- E. Predelivery setup or assembly of units.
- F. This warranty does not apply to accessories, normal maintenance or adjustment(s) of the product set forth in the User Manual(s).

6. RESPONSIBILITIES OF THE WARRANTOR UNDER THIS WARRANTY

- A. Repair or replace components which have failed within the duration of the applicable warranty period at no cost to the User.
- B. Ensure that the authorized repair station is reimbursed for parts and labor costs incurred due to performance of a warranty repair in accordance with established warranty policies and procedures.

7. RESPONSIBILITIES OF THE USER UNDER THIS WARRANTY

- A. The User must deliver or ship the McCulloch product covered under this warranty to the dealer from whom it was originally purchased or to the nearest Authorized Service Center. **Proof of purchase is required.**
- B. Freight costs, if any, will be borne by the user.
- C. Use reasonable care in maintenance, operations and storage of the product as explained in the User Manual(s).

8. WHEN WARRANTOR WILL PERFORM OBLIGATION UNDER THIS WARRANTY

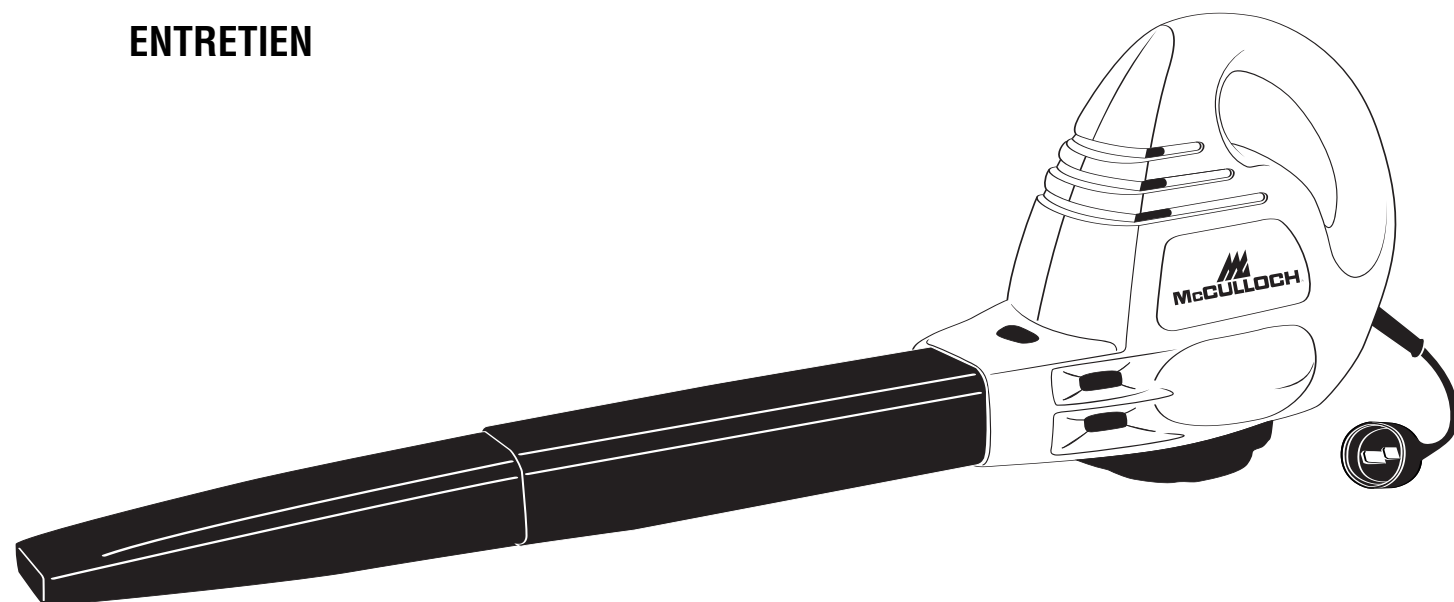
- A. Repair of warrantable products will be scheduled according to the normal work flow at the servicing location, depending on the availability of replacement parts.
- B. Repair time which exceeds ten (10) days from the time the product was delivered to the servicing agent will extend the warranty coverage by the number of days the product remains inoperable.
- C. If User does not receive satisfactory results from local servicing outlet, User must contact McCulloch Corporation, by calling our toll-free telephone number.



MANUEL D'UTILISATION Sofleur Électrique

Modèle : MCB2203

**SECURITE
FONCTIONNEMENT
ENTRETIEN**



DOUBLE ISOLATION

ATTENTION

Lire complètement les instructions avant d'utiliser. Conserver pour future référence.

INTRODUCTION

A LIRE ATTENTIVEMENT

Cher client,

Merci de votre achat d'un produit McCulloch. Correctement utilisé et entretenu, il vous procurera des années de satisfaction.

Il est **IMPERATIF** que vous preniez connaissance de **LA TOTALITE** du contenu de ce manuel avant d'utiliser l'outil ou de procéder aux opérations d'entretien.

Conformez-vous scrupuleusement aux instructions et illustrations étape par étape concernant le démarrage, l'utilisation et l'entretien de votre nouvel outil.

Ce manuel contient également des mises en gardes et informations intitulées: **REMARQUE, AVERTISSEMENT / ATTENTION** et **G GARANTIE**.

Une **REMARQUE** est destinée à fournir des informations complémentaires, éclaircir un point particulier ou expliquer une étape plus en détail.

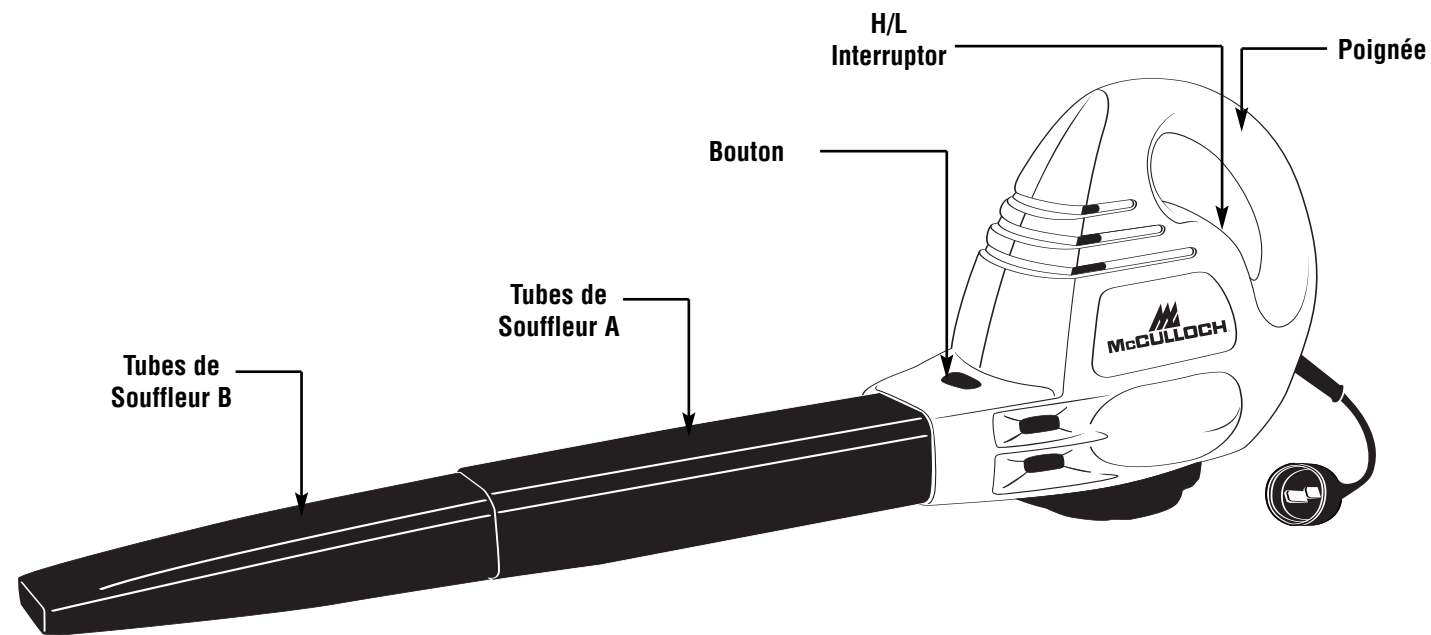
Un **AVERTISSEMENT** ou **ATTENTION** est utilisé pour identifier une procédure qui, si elle est négligée ou incorrectement exécutée, peut entraîner des dommages matériels et/ou corporels graves.

Le **G (SYMBOLE DE GARANTIE)** indique que si les procédures ou instructions ne sont pas respectées, les dommages ne seront pas couverts par la garantie et les réparations seront à la charge du propriétaire.

Les précautions de sécurité sont pour votre protection; Veuillez les lire attentivement; vous devez connaître ces importants renseignements afin d'utiliser correctement votre souffleur électrique.

POUR OBTENIR UN SERVICE SOUS GARANTIE, CONTACTEZ LE CENTRE DE SERVICE AUTORISÉ McCULLOCH LE PLUS PROCHE DE CHEZ VOUS - TROUVEZ-LE EN APPELANT LE NUMÉRO SANS FRAIS INDIQUÉ DANS CE MANUEL.

1 - GENERALITES



CARACTERISTIQUES

Puissance	120V~, 60Hz, 7,0Amp
Vitesse à vide	
Élevée	15,060/min.
Basse	12,100/min.
Vélocité d'air	145 MPH
Volume d'air220 CFM
Poids Net2.8 Kg (6.2 Lbs)

2 - MEASURES DE SECURITE

LIRE ET CONSERVER CES INSTRUCTIONS

En utilisant un souffleur électrique, des précautions de base doivent toujours être suivies pour assurer une sécurité maximale et des performances optimales. Lisez ce manuel avant d'assembler et de faire fonctionner ce souffleur. Ne pas respecter les instructions peut aboutir à une électrocution, des brûlures, un incendie, ou des blessures personnelles.

AVERTISSEMENT

2-1. POUR REDUIRE LES RISQUES DE CHOC ELECTRIQUE:

1. Utilisez seulement avec un prolongateur destiné à une utilisation extérieure. Faites correspondre la jauge du fil et la longueur du cordon. Voir le tableau "Prolongateur" (Tableau 1 - page 11). Un cordon à 2 fils sans connexion à la masse peut être utilisé puisque ce souffleur électrique est doublement isolé.
2. Ne maltraitez pas le cordon. Ne transportez jamais le souffleur par le cordon et ne tirez jamais sur le cordon pour le débrancher de l'embase. Saisissez la fiche, pas le cordon.
3. Le cordon doit toujours être tenu à l'écart de l'opérateur et des obstacles. Ne pas exposer le cordon à des surfaces chaudes, de l'huile ou de l'eau. Ne pas tirer le cordon autour d'angles vifs, de coins et veiller à ne pas le coincer dans une porte en la fermant.
4. Évitez le démarrage involontaire. Assurez-vous que l'interrupteur est en position "OFF" (ARRÊT) en branchant ou débranchant de l'alimentation électrique. Ne transportez pas le souffleur branché avec le doigt sur le commutateur.
5. Placez l'interrupteur en position "OFF" (ARRÊT) et débranchez le souffleur de l'alimentation électrique lorsqu'il n'est pas utilisé et avant maintenance.

AVERTISSEMENT

2-2. POUR REDUIRE LES RISQUES DE BRULURES, D'INCENDIE, DE CHOC ELECTRIQUE OU DE BLESSURES:

1. Ne jamais laisser l'appareil sans surveillance ou être utilisé comme jouet. Tenir les enfants à l'écart.
2. N'utilisez pas d'accessoires hormis ceux recommandés et fournis par McCulloch Corporation. N'utilisez ce souffleur que pour ce pour quoi il a été prévu, comme décrit dans le présent manuel.
3. N'utilisez jamais le souffleur si le cordon ou la prise a été endommagé, si le moteur ou l'appareil lui-même ne fonctionne pas comme il le devrait, ou s'il est tombé, endommagé, s'il est resté dehors, ou s'il est tombé dans l'eau.

4. Ce souffleur est fourni avec une isolation double. Il n'y a aucune pièce réparable à l'intérieur.
5. N'utilisez jamais le souffleur in dans des conditions humides, près de piscines ou de spa, etc. Ne l'utilisez pas pour souffler la neige.
6. Ne manipulez pas la prise, le cordon ni le souffleur avec des mains humides.
7. Inspectez le souffleur pour les dégâts sur le boîtier, le cordon ou la prise. Maintenez toutes les fixations serrées.
8. N'utilisez pas si le commutateur n'allume pas ou n'éteint pas le souffleur correctement.
9. Tenez tout le monde, surtout les enfants et les animaux domestiques, à l'écart de zone d'utilisation. Ne laissez jamais d'enfants utiliser le souffleur. Éteignez l'unité immédiatement si on s'approche de vous.
10. Inspectez toujours la zone avant de démarrer le souffleur pour enlever les débris et les objets durs ou tranchants qui pourraient être projetés et causer des dégâts pendant l'utilisation.
11. Ne pas tenir l'appareil à bout de bras ou l'utiliser en se tenant sur un endroit instable tel qu'une échelle, une branche d'arbre, une forte déclivité, un toit, etc. Maintenir fermement l'appareil par les poignées et avancer en marchant, jamais en courant. Toujours se tenir bien campé et en position d'équilibre.
12. Ne jamais souffler les débris dans la direction de personnes ou d'objets. La force de l'air risque de projeter les débris et de blesser quelqu'un. Ne jamais placer un objet quelqu'il soit à l'intérieur du tube du souffleur.
13. Ne jamais utiliser l'appareil si les trous de ventilation sont obstrués. Veiller à ce que les aérations soient toujours exemptes de poussières, de peluches, cheveux ou autres matériaux susceptibles de bloquer le flux d'air. Ne jamais rien placer dans les aérations ou les tubes du souffleur.
14. Ne jamais utiliser l'appareil pour répandre des produits chimiques, des engrais ou toute autre substance susceptible de contenir des produits toxiques. Ne pas utiliser cet appareil pour vaporiser des liquides inflammables.
15. Tenir les cheveux, le visage, les doigts et les vêtements à l'écart des ouvertures.
16. Procéder avec précautions lors du balayage de marches d'escalier.
17. Pour éviter les risques d'incendie ou d'explosion, ne pas utiliser à proximité de liquides ou de gaz inflammables.
18. Éviter les environnements dangereux. Ne pas utiliser dans des locaux non aérés ou des endroits où des poussières ou vapeurs explosives risquent de s'accumuler.

2 - MEASURES DE SECURITE

AVERTISSEMENT

L'USAGE SUR DES SURFACES HUMIDES CREE UN RISQUE DE CHOC ELECTRIQUE. NE PAS EXPOSER A LA PLUIE. ENTREPOSER A L'INTERIEUR.

AVERTISSEMENT

DES CAILLOU OU AUTRES DEBRIS RISQUANT D'ETRE PROJETES DANS LES YEUX OU LE VISAGE ET DE CAUSER DES BLESSURES GRAVES, TOUJOURS PORTER UN MASQUE OU DES LUNETTES DE PROTECTION.

CONSERVER CES INSTRUCTIONS

2-3. INSTRUCTIONS D'UTILISATION

1. Toujours porter des lunettes de sécurité ou autre équipement de protection oculaire.
2. Toujours porter pantalons longs, gants et chaussures. Ne pas porter de vêtements lâches, de bijoux, de shorts ou de sandales. Ne pas utiliser pieds-nus.
3. Lorsque l'appareil est utilisé dans un environnement poussiéreux, toujours porter un appareil respiratoire ou un masque facial.
4. Inspectez toujours la zone avant de démarrer le souffleur pour enlever les débris et les objets durs ou tranchants qui pourraient être projetés et causer des dégâts pendant l'utilisation.
5. N'utilisez jamais ce souffleur quand vous êtes fatigué, malade, ou sous l'influence de médicaments, d'alcool, ou sous traitement.
6. N'utilisez qu'une alimentation de 120 A.C. de tension comme indiqué sur la plaque du souffleur.
7. Faites toujours tourner le souffleur avec les tubes de soufflage attachés à l'appareil.
8. Ce souffleur est destiné à une utilisation domestique.
9. Ne forcez pas le souffleur - Il assure mieux le travail et risque moins de provoquer des blessures aux vitesses pour lesquelles il a été conçu.

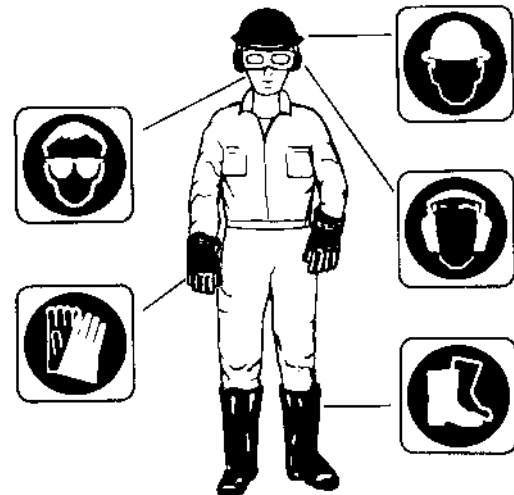
2-4. SYMBOLES INTERNATIONAUX

L'utilisation de ces dispositifs de sécurité est fortement recommandée afin de réduire tout risque de blessures accidentelles.



2-1

Lire le manuel d'utilisation.



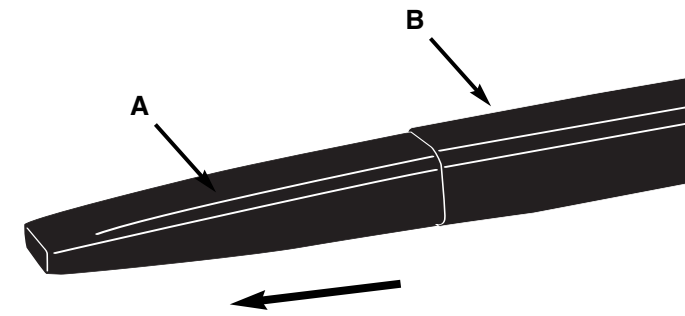
2-2

3 - INSTRUCTIONS POUR MONTAGE

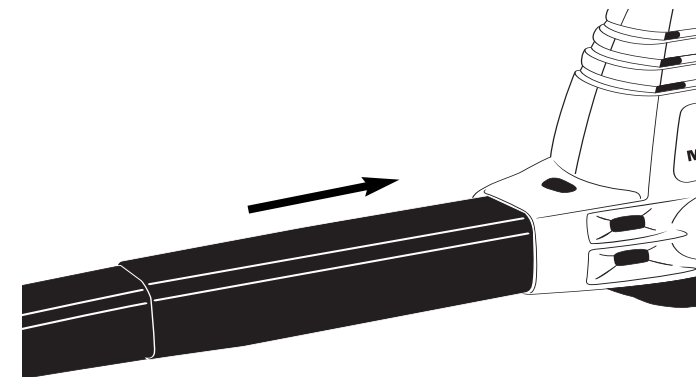
Déballer le souffleur et l'examiner soigneusement pour vérifier qu'il n'est pas endommagé. Aucun outil n'est nécessaire pour le montage. Lire attentivement le manuel de l'utilisateur avant de monter ou d'utiliser l'appareil.

3-1. L'ASSEMBLEE D'ATTACHMENT DE SOUFFLERIE

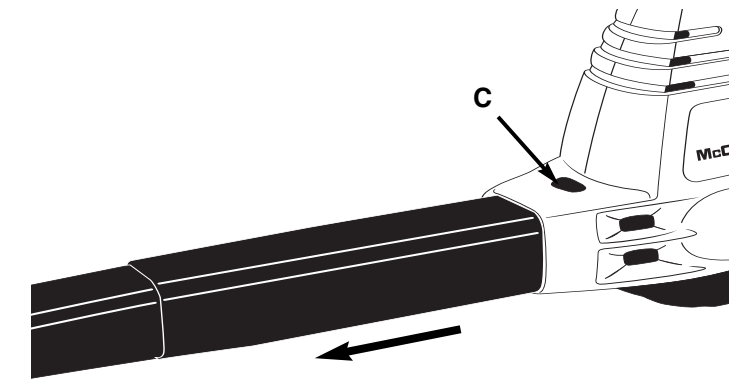
1. Tirez le tube souffleur (A) depuis (B) jusqu'à ce qu'il soit engagé. (Fig. 3-1A)
2. Insérer fermement le côté le plus large du tube dans le souffleur avec un léger mouvement de torsion.
3. Pour sortir le tube souffleur, il vous suffit d'appuyer sur le bouton rouge (C) et le tube souffleur sortira. (Fig. 3-1C)



3-1A



3-1B



3-1C

4 - INSTRUCTIONS D'UTILISATION

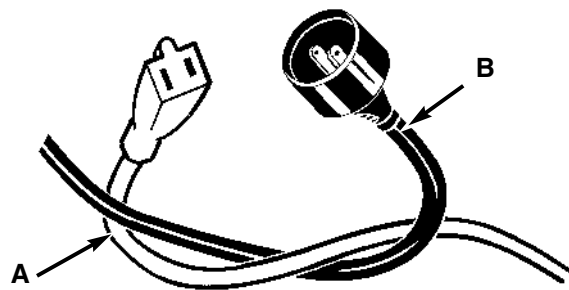
4-1. PROLONGATEUR

RECOMMANDATIONS DE CALIBRE DE FIL MINIMUM		
TENSION	LONGUEUR DU CORDON	CALIBRE DE FIL REQUIS
120	25 pieds / 7,5m	18 A.W.G.*
	50 pieds / 15m	16 A.W.G.*
	100 pieds / 30m	16 A.W.G.*

*American Wire Gauge (CALIBRE AMERICAIN)

TABLEAU 1

- Lorsque vous utilisez le souffleur, un prolongateur de taille adéquate doit être utilisé pour la sécurité et pour empêcher les pertes de puissance et la surchauffe. Voir le tableau 1.
- Le prolongateur doit être spécialement conçu pour l'usage en extérieur et marqué "SW-A", "SOW-A", "STW-A", "STOW-A", "SJW-A", "SJOW-A", "SJTOW-A", "SJTW-A", ou "SJTW".
- Inspectez le prolongateur de cordon d'alimentation pour repérer les fils lâches ou exposés et les isolants endommagés. Si endommagé, remplacez avant utilisation du souffleur.
- Pour réduire le risque d'électrocution, ce souffleur dispose d'une prise polarisée (une borne est plus large que l'autre). Cette prise s'adapte à une embase polarisée dans un seul sens. Si la prise ne va pas entièrement dans l'embase, retournez la prise. Si elle ne va toujours pas, n'utilisez pas le prolongateur. Ne changez pas la prise en aucune façon.
- Assujettir le prolongateur (A) au cordon d'alimentation (B) comme illustré à la Figure 4-1A. Vous pouvez aussi vous procurer des dispositifs de fixation des rallonges auprès de votre magasin d'outillage local.



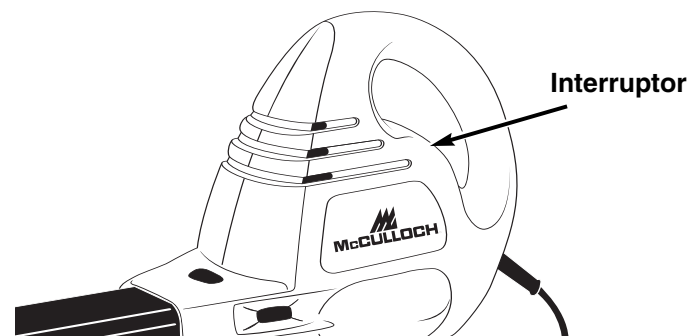
4-1A

4-2. CONSEILS D'UTILISATION

- Toujours travailler en s'écartant des objets tels que murs, rochers, voitures et clôtures.
- Dans les endroits présentant des coins, balayer en commençant par les coins pour éviter que des débris risquant d'être projetés dans le visage ne s'y accumulent.
- Procéder avec précautions autour des plantes de valeur. La force de l'air peut endommager les plantes fragiles.
- Usages auxquels le souffleur est destiné:
 - Balayage de débris et déchets d'herbe dans les allées, sur les trottoirs, parkings, granges, etc.
 - Mise en tas de déchets d'herbe, de paille ou de feuilles.
 - Déblayage dans les coins, autour des joints et entre les briques.

4-3. INTERRUPTOR

Appuyez sur "O" Arrêt, "1" Basse Vitesse, "2" Grande vitesse. (Fig. 4-3A)



4-3A

5 - ENTRETIEN

5-1. ENTRETIEN

MAINTENANT DES EQUIPEMENTS ELECTRIQUES A DOUBLE ISOLATION

Dans ce souffleur à double isolation, deux systèmes d'isolation sont fournis à la place d'une mise à la masse. Aucun moyen de mise à la masse n'est fourni sur un souffleur à double isolation, et il ne faut pas ajouter de mise à la masse au souffleur. Il n'y a aucune pièce réparable à l'intérieur. Un souffleur à double isolation est marqué des termes, "DOUBLE ISOLATION" ou "DOUBLEMENT ISOLE". □ Le symbole (un carré dans un carré) peut également être indiqué sur le souffleur.

- Placez l'interrupteur en position "OFF" (ARRÊT) et débranchez l'alimentation avant d'effectuer une maintenance, un entretien ou un nettoyage du souffleur.
- Pour éviter la surchauffe, veiller à ce que les trous de ventilation soient toujours bien dégagés.
- Ne laissez pas le cordon prolongateur traîner sur le sol une fois que vous avez terminé d'utiliser le souffleur. Il peut représenter un danger.
- Lorsqu'il n'est pas utilisé, stocké votre souffleur à l'intérieur dans un endroit sec et hors de portée d'enfants.
- Le moteur étant équipé de roulements à graissage permanent, aucune lubrification n'est nécessaire.
- Si le souffleur ne fonctionne pas, mettre le commutateur en position d'arrêt et le débrancher. Vérifier les fusibles ou disjoncteurs de votre installation électrique. Si l'appareil ne fonctionne toujours pas, appeler le service de réparation des produits de McCulloch au numéro gratuit indiqué à la couverture arrière. Ne pas essayer de réparer le souffleur soi-même. L'appareil ne comporte aucune pièce interne réparable par l'utilisateur.

5-2. REMISAGE

- Nettoyer la souffleur avant de la remiser.
 - Nettoyer l'admission d'air.
 - Nettoyer les pièces en plastique avec une éponge humectée d'eau tiède et du savon doux.
 - Ne pas asperger le souffleur avec de l'eau.
- Remiser dans un local sec, hors de la portée des enfants.

AVERTISSEMENT

NE PAS EXPOSER A LA PLUIE. EVITER TOUS LES DETERGENTS, NETTOYEURS OU SOLVANTS. NE JAMMAIS IMMERGER DANS DE L'EAU OU TOUT AUTRE LIQUIDE.

- Ne pas laisser traîner le prolongateur sur le sol lorsque le souffleur n'est pas en usage. Quelqu'un pourrait trébucher.
- Lorsque le souffleur n'est pas en usage, le remiser dans un local sec, hors de la portée des enfants.

6 - GARANTIE LIMITÉE DE UN ANNÉE

1. DURÉE

La durée de la garantie des produits McCulloch s'établit comme suit : UN (1) ANNÉE à compter de la date initiale de l'achat à condition que l'appareil soit utilisé à des fins personnelles, domestiques, pour des travaux de ferme ou de ranch, et qu'il ne soit pas utilisé à des fins de location; QUATRE-VINGT-DIX (90) JOURS à compter de la date d'achat initial lorsque les produits sont utilisés à des fins commerciales, professionnelles, institutionnelles ou de location. Cette garantie vous donne des droits légaux spécifiques. Vous pouvez également bénéficier d'autres droits qui varient selon les états ou provinces. PAR LA PRÉSENTE, MCCULLOCH DÉCLINE TOUTE RESPONSABILITÉ EN CE QUI CONCERNE TOUTE GARANTIE IMPLICITE APRÈS LES DATES D'EXPIRATION APPLICABLES DE CETTE GARANTIE LIMITÉE EXPRESSE. (Certains états ou certaines provinces ne permettant pas de limitation de la durée des garanties implicites. Les limitations ci-dessus peuvent donc ne pas s'appliquer à votre cas.)

2. PAR QUI LA GARANTIE EST-ELLE OFFERTE

McCulloch U.S.A 1-800-521-8559
10715 Springdale Avenue, Unit 2, Santa Fe Springs, CA 90670 USA

3. QUI EST COUVERT PAR CETTE GARANTIE

- L'acheteur d'un produit McCulloch (à condition que le produit ne soit pas destiné à la revente).
- Toute personne à qui le produit est légalement cédé pour la durée de la garantie implicite ou écrite applicable au produit.
- Toute autre personne autorisée, aux termes de la garantie ou des lois applicables, à demander au Garant de respecter ses obligations. (Les parties sus-mentionnées sont ci-après désignées sous le nom de «Utilisateur.»)

4. CE QUI EST COUVERT PAR CETTE GARANTIE

Toute défaillance survenant pendant la période de garantie applicable et qui découle de défauts de matériaux ou de fabrication.

5. CE QUI N'EST PAS COUVERT PAR CETTE GARANTIE

- Tout dommage indirect ou consécutif découlant possiblement de la défaillance ou du mauvais fonctionnement d'un produit McCulloch. (Comme certains états ou certaines provinces n'autorisent pas l'exclusion ou la limitation des dommages indirects ou consécutifs. Ces limitations peuvent ne pas s'appliquer à votre cas.)
- Toute défaillance découlant d'un accident, d'un usage abusif, d'une négligence ou du défaut d'utiliser le produit conformément aux directives fournies dans la ou les Notices d'utilisation qui accompagnent le produit, ou découlant d'une réparation inadéquate par un Centre de réparation non agréé.
- Les réglages normaux décrits dans la ou les Notices d'utilisation fournies avec le produit.
- Tout composant ou accessoire qui n'est pas vendu ou fabriqué par le Garant.
- Les préparations ou assemblages préalables à la livraison.
- Cette garantie ne s'applique pas aux accessoires ni à l'entretien ou aux réglages normaux du produit décrits dans la ou les Notices d'utilisation.

6. RESPONSABILITÉS DU GARANT AUX TERMES DE CETTE GARANTIE

- Réparer ou remplacer gratuitement pour l'utilisateur les composants qui s'avèrent défectueux pendant la période de garantie applicable.
- S'assurer que le Centre de réparation agréé est remboursé pour les frais de matériaux et de main-d'oeuvre engagés pour effectuer les réparations au titre de la garantie conformément aux politiques et procédures de garantie établies.

7. RESPONSABILITÉS DE L'UTILISATEUR AUX TERMES DE CETTE GARANTIE

- L'utilisateur doit livrer ou expédier le produit McCulloch couvert par la garantie au concessionnaire chez qui le produit a été acheté ou au Centre de réparation agréé le plus proche. Une preuve d'achat est requise.
- Les frais d'expédition, le cas échéant, sont à la charge de l'utilisateur.
- Veiller à l'entretien, à l'utilisation et au remisage du produit avec une diligence raisonnable, tel qu'il est expliqué dans la ou les Notices d'utilisation.

8. MOMENT POUR LE GARANT DE S'ACQUITTER DE SES OBLIGATIONS AUX TERMES DE CETTE GARANTIE

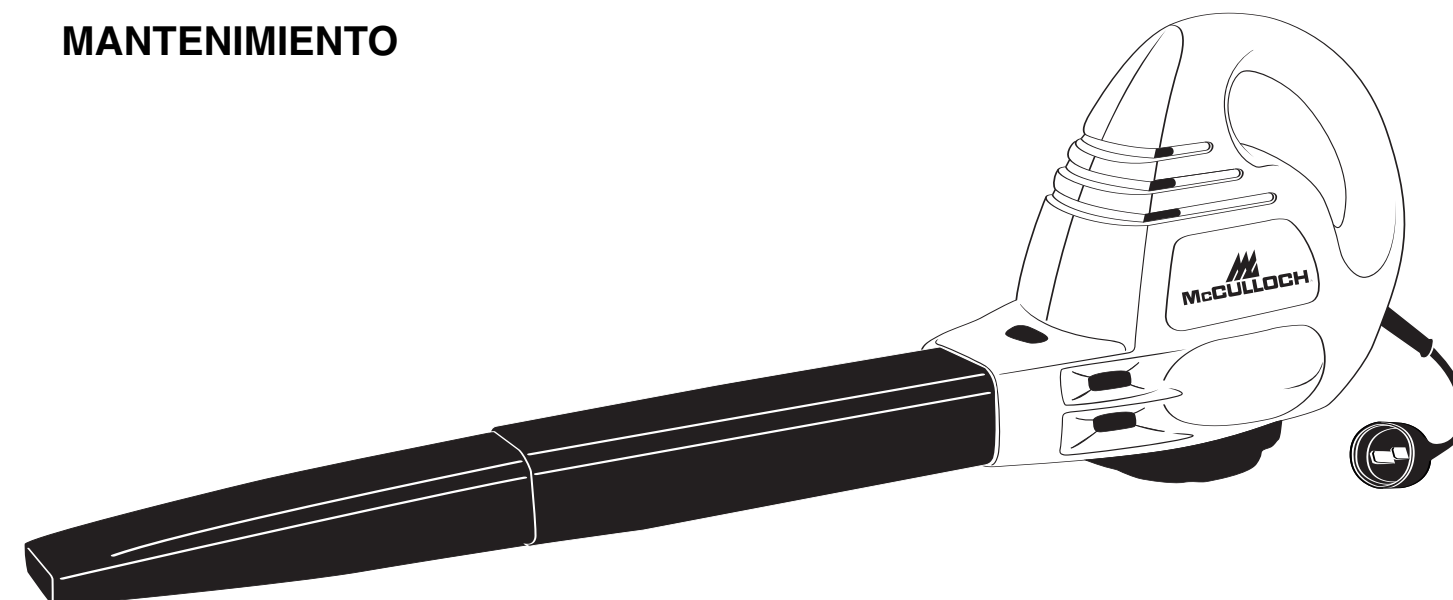
- Les dates de réparation des produits sous garantie seront fixées pour le Centre de réparation en fonction de la charge normale de travail et suivant la disponibilité des pièces.
- Si le délai pour la réparation excède dix (10) jours à compter de la date de livraison au réparateur agréé, la garantie sera prolongée du nombre de jours supplémentaires pendant lesquels le produit est inutilisable.
- Si l'utilisateur n'obtient pas entière satisfaction auprès de son Centre de réparation local, il doit se mettre en rapport McCulloch, ou composer le numéro sans frais.

MCCULLOCH®

MANUAL DEL USUARIO Soplador Electrico

Modelo : MCB2203

**SEGURIDAD
OPERACION
MANTENIMIENTO**



AISLAMIENTO DOBLE

ADVERTENCIA

Lea todas las instrucciones de seguridad antes de intentar su funcionamiento. Conserve esto para consultarlo en el futuro.

INTRODUCCION

FAVOR DE LEER

Estimado Cliente,

Gracias por comprar un producto McCulloch. Con una operación y mantenimiento adecuados le proporcionará años de servicio.

Con el objeto de hacer un mejor uso de su inversión, **ASEGURESE** de familiarizarse con el contenido de TODO el Manual del Usuario antes de intentar operar o dar mantenimiento a su unidad.

Asegurarse de seguir cuidadosamente las ilustraciones graduales de este manual para poner en marcha, operar y dar mantenimiento a su nuevo producto.

En el manual se encontrarán las siguientes señales: **NOTA**, **ADVERTENCIA** / **PRECAUCION** y **G GARANTIA**.

Una **NOTA** se utiliza para comunicar una información adicional, para enfatizar una explicación particular, o para extender la descripción de un paso.

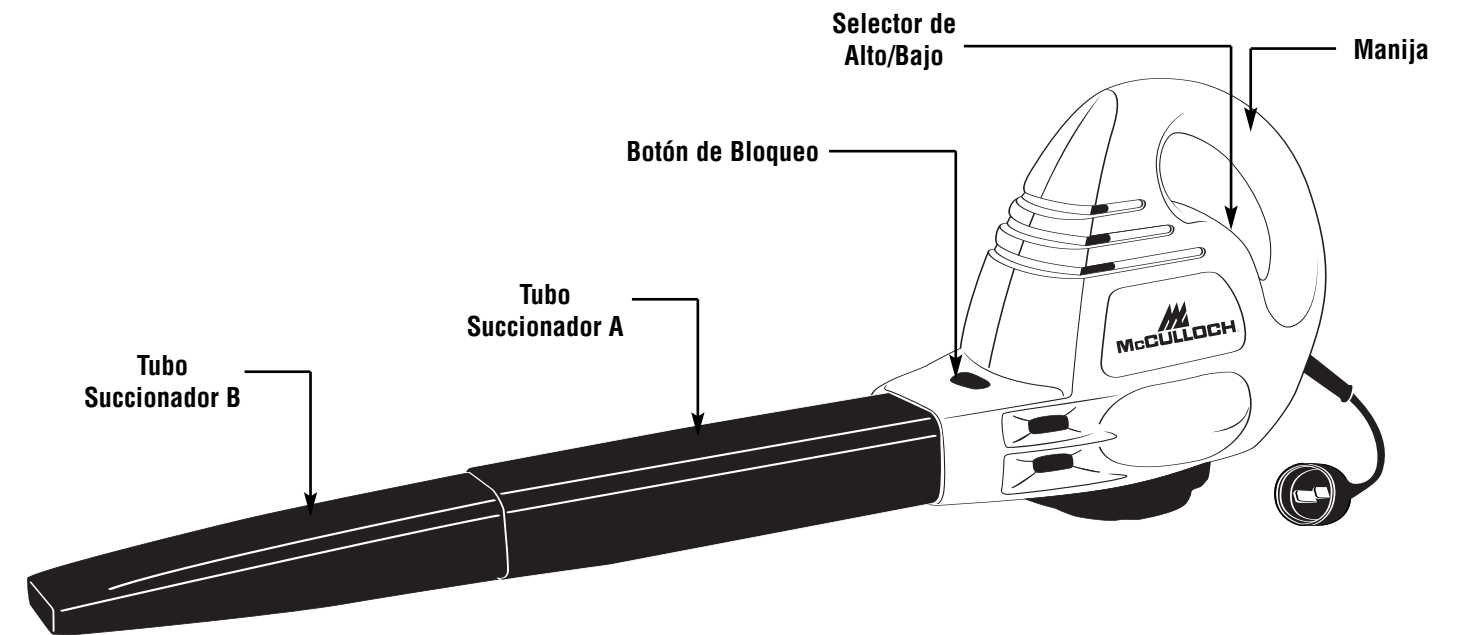
Una **ADVERTENCIA** o **PRECAUCION** identifica un procedimiento que, si no se lleva a cabo o se hace en forma inadecuada, puede provocar serias heridas personales o daños a la unidad y/o ambas cosas.

La **G (SIMBOLO DE GARANTIA)** notifica que a menos que se sigan las instrucciones o procedimientos, cualquier daño causado anulará la garantía y las reparaciones correrán a cuenta del propietario.

Ponga atención particular a las precauciones de seguridad. Están escritas para su protección y contienen información importante que usted debe saber para operar sin riesgo su Soplador Electrico.

SI PRECISA SERVICIO DE GARANTÍA O MANTENIMIENTO, PÓNGASE EN CONTACTO CON SU CENTRO DE SERVICIO AUTORIZADO McCULLOCH MÁS CERCANO - LOCALICE SU CENTRO DE SERVICIO MÁS CERCANO LLAMANDO AL NÚMERO GRATUITO QUE APARECE EN ESTE MANUAL.

1 - RENSEIGNMENTS GENERAUX



ESPECIFICACIONES

Potencia120V~, 60Hz,7,0A
Velocidad no Instalada		
Alta15,060/min.
Baja12,100/min.
Velocidad del Aire145 MPH
Volumen de Aire220 CFM
Peso neto2.8 Kg (6.2 Lbs)

2 - PRECAUCIONES DE SEGURIDAD

FAVOR DE LEER - CONSERVE ESTAS INSTRUCCIONES

Durante el uso de una sopladora deben respetarse ciertas precauciones básicas con el fin de asegurar la máquina seguridad y un rendimiento óptimo. Lea este manual antes de montar y utilizar esta sopladora. De no respetar las instrucciones podrían producirse descargas eléctricas, quemaduras, incendios o lesiones personales.

ADVERTENCIA

2-1. PARA REDUCIR EL RIESGO DE CHOQUES ELECTRICOS:

1. Utilice únicamente un cable prolongador destinado al uso en exteriores. Asegúrese de que el grosor del cable es adecuado para su longitud. Consulte la tabla "Cables prolongadores" (Tabla 1 - página 11). Puede utilizarse un cable de dos conductores sin conexión a masa, ya que la sopladora se encuentra doblemente aislada.
2. No abuse del cable. No transporte la sopladora por el cable ni tire del mismo para desconectar el enchufe. Tire del enchufe, no del cable.
3. Mantenga siempre el cable lejos del operario y de obstáculos. No exponga el cable a superficies calientes, aceite, agua ni lo arrastre por esquinas o bordes agudos ni cierre puertas sobre el cable.
4. Evite los arranques accidentales. Asegúrese de que el interruptor se encuentra en posición "OFF" antes de conectar la máquina a una fuente de alimentación. No transporte la sopladora mientras se encuentre enchufada con el dedo en el interruptor.
5. Coloque el interruptor en la posición "OFF" y desconecte la sopladora de la fuente de alimentación si no se encuentra en uso y antes de realizar operaciones de mantenimiento.

ADVERTENCIA

2-2. PARA REDUCIR EL RIESGO DE QUEMADURAS, INCENDIOS, CHOQUES ELECTRICOS Y LESIONES PERSONALES:

1. No deje que le aparato sea usado como juguete, ni lo deje funcionar sin vigilancia en ningún momento. Mantenga a los niños alejados.
2. Utilice los accesorios siguiendo las recomendaciones realizadas por McCulloch Corporation. Utilice esta sopladora con el fin para el que ha sido diseñada, según lo descrito en este manual.
3. No utilice la sopladora si se encuentra dañado el cable o el enchufe, si el motor o el aparato no funcionan como deberían, o si el aparato se ha caído,

ha resultado dañado, se ha dejado en el exterior o se ha caído al agua.

4. Esta sopladora se encuentra doblemente aislada. No existen componentes en su interior que puedan ser reparados.
5. No utilice la sopladora en entornos muy húmedos o alrededor de piscinas, jacuzzis, etc. No la utilice para quitar nieve.
6. No manipule el enchufe o el cable de alimentación de la sopladora con las manos mojadas.
7. Inspeccione la sopladora en busca de daños en la carcasa, el cable o el enchufe. Mantenga apretados todos los tornillos.
8. No utilice la sopladora si el interruptor no enciende y apaga la sopladora correctamente.
9. Mantenga a todo el mundo, especialmente a los niños y animales, alejados del área de uso. No permita que los niños utilicen la sopladora. Apague inmediatamente la unidad si se aproxima a ellos.
10. Inspeccione siempre el área antes de arrancar la sopladora para eliminar los residuos y objetos afilados que pudieran salir despedidos o causar daños durante el uso.
11. No se sobreextienda ni lo use desde superficies inestables tales como escaleras de mano, árboles, pendientes empinadas, techos, etc. Mantenga la manija bien apretada y camine, nunca corra. Siempre mantenga un equilibrio firme.
12. Nunca sople escombros en el sentido de espectadores u objetos duros. La fuerza del aire podría hacer que los objetos sean sopladados o reboten y hagan daño a la gente. Nunca ponga nada dentro de los tubos de la sopladora.
13. Nunca lo haga funcionar con obstrucciones en las vías de aire. Mantenga las vías de aire sin polvo, pelusa, pelos y demás cosas que puedan reducir la corriente de aire. No coloque nada dentro de las vías ni de los tubos de la sopladora.
14. No utilice la sopladora para dispersar productos químicos, fertilizantes u otras sustancias que contengan materiales tóxicos. No utilice la sopladora como pulverizador de líquidos inflamables.
15. Mantenga el cabello, la cara, los dedos y la ropa suelta alejados de las aberturas.
16. Tenga un cuidado especial al usarlo en escaleras.
17. Para evitar incendios o explosiones, no lo use si hay líquidos o gases inflamables o materiales que humean o queman.
18. Evite ambientes peligrosos. No lo use en áreas sin ventilación ni donde se puedan acumular polvo o vapores explosivos.

2 - PRECAUCIONES DE SEGURIDAD

ADVERTENCIA

PODRIA HABER CHOQUES ELECTRICOS SI SE USA EN SUPERFICIES MOJADAS. NO LO EXPONGA AL ALUVIA. ALMACENELO BAJO TECHO.

ADVERTENCIA

USE SIEMPRE LA PROTECCION OCULAR PARA IMPEDIR QUE LAS ROCAS O LOS ESCOMBROS SEAN SOPLADOS O REBOTEN EN LOS OJOS O LA CARA, PUES ELLO PODRIA RESULTAR EN CEGUERA O DEMAS LESIONES GRAVES.

CONSERVE ESTAS INSTRUCCIONES

2-3. INSTRUCCIONES DE OPERACION

1. Siempre use anteojos de seguridad o cualquier otro medio de protección de la vista que sea adecuado.
2. Siempre use pantalones largos, calzado y guantes. No use ropa suelta, joyas, pantalones cortos, sandalias ni esté descalzo.
3. Siempre que trabaje con la sopladora en un ambiente de polvo, use un respirador o máscara.
4. Inspeccione siempre el área antes de arrancar la sopladora para eliminar los residuos y objetos afilados que pudieran salir despedidos o causar daños durante el uso.
5. No utilice esta sopladora si se encuentra cansado, enfermo o bajo la influencia del alcohol, las drogas o los medicamentos.
6. Utilice únicamente una fuente de alimentación de 120 voltios AC, como se muestra en la placa de datos de la sopladora.
7. Utilice la sopladora con los tubos adjuntos al aparato mientras se encuentre en el modo de expulsión de aire.
8. Esta sopladora ha sido diseñada para el uso doméstico.
9. **No fuerce la sopladora** - funcionará mejor, reduciendo los riesgos de lesión a la velocidad para la que ha sido diseñado

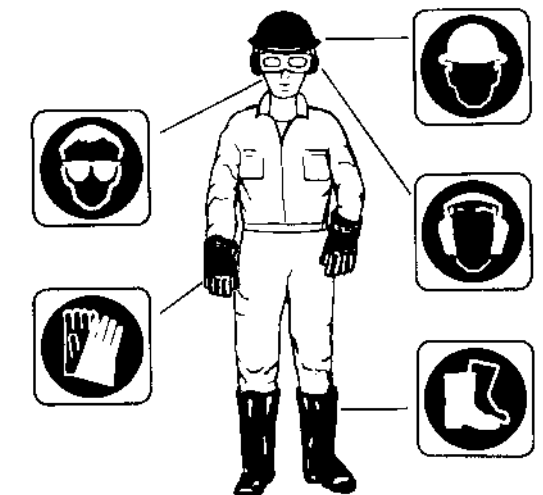
2-4. SIMBOLOS INTERNACIONALES

El uso de estos artículos de seguridad personal es altamente recomendado para reducir el riesgo de lesiones accidentales.



2-1

Lea Manual de Usuario.



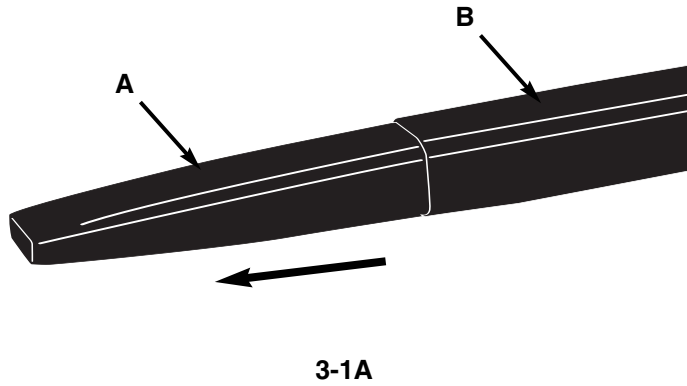
2-2

3 - INSTRUCCIONES DE ENSEMBLADO

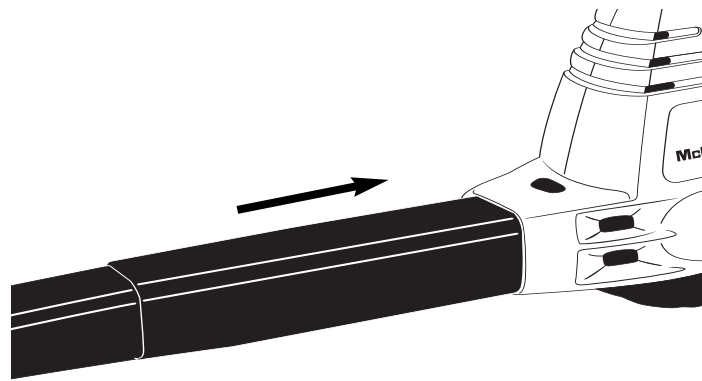
Retire el soplador de la caja de cartón y examínelo detenidamente para asegurarse de que el mismo no se encuentra dañado. Este soplador eléctrico no requiere de herramientas para su ensamblaje. Lea este manual con cuidado antes de ensamblarlo y operarlo.

3-1. ASAMBLEA DE FIJACION DE FUELLE

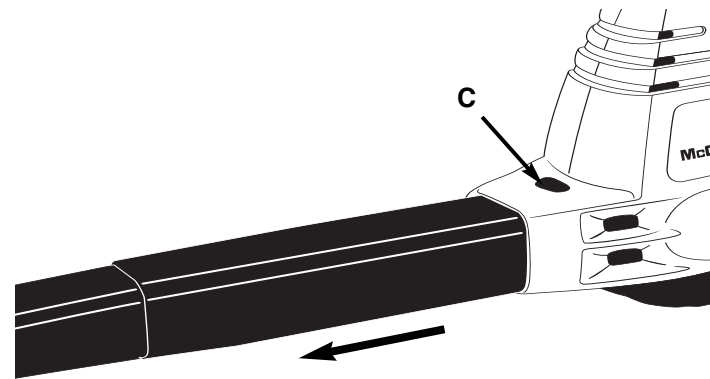
1. Tirar el tubo (A) del secador desde (B), hasta que se encaje. (Fig. 3-1A)
2. Con un pequeño movimiento de torsión, deslice el extremo de diámetro mayor del tubo del soplador en el interior de la salida del soplador, hasta que encaje con firmeza en su lugar.
3. Para jalar el tubo succionador, sólo presione el botón rojo (C) y el tubo succionador saldrá. (Fig. 3-1C)



3-1A



3-1B



3-1C

4 - INSTRUCCIONES DE OPERACION

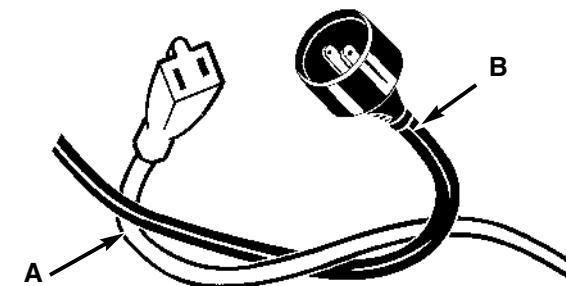
4-1. EXTENSION ELECTRICA

RECOMENDACIONES PARA EL CALIBRE MINIMO DEL ALAMBRE		
VOLTIOS	LONGITUD DE CABLE DE EXTENSION	TAMAÑO REQUERIDO DEL ALAMBRE
120	25 pies / 7.5m	18 A.W.G.*
	50 pies / 15m	16 A.W.G.*
	100 pies / 30m	16 A.W.G.*

*Calibre para Alambre de los E.U.A.

TABLA 1

1. Durante el uso de la sopladora deberá utilizarse un cable prolongador del tamaño adecuado por seguridad y para evitar pérdidas de energía y sobrecalentamientos. Consulte la Tabla 1.
2. La extensión eléctrica debe ser específicamente para ser usada al aire libre y estar marcada con "SW-A", "SOW-A", "STW-A", "STOW-A", "SJW-A", "SJOW-A", "SJTOW-A", "SJTW-A", or "SJTW".
3. Inspeccione el cable prolongador en busca de conductores sueltos o expuestos o aislantes dañados. Si encuentra algún daño, reemplace el componente antes de utilizar la sopladora.
4. Para reducir el riesgo de descarga eléctrica, esta sopladora posee un enchufe polarizado (una patilla es más ancha que la otra). Este enchufe encajará en una toma polarizada en una sola posición. Si el enchufe no encaja completamente en el cable prolongador, déle la vuelta. Si aún así no encaja, no utilice el cable prolongador. No modifique el enchufe de ninguna forma.
5. Asegure la extensión eléctrica (A) al cordón de la fuente de energía (B) como se muestra en la Figura 4-1A. Los dispositivos para retener los cables de extensiones también se pueden obtener en su tienda de herramientas local.



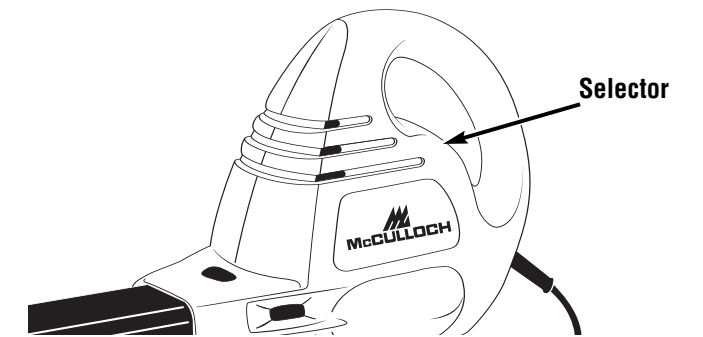
4-1A

4-2. INDICACIONES PARA LA OPERACION

1. Siempre dirija el soplador lejos de objetos sólidos tales como paredes, piedras grandes, automóviles y cercas.
2. Limpie los espacios con esquinas, colocándose en la esquina y moviéndose hacia afuera hacia las áreas abiertas para impedir la acumulación de escombros que pudieran volar hacia su cara.
3. Tenga cuidado cuando trabaje cerca de plantas valiosas. La fuerza del aire pudiera dañar las plantas delicadas.
4. Usos para la sopladora:
 - Limpieza de escombros o de hierba cortada de las entradas, aceras, patios, parques, estacionamientos, establos, etc.
 - Acumulación en pilas de hierba cortada, paja u hojas.
 - Remoción de escombros de las esquinas, alrededor de las uniones y de entre los ladrillos.

4-3. INTERRUPTOR

Presione "O" Apagado, "1" Baja velocidad, "2" Alta velocidad. (Fig. 4-3A)




4-3A

5 - INSTRUCCIONES DE MANTENIMIENTO

5-1. MANTENIMIENTO

SERVICIO PARA EL APARATO CON AISLAMIENTO DOBLE
MANTENIMIENTO DEL EQUIPO CON DOBLE AISLAMIENTO

En esta sopladora con doble aislamiento existen dos sistemas de aislamiento, en lugar de una conexión a masa. Esta sopladora con doble aislamiento no se encuentra equipada con ninguna conexión a masa, ni es necesario añadirla. No existen componentes en su interior que puedan ser reparados. Una sopladora con doble aislamiento se encuentra marcada con las palabras "DOBLE AISLAMIENTO" o "DOBLEMENTE AISLADO".  También se puede indicar con el símbolo (un cuadrado dentro de un cuadrado) en la sopladora.

1. Coloque el interruptor en la posición "OFF" y desenchufe el cable de alimentación antes de realizar cualquier operación de mantenimiento, limpieza o reparación con la sopladora.
2. Mantenga las tomas de aire y los respiraderos libres de escombros para evitar el sobrecalentamiento del motor.
3. No deje el cable prolongador en el suelo después de utilizar la sopladora. Podría representar un riesgo de tropiezo.
4. Mientras no se encuentre en uso, guarde la sopladora en un lugar interior y seco, alejado del alcance de los niños.
5. No se necesita lubricar el equipo, debido a que el motor se encuentra equipado con cojinetes lubricados de por vida.
6. Si la sopladora no trabaja, mueva el interruptor a la posición de "OFF"(Desconectado) y desconecte el cordón eléctrico, primero de la fuente de energía, y después del soplador. Compruebe la fuente de energía por si existe algún fusible fundido o por si algún interruptor automático se ha abierto. Si el soplador aún no trabaja, póngase en contacto con el Centro de Servicio de McCulloch más cercano (indicado en la cubierta posterior) para información sobre el servicio. No trate de reparar el equipo usted mismo. El equipo no posee piezas interiores a las que se deba dar servicio.

5-2. ALMACENAMIENTO

1. Limpie la sopladora antes de guardarla.
 - Elimine los desechos de las tomas de aire.
 - Limpie las partes plásticas con un jabón suave y una esponja húmeda con agua tibia.
 - No rocíe agua a la sopladora.
2. Guárdela bajo techo en un área seca y fuera del alcance de los niños.

ADVERTENCIA

NO LA EXPONGA A LA LLUVIA. EVITE TODOS LOS TIPO DE DETERGENTES, LIMPIADORES O SOLVENTES. NUNCA SUMERJA EN AGUA U OTROS LIQUIDOS.

3. No deje la extensión eléctrica tendida sobre la tierra una vez que usted haya terminado de utilizar el equipo.
4. Cuando no use el equipo, guárdelo bajo techo en lugar seco y fuera del alcance de los niños.

6 - GARANTÍA LIMITADA DE UN AÑO

1. DURACIÓN

La duración de la garantía de este producto McCulloch es la siguiente: UN(1) AÑO desde la fecha de la compra original sólo cuando se utilice para uso personal, familiar, casero, en granja o rancho, y siempre que no se subarriende o alquile; NOVENTA(90) DÍAS desde la fecha de compra original cuando se utilice para fines comerciales, profesionales, institucionales o de subarriendo. Esta garantía le proporciona derechos legales específicos. También puede proporcionarle otros derechos que varían de estado a estado. MCCULLOCH LLC RENUNCIA A CUALQUIER GARANTÍA IMPLÍCITA UNA VEZ QUE LA FECHA DE EXPIRACIÓN DE LA GARANTÍA EXPRESADA CORRESPONDIENTE HA EXPIRADO. (Algunos estados no permiten limitaciones en la duración de una garantía implícita, por lo que las limitaciones arriba mencionadas pueden no ser aplicables en su caso).

2. EMISOR DE ESTA GARANTÍA

McCulloch U.S.A 1-800-521-8559
10715 Springdale Avenue, Unit 2, Santa Fe Springs, CA 90670 USA

3. BENEFICIARIO DE ESTA GARANTÍA

- A. El comprador del producto McCulloch (a menos que utilice el producto para fines de subarriendo o alquiler).
- B. Cualquier persona a la que le sea transferida dicho producto legalmente durante la duración de la garantía implícita o escrita aplicable al producto.
- C. Cualquier otra persona autorizada según los términos establecidos en la garantía o que, según la ley del estado, pueda obligar al emisor de la garantía a aplicarla.
(Las partes arriba mencionadas se denominarán a partir de ahora como "el Usuario").

4. ÁMBITO DE APLICACIÓN DE ESTA GARANTÍA

La garantía se aplica durante la duración especificada sobre problemas derivados de defectos en los materiales o en su fabricación.

5. ASPECTOS NO CUBIERTOS POR ESTA GARANTÍA

- A. Cualquier daño accidental o derivado que pueda producir fallos o un funcionamiento incorrecto del producto McCulloch. (Algunos estados no permiten la exclusión de dichos daños accidentales o derivados, por lo que dichas limitaciones pueden no ser aplicables en su caso).
- B. Cualquier fallo derivado de accidentes, uso incorrecto, negligencia o uso indebido del producto según las instrucciones incluidas en el manual de usuario adjunto al producto, o que se produzca como resultado de un mantenimiento incorrecto realizado por un servicio de reparación no autorizado.
- C. Ajustes ordinarios explicados en el manual de usuario adjunto al producto.
- D. Cualquier pieza o accesorio no vendido o fabricado por el emisor de la garantía.
- E. Ajuste anterior a la entrega o ensamblaje de piezas.
- F. Esta garantía no es aplicable a los accesorios, ajustes o al mantenimiento ordinario del producto especificados en el manual de usuario

6. RESPONSABILIDADES DEL EMISOR DE LA GARANTÍA SEGÚN LAS CONDICIONES DE LA MISMA

- A. Reparar o sustituir las piezas defectuosas durante la duración de la garantía aplicable sin coste alguno para el usuario
- B. Garantizar que el taller reparador autorizado recibe el reembolso correspondiente a los gastos de las piezas y mano de obra realizados como resultado de una reparación bajo garantía según lo prescrito en los procedimientos y directrices de la garantía establecida.

7. RESPONSABILIDADES DEL USUARIO SEGÚN LA GARANTÍA

- A. El usuario se compromete a entregar o enviar el producto McCulloch original protegido por esta garantía al vendedor al que adquirió el producto originalmente o al servicio autorizado más cercano. Es necesario presentar una prueba de compra del producto.
- B. Los gastos derivados de cualquier envío correrán a cargo del usuario.
- C. El usuario debe manejar con cuidado el producto cuando vaya a hacerlo funcionar o a almacenarlo, tal y como se especifica en el manual de usuario.

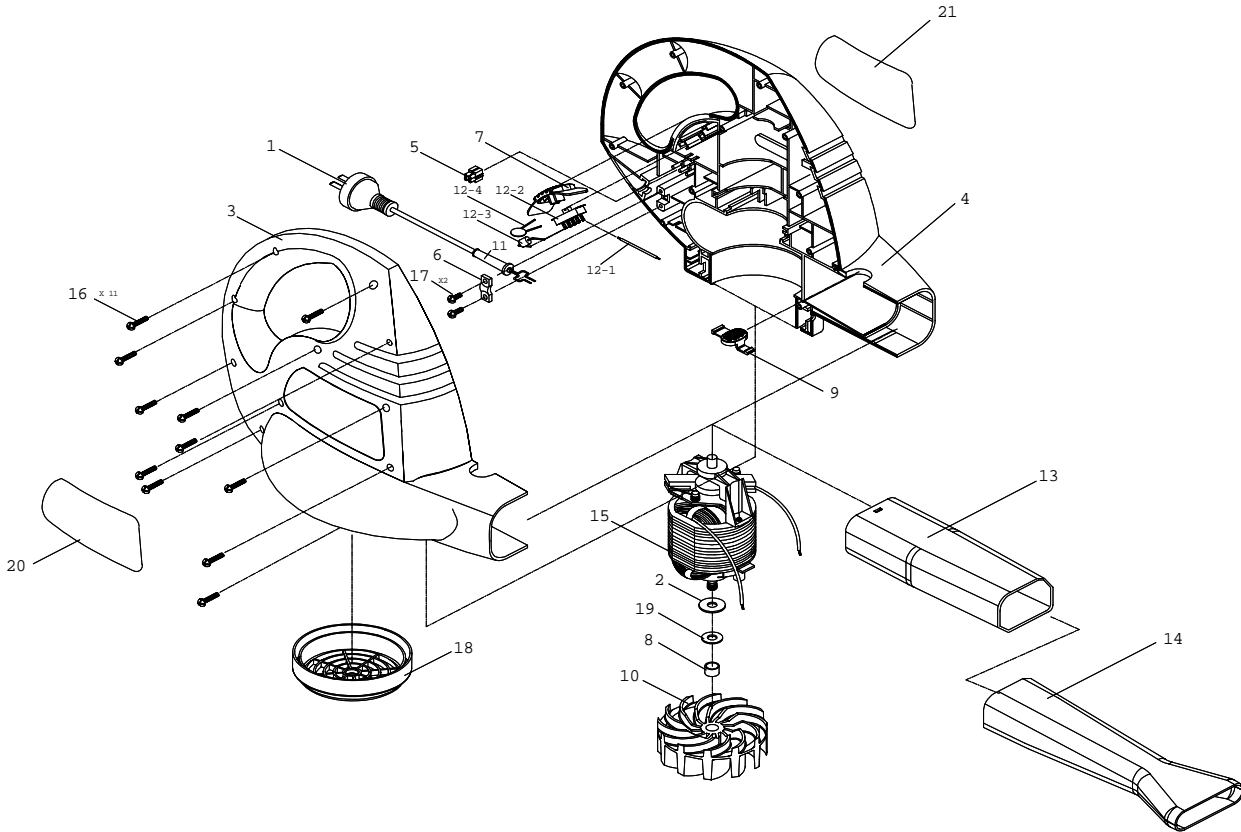
8. PERÍODO DE CUMPLIMIENTO DE LAS OBLIGACIONES DERIVADAS DE LA GARANTÍA POR PARTE DE SU EMISOR

- A. La reparación de productos bajo garantía se programará según la cantidad de trabajo existente en el servicio de reparación y dependiendo de la disponibilidad de las piezas de recambio.
- B. Si el periodo de reparación supera los diez (10) días a partir del momento en que el producto fue entregado al servicio de reparación, la garantía se ampliará a los días en los que el producto permanece inútil.
- C. Si el usuario no estuviera satisfecho con el trabajo del servicio de reparación, tiene la posibilidad de ponerse en contacto con MCCULLOCH LLC a través de el número de teléfono gratuito.



SERVICE SPARE PARTS LIST

SPECIFY MODEL NO. WHEN ORDERING PARTS		DATE	REVISED DATE
7.0 Amp Blower		2/14/2007	N/A
MODEL NO.	MCB2203		



No.	STK CODE	Parts No.	Description	Q	No.	STK CODE	Parts No.	Description	Q
1		6011-220302	POWER CORD	1	*12		6228-220301	SWITCH ASS'Y	1
2		6014-220101	WASHER	1	13		6129-220307	TUBE	1
3		6038-220306	HOUSING (L)	1	14		6129-220308	TUBE	1
4		6038-220305	HOUSING (R)	1	15		6099-220302	MOTOR	1
5		6041-840001	TERMINAL BLOCK	2	16		6SDABB04-18	SCREW	11
6		6043-840001	STRAIN RELIEF	1	17		6SDABB04-14	SCREW	2
7		5056-220303	KNOB	1	18		6017-220302	SAFETY COVER	1
8		6124-220101	SHAFT SLEEVE	1	19		6WFB-08-12	WASHER	2
9		6134-220303	BUTTON	1	20		6097-220307	LABEL	1
10		6169-220301	FAN	1	21		6097-220306	LABEL (BRAND)	1
11		6199-830001	CORD GUARD	1					

Stocking Codes are:

A - Dealer stocked

B - Distributor stocked

C - Factory stocked