

BRAUN

Multiquick 3

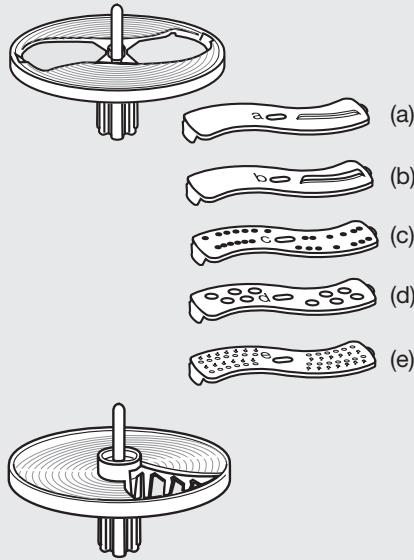
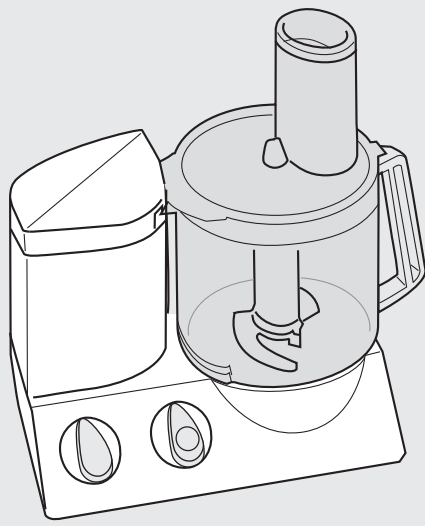
K 650

K 600



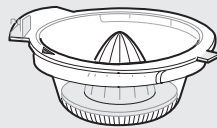
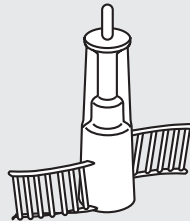
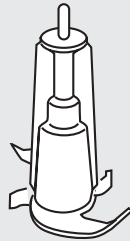
www.braun.com/register

Type/Modèle/Modelo 3205



K 600

K 650



For household use only
Pour usage ménager seulement
Para uso doméstico únicamente

Braun GmbH
 Frankfurter Straße 145
 61476 Kronberg/Germany

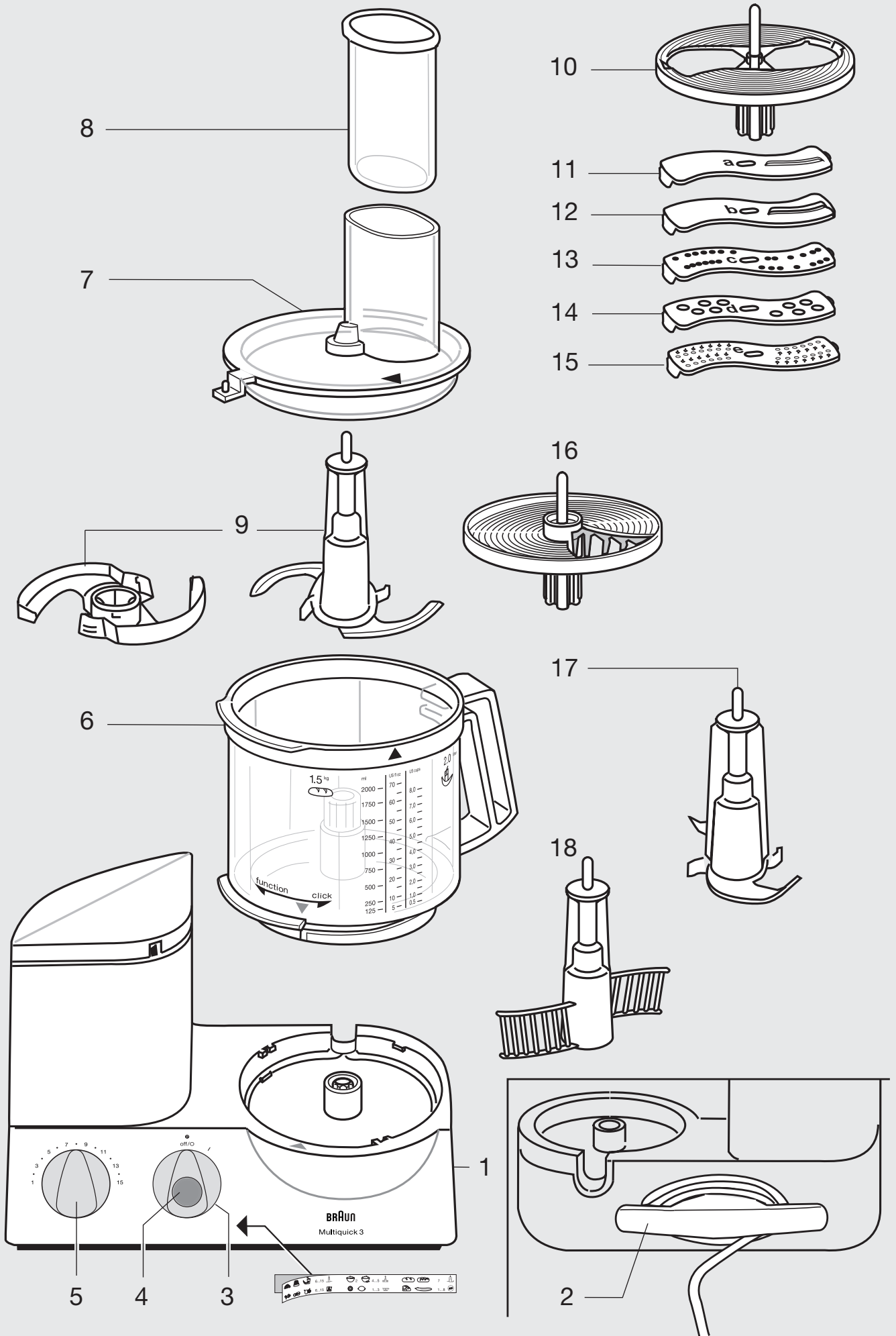
99427440/III-10
 USA/CDN/MEX



Thank you for purchasing a Braun product.
 We hope you are completely satisfied with your new Braun Multiquick.
 If you have any questions, please call:
 US residents 1-800-BRAUN-11
 1-800-272-8611
 Canadian residents 1-800-387-6657

Merci d'avoir fait l'achat d'un produit Braun.
 Nous espérons que vous serez pleinement satisfaite de votre nouveau Braun.
 Si vous avez des questions, veuillez appeler
 Braun Canada : 1-800-387-6657

Gracias por haber comprado un producto Braun.
 Esperamos que Ud. quede completamente satisfecha con su nueva Braun.
 Si Ud. tiene alguna duda, por favor llame al:
 México: 01(800) 508-5800



IMPORTANT SAFEGUARDS

When using electrical appliances, basic safety precautions should always be followed including the following:

1. Read all instructions.
2. To protect against risk of electrical shock do not put motor housing (base) in water or other liquid.
3. Close supervision is necessary when any appliance is used by or near children.
4. Unplug from outlet when not in use, before putting on or taking off parts, and before cleaning.
5. Avoid contacting moving parts. Blades are sharp. Handle carefully.

Mixing attachment:

Keep hands, hair, clothing, as well as spatulas and other utensils away

from beaters (knife assembly) during operation to reduce the risk of injury to persons, and/or damage to the mixer. Remove beaters (knife assembly) from mixer before washing.

Shredder/Slicer Attachment:
Never feed food by hand. Always use food pusher. Blade is sharp. Handle carefully when cleaning.

6. Do not operate any appliance with a damaged cord or plug or after appliance malfunctions, or is dropped or damaged in any manner. Return appliance to the nearest authorized service facility for examination, repair or electrical or mechanical adjustment.

7. The use of attachments (including canning jars for blenders) not recommended or sold by the manufacturer may cause fire, electric shock or injury.
8. Do not use outdoors.
9. Do not let cord hang over edge of table or counter, or touch hot surfaces.
10. To avoid injury, never place cutting blade or discs on base without first putting bowl properly in place.
11. Be certain cover is securely locked in place before operating appliance.
12. Do not attempt to defeat the cover interlock mechanism.

SAVE THESE INSTRUCTIONS

Our products are engineered to meet the highest standards of quality, functionality and design. We hope you thoroughly enjoy your new Braun appliance.

Important

- **The blade ⑨ is very sharp!** Take hold of the blade by the knob only. After use, always first remove the blade from the food processor bowl ⑥ before removing the processed food.
- Make sure that your voltage corresponds to the voltage printed on the bottom of the appliance. Connect to alternating current (AC) only.
- Keep the appliance out of the reach of children.
- This appliance has a polarized plug (one blade is wider than the other). To reduce the risk of electric shock, this plug will fit in a polarized outlet only one way. If the plug does not fit fully in the outlet, reverse the plug. If it still does not fit, contact a qualified electrician. Do not attempt to defeat this safety feature.
- This appliance was constructed for household use only to process the listed quantities.
- Do not use any parts in the microwave oven.
- Do not allow the appliance to operate unsupervised.
- Braun appliances meet applicable safety standards. Repairs on electric appliances must only be done by authorized service personnel. Faulty, unqualified repair work may cause accidents or injury to the user.
- Switch the appliance off and disconnect it from the outlet before storing it.

Specifications

- Voltage/wattage: See typeplate on the bottom of the appliance.
- Operating time and maximum capacity: See processing instructions.

Description

The Braun Multiquick 3 meets the highest demands for kneading, mixing, blending, chopping, slicing, shredding and grating, simply and quickly.

- ① Motor base
- ② Cord storage
- ③ Motor switch (On = I, off = off/0)
- ④ Pulse mode «P»
- ⑤ Variable speed regulator (1–15)
- ⑥ Food processor bowl (2 L / 2 qt capacity)
- ⑦ Food processor bowl lid
- ⑧ Food pusher

Attachments for food processor bowl ⑥

(Important: Not all attachments will be included in the standard equipment of all models.)

- ⑨ Blade with protective cover
- ⑩ Blade holder
- ⑪ Fine slicing blade – a
- ⑫ Coarse slicing blade – b
- ⑬ Fine shredding blade – c
- ⑭ Coarse shredding blade – d
- ⑮ Grating blade – e
- ⑯ French-fry disc
- ⑰ Kneading hook
- ⑱ Whipping attachment

Note: Before using the food processor for the first time, clean all parts as described under «Cleaning».

Overload protection

In order to avoid damages caused by overload, this appliance is equipped with an automatic security switch which shuts off the current supply if necessary. In such case, turn the motor switch ③ back to «off/0» and wait approximately 15 minutes to allow the motor to cool off before switching the appliance on again.

Pulse mode «P» ④

The pulse mode is useful for the following applications:

- Chopping delicate and soft food, e.g., eggs, onions or parsley.
- Carefully folding flour into dough or batter to maintain the creaminess.
- Adding whipped eggs or cream to solid food.

The pulse mode «P» is activated by pressing the blue knob ④ on the motor switch with switch setting at «off/0».

Before activating the pulse mode, set the desired speed with the speed regulator ⑤. When releasing the blue pulse knob ④, the appliance is switched off.

Recommended speed ranges for individual attachments

Set the speed range by means of the variable speed regulator ⑤. It is recommended to first select the speed and then switch on the appliance in order to work with the desired speed from the start.

Attachments	Speed range
Kneading hook	7
Blade	6–15
Whipping attachment: – egg whites	4–5
– cream	2
Slicing, grating and shredding blades	1–8
French-fry disc	1–3

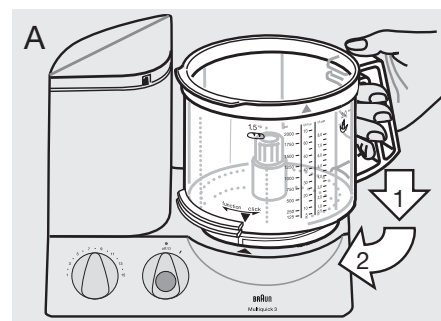
(please refer to food icons to be stickered on the motor base for guidance)

Double safety feature:

The appliance can only be switched on when the food processor bowl with lid is properly engaged. If the lid is unlocked during operation, the motor switches off automatically. If this occurs and the motor switch ③ is still on «I», turn it back to «off/0» to avoid switching on the motor accidentally.

Attaching the food processor bowl ⑥ and the lid ⑦

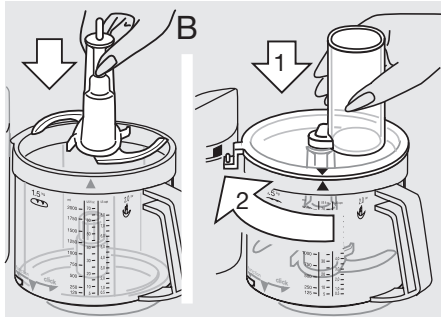
1. With the motor switched off, place the food processor bowl onto the drive position of the base ① matching the arrow on the bowl with the arrow on the base (A). Then turn the bowl in the «function» direction as far as it will go.



2. Put the attachment needed (see instructions for each of the attachments) onto the drive shaft of the bowl and push it down as far as it will go until it clicks into place.

3. Put the lid ⑦ onto the bowl matching the arrow on the lid with the arrow on the bowl.

Then turn the lid clockwise guiding its extended rim into the safety lock opening of the base ① until you hear it click into place (B).



Removing the food processor bowl ⑥ and the lid ⑦

Switch off the appliance. Turn the lid counterclockwise and lift it off. Then turn the food processor bowl in the «click» direction all the way until it stops, then lift off the bowl.

Note: If you continue turning the food processor bowl in the «click» direction as far as it will go, beyond the stop position, you can lock the food processor bowl on the motor base. In this position, however, you cannot switch on the motor.

When removing the blade from the bowl, hold it by the knob and pull it off.

Caution: The blade is very sharp.

The blade ⑨ comes with a protective cover. When not in use, store the blade in the protective cover.

Cleaning

First, always switch off the motor and unplug the appliance. Clean the base ① with a damp cloth only.

All parts can be cleaned in the dishwasher. If necessary, clean all parts thoroughly with a spatula before rinsing them.

Color-intensive food (e.g. carrots) may leave stains on the plastic parts; wipe them off with vegetable oil before cleaning with soap and water.

Do not use sharp objects for cleaning purposes.

Clean the blades very carefully – they are very sharp.

1. Kneading

For kneading you can use the kneading hook ⑦ or the blade ⑨. For best results, we recommend using the kneading hook which is specially designed for making dough, pasta and pastries.

Heavy doughs (bread, cookie dough, pasta, pastries)

Maximum 500 g/16 oz. flour plus other ingredients, speed 7, 1 1/2 minutes

Pour the flour into the food processor bowl, then add the other ingredients except any liquids. Put on the lid ⑦ and lock in place. Then choose speed 7 and switch the appliance on. Add liquids by pouring them through the opening in the lid while the motor is running.

When kneading with the blade ⑨, do not add ingredients like raisins, candied peel, almonds, etc. which are not supposed to be cut. These have to be added manually after taking the kneaded dough out of the food processor bowl.

Pasta dough

Maximum 500 g/16 oz. flour plus other ingredients, speed 7, 1 1/2 minutes

Pour the flour into the food processor bowl, then add the other ingredients except any liquids. Pour the required amount of liquid through the opening in the lid while the motor is running.

Do not add any liquid after the dough has formed into a ball as the liquid will not be absorbed properly.

Pastries

Maximum 500 g/16 oz. flour plus other ingredients, speed 7, approximately 1 minute

Pour flour into the food processor bowl, then add the other ingredients. For best results, the butter used must not be too hard or too soft.

Put on the lid ⑦ and lock in place. Choose speed 7 and switch on the appliance.

Stop kneading the dough right after it has formed into a ball. Processing any longer will result in the pastry dough becoming too soft.

2. Mixing

For light doughs/batters (cake mix, sponge cake) use the blade ⑨

The kneading hook ⑦ is not suitable for mixing cake mixes or sponge cakes.

Maximum 500 g/16 oz. flour plus other ingredients

Cake mix (2 methods)

	Speed / time
a) Cream butter with sugar and eggs pour in milk and carefully fold in flour with pulse mode	6 / 1 min 6/15 secs 15/10-15 x P
b) Pour all ingredients except liquids into the food processor bowl	15 / 1 min

Add required liquids through the opening of the lid while the motor is running. Finally add ingredients such as raisins manually.

Sponge cake

	Speed time
Cream eggs and water (if required) add sugar fold in flour with pulse mode	15 / 2 mins 15 / 4 mins
add cocoa powder	8 / 5 x P 8 / 3 x P

3. Blending

Use the blade ⑨ for blending soups, shakes, etc.

Maximum capacity 2 L / 2 quarts
Speed 8
(otherwise the bowl may overflow)

For milkshakes, put coarsely chopped fruit into the food processor bowl. Put on the lid ⑦ and lock in place. With speed 15, blend fruit first, then add liquid at speed 8 and finish blending.

When blending milk, please note that it will froth. Use smaller quantities.

4. Chopping

Chopping with the blade ⑨

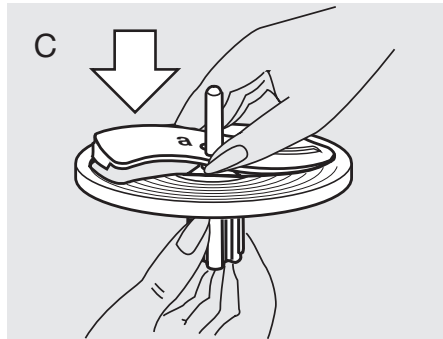
Processing examples

The processing times are approximate and depend on the quality, the amount of food to be processed and the required degree of fineness.

Product	Max. amount	Preparation	Speed	Mode	Time/pulses
Hard bread, 4 rolls		quartered	15	I	45 secs
Ice cubes	28	whole	15	I	1 minute (snow)
Apples	700 g / 1 lb 10 oz	quartered	8	I	15 secs
Chocolate, cooled	400 g / 0.9 lb	broken	15	I	coarse 15 secs fine 30 secs
Eggs	8	whole	6	P	8 x
Cheese (soft)	400 g / 0.9 lb	1-inch cubes	15	I	20 secs
Cheese (hard)	700 g / 1 lb 10 oz	1-inch cubes	15	I	60-70 secs
Meat	700 g / 1 lb 10 oz	in cubes	15	I	40 secs
Carrots	700 g / 1 lb 10 oz	in pieces	15	I	10 secs
Onions	700 g / 1 lb 10 oz	quartered	15	P	10 - 13 x

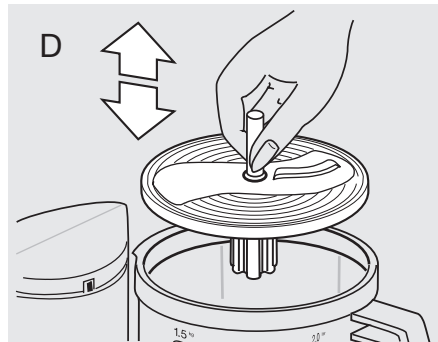
5. Slicing, shredding, grating

- Place the blade you want to use into the blade holder ⑩ as shown in (C) and snap into position. In order to remove the blade, push up the blade end that protrudes at the bottom of the blade carrier.



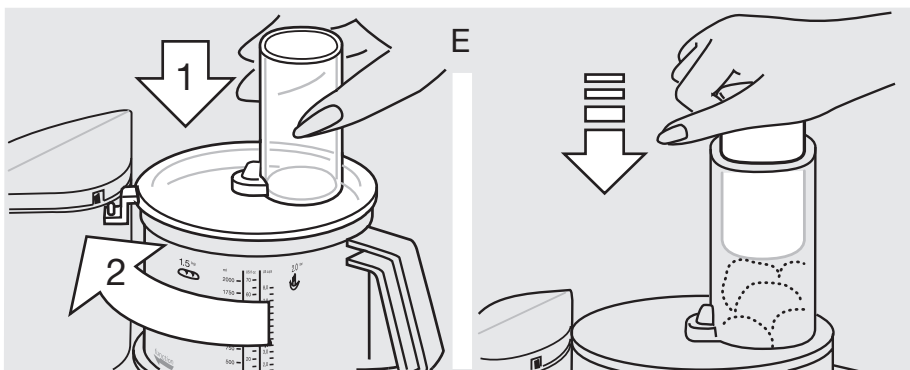
- Put the assembled slicer/shredder onto the drive shaft of the food processor bowl (D).
- Put on the lid ⑦ and lock in place. Set the speed and put the food to be processed into the opening of the lid.

while the motor is switched off. Refilling should be done with the motor switched off.



- Never reach into the opening of the lid when the motor is running. Always use the food pusher ⑧ (E).

N.B.: When processing juicy or soft food, you will obtain better results at a lower speed. Hard food should be processed at a higher speed. Do not overload the food processor bowl.



Fine slicing blade – a ⑪

Speed 1–2

Processing examples: cucumbers, cabbage, raw potatoes, carrots, onions, radishes.

Coarse slicing blade – b ⑫

Speed 1–2

Processing examples: cucumbers, raw potatoes, onions, bananas, tomatoes, mushrooms, celery.

Fine shredding blade – c ⑬

Speed 3–6

Processing examples: cheese (soft to medium), cucumbers, carrots, raw potatoes, apples.

Coarse shredding blade – d ⑭

Speed 3–6

Processing examples: cheese (soft to medium), cucumbers, carrots, raw potatoes, apples, cabbage.

Grating blade – e ⑮

Speed 8–15

Processing examples: raw potatoes (e.g. for potato pancakes), horseradish, parmesan cheese (hard).

French-fry disc ⑯

Place the French-fry disc onto the drive shaft, put on the lid ⑦ and lock in place. For best results, place 3–4 potatoes (depending on size) in the opening of the lid while the motor is switched off.

Set speed to 1–2 and switch on the appliance. Before putting in more food, switch the motor off. Use the pusher ⑧ to apply slight pressure when pushing the potatoes into the opening.

6. Whipping with the whipping attachment ⑰

Speed/time

Whipping sponge cakes

Maximum 280–300 g / 10 oz flour

plus ingredients

Cream eggs and water (if required)	5 / 2 mins
add sugar	5 / 2 mins
fold in flour	1 / 30 secs

Whipping egg whites

Minimum: 2 egg whites	4–5 / 4 mins
Maximum: 6 egg whites	4–5 / 6 mins

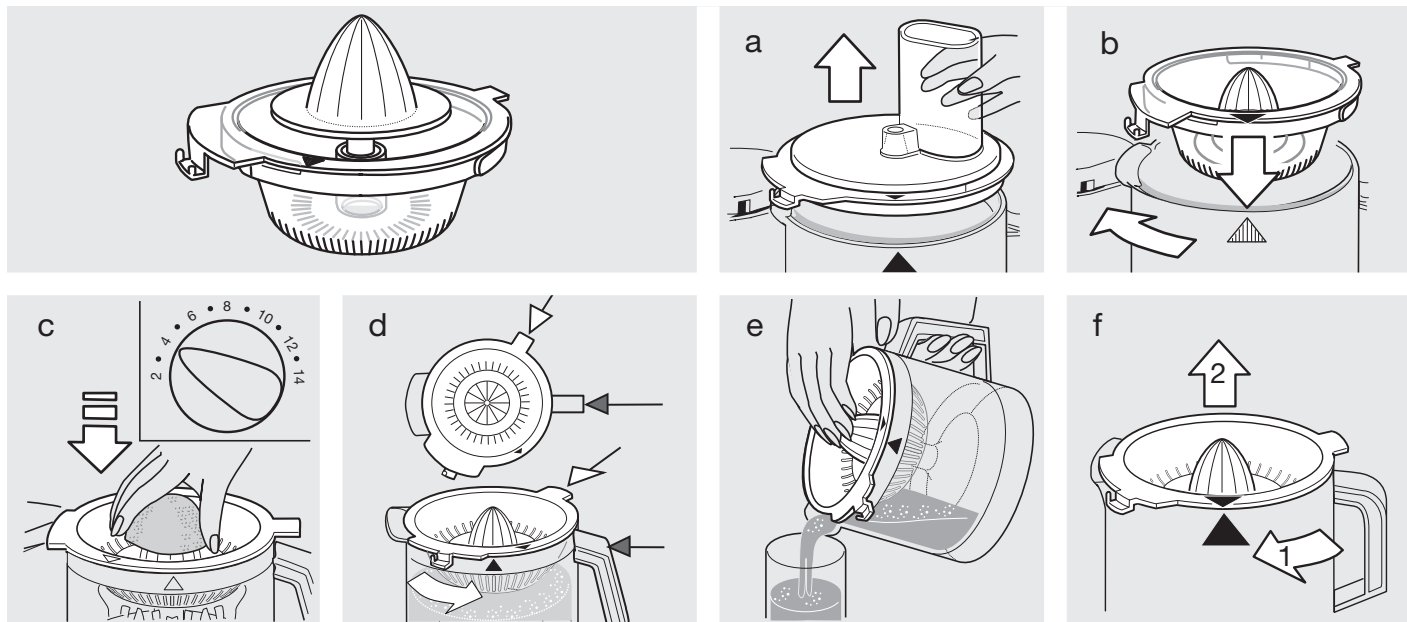
Whipping cream

Minimum: 0.15–0.2 l / 5–6 oz	2 / 1–2 mins
Maximum: 0.4 l / 12–13 oz	2 / 3.5–4 mins

Before whipping cream, keep the cream cool for several hours (at 4 °C / 39 °F approximately).

Braun Citrus press PJ 600
Type 3200

Speed: 1-3



Subject to change without notice.

For USA only

How to obtain service in the USA

Should your Braun product require service, please call 1-800-BRAUN 11 (800-272-8611) to be referred to the authorized Braun Service Center closest to you.

To obtain service:

- A. Take the product in to the authorized Braun Service Center of your choice or,
- B. Ship the product to the authorized Braun Service Center of your choice. Pack the product well. Ship the product prepaid and insured (recommended). Include a copy of your proof of purchase to verify warranty coverage, if applicable.

To obtain original Braun replacement parts and accessories:

Contact an authorized Braun Service Center. Please call 1-800-BRAUN 11 (800-272-8611) to be referred to the authorized Braun Service Center closest to you.

To speak to a Braun Consumer Service Representative:

Please call 1-800-BRAUN 11 (800-272-8611).

Limited Warranty

Braun warrants this Braun appliance to be free of defects in material and workmanship for a period of one year from the date of original purchase at retail.

If the appliance exhibits such a defect, Braun will, at its option, repair or replace it without cost for parts and labor. The product must be carried in or shipped, prepaid and insured (recommended), to an authorized Braun Service Center. Proof of date of original purchase is required.

The cost to ship the product to an authorized Service Center is the responsibility of the consumer, the cost to return the product to the consumer is the responsibility of Braun.

This warranty does not cover finishes, normal wear, nor does it cover damage resulting from accident, misuse, dirt, water, tampering, unreasonable use, service performed or attempted by unauthorized service centers, failure to provide reasonable and necessary maintenance, including recharging, or units that have been modified or used for commercial purposes.

ALL IMPLIED WARRANTIES, INCLUDING ANY IMPLIED WARRANTY OF MERCHANTABILITY OR FITNESS FOR ANY PARTICULAR PURPOSE, ARE LIMITED IN DURATION TO ONE YEAR FROM DATE OF ORIGINAL PURCHASE. IN NO EVENT WILL BRAUN BE RESPONSIBLE FOR CONSEQUENTIAL DAMAGES RESULTING FROM THE USE OF THIS PRODUCT.

Some states do not allow the exclusion or limitation of incidental or consequential damages, so the above limitation may not apply to you.

This warranty gives you specific legal rights, and you may have other legal rights which vary from state to state.

For Canada only

How to obtain service in Canada

Should your Braun product require service, please call 1-800-387-6657 to be referred to the authorized Braun Service Center closest to you.

To obtain service:

- A. Carry the product in to the authorized Braun Service Center of your choice or,
- B. Ship the product to the authorized Braun Service Center of your choice. Pack the product well. Ship the product prepaid and insured (recommended). Include a copy of your proof of purchase to verify warranty coverage, if applicable.

To obtain original Braun replacement parts & accessories:

Contact an authorized Braun Service Center. Please call 1-800-387-6657 to be referred to the authorized Braun Service Center closest to you.

To speak to a Braun Consumer Service Representative:

Please call 1-800-387-6657.

Limited 1-Year Warranty

In the event a Braun appliance fails to function within the specified warranty period because of defects in material or workmanship, and the consumer returns the unit to an authorized service center, Braun Canada will, at its option either repair or replace the unit without additional charge to the consumer. This warranty does not cover any product which has been damaged by dropping, tampering, servicing performed or attempted by unauthorized service agencies, misuse or abuse. This warranty excludes units which have been modified or used for commercial purposes.

To the extent allowed by law, Braun Canada shall not be responsible for loss of the product, loss of time, inconvenience, commercial loss, special or consequential damages.

The provisions of this warranty are in addition to and not a modification of or subtraction from the statutory warranties and other rights and remedies contained in applicable provincial legislation.

IMPORTANTES MESURES DE SÉCURITÉ

Lors de l'utilisation d'appareils électriques, toujours prendre les mesures de sécurité de base suivantes :

1. Lire toutes les directives.
2. Pour éviter les risques de décharge électrique, ne pas immerger le socle-moteur (base) dans l'eau ni dans un autre liquide.
3. Exercer une surveillance attentive lorsque tout appareil est utilisé par des enfants ou près de ceux-ci.
4. Débrancher l'appareil lorsqu'il n'est pas utilisé, avant d'y fixer ou d'y enlever des pièces et avant le nettoyage.
5. Éviter tout contact avec les pièces mobiles. Les lames sont tranchantes. Manipuler avec précaution.

Pied malaxeur :
Garder les mains, les cheveux et les vêtements, ainsi que les spatules et autres ustensiles loin des fouets (bloc-couteaux) durant l'utilisation afin de réduire le risque de blessures corporelles et/ou d'endommagement du malaxeur. Retirer les fouets (bloc-couteaux) du malaxeur avant de les laver.
6. Ne pas faire fonctionner l'appareil si le cordon ou la fiche sont endommagés, s'il présente une défaillance, ni si on l'a échappé ou endommagé de quelque façon que ce soit. Retourner l'appareil au centre de service après-vente agréé le plus proche aux fins d'inspection, de réparation, ou de mise au point électrique ou mécanique.
7. L'utilisation d'accessoires, (y compris de récipients à conserves pour mélangeurs) non recommandés ni vendus par le fabricant, peut entraîner un incendie, une décharge électrique ou des blessures.
8. Ne pas utiliser à l'extérieur.
9. Ne pas laisser le cordon pendre d'une table ou d'un comptoir ni entrer en contact avec des surfaces chaudes.
10. Pour éviter des blessures, ne jamais mettre la lame ni les disques sur la base avant de mettre en place le bol.
11. S'assurer que le couvercle est bien enclenché avant de faire fonctionner l'appareil.
12. Ne pas forcer le mécanisme d'enclenchement du couvercle.

CONSERVER CES DIRECTIVES

Nos produits sont conçus et fabriqués selon les normes les plus rigoureuses de qualité, de conception et de fonctionnalité. Nous espérons que vous profiterez au maximum des nombreux avantages de votre nouvel appareil Braun.

Important

- **La lame ⑨ est très tranchant !**
Ne tenir la lame que par son bouton. Après l'utilisation, toujours retirer la lame du bol du robot culinaire ⑥ avant d'enlever les aliments préparés.
- S'assurer que la tension correspond à celle qui est imprimée sous l'appareil. Brancher l'appareil sur le courant alternatif seulement.
- Garder l'appareil hors de la portée des enfants.
- Cet appareil est muni d'une fiche d'alimentation polarisée (une des deux broches est plus large que l'autre). Pour réduire les risques de décharge électrique, il n'y a qu'une seule façon d'insérer cette fiche dans une prise de courant polarisée. Si le branchement n'est pas complet, inverser la fiche. Si le branchement est toujours incomplet, communiquer avec un électricien qualifié. Ne pas tenter de forcer ce dispositif de sécurité.
- Cet appareil est uniquement destiné à un usage domestique afin de préparer les quantités indiquées.
- Ne pas mettre les pièces dans un four à micro-ondes.
- Ne pas laisser fonctionner l'appareil sans surveillance.
- Les appareils Braun sont conformes aux normes de sécurité applicables. La réparation des appareils électriques doit être effectuée uniquement par des techniciens agréés. Une remise en état incorrecte effectuée par un personnel non qualifié risque d'entraîner des accidents ou de blesser l'utilisateur.
- Mettre l'appareil hors tension et le débrancher avant de le ranger.

Caractéristiques techniques

- Tension / puissance en watts : Voir la plaque signalétique sous l'appareil.
- Durée d'utilisation et capacité maximale : Voir les directives d'utilisation.

Description

Le Braun Multiquick 3 permet de pétrir, de malaxer, de mélanger, de hacher, d'émincer, de déchiqueter et de râper facilement et rapidement, quel que soit le rendement exigé.

- ① Bloc-moteur
- ② Range-cordon
- ③ Interrupteur (marche = I, arrêt = off/0)
- ④ Mode marche intermittente « P »
- ⑤ Régulateur de vitesse variable (1-15)
- ⑥ Bol du robot culinaire (capacité de 2 L / 2 pintes)
- ⑦ Couvercle du bol du robot culinaire ⑥
- ⑧ Poussoir de couvercle ⑦

Accessoires pour le bol du robot culinaire ⑥

(Important : Les accessoires ne sont pas tous compris dans l'équipement standard de tous les modèles.)

- ⑨ Lame avec protège-lame
- ⑩ Porte-lame
- ⑪ Lame à émincer fin – a
- ⑫ Lame à émincer gros – b
- ⑬ Lame à déchiqueter fin – c
- ⑭ Lame à déchiqueter gros – d
- ⑮ Lame à râper – e
- ⑯ Disque coupe-frites
- ⑰ Crochet pétrisseur
- ⑱ Fouet

Remarque : Avant d'utiliser le robot culinaire pour la première fois, nettoyer toutes les pièces en suivant les directives de la section « Nettoyage ».

Protection contre les surcharges

Afin d'éviter les dommages causés par les surcharges, cet appareil est muni d'un interrupteur de sécurité automatique qui coupe le courant au besoin. Dans une telle éventualité, remettre l'interrupteur ③ à la position « off/0 » et attendre environ 15 minutes pour permettre au moteur de se refroidir avant de remettre l'appareil sous tension.

Mode marche intermittente

« P » ④

Le mode marche intermittente convient aux utilisations suivantes :

- Hacher les aliments délicats et à consistance molle comme les oeufs, les oignons et le persil.
- Incorporer soigneusement la farine dans une pâte ou une pâte à frire pour maintenir la consistance crémeuse.
- Ajouter des oeufs battus ou de la crème à des aliments à consistance plus solide.

Le mode marche intermittente (« P ») est activé en appuyant sur le bouton bleu vert situé sur l'interrupteur ④ lorsque celui-ci est à la position « off/0 ».

Avant d'activer le mode marche intermittente, sélectionner la vitesse désirée à l'aide du régulateur de vitesse ⑤. Lorsque le bouton de marche intermittente bleu vert est relâché ④, l'appareil est mis hors tension.

Gamme de vitesses recommandées pour accessoires individuels

Régler la gamme de vitesses à l'aide du régulateur de vitesse variable ⑤. Pour obtenir la vitesse désirée dès le début de l'utilisation, il est recommandé de sélectionner la vitesse avant de mettre l'appareil sous tension.

Accessoires	Gamme de vitesses
Crochet pétrisseur	7
Lame	6-15
Fouet:	
– blancs d'oeufs	4-5
– crème	2
Lames à émincer, à râper et à déchiqueter	1-8
Disque coupe-frites	1-3

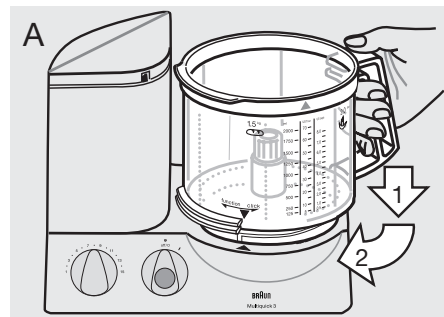
(voir également l'adhésif avec les icônes d'aliments pour le bloc-moteur)

Dispositif de sécurité double:

L'appareil ne peut être mis sous tension que si le bol du robot culinaire et son couvercle sont bien engagés. Si le couvercle s'ouvre pendant que l'appareil est en marche, le moteur se met automatiquement hors tension. Si cela se produit et que l'interrupteur ③ est toujours à la position « I », le remettre à la position « off/0 » afin d'éviter de mettre accidentellement le moteur sous tension.

Fixation du bol du robot culinaire ⑥ et du couvercle ⑦

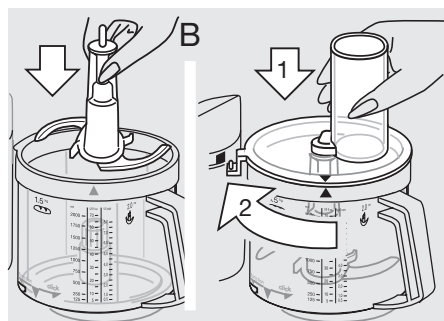
1. Après avoir mis le moteur hors tension, poser le bol du robot culinaire sur l'axe d'entraînement du bloc-moteur ① en alignant la flèche du bol avec la flèche du bloc-moteur (A). Ensuite, tourner le bol le plus loin possible dans la direction « fonction ».



2. Fixer l'accessoire désiré (voir les directives pour chacun des accessoires) sur l'axe d'entraînement du bol et le pousser vers le bas aussi loin que possible jusqu'à ce qu'il s'enclenche.

3. Mettre le couvercle ⑦ sur le bol en alignant la flèche du couvercle avec la flèche du bol.

Ensuite, tourner le couvercle vers la droite en guidant son bord rallongé dans l'ouverture de verrou de sécurité du bloc-moteur ① jusqu'à ce qu'il s'enclenche de manière audible (B).



Enlèvement du bol du robot culinaire ⑥ et du couvercle ⑦

Mettre l'appareil hors tension. Tourner le couvercle vers la gauche et le soulever. Ensuite, tourner le bol du robot culinaire dans la direction « click » jusqu'à ce qu'il s'enclenche, puis le soulever.

Remarque : Si l'on continue à tourner le bol du robot culinaire le plus loin possible dans la direction « click » et au-delà de la position d'arrêt, on peut verrouiller le bol du robot culinaire sur le bloc-moteur. Cependant, cette position empêchera de mettre le moteur sous tension. Pour détacher la lame du bol, la tenir par son bouton et tirer.

Mise en garde : La lame est très tranchante.

La lame ⑨ comprend un protège-lame. Ranger la lame dans le protège-lame lorsqu'elle n'est pas utilisée.

Nettoyage

D'abord, toujours mettre le moteur hors tension et débrancher l'appareil. Nettoyer le bloc-moteur ① à l'aide d'un chiffon humide seulement.

Tous les accessoires sont lavables au lave-vaisselle. Bien nettoyer au besoin tous les accessoires à l'aide d'une spatule ou d'une brosse avant de les rincer. Les aliments aux couleurs intenses (p. ex. les carottes) peuvent tacher les pièces en plastique ; enlever ces taches à l'aide d'huile de cuisson avant de les nettoyer avec de l'eau et du savon.

Ne pas utiliser des objets tranchants pour le nettoyage.

Faire très attention lors du nettoyage des lames – elles sont très tranchantes.

1. Pétrir

Pour le pétrissage, on peut utiliser le crochet pétrisseur ⑦ ou la lame ⑨. Pour obtenir des résultats supérieurs, nous recommandons d'utiliser le crochet pétrisseur, lequel est spécialement conçu pour confectionner la pâte à levure, les pâtes alimentaires et les pâtisseries.

Pâte à levure épaisse (pain, pâte à biscuits / gâteaux, pâtes alimentaires, pâtisserie)

Maximum de 500 g / 16 oz (1 lb) de farine et d'autres ingrédients
Vitesse 7, 1 min 1/2

Verser la farine dans le bol du robot culinaire, puis ajouter les autres ingrédients, à l'exception des liquides.

Mettre le couvercle ⑦ et le verrouiller. Choisir la vitesse 7 et mettre l'appareil sous tension.

Ajouter les liquides en les versant dans le tube de remplissage du couvercle pendant que le moteur est en marche. Lors du pétrissage à l'aide de la lame ⑨, ne pas ajouter d'ingrédients tels que les raisins secs, l'écorce confite ou les amandes, lesquels ne doivent pas être coupés. Ceux-ci doivent être ajoutés à la main après avoir enlevé la pâte pétrie du bol du robot culinaire.

Pâte pour pâtes alimentaires

Maximum de 500 g / 16 oz (1 lb) de farine et d'autres ingrédients
Vitesse 7, 1 min 1/2

Verser la farine dans le bol du robot culinaire, puis ajouter les autres ingrédients, à l'exception des liquides. Verser la quantité de liquide requise dans le tube de remplissage du couvercle pendant que le moteur est en marche.

Ne pas ajouter de liquide après que la pâte ait pris la forme d'une boule, car le liquide ne pourra plus être absorbé uniformément.

Pâtisseries

Maximum de 500 g / 16 oz (1 lb) de farine et d'autres ingrédients
Vitesse 7, environ 1 min

Verser la farine dans le bol du robot culinaire, puis ajouter les autres ingrédients. Pour obtenir des résultats supérieurs, le beurre doit être ni trop dur, ni trop mou.

Mettre le couvercle ⑦ et le verrouiller. Choisir la vitesse 7 et mettre l'appareil sous tension.

Arrêter de pétrir la pâte peu après qu'elle ait pris la forme d'une boule. La surpréparation de la pâte risque de la rendre trop molle.

2. Malaxer

Pâtes légères (Pour mélanger les préparations pour gâteau, la pâte ou les gâteaux éponges) utiliser la lame ⑨.

Le crochet pétrisseur ⑦ ne convient pas au mélange des préparations pour gâteau ou gâteaux éponges.

Maximum de 500 g / 16 oz (1 lb) de farine et d'autres ingrédients

Préparation pour gâteau (2 méthodes) Vitesse / temps

- a) Travailler le beurre ramolli avec le sucre et les œufs à la vitesse 6 / 1 min
ajouter le lait à la vitesse 6 / 15 s
incorporer soigneusement la farine à la vitesse 15 / 10–15 x en mode marche **P** intermittente
- b) Verser tous les ingrédients à l'exception des liquides dans le bol du robot culinaire à la vitesse 15 / 1 min

Verser la quantité de liquide requise dans le tube de remplissage du couvercle pendant que le moteur est en marche. Ajouter les ingrédients tels que les raisins secs à la main à la toute fin.

Gâteau éponge Vitesse / temps

Travailler les œufs et l'eau (au besoin) à la vitesse 15 / 2 min
ajouter le sucre à la vitesse 15 / 4 min
incorporer la farine en mode marche intermittente à la vitesse 8 / 5 x **P**
ajouter la poudre de cacao à la vitesse 8 / 3 x **P**

3. Mélanger

Utiliser la lame ⑨ pour mélanger les soupes, les laits frappés, etc.

Capacité maximale : 2 L / 2 pintes
Vitesse 8 (sinon le bol peut déborder)

Pour les laits frappés, verser les fruits grossièrement hachés dans le bol du robot culinaire.

Mettre le couvercle ⑦ et le verrouiller. À la vitesse 15, mélanger les fruits, puis ajouter du liquide à la vitesse 8 et finir le mélange.

À noter que le lait a tendance à mousser lorsqu'il est mélangé. Utiliser des quantités réduites.

4. Hacher

Hacher à l'aide de la lame ⑨

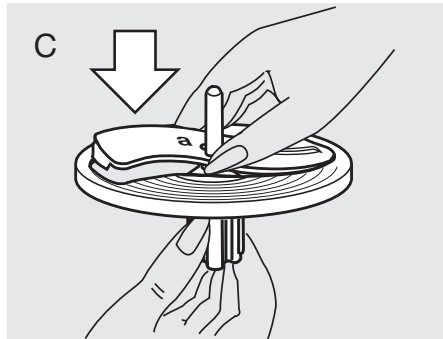
Exemples de préparation

Les temps de préparation sont approximatifs et peuvent varier en fonction de la qualité et de la quantité des aliments à préparer et de la consistance requise.

Produit	Quantité maximale	Préparation	Vitesse	Mode	Temps / marche intermittente
Petit pains durs	4	en quartiers	15	I	45 s
Glaçons	28	entiers	15	I	1 minute (neige)
Pommes	700 g / 1 lb 10 oz	en quartiers	8	I	15 s
Chocolat frais	400 g / 0,9 lb	broyé	15	I	grossier 15 s fin 30 s
Oeufs	8	entiers	6	P	8 x
Fromage (pâte molle)	400 g / 0,9 lb	cubes de 3 cm	15	I	20 s
Fromage (pâte dure)	700 g / 1 lb 10 oz	cubes de 3 cm	15	I	60-70 s
Viande	700 g / 1 lb 10 oz	en cubes	15	I	40 s
Carottes	700 g / 1 lb 10 oz	en morceaux	15	I	10 s
Oignons	700 g / 1 lb 10 oz	en quartiers	15	P	10-13 x

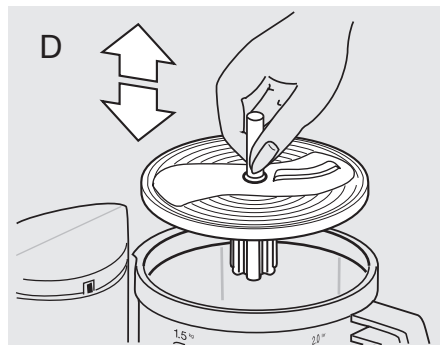
5. Émincer, déchiqueter, râper

- Mettre l'accessoire à utiliser dans le porte-lame ⑩ tel qu'illustré (C) et l'enclencher. Pour enlever la lame, pousser sur le bout de la lame qui dépasse au bas du porte-lame.



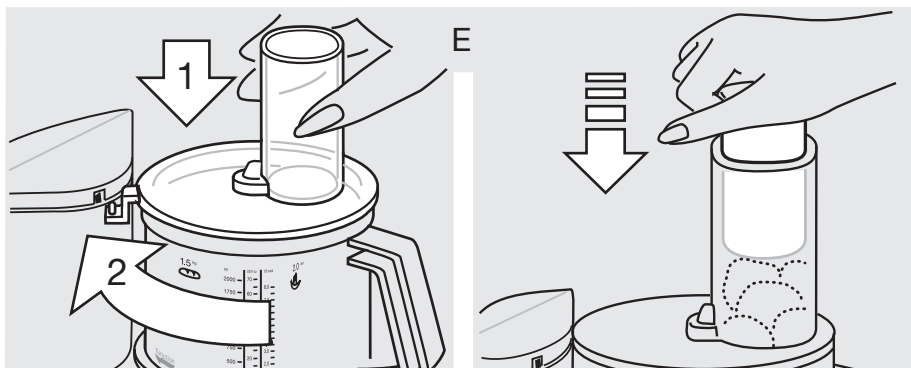
- Mettre l'accessoire à émincer-déchiqueter assemblé sur l'axe d'entraînement du bol du robot culinaire (D).
- Mettre le couvercle ⑦ et le verrouiller. Régler la vitesse et mettre les aliments à préparer dans le tube de remplissage pendant que le moteur est hors tension. Remplir de nouveau

uniquement lorsque le moteur est hors tension.



- Ne jamais mettre la main dans le tube de remplissage du couvercle lorsque le moteur est en marche. Toujours utiliser le poussoir ⑧ (E).

Remarque : L'utilisation d'une vitesse moins élevée lors de la préparation d'aliments juteux ou à consistance molle permet d'obtenir de meilleurs résultats. Les aliments durs devraient être préparés à une vitesse plus élevée. Ne pas trop remplir le bol du robot culinaire.



Lame à émincer fin – a ⑪

Vitesse 1-2

Exemples : concombres, choux, pommes de terre crues, carottes, oignons, radis.

Lame à émincer gros – b ⑫

Vitesse 1-2

Exemples : concombres, pommes de terre crues, oignons, bananes, tomates, champignons, céleri.

Lame à déchiqueter fin – c ⑬

Vitesse 3-6

Exemples : fromage (pâte molle à moyenne), concombres, carottes, pommes de terre crues, pommes.

Lame à déchiqueter gros – d ⑭

Vitesse 3-6

Exemples : fromage (pâte molle à moyenne), concombres, carottes, pommes de terre crues, pommes, choux.

Lame à râper – e ⑮

Vitesse 8-15

Exemples : pommes de terre crues (par ex. pour galettes de pommes de terre), raifort, fromage parmesan (dur).

Disque coupe-frites ⑯

Mettre le disque coupe-frites sur l'axe d'entraînement, mettre le couvercle ⑦ et le verrouiller. Pour obtenir des résultats supérieurs, mettre trois à quatre pommes de terre (selon leur grosseur) dans le tube de remplissage du couvercle ⑦ pendant que le moteur est hors tension.

Sélectionner la vitesse 1 ou 2 et mettre l'appareil sous tension. Avant de rajouter des aliments, mettre le moteur hors tension. Utiliser le poussoir ⑧ pour appliquer une légère pression lors de l'introduction de pommes de terre dans le tube de remplissage.

6. Fouetter à l'aide du fouet ⑰

Vitesse / temps

Fouetter des gâteaux éponges

Maximum de 280-300 g/10 oz de farine et d'autres ingrédients

Travailler les oeufs

et l'eau (au besoin) 5 / 2 min

ajouter le sucre 5 / 2 min

incorporer la farine 1 / 30 s

Fouetter des blancs d'oeufs

Minimum: 2 blancs d'oeufs 4-5 / 4 min

Maximum: 6 blancs d'oeufs 4-5 / 6 min

Fouetter de la crème

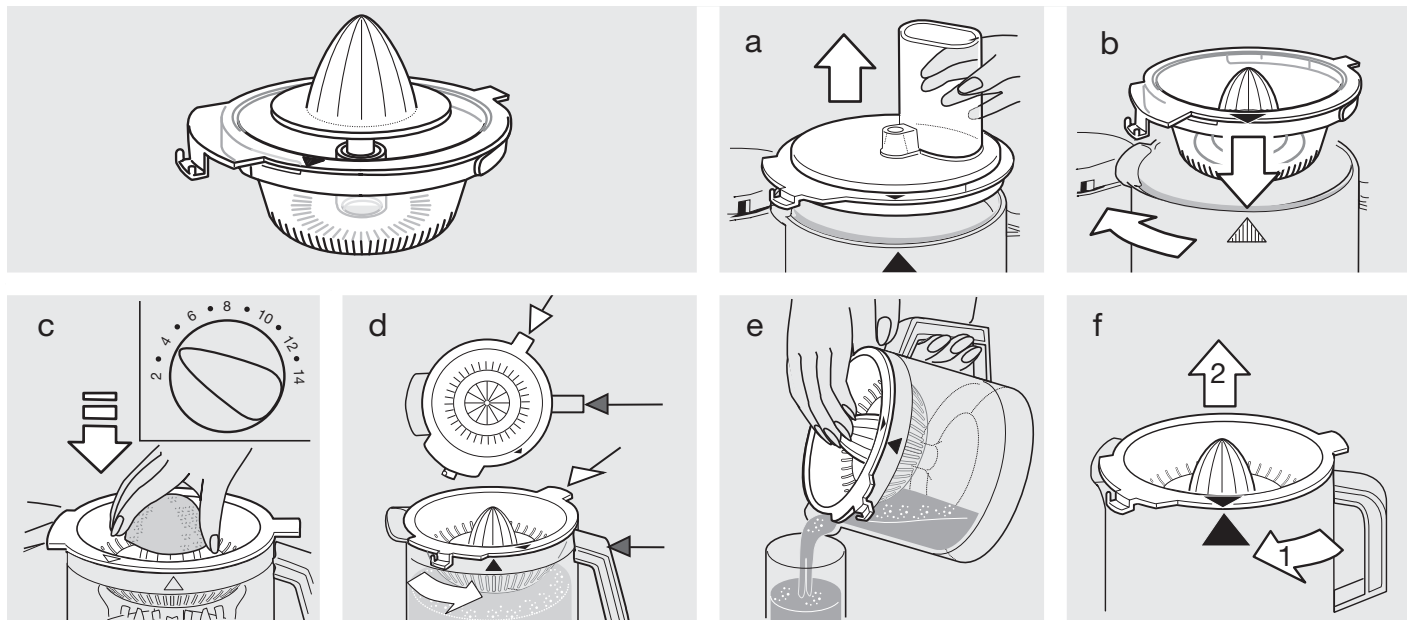
Minimum: 0,15-0,2 L/5-6 oz 2/1-2 min

Maximum: 0,4 L/12-13 oz 2/3,5-4 min

Garder la crème au frais pendant plusieurs heures (à 4 °C/39 °F environ) avant de la fouetter.

Presse-agrumes Braun PJ 600 Type 3200

Vitesse 1-3



Sous réserve de modifications sans préavis.

Seulement pour le Canada

Service après-vente au Canada

Pour obtenir des services après-vente pour un produit Braun, veuillez composer le 1 800 387-6657 afin d'être dirigé vers le centre de service après-vente agréé Braun le plus proche.

Pour obtenir des services après-vente :

- Veuillez remettre le produit au centre de service après-vente agréé Braun de votre choix. Ou :
- Veuillez expédier le produit au centre de service après-vente agréé Braun de votre choix. Assurez-vous de bien emballer le produit. Expédiez le produit, port payé et assuré (recommandé). N'oubliez pas d'inclure une copie de votre preuve d'achat afin de confirmer la couverture de la garantie, le cas échéant.

Pour obtenir des pièces et accessoires de rechange Braun d'origine :

Communiquez avec un centre de service après-vente agréé Braun.

Veuillez composer le 1 800 387-6657 afin d'être dirigé vers le centre de service après-vente agréé Braun le plus proche.

Pour communiquer avec un représentant du Service à la clientèle Braun :

Veuillez composer le 1 800 387-6657.

Garantie limitée d'un an

En l'occurrence d'un défaut à un appareil Braun au cours de la période de garantie mentionnée, soit par suite d'un vice de matières ou de fabrication, et du renvoi de l'appareil par le consommateur à un centre de service après-vente agréé, Braun Canada se réserve le choix de réparer ou remplacer l'appareil sans aucuns frais supplémentaires pour le consommateur. Cette garantie devient invalide si le produit est endommagé par une chute, une modification, un abus, une utilisation incorrecte ou s'il a été soumis à un entretien ou à des tentatives d'entretien par des centres de service après-vente non agréés. Cette garantie exclut les appareils modifiés ou utilisés à des fins commerciales.

Dans la mesure permise par la loi, Braun Canada n'est pas responsable pour une perte d'utilisation, une perte de temps, un inconvénient, une perte commerciale, un dommage spécial ou indirect, causés par l'appareil.

Les clauses de cette garantie constituent une addition et non une modification ou soustraction aux garanties statutaires et autres droits et recours contenus dans la législation provinciale applicable.

PRECAUCIONES IMPORTANTES

Cuando use aparatos eléctricos, siempre deben observarse precauciones de seguridad básicas, incluidas las siguientes:

1. Lea todas las instrucciones.
2. Para proteger contra el riesgo de descarga eléctrica, no ponga la cubierta del motor (base) en agua ni en ningún otro líquido.
3. Es necesaria una supervisión atenta cuando se utiliza cualquier aparato eléctrico por niños o cerca de ellos.
4. Desenchufe el aparato del tomacorriente cuando no se esté utilizando, antes de poner o quitar piezas, y antes de limpiarlo.
5. Evite el contacto con las piezas en movimiento. Las cuchillas son afiladas. Manéjelas con cuidado.

Accesorio para mezclar:

Mantenga las manos, el cabello, la ropa, así como las espátulas y otros utensilios alejados de los batidores

(ensamblaje de cuchillos) cuando esté en funcionamiento el aparato para reducir el riesgo de lesión a personas, y/o el daño a la batidora. Saque los batidores (ensamblaje de cuchillos) de la batidora antes de lavarla.

Accesorio cortador de tiras/rebanador:

No ponga nunca los alimentos con la mano. Use siempre un utensilio para empujar los alimentos. La cuchilla es afilada. Manéjela con cuidado cuando la limpie.

6. No use ningún aparato eléctrico que tenga el cordón o enchufe dañados, después de que el aparato no funcione bien o se caiga o se dañe de alguna forma. Devuelva el aparato al centro de servicio autorizado más cercano para que sea examinado o reparado, o para que se le haga algún ajuste eléctrico o mecánico.

7. El uso de accesorios (incluidos los tarros de conserva para las licuadoras) no recomendados o vendidos por el fabricante pueden ocasionar un incendio, descarga eléctrica o lesión.
8. No utilizar al aire libre.
9. No permita que el cordón cuelgue por el borde de una mesa o mostrador ni que toque superficies calientes.
10. Para evitar lesiones no coloque nunca la cuchilla o discos cortantes en la base sin poner bien antes el bol en su sitio.
11. Asegúrese de que la cubierta esté bien bloqueada en su sitio antes de poner el aparato en funcionamiento.
12. No intente manipular el dispositivo de bloqueo de la cubierta.

GUARDE ESTAS INSTRUCCIONES

Nuestros productos están diseñados para cumplir con las normas más elevadas de calidad, funcionalidad y diseño. Esperamos que que disfrute plenamente de su nuevo aparato Braun.

Importante

- **¡La cuchilla ⑨ es muy afilada!** Sujete la cuchilla sólo por la perilla. Después de usar el aparato, saque siempre primero la cuchilla del bol del procesador de alimentos ⑥ antes de sacar los alimentos procesados.
- Asegúrese de que su voltaje corresponda al voltaje impreso en la parte inferior del aparato. Conectar sólo a corriente alterna (CA).
- Mantenga el aparato fuera del alcance de los niños.
- Este aparato tiene un enchufe polarizado (una puntilla de contacto es más ancha que la otra). Para reducir el riesgo de descarga eléctrica, este enchufe podrá introducirse en un tomacorriente polarizado sólo en una dirección. Si el enchufe no cabe perfectamente en el tomacorriente, dé la vuelta al enchufe. Si sigue sin caber, comuníquese con un electricista capacitado. No intente eliminar esta característica de seguridad.
- Este aparato ha sido fabricado para uso doméstico únicamente para procesar las cantidades indicadas.

- No utilizar ninguna pieza en el horno microondas.
- No permita que se ponga en funcionamiento el aparato sin supervisión.
- Los aparatos eléctricos Braun cumplen con las normas de seguridad aplicables. Las reparaciones de los aparatos eléctricos deben hacerse únicamente por el personal de servicio autorizado. Un trabajo de reparación defectuoso y no profesional puede causar accidentes o lesiones al usuario.
- Apague el aparato y desconéctelo del tomacorriente antes de guardarlo.

Especificaciones

- Voltaje/vataje: Véase la placa en la parte inferior del aparato.
- Tiempo de funcionamiento y capacidad máxima: Véanse las instrucciones de procesamiento.

Descripción

La Braun Multiquick 3 satisface las más altas exigencias de amasar, mezclar, licuar, cortar, rebanar, cortar en tiras y rallar, de forma sencilla y rápida.

- ① Base de motor
- ② Lugar para guardar el cordón
- ③ Interruptor del motor
[on (encendido) = I,
off (apagado) = off/0]
- ④ Modo de pulsación «P»
- ⑤ Regulador variable de velocidad (1-15)
- ⑥ Bol para el procesador de alimentos (capacidad de 2 1/2 cuartos de galón)
- ⑦ Tapa del bol del procesador de alimentos ⑥
- ⑧ Utensilio para empujar alimentos ⑦

Accesorios para el bol del procesador de alimentos ⑥

(Importante: No se incluirán todos los accesorios en el equipo estándar de todos los modelos).

- ⑨ Cuchilla con cubierta protectora
- ⑩ Portacuchillas
- ⑪ Cuchilla para rebanar fino - a
- ⑫ Cuchilla para rebanar grueso - b
- ⑬ Cuchilla para corte fino en tiras - c
- ⑭ Cuchilla para corte grueso en tiras - d
- ⑮ Cuchilla para rallar - e
- ⑯ Disco para papas fritas
- ⑰ Gancho para amasar
- ⑱ Accesorio para batir

Nota: Antes de utilizar el procesador de alimentos por primera vez, limpiar todas las piezas según se describe bajo «Limpieza».

Protección de sobrecarga

Con el fin de evitar daños causados por la sobrecarga, este aparato está equipado de un interruptor de seguridad automático que cierra el suministro de corriente si es necesario. En tal caso, vuelva a poner el interruptor del motor ③ en «off/0» (apagado) y espere aproximadamente 15 minutos para dejar que se enfríe el motor antes de volver a encender el aparato.

Modo de pulsación

«P» ④

El modo de pulsación es útil para las siguientes aplicaciones:

- Cortar alimentos delicados y blandos, p.ej. huevos, cebollas o perejil.
- Incorporar con cuidado la harina a la masa para mantener la cremosidad.
- Agregar los huevos o crema batidos a los alimentos sólidos.

El modo de pulsación «P» se activa presionando el botón azul ④ en el interruptor del motor con el interruptor en la posición de «off/0» (apagado).

Antes de activar el modo de pulsación, fije la velocidad deseada con el regulador de velocidad ⑤. Al soltar el botón azul de pulsación ④, el aparato se apaga.

Límites de velocidad recomendados para accesorios individuales

Establezca los límites de velocidad mediante el regulador de velocidad variable ⑤. Se recomienda seleccionar primero la velocidad y luego encender el aparato para trabajar con la velocidad deseada desde el principio.

Accesorios	Rango de velocidad
Gancho para amasar	7
Cuchilla	6-15
Accesorio para batir: - clara de huevo	4-5
- crema	2
Cuchillas para rebanar, rallar y cortar a tiras	1-8
Disco para papas fritas	1-3

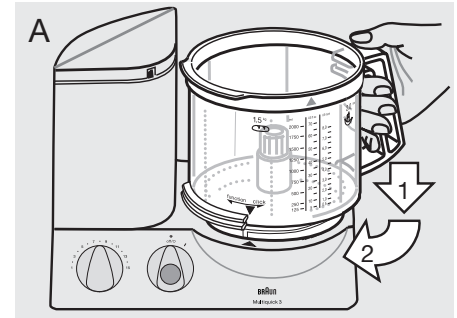
(consulte también la etiqueta con los iconos de alimentos para la base de motor)

Característica de doble seguridad:

El aparato sólo puede encenderse cuando el bol del procesador de alimentos con tapa está bien engranado. Si la tapa se desbloquea cuando está en funcionamiento, el motor se apaga automáticamente. Si ocurre esto y el interruptor del motor ③ está todavía en on «I», vuelva a ponerlo en «off/0» para evitar encender el motor accidentalmente.

Colocar el bol del procesador de alimentos ⑥ y la tapa ⑦

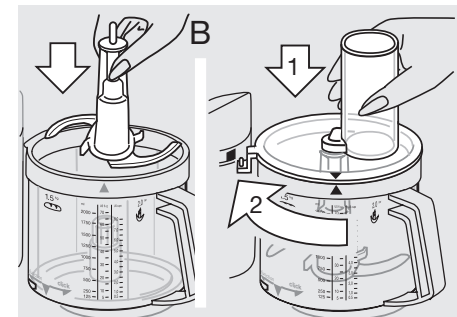
Con el motor apagado, coloque el bol del procesador de alimentos en posición de funcionamiento de la base ① haciendo corresponder la flecha del bol con la flecha de la base (A). Luego gire el bol en la dirección de «function» (función) lo más posible.



2. Coloque el accesorio necesario (véanse las instrucciones para cada uno de los accesorios) en el árbol de impulsión del bol y empujelo hacia abajo lo más posible hasta que haga clic y se bloquee en su sitio.

3. Ponga la tapa ⑦ en el bol haciendo corresponder la flecha de la tapa con la flecha del bol.

Luego gire la tapa en el sentido de las agujas del reloj orientando su borde extendido en la abertura del dispositivo de bloqueo de seguridad de la base ① hasta que oiga que haga clic y quede bloqueado (B).



Sacar el bol del procesador de alimentos ⑥ y la tapa ⑦

Apague el aparato. Gire la tapa en sentido contrario a las agujas del reloj y levántela. Luego gire el bol del procesador de alimentos en la dirección de «click» hasta que se bloquee y levante el bol.

Nota: Si continúa girando el bol del procesador de alimentos en dirección al «click» lo máximo posible, más allá de la posición de parada, puede bloquear el bol del procesador de alimentos en la base del motor. Sin embargo, en esta posición, no puede encender el motor.

Cuando saque la cuchilla del bol, sujétela por la perilla y sáquela tirando de ella.

Advertencia:
La cuchilla es muy afilada.

La cuchilla ⑨ viene con una cubierta protectora. Cuando no esté utilizándola, guarde la cuchilla en la cubierta protectora.

Limpieza

Primero, apague siempre el motor y desenchufe el aparato. Limpie la base ① sólo con un paño húmedo.

Todas las piezas pueden lavarse en el lavaplatos. Si es necesario, limpie todas las piezas bien con una espátula antes de enjuagarlas.

Los alimentos de color intenso (p.ej. las zanahorias) pueden dejar manchas en las piezas de plástico; límpielas con aceite de cocina antes de lavarlas con agua y jabón.

No utilice objetos afilados para fines de limpieza.

Limpie las cuchillas con mucho cuidado - son muy afiladas.

1. Amasar

Para amasar puede usar el gancho de amasar ⑦ o la cuchilla ⑨. Para obtener los mejores resultados, recomendamos el uso del gancho para amasar, que está especialmente diseñado para hacer masa, pasta y pasteles.

Masas pesadas (pan, masa de galletas, pasta, masa para pasteles)
Máximo 500 g/16 oz. de harina además de otros ingredientes, velocidad 7, 1 1/2 minutos

Vierta la harina en el bol del procesador de alimentos, luego agregue los demás ingredientes excepto los líquidos. Ponga la tapa ⑦ y bloquéela en su sitio. Luego elija la velocidad 7 y encienda el aparato. Agregue los líquidos vertiéndolos por la abertura de la tapa mientras el motor está en funcionamiento.

Cuando amase con la cuchilla, ⑨ no agregue ingredientes como pasas, piel confitada, almendras, etc. que se supone que no deben cortarse. Estos deben añadirse manualmente después de sacar la masa amasada del bol del procesador de alimentos.

Masa de pasta

Máximo 500 g/16 oz. de harina además de otros ingredientes, velocidad 7, 1 1/2 minutos

Vierta la harina en el bol del procesador de alimentos, luego agregue los demás ingredientes excepto los líquidos. Vierta la cantidad necesaria de líquido por la abertura de la tapa mientras el motor está en funcionamiento.

No añada ningún líquido después de que la masa se haya formado en una bola, ya que el líquido no se absorberá bien.

Masa para pasteles

Máximo 500 g/16 oz. de harina además de otros ingredientes, velocidad 7, aproximadamente 1 minuto

Vierta la harina en el bol del procesador de alimentos, luego añada los demás ingredientes. Para obtener los mejores resultados, la masa utilizada no debe ser demasiado dura ni demasiado blanda. Ponga la tapa ⑦ y bloquéela en su sitio. Elija la velocidad 7 y encienda el aparato.

Deje de amasar la masa justo después de que se haya formado en una bola. El procesarla durante más tiempo ocasionará que la masa de los pasteles se ponga demasiado blanda.


2. Mezclar

Masas livianas/masas (mezcla de pastel, bizcocho) use la cuchilla ⑨.

El gancho para amasar ⑦ no es apropiado para mezclar los preparados comerciales para hacer pasteles o la masa de bizcochos.



Máximo 500 g/16 oz. de harina además de otros ingredientes

Preparado comercial para pasteles
(2 métodos) Velocidad / tiempo

- | | |
|--|--|
| a) Mezcle la mantequilla con el azúcar y los huevos | 6 / 1 min |
| vierta la leche e incorpore con cuidado la harina con el modo de pulsación | 6/15 seg
15/10-15 x  |
| b) Vierta todos los ingredientes excepto los líquidos en el bol del procesador de alimentos. | 15 / 1 min |

Agregue los líquidos necesarios a través de la abertura de la tapa mientras el motor está en funcionamiento. Por último añada manualmente los ingredientes, como por ejemplo las pasas.

Bizcocho Tiempo de velocidad

- | | |
|--|---|
| Batir los huevos y el agua (si es necesario) y el azúcar | 15 / 2 min
15 / 4 min |
| incorpore la harina con el modo de pulsación | 8 / 5 veces  |
| agregue el polvo de cocoa | 8 / 3 veces  |

3. Licuar

Use la cuchilla ⑨ para licuar sopas, batidos o licuados con leche, etc.

Capacidad máxima 2 1/2 cuartos de galón
Velocidad 8
(de lo contrario el bol puede desbordarse)

Para batidos o licuados con leche, ponga fruta cortada gruesa en el bol del procesador de alimentos. Ponga la tapa ⑦ y bloquéela en su sitio. Con velocidad 15, licue primero la fruta y luego agregue el líquido a velocidad 8 y termine de licuar.

Al licuar leche, tenga en cuenta que se hará espuma. Use cantidades más pequeñas.

4. Cortar

Cortar con la cuchilla ⑨

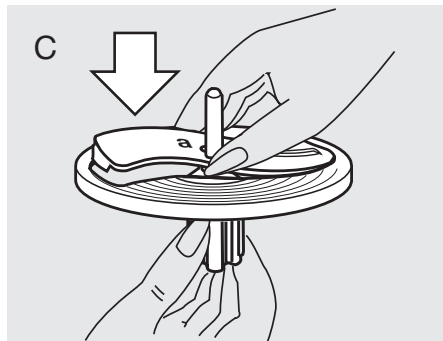
Ejemplos de procesamiento

Los tiempos de procesamiento son aproximados y dependen de la calidad, la cantidad de los alimentos a procesar y el grado necesario de finura.

Producto	Cantidad máxima del producto	Preparación	Modo de velocidad	Moda- lidad	Hora/ pulsaciones
Pan duro, panecillos	4	en cuatro partes	15	I	45 seg.
Cubitos de hielo	28	enteros	15	I	1 minuto (nieve)
Manzanas	700 g / 1 lb 10 oz	en cuatro partes	8	I	15 seg.
Chocolate, enfriado	400 g / 0,9 lb	a trozos	15	I	grueso 15 seg. fino 30 seg.
Huevos	8	enteros	6	P	8 veces
Queso (blando)	400 g / 0,9 lb	cubitos de 1 pulg.	15	I	20 seg.
Queso (duro)	700 g / 1 lb 10 oz	cubitos de 1 pulg.	15	I	60-70 seg.
Carne	700 g / 1 lb 10 oz	en cubitos	15	I	40 seg.
Zanahorias	700 g / 1 lb 10 oz	en trozos	15	I	10 seg.
Cebollas	700 g / 1 lb 10 oz	en cuatro trozos	15	P	10 - 13 veces

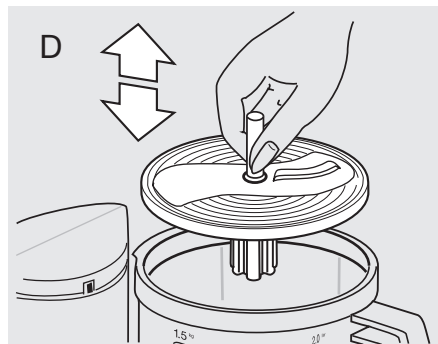
5. Rebanar, cortar a tiras, rallar

- Ponga la cuchilla que desee usar en el portacuchillas ⑩ como se muestra en (C) y encájela en su sitio. Para quitar la cuchilla, levante el extremo de la cuchilla que sobresale en la parte inferior del portacuchillas.



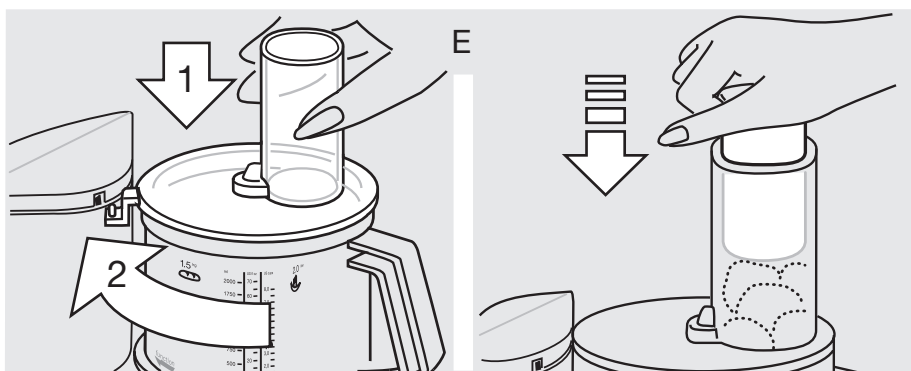
- Ponga el rebanador/cortador de tiras en el árbol de impulsión del bol del procesador de alimentos (D).
- Ponga la tapa ⑦ y bloquéela en su sitio. Fije la velocidad y ponga los alimentos a procesar en la abertura de la tapa mientras el motor está

apagado. El relleno debe hacerse con el motor apagado.



- No introduzca nunca la mano en la abertura de la tapa cuando el motor esté en marcha. Utilice siempre un utensilio para empujar los alimentos. ⑧ (E).

N.B.: Cuando procese alimentos jugosos o blandos, obtendrá mejores resultados a una velocidad más lenta. Los alimentos duros deben procesarse a una velocidad más alta. No sobrecargue el bol del procesador de alimentos.



Cuchilla para rebanar fino - a ⑪

Velocidad 1-2

Ejemplos de procesamiento: pepinos, col, papas crudas, zanahorias, cebollas, rábanos..

Cuchilla para rebanar grueso - b ⑫

Velocidad 1-2

Ejemplos de procesamiento: pepinos, papas crudas, cebollas, plátanos (bananas), tomates, setas, apio.

Cuchilla para corte fino en tiras - c ⑬

Velocidad 3-6

Ejemplos de procesamiento: queso (de blando a medio), pepinos, zanahorias, papas crudas, manzanas.

Cuchilla para corte grueso en tiras - d ⑭

Velocidad 3-6

Ejemplos de procesamiento: queso (de blando a medio), pepinos, zanahorias, papas crudas, manzanas, col.

Cuchilla para rallar - e ⑮

Velocidad 8-15

Ejemplos de procesamiento: papas crudas (p.ej. para panqueques de papas), rábano picante, queso parmesano (duro).

Disco para papas fritas ⑯

Coloque el disco para papas fritas en el árbol de impulsión, ponga la tapa ⑦ y bloquéela en su sitio. Para obtener los mejores resultados, ponga de 3 a 4 papas (dependiendo del tamaño) en la abertura de la tapa ⑦ mientras el motor está apagado.

Fije la velocidad a 1-2 y encienda el aparato. Antes de poner más alimentos apague el motor. Use el utensilio para empujar alimentos ⑧ para aplicar una ligera presión al empujar las papas en la abertura.

6. Batir con el accesorio para batir ⑰

Velocidad / Tiempo

Batir masa para bizcochos

Máximo 280-300 g / 10 oz de harina

más los ingredientes

Batir los huevos y el agua (si es necesaria)	5 / 2 min
agregar el azúcar	5 / 2 min
incorporar el harina	1 / 30 seg.

Batir claras de huevo

Mínimo: 2 claras de huevo 4-5 / 4 min

Máximo: 6 claras de huevo 4-5 / 6 min

Batir crema

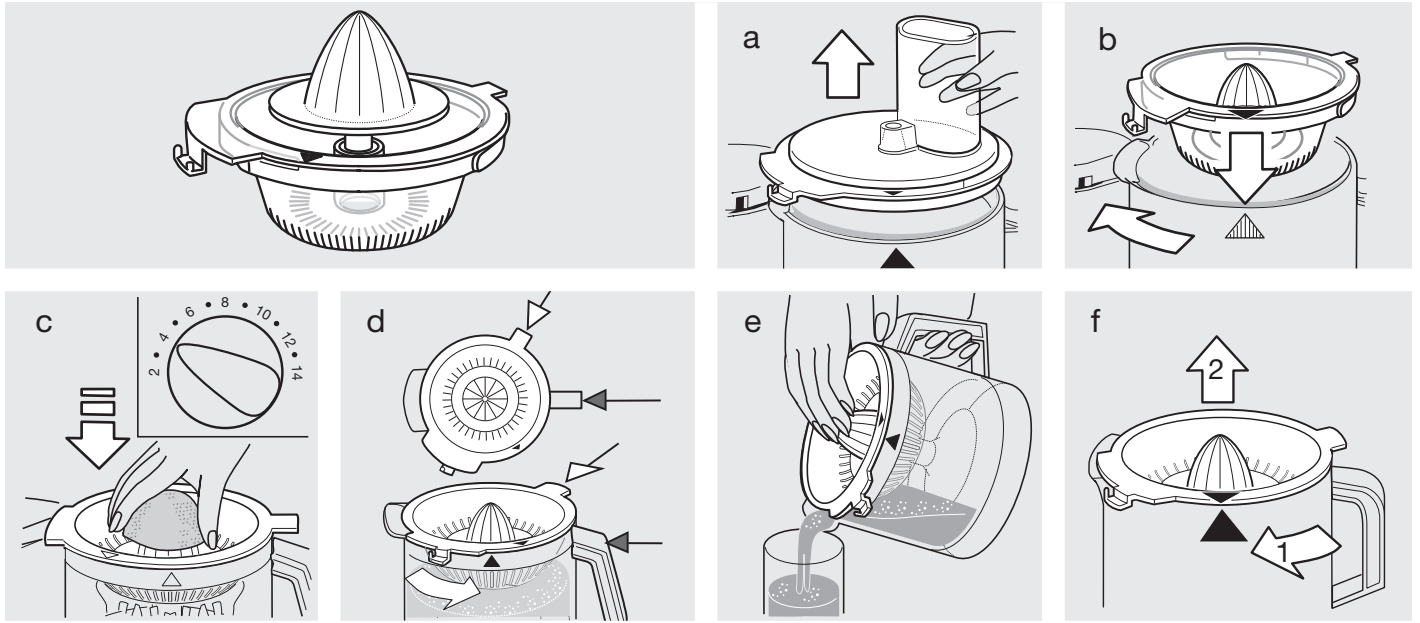
Mínimo: 0,15-0,2 l / 5-6 oz 2/1-2 min

Máximo: 0,4 l / 12-13 oz 2/3.5-4 min

Antes de batir la crema, manténgala fría por varias horas (a 4 °C/39 °F aproximadamente).

Prensa para cítricos de Braun PJ 600
Tipo 3200

Velocidad: 1-3



Sujeto a cambios sin previo aviso.

Solo para México

Garantía

La compañía Procter & Gamble Manufactura, S. de R.L. de C.V. consciente de lo que significa para el usuario un servicio post-venta, brinda a este aparato una garantía por 1 año, a partir de la fecha señalada en el comprobante de compra original, entendiéndose por ésta, la misma en que el consumidor recibió el producto. Dentro del plazo de garantía subsanaremos cualquier defecto de fabricación o mano de obra, bien sea reparando, cambiando algunas piezas o sustituyendo el aparato, según sea el desperfecto de éste. Las piezas o aparatos que hayan sido sustituidos serán de nuestra propiedad.

La garantía perderá validez en los siguientes casos:

- Cuando el producto no hubiese sido operado de acuerdo al instructivo anexo.
- Cuando el producto se hubiese utilizado en condiciones distintas a las normales.
- Cuando el producto hubiese sido alterado o reparado por personas no autorizadas.

Para poder hacer efectiva esta garantía así como para obtener partes consumibles, accesorios y refacciones, o bien acudir a los centros de servicio autorizados, le sugerimos comunicarse sin costo al 01-800-508-58-00.

Importado y/o distribuido por:
Procter & Gamble International Operations, SA
Loma Florida #32,
Col. Lomas de Vista Hermosa,
Del. Cuajimalpa,
05100 México, D.F.