

Contents

GB

English,1

FR

Français,13

عربي

عربي,25

Installation, 2-3

Unpacking and levelling
Connecting the electricity and water supplies
The first wash cycle
Technical data

Care and maintenance, 4

Cutting off the water and electricity supplies
Cleaning the washing machine
Cleaning the detergent dispenser drawer
Caring for the door and drum of your appliance
Cleaning the pump
Checking the water inlet hose

Precautions and advice, 5

General safety
Disposal

Description of the washing machine, 6-7

Control panel
Display

Running a wash cycle, 8

Wash cycles and options, 9

Table of programmes and wash cycles
Wash options

Detergents and laundry, 10

Detergent dispenser drawer
Preparing the laundry
Special wash cycles

Troubleshooting, 11

Service, 12

FMG 722**ARISTON**

Installation

GB

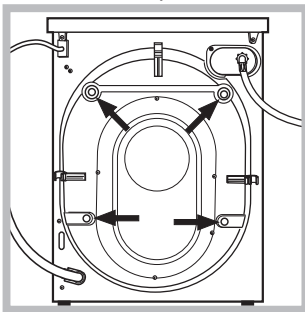
! This instruction manual should be kept in a safe place for future reference. If the washing machine is sold, transferred or moved, make sure that the instruction manual remains with the machine so that the new owner is able to familiarise himself/herself with its operation and features.

! Read these instructions carefully: they contain vital information relating to the safe installation and operation of the appliance.

Unpacking and levelling

Unpacking

1. Remove the washing machine from its packaging.
2. Make sure that the washing machine has not been damaged during the transportation process. If it has been damaged, contact the retailer and do not proceed any further with the installation process.



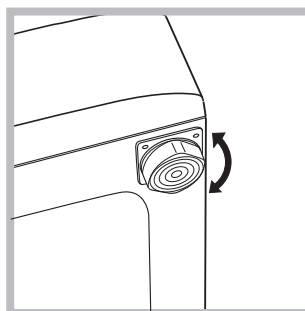
3. Remove the 4 protective screws (used during transportation) and the rubber washer with the corresponding spacer, located on the rear part of the appliance (see figure).

4. Close off the holes using the plastic plugs provided.
5. Keep all the parts in a safe place: you will need them again if the washing machine needs to be moved to another location.

! Packaging materials should not be used as toys for children.

Levelling

1. Install the washing machine on a flat sturdy floor, without resting it up against walls, furniture cabinets or anything else.

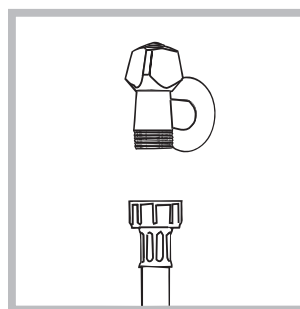


2. If the floor is not perfectly level, compensate for any unevenness by tightening or loosening the adjustable front feet (see figure); the angle of inclination, measured in relation to the worktop, must not exceed 2°.

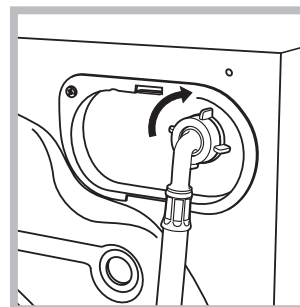
Levelling the machine correctly will provide it with stability, help to avoid vibrations and excessive noise and prevent it from shifting while it is operating. If it is placed on carpet or a rug, adjust the feet in such a way as to allow a sufficient ventilation space underneath the washing machine.

Connecting the electricity and water supplies

Connecting the water inlet hose



1. Connect the inlet hose by screwing it to a cold water tap using a 3/4 gas threaded connection (see figure). Before performing the connection, allow the water to run freely until it is perfectly clear.



2. Connect the inlet hose to the washing machine by screwing it onto the corresponding water inlet of the appliance, which is situated on the top right-hand side of the rear part of the appliance (see figure).

3. Make sure that the hose is not folded over or bent.

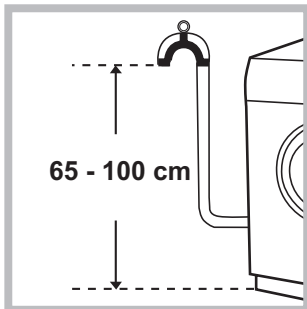
! The water pressure at the tap must fall within the range of values indicated in the Technical data table (see next page).

! If the inlet hose is not long enough, contact a specialised shop or an authorised technician.

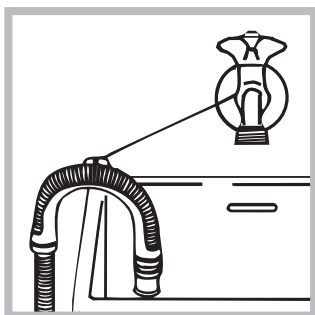
! Never use second-hand hoses.

! Use the ones supplied with the machine.

Connecting the drain hose



Connect the drain hose, without bending it, to a drain duct or a wall drain situated between 65 and 100 cm from the floor;



alternatively, placed it over the edge of a basin, sink or tub, fastening the duct supplied to the tap (see figure). The free end of the hose should not be underwater.

! We advise against the use of hose extensions; if it is absolutely necessary, the extension must have the same diameter as the original hose and must not exceed 150 cm in length.

Electrical connections

Before plugging the appliance into the electricity socket, make sure that:

- the socket is earthed and complies with all applicable laws;
- the socket is able to withstand the maximum power load of the appliance as indicated in the Technical data table (see *opposite*);
- the power supply voltage falls within the values indicated in the Technical data table (see *opposite*);
- the socket is compatible with the plug of the washing machine. If this is not the case, replace the socket or the plug.

! The washing machine must not be installed outdoors, even in covered areas. It is extremely dangerous to leave the appliance exposed to rain, storms and other weather conditions.

! When the washing machine has been installed, the electricity socket must remain within easy reach.

! Do not use extension cords or multiple sockets.

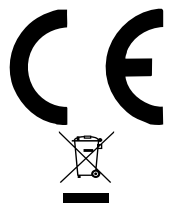
! The cable should not be bent or compressed.

! The power supply cable must only be replaced by authorised technicians.

Warning! The company shall not be held responsible in the event that these standards are not observed.

The first wash cycle

Once the appliance has been installed, and before you use it for the first time, run a wash cycle with detergent and no laundry, using wash cycle number auto clean (see “Cleaning the washing machine”).

Technical data	
Model	FMG 722
Dimensions	width 59.5 cm height 85 cm depth 54 cm
Capacity	from 1 to 7 kg
Electrical connections	please refer to the technical data plate fixed to the machine
Water connections	maximum pressure 1 MPa (10 bar) minimum pressure 0.05 MPa (0.5 bar) drum capacity 52 litres
Spin speed	up to 1200 rotations per minute
Test wash cycles in accordance with regulations 1061/2010 1015/2010	programme 9; Eco Cotton 60°C. programme 9; Eco Cotton 40°C.
	This appliance conforms to the following EC Directives: - EMC - 2014/30/EU (Electromagnetic Compatibility) - LVD - 2014/35/EU (Low Voltage) - 2012/19/EU (WEEE)

Care and maintenance

GB

Cutting off the water and electricity supplies

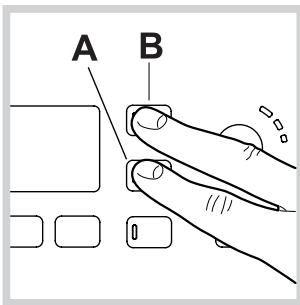
- Turn off the water tap after every wash cycle. This will limit wear on the hydraulic system inside the washing machine and help to prevent leaks.
- Unplug the washing machine when cleaning it and during all maintenance work.

Cleaning the washing machine

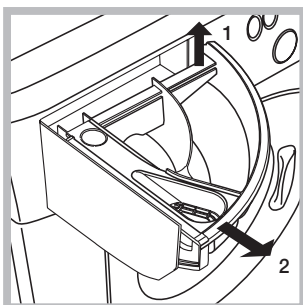
- The outer parts and rubber components of the appliance can be cleaned using a soft cloth soaked in lukewarm soapy water. Do not use solvents or abrasives.
- The washing machine has a “Auto Clean” programme for its internal parts that **must be run with no load in the drum**.

To help the wash cycle you may want to use either the detergent (i.e. a quantity 10% the quantity specified for lightly-soiled garments) or special additives to clean the washing machine. We recommend running a cleaning programme every 40 wash cycles.

To start the programme press buttons **A** and **B** simultaneously for 5 seconds (see figure). The programme will start automatically and will run for about 70 minutes. To stop the cycle press the START/PAUSE button.



Cleaning the detergent dispenser drawer



Remove the dispenser by raising it and pulling it out (see figure). Wash it under running water; this operation should be repeated frequently.

Caring for the door and drum of your appliance

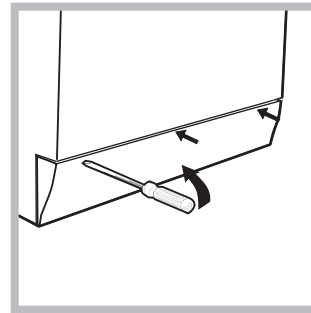
- Always leave the porthole door ajar in order to prevent unpleasant odours from forming.

Cleaning the pump

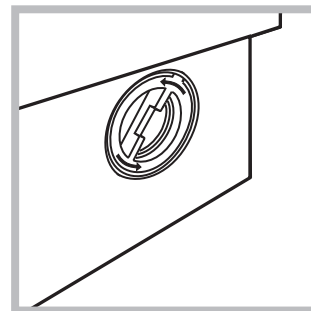
The washing machine is fitted with a self-cleaning pump which does not require any maintenance. Sometimes, small items (such as coins or buttons) may fall into the pre-chamber which protects the pump, situated in its bottom part.

- ! Make sure the wash cycle has finished and unplug the appliance.

To access the pre-chamber:



1. using a screwdriver, remove the cover panel on the lower front part of the washing machine (see figure);



2. unscrew the lid by rotating it anti-clockwise (see figure): a little water may trickle out. This is perfectly normal;

3. clean the inside thoroughly;
4. screw the lid back on;
5. reposition the panel, making sure the hooks are securely in place before you push it onto the appliance.

Checking the water inlet hose

Check the inlet hose at least once a year. If there are any cracks, it should be replaced immediately: during the wash cycles, water pressure is very strong and a cracked hose could easily split open.

- ! Never use second-hand hoses.

! This washing machine was designed and constructed in accordance with international safety regulations. The following information is provided for safety reasons and must therefore be read carefully.

General safety

- This appliance was designed for domestic use only.
- This appliance can be used by children aged from 8 years and above and persons with reduced physical, sensory or mental capabilities or lack of experience and knowledge if they have been given supervision or instruction concerning use of the appliance in a safe way and understand the hazards involved. Children shall not play with the appliance. Cleaning and user maintenance shall not be made by children without supervision.
- Do not touch the machine when barefoot or with wet or damp hands or feet.
- Do not pull on the power supply cable when unplugging the appliance from the electricity socket. Hold the plug and pull.
- Do not open the detergent dispenser drawer while the machine is in operation.
- Do not touch the drained water as it may reach extremely high temperatures.
- Never force the porthole door. This could damage the safety lock mechanism designed to prevent accidental opening.
- If the appliance breaks down, do not under any circumstances access the internal mechanisms in an attempt to repair it yourself.
- Always keep children well away from the appliance while it is operating.
- The door can become quite hot during the wash cycle.
- If the appliance has to be moved, work in a group of two or three people and handle it with the utmost care. Never try to do this alone, because the appliance is very heavy.
- Before loading laundry into the washing machine, make sure the drum is empty.

Disposal

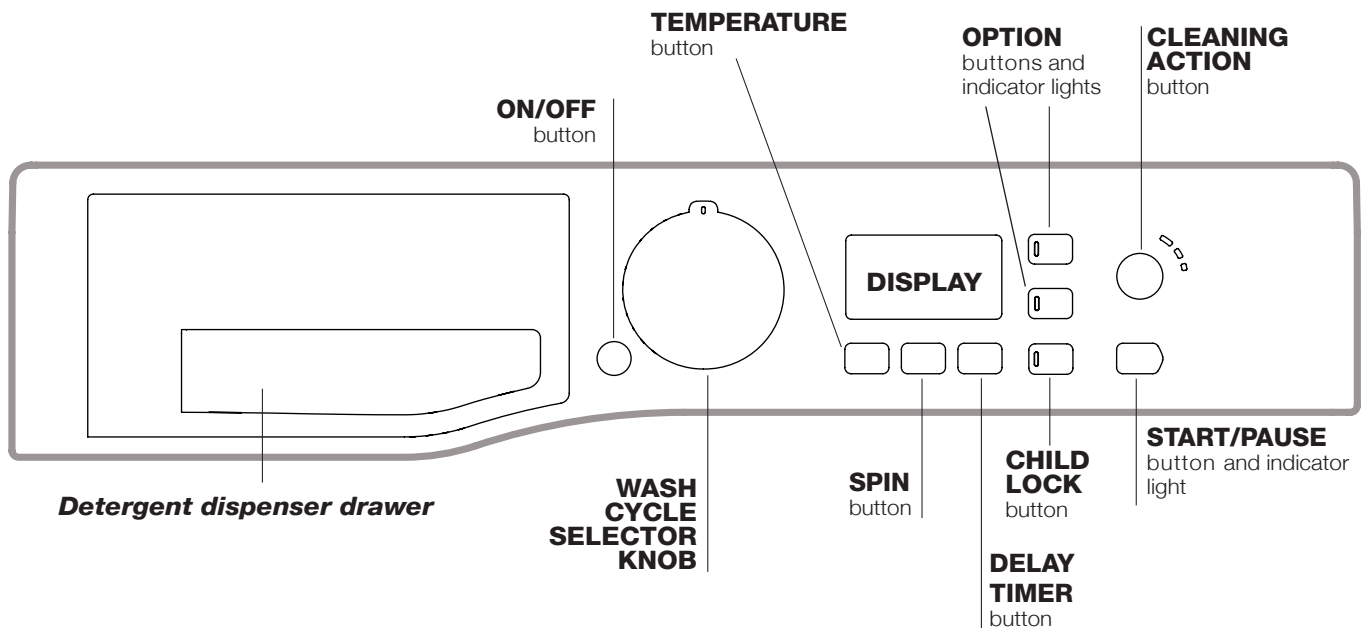
- Disposing of the packaging materials: observe local regulations so that the packaging may be re-used.
- The European Directive 2012/19/EU on Waste Electrical and Electronic Equipment, requires that old household electrical appliances must not be disposed of in the normal unsorted municipal waste stream. Old appliances must be collected separately in order to optimise the recovery and recycling of the materials they contain and reduce the impact on human health and the environment. The crossed out “wheeled bin” symbol on the product reminds you of your obligation, that when you dispose of the appliance it must be separately collected. Consumers should contact their local authority or retailer for information concerning the correct disposal of their old appliance.

Load balancing system


Before every spin cycle, to avoid excessive vibrations before every spin and to distribute the load in a uniform manner, the drum rotates continuously at a speed which is slightly greater than the washing rotation speed. If, after several attempts, the load is not balanced correctly, the machine spins at a reduced spin speed. If the load is excessively unbalanced, the washing machine performs the distribution process instead of spinning. To encourage improved load distribution and balance, we recommend small and large garments are mixed in the load.

Description of the washing machine

Control panel



Detergent dispenser drawer: used to dispense detergents and washing additives (see “Detergents and laundry”).


ON/OFF  button: press this briefly to switch the machine on or off. The START/PAUSE indicator light which flashes slowly in a green colour shows that the machine is switched on. To switch off the washing machine during the wash cycle, press and hold the button for approximately 3 seconds; if the button is pressed briefly or accidentally the machine will not switch off.

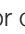
If the machine is switched off during a wash cycle, this wash cycle will be cancelled.


WASH CYCLE SELECTOR KNOB: used to set the desired wash cycle (see “Table of programmes and wash cycles”).


OPTION buttons and indicator lights: press to select the available options. The indicator light corresponding to the selected option will remain lit.


CLEANING ACTION button : to select the desired wash intensity.

TEMPERATURE  button: press to reduce or completely exclude the temperature; the value appears on the display.

SPIN  button: press to reduce or completely exclude the spin cycle; the value appears on the display.

DELAYED START  button: press to set a delayed start for the selected wash cycle; the delay period appears on the display.

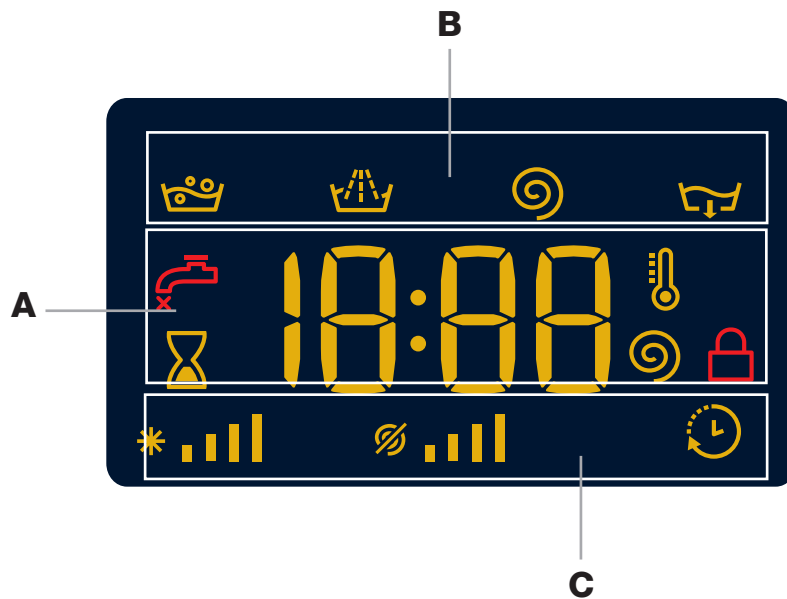
START/PAUSE button and indicator light: when the green indicator light flashes slowly, press the button to start a wash cycle. Once the cycle has begun the indicator light will remain lit in a fixed manner. To pause the wash cycle, press the button again; the indicator light will flash in an amber colour. If the  symbol is not illuminated, the door may be opened (wait approximately 3 minutes). To start the wash cycle from the point at which it was interrupted, press the button again.

CHILD LOCK button: to activate the control panel lock, press and hold the button for approximately 2 seconds. When the symbol  is illuminated, the control panel is locked. This means it is possible to prevent wash cycles from being modified accidentally, especially where there are children in the home. To deactivate the control panel lock, press and hold the button for approximately 2 seconds.

Standby mode

This washing machine, in compliance with new energy saving regulations, is fitted with an automatic standby system which is enabled after about 30 minutes if no activity is detected. Press the ON-OFF button briefly and wait for the machine to start up again.

Display



The display is useful when programming the machine and provides a great deal of information.

The duration of the available wash cycles and the remaining time of a running cycle appear in section **A**; if the DELAYED START option has been set, the countdown to the start of the selected wash cycle will appear.

Pressing the corresponding button allows you to view the maximum spin speed and temperature values attained by the machine during the set wash cycle, or the values selected most recently, if these are compatible with the set wash cycle.

The “wash cycle phases” corresponding to the selected wash cycle and the “wash cycle phase” of the running wash cycle appear in section **B**:

- Main wash
- Rinse
- Spin
- Pump out

The icons corresponding to “temperature”, “spin” and “delayed start” (working from the left) are displayed in section **C**.

The “temperature” bars * indicate the maximum temperature level which may be selected for the set cycle.

The “spin” bars indicate the maximum spin level which may be selected for the set cycle.

The “delay” symbol , when lit, indicates that the set “delayed start” value has appeared on the display.


DOOR LOCKED indicator light:

The lit symbol indicates that the door is locked. To prevent any damage, wait until the symbol turns off before opening the door (wait approximately 3 minutes).



To open the door while a cycle is in progress, press the START/PAUSE button; if the DOOR LOCKED symbol is switched off the door may be opened (wait approximately 3 minutes).

Running a wash cycle

GB


1. **SWITCH THE MACHINE ON.** Press the  button; the START/PAUSE indicator light will flash slowly in a green colour.
2. **LOAD THE LAUNDRY.** Open the porthole door. Load the laundry, making sure you do not exceed the maximum load value indicated in the table of programmes and wash cycles on the following page.
3. **MEASURE OUT THE DETERGENT.** Pull out the detergent dispenser drawer and pour the detergent into the relevant compartments as described in “*Detergents and laundry*”.
4. **CLOSE THE DOOR.**
5. **SELECT THE WASH CYCLE.** Use the WASH CYCLE SELECTOR knob to select the desired wash cycle. A temperature and spin speed is set for each wash cycle; these values may be adjusted. The duration of the cycle will appear on the display.
6. **CUSTOMISE THE WASH CYCLE.** Use the relevant buttons:

Modify the temperature and/or spin speed.


The machine automatically displays the maximum temperature and spin speed values set for the selected cycle, or the most recently-used settings if they are compatible with the selected cycle. The temperature can be decreased by pressing the  button, until the cold wash “OFF” setting is reached. The spin speed may be progressively reduced by pressing the  button, until it is completely excluded (the “OFF” setting). If these buttons are pressed again, the maximum values are restored.

! Exception: if the 4 programme is selected, the temperature can be increased up to a value of 90°C.


Setting a delayed start.


To set a delayed start for the selected cycle, press the corresponding button repeatedly until the required delay period has been reached. When this option has been activated, the  symbol lights up on the display. To remove the delayed start setting, press the button until the text “OFF” appears on the display.

Set the desired wash intensity.

Option  makes it possible to optimise washing based on the level of soil in the fabrics and on desired wash cycle intensity.

Select the wash programme: the cycle will be automatically set to “Normal” as optimised for garments with an average level of soil (this setting is not applicable to the “Wool” cycle, which is automatically set to “Delicate”).

For heavily-soiled garments press  button until the “Intensive” level is reached. This level ensures a high-performance wash due to a larger quantity of water used in the initial phase of the cycle and due to increased drum rotation. It is useful when removing the most stubborn stains.

For lightly-soiled garments or a more delicate treatment of the fabrics, press  button until the “Delicate” level is reached. The cycle will reduce drum rotation to ensure washing results that are perfect for delicate garments.

Modify the cycle settings.

- Press the button to enable the option; the indicator light corresponding to the button will switch on.
- Press the button again to disable the option; the indicator light will switch off.

! If the selected option is not compatible with the set wash cycle, the indicator light will flash and the option will not be activated.

! If the selected option is not compatible with a previously selected one, the indicator light corresponding to the first function selected will flash and only the second option will be activated; the indicator light for the option which has been activated will be illuminated.

! The options may affect the recommended load value and/or the duration of the cycle.





7. **START THE WASH CYCLE.** Press the START/PAUSE button. The corresponding indicator light will turn green, remaining lit in a fixed manner, and the door will be locked (the DOOR LOCKED  symbol will be lit). To change a wash cycle while it is in progress, **pause the washing machine** using the START/PAUSE button (the START/PAUSE indicator light will flash slowly in an amber colour); then select the desired cycle and press the START/PAUSE button again. To open the door while a cycle is in progress, press the START/PAUSE button; if the DOOR LOCKED  symbol is switched off the door may be opened (wait approximately 3 minutes). Press the START/PAUSE button again to restart the wash cycle from the point at which it was interrupted.
8. **THE END OF THE WASH CYCLE.** This will be indicated by the text “END” on the display; when the DOOR LOCKED  symbol switches off the door may be opened (wait approximately 3 minutes). Open the door, unload the laundry and switch off the machine.
! If you wish to cancel a cycle which has already begun, press and hold the  button. The cycle will be stopped and the machine will switch off.

Table of programmes and wash cycles

Wash cycles	Description of the wash cycle	Max. temp. (°C)	Max. speed (rpm)	Detergents			Max. load (kg)	Residual dampness%	Energy consumption kWh	Total water lt	Cycle duration
				Prewash	Wash	Fabric softener					
CLEAN Plus											
1	Anti Stain	40°	1200	●	●	●	4	-	-	-	**
2	Anti Stain Quick	40°	1200	-	●	●	3.5	-	-	-	**
3	Whites	60°	1200	●	●	●	4	-	-	-	**
4	Cotton 60°C: heavily soiled whites and resistant colours.	60° (Max. 90°)	1200	●	●	●	7	-	-	-	**
5	Synthetics: heavily soiled resistant colours.	60°	1000	●	●	●	3	44	0.93	53	130'
5	Synthetics (3): lightly soiled resistant colours.	40°	1000	●	●	●	3	-	-	-	**
SPECIALS											
6	Anti allergy Plus	60°	1200	-	●	●	4	-	-	-	**
7	Anti allergy Delicate	40°	1200	-	●	●	4	-	-	-	**
8	Baby	40°	1000	●	●	●	3	-	-	-	**
9	Eco Cotton 60°C (1): heavily soiled whites and resistant colours.	60°	1200	-	●	●	7	53	1.07	52.5	205'
9	Eco Cotton 40°C (2): lightly soiled resistant and delicate colours.	40°	1200	-	●	●	7	53	0.97	75	220'
10	Wool: for wool, cashmere, etc.	40°	800	-	●	●	1.5	-	-	-	**
11	Delicates	30°	0	-	●	●	1	-	-	-	**
COLD											
12	Cotton 20°C: lightly soiled resistant and delicate colours.	20°	1200	-	●	●	7	-	-	-	**
13	Synthetics	Cold Water	1000	-	●	●	3	-	-	-	**
14	Fast 30'	Cold Water	800	-	●	●	3	71	0.04	33.5	30'
Partial Programmes											
	Rinse	-	1200	-	-	●	7	-	-	-	**
	Spin and Pump out	-	1200	-	-	-	7	-	-	-	**
	Pump out only *	-	OFF	-	-	-	7	-	-	-	**

* If you select programme and exclude the spin cycle, the machine will drain only.

** The duration of the wash cycles can be checked on the display.

The length of cycle shown on the display or in this booklet is an estimation only and is calculated assuming standard working conditions. The actual duration can vary according to factors such as water temperature and pressure, the amount of detergent used, the amount and type of load inserted, load balancing and any wash options selected.

1) Test wash cycle in compliance with regulations 1061/2010: set wash cycle 9 with a temperature of 60°C.

This cycle is designed for cotton loads with a normal soil level and is the most efficient in terms of both electricity and water consumption; it should be used for garments which can be washed at 60°C. The actual washing temperature may differ from the indicated value.

2) Test wash cycle in compliance with regulations 1061/2010: set wash cycle 9 with a temperature of 40°C.

This cycle is designed for cotton loads with a normal soil level and is the most efficient in terms of both electricity and water consumption; it should be used for garments which can be washed at 40°C. The actual washing temperature may differ from the indicated value.

For all Test Institutes:

2) Long wash cycle for cottons: set wash cycle 9 with a temperature of 40°C.

3) Long wash cycle for synthetics: set wash cycle 5 with a temperature of 40°C.

Wash options

! If the selected option is not compatible with the set wash cycle, the indicator light will flash and the option will not be activated.

! If the selected option is not compatible with a previously selected one, the indicator light corresponding to the first function selected will flash and only the second option will be activated; the indicator light for the option which has been activated will be illuminated.

Extra Rinse

By selecting this option, the efficiency of the rinse is increased and optimal detergent removal is guaranteed. It is particularly useful for sensitive skin.

Prewash

If this function is selected, the pre-wash cycle will run; this is useful for removing stubborn stains.

N.B.: Put the detergent in the relevant compartment.

Detergents and laundry

GB

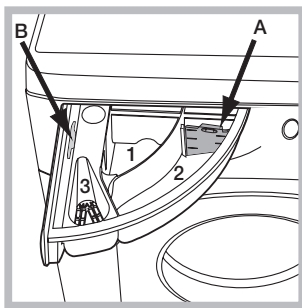
Detergent dispenser drawer

Successful washing results also depend on the correct dose of detergent: adding too much detergent will not necessarily result in a more efficient wash, and may in fact cause build up on the inside of your appliance and contribute to environmental pollution.

! Use powder detergent for white cotton garments, for pre-washing, and for washing at temperatures over 60°C.

! Follow the instructions given on the detergent packaging.

! Do not use hand washing detergents; they create too much foam.



Open the detergent dispenser drawer and pour in the detergent or washing additive, as follows.

compartment 1: Pre-wash detergent (powder)
compartment 2: Detergent for the wash cycle (powder or liquid)

If liquid detergent is used, it is recommended that the removable plastic partition **A** (supplied) be used for proper dosage.

If powder detergent is used, place the partition into slot **B**.

compartment 3: Additives (fabric softeners, etc.)

The fabric softener should not overflow the grid.

Preparing the laundry

- Divide the laundry according to to:
 - the type of fabric/the symbol on the label
 - the colours: separate coloured garments from whites.
- Empty all garment pockets and check the buttons.
- Do not exceed the listed values, which refer to the weight of the laundry when dry: see "Table of wash cycles".

How much does your laundry weigh?

- 1 sheet 400-500 g
- 1 pillow case 150-200 g
- 1 tablecloth 400-500 g
- 1 bathrobe 900-1,200 g
- 1 towel 150-250 g

Special wash cycles

Anti Stain: the programme **1** is suitable to heavily-soiled garments with resistant colours. It ensures a washing class that is higher than the standard class (A class).

When running the programme, do not mix garments of different colours. We recommend the use of powder detergent. Pre-treatment with special additives is recommended if there are obstinate stains.

Anti Stain Quick: this programme is ideal for washing the most difficult daily stains in 1 hour. It is ideal for mixed fabrics and coloured garments, caring for your clothes as it washes.

Whites: use this cycle **3** to wash white clothes. The programme is designed to maintain the brightness of white clothes over time. Use powder detergent for best results.

Anti allergy Plus: use programme **6** to remove major allergens such as pollen, mites, cat's and dog's hair.

Anti allergy Delicate: cycle studied for cotton laundry and other resistant fabrics to guarantee the removal of pollen and cat and dog hair already at 40°.

Baby: use the special wash cycle **8** to remove the soiling typically caused by babies, while removing all traces of detergent from nappies in order to prevent the delicate skin of babies from suffering allergic reactions. The cycle has been designed to reduce the amount of bacteria by using a greater quantity of water and optimising the effect of special disinfecting additives added to the detergent.

Cotton 20°C ideal for lightly soiled cotton loads.

The effective performance levels achieved at cold temperatures, which are comparable to washing at 40°, are guaranteed by a mechanical action which operates at varying speed, with repeated and frequent peaks.

The Cycles **13-14** assure energy saving by eliminating the need of heating water! These innovative programmes are available for various fabrics (lightly soiled). For the best washing results we recommend the usage of a liquid detergent; it is advisable to pre-treat cuffs, collars and stains.


Wool - Woolmark Apparel Care - Green:

the wool wash cycle of this machine has been approved by The Woolmark Company for the washing of wool garments labelled as "hand wash" provided that the products are washed according to the instructions on the garment label and those issued by the manufacturer of this washing machine (M1126).



In UK, Eire, Hong Kong and India the Woolmark trade mark is a Certification trade mark.

Delicates: use programme **11** to wash very delicate garments having strasses or sequins.

To wash **silk** garments and **curtains** select the cycle **11** and set the "Delicate" level from option .

We recommend turning the garments inside out before washing and placing small items into the special bag for washing delicates. Use liquid detergent on delicate garments for best results.

Your washing machine could occasionally fail to work. Before contacting the Technical Assistance Service (see “Service”), make sure that the problem cannot be solved easily using the following list.

Problem:

Possible causes / Solutions:

The washing machine does not switch on.

- The appliance is not plugged into the socket fully, or not enough to make contact.
- There is no power in the house.

The wash cycle does not start.

- The washing machine door is not closed properly.
- The ON/OFF button has not been pressed.
- The START/PAUSE button has not been pressed.
- The water tap has not been opened.
- A delayed start has been set.

The washing machine does not fill with water (the text “H2O” flashes on the display).

- The water inlet hose is not connected to the tap.
- The hose is bent.
- The water tap has not been opened.
- There is no water supply in the house.
- The pressure is too low.
- The START/PAUSE button has not been pressed.

The washing machine continuously takes in and drains water.

- The drain hose is not fitted at a height between 65 and 100 cm from the floor (see “Installation”).
- The free end of the hose is under water (see “Installation”).
- The wall drainage system is not fitted with a breather pipe.

If the problem persists even after these checks, turn off the water tap, switch the appliance off and contact the Technical Assistance Service. If the dwelling is on one of the upper floors of a building, there may be problems relating to water drainage, causing the washing machine to fill with water and drain continuously. Special anti-draining valves are available in shops and help to prevent this inconvenience.

The washing machine does not drain or spin.

- The wash cycle does not include draining: some cycles require the draining process to be enabled manually.
- The drain hose is bent (see “Installation”).
- The drainage duct is clogged.

The washing machine vibrates a lot during the spin cycle.

- The drum was not unlocked correctly during installation (see “Installation”).
- The washing machine is not level (see “Installation”).
- The washing machine is trapped between cabinets and walls (see “Installation”).

The washing machine leaks.

- The water inlet hose is not screwed on properly (see “Installation”).
- The detergent dispenser drawer is blocked (for cleaning instructions, see “Care and maintenance”).
- The drain hose is not fixed properly (see “Installation”).

The “option” and START/PAUSE indicator lights flash rapidly and an error code appears on the display (e.g.: F-01, F-..).

- Switch off the machine and unplug it, wait for approximately 1 minute and then switch it back on again.
If the problem persists, contact the Technical Assistance Service.

There is too much foam.

- The detergent is not suitable for machine washing (it should display the text “for washing machines” or “hand and machine wash”, or the like).
- Too much detergent was used.

Service

GB

Before contacting the Technical Assistance Service:

- Check whether you can solve the problem alone (see "Troubleshooting");
- Restart the wash cycle to check whether the problem has been solved;
- If this is not the case, contact an authorised Technical Assistance Centre.

! Always request the assistance of authorised technicians.

Have the following information to hand:

- the type of problem;
- the appliance model (Mod.);
- the serial number (S/N).

This information can be found on the data plate applied to the rear of the washing machine, and can also be found on the front of the appliance by opening the door.

COMMISSION DELEGATED REGULATION (EU) No 1061/2010	
Brand	ARISTON
Model	FMG 722S MA
Rated capacity in kg of cotton	7
Energy efficiency class on a scale from A+++ (low consumption) to G (high consumption)	A++
Energy consumption per year in kWh ¹⁾	198
Energy consumption of the standard 60 °C cotton programme at full load in kWh ²⁾	1.078
Energy consumption of the standard 60 °C cotton programme at partial load in kWh ²⁾	0.705
Energy consumption of the standard 40 °C cotton programme at partial load in kWh ²⁾	0.68
Power consumption of the off-mode in W	0.5
Power consumption of the left-on mode in W	8
Water consumption per year in litres ³⁾	10630
Spin-drying efficacy class on a scale from G (minimum efficacy) to A (maximum efficacy)	B
Maximum spin speed attained ⁴⁾	1200
Remaining moisture content ⁵⁾	53.0%
Programme time of the "standard 60 °C cotton" at full load in minutes	205
Programme time of the "standard 60 °C cotton" at partial load in minutes	165
Programme time of the "standard 40°C cotton" at partial load in minutes	160
Duration of the left-on mode in minutes	30
Noise in dB(A) re 1 pW washing ⁶⁾	61
Noise in dB(A) re 1 pW spinning ⁶⁾	78
Built-in model	

¹⁾ The "standard 60°C cotton" at full and partial load and the "standard 40°C cotton" at partial load are the standard washing programmes to which the information in the label and the fiche relates. Standard 60°C cotton and standard 40°C cotton are suitable to clean normally soiled cotton laundry and are the most efficient programmes in terms of combined energy and water consumption. Partial load is half the rated load.

²⁾ Based on 220 standard washing cycles for cotton programmes at 60°C and 40°C at full and partial load, and the consumption of the low-power modes. Actual energy consumption will depend on how the appliance is used.

³⁾ Based on 220 standard washing cycles for cotton programmes at 60°C and 40°C at full and partial load. Actual water consumption will depend on how the appliance is used.

⁴⁾ For the standard 60 °C at full and partial load or the 40°C at partial whichever is lower.

⁵⁾ Attained for 60 °C cotton at full and partial load or the 40°C at partial whichever is higher.

⁶⁾ Based on washing and spinning phases for the standard 60°C cotton programme at full load.

FR

Français

FMG 722

Sommaire

Installation, 14-15

Déballage et mise à niveau
Raccordements eau et électricité
Premier cycle de lavage
Caractéristiques techniques

Entretien et soin, 16

Coupure de l'arrivée d'eau et du courant
Nettoyage du lave-linge
Nettoyage du tiroir à produits lessiviels
Entretien du hublot et du tambour
Nettoyage de la pompe
Contrôle du tuyau d'arrivée de l'eau

Précautions et conseils, 17

Sécurité générale
Mise au rebut

Description du lave-linge, 18-19

Bandeau de commandes
Écran

Comment faire un cycle de lavage, 20

Programmes et options, 21

Tableau des programmes
Options de lavage

Produits lessiviels et linge, 22

Tiroir à produits lessiviels
Triage du linge
Programmes spéciaux

Anomalies et remèdes, 23

Assistance, 24



ARISTON

Installation

FR

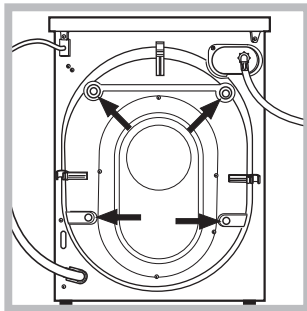
! Conserver ce mode d'emploi pour pouvoir le consulter à tout moment. En cas de vente, de cession ou de déménagement, veiller à ce qu'il suive toujours le lave-linge pour que son nouveau propriétaire soit informé sur son mode de fonctionnement et puisse profiter des conseils correspondants.

! Lire attentivement les instructions: elles fournissent des conseils importants sur l'installation, l'utilisation et la sécurité de l'appareil.

Déballage et mise à niveau

Déballage

1. Déballer le lave-linge.
2. Contrôler que le lave-linge n'a pas été endommagé pendant le transport. S'il est abîmé, ne pas le raccorder et contacter le vendeur.



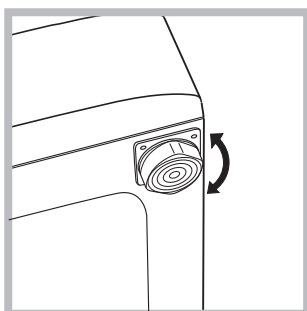
3. Enlever les 4 vis de protection servant au transport, le caoutchouc et la cale, placés dans la partie arrière (voir figure).

4. Boucher les trous à l'aide des bouchons plastique fournis.
5. Conserver toutes ces pièces: il faudra les remonter en cas de transport du lave-linge.

! Les pièces d'emballage ne sont pas des jouets pour enfants.

Mise à niveau

1. Installer le lave-linge sur un sol plat et rigide, sans l'appuyer contre des murs, des meubles ou autre.

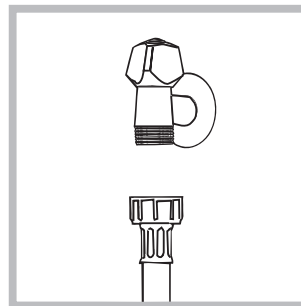


2. Si le sol n'est pas parfaitement horizontal, visser ou dévisser les pieds de réglage avant (voir figure) pour niveler l'appareil; son angle d'inclinaison, mesuré sur le plan de travail, ne doit pas dépasser 2°.

Une bonne mise à niveau garantit la stabilité de l'appareil et évite qu'il y ait des vibrations, du bruit et des déplacements en cours de fonctionnement. Si la machine est posée sur de la moquette ou un tapis, régler les pieds de manière à ce qu'il y ait suffisamment d'espace pour assurer une bonne ventilation.

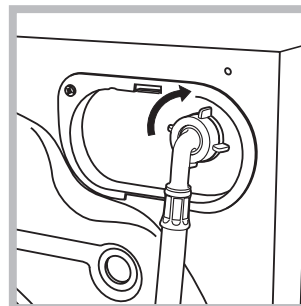
Raccordements eau et électricité

Raccordement du tuyau d'arrivée de l'eau



1. Reliez le tuyau d'alimentation en le vissant à un robinet d'eau froide à embout fileté 3/4 gaz (voir figure).

Faire couler l'eau jusqu'à ce qu'elle soit limpide et sans impuretés avant de raccorder.



2. Raccorder le tuyau d'arrivée de l'eau au lave-linge en le vissant à la prise d'eau prévue, dans la partie arrière en haut à droite (voir figure).

3. Attention à ce que le tuyau ne soit pas plié ou écrasé.

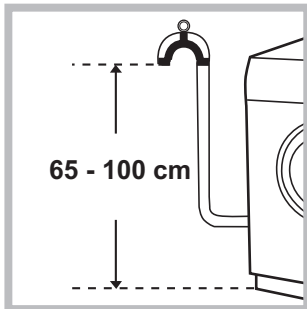
! La pression de l'eau doit être comprise entre les valeurs indiquées dans le tableau des Caractéristiques techniques (voir page ci-contre).

! Si la longueur du tuyau d'alimentation ne suffit pas, s'adresser à un magasin spécialisé ou à un technicien agréé.

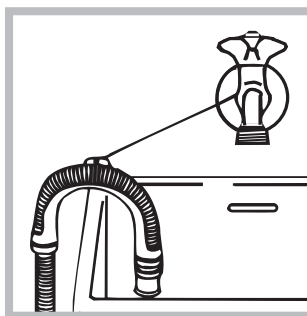
! N'utiliser que des tuyaux neufs.

! Utiliser ceux qui sont fournis avec l'appareil.

Raccordement du tuyau de vidange



Raccorder le tuyau d'évacuation, sans le plier, à un conduit d'évacuation ou à une évacuation murale placés à une distance du sol comprise entre 65 et 100 cm ;



ou bien l'accrocher à un évier ou à une baignoire, dans ce cas, fixer le support en plastique fourni avec l'appareil au robinet (voir figure). L'extrémité libre du tuyau d'évacuation ne doit pas être plongée dans l'eau.

! L'utilisation d'un tuyau de rallonge est absolument déconseillée mais si on ne peut faire autrement, il faut absolument qu'il ait le même diamètre que le tuyau original et sa longueur ne doit pas dépasser 150 cm.

Raccordement électrique

Avant de brancher la fiche dans la prise de courant, s'assurer que :

- la prise est bien reliée à la terre et est conforme aux réglementations en vigueur;
- la prise est bien apte à supporter la puissance maximale de l'appareil indiquée dans le tableau des Caractéristiques techniques (voir ci-contre);
- la tension d'alimentation est bien comprise entre les valeurs figurant dans le tableau des Caractéristiques techniques (voir ci-contre);
- la prise est bien compatible avec la fiche du lave-linge. Autrement, remplacer la prise ou la fiche.

! Le lave-linge ne doit pas être installé dehors, même à l'abri, car il est très dangereux de le laisser exposé à la pluie et aux orages.

! Après installation du lave-linge, la prise de courant doit être facilement accessible.

! N'utiliser ni rallonges ni prises multiples.

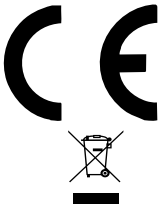
- ! Le câble ne doit être ni plié ni trop écrasé.
- ! Le câble d'alimentation ne doit être remplacé que par des techniciens agréés.

Attention! Nous déclinons toute responsabilité en cas de non-respect des normes énumérées ci-dessus.

Premier cycle de lavage

Avant la première mise en service de l'appareil, effectuer un cycle de lavage avec un produit lessiviel mais sans linge et sélectionner le programme auto nettoyage (voir "Nettoyage du lave-linge").

Caractéristiques techniques

Modèle	FMG 722
Dimensions	largeur 59,5 cm hauteur 85 cm profondeur 54 cm
Capacité	de 1 à 7 kg
Raccorde-ments élec-triques	Voir la plaque signalétique appliquée sur la machine
Raccor-dements hydrauliques	pression maximale 1 MPa (10 bar) pression minimale 0,05 MPa (0,5 bar) capacité du tambour 52 litres
Vitesse d'essorage	jusqu'à 1200 tours minute
Programmes de contrôle selon les règlements 1061/2010 1015/2010	programme 9; Eco Coton 60°C. programme 9; Eco Coton 40°C.
	Cet appareil est conforme aux Directives Communautaires suivantes: - EMC - 2014/30/EU (Compatibilité électromagnétique) - 2012/19/EU - WEEE - LVD - 2014/35/EU (Basse Tension)

Entretien et soin

FR

Coupure de l'arrivée d'eau et du courant

- Fermer le robinet de l'eau après chaque lavage. Cela réduit l'usure de l'installation hydraulique du lave-linge et évite tout danger de fuites.
- Débrancher la fiche de la prise de courant lors de tout nettoyage du lave-linge et pendant tous les travaux d'entretien.

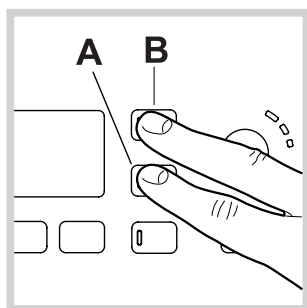
Nettoyage du lave-linge

- Pour nettoyer l'extérieur et les parties en caoutchouc, utiliser un chiffon imbibé d'eau tiède et de savon. N'utiliser ni solvants ni abrasifs.
- Ce lave-linge est équipé d'un programme «Auto nettoyage» des parties internes qui doit être effectué **tambour complètement vide**.

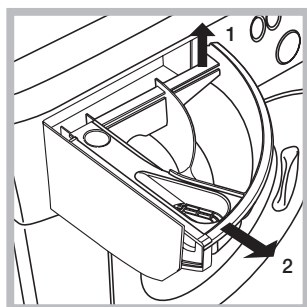
La lessive (dans une quantité égale à 10% de celle conseillée pour du linge peu sale) ou les additifs spéciaux pour le nettoyage du lave-linge, pourront être utilisés comme adjuvants dans le programme de lavage. Il est conseillé d'effectuer le programme de nettoyage tous les 40 cycles de lavage.

Pour activer le programme, appuyer simultanément sur les touches **A** et **B** pendant 5 secondes (voir figure).

Le programme démarrera automatiquement et durera environ 70 minutes. Pour stopper le cycle, appuyer sur la touche START/PAUSE.



Nettoyage du tiroir à produits lessiviels.



Soulever le tiroir et le tirer vers soi pour le sortir de son logement (voir figure).

Le laver à l'eau courante; effectuer cette opération assez souvent.

Entretien du hublot et du tambour

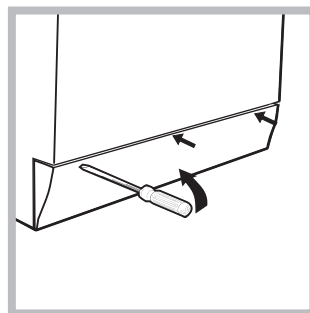
- Il faut toujours laisser le hublot entrouvert pour éviter la formation de mauvaises odeurs.

Nettoyage de la pompe

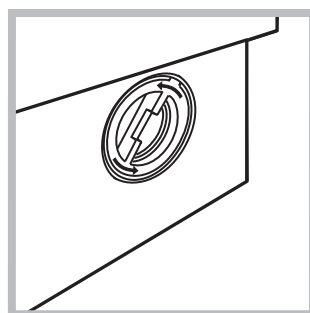
Le lave-linge est équipé d'une pompe autonettoyante qui n'exige aucune opération d'entretien. Il peut toutefois arriver que de menus objets (pièces de monnaie, boutons) tombent dans la préchambre qui protège la pompe, placée en bas de cette dernière.

! S'assurer que le cycle de lavage est bien terminé et débrancher la fiche.

Pour accéder à cette préchambre:



1. démonter le panneau situé à l'avant du lave-linge à l'aide d'un tournevis (voir figure);



2. dévisser le couvercle en le tournant dans le sens inverse des aiguilles d'une montre (voir figure); il est normal qu'un peu d'eau s'écoule;

3. nettoyer soigneusement l'intérieur;
4. revisser le couvercle;
5. remonter le panneau en veillant à bien enfiler les crochets dans les fentes prévues avant de le pousser contre l'appareil.

Contrôle du tuyau d'arrivée de l'eau

Contrôler le tuyau d'alimentation au moins une fois par an. Procéder à son remplacement en cas de craquements et de fissures: car les fortes pressions subies pendant le lavage pourraient provoquer des cassures.

! N'utiliser que des tuyaux neufs.

! Ce lave-linge a été conçu et fabriqué conformément aux normes internationales de sécurité. Ces consignes sont fournies pour des raisons de sécurité, il faut les lire attentivement.

Sécurité générale

- Cet appareil peut être utilisé par les enfants à partir de 8 ans et par les personnes dont les capacités physiques, sensorielles ou mentales sont réduites ou qui ne disposent pas des connaissances suffisantes, à condition qu'ils soient encadrés ou aient été formés de façon appropriée pour l'utilisation de l'appareil de façon sûre et en comprenant les dangers qui y sont liés. Les enfants ne doivent pas jouer avec l'appareil. L'entretien et le nettoyage ne doivent pas être effectués par les enfants sans surveillance.
- Cet appareil est conçu pour un usage domestique.
- Ne jamais toucher l'appareil si l'on est pieds nus et si les mains sont mouillées ou humides.
- Ne jamais tirer sur le câble pour débrancher la fiche de la prise de courant.
- Ne pas ouvrir le tiroir à produits lessiviels si la machine est branchée.
- Ne pas toucher à l'eau de vidange, elle peut atteindre des températures très élevées.
- Ne pas forcer pour ouvrir le hublot: le verrouillage de sécurité qui protège contre les ouvertures accidentelles pourrait s'endommager.
- En cas de panne, éviter à tout prix d'accéder aux mécanismes internes pour tenter une réparation.
- Veiller à ce que les enfants ne s'approchent pas de l'appareil pendant son fonctionnement.
- Pendant le lavage, le hublot a tendance à se réchauffer.
- Deux ou trois personnes sont nécessaires pour déplacer l'appareil avec toutes les précautions nécessaires. Ne jamais le déplacer tout seul car il est très lourd.
- Avant d'introduire le linge, s'assurer que le tambour est bien vide.

Système d'équilibrage de la charge

Avant tout essorage, pour éviter toute vibration excessive et répartir le linge de façon uniforme, le lave-linge fait tourner le tambour à une vitesse légèrement supérieure à la vitesse de lavage. Si au bout de plusieurs tentatives, la charge n'est toujours pas correctement équilibrée, l'appareil procède à un essorage à une vitesse inférieure à la vitesse normalement prévue. En cas de déséquilibre excessif, le lave-linge préfère procéder à la répartition du linge plutôt qu'à son essorage. Pour une meilleure répartition de la charge et un bon équilibrage, nous conseillons de mélanger de grandes et petites pièces de linge.

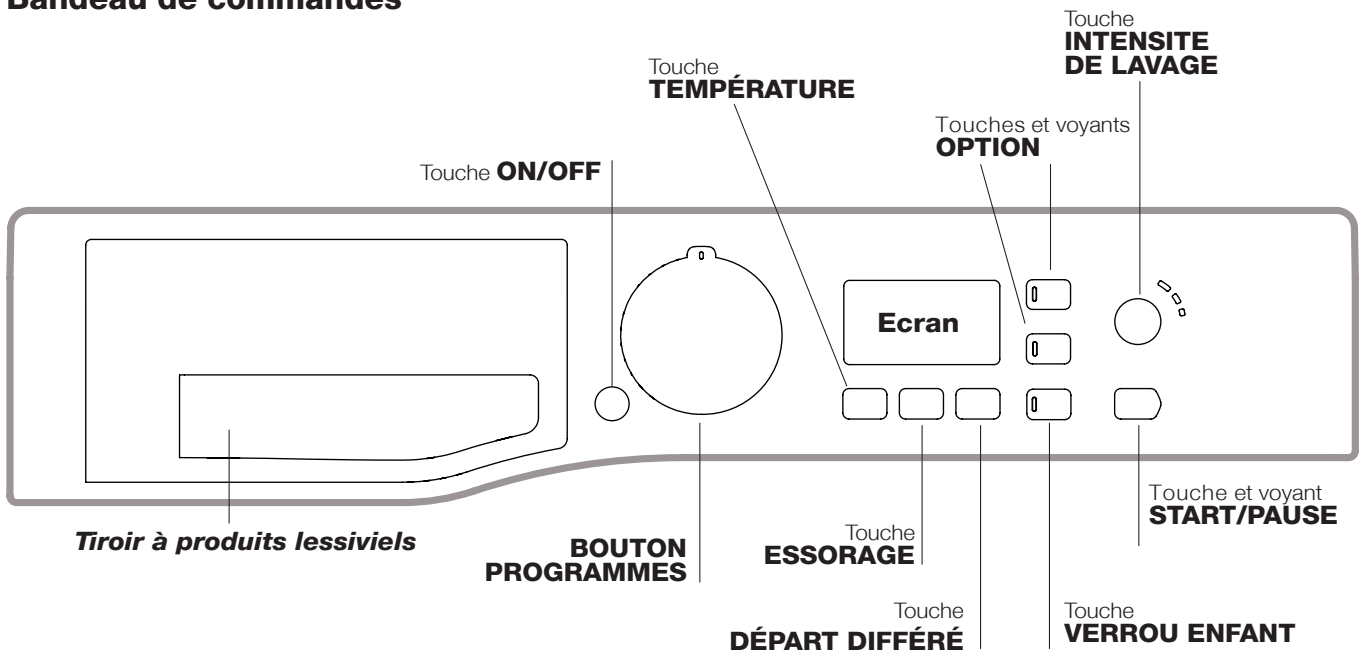
Mise au rebut

- Mise au rebut du matériel d'emballage: se conformer aux réglementations locales de manière à ce que les emballages puissent être recyclés.
- La Directive Européenne 2012/19/EU sur les Déchets des Equipements Electriques et Electroniques, exige que les appareils ménagers usagés ne soient pas jetés dans le flux normal des déchets municipaux. Les appareils usagés doivent être collectés séparément afin d'optimiser le taux de récupération et le recyclage des matériaux qui les composent et réduire l'impact sur la santé humaine et l'environnement. Le symbole de la "poubelle barrée" est apposée sur tous les produits pour rappeler les obligations de collecte séparée. Les consommateurs devront contacter les autorités locales ou leur revendeur concernant la démarche à suivre pour l'enlèvement de leur vieil appareil.


Description du lave-linge

FR

Bandeau de commandes



Tiroir à produits lessiviels : pour charger les produits lessiviels et les additifs (voir “Produits lessiviels et linge”).


Touche **ON/OFF**  : appuyer brièvement sur la touche pour allumer ou éteindre l'appareil. Le voyant vert START/PAUSE clignotant lentement indique que la machine est allumée. Pour éteindre le lave-linge en cours de lavage, appuyer sur la touche pendant au moins 3 secondes de suite ; une pression brève ou accidentelle n'entraîne pas l'arrêt de l'appareil. L'arrêt de l'appareil pendant un lavage annule le lavage en cours.


BOUTON PROGRAMMES: pour sélectionner le programme désiré (voir “Tableau des programmes”).


Touches et voyants **OPTION**: pour sélectionner les options disponibles. Le voyant correspondant à l'option sélectionnée restera allumé.


Touche **INTENSITE DE LAVAGE**  : appuyer pour sélectionner l'intensité de lavage désirée.

Touche **TEMPÉRATURE**  : appuyer sur cette touche pour diminuer la température ou pour l'exclure complètement. La valeur correspondante s'affiche à l'écran.

Touche **ESSORAGE**  : appuyer sur cette touche pour diminuer la vitesse de l'essorage ou pour l'exclure complètement. La valeur correspondante s'affiche à l'écran.

Touche **DÉPART DIFFÉRÉ**  : appuyer pour sélectionner un départ différé pour le programme choisi. Le retard est affiché à l'écran.

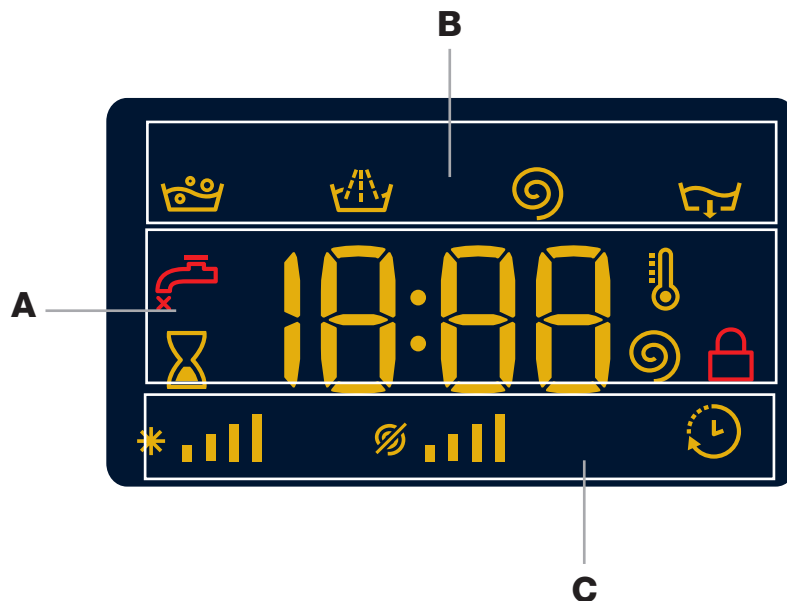
Touche avec voyant **START/PAUSE**: quand le voyant vert clignote lentement, appuyer sur la touche pour démarrer un lavage. Une fois le cycle lancé, le voyant passe à l'allumage fixe. Pour activer une pause de lavage, appuyer à nouveau sur la touche ; le voyant passe à l'orange et se met à clignoter. Si le symbole  n'est pas allumé, il est possible d'ouvrir le hublot (3 minutes environ). Pour faire redémarrer le lavage exactement à l'endroit de l'arrêt, appuyer une nouvelle fois sur la touche.

Touche **VERROU ENFANT**: pour **activer** le verrouillage des commandes, garder la touche enfoncée pendant environ 2 secondes. Le symbole  allumé indique que le bandeau de commandes est verrouillé. Ceci permet d'éviter toute modification involontaire des programmes, surtout s'il y a des enfants à la maison. Pour **désactiver** le verrouillage des commandes, garder la touche enfoncée pendant environ 2 secondes.

Stand-by

Ce lave-linge, conformément aux nouvelles normes en vigueur dans le domaine de l'économie d'énergie, est équipée d'un système d'extinction automatique (veille) activé après 30 environ minutes d'inutilisation. Appuyez brièvement sur la touche ON-OFF et attendre que la machine soit réactivée.

Ecran



L'écran est utile pour programmer la machine et fournit de multiples renseignements.

La section **A** affiche la durée des différents programmes disponibles et, une fois le cycle lancé, le temps restant jusqu'à la fin du programme ; si un DÉPART DIFFÉRÉ a été sélectionné, le temps restant avant le démarrage du programme sélectionné est affiché.

De plus, en appuyant sur la touche correspondante, il y a affichage des valeurs maximales de la vitesse d'essorage et de la température que la machine peut effectuer en fonction du programme sélectionné ou des dernières valeurs sélectionnées si ces dernières sont compatibles avec le programme sélectionné.

La section **B** affiche les "phases de lavage" prévues pour le cycle sélectionné et, une fois le programme lancé, la "phase de lavage" en cours :

- Lavage
- Rinçage
- Essorage
- Vidange

La section **C** contient, en partant de gauche, les icônes correspondant à la "température", à "l'essorage" et au "Départ différé".

Les barres "température" * indiquent le niveau de température correspondant au niveau maximum programmable pour le cycle sélectionné.

Les barres "essorage" indiquent le niveau d'essorage correspondant au niveau maximum programmable pour le cycle sélectionné.

Le symbole "DÉPART DIFFÉRÉ" s'éclaire pour signaler que l'écran est en train d'afficher le "Départ différé" sélectionné.

Voyant **HUBLLOT VERROUILLÉ**

Le symbole allumé indique que le hublot est verrouillé. Pour éviter d'abîmer l'appareil, attendre que le symbole s'éteigne avant d'ouvrir le hublot.

Pour ouvrir la porte tandis qu'un cycle est en cours, appuyer sur la touche START/PAUSE; si le symbole HUBLLOT VERROUILLÉ est éteint, on peut ouvrir le hublot (3 minutes environ).


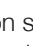
Comment faire un cycle de lavage

FR

- 1. METTRE L'APPAREIL SOUS TENSION.** Appuyer sur la touche ; le voyant de START/PAUSE passe au vert et clignote lentement.
- 2. CHARGER LE LINGE.** Ouvrir la porte hublot. Charger le linge en faisant attention à ne pas dépasser la quantité indiquée dans le tableau des programmes de la page suivante.
- 3. DOSER LE PRODUIT LESSIVIEL.** Sortir le tiroir et placer le produit lessiviel dans les bacs correspondants comme indiqué au paragraphe "Produits lessiviels et linge".
- 4. FERMER LE HUBLLOT.**
- 5. CHOISIR LE PROGRAMME.** Sélectionner à l'aide du bouton PROGRAMMES le programme voulu; une température et une vitesse d'essorage pouvant être modifiées sont associées à ce dernier. La durée du cycle s'affiche sur l'écran.
- 6. PERSONNALISER LE CYCLE DE LAVAGE.**


Appuyer sur les touches correspondantes :

Modifier la température et/ou l'essorage.


L'appareil affiche automatiquement la température et l'essorage maximum prévus pour le programme sélectionné ou ceux qui ont été sélectionnés en dernier s'ils sont compatibles avec le programme choisi. Par pression sur la touche  on peut diminuer progressivement la température de lavage jusqu'à un lavage à froid "OFF". Par pression sur la touche  on peut diminuer progressivement la vitesse d'essorage jusqu'à sa suppression totale "OFF". Une autre pression sur les touches ramènera les valeurs aux maximales prévues.


! Exception: lors de la sélection du programme 4 la température peut être augmentée jusqu'à 90°.


Sélectionner un départ différé.

Pour programmer le départ différé d'un programme sélectionné, appuyer sur la touche correspondante jusqu'à ce que le retard désiré soit atteint. Quand cette option est activée, le symbole  s'éclaire sur l'écran. Pour supprimer le départ différé, appuyer sur la touche jusqu'à ce que l'écran affiche "OFF".

Programmer l'intensité de lavage désirée.

L'option  permet d'optimiser le lavage selon le degré de salissure des tissus et l'intensité de lavage désirée. Sélectionner le programme de lavage, le cycle se place automatiquement sur le niveau «Normal» optimisé pour du linge moyennement sale, (cette sélection n'est pas acceptée pour le cycle «Laine», qui se règle automatiquement sur le niveau «Delicate»).

Pour du linge très sale, appuyer sur la touche  jusqu'à ce que le niveau «Intensive» soit atteint. Ce niveau permet d'obtenir un lavage très performant car l'utilisation

d'une plus grande quantité d'eau au cours de la phase initiale du cycle et un brassage mécanique plus intense permettent d'éliminer les taches les plus difficiles; Pour du linge peu sale ou pour un traitement plus délicat des tissus, appuyer sur la touche  jusqu'à ce que le niveau «Delicate» soit atteint. Ce cycle réduira le brassage mécanique pour assurer des résultats de lavage parfaits du linge délicat.


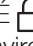

Modifier les caractéristiques du cycle.

- Appuyer sur la touche pour activer l'option ; le voyant correspondant à la touche s'allume.
- Appuyer une nouvelle fois sur la touche pour désactiver l'option; le voyant s'éteint.

! Si l'option sélectionnée est incompatible avec le programme sélectionné, le voyant se met à clignoter et l'option n'est pas activée.

! Si l'option sélectionnée n'est pas compatible avec une autre sélectionnée précédemment, le voyant correspondant à la première fonction sélectionnée se met à clignoter et seule la deuxième est activée, le voyant de l'option activée s'éclaire.

! Les options permettent de modifier le chargement conseillé et/ou la durée du cycle de lavage.

- 7. DEMARRER LE PROGRAMME.** Appuyer sur la touche START/PAUSE. Le voyant correspondant s'allume en vert fixe et le hublot est verrouillé (symbole HUBLLOT VERROUILLÉ  allumé). Pendant le lavage, le nom de la phase en cours s'affiche à l'écran. Pour modifier un programme lorsqu'un cycle est en cours, **mettre le lave-linge en pause** en appuyant sur la touche START/PAUSE (le voyant START/PAUSE passe à l'orange et clignote lentement); sélectionner le cycle désiré et appuyer de nouveau sur la touche START/PAUSE. Pour ouvrir la porte tandis qu'un cycle est en cours, appuyer sur la touche START/PAUSE; si le symbole HUBLLOT VERROUILLÉ  est éteint, on peut ouvrir le hublot (3 minutes environ). Pour faire redémarrer le programme exactement à l'endroit de l'arrêt, appuyer une nouvelle fois sur la touche START/PAUSE.
- 8. FIN DU PROGRAMME.** Elle est signalée par l'inscription "END" qui s'affiche à l'écran ; quand le symbole HUBLLOT VERROUILLÉ  s'éteint, on peut ouvrir le hublot (3 minutes environ). Ouvrir le hublot, vider le lave-linge et éteindre l'appareil.


! Une pression prolongée sur la touche  permet d'annuler un cycle déjà lancé. Le cycle est interrompu et l'appareil s'éteint.

Tableau des programmes

Programmes	Description du Programme	Temp, maxi, (°C)	Vitesse maxi (tours minute)	Produits lessiviels			Charge maxi (Kg)	Humidité résiduelle %	Consommation d'énergie kWh	Eau totale lt	Durée cycle
				Prelavage	Lavage	Assouplissant					
LAVAGE Plus											
1	Anti-taches	40°	1200	●	●	●	4	-	-	-	**
2	Anti-taches Rapide	40°	1200	-	●	●	3,5	-	-	-	**
3	Blanc	60°	1200	●	●	●	4	-	-	-	**
4	Coton: blancs et couleurs résistantes très sales.	60° (Max. 90°)	1200	●	●	●	7	-	-	-	**
5	Synthétique: couleurs résistantes très sales.	60°	1000	●	●	●	3	44	0,93	53	130'
5	Synthétique (3): couleurs résistantes peu sales.	40°	1000	●	●	●	3	-	-	-	**
SPÉCIAL											
6	Anti-allergie Plus	60°	1200	-	●	●	4	-	-	-	**
7	Anti-allergie Délicat	40°	1200	-	●	●	4	-	-	-	**
8	Bébé	40°	1000	●	●	●	3	-	-	-	**
9	Eco Coton 60°C (1): blancs et couleurs résistantes très sales.	60°	1200	-	●	●	7	53	1,07	52,5	205'
9	Eco Coton 40°C (2): blancs et couleurs délicates peu sales.	40°	1200	-	●	●	7	53	0,97	75	220'
10	Laine: pour laine, cachemire, etc.	40°	800	-	●	●	1,5	-	-	-	**
11	Délicat	30°	0	-	●	●	1	-	-	-	**
FROID											
12	Coton 20°C: blancs et couleurs délicates peu sales.	20°	1200	-	●	●	7	-	-	-	**
13	Synthétique	Eau froid	1000	-	●	●	3	-	-	-	**
14	Rapide	Eau froid	800	-	●	●	3	71	0,04	33,5	30'
Programmes partiels											
	Rinçage	-	1200	-	-	●	7	-	-	-	**
	Essorage + Vidange	-	1200	-	-	-	7	-	-	-	**
	Vidange seulement *	-	OFF	-	-	-	7	-	-	-	**

* En cas de sélection du programme et de suppression de l'essorage, la machine n'effectuera que la vidange.

** La durée des programmes de lavage est contrôlable sur l'afficheur.

La durée du cycle indiquée sur l'écran ou dans la notice représente une estimation calculée dans des conditions standard. Le temps effectif peut varier en fonction de nombreux facteurs tels que : température et pression de l'eau en entrée, température ambiante, quantité de lessive, quantité et type de charge, équilibrage de la charge, options supplémentaires sélectionnées.

1) Programme de contrôle selon la règlementations 1061/2010: sélectionner le programme 9 et une température de 60°C.

Ce cycle convient au lavage d'une charge de coton normalement sale et c'est le plus performant en termes de consommation d'eau et d'énergie, l'utiliser pour du linge lavable à 60°C. La température effective de lavage peut différer de la température indiquée.

2) Programme de contrôle selon la règlementations 1061/2010: sélectionner le programme 9 et une température de 40°C.

Ce cycle convient au lavage d'une charge de coton normalement sale et c'est le plus performant en termes de consommation d'eau et d'énergie, l'utiliser pour du linge lavable à 40°C. La température effective de lavage peut différer de la température indiquée.

Pour tous les instituts qui effectuent ces tests :

2) Programme coton long: sélectionner le programme 9 et une température de 40°C.

3) Programme synthétique long: sélectionner le programme 5 et une température de 40°C.

Options de lavage

! Si l'option sélectionnée est incompatible avec le programme sélectionné, le voyant se met à clignoter et l'option n'est pas activée.

! Si l'option sélectionnée n'est pas compatible avec une autre sélectionnée précédemment, le voyant correspondant à la première fonction sélectionnée se met à clignoter et seule la deuxième est activée, le voyant de l'option activée s'éclaire.

Rinçage plus

La sélection de cette option permet d'augmenter l'efficacité du rinçage et d'éliminer totalement toute trace de lessive. Elle est très utile en cas de peaux particulièrement sensibles.

Pré-lavage

Cette fonction permet d'effectuer un pré-lavage, très utile pour enlever les taches plus tenaces.

N.B.: Ajouter le produit lessiviel dans le bac prévu.

Produits lessiviels et linge

FR

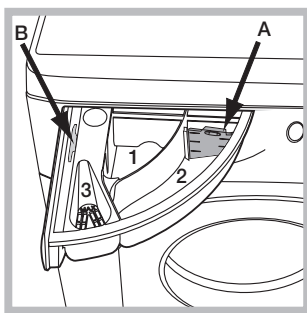
Tiroir à produits lessiviels

Un bon résultat de lavage dépend aussi d'un bon dosage de produit lessiviel: un excès de lessive ne lave pas mieux, il incruste l'intérieur du lave-linge et pollue l'environnement.

! Utiliser des lessives en poudre pour du linge en coton blanc et en cas de pré-lavage et de lavages à une température supérieure à 60°C.

! Respecter les indications figurant sur le paquet de lessive.

! Ne pas utiliser de lessives pour lavage à la main, elles moussent trop.



Sortir le tiroir à produits lessiviels et verser la lessive ou l'additif comme suit.

bac 1: Lessive pré-lavage (en poudre)

bac 2: Lessive lavage (en poudre ou liquide)

En cas d'utilisation de lessive liquide, nous conseillons d'introduire le séparateur **A** fourni avec le lave-linge pour mieux déterminer la dose correcte. En cas d'utilisation de lessive en poudre, placer le séparateur dans le bac **B**.

bac 3: Additifs (assouplissant, etc.)

L'assouplissant ne doit pas déborder de la grille.

Triage du linge

- Trier correctement le linge d'après:
 - le type de textile / le symbole sur l'étiquette.
 - les couleurs: séparer le linge coloré du blanc.
- Vider les poches et contrôler les boutons.
- Ne pas dépasser les valeurs indiquées correspondant au poids de linge sec : voir "Tableau des programmes".

Combien pèse le linge ?

- 1 drap 400-500 g
- 1 taie d'oreiller 150-200 g
- 1 nappe 400-500 g
- 1 peignoir 900-1200 g
- 1 serviette éponge 150-250 g

Programmes spéciaux

Anti-taches: ce programme est idéal pour le lavage de linge très sale, aux couleurs résistantes. Il assure une classe de lavage supérieure à la classe standard (classe A). Ce programme ne permet pas de mélanger du linge de couleurs différentes. Nous conseillons d'utiliser de la lessive en poudre. En cas de taches tenaces, nous conseillons un pré-traitement avec des additifs spéciaux.

Anti-taches Rapide: ce programme été conçu pour laver les vêtements aux taches les plus coriaces en une heure. Pour le linge coloré en fibre mixte, en garantissant un respect maximum de ce dernier.

Blanc: utiliser ce cycle de lavage **3** pour le linge blanc. Ce programme est conçu pour préserver l'éclat du blanc au fil des lavages. Pour obtenir de meilleurs résultats, nous conseillons d'utiliser de la lessive en poudre.

Anti-allergie Plus: utiliser le programme **6** pour éliminer les principaux allergènes tels que pollens, acariens, poils de chien ou de chat.

Anti-allergie Délicat: cycle étudié pour le linge en coton et autres tissus résistants, qui garantit l'élimination du pollen et des poils de chien et chat dès 40°.

Bébé: utiliser le programme **8** pour enlever les tâches des vêtements de bébé et rincer correctement les vêtements afin d'éviter les réactions allergiques. Spécialement conçu pour diminuer la charge bactérienne, ce cycle utilise une plus grande quantité d'eau et optimise l'effet des additifs désinfectants spécifiques ajoutés à la lessive.

Coton 20°C idéal pour des charges de linge sale en coton. Les bonnes performances, même à froid, comparables à celles d'un lavage à 40°, sont assurées grâce à une action mécanique qui brasse en variant la vitesse et avec des pics répétés et rapprochés. Les cycles **13-14** garantissent une économie d'énergie car ils permettent d'obtenir les meilleurs résultats de lavage sans besoin de chauffer l'eau. Vous pouvez utiliser ces nouveaux programmes pour différents types de textile légèrement ou modérément sales. Pour optimiser les résultats de lavage nous vous recommandons d'utiliser de la lessive liquide; il est conseillé d'effectuer une pré-traiter les poignets, cols et les taches.

Laine Woolmark Apparel Care - Green:

le cycle de lavage « Laine » de ce lave-linge a été approuvé par la société Woolmark Company pour le lavage d'articles en laine classés comme « lavables à la main », à condition que le lavage soit effectué conformément aux instructions indiquées sur l'étiquette du vêtement et aux indications fournies par le fabricant de ce lave-linge. (M1126)



Délicat: utiliser le programme **11** pour le lavage d'articles particulièrement délicats avec applications de strass ou de paillettes.

Pour le lavage d'articles en **soie** et de **rideaux**, sélectionner le cycle **11** et programmer le niveau «Delicate» de l'option



Il est recommandé de mettre le linge à l'envers avant le lavage et d'introduire les articles plus petits dans le sachet prévu pour le lavage des articles délicats.

Pour obtenir de meilleurs résultats, nous conseillons d'utiliser de la lessive liquide spéciale textiles délicats.

Il peut arriver que le lave-linge ne fonctionne pas bien. Avant d'appeler le Service de dépannage (voir "Assistance"), contrôler s'il ne s'agit pas par hasard d'un problème facile à résoudre à l'aide de la liste suivante.

Anomalies :

Le lave-linge ne s'allume pas.

Causes / Solutions possibles :

- La fiche n'est pas branchée dans la prise de courant ou mal branchée.
- Il y a une coupure de courant.

Le cycle de lavage ne démarre pas.

- Le hublot n'est pas bien fermé.
- La touche ON/OFF n'a pas été enfoncée.
- La touche START/PAUSE n'a pas été enfoncée.
- Le robinet de l'eau n'est pas ouvert.
- Un départ différé a été sélectionné.

Il n'y a pas d'arrivée d'eau (l'écran affiche "H2O" qui clignote).

- Le tuyau d'arrivée de l'eau n'est pas raccordé au robinet.
- Le tuyau est plié.
- Le robinet de l'eau n'est pas ouvert.
- Il y a une coupure d'eau.
- La pression n'est pas suffisante.
- La touche START/PAUSE n'a pas été enfoncée.

Le lave-linge prend l'eau et vidange continuellement.

- Le tuyau de vidange n'est pas installé à une distance du sol comprise entre 65 et 100 cm (voir "Installation").
- L'extrémité du tuyau de vidange est plongée dans l'eau (voir "Installation").
- L'évacuation murale n'a pas d'évent.

Si après ces vérifications, le problème persiste, fermer le robinet de l'eau, éteindre la machine et appeler le service Assistance. Si l'appartement est situé en étage dans un immeuble, il peut y avoir des phénomènes de siphonage qui font que le lave-linge prend et évacue l'eau continuellement. Pour supprimer cet inconvénient, on trouve dans le commerce des soupapes spéciales anti-siphonage.

Le lave-linge ne vidange pas et n'essore pas.

- Le programme ne prévoit pas de vidange : pour certains programmes, il faut intervenir pour la faire démarrer.
- Le tuyau de vidange est plié (voir "Installation").
- La conduite d'évacuation est bouchée.

Le lave-linge vibre beaucoup pendant l'essorage.

- Le tambour n'a pas été débloqué comme il faut lors de l'installation du lave-linge (voir "Installation").
- Le lave-linge n'est pas posé à plat (voir "Installation").
- Le lave-linge est coincé entre des meubles et le mur (voir "Installation").

Le lave-linge a des fuites.

- Le tuyau d'arrivée de l'eau n'est pas bien vissé (voir "Installation").
- Le tiroir à produits lessiviels est bouché (pour le nettoyer voir "Entretien et soin").
- Le tuyau de vidange n'est pas bien fixé (voir "Installation").

Les voyants des "Options" et de START/PAUSE clignotent rapidement. L'écran affiche un code d'anomalie (par ex. : F-01, F-..).

- Eteindre l'appareil et débrancher la fiche de la prise de courant, attendre 1 minute environ avant de rallumer.
Si l'anomalie persiste, appeler le service d'assistance.

Il y a un excès de mousse.

- Le produit de lavage utilisé n'est pas une lessive spéciale machine (il faut qu'il y ait l'inscription "pour lave-linge", "main et machine", ou autre semblable).
- La quantité utilisée est excessive.

Assistance

FR

Avant d'appeler le service d'Assistance technique :

- Vérifier s'il est possible de résoudre l'anomalie par ses propres moyens (voir "Anomalies et Remèdes");
- Remettre le programme en marche pour contrôler si l'inconvénient a disparu ;
- Si ce n'est pas le cas, contacter un Centre de dépannage.

! Ne jamais s'adresser à des techniciens non agréés.

Communiquer :

- le type de panne ;
- le modèle de l'appareil (Mod.) ;
- le numéro de série (S/N).

Ces informations se trouvent sur la plaque signalétique apposée à l'arrière du lave-linge et à l'avant quand on ouvre la porte hublot.

RÈGLEMENT DÉLÉGUÉ (UE) N ° 1061/2010 DE LA COMMISSION	
Marque	ARISTON
Modèle	FMG 722S MA
Capacité nominale en kg de coton	7
Classe énergétique sur une échelle de A+++ (faible consommation) à G (consommation élevée)	A++
Consommation d'énergie par année en kWh ¹⁾	198
Consommation d'énergie d'un programme coton standard à 60°C et à pleine charge en kWh ²⁾	1.078
Consommation d'énergie d'un programme coton standard à 60°C et à demi-charge en kWh ²⁾	0.705
Consommation d'énergie d'un programme coton standard à 40°C et à demi-charge en kWh ²⁾	0.68
Consommation d'énergie en mode "off" en W	0.5
Consommation d'énergie en mode "on" en W	8
Consommation d'eau par an en litres ³⁾	10630
Classe d'efficacité d'essorage sur une échelle de G (efficacité minimum) à A (efficacité maximum)	B
Vitesse d'essorage maximum ⁴⁾	1200
Taux d'humidité résiduelle (en %) ⁵⁾	53.0%
Durée du « programme coton standard à 60°C » à pleine charge en minutes	205
Durée du « programme coton standard à 60°C » à demi-charge en minutes	165
Durée du « programme coton standard à 40°C » à demi-charge en minutes	160
Durée du mode laissé en marche en minutes	30
Émissions acoustiques dans l'air, exprimées en dB(A) re 1 pW en phase de lavage ⁶⁾	61
Émissions acoustiques dans l'air, exprimées en dB(A) re 1 pW en phase d'essorage ⁶⁾	78
Encastrable	

¹⁾ Le programme "coton standard 60°C" pleine et demi-charge et le programme "coton standard 40°C" demi-charge sont les programmes de lavage standard auxquels se rapportent les informations qui figurent sur l'étiquette et sur la fiche. Ils conviennent pour laver du linge en coton normalement sale, et il s'agit des programmes les plus efficaces en termes de consommation combinée d'eau et d'énergie. La demi-charge correspond à la moitié de la charge nominale.

²⁾ Sur la base de 220 cycles de lavage standard pour les programmes coton à 60°C et à 40°C à pleine et à demi-charge, et de la consommation des modes à faible puissance. La consommation réelle d'énergie dépend des conditions d'utilisation de l'appareil.

³⁾ Sur la base de 220 cycles de lavage standard pour les programmes coton à 60°C et à 40°C à pleine et à demi-charge. La consommation réelle d'eau dépend des conditions d'utilisation de l'appareil.

⁴⁾ Pour le programme standard à 60°C à pleine ou demi-charge, ou le programme standard à 40°C à demi-charge, la valeur la plus faible des deux étant retenue.

⁵⁾ Atteint avec le programme coton à 60°C à pleine et demi-charge, ou le programme coton à 40°C à demi-charge, la valeur la plus élevée des deux étant retenue.

⁶⁾ Sur la base des phases de lavage et d'essorage pour le programme coton standard à 60°C à pleine charge.

المحتويات

التركيب، 26-27

إفراغ المحتويات وتحديد المستوى
وصل إمدادات الكهرباء والماء
دورة الغسيل الأولى
البيانات التقنية

وصف ماكينة الغسيل، 28-29

لوحة التحكم
شاشة العرض

تشغيل دورة غسيل، 30

دورات الغسيل والخيارات، 31

جدول البرامج ودورات الغسيل
خيارات الغسيل

مواد التنظيف والغسيل، 32

درج وعاء مواد التنظيف
تحضير الغسيل
دورات الغسيل الخاصة

وسائل حذر ونصائح، 33

الوقاية العامة
التخلص

العناية والصيانة، 34

قطع إمداد الماء والكهرباء
تنظيف ماكينة الغسيل
تنظيف درج وعاء مواد التنظيف
العناية بباب وبرميل الجهاز لديك
تنظيف المضخة
فحص خرطوم إدخال الماء

استكشاف المشاكل وحلها، 35

الخدمة، 36

عربي
عربي،

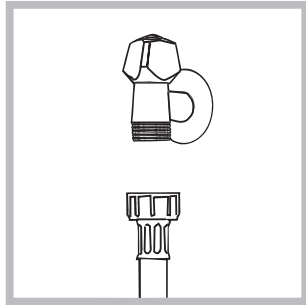
FMG 722

تحديد مستوى الماكينة بشكل صحيح سيمنعها الثبات، سيساعد على تحاشي الارتجاجات والضجيج الزائد وسيمنعها من الانحراف أثناء العمل. إذا تم وضعها في خزانة أو على بساط، قم بمعايرة الأرجل بنفس الطريقة لتوفير مساحة تهوية كافية تحت ماكينة الغسيل.

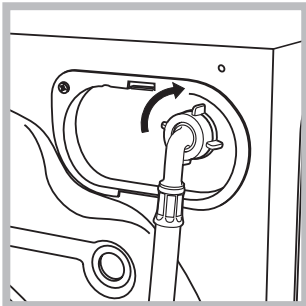
وصل إمدادات الكهرباء والماء

وصل خرطوم إدخال الماء

1. قم بوصل خرطوم الإدخال بواسطة تثبيته لولبيا في حنفية الماء البارد باستخدام توصيل غاز 3/4 ممّد (انظر الرسم). قبل إنجاز التوصيل، أتح للماء أن يتدفق بحرية حتى يصبح نظيفا تماما.



2. قم بتوصيل فتحة المدخل بماكينة الغسيل، عن طريق تثبيتها لولبيا داخل مدخل الماء الملائم في الجهاز، الموجود في الجهة اليمنى العليا في الجزء الخلفي من الجهاز (انظر الرسم).



3. تأكد من أن الفوهة غير مثنية أو معوجة.

! على ضغط الماء في الحنفية أن يكون في نطاق القيم المشار إليها في جدول البيانات التقنية (انظر الصفحة التالية).

! إذا لم يكن خرطوم الإدخال طويلا بما فيه الكفاية، اتصل بمتجر متخصص أو فني معتمد.

! لا تستخدم الخراطيم المستعملة أبدا.

! استخدم تلك المرفقة بالماكينة.

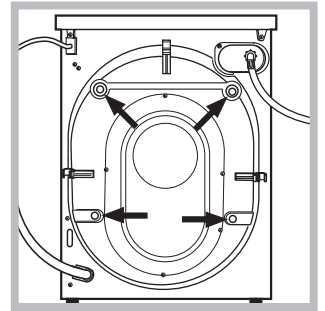
! يجب الاحتفاظ بدليل التعليمات هذا في مكان آمن لمراجعته في المستقبل. إذا تم بيع الجهاز، إرساله أو نقله، تأكد من أن دليل التعليمات قد أرفق بالماكينة بحيث يتمكن مالكوها الجدد من التعرف على عملها وخصائصها.

! اقرأ هذه التعليمات بعناية: إنها تحتوي على معلومات هامة فيما يتعلق بالتركيب الآمن وتشغيل الجهاز.

إفراغ المحتويات وتحديد المستوى

إفراغ المحتويات

1. أخرج ماكينة الغسيل من رزمتها.
2. تأكد من أنه لم يلحق ضرر بماكينة الغسيل خلال عملية الشحن. إذا لحق بها ضرر، اتصل بالموزع ولا تنفذ أية عملية تركيب إضافية.
3. فك البراغي الـ 4 الواقية (المستخدمة خلال الشحن) ومطاط الماكينة مع حافظ المسافة الملائم الموجود في الجهة الخلفية من الجهاز (انظر الشكل).



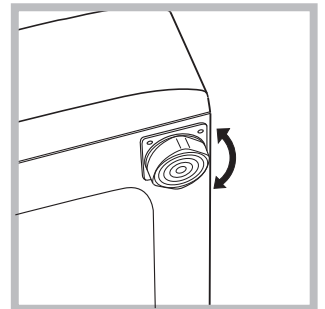
4. أغلق الفتحات باستخدام الأغشية البلاستيكية المزودة.
5. أبق كل الأجزاء في مكان آمن: سوف تحتاجها مرة أخرى في حال تم نقل ماكينة الغسيل إلى موقع آخر.

! يجب عدم استخدام مواد التعبئة كألعاب للأولاد.

تحديد المستوى

1. قم بتركيب ماكينة الغسيل على أرضية مستوية ومتينة، من دون وضعها مقابل الجدران، الخزائن، الأثاث أو أي أمر آخر.

2. إذا لم تكن الأرضية مستوية تماما، قم بتعويض أي تفاوت بواسطة شد أو فك أرجل المعايرة الأمامية (انظر الرسم)؛ على قياس زوايا الانحناء مقارنة بمسطح العمل، ألا يتعدى 2°.



وصل خرطوم تصريف الماء

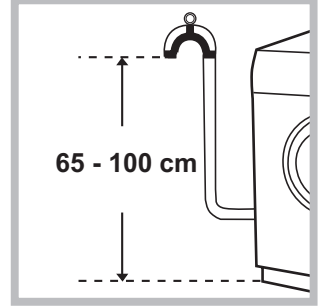
! يجب فحص الكبل بانتظام وتبديله من قبل فني مؤهل فقط.

تحذير! لن تتحمل الشركة أية مسؤولية في حال لم يتم احترام هذه المعايير.

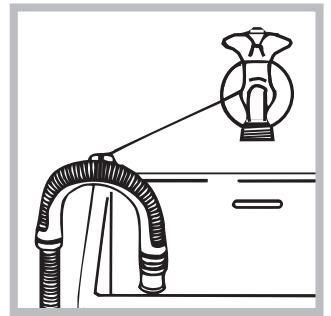
دورة الغسيل الأولى

بعد الانتهاء من تركيب الجهاز، وقبل استخدامه للمرة الأولى، قم بتشغيل دورة غسيل مستخدماً مواد التنظيف من دون غسيل، باستخدام دورة الغسيل "تنظيف أوتوماتيكي" (انظر "تنظيف ماكينة الغسيل").

وصل خرطوم تصريف الماء، من دون ثنيه، بأنبوب تصريف أو بتصريف جداري على ارتفاع يتراوح بين 65 وحتى 100 سم عن الأرض؛



أو قم بتثبيتته على طرف الحوض، البالوعة أو المغسلة، مع تثبيت الأنبوب المزود بالحنفية (انظر الشكل). على الطرف الحر من الخرطوم ألا يكون تحت الماء.



! نحن لا ننصح باستخدام إطالات الخرطوم؛ إذا كان ذلك ضروريا جدا، فعلى الإطالات أن تكون بنفس قطر الخرطوم الأصلي على ألا يتعدى طوله 150 سم.

التوصيلات الكهربائية

قبل توصيل الجهاز بتزويد الطاقة، تأكد من أن:

- المقبس مؤرّض ويدعن لكل القوانين الواجب تطبيقها؛

- المقبس قادر على تحمل عبء الطاقة القصوى، كما هو مبين في جدول البيانات التقنية (انظر الجهة المقابلة)؛

- فولطية تزويد الطاقة تتراوح بين القيم المشار إليها في جدول البيانات التقنية (انظر الجهة المقابلة)؛

- أن المقبس متوافق مع قابس ماكينة الغسيل. إذا لم يكن الأمر كذلك، قم بتبديل المقبس أو القابس.

! يجب عدم تركيب ماكينة الغسيل خارج المنزل، حتى وإن كان ذلك في مناطق مغطاة. من الخطر جدا إبقاء الجهاز عرضة للشتاء، العواصف وأحوال الطقس الأخرى.

! على مقبس شبكة الكهرباء الرئيسية أن يبقى سهل الوصول بعد تركيب ماكينة الغسيل.

! لا تستخدم كبلات الإطالة أو المقابس المتعددة.

! على الكبل ألا يكون معوجا أو مضغوطا.

البيانات التقنية

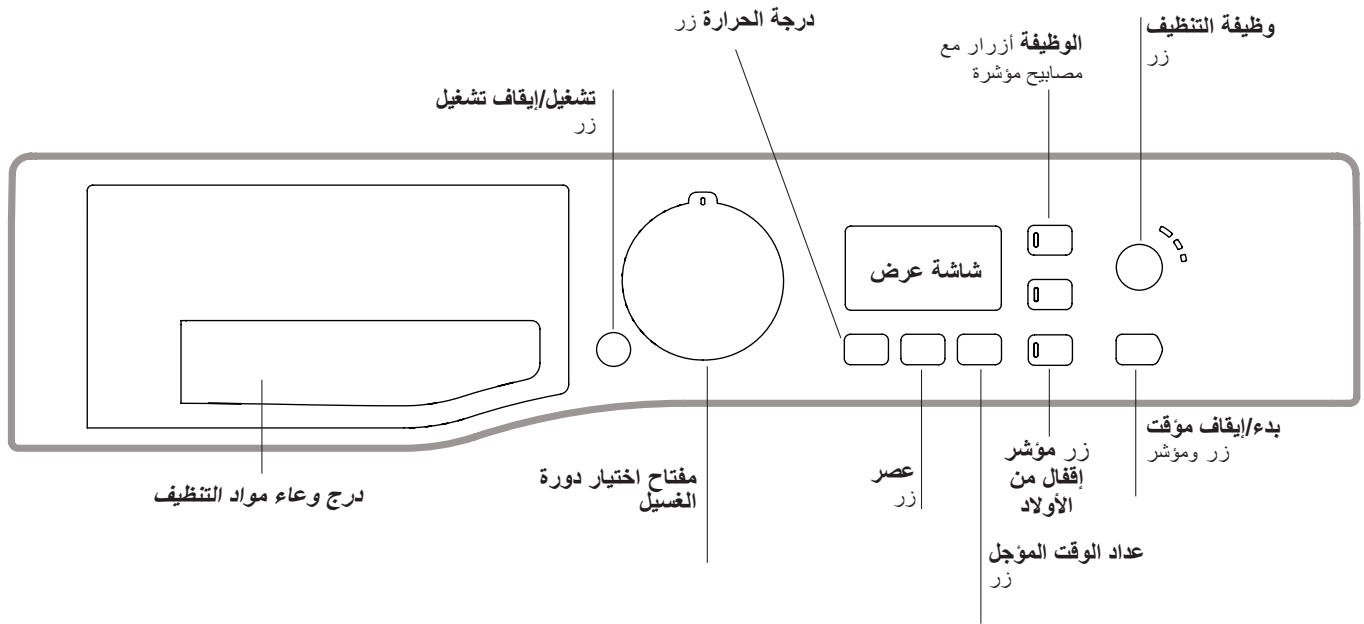
الطراز	FMG 722
الأبعاد	العرض 59.5 سم الارتفاع 85 سم العمق 54 سم
السعة	من 1 إلى 7 كجم
التوصيلات الكهربائية	يُرجى الرجوع إلى لوحة البيانات المثبتة على الجهاز
الماء	الحد الأقصى للضغط 1 ميغا باسكال (10 بار) الحد الأدنى للضغط 0.05 ميغا باسكال (0.5 بار) سعة البرميل 52 لتر
سرعة العصر	ما يصل إلى 1200 دورة في الدقيقة
قم بفحص دورة الغسيل للتحقق من توافقها مع اللوائح 1061/2010 و 1015/2010.	البرنامج 9 : القطنيات العادية 60 درجة مئوية. البرنامج 9 : القطنيات العادية 40 درجة مئوية.
EEC	يذعن هذا الجهاز لإرشادات EEC التالية: - EMC - 2014/30/EU (تطابق المغناطيسية الكهربائية) - LVD - 2014/35/EU (فولطية منخفضة) - EU/2012/19 -



وصف ماكينة الغسيل

عربي

لوحة التحكم



بدء الوقت المؤجل (⌚) زر: اضغط هذا الزر لإعداد بدء الوقت المؤجل لدورة الغسيل المختارة؛ ستظهر مدة الوقت المؤجل على الشاشة.

درج وعاء مواد التنظيف: يتم استخدامه لتوزيع مواد التنظيف ومضافات الغسيل (انظر "مواد التنظيف والغسيل").

بدء/إيقاف مؤقت زر ومؤشر: عندما يومض المؤشر الأخضر ببطء، اضغط على الزر لبدء دورة الغسيل. بعد بدء دورة الغسيل سيضيء المؤشر وسيبقى مضاء بشكل ثابت. لإيقاف دورة الغسيل بشكل مؤقت، اضغط الزر مرة أخرى؛ سيومض المصباح المؤشر باللون الكهرماني. في حال أضاء الرمز (⏸) يمكن للباب أن يكون مفتوحاً (انتظر لمدة 3 دقائق تقريباً). لبدء دورة الغسيل من النقطة التي تم اعتراضها فيها، اضغط الزر مرة أخرى.

تشغيل/إيقاف تشغيل زر (⏻): اضغط هذا الزر لضغطة قصيرة لتشغيل الماكينة أو إيقاف تشغيلها. يشير المصباح المؤشر بدء/إيقاف مؤقت عندما يومض ببطء باللون الأخضر إلى أن الماكينة قد تم تشغيلها. لإيقاف تشغيل ماكينة الغسيل خلال دورة غسيل، اضغط ضغطاً متواصلاً على الزر لحوالي 3 ثوانٍ؛ ضغط الزر بسرعة أو عن طريق الخطأ لن يوقف عمل الماكينة. إذا تم إيقاف تشغيل الماكينة خلال دورة غسيل، سيتم إلغاء دورة الغسيل.

زر إقفال من الأولاد: لتشغيل قفل لوحة التحكم، اضغط ضغطاً متواصلاً على الزر لمدة ثانيتين تقريباً. عند إضاءة الرمز (⏻)، يتم إقفال لوحة التحكم. ويعني هذا أنه من الممكن منع إجراء التغييرات على دورات الغسيل عن طريق الخطأ، وخاصة عند تواجد الأولاد في البيت. لإيقاف تشغيل قفل لوحة التحكم، اضغط ضغطاً متواصلاً على الزر لمدة ثانيتين تقريباً.

دورة الغسيل مفتاح اختيار: يستخدم لإعداد دورة الغسيل المرغوب بها (انظر "جدول دورات الغسيل").

أزرار الخيارات والمؤشرات: اضغطها لاختيار الخيارات المتوفرة. المصباح المؤشر الملائم للخيار المختار سيضيء مضاء.

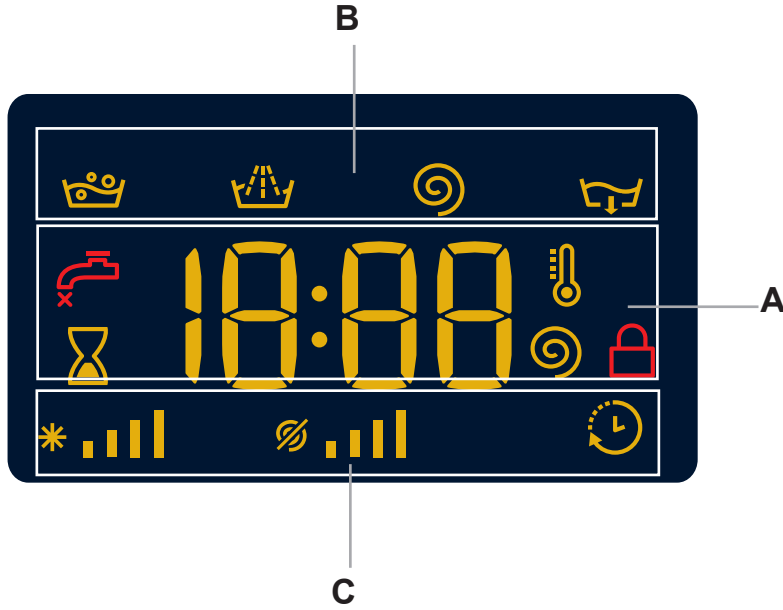
وظيفة التنظيف زر (⏻): لتحديد درجة الغسيل المطلوبة.

الحرارة زر (⏻): اضغط هذا الزر لتقليل أو إلغاء درجة الحرارة تماماً؛ سيتم عرض القيمة على الشاشة.

العصر زر (⏻): اضغط هذا الزر لتقليل عدد الدورات في الدقيقة أو لمنع عمل دورة العصر تماماً - سيتم عرض القيمة على الشاشة.

نمط الانتظار

ماكينة الغسيل هذه، التي تخضع لنظام توفير الطاقة، تم تجهيزها بجهاز نمط الانتظار الأوتوماتيكي، الذي يتم تشغيله بعد بضع 30 دقيقة في حال لم يتم التعرف على نشاط أي كان. اضغط زر تشغيل/إيقاف تشغيل لضغطة قصيرة وانتظر حتى يبدأ تشغيل الماكينة مرة أخرى.



يتم استخدام شاشة العرض عند برمجة الماكينة وهي تقدم معلومات هامة جدا.

مدة دورات الغسيل المتوفرة والوقت المبقي لدورة غسيل مشغلة يظهران على المقطع **A**؛ إذا كان خيار البدء المؤجل معديًا، سيظهر العد التنازلي لبدء دورة الغسيل المختارة. الضغط بشكل متواصل على الزر يتيح لك عرض سرعة العصر القصوى وقيم درجات الحرارة التي تطلقها الماكينة خلال دورة الغسيل المعدّة، أو القيم الأكثر اختيارًا مؤخرًا، إذا كانت هذه متوافقة مع دورة الغسيل المعدّة. تومض الساعة الرملية بينما تقوم الماكينة بمعالجة البيانات، اعتمادًا على دورة الغسيل وعلى مستوى "كفاءة التنظيف" الذي تم اختياره. بعد حد أقصى من 10 دقائق، سيبقى رمز "الساعة الرملية" مضاء بشكل ثابت وسيتم عرض كمية الوقت النهائية المتبقية. عندها سينطفئ رمز الساعة الرملية بعد حوالي دقيقة واحدة من ظهور كمية الوقت النهائي المتبقية.

"مراحل دورة الغسيل" الملائمة لدورة الغسيل المختارة و"مرحلة دورة الغسيل" الخاصة بدورة الغسيل المشغلة تظهر على المقطع **B**:

- 👑 الغسيل الرئيسي
- 👑 شطف
- 🌀 عصر
- 👑 التصريف

الرموز الملائمة "لدرجة الحرارة"، "العصر" و"البدء المؤجل" (تعمل من اليسار) تظهر على المقطع **C**. تشير أشرطة "درجة الحرارة" * إلى الحد الأقصى من مستوى درجة الحرارة لدورة الغسيل المعدّة. تشير أشرطة "العصر" إلى الحد الأقصى من مستوى العصر لدورة الغسيل المعدّة. عندما يكون رمز "التأجيل" ⌚ مضاء، فهو يشير إلى أن قيمة "البدء المؤجل" تظهر على الشاشة.

إقفال الباب 🚪 مصباح مؤشر:

الرمز المضاء يشير إلى أن الباب مقفلاً. لتحاشي أي تلف، انتظر حتى ينطفئ الرمز قبل فتح الباب (انتظر لمدة 3 دقائق تقريباً). لفتح الباب خلال دورة قيد العمل، اضغط زر بدء/إيقاف مؤقت؛ إذا انطفأ ضوء المصباح المؤشر إغلاق الباب 🚪 فسيكون بالإمكان فتح الباب (انتظر لمدة 3 دقائق تقريباً).

1. قم بتشغيل الماكينة. اضغط زر ①؛ سيومض مؤشر بدء/إيقاف مؤقت ببطء باللون الأخضر.

2. قم بتحميل الغسيل. افتح باب الفتحة أدخل الغسيل، وتأكد من أنك لا تتعدى الحد الأقصى من قيمة الحمل المشار إليها في جدول البرامج ودورات الغسيل في الصفحة التالية.

3. قم بقياس مواد التنظيف. اسحب درج مواد التنظيف واسكب مواد التنظيف داخل الحجرات الملائمة كما تم وصفها في "مواد التنظيف والغسيل".

4. أغلق الباب.

5. اختر دورة الغسيل. استخدم مفتاح اختيار دورة الغسيل لاختيار دورة الغسيل المرغوب بها. يتم إعداد درجة الحرارة وسرعة العصر لكل دورة غسيل، يمكن لهذه القيم أن يتم تعديلها. سيتم إظهار مدة دورة الغسيل على شاشة العرض.

6. قم بتخصيص دورة الغسيل. استخدم الأزرار الملائمة:

قم بتعديل درجة الحرارة و/أو سرعة العصر. تعرض الماكينة أوتوماتيكياً قيم درجة الحرارة وسرعة العصر القصوى للدورة المختارة، أو الإعدادات الأخيرة المستخدمة إذا كانت متوافقة مع دورة الغسيل المختارة. يمكن تقليل درجة الحرارة بالضغط على الزر ② حتى يتم التوصل إلى إعداد الغسيل البارد "OFF". يمكن تقليل سرعة العصر تدريجياً بالضغط على الزر ③ حتى يتم إلغاؤها تماماً (الإعداد "OFF"). إذا تم ضغط هذه الأزرار مرة أخرى، فسيتم استرداد القيم القصوى. ! الاستثناء: إذا تم اختيار برنامج 4، فمن الممكن زيادة درجة الحرارة حتى 90 درجة مئوية.

④ إعداد وقت البدء المؤجل.

لإعداد البدء المؤجل للدورة المختارة، اضغط على الزر الملائم ضغطاً متواصلاً، حتى يتم الوصول إلى الفترة المؤجلة. عند تنشيط هذا الخيار سيظهر الرمز ⑤ على الشاشة. لإزالة خيار البدء المؤجل، اضغط على الزر حتى يظهر النص "OFF" على شاشة العرض.

تحديد درجة الغسيل المطلوبة.

خيارات "⑥" تجعل من الممكن تحسين الغسيل بناءً على مستوى الاتساخ في الأنسجة وعلى درجة دورة الغسيل المطلوبة. اختر برنامج الغسيل: سوف يتم ضبط الدورة أوتوماتيكياً على "عادي" لتناسب الملابس مع مستوى متوسط من الاتساخ (هذا الإعداد لا ينطبق على دورة "⑦"، والذي يتم ضبطه على "ناعم").

بالنسبة للملابس شديدة الاتساخ، اضغط زر "كفاءة التنظيف" حتى يتم الوصول لمستوى "مكثف". يضمن هذا المستوى إنجازاً عالياً للغسيل، بفضل استخدام كمية أكبر من الماء خلال المرحلة الأولية من الدورة ونتيجة لزيادة دوران البرميل. وهو مفيد لإزالة البقع العسيرة للغاية.

بالنسبة للملابس خفيفة الاتساخ، أو لمعالجو أكثر نعومة للأقمشة، اضغط زر "⑧" حتى يتم الوصول لمستوى "ناعم". سوف تقلل الدورة من دوران البرميل للتحقق من أن نتائج الغسيل ممتازة للملابس الناعمة.

تعديل إعدادات الدورة.

- اضغط زر لتنشيط الخيار؛ سيضيء المؤشر الملائم للزر.
- اضغط زر مرة أخرى لإلغاء تنشيط الخيار؛ سينطفئ المؤشر الملائم.

! إذا لم تكن الوظيفة المختارة تتوافق دورة الغسيل المعدة،

سيومض المصباح المؤشر الملائم ولن يتم تشغيل الوظيفة.

! إذا لم يكن الخيار المختار متوافق مع خيار مختار آخر، سيومض المصباح المؤشر الملائم للخيار الأول وسيتم تنشيط الخيار الثاني فقط؛ سيضيء المصباح المؤشر الملائم للنشط بشكل ثابت.

! يمكن للخيارات أن تؤثر على قيمة الحمي الموصى به و/أو على مدة الدورة.

7. ابدأ دورة الغسيل. اضغط زر بدء/إيقاف مؤقت. سيصبح المصباح

المؤشر الملائم بلون أخضر، وسيبقى ثابتاً، وسيكون الباب مقفلاً (سيضيء المصباح المؤشر ⑨ لإفقال الباب). لتغيير البرنامج خلال عمل الدورة، قم بإيقاف تشغيل ماكينة الغسيل مؤقتاً بالضغط على زر بدء/إيقاف مؤقت (سيومض مؤشر بدء/إيقاف مؤقت ببطء باللون الكهرماني)؛ ثم اختر الدورة المرغوب بها واضغط على زر بدء/إيقاف مؤقت مرة أخرى.

لفتح الباب خلال دورة قيد العمل، اضغط زر بدء/إيقاف مؤقت؛ إذا انطفأ ضوء المصباح المؤشر إغلاق الباب ⑩ فسيكون بالإمكان فتح الباب (انتظر لمدة 3 دقائق تقريباً). لإعادة بدء دورة الغسيل من النقطة التي تم وقفها فيها، اضغط زر بدء/إيقاف مؤقت مرة أخرى.

8. نهاية دورة الغسيل. سيتم الإشارة إلى ذلك بواسطة النص

"END" على شاشة العرض؛ بينما سينطفئ مؤشر إقبال الباب ⑪ سيكون بالإمكان فتح الباب (انتظر لمدة 3 دقائق تقريباً). افتح الباب، أخرج الغسيل وأوقف تشغيل الماكينة.

! إذا رغبت في إلغاء دورة كانت قد بدأت، اضغط ضغطاً متواصلاً على الزر ①. سيتم وقف الدورة وإيقاف تشغيل الماكينة.

نظام موازنة الحمل

لتحاشي الارتجاج الزائد قبل كل دورة عصر وتوزيع الحمل بشكل موحد، يدور البرميل باستمرار بسرعة تزيد بعض الشيء عن سرعة دوران عملية الغسيل. في حال لم يتوازن الحمل بالشكل الصحيح بعد عدة محاولات، تقوم الماكينة بالعصر بسرعة مخفضة. إذا لم يكن الحمل موازناً بشكل كبير، تنجز الماكينة عملية التوزيع بدل العصر. لتشجيع توزيع محسن للحمل وموازنته، نوصي بدمج الملابس الكبيرة والصغيرة في الحمل.

جدول البرامج ودورات الغسيل

دورات الغسيل	وصف دورة الغسيل	الحد الأقصى لدرجة الحرارة (درجة مئوية)	الحد الأقصى للسرعة (لفة في الدقيقة)	المنظفات			الحد الأقصى لدرجة الحرارة للمياه	استهلاك الطاقة لتسخن المياه	إجمالي المياه بالتر	مدة الدورة
				التغسيل الأولي	الغسيل	ملغم الأقمشة				
التنظيف الزائد										
1	مزيل البقع (Anti Stain)	40 درجة	1200	●	●	●	4	-	-	**
2	مزيل البقع السريع (Anti Stain Quick)	40 درجة	1200	●	●	-	3.5	-	-	**
3	الملابس البيضاء (Whites)	60 درجة	1200	●	●	●	4	-	-	**
4	الملابس القطنية عند 60 درجة مئوية (Cotton 60°C): الملابس البيضاء شديدة الاتساخ والألوان الثابتة.	60 درجة (90 درجة كحد أقصى)	1200	●	●	●	7	-	-	**
5	الملابس الاصطناعية (Synthetics): الملابس المقاومة للاتساخ الشديد.	60 درجة	1000	●	●	●	3	0.93	53	130'
5	الأقمشة الصناعية (Synthetics) (3): الملابس ثابتة الألوان قليلة الاتساخ.	40 درجة	1000	●	●	●	3	-	-	**
دورات غسيل خاصة										
6	مضاد الحساسية الإضافي (Anti allergy Plus)	60 درجة	1200	●	●	-	4	-	-	**
7	مضاد الحساسية للملابس الناعمة (Anti allergy Delicate)	40 درجة	1200	●	●	-	4	-	-	**
8	ملابس الأطفال (Baby)	40 درجة	1000	●	●	●	3	-	-	**
9	برنامج الأقطان الاقتصادي 60 درجة مئوية (1) (Eco Cotton 60°C): الملابس البيضاء شديدة الاتساخ والألوان الثابتة.	60 درجة	1200	●	●	-	7	1.07	53	205'
9	برنامج الأقطان الاقتصادي 40 درجة مئوية (2) (Eco Cotton 40°C): الملابس المقاومة للاتساخ القليل والملابس الرقيقة الملونة.	40 درجة	1200	●	●	-	7	0.97	53	220'
10	الصوف (Wool): للملابس المصنوعة من الصوف والكشمير وما إلى ذلك.	40 درجة	800	●	●	-	1.5	-	-	**
11	الملابس الناعمة (Delicates)	30 درجة	0	●	●	-	1	-	-	**
بارد										
12	الملابس القطنية عند 20 درجة مئوية (Cotton 20°C): الملابس المقاومة للاتساخ القليل والملابس الرقيقة الملونة.	20 درجة	1200	●	●	-	7	-	-	**
13	الأقمشة الصناعية (Synthetics)	ماء بارد	1000	●	●	-	3	-	-	**
14	الغسيل السريع بمقدار 30 دقيقة (Fast 30')	ماء بارد	800	●	●	-	3	0.04	71	30'
البرامج الجزئية										
شطف (Rinse)		-	1200	●	-	-	7	-	-	**
العصر والضخ للخارج (Spin and Pump out)		-	1200	-	-	-	7	-	-	**
تصريف الماء فقط (Pump out only) *		-	OFF	-	-	-	7	-	-	**

* إذا قمت باختيار برنامج شطف واستثناء دورة العصر، فستقوم الغسالة بالتصريف فقط.

** يمكن فحص مدة دورات الغسيل على شاشة العرض.

إن طول دورة الغسيل الموضحة على الشاشة أو في هذا الكتيب تقديرية فقط ويتم احتسابها بافتراض ظروف العمل القياسية. يمكن أن تختلف المدة الفعلية وفقاً لعوامل مثل درجة حرارة الماء والضغط، وكمية سائل التنظيف المستخدمة، وكمية الحمولة التي تم إدخالها ونوعها وتوازن الحمولة وخيارات الحمولة للغسيل المحددة.

(1) دورة الغسيل الاختيارية وفقاً لانتحة 1061/2010: اضبط دورة الغسيل 9 على درجة حرارة 60 درجة مئوية. هذه الدورة مُصممة للأحمال القطنية ذات مستوى الاتساخ المعتاد وهي الأكثر كفاءة من حيث استهلاك الكهرباء والمياه، ينبغي استخدامها للملابس التي يمكن غسلها في درجة حرارة 60 درجة مئوية. قد تختلف درجة حرارة الغسيل الفعلية عن القيمة المشار إليها.

(2) دورة الغسيل الاختيارية وفقاً للوانج 1061/2010: اضبط دورة الغسيل 9 على درجة حرارة 40 درجة مئوية. هذه الدورة مُصممة للأحمال القطنية ذات مستوى الاتساخ المعتاد وهي الأكثر كفاءة من حيث استهلاك الكهرباء والمياه، ينبغي استخدامها للملابس التي يمكن غسلها في درجة حرارة 40 درجة مئوية. قد تختلف درجة حرارة الغسيل الفعلية عن القيمة المشار إليها.

بالنسبة لجميع مؤسعات الاختيار:

(2) دورة الغسيل الطويلة للأقطان: اضبط دورة الغسيل 9 على درجة حرارة 40 درجة مئوية.

(3) دورة الغسيل الطويلة للملابس الاصطناعية: اضبط دورة الغسيل 5 على درجة حرارة 40 درجة مئوية.

خيارات الغسيل

P/ تمهيد المعالجة

إذا تم تحديد هذه الوظيفة، فسوف تعمل دورة الغسيل الأولي؛ وهذا مفيد في إزالة البقع العنيدة. ملاحظة: ضع المنظف في الحجرة ذات الصلة.

! إذا لم تكن الوظيفة المختارة تتوافق دورة الغسيل المعدة، سيومض المصباح المؤشر الملائم ولن يتم تشغيل الوظيفة.
! إذا لم يكن الخيار المختار متوافق مع خيار مختار آخر، سيومض المصباح المؤشر الملائم للخيار الأول وسيتم تنشيط الخيار الثاني فقط؛ سيضيء المصباح المؤشر الملائم للخيار النشط بشكل ثابت.

شطف إضافي

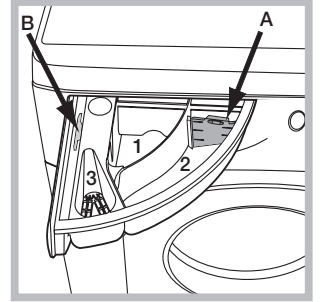
بواسطة اختيار هذا الخيار، تزداد فعالية الشطف وتضمن الإزالة الأمثل لمواد التنظيف. إنها مفيدة جداً للجلد الحساس.

درج وعاء مواد التنظيف

تعتمد نتائج الغسيل الناجحة أيضا على كمية مواد التنظيف: إن إضافة مواد تنظيف أكثر مما يجب لا يزيد فاعلية الغسيل بالضرورة، يمكن أن يؤدي إلى انسداد في الأجزاء الداخلية من الجهاز لديك وحتى يمكن أن يلوث البيئة.

! لا تستخدم المواد المعدة للغسيل باليد لأنها يمكن أن تطلق رغوة فائضة.

افتح درج وعاء مواد التنظيف
واسكب مواد التنظيف أو مضافات
الغسيل، كما يلي.



الحجرة 1: مواد التنظيف المعدة لما قبل الغسيل (مسحوق)

الحجرة 2: مواد التنظيف المعدة لدورة الغسيل (مسحوق أو سائل)

إذا تم استخدام مواد تنظيف سائلة، يوصى باستخدام الجزء البلاستيكي القابل للحركة A (مرفق) للحصول على أفضل كمية.

إذا تم استخدام مسحوق تنظيف، قم بوضع هذا الجزء في الفتحة B.

الحجرة 3: الملحقات (المواد المطرية للغسيل وما شابه).

يجب على المطري ألا يزيد عن ارتفاع الشبكة.

تحضير الغسيل

• قسّم الغسيل حسب ما يلي:

- نوع القماش/ الرمز على اللاصقة

- الألوان: افصل بين الملابس الملونة والبيضاء.

• قم بإفراغ جيوب كافة الملابس وافحص الأزرار.

• لا تتعدى القيم المدرجة في القائمة "جدول البرامج ودورات الغسيل"، التي تعود لوزن الغسيل عندما يكون جافا.

كم يزن الغسيل لديك؟

شرشف واحد 400-500 غم

غطاء وسادة واحد 150-200 غم

مفرش طاولة واحد 400-500 غم

برنس حمام واحد 900-1200 غم

منشفة واحدة 150-250 غم

دورات الغسيل الخاصة

مزيل البقع (Anti Stain): يعتبر البرنامج 1 مناسباً للملابس ذات

الألوان الثابتة شديدة الاتساخ حيث إنه يضمن درجة غسيل أعلى من

الدرجة المعيارية (الدرجة أ)،

وعند تشغيل البرنامج، لا تخلط الملابس ذات الألوان المختلفة نوصي

باستخدام مساحيق التنظيف. يوصى بإجراء معالجة مسبقة بإضافات

خاصة إذا كانت هناك بقع صعبة.

المعالجة السريعة للبقع (Anti Stain Quick): يعد هذا البرنامج

مثاليًا لغسيل البقع الأكثر صعوبة يوميًا في خلال ساعة واحدة. إذ

إنه مثالي للأنسجة المختلطة والملابس الملونة، حيث إنه يحافظ على

ملابسك أثناء الغسيل.

الملابس البيضاء (Whites): استخدم هذه الدورة 3 لغسيل الملابس

البيضاء. البرنامج مصمم للحفاظ على إشراق الملابس البيضاء مع

مرور الوقت. استخدم مساحيق التنظيف للحصول على أفضل النتائج.

مضاد الحساسية الإضافي (Anti allergy Plus): استخدم

البرنامج 6 لإزالة مسببات الحساسية مثل حبوب اللقاح والعث وشعر

القطط والكلاب.

مضاد الحساسية للملابس الناعمة (Anti allergy)

Delicate): تمت دراسة الدورة لغسيل الملابس القطنية وغيرها من

الأقمشة المقاومة لضمان إزالة اللقاح وشعر القطط والكلاب أيضًا عند

درجة حرارة 40 درجة مئوية.

ملابس الأطفال (Baby): استخدم دورة الغسيل الخاصة 8 لإزالة

الأوساخ التي عادة ما تحدث بسبب الأطفال، وفي الوقت نفسه إزالة

كافة آثار المنظف من الحفاضات لحماية بشرة الأطفال الرقيقة من

معاناة أمراض الحساسية. صُممت الدورة لتقليل كمية البكتيريا عن

طريق استخدام مقدار أكبر من المياه وتحسين أثر إضافات التعقيم

الخاصة المضافة إلى المنظف.

القطن 20 درجة مئوية (Cotton 20°C) مثالي للأحمال القطنية

قليلة الاتساخ. تجدر الإشارة إلى أن مستويات الأداء الفعالة في درجات

الحرارة الباردة، التي يمكن مقارنتها بالغسيل عند 40 درجة مئوية،

مضمونة بفضل العمل الميكانيكي الذي يعمل بسرعات مختلفة، بحدود

قصوى متكررة.

الدورات 13-14 تضمن توفير الطاقة من خلال القضاء على الحاجة

إلى تسخين المياه! تتوفر هذه البرامج المبتكرة لمختلف الأقمشة (قليلة

الاتساخ). للحصول على أفضل نتائج الغسيل نوصي باستخدام منظفات

سائلة؛ ومن المستحسن المعالجة المسبقة للأكمام والياقات والبقع.

لصوف: Wool - Woolmark Apparel Care - Green

لقد اعتمدت شركة Woolmark دورة غسيل الصوف في هذه الغسالة

لغسيل الملابس الصوفية المميزة برمز "الغسيل اليدوي" بشرط أن

يتم غسيل المنتجات وفقًا للإرشادات الموضحة على ملصق الملابس،

والإرشادات التي تحددها الشركة المصنعة لهذه الغسالة (M1126).



الأقمشة الناعمة: استخدم البرنامج 11 لغسيل الملابس شديدة النعومة

ذات الحلي والترتر.

لغسيل الملابس الحريرية والستائر، اختر الدورة 11 ثم اضبط

المستوى "ناعم" من الخيار "البريد".

نحن نوصي بقلب الملابس على ظهرها قبل الغسيل ووضع القطع

الصغيرة في الحقيبة الخاصة قبل غسل الملابس الناعمة.

استخدم سائل تنظيف على الملابس الناعمة للحصول على أفضل

النتائج.

نظام موازنة الحمولة

قبل بدء كل دورة للدوران، لتجنب الاهتزازات الزائدة قبل كل عصر وتوزيع الحمولة بطريقة موحدة، تدور الحلة باستمرار بسرعة تزيد قليلاً عن سرعة دوران الغسيل. وفي حال لم تتم موازنة الحمولة بشكلٍ صحيح بعد العديد من المحاولات، تدور الماكينة بسرعة دوران منخفضة. إذا كانت الحمولة غير متوازنة بشكلٍ كبير، فإن الغسالة ستقوم بعملية التوزيع بدلاً من الدوران. لتشجيع التوزيع المحسن للحمولة وموازنتها، نوصي بالدمج بين الملابس الكبيرة والصغيرة في الحمولة.

! تم تصميم ماكينة الغسيل وتصنيعه طبقاً لمواصفات الأمان العالمية. يتم تزويد التحذيرات التالية لأسباب وقائية ويجب قراءتها بعناية.

الوقاية العامة

- تم تصميم هذا الجهاز للاستخدام المنزلي فقط.
- هذا الجهاز غير معد للاستخدام من قبل الأشخاص (بمن فيهم الأولاد) ذوي الإعاقات الجسدية، النفسية أو العقلية، أو ممن لديهم تجربة قليلة ومعرفة محدودة، إلا إذا تم إرشادهم أو تدريبهم فيما يتعلق باستخدام الجهاز، من قبل شخص مسؤول عن أمانهم. يجب مراقبة الأولاد للتأكد من أنهم لا يعبتون بالجهاز.
- لا تلامس الماكينة وأنت حافي القدمين أو بيدين ورجلين مبلتين أو رطبتين.
- لا تقم بسحب كبل تزويد الطاقة عند فصل الجهاز عن مقبس شبكة الطاقة الكهربائية. امسك القابس واسحبه.
- لا تفتح درج وعاء مواد التنظيف بينما تكون الماكينة قيد التشغيل.
- لا تلامس ماء الصرف، حيث يمكن أن يكون بدرجة حرارة عالية جداً.
- لا تدفع باب الفتحة بشدة: يمكن لذلك أن يتلف ميكانيكية قفل الأمان المصمم لمنع فتحه عن غير قصد.
- إذا تعطل الجهاز، لا تحاول بأي حال من الأحوال، الوصول إلى الأجهزة الداخلية في محاولة لتصليحها بنفسك.
- أبق الأطفال بعيدين عن الجهاز دائماً أثناء عمله.
- يمكن للباب أن يصبح ساخناً بعض الشيء خلال دورة الغسيل.
- إذا كانت هناك حاجة لنقل الجهاز، نفذ العمل بمجموعة من شخصين أو ثلاثة أشخاص وتعاملوا معه بمنتهى الحذر. لا تحاول أبدا القيام بذلك لوحدهم، لأن الجهاز ثقيل جداً.
- قبل إدخال الغسيل إلى ماكينة الغسيل، تأكد من أن البرميل فارغ.

التخلص

- التخلص من مواد التعبئة: تقيّد بالقوانين المحلية حيث يمكن لمواد التعبئة أن يعاد تصنيعها.
- تفضي التوجيهات الأوروبية 2012/19/EU المتعلقة بالأجهزة الإلكترونية التالفة (WEEE) بعدم التخلص من الأجهزة الإلكترونية البيئية القديمة بواسطة دورة جمع النفايات البلدية غير المصنفة. يجب جمع الأجهزة القديمة على انفراد بهدف إنجاح عملية استرداد وإعادة تدوير المواد التي تحتوي عليها وتقليل تأثيرها على صحة الإنسان والبيئة. إشارة "السلة الدائرية" المشطوبة على المنتج تذكرك بالتزامك بأنه عند التخلص من الجهاز، يجب تجميعه على حدة. يتوجب على المستهلكين الاتصال بسلطتهم المحلية أو بتاجر التجزئة فيما يتعلق بالمعلومات المتعلقة بالطريقة الصحيحة للتخلص من جهازهم القديم.

العناية بباب وبرميل الجهاز لديك

- أترك باب الفتحة مفتوحاً دائماً لتحاشي تكوّن الروائح الكريهة.

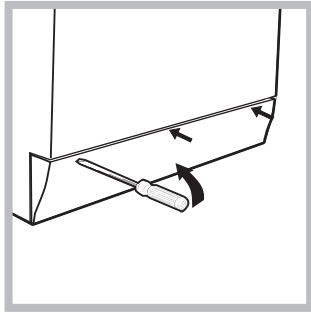
تنظيف المضخة

ماكينة الغسيل مزودة بمضخة للتنظيف الذاتي، حيث لا تحتاج إلى أية عناية في أي وقت. في بعض الأحيان، يمكن للقطع الصغيرة (مثل القطع النقدية أو الأزرار) أن تسقط داخل الحجرة الأولية التي تحمي المضخة، والموجودة في جزئها الأسفل.

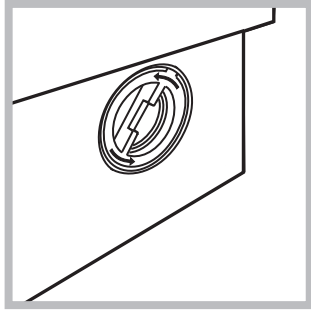
! تأكد من انتهاء دورة الغسيل وافصل الجهاز عن الكهرباء.

للوصول إلى الحجرة الأولية:

1. باستخدام مفك براغي، أزل غطاء اللوحة من الجهة الأمامية السفلى في ماكينة الغسيل (انظر الرسم)؛



2. فك الغطاء بواسطة إدارته بعكس عقارب الساعة (انظر الرسم): يمكن للقليل من الماء أن يخرج إلى الخارج. هذا أمر طبيعي؛



3. نظف الجزء الداخلي تماماً؛
4. أعد تركيب الغطاء في مكانه؛
5. أعد تركيب اللوحة، وتأكد من أن العفقات مثبتة بأمان في مكانها قبل أن تدفعها باتجاه الجهاز.

فحص خرطوم إدخال الماء

افحص فوهة الخرطوم مرة في السنة على الأقل. إذا كانت هناك أية شقوق، يجب تبديلها فوراً. خلال دورات الغسيل، يكون ضغط الماء قوياً جداً ويمكن للفوهة المتشققة أن تتشقق لتنتفخ بسهولة.

! لا تستخدم الخرطوم المستعملة أبداً.

قطع إمداد الماء والكهرباء

- قم بإفغال حنفية الماء بعد كل دورة غسيل. سيحد هذا من تآكل النظام الهيدروليكي داخل ماكينة الغسيل ويساعد على منع التسربات.
- افصل الماكينة عن الكهرباء عند تنظيفها أو أثناء أي عمل صيانة.

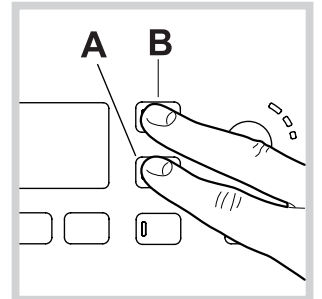
تنظيف ماكينة الغسيل

- يمكن تنظيف الأجزاء الخارجية والقطع المطاطية في الماكينة باستخدام خرقة نظيفة مبللة بالماء الفاتر والصابون. لا تستخدم المواد المذيبة أو الكاشطة.
- يوجد بماكينة الغسيل البرنامج "تنظيف أوتوماتيكي" للأجزاء الداخلية والذي يجب تشغيله مع عدم وجود حمولة ملابس في البرميل.

لمساعدة دورة الغسيل فقد توريد استخدام إما مادة التنظيف (مثل كمية 10% من الكمية المحددة للملابس ذات الاتساخ الخفيف) أو إضافات خاصة لتنظيف ماكينة الغسيل. نحن نوصي بتشغيل برنامج التنظيف كل 40 دورة غسيل.

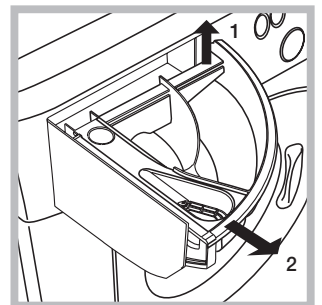
لبدء البرنامج اضغط على الأزرار **A** و **B** في نفس الوقت لمدة 5 ثوان (انظر الشكل).

سوف يبدأ البرنامج أوتوماتيكياً ويستمر في العمل لمدة 70 دقيقة. لإيقاف الدورة، اضغط زر بدء/إيقاف مؤقت.



تنظيف درج وعاء مواد التنظيف

- أزل الوعاء بواسطة رفعه وسحبه إلى الخارج (انظر الرسم).
- قم بغسله تحت الماء المتدفق؛ يجب تكرار هذه العملية.



يمكن لماكينة الغسيل أن تفشل في العمل فجأة. قبل الاتصال بخدمة المساعدة التقنية (أنظر "الخدمة") تأكد من أن المشكلة لا يمكن حلها بسهولة باستخدام الجدول التالي.

المشكلة:

الأسباب المحتملة/الحلول:

لا يمكن تشغيل ماكينة الغسيل.

- الجهاز غير موصل بالمقيس الكهربائي بشكل كامل، أو أنه غير موصل بشكل كاف ليحدث تماس.
- يوجد انقطاع كهرباء في البيت.

دورة الغسيل لا تبدأ بالعمل.

- باب ماكينة الغسيل غير مقفل بشكل صحيح.
- لم يتم الضغط على زر تشغيل/إيقاف تشغيل.
- لم يتم الضغط على زر بدء التشغيل/إيقاف مؤقت.
- لم يتم فتح حنفية الماء.
- تم ضبط بداية مؤجلة.

ماكينة الغسيل لا تمتلئ بالماء (النص "H2O" يومض على الشاشة).

- خرطوم دخول الماء غير متصل بالحنفية.
- الخرطوم ملتوي.
- لم يتم فتح حنفية الماء.
- يوجد انقطاع في تزويد الماء في البيت.
- الضغط منخفض أكثر مما يجب.
- لم يتم الضغط على زر بدء التشغيل/إيقاف مؤقت.

ماكينة الغسيل تمتلئ بالماء وتفرغ منه بشكل متكرر.

- خرطوم التصريف غير مركب على ارتفاع يتراوح بين 65 وحتى 100 سم عن الأرض ("نظر التعليمات").

الطرف الحر من الخرطوم تحت الماء (أنظر "التركيب").

نظام التصريف الجداري غير مزود بأنبوب تنفس.

إذا بقيت المشكلة حتى بعد هذه الفحوص، أقل حنفية الماء، أوقف تشغيل الجهاز واتصل بمركز المساعدة التقنية. إذا كان المسكن في أحد الطوابق العلوية من المبنى، فمن الممكن أن تكون هناك مشاكل متعلقة بتصريف الماء، تسبب لماكينة الغسيل الامتلاء بالماء وإفراغه بشكل متكرر. هناك صمامات خاصة متوفرة في الحوائط لمنع التصريف، وهي تساعد على تحاشي هذه المشكلة.

ماكينة الغسيل لا تصرف الماء أو لا تعصر.

- دورة الغسيل لا تشمل التصريف: بعض دورات الغسيل تتطلب تشغيل مرحلة التصريف يدويًا.
- خرطوم التصريف ملتوي (أنظر "التركيب").
- أنبوب التصريف مسدود.

ماكينة الغسيل تهتز كثيرا خلال دورة العصر.

لم يتم إزالة قفل البرميل بشكل صحيح خلال عملية التركيب (أنظر "التركيب").

الماكينة غير مستوية (أنظر "التركيب").

الماكينة عالقة بين خزانات وجدران (أنظر "التركيب").

يوجد تسرب في ماكينة الغسيل.

مدخل خرطوم الماء غير مثبت بشكل صحيح (أنظر "التركيب").

حجرة مواد التنظيف مسدودة (لتعليمات التنظيف، أنظر "العناية والصيانة").

خرطوم التصريف غير مثبت في مكانه بشكل صحيح (أنظر "التركيب").

تومض مؤشرات "الخيار" و"بدء/إيقاف مؤقت" بشكل سريع ويظهر كود خطأ على الشاشة (مثلاً: F-01, F-).

- قم بإيقاف تشغيل الماكينة وافصلها عن الكهرباء، انتظر حوالي دقيقة واحدة ثم أعد تشغيلها مرة أخرى.
- إذا بقيت المشكلة قائمة، اتصل بخدمة المساعدة التقنية.

يوجد الكثير من الرغوة.

مواد التنظيف غير ملائمة لماكينة الغسيل (يجب أن تطابق الوصف "لماكينات الغسيل" أو "للغسيل اليدوي وماكينات الغسيل"، أو التعليمات المشابهة).

تم استخدام كمية مواد تنظيف أكثر مما يجب.

- قبل الاتصال بخدمة المساعدة التقنية:
- افحص فيما إذا كان بإمكانك حل المشكلة بنفسك (أنظر "استكشاف المشاكل وحلها").
 - أعد تشغيل دورة الغسيل للفحص فيما إذا تم حل المشكلة.
 - إذا لم يحدث ذلك، اتصل بمركز مساعدة تقنية معتمد.

! اطلب دائما مساعدة فني مؤهل.

الرجاء خذ بعين الاعتبار المعلومات التالية:

- نوع المشكلة؛
 - طراز الجهاز (Mod)؛
 - الرقم التسلسلي (S/N).
- يمكن إيجاد هذه المعلومات في لوحة البيانات في الجهة الخلفية من ماكينة الغسيل، ويمكن إيجادها أيضا في الجهة الأمامية من الجهاز بواسطة فتح الباب.