

Panasonic

Operating Instructions

Compact Laser Fax

Model No. **KX-FL401E**



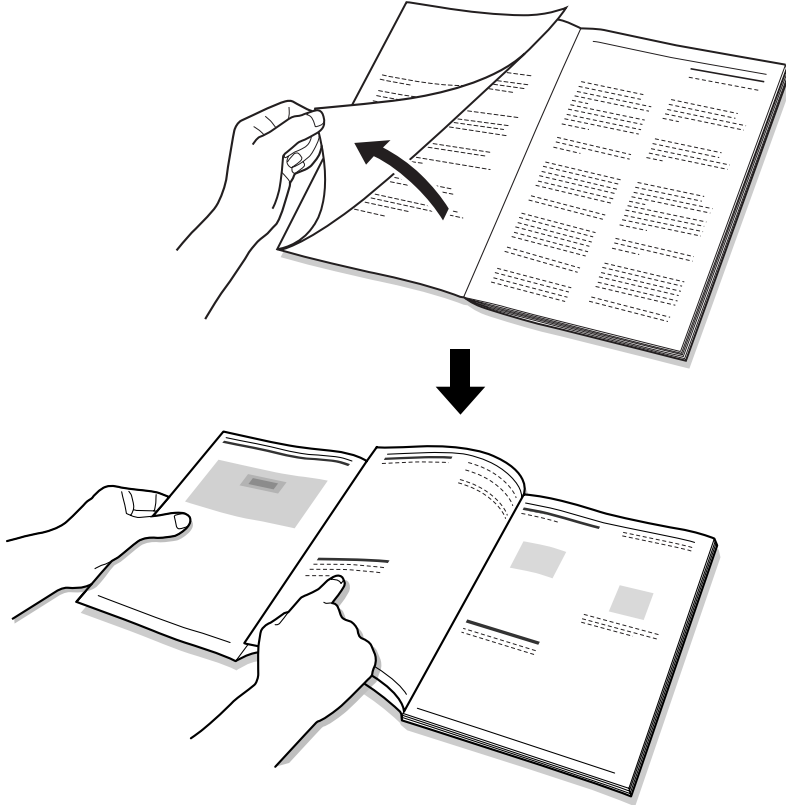
Please read these operating instructions before using the unit and save for future reference.

This unit is compatible with Caller ID. To use this feature, you must subscribe to the appropriate service of your service provider.

Be sure to use the telephone line cord included in this unit.

This model is designed to be used only in the United Kingdom and Ireland.

How to use the operating instructions

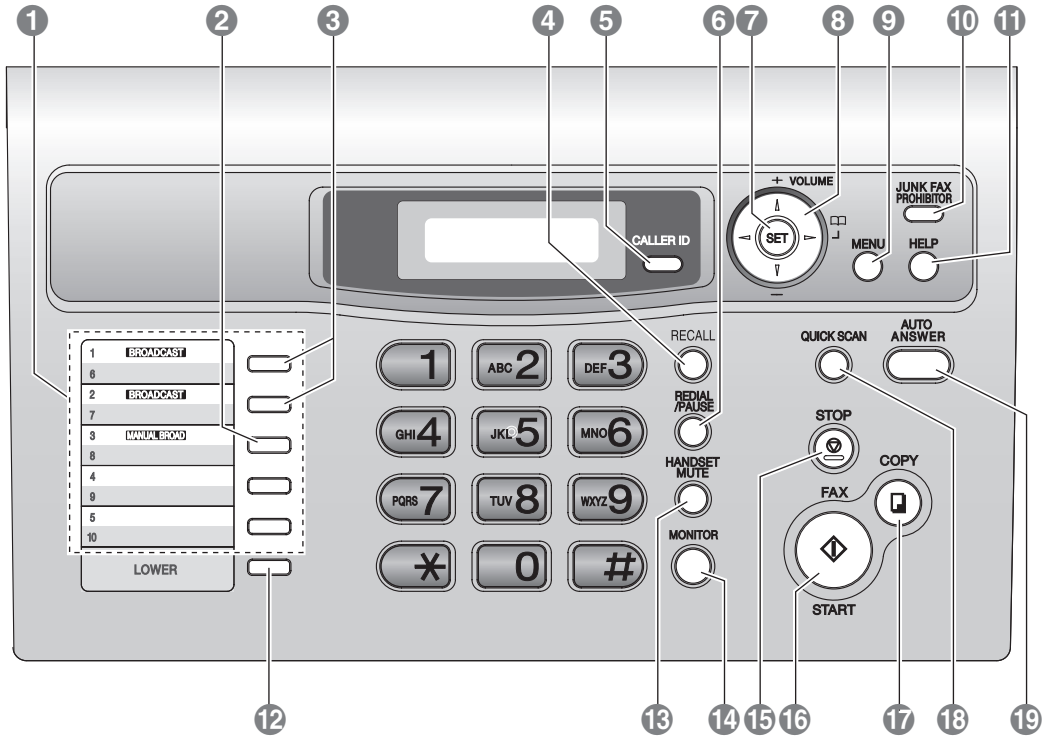


When following operating instructions, always keep the front cover page (next page) open for easy reference to the buttons.



Location of controls

Please keep this page open when following operating instructions.
For a description of each button, see page 11.



Buttons (Listed in alphabetical order)

AUTO ANSWER 19
BROADCAST 3
CALLER ID 5
COPY 17
FAX 16
HANDSET MUTE 13
HELP 11
JUNK FAX PROHIBITOR 10

LOWER 12
MANUAL BROAD 2
MENU 9
MONITOR 14
Navigator key 8
QUICK SCAN 18
RECALL 4
REDIAL/PAUSE 6

SET 7
Station keys 1
START 16
STOP 15
VOLUME 8

Important safety instructions

When using this unit, basic safety precautions should always be followed to reduce the risk of fire, electric shock, or personal injury.

1. Read and understand all instructions.
2. Follow all warnings and instructions marked on this unit.
3. Unplug this unit from power outlets before cleaning. Do not use liquid or aerosol cleaners.
4. Do not use this unit near water, for example near a bathtub, wash bowl, kitchen sink, etc.
5. Place the unit securely on a stable surface. Serious damage and/or injury may result if the unit falls.
6. Do not cover slots and openings on the unit. They are provided for ventilation and protection against overheating. Never place the unit near radiators, or in a place where proper ventilation is not provided.
7. Use only the power source marked on the unit. If you are not sure of the type of power supplied to your home, consult your dealer or local power company.
8. For safety purposes this unit is equipped with a grounded plug. If you do not have this type of outlet, please have one installed. Do not defeat this safety feature by tampering with the plug.
9. Do not place objects on the mains lead. Install the unit where no one can step or trip on the mains lead.
10. Do not overload power outlets and extension cords. This can result in the risk of fire or electric shock.
11. Never push any objects through slots in this unit. This may result in the risk of fire or electric shock. Never spill any liquid on the unit.
12. To reduce the risk of electric shock, do not disassemble this unit. Take the unit to an authorised service centre when service is required. Opening or removing covers may expose you to dangerous voltage or other risks. Incorrect reassembly can cause electric shock when the unit is subsequently used.
13. Unplug this unit from power outlets and refer servicing to an authorised service centre when the following conditions occur:
 - A. If the mains lead is damaged or frayed.
 - B. If liquid has been spilled into the unit.
 - C. If the unit has been exposed to rain or water.
 - D. If the unit does not work normally by following the operating instructions. Adjust only controls covered by the operating instructions. Improper adjustment may require extensive work by an authorised service centre.
 - E. If the unit has been dropped or physically damaged.
 - F. If the unit exhibits a distinct change in performance.
14. During thunderstorms, avoid using telephones except cordless types. There may be a remote risk of an electric shock from lightning.

15. Do not use this unit to report a gas leak, when in the vicinity of the leak.

SAVE THESE INSTRUCTIONS

CAUTION:

Installation

- After moving the unit from cold areas to warmer areas, let the unit adjust to the warmer temperature and do not connect the unit for about 30 minutes. If the unit is connected too soon after a sudden climate change, condensation may form inside the unit causing malfunction.
- Never install telephone wiring during a lightning storm.
- Never install telephone sockets in wet locations unless the socket is specifically designed for wet locations.
- Never touch uninsulated telephone wires or terminals unless the telephone line has been disconnected at the network interface.
- Use caution when installing or modifying telephone lines.
- Do not touch the plug with wet hands.

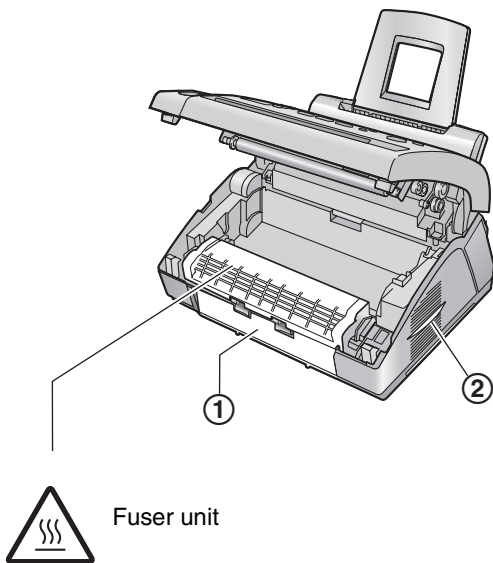
Important Information

Laser radiation

- The printer of this unit utilises a laser. Use of controls or adjustments or performance of procedures other than those specified herein may result in hazardous radiation exposure.

Fuser unit

- The fuser unit gets hot. Do not touch it.
- During or immediately after printing, the area near the recording paper exit (①) also gets warm. This is normal.



Toner cartridge

- Be careful of the following when you handle the toner cartridge:
 - Do not leave the toner cartridge out of the protection bag for a long time. It will decrease the toner life.
 - If you ingest any toner, drink several glasses of water to dilute your stomach contents, and seek immediate medical treatment.
 - If any toner comes into contact with your eyes, flush them thoroughly with water, and seek medical treatment.
 - If any toner comes into contact with your skin, wash the area thoroughly with soap and water.
 - If you inhale any toner, move to an area with fresh air and consult local medical personnel.

Drum unit

- Read the instructions on page 13 before you begin installation of the drum unit. After you have read them, open the drum unit protection bag. The drum unit contains a photosensitive drum. Exposing it to light may damage the drum. Once you have opened the protection bag:
 - Do not expose the drum unit to light for more than 5 minutes.
 - Do not touch or scratch the black drum surface.

- Do not place the drum unit near dust or dirt, or in a high humidity area.
- Do not expose the drum unit to direct sunlight.

WARNING:

- To prevent the risk of fire or electrical shock, do not expose this product to rain or any type of moisture.
- Unplug this unit from power outlets if it emits smoke, an abnormal smell or makes unusual noise. These conditions can cause fire or electric shock. Confirm that smoke has stopped and contact an authorised service centre.
- Make sure that the unit is installed in a well ventilated room so as not to increase density of ozone in the air. Since ozone is heavier than air, it is recommended that air at floor level be ventilated.

For best performance

Toner cartridge and drum unit

- For optimal performance, genuine Panasonic toner cartridges and drum units are recommended. We cannot be responsible for problems that may be caused by a non-Panasonic toner cartridge or drum unit:
 - Damage to the unit
 - Poor print quality
 - Improper operation
- In the printing process, heat is used to fuse toner onto the page. As a result, it is normal for the machine to produce an odour during and shortly after printing. Be sure to use this unit in an area with proper ventilation.
- To extend the life of the drum unit, the unit should never be turned OFF immediately after printing. Leave the power turned ON for a minimum of 30 minutes after printing.
- Do not cover slots or openings on the unit. Inspect the air circulation vents regularly and remove any dust build-up with a vacuum cleaner (②).
- When replacing the toner cartridge or drum unit, do not allow dust, water, or liquids to come in contact with the drum. This may affect print quality.

Static electricity

- To prevent static electricity damage to the interface connectors or other electrical components inside the unit, touch a grounded metal surface before touching the components.

Environment

- Keep the unit away from electrical noise generating devices, such as fluorescent lamps and motors.
- The unit should be kept free from dust, high temperature and vibration.
- The unit should not be exposed to direct sunlight.
- Do not place heavy objects on top of the unit.
- When you leave the unit unused for a long period of time, unplug this unit from the power outlet.

- The unit should be kept away from heat sources such as heaters, kitchen stoves, etc. It should not be placed in rooms where the temperature is less than 10 °C or greater than 32.5 °C. Damp basements should also be avoided.

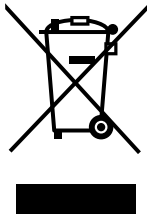
Recording paper

- Store unused paper in the original packaging, in a cool and dry place. Not doing so may affect print quality.

Routine care

- Wipe the outer surface of the unit with a soft cloth. Do not use benzine, thinner, or any abrasive powder.

Information on Disposal for Users of Waste Electrical & Electronic Equipment (private households)



This symbol on the products and/or accompanying documents means that used electrical and electronic products should not be mixed with general household waste.

For proper treatment, recovery and recycling, please take these products to designated collection points, where they will be accepted on a free of charge basis. Alternatively, in some countries you may be able to return your products to your local retailer upon the purchase of an equivalent new product.

Disposing of this product correctly will help to save valuable resources and prevent any potential negative effects on human health and the environment which could otherwise arise from inappropriate waste handling. Please contact your local authority for further details of your nearest designated collection point. Penalties may be applicable for incorrect disposal of this waste, in accordance with national legislation.

For business users in the European Union

If you wish to discard electrical and electronic equipment, please contact your dealer or supplier for further information.

Information on Disposal in other Countries outside the European Union

This symbol is only valid in the European Union. If you wish to discard this product, please contact your local authorities or dealer and ask for the correct method of disposal.

Important Information

The connection to the telecommunication systems must not be hard wired and must be unplugged before the earth is disconnected.

Method of connection

This apparatus is connected to the exchange line or PABX/PMBX extension by the new standard British Telecom plug and socket. Arrangements for provision of this type of termination can be made through the nearest British Telecom Sales Office.

This apparatus may be connected to the following types of installation.

- a) For connection to the public switched telephone network (PSTN) and compatible PBX (Private Branch Exchange), which use DTMF signalling. (Please consult your supplier for an up to date list of compatible PBX's.)
- b) The apparatus can be used on extension sockets connected to a direct exchange line (D.E.L.).
- c) This apparatus is suitable for connection to the telecommunication system directly or via compatible private branch exchange as an extension. The supplier of the apparatus should be consulted for an up to date list of PBX's with which the apparatus is compatible.

It cannot be guaranteed that the apparatus will operate under all possible conditions of connection to compatible PBX's.

- This apparatus is suitable for connection to a PBX with or without initial proceed indication.
- This apparatus is suitable for connection to a PBX with or without secondary proceed indication.

Any cases of difficulty should be referred in the first instance to the supplier of the apparatus.

- d) The apparatus must not be connected in the following manner:
 - As an extension to a pay phone
 - As a party line with shared service

NOTES:


- If you experience any problems with the normal use of your apparatus, you should unplug it from the telephone outlet and connect a known working telephone in its place. If the known working telephone still gives problems, then please contact the customer service department of your PSTN operator (e.g. BT etc.). If it operates properly, then the problems are likely to be a fault in your apparatus. In this case, consult your supplier for advice.
- Your PSTN operator may charge you if they attend a service call that is not due to apparatus supplied by them.


For your safety

This appliance is supplied with a moulded three pin mains plug for your safety and convenience.

A 13 amp fuse is fitted in this plug.

Should the fuse need to be replaced please ensure that the replacement fuse has a rating of 13 amps and that it is approved by ASTA or BSI to BS1362.

Check for ASTA mark  or the BSI

mark  on the body of the fuse.

If the plug contains a removable fuse cover you must ensure that it is refitted when the fuse is replaced.

If you lose the fuse cover the plug must not be used until a replacement cover is obtained.

A replacement fuse cover can be purchased from your local Panasonic dealer.

IF THE FITTED MOULDED PLUG IS UNSUITABLE FOR THE SOCKET OUTLET IN YOUR HOME THEN THE FUSE SHOULD BE REMOVED AND THE PLUG CUT OFF AND DISPOSED OF SAFELY. THERE IS A DANGER OF SEVERE ELECTRICAL SHOCK IF THE CUT OFF PLUG IS INSERTED INTO ANY 13 AMP SOCKET.

If a new plug is to be fitted please observe the wiring code as shown below.

If in any doubt please consult a qualified electrician.

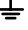
WARNING: THIS APPLIANCE MUST BE EARTHED.

IMPORTANT:

The wires in this mains lead are coloured in accordance with the following code:

Green-and-Yellow:	Earth
Blue:	Neutral
Brown:	Live

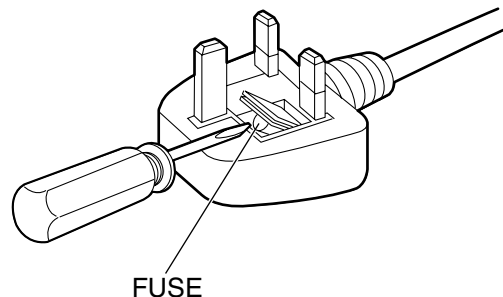
As the colours of the wire in the mains lead of this appliance may not correspond with the coloured markings identifying the terminals in your plug, proceed as follows.

The wire which is coloured GREEN-AND-YELLOW must be connected to the terminal in the plug which is marked with the letter E or by the Earth symbol  or coloured GREEN or GREEN-AND-YELLOW.

The wire which is coloured BLUE must be connected to the terminal in the plug which is marked with the letter N or coloured BLACK.

The wire which is coloured BROWN must be connected to the terminal in the plug which is marked with letter L or coloured RED.

How to replace the fuse: Open the fuse compartment with a screwdriver and replace the fuse (and fuse cover).



1. Introduction and Installation

Accessories

- 1.1 Included accessories..... **9**
- 1.2 Accessory information..... **10**
- 1.3 Extension telephone adaptor for UK..... **10**

Finding the Controls

- 1.4 Description of buttons..... **11**
- 1.5 Overview **12**

Installation

- 1.6 Toner cartridge and drum unit **13**
- 1.7 Paper tray **15**
- 1.8 Paper stacker..... **15**
- 1.9 Document stacker..... **16**
- 1.10 Handset cord **16**
- 1.11 Recording paper..... **17**

2. Preparation

Connections and Setup

- 2.1 Connections **18**

Help Button

- 2.2 Help function **19**

Volume

- 2.3 Adjusting volume **19**

Initial Programming

- 2.4 Date and time **20**
- 2.5 Your logo..... **21**
- 2.6 Your fax number **22**

3. Telephone

Automatic Dialling

- 3.1 Phonebook **23**
- 3.2 One-touch dial feature **24**
- 3.3 Using the recall feature..... **25**

Caller ID

- 3.4 Caller ID service **25**
- 3.5 Viewing and calling back using caller information..... **26**
- 3.6 Editing a caller's telephone number before calling back..... **27**
- 3.7 Erasing caller information..... **27**
- 3.8 Storing caller information into the phonebook / one-touch dial..... **28**

4. Fax

Sending Faxes

- 4.1 Sending a fax manually **29**
- 4.2 Document requirements **30**
- 4.3 Sending a fax using one-touch dial feature and phonebook..... **31**
- 4.4 Broadcast transmission **31**

Receiving Faxes

- 4.5 Selecting the way to use your fax machine . **33**
- 4.6 Receiving a fax automatically – Auto answer ON **35**
- 4.7 Receiving a fax manually – Auto answer OFF.

35

- 4.8 Using the unit with an answering machine...**37**
- 4.9 Receive polling (retrieving a fax placed on another fax machine)**37**
- 4.10 Junk fax prohibitor (preventing fax reception from undesired callers).....**38**

5. Copy

Copying

- 5.1 Making a copy**39**

6. Programmable Features

Features Summary

- 6.1 Programming.....**41**
- 6.2 Basic features**42**
- 6.3 Advanced features**43**

7. Help

Error Messages

- 7.1 Error messages – Reports**47**
- 7.2 Error messages – Display**48**

Troubleshooting

- 7.3 When a function does not work, check here **50**

Replacement

- 7.4 Replacing the toner cartridge and the drum unit **54**

Jams

- 7.5 Recording paper jam.....**57**
- 7.6 Document jams**60**
- 7.7 No feeding or multiple feeding occurs**61**

Cleaning

- 7.8 Cleaning the inside of the unit.....**61**

8. General Information

Printed Reports

- 8.1 Reference lists and reports**64**

Specifications

- 8.2 Specifications**65**

Guarantee

- 8.3 Condition of guarantee.....**68**

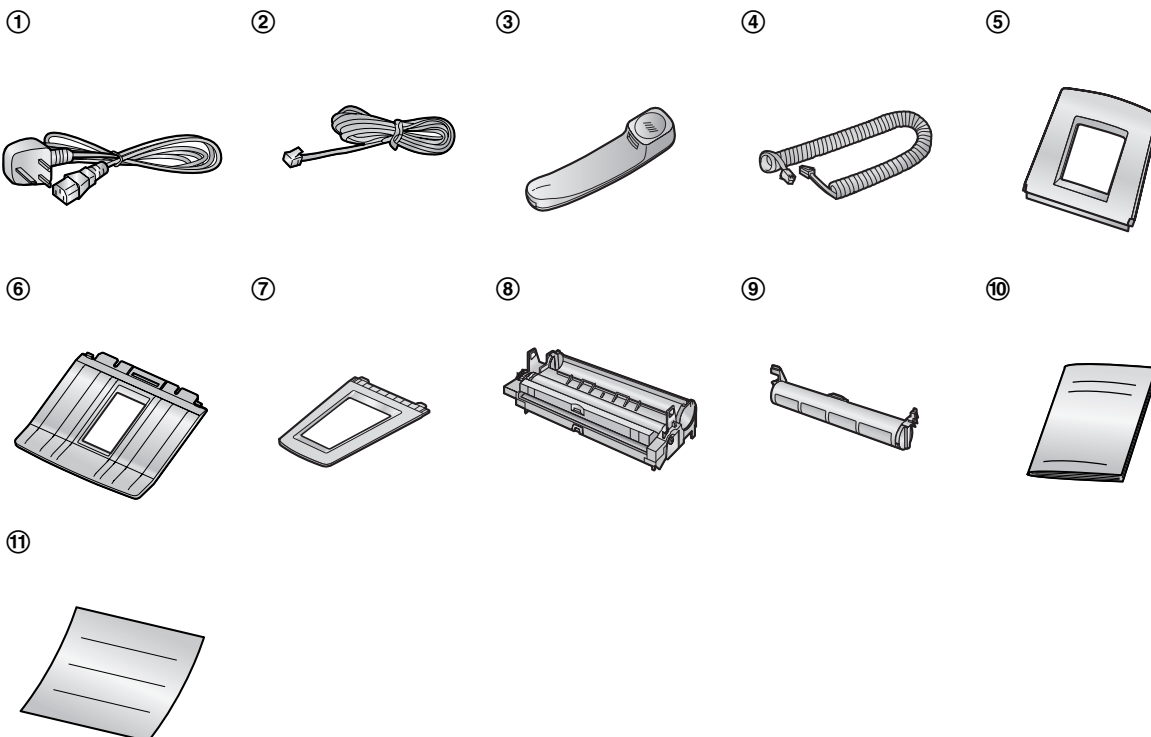
9. Index

- 9.1 Index **69**

1.1 Included accessories

No.	Item	Part number*1	Quantity	Notes
①	Mains lead	PFJA03A008Y	1	-----
②	Telephone line cord	PFJA04B012Y	1	for UK
③	Handset	PFJXH1005Y	1	-----
④	Handset cord	PQJA10126Z	1	-----
⑤	Paper tray	PFKS1085Z1	1	-----
⑥	Paper stacker	PFKS1096Z1	1	-----
⑦	Document stacker	PFKS1143Y1	1	-----
⑧	Drum unit	KX-FAD89X	1	See page 67.
⑨	Toner cartridge (starter toner cartridge)	-----	1	prints about 500 A4-sized pages with a 5% image area (page 66).
⑩	Operating instructions	PFQX2587Z	1	-----
⑪	Quick installation guide	PFQW2361Y	1	-----

*1 Part numbers are subject to change without notice.



Note:

- If any items are missing or damaged, contact the place of purchase.
- Save the original carton and packing materials for future shipping and transportation of the unit.

1.2 Accessory information

1.2.1 Sales and Support Information

Customer Care Centre

- For customers within the UK: 08701 580560
- For customers within the Republic of Ireland: 01 289 8333
- Visit our website for product information
- E-mail: customer.care@panasonic.co.uk

Direct Sales at Panasonic UK

- Order accessory and consumable items for your product with ease and confidence by phoning our Customer Care Centre Monday - Thursday 9:00am - 5:30pm, Friday 9:30am - 5:30pm (Excluding public holidays).
- Or go on line through our Internet Accessory ordering application at www.panasonic.co.uk.
- Most major credit and debit cards accepted.
- All enquires transactions and distribution facilities are provided directly by Panasonic UK Ltd.
- It couldn't be simpler!
- Also available through our Internet is direct shopping for a wide range of finished products, take a browse on our website for further details.

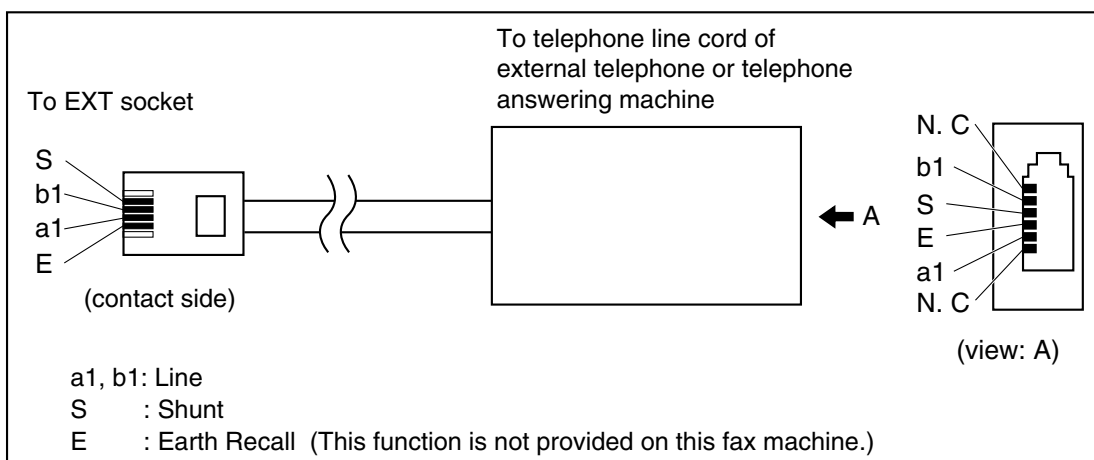
Additional/replacement accessories

Model No.	Item	Usage	Notes
KX-FAT88X	Toner cartridge	For replacement, see page 54.	See page 66.
KX-FAD89X	Drum unit	For replacement, see page 54.	See page 67.

1.3 Extension telephone adaptor for UK

When using the unit with an external answering machine (page 37), please purchase an extension telephone adaptor (e.g., PQJA10058Z) by contacting one of the following:

- www.panasonic.co.uk
- Panasonic Customer Care Centre on Telephone number 08701 580560
- local Panasonic authorised dealer



1.4 Description of buttons

- Keep the front cover page open for button locations.

1 [STATION KEYS]

- To use the one-touch dial feature (page 24, 31).

2 [MANUAL BROADCAST]

- To send a document to multiple parties manually (page 31, 32).

3 [BROADCAST]

- To send a document to multiple parties (page 31, 32).

4 [RECALL]

- To access special telephone services such as call waiting (page 25) or for transferring extension calls.

5 [CALLER ID]

- To view caller information (page 26).
- To change the display of the caller information (page 27).

6 [REDIAL/PAUSE]

- To redial the last number dialed. If the line is busy when you make a phone call using the [MONITOR] button, the unit will automatically redial the number up to 5 times.
- To insert a pause during dialling.

7 [SET]

- To store a setting during programming.

8 Navigator key

[+][−][▲][▼][◀][▶][VOLUME][□□]

- To adjust volume (page 19).
- To search for a stored item (page 23, 31).
- To select features or feature settings during programming (page 41).
- To access the phonebook (page 23).

9 [MENU]

- To initiate or exit programming.

10 [JUNK FAX PROHIBITOR]

- To use junk fax prohibitor (page 38).

11 [HELP]

- To print helpful information for quick reference (page 19).

12 [LOWER]

- To select stations 6–10 for the one-touch dial feature (page 24, 31).

13 [HANDSET MUTE]

- To mute your voice to the other party during a conversation. Press again to resume the conversation.

14 [MONITOR]

- To initiate dialling.
When you press [MONITOR] during receiving a call, you will be able to hear the other party, but the other party will not be able to hear you.

15 [STOP]

- To stop an operation or programming session.
- To delete a character from names and telephone numbers (page 21).
- To return to a previous step during operation.

16 [FAX][START]

- To start sending or receiving a fax.

17 [COPY]

- To copy a document (page 39).

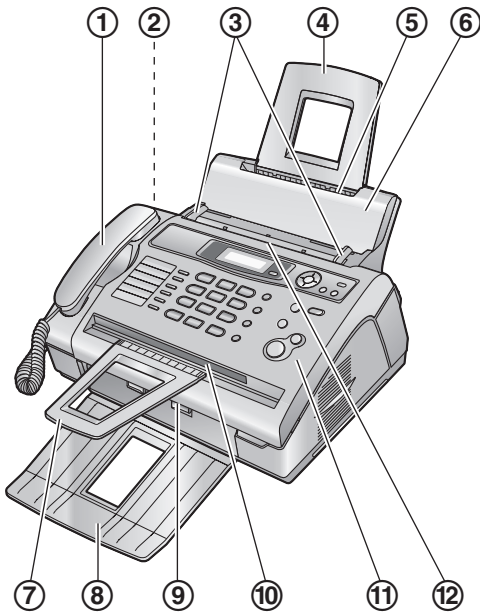
18 [QUICK SCAN]

- To store a scanned document into memory, and then send it (page 29).

19 [AUTO ANSWER]

- To turn the auto answer setting ON/OFF (page 35).

1.5 Overview

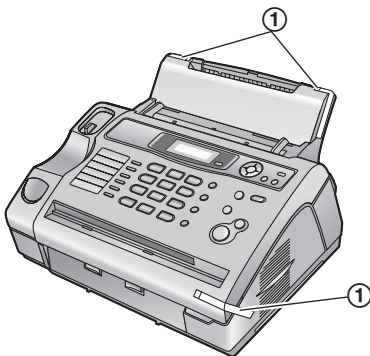


- ① Handset
- ② Speaker
- ③ Document guides
- ④ Paper tray
- ⑤ Recording paper entrance
- ⑥ Tension plate
- ⑦ Document stacker*¹
- ⑧ Paper stacker*¹
- ⑨ Recording paper exit
- ⑩ Document exit
- ⑪ Front cover
- ⑫ Document entrance

*1 The paper stacker and document stacker may not be shown in all illustrations.

Removing the shipping tape

Remove the shipping tape (①) before installation.



1.6 Toner cartridge and drum unit

The included toner cartridge is a starter toner cartridge. It will print about 500 A4-sized pages with a 5 % image area (page 66).

- To replace the toner cartridge and the drum unit, see page 54.

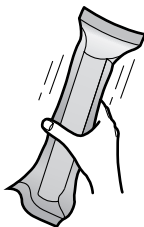
Caution:

- Read the following instructions before you begin installation. After you have read them, open the drum unit protection bag. The drum unit contains a photosensitive drum. Exposing it to light may damage the drum. Once you have opened the protection bag:

- Do not expose the drum unit to light for more than 5 minutes.
- Do not touch or scratch the black drum surface.
- Do not place the drum unit near dust or dirt, or in a high humidity area.
- Do not expose the drum unit to direct sunlight.

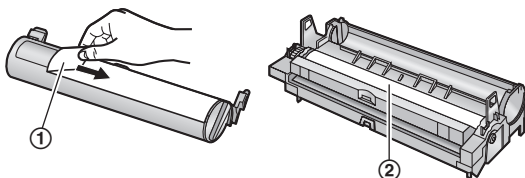
- Do not leave the toner cartridge out of the protection bag for a long time. It will decrease the toner life.

- 1 Before opening the protection bag of the new toner cartridge, shake it vertically more than 5 times.

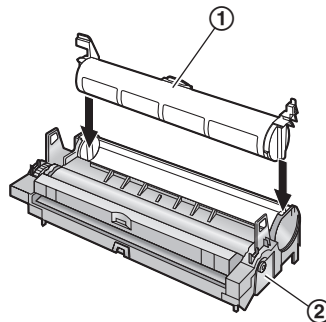


- 2 Remove the toner cartridge and drum unit from the protection bags. Peel off the seal (1) from the toner cartridge.

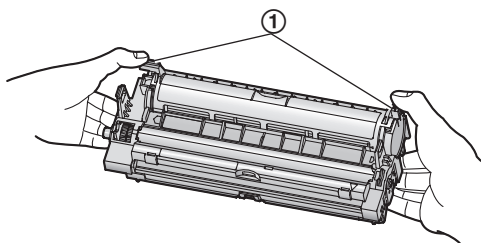
- Do not touch or scratch the black drum surface (2).



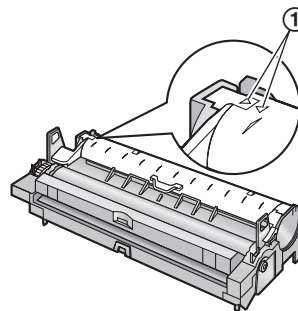
- 3 Place the toner cartridge (1) into the drum unit (2) vertically.



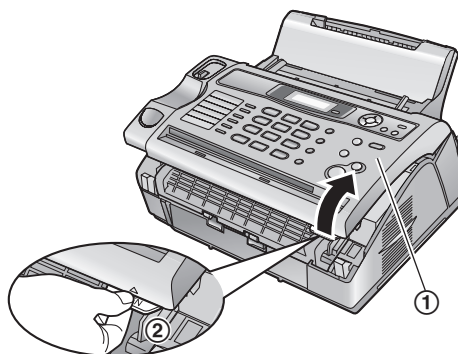
- 4 Turn the lever (1) on each side of the toner cartridge while pressing down firmly.



- 5 Make sure that the triangles (1) match, to install the toner cartridge correctly.

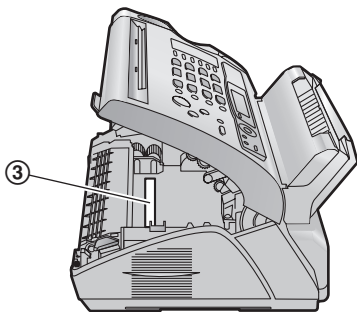


- 6 Lift open the front cover (1), holding the OPEN tab (2).

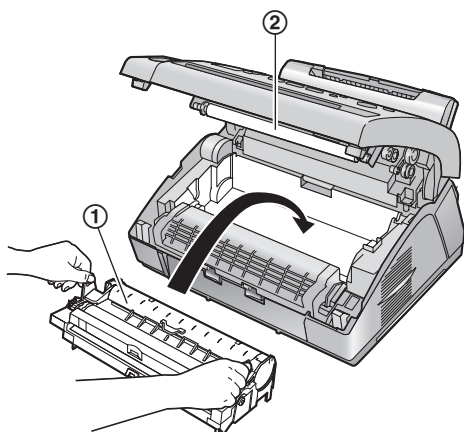


1. Introduction and Installation

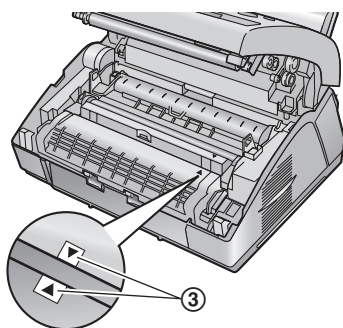
- If the lower glass (③) is dirty, clean it with a soft and dry cloth.



- 7 Install the drum and toner unit (①) by holding the tabs.



- Do not touch the transfer roller (②).
- Make sure that the triangles (③) match to install the drum and toner unit correctly.



- 8 Close the front cover (①) by pushing down on both sides, until locked.

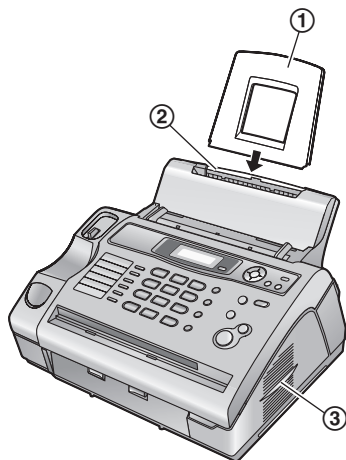


Toner save feature

If you want to reduce toner consumption, set the toner save setting to ON (feature #79 on page 46). The toner cartridge will last approximately 40 % longer. This feature may lower the print quality.

1.7 Paper tray

Insert the paper tray (①) into the slot (②) on the back of the unit.

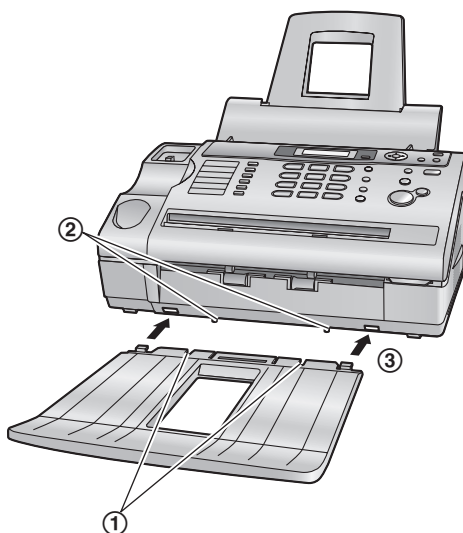


Note:

- Do not place the unit in an area where the paper tray may be obstructed (i.e., by a wall, etc.).
- Keep this surface (③) away from walls etc. more than 50 mm to let the unit cool down.

1.8 Paper stacker

Line up the slots (①) in the paper stacker with the pegs (②) on the bottom of the unit, then insert the two tabs of the paper stacker into the slots on the unit (③).

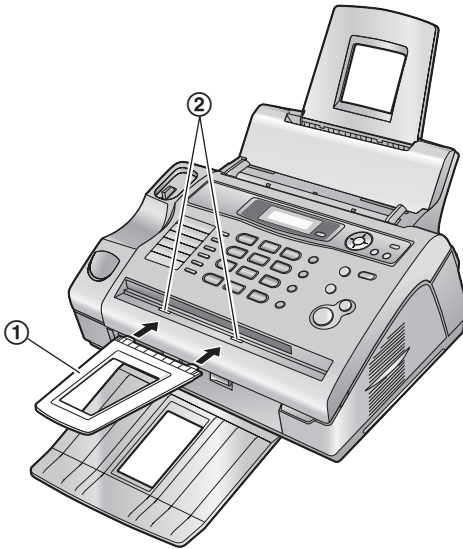


Note:

- Do not place the unit in an area where the paper stacker may be easily bumped into.
- Document and recording paper will be ejected from the front of the unit. Do not place anything in front of the unit.
- The paper stacker can hold up to approximately 30 sheets of printed paper. Remove the printed paper before the paper stacker becomes full.

1.9 Document stacker

Insert the document stacker (①) into the slots (②).



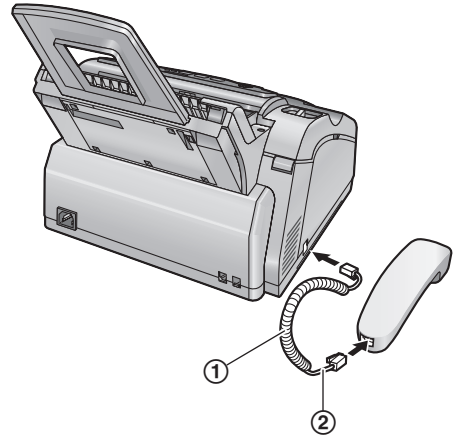
Note:

- Make sure the document stacker is inserted completely, or the document may jam.

1.10 Handset cord

Connect the handset cord (①).

- The socket on the longer, uncoiled end (②) of the handset cord should be connected to the handset.



1.11 Recording paper

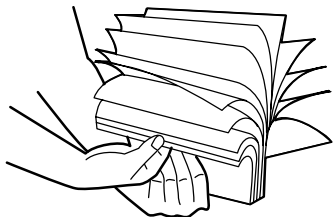
A4 size recording paper can be used.

The unit can hold:

- Up to 200 sheets of 60 g/m² to 75 g/m² paper.
- Up to 180 sheets of 80 g/m² paper.
- Up to 150 sheets of 90 g/m² paper.

Please refer to page 66 for information on recording paper.

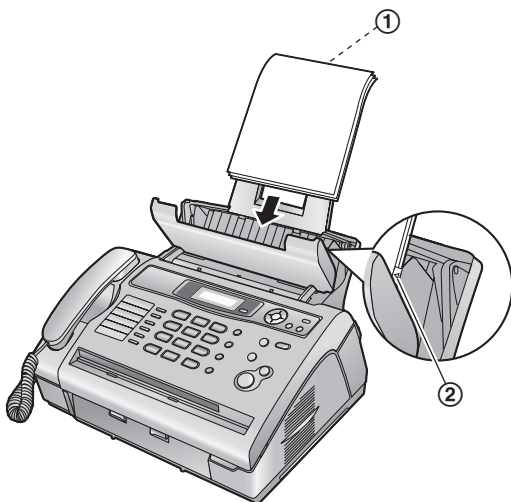
- 1 Before inserting a stack of paper, fan the paper to prevent paper jams.



- 2 Pull the tension plate forward (1).

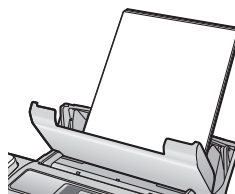


- 3 Insert the paper, print-side down (1).

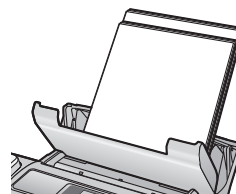


- The paper should not be over the tab (2).
- If the paper is not inserted correctly, re-adjust the paper, or the paper may jam.

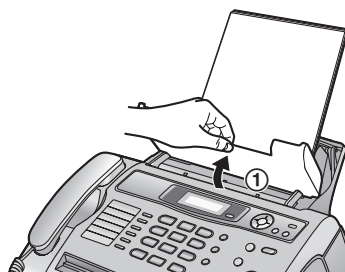
Correct



Incorrect



- 4 Push the tension plate back (1).



2. Preparation

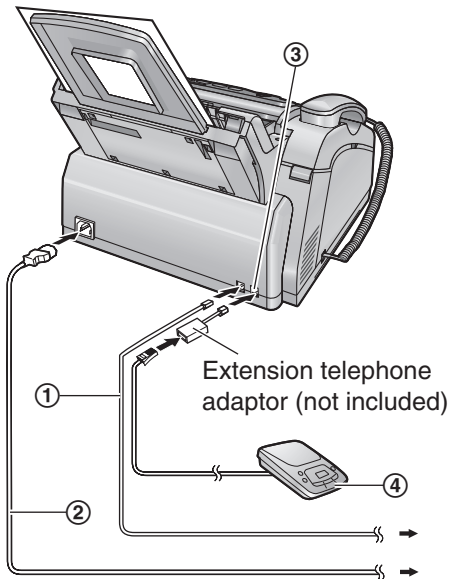
2.1 Connections

Plug in the mains lead and the telephone line cord.
(Switch on AC mains outlet.)

Caution:

- The mains lead must remain connected at all times.
- Never install telephone wiring during a lightning storm.
- When you operate this product, the power outlet should be near the product and easily accessible.
- Be sure to use the telephone line cord included in this unit.
- Do not extend the telephone line cord.

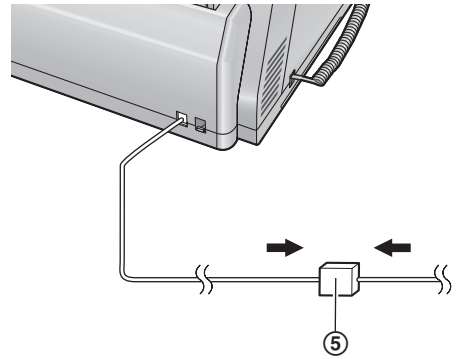
- ① Telephone line cord
 - Connect to telephone network.
- ② Mains lead
 - Connect to Household Mains Supply (220 – 240 V, 50 Hz).
- ③ [EXT] socket
 - You can connect an answering machine (page 37) or a telephone. Remove the stopper if attached.
- ④ Answering machine (not included)



Note:

- To avoid malfunction, do not position the fax machine near appliances such as TVs or speakers which generate an intense magnetic field.
- If any other device is connected to the same telephone line, this unit may disturb the network condition of the device.

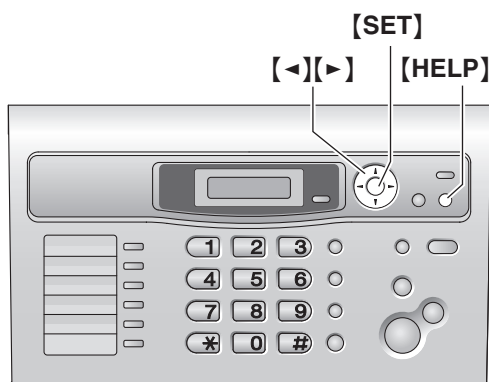
- If you use the unit with a computer and your internet provider instructs you to install a filter (⑤), please connect it as follows.



2.2 Help function

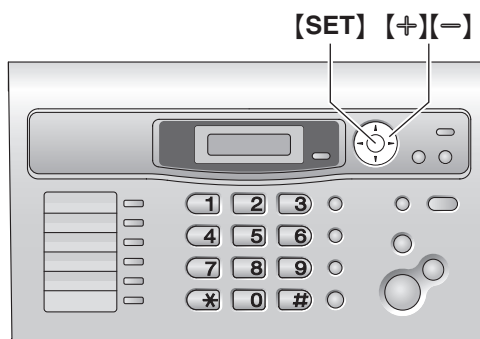
The unit contains helpful information which can be printed for quick reference.

- **"BASIC SETTINGS"**:
How to set the date, time, your logo and fax number.
- **"FEATURE LIST"**:
How to program the features.
- **"PHONEBOOK"**:
How to store names and numbers in the phonebook and how to dial them.
- **"FAX RECEIVING"**:
Help with problems to receive faxes.
- **"COPIER"**:
How to use the copier function.
- **"REPORTS"**:
List of available reports.
- **"CALLER ID"**:
How to use the Caller ID features.



- 1 Press **[HELP]**.
- 2 Press **[←]** or **[→]** repeatedly to display the desired item.
- 3 Press **[SET]**.
 - The selected item will be printed.

2.3 Adjusting volume



Ringer volume

While the unit is idle, press **[+]** or **[-]**.

- If any documents are in the document entrance, you cannot adjust the volume. Confirm that there are no documents in the entrance.

To turn the ringer OFF

1. Press **[-]** repeatedly to display "RINGER OFF=OK?".
2. Press **[SET]**.
 - When a call is received, the unit will not ring and will display "INCOMING CALL".
 - To turn the ringer back ON, press **[+]**.

Ringer type

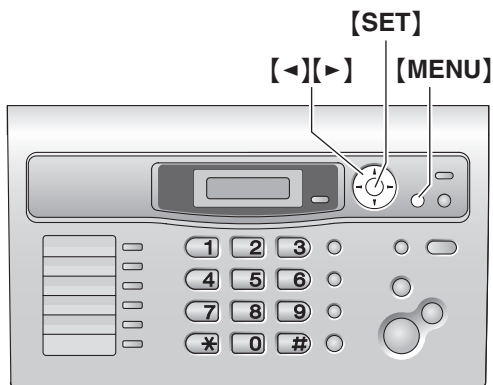
- You can select one of three ringer types (feature #17 on page 42).

Monitor volume

While using the monitor, press **[+]** or **[-]**.

2.4 Date and time

You must set the date and time.



Note:

- The other party's fax machine will print the date and time on the top of each page you send according to your unit's date and time setting.
- The accuracy of the clock is approximately ± 60 seconds a month.

To correct a mistake

Press [←] or [→] to move the cursor to the incorrect number, and make the correction.

If you have subscribed to a Caller ID service

The date and time will be automatically set according to the received caller information.

- If the time has not previously been set, Caller ID will not adjust the clock.

- 1 Press [MENU].

```
SYSTEM SETUP  
PRESS [← ▶]
```

- 2 Press [✳], then [0][1].

```
SET DATE & TIME  
PRESS SET
```

- 3 Press [SET].

- The cursor (■) will appear on the display.

```
D: 01/M: 01/Y: 06  
TIME: 00:00
```

- 4 Enter the current date/month/year by selecting 2 digits for each.

Example: 10 August, 2006

Press [1][0] [0][8] [0][6].

```
D: 10/M: 08/Y: 06  
TIME: 00:00
```

- 5 Enter the current hour/minute by selecting 2 digits for each. Press [✳] repeatedly to select "AM" or "PM", or 24-hour time entry.

Example: 3:15PM (12 hour clock entry only)

1. Press [0][3] [1][5].

```
D: 10/M: 08/Y: 06  
TIME: 03:15
```

2. Press [✳] repeatedly to display "PM".

```
D: 10/M: 08/Y: 06  
TIME: 03:15PM
```

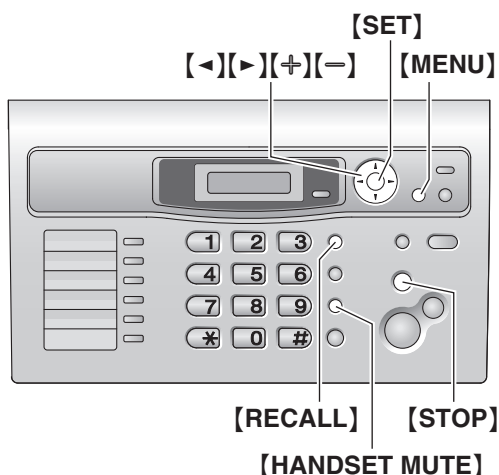
- 6 Press [SET].

```
SETUP ITEM [ ]
```

- 7 Press [MENU] to exit.

2.5 Your logo

The logo can be your name or the name of your company.



- 1 Press **[MENU]**.

SYSTEM SETUP
PRESS [< >]

- 2 Press **[*][0][2]**.

YOUR LOGO
PRESS SET

- 3 Press **[SET]**.

- The cursor (■) will appear on the display.

LOGO=■

- 4 Enter your logo, up to 30 characters. See the following character table for details.

- 5 Press **[SET]**.

SETUP ITEM []

- 6 Press **[MENU]** to exit.

Note:

- Your logo will be printed on the top of each page sent from your unit.

To select characters with the dial keypad

Keypad	Characters
[1]	Space # & ' () * , - . / 1
[2]	A B C 2 a b c 2

Keypad	Characters
[3]	D E F 3 d e f 3
[4]	G H I 4 g h i 4
[5]	J K L 5 j k l 5
[6]	M N O 6 m n o 6
[7]	P Q R S 7 p q r s 7
[8]	T U V 8 t u v 8
[9]	W X Y Z 9 w x y z 9
[0]	Space 0
[*]	To change uppercase or lowercase letter.
[RECALL]	To enter a hyphen.
[HANDSET MUTE]	To insert a space.
[STOP]	To delete a digit.

Note:

- To enter another character that is located on the same dial key, press **[>]** to move the cursor to the next space.

To enter your logo

Example: "BILL"

1. Press **[2]** 2 times.

LOGO=B

2. Press **[4]** 3 times.

LOGO=BI

3. Press **[5]** 3 times.

LOGO=BII

4. Press **[>]** to move the cursor to the next space and press **[5]** 3 times.

LOGO=BILL

2. Preparation

To change uppercase or lowercase letters

Pressing the **[*]** key will change to uppercase or lowercase alternately.

1. Press **[2]** 2 times.

LOGO=B

2. Press **[4]** 3 times.

LOGO=BI

3. Press **[*]**.

LOGO=Bi

4. Press **[5]** 3 times.

LOGO=BiI

To correct a mistake

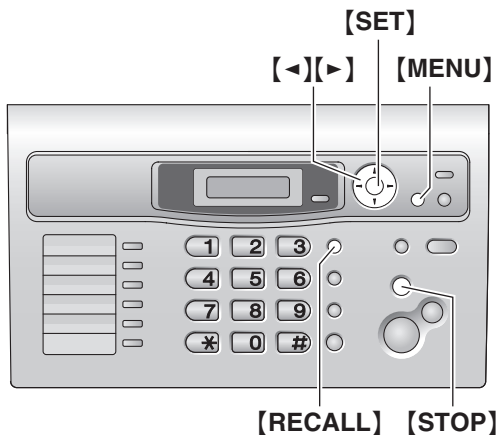
1. Press **[◀]** or **[▶]** to move the cursor to the incorrect character.
2. Press **[STOP]**.
 - To erase all characters, press and hold **[STOP]**.
3. Enter the correct character.

To select characters using **[+]** or **[-]**

Instead of pressing the dial keys, you can select characters using **[+]** or **[-]**.

1. Press **[-]** repeatedly to display the desired character. Characters will be displayed in the following order:
 - ① Uppercase letters
 - ② Number
 - ③ Symbol
 - ④ Lowercase letters
 - If you press **[+]**, the order will be reversed.
2. Press **[▶]** to insert the character.
3. Return to step 1 to enter the next character.

2.6 Your fax number



- 1 Press **[MENU]**.

SYSTEM SETUP
PRESS [◀ ▶]

- 2 Press **[*]**, then **[0][3]**.

YOUR FAX NO.
PRESS SET

- 3 Press **[SET]**.
 - The cursor (■) will appear on the display.

NO. =■

- 4 Enter your fax number, up to 20 digits.

Example: NO. =1234567■

- To enter a "+", press **[*]**.
- To enter a space, press **[*]**.
- To enter a hyphen, press **[RECALL]**.

- 5 Press **[SET]**.

SETUP ITEM []

- 6 Press **[MENU]** to exit.

Note:

- Your fax number will be printed on the top of each page sent from your unit.

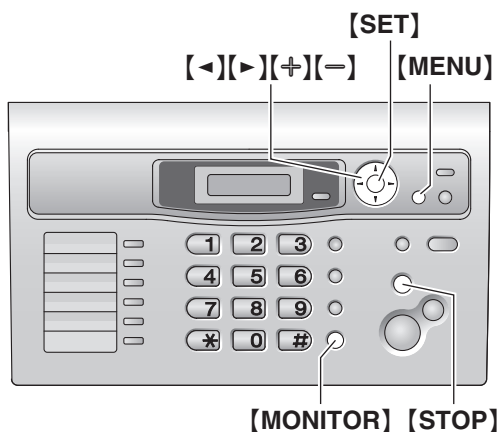
To correct a mistake

1. Press **[◀]** or **[▶]** to move the cursor to the incorrect number.
2. Press **[STOP]**.
 - To erase all numbers, press and hold **[STOP]**.
3. Enter the correct number.

3.1 Phonebook

The phonebook allows you to make calls without having to dial manually. You can store 100 names and telephone numbers to the phonebook.

- You can also send faxes using the phonebook (page 31).



3.1.1 Storing phonebook items

- Press **[MENU]** repeatedly to display "PHONEBOOK SET".
- Press **[>]**.
 - The display shows the number of available items in the phonebook briefly.
- Enter the name, up to 16 characters (see page 21 for instructions).
- Press **[SET]**.
- Enter the telephone number, up to 24 digits.
- Press **[SET]**.
 - To program other items, repeat steps 3 to 6.
- Press **[MENU]** to exit.

Note:

- You can confirm the stored items by printing the telephone number list (page 64).

To correct a mistake

- Press **[<]** or **[>]** to move the cursor to the incorrect character/number.
- Press **[STOP]**.
 - To erase all characters/numbers, press and hold **[STOP]**.
- Enter the correct character/number.

3.1.2 Making a phone call using the phonebook

Before using this feature, store the desired names and telephone numbers in the phonebook (page 23).

- Press **[>]**.
 - Confirm that there are no documents in the document entrance.
- Press **[+]** or **[-]** repeatedly to display the desired item.
- Lift the handset or press **[MONITOR]**.
 - The unit will start dialing automatically.

To search for a name by initial

Example: "LISA"

- Press **[>]**.
 - Confirm that there are no documents in the document entrance.
- Press **[+]** or **[-]** to enter the phonebook.
- Press **[5]** repeatedly to display any name with the initial "L" (see the character table, page 21).
 - To search for symbols, press **[1]**.
- Press **[-]** repeatedly to display "LISA".
 - To stop the search, press **[STOP]**.
 - To dial the displayed party, lift the handset or press **[MONITOR]**.

3.1.3 Editing a stored item

- Press **[>]**.
 - Confirm that there are no documents in the document entrance.
- Press **[+]** or **[-]** repeatedly to display the desired item.
- Press **[MENU]**.
- Press **[*]**.
 - If you do not need to edit the name, skip to step 6.
- Edit the name. For further details, see the storing procedure on page 23.
- Press **[SET]**.
 - If you do not need to edit the telephone number, skip to step 8.
- Edit the telephone number. For further details, see the storing procedure on page 23.
- Press **[SET]**.
 - To edit other items, repeat steps 2 to 8.
- Press **[STOP]** to exit.

3.1.4 Erasing a stored item

- Press **[>]**.
 - Confirm that there are no documents in the document entrance.

3. Telephone

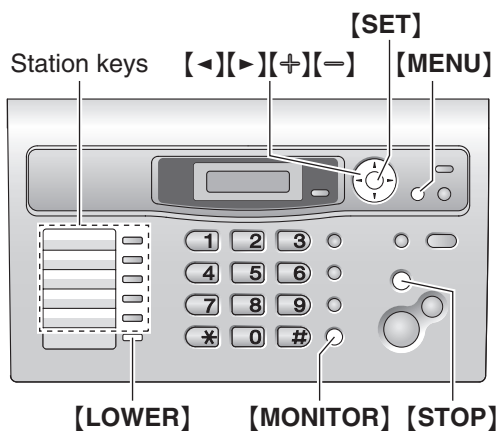
- 2 Press **[+]** or **[-]** repeatedly to display the desired item.
- 3 Press **[MENU]**.
- 4 Press **[#]**.
 - To cancel erasing, press **[STOP]**.
- 5 Press **[SET]**.
 - To erase other items, repeat steps 2 to 5.
- 6 Press **[STOP]** to exit.

3.2 One-touch dial feature

For rapid access to frequently dialled numbers, the unit provides the one-touch dial feature.

3.2.1 Storing one-touch dial items

- Station 1 to 3 can be used alternatively as broadcast keys (page 31).
- You can also send faxes using the one-touch dial feature (page 31).



- 1 Press **[MENU]** repeatedly to display “PHONEBOOK SET”.
- 2 Select the desired station key.
For station 1–3:
Press one of the station keys, press **[+]** or **[-]** repeatedly to select “DIAL MODE”, then press **[SET]**.
For stations 4–5:
Press one of the station keys.
For stations 6–10:
Press **[LOWER]**, then press one of the station keys.
- 3 Enter the name, up to 16 characters (see page 21 for instructions).
- 4 Press **[SET]**.
- 5 Enter the telephone number, up to 24 digits.
- 6 Press **[SET]**.
 - To program other items, repeat steps 2 to 6.

- 7 Press **[STOP]** to exit.

Note:

- You can confirm the stored items by printing the telephone number list (page 64).

To correct a mistake

1. Press **[<]** or **[>]** to move the cursor to the incorrect character/number.
2. Press **[STOP]**.
 - To erase all characters/numbers, press and hold **[STOP]**.
3. Enter the correct character/number.

3.2.2 Making phone calls using the one-touch dial

Before using this feature, store the desired names and telephone numbers for the one-touch dial feature.

- 1 Lift the handset or press **[MONITOR]**.
- 2 Select the desired station key.

For stations 1–5:

Press the desired station key.

For stations 6–10:

Press **[LOWER]**, then press the desired station key.

- The unit will start dialling automatically.

3.2.3 Editing a stored item

- 1 Press **[>]**.
 - Confirm that there are no documents in the document entrance.
- 2 Press **[+]** or **[-]** repeatedly to display the desired item.
- 3 Press **[MENU]**.
- 4 Press **[*]**.
 - If you do not need to edit the name, skip to step 6.
- 5 Edit the name. For further details, see the storing procedure on page 24.
- 6 Press **[SET]**.
 - If you do not need to edit the telephone number, skip to step 8.
- 7 Edit the telephone number. For further details, see the storing procedure on page 24.
- 8 Press **[SET]**.
 - To edit other items, repeat steps 2 to 8.
- 9 Press **[STOP]** to exit.

3.2.4 Erasing a stored item

- 1 Press **[>]**.
 - Confirm that there are no documents in the document entrance.

- 2 Press **[+]** or **[-]** repeatedly to display the desired item.
- 3 Press **[MENU]**.
- 4 Press **[#]**.
 - To cancel erasing, press **[STOP]**.
- 5 Press **[SET]**.
 - To erase other items, repeat steps 2 to 5.
- 6 Press **[STOP]** to exit.

3.3 Using the recall feature

- Keep the front cover page open for button locations.

[RECALL] is used to access optional telephone services such as call waiting. Contact your telephone company business office for details.

Call waiting

When a call waiting tone is heard during a conversation, **place the existing call on hold and answer the second call by pressing [RECALL]**.

- Each time you press **[RECALL]**, you can switch between the first and second call.
- Incoming calls cannot be dropped by the person who has received the call.

Note:

- If your unit is connected to a PBX, pressing **[RECALL]** allows you to access some features of your host PBX such as transferring an extension call.

3.4 Caller ID service

This unit is compatible with the Caller ID service offered by your local telephone company. To use this unit's Caller ID features, you must subscribe to Caller ID service.

Important:

- **This unit is designed in accordance with the "FSK based subscriber line protocol" under the ETS (European Telecommunication Standard) and only supports the basic CLIP (Calling Line Identification Presentation) features.**
- **This unit will only display the caller's telephone number and name.**
- **This unit will not support future additional telephone services.**
- **This unit cannot support services based on the "DTMF based subscriber line protocol".**
- **Depending on the service of the local telephone company, the date/time of the call or the caller's name may not be displayed.**

Make sure the following ring setting is set to 2 or more rings beforehand.

- FAX ring setting (feature #06 on page 42)
- TEL/FAX ring setting (feature #78 on page 46)

3.4.1 How Caller ID is displayed

The calling party's name or telephone number will be displayed after the 1st ring. You then have the option of whether or not to answer the call.

The unit will automatically store caller information (name, telephone number and the time of the call) of the 30 most recent calls. Caller information is stored by the most recent to the oldest call. When the 31st call is received, the oldest call is deleted.

Caller information can be viewed on the display one item at a time (page 26) or confirmed by printing the Caller ID list (page 64).

- Caller information can be displayed up to 16 characters for the caller's name and 22 digits for the telephone number.
- When caller information is received and it matches a telephone number stored in the unit's one-touch dial or navigator directory, the stored name will be displayed.
- If the unit is connected to a PBX (Private Branch Exchange) system, caller information may not be received properly. Consult your PBX supplier.
- If the unit cannot receive caller information, the following will be displayed:
 - **"OUT OF AREA"**: The caller dialed from an area which does not provide Caller ID service.
 - **"PRIVATE CALLER"** or **"WITHHELD"**: The caller requested not to send caller information.
 - **"LONG DISTANCE"**: The caller made a long distance call.

3. Telephone

To confirm caller information by printing the Caller ID list

- To print manually, see page 64.
- To print automatically after every 30 new calls, activate feature #26 (page 43).

3.5 Viewing and calling back using caller information

You can easily view caller information and call back.

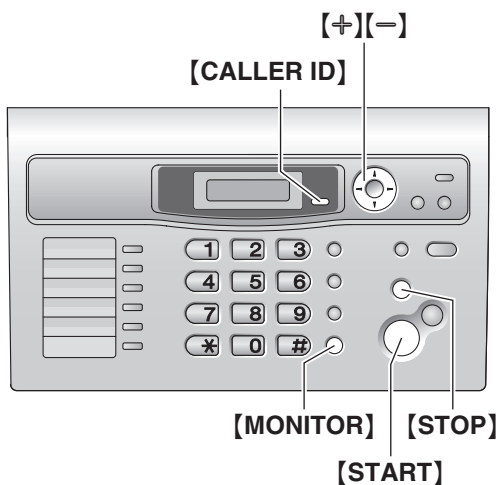
Important:

- **Calling back will not be possible if the caller information does not include a telephone number.**
- **If the area code of the received telephone number is the same as yours, the area code may need to be deleted before calling back. This may only apply to some areas. To edit the number, see page 27.**

The display will show the number of new calls in standby mode.

Example:

10 NEW CALLS 10:59



- 1 Press **[CALLER ID]**.
 - The display will show the number of new calls.
- 2 Press **[+]** to search from the recently received caller information.
 - If you press **[-]**, the display order will be reversed.
 - To stop viewing, press **[STOP]**.
- 3 Lift the handset or press **[MONITOR]** to return the call.
 - The unit will start dialing automatically.
 - To send a fax, insert the document **FACE DOWN** and press **[START]**.

To change the way caller information is displayed

Press **[CALLER ID]** repeatedly after the caller information is displayed.

Example:

SAM LEE	11:20	20 Jul	✓
↑			
1345678901	11:20	20 Jul	✓

- A ✓ on the display means the item has already been viewed or answered.

Display while viewing

- When the unit could not receive a name, the display will show “NO NAME RCVD”.
- When no calls have been received, the display will show “NO CALLER DATA”.

3.6 Editing a caller's telephone number before calling back

- Keep the front cover page open for button locations.

- 1 Press **[CALLER ID]**.
- 2 Press **[+]** or **[-]** repeatedly to display the desired item.
- 3 Press **[CALLER ID]** repeatedly to display the telephone number.
- 4 To insert a number in front of the telephone number, press the desired dial key (**[0]** to **[9]**).
 - You can also initiate the editing mode by pressing **[*]**.
- 5 Lift the handset or press **[MONITOR]** to call back the edited number.
 - The unit will start dialling automatically.
 - To send a fax, insert the document FACE DOWN and press **[START]**.

Note:

- The edited telephone number will not be saved as caller information. To store it into the phonebook, see page 28.

To correct a mistake

1. Press **[◀]** or **[▶]** to move the cursor to the incorrect number.
2. Press **[STOP]** to delete the number.
3. Enter the correct number.

3.7 Erasing caller information

- Keep the front cover page open for button locations.

3.7.1 Erasing all caller information

- 1 Press **[MENU]** repeatedly to display “CALLER SETUP”.

- 2 Press **[SET]**.
 - “CALL LIST ERASE” will be displayed.
- 3 Press **[SET]**.
 - To cancel erasing, press **[STOP]**, then **[MENU]**.
- 4 Press **[SET]**.
- 5 Press **[STOP]** to exit.

3.7.2 Erasing specific caller information

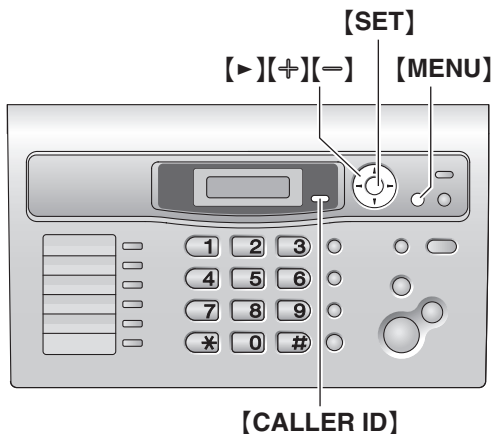
- 1 Press **[CALLER ID]**.
- 2 Press **[+]** or **[-]** repeatedly to display the desired item.
- 3 Press **[◀]**.
 - To cancel erasing, press **[STOP]** 2 times.
- 4 Press **[SET]**.
 - To erase other items, repeat steps 2 to 4.
- 5 Press **[STOP]** to exit.

3.8 Storing caller information into the phonebook / one-touch dial

Important:

- This feature is not available if the caller information does not include a telephone number.

3.8.1 Into the phonebook

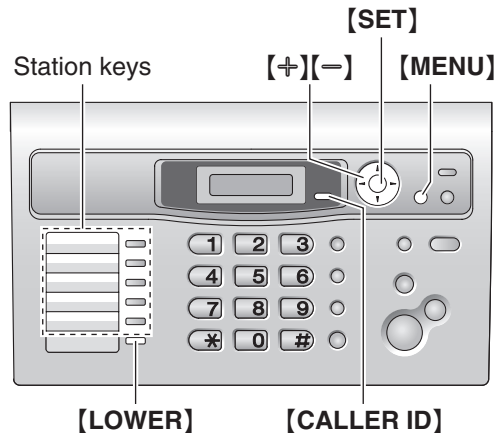


- 1 Press **[CALLER ID]**.
- 2 Press **[+]** or **[-]** repeatedly to display the desired item.
- 3 Press **[MENU]**.
- 4 Press **[>]**.
 - If you do not need to edit the name, skip to step 6.
- 5 If a name is required, enter up to 16 characters for the name (page 21).
- 6 Press **[SET]**.
 - If the number requires editing, see page 27.
- 7 Press **[SET]**.

Note:

- You can confirm the stored items in the phonebook by printing the telephone number list (page 64).
- To edit a name, see page 23.
- If caller information does not include the caller's name, enter the name manually. See the instructions on page 23.

3.8.2 Into the one-touch dial

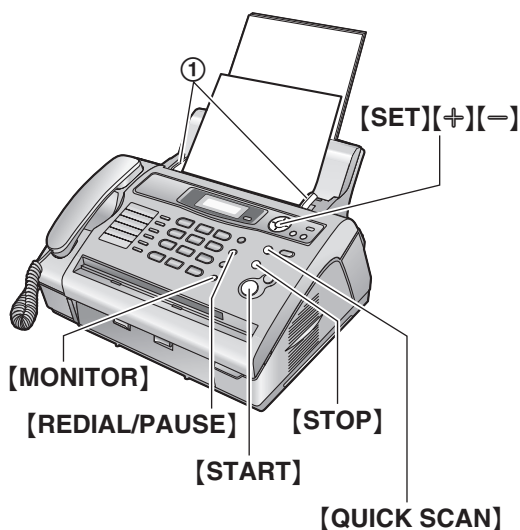


- 1 Press **[CALLER ID]**.
- 2 Press **[+]** or **[-]** repeatedly to display the desired item.
- 3 Press **[MENU]**.
- 4 Select a station key.
 - For station 1–3:**
Press the desired station key, press **[+]** or **[-]** repeatedly to select “DIAL MODE”, then press **[SET]**.
 - For stations 4–5:**
Press the desired station key.
 - For stations 6–10:**
Press **[LOWER]**, then press the desired station key.
 - If you do not need to edit the name, skip to step 6.
- 5 If a name is required, enter up to 16 characters for the name (page 21).
- 6 Press **[SET]**.
 - If the number requires editing, see page 27.
- 7 Press **[SET]**.

Note:

- You can confirm the stored items in the one-touch dial by printing the telephone number list (page 64).
- To edit a name, see page 24.
- If caller information does not include the caller's name, enter the name manually. See the instructions on page 24.
- If you assign an item to a station key which already contains an item, the previous item will be replaced.
- Station 1 to 3 can be used alternatively as broadcast keys (page 31).

4.1 Sending a fax manually



- 1 Adjust the width of the document guides (①) to fit the actual size of the document.
- 2 Insert the document (up to 15 pages) FACE DOWN until the unit grasps the document and a single beep is heard.
 - If the document guides are not adjusted to fit the document, re-adjust them.
- 3 If necessary, press **[+]** or **[-]** repeatedly to select the desired resolution.
- 4 Press **[MONITOR]**.
- 5 Dial the fax number.
- 6 **When a fax tone is heard:**
Press **[START]**.

When the other party answers your call:

Lift the handset and ask them to press their start button. When the fax tone is heard, press **[START]**.

Note:

- After pressing **[START]**, you can replace the handset.

To stop sending

Press **[STOP]**.

To select the resolution

Select the desired resolution according to the type of document.

- “**STANDARD**”: For printed or typewritten documents with normal-sized characters.
- “**FINE**”: For documents with small print.
- “**SUPER FINE**”: For documents with very small print. This setting is effective only when the other party has a compatible fax machines.

- “**PHOTO**”: For documents containing photographs, shaded drawings, etc.
- “**MIXED**” (Photo with text): For documents containing photographs and text.
- Using the “**FINE**”, “**SUPER FINE**”, “**PHOTO**” and “**MIXED**” settings will increase transmission time.
- If the resolution setting is changed during feeding, it will be effective from the next page.

To redial the last number

1. Press **[REDIAL/PAUSE]**.
2. Press **[START]**.
 - If the line is busy, the unit will automatically redial the number up to 5 times.
 - To cancel redialling, press **[STOP]**, then press **[SET]**.

To send more than 15 pages at a time

Insert the first 15 pages of the document. Add the other pages (up to 15 at a time) on top of the previously inserted pages while the last page is being fed into the unit.

To predial a fax number

You can dial the fax number first before inserting the document. This is convenient if you need to refer to the document for the other party's fax number.

1. Enter the fax number.
2. Insert the document.
3. Press **[START]**.

Sending from memory (Quick scan feature)

You can scan the document into memory before sending.

1. Insert the document.
2. Press **[QUICK SCAN]**.
3. Enter the fax number.
4. Press **[START]**.

Reserving the fax transmission (Dual Access)

You can reserve the fax transmission even when the unit is just receiving a fax or sending a fax from memory.

- Up to 3 reservations when sending
 - Up to 4 reservations when receiving
1. Insert the document during fax reception or fax memory transmission.
 2. Enter the fax number using the dial keypad, one-touch dial or phonebook.
 3. Press **[START]**.
 - The document will be fed into the unit and scanned into memory. The unit will then send the data. If the document exceeds the memory capacity, transmission will be cancelled. You must send the entire document manually.

4. Fax

Printing a sending report

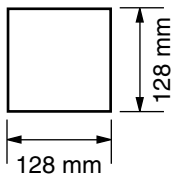
A sending report provides you with a printed record of transmission results. To print sending reports, make sure feature #04 is activated (page 42). For an explanation of error messages, see page 47.

Printing a journal report

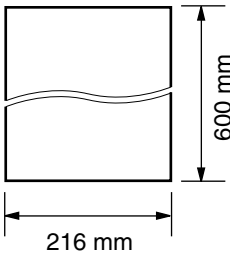
A journal report provides you with a printed record of the 30 most recent faxes. To print manually, see page 64. To print automatically after every 30 new fax transmissions and receptions, make sure feature #22 is activated (page 43). For an explanation of error messages, see page 47.

4.2 Document requirements

Minimum document size

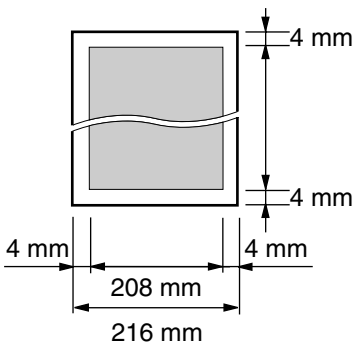


Maximum document size



Effective scanning area

- Shaded area will be scanned.



Document weight

- Single sheet:
45 g/m² to 90 g/m²
- Multiple sheets:
60 g/m² to 80 g/m²

Note:

- Remove clips, staples or other fasteners.

- Do not set the following types of documents: (Make a copy of the document using another copier and set the copy.)
 - Chemically treated paper such as carbon or carbonless duplicating paper
 - Electrostatically charged paper
 - Badly curled, creased or torn paper
 - Paper with a coated surface
 - Paper with a faint image
 - Paper with printing on the opposite side that can be seen through the other side, such as newsprint
- Check that ink, paste or correction fluid has dried completely.
- To set a document with a width of less than 210 mm, we recommend using a copy machine to copy the original document onto A4 or letter-sized paper, then setting the copied document.

4.3 Sending a fax using one-touch dial feature and phonebook

Before using this feature, store the desired names and telephone numbers into one-touch dial feature and phonebook (page 23, 24).

- Keep the front cover page open for button locations.
- 1 Adjust the width of the document guides to fit the actual size of the document.
 - 2 Insert the document (up to 15 pages) FACE DOWN until the unit grasps the document and a single beep is heard.
 - If the document guides are not adjusted to fit the document, re-adjust them.
 - 3 If necessary, press **[+]** or **[-]** repeatedly to select the desired resolution (page 29).
 - 4 Enter the fax number.

Using stations 1–5:

Press the desired station key.

Using stations 6–10:

Press **[LOWER]**, then press the desired station key.

Using phonebook:

Press **[▶]**, then press **[+]** or **[-]** repeatedly to display the desired item.

- 5 Press **[START]**.

Fax auto redial

If the line is busy or if there is no answer, the unit will automatically redial the number up to 5 times.

- To cancel redialling, press **[STOP]**, then press **[SET]**.

If your unit does not send a fax

- Confirm that you have entered the number correctly, and that the number is a fax number.
- Confirm that the other party's fax machine is answering by turning ON the connecting tone feature (feature #76, page 46).

4.4 Broadcast transmission

By storing one-touch dial and phonebook items (page 23, 24) into the broadcast memory, you can send the same document to multiple parties (up to 20). Your programmed items will remain in the broadcast memory, allowing frequent re-use.

- The broadcast function utilises stations 1–3. The one-touch dial function will be cancelled.
- Keep the front cover page open for button locations.

4.4.1 Programming items into the broadcast memory

- 1 Press **[MENU]** repeatedly to display “**PHONEBOOK SET**”.
- 2 Select the desired broadcast key.

For BROADCAST 1-2:

1. Press the desired **[BROADCAST]** key.
2. Press **[+]** or **[-]** repeatedly to select “**BROADCAST**”.

For MANUAL BROADCAST:

1. Press **[MANUAL BROAD]**.
2. Press **[+]** or **[-]** repeatedly to select “**MANUAL BROAD**”.

- 3 Press **[SET]**.
- 4 Program items.

Using stations 1–5:

Press the desired station key.

Using stations 6–10:

Press **[LOWER]**, then press the desired station key.

Using phonebook:

Press **[+]** or **[-]** repeatedly to display the desired item, and press **[SET]**.

Using the dial keypad (only for MANUAL BROAD):

Enter the fax number and press **[SET]**.

- If you program the wrong item, press **[STOP]** to erase the item.
- To program other items, repeat this step (up to 20 items).

- 5 Press **[SET]** after programming all of the desired items.
 - To program another broadcast key, repeat steps 2 to 5.
- 6 Press **[STOP]** to exit.

Note:

- Confirm the stored items by printing a broadcast programming list (page 64).

4. Fax

4.4.2 Adding a new item into the broadcast memory

After initial programming, you can add new items (up to a combined total of 20).

- 1 Press [▶].
 - Confirm that there are no documents in the document entrance.
- 2 Press [⊕] or [⊖] repeatedly to display the desired broadcast memory (“<BROADCAST1>”, “<BROADCAST2>” or “<MANUAL BROAD>”).
- 3 Press [MENU].
- 4 Press [✖].
- 5 Press [⊕] or [⊖] repeatedly to display the desired item you want to add.
- 6 Press [SET].
 - To add other items, repeat steps 5 and 6 (up to 20 items).
- 7 Press [STOP] to exit.

Note:

- When adding new items to the MANUAL BROADCAST memory, you can only select stored items.

4.4.3 Erasing a stored item from the broadcast memory

- 1 Press [▶].
 - Confirm that there are no documents in the document entrance.
- 2 Press [⊕] or [⊖] repeatedly to display the desired broadcast memory (“<BROADCAST1>”, “<BROADCAST2>” or “<MANUAL BROAD>”).
- 3 Press [MENU].
- 4 Press [⏏].
- 5 Press [⊕] or [⊖] repeatedly to display the desired item you want to erase.
 - To cancel erasing, press [STOP].
- 6 Press [SET].
- 7 Press [SET].
 - To erase other items, repeat steps 5 to 7.
- 8 Press [STOP] to exit.

4.4.4 Sending the same document to pre-programmed parties

- 1 Insert the document FACE DOWN.
- 2 If necessary, press [⊕] or [⊖] repeatedly to select the desired resolution (page 29).
- 3 Press the desired [BROADCAST] (1-2) or [MANUAL BROAD].

- The document will be fed into the unit and scanned into memory. The unit will then send the data to each party, calling each number sequentially.
- After transmission, the stored document will be erased from memory automatically, and the unit will automatically print a report (**broadcast sending report**).

Note:

- If you select “FINE”, “SUPER FINE”, “PHOTO” or “MIXED” resolution, the number of pages that the unit can send will decrease.
- If the document exceeds the memory capacity, sending will be cancelled.
- If a party is busy or does not answer, it will be skipped and redialled later up to 5 times.

To cancel broadcast transmission

1. Press [STOP] repeatedly until “SEND CANCELLED?” is displayed.
2. Press [SET].

4.5 Selecting the way to use your fax machine

Depending on your situation, select the way you prefer to use your fax machine.

- Use only as a fax (FAX ONLY mode)
- Use mostly as a telephone (TEL mode)
- Use as a telephone and/or fax (TEL/FAX mode)
- Use with answering machine

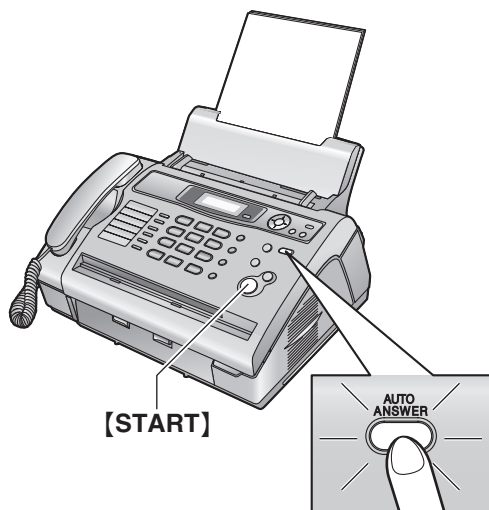
4.5.1 Use only as a fax (FAX ONLY mode)

Your situation

You have a separate telephone line just for faxes.

Setup

Set the fax machine to FAX ONLY mode (page 35) by pressing **[AUTO ANSWER]** repeatedly.



How faxes are received

All incoming calls will be answered as faxes.

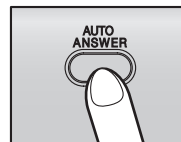
4.5.2 Use mostly as a telephone (TEL mode)

Your situation

You want to answer calls by yourself. If a fax call is received, you must receive the fax manually.

Setup

Set the fax machine to TEL mode (page 35) by pressing **[AUTO ANSWER]** repeatedly.



Note:

- Make sure feature #73 is set to “TEL” beforehand (page 45).

How to receive phone calls and faxes

You have to answer all calls manually.

To receive a fax, press **[START]**.

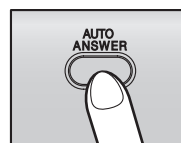
4.5.3 Use as a telephone and/or fax (TEL/FAX mode)

Your situation

You want to answer phone calls yourself and receive faxes automatically without rings.

Setup

Set the fax machine to TEL/FAX mode (page 36) by pressing **[AUTO ANSWER]** repeatedly.



Note:

- Make sure feature #73 is set to “TEL/FAX” beforehand (page 45).

How phone calls and faxes are received

If the call is a phone call, the fax machine will ring.

If a fax calling tone is detected, the fax machine will receive the fax automatically without ringing.

4.5.4 Use with answering machine

Your situation

You want to use the fax machine with an answering machine.

Setup

Connect an answering machine and set the ring count of the answering machine to less than 4.

4. Fax

- Set the ring count in FAX ONLY mode of the fax machine to more than 4 (feature #06 on page 42), if you use with auto answer ON.

How to receive calls

When receiving phone calls, the answering machine will record voice messages.

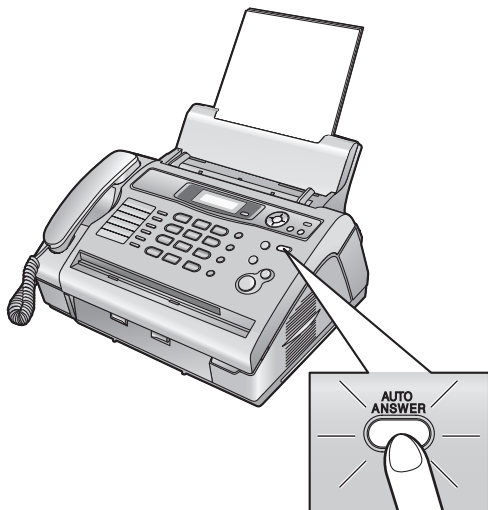
4.6 Receiving a fax automatically – Auto answer ON

4.6.1 Activating FAX ONLY mode

Press **[AUTO ANSWER]** repeatedly to display the following.

FAX ONLY MODE

- The **[AUTO ANSWER]** indicator is ON.



How faxes are received

When receiving calls, the unit will automatically answer all calls and only receive fax documents.

Note:

- The number of rings before a call is answered in FAX ONLY mode can be changed (feature #06 on page 42).

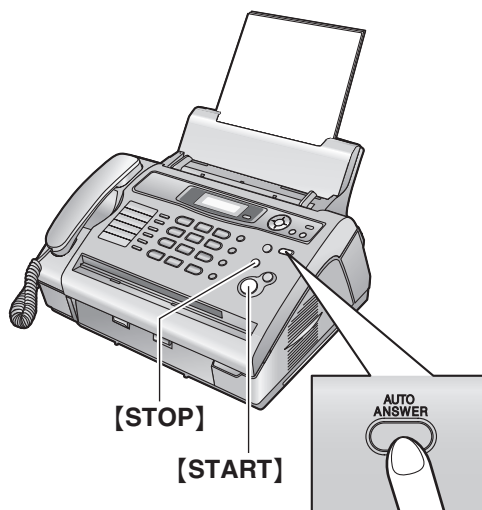
4.7 Receiving a fax manually – Auto answer OFF

4.7.1 Activating TEL mode

- 1 Make sure feature #73 is set to “TEL” beforehand (page 45).
- 2 Press **[AUTO ANSWER]** repeatedly to display the following.

TEL MODE

- The **[AUTO ANSWER]** indicator is OFF.



How to receive phone calls and faxes

1. Lift the handset to answer the call.
2. When:
 - document reception is required,
 - a fax calling tone (slow beep) is heard, or
 - no sound is heard,
 press **[START]**.

CONNECTING

3. Replace the handset.
 - The unit will start fax reception.

4. Fax

How to use a telephone to receive faxes

If you have an extension telephone (a telephone connected to the [EXT] socket of this unit, or another telephone connected to the same telephone line as this unit), you can use the extension telephone to receive faxes.

1. When the extension telephone rings, lift the handset of the extension telephone.
2. When:
 - document reception is required,
 - a fax calling tone (slow beep) is heard, or
 - no sound is heard,press [*] [#] [9] (default fax activation code) **firmly**.
 - The fax machine will start reception.
3. Replace the handset.

Note:

- To receive fax documents using an extension telephone, make sure remote fax activation is turned ON (feature #41 on page 44) beforehand. The default setting is ON. The fax activation code can also be changed.

To stop receiving

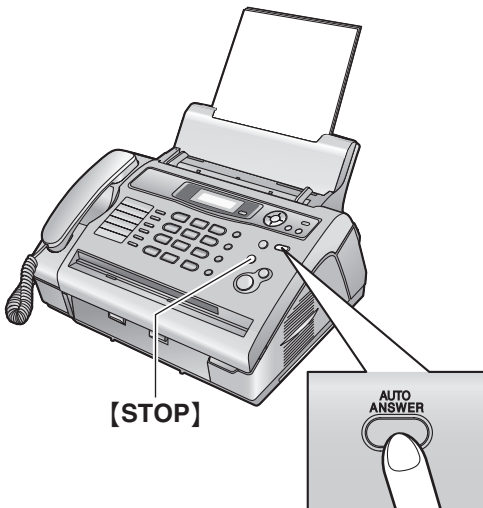
Press [STOP].

4.7.2 Activating TEL/FAX mode

1. Make sure feature #73 is set to “TEL/FAX” beforehand (page 45).
2. Press [AUTO ANSWER] repeatedly to display the following.

TEL/FAX MODE

- The [AUTO ANSWER] indicator is OFF.
3. The ringer volume setting should be ON (page 19).



How phone calls and faxes are received

1. “INCOMING CALL” will be displayed but the unit will not ring.
2. The unit will wait for the duration of **2 rings** before answering the call.
 - The number of rings is determined by the “TEL/FAX delayed ring setting” (feature #78 on page 46).
 - During this time, an extension telephone will ring.
3. The unit will answer the call and try to detect a fax calling tone.

When a fax calling tone is detected

The unit receives the fax automatically without ringing.

When a fax calling tone is not detected

- ① The unit will ring **3 times**. You may answer the call.
 - The number of rings is determined by the “Silent fax recognition ring setting” (feature #30 on page 44).
 - Callers will hear a ring back tone different from the one generated by the telephone company.
 - An extension telephone (if connected to the same line) will not ring at this time. To answer the call with the extension telephone, lift the handset and press [*][0] (default auto disconnection code) while the fax machine is ringing.
- ② If you do not answer the call, the unit will activate the fax function.
 - Some fax machines do not generate fax calling tones when sending faxes, therefore the unit will try to receive a fax even if no fax calling tone is detected.

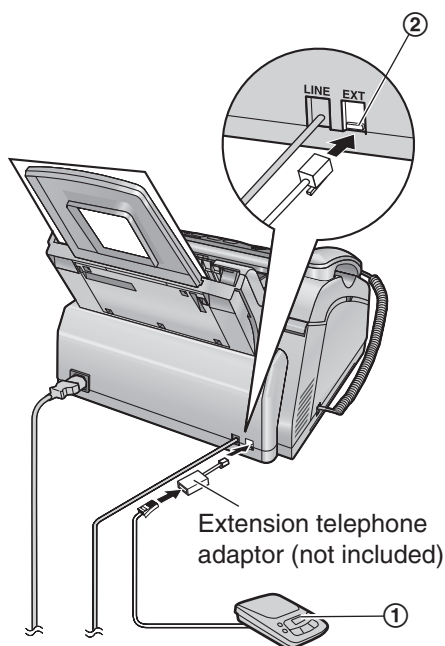
Note:

- The auto disconnection code can be changed in feature #49 on page 45.
- Even when you answer a call with the extension telephone and press the auto disconnection code, the fax machine may activate the fax function depending on the type of an extension telephone. Press [STOP] on the fax machine to talk with the calling party.

4.8 Using the unit with an answering machine

4.8.1 Setting up the fax machine and an answering machine

- 1 Connect the answering machine (①).
 - Answering machine is not included.
 - Please purchase an extension telephone adaptor (page 10).
 - Remove the stopper (②) if attached.



- 2 Set the number of rings on the answering machine to 4 rings or less.
 - This will allow the answering machine to answer the call first.
- 3 Record a greeting message on the answering machine.
 - We recommend you record a message up to 10 seconds long, and not to pause for more than 4 seconds during the message. Otherwise, both machines will not function correctly.
- 4 Activate the answering machine.
- 5 Set the fax machine to the desired receiving mode (page 35).
 - If you set to FAX ONLY mode, **change the ring setting in FAX ONLY mode to more than 4 (feature #06 on page 42).**
- 6 Check all or part of the following are not the same:
 - the remote access code of the answering machine
 - the fax activation code (feature #41 on page 44)

Receiving a voice message and fax document in one call

The caller can leave a voice message and send a fax document during the same call. Inform the caller of the following procedure beforehand.

1. The caller calls your unit.
 - The answering device will answer the call.
2. The caller can leave a message after the greeting message.
3. The caller presses **[*][#][9]** (pre-selected fax activation code).
 - The unit will activate the fax function.
4. The caller presses the start button to send a document.

Note:

- To use this feature, make sure remote fax activation is turned ON (Feature #41 on page 44). The fax activation code can also be changed.
- If there is no room left in memory of your answering machine, the unit may not be able to receive documents. See the operating instructions of the answering machine and erase unnecessary messages.

4.9 Receive polling (retrieving a fax placed on another fax machine)

This feature allows you to retrieve a document from another compatible machine. Therefore you pay for the call.

Make sure that no documents are fed into your unit and that the other party's machine is ready for your call.

- Keep the front cover page open for button locations.

- 1 Press **[MENU]** repeatedly to display "POLLING".

- 2 Press **[SET]**.

- 3 Dial the fax number.

Using dial keys ([0] to [9], [*] or [#]):

Enter the fax number.

Using one-touch dial:

For stations 1–5

Press the desired station key.

For stations 6–10

Press **[LOWER]**, then press the desired station key.

Using phonebook:

Press **[+]** or **[–]** repeatedly to display the desired item.

- 4 Press **[START]**.

- The unit will start reception.

4.10 Junk fax prohibitor (preventing fax reception from undesired callers)

If you subscribe to Caller ID service (page 25), this feature prevents fax reception from calls that do not show caller information.

Additionally, the fax machine will not accept faxes originating from numbers that match a programmable junk fax prohibitor list.

- Keep the front cover page open for button locations.

Important:

- **This feature does not work when manual reception is performed.**

4.10.1 Activating the junk fax prohibitor

- 1 Press **[JUNK FAX PROHIBITOR]**.
- 2 Press **[▶]**.
- 3 Press **[+]** or **[-]** repeatedly to select "ON".
- 4 Press **[SET]**.
- 5 Press **[STOP]** to exit.
 - While the junk fax prohibitor is activated, "JUNK FAX ON" is displayed.

4.10.2 Storing undesired callers

You can register up to 20 undesired numbers from the caller information list (page 26) if you do not wish to receive faxes from them.

- 1 Press **[CALLER ID]**.
- 2 Press **[+]** or **[-]** repeatedly to display the party you wish to prevent fax reception from.
- 3 Press **[JUNK FAX PROHIBITOR]**.
- 4 Press **[SET]**.
 - To program other parties, repeat steps 2 to 4.
- 5 Press **[STOP]** to exit.

Note:

- If there is no space to store new items, "LIST FULL" is displayed in step 4. Erase unnecessary items.

To display the junk fax prohibitor list

1. Press **[JUNK FAX PROHIBITOR]**.
2. Press **[▶]** repeatedly to display "JUNK LIST DISP.".
3. Press **[SET]**.
4. Press **[+]** or **[-]** to display the items on the list.
5. Press **[STOP]** to stop viewing.
6. Press **[STOP]** to exit.

To print the junk fax prohibitor list

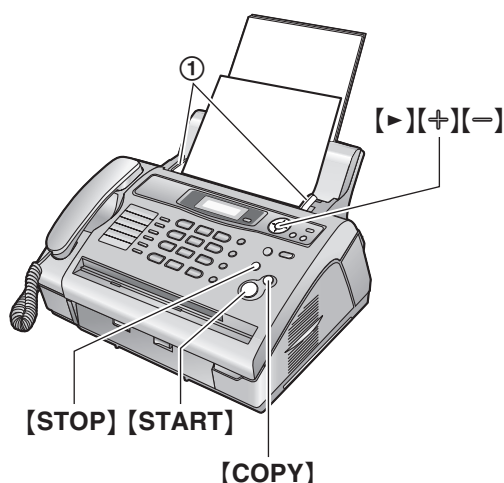
1. Press **[JUNK FAX PROHIBITOR]**.

2. Press **[▶]** repeatedly to display "JUNK LIST PRINT".
3. Press **[SET]**.
4. Press **[STOP]** to exit the list.

To erase an item from the junk fax prohibitor list

1. Press **[JUNK FAX PROHIBITOR]**.
2. Press **[▶]** repeatedly to display "JUNK LIST DISP.".
3. Press **[SET]**.
4. Press **[+]** or **[-]** repeatedly to display the desired item.
5. Press **[◀]**.
 - To cancel erasing, press **[STOP]** 3 times.
6. Press **[SET]**.
 - The item is erased.
 - To erase other items, repeat steps 4 to 6.
7. Press **[STOP]** 2 times to exit the list.

5.1 Making a copy



- Adjust the width of the document guides (①) to fit the actual size of the document.
- Insert the document (up to 15 pages) **FACE DOWN** until the unit grasps the document and a single beep is heard.
 - If the document guides are not adjusted to fit the document, re-adjust them.
- If necessary, press **[+]** or **[-]** repeatedly to select the desired resolution.
- Press **[COPY]**.
- If necessary, enter the number of copies (up to 99).
- Press **[START]**, or the unit will start copying within 20 seconds.
 - The unit will start copying.

Note:

- Any document which can be sent as a fax can also be copied (page 30).

To stop copying

Press **[STOP]**.

To select the resolution

Select the desired resolution according to the type of document.

- “**FINE**”: For printed or typewritten documents with small print.
 - “**SUPER FINE**”: For documents with very small print.
 - “**PHOTO**”: For documents containing photographs, shaded drawings, etc.
 - “**MIXED**” (Photo with text): For documents containing photographs and text.
- If you select “**STANDARD**”, copying will be done using “**FINE**” mode.

5.1.1 More copying features

To enlarge a document

- Insert the document, then press **[COPY]**.
- Press **[>]**.
- Press **[+]** repeatedly to select from “105%” to “200%” by changing the enlargement rate 5% at a time.
- Press **[START]**.
 - The unit will only enlarge the centre of the upper part of the document. To make an enlarged copy of the bottom of the document, turn the document around, and then make a copy.

Example: 150% enlarged copy

Original document

Enlarged copy



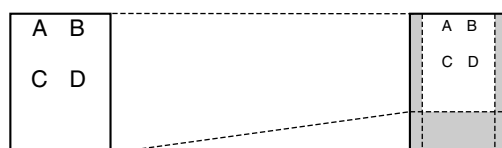
To reduce a document

- Insert the document, then press **[COPY]**.
- Press **[>]**.
- Press **[-]** repeatedly to select from “50%” to “95%” by changing the reduction rate 5% at a time.
- Press **[START]**.

Example: 70% reduced copy

Original document

Reduced copy



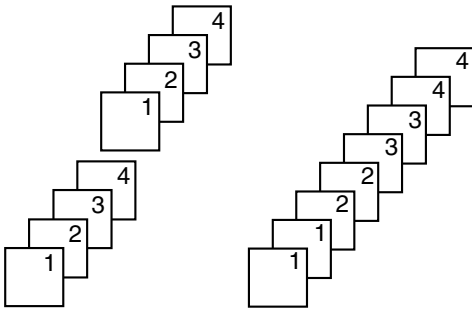
5. Copy

To collate multiple copies

The unit can collate multiple copies in the same order as the original document pages.

1. Insert the document, then press **[COPY]**.
2. Enter the number of copies (up to 99).
3. Press **[▶]** 2 times to display “**COLLATE OFF**”.
4. Press **[+]** or **[-]** repeatedly to display “**COLLATE ON**”.
5. Press **[START]**.

Example: Making 2 copies of a 4-page original document



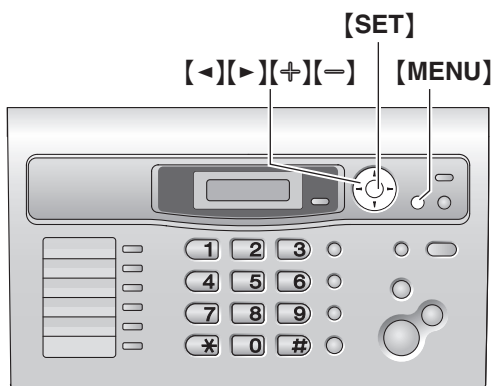
Collated pages

Uncollated pages

Note:

- The unit will store the documents into memory while collating the copies. The number of original document for collating copies depends upon the contents of pages and resolution. Approximately 80 pages of ITU-T No.1 Test Chart in “**FINE**” mode can be stored at a time, if the unit has no documents in memory. See page 65 of the specifications for details.
- If memory becomes full while storing, the unit will only print out the stored pages.
- After copying, the collating feature will turn OFF automatically.

6.1 Programming



- 1 Press **[MENU]**.
- 2 Press **[**]** and the 2-digit code (page 42 to page 46).
- 3 Press the desired selection to display the desired setting.
 - This step may be slightly different depending on the feature.
- 4 Press **[SET]**.
- 5 Press **[MENU]** to exit.

To select features by using the navigator key

You can select a feature by using the navigator key instead of directly entering the program code (# and a 2-digit number).

1. Press **[MENU]**.
2. Select the feature you wish to program.

Basic features

Press **[◀]** or **[▶]** repeatedly to display the desired feature.

Advanced features

Press **[◀]** or **[▶]** repeatedly to display “**ADVANCE SETTINGS**”, then press **[SET]**.

Press **[◀]** or **[▶]** repeatedly to display the desired feature.

3. Press **[+]** or **[-]** repeatedly to display the desired setting.
 - This step may be slightly different depending on the feature.
4. Press **[SET]**.
 - The setting you selected is set, and the next feature will be displayed.
5. To exit programming, press **[MENU]**.

Note:

- To exit programming, press **[MENU]** at any time.

6.2 Basic features

Feature/Code	Selection
Setting the date and time [#][0][1]	Enter the date and time using the dial keypad. See page 20 for details.
Setting your logo [#][0][2]	Enter your logo using the dial keypad. See page 21 for details.
Setting your fax number [#][0][3]	Enter your fax number using the dial keypad. See page 22 for details.
Printing a sending report [#][0][4]	To print a sending report for fax transmission results (page 30). [1] "ON": A sending report will be printed after every transmission. [2] "OFF": Sending reports will not be printed. [3] "ERROR" (default): A sending report will be printed only when fax transmission fails.
Changing the ring setting in FAX ONLY mode [#][0][6]	To change the number of rings before the unit answers a call in FAX ONLY mode. If you are using the unit with an answering machine, set to more than 4 (page 37). [1] "1" [2] "2" (default) [3] "3" [4] "4" [5] "5" [6] "6" [7] "7" [8] "8" [9] "9"
Setting the ringer type of outside calls [#][1][7]	[1] "RINGTONE 1" (default) [2] "RINGTONE 2" [3] "RINGTONE 3"

6.3 Advanced features

Feature/Code	Selection
Setting the journal report to print automatically [#][2][2]	<p>[1] "ON" (default): The unit will print a journal report automatically after every 30 new fax transmissions and receptions (page 30).</p> <p>[2] "OFF": The unit will not print a journal report, but will keep a record of the last 30 fax transmissions and receptions.</p>
Sending documents overseas [#][2][3]	<p>If you cannot send a fax overseas even if the number is correct and the line is connected, activate this feature before sending the fax.</p> <p>This feature improves the reliability by reducing the transmission speed.</p> <p>[1] "NEXT FAX": This setting is effective only for the next attempted fax transmission. After transmission, the unit will return to the previous setting.</p> <p>[2] "OFF": Deactivates this feature.</p> <p>[3] "ERROR" (default): When the previous fax transmission fails and you wish to re-send the document.</p> <p>Note:</p> <ul style="list-style-type: none"> • This feature is not available for broadcast transmission. • Calling charges may be higher than usual.
Sending a fax at a specific time [#][2][5]	<p>This feature allows you to take advantage of low-cost calling hours offered by your telephone company. This feature can be set up to 24 hours in advance of the desired time.</p> <p>[1] "ON"</p> <p>[2] "OFF" (default)</p> <p>To send a document:</p> <ol style="list-style-type: none"> 1. Insert the document. 2. If necessary, press [+] or [-] repeatedly to select the desired resolution (page 29). 3. Press [MENU]. 4. Press [#], then [2][5]. 5. Press [1] to select "ON". 6. Press [SET]. 7. Enter the fax number. <ul style="list-style-type: none"> • To enter an item using one-touch dial feature and phonebook, see step 4, "4.3 Sending a fax using one-touch dial feature and phonebook", page 31. (When using phonebook, you do not have to press [>] before pressing [+] or [-].) 8. Press [SET]. 9. Enter the transmission start time. <ul style="list-style-type: none"> • If you selected 12-hour time entry (page 20), press [*] repeatedly to select AM or PM. • If you selected 24-hour time entry (page 20), the time is set using 24-hour time entry. 10. Press [SET]. <ul style="list-style-type: none"> • To cancel after programming, press [STOP] then [SET].
Setting the caller information list to print automatically [#][2][6]	<p>[1] "ON": The unit will print the caller information list automatically after every 30 new calls (page 26).</p> <p>[2] "OFF" (default): The unit will not print the caller information list, but will keep records of the information for the last 30 callers.</p>

6. Programmable Features

Feature/Code	Selection
Changing the silent fax recognition ring setting [#][3][0]	To change the number of times the unit rings while in TEL/FAX mode. [3] “3” (default) [4] “4” [5] “5” [6] “6” [7] “7” [8] “8” [9] “9” Note: <ul style="list-style-type: none"> • See page 36 for details.
Receiving other size documents [#][3][7]	To receive a fax document that is longer than your recording paper. [1] “ON” (default): The unit will fit received documents onto your recording paper. [2] “OFF”: The unit will print the original size.
Changing the LCD display contrast [#][3][9]	[1] “NORMAL” (default): For normal contrast. [2] “DARKER”: Used when the display contrast is too light.
Changing the fax activation code [#][4][1]	If you wish to use an extension telephone to receive faxes, activate this feature and program the activation code. Important: <ul style="list-style-type: none"> • The fax activation code must be different from the code that you programmed on the answering machine. [1] “ON” (default) [2] “OFF” <ol style="list-style-type: none"> 1. Press [MENU]. 2. Press [#], then [4][1]. 3. Press [1] to select “ON”. 4. Press [SET]. 5. Enter your code from 2 to 4 digits, using 0–9, [*] and [#]. <ul style="list-style-type: none"> • The default code is “*#9”. • Do not enter “0000”. 6. Press [SET]. 7. Press [MENU].
Setting the memory reception alert [#][4][4]	To alert you with a beeping sound when a received fax document is stored into memory due to some existing problem. The slow beeps will continue until you clear the printing problem and make sure the unit is supplied with enough paper to print the stored document. [1] “ON” (default): You will be alerted to a reception problem by a beeping sound. [2] “OFF”: Deactivates this feature.
Setting friendly reception [#][4][6]	To receive a fax automatically when you answer a call and hear a fax calling tone (slow beep). [1] “ON” (default): You do not have to press [START] for fax reception. [2] “OFF”: You have to press [START] for fax reception.

Feature/Code	Selection
Setting the auto disconnection [#][4][9]	To answer a call with an extension telephone in TEL/FAX mode (page 36), activate this feature and program the code. [1] "ON" (default) [2] "OFF" 1. Press [MENU] . 2. Press [#] , then [4][9] . 3. Press [1] to select "ON". 4. Press [SET] . 5. Enter your code from 2 to 4 digits, using 0-9 and [*] . <ul style="list-style-type: none"> • The default code is "*0". 6. Press [SET] . 7. Press [MENU] .
Setting the scan contrast [#][5][8]	To send or copy a document with faint or dark writing, set this feature before transmission or copying. [1] "NORMAL" (default): Used for normal writing. [2] "LIGHT": Used for dark writing. [3] "DARKER": Used for faint writing. Note: <ul style="list-style-type: none"> • This feature is not available for photo and mixed resolution.
Setting the Error Correction Mode (ECM) [#][6][8]	This feature is available when the sending/receiving fax machines are ECM compatible. [1] "ON" (default): If there is an error during fax transmission / reception, the fax machine will support the communication. [2] "OFF": Deactivates this feature.
Setting recall time [#][7][2]	The recall time depends on your telephone exchange or host PBX. [0] "80msec" [1] "90msec" [2] "100msec" (default) [3] "110msec" [4] "160msec" [5] "200msec" [6] "250msec" [7] "300msec" [8] "400msec" [9] "600msec" [*] "700msec" [#] "900msec" Note: <ul style="list-style-type: none"> • If the fax machine is connected via a PBX, PBX functions (transferring a call, etc.) might not work correctly. Consult your PBX supplier for the correct setting.
Changing the receiving mode in the manual answer setting [#][7][3]	[1] "TEL" (default): Telephone mode (page 35) [2] "TEL/FAX": Telephone/Fax mode (page 36)

6. Programmable Features

Feature/Code	Selection
Setting the connecting tone [Ⓜ][7][6]	If you often have trouble when sending faxes, this feature allows you to hear connecting tones: fax tone, ring back tone and busy tone. You can use these tones to confirm the status of the other party's machine. [1] "ON" (default): You will hear connecting tones. [2] "OFF": Deactivates this feature. <ul style="list-style-type: none">• If the ring back tone continues, the other party's machine may not be a fax machine or may have run out of paper. Check with the other party.• The connecting tone volume cannot be adjusted.
Changing the TEL/FAX delayed ring setting [Ⓜ][7][8]	If you use an extension telephone when this unit is in TEL/FAX mode, select the desired number of times the extension telephone rings before the unit answers the call. [1] "1" [2] "2" (default) [3] "3" [4] "4" [5] "5" [6] "6" [7] "7" [8] "8" [9] "9" Note: <ul style="list-style-type: none">• See page 36 for details.
Setting toner save feature [Ⓜ][7][9]	[1] "ON": The toner cartridge will last longer. [2] "OFF" (default): Deactivates this feature. Note: <ul style="list-style-type: none">• This feature may lower the print quality by reducing toner consumption.
Resetting advanced features to their default settings [Ⓜ][8][0]	[1] "YES" [2] "NO" (default) To reset the advanced features: <ol style="list-style-type: none">1. Press [MENU].2. Press [Ⓜ], then [8][0].3. Press [1] to select "YES".4. Press [SET].5. Press [SET] again.6. Press [MENU].

7.1 Error messages – Reports

If a problem occurs during fax transmission or reception, one of the following messages will be printed on the sending and journal reports (page 30).

Message	Code	Cause & Solution
COMMUNICATION ERROR	40-42 46-72 FF	<ul style="list-style-type: none"> ● A transmission or reception error occurred. Try again or check with the other party.
	43 44	<ul style="list-style-type: none"> ● A line problem occurred. Connect the telephone line cord to a different socket and try again. ● An overseas transmission error occurred. Try using the overseas mode (feature #23, page 43).
DOCUMENT JAMMED	-----	<ul style="list-style-type: none"> ● The document is jammed. Remove the jammed document (page 60).
ERROR-NOT YOUR UNIT	53 54 59 70	<ul style="list-style-type: none"> ● A transmission or reception error occurred because of a problem with the other party's fax machine. Check with the other party.
JUNK FAX PROH. REJECT	-----	<ul style="list-style-type: none"> ● The junk fax prohibitor feature of this unit rejected fax reception.
MEMORY FULL	-----	<ul style="list-style-type: none"> ● The memory is full of received documents due to a lack of recording paper or a recording paper jam. Install paper (page 17) or clear the jammed paper (page 57).
NO DOCUMENT	-----	<ul style="list-style-type: none"> ● The document was not fed into the unit properly. Reinsert it and try again.
OTHER FAX NOT RESPONDING	-----	<ul style="list-style-type: none"> ● The other party's fax machine is busy or has run out of recording paper. Try again. ● The other party's fax machine rings too many times. Send the fax manually (page 29). ● The other party's machine is not a fax machine. Check with the other party. ● The number you dialled is not in service.
PRESSED THE STOP KEY	-----	<ul style="list-style-type: none"> ● [STOP] was pressed and fax communication was cancelled.
THE COVER WAS OPENED	-----	<ul style="list-style-type: none"> ● The front cover was opened. Close it and try again.
OK	-----	<ul style="list-style-type: none"> ● Fax transmission or reception was successful.

7.2 Error messages – Display

If the unit detects a problem, one or more of the following messages will appear on the display.

Display	Cause & Solution
“CALL SERVICE”	<ul style="list-style-type: none"> There is something wrong with the unit. Contact our service personnel.
“CHANGE DRUM” “CHANGE SUPPLIES”	<ul style="list-style-type: none"> There is something wrong with the drum unit. Replace the drum unit and the toner cartridge (page 54).
“CHECK DOCUMENT”	<ul style="list-style-type: none"> The document was not fed into the unit properly. Re-insert the document. If misfeeding occurs frequently, clean the document feeder rollers (page 61) or adjust the feeder pressure (page 61) and try again.
“CHECK DRUM”	<ul style="list-style-type: none"> The drum unit is not inserted properly. Re-insert it correctly (page 13).
“CHECK MEMORY”	<ul style="list-style-type: none"> The memory (telephone numbers, parameters, etc.) has been erased. Re-program.
“COVER OPEN”	<ul style="list-style-type: none"> The front cover is open. Close it.
“DRUM LIFE OVER REPLACE DRUM” “CHANGE SUPPLIES”	<ul style="list-style-type: none"> The drum life is complete. Replace the drum unit immediately (page 54).
“FAILED PICK UP”	<ul style="list-style-type: none"> Recording paper was not fed into the unit properly. Re-insert the recording paper (page 59).
“FAX IN MEMORY”	<ul style="list-style-type: none"> The unit has a document in memory. See the other displayed message instructions to print out the document. For fax memory capacity, see page 65.
“LOW TEMP.”	<ul style="list-style-type: none"> The inside of the unit is extremely cold and cannot be operated. Use the unit in a warmer area. While the unit cannot be operated, the received documents are temporarily stored into the memory, and will be printed out automatically when the unit warms up.
“MEMORY FULL”	<ul style="list-style-type: none"> When performing memory transmission, the document being stored exceeded the memory capacity of the unit. Send the entire document manually. When making a copy, the document being stored exceeded the memory capacity of the unit. Press [STOP] to clear the message. Divide the document into sections. There is no space to store new items in phonebook. Erase unnecessary items (page 23).
“MODEM ERROR”	<ul style="list-style-type: none"> There is something wrong with the unit's modem. Contact our service personnel.
“NO FAX REPLY”	<ul style="list-style-type: none"> The other party's fax machine is busy or has run out of recording paper. Try again.
“OUT OF PAPER”	<ul style="list-style-type: none"> Recording paper is not installed or the unit has run out of paper. Install paper (page 17). Recording paper is not fed into the unit properly. Re-install paper (page 17).
“PAPER JAMMED”	<ul style="list-style-type: none"> A recording paper jam occurred. Clear the jammed paper (page 57).
“PLEASE WAIT”	<ul style="list-style-type: none"> The unit is warming up. Wait for a while.
“POLLING ERROR”	<ul style="list-style-type: none"> The other party's fax machine does not offer the polling function. Check with the other party.
“REDIAL TIME OUT”	<ul style="list-style-type: none"> The other party's fax machine is busy or has run out of recording paper. Try again.

Display	Cause & Solution
"REMOVE DOCUMENT"	<ul style="list-style-type: none"> ● The document is jammed. Remove the jammed document (page 60). ● The document is longer than 600 mm. Press [STOP] to remove the document. Divide the document into two or more sheets and try again.
"REPLACE DRUM SOON"	<ul style="list-style-type: none"> ● The drum life is near to an end. Replace the drum unit as soon as possible (page 54).
"RX MEMORY FULL"	<ul style="list-style-type: none"> ● The memory is full of received documents due to a lack of recording paper or a recording paper jam. Install paper (page 17) or clear the jammed paper (page 57).
"TONER EMPTY" "CHANGE SUPPLIES"	<ul style="list-style-type: none"> ● The toner life is complete. Replace the toner cartridge immediately (page 54).
"TONER LOW" "CHANGE SUPPLIES"	<ul style="list-style-type: none"> ● The toner life is near to an end. Replace the toner cartridge as soon as possible (page 54).
"TRANSMIT ERROR"	<ul style="list-style-type: none"> ● A transmission error occurred. Try again.
"WARM UP"	<ul style="list-style-type: none"> ● The inside of the unit is cold. Let the unit warm up. Wait for a while.
"WRONG PAPER"	<ul style="list-style-type: none"> ● The fax message was printed on paper which is shorter than A4 size paper. Use the appropriate size paper (page 66).

7.3 When a function does not work, check here

7.3.1 Initial settings

Problem	Cause & Solution
I cannot hear a dial tone.	<ul style="list-style-type: none"> • The telephone line cord is connected to the [EXT] socket on the unit. Connect to the [LINE] socket (page 18). • If you use a splitter/coupler to connect the unit, remove the splitter/coupler and connect the unit to the wall socket directly. If the unit operates properly, check the splitter/coupler. • Disconnect the unit from the telephone line and connect a known working telephone. If the working telephone operates properly, contact our service personnel to have the unit repaired. If the working telephone does not operate properly, contact your telephone company. • The mains lead or telephone line cord is not connected. Check the connections. • If you connected the fax machine through a computer modem, connect the fax machine directly to a telephone line socket.
The unit does not ring.	<ul style="list-style-type: none"> • The ringer volume is turned OFF. Adjust it (page 19).

7.3.2 General

Problem	Cause & Solution
The other party complains they only hear a fax tone and cannot talk.	<ul style="list-style-type: none"> • FAX ONLY mode is set. Tell the other party the number is only used for faxes. • Change to TEL mode (page 35) or TEL/FAX mode (page 36).
The [REDIAL/PAUSE] button does not function properly.	<ul style="list-style-type: none"> • If this button is pressed during dialling, a pause will be inserted. If pressed immediately after a dial tone is obtained, the last number dialled will be redialled.
During programming, I cannot enter the code or ID number.	<ul style="list-style-type: none"> • All or part of the number is the same. Change the number: feature #41 (page 44) and #49 (page 45).
The unit beeps.	<ul style="list-style-type: none"> • The memory reception alert of feature #44 is ON (page 44), and the unit has a document in memory. Press [STOP] to stop the beeps, then see the displayed message instructions to solve the problem.
The recording paper does not stack properly on the paper stacker.	<ul style="list-style-type: none"> • High humidity may cause the recording paper to curl. Try turning the paper over and re-inserting it. If the curl on the paper is heavy, please remove it from the paper stacker. If you still have this problem, contact our service personnel.

7.3.3 Fax – sending

Problem	Cause & Solution
I cannot send documents.	<ul style="list-style-type: none"> • The telephone line cord is connected to the [EXT] socket on the unit. Connect to the [LINE] socket (page 18). • The other party's fax machine is busy or has run out of recording paper. Try again. • The other party's machine is not a fax machine. Check with the other party. • The other party's fax machine failed to answer the fax automatically. Send the fax manually (page 29).

Problem	Cause & Solution
I cannot send a fax overseas.	<ul style="list-style-type: none"> • Use the overseas transmission mode (feature #23 on page 43). • Add two pauses at the end of the telephone number or dial manually.
The other party complains that letters on their received document are distorted or not clear.	<ul style="list-style-type: none"> • If your line has special telephone services such as call waiting, the service may have been activated during fax transmission. Connect the unit to a line that does not have these services. • Another telephone on the same line is off the hook. Hang up the telephone and try again. • The original document is too dark or too light. Change the scan contrast (feature #58 on page 45) to “LIGHT” or “DARKER”, and try again. • Try copying the document. If the copied image is clear, there may be something wrong with the other party’s machine.
The other party complains that black lines, white lines or smudges appear on their received document.	<ul style="list-style-type: none"> • The glass or rollers are dirty with correction fluid, etc. Clean them (page 61). Please do not insert a document before correction fluid has dried completely.



7.3.4 Fax – receiving

Problem	Cause & Solution
I cannot receive documents.	<ul style="list-style-type: none"> • The telephone line cord is connected to the [EXT] socket on the unit. Connect to the [LINE] socket (page 18).
I cannot receive documents automatically.	<ul style="list-style-type: none"> • The receiving mode is set to TEL mode. Set to FAX ONLY mode (page 35) or TEL/FAX mode (page 36). • The time taken to answer the call is too long. Decrease the number of rings before the unit answers a call (feature #06 on page 42 and feature #78 on page 46).
The display shows “CONNECTING”, but faxes are not received.	<ul style="list-style-type: none"> • The incoming call is not a fax. Change the receiving mode to TEL mode (page 35) or TEL/FAX mode (page 36).
A blank sheet is ejected.	<ul style="list-style-type: none"> • The other party placed the document in their fax machine the wrong way. Check with the other party.
The printing quality is poor.	<ul style="list-style-type: none"> • If documents can be copied properly, the unit is working normally. The other party may have sent a faint document or there may be something wrong with the other party’s machine. Ask them to send a clearer copy of the document or to check their fax machine. • Some paper has instructions recommending which side to print on. Try turning the paper over. • You may have used paper with a cotton and/or fibre content that is over 20%, such as letterhead or resume paper. • The remaining toner is low. Replace the toner cartridge (page 54). • To check the drum life and quality, please print the printer test list (page 64). If printing quality is still poor, replace the toner cartridge and drum unit. • The toner save mode is ON (feature #79 on page 46). • The glass or rollers are dirty with correction fluid, etc. Clean them (page 61). Please do not insert a document before correction fluid has dried completely.

7. Help

Problem	Cause & Solution
When an extension telephone is connected, I cannot receive documents by pressing [*][#][9].	<ul style="list-style-type: none"> You must set remote fax activation to ON (feature #41 on page 44) beforehand. Press [*][#][9] firmly. You may have changed the remote fax activation code from [*][#][9] (default setting). Verify the remote fax activation code (feature #41 on page 44). The memory is full of received documents due to a lack of recording paper or a recording paper jam. Install paper (page 17) or clear the jammed paper (page 57).
The other party complains that they cannot send a document.	<ul style="list-style-type: none"> The memory is full of received documents due to a lack of recording paper or a recording paper jam. Install paper (page 17) or clear the jammed paper (page 57). The unit is not in FAX ONLY mode. Press [AUTO ANSWER] repeatedly to turn ON the [AUTO ANSWER] indicator.
I cannot select the desired receiving mode.	<ul style="list-style-type: none"> If you want to set FAX ONLY mode: <ul style="list-style-type: none"> press [AUTO ANSWER] repeatedly to turn ON the [AUTO ANSWER] indicator. If you want to set TEL mode or TEL/FAX mode: <ul style="list-style-type: none"> select the desired mode using feature #73 (page 45), and press [AUTO ANSWER] repeatedly to turn OFF the [AUTO ANSWER] indicator.

7.3.5 Copying

Problem	Cause & Solution
The unit will not make a copy.	<ul style="list-style-type: none"> You cannot make a copy during programming. Make the copy after programming. The document was not fed into the unit properly. Re-insert the document. Recording paper is not installed or the unit has run out of paper. Install paper (page 17).
A black line, a white line or smudge appears on the copied document.	<ul style="list-style-type: none"> The glass or rollers are dirty with correction fluid, etc. Clean them (page 61). Please do not insert a document before correction fluid has dried completely.
The printing quality is poor.	<div style="display: flex; justify-content: space-around; align-items: center;"> <div style="text-align: center;"> <p>Original</p>  </div> <div style="text-align: center;"> <p>Copy</p>  </div> </div> <ul style="list-style-type: none"> Some paper has instructions recommending which side to print on. Try turning the paper over. You may have used paper with a cotton and/or fibre content that is over 20%, such as letterhead or resume paper. The remaining toner is low. Replace the toner cartridge (page 54). To check the drum life and quality, please print the printer test list (page 64). If printing quality is still poor, replace the toner cartridge and drum unit. The toner save mode of feature #79 is ON (page 46). The original document is too dark or too light. Change the scan contrast (feature #58 on page 45) to "LIGHT" or "DARKER", and try again.

7.3.6 Using an answering machine

Problem	Cause & Solution
I cannot receive documents automatically.	<ul style="list-style-type: none"> ● Your greeting message on the answering machine is too long. Shorten the message. Record a message up to 10 seconds long. ● The answering machine rings too many times. Set to 1 or 2 rings.
I cannot receive voice messages.	<ul style="list-style-type: none"> ● Check if the answering machine is turned ON and connected to the fax machine properly (page 37). ● Set the number of rings on the answering machine to 1 or 2.
I pressed the remote access code to access the answering machine remotely, but the line was disconnected.	<ul style="list-style-type: none"> ● The code may include “#” which is used for certain features provided by telephone companies. Change the code on the answering machine to another number which does not include “#”.
Callers complain that they cannot send a document.	<ul style="list-style-type: none"> ● There is no room left in memory of your answering machine to record voice messages. See the operating instructions of the answering machine and erase unnecessary messages. ● You set the answering machine to only give a greeting message.

7.3.7 If a power failure occurs

- The unit will not function.
- The unit is not designed for making emergency telephone calls when the power fails. Alternative arrangements should be made for access to emergency services.
- Fax transmission and reception will be interrupted.
- Any sending documents stored in the memory or any documents during reception will be lost. When power is restored, a power down report will be printed out stating which contents in the memory have been erased.

7.4 Replacing the toner cartridge and the drum unit

When the display shows the following, replace the toner cartridge.

TONER LOW

TONER EMPTY

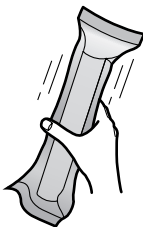
To check the drum life and quality, please print the printer test list (page 64). If printing quality is still poor, replace the toner cartridge and drum unit. To ensure that the unit operates properly, we recommend the use of **Panasonic toner cartridge (Model No. KX-FAT88X) and drum unit (Model No. KX-FAD89X)**. See page 10 for accessory information.

To maintain print quality and machine life, we recommend you to clean slots and openings (page 4) and the inside of the unit (page 61) when replacing the toner cartridge and/or drum unit.

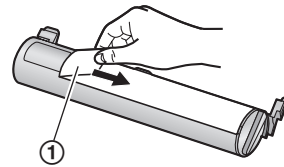
Caution:

- We cannot be responsible for any damage to the unit or degradation of print quality which may occur from the use of a non-Panasonic toner cartridge and drum unit.
- The drum unit contains a photosensitive drum. Exposing it to light may damage the drum. Once you have opened the protection bag:
 - Do not expose the drum unit to light for more than 5 minutes.
 - Do not touch or scratch the black drum surface.
 - Do not place the drum unit near dust or dirt, or in a high humidity area.
 - Do not expose the drum unit to direct sunlight.
- Do not unplug the fax machine. Loss of fax documents in memory may occur.
- Do not leave the toner cartridge out of the protection bag for a long time. It will decrease the toner life.
- Do not add toner to the toner cartridge.

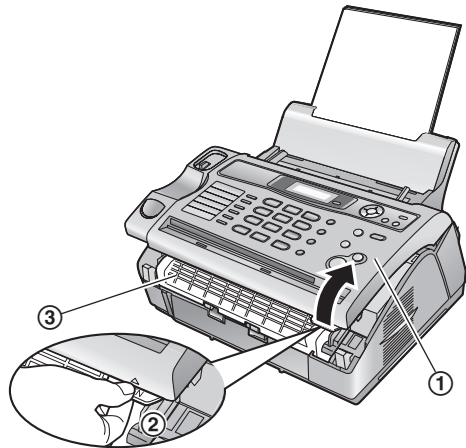
- 1 Before opening the protection bag of the new toner cartridge, shake it vertically more than 5 times.



- 2 Remove the new toner cartridge from the protection bag. Peel off the seal (1) from the toner cartridge.



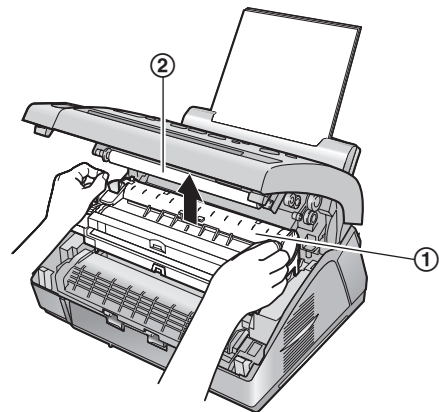
- 3 Remove the handset and document stacker.
- 4 Lift open the front cover (1), holding the OPEN tab (2).



Caution:

The fuser unit (3) gets hot. Do not touch it.

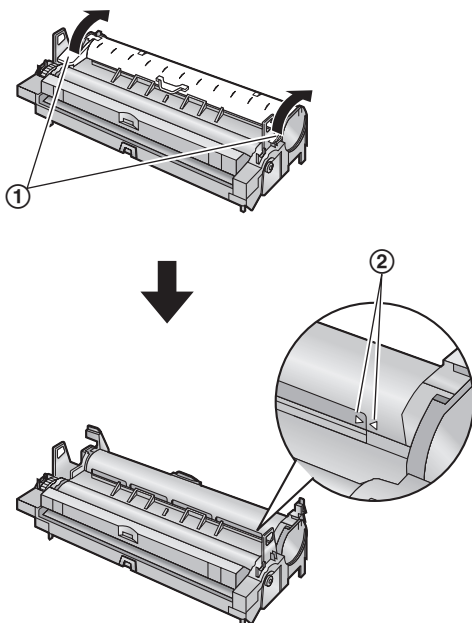
- 5 Remove the drum and toner unit (1) by holding the two tabs.



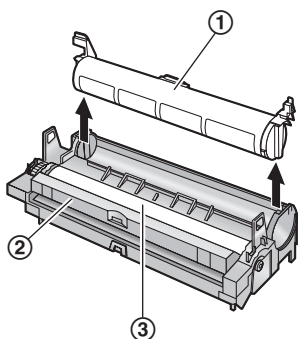
- Do not touch the transfer roller (2).
- If you replace the toner cartridge and the drum unit at the same time, skip to step 9.

- If you replace only the toner cartridge, tap on the used toner cartridge several times to allow the remaining toner to fall into the drum unit before removing.

6 Turn the two levers (①) on the used toner cartridge firmly, until the triangles (②) match.



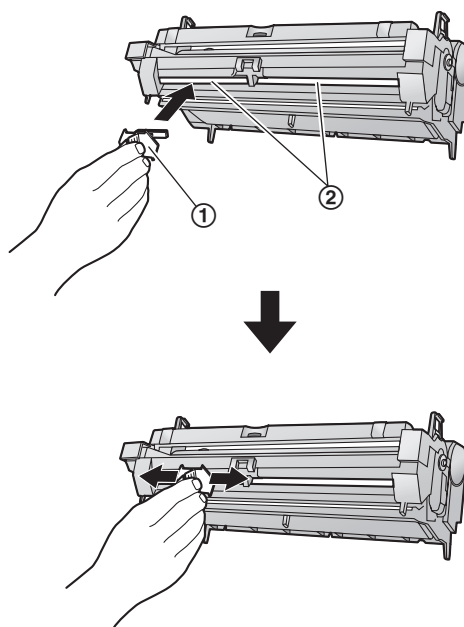
7 Remove the used cartridge (①) from the drum unit (②).



- The toner may stick to the cartridge and the drum unit. Be careful when handling. See page 4 for details.
- Do not drop the toner on the black drum surface (③).
- Put the used toner cartridge into the protection bag.

8 Insert the cleaner (①) fully into the groove (②) of the drum unit and move it from side to side at least 3 times to clean the inside of the drum unit.

- Repeat for the other groove.

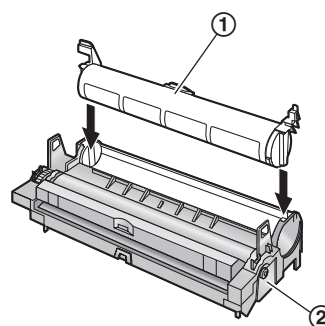


Note:

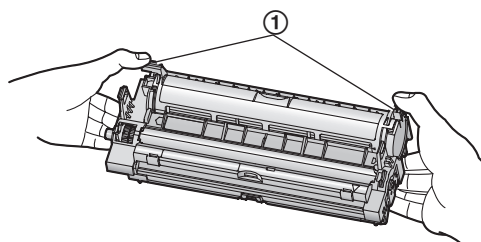
- Be sure to clean all the way to the edge of each groove.

9 If you replace the drum unit at the same time, remove the new drum unit from the protection bag.

Place the new toner cartridge (①) into the drum unit (②) vertically.

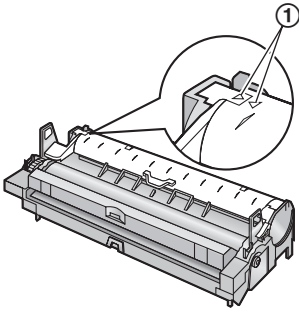


10 Turn the lever (①) on each side of the toner cartridge while pressing down firmly.

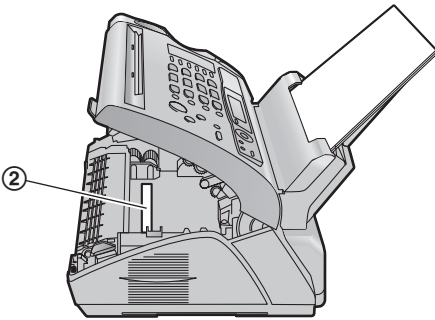


7. Help

- 11** Make sure that the triangles (①) match, to install the toner cartridge correctly.



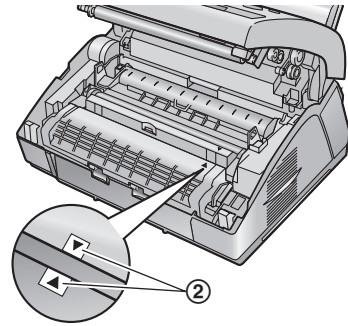
- If the lower glass (②) is dirty, clean it with a soft and dry cloth.



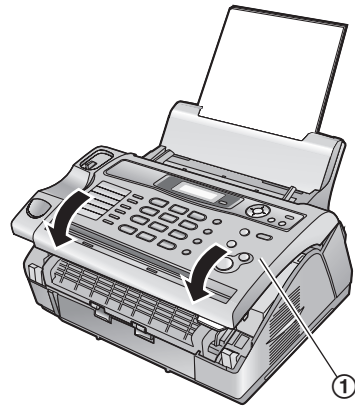
- 12** Install the drum and toner unit (①) by holding the tabs.



- Make sure that the triangles (②) match to install the drum and toner unit correctly.



- 13** Close the front cover (①) by pushing down on both sides, until locked.



- 14** Place the handset on the cradle and attach the document stacker.
- While the unit displays “PLEASE WAIT”, do not open the front cover, or disconnect the mains lead.

Waste disposal method

Waste material should be disposed of under conditions which meet all national and local environmental regulations.

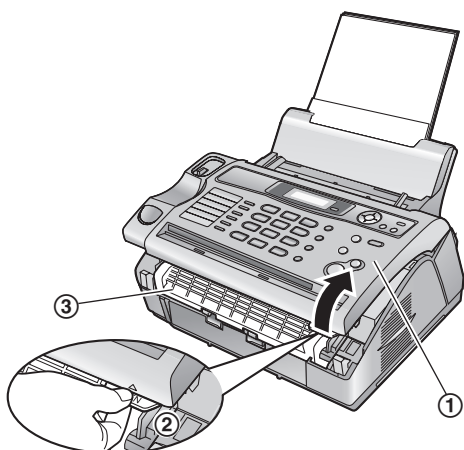
7.5 Recording paper jam

The display will show the following.

PAPER JAMMED

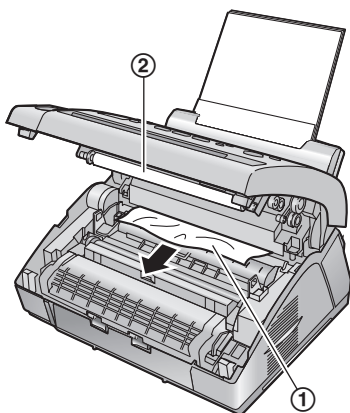
7.5.1 When the recording paper has jammed near the drum and toner unit

- 1 Remove the handset and document stacker.
- 2 Lift open the front cover (①), holding the OPEN tab (②).



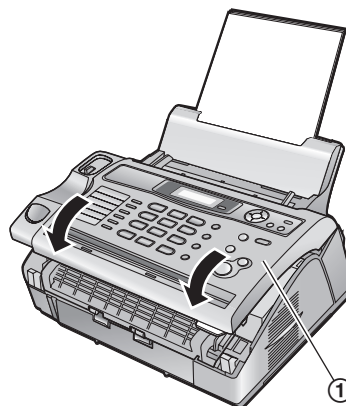
Caution:
The fuser unit (③) gets hot. Do not touch it.

- 3 Remove the jammed paper (①) carefully by pulling it toward you.



- Do not touch the transfer roller (②).

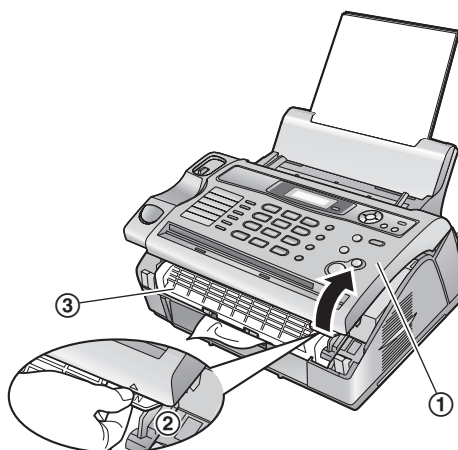
- 4 Close the front cover (①) by pushing down on both sides, until locked.



- 5 Place the handset on the cradle and attach the document stacker.

7.5.2 When the recording paper has jammed near the recording paper exit

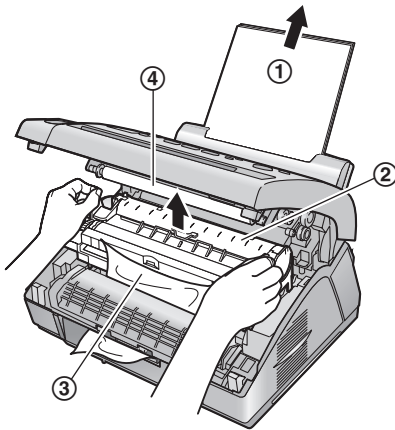
- 1 Remove the handset and document stacker.
- 2 Lift open the front cover (①), holding the OPEN tab (②).



Caution:
The fuser unit (③) gets hot. Do not touch it.

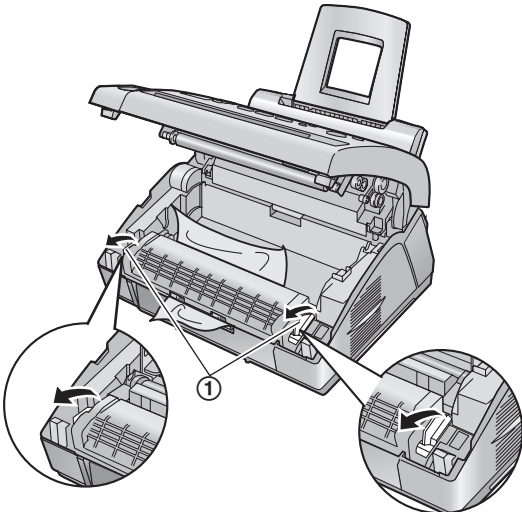
7. Help

- 3** Remove the recording paper (①), then remove the drum and toner unit (②) to allow the jammed paper (③) to pull free from the rear cabinet.

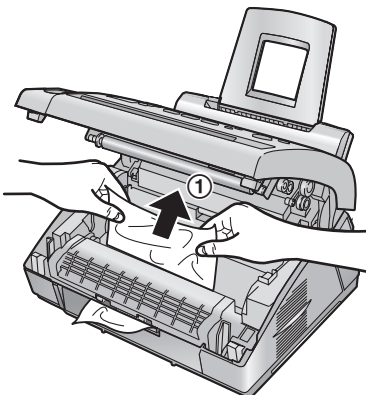


- Do not touch the transfer roller (④).

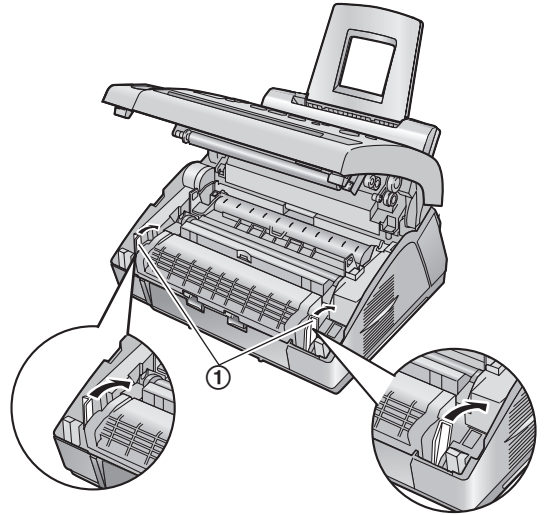
- 4** Lift both green levers (①) forward until they stop.



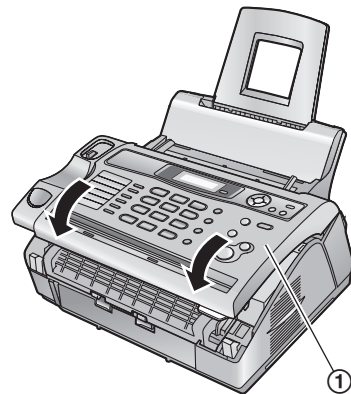
- 5** Remove the jammed paper (①) from the fuser unit by pulling it upwards carefully, then install the drum and toner unit.



- 6** Push back the levers (①) to the original position.

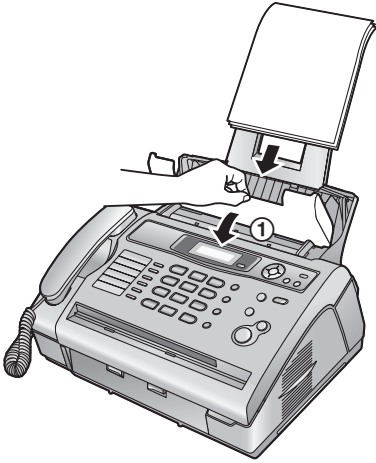


- 7** Close the front cover (①) by pushing down on both sides, until locked.



- 8** Place the handset on the cradle and attach the document stacker.
- 9** Pull the tension plate forward (①), then re-insert the recording paper.

- Before re-inserting, make sure to fan and straighten the recording paper.



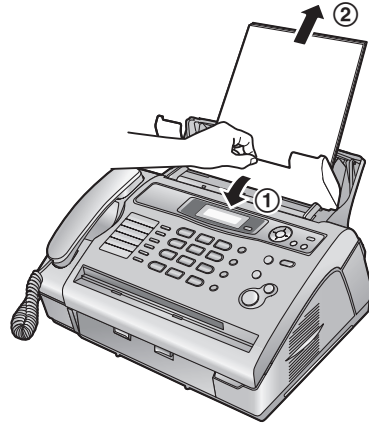
10 Push back the tension plate.

7.5.3 When the recording paper is not fed into the unit properly

The display will show the following.

FAILED PICK UP

- 1** Pull the tension plate forward (①), then remove the recording paper (②).

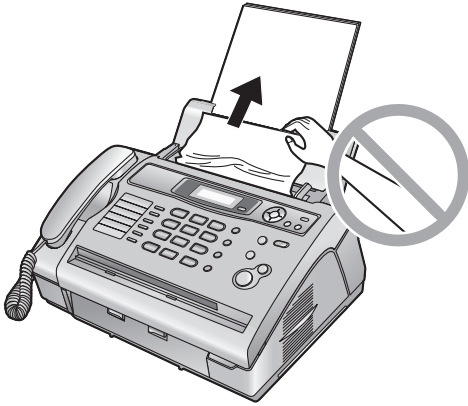


- 2** Re-insert the recording paper, then push back the tension plate (see steps 3 to 4 on page 17).
 - Before re-inserting, make sure to fan and straighten the recording paper.

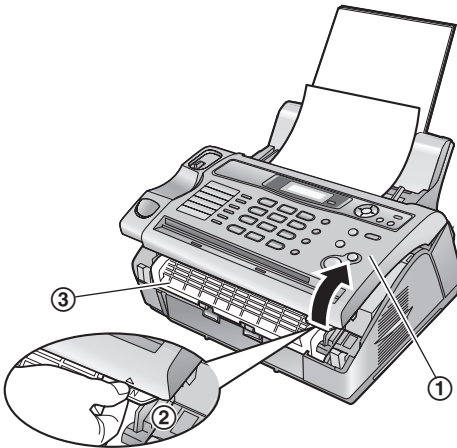
7.6 Document jams

Note:

- Do not pull out the jammed document forcibly before opening the front cover.

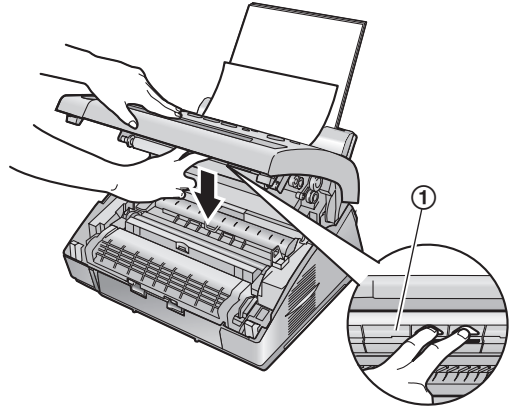


- 1 Remove the handset and document stacker.
- 2 Lift open the front cover (①), holding the OPEN tab (②).



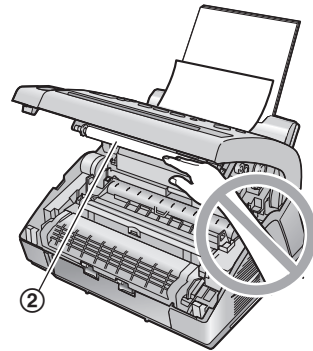
Caution:
The fuser unit (③) gets hot. Do not touch it.

- 3 Pull open the inner cover (①).

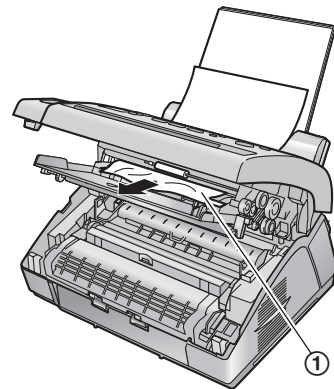


Note:

- Do not touch the transfer roller (②).



- 4 Remove the jammed document carefully (①).



- 5 Push back the inner cover.

- 6 Close the front cover (①) by pushing down on both sides, until locked.



- 7 Place the handset on the cradle and attach the document stacker.

7.7 No feeding or multiple feeding occurs

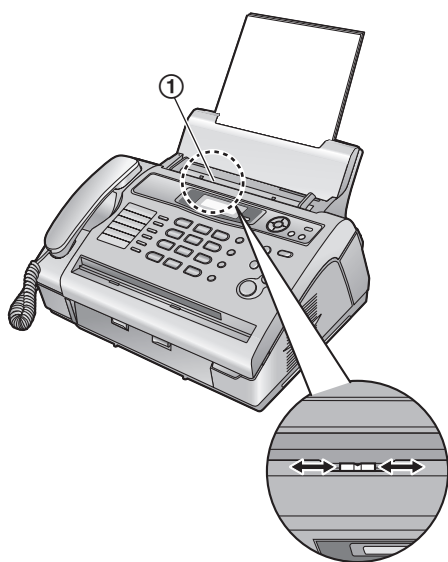
If no feeding or multiple feeding occurs frequently, adjust the feeder pressure.

Shift the position of the green lever (①) using a stick-like-instrument with a pointed end.

Right: When documents do not feed.

Centre: Standard position (pre-selected)

Left: When documents multi-feed.



7.8 Cleaning the inside of the unit

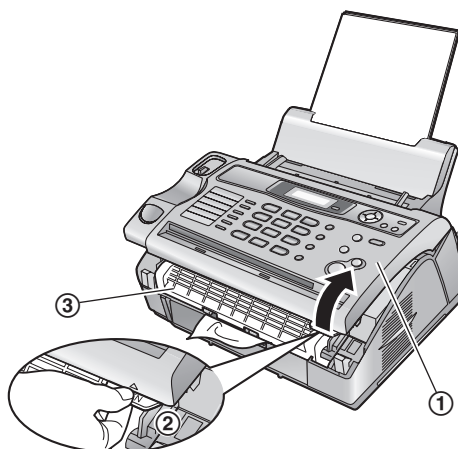
Clean the inside of the unit:

- If misfeeding of your original occurs frequently.
- If a black line, a white line or a dirty pattern appears on your recording paper, on your original, or on the fax document received by the other party.

Caution:

- **Be careful when handling the drum and toner unit.**
See the caution for the drum unit on page 54 for details.
- **Do not use paper products, such as paper towels or tissues, to clean the inside of the unit.**

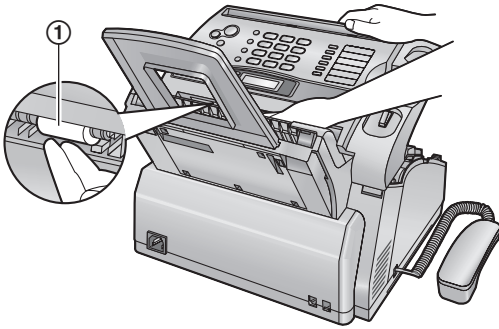
- 1 Disconnect the mains lead and the telephone line cord.
- 2 Remove the handset and document stacker.
- 3 Lift open the front cover (①), holding the OPEN tab (②).



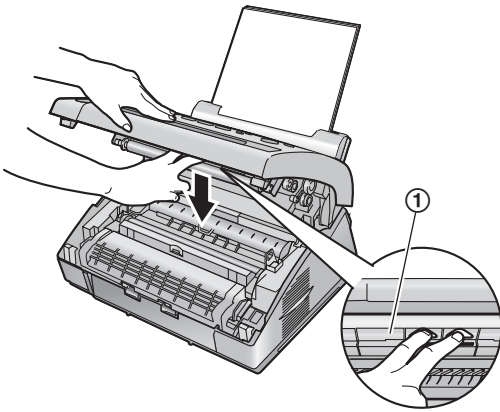
Caution:
The fuser unit (③) gets hot. Do not touch it.

7. Help

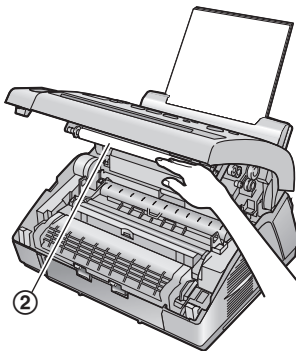
- 4 Clean the document separation roller (①) with a cloth moistened with isopropyl rubbing alcohol, and let all parts dry thoroughly.



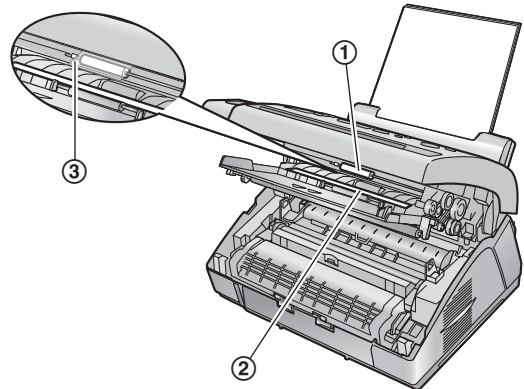
- 5 Pull open the inner cover (①).



- Do not touch the transfer roller (②).



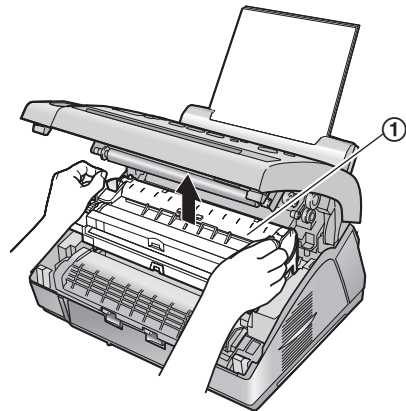
- 6 Clean the document feeder roller (①) with a cloth moistened with isopropyl rubbing alcohol, and let all parts dry thoroughly.
Clean the upper glass (②) with a soft and dry cloth.



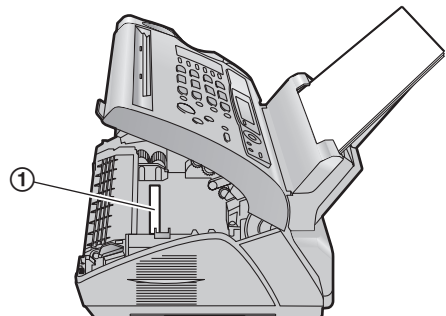
- Do not damage the transparent sheet (③) when cleaning the document feeder roller.

- 7 Push back the inner cover.

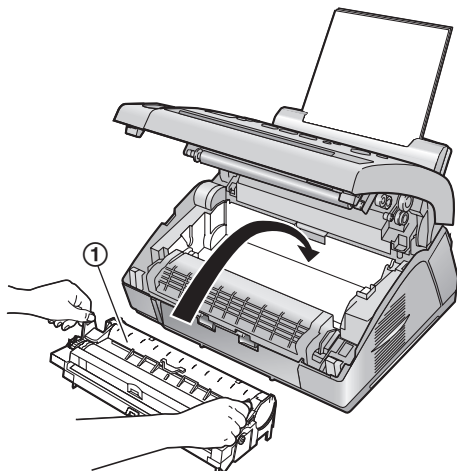
- 8 Remove the drum and toner unit (①) by holding the two tabs.



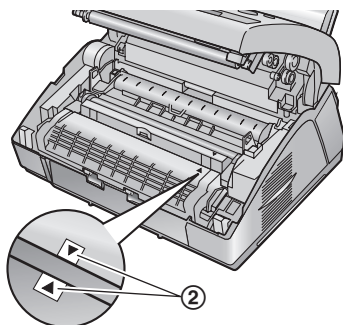
- 9 Clean the lower glass (①) with a soft and dry cloth.



- 10** Re-install the drum and toner unit (①) by holding the tabs.



- Make sure that the triangles (②) match to install the drum and toner unit correctly.



- 11** Close the front cover (①) by pushing down on both sides, until locked.

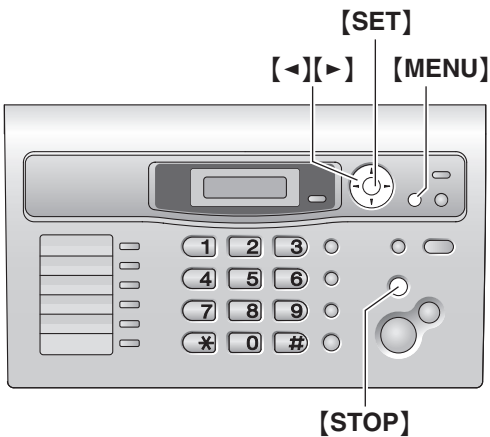


- 12** Place the handset on the cradle and attach the document stacker.
- 13** Re-connect the mains lead and the telephone line cord.

8.1 Reference lists and reports

You can print out the following lists and reports for your reference.

- **“SETUP LIST”**:
Provides you with the current settings of the programming features (page 42 to page 46).
- **“TEL NO. LIST”**:
Provides you with names and numbers which are stored in the one-touch dial feature and phonebook.
- **“JOURNAL REPORT”**:
Keeps records of fax transmission and reception. This report can be printed automatically after every 30 fax communications (feature #22 on page 43).
- **“BROADCAST LIST”**:
Provides you with names and numbers which are stored in the broadcast memory (page 31).
- **“PRINTER TEST”**:
Allows you to check the print quality of your unit. If the test print has a dirty pattern, or blurred points or lines, clean the inside of the unit (page 61). If printing quality is still poor, replace the toner cartridge and drum unit.
- **“CALLER ID LIST”**:
Keeps records of the last 30 callers after subscribing to a Caller ID service. To print automatically after every 30 callers, activate feature #26 (page 43).



- 1 Press **[MENU]** repeatedly to display **“PRINT REPORT”**.
- 2 Press **[->]** or **[-<]** repeatedly to display the desired item.
- 3 Press **[SET]** to start printing.
 - To stop printing, press **[STOP]**.
- 4 Press **[MENU]**.

8.2 Specifications

Applicable lines:

Public Switched Telephone Network

Document size:

Max. 216 mm in width, Max. 600 mm in length

Effective scanning width:

208 mm

Effective printing width:

202 mm

Transmission time*1:

Approx. 8 s/page (ECM-MMR)*2

Scanning density:

Horizontal: 8 pels/mm

Vertical: 3.85 lines/mm-in standard resolution,
7.7 lines/mm-in fine/photo/mixed (photo with text)
resolution,

15.4 lines/mm-in super fine resolution

Photo resolution:

64-level

Scanner type:

Contact Image Sensor

Printer type:

Laser Printer

Data compression system:

Modified Huffman (MH), Modified READ (MR), Modified
Modified READ (MMR)

Modem speed:

14,400 / 12,000 / 9,600 / 7,200 / 4,800 / 2,400 bps;
Automatic Fallback

Operating environment:

10 °C – 32.5 °C, 20 % – 70 % RH (Relative Humidity)

Dimensions:

Approx. height 218 mm × width 360 mm × depth 357 mm

Mass (Weight):

Approx. 7.4 kg

Power consumption:

Standby: Approx. 3 W

Transmission: Approx. 12 W

Reception: Approx. 240 W

Copy: Approx. 240 W

Maximum: Approx. 950 W (When the fuser lamp turns
on)

Power supply:

220 – 240 V AC, 50 Hz

Fax memory capacity:

Approx. 150 pages of memory transmission

Approx. 40 pages of memory reception

(Based on the ITU-T No. 1 Test Chart in standard
resolution.)

Laser diode properties:

Laser output: Max. 5 mW

Wave length: 760 nm – 800 nm

Emission duration: Continuous

Print speed:

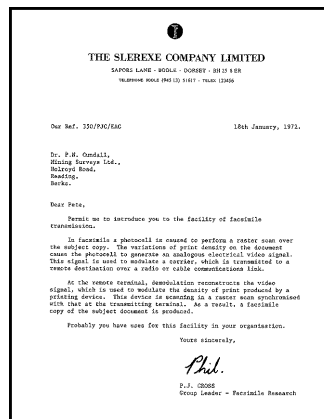
Approx. 10 ppm (pages per minute)

Printing resolution:

600 × 600 dpi

- *1 Transmission speed depends upon the contents of the pages, resolution, telephone line conditions and capability of the other party's machine.
- *2 Transmission speed is based upon the ITU-T No. 1 Test Chart. If the capability of the other party's machine is inferior to your unit, the transmission time may be longer.

ITU-T No.1 Test Chart



Note:

- Design and specifications are subject to change without notice.
- The pictures and illustrations in these instructions may vary slightly from the actual product.

Drum life

The drum unit is a consumable item and needs to be replaced regularly. There are various factors that determine the actual drum life, such as temperature, humidity, type of paper and how much toner you use for the number of sheets per print job. The estimated drum life is approx. 10,000 sheets. The actual number of sheets your drum will print may be significantly less than these estimates. Because many of the factors that determine the actual drum life cannot be controlled, we cannot guarantee a minimum number of sheets that will be printed by your drum.

8.3 Condition of guarantee

1. This machine is supplied with a one year swap out warranty. Please retain your Proof of Purchase and Packaging in the unlikely event that your machine should require attention. For further information please contact us on 08701 580560 for UK or 01 6130082 for the Republic of Ireland, in addition you can visit our web site at www.panasonic.co.uk
2. This warranty is in addition to and does not in any way affect any statutory or other right of consumer purchasers. This warranty relates only to product used within Mainland Great Britain, please refer to your dealer warranty information relating to use elsewhere within the United Kingdom and Ireland.
3. This product is designed for use only on the United Kingdom and Ireland's Public Switched Telephone Network and should be used only for normal purposes and in accordance with standard operating instructions.
4. You should complete the registration form overleaf and fax it to us with 7 days of purchase; failure to do so may result in delays in providing warranty service.
5. This warranty covers breakdowns due to design or manufacturing faults; it does not apply to damage, however caused, wear or tear, neglect, incorrect adjustment or repair, or to any items of limited natural life.
6. This warranty does not cover consumables, i.e. ink films, film refills, ink cartridges, toner cartridges, drum units, paper and paper loads or any optional accessories which may have been purchased either at the same time as, or subsequent to, the main unit. Such accessories should be returned to the point of purchase if found to be faulty.
7. In the event of a failure, please take the following action;
 - a) Refer to the "Help" section of your instruction manual in order to identify and possibly correct the problem:
 - b) If the problem is not resolved after referring to the user guide, please contact our customer helpline on 08701 580560 for UK or 01 6130082 for the Republic of Ireland
8. In the event the helpline cannot resolve the problem, a like for like exchange fax will be despatched. The helpline operator will give you specific instructions on how the exchange will be executed. Failure to comply with these instructions may result in delay and cost to you.
9. The exchange fax will be delivered in a customised case by courier. It is the customer's responsibility to promptly remove the exchange fax and insert the faulty fax in the case provided for collection, to enable the courier to return it to Panasonic.
10. The exchange fax is to be regarded as a like for like exchange under warranty and the balance of the warranty period will transfer to the exchange unit. The purchaser's sole and exclusive remedy under this guarantee against Panasonic is for the repair or replacement of the appliance or any defective parts and no other remedy, including, but not limited to; incidental or consequential damage or loss of whatsoever nature shall be available to the purchaser.
11. Where the original fax is found to be faulty as a result of unauthorised repairs or modifications or damage either by accident, misuse or improper installation then Panasonic reserves the right to charge the customer a contribution towards repair costs.
12. If at any time during the guarantee period any parts of the appliance are replaced with parts not supplied or approved by us or of an objective quality, safe and suitable for the appliance, or has been dismantled or repaired by any person not authorised by us, we shall have the right to terminate this guarantee in whole or in part immediately without further notice.
13. This warranty applies to the original purchaser only and is not transferable.
14. The warranty period applicable to this product shall be 12 months from the date of purchase.

Please keep these Operating Instructions with your receipt.

Panasonic Business Systems U.K.

Receipt No. _____	Date of Purchase _____
Model No. KX-FL401E _____	Serial No. _____

9.1 Index

- # #01 Date and time: 20
- #02 Your logo: 21
- #03 Your fax number: 22
- #04 Sending report: 30, 42
- #06 FAX ring count: 42
- #17 Ringer type: 42
- #22 Automatic journal report: 30, 43
- #23 Overseas mode: 43
- #25 Delayed send: 43
- #26 Automatic caller information list: 43
- #30 Silent fax ring count: 44
- #37 Auto reduction: 44
- #39 LCD display contrast: 44
- #41 Fax activation code: 44
- #44 Memory reception alert: 44
- #46 Friendly reception: 44
- #49 Auto disconnection: 45
- #58 Scan contrast: 45
- #68 ECM selection: 45
- #72 Recall time: 45
- #73 Manual answer mode: 45
- #76 Connecting tone: 46
- #78 TEL/FAX ring setting: 46
- #79 Toner save: 46
- #80 Set default: 46
- A** Accessories
 - Document stacker: 16
 - Paper stacker: 15
 - Paper tray: 15
 - Advanced features: 43
 - Alert
 - Memory reception (Feature #44): 44
 - Answering machine: 37
 - Auto disconnection (Feature #49): 45
 - Auto reduction (Feature #37): 44
- B** Basic features: 42
- Broadcast transmission: 31
- C** Caller ID
 - Calling back: 26
 - Storing: 28
 - Caller information list (Feature #26): 43
 - Character table: 21
 - Cleaning: 61
 - Connecting tone (Feature #76): 46
 - Connections: 18
 - Copy: 39
 - Collation: 40
 - Enlarge: 39
 - Reduce: 39
- D** Date and time (Feature #01): 20
- Delayed transmission (Feature #25): 43
- Display
 - Contrast (Feature #39): 44
 - Error messages: 48
 - Document size: 30
- Drum life: 67
- Drum unit
 - Installing: 13
 - Replacing: 54
- E** ECM selection (Feature #68): 45
- Error messages: 47, 48
- Extension telephone: 36
- F** Fax activation code (Feature #41): 44
- Fax number (Feature #03): 22
- FAX ONLY mode: 35
- Feeder pressure: 61
- Friendly reception (Feature #46): 44
- H** Help: 19
- J** Jams
 - Document: 60
 - Recording paper: 57
- Journal report (Feature #22): 30, 43
- Junk fax prohibitor: 38
- L** Logo (Feature #02): 21
- M** Manual answer mode (Feature #73): 45
- Memory reception alert (Feature #44): 44
- O** One-touch dial
 - Making a phone call: 24
 - Sending faxes: 31
 - Storing: 24
- Overseas mode (Feature #23): 43
- P** Phonebook
 - Making a phone call: 23
 - Sending faxes: 31
 - Storing: 23
- Polling: 37
- Power failure: 53
- Programming: 41
- Q** Quick scan: 29
- R** Recall time (Feature #72): 45
- Receiving faxes
 - Automatically: 35
 - Manually: 35
- Recording paper: 17
- Recording paper size: 66
- Redialling: 29, 31
- Reports
 - Broadcast programming: 64
 - Broadcast sending: 32
 - Caller information: 43
 - Journal: 30, 64
 - Power down: 53
 - Printer test: 64
 - Sending: 30, 42
 - Setup: 64
 - Telephone number: 64
- Reset (Feature #80): 46
- Resolution: 29, 39
- Ringer type (Feature #17): 19, 42
- Ring setting

9. Index

- FAX ONLY (Feature #06): 42
- Silent fax (Feature #30): 44
- TEL/FAX (Feature #78): 46
- S** Scan contrast (Feature #58): 45
- Sending faxes
 - Broadcast: 32
 - From memory: 29
 - Manually: 29
 - One-touch dial: 31
 - Phonebook: 31
- Sending report (Feature #04): 30, 42
- Set default (Feature #80): 46
- Storing
 - Broadcast: 31
 - One-touch dial: 24
 - Phonebook: 23
- T** TEL/FAX mode: 36
- TEL mode: 35
- Toner cartridge
 - Installing: 13
 - Replacing: 54
- Toner life: 66
- Toner save (Feature #79): 14, 46
- V** Volume: 19

Notes

CE 0682

Sales Department:

Panasonic Business Systems U.K.

Panasonic House, Willoughby Road, Bracknell, Berkshire, RG12 8FP

Manufacturer:

Panasonic Communications (Malaysia) Sdn. Bhd.

PLO No.1, Kawasan Perindustrian Senai, KB No. 104, 81400 Senai, Negeri Johor Darul Ta'zim, Malaysia

Global web site:

<http://panasonic.net>



FL401 E

PFQX2587ZA CM0406DT0