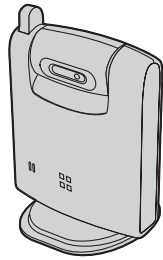


# Panasonic

## Operating Instructions for Cordless Camera

Model No. **KX-TGA914EX**

**Indoor Use Only**



Cordless Camera

Contents/Inhalt/Table des matières	Page/Seite/Page
English instructions	1 – 20
Deutsche Anleitung	(1) – (20)
Instructions en français	<1> – <20>

Please read these Operating Instructions before using the unit and save for future reference.

## **Table of Contents**

---

### **Introduction**

Feature highlight .....	3
Important information .....	4

### **Preparation**

Controls .....	5
Setting up the cordless camera .....	6
Symbols used in these operating instructions .....	9

### **Camera Monitoring**

Camera monitoring using a handset .....	10
---	----

### **Useful Information**

Cancelling the cordless camera .....	13
Wall mounting .....	14
Troubleshooting .....	17
Specifications .....	19

## *Introduction*

---

---

### **Feature highlight**

---

#### **Camera monitoring using the handset**

**Important:**

- In these operating instructions, the term “handset” is used to refer to the KX-TGA910EX.

You can monitor the room where the cordless camera is located when:

- you access the cordless camera using the handset (page 10).
- the cordless camera pages the handset when it detects sound (page 11).
- the cordless camera user pages the handset using the call button (page 11).

## Introduction

### Important information

#### General

- Use only the AC adaptor included with this product.
- Do not connect the AC adaptor to any AC outlet other than a standard 220–240 V AC outlet.
- This product should not be used near emergency/intensive care medical equipment and should not be used by people with pacemakers.
- Care should be taken that objects do not fall onto, and liquids are not spilled into, the unit. Do not subject this product to excessive smoke, dust, mechanical vibration or shock.

#### Environment

- Do not use this product near water.
- This product should be kept away from heat sources such as radiators, cookers, etc. It should also not be placed in rooms where the temperature is less than 5 °C or greater than 40 °C.
- The AC adaptor is used as the main disconnect device. Ensure that the AC outlet is installed near the product and is easily accessible.

#### Warning:

- To prevent the risk of electrical shock, do not expose this product to rain or any other type of moisture.
- Unplug this product from power outlets if it emits smoke, an abnormal smell, or makes unusual noise. These conditions can cause fire or electric shock. Confirm that smoke has stopped emitting and contact an authorised service centre.

#### Routine care

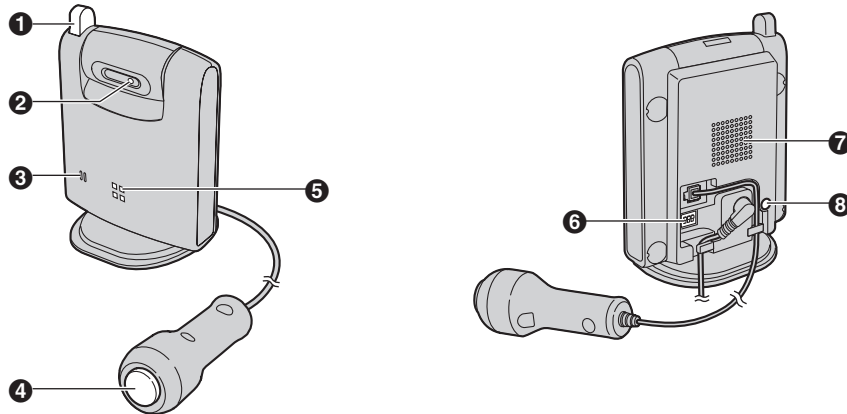
- After cleaning away the dust on the lens, wipe the lens with a cotton bud.

#### Conditions for using the cordless camera

- The cordless camera is intended for indoor use only. Prolonged exposure to direct sunlight or halogen light may damage the camera lens.
- Use the cordless camera in a bright place such as under daylight or a well-lit room.
- Do not use the cordless camera in the following places:
  - near incandescent lamps.
  - near any electrical appliance that emits a strong radio signal.
  - where the subject of the picture is against a light source or in front of a mirror.
  - in places where temperature varies greatly, such as near an air conditioner or heater.
  - any place exposed to oil or steam such as a kitchen.
  - where an object such as glass can cause temperature change due to reflection.
- When using the cordless camera, please take into consideration the rights of others with regard to privacy.

## Preparation

### Controls



- ❶ Antenna
- ❷ Camera lens
- ❸ MIC (Microphone)
- ❹ Call button

- ❺ Indicator
- ❻ DIP switches
- ❼ Speaker
- ❽ PROG. (Program)

### Understanding the cordless camera indicator

The cordless camera indicator shows the status as follows.

Status	Description
Red (flashing rapidly)	<ul style="list-style-type: none"> <li>• The cordless camera is not registered. Register the cordless camera (page 13).</li> <li>• The cordless camera is out of range. Locate the cordless camera near the base unit.</li> </ul>
Yellow-green	<ul style="list-style-type: none"> <li>• The cordless camera is registered and in standby mode.</li> </ul>
Yellow-green (flashing)	<ul style="list-style-type: none"> <li>• The camera sensor is responding and the cordless camera is paging the handset.</li> <li>• The cordless camera is connected and sending live images to the handset.</li> </ul>

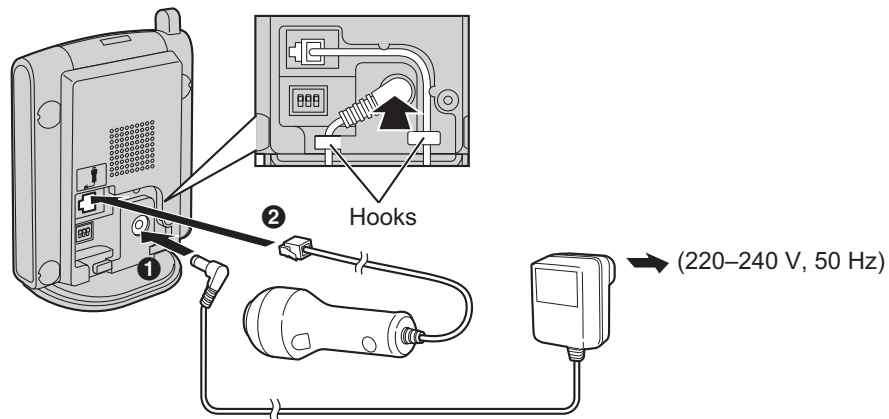
## Preparation

### Setting up the cordless camera

#### Connecting the AC adaptor and the call button

Connect the AC adaptor cord by pressing the plug firmly **(1)**. Connect the call button cord until it clicks into the unit **(2)**.

- Use only the included AC adaptor.



#### Note:

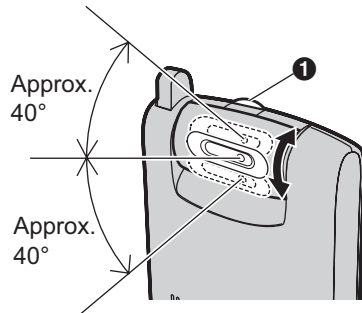
- The AC adaptor must remain connected at all times. (It is normal for the adaptor to feel warm during use.)
- The AC adaptor should be connected to a vertically oriented or floor-mounted AC outlet. Do not connect the AC adaptor to a ceiling-mounted AC outlet, as the weight of the adaptor may cause it to become disconnected.

## Preparation

### Adjusting the cordless camera lens angle

Aim the camera lens by pushing the tab **(1)** and rotating the lens up or down.

- Using the handset, confirm that the area you want to monitor from the cordless camera is displayed (page 10).

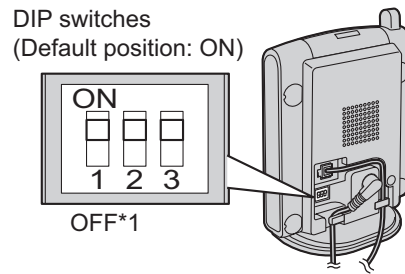


#### Note:

- Do not touch the camera lens (page 5).

## Preparation

### Setting the DIP switches



You can set the following functions by using DIP switches 2 and 3.  
DIP switch 1 is not used for any settings.  
Slide each switch with a pointed object such as a pen as necessary.

DIP switch	Function	ON (default)	OFF*1
1	—	—	—
2	Image orientation	Normal	Upside down
3	Speaker volume	Normal	Low

\*1 Slide the switch down.

#### Displaying the image upside down (DIP switch 2)



To turn the camera image upside down, set to OFF. This feature is useful when you mount the cordless camera upside down (page 15).

#### Selecting the cordless camera speaker volume (DIP switch 3)

If you want to lower the speaker volume, set to OFF (LOW).

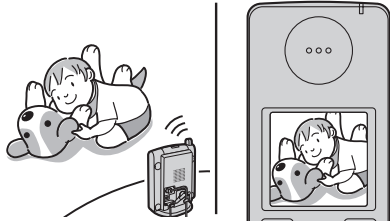


## Symbols used in these operating instructions

Symbol	Meaning
	Press  (centre of joystick).
→	Proceed to the next operation.
<b>OK</b>	Press <b>OK</b> (centre of joystick).
“ ”	Select the words in quotations shown on the display (e.g., “Cancel Handset”) by pushing the joystick up or down.

## Camera Monitoring


### Camera monitoring using a handset



With a handset, you can monitor the image and sound of the room where the cordless camera is located. The monitored camera does not ring, allowing you to easily monitor a baby's room, for example, from different areas of the house.

#### Important:




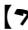
- Before you start monitoring, confirm that the camera lens of the cordless camera has been adjusted to the correct angle.
- Only 1 person can access the cordless camera at a time.
- A refreshed image taken by the cordless camera is displayed every few seconds. The displayed image is not a moving picture.
- While monitoring a cordless camera, other users cannot make an intercom call or transfer a call.
- The monitoring connection is automatically cancelled after 10 minutes.
- While monitoring you cannot place the handset on the base unit or charger. The monitoring connection will be cancelled.
- The cordless camera may not page handsets in the following conditions:
  - when other users are on an intercom or conference call.
  - when electrical interference is emitted from electrical devices.

– while you are on a call with the handset. (In this case you will hear 2 tones and  will flash on the handset.)

- You cannot make a monitoring connection via a DECT repeater.

### Monitoring the cordless camera from a handset

#### Handset

- 1 [INT]
- 2 Select the desired cordless camera. → /[]/[]
- 3 Speak to the cordless camera user if necessary.  
OR  
To mute your sound output, press [C/⊗] if necessary.
- 4 When you finish monitoring, press [] or place the handset on the base unit or charger.

#### Adjusting receiver/speaker volume


Push the joystick up or down while monitoring.

#### Talking to the paged party using the cordless camera

When the cordless camera is paged from a handset, the cordless camera does not ring and the speakerphone is turned on. You can talk to the handset user. Speak clearly into the MIC.

## Camera Monitoring


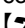

### Handset display item for camera monitoring

Displayed item	Meaning
<b>Example:</b> 	The handset is connected to the cordless camera. When flashing: The cordless camera is paging the handset. (It detects sound or its call button is pressed.)

### Paging the handsets from the cordless camera

The cordless camera can page handsets when it detects sound or by pressing its call button. Then the answering handset user can monitor live images from the cordless camera.

#### Important:

- Only registered handsets can be paged from the cordless camera. The base unit cannot be paged.
- If a handset is paged by the cordless camera during a call, 2 tones sound and  flashes on the handset. To monitor the cordless camera from the handset, press [, then press [].
- Auto intercom feature cannot be used when paged by a cordless camera.

### Paging using the camera audio sensor

#### Important:


- To use the audio detection feature of the cordless camera, turn the audio detection sensitivity to on (page 12).

#### 1 Camera:

The camera detects sound.


- The camera produces a camera tone and pages the handsets for 1 minute.

#### 2 Handset:

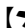
Press [] to answer the page.

- You can monitor the room where the camera is located.

#### 3 Handset:

To mute your sound output, press [] if necessary.

#### 4 Handset:

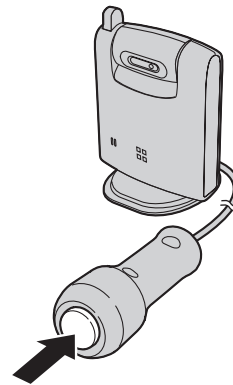
When you finish monitoring, press [] or place the handset on the base unit or charger.

### Paging using the cordless camera call button


#### 1 Cordless camera:

Press the call button.

- The cordless camera produces a camera tone and pages the handsets for 1 minute.
- To stop paging, press the call button again.



#### 2 Handset:

Press [] to answer the page.

- You can monitor the room where the cordless camera is located.

#### 3 Cordless camera:

When the handset user answers, speak clearly into the MIC.

#### 4 Handset:

## Camera Monitoring

When you finish monitoring, press **[X/O]** or place the handset on the base unit or charger.

### Useful settings while camera monitoring

With a handset, you can set the camera settings while monitoring.

#### Adjusting the display brightness

There are 6 levels.

- 1 Start monitoring (page 10).
- 2 Press **[\*]** repeatedly to adjust the brightness.

#### Note:

- When you finish monitoring, the setting is reset to the default.

#### Selecting image zoom

- 1 Start monitoring (page 10).
- 2 Press **[Z]** to zoom in on the image.
  - To return to the original view, press **[Z]** again.

### Setting the audio detection sensitivity

The cordless camera features a sensor that detects human voices such as a baby cry. Sounds other than human voices may be difficult to detect. To use this feature, confirm that the cordless camera is located in a place where it can easily detect voices. Once the sensor has detected sound, the cordless camera pages the handset.

There are 3 levels. The default setting is "off".

- 1 Start monitoring (page 10).
- 2 **[M]**
- 3 To turn the feature on, push the joystick up. Push the joystick up or down to select the desired sensitivity.
  - To turn this feature off, push down the joystick repeatedly.

#### 4 **[OK]**






#### Note:

- When you turn this feature off, the cordless camera cannot detect sound (page 11).
- To set the appropriate level, test the sensor of the camera from the handset beforehand.

## Useful Information

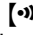
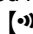
### Cancelling the cordless camera

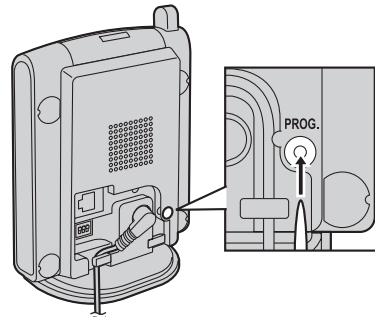
Using a handset registered to the same base unit, you can cancel the registration of a registered cordless camera.

- 1  (centre of joystick) →  → **OK**
- 2 Enter "335".
- 3 "Cancel Handset" → **OK**
- 4 Select the cordless camera you want to cancel. → 
  - A ✓ is displayed with the selected item.
  - To cancel a selected item, select it again. → 
- 5 **OK** → "Yes" → **OK**
  - "Please Wait..." will be displayed and a long beep will sound.
- 6 

### Registering the cordless camera

The included cordless camera and base unit are preregistered. If for some reason the cordless camera is not registered to the base unit, register the cordless camera.

- 1 **Base unit:**  
Press and hold  on the base unit for about 3 seconds, until the registration tone sounds.
- 2 **Camera:**  
Press PROG. (program) on the back side of the cordless camera with a pointed object such as a pen until a beep sounds.
  - When registration is completed successfully, the cordless camera beeps and the indicator stops flashing red but remains lit in yellow-green (page 5).
  - If all registered handset start ringing in step 2, press  to stop. Start again from step 1.



## Useful Information

### Wall mounting

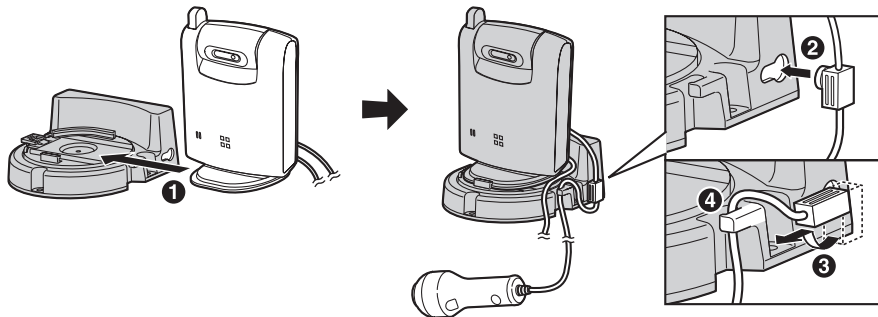
The cordless camera can be mounted by the standard mounting or upside down mounting.

#### CAUTION:

- Mount the cordless camera on the stable location where the unit can be adequately supported when installing.
- The AC adaptor should be connected to a vertically oriented or floor-mounted AC outlet. Do not connect the AC adaptor to a ceiling-mounted AC outlet, as the weight of the adaptor may cause it to become disconnected.
- **Do not mount the cordless camera on a soft material. It may fall down, break or cause injury.**
- Do not mount the cordless camera on the following places: plaster board, ALC (autoclaved lightweight cellular concrete), concrete block, plywood less than 25 mm thick, and etc.
- Do not pull the call button wire after you mount the cordless camera on the wall.
- After mounting the cordless camera on the wall, speak loudly and clearly into the MIC when talking with the handset user.

### Connecting the wall-mounting adaptor

- ① Slide the cordless camera into the wall-mounting adaptor in the direction of the arrow until it clicks into the place.
- ② Tuck the call button wire into the hole on the side of the wall-mounting adaptor by plugging the small wire fixture into the hole.
- ③ Turning it slightly and sliding it in place.
- ④ Fasten the call button wire to the hook of the wall-mounting adaptor.

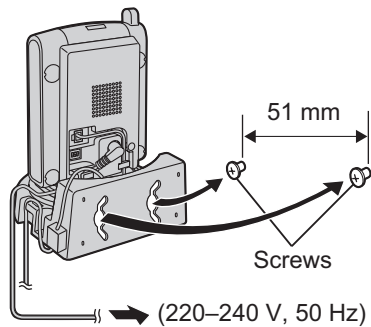


## Useful Information

### Mounting the cordless camera on the wall

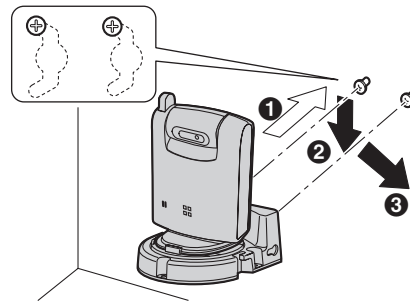
#### Standard mounting

**1** Drive the screws (not included) into the wall at a recommended height of 1.8 m or below using the wall mount template as a guide (page 16).



**2** Mount the cordless camera (1), then slide it down (2) and to the right (3) until it is secure.

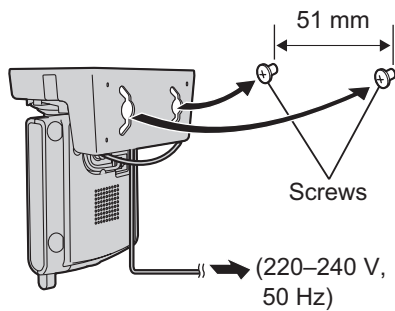
- To aim the camera lens, see page 7.



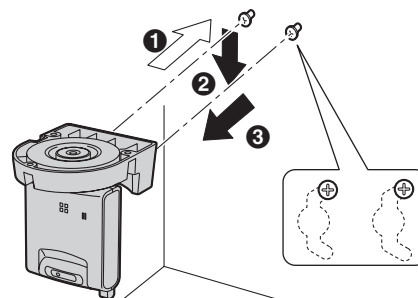
#### Upside down mounting

- The image may be seen upside down when mounting upside down. To compensate for this, change the cordless camera setting to display images upside down (page 8).

**1** Drive the screws (not included) into the wall at a recommended height of 1.8 m or below using the wall mount template as a guide (page 16).



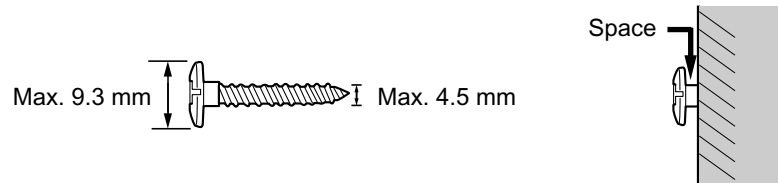
**2** Mount the cordless camera (1), then slide it down (2) and to the left (3) until it is secure.



## Useful Information

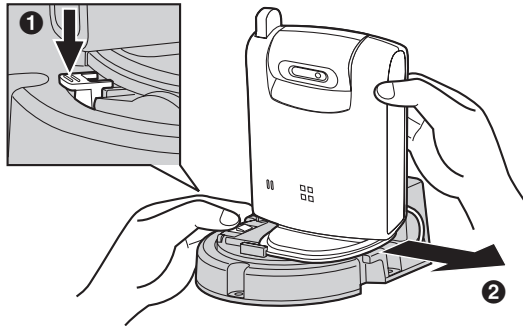
### About the screws for wall mounting

- Use the recommended screw size below.
- Drive the mounting screws leaving enough length from the wall to hook the cordless camera.

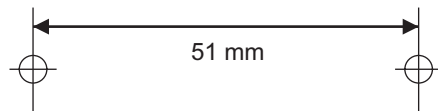


### Removing the wall-mounting adaptor

Press and hold the hold button (❶) on the left side of the wall-mounting plate. Slide the cordless camera to the right (❷).



### Wall mount template for the cordless camera





**Troubleshooting**

<b>Problem</b>	<b>Cause &amp; solution</b>
The cordless camera does not work.	<ul style="list-style-type: none"> <li>● Check the connections (page 6).</li> <li>● The cordless camera is not registered to the base unit. Register the cordless camera to the base unit (page 13).</li> </ul>
The cordless camera's indicator is flashing red.	<ul style="list-style-type: none"> <li>● The cordless camera is not registered to the base unit. Register the cordless camera to the base unit (page 13).</li> <li>● The cordless camera is out of range. Locate the cordless camera near the base unit.</li> </ul>
The image is faint.	<ul style="list-style-type: none"> <li>● The camera lens is dirty. Clean it with a soft dry cloth.</li> <li>● Do not touch the lens directly. Fingerprint may cause an unclear image.</li> </ul>
The image sent from the cordless camera is poor on the handset display.	<ul style="list-style-type: none"> <li>● Adjust the display brightness setting (page 12).</li> <li>● The place where the cordless camera is located is dark. Improve lighting.</li> </ul>
The image sent from the cordless camera is dark and difficult to see on the handset display.	<ul style="list-style-type: none"> <li>● Adjust the display brightness setting (page 12).</li> <li>● There is a strong sunlight or a backlight in the place where the cordless camera is located. Try shading the camera's location.</li> </ul>
I cannot connect to the cordless camera, the image distorts, or the image is slow.	<ul style="list-style-type: none"> <li>● The cordless camera has lost communications with the base unit. Move the cordless camera closer to the base unit, and try again.</li> <li>● There is an obstacle such as concrete wall. Move the cordless camera to the place without an obstacle.</li> <li>● A microwave appliance is in use. Move the cordless camera closer to the base unit or use the cordless camera away from that appliance, and try again.</li> </ul>
The camera sensor does not respond.	<ul style="list-style-type: none"> <li>● If you set the audio detection sensitivity to off, the camera sensor does not respond. Turn this feature on (page 12).</li> <li>● While a handset is monitoring the cordless camera, the cordless camera stops detecting sound.</li> </ul>
I pressed the call button but the cordless camera does not page the handsets.	<ul style="list-style-type: none"> <li>● While the image of the cordless camera is being monitored by a handset, the call button will not have response.</li> </ul>

### **Useful Information**

<b>Problem</b>	<b>Cause &amp; solution</b>
The handset speaker and/or the cordless camera emit a howling noise while monitoring.	<ul style="list-style-type: none"><li>● Move the handset away from the cordless camera.</li></ul>
When using the handset speakerphone to have an intercom call with the cordless camera, sound cuts in and out and you have difficulty hearing the other party.	<ul style="list-style-type: none"><li>● Lower the speaker volume by pushing the joystick down.</li></ul>

## Useful Information

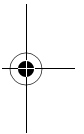
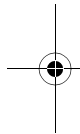
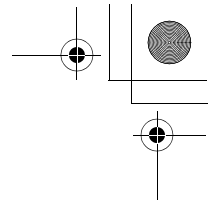
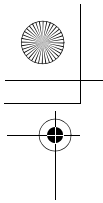
### Specifications

- **Standard:**  
DECT (Digital Enhanced Cordless Telecommunications)
- **Number of channels:**  
120 Duplex Channels
- **Frequency range:**  
1.88 GHz to 1.9 GHz
- **Duplex procedure:**  
TDMA (Time Division Multiple Access)
- **Channel spacing:**  
1,728 kHz
- **Bit rate:**  
1,152 kbit/s
- **Modulation:**  
GFSK (Gaussian Frequency Shift Keying)
- **RF transmission power:**  
Approx. 250 mW
- **Power source:**  
220–240 V, 50 Hz
- **Power consumption:**  
Standby: Approx. 2.1 W  
Maximum: Approx. 3.9 W
- **Operating conditions:**  
5 °C–40 °C, 20 %–80 % relative air humidity (dry)
- **Dimensions:**  
Approx. 124 mm × 86 mm × 68 mm
- **Mass (weight):**  
Approx. 140 g
- **Number of pixels:**  
12,288 pixels
- **Illuminance:**  
10 lux (min.)
- **Focus:**  
Fixed 0.4 m–Infinity
- **Photograph angle:**  
Vertical angle: Approx. 35°  
Horizontal angle: Approx. 45°

**Note:**

- Specifications are subject to change.

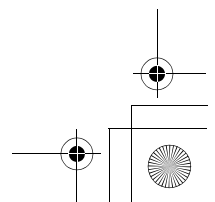
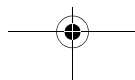
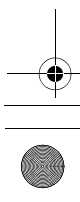
- The illustrations used in these operating instructions may differ slightly from the actual product.



**Copyright:**

This material is copyrighted by Panasonic Communications Co., Ltd., and may be reproduced for internal use only. All other reproduction, in whole or in part, is prohibited without the written consent of Panasonic Communications Co., Ltd.

© 2006 Panasonic Communications Co., Ltd. All Rights Reserved.

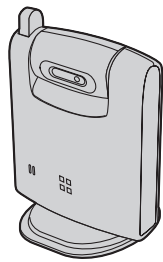


# Panasonic

## Bedienungsanleitung der schnurlosen Kamera

Modellbez. **KX-TGA914EX**

**Nur für den Innenbereich geeignet**



Schnurlose Kamera

Bitte lesen Sie diese Bedienungsanleitung durch, bevor Sie das Gerät in Betrieb nehmen. Bewahren Sie diese Bedienungsanleitung als zukünftige Referenz gut auf.

## **Inhalt**

---

### **Einführung**

Besonderes Leistungsmerkmal . . . . .	3
Wichtige Informationen . . . . .	4

### **Vorbereitung**

Bedienelemente . . . . .	5
Einrichten der schnurlosen Kamera . . . . .	6
In dieser Bedienungsanleitung verwendete Symbole . . . . .	9

### **Kameraüberwachung**

Kameraüberwachung über das Mobilteil. . . . .	10
---	----

### **Nützliche Informationen**

Löschen der schnurlosen Kamera . . . . .	13
Wandmontage . . . . .	14
Fehlerbehebung . . . . .	17
Technische Daten . . . . .	19

---

---

## **Besonderes Leistungsmerkmal**

---

### **Kameraüberwachung über das Mobilteil**

**Wichtig:**

- In dieser Bedienungsanleitung wird mit der Bezeichnung "Mobilteil" auf KX-TGA910EX verwiesen.

Der Raum, in dem sich die schnurlose Kamera befindet, wird angezeigt, wenn:

- Sie auf die schnurlose Kamera über das Mobilteil zugreifen (Seite 10).
- die schnurlose Kamera das Mobilteil ruft, weil sie Geräusche erkennt (Seite 11).
- der Benutzer der schnurlosen Kamera das Mobilteil durch Benutzung der Ruftaste ruft (Seite 11).

## Einführung

### Wichtige Informationen

#### Allgemein

- Verwenden Sie nur das im Lieferumfang enthaltene.
- Schließen Sie das Netzteil nur an eine Standard-Netzsteckdose mit 220–240 V AC an.
- Dieses Produkt darf nicht in der Nähe von medizinischer Notfall-/ Intensivpflegeausrüstung verwendet und nicht von Menschen mit Herzschrittmachern betrieben werden.
- Stellen Sie sicher, dass keine Objekte auf das Gerät fallen können und keine Flüssigkeiten in das Gerät verschüttet werden. Setzen Sie das Produkt weder übermäßigem Rauch oder Staub noch mechanischen Schwingungen oder Stößen aus.

#### Betriebsumgebung

- Verwenden Sie dieses Produkt nicht in der Nähe von Wasser.
- Betreiben Sie dieses Produkt nicht in der Nähe von Wärmequellen, wie Heizungen, Kochern usw. Stellen Sie dieses Produkt nicht in Räumen auf, in denen die Temperatur unter 5 °C oder über 40 °C liegt.
- Das Netzteil dient als Trennung zum übrigen Stromnetz. Stellen Sie sicher, dass sich die Netzsteckdose in der Nähe des Produkts befindet und leicht zugänglich ist.

#### Warnung:

- Setzen Sie dieses Gerät niemals Regen oder Feuchtigkeit aus, um elektrische Schläge zu vermeiden.
- Ziehen Sie den Netzstecker des Produkts aus der Steckdose, wenn es Rauch entwickelt, einen anomalen Geruch verströmt oder ungewöhnliche Geräusche von sich gibt. Diese Bedingungen können Brände oder elektrische Schläge auslösen. Warten Sie, bis

das Gerät nicht mehr raucht, und wenden Sie sich an eine autorisierte Kundendienststelle.

#### Pflege

- Nachdem der Staub von der Linse entfernt wurde, die Linse mit einem Wattestäbchen wischen.

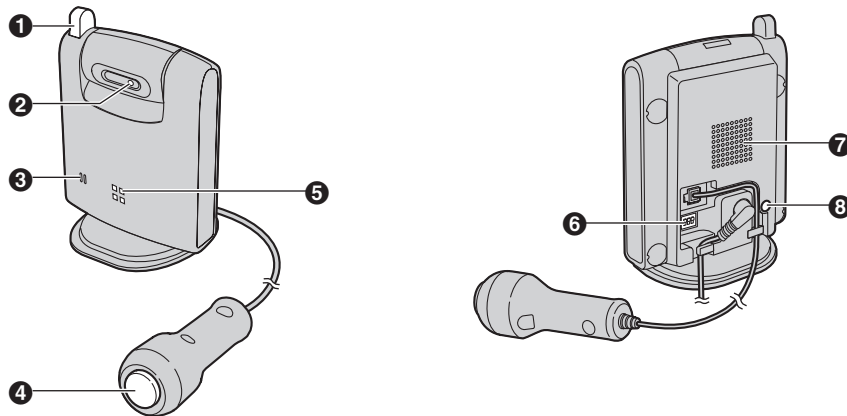
#### Bedingungen für die Nutzung der schnurlosen Kamera

- Die schnurlose Kamera ist nur für den Betrieb im Innenbereich vorgesehen. Längerer Betrieb unter direkter Sonnen- oder Halogenlichteinstrahlung kann zur Beschädigung der Kameralinse führen.
- Benutzen Sie die schnurlose Kamera an einem hellen Ort, beispielsweise unter Tageslichtbedingungen oder in einem gut beleuchteten Zimmer.
- Benutzen Sie die schnurlose Kamera nicht an den folgenden Orten:
  - In der Nähe von Glühlampen.
  - In der Nähe von elektrischen Geräten die starke Funksignale ausstrahlen.
  - An Orten, wo der Bildgegenstand gegen eine Lichtquelle oder vor einem Spiegel steht.
  - An Orten, wo große Temperaturschwankungen auftreten, wie zum Beispiel in der Nähe von Klimaanlage oder Heizungen.
  - An Orten, wo das Gerät Öl oder Dampf ausgesetzt sein würde (z.B. in der Küche).
  - An Orten wo Gegenstände wie Glas Temperaturunterschiede durch Reflektion hervorrufen können.
- Berücksichtigen Sie bitte die Rechte anderer hinsichtlich ihrer Privatsphäre, wenn Sie die schnurlose Kamera benutzen.



## Vorbereitung

### Bedienelemente



- |                                |                         |
|--------------------------------|-------------------------|
| ❶ Antenne                      | ❺ Anzeige               |
| ❷ Kameralinse                  | ❻ DIP-Schalter          |
| ❸ MIC (Mikrofon)               | ❼ Lautsprecher          |
| ❹ Rufvorrichtung für Mobilteil | ❽ PROG. (Programmieren) |

### Die Anzeige der schnurlosen Kamera

Die Anzeige der schnurlosen Kamera zeigt den Status wie folgt an.

Status	Beschreibung
Rot (blinkt schnell)	<ul style="list-style-type: none"> <li>Die schnurlose Kamera ist nicht registriert. Registrieren Sie die schnurlose Kamera (Seite 13).</li> <li>Die schnurlose Kamera befindet sich außerhalb der Reichweite. Bringen Sie die schnurlose Kamera in der Nähe der Basisstation an.</li> </ul>
Gelb-grün	<ul style="list-style-type: none"> <li>Die schnurlose Kamera ist registriert und befindet sich im Standby-Modus.</li> </ul>
Gelb-grün (blinkt)	<ul style="list-style-type: none"> <li>Der Kamerasensor reagiert und die schnurlose Kamera ruft das Mobilteil.</li> <li>Die schnurlose Kamera ist verbunden und überträgt Live-Bilder an das Mobilteil.</li> </ul>

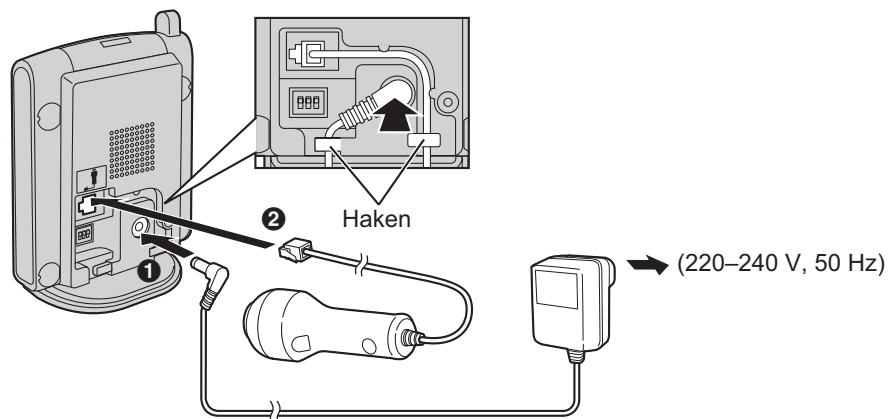
## Vorbereitung

# Einrichten der schnurlosen Kamera

### Anschluss des Netzteils und der Ruf taste

Schließen Sie das Netzteilkabel an, indem Sie den Stecker fest in die Buchse drücken (1). Schließen Sie das Kabel der Rufvorrichtung so an, dass der Stecker im Gerät einrastet (2).

- Verwenden Sie nur das mitgelieferte Netzteil.



### Hinweis:

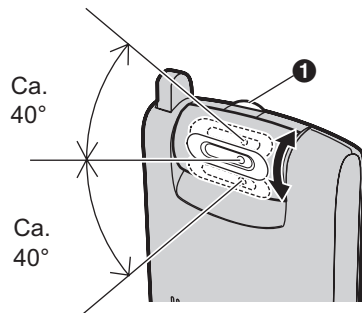
- Das Netzteil muss stets angeschlossen bleiben. (Es ist normal, dass sich das Netzteil während des Betriebs warm anfühlt.)
- Das Netzteil sollte an einer Wand- oder Bodensteckdose angeschlossen werden. Schließen Sie das Netzteil nicht an einer Deckensteckdose an, da sein Gewicht es aus der Steckdose ziehen könnte.

## Vorbereitung

### Einstellen des Linsenwinkels der schnurlosen Kamera

Drücken Sie den Stift **①** und richten Sie die Kameralinse aus, indem Sie sie auf und ab bewegen.

- Überprüfen Sie mit dem Mobilteil, dass die Kamera auch das von Ihnen gewünschte Gebiet erfasst (Seite 10).



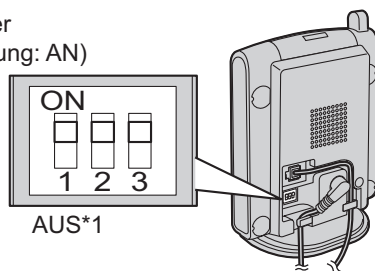
#### Hinweis:

- Berühren Sie nicht die Kameralinse (Seite 5).

## Vorbereitung

### Einstellen der DIP-Schalter

DIP-Schalter  
(Voreinstellung: AN)



Sie können die folgenden Funktionen mit den DIP-Schaltern 2 und 3 einstellen.

Mit dem DIP-Schalter 1 werden keine Einstellungen vorgenommen.

Schieben Sie die Tasten mit einem spitzen Gegenstand, beispielsweise einem Stift, nach Bedarf.

DIP-Schalter	Funktionsmodus	ON (AN) (Standardeinstellung)	OFF (AUS) <sup>*1</sup>
1	–	–	–
2	Bildausrichtung	Normal	Um 180° gedreht
3	Lautsprecher-Lautstärke	Normal	Niedrig

\*1 Schieben Sie die Taste nach unten.



#### Anzeigen des Bildes um 180° gedreht (DIP-Schalter 2)

Um das Kamerabild um 180° zu drehen, den Schalter auf AUS stellen. Diese Funktion ist nützlich, wenn Sie die schnurlose Kamera auf dem Kopf herum anbringen (Seite 15).

#### Auswahl der Lautsprecher-Lautstärke der schnurlosen Kamera (DIP-Schalter 3)

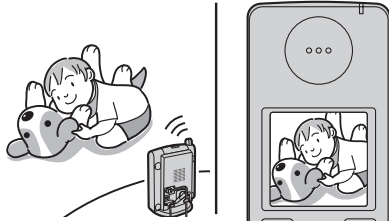
Wenn Sie die Lautsprecher-Lautstärke verringern wollen, stellen sie den Schalter auf AUS (Niedrig).

## In dieser Bedienungsanleitung verwendete Symbole

Symbol	Bedeutung
	Drücken Sie auf  (Joystickmitte).
→	Gehen Sie weiter zum nächsten Vorgang.
<b>OK</b>	Drücken Sie auf <b>OK</b> (Joystickmitte).
" "	Wählen Sie die in Anführungszeichen gesetzten Wörter im Display (z. B. " <b>Mobilt.</b> <b>Löschen</b> "), indem Sie den Joystick nach oben oder unten drücken.

## Kameraüberwachung

### Kameraüberwachung über das Mobilteil



Mit einem Mobilteil können Sie Bild und Ton des Raums, in dem sich die schnurlose Kamera befindet, überwachen. Die Kamera klingelt nicht, so dass Sie leicht ein Kinderzimmer oder ähnliches von verschiedenen Stellen im Haus aus überwachen können.

#### Wichtig:

- Bevor Sie mit der Überwachung beginnen, überprüfen Sie, ob die Kameralinse der schnurlosen Kamera auf den richtigen Winkel eingestellt wurde.
- Es kann immer nur 1 Person auf die schnurlose Kamera zugreifen.
- In Abständen von einigen Sekunden wird ein aktuelles, von der schnurlosen Kamera gemachtes Bild angezeigt. Bei dem angezeigten Bild handelt es sich nicht um bewegte Bilder.
- Während die schnurlose Kamera aktiviert ist, können keine internen Anrufe getätigt oder Anrufe weitergeleitet werden.
- Die Überwachungsverbindung mit der Kamera wird nach 10 Minuten automatisch abgebrochen.
- Während der Überwachung können Sie das Mobilteil nicht auf die Basisstation oder das Ladegerät legen. Ansonsten wird die Überwachungsverbindung mit der Kamera abgebrochen.
- Die schnurlose Kamera ruft das Mobilteil unter den folgenden Bedingungen nicht:

- wenn andere Benutzer gerade interne Anrufe tätigen oder in einer Konferenzschaltung sind.
- wenn durch elektrische Interferenz bedingte Störungen durch andere Elektrogeräte auftreten.
- wenn Sie gerade einen Anruf mit dem Mobilteil tätigen. (Wenn dies der Fall ist, hören Sie 2 Töne und blinkt auf dem Mobilteil.)
- Sie können keine Überwachungsverbindung mittels einem DECT-Verstärker aufbauen.

### Überwachen der schnurlosen Kamera von einem Mobilteil

#### Mobilteil

- 1** [INT]
- 2** Wählen Sie die gewünschte schnurlose Kamera aus. → /[]/[]
- 3** Sprechen Sie mit dem Benutzer der schnurlosen Kamera, wenn nötig.  
ODER  
Drücken Sie [C/⊗] zum Stummschalten Ihrer Tonausgabe, wenn nötig.
- 4** Drücken Sie nach Beendigung des Überwachens [⊗] oder legen Sie das Mobilteil auf die Basisstation bzw. die Ladeschale.

#### Einstellen der Hörer-/Freisprech-Lautstärke


Drücken Sie den Joystick während des Überwachens nach oben oder unten.

#### Mit der gerufenen Seite über die schnurlose Kamera sprechen

Wenn die schnurlose Kamera von einem Mobilteil gerufen wird, klingelt es zwar nicht, aber die Freisprecheinrichtung wird eingeschaltet. Sie können mit dem Benutzer des Mobilteils sprechen. Sprechen Sie deutlich in das Mikrofon.

## Kameraüberwachung




### Das Anzeigenelement des Mobilteils für die Kameraüberwachung

Angezeigter Eintrag	Bedeutung
<b>Beispiel:</b> 	Das Mobilteil ist mit der schnurlosen Kamera verbunden. Blinkt: Die schnurlose Kamera ruft das Mobilteil. (Es erkennt Geräusche oder die Ruftaste wird gedrückt.)

### Mobilteile von der schnurlosen Kamera aus rufen

Die schnurlose Kamera kann Mobilteile rufen, wenn sie Geräusche erkennt oder ihre Ruftaste gedrückt wird. Dann kann der Benutzer des Mobilteils sich Live-Bilder von der schnurlosen Kamera anzeigen lassen.

#### Wichtig:

- Nur registrierte Mobilteile können von der schnurlosen Kamera gerufen werden. Die Basisstation kann nicht gerufen werden.
- Wenn das Mobilteil während eines Telefongesprächs von der schnurlosen Kamera gerufen wird, ertönen 2 Töne und  blinkt am Mobilteil. Um dann die schnurlose Kamera mit dem Mobilteil zu verbinden und sich die Bilder anzusehen, drücken Sie , und dann .
- Die Funktion der Interngespräche kann nicht benutzt werden, wenn von einer schnurlosen Kamera aus gerufen wird.

### Paging (Rufen) über den Audio-Sensor der Kamera

#### Wichtig:

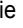
- Um die Audio-Erkennung der schnurlosen Kamera zu nutzen, schalten Sie die Empfindlichkeit der Audio-Erkennung an (Seite 12).

#### 1 Kamera:

Die Kamera erkennt Geräusche.


- Die Kamera gibt einen Ton ab und ruft das Mobilteil eine Minute lang.

#### 2 Mobilteil:


Drücken Sie , um auf das Rufen zu reagieren.

- Sie können den Raum, in dem sich die Kamera befindet, überwachen.

#### 3 Mobilteil:

Drücken Sie  zum Stummschalten Ihrer Tonausgabe, wenn nötig.

#### 4 Mobilteil:

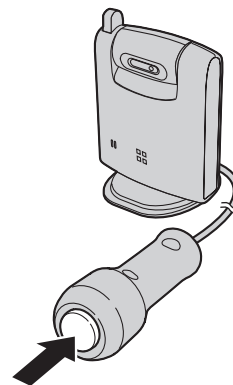
Drücken Sie nach Beendigung des Überwachens  oder legen Sie das Mobilteil auf die Basisstation bzw. die Ladeschale.

### Paging (Rufen) mit der Ruftaste der schnurlosen Kamera

#### 1 Schnurlose Kamera:

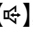
Drücken Sie die Ruftaste.

- Die schnurlose Kamera gibt einen Kameraton ab und ruft das Mobilteil eine Minute lang.
- Um das Paging abubrechen, drücken Sie erneut die Ruftaste.



## Kameraüberwachung

### 2 Mobilteil:

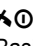
Drücken Sie , um auf das Rufen zu reagieren.

- Sie können den Raum, in dem sich die Kamera befindet, überwachen.

### 3 Schnurlose Kamera:

Wenn der Benutzer des Mobilteils antwortet, sprechen Sie deutlich in das Mikrofon.

### 4 Mobilteil:


Drücken Sie nach Beendigung des Überwachens  oder legen Sie das Mobilteil auf die Basisstation bzw. die Ladeschale.

## Nützliche Einstellungen während der Kameraüberwachung

Während des Überwachungsprozesses können Sie mit dem Mobilteil die Kameraeinstellungen vornehmen.

### Einstellen der Helligkeit der Anzeige


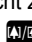
Es gibt 6 verschiedene Stufen.

- 1 Beginnen Sie mit der Überwachung (Seite 10).
- 2 Drücken Sie wiederholt , um die Helligkeit einzustellen.

#### Hinweis:

- Wenn Sie die Überwachung beenden, werden die Standardeinstellungen wieder hergestellt.



### Einstellen der Bildvergrößerung

- 1 Beginnen Sie mit der Überwachung (Seite 10).
- 2 Drücken Sie die -Taste, um das Bild zu vergrößern.
  - Um zur Ausgangsansicht zurückzukehren, drücken Sie erneut auf .

### Einstellen der Empfindlichkeit der Audio-Erkennung

Die schnurlose Kamera ist mit einem Sensor ausgestattet, der menschliche Stimmen, wie beispielsweise die von Kleinkindern, erkennt. Geräusche, die nicht menschlichen Stimmen entsprechen, werden nur bedingt durch das Gerät erkannt. Um diese Funktion zu nutzen, stellen Sie sicher, dass die schnurlose Kamera an einem Ort angebracht ist, an dem sie leicht Stimmen wahrnehmen kann. Wenn der Sensor Geräusche erkennt, ruft die schnurlose Kamera das Mobilteil.

Es gibt 3 verschiedene Stufen. Die Standardeinstellung ist "Aus".

- 1 Beginnen Sie mit der Überwachung (Seite 10).
- 2 
- 3 Um diese Funktion zu aktivieren, drücken Sie den Joystick nach oben. Drücken Sie den Joystick nach oben oder unten, um die gewünschte Empfindlichkeit auszuwählen.
  - Um diese Funktion zu deaktivieren, drücken Sie den Joystick wiederholt nach unten.
- 4 

#### Hinweis:




- Wenn Sie diese Funktion deaktivieren, kann die schnurlose Kamera keine Geräusche erkennen (Seite 11).
- Zur Einstellung der richtigen Stufe testen Sie den Sensor der Kamera mit dem Mobilteil vorher aus.



## Nützliche Informationen

### Löschen der schnurlosen Kamera

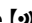
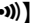
Mit einem an der selben Basisstation registrierten Mobilteil können Sie die Registrierung der schnurlosen Kamera löschen.

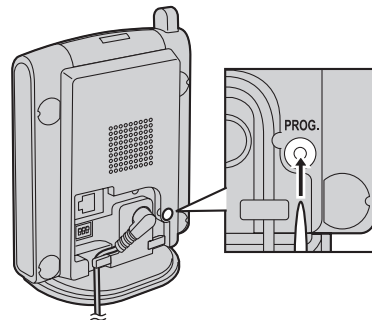
- 1  (Joystickmitte) →  → **OK**
- 2 Geben Sie "335" ein.
- 3 "Mobilt. Löschen" → **OK**
- 4 Wählen Sie die schnurlose Kamera aus, die Sie löschen möchten. → 
  - Ein ✓ wird mit dem ausgewählten Menüeintrag angezeigt.
  - Um einen gewählten Menüeintrag zu löschen, wählen Sie ihn noch einmal aus. →
- 5 **OK** → "Ja" → **OK**
  - "Bitte Warten..." wird angezeigt und ein langer Signalton ertönt.
- 6 

### Registrieren der schnurlosen Kamera

Die im Lieferumfang enthaltene schnurlose Kamera und die entsprechende Basisstation sind werkseitig vorregistriert.

Sollte die schnurlose Kamera aus irgendeinem Grund nicht an der Basisstation registriert sein, registrieren Sie die schnurlose Kamera.

- 1 **Basisstation:**  
Halten Sie  an der Basisstation ca. 3 Sekunden lang gedrückt, bis das Registriersignal ertönt.
- 2 **Kamera:**  
Drücken Sie PROG. (programmieren) auf der Rückseite der schnurlosen Kamera mit einem spitzen Gegenstand, beispielsweise einem Stift, bis ein Signal ertönt.
  - Wenn die Registrierung erfolgreich abgeschlossen wurde, gibt die schnurlose Kamera einen Signalton ab und die Anzeige hört auf rot zu blinken, leuchtet jedoch gelb-grün weiter (Seite 5).
  - Wenn alle registrierten Mobilteile in Schritt 2 zu klingeln beginnen, drücken Sie , um den Vorgang zu beenden. Wiederholen Sie den Vorgang erneut ab Schritt 1.



## Nützliche Informationen

### Wandmontage

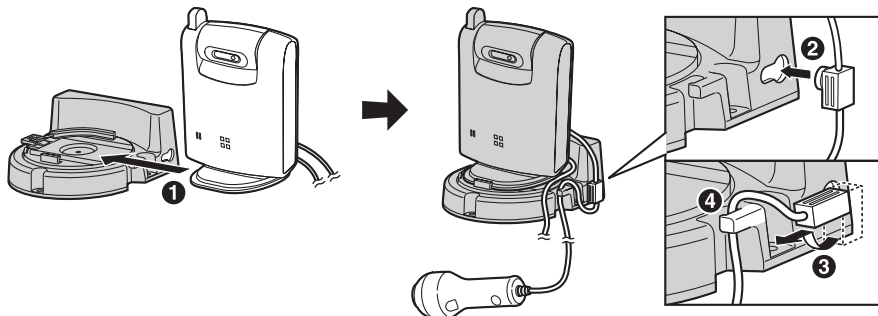
Die schnurlose Kamera kann normal oder um 180° gedreht angebracht werden.

#### VORSICHT:

- Bringen Sie die schnurlose Kamera an dem zukünftigen Standort an und achten Sie darauf, dass das Gerät bei der Montage gut befestigt wird.
- Das Netzteil sollte an einer Wand- oder Bodensteckdose angeschlossen werden. Schließen Sie das Netzteil nicht an einer Deckensteckdose an, da sein Gewicht es aus der Steckdose ziehen könnte.
- **Bringen Sie die schnurlose Kamera nicht auf weichem Material an. Ansonsten kann sie herunterfallen, beschädigt werden oder Verletzungen verursachen.**
- Bringen Sie die schnurlose Kamera nicht auf folgendem Material an: Gipskarton, autoklavierter Leichtgewichts-Gasbeton, Betonblock, Sperrholz mit weniger als 25 mm Dicke etc.
- Ziehen Sie nicht am Kabel der Rufvorrichtung, nachdem die schnurlose Kamera an der Wand montiert wurde.
- Nachdem die schnurlose Kamera an der Wand angebracht wurde, sprechen sie laut und deutlich in das Mikrofon, wenn Sie mit dem Benutzer des Mobilteils reden.

### Anschließen der Wandhalterung

- ❶ Schieben Sie die schnurlose Kamera in Pfeilrichtung in die Wandhalterung, bis sie einrastet.
- ❷ Befestigen Sie das Kabel der Rufaste auf der Seite der Wandhalterung, indem Sie die kleine Kabelbefestigungsvorrichtung in das Loch drücken.
- ❸ Drehen Sie es dabei und schieben Sie es in die vorgesehene Position.
- ❹ Befestigen Sie das Kabel der Rufaste am Haken der Wandhalterung.

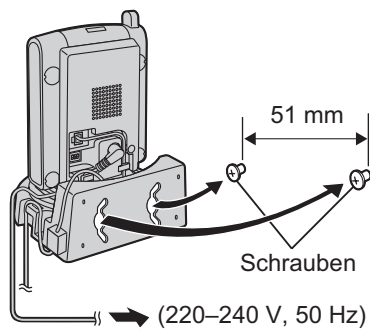


## Nützliche Informationen

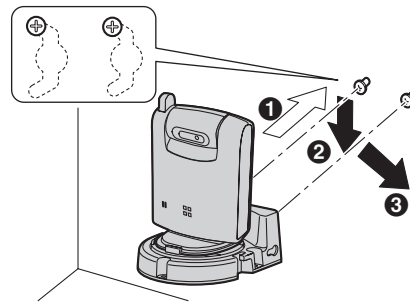
### Wandmontage der schnurlosen Kamera

#### Standard-Montage

- 1 Benutzen Sie die Wandmontageschablone (Seite 16) als Vorlage, um die Schrauben (nicht mitgeliefert) in der empfohlenen Höhe von 1,8 m oder niedriger in die Wand zu schrauben.



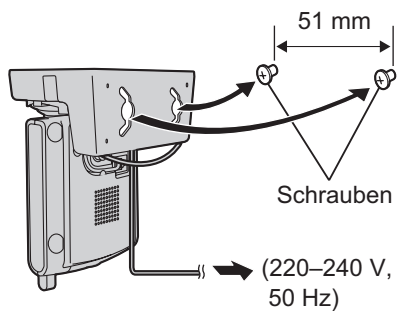
- 2 Bringen Sie die schnurlose Kamera an (1), schieben Sie sie dann nach unten (2) und nach rechts (3), bis sie sicher sitzt.
  - Richten Sie die Kameralinse aus, siehe Seite 7.



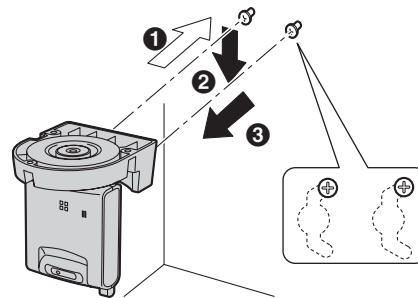
#### Montage um 180° gedreht

- Das Bild steht auf dem Kopf, wenn die Kamera um 180° gedreht angebracht wird. Um das auszugleichen, ändern Sie die Einstellungen der schnurlosen Kamera so, dass das Kamerabild um 180° gedreht angezeigt wird (Seite 8).

- 1 Benutzen Sie die Wandmontageschablone (Seite 16) als Vorlage, um die Schrauben (nicht mitgeliefert) in der empfohlenen Höhe von 1,8 m oder niedriger in die Wand zu schrauben.



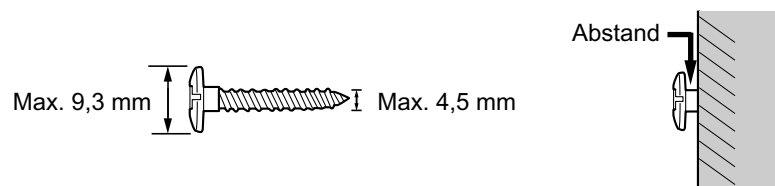
- 2 Bringen Sie die schnurlose Kamera an (1), schieben Sie sie dann nach unten (2) und nach links (3), bis sie sicher sitzt.



## Nützliche Informationen

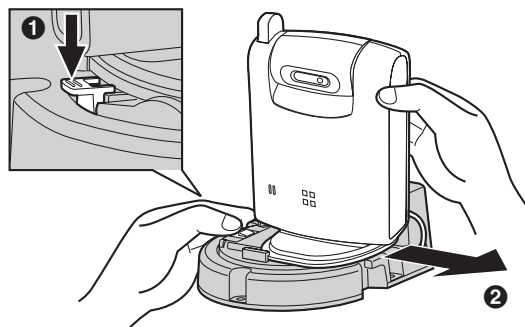
### Zu den Schrauben für die Wandmontage

- Benutzen Sie Schrauben der unten angegebenen Größe.
- Schrauben Sie die Schrauben in die Wand, lassen Sie aber genügend Abstand zur Wand, um die schnurlose Kamera aufzuhängen.

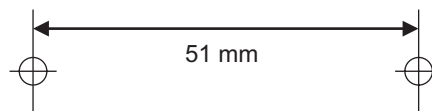


### Entfernen der Wandhalterung

Halten Sie die Taste (1) auf der linken Seite der Wandhalterungsplatte gedrückt. Schieben Sie die schnurlose Kamera nach rechts (2).



### Wandmontageschablone für die schnurlose Kamera



**Nützliche Informationen****Fehlerbehebung**

<b>Problem</b>	<b>Ursache und Lösung</b>
Die schnurlose Kamera funktioniert nicht.	<ul style="list-style-type: none"> <li>● Prüfen Sie die Anschlüsse (Seite 6).</li> <li>● Die schnurlose Kamera ist nicht an der Basisstation registriert. Registrieren Sie die schnurlose Kamera an der Basisstation (Seite 13).</li> </ul>
Die Anzeige der schnurlosen Kamera blinkt rot.	<ul style="list-style-type: none"> <li>● Die schnurlose Kamera ist nicht an der Basisstation registriert. Registrieren Sie die schnurlose Kamera an der Basisstation (Seite 13).</li> <li>● Die schnurlose Kamera befindet sich außerhalb der Reichweite. Bringen Sie die schnurlose Kamera in der Nähe der Basisstation an.</li> </ul>
Das Bild ist sehr blass.	<ul style="list-style-type: none"> <li>● Die Kameralinse ist verschmutzt. Reinigen Sie sie mit einem weichen trockenen Tuch.</li> <li>● Berühren Sie nicht die Linse direkt. Fingerabdrücke können unscharfe Bilder verursachen.</li> </ul>
Das von der schnurlosen Kamera gesendete Bild wird auf der Mobilteil-Anzeige sehr schwach wiedergegeben.	<ul style="list-style-type: none"> <li>● Stellen Sie die Helligkeit der Anzeige ein (Seite 12).</li> <li>● Der Standort der schnurlosen Kamera ist dunkel. Verbessern Sie die Lichtverhältnisse.</li> </ul>
Das von der schnurlosen Kamera gesendete Bild wird auf der Mobilteil-Anzeige sehr dunkel wiedergegeben und ist nur schwer zu erkennen.	<ul style="list-style-type: none"> <li>● Stellen Sie die Helligkeit der Anzeige ein (Seite 12).</li> <li>● Am Standort der schnurlosen Kamera gibt es starkes Sonnenlicht oder eine starke Hintergrundbeleuchtung. Versuchen Sie den Standort der Kamera abzudunkeln.</li> </ul>
Ich kann keine Verbindung mit der schnurlosen Kamera herstellen, das Bild ist verzerrt oder bewegt sich langsam.	<ul style="list-style-type: none"> <li>● Die Verbindung der schnurlosen Kamera mit der Basisstation ist abgebrochen. Stellen Sie die schnurlose Kamera näher an der Basisstation auf und versuchen Sie es erneut.</li> <li>● Es gibt ein Hindernis wie zum Beispiel eine Betonwand. Stellen Sie die Kamera an einem Ort ohne derartige Hindernisse auf.</li> <li>● Ein Mikrowellengerät wird benutzt. Stellen Sie die schnurlose Kamera näher an der Basisstation auf oder benutzen Sie die schnurlose Kamera in einiger Entfernung zum Mikrowellengerät und versuchen Sie es erneut.</li> </ul>
Der Kamerasensor reagiert nicht.	<ul style="list-style-type: none"> <li>● Wenn Sie die Empfindlichkeit der Audio-Erkennung ausgestellt haben, reagiert der Kamerasensor nicht. Aktivieren Sie diese Funktion (Seite 12).</li> <li>● Wenn die schnurlose Kamera mit einem Mobilteil überwacht wird, funktioniert die Audio-Erkennung nicht.</li> </ul>

### **Nützliche Informationen**

<b>Problem</b>	<b>Ursache und Lösung</b>
Ich habe die Ruftaste gedrückt, aber die schnurlose Kamera ruft das Mobilteil nicht.	<ul style="list-style-type: none"><li>• Während das Bild der schnurlosen Kamera mit einem Mobilteil überwacht wird, reagiert die Ruftaste nicht.</li></ul>
Der Lautsprecher des Mobilteils und/oder die schnurlose Kamera verursachen heulende Störgeräusche während der Überwachung.	<ul style="list-style-type: none"><li>• Halten Sie das Mobilteil entfernt von der schnurlosen Kamera.</li></ul>
Während der Lautsprecher des Mobilteils für Interngespräche mit der schnurlosen Kamera benutzt wird, fällt der Ton vorübergehend aus und man hat Schwierigkeiten, den Gesprächspartner zu verstehen.	<ul style="list-style-type: none"><li>• Verringern Sie die Lautsprecher-Lautstärke, indem Sie den Joystick nach unten drücken.</li></ul>

## Nützliche Informationen

### Technische Daten

**■ Standard:**

DECT (Digital Enhanced Cordless Telecommunications: Digitale, schnurlose verbesserte Telekommunikation)

**■ Anzahl der Kanäle:**

120 Duplex-Kanäle

**■ Frequenzbereich:**

1,88 GHz bis 1,9 GHz

**■ Duplexverfahren:**

TDMA (Time Division Multiple Access: Zeitmultiplexverfahren)

**■ Kanalabstand:**

1.728 kHz

**■ Bitrate:**

1.152 kbit/s

**■ Modulation:**

GFSK (Gaussian Frequency Shift Keying: Frequenzumtastung mit Gauss-Filter)

**■ RF-Übertragungsleistung:**

Ca. 250 mW

**■ Stromversorgung:**

220–240 V, 50 Hz

**■ Leistungsaufnahme:**

Bereitschaft: ca. 2,1 W

Maximum: ca. 3,9 W

**■ Betriebsbedingungen:**

5 °C–40 °C, 20 %–80 % relative Luftfeuchtigkeit (trocken)

**■ Abmessungen:**

Ca. 124 mm × 86 mm × 68 mm

**■ Masse (Gewicht):**

Ca. 140 g

**■ Pixelanzahl:**

12.288 Pixel

**■ Leuchtstärke:**

10 lux (min.)

**■ Fokus:**

Feststehend 0,4 m – Unendlich

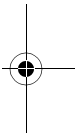
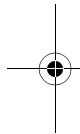
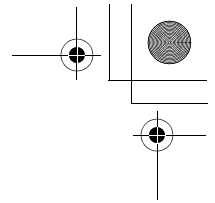
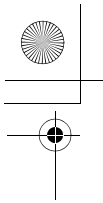
**■ Einstellwinkel:**

Vertikaler Winkel: ca. 35°

Horizontaler Winkel: ca. 45°

**Hinweis:**

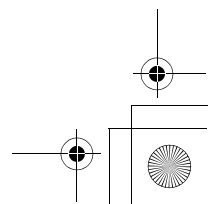
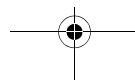
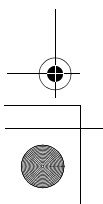
- Änderungen der technischen Daten ohne vorherige Ankündigung vorbehalten.
- Die in dieser Bedienungsanleitung verwendeten Abbildungen können vom eigentlichen Produkt geringfügig abweichen.



**Urheberrecht:**

Dieses Material ist von Panasonic Communications Co., Ltd. urheberrechtlich geschützt und darf nur für interne Zwecke reproduziert werden. Jede weitere Reproduktion des Materials, sowohl im Ganzen als auch auszugsweise, ist ohne schriftliche Genehmigung von Panasonic Communications Co., Ltd. nicht gestattet.

© 2006 Panasonic Communications Co., Ltd. Alle Rechte vorbehalten.



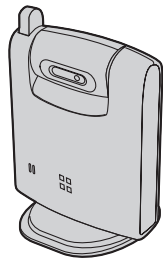


# Panasonic

## Manuel utilisateur de la caméra sans fil

Modèle **KX-TGA914EX**

**Pour usage à l'intérieur seulement**



Caméra sans fil

Veuillez lire le présent manuel avant d'utiliser l'appareil et conservez-le pour référence ultérieure.

## Sommaire

---

### Introduction

Fonction remarquable .....	3
Informations importantes .....	4

### Préparatifs

Commandes .....	5
Installation de la caméra sans fil .....	6
Symboles utilisés dans ce manuel utilisateur .....	9

### Fonction de surveillance de la caméra

Fonction de surveillance de la caméra à l'aide d'un combiné .....	10
---	----

### Informations utiles

Annulation de la caméra sans fil .....	13
Montage mural .....	14
Dépannage .....	17
Caractéristiques .....	19

---

---

## Fonction remarquable

---

### Fonction de surveillance de la caméra à l'aide du combiné

**Important :**

- Dans ce manuel utilisateur, le terme “combiné” est utilisé pour faire référence au KX-TGA910EX.

Vous pouvez surveiller la pièce dans laquelle se trouve la caméra sans fil si :

- vous avez accès à la caméra sans fil à l'aide du combiné (page 10) ;
- la caméra sans fil appelle le combiné lorsqu'il détecte un son (page 11) ;
- l'utilisateur de la caméra sans fil appelle le combiné à l'aide du bouton d'appel (page 11).

## Introduction

### Informations importantes

#### Généralités

- N'utilisez que l'adaptateur secteur fourni avec ce produit.
- Ne branchez l'adaptateur secteur que sur une prise secteur de type 220–240 V c.a. standard.
- Cet appareil ne doit être utilisé ni à proximité d'un appareil de soins médicaux d'urgence ou intensifs, ni par des personnes portant un appareil de stimulation cardiaque (pacemaker).
- Veillez à ce qu'aucun objet ou liquide ne pénètre dans l'appareil. N'exposez pas l'appareil à une fumée excessive, à la poussière, aux vibrations mécaniques ou aux chocs.

#### Environnement

- N'utilisez pas cet appareil près de l'eau.
- Maintenez l'appareil éloigné de toute source de chaleur (radiateur, autocuiseur, etc.) et ne le laissez pas dans une pièce où la température est inférieure à 5 °C ou supérieure à 40 °C.
- L'adaptateur secteur est utilisé comme principal organe de déconnexion. Assurez-vous que la prise secteur est installée près de l'appareil et est facilement accessible.

#### Attention :

- Pour éviter tout risque de décharge électrique, n'exposez jamais cet appareil à la pluie ou toute autre source d'humidité.
- Débranchez l'appareil de la prise électrique s'il émet de la fumée, une odeur anormale ou fait un bruit inhabituel. Ces situations pourraient en effet provoquer un incendie ou une décharge électrique. Assurez-vous que la fumée a cessé et contactez un centre de service agréé.

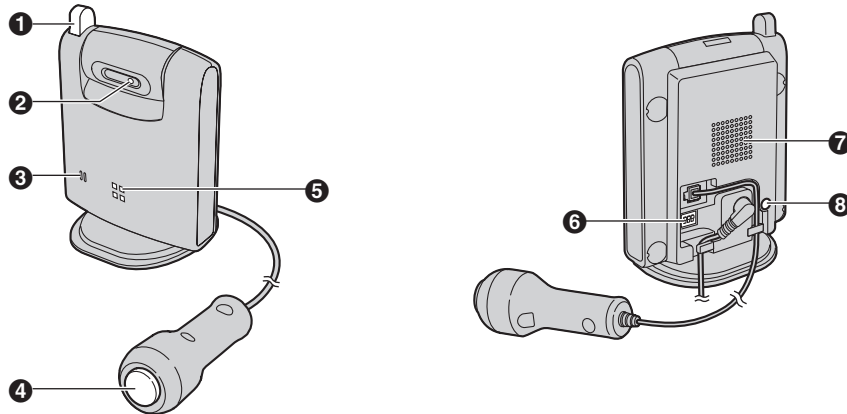
#### Entretien habituel

- Après avoir éliminé la poussière déposée sur l'objectif, nettoyez-le à l'aide d'un coton-tige.

#### Conditions d'utilisation de la caméra sans fil

- La caméra sans fil est destinée à un usage intérieur uniquement. Une exposition prolongée aux rayons directs du soleil ou à la lumière d'un halogène peut endommager l'objectif de la caméra.
- Utilisez la caméra sans fil dans un endroit lumineux comme une pièce recevant la lumière du jour ou une pièce bien éclairée.
- N'utilisez pas la caméra sans fil :
  - à proximité de lampes à incandescence ;
  - à proximité de tout appareil électrique émettant un signal radio important ;
  - dans un endroit où le sujet de l'image est à contre-jour ou devant un miroir ;
  - dans des endroits où la température varie considérablement, comme à proximité d'un climatiseur ou d'un appareil de chauffage ;
  - dans un endroit exposé à des particules d'eau ou d'huile comme une cuisine ;
  - dans un endroit où un objet, comme du verre, peut engendrer un changement de température en raison de la réflexion.
- Lorsque vous utilisez la caméra sans fil, tenez compte des droits d'autrui relatifs au respect de la vie privée.

## Commandes



- |                         |                     |
|-------------------------|---------------------|
| ❶ Antenne               | ❷ Voyant            |
| ❸ Objectif de la caméra | ❸ Commutateurs DIP  |
| ❹ MIC (micro)           | ❹ Haut-parleur      |
| ❺ Bouton d'appel        | ❺ PROG. (programme) |

### Voyant de la caméra sans fil

Le voyant de la caméra sans fil indique l'état comme suit.

Etat	Description
Rouge (clignote rapidement)	<ul style="list-style-type: none"> <li>La caméra sans fil n'est pas enregistré. Enregistrez-le (page 13).</li> <li>La caméra sans fil est hors de portée. Placez-le à proximité de la base.</li> </ul>
Jaune-vert	<ul style="list-style-type: none"> <li>La caméra est enregistré et en mode veille.</li> </ul>
Jaune-vert (clignote)	<ul style="list-style-type: none"> <li>Le capteur de la caméra répond et la caméra sans fil recherche le combiné.</li> <li>La caméra sans fil est branché et envoie des images en direct vers le combiné.</li> </ul>

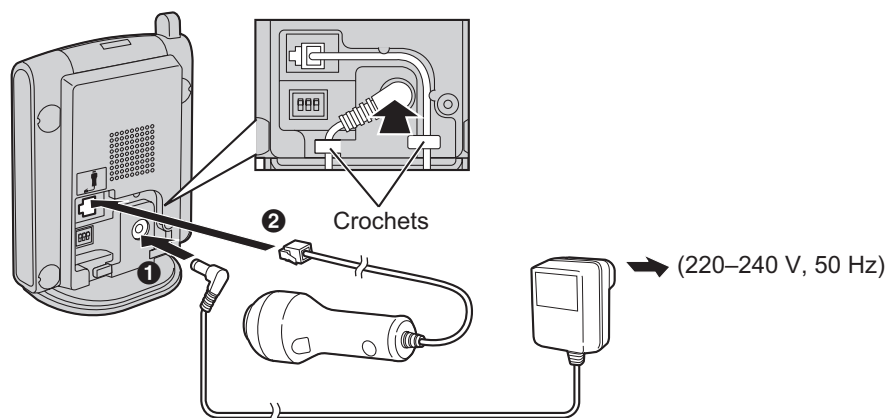
## Préparatifs

### Installation de la caméra sans fil

#### Raccordement de l'adaptateur secteur et du bouton d'appel

Branchez le cordon de l'adaptateur secteur en insérant fermement la fiche (❶). Branchez le cordon du bouton d'appel sur l'appareil jusqu'au déclic (❷).

- N'utilisez que l'adaptateur secteur fourni.



#### Remarque :

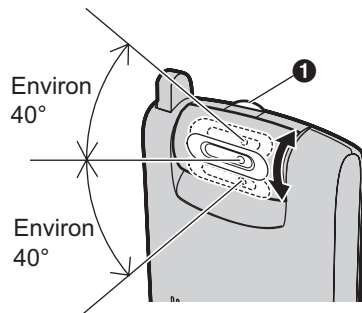
- L'adaptateur secteur doit rester branché en permanence. (Il est normal que l'adaptateur soit chaud pendant son utilisation.)
- L'adaptateur secteur doit être branché sur une prise secteur verticale ou montée au sol. Ne branchez pas l'adaptateur secteur à une prise secteur montée au plafond, car il risque de se débrancher sous l'effet de son poids.

## Préparatifs

### Réglage de l'angle de vue de l'objectif de la caméra sans fil

Dirigez l'objectif de la caméra en appuyant sur la languette (1) et en faisant pivoter l'objectif vers le haut ou vers le bas.

- A l'aide du combiné, vérifiez que la zone à surveiller à partir de la caméra sans fil s'affiche (page 10).

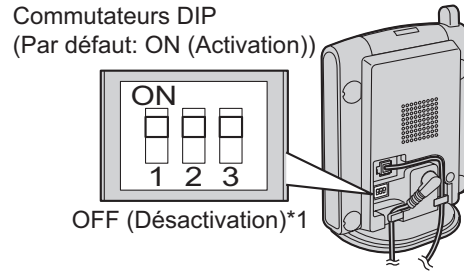


#### Remarque :

- Ne touchez pas l'objectif de la caméra (page 5).

## Préparatifs

### Réglage des commutateurs DIP



Vous pouvez régler les fonctions suivantes à l'aide des commutateurs DIP 2 et 3.  
Le commutateur DIP 1 n'est pas utilisé pour n'importe quel paramètre.  
Déplacez chaque commutateur avec un objet pointu (un stylo, par exemple) au besoin.

Commutateur DIP	Fonction	ON (Activation) (par défaut)	OFF (Désactivation) <sup>*1</sup>
1	–	–	–
2	Orientation de l'image	Normal	Inversée
3	Volume du haut-parleur	Normal	Faible

\*1 Déplacez le commutateur vers le bas.

#### Affichage de l'image inversée (commutateur DIP 2)





Pour inverser l'image de la caméra, réglez le commutateur sur Désactivation. Cette fonction est utile si vous renversez la caméra sans fil (page 15).

#### Sélection du volume du haut-parleur de la caméra sans fil (commutateur DIP 3)

Pour diminuer le volume du haut-parleur, réglez le commutateur sur Désactivation (Faible).

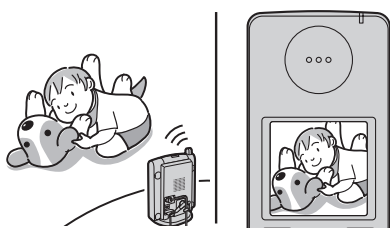


## Symboles utilisés dans ce manuel utilisateur

Symbole	Signification
	Appuyez sur la touche  (centre de la touche de navigation).
→	Procédez à l'opération suivante.
	Appuyez sur la touche  (centre de la touche de navigation).
" "	Sélectionnez les mots entre guillemets affichés à l'écran (par ex., "ANNUL. COMBINE") en déplaçant la touche de navigation vers le haut ou vers le bas.

## Fonction de surveillance de la caméra

### Fonction de surveillance de la caméra à l'aide d'un combiné



Vous pouvez voir et entendre, à l'aide d'un combiné, ce qui se passe dans la pièce où se trouve la caméra sans fil. La caméra en mode surveillance ne sonne pas ; vous permettant ainsi de surveiller facilement la chambre d'un bébé, par exemple, depuis différentes parties de la maison.

#### Important :

- Avant de commencer la surveillance, vérifiez que l'objectif de la caméra sans fil a bien été réglé selon le bon angle.
- Une seule personne à la fois peut accéder à la caméra sans fil.
- Une image actualisée est prise par la caméra sans fil à quelques secondes d'intervalle. L'image affichée est fixe.
- Lorsque la caméra est en mode surveillance, les autres utilisateurs ne peuvent passer un appel d'intercommunication ni transférer un appel.
- La connexion en mode surveillance est automatiquement annulée après 10 minutes.
- Cette fonction ne permet pas de placer le combiné sur la base ou le chargeur, sinon, la connexion est annulée.
- La caméra sans fil risque de ne pas pouvoir appeler les combinés dans les cas suivants :
  - lorsque d'autres utilisateurs passent un appel d'intercommunication ou sont en conférence ;

- lorsque des interférences électriques sont émises par des appareils électriques ;
- lorsque vous êtes en communication avec le combiné. (Dans ce cas, vous entendrez 2 bips et clignote sur le combiné.)

- Vous ne pouvez pas établir de connexion en mode surveillance via un répéteur DECT.

### Fonction de surveillance de la caméra sans fil à partir d'un combiné

#### Combiné

- 1 [INT]
- 2 Sélectionnez la caméra sans fil de votre choix. → /[]/[]
- 3 Parlez à l'utilisateur de la caméra sans fil si nécessaire.  
OU  
Pour désactiver la sortie sonore, appuyez sur [] si nécessaire.
- 4 Une fois la surveillance terminée, appuyez sur [] ou remplacez le combiné sur la base ou le chargeur.

#### Réglage du volume de l'écouteur/du haut-parleur


Déplacez la touche de navigation vers le haut ou vers le bas pendant la surveillance.

#### Conversation avec le correspondant appelé à l'aide de la caméra sans fil

Lorsque la caméra sans fil est appelé depuis un combiné, il ne sonne pas et le haut-parleur est activé. Vous pouvez parler à l'utilisateur du combiné. Parlez clairement dans le micro.

## Fonction de surveillance de la caméra


### Élément affiché sur le combiné pour la fonction de surveillance de la caméra

Élément affiché	Signification
<b>Exemple:</b> 	Le combiné est connecté à la caméra sans fil. Lorsqu'il clignote : La caméra sans fil appelle le combiné. (Il détecte un son ou une pression s'exerce sur son bouton d'appel.)

### Appel des combinés à partir de la caméra sans fil

La caméra sans fil peut appeler les combinés lorsqu'il détecte un son ou si vous appuyez sur son bouton d'appel. L'utilisateur du combiné appelé peut surveiller des images en direct à partir de la caméra sans fil.

#### Important :

- Seuls les combinés enregistrés peuvent être appelés à partir de la caméra sans fil. La base ne peut être appelée.
- Si un combiné est appelé par la caméra sans fil pendant une conversation, 2 bips retentissent et  clignote sur le combiné. Pour exercer une surveillance à partir de la caméra sans fil depuis le combiné, appuyez sur **[↻⊙]**, puis sur **[☎]**.
- La fonction d'intercommunication automatique ne peut être utilisée lorsque le combiné est appelé par une caméra sans fil.

### Appel à l'aide du capteur audio de la caméra sans fil

#### Important :

- Pour utiliser la fonction de détection audio de la caméra sans fil, activez la sensibilité de la détection audio (page 12).

#### 1 Caméra :

La caméra détecte un son.

- La caméra produit un bip et appelle les combinés pendant 1 minute.

#### 2 Combiné :

Appuyez sur la touche **[☎]** pour répondre à l'appel.

- Vous pouvez surveiller la pièce dans laquelle se trouve la caméra.

#### 3 Combiné :

Pour désactiver la sortie sonore, appuyez sur **[C/⊗]** si nécessaire.

#### 4 Combiné :

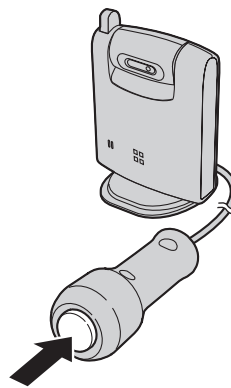
Une fois la surveillance terminée, appuyez sur **[↻⊙]** ou remplacez le combiné sur la base ou le chargeur.

### Appel à l'aide du bouton d'appel de la caméra sans fil

#### 1 Caméra sans fil :

Appuyez sur le bouton d'appel.

- La caméra sans fil produit un bip et appelle les combinés pendant 1 minute.
- Pour arrêter la recherche, appuyez de nouveau sur le bouton d'appel.



#### 2 Combiné :

Appuyez sur la touche **[☎]** pour répondre à l'appel.

- Vous pouvez surveiller la pièce dans laquelle se trouve la caméra sans fil.

## Fonction de surveillance de la caméra

### 3 Caméra sans fil :

Lorsque l'utilisateur du combiné répond, parlez clairement dans le micro.

### 4 Combiné :

Une fois la surveillance terminée, appuyez sur **[📞]** ou replacez le combiné sur la base ou le chargeur.

### Paramètres utiles pour la fonction de surveillance de la caméra

Vous pouvez régler les paramètres de la caméra à l'aide d'un combiné lors de la surveillance.

#### Réglage de la luminosité de l'écran

6 niveaux sont disponibles.

- 1 Démarrez la surveillance (page 10).
- 2 Appuyez à plusieurs reprises sur **[☼]** pour régler la luminosité.

#### Remarque :

- Une fois la surveillance terminée, le réglage par défaut est rétabli.

#### Sélection du zoom d'image

- 1 Démarrez la surveillance (page 10).
- 2 Appuyez sur **[🔍]** pour agrandir l'image.
  - Pour revenir à la vue d'origine, appuyez de nouveau sur **[🔍]**.

### Réglage de la sensibilité de la détection audio

La caméra sans fil est muni d'un capteur qui détecte les voix humaines, comme les cris d'un bébé. Les autres sons risquent de ne pas être facilement détectés. Pour utiliser cette fonction, vérifiez que la caméra sans fil se trouve dans un endroit où les voix peuvent être facilement détectées. Une fois que le capteur a détecté un son, la caméra sans fil appelle le combiné.

3 niveaux sont disponibles. Le réglage par défaut est "Désactivation".

- 1 Démarrez la surveillance (page 10).
- 2 **[🔍]**
- 3 Pour activer la fonction, déplacez la touche de navigation vers le haut. Déplacez la touche de navigation vers le haut ou vers le bas pour sélectionner la sensibilité souhaitée.
  - Pour désactiver cette fonction, déplacez à plusieurs reprises la touche de navigation vers le bas.




### 4 **[OK]**

#### Remarque :

- Lorsque vous désactivez cette fonction, la caméra sans fil ne peut détecter aucun son (page 11).
- Pour régler le niveau approprié, testez d'abord le capteur de la caméra à partir du combiné.

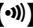
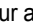
**Informations utiles****Annulation de la caméra sans fil**

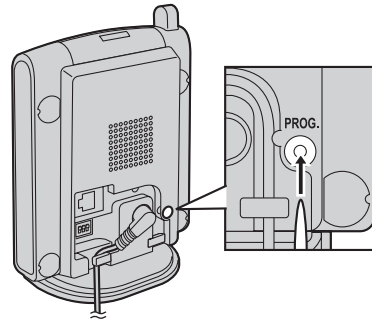
Si vous utilisez un combiné enregistré sur la même base, vous pouvez annuler l'enregistrement d'une caméra sans fil enregistré.

- 1  (centre de la touche de navigation) →  → **OK**
- 2 Entrez "335".
- 3 "ANNUL. COMBINE" → **OK**
- 4 Sélectionnez la caméra sans fil à annuler. → 
  - Une coche (✓) s'affiche en regard de l'élément sélectionné.
  - Pour annuler un élément sélectionné, sélectionnez-le de nouveau. →
- 5 **OK** → "OUI" → **OK**
  - "ATTENDEZ SVP" s'affiche et un bip prolongé retentit.
- 6 

**Enregistrement de la caméra sans fil**

L'appareil photo sans fil et la base inclus sont préenregistrés. Si pour une raison quelconque l'appareil photo sans fil n'est pas enregistré sur la base, enregistrez-le.

- 1 **Base :**  
Appuyez sur la touche  de la base et maintenez-la enfoncée pendant environ 3 secondes jusqu'à ce que la tonalité d'enregistrement retentisse.
- 2 **Caméra :**  
Appuyez sur PROG. (programme) à l'arrière de la caméra sans fil à l'aide d'un objet pointu (un stylo, par exemple) jusqu'à ce qu'un bip retentisse.
  - Une fois l'enregistrement effectué, la caméra sans fil émet un bip et le voyant arrête de clignoter (rouge) mais reste allumé (jaune-vert) (page 5).
  - Si tous les combinés enregistrés commencent à sonner à l'étape 2, appuyez sur la touche  pour arrêter. Recommencez à l'étape 1.



## Informations utiles

### Montage mural

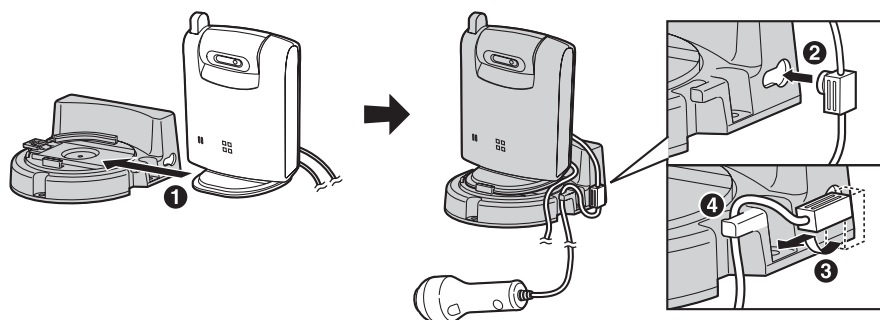
La caméra sans fil peut être installée via le montage standard ou le montage inversé.

#### ATTENTION :

- Montez la caméra sans fil sur un emplacement stable sur lequel l'appareil peut être pris en charge de manière appropriée lors de son installation.
- L'adaptateur secteur doit être branché sur une prise secteur verticale ou montée au sol. Ne branchez pas l'adaptateur secteur à une prise secteur montée au plafond, car il risque de se débrancher sous l'effet de son poids.
- **Ne montez pas la caméra sans fil sur un matériau souple. Il pourrait chuter, se casser ou provoquer des blessures.**
- Ne montez pas la caméra sans fil sur une plaque de plâtre, du béton cellulaire léger autoclavé, un bloc en béton, du contreplaqué d'une épaisseur inférieure à 25 mm, etc.
- Ne tirez pas sur le fil du bouton d'appel après avoir fixé la caméra sans fil au mur.
- Une fois la caméra sans fil fixée au mur, parlez fort et clairement dans le micro pour communiquer avec l'utilisateur du combiné.

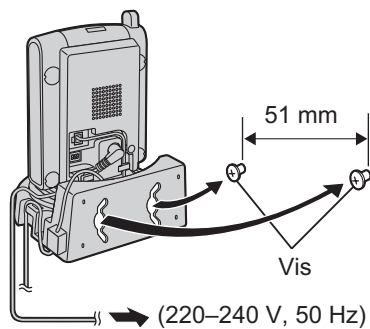
#### Raccordement de l'adaptateur à montage mural

- ❶ Faites glisser la caméra sans fil dans l'adaptateur à montage mural dans le sens de la flèche jusqu'à ce qu'il se mette en place.
- ❷ Placez le fil du bouton d'appel dans le trou situé sur le côté de l'adaptateur à montage mural et insérez la petite fixation du fil dans le trou.
- ❸ Tournez-la légèrement et faites-la glisser pour la mettre en place.
- ❹ Attachez le fil du bouton d'appel au crochet de l'adaptateur à montage mural.



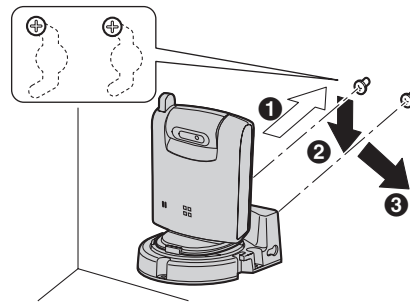
**Informations utiles****Montage mural de la caméra sans fil****Montage standard**

**1** Enfoncez les vis (non fournies) dans le mur (hauteur recommandée : 1,8 m ou moins) en utilisant le gabarit de montage mural comme guide (page 16).



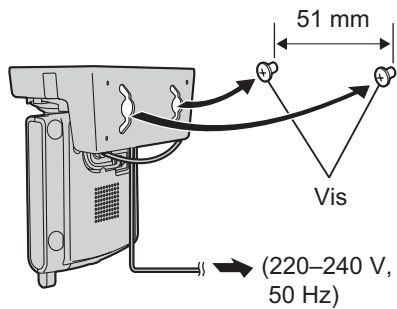
**2** Montez la caméra sans fil **(1)**, puis faites-le glisser vers le bas **(2)** et vers la droite **(3)** jusqu'à ce qu'il soit fixé.

- Pour diriger l'objectif de la caméra, reportez-vous à la page 7.

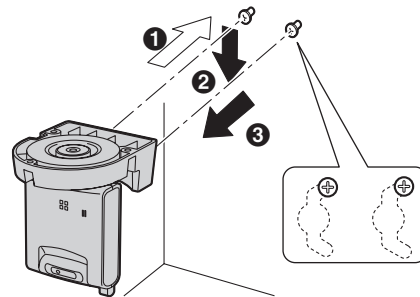
**Montage inversé**

- L'image peut être inversée dans le cas d'un montage inversé. Pour compenser, modifiez le réglage de la caméra sans fil pour afficher les images à l'envers (page 8).

**1** Enfoncez les vis (non fournies) dans le mur (hauteur recommandée : 1,8 m ou moins) en utilisant le gabarit de montage mural comme guide (page 16).



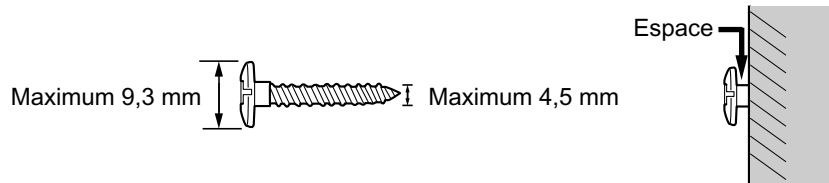
**2** Montez la caméra sans fil **(1)**, puis faites-le glisser vers le bas **(2)** et vers la gauche **(3)** jusqu'à ce qu'il soit fixé.



### Informations utiles

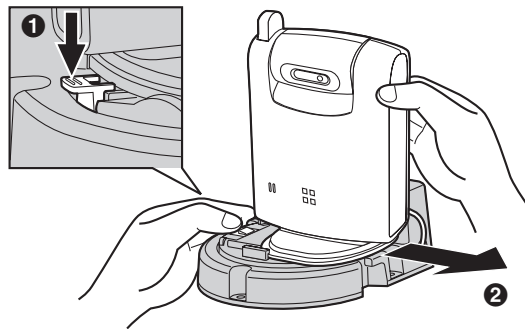
#### A propos des vis de montage mural

- Utilisez des vis dont la taille recommandée est indiquée ci-dessous.
- Enfoncez les vis de montage tout en laissant un espace suffisant au niveau du mur pour accrocher la caméra sans fil.

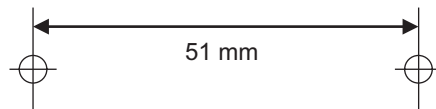


#### Retrait de l'adaptateur à montage mural

Appuyez sur la touche (1) située à gauche de la plaque de montage et maintenez-la enfoncée. Faites glisser la caméra sans fil vers la droite (2).



#### Gabarit de la plaque de montage de la caméra sans fil





**Dépannage**

<b>Problème</b>	<b>Problèmes et solutions</b>
La caméra sans fil ne fonctionne pas.	<ul style="list-style-type: none"> <li>• Vérifiez les raccordements (page 6).</li> <li>• La caméra sans fil n'est pas enregistré sur la base. Enregistrez-le sur la base (page 13).</li> </ul>
Le voyant de la caméra sans fil clignote en rouge.	<ul style="list-style-type: none"> <li>• La caméra sans fil n'est pas enregistré sur la base. Enregistrez-le sur la base (page 13).</li> <li>• La caméra sans fil est hors de portée. Placez la caméra sans fil à proximité de la base.</li> </ul>
L'image est floue.	<ul style="list-style-type: none"> <li>• L'objectif de la caméra est sale. Nettoyez-le avec un chiffon sec et doux.</li> <li>• Ne touchez pas directement l'objectif. Des empreintes de doigts peuvent engendrer une image floue.</li> </ul>
L'image envoyée à partir de la caméra sans fil est de mauvaise qualité sur le combiné.	<ul style="list-style-type: none"> <li>• Réglez la luminosité de l'écran (page 12).</li> <li>• L'endroit où se trouve la caméra sans fil est sombre. Faites pénétrer de la lumière dans la pièce.</li> </ul>
L'image envoyée à partir de la caméra sans fil est sombre et peu visible sur le combiné.	<ul style="list-style-type: none"> <li>• Réglez la luminosité de l'écran (page 12).</li> <li>• L'endroit où se trouve la caméra sans fil est exposé à de forts rayons de soleil ou à un rétroéclairage. Essayez d'ombrager l'emplacement de la caméra.</li> </ul>
Je ne peux pas me connecter à la caméra sans fil, l'image est déformée ou l'image est lente.	<ul style="list-style-type: none"> <li>• Aucune communication n'est possible entre la caméra sans fil et la base. Approchez la caméra sans fil de la base et réessayez.</li> <li>• Présence d'un obstacle tel qu'un mur en béton. Déplacez la caméra sans fil vers un endroit dépourvu d'obstacle.</li> <li>• Un micro-ondes est en cours d'utilisation. Rapprochez la caméra sans fil de la base ou utilisez-le loin du micro-ondes et réessayez.</li> </ul>
Le capteur de la caméra ne répond pas.	<ul style="list-style-type: none"> <li>• Si vous désactivez la sensibilité de la détection audio, le capteur de la caméra ne répond pas. Activez cette fonction (page 12).</li> <li>• Pendant que le combiné surveille la caméra sans fil, celui-ci arrête de détecter les sons.</li> </ul>
J'ai appuyé sur le bouton d'appel mais la caméra sans fil n'appelle pas les combinés.	<ul style="list-style-type: none"> <li>• Pendant que l'image de la caméra sans fil est surveillée par un combiné, le bouton d'appel n'a aucune réponse.</li> </ul>
Le haut-parleur du combiné et/ou la caméra sans fil émet un sifflement en mode de surveillance.	<ul style="list-style-type: none"> <li>• Eloignez le combiné de la caméra sans fil.</li> </ul>

### **Informations utiles**

<b>Problème</b>	<b>Problèmes et solutions</b>
Lorsque vous utilisez le haut-parleur du combiné pour passer un appel d'intercommunication avec la caméra sans fil, le son est coupé et vous n'entendez pas bien votre correspondant.	<ul style="list-style-type: none"><li>● Diminuez le volume du haut-parleur en déplaçant la touche de navigation vers le bas.</li></ul>

## Informations utiles

### Caractéristiques

- **Norme :**  
DECT (Digital Enhanced Cordless Telecommunications : télécommunications numériques sans fil améliorées)
- **Nombre de voies :**  
120 voies duplex
- **Plage de fréquences :**  
1,88 GHz à 1,9 GHz
- **Procédure duplex :**  
TDMA (Time Division Multiple Access : accès multiple à répartition temporelle)
- **Espacement entre voies :**  
1 728 kHz
- **Débit binaire :**  
1 152 kbit/s
- **Modulation :**  
GFSK (Gaussian Frequency Shift Keying : modulation par déplacement de fréquence à filtrage gaussien)
- **Puissance de transmission RF :**  
Environ 250 mW
- **Alimentation électrique :**  
220–240 V, 50 Hz
- **Consommation :**  
Mode veille : Environ 2,1 W  
Maximum : Environ 3,9 W
- **Conditions de fonctionnement :**  
5 °C–40 °C, 20 %–80 % d'humidité relative de l'air (sec)
- **Dimensions :**  
Environ 124 mm × 86 mm × 68 mm
- **Poids :**  
Environ 140 g
- **Nombre de pixels :**  
12 288 pixels
- **Eclairement :**  
10 lux (min.)
- **Mise au point :**  
Fixe 0,4 m – Infini
- **Angle de vue :**  
Angle vertical : Environ 35°

Angle horizontal : Environ 45°

#### Remarque :

- Les caractéristiques peuvent changer.
- Les illustrations figurant dans ce manuel utilisateur peuvent différer légèrement du produit réel.

# CE0470

1999/5/EC

**Panasonic Communications Zhuhai Co., Ltd.**

3 Ping Xi 8 Lu, Nanping Keji Gongye Yuan, Zhuhai, Guangdong, China 519060

**Droit d'auteur :**

Cette documentation est protégée par le droit d'auteur acquis par Panasonic Communications Co., Ltd. et ne peut être reproduite qu'à des fins d'utilisation interne. Toutes les autres reproductions, partielles ou intégrales, ne sont autorisées que moyennant le consentement écrit de Panasonic Communications Co., Ltd.

© 2006 Panasonic Communications Co., Ltd. Tous droits réservés.

**PQQX15609ZA** DC0806SH0

**EX-1/2**