

DOCUMENT TITLE

Fitting Pedestal Stand to LCD Television

APPLICABLE MODELS

All Models

Attaching / removing the pedestal

To help avoid risk of damage or injury by the TV tipping or falling, please follow the warnings and cautions below:

Warning

- Do not disassemble or modify the pedestal.

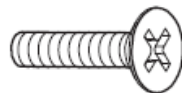
Caution

- Do not use any pedestal other than the one provided with this TV.
- Do not use the pedestal if it becomes warped or physically damaged. If this occurs, contact your nearest Panasonic dealer immediately.
- During setup, make sure that all screws are securely tightened.
- Ensure that the TV does not suffer any impact during installation of the pedestal.
- Ensure that children do not climb onto the pedestal.
- Install or remove the TV from the pedestal with at least two people.

Supplied Parts of the pedestal stand

Ⓐ **Assembly screw (4)**

- XSS5+15FNK



M5 × 15

Ⓑ **Assembly screw (4)**

- XYN4+F30FJK



M4 × 30

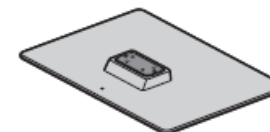
Ⓒ **Bracket**

- TBL5ZA3017
(TX-L32E30B)
(TX-L37E30B)
- TBL5ZA3014
(TX-L42E30B)



Ⓓ **Base**

- TBL5ZX0140 (TX-L32E30B)
- TBL5ZX0144 (TX-L37E30B)
- TBL5ZX0149 (TX-L42E30B)



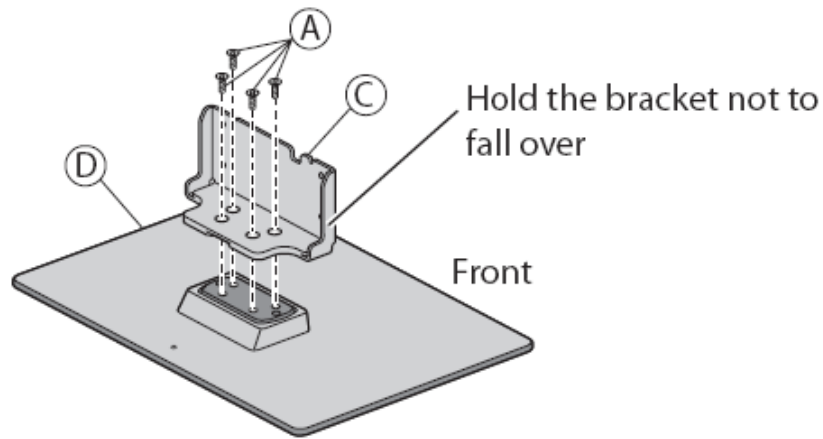
Example taken from the TX-L32E30B

Assembling the pedestal

Use the assembly screws (A) to fasten the bracket

(C) to the base (D) securely.

- Make sure that the screws are securely tightened.
- Forcing the assembly screws the wrong way will strip the threads.

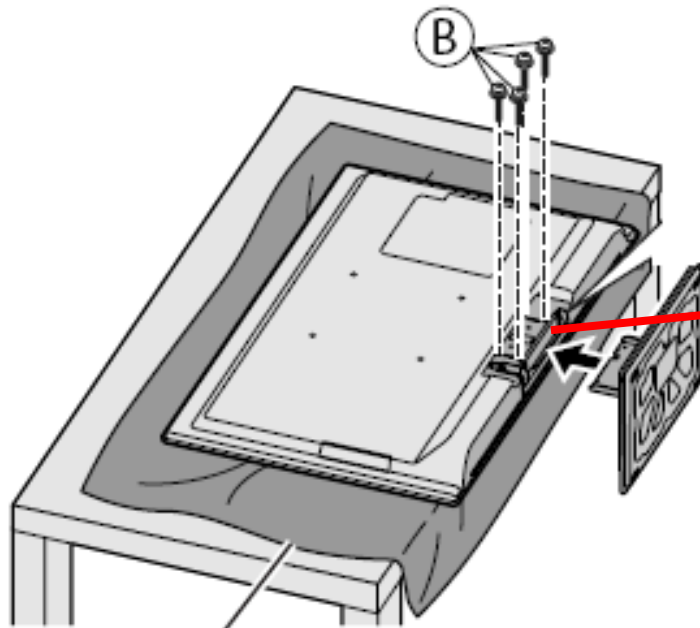


Screw 'A' Counter-sunk head

Securing the TV

Use the assembly screws ② to fasten securely.

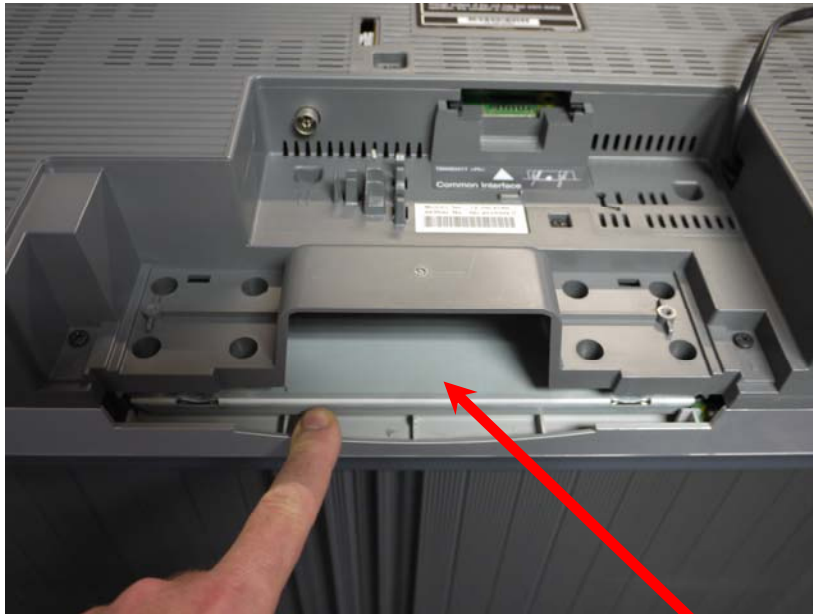
- Tighten the four assembly screws loosely at first, then tighten them firmly to fix securely.
- Carry out the work on a horizontal and level surface.



Foam mat or thick soft cloth



1) The fixing slot for the stand is located on the bottom of the unit.



2006 LCD Model



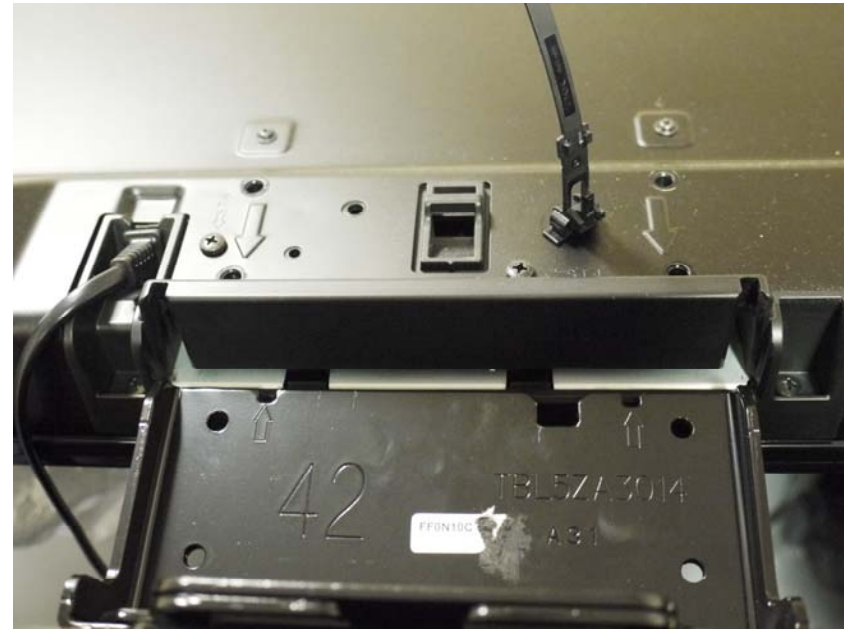
2011 LCD Model

Stand slot location

Inserting the Stand into the Television



2006 LCD Model



2011 LCD MODEL

Using a cross-headed screw-driver tighten the screws.

