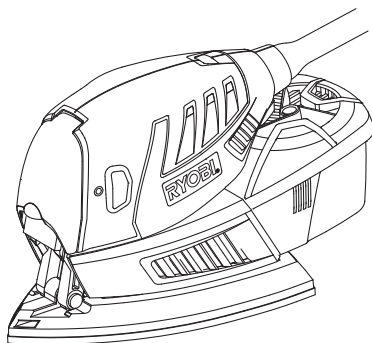


# RYOBI®

## EPS80RS

|  |                                    |            |
|--|------------------------------------|------------|
| <b>(GB)</b> 80W PALM SANDER                        | <b>USER'S MANUAL</b>               | <b>1</b>   |
| <b>(FR)</b> PONCEUSE VIBRANTE DE POING 80W         | <b>MANUEL D'UTILISATION</b>        | <b>5</b>   |
| <b>(DE)</b> 80W EXZENTERSCHLEIFER                  | <b>BEDIENUNGSANLEITUNG</b>         | <b>10</b>  |
| <b>(ES)</b> LIJADORA DE MANO 80W                   | <b>MANUAL DE UTILIZACIÓN</b>       | <b>15</b>  |
| <b>(IT)</b> LEVIGATRICE MANUALE DA 80W             | <b>MANUALE D'USO</b>               | <b>20</b>  |
| <b>(NL)</b> 80W HANDPALMSCHUURMACHINE              | <b>GEBRUIKSHANDLEIDING</b>         | <b>25</b>  |
| <b>(PT)</b> LIXADORA DE MÃO DE 80W                 | <b>MANUAL DE UTILIZAÇÃO</b>        | <b>30</b>  |
| <b>(DK)</b> 80W RYSTEPUDSER                        | <b>BRUGERVEJLEDNING</b>            | <b>35</b>  |
| <b>(SE)</b> PLANSLIPMASKIN 80 W                    | <b>INSTRUKTIONSBOK</b>             | <b>39</b>  |
| <b>(FI)</b> 80 W KÄSIKÄYTTÖINEN HIOMAKONE          | <b>KÄYTTÄJÄN KÄSIKIRJA</b>         | <b>43</b>  |
| <b>(NO)</b> 80W MULTISLIPER                        | <b>BRUKSANVISNING</b>              | <b>47</b>  |
| <b>(RU)</b> РУЧНОЙ ШЛИФОВАЛЬНЫЙ СТАНОК, 80 BT      | <b>РУКОВОДСТВО ПО ЭКСПЛУАТАЦИИ</b> | <b>51</b>  |
| <b>(PL)</b> KOMPAKTOWA SZLIFIERKA OSCYLACYJNA 80 W | <b>INSTRUKCJA OBSŁUGI</b>          | <b>56</b>  |
| <b>(CZ)</b> 80 W DLAŇOVÁ BRUSKA                    | <b>NÁVOD K OBSLUZE</b>             | <b>61</b>  |
| <b>(HU)</b> 80 W-OS KÉZI CSISZOLÓGÉP               | <b>HASZNÁLATI ÚTMUTATÓ</b>         | <b>65</b>  |
| <b>(RO)</b> MAȘINĂ DE ȘLEFUIT 80 W                 | <b>MANUAL DE UTILIZARE</b>         | <b>70</b>  |
| <b>(LV)</b> 80 W ROKAS SLĪPMAŠĪNA                  | <b>LIETOTĀJA ROKASGRĀMATA</b>      | <b>75</b>  |
| <b>(LT)</b> 80 W DELNINIS ŠLIUFUOTUVAS             | <b>NAUDOJIMO VADOVAS</b>           | <b>79</b>  |
| <b>(EE)</b> KÄSILIHVMASIN 80 W                     | <b>KASUTAJAJUHEND</b>              | <b>83</b>  |
| <b>(HR)</b> MULTI BRUSILICA OD 80W                 | <b>KORISNIČKI PRIRUČNIK</b>        | <b>87</b>  |
| <b>(SI)</b> 80 W ROČNI ELEKTRIČNI BRUSILNIK        | <b>UPORABNIŠKI PRIROČNIK</b>       | <b>91</b>  |
| <b>(SK)</b> 80W RUČNÁ BRÚSKA                       | <b>NÁVOD NA POUŽITIE</b>           | <b>95</b>  |
| <b>(GR)</b> 80W ΕΚΚΕΝΤΡΟ ΠΕΡΙΣΤΡΟΦΙΚΟ ΤΡΙΒΕΙΟ      | <b>ΟΔΗΓΙΕΣ ΧΡΗΣΗΣ</b>              | <b>99</b>  |
| <b>(TR)</b> 80W AVUÇ İÇİ ZIMPARA MAKİNESİ          | <b>KULLANIM KILAVUZU</b>           | <b>104</b> |

**GB** ORIGINAL INSTRUCTIONS | **FR** TRADUCTION DES INSTRUCTIONS ORIGINALES | **DE** ÜBERSETZUNG DER ORIGINALANLEITUNG | **ES** TRADUCCIÓN DE LAS INSTRUCCIONES ORIGINALES | **IT** TRADUZIONE DELLE ISTRUZIONI ORIGINALI | **NL** VERTALING VAN DE ORIGINELE INSTRUCTIES | **PT** TRADUÇÃO DAS INSTRUÇÕES ORIGINAIS | **DK** OVERSÆTTELSE AF DE ORIGINALE INSTRUKTIONER | **SE** ÖVERSÄTTNING AV DE URSPRUNGLIGA INSTRUKTIONERNA | **FI** ALKUPERÄISTEN OHJEIDEN SUOMENNOS | **NO** OVERSETTELSE AV DE ORIGINALE INSTRUKSJONENE | **RU** ПЕРЕВОД ОРИГИНАЛЬНЫХ ИНСТРУКЦИЙ | **PL** TŁUMACZENIE INSTRUKCJI ORYGINALNEJ | **CZ** PŘEKLAD ORIGINÁLNÍCH POKYNŮ | **HU** AZ EREDETI ÚTMUTATÓ FORDÍTÁSA | **RO** TRADUCEREA INSTRUCȚIUNILOR ORIGINALE | **LV** TULKOTS NO ORIGINĀLĀS INSTRUKCIJAS | **LT** ORIGINALIŲ INSTRUKCIJŲ VERTIMAS | **EE** ORIGINALJUHENDI TÕLGE | **HR** PRIJEVOD ORIGINALNIH UPUTA | **SI** PREVOD ORIGINALNIH NAVODIL | **SK** PREKLAD POKYNOV V ORIGINÁLI | **GR** ΜΕΤΑΦΡΑΣΗ ΤΩΝ ΠΡΩΤΟΤΥΠΩΝ ΟΔΗΓΙΩΝ | **TR** ORIJNAL TALIMATLARIN TERÇÜMESİ



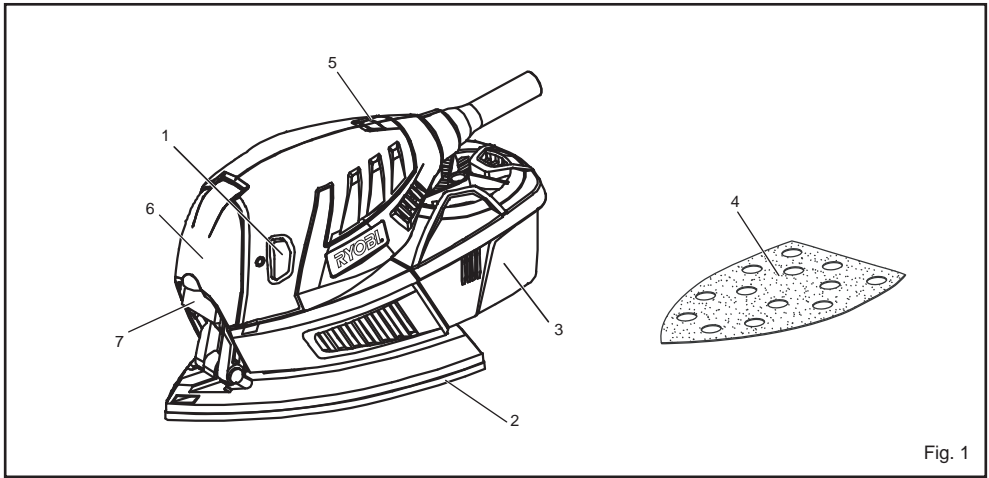


Fig. 1

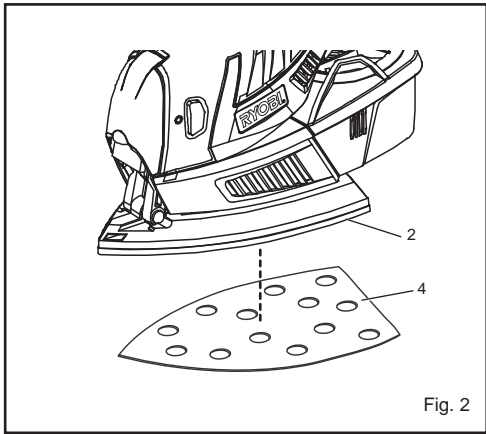


Fig. 2

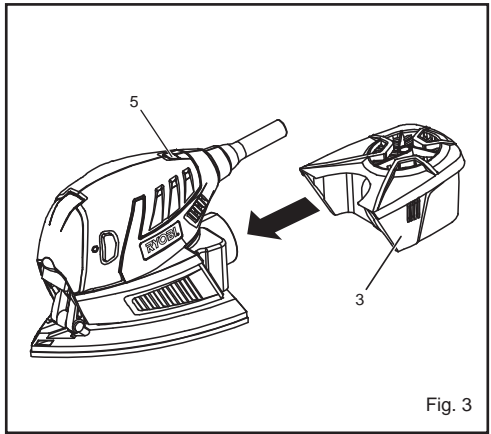


Fig. 3

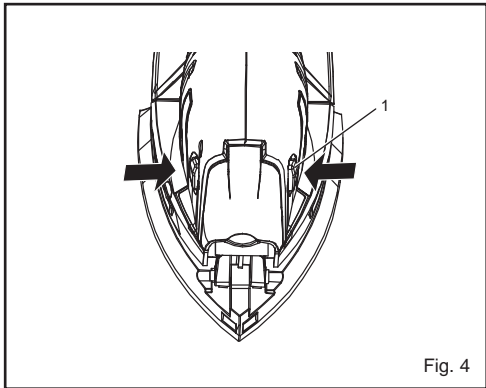


Fig. 4

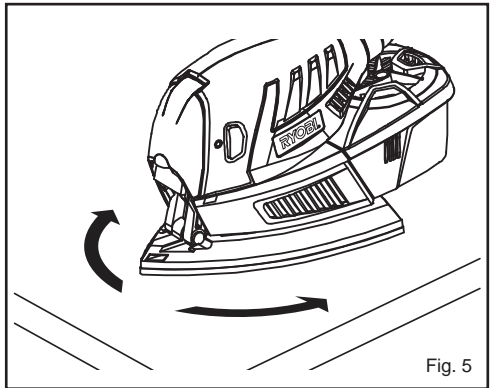


Fig. 5

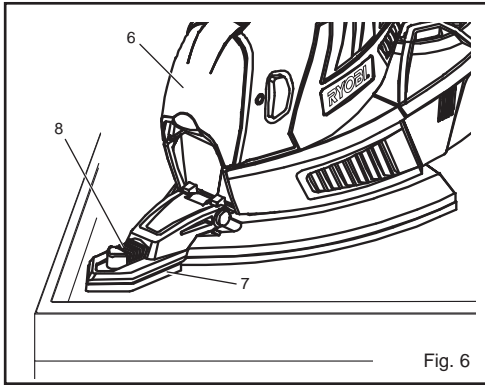


Fig. 6

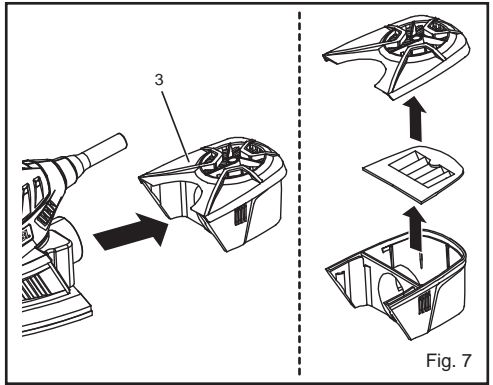


Fig. 7

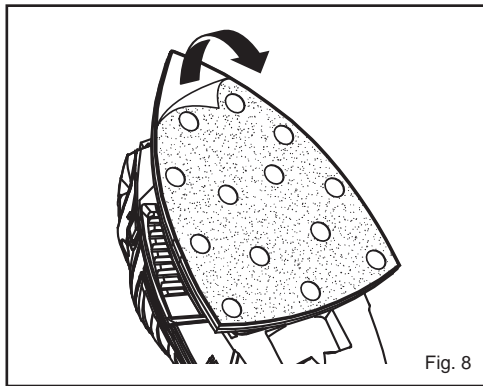


Fig. 8

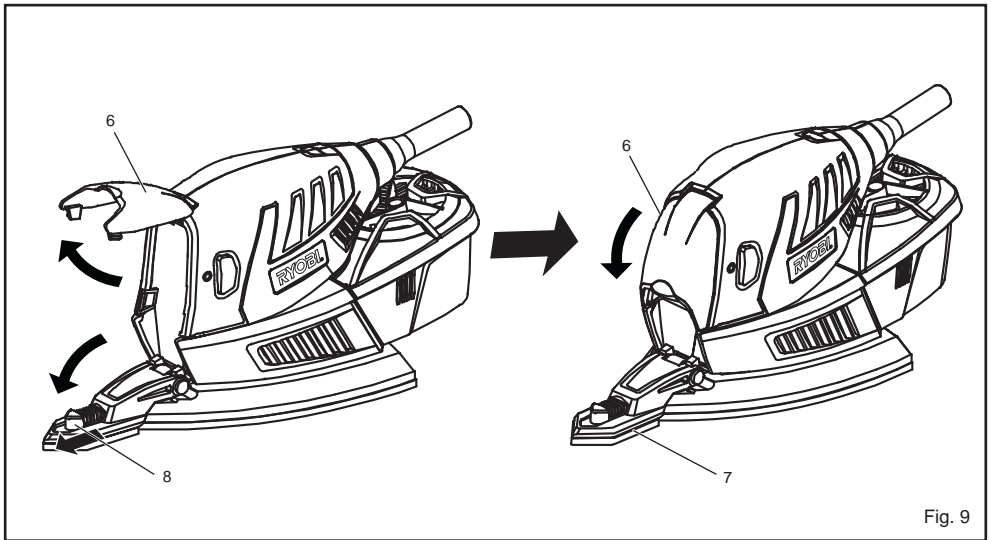


Fig. 9

|                             |   |
|-----------------------------|---|
| <b>Important!</b>           | It is essential that you read the instructions in this manual before operating this machine.  |
| <b>Attention !</b>          | Il est indispensable que vous lisiez les instructions contenues dans ce manuel avant la mise en service de l'appareil.                |
| <b>Achtung!</b>             | Bitte lesen Sie unbedingt vor Inbetriebnahme die Hinweise dieser Bedienungsanleitung.   |
| <b>¡Atención!</b>           | Es imprescindible que lea las instrucciones de este manual antes de la puesta en servicio.  |
| <b>Attenzione!</b>          | Prima di procedere alla messa in funzione, è indispensabile leggere attentamente le istruzioni contenute nel manuale.                 |
| <b>Let op!</b>              | Het is van essentieel belang dat u de instructies in deze gebruiksaanwijzing leest vooraleer u deze machine in gebruik neemt.         |
| <b>Atenção!</b>             | É indispensável que leia as instruções deste manual antes de utilizar a máquina.  |
| <b>OBS!</b>                 | Denne brugsanvisning skal læses igennem inden ibrugtagning.   |
| <b>Observera!</b>           | Det är nödvändigt att läsa instruktionerna i denna bruksanvisning innan användning.   |
| <b>Huomio!</b>              | On ehdottoman välttämätöntä lukea tässä käyttöohjeessa annetut ohjeet ennen käyttöönottoa.  |
| <b>Advarsel!</b>            | Det er meget vigtigt at du leser denne brukerveiledningen før du tar maskinen i bruk.   |
| <b>Внимание!</b>            | Перед сборкой и запуском инструмента необходимо прочесть инструкции из настоящего руководства.  |
| <b>Uwaga!</b>               | Przed przystąpieniem do użytkowania tego urządzenia, należy koniecznie zapoznać się z zaleceniami zawartymi w niniejszym podręczniku. |
| <b>Důležitě upozornění!</b> | Nepoužívejte tento přístroj dříve, než si přečtete pokyny uvedené v tomto návodu.   |
| <b>Figyelem!</b>            | Feltétlenül fontos, hogy a jelen használati útmutatóban foglalt előírásokat az üzembe helyezés előtt elolvassa!                       |
| <b>Atenție!</b>             | Este esențial să citiți instrucțiunile din acest manual înainte de operarea acestui aparat.   |
| <b>Uzmanību!</b>            | Svarīgi, lai jūs pirms mašīnas darbināšanas izlasītu instrukcijas šajā rokasgrāmātā.  |
| <b>Dėmesio!</b>             | Prieš pradėdami eksploatuoti šį prietaisą, svarbu, kad perskaitytumėte šiose instrukcijose pateiktus nurodymus.                       |
| <b>Tähtis!</b>              | Enne trelli kasutama hakkamist tuleb käesolevas juhendis esitatud juhised kindlasti läbi lugeda.                                      |
| <b>Upozorenje!</b>          | Neophodno je da pročitate ove upute prije uporabe ovog uređaja.   |
| <b>Pomembno!</b>            | Pred uporabo tega stroja, obvezno preberite navodila iz tega priročnika.  |
| <b>Dôležit!</b>             | Pre prácou s týmto zariadením je dôležité, by ste si prečítali pokyny v tomto návode.   |
| <b>Προσοχή!</b>             | Είναι απαραίτητο να διαβάσετε τις συστάσεις των οδηγιών αυτών πριν και τη θέση σε λειτουργία.   |
| <b>Dikkat!</b>              | Cihazın çalıştırılmasından önce bu kılavuzda bulunan talimatları okumanız zorunludur.   |

Subject to technical modifications / Sous réserve de modifications techniques / Technische Änderungen vorbehalten /  
 Sujeto a modificaciones técnicas / Con riserva di eventuali modifiche tecniche / Technische wijzigingen voorbehouden /  
 Com reserva de modificações técnicas / Med forbehold for tekniske ændringer / Med förbehåll för tekniska ändringar /  
 Tekniset muutokset varataan / Med forbehold om tekniske ændringer / Могут быть внесены технические изменения /  
 Z zastrzeżeniem modyfikacji technicznych / Změny technických údajů vyhrazeny / A műszaki módosítás jogát fenntartjuk /  
 Sub rezerva modificărilor tehnice / Paturam tiesības mainīt tehniskos raksturlielumus / Pasilikant teisę daryti techninius pakeitimus /  
 Tehnilised muudatused võimalikud / Podložno tehničkim promjenama / Tehnične spremembe dopuščene/  
 Technické zmeny vyhradené / Υπό την επιφύλαξη τεχνικών τροποποιήσεων / Teknik değışiklik hakki saklıdır

## English

### DESCRIPTION

1. Switch trigger
2. Quick change hook and loop pad
3. Dust collection box
4. Sand paper
5. Live tool indicator
6. Cover
7. Finger pad
8. Lock

### SPECIFIC SAFETY INSTRUCTIONS FOR SANDERS

- **Always wear safety goggles and a dust mask when sanding, especially sanding over-head.**
- **The machine is not suitable for wet sanding.**
- **Do not use sanding paper larger than needed.** Extra paper extending beyond the sanding pad can also cause serious lacerations.
- **The dust box shall be equipped with the tool.** It should be emptied frequently. To connect dust box, insert the adapter of dust box to the dust-collection opening on the rear end of the sander.

#### WARNING

Do not throw sanding dust on an open fire because materials in fine particle form may be explosive.

#### WARNING

A suitable breathing respirator must be worn while sanding lead paint, some woods and metal to avoid breathing the harmful/toxic dust or air.

### SPECIFICATIONS

|                |                         |
|----------------|-------------------------|
| Voltage        | 230 V - 240 V ~ 50 Hz   |
| Power          | 80 W                    |
| Orbital minute | 12000 min <sup>-1</sup> |
| Weight         | 0.95 kg                 |

### FEATURES

#### KNOW YOUR COMPACT FINISHING SANDER

See Figure 1.

Before using this product, familiarize yourself with all operating features and safety requirements. However, do not let familiarity with the tool make you careless.

### SWITCH

This tool is equipped with a simple switch control located near the front of the motor housing.

### QUICK CHANGE HOOK AND LOOP PAD

The hook and loop design allows for quick change of sanding sheets and scrubbing pads. It also enables you to easily clean and reuse them.

### CIRCULAR SANDING ACTION

The oscillating action of your sander produces very quick, small circular motion of the sanding pad. The motion is ideal for producing a fine finished grain or, when using the scrubbing pad, removing light rust, paint and other build up from the work surface.

### DUST COLLECTION BOX

The dust box attaches to the sander and keeps dust to a minimum.

### ASSEMBLY

#### WARNING

The tool should never be connected to a power supply when you are assembling parts, making adjustments, cleaning, performing maintenance, or when the tool is not in use. Disconnecting the tool will prevent accidental starting that could cause serious injury.

### SANDING DISC SELECTION

Selecting the correct size, grit and type of sand paper is extremely important step in achieving a high quality sanded finish. Aluminum oxide, silicon carbide, and other synthetic abrasives are best for power sanding. Natural abrasives, such as flint and garnet are too soft for economical use in power sanding.

In general, coarse grit will remove the most material and finer grit will produce the best finish in all sanding operations. The condition of the surface to be sanded will determine which grit will do the job. If the surface is rough, start with a coarse grit and sand until the surface is uniform. Medium grit may then be used to remove scratches left by the coarser grit and finer grit used for finishing of the surface. Always continue sanding with each grit until surface is uniform.

#### Sheet/pad recommended use

|                        |                |
|------------------------|----------------|
| 80-grit sanding sheet  | Coarse sanding |
| 120-grit sanding sheet | Light sanding  |
| 150-grit sanding sheet | Light sanding  |



# English

## ATTACHING HOOK AND LOOP SANDING DISCS

See Figure 2.

1. Unplug the sander.
2. Align holes in hook and loop type sanding disc with holes in pad, then carefully press fuzzy side of sanding disc against pad as tightly as possible.

**NOTE:** Hook and loop type sanding discs can be reused for the life of the sanding abrasive. It is recommended that you keep the sanding disc backing pad clean to provide for best adhesion. Clean occasionally by brushing lightly with a small brush.

## ATTACHING THE DUST BOX

See Figure 3.

The dust box provides a dust collection system for the sander. Sanding dust is drawn up through the holes of the sanding disc and collected in the dust box during sanding.

1. Unplug the sander.
2. Using a slight twisting motion, firmly slide dust box assembly in blower exhaust on sander.

**⚠ WARNING**

Exercise caution when using this tool. Careless actions, for even a fraction of a second, can result in serious personal injury.

## APPLICATIONS

You may use the sander for the purposes listed below:

- Sanding on wood surfaces
- Removing rust from and sanding steel surfaces
- Polishing and scrubbing porcelain and metal

**⚠ CAUTION**

Keep the cord away from the sanding pad and position the cord so that it will not be caught on lumber, tools, or other objects during sanding.

**⚠ WARNING**

Always wear safety goggles or safety glasses with side shields when operating the products. Failure to do so could result in dust, shavings, or loose particles being thrown into your eyes, resulting in possible serious injury.

## OPERATION

### TURNING THE SANDER ON/OFF

See Figure 4.

- **Turn on the sander:** Push the on/off switch to the left.
- **Turn off the sander:** Push the on/off switch to the right.

### OPERATING THE SANDER

See Figure 5.

1. Secure the workpiece to prevent it from moving under the sander.

**⚠ WARNING**

Unsecured workpieces could be thrown towards the operator, causing injury.

**⚠ WARNING**

Keep your head away from the sander and the sanding area. Your hair could be drawn into the sander causing serious injury.

2. Place the sander on the workpiece so that all of the sanding disc surface is in contact with the workpiece.

**⚠ CAUTION**

Avoid damaging the motor from overheating, be careful not to let your hand cover the air vents.

3. Turn on the sander and move it slowly over the workpiece.

**NOTE:** Hold the sander in front and away from you, keeping it clear of the workpiece. Start sander and let the motor build to its maximum speed, then gradually lower the sander onto the workpiece. Move the sander slowly across the workpiece using small circular motions.

**Do not force.** The weight of the unit supplies adequate pressure, so let the sanding disc and sander do the work. Applying additional pressure only slows the motor, rapidly wears sanding disc and greatly reduces sander speed. Excessive pressure will overload the motor causing possible damage from motor overheating and can result in inferior work. Any finish or resin on wood may soften from the frictional heat.

Do not allow sanding on one spot too long as the sander's rapid action may remove too much material, making the surface uneven.

Extended periods of sanding may tend to overheat the motor. If this occurs, turn sander off and wait until sanding disc comes to a complete stop, then remove it from





# English

workpiece. Remove your hand from vent area, remove sanding disc, then with your hand removed from vent area, turn sander on and run it free without a load to cool motor.

### CORNERS AND CREVICES

See Figure 6.

- For detail sanding such as corners and crevices, use the tip of the sanding pad with small back and forth motions.

### EMPTYING THE DUST BOX

See Figure 7.

For more efficient operation, empty the dust box when it is no more than half full. This will permit the air to flow through the box better. Always empty and clean the dust box thoroughly upon completion of a sanding operation and before placing the sander in storage.

**⚠ WARNING**

Collected sanding dust from sanding surface coatings such as polyurethanes, linseed oil, etc., can self-ignite in your sander dust box or elsewhere and cause fire. To reduce the risk of fire, always empty your dust box frequently (10-15 minutes) while sanding and never store or leave a sander without totally emptying its dust box. Also follow the recommendations of the coatings manufacturers.

1. Unplug the sander.

**⚠ WARNING**

Failure to unplug the tool could result in accidental starting causing possible serious injury.

2. Remove the dust box from the sander.
3. Shake out the dust.
4. Reattach the dust box to the sander.

**NOTE:** For a more thorough cleaning of the dust box, remove dust box from frame, and shake out dust. Replace dust box over frame then install dust box assembly on sander.

### CHANGING THE SANDING SHEETS

See Figure 8.

The sander is packed with sanding sheets and pads designed for a variety of uses. To change sheets, simply pull the used sheet off the base and attach the desired sheet by pressing the sheet or pad onto the base of the sander.

### USING THE FINGER PAD

See Figure 9.

1. Open the finger pad cover.
2. Lower the finger pad and lock it in place.
3. Close the finger pad cover.

### LIVE TOOL INDICATOR

This tool features a live tool indicator which illuminates as soon as the tool is connected to the supply. This warns the user that the tool is connected and will operate when the switch is pressed.

### MAINTENANCE

**⚠ WARNING**

The tool should never be connected to a power supply when you are assembling parts, making adjustments, cleaning, performing maintenance, or when the tool is not in use. Disconnecting the tool will prevent accidental starting that could cause serious injury.

**⚠ WARNING**

When servicing, use only identical replacement parts. Use of any other parts may create a hazard or cause product damage.

### GENERAL

Avoid using solvents when cleaning plastic parts. Most plastics are susceptible to various types of commercial solvents and may be damaged by their use. Use clean cloths to remove dirt, dust, oil, grease, etc.

**⚠ WARNING**

Do not at any time let brake fluids, gasoline, petroleum-based products, penetrating oils, etc., come in contact with plastic parts. They contain chemicals that can damage, weaken or destroy plastic.

Electric tools used on fiberglass material, wallboard, spackling compounds, or plaster are subject to accelerated wear and possible premature failure because the fiberglass chips and grindings are highly abrasive to bearings, brushes, commutators, etc.. Consequently, we do not recommend using this tool for extended work on these types of materials. However, if you do work with any of these materials, it is extremely important to clean the tool using compressed air.



## English

### WARNING

Always wear safety goggles or safety glasses with side shields during power tool operation or when blowing dust. If operation is dusty, also wear a dust mask.

### LUBRICATION

All of the bearings in this tool are lubricated with a sufficient amount of high grade lubricant for the life of the unit under normal operating conditions. Therefore, no further lubrication is required.

### CLEANING THE SCRUBBING PADS

To ensure longer life and optimum performance, periodically clean all sanding residue and foreign materials from the scrubbing pads. This can be done simply by rinsing the pad with warm water until all foreign material has been washed away. After cleaning, gently squeeze the pad to remove excess water and allow pad to dry. Always store pads and sanding sheets flat in a cool dry location.

### CLEANING THE SANDING SHEETS

The sanding sheets that came with your sander are made to be re-used. Therefore, it is important that they be cleaned periodically to remove sanding residue and foreign material that can accumulate over time.

To clean sanding sheets, rub the sheets with a hard rubber block. You can also use the clean rubber sole of a shoe.

### WARNING

Always remove scrubbing or sanding pad from sander before cleaning. Failure to do so could cause serious personal injury.

### ENVIRONMENTAL PROTECTION



Recycle raw materials instead of disposing of as waste. The machine, accessories and packaging should be sorted for environmental-friendly recycling.

### SYMBOL



Safety Alert

V Volts

Hz Hertz

~ Alternating Current

W Watts

no No load speed  
min<sup>-1</sup> Revolutions or reciprocations per minute



Orbital diameter



CE Conformity



Double insulation



Wear ear protection



Wear eye protection



Please read the instructions carefully before starting the machine.



Waste electrical products should not be disposed of with household waste. Please recycle where facilities exist. Check with your Local Authority or retailer for recycling advice.





# Français

## DESCRIPTION

1. Interrupteur
2. Patin auto-agrippant
3. Boîtier collecteur de poussières
4. Papier abrasif
5. Témoin de mise sous tension
6. Couvreclé
7. Doigt de ponçage
8. Verrouillage

## CONSIGNES DE SÉCURITÉ SPÉCIFIQUES AUX PONCEUSES

- **Mettez toujours des lunettes de sécurité et un masque anti-poussière lorsque vous poncez, en particulier lorsque vous tenez la ponceuse au-dessus de votre tête.**
- **N'utilisez jamais votre ponceuse sur des surfaces humides.**
- **La feuille de papier abrasif ne doit pas être trop grande.** Si vous laissez le papier abrasif dépasser du patin, vous vous exposez à des risques de blessures graves.
- **Le sac à poussières doit être installé sur l'outil et vidé régulièrement.** Il doit être vidé fréquemment. Pour installer le sac à poussières, emboîtez la bague du sac sur la buse d'évacuation située à l'arrière de la ponceuse en la tournant vers la droite jusqu'à ce que le sac soit correctement fixé.

## ▲ AVERTISSEMENT

Ne jetez pas les poussières provenant du ponçage dans un feu ouvert car les matériaux sous forme de fines particules peuvent être explosifs.

## ▲ AVERTISSEMENT

Vous devez porter un masque anti-poussière adéquat lorsque vous poncez des surfaces recouvertes de peinture à base de plomb ainsi que certains bois et métaux pour éviter d'inhaler de la poussière ou des vapeurs toxiques.

## CARACTÉRISTIQUES

|                              |                         |
|------------------------------|-------------------------|
| Tension                      | 230 V - 240 V ~ 50 Hz   |
| Puissance                    | 80 W                    |
| Vitesse du mouvement orbital | 12000 min <sup>-1</sup> |

Poids 0.95 kg

## FONCTIONNALITÉS

### APPRENEZ À CONNAÎTRE VOTRE PONCEUSE TRIANGULAIRE

*Voir figure 1*  
 Avant d'utiliser cet outil, familiarisez-vous avec toutes ses fonctionnalités et ses spécificités sur le plan de la sécurité. Toutefois, ne relâchez pas votre vigilance une fois familiarisé avec votre ponceuse.

### INTERRUPTEUR

Cette ponceuse est équipée d'un interrupteur situé sur la partie avant du carter moteur.

### PATIN AUTO-AGRIPPANT

Le système de fixation auto agrippant permet de changer rapidement des papiers ou patins abrasifs. Cela vous permet également de les nettoyer facilement afin de les réutiliser.

### ACTION ABRASIVE ORBITALE

Le mouvement orbital de votre ponceuse fait décrire au patin de petits va-et-vient lors du ponçage. Ce mouvement est idéal pour un ponçage de finition ou, si le patin abrasif à gros grin est utilisé, pour retirer des traces de rouille, de peinture ou toute imperfection de la surface de travail.

### BOÎTIER COLLECTEUR DE POUSSIÈRES

Le boîtier collecteur des poussières se fixe à la ponceuse et permet de réduire les poussières à un minimum.

## MONTAGE

### ▲ AVERTISSEMENT

Votre ponceuse ne doit jamais être branchée à une prise lorsque vous montez des pièces, effectuez des réglages, lorsque vous nettoyez votre outil ou lorsque vous ne l'utilisez pas. Le fait de débrancher l'outil évitera toute mise en marche accidentelle susceptible de provoquer des blessures graves.

### CHOIX DU DISQUE DE PONÇAGE

Le choix de la taille, du grain et du type de papier abrasif est extrêmement important si l'on veut obtenir un ponçage de qualité. Pour un dégrossissage, nous vous recommandons d'utiliser des abrasifs synthétiques tels que l'alumine ou le carbure de silicium. Les abrasifs naturels tels que le silex ou le grenat sont en effet trop mous pour être utilisés de façon économique pour un





# Français

ponçage de dégrossissage.

De manière générale, un gros grain permet de retirer le plus gros du matériau, tandis qu'un grain fin permet d'obtenir un ponçage de finition. L'état de la surface à poncer permet de déterminer la taille du grain à utiliser. Si la surface est rugueuse, commencez le ponçage avec un papier à gros grain jusqu'à ce que la surface soit uniforme. Vous pouvez ensuite utiliser un papier à grain moyen pour éliminer les éraflures laissées par le papier à gros grain, et enfin un papier à grain fin pour polir la surface. Poncez avec chaque taille de grain jusqu'à ce que la surface soit uniforme.

**Recommandations quant au choix des Tampons/Feuilles**

|                            |                  |
|----------------------------|------------------|
| Papier abrasif grain Ø 80  | Ponçage grossier |
| Papier abrasif grain Ø 120 | Ponçage léger    |
| Papier abrasif grain Ø 150 | Ponçage léger    |

**FIXATION RAPIDE DES PAPIERS ET PATINS ABRASIFS**

*Voir figure 2*

- Débranchez la ponceuse.
- Alignez les trous du papier ou patin abrasif avec les trous du patin de la ponceuse, puis collez avec précaution le côté velcro du papier au patin, le plus fermement possible.

**NOTE:** Vous pouvez réutiliser ce type de papier aussi longtemps que le degré d'efficacité de l'abrasif le permet. Nous vous recommandons de maintenir les papiers et patins abrasifs propres afin qu'ils adhèrent mieux au patin de la ponceuse. Nettoyez-les régulièrement à l'aide d'une petite brosse.

**FIXATION DU BOÎTIER COLLECTEUR DE POUSSIÈRES**

*Voir figure 3*

Le boîtier collecteur des poussières procure un système d'aspiration des poussières à la ponceuse. Au cours du ponçage, la poussière est aspirée à travers les trous du disque abrasif et collectée par le boîtier collecteur des poussières.

- Débranchez la ponceuse.
- A l'aide d'un léger mouvement de torsion, faites glisser fermement le boîtier collecteur des poussières sur le conduit d'évacuation de la ponceuse.

**⚠ AVERTISSEMENT**

Restez vigilant lorsque vous utilisez cette ponceuse. Une action imprudente, ne serait-ce que pendant une fraction de seconde, peut entraîner de graves blessures.

**APPLICATIONS**

Vous pouvez utiliser votre ponceuse pour les applications mentionnées ci-après:

- Ponçage du bois.
- Retrait de la rouille et ponçage de l'acier.
- Polissage et ponçage de porcelaine et de métaux.

**⚠ ATTENTION**

Veillez à maintenir le cordon d'alimentation éloigné de la trajectoire du patin et à le positionner de telle sorte qu'il ne se prenne pas dans des pièces de bois, des outils ou tout autre objet pendant le ponçage.

**⚠ AVERTISSEMENT**

Portez toujours des lunettes de sécurité ou des lunettes de protection munies d'écrans latéraux lorsque vous utilisez des outils. Le non-respect de cette consigne peut entraîner la projection de corps étrangers, de poussière ou de copeaux dans vos yeux et provoquer des lésions oculaires graves.

**UTILISATION**

**MISE EN MARCHE / ARRÊT DE LA PONCEUSE**

*Voir figure 4*

- **Pour mettre la ponceuse en marche:** Poussez l'interrupteur marche/arrêt vers la gauche.
- **Pour arrêter la ponceuse:** Poussez l'interrupteur marche/arrêt vers la droite.

**UTILISATION**

*Voir figure 5*

- Fixez la pièce à usiner de façon à ce qu'elle ne puisse pas glisser sous la ponceuse.

**⚠ AVERTISSEMENT**

Si vous ne fixez pas la pièce à usiner, celle-ci peut être projetée vers l'utilisateur et provoquer des blessures graves.





**Français**

**▲ AVERTISSEMENT**

Veillez à maintenir votre visage éloigné de la ponceuse et de la zone de ponçage. Protégez vos cheveux afin que ceux-ci ne se prennent pas dans la ponceuse, ce qui pourrait occasionner des blessures graves.

- Placez la ponceuse sur la surface de travail de sorte que toute la surface du patin soit en contact avec la pièce à usiner.

**▲ ATTENTION**

Prenez garde de ne pas obstruer les fentes de ventilation avec vos mains car cela entraînerait une surchauffe du moteur.

- Mettez votre ponceuse en marche et déplacez-la lentement sur la pièce à usiner.

**NOTE:** Tenez votre ponceuse devant vous et à bonne distance pour bien voir la pièce à usiner. Mettez votre ponceuse en marche et attendez que le moteur atteigne sa vitesse maximale. Dirigez ensuite lentement le patin de la ponceuse vers la pièce à usiner. Une fois le patin en contact avec la pièce à usiner, déplacez la ponceuse sur la surface en décrivant de petits cercles.

**Ne forcez surtout pas la ponceuse.** Le poids de la ponceuse exerce une pression suffisante sur la pièce à usiner. En exerçant une pression supplémentaire sur la ponceuse, vous risquez de ralentir le moteur, d'user plus rapidement le papier abrasif et de réduire considérablement la vitesse de ponçage. De plus, une pression excessive peut surcharger le moteur et entraîner une surchauffe pouvant endommager le moteur et nuire au bon fonctionnement de l'outil. Attention, la chaleur due au frottement peut ramollir le vernis ou la résine recouvrant du bois.

Veillez à ne pas poncer trop longtemps une même partie de la pièce à usiner car l'action abrasive de la ponceuse peut user rapidement le matériau et rendre la surface irrégulière.

Des périodes prolongées de ponçage peuvent entraîner une surchauffe du moteur. Si cela se produit, arrêtez la ponceuse et attendez que le disque abrasif se soit complètement arrêté, puis retirez-le du matériau. Retirez votre main de devant les fentes de ventilation, retirez le papier abrasif, puis remettez la ponceuse en marche et faites-la tourner à vide pour refroidir le moteur.

**ANGLES ET FISSURES**

*Voir figure 6*

- Pour des ponçages de précision comme dans les angles ou les fissures, utilisez l'extrémité du tampon abrasif en effectuant de petits mouvements de va et

vient.

**VIDAGE DU BOÎTIER COLLECTEUR DES POUSSIÈRES**

*Voir figure 7*

Pour plus d'efficacité, videz le sac à poussière dès qu'il est à moitié plein. Cela permet une meilleure circulation de l'air à l'intérieur du sac. Videz et nettoyez toujours soigneusement le boîtier collecteur de poussières après avoir terminé une opération de ponçage et avant de ranger la ponceuse.

**▲ AVERTISSEMENT**

L'accumulation de particules suite au ponçage de surfaces enduites de produits hautement inflammables tels que le polyuréthane, l'huile de lin, etc. peut conduire à l'inflammation du sac à poussière ou d'autres parties de la ponceuse et déclencher ainsi un incendie. Pour réduire le risque d'incendie, videz fréquemment votre boîtier collecteur des poussières (toutes les 10-15 minutes) lorsque vous ponchez et ne laissez ou ne rangez jamais une ponceuse avant d'en avoir complètement vidé le boîtier collecteur des poussières. Lisez attentivement les recommandations des fabricants de revêtements.

- Débranchez la ponceuse.

**▲ AVERTISSEMENT**

Si la ponceuse n'est pas débranchée, un démarrage involontaire peut se produire et provoquer des blessures corporelles graves.

- Retirez le boîtier collecteur des poussières de la ponceuse.
- Secouez le sac à poussière pour le vider.
- Réinstallez le boîtier collecteur des poussières sur la ponceuse.

**NOTE:** Pour un nettoyage plus en profondeur du boîtier collecteur des poussières, retirez la boîte du cadre et secouez-la pour évacuer la poussière. Remettez le boîtier collecteur des poussières en place sur le cadre puis l'ensemble sur la ponceuse.

**CHANGEMENT DE PAPIER ABRASIF**

*Voir figure 8*

Votre ponceuse est livrée avec des patins et papiers abrasifs de différentes sortes pour différents usages. Pour changer de feuille abrasive, tirez simplement sur la feuille usée pour la séparer de la semelle et mettez en place la feuille ou le tampon désiré(e) en la(le) pressant sur la semelle de la ponceuse.





# Français

## UTILISATION DU DOIGT DE PONÇAGE

Voir figure 9

1. Ouvrez le couvercle du doigt de ponçage.
2. Abaissez le doigt de ponçage et verrouillez-le en place.
3. Refermez le couvercle du doigt de ponçage.

## TÉMOIN DE MISE SOUS TENSION

Votre meuleuse d'angle est équipée d'un témoin de mise sous tension qui s'allume lorsque l'outil est branché. Ce témoin attire votre attention sur le fait que l'outil est sous tension et qu'il se mettra en marche dès que vous appuierez sur l'interrupteur.

## ENTRETIEN

### ⚠ AVERTISSEMENT

Votre ponceuse ne doit jamais être branchée à une prise lorsque vous montez des pièces, effectuez des réglages, lorsque vous nettoyez votre outil ou lorsque vous ne l'utilisez pas. Le fait de débrancher l'outil évitera toute mise en marche accidentelle susceptible de provoquer des blessures graves.

### ⚠ AVERTISSEMENT

N'effectuez les réparations qu'en utilisant des pièces détachées identiques. L'utilisation de toute autre pièce détachée représente un danger et peut endommager l'appareil.

## CONSIGNES D'ORDRE GÉNÉRAL

Évitez d'utiliser des solvants pour nettoyer les parties en plastique. La plupart des plastiques sont susceptibles d'être endommagés par les solvants disponibles dans le commerce. Utilisez des chiffons propres pour retirer la saleté, les poussières, l'huile, la graisse, etc.

### ⚠ AVERTISSEMENT

Ne laissez jamais du liquide de frein, de l'essence, des produits pétroliers, des huiles pénétrantes, etc. entrer en contact avec les parties en plastique. Ces produits chimiques contiennent des substances qui peuvent endommager, fragiliser ou détruire le plastique.

Les outils électriques utilisés sur des équipements en fibre de verre, des plaques de plâtre, des panneaux de revêtement ont tendance à s'user plus rapidement et à présenter des défaillances prématurées. Les copeaux et la sciure provenant de ces matériaux sont en effet très

abrasifs pour les pièces des outils électriques comme les engrenages, les brosses, les interrupteurs, etc. Par conséquent, l'utilisation prolongée d'un outil sur de la fibre de verre, des panneaux de revêtement, de l'enduit de rebouchage ou du plâtre est fortement déconseillée. Toutefois, si vous devez poncer ces matériaux, il est extrêmement important de nettoyer votre ponceuse à l'aide d'air comprimé.

### ⚠ AVERTISSEMENT

Portez toujours un masque oculaire ou des lunettes de protection à volets latéraux lorsque vous utilisez l'outil électrique ou lorsque vous soufflez de la poussière. Si l'opération génère des poussières, portez également un masque anti-poussières.

## LUBRIFICATION

Tous les roulements de cette machine sont suffisamment lubrifiés avec de l'huile de haute qualité pour toute la durée de vie de la machine sous des conditions d'utilisation normales. Par conséquent, aucune lubrification supplémentaire n'est nécessaire.

## NETTOYAGE DES PATINS ABRASIFS

Pour une durée de vie prolongée et une efficacité optimale des patins abrasifs, nettoyez-les régulièrement. Vous pouvez retirer toutes les particules étrangères en rinçant simplement le patin à l'eau tiède. Une fois le patin nettoyé, essorez-le doucement pour retirer l'excédent d'eau et laissez-le sécher. Rangez toujours les patins abrasifs à plat dans un endroit sec et frais.

## NETTOYAGE DES PAPIERS ABRASIFS

Les papiers abrasifs fournis avec votre ponceuse sont réutilisables. Il est donc important de les nettoyer régulièrement afin de retirer la poussière et les particules qui s'accumulent sur la surface au cours des différentes opérations de ponçage.

Pour nettoyer les papiers abrasifs, frottez-les à l'aide d'un bloc compact de caoutchouc. Vous pouvez par exemple utiliser une semelle de chaussure propre.

### ⚠ AVERTISSEMENT

Retirez toujours le papier ou le patin abrasif du patin de la ponceuse avant de le nettoyer. Le non-respect de cette consigne peut provoquer des blessures corporelles graves.



## Français

### PROTECTION DE L'ENVIRONNEMENT



Recyclez les matières premières au lieu de les jeter aux ordures ménagères. Pour protéger l'environnement, l'outil, les accessoires et les emballages doivent être triés.

### SYMBOLE



Alerte de Sécurité

V Volts

Hz Hertz

~ Courant alternatif

W Watts

$n_0$  Vitesse à vide

$\text{min}^{-1}$  Nombre de tours ou de mouvements par minute



Diamètre orbital



Conformité CE



Double isolation



Portez une protection auditive



Portez une protection oculaire



Veillez lire attentivement le mode d'emploi avant de démarrer la machine.



Les produits électriques hors d'usage ne doivent pas être jetés avec les ordures ménagères. Recyclez-les par l'intermédiaire des structures disponibles. Contactez les autorités locales pour vous renseigner sur les conditions de recyclage.



## Deutsch

### BESCHREIBUNG

1. Ein-/Aus-Schalter
2. Selbsthaftender Schleifschuh
3. Staubsammelbox
4. Schleifpapier
5. Spannungs-LED
6. Abdeckung
7. Fingerpads
8. Schloß

### Spezifische Sicherheitsvorschriften für Schleifmaschinen

- **Tragen Sie stets eine Sicherheitsbrille und eine Staubschutzmaske während Sie schleifen, vor allem, wenn Sie die Schleifmaschine über Ihrem Kopf halten.**
- **Verwenden Sie Ihre Schleifmaschine nie auf feuchten Flächen.**
- **Das Schleifpapier darf nicht zu groß sein.** Wenn das Schleifpapier über den Schleifschuh hinausragt, kann es zu schweren Verletzungen kommen.
- **Der Staubbeutel muss am Gerät befestigt sein und regelmäßig geleert werden.** Es wird so häufig geleert werden. Zur Installation des Staubbeutels muss der Ring des Beutels auf die Absaugdüse aufgesetzt werden, die sich am hinteren Teil der Schleifmaschine befindet.

#### ⚠ WARNUNG

Werfen Sie den Schleifstaub nie in ein offenes Feuer, denn die Bestandteile können in Form von feinen Partikeln explosiv sein.

#### ⚠ WARNUNG

Tragen Sie eine geeignete Staubschutzmaske, wenn Sie Flächen schleifen, die mit einer bleihaltigen Farbe lackiert sind, sowie beim Schleifen bestimmter Holzarten und Metalle, um zu vermeiden, dass Sie giftige Staube oder Dämpfe einatmen.

### TECHNISCHE DATEN

|                                 |                             |
|---------------------------------|-----------------------------|
| Elektrische Spannung            | 230 V - 240 V ~ 50 Hz       |
| Leistung                        | 80 W                        |
| Geschwindigkeit<br>Bahnbewegung | der 12000 min <sup>-1</sup> |
| Gewicht                         | 0,95 kg                     |

### PRODUKTMERKMALE

#### MACHEN SIE SICH MIT IHREM ECKENSCHLEIFER VERTRAUT

*Siehe Abbildung 1.*

Vor der Verwendung dieses Geräts sollten Sie sich stets mit all seinen Funktionen und den Merkmalen in Bezug auf die Sicherheit vertraut machen. Bleiben Sie jedoch, auch nachdem Sie sich mit Ihrer Schleifmaschine vertraut gemacht haben, stets wachsam.

#### EIN-/AUS-SCHALTER

Diese Schleifmaschine ist mit einem Ein-/Aus-Schalter ausgestattet, der sich im vorderen Bereich des Motorgehäuses befindet.

#### SELBSTHAFTENDER SCHLEIFSCHUH

Das Velcro-Befestigungssystem ermöglicht ein schnelles Auswechseln der Schleifpapiere oder Schleifschuhe. Außerdem ist dadurch eine einfache Reinigung vor der erneuten Verwendung möglich.

#### SCHLEIFEN DURCH BAHNBEWEGUNG

Durch die Bahnbewegung Ihrer Schleifmaschine beschreibt der Schleifschuh beim Schleifen kleine Hin- und Herbewegungen. Diese Bewegung eignet sich ideal für Feinschliffarbeiten oder zur Entfernung von Rost- oder Lackresten oder Unebenheiten der Arbeitsfläche (bei Verwendung des Schleifschuhs mit grobem Korn).

#### STAUBSAMMELBOX

Die Staubbox wird an der Schleifmaschine befestigt und beschränkt die Staubentwicklung auf ein Minimum.

### ZUSAMMENBAU

#### ⚠ WARNUNG

Ihre Schleifmaschine darf niemals an eine Steckdose angeschlossen sein, wenn Sie Teile montieren, Einstellungen vornehmen, Ihr Gerät reinigen oder wenn Sie es zur Zeit nicht verwenden. Dadurch, dass das Werkzeug vom Stromkreis getrennt wird, wird ein unbeabsichtigtes Einschalten, das schwere Verletzungen verursachen könnte, verhindert.

#### AUSWAHL DER SCHLEIFSCHEIBE

Die Wahl der Größe, des Kornes und des Typs des Schleifpapiers ist sehr wichtig, um ein qualitativ hochwertiges Schleifergebnis zu erzielen. Für das Rohschleifen empfehlen wir Ihnen die Verwendung von synthetischem Schleifpapier, wie z. B. Aluminiumoxid oder Siliziumkarbid. Natürliche Schleifpapiere, wie Silex





## Deutsch

oder Granat, sind zu weich für ein effizientes Schleifen oder Rohschleifen.

Im Allgemeinen kann mit einem groben Korn das größte Material entfernt werden, während ein feines Korn einen Feinschliff ermöglicht. Die Größe des zu verwendenden Kornes richtet sich nach dem Zustand der zu schleifenden Fläche. Bei einer rauen Fläche schleifen Sie zunächst mit einem grobkörnigen Papier, bis die Fläche einheitlich ist. Anschließend können Sie ein Papier mit mittlerem Korn verwenden, um die vom grobkörnigen Papier hinterlassenen Kratzer zu entfernen und zuletzt ein feinkörniges Papier zum Polieren der Fläche. Schleifen Sie mit allen Korngrößen so lange, bis die Fläche einheitlich ist.

### Empfohlene Papier/Pad Verwendung

|                          |                    |
|--------------------------|--------------------|
| Schleifpapier Korn Ø 80  | Grobes Schleifen   |
| Schleifpapier Korn Ø 120 | Leichtes Schleifen |
| Schleifpapier Korn Ø 150 | Leichtes Schleifen |

### SCHNELLES ANBRINGEN DER SCHLEIFPAPIERE UND -SCHUHE

Siehe Abbildung 2.

1. Ziehen Sie den Netzstecker der Schleifmaschine ab.
2. Richten Sie die Löcher des Papiers oder Schleifschuhs mit den Löchern des Schleifschuhs der Schleifmaschine aus und kleben Sie die Velcro-Seite des Schleifpapiers vorsichtig und so fest wie möglich auf den Schleifschuh.

**BITTE BEACHTEN:** Sie können diesen Typ von Papier so lange wiederverwenden, wie ein effizientes Schleifen möglich ist. Wir empfehlen Ihnen, die Schleifpapiere und -schuhe stets sauber zu halten, so dass Sie besser am Schuh der Schleifmaschine haften. Reinigen Sie sie regelmäßig mit einer kleinen Bürste.

### ANBRINGEN DER STAUBBOX

Siehe Abbildung 3.

Die Staubbox ist ein Staubsammelsystem für die Schleifmaschine. Schleifstaub wird während des Schleifens durch die Öffnungen der Schleifscheibe gesaugt und in der Staubbox gesammelt.

1. Ziehen Sie den Netzstecker der Schleifmaschine ab.
2. Schieben Sie die Staubbox mit einer leicht drehenden Bewegung fest in den Gebläsauslass der Schleifmaschine.

### ⚠️ WARNUNG

Bleiben während der Verwendung dieser Schleifmaschine stets wachsam. Jede Unachtsamkeit - selbst für nur den Bruchteil einer Sekunde - kann zu schweren Verletzungen führen.

### ANWENDUNGSBEREICHE

Sie können Ihre Schleifmaschine für die unten aufgeführten Arbeiten verwenden:

- Schleifen von Holzoberflächen.
- Entfernen von Rost und Schleifen von Stahl.
- Polieren und Schleifen von Porzellan und Metallen.

### ⚠️ ACHTUNG

Achten Sie darauf, dass das Stromkabel nicht in die Bahn des Schleifschuhs gerät und positionieren Sie es so, dass es während dem Schleifen nicht an den Holzteilen, Werkzeugen oder anderen Objekten hängen bleiben kann.

### ⚠️ WARNUNG

Tragen Sie stets eine Sicherheits- oder Schutzbrille mit Seitenschutz, wenn Sie mit Geräten arbeiten. Die Missachtung dieser Sicherheitsvorschrift kann dazu führen, dass Fremdkörper, Staub oder Späne in Ihre Augen spritzen und schwere Augenverletzung verursacht werden.

### BETRIEB

#### EINSCHALTEN / ANHALTEN DER SCHLEIF-MASCHINE

Siehe Abbildung 4.

- **So schalten Sie Ihre Schleifmaschine ein:** Drücken Sie den Ein-/Aus-Schalter nach links.
- **So schalten Sie Ihre Schleifmaschine aus:** Drücken Sie den Ein-/Aus-Schalter nach rechts.

#### VERWENDUNG

Siehe Abbildung 5.

1. Befestigen Sie das Werkzeug so, dass es nicht unter die Schleifmaschine rutschen kann.





**Deutsch**

**⚠ WARNUNG**

Wenn Sie das Werkstück nicht befestigen, kann es zum Benutzer geschleudert werden und schwere Verletzungen verursachen.

**⚠ WARNUNG**

Halten Sie Ihr Gesicht von der Schleifmaschine und vom Schleifbereich entfernt. Schützen Sie Ihre Haare, so dass sich diese nicht in der Schleifmaschine verfangen können, denn dies kann schwere Verletzungen verursachen.

2. Stellen Sie die Schleifmaschine auf die Arbeitsfläche, so dass die gesamte Fläche des Schleifschuhs mit dem Werkstück in Kontakt ist.

**⚠ ACHTUNG**

Achten Sie darauf, dass Sie die Ventilations-schlitze nicht mit Ihren Händen abdecken, denn dies kann zu einer Überhitzung des Motors führen.

3. Schalten Sie Ihre Schleifmaschine ein und bewegen Sie sie langsam zum Werkstück.

**BITTE BEACHTEN:** Halten Sie die Schleifmaschine in ausreichendem Abstand so vor Ihrem Körper, dass das Werkstück gut sichtbar bleibt. Schalten Sie Ihre Schleifmaschine ein und warten Sie, bis der Motor seine Höchstdrehzahl erreicht hat. Führen Sie den Schleifschuh der Schleifmaschine anschließend langsam zum Werkstück. Sobald der Schleifschuh am Werkstück ansetzt, verschieben Sie die Schleifmaschine auf der Fläche, indem Sie kleine Kreise beschreiben.

**Drücken Sie auf keinen Fall zu stark auf die Schleifmaschine.** Das Gewicht der Schleifmaschine übt einen ausreichenden Druck auf das Werkstück aus. Ein zu hoher Druck auf die Schleifmaschine kann dazu führen, dass sich die Motordrehzahl verlangsamt, das Schleifpapier schneller abnutzt und die Schleifgeschwindigkeit erheblich verringert wird. Außerdem kann der Motor durch einen zu hohen Druck überbeansprucht und überhitzt werden. Dies kann zu einer Beschädigung des Motors und einer Beeinträchtigung des einwandfreien Betriebs des Geräts führen. Die auf Grund der Reibung entstehende Wärme kann den Lack- oder Harzbelag des Holzes aufweichen.

Achten Sie darauf, dass Sie nicht zu lange auf dem selben Bereich des Werkstücks schleifen, denn die Schleifwirkung der Schleifmaschine kann zu einer schnellen Abnutzung des Materials und einer unregelmäßigen Fläche führen.

Bei längeren Schleifarbeiten ohne Unterbrechung kann es zu einer Überhitzung des Motors kommen. Falls

dies geschieht, schalten Sie die Schleifmaschine aus und warten Sie, bis die Schleifscheibe ganz zum Halten gekommen ist; nehmen Sie sie dann vom Werkstück. Halten Sie Ihre Hand nicht über den Belüftungsschlitzen, entfernen Sie das Schleifpapier, schalten Sie die Schleifmaschine wieder ein und lassen Sie sie im Leerlauf laufen, so dass der Motor abkühlt.

**ECKEN UND SPALTEN**

*Siehe Abbildung 6.*

- Für genaues Schleifen, wie z.B. in Ecken und Spalten, verwenden Sie die Spitze des Schleifpads mit kurzen Vorwärts- und Rückwärtsbewegungen.

**ENTLEEREN DER STAUBBOX**

*Siehe Abbildung 7.*

Um eine höhere Effizienz zu gewährleisten, sollten Sie den Staubbeutel leeren, sobald er zur Hälfte gefüllt ist. Dies ermöglicht eine bessere Luftzirkulation im Innern des Beutels. Entleeren und reinigen Sie die Staubbox jedes Mal gründlich nachdem Sie mit den Schleifarbeiten fertig sind und bevor Sie die Schleifmaschine einlagern.

**⚠ WARNUNG**

Die Staubanhäufung, die beim Schleifen von Flächen mit einem Belag aus hoch entzündlichen Produkten entsteht (wie z. B. Polyurethan, Leinöl usw.), kann zu einer Entzündung des Staubbeutels oder anderer Teile der Schleifmaschine führen und dadurch einen Brand verursachen. Entleeren Sie zur Verringerung der Feuergefahr die Staubbox während des Schleifens regelmäßig (alle 10-15 Minuten) und lagern bzw. lassen Sie eine Schleifmaschine niemals mit nicht komplett geleerter Staubbox zurück. Lesen Sie die Empfehlungen der Belaghersteller gründlich durch.

1. Ziehen Sie den Netzstecker der Schleifmaschine ab.

**⚠ WARNUNG**

Wenn der Netzstecker der Schleifmaschine nicht abgezogen wird, kann es zu einem unbeabsichtigten Einschalten des Geräts kommen und dies kann schwere Körperverletzungen herbeiführen.

2. Entfernen Sie die Staubbox von der Schleifmaschine.
3. Schütteln Sie den Staubbeutel aus, um ihn zu entleeren.
4. Bringen Sie die Staubbox wieder an der Schleifmaschine an.

**BITTE BEACHTEN:** Entfernen Sie für eine gründlichere Reinigung der Staubbox die Staubbox aus ihrem Rahmen und schütteln Sie den Staub aus. Setzen Sie die Staubbox







**Deutsch**

wieder über den Rahmen ein und bringen Sie sie dann an der Schleifmaschine an.

**AUSWECHSELN DES SCHLEIFPAPIERS**

*Siehe Abbildung 8.*

Ihre Schleifmaschine wird mit Schleifschuhen und Schleifpapier unterschiedlichster Art für unterschiedliche Nutzungen geliefert. Zum Wechseln des Papiers, ziehen Sie das benutzte Papier einfach von der Basis und bringen Sie das gewünschte Papier oder Pad an der Basis der Schleifmaschine durch Aufdrücken an.

**VERWENDUNG DES FINGERPADS**

*Siehe Abbildung 9.*

1. Öffnen Sie die Fingerpad Abdeckung.
2. Senken Sie den Fingerpad und befestigen Sie ihn in seiner Position.
3. Schließen Sie die Fingerpad Abdeckung.

**SPANNUNGS-LED**

Ihr Winkelschleifer ist mit einer Spannungs-LED ausgestattet, die leuchtet, wenn das Gerät an das Stromnetz angeschlossen wird. Diese LED macht Sie darauf aufmerksam, dass das Gerät unter Spannung steht und eingeschaltet wird, sobald Sie auf den Ein-/Aus-Schalter drücken.

**WARTUNG UND PFLEGE**

**⚠️ WARNUNG**

Ihre Schleifmaschine darf niemals an eine Steckdose angeschlossen sein, wenn Sie Teile montieren, Einstellungen vornehmen, Ihr Gerät reinigen oder wenn Sie es zur Zeit nicht verwenden. Dadurch, dass das Werkzeug vom Stromkreis getrennt wird, wird ein unbeabsichtigtes Einschalten, das schwere Verletzungen verursachen könnte, verhindert.

**⚠️ WARNUNG**

Verwenden Sie für die Wartung nur Originalersatzteile. Die Verwendung anderer Teile kann gefährlich sein oder eine Beschädigung des Produkts verursachen.

**ALLGEMEINE ANWEISUNGEN**

Vermeiden Sie beim Reinigen der Plastikteile den Einsatz von Lösungsmitteln. Die meisten Kunststoffe können durch im Handel erhältliche Lösungsmittel beschädigt werden. Verwenden Sie saubere Tücher um Verunreinigungen wie Staub, Öl, Schmierstoffe usw. zu entfernen.

**⚠️ WARNUNG**

Lassen Sie niemals Bremsflüssigkeiten, Benzin, Produkte auf Erdölbasis, Penetrieröle usw. mit den Plastikteilen in Kontakt geraten. Diese chemischen Produkte enthalten Substanzen, die den Kunststoff beschädigen, schwächen oder zerstören können.

Elektrische Geräte, die an Glasfasermaterial, Gipsplatten und Verkleidungsplatten verwendet werden, haben die Tendenz schneller abzunutzen und vorzeitig Defekte aufzuweisen. Die Späne und Sägespäne von diesen Materialien haben für die Teile von elektrischen Geräten, wie Zahnräder, Bürsten, Schalter usw. eine sehr abrasive Wirkung. Von einer längeren Verwendung eines Geräts an Glasfaser, Verkleidungsplatten, Spachtelmasse oder Gips wird daher dringend abgeraten. Falls Sie dennoch diese Art von Materialien schleifen, müssen Sie Ihre Schleifmaschine unbedingt mit Druckluft reinigen.

**⚠️ WARNUNG**

Tragen Sie beim Arbeiten mit motorbetriebenen Werkzeugen oder beim Wegblasen von Staub immer eine Schutzbrille mit Seitenschutz. Tragen Sie außerdem bei staubigen Arbeiten eine Atemschutzmaske.

**ÖLEN**

Alle Lagerelemente in diesem Werkzeug sind mit genug qualitativ hochwertigem Schmiermittel für die gesamte Lebensdauer unter normalen Betriebsbedingungen geölt. Es ist daher keine zusätzliche Schmierung erforderlich.

**REINIGUNG DER SCHLEIFSCHUHE**

Um eine lange Lebensdauer und optimale Effizienz der Schleifschuhe zu gewährleisten, müssen Sie diese regelmäßig reinigen. Sie können alle Fremdkörper entfernen, indem Sie den Schleifschuh einfach mit warmem Wasser abspülen. Nachdem der Schleifschuh gereinigt wurde, trocknen Sie ihn vorsichtig und lassen ihn vollständig trocknen. Bewahren Sie die Schleifschuhe stets flach liegend an einem trockenen und kühlen Ort auf.

**REINIGUNG DER SCHLEIFPAPIERE**

Der Sicherheitsknopf kann mit dem Daumen gedrückt werden, so dass die anderen Finger zum Drücken des Ein-/Aus-Schalters frei bleiben. Sie müssen daher regelmäßig gereinigt werden, um den Staub und die Partikel zu entfernen, die sich bei den verschiedenen Schleifoperationen auf der Fläche ansammeln können. Reiben Sie die Schleifpapiere zur Reinigung mit einem kompakten Kautschuckblock ab. Sie können hierfür beispielsweise eine saubere Schuhsohle verwenden.



## Deutsch

### **WARNUNG**

Entfernen Sie das Schleifpapier oder den Schleifschuh vor der Reinigung stets vom Schuh der Schleifmaschine. Die Missachtung dieser Vorschrift kann zu schweren Körperverletzungen führen.

### **UMWELTSCHUTZ**



Recyceln Sie die Rohstoffe anstatt sie in die Haushaltsabfälle zu geben. Zum Schutz der Umwelt müssen das Gerät, die Zubehörteile und die Verpackungen getrennt entsorgt werden.

### **SYMBOL**



Sicherheitswarnung

V Volt

Hz Hertz

~ Wechselstrom

W Watt

$n_0$  Leerlaufdrehzahl

$\text{min}^{-1}$  Feuer- und Explosionsgefahr!



Orbitaldurchmesser



CE-Konformität



Doppelisolierung



Gehörschutz tragen



Augenschutz tragen



Bitte lesen Sie die Anweisungen sorgfältig, bevor Sie das Gerät einschalten.



Elektrische Geräte sollten nicht mit dem übrigen Müll entsorgt werden. Bitte entsorgen Sie diese an den entsprechenden Entsorgungsstellen. Wenden Sie sich an die örtliche Behörde oder Ihren Händler, um Auskunft über die Entsorgung zu erhalten.



## Español

### DESCRIPCIÓN

1. Interruptor
2. Patín autoadhesivo
3. Caja de recogida de polvo
4. Papel abrasivo
5. Indicador de puesta en tensión
6. Tapa
7. Utilización de la almohadilla
8. Cierre

### CONSIGNAS DE SEGURIDAD ESPECÍFICAS PARA LAS LIJADORAS

- **Use siempre gafas de seguridad herméticas y una máscara contra el polvo cuando utilice la lijadora, especialmente en los trabajos en los que deba sujetar la lijadora por encima de su cabeza.**
- **No utilice en ningún caso la lijadora en superficies húmedas.**
- **La hoja de papel abrasivo de lija no debe ser demasiado grande.** Si la hoja de lija rebasa el patín, podrá sufrir heridas graves.
- **El saco para el polvo debe estar instalado cuando trabaje con la máquina y se lo debe vaciar con regularidad.** Se procederá al vaciado de frecuencia. Para colocar el saco para el polvo, inserte el anillo del saco en la boquilla de salida que se encuentra en la parte trasera de la lijadora, haciéndolo girar hacia la derecha hasta que el saco quede firmemente sujeto.

### ⚠ ADVERTENCIA

No tire el polvo recogido en el saco en un fuego que no esté protegido porque la finas partículas del material pueden producir una explosión.

### ⚠ ADVERTENCIA

Debe utilizar una máscara facial con filtro cuando lije superficies cubiertas con pintura a base de plomo, al igual que cuando trabaje ciertas maderas o metales, para evitar la inhalación de polvo o de vapores tóxicos.

### ESPECIFICACIONES

|                                  |                         |
|----------------------------------|-------------------------|
| Tensión                          | 230 V - 240 V ~ 50 Hz   |
| Potencia                         | 80 W                    |
| Velocidad del movimiento orbital | 12000 min <sup>-1</sup> |
| Peso                             | 0,95 kg                 |

### CARACTERÍSTICAS

#### FAMILIARÍCESE CON SU LIJADORA TRIANGULAR

Ver figura 1.

Antes de utilizar la lijadora, familiarícese con todas sus funciones y características relativas a la seguridad. Aún cuando esté familiarizado con la lijadora no deje de estar atento.

#### INTERRUPTOR

Esta lijadora está provista de un interruptor situado en la parte delantera del cárter del motor.

#### PATÍN AUTOADHESIVO

El sistema de fijación velcro le permite cambiar rápidamente los papeles o patines abrasivos. También le permite limpiarlos fácilmente para poder reutilizarlos.

#### ACCIÓN ABRASIVA ORBITAL

El movimiento orbital de la lijadora hace girar el patín con pequeños vaivenes rápidos durante el lijado. Este movimiento es ideal para el lijado de acabados o, si se utiliza el patín abrasivo de grano grueso, para retirar manchas de óxido, pintura o cualquier imperfección de la superficie de trabajo.

#### CAJA DE RECOGIDA DE POLVO

La caja de recogida de polvo se instala en la lijadora y reduce el polvo al mínimo.

### MONTAJE

### ⚠ ADVERTENCIA

No enchufe nunca la lijadora a la toma de corriente cuando monte piezas, realice ajustes, limpie la herramienta o incluso cuando no la utilice. Desconectar la herramienta evitará el arranque accidental que podría causar lesiones graves.

#### SELECCIÓN DE DISCO DE LIJADO

Elegir el tamaño, el grano y el tipo de papel abrasivo adecuado es sumamente importante para obtener un lijado de calidad. Para las operaciones de desbaste, le recomendamos que emplee papel de lija con abrasivo sintético tal como alúmina o carburo de silicio. En efecto, los abrasivos naturales como por ejemplo el sílex o el granate son demasiado blandos para ser utilizados de manera económica para un lijado de desbaste.

De manera general, un grano grueso permite retirar el grueso del material, mientras que un grano fino permite obtener un lijado de acabado. El estado de la superficie





**Español**

que va a lijar permite determinar el tamaño de grano que deberá utilizar. Si la superficie es rugosa, empiece a lijar con un papel de grano grueso hasta que la superficie se vuelva uniforme. Después, puede utilizar un papel de grano medio para eliminar las raspaduras provocadas por el papel de grano grueso y, para terminar, emplee un papel de grano fino para pulir la superficie. Lije con cada tamaño de grano hasta que la superficie se vuelva uniforme.

**Uso recomendado de hoja/almohadilla**

|                            |               |
|----------------------------|---------------|
| Papel abrasivo grano Ø 80  | Lijado basto  |
| Papel abrasivo grano Ø 120 | Lijado ligero |
| Papel abrasivo grano Ø 150 | Lijado ligero |

**FIJACIÓN RÁPIDA DE LOS PAPELES Y PATINES ABRASIVOS**

Ver figura 2.

1. Desenchufe la lijadora.
2. Haga coincidir los orificios del papel o del patín abrasivo con los orificios del patín de la lijadora, y pegue con precaución el lado velcro del papel al patín, lo más firmemente posible.

**NOTA:** Puede reutilizar este tipo de papel tantas veces como el grado de eficacia del abrasivo lo permita. Le recomendamos que mantenga limpios los papeles y patines abrasivos para que se adhieran mejor al patín de la lijadora. Límpielos regularmente con un pequeño cepillo.

**COLOCACIÓN DE LA CAJA DEL POLVO**

Ver figura 3.

La caja de recogida de polvo ofrece un sistema de recogida de polvo para la lijadora. El polvo del lijado se introduce por los agujeros del disco de lijado y se recoge en la caja de recogida de polvo durante el lijado.

1. Desenchufe la lijadora.
2. Con un ligero movimiento de giro, deslice con firmeza la caja de recogida de polvo en el ventilador aspirante de la lijadora.

**⚠ ADVERTENCIA**

Permanezca atento mientras utilice esta lijadora. Las acciones descuidadas, incluso durante una fracción de segundo, puede resultar en lesiones personales graves.

**APLICACIONES**

Utilice la herramienta únicamente para las aplicaciones que se indican a continuación.

- Lijar superficies de madera.
- Lijar y sacar el óxido en elementos de hierro.
- Pulir y lijar porcelana y metales.

**⚠ PRECAUCIÓN**

Procure mantener alejado el cable de alimentación de la trayectoria del patín y colocarlo de manera que no entre en contacto con las piezas de madera, las herramientas o cualquier otro objeto durante el lijado.

**⚠ ADVERTENCIA**

Lleve siempre gafas de seguridad o gafas de protección con pantallas laterales cuando utilice herramientas eléctricas. El incumplimiento de esta recomendación puede hacer que resulten proyectados cuerpos extraños a sus ojos y provocarle graves lesiones oculares.

**FUNCIONAMIENTO**

**PUESTA EN MARCHA / PARADA DE LA LIJADORA**

Ver figura 4.

- **Para poner en marcha la lijadora:** Empuje el interruptor de marcha/parada hacia la izquierda.
- **Para parar la lijadora:** Empuje el interruptor de marcha/parada hacia la derecha.

**UTILIZACIÓN**

Ver figura 5.

1. Fije la pieza trabajada de manera que no pueda deslizarse debajo de la lijadora.

**⚠ ADVERTENCIA**

Si no fija la pieza trabajada, ésta puede ser proyectada hacia el usuario y provocar heridas graves.

**⚠ ADVERTENCIA**

Procure mantener la cara alejada de la lijadora y de la zona de lijado. Protéjase el pelo para que no entre en contacto con la lijadora, lo que podría ocasionar heridas graves.

2. Coloque la lijadora en la superficie de trabajo de manera que toda la superficie del patín esté en





## Español

contacto con la pieza trabajada.

### ⚠ PRECAUCIÓN

Procure no obstruir las ranuras de ventilación con las manos ya que esto provocaría un recalentamiento del motor.

3. Ponga la lijadora en marcha antes de que esté en contacto con la pieza trabajada.

**NOTA:** Mantenga la lijadora delante suyo y a cierta distancia de su cuerpo y de la pieza trabajada. Ponga la lijadora en marcha y espere que el motor haya alcanzado la velocidad máxima. Dirija entonces lentamente el patín de la lijadora hacia la pieza trabajada. Cuando el patín entre en contacto con la pieza trabajada, desplace la lijadora en la superficie haciendo pequeños círculos.

**Tenga cuidado de no forzar la lijadora.** El peso de la lijadora ejerce una presión suficiente en la pieza trabajada. La lijadora y el papel abrasivo deben hacer todo el "trabajo". Ejerciendo una presión adicional en la lijadora el motor funcionará más lentamente, el papel abrasivo se gastará más rápidamente y la velocidad de lijar se reducirá considerablemente. Además, una presión excesiva puede sobrecargar el motor, produciendo un recalentamiento que podría dañar el motor y perjudicar el buen funcionamiento de la máquina. Atención, el calor resultante de la fricción puede ablandar el barniz o la resina que cubre la madera.

No lije durante demasiado tiempo en el mismo lugar ya que la acción abrasiva de la lijadora puede gastar rápidamente el material obteniendo un resultado irregular o desparejo.

Los períodos prolongados de lijado pueden provocar un recalentamiento del motor. Si ocurre esto, desconecte la lijadora y espere hasta que el disco de lijado se detenga totalmente, luego retírelo de la pieza de trabajo. Retire la mano de las ranuras de ventilación, saque el papel abrasivo, vuelva a poner en marcha la lijadora y hágala funcionar sin carga para enfriar el motor.

### ESQUINAS Y GRIETAS

Ver figura 6.

- Para detalles de lijado, tales como esquinas y grietas, utilice la punta de la almohadilla de lijado con pequeños movimientos hacia adelante y hacia atrás.

### VACIADO DE LA CAJA DEL POLVO

Ver figura 7.

Para trabajar con más eficacia, vacíe la bolsa para el polvo cuando esté llena hasta la mitad. Esto permite una mejor circulación del aire dentro de la bolsa. Vacíe y limpie la caja de polvo a fondo al terminar una operación de lijado y antes de colocar la lijadora en el almacenamiento.

### ⚠ ADVERTENCIA

La acumulación de polvo resultante de lijar superficies que tienen productos altamente inflamables, como poliuretano, aceite de lino, etc., puede inflamar el saco para el polvo o alguna otra parte de la lijadora, produciendo un incendio. Para reducir el riesgo de incendio, vacíe siempre la caja de recogida de polvo con frecuencia (10-15 minutos) al lijar y nunca almacene ni deje una lijadora sin vaciar completamente la caja de recogida de polvo. Lea atentamente las recomendaciones de los fabricantes de revestimientos.

1. Desenchufe la lijadora.

### ⚠ ADVERTENCIA

Si la lijadora no está desenchufada, podría ponerse en marcha inadvertidamente y provocar heridas corporales graves.

2. Retire la caja de recogida de polvo de la lijadora.
3. Sacuda el saco para el polvo para vaciarlo.
4. Vuelva a colocar la caja de recogida de polvo en la lijadora.

**NOTA:** Para una limpieza más a fondo de la caja colectora de polvo, quite la caja de polvo del marco, y sacuda el polvo. Vuelva a colocar la caja de recogida de polvo en el marco e instale la caja en la lijadora.

### CAMBIO DEL PAPEL ABRASIVO

Ver figura 8.

La lijadora viene provista de patines y papeles abrasivos de distintos tipos, para distintas utilizaciones. Para cambiar las hojas, simplemente tire de la hoja de la base e instale la hoja deseada presionando la hoja o almohadilla en la base de la lijadora.

### UTILIZACIÓN DE LA ALMOHADILLA

Ver figura 9.

1. Abra la tapa de la almohadilla para el dedo.
2. Baje la almohadilla y ajústela en su sitio.
3. Cierre la cubierta de la almohadilla para el dedo.

### INDICADOR DE PUESTA EN TENSIÓN

La amoladora de ángulo cuenta con un indicador de puesta en tensión que se enciende cuando la herramienta está enchufada. Este indicador sirve para llamar su atención sobre el hecho de que la herramienta está en tensión y se pondrá en marcha en cuanto pulse el gatillo.





**Español**

**MANTENIMIENTO**

**⚠ ADVERTENCIA**

No enchufe nunca la lijadora a la toma de corriente cuando monte piezas, realice ajustes, limpie la herramienta o incluso cuando no la utilice. Desconectar la herramienta evitará el arranque accidental que podría causar lesiones graves.

**⚠ ADVERTENCIA**

Utilice solo piezas de recambio idénticas cuando esté realizando labores de mantenimiento de la máquina. El uso de otras piezas puede ocasionar riesgos o daños en el producto.

**INSTRUCCIONES GENERALES**

Evite el uso de disolventes para limpiar las piezas de plástico. La mayor parte de los plásticos pueden resultar dañados con los disolventes que se venden en el comercio. Use un paño limpio para limpiar la suciedad, polvo, aceite, grasa, etc. de la herramienta.

**⚠ ADVERTENCIA**

No permita en ningún momento que las piezas de plástico entren en contacto con líquido de frenos, gasolina, productos derivados del petróleo, aceites penetrantes, etc. Estas sustancias químicas contienen componentes que pueden deteriorar, debilitar o destruir el plástico.

Las herramientas eléctricas empleadas con equipos de fibra de vidrio, placas de yeso o paneles de revestimiento suelen desgastarse más rápidamente y tener fallos o averías prematuramente. La viruta y el serrín resultantes de estos materiales son muy abrasivos para las piezas mecánicas de las herramientas como engranajes, cepillos, interruptores, etc. Por lo tanto, se desaconseja totalmente usar de forma prolongada esta herramienta para trabajar con fibra de vidrio, paneles de revestimiento, enlucidos o yeso. Si tiene que lijar este tipo de materiales, es sumamente importante que limpie la lijadora con aire comprimido.

**⚠ ADVERTENCIA**

Siempre use gafas de seguridad o gafas de seguridad con protección lateral durante el funcionamiento de la herramienta eléctrica o cuando ésta desprenda polvo. Si la superficie de trabajo es polvorienta, use también una careta específica.

**LUBRICACIÓN**

Todos los rodamientos de esta herramienta están lubricados con cantidad suficiente de lubricante de grado alto para toda la vida de la unidad en condiciones de funcionamiento normales. Por lo tanto, no es menester prever ninguna lubricación adicional.

**LIMPIEZA DE LAS ALMOHADILLAS DE FREGAR**

Para asegurar una vida más larga y un rendimiento óptimo, limpie periódicamente todos los residuos del lijado y materiales extraños de las almohadillas de fregar. Esto puede hacerse simplemente mediante la plataforma de lavado con agua tibia hasta que todo el material extraño ha sido arrebataada. Después de limpiar, apretar suavemente el teclado para eliminar el exceso de agua y permita que el colchón se seque. Siempre guarde y almohadillas de lijado hojas planas en un lugar fresco y seco.

**LIMPIEZA DE HOJAS DE LIJA**

Las hojas de lija que viene con la lijadora se hacen para ser reutilizados. Por lo tanto, es importante que una limpieza periódica para eliminar residuos de lijado y material extraño que puede acumularse con el tiempo. Para limpiar las hojas de lija, frotar las hojas con un bloque de goma dura. También puede utilizar la goma limpia suela de un zapato.

**⚠ ADVERTENCIA**


Siempre retire la almohadilla de lijado o lavado de la lijadora antes de limpiarlo. De lo contrario podría causar lesiones personales graves.

**PROTECCIÓN DEL MEDIO AMBIENTE**



Recicle las materias primas en lugar de tirarlas a la basura doméstica. Para proteger el medio ambiente, debe separar la herramienta, los accesorios y los embalajes.

**SÍMBOLO**

-  Alerta de seguridad
- V Voltios
- Hz Hertzios
- ~ Corriente alterna
- W Vatios
- no Velocidad sin carga



**Español**

min<sup>-1</sup> Número de revoluciones o movimientos por minuto



Diámetro orbital



Conformidad con CE



Doble aislamiento



Utilice dispositivos de protección para los oídos



Utilice gafas de seguridad



Por favor lea las instrucciones detenidamente antes de arrancar la máquina.



Los productos eléctricos de desperdicio no deben desecharse con desperdicios caseros. Por favor recíclelos donde existan dichas instalaciones. Compruebe con su autoridad local o minorista para reciclar.



## Italiano

### DESCRIZIONE

1. Interruttore
2. Pattino autoadesivo
3. Sacchetto di raccolta polvere
4. Carta abrasiva
5. Spia luminosa di presenza tensione
6. Coperchio
7. Dedo pad
8. Blocco

### NORME DI SICUREZZA SPECIFICHE PER LE LEVIGATRICI

- **Indossare sempre occhiali di sicurezza ed una maschera antipolvere quando si leviga, ed in particolare quando si tiene la levigatrice al di sopra del capo.**
- **Non utilizzare mai la levigatrice su superfici umide.**
- **Il foglio di carta abrasiva non deve essere troppo grande.** Se la carta abrasiva fuoriesce dal pattino, ci si espone a rischi di gravi ferite.
- **Il sacchetto raccogli polvere deve essere applicato sull'apparecchio e svuotato periodicamente.** Esso è svuotato di frequente. Per installare il sacchetto raccogli polvere, incastrare l'anello del sacchetto sull'ugello di scarico situato sul retro della levigatrice, ruotandolo verso destra sino a quando il sacchetto non risulterà fissato correttamente.

### AVVERTENZE

Non gettare mai nel fuoco la polvere prodotta dalla levigatura, in quanto i materiali in forma di piccole particelle possono essere esplosivi.

### AVVERTENZE

Indossare una maschera antipolvere adeguata quando si levigano superfici ricoperte di pittura al piombo nonché alcuni tipi di legno o di metallo, al fine di non inalare polveri o vapori tossici.

### SPECIFICHE

|                                 |                         |
|---------------------------------|-------------------------|
| Voltaggio                       | 230 V - 240 V ~ 50 Hz   |
| Alimentazione                   | 80 W                    |
| Velocità del movimento orbitale | 12000 min <sup>-1</sup> |
| Peso                            | 0.95 kg                 |

### CARATTERISTICHE

#### IMPARARE A CONOSCERE LA LEVIGATRICE TRIANGOLARE

*Vedere la figura 1.*

Prima di procedere all'utilizzo dell'apparecchio, acquisire dimestichezza con tutte le sue funzionalità e specificità in termini di sicurezza. Fare comunque sempre attenzione, anche dopo avere acquisito dimestichezza con la levigatrice.

#### INTERRUTTORE

Questa levigatrice è dotata di un interruttore situato sulla parte anteriore del carter del motore.

#### PATTINO AUTOADESIVO

Il sistema di fissaggio a velcro consente di sostituire rapidamente i fogli di carta o i pattini abrasivi. Questo sistema permette inoltre di pulirli facilmente per poterli riutilizzare.

#### AZIONE ABRASIVA ORBITALE

Durante la levigatura, il movimento orbitale della levigatrice fa compiere al pattino piccoli tragitti di va e vieni. Questo movimento è ideale per una levigatura di finitura oppure, in caso di utilizzo del pattino abrasivo a grana grossa, per la rimozione delle tracce di ruggine, vernice o imperfezioni dalla superficie di lavoro.

#### SACCHETTO DI RACCOLTA POLVERE

Il sacchetto per la polvere si collega alla levigatrice e riduce al minimo la fuoriuscita di polvere.

### MONTAGGIO

### AVVERTENZE

Durante il montaggio di componenti, l'esecuzione di regolazioni, le operazioni di pulizia dell'apparecchio o quando non viene utilizzata, la levigatrice non deve mai essere collegata alla presa di corrente. Scollagre l'utensile preverrà l'avvio accidentale che potrà causare gravi lesioni personali.

#### DISCO SELEZIONATORE LEVIGATURA

La scelta del formato, della grana e del tipo di carta abrasiva è estremamente importante se si desidera ottenere una levigatura di qualità. Per le operazioni di sgrassatura, si raccomanda di utilizzare abrasivi sintetici come l'allumina o il carburo di silicio. Gli abrasivi naturali, come la selce o il granato, sono infatti troppo teneri e pertanto il loro impiego per la levigatura di sgrassatura non sarebbe economico.







## Italiano

In linea generale, una grana grossa consente di rimuovere la quantità di materiale più consistente, mentre una grana fine permette di ottenere una levigatura di finitura. Lo stato della superficie da levigare consente di scegliere il formato della grana da utilizzare. Se la superficie appare ruvida, iniziare la levigatura con una carta a grana grossa sino ad ottenere una superficie uniforme. In seguito, è possibile utilizzare una carta a grana media per eliminare le scalfitture lasciate dalla carta a grana grossa e terminare con una carta a grana fine per lucidare la superficie. Levigare con ogni formato di carta sino a quando la superficie non risulta uniforme.

### Utilizzo raccomandato del foglio/cuscinetto di levigatura

|                                |                       |
|--------------------------------|-----------------------|
| Carta abrasiva con grana Ø 80  | Levigatura grossolana |
| Carta abrasiva con grana Ø 120 | Levigatura leggera    |
| Carta abrasiva con grana Ø 150 | Levigatura leggera    |

### FISSAGGIO RAPIDO DEI FOGLI DI CARTA E DEI PATTINI ABRASIVI

Vedere la figura 2.

1. Scollegare la levigatrice dall'alimentazione elettrica.
2. Allineare i fori della carta o del pattino abrasivo con i fori del pattino della levigatrice, quindi incollare con cautela il lato a velcro della carta al pattino, fissandolo il più saldamente possibile.

**NOTE:** Questo tipo di carta può essere riutilizzato sino a quando il grado di efficacia dell'abrasivo lo consente. Si raccomanda di mantenere i fogli di carta e i pattini abrasivi puliti, in modo tale che aderiscano meglio al pattino della levigatrice. Pulirli regolarmente servendosi di una piccola spazzola.

### MONTARE IL SACCHETTO DI RACCOLTA POLVERE

Vedere la figura 3.

Il sacchetto della polvere fornisce una sistema sicuro di raccolta polvere per la levigatrice. La polvere della levigatura viene aspirata attraverso i fori del disco di levigatura e raccolta nel sacchetto di raccolta polvere durante le operazioni di levigatura.

1. Scollegare la levigatrice dall'alimentazione elettrica.
2. Con solo un leggero movimento rotatorio, far scorrere il sacchetto per la polvere sullo scarico del soffiatore sulla levigatrice.

### ⚠ AVVERTENZE

Prestare sempre attenzione mentre si utilizza la levigatrice. Azioni sconosciute, anche per una frazione di un secondo, potranno causare gravi lesioni personali.

### APPLICAZIONI

Questa levigatrice può essere utilizzata per le applicazioni di seguito indicate:

- Levigatura delle superfici in legno.
- Rimozione della ruggine e levigatura dell'acciaio.
- Lucidatura e levigatura della porcellana e dei metalli.

### ⚠ ATTENZIONE

Allontanare il cavo d'alimentazione dalla traiettoria del pattino e collocarlo in modo tale che, durante la levigatura, non rimanga impigliato nei pezzi di legno, in altri apparecchi o in qualunque altro oggetto.

### ⚠ AVVERTENZE

Durante l'uso di un utensile, indossare sempre occhiali di sicurezza o occhiali di protezione muniti di schermi laterali. La mancata osservanza di questa norma può comportare la proiezione di corpi estranei, polvere o trucioli negli occhi e provocare gravi lesioni oculari.

### FUNZIONAMENTO

#### MESSA IN FUNZIONE / ARRESTO DELLA LEVIGATRICE

Vedere la figura 4.

- **Per mettere in funzione la levigatrice:** Premere l'interruttore di marcia/arresto verso sinistra.
- **Per arrestare la levigatrice:** Premere l'interruttore di marcia/arresto verso destra.

#### UTILIZZO

Vedere la figura 5.

1. Fissare il pezzo da lavorare in modo tale che non possa scorrere sotto la levigatrice.

### ⚠ AVVERTENZE

Se il pezzo da lavorare non viene fissato, potrebbe venire scagliato verso l'utilizzatore provocando gravi lesioni.

### ⚠ AVVERTENZE

Prestare attenzione a mantenere il viso lontano dalla levigatrice e dall'area di levigatura. Proteggere i capelli in modo tale che non rimangano impigliati nella levigatrice, onde evitare gravi lesioni.





## Italiano

2. Posizionare la levigatrice sulla superficie di lavoro, in modo tale che l'intera superficie del pattino sia a contatto con il pezzo da lavorare.

### ⚠ ATTENZIONE

Prestare attenzione a non ostruire le aperture di aerazione con le mani, onde evitare di causare il surriscaldamento del motore.

3. Mettere in funzione la levigatrice e spostarla lentamente sul pezzo da lavorare.

**NOTE:** Tenere la levigatrice davanti a sé, mantenendola a debita distanza dal proprio corpo in modo da vedere chiaramente il pezzo. Mettere in funzione la levigatrice ed attendere che il motore abbia raggiunto la velocità massima. In seguito, dirigere lentamente il pattino della levigatrice verso il pezzo da lavorare. Quando il pattino entrerà a contatto con il pezzo da lavorare, spostare la levigatrice sulla superficie descrivendo piccoli cerchi.

**Non esercitare forza sulla levigatrice.** Il peso della levigatrice esercita una pressione sufficiente sul pezzo da lavorare. L'intero lavoro deve essere svolto solo dalla levigatrice e dalla carta abrasiva. Esercitando un'ulteriore pressione sulla levigatrice, si rischia di rallentare il motore, di usurare più rapidamente la carta abrasiva e di ridurre notevolmente la velocità di levigatura. Inoltre, una pressione eccessiva può sovraccaricare il motore e causare un surriscaldamento che potrebbe danneggiare il motore stesso e compromettere il corretto funzionamento dell'apparecchio. Il calore dovuto allo sfregamento può ammorbidire la vernice o la resina di copertura del legno.

Prestare attenzione a non levigare troppo a lungo una stessa parte del pezzo da lavorare, in quanto l'azione abrasiva della levigatrice può usurare rapidamente il materiale e rendere irregolare la superficie.

Tempi di levigatura prolungati possono causare il surriscaldamento del motore. Se ciò si verifica, spegnere la levigatrice e attendere sino a che il disco di levigatura non si sia fermato completamente, quindi rimuoverlo dal pezzo sul quale si sta lavorando. Togliere la mano dalle aperture di aerazione, rimuovere la carta abrasiva, quindi rimettere in funzione la levigatrice e farla girare a vuoto per raffreddare il motore.

### ANGOLI E FESSURE

Vedere la figura 6.

- Per operazioni di levigatura dettagliate di angoli e fessure, utilizzare la punta del cuscinetto di levigatura con movimenti brevi e veloci.

### SVUOTARE IL SACCHETTO DI RACCOLTA POLVERE

Vedere la figura 7.

Per effettuare l'operazione in modo più efficace, svuotare

il sacchetto raccogli polvere quando è pieno per metà. Ciò consente una migliore circolazione dell'aria all'interno del sacchetto. Svuotare sempre e pulire il sacchetto di raccolta polvere attentamente una volta completate le operazioni di levigatura e prima di riporre la levigatrice.

### ⚠ AVVERTENZE

L'accumulo di particelle in seguito alla levigatura di superfici trattate con prodotti altamente infiammabili, come il poliuretano, l'olio di lino, ecc., può dare luogo alla combustione del sacchetto raccogli polvere o di altre parti della levigatrice e scatenare un incendio. Per ridurre il rischio di incendi, svuotare sempre il sacchetto della polvere (10-15 minuti) mentre si svolgono operazioni di levigatura e non riporre mai o lasciare la levigatrice senza aver svuotato completamente il sacchetto della polvere. Leggere attentamente le raccomandazioni dei fabbricanti dei prodotti di rivestimento.

1. Scollegare la levigatrice dall'alimentazione elettrica.

### ⚠ AVVERTENZE

Se la spina non è disinserita dalla presa di corrente, la levigatrice può avviarsi involontariamente e provocare gravi lesioni fisiche.

2. Rimuovere il sacchetto della polvere dalla levigatrice.
3. Scuotere il sacchetto per vuotarlo.
4. Ricollegare il sacchetto per la polvere alla levigatrice.

**NOTE:** Per una pulizia approfondita del sacchetto di raccolta polvere, rimuovere il sacchetto dall'utensile e scuotere la polvere. Riposizionare il sacchetto della polvere e quindi installare il gruppo sacchetto della polvere sulla levigatrice.

### SOSTITUZIONE DELLA CARTA ABRASIVA

Vedere la figura 8.

Questa levigatrice viene fornita con carta e pattini abrasivi di diverso tipo, previsti per vari impieghi. Per cambiare i fogli, estrarre i fogli usati dalla base e collegare il nuovo foglio premendo lo stesso o il cuscinetto sulla base della levigatrice.

### UTILIZZARE IL SUPPORTO PER LA PRESA MANUALE

Vedere la figura 9.

1. Aprire il coperchio del supporto per la presa manuale.
2. Abbassare i supporti per la presa manuale e bloccarli al loro posto.
3. Chiudere i coperchi dei supporti per la presa manuale.



**Italiano****SPIA LUMINOSA DI PRESENZA TENSIONE**

La molatrice angolare è dotata di una spia luminosa di presenza tensione, che si illumina quando l'apparecchio è collegato all'alimentazione elettrica. Questa spia attira l'attenzione dell'utilizzatore sul fatto che l'apparecchio è sotto tensione e che si mette in funzione non appena ne viene premuto l'interruttore.

**MANUTENZIONE****⚠ AVVERTENZE**

Durante il montaggio di componenti, l'esecuzione di regolazioni, le operazioni di pulizia dell'apparecchio o quando non viene utilizzata, la levigatrice non deve mai essere collegata alla presa di corrente. Scollegare l'utensile preverrà l'avvio accidentale che potrà causare gravi lesioni personali.

**⚠ AVVERTENZE**

Quando si svolgono operazioni di manutenzione, utilizzare solo ricambi identici. Utilizzare qualsiasi altra parte potrà costituire un rischio o causare danni al prodotto.

**NORME DI CARATTERE GENERALE**

Evitare di utilizzare solventi quando si puliscono le parti in plastica. La maggior parte dei materiali plastici rischia di essere danneggiata dall'uso dei solventi disponibili in commercio. Utilizzare un panno pulito per rimuovere tracce di sporco, polvere, olio, grasso, ecc.

**⚠ AVVERTENZE**

Evitare che sostanze quali liquidi per i freni, benzina, prodotti a base di petrolio, oli penetranti, ecc. entrino in contatto con parti metalliche. Tali prodotti chimici contengono infatti sostanze che possono danneggiare, indebolire o distruggere le materie plastiche.

Gli apparecchi elettrici utilizzati su prodotti in fibra di vetro, lastre di gesso o pannelli di rivestimento tendono ad usurarsi più rapidamente e a presentare precoci problemi di funzionamento. I trucioli e la segatura prodotti da tali materiali risultano infatti molto abrasivi nei confronti dei componenti di apparecchi elettrici quali gli ingranaggi, le spazzole, gli interruttori, ecc. Di conseguenza, si consiglia vivamente l'utilizzo prolungato di un apparecchio sulla fibra di vetro, su pannelli di rivestimento e su stucco o gesso. Tuttavia, qualora si debba procedere alla levigatura

di questi materiali, è estremamente importante pulire la levigatrice con aria compressa.

**⚠ AVVERTENZE**

Indossare sempre occhiali di sicurezza o occhiali di sicurezza con schermi laterali durante le operazioni con l'elettrotensile o quando si aspira della polvere. Nel caso in cui si preveda che le operazioni di lavoro causeranno polvere, indossare sempre una maschera anti-polvere.

**LUBRIFICAZIONE**

Tutti i cuscinetti di questo utensile sono stati lubrificati con una quantità sufficiente di lubrificante di alta qualità per garantire l'ottimo funzionamento dell'utensile. Di conseguenza, non è necessario effettuare alcuna lubrificazione supplementare.

**PULIZIA DEI PATTINI ABRASIVI**

Per garantire una durata prolungata e un'efficacia ottimale dei pattini abrasivi, pulirli regolarmente. Per rimuovere tutte le particelle estranee, è sufficiente risciacquare il pattino con acqua tiepida. Dopo avere pulito il pattino, strizzarlo delicatamente per rimuovere l'acqua in eccesso e lasciarlo asciugare. Riporre sempre i pattini abrasivi distesi in orizzontale in un luogo fresco e asciutto.

**PULIZIA DEI FOGLI DI CARTA ABRASIVA**

I fogli di carta abrasiva forniti in dotazione con questa levigatrice sono riutilizzabili. È pertanto importante pulirli regolarmente per rimuovere la polvere e le particelle che si accumulano sulla superficie nel corso delle diverse operazioni di levigatura.

Per pulire i fogli di carta abrasiva, strofinarli con un pezzo di gomma dura. Si può utilizzare, ad esempio, la suola di una scarpa pulita.

**⚠ AVVERTENZE**

Rimuovere sempre la carta o il pattino abrasivo dal pattino della levigatrice prima di pulirli. La mancata osservanza di questa norma potrebbe comportare gravi lesioni fisiche.

**TUTELA DELL'AMBIENTE**

Riciclare le materie prime anziché gettarle tra i rifiuti domestici. Per tutelare l'ambiente, l'apparecchio, gli accessori e gli imballaggi devono essere smaltiti separatamente.



**SIMBOLO**



Allarme di sicurezza

V Volt

Hz Hertz

~ Corrente alternata

W Watt

$n_0$  Velocità a vuoto

$\text{min}^{-1}$  Numero di giri o di movimenti al minuto



Diametro orbitale



Conformità CE



Doppio isolamento



Indossare cuffie di protezione



Indossare occhiali di protezione



Leggere attentamente le istruzioni prima di avviare l'utensile.



I prodotti elettrici non devono essere smaltiti con i rifiuti domestici. Vi sono strutture per smaltire tali prodotti. Informarsi presso il proprio Comune o rivenditore di sicurezza per smaltire adeguatamente tali rifiuti.



**Nederlands**

**BESCHRIJVING**

1. Aan-/uitschakelaar
2. Voet met klitbevestiging
3. Stofverzameldoos
4. Schuurpapier
5. Netspanningsverklikker
6. Deksel
7. Vingerplaatje
8. Vergrendeling

**SPECIFIEKE VEILIGHEIDSVORSCHRIFTEN VOOR SCHUURMACHINES**

- **Draag altijd een veiligheidsbril en een stofmasker tijdens het schuren, vooral wanneer u de schuurmachine boven uw hoofd houdt.**
- **Gebruik uw schuurmachine nooit op vochtige oppervlakken.**
- **Het vel schuurpapier mag niet te groot zijn.** Als u het schuurpapier over de randen van de schuurvoet laat uitsteken, stelt u zich bloot aan het gevaar voor lichamelijk letsel.
- **De stofzak moet op de machine zijn geïnstalleerd en regelmatig worden geleegd.** Het wordt vaak worden geleegd. U plaatst de stofzak door deze over de steunring van de zak te schuiven en deze op het afvoermondstuk aan de achterkant van de schuurmachine te draaien (rechtsonder) totdat de zak goed vastzit.

**⚠ WAARSCHUWING**  
 Gooi geen schuurstof in een open vuur, want materiaal in de vorm van fijne deeltjes kan explosief zijn.

**⚠ WAARSCHUWING**  
 Draag een geschikt stofmasker tijdens het schuren van oppervlakken bedekt met verf op loodbasis en bij het schuren van bepaalde houtsoorten en metalen om te voorkomen dat u giftige stof of giftige dampen inademt.

**SPECIFICATIES**

|                      |                         |
|----------------------|-------------------------|
| Spanning             | 230 V - 240 V ~ 50 Hz   |
| Aan/Uit              | 80 W                    |
| Baanbewegingsnelheid | 12000 min <sup>-1</sup> |
| Gewicht              | 0,95 kg                 |

**EIGENSCHAPPEN**

**MAAK UZELF VERTROUWD MET DE DETAIL-SCHUURMACHINE**

*Zie afbeelding 1.*  
 Maak uzelf, voordat u dit apparaat gaat gebruiken, eerst vertrouwd met alle functies en specifieke kenmerken wat betreft de veiligheid. Laat uw waakzaamheid echter niet verslappen als u eenmaal vertrouwd bent geraakt met uw schuurmachine.

**AAN-UI TSCHAKELAAR**

Deze schuurmachine is voorzien van een schakelaar die zich aan de voorkant van het motorhuis bevindt.

**VOET MET KLITBEVESTIGING**

Dankzij het klitbevestigingssysteem kunt u snel het schuurpapier of de schuurzolen vervangen. Zo kunt u ze ook gemakkelijker reinigen om ze opnieuw te gebruiken.

**ORBITALE SCHUURACTIE**

Door de orbitale beweging van uw schuurmachine maakt de voet heen en weer bewegingen tijdens het schuren. Dit type beweging is ideaal voor een fijne afwerking of, als u een grofschuurzool gebruikt, om roest of verf of andere ongerechtigdheden van het bewerkte oppervlak te verwijderen.

**STOFVERZAMELDOOS**

De stofdoos kan aan de schuurmachine worden gehecht en houdt het stof tot een minimum.

**MONTAGE**

**⚠ WAARSCHUWING**  
 De stekker van de schuurmachine mag niet in het stopcontact zitten als u onderdelen monteert, afstellingen wijzigt, de machine schoonmaakt of de klaar bent met u werk. Wanneer u het werktuig ontkoppelt, voorkomt dit accidenteel starten, wat ernstige letsels kan veroorzaken.

**SCHUURSCHIJFKEUZE**

De keuze van de maat en het type schuurpapier en de juiste korrelgrootte is zeer belangrijk als u kwaliteitswerk wilt leveren. Voor een voorbereiding raden wij aan schuurpapier met een synthetische schuurlaag te gebruiken, bijvoorbeeld aluminiumoxide of siliciumcarbide. Natuurlijke schuurmiddelen zoals silix of granaat zijn namelijk als materiaal te zacht om rendabel voor voorbereidingen te kunnen worden gebruikt.





## Nederlands

Algemeen kan worden gesteld dat grofkorrelig papier dient om het grootste gedeelte van het af te schuren oppervlak te verwijderen en dat een fijnere korrel dient voor de eindafwerking. De staat waarin het te schuren oppervlak zich bevindt is bepalend voor de te gebruiken korrelgrootte. Als het oppervlak oneffen is, begint u eerst met een grofkorrelig papier totdat u een gelijkmatig oppervlak hebt verkregen. Daarna kunt u met medium grof papier de krassen weghalen die door het grove papier zijn achtergelaten, en daarna gebruikt u fijner schuurpapier om het oppervlak mooi af te werken. Schuur met elke korrelgrootte totdat u een gelijkmatig oppervlak hebt verkregen.

### Schuurblad/pad aanbevolen gebruik

|                               |                  |
|-------------------------------|------------------|
| Schuurpapier met korrel Ø 80  | Grof schuurwerk  |
| Schuurpapier met korrel Ø 120 | Licht schuurwerk |
| Schuurpapier met korrel Ø 150 | Licht schuurwerk |

### SNELBEVESTIGING VAN SCHUURPAPIER EN SCHUURZOLEN

Zie afbeelding 2.

- Trek de stekker van de schuurmachine uit het stopcontact.
- Zorg dat de gaten van het schuurpapier of de schuurzool zijn uitgelijnd met de gaten in de voet van de schuurmachine en plak daarna voorzichtig het papier met de kant met de klijtbevestiging op de voet vast en druk dit zo stevig mogelijk aan.

**OPMERKING:** U kunt dit type papier zo lang gebruiken als de overgebleven schuurkracht dat toelaat. Wij raden u aan om het schuurpapier en de schuurzolen steeds schoon te maken zodat ze zo goed mogelijk aan de voet van de schuurmachine hechten. Reinig de hechtvlakken regelmatig met een borsteltje.

### STOFDOOS VASTMAKEN

Zie afbeelding 3.

De stofdoos voorziet in een stofverzamelsysteem voor de schuurmachine. Schuursel wordt door de openingen van de schuurschijf opgezogen en in de stofdoos verzameld tijdens het schuren.

- Trek de stekker van de schuurmachine uit het stopcontact.
- Met een lichte draaibeweging schuift u de stofdoos stevig in de blazeruitlaat op de schuurmachine.

### ⚠ WAARSCHUWING

Blijf waakzaam tijdens het gebruik van de schuurmachine. Zorgeloze handelingen, al duren ze maar een fractie van een seconde, kunnen leiden tot ernstige letsels.

### TOEPASSINGEN

U mag de schuurmachine uitsluitend voor de hieronder vermelde toepassingen gebruiken:

- Schuren op houten oppervlakken.
- Verwijderen van roest en schuren van staal.
- Polijsten en schuren van porselein en metalen.

### ⚠ LET OP

Houd het snoer uit de buurt van de schuurzone en leg het zo dat het tijdens het schuren niet beklemd kan raken tussen de houtstukken, gereedschappen of andere voorwerpen.

### ⚠ WAARSCHUWING

Draag altijd een veiligheidsbril of een beschermbril met zijschotjes wanneer u met gereedschap werkt. Als u zich hier niet aan houdt, kunnen wegsplattende deeltjes, stof en spanen in uw ogen komen en ernstig oogletsel veroorzaken.

### BEDIENING

#### SCHUURMACHINE AAN- EN UITZETTEN

Zie afbeelding 4.

- **Om de schuurmachine AAN:** Om de schuurmachine AAN te zetten duwt u de AAN/UIT-schakelaar naar links.
- **Om de schuurmachine UIT:** Om de schuurmachine UIT te zetten duwt u de AAN/UIT-schakelaar naar rechts.

#### GEBRUIK

Zie afbeelding 5.

- Zet het werkstuk zodanig vast dat het niet onder de schuurmachine kan wegglijden.

### ⚠ WAARSCHUWING

Als u het werkstuk niet vastzet, bestaat de kans dat het naar u toe wordt geslingerd en ernstig letsel veroorzaakt.





**Nederlands**

**⚠ WAARSCHUWING**

Blijf met uw gezicht uit de buurt van de schuurmachine en de schuurzone. Bescherm uw haar zodat het niet wordt meegetrokken in de schuurmachine aangezien dit ernstig lichamelijk letsel kan veroorzaken.

2. Plaats de schuurmachine zodanig op het werkstuk dat het gehele zooloppervlak in contact is met het werkstuk.

**⚠ LET OP**

Zorg dat u met uw handen de ventilatiegloeuen niet afdekt, want dat zou kunnen leiden tot een oververhitting van de motor.

3. Zet de schuurmachine aan en verplaats hem langzaam over het werkstuk.

**OPMERKING:** Houd de schuurmachine op een redelijke afstand voor u uit zodat u het werkstuk goed kunt zien. Zet de schuurmachine aan en wacht tot de motor de maximumsnelheid bereikt. Breng de voet van de schuurmachine daarna langzaam naar het werkstuk. Zodra de zool in contact met het werkstuk is gekomen, verplaatst u de schuurmachine over het oppervlak met kleine cirkelbewegingen.

**Vooraf de schuurmachine niet overbelasten.** Het gewicht van de schuurmachine oefent voldoende druk op het werkstuk uit. Laat de schuurmachine en het schuurpapier al het "werk" doen. Als u zelf ook op de schuurmachine drukt, zou de motor langzamer kunnen gaan draaien, het schuurpapier sneller kunnen versleten en de schuursnelheid aanzienlijk lager kunnen worden. Bovendien kan door overmatige druk de motor overbelast raken en door oververhitting beschadigd worden, wat schadelijk is voor de goede werking van het apparaat. door de wrijvingswarmte kan het vernis of de lak zacht worden waarmee het hout bedekt is.

Zorg ervoor dat u niet te lang op hetzelfde deel van het werkstuk blijft schuren, omdat de schurende werking van de schuurmachine binnen korte tijd diep in het materiaal kan inslijten en onregelmatige plekken in het oppervlak veroorzaakt.

Als u de schuurmachine lang achter elkaar gebruikt, kan de motor oververhit raken. Als dit voorkomt, schakelt u de schuurmachine uit tot de schuurschijf volledig stilvalt en verwijdert u het dan van het werkstuk. Haal uw hand weg van de ventilatiegloeuen, verwijder het schuurpapier en zet vervolgens de schuurmachine aan en laat hem zo onbelast draaien om de motor af te koelen.

**HOEKEN EN SPLETEN**  
Zie afbeelding 6.

■ Voor detailschuren, zoals hoeken en spleten, gebruikt u de tip van het schuurpad met kleine heen en weer bewegingen.

**STOFDOOS LEEGMAKEN**  
Zie afbeelding 7.

Voor een efficiënte stofafzuiging dient u de zak te legen als deze halfvol is. Dit zorgt voor een betere luchtcirculatie in de zak. Maak de stofdoos altijd leeg en maak deze grondig schoon wanneer u een schuuroppervlak heeft voltooid en voor u de schuurmachine opbergt.

**⚠ WAARSCHUWING**

De ophoping van kleine deeltjes na het schuren van oppervlakken die bedekt zijn met zeer ontvlambare producten zoals polyurethaan, lijnolie, enz. Om het risico op brand te vermijden, maakt u de stofdoos regelmatig leeg (10-15 minuten) terwijl u schuurt en laat u een schuurmachine nooit staan of bergt u ze nooit op zonder de stofdoos helemaal leeg te maken. Lees zorgvuldig de aanbevelingen van de producenten van verf en coatings.

1. Trek de stekker van de schuurmachine uit het stopcontact.

**⚠ WAARSCHUWING**

Als u de stekker van de schuurmachine niet uit het stopcontact trekt, kan de machine ongewild in werking treden en ernstig lichamelijk letsel veroorzaken.

2. Verwijder de stofdoos van de schuurmachine.  
3. Schud de stofzak uit om hem te legen.  
4. Maak de stofdoos opnieuw aan de schuurmachine vast.

**OPMERKING:** Voor een grondiger schoonmaak van de stofdoos, haalt u de stofdoos uit het kader en schudt u het stof uit. Plaats de stofdoos over het kader terug en installeer dan de stofdoos op de schuurmachine.

**SCHUURPAPIER VERWISSELEN**  
Zie afbeelding 8.

De schuurmachine wordt geleverd met verschillende soorten schuurzolen en schuurpapier voor diverse toepassingen. Om bladen te vervangen, trekt u gewoon het gebruikte blad van de voet en maakt u het gewenste blad vast door het blad of de pad op de voet van de schuurmachine te drukken.

**VINGERPLAATJE GEBRUIKEN**  
Zie afbeelding 9.





**Nederlands**

1. Open het deksel van het vingerplaatje.
2. Laat het vingerplaatje zakken en vergrendel het op zijn plaats.
3. Sluit het deksel van het vingerplaatje.

**NETSPANNINGSVERKLIKKER**

De haakse slijper is voorzien van een netspanningsverklikker die gaat branden zodra het apparaat op een stopcontact is aangesloten. Dit controlelampje dient om u te waarschuwen dat het apparaat onder spanning staat en dat het apparaat gaat werken zodra u op de schakelaar drukt.

**ONDERHOUD**

**⚠ WAARSCHUWING**

De stekker van de schuurmachine mag niet in het stopcontact zitten als u onderdelen monteert, afstellingen wijzigt, de machine schoonmaakt of de klaar bent met u werk. Wanneer u het werktuig ontkoppelt, voorkomt dit accidenteel starten, wat ernstige letsels kan veroorzaken.

**⚠ WAARSCHUWING**

Gebruik voor het onderhoud enkel identieke vervangonderdelen. Het gebruik van andere onderdelen kan gevaarlijk zijn of schade aan het product veroorzaken.

**AFBRAAMSCHIJF**

Voorkom het gebruik van oplosmiddelen wanneer u kunststof onderdelen reinigt. De meeste kunststoffen kunnen worden beschadigd door de in de handel zijnde oplosmiddelen. Gebruik een schone doek om vuil, stof, olie, vet, enz. te verwijderen.

**⚠ WAARSCHUWING**

Voorkom steeds dat remvloeistoffen, benzine, petroleumproducten, kruipolie enz. in contact komen met kunststof onderdelen. Deze chemicaliën bevatten namelijk stoffen die kunststof kunnen beschadigen, verzwakken of aantasten.

Gereedschap dat voor bewerking van glasvezeldelen, gipsplaten of bekledingsplaten wordt gebruikt, loopt meer risico om voortijdig te verslijten of defect te raken. Het zaagsel en slijpsel dat uit deze materialen ontstaat, heeft een zeer schurende werking op bepaalde onderdelen van elektrisch gereedschap, zoals overbrengingen,

borstels, schakelaars, enz. Het gebruik van een machine voor glasvezelmateriaal, bekledingsplaten, bouwpleister of gips wordt daarom sterk afgeraden. Als u dit soort materiaal toch moet schuren, is het uiterst belangrijk om de schuurmachine regelmatig met perslucht te reinigen.

**⚠ WAARSCHUWING**

Draag altijd een veiligheidsbril of gezichtsbescherming met zijdelingse bescherming terwijl u het werktuig gebruikt of wanneer u stof blaast. Als de werking stof veroorzaakt, draag dan ook een stofmasker.

**SMERING**

Alle lagers in deze machine zijn gesmeerd met een voldoende hoeveelheid smeermiddel van hoge kwaliteit, hetgeen moet volstaan voor de levensduur van de machine onder normale gebruiksomstandigheden. Extra smering is daarom niet noodzakelijk.

**SCHUURZOLEN REINIGEN**

Maak de schuurzolen regelmatig schoon om hun levensduur te verlengen en optimale resultaten te behouden. U kunt alle ongerechtigheden verwijderen door de losse zool af te spoelen met lauw water. Nadat u de zool hebt gereinigd, wringt u hem een beetje uit om het overtollige water te verwijderen en legt u hem te drogen. Leg schuurzolen altijd plat weg op een koele en geventileerde plaats.

**SCHUURPAPIER REINIGEN**

De stukken schuurpapier die bij de schuurmachine worden geleverd zijn geschikt voor hergebruik. Het is daarom belangrijk om ze regelmatig te reinigen door het stof en de materiaaldeeltjes te verwijderen die zich op het oppervlak hebben opgehoopt tijdens de verschillende schuurbewerkingen.

Om het schuurpapier te reinigen kunt u het afschrobben met een massief stuk rubber. Daarvoor kunt u bijvoorbeeld een schone schoenzool gebruiken.

**⚠ WAARSCHUWING**

Haal altijd eerst het schuurpapier of de schuurzool van de voet van de schuurmachine af voordat u het gaat reinigen. Niet-naleving van dit voorschrift kan ernstig lichamelijk letsel veroorzaken.





## Nederlands

### MILIEUBESCHERMING



Zorg dat grondstoffen worden gerecycleerd. Zet daarom een afgedankte elektrische machine niet bij het huishoudafval. Om het milieu te beschermen moeten de machine, de accessoires en de verpakking gesorteerd bij een erkend recyclingcentrum worden aangeleverd.

### SYMBOOL



Veiligheidswaarschuwing

V Volt

Hz Hertz

~ Wisselstroom

W Watt

n<sub>o</sub> Onbelast toerental

min<sup>-1</sup> Aantal toeren of omwentelingen per minuut



Diameter cirkelbeweging



EU-conformiteit



Dubbele isolatie



Draag gehoorbescherming



Draag gezichtsbescherming



Gelieve de instructies zorgvuldig te lezen voordat u de machine in gebruik neemt.



Elektrisch afval mag niet samen met ander huishoudafval worden weggegooid. Gelieve te recycleren indien de mogelijkheid bestaat. Neem contact op met uw lokale autoriteiten of handelaar om advies te krijgen over recyclage.



## Português

### DESCRIÇÃO

1. Interruptor
2. Placa de fixação velcro
3. Caixa colectora de pó
4. Folha de lixa
5. Luz avisadora de ligação
6. Tampa
7. Painel táctil
8. Bloqueio

### INSTRUÇÕES DE SEGURANÇA ESPECÍFICAS ÀS LIXADEIRAS

- **Use sempre óculos de segurança e uma máscara anti-poeira durante as operações de lixar, em particular quando segura a lixadeira por cima da cabeça.**
- **Nunca utilize a lixadeira sobre superfícies húmidas.**
- **A folha de lixa não deve ser grande demais.** Se deixar a folha de lixa ultrapassar o prato, fica exposto a ferimentos graves.
- **O saco de pó deve ser instalado na ferramenta e despejado regularmente.** Deve ser esvaziada com frequência. Para instalar o saco do pó, encaixe o anel do saco no bico de evacuação situado atrás da lixadeira rodando-o para a direita até que o saco fique correctamente fixado.

#### AVISO

Não despeje o pó proveniente da lixagem num fogo aberto porque os materiais na forma de partículas finas podem ser explosivos.

#### AVISO

Deve usar uma máscara anti-pó adequada quando lixar superfícies revestidas com tinta à base de chumbo assim como certas madeiras e metais, para evitar inalar poeiras ou vapores tóxicos.

### ESPECIFICAÇÕES

|                                    |                         |
|------------------------------------|-------------------------|
| Voltagem                           | 230 V - 240 V ~ 50 Hz   |
| Potência                           | 80 W                    |
| Velocidade do movimento excêntrico | 12000 min <sup>-1</sup> |
| Peso                               | 0,95 kg                 |

### CARACTERÍSTICAS

#### APRENDA A CONHECER A SUA LIXADEIRA DELTA

Ver figura 1.

Antes de utilizar a sua lixadeira, familiarize-se com todas as suas funcionalidades e especificidades no plano da segurança. Não diminua a sua vigilância mesmo depois de se ter familiarizado com a sua lixadeira.

#### INTERRUPTOR

Esta lixadeira está equipada com um interruptor situado na parte dianteira da carcaça do motor.

#### PLACA DE FIXAÇÃO VELCRO

O sistema de fixação velcro permite mudar rapidamente as folhas de lixa ou as placas de lixa. Isto permite-lhe também limpá-las facilmente antes de reutilizá-las.

#### ACÇÃO ABRASIVA CIRCULAR

O movimento excêntrico da sua lixadeira faz descrever à placa de lixar pequenos círculos rápidos durante o lixamento. Este movimento é ideal para um lixamento de acabamento ou quando se utiliza a placa de lixa de grão grosso para retirar vestígios de ferrugem, de tinta ou qualquer imperfeição da superfície de trabalho.

#### CAIXA COLECTORA DE PÓ

A caixa do pó liga-se à lixadora e minimiza a poeira.

### MONTAGEM

#### AVISO

A sua lixadeira nunca deve ser ligada a uma tomada de corrente quando montar peças, efectuar ajustes, quando limpar a sua ferramenta ou quando não a utilizar. Desligar a ferramenta irá prevenir o arranque acidental que poderia causar graves lesões.

#### SELECÇÃO DE DISCO DE LIXA

A escolha do tamanho correcto, do grão e do tipo de folha de lixa é extremamente importante se quiser obter um lixamento de qualidade. Para um lixamento de desbaste, é aconselhável utilizar abrasivos sintéticos como a alumina ou o carboneto de silício. Os abrasivos naturais tais como o sílex ou a granada são muito macios para que possam ser utilizados de maneira económica para um lixamento de desbaste.

De um maneira geral, um grão grosso permite retirar mais material, enquanto que um grão fino permite obter um melhor acabamento. O estado da superfície a lixar permite determinar o tamanho do grão a utilizar. Se a





# Português

superfície for rugosa, comece o lixamento com uma folha de lixa de grão grosso até que a superfície fique uniforme. Pode utilizar em seguida uma folha de lixa de grão médio para eliminar os arranhões deixados pela folha de lixa de grão grosso e por fim uma folha de lixa de grão fino para polir a superfície. Lixe sempre com cada tamanho de grão até que a superfície fique uniforme.

**Utilização Recomendada da Folha / Almofada**

|                          |                     |
|--------------------------|---------------------|
| Folha de lixa grão Ø 80  | Lixamento grosseiro |
| Folha de lixa grão Ø 120 | Lixamento ligeiro   |
| Folha de lixa grão Ø 150 | Lixamento ligeiro   |

**FIXAÇÃO RÁPIDA DAS FOLHAS DE LIXA E DAS PLACAS DE LIXA**

Ver figura 2.

1. Desligue a lixadeira da corrente.
2. Alinhe os furos da folha de lixa ou a placa de lixa com os furos da placa da lixadeira e em seguida faça pressão com cuidado no lado velcro da folha de lixa contra a placa, o mais firmemente possível.

**NOTA:** Pode reutilizar este tipo de folha de lixa enquanto o grau de eficácia do abrasivo o permitir. Recomendamos-lhe que conserve as folhas de lixa e as placas de lixa limpas para melhorar a adesão à placa da lixadeira. Limpe-as regularmente com uma pequena escova.

**INSTALAR A CAIXA DE PÓ**

Ver figura 3.

A caixa do pó fornece um sistema de recolha do pó para a lixadora. A serradura acumula-se nos orifícios do disco de lixa e é recolhido na caixa de pó durante a lixagem.

1. Desligue a lixadeira da corrente.
2. Usando um movimento de ligeira torção, deslize firmemente a caixa colectora de pó para os gases de escape da ventoinha sobre a lixadora.

**⚠ AVISO**

Tenha o máximo de cuidado quando utilizar esta lixadeira. Acções descuidadas, mesmo por uma fracção de segundo, podem resultar em graves lesões pessoais.

**APLICAÇÕES**

Utilize a sua ferramenta unicamente para as aplicações mencionadas abaixo:

- Lixar sobre superfícies de madeira.

- Remoção da ferrugem e lixamento do aço.
- Polimento e lixamento da porcelana e de metais.

**⚠ ATENÇÃO**

Conserve o cabo de alimentação afastado da trajectória da placa e posicione-o de forma que não seja agarrado por tábuas, ferramentas ou por qualquer outro objecto durante o lixamento.

**⚠ AVISO**

Use sempre óculos de segurança ou óculos de protecção munidos de resguardos laterais quando utilizar ferramentas. A falta de cumprimento desta instrução pode ocasionar a projecção de corpos estranhos para os seus olhos e provocar lesões oculares graves.

**ESPECIFICAÇÕES**

**COLOCAÇÃO EM FUNCIONAMENTO / PARAGEM DA LIXADEIRA**

Ver figura 4.

- **Para ligar a lixadeira:** Empurre o interruptor liga/desliga para a esquerda.
- **Para desligar a lixadeira:** Empurre o interruptor liga/desliga para a direita.

**UTILIZAÇÃO**

Ver figura 5.

1. Fixe a peça a trabalhar de maneira que não possa deslizar sob a lixadeira.

**⚠ AVISO**

Se não fixar a peça a trabalhar, esta pode ser projectada na direcção do utilizador e provocar ferimentos graves.

**⚠ AVISO**

Conserve a sua cara afastada da lixadeira e da zona de lixamento. Proteja os cabelos para que não possam ser agarrados pela lixadeira, o que poderia ocasionar ferimentos graves.

2. Coloque a lixadeira na superfície de trabalho de forma que toda a superfície da placa fique em contacto com a peça a trabalhar.





## Português

### ⚠ ATENÇÃO

Tenha o cuidado de não obstruir as fendas de ventilação com as suas mãos porque isso provocaria um aquecimento excessivo do motor.

3. Ponha a sua lixadeira em funcionamento antes de aplicá-la na peça a trabalhar.

**NOTA:** Segure a sua lixadeira em frente de si e a uma boa distância do corpo e da peça a trabalhar. Ponha a lixadeira em funcionamento e espere que o motor atinja a sua velocidade máxima. Dirija em seguida lentamente a placa da lixadeira para a peça a trabalhar. Uma vez a placa em contacto com a peça a trabalhar, mova a lixadeira sobre a superfície descrevendo pequenos círculos.

**Não force a lixadeira.** O peso da lixadeira exerce uma pressão suficiente sobre a peça a trabalhar. A aplicação de uma pressão suplementar na lixadeira pode provocar o abrandamento do motor, desgastar mais rapidamente a folha de lixa e reduzir consideravelmente a velocidade de lixamento. Além disso, uma pressão excessiva pode sobrecarregar o motor e provocar um aquecimento excessivo que pode danificar o motor e prejudicar o bom funcionamento da ferramenta. Cuidado, o calor devido à fricção pode amolecer o verniz ou a resina que cobre a madeira.

Não lixar durante muito tempo a mesma parte da peça a trabalhar porque a acção abrasiva da lixadeira pode remover demasiado material e tornar a superfície irregular.

Longos períodos de lixamento podem provocar um aquecimento excessivo do motor. Se isso ocorrer, desligue a lixadora e aguarde até que o disco de lixa pare completamente e, em seguida, remova-o da mesa de trabalho. Retire a sua mão das fendas de ventilação, remova a folha de lixa, e em seguida ponha a lixadeira em funcionamento e faça-a trabalhar em vazio para arrefecer o motor.

### CANTOS E FENDAS

Ver figura 6.

- Para uma lixagem de pormenor tal como em cantos e fendas, utilize a ponta da almofada de lixagem com pequenos movimentos para a frente e para trás.

### ESVAZIAR A CAIXA DE PÓ

Ver figura 7.

Para maior eficácia, esvazie o saco colector de pó quando estiver meio cheio. Isto permite uma melhor circulação do ar no interior do saco. Esvazie e limpe sempre a caixa do pó muito bem depois da conclusão de uma operação de lixagem e antes de guardar a lixadora em armazém.

### ⚠ AVISO

A acumulação de partículas quando lixa superfícies revestidas com produtos altamente inflamáveis como, por exemplo, o poliuretano, o óleo de linho, etc. Para reduzir o risco de incêndio, esvazie sempre frequentemente a sua caixa de pó (10-15 minutos) enquanto lixa e nunca armazene ou deixe uma lixadora sem esvaziar totalmente a sua caixa de poeira. Leia atentamente as recomendações dos fabricantes de revestimentos.

1. Desligue a lixadeira da corrente.

### ⚠ AVISO

Se a lixadeira não estiver desligada da corrente, pode ocorrer um arranque por descuido e provocar ferimentos graves.

2. Remova a caixa de pó da lixadora.
3. Sacuda o saco do pó para esvaziá-lo.
4. Ligue novamente a caixa de pó à lixadora.

**NOTA:** Para uma limpeza mais exaustiva da caixa de pó, remova a mesma da estrutura e abane o pó. Substitua a caixa de pó sobre a estrutura e, em seguida, instale a caixa colectora de pó na lixadora.

### MUDANÇA DA FOLHA DE LIXA

Ver figura 8.

A sua lixadeira é fornecida com placas e folhas de lixas de diferentes espécies para diversos usos. Para alterar as folhas, puxe simplesmente a folha utilizada para fora da base e instale a folha desejada, pressionando a folha ou painel até à base da lixadora.

### UTILIZAÇÃO DO PAINEL TÁCTIL

Ver figura 9.

1. Abra a tampa de protecção táctil.
2. Baixe a almofada de dedo e fixe-a no lugar.
3. Feche a tampa da almofada de dedo.

### LUZ AVISADORA DE LIGAÇÃO

A rebarbadora angular está equipada com uma luz avisadora de ligação que acende quando a ferramenta está ligada. Esta luz chama a sua atenção para o facto de que a ferramenta está ligada à corrente e que ela entrará em funcionamento assim que carregar no gatilho.





## Português

### MANUTENÇÃO

#### AVISO

A sua lixadeira nunca deve ser ligada a uma tomada de corrente quando montar peças, efectuar ajustes, quando limpar a sua ferramenta ou quando não a utilizar. Desligar a ferramenta irá prevenir o arranque acidental que poderia causar graves lesões.

#### AVISO

Ao realizar a manutenção utilize apenas peças de substituição idênticas. O uso de quaisquer outras peças pode criar perigo ou causar danos ao aparelho.

### INSTRUÇÕES DE ORDEM GERAL

Evite usar solventes ao limpar as peças de plástico. A maioria dos plásticos pode ser danificada pelos solventes vendidos no comércio. Use panos limpos para remover a sujidade, a poeira, o óleo, a gordura, etc.

#### AVISO

Os elementos de plástico nunca devem entrar em contacto com líquido de travões, gasolina, produtos à base de petróleo, óleos penetrantes, etc. Estassubstâncias contêm produtos químicos que podem danificar, enfraquecer ou destruir o plástico.

As ferramentas eléctricas utilizadas em equipamentos de fibra de vidro, placas de gesso, painéis de revestimento têm tendência a desgastarem-se mais rapidamente e a apresentar falhas prematuras. As aparas e a serradura provenientes destes materiais são com efeito muito abrasivas para as peças das ferramentas eléctricas como por exemplo as engrenagens, as escovas, os interruptores, etc. Por conseguinte, a utilização prolongada desta ferramenta em fibra de vidro, painéis de revestimento, massa de reboco ou gesso é fortemente desaconselhada. Se, porém, tiver que lixar estes materiais, é extremamente importante que limpe a sua lixadeira com ar comprimido.

#### AVISO

Use sempre óculos de protecção ou óculos de segurança com protecções laterais durante a operação da ferramenta eléctrica ou quando estiver a levantar poeira no ar. Caso a operação seja poeirenta, use também uma máscara contra o pó.

### LUBRIFICAÇÃO

Todos os rolamentos desta ferramenta estão lubrificados com um montante suficiente de lubrificante de elevado nível, de acordo com a duração de vida da unidade em condições normais de funcionamento. Por conseguinte, não requer nenhuma lubrificação suplementar.

### LIMPEZA DAS PLACAS DE LIXA

Para assegurar uma vida mais longa e uma excelente eficácia das placas de lixa, limpe-as regularmente. Pode retirar todas as impurezas lavando simplesmente a placa com água morna. Depois da lavagem, deve torcê-la suavemente para retirar o excesso de água e deixe-a secar. Arrume sempre as placas de lixa horizontalmente num local seco e fresco.

### LIMPEZA DAS FOLHAS DE LIXAS

As folhas de lixas fornecidas com a sua lixadeira podem ser reutilizadas. É portanto importante que as limpe regularmente para retirar o pó e as partículas que se acumulam na superfície durante as diversas operações de lixamento.

Para limpar as folhas de lixas, esfregue-as com um bloco compacto de borracha. Pode utilizar, por exemplo, uma sola de sapatos limpa.

#### AVISO

Retire sempre a folha de lixa ou a placa de lixa da placa da lixadeira antes de limpá-la. O não cumprimento desta instrução pode ocasionar ferimentos graves.

### PROTECÇÃO DO AMBIENTE



Recicle os materiais em vez de pô-los directamente no lixo doméstico. Para proteger o ambiente, a ferramenta, os acessórios e as embalagens devem ser seleccionados.

### SÍMBOLO



Alerta de Segurança

V Volts

Hz Hertz

~ Corrente alterna

W Watts

n<sub>0</sub> Velocidade em vazio

min<sup>-1</sup> Número de rotações ou movimentos por minuto



**Português**



Diâmetro orbital



Conformidade CE



Isolamento duplo



Use protecção para os ouvidos



Use protecção para os olhos



Agradecemos que leia atentamente as instruções antes de iniciar a máquina.



Os aparelhos eléctricos antigos não devem ser eliminados juntamente com o lixo doméstico. Recicle onde existem instalações para o efeito. Verifique com as suas Autoridades Locais ou revendedor para obter informações sobre reciclagem.



## Dansk

### BESKRIVELSE

1. Start-stopknap
2. Hæftebundplade
3. Støvopsamlingsboks
4. Slibepapir
5. Kontrollampe for strømtilslutning
6. Dæksel
7. Fingerpladen
8. Lås

### SÆRLIGE SIKKERHEDSFORSKRIFTER FOR SLIBEMASKINER

- **Brug altid beskyttelsesbriller og støvmaske, når du sliber - især ved slibning over hovedhøjde.**
- **Maskinen er ikke egnet til vådslibning.**
- **Brug ikke større stykker sandpapir end nødvendigt.** Ekstra papir, der stikker ud over bundpladen, kan også forårsage alvorlige flængere.
- **Støvposen skal sidde på maskinen.** Sørg for at tømme den regelmæssigt. For at montere støvposen skal du sætte støvposens adapter i åbningen til støvopsamling bag på slibemaskinen.

#### ⚠ ADVARSEL

Smid ikke slibestøv på åben ild, da materialer i finpartikelform kan være eksplosive.

#### ⚠ ADVARSEL

Der skal benyttes et egnet åndedrætsværn ved slibning af blyholdig maling, visse trætyper og metal for at undgå indånding af skadeligt/giftigt støv eller luft.

### SPECIFIKATIONER

|                        |                         |
|------------------------|-------------------------|
| Spænding               | 230 V - 240 V ~ 50 Hz   |
| Effekt                 | 80 W                    |
| Banevandringshastighed | 12000 min <sup>-1</sup> |
| Vægt                   | 0,95 kg                 |

### FUNKTIONER

#### LÆR AT BRUGE TREKANTSLIBEREN RIGTIGT

Se figur 1.

Inden værktøjet tages i brug, er det vigtigt at sætte sig ind i virkemåden og de sikkerhedsmæssige specifikationer. Men slibemaskinen skal stadig håndteres med omtanke,

selv om man er blevet fortrolig med den.

#### START-STOPKNAP

Slibemaskinens start-stopknap sidder foran på motorskærmen.

#### HÆFTEBUNDPLADE

Med burrehæftesystemet kan slibepapir og slibepuder hurtigt skiftes. De er også lettere at rengøre, så de kan genbruges.

#### BANESLIBEVIRKNING

Slibemaskinens banevanding bevirker, at bundpladen arbejder i små frem- og tilbagegående bevægelser under slibningen. Denne bevægelse er ideel til finishslibning, eller hvis der anvendes den grove slibepude, til at fjerne rust-, malingsrester eller ujævnheder på arbejdsfladen.

#### STØVOPSAMLINGSBOKS

Støvposen fastgøres til slibemaskinen og holder støvet nede på et minimum.

### MONTERING

#### ⚠ ADVARSEL

Slibemaskinen må aldrig være tilsluttet stikkontakten under montering af dele, indstilling, rensning, eller når den ikke er i brug. Ved at afbryde forbindelsen til strømforsyningen forhindrer man utilsigtet start af produktet, hvilket kan medføre alvorlige personskader.

#### VALG AF SLIBESKIVE

Det er meget vigtigt at vælge den rigtige størrelse og type slibepapir og den rigtige finhedsgrad for at opnå et godt resultat. Til grovslibning anbefales syntetiske slibemidler såsom aluminiumoxid eller siliciumkarbid. Naturlige slibemidler som kisel eller granat er for bløde og ikke økonomiske i brug til grovslibning.

Som hovedregel anvendes groft slibepapir først til at fjerne de groveste partier og finere slibepapir til den afsluttende slibning. Overfladens beskaffenhed bestemmer, hvilken finhedsgrad der skal anvendes. Hvis fladen er ru, startes med groft slibepapir, indtil fladen er jævn. Derefter anvendes mellemfint slibepapir til at fjerne de ridser, det grove slibepapir har efterladt, og til sidst pudses efter med det fine slibepapir. Slib med hver finhedsgrad, indtil fladen er ensartet.

#### Sandpapir/slibeplade anbefalet brug

Slibepapir finhed Ø 80

Grovslibning





## Dansk

Slibepapir finhed Ø 120      Lettere slibning  
 Slibepapir finhed Ø 150      Lettere slibning

### FASTGØRELSE AF SLIBEPAPIR OG SLIBEPUDER

Se figur 2.

1. Træk slibemaskinens stik ud af stikkontakten.
2. Ret hullerne i slibepapiret eller slibepuden ind efter hullerne i maskinens bundplade, og hæft omhyggeligt papirets burreside fast på bundpladen, og tryk godt fast.

**BEMÆRK:** Denne type slibepapir kan genbruges, så længe det sliber effektivt. Det anbefales at holde slibepapir og -puder rene, så sidder de bedre fast på maskinens bundplade. Rens dem jævnligt med en lille børste.

### MONTERING AF STØVBOKSEN

Se figur 3.

Støvboksen tilvejebringer et støvopsamlingsystem for slibemaskinen. Under slibningen trækkes slibestøvet op gennem hullerne i slibeskiven og opsamles i støvboksen.

1. Træk slibemaskinens stik ud af stikkontakten.
2. Støvboksmoduliet vrikkes og skubbes helt ind i blæseluftudstødningen på slibemaskinen.

### ⚠ ADVARSEL

Vær opmærksom under arbejdet med slibemaskinen. Uforsigtige handlinger, selv i brøkdeler af sekunder, kan medføre alvorlige personskader.

### ANVENDELSER

Slibemaskinen kan anvendes til nedenstående formål:

- Slibning af træflader.
- Afrensning af rust og slibning af stål.
- Polering, pudsning og slibning af porcelæn og metal.

### ⚠ ADVARSEL

Sørg for at holde den strømførende ledning væk fra bundpladens slibebane, og læg den således, at den ikke griber fat i træstykker, værktøj eller andre genstande under slibningen.

### ⚠ ADVARSEL

Brug altid sikkerhedsbriller eller beskyttelsesbriller med sideafskærmning, når der arbejdes med redskaber og værktøj. Hvis denne regel ikke overholdes, kan man få fremmedlegemer, støv eller spåner i øjnene og komme alvorligt til skade.

### BETJENING

#### IGANGSÆTNING/STANDSNING AF SLIBEMASKINEN

Se figur 4.

- **For at sætte slibemaskinen i gang:** Skub start/stopknappen mod venstre.
- **For at standse slibemaskinen:** Skub start/stopknappen mod højre.

#### ANVENDELSE

Se figur 5.

1. Spænd arbejdsstykket fast, så det ikke glider under slibemaskinen.

### ⚠ ADVARSEL

Hvis arbejdsstykket ikke spændes fast, kan det blive slynget ud mod brugeren, som kan komme alvorligt til skade.

### ⚠ ADVARSEL

Hold ansigtet i god afstand fra slibemaskinen og slibestedet. Dæk håret, så det ikke hænger fast i slibemaskinen, hvilket kan føre til alvorlige ulykker.

2. Anbring slibemaskinen med hele bundpladefladen i kontakt med arbejdsstykket.

### ⚠ ADVARSEL

Pas på ikke at lukke for ventilationsåbningerne med hænderne, ellers kan motoren blive overophedet.

3. Sæt slibemaskinen i gang, og før den langsom hen over emnet.

**BEMÆRK:** Hold slibemaskinen foran og væk fra kroppen, så arbejdsstykket tydeligt kan ses. Start slibemaskinen, og lad motoren komme op på fuld hastighed. Før derefter langsomt bundpladen ned mod emnet. Når bundpladen er i berøring med arbejdsstykket, føres slibemaskinen hen over fladen i små cirkelbevægelser.

**Pres aldrig slibemaskinen.** Maskinens egenvægt sikrer tilstrækkeligt tryk mod arbejdsstykket. Det er







## Dansk

maskinen og slibepapiret, der skal gøre "arbejdet". Hvis der trykkes yderligere på maskinen, risikerer motorens hastighed at falde, slibepapiret bliver hurtigere slidt, og slibehastigheden nedsættes betydeligt. Desuden vil for hårdt tryk overbelaste og overophede motoren, så den bliver ødelagt og værktøjets effektivitet forringes. Pas på gnidnings-varmen, som kan blødgøre lak og harpiks på træet.

Lad være med at slibe for længe samme sted på arbejdsstykket, maskinens slibevirkning kan nemlig hurtigt slide materialet og gøre overfladen ujævn.

Langvarig slibning kan bevirke overophedning af motoren. Hvis dette sker, slukker man for slibemaskinen og venter, til slibeskiven er helt stoppet, før man fjerner den fra emnet. Tag hånden væk fra ventilationsåbningerne, fjern slibepapiret, start slibemaskinen igen, og lad den gå ubelastet for at køle motoren af.

### HJØRNER OG SPRÆKKER

Se figur 6.

- Til detaljeret slibning af fx hjørner og sprækker bevæger man spidsen af slibepladen frem og tilbage.

### TØMNING AF STØVBOKSEN

Se figur 7.

For at virke effektivt skal støvposen tømmes, når den er halvt fuld. Derved forbedres luftcirkulationen i posen. Støvboksen skal altid tømmes og renses grundigt efter en slibeopgave, og inden slibemaskinen stilles til opbevaring.

#### ⚠ ADVARSEL

Opsamlede støvpartikler fra afslebne overfladebelægninger som f.eks. polyuretan, linolie osv. kan selvantændes i støvposen eller andre steder i maskinen og forårsage brand. For at reducere brandfaren skal man huske at tømme støvboksen hyppigt (10-15 minutter) under slibning og aldrig opbevare eller efterlade en slibemaskine uden fuldstændigt tørt støvboks. Læs belægningsproducentens anvisninger omhyggeligt igennem.

1. Træk slibemaskinens stik ud af stikkontakten.

#### ⚠ ADVARSEL

Hvis stikforbindelsen ikke afbrydes, kan slibemaskinen starte ved et uheld og forårsage alvorlige ulykker.

2. Fjern støvboksen fra slibemaskinen.
3. Ryst støvet ud.
4. Montér atter støvboksen på slibemaskinen.

**BEMÆRK:** For en grundigere rengøring af støvboksen kan man fjerne den fra rammen og ryste støvet ud.

Anbring atter støvboksen over rammen, og monter støvboksmodul på slibemaskinen.

### SKIFT AF SLIBEPAPIR

Se figur 8.

Slibemaskinen leveres med forskellige slibepuder og slibepapir til forskellige formål. Man skifter sandpapir ved blot at trække det gamle sandpapir af og fastgøre det ønskede sandpapir ved at presse sandpapiret eller slibepladen fast på slibemaskinens sål.

### BRUG AF FINGERPLADEN

Se figur 9.

1. Åbn fingerplade-dækslet.
2. Klap fingerpladen ned, og lås den fast.
3. Luk fingerplade-dækslet.

### KONTROLLAMPE FOR STRØMTILSLUTNING

Vinkelsliberen har en kontrollampe for strømtilslutning, som tænder, når værktøjets stik er sat i stikkontakten. Kontrollampen viser brugeren, at der er strøm på værktøjet, og at det vil starte, når der trykkes på start-stopknappen.

### VEDLIGEHOLDELSE

#### ⚠ ADVARSEL

Slibemaskinen må aldrig være tilsluttet stikkontakten under montering af dele, indstilling, rensning, eller når den ikke er i brug. Ved at afbryde forbindelsen til strømforsyningen forhindrer man utilsigtet start af produktet, hvilket kan medføre alvorlige personskader.

#### ⚠ ADVARSEL

I forbindelse med servicearbejde må der kun bruges originale reservedele. Brug af alternative dele kan forårsage farlige situationer eller ødelægge produktet.

### ALMINDELIGE REGLER

Undgå brug af opløsningsmidler til rengøring af plastdele. De fleste plasttyper bliver ødelagt, hvis de renses med almindelige gængse opløsningsmidler. Snavs, støv, olie, fedt, mv., fjernes med rene klude.



## Dansk

### ⚠ ADVARSEL

Plastelementer må aldrig komme i berøring med bremsevæske, benzin, olie- eller petroleumsbaserede produkter, rustløsnende olie o.l. Disse kemiske produkter indeholder stoffer, som kan beskadige, mørne eller ødelægge plastmaterialet.

Elektriske værktøjer, som bruges på glasfiber, gipsplader og beklædningsplader har tendens til at blive slidt hurtigere og få flere driftsproblemer. Spåner og savsmuld fra disse materialer har nemlig en kraftig slibevirkning på det elektriske værktøjs dele, f.eks. tandhjulsforbindelser, kulkontakter, omskiftere osv. Derfor frarådes det stærkt at anvende værktøjet i længere tid på glasfiber, beklædningsplader, puds og spartelmasse eller gips. Men hvis der skal slibes denne type materialer, er det yderst vigtigt at rense slibemaskinen med trykluft.

### ⚠ ADVARSEL

Bær altid sikkerhedsbriller med sideskjolde under betjening af elværktøjet eller ved støv-ophvirvling. Hvis der ophvirvles støv under arbejdet, bæres også støvmaske.

### SMØRING

Alle lejerne i dette værktøj er smurt for produktets levetid under normale driftsbetingelser med en tilstrækkelig mængde højkvalitetssmøremiddel. Det er derfor ikke nødvendigt med yderligere smøring.

### RENGØRING AF SLIBEPUDEN

For at forlænge slibepudernes levetid og effektivitet skal de rengøres med jævne mellemrum. Alle fremmedlegemer kan fjernes, hvis puden skylles med lunkent vand. Når slibepuden er ren, slynges eller rystes vandet forsigtigt af, og puden lægges til tørre. Slibepuderne skal altid opbevares liggende fladt et tørt og køligt sted.

### RENGØRING AF SLIBEPAPIR

Slibepapiret leveret med denne slibemaskine kan genbruges. Det er derfor vigtigt at rense det regelmæssigt for støv og partikler ophobet på fladen under de forskellige slibearbejder.

Slibepapiret renses ved gnidning mod en kompakt gummiplade. F.eks. kan der anvendes et ren skosål.

### ⚠ ADVARSEL

Tag altid slibepapiret eller slibepuden af maskinens bundplade inden rengøring eller rensning. Hvis denne regel ikke overholdes, kan man komme alvorligt til skade.

### MILJØBESKYTTELSE



Råmaterialerne skal genvindes og ikke bortkastes med almindeligt affald. Af hensyn til miljøet skal redskab, tilbehør og emballage sorteres.

### SYMBOL



Sikkerheds Varsel

V Volt

Hz Hertz

~ Vekselstrøm

W Watt

no Tomgangshastighed

min<sup>-1</sup> Antal omdrejninger eller bevægelser pr.



Kredsløbsmåler



CE Overensstemmelse



Dobbelt-isolering



Benyt høreværn



Benyt øjenværn



Læs venligst vejledningen grundigt igennem før maskinen tages i brug.



Elektriske affaldsprodukter bør ikke afskaffes sammen med husholdningsaffald. Genbrug venligst hvor faciliteterne tillader dette. Tjek med din lokale kommune eller forhandler for genbrugsråd.



**Svenska**

**BESKRIVNING**

1. Strömbrytare
2. Självhäftande slipdyna
3. Dammlåda
4. Slippapper
5. Indikator för nätanslutning
6. Skydd
7. Fingerskyddet
8. Lås

**SPECIFIKA SÄKERHETS FÖRESKRIFTER FÖR SLIPMASKINER**

- Använd alltid skyddsglasögon och en skyddsmask mot damm då du slipar, i synnerhet om du håller slipmaskinen ovanför huvudet.
- Använd aldrig slipmaskinen på fuktiga ytor.
- Sandpappret får inte vara för stort. Om sandpappret är större än slipdynan, kan du skada dig allvarligt.
- Damppåsen ska placeras på verktyget och tömmas regelbundet. Det ska tömmas ofta. Montera påsen så här: för in påsringen i munstycket som finns baktill på slipmaskinen och vrid den till höger ända tills påsen sitter stadigt fast.

**⚠ VARNING**  
Kasta inte damm som alstrats av slipningen i öppen eld, för ämnena i form av små partiklar kan vara explosiva.

**⚠ VARNING**  
Du bör använda en lämplig skyddsmask mot damm då du slipar ytor som är täckta med blybaserad färg eller vissa träslag och metaller, för att inte andas in damm eller giftiga ångor.

**SPECIFIKATIONER**

|                        |                         |
|------------------------|-------------------------|
| Spänning               | 230 V - 240 V ~ 50 Hz   |
| Ström                  | 80 W                    |
| Banrörelsens hastighet | 12000 min <sup>-1</sup> |
| Vikt                   | 0,95 kg                 |

**FUNKTIONER**

**LÄR KÄNNA DIN TRIANGELSLIP**  
Se bild 1.  
Innan du använder sågen bör du bekanta dig med alla

dessa funktioner och speciella detaljer i fråga om säkerhet. Fortsätt ändå att vara vaksam även efter att du har blivit van vid din slipmaskin.

**STRÖMBRYTARE**  
Denna slipmaskin är försedd med en strömbrytare som finns på främre delen av motorhuset.

**SJÄLVHÄFTANDE SLIPDYNA**  
Fastsättningen med kardborreband gör att det går snabbt att byta slippapper eller -dyna. Du kan därför rengöra dem lätt, innan du använder dem på nytt.

**SLIPARBETE MED BANRÖRELSE**  
Slipens banrörelse gör att slipdynan arbetar med små rörelser fram och tillbaka. Denna rörelse är idealisk för slutbehandling eller – om den grova slipdynan används – för att avlägsna spår av rost eller lack eller andra fel på arbetsytan.

**DAMMLÅDA**  
Dammlådan ansluts till slipmaskinen och minimerar dammandet.

**HOPSÄTTNING**

**⚠ VARNING**  
Slipmaskinen får aldrig vara nätansluten då du monterar komponenter, utför inställningar, rengör verktyget eller då du inte använder det. Om du kopplar ur verktyget från eluttaget så förhindrar du oavsiktlig start som kan resultera i allvarliga skador.

**VAL AV SLIPSKIVA**  
Valet av storlek, korn och typ av slippapper är ytterst viktigt för att erhålla ett högklassigt resultat. För grovbearbetning rekommenderar vi att använda syntetiska slipmedel som alumin eller kiselkarbid. Naturliga slipmedel som flinta eller granat är nämligen för mjuka för att vara ekonomiska vid grovbearbetning.

Allmänt taget är ett grovt slipmedel lämpligt för grovarbete och ett fint slipmedel för finpolering. Det är materialets yta som avgör hurdant slipmedel som bör användas. Om ytan är skrovlig är det skäl att börja slipningen med ett grovt slippapper, ända tills ytan är jämn. Sedan kan du använda mediumtyp för att eliminera de repor som lämnats kvar av det grova slippappret och slutligen ett fint slippapper för att polera ytan. Slipa med varje typ av slippapper, ända tills ytan är helt jämn.





## Svenska

### Rekommenderad användning av ark/papper

|                               |               |
|-------------------------------|---------------|
| Slippapper, kornstorlek Ø 80  | Grov slipning |
| Slippapper, kornstorlek Ø 120 | Lätt slipning |
| Slippapper, kornstorlek Ø 150 | Lätt slipning |

### SNABB FASTSÄTTNING AV SLIPPAPPER OCH -DYNOR

Se bild 2.

1. Koppla ur slipmaskinen.
2. Placera hålen i slippappret eller slipdynan mitt för hålen i slipmaskinens fot och limma sedan försiktigt papprets kardborresida på foten, så stadigt som möjligt.

**NOTERA:** Denna typ av papper kan återanvändas så länge slipmedlet är tillräckligt effektivt. Vi rekommenderar att hålla slippappren och slipdynorna rena, så att de håftar bättre vid slipmaskinen. Rengör dem regelbundet med en liten borste.

### MONTERA DAMMLÅDAN

Se bild 3.

Dammlådan samlar upp damm när du använder slipmaskinen. Slipdamm dras upp genom hålen i slipskivan och samlas i dammlådan under slipning.

1. Koppla ur slipmaskinen.
2. Använd en något vridande rörelse och skjut in dammlådan i dammutblåset på slipmaskinen.

### ⚠ VARNING

Var på din vakt då du använder slipmaskinen. En bråkdel av en sekunds oaktsamhet kan resultera i allvarlig personskada.

### ANVÄNDNINGSSOMRÅDEN

Använd slipmaskinen endast för nedanstående ändamål:

- Slipning av trätyr.
- Borttagning av rost och slipning av stål.
- Polering och slipning av porslin och metaller.

### ⚠ FÖRSIKTIGHET

Kom ihåg att hålla nätsladden på avstånd från slipbanan och placera den på ett sådant sätt att den inte fastnar i trästycken, verktyg eller andra föremål under arbetet.

### ⚠ VARNING

Använd alltid säkerhetsglasögon eller skyddsglasögon försedda med sidoskydd vid arbete med verktyg. Underlåtenhet att följa denna föreskrift kan leda till att främmande partiklar, damm eller spån slungas mot ögonen och framkallar allvarliga ögonskador.

### ANVÄNDNING

#### STARTA / STOPPA SLIPMASKINEN

Se bild 4.

- **Sätt i gång slipmaskinen så här:** Tryck strömbrytaren på/av mot vänster.
- **Stäng av slipmaskinen så här:** Tryck strömbrytaren på/av mot höger.

#### ANVÄNDNING

Se bild 5.

1. Fäst arbetsstycket så att det inte kan glida under slipmaskinen.

### ⚠ VARNING

Om arbetsstycket inte är fäst, kan det slungas mot användaren och försaka allvarliga skador.

### ⚠ VARNING

Tänk på att hålla ansiktet på avstånd från slipmaskinen och slipningsområdet. Skydda håret så att det inte fastnar i slipmaskinen, för det kunde försaka allvarliga skador.

2. Placera slipmaskinen på arbetsytan så att hela foten är i kontakt med arbetsstycket.

### ⚠ FÖRSIKTIGHET

Se till att du inte täpper till ventilations-öppningarna med händerna, för det skulle leda till en överhettning av motorn.

3. Sätt i gång slipmaskinen och flytta den långsamt på arbetsstycket.

**NOTERA:** Håll slipmaskinen framför dig på lämpligt avstånd för att kunna se arbetsstycket. Sätt i gång slipmaskinen och vänta tills motorn nått sin maximala hastighet. Rikta sedan långsamt slipmaskinens fot mot arbetsstycket. Då slipmaskinen är i kontakt med arbetsstycket flyttar du den på arbetsytan med små cirkelformiga rörelser.





## Svenska

### Tryck framför allt inte för hårt på slipmaskinen.

Slipmaskinens vikt anbringar ett tillräckligt tryck på arbetsstycket. Det är slipmaskinen och slippappret som ska göra allt "arbete". Om du trycker extra hårt på slipmaskinen kan det hända att motorn börjar gå långsammare, att slippappret slits snabbare och att sliphastigheten minskar märkbart. Dessutom kan ett extremt tryck överbelasta motorn och förorsaka en överhettning som kan skada motorn och påverka verktygets funktion. Se upp: värmen som beror på friktionen kan mjuka upp fernissan eller hartsen som täcker träet.

Tänk på att inte slipa för länge på samma del av arbetsstycket, för slipmaskinens slipande verkan kan slita snabbt på ämnet och ge ett oregelbundet resultat.

Långvarigt sliparbete kan förorsaka överhettning av motorn. Om det händer, stäng av slipmaskinen och vänta tills slipskivorna har stannat helt och ta bort den från arbetsstycket. Ta bort handen från ventilationsöppningarna, ta loss slippappret, sätt åter i gång slipmaskinen och ha den att gå på tomgång för att avkyla motorn.

### HÖRN OCH KANTER

Se bild 6.

- Använd spetsen på sandpappret med små rörelser fram och tillbaka för att detaljslipning av hörn och kanter.

### TÖMMA DAMMLÅDAN

Se bild 7.

För ännu större effektivitet kan du tömma dammpåsen så fort den blir halvfull. Detta möjliggör en bättre luftcirkulation inne i påsen. Töm alltid ur, och rengör, dammlådan ordentligt efter att du har slipat och innan du lägger undan slipmaskinen.

#### **⚠ VARNING**

Anhopning av partiklar på grund av slipning av ytor som varit belagda med högst lättantändliga produkter som t. ex. polyuretan, linolja, etc. kan antända dammpåsen eller andra delar av slipmaskinen och förorsaka brand. Töm alltid dammlådan ofta (10-15 minuter) för att undvika brand när du slipar, och förvara eller lämna aldrig slipmaskinen utan att helt tömma dammlådan först. Läs noga de rekommendationer som lämnats av fabrikanterna som tillverkat beläggningarna.

1. Koppla ur slipmaskinen.

#### **⚠ VARNING**

Om slipmaskinen inte är urkopplad, kan den sättas i gång oavsiktligt och förorsaka allvarliga kroppsskador.

2. Ta bort dammlådan från slipmaskinen.
3. Skaka om dammpåsen för att tömma den.
4. Sätt tillbaka dammlådan på slipmaskinen.

**NOTERA:** Ta bort dammlådan från ramen och skaka ur allt damm om du vill rengöra den mer noggrant. Sätt tillbaka dammlådan över ramen och montera på slipmaskinen.

### BYTE AV SLIPPAPPER

Se bild 8.

Slipmaskinen levereras med slippydnor och slippapper av olika slag för olika ändamål. För att byta papper drar du helt enkelt ut det använda pappret från plattan och sätter fast det nya pappret genom att trycka fast det på plattan på slipmaskinen.

### ANVÄND FINGERSKYDDET

Se bild 9.

1. Öppna fingerskyddet.
2. Sänk ned fingerskyddet och lås fast det.
3. Stäng fingerskyddet.

### INDIKATOR FÖR NÄTANSLUTNING

Vinkelslipen är utrustad med en indikator för nätanslutning som tänds då verktyget ansluts till nätet. Denna kontrollampa gör dig uppmärksam på att verktyget är under spänning och att det sätts i gång så fort du trycker på avtryckaren.

### UNDERHÅLL

#### **⚠ VARNING**

Slipmaskinen får aldrig vara nätansluten då du monterar komponenter, utför inställningar, rengör verktyget eller då du inte använder det. Om du kopplar ur verktyget från eluttaget så förhindrar du oavsiktlig start som kan resultera i allvariga skador.

#### **⚠ VARNING**

Använd endast identiska originaldelar när du servar maskinen. Användning av andra delar kan orsaka fara eller produktskada.

### ALLMÄNNA FÖRESKRIFTER

Undvik att använda lösningsmedel vid rengöring av plastdelar. Flertalet plaster kan skadas vid användning av vissa lösningsmedel som säljs i affärerna. Använd en ren och torr trasa för att ta bort smuts, damm, olja, fett, osv.





**Svenska**

**⚠ VARNING**

Se till att plastdelarna aldrig kommer i kontakt med bromsvätska, bensin, produkter med petroleumbas, penetrerande oljor, osv. Dessa ämnen innehåller kemiska produkter som kanskada, försvaga eller förstöra plasten.

Elektriska verktyg som används på glasfiber, gipsplattor eller beklädnadspaneler tenderar att slitas snabbare och få funktionsavbrott i förtid. Spån och sågspån som härstammar från dessa material angriper nämligen vissa komponenter i elektriska verktyg, som t. ex. kugghjul, elborstar, strömbrytare, osv. Följaktligen råder vi användarna att låta bli långvarig användning av dessa verktyg på glasfiber, beklädnadspaneler, ytbeläggning för igenfyllning eller gips. Om du emellertid måste slipa dessa material är det ytterst viktigt att rengöra slipmaskinen med tryckluft.

**⚠ VARNING**

Använd alltid skyddsglasögon när du använder verktyget eller när du blåser damm. Använd en ansiktsmask om det dammar mycket.

**SMÖRJNING**

Alla lager i det här verktyget är smörjda med tillräckligt mycket högkvalitativt smörjmedel för att räckta under maskinens hela livslängd, vid en normal användning. Därför behövs ingen ytterligaresmörjning.

**RENGÖRING AV SLIPDYNORNA**

Rengör slipdynorna regelbundet, för en längre livslängd och en optimal effektivitet. Du kan avlägsna alla främmande partiklar genom att bara skölja slipdynan med ljummet vatten. Då slipdynan är ren, vrider du varsamt ur den för att få bort överflödigt vatten och låter den torka. Förvara alltid slipdynorna utbredda på en torr och sval plats.

**RENGÖRING AV SLIPPAPPREN**

Slippappren som bifogas med slipmaskinen kan återanvändas. Därför är det viktigt att rengöra dem regelbundet, för att få bort damm och partiklar som hopar sig på ytan under olika sliparbeten.

För att rengöra slippappren kan du gnugga dem med en kompakt gummibit. Du kan använda till exempel en ren skosula.

**⚠ VARNING**

Ta alltid bort slippappret eller slipdynan från slipmaskinens fot innan du rengör dem. Underlåtenhet att följa denna föreskrift kan förorsaka allvarliga kroppsskador.

**MILJÖSKYDD**



Råmaterialen bör återanvändas i stället för att kastas i hushållsavfallet. För att skona miljön ska verktyget, tillbehören och emballagen sorteras.

**SYMBOL**



Säkerhetsvarning

V

Volt

Hz

Hertz

~

Växelström

W

Watt

n<sub>o</sub>

Tomgångshastighet

min<sup>-1</sup>

Antal varv eller rörelser per minut



Bandiameter



CE-konformitet



Dubbelisolering



Bär hörselskydd.



Använd skyddsglasögon



Läs instruktionerna ordentligt innan start av maskinen.



Gamla elektroniska produkter ska inte kastas med hushållssoporna. Återvinn där sådana faciliteter finns. Kontrollera med din lokala myndighet eller säljaren för att få återvinningstips.



**Suomi****KUVAUS**

1. Katkaisin
2. Itsetarttuva luistin
3. Pölynkeruusäiliö
4. Hiomapaperi
5. Jännitteen merkivalo
6. Tällöin saatat menettää työkalun hallinnan ja aiheuttaa pomppauksen.
7. Sormilevyn
8. Lukko

**HIOMAKONEITA KOSKEVAT ERITYISET TURVAOHJEET**

- Käytä aina suojalaseja ja pölynaamaria hioessasi, erityisesti pään yläpuolella hioessasi.
- Tämä laite ei sovi märkähiontaan.
- Älä käytä liian suurta hiekkapaperia. Hiomalaikan reunojen yli ulottuva ylimääräinen paperi saattaa aiheuttaa vakavia haavoja.
- Työkaluun on kiinnitettävä pölypussi, ja se on tyhjennettävä säännöllisesti. Se on tyhjennettävä usein. Liitä pölypussi asettamalla pölypussin sovitin hiomakoneen takaosassa olevaan pölyaukkoon.

**VAROITUS**

Älä heitä hiontapölyä avotuleen, koska pieninä hiukkasina olevat materiaalit saattavat olla räjähdysherkkiä.

**VAROITUS**

Työhön sopivaa hengityssuojainta on käytettävä, kun hiotaan lyijymaalaa, joiain puupintoja ja metallia, jotta vältetään haitallisen/myrkyllisen pölyn tai ilman hengittämiseltä.

**TEKNISET TIEDOT**

|                |                         |
|----------------|-------------------------|
| Jännite        | 230 V - 240 V ~ 50 Hz   |
| Teho           | 80 W                    |
| Pöyrintänopeus | 12000 min <sup>-1</sup> |
| Paino          | 0.95 kg                 |

**OMINAISUUDET****OPI TUNTEMAAN KULMAHIOMAKONE**

Katso kuvaa 1.

Perehdy työkalun toimintoihin ja turvallisuutta koskeviin erikoisuuksiin ennen sen käyttöä. Älä unohda valppautta kun olet oppinut hiomakoneen käytön.

**KATKAISIN**

Tässä hiomakoneessa on kytkin, joka sijaitsee moottorin suojuksen etuosassa.

**ITSETARTTUVA LUISTIN**

Tarrakiinnitysjärjestelmä mahdollistaa hiomapaperien tai hiomaluiistimien nopean vaihdon. Niiden puhdistaminen voi myös tapahtua vaivattomasti uudelleenkäyttöä varten.

**PYÖRÖHIONTALIIKE**

Hiomakoneen pyörintäliike synnyttää nopeita luistimen edestakaisia liikkeitä. Pyöröhiontaliike on ihanteellista viimeistelyssä tai ruosteen, maalin ja epätasaisuuksien poistossa karkeahiomaluiistinta käytettäessä.

**PÖLYNKERUUSÄILIÖ**

Pölysäiliö voidaan kiinnittää hiomalaitteeseen, ja se pitää pölyn määrän minimissä.

**KOKOAMINEN****VAROITUS**

Hiomakonetta ei saa koskaan kytkeä verkkovirtaan kun asennat osia, teet säätö- ja puhdistustöitä tai kun et käytä sitä. Laitteen irrottaminen pistorasiasta estää sitä käynnistymättä vahingossa, jolloin välttyään mahdollisilta vakavilta vammoilta.

**HIOMALAIKAN VALINTA**

Sopivan hiomapaperikoon ja -tyypin sekä sen karheuden valinta on tehtävä huolellisesti mikäli haluat saada laadukkaan tuloksen. Esihionnassa suosittelemme synteettisen kuten alumiinioksiidi- tai piikarbidipäällysteisen hiomapaperin käyttöä. Luonnolliset piikivi- tai kranaattipäällysteiset hiomapaperit ovat pehmeitä ja niiden käyttö esihionnassa ei ole taloudellista. Yleensä karkeaa hiomapaperia käytetään materiaalin irrottamiseen ja hionoa hiomapaperia viimeistelytyöhön. Käytettävä hiomapaperilaatu määritellään hiottavan pinnan mukaisesti. Jos hiottava pinta on epätasainen, hio ensin karkealla hiomapaperilla kunnes pinta on tasainen. Käytä sitten medium-paperia jäljellä olevien naarmujen poistamiseksi ja kiilloita lopuksi pinta hienolla hiomapaperilla. Jatka hiontaa kullakin paperilaadulla kunnes pinta on tasainen.





## Suomi

### Laikan/tyynyn suositeltu käyttötarkoitus

|                   |              |
|-------------------|--------------|
| Hiomapaperi Ø 80  | Eshionta     |
| Hiomapaperi Ø 120 | Kevyt hionta |
| Hiomapaperi Ø 150 | Kevyt hionta |

### HIOMAPAPERIN JA –LUISTIMIEN PIKAKIINNITYS

*Katso kuvaa 2.*

1. Irroita hiomakone verkkovirrasta.
2. Linjaa paperissa olevat reiät hiomakoneen luistimessa oleville rei'ille ja liimaa paperin tarrasivu huolellisesti ja tukevasti luistimelle.

**HUOM:** Tämäntyyppistä paperia voidaan käyttää kunnes sen hiontakky heikkenee. Hiomapaperit ja –luistimet on hyvä pitää puhtaina, että ne pysyisivät paremmin hiomakoneen luistimella. Puhdista ne pienellä harjalla.

### PÖLYSÄILIÖN ASENTAMINEN

*Katso kuvaa 3.*

Pölysäiliö on hiomalaitteen pölynkeräysjärjestelmä. Hiomapöly imetään hiomalaikan reikien läpi ja kerätään pölysäiliöön hiomisen aikana.

1. Irroita hiomakone verkkovirrasta.
2. Työnä pölysäiliökoonpano hiomakoneen puhaltimen poistoaukkoon sitä lievästi kääntäen.

### VAROITUS

Pysytele valppaana kun käytät hiomakonetta. Varomaton toiminta – vaikka vain sekunnin murto-osan ajan – voi aiheuttaa vakavan loukkaantumisen.

### KÄYTTÖKOHEET

Voit käyttää työkalua alla esitettyihin käyttötarkoituksiin:

- Puupintojen hiominen.
- Ruosteen poisto ja teräksen hionta.
- Posliinin ja metallin kiillotus ja hionta.

### VAROITUS

Pidä liitäntäjohto kaukana luistimen kulkureitiltä ja aseta se siten, ettei se pääse tarttumaan puokappaleisiin, työkaluihin tai muihin esineisiin työn aikana.

### VAROITUS

Käytä aina tavanomaisia tai sivusuojuilla varustettuja suojalaseja, kun käytät työkaluja. Tämän ohjeen laiminlyönti voi aiheuttaa sirpaleiden, pölyn tai roskien sinkoutumisen silmiin käytön aikana ja aiheuttaa täten vakavia silmävammoja.

### OPERATION

#### HIOMAKONEEN KÄYNNISTYS/KATKAISU

*Katso kuvaa 4.*

- **Hiomakoneen käynnistäminen:** Aseta käynnistin/ katkaisin vasemmalle.
- **Hiomakoneen katkaisu:** Aseta käynnistin/katkaisin oikealle.

#### KÄYTTÖ

*Katso kuvaa 5.*

1. Kiinnitä työkalua niin, ettei se pääse luistamaan hiomakoneen alla.

### VAROITUS

Jos et kiinnitä työkalua, se voi sinkoutua päällesi ja aiheuttaa vakavia ruumiinvammoja.

### VAROITUS

Pidä kasvot kaukana hiomakoneesta ja hionta-alueesta. Kiinnitä huikset niin, etteivät ne pääse tarttumaan hiomakoneeseen aiheuttaen vakavia ruumiinvammoja.

2. Aseta hiomakone työstettävälle pinnalle niin, että luistin lepää kokonaan työkalupalleella.

### VAROITUS

Varo, etteivät kädet peitä tuuletusaukkoja sillä vaarana on moottorin ylikuumentuminen.

3. Käynnistä hiomakone ja kuljeta sitä hitaasti työkalupalleella.

**HUOM:** Pidä hiomakone edessäsi ja riittävän kaukana, jolloin työkalupale pysyy hyvin näkyvillä. Käynnistä hiomakone ja anna moottorin saavuttaa maksiminopeus. Kohdista sitten luistin hitaasti työkalupallea kohti. Kun luistin koskettaa työkalupalleeseen, kuljeta hiomakonetta työstettävällä pinnalla pienin pyöroliikkein.

**Älä missään tapauksessa pakota hiomakonetta.** Hiomakoneen paino kohdistaa riittävän painovoiman työkalupalleeseen. Liiallinen hiomakoneen painaminen







## Suomi

voi hidastaa moottoria, kuluttaa ennenaikaisesti hiomapaperia ja heikentää huomattavasti hiontanopeutta. Lisäksi liiallinen painaminen voi rasittaa moottoria ja aiheuttaa sitä vioittavaa ylikuumentumista ja vaikuttaa haitallisesti työkalun tehokkuuteen. Muista, että kitkan aiheuttama lämpö voi pehmentää puun pinnalla olevaa lakkaa tai pihkaa.

Vältä hiomasta samaa kohtaa liian kauan aikaa sillä hiomakoneen hiomapaperi voi kuluttaa pintaa nopeasti ja tehdä siitä epätasaisen.

Pitkään kestävät hiontajaksot voivat aiheuttaa moottorin ylikuumentumista. Jos näin tapahtuu, sammuta hiomakone ja odota, kunnes hiomalaikka pysähtyy täysin, a nosta se sitten pois työkappaleen päältä. Poista käsi tuuletusaukoilta, irroita hiomapaperi ja käynnistä sitten hiomakone uudelleen ja anna sen käydä tyhjänä moottorin jäähdyttämiseksi.

### KULMAT JA NURKAT

*Katso kuvaa 6.*

- Käytä tarkkuutta vaativissa hiomatöissä, kuten kulmissa ja nurkissa, hiomatynyn kärkeä, jota liikutat edestakaisin.

### PÖLYSÄILIÖN TYHJENTÄMINEN

*Katso kuvaa 7.*

Paranna tehokkuutta tyhjentämällä pölypussi kun se on puolillaan. Tämä sallii paremman ilmankierron pussin sisällä. Tyhjennä ja puhdista pölysäiliö aina huolella hiontatyön lopussa ennen hiomalaitteen varastointia.

#### **VAROITUS**

Erittäin tulenaroilla tuotteilla, kuten polyuretaanilla, pellavaöljyllä jne. käsiteltyjen pintojen hionnan yhteydessä kerääntyneet hiukkaset voivat aiheuttaa pölypussin tai hiomakoneen jonkun muun osan syttymisen, jonka seurauksena voi olla tulipalo. Jotta tulipalon vaara olisi pienempi, tyhjennä pölysäiliö säännöllisesti (10-15 minuutin välein) hioessasi, äläkä koskaan varastoi hiomakonetta tai jätä sitä tyhjentämättä pölysäiliötä täysin. Lue verhoilun valmistajan antamat suositukset huolellisesti.

1. Irroita hiomakone verkkovirrasta.

#### **VAROITUS**

Jos hiomakonetta ei ole irroitettu verkkovirrasta, epähuomiossa tapahtuva käynnistys voi aiheuttaa vakavia ruumiinvammoja.

2. Irrota pölysäiliö hiomakoneesta.
3. Ravistele pussia sen tyhjentämiseksi.

4. Asenna pölysäiliö takaisin hiomakoneeseen.

**HUOM:** Kun haluat puhdistaa pölysäiliön huolellisemmin, irrota se kehyksestä ja ravista pöly pois. Asenna pölysäiliö kehyksen päälle ja asenna pölysäiliökokooppa hiomalaitteeseen.

### HIOMAPAPERIN VAIHTAMINEN

*Katso kuvaa 8.*

Hiomakoneen mukana toimitetaan hiomaluistimia ja –paperia erilaisiin käyttötarkoituksiin. Voit vaihtaa laikan vetämällä käytetyn laikan irti alustasta ja kiinnittämällä uuden painamalla lakkaa tai tynnyä hiomalaitteen alustaa vasten.

### SORMILEVYN KÄYTTÖ

*Katso kuvaa 9.*

1. Avaa sormilevyn kansi.
2. Laske sormilevy ja lukitse se paikoilleen.
3. Sulje sormilevyn kansi.

### JÄNNITTEEN MERKKIVALO

Hiomalaikkasi on varustettu jännitteen merkkivalolla, joka syttyy, kun laite on kytketty verkkoon. Tämän merkkivalon tarkoituksena on kiinnittää huomio siihen, että työkalu on jännitteinen ja käynnistyy kun katkaisinta painetaan.

### HUOLTO

#### **VAROITUS**

Hiomakonetta ei saa koskaan kytkeä verkkovirtaan kun asennat osia, teet säätö- ja puhdistustöitä tai kun et käytä sitä. Laitteen irrottaminen pistorasiasta estää sitä käynnistymättä vahingossa, jolloin vältytään mahdollisilta vakavilta vammoilta.

#### **VAROITUS**

Huollossa tulee käyttää ainoastaan identtisiä varaosia. Muunlaisten osien käyttö voi aiheuttaa vaaran tai vioittaa laitetta.

### YLEISOHJEITA

Älä puhdista muoviosia liuottimilla. Suurin osa muoveista ei siedä markkinoilla olevia määrättyjä liuotteita, jotka vahingoittavat niitä. Poista lika, pöly, öljy, rasva tms. puhtailla rievuilla.



**VAROITUS**

Muoviosat eivät saa koskaan joutua kosketukseen jarrunesteeseen, bensiiniin, petroli johdannaisiin, ruosteenirrotusöljyjen kanssa. Nämä kemialliset aineet voivat vaurioittaa, heikentää tai tuhotamuovin.

Lasikuidun, kipsin ja pinnotteiden käsittelyyn käytetyillä sähkökäyttöisillä työkaluilla on taipumusta kulua nopeammin ja niissä havaitaan enemmän ennen aikaisia toimintahäiriöitä. Näistä materiaaleista lähtevät hakeet, jätteet ja sahajauhut kuluttavat sähkötyökalun osia kuten esimerkiksi hammaspyörää, harjoja, katkaisimia jne. Tästä syystä tämän työkalun pitkäaikaista käyttöä ei suositella lasikuidun, pinnotteiden, huokostäytteiden ja kipsin työstöön. Mikäli kuitenkin hiot tämäntyyppistä materiaalia, hiomakone on ehdottomasti puhdistettava säännöllisin väliajoin paineilmapuhaltimella.

**VAROITUS**

Käytä aina sähkölaitetta käyttäessäsi tai pölyä puhaltaessasi suojalaseja, joissa on sivusuojaimet. Käytä lisäksi pölynaamaria, jos työ on pölyistä.

**VOITELU**

Kaikki laitteen laakerit on voideltu laitteen eliniäksi normaaliolosuhteissa riittävällä määrällä korkealaatuista voiteluainetta. Tästä syystä työkalu ei kaipaa lisävoitelua.

**HIOMALUUSTIMEN PUHDISTAMINEN**

Kestoiän pidentämiseksi ja optimaalisen tehokkuuden saamiseksi hiomalustin on puhdistettava säännöllisin väliajoin. Poista kaikki roskat ja hiukkaset huuhtelemalla luistin lämpimällä vedellä. Kun luistin on puhdistettu, puristele liika vesi pois ja anna sen kuivua. Varastoi hiomaluistimet tasaisesti kuivaan paikkaan.

**HIOMAPAPERIN PUHDISTAMINEN**

Hiomakoneen mukana toimitettuja hiomapapereita voidaan käyttää uudelleen. Näin ollen on erittäin tärkeää, että niiden pinnalle kertynyt pöly ja hiukkaset poistetaan säännöllisin väliajoin.

Puhdista hiomapaperin pinta hankaamalla kovalla kumityynyllä. Voit esimerkiksi käyttää puhdasta kengänpohjaa.

**VAROITUS**

Irraita hiomapaperi tai -luistin hiomakoneesta aina ennen puhdistusta. Tämän ohjeen laiminlyönti voi aiheuttaa vakavia ruumiinvammoja.

**YMPÄRISTÖNSUOJELU**

Älä heitä raaka-aineita kotitalousjätteisiin, vaan vie ne kierrätykseen. Ympäristönsuojelun kannalta työkalu, lisävarusteet ja pakkausmateriaali on lajiteltava.

**SYMBOLI**

Turvavaroitus

V Voltti

Hz Hertz

~ Vaihtovirta

W Watti

no Tyhjäkäyntinopeus

min<sup>-1</sup> Kierrosten tai liikkeiden määrä minuutissa



Radan halkaisija



CE-vastaavuus



Kaksoiseristys



Käytä kuulosuojaimia



Käytä suojalaseja



Lue ohjeet huolellisesti ennen laitteen käynnistämistä.



Käytöstä poistettavia sähkölaitteita ei pidä hävittää talousjätteiden mukana. Ne on mahdollisuuksien mukaan pantava kiertoon. Kierrätysohjeita antavat kunnan viranomaiset ja vähittäiskauppiat.



**Norsk**

**BESKRIVELSE**

1. Strømbryter
2. Såle med borrelås
3. Støvpopsamlingsboks
4. Slipepapir
5. Strømindikator
6. Deksel
7. Fingerpute
8. Lås

**SPEISIELLE SIKKERHETSFORSKRIFTER FOR PLANSLIPERE**

- **Ta alltid på sikkerhetsbriller og støvmaske når du sliper, særlig hvis du holder sliperen høyere enn hodet.**
- **Bruk aldri sliperen på fuktige flater.**
- **Slipepapiret må ikke være for stort.** Hvis slipepapiret stikker ut av sålen, risikerer du alvorlige kroppsskader.
- **Oppsamlerposen skal installeres på verktøyet, og tømmes regelmessig.** Den skal tømmes hyppig. For å installere oppsamlerposen fester du posens adapter på stussen bak på sliperen og dreier mot høyre til den er godt festet.

**⚠ ADVARSEL**  
Kast ikke støvet som dannes av sliping på åpen ild, da materialer i form av fine partikler kan være eksplorative.

**⚠ ADVARSEL**  
Du må bruke en egnet støvmaske når du sliper flater som er dekket med blyholdig maling og enkelte treslag og metaller, for ikke å puste inn giftig støv eller damp.

**SPEISIFIKASJONER**

|                               |                         |
|-------------------------------|-------------------------|
| Spenning                      | 230 V - 240 V ~ 50 Hz   |
| Effekt                        | 80 W                    |
| Sirklingbevegelsens hastighet | 12000 min <sup>-1</sup> |
| Vekt                          | 0,95 kg                 |

**FUNKSJONER**

**BLI KJENT MED TREKANTSLIPEREN**  
Se fig. 1.  
Før du bruker verktøyet, må du bli kjent med alle dens

funksjoner og sikkerhetskrav. Men vær alltid like forsiktig, selv når du er blitt kjent med sliperen.

**STRØMBRYTER**  
Denne sliperen er utstyrt med en strømbryter som sitter på forsiden av motorhuset.

**SÅLE MED BORRELÅS**  
Borrelåsfestet gjør det mulig å skifte slipepapir eller -skiver raskt. Det blir også lettere å gjøre dem rene før du bruker dem igjen.

**SIRKELSLIPING**  
Sliperens svingebevegelse får sålen til å slippe i små hurtige sirkelbevegelser. Denne bevegelsen egner seg utmerket til finsliping eller, hvis du bruker den grovkornete skiven, til å fjerne rust- og malingflekker eller småfeil i arbeidsflaten.

**STØVOPPSAMLINGSBOKS**  
Støvboksen festes til slipemaskinen og gir et minimalt utslipp av støv.

**MONTERING**

**⚠ ADVARSEL**  
Sliperen skal aldri være koplet til en stikkontakt når du monterer deler, foretar instillinger, gjør rent verktøyet eller når du ikke bruker det. Ved å fjerne batteripakken hindres utilsiktet start som kan føre til alvorlig personskade.

**UTVALG AV SLIPESKIVER**  
Det er meget viktig å velge riktig størrelse, korn og type på slipepapiret for å oppnå en tilfredsstillende sliping. Til grov sliping anbefaler vi bruken av syntetiske slipemidler som aluminiumoksid eller karborundum. Naturlige slipemidler som flint og granat er for milde og det ville ikke være økonomisk å bruke dem til grovsliping. Som regel brukes grovkornet papir til å fjerne det grovste, mens en fin korning egner seg til slutt pussing. Tilstanden til overflaten som skal slipes bestemmer hvilken korning du skal bruke. Hvis overflaten er ru, begynner å slippe med et grovkornet papir helt til overflaten er jevn. Deretter kan du bruke middels korning til å få bort riper etter det grovkornede papiret og til slutt et finere papir til å polere overflaten. Slip med hver kornstørrelse helt til overflaten er jevn.

**Ark/pute anbefalt bruk**  
Slipepapir korning Ø 80 Grovsliping





**Norsk**

Slipepapir korning Ø 120      Lett sliping  
 Slipepapir korning Ø 150      Lett sliping

**RASK FESTING AV SLIPEPAPIRER OG –SKIVER**

Se fig. 2.

1. Kople sliperen fra strømmettet.
2. Still hullene i slipepapiret eller –skiven på hullene i sliperens såle og fest papirets borrelåsside forsiktig på sålen, så godt som mulig.

**NB:** Denne slipepapirtypen kan brukes igjen så lenge sliping er effektiv. Vi anbefaler å holde slipepapirene og –skivene så rene som mulig slik at de sitter bedre på sliperens såle. Gjør dem rene regelmessig med en liten børste.

**MONTERING AV STØVBOKSEN**

Se fig. 3.

Støvboksen gir støvoppsamling for slipemaskinen. Slipestøv trekkes opp gjennom hullene i slipeskiven og samles i støvkassen under sliping.

1. Kople sliperen fra strømmettet.
2. Ved å bruke en svakt vridende bevegelse skyv støvboksenheten forsvarlig på plass ved slipemaskinens eksosåpning.

**⚠ ADVARSEL**

Vær på vakt når du bruker denne sliperen. Tåneløse handlinger i bare en brøkdelen av et sekund kan føre til alvorlige personskader.

**BRUK**

Sliperen kan brukes til følgende arbeidsoppgaver:

- Sliping av treoverflater.
- Fjerning av rust og sliping av stål.
- Polering og sliping av porselen og metaller.

**⚠ ADVARSEL**

Sørg for å holde kabelen unna sålens bane og plasser den slik at den ikke fanges av trestykker, verktøy eller annen gjenstand under sliping.

**⚠ ADVARSEL**

Bruk alltid sikkerhetsbriller eller vernebriller med sidebeskyttelse når du bruker verktøy. Hvis denne forskriften ikke overholdes, kan det medføre utslynging av fremmedlegemer, støv eller spon i øynene dine og forårsake alvorlige øyenskader.

**BRUK**

**STARTE / STOPPE SLIPEREN**

Se fig. 4.

- **For å starte sliperen:** Skyv av/på bryteren til venstre.
- **For å stoppe sliperen:** Skyv av/på bryteren til høyre.

**BETJENING**

Se fig. 5.

1. Fest arbeidsstykket slik at det ikke kan gli under sliperen.

**⚠ ADVARSEL**

Hvis du ikke fester arbeidsstykket, kan dette slynges ut mot brukeren og forårsake alvorlige skader.

**⚠ ADVARSEL**

Hold ansiktet unna sliperen og slipeområdet. Beskytt håret ditt slik at det ikke fanges opp av sliperen, noe som kan forårsake alvorlige skader.

2. Plasser sliperen på arbeidsflaten slik at hele såleflaten er i kontakt med arbeidsstykket.

**⚠ ADVARSEL**

Pass på at du ikke dekker til lufthullene med hendene dine, da det kan forårsake overoppheting av motoren.

3. Sett sliperen i gang og flytt den langsomt bortover på arbeidsstykket.

**NB:** Hold sliperen foran deg og på god avstand slik at du ser arbeidsstykket godt. Start sliperen og vent til motoren kommer opp i full hastighet. Før deretter sliperens såle langsomt mot arbeidsstykket. Når sålen er kommet i kontakt med arbeidsstykket skal sliperen beveges på flaten med små sirkelbevegelser.

**Trykk for all del ikke for hardt på sliperen.** Sliperens vekt utøver tilstrekkelig trykk på arbeidsstykket. Det er sliperen og slipepapiret som skal gjøre jobben. Hvis du trykker mer på sliperen, kan du redusere motorhastigheten, slite slipepapiret raskere og redusere slipehastigheten vesentlig. I tillegg kan et for sterkt trykk overbelaste motoren og forårsake overoppheting, noe som kan skade motoren og svekke verktøyets effektive drift. Varmen som oppstår på grunn av gnidningen kan mykne treets lakk- eller harpiksbelegg.

Pass på at du ikke sliper for lenge på samme del av arbeidsstykket, da sliping for lenge kan slite materialet og gi uregelmessig sliping.

Lange slipeperioder kan forårsake overoppheting av





**Norsk**

motoren. Hvis dette skjer, slå av slipemaskinen og vent til slipeskiven har stoppet helt, dernest kan den fjernes fra arbeidsstykket. Ta hånden din vekk fra luftehullene, ta bort slipepapiret og start sliperen igjen for å la den gå i tomgang slik at motoren kjøler.

**HJØRNER OG FORDYPNINGER**

Se fig. 6.

- For en mer detaljert sliping, som av hjørner og fordypninger, bruk tuppen av slipeputen med små frem- og tilbakebevegelser.

**TØMMING AV STØVBOKSEN**

Se fig. 7.

For at sliping skal være mer effektiv, bør du tømme oppsamlersposen straks den er halvfull. Det blir da bedre luftstrømming inne i posen. Tøm, og rengjør støvboksen grundig etter hver slipejobb og før slipemaskinen settes vekk.

**▲ ADVARSEL**

Oppsamlingen av partikler etter sliping av flater satt inn med høyantennelige stoffer som f.eks. polyuretan, linolje osv., kan føre til antenning av oppsamlersposen eller andre deler av sliperen og brann. For å unngå fare for brann, tøm støvboksen jevnlig (10-15 minutter) når du sliper og sett ikke bort eller forlat slipemaskinen uten at støvboksen er tømt. Les nøye anbefalingene fra beleggsprodusentene.

1. Kople sliperen fra strømmettet.

**▲ ADVARSEL**

Hvis sliperen ikke er koblet fra strømmen, kan den starte utilsiktet og forårsake alvorlige kroppsskader.

2. Fjern støvboksen fra slipemaskinen.
3. Tøm oppsamlersposen ved å riste den.
4. Sett tilbake støvboksen på slipemaskinen.

**NB:** For en grundigere rengjøring av støvoppsamlingsboksen må boksen fjernes fra rammen og ristes tom for støv. Erstatt støvboksen over rammen, installer deretter støvbokssettet på slipemaskinen.

**SKIFTE AV SLIPEPAPIR**

Se fig. 8.

Sliperen leveres med forskjellige slipeskiver og –papirer til forskjellige bruk. For å skifte sandpapir trekk det brukte arket av basen og fest det ønskede arket ved å trykke arket eller puten mot bunnen av slipemaskinen.

**BRUK AV FINGERPUTE**

Se fig. 9.

1. Åpne fingerpute-dekslet.
2. Senk fingerputen og lås den på plass.
3. Steng fingerputedekslet.

**STRØMINDIKATOR**

Vinkelsliperen er utstyrt med en strømindikator som tennes når verktøyet er koblet til strømmen. Indikatoren gjør deg oppmerksom på at verktøyet er slått på og at det vil starte straks du trykker på av/på bryteren.

**VEDLIKEHOLD**

**▲ ADVARSEL**

Sliperen skal aldri være koblet til en stikkontakt når du monterer deler, foretar innstillinger, gjør rent verktøyet eller når du ikke bruker det. Ved å fjerne batteripakken hindres utilsiktet start som kan føre til alvorlig personskade.

**▲ ADVARSEL**

For servicearbeider bruk kun originale reservedeler tilsvarende den som skiftes. Bruk av andre deler kan skape fare eller føre til skade på produktet.

**ALMENNE FORSKRIFTER**

Unngå bruk av løsemidler når du rengjør plastdelene. De fleste plastmaterialene kan skades ved bruk av løsningsmidlene som fås i handelen. Bruk rene kluter til å fjerne skitt, støv, olje og fett etc.

**▲ ADVARSEL**

Plastdeler må aldri komme i kontakt med bremsevæske, bensin, petroleumsholdige produkter, penetrerende oljer, osv. Dissekjemiske produktene inneholder stoffer som kanskje, svekke eller ødelegge platen.

Elektroverktøy som brukes på glassfiberutstyr, i gipsplater og bekledningspaneler slites hurtigere og svikter tidlig. Flis og spon fra disse materialene er nemlig meget slitende for enkelte deler av elektriske verktøy som lagere, børster, brytere osv. Det frarådes derfor sterkt å foreta langvarige arbeidsoppgaver på glassfiber, veggkledninger, sparkel eller gips. Hvis du allikevel må slippe disse materialene, er det meget viktig at du gjør ren sliperen med trykkluft.



## Norsk

**⚠ ADVARSEL**

Bruk alltid vernebriller eller sikkerhetsbriller med sidebeskyttelse ved bruk av elektrisk verktøy eller når det blåses støv. Hvis arbeidet utløser støv, bruk også en støvmaske.

**SMØRING**

Alle lagere i verktøyet er smurt med en passende mengde høykvalitets smøring for maskinens levetid under normale driftsforhold. Det er derfor unødvendig med tilleggssmøring.

**RENGJØRING AV SLIPESKIVENE**

Gjør ren slipeskivene regelmessig for å forlenge deres levetid og oppnå best effektivitet. Fremmedpartiklene kan fjernes ved å skylle sålen i lunkent vann. Når skiven er gjort ren, vri den lett for å få ut vann og la den tørke. Rydd alltid slipeskivene på et tørt og kjølig sted og la dem ligge flatt.

**RENGJØRING AV SLIPEPAPIRENE**

Slipepapirene som følger med sliperen kan brukes igjen. Det er derfor viktig å gjøre dem rene regelmessig for å få bort støv og partikler som samler seg opp på overflaten under slipearbeidene.

For å rengjøre slipepapirene, gni dem med en kompakt gummiblokk. Du kan for eksempel bruke sålen på en ren sko.

**⚠ ADVARSEL**

Ta alltid slipepapiret eller –skiven av sliperen før du gjør den ren. Hvis denne forskriften ikke overholdes, kan det forårsake alvorlige kroppsskader.

**MILJØVERN**

Resirkuler råmaterialer istedenfor å kaste dem i søppelen. Verktøyet, tilbehørene og emballasjen bør sorteres for miljøvennlig resirkulering.

**SYMBOL**

Sikkerhetsalarm

V Volt

Hz Hertz

~ Vekselstrøm

W Watt  
no Hastighet ubelastet  
min<sup>-1</sup> Antall omdreininger eller bevegelser pr.Minutt



Omkretsdiameter



CE samsvar



Dobbel isolering



Bruk hørselsvern



Bruk øyebeskyttelse



Vennligst les instruksjonene nøye før du starter maskinen.



Avfall fra elektriske produkter skal ikke kastes sammen med husholdningsavfall. Vennligst resirkulervedeksisterende avfallsbehandlingssted. Undersøk hos dine lokale myndigheter eller forhandler for råd om resirkulering.

**Русский****ОПИСАНИЕ**

1. Двухпозиционный выключатель
2. Быстросменная накладка на «липучке»
3. Контейнер для сбора пыли
4. Шлифовальная бумага
5. жить индикатором инструмент
6. Охватывать
7. Фингер площадку
8. **Блокировка**

**СПЕЦИАЛЬНЫЕ ИНСТРУКЦИИ ПО ТЕХНИКЕ БЕЗОПАСНОСТИ ДЛЯ ШЛИФОВАЛЬНЫХ ИНСТРУМЕНТОВ**

- Во время шлифования, особенно при шлифовании выше уровня головы, всегда надевайте защитные очки и пылезащитную маску.
- Инструмент не предназначен для влажного шлифования.
- Не используйте шлифовальную бумагу дольше, чем нужно. Кроме того, шлифовальной бумагой, выступающей за рамки шлифовальной накладки, можно серьезно пораниться.
- На инструменте должен быть установлен пылесборник. Он должен быть очищен часто. Для подключения пылесборника вставьте его переходник в пылесборное отверстие с задней стороны шлифовального инструмента.

**▲ ОСТОРОЖНО**

Не допускайте попадания образующейся при работе пыли в открытый огонь, так как мелкие частицы материалов могут быть взрывоопасны.

**▲ ОСТОРОЖНО**

Во время шлифования поверхностей, покрытых свинцовыми белилами, некоторых пород древесины и металлических изделий необходимо надевать подходящий респиратор, чтобы предотвратить вдыхание вредной/токсичной пыли или воздуха.

**ТЕХНИЧЕСКИЕ ХАРАКТЕРИСТИКИ**

|                  |                         |
|------------------|-------------------------|
| Напряжение       | 230 V - 240 V ~ 50 Hz   |
| Мощность         | 80 W                    |
| Частота оборотов | 12000 min <sup>-1</sup> |

Вес

0.95 kg

**ФУНКЦИИ****ЗНАКОМСТВО С КОМПАКТНЫМ ИНСТРУМЕНТОМ ДЛЯ ОКОНЧАТЕЛЬНОГО ШЛИФОВАНИЯ**

См. рис. 1.

Перед использованием данного устройства ознакомьтесь со всеми режимами работы и требованиями техники безопасности. Однако знание инструмента не должно служить поводом для беспечности.

**ВЫКЛЮЧАТЕЛЬ**

Данный инструмент имеет простой выключатель, расположенный на передней части корпуса двигателя.

**БЫСТРОСМЕННАЯ НАКЛАДКА НА «ЛИПУЧКЕ»**

Конструкция крепления «на липучке» позволяет производить быструю замену шлифовальных листов и накладок для зачистки. Такая конструкция облегчает их чистку и позволяет повторно использовать их.

**КРУГОВОЕ ШЛИФОВАНИЕ**

Вибрационное действие шлифовального инструмента позволяет придать шлифовальной накладке очень быстрое круговое движение малой амплитуды. Такое движение хорошо подходит для получения поверхности с мелкой зернистостью или при использовании накладки для зачистки, удалении легкой ржавчины, краски и других образований с обрабатываемой поверхности.

**КОНТЕЙНЕР ДЛЯ СБОРА ПЫЛИ**

Пылесборник крепится к шлифовальному инструменту и сводит запыленность к минимуму.

**СБОРКА****▲ ОСТОРОЖНО**

Во время сборки деталей, выполнения настройки, чистки, технического обслуживания, а также когда инструмент не используется, необходимо обязательно отключить его от источника питания. Отключение устройства от сети предотвращает случайный запуск, который может привести к тяжким телесным повреждениям.

**ВЫБОР НАЖДАЧНОГО КРУГА**

Выбор нужного размера, зернистости и типа шлифовальной бумаги является необычайно важным





## Русский

шагом для обеспечения высококачественной отделки при шлифовании. Для машинного шлифования более всего подходят окись алюминия, карбид кремния и синтетические абразивы. Природные абразивы, такие, как кремнь и гранат, слишком мягки для экономичного использования при машинном шлифовании.

В целом при использовании крупнозернистой бумаги удаляется максимальное количество материала, а при мелкой зернистости достигается наилучшая отделка в любых операциях шлифования. Зернистость используемой для шлифования бумаги определяется состоянием обрабатываемой поверхности. Если поверхность грубая, начните работу с крупнозернистой бумаги и производите шлифование до тех пор, пока поверхность не станет однородной. Для удаления царапин, оставленных крупнозернистой шлифовальной бумагой, можно использовать бумагу средней зернистости, а затем использовать бумагу мелкой зернистости для окончательной отделки поверхности. Всегда продолжайте шлифование абразивом соответствующей зернистости, пока поверхность не будет однородной.

### Рекомендуемые шлифовальные листы/накладки

|                                     |                     |
|-------------------------------------|---------------------|
| 80-зернистости шлифовальных листов  | Грубый шлифовальный |
| 120-зернистости шлифовальных листов | Свет шлифовальный   |
| 150-зернистости шлифовальных листов | Свет шлифовальный   |

### ПРИКРЕПЛЕНИЕ ШЛИФОВАЛЬНОГО ДИСКА «НА ЛИПУЧКЕ»

См. рис. 2.

- Отключите шлифовальный инструмент от электросети.
- Совместите отверстия в крючок и петля типа шлифовального диска с отверстиями в блокнот, затем осторожно пресс нечетких стороны шлифовального диска с площадки как можно плотнее.

**ПРИМЕЧАНИЕ:** Шлифовальные диски «на липучке» можно использовать повторно в течение всего срока службы шлифовального абразива. Рекомендуется содержать в чистоте опорную накладку шлифовального диска для обеспечения наилучшего сцепления. Периодически производите очистку, слегка обрабатывая поверхность щеточкой.

### КРЕПЛЕНИЕ ПЫЛЕСБОРНИКА

См. рис. 3.

Пылесборник представляет собой систему пылеудаления шлифовального инструмента. Во время шлифования шлифовальная пыль вытягивается через отверстия в шлифовальном диске и собирается в пылесборнике.

- Отключите шлифовальный инструмент от электросети.
- Слегка подкручивая, надежно установите пылесборник на выпускное отверстие воздуха на шлифовальном инструменте.

### ⚠ ОСТОРОЖНО

Соблюдайте осторожность при использовании этого инструмента. Даже секундная неосторожность может привести к тяжким телесным повреждениям.

### ОБЛАСТЬ ПРИМЕНЕНИЯ

Данный инструмент можно использовать для перечисленных ниже целей:

- Шлифование деревянных поверхностей.
- Удаление ржавчины с и шлифования стальных поверхностей.
- Полировки и очистки фарфора и металла.

### ⚠ ВНИМАНИЕ

Не приближайте кабель к шлифовальной накладке и расположите его таким образом, чтобы во время шлифования он не зацепился за посторонние предметы, инструменты или другие предметы.

### ⚠ ОСТОРОЖНО

При работе всегда пользуйтесь защитными очками с боковыми протекторами. Несоблюдение данного требования может привести к попаданию в глаза пыли, стружки или других частиц и стать причиной телесных повреждений.

### ЭКСПЛУАТАЦИЯ

#### ВКЛЮЧЕНИЕ/ВЫКЛЮЧЕНИЕ ШЛИФОВАЛЬНОГО ИНСТРУМЕНТА

См. рис. 4.

- **Включение шлифовального инструмента:** Нажмите кнопку включения / выключения по левому краю.







## Русский

### ■ Выключение шлифовального инструмента:

Нажмите кнопку включения / выключения с правой стороны.

### РАБОТА СО ШЛИФОВАЛЬНЫМ ИНСТРУМЕНТОМ

См. рис. 5.

1. Зафиксируйте обрабатываемое изделие, чтобы предотвратить его перемещение под шлифовальным инструментом.

#### **▲ ОСТОРОЖНО**

Если обрабатываемое изделие не закрепить, его может отбросить в направлении работающего, что приведет к телесным повреждениям.

#### **▲ ОСТОРОЖНО**

Не приближайте голову к шлифовальному инструменту и области шлифования. Волосы могут затянуть в шлифовальный инструмент, что приведет к тяжким телесным повреждениям.

2. Прижмите шлифовальный инструмент к обрабатываемому изделию таким образом, чтобы вся поверхность диска находилась в контакте с изделием.

#### **▲ ВНИМАНИЕ**

Не допускайте перегрева двигателя, что может привести к его повреждению, также не допускайте перекрытия рукой вентиляционных отверстий.

3. Включите шлифовальный инструмент и медленно перемещайте его по обрабатываемому изделию.

**ПРИМЕЧАНИЕ:** Держите шлифовальный инструмент впереди себя и на некотором расстоянии, не поднося его вплотную к обрабатываемому изделию. Запустите шлифовальный инструмент и дайте двигателю набрать максимальное число оборотов, затем постепенно опустите шлифовальный инструмент на обрабатываемое изделие. Небольшими круговыми движениями медленно перемещайте шлифовальный инструмент вдоль обрабатываемого изделия.

### Не прикладывайте чрезмерных усилий.

Устройство своим весом оказывает соответствующее давление на обрабатываемое изделие, поэтому пусть шлифовальный диск и шлифовальный инструмент естественным образом выполняют свою работу. Увеличение давления лишь замедляет работу двигателя, приводит к быстрому износу шлифовального диска и существенно снижает скорость шлифовального инструмента. Чрезмерное

давление приведет к перегрузке двигателя, что может привести к его повреждению вследствие перегрева, а в результате этого – к снижению качества работы. Любое отделочное покрытие или смола, нанесенная на поверхность дерева, может размягчаться за счет теплоты, выделяющейся при трении.

Избегайте слишком продолжительного шлифования в одном месте, так как при большой скорости работы шлифовального инструмента может быть снят слишком большой слой материала и поверхность будет неровной.

Продолжительное шлифование может привести к перегреву двигателя. Если это произойдет, выключите шлифовальный инструмент, дождитесь полной остановки наждачного круга, а затем снимите его с заготовки. Уберите руку с участка вентиляции, снимите шлифовальный инструмент, уберите руку с участка вентиляции, включите шлифовальный инструмент и дайте ему поработать без нагрузки для охлаждения двигателя.

### УГЛЫ И ЩЕЛИ

См. рис. 6.

- Для повышения качества шлифования в таких местах, как углы или щели, используйте кончик абразивной прокладки, слегка перемещая его вперед и назад.

### ОПОРОЖНЕНИЕ ПЫЛЕСБОРНИКА

См. рис. 7.

Для более эффективной работы, пустой мешок для пыли, когда это не более, чем наполовину. Этот позволит воздуху лучше проходить через пылесборник. Всегда опорожняйте и тщательно очищайте пылесборник после завершения операции шлифования и перед помещением шлифовального станка на хранение.

#### **▲ ОСТОРОЖНО**

Пыль из материала покрытия (полиуретан, масляная краска и т.п.), образующаяся в результате шлифования поверхности, собирающаяся в пылесборнике или каком-либо другом месте шлифовального инструмента, может самопроизвольно воспламениться, что приведет к возгоранию. Для исключения опасности возгорания периодически (каждые 10-15 минут) опустошайте пылесборник и никогда не оставляйте и не храните шлифовальный инструмент с не полностью опустошенным пылесборником. Также выполняйте рекомендации производителей покрытий шлифуемой поверхности.





**Русский**

1. Отключите шлифовальный инструмент от электросети.

**⚠ ОСТОРОЖНО**

Если не отключить инструмент от электросети, это может привести к его случайному запуску и вследствие этого – к тяжким телесным повреждениям.

2. Снимите пылесборник со шлифовального инструмента.
3. Вытряхните пыль.
4. Установите пылесборник на шлифовальный инструмент.

**ПРИМЕЧАНИЕ:** Для более тщательной очистки пылесборника отсоедините пылесборник от корпуса и вытряхните из него пыль. Установите пылесборник на рамку, затем установите его на шлифовальный инструмент.

**ЗАМЕНА ШЛИФОВАЛЬНЫХ ЛИСТОВ**

*См. рис. 8.*

Шлифовальный инструмент оснащен шлифовальными листами и шлифовальными накладками, предназначенными для различных целей. Для замены листа просто снимите использованный лист с основания и прикрепите другой лист или накладку, прижав к основанию шлифовального инструмента.

**ИСПОЛЬЗОВАНИЕ СМЯГЧАЮЩЕЙ НАКЛАДКИ**

*См. рис. 9.*

1. Откройте крышку смягчающей накладки.
2. Опустите смягчающую накладку и зафиксируйте ее на месте.
3. Закройте крышку смягчающей накладки.

**ЖИТЬ ИНДИКАТОРОМ ИНСТРУМЕНТ**

В этом инструменте есть индикатор питания, загорающий при подключении инструмента к сети питания. Эта система предупреждает пользователя, что инструмент подключен и работает, когда переключатель нажат.

**ТЕХНИЧЕСКОЕ ОБСЛУЖИВАНИЕ**

**⚠ ОСТОРОЖНО**

Во время сборки деталей, выполнения настройки, чистки, технического обслуживания, а также когда инструмент не используется, необходимо обязательно отключить его от источника питания. Отключение устройства от сети предотвращает случайный запуск, который может привести к тяжким телесным повреждениям.

**⚠ ОСТОРОЖНО**

При проведении текущего ремонта используйте только идентичные запчасти. Использование любых других запчастей может создать опасность или стать причиной выхода изделия из строя.

**ОБЩАЯ ИНФОРМАЦИЯ**

При чистке пластмассовых деталей запрещается использовать растворители. Многие пластмассы чувствительны к воздействию различных бытовых растворителей и в результате их использования могут разрушиться. Для очистки от грязи, пыли, масла, смазки и т.п. используйте протирочную тряпку.

**⚠ ОСТОРОЖНО**

Пластмассовые детали нельзя чистить тормозной жидкостью, бензином, нефтепродуктами, едкими маслами и т.д. Они содержат химические вещества, которые могут ухудшить свойства пластмассы, повредить или разрушить ее.

Электрические инструменты, используемые для обработки материалов из стекловолокна, древесноволокнистых плит, поверхностей, покрытых шпатлевкой или штукатуркой, подвержены более быстрому износу и преждевременному выходу из строя, так как крошка стекловолокна и шлифовальная пыль оказывают сильное истирающее действие на подшипники, щетки, коммутаторы и т.д. Следовательно, мы не рекомендуем использовать этот инструмент для расширенной работы по этим видам материалов. Однако при работе с любым из этих материалов необычайно важно производить чистку инструмента с помощью сжатого воздуха.





**Русский**

**⚠ ОСТОРОЖНО**

Всегда надевайте предохранительные или защитные очки с боковыми защитными экранами при работе с данным инструментом или сдувании пыли. Если во время работы образуется много пыли, также надевайте пылезащитную маску.

**СМАЗКА**

Все трущиеся детали данного инструмента смазаны достаточным количеством высококачественной смазки на весь срок использования устройства при нормальных условиях эксплуатации. Поэтому дополнительная смазка не требуется.

**ОЧИСТКА ОЧИСТКА КОЛОДКИ**

Для продления срока службы и обеспечения оптимальной работы необходимо периодически удалять с накладок для зачистки все остатки, образующиеся при обработке, а также посторонние вещества. Достаточно просто ополоснуть накладку теплой водой, чтобы смыть все посторонние вещества. После очистки, слегка сжать панели, чтобы удалить избыток воды и высушите площадку для просушки. Не храните площадок и шлифовальных листа квартиру в прохладном сухом месте.

**ОЧИСТКА ШЛИФОВАЛЬНЫХ ЛИСТОВ**

Шлифовальных листов, которые пришли со своими шлифовальный сделаны быть использованы повторно. Поэтому важно, чтобы они были очищены периодически удалять шлифовальной вычетов и зарубежных материалов, которые могут накапливаться с течением времени.

Для очистки шлифовальных листов, руб листы с жесткого блока резины. Вы также можете использовать чистые резиновые подошвы обуви.

**⚠ ОСТОРОЖНО**


Всегда вынимайте очистки или шлифовки площадку от шлифовального перед очисткой. Невыполнение этого требования может привести к серьезной травме.

**ЗАЩИТА ОКРУЖАЮЩЕЙ СРЕДЫ**



Не выбрасывайте сырье. Сдавайте его в переработку. Машина, аксессуары и упаковка должны быть отсортированы.

**СИМВОЛ**

-  Внимание
- $V$  Вольт
- Hz Герц
- $\sim$  Переменный ток
- W Ватт
- $n_0$  скорость на холостом ходу
- min<sup>-1</sup> Оборотов или возвратно-поступательных движений в минуту
-  Диаметра орбиты
-  Соответствие требованиям CE
-  Двойная изоляция
-  Применяйте средства защиты органов слуха
-  Применяйте средства защиты органов зрения
-  Перед использованием прибора внимательно ознакомьтесь с данной инструкцией.
-  Отработанная электротехническая продукция должна уничтожаться вместе с бытовыми отходами. Утилизируйте, если имеется специальное техническое оборудование. По вопросам утилизации проконсультируйтесь с местным органом власти или предприятием розничной торговли.





## Polski

### OPIS

1. Włącznik
2. Samoprzylepna płyta oporowa
3. Pojemnik na pył
4. Papier ścierny
5. Lampka kontrolna podłączenia pod napięcie
6. Pokrywa
7. Opuszki palców
8. Blokada

### WYMAGI BEZPIECZEŃSTWA SPECYFICZNE DLA SZLIFIEREK

- Zakładajcie zawsze szczelne okulary ochronne i maskę przeciwpyłową podczas szlifowania, a w szczególności kiedy trzymacie szlifierkę nad głową.
- Nigdy nie używajcie waszej szlifierki na powierzchniach wilgotnych.
- Arkusz okładziny ścierniej nie powinien być za duży. Jeżeli zostawicie okładzinę ścierną o większym wymiarze niż płyta szlifierska, narażacie się na poważne okaleczenie.
- Worek na pył powinien być zainstalowany na narzędziu i regularnie opróżniany. Jest ona często opróżniana. W celu zainstalowania worka na pył, należy umieścić obejmę worka na przyłączy do odciągu pyłu znajdującego się z tyłu szlifierki, obracając w prawą stronę, aż worek będzie poprawnie zamocowany.

### ⚠ OSTRZEŻENIE

Nie wyrzucajcie pyłów pochodzących ze szlifowania do wolnego ognia, gdyż materiały w formie drobnych cząsteczek mogą być wybuchowe.

### ⚠ OSTRZEŻENIE

Kiedy szlifujecie powierzchnie pokryte farbą na bazie ołowiu, czy niektóre drewna i metale, powinniście zakładać odpowiednią maskę przeciwpyłową w celu uniknięcia wdychania pyłu czy toksycznych oparów.

### PARAMETRY TECHNICZNE

|                              |                         |
|------------------------------|-------------------------|
| Napięcie                     | 230 V - 240 V ~ 50 Hz   |
| Moc                          | 80 W                    |
| Prędkość ruchu mimosrodowego | 12000 min <sup>-1</sup> |
| Waga                         | 0,95 kg                 |

### CECHY

#### ZAPOZNAJCIE SIĘ Z WASZĄ SZLIFIERKĄ TRÓJKĄTNĄ

Zobacz rysunek 1.

Przed użyciem tego narzędzia należy zapoznać się z wszelkimi funkcjami oraz ich specyfiką w zakresie bezpieczeństwa. Jednakże, nawet po dokładnym zaznajomieniu się z waszą szlifierką, bądźcie ostrożni.

#### WŁĄCZNIK

Szlifierka ta wyposażona jest w wyłącznik znajdujący się na przedniej części silnika.

#### SAMOPRZYLEPNA PŁYTA OPOROWA

System mocowania na rzepy (velcro) umożliwia szybką wymianę płyt lub okładzin ściernych. Pozwala to również na łatwe ich oczyszczenie przed ponownym użyciem.

#### SCIERALNA AKCJA ORBITALNA

Ruch orbitalny waszej szlifierki powoduje że podstawa wykonuje małe ruchy wahadłowe (postępowo zwrotne) podczas szlifowania. Ruch ten jest idealny do wykonywania szlifowania wykańczającego, lub gdy używany jest papier ścierny gruboziarnisty do zdzierania śladów rdzy, farby czy wszelkich niedokładności powierzchni roboczej.

#### POJEMNIK NA PYŁ

Worek na pył montuje się do szlifierki, pozwala on zmniejszyć zapylenie do minimum.

### MONTAŻ

### ⚠ OSTRZEŻENIE

Wasza szlifierka nie powinna być podłączona do gniazdka elektrycznego, kiedy zakładacie części, wykonujecie regulacje, podczas jej czyszczenia bądź kiedy jej nie używacie. Odłączenie urządzenia zapobiegnie jego przypadkowemu uruchomieniu, które groziłoby poważnym zranieniem.

#### DOBÓR TARCZY SZLIFIERSKIEJ

Wybór rozmiaru, typu okładziny ścierniej i odpowiedniej grubości ziarna jest bardzo istotny dla uzyskania szliflu dobrej jakości. Do zdzierania zalecamy Państwu używanie syntetycznych materiałów ściernych, jak tlenek glinowy czy węgiel krzemu. Naturalne materiały ściernie, jak krzemień czy granat są zbyt miękkie by móc je stosować oszczędnie do szlifowania zgrubnego.

Ogólnie mówiąc, okładziny gruboziarniste pozwalają zeszlifować materiał zgrubsza a drobnoziarnistymi



**Polski**

użykuje się szlifowanie wykańczające. W zależności od stanu powierzchni do szlifowania określamy wielkość ziarna okładziny ścierniej, której użyjemy. Jeżeli powierzchnia jest chropowata, zaczynacie szlifować przy użyciu okładziny gruboziarnistej aż do uzyskania jednolitej powierzchni. Później możecie użyć papieru średnioziarnistego w celu zatarcia rys pozostawionych po okładzinie gruboziarnistej, następnie papieru drobnoziarnistego do polerowania. Szlifujcie każdym rozmiarem arkusa aż do uzyskania jednolitej powierzchni.

**Zalecane arkusze/poduszki szlifierskie**

|                                  |                     |
|----------------------------------|---------------------|
| Papier ścierny ziarnistość Ø 80  | Zgrubne szlifowanie |
| Papier ścierny ziarnistość Ø 120 | Lekkie szlifowanie  |
| Papier ścierny ziarnistość Ø 150 | Lekkie szlifowanie  |

**SZYBKE MOCOWANIE PAPIERU I OKŁADZIN ŚCIERNYCH**

Zobacz rysunek 2.

1. Odłączcie od sieci waszą szlifierkę.
2. Wyrównajcie otwory papieru lub okładziny ścierniej z otworami podstawy szlifierki a następnie przyklejcie ostrożnie stroną z rzepami do papieru lub okładziny najmocniej jak to możliwe.

**UWAGA:** Możecie ponownie używać ten typ papieru tak długo aż stopień skuteczności ścierania na to pozwoli. Zalecamy Państwu utrzymywanie papieru i okładzin w czystości, tak by miały lepszą przyczepność do płyty szlifierki. Czyśćcie je regularnie przy pomocy małej szczoteczki.

**MONTAŻ WORKA NA PYŁ**

Zobacz rysunek 3.

Pojemnik na kurz jest systemem usuwania kurzu ze szlifierki. Pył powstający podczas szlifowania jest wciągany przez otwory w tarczy szlifierskiej i gromadzony w pojemniku na pył.

1. Odłączcie od sieci waszą szlifierkę.
2. Lekko pokręcając, wsunąć pojemnik na pył do komory wyrzutowej dmuchawy.

**▲ OSTRZEŻENIE**

Podczas użytkowania waszej szlifierki, zachowajcie czujność. Należy pamiętać o tym, że nieostrożność trwająca nawet ułamek sekundy może być powodem bardzo poważnych obrażeń.

**ZASTOSOWANIE**

Używajcie waszej szlifierki tylko zgodnie z poniższymi zastosowaniami:

- Szlifowanie powierzchni drewnianych.
- Usuwanie rdzy i szlifowania stali.
- Polerowanie i szlifowanie porcelany i metali.

**▲ UWAGA**

Przewód zasilający powinien być zawsze oddalony od drogi płyty i umieszczony w taki sposób, by nie był pochwycony przez drewniany element, narzędzia czy jakiegokolwiek inny przedmiot podczas szlifowania.

**▲ OSTRZEŻENIE**

Kiedy używacie narzędzi, zakładajcie zawsze okulary ochronne lub okulary zabezpieczające wyposażone w boczne osłony. Nie spełnienia tych wymagań może pociągnąć za sobą dostanie się do do oczu obcych ciał, pyłu czy wirów, co grozi poważnym skażeniem oka.

**OBSŁUGA****URUCHOMIENIE /ZATRZYMANIE SZLIFIERKI**

Zobacz rysunek 4.

- **W celu uruchomienia szlifierki:** Przeważcie w lewo wyłącznik włączenie/wyłączenie.
- **W celu zatrzymania szlifierki:** Przeważcie w prawo wyłącznik włączenie/wyłączenie.

**SPOSÓB UŻYCIA**

Zobacz rysunek 5.

1. Należy umieścić przedmiot do obróbki w taki sposób, by nie mógł się on ześliznąć pod szlifierkę.

**▲ OSTRZEŻENIE**

Jeżeli nie przymocujecie przedmiotu do obróbki, może on zostać odrzucony w stronę użytkownika i spowodować poważne obrażenia cieleśne.

**▲ OSTRZEŻENIE**

Dopilnujcie by wasza twarz była zawsze oddalona od szlifierki i strefy szlifowania. Spinajcie włosy, tak by uniknąć pochwylenia waszych włosów przez szlifierkę, gdyż mogłoby to stać się przyczyną poważnych ran.

2. Umieśćcie szlifierkę na powierzchni roboczej, tak by cała powierzchnia płyty oporowej stykała się z





## Polski

obrabanym przedmiotem.

### **▲ UWAGA**

Uważajcie, by nie zatkać waszymi rękami otworów wentylacyjnych, gdyż to mogłoby doprowadzić do przegrzania silnika.

3. Uruchomcie waszą szlifierkę i przesuniecie ją powoli na przedmiot do obróbki.

**UWAGA:** Trzymajcie waszą szlifierkę przed wami i na odpowiedni dystans, tak by dobrze widzieć przedmiot do obróbki. Uruchomcie szlifierkę i zaczekajcie aż silnik osiągnie maksymalną prędkość. Następnie skierujcie powoli płytę oporową szlifierki na stronę przedmiotu do obróbki. Już kiedy płyta oporowa jest w kontakcie z obrabianym przedmiotem, przesuniecie szlifierkę na powierzchnię roboczą opisując małe okręgi.

**Przede wszystkim, nie forsujcie szlifierki.** Ciężar szlifierki wywiera wystarczający nacisk na obrabiany przedmiot. Całą "robotę" mają wykonać szlifierka i okładzina ścierna. Wykonując dodatkowy nacisk na szlifierkę, ryzykujecie zwolnienie obrotów silnika, szybsze zużycie okładziny ścierniej i znaczne zmniejszenie prędkości szlifowania. Ponadto, jeżeli nacisk na szlifierkę jest zbyt mocny, może dojść do przegrzania silnika, co grozi uszkodzeniem silnika i ujemnie wpływa na sprawność działania narzędzia. Uwaga, ciepło wydzielające się przy tarczu może zmiękczyć lakier lub żywicę pokrywającą drewno.

Nie należy szlifować zbyt długo tej samej części przedmiotu do obróbki, gdyż akcja ściernia szlifierki może szybko zużyć materiał, co daje powierzchnię nieregularnie oszlifowaną.

Przedłużone okresy szlifowania mogą spowodować przegrzanie silnika. W takim przypadku należy wyłączyć zasilanie, odczekać, aż tarcza szlifierska całkowicie się zatrzyma i zdjąć ją z obrabianego przedmiotu. Zdejmijcie ręce z przedniej części szczelin wentylacyjnych, zdejmijcie okładzinę ścierną a następnie uruchomcie ponownie szlifierkę i aby ochłodzić silnik, dajcie jej popracować na pusto (bez obciążenia).

### **NAROŻNIKI I SZCZELINY**

Zobacz rysunek 6.

- Do szlifowania detali takich jakich narożniki i wnęki, stosować końcówki stopy szlifierskiej, wykonując niewielkie ruchy wstecz i naprzód.

### **OPRÓŻNIANIE POJEMNIKA NA PYŁ**

Zobacz rysunek 7.

Dla większej wydajności, opróżniajcie worek na pył, gdy jest wypełniony do połowy. Umożliwia to lepszy obieg powietrza wewnątrz worka. Na zakończenie pracy, przed

odłożeniem urządzenia na miejsce przechowywania należy opróżnić i oczyścić worek na pył.

### **▲ OSTRZEŻENIE**

Nagromadzenie się pyłów w wyniku szlifowania powierzchni pokrytych produktami łatwopalnymi, takimi jak poliuretan, olej lniany itd. może doprowadzić do zapalenia worka na pył, czy innych części szlifierki i wywołać w ten sposób pożar. Aby zmniejszyć ryzyko pożaru, należy systematycznie opróżniać worek na pył (co 10-15 minut) podczas pracy, nie należy też pozostawiać ani przechowywać szlifierki bez uprzedniego opróżnienia worka. Przeczytajcie uważnie zalecenia producentów powłok.

1. Odłączcie od sieci waszą szlifierkę.

### **▲ OSTRZEŻENIE**

Jeżeli szlifierka nie została odłączona, może dojść do przypadkowego włączenia, grożącego poważnymi obrażeniami ciała.

2. Zdjąć worek na pył.
3. Potrząśnijcie workiem na pył, aby go opróżnić.
4. Założyć z powrotem worek na pył.

**UWAGA:** Aby oczyścić pojemnik bardziej dokładnie, należy wyjąć pojemnik z ramy i wytrzeć pył. Umieścić worek na pył w ramie, następnie założyć cały zespół do szlifierki.

### **WYMIANA OKŁADZINY ŚCIERNEJ**

Zobacz rysunek 8.

Wasza szlifierka ma na wyposażeniu różnego rodzaju okładziny i papier ścierny w celu zróżnicowanego użytku. Aby zmienić arkusze ściernie, wystarczy pociągnąć za zużyty arkusz i odciąć go od podstawy, następnie przyłożyć nowy arkusz dociskając go do podstawy szlifierki.

### **UŻYWANIE PODUSZKI TYPU STOPKA**

Zobacz rysunek 9.

1. Otworzyć pokrywkę stopki szlifierskiej.
2. Opuścić stopkę i zablokować na swoim miejscu.
3. Zamknąć pokrywkę stopki.

### **LAMPKA KONTROLNA PODŁĄCZENIA POD**

Waszą szlifierka kątowa wyposażona jest w lampkę kontrolną podłączenia pod napięcie, która zaświeca się, gdy narzędzie jest podłączone do zasilania. Kontrolka ta zwraca uwagę na fakt, że szlifierka jest pod napięciem i że





**Polski**

się uruchomi gdy tylko przesuniecie włącznik do przodu.

**KONSERWACJA**

**▲ OSTRZEŻENIE**  
 Wasza szlifierka nie powinna być podłączona do gniazdka elektrycznego, kiedy zakładacie części, wykonujecie regulacje, podczas jej czyszczenia bądź kiedy jej nie używacie. Odłączenie urządzenia zapobiegnie jego przypadkowemu uruchomieniu, które groziłoby poważnym zranieniem.

**▲ OSTRZEŻENIE**  
 Do napraw używać wyłącznie oryginalnych części zamiennych. Stosowanie nieoryginalnych części zamiennych może stwarzać zagrożenie dla zdrowia użytkownika lub spowodować uszkodzenie urządzenia.

**ZALECENIA OGÓLNE**

Nie stosować rozpuszczalników do czyszczenia elementów plastikowych. Większość tworzyw sztucznych, mogłyby zostać uszkodzone przez użycie rozpuszczalników dostępnych w sprzedaży. Pył, kurz, środki smarujące, tłuszcz itp. powinny być usuwane za pomocą czystych szmatek.

**▲ OSTRZEŻENIE**  
 Elementy plastikowe nigdy nie powinny być w kontakcie z płynem hamulcowym, benzyną, czy produktami na bazie ropy naftowej, przenikliwymi olejami itd. Substancje te zawierają produkty chemiczne, które mogłyby uszkodzić, osłabić lub zniszczyć plastik.

Elektronarzędzia używane na wyposażeniu z włókna szklanego, płytach gipsowych, płytach pokryciowych mają skłonności do szybszego zużywania się i przedwczesnych usterek. Wióry i opiłki z materiałów mają wpływ bardzo ścierający na części elektronarzędzi jak: W związku z tym przedłużone używanie tego narzędzia na włóknie szklanym, na płytach pokryciowych, powłokach do szpachlowania lub gipsie jest zdecydowanie odradzane. Gdybyście jednak musieli szlifować te materiały, jest wyjątkowo ważne regularne mycie szlifierki strumieniem sprężonego powietrza.

**▲ OSTRZEŻENIE**  
 Podczas użytkowania elektronarzędzi lub wydmuchiwania pyłu należy zawsze nosić okulary ochronne z osłonami bocznymi. Jeśli wykonywanej pracy towarzyszy powstawanie pyłu, należy również stosować maskę przeciwpyłową.

**SMAROWANIE**  
 Wszystkie łożyska urządzenia zostały nasmarowane odpowiednią ilością smaru o wysokiej jakości, który powinien zapewnić odpowiednie smarowanie tych części przez cały okres żywotności urządzenia. W wyniku czego, nie zachodzi potrzeba dodatkowego smarowania.

**CZYSZCZENIE OKŁADZIN ŚCIERNYCH**  
 W celu zapewnienia przedłużonej żywotności i optymalnej wydajności okładzin ściernych, czyście je regularnie. Możecie pozbyć się wszystkich ciał obcych zwyczajnie splukując okładzinę letnią wodą. Po umyciu okładziny, wykręćcie ją lekko, by pozbyć się nadmiaru wody i zostawcie ją do wysuszenia. Przechowujcie zawsze okładziny ścierne na płasko, w chłodnym i suchym miejscu.

**CZYSZCZENIE OKŁADZIN ŚCIERNYCH**  
 Okładziny ścierne dostarczone z waszą szlifierką można ponownie użyć. Ważne jest ich regularne czyszczenie w celu usunięcia pyłu i cząsteczek, które nagromadziły się na powierzchni w trakcie różnych czynności szlifowania. Aby wyczyścić okładziny szlifierskie, pocierajcie je kawałkiem zbitego kauczuku. Możecie na przykład użyć czystej podeszwy buta.

**▲ OSTRZEŻENIE**  
 Przed czyszczeniem szlifierki należy zawsze zdjąć papier czy okładzinę ścierną z płyty oporowej szlifierki. Nie zastosowanie się do tego wymogu może spowodować ciężkie obrażenia ciała.

**OCHRONA ŚRODOWISKA**

Surówce należy oddawać do recyklingu zamiast wyrzucać je na śmieci. Z myślą o ochronie środowiska, narzędzie, akcesoria i opakowania powinny być sortowane.



## SYMBOL



Alarm bezpieczeństwa

V Wolt

Hz Herc

~ Prąd przemienny

W Wat

n<sub>0</sub> Prędkość bez obciążeniamin<sup>-1</sup> Ilość obrotów czy ruchów na minutę

Mimośrodowość



Zgodność CE



Podwójna izolacja



Stosować środki ochrony słuchu



Stosować środki ochrony wzroku



Przed uruchomieniem urządzenia prosimy uważnie przeczytać instrukcję



Zużyte produkty elektryczne nie powinny być utylizowane z odpadami domowymi. Prosimy poddawać recyklingowi w odpowiednich miejscach. Informacje o właściwych metodach recyklingu można uzyskać u władz lokalnych lub sprzedawcy.





## Čeština

### POPIS

1. Spínač/vypínač
2. Rychloupínání suchým zipem
3. Sběrná nádoba prachu
4. Brusný papír
5. Světelný indikátor napětí
6. Kryt
7. Opuszkí palca
8. Zámek

### BEZPEČNOSTNÍ POKYNY PŘI PRÁCI S BRUSKOU

- Při broušení používejte bezpečnostní brýle a obličejový štít, zejména pokud používáte brusku k práci nad hlavou.
- Brusku nikdy nepoužívejte k broušení vlhkých ploch.
- Nikdy nepoužívejte příliš velký brusný papír. Pokud brusný papír přesahuje brusný talíř, vystavujete se nebezpečí vážného úrazu.
- Sáček na prach je třeba nasadit na nářadí a pravidelně ho vyprazdňovat. To se vyprázdňuje často. Sáček na prach se připevní tak, že se uzávěr sáčku nasadí na odsávací hrdlo umístěné na zadní straně brusky a otočí se doprava.

### VAROVÁNÍ

Prach z odbroušeného materiálu neodhazujte do otevřeného ohně, neboť jemné částice odpadního materiálu mohou být výbušné.

### VAROVÁNÍ

Při broušení barev s obsahem olova, při opracovávání povrchu dřeva a při leštění kovu používejte vhodný protiprašný respirátor, abyste nevdýchali prach z odbroušeného materiálu, který může být u některých druhů dřeva a kovů toxický.

### TECHNICKÉ ÚDAJE

|                      |                         |
|----------------------|-------------------------|
| Elektrické napětí    | 230 V - 240 V ~ 50 Hz   |
| Výkon                | 80 W                    |
| Počet brusných kmitů | 12000 min <sup>-1</sup> |
| Hmotnost             | 0.95 kg                 |

### VLASTNOSTI

#### SEZNAMTE SE S JEDNOTLIVÝMI DÍLY DELTA BRUSKY

Viz obrázek 1.

Než začnete nářadí používat, seznámte se s jeho provozem a bezpečnostními pokyny, které je nutné při práci dodržovat. I když se dobře seznámíte s bruskou, nikdy nepřestávejte být opatrní.

#### SPÍNAČ

Bruska je vybavena spínačem, který se nachází na přední části krytu motoru.

#### RYCHLOUPÍNÁNÍ SUCHÝM ZIPEM

Systém rychloupínání suchým zipem umožňuje rychlou výměnu brusného papíru a brusných desek. To usnadňuje čištění brusných papírů a možnost jejich opakovaného používání.

#### BRUSNÝ KMITAVÝ POHYB

Nicméně tato bruska je vhodná i pro dokončovací práce a broušení citlivých materiálů. Při broušení hrubým brusným papírem bruska umožňuje odstraňování rzi, starých nátěrů a zbrusuování ploch.

#### SBĚRNÁ NÁDOBA PRACHU

Nádoba pro prach se připojuje k brusce a udržuje prach na minimu.

### MONTÁŽ

### VAROVÁNÍ

Při nasazování příslušenství, čištění nebo seřizování brusky vždy brusku odpojte od elektrické sítě. Stejně musí být bruska odpojená od elektrické sítě, pokud brusku nepoužíváte. Odpojením předejdete náhodnému spuštění a tím vážnému osobnímu poranění.

#### VOLBA BRUSNÉHO DISKU

Správný výběr velikosti, hrubosti a typu brusného papíru je velmi důležitý pro kvalitní brusný výkon. Pro hrubé broušení se doporučuje použít syntetické brusné přípravky na bázi kysličníku hlinitého nebo karbidu křemíku. Přírodní brusné látky jako sílex nebo granát jsou příliš měkké a jejich používání s bruskou není ekonomické.

U všech brusných prací platí, že hrubý brusný papír se používá k největšímu úběru materiálu, jemný brusný papír k jemnému dokončovacímu broušení. Hrubost brusného papíru je třeba vybírat v závislosti na stavu broušené plochy. Pokud je broušená plocha nerovná, je



## Čeština

třeba začít brousit hrubým brusným papírem a srovnat povrch broušené plochy. Pak můžete pokračovat v práci se středně hrubým brusným papírem a zarovnat rýhy po hrubozrnném brusném papíru. Dokončovací broušení a vyleštění plochy proveďte jemnozrnným brusným papírem. Postupně vystřídejte brusné papíry s různou hrubostí, aby byla plocha rovnoměrně zbroušená.

### Doporučené použití podložky/ listu

|                                    |                |
|------------------------------------|----------------|
| Brusný papír s průměrem zrna Ø 80  | Hrubé broušení |
| Brusný papír s průměrem zrna Ø 120 | Jemné broušení |
| Brusný papír s průměrem zrna Ø 150 | Jemné broušení |

### RYCHLOUPÍNAČÍ SYSTÉM BRUSNÉHO PAPIŘU A BRUSNÉ DESKY

Viz obrázek 2.

1. Odpojte brusku z elektrické sítě.
2. Nasadte brusný papír na brusnou desku tak, aby byly otvory v brusném papíru v zákrytu s brusnou deskou, pak přitlačte brusný papír k brusné desce, suchý zip musí směřovat k brusné desce.

**POZNÁMKA:** Brusný papír můžete používat tak dlouho, dokud je broušení účinné. Doporučujeme Vám udržovat brusné papíry i brusnou desku v čistotě, aby brusný papír dokonale přilnul k brusné desce. K čištění používejte kartáček.

### PŘIPEVNĚNÍ NÁDOBY PRO PRACH

Viz obrázek 3.

Nádoba pro prach poskytuje sběrný systém prachu pro brusku. Prach po broušení proniká otvory v brusném disku a zachytává se během broušení v nádobě pro prach.

1. Odpojte brusku z elektrické sítě.
2. Pomocí lehkého šroubovaciho pohybu pevně nasuňte montáž nádoby pro prach do vyfukovače na brusce.

### VAROVÁNÍ

Při práci s bruskou buďte opatrní. Nedbalostí, dokonce na zlomek vteřiny, mohou vést dokonce k vážnému poranění.

### POUŽITÍ

Brusku používejte pouze k uvedeným účelům:

- Broušení dřevěných ploch.
- Odstraňování rzi a leštění kovů.

- Broušení a leštění porcelánu a kovů.

### POZOR

Prodlužovací šňůra musí zůstat v dostatečné vzdálenosti od brusné desky a musí být vedena tak, aby nemohla při broušení zachytit o dřevo, nástroje nebo jakýkoliv jiný předmět.

### VAROVÁNÍ

Z bezpečnostních důvodů používejte při práci uzavřené ochranné brýle (s boční ochranou). Nedodržení tohoto bezpečnostního pokynu může způsobit vniknutí cizích těles, prachu nebo třísek do očí a být příčinou vážného poškození zraku.

### OBSLUHA

#### ZAPNUTÍ / VYPNUTÍ BRUSKY

Viz obrázek 4.

- **Pokud chcete brusku zapnout:** Přepněte dvupolohový vypínač (zapnuto/vypnuto) doleva.
- **Pokud chcete brusku vypnout:** Přepněte dvupolohový vypínač (zapnuto/vypnuto) doprava.

#### POUŽÍVÁNÍ NÁŘADÍ

Viz obrázek 5.

1. Obráběný materiál upevněte tak, aby se pod bruskou neprosykoval.

### VAROVÁNÍ

Pokud broušený materiál není upevněn, může dojít k jeho vymrštění směrem k uživateli. Tato situace je velmi nebezpečná, neboť může být zdrojem vážného úrazu.

### VAROVÁNÍ

Nepřibližujte tvář brusce ani k broušenému materiálu. Chraňte si vlasy, aby se nemohly zachytit v brusce a způsobit Vám úraz.

2. Při práci držte brusku tak, aby byla brusná deska v kontaktu s opracovávanou plochou.

### POZOR

Dávejte pozor, abyste při práci nepokládali ruce na větrací otvory, začal by se přehřívat motor.

3. Brusku nejdříve zapněte, pak teprve ji uvedte do

záběru s opracovávaným materiálem.

**POZNÁMKA:** Držte brusku před sebou v dostatečné vzdálenosti, abyste na opracovávaný materiál dobře viděli. Zapněte brusku a počkejte, dokud motor nedosáhne své maximální rychlosti. Pak pomalu navedte brusku do záběru s opracovávaným materiálem. Jakmile je bruska v kontaktu s opracovávaným materiálem, malými kruhovými pohyby pohybuje po materiálu.

**Na brusku zásadně netlačte násilím.** Vlastní váha brusky vykonává dostatečný tlak na broušený nebo leštěný materiál. Pokud budete na brusku tlačit, dojde ke zpomalení motoru, rychlejšímu opotřebení brusného papíru a snížení rychlosti brusky. Nadměrný tlak na brusku může vést k přetížení motoru, jeho nadměrnému zahřívání a následně k poškození motoru a narušení funkčnosti nářadí. Pozor, teplo vznikající při broušení dřeva může vést ke změknutí laku nebo pryskyřice.

Dávejte pozor, abyste nebro usili stejnou část materiálu příliš dlouho. Bruska by mohla materiál poškodit nebo brousit nerovnoměrně.

Dlouhotrvající broušení může být příčinou přehřívání motoru. Nastane-li toto vypněte brusku a počkejte, dokud se disk kompletně nezastaví, pak ji sundejte z obrobku. Pokud bylo přehřátí motoru způsobeno nesprávným držením brusky, zakrývajícími větrací otvory, přemístěte ruce, zapněte brusku naprázdno a počkejte, dokud se motor nezchladí.

## ROHY A ŠTĚRBINY

Viz obrázek 6.

- Pro podrobnosti o broušení rohů a štěrbin používejte špičku brusné desky s malými pohyby tam a zpět.

## VYPRÁZDŇOVÁNÍ NÁDOBY PRO PRACH

Viz obrázek 7.

Vyšší účinnosti odsávání dosáhnete, pokud prachový vak budete plnit pouze do poloviny a pak ho vyprázdníte. Zlepší se tím cirkulace vzduchu uvnitř prachového vaku. Vždy řádně vyprázdníte a čistíte nádobu pro prach při dokončování broušení a před uskladněním brusky.

### ⚠ VAROVÁNÍ

Nahromaděný prach vznikající při broušení povrchu může být nebezpečný, neboť zbytky hořlavých látek, jako např. polyuretan, lněný olej apod. mohou být příčinou vznícení prachového sáčku nebo jiných částí nářadí. Pro snížení nebezpečí požáru vždy pravidelně vyprázdníte nádobu pro prach (10-15 minut) během broušení a nikdy neskladujte nebo neodkládejte brusku bez úplného vyprázdnění prachu. Pečlivě si přečtěte doporučení výrobce opracovávané plochy.

1. Odpojte brusku z elektrické sítě.

### ⚠ VAROVÁNÍ

Pokud bruska není odpojena od elektrické sítě, existuje riziko nechtěného spuštění nářadí, které může být příčinou závažného úrazu.

2. Odpojte nádobu pro prach od brusky.
3. Vyprázdníte vak a zatřepete jím.
4. Znovu připojte nádobu pro prach k brusce.

**POZNÁMKA:** Pro důkladnější čištění nádoby pro prach jej sundejte z rámu a vytřepajte prach. Uložte nádobu pro prach přes rám a nainstalujte sestavu nádoby pro prach na brusku.

## VÝMĚNA BRUSNÉHO PAPIRU

Viz obrázek 8.

Jmenovitá rychlost příslušenství musí být stejná nebo vyšší než je maximální rychlost uvedená na nářadí. Pro změnu listů jednoduše použijte list stáhněte ze základny a upevněte požadovaný list zatlačením listu nebo podložky na základnu brusky.

## POUŽITÍ KRYTU PRO OCHRANU PRSTŮ

Viz obrázek 9.

1. Otevřete kryt pro ochranu prstů.
2. Položte kryt pro ochranu prstů a zamkněte na místě.
3. Zavřete kryt pro ochranu prstů.

## SVĚTELNÝ INDIKÁTOR NAPĚTÍ

Úhlová bruska je vybavena světelným indikátorem napětí, který se rozsvítí, jakmile je bruska připojena ke zdroji napětí. Tato kontrolka upozorňuje uživatele nářadí, že je nářadí pod napětím a že se uvede do provozu při stisknutí spínače.

## ÚDRŽBA

### ⚠ VAROVÁNÍ

Při nasazování příslušenství, čištění nebo seřizování brusky vždy brusku odpojte od elektrické sítě. Stejně musí být bruska odpojená od elektrické sítě, pokud brusku nepoužíváte. Odpojením předejdete náhodnému spuštění a tím vážnému osobnímu poranění.

### ⚠ VAROVÁNÍ

Při údržbě používejte pouze stejné náhradní díly. Použití jakýchkoliv jiných dílů může vytvořit nebezpečí nebo způsobit poškození výrobku.

## Čeština

### VŠEOBECNÉ POKYNY

Vyhnete se používání rozpouštědel, když čistíte plastové díly. Většina ředidel běžně dostupných v obchodní síti se nehodí k čištění plastových částí, neboť narušuje povrch plastů. Používejte čisté utěrky pro odstranění nečistot, prachu, oleje, mastnoty, atd.

#### VAROVÁNÍ

Plastové části nářadí nesmí nikdy přijít do styku brzdovou kapalinou, benzínem, produkty na bázi ropy, regenerovanými maznými oleji apod. Tyto výrobky obsahují chemikálie, které mohou poškodit, oslabit nebo zničit plastové části, případně snížit jejich životnost.

Elektrické nářadí používané k opravování materiálu ze skleněného vlákna, sádrových desek, obkladových desek se snadněji opotřebovává a má kratší životnost. Trisky a kovové piliny vznikající při řezání kovů odírají některé díly elektronářadí, jako jsou převody, kartáče, spouštěče apod. Z tohoto důvodu se nedoporučuje dlouhodobé používání nářadí k řezání skleněného vlákna, obkladových desek, vyrovnávacích nebo sádrových desek. Pokud brousíte tento typ materiálu, je nutné po práci vyčistit nářadí proudem stlačeného vzduchu.

#### VAROVÁNÍ

Vždy noste bezpečnostní brýle nebo bezpečnostní brýle s postranními štítky, když obsluhujete elektricky poháněný nástroj nebo při rozdmýchávání (tvorbě) prachu. Pokud pracujete v prachu, noste také respirátor.

### MAZÁNÍ

Veškerá ložiska nářadí byla výrobcem namazána dostatečným množstvím vysoce účinného maziva, které stačí na celou dobu životnosti nářadí při normálních podmínkách používání. Žádné další mazání nářadí není nutné.

### ČIŠTĚNÍ BRUSNÉ DESKY

Pravidelné čištění brusné desky je předpokladem její dlouhodobé životnosti a optimální účinnosti. Veškeré cizí částice můžete odstranit opláchnutím brusné desky ve vlažné vodě. Po opláchnutí setřete opatrně z brusné desky kapky vody a nechte brusnou desku uschnout. Brusné desky vždy pokládejte naležato a skladujte je na suchém a chladném místě.

### ČIŠTĚNÍ BRUSNÝCH PAPIRŮ

Bezpečnostní pojistku lze zamáčknout palcem, prsty jsou tak volné k ovládnutí spouštěče. Je proto důležité je pravidelně čistit a odstraňovat prach a částice, které se na brusném papíru usazují při broušení.

K čištění brusného papíru použijte např. kus pryže. Můžete např. použít čisté gumové podrážky u boty.

#### VAROVÁNÍ

Než začnete brusnou desku nebo brusný papír čistit, sundejte je z brusky. Nedodržení tohoto pokynu může způsobit vážné zranění.

### OCHRANA ŽIVOTNÍHO PROSTŘEDÍ



V rámci možností neodhazujte vysloužilý výrobek nebo jeho části do domovního odpadu a snažte se o jejich recyklaci. V souladu s předpisy na ochranu životního prostředí odkládejte vysloužilé nářadí, příslušenství i obalový materiál do tříděného odpadu.

### SYMBOL



Bezpečnostní výstraha

V Volt

Hz Hertz

~ Střídavý proud

W Watt

no Otáčky naprázdno

min<sup>-1</sup> Počet otáček nebo pohybů (kmitů) za minutu



Průměr upínání



Shoda CE



Dvojitá izolace



Noste ochranu sluchu



Noste ochranu očí



Před spuštěním přístroje si řádně přečtěte pokyny.



Odpad elektrických výrobků se nesmí likvidovat v domovním odpadu. Recyklujte prosím na sběrných místech. Ptejte se u místních úřadů nebo prodejce na postup při recyklaci.



## Magyar

### LEÍRÁS

1. Be - ki kapcsológomb
2. Öntapadó, tépózárás csiszolótalp
3. Porgyűjtő tartály
4. Csiszolópapír
5. Működésjelző lámpa
6. Burkolat
7. Ujj pad
8. Retesz

### A CSISZOLÓKRA VONATKOZÓ SPECIÁLIS BIZTONSÁGI ELŐÍRÁSOK

- Hordjon mindig álarcot és légálló szemüveget csiszolás közben, különös képen ha magasban, a gépet a feje felett tartva dolgozik.
- Soha ne használja a készüléket nedves felület csiszolására.
- Ügyeljen arra, hogy a csiszolópapír mérete ne legyen túl nagy. A túl nagy csiszolópapír balesetet okozhat.
- Szerelje a helyére a porsákokat és rendszeresen ürítse ki. Ki kell üríteni gyakran. Illessze a porsákokat a csiszoló hátsó részén található porszívó fűvókára.

### FIGYELEM

Ne dobja nyílt tűzbe a csiszolásból származó port mert a finom port képző anyag robbanásveszélyes.

### FIGYELEM

Hordjon a célnak megfelelő (gáz)álarcot ha ólmot tartalmazó festékekkel fedett tárgyat, illetve ha bizonyos fa- vagy fémterméket csiszol.

### MŰSZAKI ADATOK

|                                       |                         |
|---------------------------------------|-------------------------|
| Feszültség                            | 230 V - 240 V ~ 50 Hz   |
| Teljesítmény                          | 80 W                    |
| Üresjárat fordulatszám (rezgő mozgás) | 12000 min <sup>-1</sup> |
| Tömeg                                 | 0,95 kg                 |

### FUNKCIÓ

#### ISMERJE MEG, TANULMÁNYOZZA A HÁROMSZÖG CSISZOLÓ MŰKÖDÉSÉT

Lásd a(z). 1 ábrát.

A szerszám használatbavétele előtt tanulmányozza az alkalmazási lehetőségeit, valamint a biztonsággal kapcsolatos jellegzetességeit. Mindezek ellenére a készülék kiismerése ne készítse figyelmének csökkentésére.

### KAPCSOLÓGOMB

A csiszológép motorblokkjának elején egy kapcsológomb található.

### ÖNTAPADÓ, TÉPÓZÁRÁS CSISZOLÓTALP

Az öntapadó, tépózárás rögzítéssel gyorsan lehet csiszolópapírt, ill. lapot cserélni. Ez a megoldás azt is elősegíti, hogy könnyen lehessen őket tisztítani és újra használni.

### REZGŐ CSISZOLÓ MOZGÁS

A szerszám talpának rezgő, kis oda-vissza mozgása végzi a csiszolást. Ez különösen finommegmunkálásnál / készre csiszolásnál hasznos, de akkor is, ha nagy szemcsés csiszolólapot használ rozsdafolt, festékréteg vagy a munkafelület egyenetlenségeinek eltávolításához.

### PORGYŰJTŐ TARTÁLY

A portartály a csiszolóra csatlakoztatható, és minimális szinten tartja a port.

### ÖSSZESZERELÉS

### FIGYELEM

Soha ne tartsa a csiszológépet hálózatra csatlakoztatott állapotban a tartozékok felszerelése, beállítások, tisztítások alkalmával, ill. ha nem használja a gépet. A szerszám hálózathálóból történő leválasztása megakadályozza a véletlen bekapcsolódást, ami súlyos sérülést okozhat.

### A POLÍROZÓ LEMEZ KIVÁLASZTÁSA

Ha jó minőségű csiszolást szeretne elérni, rendkívül fontos, hogy a csiszolópapír méretét, típusát és szemcseméretét jól válassza meg. Durvább, nagyoló csiszoláshoz szintetikus, mint pl. alumíniumoxid- vagy szilíciumkarbid alapú csiszolópapírt kell használni. A természetes alapú papírok - mint pl. a szilícium-dioxid (flint) vagy gránát (garnet) alapúak - nagyon puhák, így nagyoló csiszoláshoz való használatuk nem gazdaságos. Általánosan megfogalmazva a nagyobb szemcsét az anyag nagyjának leválasztásához, míg a kisebbet a finommegmunkáláshoz (finiselés) használják. A csiszolandó felület anyaga és minősége szerint meg lehet választani a használt papír / lap szemcseméretét. Amennyiben a felület érdes, egyenetlen, akkor kezdje a





## Magyar

csiszolást egy nagy szemcsés papírral, amíg egyenletes felületet nem kap. Ezután egy közepes szemcseméretű papírt kell használni, mely a nagy szemcsék által hagyott karcolásokat ("árkokat") tünteti el, a finom szemcseméretű papírral pedig a végén polírozhatja a felületet. A csiszolást tehát a több szemcsemérettel kell végezni, amíg a felület megfelelőképp egyenletes nem lesz.

### Lemez/Párna javasolt használata

|                                   |                             |
|-----------------------------------|-----------------------------|
| Csiszolópapír, szemcseméret Ø 80  | Durva, nagyoló csiszolás    |
| Csiszolópapír, szemcseméret Ø 120 | Közepes, finomabb csiszolás |
| Csiszolópapír, szemcseméret Ø 150 | Közepes, finomabb csiszolás |

### A CSISZOLÓPAPÍROK ÉS A CSISZOLÓLAPOK GYORS RÖGZÍTÉSE

Lásd a(z).2 ábrát.

- Húzza ki a csiszoló vezetékét az aljzatból.
- Hozza egybe a csiszoló talpán lévő porelszívó lyukakat a csiszolópapíron ill.-lapon lévővel, majd nyomja óvatosan és a lehető legerősebben az öntapadó oldal felületét a talpra.

**MEGJEGYZÉS:** Az ilyen típusú papírt addig használhatja, amíg a csiszolóréteg szemcsézete ezt lehetővé teszi. A csiszolópapírokat és -lapokat tisztán kell tartani, hogy jobban tapadjanak a csiszoló talpára. Rendszeresen tisztítsa meg őket egy kis kefe vagy ecset segítségével.

### A PORGYÚJTÓ FELHELYEZÉSE

Lásd a(z).3 ábrát.

A portartály porgyújtó rendszert biztosít a csiszolóhoz. A csiszolópor áthalad a polírozó lemez furatain, és csiszoláskor a portartályba gyűlik össze.

- Húzza ki a csiszoló vezetékét az aljzatból.
- Enyhén ide-oda forgatva csúsztassa be a portartály szerelvényt a csiszoló kifújó nyílásába.

### FIGYELEM

A háromszög csiszoló használata közben legyen óvatos. A figyelmetlen műveletek akár egy másodperc töredéke alatt is súlyos személyi sérülést eredményezhetnek.

### HASZNÁLAT

Az alább felsorolt alkalmazásokra használhatja a csiszológépet:

- Fa felületek csiszolása.
- Rozsdaeltávolítás és acél csiszolása.
- Porcelán és különböző fémek csiszolása, fényesítése, polírozása.

### VIGYÁZAT

Ügyeljen arra, hogy az elektromos tápvezeték soha ne essen a csiszolótalp útjába, valamint hogy csiszolás közben mindig úgy tartsa a gépet, hogy ne kapjon fából készült tárgyakba, szerszámokba vagy egyéb tárgyakba.

### FIGYELEM

Viseljen mindig biztonsági szemüveget vagy oldallappal ellátott védőszemüveget, amikor valamilyen gépet használ. Ennek az előírásnak a be nem tartása súlyos sebsérüléssel járó balesetet okozhat, mert idegen test, por, forgács stb. pattanhat a szemébe.

### HASZNÁLAT

#### A CSISZOLÓ BE- ÉS KIKAPCSOLÁSA

Lásd a(z).4 ábrát.

- A csiszoló beindításához:** Tolja a be - ki kapcsológombot balra.
- A csiszoló leállításához:** Tolja a be - ki kapcsológombot jobbra.

#### HASZNÁLAT

Lásd a(z).5 ábrát.

- Rögzítse a munkadarabot oly módon, hogy ne tudjon mozogni a csiszoló alatt.

### FIGYELEM

Amennyiben nem rögzíti a munkadarabot megfelelőképp, a gép kilökheti a használat felé és ez súlyos testi sérüléseket idézhet elő.

### FIGYELEM

Ügyeljen arra, hogy tartsa távol az arcát a háromszög csiszolótól és a csiszolandó felülettől. Védje, takarja el a haját, hogy a csiszológép ne kaphassa be, mivel ez súlyos testi sérüléseket idézhet elő.

- Helyezze a csiszolót a munkafelületre oly módon, hogy a talp teljes felülete a munkadarabra fekkdjön.





## Magyar

### VIGYÁZAT

Vigyázzon arra, hogy ne fedje le a szellőzőnyílásokat a kezével, mivel ez a motor túlmelegedéséhez vezethet.

3. Kapcsolja be a háromszögcsiszolót és mozgassa lassan a munkadarabon.

**MEGJEGYZÉS:** Tartsa a csiszolót megfelelő távolságra maga előtt, hogy jól láthassa a munkadarabot is. Kapcsolja be a szerszámot, majd várja meg, amíg a motor el nem éri a maximális fordulatszámát. Helyezze ezután a csiszolót talpát lassan a munkadarab felé. Amint a talp érintkezésbe kerül a munkadarabbal, mozgassa a csiszolót a felületen kis köröket leírva.

**Soha ne erőltesse a csiszológépet.** A csiszoló súlya megfelelő nyomást gyakorol önmagában is a felületre. Hagyja, hogy a csiszoló és a csiszolópapír "dolgozzon". Ha a csiszolót ezentúl még le is nyomja, akkor a motor lelassulhat, a csiszolópapír gyorsabban kopik és a csiszolás ideje jelentősen megnő. Ezentúl ez túl is terheli a motort, miáltal túlmelegedhet és ez árt a szerszám működésének. Felhívjuk a figyelmét arra, hogy a csiszolás által keltett hő meglágyíthatja / megolvaszthatja a fa lakk- vagy gyanta bevonatát.

Ügyeljen arra, hogy ne csiszoljon túl hosszú ideig ugyanazon a helyen, mert kikoptathatja a csiszolással az anyagot és a csiszolt felület egyetlen lesz.

A hosszabb időtartamon keresztül végzett csiszolás a motor túlmelegedését idézheti elő. Ha ez történik, kapcsolja ki a csiszolót és várjon, amíg a polírozó lemez teljesen megáll, majd távolítsa el a munkadarabról. Vegye el a kezét a szellőzőnyílásoktól, vegye ki a csiszolópapírt, majd kapcsolja be újra a gépet és üzemeltesse úresjárásban, amíg a motor le nem hűl.

### SARKOK ÉS BEVÁGÁSOK

Lásd a(z).6 ábrát.

- A finomabb csiszoláshoz, például sarkok és bevágások esetén, a polírozó párna hegyét kis távolságban mozgassa előre és hátra.

### A PORGYÚJTÓ TARTÁLY KIÜRÍTÉSE

Lásd a(z).7 ábrát.

A teljesítmény növelése érdekében, amikor a porzsák félig megtelt, ürítse ki. Ez elősegíti a levegő jobb áramlását a porzsákban. A csiszolás után és a csiszoló elrakása előtt mindig ürítse ki és alaposan tisztítsa ki a porgyűjtőt.

### FIGYELEM

Egyes nagyon gyúlékony anyagokkal - mint például a poliuretán, lenolaj stb.- bevont felületek csiszolásából összegyűlt portól a porzsák vagy a szerszám más részei begyulladhatnak, és így ez tüzet okozhat. A tűzveszély csökkentése érdekében csiszolás közben gyakran ürítse ki a portartályt (10-15 percenként), és soha ne tegye el vagy hagyja ott a csiszolót addig, amíg teljesen ki nem ürítette a portartályt. Figyelmesen olvassa el a bevonóanyag gyártójának előírásait.

1. Húzza ki a csiszoló vezetékét az aljzattól.

### FIGYELEM

Ha nem húzza ki az aljzattól a csiszoló vezetékét, akkor egy véletlenszerű beindítás következtében súlyos testi sérülésekkel járó balesetet okozhat.

2. Távolítsa el a portartályt a csiszolóról.
3. Rázza ki a porzsákat.
4. Helyezze vissza a portartályt a csiszolóra.

**MEGJEGYZÉS:** A portartályt még alaposabb kitisztításához távolítsa el a portartályt a keretből, és rázza ki a port. Helyezze vissza a portartályt a keretre, majd szerelje fel a portartály szerelvényt a csiszolóra.

### A CSISZÓLÓPAPÍR CSERÉJE

Lásd a(z).8 ábrát.

A háromszög csiszolót különböző felhasználásokra szolgáló, különböző típusú csiszolólapokkal és -papírokkal szállítjuk. A lemezek cseréjéhez egyszerűen csak húzza le a használt lemezt az alapzatról, és helyezze fel a kívánt lemezt úgy, hogy rányomja a csiszoló alapzatára a lemezt vagy párnát.

### AZ UJJPAD HASZNÁLATA

Lásd a(z).9 ábrát.

1. Nyissa fel az ujjpad fedelét.
2. Engedje le az ujjpadot, és rögzítse a helyére.
3. Zárja be az ujjpad fedelét.

### MŰKÖDÉSJELEZŐ LÁMPA

A sarokcsiszolót egy működésjelző lámpával látták el, mely akkor kezd el világítani, amikor a szerszám csatlakoztatva lett az elektromos hálózatra. Ez a lámpa arra figyelmeztet, hogy a sarokcsiszoló feszültség alatt van, és be fog indulni, amint a kapcsolót előre csúsztatja.





## Magyar

### KARBANTARTÁS

#### FIGYELEM

Soha ne tartsa a csiszológépet hálózatra csatlakoztatott állapotban a tartozékok felszerelése, beállítások, tisztítások alkalmával, ill. ha nem használja a gépet. A szerszám hálózatról történő leválasztása megakadályozza a véletlen bekapcsolódást, ami súlyos sérülést okozhat.

#### FIGYELEM

Szervizeléskor csak azonos cserealkatrészeket használjon. Bármilyen más alkatrész használata veszélyt vagy a termék károsodását okozhatja.

### ÁLTALÁNOS ELŐÍRÁSOK

A műanyag részek tisztításakor tartózkodjon a tisztítószerek használatától. A kereskedelmi forgalomban kapható oldószerek rongáló hatással vannak a műanyagból készült elemek többségére. Egy tiszta ruhát használjon a kosz, por, olaj, kenőzsír, stb. eltávolítására.

#### FIGYELEM

Óvja a műanyagból készült részeket fékolajtól, benzintől, és minden egyéb, kőolaj alapú terméktől. Ezek a vegyszerek olyan vegyületek tartalmazznak, melyek megrongálhatják, meglágyíthatják vagy lebonthatják a műanyagból készült részeket.

Azok az elektromos szerszámok, amelyeket üvegszálás munkadarabokon, gipszkartonon lapokon ill. burkolólapokon használnak, jobban ki vannak téve a gyors elhasználódásnak és az idő előtti meghibásodásoknak; az ilyen anyagokból származó forgács és por rendkívül sűrű hatású az elektromos szerszámok alkatrészeire (fogaskerekek, szénkefék, kapcsolók, stb.). Ebből kifolyólag a szerszámot tilos üvegszálás anyag, burkolólap, tömítő- / szigetelőanyag, gipszkarton hosszabb ideig történő megmunkálására használni. Amennyiben mégis elkerülhetetlen, hogy ilyen anyagokon dolgozzon, akkor feltétlenül szükséges, hogy minden használat után sűrített levegővel tisztítsa meg a szerszámot.

#### FIGYELEM

Elektromos szerszámgépek használatakor vagy a por kifúvásakor mindig viseljen védőszemüveget vagy oldalellenzővel rendelkező védősisakot. Ha a használat poros környezetben történik, vegyen fel egy pormaszkot is.

### KENÉS

A gépben lévő összes csapágy a gép teljes élettartamára elegendő kenőanyaggal van feltöltve, normál körülmények közötti használat esetén. Ebből kifolyólag nincs szükség arra, hogy a szerszám belső részeit kenje.

### A CSISZOLÓLAPOK TISZTÍTÁSA

Élettartamuk megnövelése és hatékonyságuk megőrzése érdekében rendszeresen tisztítsa meg a csiszolólapokat. A lapokról eltávolíthatja az idegen részecskéket úgy, hogy egyszerűen langyos vízzel leöblíti őket. Tisztítás után óvatosan csavarja ki a vizet belőlük és hagyja őket megszáradni. Ha a szerszámon segédfogantyú van, mindig ügyeljen a fogására.

### A CSISZOLÓPAPIROK TISZTÍTÁSA

A szerszámhoz mellékelt csiszolópapírok újrafelhasználhatók. Emiatt fontos az, hogy rendszeresen tisztítsa őket, azaz hogy a különböző csiszolási műveletek során a felületen összegyűlt port és részecskéket eltávolítsa.

A csiszolópapírok tisztításához dörzsölje le őket egy kemény gumival. Ehhez a művelethez egy tiszta cipő talpát is használhatja.

#### FIGYELEM

-lapot a csiszoló talpáról. A csiszolólapokat száraz, hűvös helyen fekvő tárolja. Ezen előírás be nem tartása súlyos testi sérüléssel járó balesetet okozhat.

### KÖRNYEZETVÉDELLEM

Segítse elő az alapanyagok újrahasznosítását azzal, hogy nem helyezi el őket a háztartási szemétként. Környezetvédelmi megfontolásból a kiszolgált gépet, tartozékokat és csomagolóanyagokat szelektív módon kell gyűjteni.





## SZIMBÓLUM



Biztonsági figyelmeztetés

V Volt

Hz Hertz

~ Váltóáram (AC)

W Watt

n<sub>o</sub> Üresjáratú fordulatszámmin<sup>-1</sup> Fordulatok ill. löketek száma percenként

Átmérő (orbitális)



CE megfelelés



Kettős szigetelés



Viseljen fülvédőt



Viseljen szemvédőt



A gép bekapcsolása előtt figyelmesen olvassa el a használati útmutatót.



A kiselejtezett elektromos termékeket nem szabad a háztartási hulladékkal együtt kidobni. Hasznosítsa újra, ha van rá lehetőség. Az újrahasznosítással kapcsolatban érdeklődjön a helyi önkormányzatnál vagy a termék forgalmazójánál.



## Română

### DESCRIERE

1. Întrerupător
2. Talpa cu prindere automată
3. Cutie de colectare a prafului
4. Hârtie abrazivă
5. Indicator de punere sub tensiune
6. Capac
7. Degetul pad
8. Piedică

### MAȘURI DE SECURITATE SPECIFICE MAȘINILOR DE ȘLEFUIT

- **Utilizați întotdeauna ochelari de protecție etanși și o mască de protecție contra prafului atunci când șlefuiți, în special dacă șlefuiți deasupra capului.**
- **Nu utilizați niciodată mașina de șlefuit pe suprafețe umede.**
- **Foaia de hârtie abrazivă nu trebuie să fie prea mare.** Dacă lăsați hârtia abrazivă să depășească talpa, vă expuneți riscului de răniri grave.
- **Sacul de praf trebuie să fie instalat pe aparat și golit frecvent.** Acesta trebuie golite în mod frecvent. Pentru a instala sacul de praf, cuplați inelul sacului la buza de evacuare situată în spatele mașinii răsucindu-l spre dreapta până ce sacul este fixat corect.

### ⚠ AVERTISMENT

Nu aruncați praful ce provine de la șlefuire în foc deoarece particulele fine de materiale inflamabile pot fi explozive.

### ⚠ AVERTISMENT

Trebuie să folosiți o mască de respirat adecvată când șlefuiți suprafețe acoperite cu vopsea pe bază de plumb și de asemenea pentru anumite tipuri de lemn sau de metal pentru a evita să inhalați praf sau vapori toxici.

### SPECIFICAȚII

|                            |                         |
|----------------------------|-------------------------|
| Tensiune                   | 230 V - 240 V ~ 50 Hz   |
| Alimentare                 | 80 W                    |
| Viteza de mișcare orbitală | 12000 min <sup>-1</sup> |
| Greutate                   | 0,95 kg                 |

### FUNCȚII

#### ÎNVĂȚAȚI SĂ VĂ CUNOAȘTEȚI MAȘINA DE ȘLEFUIT TRIUNGHULARĂ

A se vedea figura 1.

Înainte de a folosi mașina, familiarizați-vă cu toate funcționalitățile și specificațiile acesteia cu privire la siguranță. Totuși, nu slăbiți vigilența odată ce vă simțiți familiarizat cu mașina de șlefuit.

#### ÎNTRERUPĂTOR

Această mașină de șlefuit este echipată cu un întrerupător situat în partea din față a carcasei motorului.

#### TALPA CU PRINDERE AUTOMATĂ

Sistemul de fixare cu scai vă permite să schimbați rapid hârtiile sau tălpile abrazive. Acest sistem vă permite și să le curățați ușor pentru a le reutiliza.

#### ACȚIUNEA ABRAZIVĂ ORBITALĂ

Mișcarea orbitală a mașinii de șlefuit face ca talpa să descrie mici mișcări de du-te-vino în timpul șlefuirii. Această mișcare este ideală pentru o șlefuire de finisare sau, dacă se folosește talpa cu granulație mare, pentru a îndepărta urmele de rugină, de vopsea sau orice imperfecțiune a suprafeței de lucru.

#### CUTIE DE COLECTARE A PRAFULUI

Cutie de praf se atașează mașinii de șlefuit și menține praful la un nivel minim.

### ASAMBLAREA

#### ⚠ AVERTISMENT

Mașina de șlefuit nu trebuie niciodată să fie conectată la priză atunci când montați piese, efectuați reglaje, curățați mașina sau atunci când nu o utilizați. Deconectarea unelei previne pornirea accidentală care poate conduce la rănirea gravă.

#### SELECTAREA DISCULUI DE ȘLEFUIRE

Alegerea dimensiunii, granulației și a tipului de hârtie abrazivă este foarte importantă dacă doriți să obțineți o șlefuire de calitate. Pentru șlefuirea brută, vă recomandăm să utilizați abrazivi sintetici cum ar fi alumina sau carbura de siliciu. Abrazivii naturali, cum ar fi silexul sau granatul, sunt prea moi pentru a putea fi folosiți eficient la șlefuirea brută.

În general, o granulație mare vă permite să îndepărtați o cantitate mare de material, în timp ce o granulație fină vă permite să obțineți o șlefuire de finisare. Starea suprafeței





## Română

de șlefuit permite determinarea mărimii granulației care se va utiliza. Dacă suprafața este rugoasă, începeți șlefuirea cu o hârtie cu granulație mare până când suprafața este uniformă. Apoi puteți folosi o hârtie cu granulație medie pentru a elimina zgârieturile lăsate de hârtia cu granulație mare, și în final o hârtie cu granulație fină pentru a șlefui suprafața. Șlefuiți cu fiecare mărime a granulației până când suprafața este uniformă.

### Utilizare recomandată pentru foaie/aripioară

|                                    |                 |
|------------------------------------|-----------------|
| Hârtie abrazivă cu granulație Ø80  | Șlefuire brută  |
| Hârtie abrazivă cu granulație Ø120 | Șlefuire ușoară |
| Hârtie abrazivă cu granulație Ø150 | Șlefuire ușoară |

### FIXAREA RAPIDĂ A HÂRTIILOR ȘI TĂLPILOR ABRAZIVE

A se vedea figura 2.

1. Scoateți mașina de șlefuit din priză.
2. Aliniați orificiile hârtiei sau ale tăpii abrazive cu orificiile de pe talpa mașinii de șlefuit, apoi lipiți cu atenție partea cu scai a hârtiei pe talpă, cât mai ferm posibil.

**NOTĂ:** Puteți refolosi acest tip de hârtie atât timp cât gradul de eficacitate a stratului abraziv vă permite acest lucru. Vă recomandăm să păstrați hârtiile și tăpile abrazive curate pentru ca acestea să se prindă mai bine pe talpa mașinii de șlefuit. Curățați-le regulat cu ajutorul unei perii mici.

### ATAȘAREA CUTIEI DE PRAF

A se vedea figura 3.

Cutia de praf asigură un sistem de colectare a prafului pentru mașina de șlefuit. Praful de șlefuire este tras prin găurile discului de șlefuire și colectat în cutia de praf în timpul șlefuirii.

1. Scoateți mașina de șlefuit din priză.
2. Utilizând o mișcare ușoară de răsucire, glesați ferm ansamblul cutiei de praf în evacuarea suflantei de pe mașina de șlefuit.

### ⚠️ AVERTISMENT

Fiți vigilenți în timp ce utilizați mașina de șlefuit. Acțiunile neglijente, chiar și pentru o fracțiune de secundă, pot conduce la rănirea gravă.

### APLICAȚII

Puteți utiliza mașina de șlefuit pentru aplicațiile menționate mai jos:

- Șlefuirea pe suprafețe lemnoase.
- Îndepărtarea ruginii și șlefuirea oțelului.
- Lustruirea și șlefuirea porțelanului și a metalelor.

### ⚠️ PRECAUȚIE

Aveți grijă să mențineți cablul de alimentare la distanță de traiectoria tăpii și să îl așezați în așa fel încât acesta să nu se agațe în piesele de lemn, în unelte sau în orice alt obiect în timpul șlefuirii.

### ⚠️ AVERTISMENT

Purtați întotdeauna ochelari de siguranță sau ochelari de protecție cu ecrane laterale atunci când utilizați mașini electrice. Nerespectarea acestor măsuri se poate solda cu leziuni oculare grave provocate de corpurile străine, praful sau talașul ce vă pot intra în ochi.

### OPERAREA

#### PORNIREA / OPRIREA MAȘINII DE ȘLEFUIT

A se vedea figura 4.

- **Pentru a porni mașina de șlefuit:** Împingeți întrerupătorul de pornire/oprire spre stânga.
- **Pentru a opri mașina de șlefuit:** Împingeți întrerupătorul de pornire/oprire spre dreapta.

#### UTILIZARE

A se vedea figura 5.

1. Fixați piesa de prelucrat astfel încât aceasta să nu poată aluneca sub mașina de șlefuit.

### ⚠️ AVERTISMENT

Dacă nu fixați piesa de prelucrat, aceasta poate fi proiectată spre utilizator și să provoace răni grave.

### ⚠️ AVERTISMENT

Aveți grijă să vă mențineți fața la distanță de mașina de șlefuit și de zona de șlefuire. Protejați-vă părul pentru ca acesta să nu se prindă în mașina de șlefuit, lucru care ar putea provoca răni grave.

2. Așezați mașina de șlefuit pe suprafața de lucru astfel încât toată suprafața tăpii să fie în contact cu piesa





## Română

de prelucrat.

### ⚠ PRECAUȚIE

Aveți grijă să nu acoperiți fantele de ventilație cu mâinile deoarece acest lucru poate duce la supraîncălzirea motorului.

- Porniți mașina de șlefuit și deplasați-o încet pe piesa de prelucrat.

**NOTĂ:** Țineți mașina de șlefuit în fața dumneavoastră la o distanță adecvată pentru a vedea bine piesa de prelucrat. Porniți mașina de șlefuit și așteptați ca motorul să își atingă viteza maximă. Dirijați apoi încet talpa mașinii de șlefuit spre piesa de prelucrat. După ce talpa este în contact cu piesa de prelucrat, deplasați mașina de șlefuit pe suprafața descriind mici cercuri.

**Nu forțați în nici un caz mașina de șlefuit.** Greutatea mașinii exercită o presiune suficientă pe piesa de prelucrat. Mașina de șlefuit și hârtia abrazivă sunt cele ce trebuie să "lucreze". Exercițând o presiune suplimentară pe mașina de șlefuit, riscați să încetiniți motorul, să uzați mai repede hârtia abrazivă și să reduceți considerabil viteza de șlefuire. În plus, o presiune excesivă poate suprasolicita motorul și să provoace o supraîncălzire care să ducă la deteriorarea motorului și să dăuneze bunei funcționări a mașinii. Atenție, căldura datorată frecării poate înmuia lacul sau rășina care acoperă lemnul.

Aveți grijă să nu șlefuiți prea mult timp aceeași parte a piesei de prelucrat deoarece acțiunea abrazivă a mașinii de șlefuit poate uza rapid materialul și să facă suprafața neregulată.

Perioadele de șlefuire prelungită pot duce la supraîncălzirea motorului. Dacă aceasta se întâmplă, opriți mașina de șlefuit și așteptați până ce discul de șlefuire se oprește complet, apoi îndepărtați-l din piesa de lucru. Luați mâna de pe fantele de ventilație, scoateți hârtia abrazivă, apoi porniți din nou mașina și lăsați-o să meargă în gol pentru a răci motorul.

### COLȚURI ȘI CRĂPĂTURI

A se vedea figura 6.

- Pentru detalii privind șlefuirea unor astfel de colțuri și crăpături, utilizați vârful zonei de șlefuit cu mișcări scurte înainte și înapoi.

### GOLIREA CUTIEI DE PRAF

A se vedea figura 7.

Pentru a crește eficacitatea, goliți sacul de praf atunci când este umplut pe jumătate. Aceasta permite o mai bună circulație a aerului în interiorul sacului. Goliți și curățați foarte bine întotdeauna cutia de praf după finalizarea operației de șlefuire și înainte de depozitarea mașinii de șlefuit.

### ⚠ AVERTISMENT

Acumularea de particule în urma șlefuirii suprafețelor acoperite cu produse foarte inflamabile, cum ar fi poliuretanul, uleiul de in etc. Pentru a reduce riscul de incendii, goliți întotdeauna în mod frecvent cutia de praf (10-15 minute) în timp ce șlefuiți și nu depozitați sau părăsiți mașina de șlefuit fără a goli complet cutia sa de praf. Citiți cu atenție recomandările producătorilor de substanțe de acoperire.

- Scoateți mașina de șlefuit din priză.

### ⚠ AVERTISMENT

Dacă mașina de șlefuit nu este scoasă din priză, se poate produce o pornire accidentală care poate provoca răni corporale grave.

- Îndepărtați cutia de praf de pe mașina de șlefuit.
- Scuturați sacul de praf pentru a-l goli.
- Reatașați cutia de praf mașinii de șlefuit.

**NOTĂ:** Pentru o curățare mai riguroasă a cutiei de praf, îndepărtați cutia din cadrul și scuturați praful. Reamplasați cutia de praf pe cadrul, iar apoi instalați ansamblul cutiei de praf pe mașina de șlefuit.

### SCHIMBAREA HÂRTIEI ABRAZIVE

A se vedea figura 8.

Mașina de șlefuit este livrată cu tălpi și hârtii abrazive de diferite tipuri pentru utilizări diferite. Pentru a schimba plăcile metalice, trageți pur și simplu placa metalică utilizată de pe bază și atașați placa metalică dorită apăsând pe placă sau pe aripioara de pe mașina de șlefuit.

### UTILIZAREA ZONEI TACTILE

A se vedea figura 9.

- Deschideți capacul zonei tactile.
- Coborâți zona tactilă și blocați-o în poziție.
- Închideți capacul zonei tactile.

### INDICATOR DE PUNERE SUB TENSIUNE

Polizorul unghiular este echipat cu un indicator de punere sub tensiune care se aprinde atunci când aparatul este conectat la priză. Acest martor indicator vă atrage atenția asupra faptului că mașina este conectată la priză și că va porni imediat ce apăsați pe întrerupător.



## Română

## ÎNȚREȚINEREA

**⚠ AVERTISMENT**

Mașina de șlefuit nu trebuie niciodată să fie conectată la priză atunci când montați piese, efectuați reglaje, curățați mașina sau atunci când nu o utilizați. Deconectarea unelei previne pornirea accidentală care poate conduce la rănirea gravă.

**⚠ AVERTISMENT**

În cadrul lucrărilor de reparație, utilizați doar piese de schimb de același tip. Utilizarea oricărui alt tip de piese poate genera o situație de pericol sau poate deteriora produsul.

## REGULI DE ORDIN GENERAL

Evitați utilizarea solvenților atunci când curățați piesele din plastic. Majoritatea materialelor plastice pot să fie deteriorate prin utilizarea unor solvenți vânduți în comerț. Utilizați materiale textile curate pentru a îndepărta murdăria, praful, uleiul, grăsimea etc.

**⚠ AVERTISMENT**

Elementele din plastic nu trebuie să intre niciodată în contact cu lichid de frână, benzină, produse petroliere, uleiuri etc. Aceste produse chimice conțin substanțe care pot afecta, slăbi sau distruge plasticul.

Așchile și rumegușul provenind de la aceste materiale sunt foarte abrazive pentru piesele mașinilor electrice cum ar fi angrenajele, periile, întrerupătoarele, etc. În consecință, utilizarea prelungită a acestei mașini pe fibră de sticlă, pe panouri de acoperire, chit sau ipsos, este neindicată. Totuși, dacă trebuie să șlefuiți aceste materiale, este foarte important să curățați mașina de șlefuit cu aer comprimat.

**⚠ AVERTISMENT**

Atunci când operați scula electrică sau când îndepărtați praful, purtați întotdeauna ochelari de protecție sau ochelari de protecție cu apărători laterale. Dacă mediu de lucru este plin de praf, purtați întotdeauna o mască împotriva prafului.

## LUBRIFIEREA

Toate componentele acestei unelte sunt lubrifiate cu o cantitate suficientă de lubrifiant de înaltă calitate ce vizează durata de viață a unității în condiții de operare

obișnuite. În consecință, nici o ungere suplimentară nu este necesară.

## CURĂȚAREA TĂLPILOR ABRAZIVE

Pentru a asigura o durată de viață prelungită și o eficacitate optimă a tălpilor abrazive, curățați-le regulat. Puteți îndepărta toate particulele străine clătind talpa cu apă caldă. După ce talpa este curățată, stoarceți-o ușor pentru a îndepărta excesul de apă și lăsați-o să se usuce. Depozitați întotdeauna tăpile abrazive pe orizontală într-un loc uscat și răcoros.

## CURĂȚAREA HĂRȚILOR ABRAZIVE

Hărțile abrazive furnizate cu mașina de șlefuit sunt reutilizabile. Este important deci să le curățați regulat pentru a îndepărta praful și particulele care se acumulează pe suprafață în timpul diferitelor operațiuni de șlefuire. Pentru a curăța hărțile abrazive, frecați-le cu un bloc compact de cauciuc. Puteți folosi, de exemplu, talpa curată a unui pantof.

**⚠ AVERTISMENT**

Scoateți întotdeauna hărțile abrazive de pe talpa mașinii de șlefuit înainte de a o curăța. Nerespectarea acestei măsuri poate provoca răni corporale grave.

## PROTECȚIA MEDIULUI ÎNCONJURĂTOR



Reciclați materiile prime în loc să le aruncați la gunoi, împreună cu deșeurile menajere. Pentru a proteja mediul înconjurător, mașina, accesoriile acesteia și ambalajele trebuie triate.

## SIMBOL



⚠ Avertizare de siguranță

V Volți

Hz Herți

~ Curent alternativ

W Wați

no Viteză în gol

min<sup>-1</sup> Număr de rotații sau de mișcări pe minut



⊙ Diametrul orbital



CE Conform CE

**Română**

Izolarea dublă



Purtați echipamente de protecție a auzului



Purtați echipamente de protecție a vederii



Vă rugăm citiți instrucțiunile cu atenție înainte de pornirea aparatului.



Deșeurile produselor electrice nu trebuie să fie înălțurate împreună cu deșeurile casnice. Vă rugăm reciclați acolo unde există facilități. Verificați la autoritatea dvs locală sau la vânzător pentru sfaturi privind reciclarea.



## Latviski

### APRAKSTS

1. Slēdža mēlīte
2. Ātri nomaināms āķa un cilpas uzliktnis
3. Putekļu savākšanas tvertne
4. Smilšpapīrs
5. Barošanas indikators
6. Pārsegs
7. Pirkstu paliktnis
8. Bloķētājs

### SLĪPMAŠĪNU SPECIFISKIE DROŠĪBAS NORĀDĪJUMI

- Slīpēšanas laikā vienmēr nēsājiet aizsargbrilles un putekļu masku, it īpaši slīpējot virs galvas.
- Šī ierīce nav piemērota mitrai slīpēšanas darbībai.
- Neizmantojiet smilšpapīru, kas ir lielāks kā nepieciešams. Ja papīrs ir lielāks par slīpēšanas uzliktni, tas var izraisīt nopietnus plīsumus.
- Instruments ir jāaprīko ar putekļu tvertni. Tā ir bieži jāiztukšo. Lai pievienotu putekļu tvertni, putekļu tvertnes adapteri ievietojiet putekļu savākšanas atverē, kas atrodas slīpmašīnas aizmugurējā galā.

### ▲ BRĪDINĀJUMS

Nemetiet slīpēšanas putekļus uz atklātas liesmas, jo materiāls, kuru veido smalkas daļiņas, var būt sprādzienbīstams.

### ▲ BRĪDINĀJUMS

Lai izvairītos no kaitīgu/toksisku putekļu vai gaisa ieelpošanas, svina krāsas, dažu kokmateriālu un metāla slīpēšanas laikā ir jāizmanto piemērots elpošanas respirators.

### SPECIFIKĀCIJAS

|                 |                         |
|-----------------|-------------------------|
| Spriegums       | 230 V - 240 V ~ 50 Hz   |
| Strāva          | 80 W                    |
| Orbītas lielums | 12000 min <sup>-1</sup> |
| Svars           | 0,95 kg                 |

### FUNKCIJAS

### IEPAZĪSTIET SAVU KOMPAKTO APDARES SLĪPMAŠĪNU

Skatiet 1. attēlu.

Pirms izmantot šo produktu, iepazīstieties ar visām

darbības funkcijām un drošības prasībām. Tomēr pēc iepazīšanās ar instrumentu nepieļaujiet bezrūpīgu izturēšanos.

### SLĒDZIS

Šis instruments ir aprīkots ar vienkāršu slēdža vadību, kas atrodas pie motora korpusa priekšējās daļas.

### ĀTRI NOMAINĀMS ĀĶA UN CILPAS UZLIKTNIS

Āķa un cilpas konstrukcija ļauj ātri nomainīt slīpēšanas loksnes un beršanas uzliktņus. Tādējādi tos var vienkārši notīrīt un izmantot atkārtoti.

### APLVEIDA SLĪPĒŠANAS DARBĪBA

Slīpmašīnai vibrējot, notiek ļoti ātra, nedaudz apļveidīga slīpēšanas uzliktņa kustība. Šī kustība ir ideāli piemērota smalkas apdares izveidošanai vai, izmantojot beršanas paliktni, vieglas rūsas, krāsas un citu uzkrājumu noņemšanai no darba virsmas.

### PUTEKĻU SAVĀKŠANAS TVERTNE

Putekļu tvertne tiek piestiprināta pie slīpmašīnas un samazina putekļu daudzumu līdz minimumam.

### MONTĀŽA

### ▲ BRĪDINĀJUMS

Instrumentu nekad nevajadzētu pievienot barošanas padevei, veicot daļu montāžu, regulēšanu, tīrīšanu vai apkopi vai arī laikā, kad instruments netiek izmantots. Atslēdzot instrumentu, tiek novērsta nejausa ieslēgšanās, kas varētu izraisīt nopietnu traumu.

### SLĪPĒŠANAS DISKA IZVĒLE

Lai noslīpētā apdare būtu ļoti kvalitatīva, īpaši svarīgi ir izvēlēties pareizā lieluma un veida smilšpapīru ar pareiza raupjuma smiltīm. Spēcīgai slīpēšanai vispiemērotākais ir alumīnija oksīds, silikona karbīds un citas sintētiskās abrazīvās vielas. Dabiski abrazīvi materiāli, piemēram, krams un granāts, ir pārāk mīksti, lai tos ekonomiski izmantotu spēcīgai slīpēšanai.

Parasti ar rupju smilšpapīru tiks noņemta lielākā daļa materiāla, bet ar smalkāku - izveidota vislabākā apdare visu slīpēšanas darbību laikā. Izmantojamo smilšpapīru nosaka slīpējams virsmas stāvoklis. Ja virsma ir raupja, sāciet ar raupju smilšpapīru un slīpējiet, līdz virsma ir līdzena. Pēc tam, lai likvidētu rupjākā smilšpapīra atstātās skrambas, var izmantot vidēji rupju, bet virsmas apdarei - smalkāku smilšpapīru. Vienmēr turpiniet slīpēšanu ar katru smilšpapīru, līdz virsma ir līdzena.





## Latviski

### Loksnes/paliktna ieteicamā izmantošana

|                         |                 |
|-------------------------|-----------------|
| 80-grants smiltīm lapa  | Rupjiem smiltīm |
| 120-grants smiltīm lapa | Gaismas smiltīm |
| 150-grants smiltīm lapa | Gaismas smiltīm |

### ĀKA UN CILPAS VEIDA SLĪPĒŠANAS DISKU PIEVIENOŠANA

Skatiet 2. attēlu.

1. Atslēdziet slīpmašīnu.
2. Salāgojiet āka un cilpas veida slīpēšanas diska atveres ar uzliktā atverēm, pēc tam slīpēšanas diska nelīdzeno daļu uzmanīgi piespiediet pie uzliktā pēc iespējas stingrāk.

**PIEZĪME:** Āka un cilpas veida slīpēšanas diskus var izmantot atkārtoti visā slīpēšanas abrazīvā materiāla kalpošanas laikā. Lai nodrošinātu labāku saķeri, slīpēšanas diska atbalsta paliktnim ir vienmēr jābūt tīram. Regulāri notīriet, viegli noslaukot ar nelielu suku.

### PUTEKĻU TVERTNES PIEVIENOŠANA

Skatiet 3. attēlu.

Putekļu tvertne nodrošina slīpmašīnas putekļu savākšanas sistēmu. Slīpēšanas radītie putekļi tiek vilkti augšup caur slīpēšanas diska atverēm un slīpēšanas laikā savākti putekļu tvertnē.

1. Atslēdziet slīpmašīnu.
2. Ar vieglu griešanas kustību stingri iebīdīet putekļu tvertnes montāžu slīpmašīnas pūtēja izejā.

### ⚠ BRĪDINĀJUMS

Izmantojot šo instrumentu, rīkojieties uzmanīgi. Neuzmanīga rīcība, pat ja tā ilgst tikai daļu sekundes, var izraisīt nopietnu traumu.

### PIELIETOJUMS

Šo slīpmašīnu var izmantot tālāk norādītajiem mērķiem:

- Slīpēšana uz koka virsmām.
- Noņemot rūsa un no smiltīm tērauda virsmām.
- Pulēšanas un attīrīšanas porcelāna un metāla.

### ⚠ UZMANĪBU

Turiet vadu pietiekamā atstatumā no slīpēšanas uzliktņa un novietojiet tā, lai tas slīpēšanas laikā neieķertos kokmateriālos, instrumentos vai citos priekšmetos.

### ⚠ BRĪDINĀJUMS

Strādājot ar produktiem, vienmēr valkājiet drošības brilles vai aizsargbrilles ar sānu aizsargiem. Pretējā gadījumā rodas putekļi, skaidas vai brīvas daļiņas, kuras var iekļūt acīs, izraisot nopietnu traumu.

### EKSPLUATĀCIJA

#### SLĪPMAŠĪNAS IESLĒGŠANA/IZSLĒGŠANA

Skatiet 4. attēlu.

- **Ieslēdziet slīpmašīnu:** Spiediet ieslēgšanas / izslēgšanas slēdzi pa kreisi.
- **Izslēdziet slīpmašīnu:** Nospiediet ieslēgšanas/izslēgšanas slēdzi pa labi.

#### SLĪPMAŠĪNAS IZMANTOŠANA

Skatiet 5. attēlu.

1. Nostipriniet apstrādājamo detaļu, lai tā neizkustētos no slīpmašīnas apakšas.

### ⚠ BRĪDINĀJUMS

Ja apstrādājamās detaļas nav nostiprinātas, tās var tikt mestas pret operatoru, izraisot traumas.

### ⚠ BRĪDINĀJUMS

Turiet galvu pietiekamā atstatumā no slīpmašīnas un slīpēšanas zonas. Mati var tikt ierauti slīpmašīnā, izraisot nopietnu traumu.

2. Novietojiet slīpmašīnu uz detaļas tā, lai ar to saskartos visa slīpēšanas diska virsma.

### ⚠ UZMANĪBU

Lai pārkaršanas rezultātā nesabojātu motoru, rīkojieties uzmanīgi un neaizsedziet ventilācijas atveres ar roku.

3. Ieslēdziet slīpmašīnu un lēnām pārvietojiet to pār apstrādājamo detaļu.

**PIEZĪME:** Turiet slīpmašīnu sev priekšā un atstatu no sevis, pietiekamā attālumā no apstrādājamās detaļas. Ieslēdziet slīpmašīnu un palaidiet motoru darboties ar maksimālo ātrumu, pēc tam slīpmašīnu pakāpeniski nolaidiet uz detaļas. Lēnām pārvietojiet slīpmašīnu pār detaļu ar nelielām apļveida kustībām.

**Nespiediet ar spēku.** Ierīces svars nodrošina atbilstošu spiedienu, tāpēc ļaujiet slīpēšanas diskam un slīpmašīnai veikt savu darbu. Ja tiek piemērots papildu spiediens, tas tikai palēnina motora darbību, paātrina slīpēšanas







## Latviski

diska nodilumu un lielā mērā samazina slīpmašīnas ātrumu. Pārmērīgs spiediens pārsllogo motoru, bet motora pārkaršana var izraisīt bojājumus un pazemināt darba kvalitāti. Berzes radītā siltuma ietekmē jebkura koka apdare vai sveķi var kļūt mīkstāki.

Nepieļaujiet pārāk ilgu slīpmašīnas darbību vienā vietā, jo ātras slīpmašīnas darbības rezultātā var tikt noņemtas pārāk daudz materiāla, padarot virsmu nelīdzenu.

Ilgstoši slīpēšanas periodi var izraisīt motora pārkaršanu. Šādā gadījumā izslēdziet slīpmašīnu un pagaidiet, līdz slīpēšanas disks pilnīgi apstājas, pēc tam to noņemiet no detaļas. Izņemiet roku no ventilācijas zonas, noņemiet slīpēšanas disku, pēc tam, kad roka ir izņemta no ventilācijas zonas, ieslēdziet slīpmašīnu un palaidiet to brīvi, bez slodzes, lai atdzesētu motoru.

### STŪRI UN ŠAURAS PLAISAS

*Skatiet 6. attēlu.*

- Lai slīpētu, piemēram, stūrus un šauras spraugas, izmantojiet slīpēšanas uzgali, veicot nelielas kustības uz priekšu un atpakaļ.

### PUTEKĻU TVERTNES IZTUKŠOŠANA

*Skatiet 7. attēlu.*

Efektīvāku darbību, tukšu putekļu maisiņu, kad tas ir ne vairāk kā pusi pilna. Tādējādi gaiss varēs labāk plūst caur tvertni. Pēc slīpēšanas darbības pabeigšanas un pirms slīpmašīnas novietošanas glabātuvē vienmēr iztukšojiet un iztīriet putekļu tvertni.

#### ▲ BRĪDINĀJUMS

Dažu slīpējamo virsmu pārklājuma, piemēram, poliuretāna un linsēklu eļļas, radītie slīpēšanas putekļi var paši aizdegties slīpmašīnas putekļu tvertnē vai kādā citā vietā un izraisīt ugunsgrēku. Lai samazinātu aizdegšanās risku, slīpēšanas laikā vienmēr bieži iztukšojiet putekļu tvertni (10-15 minūtes) un nekad neuzglabājiet un neatstājiet slīpmašīnu, ja tās putekļu tvertne nav pilnīgi iztukšota. Ievērojiet arī pārklājumu ražotāju ieteikumus.

1. Atslēdziet slīpmašīnu.

#### ▲ BRĪDINĀJUMS

Ja instruments netiek atslēgts, tas var nejauši ieslēgties un izraisīt nopietnu traumu.

2. Putekļu tvertni noņemiet no slīpmašīnas.
3. Izkratiet putekļus.
4. Putekļu tvertni atkal piestipriniet pie slīpmašīnas.

**PIEZĪME:** Lai pamatīgāk iztīrītu putekļu tvertni, izņemiet to

no karkasa un izkratiet putekļus. Uzlieciet putekļu tvertni virs rāmja, pēc tam slīpmašīnai uzstādiet putekļu tvertnes montāžu.

### SLĪPĒŠANAS LOKŠŅU NOMAIŅA

*Skatiet 8. attēlu.*

Slīpmašīna ir aprīkota ar dažādiem izmantošanai paredzētām slīpēšanas loksņiem un uzliktniem. Lai nomainītu loksnes, vienkārši novelciet izmantoto loksni no pamatnes un piestipriniet nepieciešamo loksni, to vai paliktņi piespiežot pie slīpmašīnas pamatnes.

### PIRKSTU PALIKTŅA IZMANTOŠANA

*Skatiet 9. attēlu.*

1. Atveriet pirkstu paliktņa vāciņu.
2. Nolaidiet pirkstu paliktņi un fiksējiet to vietā.
3. Aizveriet pirkstu paliktņa vāciņu.

### BAROŠANAS INDIKATORS

Šim instrumentam ir elektropadeves indikators, kas iedegas, līdzko instruments ir pievienots barošanas padevei. Tas brīdina lietotāju, ka instruments ir pieslēgts barošanai un darbosies, kad tiks nospiests slēdzis.

### APKOPE

#### ▲ BRĪDINĀJUMS

Instrumentu nekad nevajadzētu pievienot barošanas padevei, veicot daļu montāžu, regulēšanu, tīrīšanu vai apkopi vai arī laikā, kad instruments netiek izmantots. Atslēdzot instrumentu, tiek novērsta nejauša ieslēgšanās, kas varētu izraisīt nopietnu traumu.

#### ▲ BRĪDINĀJUMS

Apkopei izmantojiet tikai identiskas rezerves daļas. Jebkādi citu detaļu izmantošana var izraisīt bīstamību vai produkta bojājumus.

### VISPĀRĪGI

Tīrot plastmasas daļas, izvairieties no šķīdinātāju lietošanas. Vairums plastmasu ir jutīgas pret dažāda veida pārdošanā esošajiem šķīdinātājiem un to izmantošanas rezultātā var tikt bojātas. Izmantojiet tīru drānu, lai notīrītu nefūrus, putekļus, eļļu, ziežvielas utt.



## Latviski

### ▲ BRĪDINĀJUMS

Neļaujiet jebkurā laikā bremžu šķidrums, gazolīnam, naftas produktiem, asām eļļām utt. nonākt saskarē ar plastmasas daļām. Tie satur ķīmiskas vielas, kuras var sabojāt, pavājināt vai iznīcināt plastmasu.

Elektroinstrumenti, kurus izmanto stikla šķiedras materiāla, ģipša plāksnes, plastikāta savienojumu vai apmetuma apstrādei, ātrāk nodilst un var priekšlaicīgi nolietoties, jo stikla šķiedras šķemba un putekļi ļoti abrazīvi iedarbojas, piemēram, uz gultņiem, sukām un komutatoriem. Tātad, mums nav ieteicama, izmantojot šo rīku pagarināts darbu pie šiem materiālu veidiem. Ja tomēr strādājat ar kādu no šiem materiāliem, ārkārtīgi svarīgi ir notīrīt instrumentu ar saspiesta gaisa palīdzību.

### ▲ BRĪDINĀJUMS

Elektroinstrumenta darbības vai putekļu pūšanas laikā vienmēr izmantojiet aizsargbrilles vai drošības brilles ar sānu aizsargiem. Ja darbība ir saistīta ar putekļu rašanos, uzlieciet arī putekļu masku.

### EĻĻOŠANA

Visi gultņi šajā instrumentā tiek eļļoti ar pietiekamu daudzumu augstas kvalitātes smērvielas, lai ierīce normālas lietošanas režīmā kalpotu visu darbмūžu. Tāpēc papildu eļļošana nav nepieciešama.

### TĪRĪŠANA SKRUBERA SPILVENTIŅI

Lai nodrošinātu ilgāku darbмūžu un optimālu veiktspēju, no beršanas uzliktniem periodiski notīriet visus slīpēšanas pārpalikumus un svešķermeņus. To var izdarīt, vienkārši skalojot uzliktni ar siltu ūdeni, līdz noskaloti visi svešķermeņi. Pēc tīrīšanas, maigi saspiediet tamponu izņemt lieko ūdeni un ļauj spilventiņu nožūt. Vienmēr uzglabāt spilventiņi un smiltīm lapas dzīvokli vēsā sausā vietā.

### TĪRĪŠANA SLĪPĒŠANAS LOKSNES

Slīpēšanas loksnes, kas nāca ar jūsu Sander veic atkārtoti izmantot. Tādēļ ir svarīgi, lai tie būtu jātīra regulāri, lai novērstu smiltņīcas atlikumu un ārzemju materiālus, kas var uzkrāties laikā.

Lai notīrītu slīpēšanas loksnes, noberziet tās ar cietu gumijas klucīti. Var izmantot arī tīru gumijas zoli kurpes.

### ▲ BRĪDINĀJUMS

Vienmēr noņemiet skruberu vai slīpēšanas spilventiņu no Sander pirms tīrīšanas. Neievērošana var radīt nopietnus miesas bojājumus.

### VIDES AIZSARDZĪBA



Tā vietā, lai materiālus izmestu, nododiet tos atkārtotai realizācijai. Mašīna, aksesuāri un iepakojums ir jāsašķiro un jānodod videi draudzīgā atkārtotas pārstrādes vietā.

### SIMBOLS



Drošības brīdinājums

V Volti

Hz Herci

~ Maiņstrāva

W Vati

no Apgriezieni bez slodzes

min<sup>-1</sup> Apgriezieni minūtē



Orbitālā Diametrs



CE atbilstība



Dubultā izolācija



Lietojiet dzirdes aizsargus



Valkājiet acu aizsarglīdzekļus



Pirms iedarbināt mašīnu, lūdzu rūpīgi izlasiet instrukcijas.



Izlietotie elektroprodukti nedrīkst tikt izmesti kopā ar mājāsaimniecības atkritumiem. Lūdzu, nododiet tos attiecīgajās atk ār totas izmantošanas vietās. Sazinieties ar savu vietējo varas pārstāvi vai izplatītāju, lai noskaidrotu, kur iespējama atkārtota pārstrāde.



## Lietuviškai

### APRAŠYMAS

1. Perjungiklis
2. Lengvai pakeičiamas pritvirtinamas padelis
3. Dulkių surinktuvas
4. Šlifavimo popierius
5. Įjungto įrankio indikatorius
6. Dangtelis
7. Pirštų padelis
8. Bloketėjis

### SPECIFINĖS SAUGOS INSTRUKCIJOS DARBUI SU ŠLIFUOTUVU

- Šlifavimo metu, ypač kai šlifujete virš galvos, visada dėvėkite apsauginius akinius ir kaukę nuo dulkių.
- Prietaisas netinkamas šlifavimui drėgnuoju būdu.
- Nenaudokite didesnio švitrinio popieriaus nei reikia. Iš šlifavimo pado išsikišęs popierius gali smarkiai draskyti paviršius.
- Dulkių surinkimo talpą reikia pritvirtinti prie įrankio. Jį reikia dažnai ištuštinti. Norėdami pritvirtinti dulkių surinkimo talpą, įstatykite dulkių talpos adapterį į šlifukolio užpakalinėje dalyje esančią dulkių surinkimo angą.

#### ⚠ ĮSPĖJIMAS

Nemeskite nuo šlifavimo likusių dulkių į atvirą ugnį, kadangi smulkintose dalelėse esančios medžiagos gali sprogti.

#### ⚠ ĮSPĖJIMAS

Šlifodami švino dažus, tam tikras medienos rūšis ir metalą dėvėkite respiratorių, kad neįkvėptumėte nuodingų / žalingų dulkių arba oro.

### TECHNINIAI REIKALAVIMAI

|                 |                         |
|-----------------|-------------------------|
| Įtampa          | 230 V - 240 V ~ 50 Hz   |
| Galia           | 80 W                    |
| Orbitinė minutė | 12000 min <sup>-1</sup> |
| Svoris          | 0,95 kg                 |

### SAVYBĖS

#### PAŽINKITE SAVO KOMPAKTINĮ APDAILO ŠLIFUOKLĮ

Žr. 1 pav.

Prieš naudodami šį gaminį, susipažinkite su visomis įrankio savybėmis ir saugumo taisyklėmis. Tačiau būkite atsargūs, net jei puikiai pažįstate įrankį.

#### JUNGIKLIS

Šiame prietaise yra įmontuotas lengvai valdomas jungiklis, esantis prie variklio korpuso priekio.

#### LENGVAI PAKEIČIAMAS PRITVIRTINAMAS PADELIS

Dėl kabluko ir kilpelių šlifavimo lakštus ir šveitimo padelius galima greitai pakeisti. Tokiu būdu taip pat galėsite juos lengvai nuvalyti ir naudoti pakartotinai.

#### ŠLIFAVIMAS APSKRITIMU

Šlifukoliui vibruojant šlifavimo padelis juda labai greitai, mažais apskritais judesiais. Toks judesys puikiai tinka, norint pasiekti smulkiai granuliuoto paviršiaus rezultatų arba naudojant šveitimo padelį, šalinant nesenas rūdis, dažus ir kitas darbo metu ant ruošinio paviršiaus susidariusias sankaupas.

#### DULKIŲ SURINKTUVAS

Prie šlifukolio prijungiamas dulkių surinktuvas išlaiko mažiausią drožlių kiekį.

### MONTAVIMAS

#### ⚠ ĮSPĖJIMAS

Nelaikykite įrankio prijungto prie elektros maitinimo šaltinio, kai montuojate detales, reguliuojate, valote, atliekate priežiūros darbus ar kai įrankis nėra naudojamas. Atjungus įrankį sumažėja galimybė, kad jis netikėtai užsives ir ką nors sunkiai sužeis.

#### ŠLIFAVIMO DISKO PASIRINKIMAS

Siekiant pasiekti aukštos kokybės šlifavimo rezultatų, labai svarbu pasirinkti teisingo rupumo, dydžio ir tipo šlifavimo popierius. Elektriniam šlifavimui labiausiai tinka aliuminio oksido, silikono karbido ir kitos sintetinės šlifavimo medžiagos. Natūralios šlifavimo medžiagos, pvz. titnagas ar granatas, yra per minkšti, kad būtų ekonomiškai naudojami šlifuojant elektriniu būdu.

Apskritai, šiurkštus rupumas pašalina didžiąją medžiagos dalį, o smulkus rupumas visose šlifavimo operacijose suteikia geriausių rezultatų. Pagal šlifuojamo paviršiaus būklę galima nustatyti, koks rupumas labiausiai tinka. Jei paviršius yra grublėtas, pradėkite nuo šiurkštaus rupumo ir šlifukite tol, kol paviršius taps lygus. Tada naudokite vidutinį rupumą, kad pašalintumėte įbrėžimus, kuriuos palieka šiurkštesnis rupumas, o smulkesnis rupumas naudojamas paviršių apdailai. Visada naudokite kiekvieno rupumo šlifavimo būdą tol, kol paviršius taps lygus.





## Lietuviškai

### Lakšto / padelio rekomenduojamas naudojimas

|                           |                                 |
|---------------------------|---------------------------------|
| 80-smėlio barstymo lapas  | Šiurkščiavilnių smėlio barstymo |
| 120-smėlio barstymo lapas | Šviesos šlifavimas              |
| 150-smėlio barstymo lapas | Šviesos šlifavimas              |

### ŠLIFAVIMO DISKŲ SU LAIKIKLIAIS IR KILPELĖMIS TVIRTINIMAS

Žr. 2 pav.

1. Išjunkite šlifuotuvą iš maitinimo šaltinio.
2. Šlifavimo diske su kabliukais ir kilpelėmis sulygininkite angeles su pado angelėmis, po to atsargiai kuo tvirtčiau prispauskite nelygi! šlifavimo disko pusę prie pado.

**PASTABA:** Šlifavimo diskus su kabliukais ir kilpelėmis galima naudoti pakartotinai tol, kol esama šlifavimo abrazyvinio paviršiaus. Siekiant išlaikyti geriausią sukibimą, rekomenduojame šlifavimo disko pagalbinį padelį visuomet laikyti švarų. Kartais jį nuvalykite lengvai braukdami nedideliu šepetėliu.

### DULKIŲ SURINKTUVO TVIRTINIMAS

Žr. 3 pav.

Dulkių surinktuve yra šlifuotuvo dulkių surinkimo sistema. Šlifavimo metu susikaupusios dulkės išmetamos per šlifavimo disko angas bei šlifavimo metu surenkamos dulkių surinktuve.

1. Išjunkite šlifuotuvą iš maitinimo šaltinio.
2. Lengvu sukamuoju judesiu dulkių surinktą tvirtai stumkite į šlifuotuvo pūstuvą.

### ĮSPĖJIMAS

Su šiuo įrankiu dirbkite atsargiai. Neatsargūs veiksmai, net ir mažiausią sekundę, gali sukelti sunkius sužeidimus.

### TAIKYMO SRITYS

Šlifuotuvą galima naudoti šiems tikslams:

- Šlifuoti medinius paviršius.
- Šalinama rūdis nuo ir šlifavimo plieno paviršių.
- Šlifavimo ir šveitimo porceliano ir metalo.

### ATSARGIAI

Laidą laikykite toliau nuo šlifavimo padelio ir laidą nustatykite taip, kad šlifavimo metu jis nesusipainiotų su pjautine mediena, įrankiais ir kitais objektais.

### ĮSPĖJIMAS

Visada užsidėkite apsauginius akinius arba akinius su šoniniais skydais, kai dirbate su šiuo įrankiu. Nepasirūpinus tinkama akių apsauga, į jūsų akis gali patekti dulkių, nuolaužų ar laisvų dalelių, kurios gali sunkiai sužaloti.

### VEIKIMAS

#### ŠLIFUOKLIO ĮJUNGIMAS / IŠJUNGIMAS (ON / OFF)

Žr. 4 pav.

- **Šlifuoekli įjungimas:** Tiesiog įjungimo / išjungimo jungiklis į kairę
- **Šlifuoekli išjungimas:** Pastumkite įjungimo / išjungimo (on / off) jungiklį į dešinę pusę.

#### DARBAS SU ŠLIFUOKLIU

Žr. 5 pav.

1. Ruošinį pritvirtinkite taip, kad jis po šlifuoekli nejudėtų.

### ĮSPĖJIMAS

Nepritvirtinti ruošiniai gali būti nusviesti į operatorių ir jį sužeisti.

### ĮSPĖJIMAS

Laikykite galvą toliau nuo šlifuoekli ir šlifavimo zonos. Jūsų plaukus šlifuoekli gali įtraukti ir sukelti sunkius sužeidimus.

2. Šlifuoeklį uždėkite ant ruošinio taip, kad visas šlifavimo disko paviršius liestųsi į ruošinį.

### ATSARGIAI

Kad variklis nesugestų nuo perkaitimo, rankomis neuždenkite oro ventiliacijos angų.

3. Šlifuoeklį įjunkite ir jį lėtai judinkite ant ruošinio paviršiaus.

**PASTABA:** Laikykite savo šlifuoeklį priešais ir toliau nuo savęs, nuo ruošinio jį laikydami saugiu atstumu. Įjunkite šlifuoeklį ir leiskite varikliui išvystyti savo didžiausią greitį. Po to palapsnui leiskite šlifuoeklį žemyn link ruošinio paviršiaus. Mažais apskritais judesiais šlifuoeklį lėtai stumkite ruošinio paviršiumi.

**Nenaudokite jėgos.** Įrankio svoris duoda atitinkamą spaudimą, tokiu būdu leiskite švitiniam diskui ir šlifuoekliui patiams atlikti darbą. Papildomas spaudimas tik lėtina variklį, dėl jo šlifavimo diskas greičiau nusidėvi ir labai





## Lietuviškai

sumažinamas šlifuko klio greitis. Per didelis spaudimas gali variklį perkrauti, dėl to variklis gali perkaisti ir sugesti, bei darbas bus atliktas nekokybiškai. Nuo trinties karščio bet kokia apdaila ar medienos sakai gali suminkštėti.

Nešlifukokite per ilgai vienoje vietoje, kadangi greiti šlifutuoto veiksmai gali pašalinti per daug medžiagos, todėl paviršius taps nelygus.

Dėl ilgesnio šlifavimo laikotarpio variklis gali perkaisti. Tokiu atveju, šlifuko klį išjunkite ir palaukite, kol šlifavimo diskas visiškai sustos; tada šlifuko klį nuimkite nuo ruošinio. Nuimkite ranką nuo ventiliacijos angos, išimkite šlifavimo diską, tuomet ta ranka, kurią nuėmėte nuo ventiliacijos angos, šlifuko klį įjunkite ir leiskite jam dirbti laisva eiga be apkrovos, kad variklis atvėstų.

### KAMPAI IR SIAURI PLYŠIAI

Žr. 6 pav.

- Smulkiam šlifavimui, pvz. kampų ir plyšelių, šlifukokite mažais šlifavimo padelio smailaus galo judesiais pirmyn ir atgal.

### DULKIŲ SURINKTUOVO IŠVALYMAS

Žr. 7 pav.

Daugiau efektyvų veikimą, tuščias dulkių maišelio, kai jis yra ne daugiau nei perpus. Tokiu būdu oras geriau cirkuliuoja talpoje. Pabaigę šlifavimo darbus ir prieš padėdami šlifutuotą saugoti visada kruopščiai išpurtykite ir išvalykite dulkių surinktuvą.

#### ĮSPĖJIMAS

Susikaupę šlifavimo dulkės nuo šlifuto paviršiaus dangos, tokios kaip poliuretanas, sėmenių aliejus ir t. t., jūsų šlifutuoto dulkių maiše ar kitur gali savaime užsidegti ir sukelti gaisrą. Kad būtų sumažintas gaisro pavojus, šlifavimo metu dažnai ištuštinkite dulkių surinktuvą (kas 10-15 minučių) bei niekada nelaikykite ir nepalikite šlifutuoto visiškai neištuštinę dulkių surinktovo. Taip pat laikykitės padengimo medžiagų gamintojų rekomendacijų.

1. Išjunkite šlifutuotą iš maitinimo šaltinio.

#### ĮSPĖJIMAS

Neišjungus įrankio iš elektros maitinimo šaltinio, variklis gali atsitiktinai užsivesti bei jus sunkiai sužeisti.

2. Nuo šlifutuoto nuimkite dulkių surinktuvą.
3. Išpurtykite dulkes.
4. Prie šlifutuoto pritvirtinkite dulkių surinktuvą.

**PASTABA:** Norint dulkių surinktuvą kruopščiai išvalyti, dulkių surinktuvą nuimkite nuo rėmo ir dulkes išpurtykite.

Dulkių surinktuvą uždėkite ant rėmo ir dulkių surinktovo korpusą pritvirtinkite prie šlifutuoto.

### ŠLIFAVIMO LAKŠTŲ KEITIMAS

Žr. 8 pav.

Prie šlifuko klio pridėdami šlifavimo lakštai ir šveitimo padeliai įvairioms darbo paskirtims. Jei norite lakštus pakeisti, panaudoję lakštą nuimkite nuo pagrindo ir pritvirtinkite reikiamą lakštą jį ar padelį spausdami prie šlifuko klio pagrindo.

### PIRŠTŲ PADELIO NAUDOJIMAS

Žr. 9 pav.

1. Atidarykite pirštų padelio dangtelį.
2. Nuleiskite pirštų padelį ir jį užfiksokite vietoje.
3. Uždarykite pirštų padelio dangtelį.

### ĮJUNGTO ĮRANKIO INDIKATORIUS

Šiame įrankyje yra įmontuotas įjungto įrankio indikatorius, kuris iš karto šviečia, kai įrankis prijungiamas prie maitinimo šaltinio. Tuo būdu vartotojas įspėjamas, kad įrankis įjungtas ir nuspaudus jungiklį jis pradės veikti.

### PRIEŽIŪRA

#### ĮSPĖJIMAS

Nelaikykite įrankio prijungto prie elektros maitinimo šaltinio, kai montuojate detales, reguliuojate, valote, atliekate priežiūros darbus ar kai įrankis nėra naudojamas. Atjungus įrankį sumažėja galimybė, kad jis netikėtai užsivės ir ką nors sunkiai sužeis.

#### ĮSPĖJIMAS

Sugedusias detales keiskite tik originaliomis atsarginėmis detalėmis. Kitų detalių naudojimas gali sukelti pavojų ar sugadinti įrankį.

### PAGRINDINIAI NURODYMAI

Valydami plastikines detales, nenaudokite tirpiklių. Daugelis plastikų jautrūs įvairių tipų komerciniams tirpikliams ir juos naudojant galima pažeisti plastikines detales. Valydami purvą, dulkes, tepalus, alyvas ir t. t., naudokite švarias šluostes.

#### ĮSPĖJIMAS

Būkite atsargūs, kad ant plastikinių detalių nepatektų stabdžių skysčio, benzino, naftos turinčių produktų, tepalo ir pan. Juose esantys chemikalai gali pažeisti, susilpninti ar sunaikinti plastiką.



## Lietuviškai

Su stiklo pluošto medžiagomis, sieninėmis plokštėmis, kibirkščiuojančiais junginiais ar tinku darbo metu naudojami elektriniai įrankiai greitai susidėvi ir sugenda todėl, kad stiklo pluošto atplaišos ir šlifavimo likučiai agresyviai veikia guolius, šepetčius, komutatorius, ir t. t. Todėl mes Nerekomenduojama naudoti šį įrankį, ilgą darbą šių žaliavų rūšys. Tačiau, jei jūs tikrai dirbate su kuria nors iš šių medžiagų, labai svarbu valyti įrankį naudojant suspaustą orą.

### ⚠ ĮSPĖJIMAS

Dirbdami su elektriniu įrankiu ar kai pučiamos dulkės, visada dėvėkite apsauginius akinius ar akinius su šonine apsauga. Jei darbo metu kyla dulkės, taip pat dėvėkite kaukę nuo dulkių.

### SUTEPIMAS

Kad įrankis ilgai veiktų normaliomis darbo sąlygomis, visi šio įrankio guoliai tepami užpilant pakankamą kiekį aukštos kokybės tepalo. Todėl daugiau jo tepti nebereikia.

### VALYMO PLOVIMO PAGALVĖLĒS

Norėdami prailginti įrankio naudojimo laiką ir pasiekti geriausių darbo rezultatų, nuo šveitimo padelių reguliariai nuvalykite visas po šlifavimo likusias atliekas ir pašalines medžiagas. Tai atliekama labai paprastai - skalaujant padelį šiltu vandeniu tol, kol nuplaunamos visos atliekos. Po valymo, švelniai išspausiti trinkelėmis pašalinti vandens perteklių ir leidžia pad išdžiūti. Visada laikykite pagalvėlės ir šlifavimo lakštų butas vėsioje, sausoje vietoje.

### VALYMO ŠLIFAVIMO LAKŠTŲ

Šlifavimo lakštų, kurie atėjo su savo Sander daromi būti panaudotas dar kartą. Todėl svarbu, kad jie būtų periodiškai valoma pašalinti šlifavimo atliekas ir užsienio medžiaga, kuri gali kaupiasi laikui bėgant.

Norėdami nuvalyti šlifavimo lapai, patrinti lapus su kietos gumos blokas. Taip pat galite naudoti švarios gumos padais iš batų.

### ⚠ ĮSPĖJIMAS

Visada išimkite šveitimo arba šlifavimo iš Sander prieš valymą. To nepadarius, gali sukelti rimtų sužalojimų.

### APLINKOS APSAUGA



Žaliavines medžiagas perdirbkite pakartotinai, o ne išmeskite kaip atliekas. Mechanizmas, priedai ir pakotės turi būti laikomi pakartotinai perdirbti aplinkai nekenksmingu būdu.

### SIMBOLIAI



Pranešimas apie saugumą

V

Volčiai

Hz

Hercai

~

Kintamoji srovė

W

Vatai

no

Greitis be apkrovimo

min<sup>-1</sup>

Apsukos ar judėjimas per minutę



Orbitinis skersmuo



CE suderinimas



Dviguba izoliacija



Dėvėkite klausos apsaugos priemones



Dėvėkite akių apsaugos priemones



Atidžiai persikaitkykite instrukcijas prieš pradėdami naudoti mechanizmą.



Elektrinių produktų atliekos neturi būti metamos kartu su namų ūkio atliekomis. Prašome perdirbkite jas ten, kur yra tokios perdirbimo bazės. Dėl perdirbimo patarimo kreipkitės į savo vietinę savivaldybę ar pardavėją.

## Eesti

## KIRJELDUS

1. Lülitusnupp
2. Takjastüüpi kiirühendustaldmik
3. Tolmukogumiskarp
4. Lihvpaber
5. Toiteoleku märgutuli
6. Kate
7. Nurgataldmik
8. Lukk

## LIHVASINA ERIOHUTUSJUHISED

- Kasutage töötamisel alati kaitseprille ja tolmu maski – eriti tähtis on see lihvimisel pea kohal.
- Masin ei ole ette nähtud märglihvimiseks.
- Ärge kasutage lihvimisel suuremat lihvpaperit, kui vaja. Lihvistallast üleulatav lihvpaperi osa võib põhjustada kehavigastusi.
- Töötamine ilma nõuetekohaselt paigaldatud tolmu karbita ei ole lubatud. Seda tuleb regulaarselt tühjendada. Tolmu karbi ühendamiseks pange tolmu karbi ühendusmülv lihvmasina tagaosale asuvalle tolmu kogumisosakule.

## ⚠ HOIATUS

Ärge visake lihvistolmu tulle, sest tolmu peenosakesed võivad plahvata. Ärge kasutage vigastatud tarvikuid.

## ⚠ HOIATUS

Kandke nõuetekohast respiraatorit kui lihvite tina sisaldavaid värve, kõva puitu või metalle, et ohtlikku/mürgist tolmu või õhku mitte sisse hingata.

## TEHNILISED ANDMED

|                          |                         |
|--------------------------|-------------------------|
| Pinge                    | 230 V - 240 V ~ 50 Hz   |
| Võimsus                  | 80 W                    |
| Orbitaal-pöörlemiskiirus | 12000 min <sup>-1</sup> |
| Mass                     | 0,95 kg                 |

## FUNKTSIOONID

## ÕPPIGE OMA LIHVASINAT TUNDMA

Vaata joonist 1.

Enne seadme kasutamist hakkamist, tutvuge selle kõikide tööomaduste ja ohutusnõuetega. Pärast tööriistaga

tutvumist ärge muutuge hooletuks.

## LÜLITI

Seadmel on hõlpsalt kasutatav lüliti, mis asub mootori korpuse esiosa ees.

## TAKJASTÜÜPI KIIRÜHENDUSTALDMIK

Takjastüüpi kinnitus võimaldab lihvpaperit ja poleerimispatja kiiresti vahetada. See võimaldab neid hõlpsalt puhastada ja uuesti kasutada.

## LIHVIMINE PÖÖRDLIHKUMISEGA

Võnkuv liikumine tekitab lihvpadja väga kiire, väikese raadiusega liikumise. See liikumine on väga sobiv peenviimistlemiseks ja rooste, värvi ja kogunenud mustuse eemaldamiseks töödeldavalt pinnalt puhastuspatja kasutades.

## TOLMUKOGUMISKARP

Lihvmasinale saab kinnitada tolmu kogumiskarbi, mis hoiab tolmu levimist minimaalsel tasemel.

## KOKKUPANEK

## ⚠ HOIATUS

Masina kokkupanekul, reguleerimisel, puhastamisel, hooldamisel ja töövaheaegadel tuleb lihvmasin elektrivõrgust lahti ühendada. Lihvmasina elektrivõrgust lahtiühendamine väldib selle tahtmatu käivitumise, mis võib põhjustada raske kehavigastuse.

## LIHVKETTA VALIMINE

Lihvpaperi tera õige suuruse ja tüübi valimine on äärmiselt tähtis, et saavutada lihvitud pinna kõrge kvaliteet. Masinlihvimisel on kõige parem kasutada sünteetilisi abrasiive, mis on alumiiniumoksiidi, ränikarbiidi või teiste materjalide põhised. Looduslikud abrasiivid, näiteks räni või mineraalid, on efektiivseks masinlihvimiseks liiga pehmed.

Tavaliselt eemaldab jämedateraline lihvpaper rohkem materjali ja peeneteraline lihvpaper loob parema viimistluspinna kõikides lihvimisoperatsioonides. Töötamisel määrab tera suuruse ära lihvitava pinna seisund. Kui pind on jämedakoeline, siis alustage lihvimist jämedateralise lihvpaperiga ja lihvige seni, kui pind on sile. Keskmise tera suurusega lihvpaperit võib kasutada nende kriimustuste mahalihvimiseks, mis on jäänud jämelihvimisest ning peenema teraga lihvpaperit võib kasutada pindade lõppviimistluseks. Kasutage järjest väiksemat terasuurust kuni pind on ühtlaselt sile.



## Eesti

### Lihvpaberi/taldmiku kasutussoovitused

|                                   |                 |
|-----------------------------------|-----------------|
| 80 liivapaberiga lihvimine lehel  | Jäme lihvimine  |
| 120 liivapaberiga lihvimine lehel | Light lihvimine |
| 150 liivapaberiga lihvimine lehel | Light lihvimine |

### TAKJASTÜÜPI LIHVIMISPABERI KINNITAMINE

Vaata joonist 2.

- Võtke pistik pistikupesast välja.
- Ühitage takjastüüpi lihvpaberi avad taldmiku avadega ja suruge lihvpaberi ebemeline külg seejärel vastu taldmiku nii tihedalt kui võimalik.

**MÄRKUS:** Takjastüüpi kinnitusega lihvpaberit saab kasutada seni, kui selle abrasiivkiht ära kulub. Hoidke taldmiku kinnituspadi parima nakke saavutamiseks puhas. Puhastage perioodiliselt kerge harjamisega.

### TOLMUKARBI KINNITAMINE

Vaata joonist 3.

Tolmukarp on ette nähtud lihvmasinasse kogunenud tolmu kogumiseks. Lihvimise ajal tekkinud tolm tõmmatakse lihvpaberi avadest sisse ja kogutakse tolmukarpi.

- Võtke pistik pistikupesast välja.
- Pöörake veidi ja lükake tolmukarp lihvmasina puhuri väljalaskeavale.

### ⚠ HOIATUS

Olge selle tööriistaga töötamisel ettevaatlik. Pidage meeles, murdosa sekundist piisab, et saada raske kehavigastus.

### KASUTUSOTSTARVE

Seda seadet tohib kasutada järgmisteks otstarveteks:

- Puitpindade lihvimine.
- Eemaldamine rooste välja ja lihvimine terasest pindadele.
- Poleerimine ja küürimine porselan ja metall.

### ⚠ ETTEVAATUST

Hoidke toitejuhe lihvimistaldmikult eemal ja paigutage juhe nii, et see ei takerdu töötamise ajal tooriku, tööriistade või muude objektide külge.

### ⚠ HOIATUS

Kandke toodet kasutades küljekaitsetega ohutusvõi kaitseprille. Muidu võib teile tolm, laastud või muud lahtised kübemed silma lennata ja sellega põhjustada raske vigastuse.

### KASUTAMINE

#### LIHVMASINA SISSE-/VÄLJALÜLITAMINE

Vaata joonist 4.

- Lihvmasina sisselülitamine:** Push / off lüliti vasakule.
- Lihvmasina väljalülitamine:** Mootori seiskamiseks vajutage seiskamisnupule.

#### LIHVMASINA KASUTAMINE

Vaata joonist 5.

- Kinnitage toorik, et vältida selle liikumahakkamist lihvmasina all.

### ⚠ HOIATUS

Kinnitamata toorik võib põhjustada selle paiskumise töötaja suunas ja põhjustada kehavigastuse.

### ⚠ HOIATUS

Hoidke pead lihvimismasinast ja lihvitava ala ohupiirkonnast eemal. Juuksed võivad lihvmasinasse kinni jääda ja põhjustada sellega raske kehavigastuse.

- Pange lihvmasin toorikule nii, et lihvpaber on toorikuga täies ulatuses kontaktis.

### ⚠ ETTEVAATUST

Mootori vigastumise vältimiseks vaadake ette, et te korpuse ventilatsiooniväändid käega kinni ei kata.

- Lülitage lihvmasin sisse ja liigutage seda toorikul aeglaselt edasi-tagasi.

**MÄRKUS:** Hoidke lihvmasinat enda ees ja endast eemal, tooriku kohal. Käivitage lihvmasin ja laske masinal saavutada täiskiirus ning pange lihvmasin seejärel sujuvalt toorikule. Liigutage lihvmasinat aeglaselt piki toorikut kasutades väikese raadiusega ringliigutusi.

**Ärge liigselt peale suruge.** Seadme mass on piisav, et rakendada pinnale nõuetekohast survet, seega laske lihvpaberil ja lihvmasinal endal teha oma tööd. Täiendav pealesurumine aeglustab mootori tööd, kulutab lihvimisketta kiiresti läbi ja vähendab suurel määral lihvimiskiirust. Liigne surve koormab mootori üle







## Eesti

ja põhjustab sellega mootori ülekuumenemise ja võib halvendada kvaliteeti. Hõõrdumisel tekkiva kuumuse mõjul võib puidul olev viimistluskiht või vaik pehmeneda.

Ärge hoidke lihvmasinat liiga kaua ühel kohal, sest lihvmasina kiire liikumine võib eemaldada liiga palju materjali, mis teeb pinna ebatasaseks.

Pikaajalisel töötamisel võib mootor üle kuumeneda. Kui see ilmneb, lülitage lihvmasin välja ja laske sellel täielikult peatuda, enne kui toorikult üles tõstate. Hoides oma käsi õhutusavadelt eemal võtke lihvpaper ära, lülitage lihvmasin sisse ning laske sellel ilma koormuseta töötada, et mootor maha jahtuks.

### NURGAD JA PRAOD

*Vaata joonist 6.*

- Nurkade ja pragude lihvimiseks kasutage lihvimistaldmiku pikenduskaappa ja lihvige lühikeste edasi-tagasi liigutustega.

### TOLMUKOGUMISKARBI TÜHJENDAMINE

*Vaata joonist 7.*

Tõhusamat toimimist, tühjad tolmuks, kui ta ei ole rohkem kui pooltäis. See tagab õhu parema läbivoolu läbi tolmukarbi. Tühjendage ja puhastage tolmuks alati põhjalikult pärast lihvimise lõpetamist ja enne lihvmasina hoiustamist.

#### ⚠ HOIATUS

Polüuretaani, linaseemneõli jne põhiste pinnaviimistlusmaterjalide lihvimisel võib tolmukskarpi või mujale koguneda isesüttiv tolm, mis võib põhjustada tulekahju. Tuleohtu vähendamiseks tühjendage tolmukskarpi regulaarselt (10-15 minuti järele) ja ärge pange lihvmasinat kõrvale või hoiustage seda ilma, et tolmuks oleks tühjendatud. Juhinduge pinnaviimistlusmaterjalide tootjate soovitudest.

1. Võtke pistik pistikupesast välja.

#### ⚠ HOIATUS

Pistiku mitte-eemaldamisel võib toimuda lihvmasina juhuslik sisselülitumine, mis võib põhjustada tõsise kehavigastuse.

2. Eemaldage lihvmasinalt tolmuksarp.
3. Raputage tolm välja.
4. Pange tolmuksarp lihvmasinale tagasi.

**MÄRKUS:** Tolmukskarbi täielikuks puhastamiseks võtke see raamilt lahti ja puistake tolm välja. Kasutage tolmuksarpi raamidele ja paigaldage tolmukskarbi sõlm lihvmasinale tagasi.

### LIHVIMISLEHTEDE VAHETAMINE

*Vaata joonist 8.*

Lihvmasina komplektis on mitmeks otstarbeks ettenähtud lihvpaperid ja puhastuspadjad. Lihvpaperi vahetamisel tõmmake leht taldmikult lahti ja kinnitage soovitud leht selle surumisega lihvmasina taldmikule.

### KÄPPTALDMIKU KASUTAMINE

*Vaata joonist 9.*

1. Avage käpptaldmiku kaas.
2. Langetage käpptaldmik ja lukustage oma kohale.
3. Sulgege käpptaldmiku kaas.

### TOITEOLEKU MÄRGUTULI

Lihvmasinal on toite märgutuli, mis lihvmasina toitevõrguga ühendamisest kohe süttib. See hoiatab kasutajat, et masin on elektrivõrku ühendatud ja tööriist hakkab lüüti sissevajutamisel tööle.

### HOOLDUS

#### ⚠ HOIATUS

Masina kokkupanekul, reguleerimisel, puhastamisel, hooldamisel ja töövaheaegadel tuleb lihvmasin elektrivõrgust lahti ühendada. Lihvmasina elektrivõrgust lahtiühendamine väldib selle tahtmatu käivitumise, mis võib põhjustada raske kehavigastuse.

#### ⚠ HOIATUS

Kasutage teenindamisel ainult täpselt sobivaid varuosi. Muude osade kasutamine võib tekitada ohuolukorra ja põhjustada seadme vigastumise.

### KIRJELDUS

Väliste plastosade puhastamisel lahustite kasutamist. Enamik plaste on tundlikud kaubandusvõrgust saadaolevate lahustite suhtes ja võivad nende mõjul oma omadusi kaotada. Mustusest, tolmust, õlist, määrdest jne puhastamiseks kasutage puhast riidelappi.

#### ⚠ HOIATUS

Ärge lubage mitte kunagi pidurivedelikel, bensiinil, petrooleumist valmistatud toodetel, immutusõlidel jne puutuda kokku plastikosadega. Need sisaldavad kemikaale, mis võivad plaste rikkuada, nõrgendada või hävitavalt mõjutada.

Elektritööriistade kasutamisel klaaskiudmaterjalide,



## Eesti

seinapaneelide, pahtlisegu või kipsi lihvimiseks võib kaasneda masinaosade kiirenenud kulumine ning võimalikud rikked, sest klaaskiududest ja teistest peenosakestest koosnev väga abrasiivne lihvimistolm kulutab laagreid, kollektori harju, kommutaatorit ja teisi mootoriosi. Järelikult me ei soovitata selle tööriista kasutamisest laendatud töö liiki materjalid. Kui te siiski mõnda nimetatud materjali lihvite, tuleb tööriist tingimata pärast tööd suruõhuga puhtaks puhuda.

### ⚠ HOIATUS

Töötamisel ja tolmu ärapuhumisel kandke alati silmamaski või küljekaitsetega kaitseprille. Kui töötlemine on tolmune, siis kandke tolmumaski.

### MÄÄRIMINE

Kõik selle tööriista laagrid on tehases täidetud piisava hulga kvaliteetse määrdega, mis tagab tavatingimustes nende tööõime kogu kasutusea jooksul. Seetõttu ei ole täiendav määrimine vajalik.

### PUHASTUS PUHASTAMINE PADJAD

Poleerimispatjade tööea pikendamiseks ning lihvmasina tootlikuks tööks hoidke need lihvimisjäätmetest ja võõrkehadest puhas. Võõrosakeste padjalt täielikuks eemaldamiseks kasutage sooja vett. Pärast puhastamist õrnalt pigistada pad Liigse vee eemaldamiseks ja lastakse pad kuivada. Hoidke patjadele ja lihvimine lehed korter jahedas ja kuivas kohas.

### PUHASTUS LIHVIMINE LEHED

Lihvimine lehed, mis oli teie sander tehakse uuesti kasutada. Seetõttu on oluline, et need tuleb puhastada korrapäraselt, et kõrvaldada lihvimine jääkide ja välisriikide materjalidele, mis võivad aja jooksul akumuleerub.

Et puhas lihvimine lehed, hõõruda lehed kõvakummist blokeerida. Võite kasutada ka puhta kummist ainus jalatsi.

### ⚠ HOIATUS

Eemaldage alati küürides või lihvimine padjake sander enne puhastamist. Kui seda ei tehta, võivad põhjustada tõsiseid vigastusi.

### KESKKONNAKAITSE



Toormaterjalid utiliseerige jäätmetega koos. Masin, selle lisaseadmed ja pakend tuleb jäätmekäitluseks keskkonnasõbralikult sorteerida.

### SÜMBOL



Ohutusalane teave

V Volt

Hz Hertz

~ Vahelduvvool

W Watt

n<sub>0</sub> Kiirus ilma koormuseta

min<sup>-1</sup> Pöörete või löökide arv minutis



Orbital Lääbimõõt



CE vastavus



Topeltisolatsioon



Kandke kuulmise kaitsevahendeid



Kandke silmade kaitsevahendeid



Enne seadme kasutamist lugege palun kasutusjuhend hoolega läbi.



Mittekasutatavaid elektritooteid ei tohi visata olmejäätmete hulka. Vaid tuleb viia vastavasse kogumispunkti. Vajadusel küsige sellekohast nõu oma edasimüüjal või vastavalt kohaliku omavalitsuse institutsioonilt.



## Hrvatski

### OPIS

1. Sklopka za pokretanje
2. Brza promjena kuke i podloge
3. Kutija za prikupljanje prašine
4. Papir za brušenje
5. Signalno svjetlo za napon
6. Pokrov
7. Podloga za prst
8. Brava

### POSEBNE UPUTE O SIGURNOSTI ZA BRUSILICE

- **Uvijek nosite zaštitne naočale i zaštitnu masku prilikom brušenja, pogotovo prilikom brušenja iznad glave.**
- **Uređaj nije prikladan za mokro brušenje.**
- **Nemojte koristiti veći brusni papir od potrebnog.** Dodatni produljeni papir iza podloge brusilice također može uzrokovati ozbiljne ozljede.
- **Kutija za prašinu treba biti u opremi s alatom.** Treba ga često prazniti. Za priključivanje kutije za prašinu, umetnite adapter kutije za prašinu na otvor za prikupljanje prašine na stražnjem kraju brusilice.

### ⚠ UPOZORENJE

Nemojte bacati brusnu prašinu u otvoreni plamen jer materijali u obliku finih čestica mogu biti eksplozivni.

### ⚠ UPOZORENJE

Mora se nositi prikladan respirator za disanje tijekom brušenja boje, nekih drva i metala kako bi se izbjeglo udisanje štetne/otrovne prašine ili zraka.

### SPECIFIKACIJE

|                  |                         |
|------------------|-------------------------|
| Napon            | 230 V - 240 V ~ 50 Hz   |
| Napajanje        | 80 W                    |
| Orbitalna minuta | 12000 min <sup>-1</sup> |
| Težina           | 0,95 kg                 |

### ZNAČAJKE

#### UPOZNAJTE SVOJU KOMPAKTNU BRUSILICU

Pogledajte sliku br. 1.

Prije korištenja ovog uređaja upoznajte se sa svim radnim svojstvima i sigurnosnim zahtjevima. Međutim, nemojte dopustiti da vas poznavanje alata učini neopreznim.

### SKLOPKA

Alat je opremljen s jednostavnim prekidačem za kontrolu koji se nalazi pored prednjeg dijela motora kućišta.

### BRZA PROMJENA KUKE I PODLOGE

Dizajn kuke i ploče omogućuju vam brzu promjenu brusnog lista i podloge za četkanje. Također vam omogućuje jednostavno čišćenje i ponovno korištenje.

### RAD KRUŽNIM BRUŠENJEM

Oscilirajući rad vaše brusilice proizvodi vrlo brze, male kružne kretnje podloge za brušenje. Kretnja je savršena za proizvodnju fino dovršene teksture ili prilikom korištenja podloge za četkanje, uklanjanje lake rđe, boje i drugih nakupina s radne površine.

### KUTIJA ZA PRIKUPLJANJE PRAŠINE

Priključuje kutiju za prašinu i održava prašinu na minimumu.

### SASTAVLJANJE

### ⚠ UPOZORENJE

Alat nikad ne smije biti priključen na izvor napajanja kada sastavljate dijelove, vršite podešenja, čistite, izvodite održavanje ili kada se alat ne koristi. Iskapčanje alata sprječava slučajno pokretanje koje može dovesti do ozbiljnih osobnih ozljeda.

### ODABIR BRUSNE PLOČE

Odabir točne veličine, gradacije i vrste brusnog papira vrlo je važan korak u dostizanju visoko kvalitetnog brušenog završetka. Aluminijski oksid, silikonski karbid i drugi sintetički abrazivni materijali su najbolji za električno brušenje. Prirodni abrazivi, kao što je kremen ili granit su premekani za ekonomično korištenje s električnom brusilicom.

Općenito, gruba gradacija će ukloniti većinu materijala, a finija gradacija će proizvesti najbolju završnu obradu u svim radovima brušenja. Stanje površine koja će se brusiti određuje s kojom gradacijom će se raditi. Ako je površina gruba, započnite s grubom gradacijom i brusite dok površina ne bude jednaka. Potom se može koristiti srednja gradacija za uklanjanje preostalih ogrebotina od grube gradacije, a fina gradacija za finišenje površine. Uvijek nastavite brušenje s istom gradacijom sve dok površina na postane jednaka.

### Preporučeno korištenje lista/jastučica

Zrnati brusni papir Ø 80

Grubo brušenje





## Hrvatski

Zrnati brusni papir Ø 120

Lagano brušenje

Zrnati brusni papir Ø 150

Lagano brušenje

### PRIKLJUČIVANJE KUKI I DISKA ZA BRUŠENJE

Pogledajte sliku br. 2.

1. Odspojite brusilicu.
2. Poravnajte otvore u kuki i disku za brušenje s otvorima u podlozi, potom pažljivo pritisnite neravnu stranu diska za brušenja prema podlozi što je moguće bliže.

**NAPOMENA:** Kuka i disk za brušenje mogu se ponovno koristiti za vrijeme trajanja brušenja. Preporučujemo da stražnju podlogu diska za brušenje održavate čistom kako bi vam omogućila najbolje prljanje. Povremeno očistite tako da iščerkate malom četkom.

### PRIKLJUČIVANJE KUTIJE ZA PRAŠINU

Pogledajte sliku br. 3.

Kutija za prašinu pruža sustav za prikupljanje prašine za brusilicu. Tijekom brušenja prašina od brušenja usisava se kroz otvore brusne ploče i sakuplja u vrećici za prašinu.

1. Odspojite brusilicu.
2. Korištenjem blagih pokreta savijanja, čvrsto nametnite sklop kutije za prašinu u izlaz pihalice na brusilici.

### ⚠ UPOZORENJE

Budite pažljivi kada koristite ovaj alat. Nepažljive radnje čak i za djelić sekunde mogu dovesti do teških osobnih ozljeda.

### PRIMJENE

Brusilicu možete koristiti za svrhe koje su navedene u nastavku:

- Brušenje drvenih površina.
- Skidanje rđe i brušenje čelika.
- Brušenje hrdavih površina i poliranje metala.

### ⚠ OPREZ

Držite kabel dalje do podloge brusilice, te postavite kabel tako da ne može biti zahvaćen na rubu, alatu ili drugom objektu tijekom brušenja.

### ⚠ UPOZORENJE

Dok upotrebljavate uređaj uvijek nosite sigurnosne naočale ili zaštitne naočale opremljene bočnim štitnicima. Nepoštivanje ove upute može dovesti do toga da prašina, strugotine ili labave čestice budu odbačeni u vaše oči, dovodeći do mogućih osobnih ozljeda.

### RAD

#### UKLJUČIVANJE/ISKLUČIVANJE BRUSILICE

Pogledajte sliku br. 4.

- **Uključite brusilicu:** okrenite prekidač za uključivanje / isključivanje ulijevo.
- **Isključite brusilicu:** Pritisnite prekidač za uključivanje/ isključivanje u desno.

#### RAD S BRUSILICOM

Pogledajte sliku br. 5.

1. Učvrstite izradak kako biste spriječili da se pomiče ispod brusilice.

### ⚠ UPOZORENJE

Nepričvršćeni izratci mogu biti odbačeni prema operatoru uzrokujući ozljede.

### ⚠ UPOZORENJE

Držite glavu dalje od brusilice i područja brušenja. Vaša kosa može biti povučena u brusilicu uzrokujući ozbiljne ozljede.

2. Postavite brusilicu na izradak tako da je disk za brušenje cijelom površinom u dodiru s izratkom.

### ⚠ OPREZ

Izbjegavajte oštećivanje motora pregrijavanjem, pazite da rukama ne prekrijete otvore za ventilaciju.

3. Uključite brusilicu i lagano je pomičite preko izratka. **NAPOMENA:** Držite brusilicu ispred i dalje od vas držeći je dalje od izratka. Pokrenite brusilicu i pustite da motor dostigne maksimalnu brzinu, potom postepeno spuštajte brusilicu na izradak. Polako pomičite brusilicu preko izratka u malim kružnim pokretima.

**Nemojte alat koristiti iznad njegovih mogućnosti.** Masa alata dovoljan je pritisak, stoga pustite disk za brušenje i brusilicu da rade. Primjena dodatnog pritiska samo usporava motor, ubrzano trošeći disk za brušenje





## Hrvatski

i umnogome smanjujuće brzinu brusilice. Pretjerani pritisak će preopteretiti motor uzrokujući moguću štetu od pregrijavanja motora i može rezultirati u lošijem radu. Svaka završna obrada ili smola može omekšati od topline trenja.

Nemojte dugo brusiti na jednoj točki jer brzi rad brusilice može skinuti previše materijala čineći površinu neravnom. Razdoblja duljeg brušenja mogu izazvati pregrijavanje motora. Ako dođe do ovog isključite brusilicu i pričekajte dok se brusna ploča potpuno ne zaustavi, potom je uklonite iz izratka. Maknite ruku s područja ventilatora, uklonite disk za brušenje, potom s rukom koju ste maknuli s područja ventilatora uključite i isključite brusilicu bez opterećenja kako biste ohladili motor.

### KUTOVI I PUKNUĆA

Pogledajte sliku br. 6.

- Za pojedinosti brušenja kao kutova ili pukotina koristite vrh brusnog jastučića sa malim krajem i pomičite prema naprijed.

### PRAŽNJE KUTIJE ZA PRAŠINU

Pogledajte sliku br. 7.

Za veću učinkovitost ispraznite vreću za prašinu čim je napola puna. Ovo omogućuje bolji protok zraka kroz kutiju. Uvijek temeljito ispraznite i očistite kutiju za prašinu po završetku brušenja i prije spremanje brusilice.

#### ⚠ UPOZORENJE

Prikupljena brusna prašina od brušenja površina kao što su poliuretani, ulja lana itd., mogu se samozapaliti u vašoj kutiji za prašinu u brusilici ili negdje drugdje i dovesti do požara. Za smanjenje opasnosti od požara uvijek često tijekom brušenja praznite kutiju s prašinom (10-15 minuta) i nikada ne spremajte ili ne ostavljajte brusilicu bez potpuno ispražnjene kutije za prašinu. Također, slijedite preporuke proizvođača obloga.

1. Odspojite brusilicu.

#### ⚠ UPOZORENJE

Neisključivanje alata može izazvati slučajno pokretanje uzrokujući moguće ozbiljne ozljede.

2. Uklonite kutiju za prašinu s brusilice.
3. Istresite prašinu.
4. Ponovno priključite kutiju za prašinu na brusilicu.

**NAPOMENA:** Za temeljitije čišćenje kutije za pražnjenje uklonite prašinu s okvira i istresite prašinu. Ponovno postavite okvir preko kutije za prašinu potom ugradite sklop kutije za prašinu na brusilicu.

### PROMJENA LISTA ZA BRUŠENJE

Pogledajte sliku br. 8.

Brusilica je pakirana s brusnim listovima i podlogama dizajniranim za različite svrhe. Za primjenu lista jednostavno povucite istrošeni list iz postolja i priključite željeni list pritiskom na list ili jastučić na postolju brusilice.

### KORIŠTENJEM JASTUČIĆA ZA PRST

Pogledajte sliku br. 9.

1. Otvorite poklopac nastavka za prst.
2. Spustite poklopac za prst i završite na mjestu.
3. Zatvorite poklopac nastavka za prst.

### SIGNALNO SVJETLO ZA NAPON

Ovaj alat opremljen je s pokazivačem napajanja alata koji svijetli čim je alat priključen na napajanje. Ta lampica vas upozorava da je alat pod naponom i da će se uključiti čim pritisnete otponac.

### ODRŽAVANJE

#### ⚠ UPOZORENJE

Alat nikad ne smije biti priključen na izvor napajanja kada sastavljate dijelove, vršite podešenja, čistite, izvodite održavanje ili kada se alat ne koristi. Iskapčanje alata sprječava slučajno pokretanje koje može dovesti do ozbiljnih osobnih ozljeda.

#### ⚠ UPOZORENJE

Prilikom servisiranja koristite samo identične zamjenske dijelove. Korištenje nekih drugih dijelova može dovesti do opasnosti ili uzrokovati oštećenje uređaja.

### OPĆENITO

Prilikom čišćenja plastičnih dijelova izbjegavajte koristiti kemijska sredstva. Većina plastika je podložna različitim vrstama komercijalnih kemijskih sredstava za čišćenje i mogu se oštetiti prilikom njihovog korištenja. Za uklanjanje prljavštine, prašine, ulja, masnoće itd. koristite čistu krpu.

#### ⚠ UPOZORENJE

Nikada ne dopustite kontakt plastičnih dijelova s tekućinom za kočnice, benzinom, proizvodima na bazi benzina, sredstvima za odmašćivanje, i dr. Oni sadrže kemikalije koje mogu oštetiti, oslabiti ili uništiti plastiku.

Električni alati korišteni na stakloplastici, zidnim pločama,



## Hrvatski

pregradnim pločama ili plastici podložni su ubrzanom trošenju i mogućem prijevremenom kvaru jer iverje i strugotine stakloplastike su vrlo abrazivni za ležajeve, četkice, sklopke itd. Zbog toga, duæa upotreba na opremi od staklene vune, gipsanim pločama ili daskama za oblaganje ne savjetuje se. Međutim, ako radite s bilo kojim od ovih materijala, vrlo je vaæno da alat očistite komprimiranim zrakom.

### ⚠ UPOZORENJE

Uvijek tijekom rada s električnim alatom ili prilikom ispuhivanja prašine nosite zaštitne naočale i zaštitne naočale s bočnim štitnicima. Ako radite u prašini nosite i masku za zaštitu od prašine.

### PODMAZIVANJE

Svi ležajevi u ovom alatu podmazani su s dovoljnom količinom visokokvalitetnog sredstva za podmazivanje za životni vijek uređaja u normalnim radnim uvjetima. Stoga nije potrebno daljnje podmazivanje.

### ČIŠĆENJE BRUSNIH PLOČA

Za osiguranje duljeg vijeka trajanja i optimalne učinkovitosti, povremeno očistite sve ostatke brušenja i strane materijale s podloge za četkanje. Ovo se može učiniti jednostavnim ispiranjem podloge s toplom vodom sve dok strani materijali ne budu isprani. Nakon što ste ploču očistili, lagano je otrsate kako biste uklonili višak vode i ostavite je da se osuši. ploče uvijek dræite na ravnoj podlozi, na suhom i hladnom mjestu.

### ČIŠĆENJE BRUSNIH PAPIRA

Brusne papire koje se isporučuju s brusilicom moæe se više puta koristiti. Vaæeno je redovito ih čistiti kako biste uklonili prašinu i nečistoću koja se skuplja na površini tijekom raznih postupaka brušenja.

Brusne papire moæete očistiti tako što æete ih protrljati pomoću komada čvrste gume. Također možete koristiti čisti gumeni ðon od cipele.

### ⚠ UPOZORENJE

Prije čišćenja uvijek uklonite brusni papir ili brusnu ploču s brusilice. Nepoštivanje ovog pravila moæe dovesti do teških tjelesnih ozljeda.

### ZAŠTITA OKOLIŠA



Sirovine reciklirajte, umjesto da ih bacate u kućni otpad. Kako biste zaštitili okoliš, alat, dodatke i ambalaæu treba odvojeno bacati u otpad.

### SIMBOL



Sigurnosno upozorenje

V Volti

Hz Hertz

~ Izmjenična struja

W W

no Brzina bez opterećenja

min<sup>-1</sup> Broj okreta ili pokreta u minuti



Promjer putanje



Sukladno CE



Dvostruka izolacija



Nosite zaštitu za sluh



Nosite zaštitu za vid



Molimo da pažljivo pročitate upute prije pokretanja stroja.



Otpadne električne proizvode ne odlagati u otpad iz domaćinstva. Molimo da reciklirate gdje je to moguće. Potražite savjet od lokalnih vlasti ili prodavača kako reciklirati.



## Slovensko

### OPIS

1. Sprožilo
2. Hitra zamenjava blazinice
3. Posoda za zbiranje prahu
4. Brusilni papir
5. Signalna luč za orodje pod napetostjo
6. Kryt
7. Prstna blazinica
8. Uzamknutie

### SPECIFIČNA VARNOSTNA NAVODILA ZA BRUSILNIKE

- Pri brušenju, še posebej nad glavo, vedno nosite zaščitna očala in protiprašno masko.
- Stroj ni primeren za mokro brušenje.
- Ne uporabljajte večjega brusilnega papirja, kot ga potrebujete. Če papir sega preko brusilne blazinice, se lahko resno poškodujete.
- Na orodju mora biti nameščena posoda za prah. Pogosto izpraznite. Za priklop posode za prah vstavite njen adapter v odprtino za zbiranje prahu na zadnjem delu brusilnika.

#### ⚠ OPOZORILO

Ne mečite brusilnega prahu v odprt ogenj, saj so lahko materiali v prahu eksplozivni.

#### ⚠ OPOZORILO

Med brušenjem svinčene barve, nekaterih vrst lesa in kovine nosite ustrezni dihalni aparat, da se izognete vdihavanju škodljivega/strupenega prahu ali zraka.

### SPECIFIKACIJE

|               |                         |
|---------------|-------------------------|
| Napetost      | 230 V - 240 V ~ 50 Hz   |
| Napajanje     | 80 W                    |
| Krožna minuta | 12000 min <sup>-1</sup> |
| Teža          | 0,95 kg                 |

### LASTNOSTI

#### SPOZNAJTE SVOJ KOMPAKTNI BRUSILNIK

Glejte sliko 1.

Pred uporabo izdelka se seznanite z njegovimi lastnostmi in varnostnimi zahtevami. Četudi se dober seznanite s tem orodjem, pri uporabi ne postanite neprevidni.

### STIKALO

Orodje je opremljeno z enostavnim stikalom, ki se nahaja blizu sprednjega dela ohišja motorja.

### HITRA ZAMENJAVA BLAZINICE

Tovrstna zasnova omogoča hitro menjavo brusilnih papirjev in blazinic za ribanje. Omogoča vam tudi enostavno čiščenje in ponovno uporabo.

### KROŽNO BRUŠENJE

Nihanje brusilnika omogoča zelo hitre in majhne krožne gibe brusilne blazinice. Gibanje je idealno za fino končno obdelavo ali, če uporabljate blazinico za ribanje, za odstranjevanje blage rje, barve in ostalih nanosov z delovne površine.

### POSODA ZA ZBIRANJE PRAHU

Posoda za prah namestite na brusilnik, namenjena pa je zmanjševanju količine prahu.

### MONTAŽA

#### ⚠ OPOZORILO

Ko sestavljate dele, prilagajate, čistite ali vzdržujete orodje, ali ko orodje ne uporabljate, ga nikoli ne imejte priključenega na vir napajanja. Če odklopite orodje, se naprava ne more po nesreči sama zagnati, kar bi sicer lahko povzročilo hude poškodbe.

### IZBIRA BRUSILNEGA DISKA

Izbira pravilne velikosti, granulacije in vrste brusilnega papirja je izredno pomemben korak za doseganje visokokakovostne končne obdelave. Za strojno brušenje so najboljši aluminijev oksid, silicijev karbid in druga sintetična brusila. Naravna brusila, kot sta npr. kremen in granat, so premeška za ekonomično rabo pri strojnem brušenju.

Na splošno je pri brušenju tako, da boste z bolj grobo granulacijo odstranili večino materiala, z bolj fino granulacijo pa dosegli najboljšo končno obdelavo. Stanje površine brušenja določa, kakšna granulacija je potrebna za dobro opravljeno delo. Če je površina zelo hrapava, začnite z bolj grobo granulacijo in brusite, dokler ni površina enotna. Srednjo granulacijo lahko uporabite za odstranitev prask, ki ste jih naredili z grobo granulacijo, fino granulacijo pa nato uporabite za končno obdelavo podlage. Nadaljujte z brušenjem z vsemi granulacijami, dokler ni površina enotna.

**Priporočena uporaba lista/  
blazinice**





## Slovensko

|                           |                   |
|---------------------------|-------------------|
| 80-drвина brúsneho listu  | Hrubé brúsenie    |
| 120-drвина brúsneho listu | Lahké pieskovanje |
| 150-drвина brúsneho listu | Lahké pieskovanje |

### PRITRJEVANJE BRUSILNIH DISKOV

Glejte sliko 2.

1. Odklopite brusilnik.
2. Poravnate luknje na brusilnem disku z luknjami na blazinici, nato pa previdno, vendar čim bolj, pritisnite puhasto stran brusilnega diska ob blazinico.

**OPOMBA:** Tovrstne brusilne diske lahko uporabljate, dokler je brusilni material na njih uporaben. Priporočamo, da blazinico brusilnega diska ohranjate čisto in tako poskrbite za čim boljše pritrdivet papirja. Občasno očistite z nežnim ščetkanjem z majhno ščetko.

### PRITRJEVANJE POSODE ZA PRAH

Glejte sliko 3.

Posoda za prah je sistem za zbiranje prahu brusilnika. Med brušenjem naprava prah posesa skozi luknje na brusilnem disku in ga zbere v posodo za prah.

1. Odklopite brusilnik.
2. Z rahlim obračanjem dobro namestite posodo za prah na izpušno odprtino brusilnika.

### OPOZORILO

Med uporabo orodja bodite pazljivi. Neprevidna dejanja, ki lahko trajajo le delček sekunde, lahko povzročijo hude poškodbe.

### UPORABA

Brusilnik lahko uporabljate za spodaj navedene namene:

- Brušenje lesenih površín.
- Odstrañovanie hrude z ocele a brúsenie povrchov.
- Leštenie a drhnutie porcelánu a kovu.

### POZOR

Kabel držite proč od brusilne blazinice in ga speljite tako, da se med brušenjem ne bo zapletel v les, orodje ali druge predmete.

### OPOZORILO

Pri delu z napravo vedno uporabljajte varovalne naočnike ali varnostna očala s stranskimi ščitniki. Če tega ne storite, vam lahko v oči prileti prah, oblanci ali drugi prosti delci, kar lahko povzroči resne poškodbe.

### DELOVANJE

#### VKLOP/IZKLOP BRUSILNIKA

Glejte sliko 4.

- **Vklopite brusilnik:** Push on / off vypínač na ľavej strane.
- **Izklopite brusilnik:** Pritisnite stikalo za vklop/izklop v desno.

#### UPRAVLJANJE BRUSILNIKA

Glejte sliko 5.

1. Zavarujte delovni material in preprečite, da bi se med brušenjem premikal.

### OPOZORILO

Nezavarovani delovni materiali lahko poletijo proti uporabniku in povzročijo poškodbe.

### OPOZORILO

Glavo držite proč od brusilnika in brusilnega območja. Lasje se vam lahko ujamejo v brusilnik, kar lahko povzroči hude poškodbe.

2. Postavite brusilnik na delovni material tako, da je celotna površina brusilnega diska v stiku z delovnim materialom.

### POZOR

Pazite, da z roko ne prekrivate prezračevalnih odprtin, sicer se lahko motor pregreje in poškoduje.

3. Vklopite brusilnik in ga počasi premikajte preko delovne površine.

**OPOMBA:** Brusilnik držite pred sabo in proč od sebe, ter dovolj daleč stran od delovnega materiala. Vključite brusilnik in počakajte, da motor doseže največjo hitrost, nato pa počasi spustite brusilnik na delovni material. Brusilnik počasi premikajte preko delovnega materiala z majhnimi krožnimi gibi.

**Ne preobremenjujte.** Teža samega orodja omogoča zadosten pritisk, zato pustite, da brusilni disk in brusilnik opravita svoje delo. Dodatno pritiskanje samo upočasní motor, hitreje obrabi brusilni papir in močno zmanjša hitrost brusilnika. Pretirano pritiskanje bo preobremenilo motor in lahko povzroči poškodbe motorje zaradi pregrevanja, posledica pa je lahko tudi slabše opravljeno delo. Kakršnen koli premaz ali smola na lesu se lahko zaradi vročine, nastale pri brušenju, omeħča.

Ne brusite na enem mestu predolgo, sicer lahko hitro gibanje brusilnika odstrani preveč materiala in površina ne





## Slovensko

bo enakomerna.

Daljša neprekinjena obdobja brušenja lahko povzročijo pregrevanje motorja. Če se to zgodi, izklopite brusilnik in počakajte, da se disk popolnoma ustavi, nato pa ga odstranite z delovnega materiala. Odstranite roko s prežračevalnega območja, odstranite brusilni disk, nato pa vklopite brusilnik in ga pustite delovati brez obremenitve, da se motor ohladi (pazite, da z roko ne prekrivate prežračevalnih odprtin).

### KOTI IN REŽE

Glejte sliko 6.

- Za podrobno brušenje, kot so koti in reže, konico brusne blazinice po malem pomikajte nazaj in naprej.

### PRAZNENJE POSODE ZA PRAH

Glejte sliko 7.

Pre učinkovitejšie fungovanje, prázndny sáčok, keď je viac než z polovice plná. To bo omogočilo boljši pretok zraka skozi posodo. Po končanem brušenju in pred shranitvijo brusilne naprave vedno temeljito izpraznite in očistite posodo za prah.

#### **⚠ OPOZORILO**

Nakopičen brusilni prah s premazov površin, ki jih brusite, kot so npr. poliuretani, laneno olje ipd., se lahko v posodi za prah (ali drugje) vname in povzroči požar. Za zmanjšanje nevarnosti požara med brušenjem pogosto praznite posodo za prah (vsakih 10-15 minut) in nikoli ne shranjujte ali puščajte brusilnika, brez da bi izpraznili posodo za prah. Sledite tudi priporočilom proizvajalcev premazov.

1. Odklopite brusilnik.

#### **⚠ OPOZORILO**

Če orodja ne izklopite iz vtičnice, se naprava lahko nehote vključi in povzroči hude osebne poškodbe.

2. Z brusilnika odstranite posodo za prah.
3. Iztesite prah.
4. Na brusilnik ponovno namestite posodo za prah.

**OPOMBA:** Če želite temeljito očistiti posodo za prah, jo odstranite z okvirja in stresite prah iz nje. Posodo za prah ponovno namestite preko okvirja in celoten sestav namestite na brusilnik.

### MENJAVA BRUSILNEGA PAPIRJA

Glejte sliko 8.

Brusilnik dobite v kompletu z brusilnimi papirji in blazinicami za različne uporabe. Če želite zamenjati list, enostavno

povlecite uporabljeni list z osnove in pritrdite želeni list s pritiskom lista oz. blazinice na osnovo brusilnika.

### UPORABA PLOŠČICE ZA PRST

Glejte sliko 9.

1. Odprite pokrov na ploščici za prst.
2. Spustite ploščico za prst in jo pričvrstite.
3. Zaprite pokrov na ploščici za prst.

### SIGNALNA LUČ ZA ORODJE POD NAPETOSTJO

To orodje ima indikator "live tool", ki zasveti takoj, ko orodje priključite na napajanje. To uporabnika opozori, da je orodje priključeno in da bo delovalo, ko boste pritisnili na gumb.

### VZDRŽEVANJE

#### **⚠ OPOZORILO**

Ko sestavljate dele, prilagajate, čistite ali vzdržujete orodje, ali ko orodje ne uporabljate, ga nikoli ne imejte priključenega na vir napajanja. Če odklopite orodje, se naprava ne more po nesreči sama zagnati, kar bi sicer lahko povzročilo hude poškodbe.

#### **⚠ OPOZORILO**

Pri servisiranju uporabljajte le identične nadomestne dele. Uporaba drugih delov je tvegana in lahko povzroči škodo na izdelku.

### SPLOŠNO

Pri čiščenju plastičnih delov se izogibajte topilom. Večina vrst plastik se lahko pri uporabi različnih komercialnih topil poškoduje. Za odstranjevanje prahu, umazanije, olja, masti itd. uporabite čiste krpe.

#### **⚠ OPOZORILO**

Pazite, da zavorne tekočine, bencin, izdelki na petrolejski osnovi, olja za penetriranje, ipd. nikoli ne pridejo v stik z plastičnimi deli. Ti vsebujejo kemikalije, ki lahko poškodujejo, oslabijo ali uničijo plastiko.

Električna orodja, ki jih uporabljate na steklenih vlaknih, zidnih ali mavčnih ploščah ter izravnalnih masah so podvržena pospešeni obrabi in večjim možnostim za okvare, saj so npr. odkruški in ostružki steklenih vlaken zelo grobi doležajev, ščetk, komutatorjev itd. Preto sme sa neodporuča použivat' tento nástroj pre rozšírenú prácu na tieto druhy materiálů. Če delate s katerim koli izmed teh materialov, je izredno pomembno, da orodje očistite s



## Slovensko

stisnjenim zrakom.

### OPOZORILO

Vedno nosite zaščitna očala s stranskimi ščitniki, ko uporabljate električna orodja ali ko spihujete prah. Če pri delu nastaja prah, nosite tudi zaščitno masko proti prahu.

### MAZANJE

Vsi ležaji na tej napravi so namazani z dovolj kakovostnega maziva, tako da mazanje do konca življenjske dobe naprave ni več potrebno, če le-to normalno uporabljate. Zato dodatno mazanje ni potrebno.

### ČISTENIE ČISTENIE PODLOŽKY

Za zagotavljanje daljše življenjske dobe in optimalne zmogljivosti redno očistite blazinice za ribanje vseh ostankov in tujkov, ki so nastali pri brušenju. To lahko storite tako, da enostavno splaknete blazinico s toplo vodo, dokler ne odplaknete vseh tujkov. Po očistení jemne stlačiti pad odstraniti prebitočno vodu a nechajte podložka na suchu. Vždy ukladať podložky a brúsnymi papiermi byt v chladnom a suchom mieste.

### ČISTENIE BRÚSNEHO PAPIERA

Listy brúsneho papiera, ktorý prišiel s vašim brúsky sú predstieral, že je re-použitý. Preto je dôležité, aby mali byť čistené pravidelne odstraňovať zvyšky piesku a zahraničných materiálov, ktoré môžu časom kumulovať.

Na čistenie brúsneho papiera, triet listy s tvrdej gummy bloku. Môžete tiež použiť čistú gumenou podrážkou z topánky.

### OPOZORILO

Vždy odstrániti drhnutie alebo brúsný pad z brúsku pred čistením. Ak tak neurobite, môže spôsobiť vážne zranenia.

### ZAŠČITA OKOLJA



Namesto, da napravo zavržete, reciklirajte surovine. Napravo, pribor in embalažo je treba sortirati za okolju prijazno recikliranje.

### SIMBOL



Varnostni alarm

|                   |                                 |
|-------------------|---------------------------------|
| V                 | Volti                           |
| Hz                | Hertz                           |
| ~                 | Izmenični tok                   |
| W                 | Watt                            |
| no                | Hitrost brez obremenitve        |
| min <sup>-1</sup> | Vrtljajev ali nihajev na minuto |



Orbitalnej Priemer



Skladnost CE



Dvojna izolacija



Nosite zaščito za ušesa



Nosite zaščito za oči



Prosimo, da si pred zagonom naprave pozorno preberete navodila



Odpadne električne izdelke odlagajte skupaj z ostalimi gospodinjstvi odpadki. Reciklažo opravljajte na predpisanih mestih. Za reciklažni nasvet se obrnite na lokalne oblasti.





## Slovenčina

### POPIS

1. Sprožilec stikala
2. Hook & loop podloga za hitro menjavo
3. Posoda za zbiranje prahu
4. Brusni papir
5. Indikator nástroja pod prúdom
6. Pokrov
7. Prst pad
8. Zapiralo

### BRUSILKO DRŽITE PRED SEBOJ IN STRAN OD TELESÁ, NAJ NE BO V STIKU Z

- Med brušenjem vedno nosite zaščitna očala in protiprašno masko, posebej pri brušenju nad glavo.
- Stroj ni primeren za mokro brušenje.
- Ne uporabljajte večjega brusnega papirja, kot je potrebno. Tudi prevelik papir, ki sega preko brusne podloge, lahko povzroči resne poškodbe.
- Orodje mora biti opremljeno z lovilcem prahu. Pogosto ga morate izprazniti. Za priključitev lovilca prahu vstavite adapter lovilca v odprtino za zbiranje prahu na zadnji strani brusilke.

### ⚠ VAROVANIE

Praha, ki nastane pri brušenju, ne mečite v odprti ogenj, ker so drobni delci materiala lahko eksplozivni.

### ⚠ VAROVANIE

Med brušenjem svinčene barve, nekaterih vrst lesa in kovin morate nositi ustrezen dihalni aparat, da preprečite vdihavanje škodljivega/ strupenega praha ali zraka.

### TECHNICKÉ ÚDAJE

|               |                         |
|---------------|-------------------------|
| Napätie       | 230 V - 240 V ~ 50 Hz   |
| Napájanie     | 80 W                    |
| Krožna minuta | 12000 min <sup>-1</sup> |
| Hmotnosť      | 0.95 kg                 |

### FUNKCIE

### SPOZNAJTE SVOJ MALA BRUSILKA ZA FINO BRUŠENJE

Pozrite si obrázok 1.

Pred uporabo tega orodja, se spoznajte z vsemi njegovimi delovnimi značilnostmi in varnostnimi zahtevami. Kljub temu pa bodite pri delu pazljivi, tudi ko ste orodje že dobro spoznali.

### SPINAČ

To orodje se opremljeno z enostavnim kontrolnim stikalom, ki se nahaja blizu sprednjega dela ohišja motorja.

### HOOK & LOOP PODLOGA ZA HITRO MENJAVO

Hook & loop konstrukcija omogoča hitro menjavo brusnih listov in krtačnih podlog. Omogoča tudi njihovo lahko čiščenje in ponovno uporabo.

### KROŽNO BRUSNO DELOVANJE

Nihajoče delovanje vaše brusilke povzroča zelo hitro krožno gibanje brusnega papirja. To gibanje je idealno za fino brušenje ali za odstranjevanje rje, barve ali drugih oblog s površine obdelovanca s pomočjo krtačne blazinice.

### POSODA ZA ZBIRANJE PRAHU

Posodo za prah namestite na brusilnik, namenjena pa je zmanjševanju količine prahu.

### MONTÁŽ

### ⚠ VAROVANIE

Orodje izključite iz električne napetosti, vedno ko nameščate pribor, spreminjate nastavitve, ga čistite, vzdržujete ali ko orodja ne uporabljate. Če odklopite orodje, se naprava ne more po nesreči sama zagnati, kar bi sicer lahko povzročilo hude poškodbe.

### IZBIRA BRUSILNEGA DISKA

Izbira pravilne velikosti, granulacije in vrste brusnega papirja je izjemno pomemben korak do kakovostnega brušenja. Iztresite prah. Za strojno brušenje so najprimernejši materiali aluminijev oksid, silicijev karbid in drugi sintetični abrazivi. Naravna abrazijska sredstva kot sta kremen in granat, so premeška za ekonomično strojno brušenje.

V splošnem bo pri vsakem brušenju grob brusni papir odstranil veliko materiala, finejši pa dal fino brušeno površino. Stanje površine, ki jo morate obrusiti, bo določalo izbiro najprimernejše granulacije papirja. Če je površina neravna, začnite z grobim papirjem in brusite, dokler se površina ne izravna. Potem s papirjem srednje granulacije odstranite raze, ki jih je na površini pustil grobi brusni papir. Brušenje s papirjem določene granulacije nadaljujte, dokler ni vsa površina enakomerno gladka.



## Slovenčina

**Priporočena uporaba lista/  
blazinice**

|                  |                |
|------------------|----------------|
| 80-brusni papir  | Grobo brušenje |
| 120-brusni papir | Fino brušenje  |
| 150-brusni papir | Fino brušenje  |

**PRITRDI TEV HOOK&LOOP BRUSNIH DISKOV**

Pozrite si *obrazok 2*.

1. Izključite vtič brusilke.
2. Luknje v Hook & Loop brusnem disku poravnajte z luknjami v podlogi, nato previdno čim tesneje pritisnite vlaknasto stran brusnega papirja na podlogo.

**POZNÁMKA:** Hook & loop brusne diske lahko ponovno uporabljate skozi celotno življenjsko dobo brusilne površine. Priporočamo, da skrbite za čistočo hrbtne strani brusnega papirja in tako zagotavljate dober oprijem. Občasno jo očistite tako, da jo narahlo skrtačite z majhno krtačko.

**PRITRJEVANJE POSODE ZA PRAH**

Pozrite si *obrazok 3*.

Posoda za prah je sistem za zbiranje prahu brusilnika. Med brušenjem naprava prah posesa skozi luknje na brusilnem disku in ga zbere v posodo za prah.

1. Izključite vtič brusilke.
2. Z rahlim obračanjem dobro namestite posodo za prah na izpušno odprtino brusilnika.

**VAROVANJE**

Med uporabo tega orodja bodite previdni. Neprevidna dejanja, ki lahko trajajo le delček sekunde, lahko povzročijo hude poškodbe.

**APLIKÁCIE**

To brusilko lahko uporabljate za naslednja opravila:

- Brušenje lesenih površin.
- Odstranjevanje rje iz jekla in brušenje površin.
- Poliranje in ribanje porcelan in kovine.

**UPOZORNENJE**

Pazite, da napajalni kabel ne pride v bližino brusilne podloge. Položite ga tako, da se med brušenjem ne more zaplesti v les, orodja ali druge predmete.

**VAROVANJE**

Pri práci s výrobkami vždy noste bezpečnostné okuliare s bočnými chráničmi. Če tega ne boste storili, vam lahko prah, oblanci ali prosti delci priletijo v oči, kar lahko povzroči resne poškodbe.

**PREVÁDZKA****VKLOP / IZKLOP BRUSILKE - ON/OFF**

Pozrite si *obrazok 4*.

- **Vklop brusilke:** Stikalo ON/OFF pomaknite v levo.
- **Izklop brusilke:** Stikalo ON/OFF pomaknite v desno.

**POSEBNOSTI UPORABA BRUSILKE**

Pozrite si *obrazok 5*.

1. obdelovanec pritrdite, da se ne bo mogel pod brusilko premikati.

**VAROVANJE**

Nepritrjene obdelovance lahko vrže v uporabnika, ki se lahko poškoduje.

**VAROVANJE**

Glave ne približujte brusilki in brušeni površini. Brusilka lahko vsesa vaše lase in vas resno poškoduje.

2. Brusilko položite na obdelovanec tako, da je z njim v stiku celotna površina brusnega diska.

**UPOZORNENJE**

Pazite, da z roko ne prekrijete rež za zračno hlajenje motorja.

3. Pregrevanje ga lahko poškoduje.

**POZNÁMKA:** Vklpite brusilko in jo počasi premikajte po površini obdelovanca. Poženite brusilko in počakajte, da motor doseže polno hitrost, potem jo počasi spustite na površino obdelovanca. Brusilko počasi, z majhnimi krožnimi gibi, pomikajte po površini obdelovanca.

**Ne potiskajte je na silo.** Teža naprave zagotavlja dovolj pritiska, torej pustite, da brusni disk in brusilka opravita svoje delo. Dodatno pritiskanje samo zmanjšuje hitrost motorja, močno pospešuje obrabo brusnega diska in zmanjšuje hitrost brušenja. Prekomerni pritisk preobremenjuje motor, zaradi česar se lahko ta pregreje, in zmanjšuje kakovost dela. Površinska obdelava ali smola na površini lesa se lahko zaradi toplote trenja zmeha.

Ne brusite predolgo posameznega mesta, saj lahko hitro



## Slovenčina

delovanje brusilke odstrani preveč materiala, kar povzroči neravno površino.

Predolgotrajno brušenja lahko povzroči pregrevanje motorja. Če se to zgodi, izklopite brusilnik in počakajte, da se disk popolnoma ustavi, nato pa ga odstranite z delovnega materiala. Roko odmaknite od prežračevalnih rež, odstranite brusni disk, potem brusilko spet vključite in jo pustite, da deluje brez obremenitve, kar ohladi motor.

### KOTI IN REŽE

*Pozrite si obrázok 6.*

- Za podrobno brušenje, kot so koti in reže, konico brusne blazinice po malem pomikajte nazaj in naprej.

### PRAZNENJE POSODE ZA PRAH

*Pozrite si obrázok 7.*

Za učinkovitejše delovanje izpraznite vrečko za prah, ko je le-ta polna do polovice. Tako bo zrak bolje krožil skozi vrečko. Po končanem brušenju in pred shranitvijo brusilne naprave vedno temeljito izpraznite in očistite posodo za prah.

#### **VAROVANJE**

Prah, ki se je nabral pri brušenju prevlek površin, ki vsebujejo poliuretane, laneno olje itd., se lahko samodejno vžge v vrečki za prah vaše brusilke ali drugje in povzroči požar. Za zmanjšanje nevarnosti požara med brušenjem pogosto praznite posodo za prah (vsakih 10-15 minut) in nikoli ne shranjujte ali puščajte brusilnika, brez da bi izpraznili posodo za prah. Upoštevajte tudi priporočila proizvajalcev prevlek.

1. Izključite vtič brusilke.

#### **VAROVANJE**

Če naprave ne boste izključili, se ta lahko po nesreči vklopi in povzroči resne poškodbe.

2. Z brusilnika odstranite posodo za prah.
3. Posebna varnostna navodila za brusilke
4. Na brusilnik ponovno namestite posodo za prah.

**POZNÁMKA:** Če želite temeljito očistiti posodo za prah, jo odstranite z okvirja in stresite prah iz nje. Posodo za prah ponovno namestite preko okvirja in celoten sestav namestite na brusilnik.

### MENJAVA BRUSNIH PAPIRJEV

*Pozrite si obrázok 8.*

Brusilka je opremljena z izborom brusnih papirjev in blazinic, namenjenih različnim pogojem uporabe. Če želite zamenjati list, enostavno povlecite uporabljeni list z

osnove in pritrđite želeni list s pritiskom lista oz. blazinice na osnovo brusilnika.

### UPORABA PLOŠČICE ZA PRST

*Pozrite si obrázok 9.*

1. Odprite pokrov na ploščici za prst.
2. Spustite ploščico za prst in jo pričvrstite.
3. Zaprite pokrov na ploščici za prst.

### INDIKÁTOR NÁSTROJA POD PRÚDOM

Tento nástroj je vybavený indikátorom zariadenia pod prúdom, ktorý sa rozsvieti, akonáhle pripojíte nástroj do elektrickej siete. Varuje tak používateľa, že nástroj je pripojený a po stlačení spínača sa spustí

### ÚDRŽBA

#### **VAROVANJE**

Orodje izključite iz električne napetosti, vedno ko nameščate pribor, spreminjate nastavitve, ga čistite, vzdržujete ali ko orodja ne uporabljate. Če odklopite orodje, se naprava ne more po nesreči sama zagnati, kar bi sicer lahko povzročilo hude poškodbe.

#### **VAROVANJE**

Pri servise uporabljajte len identičké náhradné diely. Použitím iných dielov riskujete poškodenie zariadenia.

### VŠEOBECNÉ POKYNY

Vyhýbajte sa použitiu rozpušťačadiel pri čistení plastových častí. Večina plastických materialov je občutljiva na različne vrste komercialno dostopnih topil in jih z njihovo uporabo lahko poškodujemo. Na odstránenie nečistoty, prachu, oleja, mazadla atď. použite čistú handričku.

#### **VAROVANJE**

Nikdy nedovoľte kontaktu plastových dielov s brzdovou kvapalinou, benzínom, minerálnym olejom, agresívnym mazivami atď. Obsahujú chemikálie, ktoré môžu poškodiť, oslabiť alebo zničiť plasty.

Če električna orodja uporabljate na materialih iz steklenih vlaken, predelnih stenah, sredstvih za kitanje ali gipsu, pride do pospešene obrabe in morda do prezgodnje okvare, saj so okruški steklenih vlaken zelo agresivni do ležajev, krtač, komutatorjev, itd. Zato vam ne priporočamo, da to orodje uporabljate dolgo časa na materialih te vrste. Če orodje kljub temu uporabite za te materiale, je zelo



## Slovenčina

pomembno, da ga očistite s stisnjenim zrakom.

**VAROVANJE**

Pri práci s mehanickým nástrojom alebo ofukovaní prachu vždy používajte ochranné okuliare alebo ochranné okuliare s bočnými chráničmi. Ak pri práci vzniká prach, používajte aj protiprachovú masku.

**MAZANIE**

Všetky ložiská v nástroji sa mažu dostatočným množstvom mazadla s vysokou kvalitou, kvôli dlhej životnosti jednotky za normálnych prevádzkových podmienok. Pretonie je potrebné žiadne ďalšie mazanie.

**ČIŠČENJE BRUSNIH BLAZINIC**

Daljšo življenjsko dobo in optimalno delovanje brusnih blazinic zagotovite tako, da občasno počistite vse ostanke brušenia in vkladke. To storite enostavno tako, da blazinico sperete z mlačno vodo, dokler ni čista. Po čiščenju blazinico nežno ožmite in pustite, da se posuši. Blazinice in brusne papirje vedno shranjujte poravnane na hladnem in suhem prostoru.

**ČIŠČENJE BRUSNIH PAPIRJEV**

Brusni papirji, ki ste jih prejeli z brusilko, so namenjeni večkratni uporabi. Zato je pomembno, da jih občasno očistite tako, da odstranite vse ostanke brušenia in vkladke, ki so se nabrali na papirju.

Papirje očistite tako, da jih otrete z blokom iz trde gume. Uporabite lahko tudi čist, gumijast podplat čevlja.

**VAROVANJE**

Krtačno ali brusno blazinico pred čiščenjem vedno odstranite z brusilke. Če tega ne storite, lahko pride do resne telesne poškodbe.

**OCHRANA ŽIVOTNÉHO PROSTREDIA**

Surové materiály recyklujte, namiesto toho, aby ste ich zlikvidovali ako odpad. Stroj, príslušenstvo a obaly by sa mali triedene recyklovať spôsobom šetrným k životnému prostrediu.

**ZNAČKY**

Výstražná značka

V Volty

Hz Hertz

- ~ Striedavý prúd
- W Watty
- no Rýchlosť bez záťaže
- min<sup>-1</sup> Otáčky alebo striedanie za minútu



Orbitálny premer



CE konformita



Dvojité izolácia



Noste ochranu sluchu



Noste ochranu zraku



Pred zapnutím zariadenia si prosím prečítajte inštrukcie



Opatrované elektrické zariadenia by ste nemali odhadzovať do domového odpadu. Prosíme o recykláciu ak je možné. Kontaktujte miestne úrady, alebo predajcu pre viac informácií ohľadom ekologického spracovania.



## Ελληνικά

### ΠΕΡΙΓΡΑΦΗ

1. Διακόπτης
2. Πέλμα αυτο-συγκρατηση
3. Κουτί συλλογής πριονιδιών
4. Γυαλόχαρτο
5. Φωτεινή ένδειξη θέσης υπό τάση
6. Κάλυμμα
7. Δάχτυλο
8. Κλειδίωμα

### ΣΥΣΤΑΣΕΙΣ ΑΣΦΑΛΕΙΑΣ ΤΩΝ ΤΡΙΒΕΙΩΝ

- Κατά τη λείανση φοράτε πάντα προστατευτικά γυαλιά και μάσκα κατά της σκόνης, ιδίως όταν κρατάτε το τριβείο πάνω από το κεφάλι σας.
- Μη χρησιμοποιείτε ποτέ το τριβείο σας σε υγρές επιφάνειες.
- Το φύλλο γυαλόχαρτου δεν πρέπει να περισσεύει. Αν αφήσετε το γυαλόχαρτο να περισσεύει από το πέλμα, εκτίθεστε σε κίνδυνο σοβαρού τραυματισμού.
- Ο σάκος συλλογής σκόνης πρέπει να τοποθετηθεί επάνω στο εργαλείο και να αδειάζεται τακτικά. Θα πρέπει να εκκενώνονται συχνότερα. Για να τοποθετήσετε το σάκο συλλογής σκόνης, εισάγετε το δακτύλιο του σάκου στο στόμιο εκκένωσης που βρίσκεται στο πίσω μέρος του τριβείου στρέφοντας τον προς τα δεξιά μέχρι να στερεωθεί σωστά ο σάκος.

### ⚠ ΠΡΟΕΙΔΟΠΟΙΗΣΗ

Μην πετάτε τις προερχόμενες από τη λείανση σκόνης σε ανοικτή φωτιά διότι τα υπό μορφή λεπτών μορίων υλικά μπορεί να είναι εκρηκτικά.

### ⚠ ΠΡΟΕΙΔΟΠΟΙΗΣΗ

Πρέπει να φοράτε κατάλληλη μάσκα κατά της σκόνης όταν λειανείτε επιφάνειες καλυμμένες με χρώμα με βάση το μόλυβδο καθώς και ορισμένα ξύλα και μέταλλα ώστε να μην εισπνέετε τοξικές σκόνες ή αέρια.

### ΠΡΟΔΙΑΓΡΑΦΕΣ

|                 |                         |
|-----------------|-------------------------|
| Τάση            | 230 V - 240 V ~ 50 Hz   |
| Ισχύς           | 80 W                    |
| Ταχύτητα παλμών | 12000 min <sup>-1</sup> |
| Βάρος           | 0.95 kg                 |

### ΧΑΡΑΚΤΗΡΙΣΤΙΚΑ

#### ΜΑΘΕΤΕ ΝΑ ΓΝΩΡΙΖΕΤΕ ΤΟ ΤΡΙΓΩΝΙΚΟ ΤΡΙΒΕΙΟ ΣΑΣ

*Βλ. Σχήμα 1.*

Πριν χρησιμοποιήσετε το εργαλείο αυτό, εξοικειωθείτε με όλες τις λειτουργίες και ιδιαιτερότητες του όσον αφορά την ασφάλεια. Ωστόσο, μη χαλαρώσετε την προσοχή σας αφού εξοικειωθείτε με το τριβείο σας.

#### ΔΙΑΚΟΠΤΗΣ

Το τριβείο αυτό διαθέτει έναν διακόπτη ο οποίος βρίσκεται στο μπροστινό μέρος του κάρτερ κινητήρα.

#### ΠΕΛΜΑ ΑΥΤΟ-ΣΥΓΚΡΑΤΗΣΗΣ

Το σύστημα στερέωσης με velcro επιτρέπει τη γρήγορη αντικατάσταση του γυαλόχαρτου ή των λειαντικών πελμάτων. Αυτό σας επιτρέπει επίσης να τα καθαρίζετε εύκολα για να τα ξαναχρησιμοποιήσετε.

#### ΤΡΟΧΙΑΚΗ ΛΕΙΑΝΤΙΚΗ ΔΡΑΣΗ

Η τροχιακή κίνηση του τριβείου σας κάνει το πέλμα να κινείται με μικρά πηγαίνελα κατά το τρίψιμο. Η κίνηση αυτή είναι ιδανική για μια λείανση φινιρίσματος ή όταν χρησιμοποιείται το λειαντικό πέλμα με χοντρό κόκκο για την αφαίρεση σκουριάς, χρώματος ή οποιασδήποτε ατέλειας της επιφάνειας εργασίας.

#### ΚΟΥΤΙ ΣΥΛΛΟΓΗΣ ΠΡΙΟΝΙΔΙΩΝ

Το κουτί πριονιδιών συνδέεται στον λειαντήρα και διατηρεί τα πριονίδια σε ελάχιστο επίπεδο.

### ΣΥΝΑΡΜΟΛΟΓΗΣΗ

### ⚠ ΠΡΟΕΙΔΟΠΟΙΗΣΗ

Το τριβείο σας δεν πρέπει ποτέ να είναι συνδεδεμένο με πρίζα την ώρα που τοποθετείτε εξαρτήματα, πραγματοποιείτε ρυθμίσεις, όταν καθαρίζετε το εργαλείο ή όταν δεν το χρησιμοποιείτε. Η αποσύνδεση του εργαλείου εμποδίζει την τυχαία εκκίνηση του που θα μπορούσε να προκαλέσει σοβαρό τραυματισμό.

#### ΕΠΙΛΟΓΗ ΔΙΣΚΟΥ ΛΕΙΑΝΣΗΣ

Η επιλογή του μεγέθους, του κόκκου και του τύπου γυαλόχαρτου είναι εξαιρετικά σημαντική αν θέλουμε να πετύχουμε ποιοτική λείανση. Για αρχική κατεργασία, σας συνιστούμε τη χρήση συνθετικών λειαντικών όπως η αλουμίνα ή το καρβίδιο πυριτίου. Πράγματι, τα φυσικά λειαντικά όπως ο πυριτόλιθος ή η γρανάτη είναι πολύ μαλακά για να χρησιμοποιηθούν οικονομικά για τρίψιμο προλείανσης.

Κατά γενικό κανόνα, ο χοντρός κόκκος χρησιμεύει





## Ελληνικά

στο ξεχόνδρισμα ενώ ο λεπτός σας επιτρέπει να πετύχετε μια λείανση φινιρίσματος. Η κατάσταση της προς λείανση επιφάνειας θα καθορίσει το μέγεθος του κόκκου που πρέπει να χρησιμοποιηθεί. Σε τραχιές επιφάνειες, αρχίστε το τρίψιμο με χοντρό κόκκο μέχρι να πετύχετε μια ομοιόμορφη επιφάνεια. Μπορείτε έπειτα να χρησιμοποιήσετε γυαλόχαρτο μέτριου κόκκου για να εξαλείψετε τις χαραγματιές που άφησε ο χοντρός κόκκος και τέλος γυαλόχαρτο λεπτού κόκκου για την λείανση της επιφάνειας. Τρίψτε με κάθε μέγεθος κόκκου μέχρι η επιφάνεια να γίνει ομοιόμορφη.

### Προτεινόμενη χρήση φύλλων / επιθεμάτων

|                         |                |
|-------------------------|----------------|
| Γυαλόχαρτο κόκκος Ø 80  | Τραχύ τρίψιμο  |
| Γυαλόχαρτο κόκκος Ø 120 | Ελαφρύ τρίψιμο |
| Γυαλόχαρτο κόκκος Ø 150 | Ελαφρύ τρίψιμο |

### ΓΡΗΓΟΡΗ ΣΤΕΡΕΩΣΗ ΓΥΑΛΟΧΑΡΤΟΥ ΚΑΙ ΠΕΛΜΑΤΩΝ ΛΕΙΑΝΣΗΣ

Βλ. Σχήμα 2.

1. Αποσυνδέστε το τριβείο.
2. Ευθυγραμμίστε τις τρύπες του γυαλόχαρτου ή του λειαντικού πέλματος με τις τρύπες του πέλματος του τριβείου και κολλήστε προσεκτικά και όσο πιο γερά γίνεται στο πέλαμα την πλευρά του γυαλόχαρτου που έχει το velcro.

**ΣΗΜΕΙΩΣΗ:** Αυτός ο τύπος γυαλόχαρτου ξαναχρησιμοποιείται όσο το επιτρέπει ο βαθμός αποτελεσματικότητας λείανσης. Σας συνιστούμε να διατηρείτε τα γυαλόχαρτα και λειαντικά πέλαμα καθαρά ώστε να έχουν καλύτερη πρόσφυση στο πέλαμα του τριβείου. Καθαρίζετε τα τακτικά τα με μια μικρή βούρτσα.

### ΣΥΝΔΕΣΗ ΚΟΥΤΙΟΥ ΠΡΙΟΝΙΔΙΩΝ

Βλ. Σχήμα 3.

Το κουτί πριονιδίων παρέχει ένα σύστημα συλλογής πριονιδίων στον λειαντήρα. Τα πριονίδια από τη λείανση τραβιούνται μέσα από τις οπές του δίσκου λείανσης και μαζεύονται στο κουτί πριονιδίων κατά τη λείανση.

1. Αποσυνδέστε το τριβείο.
2. Στρίβοντας ελαφριά, γλιστρήστε καλά τη διάταξη κουτιού πριονιδίων στην εξάτμιση φυσήματος στον λειαντήρα.

### ⚠ ΠΡΟΕΙΔΟΠΟΙΗΣΗ

Παραμένετε προσεκτικοί όταν χρησιμοποιείτε το τριβείο αυτό. Η απροσεξία, ακόμη και για ένα κλάσμα του δευτερολέπτου, μπορεί να οδηγήσει σε σοβαρό τραυματισμό.

### ΕΦΑΡΜΟΓΕΣ

Μπορείτε να χρησιμοποιήσετε το τριβείο σας για τις παρακάτω αναφερόμενες εφαρμογές:

- Λείανση σε επιφάνειες ξύλου.
- Αφαίρεση σκουριάς και τρίψιμο χάλυβα.
- Στίλβωση και λείανση πορσελάνης και μετάλλων.

### ⚠ ΠΡΟΣΟΧΗ

Φροντίστε να διατηρείτε το καλώδιο παροχής ρεύματος μακριά από τη διαδρομή του πέλματος και να το τοποθετείτε έτσι ώστε να μην μπλέκεται στα ξύλινα τμήματα, τα εργαλεία ή σε οποιοδήποτε άλλο αντικείμενο κατά τη διάρκεια της λείανσης.

### ⚠ ΠΡΟΕΙΔΟΠΟΙΗΣΗ

Φοράτε πάντα γυαλιά ασφαλείας ή προστατευτικά γυαλιά με πλαϊνά ελάσματα όταν χρησιμοποιείτε εργαλεία. Η μη τήρηση της παρούσας σύστασης μπορεί να προκαλέσει την προβολή ξένων σωμάτων, σκόνης ή ρινισμάτων στα μάτια σας προξενώντας σοβαρές οφθαλμικές ζημιές.

### ΛΕΙΤΟΥΡΓΙΑ

#### ΘΕΣΗ ΣΕ ΛΕΙΤΟΥΡΓΙΑ / ΔΙΑΚΟΠΗ ΤΟΥ ΤΡΙΒΕΙΟΥ

Βλ. Σχήμα 4.

- **Για να θέσετε το τριβείο σε λειτουργία:** Σπρώξτε το διακόπτη λειτουργίας / διακοπής προς τα αριστερά.
- **Για να σταματήσετε το τριβείο:** Σπρώξτε το διακόπτη λειτουργίας / διακοπής προς τα δεξιά.

#### ΧΡΗΣΗ

Βλ. Σχήμα 5.

1. Στερεώστε το προς επεξεργασία αντικείμενο έτσι ώστε να μην μπορεί να γλιστρήσει κάτω από το τριβείο.

### ⚠ ΠΡΟΕΙΔΟΠΟΙΗΣΗ

Αν δεν στερεώσετε το προς επεξεργασία αντικείμενο, μπορεί να εκτοξευτεί προς το μέρος του χρήστη και να προκαλέσει σοβαρό τραυματισμό.

### ⚠ ΠΡΟΕΙΔΟΠΟΙΗΣΗ

Φροντίστε να κρατάτε το πρόσωπό σας μακριά από το τριβείο και από τη ζώνη τριψίματος. Προστατεύετε τα μαλλιά σας ώστε να μην πιαστούν στο τριβείο, γεγονός που θα μπορούσε να προκαλέσει σοβαρό τραυματισμό.







## Ελληνικά

2. Ακουμπήστε το τριβείο στην επιφάνεια εργασίας έτσι ώστε όλη η επιφάνεια του πέλματος να βρίσκεται σε επαφή με το προς επεξεργασία αντικείμενο.

### ⚠ ΠΡΟΣΟΧΗ

Φροντίστε να μην φράζετε τις σπές αερισμού με τα χέρια σας διότι αυτό θα προκαλούσε υπερθέρμανση του κινητήρα.

3. Θέστε το τριβείο σας σε λειτουργία και μετακινήστε το αργά επάνω στο προς επεξεργασία αντικείμενο.

**ΣΗΜΕΙΩΣΗ:** Κρατάτε το τριβείο σας μπροστά σας και σε αρκετή απόσταση ώστε να βλέπετε καλά το προς επεξεργασία αντικείμενο. Θέστε το τριβείο σε λειτουργία και περιμένετε ο κινητήρας να φτάσει στην μέγιστη ταχύτητά του. Έπειτα κατευθύνετε αργά το πέλμα του τριβείου προς το προς επεξεργασία αντικείμενο. Αφού το πέλμα έρθει σε επαφή με το προς επεξεργασία αντικείμενο, μετακινήστε το τριβείο επάνω στην επιφάνεια σχηματίζοντας μικρούς κύκλους.

**Προσέξτε να μη ζορίσετε το τριβείο.** Το βάρος του τριβείου ασκεί αρκετή πίεση στο προς επεξεργασία αντικείμενο. Το τριβείο και το γυαλόχαρτο θα κάνουν όλη τη "δουλειά". Ασκώντας μεγαλύτερη πίεση στο τριβείο, κινδυνεύετε να επιβραδύνετε τον κινητήρα, να φθείρετε συντομότερα το γυαλόχαρτο και να μειώσετε σημαντικά την ταχύτητα λείανσης. Επιπλέον, η υπερβολική πίεση μπορεί να υπερφορτίσει τον κινητήρα και να δημιουργήσει υπερθέρμανση η οποία μπορεί να προκαλέσει ζημιά στον κινητήρα βλάπτοντας την καλή λειτουργία του εργαλείου. Προσοχή, η οφειλόμενη στην τριβή θερμότητα μπορεί να μαλακώσει το βερνίκι ή τη ρητίνη που καλύπτει το ξύλο.

Φροντίστε να μην τρίβετε για πολύ ώρα στο ίδιο σημείο του προς επεξεργασία αντικειμένου διότι η λειαντική δράση του τριβείου μπορεί να φθείρει γρήγορα το υλικό και να έχει ως αποτέλεσμα μια μη ομαλή επιφάνεια.

Μια παρατεταμένη περίοδος λείανσης μπορεί να επιφέρει υπερθέρμανση του κινητήρα. Σε περίπτωση που συμβεί αυτό, απενεργοποιήστε τον λειαντήρα και περιμένετε μέχρι ο δίσκος λείανσης να σταματήσει τελείως, πριν τον αφαιρέσετε από το τεμάχιο στο οποίο εργαζόσαστε. Βγάλτε το χέρι σας από τις σπές αερισμού, αφαιρέστε το γυαλόχαρτο και θέστε πάλι το τριβείο σε λειτουργία κάνοντας το να γυρίσει στο κενό ώστε να κρυώσει ο κινητήρας.

### ΓΩΝΙΕΣ ΚΑΙ ΣΧΙΣΜΕΣ

Βλ. Σχήμα 6.

- Για λεπτομερή λείανση, π.χ. σε γωνίες και σχισμές, χρησιμοποιήστε την άκρη του επιθέματος λείανσης με μικρές κινήσεις μπρος-πίσω.

### ΑΔΕΙΑΣΜΑ ΚΟΥΤΙΟΥ ΠΡΙΟΝΙΔΙΩΝ

Βλ. Σχήμα 7.

Για μεγαλύτερη αποτελεσματικότητα, αδειάζετε το σάκο συλλογής σκόνης μόλις είναι μισογεμάτος. Αυτό επιτρέπει την καλύτερη κυκλοφορία του αέρα στο εσωτερικό του σάκου. Αδειάζετε και καθαρίζετε πάντα το κουτί πριονιδιών καλά όταν ολοκληρώνετε εργασίες λείανσης / τριβής και πριν φυλάξετε τον λειαντήρα.

### ⚠ ΠΡΟΕΙΔΟΠΟΙΗΣΗ

Η συσσώρευση σωματιδίων μετά τη λείανση επιφανειών επικαλυμμένων με πολύ εύφλεκτα προϊόντα όπως η πολυουρεθάνη, το λινέλαιο, κλπ μπορεί να προκαλέσει την ανάφλεξη του σάκου συλλογής σκόνης ή άλλων τμημάτων του τριβείου προκαλώντας πυρκαγιά. Για να μειώσετε τον κίνδυνο φωτιάς, αδειάζετε τακτικά το κουτί πριονιδιών (10-15 λεπτά) κατά τη λείανση και μην φυλάσσετε ή αφήνετε ποτέ τον λειαντήρα χωρίς να έχετε αδειάσει τελείως το κουτί πριονιδιών του. Διαβάστε προσεκτικά τις συστάσεις των κατασκευαστών επενδύσεων.

1. Αποσυνδέστε το τριβείο.

### ⚠ ΠΡΟΕΙΔΟΠΟΙΗΣΗ

Αν δεν αποσυνδέσετε το τριβείο, μπορεί να επέλθει τυχαίο ξεκίνημα και να προκαλέσει σοβαρό σωματικό τραυματισμό.

2. Αφαιρέστε το κουτί πριονιδιών από τον λειαντήρα.  
3. Τινάξτε το σάκο συλλογής σκόνης για να τον αδειάσετε.  
4. Συνδέστε ξανά το κουτί πριονιδιών στον λειαντήρα.

**ΣΗΜΕΙΩΣΗ:** Για πληρέστερο καθαρισμό του κουτιού πριονιδιών, αφαιρέστε το από το πλαίσιο και ανακινήστε για να αδειάσει. Τοποθετήστε το κουτί πριονιδιών πάνω από το πλαίσιο και στη συνέχεια συνδέστε τη διάταξη κουτιού πριονιδιών στον λειαντήρα.

### ΑΝΤΙΚΑΤΑΣΤΑΣΗ ΤΟΥ ΓΥΑΛΟΧΑΡΤΟΥ

Βλ. Σχήμα 8.

Το τριβείο σας παραδίδεται με πέλματα και γυαλόχαρτα διαφόρων ειδών για διάφορες χρήσεις. Για την αλλαγή φύλλων, απλώς τραβήξτε το χρησιμοποιημένο φύλλο από τη βάση και τοποθετήστε αυτό που θέλετε, πιέζοντας το φύλλο ή το επίθεμα στη βάση του λειαντήρα.

### ΧΡΗΣΙΜΟΠΟΙΩΝΤΑΣ ΤΗΝ ΕΠΕΝΔΥΣΗ ΔΑΧΤΥΛΩΝ

Βλ. Σχήμα 9.

1. Ανοίξτε το κάλυμμα της επένδυσης δαχτύλων.
2. Χαμηλώστε την επένδυση δαχτύλων και κλειδώστε την στη θέση της.
3. Κλείστε το κάλυμμα της επένδυσης δαχτύλων.





## Ελληνικά

### ΦΩΤΕΙΝΗ ΕΝΔΕΙΞΗ ΘΕΣΗΣ ΥΠΟ ΤΑΣΗ

Ο γωνιακός τροχός σας είναι εξοπλισμένος με μια φωτεινή ένδειξη θέσης υπό τάση η οποία ανάβει μόλις το εργαλείο συνδεθεί. Η ένδειξη αυτή εφιστά την προσοχή σας στο γεγονός ότι το εργαλείο είναι υπό τάση και ότι θα θεθεί σε λειτουργία μόλις θα πατήσετε το διακόπτη.

### ΣΥΝΤΗΡΗΣΗ

#### ⚠ ΠΡΟΕΙΔΟΠΟΙΗΣΗ

Το τριβείο σας δεν πρέπει ποτέ να είναι συνδεδεμένο με πρίζα την ώρα που τοποθετείτε εξαρτήματα, πραγματοποιείτε ρυθμίσεις, όταν καθαρίζετε το εργαλείο ή όταν δεν το χρησιμοποιείτε. Η αποσύνδεση του εργαλείου εμποδίζει την τυχαία εκκίνηση του που θα μπορούσε να προκαλέσει σοβαρό τραυματισμό.

#### ⚠ ΠΡΟΕΙΔΟΠΟΙΗΣΗ

Κατά τις επιδιορθώσεις, χρησιμοποιείτε μόνο πανομοιότυπα ανταλλακτικά. Η χρήση άλλων εξαρτημάτων μπορεί να προκαλέσει κίνδυνο ή ζημιά στο προϊόν.

### ΓΕΝΙΚΕΣ ΣΥΣΤΑΣΕΙΣ

Αποφύγετε τη χρήση διαλυτών κατά τον καθαρισμό πλαστικών εξαρτημάτων. Τα περισσότερα πλαστικά μπορούν να υποστούν ζημιά από τη χρήση ορισμένων διαλυτών που διατίθενται στο εμπόριο. Χρησιμοποιήστε ένα καθαρό πανί για να αφαιρέσετε βρωμιά, σκόνη, λάδια, γράσο κ.λπ.

#### ⚠ ΠΡΟΕΙΔΟΠΟΙΗΣΗ

Μην αφήνετε ποτέ υγρά φρένων, βενζίνη, προϊόντα με βάση το πετρέλαιο, διεισδυτικά έλαια, κλπ να έρθουν σε επαφή με τα πλαστικά τμήματα. Τα προϊόντα αυτά περιέχουν χημικές ουσίες που μπορούν να προξενήσουν ζημιά, να μειώσουν ή να καταστρέψουν το πλαστικό.

Τα ηλεκτρικά εργαλεία που χρησιμοποιούνται σε εξοπλισμούς από φάιμπεργκλας, σε γυψοσανίδες, και σε πανό επένδυσης έχουν την τάση να φθείρονται γρηγορότερα και να παρουσιάζουν πρόωρες βλάβες. Πράγματι, τα ρινίσματα και το πριονίδι που προέρχονται από τα υλικά αυτά είναι πολύ λειαντικά για τα εξαρτήματα των ηλεκτρικών εργαλείων όπως τα γρανάζια, οι βούρτσες, οι διακόπτες κλπ. Συνεπώς, σας αποτρέπουμε από την παρατεταμένη χρήση ενός εργαλείου επάνω σε φάιμπεργκλας, πανό επένδυσης, στόκο ή γύψο. Ωστόσο,

αν πρέπει να τρίψετε τα υλικά αυτά, είναι εξαιρετικά σημαντικό να καθαρίσετε το τριβείο σας με πεπιεσμένο αέρα.

#### ⚠ ΠΡΟΕΙΔΟΠΟΙΗΣΗ

Φοράτε πάντα προστατευτικά γυαλιά ή γυαλιά ασφαλείας με πλαϊνές ασπίδες κατά τον χειρισμό μηχανοκίνητων εργαλείων ή σε εργασίες με σκόνη. Αν η εργασία προκαλεί σκόνη, φοράτε και ειδική μάσκα.

### ΛΙΠΑΝΣΗ

Όλα τα έδρανα στο εργαλείο έχουν λιπανθεί με επαρκή ποσότητα λιπαντικού υψηλού τύπου που αρκεί για τη διάρκεια ζωής της μονάδας σε συνθήκες κανονικής χρήσης. Συνεπώς, δε χρειάζεται καμία επιπλέον λίπανση.

### ΚΑΘΑΡΙΣΜΑ ΤΩΝ ΛΕΙΑΝΤΙΚΩΝ ΠΕΛΜΑΤΩΝ

Για παρατεταμένη διάρκεια ζωής και βέλτιστη αποτελεσματικότητα των λειαντικών πελμάτων, καθαρίζετε τα τακτικά. Μπορείτε να αφαιρέσετε όλα τα ξένα σωματίδια ξεπλένοντας απλά τα πέλμα με χλιαρό νερό. Αφού καθαρίσετε το πέλμα, στύψτε το απαλά για να φύγει η περίσσεια νερού και αφήστε το να στεγνώσει. Τακτοποιείτε πάντα τα πέλματα λείανσης επίπεδα σε μέρος δροσερό και στεγνό.

### ΚΑΘΑΡΙΣΜΑ ΤΩΝ ΓΥΑΛΟΧΑΡΤΩΝ

Τα γυαλόχαρτα που παρέχονται με το τριβείο σας είναι επαναχρησιμοποιήσιμα. Είναι συνεπώς σημαντικό να τα καθαρίζετε τακτικά ώστε να αφαιρείτε τη σκόνη και τα σωματίδια που συσσωρεύονται στην επιφάνεια κατά τη διάρκεια των διάφορων εργασιών λείανσης.

Για να καθαρίσετε τα γυαλόχαρτα, τρίψτε τα με ένα συμπαγές μπλοκ από καουτσούκ. Μπορείτε παραδείγματος χάρη να χρησιμοποιήσετε μια καθαρή σόλα παπουτσιού.

#### ⚠ ΠΡΟΕΙΔΟΠΟΙΗΣΗ

Αφαιρείτε πάντα το γυαλόχαρτο ή το πέλμα λείανσης από το τριβείο πριν το καθαρίσετε. Η μη τήρηση της σύστασης αυτής μπορεί να προκαλέσει σοβαρό σωματικό τραυματισμό.

### ΠΡΟΣΤΑΣΙΑ ΤΟΥ ΠΕΡΙΒΑΛΛΟΝΤΟΣ



Ανακυκλώνετε τις πρώτες ύλες αντί να τις πετάτε στον κάδο οικιακών απορριμμάτων. Για την προστασία του περιβάλλοντος, πρέπει να γίνεται διαλογή του εργαλείου, των εξαρτημάτων και των συσκευασιών του.



## Ελληνικά

## ΠΣΥΜΒΟΛΟ



Προειδοποίηση ασφάλειας

V Βλτ

Hz ερτζ

~ Εναλλασσμεν ρεύμα

W Βατ

no Ταύτητα στ κεν

min<sup>-1</sup> Αριθμς στρών ή κινήσεων ανά λεπτ

Τροχιακή διάμετρος



Συμμόρφωση CE



Διπλη μονωση



Φοράτε προστατευτικά αυτιών



Φοράτε προστατευτικά ματιών



Παρακαλούμε διαβάστε τις οδηγίες προσεκτικά πριν ξεκινήσετε το μηχάνημα.

Τα ηλεκτρικά προϊόντα προς απόρριψη δεν θα πρέπει να απορρίπτονται μαζί με τα οικιακά απόβλητα. Παρακαλούμε ανακυκλώστε όπου υπάρχουν οι αντίστοιχες εγκαταστάσεις. Μιλήστε με τις τοπικές αρχές ή τον πωλητή για να σας ενημερώσουν σχετικά με τα προγράμματα ανακύκλωσης.



## Türkçe

### AÇIKLAMA

1. \*alter
2. Otomatik kaymayan paten
3. Toz toplama kutusu
4. Zımpara kağıdı
5. Akım verme gösterge lambası
6. Kapak
7. Parmak pedi
8. Kilit

### ZIMPARAYA ÖZEL GÜVENLİK TALİMATLARI

- Zımpara işlemini gerçekleştirdiğinizde, özellikle zımparayı başınızın üzerinde bir seviyede tuttuğunuzda bir toz koruma maskesini ve bir güvenlik gözlüğü takınız.
- Zımparanızı asla nemli yüzeyler üzerinde kullanmayınız.
- Zımpara kağıdı çok büyük olmamalıdır. Zımpara kağıt pateni aşarsa, ciddi yaralanma riskleriyle karşılaşabilirsiniz.
- Toz torbası alet üzerinde yer almalıdır ve düzenli olarak boşaltılmalıdır. Sık sık boşaltılması olmalıdır. Toz torbasını yerleştirmek için, torbanın doğru şekilde tespit edilene kadar torba halkasını zımparanın arkasında yer alan tahliye ağızını sağa doğru çeviriniz.

### ⚠ UYARI

Zımparadan kaynaklanan tozları açık ateşe atmayınız çünkü ince zerre şeklindeki malzemeler yanıcı olabilir.

### ⚠ UYARI

Toz ve zehirli buharlar solunmayı önlemek için kurşun bızlı boya kaplı yüzeyler veya bazı ahşap ve metal yüzeyleri zımparaladığınızda uygun toz önleyici bir maske takınız.

### ÖZELLİKLER

|                     |                         |
|---------------------|-------------------------|
| Gerilim             | 230 V - 240 V ~ 50 Hz   |
| Güç                 | 80 W                    |
| Dönüş hareketi hızı | 12000 min <sup>-1</sup> |
| Ağırlık             | 0,95 kg                 |

### ÖZELLİKLER

### ÜÇGEN ZIMPARA MAKİNESİNİZİ TANİYİN

Şekle bakınız 1.

Bu aleti kullanmadan önce, güvenlik alanındaki tüm işlemler ve özelliklerle aşına olun. Yine de, zımpara makinenizle aşına olduktan sonra yine de dikkatli olmaya devam edin.

### AKIM ANAHTARI

Bu zımpara makinesi, motor karterinin ön kısmında yer alan bir anahtarla donatılmıştır.

### OTOMATİK KAYMAYAN PATEN

Velcro tespit sistemi, kağıtları ve zımpara patenlerini hızlı şekilde değiştirmeyi sağlar. Bu aynı zamanda, onları kolayca temizlemeyi ve yeniden kullanmayı sağlar.

### ORBİTAL ZIMPARA HAREKETİ

Zımpara makinenizin orbital hareketi zımpara işlemi sırasında patenlerin küçük gelgitler yapmasını sağlar. Pas, boya veya çalışma yüzeyi pürüzsüzlüklerinin izlerini silmek için büyük taneli zımpara pateni kullanılıyorsa bu hareket sonlandırma zımpara işlemi için idealdir.

### TOZ TOPLAMA KUTUSU

Toz kutusu zımpara makinesine takılır ve tozu minimum seviyede tutar.

### MONTAJ

### ⚠ UYARI

Parçaları taktığınızda zımpara makineniz asla prize bağlı olmamalıdır, aleti temizlediğinizde veya artık kullanmadığınızda ayarları gerçekleştirin. Zımpara aletinin ağırlığı üzerinde çalışılacak parça üzerinde yeterli basınç uygulamaktadır. Cihazın fişini prizden çekmek, ciddi kişisel yaralanmalara neden olabilecek aletin yanlışlıkla çalışma riskini ortadan kaldırır.

### ZIMPARALAMA DİSKİNİN SEÇİMİ

İyi kalitede bir zımparalama elde etmek için, parlatıcı kağıdın tanecek ve tip seçimi son derece önemlidir. Kabasını alma için, alüminyum oksit yada silisyum karbür gibi sentetik bir parlatıcı kağıt seçmenizi tavsiye ediyoruz. Çakmaktaşı yada grena gibi doğal parlatıcılar, kabasını alma zımparası için ekonomik şekilde kullanım için çok yumuşaktırlar.

Genel anlamda, büyük tanecek, malzemenin büyük kısmını alır, buna karşın ince tanecek son bir zımparalama yapmaya yarar. Zımparalama yapılacak yüzeyin durumu, kullanılacak tanecek iriliğini belirlemeye yardımcı olur. Şayet yüzey pütürlü ise, yüzeyin düzgün hale gelmesi için zımparalamaya önce iri tanecekli zımpara kağıdı ile başlınız. Ardından, iri tanecekli kağıttan kalan çizikleri ortadan kaldırmak için orta irilikte tanecekli zımpara kağıdı

## Türkçe

kullanabilirsiniz, ve son olarak, yüzeyi cilalamak için ince taneçikli kağıt kullanınız. Yüzey düzgün olana dek her boy taneçikli kağıt ile zımparalayınız.

**Önerilen tabaka/ped kullanımı**

|                           |                 |
|---------------------------|-----------------|
| Zımpara kağıdı tane Ø 80  | Kabaca parlatma |
| Zımpara kağıdı tane Ø 120 | Hafif parlatma  |
| Zımpara kağıdı tane Ø 150 | Hafif parlatma  |

**ZİMPARA KAĞITLARI VE PATENLERİNİN HIZLI TES-PİT EDİLMESİ**

Şekle bakınız 2.

1. Zımparayı devre dışı bırakınız.
2. Zımpara kağıdının deliklerini zımpara aletinin paten delikleriyle hizalandırınız, daha sonra kağıdın düz tarafını en sıkı şekilde, dikkatlice patene yapıştırınız.

**NOT:** Zımparanın etkililik derecesi izin verdiği sürece bu kağıt tipini yeniden kullanabilirsiniz. Zımpara aletinin patenine daha iyi tutmaları için temiz zımpara kağıtları öneririz. Küçük bir fırça ile, düzenli olarak temizleyiniz.

**TOZ KUTUSUNUN TAKILMASI**

Şekle bakınız 3.

Toz kutusu, zımpara makinesi için bir toz toplama sistemi sağlar. Zımpara tozu, zımparalama disklerinin delikleri vasıtasıyla çekilir ve zımparalama işlemi boyunca toz kutusunda toplanır.

1. Zımparayı devre dışı bırakınız.
2. Hafif bir döndürme hareketi kullanarak toz kutusu grubunu üfleyci egzoz sitemine takın.

**⚠ UYARI**

Bu zımpara makinesini kullandığınızda dikkatinizi dağıtmayınız. Dikkatsiz hareketler, hatta bir anlığına bölünme bile ciddi kişisel yaralanmalara neden olabilir.

**UYGULAMALAR**

Zımpara makinesini sadece aşağıda belirtilen uygulamalarda kullanınız:

- Ahşap yüzeyleri zımparalama.
- Pas temizleme ve çelik zımparalama.
- Porselen ve metal parlatma ve zımparalama.

**⚠ DİKKAT**

Besleme kordonunu daima paten geçişinden uzak tutun ve çalışma sırasında ahşaplar, aletler ve diğer nesnelere girmemesi için konumuna dikkat edin.

**⚠ UYARI**

Aletler kullanırken daima güvenlik gözlükleri veya yan ekranlı koruma gözlükleri kullanın. Bu aletin kullanım talimatlarına aykırı kullanımı gözlerinize yabancı cisim, toz ve talaş kaçmasına ve ciddi göz lezyonlarına yol açabilir.

**ÇALIŞTIRMA****ZİMPARA MAKİNESİNİN ÇALIŞTIRILMASI AÇIK / KAPALI**

Şekle bakınız 4.

- **Zımpara aletini çalıştırmak için:** Çalıştırma/ durdurma anahtarını sola doğru itin.
- **Zımpara aletini durdurmak için:** Çalıştırma/ durdurma anahtarını sağa doğru itin.

**KULLANIM**

Şekle bakınız 5.

1. Üzerinde çalışılacak parçayı kaymayacak şekilde konumlandırın.

**⚠ UYARI**

Çalışılacak parçayı tespit etmezseniz, kullanıcıya doğru sıçrayabilir ve ciddi yaralanmalara neden olabilir.

**⚠ UYARI**

Yüzünüzü zımpara aletinden ve çalışma alanından uzak tutmaya özen gösteriniz. Saçlarınızın zımpara aletinin içine çekilmemesi için koruyunuz, ki bu ciddi yaralanmalara sebep olabilir.

2. Zımpara makinesini çalışma alanına patenini üzerinde çalışılacak parça ile temas ettirecek şekilde yerleştirin.

**⚠ DİKKAT**

Havalandırma fanlarını ellerinizle tıkamamaya dikkat ediniz çünkü bu motorun aşırı ısınmasına neden olabilir.

3. Zımpara makinesini çalıştırın ve çalışılacak parçaya doğru yavaşça hareket ettirin.

**NOT:** Zımpara aletini önünüzde, çalışılacak parçadan uygun bir mesafede tutunuz. Zımpara makinesini çalıştırınız ve motorun maksimum hıza ulaşmasını bekleyiniz. Daha sonra zımpara makinesinin patenini çalışılacak parçaya doğru yönlendirin. Paten çalışılacak parçaya temas ettikten sonra, zımpara makinesini küçük dairelerle yüzeye yaklaşırın.

## Türkçe

**Zımpara aletini kesinlikle bastırmayınız.** Bütün "iş" zımpara aleti ile zımpara kağıdı yapmak durumundadır. Zımpara aletinin üzerine fazladan bastırarak, motoru yavaşlatacağınız, zımpara kağıdı daha hızlı aşınacak ve zımparalama hızı fark edilir şekilde azalacaktır. Ayrıca, aşırı bastırma, motorun yükünü artırabilir ve motoru bozabilecek fazla ısınmaya ve aletin düzgün işlemlerini bozmaya sebep olabilir. Dikkat, sürtünmeden doğan ısı, aşşabı kaplayan vernik ya da reçineyi yumuşatabilir.

Zımpara aletinin parlatma işlemi, malzemeyi hızlı bir şekilde yıpratabileceği ve yüzeyi gayri düzgün yapabileceği için, zımparalanacak eşyanın aynı bölgesini çok uzun süre zımparalamamaya dikkat ediniz.

Uzun zımparalama süreleri motorun fazla ısınmasına sebep olabilir. Bu durum meydana gelirse zımpara makinesini kapatın ve zımparalama diski tamamen durana kadar bekleyin ardından iş parçasından çıkarın. Elinizi havalandırma çıkışlarından çekin ve zımpara kağıdını çıkarın daha sonra zımpara makinesini yeniden çalıştırın ve motoru soğutmak için boşta çalıştırın.

**KÖŞELER VE YARIKLAR**

Şekle bakınız 6.

- Köşeler ve yarıklar gibi detay zımparalama için küçük ileri geri hareketlerle zımparalama pedinin ucunu kullanın.

**TOZ KUTUSUNUN BOŞALTILMASI**

Şekle bakınız 7.

Daha fazla etki elde etmek için, toz torbasını yarısı dolar dolmaz boşaltınız. Bu torbanın içindeki havanın daha iyi dolaşmasını sağlar. Zımparalama işleminin tamamlanmasından sonra ve zımpara makinesini depoya koymadan önce toz kutusunu daima boşaltın ve iyice temizleyin.

**▲ UYARI**

Poliüretan, keten yağı, vs gibi yüksek tutuşma özelliğine sahip ürünler uygulanan yüzeylerin zımparalanmasından sonra partikül birikimi toz torbasının veya zımpara aletinin tutuşmasına ve bir yangına yol açabilir. Yangın tehlikesini azaltmak için zımpara işlemi yaparken toz kutunuzu daima düzenli aralıklarda boşaltın (10-15 dakikada bir) ve toz torbasını tamamen boşaltmadan zımpara makinesini saklamayın veya bu şekilde bırakmayın. Kaplama üreticilerin talimatlarını dikkatlice okuyunuz.

1. Zımparayı devre dışı bırakınız.

**▲ UYARI**

Zımpara aleti fişten çekilmemiş ise, istem dışı çalışma meydana gelebilir ve ciddi yaralanmalara sebep olabilir.

2. Toz kutusunu zımpara makinesinden çıkarın.
3. Boşaltmak için toz torbasını sallayınız.
4. Toz kutusunu zımpara makinesine geri takın.

**NOT:** Toz kutusunun daha iyi temizlenmesi için toz kutusunu çerçevesinden çıkarın ve sallayarak tozları temizleyin. Toz kutusunu çerçeveye takın ardından toz kutusu grubunu zımpara makinesine takın.

**ZİMPARA KAĞIDININ DEĞİŞTİRİLMESİ**

Şekle bakınız 8.

Zımpara aletinin değişik kullanımlar için, değişik zımpara kağıtları ve parlatma kağıtları ile satılmıştır. Tabakaları değiştirmek için sadece eski tabakayı çıkarın ve istenen tabakayı veya pedi zımpara makinesinin tabanı üzerine bastırarak takın.

**PARMAK PEDİNİN KULLANILMASI**

Şekle bakınız 9.

1. Parmak pedi kapağını açın.
2. Parmak pedini indirin ve yerine kilitleyin.
3. Parmak pedi kapağını kapatın.

**AKIM VERME GÖSTERGE LAMBASI**

Açı taşlama makineniz, alet beslemeye takılı olduğunda yanan akım verme gösterge lambasıyla donatılmıştır. Bu gösterge lambası, aletinizin besleme altında olduğundan ve çalıştırma anahtarına bastığınızda çalışacağı konusunda dikkatinizi çekmektedir.

**BAKIM****▲ UYARI**

Parçaları taktığınızda zımpara makineniz asla prize bağlı olmamalıdır, aleti temizlediğinizde veya artık kullanmadığınızda ayarları gerçekleştirin. Zımpara aletinin ağırlığı üzerinde çalışılacak parça üzerinde yeterli basınç uygulamaktadır. Cihazın fişini prizden çekmek, ciddi kişisel yaralanmalara neden olabilecek aletin yanlışlıkla çalışma riskini ortadan kaldırır.

**▲ UYARI**

Servis hizmetinde sadece aynı yedek parçaları kullanın. Başka parça kullanmak tehlike yaratabilir ya da hasara neden olabilir.

## Türkçe

## GENEL TALİMATLAR

Plastik parçaları temizlerken çözülteleri kullanmaktan kaçının. Plastiklerin çoğu ticari kullanımlı uçucu maddeler karşı hassastır. Kiri, tozu, yağı ve gres yağını temizlemek için temiz bir bez kullanın.

## ⚠ UYARI

Fren yağlarını, benzini, petrol esaslı ürünleri, delici yağları, vb plastik parçalara temas edecek şekilde bırakmayınız. Bu kimyasal ürünler, plastiğe zararverecek, bozacak ya da yok edecek maddeler içermektedir.

Cam lifli donanımlar, alçı plakaları, kaplama panoları üzerinde kullanılan elektrikli aletler daha hızlı aşınabilir ve daha önceden bozulmalara neden olabilir. Fırçalar, anahtarlar gibi elektrikli aletler için çok aşındırıcı malzemelerden gelen malzemelerin talaşları ve kalıntılarının aşındırıcı etkisi vardır. Dolayısıyla aletin cam lifli, kaplama panelleri, alçılar üzerinde uzun süre kullanılması önerilmez. Yine de, bu malzemeleri zımparalamanız gerekirse, sıkıştırılmış havayla zımpara makinesini temizlemeniz gereklidir.

## ⚠ UYARI

Elektrikli aletlerle çalışma veya toz üfleme işlemi esnasında daima yan siperlikleri bulunan koruyucu gözlükler kullanın. İşlem tozlu olucaksa aynı zamanda bir toz maskesi de kullanın.

## YAĞLAMA

Normal işleme koşulları için, cihazın tüm yuvaları yüksek kalite yağlarla ömür boyu yağlanmıştır. Buna göre, fazladan yağlama yapılmasına gerek yoktur.

## ZİMPARA KAĞITLARININ TEMİZLENMESİ

Zımpara kağıtlarının uzun ömürleri ve optimal verimlilikleri için, düzenli olarak temizleyiniz. Zımpara kağıdını ılık su ile durulayarak üzerinde bulunan yabancı maddeleri temizleyebilirsiniz. Temizlendikten sonra, zımpara kağıdının üzerinde kalan fazla suyu alınız ve kurumaya bırakınız. Daima kuru ve serin bir yere yatay şekilde bırakınız.

## PARLATICI KAĞITLARIN TEMİZLENMESİ

Zımpara aletiniz ile verilen parlatıcı kağıtlar tekrar tekrar kullanılabilir. Dolayısı ile, değişik zımparalama işlemleri sırasında yüzeylerinde kalan tozu ve zerreçikleri almak için düzenli olarak temizlemek önemlidir.

Cilalama kağıtlarını temizlemek için, kauçuk bir blok

ile sürtünüz. Örneğin, temiz bir ayakkabı tabanı kullanabilirsiniz.

## ⚠ UYARI

Temizlemeden önce zımpara yada cilalama kağıdını zımpara aletinden çıkartınız. Bu uyarıya uymama, ciddi beden yaralanmalarına sebep olabilir.

## ÇEVRENİN KORUNMASI



Ham maddeleri ev çöpleri ile birlikte atmak yerine geri dönüştürün. Çevreyi korumak için, alet, aksesuarlar ve ambalajlar tasnif edilmelidir.

## SEMBOL



Güvenlik Uyarısı

V

Volt

Hz

Hertz

~

Alternatif akım

W

Watt

n<sub>o</sub>

Bota hız

min<sup>-1</sup>

Saniyede devir veya hareket sayısı



Yörünge çapı



CE Uygunluğu



Çift yalıtım



Koruyucu kulaklık kullanın



Koruyucu gözlük kullanın



Makineyi çalıştırmadan talimatları dikkatlice okuyun.



Atık elektrikli ürünler evsel atıklarla birlikte atılmamalıdır. Tesis bulunuyorsa lütfen geri dönüşüme verin. Geri dönüşümle ilgili tavsiye için Yerel Makamlarla veya bayi ile irtibat kurun.

**GB****WARRANTY - STATEMENT**

All Ryobi products are guaranteed against manufacturing defects and defective parts for a period of twenty four (24) months from the date stated on the original invoice drawn up by the retailer and given to the end user. Deterioration caused by normal wear and tear, unauthorised or improper use or maintenance, or overload are excluded from this guarantee as are accessories such as battery packs, light bulbs, blades, fittings, bags, etc. In the event of malfunction during the warranty period, please take the **NON-DISMANTLED** product, along with the proof of purchase, to your retailer or nearest Authorised Ryobi Service Centre.

This warranty in no way affects your legal rights concerning defective products.

**FR****GARANTIE - CONDITIONS**

Ce produit Ryobi est garanti contre les vices de fabrication et les pièces défectueuses pour une durée de vingt-quatre (24) mois, à compter de la date faisant foi sur l'original de la facture établie par le revendeur à l'utilisateur final.

Les détériorations provoquées par l'usure normale, par une utilisation ou un entretien anormal ou non autorisé, ou par une surcharge sont exclues de la présente garantie de même que les accessoires tels que batteries, ampoules, lames, embouts, sacs, etc.

En cas de mauvais fonctionnement au cours de la période de garantie, veuillez envoyer le produit **NON DÉMONTÉ** avec la preuve d'achat à votre fournisseur ou au Centre Service Agréé Ryobi le plus proche de chez vous. Vos droits légaux se rapportant aux produits défectueux ne sont pas remis en cause par la présente garantie.

**DE****GARANTIE - BEDINGUNGEN**

Für alle Ryobi-Produkte gilt eine Garantie gegen Material- und Verarbeitungsfehler für einen Zeitraum von vierundzwanzig (24) Monaten ab dem Datum der vom Wiederverkäufer für den Endbenutzer ausgestellten Originalrechnung.

Fehler, die auf Grund einer normalen Abnutzung, einer unberechtigten oder falschen Wartung oder Handhabung oder durch eine Überbelastung auftreten, sind von der Garantie ausgeschlossen. Dies gilt auch für Zubehörteile wie Batterien, Glühbirnen, Sägeblätter, Ansatzstücke, Beutel usw.

Senden Sie das Produkt im Fall eines Defekts innerhalb des Garantiezeitraumes in **NICHT ZERLEGTEM** Zustand zusammen mit dem Kaufnachweis an Ihren Händler oder Ihr nächstes Ryobi-Kundendienstzentrum zurück.

Diese Garantie hat keine Auswirkungen auf Ihre gesetzlichen Rechte in Bezug auf fehlerhafte Produkte.

**ES****GARANTÍA - CONDICIONES**

Este producto Ryobi está garantizado contra los defectos de fabricación y las piezas defectuosas por un período de veinticuatro (24) meses, a partir de la fecha que figura en el original de la factura establecida por el distribuidor al usuario final.

Se excluyen de la presente garantía los deterioros provocados por un desgaste normal, una utilización o mantenimiento incorrecto o no autorizado, y una sobrecarga, así como los diversos accesorios: baterías, bombillas, hojas, puntas, bolsas, etc.

En caso de funcionamiento incorrecto durante el período de la garantía, envíe el producto **SIN DESMONTAR** con la prueba de compra a su proveedor o al Centro de Servicio Acreditado Ryobi más cercano a su domicilio.

Los derechos legales relacionados con los productos defectuosos no son cuestionados por la presente garantía.

**IT****GARANZIA - CONDIZIONI**

Questo prodotto Ryobi è garantito contro tutti i difetti di fabbricazione e pezzi difettosi per una durata di ventiquattro (24) mesi, a partire dalla data indicata sull'originale della fattura compilata dal rivenditore e consegnata all'utente finale.

Il deterioramento provocato dall'usura normale, da un utilizzo o una manutenzione non conformi o non autorizzati, o da un sovraccarico, è escluso dalla presente garanzia. La garanzia è esclusa anche per gli accessori come batterie, lampadine, lame, punte, borse, ecc.

In caso di **malfunctionamento** nel corso del periodo di garanzia, riportare il prodotto **NON SMONTATO** corredato della prova d'acquisto al fornitore o al più vicino Centro di Assistenza Autorizzato Ryobi.

I diritti legali relativi ai prodotti difettosi non sono rimessi in causa dalla presente garanzia.

**NL****GARANTIEVOORWAARDEN**

Dit Ryobi product is gewaarborgd tegen fabricagefouten en defecte onderdelen gedurende een periode van vierentwintig (24) maanden, te rekenen vanaf de officiële datum op het origineel van de door de wederverkoper aan de eindgebruiker uitgeschreven rekening.

Beschadigingen veroorzaakt door normale slijtage, door abnormaal of ongeoorloofd gebruik of onderhoud, of door overbelasting vallen niet onder deze garantie, evenmin als accu's, lampen, bits, slijtbladen, zakken enz. In geval van slechte werking tijdens de garantieperiode, wordt u verzocht het **NIET GEDEMONTEERDE** product samen met de koopbon aan uw leverancier of aan het dichtstbijzijnde Ryobi servicecentrum te sturen.

Deze garantie doet niet af aan uw wettelijke rechten met betrekking tot defecte producten.

**PT****GARANTIA - CONDIÇÕES**

Este produto Ryobi está garantido contra os vícios de fabrico e as peças defeituosas por um prazo de vinte e quatro (24) meses, a contar da data que faz fé no original da factura emitida pelo vendedor ao utilizador final. As deteriorações provocadas pelo desgaste normal, por uma utilização ou uma manutenção anormal ou não autorizada, ou por uma sobrecarga ficam excluídas da presente garantia assim como os acessórios tais como baterias, lâmpadas, lâminas, ponteiros, sacos, etc.

No caso de mau funcionamento durante o prova de garantia, queira enviar o produto **NÃO DESMONTADO** com a prova de compra ao seu fornecedor ou ao Centro de Serviço Autorizado Ryobi mais próximo.

Os seus direitos legais relativos aos produtos defeituosos não são prejudicados pela presente garantia.

**DK****GARANTI - REKLAMATIONSRET**

Der er reklamationsret på dette Ryobi produkt for fabrikationsfejl og defekte dele i fireogtyve (24) måneder fra gyldighedsdatoen på originalfakturaen udstedt af forhandleren til slutbrugeren.

Skader opstår på grund af almindeligt slid, unormal eller ikke tilladt anvendelse, forkert vedligeholdelse eller overbelastning er ikke dækket af denne reklamationsret, det samme gælder tilbehør som batterier, pærer, klinger, indsætter, poser osv.

I tilfælde af driftsfejl i garantiperioden skal produktet afleveres **IKKE DEMONTERET** med kobebevis til forhandleren eller nærmeste autoriserede Ryobi serviceværksted.

De lovbestemte rettigheder i forbindelse med defekte produkter forringes ikke af denne reklamationsret.



**SE****GARANTI - VILLKOR**

Ryobi garanterar denna produkt mot fabriktionsfel och defekta delar under tjugofyra (24) månader, räknat från det datum som anges på originalfakturan fastställt av återförsäljaren och överlämnad till slutanvändaren.

Denna garanti täcker inte skador som förorsakas av normalt slitage, av onormal eller otillåten användning eller skötsel, eller av överbelastning. Den täcker inte heller tillbehör som batterier, glödlampor, blad, ändstycken, påsar, osv.

I händelse av felaktig funktion medan garantin är i kraft skall produkten sändas **UTAN ATT DEMONTERAS** tillsammans med inköpsbeviset till leverantören eller till närmaste servicecenter som auktoriserats av Ryobi.

De rättigheter som lagen ger i förhållande till defekta produkter ifrågasätts inte av denna garanti.

**FI****TAKUUEHDOT**

Tällä Ryobi-tuotteella on valmistusvial tai vialliset osat kattava vuoden (24 kk) takuu alkuperäiseen ostokäyttöön tai laakuun merkitystä ostopäivästä lukien.

Takuu ei kata normaalista kulumisesta, epänormaalia tai kielletystä käytöstä tai ylikuormituksesta aiheutuneita vahinkoja eikä lisävarusteita kuten akkuja, polttimoita, teriä, pusseja jne.

Mikäli takauaikana ilmaantuu toimintahäiriöitä, vie **PURKAMATON** tuote ostotodistuksineen myyjäiliikkeeseen tai lähimpään Ryobi-keskushuoltoon.

Tämä takuu ei vaikuta viallisia tuotteita koskeviin lakiperusteisiin oikeuksiin.

**NO****GARANTI - VILKÅR**

Dette Ryobi produktet er garantert mot fabriksjonsfeil og defekte deler i tjuogfire (24) måneder fra datoen som står på fakturaen utstedt av forhandleren til sluttbrukeren.

Garantien bortfaller dersom skadene er forårsaket av normal slitasje, unormal eller uautorisert bruk, eller overbelastning, og gjelder ikke tilbehør som batterier, lyspærer, blad, bits, poser, osv.

I tilfelle funksjonsfeil under garantiperioden, skal produktet leveres i **UDEMONTERT** tilstand sammen med kjøpsbeviset til forhandler eller til nærmeste autoriserte Ryobi servicecenter.

Dine lovmessige rettigheter med hensyn til defekte produkter er ikke påvirket av denne garantien.

**RU****ГАРАНТИЯ – УСЛОВИЯ**

Настоящая продукция RYOBI гарантирована от дефектов производства и дефектов изделий на 2 года со дня официального оформления покупки, указанного на оригинале счета, выписанного продавцом покупателю.

Повреждения, полученные в результате обычного износа, ненормального или запрещенного использования или обслуживания, а также перегрузкой, – не покрываются настоящей гарантией, также как и аксессуары, такие как батареи, лампочки, цокли, патроны, мешки и т.д.

В случае поломки или неисправности в гарантийный период отослите продукцию **НЕРАЗОБРАННОЙ** с подтверждением покупки Вашему продавцу или в ближайший Центр Технического Обслуживания Ryobi.

Настоящая гарантия не влияет на Ваши законные права, по отношению к дефектной продукции.

**PL****WARUNKI GWARANCJI**

Na niniejszy produkt Ryobi udzielona jest dwuletnia gwarancja na ukryte wady fabryczne oraz na zdefektowane części. Okres gwarancji dwudziestu czterech (24) miesięcy, zaczyna się od wiążącej daty widniejącej na oryginalne faktury wystawionej przez sprzedawcę dla ostatecznego nabywcy.

Gwarancja ta nie obejmuje zniszczenia wynikającego z normalnego zużycia, czy też uszkodzeń spowodowanych nadmierną eksploatacją, lub niewłaściwą konserwacją, czy nieodpowiednim użytkowaniem niezgodnym z przeznaczeniem. Wyłączone są z niej również akcesoria tj. akumulatory, żarówki, ostrza, końcówki, worki, itd.

W wypadku stwierdzenia złego funkcjonowania podczas okresu gwarancyjnego, prosimy o skierowanie **NIE ZDEMONTOWANEGO** produktu, wraz z dowodem zakupu do waszego dostawcy lub do najbliższego Autoryzowanego Punktu Serwisowego Ryobi.

Niniejsza gwarancja nie podważa przysługujących Państwu uprawnień dotyczących wadliwych produktów.

**CZ****ZÁRUKA – ZÁRUČNÍ PODMÍNKY**

Na tento výrobek značky Ryobi se poskytuje záruka po dobu 24 (dvaceti čtyř) měsíců od data uvedené na fakturě nebo pokladním bloku, který koncový uživatel obdržel v prodejně při nákupu výrobku. Záruka se vztahuje na výrobní vady a vadné díly.

Záruka se nevztahuje na poškození výrobku způsobené jeho běžným opotřebením, nesprávným nebo neschváleným použitím, nesprávnou údržbou nebo přetížením. Uvedené záruční podmínky se nevztahují na příslušenství, jako akumulátory, žárovky, pilové listy, nástavce, vaky apod.

V případě provozních problémů u výrobku v záruce kontaktujte nejbližší autorizovanou servisní opravnu výrobků Ryobi. K opravě je nutné předložit **NEDEMONTOVANÝ** výrobek spolu s fakturou nebo pokladním blokem.

Tato záruka nevylučuje případná další Vaše spotřebitelská práva týkající se výrobních závad, v souladu s platnými legislativními předpisy.

**HU****A GARANCIA FELTÉTELEI**

Ezt a Ryobi termékét huszonnégy (24) hónapig garantáljuk a gyártáshibák, valamint a készülékekben található alkatrészek miatt jelentkező meghibásodás ellen. A garancia az eladó által, a vásárló számára készített, eredeti adás-vételi szerződésen feltüntetett dátumtól érvényes.

A normális igénybevételből fakadó elhasználódás, a nem rendeltetésnek megfelelő használat vagy karbantartási művelet miatt fellépő, túlterhelés által okozott meghibásodásra nem terjed ki a garancia. A tartozékokra, mint például az akkumulátorra, izzőokra, fűrófejekre, táskára, stb., a garancia szintén nem vonatkozik.

A garancia periódus alatt fellépő meghibásodás esetén, juttassa el **NEM SZÉTSZERELT ÁLLAPOTBAN** a Ryobi terméket a vásárlást és annak dátumát igazoló dokumentum kíséretében az eladóhoz vagy az Önhöz legközelebbi Ryobi Szerviz Központba.

A jelen garancia nem zárja ki a fogyasztási eszközökre vonatkozó jogszabályok által elrendelteteket.

**RO****GARANȚIE – CONDIȚII**

Acest produs Ryobi este garantat în cazul viciilor de fabricație și pieselor cu defecte pentru o durată de douăzecișipatru (24) de luni, începând cu data facturii originale emisă de către comerciant utilizatorului final.

Deteriorările provocate prin uzură normală, print-o utilizare sau întreținere anormală sau neautorizată, sau prin fortarea utilizării sunt excluse din prezenta garanție acestea aplicându-se și accesoriilor ca baterii, becuri, lame, capete, saci, etc.

În caz de funcționare defectuoasă în perioada de garanție, vă rugăm să trimiteți produsul **NEDEMONTAT** împreună cu factura de cumpărare furnizorului dumneavoastră sau la Centrul Service Agreat Ryobi cel mai apropiat de dumneavoastră.

Drepturile dumneavoastră legale privind produsele defectuoase nu sunt alterate prin prezenta garanție.

## LV GARANTIJAS PAZIŅOJUMS

Šī produkta izejmateriālu un ražošanas defektus divdesmit četrus (24) mēnešus sedz garantija, kas stājas spēkā no rēķina vai piegādes dokumenta izrakstīšanas datuma.

Normālas nolietošanas, nepilnvarotas/nepareizas apkopes/apiešanās vai pārslodzes radītos defektus garantija nesedz; garantija neattiecas arī uz akumulatoriem, spuldzītēm, asmeņiem, kaltiem utt.

Ja garantijas perioda laikā radusies kļūme, atgrieziet **NEIZJAUKTU** produktu ar iegādi apstiprinātiem dokumentiem savam dīlerim vai tuvākajā Ryobi servisa centrā.

Garantija neskar ar likumu noteiktās tiesības attiecībā uz defektīviem produktiem.

## LT GARANTINIS PAREIŠKIMAS

Garantuojame, kad šiame prietaise 24 mėnesius, pradedant nuo pirmojo pirkimo ar pristatymo datos, nurodytos ant kvito, nebus medžiagu ir gamybos defektų.

Defektai dėl įprasto naudojimo ir nusidėvėjimo, netinkamo ir neleistino naudojimo ir priežiūros ar perkrovų į garantijos apimtį neįeina. Taip pat garantija neteikiama tokiems priedams kaip baterijos, lempučių, antgaliai ir pan.

Gedimo atveju garantiniu laikotarpiu **NEIŠARDYTA** prietaisą su pirkimo datos įrodymu grąžinkite pardavėjui arba į artimiausią „Ryobi“ techninio aptarnavimo centrą.

Jūsų statutinės teisės gėdimų turinčių produktų atžvilgiu garantijos nėra apribojamos.

## EE GARANTIIAVALDUS

Käesoleva toote garantii katab kahekümne nelja (24) kuu jooksul materjali ja tootevalmistamise defektid, mis hakkab kehtima ning mis tõestatakse arve või saatehale kuupäevast.

Tavalise kasutamise ja kulumise, volitamata/väära hooldamise või ülekoormuse käigus tekkinud defektid käesoleva garantii alla ei kuulu, nagu ei kuulu garantii alla ka lisavarustus, sh akud, pirnid, terad, osakesed jne.

Garantiiperioodil esineva tõrke korral tagastage toode palun LAHTI VÖTMATA ning koos ostu tõendava

dokumentidga oma kohalikule edasimüüjale või lähimasse Ryobi hoolduskeskusesse.

Garantii ei mõjuta teie seaduslikke õigusi defektsete toodete suhtes.

## HR UVJETI GARANCIJE

Ovaj Ryobi proizvod je pod garancijom za sve nedostatke unutar dvadeset i četiri (24) mjeseca od datuma koji se nalazi na originalnom računu koji je prodavač izdao krajnjem korisniku.

Omteženja uzrokovana normalnom uporabom, neprikladnim ili nedozvoljenim korištenjem ili odraevanjem ili pak prevelikim opterećenjem nisu uključena u ovu garanciju, kao ni dodaci poput baterija, aearulja, noževa, vrhova, torbi itd.

U slučaju da tijekom garancijskog razdoblja alat radi neispravno, proizvod koji NISTE RASTAVLJALI zajedno s dokazom o kupnji potpaljite vatrem dobavljaču ili najbližem Ovlaštenom Ryobi servisu. Vama prava koja se odnose na neispravne proizvode ovom se garancijom ne dovode u pitanje.

## SI GARANCIJSKA IZJAVA

Vsi izdelki znamke Ryobi imajo garancijo za napake v izdelavi in neustrezne sestavne dele za obdobje 24-ih mesecev od datuma, ki je naveden na originalnem računu, ki ga je prodajalec izdal končnemu uporabniku.

Staranje, ki ga povzroča običajna raba in obraba izdelka, njegova nepooblaščen ali neustrezna uporaba ali vzdrževanje, ali preobremenitev, je izvzeto iz te garancije. Enako velja tudi za dodatno opremo kot so baterijski vložki, žarnice, rezila, pribor, vrečke, ipd.

Če pride v garancijskem roku do napake v delovanju izdelka, vas prosimo, da ga **NERAZSTAVLJENEGA**, skupaj z dokazilom o nakupu, odnesete vašemu prodajalcu ali v najbližji Ryobi servisni center.

Ta garancija nikakor ne vpliva na vaše pravice, ki vam jih v zvezi z neustreznimi izdelki daje zakon.

## SK ZÁRUKA –PREHLÁSENIE

Tento produkt pričádza zo zárukou na chyby v materiáli a spracovaní v dlžke 24 mesiacov od dátumu kúpy, alebo dodania. Chyby spôsobené normálnym opotrebovaním, nedovolenou / nesprávnou údržbou / narábaním, alebo preťažením, sú z tejto záruky vylúčené podobne ako prislušenstvo ako batérieové články, čepele a hrotov atď.

V pripade poruchy v období záruky, prineste prosím **NEROZOBANÝ** s dokladom o kúpe väšmu predajcovi, alebo do najbližšieho servisného centra Ryobi.

Väše zákonné práva ohľadom poškodeného výrobku nie sú ovplyvnené touto zárukou.

## GR ΟΡΟΙ ΕΓΓΥΗΣΗΣ

Αυτό το προϊόν Ryobi φέρει εγγύηση κατά των κατασκευαστικών ελαττωμάτων και των ελαττωματικών τμημάτων για μια διάρκεια εκκοιτεσσάρων (24) μηνών, από την ημερομηνία που αναφέρεται στο πρωτότυπο του τιμολογίου που καταρτίστηκε από τον μεταπωλητή για τον τελικό χρήστη.

Οι φυσιολογικές φθορές ή εκείνες που θα προκληθούν από μη φυσιολογική ή μη επιτρεπτή χρήση ή συντήρηση, ή από υπερφόρτιση δεν καλύπτονται από την παρούσα εγγύηση καθώς και τα εξαρτήματα όπως μπαταρίες, λάμπες, μύτες, σακούλες κλπ.

Σε περίπτωση κακής λειτουργίας κατά την περίοδο εγγύησης, παρακαλείστε να απευθύνετε το προϊόν **ΧΩΡΙΣ ΝΑ ΤΟ ΑΝΟΙΞΕΤΕ**, με την απόδειξη αγοράς, στον προμηθευτή σας ή στο κοντινότερο Κέντρο Τεχνικής Εξυπηρέτησης Ryobi.

Τα νόμιμα δικαιώματά σας που αφορούν στα ελαττωματικά προϊόντα δεν αμφισβητούνται από την παρούσα εγγύηση.

## TR GARANTİ – ŞARTLAR

Bu Ryobi ürünün, üretim hatalarına ve kusurlu parçalara karşı satıcı tarafından son kullanıcısına verilmiş olan orijinal fatura tarihinden itibaren yirmi dört (24) ay boyunca garantilidir.

Normal kullanım sonucunda yıpranmalar, anormal ya da izin verilmeyen kullanım ya da bakım, ya da aşırı yüklenme ve ayrıca bataryalar, ampuller, bıçaklar, rakorlar, torbalar gibi aksesuarlar sözkonusu garantinin dışındadır. Garanti döne mi süresinde meydana gelen bir arıza durumunda, ürünün **SÖKME DEN** satın mala belgesi ile yetkili satıcınıza ya da size en yakın Ryobi Yetkili Servis Merkezi'ne gönderiniz. Bu garanti, defolu mallara ilişkin yasal haklarınızı hiçbir şekilde etkilemez.

**(GB) WARNING**

The vibration emission level given in this information sheet has been measured in accordance with a standardised test given in EN 60745 and may be used to compare one tool with another. It may be used for a preliminary assessment of exposure. The declared vibration emission level represents the main applications of the tool. However if the tool is used for different applications, with different accessories or poorly maintained, the vibration emission may differ. This may significantly increase the exposure level over the total working period.

An estimation of the level of exposure to vibration should also take into account the times when the tool is switched off or when it is running but not actually doing the job. This may significantly reduce the exposure level over the total working period. Identify additional safety measures to protect the operator from the effects of vibration such as: maintain the tool and the accessories, keep the hands warm, organisation of work patterns.

**(FR) AVERTISSEMENT**

Le niveau d'émission des vibrations indiqué dans cette feuille d'information a été mesuré en concordance avec un test normalisé fourni par EN60745 et peut être utilisé pour comparer un outil à un autre. Il peut être utilisé pour une évaluation préliminaire de l'exposition. Le niveau déclaré d'émission des vibrations s'applique à l'utilisation principale de l'outil. Toutefois, si l'outil est utilisé pour des applications différentes, avec des accessoires différents, ou mal entretenu, l'émission de vibrations peut être différente. Le niveau d'exposition peut en être augmenté de façon significative tout au long de la période de travail.

Une estimation du niveau d'exposition aux vibrations doit aussi prendre en compte les périodes où l'outil est arrêté ainsi que les périodes où il fonctionne sans vraiment travailler. Le niveau d'exposition pendant la durée totale du travail peut en être réduit de façon significative. Prenez en considération les mesures additionnelles de sécurité à prendre pour protéger l'opérateur des effets des vibrations telles que: maintien de l'outil et de ses accessoires, maintien des mains au chaud, organisation du travail.

**(DE) WARNUNG**

Der in diesem Informationsblatt genannte Schwingungspegel wurde entsprechend dem standardisierten Test von EN60745 gemessen und kann benutzt werden um das Werkzeug mit anderen zu vergleichen. Er kann benutzt werden, um eine vorausgehende Einschätzung der Exposition durchzuführen. Der genannte Schwingungspegel repräsentiert den Haupteinsatzbereich des Werkzeugs. Jedoch kann das Werkzeug für verschiedene Einsatzbereiche benutzt werden. Mit unterschiedlichen Zusatzgeräten oder bei schlechter Wartung kann der Schwingungspegel unterschiedlich sein. Dadurch kann die Expositionshöhe über die gesamte Arbeitszeit signifikant erhöht werden.

Eine Einschätzung der Exposition zu Schwingungen sollte auch die Zeiten wenn das Werkzeug ausgeschaltet ist, oder wenn es angeschaltet aber nicht in Betrieb ist, in Betracht ziehen. Dadurch kann die Expositionshöhe über die gesamte Arbeitszeit signifikant reduziert werden. Identifizieren Sie zusätzliche Sicherheitsmaßnahmen um die Bedienungsperson vor den Effekten der Schwingungen zu schützen, wie zum Beispiel: Das Werkzeug und Zusatzgeräte warten, Hände warmhalten und Organisation der Arbeitszeiten.

**(ES) ADVERTENCIA**

El nivel de emisión de las vibraciones que figura en esta hoja de información se ha medido según una prueba estandarizada que figura en EN60745 y puede ser utilizado para comparar una herramienta con otra. Puede ser utilizado para una evaluación preliminar de la exposición. El nivel de emisión de las vibraciones declarado representa las principales aplicaciones de la herramienta. No obstante, si la herramienta se utiliza para diferentes aplicaciones, con diferentes accesorios o no recibe el mantenimiento adecuado, la emisión de las vibraciones puede ser diferente. Esto puede aumentar significativamente el nivel de exposición durante el periodo de trabajo total.

Una estimación del nivel de exposición a la vibración también debe tener en cuenta el tiempo en el que la herramienta está desconectada o cuando está conectada pero no está realizando ningún trabajo. Esto puede reducir significativamente el nivel de exposición durante el periodo de trabajo total. Identificar las medidas de seguridad adicionales para proteger al operador de los efectos de las vibraciones, tales como: mantenimiento de la herramienta y de los accesorios, y la organización de los patrones de trabajo.

**(IT) AVVERTENZE**

Il livello di vibrazioni indicato in questo foglio informativo è stato misurato seguendo un test svolto secondo i requisiti indicati dallo standard EN60745 e potrà essere utilizzato per paragonare un utensile con un altro. Potrà essere utilizzato per una valutazione preliminare dell'esposizione a vibrazioni. Il livello dichiarato di emissioni di vibrazioni viene indicato tenendo conto delle applicazioni principali dell'utensile. Comunque se l'utensile viene utilizzato per applicazioni diverse con accessori diversi o non viene correttamente conservato, il livello delle vibrazioni potrà variare. Ciò potrà significativamente aumentare il livello di esposizione alle vibrazioni durante il periodo di lavoro totale.

Una valutazione del livello di esposizione alle vibrazioni dovrà inoltre prendere in considerazione i tempi in cui l'utensile viene spento o è acceso ma non viene utilizzato. Ciò potrà significativamente ridurre il livello di esposizione in un periodo totale di funzionamento. Ulteriori misure di sicurezza per proteggere l'operatore dagli effetti delle vibrazioni come: conservare correttamente l'utensile e i suoi accessori, tenere le mani calde e organizzare i tempi di lavoro.

**(NL) WAARSCHUWING**

Het trillingsemissieniveau dat op dit informatieblad wordt gegeven, is gemeten in overeenstemming met een gestandaardiseerde test, vastgelegd in EN60745 en mag worden gebruikt om machines met elkaar te vergelijken. Het verklaarde trillingsemissieniveau geeft de hoofdtoepassing van het gereedschap weer. Als de machine echter voor andere toepassingen of met andere accessoires wordt gebruikt of slecht wordt onderhouden, kan de trillingsemissie verschillen. Dit kan de blootstelling gedurende de gehele werkduur aanzienlijk verhogen.

Bij een schatting van het niveau van blootstelling aan trillingen moet ook rekening worden gehouden met het aantal keren dat de machine wordt uitgeschakeld of draait, maar niet wordt gebruikt. Dit kan het niveau van blootstelling gedurende de gehele werkduur aanzienlijk verlagen. Stel bijkomende veiligheidsmaatregelen op om de gebruiker tegen de gevolgen van trillingen te beschermen: zoals onderhoud het gereedschap en de accessoires, houd de handen warm, de organisatie van werkpatronen.

**(PT) AVISO**

O nível de emissão de vibrações fornecido nesta folha de informações foi medido em conformidade com o teste uniformizado descrito em EN60745 e pode ser usado para comparar uma ferramenta com outra. Este pode ser usado para uma avaliação preliminar da exposição. O nível de emissão de vibração declarado refere-se à aplicação principal da ferramenta. Contudo, se a ferramenta for usada para aplicações diferentes, com acessórios diferentes ou não for devidamente mantida, a emissão de vibrações pode diferir. Isto pode fazer aumentar significativamente o nível de exposição ao longo do período de trabalho total.

Uma estimativa do nível de exposição às vibrações deve ter, também, em consideração o tempo durante o qual a ferramenta está desligada ou em que está ligada mas não está a realizar qualquer trabalho. Isto pode reduzir significativamente o nível de exposição durante o período total de trabalho. Identifique medidas adicionais de segurança que protejam o operário dos efeitos da vibração como a manutenção da ferramenta e dos acessórios, a manutenção das mãos quentes e a organização de padrões de trabalho.

**(DK) ADVARSEL**

Det angivne niveau for vibrationsemission på denne oplysningside er blevet målt iht. en standardtest ifølge EN60745 og kan bruges til at sammenligne værktøjer indbyrdes. Det kan bruges til en foreløbig eksponeringsvurdering. Det opgivne niveau for vibrationsemission gælder, når værktøjet bruges til sit hovedformål. Men hvis værktøjet bruges til andre formål, med forskelligt eller med dårligt vedligeholdt ekstraudstyr, kan vibrationsemissionen variere. Dette kan medføre en betragtelig stigning i eksponeringsniveauet set over hele arbejdsperioden.

Et skøn over niveauet for vibrationseksponering bør også tage højde for de perioder, hvor værktøjet er slukket, eller hvor det er tændt uden faktisk at være i brug. Dette kan medføre en betragtelig reduktion i eksponeringsniveauet set over hele arbejdsperioden. Træf ekstra sikkerhedsforanstaltninger til beskyttelse af operatøren mod virkningerne fra vibrationen som fx: vedligeholdte værktøjer og ekstraudstyr, hold hænderne varme, organiser arbejdsmonstre.

**SE VARNING**

Vibrationsnivåerna som uppges i det här dokumentet har uppmätts i enlighet med ett standardiserat test som beskrivs i EN60745 och som kan användas för att jämföra verktyg. Det kan användas som en preliminär bedömning av den vibration som användaren utsätts för. De deklarerade vibrationsvärdena motsvarar de som uppstår när verktyget används i sitt huvudsyfte. Om verktyget används i andra syften, med andra tillbehör eller om verktyget är dåligt underhållet kan vibrationsnivåerna vara annorlunda. Det kan kraftigt öka vibrationsnivåerna över den totala arbetsperioden.

En uppskattning av vibrationsnivåerna som användaren utsätts för ska också ta hänsyn till de stunder då verktyget är avstängt och när det går på tomgång. Detta kan kraftigt minska vibrationsnivåerna över den totala arbetsperioden. Andra säkerhetsåtgärder som kan skydda användaren från effekterna av vibrationer är: underhållning av verktyget och tillbehören, hålla händerna varma och organisera arbetsättet.

**FI VAROITUS**

Tämän tiedotteen tärinänoa on mitattu EN60745-standardien mukaisilla testeillä, ja niitä voidaan käyttää verrattessa laitetta toiseen. Sitä voidaan käyttää arvioitaessa tärinävaikutusta. Ilmoitettu tärinänoa vastaa laitteen pääasiallista käyttötarkeutista. Jos laitetta kuitenkin käytetään muuhun tarkoitukseen, muilla lisälaitteilla tai huonosti huollettuina, tärinänoa saattaa poiketa ilmoitetusta arvosta. Tämä voi kasvatata kokonaisaltistumista huomattavasti koko työjakson kuluessa.

Tärinän altistumistasoa arvioitaessa tulee huomioida ajat, jolloin laite on sammutettu tai kun se on käynnissä, mutta sitä ei käytetä varsinaiseen työskentelyyn. Tämä voi vähentää kokonaisaltistumista huomattavasti koko työjakson kuluessa. Käytä muitakin suojaikkeitä turvataksesi käyttäjän tärinävaikutukselta, kuten: huolla laite ja lisälaitteet, pidä kätesi lämpiminä, organisoi työnnkku.

**NO ADVARSEL**

Nivået på vibrasjonsutslippet som oppgis på dette informasjonsarket er målt i henhold til en standardisert test gitt i EN60745 og kan brukes til å sammenligne ett verkøy med et annet. Det kan brukes til en forelopig vurdering av eksponering. Det erklærte nivået på vibrasjonsutslipp representerer hovedanvendelsen for verkøyet. Dersom verkøyet brukes for andre anvendelser, med forskjellig tilbehør eller med dårlig vedlikehold, vil vibrasjonsutslippet kunne være annerledes. Det kan gi en betydelig økning av eksponeringsnivået over den totale arbeidsperioden.

En beregning av nivået for eksponering til vibrasjoner må også ta hensyn til den tiden verkøyet er slått av eller er i gang men ikke i faktisk bruk for å utføre den tiltenkte oppgaven. Dette kan gi en betydelig økning av eksponeringsnivået over den totale arbeidsperioden. Identifiser ytterligere sikkerhetstiltak for å beskytte den som bruker verkøyet fra virkningen av vibrasjoner, tiltak som: Vedlikehold verkøyet og tilbehøret, hold hendene varme, organiser arbeidsmetodene.

**RU ОСТОРОЖНО!**

Уровень вибрации, приведенный в данном справочном листе, измерен согласно стандартизованным испытаниям, определенным в EN60745 и может использоваться для сравнения различных инструментов. Значение уровня может использоваться для предварительной оценки влияния вибрации. Заявленный уровень вибрации действителен для основного применения инструмента. Однако, если инструмент используется для других целей, с другими приспособлениями, или плохо обслуживается, уровень вибрации может отличаться от указанного. Это может значительно увеличить величину воздействия за общее время работы.

При оценке уровня воздействия вибрации следует также принять во внимание время простоя и холостой ход (когда инструмент выключен и когда включен, но работа не производится). Эти факторы могут значительно уменьшить величину воздействия вибрации за общее время работы. Определите дополнительные меры безопасности, защищающие работающего от влияния вибрации: техническое обслуживание инструмента и принадлежности, недопущение охлаждения рук, соответствующие приемы и распорядок работы.

**PL ostrzeżenie**

Deklarowany poziom drgań został zmierzony za pomocą standardowej metody pomiaru określonej normą EN60745 i jego wyniki mogą służyć do porównywania tego urządzenia z innymi. Deklarowana wartość drgań może służyć do wstępnej oceny narażenia operatora na drgania. Deklarowany poziom drgań dotyczy podstawowych zastosowań urządzenia. Jednak w przypadku użycia urządzenia do innych zastosowań, z innymi przystawkami lub w przypadku niewłaściwego stanu technicznego urządzenia poziom drgań może odbiegać od deklarowanego. Może być to przyczyną zwiększenia stopnia narażenia operatora na drgania w całym okresie wykonywania pracy.

Podczas oceny narażenia na drgania należy również uwzględnić czas wyłączenia urządzenia oraz czas, w którym urządzenie jest wyłączone, jednak praca nie jest wykonywana. Czasy te mogą znacznie zmniejszyć stopień narażenia operatora na drgania w całym okresie wykonywania pracy. Należy określić dodatkowe środki ochrony operatora przed skutkami drgań, przykładowo: dbać o stan techniczny urządzenia i przystawek, dbać o zachowanie ciepłoty dłoni, odpowiednio zorganizować harmonogram wykonywania prac.

**CZ VAROVÁNÍ**

Hodnota vibračních emisí uvedená v tomto informačním listu byla naměřena standardizovaným testem podle EN60745 a je použit k porovnání s hodnotami jiných nástrojů. Může se používat k předběžnému odhadu vystavování vibracím. Uznaná hodnota vibračních emisí reprezentuje hlavní použití nástroje. Nicméně pokud se nástroj používá pro jiné použití, s různými doplňky nebo se nedostatečně neudržuje, mohou se vibrační emise lišit. Toto může výrazně zvýšit úroveň vystavení nad celkové pracovní období.

Odhad úrovně vystavení vibracím by měl vzít taktéž v potaz časy, kdy je chvění vypnuto, nebo když přístroj běží, ale nevykonává práci. Toto může výrazně snížit úroveň vystavení nad celkové pracovní období. Určete doplňující bezpečnostní opatření pro ochranu obsluhy před různými vibracemi, například: Udržujte nástroj a doplňky, udržujte ruce v teple, organizujte pracovní schéma.

**HU FIGYELMEZTETÉS**

A vibráció-kibocsátás adataipon megadott értéke az EN60745 által meghatározott szabványosított mérési eljárás szerint lett megmértve, amely lehetővé teszi a különböző szerszámok összehasonlítását. Használatát a kitettség előzetes felméréseire is. A nyilatkozatban szereplő kibocsátási érték a szerszám főbb alkalmazási területeire vonatkozik. Ugyanakkor, ha a szerszámot más alkalmazásokra, más kiegészítővel használják vagy rosszul tartják karban, a vibráció-kibocsátás értéke ettől eltérő is lehet. Ez jelentősen növelheti a kitettség szintjét a gép teljes használati időtartama során.

A vibrációnak való kitettség szintjének becslésekor figyelembe kell venni azokat az időintervallumokat is, amikor a szerszám ki van kapcsolva, vagy működik, de nem végeznek munkát vele. Ez jelentősen csökkentheti a kitettség szintjét a gép teljes használati időtartama során. Tegyén további óvintézkedéseket a kezelő vibrációval szembeni megvédése érdekében: tartsa karban a szerszámot és a tartozékokat, tartsa melegen a kezét, tervezze meg a munkafolyamatot.

**RO AVERTISMENT**

Nivelul emisiilor de vibrații prezentat în cadrul acestei fișe cu informații a fost măsurat în conformitate cu un test standardizat furnizat în EN60745 și poate fi folosit la a compara o unealtă cu o altă. Poate fi folosit la a evalua preliminară a expunerii. Nivelul declarat al emisiilor de vibrații reprezintă aplicațiile principale ale uneltelor. Cu toate acestea, în cazul în care unealta este utilizată pentru aplicații diferite, cu accesorii diferite sau întreținute necorespunzător, emisiile de vibrații pot diferi. Acestea pot crește semnificativ nivelul de expunere pe întreaga perioadă de lucru.

O estimare a nivelului de expunere la vibrații trebuie, de asemenea, să țină cont de dațiile în care unealta este oprită sau de dațiile în care aceasta funcționează fără a efectua propriu-zis sarcina de lucru. Acestea pot reduce semnificativ nivelul de expunere pe întreaga perioadă de lucru. Identificați măsuri de siguranță suplimentare pentru a proteja operatorul de efectele vibrațiilor, precum: întreținerea uneltelor și a accesoriilor, păstrarea mâinilor calde, organizarea de modele de lucru.

**LV****BRĪDINĀJUMS**

Šajā datu lapā dotā vibrāciju emisijas vērtība ir mērīta saskaņā ar standartizēto testu, kas dots EN60745 un kuru var izmantot, lai salīdzinātu vienu instrumentu ar citu. To var izmantot aptuvenam ekspozīcijas novērtējumam. Deklarētais vibrāciju emisijas līmenis atbilst galvenajiem instrumenta pielietojumiem. Tomēr, ja instrumentu lieto citiem pielietojumiem, ar citiem piederumiem vai tas tiek slikti apkopts, vibrāciju emisijas vērtība var atšķirties. Tas var ievērojami palielināt ekspozīcijas līmeni visā darba periodā.

Vibrāciju ekspozīcijas līmeņa novērtējumam jāņem vērā laiks, kad instruments ir izslēgts vai ir ieslēgts, bet nevis nekādu darbu. Tas var ievērojami samazināt ekspozīcijas līmeni visā darba periodā. Identificējiet papildu drošības pasākumus, lai aizsargātu operatoru no vibrāciju iedarbības, piemēram, veiciet instrumentu un piederumu apkopi, turiet rokas siltas un pielāgojiet darba grafiku.

**LT****ĮSPĖJIMAS**

Šiame lape nurodytas vibracijos emisijos lygis buvo išmatuotas pagal standartinį testą, aprašytą EN60745, ir gali būti naudojamas vieno įrankio su kitu palyginimui. Jis gali būti naudojamas preliminariam pavojiaus įvertinimui. Deklaruotas vibracijos emisijos lygis priskiriamas pagrindinėms įrankio taikymo sritims. Tačiau, jei įrankis naudojamas kitiems tikslams, su kitokiais priedais ar įrankis prastai prižiūrimas, vibracijos emisija gali skirtis. Per visą darbo laikotarpį tai gali žymiai padidinti vibracijos keliamą pavojų.

Nustatant vibracijos keliamą pavojų taip pat būtina atsižvelgti į tai, kiek kartų įrankis yra išjungtas ar kai jis veikia, bet juo iš tikrųjų nedirbama. Per visą darbo laikotarpį tai gali žymiai sumažinti vibracijos keliamą pavojų. Naudokite papildomas apsaugos priemones dirbančiam asmeniui apsaugoti nuo vibracijos poveikio, pvz.: prižiūrėti įrankį ir jo priedus, rankas laikyti šiltai, organizuoti darbo sesijas.

**EE****HOIATUS**

Selle infotehel esitatud vibratsioonitasse väärtus on mõõdetud standardis EN60745 kirjeldatud katsemeetodiga ja seda võib kasutada töörüistade omavaheliseks võrdlemiseks. Seda võib kasutada vibratsiooni mõju eelhindamiseks. Deklareeritud vibratsioonitasse väärtus kehtib tööriista tavakasutamisel. Kui aga kasutate tööriista muudeks kasutusotstarveteks, eriotstarbeliste tarvikutega või kui tööriist on puudulikult hooldatud, siis võib vibratsiooniväärtus erineda. Sellistel juhtudel võib tööriistade summaarne vibratsioonitase suurendada märgatavalt.

Vibratsiooniväärtuse taset tuleb arvestes võtta ka sel ajal, kui tööriist on välja lülitatud või kui tööriist põõleb, kuid ei tee tööoperatsiooni. Sellistel juhtudel võib tööriistade ajal summaarne vibratsioonitase väheneda märgatavalt. Määrake kindlaks täiendavad ohutusmeetmed, et kaitsa operaatorit vibratsioonimõjude eest – tööriistade ja tarvikute hooldamine, kätte soojas hoidmine ja töövahetuste organiseerimine.

**HR****UPOZORENJE**

Razina vrijednosti vibracija data u ovoj tablici s informacijama mjerenja je skladno normiranom testu pruženom u EN60745 i može se koristiti za usporedbu jednog alata s drugim. Može se koristiti u početnom uskladjivanju izloženosti. Objavljena razina vrijednosti vibracija predstavljaju glavnu primjenu alata. Međutim, ako se alat koristi za druge primjene, s različitim dodatnim priborom ili je slabo održavan, vrijednost vibracija može se razlikovati. Ovo može značajno povećati razinu izloženosti tijekom ukupnog radnog razdoblja.

U procjeni razine izloženosti na vibraciju također treba uzeti u obzir vrijeme kada je alat isključen ili kada je pokrenut no ne i stvarno vrijeme rada. Ovo može značajno smanjiti razinu izloženosti tijekom ukupnog radnog razdoblja. Oredite dodatne sigurnosne mjere za zaštitu operatera od učinaka vibracije poput: održavanje alata i pribora, održavanje toplih ruku, organizacija obrazaca za rad.

**SI****OPOZORILO**

Nivo emisij vibracij, naveden v tem informacijskem listu, je bil izmerjen v skladu s standardiziranim testom, ki je podan v EN60745, podatki pa se lahko uporabljajo za primerjavo snega orodja z drugim. Uporablja se ga lahko za predhodno oceno izpostavljenosti. Naveden nivo emisij vibracij predstavlja glavne uporabe orodja. Vendar, če se orodje uporablja v druge namene in z različnimi nastavitvami oz. če je orodje slabo vzdrževano, se lahko emisije vibracij razlikujejo. To lahko občutno poveča nivo izpostavljenosti v skupnem delovnem času.

Ocena nivoja izpostavljenosti vibracijam bi morala prav tako upoštevati, koliko krat je orodje bilo izključeno ali je v delovanju in pravzaprav ne opravlja svojega dela. To lahko občutno zmanjša nivo izpostavljenosti v skupnem delovnem času. Upoštevajte dodatne varnostne ukrepe, da bi upravljavec zaščitil pred vplivom vibracij, kot je: vzdržuje orodje in nastavke, pazite, da so roke tople, organizirajte delovne vzorce.

**SK****VAROVANIE**

Uroveň emisie vibrácií, uvedené v tomto informačnom hárku bola nameraná v súlade so štandardizovaným testom, daný normou EN60745 a môže sa použiť na porovnanie jedného nástroja s druhým. Môže sa použiť na predbežné určenie miery vystavenia sa vibráciám. Uvedená úroveň emisie vibrácií predstavuje hlavné aplikácie nástroja. Avšak keď sa nástroj používa na iné aplikácie, s rôznym príslušenstvom alebo má zlý údržbu, úroveň vibrácií sa môže líšiť. Týmto sa môže výrazne zvýšiť úroveň vystavenia sa vibráciám počas celkového času práce.

Odhad úrovne vystavenia sa vibráciám by sa mal brať tiež do úvahy, keď sa nástroj vypne, alebo potom, keď beží ale v skutočnosti sa nevykonáva práca. Týmto sa môže výrazne znížiť úroveň vystavenia sa vibráciám počas celkového času práce. Nasledovné doplnujúce bezpečnostné opatrenia pomáhajú chrániť operátora od účinkov vibrácií: udržiava nástroja a príslušenstva, udržiavanie teplých držiadiel, organizácia práce.

**GR****ΠΡΟΕΙΔΟΠΟΙΗΣΗ**

Τα επίπεδα εκπομπών κραδασμών που παρέχονται στο παρόν ενημερωτικό φυλλάδιο, έχουν μετρηθεί βάσει τυποποιημένης δοκιμής που προβλέπεται στο EN60745 και μπορούν να συγκριθούν για τη σύγκριση του εργαλείου με άλλα. Μπορούν επίσης να χρησιμοποιηθούν για προκαταρκτική αξιολόγηση της έκθεσης. Τα δηλωμένα επίπεδα εκπομπών κραδασμών αφορούν τις βασικές εφαρμογές του εργαλείου. Ωστόσο, αν το εργαλείο χρησιμοποιείται για διαφορετικές εφαρμογές, με διαφορετικά εξαρτήματα ή με κακή συντήρηση, η εκπομπή κραδασμών μπορεί να διαφέρει. Αυτό μπορεί να αυξήσει σημαντικά το επίπεδο έκθεσης στη συνολική περίοδο εργασίας.

Η εκτίμηση των επιπέδων έκθεσης σε κραδασμούς θα πρέπει επίσης να λαμβάνει υπ' όψη τις χρονικές περιόδους κατά τις οποίες το εργαλείο είναι απενεργοποιημένο ή λειτουργεί χωρίς να χρησιμοποιείται σε συγκεκριμένη εργασία. Αυτό μπορεί να μειώσει σημαντικά το επίπεδο έκθεσης στη συνολική περίοδο εργασίας. Εφαρμοστέα επιπρόσθετα μέτρα ασφαλείας για την προστασία του χειριστή από τις επιπτώσεις των κραδασμών, όπως τα εξής: συντηρείτε το εργαλείο και τα εξαρτήματα, διατηρείτε τα χέρια ζεστά, οργανώστε μοτίβο εργασίας.

**TR****UYARI**

Bu bilgil sayfesinde verilen titreşim emisyon seviyesi, EN60745 standardında belirtilen standartlaştırılmış bir teste uygun olarak ölçülmüş ve bir aleti diğerile karşılaştırmak için kullanılabılır. Ön maruz kalma tespit için kullanılabılır. Beyan edilen titreşim emisyon seviyesi aletin aali uygulamaolarını temsil etmemtedir. Ancak alet, farklı aksesuarlarla veya yetersiz bakımlı olarak farklı uygulamalar için kullanılırsa titreşim emisyonu değişebilir. Bu durum toplam galsıma süresi boyunca maruz kalma seviyesini önemli ölçüde artırır.

Titreşime maruz kalma seviyesinin değerlendirilmesi aynı zamanda alet kapalı ve arından galsır ancak gerçek anlamda iş yapıldığı zamanlar da göz önünde bulundurulmalıdır. Bu durum toplam galsıma süresi boyunca maruz kalma seviyesini önemli ölçüde azaltır. Operatörü titreşimin etkilerinden korumak için ilave güvenlik önlemleri belirlenin, örneğin: aletin ve aksesuarlarının bakımlını yapmaka, operatörün ellerini sıcak tutmaka, galsıma modellerini organize etmek.



**GB DECLARATION OF CONFORMITY**

We declare under our sole responsibility that this product is in conformity with the following standards or standardized documents: 2006/42/EC, 2004/108/EC, EN55014-1, EN55014-2, EN61000-3-2, EN61000-3-3, EN60745-1, EN60745-2-4, EN62233.  
Noise level [K=3dB(A)]: Lp=73.0dB(A) Lw=84.0dB(A)  
Vibration level [K=1.5m/s<sup>2</sup>]: ah=6.9m/s<sup>2</sup>

**FR DÉCLARATION DE CONFORMITÉ**

Nous déclarons sous notre propre responsabilité que ce produit est en conformité avec les normes ou documents normalisés suivants: 2006/42/EC, 2004/108/EC, EN55014-1, EN55014-2, EN61000-3-2, EN61000-3-3, EN60745-1, EN60745-2-4, EN62233.  
Niveau de bruit [K=3dB(A)]: Lp=73.0dB(A) Lw=84.0dB(A)  
Niveau de vibration [K=1.5m/s<sup>2</sup>]: ah=6.9m/s<sup>2</sup>

**DE KONFORMITÄTSERKLÄRUNG**

Wir erklären in alleiniger Verantwortung, dass dieses Produkt mit den folgenden Normen oder normativen Dokumenten übereinstimmt: 2006/42/EC, 2004/108/EC, EN55014-1, EN55014-2, EN61000-3-2, EN61000-3-3, EN60745-1, EN60745-2-4, EN62233.  
Geräuschpegel [K=3dB(A)]: Lp=73.0dB(A) Lw=84.0dB(A)  
Vibrationsgrad [K=1.5m/s<sup>2</sup>]: ah=6.9m/s<sup>2</sup>

**ES DECLARACIÓN DE CONFORMIDAD**

Declaramos bajo nuestra exclusiva responsabilidad que este producto es conforme a las siguientes normas o documentos normalizados: 2006/42/EC, 2004/108/EC, EN55014-1, EN55014-2, EN61000-3-2, EN61000-3-3, EN60745-1, EN60745-2-4, EN62233.  
Nivel de ruido [K=3dB(A)]: Lp=73.0dB(A) Lw=84.0dB(A)  
Nivel de vibración [K=1.5m/s<sup>2</sup>]: ah=6.9m/s<sup>2</sup>

**IT DICHIARAZIONE DI CONFORMITÀ**

Dichiariamo, assumendo la piena responsabilità di tale dichiarazione, che il prodotto è conforme alle seguenti normative e ai relativi documenti: 2006/42/EC, 2004/108/EC, EN55014-1, EN55014-2, EN61000-3-2, EN61000-3-3, EN60745-1, EN60745-2-4, EN62233.  
Livello di rumore [K=3dB(A)]: Lp=73.0dB(A) Lw=84.0dB(A)  
Livello di vibrazione [K=1.5m/s<sup>2</sup>]: ah=6.9m/s<sup>2</sup>

**NL CONFORMITEITSVERKLARING**

Wij verklaren op onze eigen verantwoordelijkheid dat dit product voldoet aan de volgende normen of normatieve documenten. 2006/42/EC, 2004/108/EC, EN55014-1, EN55014-2, EN61000-3-2, EN61000-3-3, EN60745-1, EN60745-2-4, EN62233.  
Geluidsniveau [K=3dB(A)]: Lp=73.0dB(A) Lw=84.0dB(A)  
Trillingsniveau [K=1.5m/s<sup>2</sup>]: ah=6.9m/s<sup>2</sup>

**PT DECLARAÇÃO DE CONFORMIDADE**

Declaramos, sob nossa exclusiva responsabilidade, que este produto cumpre as seguintes normas ou documentos normativos. 2006/42/EC, 2004/108/EC, EN55014-1, EN55014-2, EN61000-3-2, EN61000-3-3, EN60745-1, EN60745-2-4, EN62233.  
Nível de ruído [K=3dB(A)]: Lp=73.0dB(A) Lw=84.0dB(A)  
Nível de vibração [K=1.5m/s<sup>2</sup>]: ah=6.9m/s<sup>2</sup>

**DK KONFORMITETSERKLÆRING**

Vi erklærer på eget ansvar, at dette produkt er i overensstemmelse med følgende standarder eller standardiseringsdokumenter: 2006/42/EC, 2004/108/EC, EN55014-1, EN55014-2, EN61000-3-2, EN61000-3-3, EN60745-1, EN60745-2-4, EN62233.  
Støjniveau [K=3dB(A)]: Lp=73.0dB(A) Lw=84.0dB(A)  
Vibrationsniveau [K=1.5m/s<sup>2</sup>]: ah=6.9m/s<sup>2</sup>

**SE FÖRSÄKRAN**

Vi intygar och ansvarar för, att denna produkt överensstämmer med följande normer och dokument. 2006/42/EC, 2004/108/EC, EN55014-1, EN55014-2, EN61000-3-2, EN61000-3-3, EN60745-1, EN60745-2-4, EN62233.  
Bullemnivå [K=3dB(A)]: Lp=73.0dB(A) Lw=84.0dB(A)  
Vibrationsnivå [K=1.5m/s<sup>2</sup>]: ah=6.9m/s<sup>2</sup>

**FI TODISTUS STANDARDIN-MUKAISUUDESTA**

Todistamme täten ja vastaamme yksin siitä, että tämä tuote on alla lueteltujen standardien ja standardoimis-asiakirjojen vaatimusten mukainen. 2006/42/EC, 2004/108/EC, EN55014-1, EN55014-2, EN61000-3-2, EN61000-3-3, EN60745-1, EN60745-2-4, EN62233.  
Melutaso [K=3dB(A)]: Lp=73.0dB(A) Lw=84.0dB(A)  
Tärinätaaso [K=1.5m/s<sup>2</sup>]: ah=6.9m/s<sup>2</sup>

**NO SAMSVARERKLÆRING**

Vi erklærer på eget ansvar at dette produktet er i samsvar med følgende standarder og normative dokumenter: 2006/42/EC, 2004/108/EC, EN55014-1, EN55014-2, EN61000-3-2, EN61000-3-3, EN60745-1, EN60745-2-4, EN62233.  
Støynivå [K=3dB(A)]: Lp=73.0dB(A) Lw=84.0dB(A)  
Vibrasjonsnivå [K=1.5m/s<sup>2</sup>]: ah=6.9m/s<sup>2</sup>

**RU ЗАЯВЛЕНИЕ О СООТВЕТСТВИИ СТАНДАРТАМ**

Мы со всей ответственностью заявляем, что настоящая продукция соответствует ниже следующим нормам и документам: 2006/42/EC, 2004/108/EC, EN55014-1, EN55014-2, EN61000-3-2, EN61000-3-3, EN60745-1, EN60745-2-4, EN62233.  
Уровень шума [K=3dB(A)]: Lp=73.0dB(A) Lw=84.0dB(A)  
Уровень вибрации [K=1.5m/s<sup>2</sup>]: ah=6.9m/s<sup>2</sup>

**PL DEKLARACJA ZGODNOŚCI**

Z całą odpowiedzialnością oświadczamy, że niniejszy produkt jest zgodny z normami czy też znormalizowanymi dokumentami wymienionymi poniżej: 2006/42/EC, 2004/108/EC, EN55014-1, EN55014-2, EN61000-3-2, EN61000-3-3, EN60745-1, EN60745-2-4, EN62233.  
Poziom hałas [K=3dB(A)]: Lp=73.0dB(A) Lw=84.0dB(A)  
Poziom drgań [K=1.5m/s<sup>2</sup>]: ah=6.9m/s<sup>2</sup>

**CZ PROHLÁŠENÍ O SHODĚ**

Prohlášíme na svou odpovědnost, že tento výrobek splňuje požadavky níže uvedených norem a závazných předpisů: 2006/42/EC, 2004/108/EC, EN55014-1, EN55014-2, EN61000-3-2, EN61000-3-3, EN60745-1, EN60745-2-4, EN62233.  
Hladina hluku [K=3dB(A)]: Lp=73.0dB(A) Lw=84.0dB(A)  
Úroveň vibrací [K=1.5m/s<sup>2</sup>]: ah=6.9m/s<sup>2</sup>

**HU SZABVÁNY RENDELKEZÉSEK**

Felelősségünk teljes tudatában kijelentjük, hogy a jelen termék megfelel a következő szabványoknak és előírásoknak: 2006/42/EC, 2004/108/EC, EN55014-1, EN55014-2, EN61000-3-2, EN61000-3-3, EN60745-1, EN60745-2-4, EN62233.  
Zajszint [K=3dB(A)]: Lp=73.0dB(A) Lw=84.0dB(A)  
Vibrációs szint [K=1.5m/s<sup>2</sup>]: ah=6.9m/s<sup>2</sup>

**RO DECLARAȚIE DE CONFORMITATE**

Declaram pe propria răspundere că acest produs este conform cu normele sau documentele normative următoare: 2006/42/EC, 2004/108/EC, EN55014-1, EN55014-2, EN61000-3-2, EN61000-3-3, EN60745-1, EN60745-2-4, EN62233.  
Nivelul de zgomot [K=3dB(A)]: Lp=73.0dB(A) Lw=84.0dB(A)  
Nivelul vibrațiilor [K=1.5m/s<sup>2</sup>]: ah=6.9m/s<sup>2</sup>

**LV ATBILSTĪBAS PAZIŅOJUMS**

Mēs uz savu atbildību paziņojam, ka šis produkts atbilst šādiem standartiem vai standartizācijas dokumentiem. 2006/42/EC, 2004/108/EC, EN55014-1, EN55014-2, EN61000-3-2, EN61000-3-3, EN60745-1, EN60745-2-4, EN62233.  
Troksņa līmenis [K=3dB(A)]: Lp=73.0dB(A) Lw=84.0dB(A)  
Vibrācijas līmenis [K=1.5m/s<sup>2</sup>]: ah=6.9m/s<sup>2</sup>

**LT ATITIKTIES DEKLARACIJA**

Prisiimdami visą atsakomybę, pareiškiame, kad produktas atitinka žemiau išvardintus standartus ar standartų dokumentus. 2006/42/EC, 2004/108/EC, EN55014-1, EN55014-2, EN61000-3-2, EN61000-3-3, EN60745-1, EN60745-2-4, EN62233.  
Triukšmo lygis [K=3dB(A)]: Lp=73.0dB(A) Lw=84.0dB(A)  
Vibracijos lygis [K=1.5m/s<sup>2</sup>]: ah=6.9m/s<sup>2</sup>

**EE** VASTAVUSDEKLARATSIOON

Kinnitame oma ainuvastutuse, et see toode on vastavuses järgmiste standardite või standardiseeritud dokumentidega.  
2006/42/EC, 2004/108/EC, EN55014-1, EN55014-2, EN61000-3-2, EN61000-3-3, EN60745-1, EN60745-2-4, EN62233..  
Müratase [K=3dB(A)]: Lp=73.0dB(A) Lw=84.0dB(A)  
Vibratsioonitase [K=1.5m/s<sup>2</sup>]: ah=6.9m/s<sup>2</sup>

**HR** DEKLARACIJA O USKLA--ENOSTI

Odgovorno izjavljujemo da je ovaj proizvod u skladu sa sljedećim normama ili normiranim dokumentima:  
2006/42/EC, 2004/108/EC, EN55014-1, EN55014-2, EN61000-3-2, EN61000-3-3, EN60745-1, EN60745-2-4, EN62233..  
Razina buke [K=3dB(A)]: Lp=73.0dB(A) Lw=84.0dB(A)  
Razina vibracije [K=1.5m/s<sup>2</sup>]: ah=6.9m/s<sup>2</sup>

**SI** IZJAVA O SKLADNOSTI

Z lastno odgovornostjo izjavljamo, da je ta izdelek skladen z zahtevami sledećih standardov ali standardiziranih dokumentov:  
2006/42/EC, 2004/108/EC, EN55014-1, EN55014-2, EN61000-3-2, EN61000-3-3, EN60745-1, EN60745-2-4, EN62233..  
Stopnja hrupa [K=3dB(A)]: Lp=73.0dB(A) Lw=84.0dB(A)  
Stopnja vibracij [K=1.5m/s<sup>2</sup>]: ah=6.9m/s<sup>2</sup>

**SK** PREHLÁSENIE O ZHODE

Vyhlasujeme našu výhradnú zodpovednosť za produkt, ktorý spĺňa nasledovné štandardy alebo štandardizované dokumenty.  
2006/42/EC, 2004/108/EC, EN55014-1, EN55014-2, EN61000-3-2, EN61000-3-3, EN60745-1, EN60745-2-4, EN62233..  
Hladina hluku [K=3dB(A)]: Lp=73.0dB(A) Lw=84.0dB(A)  
Hladina vibrácií [K=1.5m/s<sup>2</sup>]: ah=6.9m/s<sup>2</sup>

**GR** ΔΗΛΩΣΗ ΣΥΜΜΟΡΦΩΣΗΣ

Δηλώνουμε υπευθύνως ότι το προϊόν αυτό συμμορφούται προς τα ακόλουθα πρότυπα ή τυποποιημένα έγγραφα:  
2006/42/EC, 2004/108/EC, EN55014-1, EN55014-2, EN61000-3-2, EN61000-3-3, EN60745-1, EN60745-2-4, EN62233..  
Επίπεδο θορύβου [K=3dB(A)]: Lp=73.0dB(A) Lw=84.0dB(A)  
Επίπεδο κραδασμών [K=1.5m/s<sup>2</sup>]: ah=6.9m/s<sup>2</sup>

**TR** UYGUNLUK BELGESİ

Bu ürünün aşağıdaki normlar ya da norm belgeleri ile uyumlu olduğunu kendi sorumluluğumuzla ortaya koyarak beyan ederiz:  
2006/42/EC, 2004/108/EC, EN55014-1, EN55014-2, EN61000-3-2, EN61000-3-3, EN60745-1, EN60745-2-4, EN62233..  
Gürültü seviyesi [K=3dB(A)]: Lp=73.0dB(A) Lw=84.0dB(A)  
Titreşim seviyesi [K=1.5m/s<sup>2</sup>]: ah=6.9m/s<sup>2</sup>

Machine: **PALM SANDER**Type: **EPS80RS****CE** Jun 2010


Techtronic Industries

Name of company: **TECHTRONIC INDUSTRIES CO. LTD.**  
Address: **24/F, CDW BUILDING, 388 CASTLE PEAK ROAD, TSUEN WAN, HONG KONG.**  
Web: **www.ttigroup.com**  
Name/Title: **Brian Ellis / Vice President - Engineering**

Signature:  Jun 15, 2010

**Technical File at**

Name of company: **TTI EMEA**  
Address: **MEDINA HOUSE, FIELDHOUSE LANE, MARLOW, BUCKS, SL7 1TB, UNITED KINGDOM.**  
Web: **www.ttigroup.com**  
Name/Title: **Carl A. Jeffries / Head of Ryobi Product Marketing**

Signature: 

Trademarks:  
The use of the trademark Ryobi is pursuant to a license granted by Ryobi Limited.