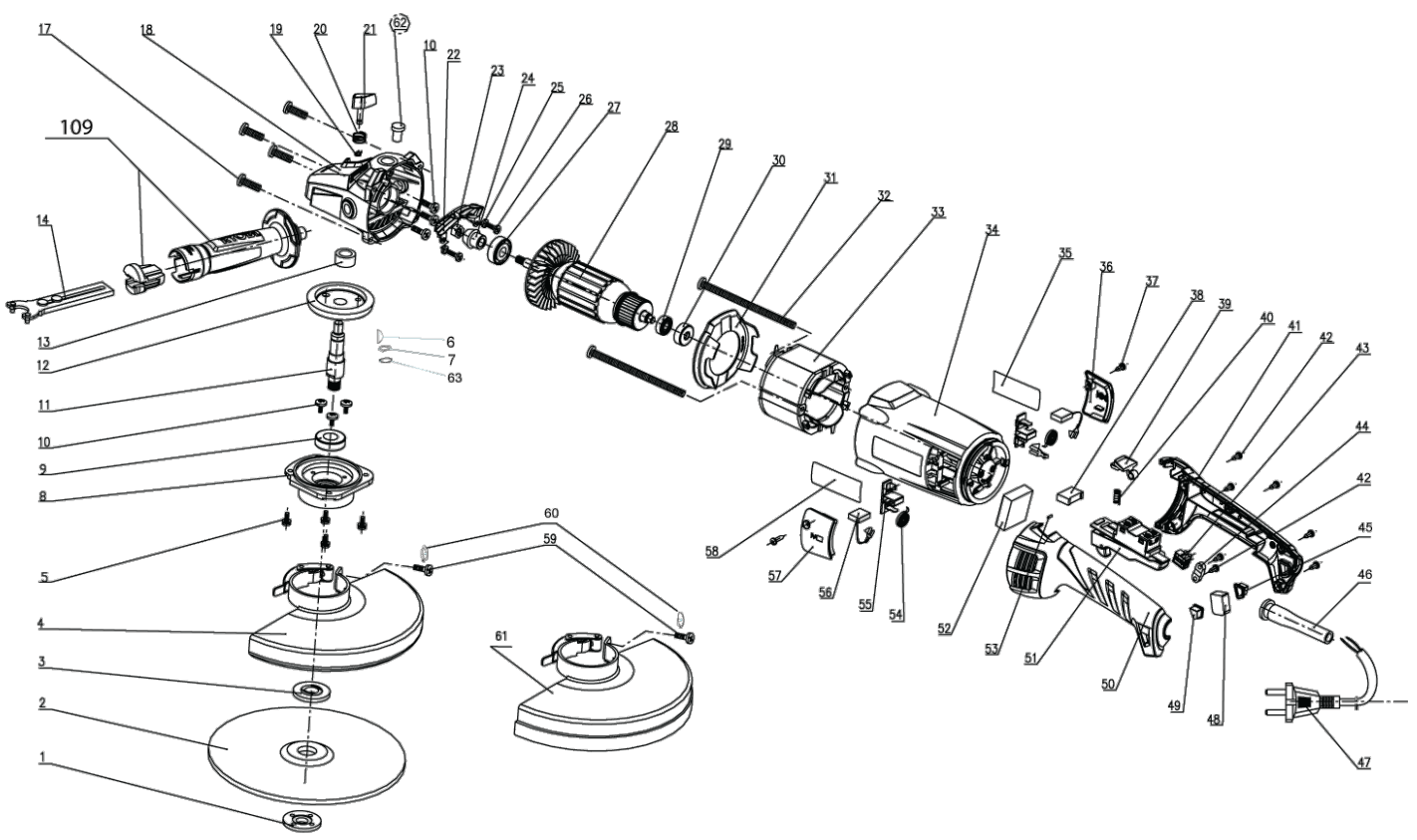


EAG2000G MEUL.ANGLE 2000W D230

5133002193 - EAG2000G - 4000444332



Position	Quantité	Désignation	Référence	EAN
0001	1	FLASQUE DE SERRAGE	5131033195	4002395158256
0003	1	FLASQUE	5131033196	4002395158263
0004	1	CARTER PROTECTION	5131033197	4002395158270
0006	1	CLAVETTE	5131033198	4002395158287
0007	1	RONDELLE	5131033199	4002395158294
0008	1	COUVERCLE D'ENGREN.	5131033200	4002395158904
0009	1	ROULEMENT A BILLES	5131033201	4002395158911
0010	6	VIS	5131033202	4002395158928
0011	1	ARBRE	5131033203	4002395158935
0012	1	PIGNON	5131033204	4002395158942
0013	1	ROULEMENT A AIGUILLE	5131033205	4002395158959
0014	1	CLEF DE SERRAGE	5131033206	4002395158966
0017	4	VIS	5131033207	4002395158973
0018	1	CARTER D'ENGRENAGES	5131033208	4002395158980
0019	1	ANNEAU	5131033209	4002395158997
0020	1	RESSORT	5131033210	4002395159604
0021	1	BOUTON	5131033211	4002395159611
0022	1	COUVERCLE	5131033212	4002395159628
0023	1	ECROU	5131033213	4002395159635
0024	1	PIGNON	5131033214	4002395159642
0025	2	VIS	5131033215	4002395159659
0027	1	ROULEMENT A BILLES	5131033216	4002395159666
0028	1	ROTOR	5131033217	4002395159673
0029	1	ROULEMENT A BILLES	5131033218	4002395159680
0030	1	COUSSINET	5131033219	4002395159697
0031	1	CARTER VENTILATEUR	5131033220	4002395160303
0032	2	VIS	5131033221	4002395160310
0033	1	STATOR	5131033222	4002395160327
0034	1	CARTER MOTEUR	5131033223	4002395160334
0035	1	PLAQUE SIGNALETIQUE	5131033224	4002395160341
0036	1	PLAQ.D.RECOUVREMENT	5131033225	4002395160358
0037	2	VIS	5131033226	4002395160365
0038	1	CONDENSATEUR	5131033227	4002395160372
0039	1	BOUTON POUSSOIR	5131033228	4002395160389
0040	1	RESSORT	5131033229	4002395160396
0041	1	DEMIE POIGNEE DROITE	5131033230	4002395157600
0042	7	VIS	5131033231	4002395157617
0043	1	BORNE DE CONNEXION	5131033232	4002395157624
0044	1	ATTACHE POUR CABLES	5131033233	4002395157631
0045	1	LENTILLE	5131033234	4002395157648
0046	1	GAINÉ DE CABLE	5131033235	4002395157655
0047	1	CABLE D'ALIMENTATI.	5131033236	4002395157662
0048	1	TEMOIN LUMINEUX	5131033238	4002395157686
0049	1	LENTILLE	5131033239	4002395157693
0050	1	LEFT HANDLE HALF	5131033240	4002395158300
0051	1	INTERRUPTEUR	5131033241	4002395158317
0052	1	PLAQUE ELECTRONIQUE	5131033242	4002395158324
0053	1	GOUPILLE	5131033243	4002395158331
0054	2	RESSORT	5131033244	4002395158348
0055	2	PORTE-CHARBON	5131033245	4002395158355

Position	Quantité	Désignation	Référence	EAN
0056	2	BALAI CHARBON	5131033246	4002395158362
0057	1	PLAQ.D.RECOUVREMENT	5131033247	4002395158379
0058	1	PLAQUE SIGNALETIQUE	5131033248	4002395158386
0063	1	RONDELLE	5131033249	4002395158393
0109	1	POIGNEE AUXILIAIRE	5131033250	4002395159000